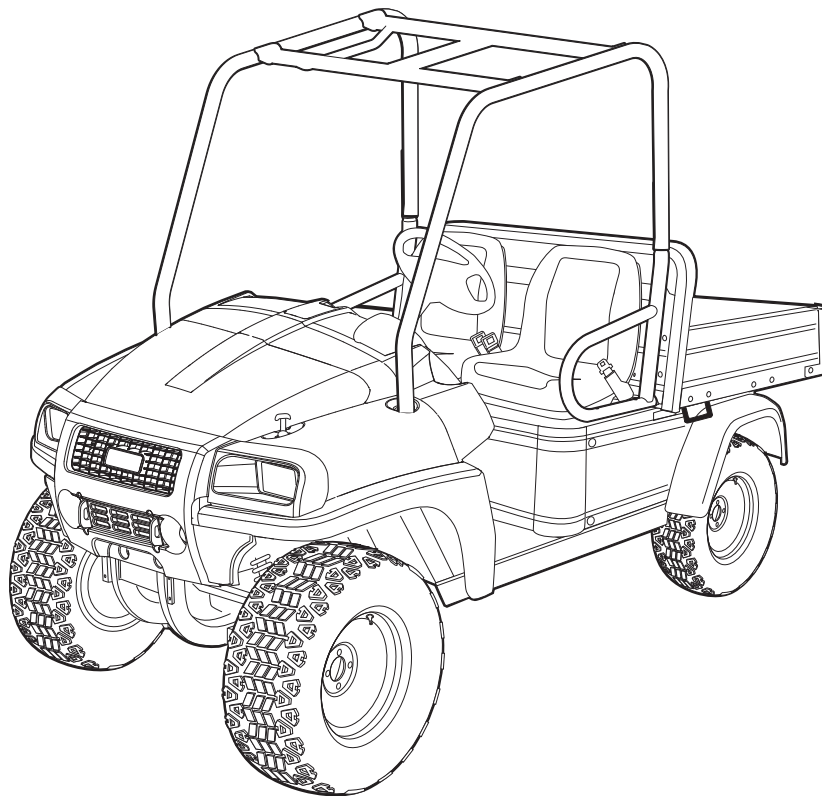




**2017**  
**Carryall 1500/1700**  
**and XRT 1550**  
**Illustrated Parts List**



**Carryall 1500/1700 and XRT 1550/1550 SE**  
**Gasoline and Diesel**

Manual Number 105342110  
Edition Code 0616A00000



# USING THE ILLUSTRATED PARTS LIST

---

## **⚠ WARNING**

- **This manual is to be used only for identification and ordering of service parts. Be sure to read and use the maintenance and service manual before attempting any vehicle repairs.**

This manual covers 2017 XRT 1550, 1550 SE, 1550 IntelliTach, and Carryall 1500, 1700, Carryall 1500 IntelliTach vehicles.

The manual is divided into sections. Note that there are two or three flags on the outside edge of each page. The first flag contains the section number of which that page is a part. The other flag (or flags) contains the letter D, E, or G, signifying that the page pertains to the diesel, electric, or gasoline vehicles only.

Use the Table of Contents to find the sections and pages that contain the parts and assemblies you seek. The Table of Contents lists section numbers, and under them, the individual page titles and numbers to be found in that section. The index can be used to find specific parts and assemblies. The index is divided into numerical and alphabetical listings with the page numbers in italic text.

There is a two-page spread for each individual page title in the Table of Contents. On the left-hand page is an illustration showing the parts in their relative positions; the parts are each tagged with an item number in a balloon. The right-hand page is the parts list page, and gives the page title at the top, then the item numbers (corresponding to the numbers on the illustration), part descriptions, and quantity of parts used.

Note that a part description may be indented. This indentation corresponds to a parts assembly level indicated by the numbers 1, 2, 3, and 4 at the top left corner of the parts description area of the parts list page. A part that is indented to *level 2* is a component of the *level 1* part (assembly) that it is listed under. A *level 3* part is a component of the *level 2* part that it is listed under, and a *level 4* part is a component of the *level 3* part preceding it. In each case, the part quantity given for a level 2, 3, or 4 part is the quantity used per next higher level assembly of which it is a component. A part that is not indented is a *level 1* part. This means that the quantity given is the quantity used per the portion of the vehicle illustrated on that particular spread.



**P. O. Box 204658**  
**Augusta, Georgia 30917-4658 USA**  
**Telephone 706-863-3000**  
**Service Parts Fax 706-855-7413**  
**[www.clubcar.com](http://www.clubcar.com)**

## HOW TO ORDER PARTS

Replacement parts and accessories can be obtained from our network of authorized dealers and distributors. You can obtain the name and phone number of your closest authorized Club Car dealer or distributor by visiting our web site at [www.clubcardealer.com](http://www.clubcardealer.com), by calling our toll-free Service Parts and Technical Assistance hotline at (800) 872-2246 or (706) 863-3000, extension 3887, or by scanning this Quick Response (QR) code to be taken to the Club Car dealer locator. **Refer to Figure 1.** Download a QR code reader such as RedLaser or Barcode Scanner to your cell phone or tablet.



Figure 1 Dealer Locator QR Code

## CUSTOMER SATISFACTION SURVEY

Let your voice be heard!

Please take time to participate in the Technical Publications satisfaction survey. Obtaining feedback from our customers is important to the department's continuous improvement process. The online survey takes less than five minutes and responses will help the department to examine current performance as well as identify areas for future improvement.

Our top priority is to provide timely, accurate, and user friendly manuals.

The online satisfaction survey can be found at: <http://bit.ly/1w9uFMh>



Figure 2 Survey QR Code

**NOTE:** *This illustrated parts list represents the most current information at the time of publication. Club Car, LLC is continually working to further improve its vehicles and other products. These improvements may affect the parts used to service the vehicle. Any modification and/or significant change in specifications will be forwarded to all Club Car and Carryall distributors/dealers and will, when applicable, appear in future editions of this illustrated parts list.*

*Club Car, LLC reserves the right to change specifications and designs at any time without notice and without the obligation of making changes to units previously sold.*

Copyright © 2016 Club Car, LLC  
Club Car is a registered trademark of Club Car, LLC.  
This manual effective July 1, 2016

2017 Carryall 1500/1700 and XRT 1550/1550 SE Gasoline Illustrated Parts List

# CONTENTS

---

## SECTION 1 – BODY AND TRIM

---

|                                                                 |      |
|-----------------------------------------------------------------|------|
| Brush Guard .....                                               | 1-3  |
| Tow Hook Plates .....                                           | 1-5  |
| Plastic Skid Plate .....                                        | 1-7  |
| Steel Skid Plate .....                                          | 1-9  |
| Fascia, Fenders, and Cowls (Molded in Color) – Carryall .....   | 1-11 |
| Fascia, Fenders, and Cowls (Molded in Color) – XRT .....        | 1-13 |
| Fascia, Fenders, and Cowl (Molded in Color) – IntelliTach ..... | 1-15 |
| Dash and Splash Guard .....                                     | 1-17 |
| Glove Box .....                                                 | 1-19 |
| Side Stringers – 2 Passenger .....                              | 1-21 |
| Side Stringers – 4 Passenger .....                              | 1-23 |
| Floorboard .....                                                | 1-25 |
| Floorboard – Rear .....                                         | 1-27 |
| Bench Seat .....                                                | 1-29 |
| Bench Seat, Rear – 4 Pass .....                                 | 1-31 |
| Bucket Seats – Gray .....                                       | 1-33 |
| Bucket Seats – Black .....                                      | 1-35 |
| 2-Point Seat Belts .....                                        | 1-37 |
| 3-Point Seat Belts .....                                        | 1-39 |
| ROPS and Seat Support .....                                     | 1-41 |
| ROPS – 4 Pass .....                                             | 1-43 |
| Head Rests and Rear Seat Handle – 4 Pass .....                  | 1-45 |
| Canopy (Vehicle with ROPS) .....                                | 1-47 |
| Side Panels and Rear Fenders – 2 Pass .....                     | 1-49 |
| Side Panels and Rear Fenders – 4 Pass .....                     | 1-51 |
| Latch Plates and Prop Rod .....                                 | 1-53 |
| Tilt Bed, Hinge, and Latch .....                                | 1-55 |
| Electric Bed Lift .....                                         | 1-57 |
| Box Bed – Aluminum .....                                        | 1-59 |
| Box Bed – Steel .....                                           | 1-61 |

---

## SECTION 2 – WHEELS AND TIRES

---

|                                |     |
|--------------------------------|-----|
| Wheels and Tires – Kenda ..... | 2-3 |
| Wheels and Tires – OTR .....   | 2-5 |

---

## SECTION 3 – DECALS

---

|                                                    |     |
|----------------------------------------------------|-----|
| Safety Decals – Carryall and XRT 2-Passenger ..... | 3-3 |
|----------------------------------------------------|-----|

# CONTENTS

|                                                               |      |
|---------------------------------------------------------------|------|
| Safety Decals – Carryall and XRT 2-Passenger, Continued ..... | 3-5  |
| Badging Decals – Carryall 2-Passenger .....                   | 3-7  |
| Badging Decals – XRT 2-Passenger .....                        | 3-9  |
| Safety Decals – Carryall and XRT 4-Passenger .....            | 3-11 |
| Safety Decals – Carryall and XRT 4-Passenger, Continued ..... | 3-13 |
| Badging Decals – Carryall 4-Passenger .....                   | 3-15 |
| Badging Decals – XRT 4-Passenger .....                        | 3-17 |
| Safety Decals – IntelliTach .....                             | 3-19 |
| Safety Decals – IntelliTach, Continued .....                  | 3-21 |
| Badging Decals – Carryall Intellitach .....                   | 3-23 |
| Badging Decals – XRT Intellitach .....                        | 3-25 |
| Badging Decals – Intellitach .....                            | 3-27 |

## SECTION 4 – BRAKE SYSTEMS AND PEDALS – WITH DUAL-PISTON FRONT CALIPERS

|                                               |      |
|-----------------------------------------------|------|
| Front Brakes .....                            | 4-3  |
| Master Cylinder with Integral Reservoir ..... | 4-5  |
| Hydraulic Brake Lines and Clips .....         | 4-7  |
| Brake Pedal .....                             | 4-9  |
| Park Brake System .....                       | 4-11 |
| Rear Brakes .....                             | 4-13 |

## SECTION 5 – STEERING AND SUSPENSION – WITH DUAL-PISTON FRONT CALIPERS

|                                           |      |
|-------------------------------------------|------|
| Steering Wheel and Column .....           | 5-3  |
| Steering Gear .....                       | 5-5  |
| Front Suspension – Page 1 of 2 .....      | 5-7  |
| Front Suspension – Page 2 of 2 .....      | 5-9  |
| Shock Absorbers – 800 lb. Capacity .....  | 5-11 |
| Shock Absorbers – 1050 lb. Capacity ..... | 5-13 |
| Rear Suspension (4-Link) .....            | 5-15 |

## SECTION 6 – ELECTRICAL SYSTEM – GAS VEHICLES

|                                                       |      |
|-------------------------------------------------------|------|
| Headlights – Carryall .....                           | 6-3  |
| Headlights – XRT .....                                | 6-5  |
| Wiring – Kawasaki Gas Engine .....                    | 6-7  |
| Electrical Components, Front Body – Gas Vehicle ..... | 6-9  |
| Electrical Component Box, Gasoline Vehicle .....      | 6-11 |
| Battery – Gasoline Vehicle .....                      | 6-13 |
| Top-Post Battery – Gasoline Vehicle .....             | 6-15 |

# CONTENTS

---

## SECTION 7 – ELECTRICAL SYSTEM – DIESEL VEHICLES

---

|                                                          |      |
|----------------------------------------------------------|------|
| Headlights – Carryall .....                              | 7-3  |
| Headlights – XRT .....                                   | 7-5  |
| Headlights – IntelliTach .....                           | 7-7  |
| Wiring – Kubota Diesel Engine, One-Piece Harness .....   | 7-9  |
| Wiring – Hydraulic Attachment (IntelliTach) .....        | 7-11 |
| Wiring – Seat Belt Reminder (IntelliTach) .....          | 7-13 |
| Electrical Components, Front Body – Diesel Vehicle ..... | 7-15 |
| Electrical Components, Front Body – IntelliTach .....    | 7-17 |
| Electrical Component Box, Diesel Vehicle .....           | 7-19 |
| Battery – Diesel Vehicle .....                           | 7-21 |
| Top-Post Battery – Diesel Vehicle .....                  | 7-23 |

---

## SECTION 8 – ENGINE – KAWASAKI FH680D GASOLINE

---

|                                                         |      |
|---------------------------------------------------------|------|
| Tune-Up Kit – Kawasaki FH680 .....                      | 8-3  |
| Kawasaki FH680D Gasoline Engine and Mounting .....      | 8-5  |
| Oil and Lubrication Components .....                    | 8-7  |
| Oil Filter Adapter – Kawasaki FH680 .....               | 8-9  |
| Ignition Components and Flywheel – Kawasaki FH680 ..... | 8-11 |
| Cylinder Head and Crankcase .....                       | 8-13 |
| Valves and Camshaft .....                               | 8-15 |
| Pistons and Crankshaft .....                            | 8-17 |
| Shrouds and Brackets .....                              | 8-19 |

---

## SECTION 9 – ENGINE – KUBOTA DIESEL, D722, E3B SERIES

---

|                                                      |      |
|------------------------------------------------------|------|
| Tune-Up Kit – Kubota D722 .....                      | 9-3  |
| DIESEL ENGINE AND ENGINE MOUNTING (D722 – E3B) ..... | 9-5  |
| Crankcase (D722 – E3B) .....                         | 9-7  |
| Oil Pan (D722 – E3B) .....                           | 9-9  |
| Cylinder Head (D722 – E3B) .....                     | 9-11 |
| Gear Case (D722 – E3B) .....                         | 9-13 |
| Head Cover (D722 – E3B) .....                        | 9-15 |
| Dipstick and Guide (D722 – E3B) .....                | 9-17 |
| Oil Pump (D722 – E3B) .....                          | 9-19 |
| Main Bearing Case (D722 – E3B) .....                 | 9-21 |
| Camshaft and Idle Gear (D722 – E3B) .....            | 9-23 |
| Piston and Crankshaft (D722 – E3B) .....             | 9-25 |
| Flywheel (D722 – E3B) .....                          | 9-27 |

# CONTENTS

|                                                        |      |
|--------------------------------------------------------|------|
| Fuel Camshaft (D722 – E3B) .....                       | 9-29 |
| Idle Apparatus (D722 – E3B) .....                      | 9-31 |
| Stop Solenoid (D722 – E3B) .....                       | 9-33 |
| 40-Amp Alternator, Belt and Pulleys (D722 – E3B) ..... | 9-35 |
| 60-Amp Alternator, Belt and Pulleys (D722 – E3B) ..... | 9-37 |
| Fuel Injection Pump (D722 – E3B) .....                 | 9-39 |
| Speed Control (D722 – E3B) .....                       | 9-41 |
| Nozzle Holders and Glow Plugs (D722 – E3B) .....       | 9-43 |
| Governor Components (D722 – E3B) .....                 | 9-45 |
| Starter – Sealed (D722 – E3B) .....                    | 9-47 |
| Valves and Rocker Arms (D722 – E3B) .....              | 9-49 |
| Intake Manifold (D722 – E3B) .....                     | 9-51 |
| Exhaust Manifold (D722 – E3B) .....                    | 9-53 |
| Gasket Kits (D722 – E3B) .....                         | 9-55 |
| Piston Rebuild Kit (D722 – E3B) .....                  | 9-57 |

## SECTION 10 – ENGINE – KUBOTA DIESEL, D722, E4B SERIES

|                                                            |       |
|------------------------------------------------------------|-------|
| Tune-Up Kit – Kubota D722 .....                            | 10-3  |
| Diesel Engine and Engine Mounting (D722 – E4B) .....       | 10-5  |
| Crankcase (D722 – E4B) .....                               | 10-7  |
| Oil Pan (D722 – E4B) .....                                 | 10-9  |
| Cylinder Head (D722 – E4B) .....                           | 10-11 |
| Gear Case (D722 – E4B) .....                               | 10-13 |
| Head Cover (D722 – E4B) .....                              | 10-15 |
| Dipstick and Guide (D722 – E4B) .....                      | 10-17 |
| Oil Pump (D722 – E4B) .....                                | 10-19 |
| Main Bearings and Bearing Cases (D722 – E4B) .....         | 10-21 |
| Crankshaft (D722 – E4B) .....                              | 10-23 |
| Piston, Piston Rings and Connecting Rod (D722 – E4B) ..... | 10-25 |
| Flywheel (D722 – E4B) .....                                | 10-27 |
| Camshaft and Idle Gear (D722 – E4B) .....                  | 10-29 |
| Fuel Camshaft (D722 – E4B) .....                           | 10-31 |
| Idle Apparatus (D722 – E4B) .....                          | 10-33 |
| Stop Solenoid (D722-E4B) .....                             | 10-35 |
| 40-Amp Alternator, Belt and Pulleys (D722 – E4B) .....     | 10-37 |
| 60-Amp Alternator, Belt and Pulleys (D722 – E4B) .....     | 10-39 |
| Fuel Injection Pump (D722 – E4B) .....                     | 10-41 |
| Speed Control (D722 – E4B) .....                           | 10-43 |
| Nozzle Holders and Glow Plugs (D722 – E4B) .....           | 10-45 |
| Governor Components (D722 – E4B) .....                     | 10-47 |



# CONTENTS

---

|                                           |       |
|-------------------------------------------|-------|
| Starter – Sealed (D722 – E4B) .....       | 10-49 |
| Valves and Rocker Arms (D722 – E4B) ..... | 10-51 |
| Intake Manifold (D722 – E4B) .....        | 10-53 |
| Exhaust Manifold (D722 – E4B) .....       | 10-55 |

## **SECTION 11 – FUEL, INTAKE, ACCELERATOR & GOVERNOR SYSTEMS – KAWASAKI GAS ENGINES**

---

|                                                                |       |
|----------------------------------------------------------------|-------|
| Fuel Tank – Gasoline Vehicle .....                             | 11-3  |
| Fuel Pump, Filter and Hose – Kawasaki FH680 .....              | 11-5  |
| Carbon Canister – Gasoline Vehicle .....                       | 11-7  |
| Intake Hoses and Air Filter – Kawasaki FH680 .....             | 11-9  |
| Carburetor – Kawasaki FH680 .....                              | 11-11 |
| Intake Manifold and Carburetor Mounting – Kawasaki FH680 ..... | 11-13 |
| Accelerator Pedal .....                                        | 11-15 |
| Accelerator and Choke Cables – Kawasaki FH680 .....            | 11-17 |
| Governor Arm and Springs .....                                 | 11-19 |

## **SECTION 12 – FUEL, INTAKE & ACCELERATOR SYSTEMS – KUBOTA DIESEL ENGINE**

---

|                                                    |       |
|----------------------------------------------------|-------|
| Fuel Tank – Diesel Vehicle .....                   | 12-3  |
| Fuel Pump, Filter and Hose – Diesel .....          | 12-5  |
| Intake Hoses and Air Filter – Diesel Vehicle ..... | 12-7  |
| Accelerator Pedal .....                            | 12-9  |
| Accelerator Cable – Diesel Vehicle .....           | 12-11 |

## **SECTION 13 – EXHAUST SYSTEM – GAS & DIESEL**

---

|                                       |      |
|---------------------------------------|------|
| Exhaust Pipe and Muffler .....        | 13-3 |
| Exhaust Header – Kawasaki FH680 ..... | 13-5 |
| Exhaust Pipes – Diesel Vehicles ..... | 13-7 |

## **SECTION 14 – CLUTCHES – KAWASAKI GAS ENGINE**

---

|                                                 |       |
|-------------------------------------------------|-------|
| Drive Belt .....                                | 14-3  |
| Drive Clutch (3 Weight) – Gas Vehicle .....     | 14-5  |
| Driven Clutch (for 3 Weight Drive Clutch) ..... | 14-7  |
| Clutch Cover (Non-Sealed) .....                 | 14-9  |
| Clutch Cover (Sealed) .....                     | 14-11 |

## **SECTION 15 – CLUTCHES – KUBOTA DIESEL ENGINE**

---

|                  |      |
|------------------|------|
| Drive Belt ..... | 15-3 |
|------------------|------|

# CONTENTS

---

|                                                 |       |
|-------------------------------------------------|-------|
| Drive Clutch (3 Weight) – Diesel Vehicle .....  | 15-5  |
| Driven Clutch (for 3 Weight Drive Clutch) ..... | 15-7  |
| Clutch Cover (Non-Sealed) .....                 | 15-9  |
| Clutch Cover (Sealed) .....                     | 15-11 |

## SECTION 16 – DRIVETRAIN COMPONENTS – GAS & DIESEL

---

|                                                   |       |
|---------------------------------------------------|-------|
| Oil, Differential and Transmission .....          | 16-3  |
| Forward/Reverse Shifter .....                     | 16-5  |
| Shifter Cable .....                               | 16-7  |
| Front Differential (Output Components) .....      | 16-9  |
| Front Differential (Input Components) .....       | 16-11 |
| Front Differential Mounting and Half Shafts ..... | 16-13 |
| CV Boot Repair Kits .....                         | 16-15 |
| Transmission – Page 1 of 3 .....                  | 16-17 |
| Transmission – Page 2 of 3 .....                  | 16-19 |
| Transmission – Page 3 of 3 .....                  | 16-21 |
| Prop Shafts .....                                 | 16-23 |
| Rear Differential and Axles – Page 1 of 2 .....   | 16-25 |
| Rear Differential and Axles – Page 2 of 2 .....   | 16-27 |

## SECTION 17 – RADIATOR AND COOLANT SYSTEM – DIESEL VEHICLES

---

|                                                              |       |
|--------------------------------------------------------------|-------|
| Radiator .....                                               | 17-3  |
| Coolant Expansion Tank .....                                 | 17-5  |
| Coolant Pipes, Clamps, Hoses and Hardware, 2-Passenger ..... | 17-7  |
| Coolant Pipes, Clamps, Hoses and Hardware, 4-Passenger ..... | 17-9  |
| Water Flange and Thermostat .....                            | 17-11 |
| Water Pump .....                                             | 17-13 |
| Block Coolant Pipe .....                                     | 17-15 |

## SECTION 18 – HYDRAULIC ATTACHMENT SYSTEM AND ACCESSORIES

---

|                                   |       |
|-----------------------------------|-------|
| Handbook .....                    | 18-3  |
| Attachment – Pallet Fork .....    | 18-5  |
| Attachment – Bucket .....         | 18-7  |
| Attachment – Snow Blade .....     | 18-9  |
| Attachment – Broom .....          | 18-11 |
| Accessory Mounting Weldment ..... | 18-13 |
| Attachment Arm Kit .....          | 18-15 |
| Attachment Interface .....        | 18-17 |
| Hydraulic Controls .....          | 18-19 |

# CONTENTS

---

|                                                      |       |
|------------------------------------------------------|-------|
| Hydraulic Cylinders .....                            | 18-21 |
| Hydraulic Hoses .....                                | 18-23 |
| Hydraulic Attachment Angle Kit .....                 | 18-25 |
| Hydraulic Power Unit – Standard .....                | 18-27 |
| Hydraulic Power Unit – with Auxiliary .....          | 18-29 |
| Standard to Auxiliary Hydraulic Conversion Kit ..... | 18-31 |

## **SECTION 19 – MAINTENANCE AND SERVICE TOOLS**

---

|                                                                |      |
|----------------------------------------------------------------|------|
| Maintenance and Service Tools – 1500/1550/1700 .....           | 19-3 |
| Maintenance and Service Tools – 1500/1550/1700 Continued ..... | 19-5 |

## **SECTION i – INDEX**

---



# BODY AND TRIM

---

1

G

D



# BRUSH GUARD

| ITEM | PART NO.  | DESCRIPTION                                                                        | QTY |
|------|-----------|------------------------------------------------------------------------------------|-----|
|      |           | <b>1 2 3 4</b>                                                                     |     |
| 1    | 103236001 | Kit, Tube Bumper CCI (includes items 2 through 5) .....                            | 1   |
| 2    | N/A       | Weldment, Frt Bumper, Restyle .....                                                | 1   |
| 3    | 103215401 | Plug, Tube, Round, 1-3/4" .....                                                    | 2   |
| 4    | 103231701 | Screw, M10 X 1.25 X 30 Hex Blk .....                                               | 4   |
| 5    | 103231801 | Nut, Flg, M10 X 1.25 Hex Blk .....                                                 | 4   |
|      |           | Note: Brushguard is standard on XRT vehicles and is optional on Carryall vehicles. |     |

**1**

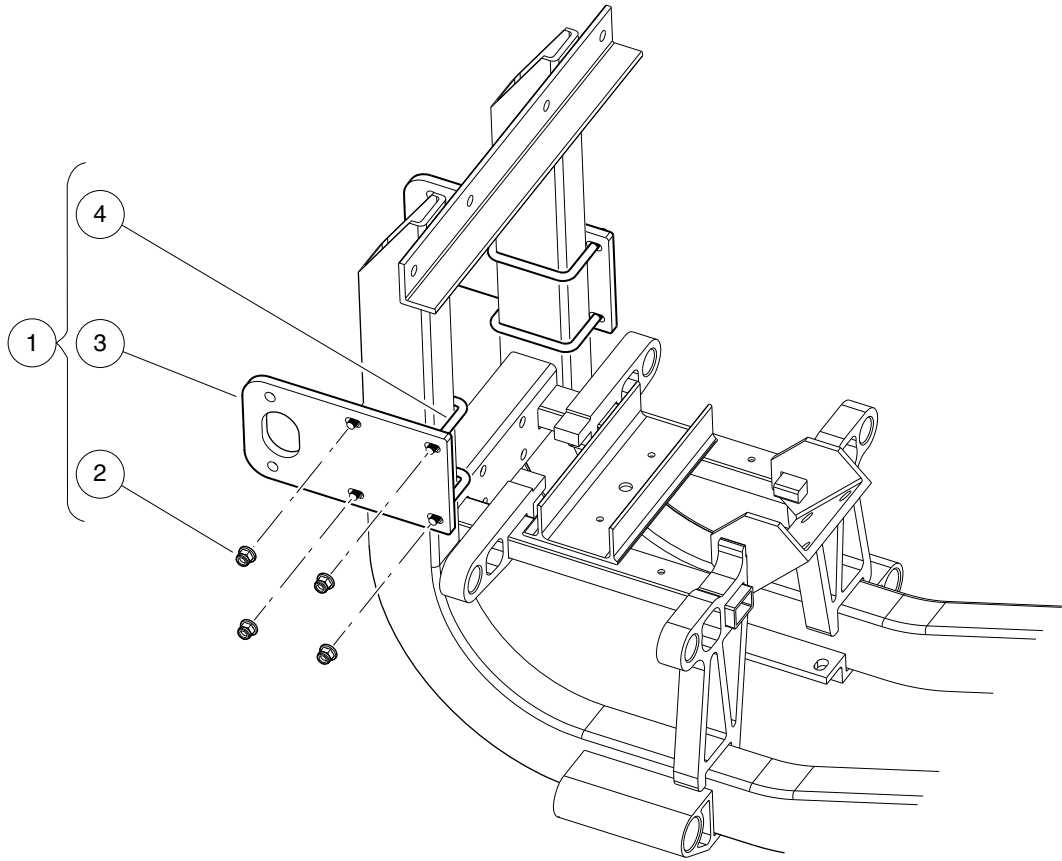
**G**

**D**

1

G

D



001068-001



# TOW HOOK PLATES

| ITEM | PART NO.  | DESCRIPTION                                      | QTY |
|------|-----------|--------------------------------------------------|-----|
|      |           | 1 2 3 4                                          |     |
| 1    | 103947102 | Kit, Tow Hook (includes items 2 through 4) ..... | 1   |
| 2    | 102618601 | Lock Nut, Flange, M8 X 1.25 Nylon .....          | 8   |
| 3    | 103892501 | Plate, Tow Hook .....                            | 2   |
| 4    | 103892601 | Bolt, U, Sq. Bend, M8-1.25 .....                 | 4   |

1

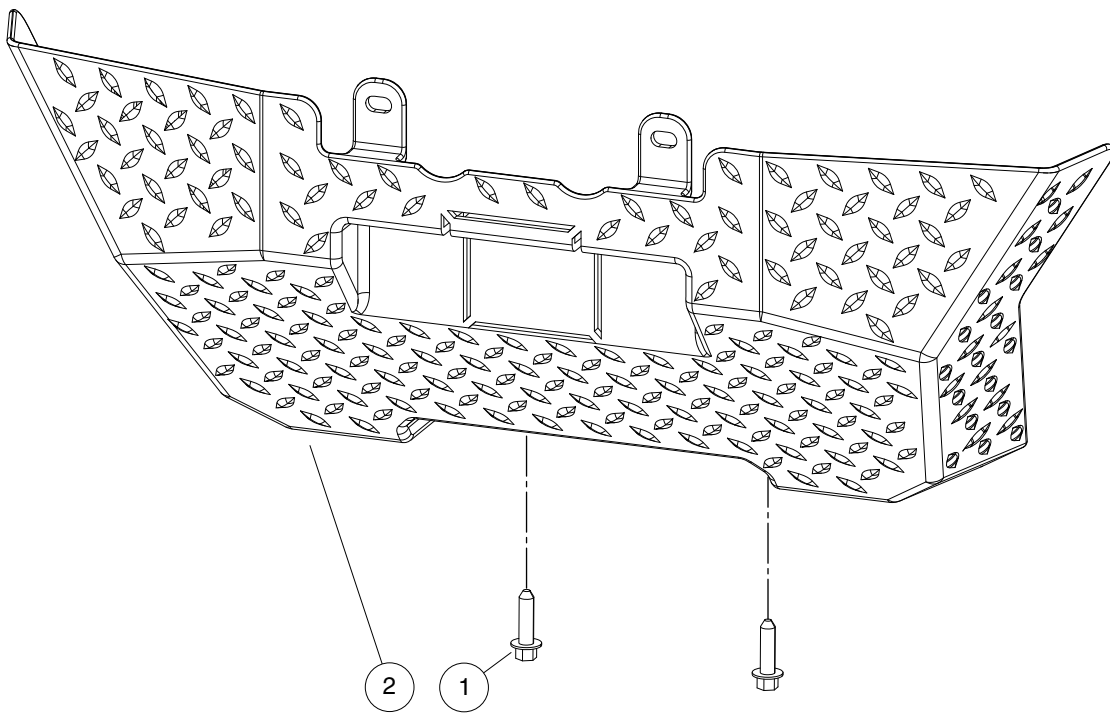
G

D

1

G

D



000537-003

# PLASTIC SKID PLATE

| ITEM | PART NO.  | DESCRIPTION                             | QTY |
|------|-----------|-----------------------------------------|-----|
| 1    | 102289001 | 1 2 3 4<br>Screw, M8X1.25X30, Hex ..... | 2   |
| 2    | 102882301 | Plate, Skid, Std .....                  | 1   |

**1**

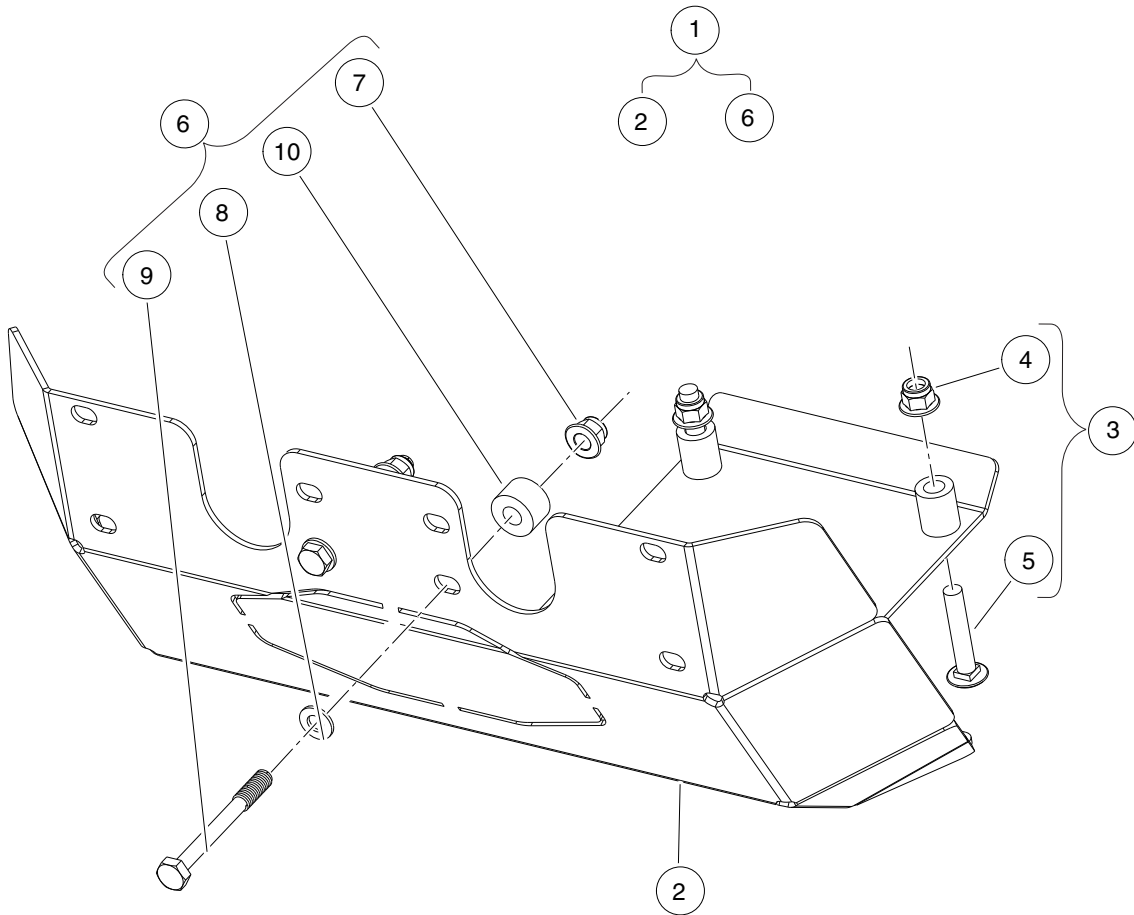
**G**

**D**

1

G

D



000537-004

# STEEL SKID PLATE

| ITEM | PART NO.  | DESCRIPTION                                                            | QTY |
|------|-----------|------------------------------------------------------------------------|-----|
|      |           | <b>1 2 3 4</b>                                                         |     |
| 1    | AM1211003 | Kit, Skidplate, Front, Steel (includes items 2 through 6) .....        | 1   |
| 2    | AM1210002 | Skid Plate, Front, Steel .....                                         | 1   |
| 3    | AM1215701 | Kit, Hardware, Skidplate, Front, A (includes items 4 and 5) .....      | 1   |
| 4    | 102670701 | Nut, Flange, M10 X 1.5 Nylon .....                                     | 2   |
| 5    | AM1210801 | Bolt, Carriage, M10x1.5x55 .....                                       | 2   |
| 6    | AM1215801 | Kit, Hardware, Skidplate, Front, B (includes items 7 through 10) ..... | 1   |
| 7    | 102670701 | Nut, Flange, M10 X 1.5 Nylon .....                                     | 2   |
| 8    | 102718101 | Washer, Hard, M10, Zn-Ni/Blk .....                                     | 2   |
| 9    | 102719301 | Bolt, M10 X 1.50 X 90, Loctite .....                                   | 2   |
| 10   | AM1211401 | Spacer, 17mm Long, Skidplate .....                                     | 2   |

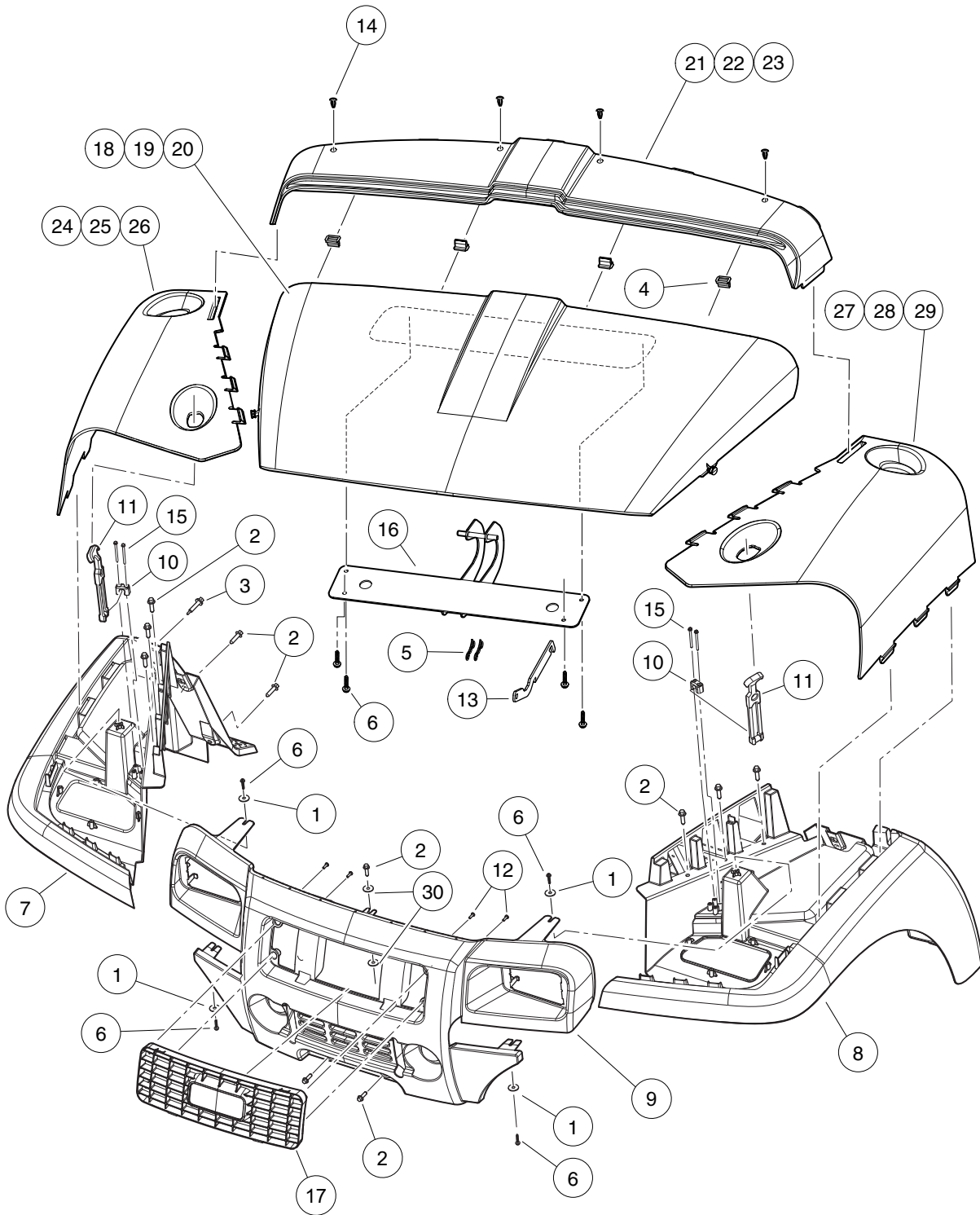
**1**

**G**

**D**

1  
G

D



000507-006

# FASCIA, FENDERS, AND COWLS (MOLDED IN COLOR) – CARRYALL

| ITEM | PART NO.  | DESCRIPTION                                       | QTY |
|------|-----------|---------------------------------------------------|-----|
|      |           | <b>1 2 3 4</b>                                    |     |
| 1    | 1011578   | Washer, 5/16 Type B Flat .....                    | 4   |
| 2    | 102289001 | Screw, M8X1.25X30, Hex .....                      | 13  |
| 3    | 102292356 | Screw-1/4-20x56 Hwh Self Drill .....              | 2   |
| 4    | 102292701 | Clip-body-trim .....                              | 4   |
| 5    | 102292801 | Pin, Bow Tie Locking - .072 .....                 | 2   |
| 6    | 102297230 | Screw, M6, Torx, Interlock Thread .....           | 8   |
| 7    | 102866901 | Fender, Front, Pass, AWD .....                    | 1   |
| 8    | 102867001 | Fender, Front, Drv, AWD .....                     | 1   |
| 9    | 102867501 | Fascia, Front, CA, AWD .....                      | 1   |
| 10   | 102882401 | Bracket, Latch, Draw .....                        | 2   |
| 11   | 102895101 | Latch, Draw, Hood .....                           | 2   |
| 12   | 102895401 | Screw, D50x16, Torx PN Hd PT .....                | 4   |
| 13   | 102896501 | Prop, Hood .....                                  | 1   |
| 14   | 102967901 | Rivet, Removable, Tuflok 1/4" .....               | 4   |
| 15   | 103218107 | Screw, #8x2.00 AB Thd, Hex Hd .....               | 4   |
| 16   | 103588001 | Asm, Hood Hinge .....                             | 1   |
| 17   | 103760601 | Grill, Carryall .....                             | 1   |
| 18   | 103959210 | Hood, Dark Green .....                            | 1   |
| 19   | 103959214 | Hood, Dark Gray .....                             | 1   |
| 20   | 103959218 | Hood, Real Tree Camo .....                        | 1   |
| 21   | 103959310 | Panel, Cowl, Center, Dark Green .....             | 1   |
| 22   | 103959314 | Panel, Cowl, Center, Dark Gray .....              | 1   |
| 23   | 103959318 | Panel, Cowl, Center, Real Tree Camo .....         | 1   |
| 24   | 103959410 | Panel, Cowl, Passenger-Side, Dark Green .....     | 1   |
| 25   | 103959414 | Panel, Cowl, Passenger-Side, Dark Gray .....      | 1   |
| 26   | 103959418 | Panel, Cowl, Passenger-Side, Real Tree Camo ..... | 1   |
| 27   | 103959510 | Panel, Cowl, Driver-Side, Dark Green .....        | 1   |
| 28   | 103959514 | Panel, Cowl, Driver-Side, Dark Gray .....         | 1   |
| 29   | 103959518 | Panel, Cowl, Driver-Side, Real Tree Camo .....    | 1   |
| 30   | 808       | Washer, 3/8 Type B Flat .....                     | 2   |

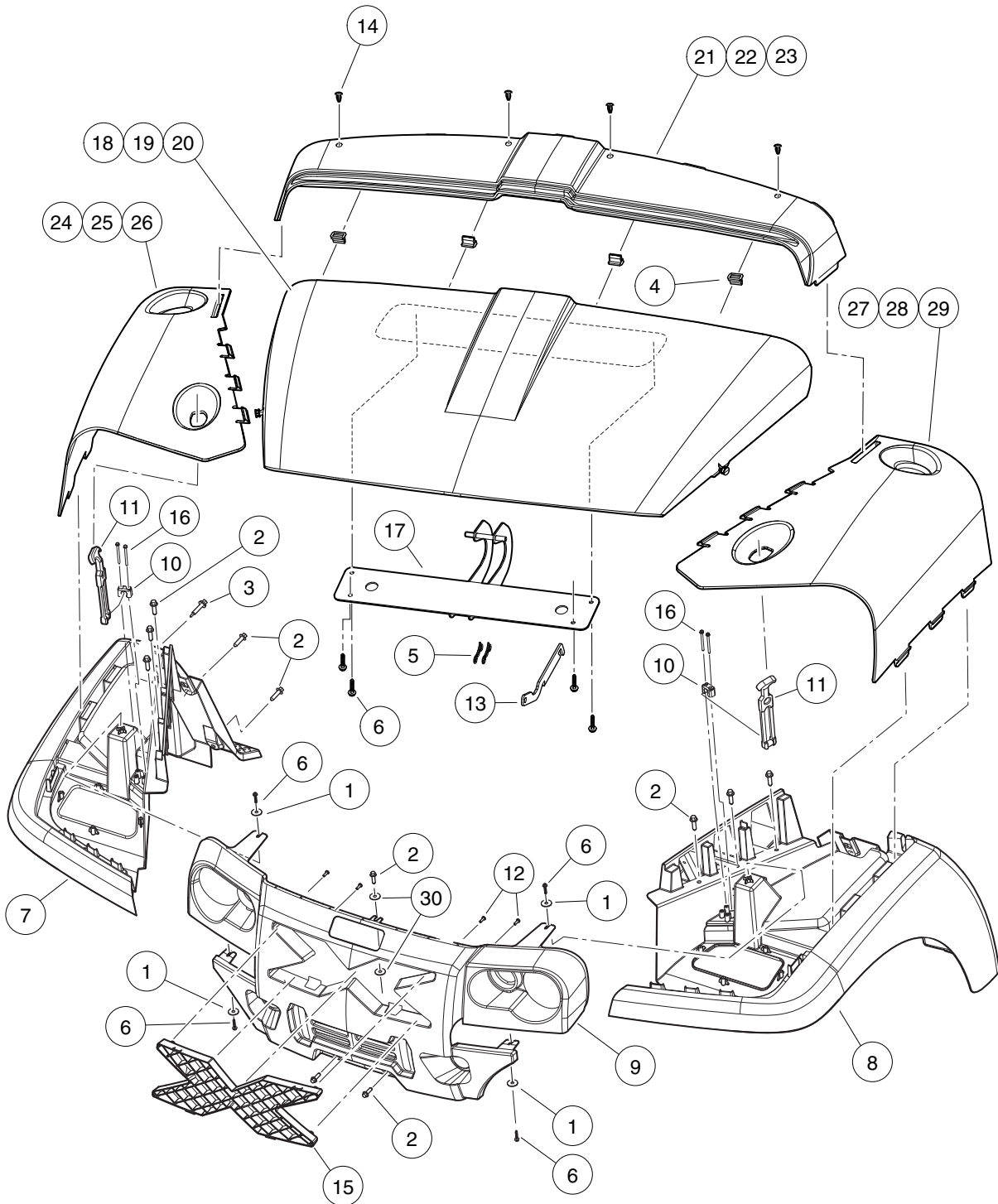
Note: These color body panels are molded in color except for black and camo.

**1**  
**G**  
**D**

1

G

D



000522-004



# FASCIA, FENDERS, AND COWLS (MOLDED IN COLOR) – XRT

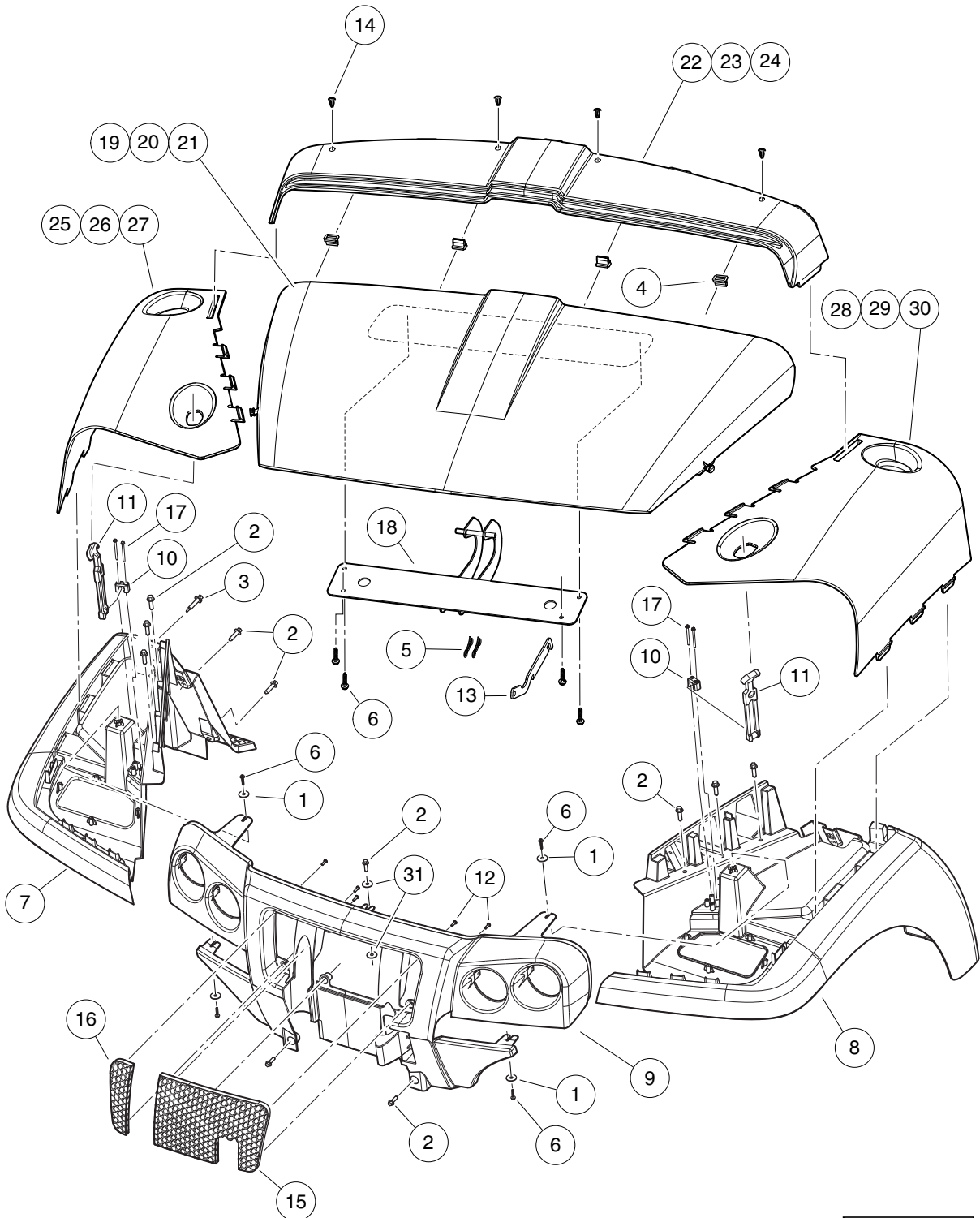
| ITEM | PART NO.  | DESCRIPTION                                                                  | QTY |
|------|-----------|------------------------------------------------------------------------------|-----|
|      |           | 1 2 3 4                                                                      |     |
| 1    | 1011578   | Washer, 5/16 Type B Flat .....                                               | 4   |
| 2    | 102289001 | Screw, M8X1.25X30, Hex .....                                                 | 13  |
| 3    | 102292356 | Screw-1/4-20x56 Hwh Self Drill .....                                         | 2   |
| 4    | 102292701 | Clip-body-trim .....                                                         | 4   |
| 5    | 102292801 | Pin, Bow Tie Locking - .072 .....                                            | 2   |
| 6    | 102297230 | Screw, M6, Torx, Interlock Thread .....                                      | 8   |
| 7    | 102866901 | Fender, Front, Pass, AWD .....                                               | 1   |
| 8    | 102867001 | Fender, Front, Drv, AWD .....                                                | 1   |
| 9    | 102867401 | Fascia, Front, XRT, AWD .....                                                | 1   |
| 10   | 102882401 | Bracket, Latch, Draw .....                                                   | 2   |
| 11   | 102895101 | Latch, Draw, Hood .....                                                      | 2   |
| 12   | 102895401 | Screw, D50x16, Torx PN Hd PT .....                                           | 4   |
| 13   | 102896501 | Prop, Hood .....                                                             | 1   |
| 14   | 102967901 | Rivet, Removable, Tuflok 1/4" .....                                          | 4   |
| 15   | 102979301 | Grill, XRT .....                                                             | 1   |
| 16   | 103218107 | Screw, #8x2.00 AB Thd, Hex Hd .....                                          | 4   |
| 17   | 103588001 | Asm, Hood Hinge .....                                                        | 1   |
| 18   | 103959210 | Hood, Dark Green .....                                                       | 1   |
| 19   | 103959218 | Hood, Real Tree Camo .....                                                   | 1   |
| 20   | 103959230 | Hood, Awd Red .....                                                          | 1   |
| 21   | 103959310 | Panel, Cowl, Center, Dark Green .....                                        | 1   |
| 22   | 103959318 | Panel, Cowl, Center, Real Tree Camo .....                                    | 1   |
| 23   | 103959330 | Panel, Cowl, Center, Awd Red .....                                           | 1   |
| 24   | 103959410 | Panel, Cowl, Passenger-Side, Dark Green .....                                | 1   |
| 25   | 103959418 | Panel, Cowl, Passenger-Side, Real Tree Camo .....                            | 1   |
| 26   | 103959430 | Panel, Cowl, Passenger-Side, Awd Red .....                                   | 1   |
| 27   | 103959510 | Panel, Cowl, Driver-Side, Dark Green .....                                   | 1   |
| 28   | 103959518 | Panel, Cowl, Driver-Side, Real Tree Camo .....                               | 1   |
| 29   | 103959530 | Panel, Cowl, Driver-Side, Awd Red .....                                      | 1   |
| 30   | 808       | Washer, 3/8 Type B Flat .....                                                | 2   |
|      |           | Note: These color body panels are molded in color except for black and camo. |     |



1

G

D



000559-006

# FASCIA, FENDERS, AND COWL (MOLDED IN COLOR) – INTELLITACH

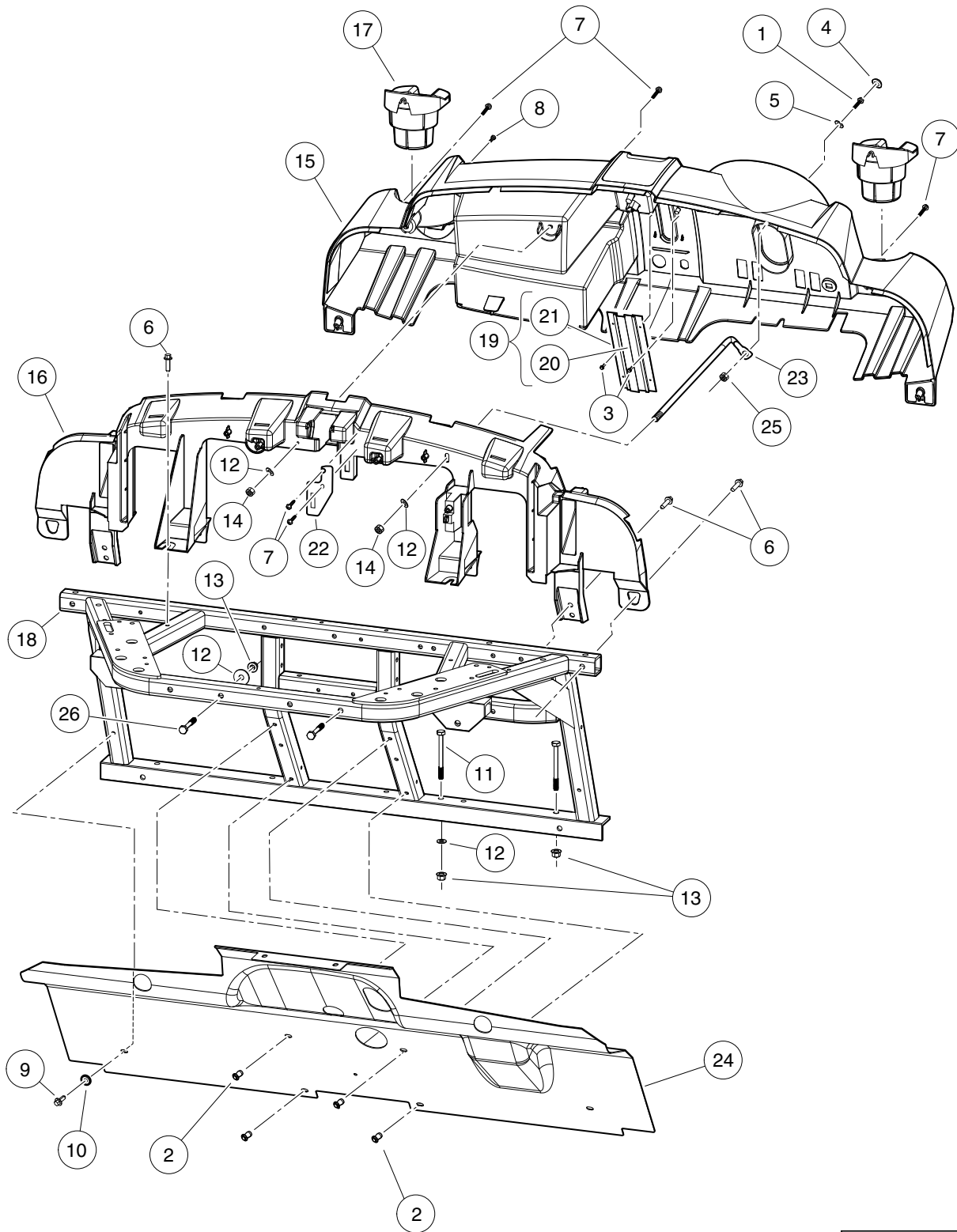
| ITEM | PART NO.  | DESCRIPTION                                                                  | QTY |
|------|-----------|------------------------------------------------------------------------------|-----|
|      |           | <b>1 2 3 4</b>                                                               |     |
| 1    | 1011578   | Washer, 5/16 Type B Flat .....                                               | 4   |
| 2    | 102289001 | Screw, M8X1.25X30, Hex .....                                                 | 13  |
| 3    | 102292356 | Screw-1/4-20x56 Hwh Self Drill .....                                         | 2   |
| 4    | 102292701 | Clip-body-trim .....                                                         | 4   |
| 5    | 102292801 | Pin, Bow Tie Locking - .072 .....                                            | 2   |
| 6    | 102297230 | Screw, M6, Torx, Interlock Thread .....                                      | 8   |
| 7    | 102866901 | Fender, Front, Pass, AWD .....                                               | 1   |
| 8    | 102867001 | Fender, Front, Drv, AWD .....                                                | 1   |
| 9    | 102867602 | Fascia, Dual Round w/ Cut .....                                              | 1   |
| 10   | 102882401 | Bracket, Latch, Draw .....                                                   | 2   |
| 11   | 102895101 | Latch, Draw, Hood .....                                                      | 2   |
| 12   | 102895401 | Screw, D50x16, Torx PN Hd PT .....                                           | 6   |
| 13   | 102896501 | Prop, Hood .....                                                             | 1   |
| 14   | 102967901 | Rivet, Removable, Tuflok 1/4" .....                                          | 4   |
| 15   | 102978801 | Grill, Hex Cut, DS .....                                                     | 1   |
| 16   | 102978901 | Grill, Hex, Cut, PS .....                                                    | 1   |
| 17   | 103218107 | Screw, #8x2.00 AB Thd, Hex Hd .....                                          | 4   |
| 18   | 103588001 | Asm, Hood Hinge .....                                                        | 1   |
| 19   | 103959210 | Hood, Dark Green .....                                                       | 1   |
| 20   | 103959214 | Hood, Dark Gray .....                                                        | 1   |
| 21   | 103959218 | Hood, Real Tree Camo .....                                                   | 1   |
| 22   | 103959310 | Panel, Cowl, Center, Dark Green .....                                        | 1   |
| 23   | 103959314 | Panel, Cowl, Center, Dark Gray .....                                         | 1   |
| 24   | 103959318 | Panel, Cowl, Center, Real Tree Camo .....                                    | 1   |
| 25   | 103959410 | Panel, Cowl, Passenger-Side, Dark Green .....                                | 1   |
| 26   | 103959414 | Panel, Cowl, Passenger-Side, Dark Gray .....                                 | 1   |
| 27   | 103959418 | Panel, Cowl, Passenger-Side, Real Tree Camo .....                            | 1   |
| 28   | 103959510 | Panel, Cowl, Driver-Side, Dark Green .....                                   | 1   |
| 29   | 103959514 | Panel, Cowl, Driver-Side, Dark Gray .....                                    | 1   |
| 30   | 103959518 | Panel, Cowl, Driver-Side, Real Tree Camo .....                               | 1   |
| 31   | 808       | Washer, 3/8 Type B Flat .....                                                | 2   |
|      |           | Note: These color body panels are molded in color except for black and camo. |     |

**1**  
**G**  
**D**

1

G

D



000519-003

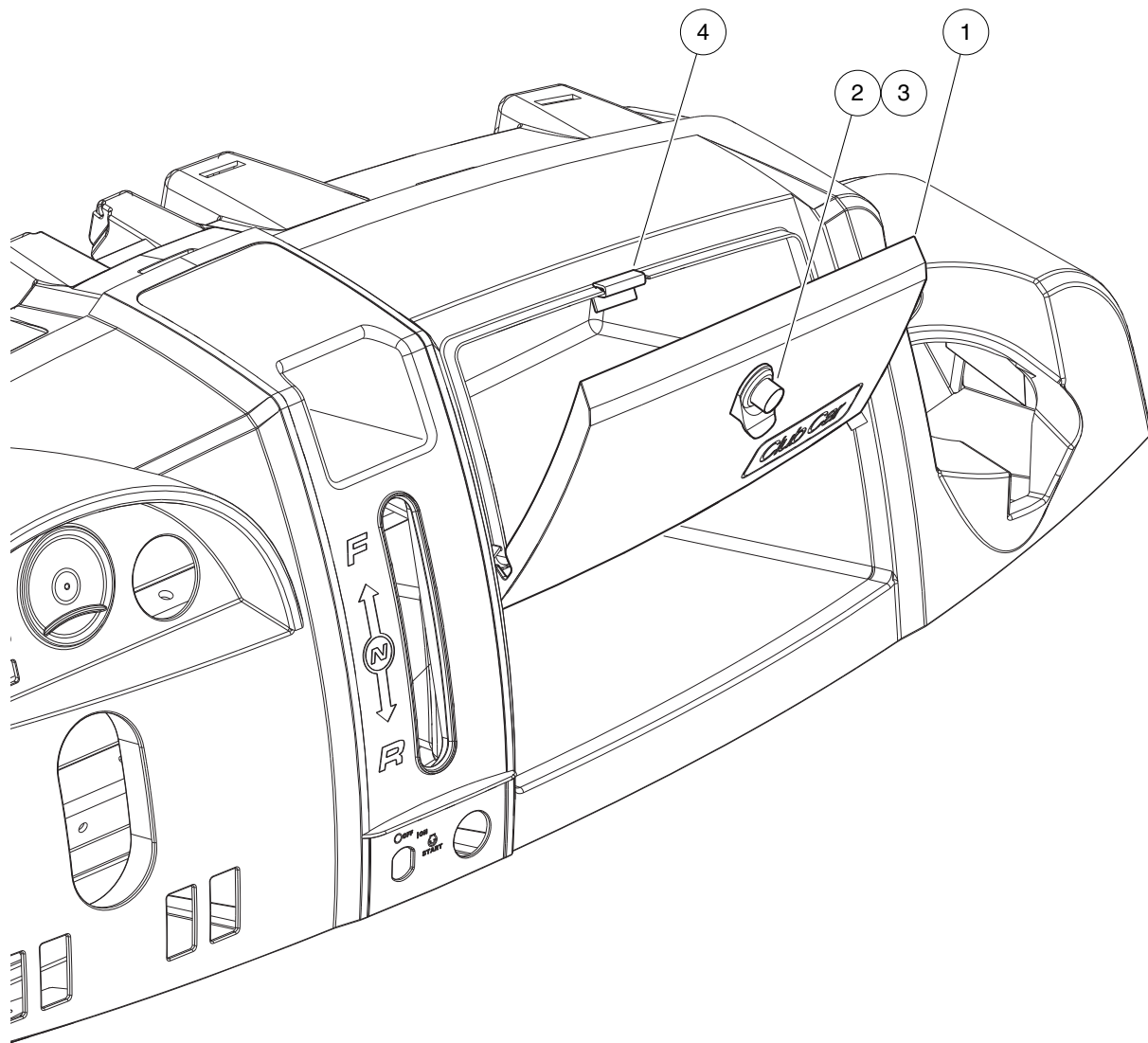
# DASH AND SPLASH GUARD

| ITEM | PART NO.  | DESCRIPTION                                          | QTY |          |
|------|-----------|------------------------------------------------------|-----|----------|
|      |           | <b>1 2 3 4</b>                                       |     | <b>1</b> |
| 1    | 1016916   | Screw, 1/4-20 X 1.50 Hex-Head Cap .....              | 1   | <b>G</b> |
| 2    | 1016967   | Blind Rivet, Push Type .....                         | 4   |          |
| 3    | 101804301 | Screw, #8 X 0.500, Hex-Head Hi-Lo .....              | 2   |          |
| 4    | 102045001 | Cap, 1/4" Plastic Screw Head .....                   | 1   | <b>D</b> |
| 5    | 102048401 | Washer, 1/4 Id Scalloped Plast .....                 | 1   |          |
| 6    | 102289001 | Screw, M8X1.25X30, Hex .....                         | 6   |          |
| 7    | 102297230 | Screw, M6, Torx, Interlock Thread .....              | 5   |          |
| 8    | 102298580 | M8-1.25 X 80 Sems .....                              | 1   |          |
| 9    | 102298720 | Screw, M8-1.25x20, Taptite .....                     | 2   |          |
| 10   | 102323501 | Washer, Flat, 3/8, Blk Fin .....                     | 2   |          |
| 11   | 102491301 | Bolt, M10x1.50x100 (Black) .....                     | 4   |          |
| 12   | 102491501 | Washer, Hard, M10 .....                              | 10  |          |
| 13   | 102617201 | Nut, Flanged, M10 X 1.5, Mechanically Deformed ..... | 8   |          |
| 14   | 102618601 | Lock Nut, Flange, M8 X 1.25 Nylon .....              | 2   |          |
| 15   | 102867101 | Dash, Design A .....                                 | 1   |          |
| 16   | 102867301 | Support, Structural .....                            | 1   |          |
| 17   | 102883401 | Cup Holder, Utility .....                            | 2   |          |
| 18   | 102935501 | Weldment, Dash, Front .....                          | 1   |          |
| 19   | 103233001 | Asm, Brush, Fnr (includes items 20 and 21) .....     | 2   |          |
| 20   | N/A       | Brush, Strip, FNR .....                              | 2   |          |
| 21   | N/A       | Holder, Brush, Strip, FNR .....                      | 2   |          |
| 22   | 103253801 | Bracket, Hood Support .....                          | 1   |          |
| 23   | 103268001 | Rod, Connection, Dash .....                          | 1   |          |
| 24   | 103296001 | Guard, Splash, Gas Injection .....                   | 1   |          |
| 25   | 8233      | Locknut, 1/4-20, Nylon Insert .....                  | 1   |          |
| 26   | 96715552  | Bolt, M10 X 1.50 X 65 .....                          | 4   |          |

1

G

D



000789-001

# GLOVE BOX

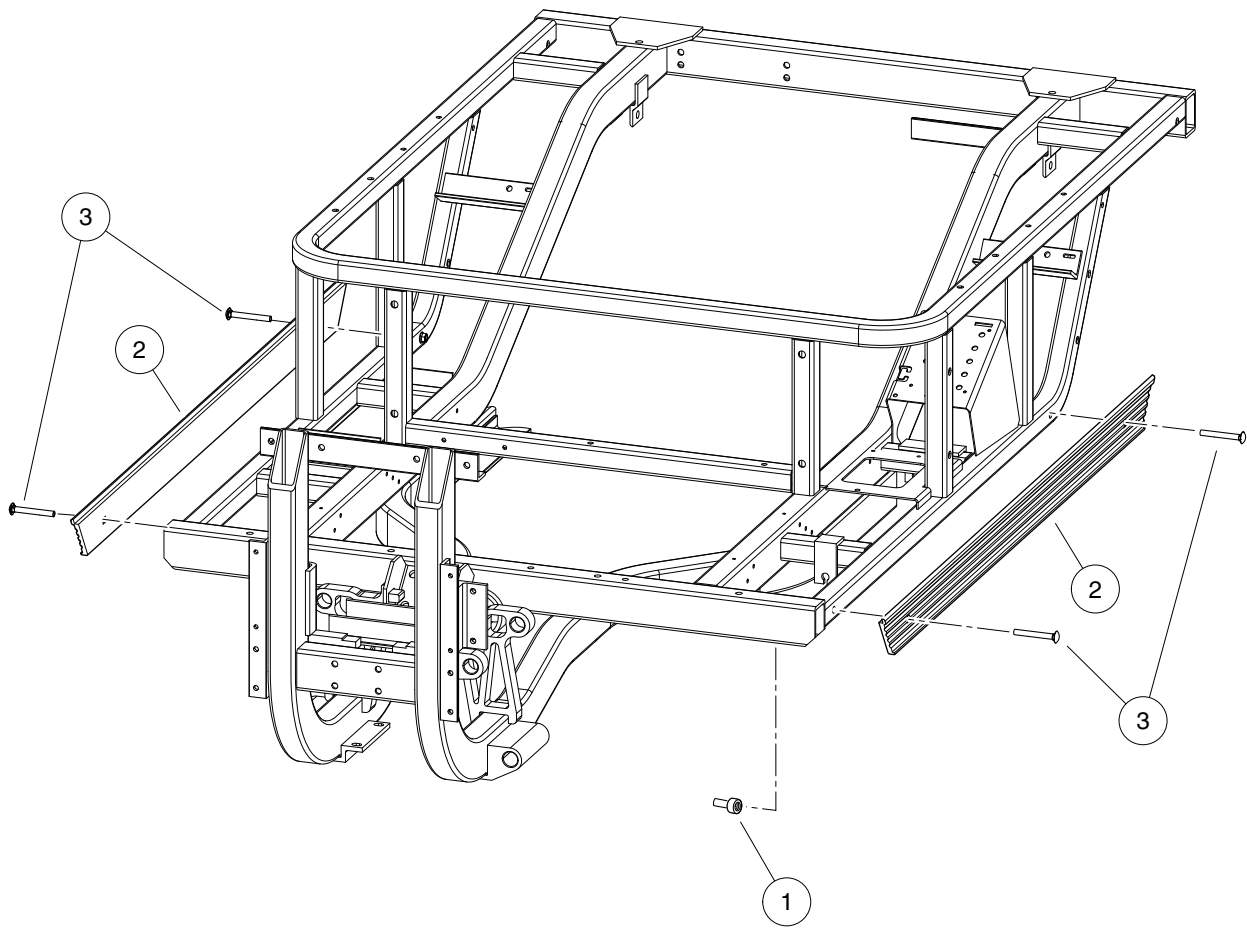
| ITEM | PART NO.  | DESCRIPTION                          | QTY |
|------|-----------|--------------------------------------|-----|
| 1    | 102867202 | Cover, Storage, Dash, Blk, Cci ..... | 1   |
| 2    | 103182701 | Latch, Push Close .....              | 1   |
| 3    | 103182702 | Latch, Push Close W/ Key .....       | 1   |
| 4    | 103182801 | Keeper, Latch, Push Close .....      | 1   |

**1**  
**G**  
**D**

1

G

D



000527-001



## SIDE STRINGERS – 2 PASSENGER

| ITEM | PART NO.  | DESCRIPTION                      | QTY |
|------|-----------|----------------------------------|-----|
|      |           | 1 2 3 4                          |     |
| 1    | 102491701 | Well Nut 1/4-20 .....            | 8   |
| 2    | 103485501 | Stringer, Side, 1200mm .....     | 2   |
| 3    | 103487501 | Screw, 1/4-20 X 1.0, Black ..... | 8   |

**1**

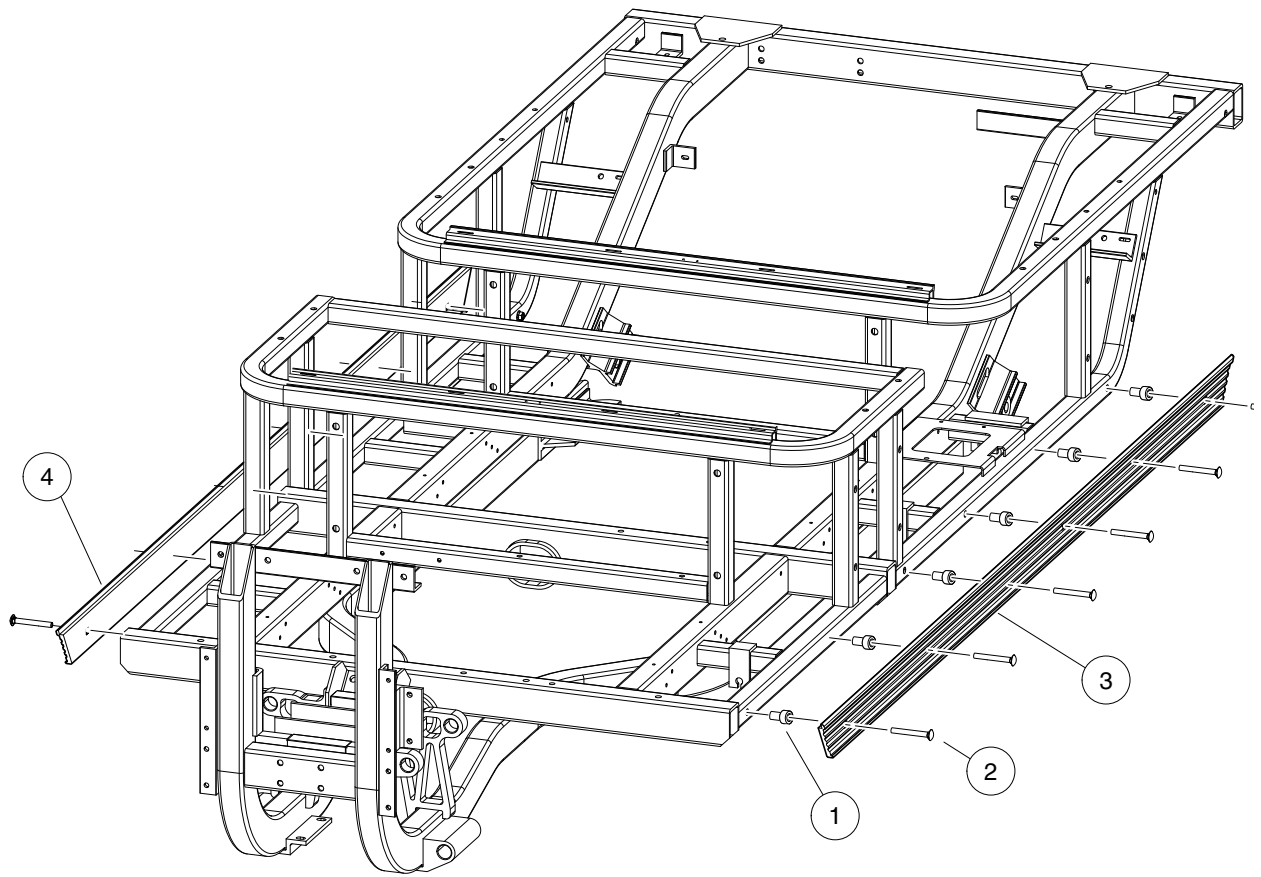
**G**

**D**

1

G

D



000527-003

## SIDE STRINGERS – 4 PASSENGER

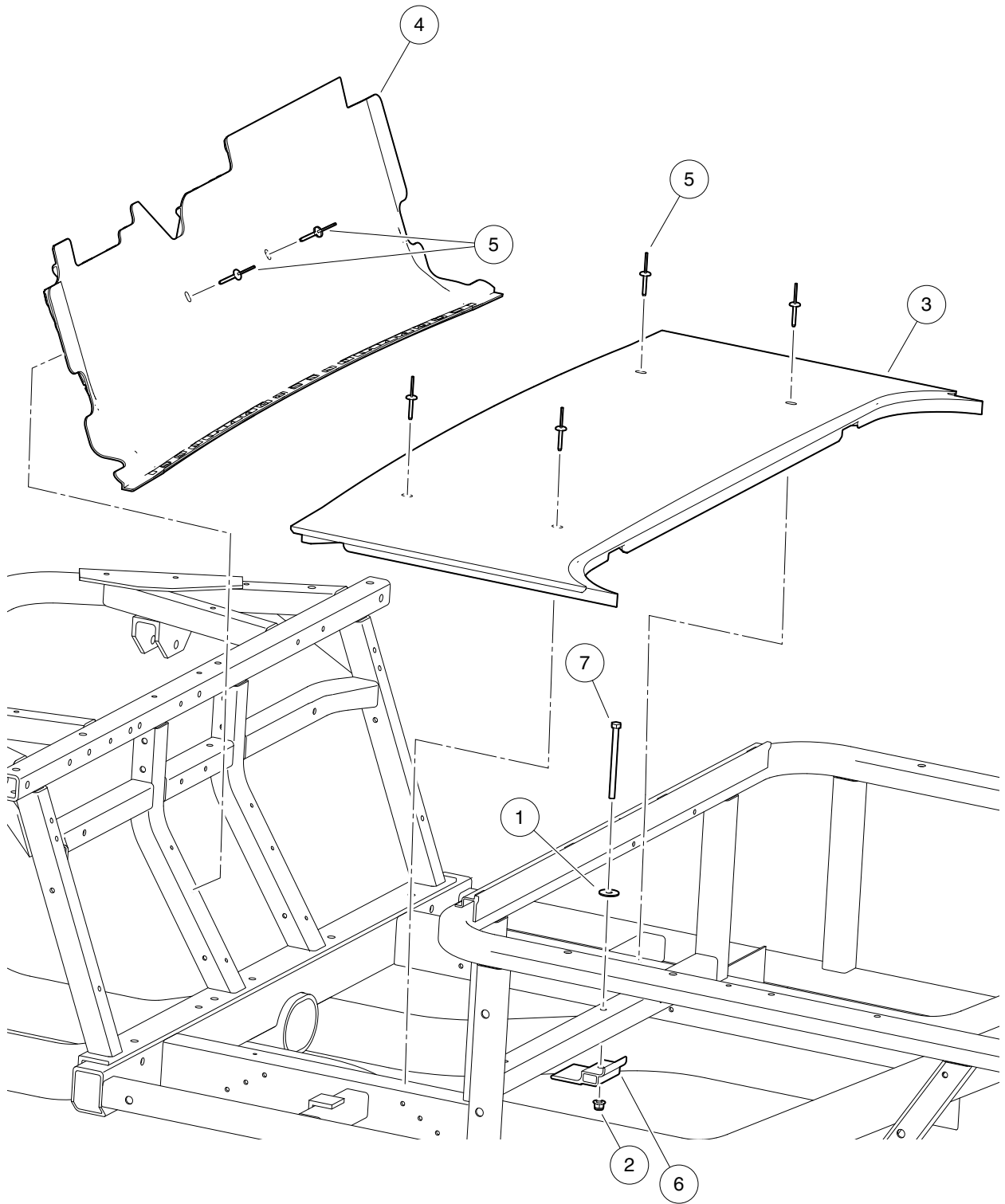
| ITEM | PART NO.  | DESCRIPTION                       | QTY |
|------|-----------|-----------------------------------|-----|
|      |           | 1 2 3 4                           |     |
| 1    | 102491701 | Well Nut 1/4-20 .....             | 12  |
| 2    | 103487501 | Screw, 1/4-20 X 1.0, Black .....  | 12  |
| 3    | 103488801 | Stringer, Side, Awd, Se, Ds ..... | 1   |
| 4    | 103488802 | Stringer, Side, Awd, Se, Ps ..... | 1   |

1  
G  
D

1

G

D



000790-003

# FLOORBOARD

| ITEM | PART NO.  | DESCRIPTION                             | QTY |
|------|-----------|-----------------------------------------|-----|
|      |           | 1 2 3 4                                 |     |
| 1    | 1011578   | Washer, 5/16 Type B Flat .....          | 1   |
| 2    | 102618601 | Lock Nut, Flange, M8 X 1.25 Nylon ..... | 1   |
| 3    | 103319601 | Floorboard, Lower .....                 | 1   |
| 4    | 103319701 | Floorboard, Upper .....                 | 1   |
| 5    | 103400001 | 3/16 X 1.19 Alum Rivet, Blk .....       | 6   |
| 6    | 103417401 | Bracket, Support, Floorboard .....      | 1   |
| 7    | 103423701 | Bolt, M8 X 1.25 X 110 .....             | 1   |

1

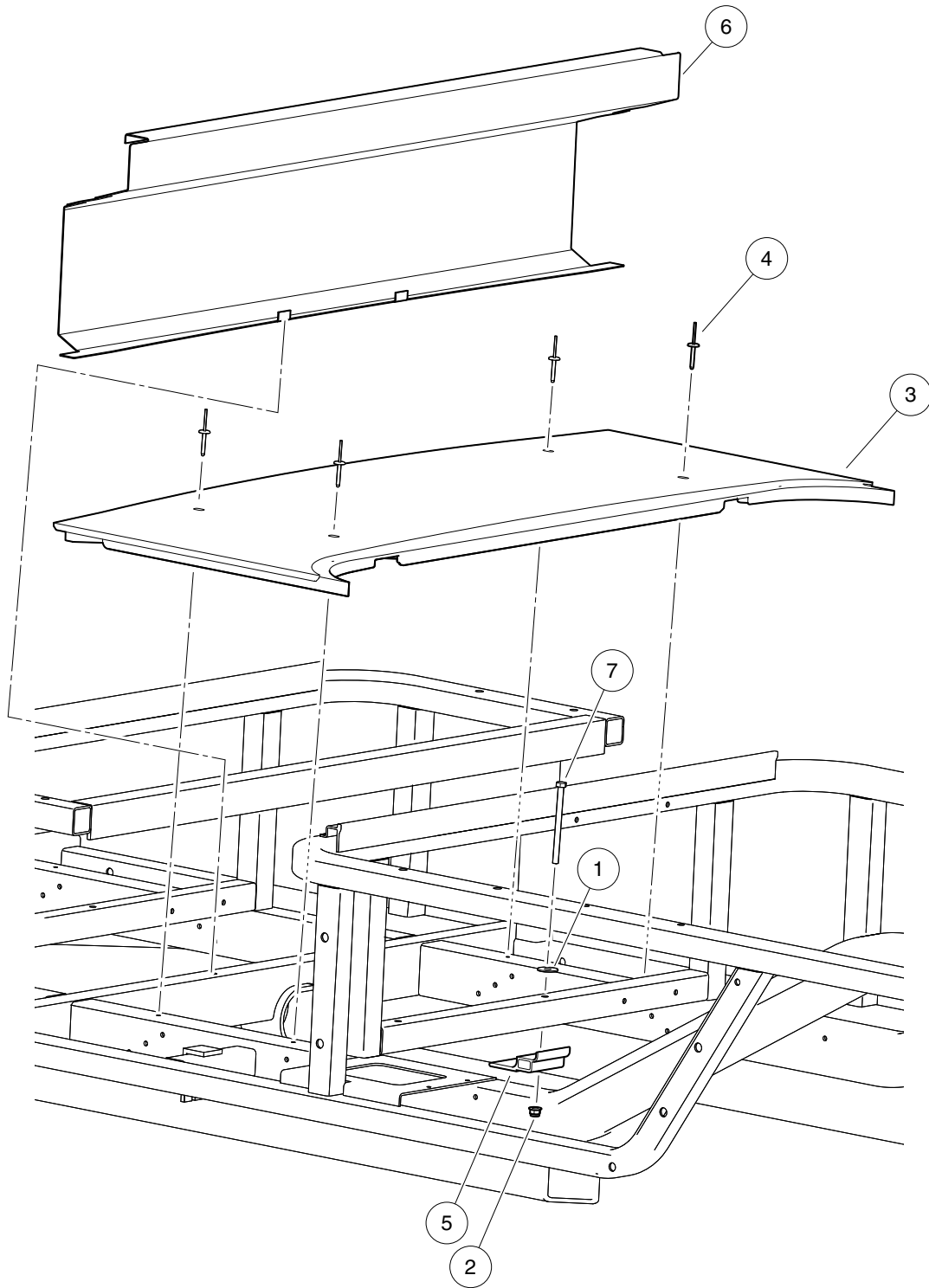
G

D

**1**

**G**

**D**



000790-004

# FLOORBOARD – REAR

| ITEM | PART NO.  | DESCRIPTION                             | QTY |
|------|-----------|-----------------------------------------|-----|
|      |           | <b>1 2 3 4</b>                          |     |
| 1    | 1011578   | Washer, 5/16 Type B Flat .....          | 1   |
| 2    | 102618601 | Lock Nut, Flange, M8 X 1.25 Nylon ..... | 1   |
| 3    | 103319601 | Floorboard, Lower .....                 | 1   |
| 4    | 103400001 | 3/16 X 1.19 Alum Rivet, Blk .....       | 4   |
| 5    | 103417401 | Bracket, Support, Floorboard .....      | 1   |
| 6    | 103418001 | Plate, Footwell, Rear .....             | 1   |
| 7    | 103423701 | Bolt, M8 X 1.25 X 110 .....             | 1   |

**1**

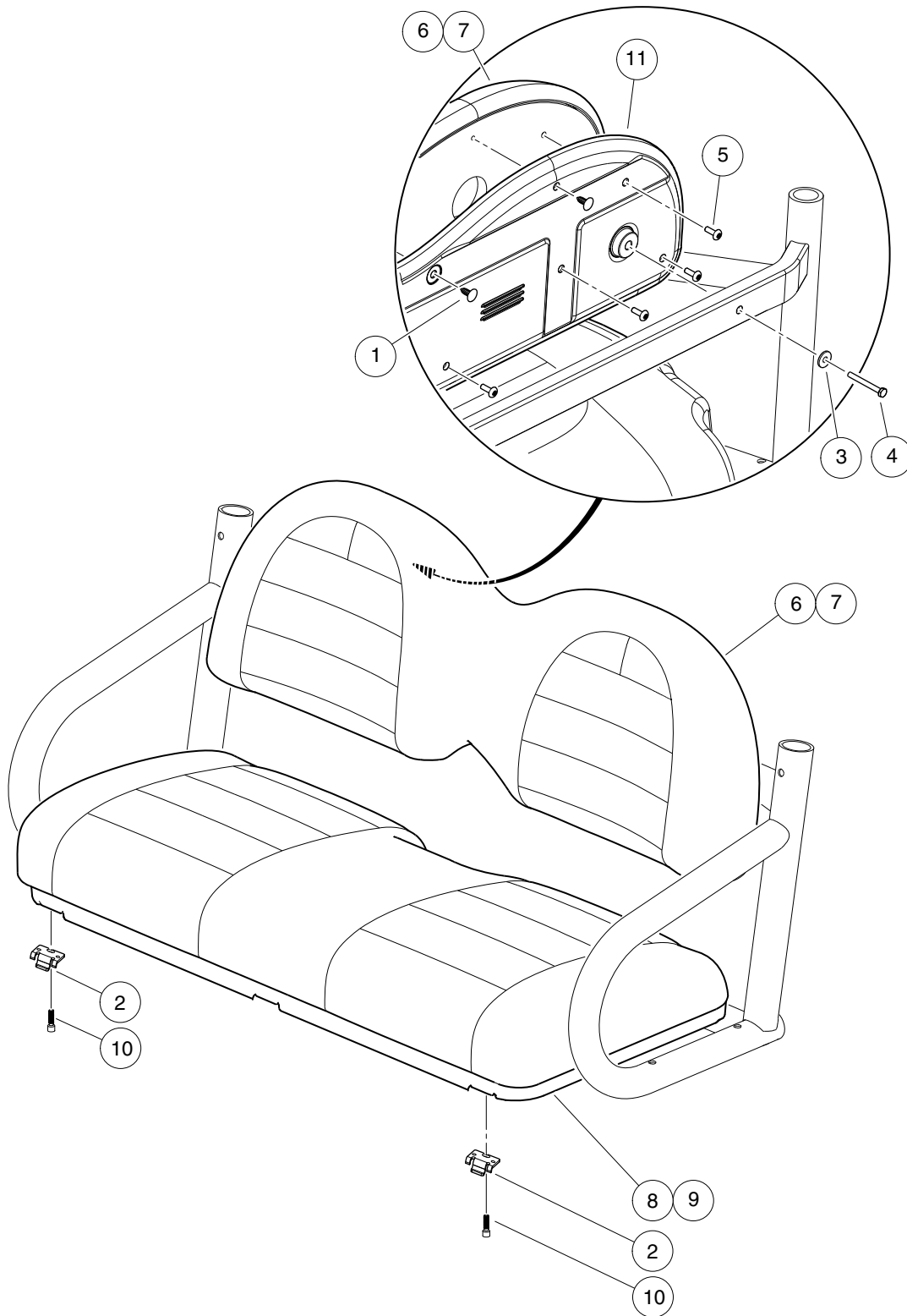
**G**

**D**

1

G

D



000523-005



# BENCH SEAT

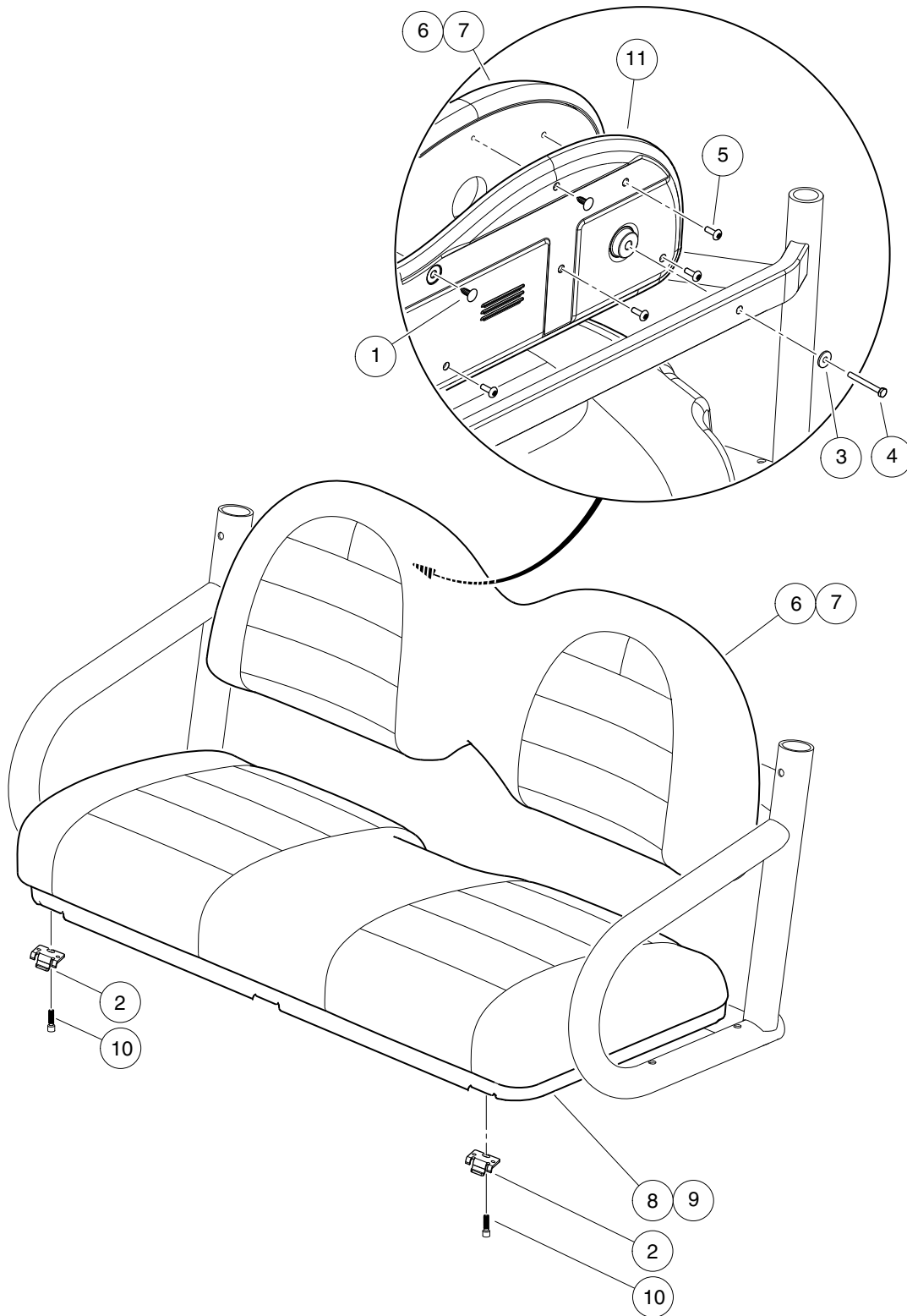
| ITEM | PART NO.  | DESCRIPTION                                | QTY |
|------|-----------|--------------------------------------------|-----|
|      |           | <b>1 2 3 4</b>                             |     |
| 1    | 1010434   | Barrel - Plastic .....                     | 8   |
| 2    | 1011652   | Hinge Plate .....                          | 2   |
| 3    | 1011697   | Washer, 5/16 Flat .....                    | 3   |
| 4    | 1014201   | Screw, 1/4-20 X 2.25 Hex Cap .....         | 3   |
| 5    | 1014415   | Screw, 1/4-20 X 0.75 Torx Truss-Head ..... | 4   |
| 6    | 103456001 | Seat Back, Bench, Gray .....               | 1   |
| 7    | 103456002 | Seat Back, Bench, Black .....              | 1   |
| 8    | 103629101 | Seat, Bench, Bottom, Blk .....             | 1   |
| 9    | 103629102 | Seat, Bench, Bottom, Gray .....            | 1   |
| 10   | 103629501 | Screw, 1/4-20 X .75 Shcs .....             | 4   |
| 11   | 103831101 | Cap, Seatback, Vented .....                | 1   |

**1**  
**G**  
**D**

1

G

D



000523-005

## BENCH SEAT, REAR – 4 PASS

| ITEM | PART NO.  | DESCRIPTION                                | QTY |
|------|-----------|--------------------------------------------|-----|
|      |           | 1 2 3 4                                    |     |
| 1    | 1010434   | Barrel - Plastic .....                     | 8   |
| 2    | 1011652   | Hinge Plate .....                          | 2   |
| 3    | 1011697   | Washer, 5/16 Flat .....                    | 3   |
| 4    | 1014201   | Screw, 1/4-20 X 2.25 Hex Cap .....         | 3   |
| 5    | 1014415   | Screw, 1/4-20 X 0.75 Torx Truss-Head ..... | 4   |
| 6    | 103456001 | Seat Back, Bench, Gray .....               | 1   |
| 7    | 103456002 | Seat Back, Bench, Black .....              | 1   |
| 8    | 103629101 | Seat, Bench, Bottom, Blk .....             | 1   |
| 9    | 103629102 | Seat, Bench, Bottom, Gray .....            | 1   |
| 10   | 103629501 | Screw, 1/4-20 X .75 Shcs .....             | 4   |
| 11   | 103831101 | Cap, Seatback, Vented .....                | 1   |

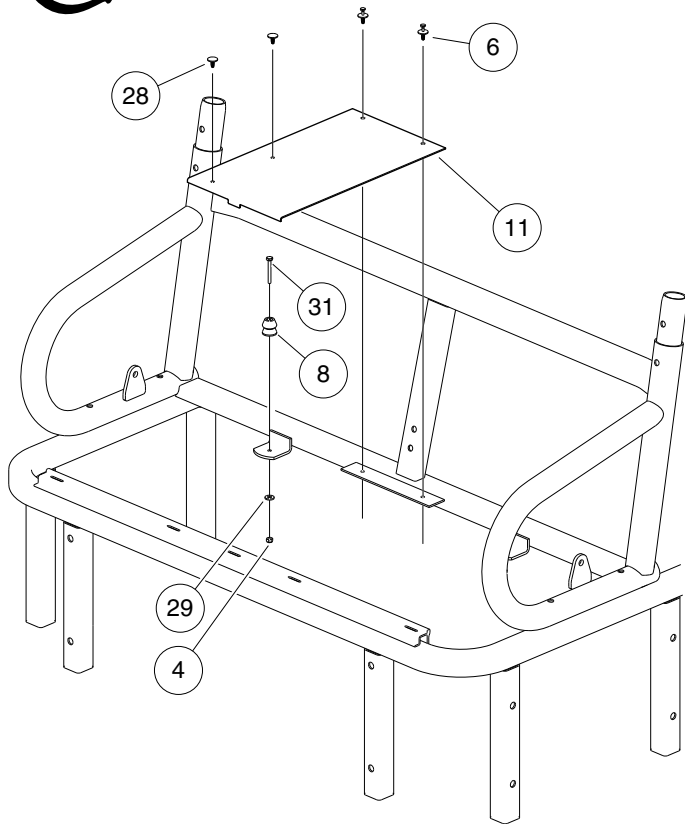
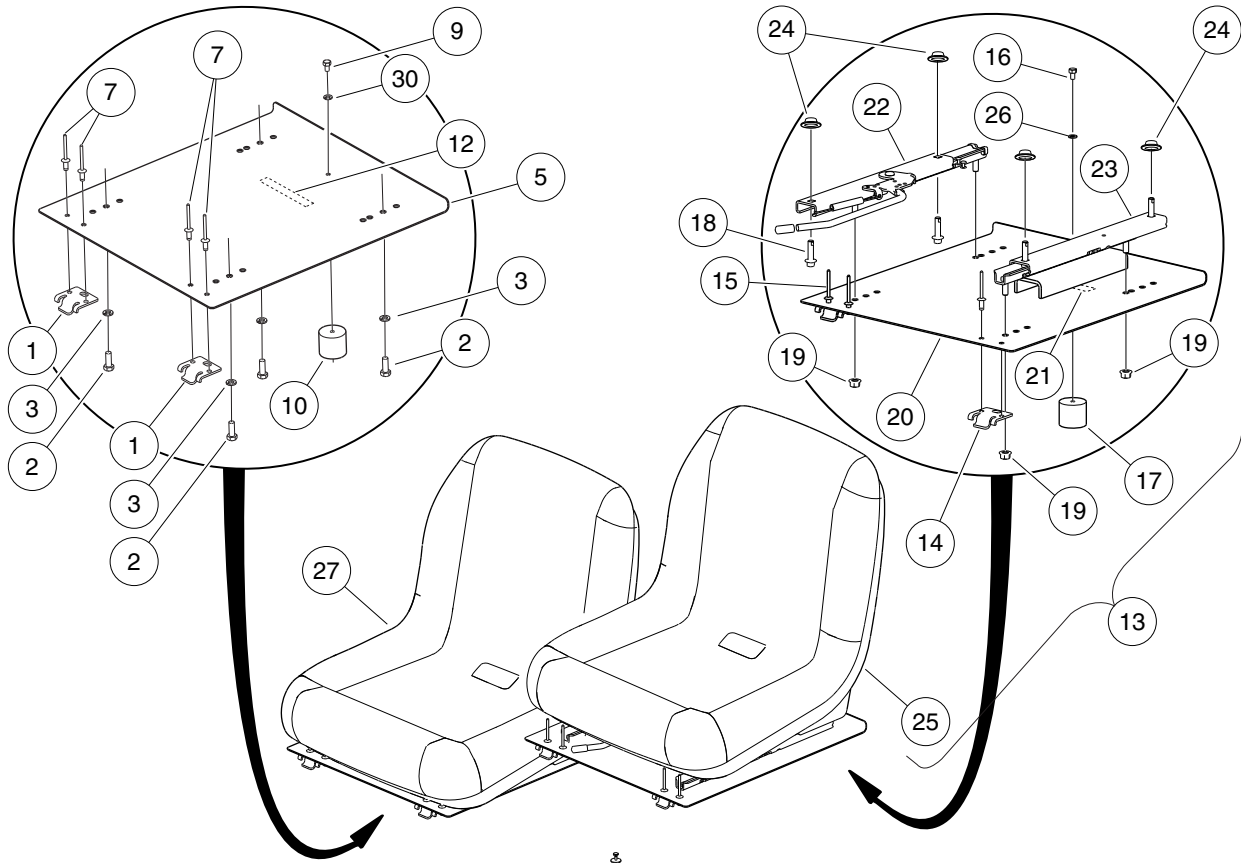
**1**

**G**

**D**

**1**  
**G**

**D**



000524-011

# BUCKET SEATS – GRAY

| ITEM | PART NO.  | DESCRIPTION                                                      | QTY |
|------|-----------|------------------------------------------------------------------|-----|
|      |           | <b>1 2 3 4</b>                                                   |     |
| 1    | 1011652   | Hinge Plate .....                                                | 2   |
| 2    | 1012830   | Screw, M8-125 X 22 Hex-Head .....                                | 4   |
| 3    | 1013734   | Lockwasher, 8mm Split .....                                      | 4   |
| 4    | 101887601 | Locknut, M6-1.00 Nylon Insert .....                              | 2   |
| 5    | 102023703 | Pan, Seat, Passenger .....                                       | 1   |
| 6    | 102025701 | Screw, Tuflok Panel, 1/4 .....                                   | 2   |
| 7    | 102047001 | Rivet, 1/4 X .438 Blind .....                                    | 4   |
| 8    | 102059001 | Seat Holder Base .....                                           | 2   |
| 9    | 102059401 | Screw, 6m-1.00 X 10mm Hex Head .....                             | 1   |
| 10   | 102061101 | Seat Holder Cup .....                                            | 1   |
| 11   | 102442002 | Pan, Center, Closeout, Pfex .....                                | 1   |
| 12   | 102458901 | Decal, Hot Surface Warning .....                                 | 1   |
| 13   | 102473701 | Asm, Bucket Seat Adjustable (includes items 14 through 26) ..... | 1   |
| 14   | 1011652   | Hinge Plate .....                                                | 2   |
| 15   | 102047001 | Rivet, 1/4 X .438 Blind .....                                    | 4   |
| 16   | 102059401 | Screw, 6m-1.00 X 10mm Hex Head .....                             | 1   |
| 17   | 102061101 | Seat Holder Cup .....                                            | 1   |
| 18   | 102298130 | Bolt, Flange Head, M8 X 30.0 .....                               | 4   |
| 19   | 102298401 | Nut,m8,all Metal Lock .....                                      | 4   |
| 20   | 102456001 | Pan, Seat, Driver Asm .....                                      | 1   |
| 21   | 102458901 | Decal, Hot Surface Warning .....                                 | 1   |
| 22   | 102473501 | Adjuster, Forward/Aft .....                                      | 1   |
| 23   | 102473601 | Adjuster, Slider .....                                           | 1   |
| 24   | 102475901 | Washer, Bell .....                                               | 4   |
| 25   | 103267001 | Seat, Bucket, Gray .....                                         | 1   |
| 26   | 451       | Lockwasher, 1/4 Split .....                                      | 1   |
| 27   | 103267001 | Seat, Bucket, Gray .....                                         | 1   |
| 28   | 103978801 | Barrel-push 6mm .....                                            | 2   |
| 29   | 332       | Washer, 1/4 Type A Narrow Flat .....                             | 2   |
| 30   | 451       | Lockwasher, 1/4 Split .....                                      | 1   |
| 31   | 96742515  | Bolt, M6 X 1 X 45 .....                                          | 2   |

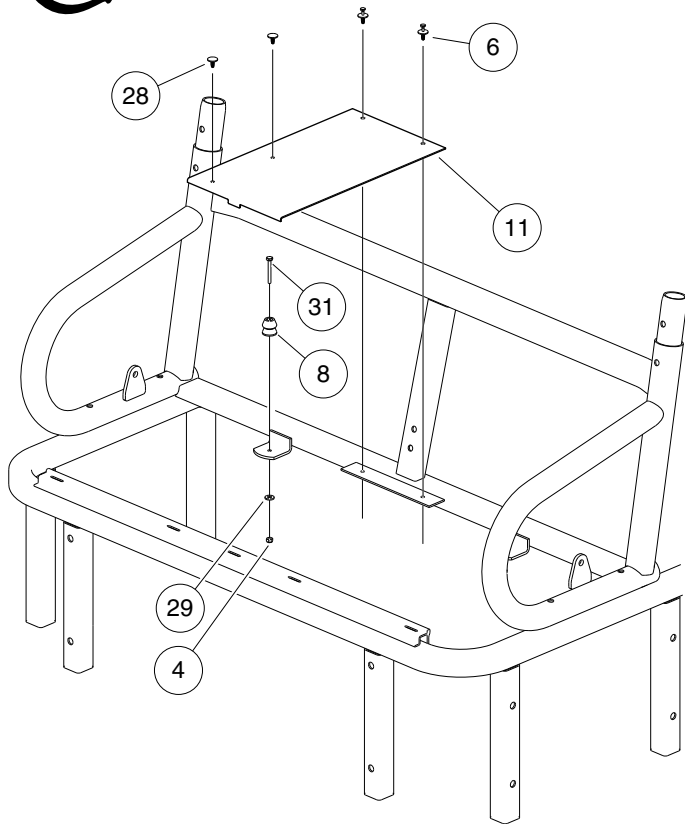
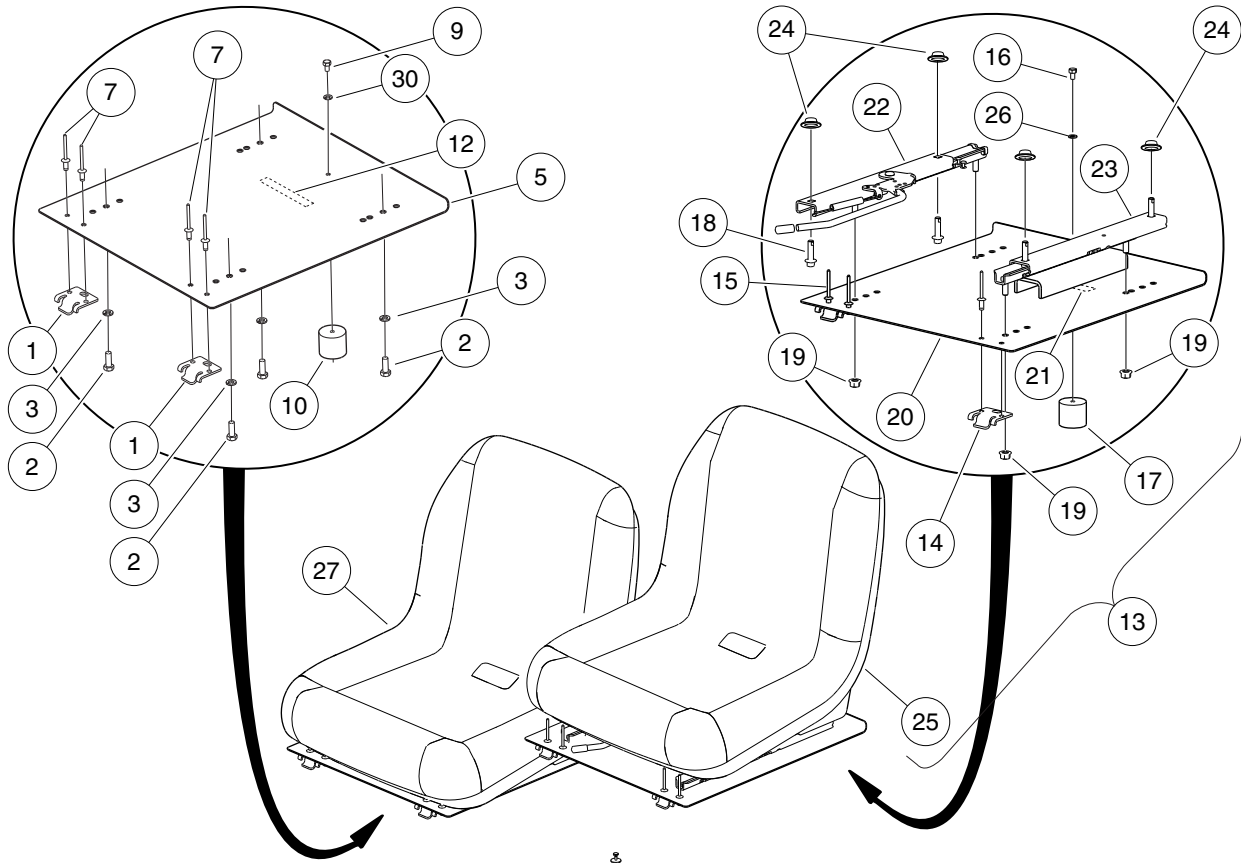
**1**

**G**

**D**

**1**  
**G**

**D**



000524-011

# BUCKET SEATS – BLACK

| ITEM | PART NO.  | DESCRIPTION                                                     | QTY |
|------|-----------|-----------------------------------------------------------------|-----|
|      |           | <b>1 2 3 4</b>                                                  |     |
| 1    | 1011652   | Hinge Plate .....                                               | 2   |
| 2    | 1012830   | Screw, M8-125 X 22 Hex-Head .....                               | 4   |
| 3    | 1013734   | Lockwasher, 8mm Split .....                                     | 4   |
| 4    | 101887601 | Locknut, M6-1.00 Nylon Insert .....                             | 2   |
| 5    | 102023703 | Pan, Seat, Passenger .....                                      | 1   |
| 6    | 102025701 | Screw, Tuflok Panel, 1/4 .....                                  | 2   |
| 7    | 102047001 | Rivet, 1/4 X .438 Blind .....                                   | 4   |
| 8    | 102059001 | Seat Holder Base .....                                          | 2   |
| 9    | 102059401 | Screw, 6m-1.00 X 10mm Hex Head .....                            | 1   |
| 10   | 102061101 | Seat Holder Cup .....                                           | 1   |
| 11   | 102442002 | Pan, Center, Closeout, Pfex .....                               | 1   |
| 12   | 102458901 | Decal, Hot Surface Warning .....                                | 1   |
| 13   | 103218901 | Asm, Bucket Seat, Adj, Blk (includes items 14 through 26) ..... | 1   |
| 14   | 1011652   | Hinge Plate .....                                               | 2   |
| 15   | 102047001 | Rivet, 1/4 X .438 Blind .....                                   | 4   |
| 16   | 102059401 | Screw, 6m-1.00 X 10mm Hex Head .....                            | 1   |
| 17   | 102061101 | Seat Holder Cup .....                                           | 1   |
| 18   | 102298130 | Bolt, Flange Head, M8 X 30.0 .....                              | 4   |
| 19   | 102298401 | Nut,m8,all Metal Lock .....                                     | 4   |
| 20   | 102456001 | Pan, Seat, Driver Asm .....                                     | 1   |
| 21   | 102458901 | Decal, Hot Surface Warning .....                                | 1   |
| 22   | 102473501 | Adjuster, Forward/Aft .....                                     | 1   |
| 23   | 102473601 | Adjuster, Slider .....                                          | 1   |
| 24   | 102475901 | Washer, Bell .....                                              | 4   |
| 25   | 103267002 | Seat, Bucket, Black .....                                       | 1   |
| 26   | 451       | Lockwasher, 1/4 Split .....                                     | 1   |
| 27   | 103267002 | Seat, Bucket, Black .....                                       | 1   |
| 28   | 103978801 | Barrel-push 6mm .....                                           | 2   |
| 29   | 332       | Washer, 1/4 Type A Narrow Flat .....                            | 2   |
| 30   | 451       | Lockwasher, 1/4 Split .....                                     | 1   |
| 31   | 96742515  | Bolt, M6 X 1 X 45 .....                                         | 2   |

**1**

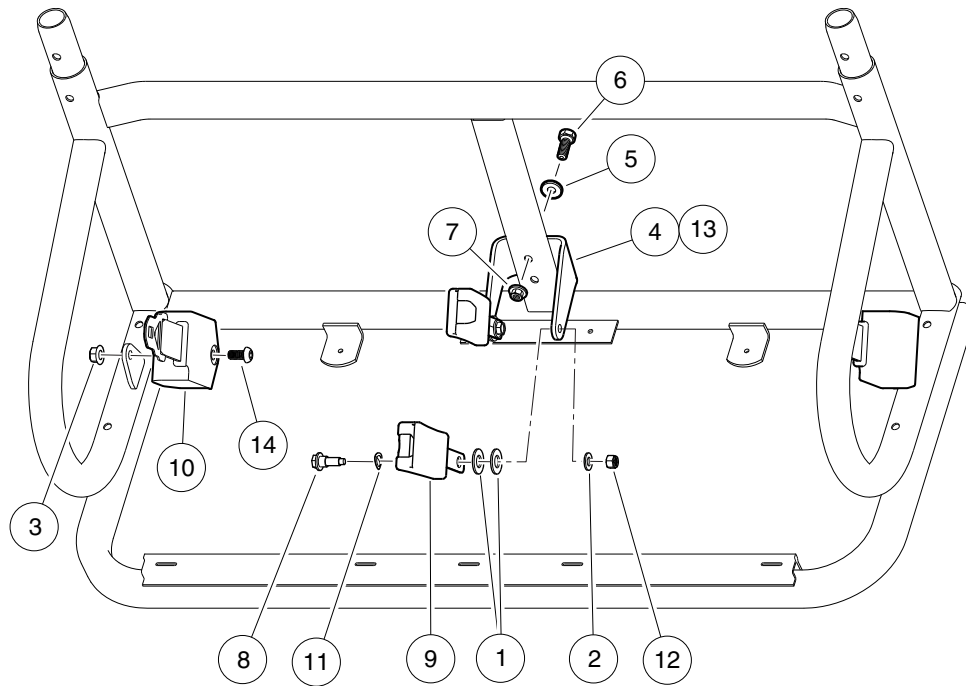
**G**

**D**

1

G

D



000029-007



## 2-POINT SEAT BELTS

| ITEM                                                                         | PART NO.  | DESCRIPTION                                                | QTY |
|------------------------------------------------------------------------------|-----------|------------------------------------------------------------|-----|
|                                                                              |           | 1 2 3 4                                                    |     |
| 1                                                                            | 1010193   | Washer, 5/8 Type A Plain Flat .....                        | 4   |
| 2                                                                            | 1014557   | Washer, 7/16 Flat .....                                    | 2   |
| 3                                                                            | 102620301 | Ln Flg, M12 X 1.75, Md, Black .....                        | 2   |
| 4                                                                            | 102670601 | Bracket, Seatbelt, Bolt-On (for Bucket Seats) .....        | 1   |
| 5                                                                            | 102718101 | Washer, Hard, M10, Zn-Ni/Blk .....                         | 2   |
| 6                                                                            | 102732401 | Bolt, M10 X 45, Zn-Ni (Black) .....                        | 2   |
| 7                                                                            | 103216401 | Nut, Flanged, M10 x 1.5, Black .....                       | 2   |
| 8                                                                            | 103529601 | Bolt, Shoulder, 15 Mm .....                                | 2   |
| 9                                                                            | 103529701 | Asm, Buckle, Seat-belt .....                               | 2   |
| 10                                                                           | 103529801 | Retractor, Seat-belt .....                                 | 2   |
| 11                                                                           | 103530701 | Washer, Spring, 15 Mm Id .....                             | 2   |
| 12                                                                           | 103534201 | Lock Nut, 7/16-20 Nylon .....                              | 2   |
| 13                                                                           | 103635101 | Bracket, Seatbelt, Style H, Bolt-On (for Bench Seat) ..... | 1   |
| 14                                                                           | 103806401 | Bolt Btn, M12x1.75 X 25 Black .....                        | 2   |
| Note: Item 4 bracket is for bucket seats. Item 13 bracket is for bench seat. |           |                                                            |     |

1

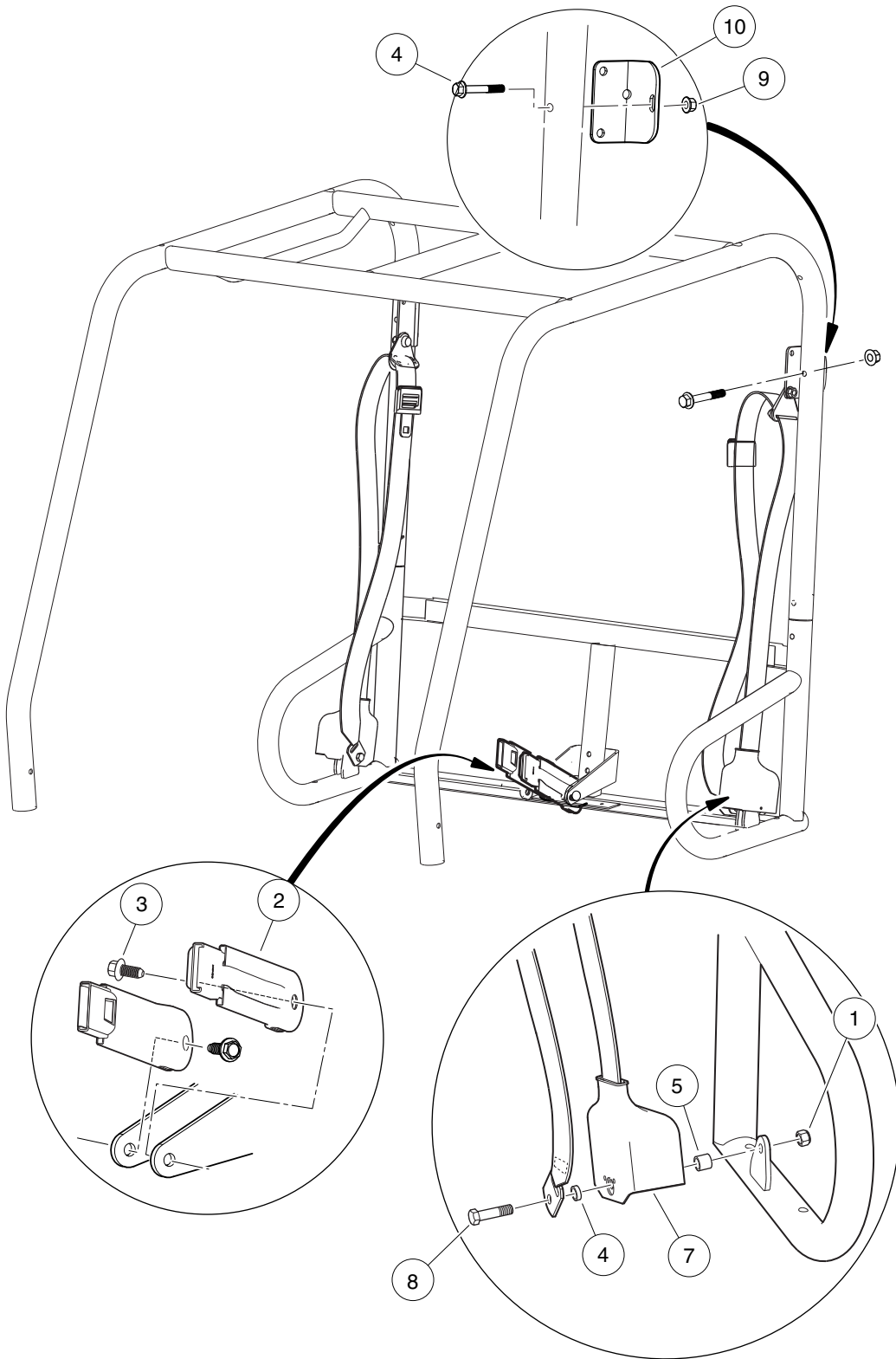
G

D

1

G

D



000560-002

# 3-POINT SEAT BELTS

| ITEM | PART NO.  | DESCRIPTION                          | QTY |
|------|-----------|--------------------------------------|-----|
|      |           | <b>1 2 3 4</b>                       |     |
| 1    | 102324401 | Lock Nut, 7/16-20 Nylon Black .....  | 2   |
| 2    | 102447601 | Buckle, Seat Belt with Sleeve .....  | 2   |
| 3    | 102671201 | Screw,m12x1.75x30 Thd Form Blk ..... | 2   |
| 4    | 102988701 | Bolt, Flanged, M10 X 1.5 X 65 .....  | 2   |
| 5    | 103210801 | Spacer, .69 Od X .5 Id X .60 .....   | 2   |
| 6    | 103210802 | Spacer, .69 Od X .5 Id X .20 .....   | 2   |
| 7    | 103210901 | Seat Belt, 3 Pt, Lock Tongue .....   | 2   |
| 8    | 103211101 | Screw, 7/16-20 X 1.75 .....          | 2   |
| 9    | 103216401 | Nut, Flanged, M10 x 1.5, Black ..... | 2   |
| 10   | 103377501 | Bracket, Support, Rear, ROPS .....   | 2   |

**1**

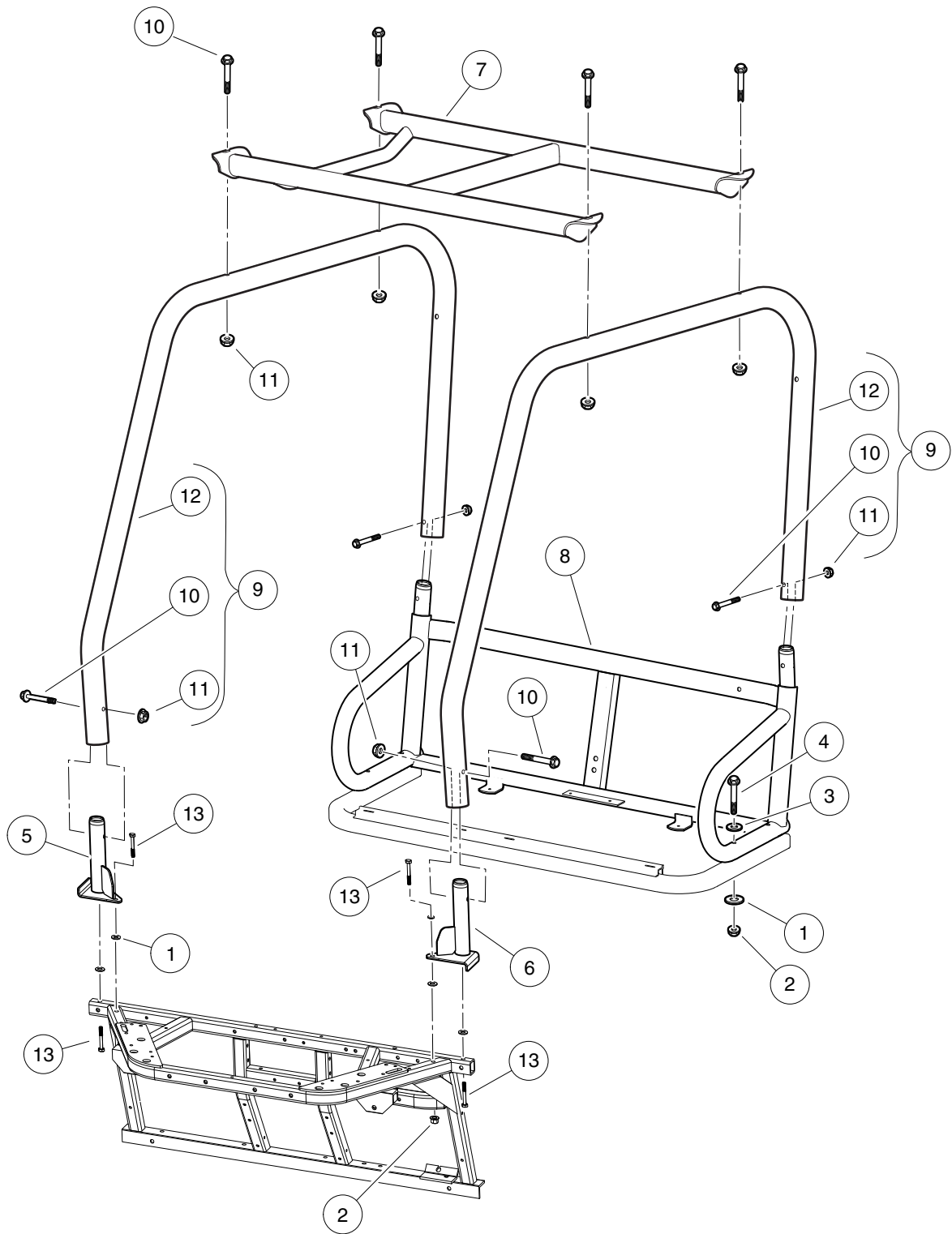
**G**

**D**

1

G

D



000029-008

# ROPS AND SEAT SUPPORT

| ITEM | PART NO.  | DESCRIPTION                                                        | QTY |
|------|-----------|--------------------------------------------------------------------|-----|
|      |           | 1 2 3 4                                                            |     |
| 1    | 102491501 | Washer, Hard, M10 .....                                            | 8   |
| 2    | 102617201 | Nut, Flanged, M10 X 1.5, Mechanically Deformed .....               | 4   |
| 3    | 102718101 | Washer, Hard, M10, Zn-Ni/Blk .....                                 | 4   |
| 4    | 102732301 | Bolt, M10 X 100, Zn-Ni (Black) .....                               | 4   |
| 5    | 102983201 | Weldment, Front, Base, ROPS, Right-Hand .....                      | 1   |
| 6    | 102983601 | Weldment, Front, Base, ROPS, Left-Hand .....                       | 1   |
| 7    | 103225801 | Asm, Top, ROPS .....                                               | 1   |
| 8    | 103361701 | Weldment, Seat Support, ROPS .....                                 | 1   |
| 9    | 103511201 | Kit, Side Rops, Awd, Domestic (includes items 10 through 12) ..... | 1   |
| 10   | 102988701 | Bolt, Flanged, M10 X 1.5 X 65 .....                                | 8   |
| 11   | 103216401 | Nut, Flanged, M10 x 1.5, Black .....                               | 8   |
| 12   | N/A       | Tube, Rops, Side Support, Awd .....                                | 2   |
| 13   | 96715552  | Bolt, M10 X 1.50 X 65 .....                                        | 4   |

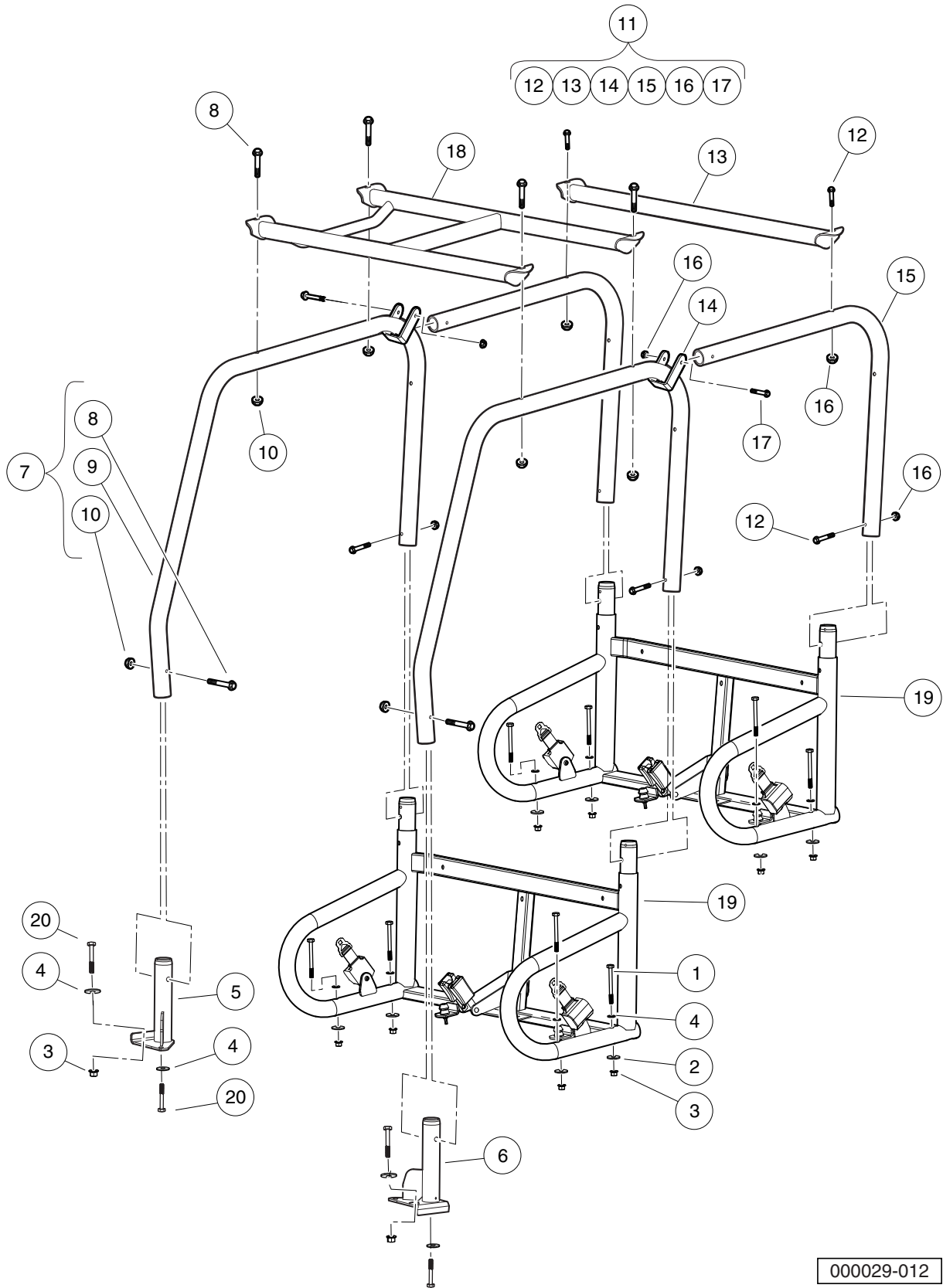
1

G

D

**1**  
**G**

**D**



000029-012

# ROPS – 4 PASS

| ITEM | PART NO.  | DESCRIPTION                                                    | QTY |
|------|-----------|----------------------------------------------------------------|-----|
|      |           | <b>1 2 3 4</b>                                                 |     |
| 1    | 102491301 | Bolt, M10x1.50x100 (Black) .....                               | 8   |
| 2    | 102491501 | Washer, Hard, M10 .....                                        | 10  |
| 3    | 102617201 | Nut, Flanged, M10 X 1.5, Mechanically Deformed .....           | 10  |
| 4    | 102718101 | Washer, Hard, M10, Zn-Ni/Blk .....                             | 10  |
| 5    | 102983201 | Weldment, Front, Base, ROPS, Right-Hand .....                  | 1   |
| 6    | 102983601 | Weldment, Front, Base, ROPS, Left-Hand .....                   | 1   |
| 7    | 103215901 | Kit, ROPS Sides, Domestic (includes items 8 through 10) .....  | 1   |
| 8    | 102988701 | Bolt, Flanged, M10 X 1.5 X 65 .....                            | 8   |
| 9    | 103192101 | Tube, Side Support Short, ROPS .....                           | 2   |
| 10   | 103216401 | Nut, Flanged, M10 x 1.5, Black .....                           | 8   |
| 11   | 103216201 | Kit, ROPS, Four Passenger (includes items 12 through 17) ..... | 1   |
| 12   | 102988701 | Bolt, Flanged, M10 X 1.5 X 65 .....                            | 4   |
| 13   | 103214901 | Weldment, ROPS, Top, 4 Pass .....                              | 1   |
| 14   | 103215001 | Bracket, ROPS, Rear, 4 Pass .....                              | 2   |
| 15   | 103215101 | Tube, Rear, 4 Pass .....                                       | 2   |
| 16   | 103216401 | Nut, Flanged, M10 x 1.5, Black .....                           | 6   |
| 17   | 103216801 | Bolt, Flanged, M10 X 1.5 X 70 .....                            | 2   |
| 18   | 103225801 | Asm, Top, ROPS .....                                           | 1   |
| 19   | 103361701 | Weldment, Seat Support, ROPS .....                             | 2   |
| 20   | 96715552  | Bolt, M10 X 1.50 X 65 .....                                    | 4   |

1

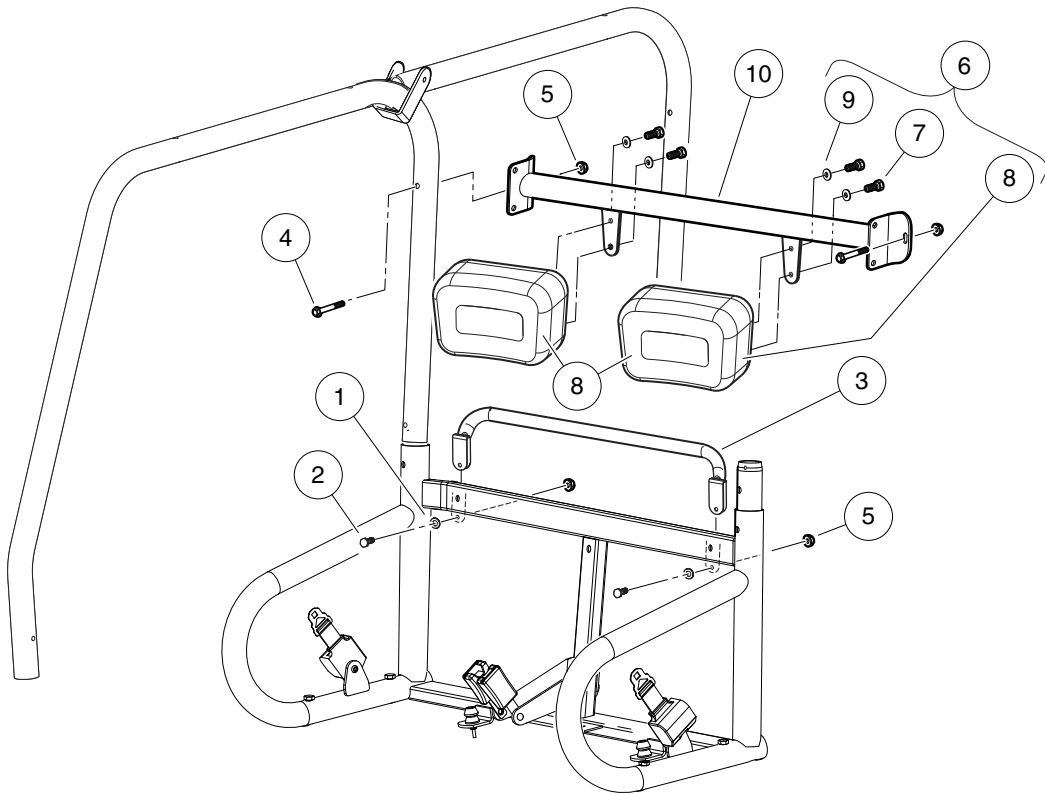
G

D

1

G

D



000029-013



## HEAD RESTS AND REAR SEAT HANDLE – 4 PASS

| ITEM | PART NO.  | DESCRIPTION                                                   | QTY |
|------|-----------|---------------------------------------------------------------|-----|
|      |           | <b>1 2 3 4</b>                                                |     |
| 1    | 102718101 | Washer, Hard, M10, Zn-Ni/Blk .....                            | 2   |
| 2    | 102732401 | Bolt, M10 X 45, Zn-Ni (Black) .....                           | 2   |
| 3    | 102834401 | Weldment, Handle, ROPS, Rear .....                            | 1   |
| 4    | 102988701 | Bolt, Flanged, M10 X 1.5 X 65 .....                           | 2   |
| 5    | 103216401 | Nut, Flanged, M10 x 1.5, Black .....                          | 4   |
| 6    | 103274602 | Kit, Head Restraint, Black (includes items 7 through 9) ..... | 1   |
| 7    | 102490101 | Bolt, M10 X 1.5 X 20 Loctite .....                            | 4   |
| 8    | 103274502 | Asm, Head Restraint, Black .....                              | 2   |
| 9    | 96741046  | Washer, M10, Hard .....                                       | 4   |
| 10   | 103283801 | Asm, Rear Brace .....                                         | 1   |

**1**

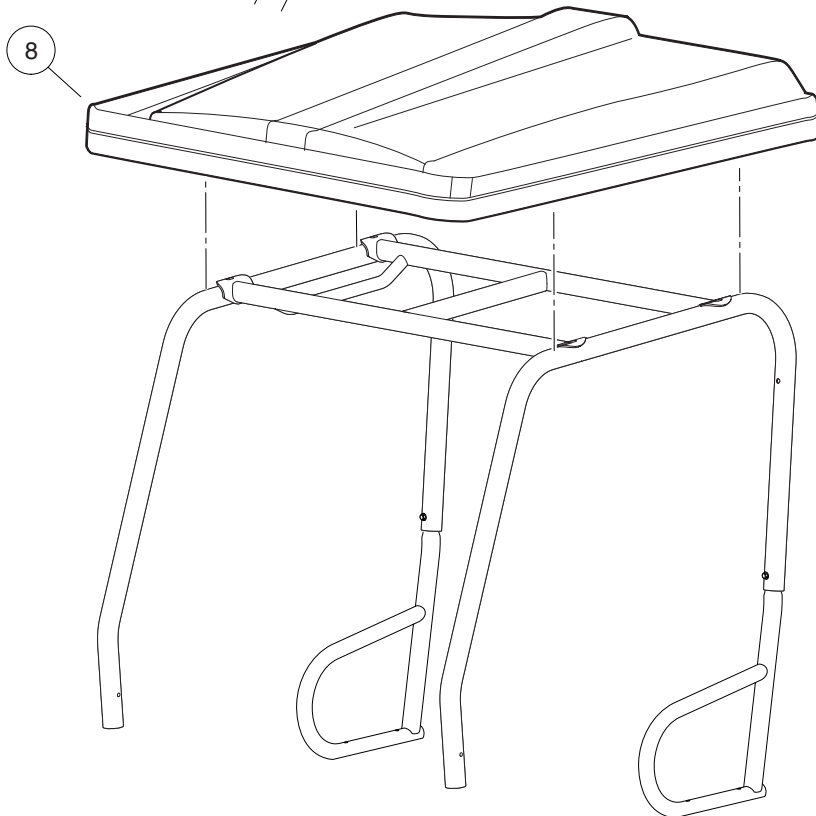
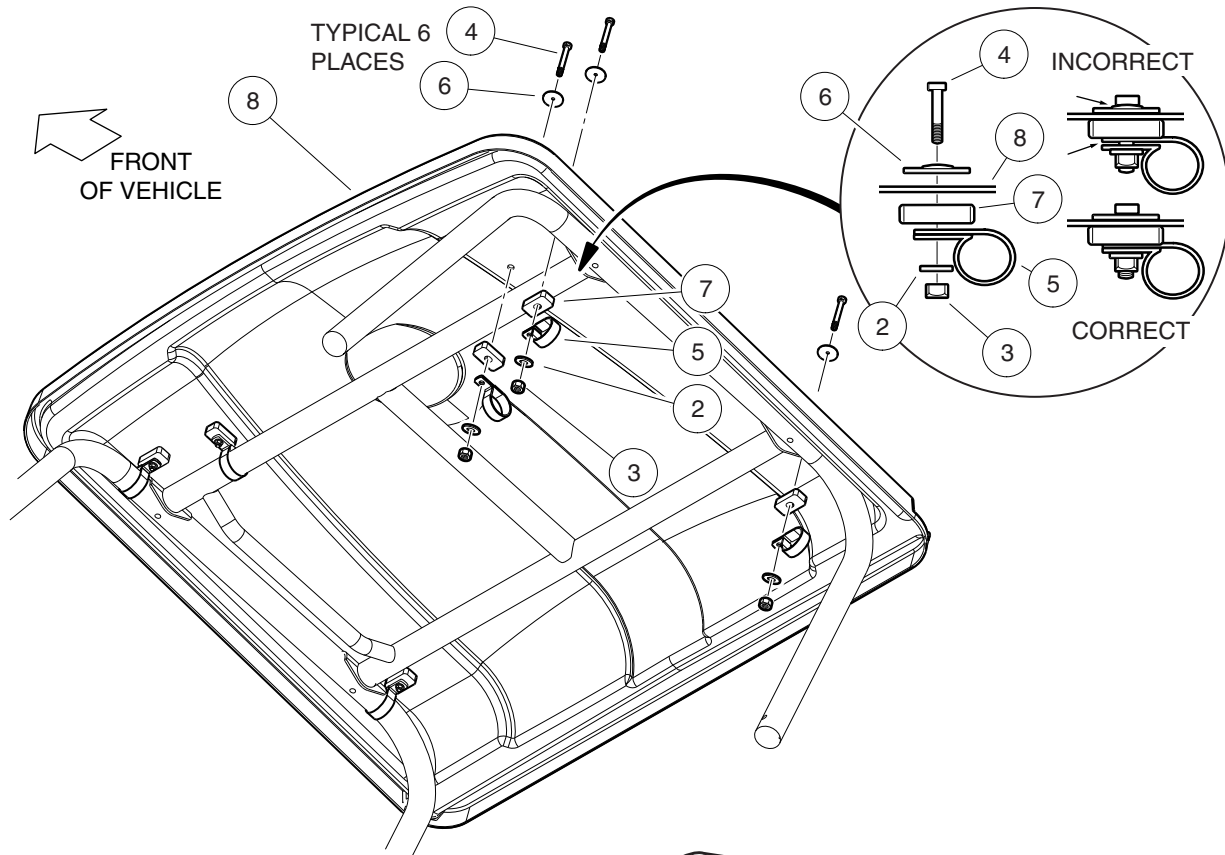
**G**

**D**

1

G

D



000963-001

## CANOPY (VEHICLE WITH ROPS)

| ITEM | PART NO.  | DESCRIPTION                                                | QTY |
|------|-----------|------------------------------------------------------------|-----|
|      |           | <b>1 2 3 4</b>                                             |     |
| 1    | 103955901 | Kit, Canopy, Black, 4wd (includes items 2 through 8) ..... | 1   |
| 2    | 1011964   | Washer, 1/4 Flat .....                                     | 6   |
| 3    | 1015068   | Locknut, 1/4-20 Nylon .....                                | 6   |
| 4    | 102343601 | Screw, 1/4-20 X 1 3/4 Ss Hx Ca .....                       | 6   |
| 5    | 103223101 | P Clamp Insul 50.8 Dia .....                               | 6   |
| 6    | 103844301 | Washer, Sealing, 0.25 X 1.50 .....                         | 6   |
| 7    | 103844401 | Spacer, 0.625 X 2.25 X 1.25 .....                          | 6   |
| 8    | N/A       | Canopy, Black, 4wd .....                                   | 1   |

**1**

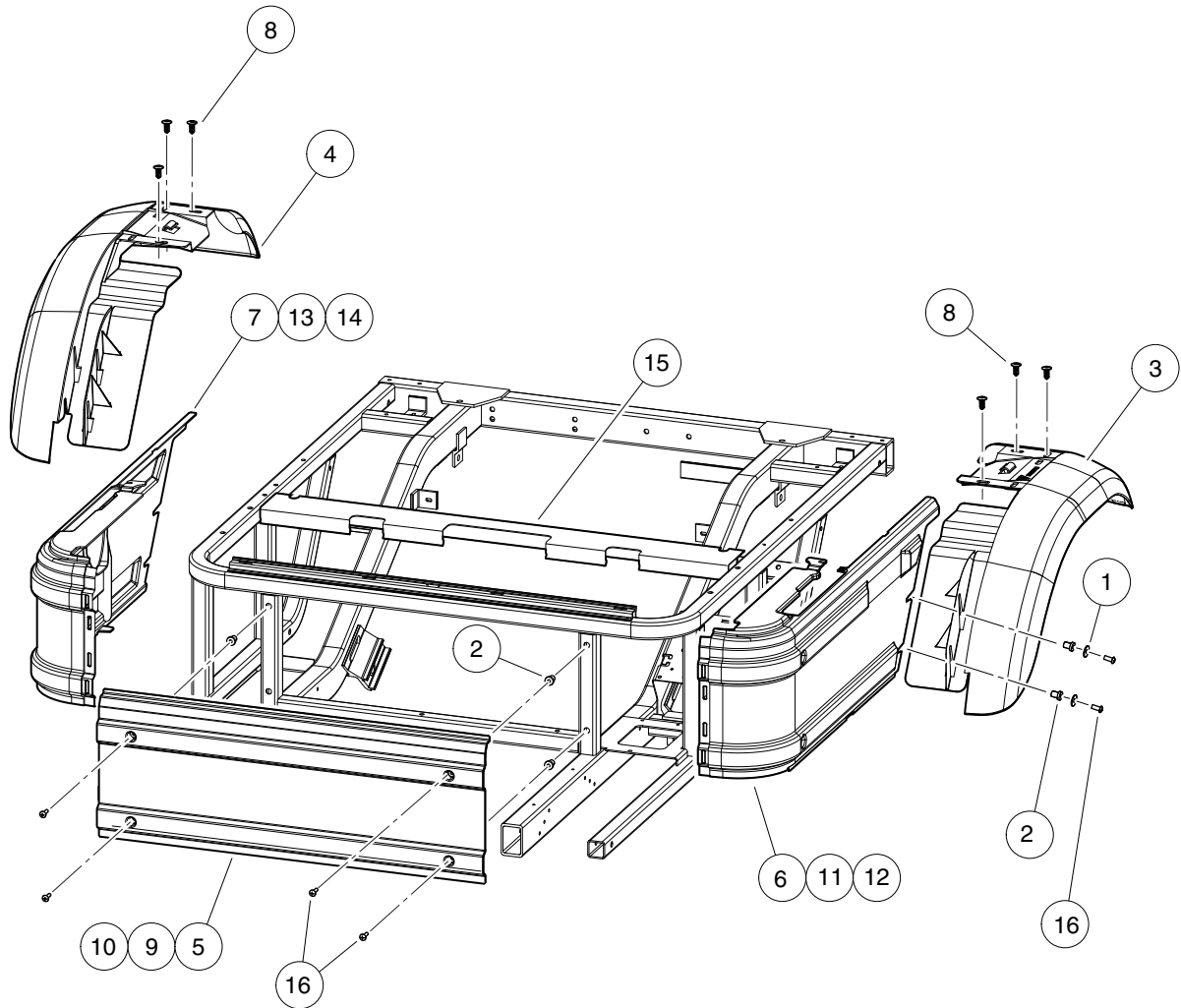
**G**

**D**

1

G

D



000518-006

## SIDE PANELS AND REAR FENDERS – 2 PASS

| ITEM | PART NO.  | DESCRIPTION                                          | QTY |
|------|-----------|------------------------------------------------------|-----|
|      |           | <b>1 2 3 4</b>                                       |     |
| 1    | 1014306   | Washer, 1/4" Type B Flat .....                       | 4   |
| 2    | 102491701 | Well Nut 1/4-20 .....                                | 8   |
| 3    | 102913801 | Left Rear Fender (Black) .....                       | 1   |
| 4    | 102913901 | Right Rear Fender (Black) .....                      | 1   |
| 5    | 102914001 | Panel, Front, Kick (Black) .....                     | 1   |
| 6    | 102914101 | Panel, Side, Molded, Driver (Black) .....            | 1   |
| 7    | 102914102 | Panel, Side, Molded, Passenger (Black) .....         | 1   |
| 8    | 103200501 | Screw, Tuflok, 10mm .....                            | 6   |
| 9    | 103289001 | Panel, Front, Kick (Realtree Camo) .....             | 1   |
| 10   | 103289002 | Panel, Front, Kick, Moff .....                       | 1   |
| 11   | 103289101 | Panel, Side, Molded, Driver (Realtree Camo) .....    | 1   |
| 12   | 103289102 | Panel, Side, Molded, Drv, Moff .....                 | 1   |
| 13   | 103289103 | Panel, Side, Molded, Passenger (Realtree Camo) ..... | 1   |
| 14   | 103289104 | Panel, Side, Molded, Pass, Moff .....                | 1   |
| 15   | 103331201 | Closeout, Extrusion .....                            | 1   |
| 16   | 8251      | Screw, 1/4-20 X 1.0 Truss-Head Machine .....         | 8   |

**1**

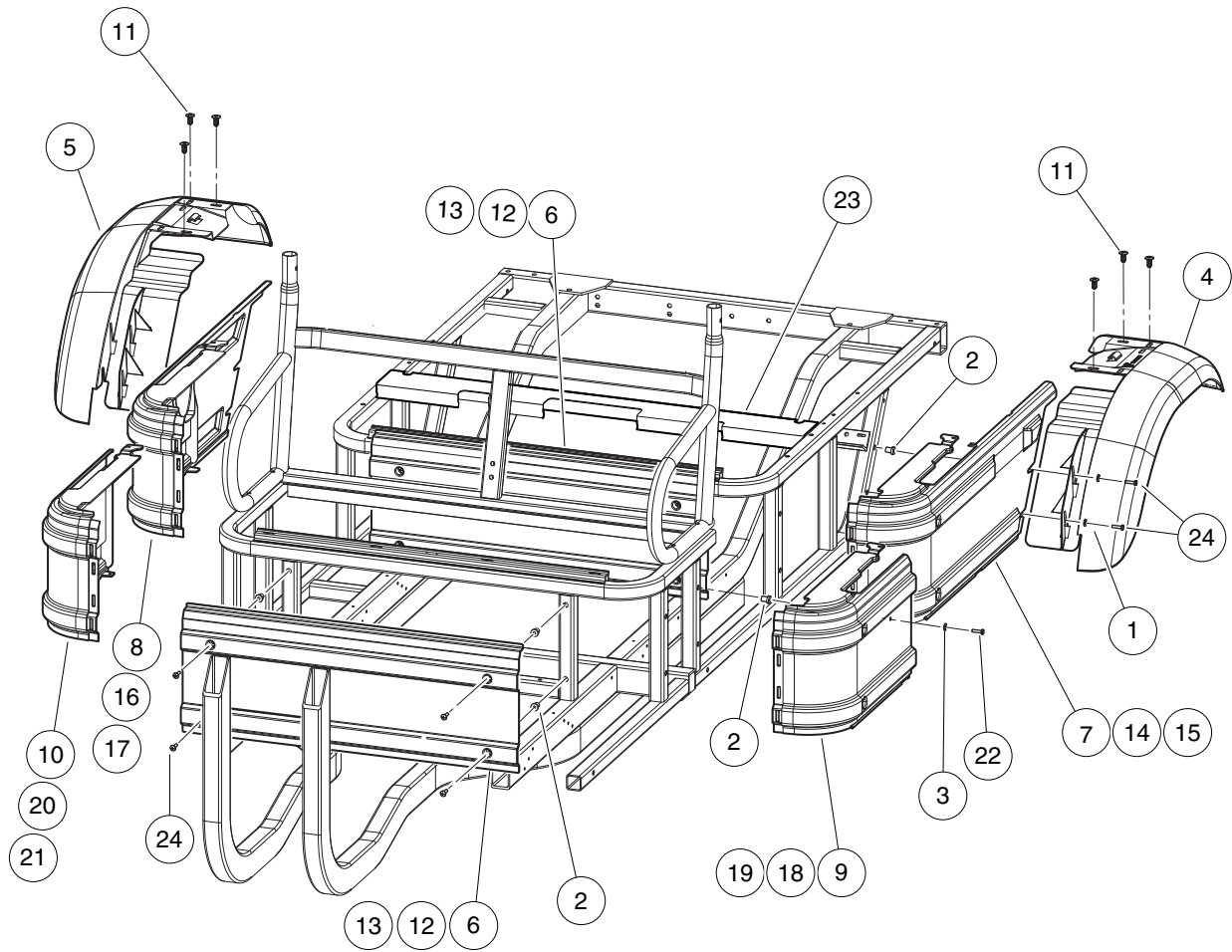
**G**

**D**

1

G

D



000518-007

## SIDE PANELS AND REAR FENDERS – 4 PASS

| ITEM | PART NO.  | DESCRIPTION                                          | QTY |
|------|-----------|------------------------------------------------------|-----|
|      |           | <b>1 2 3 4</b>                                       |     |
| 1    | 1014306   | Washer, 1/4" Type B Flat .....                       | 4   |
| 2    | 102491701 | Well Nut 1/4-20 .....                                | 14  |
| 3    | 102772201 | Washer, Flat, 5/16, Black .....                      | 2   |
| 4    | 102913801 | Left Rear Fender (Black) .....                       | 1   |
| 5    | 102913901 | Right Rear Fender (Black) .....                      | 1   |
| 6    | 102914001 | Panel, Front, Kick (Black) .....                     | 2   |
| 7    | 102914101 | Panel, Side, Molded, Driver (Black) .....            | 1   |
| 8    | 102914102 | Panel, Side, Molded, Passenger (Black) .....         | 1   |
| 9    | 102914104 | Panel, Side, Cut, Driver (Black) .....               | 1   |
| 10   | 102914105 | Panel, Side, Cut, Passenger (Black) .....            | 1   |
| 11   | 103200501 | Screw, Tuflok, 10mm .....                            | 6   |
| 12   | 103289001 | Panel, Front, Kick (Realtree Camo) .....             | 2   |
| 13   | 103289002 | Panel, Front, Kick, Moff .....                       | 2   |
| 14   | 103289101 | Panel, Side, Molded, Driver (Realtree Camo) .....    | 1   |
| 15   | 103289102 | Panel, Side, Molded, Drv, Moff .....                 | 1   |
| 16   | 103289103 | Panel, Side, Molded, Passenger (Realtree Camo) ..... | 1   |
| 17   | 103289104 | Panel, Side, Molded, Pass, Moff .....                | 1   |
| 18   | 103289107 | Panel, Cut, Driver (Realtree Camo) .....             | 1   |
| 19   | 103289108 | Panel, Side, Cut, Drv, Moff .....                    | 1   |
| 20   | 103289109 | Panel, Cut, Passenger (Realtree Camo) .....          | 1   |
| 21   | 103289110 | Panel, Side, Cut, Pass, Moff .....                   | 1   |
| 22   | 103319501 | Screw, Pn Hd Blk, 1/4 - 20 X 1 .....                 | 2   |
| 23   | 103331201 | Closeout, Extrusion .....                            | 1   |
| 24   | 8251      | Screw, 1/4-20 X 1.0 Truss-Head Machine .....         | 12  |

**1**

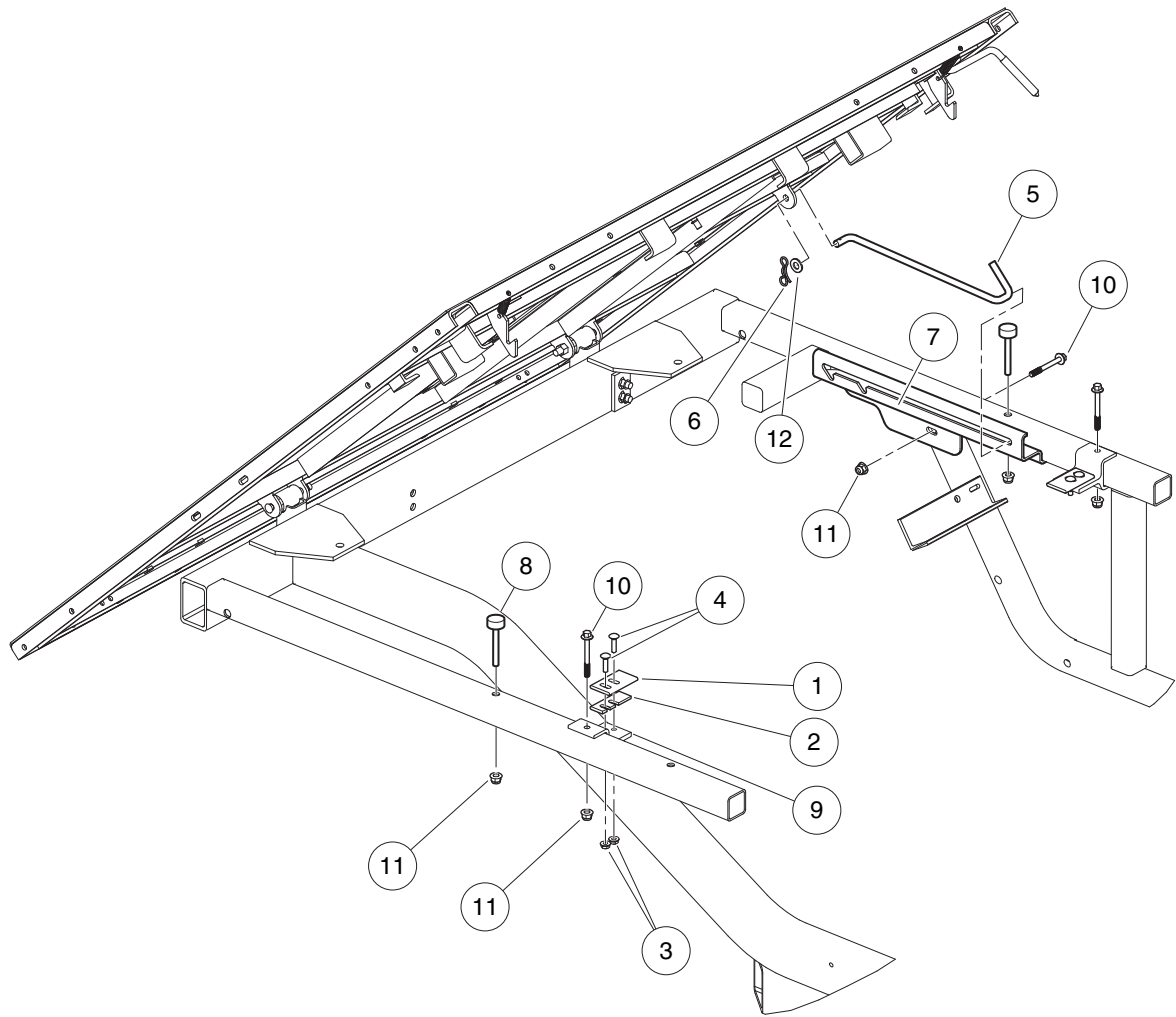
**G**

**D**

1

G

D



000036-001



# LATCH PLATES AND PROP ROD

| ITEM | PART NO.  | DESCRIPTION                              | QTY |
|------|-----------|------------------------------------------|-----|
|      |           | <b>1 2 3 4</b>                           |     |
| 1    | 1015277   | Latch Plate, Tilt Bed .....              | 2   |
| 2    | 1016078   | Latch Plate Shim .....                   | 1   |
| 3    | 101835601 | Locknut, 1/4-20 Hex Whiz .....           | 4   |
| 4    | 101958602 | Bolt, Carriage, 1/4-20 X 1.0 .....       | 4   |
| 5    | 102301401 | Rod, Prop .....                          | 1   |
| 6    | 102323101 | Pin, Bow Tie Locking .....               | 1   |
| 7    | 102418101 | Track, Prop Rod .....                    | 1   |
| 8    | 102426601 | Bumper, Bed, Mtg, Front .....            | 2   |
| 9    | 102493801 | Bracket, Latch, Bed .....                | 2   |
| 10   | 102618301 | Bolt, Flanged Head, M8 X 1.25 X 65 ..... | 3   |
| 11   | 102618601 | Lock Nut, Flange, M8 X 1.25 Nylon .....  | 5   |
| 12   | 334       | Washer, 3/8, Type A, Flat .....          | 1   |

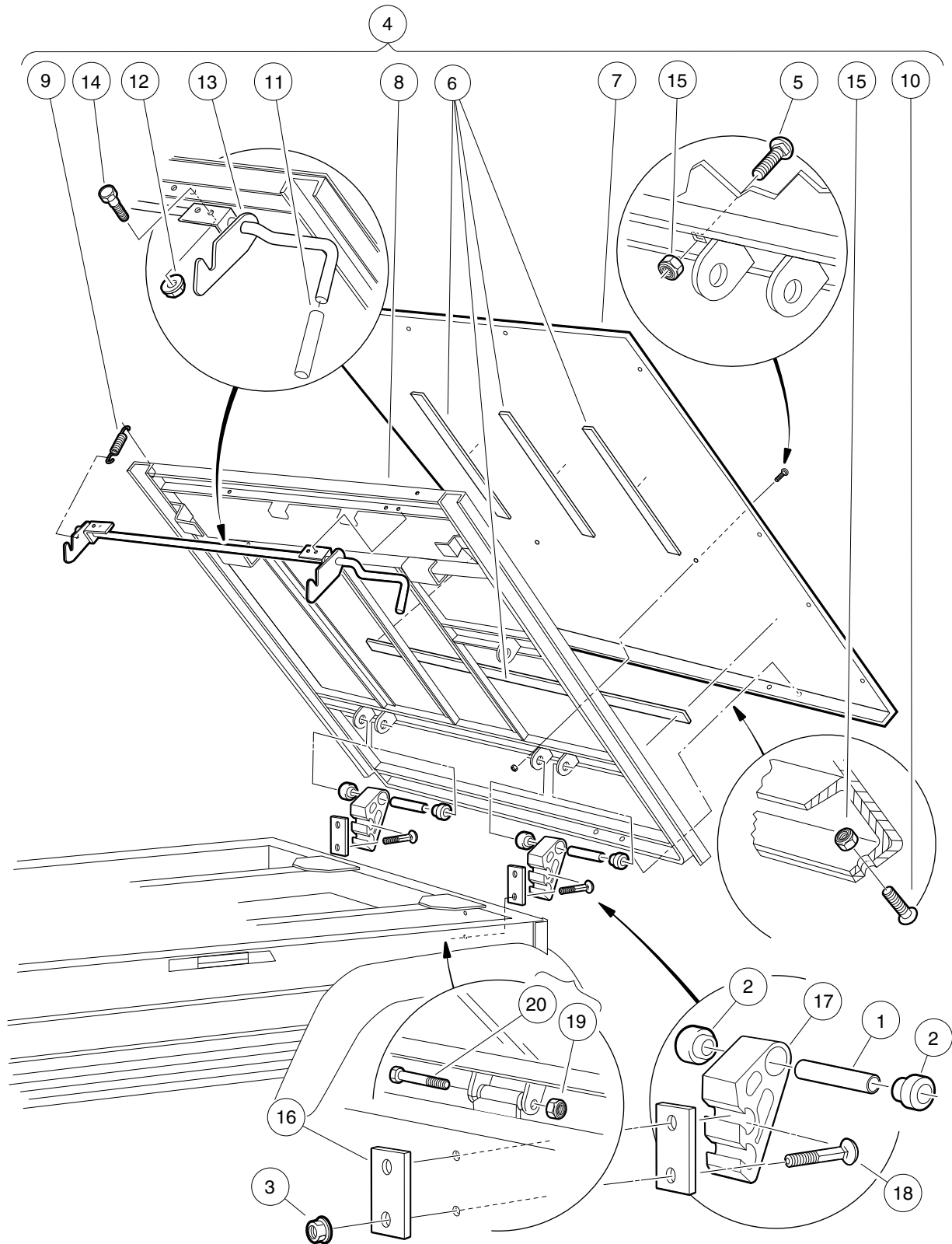
**1**

**G**

**D**

**1**  
**G**

**D**



000037-001

# TILT BED, HINGE, AND LATCH

| ITEM | PART NO.  | DESCRIPTION                                           | QTY |
|------|-----------|-------------------------------------------------------|-----|
|      |           | <b>1 2 3 4</b>                                        |     |
| 1    | 1012303   | Bushing, Steel .....                                  | 2   |
| 2    | 1015583   | Bushing, Urethane .....                               | 2   |
| 3    | 102065901 | Locknut, 3/8-16 Flanged Dimple .....                  | 4   |
| 4    | 102171503 | Tilt Bed Assembly (includes items 5 through 15) ..... | 1   |
| 5    | 1010435   | Bolt, Carriage, 5/16-18 X 1.00 .....                  | 4   |
| 6    | 1014471   | Tape, Vinyl Foam 1/8" x 3/4" .....                    | 1   |
| 7    | 1015258   | Plate, Floor Bed .....                                | 1   |
| 8    | N/A       | Frame Assembly .....                                  | 1   |
| 9    | 1015391   | Extension, Spring Latch .....                         | 2   |
| 10   | 1015399   | Screw, 5/16-18 X 0.88 Torx Truss-Head .....           | 4   |
| 11   | 1015400   | Grip, Tilt Latch Hand .....                           | 1   |
| 12   | 101835601 | Locknut, 1/4-20 Hex Whiz .....                        | 4   |
| 13   | 102426901 | Ltch Weld Asm Tlt Bd .....                            | 1   |
| 14   | 403       | Screw, 1/4-20 X 0.625 Hex-Head Cap .....              | 4   |
| 15   | 7473      | Locknut, 5/16-18 Nylon Insert .....                   | 8   |
| 16   | 102614101 | Plate, Back .....                                     | 2   |
| 17   | 103538701 | Bracket, Bed Hinge, Extruded .....                    | 2   |
| 18   | 103538901 | Bolt, Carriage, 3/8-16 x 3.5" Grade 5 .....           | 4   |
| 19   | 8754      | Locknut, 3/8-16 Hex .....                             | 2   |
| 20   | 8755      | Screw, 3/8-16 X 3.375 Hex Cap .....                   | 2   |

**1**

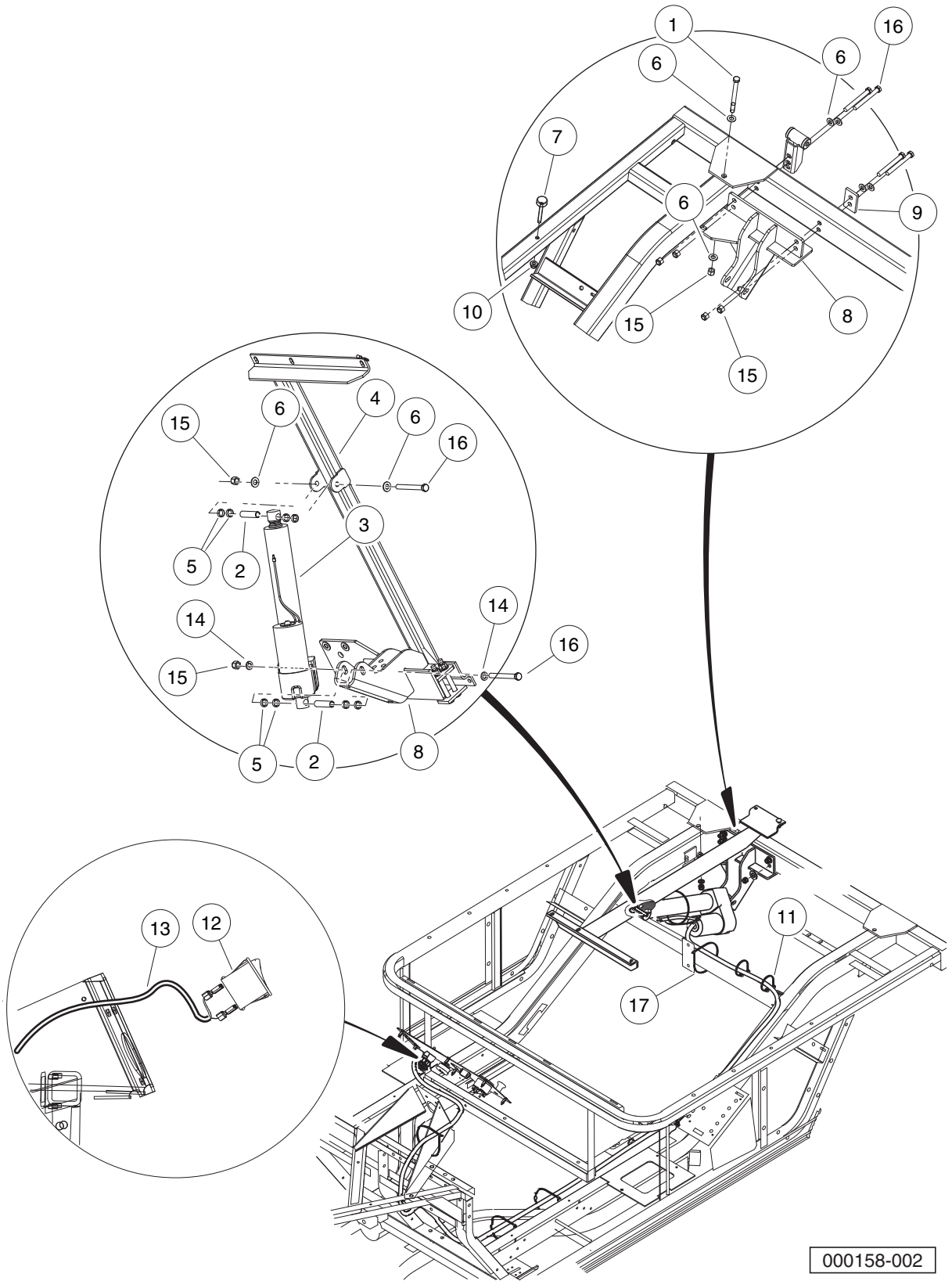
**G**

**D**

1

G

D



000158-002

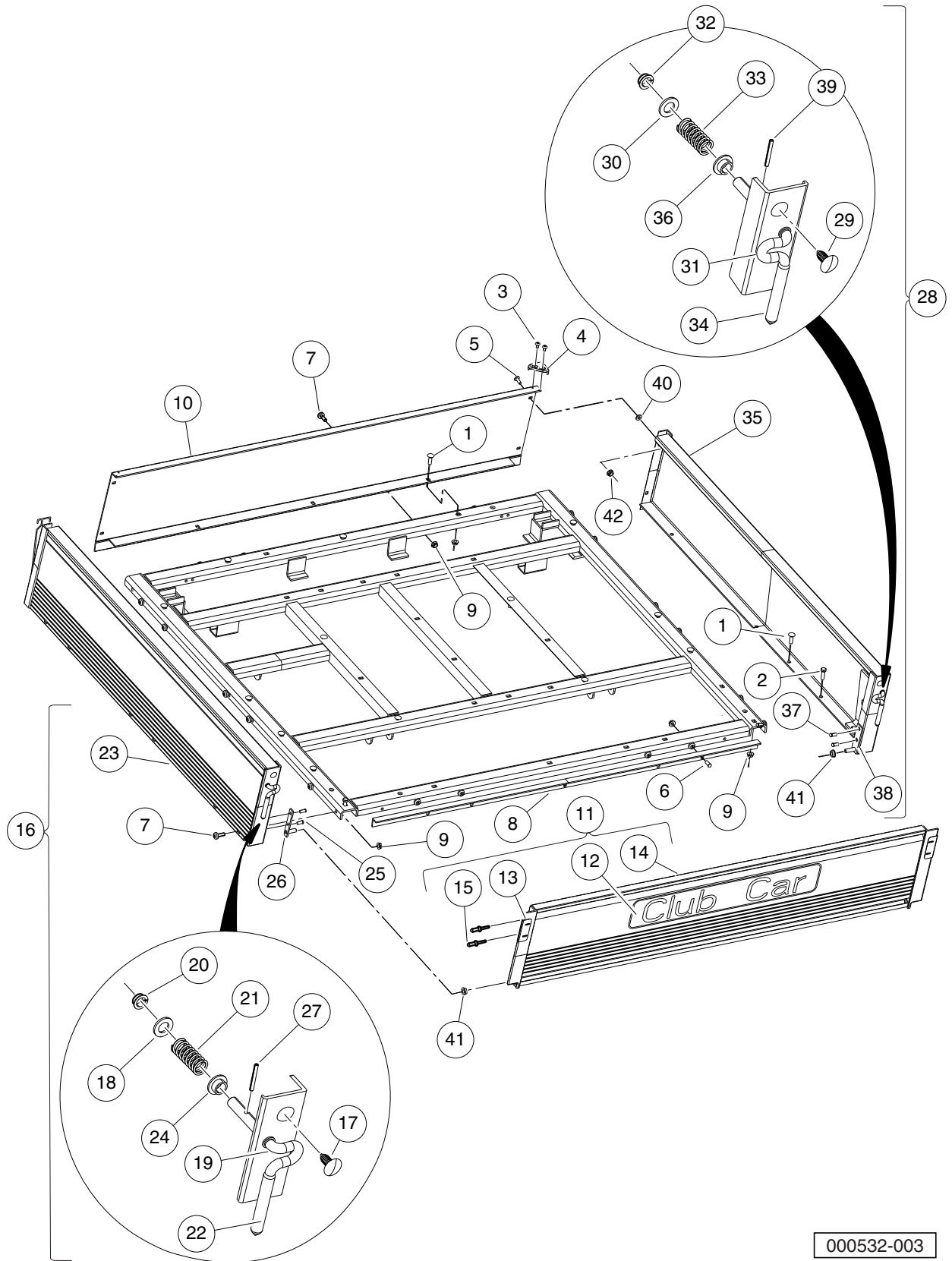
# ELECTRIC BED LIFT

| ITEM | PART NO.  | DESCRIPTION                             | QTY |          |
|------|-----------|-----------------------------------------|-----|----------|
|      |           | <b>1 2 3 4</b>                          |     | <b>1</b> |
| 1    | 1010200   | Bolt, 3/8-16 X 4.25 Hex Head .....      | 1   | <b>G</b> |
| 2    | 1016603   | Bushing Long .....                      | 2   |          |
| 3    | 1017162   | Actuator Assembly, Electric .....       | 1   |          |
| 4    | 1017167   | Actuator Adapter .....                  | 1   | <b>D</b> |
| 5    | 1017774   | Body Spacer .....                       | 8   |          |
| 6    | 102066001 | Washer, 3/8 Type B Hard Flat .....      | 8   |          |
| 7    | 102426601 | Bumper, Bed, Mtg, Front .....           | 2   |          |
| 8    | 102465701 | Weldment, Bracket, Actuator .....       | 1   |          |
| 9    | 102614101 | Plate, Back .....                       | 1   |          |
| 10   | 102618601 | Lock Nut, Flange, M8 X 1.25 Nylon ..... | 2   |          |
| 11   | 102629001 | Tie Wrap, 8.00" With Mount .....        | 2   |          |
| 12   | 102882501 | Switch, Rocker, Bed Lift .....          | 1   |          |
| 13   | 103227001 | Harness, AWD Bedlift .....              | 1   |          |
| 14   | 357       | Lockwasher, 3/8 Split .....             | 2   |          |
| 15   | 8754      | Locknut, 3/8-16 Hex .....               | 9   |          |
| 16   | 8755      | Screw, 3/8-16 X 3.375 Hex Cap .....     | 6   |          |
| 17   | 8990      | Tie Wrap, 8" Nylon .....                | 5   |          |

1

G

D



000532-003

# BOX BED – ALUMINUM

| ITEM | PART NO.  | DESCRIPTION                                                     | QTY |
|------|-----------|-----------------------------------------------------------------|-----|
|      |           | <b>1 2 3 4</b>                                                  |     |
| 1    | 1010435   | Bolt, Carriage, 5/16-18 X 1.00 .....                            | 11  |
| 2    | 1010934   | Screw, 5/16-18 X 1.00 Hex Cap .....                             | 2   |
| 3    | 1014321   | Screw, #10 Truss-Head Torx .....                                | 4   |
| 4    | 1014387   | Cap, Corner .....                                               | 2   |
| 5    | 1014415   | Screw, 1/4-20 X 0.75 Torx Truss-Head .....                      | 4   |
| 6    | 1014537   | Stud, Self-Clinching Flush Head .....                           | 2   |
| 7    | 1015399   | Screw, 5/16-18 X 0.88 Torx Truss-Head .....                     | 16  |
| 8    | N/A       | Box Bed Tailgate Angle .....                                    | 1   |
| 9    | 101963401 | Locknut, 5/16-18 Hex Flange .....                               | 33  |
| 10   | 102030101 | Panel, Front .....                                              | 1   |
| 11   | 102030201 | Tailgate Asm (includes items 12 through 15) .....               | 1   |
| 12   | 1013317   | Decal, Logo, Tailgate .....                                     | 1   |
| 13   | 1015246   | Plate, Tailgate Latch Wear .....                                | 2   |
| 14   | N/A       | Tailgate Weldment .....                                         | 1   |
| 15   | 7973      | Rivet, 3/16 X .400 Blind .....                                  | 4   |
| 16   | 103191401 | Asm, Panel, Side, Left (includes items 17 through 28) .....     | 1   |
| 17   | 1010434   | Barrel - Plastic .....                                          | 1   |
| 18   | 1011990   | Washer, 3/8 Flat .....                                          | 1   |
| 19   | 1015313   | Latch, Tailgate, Left-Hand .....                                | 1   |
| 20   | 1015363   | Bushing, Snap-In .....                                          | 1   |
| 21   | 1015390   | Compression Spring Latch Tilt .....                             | 1   |
| 22   | 1015400   | Grip, Tilt Latch Hand .....                                     | 1   |
| 23   | 103191201 | Weldment, Panel, Side, Left .....                               | 1   |
| 24   | 1032      | Bushing, Nylon .....                                            | 1   |
| 25   | 103379401 | Rivet, 1/4 X 0.30, Blind .....                                  | 2   |
| 26   | 103406501 | Kit, Tailgate Mounting Bracket, CA, LH (includes item 27) ..... | 1   |
| 27   | 103406601 | Stud, 1/4 Self-clnchg Flush .....                               | 2   |
| 28   | 1231      | Pin, 1/8 X 1.00 Split Roll .....                                | 1   |
| 29   | 103191501 | Asm, Panel, Side, Right (includes items 30 through 41) .....    | 1   |
| 30   | 1010434   | Barrel - Plastic .....                                          | 1   |
| 31   | 1011990   | Washer, 3/8 Flat .....                                          | 1   |
| 32   | 1015245   | Latch, Tailgate, Right-Hand .....                               | 1   |
| 33   | 1015363   | Bushing, Snap-In .....                                          | 1   |
| 34   | 1015390   | Compression Spring Latch Tilt .....                             | 1   |
| 35   | 1015400   | Grip, Tilt Latch Hand .....                                     | 1   |
| 36   | 103191301 | Weldment, Panel, Side, Right .....                              | 1   |
| 37   | 1032      | Bushing, Nylon .....                                            | 1   |
| 38   | 103379401 | Rivet, 1/4 X 0.30, Blind .....                                  | 2   |
| 39   | 103406502 | Kit, Tailgate Mounting Bracket, CA, RH (includes item 40) ..... | 1   |
| 40   | 103406601 | Stud, 1/4 Self-clnchg Flush .....                               | 2   |
| 41   | 1231      | Pin, 1/8 X 1.00 Split Roll .....                                | 1   |
| 42   | 332       | Washer, 1/4 Type A Narrow Flat .....                            | 4   |
| 43   | 7049      | Bushing, Nylon .....                                            | 2   |
| 44   | 8233      | Locknut, 1/4-20, Nylon Insert .....                             | 4   |

**1**

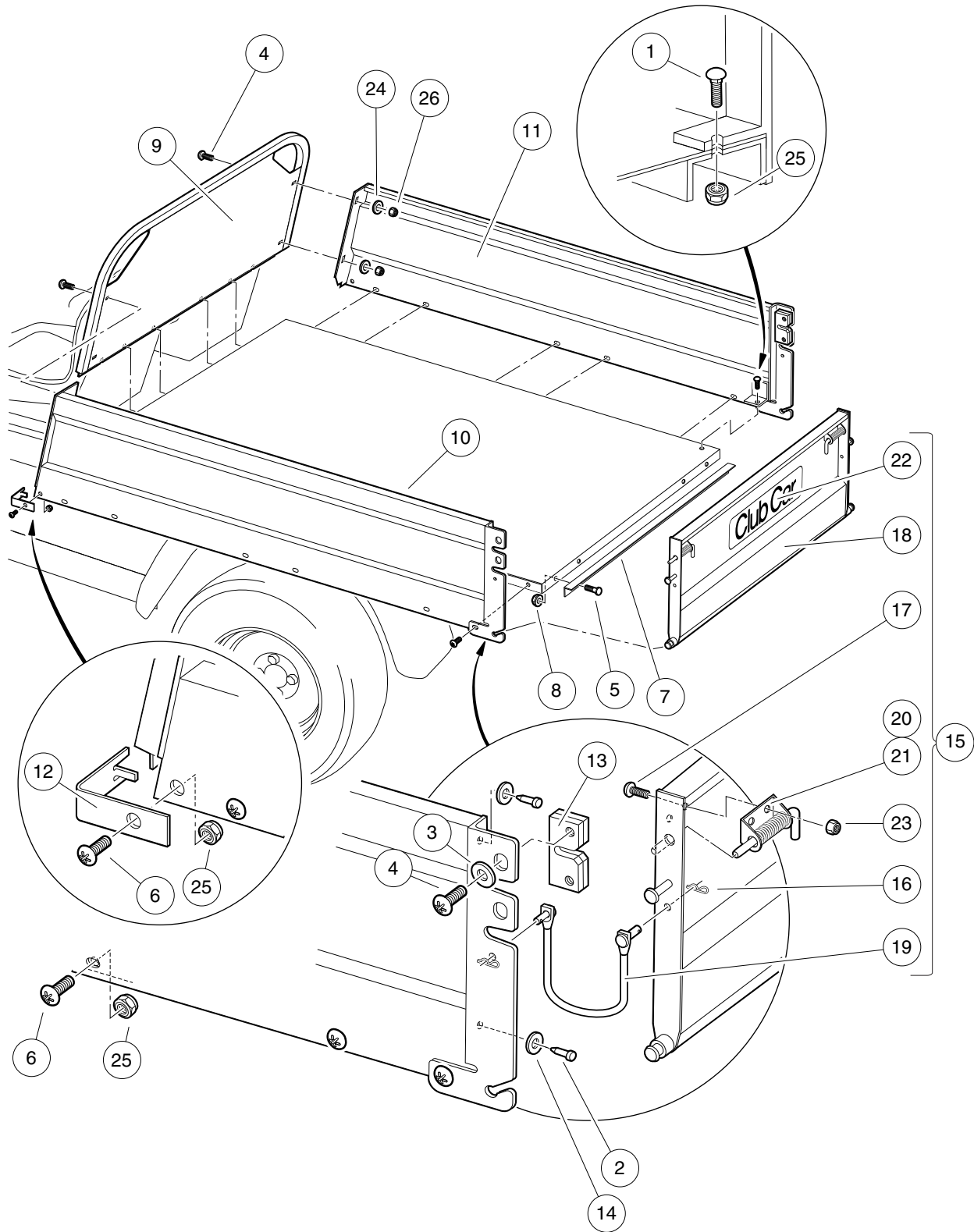
**G**

**D**

1

G

D



000038-006



# BOX BED – STEEL

| ITEM | PART NO.  | DESCRIPTION                                             | QTY |
|------|-----------|---------------------------------------------------------|-----|
|      |           | <b>1 2 3 4</b>                                          |     |
| 1    | 1010435   | Bolt, Carriage, 5/16-18 X 1.00 .....                    | 13  |
| 2    | 1010436   | Bumper, Rubber .....                                    | 4   |
| 3    | 1014306   | Washer, 1/4" Type B Flat .....                          | 4   |
| 4    | 1014415   | Screw, 1/4-20 X 0.75 Torx Truss-Head .....              | 8   |
| 5    | 1014537   | Stud, Self-Clinching Flush Head .....                   | 4   |
| 6    | 1015399   | Screw, 5/16-18 X 0.88 Torx Truss-Head .....             | 18  |
| 7    | 101894304 | Box Bed Tailgate Angle .....                            | 1   |
| 8    | 101963401 | Locknut, 5/16-18 Hex Flange .....                       | 4   |
| 9    | 102221301 | Front Panel Weldment .....                              | 1   |
| 10   | 102221401 | Left Panel Weldment .....                               | 1   |
| 11   | 102221501 | Right Panel Weldment .....                              | 1   |
| 12   | 102221701 | Front Corner Cap .....                                  | 2   |
| 13   | 102222001 | Slam Latch .....                                        | 2   |
| 14   | 102239901 | Washer, Rubber, 3/8 .....                               | 4   |
| 15   | 102614401 | Assembly, Tailgate (includes items 16 through 23) ..... | 1   |
| 16   | 1013366   | Hair Pin Clip .....                                     | 4   |
| 17   | 1014415   | Screw, 1/4-20 X 0.75 Torx Truss-Head .....              | 4   |
| 18   | N/A       | Tailgate, Weldment .....                                | 1   |
| 19   | 102221801 | Tether Assembly .....                                   | 2   |
| 20   | 102222101 | Spring Latch Right .....                                | 1   |
| 21   | 102222201 | Spring Latch Left .....                                 | 1   |
| 22   | 102673201 | Decal, Club Car Tailgate .....                          | 1   |
| 23   | 8233      | Locknut, 1/4-20, Nylon Insert .....                     | 4   |
| 24   | 332       | Washer, 1/4 Type A Narrow Flat .....                    | 4   |
| 25   | 7473      | Locknut, 5/16-18 Nylon Insert .....                     | 31  |
| 26   | 8233      | Locknut, 1/4-20, Nylon Insert .....                     | 4   |

**1**

**G**

**D**

**1**

**G**

**D**

# WHEELS AND TIRES

---

2

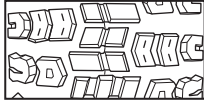
G

D

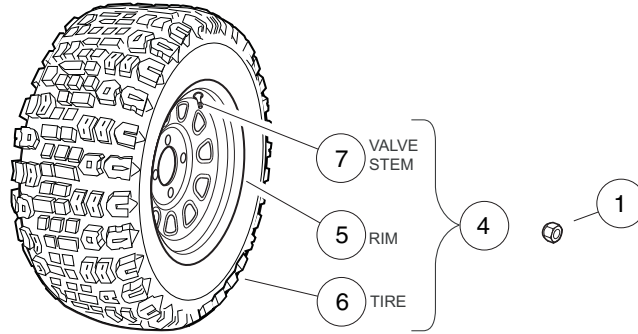
2

G

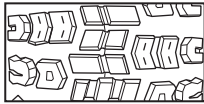
D



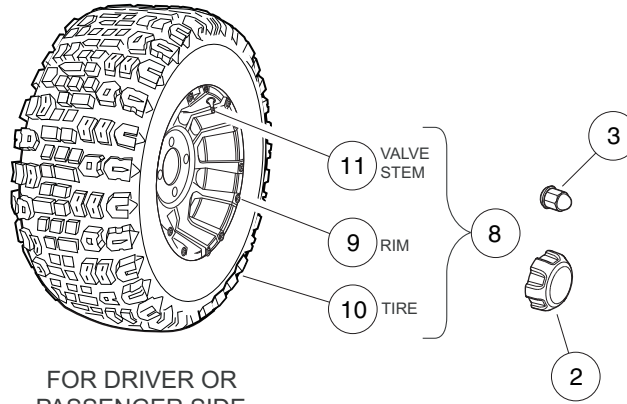
Kenda  
All-Terrain  
Tread



FOR DRIVER OR  
PASSENGER SIDE



Kenda  
All-Terrain  
Tread



FOR DRIVER OR  
PASSENGER SIDE

000506-006

## WHEELS AND TIRES – KENDA

| ITEM                                                                             | PART NO.  | DESCRIPTION                                                                             | QTY |
|----------------------------------------------------------------------------------|-----------|-----------------------------------------------------------------------------------------|-----|
|                                                                                  |           | 1 2 3 4                                                                                 |     |
| 1                                                                                | 102736901 | Nut, Lug, 1/2-20 SAE J2283 .....                                                        | 16  |
| 2                                                                                | 103532801 | Cap, Center, Chrome .....                                                               | 4   |
| 3                                                                                | 103699801 | Lug Nut, 13/16 X 1/2-20, CE .....                                                       | 16  |
| 4                                                                                | 103779001 | Wheel/Tire Assy, All Terrain, 25x11-12 K502, Black Wheel (includes items 5 through 7) . | 4   |
| 5                                                                                | 103234503 | Wheel, 10 Window, Black .....                                                           | 1   |
| 6                                                                                | 103778601 | Tire, All Terrain, K502, 25x11-12 .....                                                 | 1   |
| 7                                                                                | 7310      | Valve Stem, Black Plastic .....                                                         | 1   |
| 8                                                                                | 103779004 | Wheel/Tire Assy, All Terrain, 25x11-12 K502, Alloy Wheel (includes items 9 through 11)  | 4   |
| 9                                                                                | 103525002 | Wheel, Alloy .....                                                                      | 1   |
| 10                                                                               | 103778601 | Tire, All Terrain, K502, 25x11-12 .....                                                 | 1   |
| 11                                                                               | 7310      | Valve Stem, Black Plastic .....                                                         | 1   |
| <p style="text-align: center;">Note: The tires listed above are Kenda brand.</p> |           |                                                                                         |     |

2

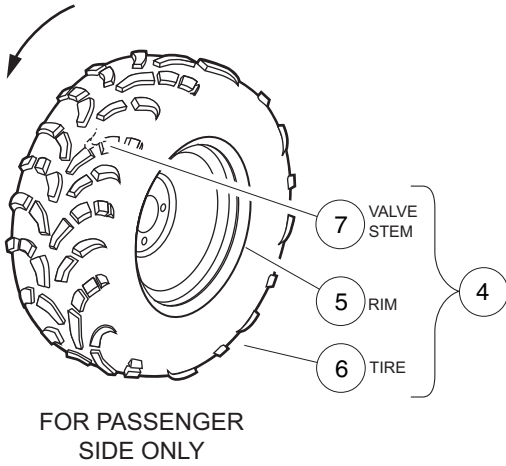
G

D

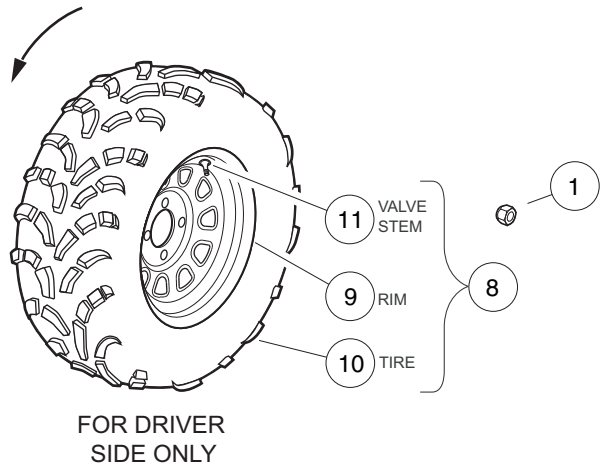
2

G

D



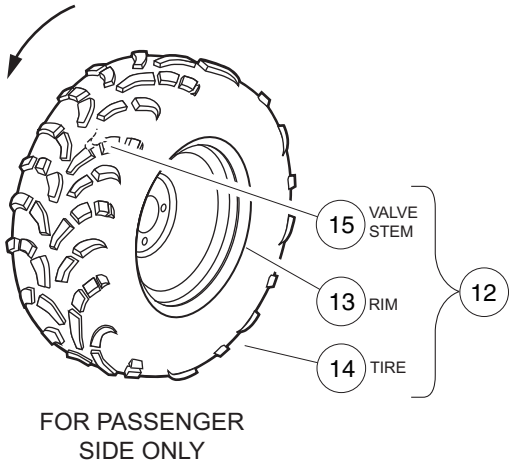
FOR PASSENGER SIDE ONLY



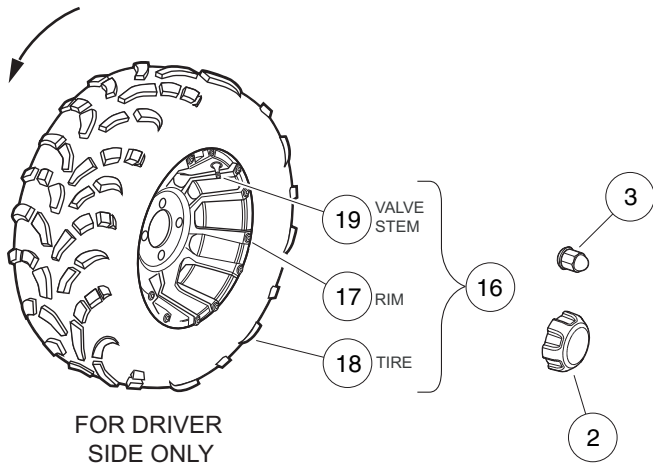
FOR DRIVER SIDE ONLY



OTR Mud Tread



FOR PASSENGER SIDE ONLY



FOR DRIVER SIDE ONLY



OTR Mud Tread

000506-007

## WHEELS AND TIRES – OTR

| ITEM                                                                                                                          | PART NO.  | DESCRIPTION                                                                               | QTY |
|-------------------------------------------------------------------------------------------------------------------------------|-----------|-------------------------------------------------------------------------------------------|-----|
|                                                                                                                               |           | <b>1 2 3 4</b>                                                                            |     |
| 1                                                                                                                             | 102736901 | Nut, Lug, 1/2-20 SAE J2283 .....                                                          | 16  |
| 2                                                                                                                             | 103532801 | Cap, Center, Chrome .....                                                                 | 4   |
| 3                                                                                                                             | 103699801 | Lug Nut, 13/16 X 1/2-20, CE .....                                                         | 16  |
| 4                                                                                                                             | 103901101 | Wheel/Tire Assy, Pass. Side, Mud, 25x11-12 OTR 440, Black (includes items 5 through 7)    | 2   |
| 5                                                                                                                             | 103234503 | Wheel, 10 Window, Black .....                                                             | 1   |
| 6                                                                                                                             | 103901001 | Tire, Mud, 6ply, 25x11-12, 440 .....                                                      | 1   |
| 7                                                                                                                             | 7310      | Valve Stem, Black Plastic .....                                                           | 1   |
| 8                                                                                                                             | 103901102 | Wheel/Tire Assy, Driver Side, Mud, 25x11-12 OTR 440, Black (includes items 9 through 11)  | 2   |
| 9                                                                                                                             | 103234503 | Wheel, 10 Window, Black .....                                                             | 1   |
| 10                                                                                                                            | 103901001 | Tire, Mud, 6ply, 25x11-12, 440 .....                                                      | 1   |
| 11                                                                                                                            | 7310      | Valve Stem, Black Plastic .....                                                           | 1   |
| 12                                                                                                                            | 103901107 | Wheel/Tire Assy, Pass. Side, Mud, 25x11-12 OTR 440, Alloy (includes items 13 through 15)  | 2   |
| 13                                                                                                                            | 103525002 | Wheel, Alloy .....                                                                        | 1   |
| 14                                                                                                                            | 103901001 | Tire, Mud, 6ply, 25x11-12, 440 .....                                                      | 1   |
| 15                                                                                                                            | 7310      | Valve Stem, Black Plastic .....                                                           | 1   |
| 16                                                                                                                            | 103901108 | Wheel/Tire Assy, Driver Side, Mud, 25x11-12 OTR 440, Alloy (includes items 17 through 19) | 2   |
| 17                                                                                                                            | 103525002 | Wheel, Alloy .....                                                                        | 1   |
| 18                                                                                                                            | 103901001 | Tire, Mud, 6ply, 25x11-12, 440 .....                                                      | 1   |
| 19                                                                                                                            | 7310      | Valve Stem, Black Plastic .....                                                           | 1   |
| Note: The tires listed above are OTR brand. NOTE 2: Must use Items 4 and 12 on passenger side; Items 8 and 16 on driver side. |           |                                                                                           |     |

2

G

D

**2**

**G**

**D**



# DECALS

---

3

G

D

3

G

D

**WARNING**  
**GASOLINE EXPLOSION / FIRE.**  
 • Can cause severe injury or death.  
 • No smoking, sparks, or open flames.  
 • Stop engine, allow to cool before refueling.  
 • Turn fuel valve (—) on during operation.  
 • (→) off during storage or transport.  
 CCI 101545901

**WARNING**  
**DIESEL FUEL EXPLOSION / FIRE.**  
 • Can cause severe injury or death.  
 • No smoking, sparks, or open flames.  
 • Stop engine, allow to cool before refueling.  
 CCI 102459201

**OPERATING INSTRUCTIONS**

- Read owner's manual and vehicle safety warnings. Study and understand controls.

**TO START ENGINE**

- Place shift lever in NEUTRAL (N) and press brake pedal.
- Turn key to START and hold until engine starts.

**Diesel Vehicles Only:**

- If required, turn key to PREHEAT and hold for 10-15 seconds.

**TO OPERATE VEHICLE**

- Ensure wheels are turned in desired direction and path is clear.
- With vehicle stopped and engine at idle, select vehicle direction.

↑ Forward    N Neutral    ↓ Reverse (Buzzer will sound)

- Release park brake and slowly press accelerator pedal to increase speed.
- All-wheel drive will automatically drive appropriate wheel(s).

**TO STOP VEHICLE**

- Release accelerator pedal and push brake pedal.

**BEFORE LEAVING VEHICLE**

- Turn key to OFF and remove key.
- Place shift lever in NEUTRAL (N).
- Firmly set park brake.

CCI 10284301



**WARNING**  
**CAN CAUSE SEVERE INJURY**  
**HOT manifold**  
**KEEP CLEAR**  
 CCI 102459001

**WARNING**  
**WINCH CABLE FRACTURE COULD RESULT IN SERIOUS INJURY OR DEATH.**  
 • Do not use winch while persons are seated on the vehicle.  
 • Use remote operation switch for winch control.  
 • Stand to the side and away from the vehicle to operate winch.  
 • Read winch operator manual before operating winch.  
 102231601

**WARNING**  
**CAN CAUSE SEVERE BURNS**  
**Hot Surface**  
 CCI 102458901

**WARNING**  
**Negative frame ground. Can cause severe injury. Do not contact positive (+) battery post or cable to frame. Disconnect negative (-) battery cable first.**  
 CCI 102459101

**WARNING**  
**CAN CAUSE SEVERE INJURY**  
**Rotating parts. KEEP CLEAR.**

**WARNING**  
**CAN CAUSE SEVERE INJURY**  
**Hot manifold and muffler. KEEP CLEAR.**  
 CCI 102459501



8

3006

## SAFETY DECALS – CARRYALL AND XRT 2-PASSENGER

| ITEM | PART NO.  | DESCRIPTION                                         | QTY |
|------|-----------|-----------------------------------------------------|-----|
|      |           | 1 2 3 4                                             |     |
| 1    | 101547601 | Decal, Gasoline Explosion/Fire Warning .....        | 1   |
| 2    | 102231601 | Decal, Winch Cable Fracture Warning .....           | 1   |
| 3    | 102427501 | Cap, Radiator .....                                 | 1   |
| 4    | 102458901 | Decal, Hot Surface Warning .....                    | 2   |
| 5    | 102459001 | Decal, Hot Manifold Warning .....                   | 1   |
| 6    | 102459101 | Decal, Frame Ground Warning .....                   | 1   |
| 7    | 102459201 | Decal, Diesel Explosion/Fire Warning .....          | 1   |
| 8    | 102459501 | Decal, Rotating Parts and Hot Exhaust Warning ..... | 1   |
| 9    | 102884301 | Decal, Operating Instr, AWD .....                   | 1   |

**3**

**G**

**D**

3

G

D

**WARNING**

**ROLLOVER OR FALLING OFF MAY CAUSE DEATH**

- Read owner's manual and operating instructions.
- Fasten seat belts and remain seated while moving.
- Children requiring a child safety seat must not ride on vehicle.
- Comply with state and local laws pertaining to child safety.
- Drive slowly in turns and straight up and down slopes.
- Do not start vehicle until all occupants are seated.
- Two (2) persons per bench seat maximum.
- One (1) person per bucket seat maximum.
- Operate from driver side only and not on public roads.
- Keep entire body inside vehicle while moving.
- Do not operate while under the influence of alcohol or drugs.
- Never attempt jumps and avoid extreme braking in reverse.

CCI 10288461

**UNDER 16**

**WARNING**

**YOUNG DRIVERS INCREASE CHANCE OF DEATH**

- Young drivers may not be able to control vehicle.
- No drivers younger than 16 years old.
- Do not leave children unattended on vehicle.

CCI 10288461

**WARNING**

- Do not modify or remove Roll-over Protective Structure (ROPS).
- Replace ROPS if damaged. Do not attempt repair.
- Use seat belts during operation. Do not jump from vehicle.
- Keep away from drop-offs, steep slopes, and unstable surfaces.

CCI 102961201

**WARNING**

**CAN CAUSE SEVERE INJURY**

Rotating parts. KEEP CLEAR.

CCI 101040201

**NOTICE**

**MAXIMUM TONGUE WEIGHT - 150 lbs.**

CCI 1011553

**WARNING**

**CRUSH AREA**

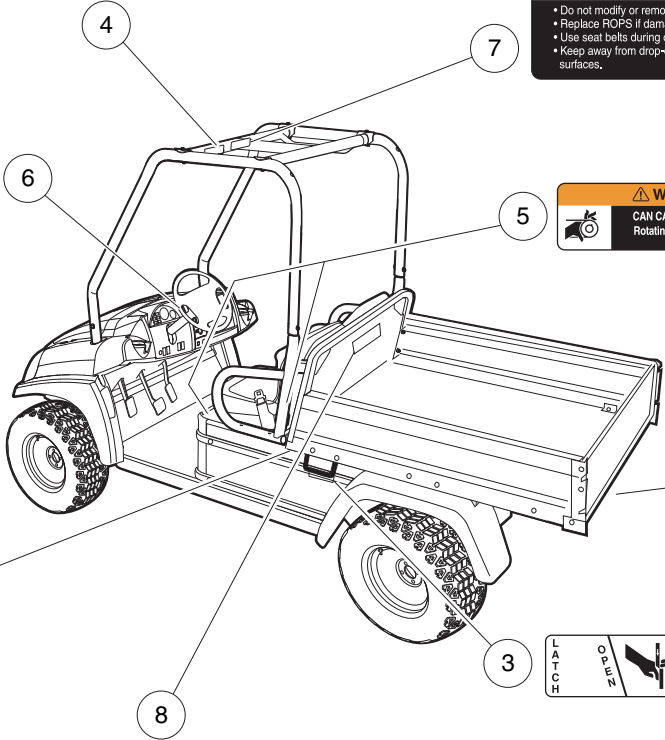
**STAY CLEAR**

CCI 101609401

**WARNING**

Crush area. Can cause severe injury. Stay clear when closing bed.

CCI 10105801



|                                                                                                                                                                          |                                                                                                                                                                                                                                                                                                                                                                                     |                                                                                                                                                                                                                                                                                                                                                                                                             |
|--------------------------------------------------------------------------------------------------------------------------------------------------------------------------|-------------------------------------------------------------------------------------------------------------------------------------------------------------------------------------------------------------------------------------------------------------------------------------------------------------------------------------------------------------------------------------|-------------------------------------------------------------------------------------------------------------------------------------------------------------------------------------------------------------------------------------------------------------------------------------------------------------------------------------------------------------------------------------------------------------|
| <p><b>WARNING</b></p> <p><b>RIDING IN CARGO BED CAN CAUSE SERIOUS INJURY OR DEATH.</b></p> <ul style="list-style-type: none"> <li>• Do not ride in cargo bed.</li> </ul> | <p><b>WARNING</b></p> <p><b>ROLLOVER CAN CAUSE SERIOUS INJURY OR DEATH.</b></p> <ul style="list-style-type: none"> <li>• Place cargo forward in the cargo bed and distribute evenly side to side. Secure load.</li> <li>• On uneven or steep terrain, reduce speed and load.</li> <li>• Avoid stopping on or backing down steep hills.</li> <li>• Avoid top-heavy loads.</li> </ul> | <p><b>VEHICLE LOADING</b></p> <ul style="list-style-type: none"> <li>• Read owner's manual and warnings on dash.</li> <li>• Vehicle rated capacity: 1200 lb. (544 kg) on level surface only.</li> <li>• Includes occupants and cargo load.</li> <li>• Maximum cargo load: 800 lb. (363 kg).</li> <li>• Includes cargo, bed load, optional equipment, and trailer tongue weight.</li> </ul> <p>102322691</p> |
|--------------------------------------------------------------------------------------------------------------------------------------------------------------------------|-------------------------------------------------------------------------------------------------------------------------------------------------------------------------------------------------------------------------------------------------------------------------------------------------------------------------------------------------------------------------------------|-------------------------------------------------------------------------------------------------------------------------------------------------------------------------------------------------------------------------------------------------------------------------------------------------------------------------------------------------------------------------------------------------------------|

|                                                                                                                                                                          |                                                                                                                                                                                                                                                                                                                                                                                     |                                                                                                                                                                                                                                                                                                                                                                                                                            |
|--------------------------------------------------------------------------------------------------------------------------------------------------------------------------|-------------------------------------------------------------------------------------------------------------------------------------------------------------------------------------------------------------------------------------------------------------------------------------------------------------------------------------------------------------------------------------|----------------------------------------------------------------------------------------------------------------------------------------------------------------------------------------------------------------------------------------------------------------------------------------------------------------------------------------------------------------------------------------------------------------------------|
| <p><b>WARNING</b></p> <p><b>RIDING IN CARGO BED CAN CAUSE SERIOUS INJURY OR DEATH.</b></p> <ul style="list-style-type: none"> <li>• Do not ride in cargo bed.</li> </ul> | <p><b>WARNING</b></p> <p><b>ROLLOVER CAN CAUSE SERIOUS INJURY OR DEATH.</b></p> <ul style="list-style-type: none"> <li>• Place cargo forward in the cargo bed and distribute evenly side to side. Secure load.</li> <li>• On uneven or steep terrain, reduce speed and load.</li> <li>• Avoid stopping on or backing down steep hills.</li> <li>• Avoid top-heavy loads.</li> </ul> | <p><b>HIGH-CAPACITY VEHICLE LOADING</b></p> <ul style="list-style-type: none"> <li>• Read owner's manual and warnings on dash.</li> <li>• Vehicle rated capacity: 1450 lb. (653 kg) on level surface only.</li> <li>• Includes occupants and cargo load.</li> <li>• Maximum cargo load: 1050 lb. (476 kg).</li> <li>• Includes cargo, bed load, optional equipment, and trailer tongue weight.</li> </ul> <p>103210401</p> |
|--------------------------------------------------------------------------------------------------------------------------------------------------------------------------|-------------------------------------------------------------------------------------------------------------------------------------------------------------------------------------------------------------------------------------------------------------------------------------------------------------------------------------------------------------------------------------|----------------------------------------------------------------------------------------------------------------------------------------------------------------------------------------------------------------------------------------------------------------------------------------------------------------------------------------------------------------------------------------------------------------------------|

2705

# SAFETY DECALS – CARRYALL AND XRT 2-PASSENGER, CONTINUED

| ITEM | PART NO.  | DESCRIPTION                            | QTY |
|------|-----------|----------------------------------------|-----|
|      |           | 1 2 3 4                                |     |
| 1    | 1011553   | Decal, Trailer Hitch .....             | 1   |
| 2    | 101609401 | Decal, Crush Area Warning .....        | 2   |
| 3    | 102459301 | Decal, Bed Crush Area Warning .....    | 1   |
| 4    | 102459401 | Decal, Young Driver Warning .....      | 1   |
| 5    | 102460201 | Decal, Rotating Parts Warning .....    | 2   |
| 6    | 102884401 | Decal, Warning, Rollover .....         | 1   |
| 7    | 102961201 | Decal, Warning, AWD ROPS .....         | 1   |
| 8    | 103202601 | Decal, Vehicle Loading, 800 lbs .....  | 1   |
| 9    | 103210401 | Decal, Vehicle Loading, 1050 lbs ..... | 1   |

**3**

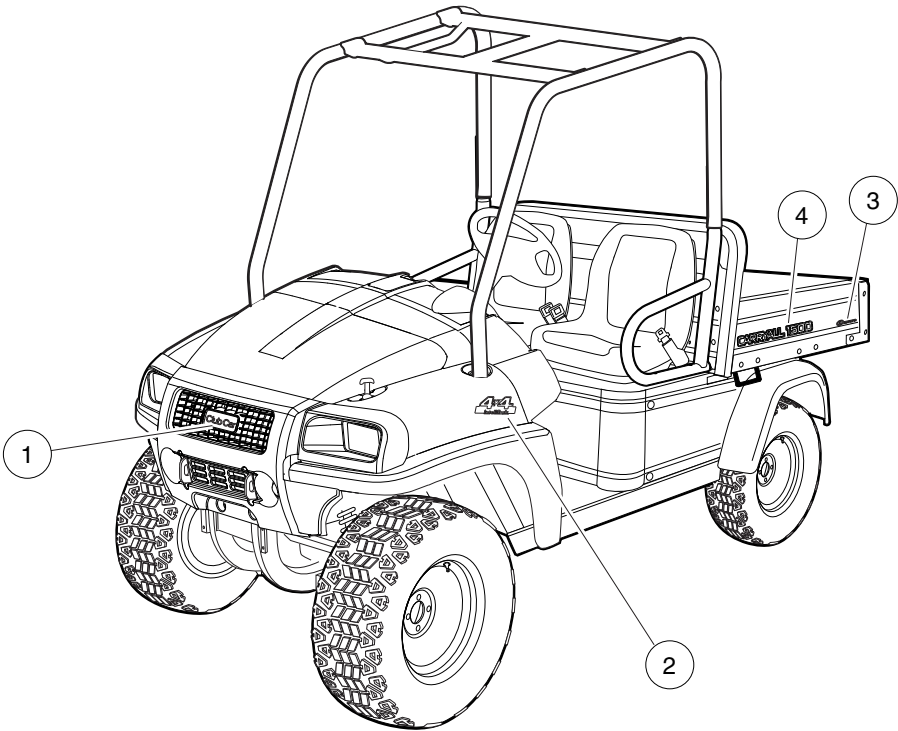
**G**

**D**

3

G

D



000531-009

## BADGING DECALS – CARRYALL 2-PASSENGER

| ITEM | PART NO.  | DESCRIPTION                        | QTY |
|------|-----------|------------------------------------|-----|
|      |           | 1 2 3 4                            |     |
| 1    | 102883601 | Decal, Nameplate, CCI, Front ..... | 1   |
| 2    | 103234201 | Decal, Badge, 4x4 .....            | 2   |
| 3    | 103234304 | Decal, Badge, lr, Red .....        | 2   |
| 4    | 105200501 | Decal, Badge, CA1500 .....         | 2   |

**3**

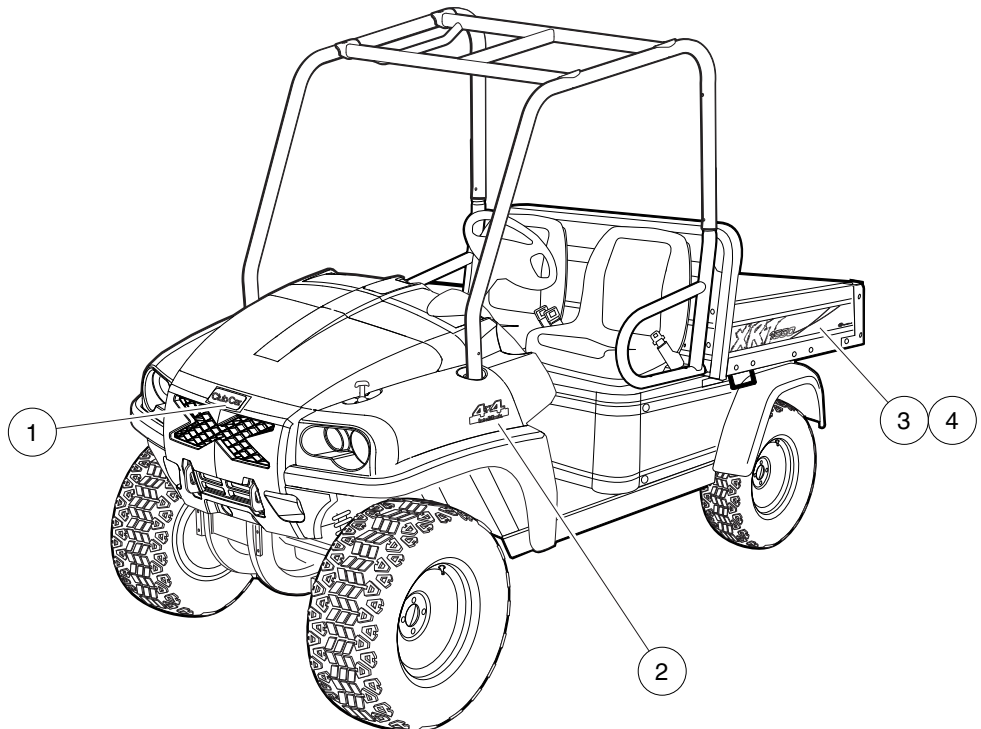
**G**

**D**

3

G

D



000531-008



## BADGING DECALS – XRT 2-PASSENGER

| ITEM | PART NO.  | DESCRIPTION                        | QTY |
|------|-----------|------------------------------------|-----|
|      |           | 1 2 3 4                            |     |
| 1    | 102883601 | Decal, Nameplate, CCI, Front ..... | 1   |
| 2    | 103234201 | Decal, Badge, 4x4 .....            | 2   |
| 3    | 103945601 | Decal, Side, Bed, 1550, Ds .....   | 1   |
| 4    | 103945602 | Decal, Side, Bed, 1550, Ps .....   | 1   |

**3**

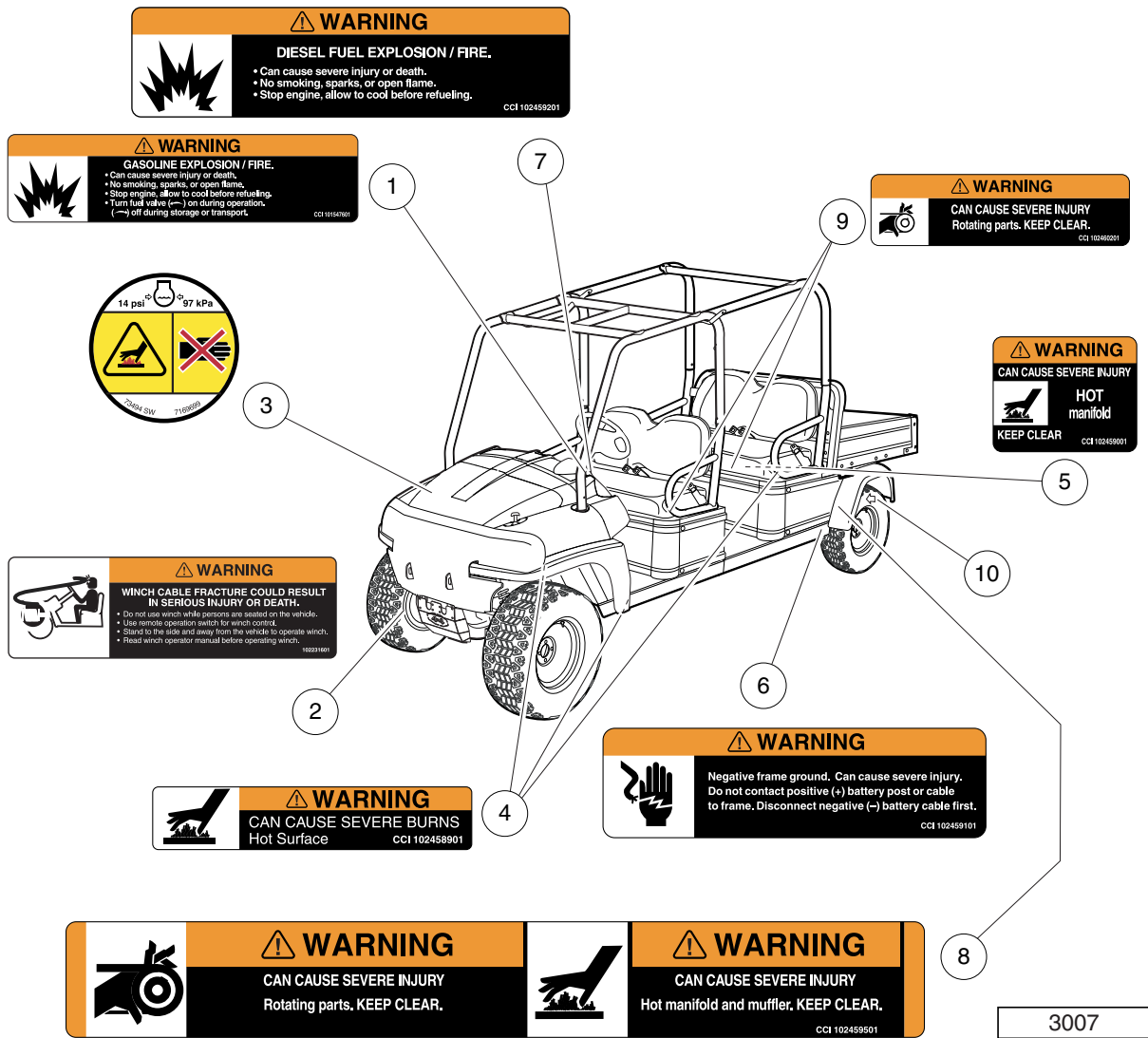
**G**

**D**

3

G

D



## SAFETY DECALS – CARRYALL AND XRT 4-PASSENGER

| ITEM | PART NO.  | DESCRIPTION                                         | QTY |
|------|-----------|-----------------------------------------------------|-----|
|      |           | 1 2 3 4                                             |     |
| 1    | 101547601 | Decal, Gasoline Explosion/Fire Warning .....        | 1   |
| 2    | 102231601 | Decal, Winch Cable Fracture Warning .....           | 1   |
| 3    | 102427501 | Cap, Radiator .....                                 | 1   |
| 4    | 102458901 | Decal, Hot Surface Warning .....                    | 3   |
| 5    | 102459001 | Decal, Hot Manifold Warning .....                   | 1   |
| 6    | 102459101 | Decal, Frame Ground Warning .....                   | 1   |
| 7    | 102459201 | Decal, Diesel Explosion/Fire Warning .....          | 1   |
| 8    | 102459501 | Decal, Rotating Parts and Hot Exhaust Warning ..... | 1   |
| 9    | 102460201 | Decal, Rotating Parts Warning .....                 | 2   |

**3**

**G**

**D**

3

G

D

**OPERATING INSTRUCTIONS**

- Read owner's manual and vehicle safety warnings. Study and understand controls.

**TO START ENGINE**

- Place shift lever in NEUTRAL (N) and press brake pedal.
- Turn key to START and hold until engine starts.

**Dead Vehicles Only:**

- If required, turn key to PREHEAT and hold for 10-15 seconds.

**TO OPERATE VEHICLE**

- Ensure wheels are turned in desired direction and path is clear.
- With vehicle stopped and engine at idle, select vehicle direction.

Forward  
 Neutral  
 Reverse (Buzzer will sound)

- Release park brake and slowly press accelerator pedal to increase speed.
- Allowed drive will automatically drive appropriate wheel(s).

**TO STOP VEHICLE**

- Release accelerator pedal and push brake pedal.

**BEFORE LEAVING VEHICLE**

- Turn key to OFF and remove key.
- Place shift lever in NEUTRAL (N).
- Firmly set park brake.

CCI 10284301

**WARNING**

**ROLLOVER OR FALLING OFF MAY CAUSE DEATH**

- Read owner's manual and operating instructions.
- Fasten seat belts and remain seated while moving.
- Children requiring a child safety seat must not ride on vehicle.

Comply with state and local laws pertaining to child safety.

- Drive slowly in turns and straight up and down slopes.
- Do not start vehicle until all occupants are seated.
- Two (2) persons per bench seat maximum.
- One (1) person per bucket seat maximum.
- Operate from driver side only and not on public roads.
- Keep entire body inside vehicle while moving.
- Do not operate while under the influence of alcohol or drugs.
- Never attempt jumps and avoid extreme braking in reverse.

CCI 10284301

**UNDER 16**

**WARNING**

**YOUNG DRIVERS INCREASE CHANCE OF DEATH**

- Young drivers may not be able to control vehicle.
- No drivers younger than 16 years old.
- Do not leave children unattended on vehicle.

CCI 10284301

**WARNING**

- Do not modify or remove Roll-Over Protective Structure (ROPS).
- Replace ROPS if damaged. Do not attempt repair.
- Use seat belts during operation. Do not jump from vehicle.
- Keep away from drop-offs, steep slopes, and unstable surfaces.

CCI 10284301

**WARNING**

**CAN CAUSE SEVERE INJURY**

Rotating parts, KEEP CLEAR.

CCI 10246001

**NOTICE**

**MAXIMUM TONGUE WEIGHT - 150 lbs.**

CCI 1011553

**WARNING**

**FALLING OFF COULD RESULT IN SEVERE INJURY OR DEATH**

- Fasten seat belt and remain seated while moving.
- One (1) person per bucket seat maximum.
- Do not leave children unattended on vehicle at any time.
- Two (2) persons per bench seat maximum.
- Never drive in front of or behind vehicle.

CCI 101609401

**WARNING**

**CRUSH AREA**

**STAY CLEAR**

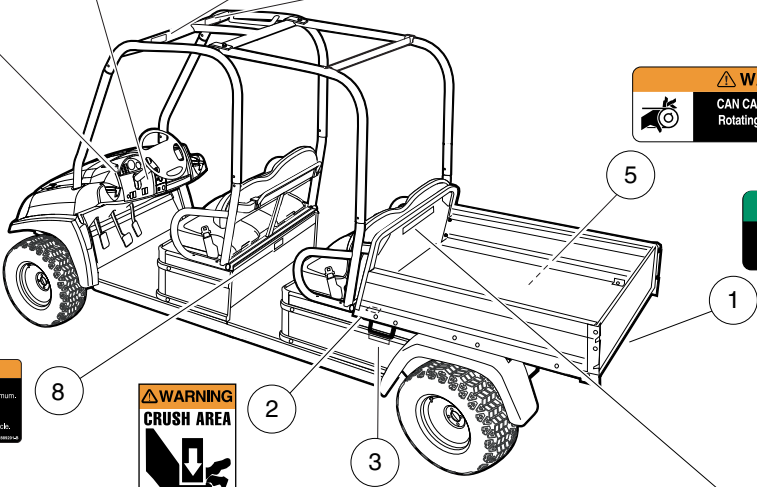
CCI 101609401

**WARNING**

**Crush area. Can cause severe injury. Stay clear when closing bed.**

CCI 101609401

|                                                                                                                                                                        |                                                                                                                                                                                                                                                                                                                                                                             |                                                                                                                                                                                                                                                                                                                                                                                                   |
|------------------------------------------------------------------------------------------------------------------------------------------------------------------------|-----------------------------------------------------------------------------------------------------------------------------------------------------------------------------------------------------------------------------------------------------------------------------------------------------------------------------------------------------------------------------|---------------------------------------------------------------------------------------------------------------------------------------------------------------------------------------------------------------------------------------------------------------------------------------------------------------------------------------------------------------------------------------------------|
| <p><b>WARNING</b></p> <p><b>RIDING IN CARGO BED CAN CAUSE SERIOUS INJURY OR DEATH.</b></p> <ul style="list-style-type: none"> <li>Do not ride in cargo bed.</li> </ul> | <p><b>WARNING</b></p> <p><b>ROLLOVER CAN CAUSE SERIOUS INJURY OR DEATH.</b></p> <ul style="list-style-type: none"> <li>Place cargo forward in the cargo bed and distribute evenly side to side. Secure load.</li> <li>On uneven or steep terrain, reduce speed and load.</li> <li>Avoid stopping on or backing down steep hills.</li> <li>Avoid top-heavy loads.</li> </ul> | <p><b>VEHICLE LOADING</b></p> <ul style="list-style-type: none"> <li>Read owner's manual and warnings on dash.</li> <li>Vehicle rated capacity: 1600 lb. (726 kg) on level surface only.</li> <li>Includes occupants and cargo load.</li> <li>Maximum cargo load: 800 lb. (363 kg).</li> <li>Includes cargo, bed load, optional equipment, and trailer tongue weight.</li> </ul> <p>103219501</p> |
|------------------------------------------------------------------------------------------------------------------------------------------------------------------------|-----------------------------------------------------------------------------------------------------------------------------------------------------------------------------------------------------------------------------------------------------------------------------------------------------------------------------------------------------------------------------|---------------------------------------------------------------------------------------------------------------------------------------------------------------------------------------------------------------------------------------------------------------------------------------------------------------------------------------------------------------------------------------------------|



2706

# SAFETY DECALS – CARRYALL AND XRT 4-PASSENGER, CONTINUED

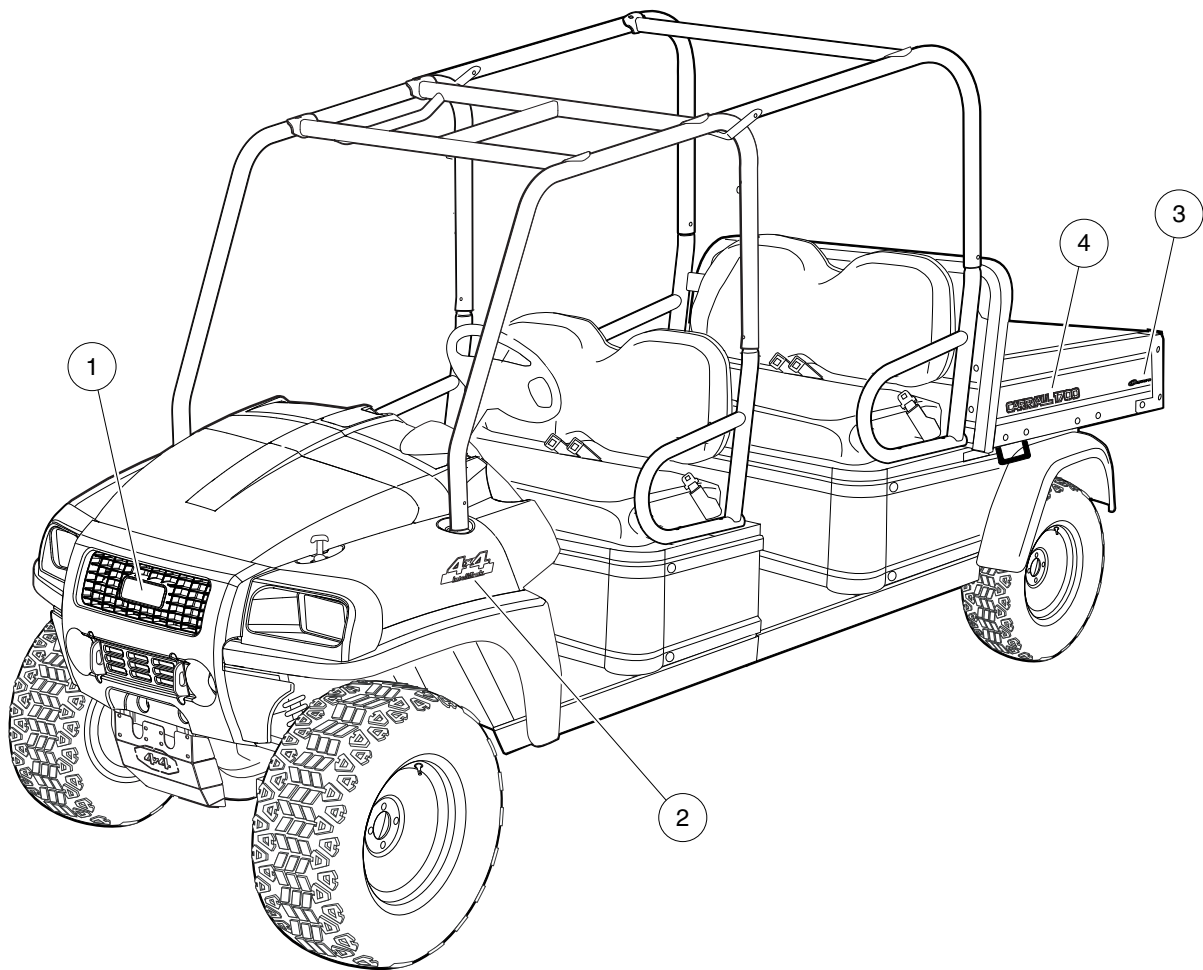
| ITEM | PART NO.  | DESCRIPTION                          | QTY |
|------|-----------|--------------------------------------|-----|
|      |           | 1 2 3 4                              |     |
| 1    | 1011553   | Decal, Trailer Hitch .....           | 1   |
| 2    | 101609401 | Decal, Crush Area Warning .....      | 2   |
| 3    | 102459301 | Decal, Bed Crush Area Warning .....  | 1   |
| 4    | 102459401 | Decal, Young Driver Warning .....    | 1   |
| 5    | 102460201 | Decal, Rotating Parts Warning .....  | 2   |
| 6    | 102884301 | Decal, Operating Instr, AWD .....    | 1   |
| 7    | 102884401 | Decal, Warning, Rollover .....       | 1   |
| 8    | 102889201 | Decal, Warning, Passenger .....      | 1   |
| 9    | 102961201 | Decal, Warning, AWD ROPS .....       | 1   |
| 10   | 103210501 | Decal, Load, Vehicle, 3350 Lbs ..... | 1   |

**3**  
**G**  
**D**

3

G

D



000547-007

## BADGING DECALS – CARRYALL 4-PASSENGER

| ITEM | PART NO.  | DESCRIPTION                        | QTY |
|------|-----------|------------------------------------|-----|
|      |           | 1 2 3 4                            |     |
| 1    | 102883601 | Decal, Nameplate, CCI, Front ..... | 1   |
| 2    | 103234201 | Decal, Badge, 4x4 .....            | 2   |
| 3    | 103234304 | Decal, Badge, lr, Red .....        | 2   |
| 4    | 105200601 | Decal, Badge, CA1700 .....         | 2   |

3

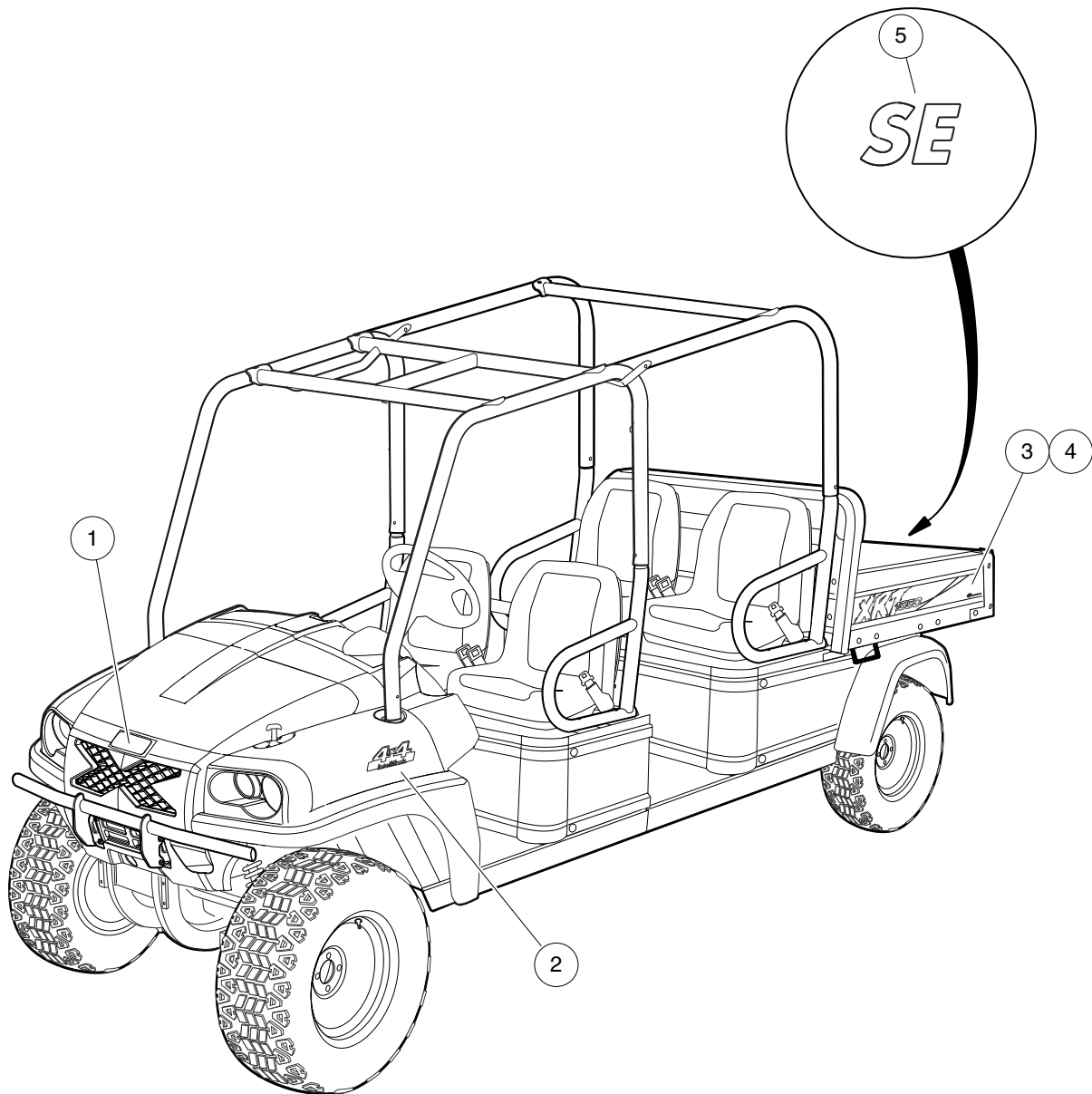
G

D

3

G

D



000547-006



## BADGING DECALS – XRT 4-PASSENGER

| ITEM | PART NO.  | DESCRIPTION                        | QTY |
|------|-----------|------------------------------------|-----|
|      |           | 1 2 3 4                            |     |
| 1    | 102883601 | Decal, Nameplate, CCI, Front ..... | 1   |
| 2    | 103234201 | Decal, Badge, 4x4 .....            | 2   |
| 3    | 103945601 | Decal, Side, Bed, 1550, Ds .....   | 1   |
| 4    | 103945602 | Decal, Side, Bed, 1550, Ps .....   | 1   |
| 5    | 103945701 | Decal, Se .....                    | 1   |

3

G

D

3

G

D

**WARNING**  
CAN CAUSE SEVERE INJURY  
Rotating parts. KEEP CLEAR.  
CCI 102459201

14 psi 97 kPa

**WARNING**  
**DIESEL FUEL EXPLOSION / FIRE.**  
• Can cause severe injury or death.  
• No smoking, sparks, or open flame.  
• Stop engine, allow to cool before refueling.  
CCI 102459201

**OPERATING INSTRUCTIONS**

- Read owner's manual, HANDBOOK, and vehicle safety warnings. Study and understand controls.

**TO START ENGINE**

- Place shift lever in NEUTRAL (N) and press brake pedal.
- If required, turn key to PREHEAT and hold for 10-15 seconds.
- Turn key to START and hold until engine starts.

**TO OPERATE VEHICLE**

- Ensure wheels are turned in desired direction and path is clear.
- Raise attachment to provide adequate ground clearance.
- With vehicle stopped and engine at idle, select vehicle direction.  
 ↑ - Forward    N - Neutral    ↓ - Reverse (Buzzer will sound)
- Release park brake and slowly press accelerator pedal to increase speed.
- All-wheel drive will automatically drive appropriate wheel(s).

**TO STOP VEHICLE**

- Release accelerator pedal and push brake pedal.

**BEFORE LEAVING VEHICLE**

- Lower attachment arm until attachment is flat on the ground.
- Turn key to OFF and remove key.
- Place shift lever in NEUTRAL (N).
- Firmly set park brake.

CCI 103185701



**WARNING**  
CAN CAUSE SEVERE INJURY  
**HOT manifold**  
KEEP CLEAR  
CCI 102459001

**WARNING**  
Negative frame ground. Can cause severe injury. Do not contact positive (+) battery post or cable to frame. Disconnect negative (-) battery cable first.  
CCI 102459101

**WARNING**  
CAN CAUSE SEVERE BURNS  
Hot Surface  
CCI 102458901

**WARNING**  
CAN CAUSE SEVERE INJURY  
Rotating parts. KEEP CLEAR.  
CCI 102459501

**WARNING**  
CAN CAUSE SEVERE INJURY  
Hot manifold and muffler. KEEP CLEAR.  
CCI 102459501

3010

# SAFETY DECALS – INTELLITACH

| ITEM | PART NO.  | DESCRIPTION                                         | QTY |
|------|-----------|-----------------------------------------------------|-----|
|      |           | <b>1 2 3 4</b>                                      |     |
| 1    | 102427501 | Cap, Radiator .....                                 | 1   |
| 2    | 102458901 | Decal, Hot Surface Warning .....                    | 3   |
| 3    | 102459001 | Decal, Hot Manifold Warning .....                   | 1   |
| 4    | 102459101 | Decal, Frame Ground Warning .....                   | 1   |
| 5    | 102459201 | Decal, Diesel Explosion/Fire Warning .....          | 1   |
| 6    | 102459501 | Decal, Rotating Parts and Hot Exhaust Warning ..... | 1   |
| 7    | 102460201 | Decal, Rotating Parts Warning .....                 | 1   |
| 8    | 103188701 | Decal, Operator Instructions, Intellitach .....     | 1   |

**3**

**G**

**D**

3

G

D

**WARNING**

**ROLLOVER OR FALLING OFF MAY CAUSE DEATH**

- Read owner's manual and HANDBOOK.
- Fasten seat belts and remain seated while moving.
- Children requiring a child safety seat must not ride on vehicle.
- Comply with state and local laws pertaining to child safety.
- Drive slowly in turns and straight up and down slopes.
- Do not start vehicle until all occupants are seated.
- One (1) person per bucket seat maximum.
- Operate from driver side only and not on public roads.
- Keep entire body inside vehicle while moving.
- Do not operate while under the influence of alcohol or drugs.
- Never attempt jumps and avoid extreme braking in reverse.

**ATTACHMENT ARM CAN CAUSE SEVERE INJURY OR DEATH**

- Keep bystanders away.
- Keep hands and body from under attachment.
- Always carry attachment as low as possible.
- Do not exceed attachment arm rated capacity.
- Do not modify the attachment arm or attachments.
- Before leaving vehicle, lower attachment arm until attachment is flat on the ground.

CCI 10318801

**WARNING**

**UNDER 16**

**YOUNG DRIVERS INCREASE CHANCE OF DEATH**

- Young drivers may not be able to control vehicle.
- No drivers younger than 16 years old.
- Do not leave children unattended on vehicle.

CCI 10309401

**WARNING**

- Do not modify or remove Roll-over Protective Structure (ROPS).
- Replace ROPS if damaged. Do not attempt repair.
- Use seat belts during operation. Do not jump from vehicle.
- Keep away from drop-offs, steep slopes, and unstable surfaces.

CCI 102561201

**WARNING**

**LATCH**

Crush area. Can cause severe injury. Stay clear when closing bed.

CCI 10256001

**FULLY ENGAGE LOCKING LEVER**

LEVER

PINS MUST EXTEND THROUGH MOUNTING FRAME HOLES

CCI 10256001

**WARNING**

**CAN CAUSE SEVERE INJURY**

Rotating parts. KEEP CLEAR.

CCI 10256001

**NOTICE**

**MAXIMUM TONGUE WEIGHT - 150 lbs.**

CCI 1011553

**WARNING**

**CRUSH AREA**

STAY CLEAR

CCI 101029401

**WARNING**

**HIGH PRESSURE FLUIDS COULD CAUSE SERIOUS INJURY OR DEATH**

- Read maintenance and service manual before performing repairs on hydraulic system.
- Do not attempt to repair hydraulic pump or lines while engine or pump is in operation.
- Relieve pressure before disconnecting hydraulic lines or fittings.

102950601

**WARNING**

**RIDING IN CARGO BED CAN CAUSE SERIOUS INJURY OR DEATH.**

- Do not ride in cargo bed.

**WARNING**

**ROLLOVER CAN CAUSE SERIOUS INJURY OR DEATH.**

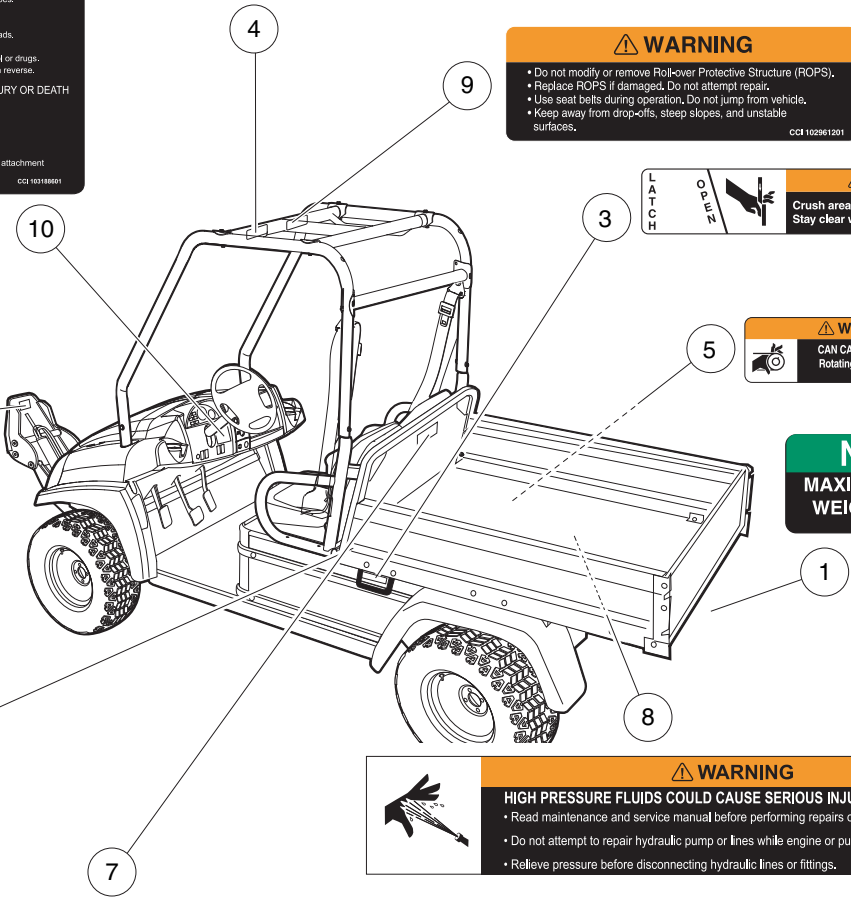
- Place cargo forward in the cargo bed and distribute evenly side to side. Secure load.
- On uneven or steep terrain, reduce speed and load.
- Avoid stopping on or backing down steep hills.
- Avoid top-heavy loads.

**VEHICLE LOADING**

- Read owner's manual, HANDBOOK, and warnings on dash.
- Vehicle rated capacity: 1500 lbs. (684 kg) on level surface only.
- Includes occupants and cargo load.
- Maximum attachment arm load: 500 lbs. (227 kg).
- Includes attachment weight and attachment load.

- Maximum cargo load: 800 lbs. (363 kg).
- Includes cargo, bed load, attachment arm load, optional equipment, and trailer tongue weight.

102950001



## SAFETY DECALS – INTELLITACH, CONTINUED

| ITEM | PART NO.  | DESCRIPTION                          | QTY |
|------|-----------|--------------------------------------|-----|
|      |           | 1 2 3 4                              |     |
| 1    | 1011553   | Decal, Trailer Hitch .....           | 1   |
| 2    | 101609401 | Decal, Crush Area Warning .....      | 2   |
| 3    | 102459301 | Decal, Bed Crush Area Warning .....  | 1   |
| 4    | 102459401 | Decal, Young Driver Warning .....    | 1   |
| 5    | 102460201 | Decal, Rotating Parts Warning .....  | 2   |
| 6    | N/A       | Decal, Attachment Locking .....      | 1   |
| 7    | 102930801 | Decal, Loading, Intellitach .....    | 1   |
| 8    | 102950601 | Decal, Hydra Pump .....              | 1   |
| 9    | 102961201 | Decal, Warning, AWD ROPS .....       | 1   |
| 10   | 103188601 | Decal, Warn, Rollover & Attach ..... | 1   |

**3**

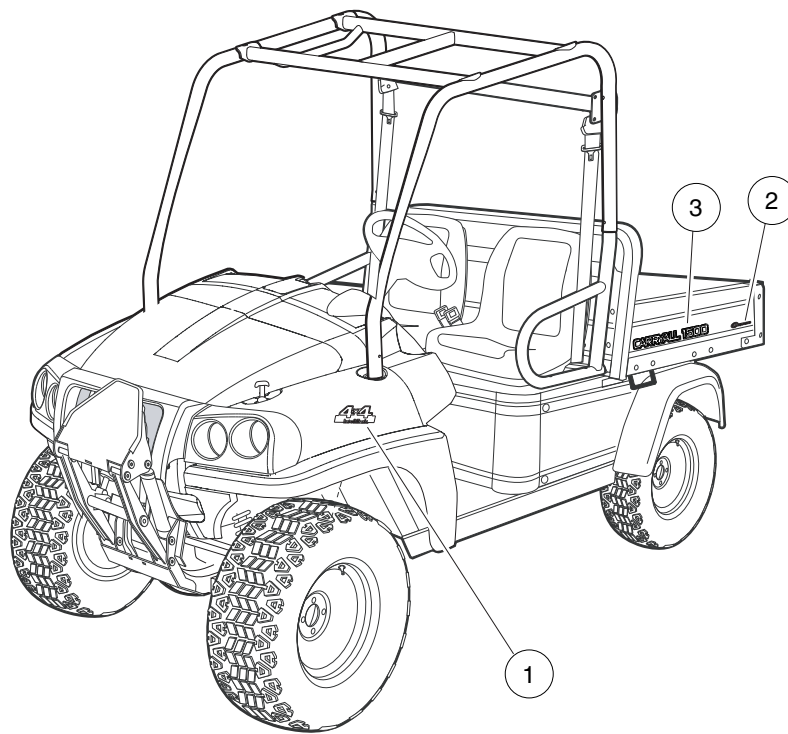
**G**

**D**

3

G

D



000562-008

## BADGING DECALS – CARRYALL INTELLITACH

| ITEM | PART NO.  | DESCRIPTION                 | QTY |
|------|-----------|-----------------------------|-----|
|      |           | 1 2 3 4                     |     |
| 1    | 103234201 | Decal, Badge, 4x4 .....     | 2   |
| 2    | 103234304 | Decal, Badge, lr, Red ..... | 2   |
| 3    | 105200501 | Decal, Badge, CA1500 .....  | 2   |

3

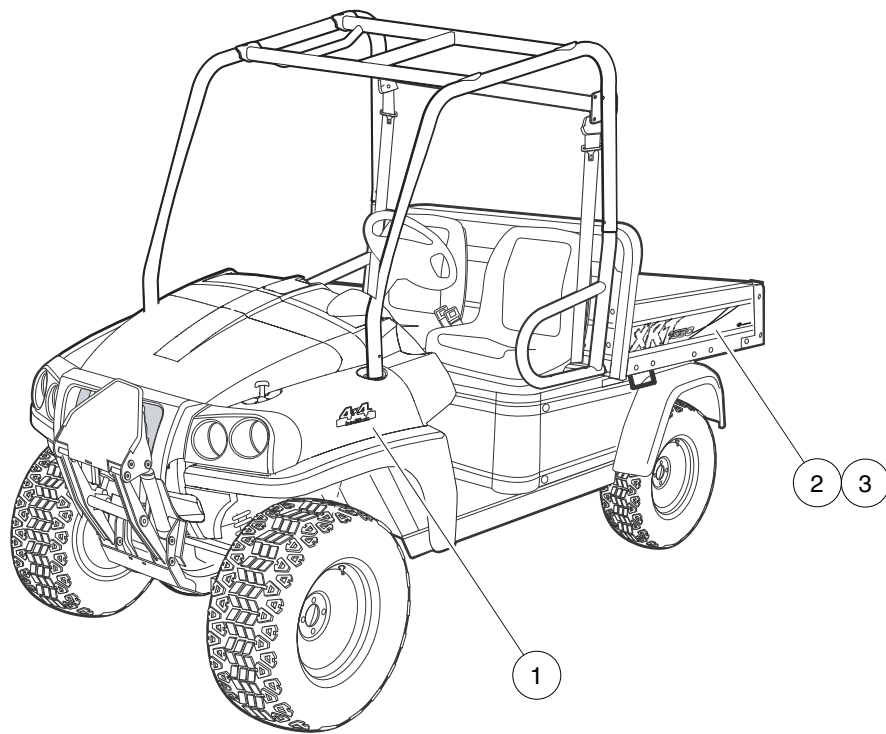
G

D

3

G

D



000562-007



# BADGING DECALS – XRT INTELLITACH

| ITEM | PART NO.  | DESCRIPTION                      | QTY |
|------|-----------|----------------------------------|-----|
|      |           | 1 2 3 4                          |     |
| 1    | 103234201 | Decal, Badge, 4x4 .....          | 2   |
| 2    | 103945601 | Decal, Side, Bed, 1550, Ds ..... | 1   |
| 3    | 103945602 | Decal, Side, Bed, 1550, Ps ..... | 1   |

**3**

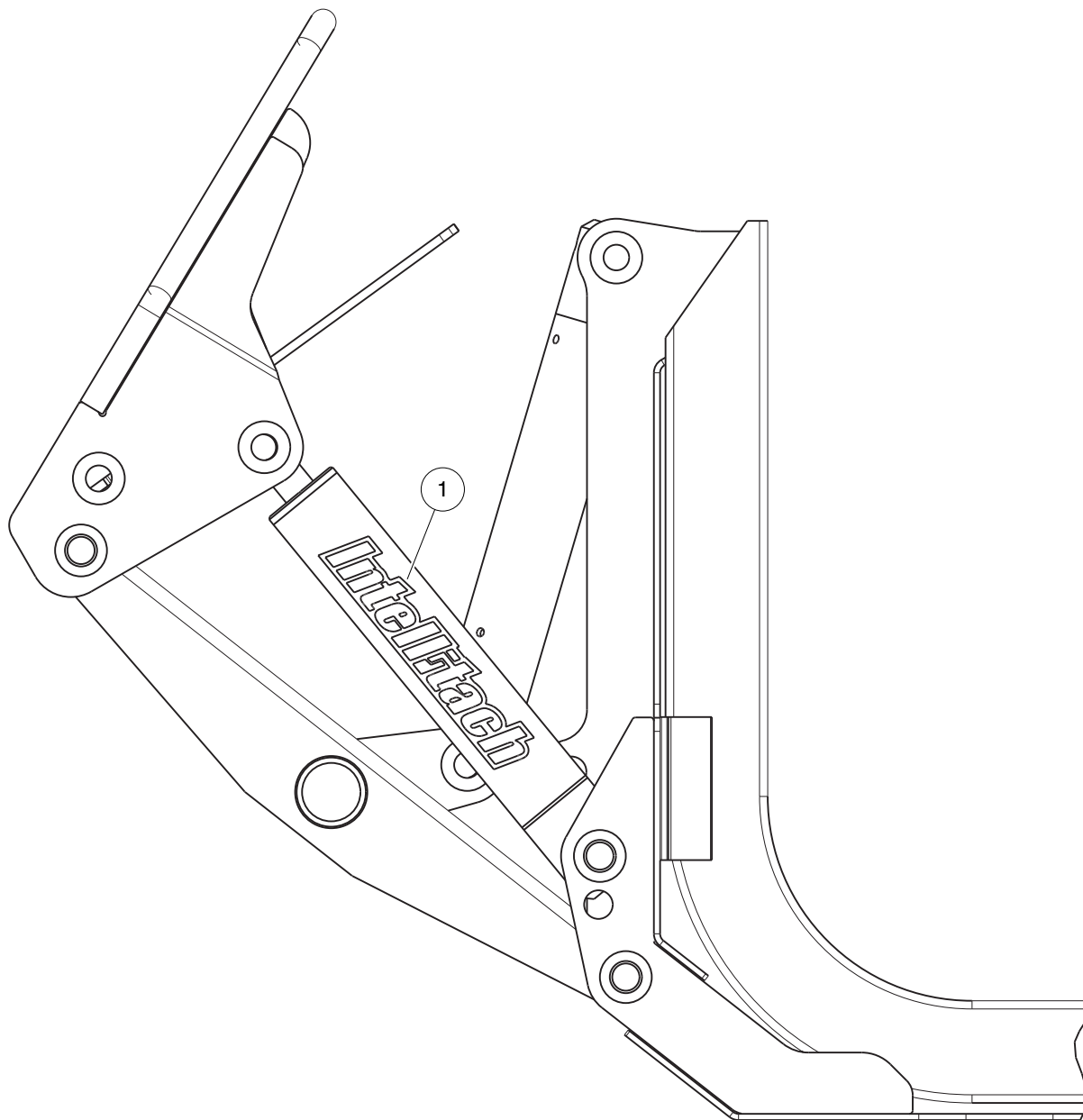
**G**

**D**

3

G

D



000562-006

# BADGING DECALS – INTELLITACH

| ITEM | PART NO.  | DESCRIPTION                                | QTY |
|------|-----------|--------------------------------------------|-----|
| 1    | 102925601 | 1 2 3 4<br>Decal, Brand, IntelliTach ..... | 1   |

3

G

D

3

G

D

# **BRAKE SYSTEMS AND PEDALS – WITH DUAL-PISTON FRONT CALIPERS**

---

**4**

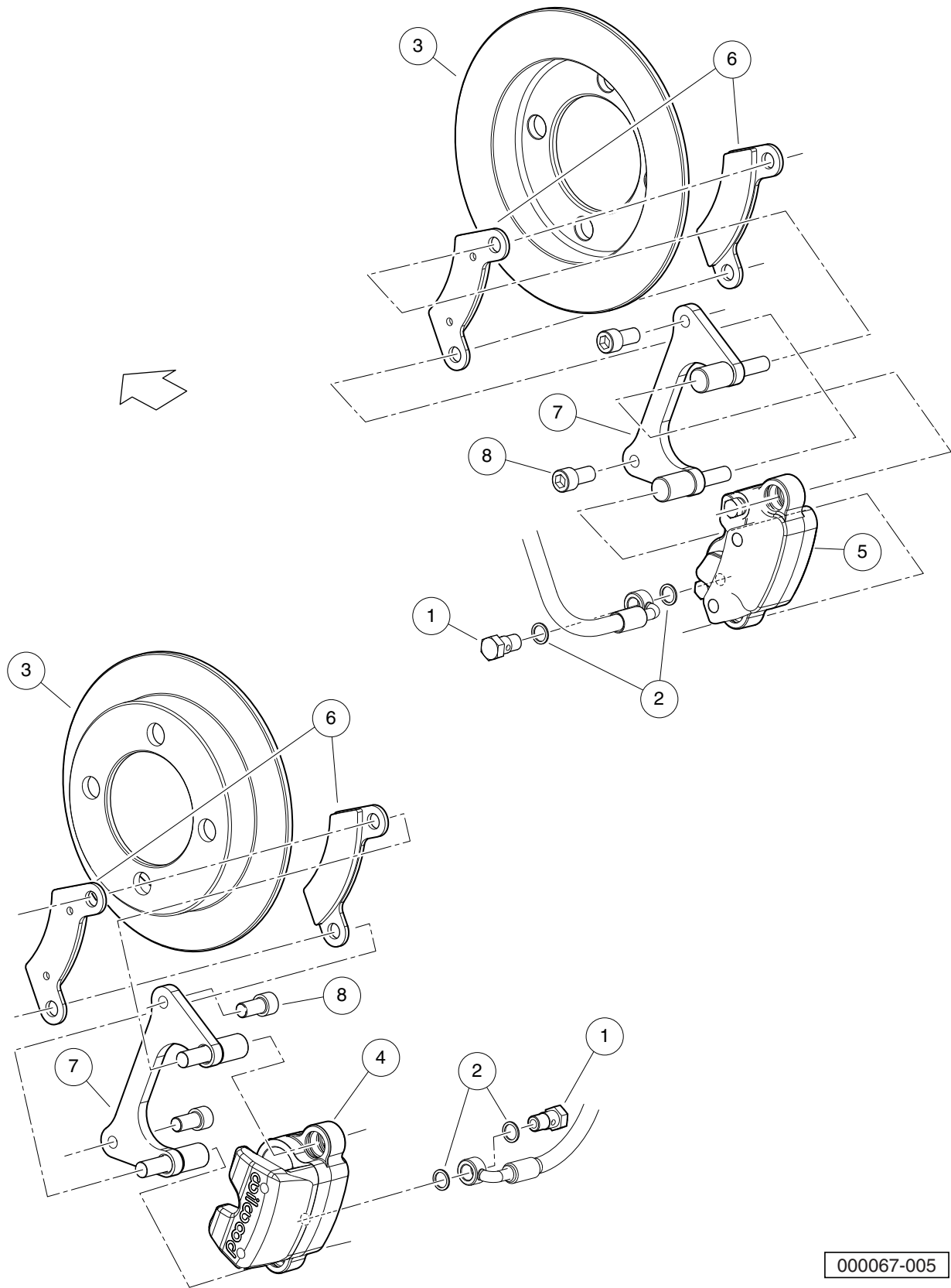
**G**

**D**

4

G

D



000067-005

# FRONT BRAKES

| ITEM | PART NO.  | DESCRIPTION                                                                                                                                                                                         | QTY |
|------|-----------|-----------------------------------------------------------------------------------------------------------------------------------------------------------------------------------------------------|-----|
|      |           | 1 2 3 4                                                                                                                                                                                             |     |
| 1    | 102488001 | Bolt, Banjo, M10x1x19 .....                                                                                                                                                                         | 2   |
| 2    | 102491601 | Washer, Copper, M10 Crush .....                                                                                                                                                                     | 4   |
| 3    | 103077501 | Rotor, Disc, Brake .....                                                                                                                                                                            | 2   |
| 4    | 103967601 | Caliper, Brake, Front, LH .....                                                                                                                                                                     | 1   |
| 5    | 103967602 | Caliper, Brake, Front, RH .....                                                                                                                                                                     | 1   |
| 6    | 103993701 | Brake Pad Set, Front (Four Pads) .....                                                                                                                                                              | 1   |
| 7    | 103993801 | Bracket, Caliper, Brake .....                                                                                                                                                                       | 2   |
| 8    | 104025201 | Bolt, 3/8-24 x .75 SHCS, Patch .....                                                                                                                                                                | 4   |
|      |           | <p>Note: 103967601 and 103967602 calipers are not compatible with MY2013 or earlier, and are specific to steering upright assemblies 103980901 and 103980902, which were introduced at MY 2014.</p> |     |

4

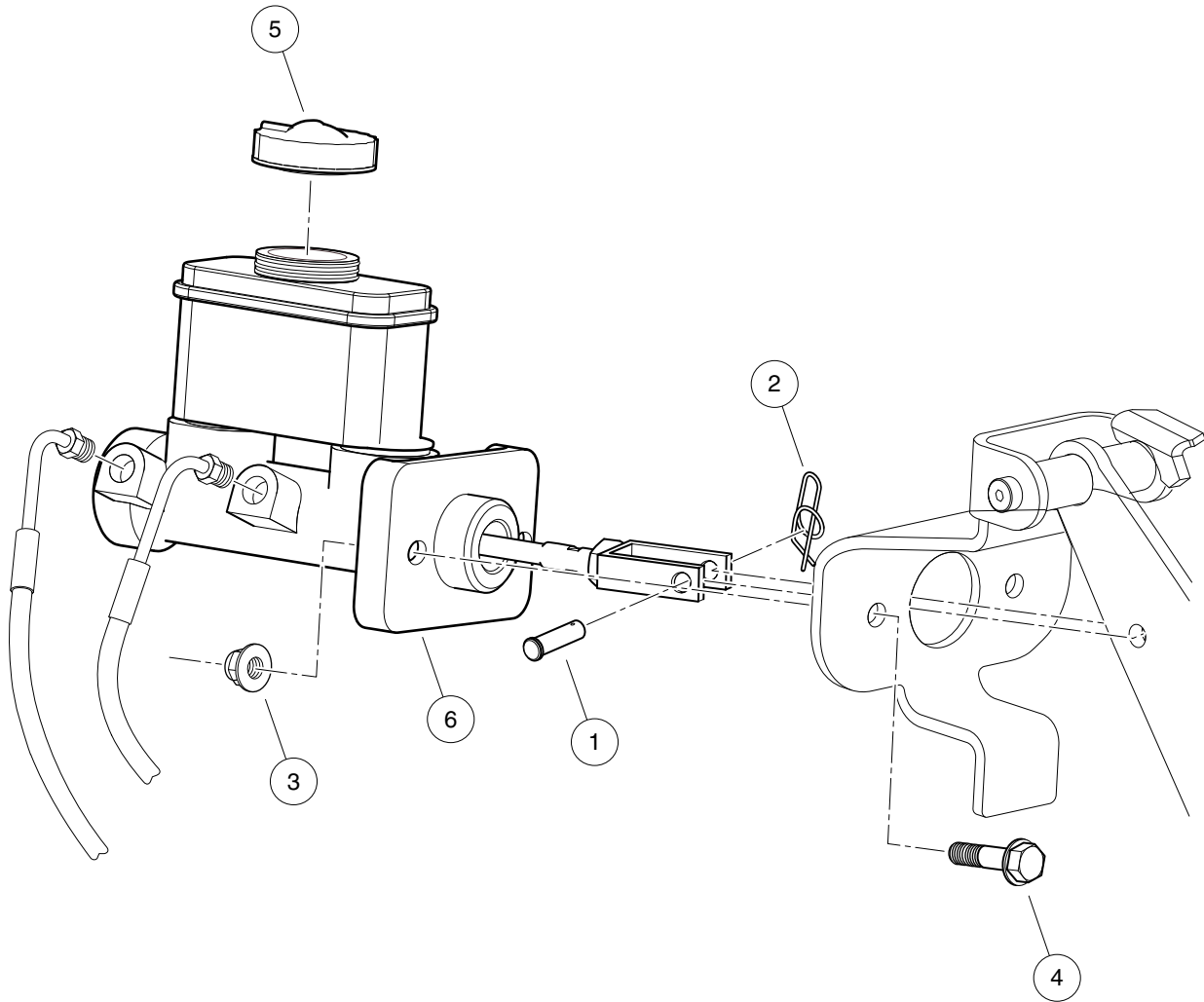
G

D

4

G

D



000792-002



# MASTER CYLINDER WITH INTEGRAL RESERVOIR

| ITEM | PART NO.  | DESCRIPTION                             | QTY |
|------|-----------|-----------------------------------------|-----|
|      |           | 1 2 3 4                                 |     |
| 1    | 101082903 | Pin, Clevis, 5/16 X 1 .....             | 1   |
| 2    | 102176901 | Pin, Rue .....                          | 1   |
| 3    | 102298401 | Nut,m8,all Metal Lock .....             | 2   |
| 4    | 102618401 | Bolt Flanged Head, M8 X 1.25 X 35 ..... | 2   |
| 5    | 103380701 | Cap, Filler, Master Cylinder .....      | 1   |
| 6    | 103987001 | Cylinder,Master,7/8 Bore .....          | 1   |

4

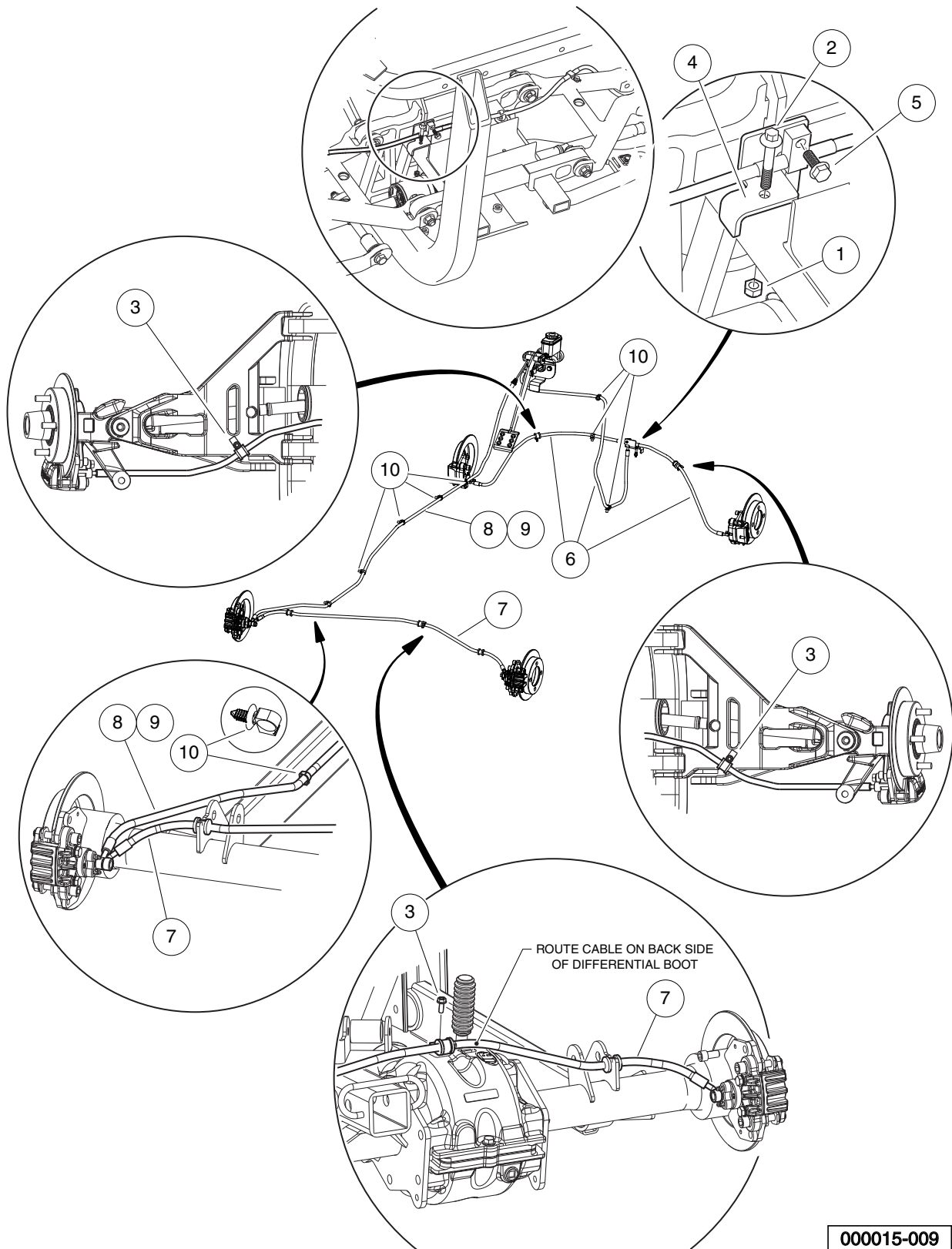
G

D

4

G

D



# HYDRAULIC BRAKE LINES AND CLIPS

| ITEM | PART NO.  | DESCRIPTION                         | QTY |
|------|-----------|-------------------------------------|-----|
|      |           | <b>1 2 3 4</b>                      |     |
| 1    | 101887601 | Locknut, M6-1.00 Nylon Insert ..... | 1   |
| 2    | 102296140 | Bolt, Flanged Head, M6x1.0x40 ..... | 1   |
| 3    | 102296716 | Screw, M6 X 16 Tt Hx Fl Hd .....    | 3   |
| 4    | 102474301 | Bracket, Tee, Brakeline .....       | 1   |
| 5    | 102670801 | Screw, M6 X 1 X 25 Thd Form .....   | 1   |
| 6    | 103967201 | Brake Line, Front, AWD .....        | 1   |
| 7    | 103967301 | Brake Line, Rear, AWD .....         | 1   |
| 8    | 103967401 | Brake Line, Mid, AWD Std .....      | 1   |
| 9    | 103967501 | Brake Line, Mid, AWD SE .....       | 1   |
| 10   | 103973101 | Clip, Snap-close 10mm .....         | 8   |

4

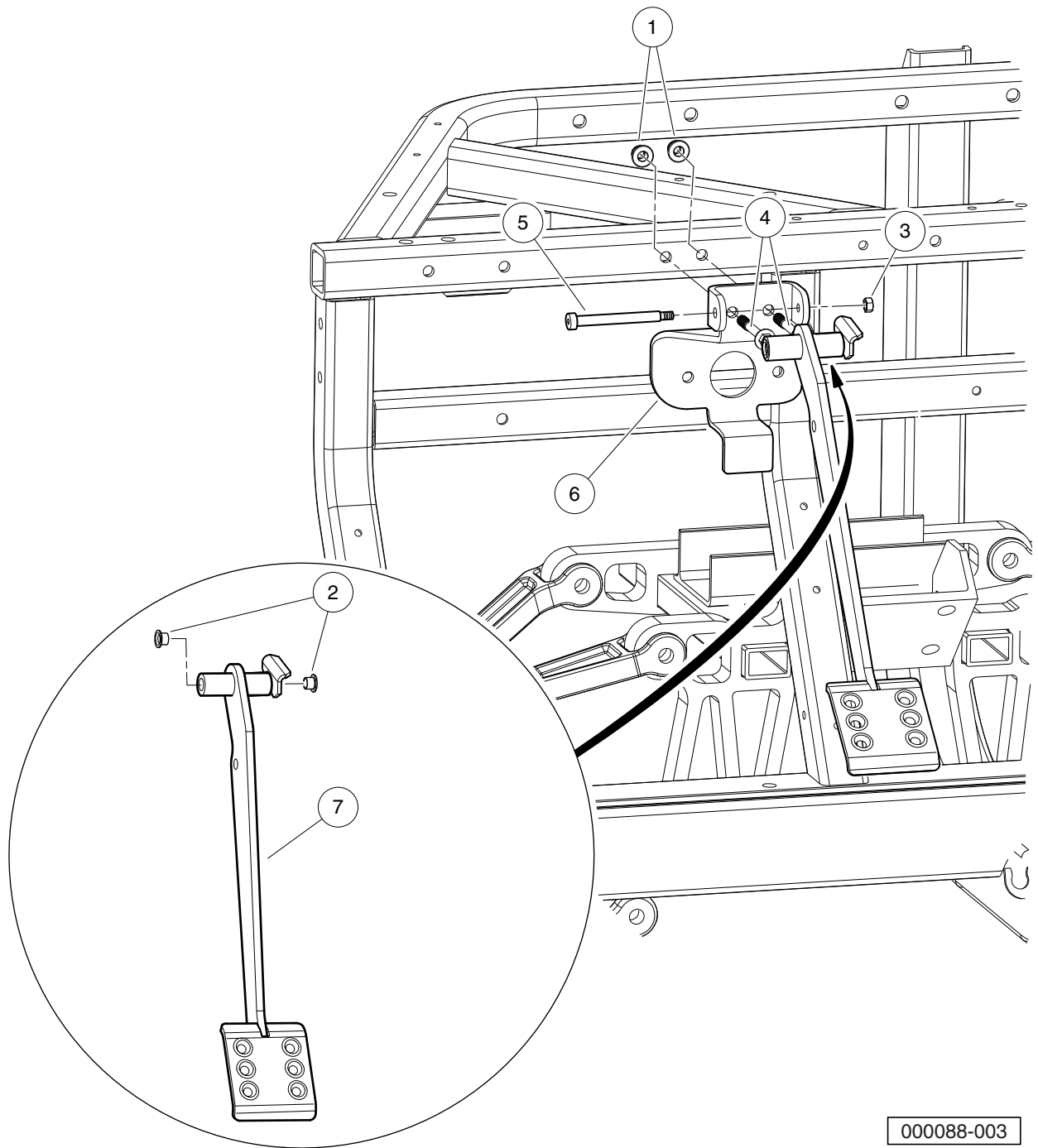
G

D

4

G

D



000088-003

# BRAKE PEDAL

| ITEM | PART NO.  | DESCRIPTION                              | QTY |
|------|-----------|------------------------------------------|-----|
|      |           | <b>1 2 3 4</b>                           |     |
| 1    | 102298401 | Nut,m8,all Metal Lock .....              | 2   |
| 2    | 102442901 | Bushing, Greaseless .....                | 2   |
| 3    | 102618101 | Nut, M6x1, Mechanically Deformed .....   | 1   |
| 4    | 102618301 | Bolt, Flanged Head, M8 X 1.25 X 65 ..... | 2   |
| 5    | 103273101 | Bolt, Shoulder, M8 X 70, Hc .....        | 1   |
| 6    | 103986601 | Bracket, Mtg, Brake Pedal .....          | 1   |
| 7    | 103986901 | Pedal, Brake .....                       | 1   |

**4**

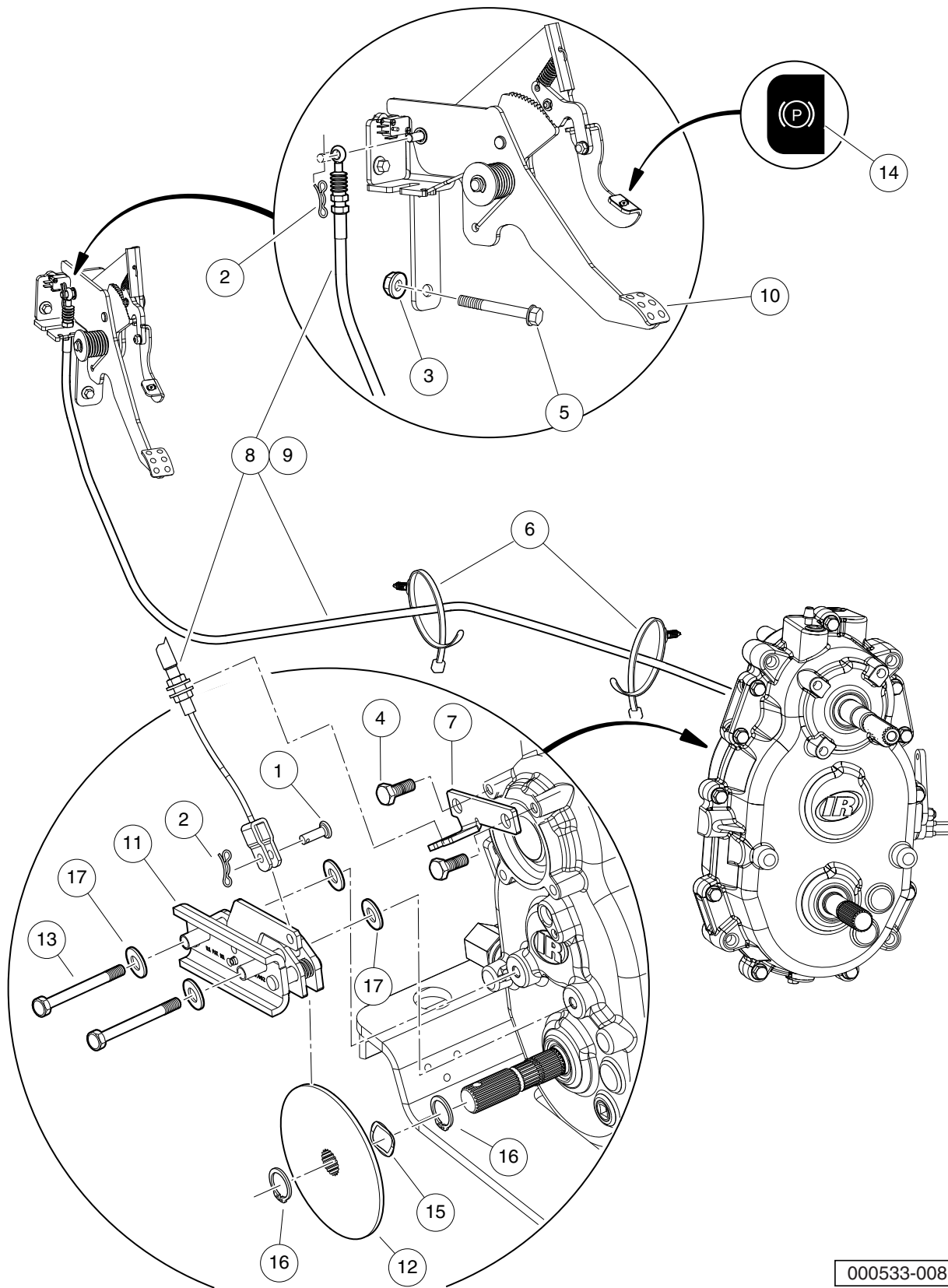
**G**

**D**

4

G

D



000533-008

# PARK BRAKE SYSTEM

| ITEM | PART NO.  | DESCRIPTION                              | QTY |
|------|-----------|------------------------------------------|-----|
|      |           | <b>1 2 3 4</b>                           |     |
| 1    | 101082903 | Pin, Clevis, 5/16 X 1 .....              | 1   |
| 2    | 102292801 | Pin, Bow Tie Locking - .072 .....        | 2   |
| 3    | 102298401 | Nut,m8,all Metal Lock .....              | 3   |
| 4    | 102490101 | Bolt, M10 X 1.5 X 20 Loctite .....       | 2   |
| 5    | 102618301 | Bolt, Flanged Head, M8 X 1.25 X 65 ..... | 3   |
| 6    | 102629001 | Tie Wrap, 8.00" With Mount .....         | 2   |
| 7    | 103968401 | Bracket, Park Brake .....                | 1   |
| 8    | 103968501 | Cable, Park Brake, 1500/1550 .....       | 1   |
| 9    | 103968601 | Cable, Park Brake, 1700/1550 SE .....    | 1   |
| 10   | 103968701 | Pedal, Foot, Park Brake .....            | 1   |
| 11   | 103968801 | Caliper, Mech, Park Brake .....          | 1   |
| 12   | 103968902 | Rotor, Park Brake .....                  | 1   |
| 13   | 103983301 | M10-1.5 X 90 Hh Ft Pc 8.8 Zidi .....     | 2   |
| 14   | 103986501 | Decal, Brake, Park .....                 | 1   |
| 15   | 104005601 | Spring,Wave,0.96-in ID .....             | 1   |
| 16   | 104005701 | Ring, Snap, Ext, 63/64-in .....          | 2   |
| 17   | 96741046  | Washer, M10, Hard .....                  | 4   |

4

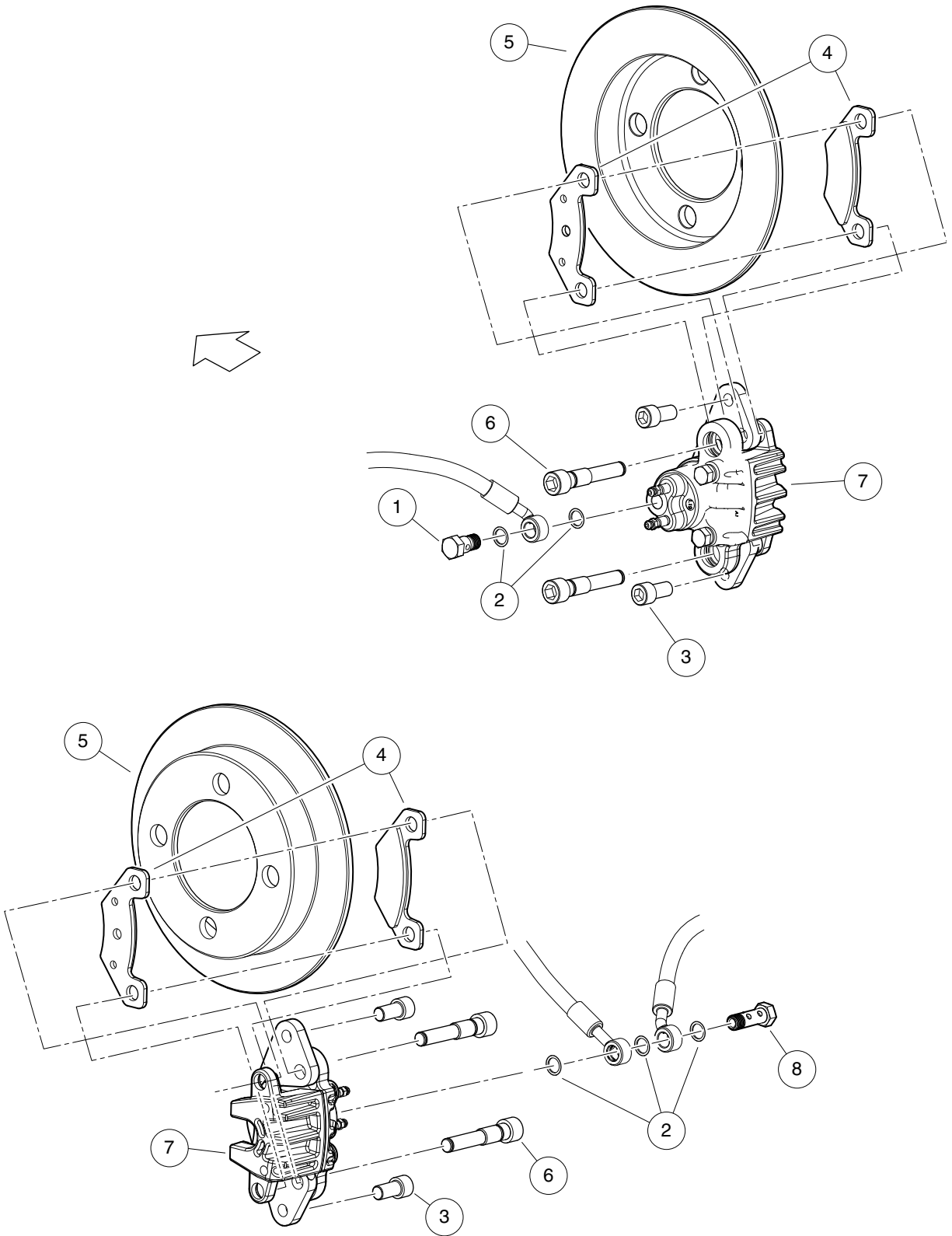
G

D

4

G

D



000068-006



# REAR BRAKES

| ITEM | PART NO.  | DESCRIPTION                                       | QTY |
|------|-----------|---------------------------------------------------|-----|
|      |           | <b>1 2 3 4</b>                                    |     |
| 1    | 102488001 | Bolt, Banjo, M10x1x19 .....                       | 1   |
| 2    | 102491601 | Washer, Copper, M10 Crush .....                   | 4   |
| 3    | 102493301 | Bolt, Flange Head, 3/8-24x.750 with Loctite ..... | 4   |
| 4    | 102714001 | Brake Pad Set, Rear (Four Pads) .....             | 1   |
| 5    | 103077501 | Rotor, Disc, Brake .....                          | 2   |
| 6    | 103418801 | Pin, Slide, 7/16 .....                            | 4   |
| 7    | 103967701 | Caliper, Brake, Rear .....                        | 2   |
| 8    | 103967901 | Bolt, Banjo, Double, M10 X 1 .....                | 1   |

**4**

**G**

**D**

**4**

**G**

**D**

# STEERING AND SUSPENSION – WITH DUAL-PISTON FRONT CALIPERS

---

**5**

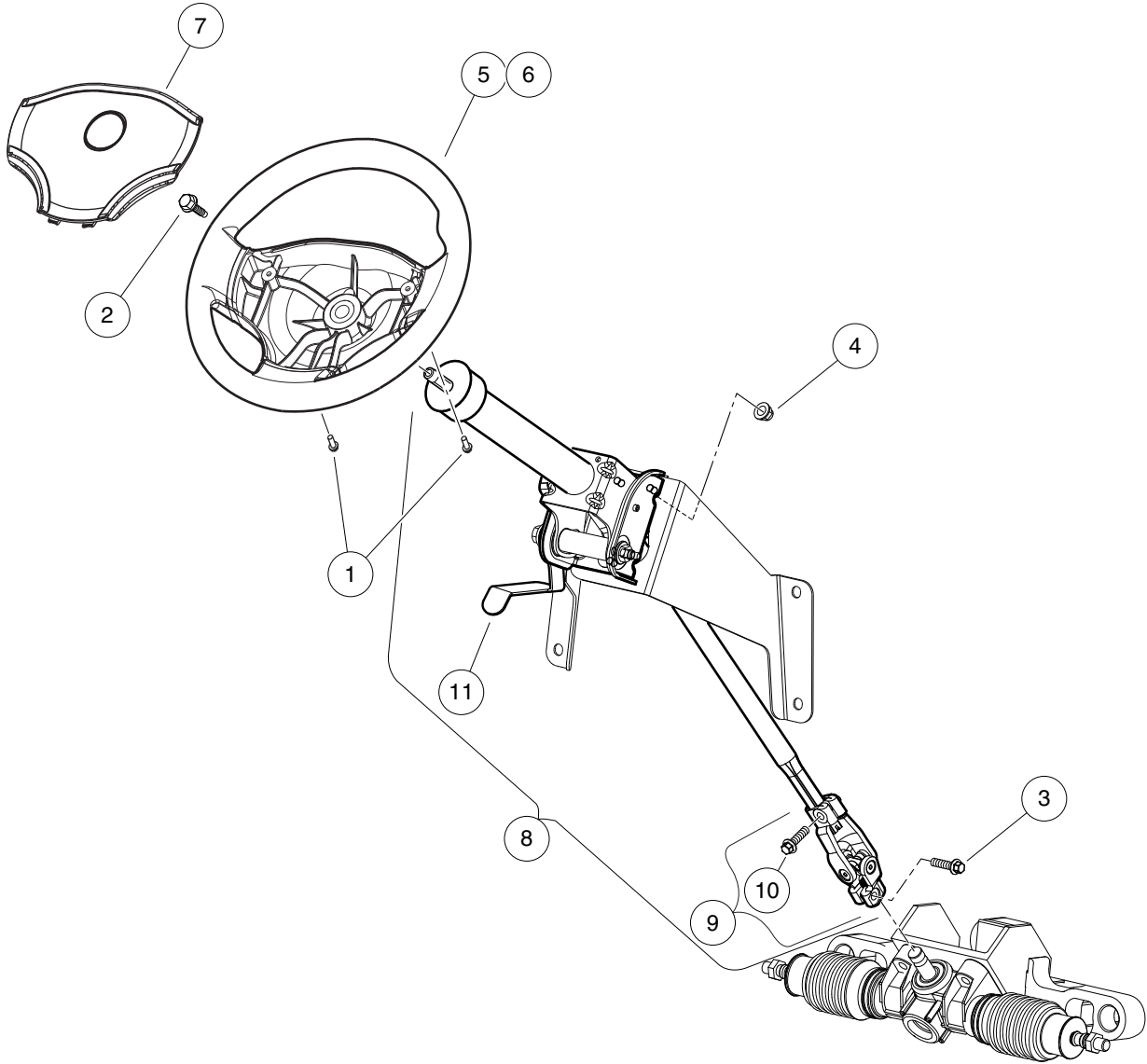
**G**

**D**

5

G

D



000070-006

# STEERING WHEEL AND COLUMN

| ITEM | PART NO.  | DESCRIPTION                                               | QTY |
|------|-----------|-----------------------------------------------------------|-----|
|      |           | <b>1 2 3 4</b>                                            |     |
| 1    | 101850301 | Screw, #12-16 X 0.50 Washer-Head Hi-Lo .....              | 2   |
| 2    | 102290120 | Bolt, M10 X 20 Hex Washer Hd .....                        | 1   |
| 3    | 102298130 | Bolt, Flange Head, M8 X 30.0 .....                        | 1   |
| 4    | 102298401 | Nut,m8,all Metal Lock .....                               | 3   |
| 5    | 103724501 | Steering Wheel, Hex .....                                 | 1   |
| 6    | 103724503 | Steering Wheel, Soft Grip, Hex .....                      | 1   |
| 7    | 103724602 | Cover, Steering Wheel, Generic .....                      | 1   |
| 8    | 103859901 | Column, Steering, Awd (includes items 9 through 11) ..... | 1   |
| 9    | 103810201 | Kit, Prec Lower Yoke, Wanda (includes item 10) .....      | 1   |
| 10   | 102298130 | Bolt, Flange Head, M8 X 30.0 .....                        | 1   |
| 11   | 103862701 | Handle, Steering, Tilt, Awd .....                         | 1   |

**5**

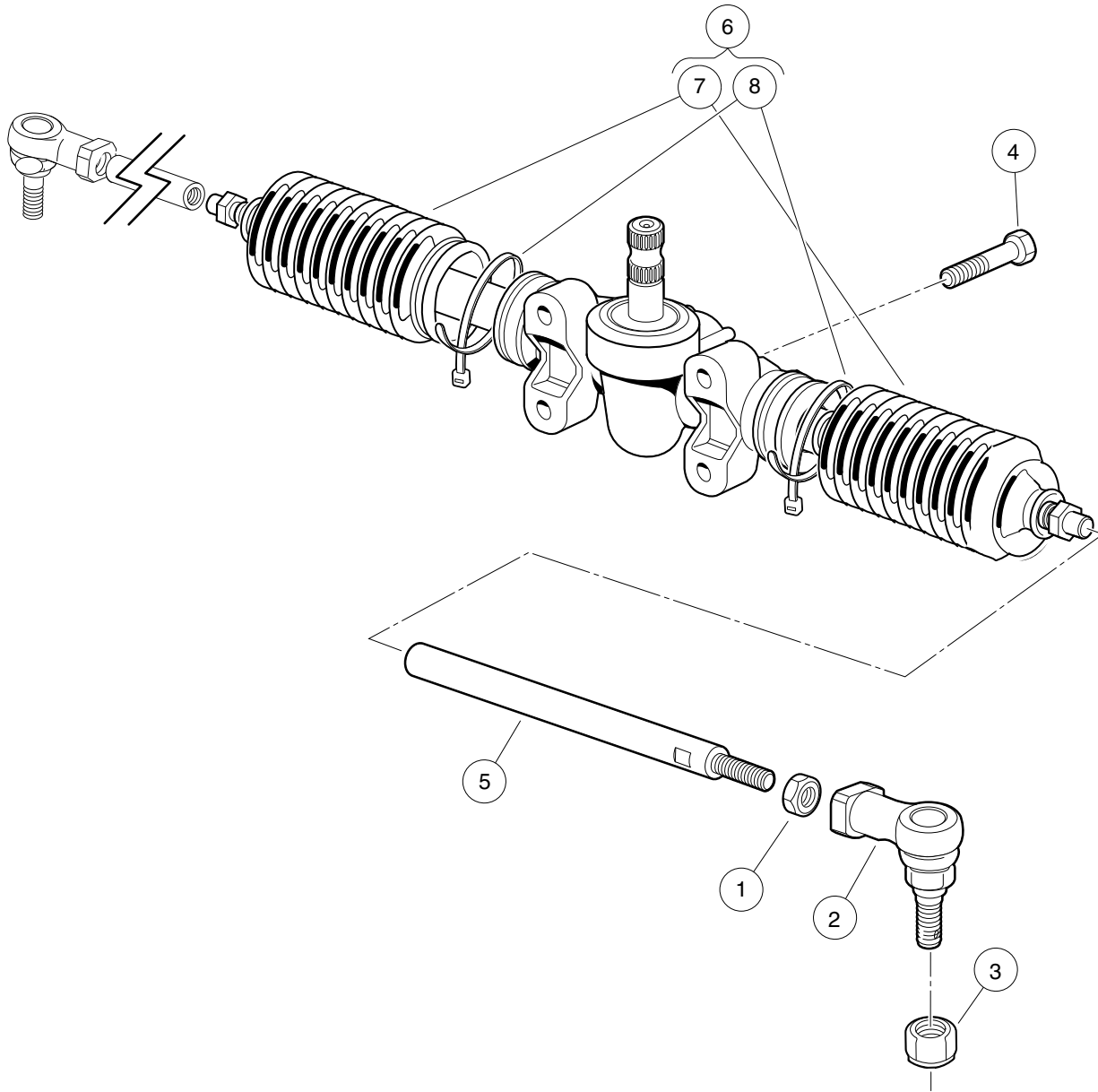
**G**

**D**

5

G

D



000071-004

# STEERING GEAR

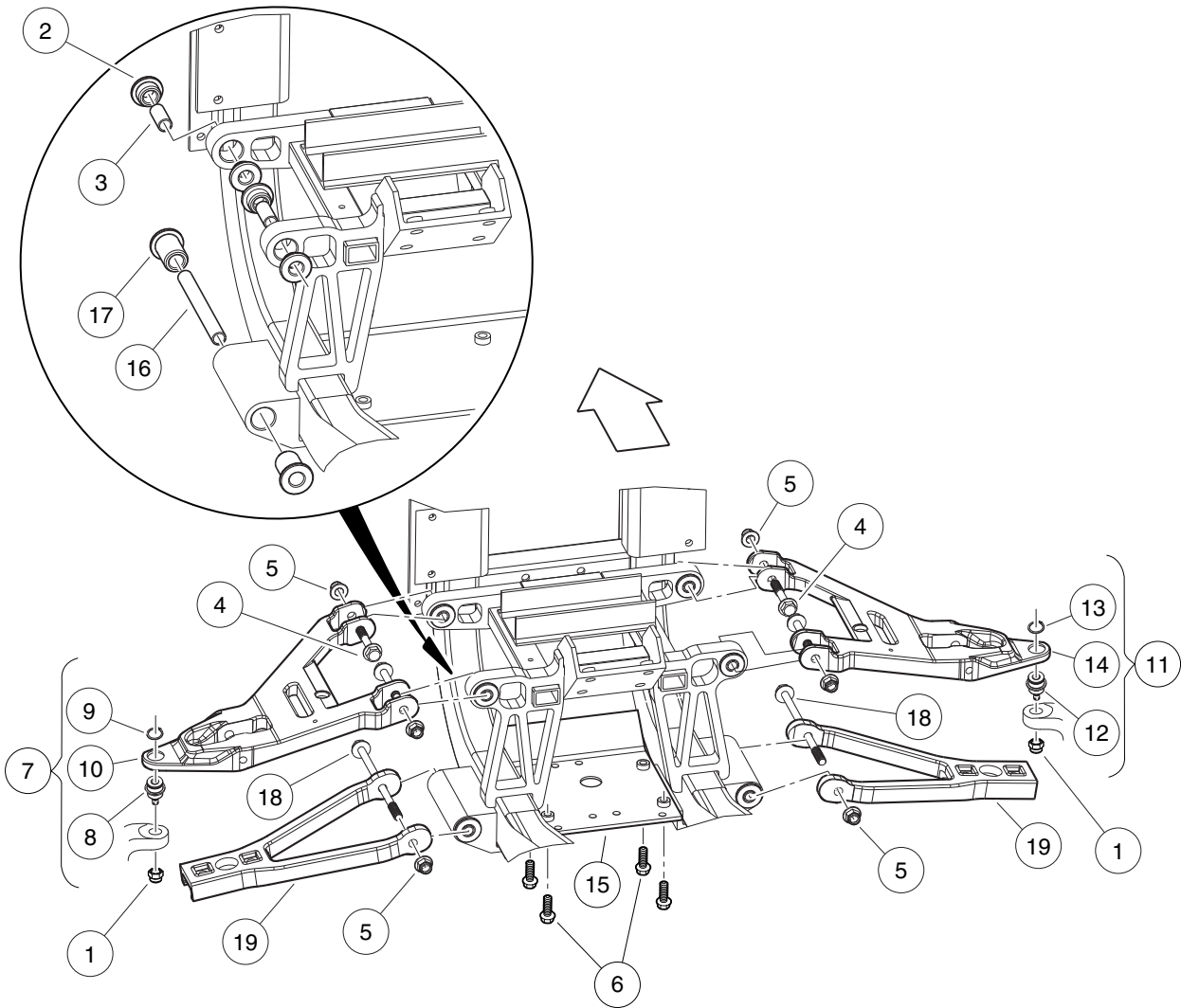
| ITEM | PART NO.  | DESCRIPTION                                         | QTY |
|------|-----------|-----------------------------------------------------|-----|
|      |           | <b>1 2 3 4</b>                                      |     |
| 1    | 1013042   | Nut, 12mm Hex .....                                 | 2   |
| 2    | 102022601 | End, Tie Rod M12 X 1.25 Rh .....                    | 2   |
| 3    | 102022901 | Locknut, M12-1.25 Nylon .....                       | 2   |
| 4    | 102687801 | Bolt, Flange Head, M10x 1.5 X 40 with Loctite ..... | 4   |
| 5    | 102816801 | Link, Drag, Wt .....                                | 2   |
| 6    | 103866601 | Gear, Steering, AWD (includes items 7 and 8) .....  | 1   |
| 7    | 1013035   | Bellows, Long .....                                 | 2   |
| 8    | 8990      | Tie Wrap, 8" Nylon .....                            | 2   |

**5**  
**G**  
**D**

5

G

D



000534-011



## FRONT SUSPENSION – PAGE 1 OF 2

| ITEM | PART NO.  | DESCRIPTION                                                   | QTY |
|------|-----------|---------------------------------------------------------------|-----|
|      |           | <b>1 2 3 4</b>                                                |     |
| 1    | 102022901 | Locknut, M12-1.25 Nylon .....                                 | 2   |
| 2    | 102408401 | Bushing, A-Arm .....                                          | 8   |
| 3    | 102437001 | Sleeve, Upper .....                                           | 4   |
| 4    | 102616301 | Bolt, Flange Head, M12 X 1.75 X 70 .....                      | 4   |
| 5    | 102620501 | Nut, Flange, M12x1.75, Nylon Grade 10 .....                   | 6   |
| 6    | 102711601 | Bolt, Flange Head, M10 X 1.5 X 25 .....                       | 4   |
| 7    | 102792001 | Asm, A-Arm, Upper, Left (includes items 8 through 10) .....   | 1   |
| 8    | 102361901 | Joint, Ball .....                                             | 1   |
| 9    | 102722301 | Ring, Retaining, Ext, 1-1/4" .....                            | 1   |
| 10   | 102927101 | Arm, Upper, Wide, Machined, LH .....                          | 1   |
| 11   | 102792002 | Asm, A-arm, Upper, Right (includes items 12 through 14) ..... | 1   |
| 12   | 102361901 | Joint, Ball .....                                             | 1   |
| 13   | 102722301 | Ring, Retaining, Ext, 1-1/4" .....                            | 1   |
| 14   | 102927102 | Arm, Upper, Wide, Machined, RH .....                          | 1   |
| 15   | 103244701 | Asm, Mount, Diff Plate .....                                  | 1   |
| 16   | 103256401 | Sleeve, Lower Arm .....                                       | 2   |
| 17   | 103256501 | Bushing, Lower Arm .....                                      | 4   |
| 18   | 103256701 | Bolt, Flange, M12 X 1.75 X 200 10 .....                       | 2   |
| 19   | 103969801 | Lower Control Arm, Machined .....                             | 2   |

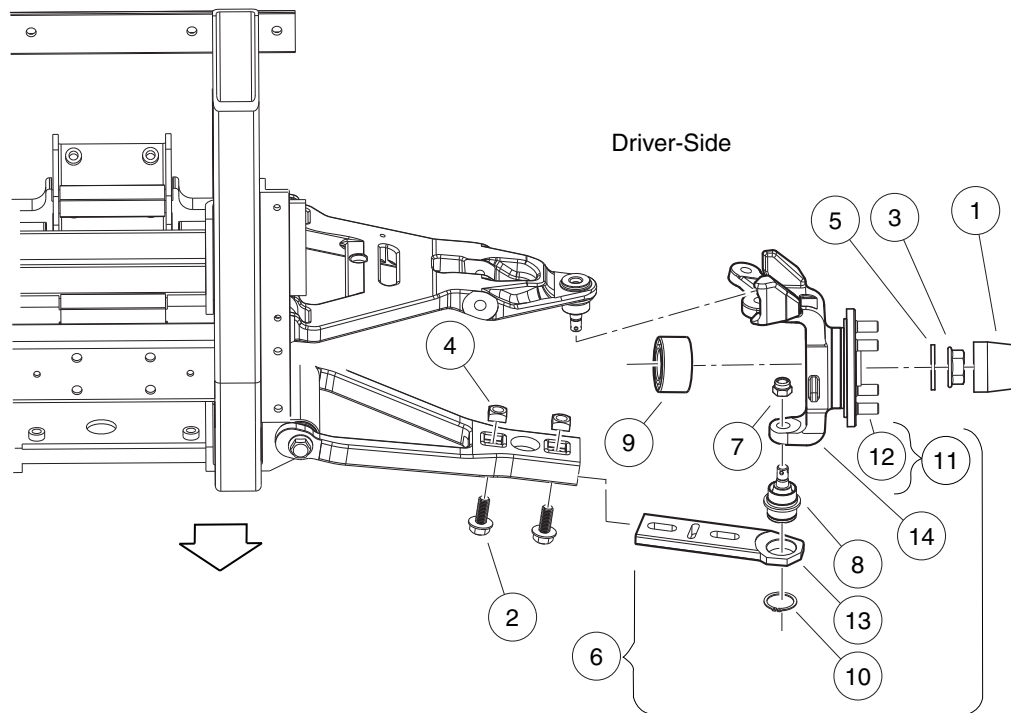
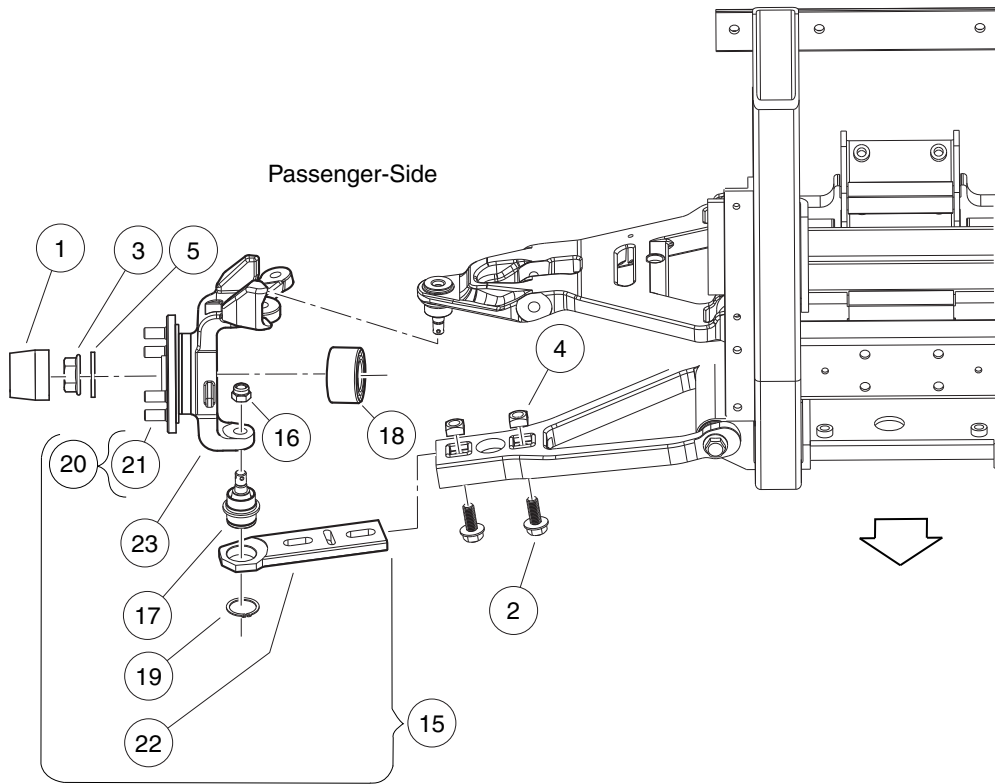
**5**

**G**

**D**

**5**  
**G**

**D**



000534-009

## FRONT SUSPENSION – PAGE 2 OF 2

| ITEM | PART NO.  | DESCRIPTION                                                                               | QTY |
|------|-----------|-------------------------------------------------------------------------------------------|-----|
|      |           | <b>1 2 3 4</b>                                                                            |     |
| 1    | 102274101 | Center Cap, Rubber .....                                                                  | 2   |
| 2    | 102490801 | Bolt, Flange Head, M12x 1.75x 30 with Loctite .....                                       | 4   |
| 3    | 102617501 | Nut, Flange, M22 X 1.5 Mech Def .....                                                     | 2   |
| 4    | 102617701 | Nut, Square, M12x 1.75 .....                                                              | 4   |
| 5    | 102617801 | Washer, Hard, M22 .....                                                                   | 2   |
| 6    | 105283703 | Asm, Upright, AWD, Driver-Side, for Dual-Piston Caliper (includes items 7 through 14) .   | 1   |
| 7    | 102022901 | Locknut, M12-1.25 Nylon .....                                                             | 1   |
| 8    | 102361901 | Joint, Ball .....                                                                         | 1   |
| 9    | 102464301 | Bearing .....                                                                             | 1   |
| 10   | 102722301 | Ring, Retaining, Ext, 1-1/4" .....                                                        | 1   |
| 11   | 103146204 | Wheel Hub, Front, 1550, Service (includes item 12) .....                                  | 1   |
| 12   | 103951501 | Lug Stud, 1/2-20 UNF, SAE J1102 .....                                                     | 4   |
| 13   | 103939301 | Slide, Adjuster, 5 Degree, Ds .....                                                       | 1   |
| 14   | N/A       | Upright, Finished, Left .....                                                             | 1   |
| 15   | 105283704 | Asm, Upright, AWD, Passenger-Side, for Dual-Piston Caliper (includes items 16 through 23) | 1   |
| 16   | 102022901 | Locknut, M12-1.25 Nylon .....                                                             | 1   |
| 17   | 102361901 | Joint, Ball .....                                                                         | 1   |
| 18   | 102464301 | Bearing .....                                                                             | 1   |
| 19   | 102722301 | Ring, Retaining, Ext, 1-1/4" .....                                                        | 1   |
| 20   | 103146204 | Wheel Hub, Front, 1550, Service (includes item 21) .....                                  | 1   |
| 21   | 103951501 | Lug Stud, 1/2-20 UNF, SAE J1102 .....                                                     | 4   |
| 22   | 103939302 | Slide, Adjuster, 5 Degree, Ps .....                                                       | 1   |
| 23   | N/A       | Upright, Finished, Right .....                                                            | 1   |

**5**

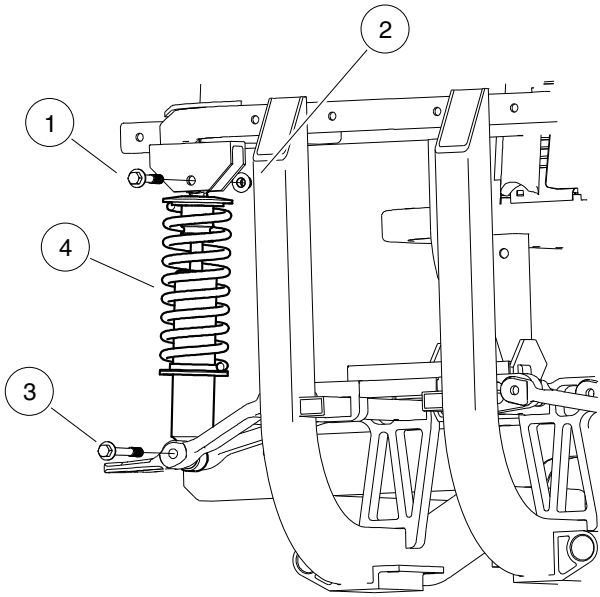
**G**

**D**

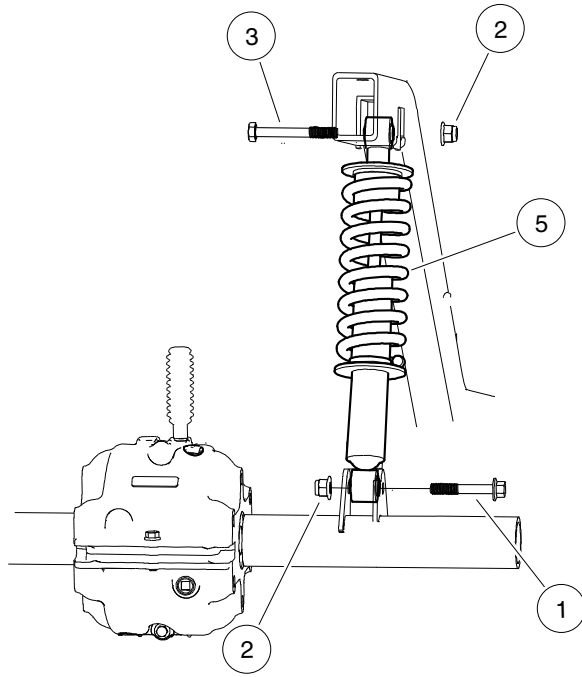
5

G

D



Front



Rear

000530-005

## SHOCK ABSORBERS – 800 LB. CAPACITY

| ITEM                                                    | PART NO.  | DESCRIPTION                                             | QTY |
|---------------------------------------------------------|-----------|---------------------------------------------------------|-----|
|                                                         |           | 1 2 3 4                                                 |     |
| 1                                                       | 102616301 | Bolt, Flange Head, M12 X 1.75 X 70 .....                | 4   |
| 2                                                       | 102620501 | Nut, Flange, M12x1.75, Nylon Grade 10 .....             | 6   |
| 3                                                       | 102788701 | Bolt, Flange, M12x1.75x100, Patch .....                 | 4   |
| 4                                                       | 103841701 | Shock Absorber, Coil-over, Front, 800 lb Capacity ..... | 2   |
| 5                                                       | 103930401 | Shock Absorber, Coil-over, Rear, 800 lb Capacity .....  | 2   |
| <p>Note: Shocks must be installed as matched pairs.</p> |           |                                                         |     |

**5**

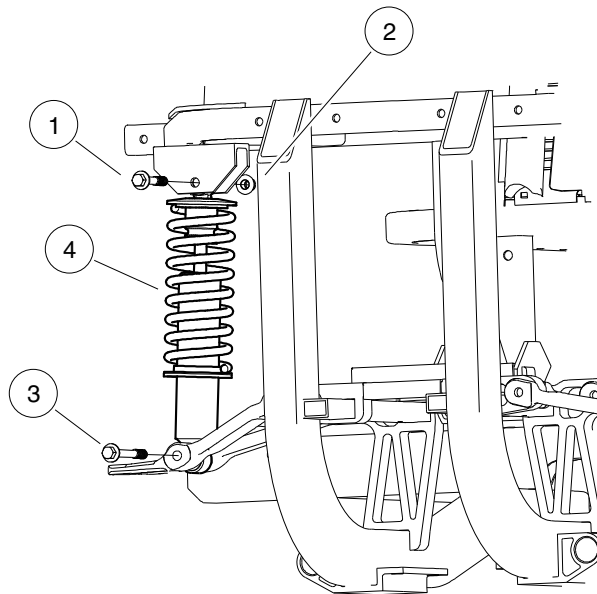
**G**

**D**

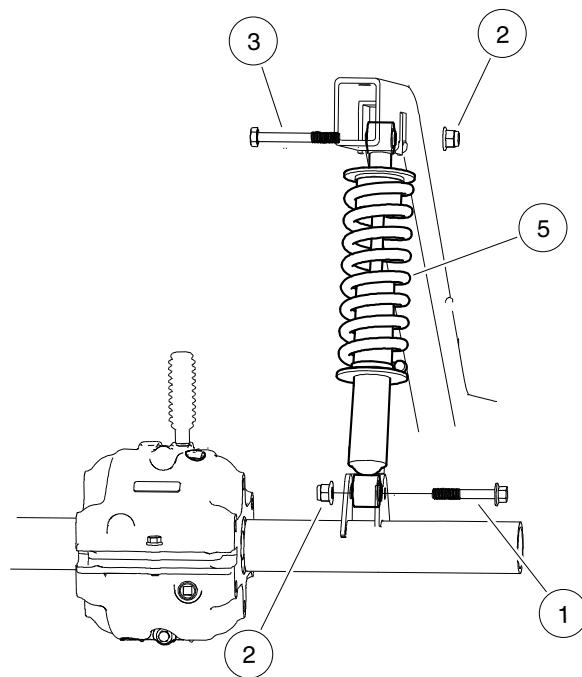
5

G

D



Front



Rear

000530-005

## SHOCK ABSORBERS – 1050 LB. CAPACITY

| ITEM                                                    | PART NO.  | DESCRIPTION                                              | QTY |
|---------------------------------------------------------|-----------|----------------------------------------------------------|-----|
|                                                         |           | 1 2 3 4                                                  |     |
| 1                                                       | 102616301 | Bolt, Flange Head, M12 X 1.75 X 70 .....                 | 4   |
| 2                                                       | 102620501 | Nut, Flange, M12x1.75, Nylon Grade 10 .....              | 6   |
| 3                                                       | 102788701 | Bolt, Flange, M12x1.75x100, Patch .....                  | 4   |
| 4                                                       | 103841801 | Shock Absorber, Coil-over, Front, 1050 lb Capacity ..... | 2   |
| 5                                                       | 103930501 | Shock Absorber, Coil-over, Rear, 1050 lb Capacity .....  | 2   |
| <p>Note: Shocks must be installed as matched pairs.</p> |           |                                                          |     |

**5**

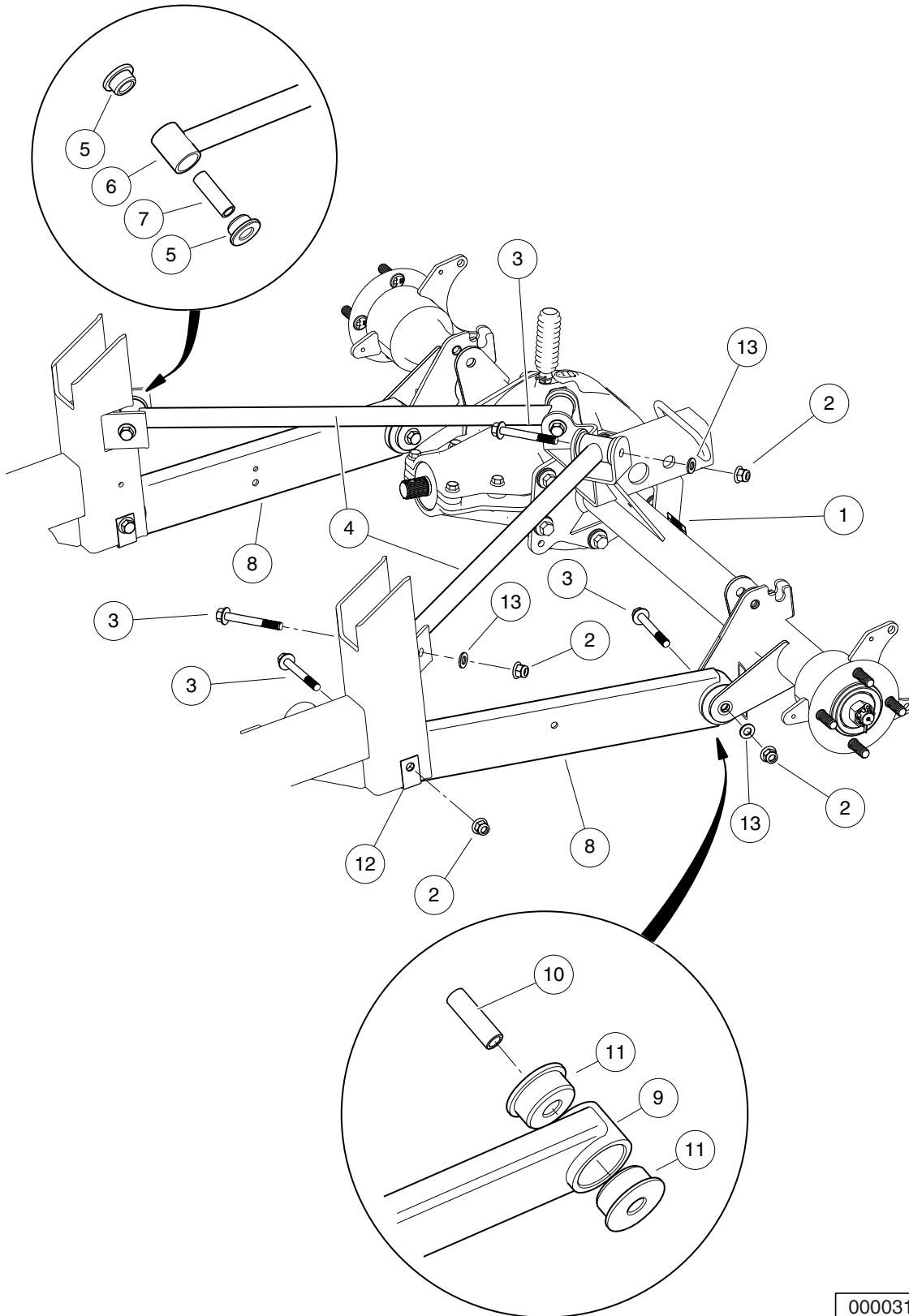
**G**

**D**

5

G

D



000031-005



## REAR SUSPENSION (4-LINK)

| ITEM | PART NO.  | DESCRIPTION                                                                               | QTY |
|------|-----------|-------------------------------------------------------------------------------------------|-----|
|      |           | 1 2 3 4                                                                                   |     |
| 1    | 1011553   | Decal, Trailer Hitch .....                                                                | 1   |
| 2    | 102670701 | Nut, Flange, M10 X 1.5 Nylon .....                                                        | 8   |
| 3    | 103147001 | Bolt, Flg, M10 X 1.5 X 80 .....                                                           | 8   |
| 4    | 103860302 | Assy, Lateral Link, Service Replacement, 4-Link Susp (includes items 5 through 7) .....   | 2   |
| 5    | 102408401 | Bushing, A-Arm .....                                                                      | 4   |
| 6    | N/A       | Link, Lateral, Awd .....                                                                  | 1   |
| 7    | 103845501 | Sleeve, Inner, 4link .....                                                                | 2   |
| 8    | 103860402 | Assy, Trailing Link, Service Replacement, 4-Link Susp (includes items 9 through 11) ..... | 2   |
| 9    | N/A       | Link, Trailing, Awd .....                                                                 | 1   |
| 10   | 103845501 | Sleeve, Inner, 4link .....                                                                | 2   |
| 11   | 103886201 | Bushing, Poly, 4-link .....                                                               | 4   |
| 12   | 103923001 | Clip, Wear, Trail Link .....                                                              | 4   |
| 13   | 96741046  | Washer, M10, Hard .....                                                                   | 6   |

**5**

**G**

**D**

**5**

**G**

**D**

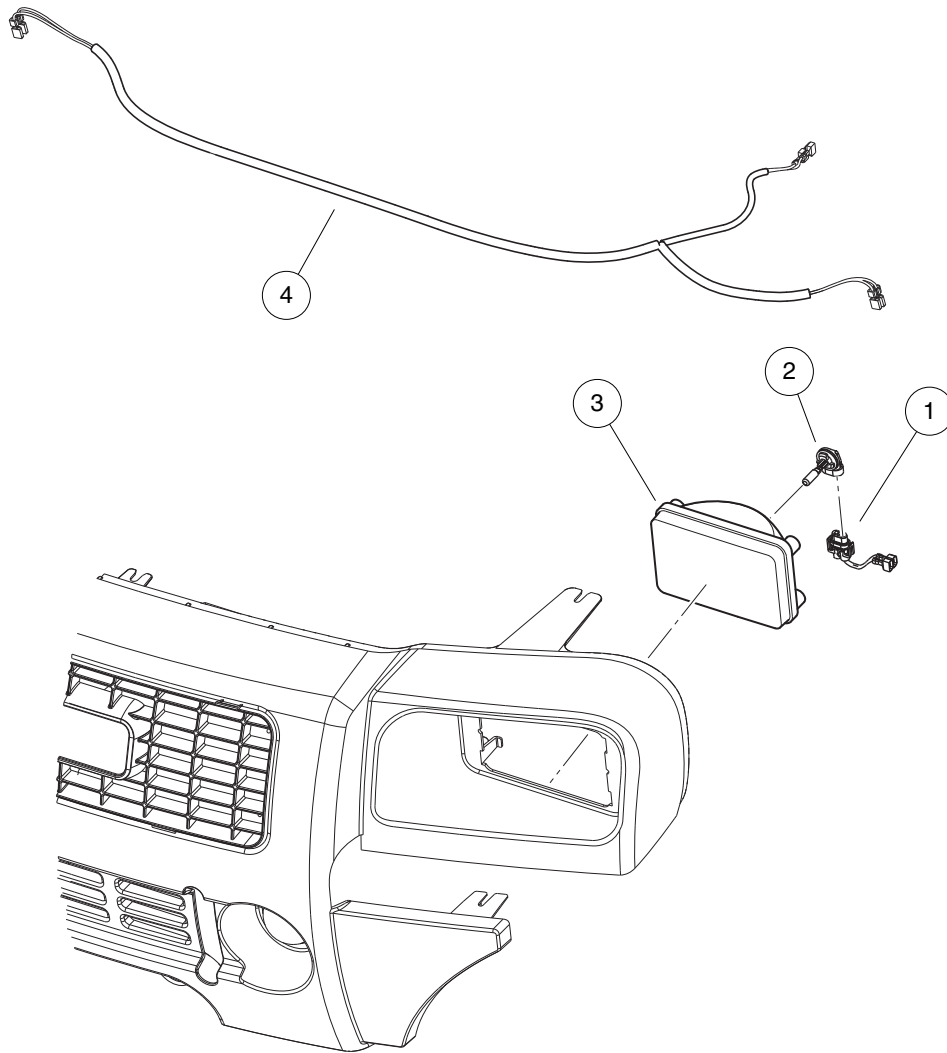
# **ELECTRICAL SYSTEM – GAS VEHICLES**

---

**6**

**G**

**6**  
**G**



000880-003

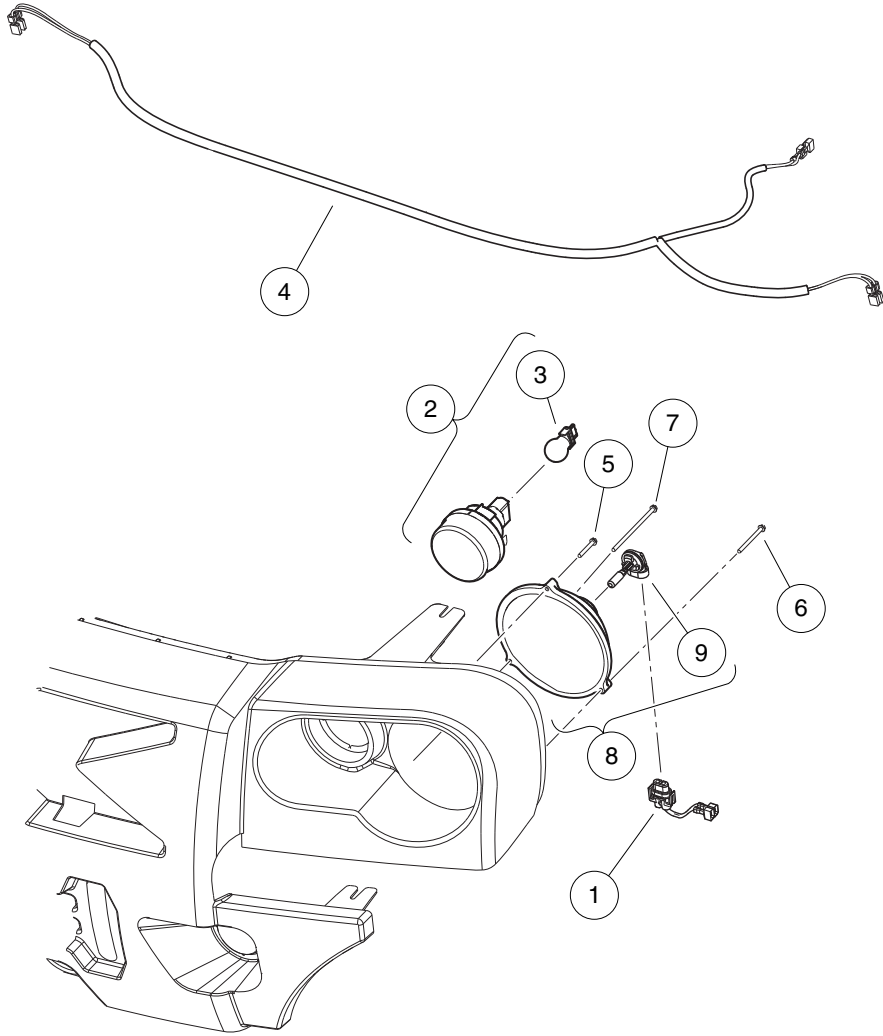
# HEADLIGHTS – CARRYALL

| ITEM | PART NO.  | DESCRIPTION                                    | QTY |
|------|-----------|------------------------------------------------|-----|
|      |           | 1 2 3 4                                        |     |
| 1    | 101987901 | Connector, Harness Assembly, Headlight .....   | 2   |
| 2    | 101988101 | Bulb, Headlight .....                          | 2   |
| 3    | 101988201 | Lens, Headlight .....                          | 2   |
| 4    | 103213301 | Harness, Wire, XRT/CA Restyle Headlights ..... | 1   |

6

G

**6**  
**G**

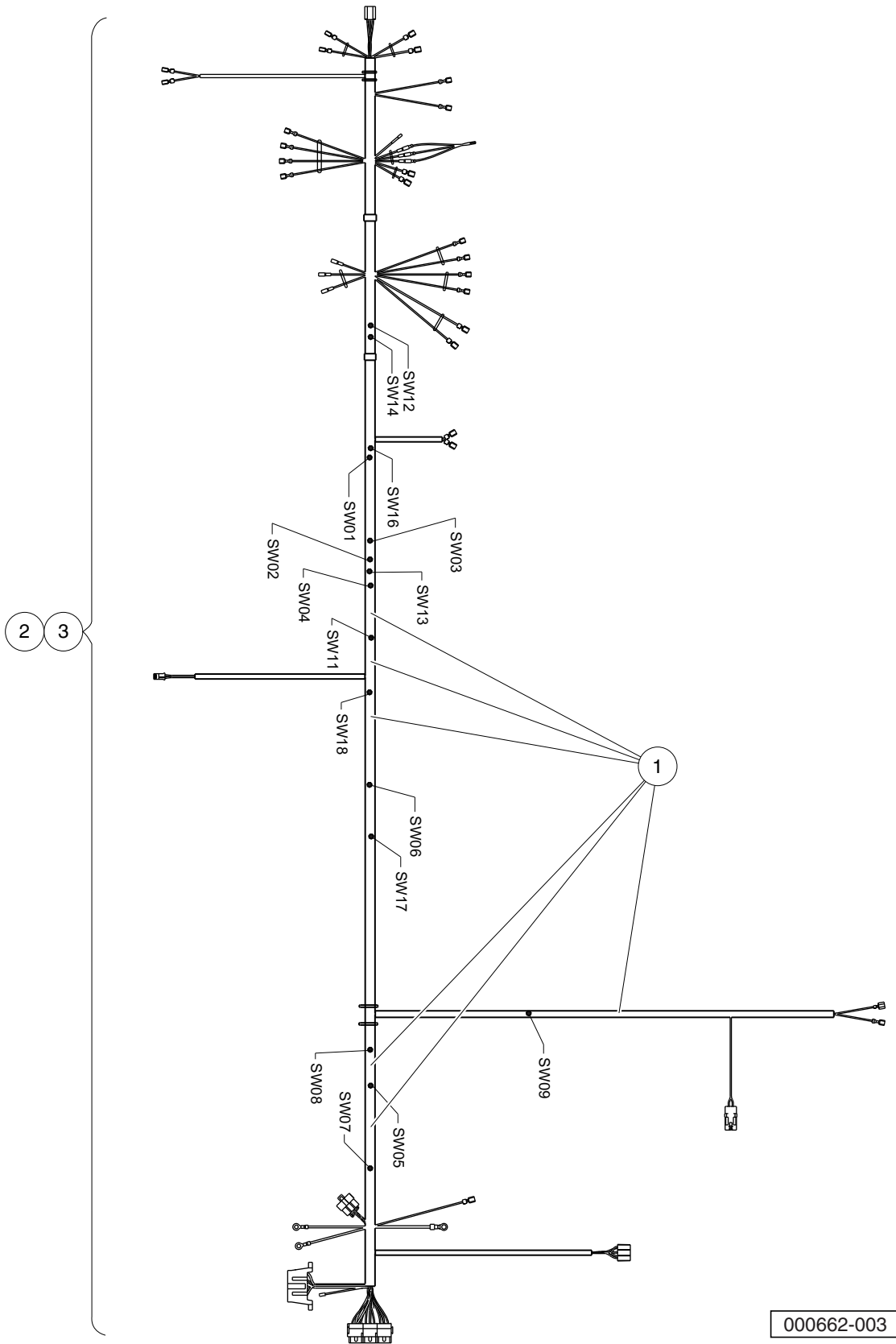


000880-008

# HEADLIGHTS – XRT

| ITEM | PART NO.  | DESCRIPTION                                           | QTY |
|------|-----------|-------------------------------------------------------|-----|
|      |           | 1 2 3 4                                               |     |
| 1    | 101987901 | Connector, Harness Assembly, Headlight .....          | 2   |
| 2    | 102894501 | Light, Turn Signal, Round, 3" (includes item 3) ..... | 2   |
| 3    | 103521001 | Bulb, Signal, Marker .....                            | 1   |
| 4    | 103213301 | Harness, Wire, XRT/CA Restyle Headlights .....        | 1   |
| 5    | 103218104 | Screw, #8x1.25 Ab Thd, Hex Hd .....                   | 2   |
| 6    | 103218107 | Screw, #8x2.00 AB Thd, Hex Hd .....                   | 2   |
| 7    | 103218113 | Screw, #8x3.50 Ab Thd, Hex Hd .....                   | 2   |
| 8    | 103966401 | Headlight, Round, 6", 8610 (includes item 9) .....    | 2   |
| 9    | 102535101 | Bulb, Headlight, 37.5 W .....                         | 1   |
|      |           | Note: This headlight is made of polycarbonate.        |     |

6  
G



000662-003

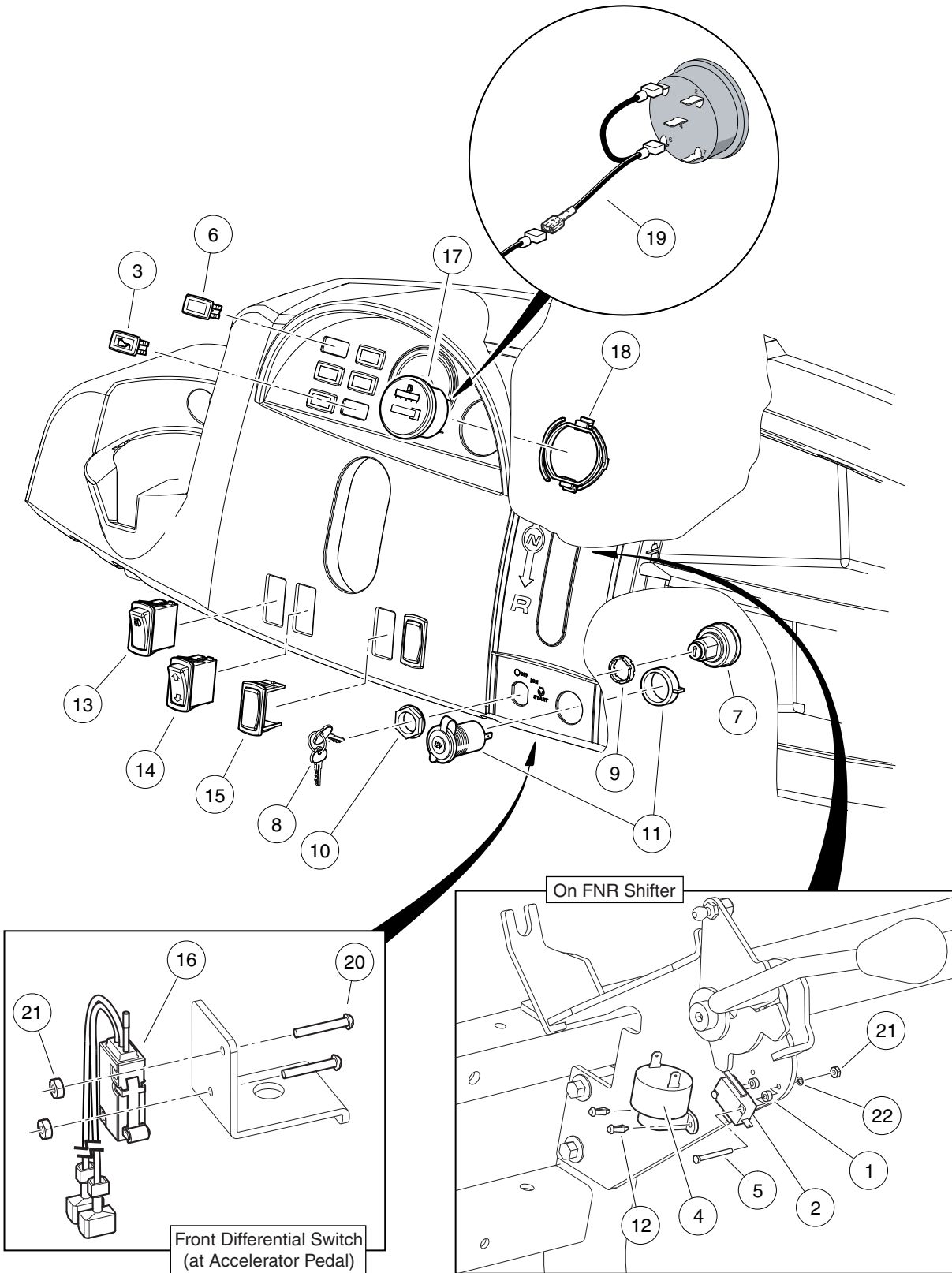


# WIRING – KAWASAKI GAS ENGINE

| ITEM | PART NO.  | DESCRIPTION                                                                                                                           | QTY |
|------|-----------|---------------------------------------------------------------------------------------------------------------------------------------|-----|
|      |           | 1 2 3 4                                                                                                                               |     |
| 1    | 1014789   | Diode, General Purpose, 3.0-Amp .....                                                                                                 | 6   |
| 2    | 103305701 | Harness, Wire, AWD, Kawasaki FH680, 295/1550 .....                                                                                    | 1   |
| 3    | 103305801 | Harness, Wire, AWD, Kawasaki FH680, 295 SE/1550 SE .....                                                                              | 1   |
|      |           | <p>Note: Item 2 is for use with 81.5 in. (207 cm) wheelbase vehicle. Item 3 is for use with 114 in. (289.5 cm) wheelbase vehicle.</p> |     |

6

G



Front Differential Switch  
(at Accelerator Pedal)

On FNR Shifter

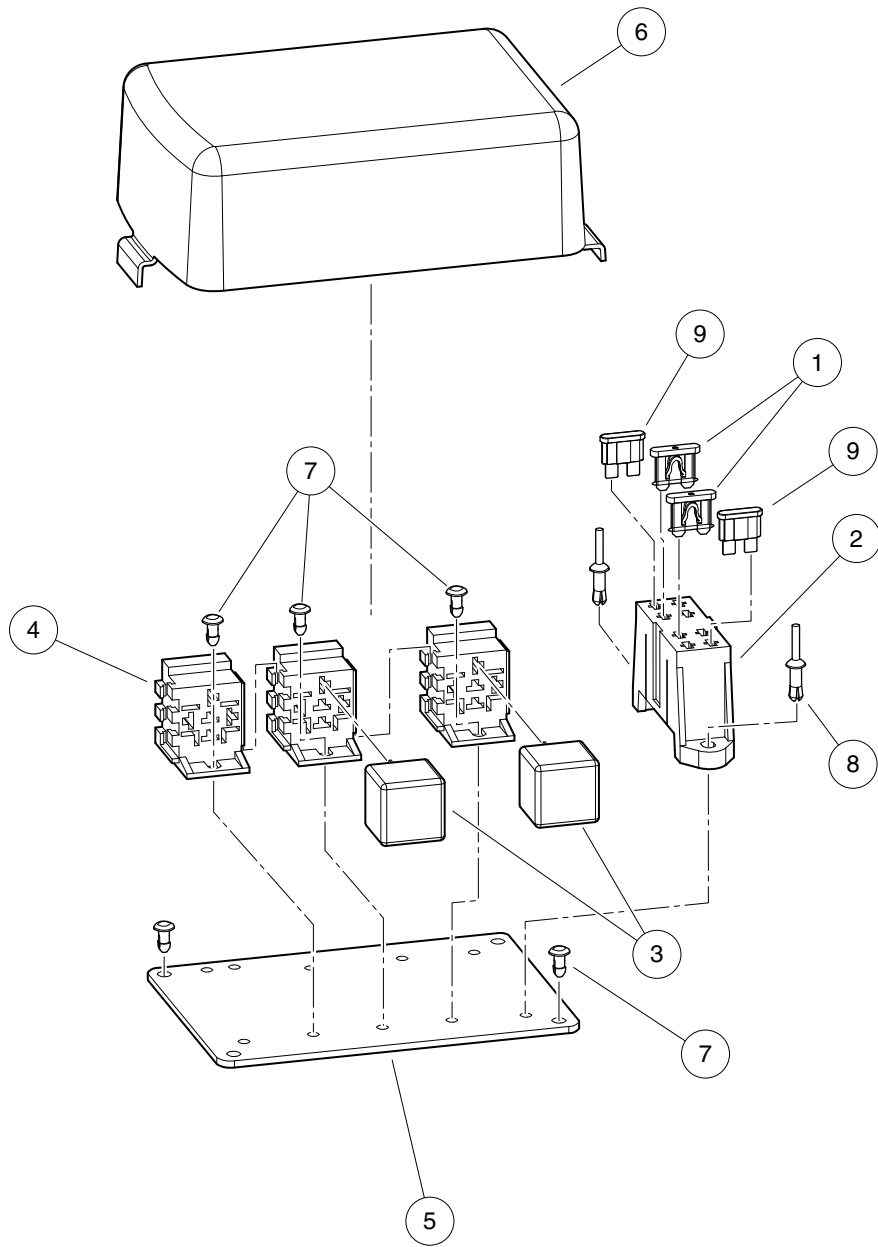
000543-013

# ELECTRICAL COMPONENTS, FRONT BODY – GAS VEHICLE

| ITEM                                                                                                                                                                                                      | PART NO.  | DESCRIPTION                                  | QTY |
|-----------------------------------------------------------------------------------------------------------------------------------------------------------------------------------------------------------|-----------|----------------------------------------------|-----|
|                                                                                                                                                                                                           |           | 1 2 3 4                                      |     |
| 1                                                                                                                                                                                                         | 1014727   | Washer, Flat, #4, Nylon .....                | 2   |
| 2                                                                                                                                                                                                         | 1014808   | Switch, Limit .....                          | 1   |
| 3                                                                                                                                                                                                         | 1016630   | Light, Oil .....                             | 1   |
| 4                                                                                                                                                                                                         | 1016851   | Buzzer, Reverse (9-48 VDC) .....             | 1   |
| 5                                                                                                                                                                                                         | 1016896   | Screw, #4-40 X 1.125 Hx Hd Mch .....         | 2   |
| 6                                                                                                                                                                                                         | 101802601 | Plug, Hole .....                             | 5   |
| 7                                                                                                                                                                                                         | 102044702 | Key Switch 12v Key Start .....               | 1   |
| 8                                                                                                                                                                                                         | 102044801 | Key Set .....                                | 1   |
| 9                                                                                                                                                                                                         | 102051601 | Spacer, Keyswitch .....                      | 1   |
| 10                                                                                                                                                                                                        | 102051701 | Nut, Key Switch .....                        | 1   |
| 11                                                                                                                                                                                                        | 102198001 | Receptacle, Accessory .....                  | 1   |
| 12                                                                                                                                                                                                        | 102499001 | Rivet, Micro Tuflok .....                    | 2   |
| 13                                                                                                                                                                                                        | 102869401 | Switch, Rocker, Light .....                  | 1   |
| 14                                                                                                                                                                                                        | 102882501 | Switch, Rocker, Bed Lift .....               | 1   |
| 15                                                                                                                                                                                                        | 103180101 | Cover, Hole, Switch, Rocker .....            | 3   |
| 16                                                                                                                                                                                                        | 103327201 | Asm, Switch, Limit, Awd .....                | 1   |
| 17                                                                                                                                                                                                        | 103348101 | Gauge, Fuel-hour, Sep Gnd .....              | 1   |
| 18                                                                                                                                                                                                        | 103348201 | Clip, Meter, Round .....                     | 1   |
| 19                                                                                                                                                                                                        | 103348501 | Asm, Wire Meter, F-h Jumper .....            | 1   |
| 20                                                                                                                                                                                                        | 8056      | Screw, #4-40 X 0.75 Round-Head Machine ..... | 2   |
| 21                                                                                                                                                                                                        | 8057      | Nut, #4-40 Hex Machine .....                 | 4   |
| 22                                                                                                                                                                                                        | 8058      | Lockwasher, #4 Split .....                   | 2   |
| <p>Note: Item 4, reverse buzzer, is only if equipped. NOTE 2: Item 14, bed lift switch, is only if equipped. NOTE 3: Items 18, clip, and 19, jumper wire, are required with item 17, fuel/hour gauge.</p> |           |                                              |     |

6

G



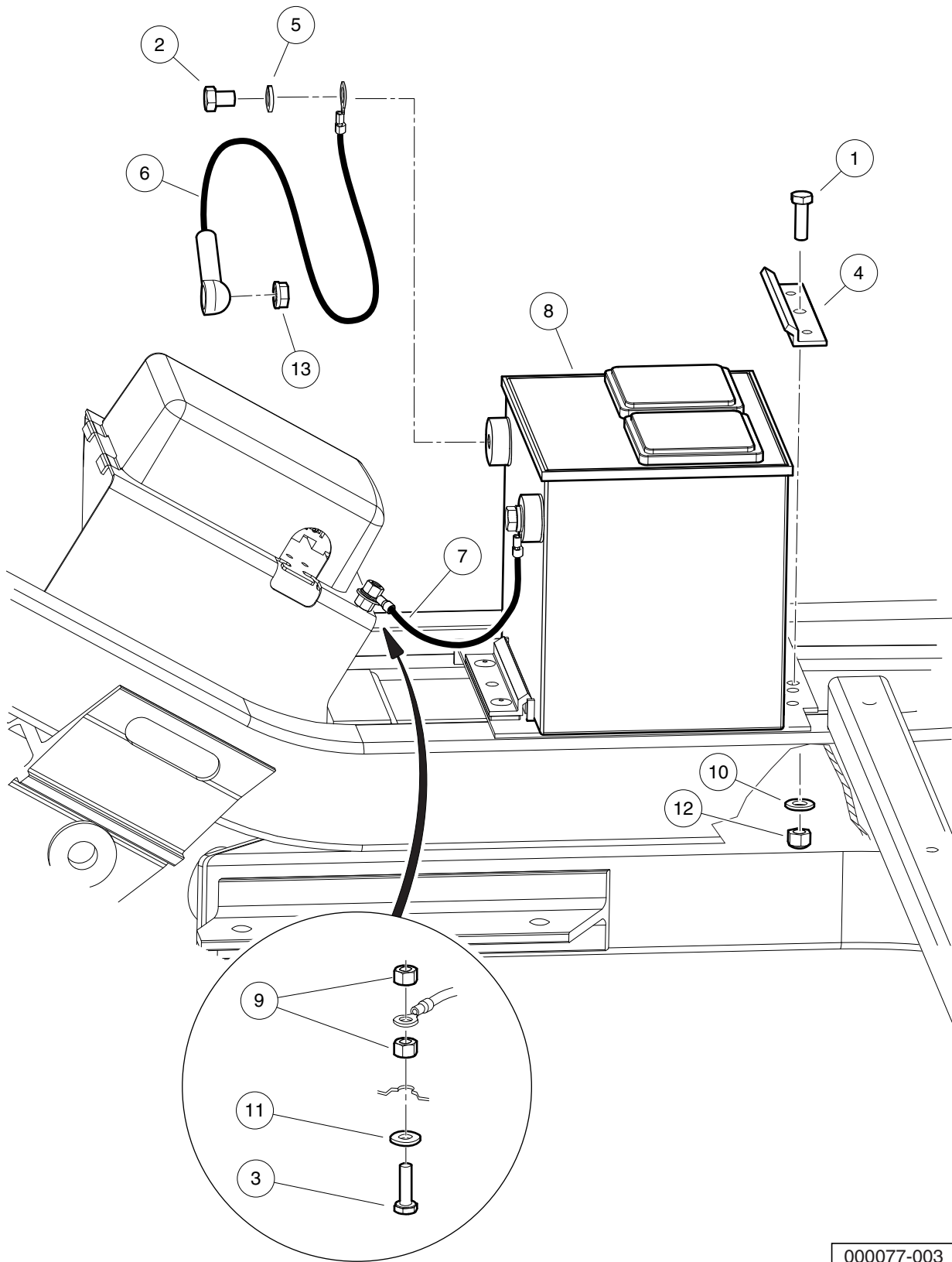
000076-003

# ELECTRICAL COMPONENT BOX, GASOLINE VEHICLE

| ITEM | PART NO.  | DESCRIPTION                 | QTY |
|------|-----------|-----------------------------|-----|
|      |           | 1 2 3 4                     |     |
| 1    | 1012295   | Fuse, 10-Amp .....          | 2   |
| 2    | 1015741   | Fuse Block .....            | 1   |
| 3    | 102420201 | Relay, Mini ISO, SPDT ..... | 3   |
| 4    | 102420301 | Connector, Relay .....      | 3   |
| 5    | 102420401 | Plate, Electrical .....     | 1   |
| 6    | 102420501 | Cover, Electrical .....     | 1   |
| 7    | 102447901 | Fastener, Push-in .....     | 7   |
| 8    | 102448001 | Rivet, Drive .....          | 2   |
| 9    | 102492201 | Fuse, 25-Amp .....          | 2   |

**6**  
**G**

**6**  
**G**



000077-003

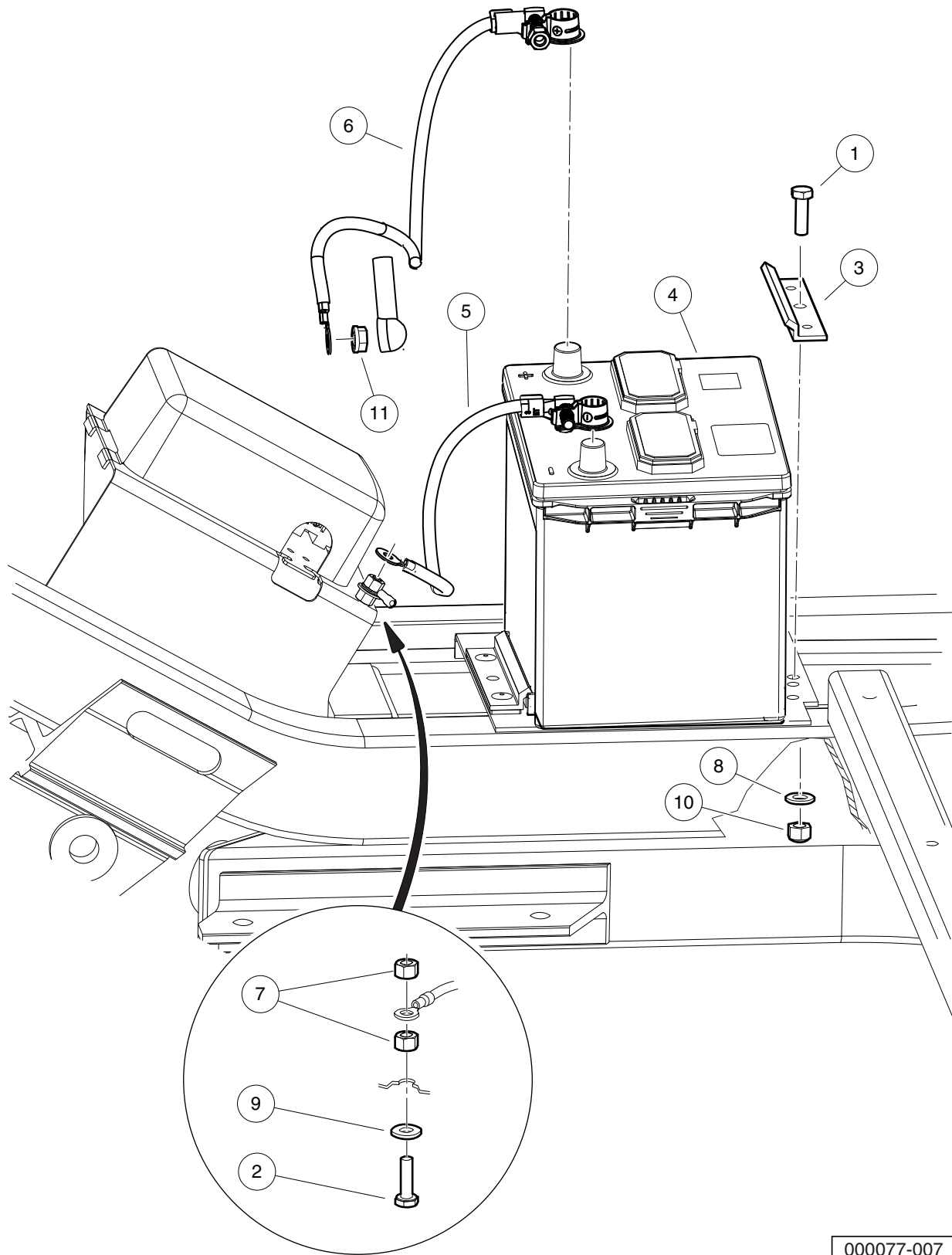
## BATTERY – GASOLINE VEHICLE

| ITEM | PART NO.  | DESCRIPTION                                           | QTY |
|------|-----------|-------------------------------------------------------|-----|
|      |           | 1 2 3 4                                               |     |
| 1    | 1010934   | Screw, 5/16-18 X 1.00 Hex Cap .....                   | 1   |
| 2    | 1014375   | Screw, 3/8-16 X 0.50, Stainless Steel, Hex-Head ..... | 2   |
| 3    | 1015521   | Screw, 1/4-20 X .88 Hex Hd Cap .....                  | 1   |
| 4    | 101898001 | Clamp, Battery .....                                  | 1   |
| 5    | 102355301 | Lockwasher, 3/8 Split Ss .....                        | 2   |
| 6    | 102442201 | Asm, #6 Red Wire .....                                | 1   |
| 7    | 102448401 | Wire Asm, #6 Blk, Awd, 350 .....                      | 1   |
| 8    | 103496801 | Battery, Start, 12v .....                             | 1   |
| 9    | 1108      | Locknut, 1/4-20 Dimpled .....                         | 2   |
| 10   | 1241      | Washer, 5/16 Type A Flat .....                        | 1   |
| 11   | 332       | Washer, 1/4 Type A Narrow Flat .....                  | 1   |
| 12   | 7473      | Locknut, 5/16-18 Nylon Insert .....                   | 1   |
| 13   | 96704416  | Nut, Flange, M8 X 1.25 Serrated .....                 | 1   |

6

G

**6**  
**G**



000077-007



## TOP-POST BATTERY – GASOLINE VEHICLE

| ITEM | PART NO.  | DESCRIPTION                                         | QTY |
|------|-----------|-----------------------------------------------------|-----|
|      |           | 1 2 3 4                                             |     |
| 1    | 1010934   | Screw, 5/16-18 X 1.00 Hex Cap .....                 | 1   |
| 2    | 1015521   | Screw, 1/4-20 X .88 Hex Hd Cap .....                | 1   |
| 3    | 101898001 | Clamp, Battery .....                                | 1   |
| 4    | 105237301 | Battery, Start, 12v, Type 26 .....                  | 1   |
| 5    | 105256201 | Wire Asm, #6 Blk, (top-post battery) Awd, 426 ..... | 1   |
| 6    | 105256601 | Wire Asm, #6 Red, (top-post battery) Awd, 476 ..... | 1   |
| 7    | 1108      | Locknut, 1/4-20 Dimpled .....                       | 2   |
| 8    | 1241      | Washer, 5/16 Type A Flat .....                      | 1   |
| 9    | 332       | Washer, 1/4 Type A Narrow Flat .....                | 1   |
| 10   | 7473      | Locknut, 5/16-18 Nylon Insert .....                 | 1   |
| 11   | 96704416  | Nut, Flange, M8 X 1.25 Serrated .....               | 1   |

**6**  
**G**

6

G

# ELECTRICAL SYSTEM – DIESEL VEHICLES

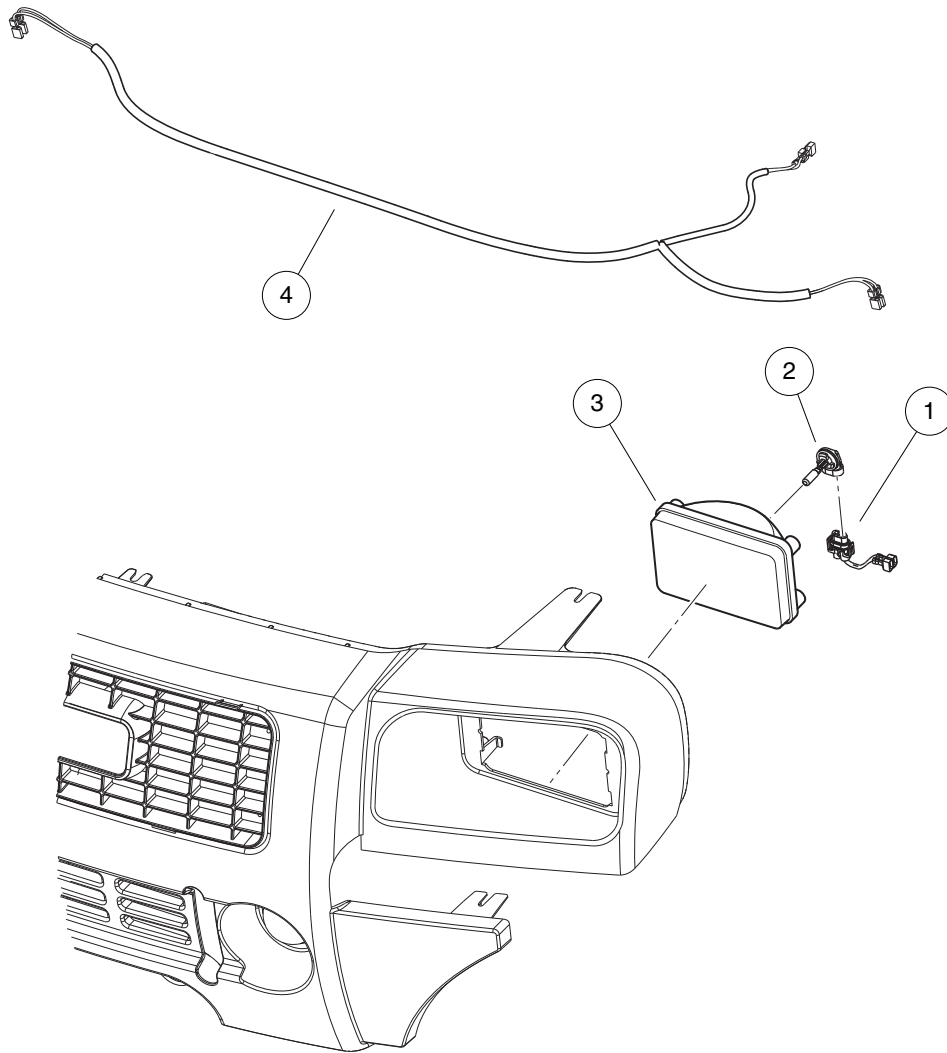
---

7

D

7

D



000880-003

# HEADLIGHTS – CARRYALL

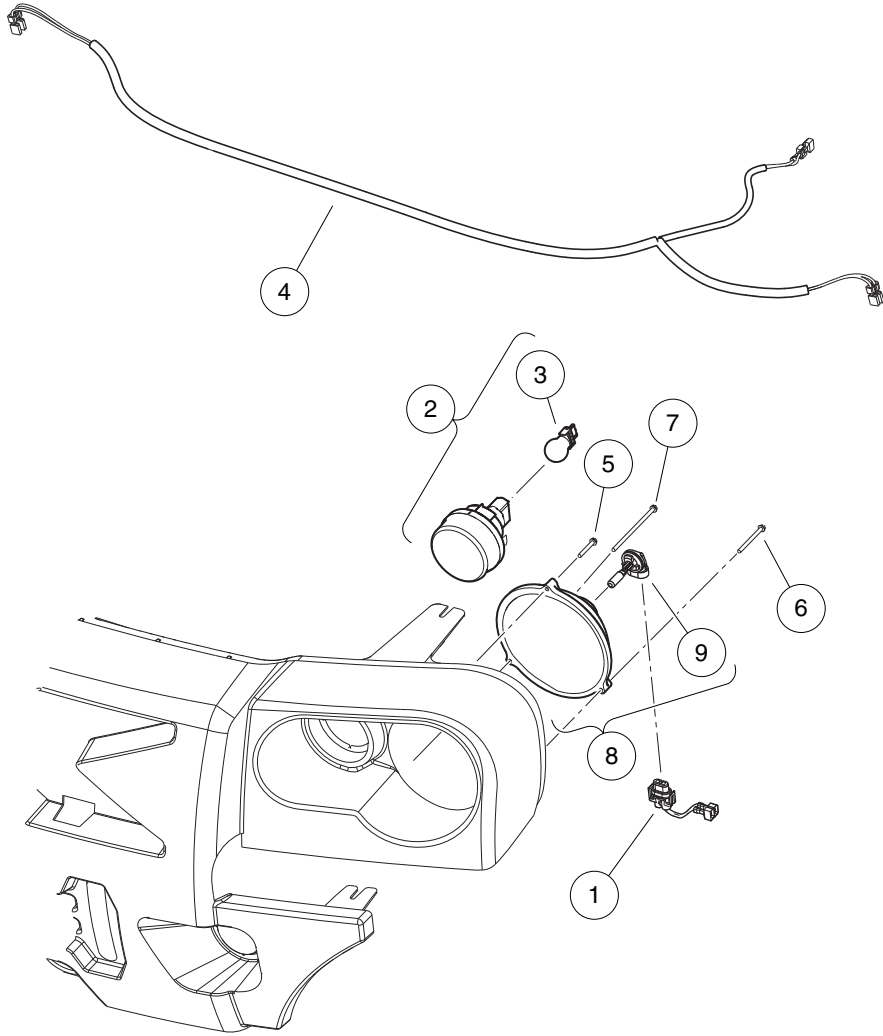
| ITEM | PART NO.  | DESCRIPTION                                    | QTY |
|------|-----------|------------------------------------------------|-----|
|      |           | 1 2 3 4                                        |     |
| 1    | 101987901 | Connector, Harness Assembly, Headlight .....   | 2   |
| 2    | 101988101 | Bulb, Headlight .....                          | 2   |
| 3    | 101988201 | Lens, Headlight .....                          | 2   |
| 4    | 103213301 | Harness, Wire, XRT/CA Restyle Headlights ..... | 1   |

**7**

**D**

7

D



000880-008

# HEADLIGHTS – XRT

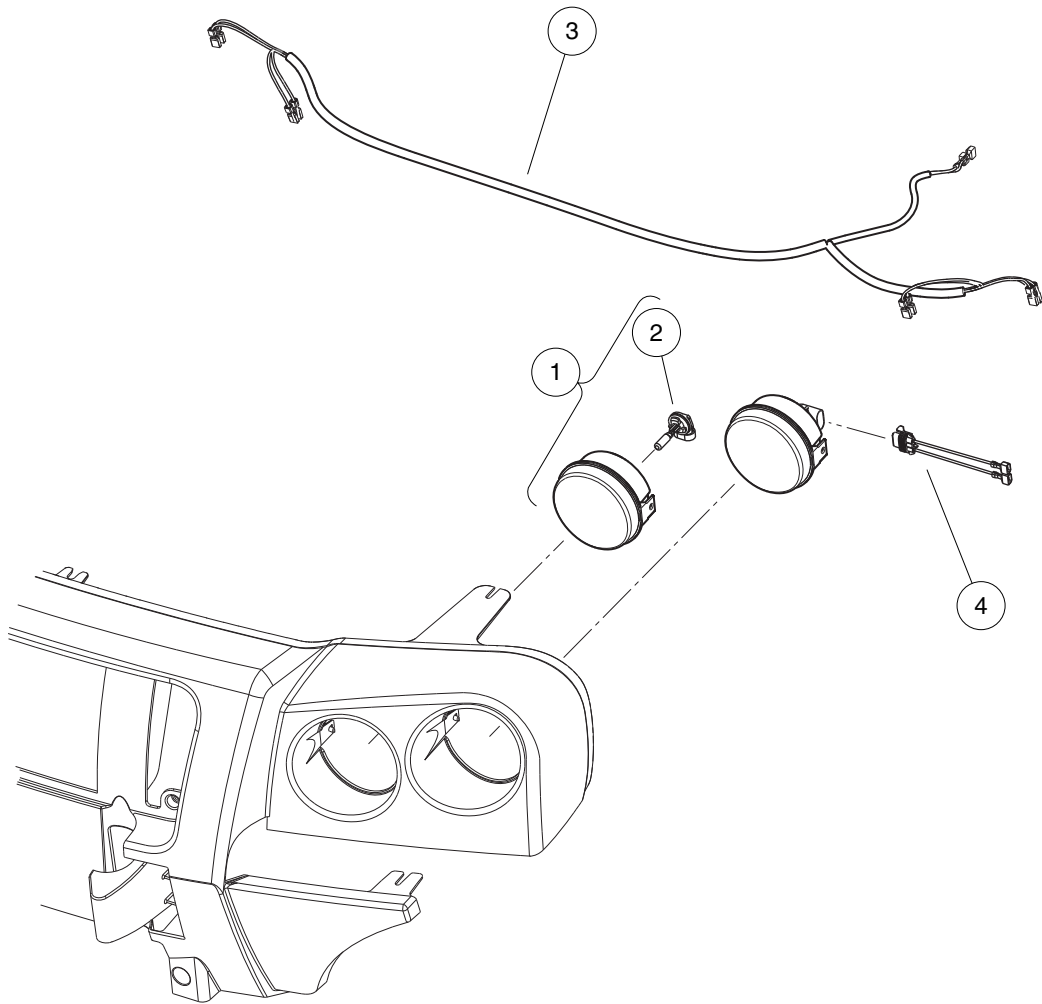
| ITEM | PART NO.  | DESCRIPTION                                           | QTY |
|------|-----------|-------------------------------------------------------|-----|
|      |           | 1 2 3 4                                               |     |
| 1    | 101987901 | Connector, Harness Assembly, Headlight .....          | 2   |
| 2    | 102894501 | Light, Turn Signal, Round, 3" (includes item 3) ..... | 2   |
| 3    | 103521001 | Bulb, Signal, Marker .....                            | 1   |
| 4    | 103213301 | Harness, Wire, XRT/CA Restyle Headlights .....        | 1   |
| 5    | 103218104 | Screw, #8x1.25 Ab Thd, Hex Hd .....                   | 2   |
| 6    | 103218107 | Screw, #8x2.00 AB Thd, Hex Hd .....                   | 2   |
| 7    | 103218113 | Screw, #8x3.50 Ab Thd, Hex Hd .....                   | 2   |
| 8    | 103966401 | Headlight, Round, 6", 8610 (includes item 9) .....    | 2   |
| 9    | 102535101 | Bulb, Headlight, 37.5 W .....                         | 1   |
|      |           | Note: This headlight is made of polycarbonate.        |     |

**7**

**D**

7

D



000880-009



# HEADLIGHTS – INTELLITACH

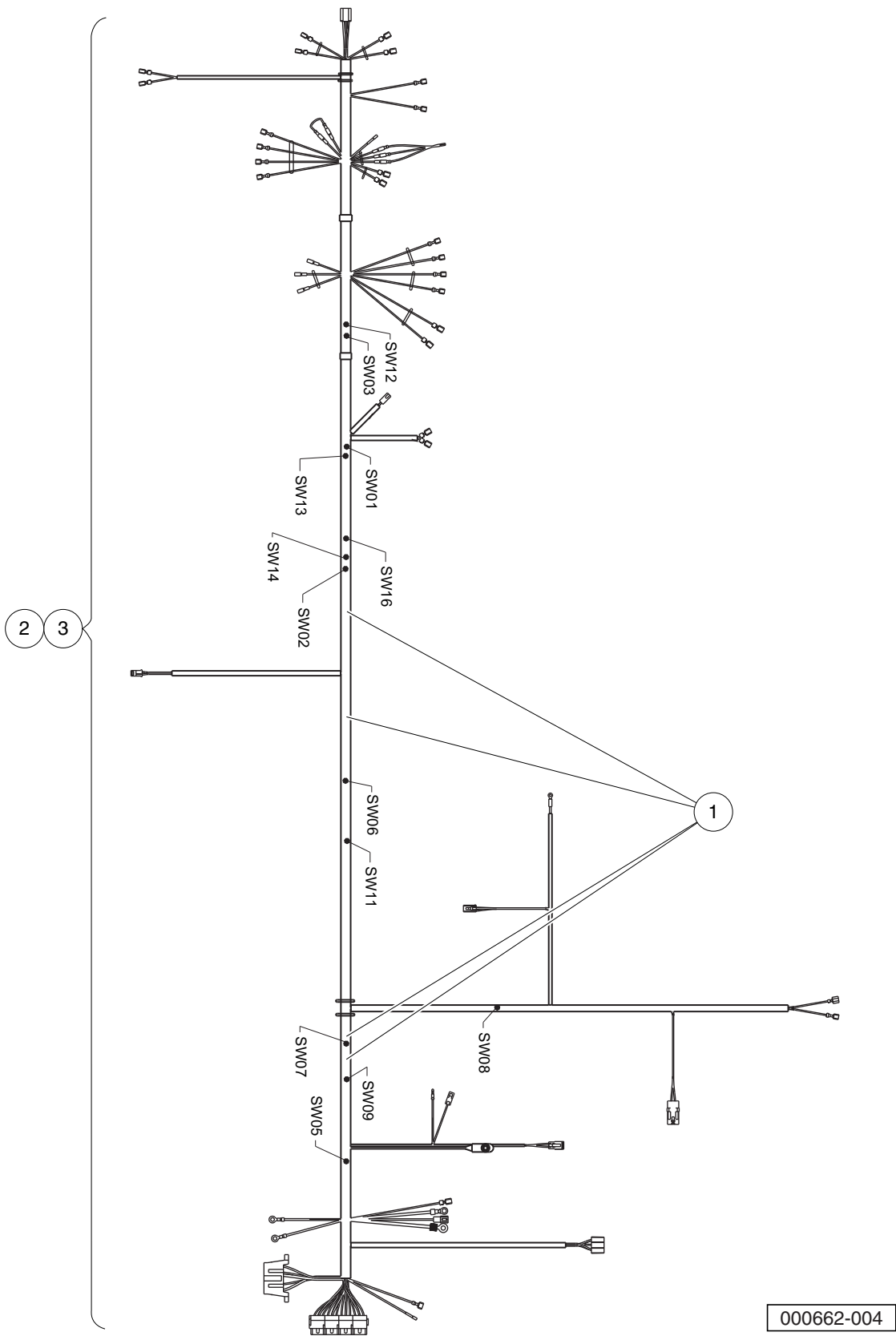
| ITEM | PART NO.  | DESCRIPTION                                  | QTY |
|------|-----------|----------------------------------------------|-----|
|      |           | 1 2 3 4                                      |     |
| 1    | 102885001 | Headlight, Round, 4" (includes item 2) ..... | 4   |
| 2    | 103762501 | Bulb, Halogen, 35/35 Hi/lo .....             | 1   |
| 3    | 103213201 | Harness, Wire, IntelliTach Headlights .....  | 1   |
| 4    | 103213501 | Harness, Wire, Headlight Connector .....     | 4   |

**7**

**D**

7

D



000662-004

# WIRING – KUBOTA DIESEL ENGINE, ONE-PIECE HARNESS

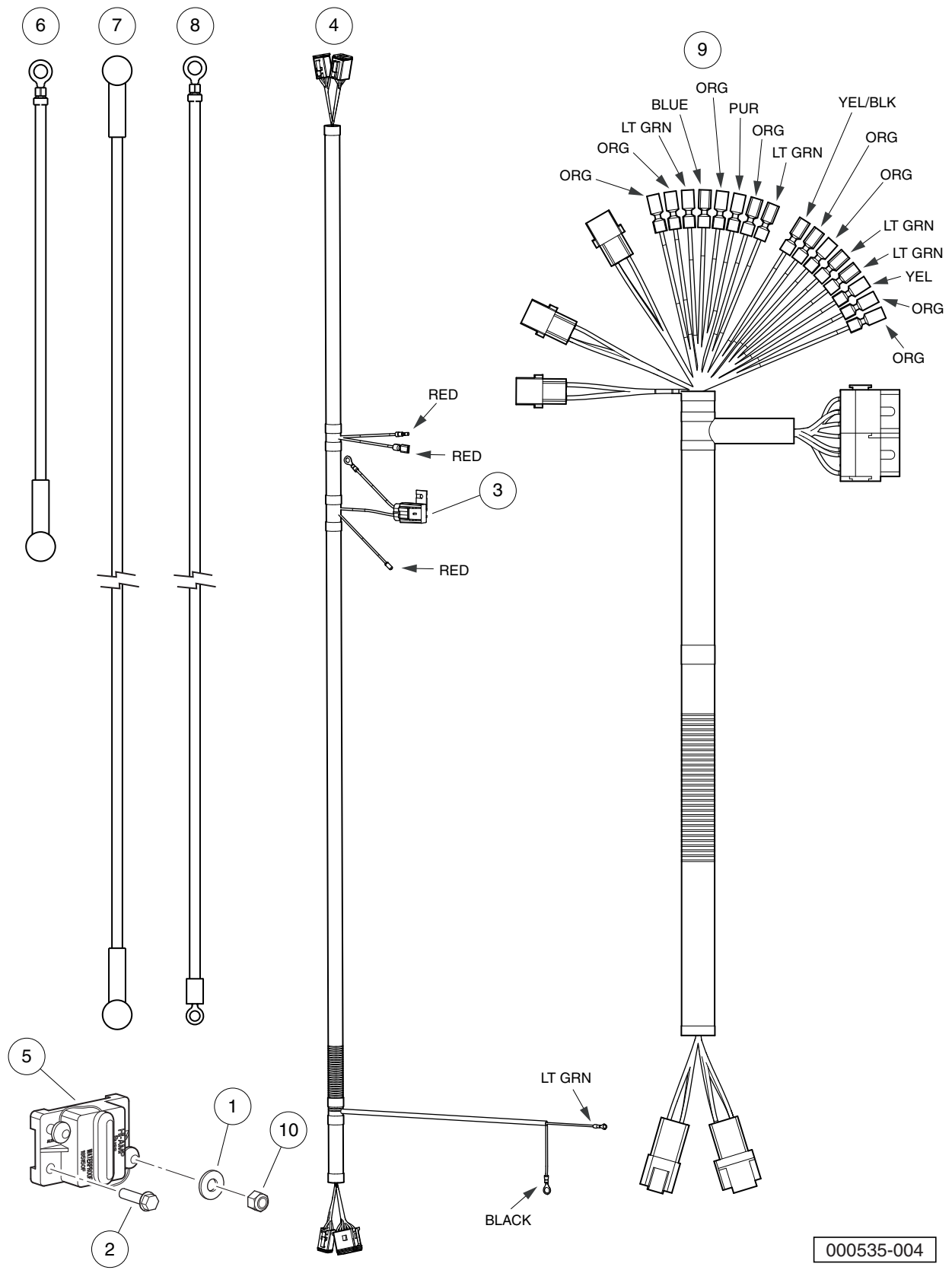
| ITEM                                                                                                                                                              | PART NO.  | DESCRIPTION                                      | QTY |
|-------------------------------------------------------------------------------------------------------------------------------------------------------------------|-----------|--------------------------------------------------|-----|
|                                                                                                                                                                   |           | 1 2 3 4                                          |     |
| 1                                                                                                                                                                 | 1014789   | Diode, General Purpose, 3.0-Amp .....            | 4   |
| 2                                                                                                                                                                 | 103277501 | Harness, Wire, AWD, Diesel, 295/1550 .....       | 1   |
| 3                                                                                                                                                                 | 103277701 | Harness, Wire, AWD, Diesel, 295 SE/1550 SE ..... | 1   |
| <p style="text-align: center;">Note: Item 2 is for use with 81.5 in. (207 cm) wheelbase vehicle. Item 3 is for use with 114 in. (289.5 cm) wheelbase vehicle.</p> |           |                                                  |     |

7

D

7

D



000535-004

## WIRING – HYDRAULIC ATTACHMENT (INTELLITACH)

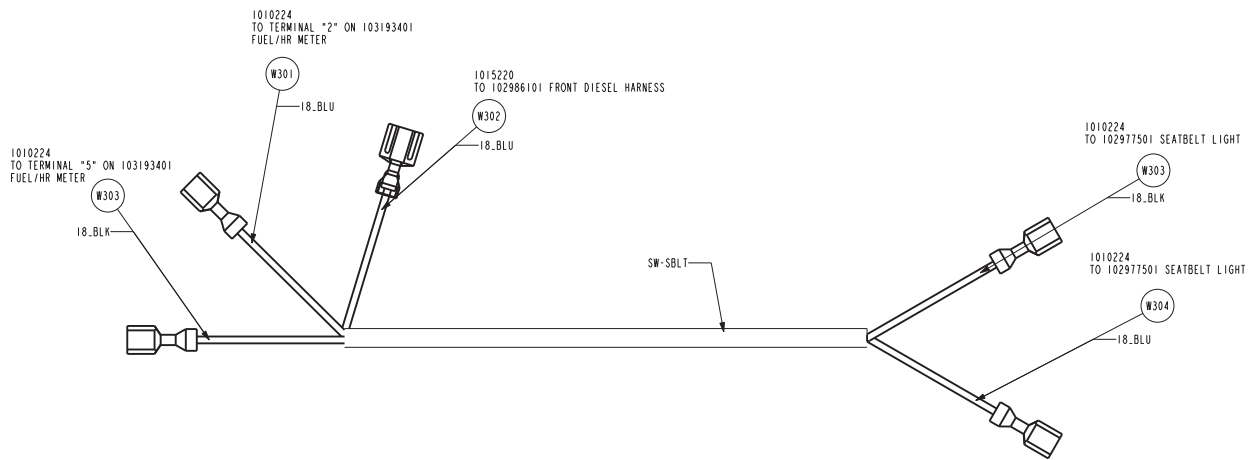
| ITEM | PART NO.  | DESCRIPTION                          | QTY |
|------|-----------|--------------------------------------|-----|
|      |           | <b>1 2 3 4</b>                       |     |
| 1    | 1011931   | Washer, 1/4 Flat .....               | 2   |
| 2    | 1014063   | Screw, 1/4-20 X 1.00, Hex Head ..... | 2   |
| 3    | 1016423   | Fuse, 20-Amp .....                   | 1   |
| 4    | 102786401 | Wire Harness, Powerunit .....        | 1   |
| 5    | 102936801 | Breaker, Circuit, 150-Amp .....      | 1   |
| 6    | 102937401 | Wire Asm, #6, Red, Bt .....          | 1   |
| 7    | 102937501 | Wire Asm, #6, Red, Bt .....          | 1   |
| 8    | 102937601 | Wire Asm, #6, Black, Bt .....        | 1   |
| 9    | 103245801 | Wire Harness, Control Panel .....    | 1   |
| 10   | 8717      | Locknut, Nylon Insert, 1/4-28 .....  | 2   |

**7**

**D**

7

D



000535-005

## WIRING – SEAT BELT REMINDER (INTELLITACH)

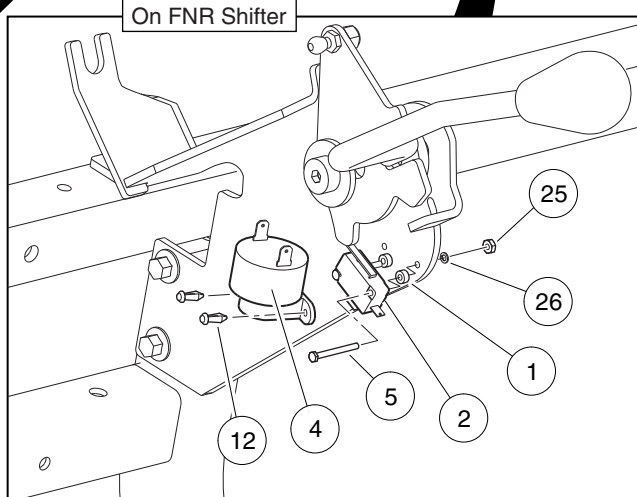
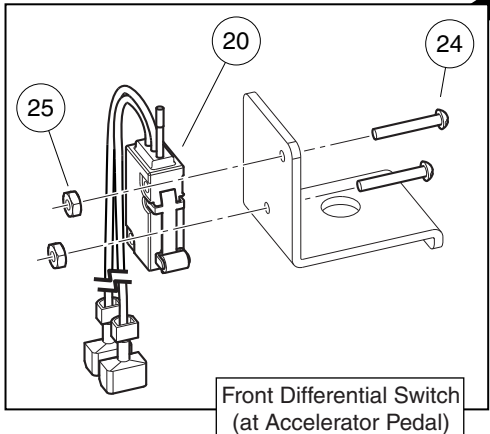
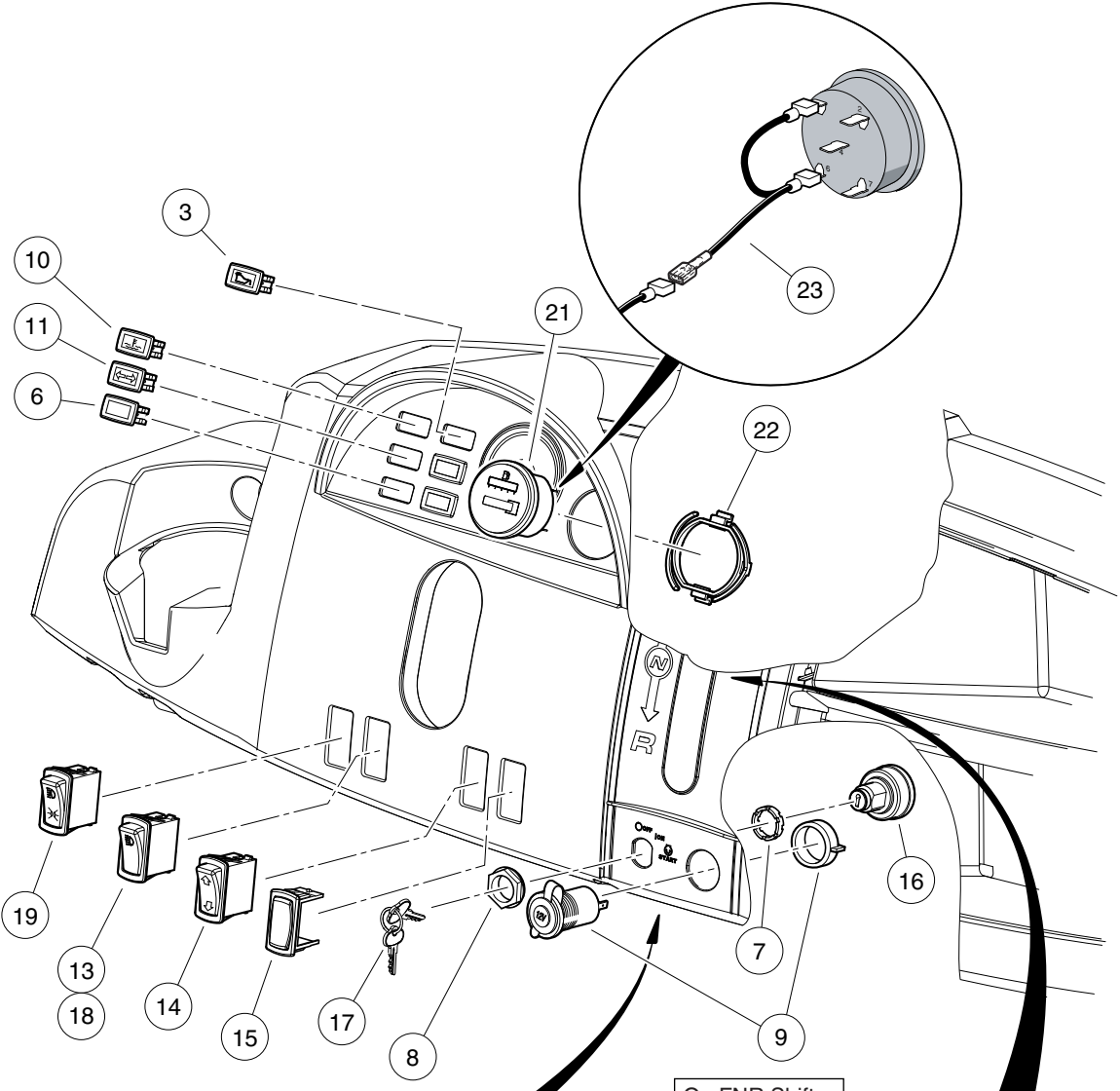
| ITEM | PART NO.  | DESCRIPTION                                    | QTY |
|------|-----------|------------------------------------------------|-----|
| 1    | 103213401 | 1 2 3 4<br>Harness, Wire, Seatbelt Light ..... | 1   |

**7**

**D**

7

D



000543-014



# ELECTRICAL COMPONENTS, FRONT BODY – DIESEL VEHICLE

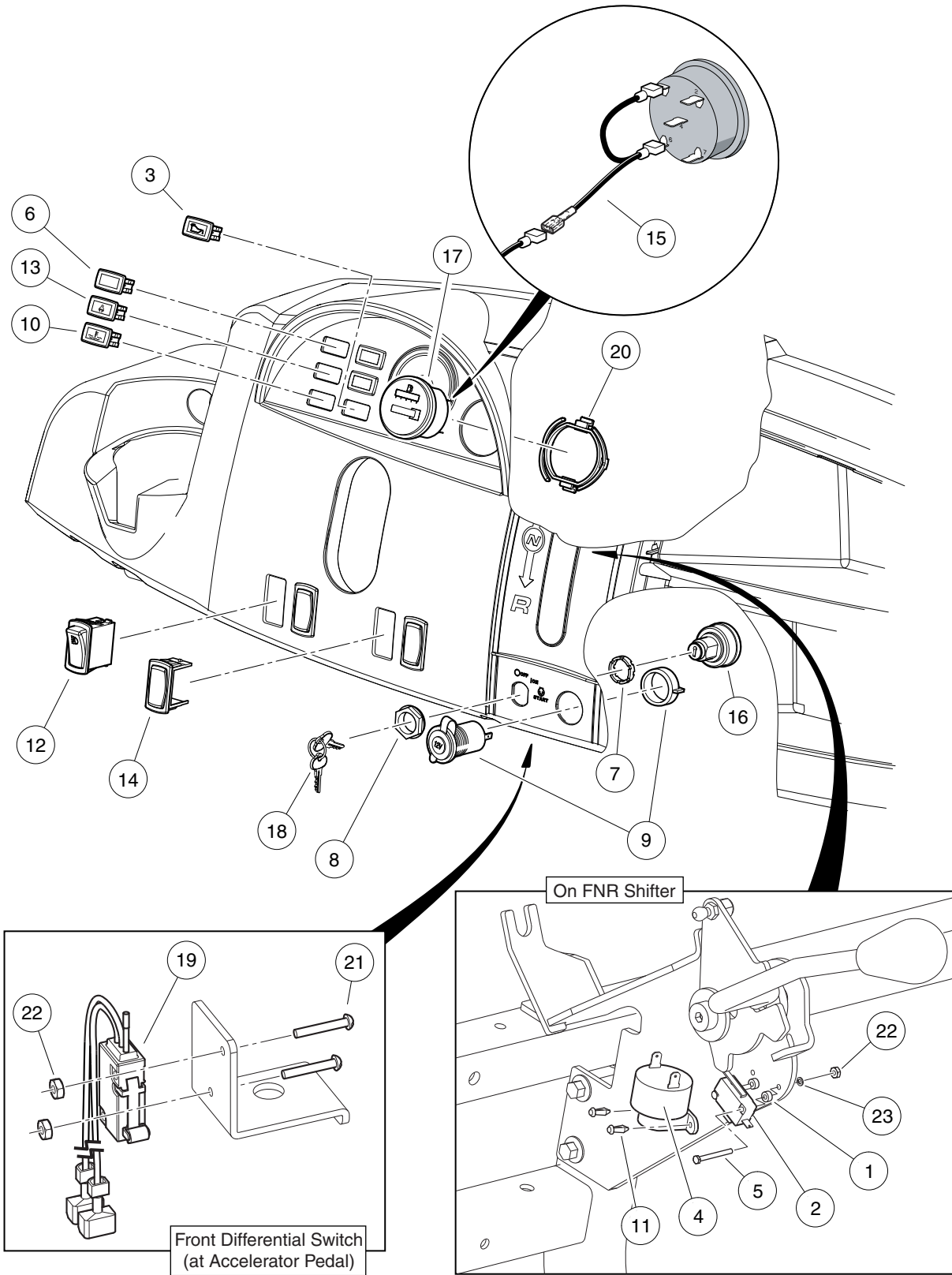
| ITEM                                                                                                                                                                                                      | PART NO.  | DESCRIPTION                                  | QTY |
|-----------------------------------------------------------------------------------------------------------------------------------------------------------------------------------------------------------|-----------|----------------------------------------------|-----|
|                                                                                                                                                                                                           |           | 1 2 3 4                                      |     |
| 1                                                                                                                                                                                                         | 1014727   | Washer, Flat, #4, Nylon .....                | 2   |
| 2                                                                                                                                                                                                         | 1014808   | Switch, Limit .....                          | 1   |
| 3                                                                                                                                                                                                         | 1016630   | Light, Oil .....                             | 1   |
| 4                                                                                                                                                                                                         | 1016851   | Buzzer, Reverse (9-48 VDC) .....             | 1   |
| 5                                                                                                                                                                                                         | 1016896   | Screw, #4-40 X 1.125 Hx Hd Mch .....         | 2   |
| 6                                                                                                                                                                                                         | 101802601 | Plug, Hole .....                             | 5   |
| 7                                                                                                                                                                                                         | 102051601 | Spacer, Keyswitch .....                      | 1   |
| 8                                                                                                                                                                                                         | 102051701 | Nut, Key Switch .....                        | 1   |
| 9                                                                                                                                                                                                         | 102198001 | Receptacle, Accessory .....                  | 1   |
| 10                                                                                                                                                                                                        | 102375401 | Light, Indicator, Coolant Temp .....         | 1   |
| 11                                                                                                                                                                                                        | 102495701 | Light, Indicator, Turn Signals .....         | 1   |
| 12                                                                                                                                                                                                        | 102499001 | Rivet, Micro Tuflok .....                    | 2   |
| 13                                                                                                                                                                                                        | 102869401 | Switch, Rocker, Light .....                  | 1   |
| 14                                                                                                                                                                                                        | 102882501 | Switch, Rocker, Bed Lift .....               | 1   |
| 15                                                                                                                                                                                                        | 103180101 | Cover, Hole, Switch, Rocker .....            | 3   |
| 16                                                                                                                                                                                                        | 103208801 | Keyswitch, 12v, Diesel .....                 | 1   |
| 17                                                                                                                                                                                                        | 103234401 | Keys (set of 2) .....                        | 1   |
| 18                                                                                                                                                                                                        | 103310701 | Switch, High Beam, Homologatn .....          | 1   |
| 19                                                                                                                                                                                                        | 103324901 | Switch, 3-pos, Euro, Restyle .....           | 1   |
| 20                                                                                                                                                                                                        | 103327201 | Asm, Switch, Limit, Awd .....                | 1   |
| 21                                                                                                                                                                                                        | 103348101 | Gauge, Fuel-hour, Sep Gnd .....              | 1   |
| 22                                                                                                                                                                                                        | 103348201 | Clip, Meter, Round .....                     | 1   |
| 23                                                                                                                                                                                                        | 103348501 | Asm, Wire Meter, F-h Jumper .....            | 1   |
| 24                                                                                                                                                                                                        | 8056      | Screw, #4-40 X 0.75 Round-Head Machine ..... | 2   |
| 25                                                                                                                                                                                                        | 8057      | Nut, #4-40 Hex Machine .....                 | 4   |
| 26                                                                                                                                                                                                        | 8058      | Lockwasher, #4 Split .....                   | 2   |
| <p>Note: Item 4, reverse buzzer, is only if equipped. NOTE 2: Items 22, clip, and 23, jumper wire, are required with item 21, fuel/hour gauge. NOTE 3: Item 14, bed lift switch, is only if equipped.</p> |           |                                              |     |

7

D

7

D



000543-015

# ELECTRICAL COMPONENTS, FRONT BODY – INTELLITACH

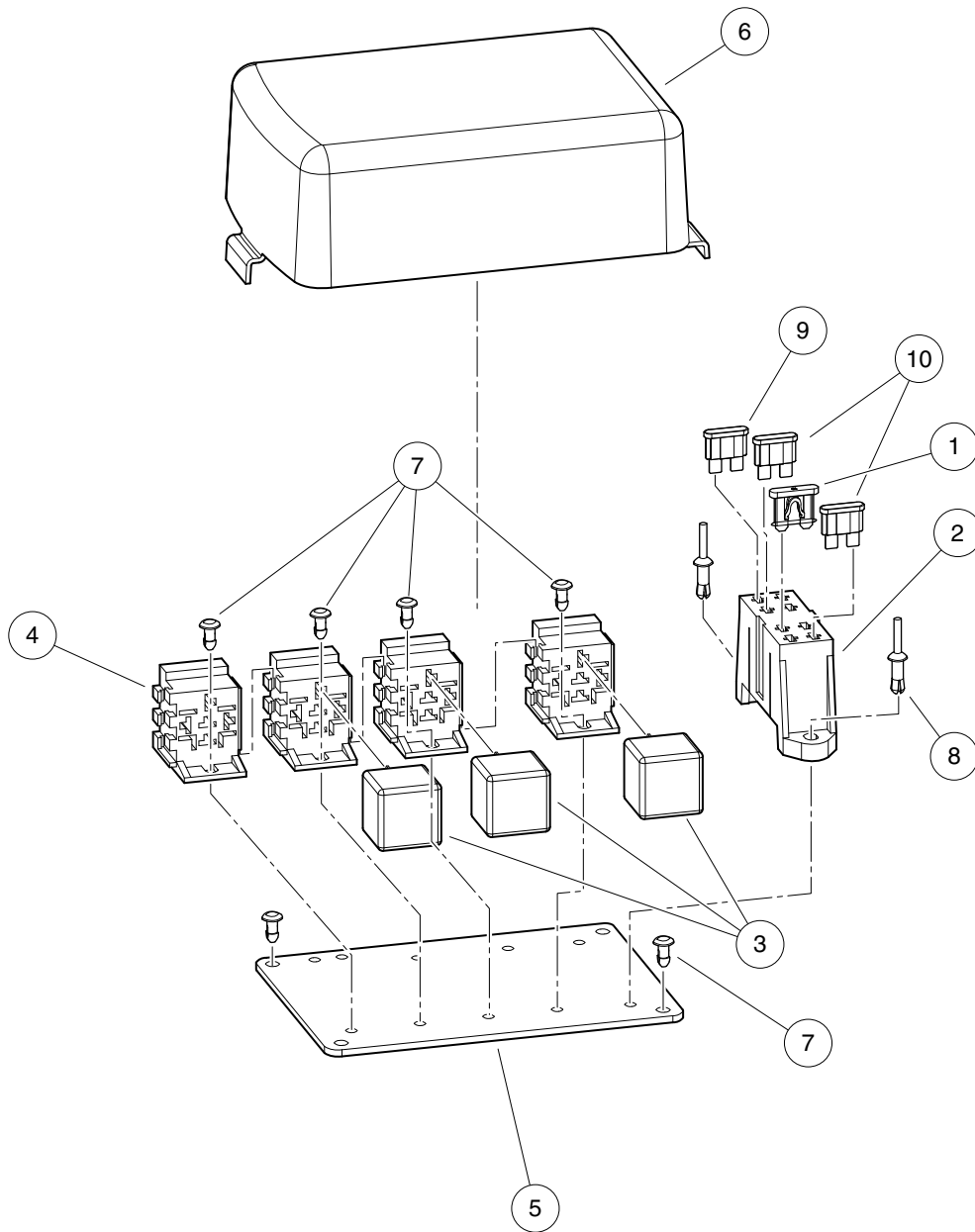
| ITEM                                                                                                                                        | PART NO.  | DESCRIPTION                                  | QTY |
|---------------------------------------------------------------------------------------------------------------------------------------------|-----------|----------------------------------------------|-----|
|                                                                                                                                             |           | 1 2 3 4                                      |     |
| 1                                                                                                                                           | 1014727   | Washer, Flat, #4, Nylon .....                | 2   |
| 2                                                                                                                                           | 1014808   | Switch, Limit .....                          | 1   |
| 3                                                                                                                                           | 1016630   | Light, Oil .....                             | 1   |
| 4                                                                                                                                           | 1016851   | Buzzer, Reverse (9-48 VDC) .....             | 1   |
| 5                                                                                                                                           | 1016896   | Screw, #4-40 X 1.125 Hx Hd Mch .....         | 2   |
| 6                                                                                                                                           | 101802601 | Plug, Hole .....                             | 5   |
| 7                                                                                                                                           | 102051601 | Spacer, Keyswitch .....                      | 1   |
| 8                                                                                                                                           | 102051701 | Nut, Key Switch .....                        | 1   |
| 9                                                                                                                                           | 102198001 | Receptacle, Accessory .....                  | 1   |
| 10                                                                                                                                          | 102375401 | Light, Indicator, Coolant Temp .....         | 1   |
| 11                                                                                                                                          | 102499001 | Rivet, Micro Tuflok .....                    | 2   |
| 12                                                                                                                                          | 102869401 | Switch, Rocker, Light .....                  | 1   |
| 13                                                                                                                                          | 102977501 | Light, Indicator, Seat Belt .....            | 1   |
| 14                                                                                                                                          | 103180101 | Cover, Hole, Switch, Rocker .....            | 3   |
| 15                                                                                                                                          | 103205801 | Asm, Wire, Meter F/h/sb Jumpr .....          | 1   |
| 16                                                                                                                                          | 103208801 | Keyswitch, 12v, Diesel .....                 | 1   |
| 17                                                                                                                                          | 103234001 | Gauge, F/h, Sep Gnd Timer .....              | 1   |
| 18                                                                                                                                          | 103234401 | Keys (set of 2) .....                        | 1   |
| 19                                                                                                                                          | 103327201 | Asm, Switch, Limit, Awd .....                | 1   |
| 20                                                                                                                                          | 103348201 | Clip, Meter, Round .....                     | 1   |
| 21                                                                                                                                          | 8056      | Screw, #4-40 X 0.75 Round-Head Machine ..... | 2   |
| 22                                                                                                                                          | 8057      | Nut, #4-40 Hex Machine .....                 | 4   |
| 23                                                                                                                                          | 8058      | Lockwasher, #4 Split .....                   | 2   |
| Note: Item 4, reverse buzzer, is only if equipped. NOTE 2: Items 15, jumper wire, and 20, clip, are required with item 17, fuel/hour gauge. |           |                                              |     |

7

D

7

D



000076-004

## ELECTRICAL COMPONENT BOX, DIESEL VEHICLE

| ITEM | PART NO.  | DESCRIPTION                 | QTY |
|------|-----------|-----------------------------|-----|
|      |           | 1 2 3 4                     |     |
| 1    | 1012295   | Fuse, 10-Amp .....          | 1   |
| 2    | 1015741   | Fuse Block .....            | 1   |
| 3    | 102420201 | Relay, Mini ISO, SPDT ..... | 3   |
| 4    | 102420301 | Connector, Relay .....      | 4   |
| 5    | 102420401 | Plate, Electrical .....     | 1   |
| 6    | 102420501 | Cover, Electrical .....     | 1   |
| 7    | 102447901 | Fastener, Push-in .....     | 8   |
| 8    | 102448001 | Rivet, Drive .....          | 2   |
| 9    | 102492201 | Fuse, 25-Amp .....          | 1   |
| 10   | 102492301 | Fuse, 30-Amp .....          | 2   |

7

D



## BATTERY – DIESEL VEHICLE

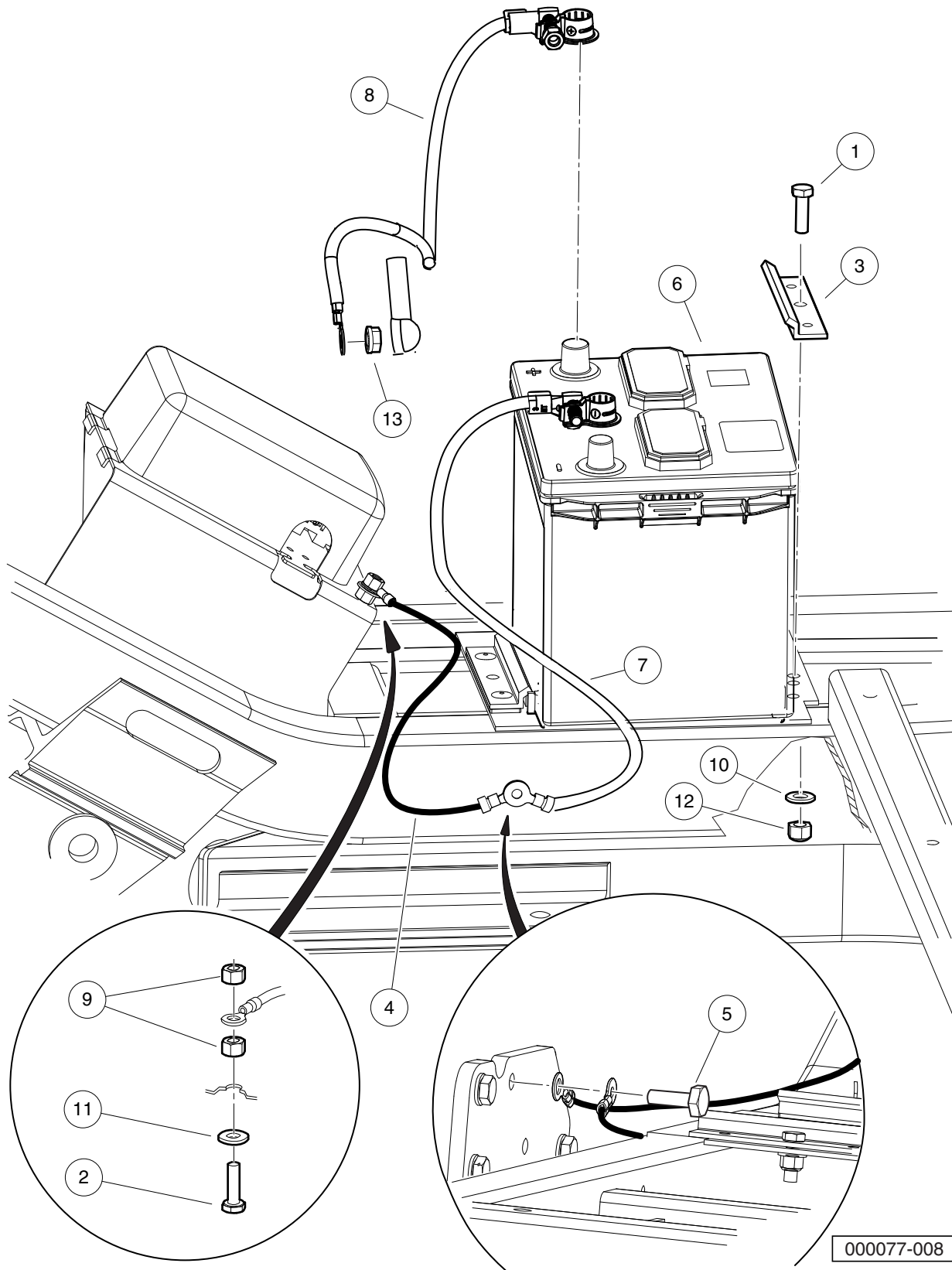
| ITEM | PART NO.  | DESCRIPTION                                           | QTY |
|------|-----------|-------------------------------------------------------|-----|
|      |           | 1 2 3 4                                               |     |
| 1    | 1010934   | Screw, 5/16-18 X 1.00 Hex Cap .....                   | 1   |
| 2    | 1014375   | Screw, 3/8-16 X 0.50, Stainless Steel, Hex-Head ..... | 2   |
| 3    | 1015521   | Screw, 1/4-20 X .88 Hex Hd Cap .....                  | 1   |
| 4    | 101898001 | Clamp, Battery .....                                  | 1   |
| 5    | 102355301 | Lockwasher, 3/8 Split Ss .....                        | 2   |
| 6    | 102442201 | Asm, #6 Red Wire .....                                | 1   |
| 7    | 102448401 | Wire Asm, #6 Blk, Awd, 350 .....                      | 1   |
| 8    | 102448501 | Wire Asm, #6 Blk, Awd, 325 .....                      | 1   |
| 9    | 102498201 | Bolt, M10 X 1.25 X 25, Loctite .....                  | 1   |
| 10   | 103496801 | Battery, Start, 12v .....                             | 1   |
| 11   | 1108      | Locknut, 1/4-20 Dimpled .....                         | 2   |
| 12   | 1241      | Washer, 5/16 Type A Flat .....                        | 1   |
| 13   | 332       | Washer, 1/4 Type A Narrow Flat .....                  | 1   |
| 14   | 7473      | Locknut, 5/16-18 Nylon Insert .....                   | 1   |
| 15   | 96704416  | Nut, Flange, M8 X 1.25 Serrated .....                 | 1   |

7

D

7

D



000077-008



## TOP-POST BATTERY – DIESEL VEHICLE

| ITEM | PART NO.  | DESCRIPTION                                         | QTY |
|------|-----------|-----------------------------------------------------|-----|
|      |           | 1 2 3 4                                             |     |
| 1    | 1010934   | Screw, 5/16-18 X 1.00 Hex Cap .....                 | 1   |
| 2    | 1015521   | Screw, 1/4-20 X .88 Hex Hd Cap .....                | 1   |
| 3    | 101898001 | Clamp, Battery .....                                | 1   |
| 4    | 102448501 | Wire Asm, #6 Blk, Awd, 325 .....                    | 1   |
| 5    | 102498201 | Bolt, M10 X 1.25 X 25, Loctite .....                | 1   |
| 6    | 105237301 | Battery, Start, 12v, Type 26 .....                  | 1   |
| 7    | 105256201 | Wire Asm, #6 Blk, (top-post battery) Awd, 426 ..... | 1   |
| 8    | 105256601 | Wire Asm, #6 Red, (top-post battery) Awd, 476 ..... | 1   |
| 9    | 1108      | Locknut, 1/4-20 Dimpled .....                       | 2   |
| 10   | 1241      | Washer, 5/16 Type A Flat .....                      | 1   |
| 11   | 332       | Washer, 1/4 Type A Narrow Flat .....                | 1   |
| 12   | 7473      | Locknut, 5/16-18 Nylon Insert .....                 | 1   |
| 13   | 96704416  | Nut, Flange, M8 X 1.25 Serrated .....               | 1   |

**7**

**D**

7

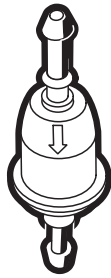
D

# ENGINE – KAWASAKI FH680D GASOLINE

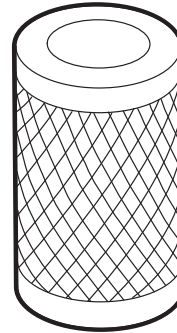
---

8

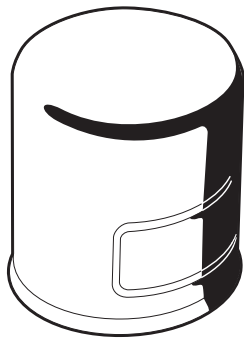
G



2



3



4



5

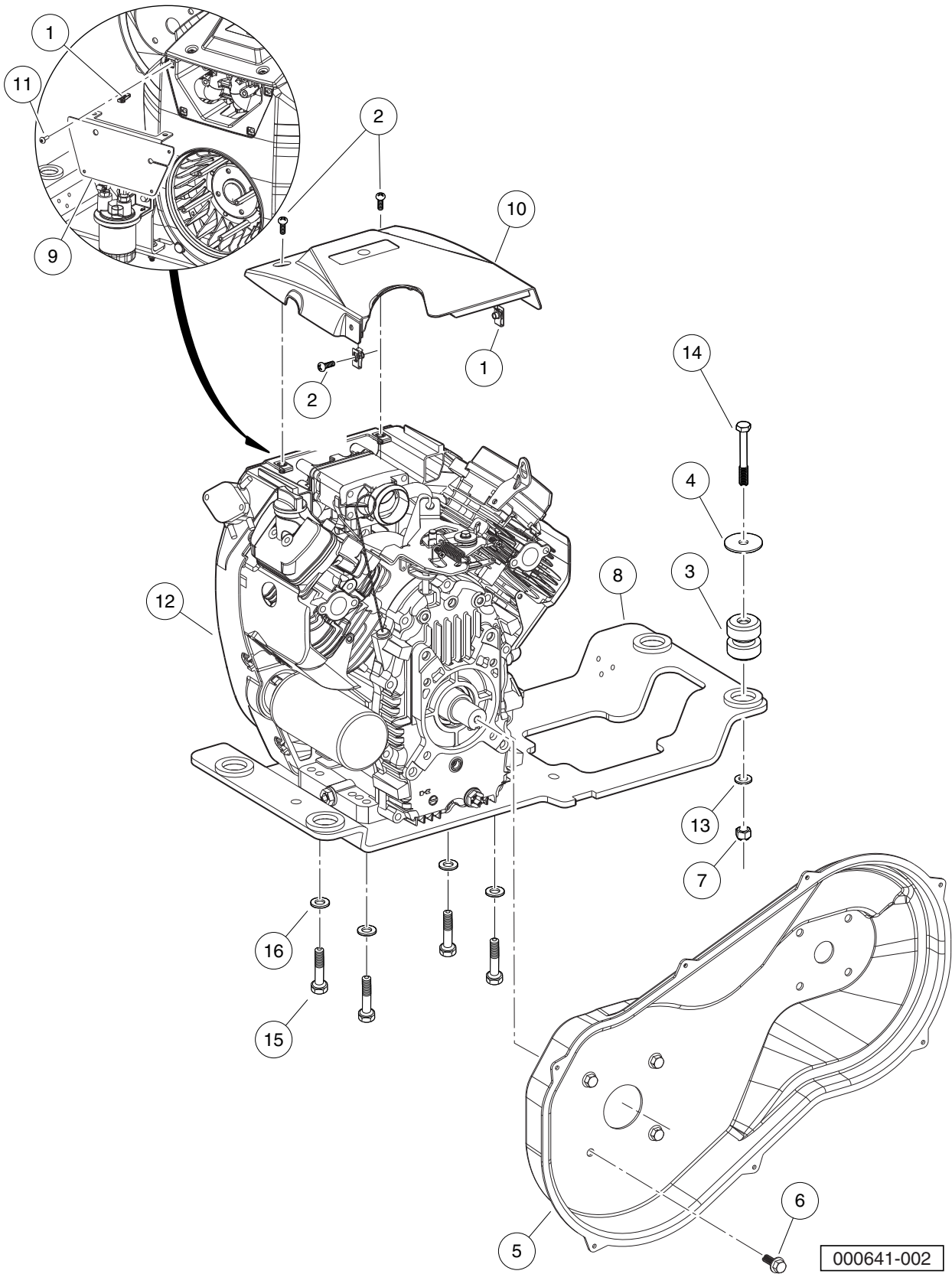
000992-001

## TUNE-UP KIT – KAWASAKI FH680

| ITEM | PART NO.  | DESCRIPTION                                                                   | QTY |
|------|-----------|-------------------------------------------------------------------------------|-----|
|      |           | <b>1 2 3 4</b>                                                                |     |
| 1    | AM1232401 | Kit, Tune-Up (For Kawasaki V-twin engines) (includes items 2 through 5) ..... | 1   |
| 2    | 102003201 | Filter, Fuel, 30 Micron .....                                                 | 1   |
| 3    | 102498601 | Element, Filter, Air, 5 Inch .....                                            | 1   |
| 4    | 103887901 | Filter, Oil, Kawasaki .....                                                   | 1   |
| 5    | AM1232301 | Spark Plug, BPR2ES .....                                                      | 2   |

**8**

**G**



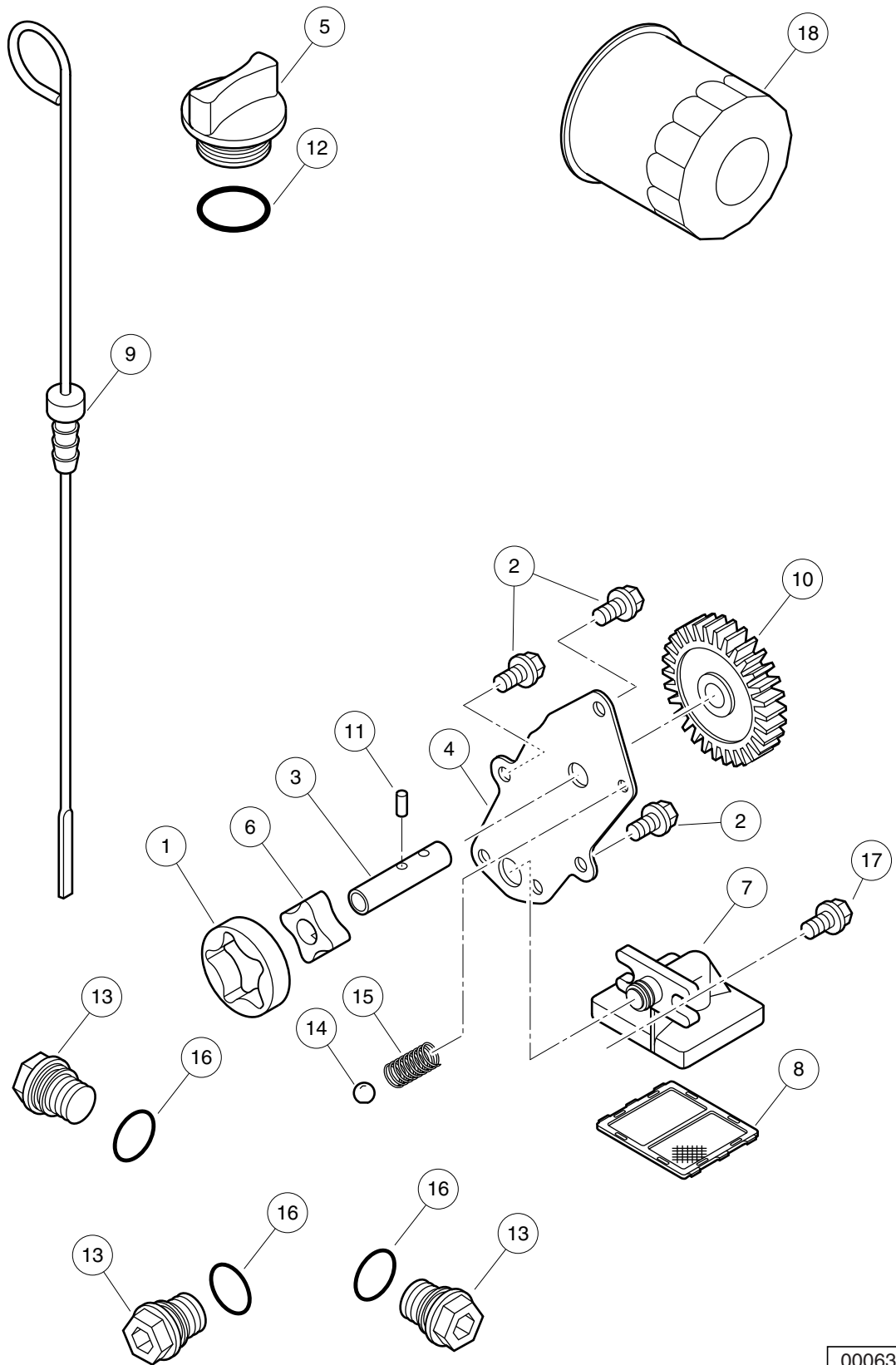
000641-002

# KAWASAKI FH680D GASOLINE ENGINE AND MOUNTING

| ITEM | PART NO.  | DESCRIPTION                                       | QTY |
|------|-----------|---------------------------------------------------|-----|
|      |           | 1 2 3 4                                           |     |
| 1    | 102296601 | U-Nut, M6-1.0, Prevailing Torque .....            | 4   |
| 2    | 102296920 | Screw, M6, Torx Button Head, Sems .....           | 4   |
| 3    | 102370501 | Isolator Ring and Bushing .....                   | 4   |
| 4    | 102370601 | Washer, Snubbing, Ring N Bush .....               | 4   |
| 5    | 102462504 | Cover, Cvt, Inner Fh680d .....                    | 1   |
| 6    | 102491001 | Bolt, Flanged Head, 3/8-16x1.0 with Loctite ..... | 4   |
| 7    | 102740401 | Locknut, M12x1.75 Nylon Insert .....              | 4   |
| 8    | 102951901 | Weldment, Eng Mnt, Kaw, Fh680d .....              | 1   |
| 9    | 103208701 | Engine, Front Cover, Fh680d .....                 | 1   |
| 10   | 103262901 | Cover, Engine, Top .....                          | 1   |
| 11   | 103279201 | Screw, Pn Hd Blk, 10-16 X .625 .....              | 4   |
| 12   | 103528201 | Engine, Kawasaki, FH680D .....                    | 1   |
| 13   | 96701412  | Washer, M12 Hard .....                            | 4   |
| 14   | 96704721  | Bolt, M12 X 1.75 X 90 .....                       | 4   |
| 15   | 96704960  | Bolt, M10 X 1.5 X 60 .....                        | 4   |
| 16   | 96741046  | Washer, M10, Hard .....                           | 4   |

**8**

**G**



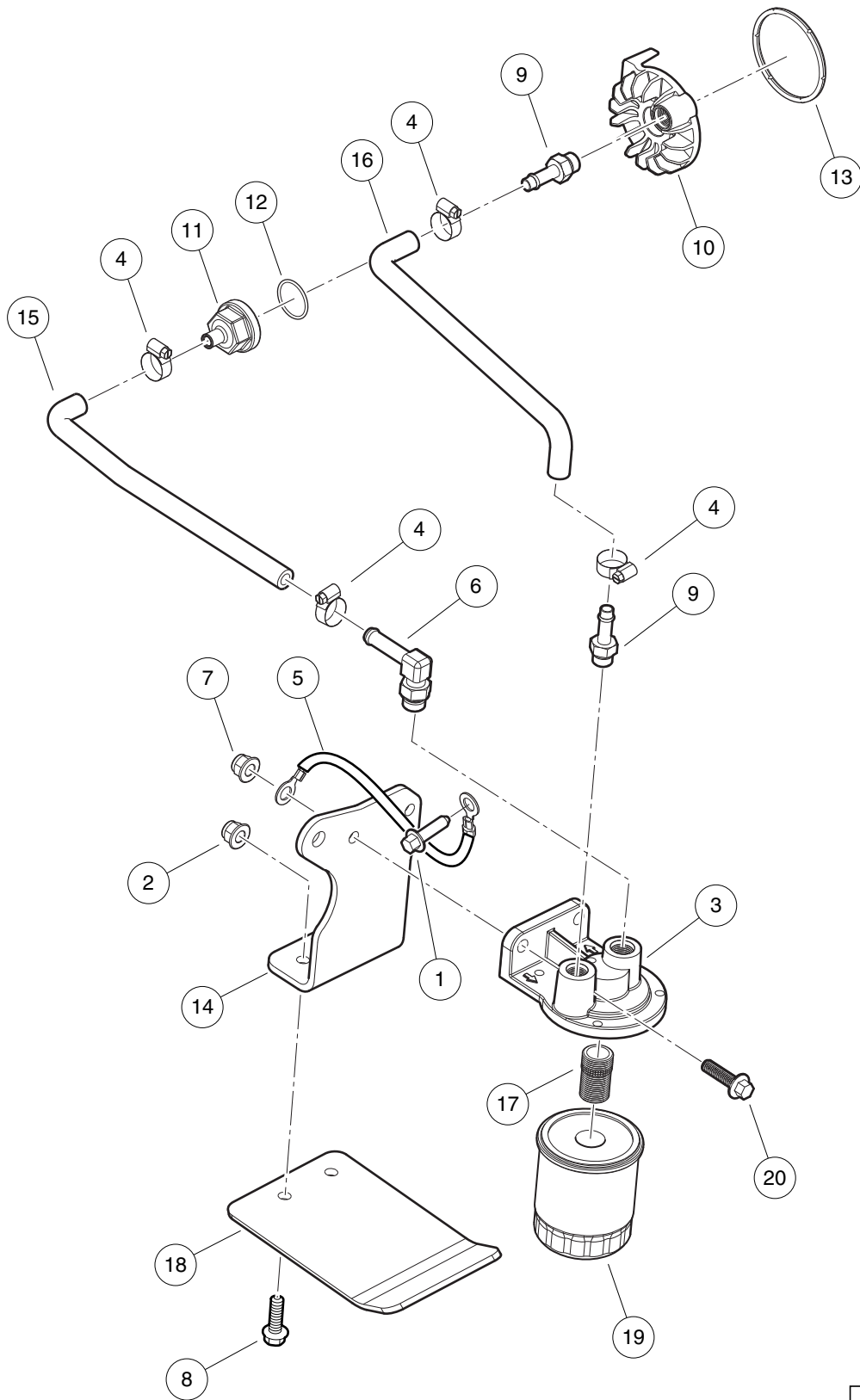
000637-004



# OIL AND LUBRICATION COMPONENTS

| ITEM | PART NO.  | DESCRIPTION                       | QTY |
|------|-----------|-----------------------------------|-----|
|      |           | 1 2 3 4                           |     |
| 1    | 101648201 | Rotor, Pump, Oil, Outer .....     | 1   |
| 2    | 102992401 | Bolt, Flg, M6 X 1.0 X 12 .....    | 3   |
| 3    | 102996901 | Shaft, Oil Pump, Fh .....         | 1   |
| 4    | 102997001 | Plate, Oil Pump, Fh .....         | 1   |
| 5    | 102997101 | Cap, Oil, Fill, Fh .....          | 1   |
| 6    | 102997201 | Rotor, Pump, Oil, Inner, Fh ..... | 1   |
| 7    | 102997401 | Pickup, Oil, Fh .....             | 1   |
| 8    | 102997601 | Screen, Pickup, Oil, Fh .....     | 1   |
| 9    | 102997701 | Gauge, Oil, Fh .....              | 1   |
| 10   | 102997801 | Gear, Spur, Oil Pump, Fh .....    | 1   |
| 11   | 102997901 | Pin, Oil Pump, Fh .....           | 2   |
| 12   | 102998001 | O-ring, Cap, Oil, Fill, Fh .....  | 1   |
| 13   | 102998101 | Plug, Oil Drain, Fh .....         | 3   |
| 14   | 102998201 | Ball, Oil Pump, Fh .....          | 1   |
| 15   | 102998301 | Spring, Oil Pump, Fh .....        | 1   |
| 16   | 102998401 | O-ring, Drain Plug, Oil, Fh ..... | 3   |
| 17   | 103300301 | Bolt, Oil Pickup, Fh .....        | 2   |
| 18   | 103887901 | Filter, Oil, Kawasaki .....       | 1   |

**8**  
**G**



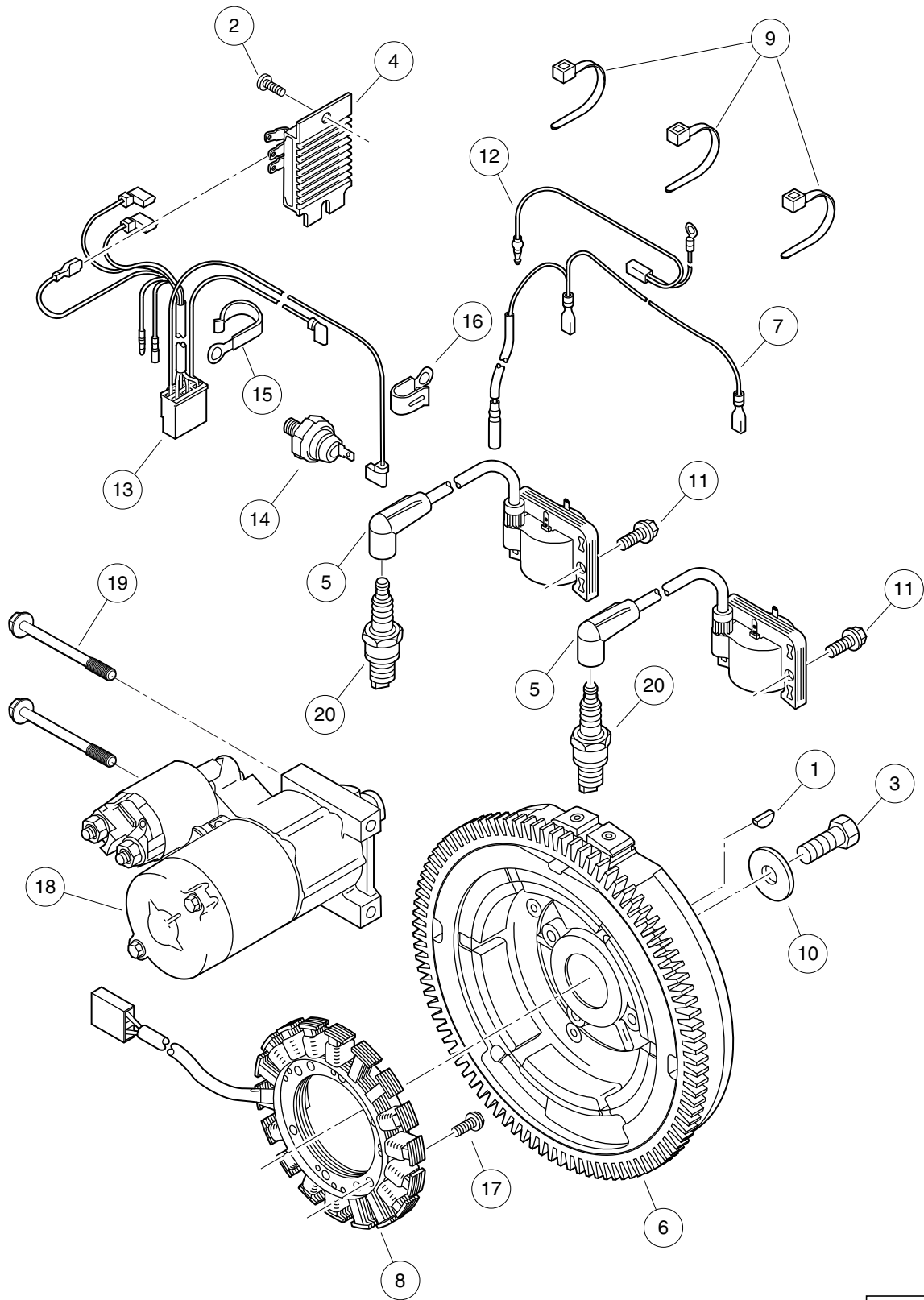
000671-004

## OIL FILTER ADAPTER – KAWASAKI FH680

| ITEM | PART NO.  | DESCRIPTION                             | QTY |
|------|-----------|-----------------------------------------|-----|
|      |           | <b>1 2 3 4</b>                          |     |
| 1    | 102289001 | Screw, M8X1.25X30, Hex .....            | 1   |
| 2    | 102298401 | Nut,m8,all Metal Lock .....             | 2   |
| 3    | 102371401 | Bracket, Oil Filter Mount .....         | 1   |
| 4    | 102443601 | Clamp, Hose .....                       | 4   |
| 5    | 102448501 | Wire Asm, #6 Blk, Awd, 325 .....        | 1   |
| 6    | 102457501 | Adapter, 90, 3/8 Tube .....             | 1   |
| 7    | 102618601 | Lock Nut, Flange, M8 X 1.25 Nylon ..... | 2   |
| 8    | 102621301 | Bolt, M8 X 1.25 X 40 with Loctite ..... | 2   |
| 9    | 102722001 | Adapter, 5/16 Hose .....                | 2   |
| 10   | 102958301 | Adapter, Special, Oil Filter .....      | 1   |
| 11   | 102958401 | Nut, Special, Hose Adapter .....        | 1   |
| 12   | 102958501 | O-ring, 23.52 X 1.78mm .....            | 1   |
| 13   | 102958601 | O-ring, Oil Filter Adapter .....        | 1   |
| 14   | 103197201 | Bracket, Oil Filter, Fh680d .....       | 1   |
| 15   | 103240601 | Hose, Formed, Oil, 5/16" .....          | 1   |
| 16   | 103246901 | Hose, Formed, Oil, 5/16", Ret .....     | 1   |
| 17   | 103276201 | Nipple, 3/4-16 X M20 X 1.5-6g .....     | 1   |
| 18   | 103326401 | Guard, Oil Filter, Fh680d .....         | 1   |
| 19   | 103887901 | Filter, Oil, Kawasaki .....             | 1   |
| 20   | 96705587  | Bolt, M8 X 1.25 X 30 .....              | 2   |

**8**

**G**

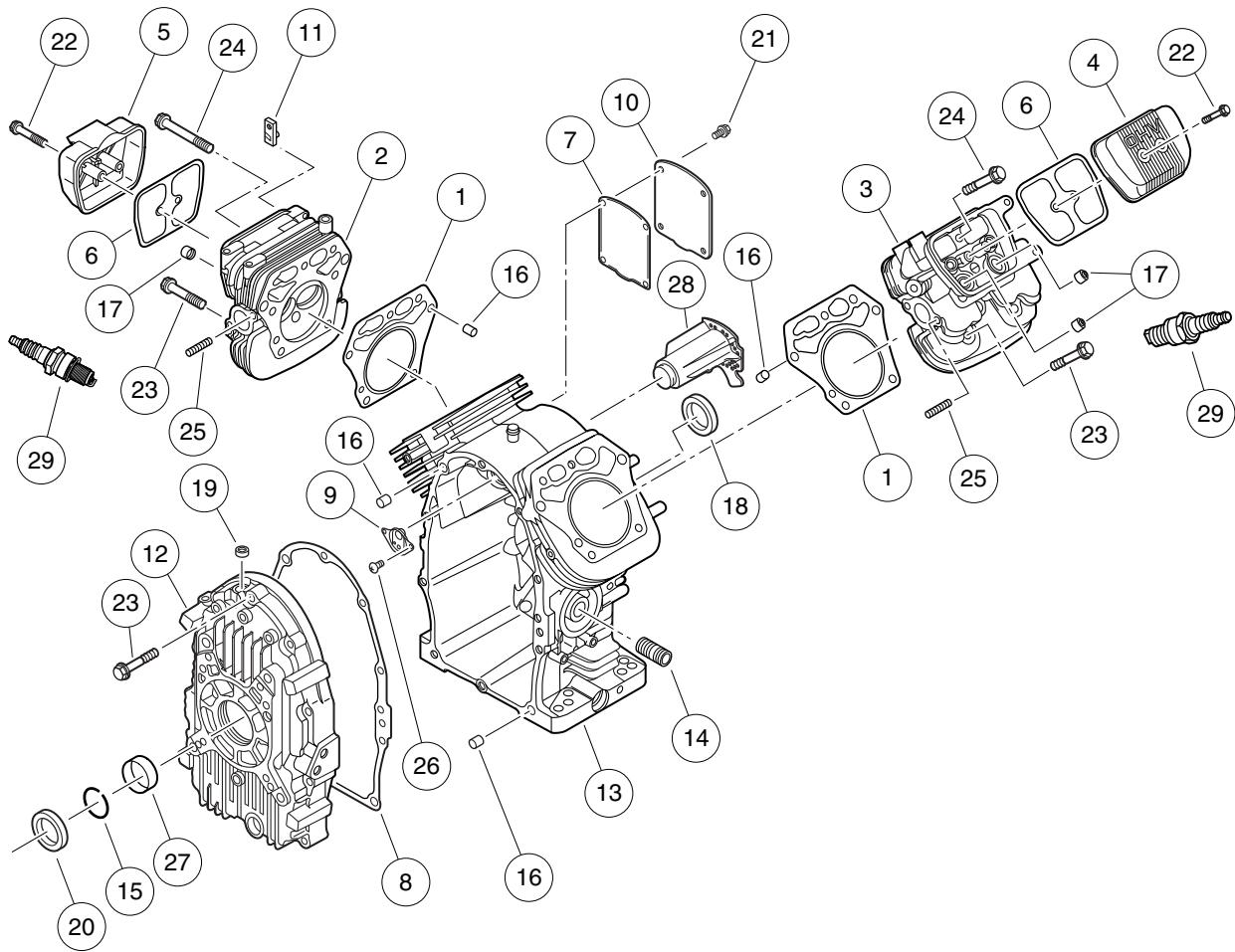


000626-002

# IGNITION COMPONENTS AND FLYWHEEL – KAWASAKI FH680

| ITEM | PART NO.  | DESCRIPTION                       | QTY |
|------|-----------|-----------------------------------|-----|
|      |           | <b>1 2 3 4</b>                    |     |
| 1    | N/A       | Key .....                         | 1   |
| 2    | 1016544   | Screw .....                       | 1   |
| 3    | 102994301 | Bolt, Flg, M12 X 1.25 X 30 .....  | 1   |
| 4    | 103000401 | Regulator, Voltage, Fh .....      | 1   |
| 5    | 103000501 | Asm, Coil, Ignition, Fh .....     | 2   |
| 6    | 103000601 | Flywheel, Assy, Fh .....          | 1   |
| 7    | 103000801 | Harness, Regulator, Fh .....      | 1   |
| 8    | 103000901 | Coil, Charging, Fh .....          | 1   |
| 9    | 103001301 | Band, Harness, Fh .....           | 3   |
| 10   | 103001501 | Washer, Flywheel, Fh .....        | 1   |
| 11   | 103298501 | Bolt, Flanged, M6 X 20, Kaw ..... | 4   |
| 12   | 103299501 | Harness, Ignition, Fh .....       | 1   |
| 13   | 103299601 | Harness, Engine, Main, Fh .....   | 1   |
| 14   | 103299701 | Switch, Oil Pressure, Fh .....    | 1   |
| 15   | 103299801 | Clamp, Harness, Large, Fh .....   | 1   |
| 16   | 103299901 | Clamp, Harness, Small, Fh .....   | 1   |
| 17   | 103300101 | Screw, Pan, Coil Mount, Fh .....  | 4   |
| 18   | 103345501 | Starter, Electric, Fh680d .....   | 1   |
| 19   | 103687401 | Bolt, Flg, M8 X 1.25 X 83 .....   | 2   |
| 20   | AM1232301 | Spark Plug, BPR2ES .....          | 2   |

**8**  
**G**

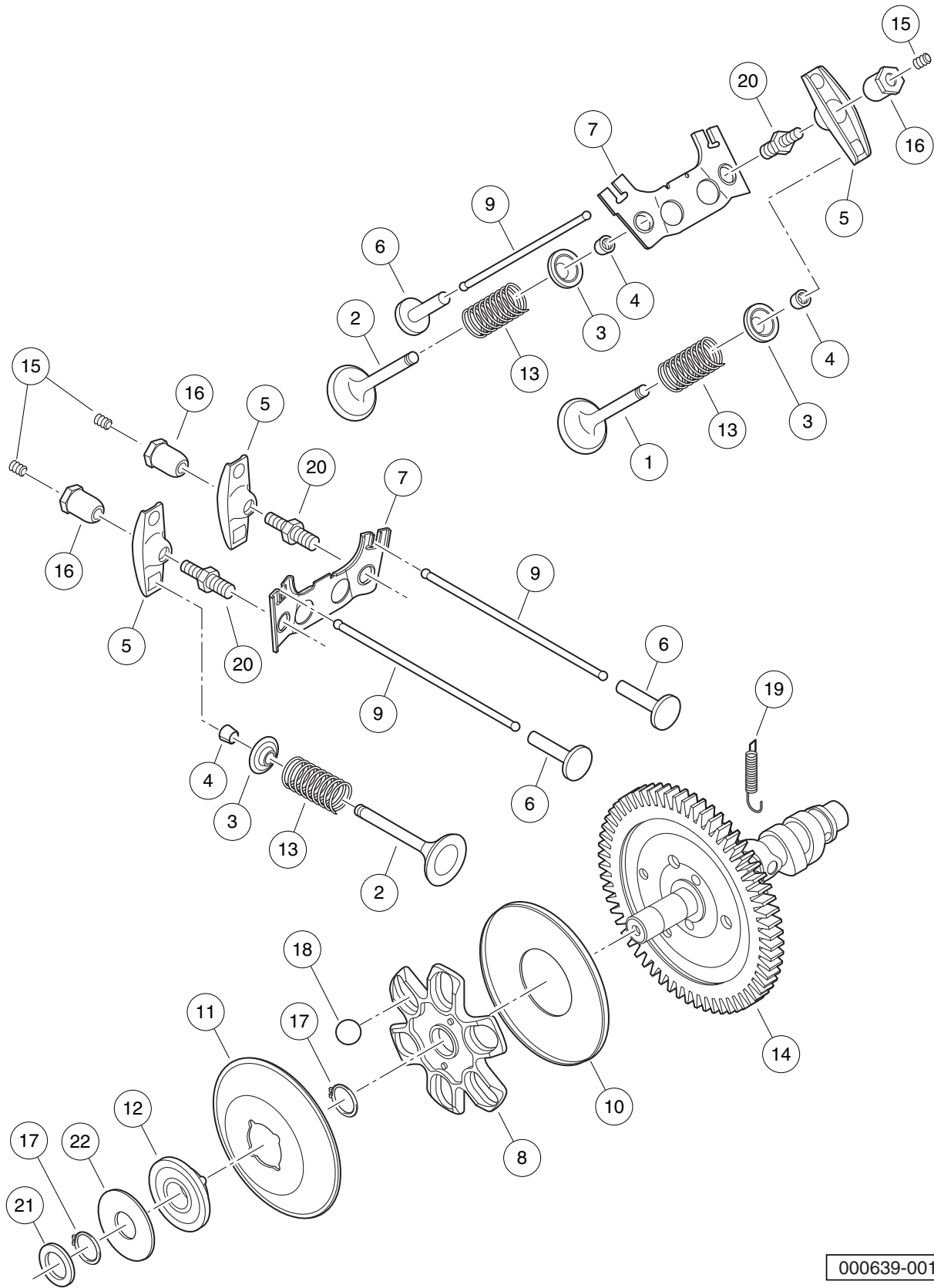


000638-003

# CYLINDER HEAD AND CRANKCASE

| ITEM | PART NO.  | DESCRIPTION                                         | QTY |
|------|-----------|-----------------------------------------------------|-----|
|      |           | <b>1 2 3 4</b>                                      |     |
| 1    | 102990101 | Gasket, Head, Cyl, Fh .....                         | 2   |
| 2    | 102990201 | Head, Cyld 1, Fh .....                              | 1   |
| 3    | 102990301 | Head, Cyld 2, Fh .....                              | 1   |
| 4    | 102990401 | Cover, Rocker, Cyld 1, Fh .....                     | 1   |
| 5    | 102990501 | Cover, Rocker, Cyld 2, Fh .....                     | 1   |
| 6    | 102990601 | Gasket, Rocker, Cover, FH .....                     | 2   |
| 7    | 102990701 | Gasket, Breather, Fh .....                          | 1   |
| 8    | 102990801 | Gasket, Cover, Crank, Fh .....                      | 1   |
| 9    | 102990901 | Valve, Assy, Reed, Fh .....                         | 1   |
| 10   | 102991101 | Cover, Crkcase, Comp, Fh .....                      | 1   |
| 11   | 102991201 | Pipe, Head, Comp, Clyd, Fh .....                    | 1   |
| 12   | 102991401 | Cover, Crankcase, Fh .....                          | 1   |
| 13   | 102991501 | Crankcase, Comp, Fh .....                           | 1   |
| 14   | 102991601 | Nipple, Oil Filter, Fh .....                        | 1   |
| 15   | 102991801 | Ring, Snap, Fh .....                                | 1   |
| 16   | 102991901 | Pin, Head, Fh .....                                 | 6   |
| 17   | 102992001 | Seal, Oil, Valve, Fh .....                          | 4   |
| 18   | 102992101 | Seal, Oil, Crank, Rear, Fh .....                    | 1   |
| 19   | 102992201 | Seal, Oil, Governor, Fh .....                       | 1   |
| 20   | 102992301 | Seal, Oil, Crank, Front, Fh .....                   | 1   |
| 21   | 102992401 | Bolt, Flg, M6 X 1.0 X 12 .....                      | 4   |
| 22   | 102992601 | Bolt, Flg, M6 X 1.0 X 40 .....                      | 4   |
| 23   | 102992701 | Bolt, Flg, M8 X 1.25 X 50 .....                     | 18  |
| 24   | 102992801 | Bolt, Flg, M8 X 1.25 X 75 .....                     | 2   |
| 25   | 102992901 | Stud, M8 X 1.25, Exhaust, Fh .....                  | 4   |
| 26   | 103298601 | Screw, Pan, Governor, Fh .....                      | 2   |
| 27   | 103298901 | Bushing, Main, Fh .....                             | 1   |
| 28   | 103981201 | Pipe, Crankcase Breather, Fh680 (with O-Ring) ..... | 1   |
| 29   | AM1232301 | Spark Plug, BPR2ES .....                            | 2   |

**8**  
**G**



000639-001



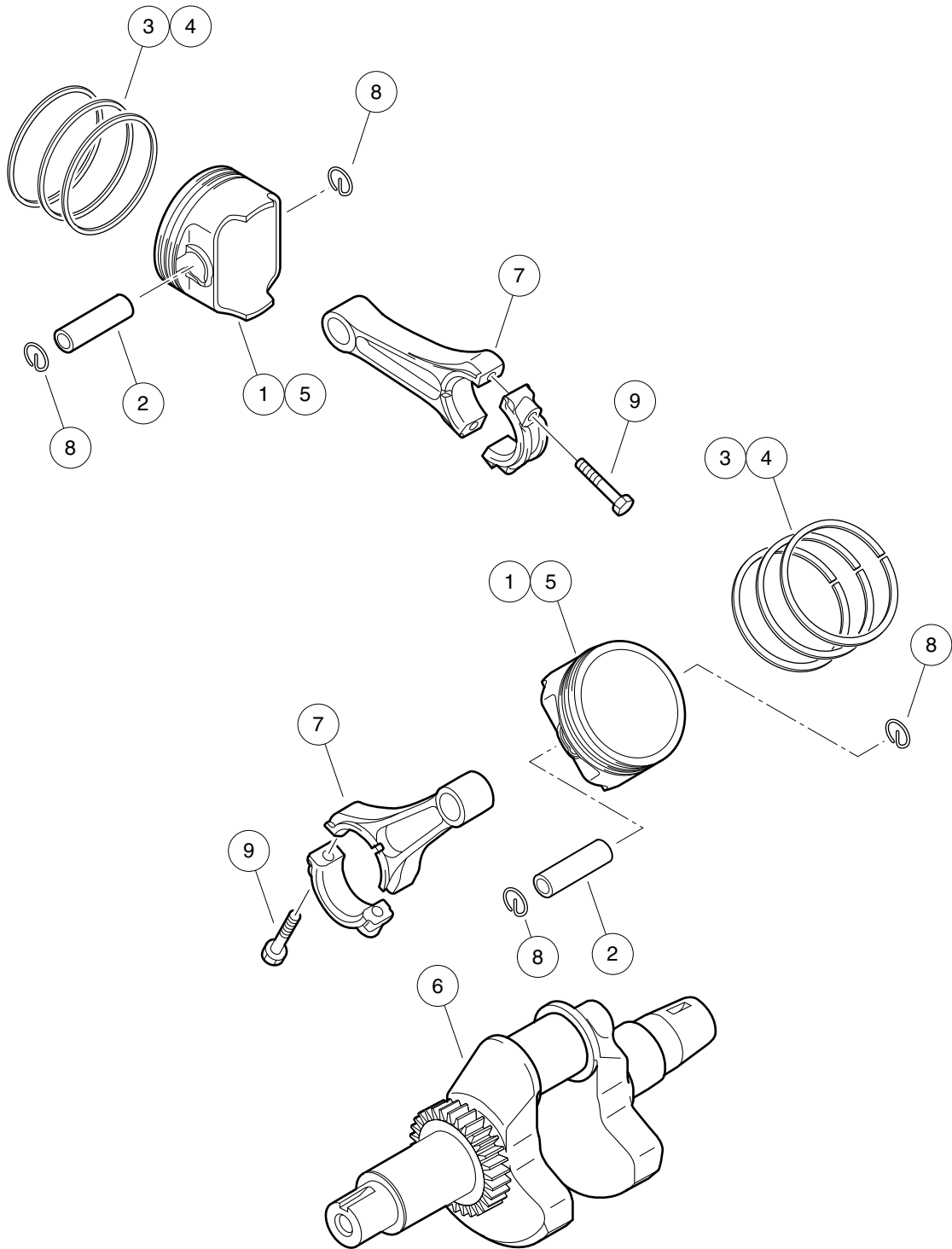
# VALVES AND CAMSHAFT

| ITEM | PART NO.  | DESCRIPTION                      | QTY |
|------|-----------|----------------------------------|-----|
|      |           | 1 2 3 4                          |     |
| 1    | 102994601 | Valve, Intake, Fh .....          | 2   |
| 2    | 102994701 | Valve, Exhaust, Fh .....         | 2   |
| 3    | 102994801 | Retainer, Valve Spring, Fh ..... | 4   |
| 4    | 102994901 | Collet, Spring, Valve, Fh .....  | 8   |
| 5    | 102995001 | Arm, Rocker .....                | 4   |
| 6    | 102995101 | Tappet, Rod, Push, Fh .....      | 4   |
| 7    | 102995201 | Guide, Arm, Rocker, Fh .....     | 2   |
| 8    | 102995301 | Guide, Camshaft, Gov, Fh .....   | 1   |
| 9    | 102995401 | Rod, Push, Fh .....              | 4   |
| 10   | 102995501 | Plate, Camshaft, Gov, Fh .....   | 1   |
| 11   | 102995601 | Plate, Ring, Gov, Fh .....       | 1   |
| 12   | 102995701 | Sleeve, Plate, Gov, Fh .....     | 1   |
| 13   | 102995801 | Spring, Valve, Fh .....          | 4   |
| 14   | 102995901 | Kit, Camshaft, Comp, Fh .....    | 1   |
| 15   | 102996001 | Screw, Rocker Arm, Fh .....      | 4   |
| 16   | 102996101 | Nut, Arm, Rocker, Fh .....       | 4   |
| 17   | 102996201 | Ring, Snap, Gov, Fh .....        | 2   |
| 18   | 102996301 | Ball, Guide, Gov, Fh .....       | 6   |
| 19   | 102996401 | Spring, Camshaft, Fh .....       | 1   |
| 20   | 102996501 | Stud, Rocker Arm, Fh .....       | 4   |
| 21   | 102996601 | Washer, Sleeve, Gov, Fh .....    | 1   |
| 22   | 102996701 | Washer, Gov, Fh .....            | 1   |

**8**

**G**

**8**  
**G**



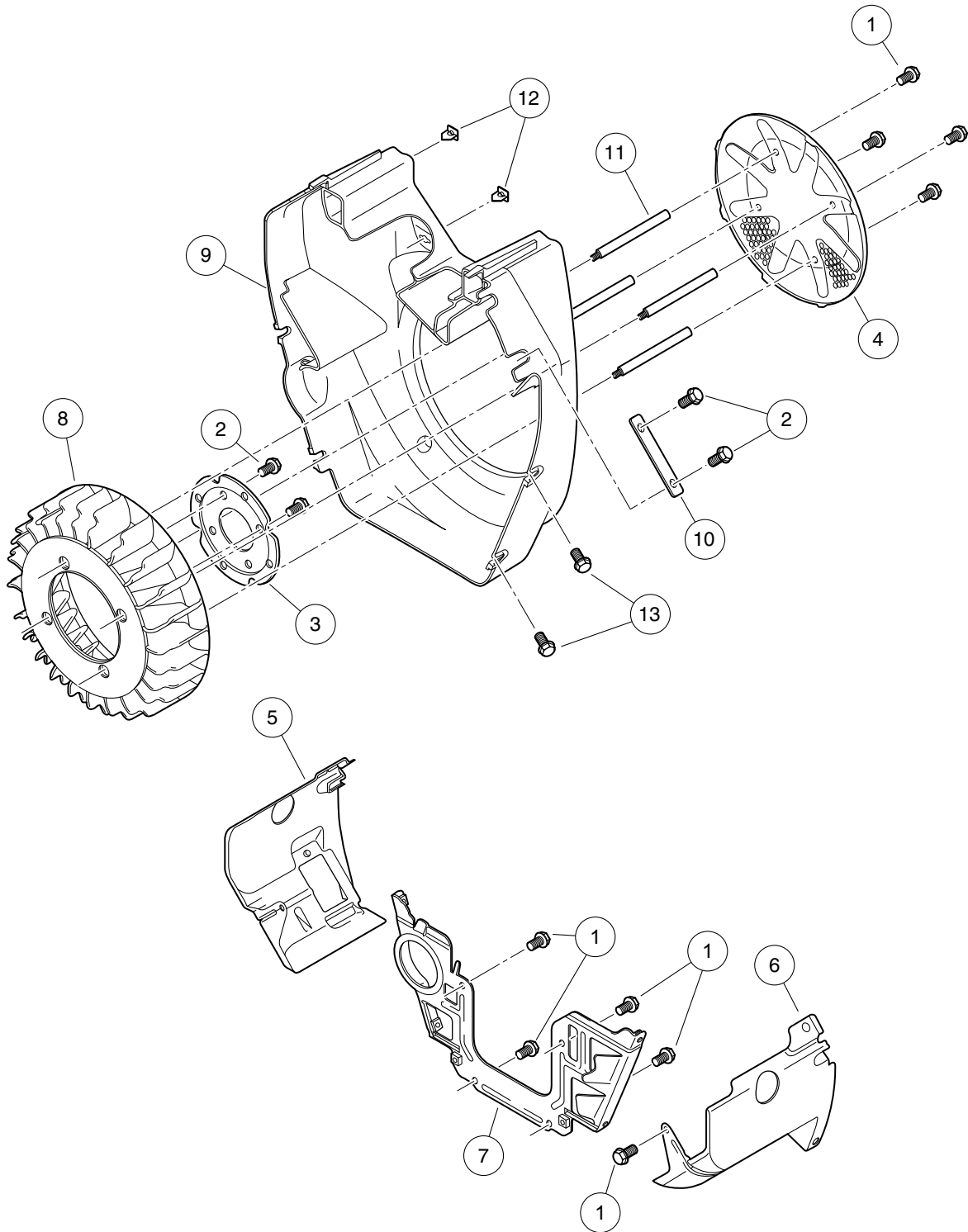
000640-001

# PISTONS AND CRANKSHAFT

| ITEM | PART NO.  | DESCRIPTION                       | QTY |
|------|-----------|-----------------------------------|-----|
|      |           | 1 2 3 4                           |     |
| 1    | 102993201 | Piston, Engine, Fh .....          | 2   |
| 2    | 102993301 | Pin, Piston, Engine, Fh .....     | 2   |
| 3    | 102993401 | Ring, Set, Piston, Fh .....       | 2   |
| 4    | 102993501 | Ring, Set, Piston, 0.50, Fh ..... | A/R |
| 5    | 102993601 | Piston, Engine, 0.50, Fh .....    | A/R |
| 6    | 102993701 | Crankshaft, Comp, Fh .....        | 1   |
| 7    | 102993901 | Kit, Rod, Connecting, Fh .....    | 2   |
| 8    | 102994101 | Ring, Snap, Pin, Piston, Fh ..... | 4   |
| 9    | 102994401 | Bolt, Flg, M6 X 1.00 X 35 .....   | 4   |

**8**

**G**



000625-001

# SHROUDS AND BRACKETS

| ITEM | PART NO.  | DESCRIPTION                          | QTY |
|------|-----------|--------------------------------------|-----|
|      |           | 1 2 3 4                              |     |
| 1    | 102992401 | Bolt, Flg, M6 X 1.0 X 12 .....       | 9   |
| 2    | 102992501 | Bolt, Flg, M6 X 1.0 X 16 .....       | 4   |
| 3    | 102998601 | Plate, Housing, Fan, Fh .....        | 1   |
| 4    | 102998701 | Screen, Fan, Fh .....                | 1   |
| 5    | 102999101 | Shroud, Engine, Rh, Fh .....         | 1   |
| 6    | 102999201 | Shroud, Engine, Lh, Fh .....         | 1   |
| 7    | 102999301 | Shroud, Engine, Front, Fh .....      | 1   |
| 8    | 102999501 | Fan, Cooling, Fh .....               | 1   |
| 9    | 102999601 | Housing, Engine, Fh .....            | 1   |
| 10   | 103000001 | Washer, Housing, Fan, Fh .....       | 1   |
| 11   | 103299301 | Stud, Fan Screen, Fh .....           | 4   |
| 12   | 103299401 | Nut, Press In, Front Cover, Fh ..... | 4   |
| 13   | 103300301 | Bolt, Oil Pickup, Fh .....           | 4   |

8

G

8

G

# ENGINE – KUBOTA DIESEL, D722, E3B SERIES

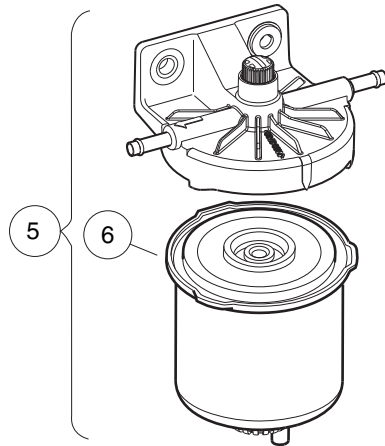
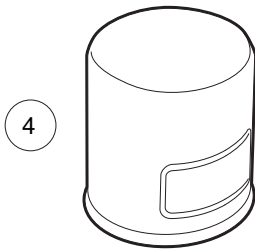
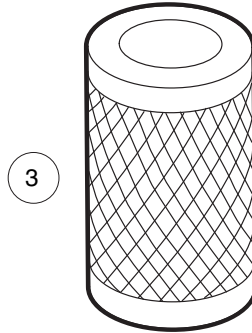
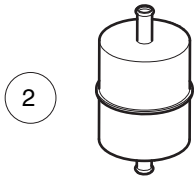
---

9

D

9

D



000992-002



# TUNE-UP KIT – KUBOTA D722

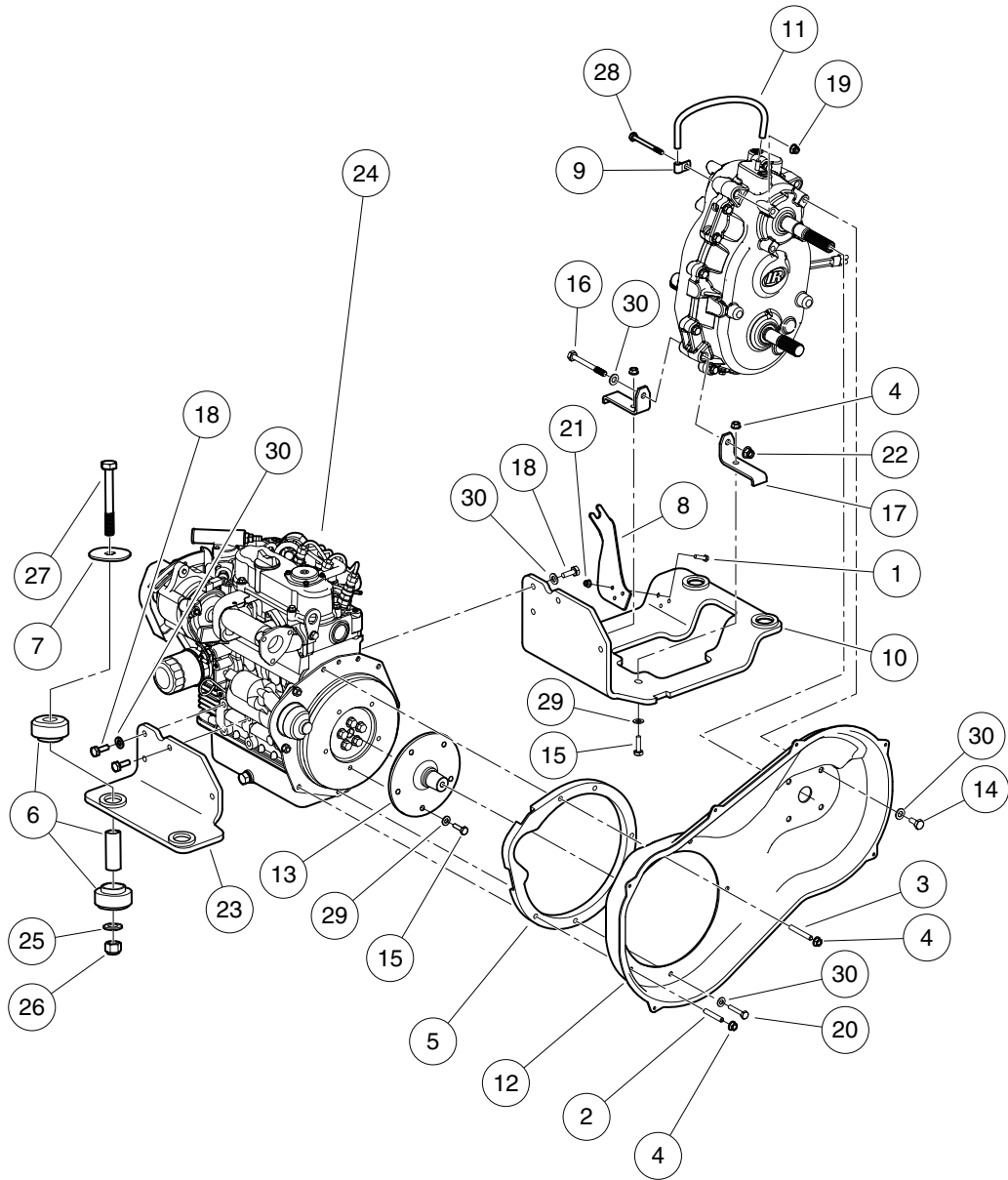
| ITEM | PART NO.  | DESCRIPTION                                                          | QTY |
|------|-----------|----------------------------------------------------------------------|-----|
|      |           | <b>1 2 3 4</b>                                                       |     |
| 1    | AM11805   | Kit, Tune-Up (For Kubota engines) (includes items 2 through 5) ..... | 1   |
| 2    | 102434701 | Filter, Fuel .....                                                   | 1   |
| 3    | 102498601 | Element, Filter, Air, 5 Inch .....                                   | 1   |
| 4    | 102703301 | Filter, Engine Oil, D722 .....                                       | 1   |
| 5    | 103747301 | Assembly, Filter/Bracket, Fuel, Diesel (includes item 6) .....       | 1   |
| 6    | 103761801 | Filter, Fuel, Diesel .....                                           | 1   |

**9**

**D**

9

D



000025-005

## DIESEL ENGINE AND ENGINE MOUNTING (D722 – E3B)

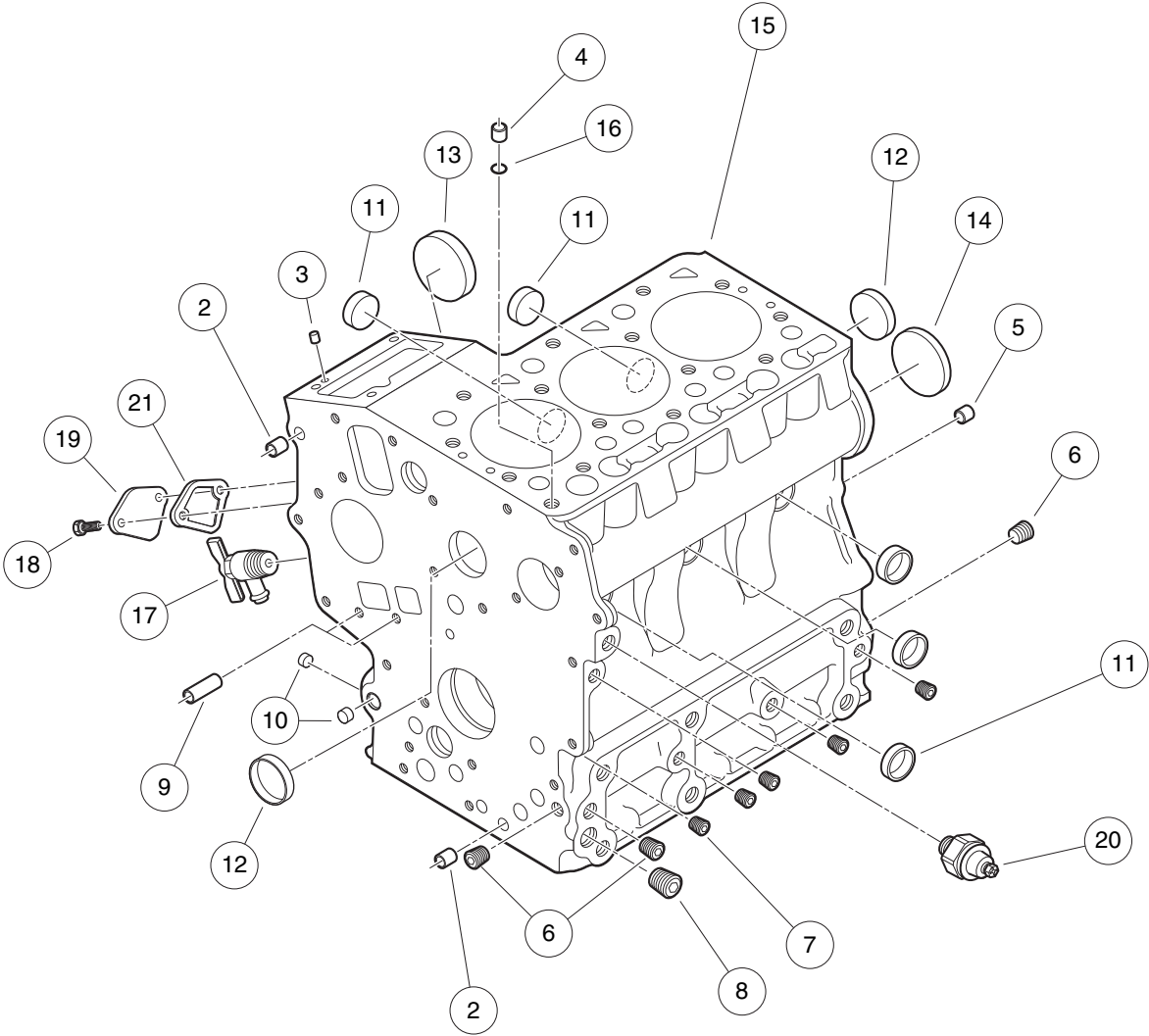
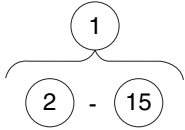
| ITEM | PART NO.  | DESCRIPTION                                    | QTY |
|------|-----------|------------------------------------------------|-----|
|      |           | 1 2 3 4                                        |     |
| 1    | 1012769   | Screw, M6-1.00 X 25mm Hex Cap .....            | 3   |
| 2    | 101833101 | Stud, M8-1.25 X 50 mm Two-Ended .....          | 1   |
| 3    | 101833201 | Stud, M8-1.25 X 60mm Two-Ended .....           | 1   |
| 4    | 102298401 | Nut,m8,all Metal Lock .....                    | 7   |
| 5    | 102370101 | Spacer, Engine, Diesel .....                   | 1   |
| 6    | 102370501 | Isolator Ring and Bushing .....                | 4   |
| 7    | 102370601 | Washer, Snubbing, Ring N Bush .....            | 4   |
| 8    | 102382401 | Bracket, FNR Trans Cable .....                 | 1   |
| 9    | 102410603 | P-Clamp, Insulated .312 In .....               | 1   |
| 10   | 102414801 | Plate, Engine Mounting, Weld, Right-Hand ..... | 1   |
| 11   | 102462301 | Hose, Vent, Transmission .....                 | 1   |
| 12   | 102462501 | Cover, CVT Inner, Diesel .....                 | 1   |
| 13   | 102465901 | Shaft, CVT Adapter .....                       | 1   |
| 14   | 102490101 | Bolt, M10 X 1.5 X 20 Loctite .....             | 4   |
| 15   | 102490201 | Bolt, M8 X 1.25 X 25 Loctite .....             | 7   |
| 16   | 102490501 | Bolt, M10 X 1.5 X 100 Loctite .....            | 1   |
| 17   | 102494401 | Bracket, Transmission Mounting .....           | 2   |
| 18   | 102498201 | Bolt, M10 X 1.25 X 25, Loctite .....           | 8   |
| 19   | 102618601 | Lock Nut, Flange, M8 X 1.25 Nylon .....        | 1   |
| 20   | 102621301 | Bolt, M8 X 1.25 X 40 with Loctite .....        | 3   |
| 21   | 102621501 | Nut, Flange, M6 X 1.0, Nylon .....             | 3   |
| 22   | 102670701 | Nut, Flange, M10 X 1.5 Nylon .....             | 1   |
| 23   | 102959001 | Plate, Eng Mtg, Diesel, Lh .....               | 1   |
| 24   | 103883801 | Engine, Kubota, D722, Mech, Ss .....           | 1   |
| 25   | 96701412  | Washer, M12 Hard .....                         | 4   |
| 26   | 96704622  | Locknut, M12x1.75 Nylon Insert .....           | 4   |
| 27   | 96704721  | Bolt, M12 X 1.75 X 90 .....                    | 4   |
| 28   | 96718978  | Bolt, M8 X 1.25 X 80 .....                     | 1   |
| 29   | 96741038  | Washer, M8 Hard .....                          | 10  |
| 30   | 96741046  | Washer, M10, Hard .....                        | 12  |

9

D

9

D



000039-001

## CRANKCASE (D722 – E3B)

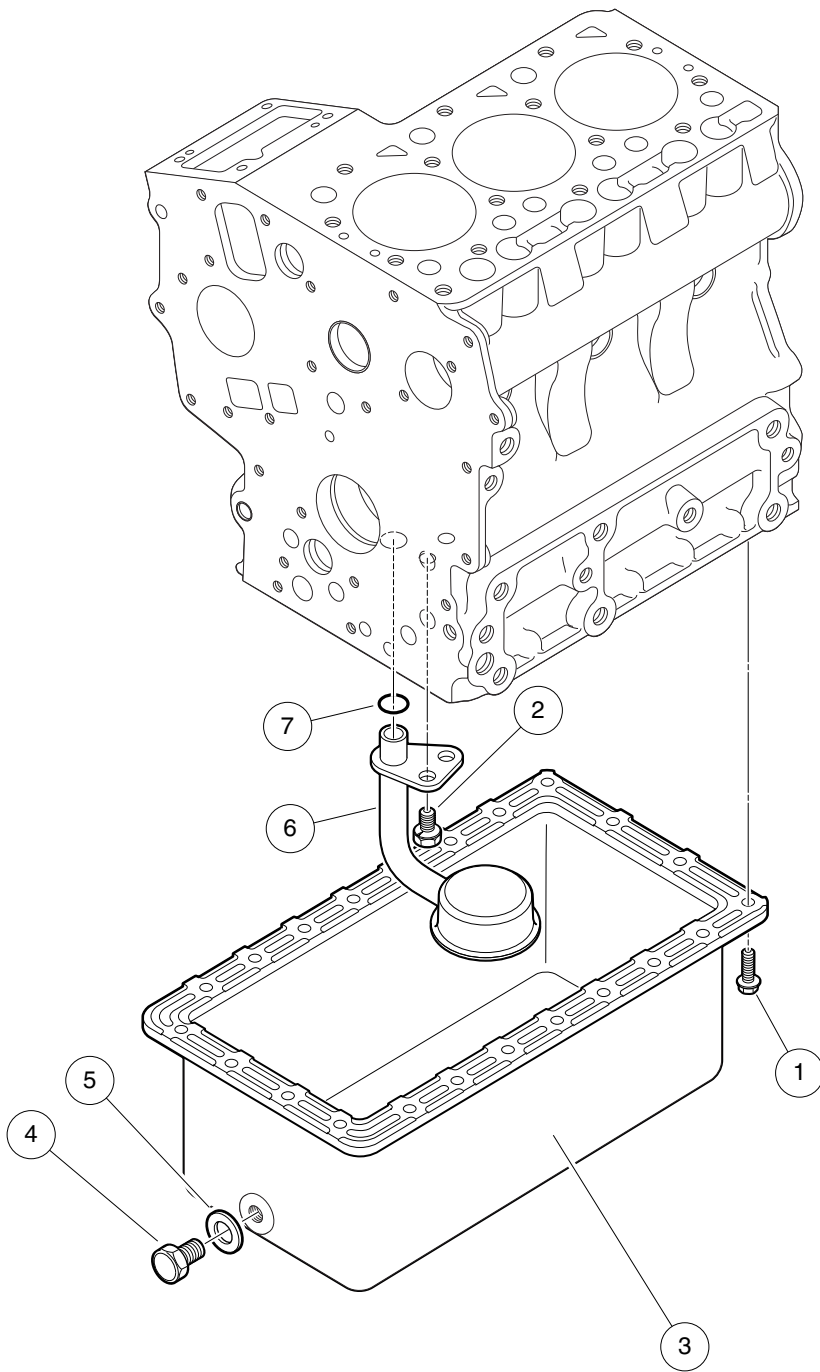
| ITEM | PART NO.  | DESCRIPTION                                      | QTY |
|------|-----------|--------------------------------------------------|-----|
|      |           | 1 2 3 4                                          |     |
| 1    | 102600001 | Engine Block (includes items 2 through 15) ..... | 1   |
| 2    | 102600101 | Pin, Pipe, Dia 8 X 14 .....                      | 2   |
| 3    | 102600201 | Pin, Straight, Dia 5 X 10 .....                  | 2   |
| 4    | 102600401 | Pin, Pipe, Dia 7 X 14 .....                      | 1   |
| 5    | 102600601 | Pin, Straight, Dia 8 X 16 .....                  | 2   |
| 6    | 102600701 | Plug, 1/8" .....                                 | 3   |
| 7    | 102600801 | Plug, 3/32" .....                                | 5   |
| 8    | 102601001 | Plug, 1/4" .....                                 | 1   |
| 9    | 102601301 | Pin, Pipe, Dia 8 X 11 .....                      | 2   |
| 10   | 102726201 | Cap, Sealing, Small .....                        | 3   |
| 11   | 102726301 | Cap, Sealing, Med .....                          | 5   |
| 12   | 102726401 | Cap, Sealing, Large .....                        | 2   |
| 13   | 102726501 | Cover, Fuel Camshaft .....                       | 1   |
| 14   | 102726601 | Plug, Expansion .....                            | 1   |
| 15   | N/A       | Block, Engine .....                              | 1   |
| 16   | 102600301 | O Ring, 8 X 7 .....                              | 1   |
| 17   | 102601401 | Cock, Drain .....                                | 1   |
| 18   | 102631601 | Bolt, M6 X 1 X 20 .....                          | 2   |
| 19   | 102700801 | Plate, Engine Block .....                        | 1   |
| 20   | 102730801 | Switch, Oil Pressure .....                       | 1   |
| 21   | 102732601 | Gasket, Fuel Pump, D722 .....                    | 1   |

**9**

**D**

9

D



000040-001

# OIL PAN (D722 – E3B)

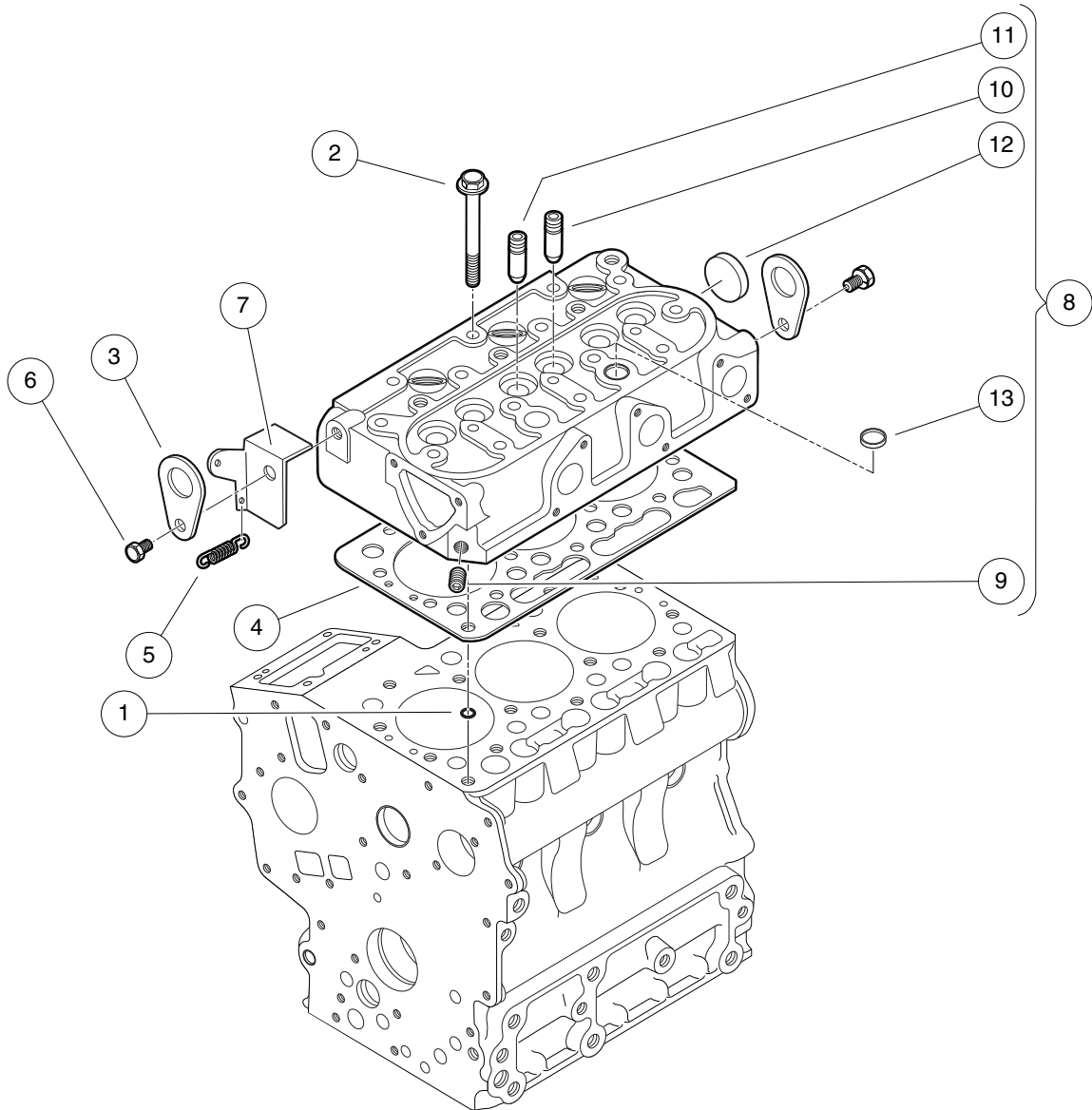
| ITEM | PART NO.  | DESCRIPTION                 | QTY |
|------|-----------|-----------------------------|-----|
|      |           | <b>1 2 3 4</b>              |     |
| 1    | 102605101 | Bolt, M6 X 1 X 14 .....     | 22  |
| 2    | 102606901 | Bolt, M8 X 1.25 X 15 .....  | 1   |
| 3    | 102607001 | Oil Pan .....               | 1   |
| 4    | 102607201 | Plug, Drain, M12 X 14 ..... | 1   |
| 5    | 102607301 | Gasket, 20 X 13 .....       | 1   |
| 6    | 102607401 | Filter, Oil, Pick Up .....  | 1   |
| 7    | 102654601 | O Ring, 20 X 17 .....       | 1   |

**9**

**D**

9

D



000041-002

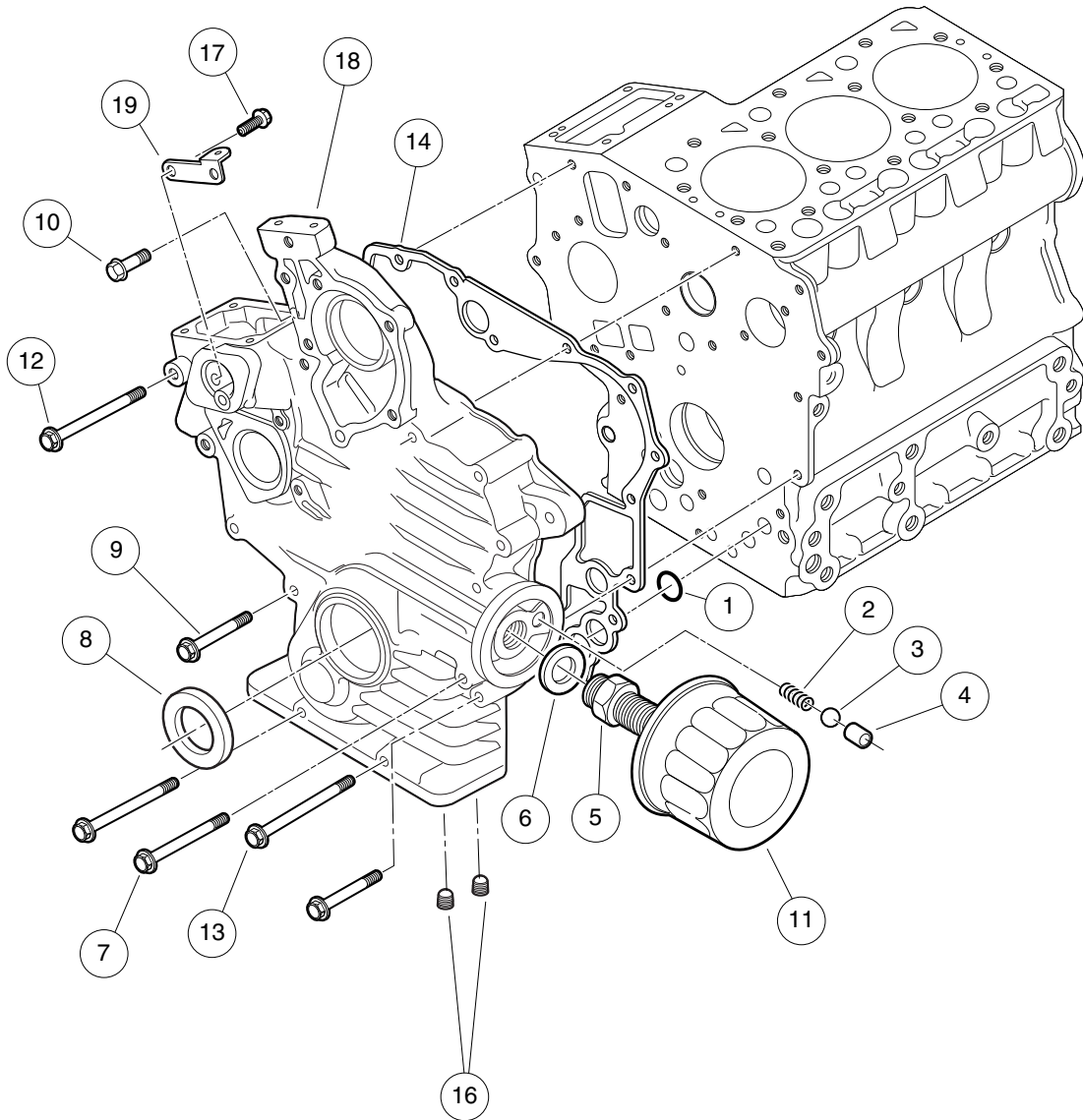
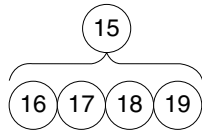


## CYLINDER HEAD (D722 – E3B)

| ITEM | PART NO.  | DESCRIPTION                                                  | QTY |
|------|-----------|--------------------------------------------------------------|-----|
|      |           | <b>1 2 3 4</b>                                               |     |
| 1    | 102600301 | O Ring, 8 X 7 .....                                          | 1   |
| 2    | 102652801 | Bolt, Cylinder Head .....                                    | 14  |
| 3    | 102653901 | Hook, Engine .....                                           | 2   |
| 4    | 102654101 | Gasket, Cylinder Head .....                                  | 1   |
| 5    | 102701001 | Spring, Start .....                                          | 1   |
| 6    | 102726701 | Bolt, Engine Hook .....                                      | 2   |
| 7    | 102727101 | Stay, Cylinder Head .....                                    | 1   |
| 8    | 102798001 | Head, Cylinder, Complete (includes items 9 through 13) ..... | 1   |
| 9    | 102600801 | Plug, 3/32" .....                                            | 1   |
| 10   | 102653401 | Guide, Exhaust Valve .....                                   | 3   |
| 11   | 102653501 | Guide, Inlet Valve .....                                     | 3   |
| 12   | 102726901 | Cap, Sealing, Head .....                                     | 1   |
| 13   | 102727001 | Cap, Sealing, Head, Top .....                                | 2   |

**9**

**D**



000042-003

# GEAR CASE (D722 – E3B)

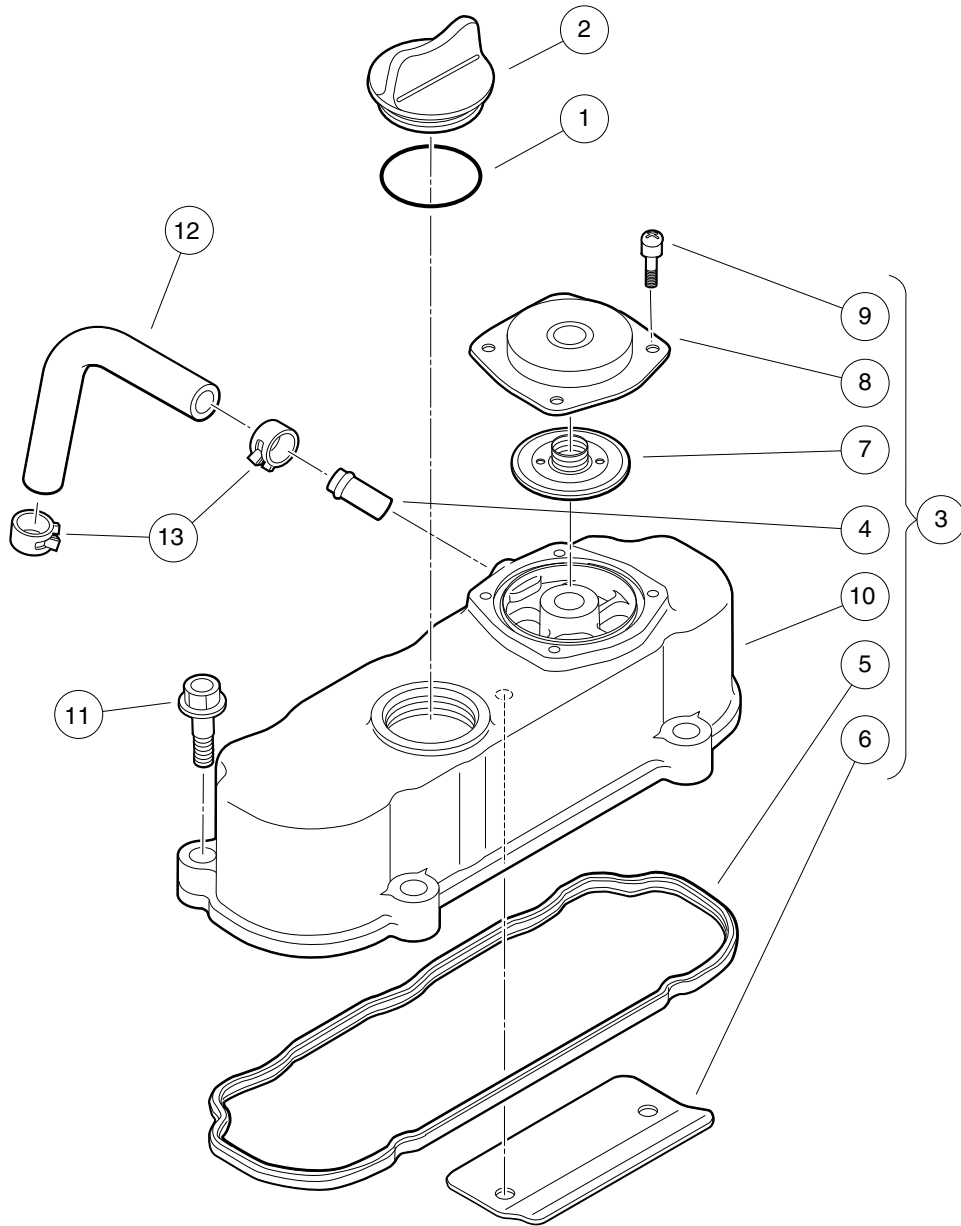
| ITEM | PART NO.  | DESCRIPTION                                     | QTY |
|------|-----------|-------------------------------------------------|-----|
|      |           | <b>1 2 3 4</b>                                  |     |
| 1    | 102601801 | O Ring, 18 X 13 .....                           | 3   |
| 2    | 102601901 | Spring, Valve .....                             | 1   |
| 3    | 102602001 | Ball, Valve .....                               | 1   |
| 4    | 102602101 | Seat, Valve .....                               | 1   |
| 5    | 102602301 | Joint, Pipe .....                               | 1   |
| 6    | 102602401 | Washer, Plain, Special .....                    | 1   |
| 7    | 102602601 | Bolt, M6 X 1 X 60 .....                         | 2   |
| 8    | 102602701 | Seal, Oil .....                                 | 1   |
| 9    | 102602801 | Bolt, D722, Front Case .....                    | 9   |
| 10   | 102654301 | Bolt, D722 Intake Manifold Lower .....          | 1   |
| 11   | 102703301 | Filter, Engine Oil, D722 .....                  | 1   |
| 12   | 102727401 | Bolt, Gearcase, Top .....                       | 2   |
| 13   | 102727501 | Bolt, Gearcase, Lower .....                     | 1   |
| 14   | 102729301 | Gasket, Gearcase, D722 .....                    | 1   |
| 15   | 102798101 | Case, Gear (includes items 16 through 19) ..... | 1   |
| 16   | 102601001 | Plug, 1/4" .....                                | 2   |
| 17   | 102727601 | Screw, Breather .....                           | 2   |
| 18   | N/A       | Case, Gear .....                                | 1   |
| 19   | 102798201 | Stay, Spring .....                              | 1   |

**9**

**D**

9

D



000181-001

## HEAD COVER (D722 – E3B)

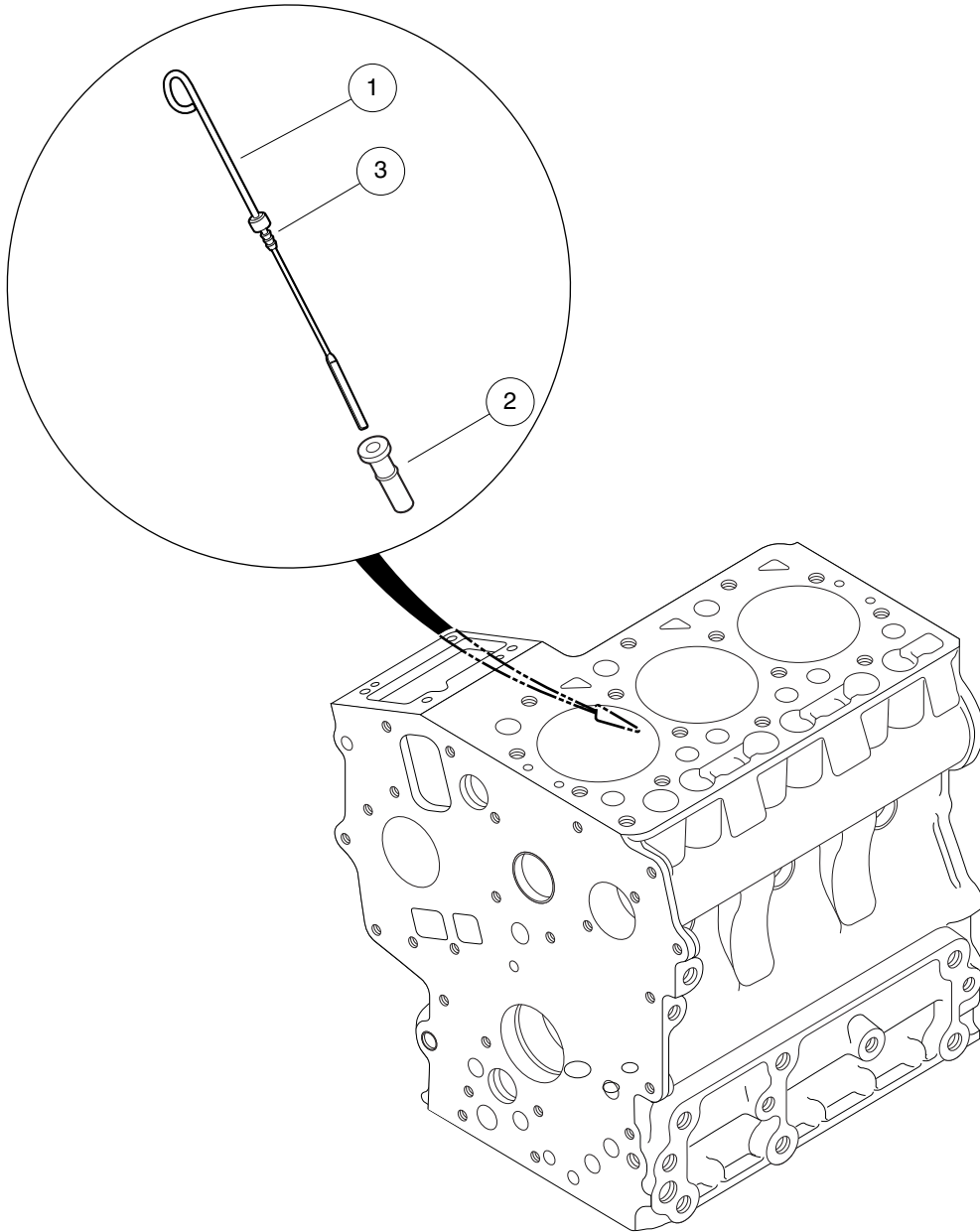
| ITEM | PART NO.  | DESCRIPTION                                                       | QTY |
|------|-----------|-------------------------------------------------------------------|-----|
|      |           | <b>1 2 3 4</b>                                                    |     |
| 1    | 102644001 | O Ring, 30 X 36 .....                                             | 1   |
| 2    | 102644101 | Plug, Oil Filler .....                                            | 1   |
| 3    | 102798401 | Assembly, Cylinder Head Cover (includes items 4 through 10) ..... | 1   |
| 4    | 102633301 | Pipe, Water Return, D722 .....                                    | 1   |
| 5    | 102798501 | Gasket, Cylinder Head Cover .....                                 | 1   |
| 6    | 102798601 | Shield, Breather .....                                            | 1   |
| 7    | 102799001 | Valve, Breather .....                                             | 1   |
| 8    | 102799101 | Cover, Breather .....                                             | 1   |
| 9    | 102799201 | Screw, Breather .....                                             | 4   |
| 10   | N/A       | Cover, Cylinder Head .....                                        | 1   |
| 11   | 102798701 | Bolt, Cylinder Head Cover .....                                   | 4   |
| 12   | 102798801 | Tube, Breather .....                                              | 1   |
| 13   | 102798901 | Clamp, Breather Tube .....                                        | 2   |

**9**

**D**

9

D



000044-003

## DIPSTICK AND GUIDE (D722 – E3B)

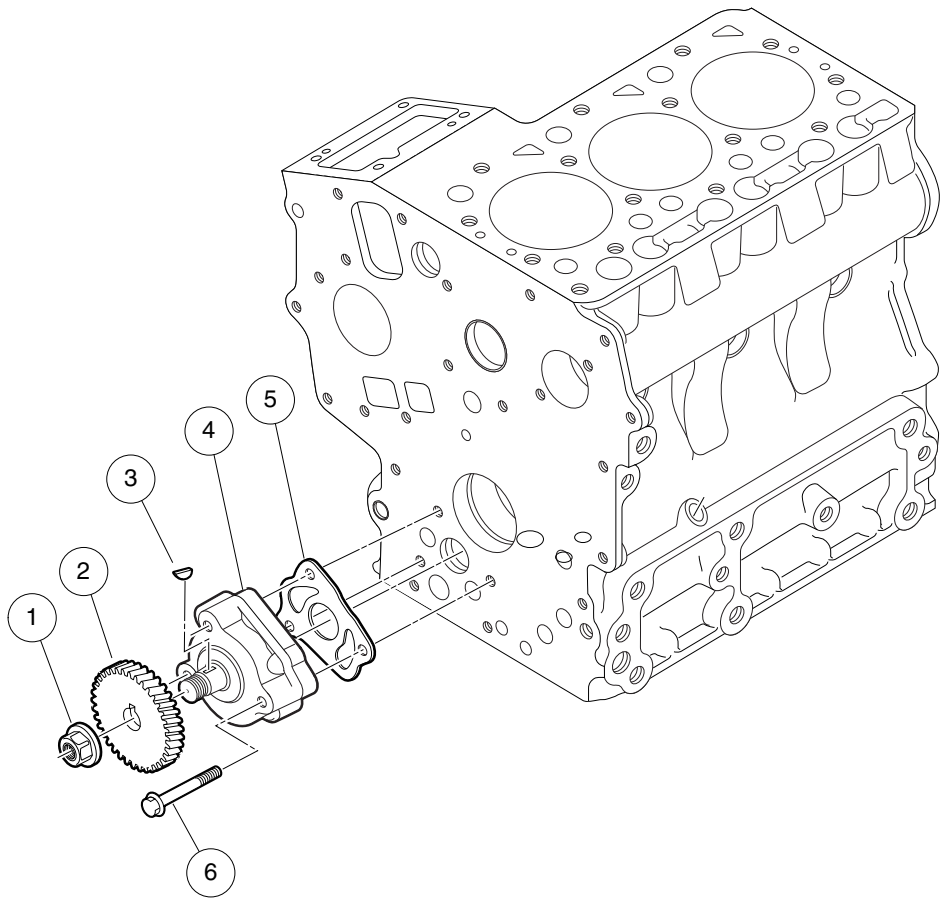
| ITEM | PART NO.  | DESCRIPTION                  | QTY |
|------|-----------|------------------------------|-----|
|      |           | <b>1 2 3 4</b>               |     |
| 1    | 102606701 | Dipstick, Oil .....          | 1   |
| 2    | 102727701 | Guide, Oil Dipstick .....    | 1   |
| 3    | 103941901 | Plug, Dipstick, Kubota ..... | 1   |

**9**

**D**

9

D



000045-001



# OIL PUMP (D722 – E3B)

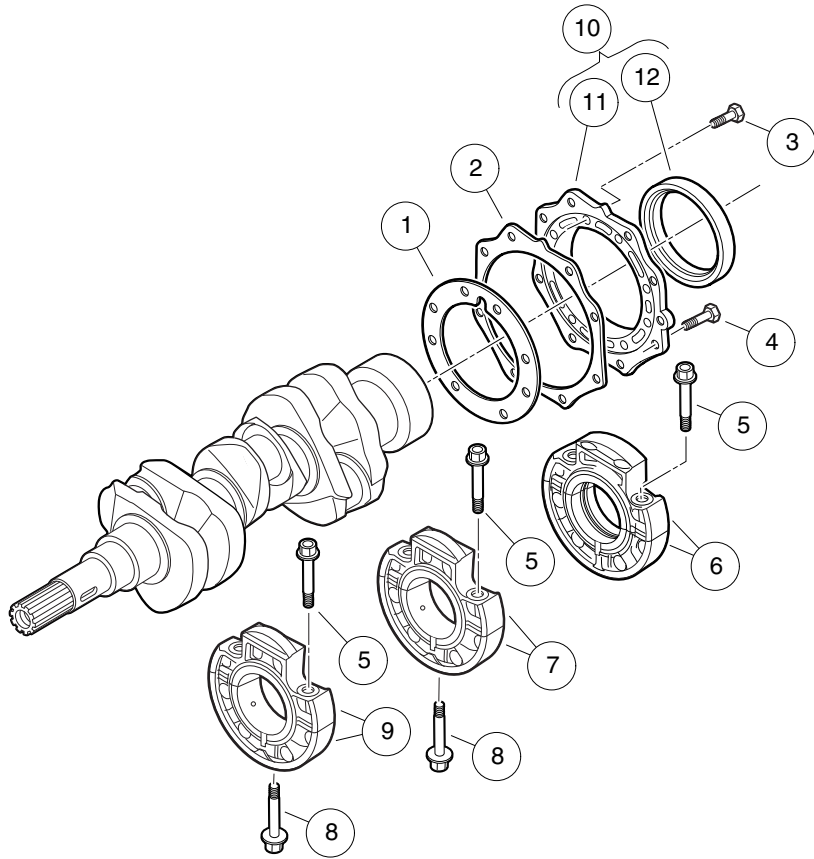
| ITEM | PART NO.  | DESCRIPTION                      | QTY |
|------|-----------|----------------------------------|-----|
|      |           | <b>1 2 3 4</b>                   |     |
| 1    | 102606201 | Nut, Flange, D722 Oil Pump ..... | 1   |
| 2    | 102606301 | Gear, Oil Pump Drive .....       | 1   |
| 3    | 102606401 | Key, Feather, 8x4 .....          | 1   |
| 4    | 102606501 | Assy, Pump, Oil .....            | 1   |
| 5    | 102606601 | Gasket, Oil Pump .....           | 1   |
| 6    | 102727901 | Bolt, Oil Pump .....             | 3   |

**9**

**D**

9

D



000046-001

## MAIN BEARING CASE (D722 – E3B)

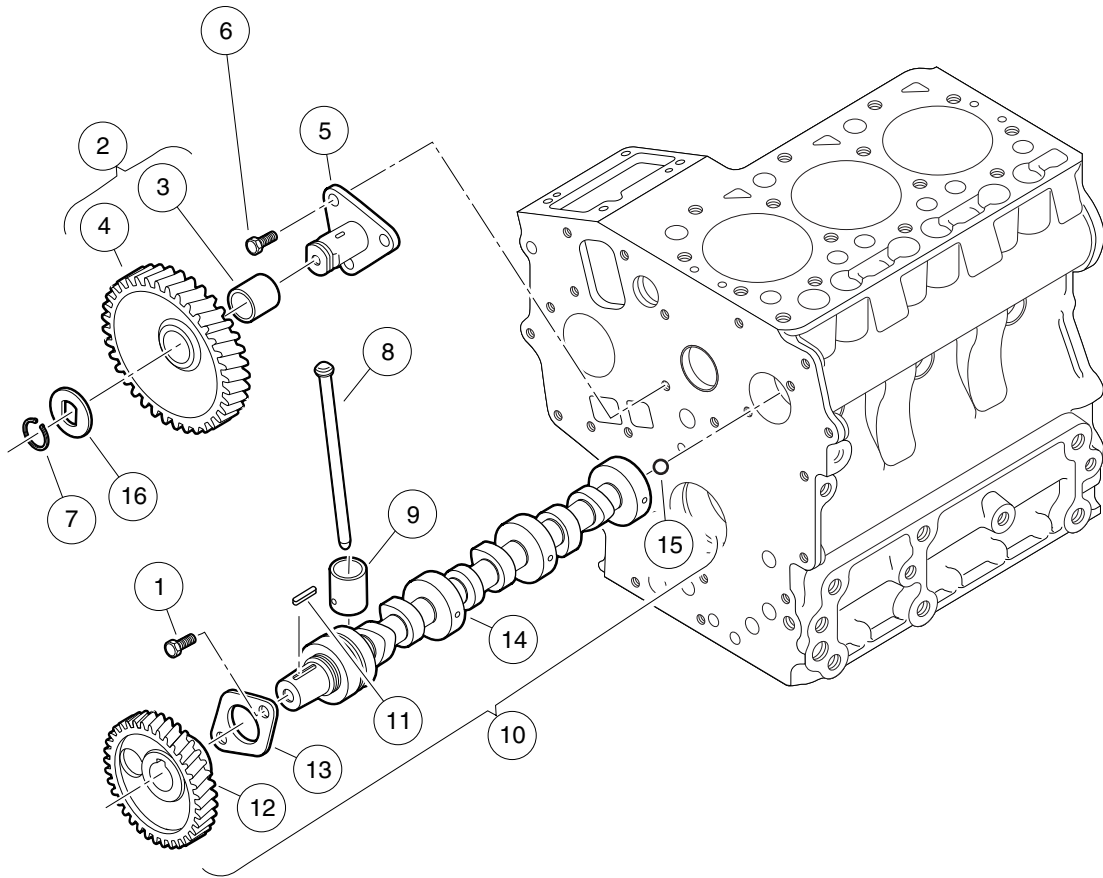
| ITEM | PART NO.  | DESCRIPTION                                                | QTY |
|------|-----------|------------------------------------------------------------|-----|
|      |           | <b>1 2 3 4</b>                                             |     |
| 1    | 102608201 | Gasket, Bearing Case .....                                 | 1   |
| 2    | 102608301 | Gasket, Cover .....                                        | 1   |
| 3    | 102608601 | Bolt, M6 X 1 X 20 .....                                    | 8   |
| 4    | 102608701 | Bolt, M6 X 1 X 22 .....                                    | 8   |
| 5    | 102608901 | Bolt, Bearing Case, Top .....                              | 6   |
| 6    | 102609101 | Assy Case, Main Brg, First .....                           | 1   |
| 7    | 102609301 | Assy, Case, Main Bearing, Second .....                     | 1   |
| 8    | 102609401 | Bolt, Bearing Case, Bottom .....                           | 2   |
| 9    | 102609601 | Assy Case, Main Brg, Third .....                           | 1   |
| 10   | 102728001 | Assy, Cover, Bearing Case (includes items 11 and 12) ..... | 1   |
| 11   | 102608401 | Cover, Bearing Case .....                                  | 1   |
| 12   | 102608501 | Seal, Oil .....                                            | 1   |

**9**

**D**

9

D



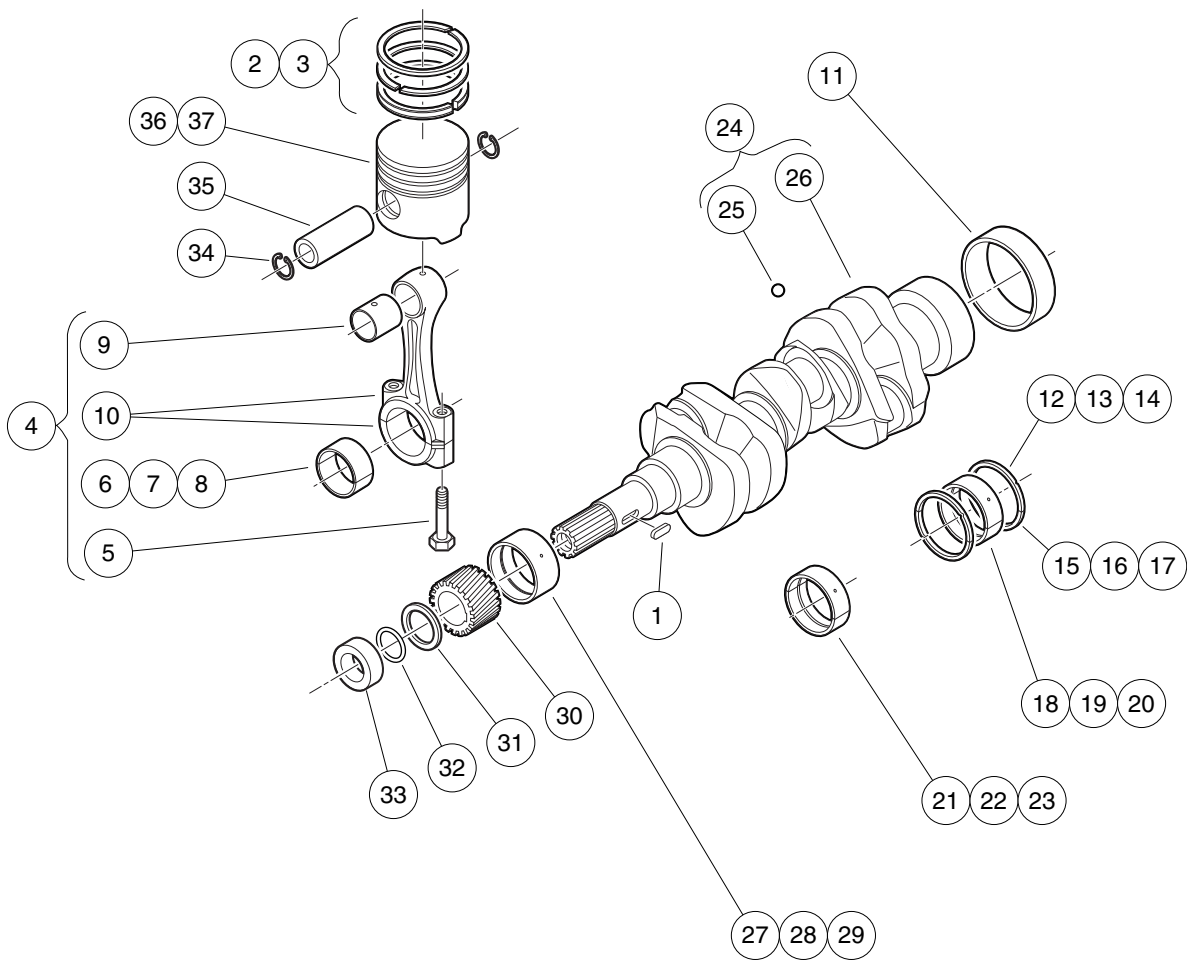
000047-002

## CAMSHAFT AND IDLE GEAR (D722 – E3B)

| ITEM | PART NO.  | DESCRIPTION                                              | QTY |
|------|-----------|----------------------------------------------------------|-----|
|      |           | <b>1 2 3 4</b>                                           |     |
| 1    | 102604201 | Bolt, D722, Cam End .....                                | 2   |
| 2    | 102604901 | Gear, Idle (includes items 3 and 4) .....                | 1   |
| 3    | 102603201 | Bushing, D722 Idle Gear .....                            | 1   |
| 4    | N/A       | Gear, Idle .....                                         | 1   |
| 5    | 102605001 | Shaft, Idle Gear .....                                   | 1   |
| 6    | 102605101 | Bolt, M6 X 1 X 14 .....                                  | 3   |
| 7    | 102605301 | Ring, Snap .....                                         | 1   |
| 8    | 102605401 | Push Rod .....                                           | 6   |
| 9    | 102605501 | Tappet .....                                             | 6   |
| 10   | 102605801 | Assy Camshaft, Long (includes items 11 through 15) ..... | 1   |
| 11   | 102605601 | Key, Feather, Long Camshaft .....                        | 1   |
| 12   | 102605901 | Gear, Cam .....                                          | 1   |
| 13   | 102606001 | Stopper, Camshaft .....                                  | 1   |
| 14   | N/A       | Camshaft .....                                           | 1   |
| 15   | 102799401 | Ball, Check .....                                        | 1   |
| 16   | 102654401 | Collar, Idle Gear .....                                  | 1   |

**9**

**D**



000048-002

## PISTON AND CRANKSHAFT (D722 – E3B)

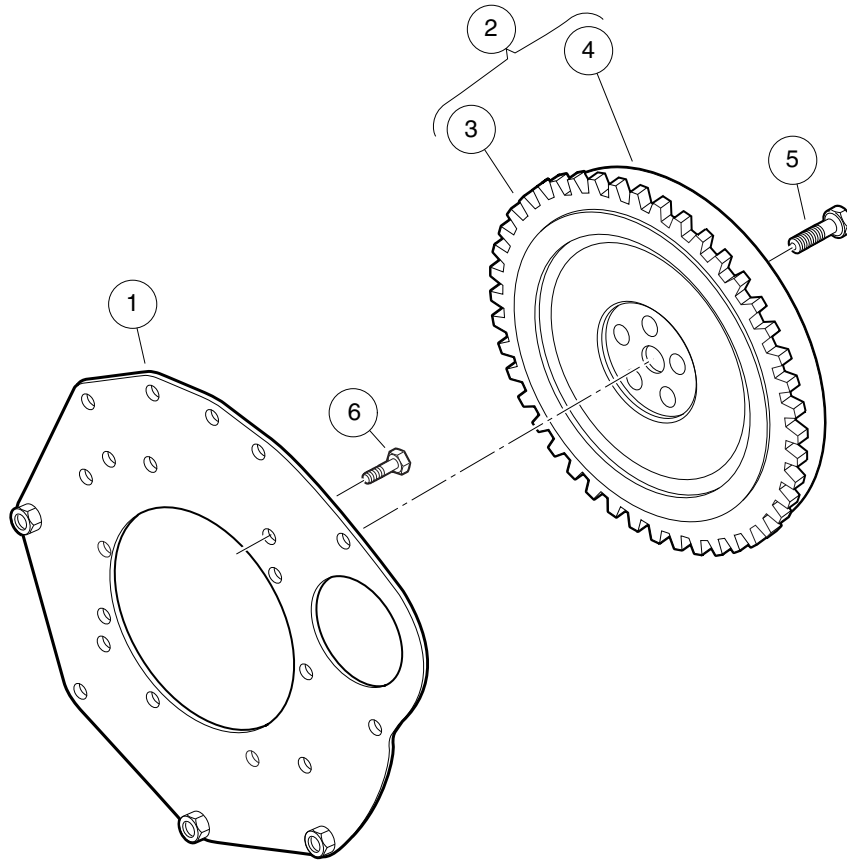
| ITEM | PART NO.  | DESCRIPTION                                              | QTY |
|------|-----------|----------------------------------------------------------|-----|
|      |           | 1 2 3 4                                                  |     |
| 1    | 102604401 | Key, Feather, Short Camshaft .....                       | 1   |
| 2    | 102607601 | Assy Piston Ring, D722 Std .....                         | 3   |
| 3    | 102607602 | Assy Piston Ring, D722 +.025 .....                       | 3   |
| 4    | 102607801 | Assy, Connecting Rod (includes items 5 through 10) ..... | 3   |
| 5    | 102607901 | Bolt, Connecting Rod .....                               | 6   |
| 6    | 102630701 | Metal, Crank, Rod, D722, Std .....                       | 3   |
| 7    | 102630702 | Metal, Crank, Rod, D722, .020 .....                      | 3   |
| 8    | 102630703 | Metal, Crank, Rod, D722, .040 .....                      | 3   |
| 9    | 102732201 | Bushing, Piston Pin, D722 .....                          | 3   |
| 10   | N/A       | Rod, Connecting .....                                    | 1   |
| 11   | 102608101 | Sleeve, Crankshaft .....                                 | 1   |
| 12   | 102608801 | Metal,crank, O Side, Std .....                           | 2   |
| 13   | 102608802 | Metal,crank, O Side, +.020 .....                         | 2   |
| 14   | 102608803 | Metal,crank, O Side, +.040 .....                         | 2   |
| 15   | 102608804 | Metal,crank, I Side, Std .....                           | 2   |
| 16   | 102608805 | Metal,crank, I Side, +.020 .....                         | 2   |
| 17   | 102608806 | Metal,crank, I Side, +.040 .....                         | 2   |
| 18   | 102609001 | Metal, Crank, Main, Rear Std .....                       | 1   |
| 19   | 102609002 | Metal, Crank, Main, Rear -.020 .....                     | 1   |
| 20   | 102609003 | Metal, Crank, Main, Rear -.040 .....                     | 1   |
| 21   | 102609801 | Metal, Crank, Main, Mid Std .....                        | 4   |
| 22   | 102609802 | Metal, Crank, Main, Mid +.020 .....                      | 2   |
| 23   | 102609803 | Metal, Crank, Main, Mid +.040 .....                      | 2   |
| 24   | 102610001 | Crankshaft (includes items 25 and 26) .....              | 1   |
| 25   | 102608001 | Ball, Crankshaft .....                                   | 3   |
| 26   | N/A       | Crankshaft .....                                         | 1   |
| 27   | 102630001 | Metal, Crank, D722, Frnt, Std .....                      | 1   |
| 28   | 102630002 | Metal, Crank, 722, Frnt, -.020 .....                     | 1   |
| 29   | 102630003 | Metal, Crank, 722, Frnt, -.040 .....                     | 1   |
| 30   | 102630101 | Gear, Crank .....                                        | 1   |
| 31   | 102630201 | Slinger, Oil .....                                       | 1   |
| 32   | 102630301 | O Ring, 23 X 26 .....                                    | 1   |
| 33   | 102630401 | Collar, Crankshaft .....                                 | 1   |
| 34   | 102630901 | Circlip, Piston Pin .....                                | 6   |
| 35   | 102631001 | Pin, Piston .....                                        | 3   |
| 36   | 102728101 | Piston, D722, Std .....                                  | 3   |
| 37   | 102728102 | Piston, D722, +0.25 .....                                | 3   |

**9**

**D**

9

D



000049-001



## FLYWHEEL (D722 – E3B)

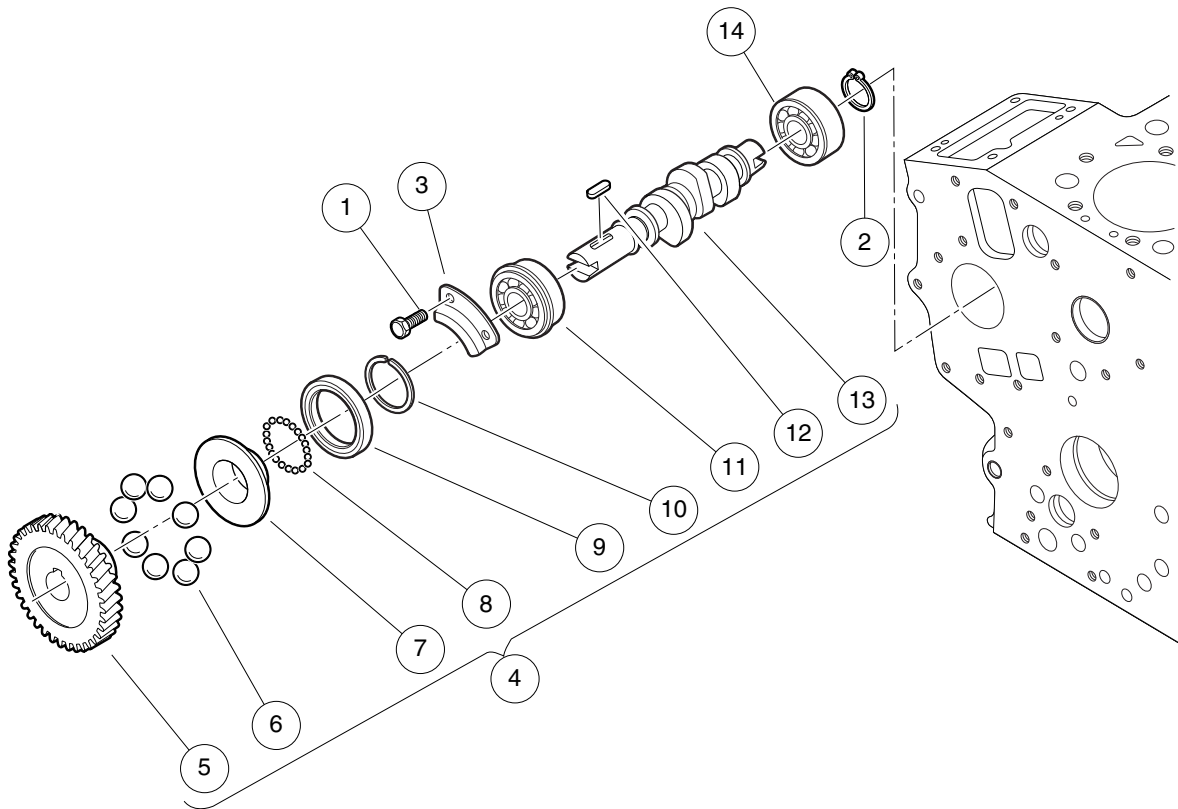
| ITEM | PART NO.  | DESCRIPTION                             | QTY |
|------|-----------|-----------------------------------------|-----|
|      |           | <b>1 2 3 4</b>                          |     |
| 1    | 102647501 | Plate, Rear End .....                   | 1   |
| 2    | 102647801 | Flywheel (includes items 3 and 4) ..... | 1   |
| 3    | 102647901 | Gear, Ring, D722 .....                  | 1   |
| 4    | N/A       | Flywheel .....                          | 1   |
| 5    | 102648001 | Bolt, Flange Head, M10 X 1.5 X 25 ..... | 5   |
| 6    | 102728301 | Bolt, End Plate .....                   | 10  |

**9**

**D**

9

D



000050-001

## FUEL CAMSHAFT (D722 – E3B)

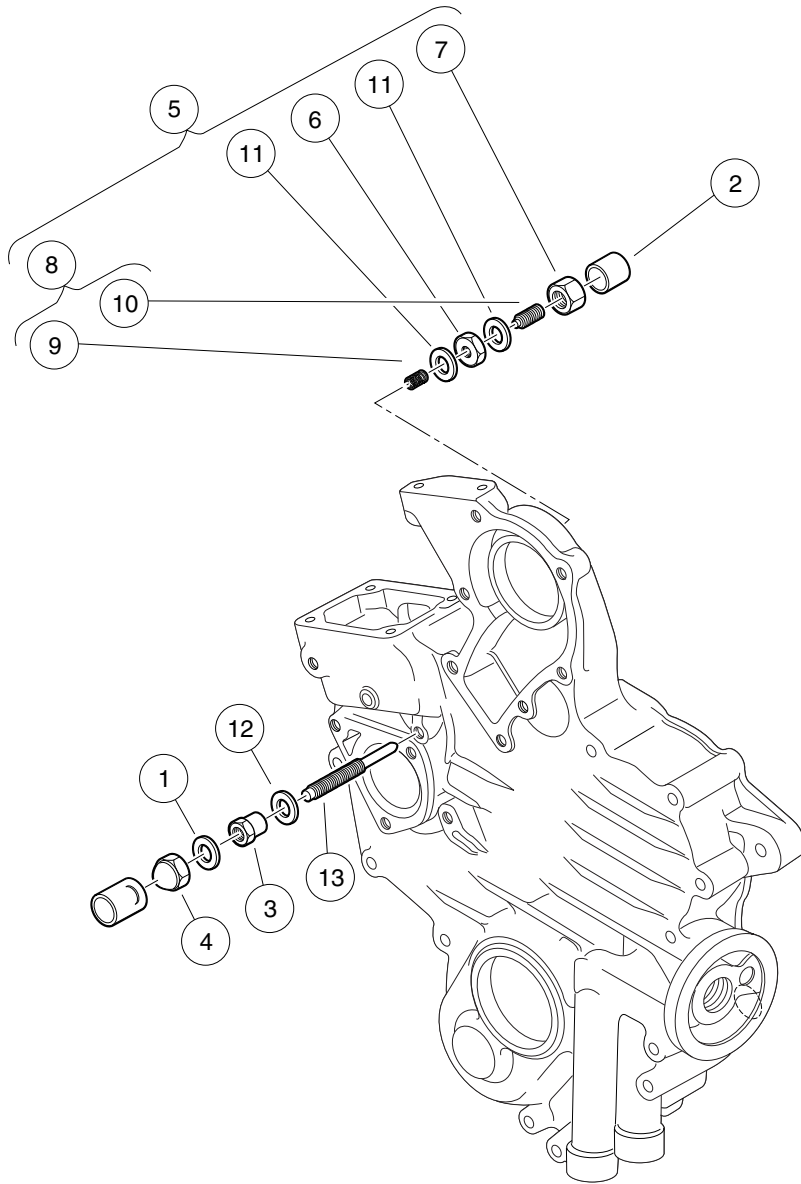
| ITEM | PART NO.  | DESCRIPTION                                             | QTY |
|------|-----------|---------------------------------------------------------|-----|
|      |           | <b>1 2 3 4</b>                                          |     |
| 1    | 102604201 | Bolt, D722, Cam End .....                               | 2   |
| 2    | 102604701 | Circlip, External .....                                 | 1   |
| 3    | 102604801 | Stopper, Fuel, Camshaft .....                           | 1   |
| 4    | 102728401 | Assy, Fuel Camshaft (includes items 5 through 13) ..... | 1   |
| 5    | 102603601 | Gear, Injection Pump .....                              | 1   |
| 6    | 102603701 | Ball, Injection Pump .....                              | 8   |
| 7    | 102603801 | Sleeve, Governor .....                                  | 1   |
| 8    | 102603901 | Ball, Governor .....                                    | 32  |
| 9    | 102604001 | Case, Governor Ball .....                               | 1   |
| 10   | 102604101 | Circlip .....                                           | 1   |
| 11   | 102604301 | Bearing, Ball .....                                     | 1   |
| 12   | 102604401 | Key, Feather, Short Camshaft .....                      | 1   |
| 13   | 102604501 | Camshaft, Fuel, Short .....                             | 1   |
| 14   | 102728501 | Bearing, Ball .....                                     | 1   |

**9**

**D**

9

D



000051-002

## IDLE APPARATUS (D722 – E3B)

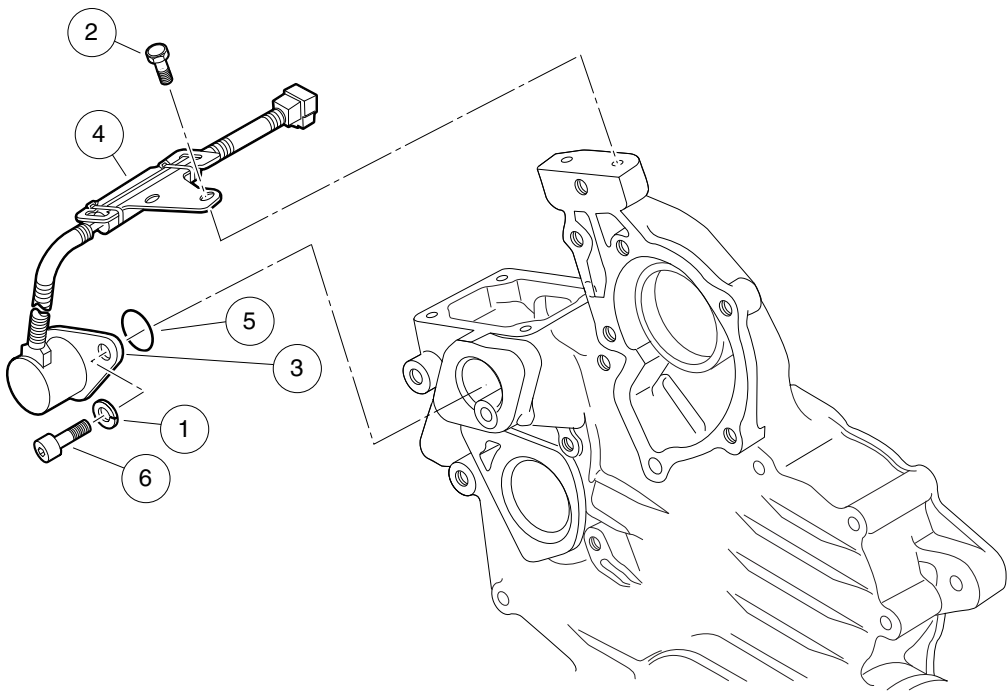
| ITEM | PART NO.  | DESCRIPTION                                              | QTY |
|------|-----------|----------------------------------------------------------|-----|
|      |           | <b>1 2 3 4</b>                                           |     |
| 1    | 102635301 | Gasket, 6 X 10 .....                                     | 1   |
| 2    | 102635701 | Cap, Bolt Assy .....                                     | 1   |
| 3    | 102637001 | Nut, Lock, Special .....                                 | 1   |
| 4    | 102637101 | Nut, Special .....                                       | 1   |
| 5    | 102728601 | Assy, Idle Apparatus (includes items 6 through 11) ..... | 1   |
| 6    | 102635501 | Nut, M8, D722 Idle App, Specl .....                      | 1   |
| 7    | 102635801 | Nut, M8, D722 Idle App .....                             | 1   |
| 8    | 102635901 | Assy, Bolt, Adjusting (includes items 9 and 10) .....    | 1   |
| 9    | 102728701 | Spring, Idle Apparatus .....                             | 1   |
| 10   | N/A       | Stud, Idle Adjustment .....                              | 1   |
| 11   | 102728801 | Gasket, Idle Apparatus, Rear .....                       | 2   |
| 12   | 102728901 | Gasket, Idle Apparatus, Front .....                      | 1   |
| 13   | 102799501 | Bolt, Idle Adjusting .....                               | 1   |

**9**

**D**

9

D



000182-001

## STOP SOLENOID (D722 – E3B)

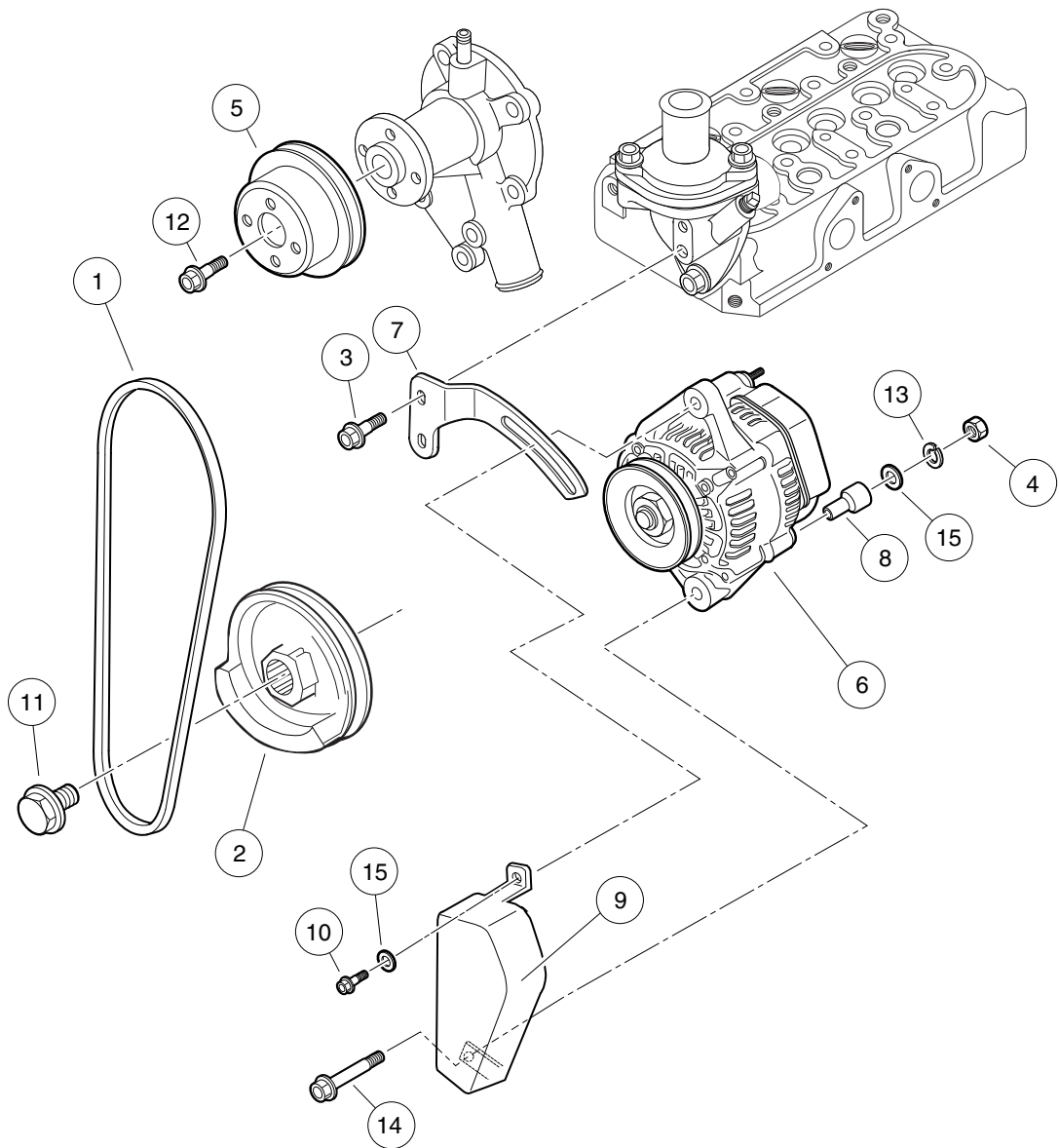
| ITEM | PART NO.  | DESCRIPTION                      | QTY |
|------|-----------|----------------------------------|-----|
|      |           | 1 2 3 4                          |     |
| 1    | 102640601 | Washer, Spring, M6, D722 .....   | 2   |
| 2    | 102729101 | Bolt, Solenoid, Stop, D722 ..... | 2   |
| 3    | 102799601 | Solenoid, Stop .....             | 1   |
| 4    | 102799701 | Stay, Stop Solenoid .....        | 1   |
| 5    | 102799801 | O-Ring, Stop Solenoid .....      | 1   |
| 6    | 102799901 | Bolt, Stop Solenoid .....        | 2   |

**9**

**D**

9

D



000057-002



## 40-AMP ALTERNATOR, BELT AND PULLEYS (D722 – E3B)

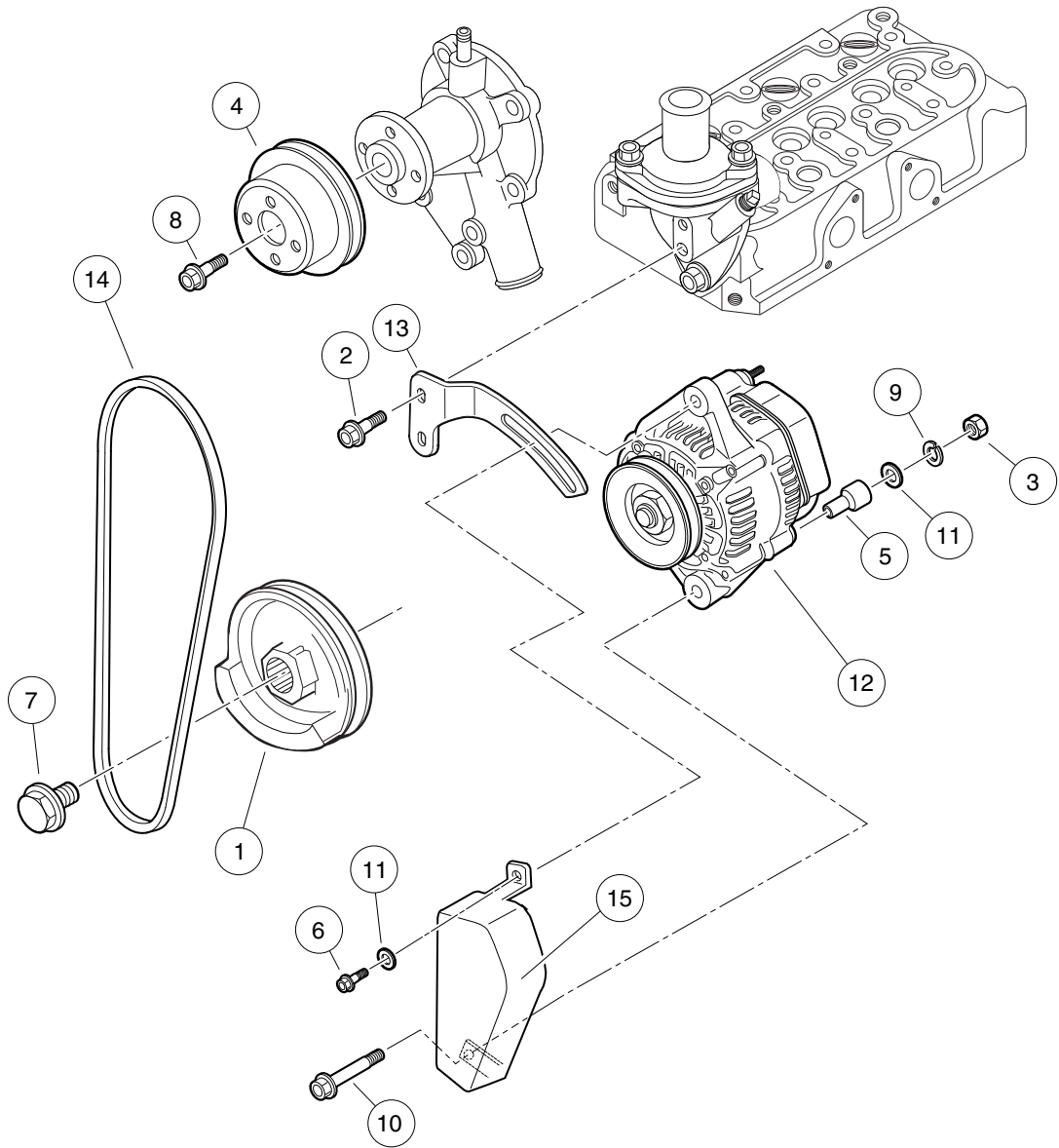
| ITEM | PART NO.  | DESCRIPTION                         | QTY |
|------|-----------|-------------------------------------|-----|
|      |           | 1 2 3 4                             |     |
| 1    | 102601101 | V-Belt .....                        | 1   |
| 2    | 102630601 | Pulley, Fan Drive .....             | 1   |
| 3    | 102631601 | Bolt, M6 X 1 X 20 .....             | 2   |
| 4    | 102647701 | Nut, M8, Plate .....                | 1   |
| 5    | 102701201 | Pulley, Water Pump .....            | 1   |
| 6    | 102730001 | Alternator, 40-Amp .....            | 1   |
| 7    | 102730101 | Stay, Alternator Assy, D722 .....   | 1   |
| 8    | 102730201 | Collar, Alternator Assy, D722 ..... | 1   |
| 9    | 102730301 | Cover, Alternator Assy, D722 .....  | 1   |
| 10   | 102730401 | Bolt, Alt, D722, Adjuster .....     | 1   |
| 11   | 102730601 | Bolt, Alt, D722, Drive Pulley ..... | 1   |
| 12   | 102731301 | Bolt, D722, Drive Pulley .....      | 4   |
| 13   | 102732501 | Washer, Spring, D722, Starter ..... | 1   |
| 14   | 102800701 | Bolt, Alternator, Lower .....       | 1   |
| 15   | 102801001 | Washer, Alternator, Upper .....     | 2   |

**9**

**D**

9

D



000057-003

## 60-AMP ALTERNATOR, BELT AND PULLEYS (D722 – E3B)

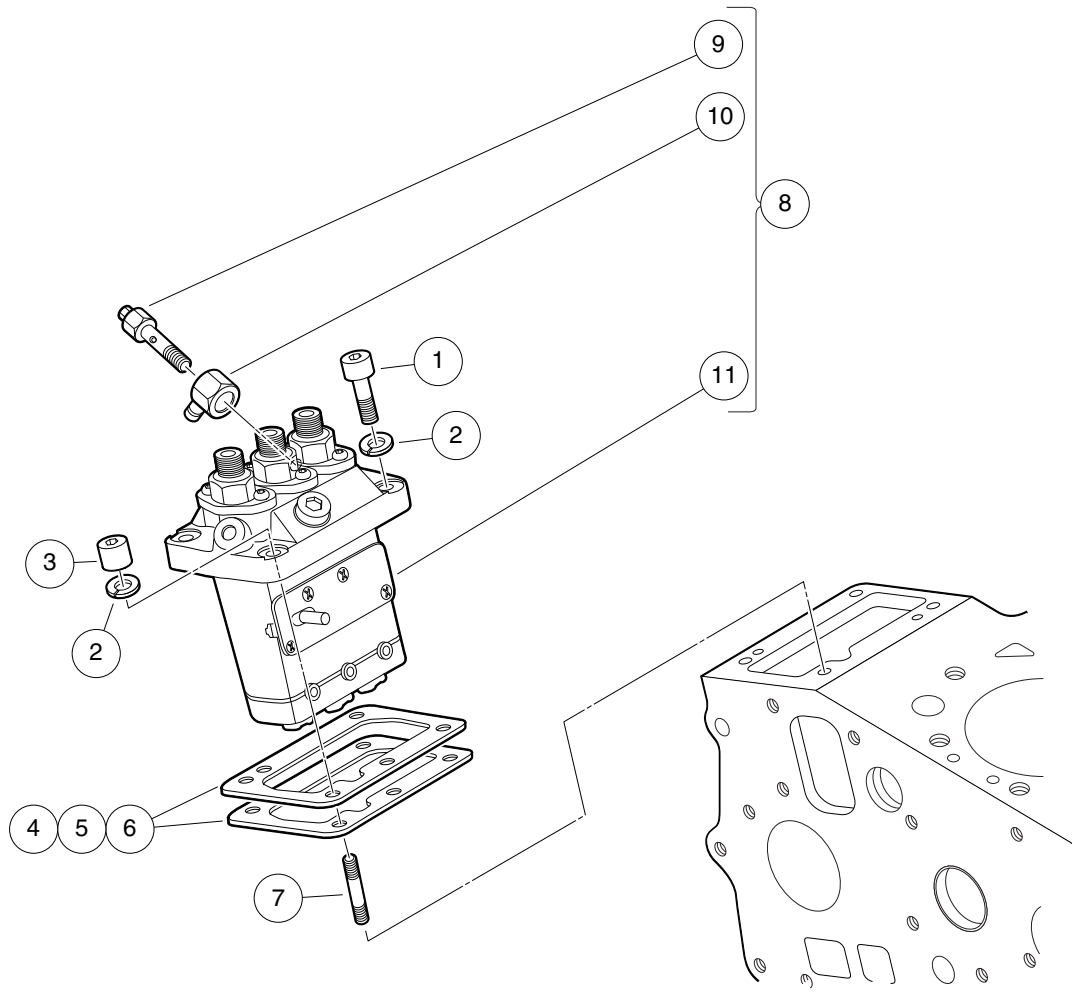
| ITEM | PART NO.  | DESCRIPTION                               | QTY |
|------|-----------|-------------------------------------------|-----|
|      |           | 1 2 3 4                                   |     |
| 1    | 102630601 | Pulley, Fan Drive .....                   | 1   |
| 2    | 102631601 | Bolt, M6 X 1 X 20 .....                   | 2   |
| 3    | 102647701 | Nut, M8, Plate .....                      | 1   |
| 4    | 102701201 | Pulley, Water Pump .....                  | 1   |
| 5    | 102730201 | Collar, Alternator Assy, D722 .....       | 1   |
| 6    | 102730401 | Bolt, Alt, D722, Adjuster .....           | 1   |
| 7    | 102730601 | Bolt, Alt, D722, Drive Pulley .....       | 1   |
| 8    | 102731301 | Bolt, D722, Drive Pulley .....            | 4   |
| 9    | 102732501 | Washer, Spring, D722, Starter .....       | 1   |
| 10   | 102800701 | Bolt, Alternator, Lower .....             | 1   |
| 11   | 102801001 | Washer, Alternator, Upper .....           | 2   |
| 12   | 102934701 | Alternator, 60 Amp .....                  | 1   |
| 13   | 102934801 | Bracket, Alternator, D722, 60 Amp .....   | 1   |
| 14   | 102934901 | Belt, Accessory Drive, D722, 60 Amp ..... | 1   |
| 15   | 103239901 | Guard, Accessory Belt .....               | 1   |

**9**

**D**

9

D



000053-002

## FUEL INJECTION PUMP (D722 – E3B)

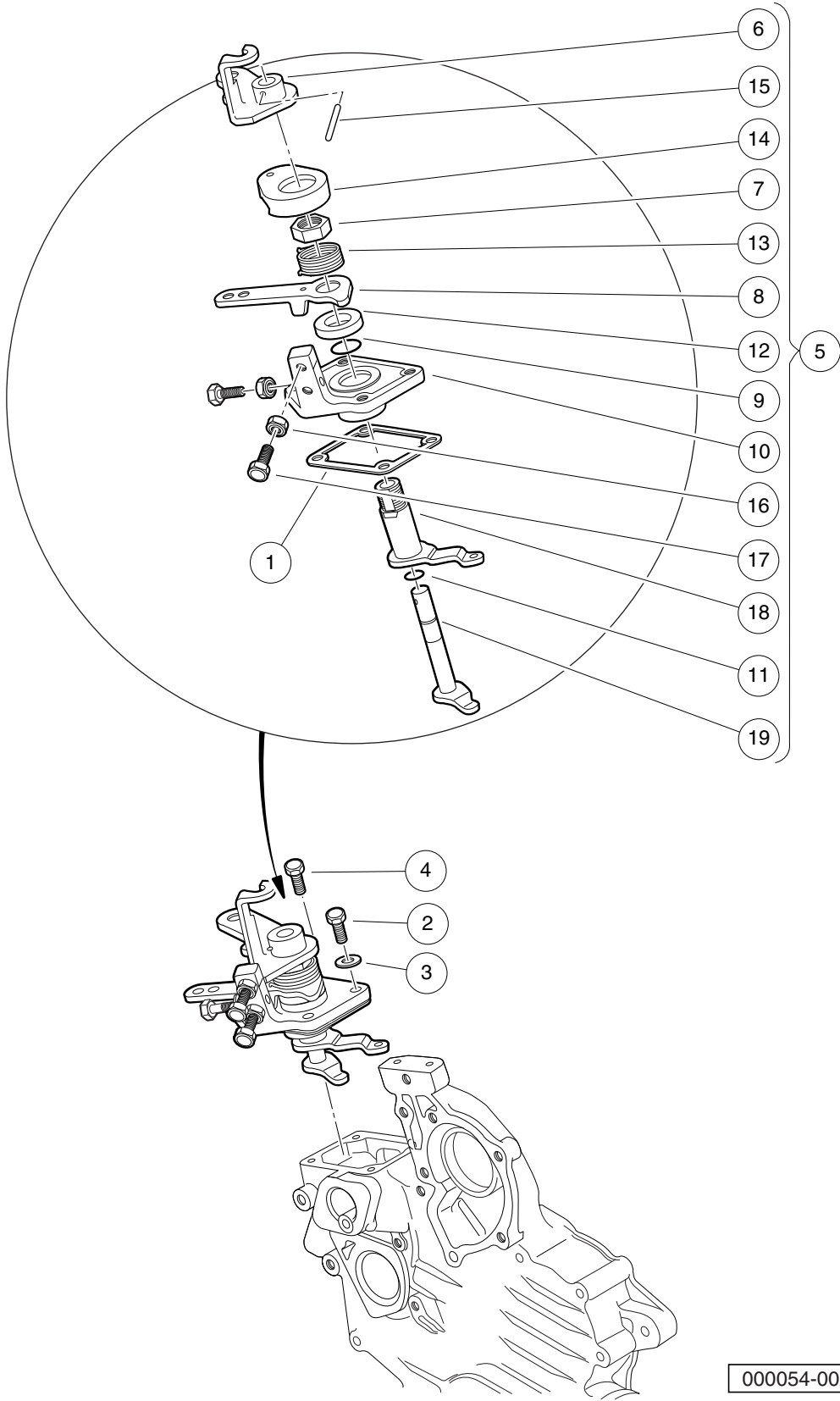
| ITEM | PART NO.  | DESCRIPTION                                                       | QTY |
|------|-----------|-------------------------------------------------------------------|-----|
|      |           | <b>1 2 3 4</b>                                                    |     |
| 1    | 102640501 | Bolt, Hex-Head, M5 X 0.75 X .....                                 | 2   |
| 2    | 102640601 | Washer, Spring, M6, D722 .....                                    | 4   |
| 3    | 102640701 | Nut, Special .....                                                | 2   |
| 4    | 102640901 | Shim, Injection Pump, 0.20 mm .....                               | 1   |
| 5    | 102641001 | Shim, Injection Pump, 0.25 mm .....                               | 1   |
| 6    | 102641101 | Shim, Injection Pump, 0.30 mm .....                               | 1   |
| 7    | 102641201 | Stud, M5 X 25 .....                                               | 2   |
| 8    | 102800101 | Assembly, Fuel Injection Pump (includes items 9 through 11) ..... | 1   |
| 9    | 102637701 | Screw, Hollow, D722, Inj Pump .....                               | 1   |
| 10   | 102640401 | Joint, Eye .....                                                  | 1   |
| 11   | N/A       | Pump, Injection .....                                             | 1   |

**9**

**D**

9

D



## SPEED CONTROL (D722 – E3B)

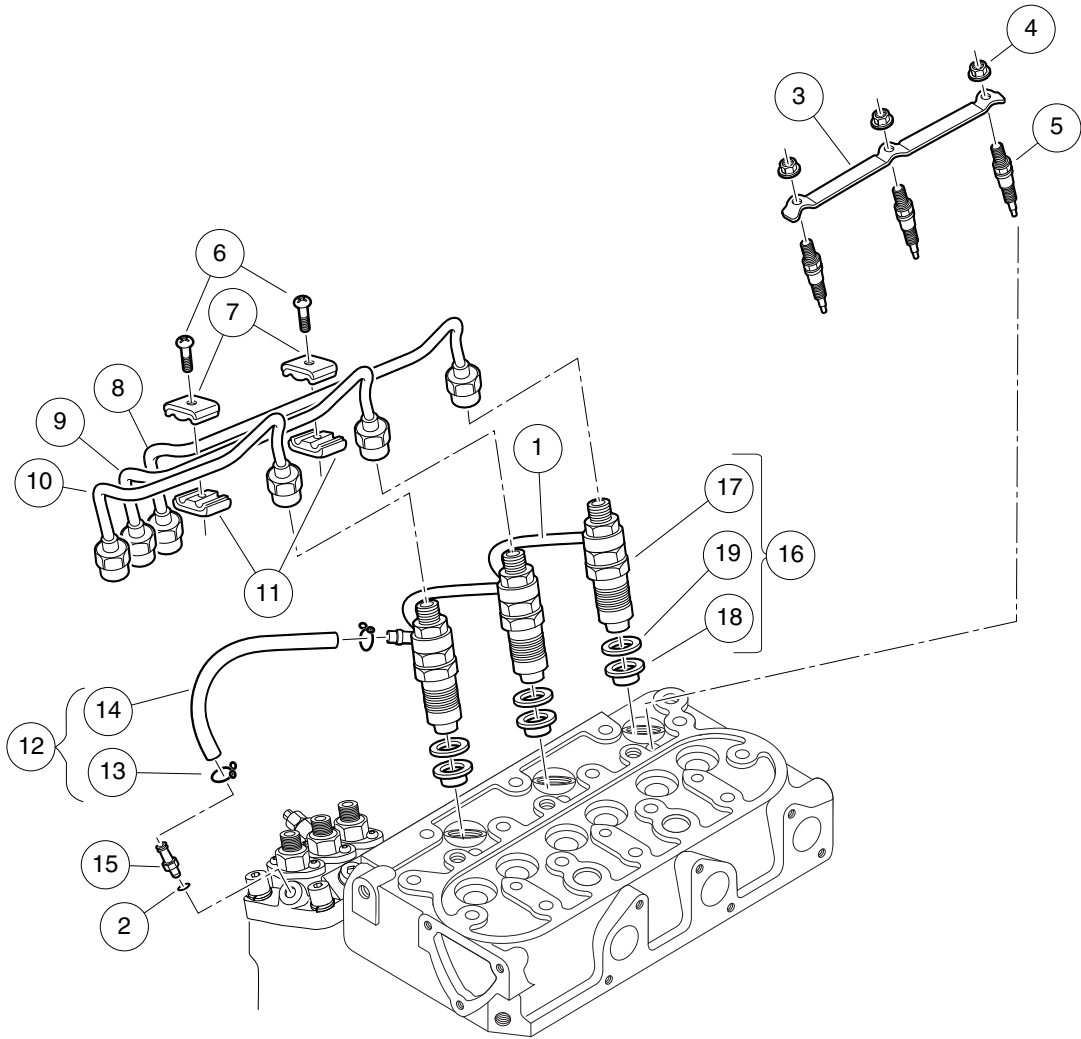
| ITEM | PART NO.  | DESCRIPTION                                               | QTY |
|------|-----------|-----------------------------------------------------------|-----|
|      |           | <b>1 2 3 4</b>                                            |     |
| 1    | 102634501 | Gasket, Control Plate .....                               | 1   |
| 2    | 102635201 | Bolt, M6 X 1 X 30 .....                                   | 2   |
| 3    | 102635301 | Gasket, 6 X 10 .....                                      | 2   |
| 4    | 102654301 | Bolt, D722 Intake Manifold Lower .....                    | 2   |
| 5    | 102800401 | Assembly, Speed Plate (includes items 6 through 20) ..... | 1   |
| 6    | 102633701 | Lever, Engine Stop .....                                  | 1   |
| 7    | 102633801 | Nut, Speed Control .....                                  | 1   |
| 8    | 102633901 | Lever, Speed Control .....                                | 1   |
| 9    | 102634001 | O Ring, 19 X 16 .....                                     | 1   |
| 10   | 102634101 | Plate, Speed Control .....                                | 1   |
| 11   | 102634401 | O Ring, 9 X 7 .....                                       | 1   |
| 12   | 102634601 | Collar, Lever .....                                       | 1   |
| 13   | 102634701 | Spring, Return .....                                      | 1   |
| 14   | 102729401 | Cap, Speed Cntrl Plate Rtrn .....                         | 1   |
| 15   | 102729501 | Pin, Spring, Speed Plate .....                            | 1   |
| 16   | 102800501 | Lever, Governor .....                                     | 1   |
| 17   | 102800601 | Shaft, Governor Lever .....                               | 1   |
| 18   | 105222301 | Bolt, Speed Control, D722 .....                           | 1   |
| 19   | 105222401 | Nut, Speed Control, D722 .....                            | 3   |
| 20   | 105222501 | Bolt, Speed Control, D722 .....                           | 2   |

**9**

**D**

9

D



000055-001



## NOZZLE HOLDERS AND GLOW PLUGS (D722 – E3B)

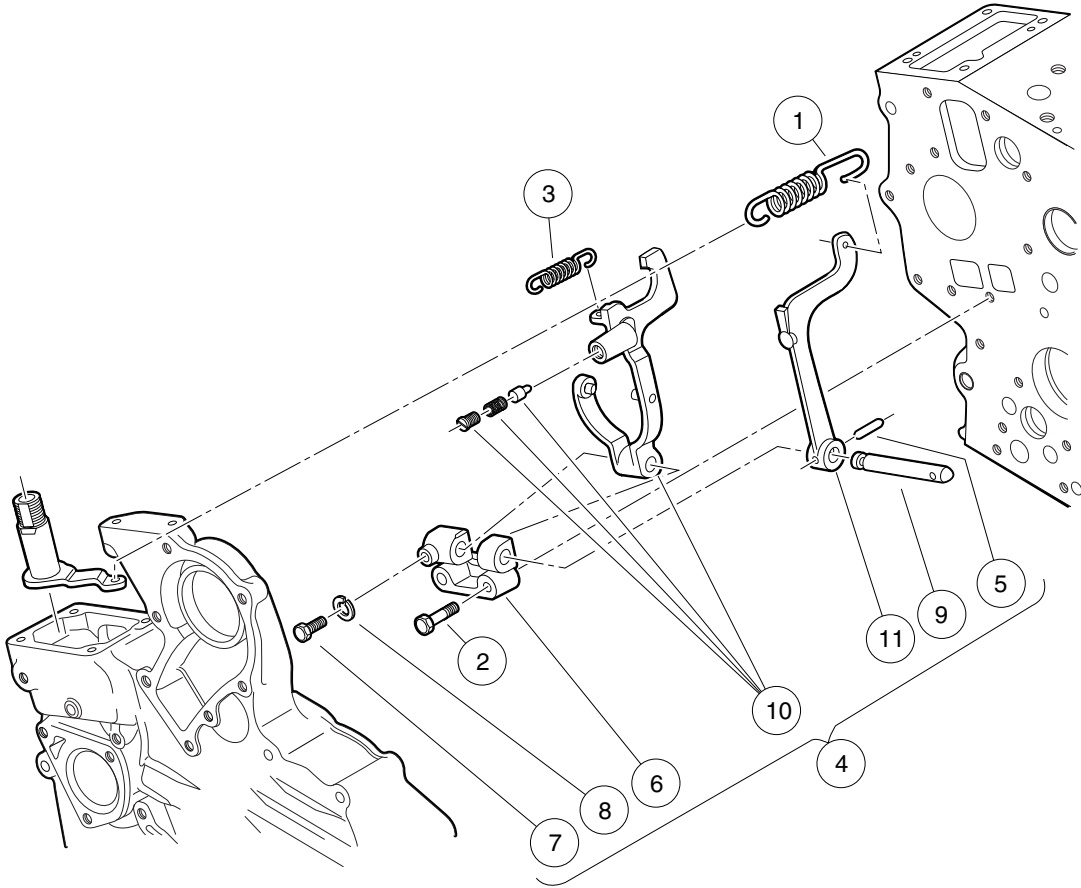
| ITEM | PART NO.  | DESCRIPTION                                              | QTY |
|------|-----------|----------------------------------------------------------|-----|
|      |           | 1 2 3 4                                                  |     |
| 1    | 102605701 | Assy Pipe, D722 Fuel Over Flow .....                     | 1   |
| 2    | 102635301 | Gasket, 6 X 10 .....                                     | 1   |
| 3    | 102642401 | Cord, Glow Plug .....                                    | 1   |
| 4    | 102642501 | Nut, Flange,m4 .....                                     | 3   |
| 5    | 102642601 | Glow Plug .....                                          | 3   |
| 6    | 102642801 | Screw, Washer .....                                      | 2   |
| 7    | 102642901 | Clamp, Pipe, Top .....                                   | 2   |
| 8    | 102643001 | Pipe, Injection, Left .....                              | 1   |
| 9    | 102643101 | Pipe, Injection, Right .....                             | 1   |
| 10   | 102643201 | Pipe, Injection, Middle .....                            | 1   |
| 11   | 102643301 | Clamp, Pipe, Bottom .....                                | 2   |
| 12   | 102643401 | Assy Pipe, Over Flow (includes items 13 and 14) .....    | 1   |
| 13   | 102729601 | Clip, Pipe, Return .....                                 | 2   |
| 14   | 105222901 | Pipe, Fuel Overflow, D722 .....                          | 1   |
| 15   | 102643701 | Screw, Air Bleeder .....                                 | 1   |
| 16   | 102729701 | Kit, Holder, Nozzle (includes items 17 through 19) ..... | 3   |
| 17   | 102641501 | Assembly, Nozzle Holder .....                            | 3   |
| 18   | 102642701 | Seal, Heat .....                                         | 3   |
| 19   | 102643601 | Gasket, Nozzle .....                                     | 3   |

9

D

9

D



000056-003

## GOVERNOR COMPONENTS (D722 – E3B)

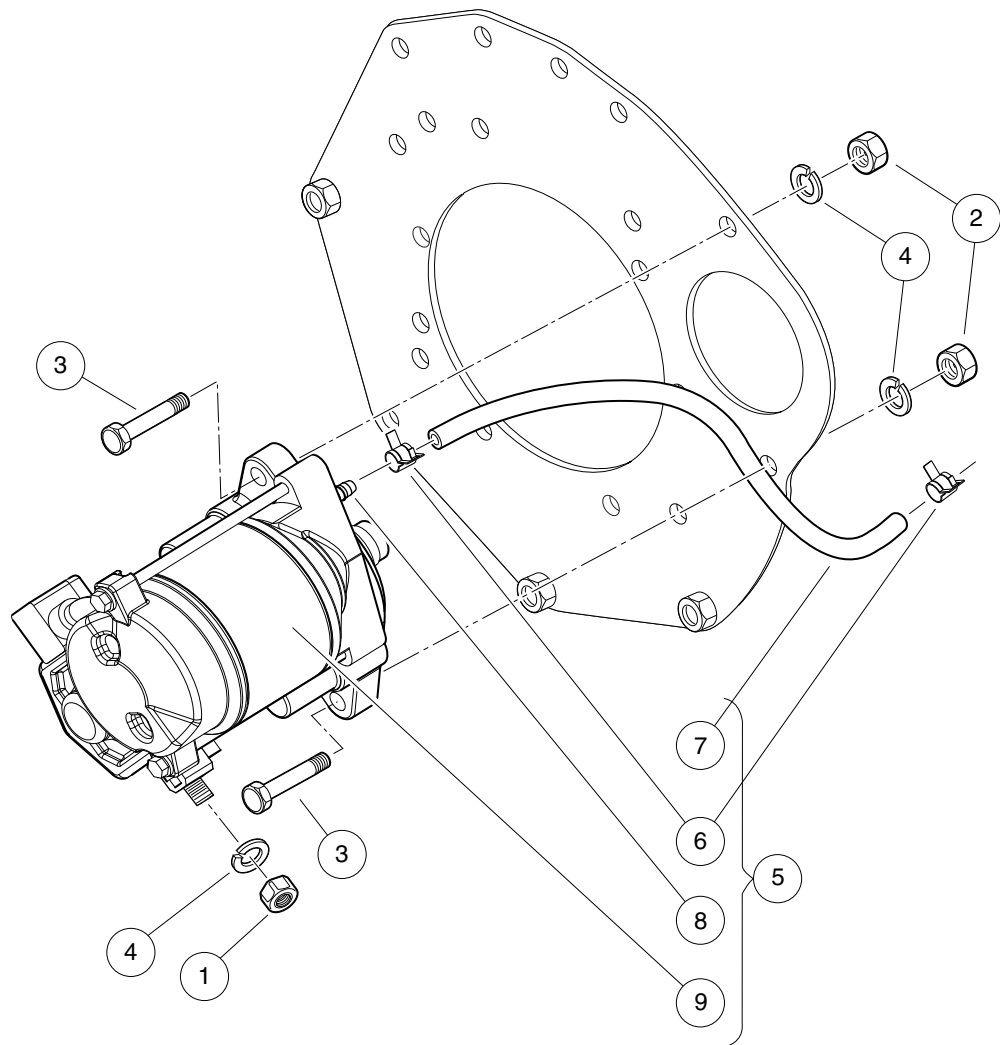
| ITEM | PART NO.  | DESCRIPTION                                                 | QTY |
|------|-----------|-------------------------------------------------------------|-----|
|      |           | <b>1 2 3 4</b>                                              |     |
| 1    | 102635101 | Spring, Governor .....                                      | 1   |
| 2    | 102636301 | Bolt, M5 X 0.75 X 25 .....                                  | 2   |
| 3    | 102800201 | Spring, Start .....                                         | 1   |
| 4    | 102800301 | Assembly, Governor Fork (includes items 5 through 12) ..... | 1   |
| 5    | 102633601 | Pin, Spring .....                                           | 1   |
| 6    | 102636201 | Holder, Fork Lever .....                                    | 1   |
| 7    | 102636401 | Bolt, M5 X 0.75 X 11 .....                                  | 1   |
| 8    | 102636501 | Washer, Spring, M5 .....                                    | 1   |
| 9    | 102636601 | Shaft, Fork Lever .....                                     | 1   |
| 10   | N/A       | Lever, Fork, Middle, D722 CB (includes item 11) .....       | 1   |
| 11   | 102701601 | Spring, Lever .....                                         | 1   |
| 12   | N/A       | Lever, Fork, End, D722 CB .....                             | 1   |

**9**

**D**

9

D



000058-002

# STARTER – SEALED (D722 – E3B)

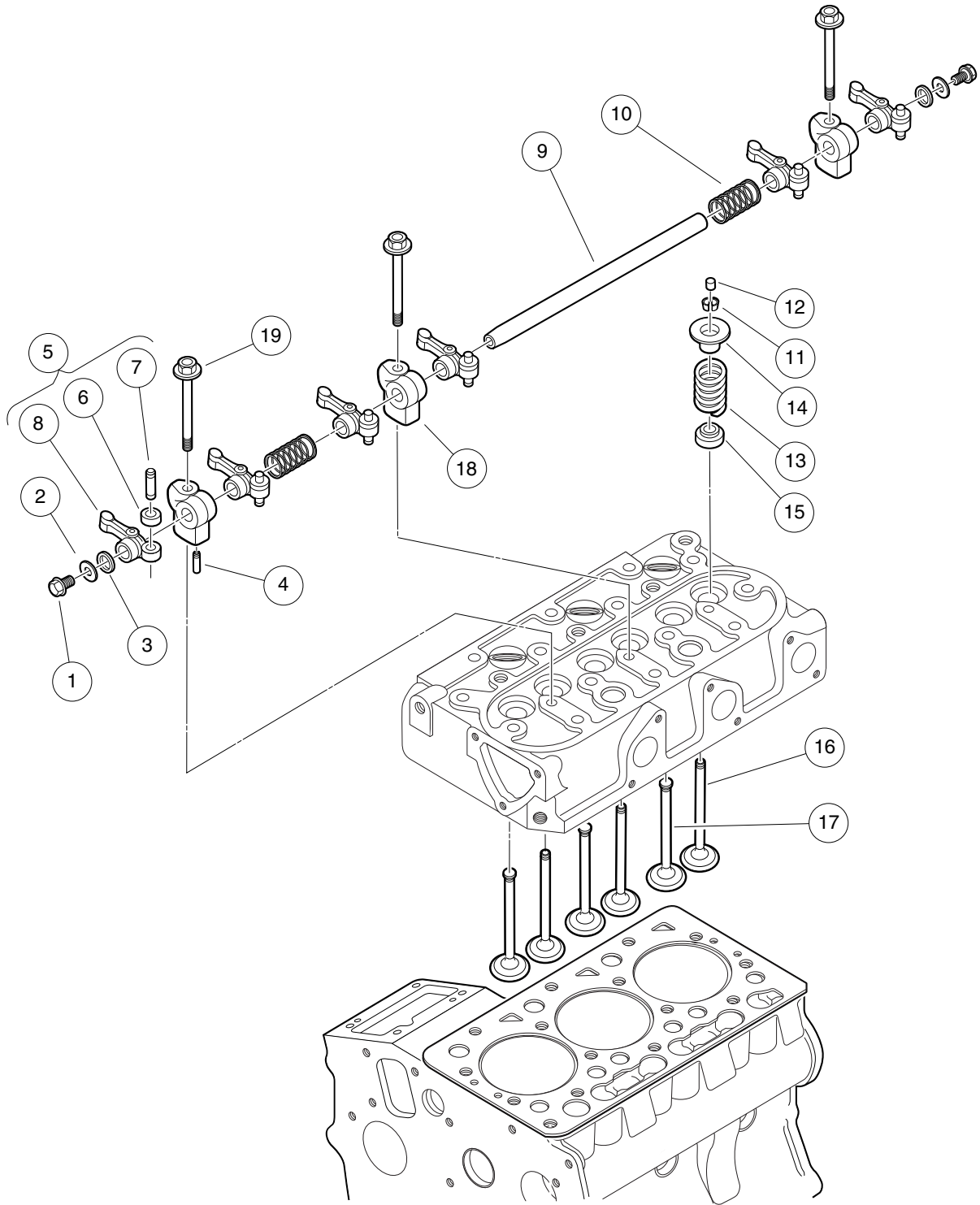
| ITEM | PART NO.  | DESCRIPTION                                                 | QTY |
|------|-----------|-------------------------------------------------------------|-----|
|      |           | <b>1 2 3 4</b>                                              |     |
| 1    | 102645501 | Nut, D722, Starter .....                                    | 2   |
| 2    | 102647701 | Nut, M8, Plate .....                                        | 2   |
| 3    | 102648401 | Bolt, M8 X 1.25 X 28 .....                                  | 2   |
| 4    | 102732501 | Washer, Spring, D722, Starter .....                         | 3   |
| 5    | 103886501 | Kit, Asm, Sealed Starter (includes items 6 through 9) ..... | 1   |
| 6    | 1013746   | Clamp, 0.301 ID Hose .....                                  | 2   |
| 7    | 101587703 | Hose, Fuel, Vent, 22" Long .....                            | 1   |
| 8    | 101824401 | Vent Barb .....                                             | 1   |
| 9    | 103855901 | Asm, Sealed Starter .....                                   | 1   |

**9**

**D**

9

D



000062-002

## VALVES AND ROCKER ARMS (D722 – E3B)

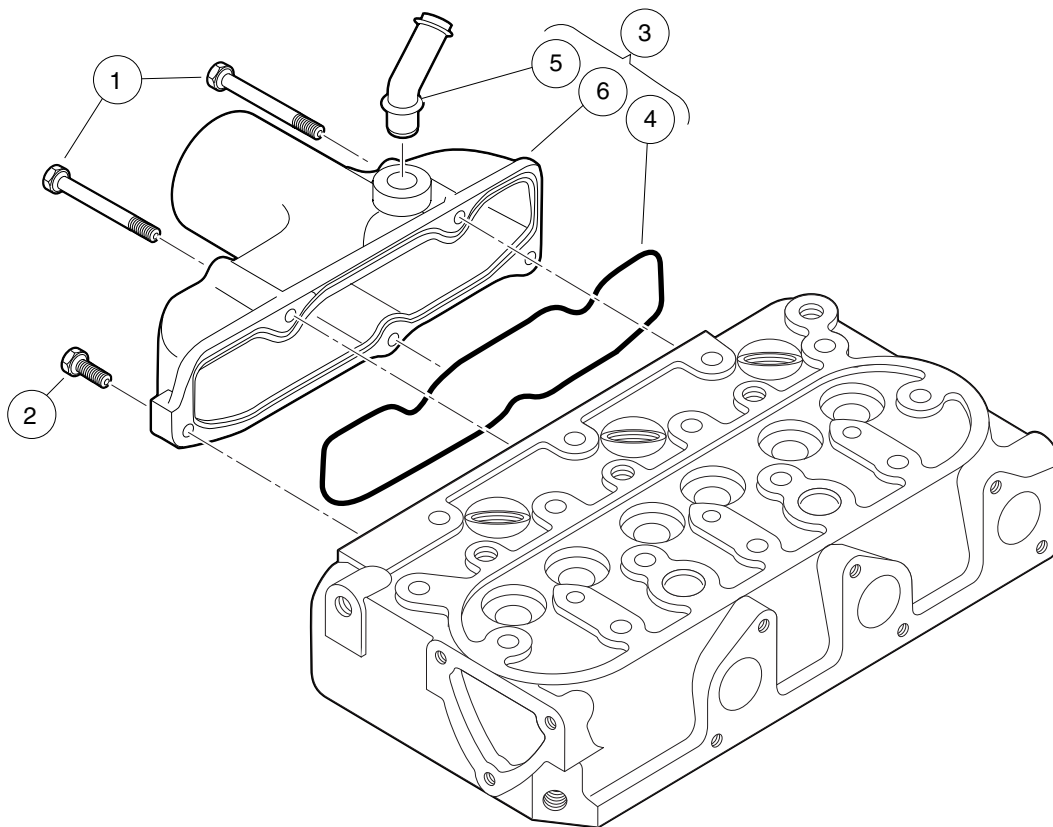
| ITEM | PART NO.  | DESCRIPTION                                         | QTY |
|------|-----------|-----------------------------------------------------|-----|
|      |           | <b>1 2 3 4</b>                                      |     |
| 1    | 102646401 | Bolt, M6 X 1 X 8 .....                              | 2   |
| 2    | 102651301 | Washer, D722, Plain, Rocker .....                   | 2   |
| 3    | 102651601 | Washer, Rocker Arm .....                            | 2   |
| 4    | 102651801 | Pin, Spring, D722, Rocker .....                     | 1   |
| 5    | 102652001 | Assy, Rocker Arm (includes items 6 through 8) ..... | 6   |
| 6    | 102651501 | Nut, M6 .....                                       | 6   |
| 7    | 102651701 | Screw-Adjusting .....                               | 6   |
| 8    | N/A       | Arm, Rocker .....                                   | 1   |
| 9    | 102652601 | Shaft, Rocker Arm .....                             | 1   |
| 10   | 102652701 | Spring, Rocker Arm .....                            | 2   |
| 11   | 102652901 | Collet, Valve Spring, Set .....                     | 6   |
| 12   | 102653001 | Cap, Valve, D722 .....                              | 6   |
| 13   | 102653101 | Spring, Valve .....                                 | 6   |
| 14   | 102653201 | Retainer, Spring .....                              | 6   |
| 15   | 102653301 | Seal, Valve Stem .....                              | 6   |
| 16   | 102653601 | Valve, Exhaust .....                                | 3   |
| 17   | 102653701 | Valve, Intake .....                                 | 3   |
| 18   | 102801101 | Bracket, Rocker Arm, D722 Closed-Breather .....     | 3   |
| 19   | 102801201 | Bolt, Rocker Arm .....                              | 3   |

**9**

**D**

9

D



000063-002



## INTAKE MANIFOLD (D722 – E3B)

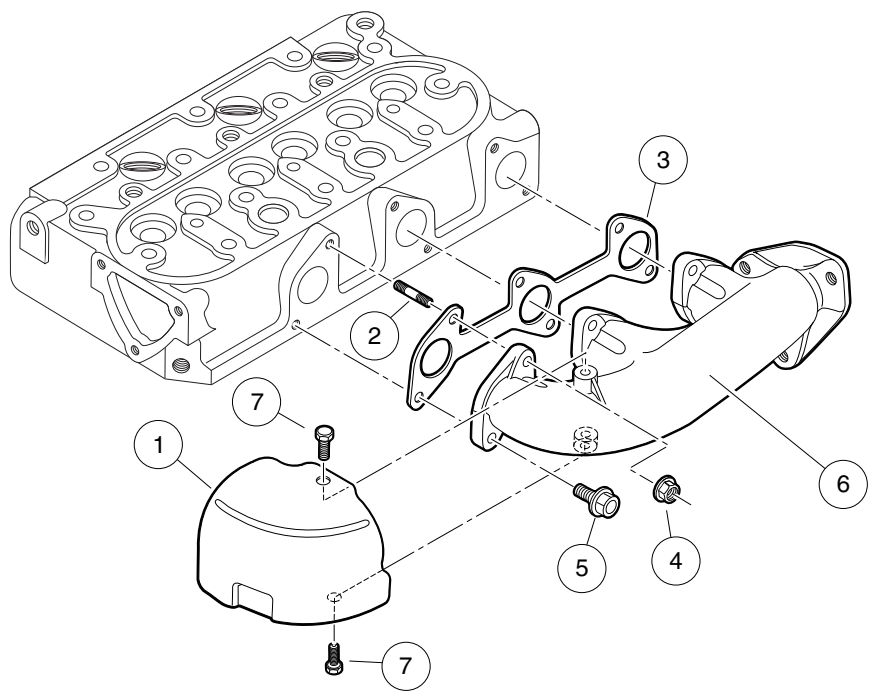
| ITEM | PART NO.  | DESCRIPTION                                                  | QTY |
|------|-----------|--------------------------------------------------------------|-----|
|      |           | <b>1 2 3 4</b>                                               |     |
| 1    | 102646101 | Bolt, M6 X 1 X 45 .....                                      | 3   |
| 2    | 102654301 | Bolt, D722 Intake Manifold Lower .....                       | 2   |
| 3    | 102801301 | Assembly, Intake Manifold (includes items 4 through 6) ..... | 1   |
| 4    | 102801401 | Pipe, Breather .....                                         | 1   |
| 5    | 102801501 | Manifold, Intake .....                                       | 1   |
| 6    | 105226501 | Gasket, Intake Manifold, D722 .....                          | 1   |

**9**

**D**

9

D



000064-001

## EXHAUST MANIFOLD (D722 – E3B)

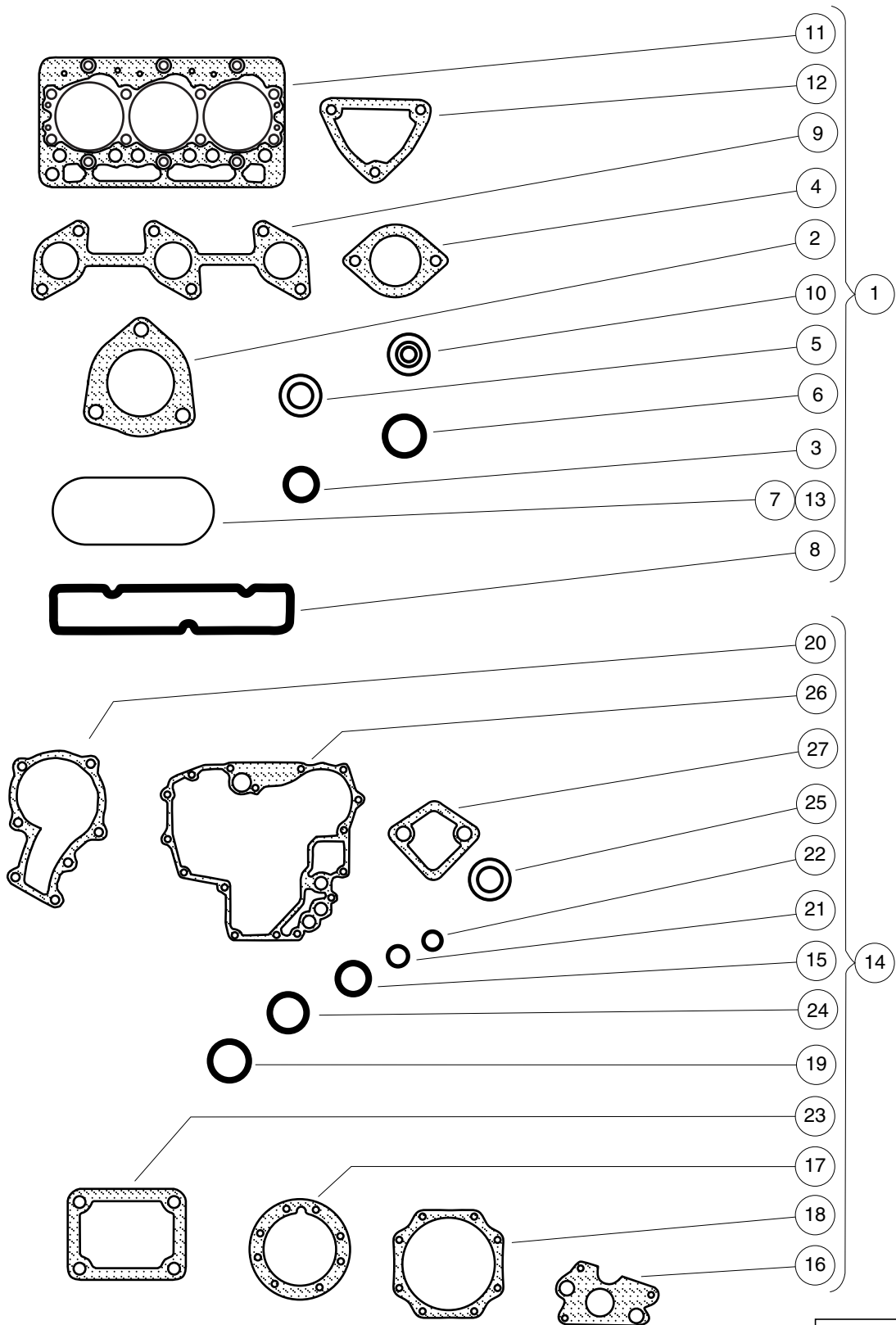
| ITEM | PART NO.  | DESCRIPTION                              | QTY |
|------|-----------|------------------------------------------|-----|
|      |           | <b>1 2 3 4</b>                           |     |
| 1    | 102646301 | Cover, Heat Proof .....                  | 1   |
| 2    | 102646501 | Stud, M6 X 26 .....                      | 3   |
| 3    | 102646601 | Gasket, Exhaust Manifold .....           | 1   |
| 4    | 102647101 | Nut, Flange, M6, Ubs .....               | 3   |
| 5    | 102647201 | Bolt, Flange Head, M6 X 1 X 16 .....     | 3   |
| 6    | 102731501 | Manifold, Exhaust, D722 .....            | 1   |
| 7    | 102731601 | Bolt, D722, Exhaust Manifold Cover ..... | 2   |

**9**

**D**

9

D



000065-001

## GASKET KITS (D722 – E3B)

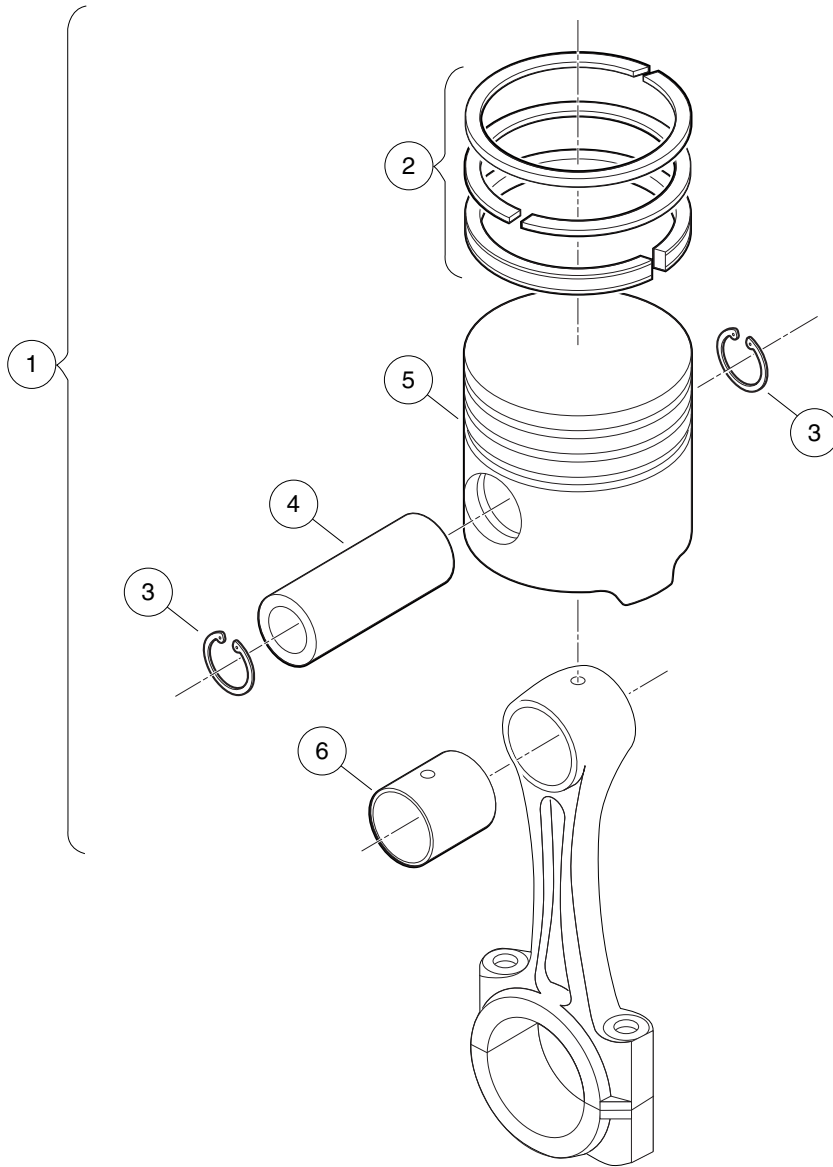
| ITEM | PART NO.  | DESCRIPTION                                                  | QTY |
|------|-----------|--------------------------------------------------------------|-----|
|      |           | 1 2 3 4                                                      |     |
| 1    | 102731801 | Kit, Gasket Upper, D722 (includes items 2 through 13) .....  | 1   |
| 2    | 102422301 | Gasket, Exhaust Diesel .....                                 | 1   |
| 3    | 102600301 | O Ring, 8 X 7 .....                                          | 1   |
| 4    | 102633401 | Gasket, Thermostat .....                                     | 1   |
| 5    | 102635301 | Gasket, 6 X 10 .....                                         | 3   |
| 6    | 102644001 | O Ring, 30 X 36 .....                                        | 1   |
| 7    | 102644501 | Gasket, Head Cover .....                                     | 1   |
| 8    | 102646001 | Gasket, Intake Manifold .....                                | 1   |
| 9    | 102646601 | Gasket, Exhaust Manifold .....                               | 1   |
| 10   | 102653301 | Seal, Valve Stem .....                                       | 6   |
| 11   | 102654101 | Gasket, Cylinder Head .....                                  | 1   |
| 12   | 102654701 | Gasket, Water Flange .....                                   | 1   |
| 13   | 102798501 | Gasket, Cylinder Head Cover .....                            | 1   |
| 14   | 102731901 | Kit, Gasket Lower, D722 (includes items 15 through 27) ..... | 1   |
| 15   | 102601801 | O Ring, 18 X 13 .....                                        | 3   |
| 16   | 102606601 | Gasket, Oil Pump .....                                       | 1   |
| 17   | 102608201 | Gasket, Bearing Case .....                                   | 1   |
| 18   | 102608301 | Gasket, Cover .....                                          | 1   |
| 19   | 102630301 | O Ring, 23 X 26 .....                                        | 1   |
| 20   | 102632701 | Gasket, Water Pump, D722 .....                               | 1   |
| 21   | 102634001 | O Ring, 19 X 16 .....                                        | 1   |
| 22   | 102634401 | O Ring, 9 X 7 .....                                          | 1   |
| 23   | 102634501 | Gasket, Control Plate .....                                  | 1   |
| 24   | 102654601 | O Ring, 20 X 17 .....                                        | 1   |
| 25   | 102728801 | Gasket, Idle Apparatus, Rear .....                           | 2   |
| 26   | 102729301 | Gasket, Gearcase, D722 .....                                 | 1   |
| 27   | 102732601 | Gasket, Fuel Pump, D722 .....                                | 1   |

9

D

9

D



000066-001

# PISTON REBUILD KIT (D722 – E3B)

| ITEM | PART NO.  | DESCRIPTION                                                  | QTY |
|------|-----------|--------------------------------------------------------------|-----|
|      |           | <b>1 2 3 4</b>                                               |     |
| 1    | 102732001 | Kit, Piston Rebuild, D722 (includes items 2 through 6) ..... | 1   |
| 2    | 102607601 | Assy Piston Ring, D722 Std .....                             | 1   |
| 3    | 102630901 | Circlip, Piston Pin .....                                    | 2   |
| 4    | 102631001 | Pin, Piston .....                                            | 1   |
| 5    | 102728101 | Piston, D722, Std .....                                      | 1   |
| 6    | 102732201 | Bushing, Piston Pin, D722 .....                              | 1   |

**9**

**D**

9

D



# ENGINE – KUBOTA DIESEL, D722, E4B SERIES

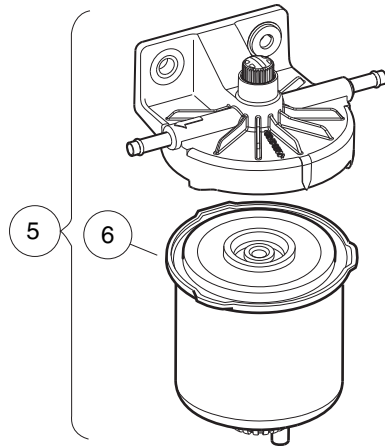
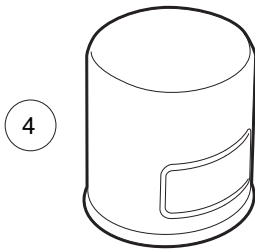
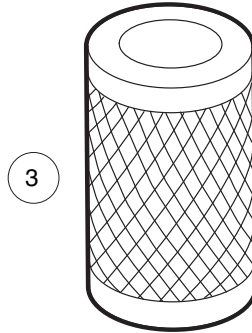
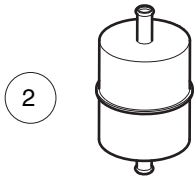
---

10

D

**10**

**D**



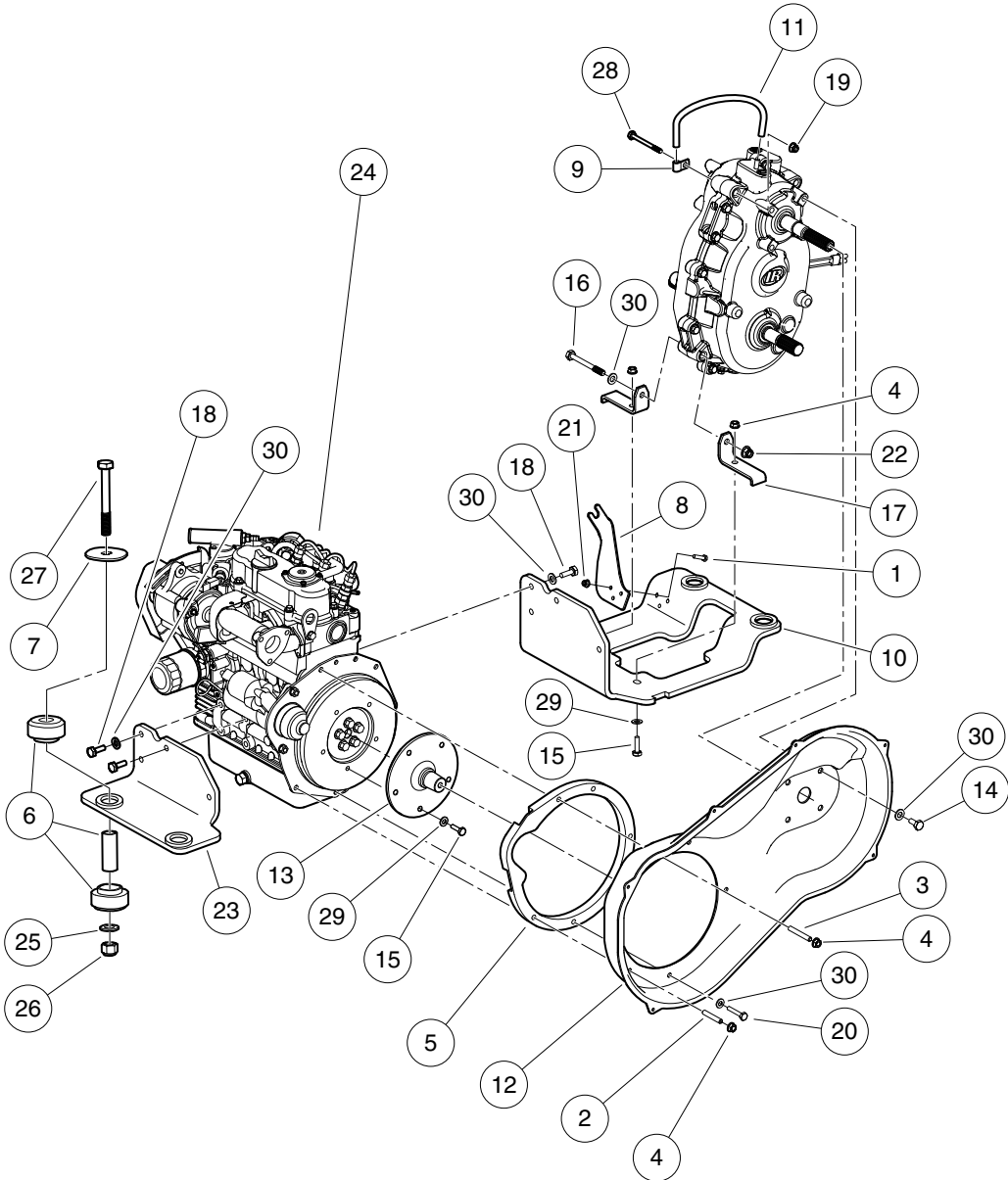
000992-002

# TUNE-UP KIT – KUBOTA D722

| ITEM | PART NO.  | DESCRIPTION                                                          | QTY |
|------|-----------|----------------------------------------------------------------------|-----|
|      |           | <b>1 2 3 4</b>                                                       |     |
| 1    | AM11805   | Kit, Tune-Up (For Kubota engines) (includes items 2 through 5) ..... | 1   |
| 2    | 102434701 | Filter, Fuel .....                                                   | 1   |
| 3    | 102498601 | Element, Filter, Air, 5 Inch .....                                   | 1   |
| 4    | 102703301 | Filter, Engine Oil, D722 .....                                       | 1   |
| 5    | 103747301 | Assembly, Filter/Bracket, Fuel, Diesel (includes item 6) .....       | 1   |
| 6    | 103761801 | Filter, Fuel, Diesel .....                                           | 1   |

10

D



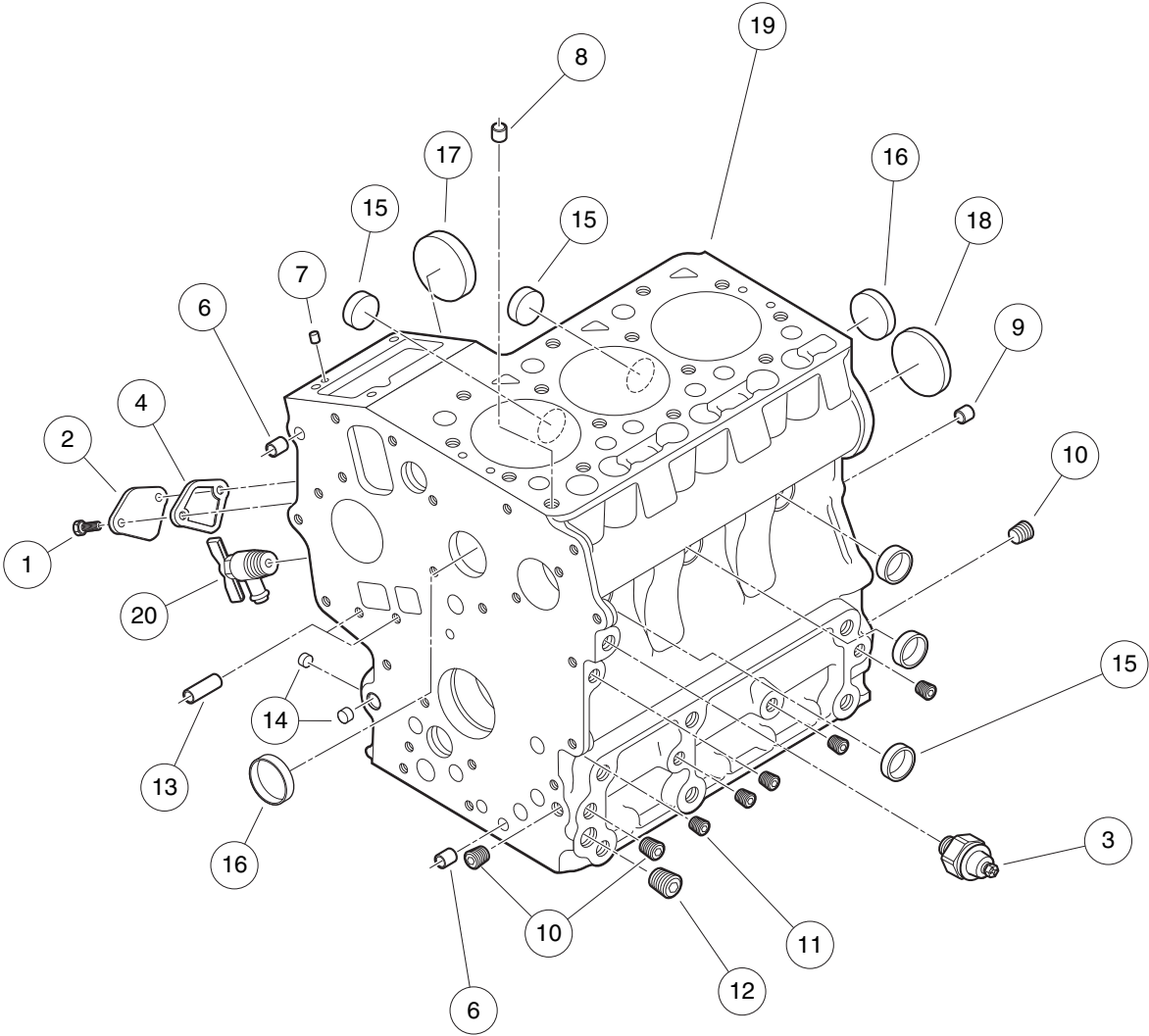
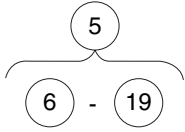
000025-005

## DIESEL ENGINE AND ENGINE MOUNTING (D722 – E4B)

| ITEM | PART NO.  | DESCRIPTION                                    | QTY |
|------|-----------|------------------------------------------------|-----|
|      |           | 1 2 3 4                                        |     |
| 1    | 1012769   | Screw, M6-1.00 X 25mm Hex Cap .....            | 3   |
| 2    | 101833101 | Stud, M8-1.25 X 50 mm Two-Ended .....          | 1   |
| 3    | 101833201 | Stud, M8-1.25 X 60mm Two-Ended .....           | 1   |
| 4    | 102298401 | Nut,m8,all Metal Lock .....                    | 7   |
| 5    | 102370101 | Spacer, Engine, Diesel .....                   | 1   |
| 6    | 102370501 | Isolator Ring and Bushing .....                | 4   |
| 7    | 102370601 | Washer, Snubbing, Ring N Bush .....            | 4   |
| 8    | 102382401 | Bracket, FNR Trans Cable .....                 | 1   |
| 9    | 102410603 | P-Clamp, Insulated .312 In .....               | 1   |
| 10   | 102414801 | Plate, Engine Mounting, Weld, Right-Hand ..... | 1   |
| 11   | 102462301 | Hose, Vent, Transmission .....                 | 1   |
| 12   | 102462501 | Cover, CVT Inner, Diesel .....                 | 1   |
| 13   | 102465901 | Shaft, CVT Adapter .....                       | 1   |
| 14   | 102490101 | Bolt, M10 X 1.5 X 20 Loctite .....             | 4   |
| 15   | 102490201 | Bolt, M8 X 1.25 X 25 Loctite .....             | 7   |
| 16   | 102490501 | Bolt, M10 X 1.5 X 100 Loctite .....            | 1   |
| 17   | 102494401 | Bracket, Transmission Mounting .....           | 2   |
| 18   | 102498201 | Bolt, M10 X 1.25 X 25, Loctite .....           | 8   |
| 19   | 102618601 | Lock Nut, Flange, M8 X 1.25 Nylon .....        | 1   |
| 20   | 102621301 | Bolt, M8 X 1.25 X 40 with Loctite .....        | 3   |
| 21   | 102621501 | Nut, Flange, M6 X 1.0, Nylon .....             | 3   |
| 22   | 102670701 | Nut, Flange, M10 X 1.5 Nylon .....             | 1   |
| 23   | 102959001 | Plate, Eng Mtg, Diesel, Lh .....               | 1   |
| 24   | 105159201 | Engine, Diesel, Kubota, Tier4 .....            | 1   |
| 25   | 96701412  | Washer, M12 Hard .....                         | 4   |
| 26   | 96704622  | Locknut, M12x1.75 Nylon Insert .....           | 4   |
| 27   | 96704721  | Bolt, M12 X 1.75 X 90 .....                    | 4   |
| 28   | 96718978  | Bolt, M8 X 1.25 X 80 .....                     | 1   |
| 29   | 96741038  | Washer, M8 Hard .....                          | 10  |
| 30   | 96741046  | Washer, M10, Hard .....                        | 12  |

10

D



000039-002

## CRANKCASE (D722 – E4B)

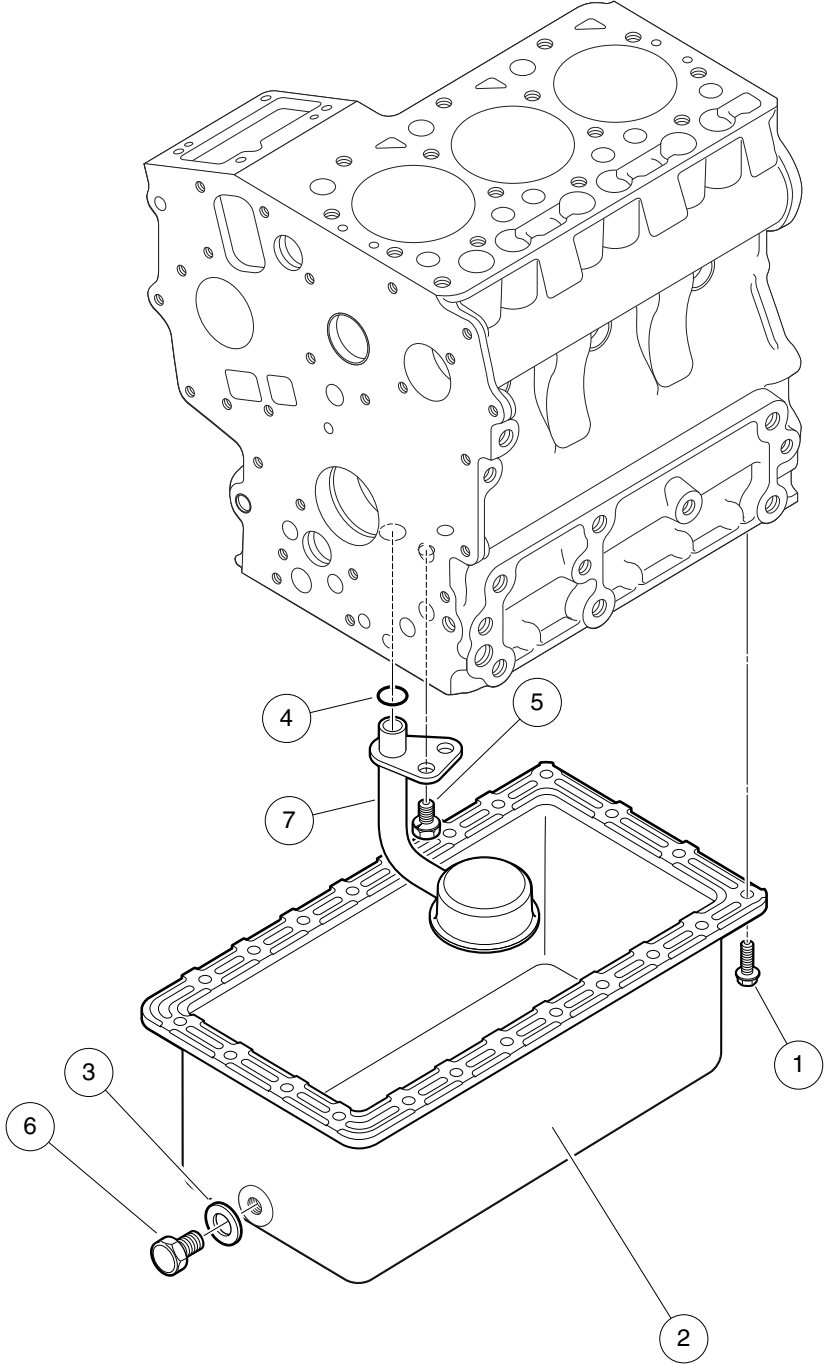
| ITEM | PART NO.  | DESCRIPTION                                                    | QTY |
|------|-----------|----------------------------------------------------------------|-----|
|      |           | <b>1 2 3 4</b>                                                 |     |
| 1    | 102631601 | Bolt, M6 X 1 X 20 .....                                        | 2   |
| 2    | 102700801 | Plate, Engine Block .....                                      | 1   |
| 3    | 102730801 | Switch, Oil Pressure .....                                     | 1   |
| 4    | 102732601 | Gasket, Fuel Pump, D722 .....                                  | 1   |
| 5    | 105205901 | Engine Block, Kubota, D722 (includes items 6 through 19) ..... | 1   |
| 6    | 102600101 | Pin, Pipe, Dia 8 X 14 .....                                    | 2   |
| 7    | 102600201 | Pin, Straight, Dia 5 X 10 .....                                | 2   |
| 8    | 102600401 | Pin, Pipe, Dia 7 X 14 .....                                    | 1   |
| 9    | 102600601 | Pin, Straight, Dia 8 X 16 .....                                | 2   |
| 10   | 102600701 | Plug, 1/8" .....                                               | 3   |
| 11   | 102600801 | Plug, 3/32" .....                                              | 5   |
| 12   | 102601001 | Plug, 1/4" .....                                               | 1   |
| 13   | 102601301 | Pin, Pipe, Dia 8 X 11 .....                                    | 2   |
| 14   | 102726201 | Cap, Sealing, Small .....                                      | 3   |
| 15   | 102726301 | Cap, Sealing, Med .....                                        | 5   |
| 16   | 102726401 | Cap, Sealing, Large .....                                      | 2   |
| 17   | 102726501 | Cover, Fuel Camshaft .....                                     | 1   |
| 18   | 102726601 | Plug, Expansion .....                                          | 1   |
| 19   | N/A       | Block, Engine .....                                            | 1   |
| 20   | 105231101 | Cock, Drain, D722 .....                                        | 1   |

10

D

10

D



000040-002



# OIL PAN (D722 – E4B)

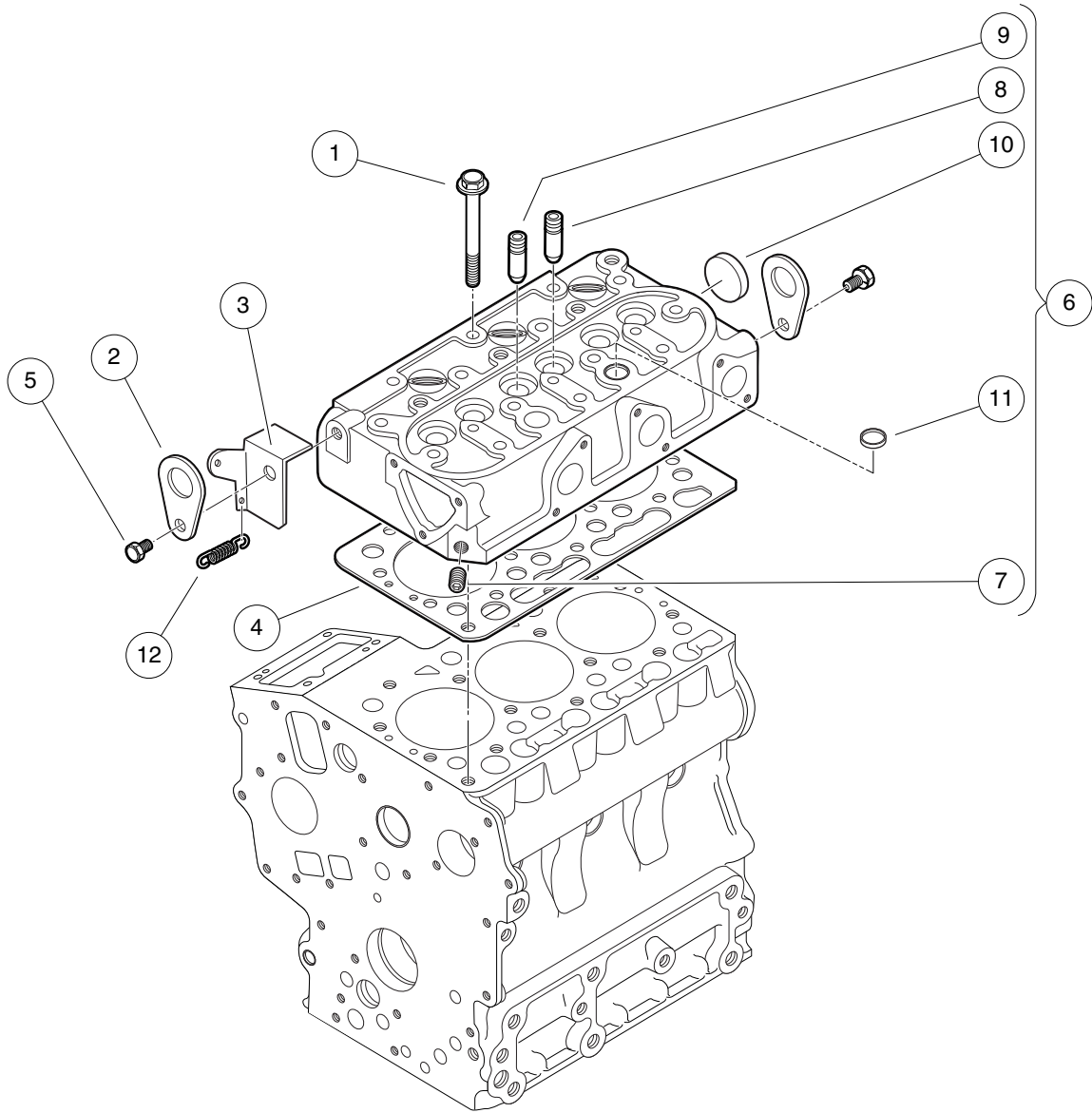
| ITEM | PART NO.  | DESCRIPTION                              | QTY |
|------|-----------|------------------------------------------|-----|
|      |           | <b>1 2 3 4</b>                           |     |
| 1    | 102604201 | Bolt, D722, Cam End .....                | 22  |
| 2    | 102607001 | Oil Pan .....                            | 1   |
| 3    | 102607301 | Gasket, 20 X 13 .....                    | 1   |
| 4    | 102654601 | O Ring, 20 X 17 .....                    | 1   |
| 5    | 105206101 | Bolt, Mntg, Oil Pkup, D722 .....         | 1   |
| 6    | 105218401 | Plug, Drain, D722 .....                  | 1   |
| 7    | 105218501 | Filter, Oil, Pick Up, D722, Tier 4 ..... | 1   |

10

D

10

D



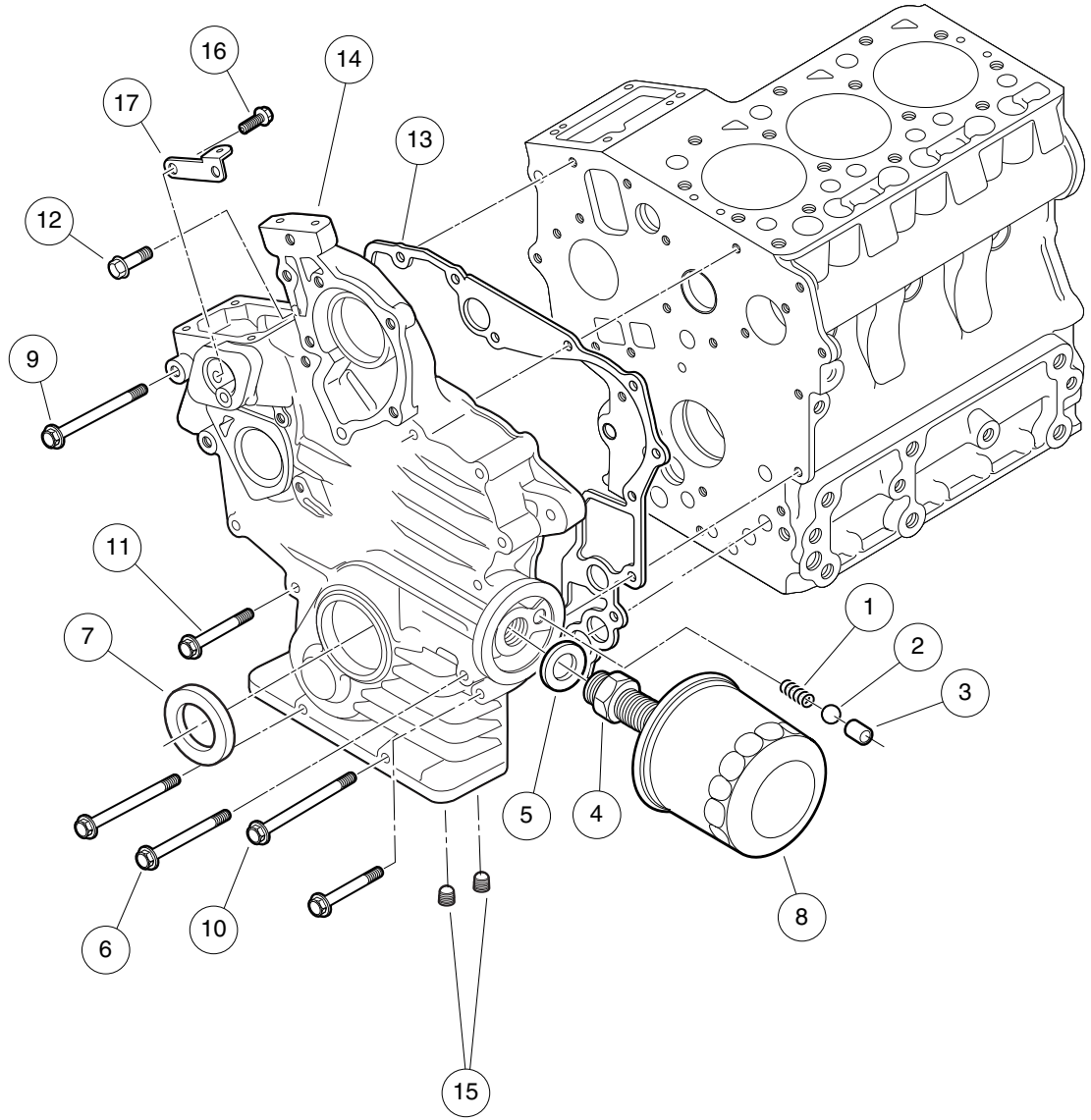
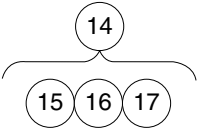
000041-003

## CYLINDER HEAD (D722 – E4B)

| ITEM | PART NO.  | DESCRIPTION                                                   | QTY |
|------|-----------|---------------------------------------------------------------|-----|
|      |           | <b>1 2 3 4</b>                                                |     |
| 1    | 102652801 | Bolt, Cylinder Head .....                                     | 14  |
| 2    | 102653901 | Hook, Engine .....                                            | 2   |
| 3    | 102727101 | Stay, Cylinder Head .....                                     | 1   |
| 4    | 105206201 | Gasket, Cylinder Hd, D722 .....                               | 1   |
| 5    | 105206301 | Bolt, Engine Hook, D722 .....                                 | 2   |
| 6    | 105206401 | Cylinder Head, Comp, D722 (includes items 7 through 11) ..... | 1   |
| 7    | 102600801 | Plug, 3/32" .....                                             | 1   |
| 8    | 102653401 | Guide, Exhaust Valve .....                                    | 3   |
| 9    | 102653501 | Guide, Inlet Valve .....                                      | 3   |
| 10   | 102726901 | Cap, Sealing, Head .....                                      | 1   |
| 11   | 102727001 | Cap, Sealing, Head, Top .....                                 | 2   |
| 12   | 105218601 | Spring, Return, D722 .....                                    | 1   |

10

D



000042-004

# GEAR CASE (D722 – E4B)

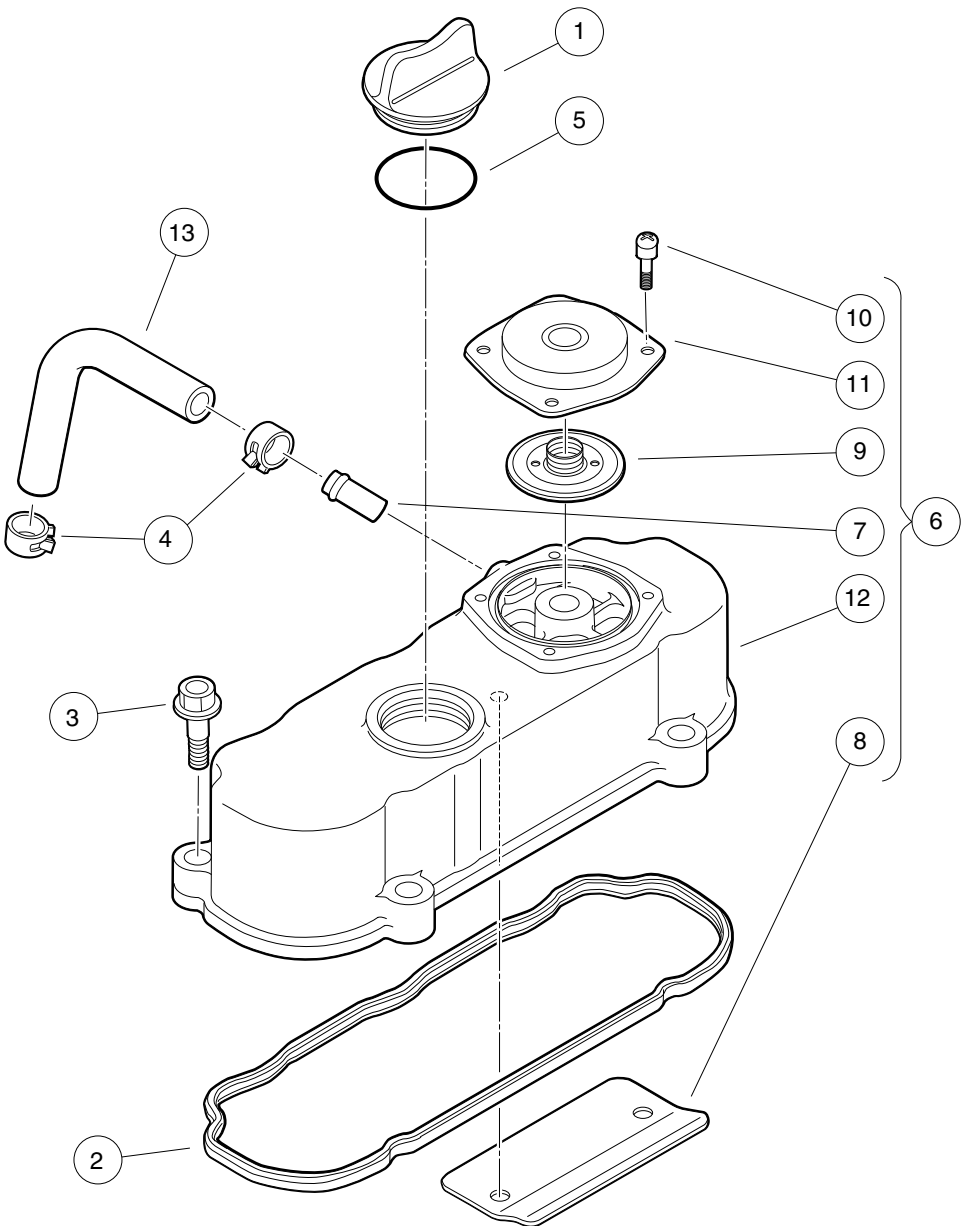
| ITEM | PART NO.  | DESCRIPTION                                           | QTY |
|------|-----------|-------------------------------------------------------|-----|
|      |           | <b>1 2 3 4</b>                                        |     |
| 1    | 102601901 | Spring, Valve .....                                   | 1   |
| 2    | 102602001 | Ball, Valve .....                                     | 1   |
| 3    | 102602101 | Seat, Valve .....                                     | 1   |
| 4    | 102602301 | Joint, Pipe .....                                     | 1   |
| 5    | 102602401 | Washer, Plain, Special .....                          | 1   |
| 6    | 102602601 | Bolt, M6 X 1 X 60 .....                               | 2   |
| 7    | 102602701 | Seal, Oil .....                                       | 1   |
| 8    | 102703301 | Filter, Engine Oil, D722 .....                        | 1   |
| 9    | 102727401 | Bolt, Gearcase, Top .....                             | 2   |
| 10   | 102727501 | Bolt, Gearcase, Lower .....                           | 1   |
| 11   | 105206501 | Bolt, Front Case, D722 .....                          | 9   |
| 12   | 105206601 | Bolt, Intake Manfld, D722 .....                       | 1   |
| 13   | 105218701 | Gasket, Gearcase, D722 .....                          | 1   |
| 14   | 105218801 | Case, Gear, D722 (includes items 15 through 17) ..... | 1   |
| 15   | 102601001 | Plug, 1/4" .....                                      | 2   |
| 16   | 102727601 | Screw, Breather .....                                 | 2   |
| 17   | 102798201 | Stay, Spring .....                                    | 1   |

10

D

10

D



000181-002

## HEAD COVER (D722 – E4B)

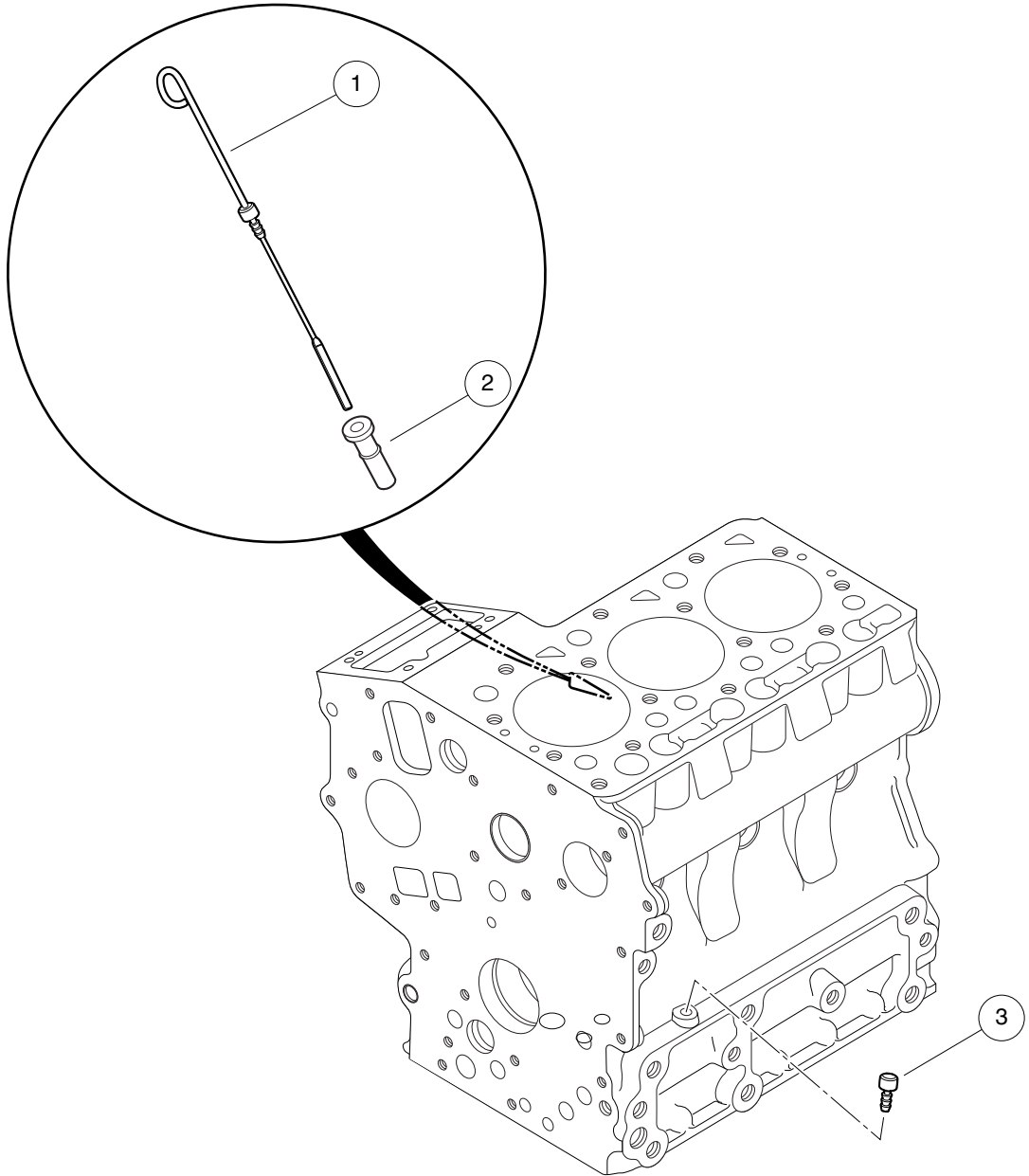
| ITEM | PART NO.  | DESCRIPTION                                                    | QTY |
|------|-----------|----------------------------------------------------------------|-----|
|      |           | <b>1 2 3 4</b>                                                 |     |
| 1    | 102644101 | Plug, Oil Filler .....                                         | 1   |
| 2    | 102798501 | Gasket, Cylinder Head Cover .....                              | 1   |
| 3    | 102798701 | Bolt, Cylinder Head Cover .....                                | 4   |
| 4    | 102798901 | Clamp, Breather Tube .....                                     | 2   |
| 5    | 105206701 | O Ring, Oil Fill, D722 .....                                   | 1   |
| 6    | 105218901 | Assy, Cyl Head Cover, D722 (includes items 7 through 12) ..... | 1   |
| 7    | 102633301 | Pipe, Water Return, D722 .....                                 | 1   |
| 8    | 102798601 | Shield, Breather .....                                         | 1   |
| 9    | 102799001 | Valve, Breather .....                                          | 1   |
| 10   | 102799201 | Screw, Breather .....                                          | 4   |
| 11   | 105219001 | Cover, Breather, D722 .....                                    | 1   |
| 12   | 105219101 | Cover, Cyl Head, D722 .....                                    | 1   |
| 13   | 105219201 | Tube, Breather, D722 .....                                     | 1   |

10

D

10

D



000044-004



## DIPSTICK AND GUIDE (D722 – E4B)

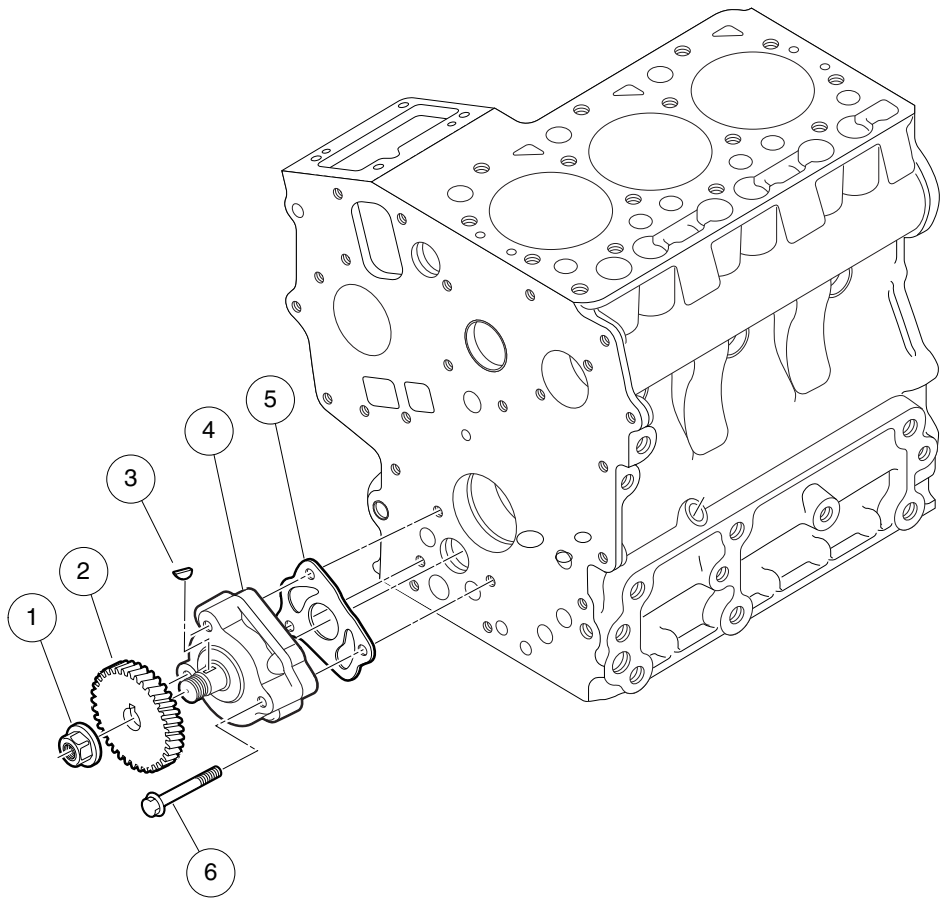
| ITEM | PART NO.  | DESCRIPTION                 | QTY |
|------|-----------|-----------------------------|-----|
|      |           | 1 2 3 4                     |     |
| 1    | 102606701 | Dipstick, Oil .....         | 1   |
| 2    | 102727701 | Guide, Oil Dipstick .....   | 1   |
| 3    | 105219401 | Plug, Oil Gauge, D722 ..... | 1   |

10

D

10

D



000045-001

# OIL PUMP (D722 – E4B)

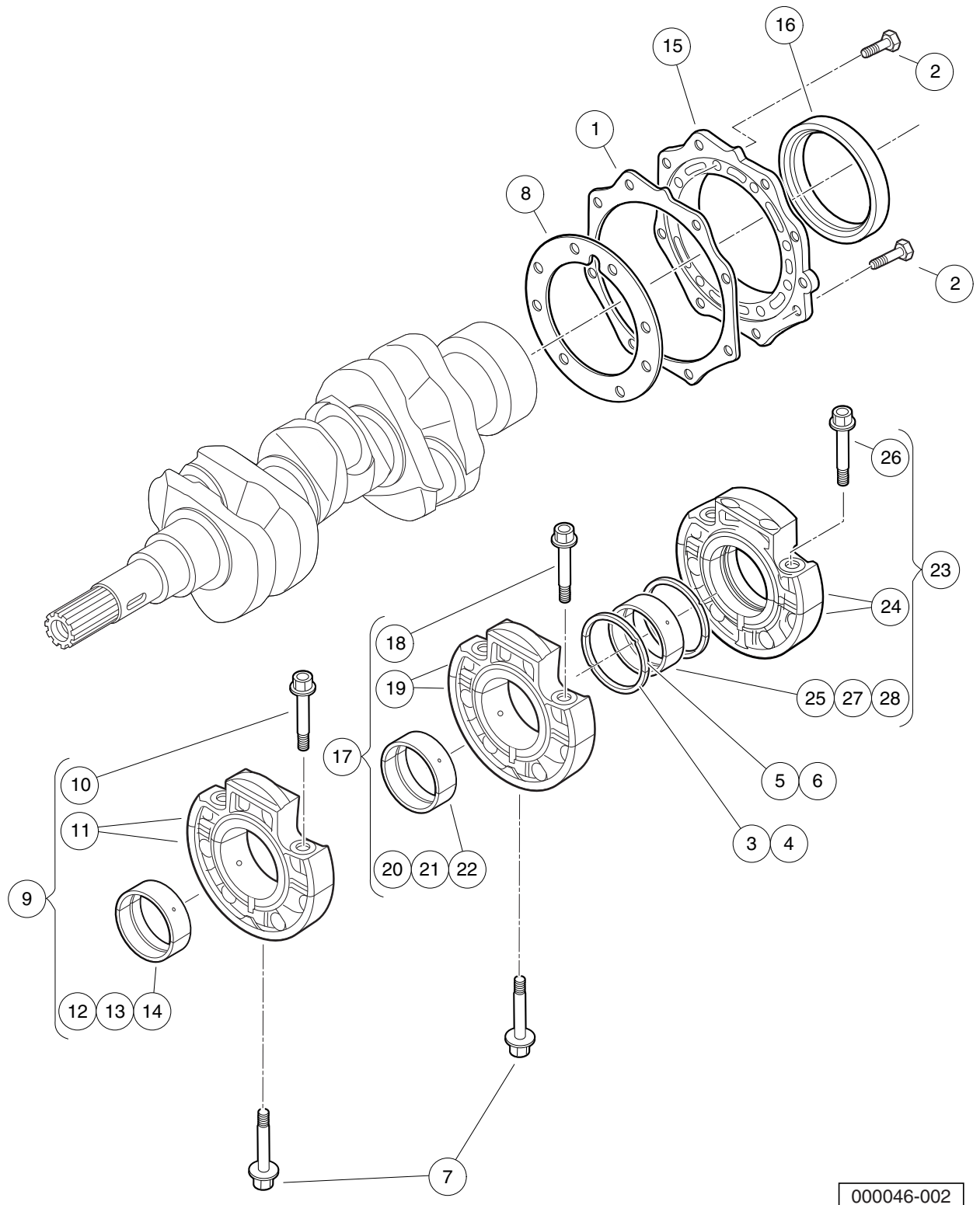
| ITEM | PART NO.  | DESCRIPTION                      | QTY |
|------|-----------|----------------------------------|-----|
|      |           | <b>1 2 3 4</b>                   |     |
| 1    | 102606201 | Nut, Flange, D722 Oil Pump ..... | 1   |
| 2    | 102606301 | Gear, Oil Pump Drive .....       | 1   |
| 3    | 102606401 | Key, Feather, 8x4 .....          | 1   |
| 4    | 102606501 | Assy, Pump, Oil .....            | 1   |
| 5    | 102606601 | Gasket, Oil Pump .....           | 1   |
| 6    | 102727901 | Bolt, Oil Pump .....             | 3   |

10

D

10

D



000046-002

## MAIN BEARINGS AND BEARING CASES (D722 – E4B)

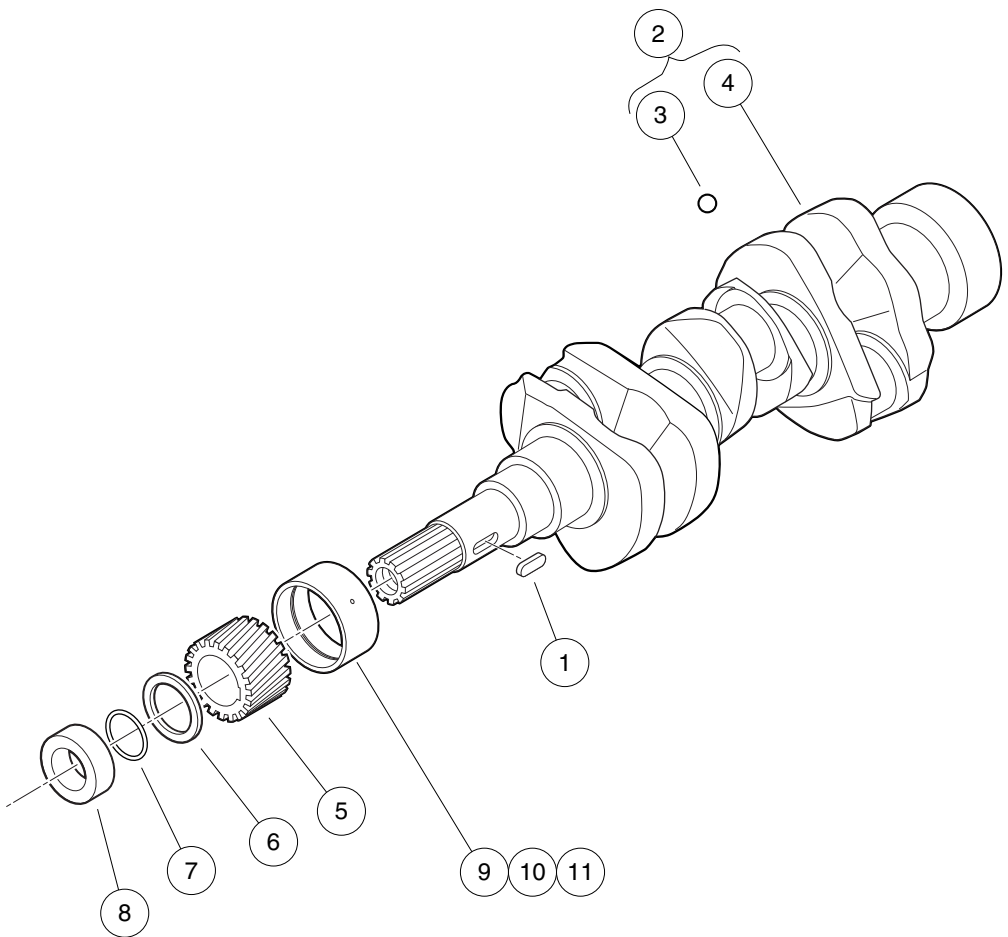
| ITEM | PART NO.  | DESCRIPTION                                               | QTY |
|------|-----------|-----------------------------------------------------------|-----|
|      |           | 1 2 3 4                                                   |     |
| 1    | 102608301 | Gasket, Cover .....                                       | 1   |
| 2    | 102608701 | Bolt, M6 X 1 X 22 .....                                   | 16  |
| 3    | 102608801 | Metal,crank, O Side, Std .....                            | 2   |
| 4    | 102608802 | Metal,crank, O Side, +.020 .....                          | 2   |
| 5    | 102608804 | Metal,crank, I Side, Std .....                            | 2   |
| 6    | 102608805 | Metal,crank, I Side, +.020 .....                          | 2   |
| 7    | 102609401 | Bolt, Bearing Case, Bottom .....                          | 2   |
| 8    | 105219501 | Gasket, Bearing Case, D722 .....                          | 1   |
| 9    | 105219801 | Assy, Brg Case, D722 (includes items 10 through 14) ..... | 1   |
| 10   | 102608901 | Bolt, Bearing Case, Top .....                             | 2   |
| 11   | 105206901 | Asm Case, Mn Brg, Third, D722 .....                       | 1   |
| 12   | 105220101 | Metal, Crankshaft, Std, D722 .....                        | 1   |
| 13   | 105221701 | Metal, Crankshaft, -0.20, D722 .....                      | 1   |
| 14   | 105221801 | Metal, Crankshaft, -0.40, D722 .....                      | 1   |
| 15   | 105219901 | Cover, Brg Case, D722 .....                               | 1   |
| 16   | 105220001 | Seal, Oil, D722 .....                                     | 1   |
| 17   | 105220201 | Assy, Brg Case, D722 (includes items 18 through 22) ..... | 1   |
| 18   | 102608901 | Bolt, Bearing Case, Top .....                             | 2   |
| 19   | 102609301 | Assy, Case, Main Bearing, Second .....                    | 1   |
| 20   | 105220101 | Metal, Crankshaft, Std, D722 .....                        | 1   |
| 21   | 105221701 | Metal, Crankshaft, -0.20, D722 .....                      | 1   |
| 22   | 105221801 | Metal, Crankshaft, -0.40, D722 .....                      | 1   |
| 23   | 105220301 | Assy, Brg Case, D722 (includes items 24 through 28) ..... | 1   |
| 24   | N/A       | Assy, Case, Main Bearing, First .....                     | 1   |
| 25   | 105219601 | Metal, Crankshaft, Std, D722 .....                        | 1   |
| 26   | 105219701 | Bolt, Flange, D722 .....                                  | 2   |
| 27   | 105221501 | Metal, Crankshaft, -0.20, D722 .....                      | 1   |
| 28   | 105221601 | Metal, Crankshaft, -0.40, D722 .....                      | 1   |

10

D

10

D



000048-003

# CRANKSHAFT (D722 – E4B)

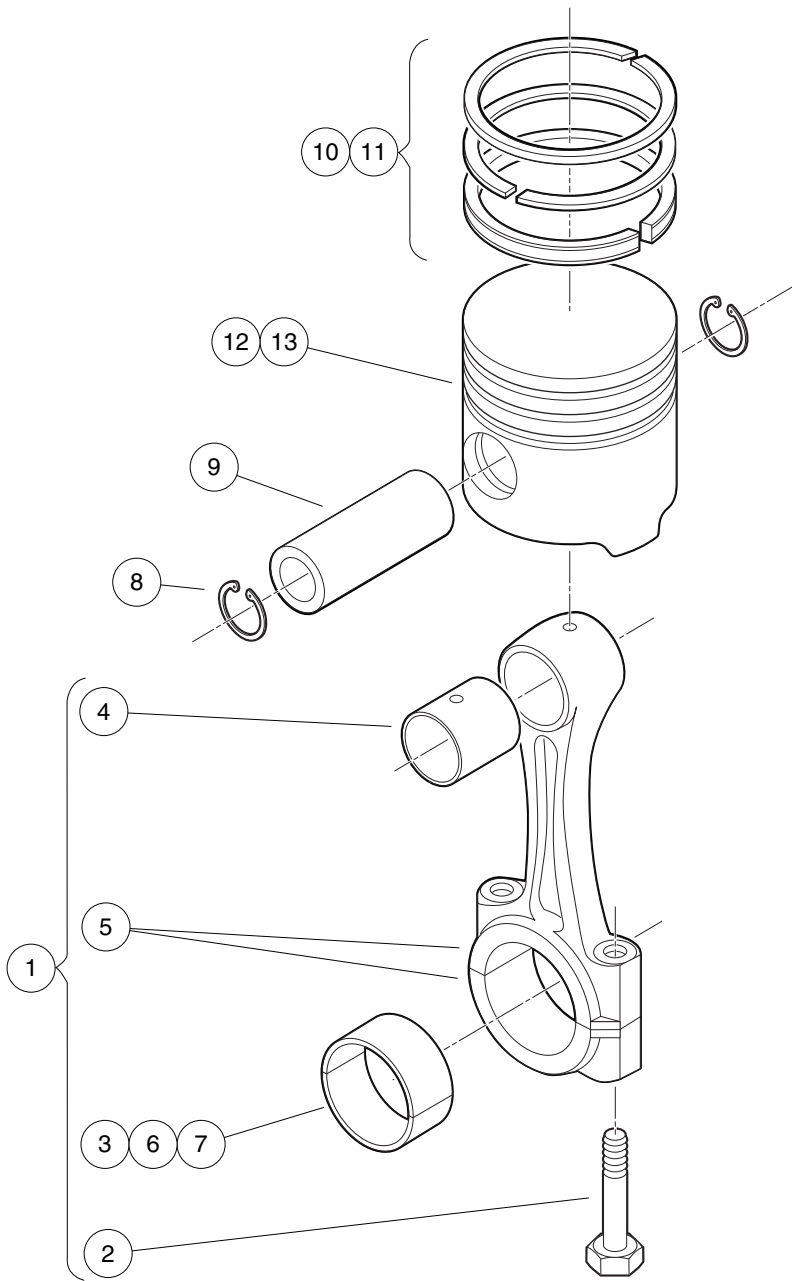
| ITEM | PART NO.  | DESCRIPTION                               | QTY |
|------|-----------|-------------------------------------------|-----|
|      |           | <b>1 2 3 4</b>                            |     |
| 1    | 102604401 | Key, Feather, Short Camshaft .....        | 1   |
| 2    | 102610001 | Crankshaft (includes items 3 and 4) ..... | 1   |
| 3    | 102608001 | Ball, Crankshaft .....                    | 3   |
| 4    | N/A       | Crankshaft .....                          | 1   |
| 5    | 102630101 | Gear, Crank .....                         | 1   |
| 6    | 102630201 | Slinger, Oil .....                        | 1   |
| 7    | 102630301 | O Ring, 23 X 26 .....                     | 1   |
| 8    | 102630401 | Collar, Crankshaft .....                  | 1   |
| 9    | 105221101 | Metal, Crank, Fr, Std, D722 .....         | 1   |
| 10   | 105221201 | Metal, Crank, Fr, -0.20, D722 .....       | 1   |
| 11   | 105221301 | Metal, Crank, Fr, -0.40, D722 .....       | 1   |

10

D

10

D



000066-002



# PISTON, PISTON RINGS AND CONNECTING ROD (D722 – E4B)

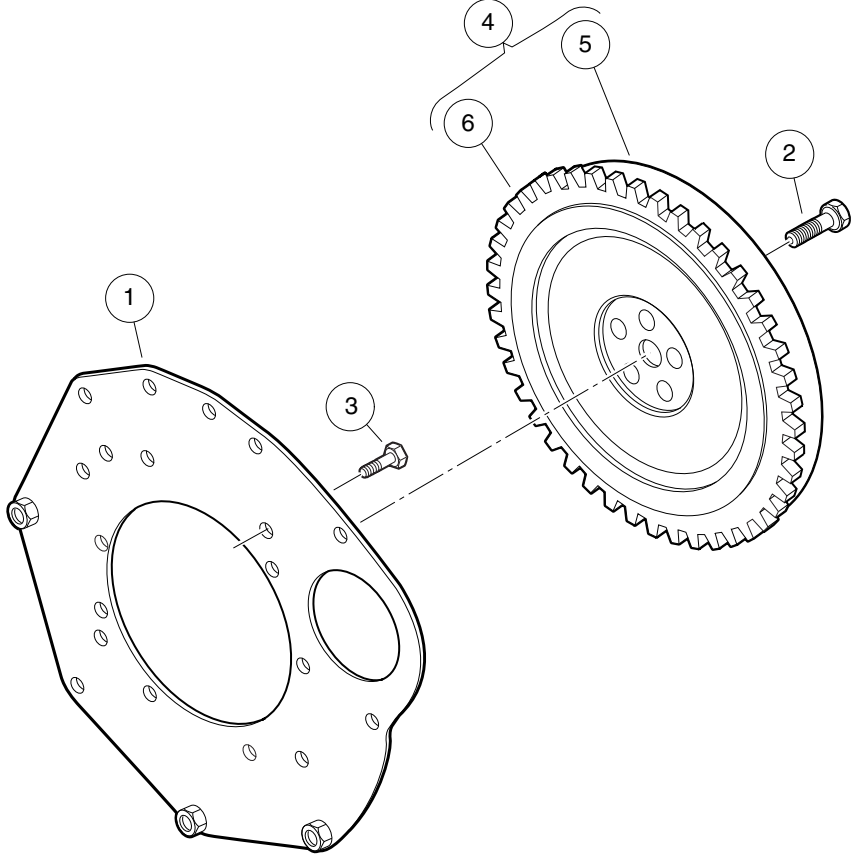
| ITEM | PART NO.  | DESCRIPTION                                             | QTY |
|------|-----------|---------------------------------------------------------|-----|
|      |           | 1 2 3 4                                                 |     |
| 1    | 102607801 | Assy, Connecting Rod (includes items 2 through 7) ..... | 3   |
| 2    | 102607901 | Bolt, Connecting Rod .....                              | 2   |
| 3    | 102630701 | Metal, Crank, Rod, D722, Std .....                      | 1   |
| 4    | 102732201 | Bushing, Piston Pin, D722 .....                         | 1   |
| 5    | N/A       | Rod, Connecting .....                                   | 1   |
| 6    | 105220901 | Metal, Crank, Rod, -0.20, D722 .....                    | 1   |
| 7    | 105221001 | Metal, Crank, Rod, -0.40, D722 .....                    | 1   |
| 8    | 102630901 | Circlip, Piston Pin .....                               | 6   |
| 9    | 102631001 | Pin, Piston .....                                       | 3   |
| 10   | 105207101 | Assy, Piston Ring, Std, D722 .....                      | 3   |
| 11   | 105207201 | Assy, Piston Ring, +0.25, D722 .....                    | 3   |
| 12   | 105207301 | Piston, Std, D722 .....                                 | 3   |
| 13   | 105207401 | Piston, +0.25, D722 .....                               | 3   |

10

D

10

D



000049-002

## FLYWHEEL (D722 – E4B)

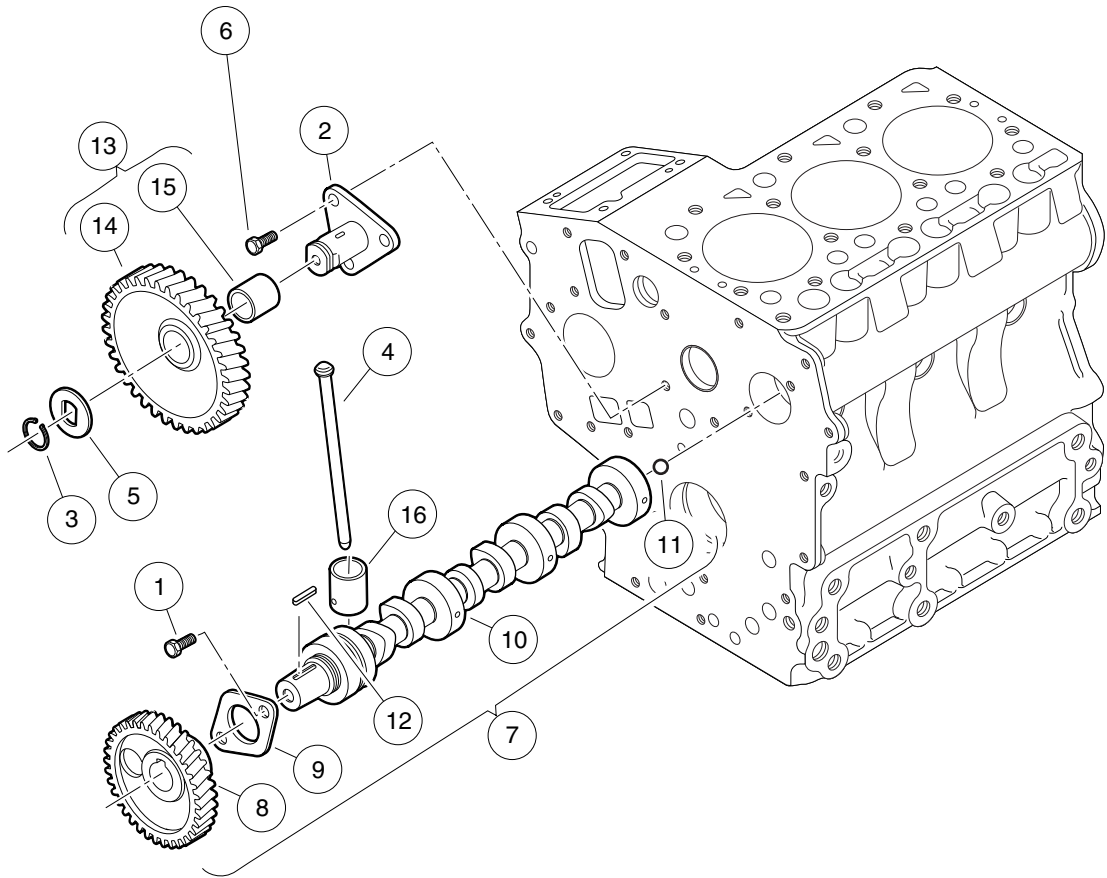
| ITEM | PART NO.  | DESCRIPTION                                         | QTY |
|------|-----------|-----------------------------------------------------|-----|
|      |           | <b>1 2 3 4</b>                                      |     |
| 1    | 102647501 | Plate, Rear End .....                               | 1   |
| 2    | 102648001 | Bolt, Flange Head, M10 X 1.5 X 25 .....             | 5   |
| 3    | 102728301 | Bolt, End Plate .....                               | 10  |
| 4    | 105207501 | Comp, Flywheel, D722 (includes items 5 and 6) ..... | 1   |
| 5    | N/A       | Flywheel .....                                      | 1   |
| 6    | 105207601 | Gear, Ring, D722 .....                              | 1   |

10

D

10

D



000047-003

## CAMSHAFT AND IDLE GEAR (D722 – E4B)

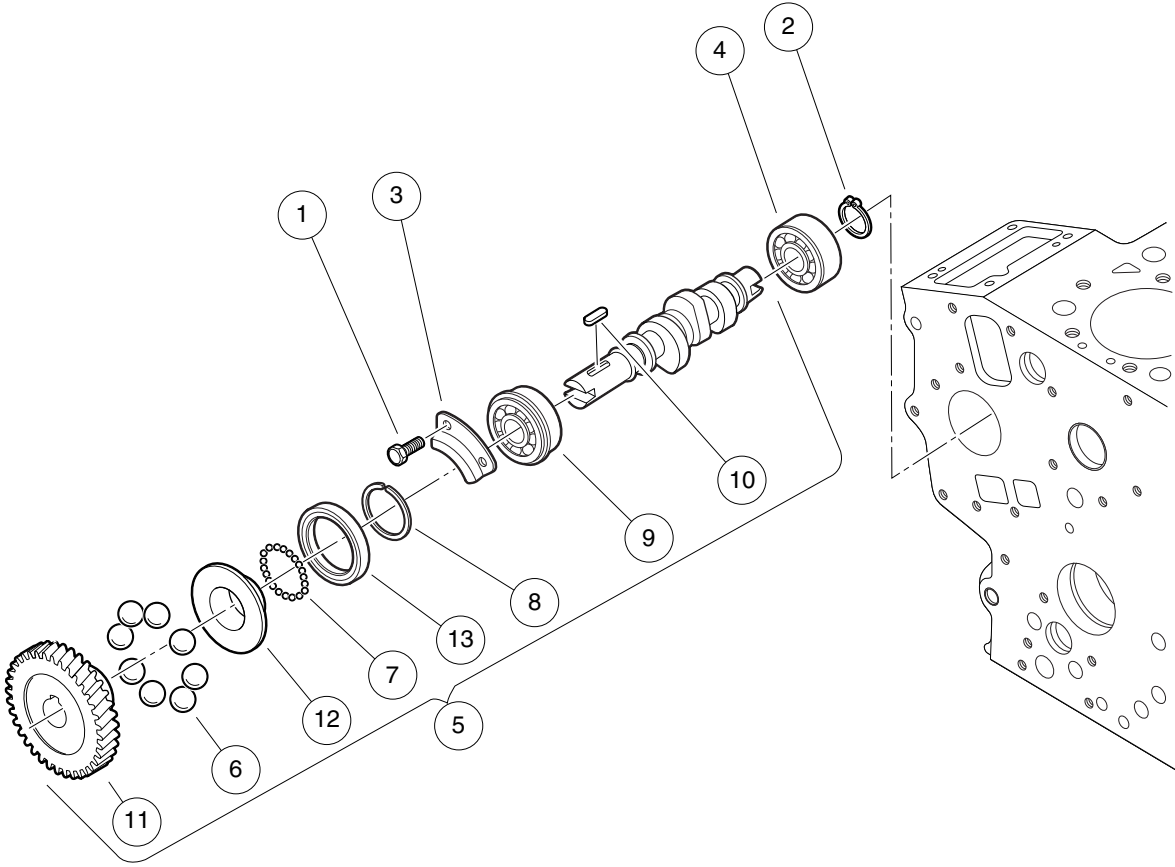
| ITEM | PART NO.  | DESCRIPTION                                                    | QTY |
|------|-----------|----------------------------------------------------------------|-----|
|      |           | 1 2 3 4                                                        |     |
| 1    | 102604201 | Bolt, D722, Cam End .....                                      | 2   |
| 2    | 102605001 | Shaft, Idle Gear .....                                         | 1   |
| 3    | 102605301 | Ring, Snap .....                                               | 1   |
| 4    | 102605401 | Push Rod .....                                                 | 6   |
| 5    | 102654401 | Collar, Idle Gear .....                                        | 1   |
| 6    | 102729101 | Bolt, Solenoid, Stop, D722 .....                               | 3   |
| 7    | 105207001 | Assy, Camshaft, Long, D722 (includes items 8 through 12) ..... | 1   |
| 8    | 102605901 | Gear, Cam .....                                                | 1   |
| 9    | 102606001 | Stopper, Camshaft .....                                        | 1   |
| 10   | N/A       | Camshaft .....                                                 | 1   |
| 11   | 102799401 | Ball, Check .....                                              | 1   |
| 12   | 105220701 | Key, Feather, D722 .....                                       | 1   |
| 13   | 105220401 | Gear, Idle, D722 (includes items 14 and 15) .....              | 1   |
| 14   | N/A       | Gear, Idle .....                                               | 1   |
| 15   | 105220501 | Bushing, Idle Gear, D722 .....                                 | 1   |
| 16   | 105220601 | Tappet, D722 .....                                             | 6   |

10

D

10

D



000050-002

## FUEL CAMSHAFT (D722 – E4B)

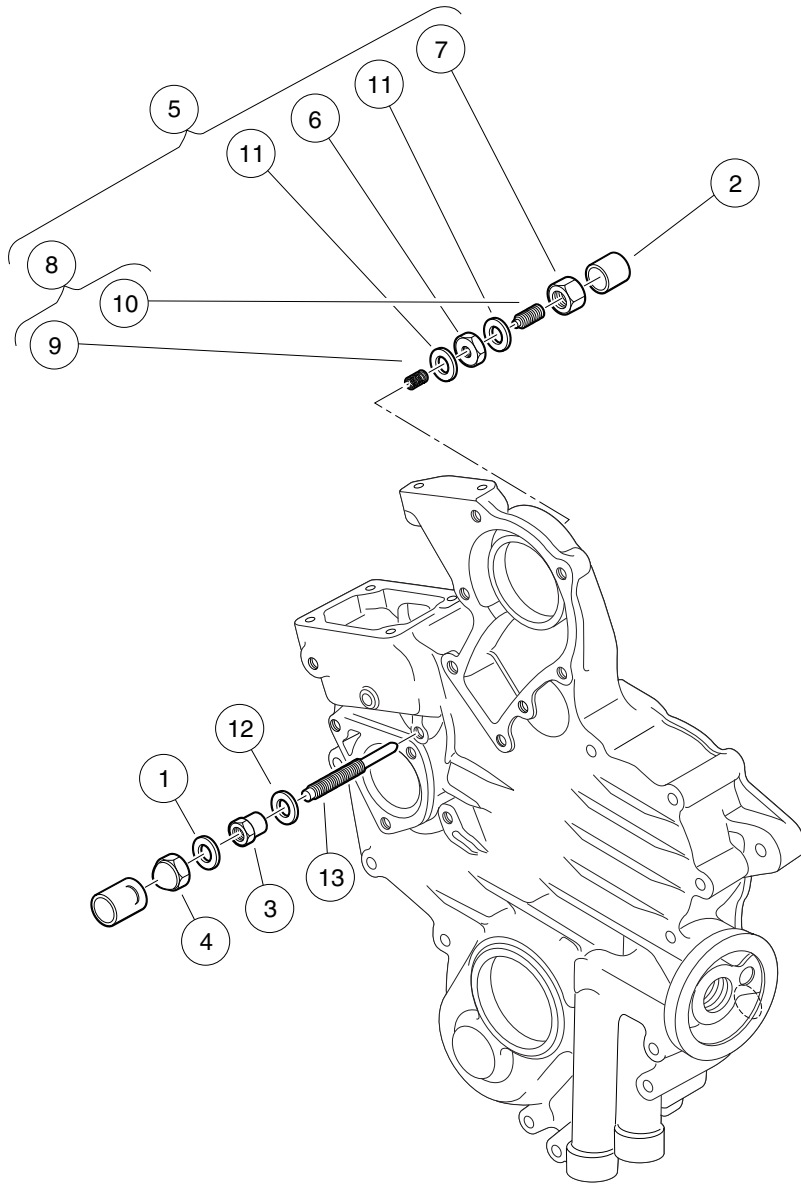
| ITEM | PART NO.  | DESCRIPTION                                                   | QTY |
|------|-----------|---------------------------------------------------------------|-----|
|      |           | <b>1 2 3 4</b>                                                |     |
| 1    | 102604201 | Bolt, D722, Cam End .....                                     | 2   |
| 2    | 102604701 | Circlip, External .....                                       | 1   |
| 3    | 102604801 | Stopper, Fuel, Camshaft .....                                 | 1   |
| 4    | 102728501 | Bearing, Ball .....                                           | 1   |
| 5    | 105207701 | Assy, Fuel Camshaft, D722 (includes items 6 through 13) ..... | 1   |
| 6    | 102603701 | Ball, Injection Pump .....                                    | 8   |
| 7    | 102603901 | Ball, Governor .....                                          | 32  |
| 8    | 102604101 | Circlip .....                                                 | 1   |
| 9    | 102604301 | Bearing, Ball .....                                           | 1   |
| 10   | 102604401 | Key, Feather, Short Camshaft .....                            | 1   |
| 11   | 105207801 | Gear, Injection Pump, D722 .....                              | 1   |
| 12   | 105221401 | Sleeve, Governor, D722 .....                                  | 1   |
| 13   | 105231201 | Case, Governor Ball, D722 .....                               | 1   |

10

D

10

D



000051-002



## IDLE APPARATUS (D722 – E4B)

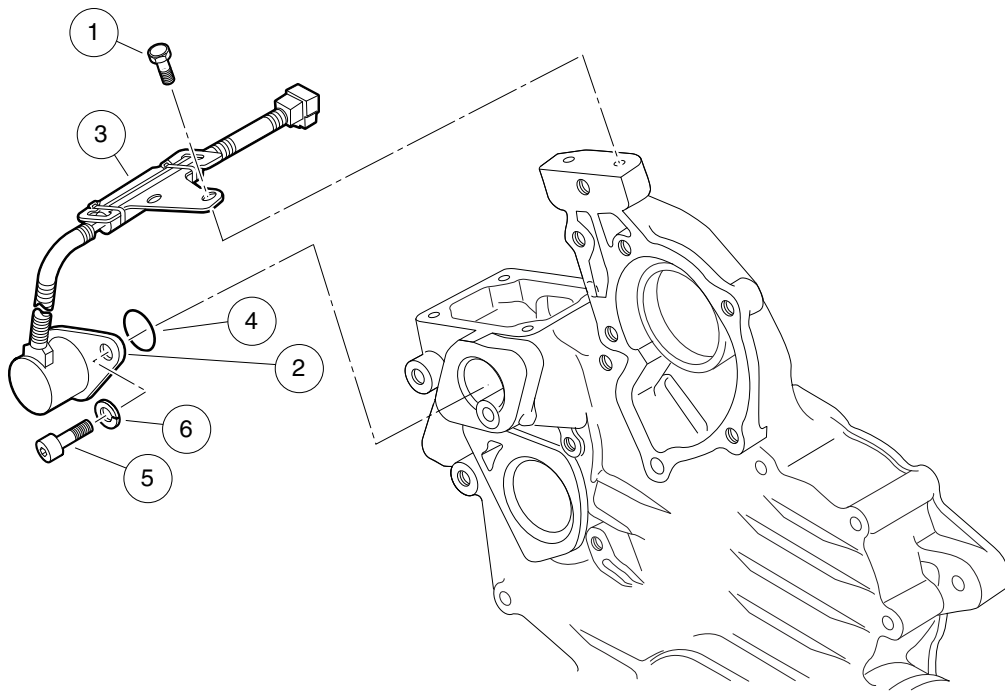
| ITEM | PART NO.  | DESCRIPTION                                              | QTY |
|------|-----------|----------------------------------------------------------|-----|
|      |           | 1 2 3 4                                                  |     |
| 1    | 102635301 | Gasket, 6 X 10 .....                                     | 1   |
| 2    | 102635701 | Cap, Bolt Assy .....                                     | 1   |
| 3    | 102637001 | Nut, Lock, Special .....                                 | 1   |
| 4    | 102637101 | Nut, Special .....                                       | 1   |
| 5    | 102728601 | Assy, Idle Apparatus (includes items 6 through 11) ..... | 1   |
| 6    | 102635501 | Nut, M8, D722 Idle App, Specl .....                      | 1   |
| 7    | 102635801 | Nut, M8, D722 Idle App .....                             | 1   |
| 8    | 102635901 | Assy, Bolt, Adjusting (includes items 9 and 10) .....    | 1   |
| 9    | 102728701 | Spring, Idle Apparatus .....                             | 1   |
| 10   | N/A       | Stud, Idle Adjustment .....                              | 1   |
| 11   | 102728801 | Gasket, Idle Apparatus, Rear .....                       | 2   |
| 12   | 102728901 | Gasket, Idle Apparatus, Front .....                      | 1   |
| 13   | 102799501 | Bolt, Idle Adjusting .....                               | 1   |

10

D

10

D



000182-002

# STOP SOLENOID (D722-E4B)

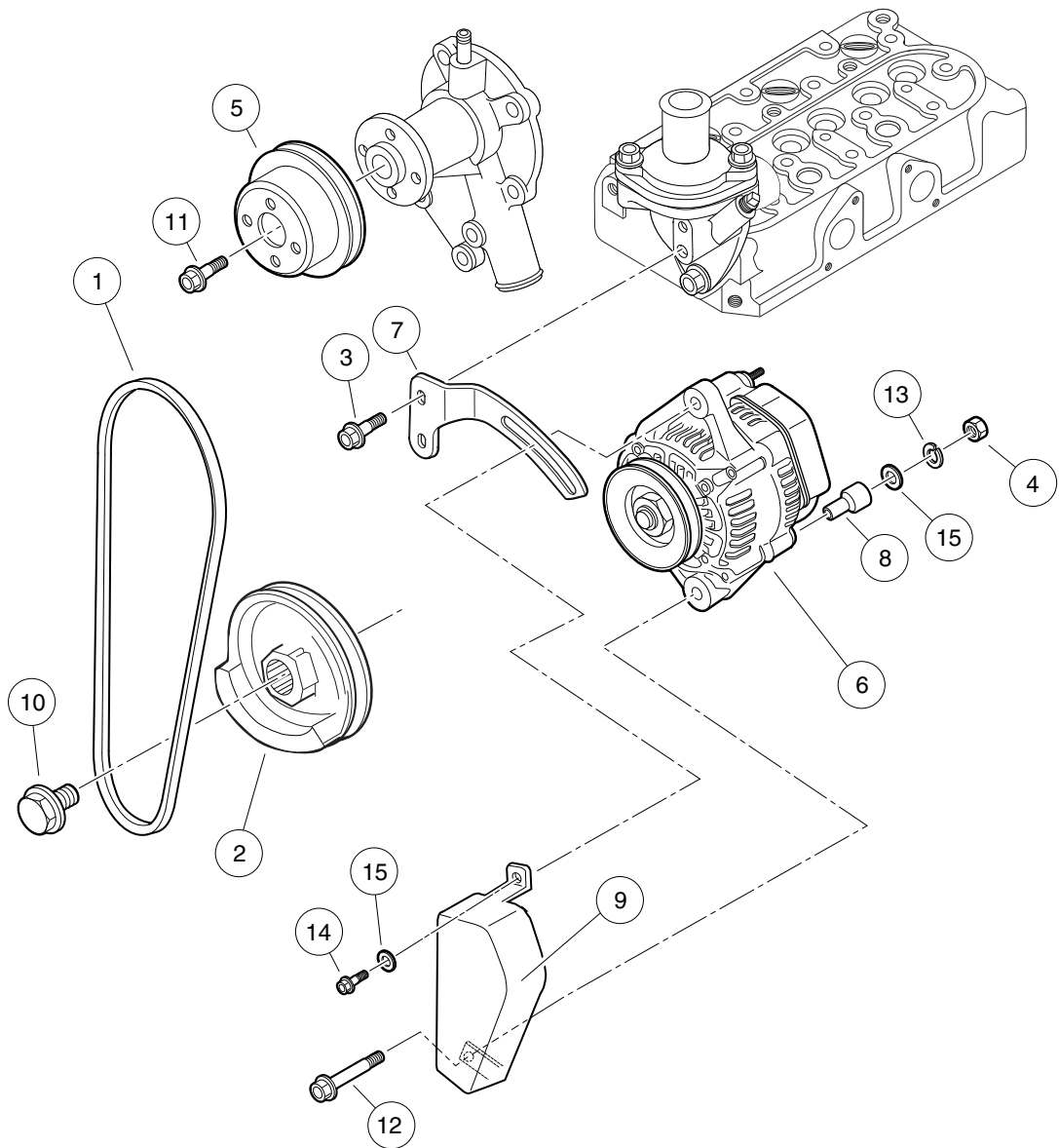
| ITEM | PART NO.  | DESCRIPTION                      | QTY |
|------|-----------|----------------------------------|-----|
|      |           | <b>1 2 3 4</b>                   |     |
| 1    | 102729101 | Bolt, Solenoid, Stop, D722 ..... | 2   |
| 2    | 102799601 | Solenoid, Stop .....             | 1   |
| 3    | 102799701 | Stay, Stop Solenoid .....        | 1   |
| 4    | 102799801 | O-Ring, Stop Solenoid .....      | 1   |
| 5    | 102799901 | Bolt, Stop Solenoid .....        | 2   |
| 6    | 105207901 | Washer, Spring, M6, D722 .....   | 2   |

10

D

10

D



000057-004

## 40-AMP ALTERNATOR, BELT AND PULLEYS (D722 – E4B)

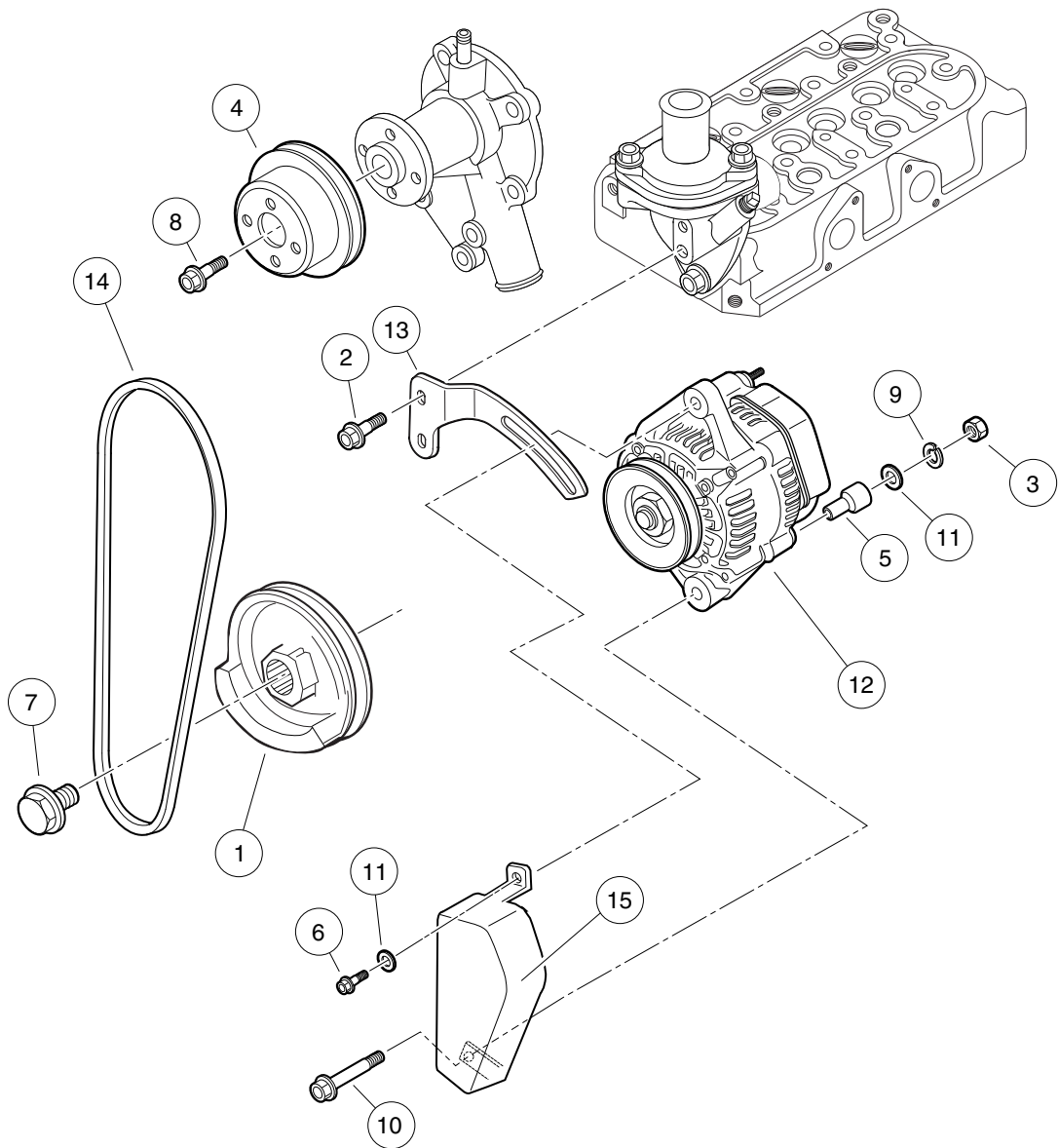
| ITEM | PART NO.  | DESCRIPTION                         | QTY |
|------|-----------|-------------------------------------|-----|
|      |           | 1 2 3 4                             |     |
| 1    | 102601101 | V-Belt .....                        | 1   |
| 2    | 102630601 | Pulley, Fan Drive .....             | 1   |
| 3    | 102631601 | Bolt, M6 X 1 X 20 .....             | 2   |
| 4    | 102647701 | Nut, M8, Plate .....                | 1   |
| 5    | 102701201 | Pulley, Water Pump .....            | 1   |
| 6    | 102730001 | Alternator, 40-Amp .....            | 1   |
| 7    | 102730101 | Stay, Alternator Assy, D722 .....   | 1   |
| 8    | 102730201 | Collar, Alternator Assy, D722 ..... | 1   |
| 9    | 102730301 | Cover, Alternator Assy, D722 .....  | 1   |
| 10   | 102730601 | Bolt, Alt, D722, Drive Pulley ..... | 1   |
| 11   | 102731301 | Bolt, D722, Drive Pulley .....      | 4   |
| 12   | 102800701 | Bolt, Alternator, Lower .....       | 1   |
| 13   | 105208001 | Washer, Sprng, Strtr, D722 .....    | 1   |
| 14   | 105221901 | Bolt, Alt, Adjuster, D722 .....     | 1   |
| 15   | 105222001 | Washer, Alt, Upper, D722 .....      | 2   |

10

D

10

D



000057-003

## 60-AMP ALTERNATOR, BELT AND PULLEYS (D722 – E4B)

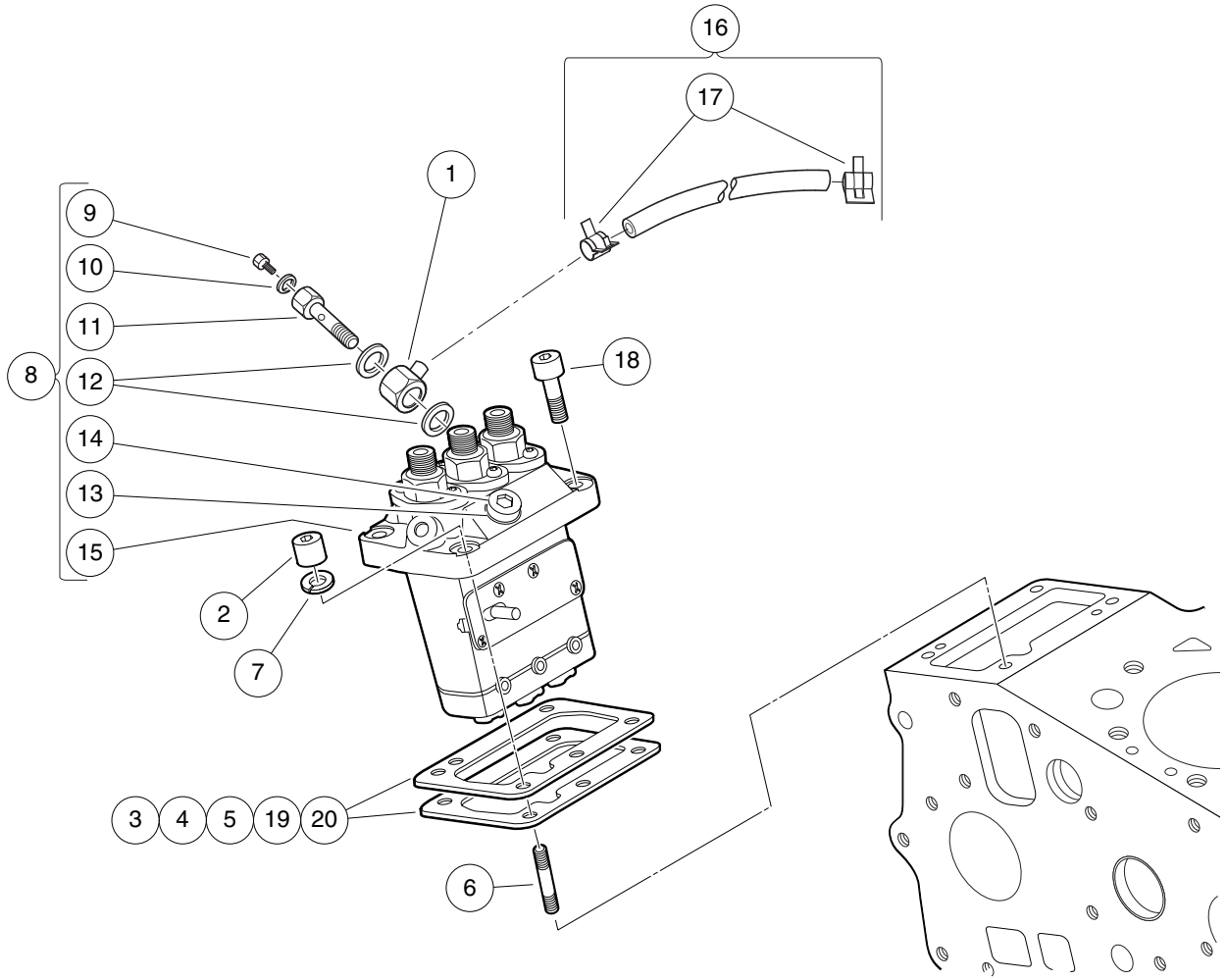
| ITEM | PART NO.  | DESCRIPTION                               | QTY |
|------|-----------|-------------------------------------------|-----|
|      |           | 1 2 3 4                                   |     |
| 1    | 102630601 | Pulley, Fan Drive .....                   | 1   |
| 2    | 102631601 | Bolt, M6 X 1 X 20 .....                   | 2   |
| 3    | 102647701 | Nut, M8, Plate .....                      | 1   |
| 4    | 102701201 | Pulley, Water Pump .....                  | 1   |
| 5    | 102730201 | Collar, Alternator Assy, D722 .....       | 1   |
| 6    | 102730401 | Bolt, Alt, D722, Adjuster .....           | 1   |
| 7    | 102730601 | Bolt, Alt, D722, Drive Pulley .....       | 1   |
| 8    | 102731301 | Bolt, D722, Drive Pulley .....            | 4   |
| 9    | 102732501 | Washer, Spring, D722, Starter .....       | 1   |
| 10   | 102800701 | Bolt, Alternator, Lower .....             | 1   |
| 11   | 102801001 | Washer, Alternator, Upper .....           | 2   |
| 12   | 102934701 | Alternator, 60 Amp .....                  | 1   |
| 13   | 102934801 | Bracket, Alternator, D722, 60 Amp .....   | 1   |
| 14   | 102934901 | Belt, Accessory Drive, D722, 60 Amp ..... | 1   |
| 15   | 103239901 | Guard, Accessory Belt .....               | 1   |

10

D

10

D



000053-003



## FUEL INJECTION PUMP (D722 – E4B)

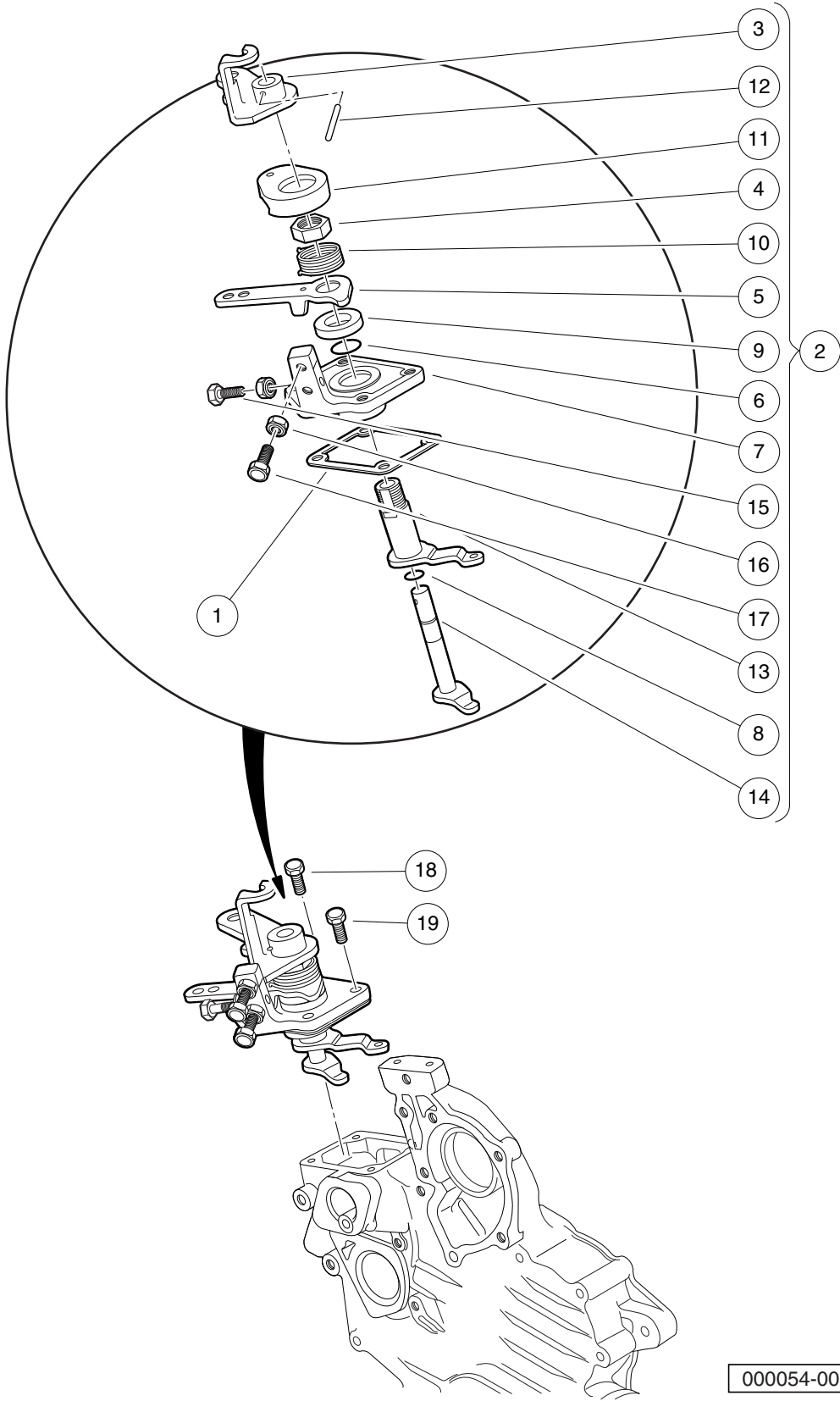
| ITEM | PART NO.  | DESCRIPTION                                                    | QTY |
|------|-----------|----------------------------------------------------------------|-----|
|      |           | 1 2 3 4                                                        |     |
| 1    | 102640401 | Joint, Eye .....                                               | 1   |
| 2    | 102640701 | Nut, Special .....                                             | 2   |
| 3    | 102640901 | Shim, Injection Pump, 0.20 mm .....                            | 1   |
| 4    | 102641001 | Shim, Injection Pump, 0.25 mm .....                            | 1   |
| 5    | 102641101 | Shim, Injection Pump, 0.30 mm .....                            | 1   |
| 6    | 102641201 | Stud, M5 X 25 .....                                            | 2   |
| 7    | 105207901 | Washer, Spring, M6, D722 .....                                 | 2   |
| 8    | 105225401 | Assy, Pump Injection, D722 (includes items 9 through 15) ..... | 1   |
| 9    | 102637501 | Screw, D722, Injection Pump .....                              | 1   |
| 10   | 102637601 | Gasket, D722, Inj Pump, Top .....                              | 1   |
| 11   | 102637701 | Screw, Hollow, D722, Inj Pump .....                            | 1   |
| 12   | 102637801 | Gasket, D722, Inj Pump, Lower .....                            | 2   |
| 13   | 102639101 | Gasket, D722, Inj Pump, Plug .....                             | 1   |
| 14   | 102729201 | Plug, Injection Pump .....                                     | 1   |
| 15   | N/A       | Pump, Injection .....                                          | 1   |
| 16   | 105225501 | Assy, Fuel Pipe, D722 (includes item 17) .....                 | 1   |
| 17   | 105225601 | Clip, Pipe, D722 .....                                         | 2   |
| 18   | 105225701 | Bolt, Hex Head, D722 .....                                     | 2   |
| 19   | 105225801 | Shim, Inj Pump, 0.175, D722 .....                              | 1   |
| 20   | 105225901 | Shim, Inj Pump, 0.350, D722 .....                              | 1   |

10

D

10

D



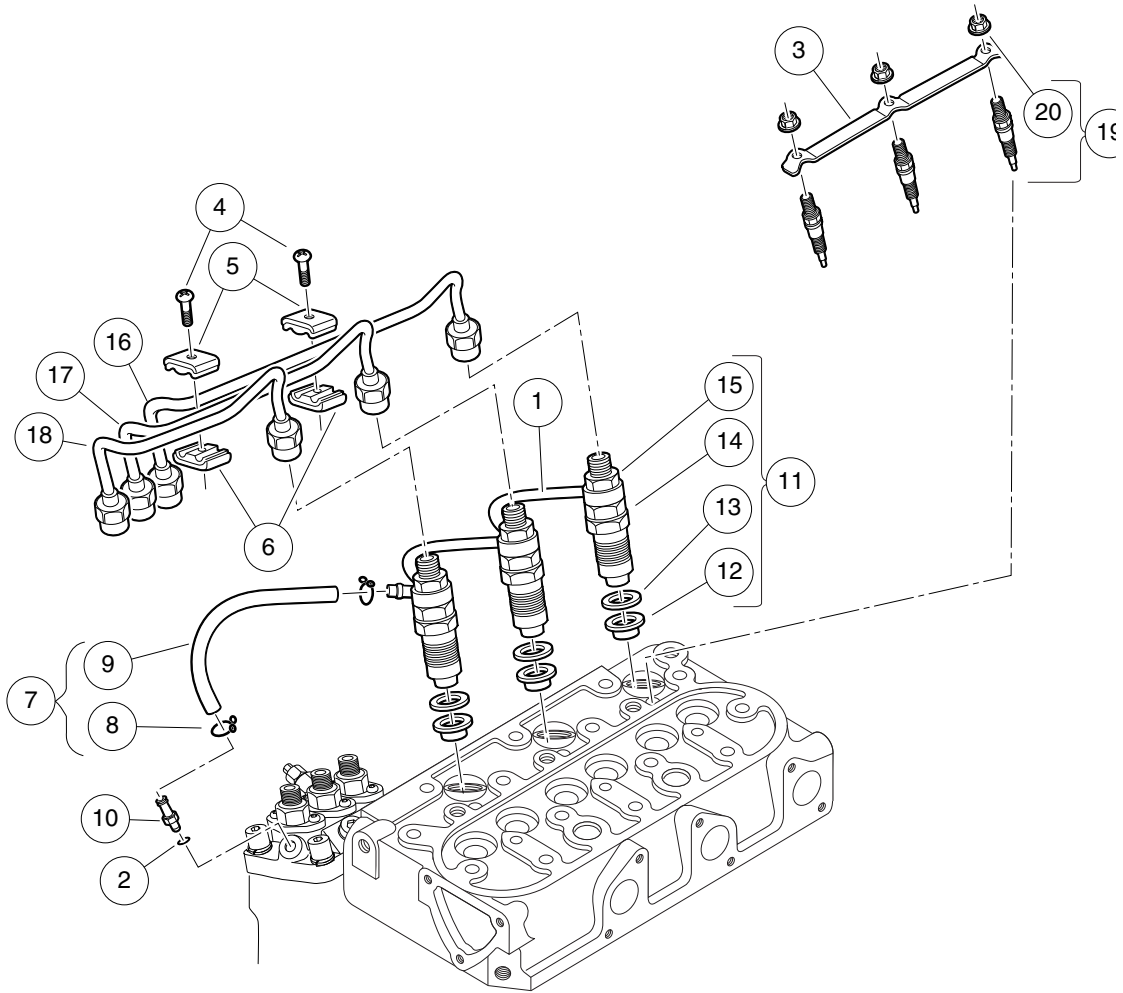
000054-003

## SPEED CONTROL (D722 – E4B)

| ITEM | PART NO.  | DESCRIPTION                                               | QTY |
|------|-----------|-----------------------------------------------------------|-----|
|      |           | <b>1 2 3 4</b>                                            |     |
| 1    | 102634501 | Gasket, Control Plate .....                               | 1   |
| 2    | 102800401 | Assembly, Speed Plate (includes items 3 through 17) ..... | 1   |
| 3    | 102633701 | Lever, Engine Stop .....                                  | 1   |
| 4    | 102633801 | Nut, Speed Control .....                                  | 1   |
| 5    | 102633901 | Lever, Speed Control .....                                | 1   |
| 6    | 102634001 | O Ring, 19 X 16 .....                                     | 1   |
| 7    | 102634101 | Plate, Speed Control .....                                | 1   |
| 8    | 102634401 | O Ring, 9 X 7 .....                                       | 1   |
| 9    | 102634601 | Collar, Lever .....                                       | 1   |
| 10   | 102634701 | Spring, Return .....                                      | 1   |
| 11   | 102729401 | Cap, Speed Cntrl Plate Rtrn .....                         | 1   |
| 12   | 102729501 | Pin, Spring, Speed Plate .....                            | 1   |
| 13   | 102800501 | Lever, Governor .....                                     | 1   |
| 14   | 102800601 | Shaft, Governor Lever .....                               | 1   |
| 15   | 105222301 | Bolt, Speed Control, D722 .....                           | 1   |
| 16   | 105222401 | Nut, Speed Control, D722 .....                            | 3   |
| 17   | 105222501 | Bolt, Speed Control, D722 .....                           | 2   |
| 18   | 105206601 | Bolt, Intake Manfld, D722 .....                           | 2   |
| 19   | 105222201 | Bolt, Flange, D722 .....                                  | 2   |

10

D



000055-002

## NOZZLE HOLDERS AND GLOW PLUGS (D722 – E4B)

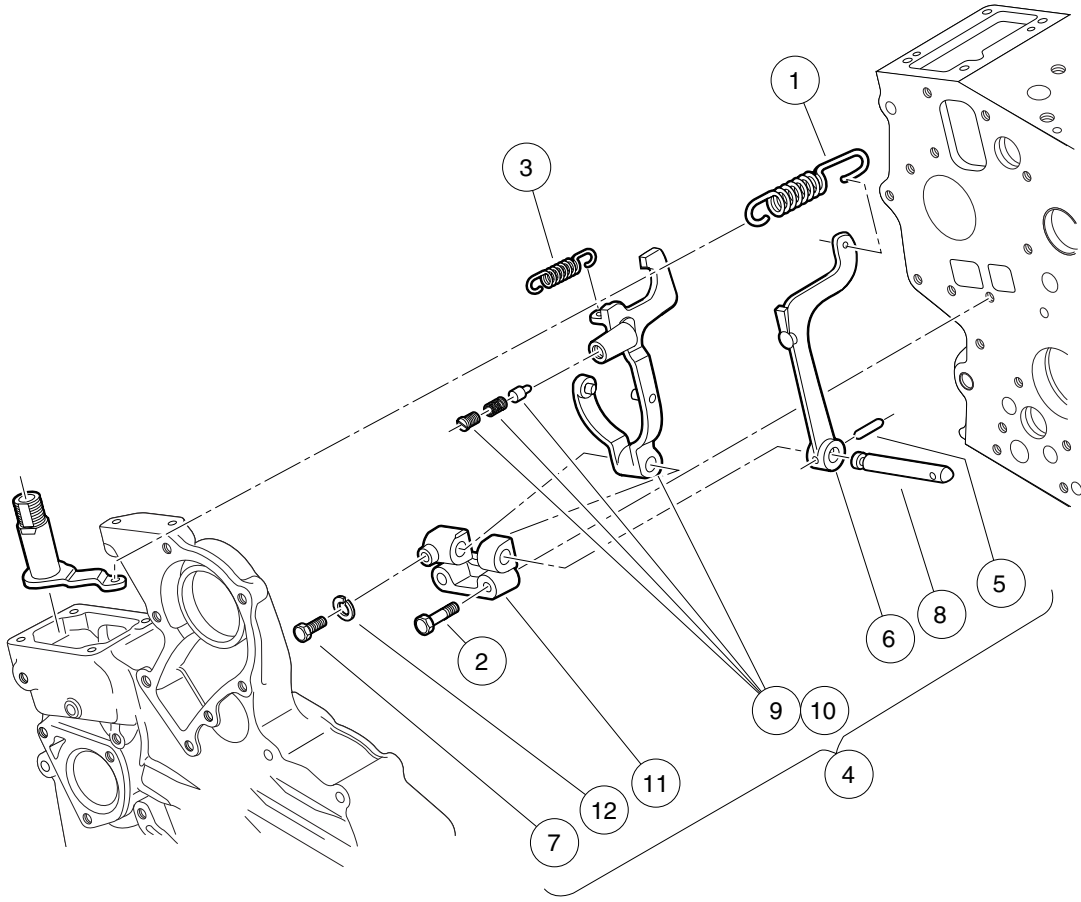
| ITEM | PART NO.  | DESCRIPTION                                                    | QTY |
|------|-----------|----------------------------------------------------------------|-----|
|      |           | 1 2 3 4                                                        |     |
| 1    | 102605701 | Assy Pipe, D722 Fuel Over Flow .....                           | 1   |
| 2    | 102635301 | Gasket, 6 X 10 .....                                           | 1   |
| 3    | 102642401 | Cord, Glow Plug .....                                          | 1   |
| 4    | 102642801 | Screw, Washer .....                                            | 2   |
| 5    | 102642901 | Clamp, Pipe, Top .....                                         | 2   |
| 6    | 102643301 | Clamp, Pipe, Bottom .....                                      | 2   |
| 7    | 102643401 | Assy Pipe, Over Flow (includes items 8 and 9) .....            | 1   |
| 8    | 102729601 | Clip, Pipe, Return .....                                       | 2   |
| 9    | 105222901 | Pipe, Fuel Overflow, D722 .....                                | 1   |
| 10   | 102643701 | Screw, Air Bleeder .....                                       | 1   |
| 11   | 105208201 | Kit, Holder, Nozzle, D722 (includes items 12 through 15) ..... | 3   |
| 12   | 102642701 | Seal, Heat .....                                               | 3   |
| 13   | 102643601 | Gasket, Nozzle .....                                           | 3   |
| 14   | 105208301 | Assy Holder, Nozzle, D722 .....                                | 3   |
| 15   | 105223001 | Nut, Hex, D722 .....                                           | 3   |
| 16   | 105222601 | Pipe, Injection, D722 .....                                    | 1   |
| 17   | 105222701 | Pipe, Injection, D722 .....                                    | 1   |
| 18   | 105222801 | Pipe, Injection, D722 .....                                    | 1   |
| 19   | 105223101 | Plug, Glow, D722 (includes item 20) .....                      | 3   |
| 20   | 102642501 | Nut, Flange,m4 .....                                           | 3   |

10

D

10

D



000056-004

## GOVERNOR COMPONENTS (D722 – E4B)

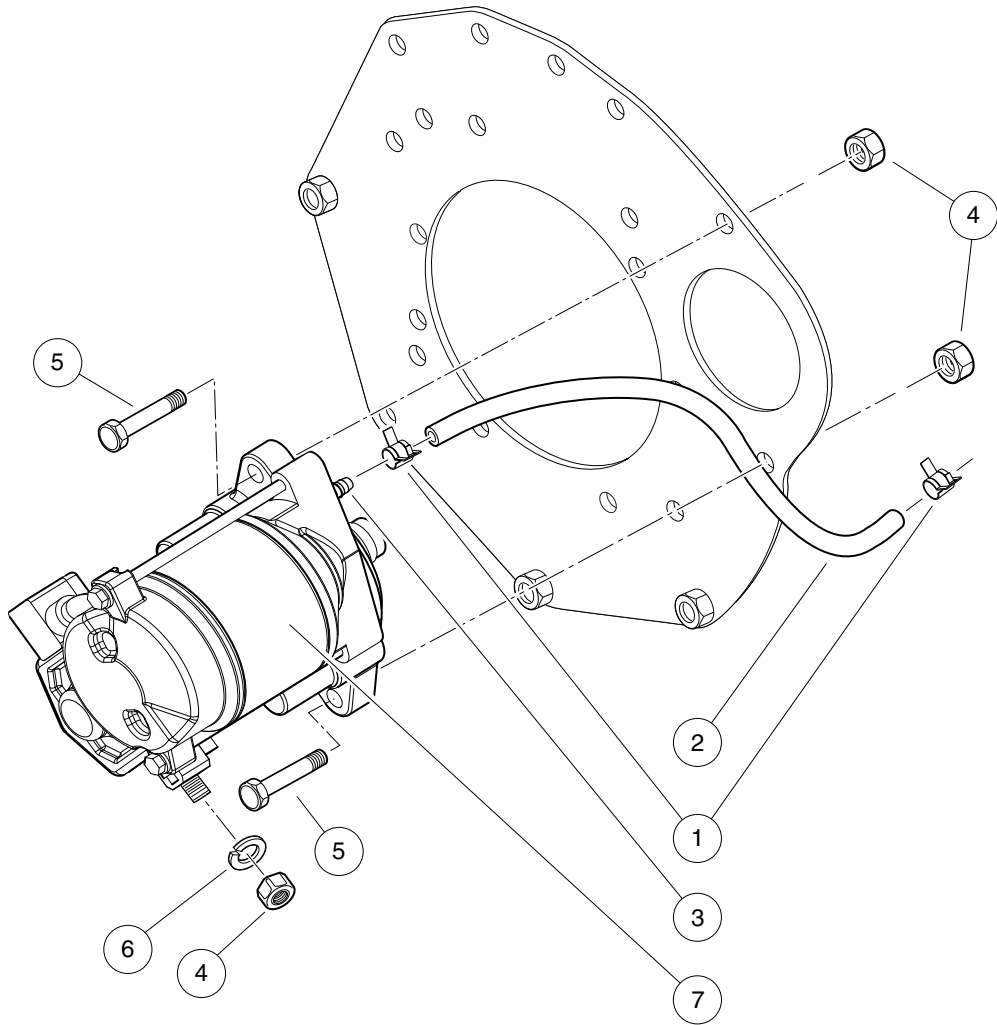
| ITEM | PART NO.  | DESCRIPTION                                              | QTY |
|------|-----------|----------------------------------------------------------|-----|
|      |           | 1 2 3 4                                                  |     |
| 1    | 102635101 | Spring, Governor .....                                   | 1   |
| 2    | 102636301 | Bolt, M5 X 0.75 X 25 .....                               | 2   |
| 3    | 102800201 | Spring, Start .....                                      | 1   |
| 4    | 105208401 | Assy, Gov Fork, D722 (includes items 5 through 12) ..... | 1   |
| 5    | 102633601 | Pin, Spring .....                                        | 1   |
| 6    | 102636101 | Lever, Fork, End .....                                   | 1   |
| 7    | 102636401 | Bolt, M5 X 0.75 X 11 .....                               | 1   |
| 8    | 102636601 | Shaft, Fork Lever .....                                  | 1   |
| 9    | N/A       | Lever, Fork, Middle, D722 CB (includes item 10) .....    | 1   |
| 10   | 102701601 | Spring, Lever .....                                      | 1   |
| 11   | 105208501 | Holder, Fork Lever, D722 .....                           | 1   |
| 12   | 105208601 | Washer, Spring, M5, D722 .....                           | 1   |

10

D

10

D



000058-003



# STARTER – SEALED (D722 – E4B)

| ITEM | PART NO.  | DESCRIPTION                      | QTY |
|------|-----------|----------------------------------|-----|
|      |           | <b>1 2 3 4</b>                   |     |
| 1    | 1013746   | Clamp, 0.301 ID Hose .....       | 2   |
| 2    | 101587703 | Hose, Fuel, Vent, 22" Long ..... | 1   |
| 3    | 101824401 | Vent Barb .....                  | 1   |
| 4    | 102647701 | Nut, M8, Plate .....             | 3   |
| 5    | 102730401 | Bolt, Alt, D722, Adjuster .....  | 2   |
| 6    | 105208001 | Washer, Sprng, Strtr, D722 ..... | 3   |
| 7    | 105226001 | Assy, Sealed Starter, D722 ..... | 1   |

10

D



## VALVES AND ROCKER ARMS (D722 – E4B)

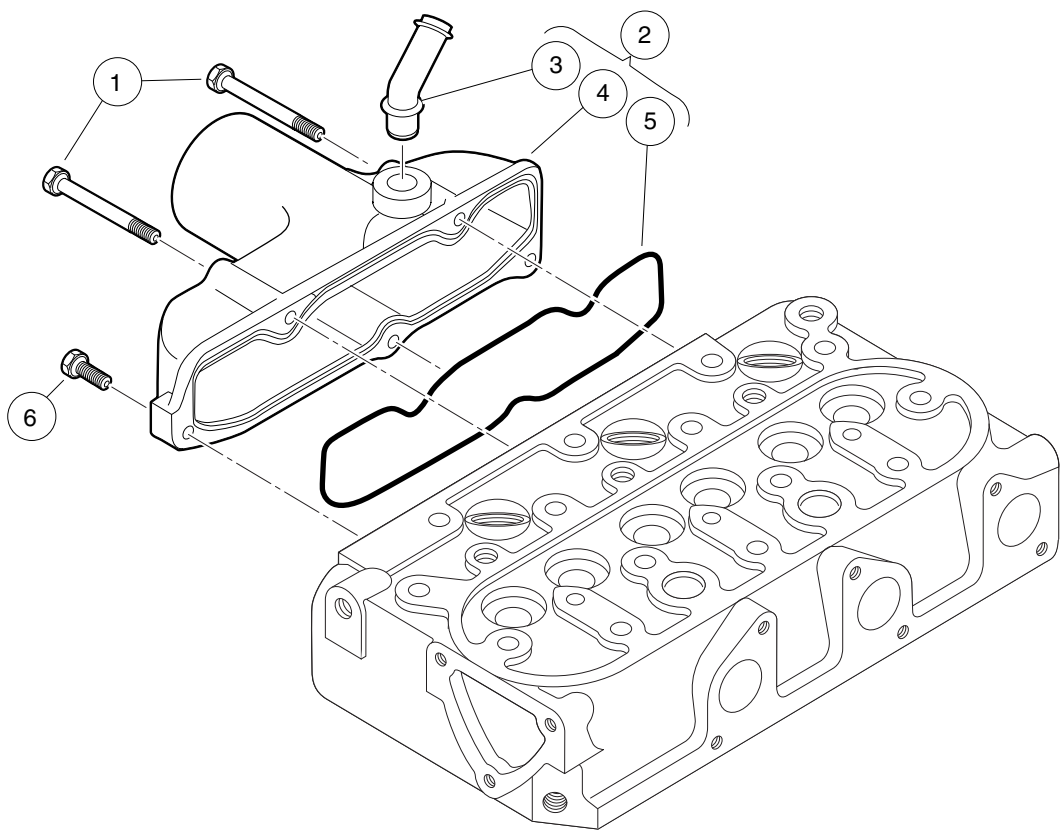
| ITEM | PART NO.  | DESCRIPTION                                                 | QTY |
|------|-----------|-------------------------------------------------------------|-----|
|      |           | 1 2 3 4                                                     |     |
| 1    | 102646401 | Bolt, M6 X 1 X 8 .....                                      | 2   |
| 2    | 102651301 | Washer, D722, Plain, Rocker .....                           | 2   |
| 3    | 102651601 | Washer, Rocker Arm .....                                    | 2   |
| 4    | 102651801 | Pin, Spring, D722, Rocker .....                             | 1   |
| 5    | 102652901 | Collet, Valve Spring, Set .....                             | 6   |
| 6    | 102653001 | Cap, Valve, D722 .....                                      | 6   |
| 7    | 102653101 | Spring, Valve .....                                         | 6   |
| 8    | 102653201 | Retainer, Spring .....                                      | 6   |
| 9    | 102653301 | Seal, Valve Stem .....                                      | 6   |
| 10   | 102801101 | Bracket, Rocker Arm, D722 Closed-Breather .....             | 3   |
| 11   | 102801201 | Bolt, Rocker Arm .....                                      | 3   |
| 12   | 105208701 | Assy, Rocker Arm, D722 (includes items 13 through 15) ..... | 6   |
| 13   | 102651501 | Nut, M6 .....                                               | 6   |
| 14   | 102651701 | Screw-Adjusting .....                                       | 6   |
| 15   | N/A       | Arm, Rocker .....                                           | 6   |
| 16   | 105226101 | Shaft, Rocker Arm, D722 .....                               | 1   |
| 17   | 105226201 | Spring, Rocker Arm, D722 .....                              | 2   |
| 18   | 105226301 | Valve, Exhaust, D722 .....                                  | 3   |
| 19   | 105226401 | Valve, Intake, D722 .....                                   | 3   |

10

D

10

D



000063-003

## INTAKE MANIFOLD (D722 – E4B)

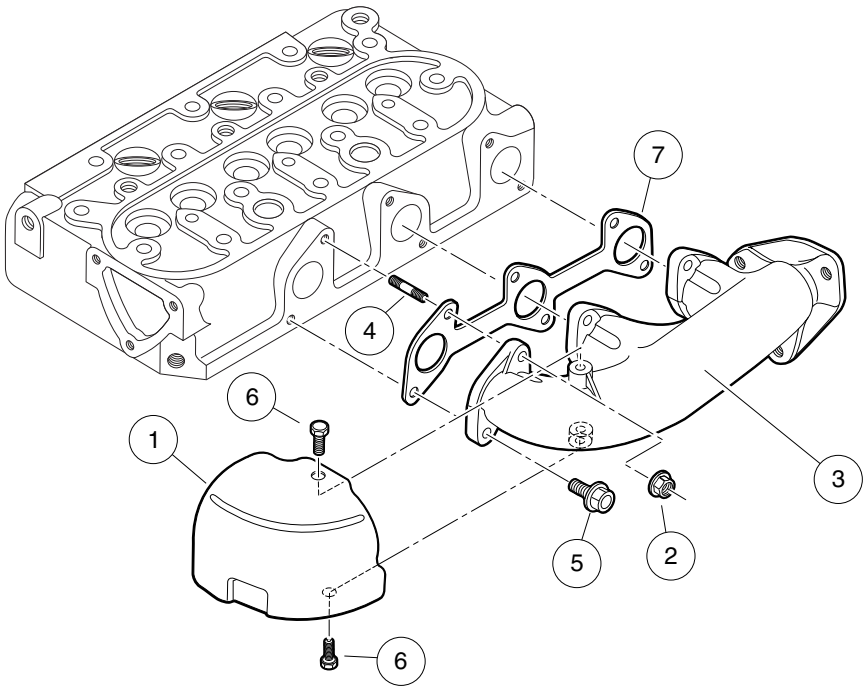
| ITEM | PART NO.  | DESCRIPTION                                                  | QTY |
|------|-----------|--------------------------------------------------------------|-----|
|      |           | <b>1 2 3 4</b>                                               |     |
| 1    | 102646101 | Bolt, M6 X 1 X 45 .....                                      | 3   |
| 2    | 102801301 | Assembly, Intake Manifold (includes items 3 through 5) ..... | 1   |
| 3    | 102801401 | Pipe, Breather .....                                         | 1   |
| 4    | 102801501 | Manifold, Intake .....                                       | 1   |
| 5    | 105226501 | Gasket, Intake Manifold, D722 .....                          | 1   |
| 6    | 105206601 | Bolt, Intake Manfld, D722 .....                              | 2   |

10

D

10

D



000064-002

## EXHAUST MANIFOLD (D722 – E4B)

| ITEM | PART NO.  | DESCRIPTION                          | QTY |
|------|-----------|--------------------------------------|-----|
|      |           | 1 2 3 4                              |     |
| 1    | 102646301 | Cover, Heat Proof .....              | 1   |
| 2    | 102647101 | Nut, Flange, M6, Ubs .....           | 3   |
| 3    | 102731501 | Manifold, Exhaust, D722 .....        | 1   |
| 4    | 105208801 | Stud, M6 X 26, D722 .....            | 3   |
| 5    | 105208901 | Bolt, Exhst Manfld, D722 .....       | 3   |
| 6    | 105209001 | Bolt, Exhst Manfld Cvr, D722 .....   | 2   |
| 7    | 105226601 | Gasket, Exhaust Manifold, D722 ..... | 1   |

10

D

**10**

***D***

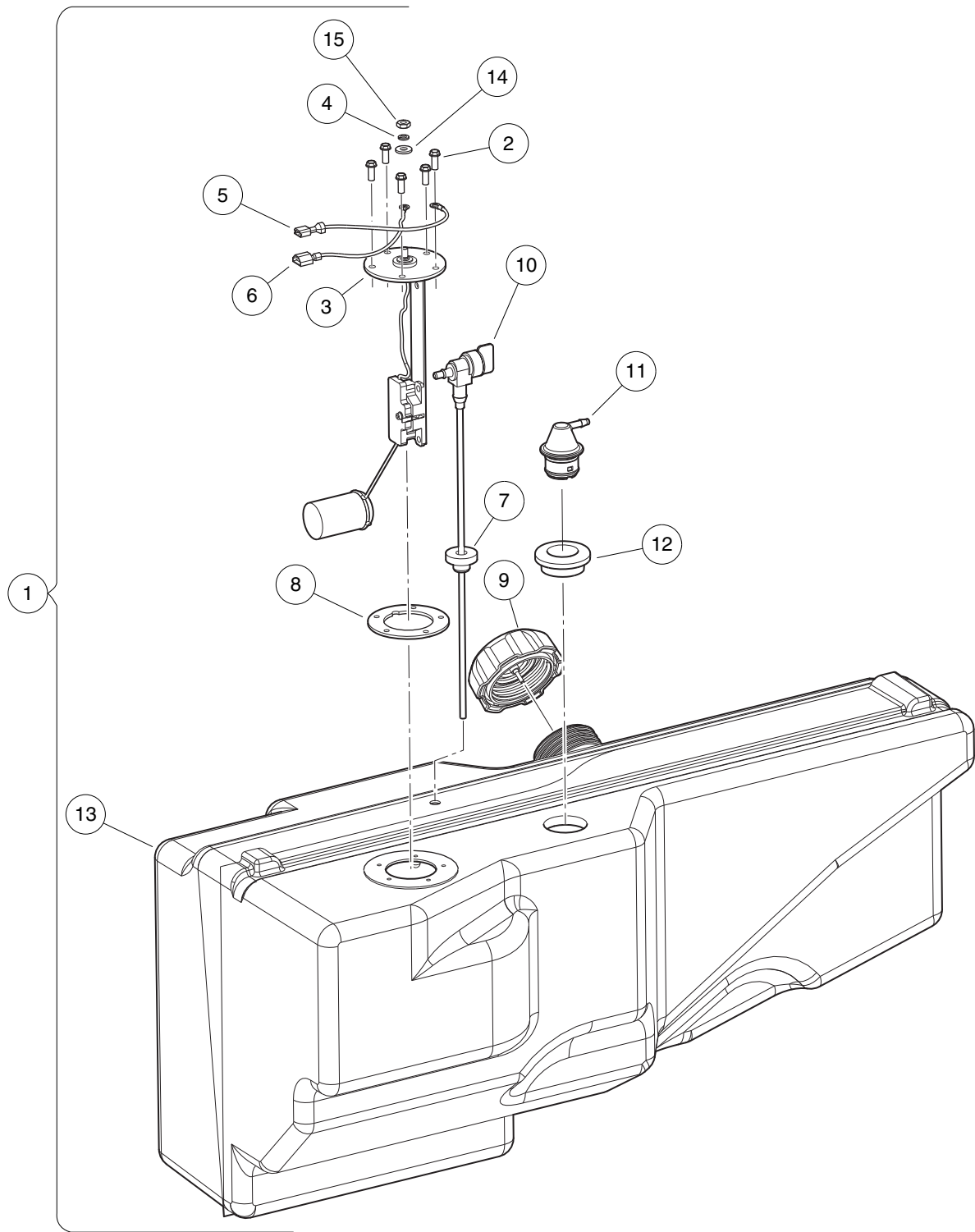


# FUEL, INTAKE, ACCELERATOR & GOVERNOR SYSTEMS – KAWASAKI

---

11

G



000082-008

## FUEL TANK – GASOLINE VEHICLE

| ITEM | PART NO.  | DESCRIPTION                                                                  | QTY |
|------|-----------|------------------------------------------------------------------------------|-----|
|      |           | 1 2 3 4                                                                      |     |
| 1    | 103963701 | Asm, Tank Fuel, Gas 4x4 Nano (includes items 2 through 15) .....             | 1   |
| 2    | 1013461   | Screw, #10-16 Hex-Head Hi-Lo .....                                           | 5   |
| 3    | 1013462   | Sending Unit, Fuel Level * .....                                             | 1   |
| 4    | 1016      | Lockwasher, #10 Split .....                                                  | 1   |
| 5    | N/A       | Wire Asm, Blk, 170mm .....                                                   | 1   |
| 6    | N/A       | Wire Asm, Org, 170mm .....                                                   | 1   |
| 7    | 102406701 | Bushing, Line, Return .....                                                  | 1   |
| 8    | 102522001 | Gasket, Rubber .....                                                         | 1   |
| 9    | 103372101 | Cap, Fuel Tank, Gas, Ratchet .....                                           | 1   |
| 10   | 103372302 | Valve, Fuel, 288mm .....                                                     | 1   |
| 11   | 103905201 | Assembly, Vent, Fuel, 1/4 Inch O.D. ....                                     | 1   |
| 12   | 103944301 | Grommet, Fuel Tank, Vent .....                                               | 1   |
| 13   | N/A       | Tank, Fuel, Gas, 4x4 Nano .....                                              | 1   |
| 14   | 183       | Washer, #10, Type A, Flat .....                                              | 1   |
| 15   | 8797      | Nut, #10-32 Brass Hex .....                                                  | 1   |
|      |           | * Note: Must replace fuel sending unit gasket when servicing this component. |     |

**11**  
**G**

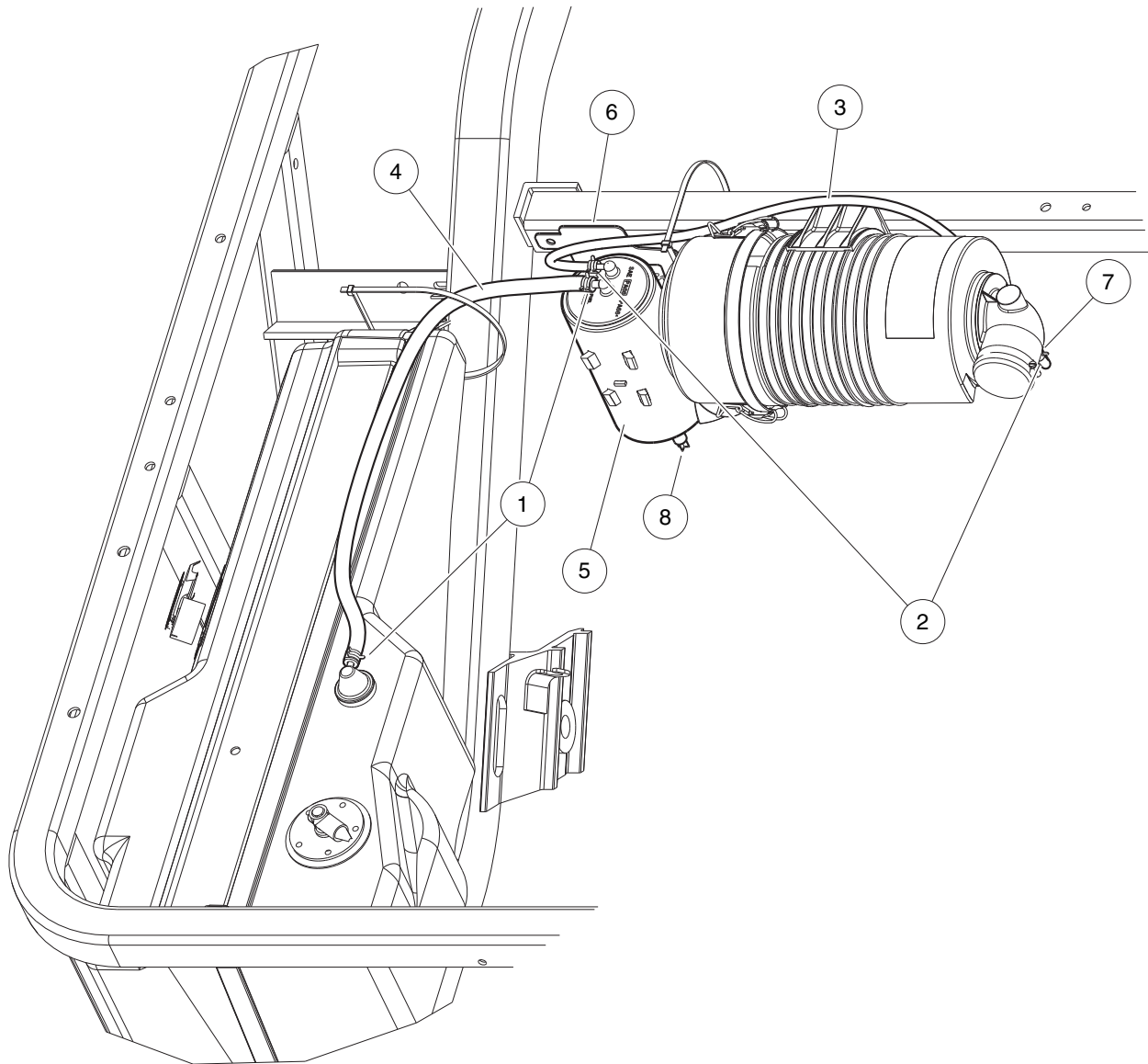


## FUEL PUMP, FILTER AND HOSE – KAWASAKI FH680

| ITEM | PART NO.  | DESCRIPTION                                  | QTY |
|------|-----------|----------------------------------------------|-----|
|      |           | 1 2 3 4                                      |     |
| 1    | 1012649   | Clamp, 0.460 Red Hose .....                  | 4   |
| 2    | 102003201 | Filter, Fuel, 30 Micron .....                | 1   |
| 3    | 102410604 | P-clamp, Insulated, 0.625 Inch .....         | 1   |
| 4    | 102426301 | Strap, Tank, Fuel .....                      | 1   |
| 5    | 102618601 | Lock Nut, Flange, M8 X 1.25 Nylon .....      | 1   |
| 6    | 102865101 | Fuel Line, 1/4 (available by the foot) ..... | A/R |
| 7    | 102992501 | Bolt, Flg, M6 X 1.0 X 16 .....               | 1   |
| 8    | 103009901 | Bracket, Fuel Pump, Fh .....                 | 1   |
| 9    | 103010101 | Pump, Fuel, Impulse, Fh .....                | 1   |
| 10   | 103298501 | Bolt, Flanged, M6 X 20, Kaw .....            | 2   |
| 11   | 324       | Screw, 1/4-20 X 2.50 Hx Hd Cap .....         | 1   |
| 12   | 8233      | Locknut, 1/4-20, Nylon Insert .....          | 1   |

11

G

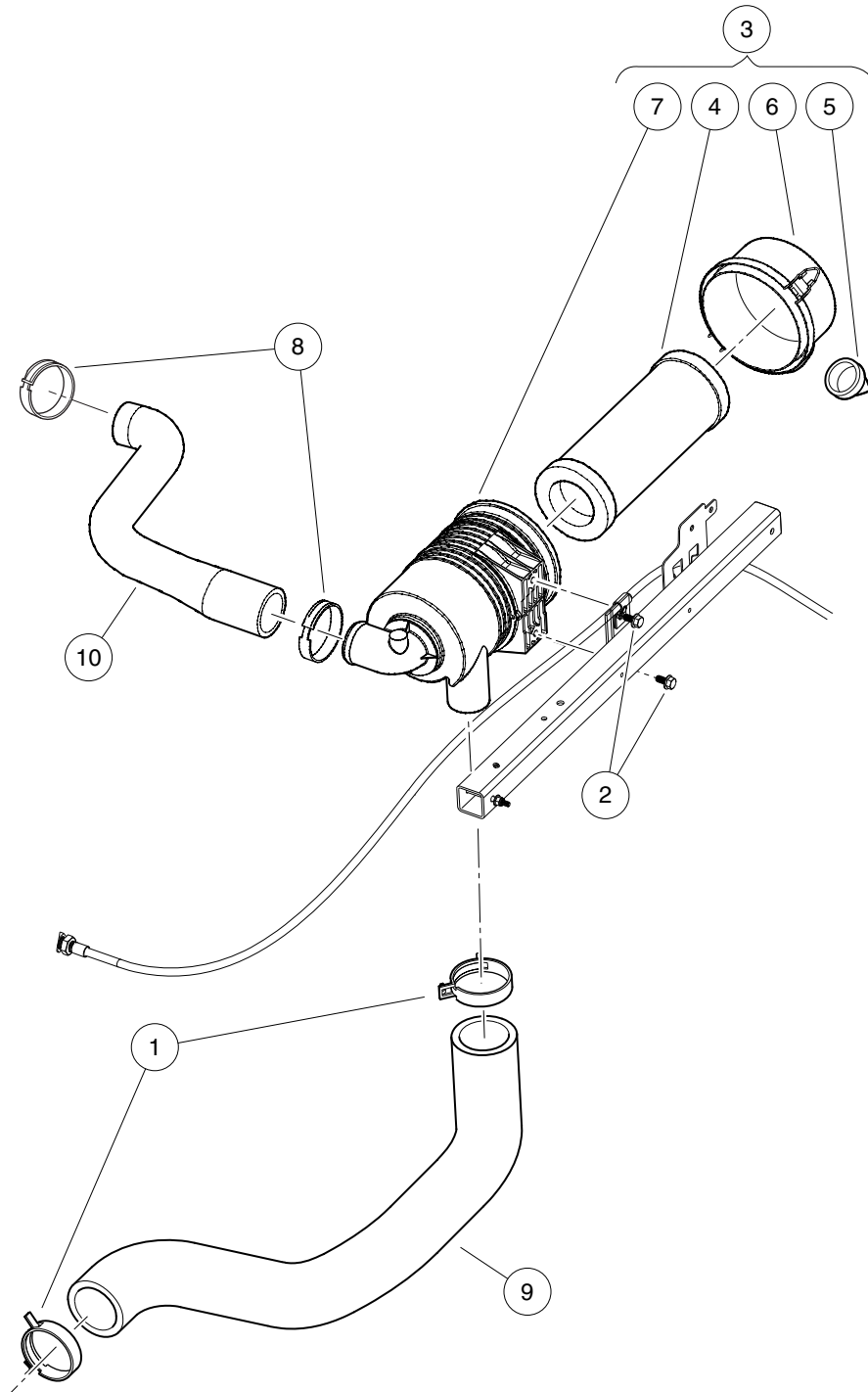


000972-001

## CARBON CANISTER – GASOLINE VEHICLE

| ITEM | PART NO.  | DESCRIPTION                                                     | QTY |
|------|-----------|-----------------------------------------------------------------|-----|
|      |           | <b>1 2 3 4</b>                                                  |     |
| 1    | 1012649   | Clamp, 0.460 Red Hose .....                                     | 2   |
| 2    | 101313402 | Clamp, Green Hose .....                                         | 2   |
| 3    | 1015137   | Fuel Line, 3/16 (available by the foot) .....                   | 3   |
| 4    | 102865101 | Fuel Line, 1/4 (available by the foot) .....                    | 2   |
| 5    | 103372401 | Canister, Carbon .....                                          | 1   |
| 6    | 103452001 | Brkt, Mtg, Carbon Canister .....                                | 1   |
| 7    | 103701301 | Adapter, 1/8 Npt X 3/16 Barb .....                              | 1   |
| 8    | 103756401 | Asm, Vent Line, Carbon Canister (includes items 9 and 10) ..... | 1   |
| 9    | N/A       | Hose, Vent, 5/16 I.D., Bulk .....                               | 1   |
| 10   | N/A       | Vent, Barb, 5/16 I.D. Hose .....                                | 1   |

**11**  
**G**



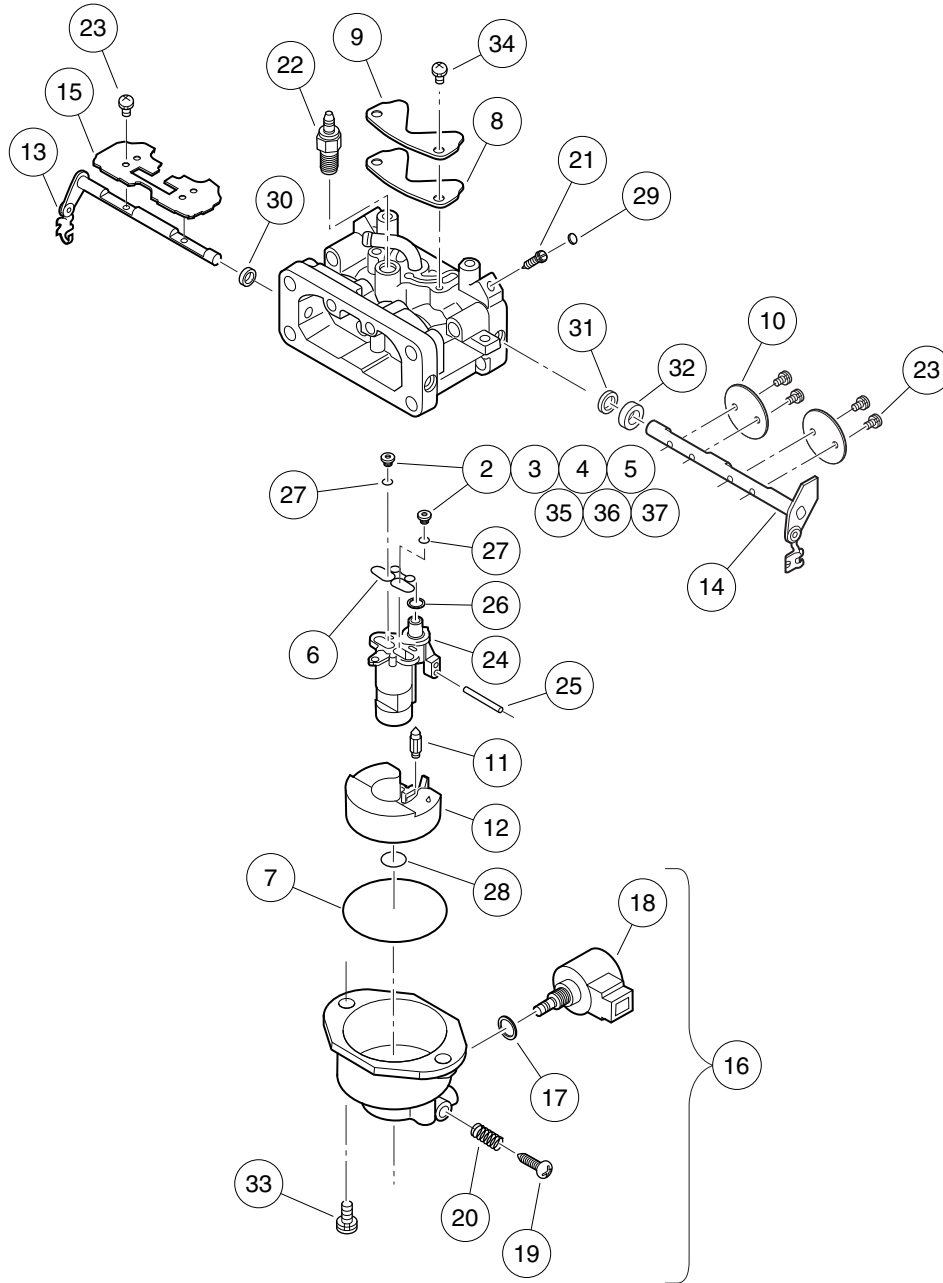
000090-006



# INTAKE HOSES AND AIR FILTER – KAWASAKI FH680

| ITEM | PART NO.  | DESCRIPTION                                                          | QTY |
|------|-----------|----------------------------------------------------------------------|-----|
|      |           | 1 2 3 4                                                              |     |
| 1    | 102411210 | Clamp, Hose, Ctb 64mm .....                                          | 2   |
| 2    | 102621201 | Bolt, Flanged Head, M8 X1.25x 16, with Loctite .....                 | 2   |
| 3    | 102810701 | Filter, Air, Canister, with Label (includes items 4 through 7) ..... | 1   |
| 4    | 102498601 | Element, Filter, Air, 5 Inch .....                                   | 1   |
| 5    | 102725501 | Valve, Evacuator, Filter Air .....                                   | 1   |
| 6    | 102725601 | Cap, Latch Lock, Filter, Air .....                                   | 1   |
| 7    | N/A       | Body, Canister, Filter, Air .....                                    | 1   |
| 8    | 103441401 | Clamp, Worm Screw, Hose, 2" .....                                    | 2   |
| 9    | 103848401 | Hose, Intake, Air .....                                              | 1   |
| 10   | 103924701 | Hose, Air Intake, Awd, Gas .....                                     | 1   |

**11**  
**G**



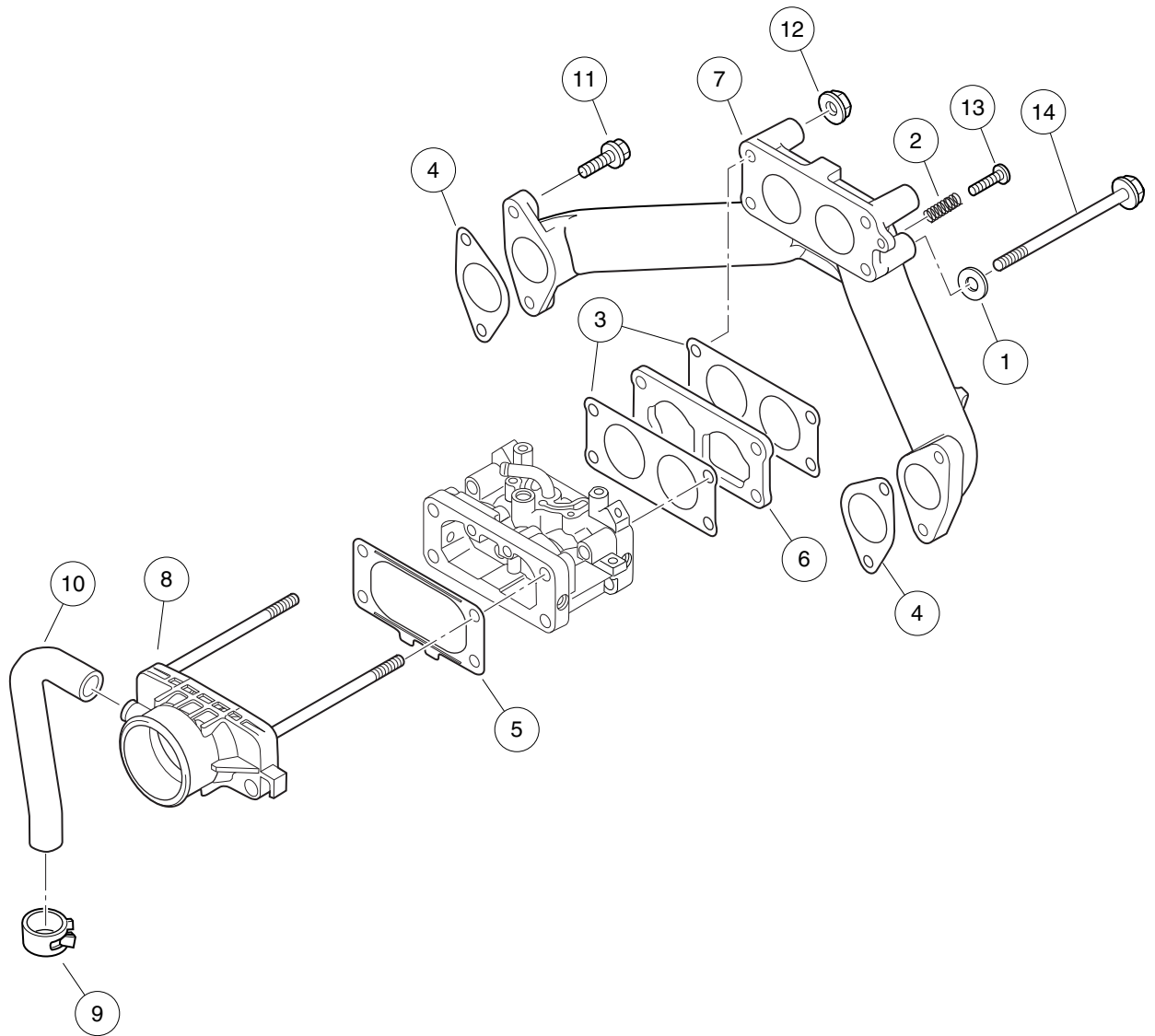
000673-004

# CARBURETOR – KAWASAKI FH680

| ITEM | PART NO.  | DESCRIPTION                                                             | QTY |
|------|-----------|-------------------------------------------------------------------------|-----|
|      |           | 1 2 3 4                                                                 |     |
| 1    | 103596801 | Asm, Carburetor, FH680D (includes items 2 through 35) .....             | 1   |
| 2    | 103307201 | Kit, Jet, 6600 Ft +, Fh680d (includes item 3) .....                     | 1   |
| 3    | 103306801 | Jet, Push In #96, FH680D (6600 ft and higher (2000 m and higher)) ..... | 2   |
| 4    | 103307301 | Kit, Jet, 3300-6600 Ft, Fh680d (includes item 5) .....                  | 1   |
| 5    | 103306901 | Jet, Push In #99, FH680D (3300-6600 ft (1000-2000 m)) .....             | 2   |
| 6    | 103340601 | Gasket, Fh680d .....                                                    | 1   |
| 7    | 103340701 | Gasket, Carburetor, Dia. 52 .....                                       | 1   |
| 8    | 103340801 | Gasket, Cover, Fh680d .....                                             | 1   |
| 9    | 103340901 | Cover, Slow Passage, Fh680d .....                                       | 1   |
| 10   | 103341101 | Valve, Throttle, Fh680d .....                                           | 2   |
| 11   | 103341201 | Valve, Float, Fh680d .....                                              | 1   |
| 12   | 103341301 | Float, Carburetor, Fh680d .....                                         | 1   |
| 13   | 103341401 | Shaft, Carburetor, Fh680d .....                                         | 1   |
| 14   | 103341501 | Shaft, Carburetor, Throttle .....                                       | 1   |
| 15   | 103341601 | Valve, Carburetor, Fh680d .....                                         | 1   |
| 16   | 103341701 | Asm, Chamber, Float, Fh680d (includes items 17 through 20) .....        | 1   |
| 17   | 103340501 | Gasket, Carburetor, Fh680d .....                                        | 1   |
| 18   | 103341901 | Solenoid, Carburetor, Fh680d .....                                      | 1   |
| 19   | 103342201 | Screw, Drain, Carburetor .....                                          | 1   |
| 20   | 103343601 | Spring, Carburetor, Fh680d .....                                        | 1   |
| 21   | 103341801 | Needle, Jet, Fh680d .....                                               | 2   |
| 22   | 103342001 | Heater, Carburetor, Fh680d .....                                        | 1   |
| 23   | 103342101 | Screw, Carburetor, M3 X 6 .....                                         | 6   |
| 24   | 103342301 | Spacer, Carburetor, Fh680d .....                                        | 1   |
| 25   | N/A       | Pin, Carburetor, Fh680d .....                                           | 1   |
| 26   | 103342501 | O-ring, Carburetor, Dia. 6.5 .....                                      | 1   |
| 27   | 103342601 | O-ring, Carburetor, Fh680d .....                                        | 2   |
| 28   | 103342701 | O-ring, Carburetor, Dia. 9 .....                                        | 1   |
| 29   | 103343301 | Plug, Expansion, Carburetor .....                                       | 2   |
| 30   | 103343401 | Seal, Carburetor, Dia. 5.9 .....                                        | 1   |
| 31   | 103343501 | Seal, Carburetor, Fh680d .....                                          | 1   |
| 32   | 103343701 | Collar, Carburetor, Fh680d .....                                        | 1   |
| 33   | 103343801 | Screw, Carburetor, M5 .....                                             | 2   |
| 34   | 103343901 | Screw, Carburetor, M4 .....                                             | 2   |
| 35   | 103596701 | Kit, Jet, 0-3300 ft. FH680D (includes items 36 and 37) .....            | 1   |
| 36   | 103307001 | Jet, Push In #102, FH680D (0-3300 ft (0-1000 m)) .....                  | 1   |
| 37   | 103596601 | Jet, Push In, #104 FH680D (0-3000 ft (0-1000m)) .....                   | 1   |

11

G

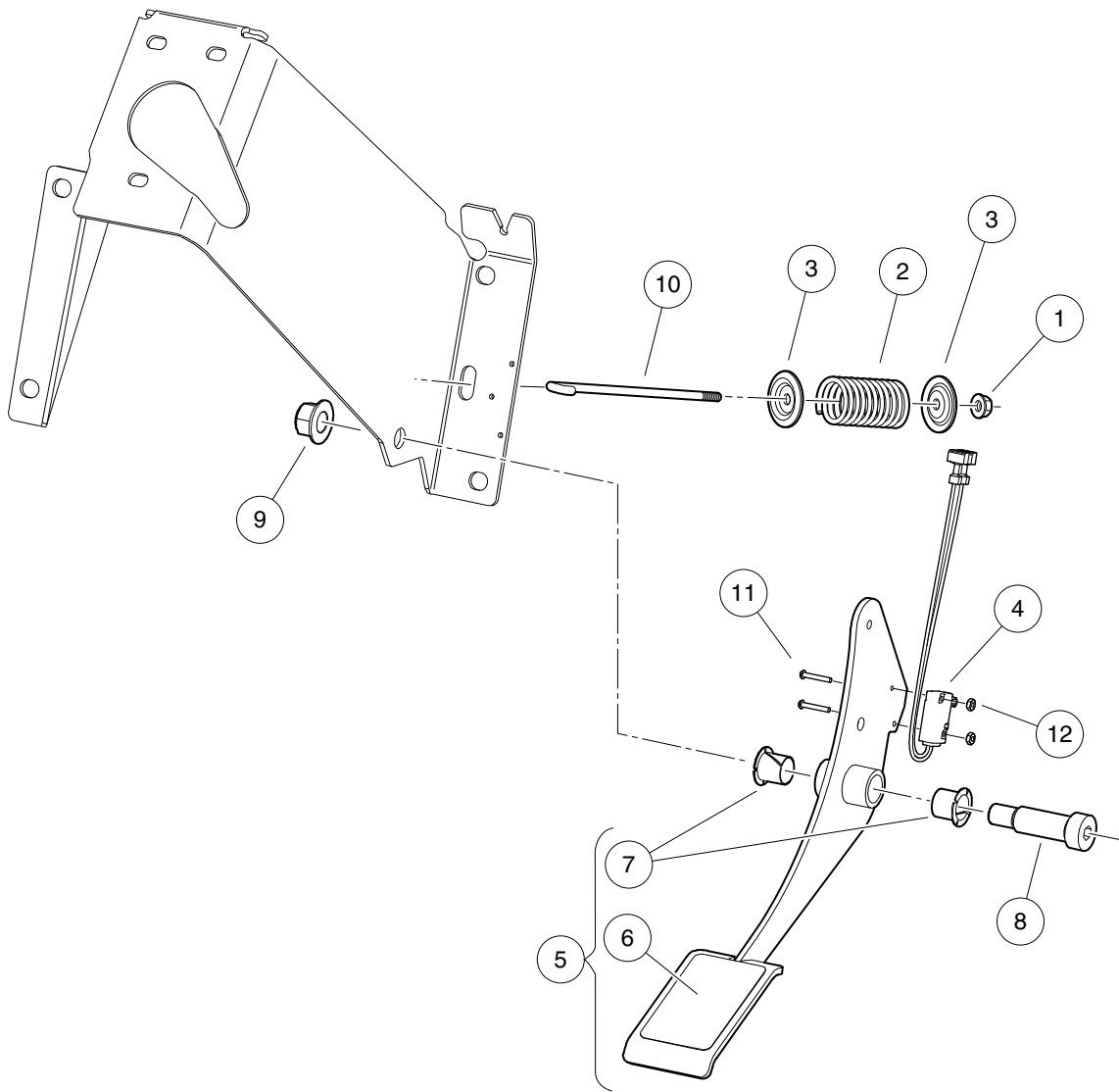


000673-002

# INTAKE MANIFOLD AND CARBURETOR MOUNTING – KAWASAKI FH680

| ITEM | PART NO.  | DESCRIPTION                         | QTY |
|------|-----------|-------------------------------------|-----|
|      |           | 1 2 3 4                             |     |
| 1    | 1016513   | Washer, M6 Flat .....               | 2   |
| 2    | 103002801 | Spring, Fh .....                    | 1   |
| 3    | 103003801 | Gasket, Carburetor, Fh .....        | 2   |
| 4    | 103003901 | Gasket, Manifold, Fh .....          | 2   |
| 5    | 103004201 | Gasket, Air Filter, Fh .....        | 1   |
| 6    | 103005001 | Insulator, Manifold, Fh .....       | 1   |
| 7    | 103005601 | Manifold, Intake, Fh .....          | 1   |
| 8    | 103297101 | Pipe, Intake Adapter, Fh .....      | 1   |
| 9    | 103297201 | Clamp, Crankcase Vent, Fh .....     | 1   |
| 10   | 103297301 | Tube, Crankcase Vent, Fh .....      | 1   |
| 11   | 103298501 | Bolt, Flanged, M6 X 20, Kaw .....   | 4   |
| 12   | 103320201 | Nut, Carburetor, M6 .....           | 2   |
| 13   | 103320301 | Screw, Carburetor, M4 X 20 .....    | 1   |
| 14   | 103320401 | Bolt, Flg, Carburetor, M6x105 ..... | 2   |

**11**  
**G**



000026-003

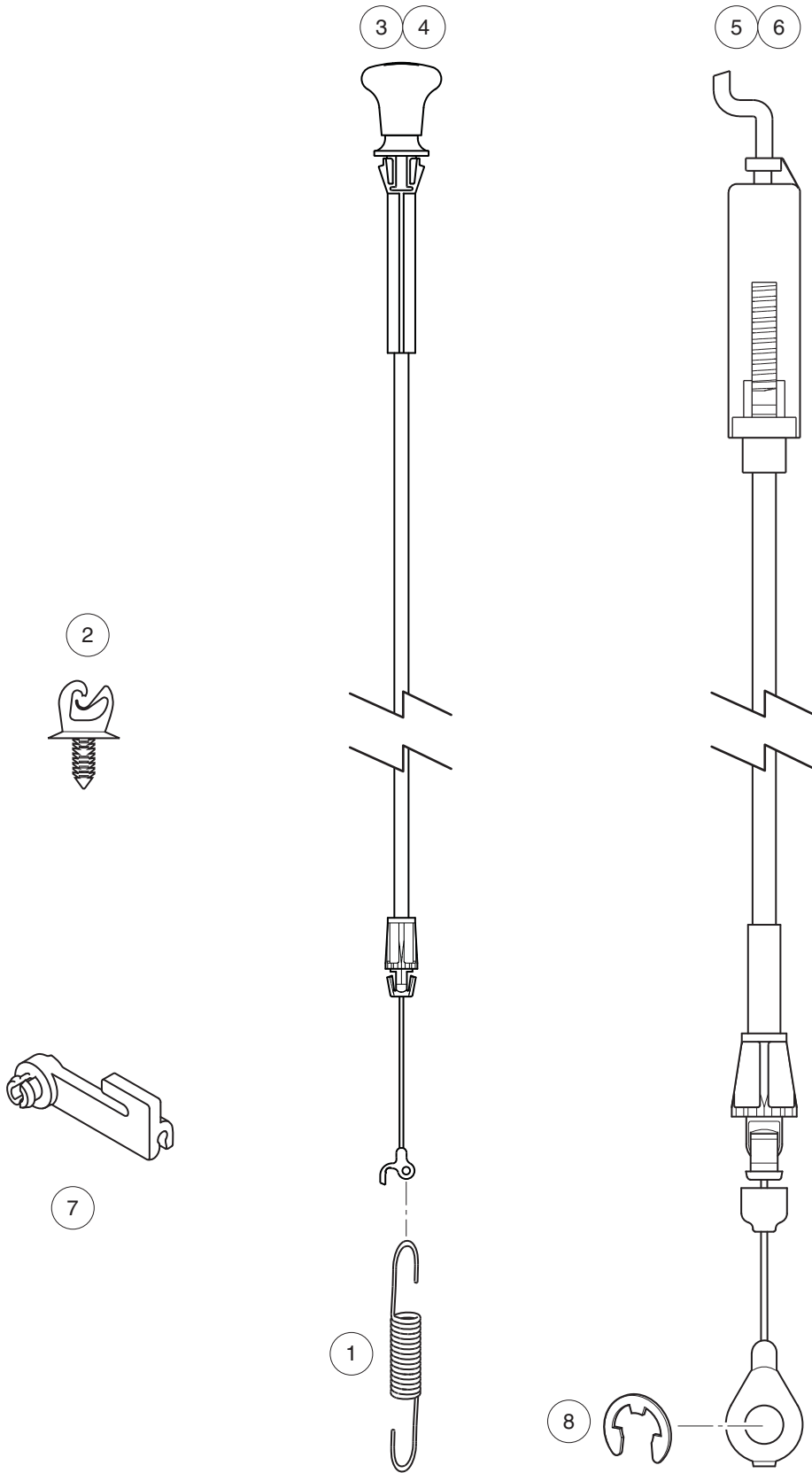
# ACCELERATOR PEDAL

| ITEM                                                                                                                       | PART NO.  | DESCRIPTION                                            | QTY |
|----------------------------------------------------------------------------------------------------------------------------|-----------|--------------------------------------------------------|-----|
|                                                                                                                            |           | 1 2 3 4                                                |     |
| 1                                                                                                                          | 102296401 | Nut, M6x1.0, Flange, Metal Lock .....                  | 1   |
| 2                                                                                                                          | 102445201 | Spring, Comp, Pedal, Pullrod .....                     | 1   |
| 3                                                                                                                          | 102461401 | Washer, Retaining Spring, 7mm .....                    | 2   |
| 4                                                                                                                          | 103327201 | Asm, Switch, Limit, Awd .....                          | 1   |
| 5                                                                                                                          | 103478901 | Asm, Pedal, Accelerator (includes items 6 and 7) ..... | 1   |
| 6                                                                                                                          | 102479301 | Pad, Grip Tape, Accelerator .....                      | 1   |
| 7                                                                                                                          | 103479101 | Bushing, Nyliner, 5/8" .....                           | 2   |
| 8                                                                                                                          | 103479201 | Bolt, Shoulder, 5/8 X 1 1/2 .....                      | 1   |
| 9                                                                                                                          | 103479301 | Nut Hex Flg 1/2-13 Nylock Gr G .....                   | 1   |
| 10                                                                                                                         | 103883201 | Rod, Accelerator Return, J .....                       | 1   |
| 11                                                                                                                         | 8056      | Screw, #4-40 X 0.75 Round-Head Machine .....           | 2   |
| 12                                                                                                                         | 8057      | Nut, #4-40 Hex Machine .....                           | 2   |
| <p style="margin-left: 40px;">Note: Items 4 (switch), 11 (screw) and 12 (nut) are not used in two-wheel drive vehicle.</p> |           |                                                        |     |

11

G

**11**  
**G**



000536-011



# ACCELERATOR AND CHOKE CABLES – KAWASAKI FH680

| ITEM | PART NO.  | DESCRIPTION                                     | QTY |
|------|-----------|-------------------------------------------------|-----|
|      |           | 1 2 3 4                                         |     |
| 1    | 102457001 | Spring .....                                    | 1   |
| 2    | 102475701 | Clip, Brake Line .....                          | 4   |
| 3    | 103277401 | Cable, Choke, AWD, FH680D, 295/1550 .....       | 1   |
| 4    | 103293401 | Cable, Choke, AWD, FH680D, 295 SE/1550 SE ..... | 1   |
| 5    | 103921801 | Cable, Accelerator, AWD, Gas, SE .....          | 1   |
| 6    | 103922001 | Cable, Accelerator, AWD, Gas .....              | 1   |
| 7    | 105315101 | Clip, Choke Cable, Fh680d .....                 | 1   |
| 8    | 96950126  | Ring, Retaining .....                           | 1   |

11

G



# GOVERNOR ARM AND SPRINGS

| ITEM | PART NO.  | DESCRIPTION                                                       | QTY |
|------|-----------|-------------------------------------------------------------------|-----|
|      |           | 1 2 3 4                                                           |     |
| 1    | N/A       | Nut, M6 .....                                                     | 1   |
| 2    | 1016513   | Washer, M6 Flat .....                                             | 1   |
| 3    | 103002001 | Shaft, Governor, Fh .....                                         | 1   |
| 4    | 103002101 | Plate, Governor, Fh .....                                         | 1   |
| 5    | 103002301 | Link, Arm, Governor, Fh .....                                     | 1   |
| 6    | 103002401 | Spring, Governor, Fh .....                                        | 1   |
| 7    | 103002501 | Arm, Governor, Shaft .....                                        | 1   |
| 8    | 103002901 | Spring, Arm, Governor, Fh .....                                   | 1   |
| 9    | 103297701 | Panel, Control, Complete, Fh (includes items 10 through 19) ..... | 1   |
| 10   | 102992401 | Bolt, Flg, M6 X 1.0 X 12 .....                                    | 2   |
| 11   | 103002801 | Spring, Fh .....                                                  | 2   |
| 12   | 103297401 | Lever, Governor, Control, Fh .....                                | 1   |
| 13   | 103297501 | Spring, Governor Return, Fh .....                                 | 1   |
| 14   | 103297601 | Collar, Governor, Fh .....                                        | 1   |
| 15   | 103297801 | Nut, Governor, Fh .....                                           | 1   |
| 16   | 103298001 | Bolt, Speed Control, Fh .....                                     | 2   |
| 17   | 103298201 | Washer, Governor, Lower, Fh .....                                 | 2   |
| 18   | 103298301 | Washer, Governor, Middle, Fh .....                                | 2   |
| 19   | 103298501 | Bolt, Flanged, M6 X 20, Kaw .....                                 | 1   |
| 20   | 103298101 | Bolt, M6 X 35, Kawasaki .....                                     | 1   |
| 21   | 103298601 | Screw, Pan, Governor, Fh .....                                    | 2   |

11

G

11

G

# FUEL, INTAKE & ACCELERATOR SYSTEMS – KUBOTA DIESEL ENGINE

---

12

D



## FUEL TANK – DIESEL VEHICLE

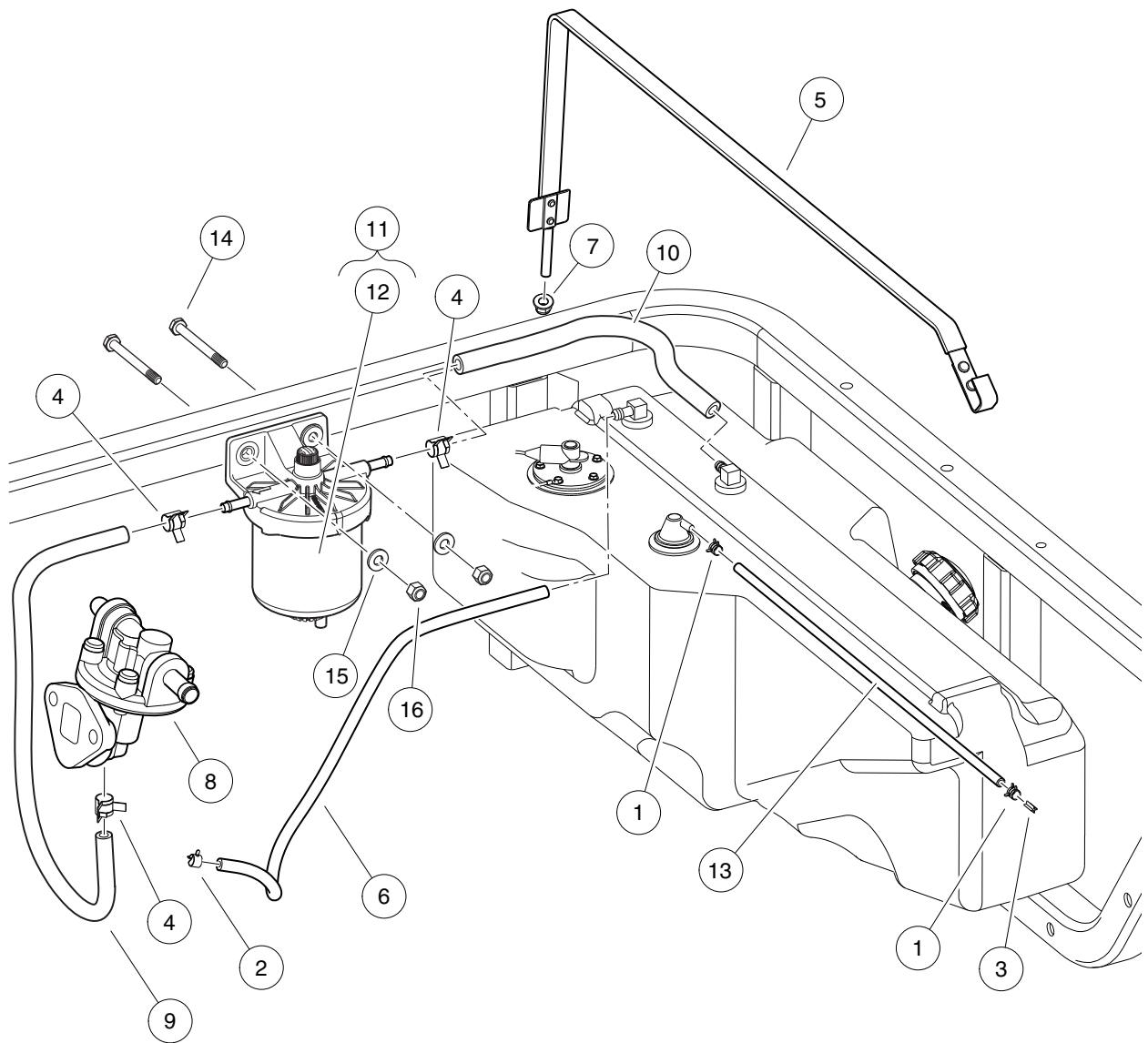
| ITEM | PART NO.  | DESCRIPTION                                                                  | QTY |
|------|-----------|------------------------------------------------------------------------------|-----|
|      |           | <b>1 2 3 4</b>                                                               |     |
| 1    | 103963501 | Asm, Tank Fuel, Diesel, 4x4 (includes items 2 through 16) .....              | 1   |
| 2    | 1013461   | Screw, #10-16 Hex-Head Hi-Lo .....                                           | 5   |
| 3    | 1013462   | Sending Unit, Fuel Level * .....                                             | 1   |
| 4    | 1016      | Lockwasher, #10 Split .....                                                  | 1   |
| 5    | N/A       | Wire Asm, Blk, 170mm .....                                                   | 1   |
| 6    | N/A       | Wire Asm, Org, 170mm .....                                                   | 1   |
| 7    | 102406701 | Bushing, Line, Return .....                                                  | 2   |
| 8    | 102406801 | Elbow, 90 Degree, Barbed .....                                               | 1   |
| 9    | 102478501 | Pickup Tube, Fuel .....                                                      | 1   |
| 10   | 102494701 | Cap, Fuel (Diesel) .....                                                     | 1   |
| 11   | 102522001 | Gasket, Rubber .....                                                         | 1   |
| 12   | 103905201 | Assembly, Vent, Fuel, 1/4 Inch O.D. ....                                     | 1   |
| 13   | 103944301 | Grommet, Fuel Tank, Vent .....                                               | 1   |
| 14   | 103950101 | Tank, Fuel, Dsl, 4x4 .....                                                   | 1   |
| 15   | 183       | Washer, #10, Type A, Flat .....                                              | 1   |
| 16   | 8797      | Nut, #10-32 Brass Hex .....                                                  | 1   |
|      |           | * Note: Must replace fuel sending unit gasket when servicing this component. |     |

12

D

12

D



000081-008



## FUEL PUMP, FILTER AND HOSE – DIESEL

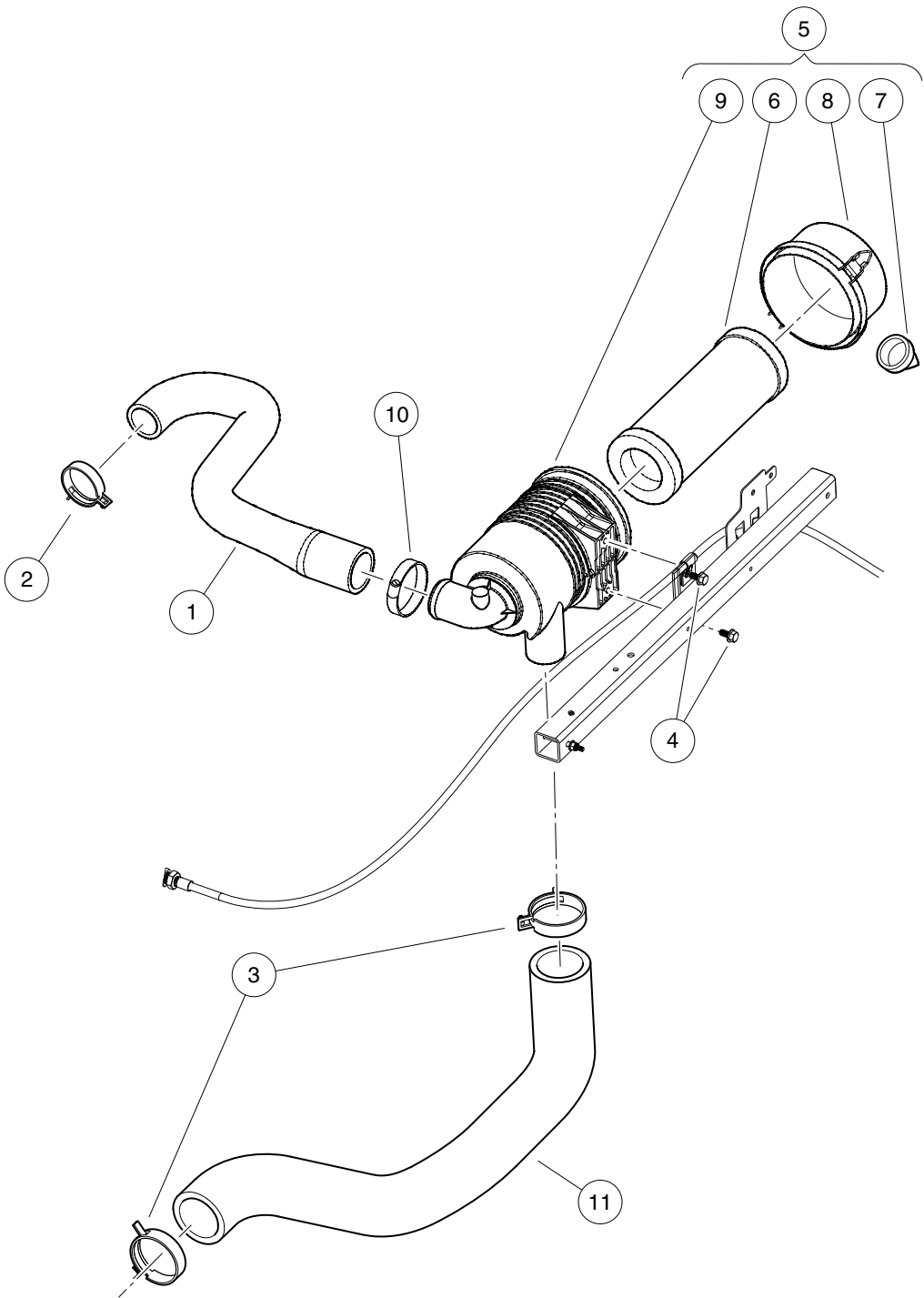
| ITEM | PART NO.  | DESCRIPTION                                                     | QTY |
|------|-----------|-----------------------------------------------------------------|-----|
|      |           | 1 2 3 4                                                         |     |
| 1    | 1012649   | Clamp, 0.460 Red Hose .....                                     | 2   |
| 2    | 101313402 | Clamp, Green Hose .....                                         | 1   |
| 3    | 101824401 | Vent Barb .....                                                 | 1   |
| 4    | 102411203 | Clamp, Hose, Ctb 14mm Dia. ....                                 | 3   |
| 5    | 102426301 | Strap, Tank, Fuel .....                                         | 1   |
| 6    | 102430401 | Hose, Fuel Return .....                                         | 1   |
| 7    | 102618601 | Lock Nut, Flange, M8 X 1.25 Nylon .....                         | 1   |
| 8    | 103591301 | Pump, Diesel Fuel, Mechanical .....                             | 1   |
| 9    | 103593201 | Hose, Awd Water Sep To Mech Fp .....                            | 1   |
| 10   | 103593301 | Hose, Awd Water Sep To Tank .....                               | 1   |
| 11   | 103747301 | Assembly, Filter/Bracket, Fuel, Diesel (includes item 12) ..... | 1   |
| 12   | 103761801 | Filter, Fuel, Diesel .....                                      | 1   |
| 13   | 103896603 | Hose, Vent, 1/4 Id, 22 In .....                                 | 1   |
| 14   | 324       | Screw, 1/4-20 X 2.50 Hx Hd Cap .....                            | 2   |
| 15   | 332       | Washer, 1/4 Type A Narrow Flat .....                            | 2   |
| 16   | 8233      | Locknut, 1/4-20, Nylon Insert .....                             | 2   |

12

D

12

D



000090-010

## INTAKE HOSES AND AIR FILTER – DIESEL VEHICLE

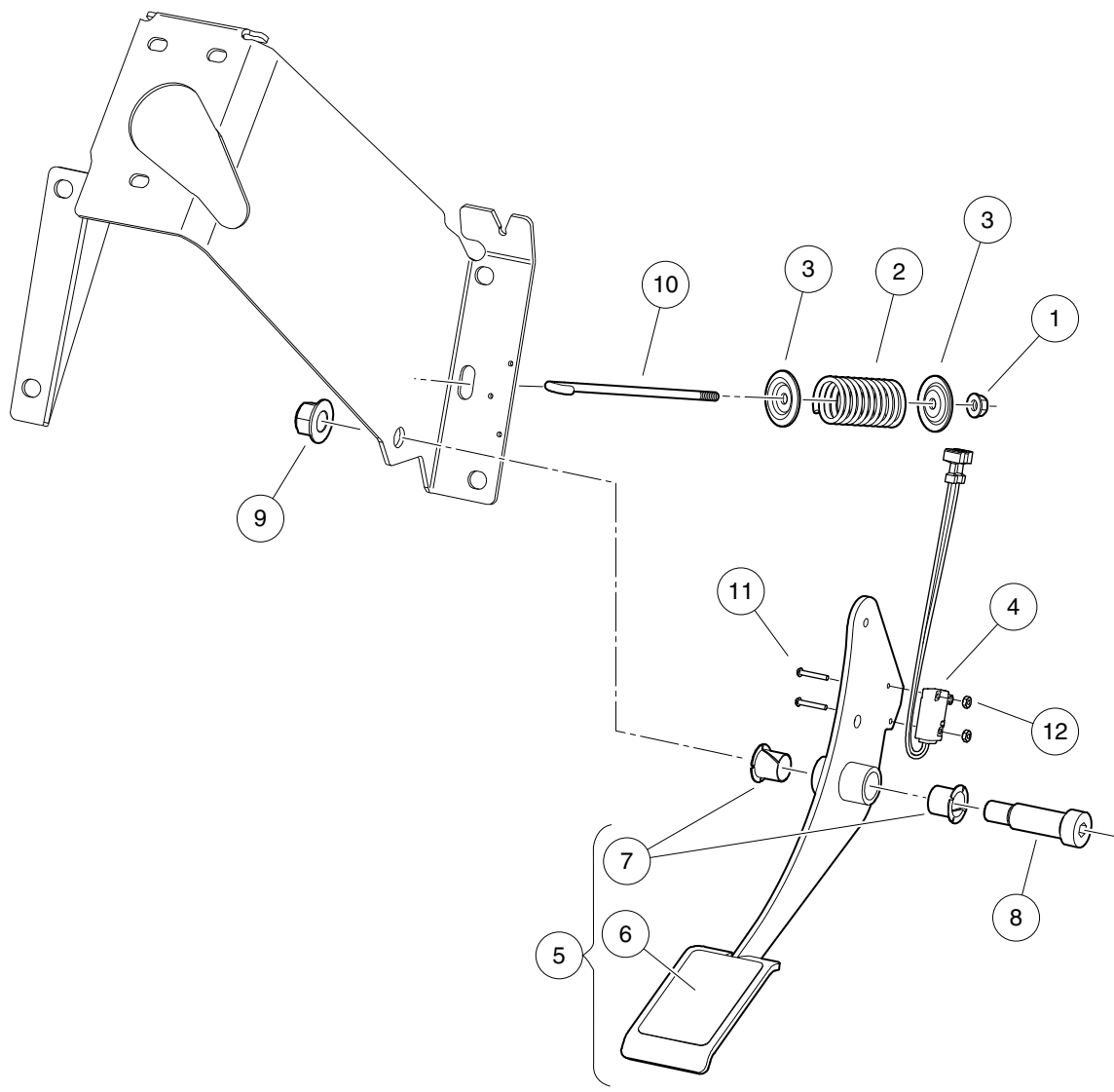
| ITEM | PART NO.  | DESCRIPTION                                                          | QTY |
|------|-----------|----------------------------------------------------------------------|-----|
|      |           | 1 2 3 4                                                              |     |
| 1    | 102379001 | Hose, Intake, Kubota, Diesel, Engine .....                           | 1   |
| 2    | 102411209 | Clamp, Hose, Ctb 55mm Dia. ....                                      | 1   |
| 3    | 102411210 | Clamp, Hose, Ctb 64mm .....                                          | 2   |
| 4    | 102621201 | Bolt, Flanged Head, M8 X1.25x 16, with Loctite .....                 | 2   |
| 5    | 102810701 | Filter, Air, Canister, with Label (includes items 6 through 9) ..... | 1   |
| 6    | 102498601 | Element, Filter, Air, 5 Inch .....                                   | 1   |
| 7    | 102725501 | Valve, Evacuator, Filter Air .....                                   | 1   |
| 8    | 102725601 | Cap, Latch Lock, Filter, Air .....                                   | 1   |
| 9    | N/A       | Body, Canister, Filter, Air .....                                    | 1   |
| 10   | 103441401 | Clamp, Worm Screw, Hose, 2" .....                                    | 1   |
| 11   | 103848401 | Hose, Intake, Air .....                                              | 1   |

12

D

12

D



000026-003

# ACCELERATOR PEDAL

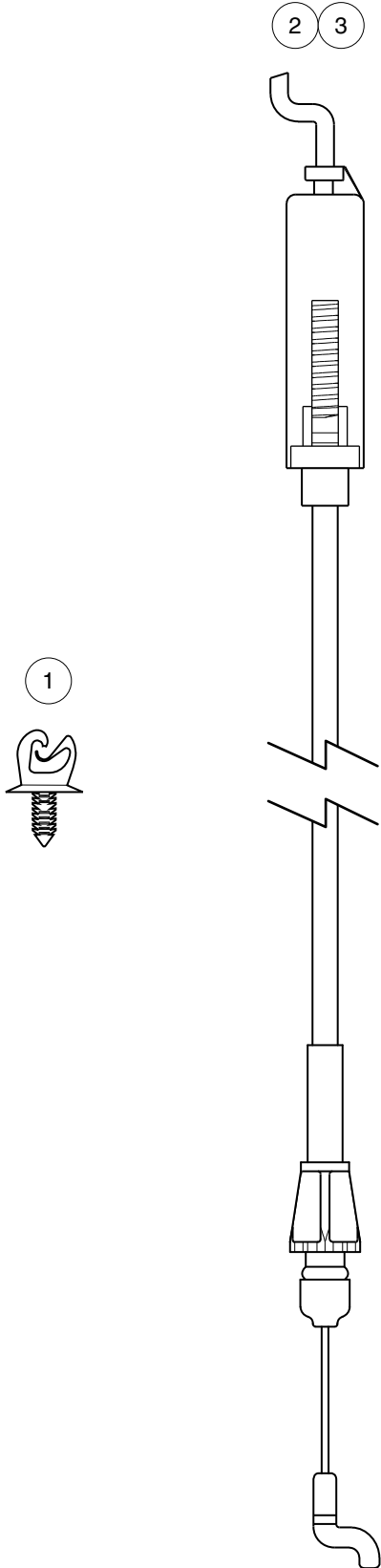
| ITEM | PART NO.  | DESCRIPTION                                                                              | QTY |
|------|-----------|------------------------------------------------------------------------------------------|-----|
|      |           | <b>1 2 3 4</b>                                                                           |     |
| 1    | 102296401 | Nut, M6x1.0, Flange, Metal Lock .....                                                    | 1   |
| 2    | 102445201 | Spring, Comp, Pedal, Pullrod .....                                                       | 1   |
| 3    | 102461401 | Washer, Retaining Spring, 7mm .....                                                      | 2   |
| 4    | 103327201 | Asm, Switch, Limit, Awd .....                                                            | 1   |
| 5    | 103478901 | Asm, Pedal, Accelerator (includes items 6 and 7) .....                                   | 1   |
| 6    | 102479301 | Pad, Grip Tape, Accelerator .....                                                        | 1   |
| 7    | 103479101 | Bushing, Nyliner, 5/8" .....                                                             | 2   |
| 8    | 103479201 | Bolt, Shoulder, 5/8 X 1 1/2 .....                                                        | 1   |
| 9    | 103479301 | Nut Hex Flg 1/2-13 Nylock Gr G .....                                                     | 1   |
| 10   | 103883201 | Rod, Accelerator Return, J .....                                                         | 1   |
| 11   | 8056      | Screw, #4-40 X 0.75 Round-Head Machine .....                                             | 2   |
| 12   | 8057      | Nut, #4-40 Hex Machine .....                                                             | 2   |
|      |           | Note: Items 4 (switch), 11 (screw) and 12 (nut) are not used in two-wheel drive vehicle. |     |

12

D

12

D



000536-012

## ACCELERATOR CABLE – DIESEL VEHICLE

| ITEM | PART NO.  | DESCRIPTION                                           | QTY |
|------|-----------|-------------------------------------------------------|-----|
|      |           | 1 2 3 4                                               |     |
| 1    | 102475701 | Clip, Brake Line .....                                | 3   |
| 2    | 103921701 | Cable, Accelerator, AWD, Diesel, 295 SE/1550 SE ..... | 1   |
| 3    | 103921901 | Cable, Accelerator, AWD, Diesel, 295/1550 .....       | 1   |

12

D

12

*D*



# EXHAUST SYSTEM – GAS & DIESEL

---

13

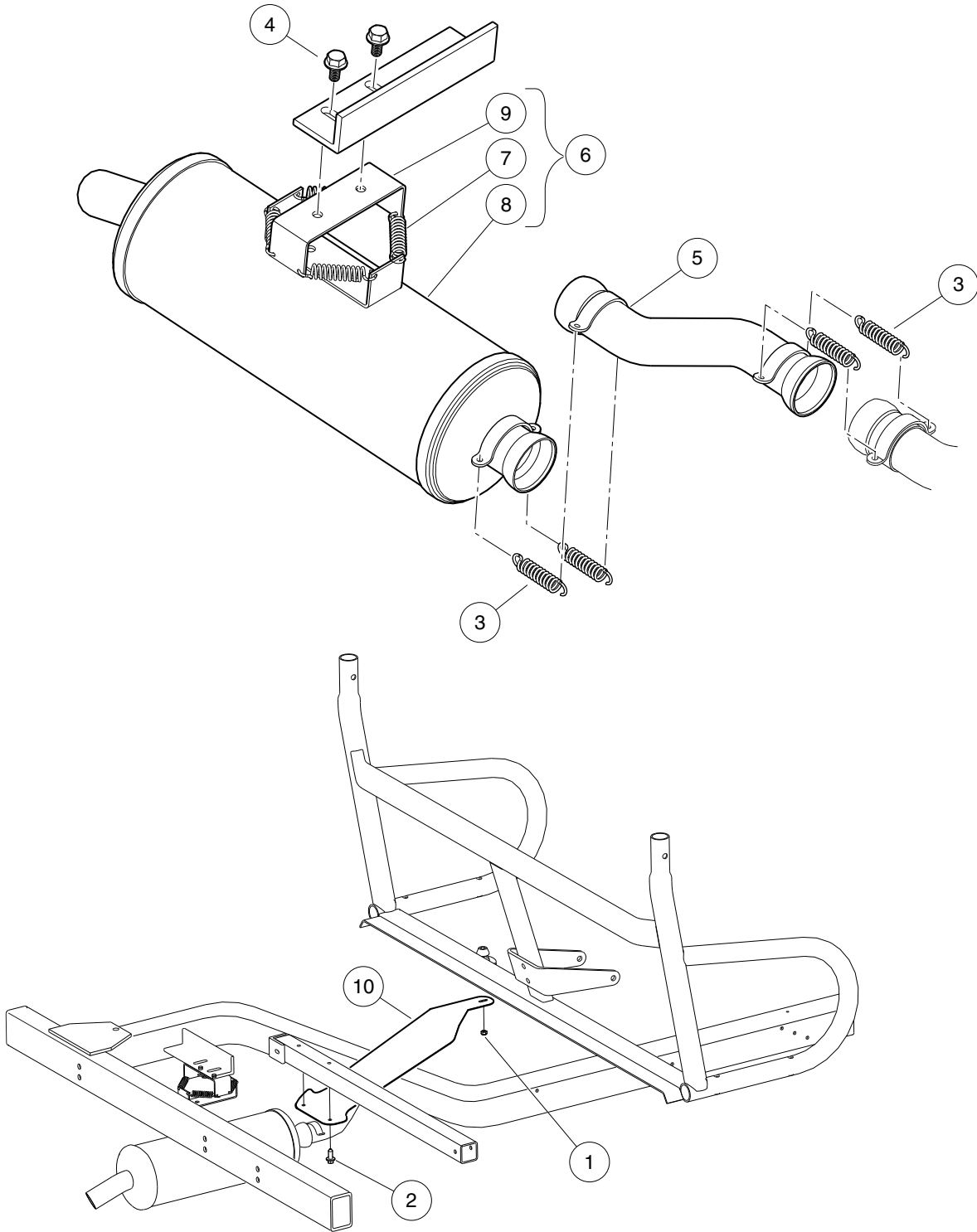
G

D

13

G

D



000538-005

## EXHAUST PIPE AND MUFFLER

| ITEM | PART NO.  | DESCRIPTION                                                       | QTY |
|------|-----------|-------------------------------------------------------------------|-----|
|      |           | <b>1 2 3 4</b>                                                    |     |
| 1    | 101887601 | Locknut, M6-1.00 Nylon Insert .....                               | 1   |
| 2    | 102298720 | Screw, M8-1.25x20, Taptite .....                                  | 2   |
| 3    | 102409501 | Spring, Exhaust .....                                             | 4   |
| 4    | 102621201 | Bolt, Flanged Head, M8 X1.25x 16, with Loctite .....              | 2   |
| 5    | 102786201 | Pipe, Exhaust, Int, Offset .....                                  | 1   |
| 6    | 102812801 | Asm, Muffler, AWD Homologation (includes items 7 through 9) ..... | 1   |
| 7    | 102409501 | Spring, Exhaust .....                                             | 4   |
| 8    | N/A       | Muffler .....                                                     | 1   |
| 9    | N/A       | Bracket, Muffler .....                                            | 1   |
| 10   | 102930901 | Shield, Exhaust, Clearance .....                                  | 1   |

13

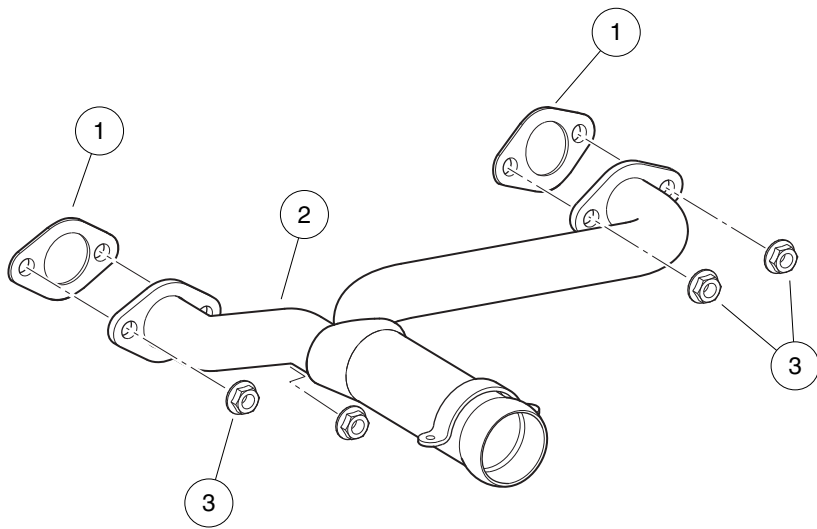
G

D

13

G

D



000538-004

## EXHAUST HEADER – KAWASAKI FH680

| ITEM | PART NO.  | DESCRIPTION                           | QTY |
|------|-----------|---------------------------------------|-----|
|      |           | 1 2 3 4                               |     |
| 1    | 102949301 | Gasket, Exhaust Header, Fh680d .....  | 2   |
| 2    | 103268101 | Header, Exhaust, Gas, Fh680d .....    | 1   |
| 3    | 96704416  | Nut, Flange, M8 X 1.25 Serrated ..... | 4   |

13

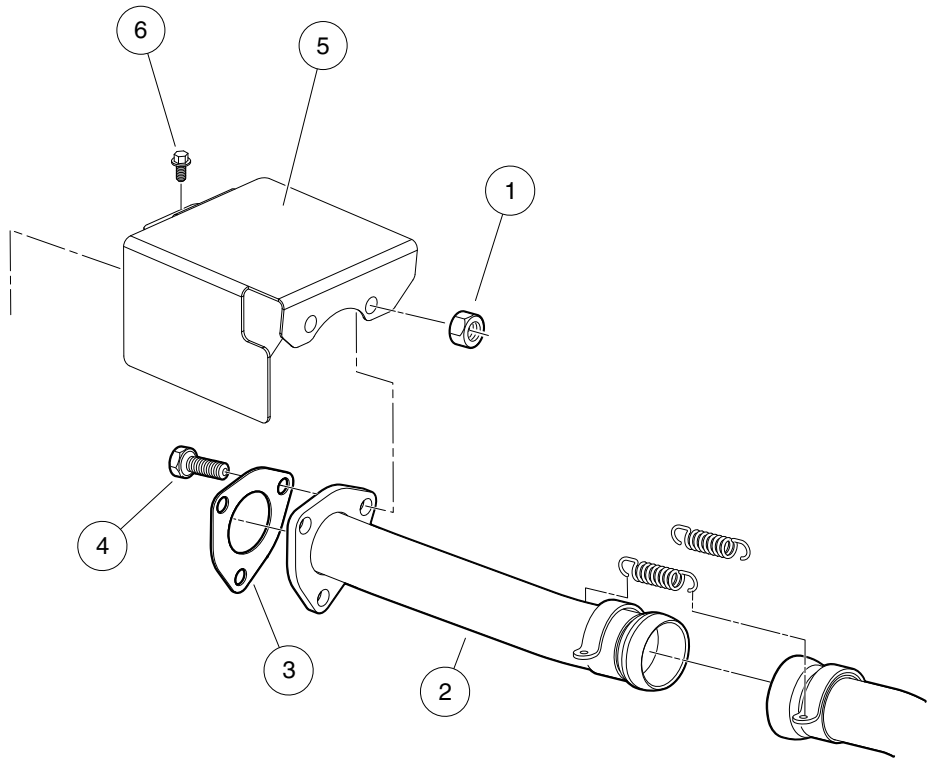
G

D

13

G

D



000538-003

## EXHAUST PIPES – DIESEL VEHICLES

| ITEM | PART NO.  | DESCRIPTION                              | QTY |
|------|-----------|------------------------------------------|-----|
|      |           | <b>1 2 3 4</b>                           |     |
| 1    | 102298401 | Nut,m8,all Metal Lock .....              | 3   |
| 2    | 102409301 | Pipe, Exhaust Diesel Main .....          | 1   |
| 3    | 102422301 | Gasket, Exhaust Diesel .....             | 1   |
| 4    | 102621301 | Bolt, M8 X 1.25 X 40 with Loctite .....  | 3   |
| 5    | 102628101 | Shield, Diesel Exhaust .....             | 1   |
| 6    | 102731601 | Bolt, D722, Exhaust Manifold Cover ..... | 1   |

13

G

D

**13**

**G**

**D**

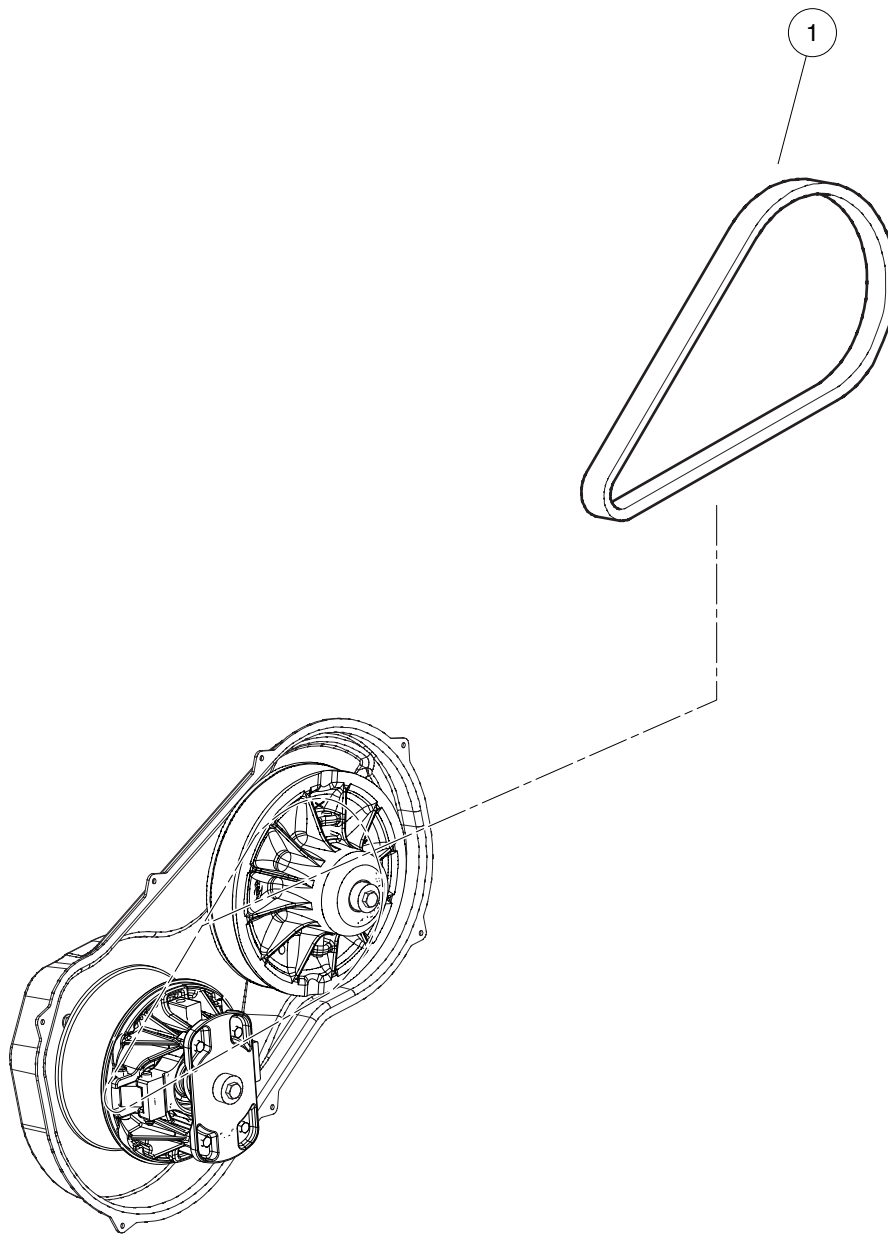


# CLUTCHES – KAWASAKI GAS ENGINE

---

14

G

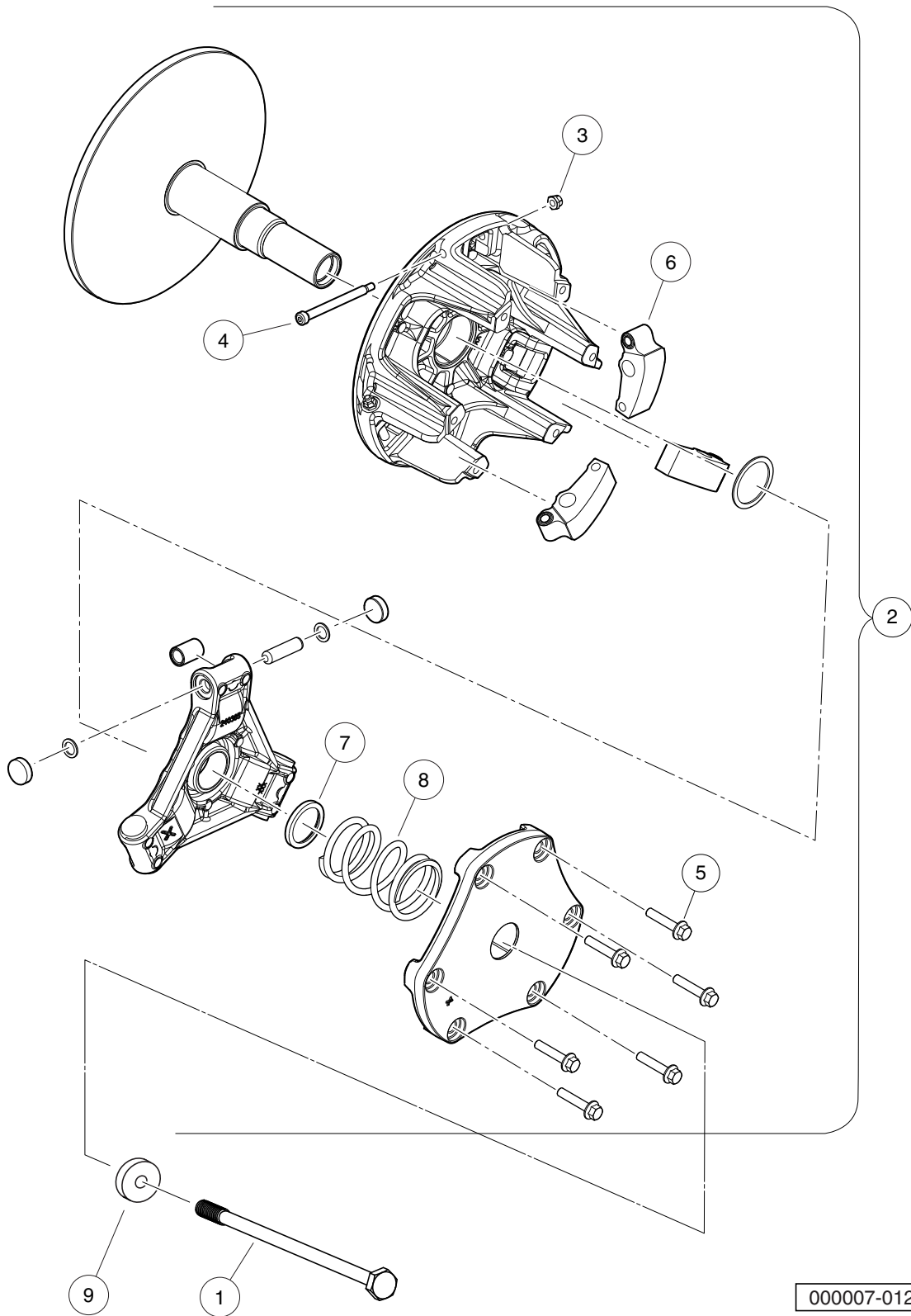


000084-001

# DRIVE BELT

| ITEM | PART NO.  | DESCRIPTION                  | QTY |
|------|-----------|------------------------------|-----|
| 1    | 102374901 | 1 2 3 4<br>Belt, Drive ..... | 1   |

**14**  
**G**

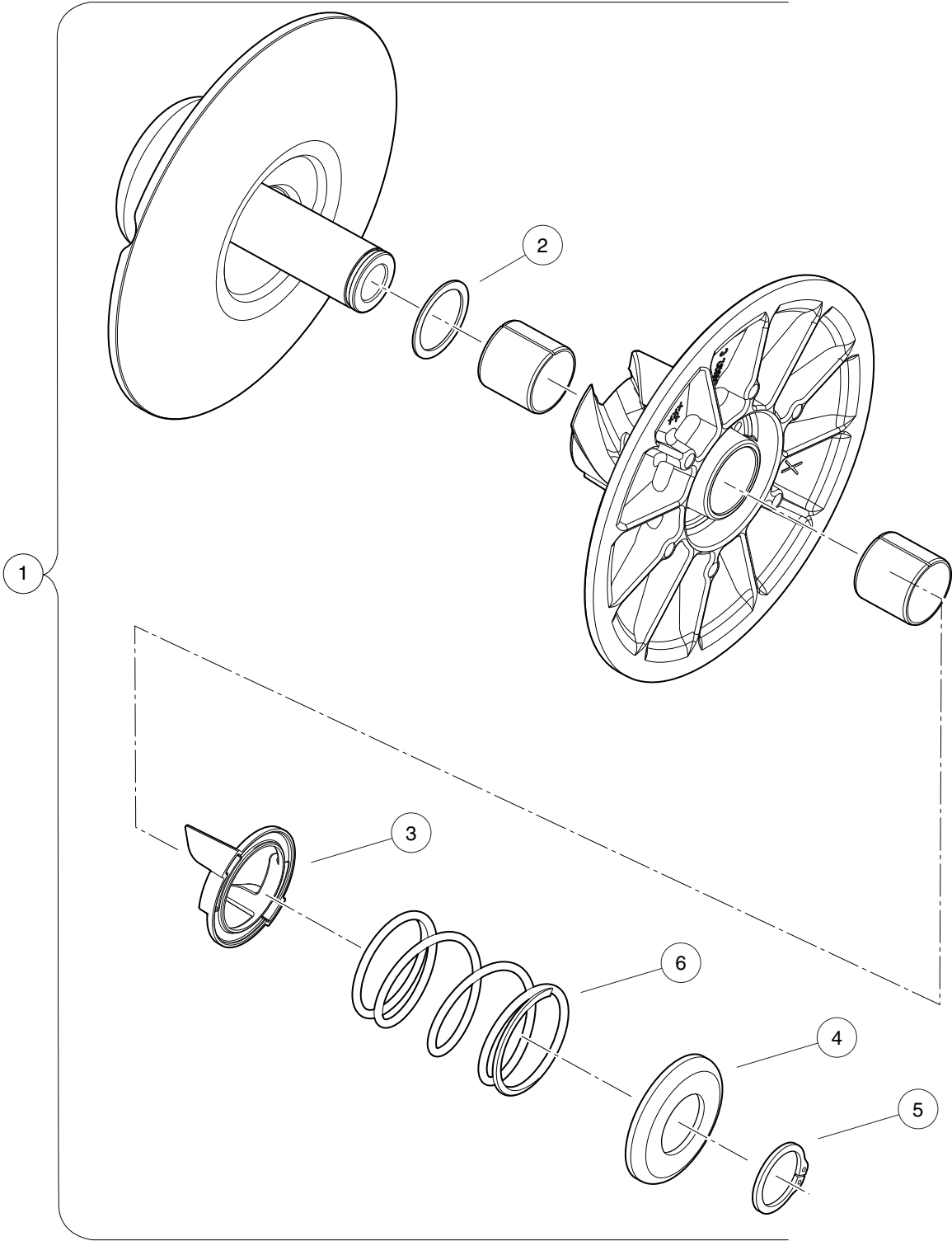


000007-012

## DRIVE CLUTCH (3 WEIGHT) – GAS VEHICLE

| ITEM | PART NO.  | DESCRIPTION                                                     | QTY |
|------|-----------|-----------------------------------------------------------------|-----|
|      |           | <b>1 2 3 4</b>                                                  |     |
| 1    | 103201501 | Bolt, M8 X 1.25 X 200, Loctite .....                            | 1   |
| 2    | 103848001 | Clutch, Drive, Gas, 3 Weight (includes items 3 through 8) ..... | 1   |
| 3    | 103829601 | Nut, Lock, Hex #10-24 Flexloc .....                             | 3   |
| 4    | 103829701 | Screw, Shldr, Hex Skt .25x2.5 .....                             | 3   |
| 5    | 103829801 | Screw, Hex Flg Hd, 1/4-20x1.25 .....                            | 6   |
| 6    | 103829901 | Weight, Clutch, D-153 G .....                                   | 3   |
| 7    | 103830001 | Spacer, Clutch 1.44x1.125x.150 .....                            | 1   |
| 8    | 103856101 | Spring, Comp, 2.0 Od Black/slv .....                            | 1   |
| 9    | 103856501 | Washer, Drv, 3-post, Gas .....                                  | 1   |

**14**  
**G**



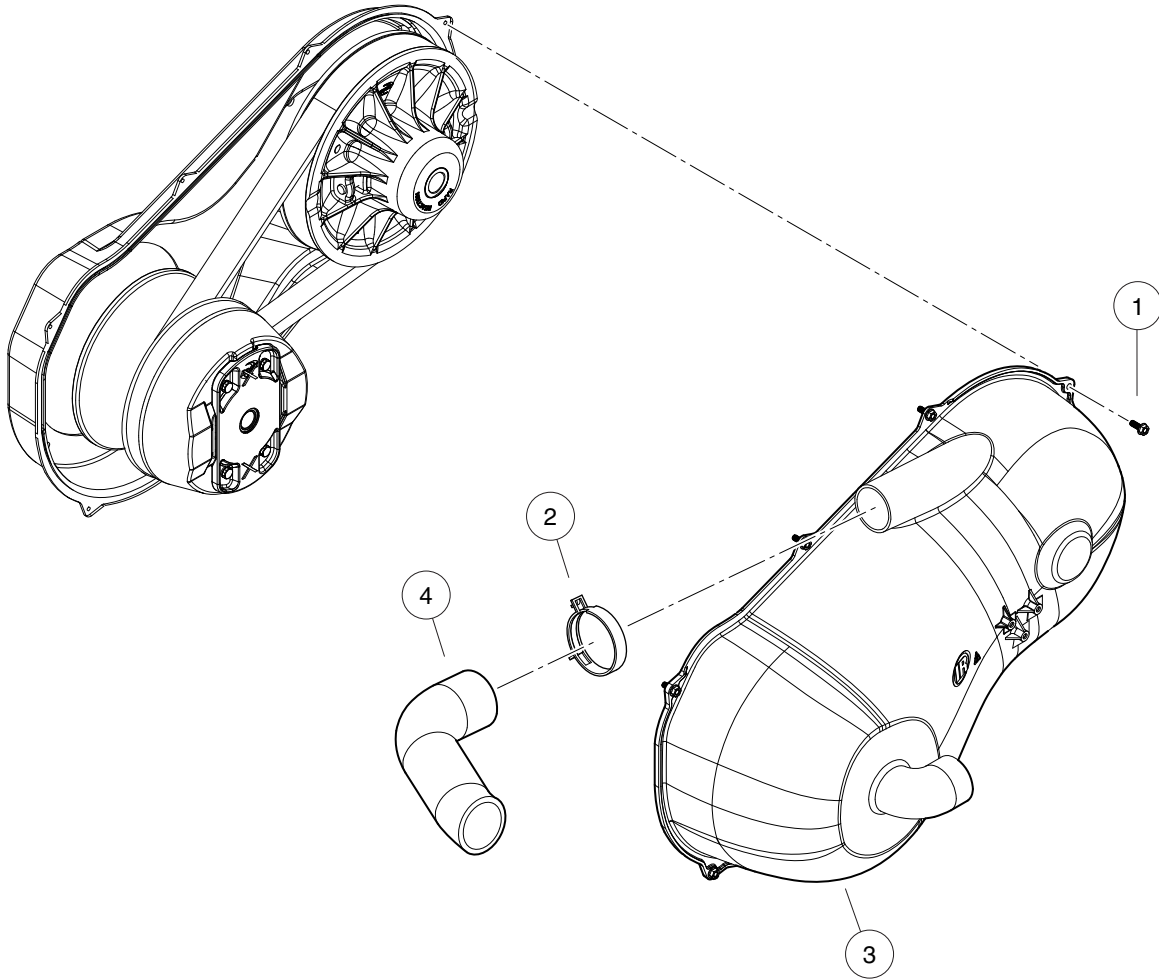
000003-002

## DRIVEN CLUTCH (FOR 3 WEIGHT DRIVE CLUTCH)

| ITEM | PART NO.  | DESCRIPTION                                                 | QTY |
|------|-----------|-------------------------------------------------------------|-----|
|      |           | <b>1 2 3 4</b>                                              |     |
| 1    | 103828201 | Clutch, Driven, 3 Weight (includes items 2 through 6) ..... | 1   |
| 2    | 102695401 | Washer, Thrust, 1.53 X 1.92 .....                           | 1   |
| 3    | 102695601 | Retainer, Spring, Inner .....                               | 1   |
| 4    | 102695801 | Retainer, Spring, Outer .....                               | 1   |
| 5    | 102695901 | Ring, Retaining, External .....                             | 1   |
| 6    | 103829001 | Spring, Comp, 2.7 Od, Almd/blk .....                        | 1   |

14

G



000008-003

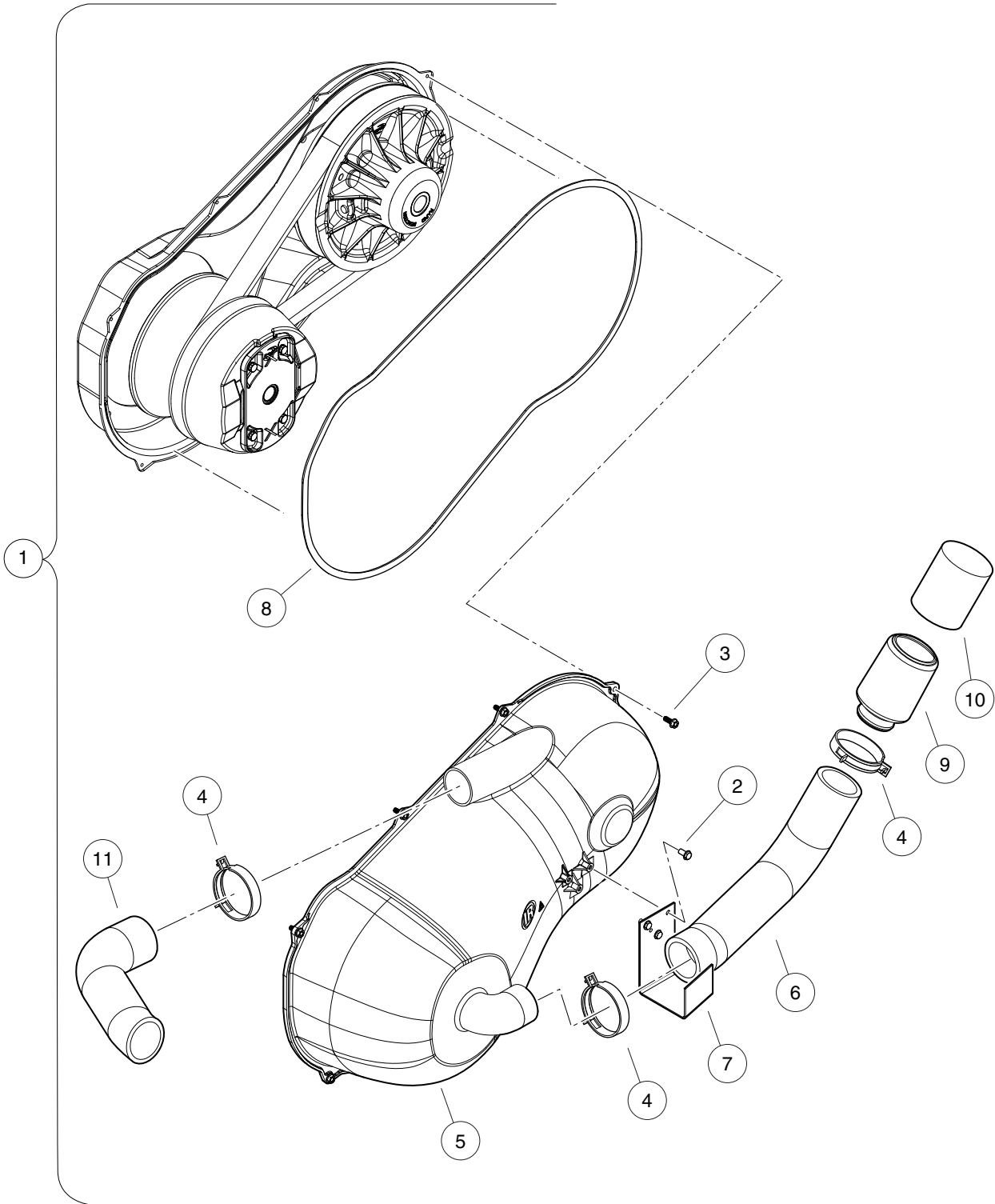


## CLUTCH COVER (NON-SEALED)

| ITEM | PART NO.  | DESCRIPTION                      | QTY |
|------|-----------|----------------------------------|-----|
|      |           | 1 2 3 4                          |     |
| 1    | 102296716 | Screw, M6 X 16 Tt Hx Fl Hd ..... | 7   |
| 2    | 102411210 | Clamp, Hose, Ctb 64mm .....      | 1   |
| 3    | 102628301 | Cover, Cvt, Open .....           | 1   |
| 4    | 103320601 | Hose, Outlet, Cvt .....          | 1   |

14

G



000008-004

## CLUTCH COVER (SEALED)

| ITEM | PART NO.  | DESCRIPTION                                               | QTY |
|------|-----------|-----------------------------------------------------------|-----|
|      |           | 1 2 3 4                                                   |     |
| 1    | 102616003 | Kit, Sealed CVT Cover (includes items 2 through 11) ..... | 1   |
| 2    | 101856101 | Screw, 1/4-15 X .50 Hi-lo Hex .....                       | 3   |
| 3    | 102296716 | Screw, M6 X 16 Tt Hx Fl Hd .....                          | 7   |
| 4    | 102411210 | Clamp, Hose, Ctb 64mm .....                               | 2   |
| 5    | 102414501 | Cover, CVT Outer .....                                    | 1   |
| 6    | 102481001 | Hose, Inlet, Cover, CVT .....                             | 1   |
| 7    | 102481201 | Bracket, Inlet, Cover, CVT .....                          | 1   |
| 8    | 102481301 | Gasket, Cover, CVT .....                                  | 1   |
| 9    | 102616101 | Cap, Inlet, Cover, CVT .....                              | 1   |
| 10   | 102628001 | Filter, Inlet, Cover, CVT .....                           | 1   |
| 11   | 103320601 | Hose, Outlet, Cvt .....                                   | 1   |

14

G

14

G

# CLUTCHES – KUBOTA DIESEL ENGINE

---

15

*D*

15

D



000084-001

# DRIVE BELT

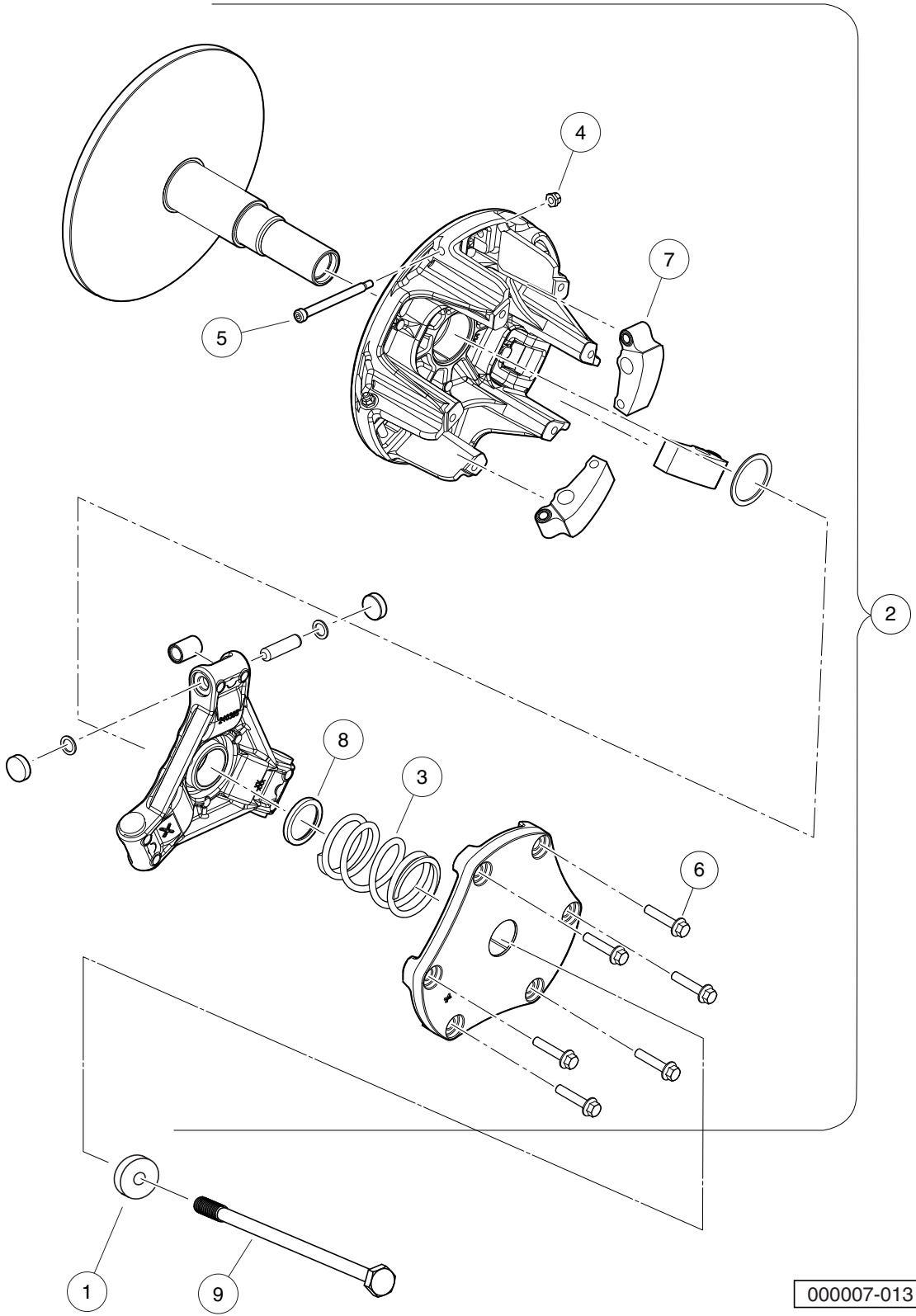
| ITEM | PART NO.  | DESCRIPTION                  | QTY |
|------|-----------|------------------------------|-----|
| 1    | 102374901 | 1 2 3 4<br>Belt, Drive ..... | 1   |

**15**

**D**

15

D



000007-013

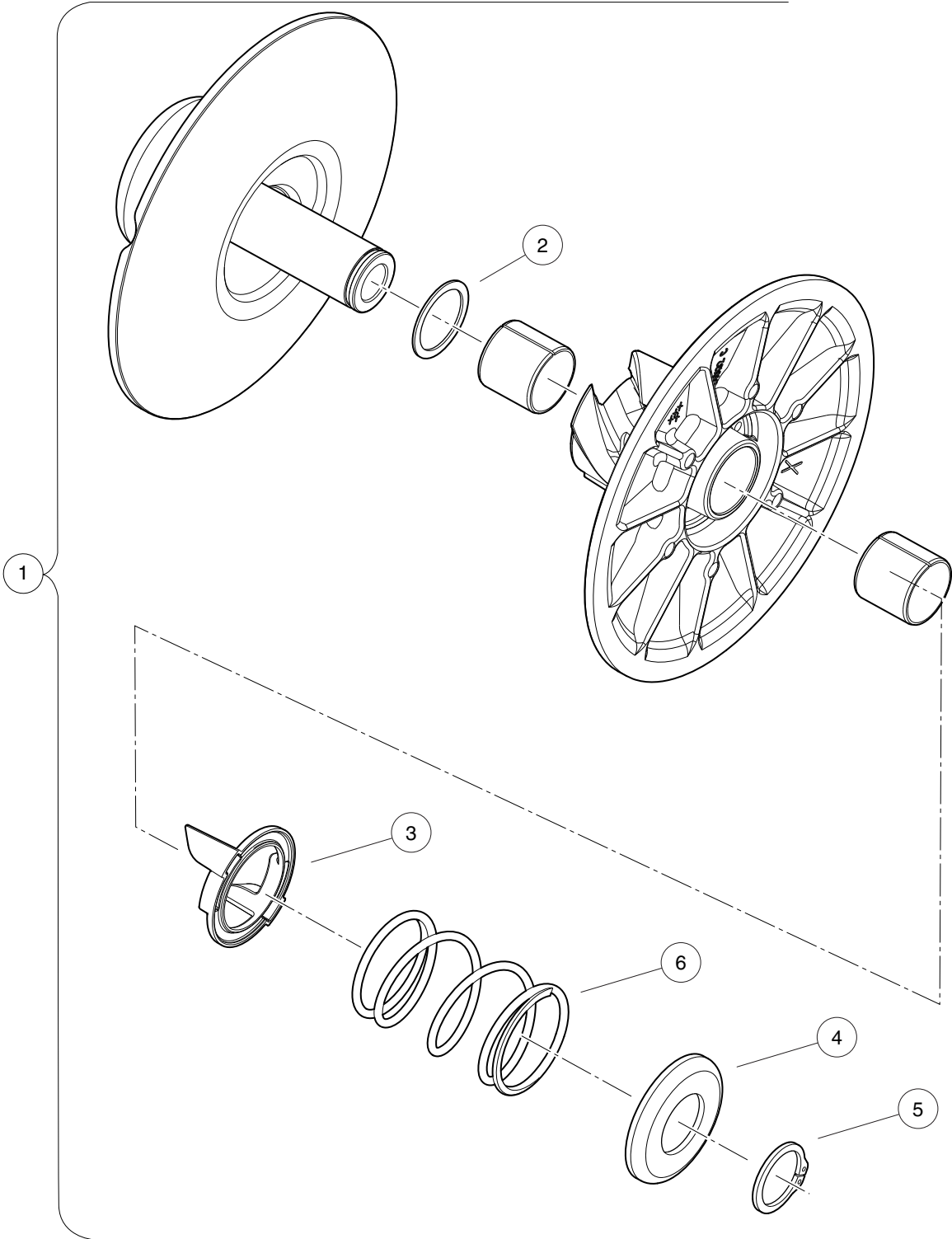


## DRIVE CLUTCH (3 WEIGHT) – DIESEL VEHICLE

| ITEM | PART NO.  | DESCRIPTION                                                     | QTY |
|------|-----------|-----------------------------------------------------------------|-----|
|      |           | <b>1 2 3 4</b>                                                  |     |
| 1    | 102385601 | Washer, Stepped .....                                           | 1   |
| 2    | 103828101 | Clutch, Drive, Dsl, 3 Weight (includes items 3 through 8) ..... | 1   |
| 3    | 103829501 | Spring, Comp, 2.0 Od Black/or .....                             | 1   |
| 4    | 103829601 | Nut, Lock, Hex #10-24 Flexloc .....                             | 3   |
| 5    | 103829701 | Screw, Shldr, Hex Skt .25x2.5 .....                             | 3   |
| 6    | 103829801 | Screw, Hex Flg Hd, 1/4-20x1.25 .....                            | 6   |
| 7    | 103829901 | Weight, Clutch, D-153 G .....                                   | 3   |
| 8    | 103830001 | Spacer, Clutch 1.44x1.125x.150 .....                            | 1   |
| 9    | 103884001 | Bolt, M10 X 1.5 X 170 Patch .....                               | 1   |

15

D



000003-002

## DRIVEN CLUTCH (FOR 3 WEIGHT DRIVE CLUTCH)

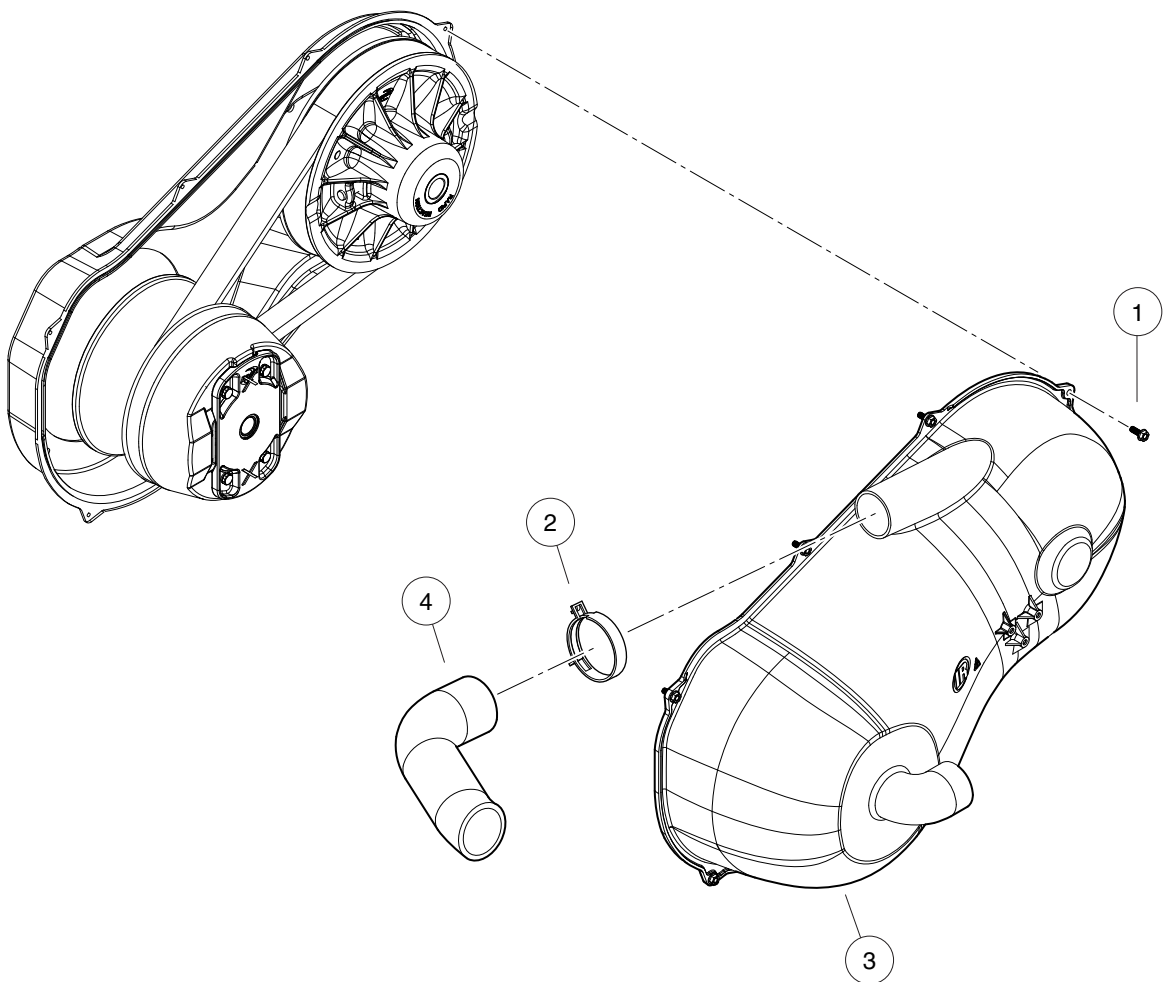
| ITEM | PART NO.  | DESCRIPTION                                                 | QTY |
|------|-----------|-------------------------------------------------------------|-----|
|      |           | <b>1 2 3 4</b>                                              |     |
| 1    | 103828201 | Clutch, Driven, 3 Weight (includes items 2 through 6) ..... | 1   |
| 2    | 102695401 | Washer, Thrust, 1.53 X 1.92 .....                           | 1   |
| 3    | 102695601 | Retainer, Spring, Inner .....                               | 1   |
| 4    | 102695801 | Retainer, Spring, Outer .....                               | 1   |
| 5    | 102695901 | Ring, Retaining, External .....                             | 1   |
| 6    | 103829001 | Spring, Comp, 2.7 Od, Almd/blk .....                        | 1   |

15

D

15

D



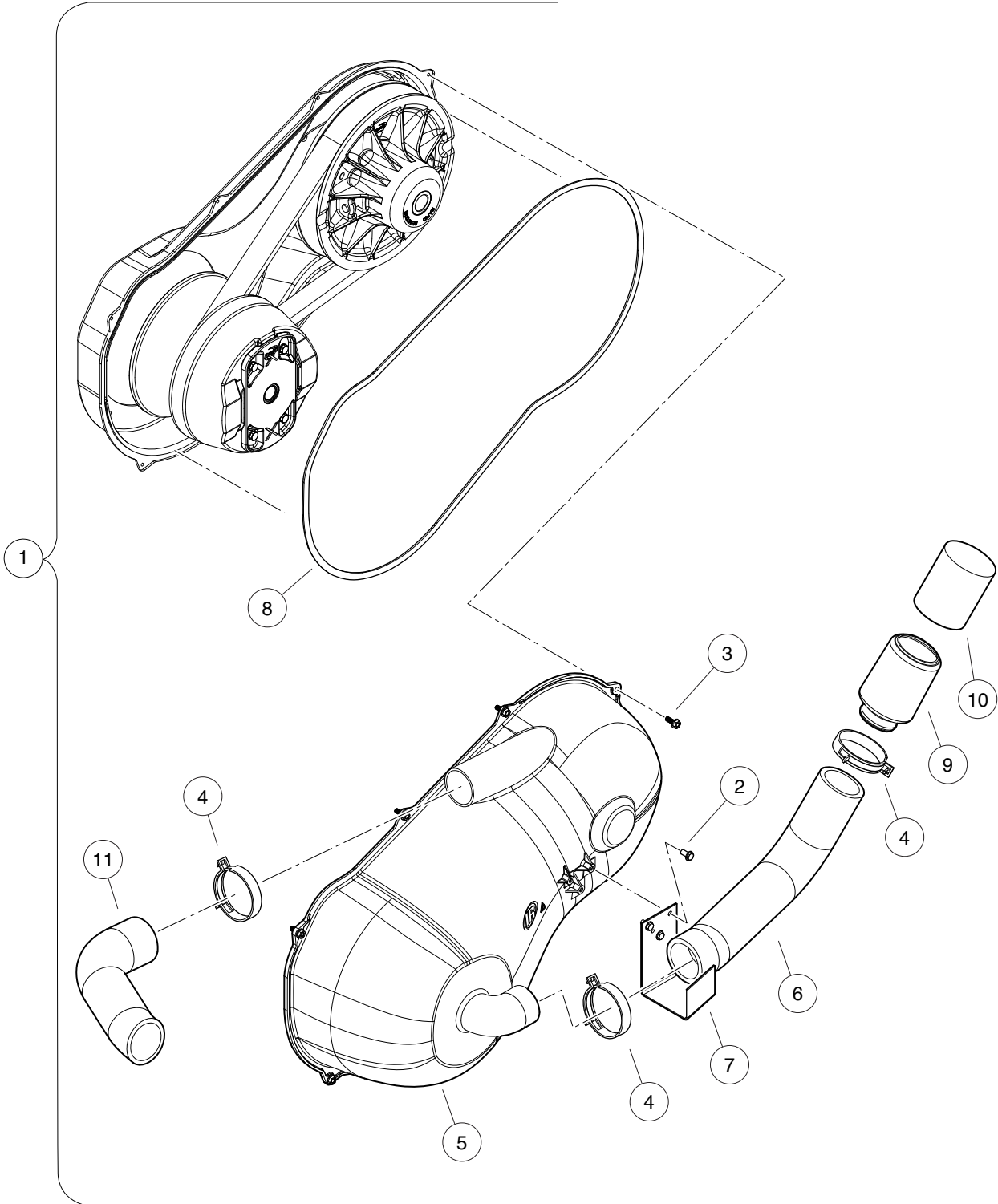
000008-003

## CLUTCH COVER (NON-SEALED)

| ITEM | PART NO.  | DESCRIPTION                      | QTY |
|------|-----------|----------------------------------|-----|
|      |           | 1 2 3 4                          |     |
| 1    | 102296716 | Screw, M6 X 16 Tt Hx Fl Hd ..... | 7   |
| 2    | 102411210 | Clamp, Hose, Ctb 64mm .....      | 1   |
| 3    | 102628301 | Cover, Cvt, Open .....           | 1   |
| 4    | 103320601 | Hose, Outlet, Cvt .....          | 1   |

15

D



000008-004

## CLUTCH COVER (SEALED)

| ITEM | PART NO.  | DESCRIPTION                                               | QTY |
|------|-----------|-----------------------------------------------------------|-----|
|      |           | <b>1 2 3 4</b>                                            |     |
| 1    | 102616003 | Kit, Sealed CVT Cover (includes items 2 through 11) ..... | 1   |
| 2    | 101856101 | Screw, 1/4-15 X .50 Hi-lo Hex .....                       | 3   |
| 3    | 102296716 | Screw, M6 X 16 Tt Hx Fl Hd .....                          | 7   |
| 4    | 102411210 | Clamp, Hose, Ctb 64mm .....                               | 2   |
| 5    | 102414501 | Cover, CVT Outer .....                                    | 1   |
| 6    | 102481001 | Hose, Inlet, Cover, CVT .....                             | 1   |
| 7    | 102481201 | Bracket, Inlet, Cover, CVT .....                          | 1   |
| 8    | 102481301 | Gasket, Cover, CVT .....                                  | 1   |
| 9    | 102616101 | Cap, Inlet, Cover, CVT .....                              | 1   |
| 10   | 102628001 | Filter, Inlet, Cover, CVT .....                           | 1   |
| 11   | 103320601 | Hose, Outlet, Cvt .....                                   | 1   |

15

D

**15**

***D***



# DRIVETRAIN COMPONENTS – GAS & DIESEL

---

16

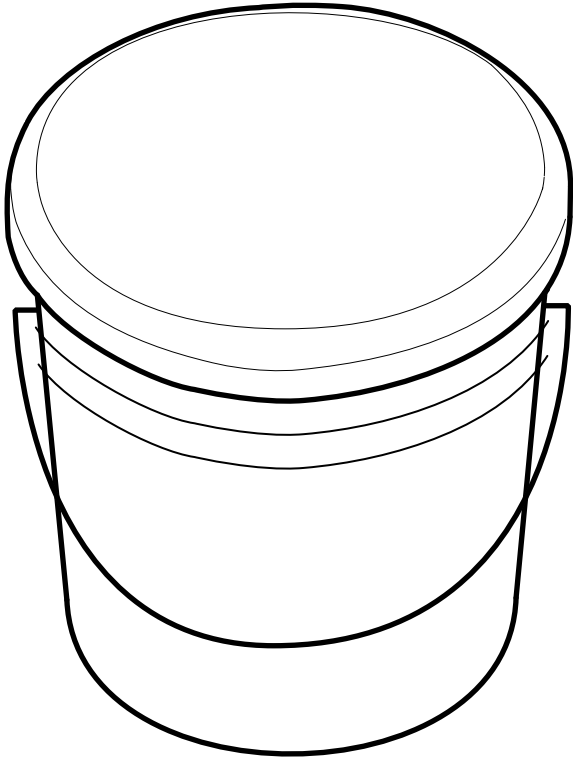
G

D

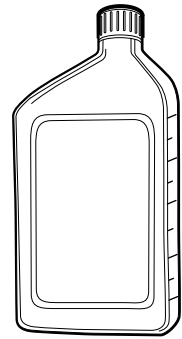
16

G

D



1



2

001069-001

# OIL, DIFFERENTIAL AND TRANSMISSION

| ITEM | PART NO.  | DESCRIPTION                                                                                                               | QTY |
|------|-----------|---------------------------------------------------------------------------------------------------------------------------|-----|
| 1    | 102723901 | 1 2 3 4<br>Oil, Locking Diff, 5 Gallon .....                                                                              | A/R |
| 2    | AM1216101 | Oil, Locking Diff, Quart .....                                                                                            | A/R |
|      |           | <p>Note: Use this oil for both front and rear differentials and the transmission.<br/>Available in 5-Gallon or Quart.</p> |     |

16

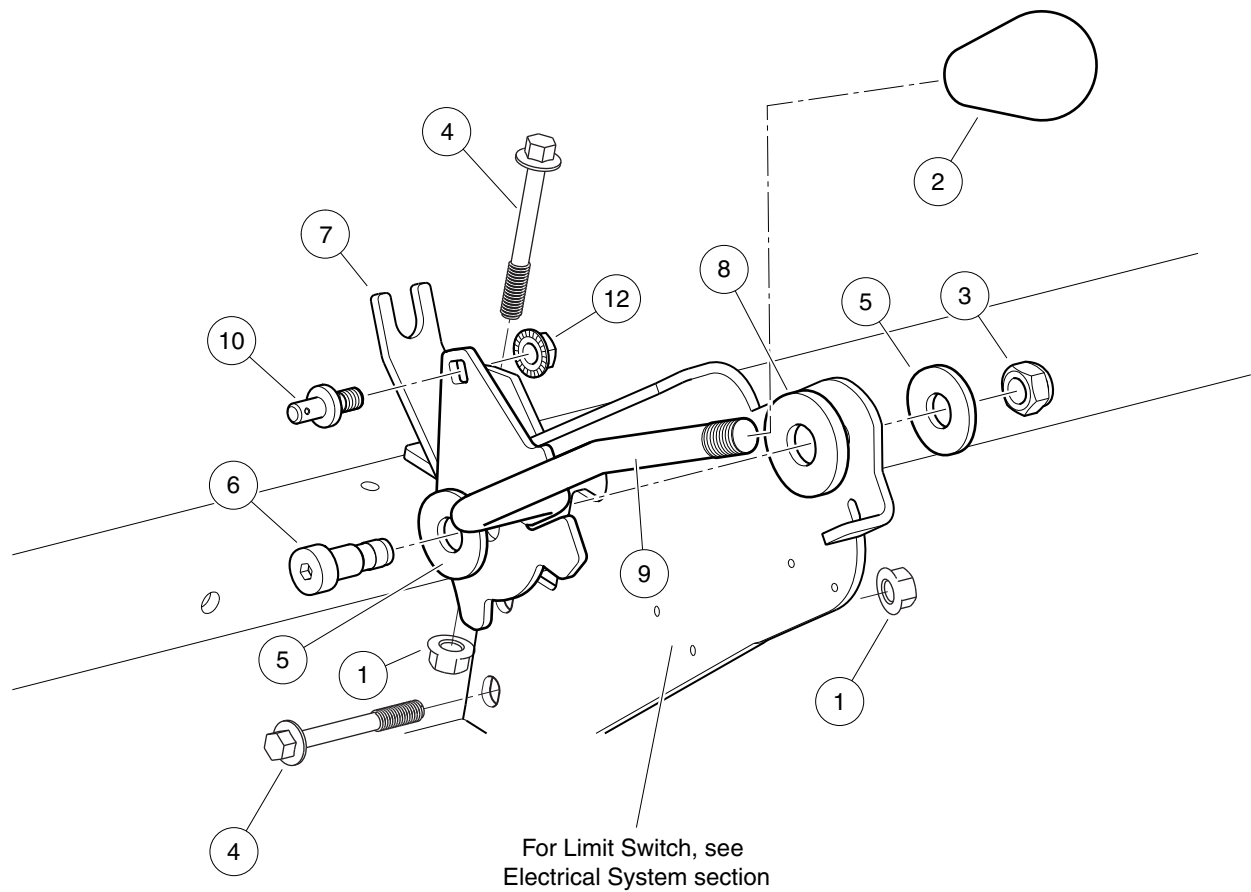
G

D

16

G

D



000030-004

# FORWARD/REVERSE SHIFTER

| ITEM | PART NO.  | DESCRIPTION                              | QTY |
|------|-----------|------------------------------------------|-----|
|      |           | <b>1 2 3 4</b>                           |     |
| 1    | 102298401 | Nut,m8,all Metal Lock .....              | 3   |
| 2    | 102376001 | Knob, FNR, Shifter .....                 | 1   |
| 3    | 102616701 | Locknut, M10x1.5 Nylon Insert .....      | 1   |
| 4    | 102618301 | Bolt, Flanged Head, M8 X 1.25 X 65 ..... | 3   |
| 5    | 102684501 | Washer, M12 Hard Regular .....           | 2   |
| 6    | 102684603 | Shoulder Bolt, M12 X 16 .....            | 1   |
| 7    | N/A       | Weldment, FNR Shift-Bracket, AWD .....   | 1   |
| 8    | 103873001 | Bushing, Fnr, Awd .....                  | 1   |
| 9    | 103886001 | Weldment, Shifter, FNR, AWD .....        | 1   |
| 10   | 103886101 | Pin, Cable, Fnr .....                    | 1   |
| 11   | 8990      | Tie Wrap, 8" Nylon .....                 | 2   |
| 12   | 96704416  | Nut, Flange, M8 X 1.25 Serrated .....    | 1   |

16

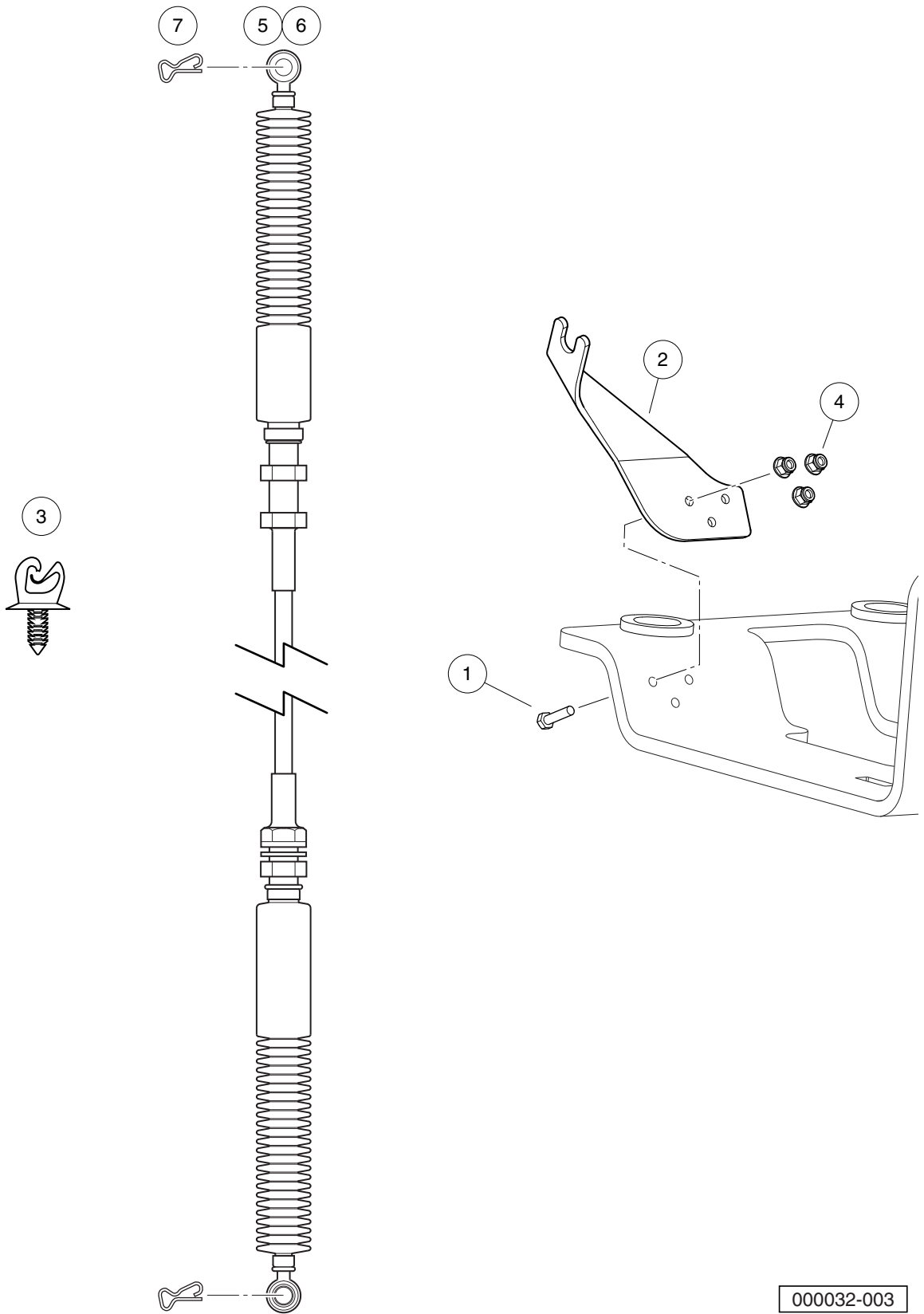
G

D

16

G

D



000032-003

# SHIFTER CABLE

| ITEM | PART NO.  | DESCRIPTION                                     | QTY |
|------|-----------|-------------------------------------------------|-----|
|      |           | <b>1 2 3 4</b>                                  |     |
| 1    | 1012769   | Screw, M6-1.00 X 25mm Hex Cap .....             | 3   |
| 2    | 102382401 | Bracket, FNR Trans Cable .....                  | 1   |
| 3    | 102475701 | Clip, Brake Line .....                          | 1   |
| 4    | 102621501 | Nut, Flange, M6 X 1.0, Nylon .....              | 3   |
| 5    | 103879301 | Cable, Transmission Shift, 295/1550 .....       | 1   |
| 6    | 103879401 | Cable, Transmission Shift, 295 SE/1550 SE ..... | 1   |
| 7    | 103886601 | Clip, Bowtie .....                              | 2   |

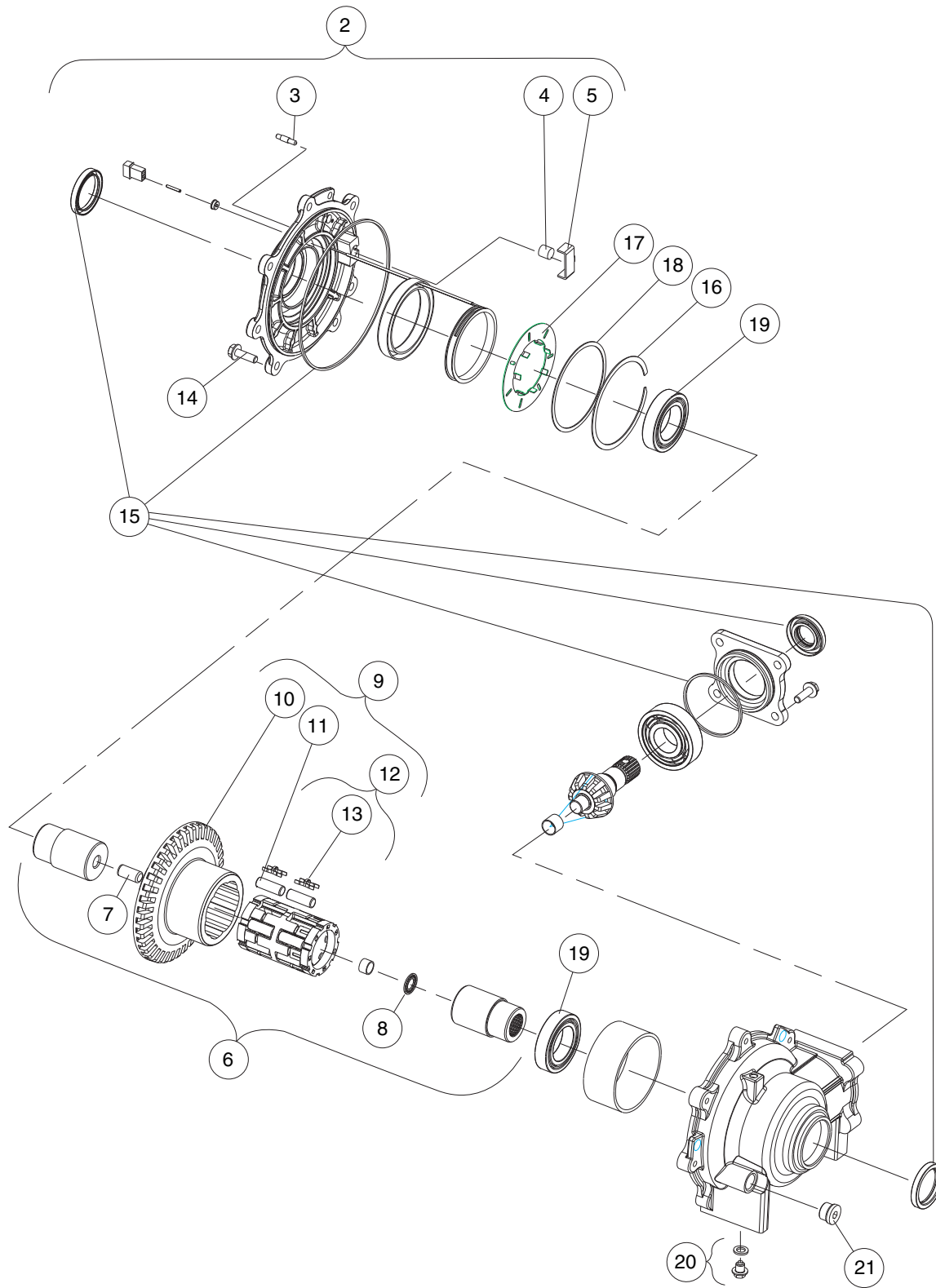
**16**

**G**

**D**

**16**  
**G**

**D**



000010-003



## FRONT DIFFERENTIAL (OUTPUT COMPONENTS)

| ITEM | PART NO.  | DESCRIPTION                                                                       | QTY |
|------|-----------|-----------------------------------------------------------------------------------|-----|
|      |           | 1 2 3 4                                                                           |     |
| 1    | 102371801 | Differential, Front * (includes items 2 through 21) .....                         | 1   |
| 2    | 102438201 | Kit, Assy, Output Cover Plate (includes items 3 through 5) .....                  | 1   |
| 3    | 102439001 | Set Screw, #10-24 UNC-3A with Patch .....                                         | 1   |
| 4    | 102439101 | Thrust Button .....                                                               | 1   |
| 5    | 102439201 | Thrust Plate .....                                                                | 1   |
| 6    | 102438301 | Kit, Assy, Race Output Hub (includes items 7 and 8) .....                         | 1   |
| 7    | 102439401 | Pin, Dowel .....                                                                  | 1   |
| 8    | 102439501 | Bearing, Needle .....                                                             | 1   |
| 9    | 102438401 | Kit, Assy, Clutch (includes items 10 through 12) .....                            | 1   |
| 10   | 102439601 | Clutch Hsg/Ring Gear, Machined .....                                              | 1   |
| 11   | 102439801 | Kit, Roller (contains 14 rollers) .....                                           | 1   |
| 12   | 102439901 | Kit, Assy, Roll Cage (includes item 13) .....                                     | 1   |
| 13   | 102439701 | Kit, H-Clip Spring (contains 14 clips) .....                                      | 1   |
| 14   | 102438501 | Kit, Bolt (contains 7 bolts) .....                                                | 1   |
| 15   | 102438601 | Kit, Minor Repair (contains oil seals and O-rings) .....                          | 1   |
| 16   | 102438701 | Retaining, Ring Internal .....                                                    | 1   |
| 17   | 102438801 | Plate, Armature .....                                                             | 1   |
| 18   | 102438901 | Shim, Armature, Plate .....                                                       | 1   |
| 19   | 102439301 | Bearing, Ball .....                                                               | 12  |
| 20   | 102440101 | Kit, Assy, Drain Plug .....                                                       | 1   |
| 21   | 102440301 | Plug, Oil Fill .....                                                              | 1   |
|      |           | * Note: This assembly also contains components listed on the following two pages. |     |

16

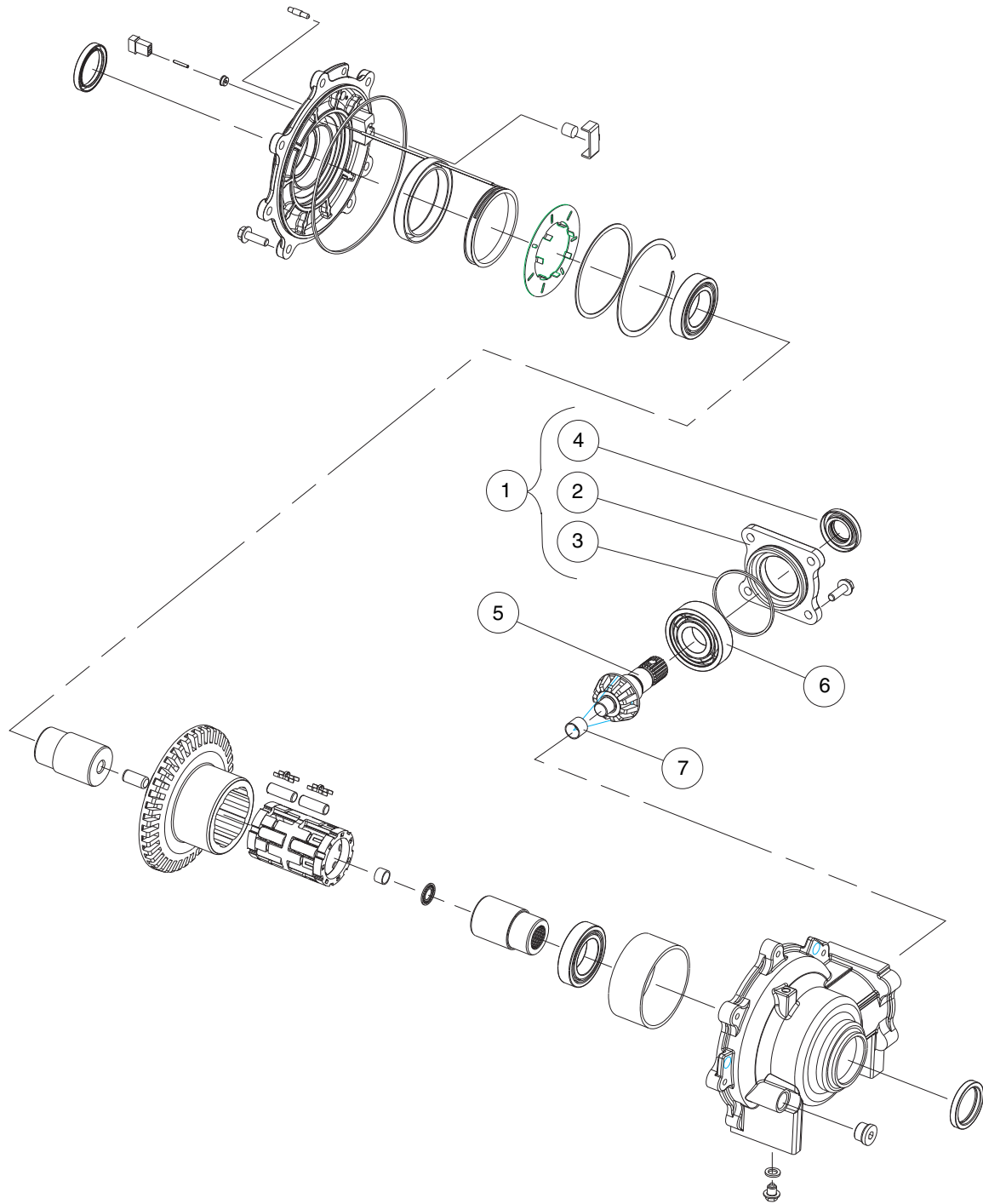
G

D

16

G

D



000010-002

## FRONT DIFFERENTIAL (INPUT COMPONENTS)

| ITEM                                                                                                                                                     | PART NO.  | DESCRIPTION                                                     | QTY |
|----------------------------------------------------------------------------------------------------------------------------------------------------------|-----------|-----------------------------------------------------------------|-----|
|                                                                                                                                                          |           | 1 2 3 4                                                         |     |
| 1                                                                                                                                                        | 102440201 | Kit, Assy, Input Cover Plate (includes items 2 through 4) ..... | 1   |
| 2                                                                                                                                                        | 102440601 | Cover, Input, Machined .....                                    | 1   |
| 3                                                                                                                                                        | N/A       | O-Ring .....                                                    | 1   |
| 4                                                                                                                                                        | N/A       | Oil Seal, Triple-Lipped .....                                   | 1   |
| 5                                                                                                                                                        | 102440401 | Shaft, Pinion, Machined .....                                   | 1   |
| 6                                                                                                                                                        | 102440501 | Bearing, Ball .....                                             | 1   |
| 7                                                                                                                                                        | N/A       | Bushing, Plain 16 Id X 15 Wide .....                            | 1   |
| <p>Note: This page contains a list of components internal to the front differential. See the previous pages for other front differential components.</p> |           |                                                                 |     |

16

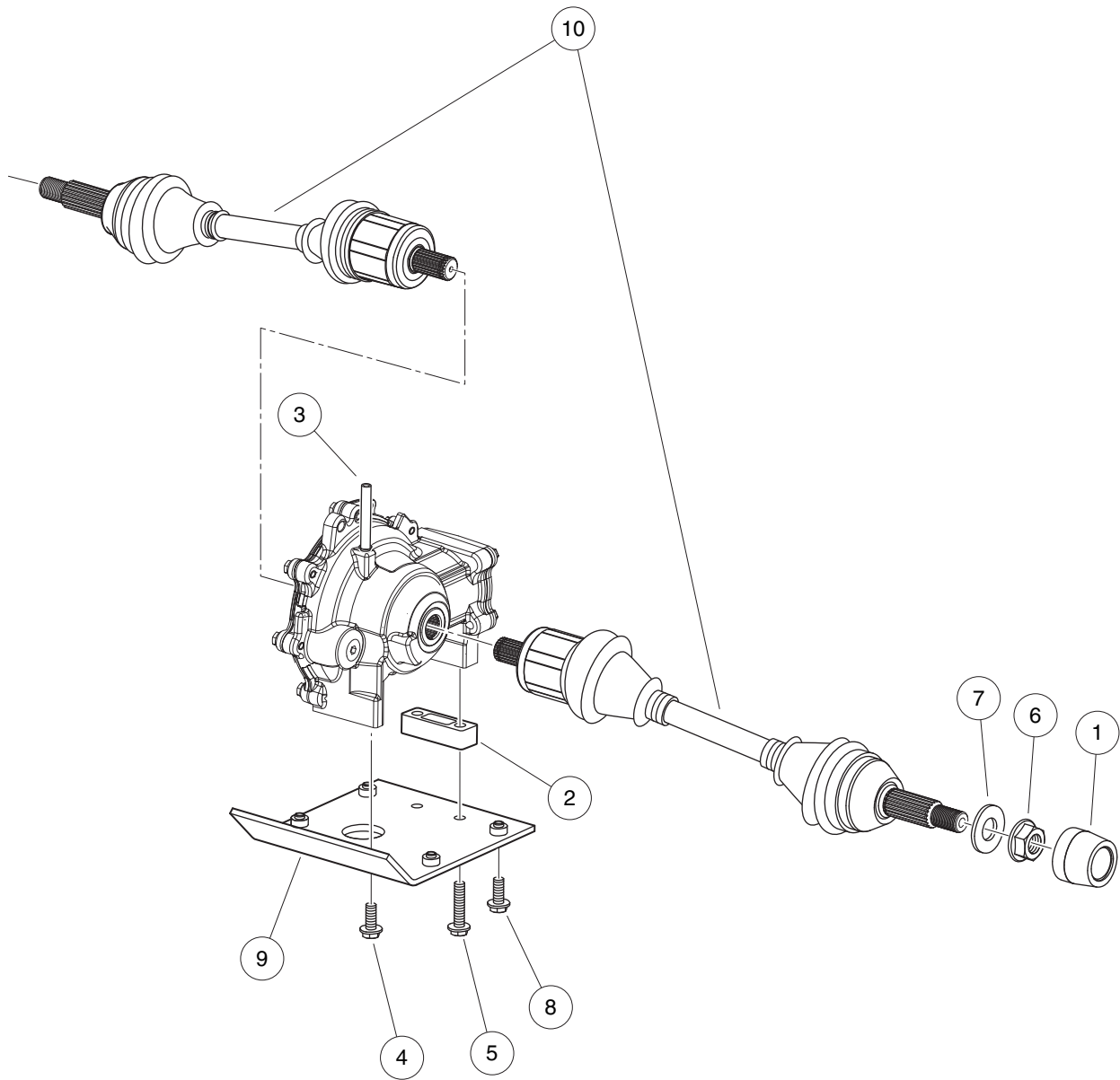
G

D

**16**

**G**

**D**



000012-006

# FRONT DIFFERENTIAL MOUNTING AND HALF SHAFTS

| ITEM | PART NO.  | DESCRIPTION                                         | QTY |
|------|-----------|-----------------------------------------------------|-----|
|      |           | <b>1 2 3 4</b>                                      |     |
| 1    | 102274101 | Center Cap, Rubber .....                            | 2   |
| 2    | 102381701 | Spacer Block, Diff .....                            | 1   |
| 3    | 102462401 | Hose, Vent, Front Diff .....                        | 1   |
| 4    | 102491001 | Bolt, Flanged Head, 3/8-16x1.0 with Loctite .....   | 2   |
| 5    | 102491101 | Bolt, Flanged Head, 3/8-16x1.500 with Loctite ..... | 2   |
| 6    | 102617501 | Nut, Flange, M22 X 1.5 Mech Def .....               | 2   |
| 7    | 102617801 | Washer, Hard, M22 .....                             | 2   |
| 8    | 102711601 | Bolt, Flange Head, M10 X 1.5 X 25 .....             | 4   |
| 9    | 103244701 | Asm, Mount, Diff Plate .....                        | 1   |
| 10   | 103762201 | Half Shaft, Front, AWD .....                        | 2   |

**16**

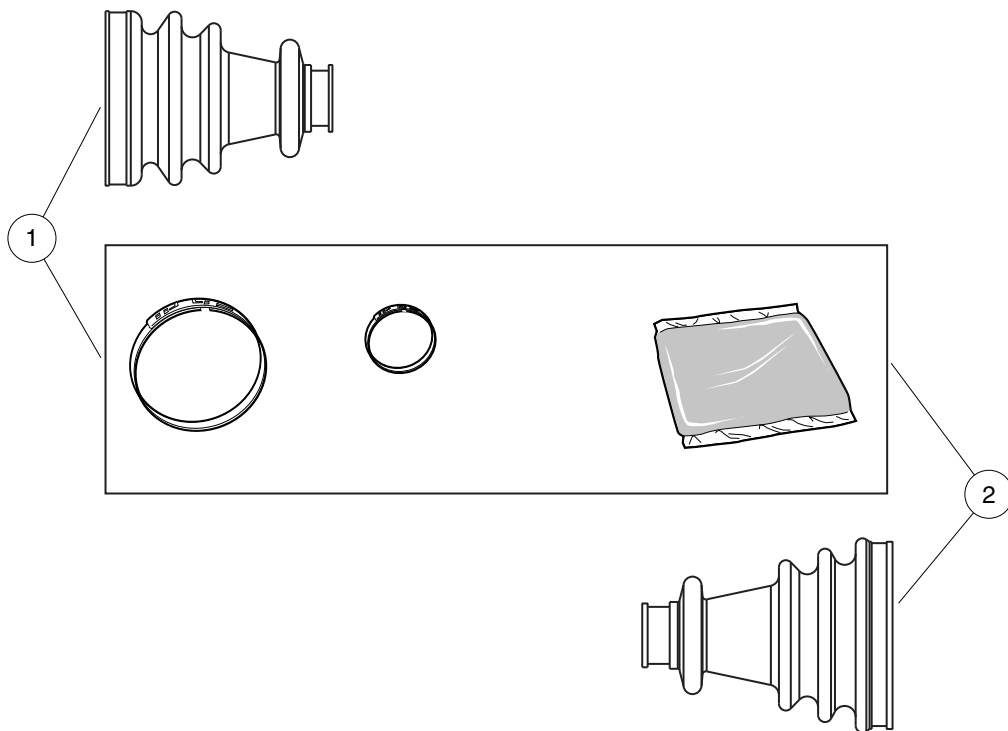
**G**

**D**

16

G

D



000791-004

# CV BOOT REPAIR KITS

| ITEM | PART NO.  | DESCRIPTION                      | QTY |
|------|-----------|----------------------------------|-----|
| 1    | AM1291501 | 1 2 3 4<br>Kit, Inner Boot ..... | 1   |
| 2    | AM1291601 | Kit, Outer Boot .....            | 1   |

**16**

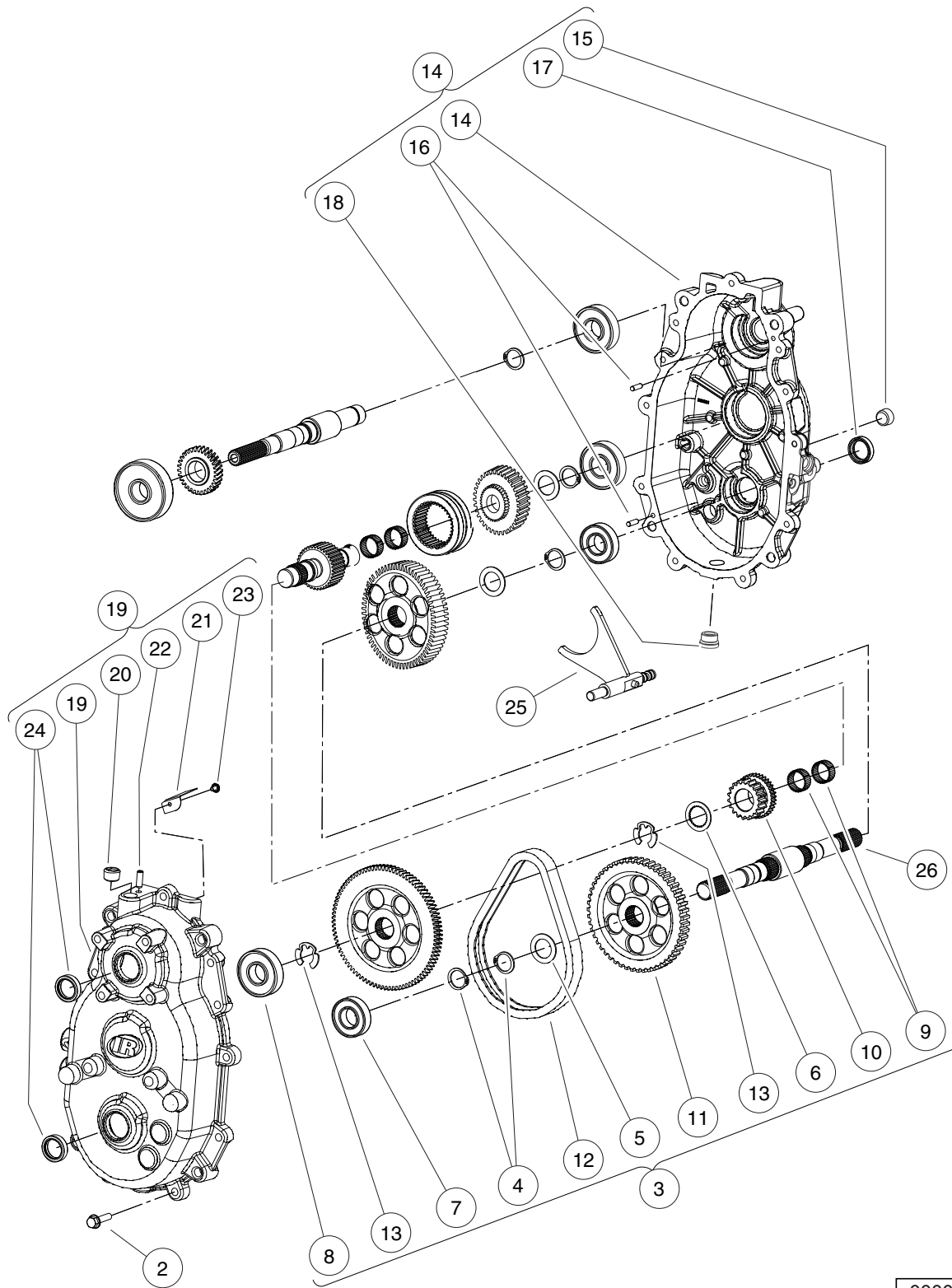
**G**

**D**

16

G

D



000016-018



## TRANSMISSION – PAGE 1 OF 3

| ITEM | PART NO.  | DESCRIPTION                                                   | QTY |
|------|-----------|---------------------------------------------------------------|-----|
|      |           | <b>1 2 3 4</b>                                                |     |
| 1    | 103969001 | Transmission, Awd, 422046 (includes items 2 through 26) ..... | 1   |
| 2    | 102693301 | Screw, hex Flange, M8 X 35 .....                              | 11  |
| 3    | 102765201 | Kit, Reverse Gear Repair (includes items 4 through 13) .....  | 1   |
| 4    | 102696201 | Ring, Retaining, Basic External .....                         | 2   |
| 5    | 102696501 | Washer, Thrust, 1.007 X .062 .....                            | 1   |
| 6    | 102696701 | Washer, 26.231 X 39.167 X 1.57 .....                          | 1   |
| 7    | 102696801 | Bearing, Ball .....                                           | 1   |
| 8    | 102696901 | Bearing, Ball .....                                           | 1   |
| 9    | 102697101 | Bearing, Needle .....                                         | 2   |
| 10   | N/A       | Sprocket, 19-Tooth .....                                      | 1   |
| 11   | N/A       | Sprocket, 51-Tooth .....                                      | 1   |
| 12   | N/A       | Chain, .375p, .75 Wide, 60ptch .....                          | 1   |
| 13   | 102699701 | Ring, Retaining, E-Ring .....                                 | 2   |
| 14   | 105125301 | Asm, Gear Case, Front (includes items 15 through 18) .....    | 1   |
| 15   | 102694201 | Plug, Square Skt, 1/12-14, Ptf .....                          | 1   |
| 16   | 102696101 | Pin, Dowel, 6 X 20 .....                                      | 2   |
| 17   | 102699401 | Seal, Triple, 25 X 35 X 7.8 .....                             | 1   |
| 18   | 103250401 | Plug, 3/4-16 .....                                            | 1   |
| 19   | 105125401 | Asm, Gear Case, Rear (includes items 20 through 24) .....     | 1   |
| 20   | 102694201 | Plug, Square Skt, 1/12-14, Ptf .....                          | 1   |
| 21   | N/A       | Oil, Deflector .....                                          | 1   |
| 22   | N/A       | Vent, Trans .....                                             | 1   |
| 23   | N/A       | Screw, Tapping # 10-24 X .375 .....                           | 1   |
| 24   | 102699401 | Seal, Triple, 25 X 35 X 7.8 .....                             | 2   |
| 25   | 105125701 | Fork,Transmission .....                                       | 1   |
| 26   | 105125801 | Shaft,Output .....                                            | 1   |

16

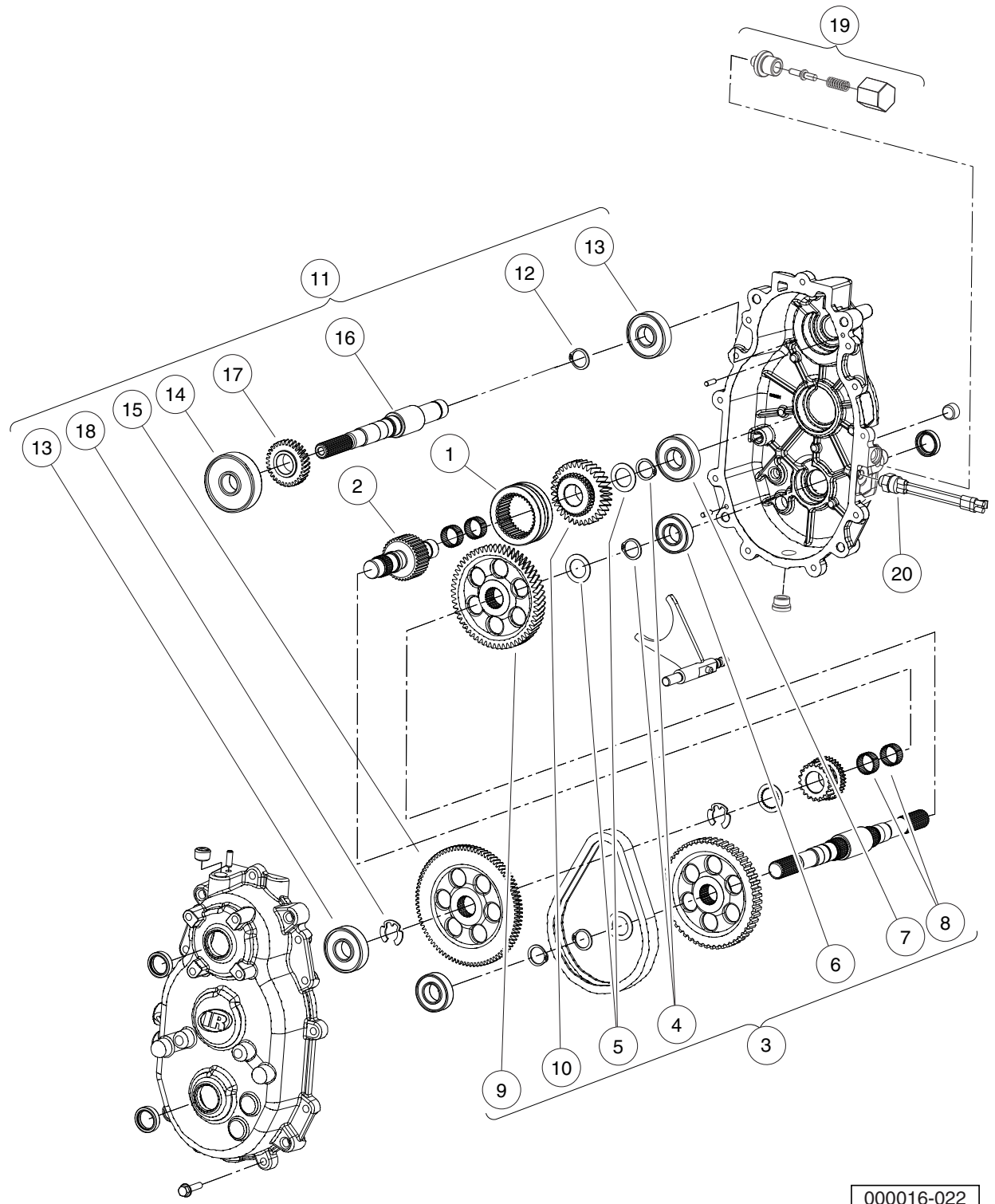
G

D

16

G

D



000016-022

# TRANSMISSION – PAGE 2 OF 3

| ITEM | PART NO.  | DESCRIPTION                                                  | QTY |
|------|-----------|--------------------------------------------------------------|-----|
|      |           | <b>1 2 3 4</b>                                               |     |
| 1    | 102697501 | Dog, Engagement .....                                        | 1   |
| 2    | 102698701 | Shaft, Intermediate .....                                    | 1   |
| 3    | 102764901 | Kit, Forward Gear Repair (includes items 4 through 10) ..... | 1   |
| 4    | 102696201 | Ring, Retaining, Basic External .....                        | 2   |
| 5    | 102696501 | Washer, Thrust, 1.007 X .062 .....                           | 2   |
| 6    | 102696801 | Bearing, Ball .....                                          | 1   |
| 7    | 102696901 | Bearing, Ball .....                                          | 1   |
| 8    | 102697101 | Bearing, Needle .....                                        | 2   |
| 9    | N/A       | Gear, Helical 58-Tooth .....                                 | 1   |
| 10   | N/A       | Gear, Helical 34-Tooth .....                                 | 1   |
| 11   | 103721801 | Kit, Input Shaft Repair (includes items 12 through 18) ..... | 1   |
| 12   | 102696201 | Ring, Retaining, Basic External .....                        | 1   |
| 13   | 102696901 | Bearing, Ball .....                                          | 2   |
| 14   | 102697001 | Bearing, Ball .....                                          | 1   |
| 15   | N/A       | Gear, Helical 90-Tooth .....                                 | 1   |
| 16   | N/A       | Shaft, Input .....                                           | 1   |
| 17   | N/A       | Gear, Helical, 31-tooth .....                                | 1   |
| 18   | 102699701 | Ring, Retaining, E-Ring .....                                | 1   |
| 19   | 105125501 | Kit, Detent Repair .....                                     | 1   |
| 20   | 105125601 | Switch, Indicator, Pollak .....                              | 1   |

16

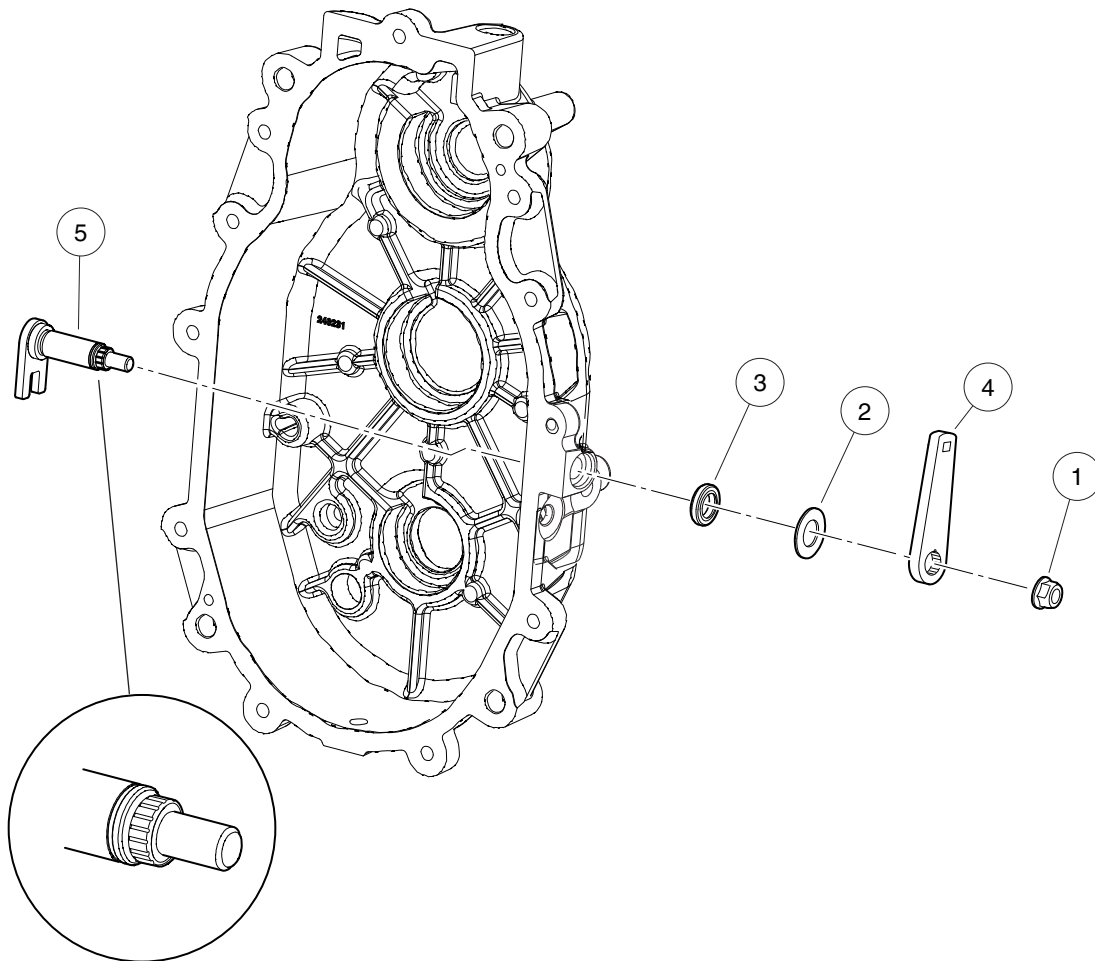
G

D

16

G

D



000016-021

# TRANSMISSION – PAGE 3 OF 3

| ITEM | PART NO.  | DESCRIPTION                           | QTY |
|------|-----------|---------------------------------------|-----|
|      |           | <b>1 2 3 4</b>                        |     |
| 1    | 102696001 | Nut, Lock Hex, Nylon, 5/16-24 .....   | 1   |
| 2    | 102696601 | Washer, Flat, .58 X 1.08 X .05 .....  | 1   |
| 3    | 102699601 | Seal, Dual Lip, .88 X .56 X .19 ..... | 1   |
| 4    | 103883001 | Bellcrank, Square-hole .....          | 1   |
| 5    | 105125901 | Shaft, Shift .....                    | 1   |

**16**

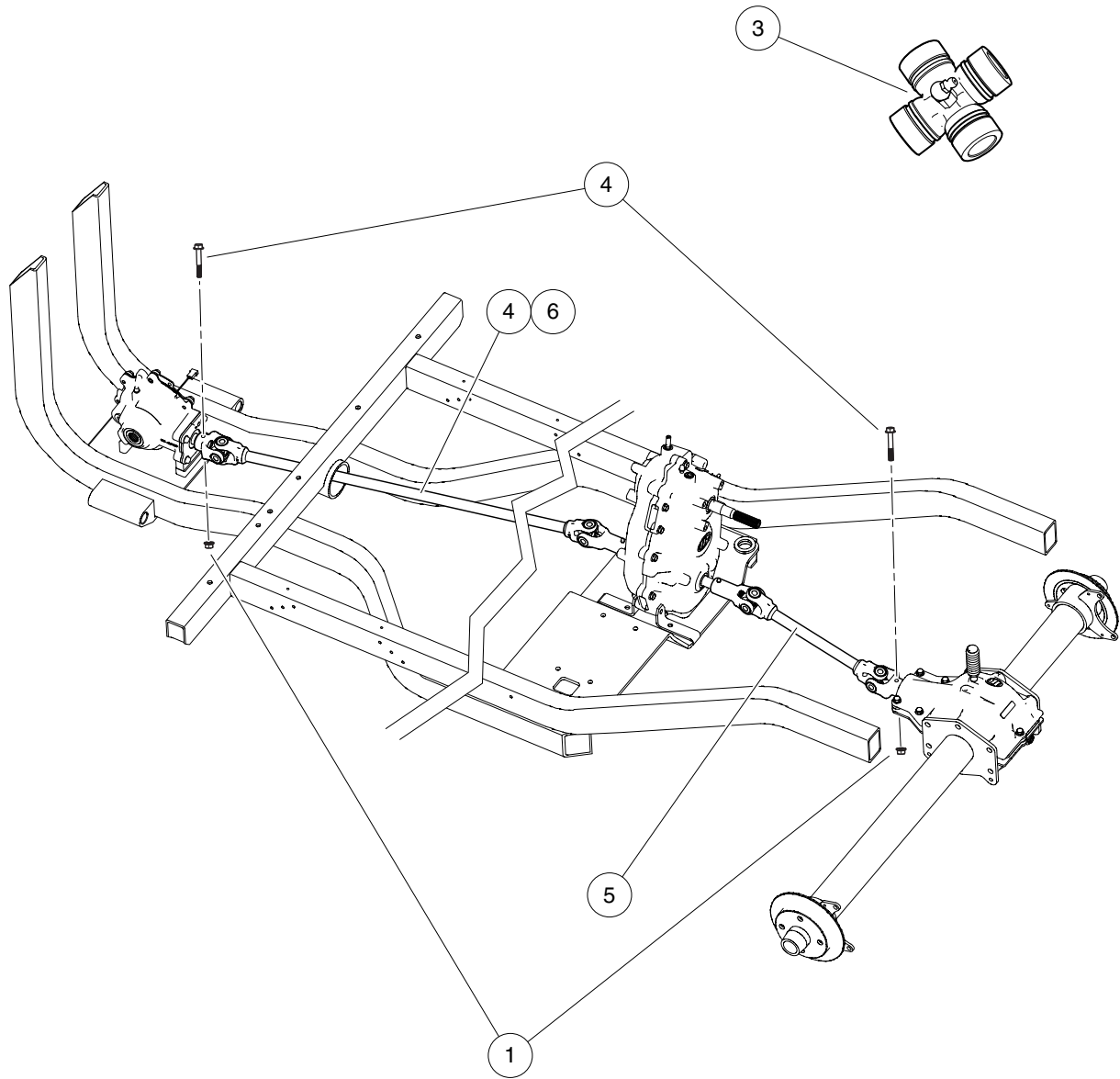
**G**

**D**

16

G

D



000091-006

# PROP SHAFTS

| ITEM | PART NO.  | DESCRIPTION                                                                                                            | QTY |
|------|-----------|------------------------------------------------------------------------------------------------------------------------|-----|
|      |           | <b>1 2 3 4</b>                                                                                                         |     |
| 1    | 102298401 | Nut,m8,all Metal Lock .....                                                                                            | 2   |
| 2    | 103990201 | Bolt, M8 X 1.25 X 50 Hh Cap .....                                                                                      | 2   |
| 3    | 105100901 | Kit, Universal Joint Replacement .....                                                                                 | A/R |
| 4    | 105173201 | Propshaft, Front, No Spln Zerk .....                                                                                   | 1   |
| 5    | 105173301 | Propshaft, Rear, No Spln Zerk .....                                                                                    | 1   |
| 6    | 105173401 | Propshaft,frnt,lng,no Spln Zrk .....                                                                                   | 1   |
|      |           | Note: Item 2 is for 81.5 in. (207 cm) wheelbase vehicle only. Item 4 is for 114 in. (289.5 cm) wheelbase vehicle only. |     |

**16**

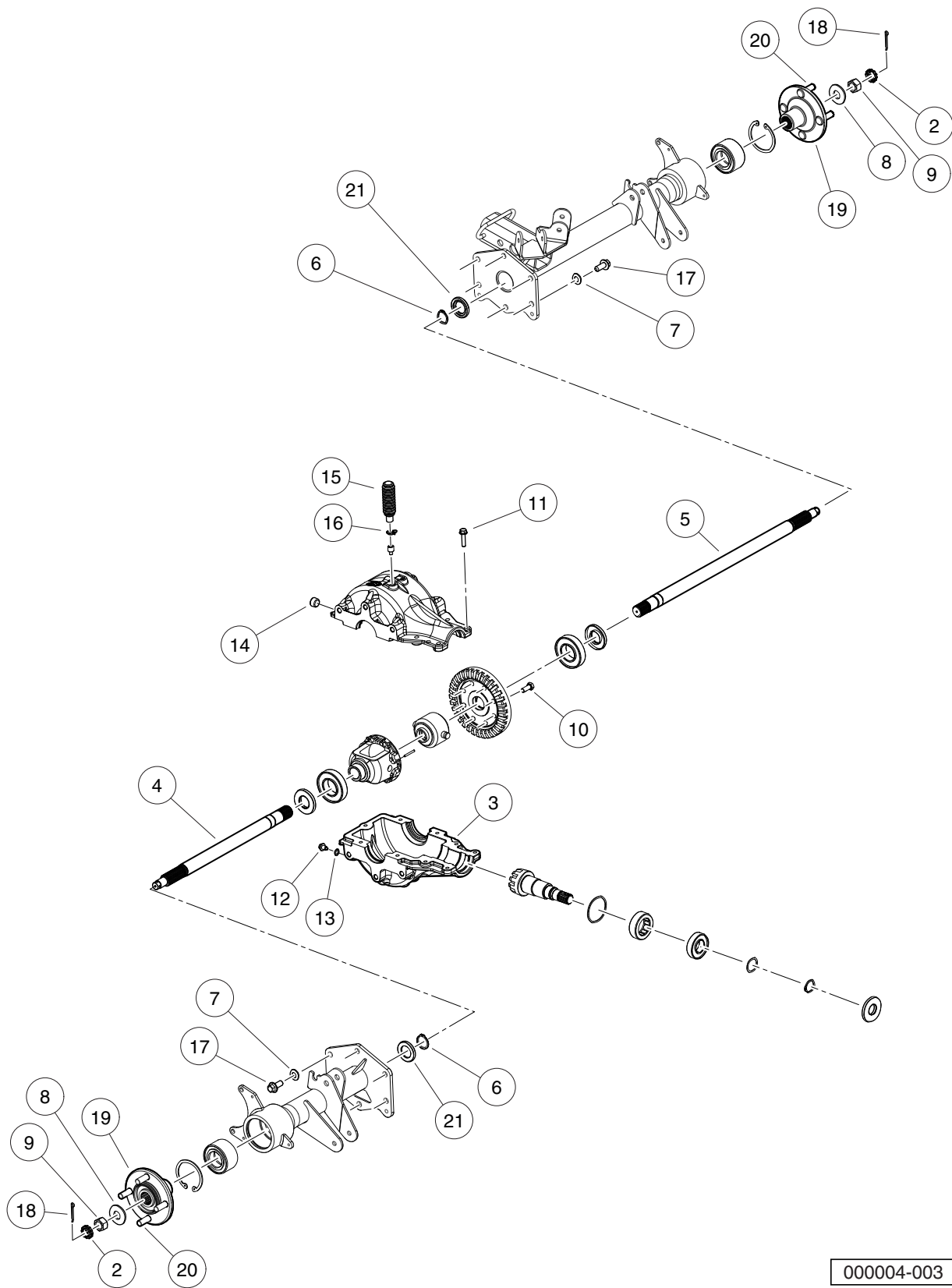
**G**

**D**

16

G

D



000004-003



## REAR DIFFERENTIAL AND AXLES – PAGE 1 OF 2

| ITEM | PART NO.  | DESCRIPTION                                                | QTY |
|------|-----------|------------------------------------------------------------|-----|
|      |           | 1 2 3 4                                                    |     |
| 1    | 103843901 | Axle, Rear, Awd, 4link (includes items 2 through 21) ..... | 1   |
| 2    | 102276001 | Locking Cap, Nut .....                                     | 2   |
| 3    | 102449101 | Gearcase, Lower, Machined .....                            | 1   |
| 4    | 102463501 | Axle, Right-hand .....                                     | 1   |
| 5    | 102463601 | Axle, Left-Hand .....                                      | 1   |
| 6    | 102463901 | Ring, Retaining, External .....                            | 2   |
| 7    | 102672201 | Washer, Belleville, 1.063 X .043 .....                     | 12  |
| 8    | 102672301 | Washer, Belleville, 49 X 4 .....                           | 2   |
| 9    | 102672401 | Nut, Hex, M20 X 1.5 , Modified .....                       | 2   |
| 10   | 102693201 | Screw, M10 X 25 .....                                      | 8   |
| 11   | 102693301 | Screw, hex Flange, M8 X 35 .....                           | 9   |
| 12   | 102693401 | Plug,3/8-16, Hex Flange .....                              | 1   |
| 13   | 102693501 | Washer, .625 X .382 X .60 .....                            | 1   |
| 14   | 102694201 | Plug, Square Skt, 1/12-14, Ptf .....                       | 1   |
| 15   | 102694301 | Bellows, Vent, Upper Housing .....                         | 1   |
| 16   | 102694401 | Clamp, Hose, Dw-9.5 .....                                  | 1   |
| 17   | 102694701 | Screw, Hex Fl, M12 X 1.75 X 30 .....                       | 12  |
| 18   | 102694801 | Pin, Cotter, 5/32 X 1.25 .....                             | 2   |
| 19   | 103146203 | Asm, Wheel Hub, Rear, 1550 (includes item 20) .....        | 2   |
| 20   | 103951501 | Lug Stud, 1/2-20 UNF, SAE J1102 .....                      | 4   |
| 21   | 103879501 | Washer, C-bored 60.5 X 30.3 .....                          | 2   |

16

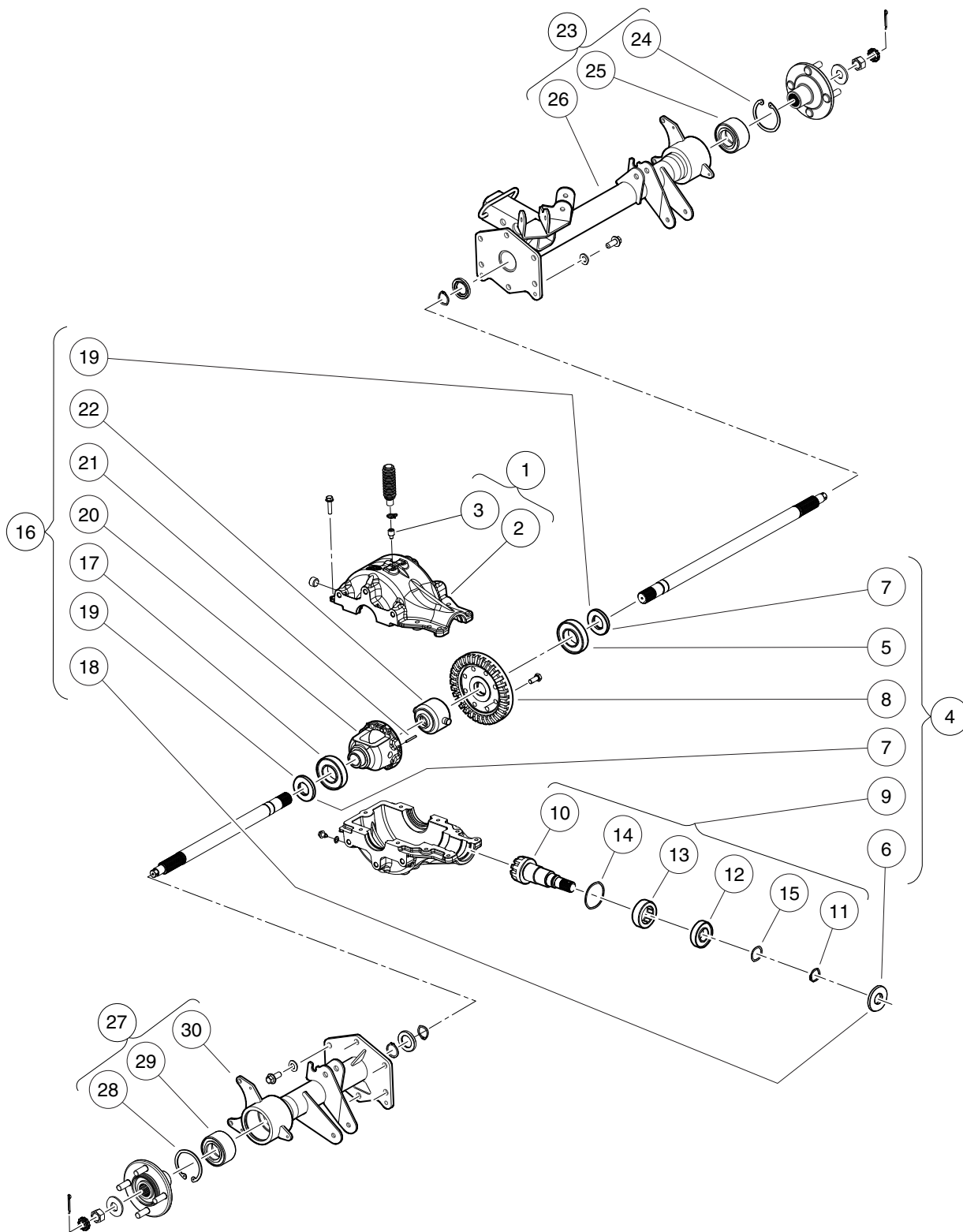
G

D

16

G

D



000004-004

## REAR DIFFERENTIAL AND AXLES – PAGE 2 OF 2

| ITEM | PART NO.  | DESCRIPTION                                                      | QTY |
|------|-----------|------------------------------------------------------------------|-----|
|      |           | <b>1 2 3 4</b>                                                   |     |
| 1    | 102765301 | Asm, Gearcase, Upper (includes items 2 and 3) .....              | 1   |
| 2    | N/A       | Gearcase, Upper, Machined .....                                  | 1   |
| 3    | 102694001 | Vent, Top, Upper Housing .....                                   | 1   |
| 4    | 102765801 | Kit, Rear Axle Gear Repair (includes items 5 through 9) .....    | 1   |
| 5    | 102464201 | Bearing, Ball .....                                              | 1   |
| 6    | 102464401 | Seal, Dual-Lip 25x 62x 7tc .....                                 | 1   |
| 7    | 102464501 | Seal, Dual-Lip 30x 62x 8tc .....                                 | 2   |
| 8    | 102762601 | Gear, Ring, 33-Tooth .....                                       | 1   |
| 9    | 102765701 | Asm, Pinion W/ Bearings (includes items 10 through 15) .....     | 1   |
| 10   | 102463101 | Pinion, 10t Machined .....                                       | 1   |
| 11   | 102463901 | Ring, Retaining, External .....                                  | 1   |
| 12   | 102464001 | Bearing, Ball .....                                              | 1   |
| 13   | 102464101 | Bearing, Needle, Drawn Shell .....                               | 1   |
| 14   | 102693601 | Washer, 2.625 X 2.367 X .06 .....                                | 1   |
| 15   | 102694502 | Shim, 1.50 X 1.189 X .008 .....                                  | 1   |
| 16   | 103871801 | Asm, Carrier, Etched Locker (includes items 17 through 22) ..... | 1   |
| 17   | 102464201 | Bearing, Ball .....                                              | 1   |
| 18   | 102464401 | Seal, Dual-Lip 25x 62x 7tc .....                                 | 1   |
| 19   | 102464501 | Seal, Dual-Lip 30x 62x 8tc .....                                 | 2   |
| 20   | 102961301 | Housing, Differential, Mach .....                                | 1   |
| 21   | 102961401 | Pin, Dowel, 4 X 35 .....                                         | 1   |
| 22   | N/A       | Asm, Locker, Nongrease/Spacers .....                             | 1   |
| 23   | 103922801 | Assy, Axle Tube, Rear, LH (includes items 24 through 26) .....   | 1   |
| 24   | 102463801 | Ring, Retaining, Internal .....                                  | 1   |
| 25   | 102464301 | Bearing .....                                                    | 1   |
| 26   | 103868201 | Weldment, Axle Tube, LH, 4-Link Susp .....                       | 1   |
| 27   | 103922901 | Assy, Axle Tube, Rear, RH (includes items 28 through 30) .....   | 1   |
| 28   | 102463801 | Ring, Retaining, Internal .....                                  | 1   |
| 29   | 102464301 | Bearing .....                                                    | 1   |
| 30   | 103868301 | Weldment, Axle Tube, RH, 4-Link Susp .....                       | 1   |

16

G

D

**16**

**G**

**D**

# RADIATOR AND COOLANT SYSTEM – DIESEL VEHICLES

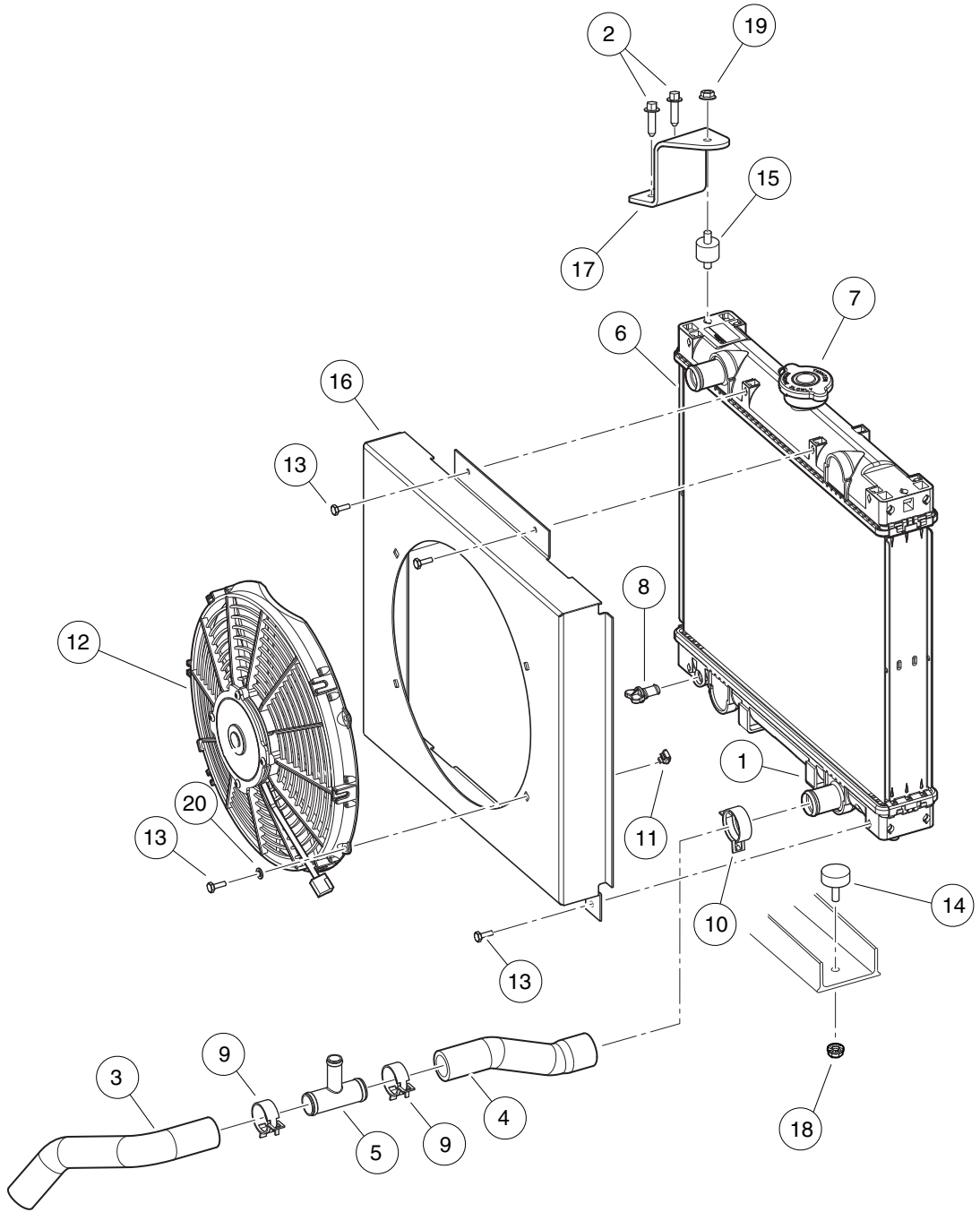
---

17

*D*

17

D



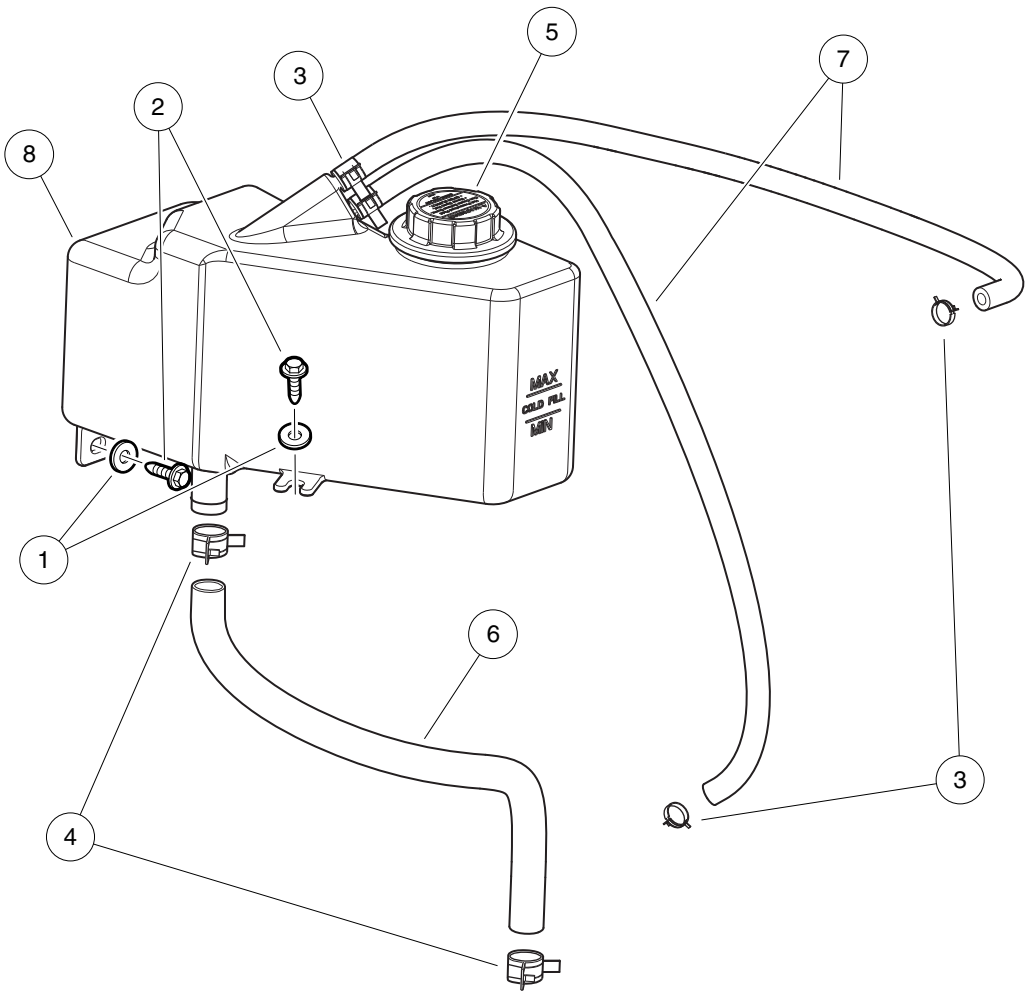
000541-002

# RADIATOR

**17**

**D**

| ITEM | PART NO.  | DESCRIPTION                             | QTY |
|------|-----------|-----------------------------------------|-----|
|      |           | <b>1 2 3 4</b>                          |     |
| 1    | 1014471   | Tape, Vinyl Foam 1/8" x 3/4" .....      | 1   |
| 2    | 102289001 | Screw, M8X1.25X30, Hex .....            | 4   |
| 3    | 102377801 | Hose, Coolant Lower Pipe .....          | 1   |
| 4    | 102377901 | Hose, Coolant Lower Rad .....           | 1   |
| 5    | 102380301 | Tee, Coolant Fill .....                 | 1   |
| 6    | 102410301 | Radiator (includes items 7 and 8) ..... | 1   |
| 7    | 102737301 | Cap, Radiator .....                     | 1   |
| 8    | N/A       | Drain Cock, Radiator .....              | 1   |
| 9    | 102411207 | Clamp, Hose, Ctb 35mm .....             | 2   |
| 10   | 102411208 | Clamp, Hose, Ctb 38mm .....             | 1   |
| 11   | 102411301 | Nut, Self Retaining .....               | 4   |
| 12   | 102436701 | Fan, Cooling 12 In Elect .....          | 1   |
| 13   | 102490301 | Bolt, M6 X 1 X 16, Loctite .....        | 8   |
| 14   | 102684901 | Bumper, 19mm Stud .....                 | 2   |
| 15   | 102685001 | Isolator, Twin-Stud .....               | 2   |
| 16   | 102855501 | Shroud, Radiator Fan .....              | 1   |
| 17   | 102946701 | Bracket, Radiator Support .....         | 2   |
| 18   | 96704176  | Nut, Flanged, M6 X 1, Serrated .....    | 2   |
| 19   | 96704416  | Nut, Flange, M8 X 1.25 Serrated .....   | 2   |
| 20   | 96705199  | Washer, M6 .....                        | 4   |



000540-003

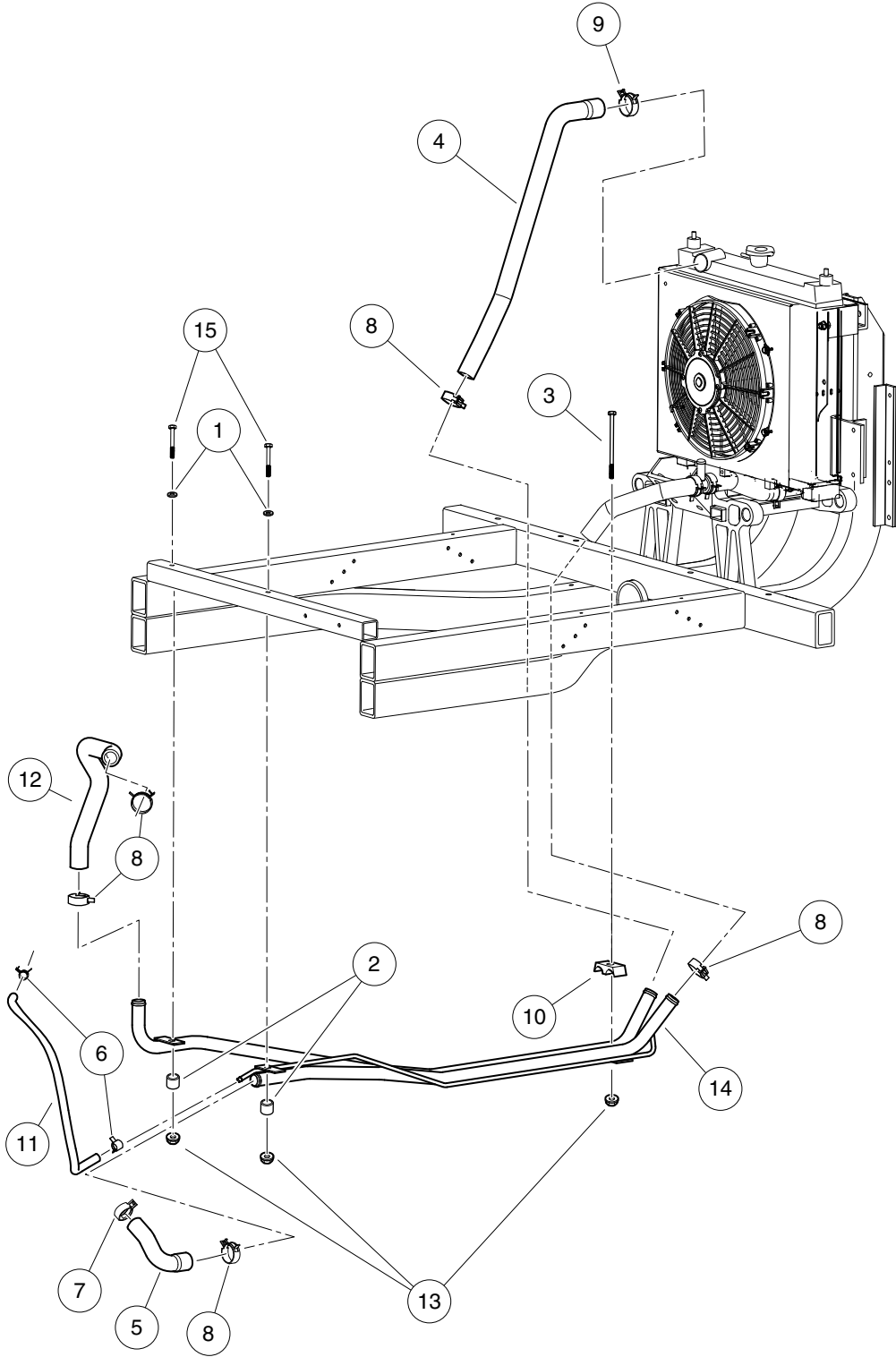


# COOLANT EXPANSION TANK

| ITEM                                                                           | PART NO.  | DESCRIPTION                              | QTY |
|--------------------------------------------------------------------------------|-----------|------------------------------------------|-----|
|                                                                                |           | 1 2 3 4                                  |     |
| 1                                                                              | 1011578   | Washer, 5/16 Type B Flat .....           | 2   |
| 2                                                                              | 102298720 | Screw, M8-1.25x20, Taptite .....         | 2   |
| 3                                                                              | 102411204 | Clamp, Hose, CTB 15mm .....              | 4   |
| 4                                                                              | 102411205 | Clamp, Hose, CTB 22mm .....              | 2   |
| 5                                                                              | 102427501 | Cap, Radiator .....                      | 1   |
| 6                                                                              | 102807601 | Hose, Coolant, 5/8 SAE J20r3 Bulk .....  | 2   |
| 7                                                                              | 102807801 | Hose, Coolant, 5/16 SAE J20r3 Bulk ..... | 8   |
| 8                                                                              | 102973201 | Bottle, Coolant .....                    | 1   |
| Note: For hoses (items 6 and 7), quantity shown is length in feet per vehicle. |           |                                          |     |

17

D



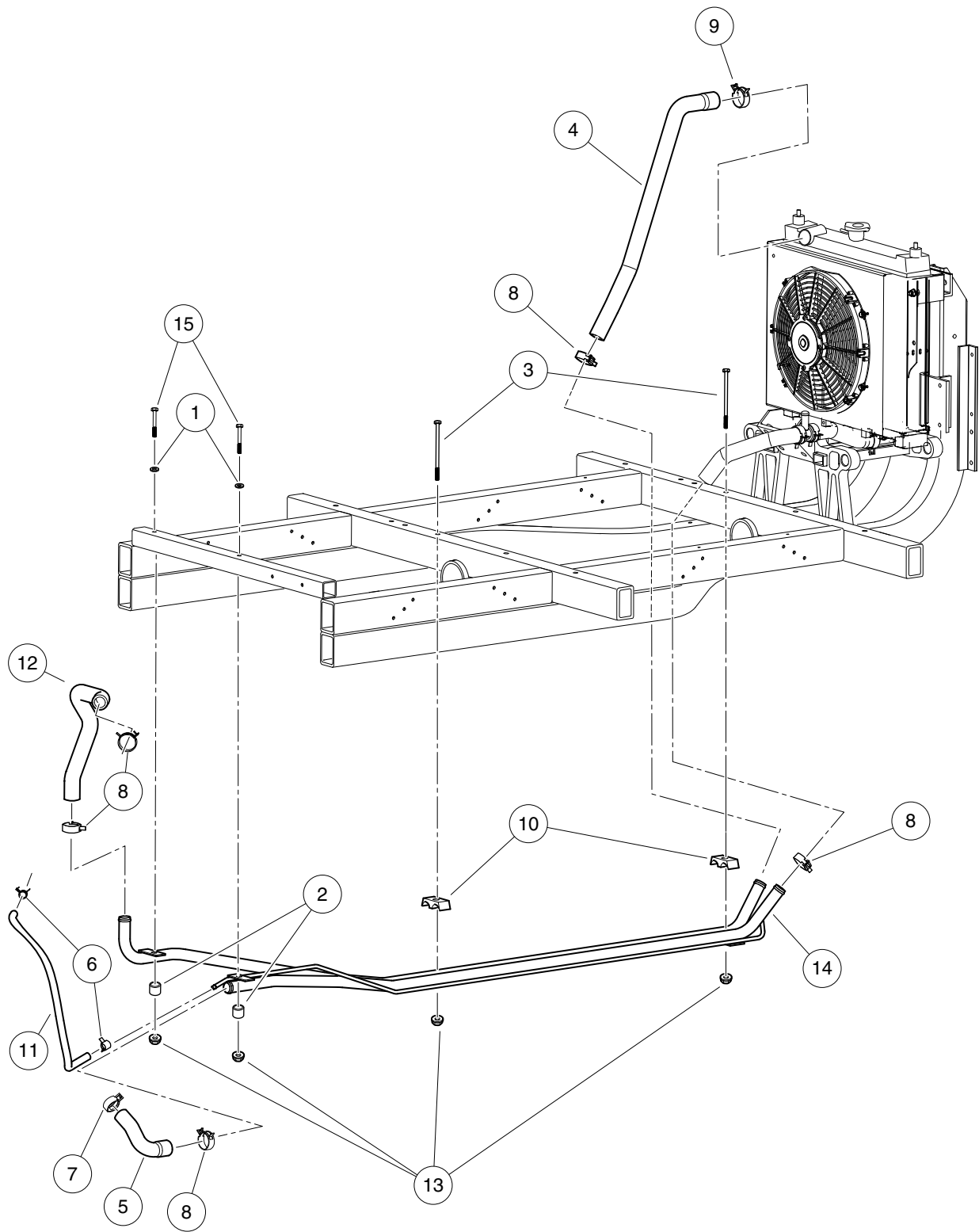
000079-004

# COOLANT PIPES, CLAMPS, HOSES AND HARDWARE, 2-PASSENGER

| ITEM | PART NO.  | DESCRIPTION                              | QTY |
|------|-----------|------------------------------------------|-----|
|      |           | 1 2 3 4                                  |     |
| 1    | 1011578   | Washer, 5/16 Type B Flat .....           | 2   |
| 2    | 1015457   | Spacer, 0.720" .....                     | 2   |
| 3    | 102288901 | Bolt, Hex, M8x1.25 X 135 .....           | 1   |
| 4    | 102377501 | Hose, Coolant Upper Rad .....            | 1   |
| 5    | 102377601 | Hose, Coolant Lower Eng .....            | 1   |
| 6    | 102411204 | Clamp, Hose, CTB 15mm .....              | 2   |
| 7    | 102411206 | Clamp, Hose, Ctb 30mm .....              | 1   |
| 8    | 102411207 | Clamp, Hose, Ctb 35mm .....              | 5   |
| 9    | 102411208 | Clamp, Hose, Ctb 38mm .....              | 1   |
| 10   | 102427601 | Clamp, Bar .....                         | 1   |
| 11   | 102435001 | Hose, Vent Tube To Eng, Coolnt .....     | 1   |
| 12   | 102480501 | Hose, Coolant, Return, Engine .....      | 1   |
| 13   | 102618601 | Lock Nut, Flange, M8 X 1.25 Nylon .....  | 3   |
| 14   | 102628701 | Coolant Pipe Assembly, 2-passenger ..... | 1   |
| 15   | 103423701 | Bolt, M8 X 1.25 X 110 .....              | 2   |

17

D



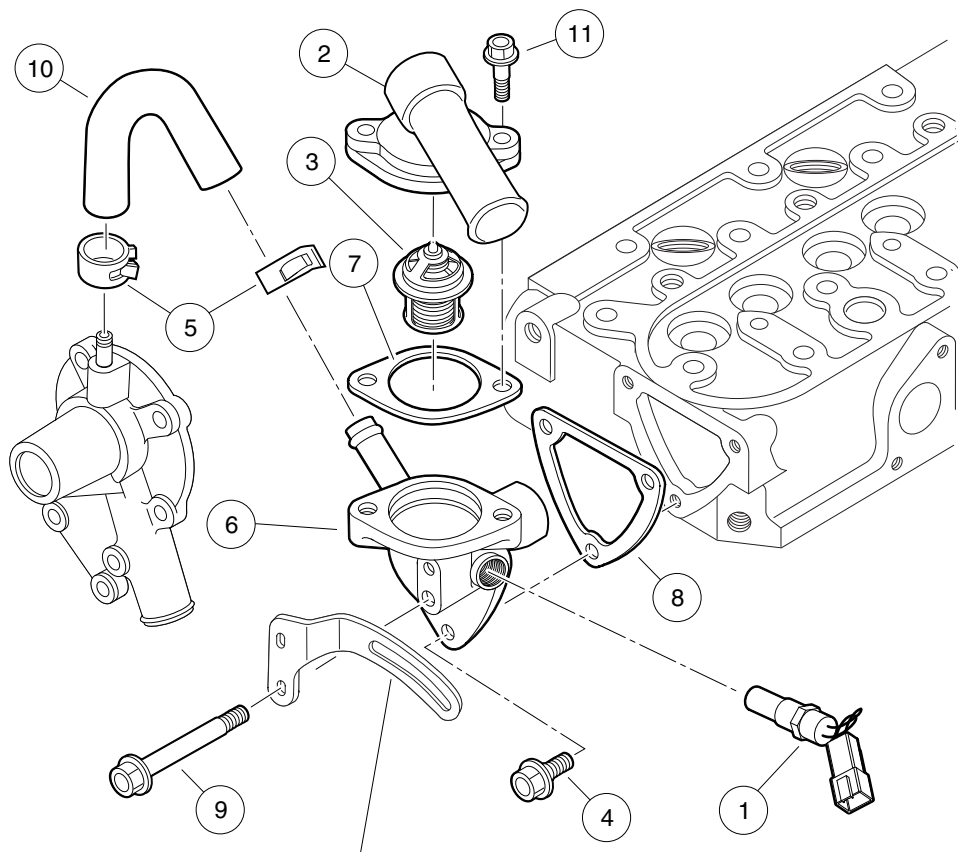
000079-005

# COOLANT PIPES, CLAMPS, HOSES AND HARDWARE, 4-PASSENGER

| ITEM | PART NO.  | DESCRIPTION                              | QTY |
|------|-----------|------------------------------------------|-----|
|      |           | 1 2 3 4                                  |     |
| 1    | 1011578   | Washer, 5/16 Type B Flat .....           | 2   |
| 2    | 1015457   | Spacer, 0.720" .....                     | 2   |
| 3    | 102288901 | Bolt, Hex, M8x1.25 X 135 .....           | 2   |
| 4    | 102377501 | Hose, Coolant Upper Rad .....            | 1   |
| 5    | 102377601 | Hose, Coolant Lower Eng .....            | 1   |
| 6    | 102411204 | Clamp, Hose, CTB 15mm .....              | 2   |
| 7    | 102411206 | Clamp, Hose, Ctb 30mm .....              | 1   |
| 8    | 102411207 | Clamp, Hose, Ctb 35mm .....              | 5   |
| 9    | 102411208 | Clamp, Hose, Ctb 38mm .....              | 1   |
| 10   | 102427601 | Clamp, Bar .....                         | 2   |
| 11   | 102435001 | Hose, Vent Tube To Eng, Coolnt .....     | 1   |
| 12   | 102480501 | Hose, Coolant, Return, Engine .....      | 1   |
| 13   | 102618601 | Lock Nut, Flange, M8 X 1.25 Nylon .....  | 4   |
| 14   | 102767601 | Coolant Pipe Assembly, 4-passenger ..... | 1   |
| 15   | 103423701 | Bolt, M8 X 1.25 X 110 .....              | 2   |

17

D



For bracket, see  
Alternator pages  
in the Diesel Engine  
section

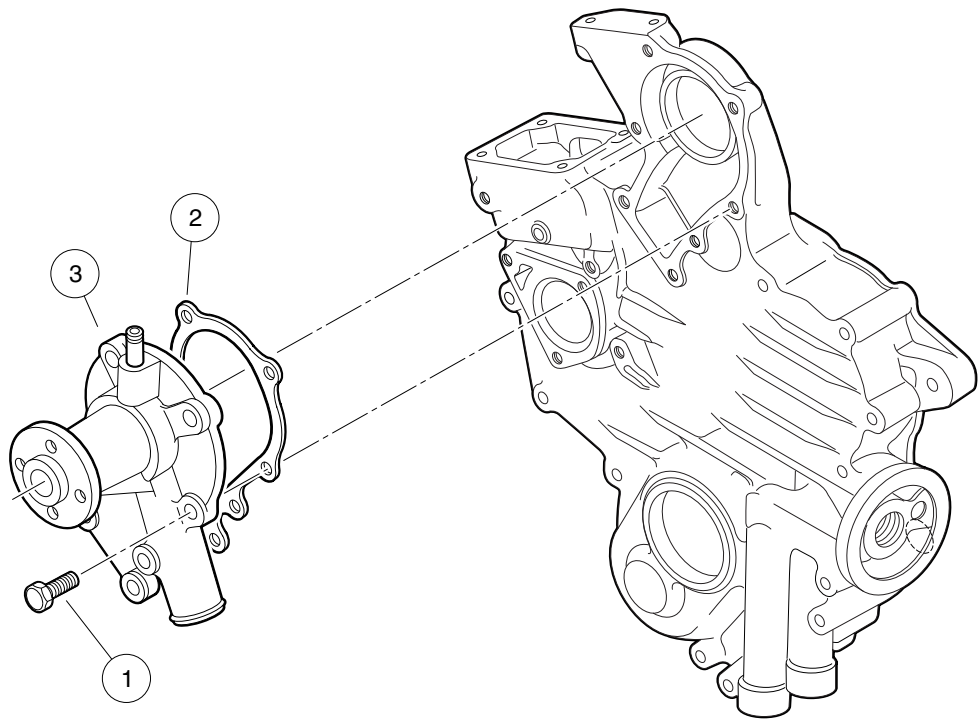
000059-002

# WATER FLANGE AND THERMOSTAT

| ITEM | PART NO.  | DESCRIPTION                        | QTY |
|------|-----------|------------------------------------|-----|
|      |           | <b>1 2 3 4</b>                     |     |
| 1    | 102410001 | Sensor, Coolant Temp .....         | 1   |
| 2    | 102631301 | Cover, Thermostat .....            | 1   |
| 3    | 102631401 | Thermostat .....                   | 1   |
| 4    | 102631601 | Bolt, M6 X 1 X 20 .....            | 2   |
| 5    | 102633001 | Band, Pipe .....                   | 2   |
| 6    | 102633201 | Flange, Water .....                | 1   |
| 7    | 102633401 | Gasket, Thermostat .....           | 1   |
| 8    | 102654701 | Gasket, Water Flange .....         | 1   |
| 9    | 102730901 | Bolt, Alt, D722, Stay Lower .....  | 1   |
| 10   | 102731001 | Pipe, Water Return, D722 .....     | 1   |
| 11   | 102731101 | Bolt, D722, Thermostat Cover ..... | 2   |

17

D



000060-001



# WATER PUMP

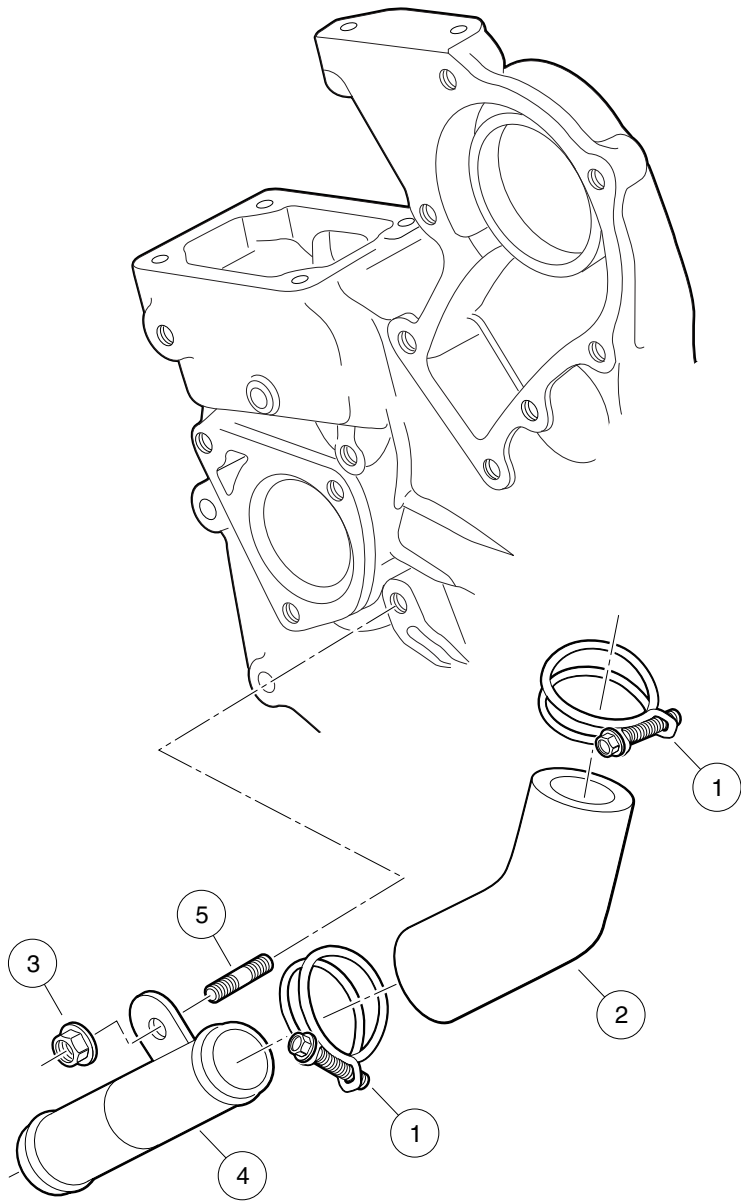
| ITEM | PART NO.  | DESCRIPTION                    | QTY |
|------|-----------|--------------------------------|-----|
|      |           | 1 2 3 4                        |     |
| 1    | 102608701 | Bolt, M6 X 1 X 22 .....        | 4   |
| 2    | 102632701 | Gasket, Water Pump, D722 ..... | 1   |
| 3    | 102731201 | Water Pump Assembly .....      | 1   |

17

D

17

D



000061-001

# BLOCK COOLANT PIPE

| ITEM | PART NO.  | DESCRIPTION                | QTY |
|------|-----------|----------------------------|-----|
|      |           | <b>1 2 3 4</b>             |     |
| 1    | 102631701 | Band, Pipe, with Nut ..... | 2   |
| 2    | 102631801 | Hose, Coolant .....        | 1   |
| 3    | 102632001 | Nut, Flange, M6 .....      | 1   |
| 4    | 102632101 | Pipe, Coolant .....        | 1   |
| 5    | 102632201 | Stud, M6 X 15 .....        | 1   |

**17**

**D**

17

*D*

# HYDRAULIC ATTACHMENT SYSTEM AND ACCESSORIES

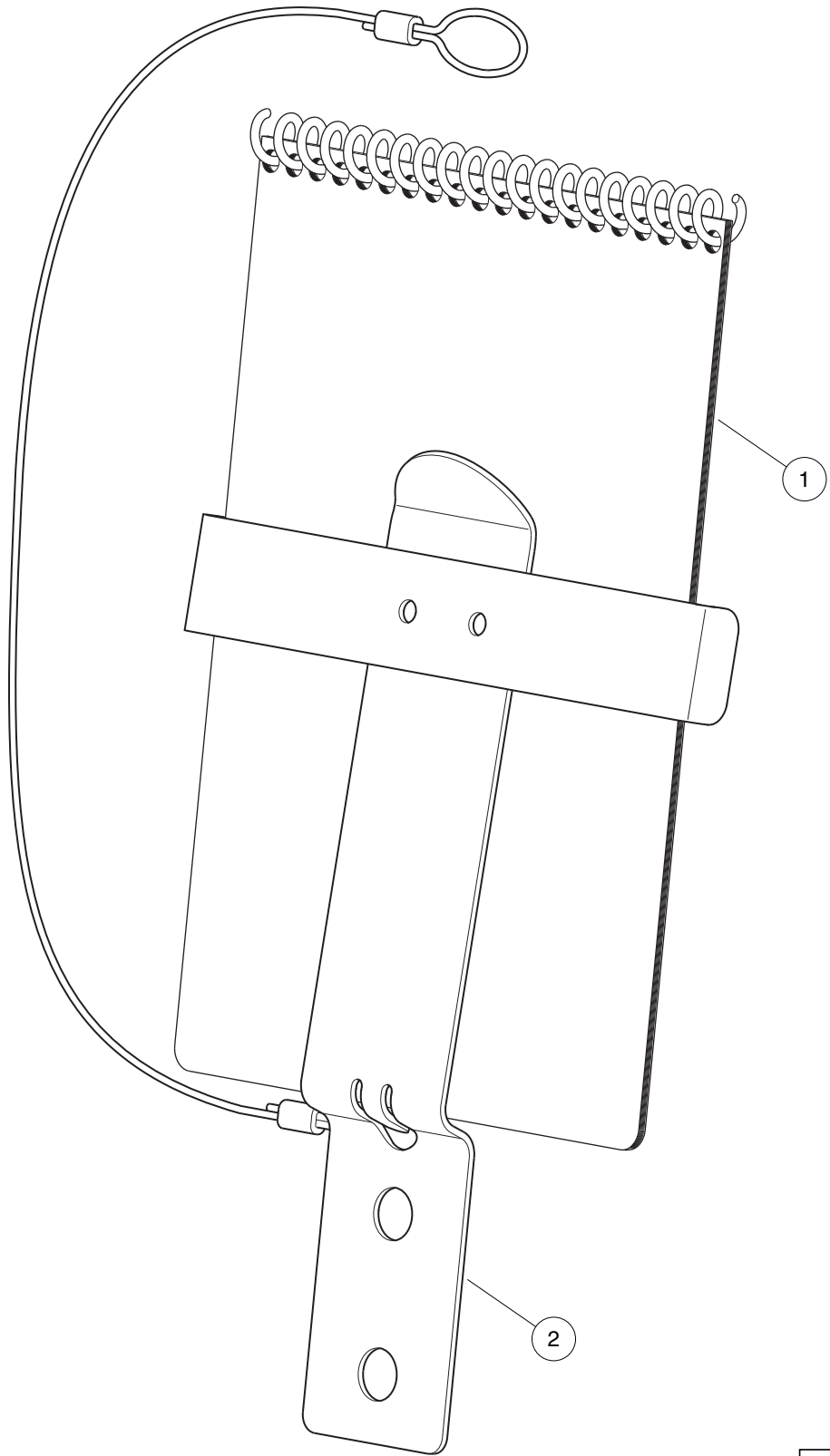
---

18

D

18

D



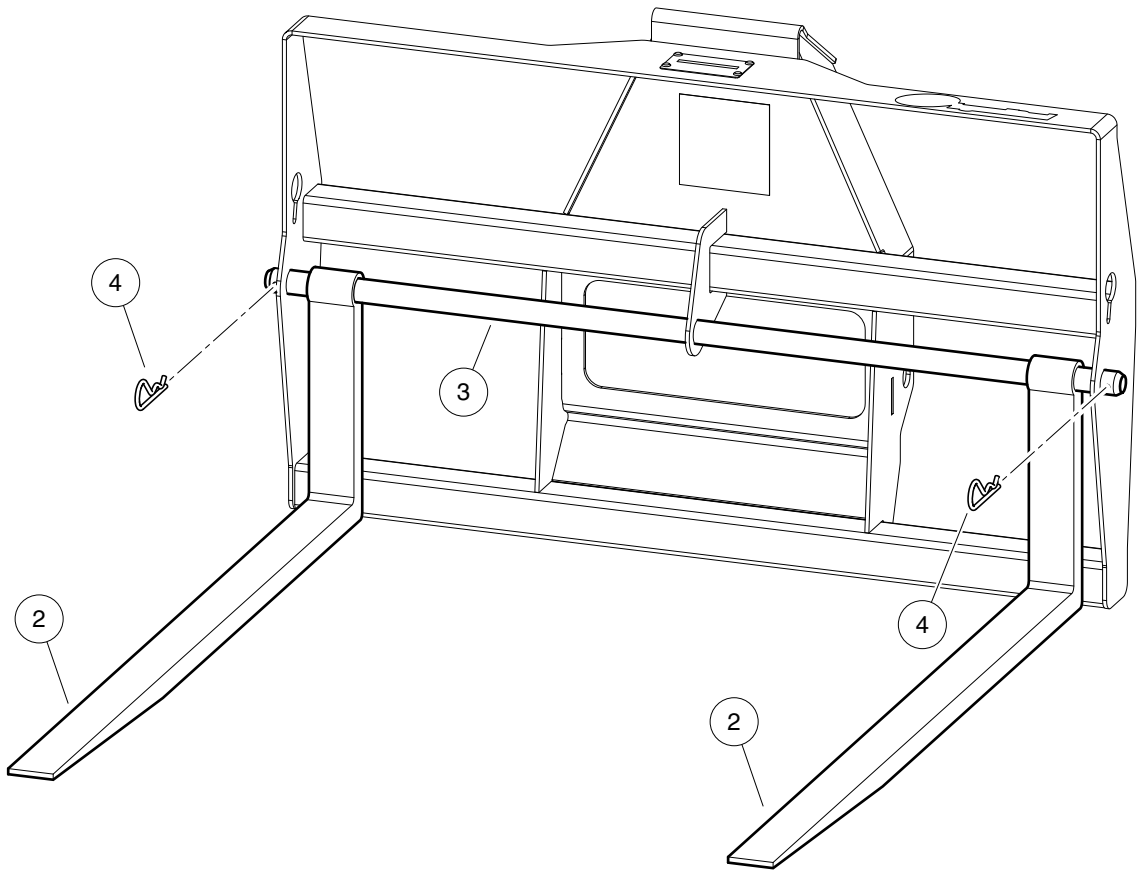
000558-002

# HANDBOOK

**18**

| ITEM | PART NO.  | DESCRIPTION                                   | QTY |
|------|-----------|-----------------------------------------------|-----|
| 1    | 103237501 | 1 2 3 4<br>Handbook, Operator, Club Car ..... | 1   |
| 2    | 103237701 | Weldment, Clip, Handbook .....                | 1   |

**D**



000555-001



# ATTACHMENT – PALLET FORK

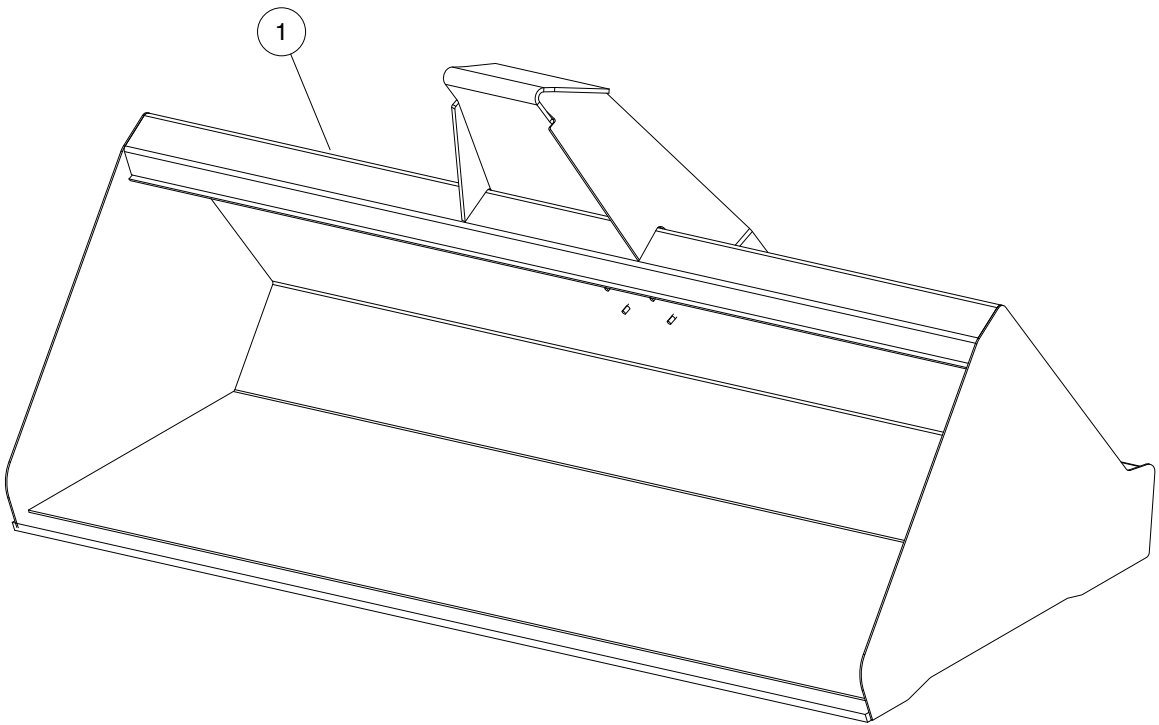
| ITEM | PART NO.  | DESCRIPTION                                                 | QTY |
|------|-----------|-------------------------------------------------------------|-----|
|      |           | 1 2 3 4                                                     |     |
| 1    | 102930001 | Attachment, Fork, Pallet (includes items 2 through 4) ..... | 1   |
| 2    | 102927201 | Pallet Fork .....                                           | 2   |
| 3    | 102927301 | Bar, Fork Mount .....                                       | 1   |
| 4    | 102927401 | Pin, Hair .....                                             | 2   |

18

D

18

D



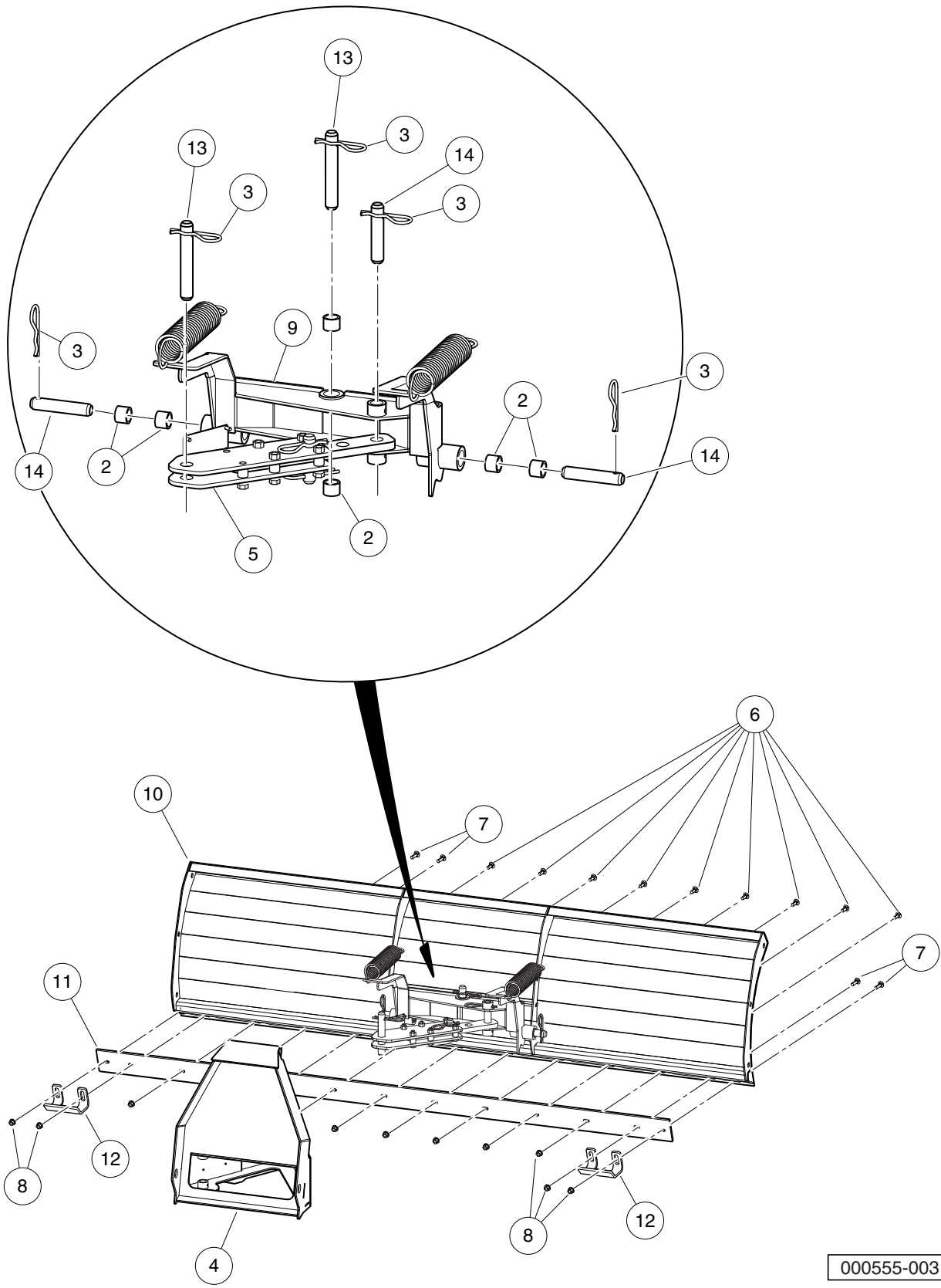
000555-002

# ATTACHMENT – BUCKET

| ITEM | PART NO.  | DESCRIPTION                         | QTY |
|------|-----------|-------------------------------------|-----|
| 1    | 102930101 | 1 2 3 4<br>Attachment, Bucket ..... | 1   |

18

D



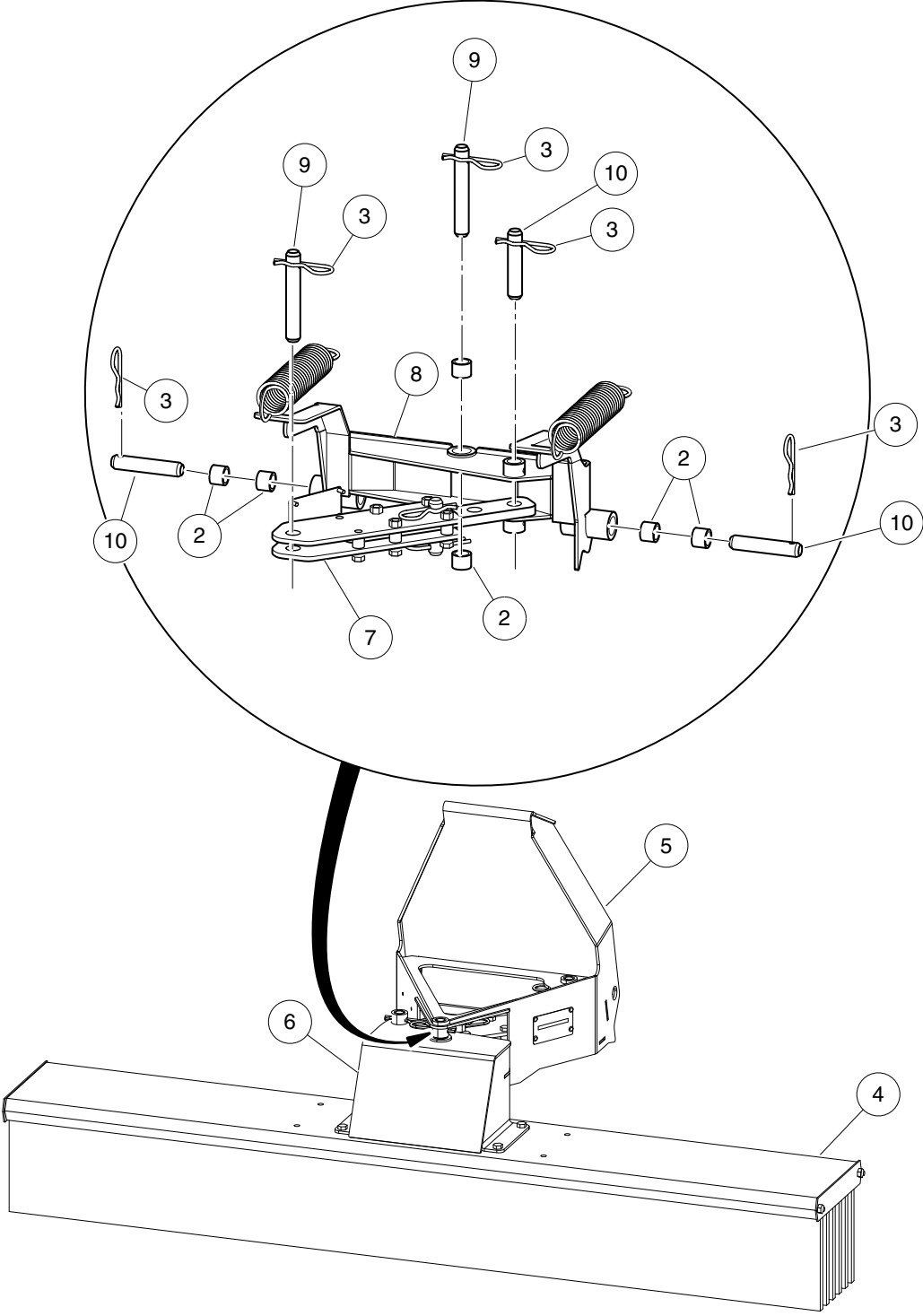
000555-003

# ATTACHMENT – SNOW BLADE

| ITEM | PART NO.  | DESCRIPTION                                                 | QTY |
|------|-----------|-------------------------------------------------------------|-----|
|      |           | 1 2 3 4                                                     |     |
| 1    | 102930201 | Attachment, Blade, Snow (includes items 2 through 14) ..... | 1   |
| 2    | 102926601 | Bearing, Fiber, -12 .....                                   | 6   |
| 3    | 102927401 | Pin, Hair .....                                             | 5   |
| 4    | 102929601 | Weldment, Mount, Angle .....                                | 1   |
| 5    | N/A       | Asm, Adjust, Manual .....                                   | 1   |
| 6    | 103243001 | Bolt, Carriage .....                                        | 9   |
| 7    | 103243101 | Bolt, Carriage .....                                        | 4   |
| 8    | 103243201 | Nut, Pretrq, Hex Lock .....                                 | 13  |
| 9    | 103243501 | Weldment, Head, Angle .....                                 | 1   |
| 10   | 103243601 | Weldment, Blade, Snow .....                                 | 1   |
| 11   | 103243701 | Edge, Cutting .....                                         | 1   |
| 12   | 103243801 | Shoe, Skid .....                                            | 2   |
| 13   | 103243901 | Pin, 5 In .....                                             | 2   |
| 14   | 103244001 | Pin, 3.9 In .....                                           | 3   |

18

D



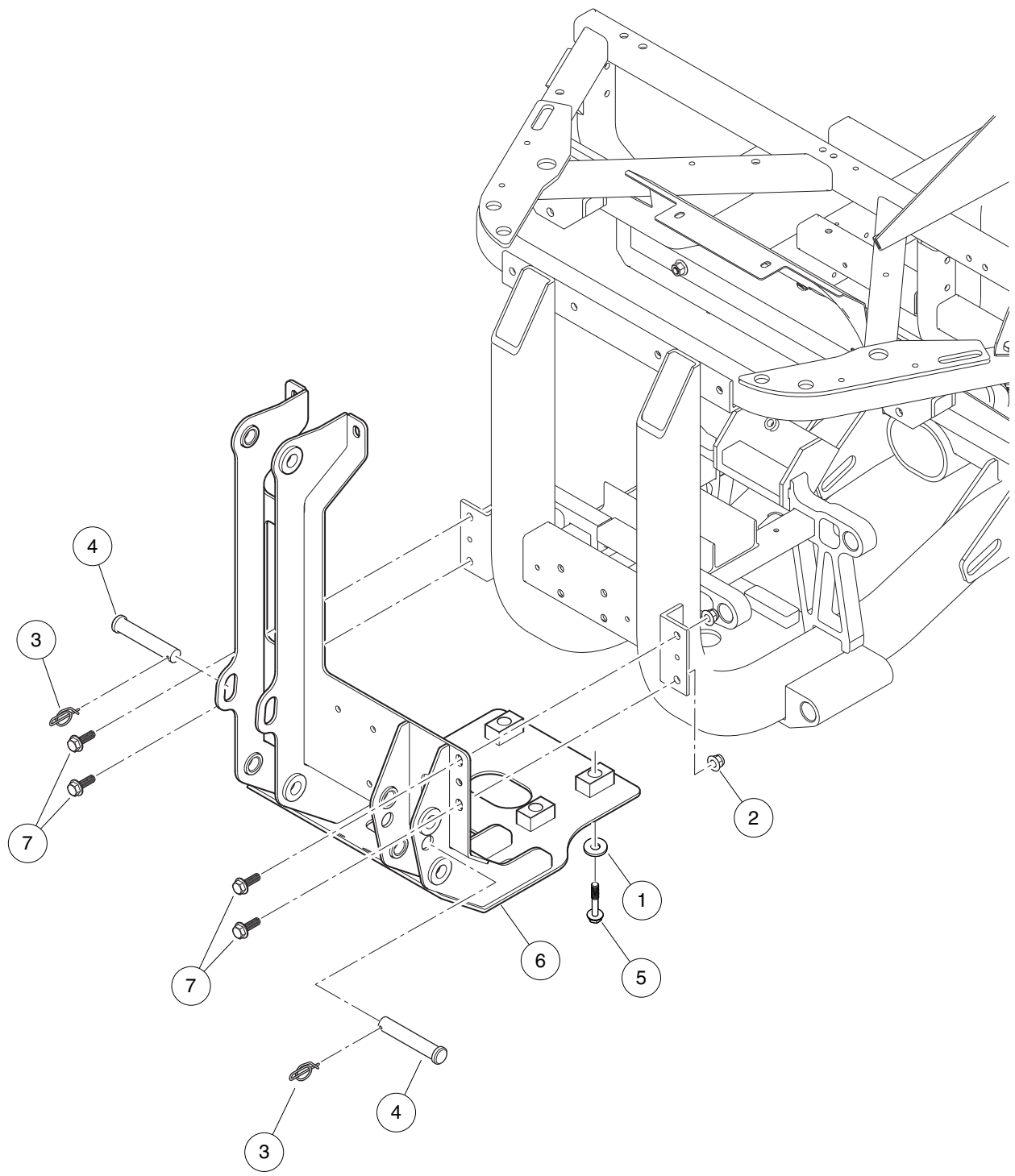
000555-004

# ATTACHMENT – BROOM

| ITEM | PART NO.  | DESCRIPTION                                                 | QTY |
|------|-----------|-------------------------------------------------------------|-----|
|      |           | 1 2 3 4                                                     |     |
| 1    | 102930301 | Attachment, Broom, Push (includes items 2 through 10) ..... | 1   |
| 2    | 102926601 | Bearing, Fiber, -12 .....                                   | 6   |
| 3    | 102927401 | Pin, Hair .....                                             | 5   |
| 4    | 102929501 | Broom, Whisker, 60 In .....                                 | 1   |
| 5    | 102929601 | Weldment, Mount, Angle .....                                | 1   |
| 6    | 102929701 | Wldmnt, Mount, Whisker .....                                | 1   |
| 7    | N/A       | Asm, Adjust, Manual .....                                   | 1   |
| 8    | 103243501 | Weldment, Head, Angle .....                                 | 1   |
| 9    | 103243901 | Pin, 5 In .....                                             | 2   |
| 10   | 103244001 | Pin, 3.9 In .....                                           | 3   |

18

D



000552-002

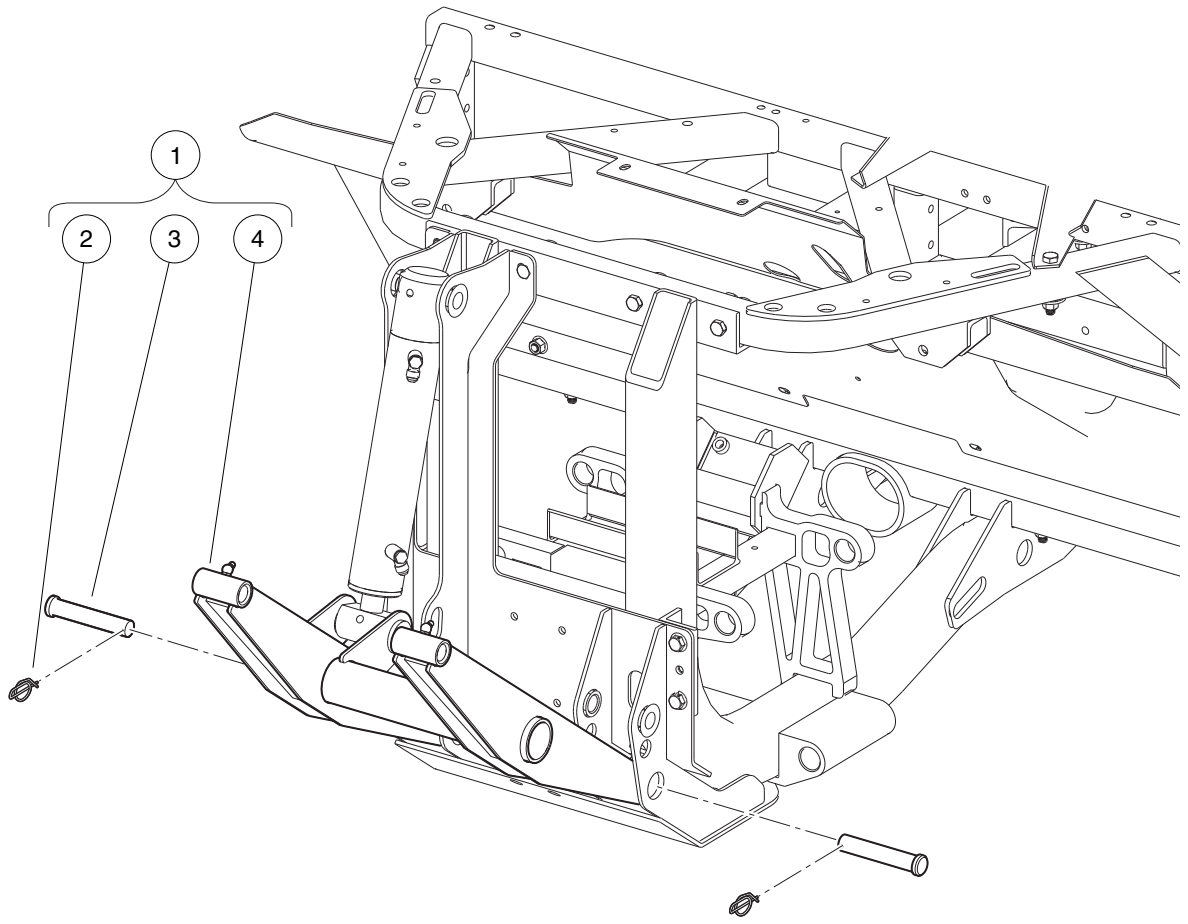


## ACCESSORY MOUNTING WELDMENT

| ITEM | PART NO.  | DESCRIPTION                        | QTY |
|------|-----------|------------------------------------|-----|
|      |           | <b>1 2 3 4</b>                     |     |
| 1    | 102491501 | Washer, Hard, M10 .....            | 4   |
| 2    | 102670701 | Nut, Flange, M10 X 1.5 Nylon ..... | 4   |
| 3    | 102786101 | Ring, Rue, 3/4, Heavy .....        | 2   |
| 4    | 102921601 | Pin, Clevis, 3/4 X 4 .....         | 2   |
| 5    | 102925201 | Bolt, Flg, M10x1.5x55, Patch ..... | 4   |
| 6    | 103355401 | Weldment, Front Mount .....        | 1   |
| 7    | 96727003  | Bolt Flg, M10 X 1.5 X 30 .....     | 4   |

18

D



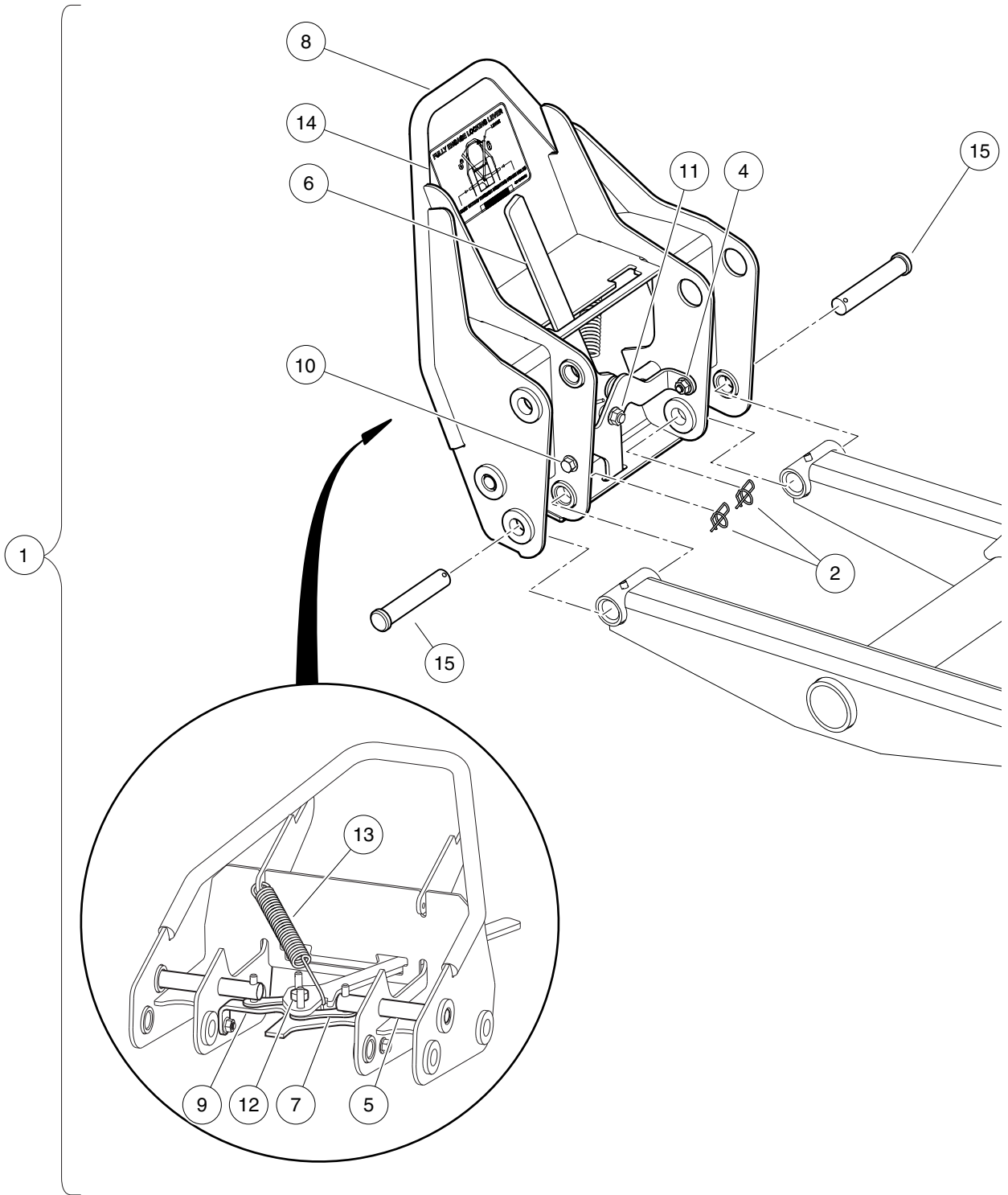
000786-001

# ATTACHMENT ARM KIT

| ITEM | PART NO.  | DESCRIPTION                                             | QTY |
|------|-----------|---------------------------------------------------------|-----|
|      |           | <b>1 2 3 4</b>                                          |     |
| 1    | 102923201 | Kit, Arm, Attachment (includes items 2 through 4) ..... | 1   |
| 2    | 102786101 | Ring, Rue, 3/4, Heavy .....                             | 2   |
| 3    | 102921601 | Pin, Clevis, 3/4 X 4 .....                              | 2   |
| 4    | 102923401 | Asm, Arm, Attachment .....                              | 1   |

18

D



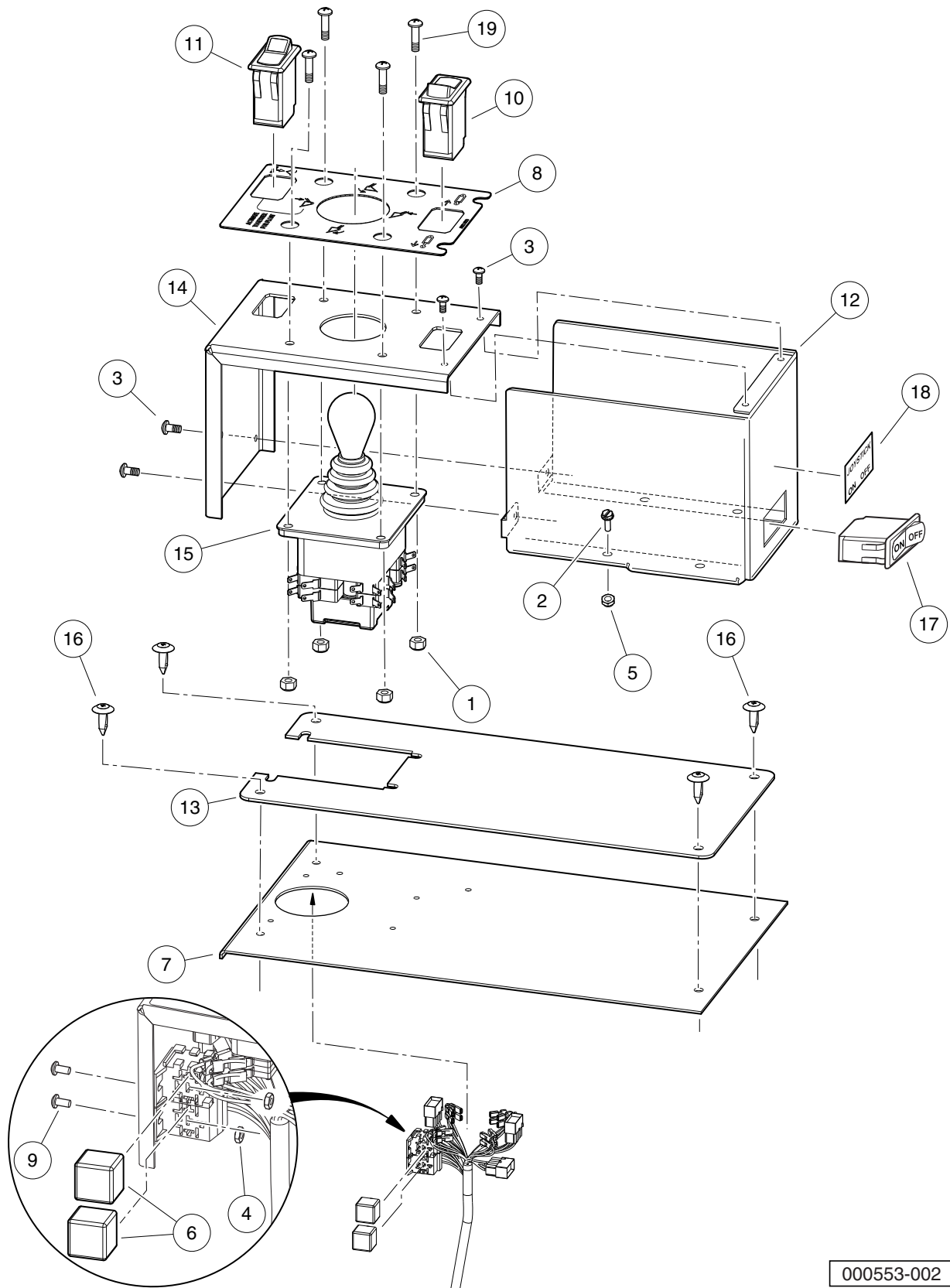
000787-002

# ATTACHMENT INTERFACE

| ITEM | PART NO.  | DESCRIPTION                                                    | QTY |
|------|-----------|----------------------------------------------------------------|-----|
|      |           | <b>1 2 3 4</b>                                                 |     |
| 1    | 102923301 | Kit, Interface, Attachment (includes items 2 through 15) ..... | 1   |
| 2    | 102786101 | Ring, Rue, 3/4, Heavy .....                                    | 2   |
| 3    | 102789001 | Asm, Interface, Attachment (includes items 4 through 14) ..... | 1   |
| 4    | 102617001 | Nut Flg, M8 X 1.25 Mech Def .....                              | 2   |
| 5    | 102789101 | Pin, Latch .....                                               | 2   |
| 6    | 102789201 | Lever, Release .....                                           | 1   |
| 7    | 102789301 | Link, Chain 2080 .....                                         | 2   |
| 8    | N/A       | Interface, Attachment .....                                    | 1   |
| 9    | 102790001 | Brace, Cross .....                                             | 1   |
| 10   | 102790801 | Bolt Flg, M8 X 1.25 X 20 .....                                 | 2   |
| 11   | 102790901 | Nut, Flg, 3/8-16 Gr8 .....                                     | 1   |
| 12   | 102791001 | Screw, Shoulder Hex Skt .....                                  | 1   |
| 13   | 102791301 | Spring, Ext, Interface .....                                   | 1   |
| 14   | N/A       | Decal, Attachment Locking .....                                | 1   |
| 15   | 102921601 | Pin, Clevis, 3/4 X 4 .....                                     | 2   |

18

D



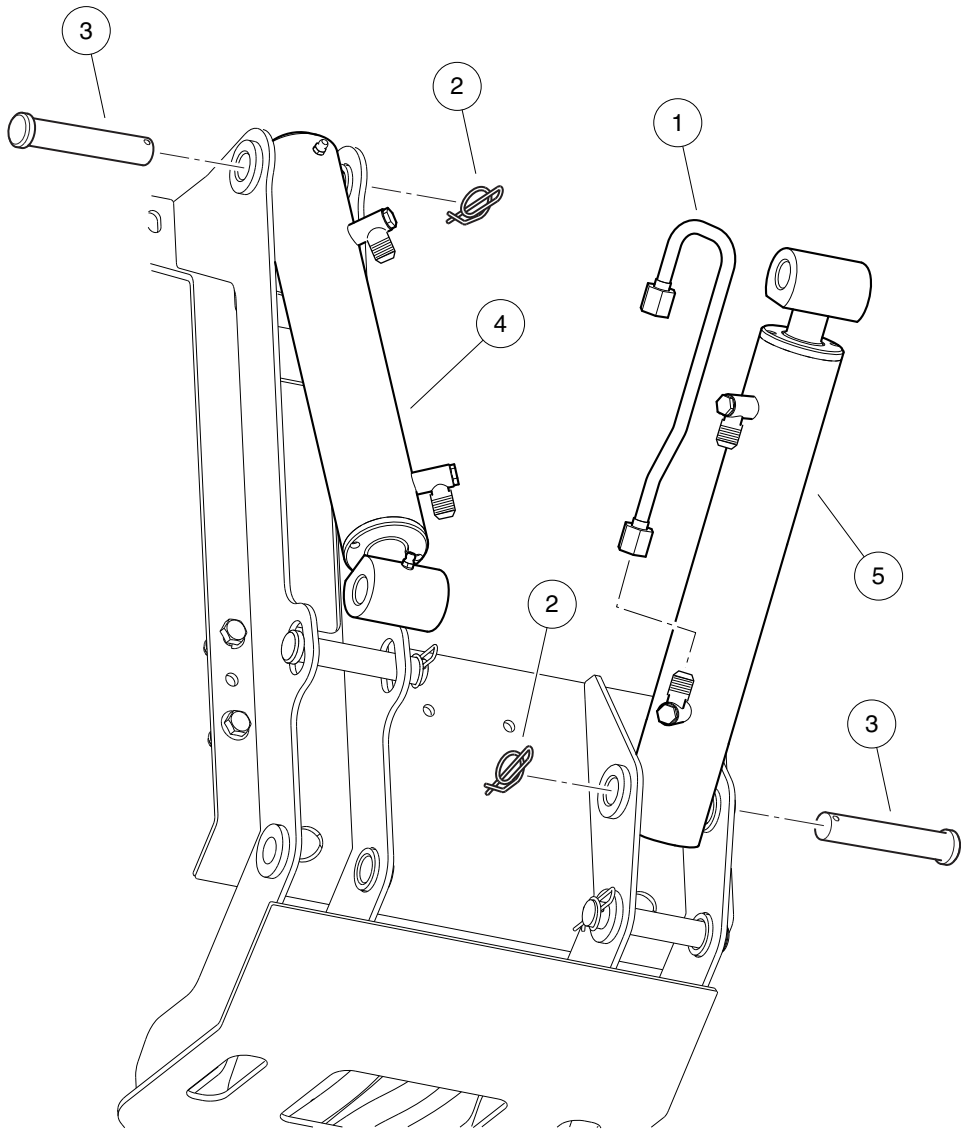
000553-002

# HYDRAULIC CONTROLS

18

D

| ITEM                                | PART NO.  | DESCRIPTION                                   | QTY |
|-------------------------------------|-----------|-----------------------------------------------|-----|
|                                     |           | <b>1 2 3 4</b>                                |     |
| 1                                   | 1012438   | Locknut, #10-24 Nylon Insert .....            | 4   |
| 2                                   | 1015720   | Screw, #6-32 X 1/2 Hex Washer-Head .....      | 4   |
| 3                                   | 1016103   | Screw, Pan Hd Tx, Taptite 6-32 .....          | 4   |
| 4                                   | 1017      | Nut, #10-24 Stainless-Steel Hex Machine ..... | 2   |
| 5                                   | 101932201 | Locknut, #6-32 Nylon .....                    | 4   |
| 6                                   | 102420201 | Relay, Mini ISO, SPDT .....                   | 2   |
| 7                                   | 102442001 | Pan, Center, Closeout .....                   | 1   |
| 8                                   | 102849801 | Decal, Controls, Bt .....                     | 1   |
| 9                                   | 102850501 | Screw, Phillips Pn Hd .....                   | 2   |
| 10                                  | 102854401 | Switch, Rocker, Sealed, DPDT Momentary .....  | 1   |
| 11                                  | 102854501 | Switch, Rocker, Sealed, SPDT, Lighted .....   | 1   |
| 12                                  | 102854601 | Base, Control Box, Joystick .....             | 1   |
| 13                                  | 102854801 | Console, Center, Insulator .....              | 1   |
| 14                                  | 102854901 | Cover, Control Box, Joystick .....            | 1   |
| 15                                  | 102918501 | Joystick, 4 Way, W/ Boot .....                | 1   |
| 16                                  | 102967901 | Rivet, Removable, Tuflok 1/4" .....           | 4   |
| 17                                  | 103215201 | Switch, Rocker, Svr, On-off .....             | 1   |
| 18                                  | 103319901 | Decal, Joystick, On Off .....                 | 1   |
| 19                                  | 1631      | Screw, #10-24 X 0.75 Phillips Pan-Head .....  | 4   |
| 20                                  | 8990      | Tie Wrap, 8" Nylon .....                      | 8   |
| Note: Item 20, Tie Wrap, not shown. |           |                                               |     |



000990-001

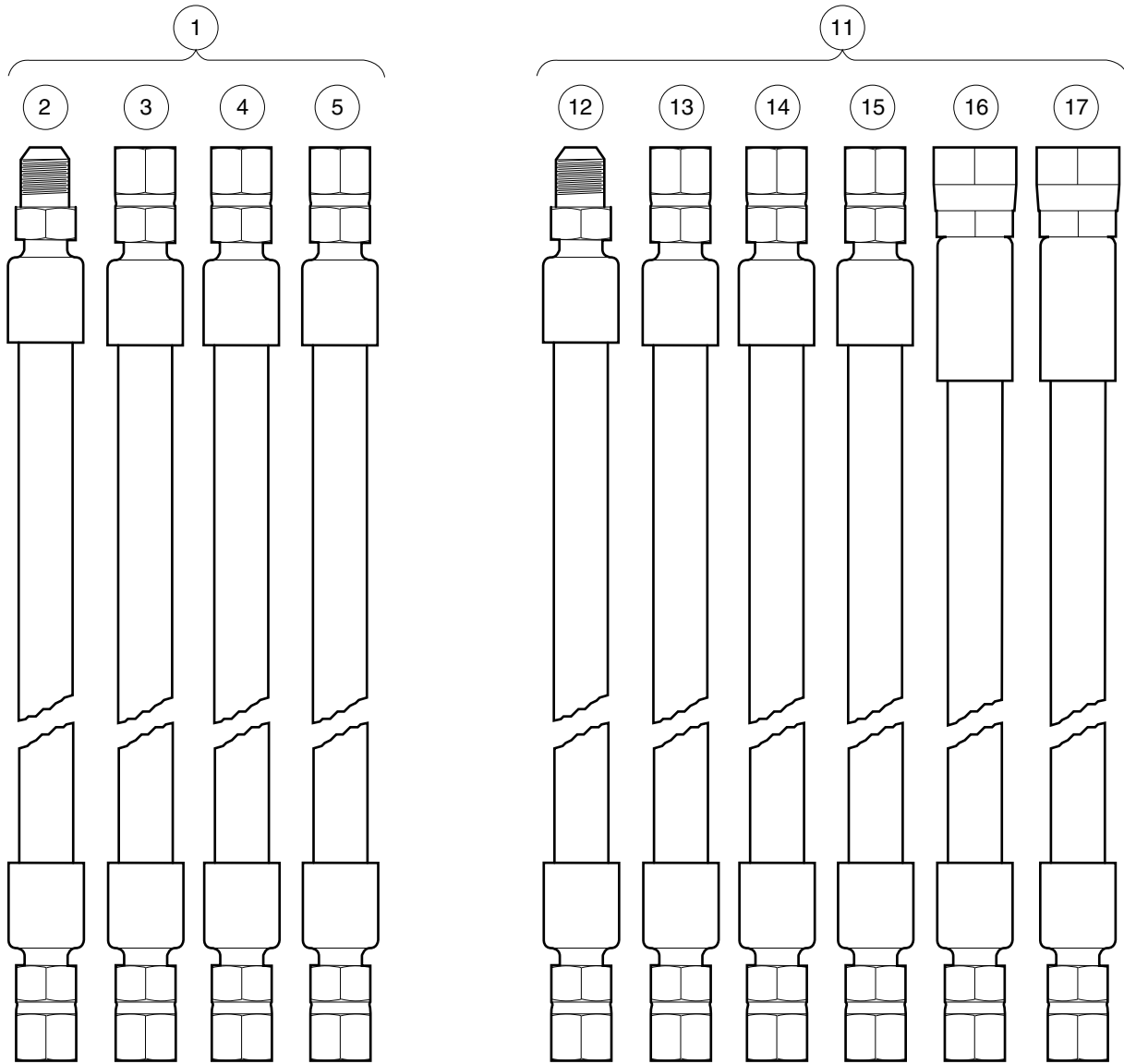


# HYDRAULIC CYLINDERS

| ITEM | PART NO.  | DESCRIPTION                          | QTY |
|------|-----------|--------------------------------------|-----|
|      |           | 1 2 3 4                              |     |
| 1    | 102784201 | Tube, Hydraulic -6 JIC 180 End ..... | 1   |
| 2    | 102786101 | Ring, Rue, 3/4, Heavy .....          | 2   |
| 3    | 102921601 | Pin, Clevis, 3/4 X 4 .....           | 2   |
| 4    | 102923001 | Cylinder, Hydraulic, Lift .....      | 1   |
| 5    | 102923101 | Cylinder, Hydraulic, Tilt .....      | 1   |

18

D



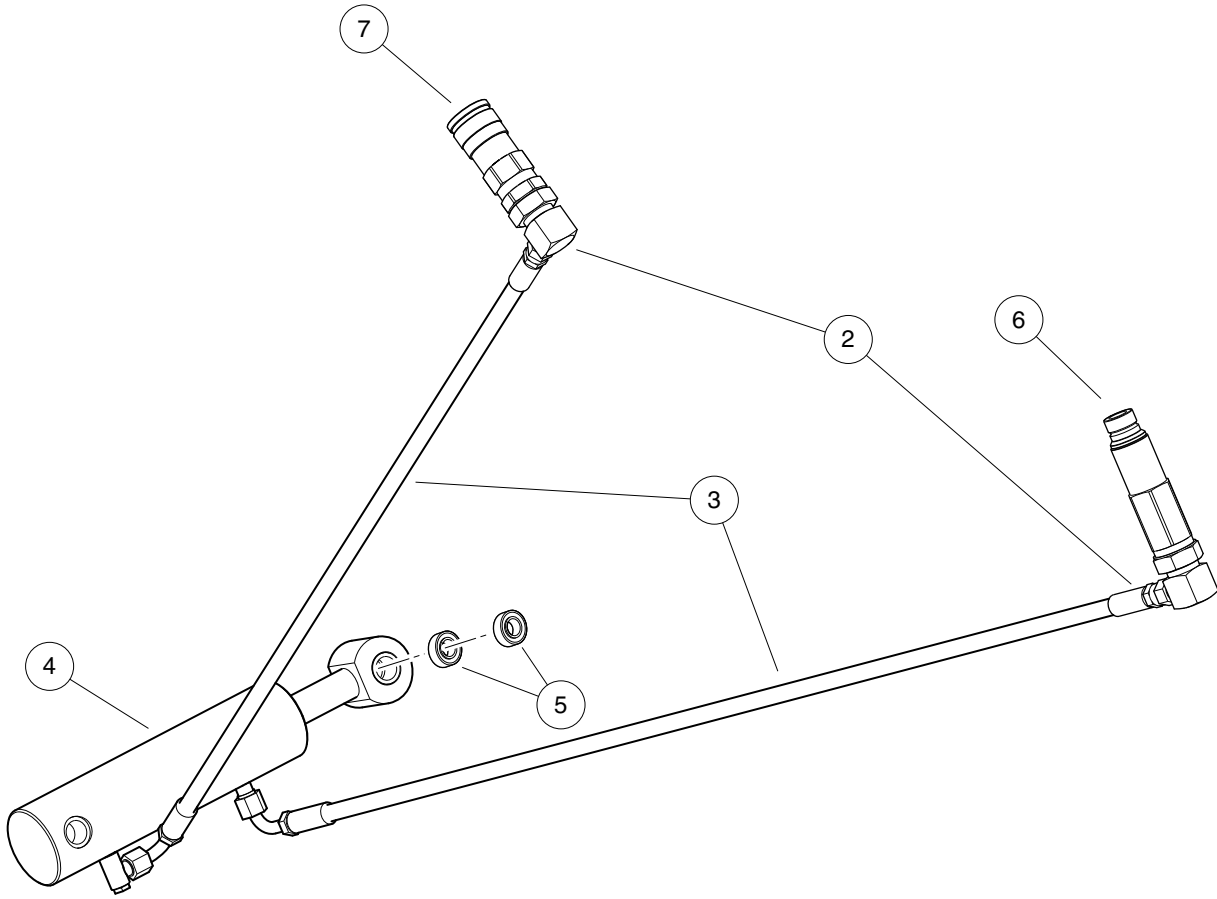
000991-001

# HYDRAULIC HOSES

18

D

| ITEM                                                                                           | PART NO.  | DESCRIPTION                                                      | QTY |
|------------------------------------------------------------------------------------------------|-----------|------------------------------------------------------------------|-----|
|                                                                                                |           | <b>1 2 3 4</b>                                                   |     |
| 1                                                                                              | 102787601 | Asm, Hoses, Hydraulic (includes items 2 through 10) .....        | 1   |
| 2                                                                                              | 102784601 | Hose, Hydraulic, Pink Marking .....                              | 1   |
| 3                                                                                              | 102784701 | Hose, Hydraulic, w/o Marking .....                               | 1   |
| 4                                                                                              | 102784801 | Hose, Hydraulic, Green Marking .....                             | 1   |
| 5                                                                                              | 102784901 | Hose, Hydraulic, Blue Marking .....                              | 1   |
| 6                                                                                              | N/A       | Mount, Cable Tie, 8mm Std Trq .....                              | 1   |
| 7                                                                                              | N/A       | Mount, Hd, Cable Tie, 8mm Bolt .....                             | 1   |
| 8                                                                                              | 102787101 | Mount, Fir Tree, Cable Tie .....                                 | 1   |
| 9                                                                                              | N/A       | Mount, Standoff, Dual Tie .....                                  | 1   |
| 10                                                                                             | 102787701 | Tie, Wide Strap .....                                            | 2   |
| 11                                                                                             | 102787602 | Asm, Hoses, Hydraulic W/aux (includes items 12 through 22) ..... | 1   |
| 12                                                                                             | 102784601 | Hose, Hydraulic, Pink Marking .....                              | 1   |
| 13                                                                                             | 102784701 | Hose, Hydraulic, w/o Marking .....                               | 1   |
| 14                                                                                             | 102784801 | Hose, Hydraulic, Green Marking .....                             | 1   |
| 15                                                                                             | 102784901 | Hose, Hydraulic, Blue Marking .....                              | 1   |
| 16                                                                                             | 102785001 | Hose, Hydraulic, Auxiliary, White Marking .....                  | 1   |
| 17                                                                                             | 102785101 | Hose, Hydraulic, Auxiliary, Red Marking .....                    | 1   |
| 18                                                                                             | N/A       | Mount, Cable Tie, 8mm Std Trq .....                              | 1   |
| 19                                                                                             | N/A       | Mount, Hd, Cable Tie, 8mm Bolt .....                             | 1   |
| 20                                                                                             | 102787101 | Mount, Fir Tree, Cable Tie .....                                 | 1   |
| 21                                                                                             | N/A       | Mount, Standoff, Dual Tie .....                                  | 1   |
| 22                                                                                             | 102787701 | Tie, Wide Strap .....                                            | 2   |
| <p style="text-align: center;">Note: Items 6 through 10 and items 18 through 22 not shown.</p> |           |                                                                  |     |



000556-001

# HYDRAULIC ATTACHMENT ANGLE KIT

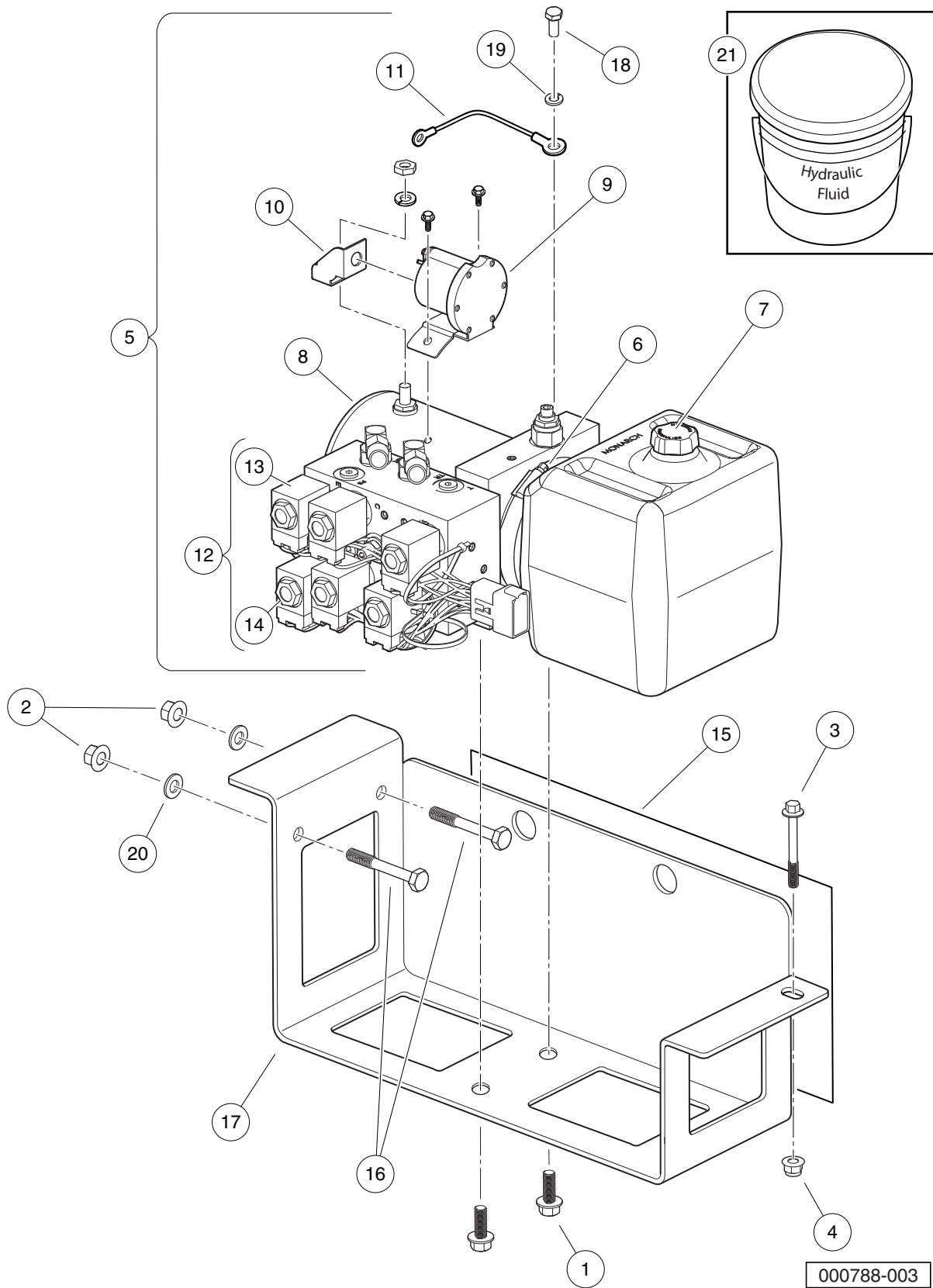
| ITEM | PART NO.  | DESCRIPTION                                                          | QTY |
|------|-----------|----------------------------------------------------------------------|-----|
|      |           | <b>1 2 3 4</b>                                                       |     |
| 1    | 102930501 | Kit, Angle, Hydraulic, Attachment (includes items 2 through 7) ..... | 1   |
| 2    | 102926301 | Fitting, Elbow, 90, Hyd .....                                        | 2   |
| 3    | 102926401 | Hose, Hydraulic, Angle kit .....                                     | 2   |
| 4    | 102926501 | Cylinder, Hydraulic, Angle kit .....                                 | 1   |
| 5    | 102926601 | Bearing, Fiber, -12 .....                                            | 4   |
| 6    | 102926701 | Coupler, Ff, Male, 1/2 .....                                         | 1   |
| 7    | 102926801 | Coupler, Ff, Fem, 1/2 .....                                          | 1   |

18

D

18

D

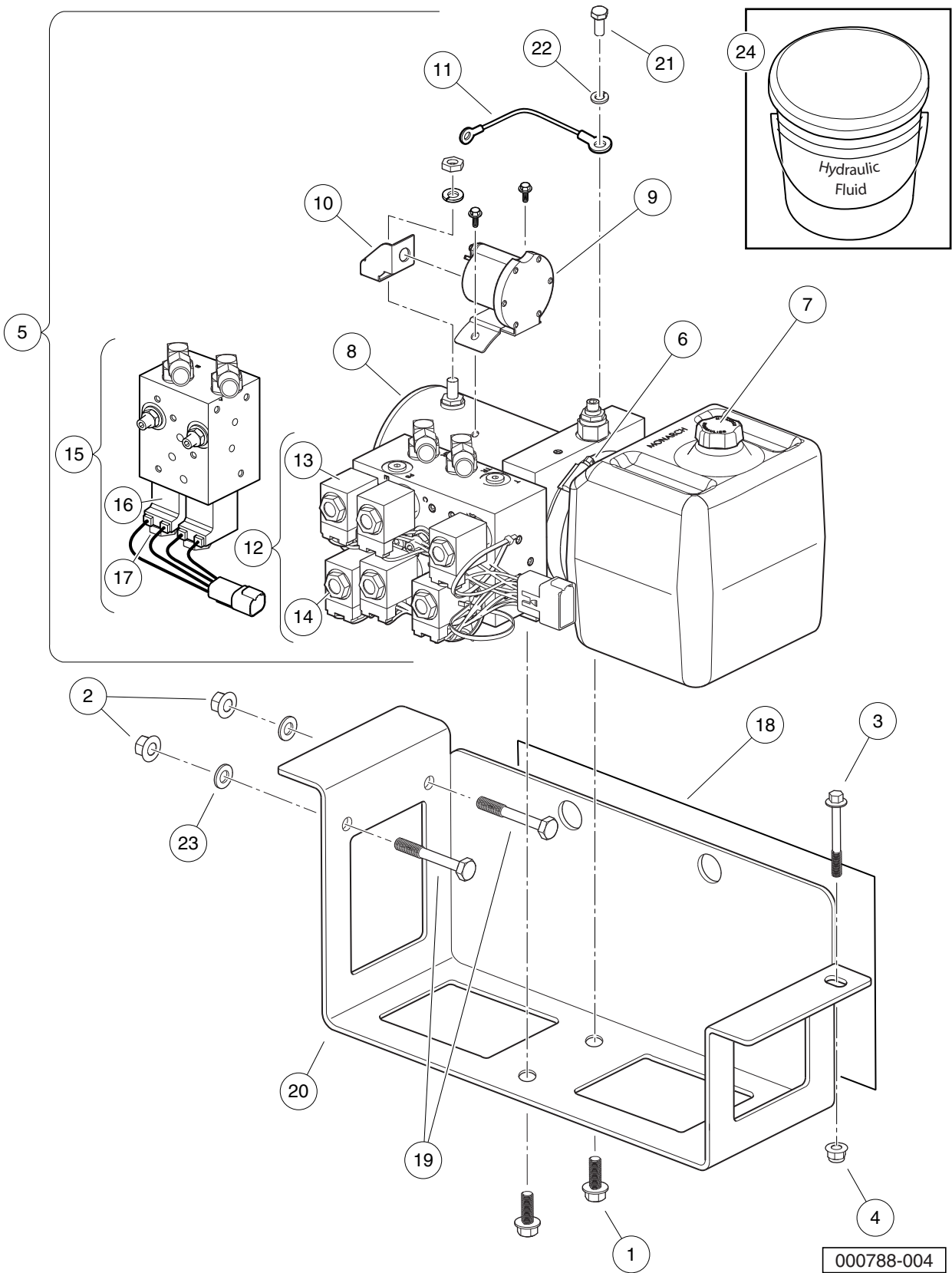


# HYDRAULIC POWER UNIT – STANDARD

| ITEM | PART NO.  | DESCRIPTION                                                    | QTY |
|------|-----------|----------------------------------------------------------------|-----|
|      |           | <b>1 2 3 4</b>                                                 |     |
| 1    | 102491001 | Bolt, Flanged Head, 3/8-16x1.0 with Loctite .....              | 2   |
| 2    | 102617201 | Nut, Flanged, M10 X 1.5, Mechanically Deformed .....           | 2   |
| 3    | 102618301 | Bolt, Flanged Head, M8 X 1.25 X 65 .....                       | 1   |
| 4    | 102618601 | Lock Nut, Flange, M8 X 1.25 Nylon .....                        | 1   |
| 5    | 102784001 | Power Unit, Hydraulic, Std (includes items 6 through 12) ..... | 1   |
| 6    | 102928001 | Clamp .....                                                    | 1   |
| 7    | 102928101 | Plug, Reservoir, Breather-Filler .....                         | 1   |
| 8    | 102928201 | Motor, Electric, DC, 12v, 4.5 In .....                         | 1   |
| 9    | 102928301 | Switch, Solenoid, 12vdc .....                                  | 1   |
| 10   | 102928401 | Strap, Motor-Solenoid Connector .....                          | 1   |
| 11   | 102928501 | Assembly, Control Wire, 16 GA, Hs, Ring .....                  | 1   |
| 12   | 102928601 | Assembly, Control Valve, Std (includes items 13 and 14) .....  | 1   |
| 13   | 102928901 | Coil, 10vdc, #8, 2lead, Diode .....                            | 6   |
| 14   | 1308      | Nut, 1/2-20 Hex .....                                          | 6   |
| 15   | 102785501 | Barrier, Heat, Powerunit .....                                 | 1   |
| 16   | 102859101 | Bolt, M10 X 1.50 X 70 .....                                    | 2   |
| 17   | 102921701 | Bracket, Mounting, Hydraulic Powerunit .....                   | 1   |
| 18   | 7173      | Screw, 5/16-18 X 0.75, Hex-Head Cap .....                      | 1   |
| 19   | 7174      | Lockwasher, 5/16 Split .....                                   | 1   |
| 20   | 96741046  | Washer, M10, Hard .....                                        | 2   |
| 21   | AM1245401 | Fluid, Hydraulic, 5 Gallon .....                               | A/R |

18

D



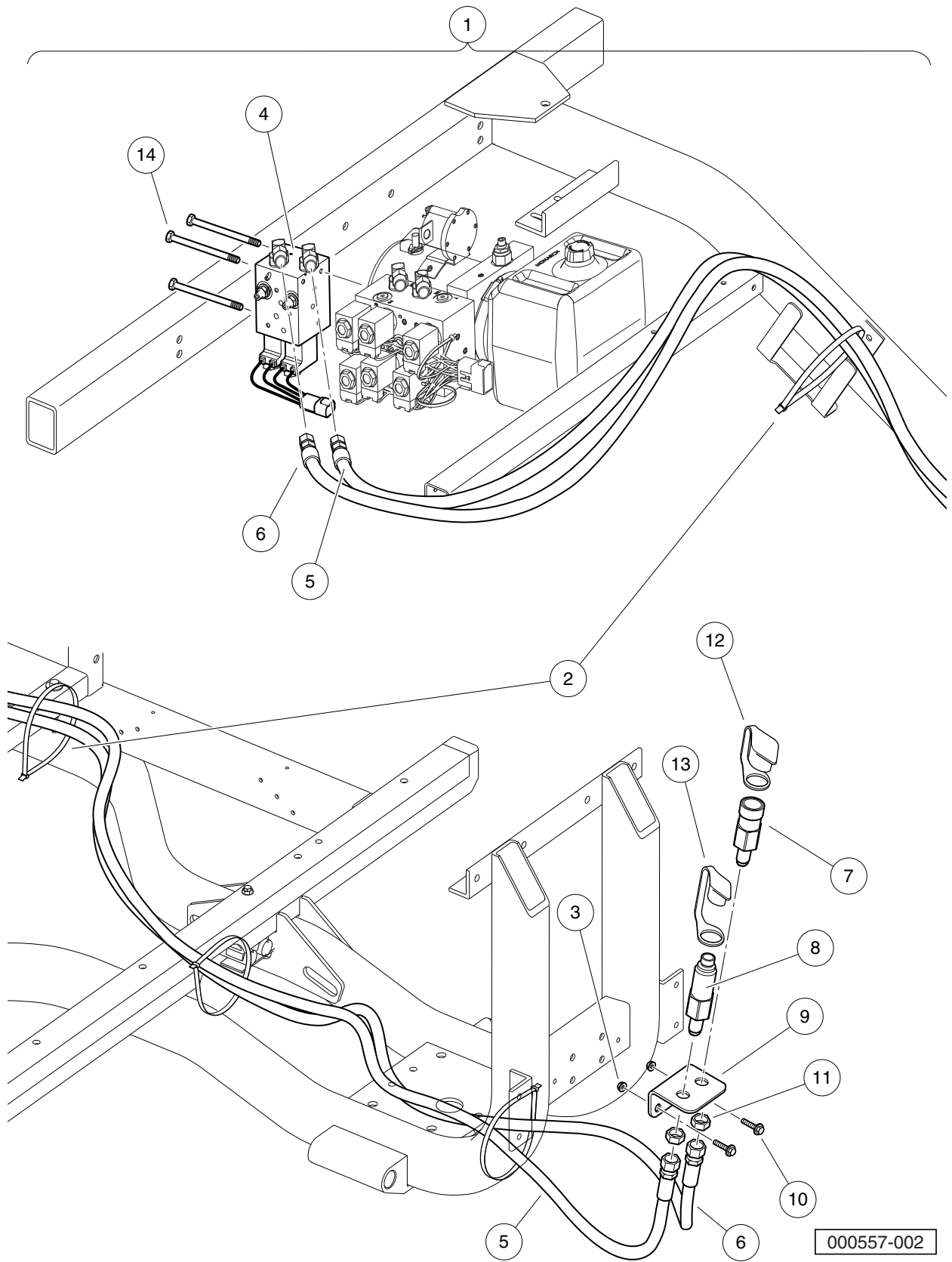


## HYDRAULIC POWER UNIT – WITH AUXILIARY

| ITEM | PART NO.  | DESCRIPTION                                                              | QTY |
|------|-----------|--------------------------------------------------------------------------|-----|
|      |           | 1 2 3 4                                                                  |     |
| 1    | 102491001 | Bolt, Flanged Head, 3/8-16x1.0 with Loctite .....                        | 2   |
| 2    | 102617201 | Nut, Flanged, M10 X 1.5, Mechanically Deformed .....                     | 2   |
| 3    | 102618301 | Bolt, Flanged Head, M8 X 1.25 X 65 .....                                 | 1   |
| 4    | 102618601 | Lock Nut, Flange, M8 X 1.25 Nylon .....                                  | 1   |
| 5    | 102784002 | Power Unit, Hydraulic with Auxiliary (includes items 6 through 15) ..... | 1   |
| 6    | 102928001 | Clamp .....                                                              | 1   |
| 7    | 102928101 | Plug, Reservoir, Breather-Filler .....                                   | 1   |
| 8    | 102928201 | Motor, Electric, DC, 12v, 4.5 In .....                                   | 1   |
| 9    | 102928301 | Switch, Solenoid, 12vdc .....                                            | 1   |
| 10   | 102928401 | Strap, Motor-Solenoid Connector .....                                    | 1   |
| 11   | 102928501 | Assembly, Control Wire, 16 GA, Hs, Ring .....                            | 1   |
| 12   | 102928601 | Assembly, Control Valve, Std (includes items 13 and 14) .....            | 1   |
| 13   | 102928901 | Coil, 10vdc, #8, 2lead, Diode .....                                      | 6   |
| 14   | 1308      | Nut, 1/2-20 Hex .....                                                    | 6   |
| 15   | 102928701 | Assembly, Control Valve, Auxiliary (includes items 16 and 17) .....      | 1   |
| 16   | 102928901 | Coil, 10vdc, #8, 2lead, Diode .....                                      | 2   |
| 17   | 1308      | Nut, 1/2-20 Hex .....                                                    | 2   |
| 18   | 102785501 | Barrier, Heat, Powerunit .....                                           | 1   |
| 19   | 102859101 | Bolt, M10 X 1.50 X 70 .....                                              | 2   |
| 20   | 102921701 | Bracket, Mounting, Hydraulic Powerunit .....                             | 1   |
| 21   | 7173      | Screw, 5/16-18 X 0.75, Hex-Head Cap .....                                | 1   |
| 22   | 7174      | Lockwasher, 5/16 Split .....                                             | 1   |
| 23   | 96741046  | Washer, M10, Hard .....                                                  | 2   |
| 24   | AM1245401 | Fluid, Hydraulic, 5 Gallon .....                                         | A/R |

18

D



000557-002

# STANDARD TO AUXILIARY HYDRAULIC CONVERSION KIT

| ITEM | PART NO.  | DESCRIPTION                                             | QTY |
|------|-----------|---------------------------------------------------------|-----|
|      |           | <b>1 2 3 4</b>                                          |     |
| 1    | 102785401 | Kit, Hydraulic, Aux (includes items 2 through 14) ..... | 1   |
| 2    | 102025401 | Tie Wrap, Heavy Duty .....                              | 8   |
| 3    | 102741601 | Nut Flg M8 X 1.25 Gr 10 .....                           | 2   |
| 4    | 102784003 | Power Unit, DC Hydraulic, Auxillary .....               | 1   |
| 5    | 102785001 | Hose, Hydraulic, Auxiliary, White Marking .....         | 1   |
| 6    | 102785101 | Hose, Hydraulic, Auxiliary, Red Marking .....           | 1   |
| 7    | 102794801 | Coupling, Female Quick -6jic .....                      | 1   |
| 8    | 102794901 | Coupling, Male Quick -6jic .....                        | 1   |
| 9    | 102922601 | Bracket, Hydraulic, Auxiliary .....                     | 1   |
| 10   | 102922701 | Bolt, Flanged Head, M8x1.25x20 Lock Patch .....         | 2   |
| 11   | 102923801 | Nut, Lock, Hyd Tube, 3/4-16 .....                       | 2   |
| 12   | 102973501 | Cap, Quick Connect, Female .....                        | 1   |
| 13   | 102973601 | Cap, Quick Connect, Male .....                          | 1   |
| 14   | 103409001 | Screw, 1/4-20 X 3.5 Hex, Cap .....                      | 3   |

18

D

**18**

***D***

# MAINTENANCE AND SERVICE TOOLS

---

19

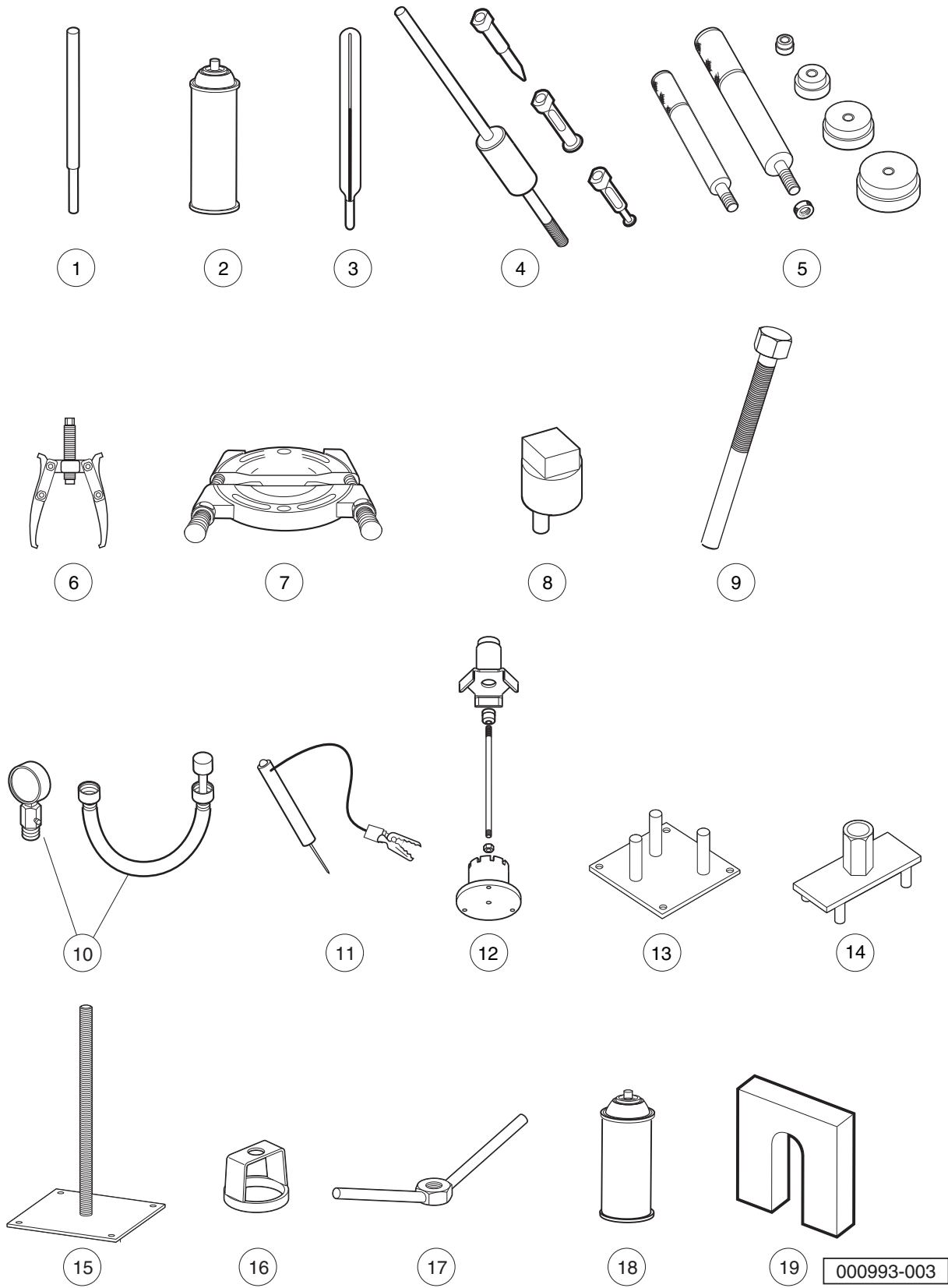
G

D

19

G

D



000993-003

# MAINTENANCE AND SERVICE TOOLS – 1500/1550/1700

| ITEM | PART NO.  | DESCRIPTION                                                                                                                                                                                                                                                                                                                                                                                                                                 | QTY<br>GAS | QTY<br>DIESEL |
|------|-----------|---------------------------------------------------------------------------------------------------------------------------------------------------------------------------------------------------------------------------------------------------------------------------------------------------------------------------------------------------------------------------------------------------------------------------------------------|------------|---------------|
|      |           | <p style="margin: 0;"><b>1 2 3 4</b></p> <p style="margin: 0;">The following list includes all tools available from Club Car for maintenance and service procedures on all variants of the Carryall 1500/1700 and XRT 1550 utility vehicles equipped with either the Kawasaki FH680 or Kubota D722 engines, both past and present models. Be sure to carefully examine the tool list for applicability to your vehicle before ordering.</p> |            |               |
| 1    | 101641202 | Arbor .....                                                                                                                                                                                                                                                                                                                                                                                                                                 | 1          | 1             |
| 2    | 1014305   | Battery Terminal Protector Spray .....                                                                                                                                                                                                                                                                                                                                                                                                      | 1          | 1             |
| 3    | 1011767   | Battery Thermometer .....                                                                                                                                                                                                                                                                                                                                                                                                                   | 1          | 1             |
| 4    | 1016417   | Bearing and Oil Seal Remover Assembly .....                                                                                                                                                                                                                                                                                                                                                                                                 | 1          | 1             |
| 5    | 1016416   | Bearing Driver Set .....                                                                                                                                                                                                                                                                                                                                                                                                                    | 1          | 1             |
| 6    | 1012811   | Bearing Puller .....                                                                                                                                                                                                                                                                                                                                                                                                                        | 1          | 1             |
| 7    | 1012812   | Bearing Puller Wedge Attachment .....                                                                                                                                                                                                                                                                                                                                                                                                       | 1          | 1             |
| 8    | 102447101 | Camber Adjustment Tool (for AWD vehicles) .....                                                                                                                                                                                                                                                                                                                                                                                             | 1          | 1             |
| 9    | 102686101 | Clutch Removal Tool (for AWD vehicles) .....                                                                                                                                                                                                                                                                                                                                                                                                | 1          | 1             |
| 10   | 101641002 | Compression Gauge and Adapter .....                                                                                                                                                                                                                                                                                                                                                                                                         | 1          |               |
| 11   | 1011273   | Continuity Tester .....                                                                                                                                                                                                                                                                                                                                                                                                                     | 1          | 1             |
| 12   | 103865301 | Drive Clutch Service Tool (for AWD vehicles with 3-weight drive clutch) .....                                                                                                                                                                                                                                                                                                                                                               | 1          | 1             |
| 13   | 102601501 | Drive ClutchFixed Sheave Tool<br>(for AWD vehicles with 2-weight drive clutch) .....                                                                                                                                                                                                                                                                                                                                                        | 1          | 1             |
| 14   | 102607501 | Drive Clutch Spider Removal Tool<br>(for AWD vehicles with 2-weight drive clutch) .....                                                                                                                                                                                                                                                                                                                                                     | 1          | 1             |
| 15   | 102603501 | Driven Clutch Spring Compression Base (for use with items 17<br>and 18) (for AWD vehicles) .....                                                                                                                                                                                                                                                                                                                                            | 1          | 1             |
| 16   | 102605201 | Driven Clutch Spring Compression Collar (for use with items 16<br>and 18) (for AWD vehicles) .....                                                                                                                                                                                                                                                                                                                                          | 1          | 1             |
| 17   | 102606101 | Driven Clutch Spring Compression Nut (for use with items 16<br>and 17) (for AWD vehicles) .....                                                                                                                                                                                                                                                                                                                                             | 1          | 1             |
| 18   | 1012151   | Dry Moly Lubricant .....                                                                                                                                                                                                                                                                                                                                                                                                                    | 1          | 1             |
| 19   | 1016418   | Gear Yoke .....                                                                                                                                                                                                                                                                                                                                                                                                                             | 1          | 1             |
|      |           | Please refer to the maintenance and service manual<br>for proper tool application.                                                                                                                                                                                                                                                                                                                                                          |            |               |

19

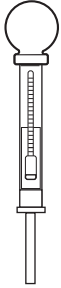
G

D

19

G

D



20



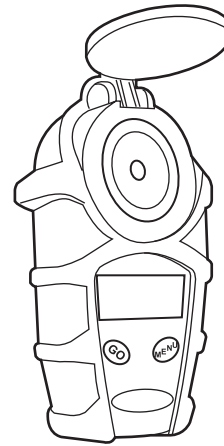
21



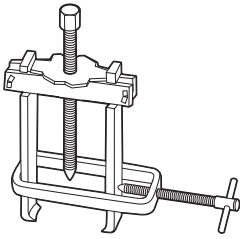
22



23



24



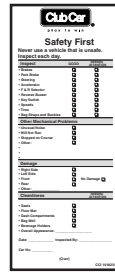
25



26



27



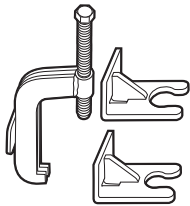
28



29



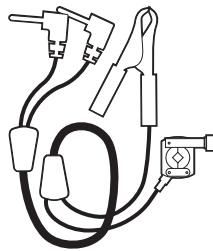
30



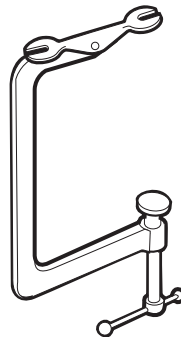
31



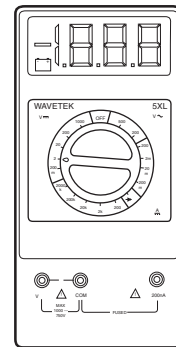
32



33



34



35

000993-004



# MAINTENANCE AND SERVICE TOOLS – 1500/1550/1700 CONTINUED

| ITEM | PART NO.  | DESCRIPTION                                                                        | QTY<br>GAS | QTY<br>DIESEL |
|------|-----------|------------------------------------------------------------------------------------|------------|---------------|
|      |           | <b>1 2 3 4</b>                                                                     |            |               |
| 20   | 1011478   | Hydrometer .....                                                                   | 1          | 1             |
| 21   | 1013593   | Internal Retaining Ring Pliers .....                                               | 1          | 1             |
| 22   | 101928701 | Liquid Gasket (transaxle case) .....                                               | 1          | 1             |
| 23   | 101997207 | Paint, Touch-Up ,Äi Black.....                                                     | 1          | 1             |
| 23   | 101997205 | Paint, Touch-Up ,Äi Dark Gray .....                                                | 1          | 1             |
| 23   | 101997209 | Paint, Touch-Up ,Äi Dark Green.....                                                | 1          | 1             |
| 23   | 101997204 | Paint, Touch-Up ,Äi Gray.....                                                      | 1          | 1             |
| 23   | 101997203 | Paint, Touch-Up ,Äi Red .....                                                      | 1          | 1             |
| 24   | AM1285701 | Refractometer .....                                                                | 1          | 1             |
| 25   | 102668801 | Puller, Special Use (for AWD vehicles with Kubota D722 Diesel Engines) .....       |            | 1             |
| 26   | 1012549   | Retaining Ring Pliers, 45→x External .....                                         | 1          | 1             |
| 27   | 1012560   | Retaining Ring Pliers, 90→x Internal .....                                         | 1          | 1             |
| 28   | 101823101 | Safety First Card (50 per pack) .....                                              | 1          | 1             |
| 29   | 1012809   | Seal Puller .....                                                                  | 1          | 1             |
| 30   | 102330901 | Spanner Wrench (for coil over shock front suspension vehicles only) .....          | 1          | 1             |
| 31   | 102061201 | Steering Wheel Puller Tool .....                                                   | 1          | 1             |
| 32   | AM10753   | Tachometer (includes gasoline engine pick up lead only) .....                      | 1          | 1             |
| 33   | AM10771   | Tachometer Diesel Probe (for use with item 32) .....                               |            | 1             |
| 34   | 101641101 | Valve Spring Compressor .....                                                      | 1          |               |
| 35   | 1011480   | Volt Ohm Meter .....                                                               | 1          | 1             |
|      |           | Please refer to the maintenance and service manual<br>for proper tool application. |            |               |

**19**  
**G**  
**D**



# INDEX

## Part Number and Page

|           |                                                      |           |                                                |           |                        |
|-----------|------------------------------------------------------|-----------|------------------------------------------------|-----------|------------------------|
| AM10753   | 19-5                                                 | 1011273   | 19-3                                           | 1015390   | 1-59                   |
| AM10771   | 19-5                                                 | 1011478   | 19-5                                           | 1015391   | 1-55                   |
| AM11805   | 9-3, 10-3                                            | 1011480   | 19-5                                           | 1015399   | 1-55, 1-59, 1-61       |
| AM1210002 | 1-9                                                  | 1011553   | 3-5, 3-13, 3-21, 5-15                          | 1015400   | 1-55, 1-59             |
| AM1210801 | 1-9                                                  | 1011578   | 1-11, 1-13, 1-15, 1-25, 1-27, 17-5, 17-7, 17-9 | 1015457   | 17-7, 17-9             |
| AM1211003 | 1-9                                                  | 1011652   | 1-29, 1-31, 1-33, 1-35                         | 101547601 | 3-3, 3-11              |
| AM1211401 | 1-9                                                  | 1011697   | 1-29, 1-31                                     | 1015521   | 6-13, 6-15, 7-21, 7-23 |
| AM1215701 | 1-9                                                  | 1011767   | 19-3                                           | 1015583   | 1-55                   |
| AM1215801 | 1-9                                                  | 1011931   | 7-11                                           | 1015720   | 18-19                  |
| AM1216101 | 16-3                                                 | 1011964   | 1-47                                           | 1015741   | 6-11, 7-19             |
| AM1232301 | 8-3, 8-11, 8-13                                      | 1011990   | 1-59                                           | 101587703 | 9-47, 10-49            |
| AM1232401 | 8-3                                                  | 1012151   | 19-3                                           | 1016078   | 1-53                   |
| AM1245401 | 18-27, 18-29                                         | 1012295   | 6-11, 7-19                                     | 101609401 | 3-5, 3-13, 3-21        |
| AM1291501 | 16-15                                                | 1012303   | 1-55                                           | 1016103   | 18-19                  |
| AM1291601 | 16-15                                                | 1012438   | 18-19                                          | 101641002 | 19-3                   |
| 183       | 11-3, 12-3                                           | 1012549   | 19-5                                           | 101641101 | 19-5                   |
| 324       | 11-5, 12-5                                           | 1012560   | 19-5                                           | 101641202 | 19-3                   |
| 332       | 1-33, 1-35, 1-59, 1-61, 6-13, 6-15, 7-21, 7-23, 12-5 | 1012649   | 11-5, 11-7, 12-5                               | 1016416   | 19-3                   |
| 334       | 1-53                                                 | 1012769   | 9-5, 10-5, 16-7                                | 1016417   | 19-3                   |
| 357       | 1-57                                                 | 1012809   | 19-5                                           | 1016418   | 19-3                   |
| 403       | 1-55                                                 | 1012811   | 19-3                                           | 1016423   | 7-11                   |
| 451       | 1-33, 1-35                                           | 1012812   | 19-3                                           | 101648201 | 8-7                    |
| 808       | 1-11, 1-13, 1-15                                     | 1012830   | 1-33, 1-35                                     | 1016513   | 11-13, 11-19           |
| 1016      | 11-3, 12-3                                           | 1013035   | 5-5                                            | 1016544   | 8-11                   |
| 1017      | 18-19                                                | 1013042   | 5-5                                            | 1016603   | 1-57                   |
| 1032      | 1-59                                                 | 101313402 | 11-7, 12-5                                     | 1016630   | 6-9, 7-15, 7-17        |
| 1108      | 6-13, 6-15, 7-21, 7-23                               | 1013317   | 1-59                                           | 1016851   | 6-9, 7-15, 7-17        |
| 1231      | 1-59                                                 | 1013366   | 1-61                                           | 1016896   | 6-9, 7-15, 7-17        |
| 1241      | 6-13, 6-15, 7-21, 7-23                               | 1013461   | 11-3, 12-3                                     | 1016916   | 1-17                   |
| 1308      | 18-27, 18-29                                         | 1013462   | 11-3, 12-3                                     | 1016967   | 1-17                   |
| 1631      | 18-19                                                | 1013593   | 19-5                                           | 1017162   | 1-57                   |
| 7049      | 1-59                                                 | 1013734   | 1-33, 1-35                                     | 1017167   | 1-57                   |
| 7173      | 18-27, 18-29                                         | 1013746   | 9-47, 10-49                                    | 1017774   | 1-57                   |
| 7174      | 18-27, 18-29                                         | 1014063   | 7-11                                           | 101802601 | 6-9, 7-15, 7-17        |
| 7310      | 2-3, 2-5                                             | 1014201   | 1-29, 1-31                                     | 101804301 | 1-17                   |
| 7473      | 1-55, 1-61, 6-13, 6-15, 7-21, 7-23                   | 1014305   | 19-3                                           | 101823101 | 19-5                   |
| 7973      | 1-59                                                 | 1014306   | 1-49, 1-51, 1-61                               | 101824401 | 9-47, 10-49, 12-5      |
| 8056      | 6-9, 7-15, 7-17, 11-15, 12-9                         | 1014321   | 1-59                                           | 101833101 | 9-5, 10-5              |
| 8057      | 6-9, 7-15, 7-17, 11-15, 12-9                         | 1014375   | 6-13, 7-21                                     | 101833201 | 9-5, 10-5              |
| 8058      | 6-9, 7-15, 7-17                                      | 1014387   | 1-59                                           | 101835601 | 1-53, 1-55             |
| 8233      | 1-17, 1-59, 1-61, 11-5, 12-5                         | 1014415   | 1-29, 1-31, 1-59, 1-61                         | 101850301 | 5-3                    |
| 8251      | 1-49, 1-51                                           | 1014471   | 1-55, 17-3                                     | 101856101 | 14-11, 15-11           |
| 8717      | 7-11                                                 | 1014537   | 1-59, 1-61                                     | 101887601 | 1-33, 1-35, 4-7, 13-3  |
| 8754      | 1-55, 1-57                                           | 1014557   | 1-37                                           | 101894304 | 1-61                   |
| 8755      | 1-55, 1-57                                           | 1014727   | 6-9, 7-15, 7-17                                | 101898001 | 6-13, 6-15, 7-21, 7-23 |
| 8797      | 11-3, 12-3                                           | 1014789   | 6-7, 7-9                                       | 101928701 | 19-5                   |
| 8990      | 1-57, 5-5, 16-5, 18-19                               | 1014808   | 6-9, 7-15, 7-17                                | 101932201 | 18-19                  |
| 1010193   | 1-37                                                 | 1015068   | 1-47                                           | 101958602 | 1-53                   |
| 1010200   | 1-57                                                 | 1015137   | 11-7                                           | 101963401 | 1-59, 1-61             |
| 1010434   | 1-29, 1-31, 1-59                                     | 1015245   | 1-59                                           | 101972003 | 19-5                   |
| 1010435   | 1-55, 1-59, 1-61                                     | 1015246   | 1-59                                           | 101972004 | 19-5                   |
| 1010436   | 1-61                                                 | 1015258   | 1-55                                           | 101972005 | 19-5                   |
| 101082903 | 4-5, 4-11                                            | 1015277   | 1-53                                           | 101972007 | 19-5                   |
| 1010934   | 1-59, 6-13, 6-15, 7-21, 7-23                         | 1015313   | 1-59                                           | 101972009 | 19-5                   |
|           |                                                      | 1015363   | 1-59                                           | 101987901 | 6-3, 6-5, 7-3, 7-5     |
|           |                                                      |           |                                                | 101988101 | 6-3, 7-3               |

# INDEX

|           |                                                                    |           |                                      |           |                             |
|-----------|--------------------------------------------------------------------|-----------|--------------------------------------|-----------|-----------------------------|
| 101988201 | 6-3, 7-3                                                           | 102323501 | 1-17                                 | 102435001 | 17-7, 17-9                  |
| 102003201 | 8-3, 11-5                                                          | 102324401 | 1-39                                 | 102436701 | 17-3                        |
| 102022601 | 5-5                                                                | 102330901 | 19-5                                 | 102437001 | 5-7                         |
| 102022901 | 5-5, 5-7, 5-9                                                      | 102343601 | 1-47                                 | 102438201 | 16-9                        |
| 102023703 | 1-33, 1-35                                                         | 102355301 | 6-13, 7-21                           | 102438301 | 16-9                        |
| 102025401 | 18-31                                                              | 102361901 | 5-7, 5-9                             | 102438401 | 16-9                        |
| 102025701 | 1-33, 1-35                                                         | 102370101 | 9-5, 10-5                            | 102438501 | 16-9                        |
| 102030101 | 1-59                                                               | 102370501 | 8-5, 9-5, 10-5                       | 102438601 | 16-9                        |
| 102030201 | 1-59                                                               | 102370601 | 8-5, 9-5, 10-5                       | 102438701 | 16-9                        |
| 102044702 | 6-9                                                                | 102371401 | 8-9                                  | 102438801 | 16-9                        |
| 102044801 | 6-9                                                                | 102371801 | 16-9                                 | 102438901 | 16-9                        |
| 102045001 | 1-17                                                               | 102374901 | 14-3, 15-3                           | 102439001 | 16-9                        |
| 102047001 | 1-33, 1-35                                                         | 102375401 | 7-15, 7-17                           | 102439101 | 16-9                        |
| 102048401 | 1-17                                                               | 102376001 | 16-5                                 | 102439201 | 16-9                        |
| 102051601 | 6-9, 7-15, 7-17                                                    | 102377501 | 17-7, 17-9                           | 102439301 | 16-9                        |
| 102051701 | 6-9, 7-15, 7-17                                                    | 102377601 | 17-7, 17-9                           | 102439401 | 16-9                        |
| 102059001 | 1-33, 1-35                                                         | 102377801 | 17-3                                 | 102439501 | 16-9                        |
| 102059401 | 1-33, 1-35                                                         | 102377901 | 17-3                                 | 102439601 | 16-9                        |
| 102061101 | 1-33, 1-35                                                         | 102379001 | 12-7                                 | 102439701 | 16-9                        |
| 102061201 | 19-5                                                               | 102380301 | 17-3                                 | 102439801 | 16-9                        |
| 102065901 | 1-55                                                               | 102381701 | 16-13                                | 102439901 | 16-9                        |
| 102066001 | 1-57                                                               | 102382401 | 9-5, 10-5, 16-7                      | 102440101 | 16-9                        |
| 102171503 | 1-55                                                               | 102385601 | 15-5                                 | 102440201 | 16-11                       |
| 102176901 | 4-5                                                                | 102406701 | 11-3, 12-3                           | 102440301 | 16-9                        |
| 102198001 | 6-9, 7-15, 7-17                                                    | 102406801 | 12-3                                 | 102440401 | 16-11                       |
| 102221301 | 1-61                                                               | 102408401 | 5-7, 5-15                            | 102440501 | 16-11                       |
| 102221401 | 1-61                                                               | 102409301 | 13-7                                 | 102440601 | 16-11                       |
| 102221501 | 1-61                                                               | 102409501 | 13-3                                 | 102442001 | 18-19                       |
| 102221701 | 1-61                                                               | 102410001 | 17-11                                | 102442002 | 1-33, 1-35                  |
| 102221801 | 1-61                                                               | 102410301 | 17-3                                 | 102442201 | 6-13, 7-21                  |
| 102222001 | 1-61                                                               | 102410603 | 9-5, 10-5                            | 102442901 | 4-9                         |
| 102222101 | 1-61                                                               | 102410604 | 11-5                                 | 102443601 | 8-9                         |
| 102222201 | 1-61                                                               | 102411203 | 12-5                                 | 102445201 | 11-15, 12-9                 |
| 102231601 | 3-3, 3-11                                                          | 102411204 | 17-5, 17-7, 17-9                     | 102447101 | 19-3                        |
| 102239901 | 1-61                                                               | 102411205 | 17-5                                 | 102447601 | 1-39                        |
| 102274101 | 5-9, 16-13                                                         | 102411206 | 17-7, 17-9                           | 102447901 | 6-11, 7-19                  |
| 102276001 | 16-25                                                              | 102411207 | 17-3, 17-7, 17-9                     | 102448001 | 6-11, 7-19                  |
| 102288901 | 17-7, 17-9                                                         | 102411208 | 17-3, 17-7, 17-9                     | 102448401 | 6-13, 7-21                  |
| 102289001 | 1-7, 1-11, 1-13, 1-15, 1-17, 8-9, 17-3                             | 102411209 | 12-7                                 | 102448501 | 7-21, 7-23, 8-9             |
| 102290120 | 5-3                                                                | 102411210 | 11-9, 12-7, 14-9, 14-11, 15-9, 15-11 | 102449101 | 16-25                       |
| 102292356 | 1-11, 1-13, 1-15                                                   | 102411301 | 17-3                                 | 102456001 | 1-33, 1-35                  |
| 102292701 | 1-11, 1-13, 1-15                                                   | 102414501 | 14-11, 15-11                         | 102457001 | 11-17                       |
| 102292801 | 1-11, 1-13, 1-15, 4-11                                             | 102414801 | 9-5, 10-5                            | 102457501 | 8-9                         |
| 102296140 | 4-7                                                                | 102418101 | 1-53                                 | 102458901 | 1-33, 1-35, 3-3, 3-11, 3-19 |
| 102296401 | 11-15, 12-9                                                        | 102420201 | 6-11, 7-19, 18-19                    | 102459001 | 3-3, 3-11, 3-19             |
| 102296601 | 8-5                                                                | 102420301 | 6-11, 7-19                           | 102459101 | 3-3, 3-11, 3-19             |
| 102296716 | 4-7, 14-9, 14-11, 15-9, 15-11                                      | 102420401 | 6-11, 7-19                           | 102459201 | 3-3, 3-11, 3-19             |
| 102296920 | 8-5                                                                | 102420501 | 6-11, 7-19                           | 102459301 | 3-5, 3-13, 3-21             |
| 102297230 | 1-11, 1-13, 1-15, 1-17                                             | 102422301 | 9-55, 13-7                           | 102459401 | 3-5, 3-13, 3-21             |
| 102298130 | 1-33, 1-35, 5-3                                                    | 102426301 | 11-5, 12-5                           | 102459501 | 3-3, 3-11, 3-19             |
| 102298401 | 1-33, 1-35, 4-5, 4-9, 4-11, 5-3, 8-9, 9-5, 10-5, 13-7, 16-5, 16-23 | 102426601 | 1-53, 1-57                           | 102460201 | 3-5, 3-11, 3-13, 3-19, 3-21 |
| 102298580 | 1-17                                                               | 102426901 | 1-55                                 | 102461401 | 11-15, 12-9                 |
| 102298720 | 1-17, 13-3, 17-5                                                   | 102427501 | 3-3, 3-11, 3-19, 17-5                | 102462301 | 9-5, 10-5                   |
| 102301401 | 1-53                                                               | 102427601 | 17-7, 17-9                           | 102462401 | 16-13                       |
| 102323101 | 1-53                                                               | 102430401 | 12-5                                 | 102462501 | 9-5, 10-5                   |
|           |                                                                    | 102434701 | 9-3, 10-3                            | 102462504 | 8-5                         |

# INDEX

|           |                            |           |                                |           |                                                                                            |
|-----------|----------------------------|-----------|--------------------------------|-----------|--------------------------------------------------------------------------------------------|
| 102463101 | 16-27                      | 102600801 | 9-7, 9-11, 10-7, 10-11         | 102607801 | 9-25, 10-25                                                                                |
| 102463501 | 16-25                      | 102601001 | 9-7, 9-13, 10-7, 10-13         | 102607901 | 9-25, 10-25                                                                                |
| 102463601 | 16-25                      | 102601101 | 9-35, 10-37                    | 102608001 | 9-25, 10-23                                                                                |
| 102463801 | 16-27                      | 102601301 | 9-7, 10-7                      | 102608101 | 9-25                                                                                       |
| 102463901 | 16-25, 16-27               | 102601401 | 9-7                            | 102608201 | 9-21, 9-55                                                                                 |
| 102464001 | 16-27                      | 102601501 | 19-3                           | 102608301 | 9-21, 9-55, 10-21                                                                          |
| 102464101 | 16-27                      | 102601801 | 9-13, 9-55                     | 102608401 | 9-21                                                                                       |
| 102464201 | 16-27                      | 102601901 | 9-13, 10-13                    | 102608501 | 9-21                                                                                       |
| 102464301 | 5-9, 16-27                 | 102602001 | 9-13, 10-13                    | 102608601 | 9-21                                                                                       |
| 102464401 | 16-27                      | 102602101 | 9-13, 10-13                    | 102608701 | 9-21, 10-21, 17-13                                                                         |
| 102464501 | 16-27                      | 102602301 | 9-13, 10-13                    | 102608801 | 9-25, 10-21                                                                                |
| 102465701 | 1-57                       | 102602401 | 9-13, 10-13                    | 102608802 | 9-25, 10-21                                                                                |
| 102465901 | 9-5, 10-5                  | 102602601 | 9-13, 10-13                    | 102608803 | 9-25                                                                                       |
| 102473501 | 1-33, 1-35                 | 102602701 | 9-13, 10-13                    | 102608804 | 9-25, 10-21                                                                                |
| 102473601 | 1-33, 1-35                 | 102602801 | 9-13                           | 102608805 | 9-25, 10-21                                                                                |
| 102473701 | 1-33                       | 102603201 | 9-23                           | 102608806 | 9-25                                                                                       |
| 102474301 | 4-7                        | 102603501 | 19-3                           | 102608901 | 9-21, 10-21                                                                                |
| 102475701 | 11-17, 12-11, 16-7         | 102603601 | 9-29                           | 102609001 | 9-25                                                                                       |
| 102475901 | 1-33, 1-35                 | 102603701 | 9-29, 10-31                    | 102609002 | 9-25                                                                                       |
| 102478501 | 12-3                       | 102603801 | 9-29                           | 102609003 | 9-25                                                                                       |
| 102479301 | 11-15, 12-9                | 102603901 | 9-29, 10-31                    | 102609101 | 9-21                                                                                       |
| 102480501 | 17-7, 17-9                 | 102604001 | 9-29                           | 102609301 | 9-21, 10-21                                                                                |
| 102481001 | 14-11, 15-11               | 102604101 | 9-29, 10-31                    | 102609401 | 9-21, 10-21                                                                                |
| 102481201 | 14-11, 15-11               | 102604201 | 9-23, 9-29, 10-9, 10-29, 10-31 | 102609601 | 9-21                                                                                       |
| 102481301 | 14-11, 15-11               | 102604301 | 9-29, 10-31                    | 102609801 | 9-25                                                                                       |
| 102488001 | 4-3, 4-13                  | 102604401 | 9-25, 9-29, 10-23, 10-31       | 102609802 | 9-25                                                                                       |
| 102490101 | 1-45, 4-11, 9-5, 10-5      | 102604501 | 9-29                           | 102609803 | 9-25                                                                                       |
| 102490201 | 9-5, 10-5                  | 102604701 | 9-29, 10-31                    | 102610001 | 9-25, 10-23                                                                                |
| 102490301 | 17-3                       | 102604801 | 9-29, 10-31                    | 102614101 | 1-55, 1-57                                                                                 |
| 102490501 | 9-5, 10-5                  | 102604901 | 9-23                           | 102614401 | 1-61                                                                                       |
| 102490801 | 5-9                        | 102605001 | 9-23, 10-29                    | 102616003 | 14-11, 15-11                                                                               |
| 102491001 | 8-5, 16-13, 18-27, 18-29   | 102605101 | 9-9, 9-23                      | 102616101 | 14-11, 15-11                                                                               |
| 102491101 | 16-13                      | 102605201 | 19-3                           | 102616301 | 5-7, 5-11, 5-13                                                                            |
| 102491301 | 1-17, 1-43                 | 102605301 | 9-23, 10-29                    | 102616701 | 16-5                                                                                       |
| 102491501 | 1-17, 1-41, 1-43, 18-13    | 102605401 | 9-23, 10-29                    | 102617001 | 18-17                                                                                      |
| 102491601 | 4-3, 4-13                  | 102605501 | 9-23                           | 102617201 | 1-17, 1-41, 1-43, 18-27, 18-29                                                             |
| 102491701 | 1-21, 1-23, 1-49, 1-51     | 102605601 | 9-23                           | 102617501 | 5-9, 16-13                                                                                 |
| 102492201 | 6-11, 7-19                 | 102605701 | 9-43, 10-45                    | 102617701 | 5-9                                                                                        |
| 102492301 | 7-19                       | 102605801 | 9-23                           | 102617801 | 5-9, 16-13                                                                                 |
| 102493301 | 4-13                       | 102605901 | 9-23, 10-29                    | 102618101 | 4-9                                                                                        |
| 102493801 | 1-53                       | 102606001 | 9-23, 10-29                    | 102618301 | 1-53, 4-9, 4-11, 16-5, 18-27, 18-29                                                        |
| 102494401 | 9-5, 10-5                  | 102606101 | 19-3                           | 102618401 | 4-5                                                                                        |
| 102494701 | 12-3                       | 102606201 | 9-19, 10-19                    | 102618601 | 1-5, 1-17, 1-25, 1-27, 1-53, 1-57, 8-9,<br>9-5, 10-5, 11-5, 12-5, 17-7, 17-9, 18-27, 18-29 |
| 102495701 | 7-15                       | 102606301 | 9-19, 10-19                    | 102620301 | 1-37                                                                                       |
| 102498201 | 7-21, 7-23, 9-5, 10-5      | 102606401 | 9-19, 10-19                    | 102620501 | 5-7, 5-11, 5-13                                                                            |
| 102498601 | 8-3, 9-3, 10-3, 11-9, 12-7 | 102606501 | 9-19, 10-19                    | 102621201 | 11-9, 12-7, 13-3                                                                           |
| 102499001 | 6-9, 7-15, 7-17            | 102606601 | 9-19, 9-55, 10-19              | 102621301 | 8-9, 9-5, 10-5, 13-7                                                                       |
| 102522001 | 11-3, 12-3                 | 102606701 | 9-17, 10-17                    | 102621501 | 9-5, 10-5, 16-7                                                                            |
| 102535101 | 6-5, 7-5                   | 102606901 | 9-9                            | 102628001 | 14-11, 15-11                                                                               |
| 102600001 | 9-7                        | 102607001 | 9-9, 10-9                      | 102628101 | 13-7                                                                                       |
| 102600101 | 9-7, 10-7                  | 102607201 | 9-9                            | 102628301 | 14-9, 15-9                                                                                 |
| 102600201 | 9-7, 10-7                  | 102607301 | 9-9, 10-9                      | 102628701 | 17-7                                                                                       |
| 102600301 | 9-7, 9-11, 9-55            | 102607401 | 9-9                            | 102629001 | 1-57, 4-11                                                                                 |
| 102600401 | 9-7, 10-7                  | 102607501 | 19-3                           | 102630001 | 9-25                                                                                       |
| 102600601 | 9-7, 10-7                  | 102607601 | 9-25, 9-57                     | 102630002 | 9-25                                                                                       |
| 102600701 | 9-7, 10-7                  | 102607602 | 9-25                           |           |                                                                                            |

# INDEX

|           |                                            |           |                                       |           |                             |
|-----------|--------------------------------------------|-----------|---------------------------------------|-----------|-----------------------------|
| 102630003 | 9-25                                       | 102640501 | 9-39                                  | 102653601 | 9-49                        |
| 102630101 | 9-25, 10-23                                | 102640601 | 9-33, 9-39                            | 102653701 | 9-49                        |
| 102630201 | 9-25, 10-23                                | 102640701 | 9-39, 10-41                           | 102653901 | 9-11, 10-11                 |
| 102630301 | 9-25, 9-55, 10-23                          | 102640901 | 9-39, 10-41                           | 102654101 | 9-11, 9-55                  |
| 102630401 | 9-25, 10-23                                | 102641001 | 9-39, 10-41                           | 102654301 | 9-13, 9-41, 9-51            |
| 102630601 | 9-35, 9-37, 10-37, 10-39                   | 102641101 | 9-39, 10-41                           | 102654401 | 9-23, 10-29                 |
| 102630701 | 9-25, 10-25                                | 102641201 | 9-39, 10-41                           | 102654601 | 9-9, 9-55, 10-9             |
| 102630702 | 9-25                                       | 102641501 | 9-43                                  | 102654701 | 9-55, 17-11                 |
| 102630703 | 9-25                                       | 102642401 | 9-43, 10-45                           | 102668801 | 19-5                        |
| 102630901 | 9-25, 9-57, 10-25                          | 102642501 | 9-43, 10-45                           | 102670601 | 1-37                        |
| 102631001 | 9-25, 9-57, 10-25                          | 102642601 | 9-43                                  | 102670701 | 1-9, 5-15, 9-5, 10-5, 18-13 |
| 102631301 | 17-11                                      | 102642701 | 9-43, 10-45                           | 102670801 | 4-7                         |
| 102631401 | 17-11                                      | 102642801 | 9-43, 10-45                           | 102671201 | 1-39                        |
| 102631601 | 9-7, 9-35, 9-37, 10-7, 10-37, 10-39, 17-11 | 102642901 | 9-43, 10-45                           | 102672201 | 16-25                       |
| 102631701 | 17-15                                      | 102643001 | 9-43                                  | 102672301 | 16-25                       |
| 102631801 | 17-15                                      | 102643101 | 9-43                                  | 102672401 | 16-25                       |
| 102632001 | 17-15                                      | 102643201 | 9-43                                  | 102673201 | 1-61                        |
| 102632101 | 17-15                                      | 102643301 | 9-43, 10-45                           | 102684501 | 16-5                        |
| 102632201 | 17-15                                      | 102643401 | 9-43, 10-45                           | 102684603 | 16-5                        |
| 102632701 | 9-55, 17-13                                | 102643601 | 9-43, 10-45                           | 102684901 | 17-3                        |
| 102633001 | 17-11                                      | 102643701 | 9-43, 10-45                           | 102685001 | 17-3                        |
| 102633201 | 17-11                                      | 102644001 | 9-15, 9-55                            | 102686101 | 19-3                        |
| 102633301 | 9-15, 10-15                                | 102644101 | 9-15, 10-15                           | 102687801 | 5-5                         |
| 102633401 | 9-55, 17-11                                | 102644501 | 9-55                                  | 102693201 | 16-25                       |
| 102633601 | 9-45, 10-47                                | 102645501 | 9-47                                  | 102693301 | 16-17, 16-25                |
| 102633701 | 9-41, 10-43                                | 102646001 | 9-55                                  | 102693401 | 16-25                       |
| 102633801 | 9-41, 10-43                                | 102646101 | 9-51, 10-53                           | 102693501 | 16-25                       |
| 102633901 | 9-41, 10-43                                | 102646301 | 9-53, 10-55                           | 102693601 | 16-27                       |
| 102634001 | 9-41, 9-55, 10-43                          | 102646401 | 9-49, 10-51                           | 102694001 | 16-27                       |
| 102634101 | 9-41, 10-43                                | 102646501 | 9-53                                  | 102694201 | 16-17, 16-25                |
| 102634401 | 9-41, 9-55, 10-43                          | 102646601 | 9-53, 9-55                            | 102694301 | 16-25                       |
| 102634501 | 9-41, 9-55, 10-43                          | 102647101 | 9-53, 10-55                           | 102694401 | 16-25                       |
| 102634601 | 9-41, 10-43                                | 102647201 | 9-53                                  | 102694502 | 16-27                       |
| 102634701 | 9-41, 10-43                                | 102647501 | 9-27, 10-27                           | 102694701 | 16-25                       |
| 102635101 | 9-45, 10-47                                | 102647701 | 9-35, 9-37, 9-47, 10-37, 10-39, 10-49 | 102694801 | 16-25                       |
| 102635201 | 9-41                                       | 102647801 | 9-27                                  | 102695401 | 14-7, 15-7                  |
| 102635301 | 9-31, 9-41, 9-43, 9-55, 10-33, 10-45       | 102647901 | 9-27                                  | 102695601 | 14-7, 15-7                  |
| 102635501 | 9-31, 10-33                                | 102648001 | 9-27, 10-27                           | 102695801 | 14-7, 15-7                  |
| 102635701 | 9-31, 10-33                                | 102648401 | 9-47                                  | 102695901 | 14-7, 15-7                  |
| 102635801 | 9-31, 10-33                                | 102651301 | 9-49, 10-51                           | 102696001 | 16-21                       |
| 102635901 | 9-31, 10-33                                | 102651501 | 9-49, 10-51                           | 102696101 | 16-17                       |
| 102636101 | 10-47                                      | 102651601 | 9-49, 10-51                           | 102696201 | 16-17, 16-19                |
| 102636201 | 9-45                                       | 102651701 | 9-49, 10-51                           | 102696501 | 16-17, 16-19                |
| 102636301 | 9-45, 10-47                                | 102651801 | 9-49, 10-51                           | 102696601 | 16-21                       |
| 102636401 | 9-45, 10-47                                | 102652001 | 9-49                                  | 102696701 | 16-17                       |
| 102636501 | 9-45                                       | 102652601 | 9-49                                  | 102696801 | 16-17, 16-19                |
| 102636601 | 9-45, 10-47                                | 102652701 | 9-49                                  | 102696901 | 16-17, 16-19                |
| 102637001 | 9-31, 10-33                                | 102652801 | 9-11, 10-11                           | 102697001 | 16-19                       |
| 102637101 | 9-31, 10-33                                | 102652901 | 9-49, 10-51                           | 102697101 | 16-17, 16-19                |
| 102637501 | 10-41                                      | 102653001 | 9-49, 10-51                           | 102697501 | 16-19                       |
| 102637601 | 10-41                                      | 102653101 | 9-49, 10-51                           | 102698701 | 16-19                       |
| 102637701 | 9-39, 10-41                                | 102653201 | 9-49, 10-51                           | 102699401 | 16-17                       |
| 102637801 | 10-41                                      | 102653301 | 9-49, 9-55, 10-51                     | 102699601 | 16-21                       |
| 102639101 | 10-41                                      | 102653401 | 9-11, 10-11                           | 102699701 | 16-17, 16-19                |
| 102640401 | 9-39, 10-41                                | 102653501 | 9-11, 10-11                           | 102700801 | 9-7, 10-7                   |
|           |                                            |           |                                       | 102701001 | 9-11                        |

# INDEX

|           |                             |           |                            |           |                          |
|-----------|-----------------------------|-----------|----------------------------|-----------|--------------------------|
| 102701201 | 9-35, 9-37, 10-37, 10-39    | 102731601 | 9-53, 13-7                 | 102798201 | 9-13, 10-13              |
| 102701601 | 9-45, 10-47                 | 102731801 | 9-55                       | 102798401 | 9-15                     |
| 102703301 | 9-3, 9-13, 10-3, 10-13      | 102731901 | 9-55                       | 102798501 | 9-15, 9-55, 10-15        |
| 102711601 | 5-7, 16-13                  | 102732001 | 9-57                       | 102798601 | 9-15, 10-15              |
| 102714001 | 4-13                        | 102732201 | 9-25, 9-57, 10-25          | 102798701 | 9-15, 10-15              |
| 102718101 | 1-9, 1-37, 1-41, 1-43, 1-45 | 102732301 | 1-41                       | 102798801 | 9-15                     |
| 102719301 | 1-9                         | 102732401 | 1-37, 1-45                 | 102798901 | 9-15, 10-15              |
| 102722001 | 8-9                         | 102732501 | 9-35, 9-37, 9-47, 10-39    | 102799001 | 9-15, 10-15              |
| 102722301 | 5-7, 5-9                    | 102732601 | 9-7, 9-55, 10-7            | 102799101 | 9-15                     |
| 102723901 | 16-3                        | 102736901 | 2-3, 2-5                   | 102799201 | 9-15, 10-15              |
| 102725501 | 11-9, 12-7                  | 102737301 | 17-3                       | 102799401 | 9-23, 10-29              |
| 102725601 | 11-9, 12-7                  | 102740401 | 8-5                        | 102799501 | 9-31, 10-33              |
| 102726201 | 9-7, 10-7                   | 102741601 | 18-31                      | 102799601 | 9-33, 10-35              |
| 102726301 | 9-7, 10-7                   | 102762601 | 16-27                      | 102799701 | 9-33, 10-35              |
| 102726401 | 9-7, 10-7                   | 102764901 | 16-19                      | 102799801 | 9-33, 10-35              |
| 102726501 | 9-7, 10-7                   | 102765201 | 16-17                      | 102799901 | 9-33, 10-35              |
| 102726601 | 9-7, 10-7                   | 102765301 | 16-27                      | 102800101 | 9-39                     |
| 102726701 | 9-11                        | 102765701 | 16-27                      | 102800201 | 9-45, 10-47              |
| 102726901 | 9-11, 10-11                 | 102765801 | 16-27                      | 102800301 | 9-45                     |
| 102727001 | 9-11, 10-11                 | 102767601 | 17-9                       | 102800401 | 9-41, 10-43              |
| 102727101 | 9-11, 10-11                 | 102772201 | 1-51                       | 102800501 | 9-41, 10-43              |
| 102727401 | 9-13, 10-13                 | 102784001 | 18-27                      | 102800601 | 9-41, 10-43              |
| 102727501 | 9-13, 10-13                 | 102784002 | 18-29                      | 102800701 | 9-35, 9-37, 10-37, 10-39 |
| 102727601 | 9-13, 10-13                 | 102784003 | 18-31                      | 102801001 | 9-35, 9-37, 10-39        |
| 102727701 | 9-17, 10-17                 | 102784201 | 18-21                      | 102801101 | 9-49, 10-51              |
| 102727901 | 9-19, 10-19                 | 102784601 | 18-23                      | 102801201 | 9-49, 10-51              |
| 102728001 | 9-21                        | 102784701 | 18-23                      | 102801301 | 9-51, 10-53              |
| 102728101 | 9-25, 9-57                  | 102784801 | 18-23                      | 102801401 | 9-51, 10-53              |
| 102728102 | 9-25                        | 102784901 | 18-23                      | 102801501 | 9-51, 10-53              |
| 102728301 | 9-27, 10-27                 | 102785001 | 18-23, 18-31               | 102807601 | 17-5                     |
| 102728401 | 9-29                        | 102785101 | 18-23, 18-31               | 102807801 | 17-5                     |
| 102728501 | 9-29, 10-31                 | 102785401 | 18-31                      | 102810701 | 11-9, 12-7               |
| 102728601 | 9-31, 10-33                 | 102785501 | 18-27, 18-29               | 102812801 | 13-3                     |
| 102728701 | 9-31, 10-33                 | 102786101 | 18-13, 18-15, 18-17, 18-21 | 102816801 | 5-5                      |
| 102728801 | 9-31, 9-55, 10-33           | 102786201 | 13-3                       | 102834401 | 1-45                     |
| 102728901 | 9-31, 10-33                 | 102786401 | 7-11                       | 102849801 | 18-19                    |
| 102729101 | 9-33, 10-29, 10-35          | 102787101 | 18-23                      | 102850501 | 18-19                    |
| 102729201 | 10-41                       | 102787601 | 18-23                      | 102854401 | 18-19                    |
| 102729301 | 9-13, 9-55                  | 102787602 | 18-23                      | 102854501 | 18-19                    |
| 102729401 | 9-41, 10-43                 | 102787701 | 18-23                      | 102854601 | 18-19                    |
| 102729501 | 9-41, 10-43                 | 102788701 | 5-11, 5-13                 | 102854801 | 18-19                    |
| 102729601 | 9-43, 10-45                 | 102789001 | 18-17                      | 102854901 | 18-19                    |
| 102729701 | 9-43                        | 102789101 | 18-17                      | 102855501 | 17-3                     |
| 102730001 | 9-35, 10-37                 | 102789201 | 18-17                      | 102859101 | 18-27, 18-29             |
| 102730101 | 9-35, 10-37                 | 102789301 | 18-17                      | 102865101 | 11-5, 11-7               |
| 102730201 | 9-35, 9-37, 10-37, 10-39    | 102790001 | 18-17                      | 102866901 | 1-11, 1-13, 1-15         |
| 102730301 | 9-35, 10-37                 | 102790801 | 18-17                      | 102867001 | 1-11, 1-13, 1-15         |
| 102730401 | 9-35, 9-37, 10-39, 10-49    | 102790901 | 18-17                      | 102867101 | 1-17                     |
| 102730601 | 9-35, 9-37, 10-37, 10-39    | 102791001 | 18-17                      | 102867202 | 1-19                     |
| 102730801 | 9-7, 10-7                   | 102791301 | 18-17                      | 102867301 | 1-17                     |
| 102730901 | 17-11                       | 102792001 | 5-7                        | 102867401 | 1-13                     |
| 102731001 | 17-11                       | 102792002 | 5-7                        | 102867501 | 1-11                     |
| 102731101 | 17-11                       | 102794801 | 18-31                      | 102867602 | 1-15                     |
| 102731201 | 17-13                       | 102794901 | 18-31                      | 102869401 | 6-9, 7-15, 7-17          |
| 102731301 | 9-35, 9-37, 10-37, 10-39    | 102798001 | 9-11                       | 102882301 | 1-7                      |
| 102731501 | 9-53, 10-55                 | 102798101 | 9-13                       | 102882401 | 1-11, 1-13, 1-15         |

# INDEX

|           |                            |           |                         |           |                        |
|-----------|----------------------------|-----------|-------------------------|-----------|------------------------|
| 102882501 | 1-57, 6-9, 7-15            | 102930201 | 18-9                    | 102992401 | 8-7, 8-13, 8-19, 11-19 |
| 102883401 | 1-17                       | 102930301 | 18-11                   | 102992501 | 8-19, 11-5             |
| 102883601 | 3-7, 3-9, 3-15, 3-17       | 102930501 | 18-25                   | 102992601 | 8-13                   |
| 102884301 | 3-3, 3-13                  | 102930801 | 3-21                    | 102992701 | 8-13                   |
| 102884401 | 3-5, 3-13                  | 102930901 | 13-3                    | 102992801 | 8-13                   |
| 102885001 | 7-7                        | 102934701 | 9-37, 10-39             | 102992901 | 8-13                   |
| 102889201 | 3-13                       | 102934801 | 9-37, 10-39             | 102993201 | 8-17                   |
| 102894501 | 6-5, 7-5                   | 102934901 | 9-37, 10-39             | 102993301 | 8-17                   |
| 102895101 | 1-11, 1-13, 1-15           | 102935501 | 1-17                    | 102993401 | 8-17                   |
| 102895401 | 1-11, 1-13, 1-15           | 102936801 | 7-11                    | 102993501 | 8-17                   |
| 102896501 | 1-11, 1-13, 1-15           | 102937401 | 7-11                    | 102993601 | 8-17                   |
| 102913801 | 1-49, 1-51                 | 102937501 | 7-11                    | 102993701 | 8-17                   |
| 102913901 | 1-49, 1-51                 | 102937601 | 7-11                    | 102993901 | 8-17                   |
| 102914001 | 1-49, 1-51                 | 102946701 | 17-3                    | 102994101 | 8-17                   |
| 102914101 | 1-49, 1-51                 | 102949301 | 13-5                    | 102994301 | 8-11                   |
| 102914102 | 1-49, 1-51                 | 102950601 | 3-21                    | 102994401 | 8-17                   |
| 102914104 | 1-51                       | 102951901 | 8-5                     | 102994601 | 8-15                   |
| 102914105 | 1-51                       | 102958301 | 8-9                     | 102994701 | 8-15                   |
| 102918501 | 18-19                      | 102958401 | 8-9                     | 102994801 | 8-15                   |
| 102921601 | 18-13, 18-15, 18-17, 18-21 | 102958501 | 8-9                     | 102994901 | 8-15                   |
| 102921701 | 18-27, 18-29               | 102958601 | 8-9                     | 102995001 | 8-15                   |
| 102922601 | 18-31                      | 102959001 | 9-5, 10-5               | 102995101 | 8-15                   |
| 102922701 | 18-31                      | 102961201 | 3-5, 3-13, 3-21         | 102995201 | 8-15                   |
| 102923001 | 18-21                      | 102961301 | 16-27                   | 102995301 | 8-15                   |
| 102923101 | 18-21                      | 102961401 | 16-27                   | 102995401 | 8-15                   |
| 102923201 | 18-15                      | 102967901 | 1-11, 1-13, 1-15, 18-19 | 102995501 | 8-15                   |
| 102923301 | 18-17                      | 102973201 | 17-5                    | 102995601 | 8-15                   |
| 102923401 | 18-15                      | 102973501 | 18-31                   | 102995701 | 8-15                   |
| 102923801 | 18-31                      | 102973601 | 18-31                   | 102995801 | 8-15                   |
| 102925201 | 18-13                      | 102977501 | 7-17                    | 102995901 | 8-15                   |
| 102925601 | 3-27                       | 102978801 | 1-15                    | 102996001 | 8-15                   |
| 102926301 | 18-25                      | 102978901 | 1-15                    | 102996101 | 8-15                   |
| 102926401 | 18-25                      | 102979301 | 1-13                    | 102996201 | 8-15                   |
| 102926501 | 18-25                      | 102983201 | 1-41, 1-43              | 102996301 | 8-15                   |
| 102926601 | 18-9, 18-11, 18-25         | 102983601 | 1-41, 1-43              | 102996401 | 8-15                   |
| 102926701 | 18-25                      | 102988701 | 1-39, 1-41, 1-43, 1-45  | 102996501 | 8-15                   |
| 102926801 | 18-25                      | 102990101 | 8-13                    | 102996601 | 8-15                   |
| 102927101 | 5-7                        | 102990201 | 8-13                    | 102996701 | 8-15                   |
| 102927102 | 5-7                        | 102990301 | 8-13                    | 102996901 | 8-7                    |
| 102927201 | 18-5                       | 102990401 | 8-13                    | 102997001 | 8-7                    |
| 102927301 | 18-5                       | 102990501 | 8-13                    | 102997101 | 8-7                    |
| 102927401 | 18-5, 18-9, 18-11          | 102990601 | 8-13                    | 102997201 | 8-7                    |
| 102928001 | 18-27, 18-29               | 102990701 | 8-13                    | 102997401 | 8-7                    |
| 102928101 | 18-27, 18-29               | 102990801 | 8-13                    | 102997601 | 8-7                    |
| 102928201 | 18-27, 18-29               | 102990901 | 8-13                    | 102997701 | 8-7                    |
| 102928301 | 18-27, 18-29               | 102991101 | 8-13                    | 102997801 | 8-7                    |
| 102928401 | 18-27, 18-29               | 102991201 | 8-13                    | 102997901 | 8-7                    |
| 102928501 | 18-27, 18-29               | 102991401 | 8-13                    | 102998001 | 8-7                    |
| 102928601 | 18-27, 18-29               | 102991501 | 8-13                    | 102998101 | 8-7                    |
| 102928701 | 18-29                      | 102991601 | 8-13                    | 102998201 | 8-7                    |
| 102928901 | 18-27, 18-29               | 102991801 | 8-13                    | 102998301 | 8-7                    |
| 102929501 | 18-11                      | 102991901 | 8-13                    | 102998401 | 8-7                    |
| 102929601 | 18-9, 18-11                | 102992001 | 8-13                    | 102998601 | 8-19                   |
| 102929701 | 18-11                      | 102992101 | 8-13                    | 102998701 | 8-19                   |
| 102930001 | 18-5                       | 102992201 | 8-13                    | 102999101 | 8-19                   |
| 102930101 | 18-7                       | 102992301 | 8-13                    | 102999201 | 8-19                   |



# INDEX

|           |                    |           |                                  |           |                          |
|-----------|--------------------|-----------|----------------------------------|-----------|--------------------------|
| 102999301 | 8-19               | 103213501 | 7-7                              | 103277401 | 11-17                    |
| 102999501 | 8-19               | 103214901 | 1-43                             | 103277501 | 7-9                      |
| 102999601 | 8-19               | 103215001 | 1-43                             | 103277701 | 7-9                      |
| 103000001 | 8-19               | 103215101 | 1-43                             | 103279201 | 8-5                      |
| 103000401 | 8-11               | 103215201 | 18-19                            | 103283801 | 1-45                     |
| 103000501 | 8-11               | 103215401 | 1-3                              | 103289001 | 1-49, 1-51               |
| 103000601 | 8-11               | 103215901 | 1-43                             | 103289002 | 1-49, 1-51               |
| 103000801 | 8-11               | 103216201 | 1-43                             | 103289101 | 1-49, 1-51               |
| 103000901 | 8-11               | 103216401 | 1-37, 1-39, 1-41, 1-43, 1-45     | 103289102 | 1-49, 1-51               |
| 103001301 | 8-11               | 103216801 | 1-43                             | 103289103 | 1-49, 1-51               |
| 103001501 | 8-11               | 103218104 | 6-5, 7-5                         | 103289104 | 1-49, 1-51               |
| 103002001 | 11-19              | 103218107 | 1-11, 1-13, 1-15, 6-5, 7-5       | 103289107 | 1-51                     |
| 103002101 | 11-19              | 103218113 | 6-5, 7-5                         | 103289108 | 1-51                     |
| 103002301 | 11-19              | 103218901 | 1-35                             | 103289109 | 1-51                     |
| 103002401 | 11-19              | 103223101 | 1-47                             | 103289110 | 1-51                     |
| 103002501 | 11-19              | 103225801 | 1-41, 1-43                       | 103293401 | 11-17                    |
| 103002801 | 11-13, 11-19       | 103227001 | 1-57                             | 103296001 | 1-17                     |
| 103002901 | 11-19              | 103231701 | 1-3                              | 103297101 | 11-13                    |
| 103003801 | 11-13              | 103231801 | 1-3                              | 103297201 | 11-13                    |
| 103003901 | 11-13              | 103233001 | 1-17                             | 103297301 | 11-13                    |
| 103004201 | 11-13              | 103234001 | 7-17                             | 103297401 | 11-19                    |
| 103005001 | 11-13              | 103234201 | 3-7, 3-9, 3-15, 3-17, 3-23, 3-25 | 103297501 | 11-19                    |
| 103005601 | 11-13              | 103234304 | 3-7, 3-15, 3-23                  | 103297601 | 11-19                    |
| 103009901 | 11-5               | 103234401 | 7-15, 7-17                       | 103297701 | 11-19                    |
| 103010101 | 11-5               | 103234503 | 2-3, 2-5                         | 103297801 | 11-19                    |
| 103077501 | 4-3, 4-13          | 103236001 | 1-3                              | 103298001 | 11-19                    |
| 103146203 | 16-25              | 103237501 | 18-3                             | 103298101 | 11-19                    |
| 103146204 | 5-9                | 103237701 | 18-3                             | 103298201 | 11-19                    |
| 103147001 | 5-15               | 103239901 | 9-37, 10-39                      | 103298301 | 11-19                    |
| 103180101 | 6-9, 7-15, 7-17    | 103240601 | 8-9                              | 103298501 | 8-11, 11-5, 11-13, 11-19 |
| 103182701 | 1-19               | 103243001 | 18-9                             | 103298601 | 8-13, 11-19              |
| 103182702 | 1-19               | 103243101 | 18-9                             | 103298901 | 8-13                     |
| 103182801 | 1-19               | 103243201 | 18-9                             | 103299301 | 8-19                     |
| 103188601 | 3-21               | 103243501 | 18-9, 18-11                      | 103299401 | 8-19                     |
| 103188701 | 3-19               | 103243601 | 18-9                             | 103299501 | 8-11                     |
| 103191201 | 1-59               | 103243701 | 18-9                             | 103299601 | 8-11                     |
| 103191301 | 1-59               | 103243801 | 18-9                             | 103299701 | 8-11                     |
| 103191401 | 1-59               | 103243901 | 18-9, 18-11                      | 103299801 | 8-11                     |
| 103191501 | 1-59               | 103244001 | 18-9, 18-11                      | 103299901 | 8-11                     |
| 103192101 | 1-43               | 103244701 | 5-7, 16-13                       | 103300101 | 8-11                     |
| 103197201 | 8-9                | 103245801 | 7-11                             | 103300301 | 8-7, 8-19                |
| 103200501 | 1-49, 1-51         | 103246901 | 8-9                              | 103305701 | 6-7                      |
| 103201501 | 14-5               | 103250401 | 16-17                            | 103305801 | 6-7                      |
| 103202601 | 3-5                | 103253801 | 1-17                             | 103306801 | 11-11                    |
| 103205801 | 7-17               | 103256401 | 5-7                              | 103306901 | 11-11                    |
| 103208701 | 8-5                | 103256501 | 5-7                              | 103307001 | 11-11                    |
| 103208801 | 7-15, 7-17         | 103256701 | 5-7                              | 103307201 | 11-11                    |
| 103210401 | 3-5                | 103262901 | 8-5                              | 103307301 | 11-11                    |
| 103210501 | 3-13               | 103267001 | 1-33                             | 103310701 | 7-15                     |
| 103210801 | 1-39               | 103267002 | 1-35                             | 103319501 | 1-51                     |
| 103210802 | 1-39               | 103268001 | 1-17                             | 103319601 | 1-25, 1-27               |
| 103210901 | 1-39               | 103268101 | 13-5                             | 103319701 | 1-25                     |
| 103211101 | 1-39               | 103273101 | 4-9                              | 103319901 | 18-19                    |
| 103213201 | 7-7                | 103274502 | 1-45                             | 103320201 | 11-13                    |
| 103213301 | 6-3, 6-5, 7-3, 7-5 | 103274602 | 1-45                             | 103320301 | 11-13                    |
| 103213401 | 7-13               | 103276201 | 8-9                              | 103320401 | 11-13                    |

# INDEX

|           |                              |           |                  |           |               |
|-----------|------------------------------|-----------|------------------|-----------|---------------|
| 103320601 | 14-9, 14-11, 15-9, 15-11     | 103456001 | 1-29, 1-31       | 103829601 | 14-5, 15-5    |
| 103324901 | 7-15                         | 103456002 | 1-29, 1-31       | 103829701 | 14-5, 15-5    |
| 103326401 | 8-9                          | 103478901 | 11-15, 12-9      | 103829801 | 14-5, 15-5    |
| 103327201 | 6-9, 7-15, 7-17, 11-15, 12-9 | 103479101 | 11-15, 12-9      | 103829901 | 14-5, 15-5    |
| 103331201 | 1-49, 1-51                   | 103479201 | 11-15, 12-9      | 103830001 | 14-5, 15-5    |
| 103340501 | 11-11                        | 103479301 | 11-15, 12-9      | 103831101 | 1-29, 1-31    |
| 103340601 | 11-11                        | 103485501 | 1-21             | 103841701 | 5-11          |
| 103340701 | 11-11                        | 103487501 | 1-21, 1-23       | 103841801 | 5-13          |
| 103340801 | 11-11                        | 103488801 | 1-23             | 103843901 | 16-25         |
| 103340901 | 11-11                        | 103488802 | 1-23             | 103844301 | 1-47          |
| 103341101 | 11-11                        | 103496801 | 6-13, 7-21       | 103844401 | 1-47          |
| 103341201 | 11-11                        | 103511201 | 1-41             | 103845501 | 5-15          |
| 103341301 | 11-11                        | 103521001 | 6-5, 7-5         | 103848001 | 14-5          |
| 103341401 | 11-11                        | 103525002 | 2-3, 2-5         | 103848401 | 11-9, 12-7    |
| 103341501 | 11-11                        | 103528201 | 8-5              | 103855901 | 9-47          |
| 103341601 | 11-11                        | 103529601 | 1-37             | 103856101 | 14-5          |
| 103341701 | 11-11                        | 103529701 | 1-37             | 103856501 | 14-5          |
| 103341801 | 11-11                        | 103529801 | 1-37             | 103859901 | 5-3           |
| 103341901 | 11-11                        | 103530701 | 1-37             | 103860302 | 5-15          |
| 103342001 | 11-11                        | 103532801 | 2-3, 2-5         | 103860402 | 5-15          |
| 103342101 | 11-11                        | 103534201 | 1-37             | 103862701 | 5-3           |
| 103342201 | 11-11                        | 103538701 | 1-55             | 103865301 | 19-3          |
| 103342301 | 11-11                        | 103538901 | 1-55             | 103866601 | 5-5           |
| 103342501 | 11-11                        | 103588001 | 1-11, 1-13, 1-15 | 103868201 | 16-27         |
| 103342601 | 11-11                        | 103591301 | 12-5             | 103868301 | 16-27         |
| 103342701 | 11-11                        | 103593201 | 12-5             | 103871801 | 16-27         |
| 103343301 | 11-11                        | 103593301 | 12-5             | 103873001 | 16-5          |
| 103343401 | 11-11                        | 103596601 | 11-11            | 103879301 | 16-7          |
| 103343501 | 11-11                        | 103596701 | 11-11            | 103879401 | 16-7          |
| 103343601 | 11-11                        | 103596801 | 11-11            | 103879501 | 16-25         |
| 103343701 | 11-11                        | 103629101 | 1-29, 1-31       | 103883001 | 16-21         |
| 103343801 | 11-11                        | 103629102 | 1-29, 1-31       | 103883201 | 11-15, 12-9   |
| 103343901 | 11-11                        | 103629501 | 1-29, 1-31       | 103883801 | 9-5           |
| 103345501 | 8-11                         | 103635101 | 1-37             | 103884001 | 15-5          |
| 103348101 | 6-9, 7-15                    | 103687401 | 8-11             | 103886001 | 16-5          |
| 103348201 | 6-9, 7-15, 7-17              | 103699801 | 2-3, 2-5         | 103886101 | 16-5          |
| 103348501 | 6-9, 7-15                    | 103701301 | 11-7             | 103886201 | 5-15          |
| 103355401 | 18-13                        | 103721801 | 16-19            | 103886501 | 9-47          |
| 103361701 | 1-41, 1-43                   | 103724501 | 5-3              | 103886601 | 16-7          |
| 103372101 | 11-3                         | 103724503 | 5-3              | 103887901 | 8-3, 8-7, 8-9 |
| 103372302 | 11-3                         | 103724602 | 5-3              | 103892501 | 1-5           |
| 103372401 | 11-7                         | 103747301 | 9-3, 10-3, 12-5  | 103892601 | 1-5           |
| 103377501 | 1-39                         | 103756401 | 11-7             | 103896603 | 12-5          |
| 103379401 | 1-59                         | 103760601 | 1-11             | 103901001 | 2-5           |
| 103380701 | 4-5                          | 103761801 | 9-3, 10-3, 12-5  | 103901101 | 2-5           |
| 103400001 | 1-25, 1-27                   | 103762201 | 16-13            | 103901102 | 2-5           |
| 103406501 | 1-59                         | 103762501 | 7-7              | 103901107 | 2-5           |
| 103406502 | 1-59                         | 103778601 | 2-3              | 103901108 | 2-5           |
| 103406601 | 1-59                         | 103779001 | 2-3              | 103905201 | 11-3, 12-3    |
| 103409001 | 18-31                        | 103779004 | 2-3              | 103921701 | 12-11         |
| 103417401 | 1-25, 1-27                   | 103806401 | 1-37             | 103921801 | 11-17         |
| 103418001 | 1-27                         | 103810201 | 5-3              | 103921901 | 12-11         |
| 103418801 | 4-13                         | 103828101 | 15-5             | 103922001 | 11-17         |
| 103423701 | 1-25, 1-27, 17-7, 17-9       | 103828201 | 14-7, 15-7       | 103922801 | 16-27         |
| 103441401 | 11-9, 12-7                   | 103829001 | 14-7, 15-7       | 103922901 | 16-27         |
| 103452001 | 11-7                         | 103829501 | 15-5             | 103923001 | 5-15          |

# INDEX

|           |                  |           |                     |           |             |
|-----------|------------------|-----------|---------------------|-----------|-------------|
| 103924701 | 11-9             | 103987001 | 4-5                 | 105219001 | 10-15       |
| 103930401 | 5-11             | 103990201 | 16-23               | 105219101 | 10-15       |
| 103930501 | 5-13             | 103993701 | 4-3                 | 105219201 | 10-15       |
| 103939301 | 5-9              | 103993801 | 4-3                 | 105219401 | 10-17       |
| 103939302 | 5-9              | 104005601 | 4-11                | 105219501 | 10-21       |
| 103941901 | 9-17             | 104005701 | 4-11                | 105219601 | 10-21       |
| 103944301 | 11-3, 12-3       | 104025201 | 4-3                 | 105219701 | 10-21       |
| 103945601 | 3-9, 3-17, 3-25  | 105100901 | 16-23               | 105219801 | 10-21       |
| 103945602 | 3-9, 3-17, 3-25  | 105125301 | 16-17               | 105219901 | 10-21       |
| 103945701 | 3-17             | 105125401 | 16-17               | 105220001 | 10-21       |
| 103947102 | 1-5              | 105125501 | 16-19               | 105220101 | 10-21       |
| 103950101 | 12-3             | 105125601 | 16-19               | 105220201 | 10-21       |
| 103951501 | 5-9, 16-25       | 105125701 | 16-17               | 105220301 | 10-21       |
| 103955901 | 1-47             | 105125801 | 16-17               | 105220401 | 10-29       |
| 103959210 | 1-11, 1-13, 1-15 | 105125901 | 16-21               | 105220501 | 10-29       |
| 103959214 | 1-11, 1-15       | 105159201 | 10-5                | 105220601 | 10-29       |
| 103959218 | 1-11, 1-13, 1-15 | 105173201 | 16-23               | 105220701 | 10-29       |
| 103959230 | 1-13             | 105173301 | 16-23               | 105220901 | 10-25       |
| 103959310 | 1-11, 1-13, 1-15 | 105173401 | 16-23               | 105221001 | 10-25       |
| 103959314 | 1-11, 1-15       | 105200501 | 3-7, 3-23           | 105221101 | 10-23       |
| 103959318 | 1-11, 1-13, 1-15 | 105200601 | 3-15                | 105221201 | 10-23       |
| 103959330 | 1-13             | 105205901 | 10-7                | 105221301 | 10-23       |
| 103959410 | 1-11, 1-13, 1-15 | 105206101 | 10-9                | 105221401 | 10-31       |
| 103959414 | 1-11, 1-15       | 105206201 | 10-11               | 105221501 | 10-21       |
| 103959418 | 1-11, 1-13, 1-15 | 105206301 | 10-11               | 105221601 | 10-21       |
| 103959430 | 1-13             | 105206401 | 10-11               | 105221701 | 10-21       |
| 103959510 | 1-11, 1-13, 1-15 | 105206501 | 10-13               | 105221801 | 10-21       |
| 103959514 | 1-11, 1-15       | 105206601 | 10-13, 10-43, 10-53 | 105221901 | 10-37       |
| 103959518 | 1-11, 1-13, 1-15 | 105206701 | 10-15               | 105222001 | 10-37       |
| 103959530 | 1-13             | 105206901 | 10-21               | 105222201 | 10-43       |
| 103963501 | 12-3             | 105207001 | 10-29               | 105222301 | 9-41, 10-43 |
| 103963701 | 11-3             | 105207101 | 10-25               | 105222401 | 9-41, 10-43 |
| 103966401 | 6-5, 7-5         | 105207201 | 10-25               | 105222501 | 9-41, 10-43 |
| 103967201 | 4-7              | 105207301 | 10-25               | 105222601 | 10-45       |
| 103967301 | 4-7              | 105207401 | 10-25               | 105222701 | 10-45       |
| 103967401 | 4-7              | 105207501 | 10-27               | 105222801 | 10-45       |
| 103967501 | 4-7              | 105207601 | 10-27               | 105222901 | 9-43, 10-45 |
| 103967601 | 4-3              | 105207701 | 10-31               | 105223001 | 10-45       |
| 103967602 | 4-3              | 105207801 | 10-31               | 105223101 | 10-45       |
| 103967701 | 4-13             | 105207901 | 10-35, 10-41        | 105225401 | 10-41       |
| 103967901 | 4-13             | 105208001 | 10-37, 10-49        | 105225501 | 10-41       |
| 103968401 | 4-11             | 105208201 | 10-45               | 105225601 | 10-41       |
| 103968501 | 4-11             | 105208301 | 10-45               | 105225701 | 10-41       |
| 103968601 | 4-11             | 105208401 | 10-47               | 105225801 | 10-41       |
| 103968701 | 4-11             | 105208501 | 10-47               | 105225901 | 10-41       |
| 103968801 | 4-11             | 105208601 | 10-47               | 105226001 | 10-49       |
| 103968902 | 4-11             | 105208701 | 10-51               | 105226101 | 10-51       |
| 103969001 | 16-17            | 105208801 | 10-55               | 105226201 | 10-51       |
| 103969801 | 5-7              | 105208901 | 10-55               | 105226301 | 10-51       |
| 103973101 | 4-7              | 105209001 | 10-55               | 105226401 | 10-51       |
| 103978801 | 1-33, 1-35       | 105218401 | 10-9                | 105226501 | 9-51, 10-53 |
| 103981201 | 8-13             | 105218501 | 10-9                | 105226601 | 10-55       |
| 103983301 | 4-11             | 105218601 | 10-11               | 105231101 | 10-7        |
| 103986501 | 4-11             | 105218701 | 10-13               | 105231201 | 10-31       |
| 103986601 | 4-9              | 105218801 | 10-13               | 105237301 | 6-15, 7-23  |
| 103986901 | 4-9              | 105218901 | 10-15               | 105256201 | 6-15, 7-23  |

# INDEX

105256601 6-15, 7-23  
105283703 5-9  
105283704 5-9  
105315101 11-17  
96701412 8-5, 9-5, 10-5  
96704176 17-3  
96704416 6-13, 6-15, 7-21, 7-23, 13-5, 16-5,  
17-3  
96704622 9-5, 10-5  
96704721 8-5, 9-5, 10-5  
96704960 8-5  
96705199 17-3  
96705587 8-9  
96715552 1-17, 1-41, 1-43  
96718978 9-5, 10-5  
96727003 18-13  
96741038 9-5, 10-5  
96741046 1-45, 4-11, 5-15, 8-5, 9-5, 10-5, 18-27,  
18-29  
96742515 1-33, 1-35  
96950126 11-17

## A

A-arm 5-7  
accelerator cable 11-17, 12-11  
accelerator pedal 11-15, 12-9  
accessory receptacle 6-9, 7-15, 7-17  
actuator 1-57  
adapter  
actuator 1-57  
hose 8-9  
oil filter 8-9  
tube 8-9  
adjuster, forward/aft 1-33, 1-35  
adjuster, slider 1-33, 1-35  
air filter 8-3, 9-3, 10-3, 11-9, 12-7  
air filter canister 11-9, 12-7  
air filter evacuator 11-9, 12-7  
air filter gasket 11-13  
alternator 9-35, 9-37, 10-37, 10-39  
alternator belt 9-35, 9-37, 10-37, 10-39  
AM1285701 19-5  
arbor 19-3  
arm  
A 5-7  
A- 5-7  
governor link 11-19  
governor shaft 11-19  
rocker 8-15, 9-49, 10-51  
arm attachment 18-15  
assembly  
accelerator pedal 11-15, 12-9  
adjusting bolt 9-31, 10-33  
alternator 9-35, 9-37, 10-37, 10-39  
bearing case cover 9-21, 10-21  
brake pedal 4-9

bucket seat 1-33  
camshaft 9-23, 10-29  
case, main bearing 9-21, 10-21  
connecting rod 9-25, 10-25  
cylinder head cover 9-15, 10-15  
drain cock 9-7, 10-7  
filler cap 4-5  
forward/reverse 16-5  
fuel camshaft 9-29, 10-31  
fuel cap 11-3, 12-3  
fuel filter/bracket 9-3, 10-3, 12-5  
fuel injection pump 9-39, 10-41  
fuel pump 11-5, 12-5  
gear case 16-27  
governor fork lever 9-45, 10-47  
headlight harness 6-3, 6-5, 7-3, 7-5  
idle apparatus 9-31, 10-33  
intake manifold 9-51, 10-53  
latch, tilt bed 1-55  
muffler 5-7, 16-13  
nozzle holder 9-43, 10-45  
oil pump 9-19, 10-19  
overflow pipe 9-43, 10-45  
pinion 16-27  
piston ring 9-25, 9-57, 10-25  
rocker arm 9-49, 10-51  
speed plate 9-41, 10-43  
tailgate 1-61  
tether 1-61  
thermostat 17-11  
tilt bed 1-55  
water pump 17-13  
wire 6-13, 7-21, 7-23, 8-9, 11-3, 12-3

## attachment

bucket 18-7  
pallet fork 18-5  
push broom 18-11  
snow blade 18-9  
attachment arm 18-15  
attachment interface 18-17  
axle 16-25  
axle tube 16-27  
axle, rear 16-25

## B

ball  
check 9-23, 10-29  
crankshaft 9-25, 10-23  
governor 9-29, 10-31  
injection pump 9-29, 10-31  
valve 9-13, 10-13  
ball joint 5-7, 5-9  
band, pipe 17-11, 17-15  
banjo bolt 4-3, 4-13  
bar clamp 17-7, 17-9  
barb, vent 9-47, 10-49, 12-5

barrel, plastic 1-29, 1-31, 1-59  
barrier, heat 18-27, 18-29  
base, seat holder 1-33, 1-35  
battery  
12-volt, side-post 6-13, 7-21  
12-volt, top-post 6-15, 7-23  
battery clamp 6-13, 6-15, 7-21, 7-23  
battery terminal protector spray 19-3  
battery thermometer 19-3  
bearing  
hub 5-9, 16-27  
needle 16-9, 16-17, 16-19, 16-27  
bearing and oil seal remover 19-3  
bearing case cover 9-21, 10-21  
bearing case, main 9-21, 10-21  
bearing driver set 19-3  
bearing puller 19-3  
bearing puller wedge 19-3  
bed floor plate 1-55  
bed latch 1-59  
bed latch spring 1-59  
bed, tilt 1-55  
bellcrank 16-21  
bellows 5-5, 16-25  
belt guard 9-37, 10-39  
belt, alternator 9-35, 9-37, 10-37, 10-39  
belt, drive 14-3, 15-3  
belt, V- 9-35, 9-37, 10-37, 10-39  
bench seat back 1-29, 1-31  
bench seat back cap 1-29, 1-31  
bench seat bottom 1-29, 1-31  
blade, snow 18-9  
block, differential spacer 16-13  
block, engine 9-7, 10-7  
block, fuse 6-11, 7-19  
bolt  
adjusting 9-31, 10-33  
banjo 4-3, 4-13  
boot replacement kit, inner 16-15  
boot replacement kit, outer 16-15  
bottle, coolant 17-5  
box, hydraulic control 18-19  
bracket  
actuator 1-57  
bed latch 1-53  
brake line 4-7  
carbon canister 11-7  
cover inlet 14-11, 15-11  
draw latch 1-11, 1-13, 1-15  
hood support 1-17  
muffler 13-3  
oil filter 8-9  
oil filter mount 8-9  
radiator support 17-3  
rocker arm 9-49, 10-51  
seatbelt 1-37

# INDEX

- transmission cable 9-5, 10-5, 16-7
- transmission mounting 9-5, 10-5
- bracket, hinge, bed 1-55
- brake caliper bracket 4-3
- brake caliper, rear 4-13
- brake front lh caliper 4-3
- brake front rh caliper 4-3
- brake line, front 4-7
- brake line, mid 4-7
- brake line, rear 4-7
- brake master cylinder 4-5
- brake pads
  - front 4-3
  - rear 4-13
- brake pedal 4-9
- brake rotor 4-3, 4-13
- breaker, circuit 7-11
- breather cover 9-15, 10-15
- breather gasket 8-13
- breather shield 9-15, 10-15
- breather tube 9-15, 10-15
- breather valve 9-15, 10-15
- broom weldment 18-11
- broom, push 18-11
- brush, FNR 1-17
- bucket attachment 18-7
- bucket seat 1-33, 1-35
- buckle, seat-belt 1-37
- buckle, seatbelt 1-39
- bulb, headlight 6-3, 6-5, 7-3, 7-5
- bulb, signal 6-5, 7-5
- bumper 17-3
  - bed 1-53, 1-57
  - front 1-3
  - rubber 1-61
- bushing 1-57
  - A-arm 5-7, 5-15
  - flanged 10-29
  - flanged bronze 9-23
  - forward/reverse 16-5
  - greaseless 4-9
  - lower arm 5-7
  - nylon 1-59
  - piston pin 9-25, 9-57, 10-25
  - plain 16-11
  - return line 11-3, 12-3
  - snap-in 1-59
  - steel 1-55
  - urethane 1-55
- button, thrust 16-9
- buzzer, reverse 6-9, 7-15, 7-17
- C**
- cable
  - accelerator 11-17, 12-11
  - choke 11-17
- FNR shifter 16-7
- park brake 4-11
- caliper
  - brake, front lh 4-3
  - brake, front rh 4-3
  - brake, rear 4-13
- caliper brake park 4-11
- caliper slide pin 4-13
- camber adjustment tool 19-3
- camshaft 8-15, 9-23, 10-29
- camshaft guide 8-15
- camshaft kit 8-15
- camshaft plate 8-15
- camshaft spring 8-15
- camshaft, fuel 9-29, 10-31
- canister, air filter 11-9, 12-7
- canister, carbon, fuel tank 11-7
- canopy 1-47
- cap
  - air filter 11-9, 12-7
  - bolt assembly 9-31, 10-33
  - center, alloy wheel 2-3, 2-5
  - corner 1-59
  - filler 4-5
  - front corner 1-61
  - fuel 12-3
  - fuel, gas, ratchet 11-3
  - inlet 14-11, 15-11
  - oil fill 8-7
  - pressure 3-3, 3-11, 3-19, 17-5
  - radiator 17-3
  - rubber 5-9, 16-13
  - sealing 9-7, 9-11, 10-7, 10-11
  - speed control plate 9-41, 10-43
  - valve 9-49, 10-51
- carbon canister 11-7
- carburetor 11-11
- carburetor air vent tube 9-47, 10-49
- carburetor gasket 11-11, 11-13
- carburetor heater 11-11
- carburetor jet 11-11
- carburetor seal 11-11
- carburetor shaft 11-11
- carburetor solenoid 11-11
- carburetor spring 11-11
- carburetor throttle shaft 11-11
- carburetor valve 11-11
- card, safety first 19-5
- carrier, differential 16-27
- case
  - gear 9-13, 10-13, 16-25, 16-27
  - governor ball 9-29, 10-31
  - main bearing 9-21, 10-21
- case cover, bearing 9-21, 10-21
- center console 18-19
- chain, transmission 16-17
- charge coil 8-11
- choke cable 11-17
- circuit breaker 7-11
- clamp
  - bar 17-7, 17-9
  - battery 6-13, 6-15, 7-21, 7-23
  - breather tube 9-15, 10-15
  - hose 9-47, 10-49, 11-5, 11-7, 12-5, 12-7
  - hose, green 11-7, 12-5
  - p- (fuel filter) 9-5, 10-5, 11-5
  - pipe 9-43, 10-45
- clevis pin 4-5, 4-11
- clip
  - body trim 1-11, 1-13, 1-15
  - brake line 11-17, 12-11, 16-7
  - hair pin 1-61
  - meter 6-9, 7-15, 7-17
  - return pipe 9-43, 10-45
  - snap-close 4-7
  - wear 5-15
- closeout 1-49, 1-51
- clutch 14-5, 14-7, 15-5, 15-7
- clutch cover (non-sealed)
  - CVT 14-9, 15-9
- clutch cover (sealed) 14-11, 15-11
- clutch housing 16-9
- clutch removal tool 19-3
- coil
  - charge 8-11
  - ignition 8-11
- coil over shock 5-11, 5-13
- collar, alternator assembly 9-35, 9-37, 10-37, 10-39
- collar, crankshaft 9-25, 10-23
- collar, idle gear 9-23, 10-29
- collar, lever 9-41, 10-43
- collet 9-49, 10-51
- column, steering 5-3
- compression gauge 19-3
- compressor, valve spring 19-5
- connecting rod 8-17, 9-25, 10-25
- connector, relay 6-11, 7-19
- console, center 18-19
- continuity tester 19-3
- control box, hydraulic 18-19
- control panel 11-19
- coolant bottle 17-5
- coolant exchanger 17-3
- coolant fill tee 17-3
- coolant lamp sensor 17-11
- coolant pipe 17-7
- coolant pipe assembly 17-9
- coolant temperature indicator light 7-15, 7-17
- cooling fan 8-19, 17-3
- cord, glow plug 9-43, 10-45
- corner cap 1-61

# INDEX

coupling 18-25, 18-31  
cover  
    alternator assembly 9-35, 10-37  
    bearing case 9-21, 10-21  
    breather 9-15, 10-15  
    CCI dash storage 1-19  
    crankcase 8-13  
    CVT 8-5, 9-5, 10-5, 14-11, 15-11  
    cylinder head 9-15, 10-15  
    electrical 6-11, 7-19  
    engine 8-5  
    fuel camshaft 9-7, 10-7  
    heat proof 9-53, 10-55  
    input 16-11  
    rocker 8-13  
    rocker switch hole 6-9, 7-15, 7-17  
    thermostat 17-11  
cover gasket 11-11  
cowl panel 1-11, 1-13, 1-15  
cowl panel, driver-side 1-11, 1-13, 1-15  
cowl panel, passenger-side 1-11, 1-13, 1-15  
crank 9-25, 10-21  
crank oil seal 8-13  
crankcase 8-13  
crankcase cover 8-13  
crankcase cover gasket 8-13  
crankcase vent tube 11-13  
crankshaft 8-17, 9-25, 10-23  
cup holder 1-17  
cup holder, seat 1-33, 1-35  
CVT cover 8-5, 14-9, 15-9  
CVT cover kit, sealed 14-11, 15-11  
CVT cover kit, unsealed 14-11, 15-11  
cylinder head 8-13, 9-11, 10-11  
cylinder head cover 9-15, 10-15  
cylinder, hydraulic, lift 18-21  
cylinder, hydraulic, tilt 18-21

## D

dash 1-17  
dash weldment 1-17  
decal  
    4x4 3-7, 3-9, 3-15, 3-17, 3-23, 3-25  
    bed warning 3-21  
    Club Car tailgate 1-61  
    crush area warning 3-5, 3-13, 3-21  
    driver/passenger 3-3, 3-11, 3-19  
    ground warning 3-3, 3-11, 3-19  
    hot manifold warning 3-3, 3-11, 3-19  
    hot surface warning 1-33, 1-35, 3-3, 3-11,  
        3-19  
    hydraulic controls 18-19  
    hydraulic pump 3-21  
    IntelliTach 3-27  
    joystick on/off 18-19  
    lock lever 3-21, 18-17

nameplate 3-7, 3-9, 3-15, 3-17  
on/off 18-19  
operating instructions 3-3, 3-13, 3-19  
operator warning 3-5, 3-13  
park brake 4-11  
rollover warning 3-21  
ROPS warning 3-5, 3-13, 3-21  
rotating parts and hot manifold 3-3, 3-11,  
    3-19  
rotating parts warning 3-5, 3-11, 3-13,  
    3-19, 3-21  
tailgate 1-59  
trailer hitch 3-5, 3-13, 3-21, 5-15  
under 16 warning 3-5, 3-13, 3-21  
vehicle loading 3-5, 3-13  
warning 3-13  
winch cable warning 3-3, 3-11  
deflector oil 16-17  
detent, repair 16-19  
diesel tachometer probe 19-5  
differential housing 16-27  
differential oil 16-3  
differential, front 16-9  
differential, rear 16-25, 16-27  
diode 6-7, 7-9  
dipstick, oil 9-17, 10-17  
dowel pin 16-9  
drag link 5-5  
drain cock 9-7, 10-7  
drive belt 14-3, 15-3  
drive clutch 14-5, 15-5  
drive clutch fixed sheave tool 19-3  
drive clutch service tool 19-3  
drive clutch spider removal tool 19-3  
driven clutch 14-7, 15-7  
driven clutch spring compression base tool  
    19-3  
driven clutch spring compression collar tool  
    19-3  
driven clutch spring compression nut tool  
    19-3  
dry moly lubricant 19-3

## E

elbow 12-3  
electric motor 18-27, 18-29  
end, tie rod 5-5  
engine block 9-7, 10-7  
engine cover 8-5  
engine shroud 8-19  
engine starter motor 8-11  
engine, gasoline, Kawasaki FH680 8-5  
exchanger, engine coolant 17-3  
exhaust gasket 9-55, 13-5, 13-7  
exhaust header 13-5  
exhaust header gasket 13-5

exhaust pipe 13-3, 13-7  
exhaust shield 13-3, 13-7  
exhaust valve 8-15, 9-49, 10-51  
extension, spring latch 1-55

## F

fan housing plate 8-19  
fan shroud 17-3  
fan, cooling 8-19, 17-3  
fascia 1-11, 1-13, 1-15  
fastener, push-in 6-11, 7-19  
fender, front 1-11, 1-13, 1-15  
fender, left rear 1-49, 1-51  
fender, rear 1-49, 1-51  
filler cap 4-5  
filter  
    air 8-3, 9-3, 10-3, 11-9, 12-7  
    fuel 8-3, 9-3, 10-3, 11-5, 12-5  
    inlet cover 14-11, 15-11  
    oil 8-3, 8-7, 8-9, 9-3, 9-13, 10-3, 10-13  
    oil pick up 9-9, 10-9  
flange, water 17-11  
float valve 11-11  
floor plate, bed 1-55  
floorboard 1-25, 1-27  
fluid, hydraulic 18-27, 18-29  
flywheel 8-11, 9-27, 10-27  
FNR brush 1-17  
FNR brush strip 1-17  
FNR shifter 16-5  
FNR shifter bracket 9-5, 10-5, 16-7  
FNR shifter cable 16-7  
foot well plate 1-27  
fork, pallet 18-5  
fork, transmission 16-17  
frame, tilt bed 1-55  
front bumper 1-3  
front differential 16-9  
front panel 1-59  
fuel camshaft 9-29, 10-31  
fuel cap 12-3  
fuel filter 8-3, 9-3, 10-3, 11-5, 12-5  
fuel gauge sending unit 11-3, 12-3  
fuel gauge/hour meter 6-9, 7-15  
fuel gauge/hour meter/seatbelt timer 7-17  
fuel injection pump 9-39, 10-41  
fuel line 11-5, 11-7  
fuel pickup tube 12-3  
fuel pump 11-5, 12-5  
fuel tank (diesel) 12-3  
fuel tank (gasoline) 11-3  
fuel tank strap 11-5, 12-5  
fuse  
    10-amp 6-11, 7-19  
    20-amp 7-11  
    25-amp 6-11, 7-19

# INDEX

30-amp 7-19  
fuse block 6-11, 7-19

## G

gasket 11-11  
air filter 11-13  
bearing case 9-21, 9-55, 10-21  
breather 8-13  
carburetor 11-11, 11-13  
control plate 9-41, 9-55, 10-43  
cover 9-21, 9-55, 10-21, 11-11, 14-11, 15-11  
crankcase cover 8-13  
cylinder head 9-11, 9-55, 10-11  
cylinder head cover 9-15, 9-55, 10-15  
drain plug 9-9, 10-9  
exhaust 9-55, 13-7  
exhaust header 13-5  
exhaust-manifold 9-53, 9-55, 10-55  
fuel pump 9-7, 9-55, 10-7  
gearcase 9-13, 9-55, 10-13  
head 8-13  
head cover 9-55  
head cover nut 9-31, 9-41, 9-43, 9-55,  
10-33, 10-45  
idle apparatus 9-31, 9-55, 10-33  
injection pump 10-41  
intake manifold 9-55  
liquid 19-5  
manifold 11-13  
nozzle 9-43, 10-45  
oil pump 9-19, 9-55, 10-19  
rocker cover 8-13  
sending unit 11-3, 12-3  
thermostat 9-55, 17-11  
water flange 9-55, 17-11  
water pump 9-55, 17-13  
gauge  
compression 19-3  
fuel-hour 6-9, 7-15  
fuel-hour-timer 7-17  
oil dipstick 8-7  
gear  
cam 9-23, 10-29  
case 9-13, 10-13, 16-25, 16-27  
crank 9-25, 10-23  
helical 16-19  
idle 9-23, 10-29  
injection pump 9-29, 10-31  
oil pump 8-7  
oil pump drive 9-19, 10-19  
ring 9-27, 10-27, 16-9, 16-27  
steering 5-5  
gear case assembly, rear 16-17  
gear case, front 16-17  
gear ring engagement 16-19  
gear yoke 19-3

glow plug 9-43, 10-45  
glow plug cord 9-43, 10-45  
governor control lever 11-19  
governor fork lever 9-45, 10-47  
governor lever 9-41, 10-43  
governor link arm 11-19  
governor oil seal 8-13  
governor plate 11-19  
governor return spring 11-19  
governor shaft 11-19  
governor shaft arm 11-19  
governor spring 11-19  
grill 1-11, 1-13, 1-15  
grip tape, accelerator pad 11-15, 12-9  
grip, tilt latch hand 1-55, 1-59  
grommet 11-3, 12-3  
guard, belt 9-37, 10-39  
guard, oil filter 8-9  
guard, splash 1-17  
guide  
camshaft 8-15  
exhaust valve 9-11, 10-11  
inlet valve 9-11, 10-11  
oil dipstick 9-17, 10-17  
rocker arm 8-15

## H

hair pin clip 1-61  
half shaft 16-13  
handbook, operator 18-3  
harness 1-57, 6-7, 7-7, 7-9, 8-11  
harness, control panel wire 7-11  
harness, headlight 7-7  
harness, hydraulic power unit 7-11  
harness, seatbelt light 7-13  
harness, wire 6-3, 6-5, 7-3, 7-5  
harness, wire - Kawasaki FH680 6-7  
head gasket 8-13  
head restraint 1-45  
head restraint kit 1-45  
head, cylinder 8-13, 9-11, 10-11  
header, exhaust 13-5  
headlight 6-3, 6-5, 7-3, 7-5, 7-7  
headlight bulb 6-3, 6-5, 7-3, 7-5  
headlight harness 6-3, 6-5, 7-3, 7-5, 7-7  
heat barrier 18-27, 18-29  
heat seal 9-43, 10-45  
heater, carburetor 11-11  
helical gear 16-19  
high beam switch 7-15  
hinge plate 1-29, 1-31, 1-33, 1-35  
hinge, hood 1-11, 1-13, 1-15  
holder  
cup 1-17  
FNR strip brush 1-17  
fork lever 9-45, 10-47

hood 1-11, 1-13, 1-15  
hood latch 1-11, 1-13, 1-15  
hood prop 1-11, 1-13, 1-15  
hook, engine 9-11, 10-11  
hose 17-5, 18-23, 18-31  
coolant 17-3, 17-7, 17-9, 17-15  
fuel 11-5, 11-7  
fuel return 12-5  
hydraulic 18-23, 18-25  
inlet 14-11, 15-11  
intake 11-9, 12-7  
outlet 14-9, 14-11, 15-9, 15-11  
vent 9-5, 10-5, 11-7, 16-13, 17-7, 17-9  
hose clamp, green 11-7, 12-5  
hour meter 6-9, 7-15, 7-17  
housing  
clutch 16-9  
differential 16-27  
hub  
wheel 5-9  
hydraulic control box 18-19  
hydraulic fluid 18-27, 18-29  
hydraulic hose 18-23, 18-25  
hydraulic power unit 18-27, 18-29, 18-31  
hydraulic power unit harness 7-11  
hydraulic tube 18-21  
hydrometer 19-5

## I

idle apparatus 9-31, 10-33  
idle gear 9-23, 10-29  
ignition coil 8-11  
indicator, turn signal 7-15  
injection pump gear 9-29, 10-31  
insulation, heat barrier 18-27, 18-29  
insulator, manifold 11-13  
intake adapter pipe 11-13  
intake hose 11-9, 12-7  
intake manifold 9-51, 10-53, 11-13  
intake valve 8-15, 9-49, 10-51  
internal retaining ring pliers 19-5  
isolator ring and bushing 8-5, 9-5, 10-5  
isolator, twin stud 17-3

## J

jet kit  
0-3300 ft 11-11  
3300-6600 ft 11-11  
6600+ ft 11-11  
jet needle 11-11  
jet, carburetor 11-11  
joint  
ball 5-7, 5-9  
eye 9-39, 10-41  
pipe 9-13, 10-13

# INDEX

joystick control 18-19  
joystick control box 18-19

## K

keeper, push-close latch 1-19  
key 8-11  
    feather 9-19, 9-23, 9-25, 9-29, 10-19, 10-23, 10-31  
key (pair) 6-9, 7-15, 7-17  
key switch 6-9, 7-15, 7-17  
key switch spacer 6-9, 7-15, 7-17  
keyswitch nut 6-9, 7-15, 7-17  
kick panel 1-49, 1-51  
kit  
    auxiliary hydraulic 18-31  
    bolt 16-9  
    canopy 1-47  
    carburetor jet 11-11  
    clutch 16-9  
    connecting rod 8-17  
    cover plate, input 16-11  
    cover plate, output 16-9  
    drain plug 16-9  
    forward gear repair 16-19  
    front skidplate hardware 1-9  
    front steel skidplate 1-9  
    gasket 9-55  
    H-clip spring 16-9  
    head restraint 1-45  
    hydraulic angle attachment 18-25  
    inner boot replacement 16-15  
    nozzle holder 9-43, 10-45  
    outer boot replacement 16-15  
    piston rebuild 9-57  
    race output hub 16-9  
    rear axle gear repair 16-27  
    repair, minor 16-9  
    reverse gear repair 16-17  
    roll cage 16-9  
    roller 16-9  
    ROPS 1-43  
    tailgate mounting 1-59  
    tube bumper 1-3  
    tune-up 8-3, 9-3, 10-3  
knob, forward/reverse 16-5

## L

latch 1-19  
latch bracket 1-11, 1-13, 1-15  
latch keeper 1-19  
latch plate, tilt bed 1-53  
latch, bed 1-59  
latch, hood draw 1-11, 1-13, 1-15  
latch, slam 1-61  
latch, spring 1-61  
latch, tilt bed 1-55

lateral link, rear suspension 5-15  
lens, headlight 6-3, 7-3  
lever  
    engine stop 9-41, 10-43  
    fork 9-45, 10-47  
    governor 9-41, 10-43  
    governor control 11-19  
    speed control 9-41, 10-43  
light  
    coolant temperature indicator 7-15, 7-17  
    oil 6-9, 7-15, 7-17  
    seat belt 7-17  
    turn signal 6-5, 7-5  
light switch, high beam 7-15  
limit switch 6-9, 7-15, 7-17, 11-15, 12-9  
line, fuel 11-7  
link, drag 5-5  
liquid gasket 19-5  
low oil warning light 6-9, 7-15, 7-17  
lubricant, dry moly 19-3  
lug stud 5-9, 16-25

## M

manifold  
    exhaust 9-53, 10-55  
    intake 9-51, 10-53, 11-13  
manifold gasket 11-13  
manifold insulator 11-13  
master cylinder 4-5  
meter clip 6-9, 7-15, 7-17  
meter, volt ohm 19-5  
motor 18-27, 18-29  
    starter 9-47, 10-49  
muffler 5-7, 13-3, 16-13

## N

nameplate decal 3-7, 3-9, 3-15, 3-17  
needle, jet 11-11  
nongrease/spacers locker 16-27  
nozzle holder 9-43, 10-45  
nut, keyswitch 6-9, 7-15, 7-17

## O

oil cap 8-7  
oil deflector 16-17  
oil dipstick gauge 8-7  
oil drain plug 8-7  
oil filter 8-3, 8-7, 8-9, 9-3, 9-13, 10-3, 10-13  
oil filter adapter 8-9  
oil filter bracket 8-9  
oil filter guard 8-9  
oil filter nipple 8-13  
oil filter pick up 9-9, 10-9  
oil pan 9-9, 10-9  
oil pickup 8-7

oil pickup screen 8-7  
oil pressure switch 8-11, 9-7, 10-7  
oil pump 8-7, 9-19, 10-19  
oil pump drive gear 9-19, 10-19  
oil pump plate 8-7  
oil pump rotor 8-7  
oil pump shaft 8-7  
oil pump spring 8-7  
oil pump spur gear 8-7  
oil seal 9-13, 9-21, 10-13, 16-11  
oil seal, crank 8-13  
oil seal, governor 8-13  
oil slinger 9-25, 10-23  
oil valve seal 8-13  
oil warning light, low 6-9, 7-15, 7-17  
oil, locking differential 16-3  
operator handbook 18-3  
O-ring 8-7, 8-9, 9-7, 9-9, 9-11, 9-13, 9-15, 9-25, 9-33, 9-41, 9-55, 10-9, 10-23, 10-35, 10-43, 11-11, 16-11  
overflow pipe 9-43, 10-45

## P

pad  
    brake rear 4-13  
    brake, front 4-3  
pallet fork 18-5  
pan  
    center 1-33, 1-35, 18-19  
    oil 9-9, 10-9  
    seat 1-33, 1-35  
panel  
    center cowl 1-11, 1-13, 1-15  
    control 11-19  
    driver-side 1-49, 1-51  
    driver-side cowl 1-11, 1-13, 1-15  
    front 1-59, 1-61  
    front kick 1-49, 1-51  
    left 1-61  
    passenger-side 1-49, 1-51  
    passenger-side cowl 1-11, 1-13, 1-15  
    right 1-61  
    side 1-49, 1-51, 1-59  
park brake bracket 4-11  
park brake cable 4-11  
park brake caliper 4-11  
park brake foot pedal 4-11  
park brake rotor 4-11  
p-clamp (fuel filter) 9-5, 10-5, 11-5  
pedal, accelerator 11-15, 12-9  
pedal, brake 4-9  
pickup, oil 8-7  
pin  
    bow tie locking 1-11, 1-13, 1-15, 4-11  
pin, cable 16-5  
pin, clevis 4-5, 4-11



# INDEX

- pin, dowel 16-9
  - pin, piston 9-25, 9-57, 10-25
  - pinion 16-27
  - pipe
    - breather 9-51, 10-53
    - coolant 17-7, 17-15
    - exhaust 13-3, 13-7
    - injection 9-43, 10-45
    - intake adapter 11-13
    - overflow 9-43, 10-45
    - water return 9-15, 10-15, 17-11
  - pipe band 17-11, 17-15
  - pipe clamp 9-43, 10-45
  - piston 8-17, 9-25, 9-57, 10-25
  - piston pin 9-25, 9-57, 10-25
  - piston ring 9-25, 9-57, 10-25
  - piston ring set 0.50 8-17
  - plate
    - armature 16-9
    - back 1-55, 1-57
    - camshaft 8-15
    - closeout 1-49, 1-51
    - electrical 6-11, 7-19
    - engine block 9-7, 10-7
    - engine mounting 9-5, 10-5
    - fan housing 8-19
    - foot well 1-27
    - governor 11-19
    - hinge 1-29, 1-31, 1-33, 1-35
    - latch 1-53
    - oil pump 8-7
    - shroud 9-27, 10-27
    - skid 1-7, 1-9
    - speed 9-41, 10-43
    - speed control 9-41, 10-43
    - tailgate latch wear 1-59
    - thrust 16-9
  - pliers
    - internal retaining ring 19-5
    - retaining ring 19-5
  - plug 16-17, 18-27, 18-29
    - drain 9-9, 10-9
    - engine block 9-7, 9-11, 9-13, 10-7, 10-11, 10-13, 16-25
    - expansion 9-7, 10-7
    - gearcase 16-17, 16-25
    - glow 9-43, 10-45
    - hole 6-9, 7-15, 7-17
    - oil drain 8-7
    - oil fill 16-9
    - oil filler 9-15, 10-15
    - spark 8-3, 8-11, 8-13
    - tube 1-3
  - power unit, hydraulic 18-29, 18-31
  - prop rod 1-53
  - prop, hood 1-11, 1-13, 1-15
  - protector spray, battery terminal 19-3
  - puller
    - bearing 19-3
    - clutch 19-3
    - seal 19-5
    - special use tool 19-5
  - pulley
    - fan drive 9-35, 9-37, 10-37, 10-39
    - water pump 9-35, 9-37, 10-37, 10-39
  - pump
    - fuel 11-5, 12-5
    - fuel injection 9-39, 10-41
    - oil 9-19, 10-19
    - water 17-13
  - pump, oil 8-7
  - push broom 18-11
  - push rod 8-15, 9-23, 10-29
  - push rod tappet 8-15
- ## R
- radiator 17-3
  - radiator cap 17-3
  - radiator pipe assembly 17-9
  - rear axle 16-25
  - rear differential 16-25, 16-27
  - receptacle, accessory 6-9, 7-15, 7-17
  - reed valve assembly 8-13
  - refractometer 19-5
  - regulator, voltage 8-11
  - relay 6-11, 7-19, 18-19
  - relay connector 6-11, 7-19
  - remover, bearing and oil seal 19-3
  - restraint, head 1-45
  - retainer
    - spring (driven clutch) 14-7, 15-7
    - valve spring 8-15, 9-49, 10-51
  - retaining ring pliers 19-5
  - retractor, seat-belt 1-37
  - reverse buzzer 6-9, 7-15, 7-17
  - ring
    - piston 9-25, 9-57, 10-25
    - retaining, ext 5-7, 5-9
    - snap 4-11
  - ring gear 9-27, 10-27, 16-9, 16-27
  - rivet, blind push 1-17
  - Rivet, Removable 1-11, 1-13, 1-15, 18-19
  - rocker arm 8-15, 9-49, 10-51
  - rocker arm guide 8-15
  - rocker arm stud 8-15
  - rocker cover 8-13
  - rocker cover gasket 8-13
  - rocker switch 1-57, 6-9, 7-15, 18-19
  - rocker switch (lights) 6-9, 7-15, 7-17
  - rod
    - "J" 11-15, 12-9
    - connecting 9-25, 10-25
    - crank crank rod 9-25, 10-25
    - prop 1-53
    - push 8-15, 9-23, 10-29
  - ROPS front base weldment 1-41, 1-43
  - ROPS kit 1-43
  - ROPS seat support 1-41, 1-43
  - ROPS side 1-41
  - ROPS support tube 1-43
  - ROPS top 1-41, 1-43
  - ROPS warning decal 3-5, 3-13, 3-21
  - ROPS weldment 1-43
  - ROPS, 4 Pass 1-43
  - ROPS, Rear Handle 1-45
  - rotor disc brake 4-3, 4-13
  - rotor, oil pump 8-7
  - rubber bumper 1-61
- ## S
- safety first card 19-5
  - screen, oil pickup 8-7
  - seal
    - carburetor 11-11
    - dual lip 16-21, 16-27
    - heat 9-43, 10-45
    - oil 9-13, 9-21, 10-13, 16-11
    - oil valve 8-13
    - triple lip 16-17
    - valve stem 9-49, 9-55, 10-51
  - seal puller 19-5
  - seat
    - bucket 1-33, 1-35
    - valve 9-13, 10-13
  - seat back cap, bench 1-29, 1-31
  - seat back, bench 1-29, 1-31
  - seat belt buckle 1-37
  - seat belt light 7-17
  - seat bottom, bench 1-29, 1-31
  - seat holder base 1-33, 1-35
  - seat, bucket 1-35
  - seatbelt buckle 1-39
  - seatbelt light harness 7-13
  - seat-belt retainer 1-37
  - sending unit, fuel gauge 11-3, 12-3
  - sensor, coolant lamp 17-11
  - shaft
    - carburetor 11-11
    - CVT adapter 9-5, 10-5
    - fork lever 9-45, 10-47
    - governor 11-19
    - governor lever 9-41, 10-43
    - half 16-13
    - idle gear 9-23, 10-29
    - input 16-19
    - intermediate 16-19
    - oil pump 8-7
    - output 16-17

# INDEX

- pinion 16-11
  - rock arm 9-49, 10-51
  - shift 16-21
  - shield, breather 9-15, 10-15
  - shield, exhaust 13-3, 13-7
  - shim 16-27
  - shim, armature plate 16-9
  - shim, injection pump 9-39, 10-41
  - shim, latch plate 1-53
  - shock absorber, coil over 5-11, 5-13
  - shoe, skid 18-9
  - shroud, engine 8-19
  - shroud, fan 17-3
  - side panel 1-49, 1-51
  - side panel weldment 1-59
  - side stringer 1-21
  - signal bulb 6-5, 7-5
  - skid plate 1-7, 1-9
  - skid shoe 18-9
  - skidplate hardware kit 1-9
  - skidplate kit 1-9
  - slam latch 1-61
  - sleeve
    - crankshaft 9-25
    - governor 9-29, 10-31
    - lower arm 5-7
    - upper suspension 5-7
  - slinger, oil 9-25, 10-23
  - snow blade 18-9
  - snow blade weldment 18-9
  - solenoid, carburetor 11-11
  - solenoid, stop 9-33, 10-35
  - spacer 1-9
    - 5/8 x 2 1/4 x 1 1/4 1-47
    - engine 9-5, 10-5
    - key switch 6-9, 7-15, 7-17
  - spacer block, differential 16-13
  - spanner wrench 19-5
  - spark plug 8-3, 8-11, 8-13
  - speed plate 9-41, 10-43
  - splash guard 1-17
  - spray, battery terminal protector 19-3
  - spring 8-7, 8-15
    - carburetor 11-11
    - choke spring 11-17
    - compression 14-5, 14-7, 15-7
    - exhaust 13-3
    - extension 1-55
    - governor 9-45, 10-47, 11-19
    - governor idle 11-17
    - governor return 11-19
    - idle apparatus 9-31, 10-33
    - latch tilt 1-59
    - pedal 11-15, 12-9
    - return 9-41, 10-43
    - rocker arm 9-49, 10-51
    - start 9-11, 9-45, 10-47
    - valve 8-15, 9-13, 9-49, 10-13, 10-51
    - wave 4-11
  - spring latch 1-61
  - sprocket 16-17
  - start spring 9-45, 10-47
  - starter motor 9-47, 10-49
  - starter motor, engine 8-11
  - stay
    - alternator assembly 9-35, 10-37
    - cylinder head 9-11, 10-11
    - spring 9-13, 10-13
    - stop solenoid 9-33, 10-35
  - steel bushing 1-55
  - steering
    - lower control arm 5-7
    - slide adjuster 5-9
    - upper A-arm 5-7
    - upright 5-9
  - steering column 5-3
  - steering gear 5-5
  - steering wheel 5-3
  - steering wheel puller tool 19-5
  - stem, valve 2-3, 2-5
  - stop solenoid stay 9-33, 10-35
  - stopper, camshaft 9-23, 10-29
  - stopper, fuel camshaft 9-29, 10-31
  - strap, fuel tank 11-5, 12-5
  - stringer, side 1-21, 1-23
  - strip, FNR brush 1-17
  - stud 9-5, 9-39, 9-53, 10-5, 10-41, 17-15
    - idle adjustment 9-31, 10-33
    - lug 5-9, 16-25
    - self-clinching 1-59, 1-61
  - support, structural 1-17
  - switch 18-27, 18-29
    - high beam 7-15
    - key 6-9, 7-15, 7-17
    - light rocker 6-9, 7-15, 7-17
    - limit 6-9, 7-15, 7-17, 11-15, 12-9
    - oil pressure 8-11, 9-7, 10-7
    - rocker 1-57, 6-9, 7-15
    - three-position 7-15
  - switch, rocker 18-19
  - switch, indicator 16-19
- ## T
- tachometer 19-5
  - tachometer probe, diesel 19-5
  - tailgate 1-59, 1-61
  - tailgate angle 1-59, 1-61
  - tailgate latch wear plate 1-59
  - tailgate mounting kit 1-59
  - tank, fuel (diesel) 12-3
  - tank, fuel (gasoline) 11-3
  - tape, grip, accelerator pad 11-15, 12-9
  - tape, vinyl foam 1-55, 17-3
  - tappet 9-23, 10-29
  - tappet, push rod 8-15
  - tee, coolant fill 17-3
  - temperature indicator light, coolant 7-15, 7-17
  - tester, continuity 19-3
  - tether 1-61
  - thermometer, battery 19-3
  - thermostat 17-11
  - throttle shaft, carburetor 11-11
  - throttle valve 11-11
  - thrust button 16-9
  - thrust plate 16-9
  - tie rod end 5-5
  - tie wrap 1-57, 5-5, 16-5, 18-19
  - tilt bed 1-55
  - tilt bed frame 1-55
  - tilt latch hand grip 1-55, 1-59
  - tire
    - all-terrain 2-3
    - mud 2-5
  - tool
    - camber adjustment 19-3
    - drive clutch fixed sheave 19-3
    - drive clutch service 19-3
    - drive clutch spider removal 19-3
    - driven clutch spring compression base 19-3
    - driven clutch spring compression collar 19-3
    - driven clutch spring compression nut 19-3
    - puller, special use 19-5
    - steering wheel puller 19-5
  - track, prop rod 1-53
  - trailing link, rear suspension 5-15
  - transaxle housing 16-27
  - transmission 16-17
  - transmission cable bracket 9-5, 10-5, 16-7
  - transmission chain 16-17
  - transmission fork 16-17
  - tube
    - axle 16-27
    - breather 9-15, 10-15
    - carburetor air vent 9-47, 10-49
    - crankcase vent 11-13
    - fuel pickup 12-3
    - hydraulic 18-21
    - ROPS support 1-43
  - tube bumper kit 1-3
  - Tuflok 1-11, 1-13, 1-15, 18-19
  - tune-up kit 8-3, 9-3, 10-3
  - turn signal indicator 7-15
  - turn signal light 6-5, 7-5
- ## U
- u-joint

# INDEX

replacement kit 16-23  
urethane bushing 1-55

## Y

yoke, gear 19-3

## V

valve 11-9, 12-7, 18-27, 18-29  
  breather 9-15, 10-15  
  carburetor 11-11  
  exhaust 8-15, 9-49, 10-51  
  float 11-11  
  intake 8-15, 9-49, 10-51  
  seat 9-13, 10-13  
  throttle 11-11  
valve assembly, reed 8-13  
valve spring 8-15  
valve spring compressor 19-5  
valve spring retainer 8-15  
valve stem 2-3, 2-5  
V-belt 9-35, 9-37, 10-37, 10-39  
vent  
  fuel tank 11-3, 12-3  
vent barb 9-47, 10-49, 12-5  
vent, barb 11-7  
vent, housing, upper 16-27  
vent, transmission 16-17  
volt ohm meter 19-5  
voltage regulator 8-11

## W

warning light, low oil 6-9, 7-15, 7-17  
water flange 17-11  
water pump 17-13  
wear clip 5-15  
wedge, bearing puller 19-3  
weldment  
  actuator bracket 1-57  
  brake pedal 4-9  
  coolant pipe 17-7  
  front dash 1-17  
  ROPS base front 1-41, 1-43  
  seat support ROPS 1-41, 1-43  
  tilt bed frame 1-55  
wheel  
  alloy 2-3, 2-5  
  hub 5-9  
  steel 2-3, 2-5  
  steering 5-3  
wheel cap, alloy 2-3, 2-5  
wire assembly 6-13, 7-21, 7-23, 8-9, 11-3, 12-3  
wire harness 1-57, 6-3, 6-5, 6-7, 7-3, 7-5, 7-7,  
  7-9, 8-11  
wire harness - Kawasaki FH680 6-7  
wire harness, control panel 7-11  
wire harness, headlight 7-7  
wire harness, hydraulic power unit 7-11  
wrap, tie 1-57, 5-5, 16-5, 18-19  
wrench, spanner 19-5











**Club Car, Inc.**  
P.O. Box 204658  
Augusta, GA 30917-4658  
USA

**Web** [www.clubcar.com](http://www.clubcar.com)  
**Phone** 1.706.863.3000  
1.800.ClubCar  
**Int'l** +1 706.863.3000  
**Fax** 1.706.863.5808