



**2017 Carryall 510 LSV and  
Carryall 710 LSV  
Homologated  
Illustrated Parts List**



**Electric Low-Speed Vehicle (LSV) Homologated**

Manual Number 105342111  
Edition Code 0616B0716A



# USING THE ILLUSTRATED PARTS LIST

---

## **⚠ WARNING**

- **This manual is to be used only for identification and ordering of service parts. Be sure to read and use the maintenance and service manual before attempting any vehicle repairs.**

This manual covers all 2017 Carryall 510 and Carryall 710 Homologated Low-Speed Vehicles (LSV).

The manual is divided into sections. Note that there are two or three flags on the outside edge of each page. The first flag contains the section number of which that page is a part. The other flag (or flags) contains the letter D, E, or G, signifying that the page pertains to the diesel, electric, or gasoline vehicles only.

Use the Table of Contents to find the sections and pages that contain the parts and assemblies you seek. The Table of Contents lists section numbers, and under them, the individual page titles and numbers to be found in that section. The index can be used to find specific parts and assemblies. The index is divided into numerical and alphabetical listings with the page numbers in italic text.

There is a two-page spread for each individual page title in the Table of Contents. On the left-hand page is an illustration showing the parts in their relative positions; the parts are each tagged with an item number in a balloon. The right-hand page is the parts list page, and gives the page title at the top, then the item numbers (corresponding to the numbers on the illustration), part descriptions, and quantity of parts used.

Note that a part description may be indented. This indention corresponds to a parts assembly level indicated by the numbers 1, 2, 3, and 4 at the top left corner of the parts description area of the parts list page. A part that is indented to *level 2* is a component of the *level 1* part (assembly) that it is listed under. A *level 3* part is a component of the *level 2* part that it is listed under, and a *level 4* part is a component of the *level 3* part preceding it. In each case, the part quantity given for a level 2, 3, or 4 part is the quantity used per next higher level assembly of which it is a component. A part that is not indented is a *level 1* part. This means that the quantity given is the quantity used per the portion of the vehicle illustrated on that particular spread.



P. O. Box 204658  
Augusta, Georgia 30917-4658 USA  
Telephone 706-863-3000  
Service Parts Fax 706-855-7413  
[www.clubcar.com](http://www.clubcar.com)

## HOW TO ORDER PARTS

Replacement parts and accessories can be obtained from our network of authorized dealers and distributors. You can obtain the name and phone number of your closest authorized Club Car dealer or distributor by visiting our web site at [www.clubcardealer.com](http://www.clubcardealer.com), by calling our toll-free Service Parts and Technical Assistance hotline at (800) 872-2246 or (706) 863-3000, extension 3887, or by scanning this Quick Response (QR) code to be taken to the Club Car dealer locator. **Refer to Figure 1.** Download a QR code reader such as RedLaser or Barcode Scanner to your cell phone or tablet.



Figure 1 Dealer Locator QR Code

## CUSTOMER SATISFACTION SURVEY

Let your voice be heard!

Please take time to participate in the Technical Publications satisfaction survey. Obtaining feedback from our customers is important to the department's continuous improvement process. The online survey takes less than five minutes and responses will help the department to examine current performance as well as identify areas for future improvement.

Our top priority is to provide timely, accurate, and user friendly manuals.

The online satisfaction survey can be found at: <http://bit.ly/1w9uFMh>



Figure 2 Survey QR Code

**NOTE:** *This illustrated parts list represents the most current information at the time of publication. Club Car, LLC is continually working to further improve its vehicles and other products. These improvements may affect the parts used to service the vehicle. Any modification and/or significant change in specifications will be forwarded to all Club Car and Carryall distributors/dealers and will, when applicable, appear in future editions of this illustrated parts list.*

*Club Car, LLC reserves the right to change specifications and designs at any time without notice and without the obligation of making changes to units previously sold.*

Copyright © 2016 Club Car, LLC.

Club Car is a registered trademark of Club Car, LLC.

This manual effective July 1, 2016.

# CONTENTS

## SECTION 1 – BODY AND TRIM

Front License Plate Holder .....	1-3
Front Body .....	1-5
Body Touch-Up Paint .....	1-7
Front Bumper, Grille, and Fenders .....	1-9
Headlight Bezels .....	1-11
Dash, Glovebox Door, and Floormat .....	1-13
Front Frame, Standard .....	1-15
Bucket Seats and Frame .....	1-17
Inner Rear Fenders .....	1-19
Rear Fenders and Tail Skirt .....	1-21
Bed Hinge, Latch, and Prop Rod – Medium .....	1-23
Tilt Bed (Long) Hinge – Electric Vehicle .....	1-25
Long Bed Hinge Spacer Kit – Vehicle with CAB .....	1-27
Tilt Bed and Bed Latch – Medium .....	1-29
Tilt Bed – Long .....	1-31
Latch Plate .....	1-33
Flat Bed Trim – Medium .....	1-35
Flat Bed Trim – Long .....	1-37
Cargo Box Kit – Medium (Page 1 of 2) .....	1-39
Cargo Box Kit (Page 2 of 2) .....	1-41
Tailgate Teather .....	1-43
Modular Bed Accessories .....	1-45
Modular Bed Accessories .....	1-47
Stake Side Kit – Medium .....	1-49
Cab Roof .....	1-51
Cab Doors – Glass .....	1-53
Cab Doors – Vent .....	1-55
Cab – Windshield (LSV) .....	1-57
Cab – 3-Point Seat Belts (HOMOL) .....	1-59
Cab – Electrical, Power Harness, Electric Vehicle to Cab .....	1-61
Cab – Electrical, Overhead Console .....	1-63
Cab – Electrical, Windshield Wiper .....	1-65
Cab – Electrical, Windshield Washer .....	1-67
Cab – Electrical, Work Lights .....	1-69
Cab - Mirrors .....	1-71
Cab – Rear Window, One-Piece .....	1-73

# CONTENTS

---

## SECTION 2 – WHEELS AND TIRES

---

Wheels and Tires .....	2-3
Wheel Covers .....	2-5

## SECTION 3 – DECALS

---

Decals – Carryall 510 and 710 LSV Homologated .....	3-3
Decals – Electric Carryall 510 and 710, Continued .....	3-5
Badging Decals – Carryall 510 .....	3-7
Badging Decals – Carryall 710 .....	3-9

## SECTION 4 – LIGHTS, CONTROLS, AND INDICATORS

---

Headlights - CA510 and CA710 Homologated .....	4-3
12-Volt Fuse Block and Fuses – Electric Vehicle .....	4-5
Horn, Turn Signals, and Taillights – Electric and Gasoline Vehicles .....	4-7
Instrument Panel - CA510 and CA710 Homologated .....	4-9
Keyswitch, Private Speed Mode - Electric Vehicle .....	4-11
Rear Mounted Reverse Buzzer – CA710 .....	4-13
DC Converter, Heavy Duty – Electric Vehicle .....	4-15
Reflectors .....	4-17
Taillight and License Plate Bracket - CA510 and CA710 Homologated .....	4-19
Heater Defogger – Electric Vehicle .....	4-21

## SECTION 5 – BRAKES, PEDALS, AND CABLE ASSEMBLIES

---

Hydraulic Front Drum Brake Assembly – Driver-Side .....	5-3
Hydraulic Front Drum Brake Assembly – Pass-Side .....	5-5
Brake Pedal Assembly .....	5-7
Accelerator Pedal Assembly – Electric Vehicles .....	5-9
Pedal Close-Out Kit .....	5-11
Master Cylinder, Bell Crank, and Brake Lines – CA510 .....	5-13
Hand Brake Assembly – CA510 Homologated .....	5-15
Master Cylinder, Bell Crank, and Brake Lines – CA710 .....	5-17
Hand Brake Assembly – CA710 LSV Homologated .....	5-19
Hydraulic Rear Brake Assembly .....	5-21

## SECTION 6 – STEERING, FRONT AND REAR SUSPENSION

---

Steering Gear Assembly .....	6-3
Steering Column .....	6-5
Steering Wheel .....	6-7

# CONTENTS

---

Steering Wheel with Clip .....	6-9
Front Suspension, Upper, HYD .....	6-11
Front Suspension, Lower, HYD, Drums 3 Leaf, 1 Plate .....	6-13
Steering Stop .....	6-15
Front Wheel Hubs .....	6-17
Rear Suspension Components .....	6-19

## SECTION 7 – ELECTRICAL SYSTEM – ELECTRIC VEHICLES

---

Motor Controller Output Regulator (MCOR) .....	7-3
Main Wiring Harness, 48-Volt Fuse Block - CA510 Homologated .....	7-5
Main Wiring Harness, 48-Volt Fuse Block - CA710 Homologated .....	7-7
Tow/Run Switch .....	7-9
Electric Components - CA510 Homologated .....	7-11
Electric Components - CA710 Homologated .....	7-13
Batteries 6-Volt, Standard Duty - CA510 .....	7-15
Batteries 6-Volt, Heavy Duty - CA510 .....	7-17
Batteries 6-Volt, Standard Duty - CA710 .....	7-19
Batteries 6-Volt, Heavy Duty - CA710 .....	7-21
Single Point Watering System (SPWS) .....	7-23
Single Point Watering System (SPWS) – CA510 .....	7-25
Hand Pump and Deionizer (Battery-Powered Quality Light) .....	7-27

## SECTION 8 – ELECTRIC MOTOR

---

AC Motor .....	8-3
----------------	-----

## SECTION 9 – TRANSAXLE – ELECTRIC VEHICLES

---

Transaxle – Electric Vehicles .....	9-3
-------------------------------------	-----

## SECTION 10 – BATTERY CHARGERS – HIGH-FREQUENCY

---

Onboard Battery Charger, High-Freq. - CA510 – Homologated .....	10-3
Onboard Battery Charger, High-Freq. - CA710 – Homologated .....	10-5

## SECTION 11 – MAINTENANCE AND SERVICE TOOLS

---

Maintenance and Service Tools .....	11-3
Maintenance and Service Tools, Continued .....	11-5
Maintenance and Service Tools, Continued .....	11-7

# CONTENTS

---

## SECTION i – INDEX

---



# BODY AND TRIM

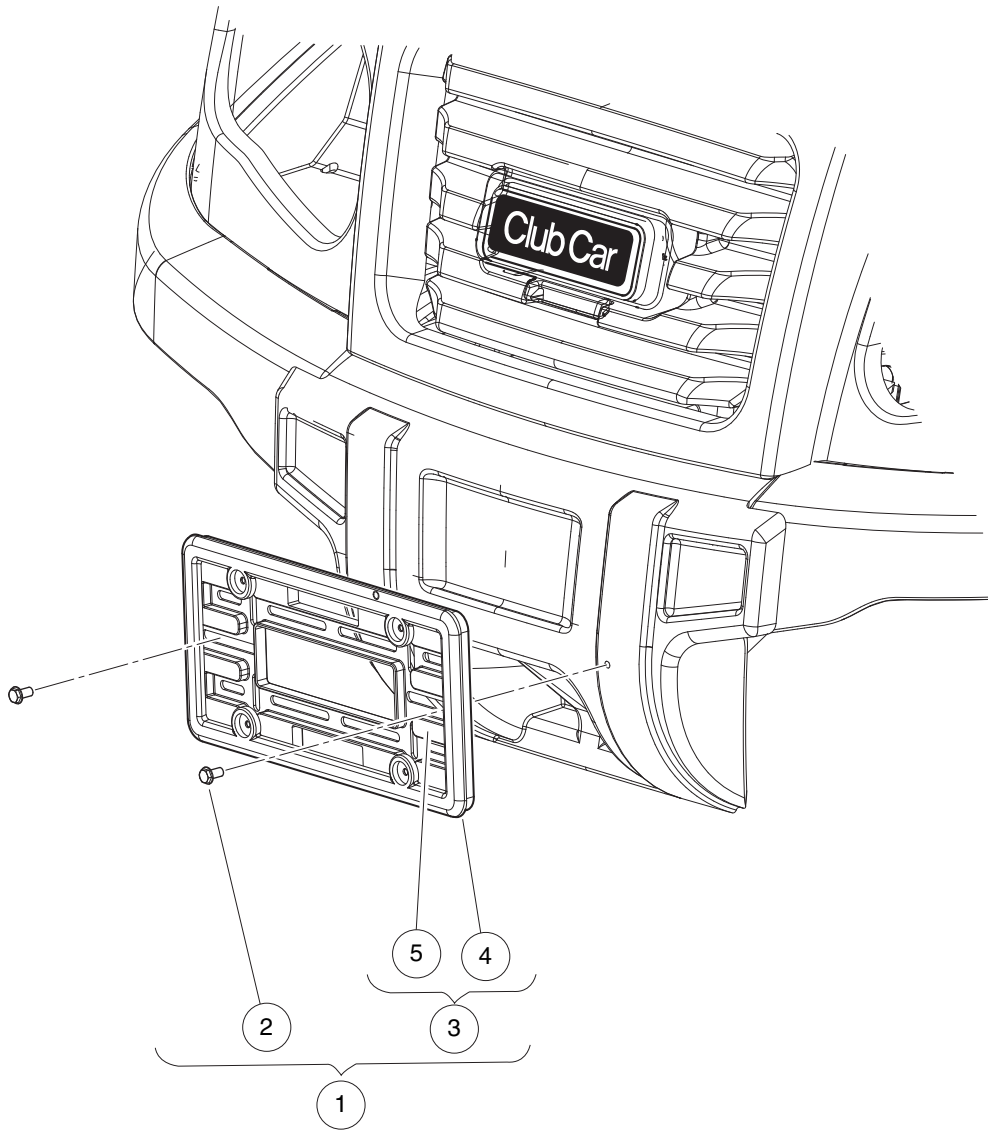
---

1

E

1

E



001155-001

# FRONT LICENSE PLATE HOLDER

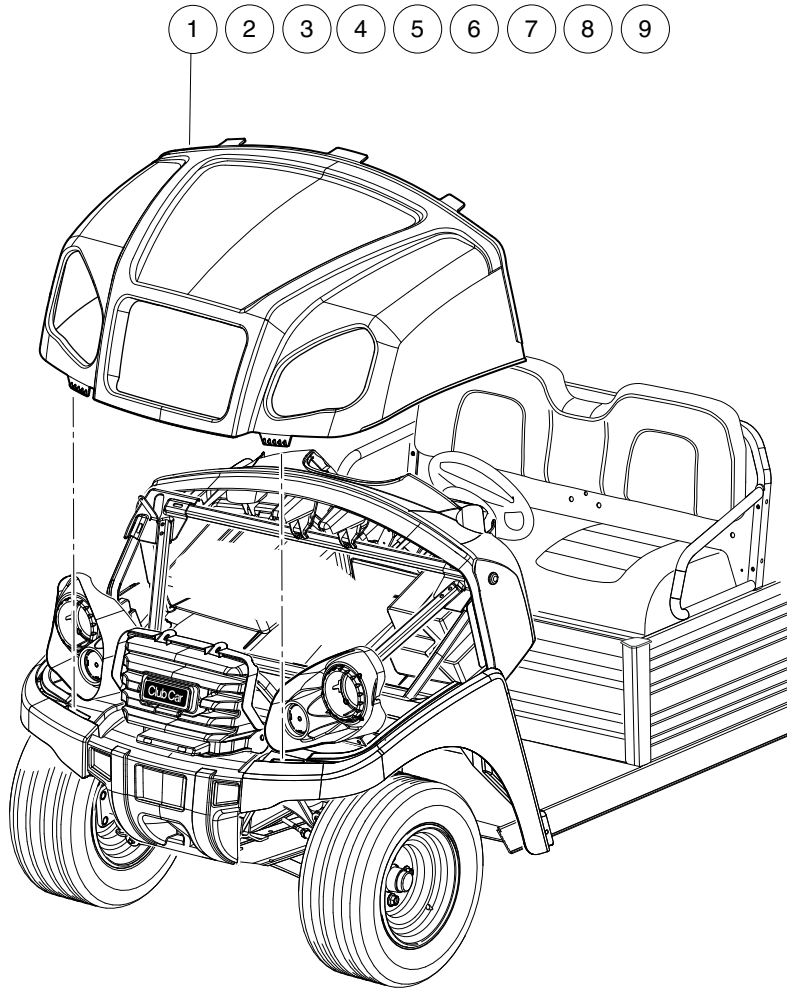
ITEM	PART NO.	DESCRIPTION	QTY
		1 2 3 4	
1	105124901	Kit, Front, License Pl, Lsv (includes items 2 and 3) .....	1
2	101856101	Screw, 1/4-15 X .50 Hi-lo Hex .....	2
3	102311501	Front License Plate Assembly (includes items 4 and 5) .....	1
4	N/A	Frame, License Plate .....	1
5	N/A	Mount, License Plate .....	1

**1**

**E**

1

E



001300-003

# FRONT BODY

ITEM	PART NO.	DESCRIPTION	QTY
		1 2 3 4	
1	105034321	Cowl, Ca, Serv, Dk Green .....	1
2	105034322	Cowl, Ca, Serv, Dk Gray .....	1
3	105034323	Cowl, Ca, Serv, White .....	1
4	105034324	Cowl, Ca, Serv, Bright Blue .....	1
5	105034325	Cowl, Ca, Serv, Titn Silver .....	1
6	105034326	Cowl, Ca, Serv, Beige .....	1
7	105034327	Cowl, Ca, Serv, Red .....	1
8	105034328	Cowl, Ca, Serv, Black .....	1
9	105034329	Cowl, Ca, Serv, Classic Blue .....	1

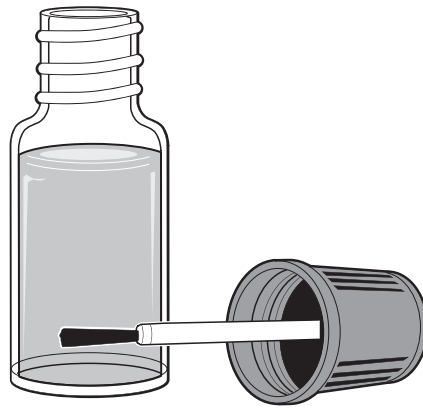
**1**

**E**

**1**

**E**

- 1
- 2
- 3
- 4
- 5
- 6
- 7
- 8
- 9
- 10



001300-020

# BODY TOUCH-UP PAINT

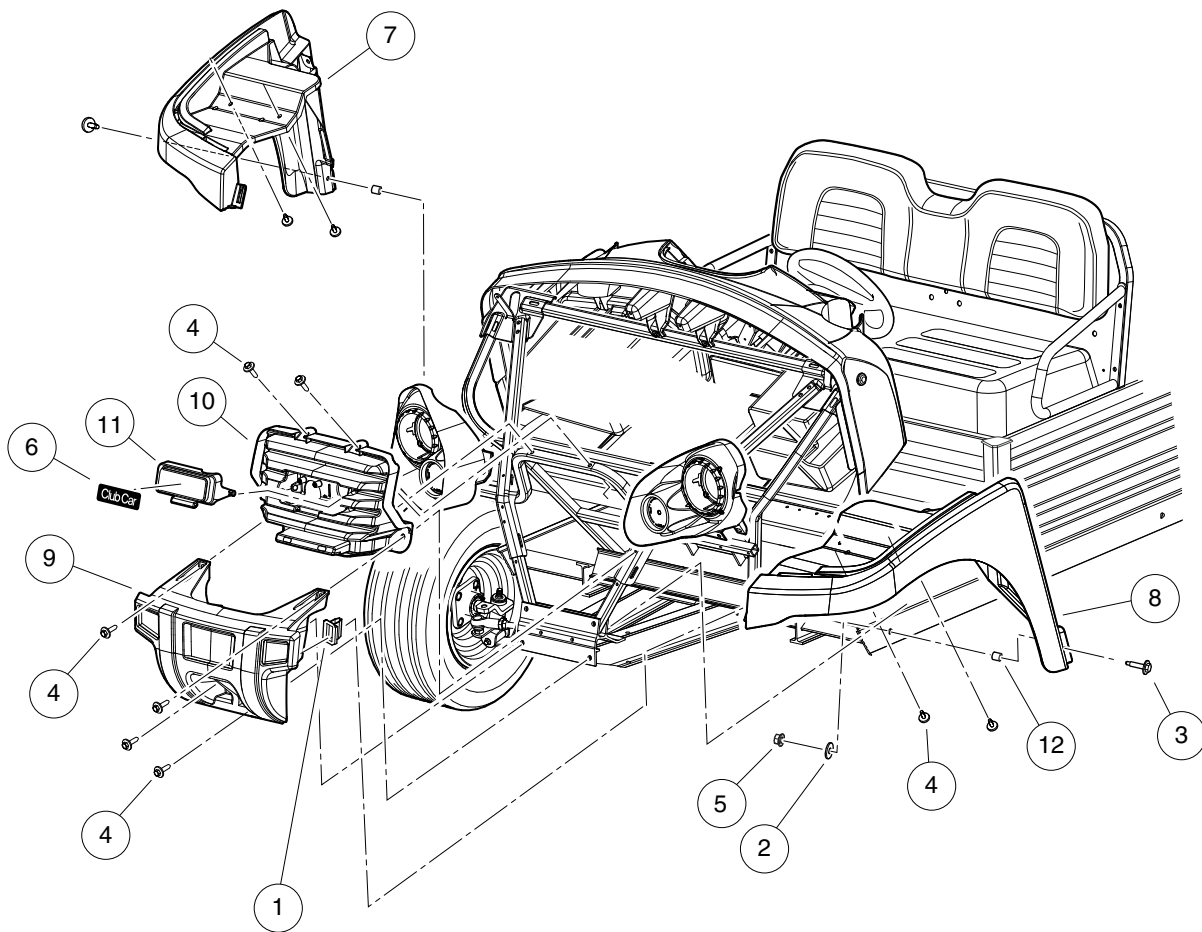
ITEM	PART NO.	DESCRIPTION	QTY
		<b>1 2 3 4</b>	
1	105117701	Paint, Touch-up, White .....	1
2	105117702	Paint, Touch-up, Classic Blue .....	1
3	105117703	Paint, Touch-up, Dark Green .....	1
4	105117704	Paint, Touch-up, Red .....	1
5	105117705	Paint, Touch-up, Dark Gray .....	1
6	105117706	Paint, Touch-up, Black .....	1
7	105117707	Paint, Touch-up, Tan .....	1
8	105117708	Paint, Touch-up, Bright Blue .....	1
9	105117709	Paint, Touch-up, Titn Silver .....	1
10	105117710	Paint, Touch-up, Light Gray .....	1

**1**

**E**

1

E



001300-004



# FRONT BUMPER, GRILLE, AND FENDERS

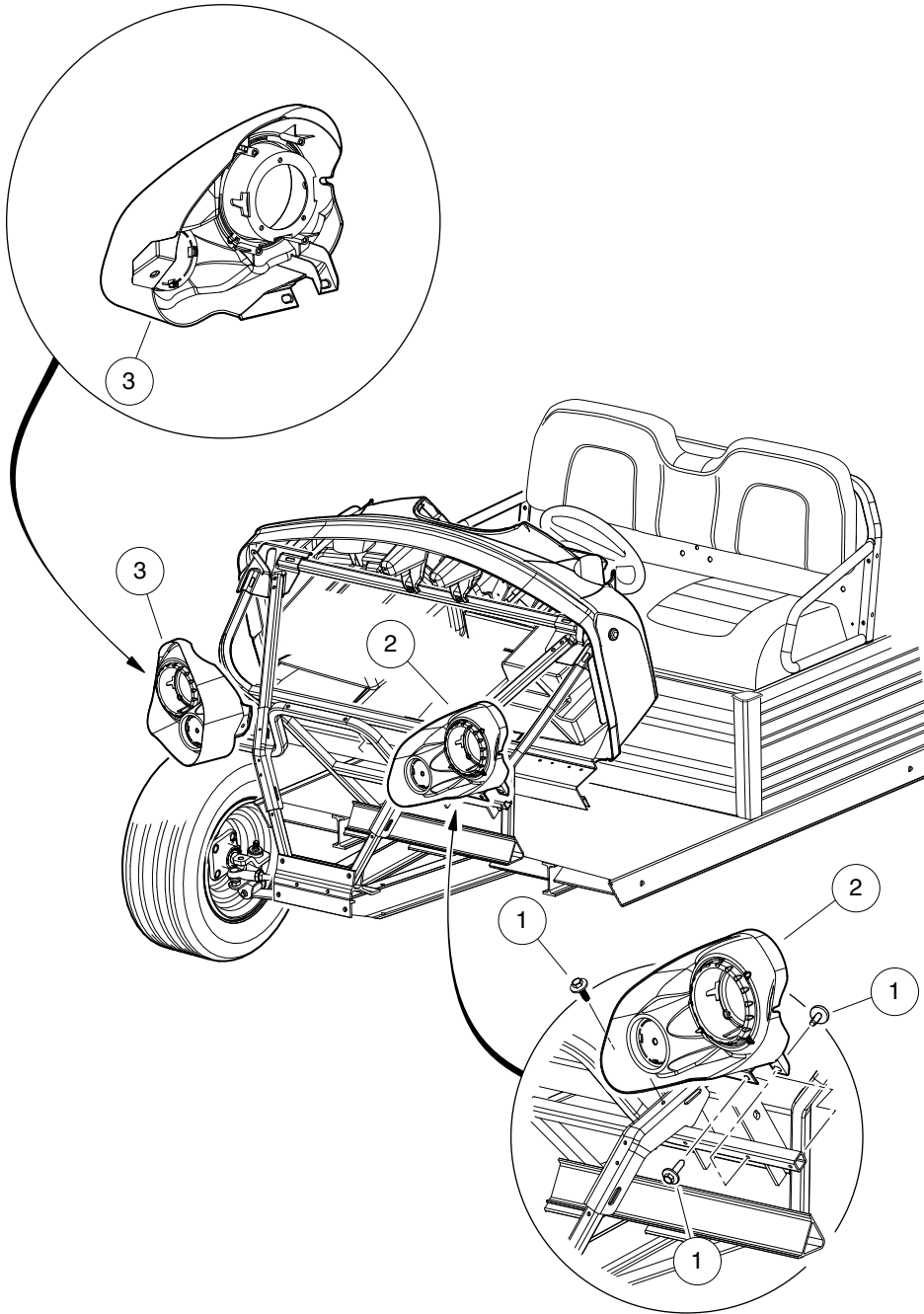
ITEM	PART NO.	DESCRIPTION	QTY
		<b>1 2 3 4</b>	
1	102292701	Clip-body-trim .....	2
2	102296301	Washer, M6x18x1.6 Flat .....	2
3	102296530	Screw - M6 X 1.0 X 30 Sems .....	6
4	102297125	Screw, M6-1.0x25.4, Thread-Forming, SEMS .....	8
5	102541501	Nut-m6x1.0 Fl Mtl Lock,blk .....	2
6	102883601	Decal, Nameplate, CCI, Front .....	1
7	105034401	Fender, Front, Rh, Ca .....	1
8	105034501	Fender, Front, Lh, Ca .....	1
9	105034601	Bumper, Front, Plastic, Ca .....	1
10	105034701	Grille, Ca .....	1
11	105034801	Door, Charger Port, Ca .....	1
12	105036701	Spacer, Frt Fender, Ca .....	2

**1**

**E**

1

E



001300-005

# HEADLIGHT BEZELS

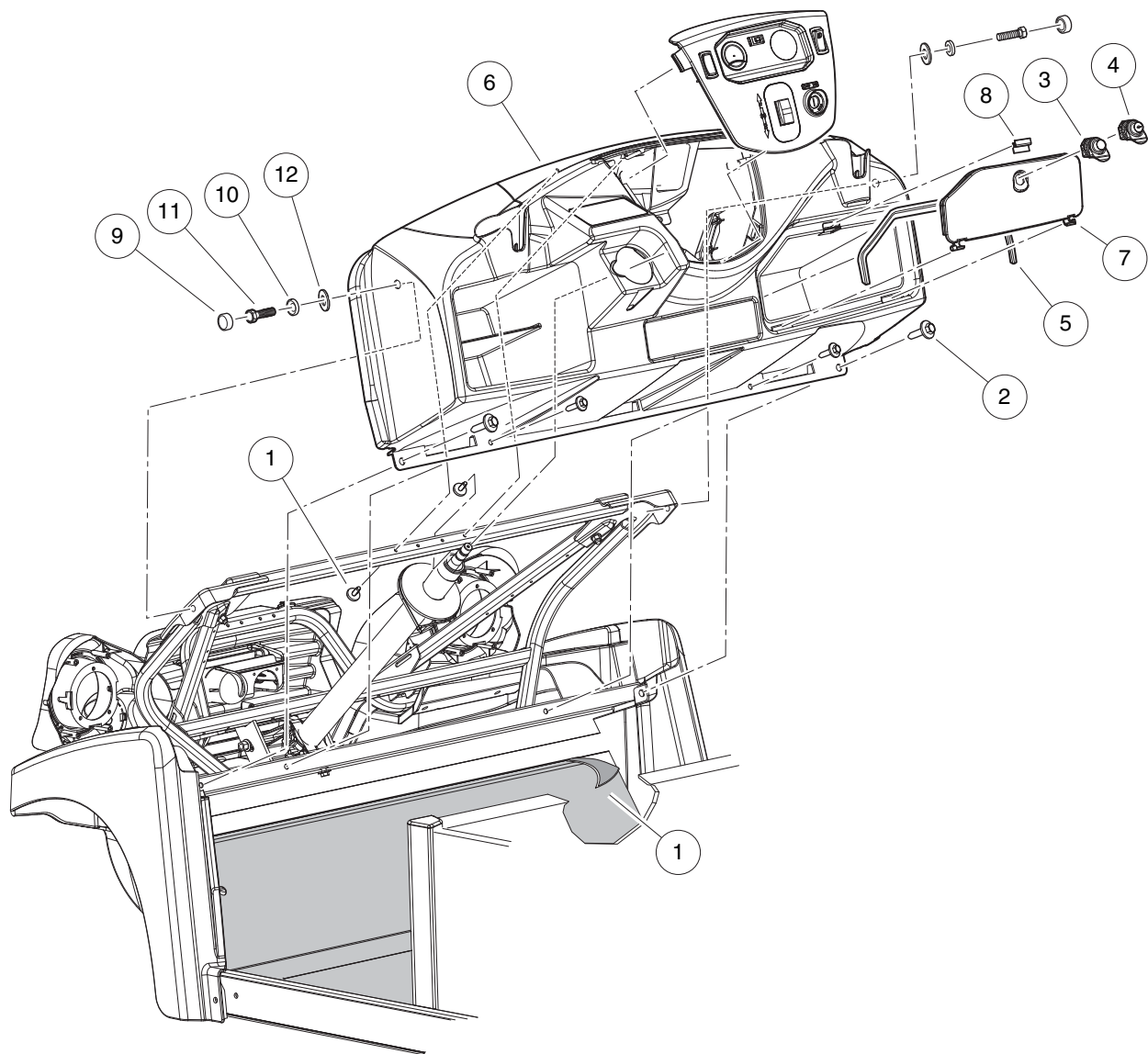
ITEM	PART NO.	DESCRIPTION	QTY
		1 2 3 4	
1	102297125	Screw, M6-1.0x25.4, Thread-Forming, SEMS .....	6
2	105034901	Bezel, Hl, Lh, Ca .....	1
3	105035001	Bezel, Hl, Rh, Ca .....	1

**1**

**E**

1

E



001300-006

# DASH, GLOVEBOX DOOR, AND FLOORMAT

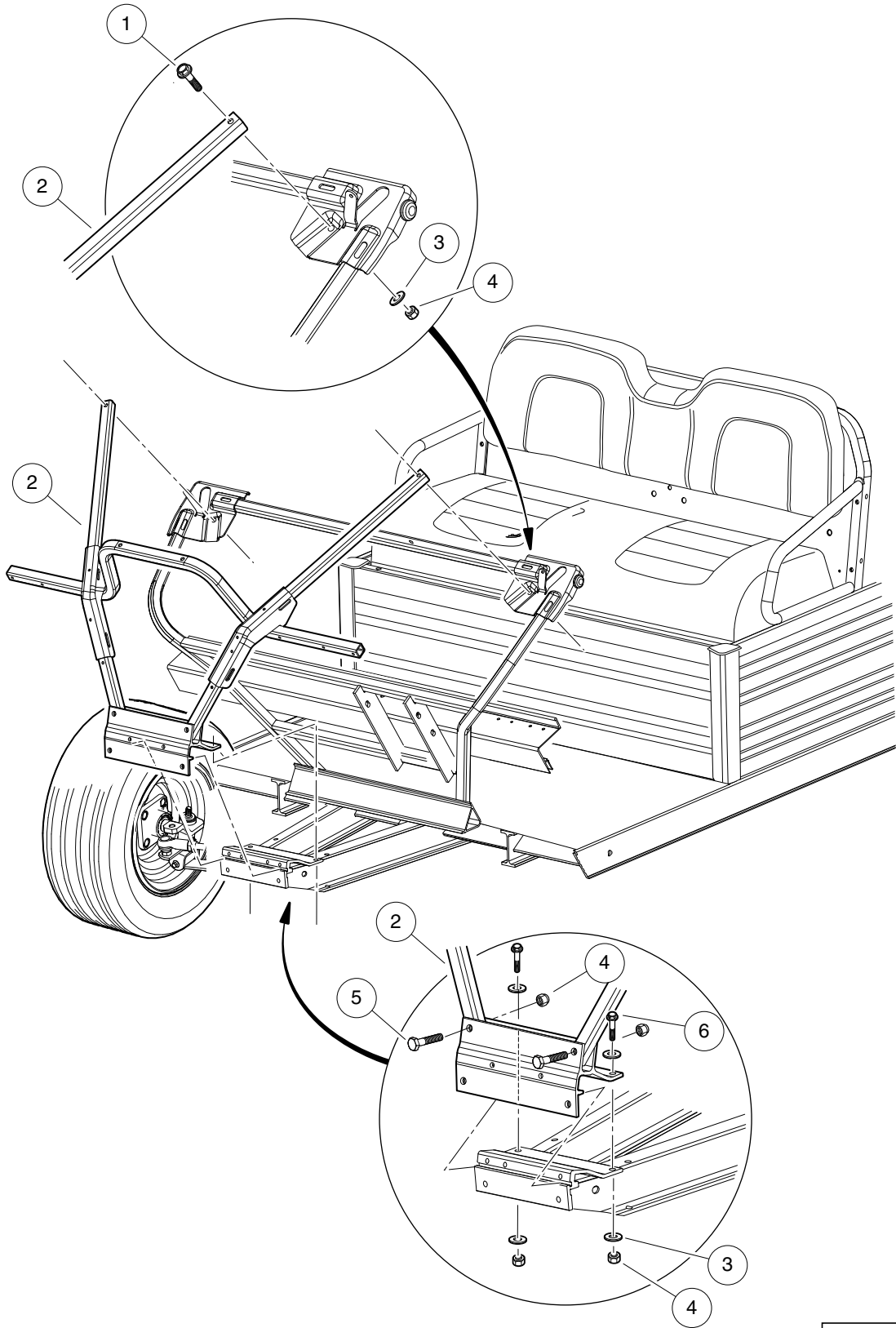
ITEM	PART NO.	DESCRIPTION	QTY
		<b>1 2 3 4</b>	
1	101503202	Floormat .....	1
2	102297125	Screw, M6-1.0x25.4, Thread-Forming, SEMS .....	6
3	103182701	Latch, Push Close .....	1
4	103182702	Latch, Push Close W/ Key .....	1
5	103540203	Seal, Bulb, 13 X 27 X 579 Mm .....	1
6	105034001	Dash, Ca .....	1
7	105034201	Door, Glove Box, Ca .....	1
8	105035701	Keeper, Latch, Ca .....	1
9	105049201	Cover, Bolt, Rh Series .....	2
10	105049301	Cover, Washer, Rhw Series .....	2
11	320	Screw, 3/8-16 X 1.00 Hex-Head Cap .....	2
12	334	Washer, 3/8, Type A, Flat .....	2

**1**

**E**

1

E



001107-001

# FRONT FRAME, STANDARD

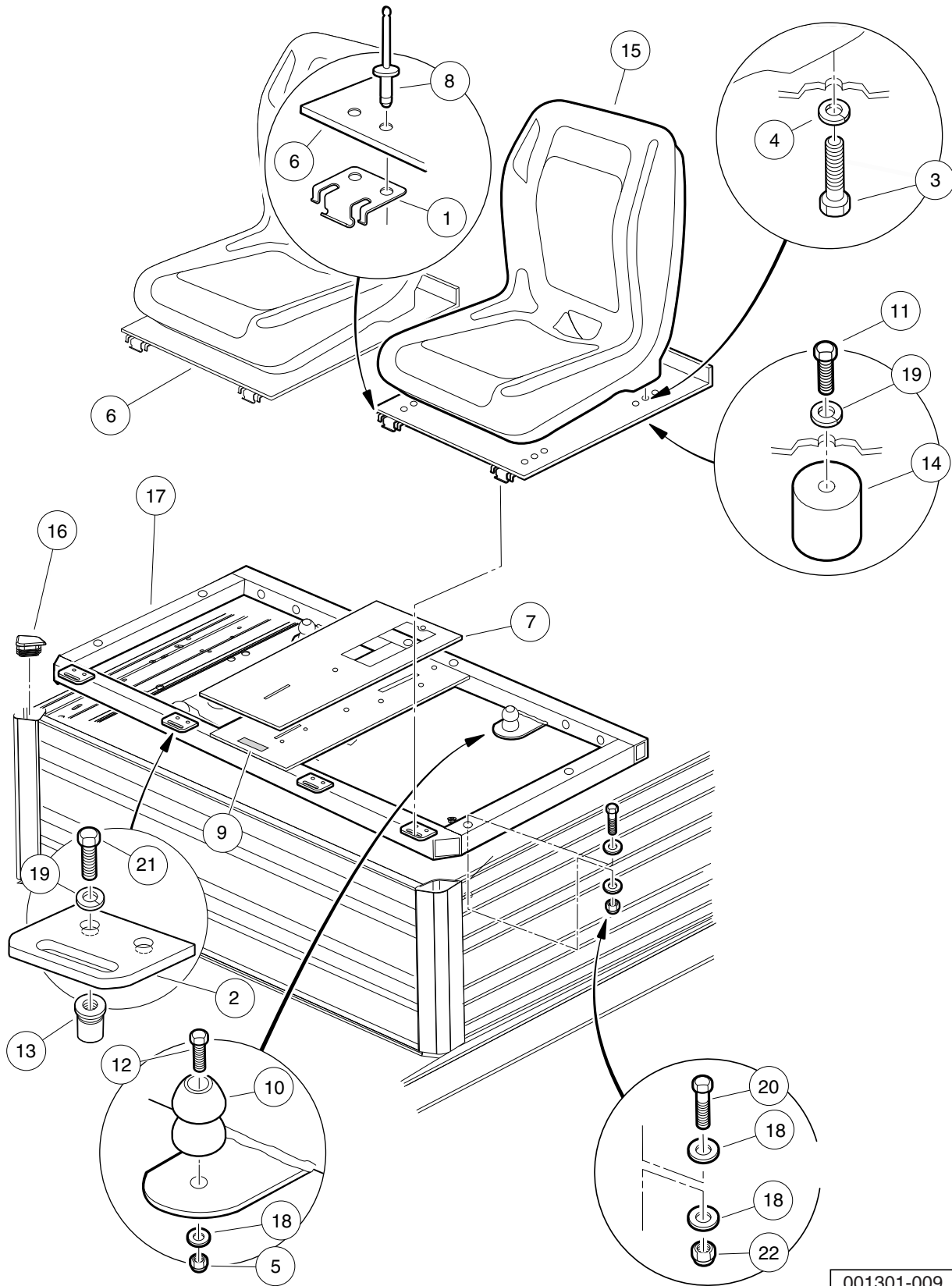
ITEM	PART NO.	DESCRIPTION	QTY
		<b>1 2 3 4</b>	
1	1011937	Bolt, 5/16-18 X 1.25 Hex Head .....	2
2	105007001	Weldment, Front, Util, Std .....	1
3	1241	Washer, 5/16 Type A Flat .....	6
4	7473	Locknut, 5/16-18 Nylon Insert .....	6
5	8935	Screw, 5/16-18 X 2.25 Hex-Head Cap .....	2
6	8963	Screw, 5/16-18 X 1.75 Hex-Head Cap .....	2

**1**

**E**

1

E



001301-009



# BUCKET SEATS AND FRAME

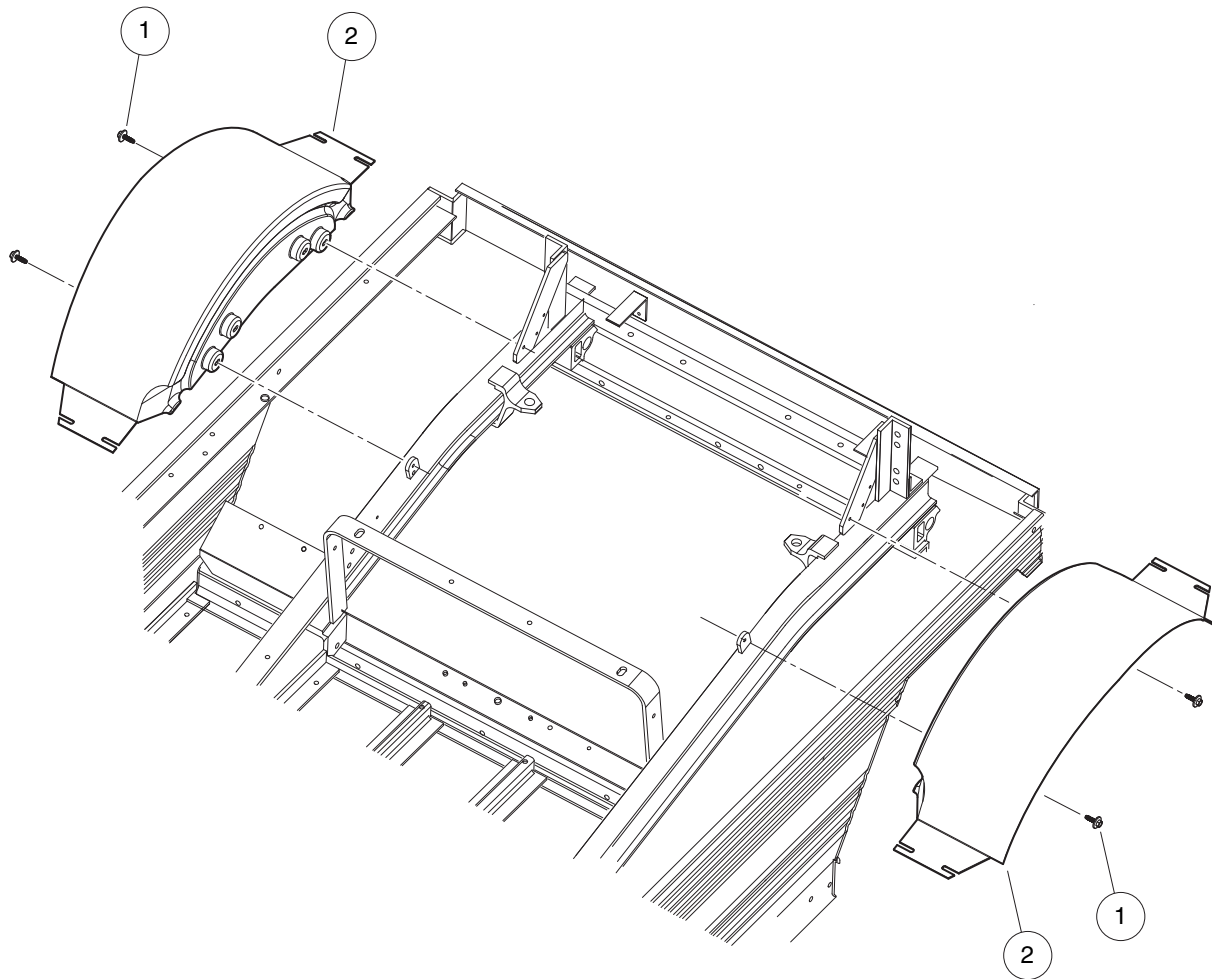
ITEM	PART NO.	DESCRIPTION	QTY
		<b>1 2 3 4</b>	
1	1011652	Hinge Plate .....	4
2	1012412	Body, Hinge Plate .....	4
3	1012830	Screw, M8-125 X 22 Hex-Head .....	8
4	1013734	Lockwasher, 8mm Split .....	8
5	101887601	Locknut, M6-1.00 Nylon Insert .....	2
6	102023701	Pan, Seat .....	2
7	102026401	Console Cover .....	1
8	102047001	Rivet, 1/4 X .438 Blind .....	8
9	102056201	3M VHB Tape 4936 .....	1
10	102059001	Seat Holder Base .....	2
11	102059401	Screw, 6m-1.00 X 10mm Hex Head .....	2
12	102059501	Screw, 6M-1.00 X 35mm, Hex Head .....	2
13	102060201	1/4 - 20 Threaded Insert .....	10
14	102061101	Seat Holder Cup .....	2
15	103267001	Seat, Bucket, Gray .....	2
16	105006501	Cap, Corner, Frame .....	2
17	105095701	Asm, Bucket Seats, Support .....	1
18	332	Washer, 1/4 Type A Narrow Flat .....	10
19	451	Lockwasher, 1/4 Split .....	10
20	7311	Screw, 1/4-20 X 2.00 Hex-Head Cap .....	4
21	7847	Screw, 1/4-20 X 0.75 Hex-Head Cap .....	8
22	8233	Locknut, 1/4-20, Nylon Insert .....	4

**1**

**E**

**1**

**E**



001123-001

# INNER REAR FENDERS

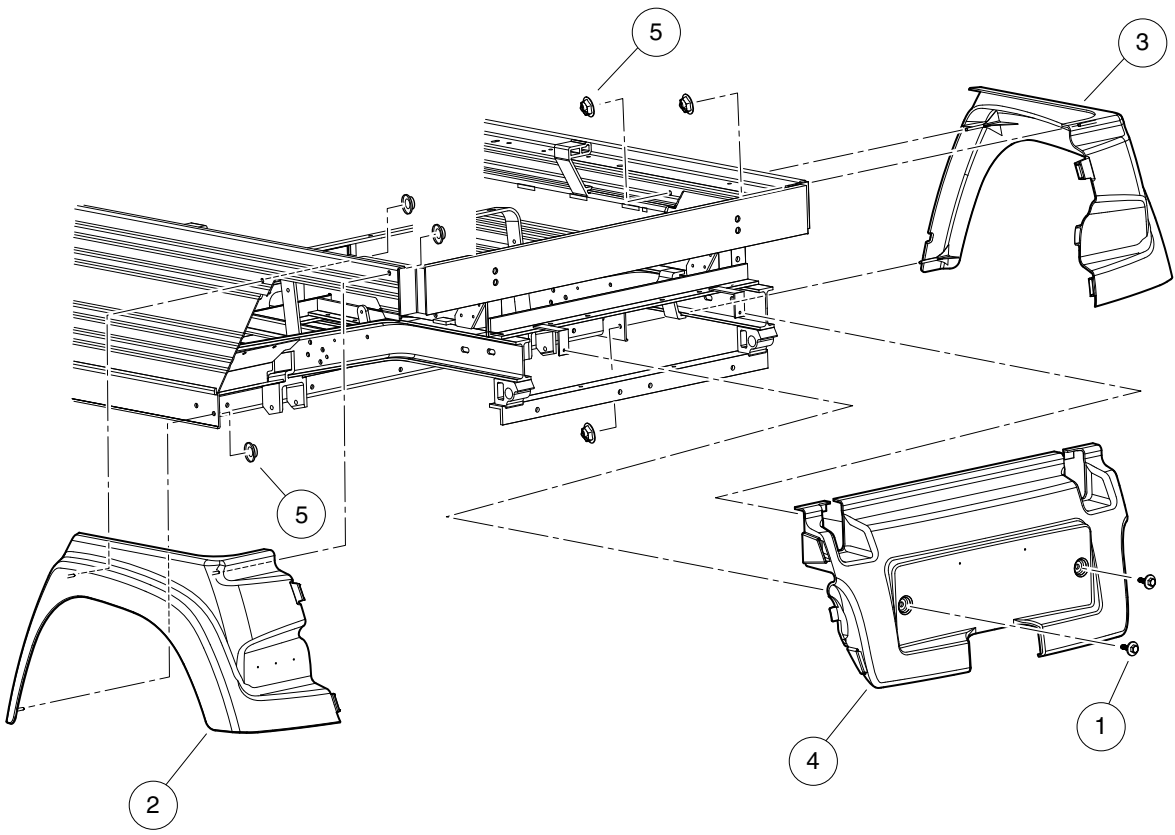
ITEM	PART NO.	DESCRIPTION	QTY
1	102297125	1 2 3 4 Screw, M6-1.0x25.4, Thread-Forming, SEMS .....	4
2	105035801	Fender, Inner, Ca .....	2

**1**

**E**

1

E



001124-001

# REAR FENDERS AND TAIL SKIRT

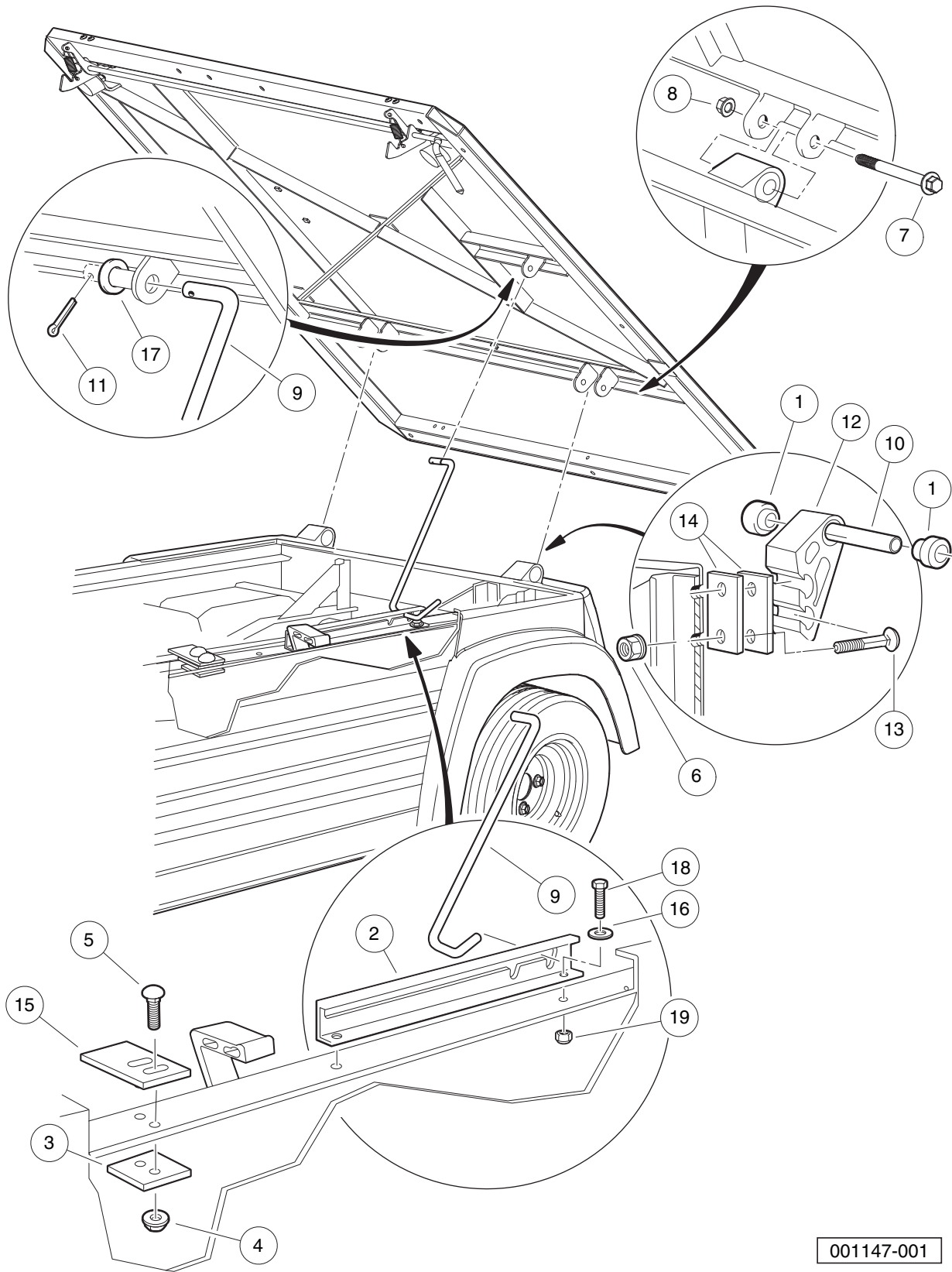
ITEM	PART NO.	DESCRIPTION	QTY
		<b>1 2 3 4</b>	
1	102297125	Screw, M6-1.0x25.4, Thread-Forming, SEMS .....	2
2	105035101	Fender, Rear, Lh, Ca .....	1
3	105035201	Fender, Rear, Rh, Ca .....	1
4	105035301	Tailskirt, Ca .....	1
5	105066401	Nut, Self Thread, 5x10x15 .....	6

**1**

**E**

1

E



001147-001

## BED HINGE, LATCH, AND PROP ROD – MEDIUM

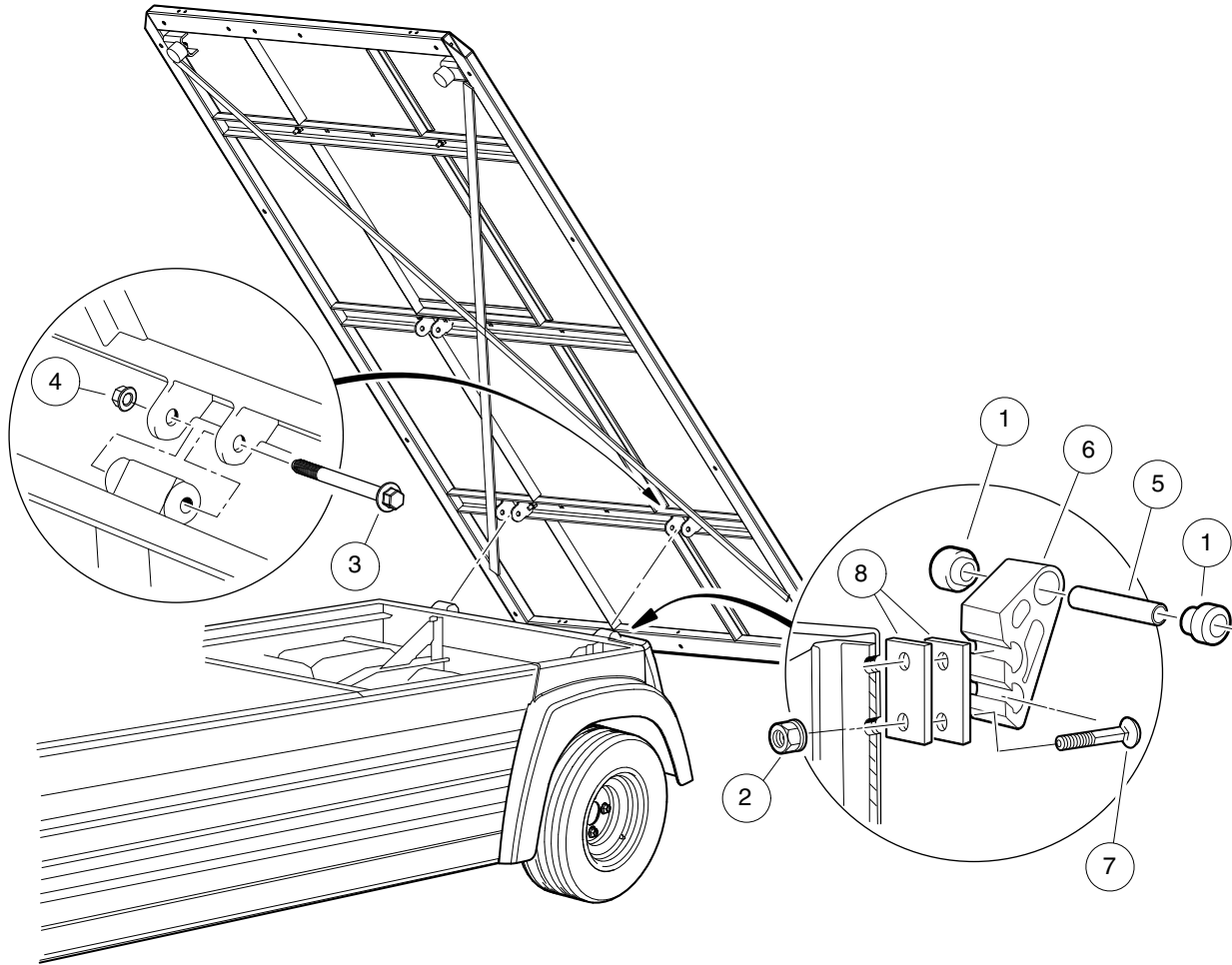
ITEM	PART NO.	DESCRIPTION	QTY
		1 2 3 4	
1	1015583	Bushing, Urethane .....	4
2	1015700	Track Prop Rod Ca li .....	1
3	1016060	Plate, Latch Support .....	2
4	101835601	Locknut, 1/4-20 Hex Whiz .....	4
5	101958602	Bolt, Carriage, 1/4-20 X 1.0 .....	4
6	102065901	Locknut, 3/8-16 Flanged Dimple .....	4
7	102298185	Bolt - Flange Hd, M8 X 85.0 .....	2
8	102298401	Nut,m8,all Metal Lock .....	2
9	102301401	Rod, Prop .....	1
10	102506401	Sleeve - Spring Eye Mounts .....	2
11	1035	Cotter Pin, 3/32 x 1 .....	1
12	103538701	Bracket, Bed Hinge, Extruded .....	2
13	103539001	3/8-16 X 1.25 Carr Blt Gr5 Zn .....	4
14	103575801	Shim, Bed Hinge, .125 Thick .....	4
15	105110801	Plate, Latch, Ca .....	2
16	332	Washer, 1/4 Type A Narrow Flat .....	2
17	334	Washer, 3/8, Type A, Flat .....	1
18	7479	Screw, 1/4-20 X 1.25 Hex-Head Cap .....	2
19	8233	Locknut, 1/4-20, Nylon Insert .....	2

**1**

**E**

1

E



001149-001



# TILT BED (LONG) HINGE – ELECTRIC VEHICLE

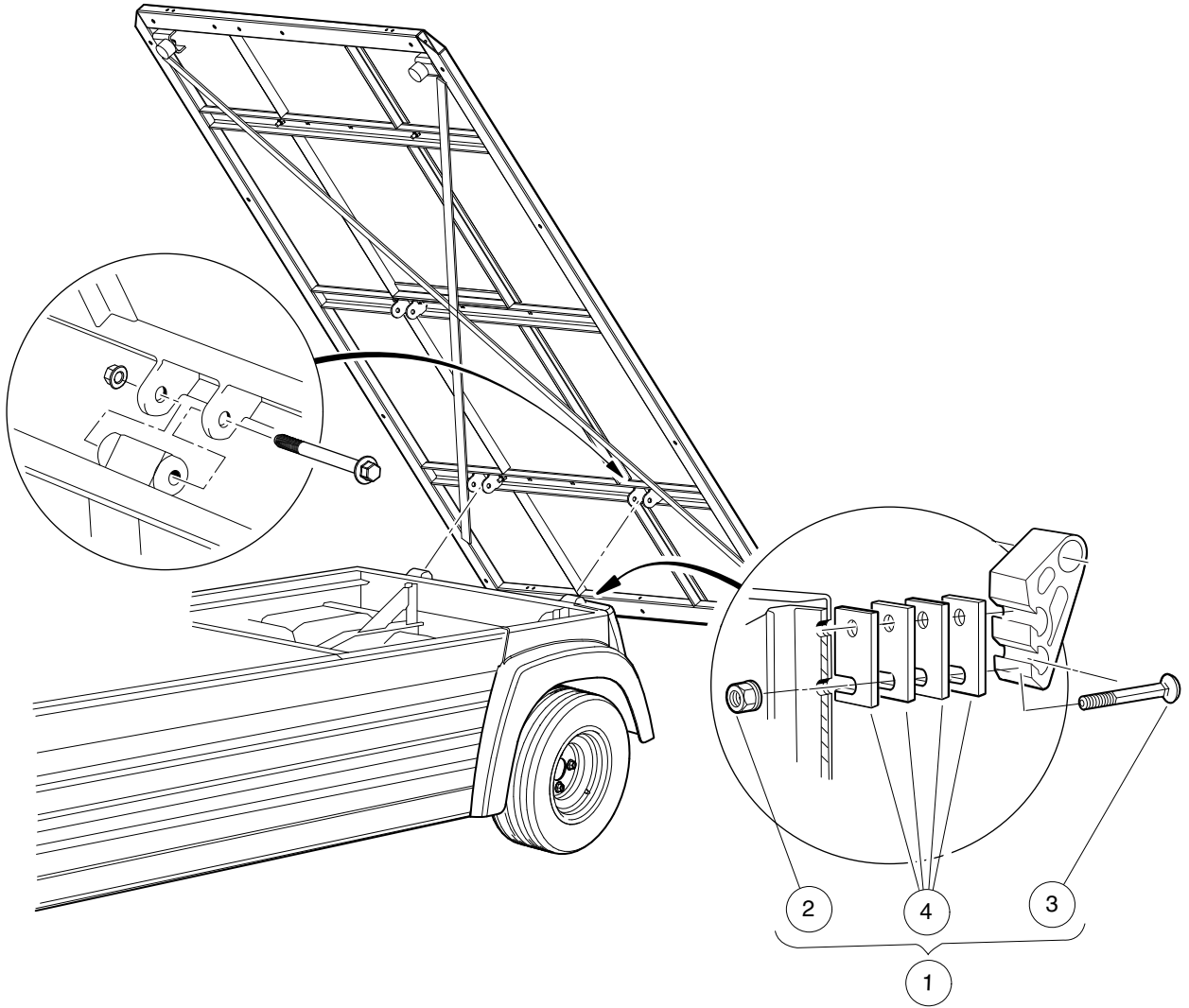
ITEM	PART NO.	DESCRIPTION	QTY
		<b>1 2 3 4</b>	
1	1015583	Bushing, Urethane .....	4
2	102065901	Locknut, 3/8-16 Flanged Dimple .....	4
3	102298185	Bolt - Flange Hd, M8 X 85.0 .....	2
4	102298401	Nut,m8,all Metal Lock .....	2
5	102506401	Sleeve - Spring Eye Mounts .....	2
6	103538701	Bracket, Bed Hinge, Extruded .....	2
7	103539002	3/8-16 X 1.75 Carr Blt Gr5 Zn .....	4
8	103575801	Shim, Bed Hinge, .125 Thick .....	4

**1**

**E**

1

E



001149-004

# LONG BED HINGE SPACER KIT – VEHICLE WITH CAB

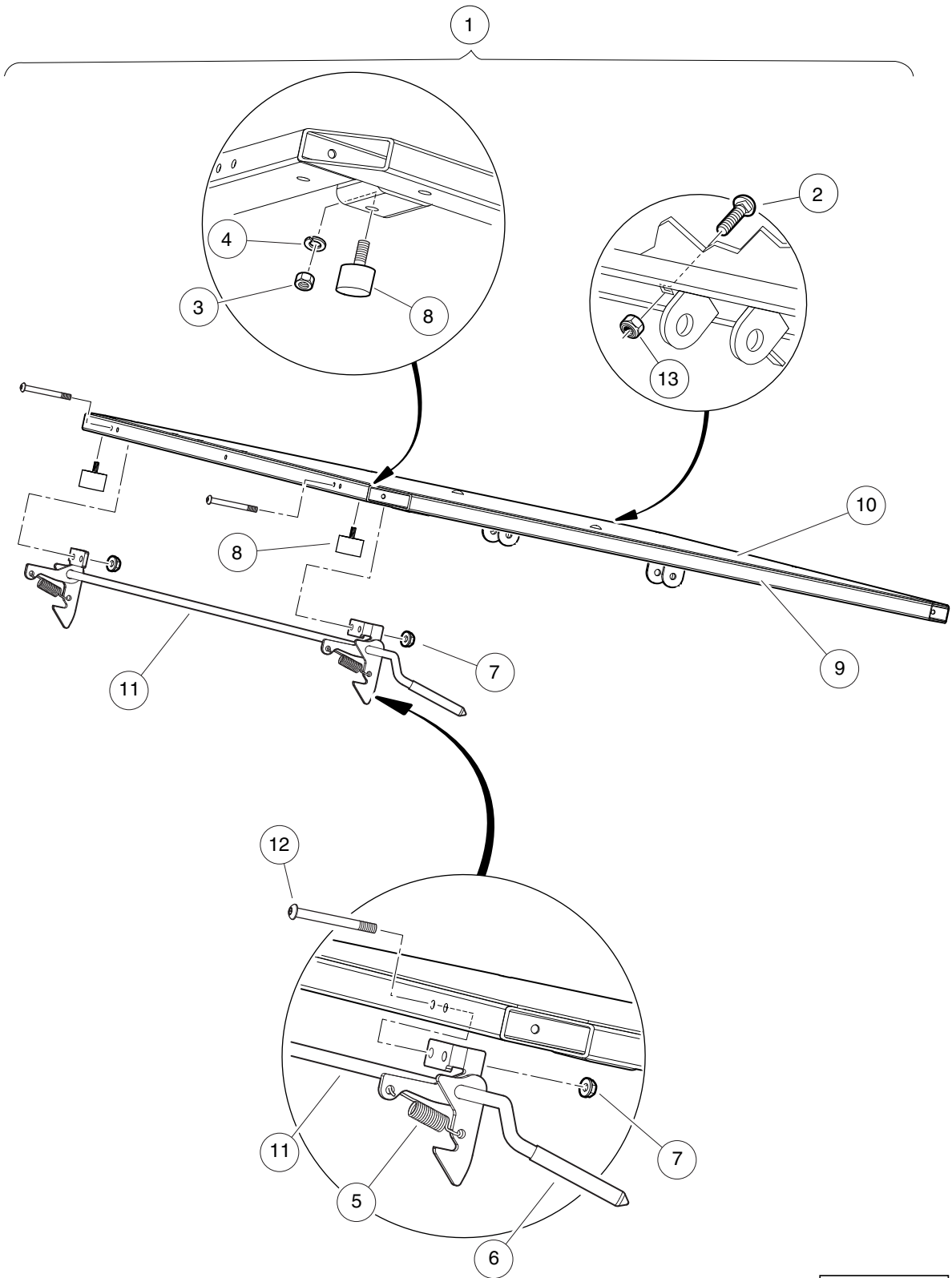
ITEM	PART NO.	DESCRIPTION	QTY
		1 2 3 4	
1	105298002	Kit, Extra Shims W/ Hardware (includes items 2 through 4) .....	1
2	102065901	Locknut, 3/8-16 Flanged Dimple .....	4
3	103539002	3/8-16 X 1.75 Carr Blt Gr5 Zn .....	4
4	103575801	Shim, Bed Hinge, .125 Thick .....	4

**1**

**E**

1

E



001148-001

# TILT BED AND BED LATCH – MEDIUM

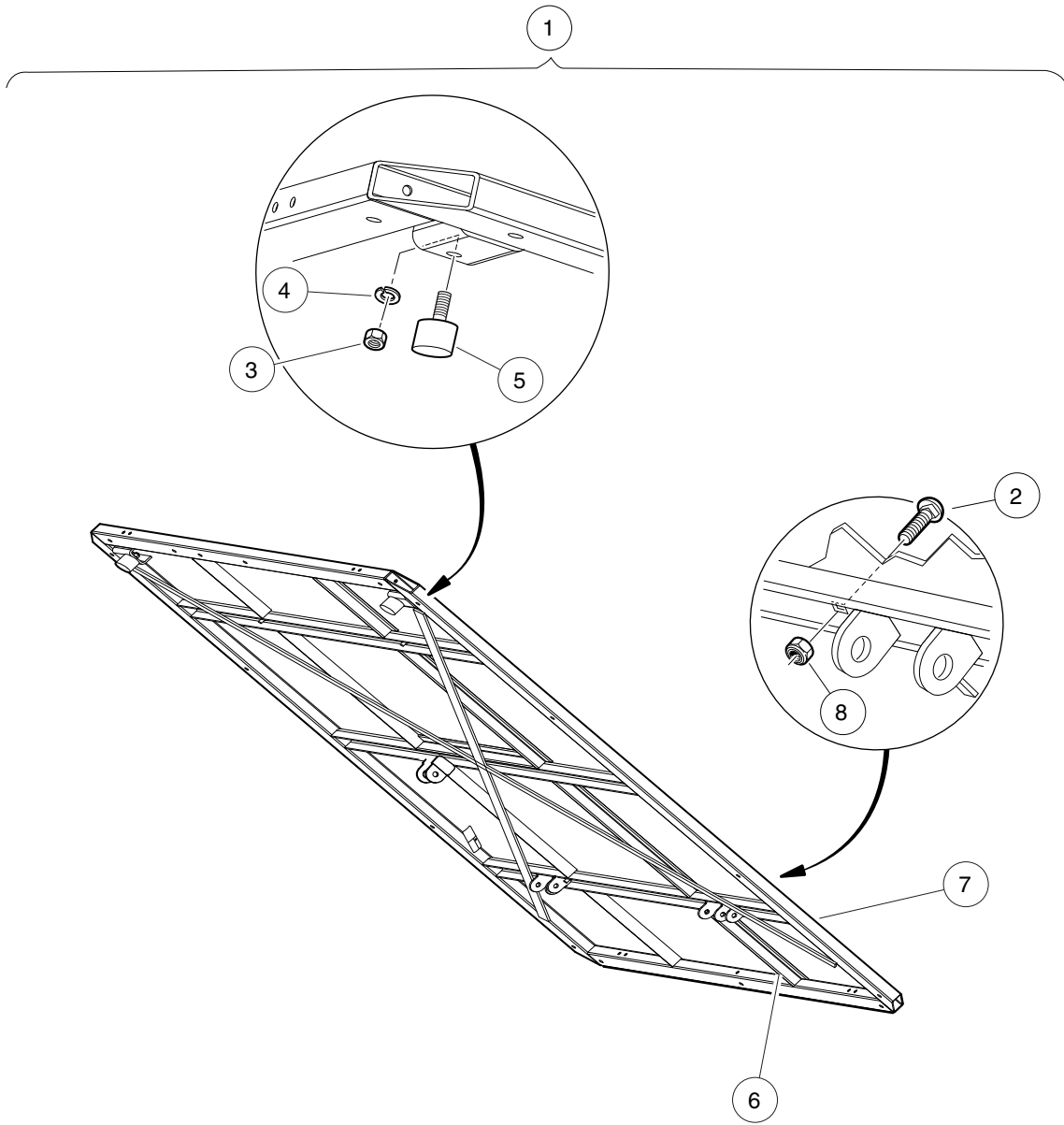
ITEM	PART NO.	DESCRIPTION	QTY
		<b>1 2 3 4</b>	
1	105197101	Kit, Bed Floor, Med (includes items 2 through 13) .....	1
2	101043502	Bolt, Carriage, 5/16-18x1 blk .....	4
3	1012528	Nut, M8-1.25 Hex .....	2
4	1013734	Lockwasher, 8mm Split .....	2
5	1015391	Extension, Spring Latch .....	2
6	1015400	Grip, Tilt Latch Hand .....	1
7	1015661	Nut, Lock Hx Flanged 1/4-20 .....	4
8	105036601	Bumper, Bedfloor, Ca .....	2
9	N/A	Frame, Weldmnt, Bed, Medium .....	1
10	N/A	Plate, Floor, Bed, Rhino, Med .....	1
11	105169101	Weldment, Bed Latch, CA .....	1
12	105194101	1/4-20 X 2.5, Bhcs, 6-lobe .....	1
13	7473	Locknut, 5/16-18 Nylon Insert .....	4

**1**

**E**

1

E



001151-001

# TILT BED – LONG

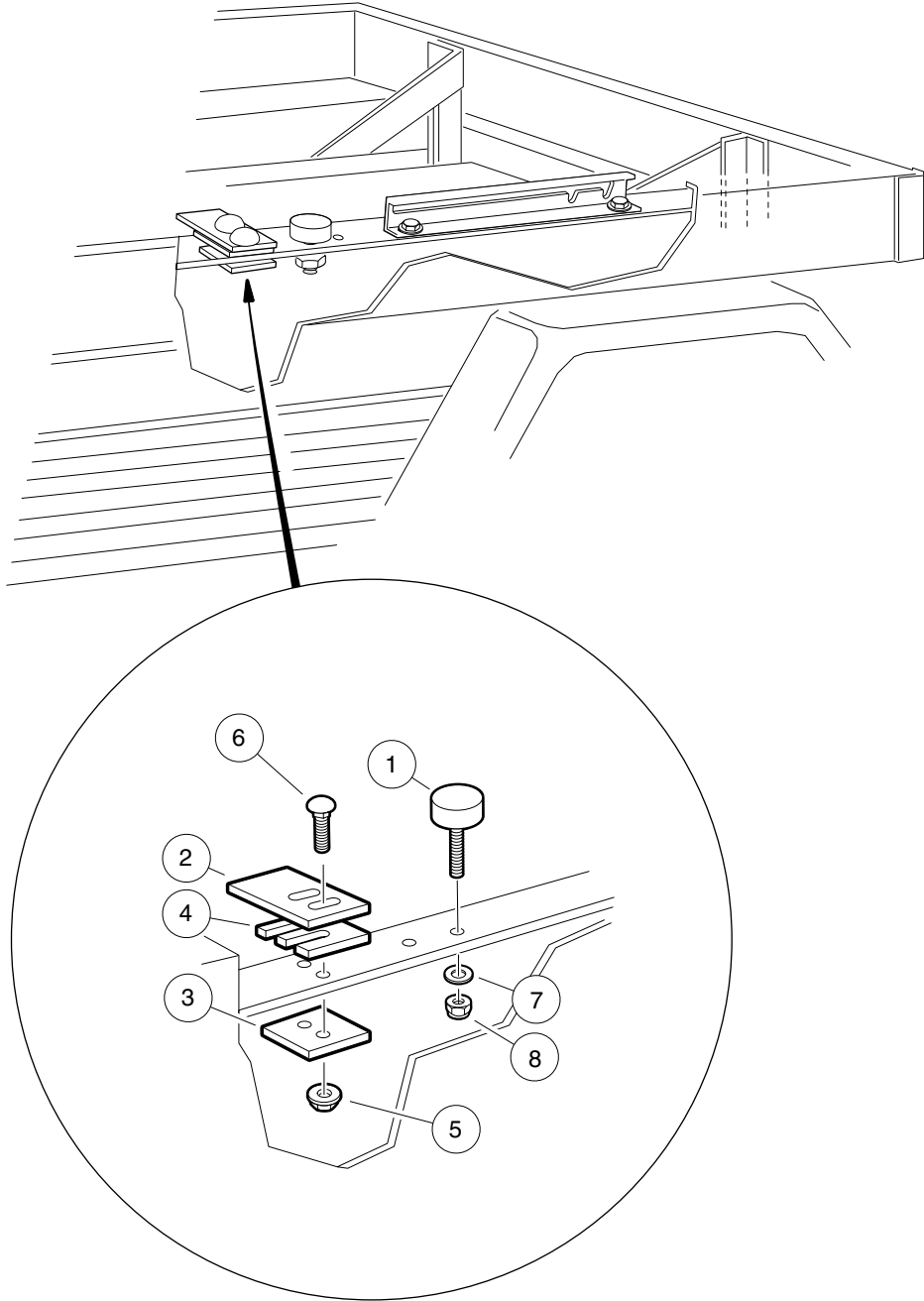
ITEM	PART NO.	DESCRIPTION	QTY
		<b>1 2 3 4</b>	
1	105197201	Kit, Bed Floor, Long (includes items 2 through 8) .....	1
2	101043502	Bolt, Carriage, 5/16-18x1 blk .....	4
3	1012528	Nut, M8-1.25 Hex .....	2
4	1013734	Lockwasher, 8mm Split .....	2
5	105036601	Bumper, Bedfloor, Ca .....	2
6	N/A	Frame, Weldmnt, Bed, Long .....	1
7	N/A	Plate, Flr, Bed Utl, Lng Rhino .....	1
8	7473	Locknut, 5/16-18 Nylon Insert .....	4

**1**

**E**

**1**

**E**



000258-002



# LATCH PLATE

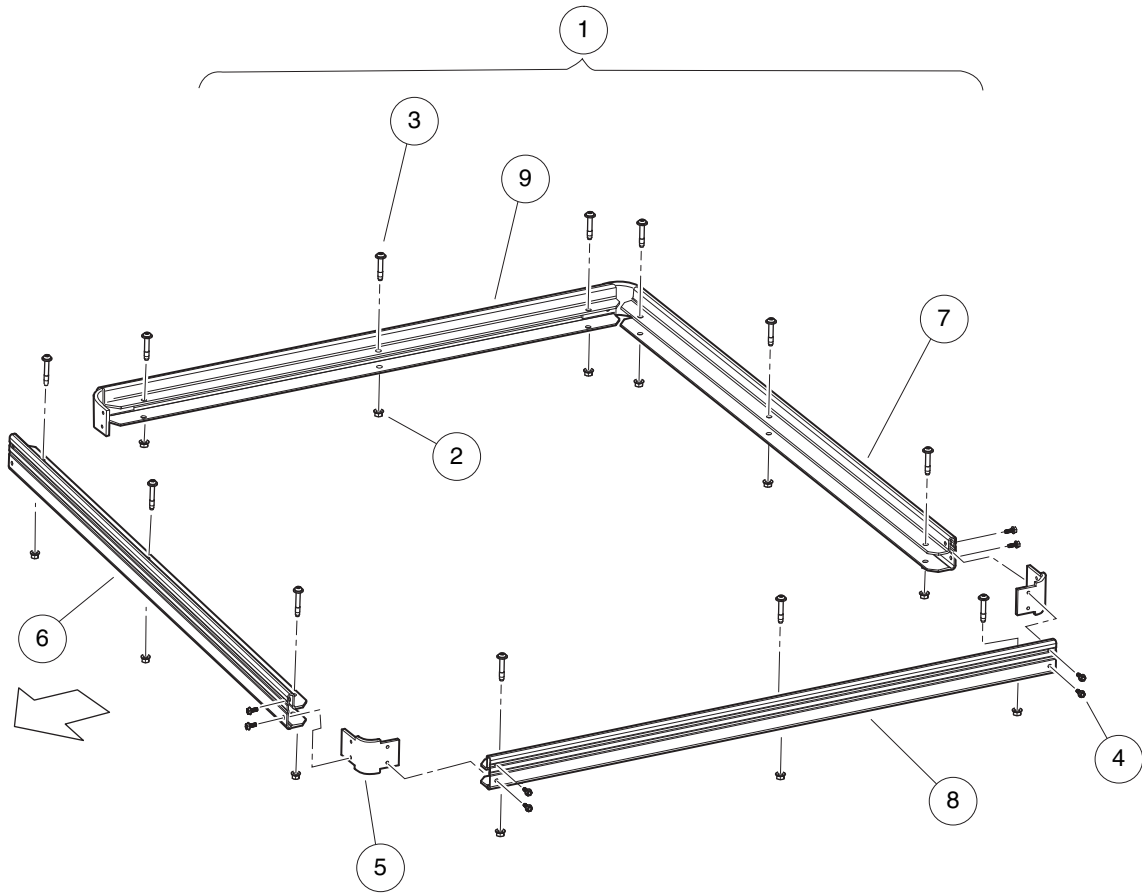
ITEM	PART NO.	DESCRIPTION	QTY
		<b>1 2 3 4</b>	
1	1010878	Bumper, Rubber .....	2
2	1015277	Latch Plate, Tilt Bed .....	2
3	1016060	Plate, Latch Support .....	2
4	1016078	Latch Plate Shim .....	1
5	101835601	Locknut, 1/4-20 Hex Whiz .....	4
6	101958601	Carriage Bolt, 1/4-20 X 0.75 .....	4
7	332	Washer, 1/4 Type A Narrow Flat .....	4
8	8233	Locknut, 1/4-20, Nylon Insert .....	4

**1**

**E**

1

E



001126-001

# FLAT BED TRIM – MEDIUM

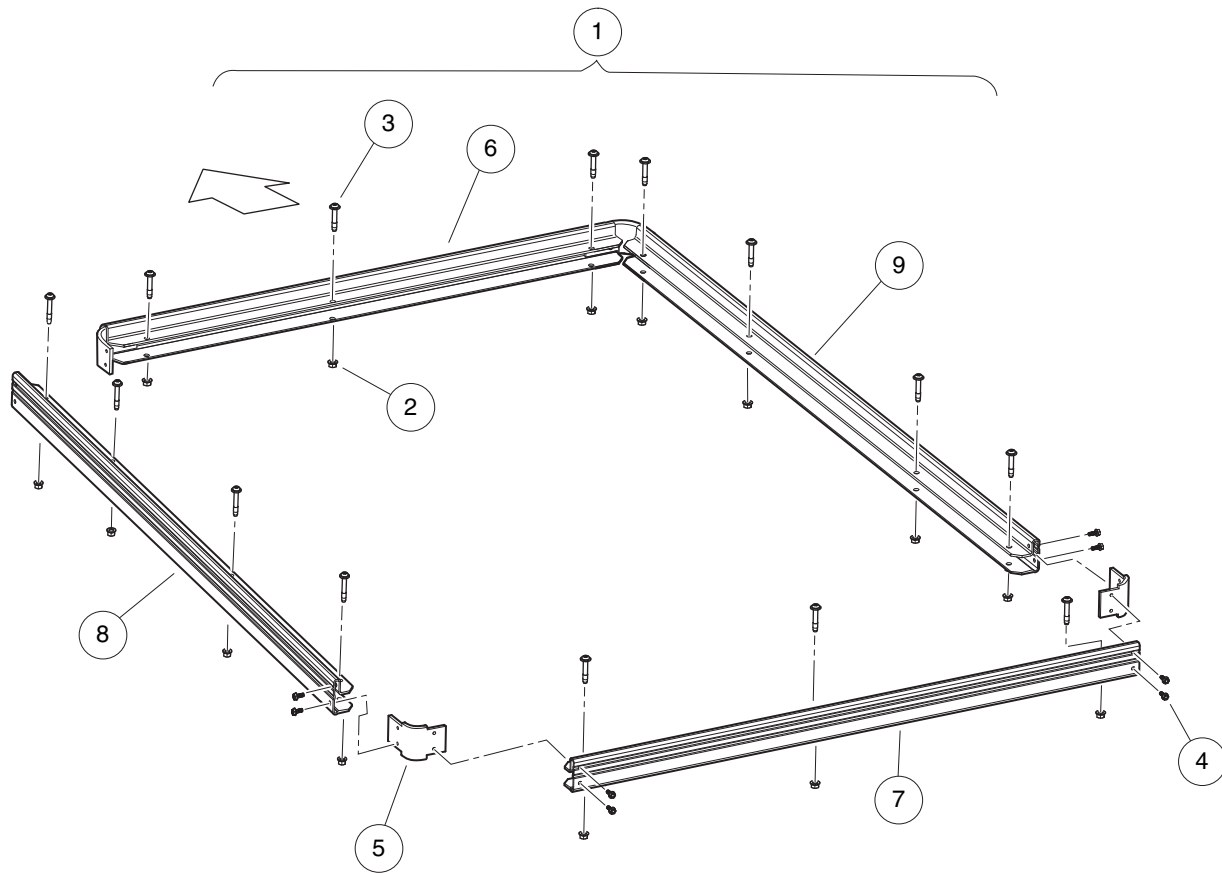
ITEM	PART NO.	DESCRIPTION	QTY
		<b>1 2 3 4</b>	
1	105122205	Kit, Flat Trim, Ca, Med (includes items 2 through 9) .....	1
2	102298401	Nut,m8,all Metal Lock .....	12
3	102299550	Screw,m8x50,sems,tx,bttn,plt .....	12
4	105185701	Pan Head Screw, M6 X 16 Tt .....	16
5	105185801	Bracket,Bed Corner,CA .....	4
6	105194801	Trim, Bed, Cntr, Front .....	1
7	105194802	Trim, Bed, Cntr, Rear .....	1
8	105194901	Trim, Bed, Medium, Lh .....	1
9	105194902	Trim, Bed, Medium, Rh .....	1

**1**

**E**

1

E



001127-001

# FLAT BED TRIM – LONG

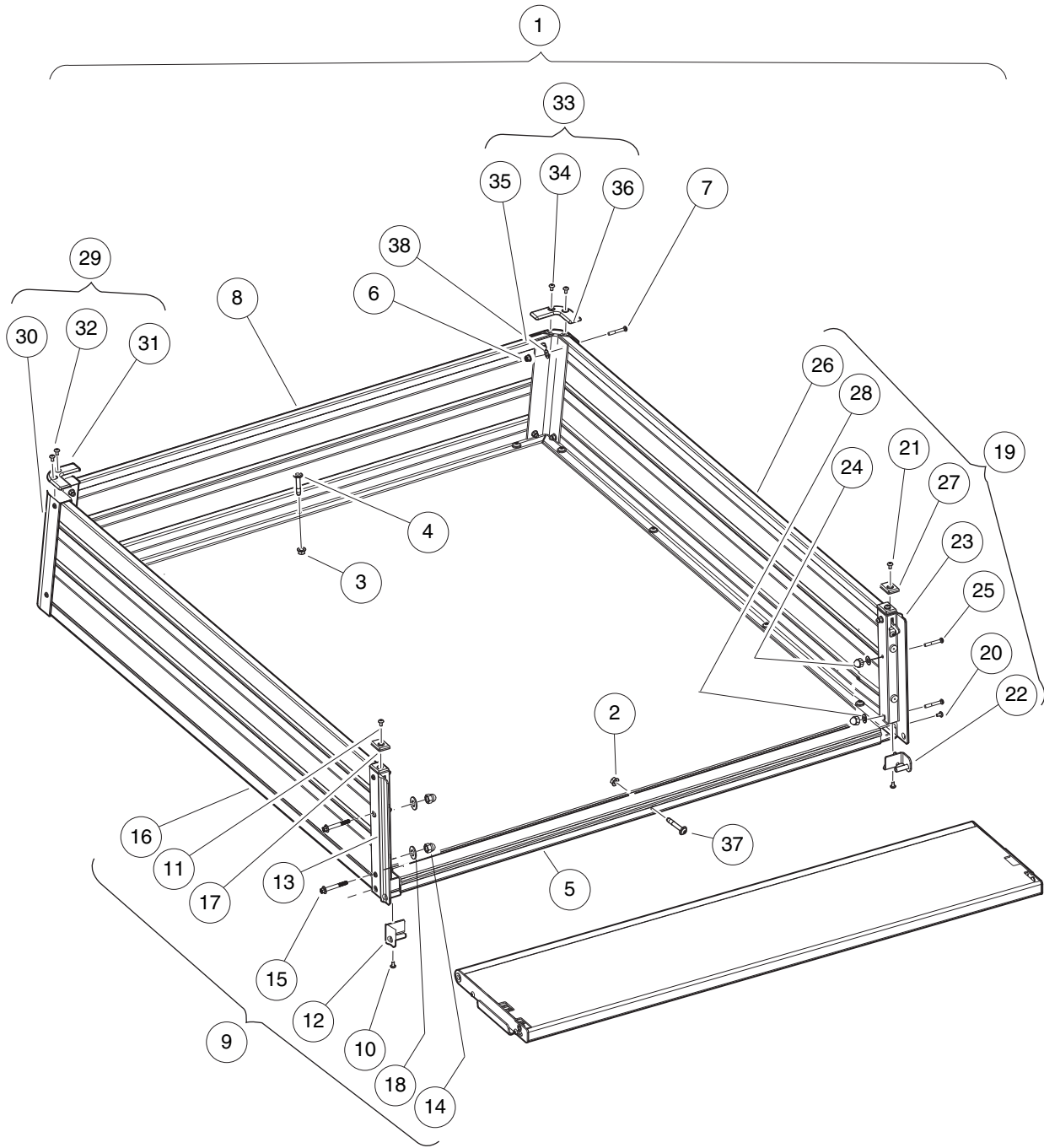
ITEM	PART NO.	DESCRIPTION	QTY
		<b>1 2 3 4</b>	
1	105122206	Kit, Flat Trim, Ca, Long (includes items 2 through 9) .....	1
2	102298401	Nut,m8,all Metal Lock .....	14
3	102299550	Screw,m8x50,sems,tx,bttn,plt .....	14
4	105185701	Pan Head Screw, M6 X 16 Tt .....	16
5	105185801	Bracket,Bed Corner,CA .....	4
6	105194801	Trim, Bed, Cntr, Front .....	1
7	105194802	Trim, Bed, Cntr, Rear .....	1
8	105195001	Trim, Bed, Lng, Lh .....	1
9	105195002	Trim, Bed, Lng, Rh .....	1

**1**

**E**

1

E



001136-002

## CARGO BOX KIT – MEDIUM (PAGE 1 OF 2)

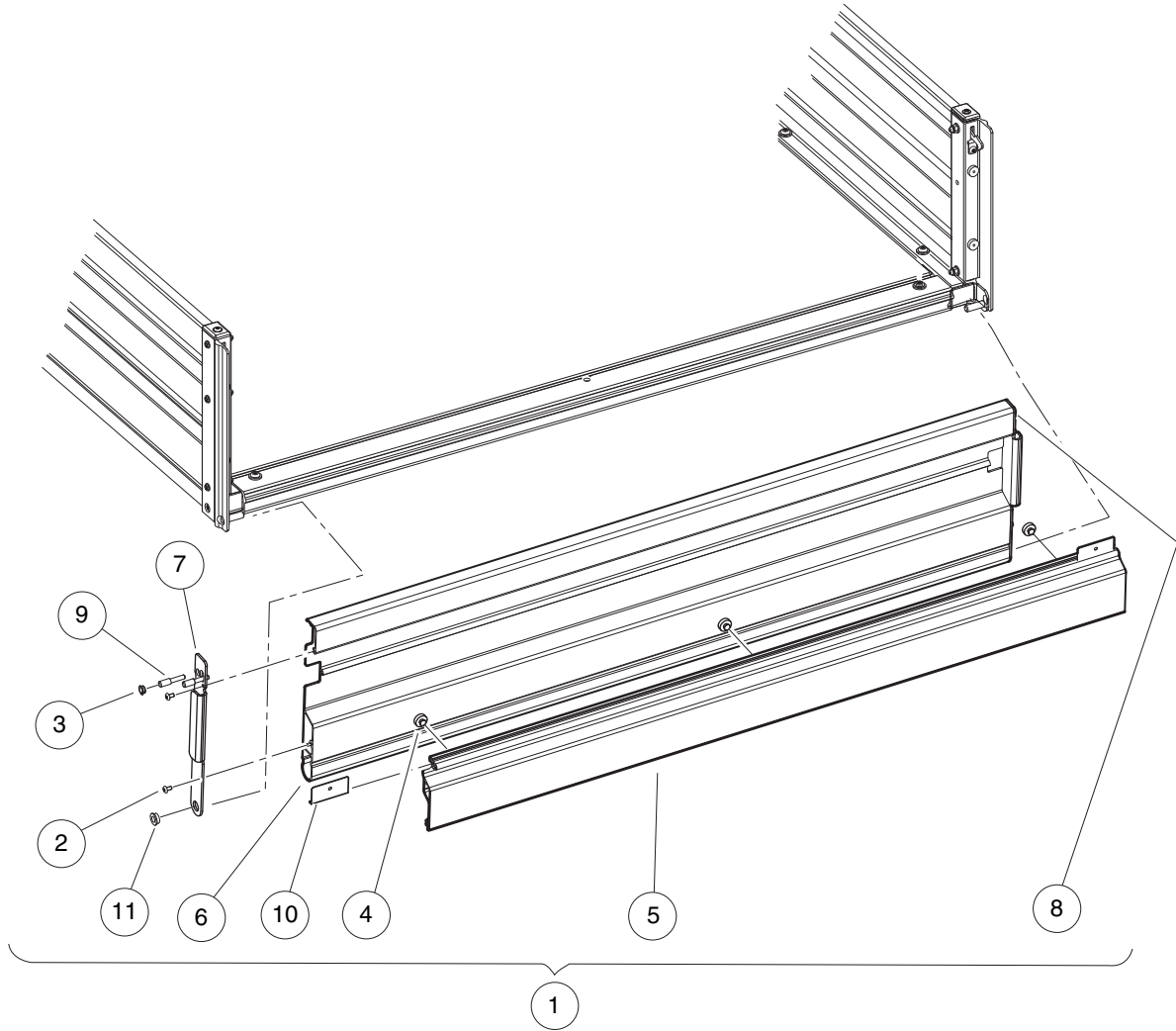
ITEM	PART NO.	DESCRIPTION	QTY
		1 2 3 4	
1	105122105	Kit, Cargo Box,Med (includes items 2 through 38) .....	1
2	1015661	Nut, Lock Hx Flanged 1/4-20 .....	3
3	102298401	Nut,m8,all Metal Lock .....	9
4	102299550	Screw,m8x50,sems,tx,bttt,plt .....	9
5	105192301	Extr, Bed, Cargo, Rear .....	1
6	105192901	Nut, Acorn, M6, Lock, Silver .....	8
7	105193001	Screw, 6 Lobe, M6 X 35 .....	8
8	105194601	Panel, Cargo Box, Frt .....	1
9	105200702	Asm,Cargo Box,Side Panel,DS,Medium (includes items 10 through 18) .....	1
10	1014321	Screw, #10 Truss-Head Torx .....	2
11	105127201	Weldment, Pivot, Tailgate, Lh .....	1
12	105127401	Asm, Latch, Tailgate, Lh .....	1
13	105192901	Nut, Acorn, M6, Lock, Silver .....	2
14	105193001	Screw, 6 Lobe, M6 X 35 .....	2
15	105194402	Panel, Cargo Box, Lh, Med .....	1
16	105196201	Cap, Corner, Rear, Cargo Bed .....	1
17	105205201	Screw, 10-24 X .36, St Torx .....	1
18	96705199	Washer, M6 .....	2
19	105200802	Asm,Cargo Box,Side Panel,PS,Medium (includes items 20 through 28) .....	1
20	1014321	Screw, #10 Truss-Head Torx .....	2
21	102554512	Screw M5-08x12 Torx Pn Trs .....	1
22	105127202	Weldment, Pivot, Tailgate, Rh .....	1
23	105127402	Asm, Latch, Tailgate, Rh .....	1
24	105192901	Nut, Acorn, M6, Lock, Silver .....	2
25	105193001	Screw, 6 Lobe, M6 X 35 .....	2
26	N/A	Panel, Cargo Box, Rh Med .....	1
27	105196201	Cap, Corner, Rear, Cargo Bed .....	1
28	96705199	Washer, M6 .....	2
29	105200901	Asm, Cargo Box,Corner,DS (includes items 30 through 32) .....	1
30	N/A	Extr, Bed Corner, Lh .....	1
31	105196101	Cap, Corner, Frt, Cargo Bed .....	1
32	105205201	Screw, 10-24 X .36, St Torx .....	2
33	105201001	Asm,Cargo Box,Corner,PS (includes items 34 through 36) .....	1
34	N/A	Extr, Bed Corner, Rh .....	1
35	105196101	Cap, Corner, Frt, Cargo Bed .....	1
36	105205201	Screw, 10-24 X .36, St Torx .....	2
37	324	Screw, 1/4-20 X 2.50 Hx Hd Cap .....	3
38	96705199	Washer, M6 .....	8

**1**

**E**

1

E



001152-001



## CARGO BOX KIT (PAGE 2 OF 2)

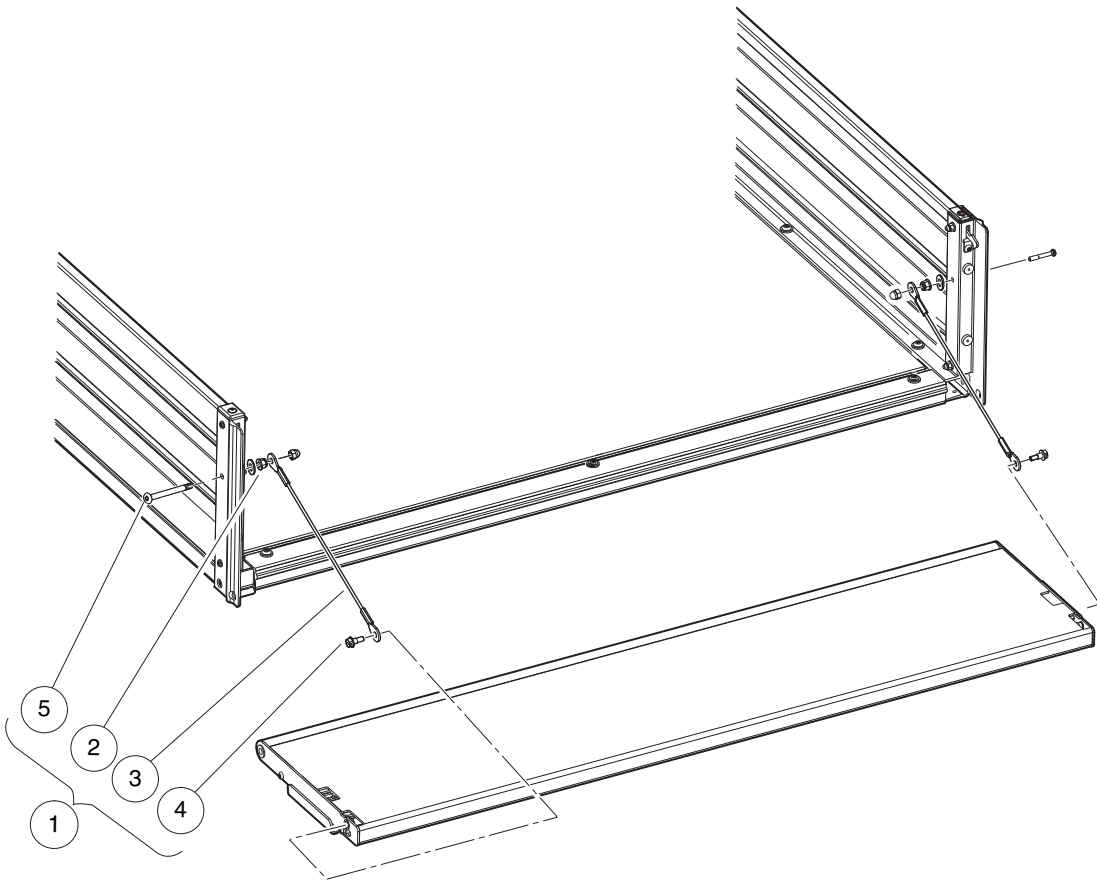
ITEM	PART NO.	DESCRIPTION	QTY
		1 2 3 4	
1	105128101	Asm, Tailgate, Wide Handle (includes items 2 through 11) .....	1
2	1014321	Screw, #10 Truss-Head Torx .....	4
3	1015363	Bushing, Snap-In .....	2
4	102590801	Bumper, Rubber .....	3
5	105128201	Handle, Tailgate, Wide .....	1
6	N/A	Panel, Tailgate, Wide .....	1
7	105130301	Bracket, End, Tailgate, Lh .....	1
8	105130302	Bracket, End, Tailgate, Rh .....	1
9	105130501	Pin, Latch, Tailgate .....	4
10	105130601	Spring, Handle, Tailgate .....	2
11	7049	Bushing, Nylon .....	2

**1**

**E**

1

E



001160-002

# TAILGATE TEATHER

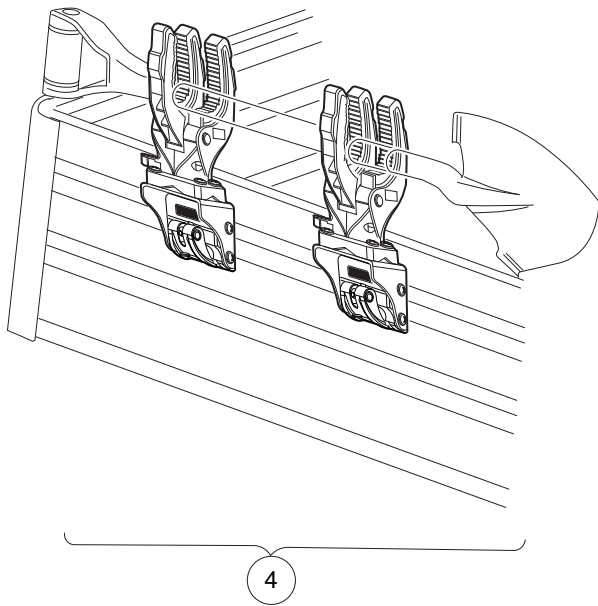
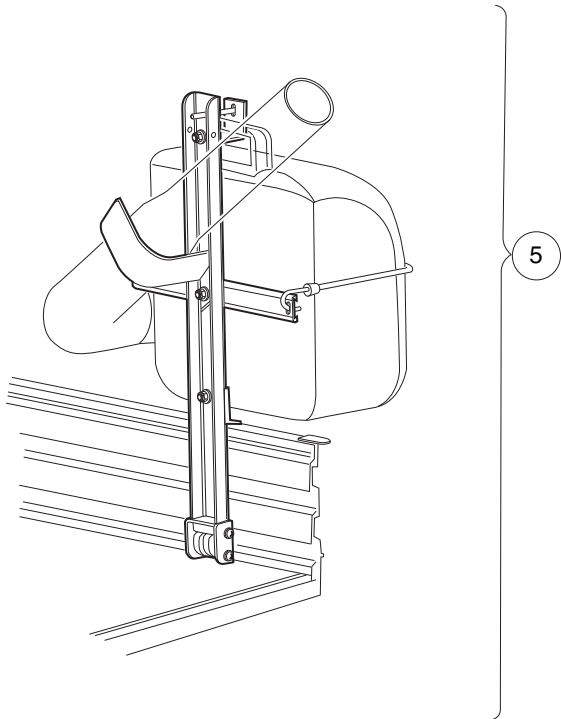
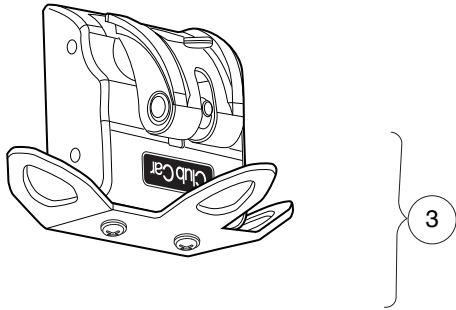
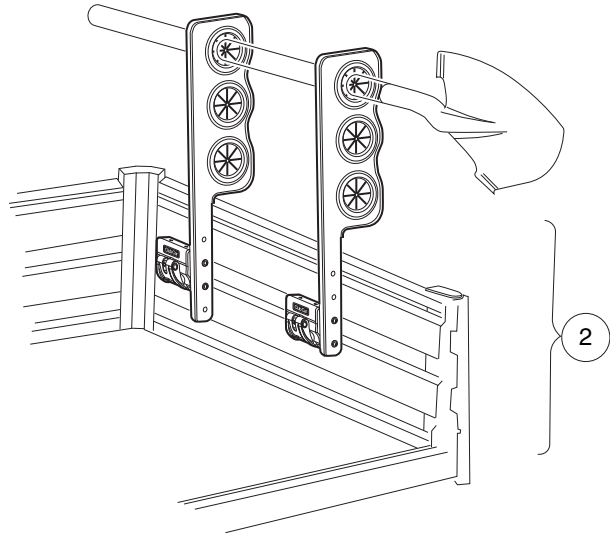
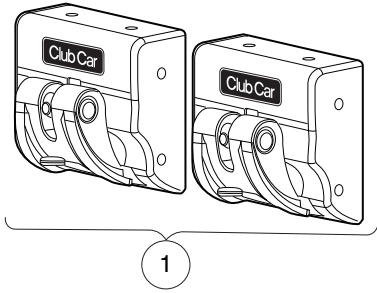
ITEM	PART NO.	DESCRIPTION	QTY
		<b>1 2 3 4</b>	
1	105127302	Kit, Tether, Tailgate (includes items 2 through 5) .....	1
2	102621501	Nut, Flange, M6 X 1.0, Nylon .....	2
3	105128001	Cable, Tether, Tailgate .....	2
4	105129901	Screw, Shoulder, Self Thread .....	2
5	105193101	Screw, 6 Lobe, M6 X 50 .....	2

**1**

**E**

1

E



001167-001

# MODULAR BED ACCESSORIES

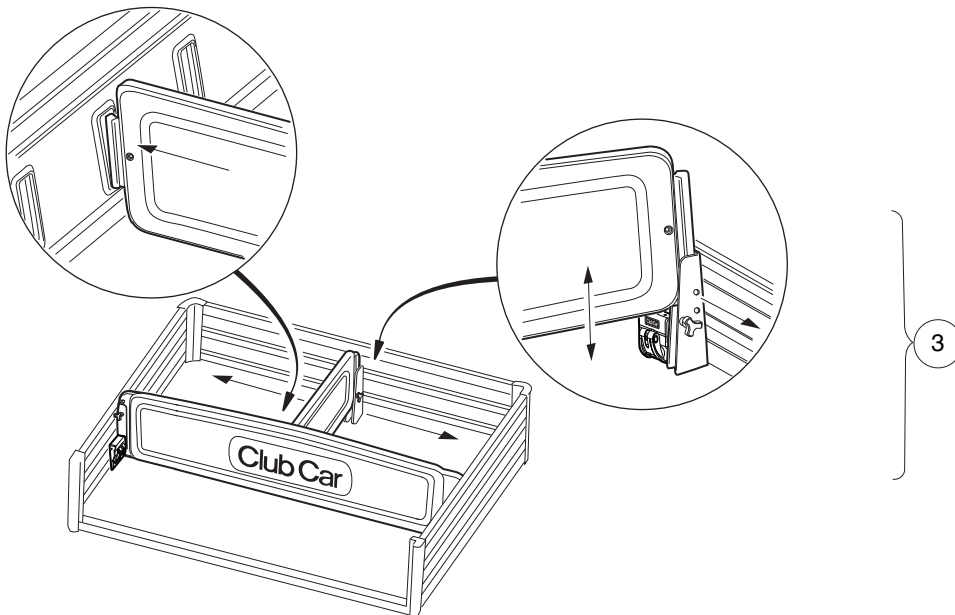
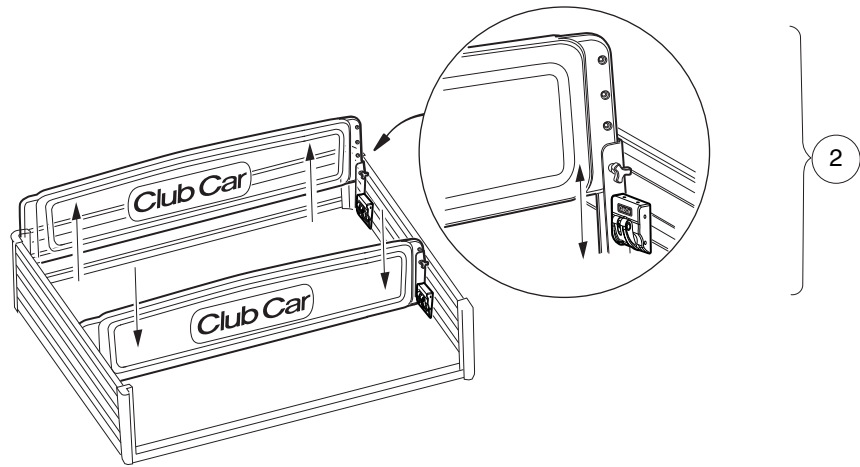
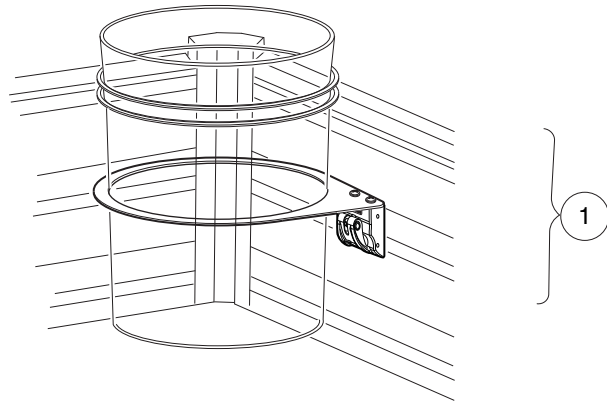
ITEM	PART NO.	DESCRIPTION	QTY
		<b>1 2 3 4</b>	
1	105160401	Bed Clamp, Set .....	1
2	105160801	Kit, Tool Rack .....	1
3	105160901	Kit, Tie Down .....	1
4	105161101	Kit, Static Grip .....	1
5	105161401	Kit, Holder, Leaf Blower .....	1
		Note: Component part numbers unavailable at publication.	

**1**

**E**

1

E



001169-002

# MODULAR BED ACCESSORIES

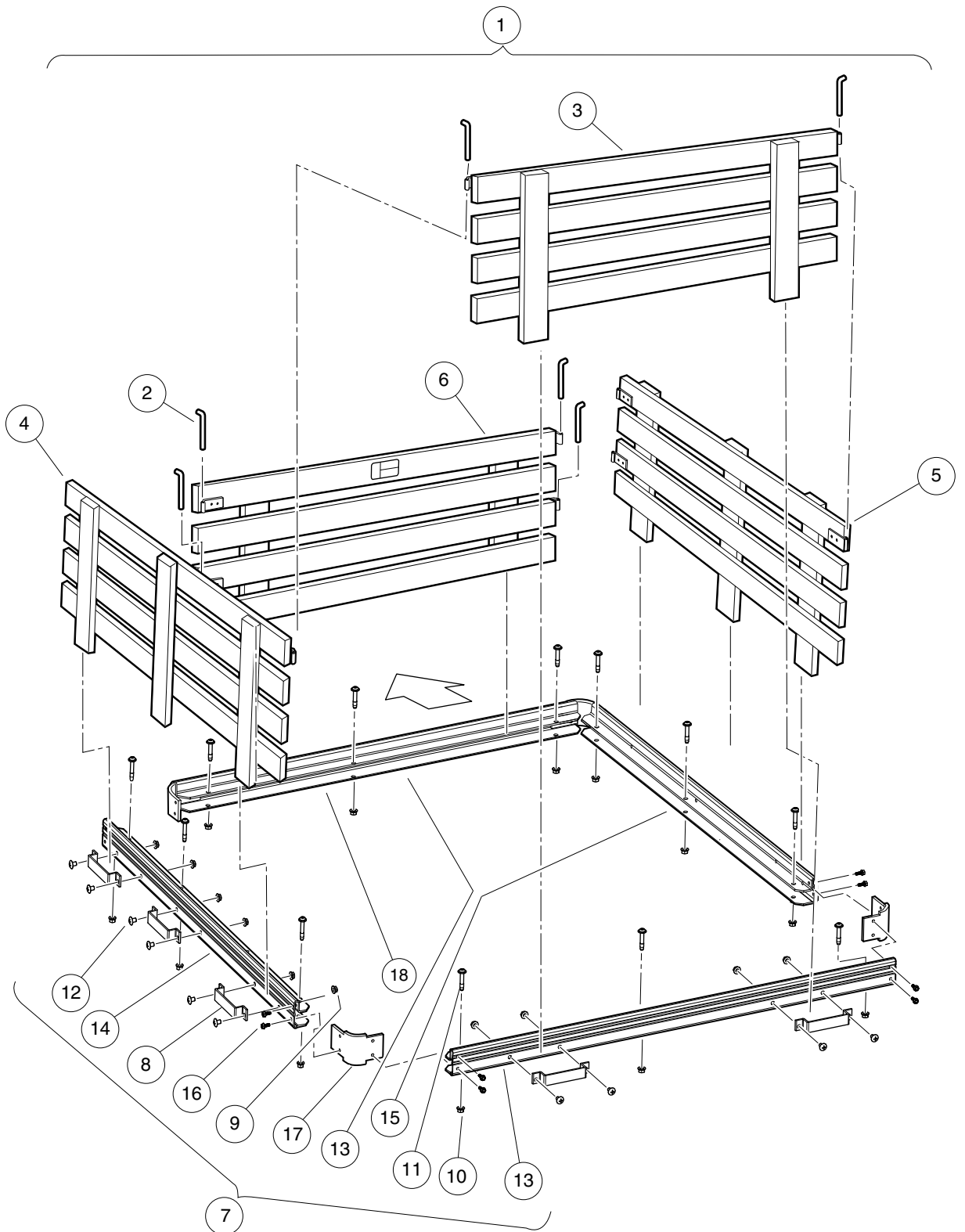
ITEM	PART NO.	DESCRIPTION	QTY
		1 2 3 4	
1	105160501	Kit, Holder, Bucket .....	1
2	105161201	Kit, Bed Divider/extension .....	1
3	105161301	Kit, Bed Divider, Short .....	1
		Note: Component part numbers unavailable at publication.	

**1**

**E**

1

E



001130-001



# STAKE SIDE KIT – MEDIUM

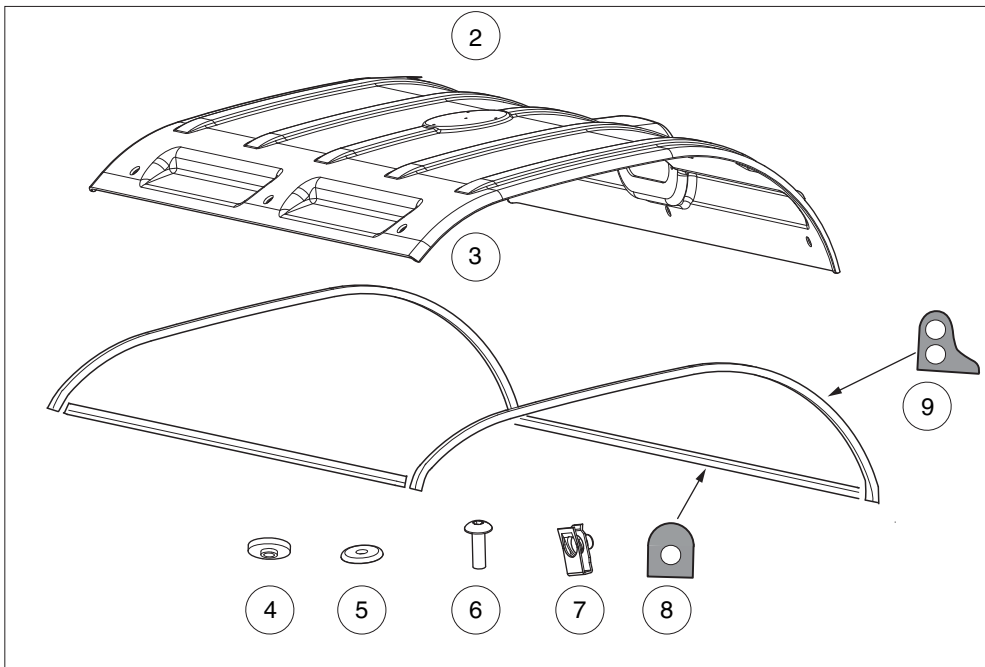
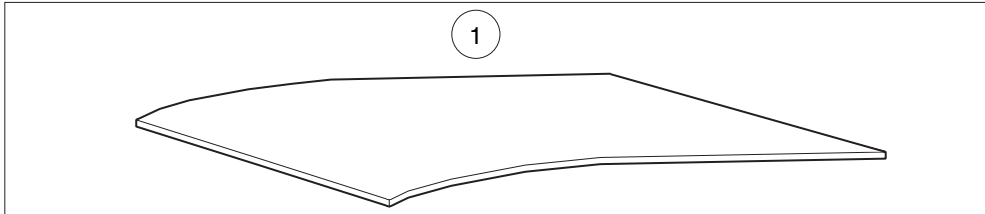
ITEM	PART NO.	DESCRIPTION	QTY
		<b>1 2 3 4</b>	
1	105109501	Kit, Stake Side, Med (includes items 2 through 7) .....	1
2	1015656	Pin, hinge .....	6
3	102847603	Asm, Stake Side, 48 X 19 Rear .....	1
4	105113301	Stake Side, Ca Med, Lh .....	1
5	105113302	Stake Side, Ca Med, Rh .....	1
6	105129501	Stake Side, Front, Ca, 50" .....	1
7	105148502	Asm, Trim, Stake Side, Med (includes items 8 through 18) .....	1
8	1016077	Bracket, Stake Side .....	8
9	101963401	Locknut, 5/16-18 Hex Flange .....	16
10	102298401	Nut,m8,all Metal Lock .....	14
11	102299550	Screw,m8x50,sems,tx,bttn,plt .....	14
12	105129601	Screw, Phl Trus Hd, 5/16-18x.5 .....	16
13	105148601	Trim, Stake Side, Cen, Rear .....	1
14	105148801	Trim, Stake Side, Med, Lh .....	1
15	105148802	Trim, Stake Side, Med, Rh .....	1
16	105185701	Pan Head Screw, M6 X 16 Tt .....	16
17	105185801	Bracket,Bed Corner,CA .....	4
18	105194801	Trim, Bed, Cntr, Front .....	1

**1**

**E**

1

E



# CAB ROOF

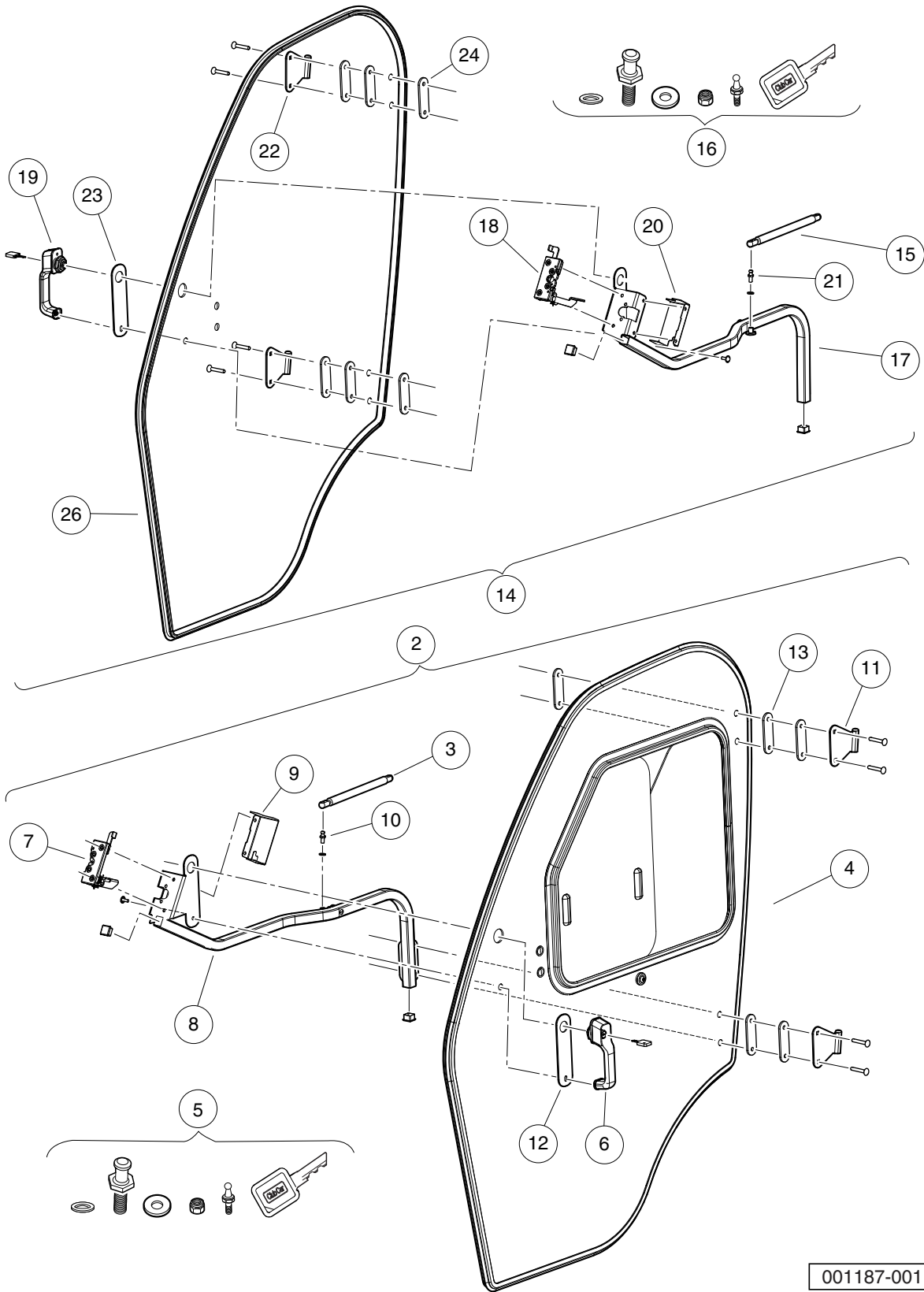
ITEM	PART NO.	DESCRIPTION	QTY
		<b>1 2 3 4</b>	
1	105097001	Cab, Canopy, Liner Kit .....	1
2	47552857001	Kit, Cab LSV Roof (includes items 3 through 9) .....	1
3	47553011001	Roof, Cab, LSV .....	1
4	47553013001	Washer, Rubber, 5/16 ID-1-1/4 OD in. ....	10
5	47553014001	Washer, Chamfered, 5/16 ID-1-1/4 OD in. ....	10
6	47553015001	Screw, Torx, Pan-Hed, 5/16-18 x 1-1/4 in. ....	10
7	47554192001	Clip Nut, 5/16-18 .....	10
8	47570761001	D-Seal, Roof .....	2
9	47570762001	P-Seal, Roof .....	2

**1**

**E**

1

E



001187-001

# CAB DOORS – GLASS

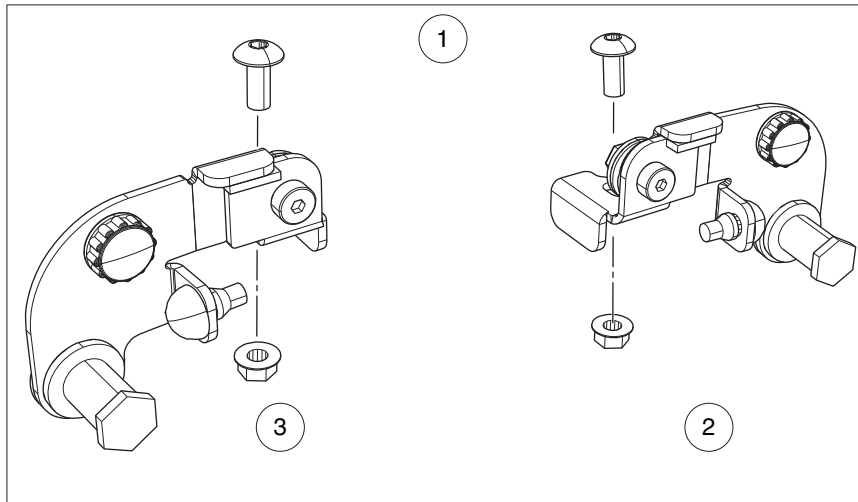
ITEM	PART NO.	DESCRIPTION	QTY
		<b>1 2 3 4</b>	
1	105097301	Cab, Doors, Glass Kit (includes items 2 through 14) .....	1
2	105181701	Glass Door Asm, Lh (includes items 3 through 13) .....	1
3	104001201	Gas Spring .....	1
4	105181801	Glass Door Replacement, Lh .....	1
5	105181901	Hardware Kit, Glass Door .....	1
6	105182001	Handle, Push Button .....	1
7	105182101	Latch, Glass Door, Lh .....	1
8	105182201	Handle, Glass Door, Lh .....	1
9	105182301	Cover, Latch, Lh .....	1
10	105182401	Spring, Ball Stud .....	1
11	105182501	Hinge, Door .....	2
12	105182601	Spacer, Handle .....	1
13	105182701	Plate, Upper Hinge .....	1
14	105182901	Glass Door Asm, Rh (includes items 15 through 26) .....	1
15	104001201	Gas Spring .....	1
16	105181901	Hardware Kit, Glass Door .....	1
17	105182002	Handle, Glass Door, RH .....	1
18	105182102	Latch, Glass Door, Rh .....	1
19	105182202	Handle, Glass Door, Rh .....	1
20	105182302	Cover, Latch, Rh .....	1
21	105182401	Spring, Ball Stud .....	1
22	105182501	Hinge, Door .....	2
23	105182601	Spacer, Handle .....	1
24	105182701	Plate, Upper Hinge .....	1
25	105182801	Hardware Kit, Door Striker .....	1
26	105183001	Glass Door Replacement, Rh .....	1

1

E

1

E



001143-002

# CAB DOORS – VENT

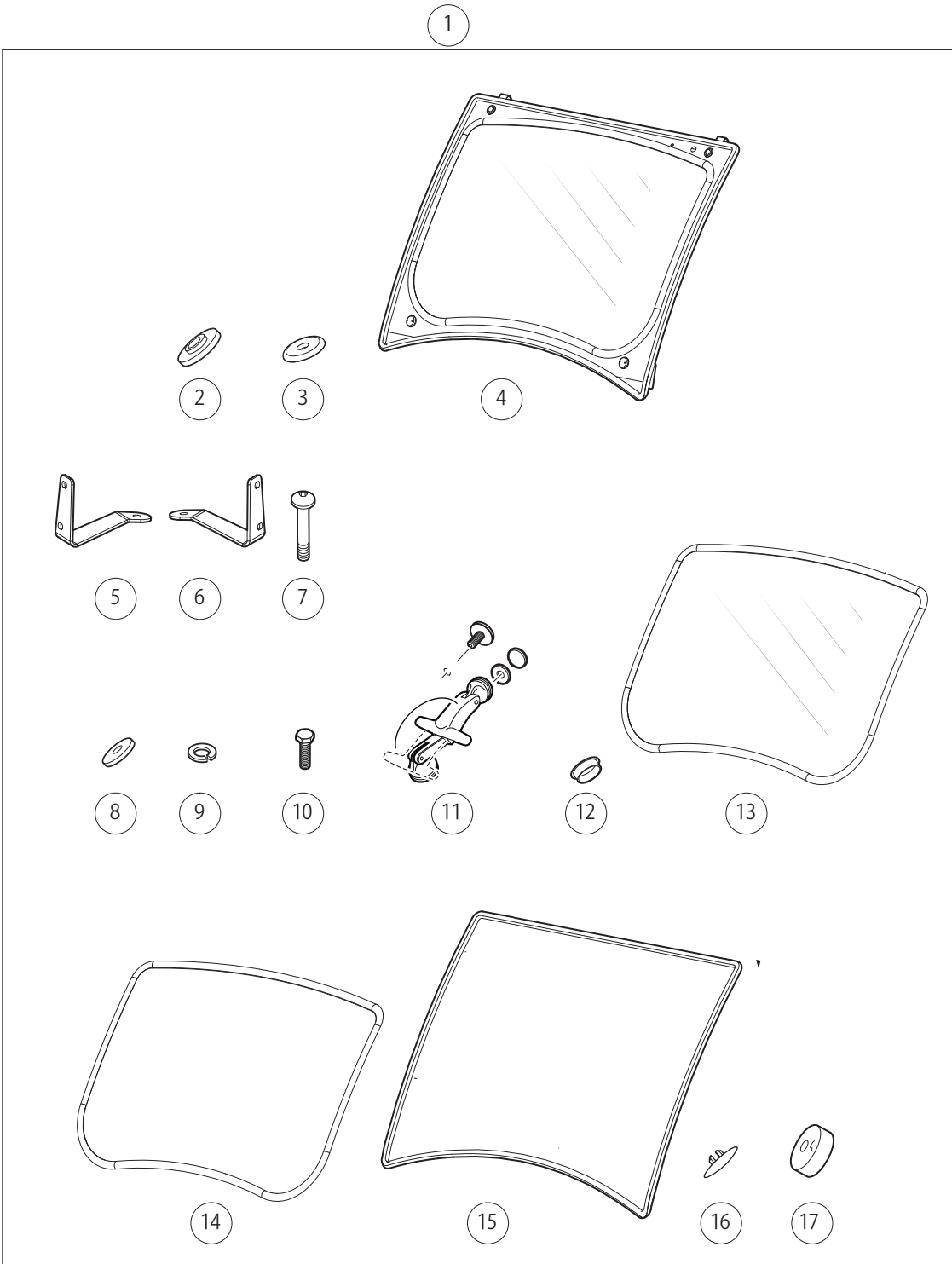
ITEM	PART NO.	DESCRIPTION	QTY
		1 2 3 4	
1	105097501	Cab, Door, Vent Kit (includes items 2 and 3) .....	1
2	105178301	Door Vent Lh .....	1
3	105178401	Door Vent Rh .....	1

**1**

**E**

1

E



001186-005



## CAB – WINDSHIELD (LSV)

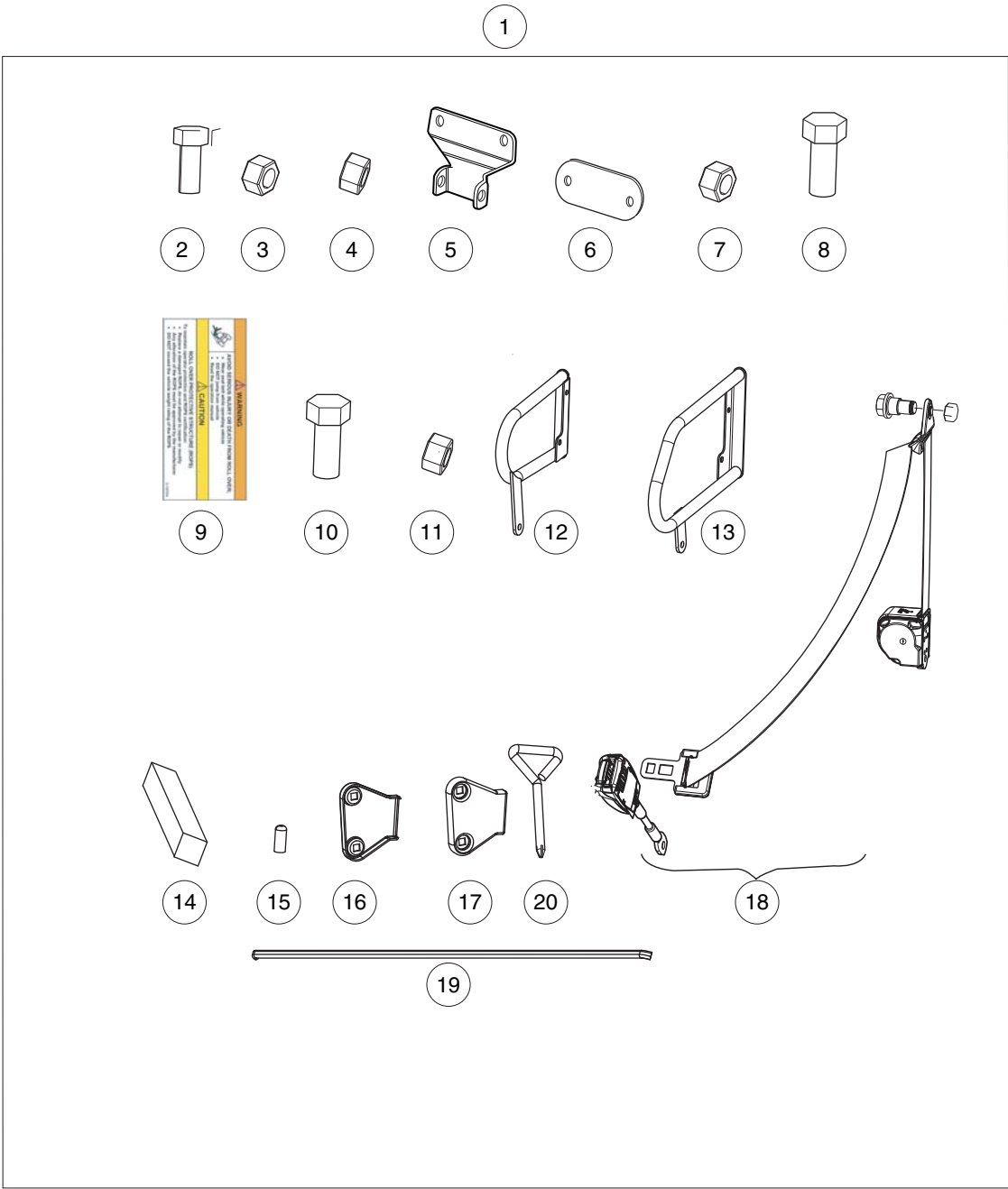
ITEM	PART NO.	DESCRIPTION	QTY
		<b>1 2 3 4</b>	
1	47552861001	Kit, Windhshield, Cab, LSV (includes items 2 through 17) .....	1
2	47553013001	Washer, Rubber, 5/16 ID-1-1/4 OD in. ....	4
3	47553014001	Washer, Chamfered, 5/16 ID-1-1/4 OD in. ....	2
4	47553022001	ASM, Windshield, Laminated, LSV .....	1
5	47553025001	Mount, T-Handle (passenger side) .....	1
6	47553025002	Mount, T-Handle (driver side) .....	1
7	47553026001	Screw, Pan-Head Torx, 5/16-18 x 1-1/2 in. ....	2
8	47553027001	Washer, Flat, 3/8 x 7/8 in. ....	6
9	47553028001	Washer, Lock, 5/16 in. ....	2
10	47553029001	Screw, Hex-Head, M8 x 16 mm .....	6
11	47553030001	ASM, T-Handle .....	2
12	47553031001	Plug, Hole, Female, 5/8 in. ....	1
13	47553939001	ASM, Windshield, Laminated with Seal .....	1
14	47553940001	Seal, Windshield, Laminated .....	1
15	47553942001	Seal, Windshield Frame .....	1
16	47553943001	Plug, Hole, Female, 1/4 in. ....	1
17	47553948001	Plastic Spacer .....	2

**1**

**E**

1

E



001180-006

## CAB – 3-POINT SEAT BELTS (HOMOL)

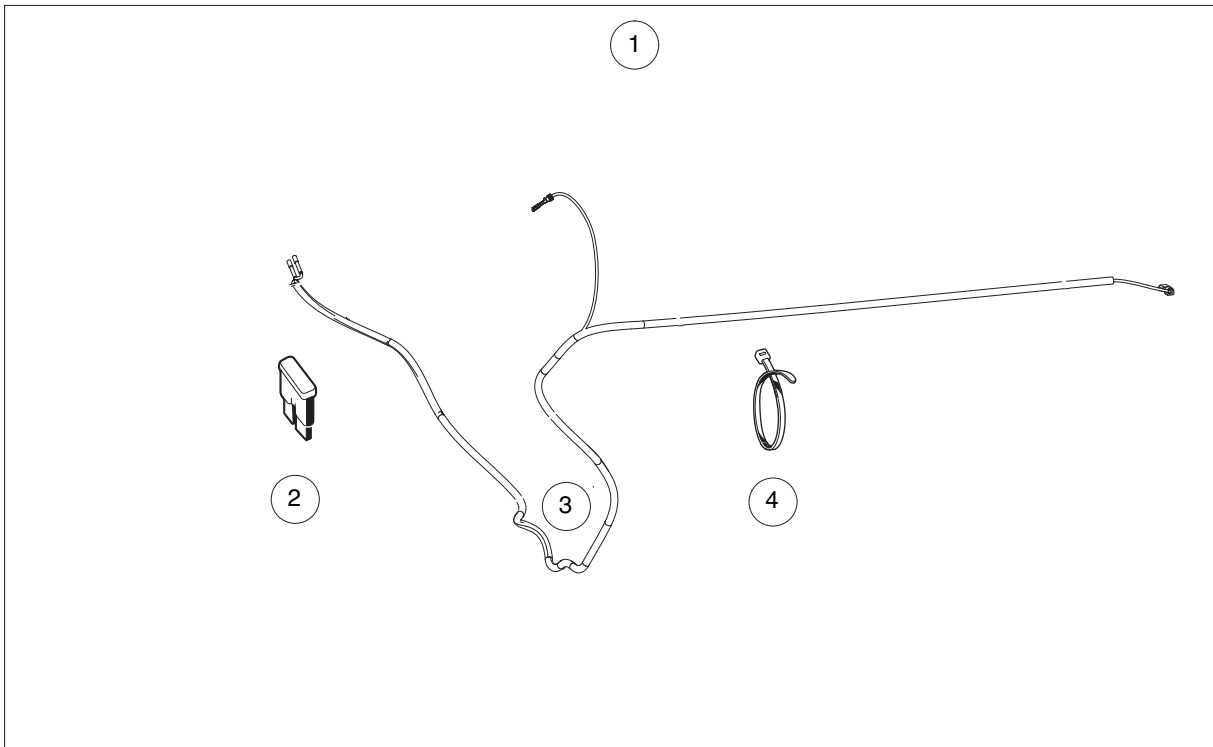
ITEM	PART NO.	DESCRIPTION	QTY
		1 2 3 4	
1	47552867001	Kit, 3-Point Seat Belt, Homogated (includes items 2 through 20) .....	1
2	47552872001	Screw, Hex-Head Cap, 3/8-16 x 1 in. ....	4
3	47552874001	Nylon Locknut, 3/8-16 in. ....	2
4	47554722001	Locknut, Hex, 7/16-14 .....	4
5	47554723001	Bracket, Center Mount, 2-Point Seat Belt .....	1
6	47554724001	Plate, Backing, Center Mount, 2-Point Seat Belt .....	1
7	47554727001	Locknut, Center, 3/8-16 in. ....	2
8	47554728001	Screw, Cap, Hex-Head, 7/16-14 x 1 in. ....	4
9	47554730001	Decal, Warn, Rops .....	1
10	47555147001	Screw, Hex-Head Cap, 7/16-20 x 1 in. ....	2
11	47555148001	Hexnut, 7/16-20 in. ....	2
12	47555151001	Hip Restraint, Driver Side .....	1
13	47555152001	Hip Restraint, Passenger Side .....	1
14	47555160001	Seal, Foam, 1 x 1 in. ....	1
15	47555263002	Hinge Pin Cover .....	4
16	47555264001	Hinge Cover, Driver Side .....	2
17	47555264002	Hinge Cover, Passenger Side .....	2
18	47555265001	ASM, 3-Point Seat Belt .....	2
19	47555267001	Trim, Front Roof Edge .....	1
20	47555268001	Screwdriver, Phillips (Headlight Adj tool) .....	1

**1**

**E**

1

E



001193-001

# CAB – ELECTRICAL, POWER HARNESS, ELECTRIC VEHICLE TO CAB

ITEM	PART NO.	DESCRIPTION	QTY
		1 2 3 4	
1	105234002	Kit, Cab Pwr Harness, Elec (includes items 2 through 4) .....	1
2	105114807	Fuse, Mini, Atm, 15 Amp .....	1
3	105205501	Harn, Pwr Supply, Cab .....	1
4	8639	Tie Wrap, 11" Nylon .....	5

**1**

**E**



# CAB – ELECTRICAL, OVERHEAD CONSOLE

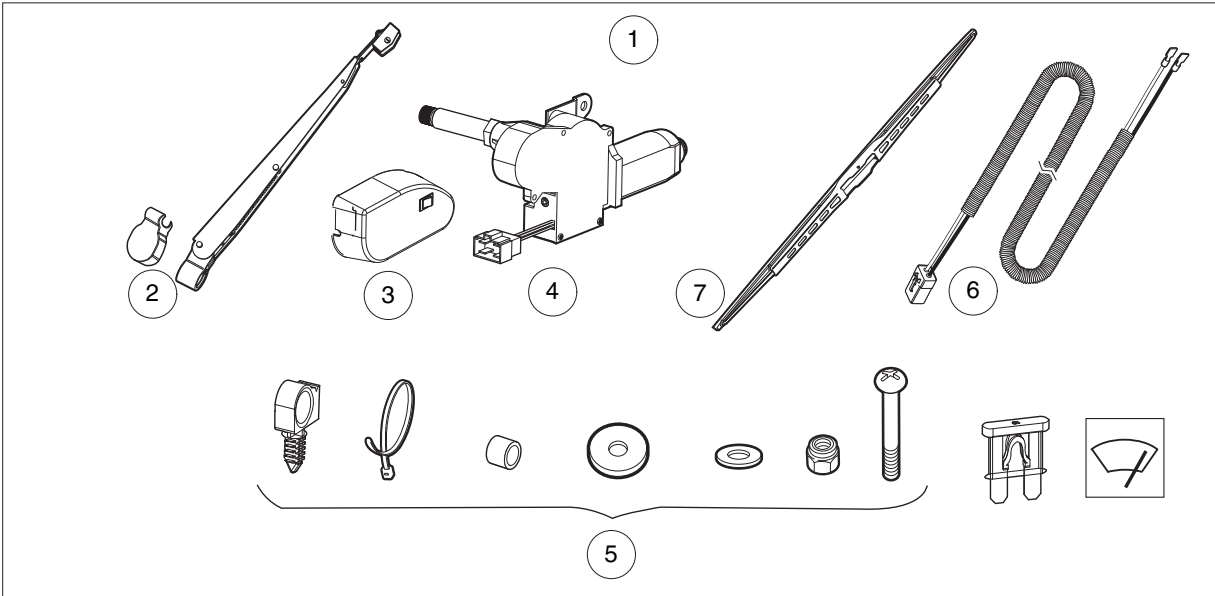
ITEM	PART NO.	DESCRIPTION	QTY
		<b>1 2 3 4</b>	
1	105097901	Cab, Overhead Console, Kit (includes items 2 through 14) .....	1
2	103180101	Cover, Hole, Switch, Rocker .....	5
3	105179001	Overhead Console Asm .....	1
4	105179101	Cab, Dome Light .....	1
5	105179201	Cab, Fuse Cover .....	1
6	105179301	Cab, Fuse Holder 8 W Grnd .....	1
7	105179401	Front Fan Bracket, Asm .....	1
8	105179501	Rear Oh Console Bracket .....	1
9	105179601	Fan Louver .....	2
10	105179701	Oh Console Fan .....	1
11	105179801	Wire Jumper, Fan .....	1
12	105179901	Hardware Kit, Oh Console .....	1
13	105183501	Rocker, Fan .....	1
14	105295301	Asm, Capacitor, 0.47uf .....	1

**1**

**E**

1

E



001190-002



# CAB – ELECTRICAL, WINDSHIELD WIPER

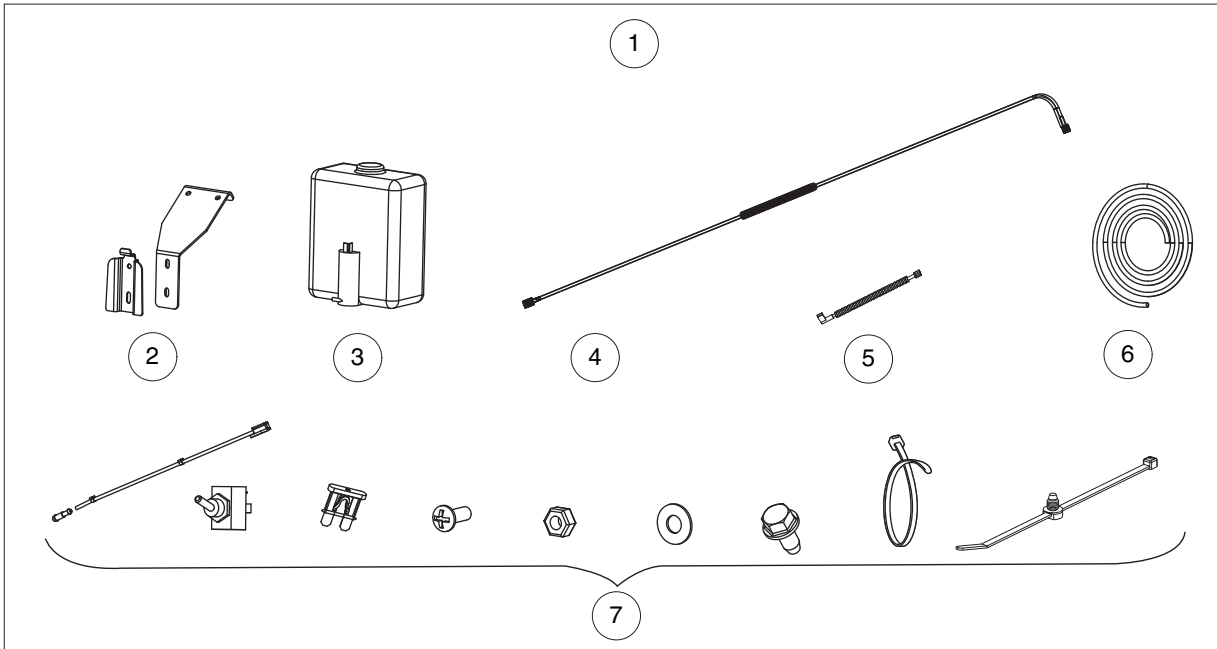
ITEM	PART NO.	DESCRIPTION	QTY
		<b>1 2 3 4</b>	
1	105098003	Cab, Front Wiper Kit, Homologated (includes items 2 through 7) .....	1
2	104000901	Wiper Arm, Modified .....	1
3	104003501	Cover, Wiper Mtr & Switch Asm .....	1
4	105180002	Motor, Wiper, 85 Degree, Homologated .....	1
5	105180201	Hardware Kit, Wiper .....	1
6	105183701	Harness, Wiper .....	1
7	105205701	Wiper Blade 18 .....	1
Note: Some part numbers not available at time of publication.			

**1**

**E**

1

E



001189-001

# CAB – ELECTRICAL, WINDSHIELD WASHER

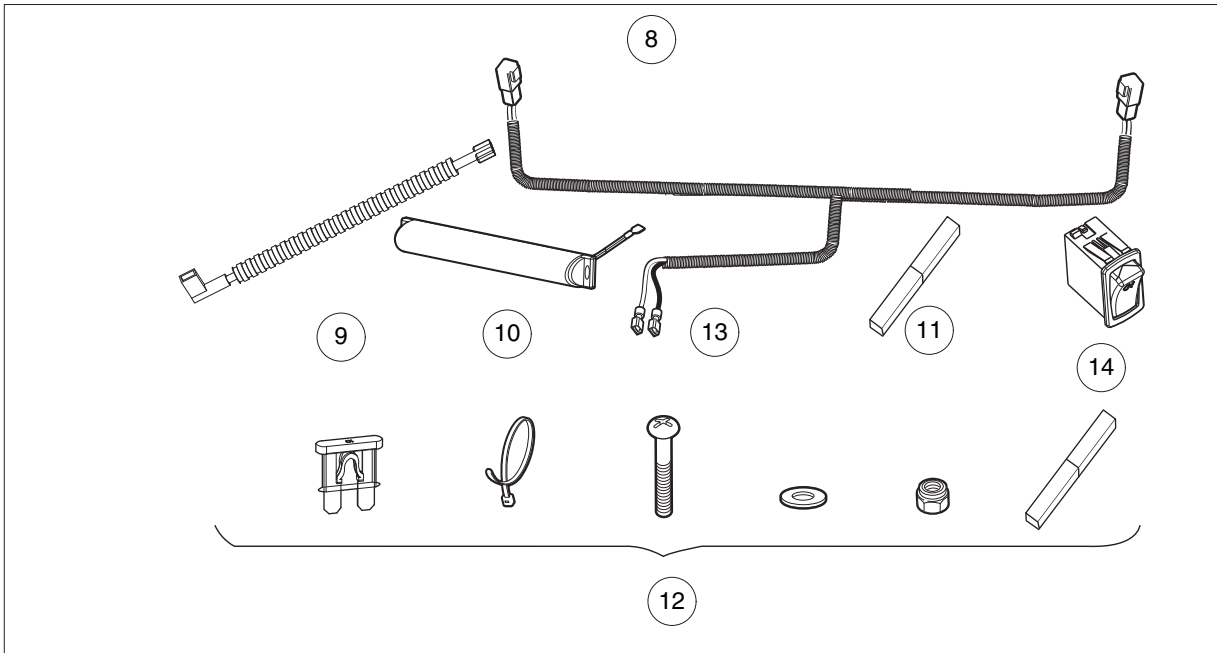
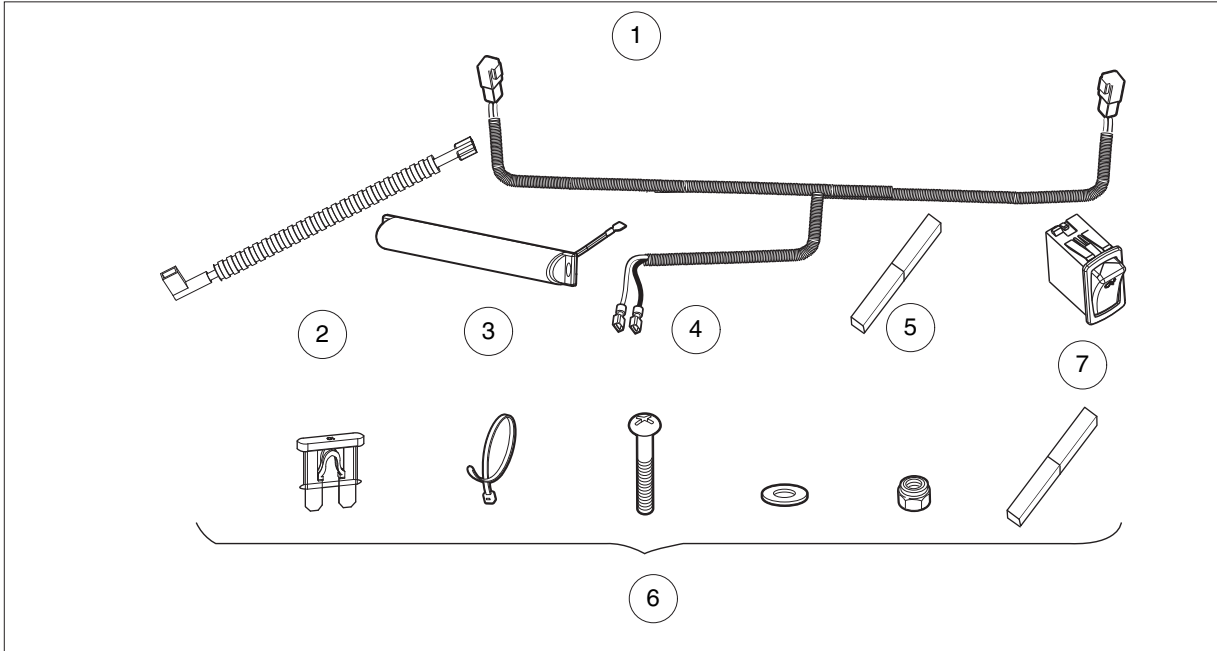
ITEM	PART NO.	DESCRIPTION	QTY
		<b>1 2 3 4</b>	
1	105098101	Cab, Front Wiper, Washer Kit (includes items 2 through 7) .....	1
2	105180301	Washer Tank Mount Plate .....	1
3	105180401	Wash Tank Asm .....	1
4	105180501	Wire Harness Sw To Pump .....	1
5	105180601	Wire Harness Fb To Sw .....	1
6	105180701	Hose 18x31x17ft .....	1
7	105180801	Hardware Kit, Wiper Washer .....	1

**1**

**E**

1

E



001191-001

# CAB – ELECTRICAL, WORK LIGHTS

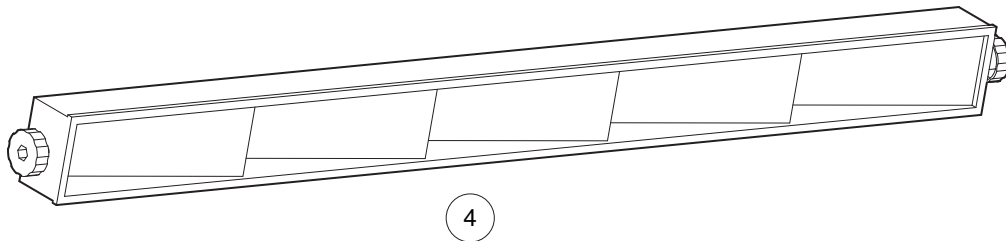
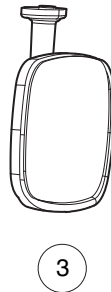
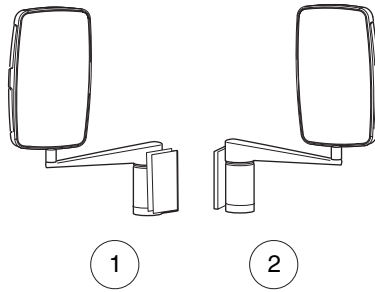
ITEM	PART NO.	DESCRIPTION	QTY
		<b>1 2 3 4</b>	
1	105098201	Cab, Front Work Light Kit (includes items 2 through 7) .....	1
2	105180601	Wire Harness Fb To Sw .....	1
3	105180901	Cab Work Light Led .....	2
4	105181001	Wire Harn Front WI .....	1
5	105181101	Work Light Tape .....	2
6	105181301	Hardware Kit, Work Light .....	1
7	105183601	Switch, Rocker, Front Work Light .....	1
8	105098301	Cab, Rear Work Light Kit (includes items 9 through 14) .....	1
9	105180601	Wire Harness Fb To Sw .....	1
10	105180901	Cab Work Light Led .....	2
11	105181101	Work Light Tape .....	2
12	105181301	Hardware Kit, Work Light .....	1
13	105181401	Wire Harn Rear WI .....	1
14	105181501	Rocker Rear WI .....	1

**1**

**E**

1

E



001198-001

# CAB - MIRRORS

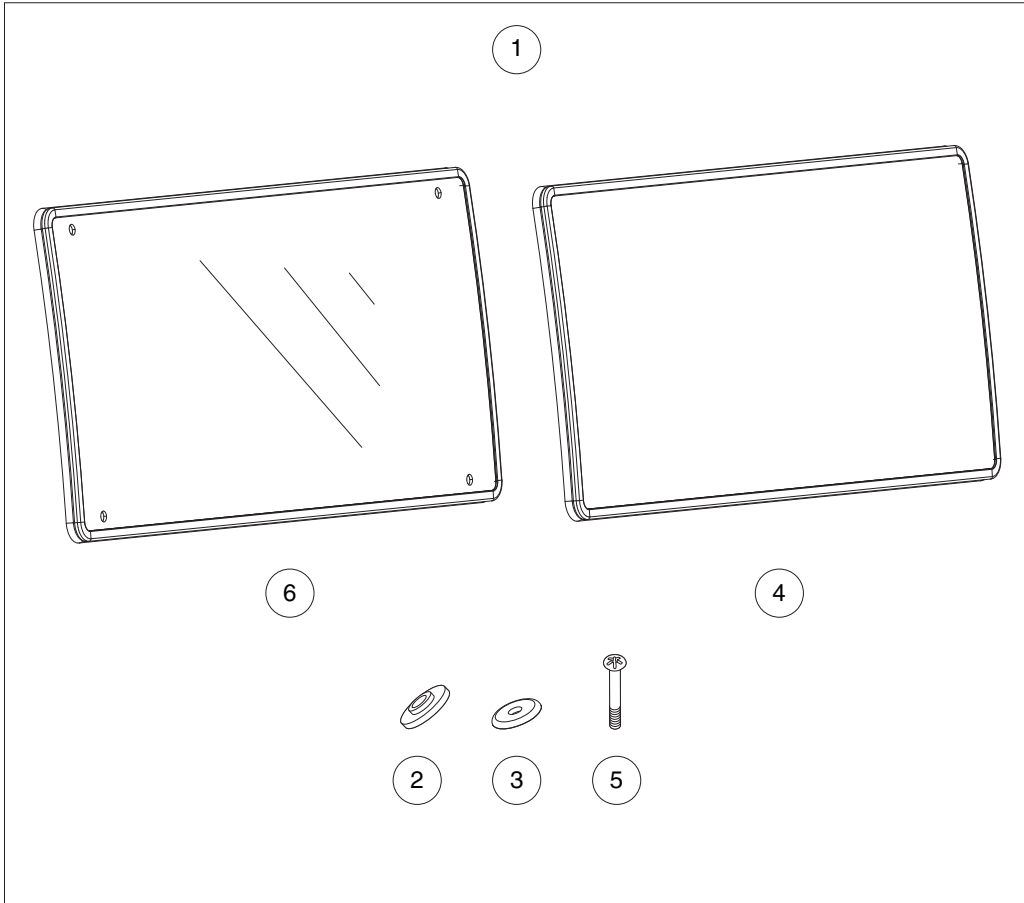
ITEM	PART NO.	DESCRIPTION	QTY
		1 2 3 4	
1	105098601	Cab, Mirror, Left Kit, Eu .....	1
2	105098602	Cab, Mirror, Right Kit, Eu .....	1
3	105098701	Cab, Mirror, Interior Kit .....	1

**1**

**E**

1

E



001185-002



# CAB – REAR WINDOW, ONE-PIECE

ITEM	PART NO.	DESCRIPTION	QTY
		<b>1 2 3 4</b>	
1	47552862001	Kit, Cab Rear Window (includes items 2 through 6) .....	1
2	47553013001	Washer, Rubber, 5/16 ID-1-1/4 OD in. ....	12
3	47553014001	Washer, Chamfered, 5/16 ID-1-1/4 OD in. ....	4
4	47553024001	Seal, Window Trim, Tempered .....	1
5	47553026001	Screw, Pan-Head Torx, 5/16-18 x 1-1/2 in. ....	4
6	47553950001	Rear Window with Seal, One-Piece .....	1

**1**

**E**

**1**

**E**

# WHEELS AND TIRES

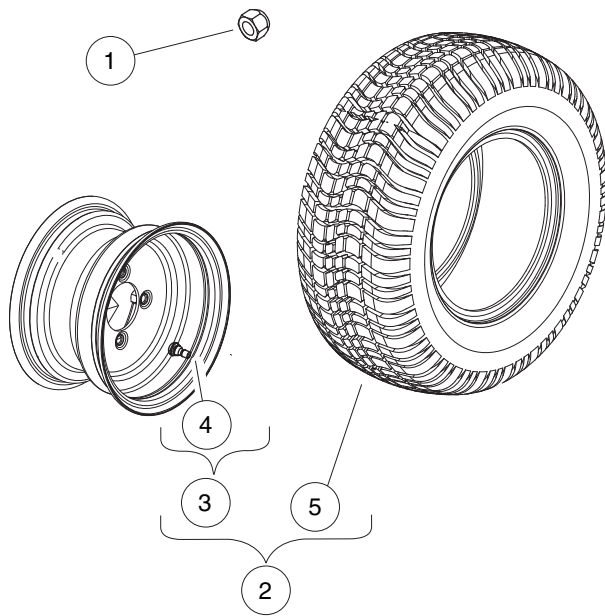
---

2

*E*

2

E



001352-001

# WHEELS AND TIRES

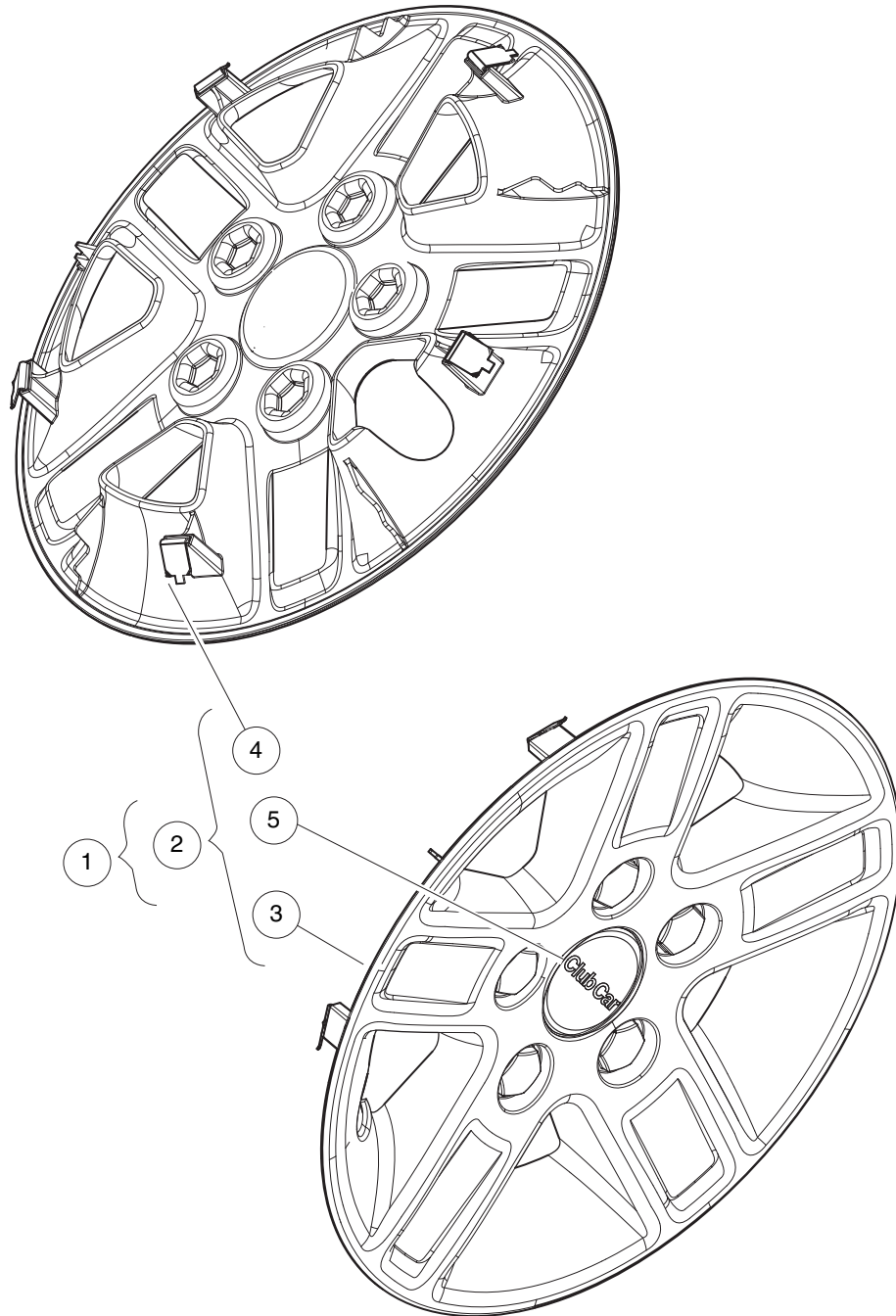
ITEM	PART NO.	DESCRIPTION	QTY
		1 2 3 4	
1	1010984	.500-20 Unf Lug Nut .....	16
2	105078811	Asm,whl,dot,205-65-10,6pl (includes items 3 through 5) .....	4
3	105079204	Whl,10x6", Gray, 0 Os,rr W/ Vs (includes item 4) .....	4
4	105078901	Valve Stem, Kenda, Tr 412 .....	1
5	105079501	Tire, Dot, 205-65-10, 6pl .....	4

**2**

**E**

2

E



001350-002

# WHEEL COVERS

ITEM	PART NO.	DESCRIPTION	QTY
		1 2 3 4	
1	105106501	Kit, Wheel Cover, 10x6" (includes item 2) .....	1
2	105106301	Asm, Whl Cover, 5 Spoke, 10x6" (includes items 3 through 5) .....	4
3	N/A	Wheel Cover, 5 Spoke, 10x7" .....	1
4	105106101	Wheel Cover, Clip .....	5
5	105106201	Decal, Wheel Cover, Club Car .....	1

**2**

**E**

2

*E*



# DECALS

---

3

*E*

**⚠ WARNING**

Unintended vehicle movement may cause severe injury or death. Before using vehicle, read owner's manual and vehicle safety warnings.

**Before leaving vehicle:**

- Engage park brake to lock wheels.
- Place vehicle in NEUTRAL.
- Turn key to OFF and remove key.

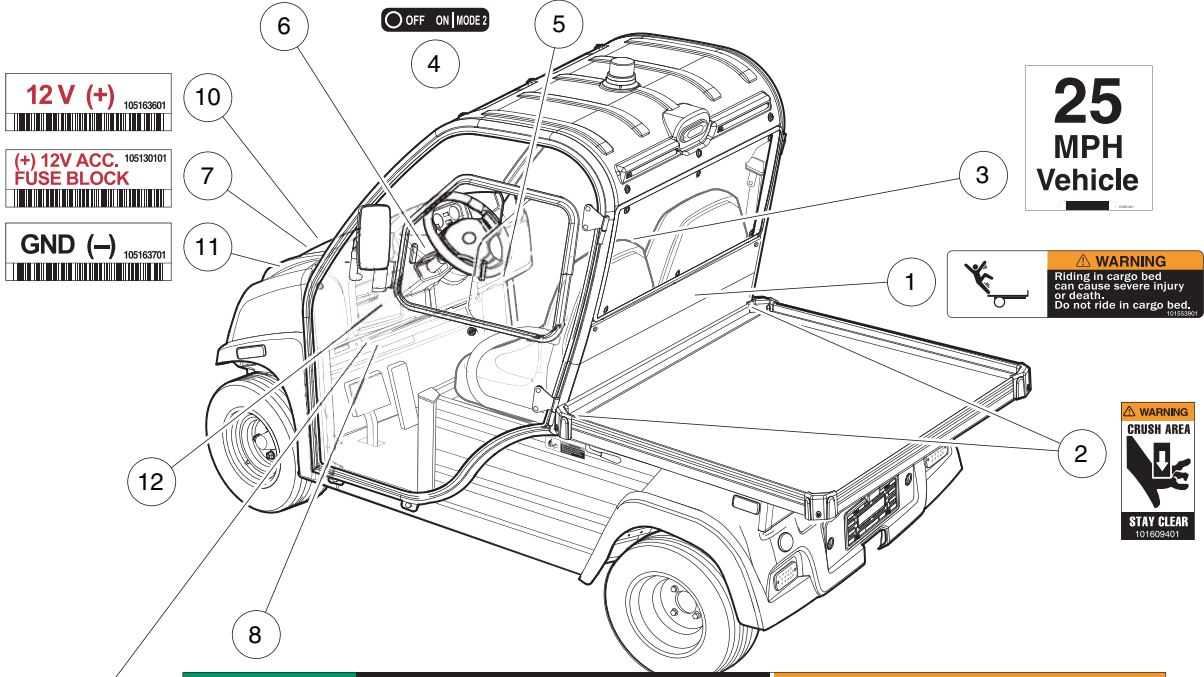
105046101

**⚠ WARNING**

**UNINTENDED MOVEMENT, ROLLOVER, OR FALLING OUT CAN CAUSE SERIOUS INJURY OR DEATH.**

- Vehicle to be operated by licensed and authorized persons only.
- Use in authorized areas only. Do not operate on public roads.
- One (1) person per bucket seat maximum.
- Two (2) persons per bench seat maximum.
- Operate from driver's seat only.
- Do not start vehicle until all occupants are fully seated.
- Drive slowly in turns and straight up and down slopes.
- Remain fully seated while moving.
- Hold on and keep entire body inside vehicle while moving.
- Never attempt jumps and avoid extreme braking in reverse.
- Do not leave children unattended in vehicle at any time.
- Children requiring a child safety seat must not ride in vehicle.
- Never operate under the influence of alcohol or drugs.

104026801



**VEHICLE LOADING**

Read owner's manual and warnings on dash.

- Vehicle rated capacity: 950 lb (431 kg) on level surface only.
- Includes occupants and cargo load.
- Maximum cargo load: 550 lb (249 kg)
- Includes cargo, bed load, and optional equipment.
- Vehicle combination rated capacity: 1250 lb (567 kg)
- Includes vehicle rated capacity and gross trailer weight.

**⚠ WARNING**

**ROLLOVER CAN CAUSE SERIOUS INJURY OR DEATH.**

- Place cargo forward in the cargo bed and distribute evenly side to side. Secure load.
- On uneven or steep terrain, reduce speed and load.
- Avoid stopping on or backing down steep hills.
- Avoid top-heavy loads.

105137104

**VEHICLE LOADING**

Read owner's manual and warnings on dash.

- Vehicle rated capacity: 1250 lb (567 kg) on level surface only.
- Includes occupants and cargo load.
- Maximum cargo load: 850 lb (386 kg)
- Includes cargo, bed load, and optional equipment.
- Vehicle combination rated capacity: 1250 lb (567 kg)
- Includes vehicle rated capacity and gross trailer weight.

**⚠ WARNING**

**ROLLOVER CAN CAUSE SERIOUS INJURY OR DEATH.**

- Place cargo forward in the cargo bed and distribute evenly side to side. Secure load.
- On uneven or steep terrain, reduce speed and load.
- Avoid stopping on or backing down steep hills.
- Avoid top-heavy loads.

105137105

2908-002

## DECALS – CARRYALL 510 AND 710 LSV HOMOLOGATED

ITEM	PART NO.	DESCRIPTION	QTY
		1 2 3 4	
1	101553901	Decal, Bed Load Warning .....	1
2	101609401	Decal, Crush Area Warning .....	2
3	103501401	Decal, 25 Mph .....	1
4	103827201	Decal, Ignition, Homologated .....	1
5	104026901	Decal, Oc, Warning, Lsv, Ca .....	1
6	105046101	Decal, Op, Instructions, Ca .....	1
7	105130101	Decal, Fuse Block, Acc, 12v .....	1
8	105137104	Decal, Veh Load, CA510 On-road .....	1
9	105137105	Decal, Veh Load, CA710 On-road .....	1
10	105163601	Decal, 12v (+) .....	1
11	105163701	Decal, Gnd (-) .....	1


**3**

**E**

**WARNING**

**BATTERY EXPLOSION COULD RESULT IN SEVERE PERSONAL INJURY.**

- Do not store items in battery compartment.
- Place Run/Tow switch in TOW position before
  - Disconnecting or connecting battery cables
  - Towing this vehicle
  - Extended storage
  - Servicing the vehicle

TOW  RUN

103489601

**CAUTION**

**EXPOSURE TO WATER MAY DAMAGE ELECTRONIC COMPONENTS**

- Do not operate vehicle without this cover properly installed.
- Do not direct water stream in the area of the cover without cover securely in place.
- See vehicle maintenance and service manual before servicing.

102518301

**WARNING**

**AVOID FIRE HAZARD**

- Replacement battery wires must be 2-gauge (AWG) with low-resistance terminals equivalent to factory-installed wires.
- Ensure that battery connections are clean and properly tightened.

See owner's manual.

103515301

**CAUTION**

Frame is isolated from power system. Do not use as ground.

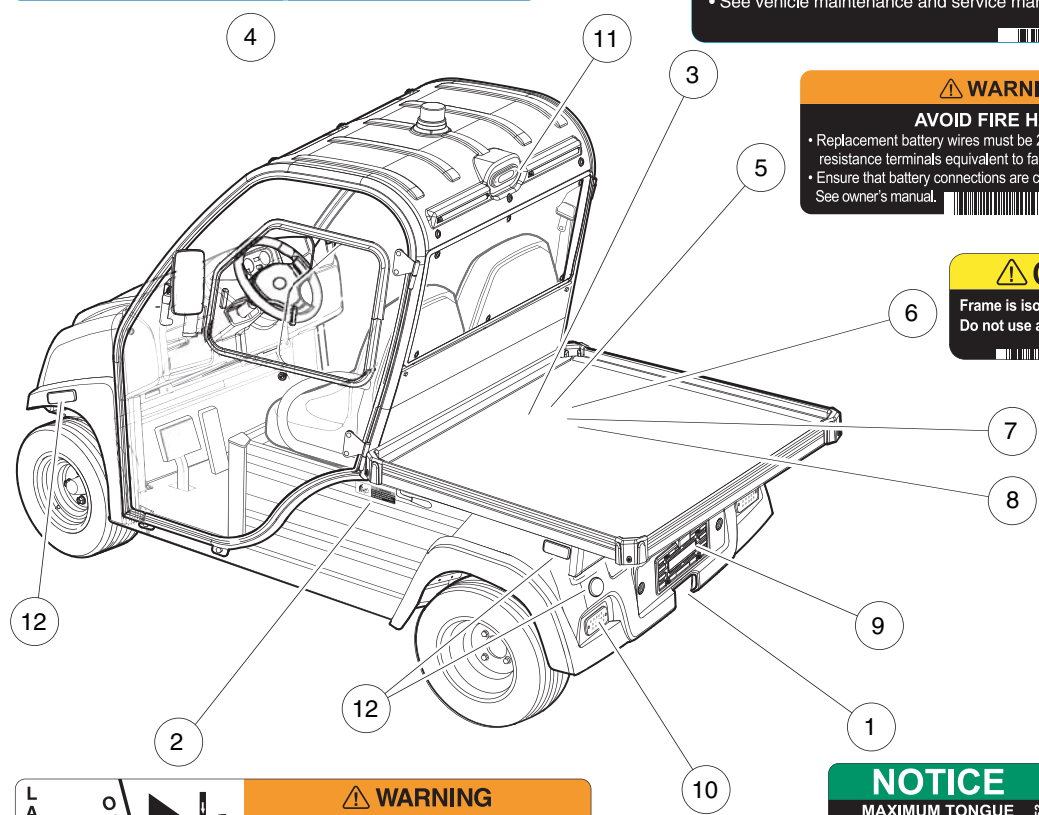
105124701

**(+) 48V ACC. FUSE BLOCK**


105130001

**GND (-)**

105163701



**LATCH** **OPEN**



**WARNING**

Crush area. Can cause severe injury. Stay clear when closing bed.

102459301

**NOTICE**

MAXIMUM TONGUE WEIGHT—150 lb. (667 N)

1011553

2909

## DECALS – ELECTRIC CARRYALL 510 AND 710, CONTINUED

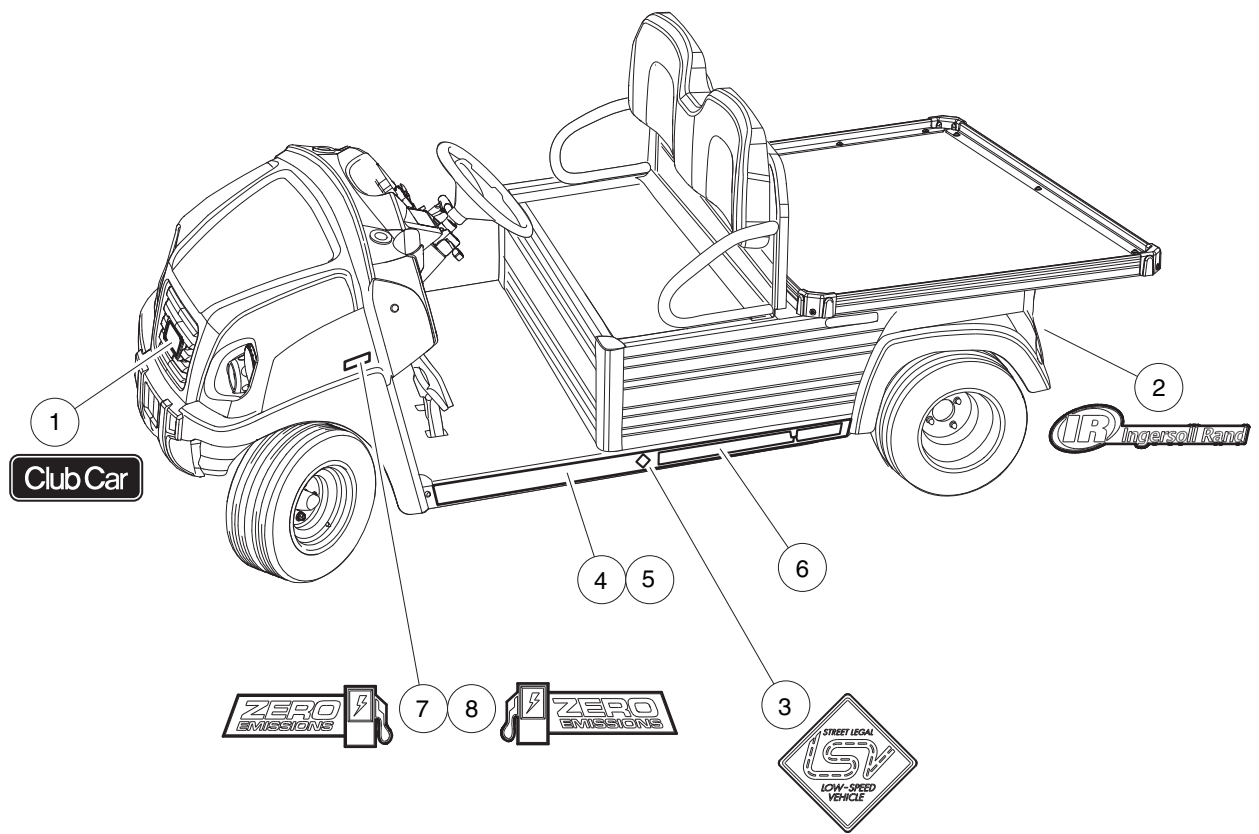
ITEM	PART NO.	DESCRIPTION	QTY
		1 2 3 4	
1	1011553	Decal, Trailer Hitch .....	1
2	102459301	Decal, Bed Crush Area Warning .....	1
3	102518301	Decal, Caution, Electrical Component Cover .....	1
4	102845101	Decal, Tow Switch .....	1
5	103515301	Decal, Warning, 2 Ga .....	1
6	105124701	Decal, Caution, Not Use As Gnd .....	1
7	105130001	Decal, Fuse Block, Acc, 48v .....	1
8	105163701	Decal, Gnd (-) .....	1

**3**

**E**

3

E



001027-001

## BADGING DECALS – CARRYALL 510

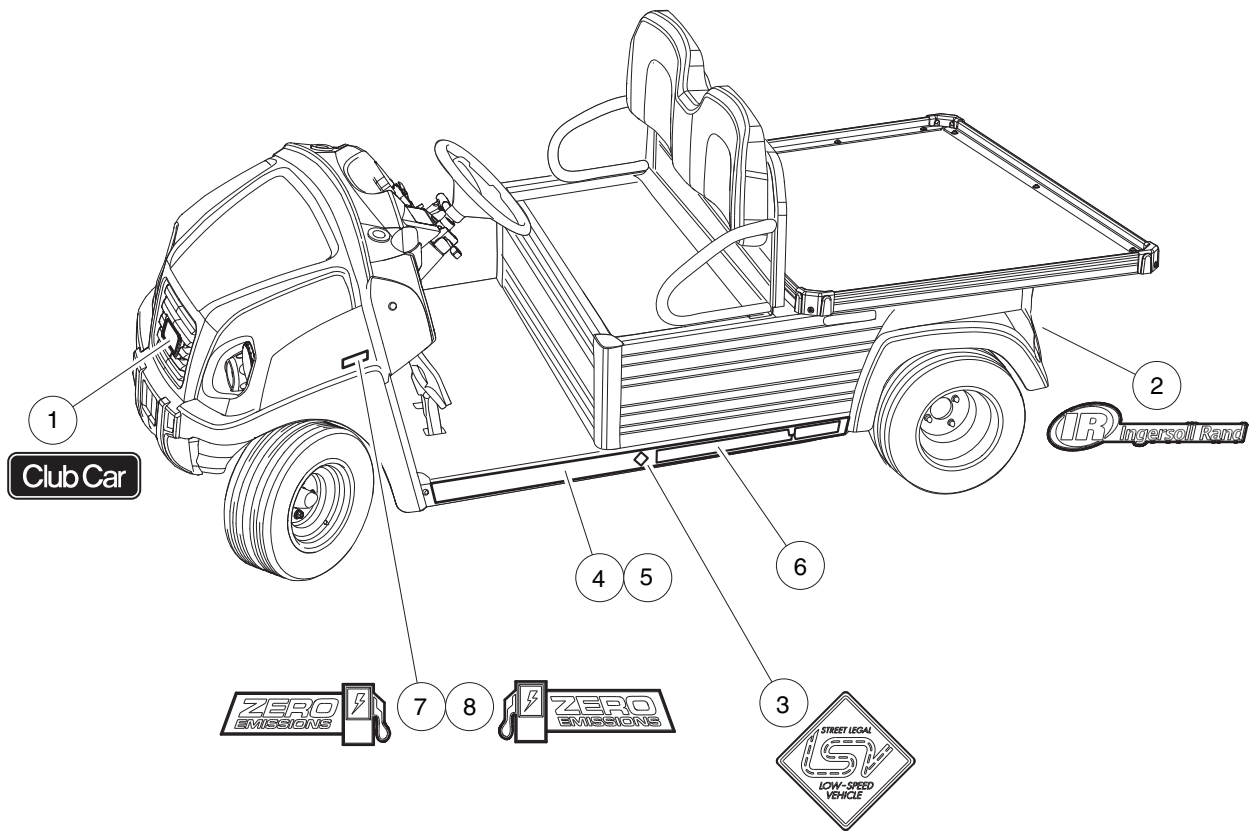
ITEM	PART NO.	DESCRIPTION	QTY
		<b>1 2 3 4</b>	
1	102883601	Decal, Nameplate, CCI, Front .....	1
2	103234304	Decal, Badge, Ir, Red .....	1
3	103517801	Decal, Low Speed Vehicle .....	2
4	105115002	Decal, Side Stringer, Medium .....	1
5	105115005	Decal, R Side Stringer, Medium .....	1
6	105152601	Decal, Branding, Ca 510, Lsv .....	2
7	105153201	Decal, Zero Emission Vhcle, Lh .....	1
8	105153202	Decal, Zero Emission Vhcle, Rh .....	1

**3**

**E**

3

E



001027-001



## BADGING DECALS – CARRYALL 710

ITEM	PART NO.	DESCRIPTION	QTY
		<b>1 2 3 4</b>	
1	102883601	Decal, Nameplate, CCI, Front .....	1
2	103234304	Decal, Badge, Ir, Red .....	1
3	103517801	Decal, Low Speed Vehicle .....	2
4	105115003	Decal, Side Stringer, Long .....	1
5	105115006	Decal, R Side Stringer, Long .....	1
6	105153001	Decal, Branding, Ca 710, Lsv .....	2
7	105153201	Decal, Zero Emission Vhcle, Lh .....	1
8	105153202	Decal, Zero Emission Vhcle, Rh .....	1

**3**

**E**

**3**

***E***

# LIGHTS, CONTROLS, AND INDICATORS

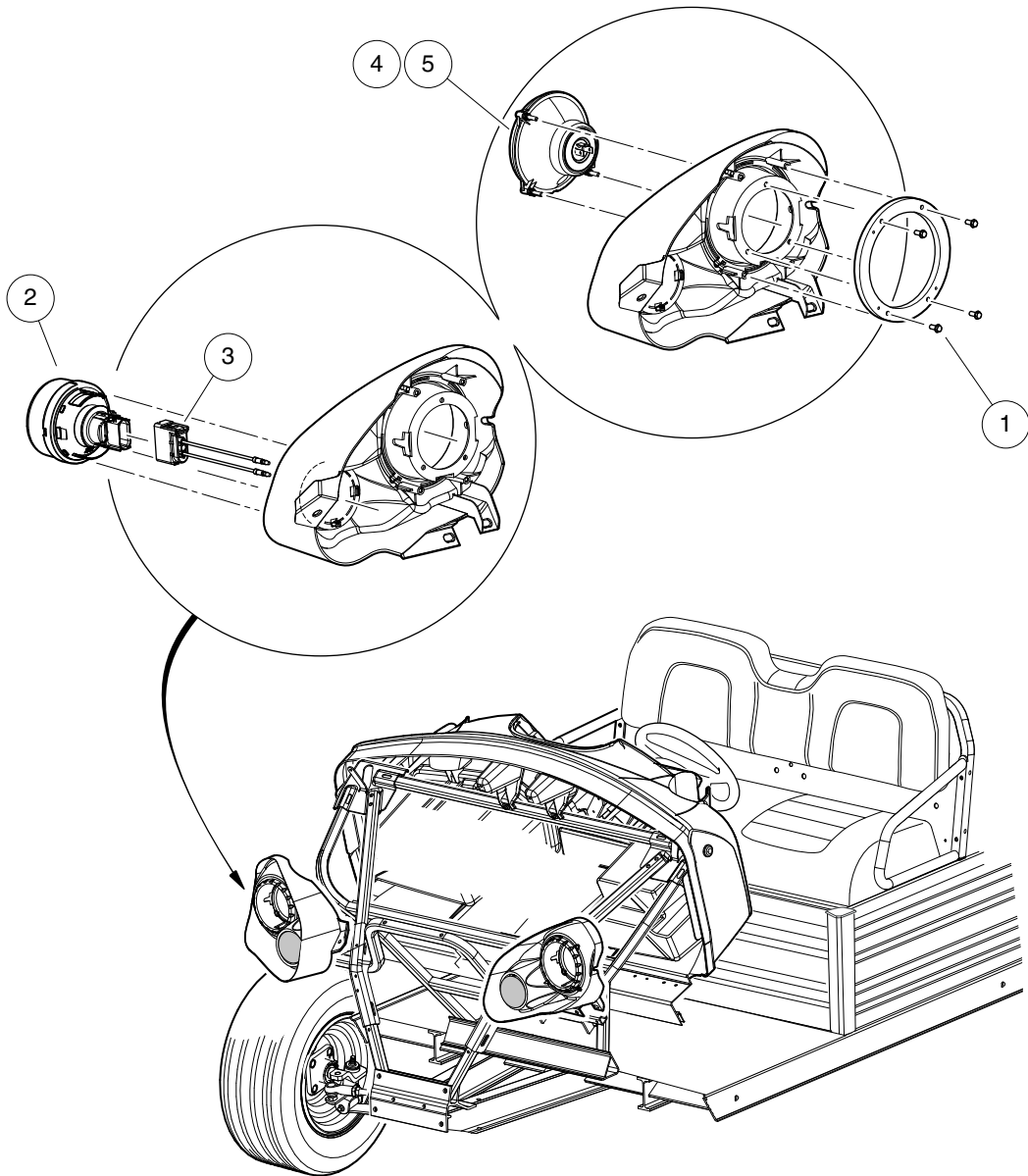
---

4

E

4

E



001349-001

## HEADLIGHTS - CA510 AND CA710 HOMOLOGATED

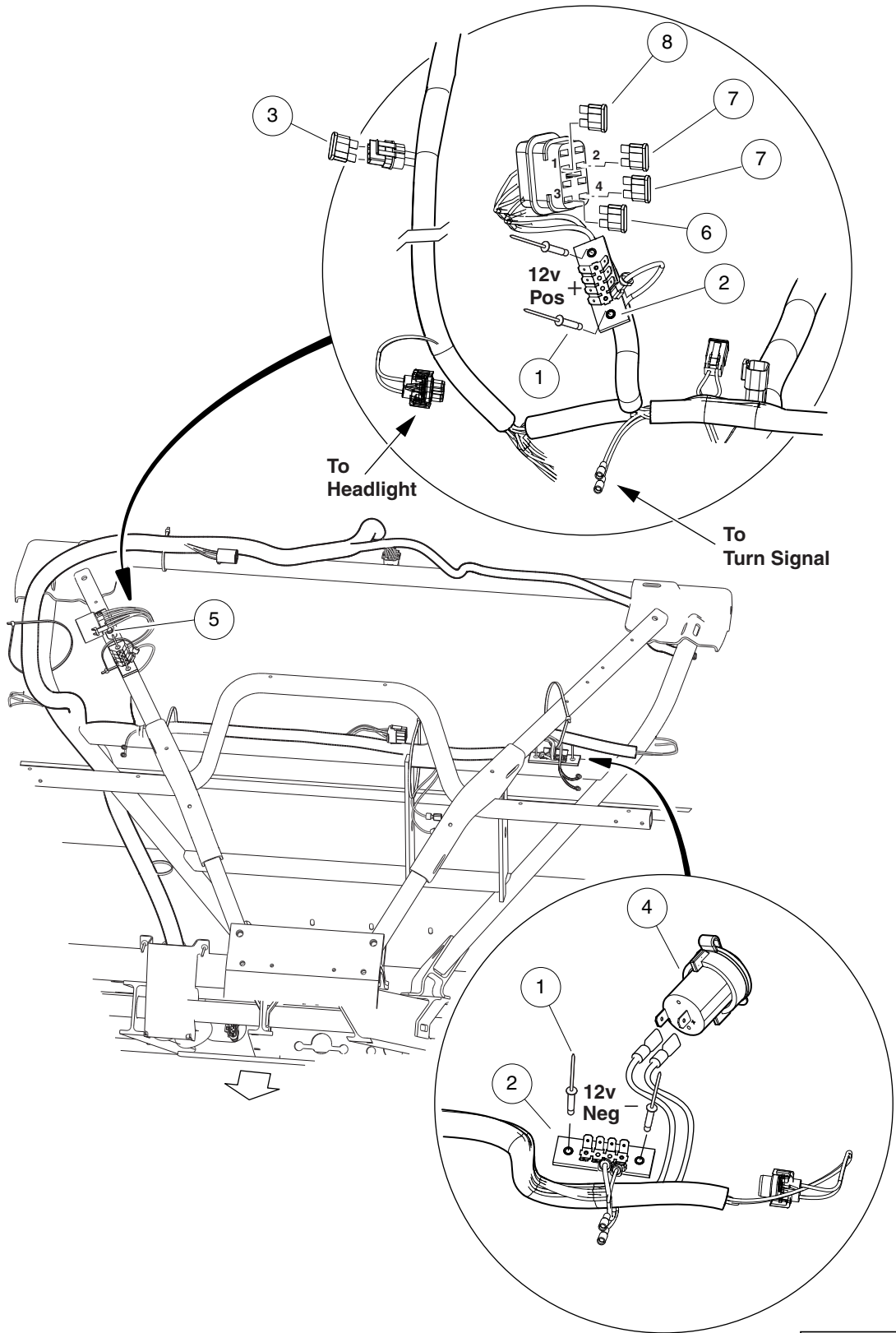
ITEM	PART NO.	DESCRIPTION	QTY
		1 2 3 4	
1	101850301	Screw, #12-16 X 0.50 Washer-Head Hi-Lo .....	8
2	102894503	Light, Turn Sig, Round 3", Utl .....	2
3	103245001	Jumper, Turn Signal, Ca/xrt/hu .....	2
4	105073501	HI, Rnd 5.5", Utl, Homol, Rh .....	2
5	105073502	HI, Rnd 5.5", Utl, Homol, Lh .....	2
		<p>Note: 105073501 is for country with right-hand traffic flow. 105073502 is for country with left-hand traffic flow.</p>	

**4**

**E**

4

E



001360-002

# 12-VOLT FUSE BLOCK AND FUSES – ELECTRIC VEHICLE

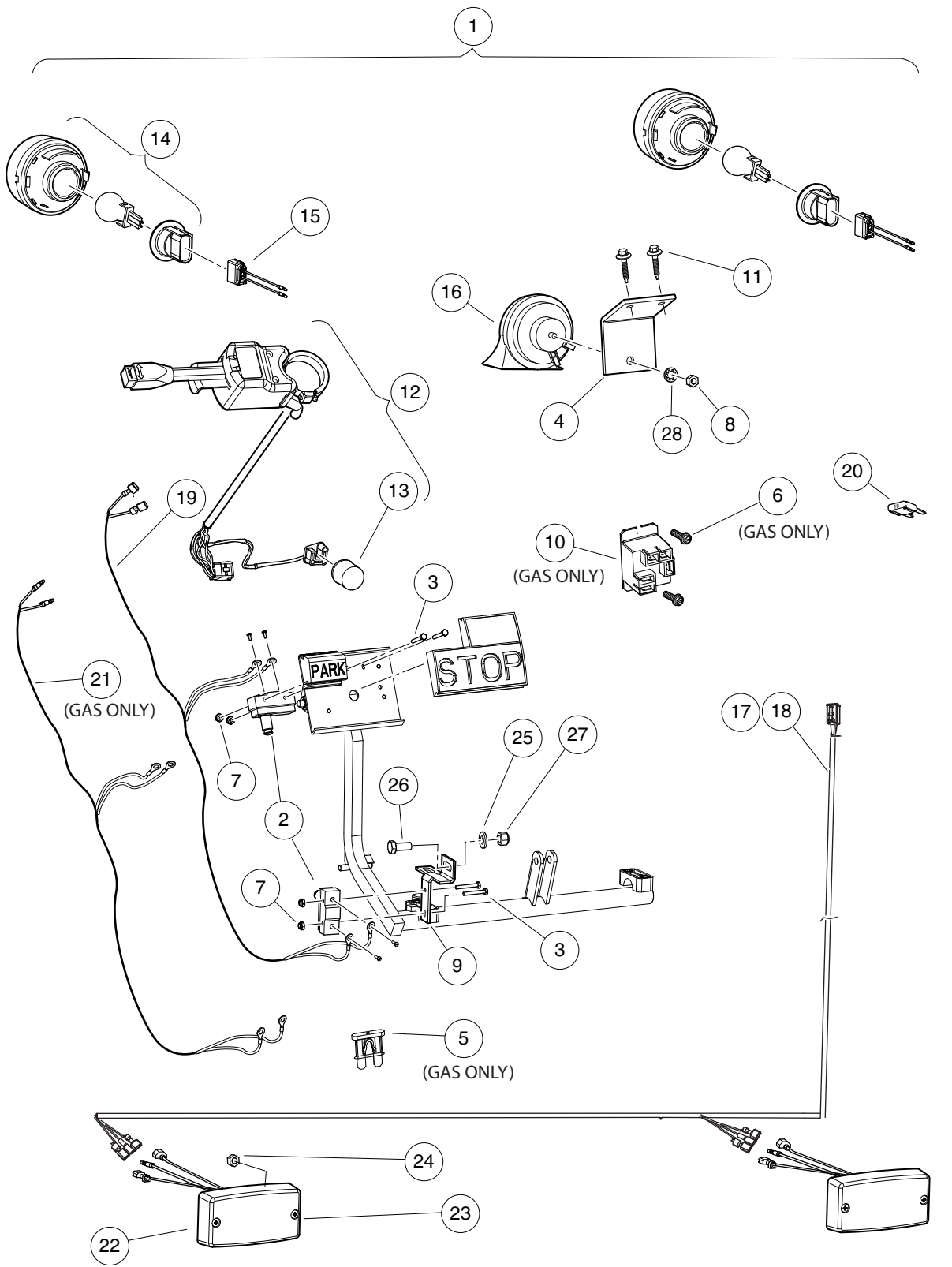
ITEM	PART NO.	DESCRIPTION	QTY
		<b>1 2 3 4</b>	
1	1013357	Rivet, 5/32 Aluminum Pop .....	4
2	1016356	Terminal Block with Insulator .....	2
3	1016423	Fuse, 20-Amp .....	1
4	102198001	Receptacle, Accessory .....	1
5	102238001	#10-24 Taptite Screw .....	1
6	105114805	Fuse, Mini, Atm, 7.5 Amp .....	1
7	105114806	Fuse, Mini, Atm, 10 Amp .....	2
8	105114807	Fuse, Mini, Atm, 15 Amp .....	1

**4**

**E**

4

E



001368-002



# HORN, TURN SIGNALS, AND TAILLIGHTS – ELECTRIC AND GASOLINE VEHICLES

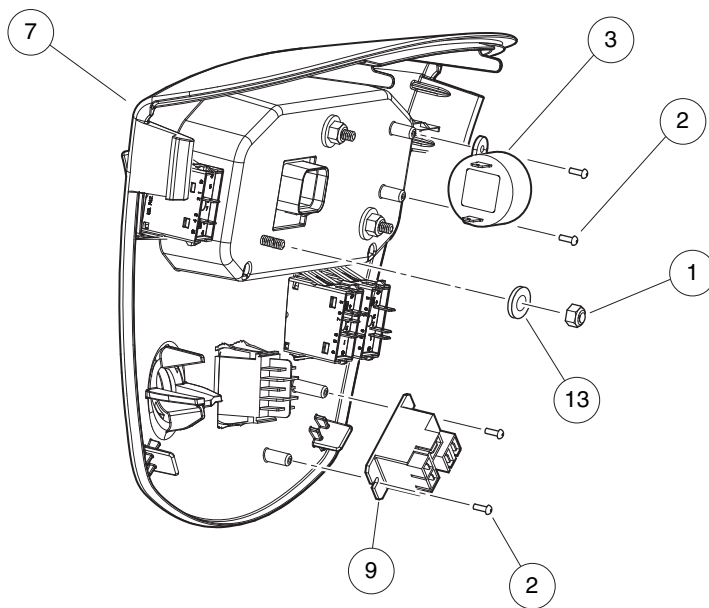
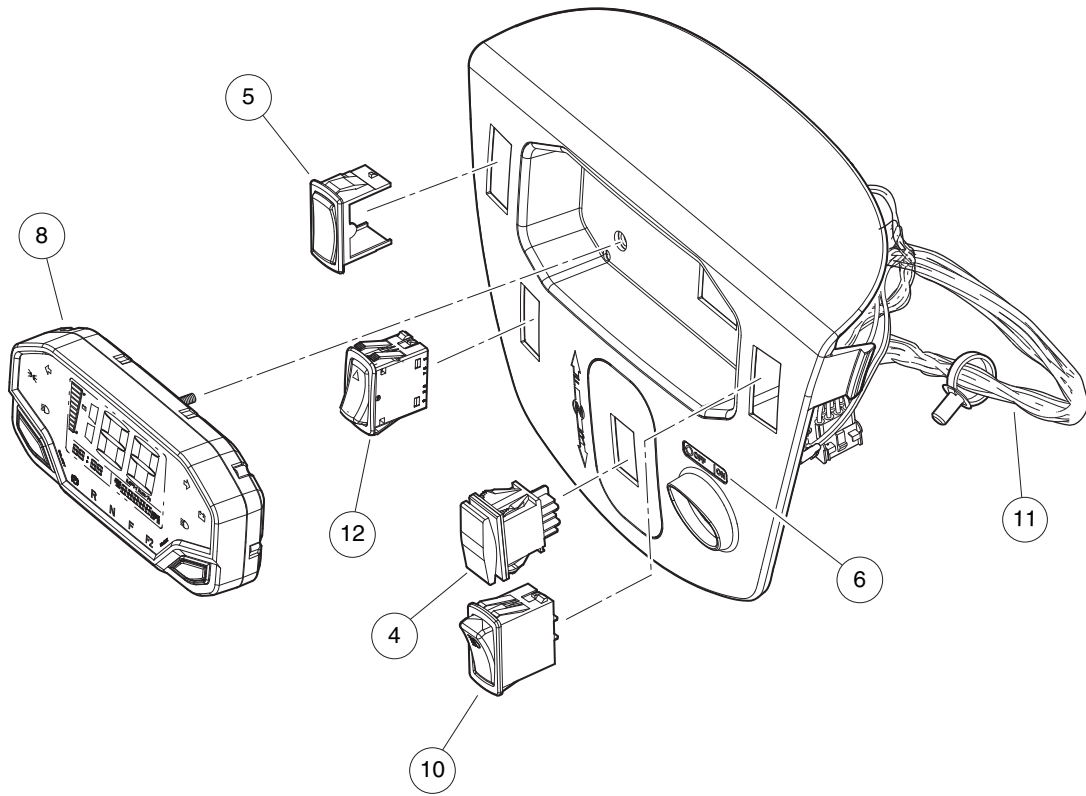
ITEM	PART NO.	DESCRIPTION	QTY
		1 2 3 4	
1	105122808	Kit, Horn/Tail Light/Turn (includes items 2 through 28) .....	1
2	1011439	Switch, Limit .....	2
3	1011557	Screw, #6-32 X 1.00 Hex-Head Machine .....	4
4	1011825	Horn Bracket .....	1
5	1012295	Fuse, 10-Amp .....	1
6	1016849	Screw, #4-24 X 0.33, Pan-Head, Machine .....	2
7	101932201	Locknut, #6-32 Nylon .....	4
8	101955101	Nut, M6 Hex .....	1
9	101957101	Bracket, Brake Light Switch .....	1
10	102199001	Relay, 12-Volt .....	1
11	102297125	Screw, M6-1.0x25.4, Thread-Forming, SEMS .....	2
12	102517501	Turn Signal Asm (includes item 13) .....	1
13	102546401	Flasher Unit, Prec .....	1
14	102894503	Light, Turn Sig, Round 3", Utl .....	2
15	103245001	Jumper, Turn Signal, Ca/xrt/hu .....	2
16	103484301	Horn, 12v, Gnd Isolated .....	1
17	105108201	Harness, Tail Light, Utility, Short .....	1
18	105108301	Harness, Tail Light, Utility, Long .....	1
19	105108401	Harness, Brk, Pedal Switch Utl .....	1
20	105114806	Fuse, Mini, Atm, 10 Amp .....	1
21	105135201	Jumper, Hill Brake, Switch .....	1
22	105165801	Lamp, Stop/trn/tail, Footdeck .....	2
23	105190601	Screw, #8-32 X 0.625, Clr Znc .....	4
24	105190701	Nut, Flanged, #8-32, Serrated .....	4
25	1241	Washer, 5/16 Type A Flat .....	1
26	7173	Screw, 5/16-18 X 0.75, Hex-Head Cap .....	1
27	7473	Locknut, 5/16-18 Nylon Insert .....	2
28	7820	Washer, 5/16 Internal-Tooth .....	1
Note: 1051082, Harness, Tail Light, Utility, Short, fits the following vehicles with serial prefix: MA, MB, MC, MD, ME, MF, MK, ML, MM, MP, MU.			

**4**

**E**

4

E



001354-002

# INSTRUMENT PANEL - CA510 AND CA710 HOMOLOGATED

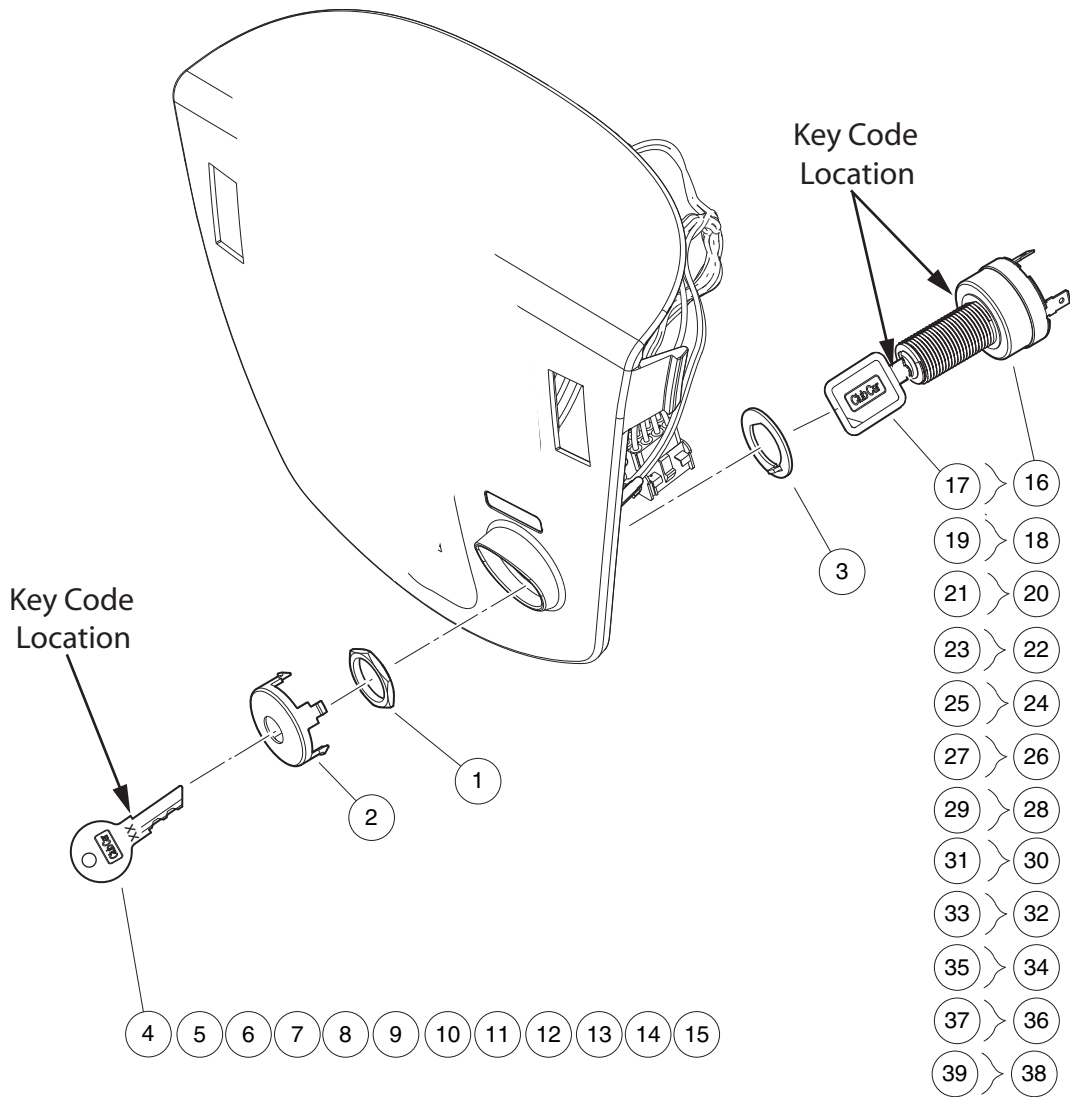
ITEM	PART NO.	DESCRIPTION	QTY
		1 2 3 4	
1	1016849	Screw, #4-24 X 0.33, Pan-Head, Machine .....	4
2	1016851	Buzzer, Reverse (9-48 VDC) .....	1
3	101856001	Switch, Rocker, Double-Pole .....	1
4	103180101	Cover, Hole, Switch, Rocker .....	1
5	103827201	Decal, Ignition, Homologated .....	1
6	105034103	Panel, Instrument, Koso, Ca .....	1
7	105073601	Display, Dash, Koso, Elec .....	1
8	105112401	Relay, Spdt Nc, 48v 30a, Pmt .....	1
9	105113101	Switch, High Beam, Lsv, Homol .....	1
10	105146701	Switch, Hazard, 12vdc .....	1
11	105247101	Nut, M5 X 0.8, Flange .....	3
12	105257901	Harness, Lsv, Homol, Ip .....	1
13	332	Washer, 1/4 Type A Narrow Flat .....	3

**4**

**E**

4

E



001355-001

# KEYSWITCH, PRIVATE SPEED MODE - ELECTRIC VEHICLE

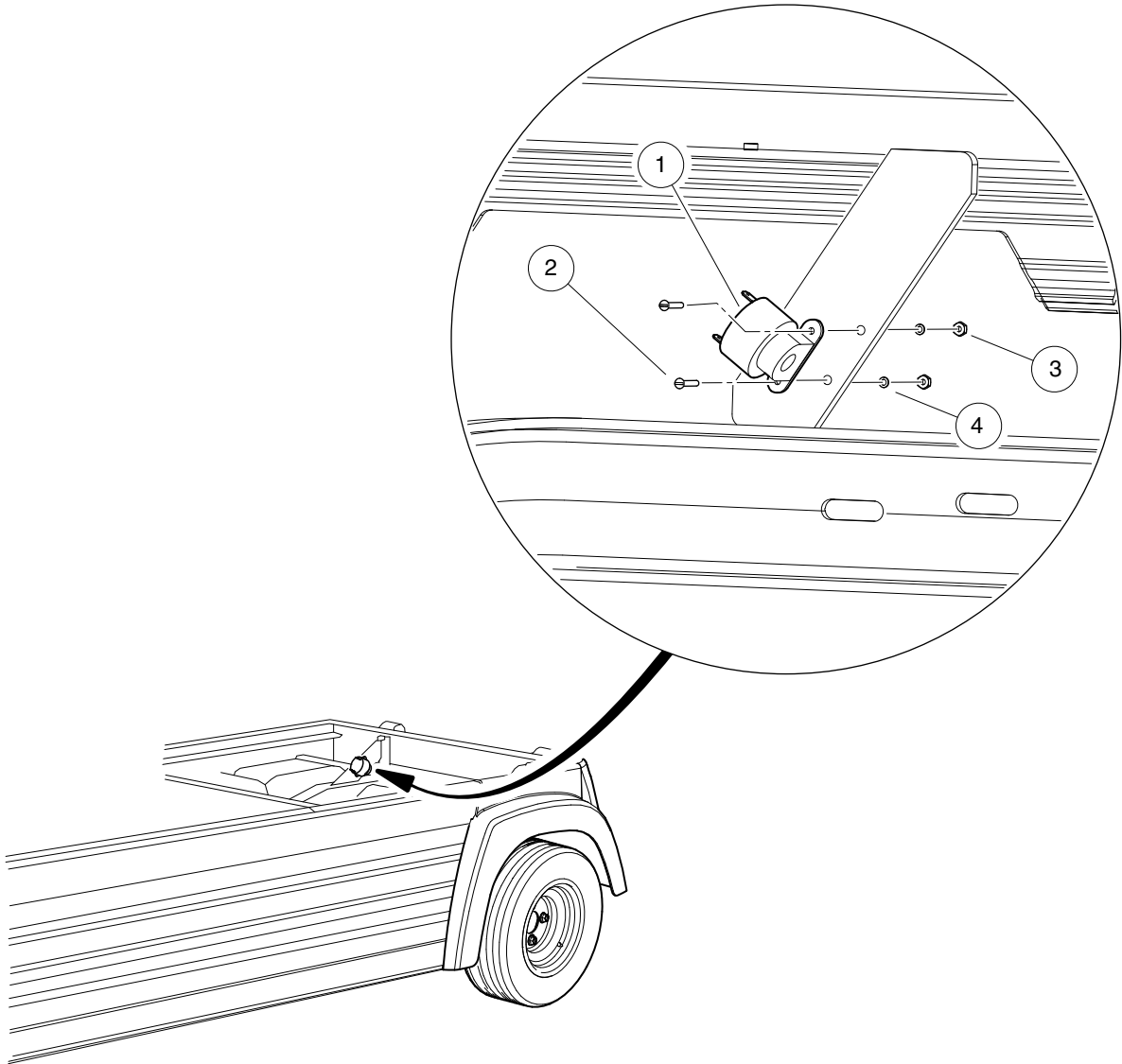
ITEM	PART NO.	DESCRIPTION	QTY
		1 2 3 4	
1	101830701	Nut, Key Switch .....	1
2	101834502	Cap, Black Key Switch .....	1
3	101851101	Washer, Key Switch .....	1
4	101974701	Key, Uncommon 1a .....	1
5	101974702	Key, Uncommon 1b .....	1
6	101974703	Key, Uncommon 1c .....	1
7	101974704	Key, Uncommon 1d .....	1
8	101974705	Key, Uncommon 2a .....	1
9	101974706	Key, Uncommon 2b .....	1
10	101974707	Key, Uncommon 2c .....	1
11	101974708	Key, Uncommon 2d .....	1
12	101974709	Key, Uncommon 1e .....	1
13	101974710	Key, Uncommon 1f .....	1
14	101974711	Key, Uncommon 2e .....	1
15	101974712	Key, Uncommon 2f .....	1
16	105082001	Keysw, Uncom, 4t, Off/p2/p3 1a (includes item 17) .....	1
17	105068001	Key, Uncommon, Padded 1a .....	1
18	105082002	Keysw, Uncom, 4t, Off/p2/p3 1b (includes item 19) .....	1
19	105068002	Key, Uncommon, Padded 1b .....	1
20	105082003	Keysw, Uncom, 4t, Off/p2/p3 1c (includes item 21) .....	1
21	105068003	Key, Uncommon, Padded 1c .....	1
22	105082004	Keysw, Uncom, 4t, Off/p2/p3 1d (includes item 23) .....	1
23	105068004	Key, Uncommon, Padded 1d .....	1
24	105082005	Keysw, Uncom, 4t, Off/p2/p3 1e (includes item 25) .....	1
25	105068005	Key, Uncommon, Padded 1e .....	1
26	105082006	Keysw, Uncom, 4t, Off/p2/p3 1f (includes item 27) .....	1
27	105068006	Key, Uncommon, Padded 1f .....	1
28	105082007	Keysw, Uncom, 4t, Off/p2/p3 2a (includes item 29) .....	1
29	105068007	Key, Uncommon, Padded 2a .....	1
30	105082008	Keysw, Uncom, 4t, Off/p2/p3 2b (includes item 31) .....	1
31	105068008	Key, Uncommon, Padded 2b .....	1
32	105082009	Keysw, Uncom, 4t, Off/p2/p3 2c (includes item 33) .....	1
33	105068009	Key, Uncommon, Padded 2c .....	1
34	105082010	Keysw, Uncom, 4t, Off/p2/p3 2d (includes item 35) .....	1
35	105068010	Key, Uncommon, Padded 2d .....	1
36	105082011	Keysw, Uncom, 4t, Off/p2/p3 2e (includes item 37) .....	1
37	105068011	Key, Uncommon, Padded 2e .....	1
38	105082012	Keysw, Uncom, 4t, Off/p2/p3 2f (includes item 39) .....	1
39	105068012	Key, Uncommon, Padded 2f .....	1
		Note: Keyswitch 105082001, is standard for private speed mode electric vehicles equipped with a cab. Keyswitch 105082002, is standard for private speed mode electric vehicles without a cab. Keyswitches 105082003 through 105082012 allows different key code combinations for private speed mode electric fleet vehicles.	

**4**

**E**

**4**

**E**



001361-001

## REAR MOUNTED REVERSE BUZZER – CA710

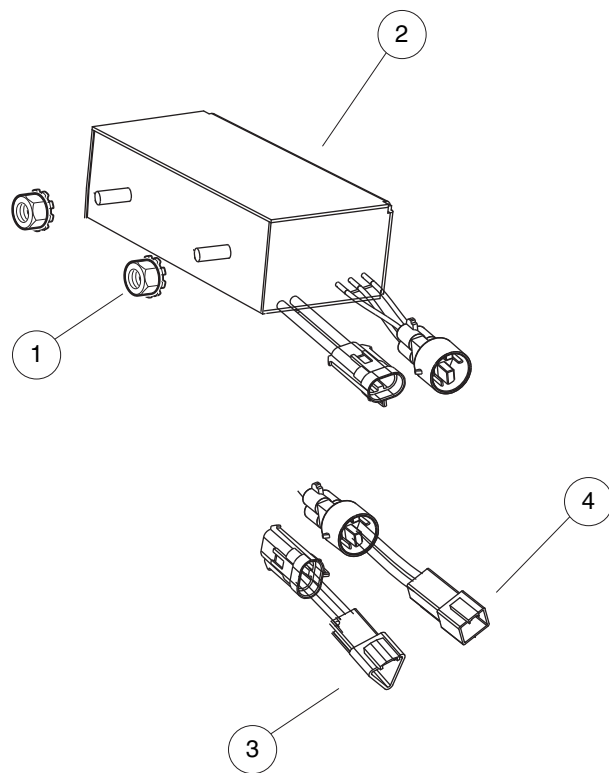
ITEM	PART NO.	DESCRIPTION	QTY
		<b>1 2 3 4</b>	
1	1016851	Buzzer, Reverse (9-48 VDC) .....	1
2	8056	Screw, #4-40 X 0.75 Round-Head Machine .....	2
3	8057	Nut, #4-40 Hex Machine .....	2
4	8058	Lockwasher, #4 Split .....	2

**4**

**E**

4

E



001359-001



# DC CONVERTER, HEAVY DUTY – ELECTRIC VEHICLE

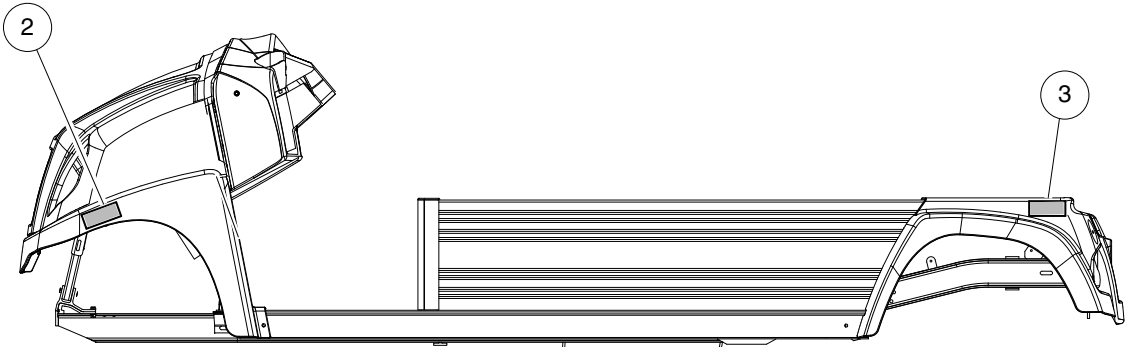
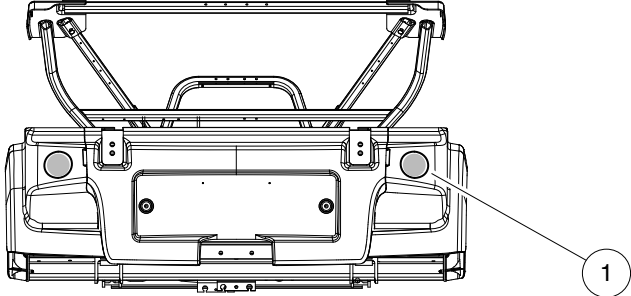
ITEM	PART NO.	DESCRIPTION	QTY
		<b>1 2 3 4</b>	
1	101835601	Locknut, 1/4-20 Hex Whiz .....	2
2	103449501	Bead, Ferrite, Tdk .....	1
3	103804901	Converter, 25a, Isolated, Ce .....	1
4	105146901	Jmpr, Dc Conv, Dt/mp480s, In .....	1
5	105147001	Jmpr, Dc Conv, Dt/mp480s, Out .....	1

**4**

**E**

4

E



001362-001

# REFLECTORS

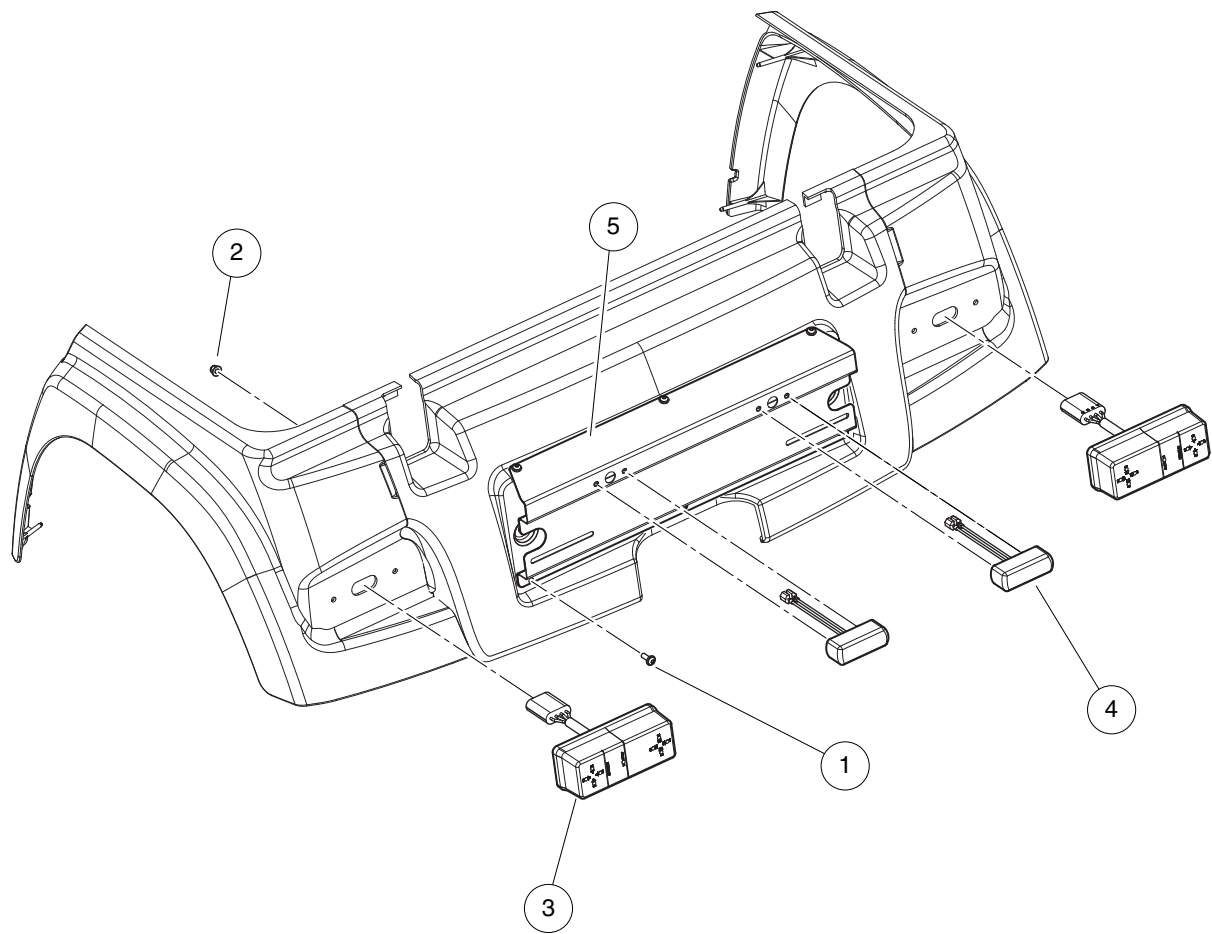
ITEM	PART NO.	DESCRIPTION	QTY
		<b>1 2 3 4</b>	
1	103832501	Reflector, Red, Round, Sae .....	2
2	103832601	Reflector, Yell, Rect, Sae .....	2
3	105144801	Reflector, Red, Rect, Sae .....	2

**4**

**E**

4

E



001348-001

# TAILLIGHT AND LICENSE PLATE BRACKET - CA510 AND CA710 HOMOLOGATED

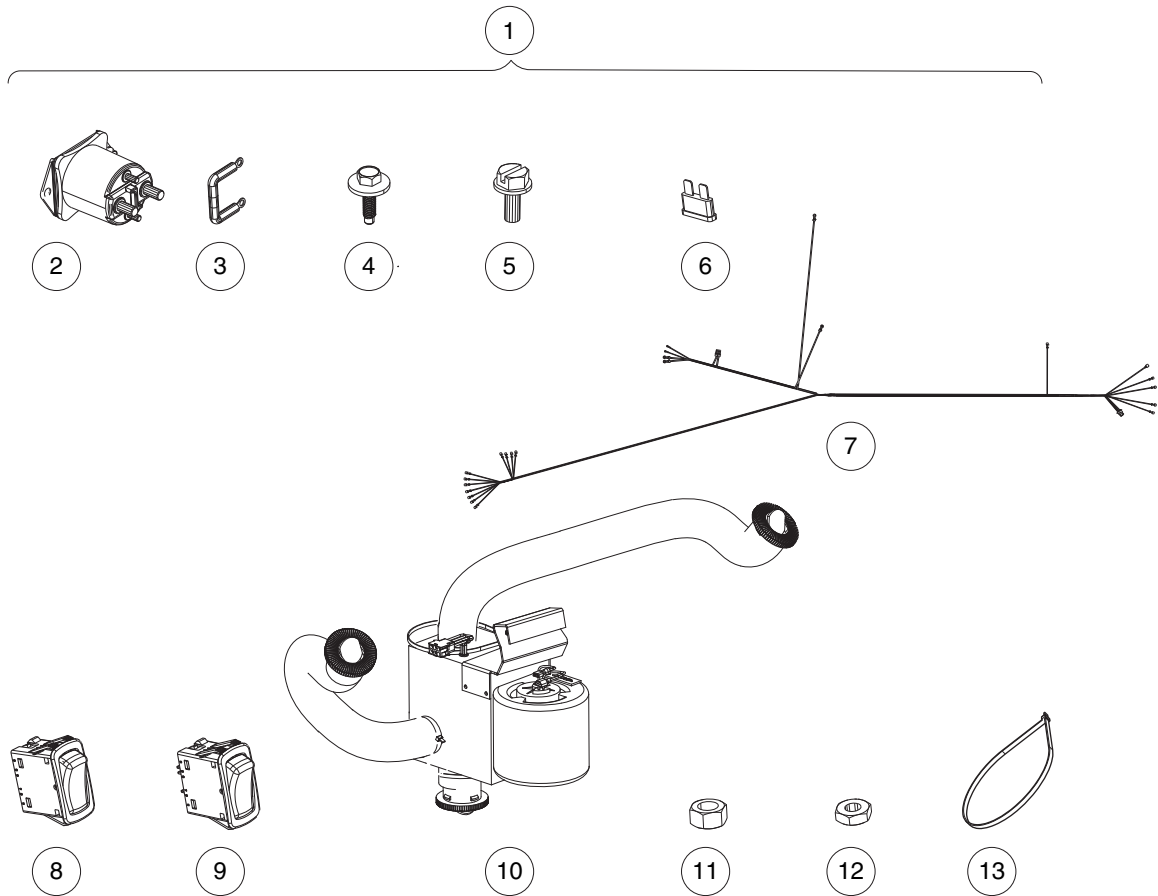
ITEM	PART NO.	DESCRIPTION	QTY
		<b>1 2 3 4</b>	
1	102296920	Screw, M6, Torx Button Head, Sems .....	6
2	102621501	Nut, Flange, M6 X 1.0, Nylon .....	6
3	103810801	Taillight, Stop/tl/trn, E-mark (Includes Mounting Hardware) .....	2
4	103810901	License Lamp, E-mark .....	2
5	105250401	Bracket, License Plate, Homol, UTL .....	1

**4**

**E**

4

E



001366-002

# HEATER DEFOGGER – ELECTRIC VEHICLE

ITEM	PART NO.	DESCRIPTION	QTY
		<b>1 2 3 4</b>	
1	105135802	Kit, Defogger, Heater (includes items 2 through 13) .....	1
2	1013609	Solenoid, 12-Volt .....	1
3	1014948	Diode .....	1
4	102297125	Screw, M6-1.0x25.4, Thread-Forming, SEMS .....	2
5	102817101	Screw, 1/4-20 X .50 Hex Wsh Hd .....	2
6	103541401	Fuse, Atc, 5 Amp .....	1
7	105108801	Harness, Heater, Cab, Util .....	1
8	105112501	Switch, Heater, 12vdc .....	1
9	105112601	Switch, Blower, 12vdc .....	1
10	N/A	Heater, Defogger .....	1
11	1242	Nut, 5/16-18 Hex .....	2
12	7893	Nut, #10-32 Hex .....	2
13	8639	Tie Wrap, 11" Nylon .....	8

**4**

**E**

**4**

***E***



# **BRAKES, PEDALS, AND CABLE ASSEMBLIES**

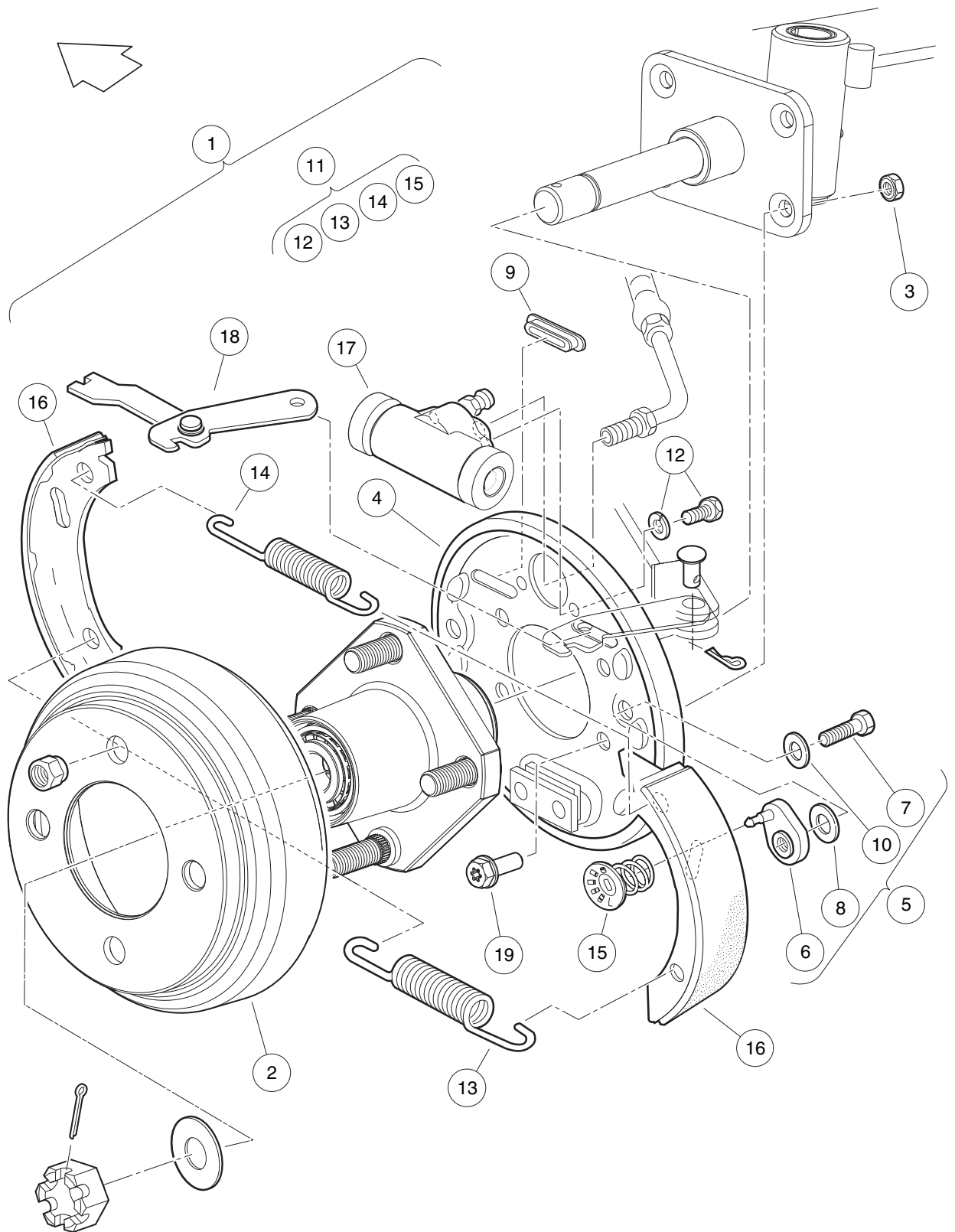
---

**5**

**E**

5

E



001416-002

# HYDRAULIC FRONT DRUM BRAKE ASSEMBLY – DRIVER-SIDE

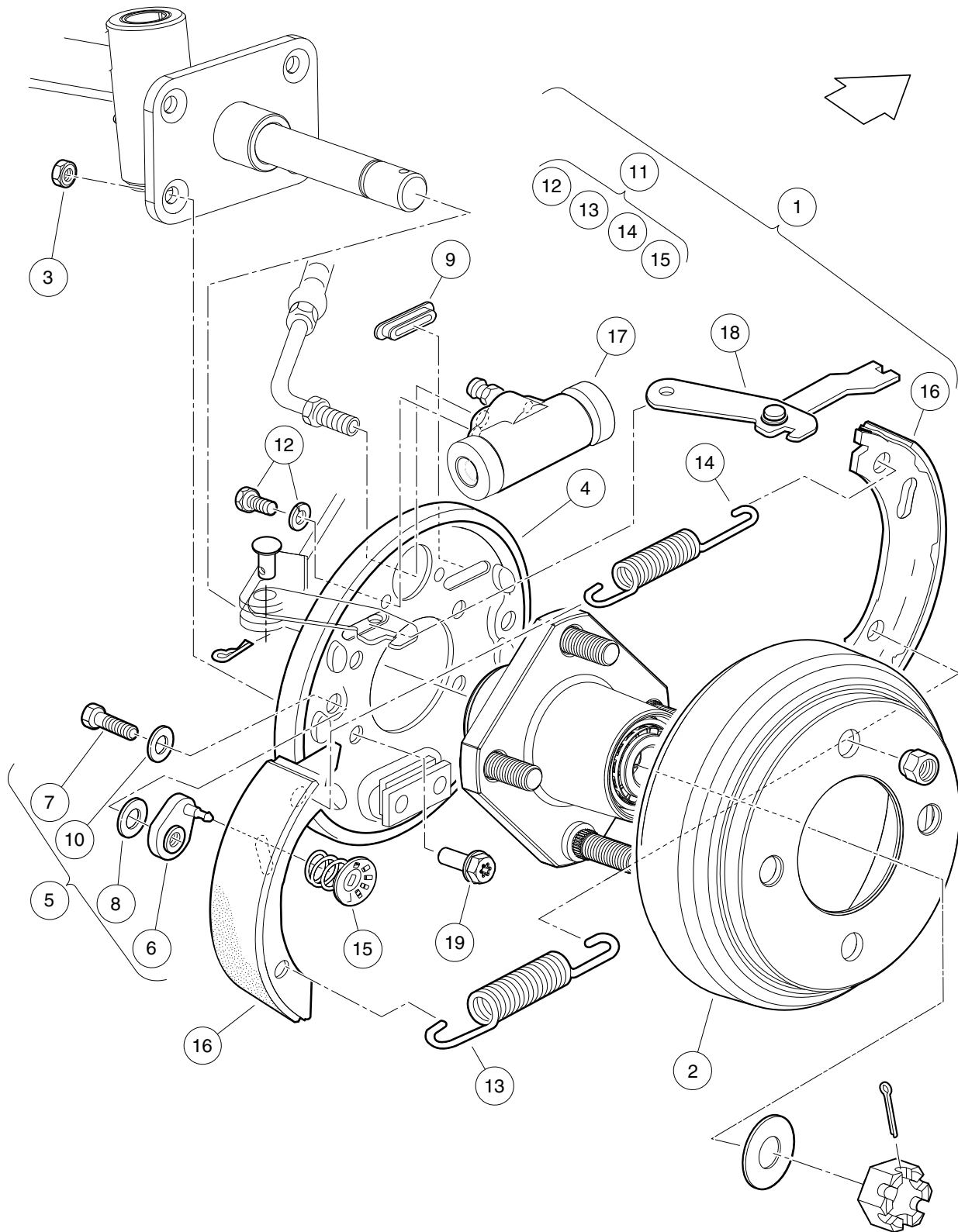
ITEM	PART NO.	DESCRIPTION	QTY
		1 2 3 4	
1	102033401	Assembly, Brake Cluster LH (includes items 2 through 19) .....	1
2	1011137	Drum, Brake .....	1
3	1013924	Nut, 5/16-24, Hex Head Cone .....	4
4	102049401	Backing Plate Asm .....	1
5	102049601	Kit, Axle Adjuster (includes items 6 through 10) .....	1
6	102049501	Adjuster .....	4
7	102049901	Bolt, 1/4-28 UNF X .31 .....	4
8	102050001	Washer .....	4
9	102050101	Dust Cover .....	4
10	N/A	Washer, 1/4 Flat .....	4
11	102049701	Kit, Axle Hardware (includes items 12 through 15) .....	1
12	102050401	Bolt, Wheel Cylinder .....	2
13	102050501	Spring, Shoe To Shoe, Lower .....	1
14	102050601	Spring, Shoe To Shoe, Upper .....	1
15	102050701	Shoe Hold Down .....	2
16	102050201	Shoe Kit, Axle Set .....	1
17	102050801	Wheel Cylinder Assembly 0.875 Dia .....	1
18	102050902	Park Brake Assembly, Left-Hand .....	1
19	103229601	Bolt, Brake Cluster Mnt, Hyd .....	4

5

E

5

E



001416-003

# HYDRAULIC FRONT DRUM BRAKE ASSEMBLY – PASS-SIDE

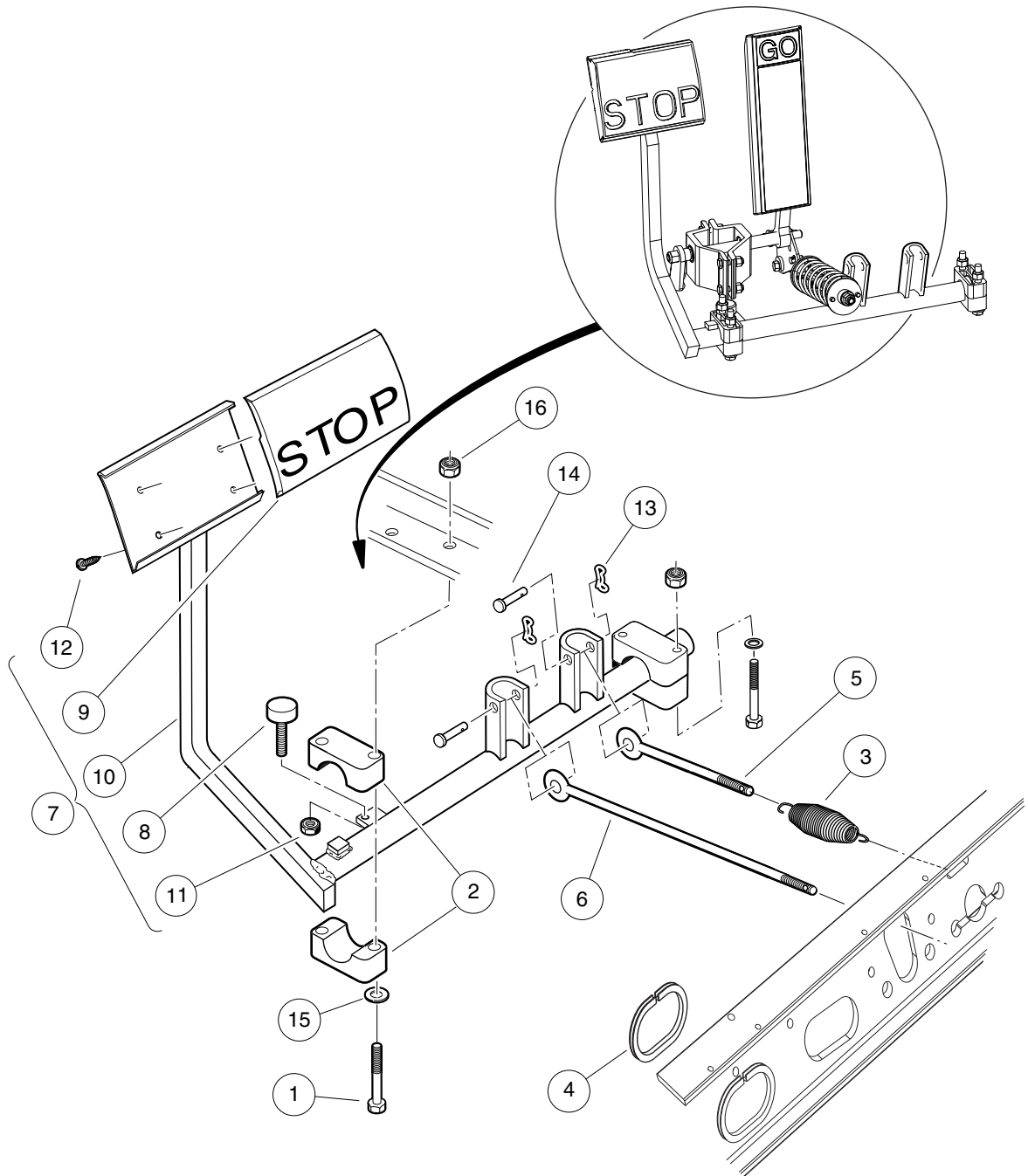
ITEM	PART NO.	DESCRIPTION	QTY
		1 2 3 4	
1	102033501	Assembly, Brake Cluster RH (includes items 2 through 19) .....	1
2	1011137	Drum, Brake .....	1
3	1013924	Nut, 5/16-24, Hex Head Cone .....	4
4	102049401	Backing Plate Asm .....	1
5	102049601	Kit, Axle Adjuster (includes items 6 through 10) .....	1
6	102049501	Adjuster .....	4
7	102049901	Bolt, 1/4-28 UNF X .31 .....	4
8	102050001	Washer .....	4
9	102050101	Dust Cover .....	4
10	N/A	Washer, 1/4 Flat .....	4
11	102049701	Kit, Axle Hardware (includes items 12 through 15) .....	1
12	102050401	Bolt, Wheel Cylinder .....	2
13	102050501	Spring, Shoe To Shoe, Lower .....	1
14	102050601	Spring, Shoe To Shoe, Upper .....	1
15	102050701	Shoe Hold Down .....	2
16	102050201	Shoe Kit, Axle Set .....	1
17	102050801	Wheel Cylinder Assembly 0.875 Dia .....	1
18	102050901	Park Brake Assembly, Right-Hand .....	1
19	103229601	Bolt, Brake Cluster Mnt, Hyd .....	4

**5**

**E**

5

E



001417-001

# BRAKE PEDAL ASSEMBLY

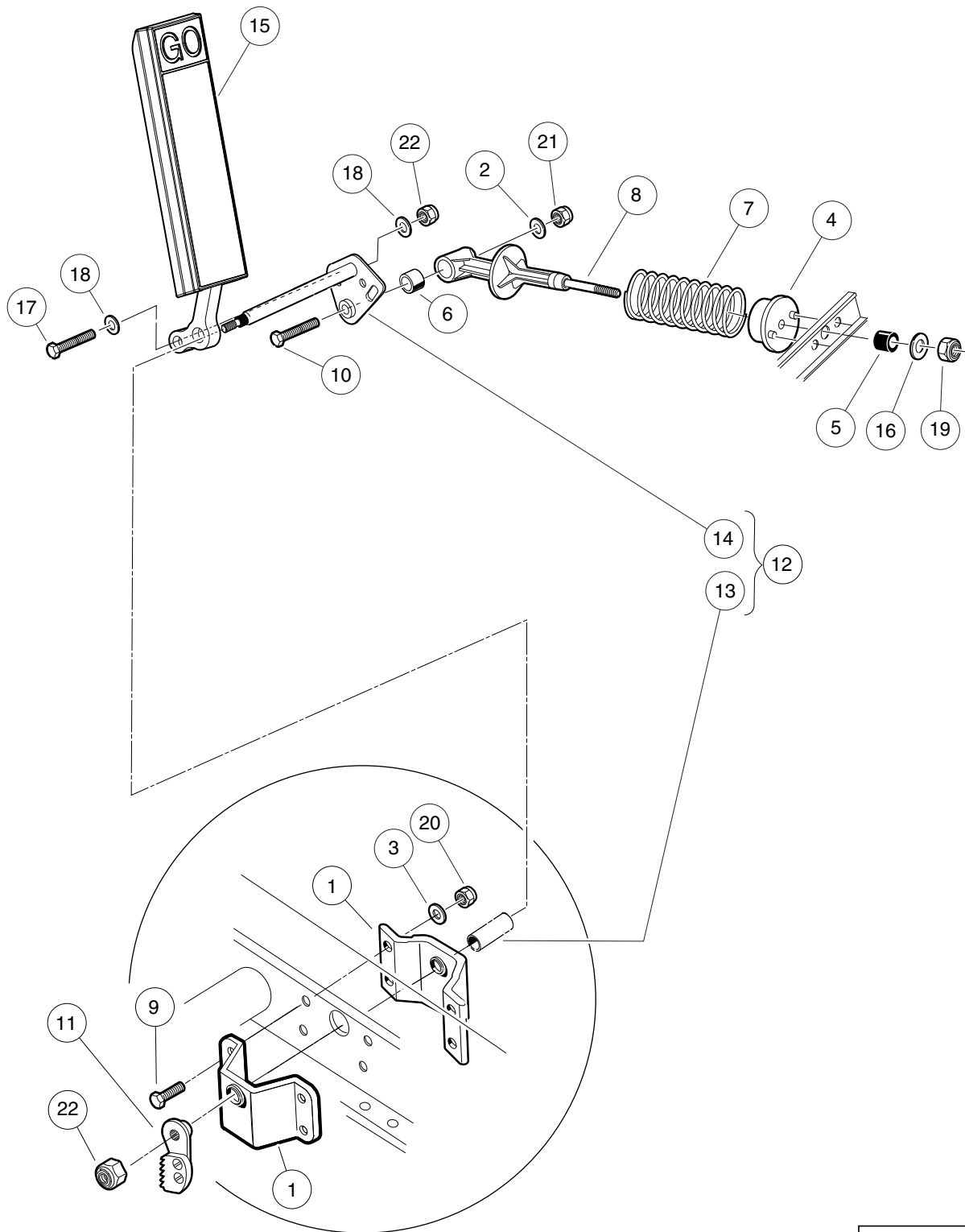
ITEM	PART NO.	DESCRIPTION	QTY
		<b>1 2 3 4</b>	
1	1010921	Screw, 5/16-18 X 2.50 Hex Cap .....	4
2	1011402	Package, Brake Mounting Block .....	1
3	1013531	Spring, Brake Return .....	1
4	101806005	I-beam Grommet - 6.75 .....	3
5	101953101	Rod, Equalizer, 8.91" .....	1
6	101953105	Rod, Equalizer, 13.30" .....	1
7	102028903	Brake Pedal Asm (includes items 8 through 12) .....	1
8	1010878	Bumper, Rubber .....	1
9	102028601	Pad, Hydraulic Brake Pedal .....	1
10	N/A	Brake Pedal Weld Asm .....	1
11	1028	Nut, 1/4-20 Hex .....	1
12	7716	Screw, #10-16 Type AB, Sheet Metal .....	4
13	102323101	Pin, Bow Tie Locking .....	2
14	102323201	Pin, 3/8 X 1-5/16 Clevis .....	2
15	1241	Washer, 5/16 Type A Flat .....	4
16	7473	Locknut, 5/16-18 Nylon Insert .....	4

**5**

**E**

5

E



001406-001



# ACCELERATOR PEDAL ASSEMBLY – ELECTRIC VEHICLES

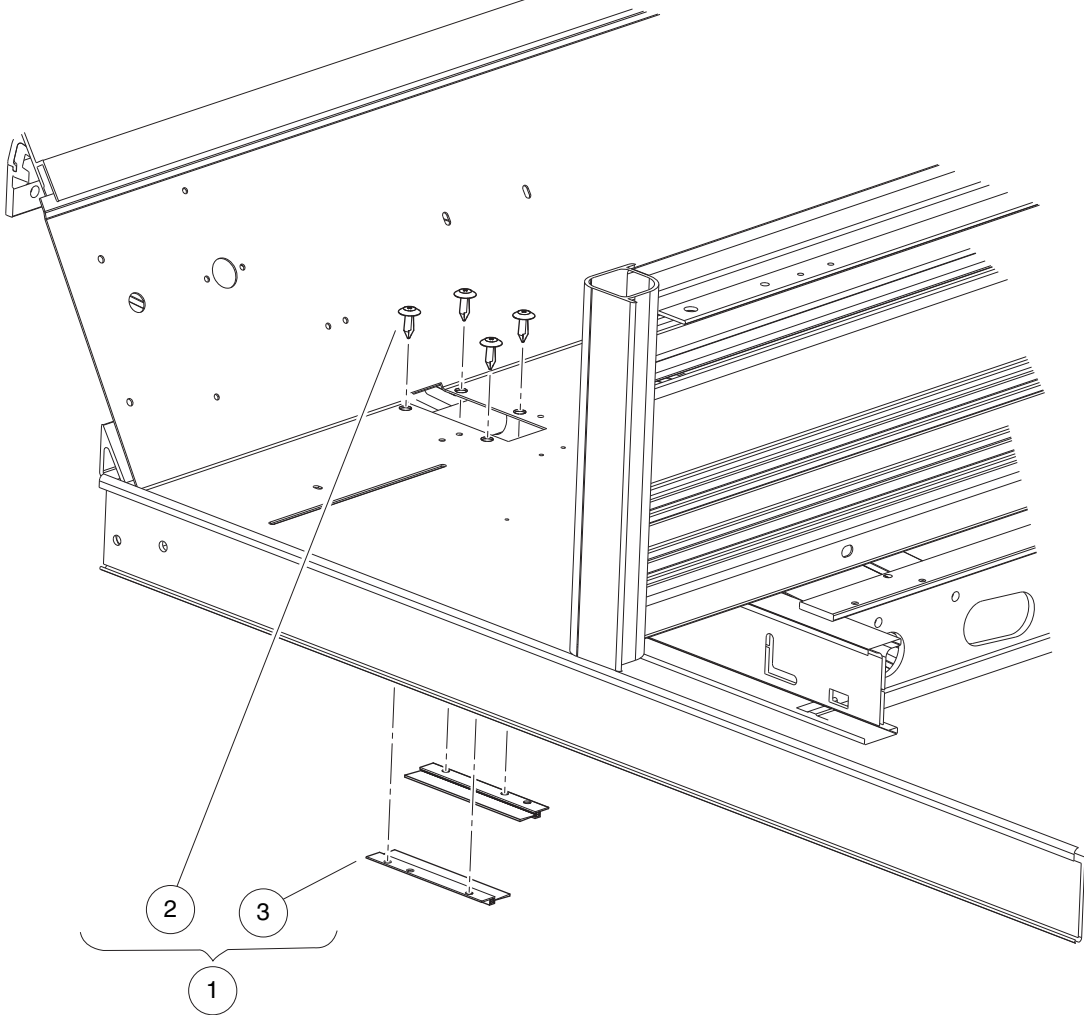
ITEM	PART NO.	DESCRIPTION	QTY
		<b>1 2 3 4</b>	
1	1011694	Accelerator Bracket and Bearing Assembly .....	2
2	1011931	Washer, 1/4 Flat .....	1
3	1014007	Washer, 1/4, Flat .....	4
4	1017378	Cup, Spring .....	1
5	1017380	Bumper, Spring Return .....	1
6	1017424	Bearing, Pivot Support .....	1
7	101796201	Spring, Accelerator Return .....	1
8	101817401	Retainer, Spring .....	1
9	101861901	Screw, 1/4-20 X 1.125 Hex Cap .....	4
10	101862001	Screw, 1/4-20 X 1.500 Flange .....	1
11	101918501	Ratchet Assembly .....	1
12	102026001	Kit, Accelerator Pivot Rod Assembly (includes items 13 and 14) .....	1
13	101919801	Spacer, Accelerator .....	1
14	102158901	Pivot Rod Weldment .....	1
15	103865101	Pedal, Accel, Insert .....	A/R
16	1241	Washer, 5/16 Type A Flat .....	1
17	1624	Screw, 3/8-16 X 1.50, Hex-Head Cap .....	1
18	334	Washer, 3/8, Type A, Flat .....	2
19	7473	Locknut, 5/16-18 Nylon Insert .....	1
20	8233	Locknut, 1/4-20, Nylon Insert .....	4
21	8717	Locknut, Nylon Insert, 1/4-28 .....	1
22	8754	Locknut, 3/8-16 Hex .....	2

**5**

**E**

5

E



001418-001

# PEDAL CLOSE-OUT KIT

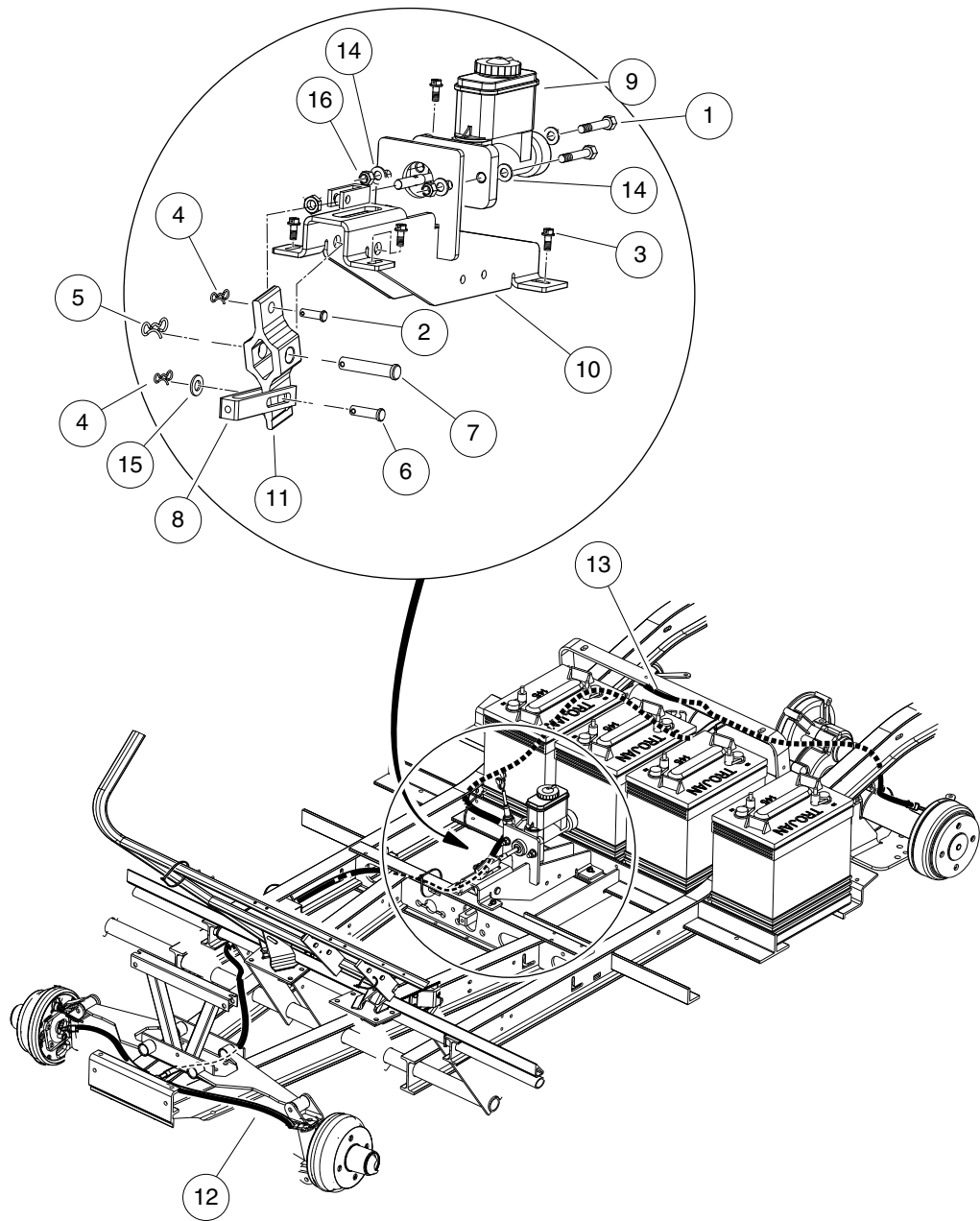
ITEM	PART NO.	DESCRIPTION	QTY
		<b>1 2 3 4</b>	
1	105149101	Kit, Close Out, Pedal, Utl (includes items 2 and 3) .....	1
2	102025701	Screw, Tuflok Panel, 1/4 .....	4
3	105149201	Asm, Brush, Pedal Close Out .....	2

**5**

**E**

5

E



001419-001

# MASTER CYLINDER, BELL CRANK, AND BRAKE LINES – CA510

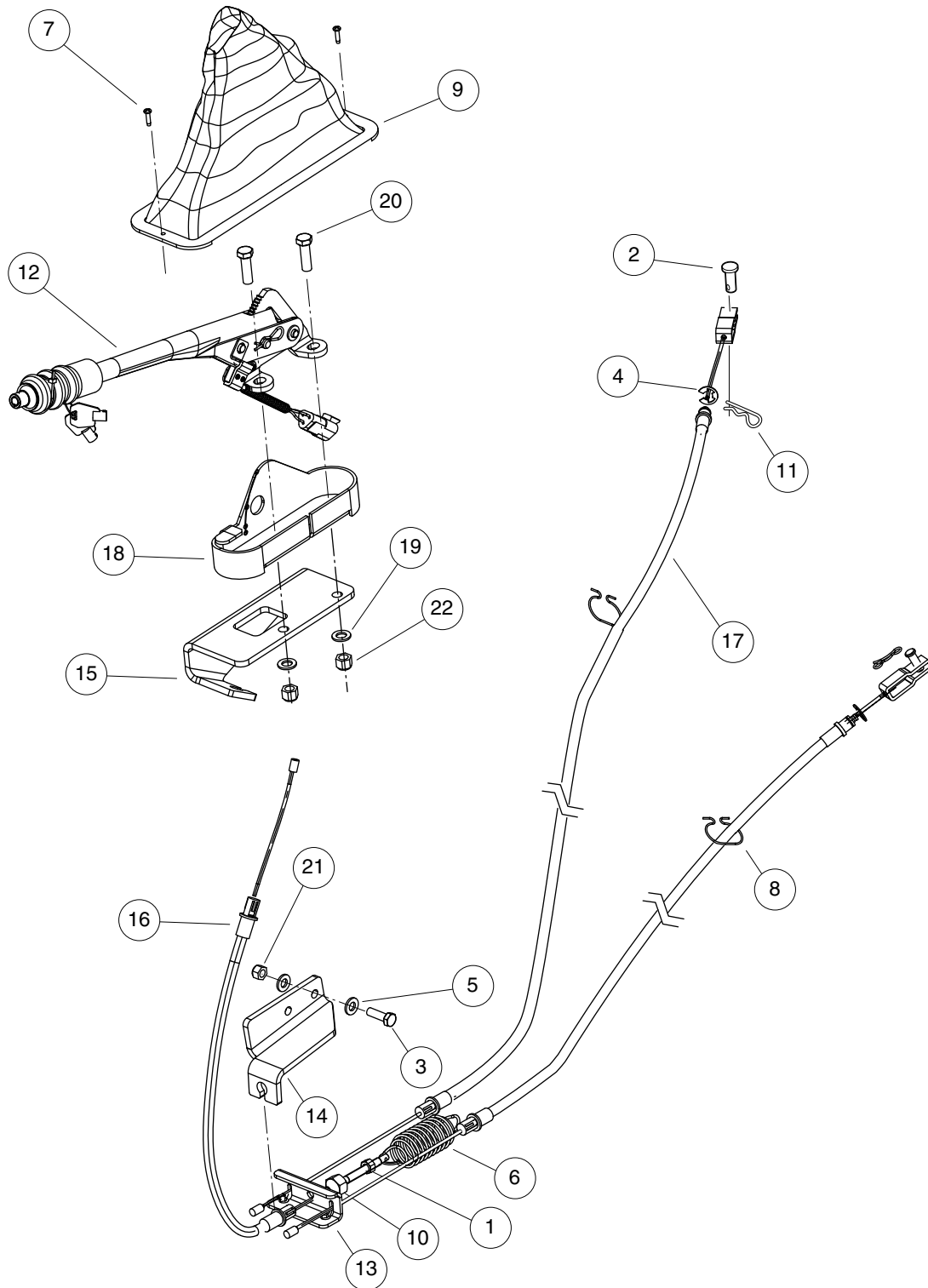
ITEM	PART NO.	DESCRIPTION	QTY
		1 2 3 4	
1	1010577	Bolt, Hex-Head, 5/16-18 X 1.50 .....	2
2	101082903	Pin, Clevis, 5/16 X 1 .....	1
3	1012285	Screw, 1/4 X 0.625 Hex-Head .....	5
4	102292801	Pin, Bow Tie Locking - .072 .....	2
5	102323101	Pin, Bow Tie Locking .....	1
6	102323201	Pin, 3/8 X 1-5/16 Clevis .....	1
7	102519001	Pin, 1/2 X 2-1/2 Clevis .....	1
8	102976701	Clevis, Bellcrank, Autobrake .....	1
9	103376101	Cylinder, Master, Integral Res .....	1
10	103635801	Brkt, Service Brake, 4pass .....	1
11	103665002	Asm, Pivot Lever, Lsv .....	1
12	103865001	Asm, Brake-line, Frt, Flre End .....	1
13	103971501	Asm, Brake Line, Rr, Ca2 .....	1
14	1241	Washer, 5/16 Type A Flat .....	4
15	334	Washer, 3/8, Type A, Flat .....	1
16	7473	Locknut, 5/16-18 Nylon Insert .....	2

**5**

**E**

5

E



000848-005

# HAND BRAKE ASSEMBLY – CA510 HOMOLOGATED

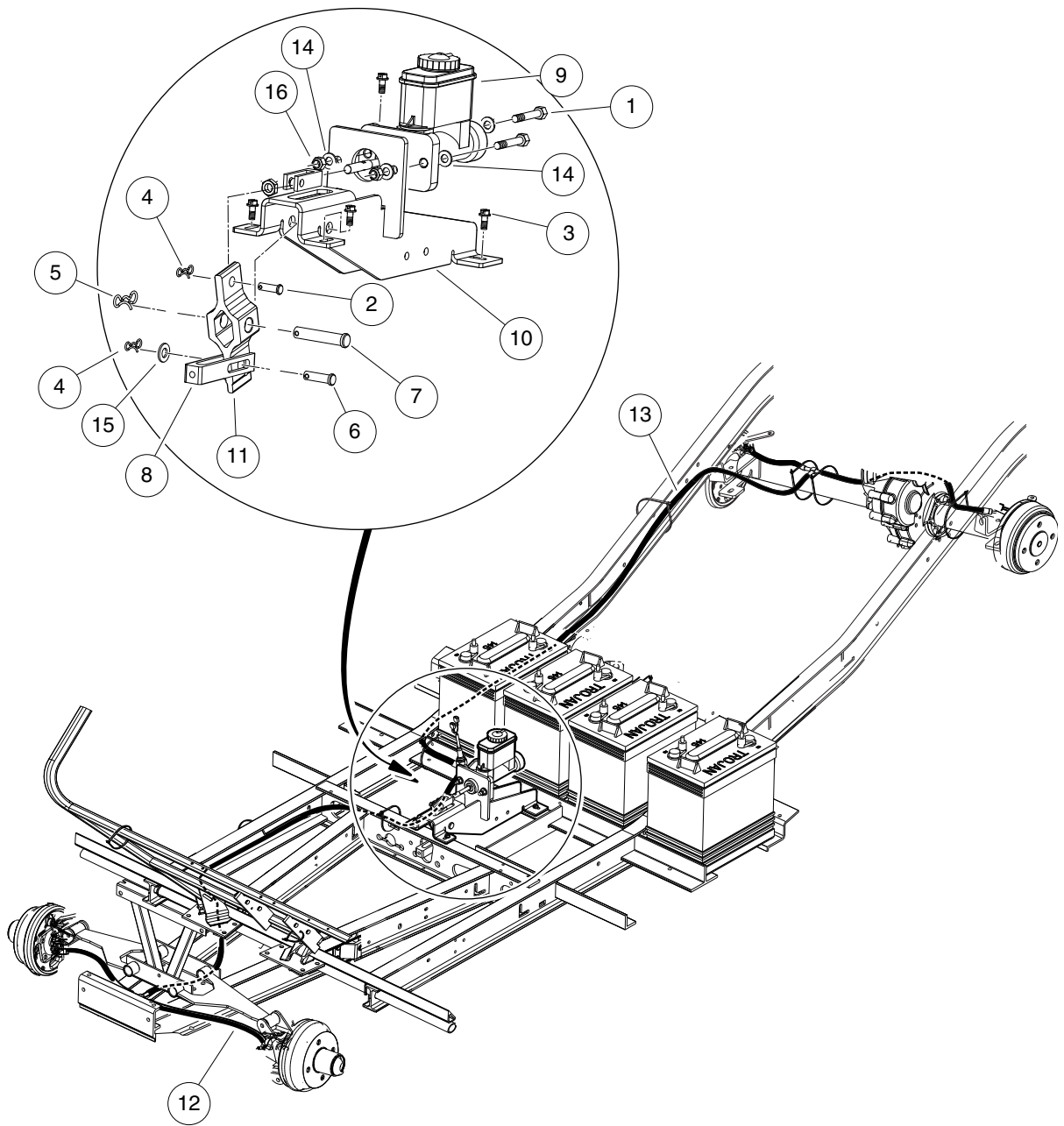
ITEM	PART NO.	DESCRIPTION	QTY
		<b>1 2 3 4</b>	
1	1010521	Nut, 5/16-24 Hex .....	1
2	1010829	Pin, Clevis, 5/16 X 3/4 .....	2
3	1010934	Screw, 5/16-18 X 1.00 Hex Cap .....	1
4	1011779	E-Clip, 1/2 .....	2
5	1011990	Washer, 3/8 Flat .....	2
6	1013531	Spring, Brake Return .....	1
7	101832001	Screw, #7-19 X 0.625 Phillips Pan-Head Tap .....	2
8	101900801	Hanger, Brake Cable .....	2
9	102033701	Park Brake Boot .....	1
10	102052801	Nut, 5/16-24 Hex Cone .....	1
11	102292801	Pin, Bow Tie Locking - .072 .....	2
12	102444602	Handlever, Box Config, Locking .....	1
13	103525801	Equalizer, Park Brake, lc .....	1
14	103625801	Brkt, Park Brake, Lower .....	1
15	103625901	Brkt, Park Brake, Upper .....	1
16	103626001	Cable, Park Brake, Front .....	1
17	103627001	Cable, Park Brake, Rear, Ca2 .....	2
18	103807801	Guard, Handbrake, Bottom Exit .....	1
19	1241	Washer, 5/16 Type A Flat .....	2
20	705	Screw, Cap-hex Hd 3/8-16x1.25 .....	2
21	7473	Locknut, 5/16-18 Nylon Insert .....	1
22	8754	Locknut, 3/8-16 Hex .....	2

5

E

5

E



001420-001



# MASTER CYLINDER, BELL CRANK, AND BRAKE LINES – CA710

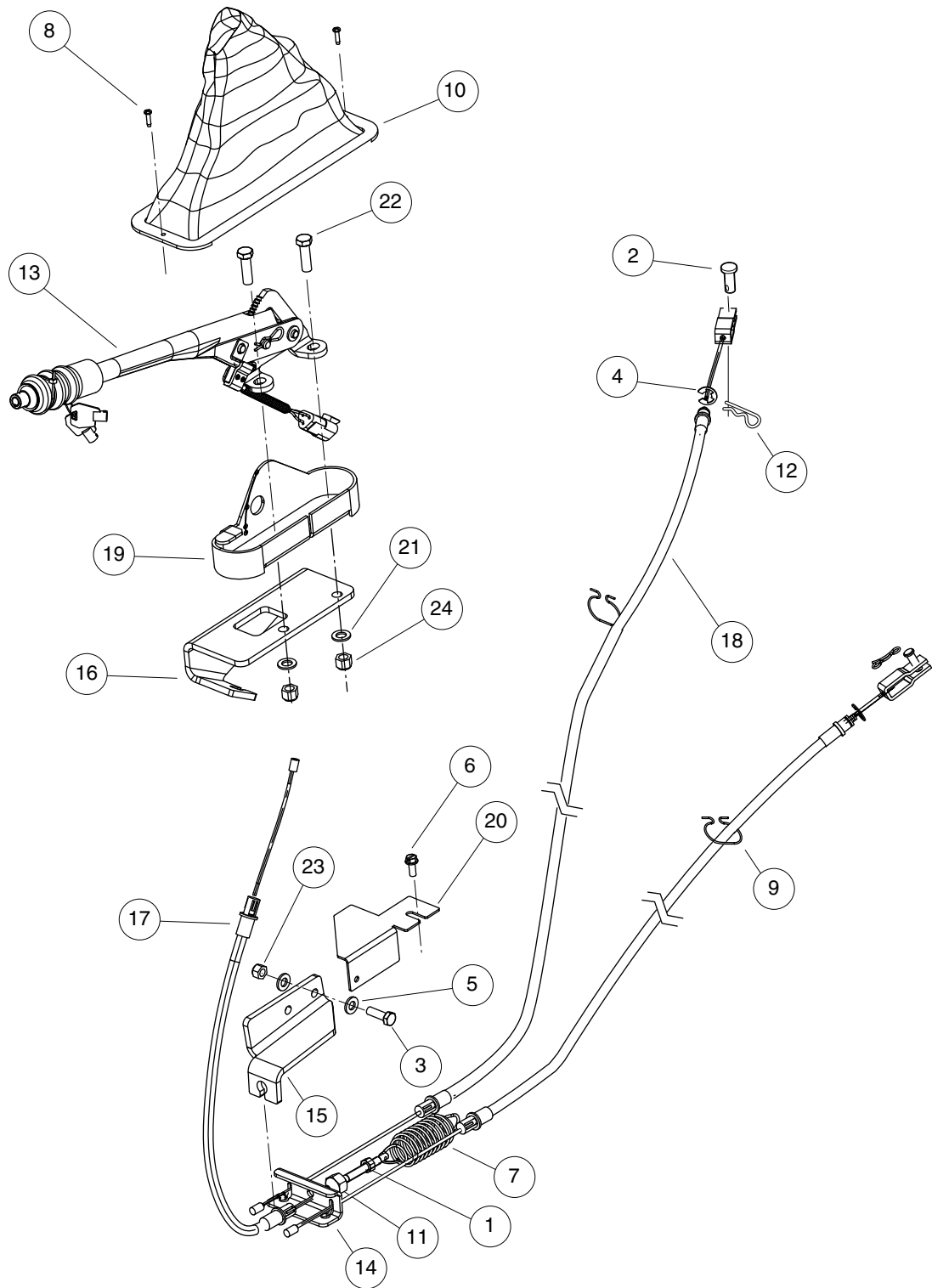
ITEM	PART NO.	DESCRIPTION	QTY
		<b>1 2 3 4</b>	
1	1010577	Bolt, Hex-Head, 5/16-18 X 1.50 .....	2
2	101082903	Pin, Clevis, 5/16 X 1 .....	1
3	1012285	Screw, 1/4 X 0.625 Hex-Head .....	5
4	102292801	Pin, Bow Tie Locking - .072 .....	2
5	102323101	Pin, Bow Tie Locking .....	1
6	102323201	Pin, 3/8 X 1-5/16 Clevis .....	1
7	102519001	Pin, 1/2 X 2-1/2 Clevis .....	1
8	102976701	Clevis, Bellcrank, Autobrake .....	1
9	103376101	Cylinder, Master, Integral Res .....	1
10	103635801	Brkt, Service Brake, 4pass .....	1
11	103665002	Asm, Pivot Lever, Lsv .....	1
12	103865001	Asm, Brake-line, Frt, Flre End .....	1
13	103971601	Asm, Brake Line, Rr, Ca6 .....	1
14	1241	Washer, 5/16 Type A Flat .....	4
15	334	Washer, 3/8, Type A, Flat .....	1
16	7473	Locknut, 5/16-18 Nylon Insert .....	2

**5**

**E**

5

E



000848-006

# HAND BRAKE ASSEMBLY – CA710 LSV HOMOLOGATED

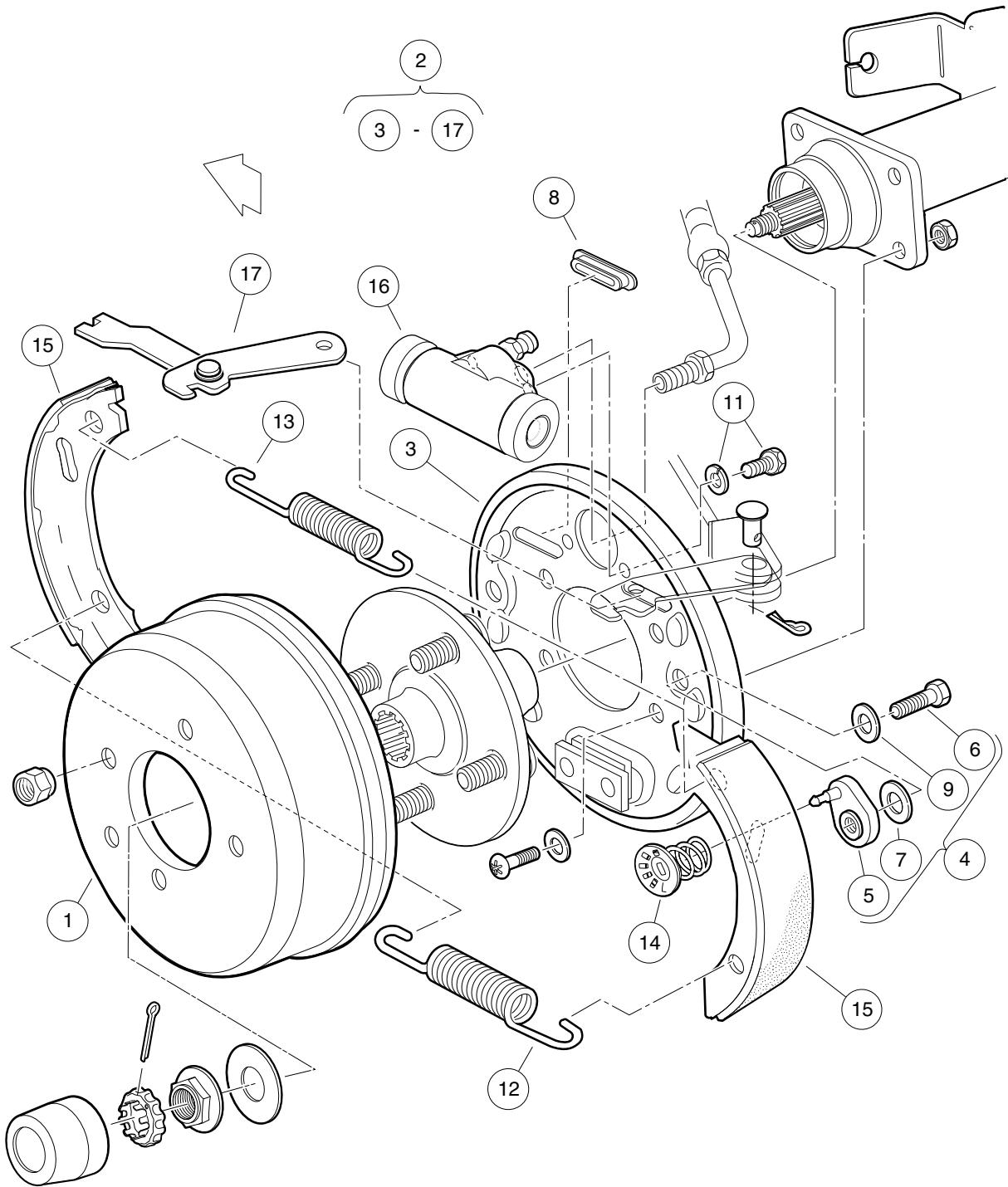
ITEM	PART NO.	DESCRIPTION	QTY
		1 2 3 4	
1	1010521	Nut, 5/16-24 Hex .....	1
2	1010829	Pin, Clevis, 5/16 X 3/4 .....	2
3	1010934	Screw, 5/16-18 X 1.00 Hex Cap .....	1
4	1011779	E-Clip, 1/2 .....	2
5	1011990	Washer, 3/8 Flat .....	2
6	1012285	Screw, 1/4 X 0.625 Hex-Head .....	1
7	1013531	Spring, Brake Return .....	1
8	101832001	Screw, #7-19 X 0.625 Phillips Pan-Head Tap .....	2
9	101900801	Hanger, Brake Cable .....	2
10	102033701	Park Brake Boot .....	1
11	102052801	Nut, 5/16-24 Hex Cone .....	2
12	102292801	Pin, Bow Tie Locking - .072 .....	2
13	102444602	Handlever, Box Config, Locking .....	1
14	103525801	Equalizer, Park Brake, Ic .....	1
15	103625801	Brkt, Park Brake, Lower .....	1
16	103625901	Brkt, Park Brake, Upper .....	1
17	103626001	Cable, Park Brake, Front .....	1
18	103627101	Cable, Park Brake, Rear, Ca6 .....	2
19	103807801	Guard, Handbrake, Bottom Exit .....	1
20	103807901	Cover, Equalizer, Anti-tamper .....	1
21	1241	Washer, 5/16 Type A Flat .....	2
22	705	Screw, Cap-hex Hd 3/8-16x1.25 .....	2
23	7473	Locknut, 5/16-18 Nylon Insert .....	1
24	8754	Locknut, 3/8-16 Hex .....	2

**5**

**E**

5

E



000107-001

# HYDRAULIC REAR BRAKE ASSEMBLY

ITEM	PART NO.	DESCRIPTION	QTY
		<b>1 2 3 4</b>	
1	101791101	Drum without Center Hole, Brake .....	2
2	102033401	Assembly, Brake Cluster LH (includes items 3 through 20) .....	1
3	1011137	Drum, Brake .....	1
4	1013924	Nut, 5/16-24, Hex Head Cone .....	4
5	102049401	Backing Plate Asm .....	1
6	102049601	Kit, Axle Adjuster (includes items 7 through 11) .....	1
7	102049501	Adjuster .....	4
8	102049901	Bolt, 1/4-28 UNF X .31 .....	4
9	102050001	Washer .....	4
10	102050101	Dust Cover .....	4
11	N/A	Washer, 1/4 Flat .....	4
12	102049701	Kit, Axle Hardware (includes items 13 through 16) .....	1
13	102050401	Bolt, Wheel Cylinder .....	2
14	102050501	Spring, Shoe To Shoe, Lower .....	1
15	102050601	Spring, Shoe To Shoe, Upper .....	1
16	102050701	Shoe Hold Down .....	2
17	102050201	Shoe Kit, Axle Set .....	1
18	102050801	Wheel Cylinder Assembly 0.875 Dia .....	1
19	102050902	Park Brake Assembly, Left-Hand .....	1
20	103229601	Bolt, Brake Cluster Mnt, Hyd .....	4
21	102033501	Assembly, Brake Cluster RH (includes items 22 through 39) .....	1
22	1011137	Drum, Brake .....	1
23	1013924	Nut, 5/16-24, Hex Head Cone .....	4
24	102049401	Backing Plate Asm .....	1
25	102049601	Kit, Axle Adjuster (includes items 26 through 30) .....	1
26	102049501	Adjuster .....	4
27	102049901	Bolt, 1/4-28 UNF X .31 .....	4
28	102050001	Washer .....	4
29	102050101	Dust Cover .....	4
30	N/A	Washer, 1/4 Flat .....	4
31	102049701	Kit, Axle Hardware (includes items 32 through 35) .....	1
32	102050401	Bolt, Wheel Cylinder .....	2
33	102050501	Spring, Shoe To Shoe, Lower .....	1
34	102050601	Spring, Shoe To Shoe, Upper .....	1
35	102050701	Shoe Hold Down .....	2
36	102050201	Shoe Kit, Axle Set .....	1
37	102050801	Wheel Cylinder Assembly 0.875 Dia .....	1
38	102050901	Park Brake Assembly, Right-Hand .....	1
39	103229601	Bolt, Brake Cluster Mnt, Hyd .....	4
		Note: Passenger-side brake cluster components (items 18-33) not shown. Components have a similar appearance to the driver-side brake cluster components.	

5

E

**5**

***E***

# STEERING, FRONT AND REAR SUSPENSION

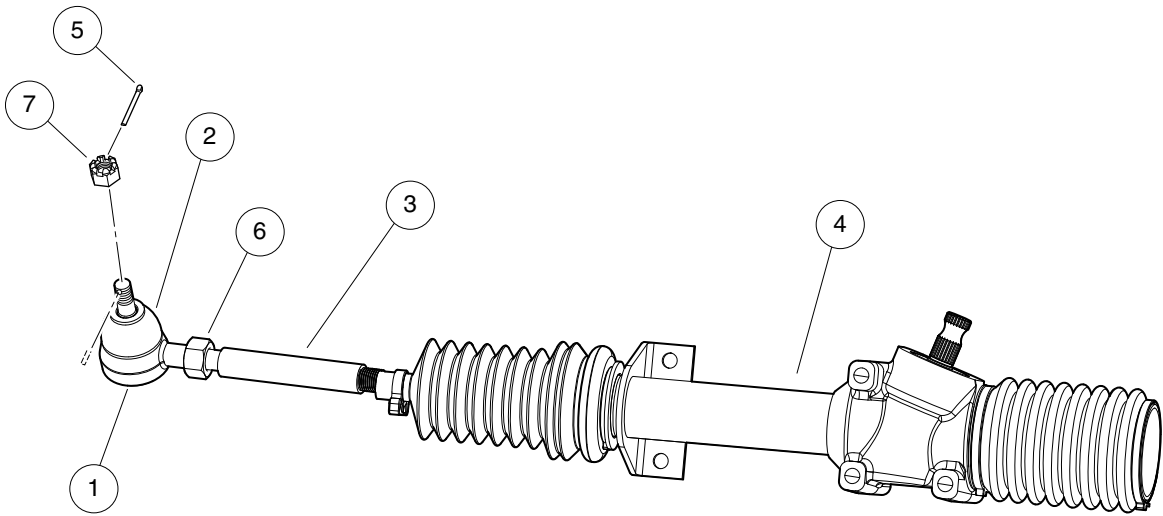
---

6

E

**6**

**E**



001527-001



# STEERING GEAR ASSEMBLY

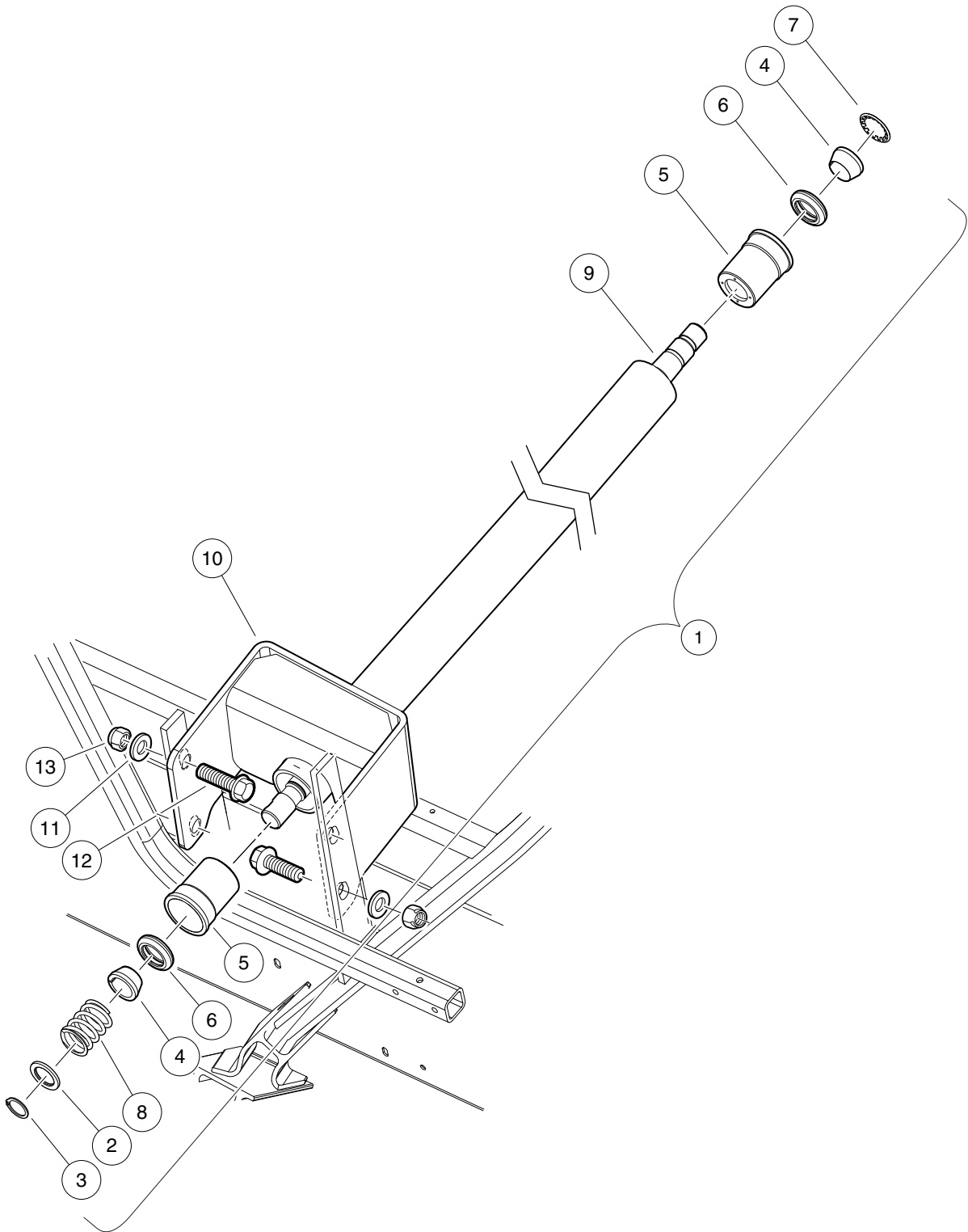
ITEM	PART NO.	DESCRIPTION	QTY
		1 2 3 4	
1	1011895	Socket, LH Vertical .....	1
2	1011930	Seal, Vertical Socket Dust .....	1
3	1012467	Link, Rack and Pinion Drag .....	1
4	103233101	Rack, Steering, Modular .....	1
5	1035	Cotter Pin, 3/32 x 1 .....	1
6	7555	Nut, 1/2-20 Hex, Left-Hand Thread .....	1
7	7602	Nut, 3/8-24 UNF Hex .....	1

**6**

**E**

**6**

**E**



001531-001

# STEERING COLUMN

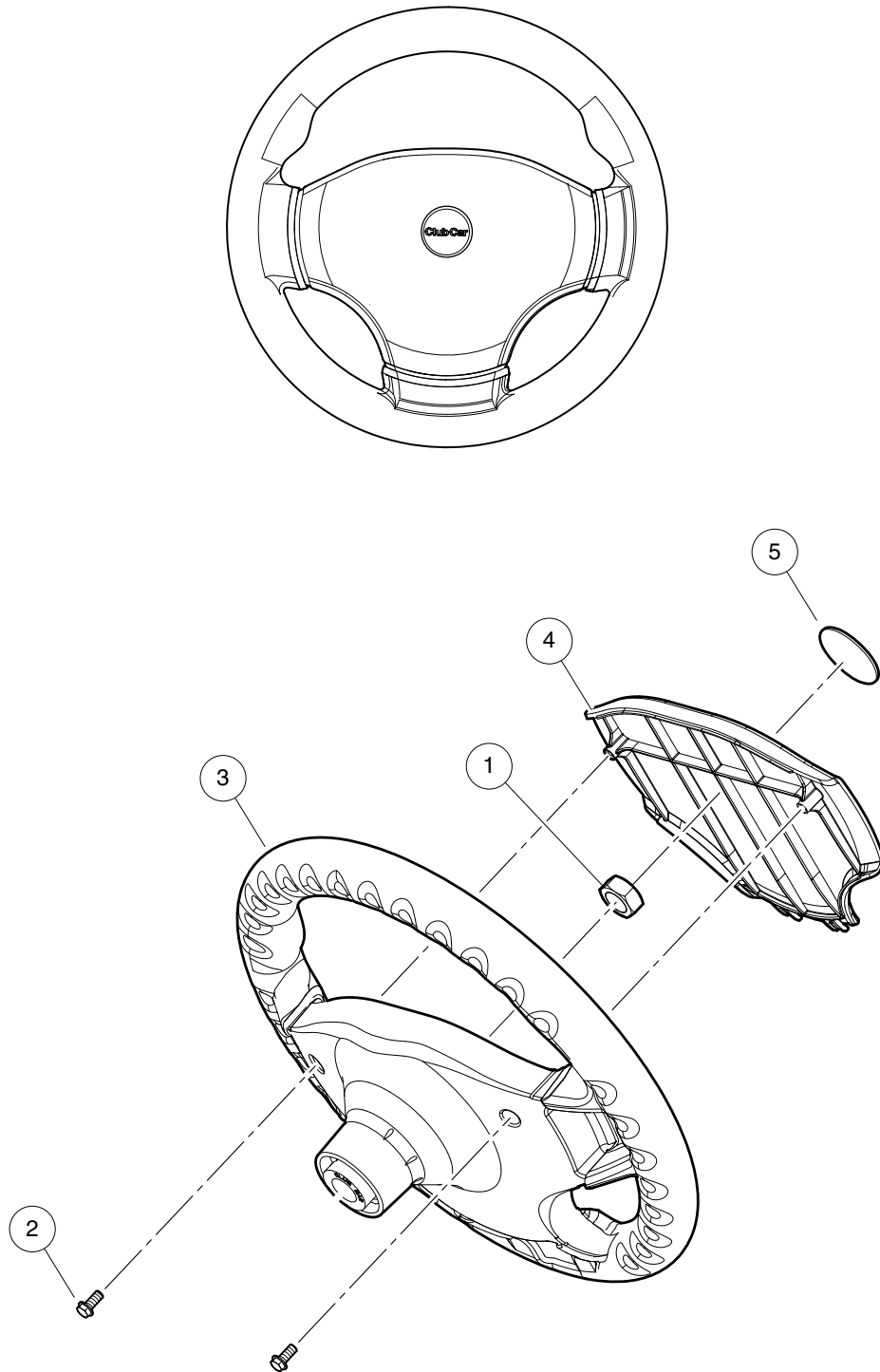
ITEM	PART NO.	DESCRIPTION	QTY
		1 2 3 4	
1	103232101	Assy, Steering Column, Short (includes items 2 through 10) .....	1
2	1012604	Washer, 0.675 ID X 1.19 OD .....	1
3	1012605	Ring, 0.579 Internal Retaining .....	1
4	1014125	Wedge, Molded .....	2
5	1014126	Seat, Plastic Bearing .....	2
6	1014213	Bearing, Ball .....	2
7	1014214	Ring, Retaining .....	1
8	1014217	Spring, Steering Shaft .....	1
9	N/A	Shaft, Steering, 667.8 Oal .....	1
10	N/A	Weldment, †column, †lsv .....	1
11	334	Washer, 3/8, Type A, Flat .....	4
12	705	Screw, Cap-hex Hd 3/8-16x1.25 .....	4
13	8754	Locknut, 3/8-16 Hex .....	4

**6**

**E**

**6**

**E**



001503-001

# STEERING WHEEL

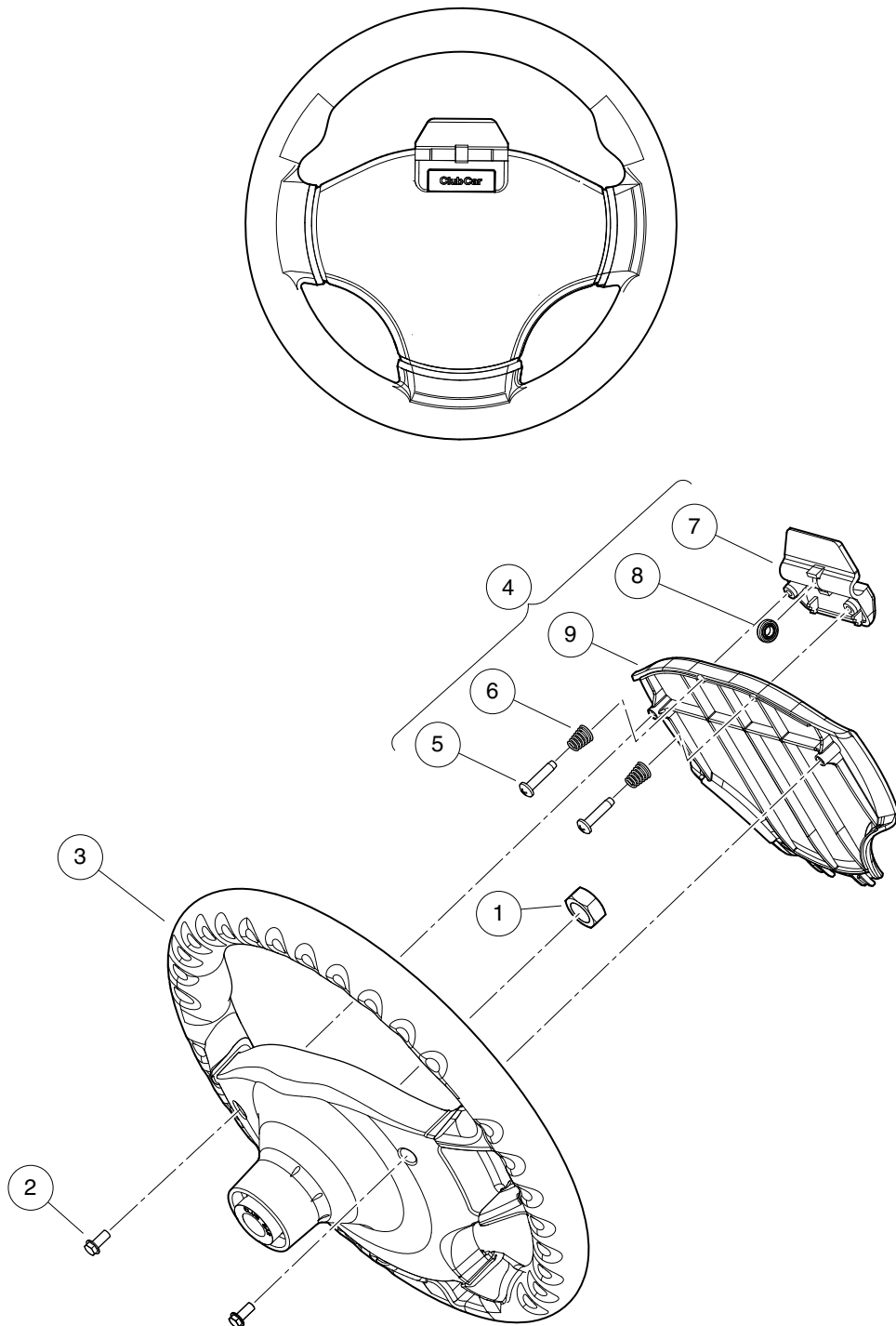
ITEM	PART NO.	DESCRIPTION	QTY
		1 2 3 4	
1	1017273	Nut, 5/8-18 Nylon Insert Jam .....	1
2	101850301	Screw, #12-16 X 0.50 Washer-Head Hi-Lo .....	2
3	103724504	Steering Wheel, Soft Spl .....	1
4	103724602	Cover, Steering Wheel, Generic .....	1
5	103829401	Logo, Cci, Steer Wheel .....	1

**6**

**E**

6

E



001504-001

# STEERING WHEEL WITH CLIP

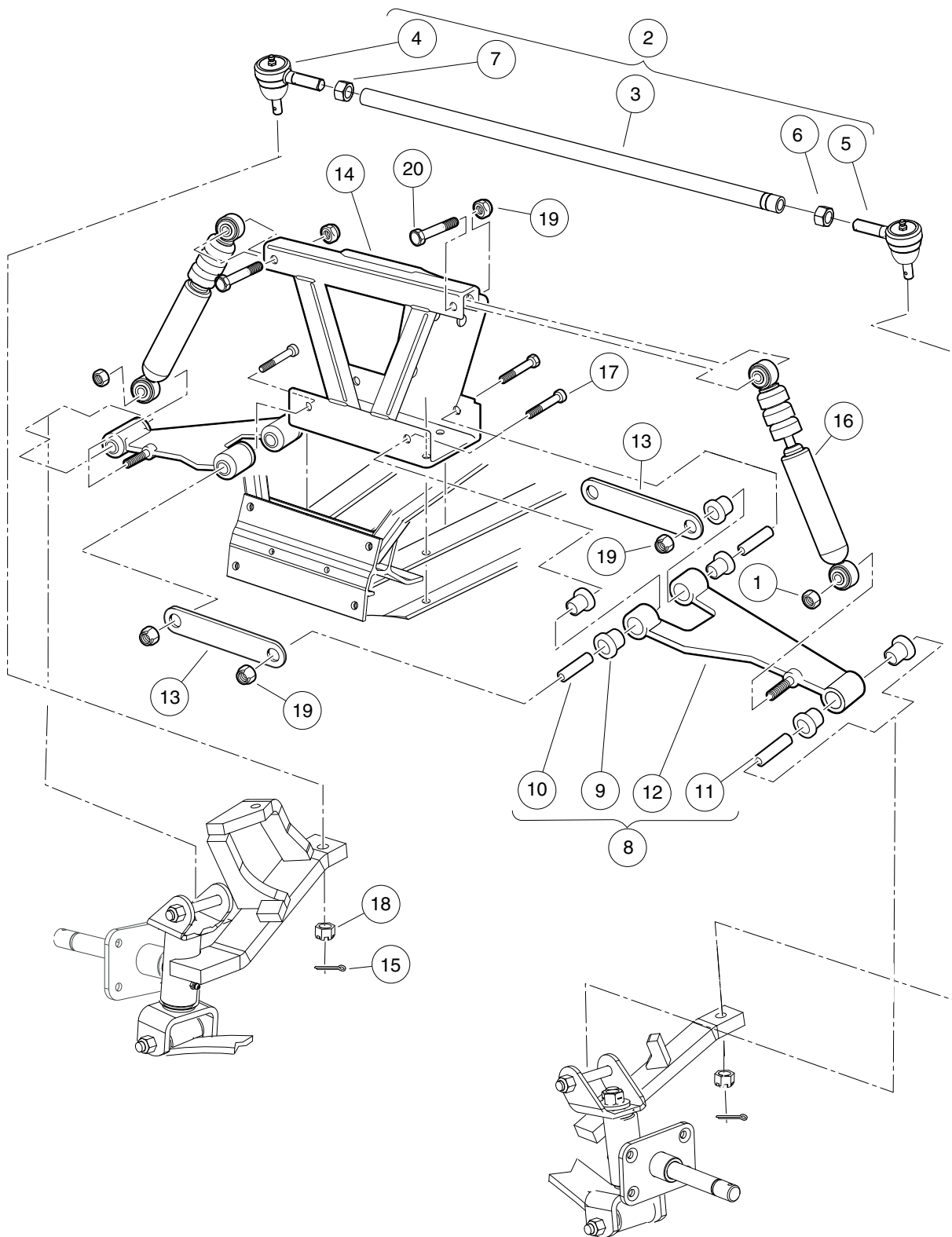
ITEM	PART NO.	DESCRIPTION	QTY
		<b>1 2 3 4</b>	
1	1017273	Nut, 5/8-18 Nylon Insert Jam .....	1
2	101850301	Screw, #12-16 X 0.50 Washer-Head Hi-Lo .....	2
3	103724504	Steering Wheel, Soft Spl .....	1
4	103724901	Asm, Scorecard, Clip (includes items 5 through 9) .....	1
5	1012565	Screw, #12 Phillips Round Head .....	2
6	1012566	Tapered Compression Spring .....	2
7	1016154	Clip, Scorecard .....	1
8	1016214	Pencil Grip .....	1
9	103724601	Cover, Steering Wheel, Clip .....	1

**6**

**E**

6

E



001518-002



## FRONT SUSPENSION, UPPER, HYD

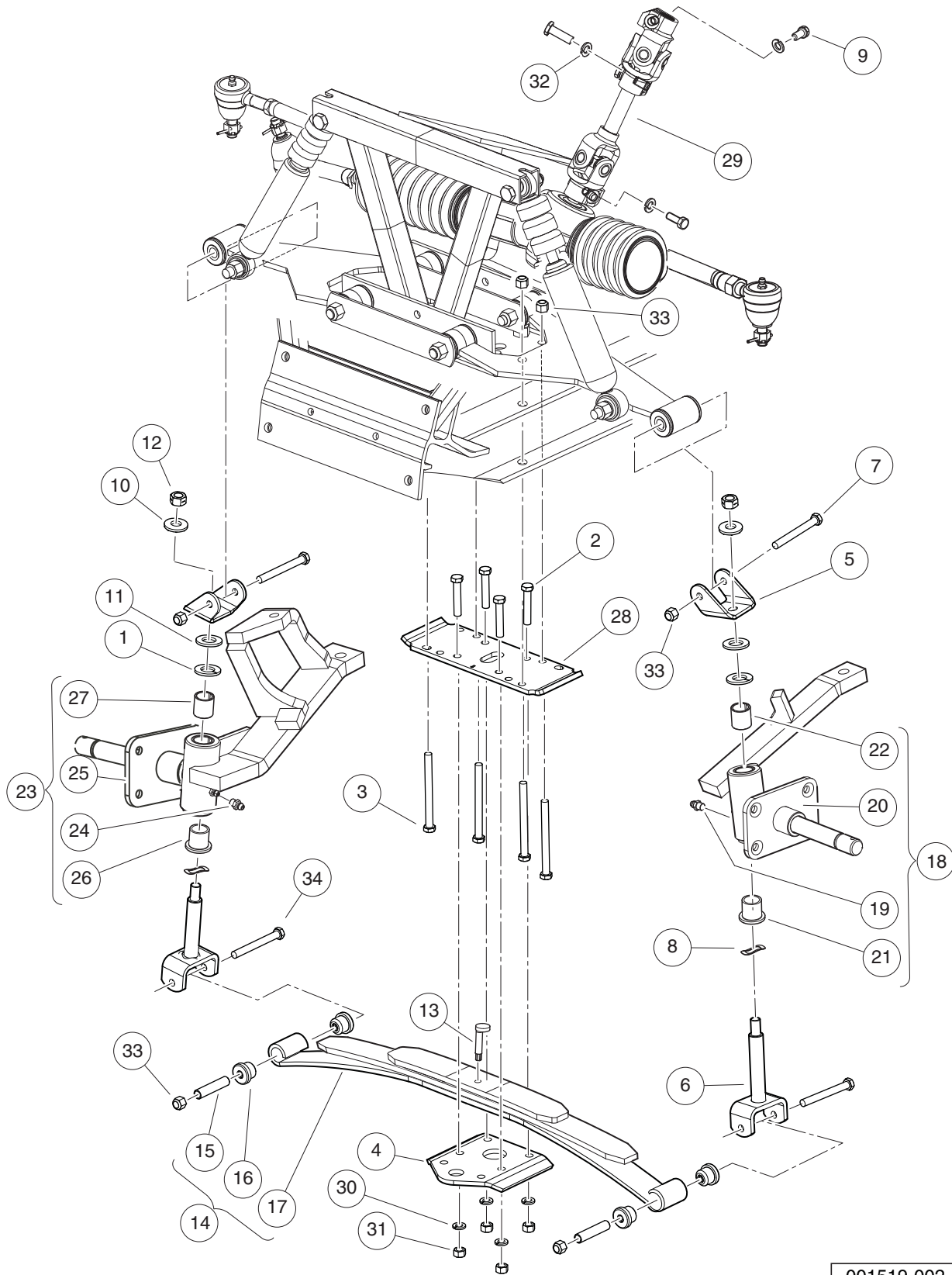
ITEM	PART NO.	DESCRIPTION	QTY
		<b>1 2 3 4</b>	
1	1010138	Locknut, 3/8-16 Dimpled .....	2
2	N/A	Tie Rod Asm, 24.265 Lg (includes items 3 through 7) .....	1
3	101021902	Tie Rod 20.643" Lg .....	1
4	1011893	Socket, RH Vertical .....	1
5	1011895	Socket, LH Vertical .....	1
6	1308	Nut, 1/2-20 Hex .....	1
7	7555	Nut, 1/2-20 Hex, Left-Hand Thread .....	1
8	1016353	Sub-Assembly, Delta A-Plate (includes items 9 through 12) .....	2
9	1016346	Bushing, Urethane .....	6
10	1016349	Sleeve, Delta Inner .....	2
11	1016350	Sleeve, Delta Outer .....	1
12	1016351	Delta A-Plate .....	1
13	1017266	A-Plate Strap .....	2
14	103264802	Weldmnt, Shock & Rack Mnt, Lsv .....	1
15	1035	Cotter Pin, 3/32 x 1 .....	2
16	105106702	Shock Absorb, Frnt, 3 Bump Ele .....	2
17	2402	Screw, 3/8-16 X 2.25 Hx Hd Cap .....	4
18	7602	Nut, 3/8-24 UNF Hex .....	2
19	8754	Locknut, 3/8-16 Hex .....	6
20	8861	Bolt, 3/8-16 X 1.75 Hex .....	2

**6**

**E**

6

E



001519-002

# FRONT SUSPENSION, LOWER, HYD, DRUMS 3 LEAF, 1 PLATE

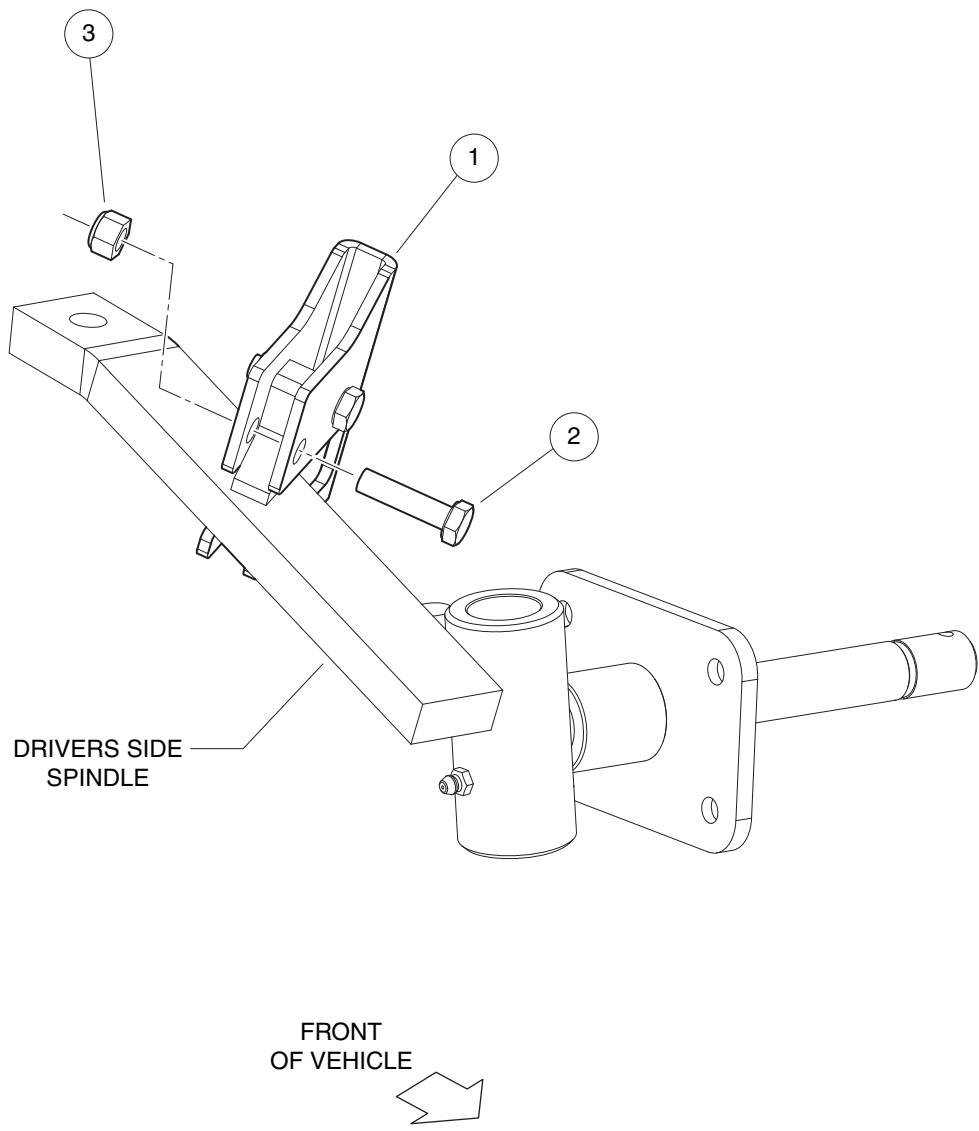
ITEM	PART NO.	DESCRIPTION	QTY
		<b>1 2 3 4</b>	
1	1010150	Bearing, Thrust .....	2
2	1010177	Bolt, 3/8-16 X 2.00 Hex Head .....	4
3	1010200	Bolt, 3/8-16 X 4.25 Hex Head .....	4
4	1014276	Plate, Front Spring Retainer .....	1
5	1016384	Clevis, Delta Upper .....	2
6	1016386	King Pin Assembly .....	2
7	1016387	Screw, 3/8-16 X 2.75 Hx Hd Cap .....	2
8	1016389	Washer, 1.125 Od Wave .....	2
9	1017226	Bolt, Hex-Head, 8mm X 1.25 - 30 .....	3
10	102564002	Washer-1/2 Conical, Yellow .....	2
11	102684501	Washer, M12 Hard Regular .....	2
12	102766301	Nut, 1/2-20, Center Lock .....	2
13	103507001	Eccentric Bolt Common .....	1
14	103628901	Spring Asm, Front, 3 Leaf (includes items 15 through 17) .....	1
15	1012303	Bushing, Steel .....	2
16	1015583	Bushing, Urethane .....	4
17	103502801	Spring, Front, 3 Leaf .....	1
18	103824101	Asm, Spindle, Drum, Lh (includes items 19 through 22) .....	1
19	1015597	Fitting, 1/4-28 Thread-Forming Grease .....	1
20	N/A	Spindle, Drum, Lh .....	1
21	7048	Bushing, Flanged Bronze .....	1
22	8067	Bushing, Bronze Spindle .....	1
23	103824201	Asm, Spindle, Drum, Rh (includes items 24 through 27) .....	1
24	1015597	Fitting, 1/4-28 Thread-Forming Grease .....	1
25	N/A	Spindle, Drum, Rh .....	1
26	7048	Bushing, Flanged Bronze .....	1
27	8067	Bushing, Bronze Spindle .....	1
28	105083301	Plate, Spring Mount, Restyle .....	1
29	105329301	Shaft, Int, Steering, Lsv Adj .....	1
30	357	Lockwasher, 3/8 Split .....	4
31	706	Nut, Hex 3/8-16 .....	5
32	7174	Lockwasher, 5/16 Split .....	3
33	8754	Locknut, 3/8-16 Hex .....	8
34	8755	Screw, 3/8-16 X 3.375 Hex Cap .....	2

**6**

**E**

**6**

**E**



001530-001

# STEERING STOP

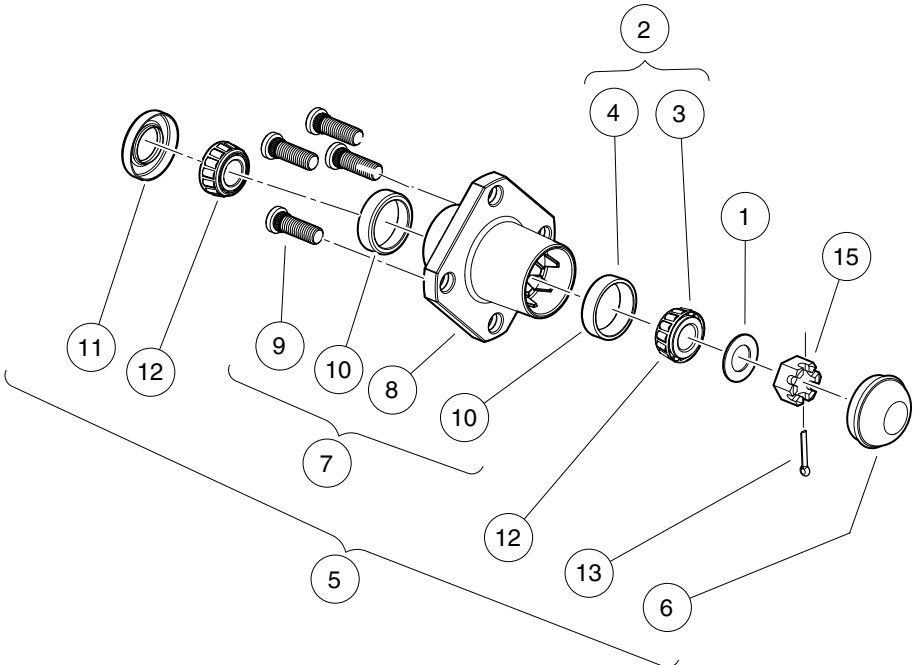
ITEM	PART NO.	DESCRIPTION	QTY
		1 2 3 4	
1	105243002	Brkt,Steering Stop, CA, LSV .....	1
2	1218	Screw, 5/16-18 X 1.25 Hex-Head Cap .....	2
3	7473	Locknut, 5/16-18 Nylon Insert .....	2
<p style="text-align: center;">Note: Steering Stop 105243003 is required if vehicle is equipped with the 105100601, HD Bumper Kit.</p>			

**6**

**E**

6

E



001520-002

# FRONT WHEEL HUBS

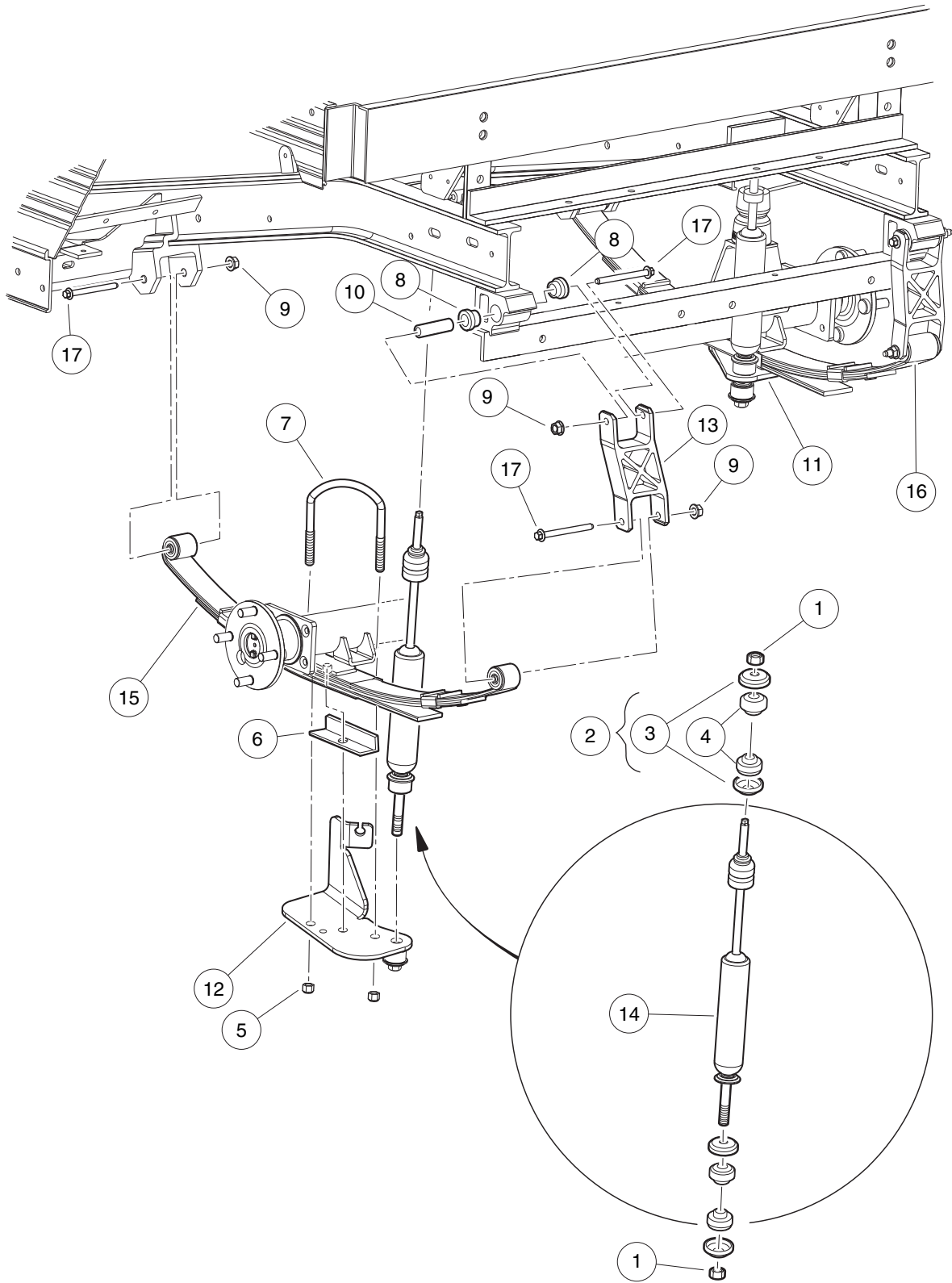
ITEM	PART NO.	DESCRIPTION	QTY
		<b>1 2 3 4</b>	
1	1010005	Washer, 3/4 Flat .....	2
2	1011393	Hub Bearing Package (includes items 3 and 4) .....	4
3	7274	Bearing, Front Hub Wheel .....	1
4	7308	Race, Front Hub Bearing .....	1
5	1011892	Hub Assembly (includes items 6 through 13) .....	1
6	1011887	Dust Cover .....	1
7	N/A	Hub (includes items 8 through 10) .....	1
8	N/A	Front Hub .....	1
9	103477901	Lug Stud, 1/2-20 Unf, 4037 .....	4
10	7308	Race, Front Hub Bearing .....	2
11	1013135	Seal, Double Lip .....	1
12	7274	Bearing, Front Hub Wheel .....	2
13	7910	Pin, 5/32 X 1.00 Cotter .....	1
14	1013135	Seal, Double Lip .....	2
15	7840	Nut, 3/4-16 Hex Slotted .....	2

**6**

**E**

6

E



001525-001



## REAR SUSPENSION COMPONENTS

ITEM	PART NO.	DESCRIPTION	QTY
		1 2 3 4	
1	1010145	Nut, 3/8-24 Hex .....	4
2	1011415	Kit, Shock Absorber Cushion (includes items 3 and 4) .....	4
3	N/A	Cushion, Shock Absorber .....	2
4	N/A	Retainer, Shock Absorber Cushion .....	2
5	1014555	Locknut, 7/16-14 Nylon Hex .....	4
6	1014573	Spring Retainer .....	2
7	1014902	U-Bolt .....	2
8	101558302	Bushing, Urethane, Soft .....	4
9	102298401	Nut,m8,all Metal Lock .....	6
10	102506401	Sleeve - Spring Eye Mounts .....	2
11	103524601	Brkt, Shock Mount Rh, lc .....	1
12	103524701	Brkt, Shock Mount Lh, lc .....	1
13	105068902	Shackle, 6", Com, Machined .....	2
14	105106801	Shock Absorber,Rear, 2 Bumper .....	2
15	105186201	Asm, Spring 600lb Nr Std, Lh .....	1
16	105186202	Asm, Spring 600lb Nr Std, Rh .....	1
17	105188185	Bolt, M8x85mm,10.9 Grade .....	6

**6**

**E**

**6**

***E***

# ELECTRICAL SYSTEM – ELECTRIC VEHICLES

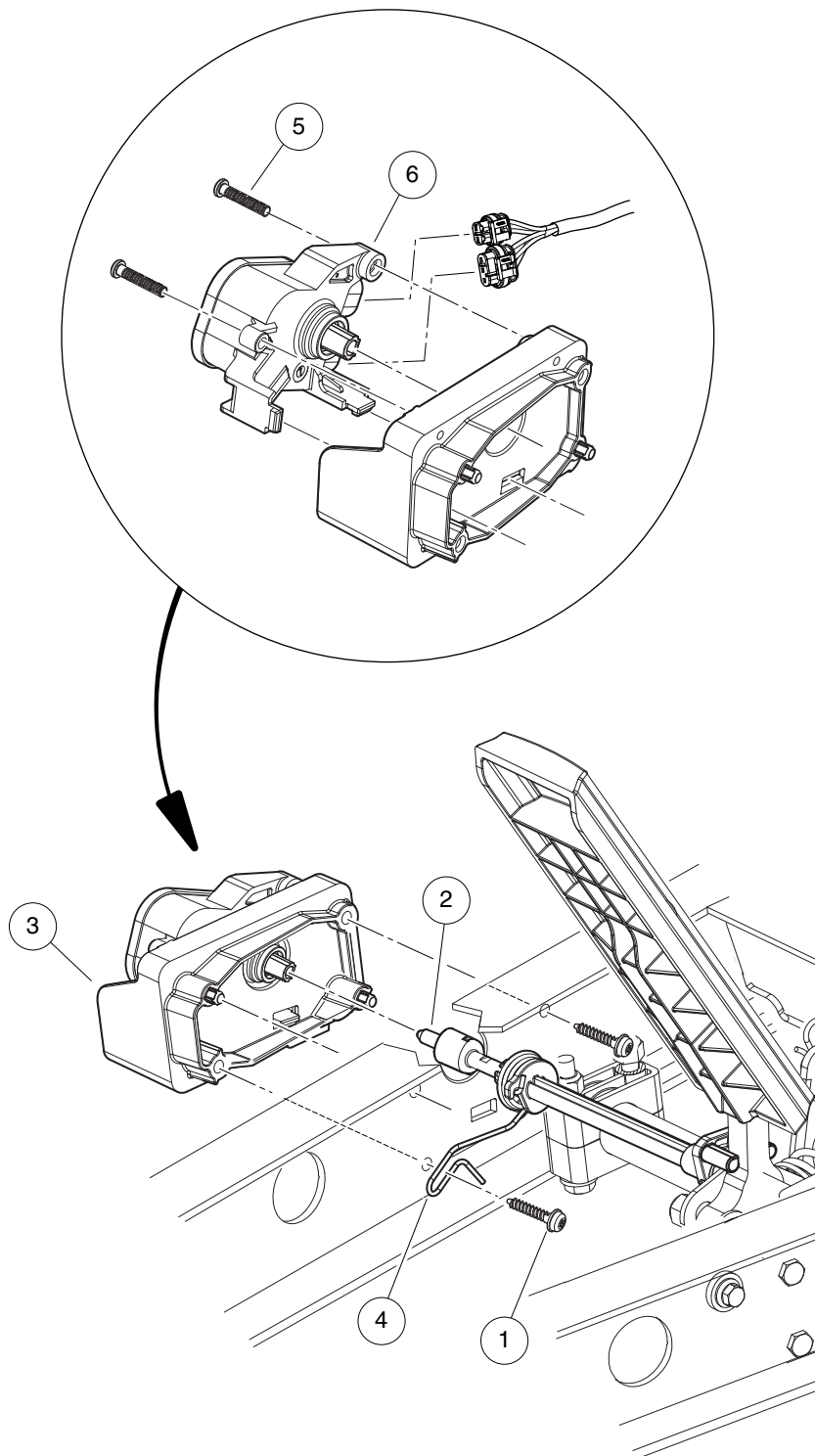
---

7

*E*

7

E



002522-001

# MOTOR CONTROLLER OUTPUT REGULATOR (MCOR)

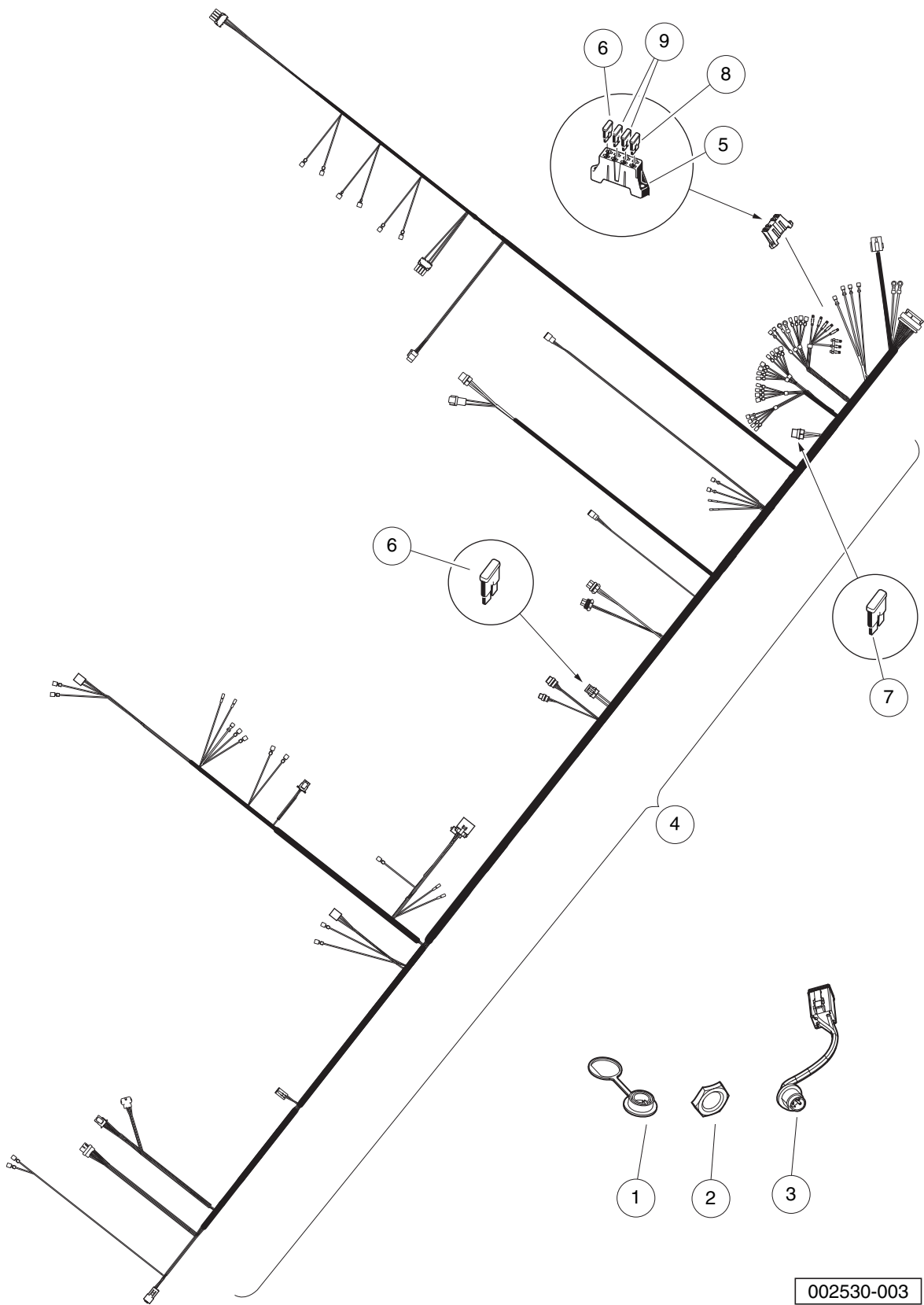
ITEM	PART NO.	DESCRIPTION	QTY
		1 2 3 4	
1	102297230	Screw, M6, Torx, Interlock Thread .....	2
2	103902101	Bar, Drive, Cast .....	1
3	103902301	Housing, Mcor .....	1
4	103902401	Spring, Torsion .....	1
5	103943401	Screw, Pan, #10 X 1.00 Hi-lo .....	2
6	105116301	MCOR4, Type 16 Switch .....	1

**7**

**E**

7

E



002530-003

# MAIN WIRING HARNESS, 48-VOLT FUSE BLOCK - CA510 HOMOLOGATED

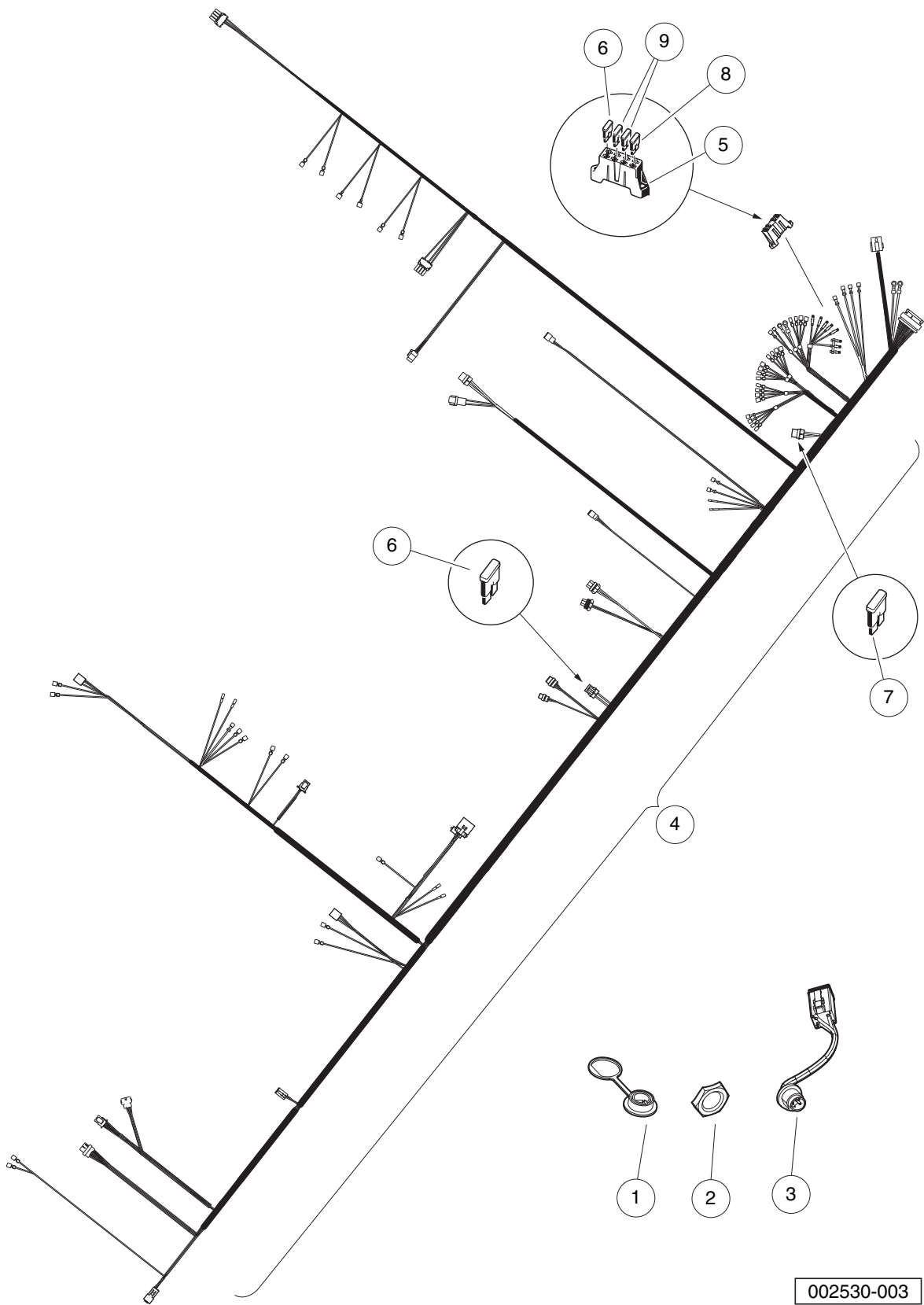
ITEM	PART NO.	DESCRIPTION	QTY
		<b>1 2 3 4</b>	
1	102196901	Dust Cap .....	1
2	102572401	Nut, Diagnostic Port, Prec .....	1
3	103218601	Harness, Diagnostic Port .....	1
4	105107801	Asm, Harness, Ca510lsv, Homol (includes items 5 through 10) .....	1
5	1015741	Fuse Block .....	1
6	1016423	Fuse, 20-Amp .....	2
7	102492301	Fuse, 30-Amp .....	1
8	102538601	15 Amp Fuse .....	1
9	105167201	Fuse, Atc, 2 Amp .....	2
10	105173901	Fuse, Agc, 1 Amp .....	1

**7**

**E**

7

E



002530-003



# MAIN WIRING HARNESS, 48-VOLT FUSE BLOCK - CA710 HOMOLOGATED

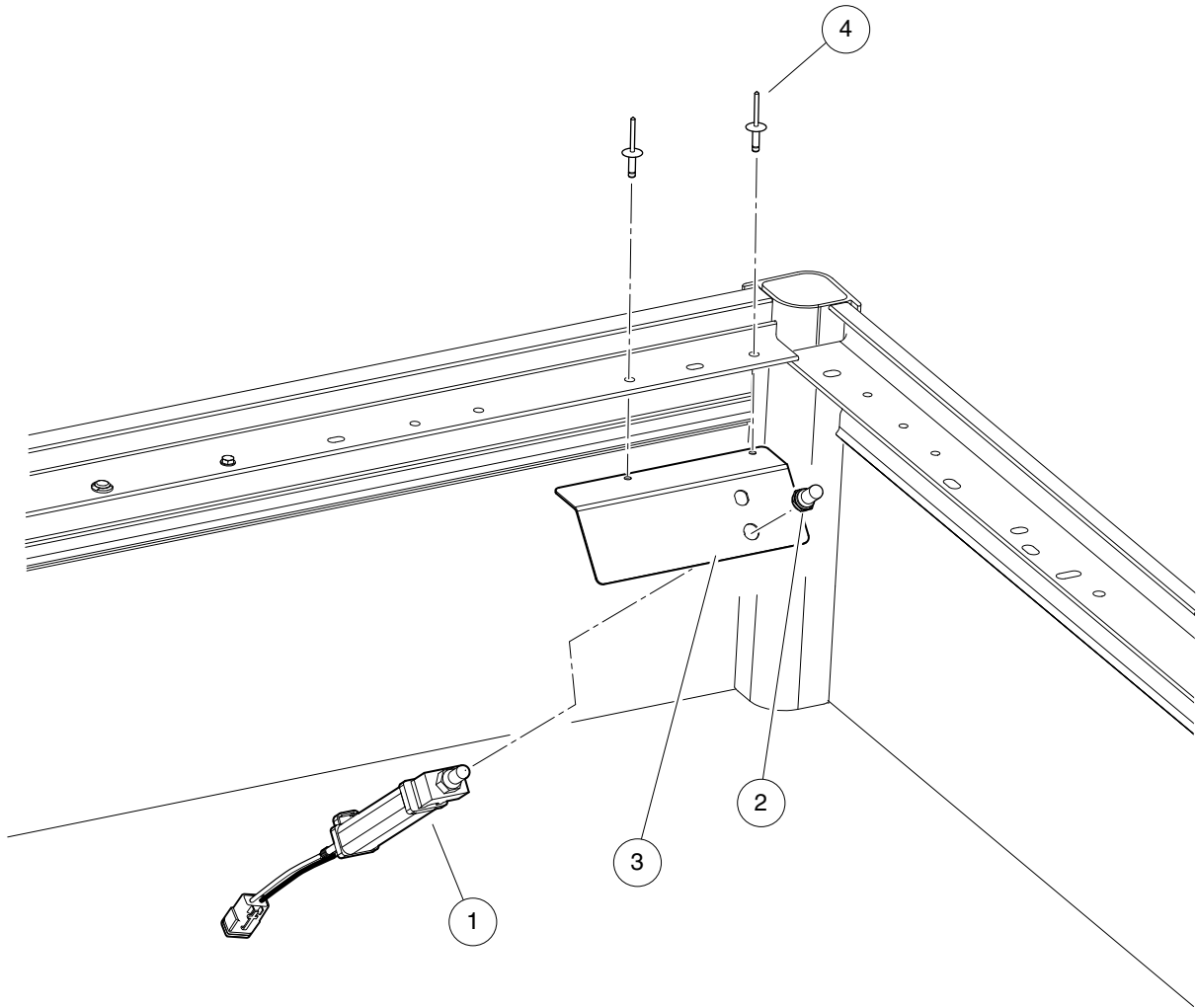
ITEM	PART NO.	DESCRIPTION	QTY
		<b>1 2 3 4</b>	
1	102196901	Dust Cap .....	1
2	102572401	Nut, Diagnostic Port, Prec .....	1
3	103218601	Harness, Diagnostic Port .....	1
4	105108101	Asm, Harness, Ca710lsv, Homol (includes items 5 through 10) .....	1
5	1015741	Fuse Block .....	1
6	1016423	Fuse, 20-Amp .....	2
7	102492301	Fuse, 30-Amp .....	1
8	102538601	15 Amp Fuse .....	1
9	105167201	Fuse, Atc, 2 Amp .....	2
10	105173901	Fuse, Agc, 1 Amp .....	1

**7**

**E**

7

E



002521-001

# TOW/RUN SWITCH

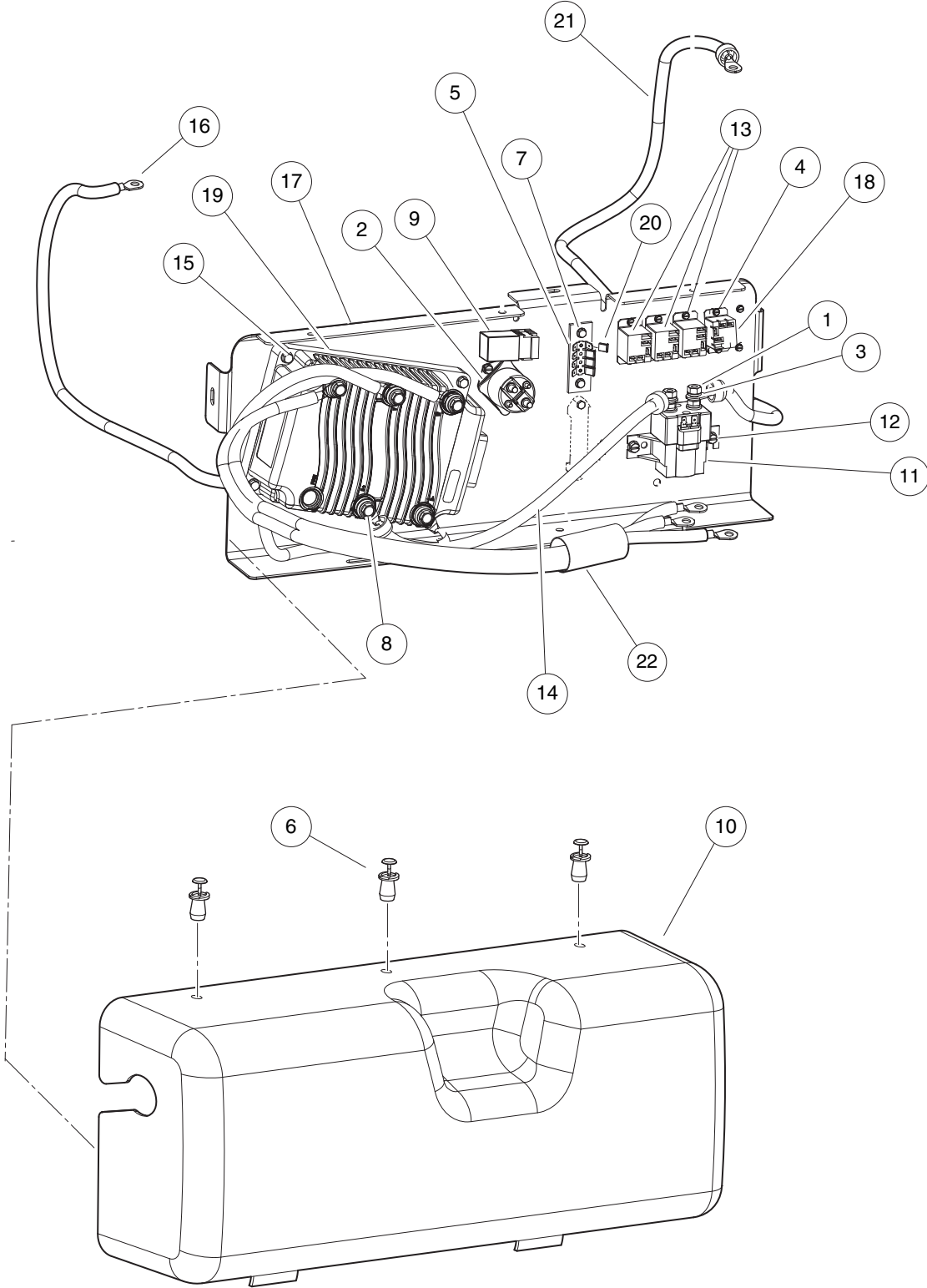
ITEM	PART NO.	DESCRIPTION	QTY
		<b>1 2 3 4</b>	
1	101908101	Switch Assembly, Tow/Run .....	1
2	101908401	Boot, Switch .....	1
3	102915701	Plate, Switch, Run Tow, Mode .....	1
4	7973	Rivet, 3/16 X .400 Blind .....	2

**7**

**E**

7

E



002535-001

## ELECTRIC COMPONENTS - CA510 HOMOLOGATED

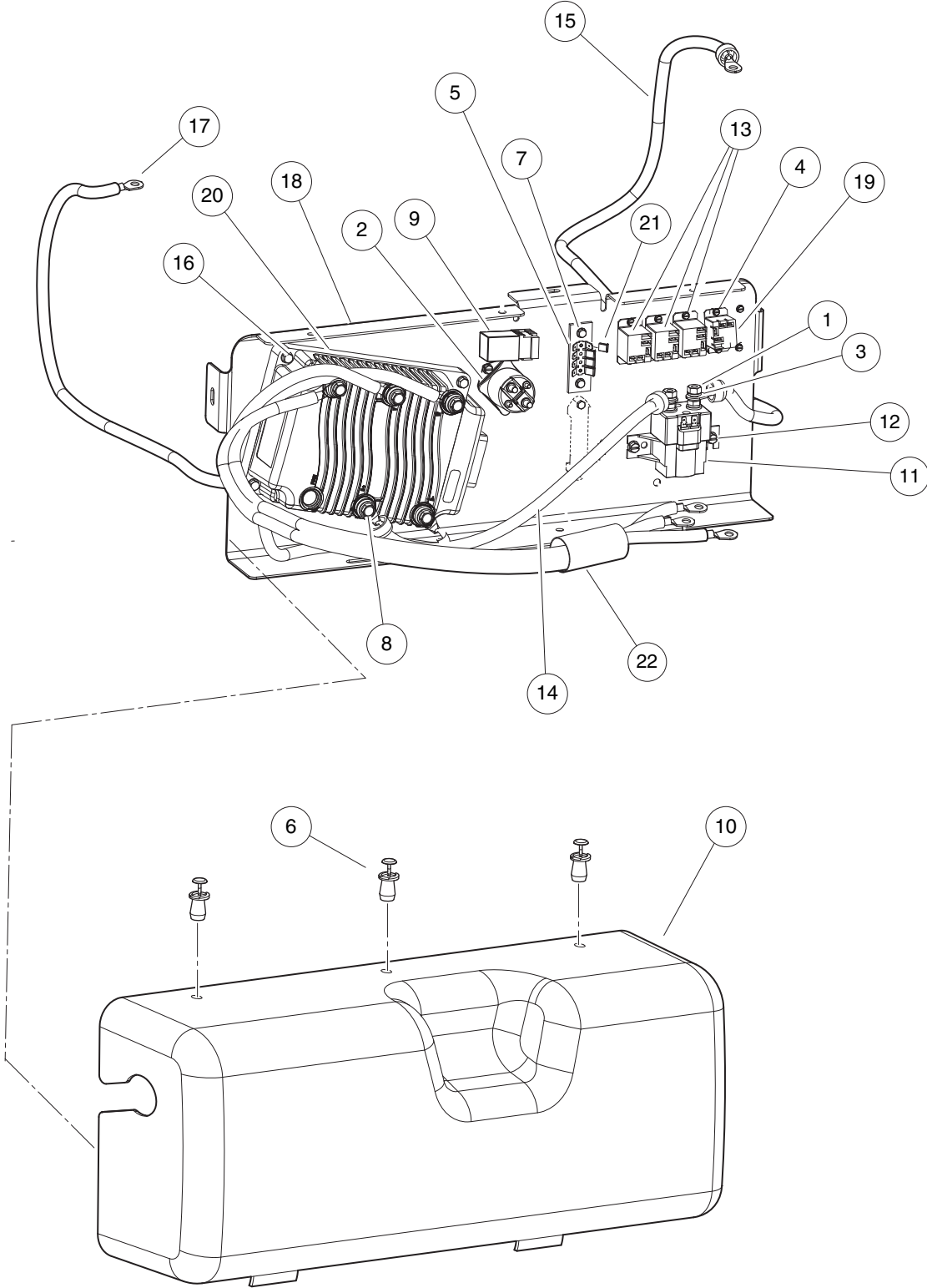
ITEM	PART NO.	DESCRIPTION	QTY
		1 2 3 4	
1	1012528	Nut, M8-1.25 Hex .....	2
2	1013609	Solenoid, 12-Volt .....	1
3	1013734	Lockwasher, 8mm Split .....	2
4	1015720	Screw, #6-32 X 1/2 Hex Washer-Head .....	10
5	1016356	Terminal Block with Insulator .....	1
6	1016967	Blind Rivet, Push Type .....	3
7	102238001	#10-24 Taptite Screw .....	5
8	102240501	Bolt, Controller, Terminal .....	5
9	102742501	Flasher, 12v, Fixed Load .....	1
10	102772403	Cover, Component, Elec, Ac .....	1
11	102774701	Solenoid, 48v .....	1
12	102817101	Screw, 1/4-20 X .50 Hex Wsh Hd .....	4
13	103397901	Relay, Spst No, 48v 30a, Pmt .....	3
14	103510201	Asm, Wire #2 Yellow, 420 .....	1
15	103517901	Scr, 1/4-20 X 1.25 Hwhcs, Tt .....	4
16	103529004	Wire, Asm, #2 Blk, 36 inch .....	1
17	103823002	Plate, Comp, Mtg, 5 Relay .....	1
18	105112401	Relay, Spdt Nc, 48v 30a, Pmt .....	1
19	105168101	Controller, Ac Motor, Ls, Ca .....	1
20	105195501	Cap, Quick Conn Tab, 1/4 In .....	4
21	105247301	Asm, Wire, #2 Red, 558mm .....	1
22	105255301	Harness, Pwr, CA510, Homol .....	1

**7**

**E**

7

E



002537-001

## ELECTRIC COMPONENTS - CA710 HOMOLOGATED

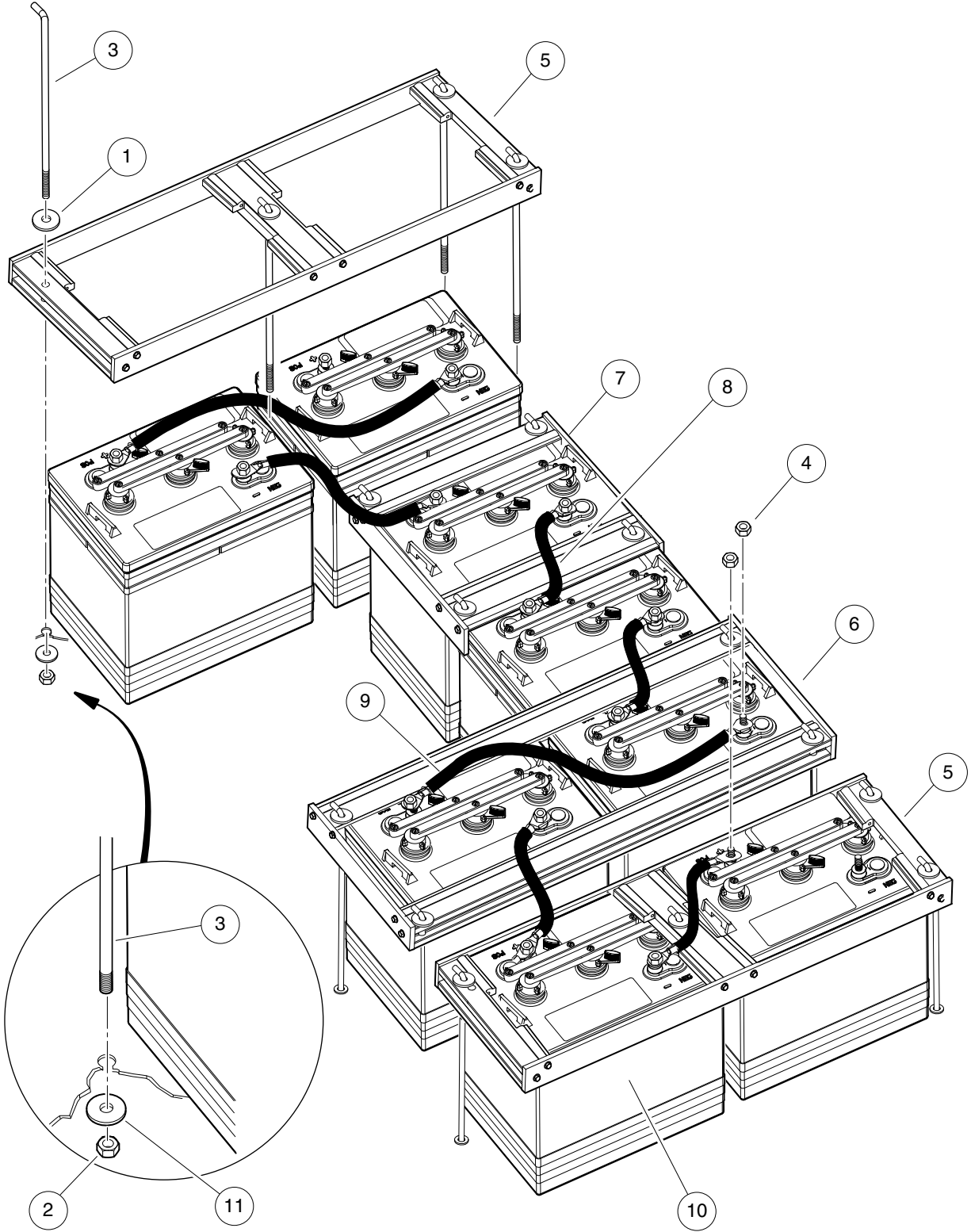
ITEM	PART NO.	DESCRIPTION	QTY
		1 2 3 4	
1	1012528	Nut, M8-1.25 Hex .....	2
2	1013609	Solenoid, 12-Volt .....	1
3	1013734	Lockwasher, 8mm Split .....	2
4	1015720	Screw, #6-32 X 1/2 Hex Washer-Head .....	10
5	1016356	Terminal Block with Insulator .....	1
6	1016967	Blind Rivet, Push Type .....	3
7	102238001	#10-24 Taptite Screw .....	5
8	102240501	Bolt, Controller, Terminal .....	5
9	102742501	Flasher, 12v, Fixed Load .....	1
10	102772403	Cover, Component, Elec, Ac .....	1
11	102774701	Solenoid, 48v .....	1
12	102817101	Screw, 1/4-20 X .50 Hex Wsh Hd .....	4
13	103397901	Relay, Spst No, 48v 30a, Pmt .....	3
14	103510201	Asm, Wire #2 Yellow, 420 .....	1
15	103511001	Asm, Wire #2 Red, 1000 .....	1
16	103517901	Scr, 1/4-20 X 1.25 Hwhcs, Tt .....	4
17	103529003	Wire, Asm #2 Blk, 54 Inch .....	1
18	103823002	Plate, Comp, Mtg, 5 Relay .....	1
19	105112401	Relay, Spdt Nc, 48v 30a, Pmt .....	1
20	105168101	Controller, Ac Motor, Ls, Ca .....	1
21	105195501	Cap, Quick Conn Tab, 1/4 In .....	4
22	105255401	Harness, Pwr, CA710, Homol .....	1

**7**

**E**

7

E



002507-002



## BATTERIES 6-VOLT, STANDARD DUTY - CA510

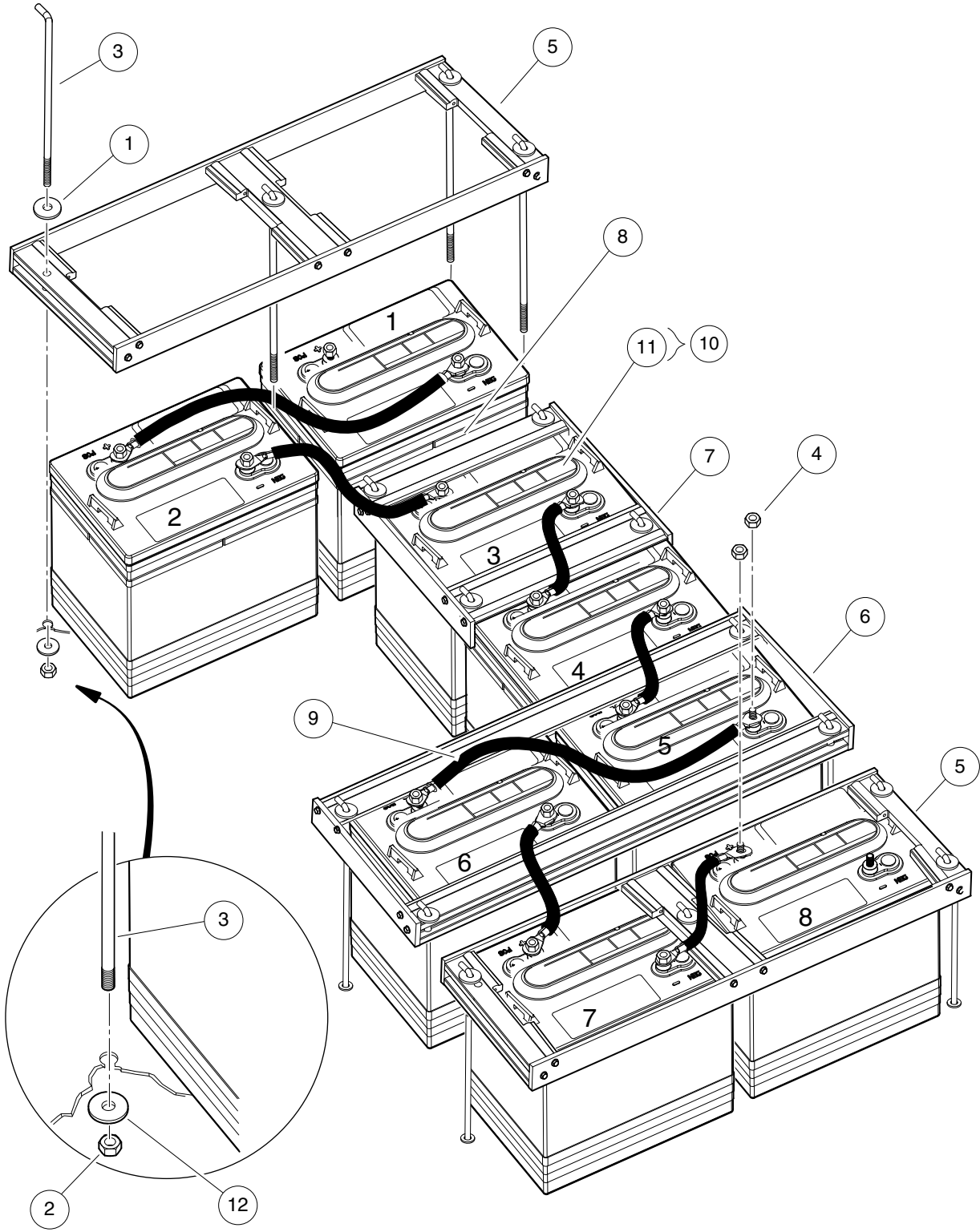
ITEM	PART NO.	DESCRIPTION	QTY
		1 2 3 4	
1	1012571	Washer, 5/16 Extra Thick Flat .....	16
2	1015072	Locknut, 5/16-18 Nylon Insert .....	16
3	102845203	Rod, Battery Hold Down 10.7" .....	16
4	102873401	5/16-18 Heavy Hex Nut .....	16
5	103481301	Asm, Batt Ret Ob, CA510 .....	2
6	103481401	Asm, Batt Ret Ctr Long, CA510 .....	1
7	103481501	Asm, Batt Ret Ctr Short, CA510 .....	1
8	103528901	Wire, Asm #2 Blk, 9 Inch .....	5
9	103529101	Wire, Asm #2 Blk, 25 Inch .....	2
10	105210201	Battery, 6v, Type E, Gc2, Wet .....	8
11	1241	Washer, 5/16 Type A Flat .....	16

**7**

**E**

7

E



002508-002

# BATTERIES 6-VOLT, HEAVY DUTY - CA510

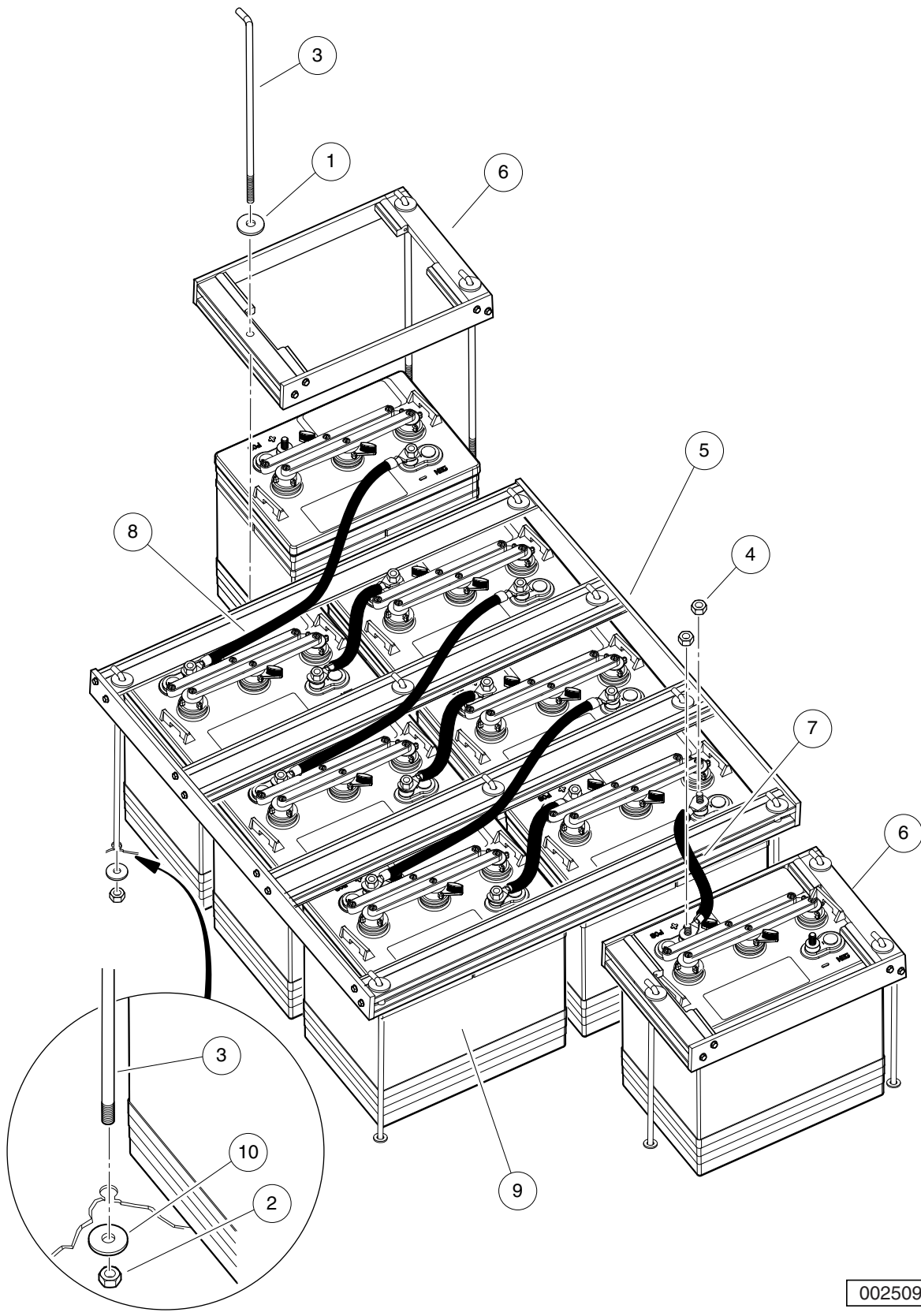
ITEM	PART NO.	DESCRIPTION	QTY
		1 2 3 4	
1	1012571	Washer, 5/16 Extra Thick Flat .....	16
2	1015072	Locknut, 5/16-18 Nylon Insert .....	16
3	102845204	Rod, Battery Hold Down 12" .....	16
4	102873401	5/16-18 Heavy Hex Nut .....	16
5	103481301	Asm, Batt Ret Ob, CA510 .....	2
6	103481401	Asm, Batt Ret Ctr Long, CA510 .....	1
7	103481501	Asm, Batt Ret Ctr Short, CA510 .....	1
8	103528901	Wire, Asm #2 Blk, 9 Inch .....	5
9	103529101	Wire, Asm #2 Blk, 25 Inch .....	2
10	103969701	Battery, 6-Volt, Trojan T145 (Wet) (includes item 11) .....	8
11	101831401	Battery Cap 6 Volt .....	1
12	1241	Washer, 5/16 Type A Flat .....	16

**7**

**E**

7

E



002509-001

## BATTERIES 6-VOLT, STANDARD DUTY - CA710

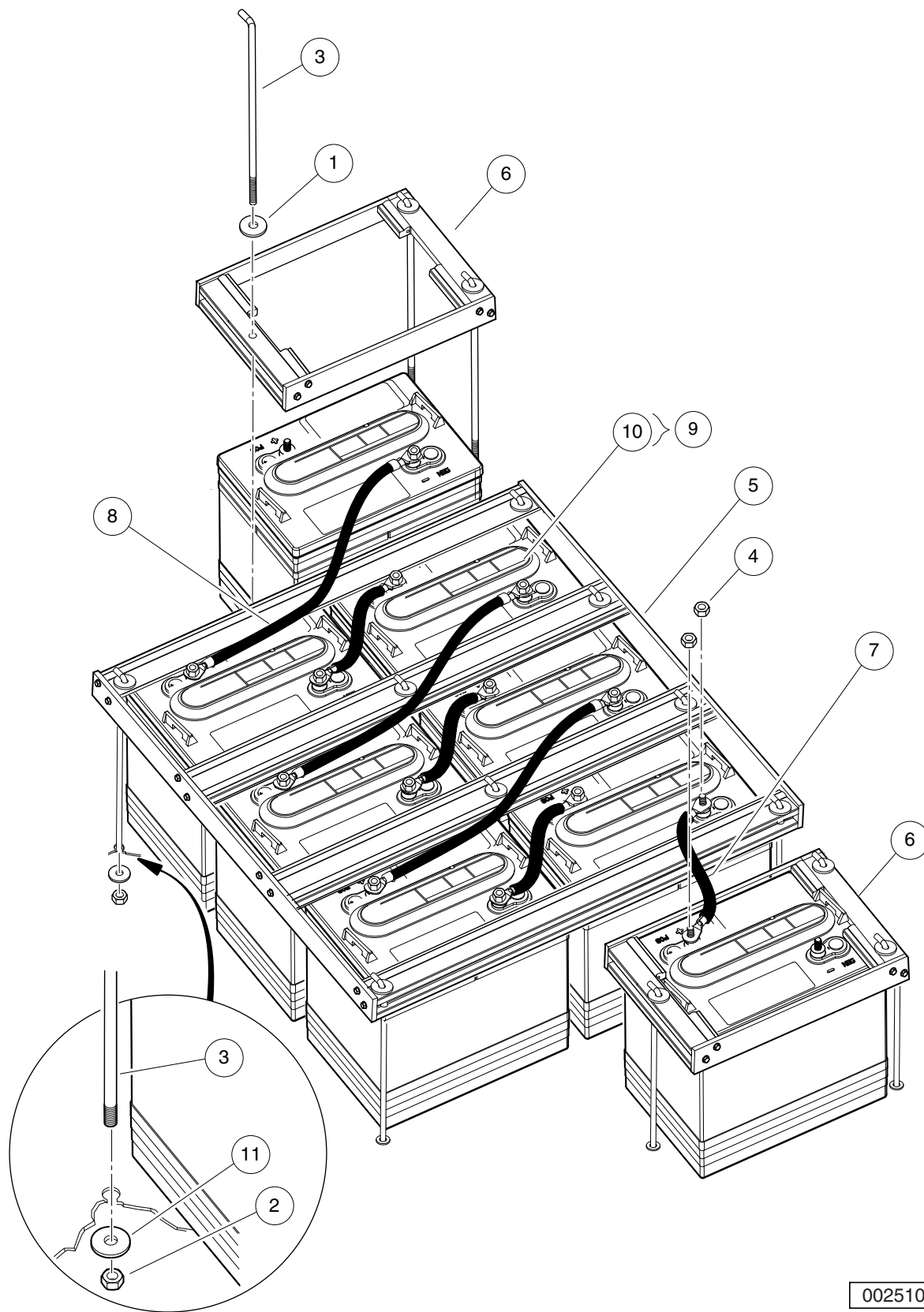
ITEM	PART NO.	DESCRIPTION	QTY
		1 2 3 4	
1	1012571	Washer, 5/16 Extra Thick Flat .....	14
2	1015072	Locknut, 5/16-18 Nylon Insert .....	14
3	102845203	Rod, Battery Hold Down 10.7" .....	14
4	102873401	5/16-18 Heavy Hex Nut .....	14
5	103493101	Asm, Batt Ret Ctr, CA710 .....	1
6	103493201	Asm, Batt Ret Side, CA710 .....	2
7	103528901	Wire, Asm #2 Blk, 9 Inch .....	4
8	103529001	Wire, Asm #2 Blk, 18.5 Inch .....	3
9	103793101	Battery, 6-Volt, JCI GC2 (Wet) .....	8
10	1241	Washer, 5/16 Type A Flat .....	14

**7**

**E**

7

E



002510-001

## BATTERIES 6-VOLT, HEAVY DUTY - CA710

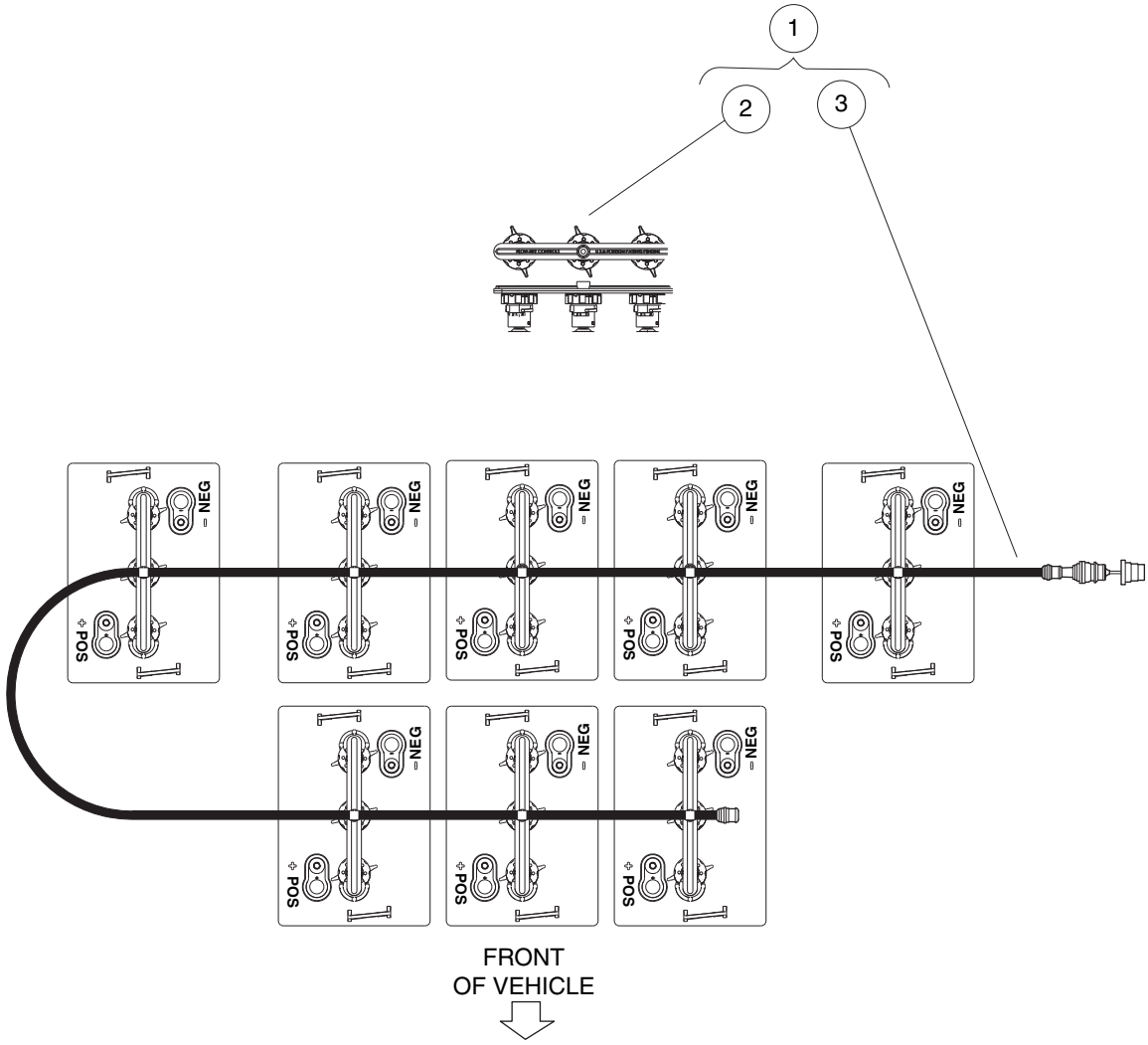
ITEM	PART NO.	DESCRIPTION	QTY
		<b>1 2 3 4</b>	
1	1012571	Washer, 5/16 Extra Thick Flat .....	14
2	1015072	Locknut, 5/16-18 Nylon Insert .....	14
3	102845204	Rod, Battery Hold Down 12" .....	14
4	102873401	5/16-18 Heavy Hex Nut .....	16
5	103493101	Asm, Batt Ret Ctr, CA710 .....	1
6	103493201	Asm, Batt Ret Side, CA710 .....	2
7	103528901	Wire, Asm #2 Blk, 9 Inch .....	4
8	103529001	Wire, Asm #2 Blk, 18.5 Inch .....	3
9	103969701	Battery, 6-Volt, Trojan T145 (Wet) (includes item 10) .....	8
10	101831401	Battery Cap 6 Volt .....	1
11	1241	Washer, 5/16 Type A Flat .....	14

**7**

**E**

7

E



002524-001



# SINGLE POINT WATERING SYSTEM (SPWS)

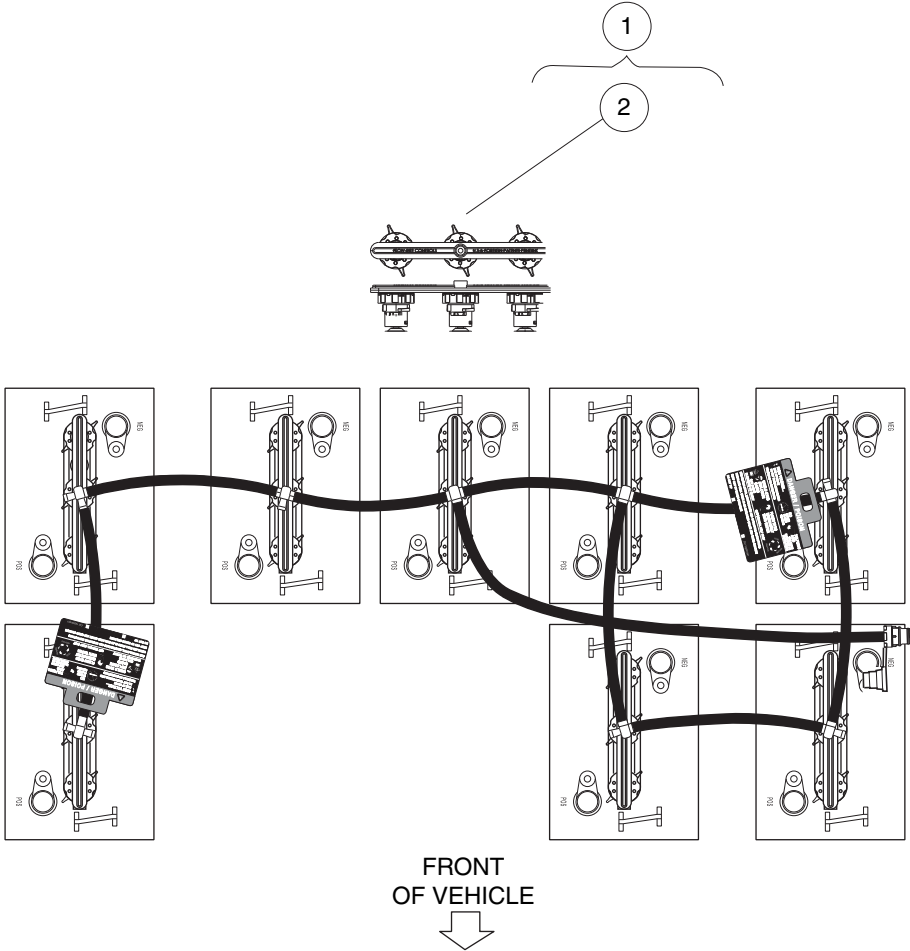
ITEM	PART NO.	DESCRIPTION	QTY
		1 2 3 4	
1	103497702	Kit, Spws, 8x6v (includes items 2 and 3) .....	1
2	103510501	Manifold, Lpr, 3 Vlve, Spw .....	8
3	103942601	Spws, Carryall, 8x6v .....	1

**7**

**E**

7

E



002540-001

# SINGLE POINT WATERING SYSTEM (SPWS) – CA510

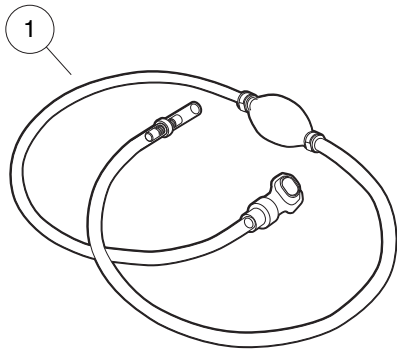
ITEM	PART NO.	DESCRIPTION	QTY
		1 2 3 4	
1	103510901	Kit, Spws, 8x6v, Opt 1 (includes item 2) .....	1
2	103510501	Manifold, Lpr, 3 Vlve, Spw .....	8

**7**

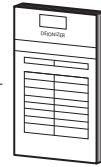
**E**

7

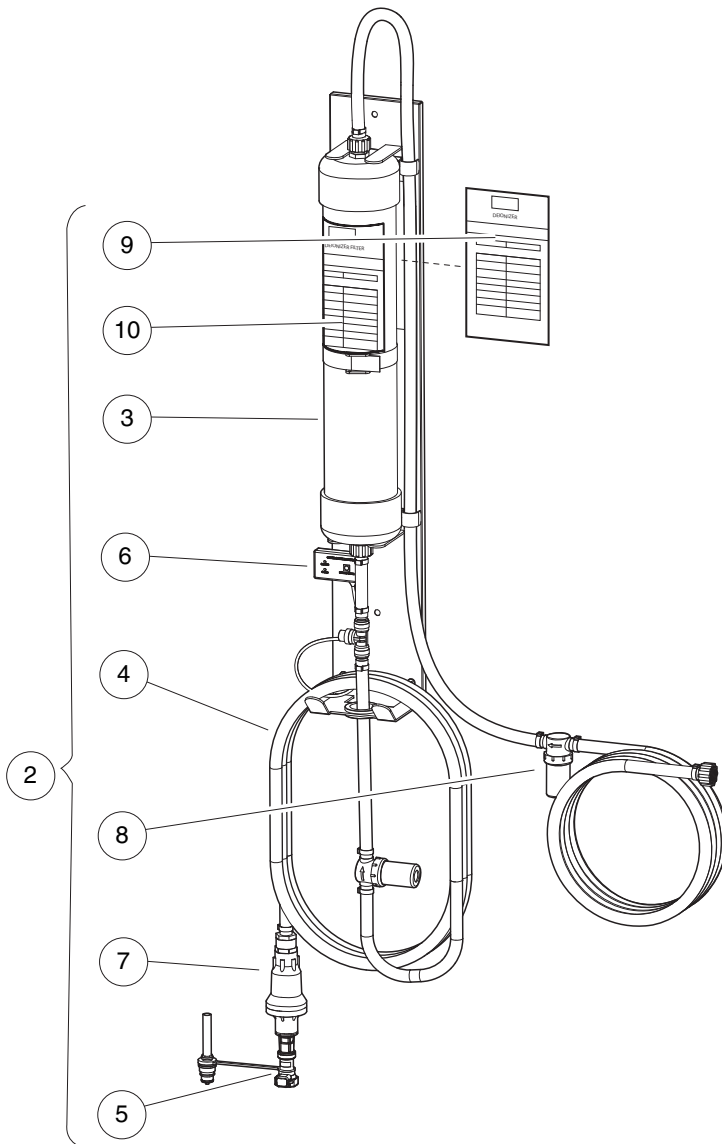
E



11



12



002523-003

# HAND PUMP AND DEIONIZER (BATTERY-POWERED QUALITY LIGHT)

ITEM	PART NO.	DESCRIPTION	QTY
		<b>1 2 3 4</b>	
1	104006101	Kit, Hand Pump, Spws .....	1
2	105166801	Deionizer, w/Battery-Powered Water Quality Light (includes items 3 through 10) .....	1
3	104005901	Cartridge, Deionizer .....	1
4	105166901	Hose,outlet,deionizer .....	1
5	105167001	Flow Ind, W/coupler, Deionizer .....	1
6	105167101	Light, Quality, Battery-Powered, w/T-Fitting .....	1
7	105168501	Regulator, Pressure, Deionizer .....	1
8	105168601	Strainer, In-line, Deionizer .....	1
9	AM1300001	Decal, Filter Log, Blue .....	1
10	AM1300201	Decal, Inspect Log, Yellow .....	1
11	AM1300101	Decal, Filter Log, Blue, Pack of 100 .....	A/R
12	AM1300301	Decal, Inspect Log, Yellow, Pack of 100 .....	A/R

**7**

**E**

**7**

**E**

# ELECTRIC MOTOR

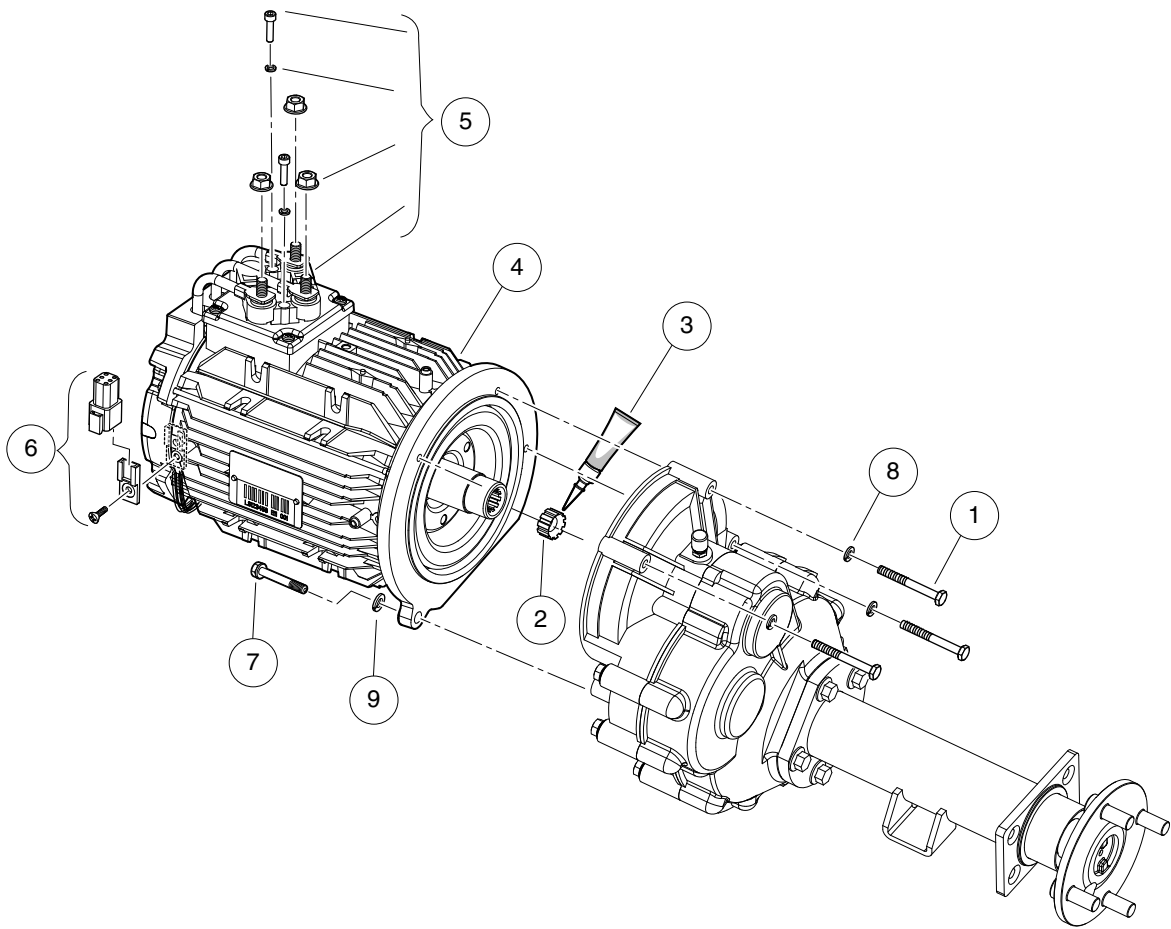
---

8

*E*

8

E



000855-002



# AC MOTOR

ITEM	PART NO.	DESCRIPTION	QTY
		<b>1 2 3 4</b>	
1	1014201	Screw, 1/4-20 X 2.25 Hex Cap .....	3
2	102235201	Bumper, Drive Unit .....	1
3	102243403	Lubricant, Moly-Teflon (Single-Use Tube) .....	1
4	103647101	Motor, Ac, Aircooled, Ls .....	1
5	103998701	Kit, Svc, Ls Motor .....	1
6	103998801	Kit, Connector, Dtm04-6p .....	1
7	1218	Screw, 5/16-18 X 1.25 Hex-Head Cap .....	1
8	451	Lockwasher, 1/4 Split .....	3
9	7174	Lockwasher, 5/16 Split .....	1

**8**

**E**

8

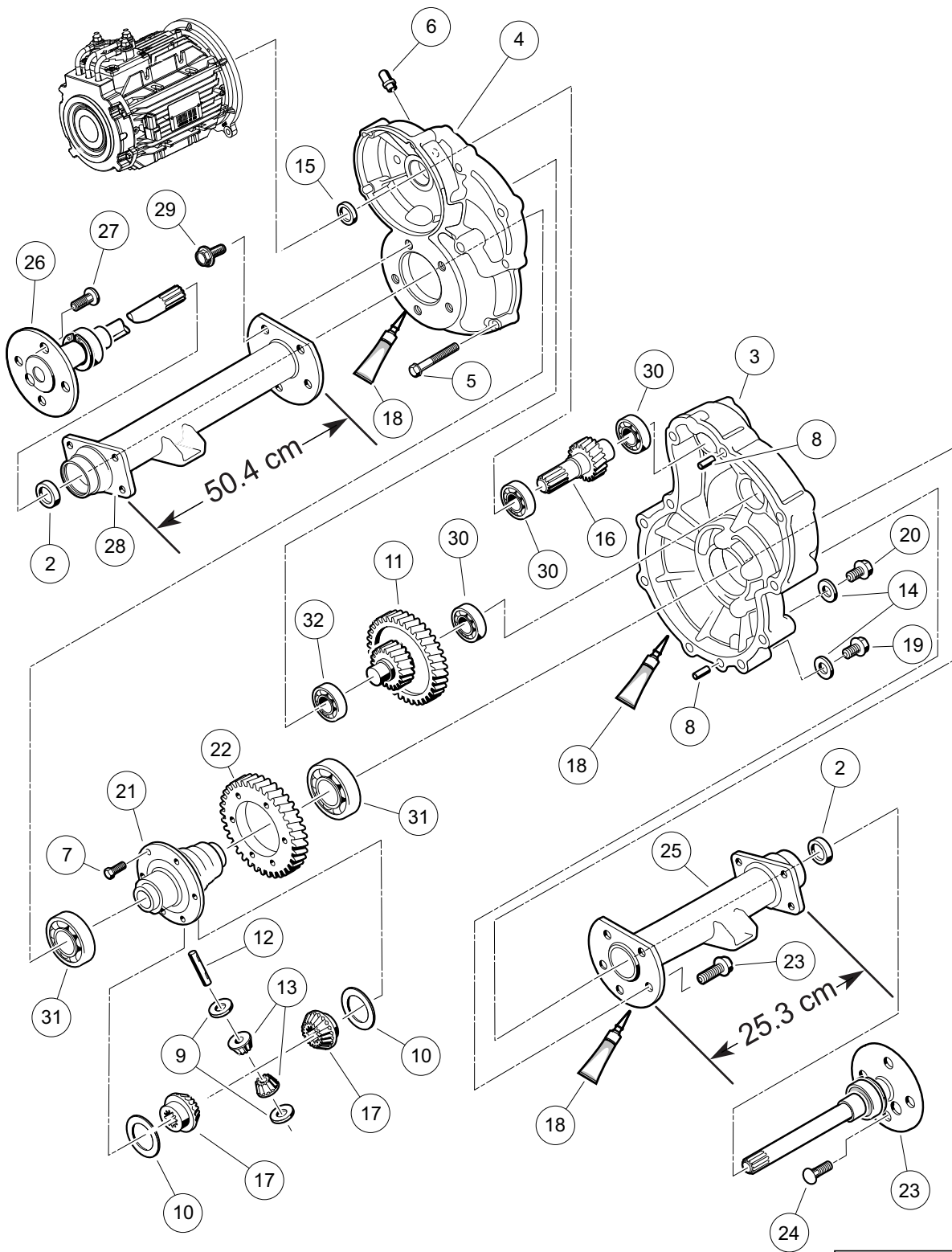
*E*

# TRANSAXLE – ELECTRIC VEHICLES

---

9

E



000223-006

# TRANSAXLE – ELECTRIC VEHICLES

ITEM	PART NO.	DESCRIPTION	QTY
		<b>1 2 3 4</b>	
1	103484801	Transaxle, Electric, Hs (includes items 2 through 32) .....	1
2	1013794	Axle Shaft Oil Seal .....	2
3	101895401	Gear Case, Driver-Side .....	1
4	101895501	Gear Case, Passenger-Side .....	1
5	101897001	Screw, M8-1.25 X 60mm Hex-Head .....	11
6	101897201	Breather .....	1
7	101897401	Screw, M10-1.25 X 25mm .....	6
8	101897601	Pin, 11mm OD X 8.5mm ID X 10mm .....	2
9	101903601	Washer, Thrust .....	2
10	101903701	Washer, Thrust .....	2
11	101906901	Intermediate Shaft Assembly .....	1
12	101922101	Pin, 15.99mm X 88.7mm Dowel .....	1
13	101923001	Gear, Differential Idler .....	2
14	101923201	Gasket .....	2
15	101923501	Seal, Lip .....	1
16	N/A	Shaft, Input .....	1
17	101923901	Gear, Differential .....	2
18	101928701	Liquid Gasket (Transaxle case) .....	1
19	101972101	Plug, M14-1.5 X 12mm Magnetic .....	1
20	101972201	Plug, M14-1.5 X 12mm Hex .....	1
21	102356601	Housing, Differential, 6 Bolt .....	1
22	102356801	Gear, Differential Output, 6-Bolt .....	1
23	102886301	Axle Assembly, Driver-Side (includes item 24) .....	1
24	101922201	Lug Stud .....	4
25	102886401	Tube, Axle, Driver-Side .....	1
26	102886501	Axle Assembly, Passenger-Side (includes item 27) .....	1
27	101922201	Lug Stud .....	4
28	102886601	Tube, Axle, Passenger-Side .....	1
29	102902801	Screw, M10 X 30 .....	10
30	103574501	Bearing, 6204-c3 .....	3
31	7330	Inner Axle Tube Bearing .....	2
32	7336	Bearing .....	1

9

E

9

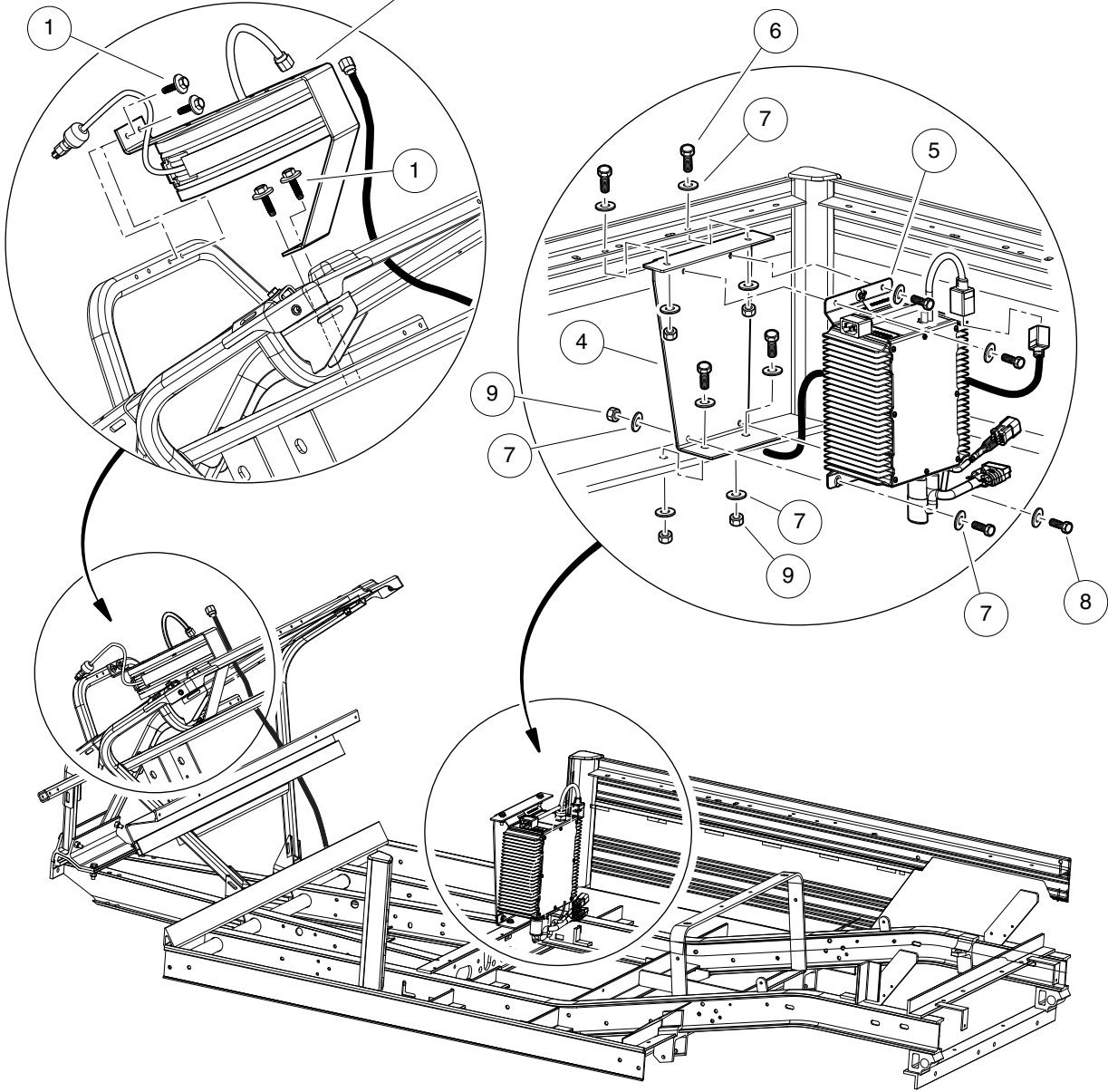
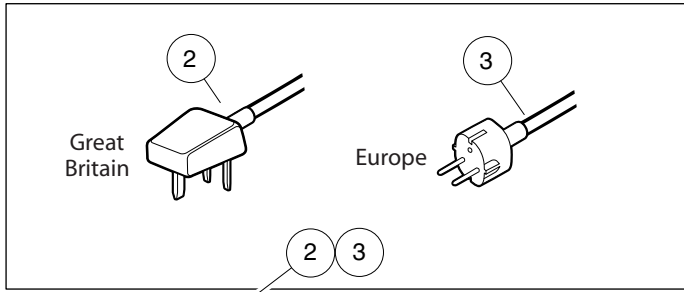
*E*

# BATTERY CHARGERS – HIGH-FREQUENCY

---

10

E



002806-001

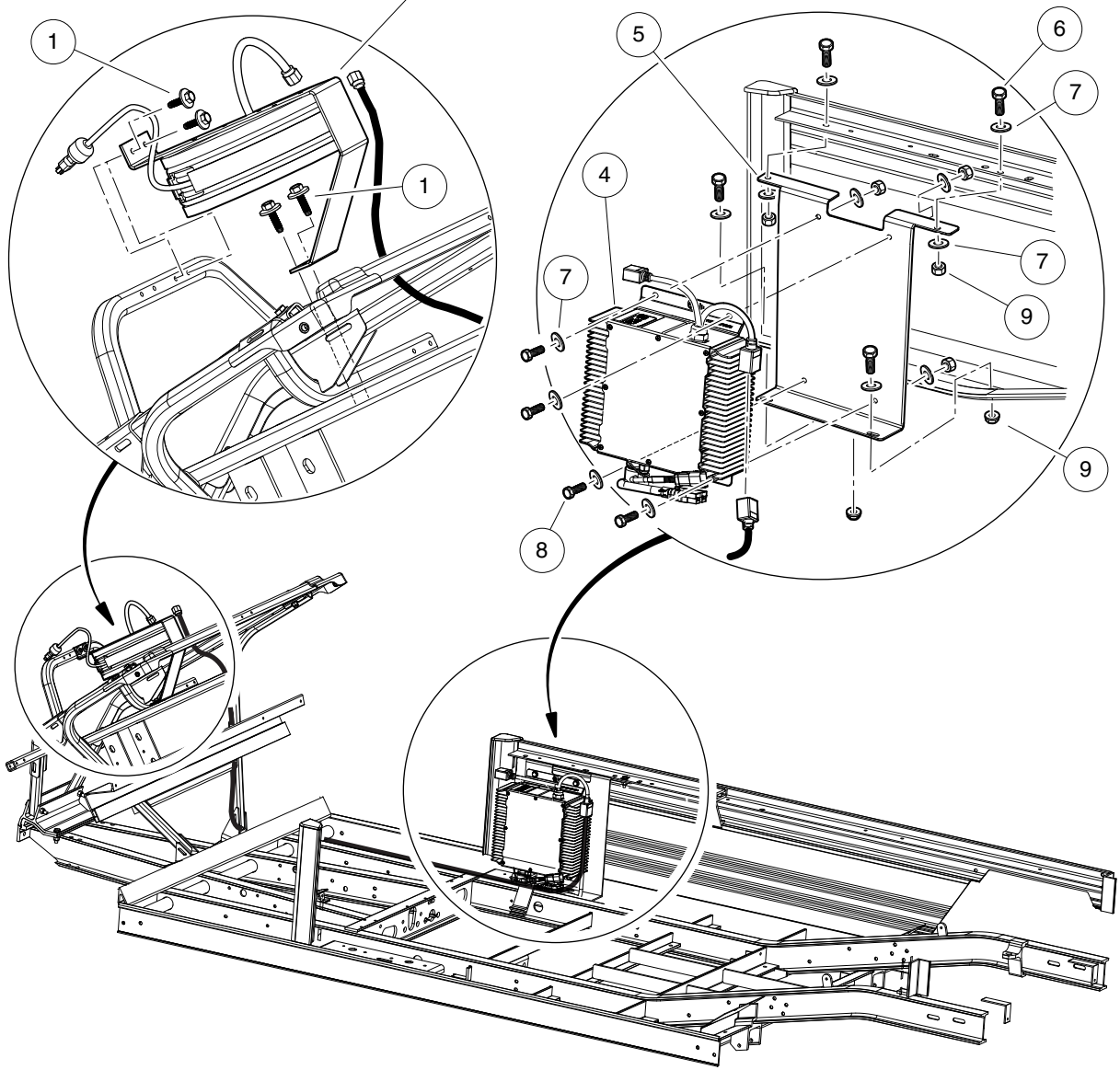
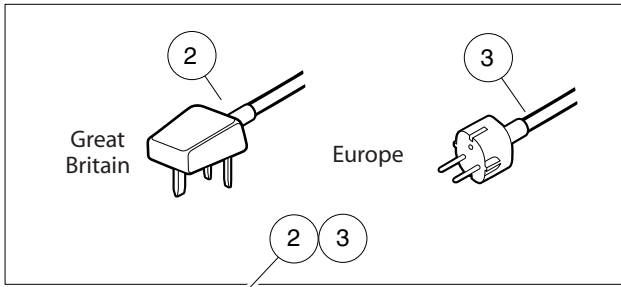


# ONBOARD BATTERY CHARGER, HIGH-FREQ. - CA510 – HOMOLOGATED

ITEM	PART NO.	DESCRIPTION	QTY
		<b>1 2 3 4</b>	
1	102297125	Screw, M6-1.0x25.4, Thread-Forming, SEMS .....	4
2	105117602	Cord Reel, Retractable, Uk .....	1
3	105117603	Cord Reel, Retractable, Eu .....	1
4	105131401	Ob Charger Bracket, Ca510 Lsv .....	1
5	105161901	Asm, Chgr, Batt, Onboard, Quiq .....	1
6	304	Screw, 1/4-20 X 1.0 Hex-Head Cap .....	4
7	332	Washer, 1/4 Type A Narrow Flat .....	16
8	7847	Screw, 1/4-20 X 0.75 Hex-Head Cap .....	4
9	8233	Locknut, 1/4-20, Nylon Insert .....	8

10

E



002805-002

# ONBOARD BATTERY CHARGER, HIGH-FREQ. - CA710 - HOMOLOGATED

ITEM	PART NO.	DESCRIPTION	QTY
		1 2 3 4	
1	102297125	Screw, M6-1.0x25.4, Thread-Forming, SEMS .....	4
2	105117602	Cord Reel, Retractable, Uk .....	1
3	105117603	Cord Reel, Retractable, Eu .....	1
4	105161901	Asm, Chgr, Batt, Onboard, Quiq .....	1
5	105249601	Bracket, On-Board Charger, CA7/TRANS .....	1
6	304	Screw, 1/4-20 X 1.0 Hex-Head Cap .....	1
7	332	Washer, 1/4 Type A Narrow Flat .....	10
8	7847	Screw, 1/4-20 X 0.75 Hex-Head Cap .....	4
9	8233	Locknut, 1/4-20, Nylon Insert .....	5

10

E

**10**

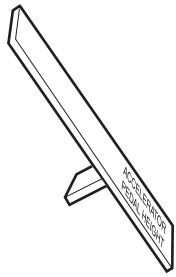
***E***

# MAINTENANCE AND SERVICE TOOLS

---

**11**  
**G**  
**E**

**11**  
**G**  
**E**



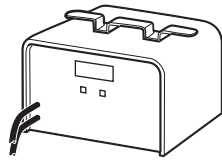
1



2



3



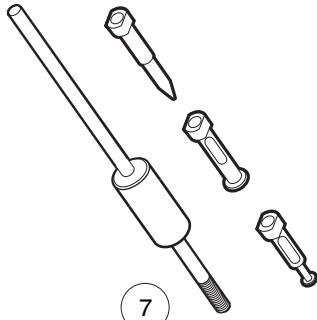
4



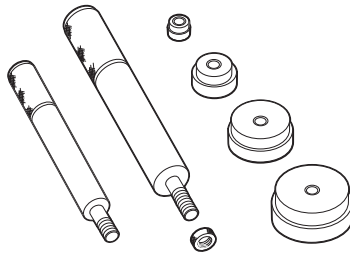
5



6



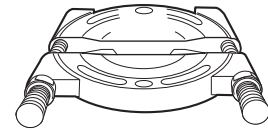
7



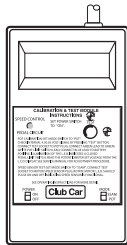
8



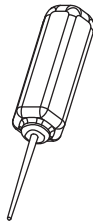
9



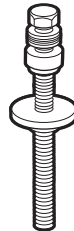
10



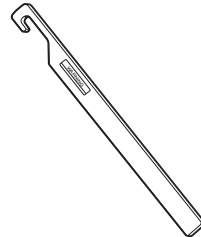
11



12



13



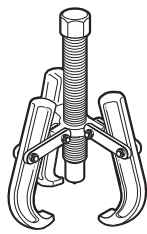
14



15



16



17



18



19

001060-002

# MAINTENANCE AND SERVICE TOOLS

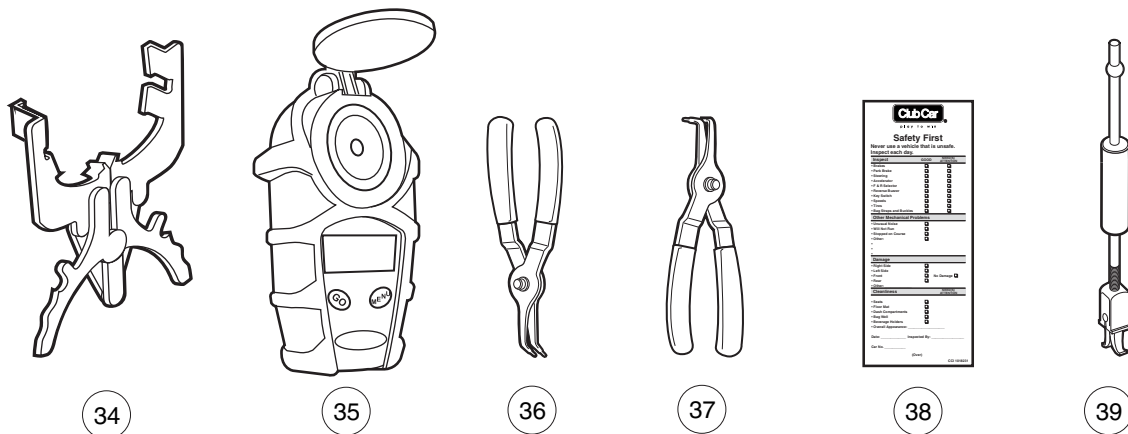
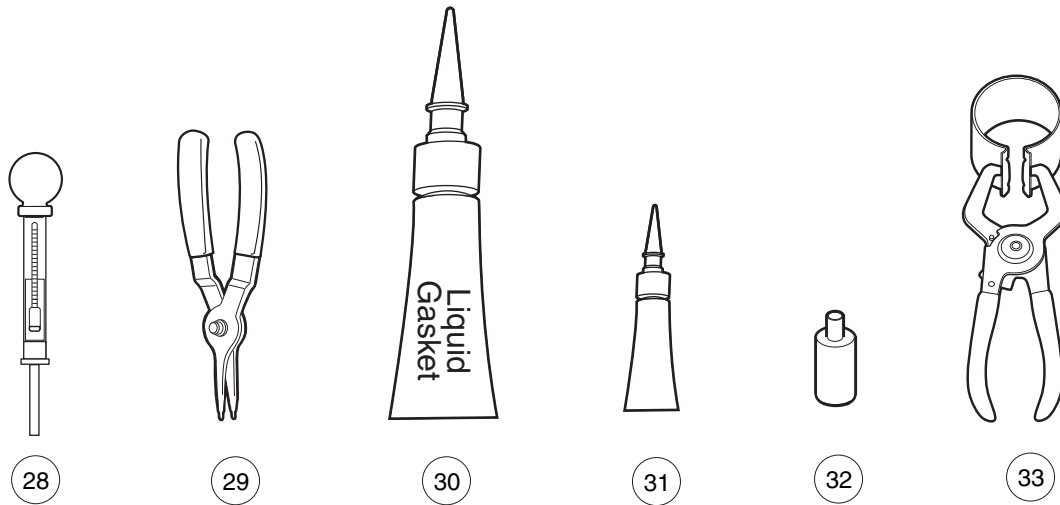
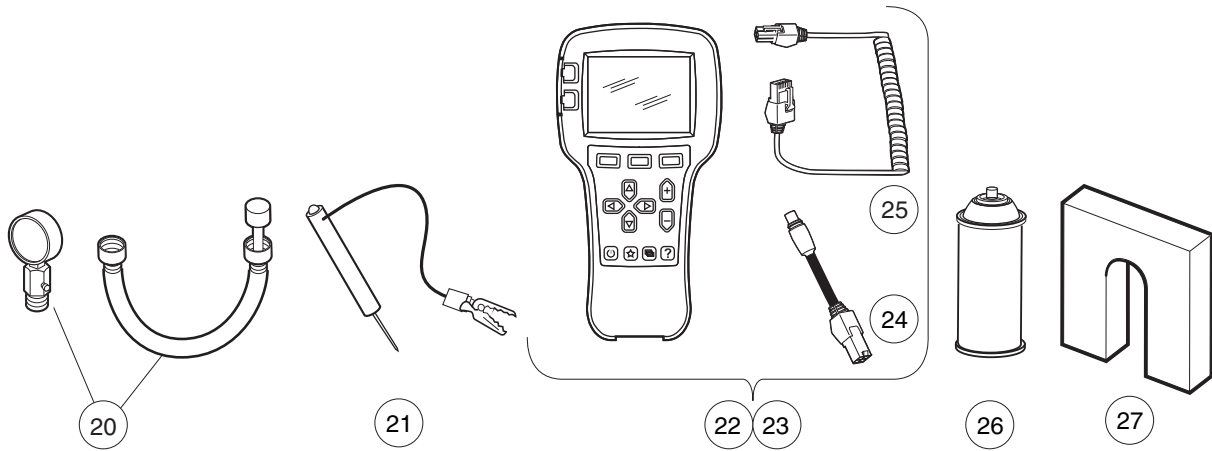
ITEM	PART NO.	DESCRIPTION	QTY GAS	QTY ELEC
		<p><b>1 2 3 4</b></p> <p>The following tool list includes all tools available from Club Car for maintenance and service procedures for gasoline and electric golf and utility vehicles. Be sure to carefully examine the tool list for applicability to your vehicle before ordering.</p>		
1	101871001	Accelerator Pedal Adjustment Tool (Utility Vehicles).....	1	1
2	101813202	Adhesive, Guide Ring, 3-Gram Tube .....		1
3	101641202	Arbor .....	1	
4	101831901	Battery Discharge Machine, 36/48 Volt .....		1
5	1014305	Battery Terminal Protector Spray .....	1	1
6	1011767	Battery Thermometer .....	1	1
7	1016417	Bearing and Oil Seal Remover Assembly .....	1	1
8	1016416	Bearing Driver Set .....	1	1
9	1012811	Bearing Puller .....	1	1
10	1012812	Bearing Puller Wedge Attachment .....	1	1
11	101887101	Calibration Test Module .....		1
12	102562401	Charger Bezel Tool .....		1
		Clutch Tools (items 14 - 20) .....	1	
13	101808401	Clutch Cam Installation Tool (for Subaru and Kawasaki engines) .....	1	
14	105072501	Drive Clutch Holder Tool Assembly (for Subaru and Kawasaki engines) .....	1	
15	1014497	Drive Clutch Hub Puller (for Subaru and Kawasaki engines) .....	1	
16	1014496	Drive Clutch Puller (for Subaru and Kawasaki engines) .....	1	
17	1014508	Driven Clutch Cam Puller (for Subaru and Kawasaki engines) .....	1	
18	1014507	Driven Clutch Puller Plug (for Subaru and Kawasaki engines) .....	1	
19	101809101	Press Weldment (for Subaru and Kawasaki engines) .....	1	
		<p>Please refer to the maintenance and service manual for proper tool application.</p>		

**11**

**G**

**E**

**11**  
**G**  
**E**



001061-002



## MAINTENANCE AND SERVICE TOOLS, CONTINUED

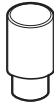
ITEM	PART NO.	DESCRIPTION	QTY GAS	QTY ELEC
		<b>1 2 3 4</b>		
20	101641002	Compression Gauge and Adapter .....	1	
21	1011273	Continuity Tester .....	1	1
22	105234501	Controller Diagnostic Tool (CDT) User Kit (includes items 25 and 26) .....		1
23	105234502	Controller Diagnostic Tool (CDT) OEM Kit (includes items 25 and 26) .....		1
24	102251501	Adaptor, Cable .....		1
25	105209601	CDT Cable .....		1
26	1012151	Dry Moly Lubricant .....	1	1
27	1016418	Gear Yoke .....	1	1
28	1011478	Hydrometer .....	1	1
29	1013593	Internal Retaining Ring Pliers .....	1	1
30	101928701	Liquid Gasket (transaxle case) .....	1	1
31	102243402	Moly-Teflon Lubricant (4-oz. (113-gram) tube) .....		1
32	102587201	Paint Pen, Touch-Up, Precedent Underbody ,Ai Black.....	1	1
33	1016414	Piston Ring Compressor Kit .....	1	
34	1016415	Piston Ring Pliers .....	1	
35	AM1285701	Refractometer .....	1	1
36	1012549	Retaining Ring Pliers, 45→× External .....	1	1
37	1012560	Retaining Ring Pliers, 90→× Internal .....	1	1
38	101823101	Safety First Card (50 per pack) .....	1	1
39	1012809	Seal Puller .....	1	1
		Please refer to the maintenance and service manual for proper tool application.		

**11**  
**G**  
**E**

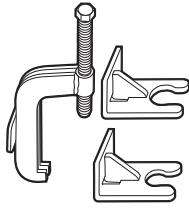
**11**  
**G**  
**E**



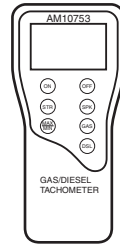
40



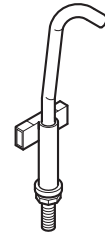
41



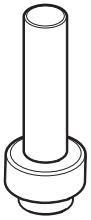
42



43



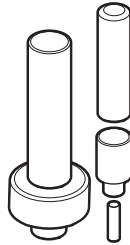
44



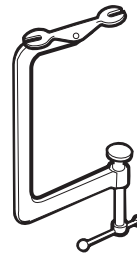
45



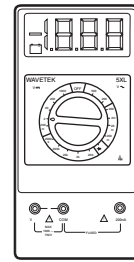
46



47



48



49

001062-001

## MAINTENANCE AND SERVICE TOOLS, CONTINUED

ITEM	PART NO.	DESCRIPTION	QTY GAS	QTY ELEC	
		1 2 3 4			11
40	1014264	Steering Column Bearing Press Tool .....	1	1	G
41	1014259	Steering Column Retaining Ring Tool .....	1	1	E
42	102061201	Steering Wheel Puller Tool .....	1	1	
43	AM10753	Tachometer (includes gasoline engine pick up lead only) .....	1		
44	102570401	Tool, Tensioning, Starter Generator (For Precedent vehicles) .....	1		
45	1014162	Transaxle Axle Seal Tool (for electric vehicles) .....		1	
46	1014161	Transaxle Pinion Seal Tool (for electric vehicles) .....		1	
47	1014115	Transmission Tool Kit (for electric vehicles).....		1	
48	101641101	Valve Spring Compressor .....	1		
49	1011480	Volt Ohm Meter .....	1	1	
		Please refer to the maintenance and service manual for proper tool application.			



# INDEX

## Part Number and Page

AM10753	11-7	8963	1-15	1012812	11-3
AM1300001	7-27	1010005	6-17	1012830	1-17
AM1300101	7-27	1010138	6-11	1013135	6-17
AM1300201	7-27	1010145	6-19	1013357	4-5
AM1300301	7-27	1010150	6-13	1013531	5-7, 5-15, 5-19
304	10-3, 10-5	1010177	6-13	1013593	11-5
320	1-13	1010200	6-13	1013609	4-21, 7-11, 7-13
324	1-39	101021902	6-11	1013734	1-17, 1-29, 1-31, 7-11, 7-13
332	1-17, 1-23, 1-33, 4-9, 10-3, 10-5	101043502	1-29, 1-31	1013794	9-3
334	1-13, 1-23, 5-9, 5-13, 5-17, 6-5	1010521	5-15, 5-19	1013924	5-3, 5-5, 5-21
357	6-13	1010577	5-13, 5-17	1014007	5-9
451	1-17, 8-3	1010829	5-15, 5-19	1014115	11-7
705	5-15, 5-19, 6-5	101082903	5-13, 5-17	1014125	6-5
706	6-13	1010878	1-33, 5-7	1014126	6-5
1028	5-7	1010921	5-7	1014161	11-7
1035	1-23, 6-3, 6-11	1010934	5-15, 5-19	1014162	11-7
1218	6-15, 8-3	1010984	2-3	1014201	8-3
1241	1-15, 4-7, 5-7, 5-9, 5-13, 5-15, 5-17, 5-19, 7-15, 7-17, 7-19, 7-21	1011137	5-3, 5-5, 5-21	1014213	6-5
1242	4-21	1011273	11-5	1014214	6-5
1308	6-11	1011393	6-17	1014217	6-5
1624	5-9	1011402	5-7	1014259	11-7
2402	6-11	1011415	6-19	1014264	11-7
7048	6-13	1011439	4-7	1014276	6-13
7049	1-41	1011478	11-5	1014305	11-3
7173	4-7	1011480	11-7	1014321	1-39, 1-41
7174	6-13, 8-3	1011553	3-5	1014496	11-3
7274	6-17	1011557	4-7	1014497	11-3
7308	6-17	1011652	1-17	1014507	11-3
7311	1-17	1011694	5-9	1014508	11-3
7330	9-3	1011767	11-3	1014555	6-19
7336	9-3	1011779	5-15, 5-19	1014573	6-19
7473	1-15, 1-29, 1-31, 4-7, 5-7, 5-9, 5-13, 5-15, 5-17, 5-19, 6-15	1011825	4-7	1014902	6-19
7479	1-23	1011887	6-17	1014948	4-21
7555	6-3, 6-11	1011892	6-17	101503202	1-13
7602	6-3, 6-11	1011893	6-11	1015072	7-15, 7-17, 7-19, 7-21
7716	5-7	1011895	6-3, 6-11	1015277	1-33
7820	4-7	1011930	6-3	1015363	1-41
7840	6-17	1011931	5-9	1015391	1-29
7847	1-17, 10-3, 10-5	1011937	1-15	1015400	1-29
7893	4-21	1011990	5-15, 5-19	1015524	11-3
7910	6-17	1012151	11-5	101553901	3-3
7973	7-9	1012285	5-13, 5-17, 5-19	1015583	1-23, 1-25, 6-13
8056	4-13	1012295	4-7	101558302	6-19
8057	4-13	1012303	6-13	1015597	6-13
8058	4-13	1012412	1-17	1015656	1-49
8067	6-13	1012467	6-3	1015661	1-29, 1-39
8233	1-17, 1-23, 1-33, 5-9, 10-3, 10-5	1012528	1-29, 1-31, 7-11, 7-13	1015700	1-23
8639	1-61, 4-21	1012549	11-5	1015720	7-11, 7-13
8717	5-9	1012560	11-5	1015741	7-5, 7-7
8754	5-9, 5-15, 5-19, 6-5, 6-11, 6-13	1012565	6-9	1016060	1-23, 1-33
8755	6-13	1012566	6-9	1016077	1-49
8861	6-11	1012571	7-15, 7-17, 7-19, 7-21	1016078	1-33
8935	1-15	1012604	6-5	101609401	3-3
		1012605	6-5	1016154	6-9
		1012809	11-5	1016214	6-9
		1012811	11-3	1016346	6-11

# INDEX

1016349	6-11	101900801	5-15, 5-19	102050501	5-3, 5-5, 5-21
1016350	6-11	101903601	9-3	102050601	5-3, 5-5, 5-21
1016351	6-11	101903701	9-3	102050701	5-3, 5-5, 5-21
1016353	6-11	101906901	9-3	102050801	5-3, 5-5, 5-21
1016356	4-5, 7-11, 7-13	101908101	7-9	102050901	5-5, 5-21
1016384	6-13	101908401	7-9	102050902	5-3, 5-21
1016386	6-13	101918501	5-9	102052801	5-15, 5-19
1016387	6-13	101919801	5-9	102056201	1-17
1016389	6-13	101922101	9-3	102059001	1-17
101641002	11-5	101922201	9-3	102059401	1-17
101641101	11-7	101923001	9-3	102059501	1-17
101641202	11-3	101923201	9-3	102060201	1-17
1016414	11-5	101923501	9-3	102061101	1-17
1016415	11-5	101923901	9-3	102061201	11-7
1016416	11-3	101928701	9-3, 11-5	102065901	1-23, 1-25, 1-27
1016417	11-3	101932201	4-7	102158901	5-9
1016418	11-5	101953101	5-7	102196901	7-5, 7-7
1016423	4-5, 7-5, 7-7	101953105	5-7	102198001	4-5
1016849	4-7, 4-9	101955101	4-7	102199001	4-7
1016851	4-9, 4-13	101957101	4-7	102235201	8-3
1016967	7-11, 7-13	101958601	1-33	102238001	4-5, 7-11, 7-13
1017226	6-13	101958602	1-23	102240501	7-11, 7-13
1017266	6-11	101963401	1-49	102243402	11-5
1017273	6-7, 6-9	101972101	9-3	102243403	8-3
1017378	5-9	101972201	9-3	102251501	11-5
1017380	5-9	101974701	4-11	102292701	1-9
1017424	5-9	101974702	4-11	102292801	5-13, 5-15, 5-17, 5-19
101791101	5-21	101974703	4-11	102296301	1-9
101796201	5-9	101974704	4-11	102296530	1-9
101806005	5-7	101974705	4-11	102296920	4-19
101808401	11-3	101974706	4-11	102297125	1-9, 1-11, 1-13, 1-19, 1-21, 4-7, 4-21, 10-3, 10-5
101809101	11-3	101974707	4-11	102297230	7-3
101813202	11-3	101974708	4-11	102298185	1-23, 1-25
101817401	5-9	101974709	4-11	102298401	1-23, 1-25, 1-35, 1-37, 1-39, 1-49, 6-19
101823101	11-5	101974710	4-11	102299550	1-35, 1-37, 1-39, 1-49
101830701	4-11	101974711	4-11	102301401	1-23
101831401	7-17, 7-21	101974712	4-11	102311501	1-3
101831901	11-3	102023701	1-17	102323101	5-7, 5-13, 5-17
101832001	5-15, 5-19	102025701	5-11	102323201	5-7, 5-13, 5-17
101834502	4-11	102026001	5-9	102356601	9-3
101835601	1-23, 1-33, 4-15	102026401	1-17	102356801	9-3
101850301	4-3, 6-7, 6-9	102028601	5-7	102444602	5-15, 5-19
101851101	4-11	102028903	5-7	102459301	3-5
101856001	4-9	102033401	5-3, 5-21	102492301	7-5, 7-7
101856101	1-3	102033501	5-5, 5-21	102506401	1-23, 1-25, 6-19
101861901	5-9	102033701	5-15, 5-19	102517501	4-7
101862001	5-9	102047001	1-17	102518301	3-5
101871001	11-3	102049401	5-3, 5-5, 5-21	102519001	5-13, 5-17
101887101	11-3	102049501	5-3, 5-5, 5-21	102538601	7-5, 7-7
101887601	1-17	102049601	5-3, 5-5, 5-21	102541501	1-9
101895401	9-3	102049701	5-3, 5-5, 5-21	102546401	4-7
101895501	9-3	102049901	5-3, 5-5, 5-21	102554512	1-39
101897001	9-3	102050001	5-3, 5-5, 5-21	102562401	11-3
101897201	9-3	102050101	5-3, 5-5, 5-21	102564002	6-13
101897401	9-3	102050201	5-3, 5-5, 5-21		
101897601	9-3	102050401	5-3, 5-5, 5-21		

# INDEX

102570401	11-7	103517801	3-7, 3-9	104001201	1-53
102572401	7-5, 7-7	103517901	7-11, 7-13	104003501	1-65
102587201	11-5	103524601	6-19	104005901	7-27
102590801	1-41	103524701	6-19	104006101	7-27
102621501	1-43, 4-19	103525801	5-15, 5-19	104026901	3-3
102684501	6-13	103528901	7-15, 7-17, 7-19, 7-21	105006501	1-17
102742501	7-11, 7-13	103529001	7-19, 7-21	105007001	1-15
102766301	6-13	103529003	7-13	105034001	1-13
102772403	7-11, 7-13	103529004	7-11	105034103	4-9
102774701	7-11, 7-13	103529101	7-15, 7-17	105034201	1-13
102817101	4-21, 7-11, 7-13	103538701	1-23, 1-25	105034321	1-5
102845101	3-5	103539001	1-23	105034322	1-5
102845203	7-15, 7-19	103539002	1-25, 1-27	105034323	1-5
102845204	7-17, 7-21	103540203	1-13	105034324	1-5
102847603	1-49	103541401	4-21	105034325	1-5
102873401	7-15, 7-17, 7-19, 7-21	103574501	9-3	105034326	1-5
102883601	1-9, 3-7, 3-9	103575801	1-23, 1-25, 1-27	105034327	1-5
102886301	9-3	103625801	5-15, 5-19	105034328	1-5
102886401	9-3	103625901	5-15, 5-19	105034329	1-5
102886501	9-3	103626001	5-15, 5-19	105034401	1-9
102886601	9-3	103627001	5-15	105034501	1-9
102894503	4-3, 4-7	103627101	5-19	105034601	1-9
102902801	9-3	103628901	6-13	105034701	1-9
102915701	7-9	103635801	5-13, 5-17	105034801	1-9
102976701	5-13, 5-17	103647101	8-3	105034901	1-11
103180101	1-63, 4-9	103665002	5-13, 5-17	105035001	1-11
103182701	1-13	103724504	6-7, 6-9	105035101	1-21
103182702	1-13	103724601	6-9	105035201	1-21
103218601	7-5, 7-7	103724602	6-7	105035301	1-21
103229601	5-3, 5-5, 5-21	103724901	6-9	105035701	1-13
103232101	6-5	103793101	7-19	105035801	1-19
103233101	6-3	103804901	4-15	105036601	1-29, 1-31
103234304	3-7, 3-9	103807801	5-15, 5-19	105036701	1-9
103245001	4-3, 4-7	103807901	5-19	105046101	3-3
103264802	6-11	103810801	4-19	105049201	1-13
103267001	1-17	103810901	4-19	105049301	1-13
103376101	5-13, 5-17	103823002	7-11, 7-13	105066401	1-21
103397901	7-11, 7-13	103824101	6-13	105068001	4-11
103449501	4-15	103824201	6-13	105068002	4-11
103477901	6-17	103827201	3-3, 4-9	105068003	4-11
103481301	7-15, 7-17	103829401	6-7	105068004	4-11
103481401	7-15, 7-17	103832501	4-17	105068005	4-11
103481501	7-15, 7-17	103832601	4-17	105068006	4-11
103484301	4-7	103865001	5-13, 5-17	105068007	4-11
103484801	9-3	103865101	5-9	105068008	4-11
103493101	7-19, 7-21	103902101	7-3	105068009	4-11
103493201	7-19, 7-21	103902301	7-3	105068010	4-11
103497702	7-23	103902401	7-3	105068011	4-11
103501401	3-3	103942601	7-23	105068012	4-11
103502801	6-13	103943401	7-3	105068902	6-19
103507001	6-13	103969701	7-17, 7-21	105073501	4-3
103510201	7-11, 7-13	103971501	5-13	105073502	4-3
103510501	7-23, 7-25	103971601	5-17	105073601	4-9
103510901	7-25	103998701	8-3	105078811	2-3
103511001	7-13	103998801	8-3	105078901	2-3
103515301	3-5	104000901	1-65	105079204	2-3

# INDEX

105079501	2-3	105117701	1-7	105161101	1-45
105082001	4-11	105117702	1-7	105161201	1-47
105082002	4-11	105117703	1-7	105161301	1-47
105082003	4-11	105117704	1-7	105161401	1-45
105082004	4-11	105117705	1-7	105161901	10-3, 10-5
105082005	4-11	105117706	1-7	105163601	3-3
105082006	4-11	105117707	1-7	105163701	3-3, 3-5
105082007	4-11	105117708	1-7	105165801	4-7
105082008	4-11	105117709	1-7	105166801	7-27
105082009	4-11	105117710	1-7	105166901	7-27
105082010	4-11	105122105	1-39	105167001	7-27
105082011	4-11	105122205	1-35	105167101	7-27
105082012	4-11	105122206	1-37	105167201	7-5, 7-7
105083301	6-13	105122808	4-7	105168101	7-11, 7-13
105095701	1-17	105124701	3-5	105168501	7-27
105097001	1-51	105124901	1-3	105168601	7-27
105097301	1-53	105127201	1-39	105169101	1-29
105097501	1-55	105127202	1-39	105173901	7-5, 7-7
105097901	1-63	105127302	1-43	105178301	1-55
105098003	1-65	105127401	1-39	105178401	1-55
105098101	1-67	105127402	1-39	105179001	1-63
105098201	1-69	105128001	1-43	105179101	1-63
105098301	1-69	105128101	1-41	105179201	1-63
105098601	1-71	105128201	1-41	105179301	1-63
105098602	1-71	105129501	1-49	105179401	1-63
105098701	1-71	105129601	1-49	105179501	1-63
105106101	2-5	105129901	1-43	105179601	1-63
105106201	2-5	105130001	3-5	105179701	1-63
105106301	2-5	105130101	3-3	105179801	1-63
105106501	2-5	105130301	1-41	105179901	1-63
105106702	6-11	105130302	1-41	105180002	1-65
105106801	6-19	105130501	1-41	105180201	1-65
105107801	7-5	105130601	1-41	105180301	1-67
105108101	7-7	105131401	10-3	105180401	1-67
105108201	4-7	105135201	4-7	105180501	1-67
105108301	4-7	105135802	4-21	105180601	1-67, 1-69
105108401	4-7	105137104	3-3	105180701	1-67
105108801	4-21	105137105	3-3	105180801	1-67
105109501	1-49	105144801	4-17	105180901	1-69
105110801	1-23	105146701	4-9	105181001	1-69
105112401	4-9, 7-11, 7-13	105146901	4-15	105181101	1-69
105112501	4-21	105147001	4-15	105181301	1-69
105112601	4-21	105148502	1-49	105181401	1-69
105113101	4-9	105148601	1-49	105181501	1-69
105113301	1-49	105148801	1-49	105181701	1-53
105113302	1-49	105148802	1-49	105181801	1-53
105114805	4-5	105149101	5-11	105181901	1-53
105114806	4-5, 4-7	105149201	5-11	105182001	1-53
105114807	1-61, 4-5	105152601	3-7	105182002	1-53
105115002	3-7	105153001	3-9	105182101	1-53
105115003	3-9	105153201	3-7, 3-9	105182102	1-53
105115005	3-7	105153202	3-7, 3-9	105182201	1-53
105115006	3-9	105160401	1-45	105182202	1-53
105116301	7-3	105160501	1-47	105182301	1-53
105117602	10-3, 10-5	105160801	1-45	105182302	1-53
105117603	10-3, 10-5	105160901	1-45	105182401	1-53



# INDEX

- 105182501 1-53  
105182601 1-53  
105182701 1-53  
105182801 1-53  
105182901 1-53  
105183001 1-53  
105183501 1-63  
105183601 1-69  
105183701 1-65  
105185701 1-35, 1-37, 1-49  
105185801 1-35, 1-37, 1-49  
105186201 6-19  
105186202 6-19  
105188185 6-19  
105190601 4-7  
105190701 4-7  
105192301 1-39  
105192901 1-39  
105193001 1-39  
105193101 1-43  
105194101 1-29  
105194402 1-39  
105194601 1-39  
105194801 1-35, 1-37, 1-49  
105194802 1-35, 1-37  
105194901 1-35  
105194902 1-35  
105195001 1-37  
105195002 1-37  
105195501 7-11, 7-13  
105196101 1-39  
105196201 1-39  
105197101 1-29  
105197201 1-31  
105200702 1-39  
105200802 1-39  
105200901 1-39  
105201001 1-39  
105205201 1-39  
105205501 1-61  
105205701 1-65  
105209601 11-5  
105210201 7-15  
105234002 1-61  
105234501 11-5  
105234502 11-5  
105243002 6-15  
105247101 4-9  
105247301 7-11  
105249601 10-5  
105250401 4-19  
105255301 7-11  
105255401 7-13  
105257901 4-9  
105295301 1-63  
105298002 1-27
- 105329301 6-13  
47552857001 1-51  
47552861001 1-57  
47552862001 1-73  
47552867001 1-59  
47552872001 1-59  
47552874001 1-59  
47553011001 1-51  
47553013001 1-51, 1-57, 1-73  
47553014001 1-51, 1-57, 1-73  
47553015001 1-51  
47553022001 1-57  
47553024001 1-73  
47553025001 1-57  
47553025002 1-57  
47553026001 1-57, 1-73  
47553027001 1-57  
47553028001 1-57  
47553029001 1-57  
47553030001 1-57  
47553031001 1-57  
47553939001 1-57  
47553940001 1-57  
47553942001 1-57  
47553943001 1-57  
47553948001 1-57  
47553950001 1-73  
47554192001 1-51  
47554722001 1-59  
47554723001 1-59  
47554724001 1-59  
47554727001 1-59  
47554728001 1-59  
47554730001 1-59  
47555147001 1-59  
47555148001 1-59  
47555151001 1-59  
47555152001 1-59  
47555160001 1-59  
47555263002 1-59  
47555264001 1-59  
47555264002 1-59  
47555265001 1-59  
47555267001 1-59  
47555268001 1-59  
47570761001 1-51  
47570762001 1-51  
96705199 1-39
- A**  
accelerator bracket and bearing assembly 5-9  
accelerator pedal adjustment tool 11-3  
accelerator pivot rod 5-9  
accelerator return spring 5-9  
accessory receptacle 4-5  
adapter  
cable (IQDM) 11-5  
adhesive, guide ring 11-3  
AM1285701 11-5  
A-plate strap 6-11  
A-plate, delta 6-11  
arbor 11-3  
assembly  
accelerator bracket and bearing 5-9  
accelerator pivot rod 5-9  
backing plate 5-3, 5-5, 5-21  
bearing, steering shaft 6-5  
brake cluster 5-3, 5-5, 5-21  
delta A-plate 6-11  
kingpin 6-13  
park brake 5-3, 5-5, 5-21  
ratchet 5-9  
axle 9-3  
axle shaft oil seal 9-3  
axle tube 9-3
- B**  
backing plate 5-3, 5-5, 5-21  
ball joint 6-3, 6-11  
base, seat holder 1-17  
battery cap, 6-volt 7-17, 7-21  
battery discharge machine 11-3  
battery HD, 6-volt, Trojan T145 7-17, 7-21  
battery hold-down rod 7-15, 7-17, 7-19, 7-21  
battery terminal protector spray 11-3  
battery thermometer 11-3  
battery, 6-volt, JCI GC2 7-19  
bead, ferrite 4-15  
bearing 9-3  
front wheel hub 6-17  
hub 6-17  
inner axle tube 9-3  
pivot support 5-9  
steering shaft 6-5  
thrust 6-13  
bearing and oil seal remover 11-3  
bearing driver set 11-3  
bearing puller 11-3  
bearing puller wedge 11-3  
bearing seat 6-5  
bed clamp kit 1-45  
bed floor 1-29  
bed floor kit 1-29, 1-31  
bed floor weldment 1-31  
bed latch weldment 1-29  
block, brake-mounting 5-7  
block, fuse 7-5, 7-7  
block, terminal 4-5, 7-11, 7-13  
body kick plate 1-17  
bolt, U- 6-19  
boot  
park brake 5-15, 5-19

# INDEX

- boot, switch 7-9
- bracket
  - brake light switch 4-7
  - horn 4-7
  - stake side 1-49
- bracket, hinge, bed 1-23, 1-25
- Bracket, License Plate 4-19
- Bracket, Steering Stop 6-15
- bracket, tailgate Lh 1-41
- bracket, tailgate Rh 1-41
- brake cable hanger 5-15, 5-19
- brake cluster 5-3, 5-5, 5-21
- brake drum 5-3, 5-5, 5-21
- brake light switch bracket 4-7
- brake mounting block 5-7
- brake pedal 5-7
- brake return spring 5-7, 5-15, 5-19
- brake, park 5-3, 5-5, 5-21
- breather 9-3
- bucket holder kit 1-47
- bucket seat 1-17
- bumper
  - drive unit (motor) 8-3
  - rubber 1-33, 5-7
  - spring return 5-9
- bumper, bed floor 1-29, 1-31
- bushing
  - bronze 6-13
  - nylon 1-41
  - snap-in 1-41
  - spindle 6-13
  - steel 6-13
  - urethane 1-23, 1-25, 6-11, 6-13, 6-19
- buzzer, reverse 4-9, 4-13
- C**
- cab liner 1-51
- cab mirror 1-71
- cab overhead console 1-63
- calibration test module 11-3
- cap
  - battery, 6-volt 7-17, 7-21
  - dust 7-5, 7-7
  - key switch 4-11
- cap, quick connector 7-11, 7-13
- card, safety first 11-5
- cargo box kit 1-39
- cargo box, corner, ds 1-39
- cargo box, front panel 1-39
- cargo box, side panel, ds, medium 1-39
- cargo box, corner, ps 1-39
- cargo box, side panel, ps, medium 1-39
- case
  - gear 9-3
- CE mark ferrite bead, TDK 4-15
- charger bezel tool 11-3
- clevis pin 5-13, 5-17
- clevis, upper delta 6-13
- clip
  - body trim 1-9
  - wheel cover 2-5
- clip, score card 6-9
- clutch cam installation tool 11-3
- clutch tool kit 11-3
- compression gauge 11-5
- compressor, piston ring 11-5
- compressor, valve spring 11-7
- console cover 1-17
- continuity tester 11-5
- controller diagnostic tool (CDT) 11-5
- controller diagnostic tool (CDT) cable 11-5
- cover
  - console 1-17
  - dust 5-3, 5-5, 5-21, 6-17
  - rocker switch hole 1-63, 4-9
- cowl 1-5
- cup holder, seat 1-17
- cup, spring 5-9
- cushion, shock absorber 6-19
- cylinder, master 5-13, 5-17
- cylinder, wheel 5-3, 5-5, 5-21
- D**
- dash 1-13
- dash display, Koso 4-9
- dc converter, 25A 4-15
- decal
  - bed load warning 3-3
  - crush area warning 3-3, 3-5
  - electrical cover safety 3-5
  - filter log 7-27
  - inspect log 7-27
  - nameplate 1-9, 3-7, 3-9
  - Tow/Run switch 3-5
  - trailer hitch 3-5
  - wheel cover 2-5
- deionizer 7-27
  - cartridge 7-27
- delta A-plate 6-11
- delta A-plate sub-assembly 6-11
- diagnostic port 7-5, 7-7
- differential gear 9-3
- differential housing 9-3
- diode 4-21
- door, charger port 1-9
- door, glove box 1-13
- drive clutch holder tool 11-3
- drive clutch hub puller 11-3
- drive clutch puller 11-3
- drive unit bumper 8-3
- driven clutch cam puller 11-3
- driven clutch puller plug 11-3
- drum, brake 5-3, 5-5, 5-21
- dry moly lubricant 11-5
- dust cap 7-5, 7-7
- dust cover 5-3, 5-5, 5-21, 6-17
- E**
- eccentric bolt 6-13
- E-clip 5-15, 5-19
- equalizer rod 5-7
- extension, spring latch 1-29
- F**
- fender, front, lh 1-9
- fender, front, rh 1-9
- fender, inner 1-19
- fender, rear 1-21
- ferrite bead (CE), TDK 4-15
- fitting, thread-forming grease 6-13
- flasher, turn signal, 12-volt 4-7, 7-11, 7-13
- flat bed trim kit 1-37
- flat trim kit 1-35
- floor mat 1-13
- frame
  - corner cap 1-17
- frame weldment, front 1-15
- frame, bed 1-29
- front spring retainer plate 6-13
- fuse
  - 10-amp 4-7
  - 15-amp 7-5, 7-7
  - 1-amp 7-5, 7-7
  - 20-amp 4-5, 7-5, 7-7
  - 2-amp 7-5, 7-7
  - 30-amp 7-5, 7-7
- fuse block 7-5, 7-7
- fuse, mini, 7.5A 4-5
- fuse, mini, 10A 4-5, 4-7
- fuse, mini, 15A 1-61, 4-5
- G**
- gasket
  - liquid 9-3, 11-5
  - plug 9-3
- gauge, compression 11-5
- gear
  - differential 9-3
  - differential idler 9-3
  - differential output 9-3
- gear yoke 11-5
- gearcase 9-3
- grill 1-9
- grip, pencil 6-9
- grip, tilt latch hand 1-29
- grommet 5-7
- guide ring adhesive 11-3

# INDEX

- H**  
hanger, brake cable 5-15, 5-19  
hardware  
    axle 5-3, 5-5, 5-21  
harness, brake pedal switch 4-7  
harness, taillight 4-7  
headlight bezel, lh 1-11  
headlight bezel, rh 1-11  
heater, defogger 4-21  
heater, defogger kit 4-21  
hinge pin 1-49  
hinge plate 1-17  
hold-down rod, battery 7-15, 7-17, 7-19, 7-21  
hold-down, brake shoe 5-3, 5-5, 5-21  
holder, license plate 1-3  
horn bracket 4-7  
housing  
    differential 9-3  
hub 6-17  
hub bearing 6-17  
hydraulic shoe 5-3, 5-5, 5-21  
hydrometer 11-5
- I**  
idler gear, differential 9-3  
input shaft 9-3  
instrument panel, koso 4-9  
intermediate shaft 9-3  
internal retaining ring pliers 11-5
- K**  
key switch cap 4-11  
key switch, uncommon 4-11  
kick plate, body 1-17  
kingpin 6-13  
kit  
    accelerator pivot rod 5-9  
    axle adjuster 5-3, 5-5, 5-21  
    axle hardware 5-3, 5-5, 5-21  
    controller diagnostic tool (CDT) 11-5  
    hand pump, SPWS 7-27  
    hydraulic shoe 5-3, 5-5, 5-21  
    shock absorber cushion 6-19
- L**  
lamp, stop, turn, tail 4-7  
latch 1-13  
latch plate 1-23  
latch plate, tilt bed 1-33  
leaf blower holder kit 1-45  
license frame kit 1-3  
license plate 1-3  
license plate holder 1-3  
light  
    water quality 7-27
- limit switch 4-7  
link, rack and pinion drag 6-3  
liquid gasket 9-3, 11-5  
lubricant, dry moly 11-5  
lubricant, moly-teflon 8-3, 11-5  
lug nut 2-3  
lug stud 9-3
- M**  
master cylinder 5-13, 5-17  
mat, floor 1-13  
MCOR 7-3  
meter, volt ohm 11-7  
mirror 1-71  
module  
    calibration test 11-3  
moly-teflon lubricant 11-5  
motor bumper 8-3  
mounting block, brake 5-7
- N**  
nameplate decal 1-9, 3-7, 3-9  
nut, lug 2-3
- P**  
pad  
    brake pedal 5-7  
paint, underbody (black) 11-5  
paint, touch-up 1-7  
pan, seat 1-17  
park brake 5-3, 5-5, 5-21  
pedal, brake 5-7  
pencil grip 6-9  
pin  
    bow tie locking 5-13, 5-15, 5-17, 5-19  
    clevis 5-15, 5-19  
pin, clevis 5-13, 5-17  
pin, hinge 1-49  
piston ring compressor 11-5  
piston ring pliers 11-5  
pivot support bearing 5-9  
plate  
    backing 5-3, 5-5, 5-21  
    front spring retainer 6-13  
    hinge 1-17  
    latch 1-33  
    license 1-3  
plate, Tow/Run switch 7-9  
pliers  
    internal retaining ring 11-5  
    piston ring 11-5  
    retaining ring 11-5  
plug  
    driven clutch puller 11-3  
port, diagnostic 7-5, 7-7
- press weldment 11-3  
prop rod 1-23  
prop rod track 1-23  
protector spray, battery terminal 11-3  
puller  
    bearing 11-3  
    drive clutch 11-3  
    drive clutch hub 11-3  
    driven clutch cam 11-3  
    seal 11-5
- R**  
race, front hub bearing 6-17  
rack and pinion drag link 6-3  
ratchet, park brake 5-9  
rear window, cab 1-73  
receptacle, accessory 4-5  
reflector, yellow 4-17  
reflector, red 4-17  
reflector, red, rectangle 4-17  
refractometer 11-5  
relay 7-11, 7-13  
relay 48v 4-9, 7-11, 7-13  
relay, 12-volt 4-7  
remover, bearing and oil seal 11-3  
retainer  
    accelerator pedal spring 5-9  
    shock absorber cushion 6-19  
    spring 6-19  
retaining ring 6-5  
retaining ring pliers 11-5  
return spring bumper 5-9  
reverse buzzer 4-9, 4-13  
ring  
    retaining 6-5  
rivet, blind push 7-11, 7-13  
rocker switch 4-9  
rod  
    accelerator pivot 5-9  
    battery hold-down 7-15, 7-17, 7-19, 7-21  
    equalizer 5-7  
    prop 1-23  
rod, tie 6-11  
Roof, LSV 1-51
- S**  
safety first card 11-5  
score card clip 6-9  
score card plate 6-9  
seal  
    lip 9-3  
    oil 9-3  
    vertical socket dust 6-3  
seal puller 11-5  
sealant 9-3

# INDEX

- seat
    - bucket 1-17
  - seat holder base 1-17
  - seat pan 1-17
  - seat support 1-17
  - seat, bearing 6-5
  - shaft
    - input 9-3
    - intermediate 9-3
  - shaft, steering 6-5
  - shim, latch plate 1-33
  - shock absorber 6-19
  - shock absorber cushion 6-19
  - shock absorber cushion retainer 6-19
  - sleeve 1-23, 1-25, 6-19
    - delta A-plate 6-11
  - socket 6-3, 6-11
  - solenoid 7-11, 7-13
  - solenoid, 12-volt 4-21, 7-11, 7-13
  - spacer
    - accelerator pivot rod 5-9
  - spindle 6-13
  - spindle asm 6-13
  - spray, battery terminal protector 11-3
  - spring
    - accelerator return 5-9
    - brake return 5-7, 5-15, 5-19
    - compression 6-9
    - extension 1-29
    - shoe to shoe 5-3, 5-5, 5-21
    - steering shaft compression 6-5
  - spring cup 5-9
  - spring mounting plate 6-13
  - spring retainer 6-19
  - spring, tailgate 1-41
  - SPWS manifold 7-23, 7-25
  - stake side 1-49
  - stake side bracket 1-49
  - stake side kit 1-49
  - stake side panel, front 1-49
  - stake side panel, lh 1-49
  - stake side panel, rh 1-49
  - stake side trim kit 1-49
  - stake side trim, center 1-49
  - stake side trim, rh 1-49
  - stake side trim, lh 1-49
  - static grip kit 1-45
  - steel bushing 6-13
  - steering column 6-5
  - steering column bearing press tool 11-7
  - steering column retaining ring tool 11-7
  - steering column weldment 6-5
  - steering gear assembly 6-3
  - steering shaft 6-5
  - steering shaft compression spring 6-5
  - steering wheel puller tool 11-7
  - strap, A-plate 6-11
  - stud
    - lug 9-3
  - switch
    - key, uncommon 4-11
    - limit 4-7
    - rocker 4-9
    - Tow/Run 7-9
    - turn signal 4-7
  - switch rubber boot 7-9
  - switch, hazzard 4-9
  - switch, high beam 4-9
- ## T
- 12-volt solenoid 4-21, 7-11, 7-13
  - tachometer 11-7
  - tailgate 1-41
  - tailgate handle 1-41
  - tailgate latch, lh 1-39
  - tailgate latch, rh 1-39
  - tailgate teather kit 1-43
  - tailskirt 1-21
  - terminal block 4-5, 7-11, 7-13
  - tester, continuity 11-5
  - thermometer, battery 11-3
  - thread-forming grease fitting 6-13
  - thrust bearing 6-13
  - tie down kit 1-45
  - tie rod 6-11
  - tie wrap 1-61, 4-21
  - tilt latch hand grip 1-29
  - tool
    - accelerator pedal adjustment 11-3
    - belt tensioning, starter/generator 11-7
    - charger bezel 11-3
    - clutch cam installation 11-3
    - drive clutch holder 11-3
    - steering column bearing press 11-7
    - steering column retaining ring 11-7
    - steering wheel puller 11-7
    - transaxle axle seal 11-7
    - transaxle pinion seal 11-7
    - transmission 11-7
  - tool kit, clutch 11-3
  - tool rack kit 1-45
  - touch-up paint 11-5
  - Tow/Run switch 7-9
  - Tow/Run switch plate 7-9
  - track, prop rod 1-23
  - transaxle axle seal tool 11-7
  - transaxle pinion seal tool 11-7
  - transaxle, 9-3
  - transmission tool 11-7
  - tube
    - axle 9-3
  - turn signal switch 4-7
- ## U
- U-bolt 6-19
  - upper delta clevis 6-13
  - urethane bushing 1-23, 1-25, 6-11, 6-13, 6-19
- ## V
- valve spring compressor 11-7
  - valve stem 2-3
  - vent, door, cab 1-55
  - vertical socket dust seal 6-3
  - volt ohm meter 11-7
- ## W
- washer, cab 1-67
  - water quality light 7-27
  - wedge, bearing puller 11-3
  - weldment
    - press 11-3
  - wheel cover 2-5
  - wheel cylinder 5-3, 5-5, 5-21
  - work light, front, cab 1-69
  - work light, rear, cab 1-69
  - wrap, tie 1-61, 4-21
- ## Y
- yoke, gear 11-5





**Club Car, Inc.**  
P.O. Box 204658  
Augusta, GA 30917-4658  
USA

**Web** [www.clubcar.com](http://www.clubcar.com)  
**Phone** 1.706.863.3000  
1.800.ClubCar  
**Int'l** +1 706.863.3000  
**Fax** 1.706.863.5808