



2017 Carryall 300 Illustrated Parts List



Gasoline and Electric Vehicles

Manual Number 105342103
Edition Code 0616B0716A

USING THE ILLUSTRATED PARTS LIST

⚠ WARNING

- **This manual is to be used only for identification and ordering of service parts. Be sure to read and use the maintenance and service manual before attempting any vehicle repairs.**

This manual covers all 2017 Carryall 300 gasoline and electric vehicles.

The manual is divided into sections. Note that there are two or three flags on the outside edge of each page. The first flag contains the section number of which that page is a part. The other flag (or flags) contains the letter D, E, or G, signifying that the page pertains to the diesel, electric, or gasoline vehicles only.

Use the Table of Contents to find the sections and pages that contain the parts and assemblies you seek. The Table of Contents lists section numbers, and under them, the individual page titles and numbers to be found in that section. The index can be used to find specific parts and assemblies. The index is divided into numerical and alphabetical listings with the page numbers in italic text.

There is a two-page spread for each individual page title in the Table of Contents. On the left-hand page is an illustration showing the parts in their relative positions; the parts are each tagged with an item number in a balloon. The right-hand page is the parts list page, and gives the page title at the top, then the item numbers (corresponding to the numbers on the illustration), part descriptions, and quantity of parts used.

Note that a part description may be indented. This indentation corresponds to a parts assembly level indicated by the numbers 1, 2, 3, and 4 at the top left corner of the parts description area of the parts list page. A part that is indented to *level 2* is a component of the *level 1* part (assembly) that it is listed under. A *level 3* part is a component of the *level 2* part that it is listed under, and a *level 4* part is a component of the *level 3* part preceding it. In each case, the part quantity given for a level 2, 3, or 4 part is the quantity used per next higher level assembly of which it is a component. A part that is not indented is a *level 1* part. This means that the quantity given is the quantity used per the portion of the vehicle illustrated on that particular spread.



P. O. Box 204658
Augusta, Georgia 30917-4658 USA
Telephone 706-863-3000
Service Parts Fax 706-855-7413
www.clubcar.com

HOW TO ORDER PARTS

Replacement parts and accessories can be obtained from our network of authorized dealers and distributors. You can obtain the name and phone number of your closest authorized Club Car dealer or distributor by visiting our web site at www.clubcardealer.com, by calling our toll-free Service Parts and Technical Assistance hotline at (800) 872-2246 or (706) 863-3000, extension 3887, or by scanning this Quick Response (QR) code to be taken to the Club Car dealer locator. **Refer to Figure 1.** Download a QR code reader such as RedLaser or Barcode Scanner to your cell phone or tablet.



Figure 1 Dealer Locator QR Code

CUSTOMER SATISFACTION SURVEY

Let your voice be heard!

Please take time to participate in the Technical Publications satisfaction survey. Obtaining feedback from our customers is important to the department's continuous improvement process. The online survey takes less than five minutes and responses will help the department to examine current performance as well as identify areas for future improvement.

Our top priority is to provide timely, accurate, and user friendly manuals.

The online satisfaction survey can be found at: <http://bit.ly/1w9uFMh>



Figure 2 Survey QR Code

NOTE: *This illustrated parts list represents the most current information at the time of publication. Club Car, LLC is continually working to further improve its vehicles and other products. These improvements may affect the parts used to service the vehicle. Any modification and/or significant change in specifications will be forwarded to all Club Car and Carryall distributors/dealers and will, when applicable, appear in future editions of this illustrated parts list.*

Club Car, LLC reserves the right to change specifications and designs at any time without notice and without the obligation of making changes to units previously sold.

Copyright © 2016 Club Car, LLC.

Club Car is a registered trademark of Club Car, LLC.

This manual effective July 1, 2016.

CONTENTS

SECTION 1 – BODY AND TRIM

Heavy Duty Front Bumper	1-3
Headlight Guard	1-5
Fender Guard	1-7
Front License Plate Holder	1-9
Front Body	1-11
Body Touch-Up Paint	1-13
Front Bumper, Grille, and Fenders	1-15
Headlight Bezels	1-17
Dash, Glovebox Door, and Floormat	1-19
Front Frame, Standard	1-21
Seat Bottom	1-23
Seat Back	1-25
Seat Frame and Hip-Restraint	1-27
Rear Facing Fold Down Seat	1-29
Rear Seats – Vehicle with Fold-Down Rear Seat	1-31
Windshield, Hinged	1-33
Windshield, Non-Hinged	1-35
Canopy Kit, White	1-37
Canopy Kit, Biege	1-39
Canopy Kit, Black	1-41
Mirrors	1-43
Inner Rear Fenders	1-45
Rear Fenders and Tail Skirt	1-47
Rear Fenders – Vehicle with Fold-Down Rear Seat	1-49
Rear License Plate Holder	1-51
Bed Hinge and Latch	1-53
Tilt Bed and Latch	1-55
Latch Plate	1-57
Flat Bed Trim (Short Bed)	1-59
Cargo Box Kit - Short (Page 1 of 2)	1-61
Cargo Box Kit (Page 2 of 2)	1-63
Tailgate Teather	1-65
Modular Bed Accessories	1-67
Modular Bed Accessories	1-69
Modular Bed Accessories	1-71
Stake Side Kit - Short	1-73
Heavy Duty Trailer Hitch	1-75
Rear Reciever Hitch	1-77

CONTENTS

Trailer Hitch Ball	1-79
Range Picker Adapter	1-81
Cab Doors – Glass	1-83
Cab Roof	1-85
Cab Doors – Soft	1-87
Cab Doors – Range, Driver-Side	1-89
Cab Doors – Range, Passenger-Side	1-91
Cab Doors – Vent	1-93
Cab – Windshield	1-95
Cab – Windshield, Range, (Poly)	1-97
Cab – 2-Point Seat Belts	1-99
Cab – Electrical, Power Harness, Electric Vehicle to Cab	1-101
Cab – Electrical, Cab Power Harness, Gasoline Vehicle to Cab	1-103
Cab – Electrical, Overhead Console	1-105
Cab – Electrical, Windshield Wiper	1-107
Cab – Electrical, Windshield Washer	1-109
Cab – Electrical, Work Lights	1-111
Cab – Electrical, Warning Beacon	1-113
Cab – Mirrors	1-115
Cab – Rear Window Screen	1-117
Cab – Rear Window with Slider	1-119
Cab – Rear Window, One-Piece	1-121
Cab – Exhaust	1-123
Toolboxes	1-125

SECTION 2 – WHEELS AND TIRES

Wheels and Tires	2-3
Front Wheel Spacer Plate	2-5
Wheel Covers	2-7

SECTION 3 – DECALS

Decals - Electric Vehicle	3-3
Decals – Electric Carryall 300, Continued	3-5
Decals – Gasoline Carryall 300	3-7
Decals – Gasoline Carryall 300, Continued	3-9
Badging Decals – Carryall 300	3-11

SECTION 4 – LIGHTS, CONTROLS, AND INDICATORS

Headlights	4-3
------------------	-----

CONTENTS

12-Volt Fuse Block and Fuses – Electric Vehicle	4-5
Horn, Turn Signals, and Taillights – Electric and Gasoline Vehicles	4-7
Horn and Tail Light Kit – Electric and Gasoline Vehicles	4-9
Instrument Panel – Electric Vehicle	4-11
Instrument Panel – Gasoline Vehicle	4-13
Keyswitch – Electric Vehicle	4-15
Keyswitch, Pedal-Start – Gasoline Vehicle	4-17
Keyswitch, Key-start – Gasoline Vehicle	4-19
DC Converter – Electric Vehicle	4-21
DC Converter, Heavy Duty – Electric Vehicle	4-23
Voltage Limiter – Gasoline Vehicle	4-25
Strobe Light, Post Mounted – Gasoline Vehicles	4-27
Strobe Light, Post Mounted – Electric Vehicles	4-29
Strobe Light – Canopy Mounted	4-31
Reflectors	4-33
Heater Defogger – Electric Vehicle	4-35

SECTION 5 – BRAKES, PEDALS, AND CABLE ASSEMBLIES

Brake Pedal Assembly – Vehicles with 2-Wheel Brakes and 4-Wheel Brakes	5-3
Accelerator Pedal Assembly – Electric Vehicles	5-5
Accelerator Pedal and Rod Assembly – Gasoline Vehicle	5-7
Pedal Close-Out Kit	5-9
Brake Cables and Equalizer	5-11
Rear Brakes, Self-Adjusting – Electric Vehicle	5-13
Rear Brakes, Self-Adjusting – Gasoline Vehicle	5-15

SECTION 6 – STEERING, FRONT AND REAR SUSPENSION

Steering Gear Assembly	6-3
Steering Column	6-5
Steering Wheel	6-7
Steering Wheel with Clip	6-9
Front Suspension, Upper	6-11
Front Suspension, Lower, STD, 1 Leaf, 3 Plates	6-13
Front Suspension, Lower, HD, 2 Leaf-2 Plates	6-15
Front Wheel Hubs	6-17
Rear Suspension Components	6-19

SECTION 7 – ELECTRICAL SYSTEM – GASOLINE EFI

Wiring, Fuses, and Diodes, Key-Start – EFI	7-3
--	-----

CONTENTS

Wiring, Fuses, and Diodes, Pedal-Start – EFI	7-5
Starter/Generator (Model 114-04-4006), Key-Start – EFI	7-7
Starter/Generator (Model 114-05-4001) , Pedal-Start – EFI	7-9
Starter/Generator Mounting, EX40 – To Early-2016 Model Year	7-11
Starter/Generator Mounting, EX40 – From Early-2016 Model Year	7-13
Operation and Maintenance Switch	7-15
Electrical Component Box, Key-Start – EX40	7-17
Electrical Component Box, Pedal-Start – EX40	7-19
Forward/Reverse Shifter Switches, Key-Start – EFI	7-21
Forward/Reverse Shifter Switches, Pedal-Start – EFI	7-23
Charging Diode, Key-Start – EFI	7-25
Battery – Gasoline Utility Vehicles	7-27
Top-Post Battery - Gasoline Utility Vehicles	7-29

SECTION 8 – ENGINE (SUBARU EX40)

Tune-Up Parts – Subaru EX40	8-3
Engine and Engine Mounting, Utility – To Early-2016 Model Year	8-5
Engine and Engine Mounting, Utility – From Early-2016 Model Year	8-7
Fan and Shroud – EX40	8-9
Air Deflector – EX40	8-11
Ignition Components and Flywheel – EX40	8-13
Sensors – EX40	8-15
Cylinder Head – EX40	8-17
Valvetrain and Timing Chain – EX40	8-19
Crankcase – EX40	8-21
Crankshaft and Piston – EX40	8-23

SECTION 9 – FUEL SYSTEM – EFI

Fuel Tank with Sending Unit, Side Fill – EFI	9-3
Fuel Tank Kits – EFI	9-5
Carbon Canister – EFI	9-7
Throttle Body and ECU – EFI	9-9
Throttle Body Mounting – EFI	9-11
Governor and Accelerator Cables – EFI	9-13
Air Filter System and Intake Hose – EFI	9-15

SECTION 10 – EXHAUST SYSTEM – EX40 ENGINE

Exhaust System – Utility	10-3
--------------------------------	------

CONTENTS

SECTION 11 – DRIVE BELT AND CLUTCHES – EX40

Drive Belt – Key-Start Vehicles with EFI	11-3
Drive Belt – Pedal-Start Vehicles with EFI	11-5
Drive Clutch – Key-Start Vehicles	11-7
Drive Clutch – Pedal-Start Vehicles	11-9
Driven Clutch (Standard Speed) – Key Start and Pedal Start	11-11

SECTION 12 – TRANSAXLE (FUJI ED65)

Forward/Reverse Shifter Assembly	12-3
Shifter Cable – CA300	12-5
Shift Lever and Bracket – Pedal-Start Engines	12-7
Shift Lever and Bracket – Key-Start Engines	12-9
Governor Arm and Brackets – Utility Vehicles	12-11
Transaxle (ED65), Limited Slip – Page 1 of 3	12-13
Transaxle (ED65), Open – Page 1 of 3	12-15
Transaxle (ED65), Limited Slip and Open – Page 2 of 3	12-17
Transaxle (ED65), Limited Slip – Page 3 of 3	12-19
Transaxle (ED65), Open – Page 3 of 3	12-21
Hub, Rear	12-23

SECTION 13 – ELECTRICAL SYSTEM – ELECTRIC VEHICLES

Motor Controller Output Regulator (MCOR)	13-3
Main Wiring Harness,48-Volt Fuse Block - Electric Vehicle	13-5
Tow/Run Switch and Hour Meter	13-7
Electric Components	13-9
Batteries 8-Volt,Heavy Duty	13-11
Single Point Watering System (SPWS)	13-13
Hand Pump and Deionizer (Battery-Powered Quality Light)	13-15

SECTION 14 – ELECTRIC MOTOR

Motor (Model EJ8-4001A)	14-3
-------------------------------	------

SECTION 15 – TRANSAXLE – ELECTRIC VEHICLES

Transaxle – Electric Vehicles	15-3
-------------------------------------	------

SECTION 16 – BATTERY CHARGERS – HIGH-FREQUENCY

Battery Charger, High-Frequency – U.S./Canada	16-3
---	------

CONTENTS

Battery Charger, High-Freq., 2.74 m DC Cord – Global	16-5
Battery Charger, High-Freq., 3.66 m DC Cord – Global	16-7
Battery Charger, High-Freq., 6.1 m DC Cord – Global	16-9
Cords – Battery Charger, High-Frequency	16-11

SECTION 17 – MAINTENANCE AND SERVICE TOOLS

Maintenance and Service Tools	17-3
Maintenance and Service Tools, Continued	17-5
Maintenance and Service Tools, Continued	17-7

SECTION i – INDEX

BODY AND TRIM

1

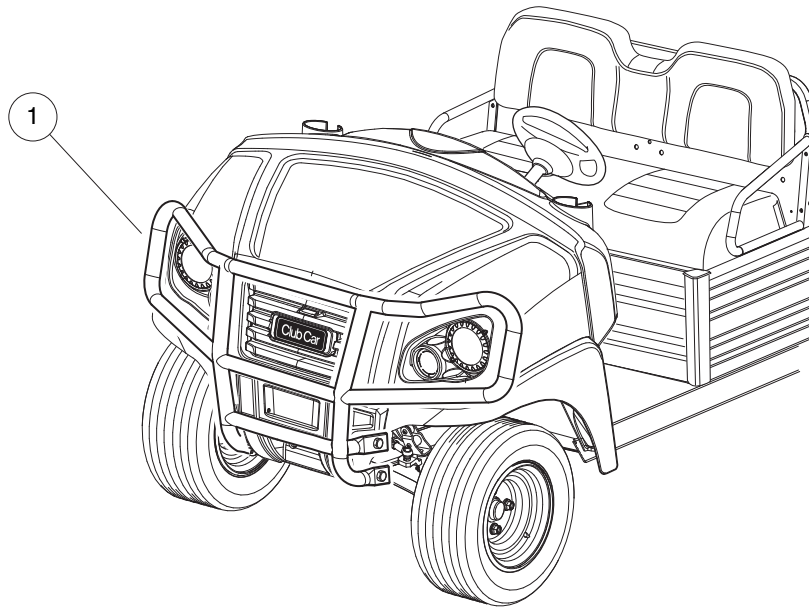
G

E

1

G

E



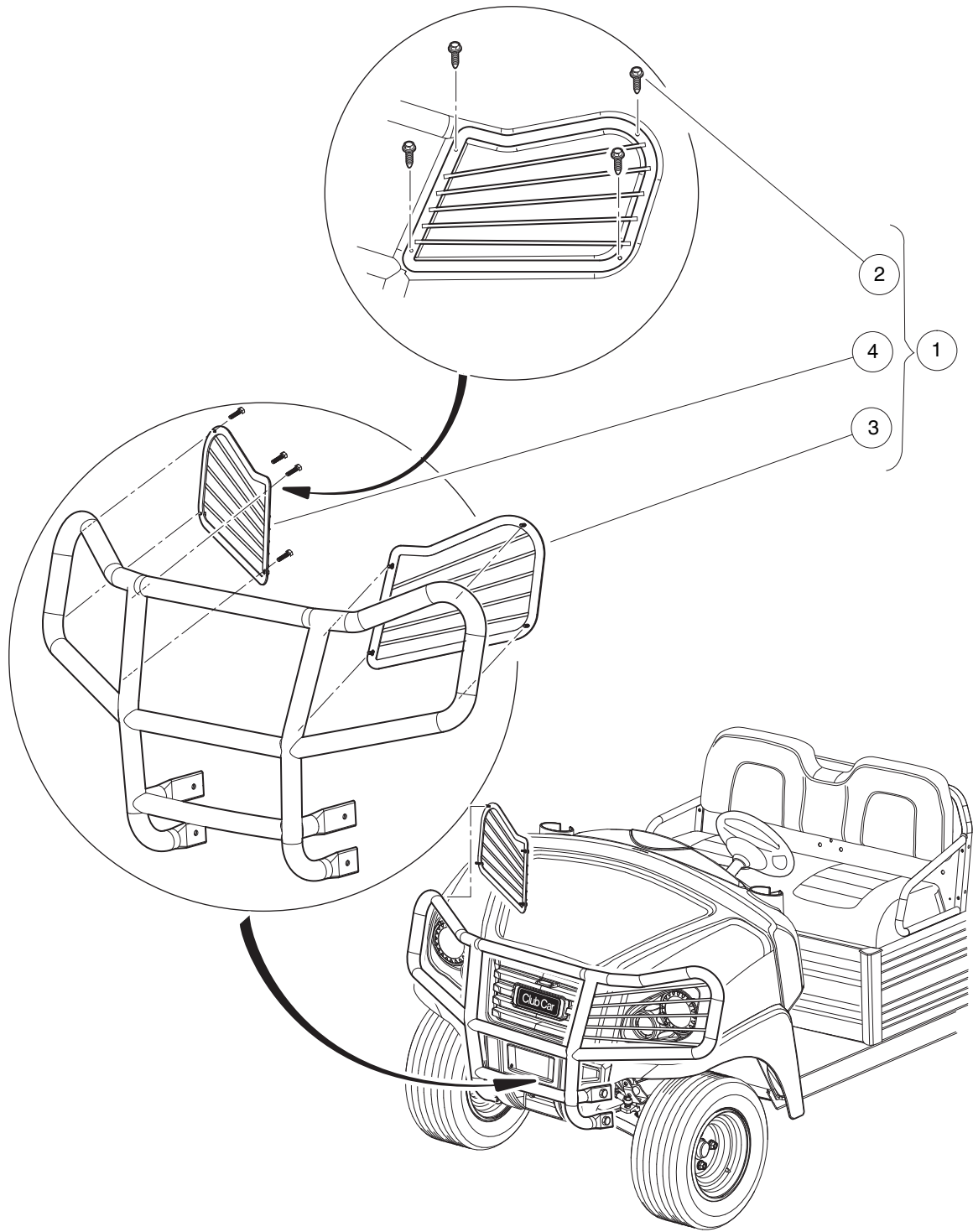
001100-002

HEAVY DUTY FRONT BUMPER

ITEM	PART NO.	DESCRIPTION	QTY
1	105100601	<p>1 2 3 4 Kit, Hd Bumper, Hb Res</p> <p>Note: Individual components are not procurable. Steering Stops, 105242801 and 105243001 are also required when installing the HD Bumper Kit.</p>	1

1
G
E

1
G
E



001300-017

HEADLIGHT GUARD

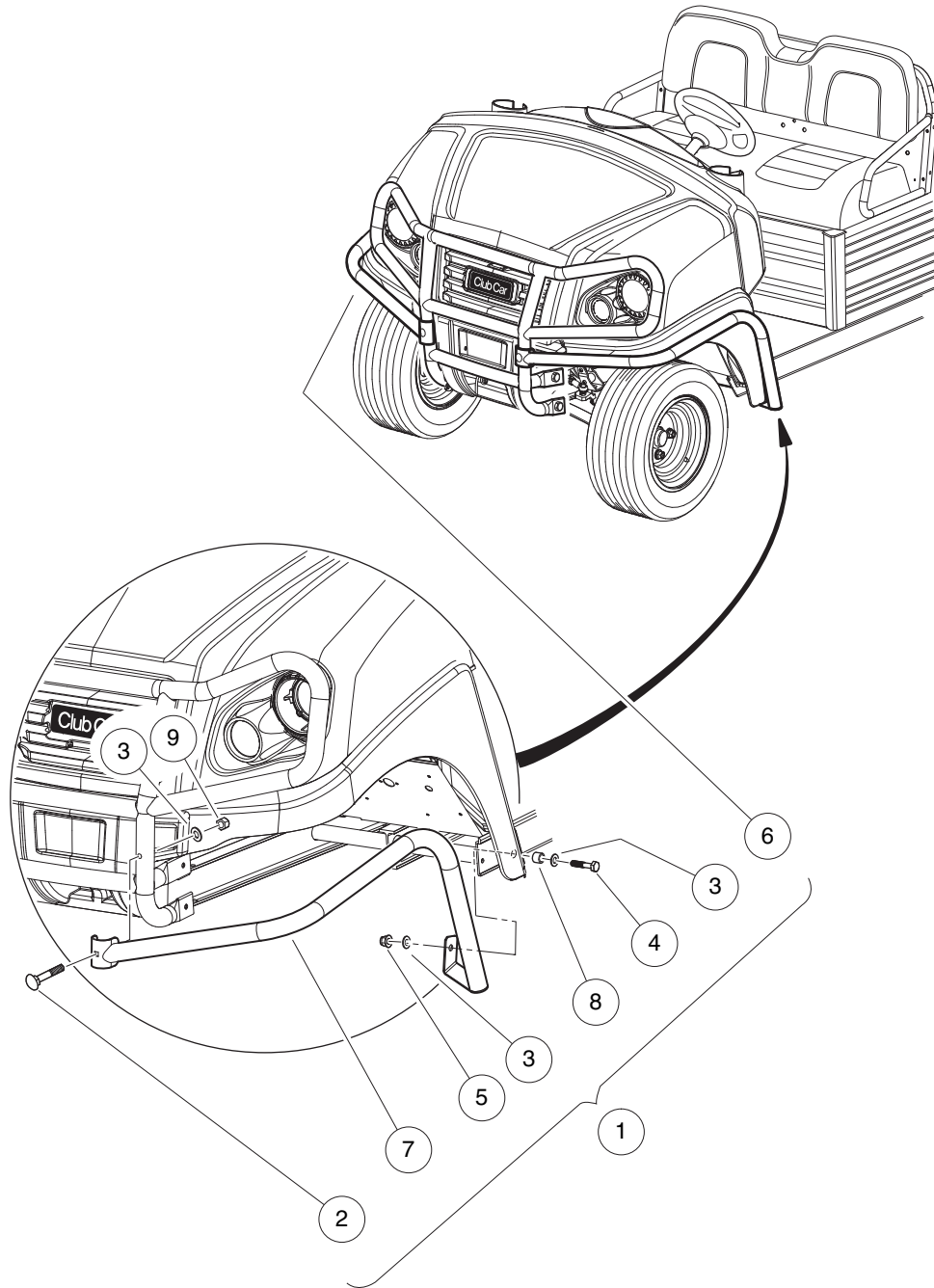
ITEM	PART NO.	DESCRIPTION	QTY
		1 2 3 4	
1	105156301	Kit, Head Light Guard, Utl Res (includes items 2 through 4)	1
2	102296819	Screw-M6 x 19	8
3	105156701	Guard, Headlight, UTL,LH	1
4	105156702	Guard, Head Light, Utl, Rh	1

1

G

E

1
G
E



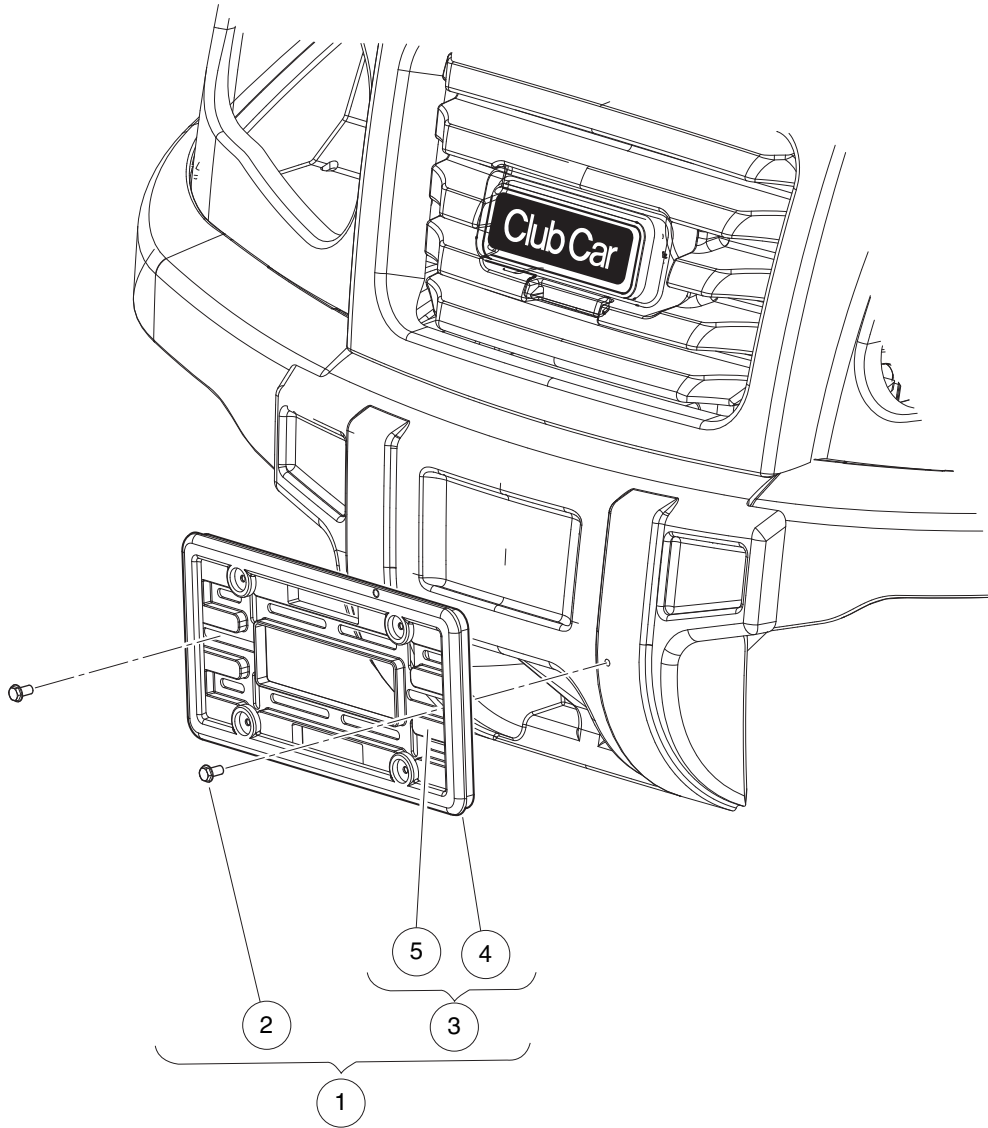
001300-002

FENDER GUARD

ITEM	PART NO.	DESCRIPTION	QTY
		1 2 3 4	
1	105124001	Kit, Fender Guard, Hb Res (includes items 2 through 9)	1
2	101242802	Bolt, 3/8-16 X 2.25 Rd Hd Sq Bk	2
3	102323501	Washer, Flat, 3/8, Blk Fin	6
4	102621601	Bolt, M10 X 1.50 X 45 Black	2
5	102670701	Nut, Flange, M10 X 1.5 Nylon	2
6	105074501	Weldment, Fender Guard, Hb, Rh	1
7	105074502	Weldment, Fender Guard, Hb, Lh	1
8	105094001	Spacer, Canopy Support, Dash	2
9	8754	Locknut, 3/8-16 Hex	2

1
G
E

1
G
E

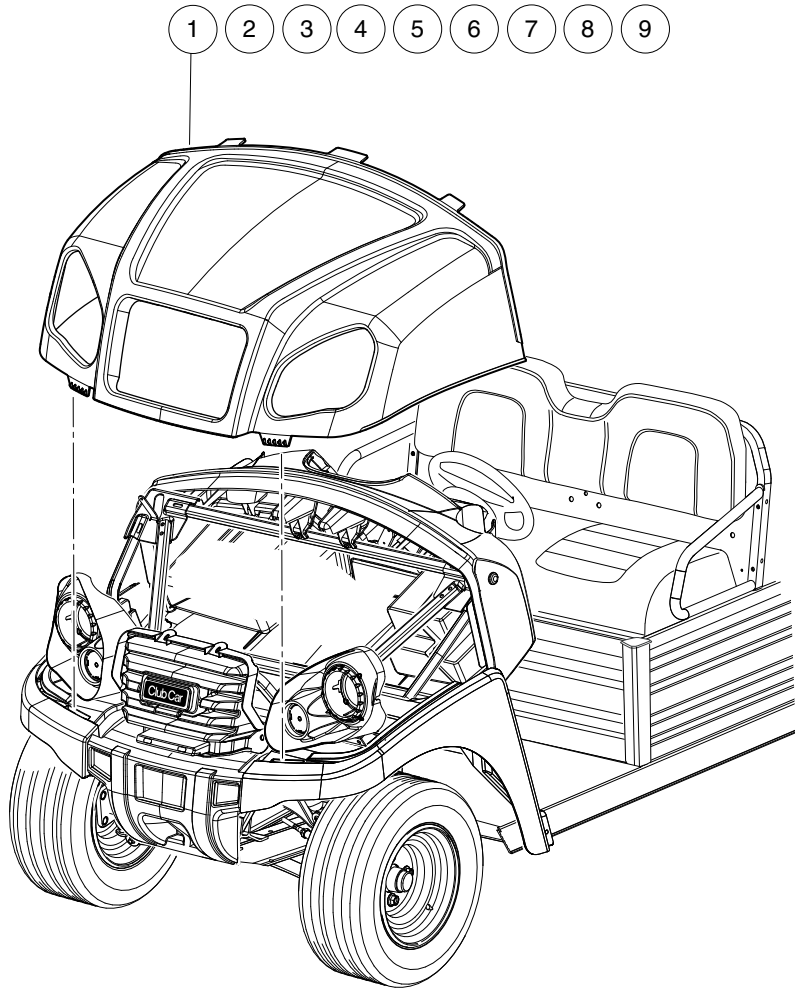


001155-001

FRONT LICENSE PLATE HOLDER

ITEM	PART NO.	DESCRIPTION	QTY
		1 2 3 4	
1	105124901	Kit, Front, License Pl, Lsv (includes items 2 and 3)	1
2	101856101	Screw, 1/4-15 X .50 Hi-lo Hex	2
3	102311501	Front License Plate Assembly (includes items 4 and 5)	1
4	N/A	Frame, License Plate	1
5	N/A	Mount, License Plate	1

1
G
E



001300-003

FRONT BODY

ITEM	PART NO.	DESCRIPTION	QTY
		1 2 3 4	
1	105034321	Cowl, Ca, Serv, Dk Green	1
2	105034322	Cowl, Ca, Serv, Dk Gray	1
3	105034323	Cowl, Ca, Serv, White	1
4	105034324	Cowl, Ca, Serv, Bright Blue	1
5	105034325	Cowl, Ca, Serv, Titn Silver	1
6	105034326	Cowl, Ca, Serv, Beige	1
7	105034327	Cowl, Ca, Serv, Red	1
8	105034328	Cowl, Ca, Serv, Black	1
9	105034329	Cowl, Ca, Serv, Classic Blue	1

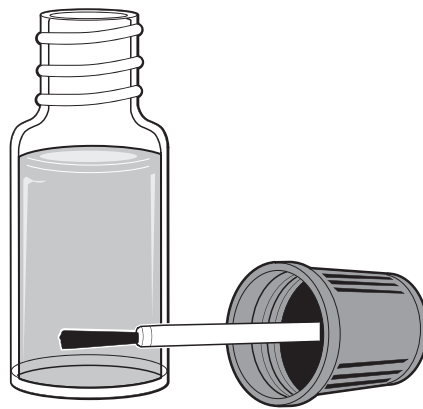
1
G
E

1

G

E

- 1
- 2
- 3
- 4
- 5
- 6
- 7
- 8
- 9
- 10

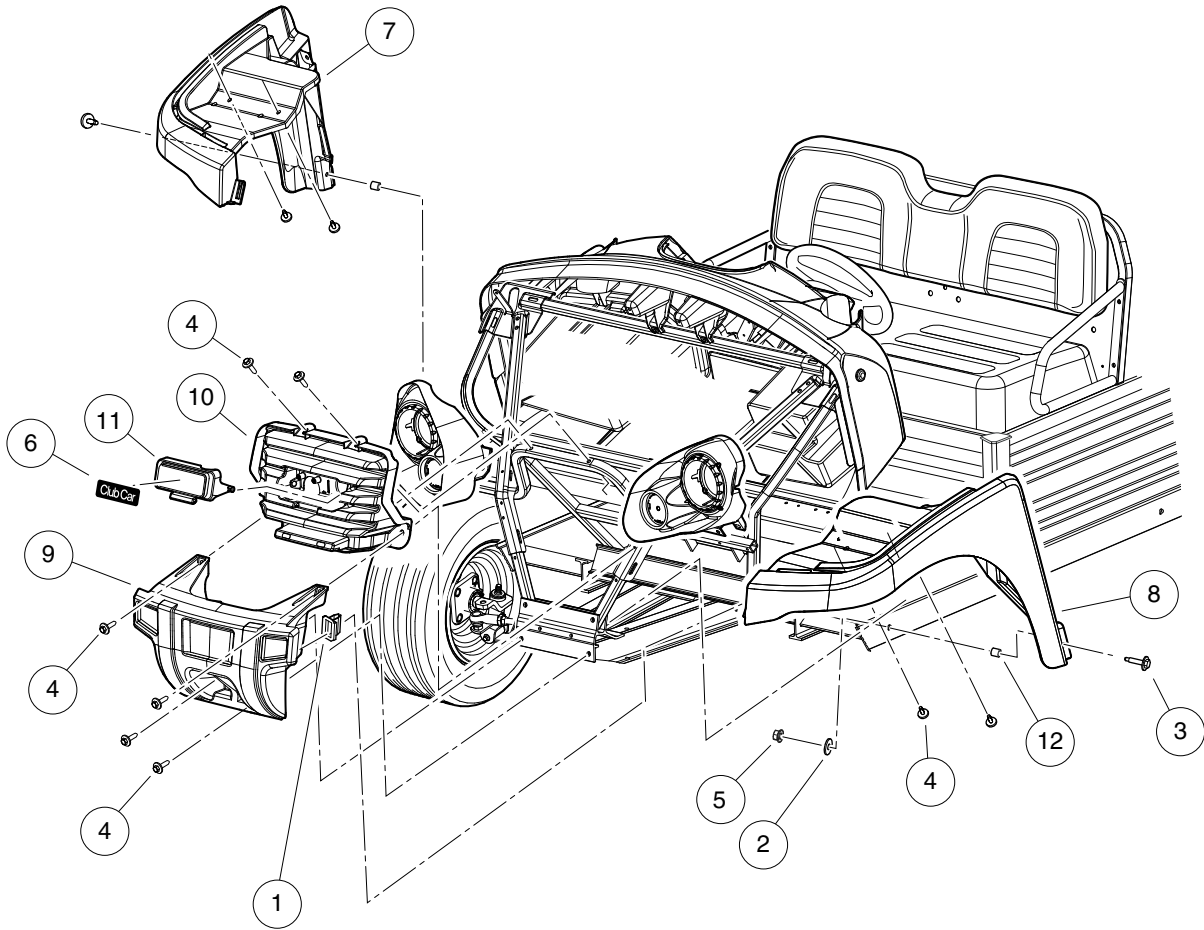


001300-020

BODY TOUCH-UP PAINT

ITEM	PART NO.	DESCRIPTION	QTY
		1 2 3 4	
1	105117701	Paint, Touch-up, White	1
2	105117702	Paint, Touch-up, Classic Blue	1
3	105117703	Paint, Touch-up, Dark Green	1
4	105117704	Paint, Touch-up, Red	1
5	105117705	Paint, Touch-up, Dark Gray	1
6	105117706	Paint, Touch-up, Black	1
7	105117707	Paint, Touch-up, Tan	1
8	105117708	Paint, Touch-up, Bright Blue	1
9	105117709	Paint, Touch-up, Titn Silver	1
10	105117710	Paint, Touch-up, Light Gray	1

1
G
E



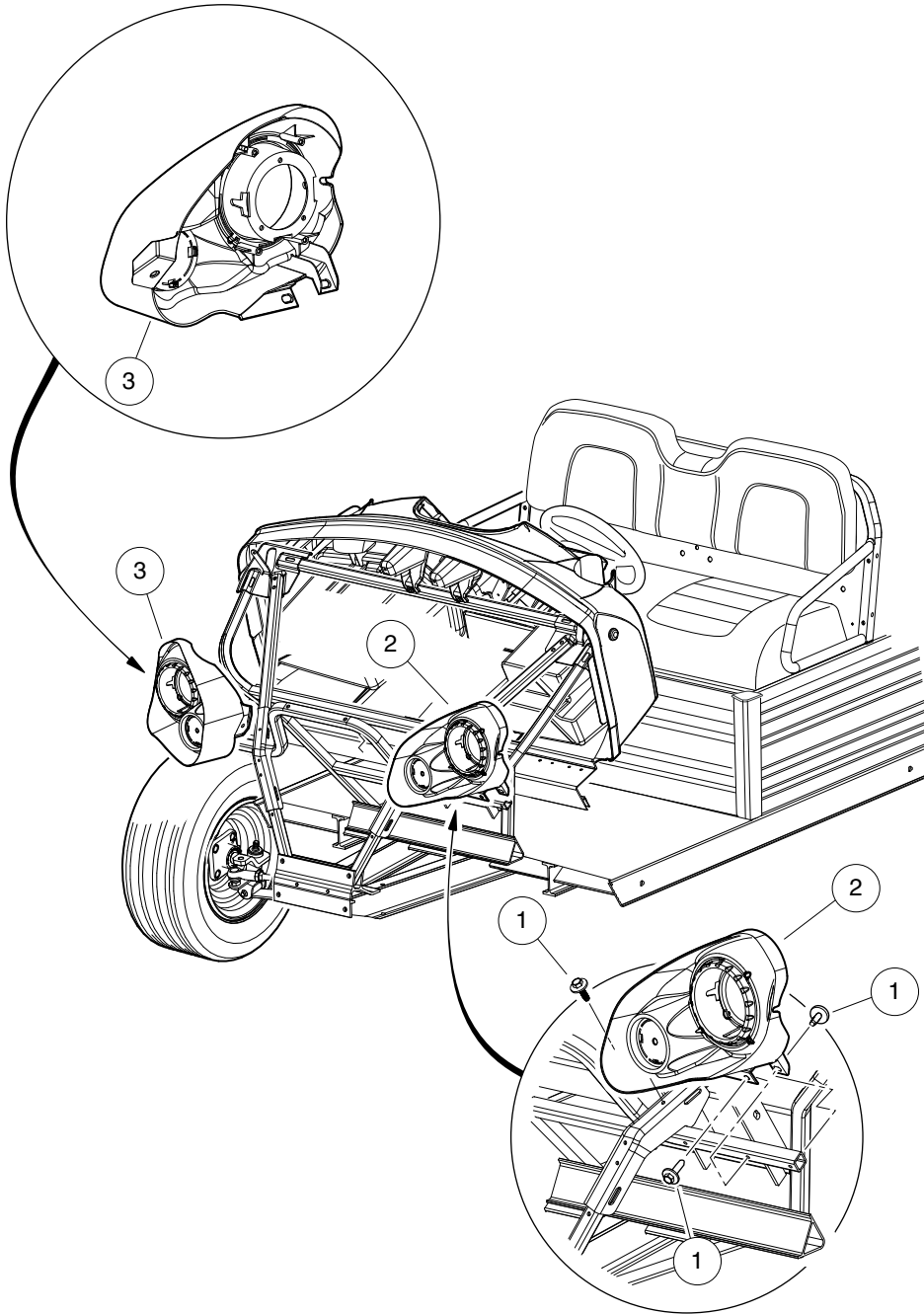
001300-004

FRONT BUMPER, GRILLE, AND FENDERS

ITEM	PART NO.	DESCRIPTION	QTY
		1 2 3 4	
1	102292701	Clip-body-trim	2
2	102296301	Washer, M6x18x1.6 Flat	2
3	102296530	Screw - M6 X 1.0 X 30 Sems	6
4	102297125	Screw, M6-1.0x25.4, Thread-Forming, SEMS	8
5	102541501	Nut-m6x1.0 Fl Mtl Lock,blk	2
6	102883601	Decal, Nameplate, CCI, Front	1
7	105034401	Fender, Front, Rh, Ca	1
8	105034501	Fender, Front, Lh, Ca	1
9	105034601	Bumper, Front, Plastic, Ca	1
10	105034701	Grille, Ca	1
11	105034801	Door, Charger Port, Ca	1
12	105036701	Spacer, Frt Fender, Ca	2

1
G
E

1
G
E



001300-005

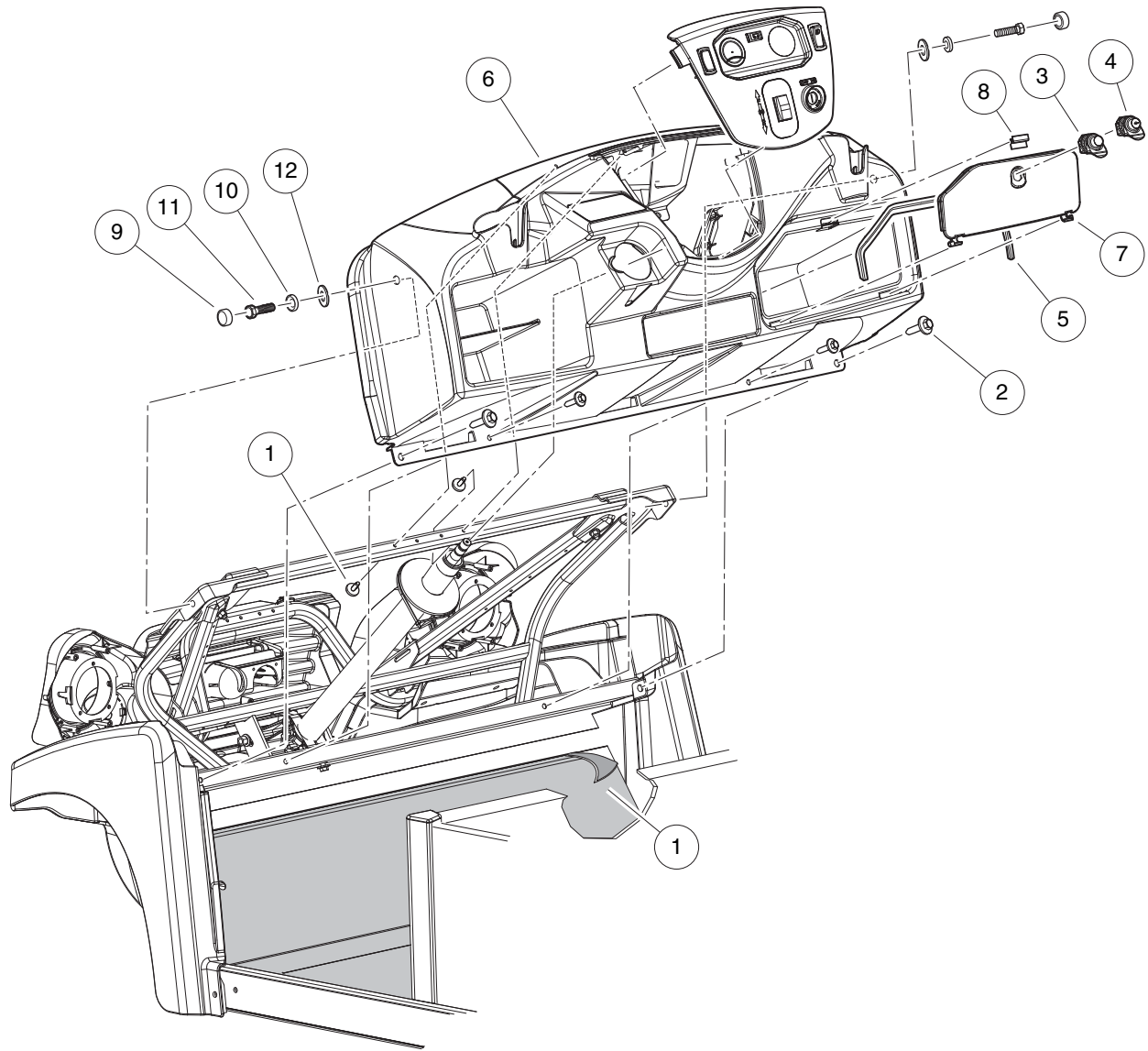
HEADLIGHT BEZELS

ITEM	PART NO.	DESCRIPTION	QTY
		1 2 3 4	
1	102297125	Screw, M6-1.0x25.4, Thread-Forming, SEMS	6
2	105034901	Bezel, Hl, Lh, Ca	1
3	105035001	Bezel, Hl, Rh, Ca	1

1

G

E



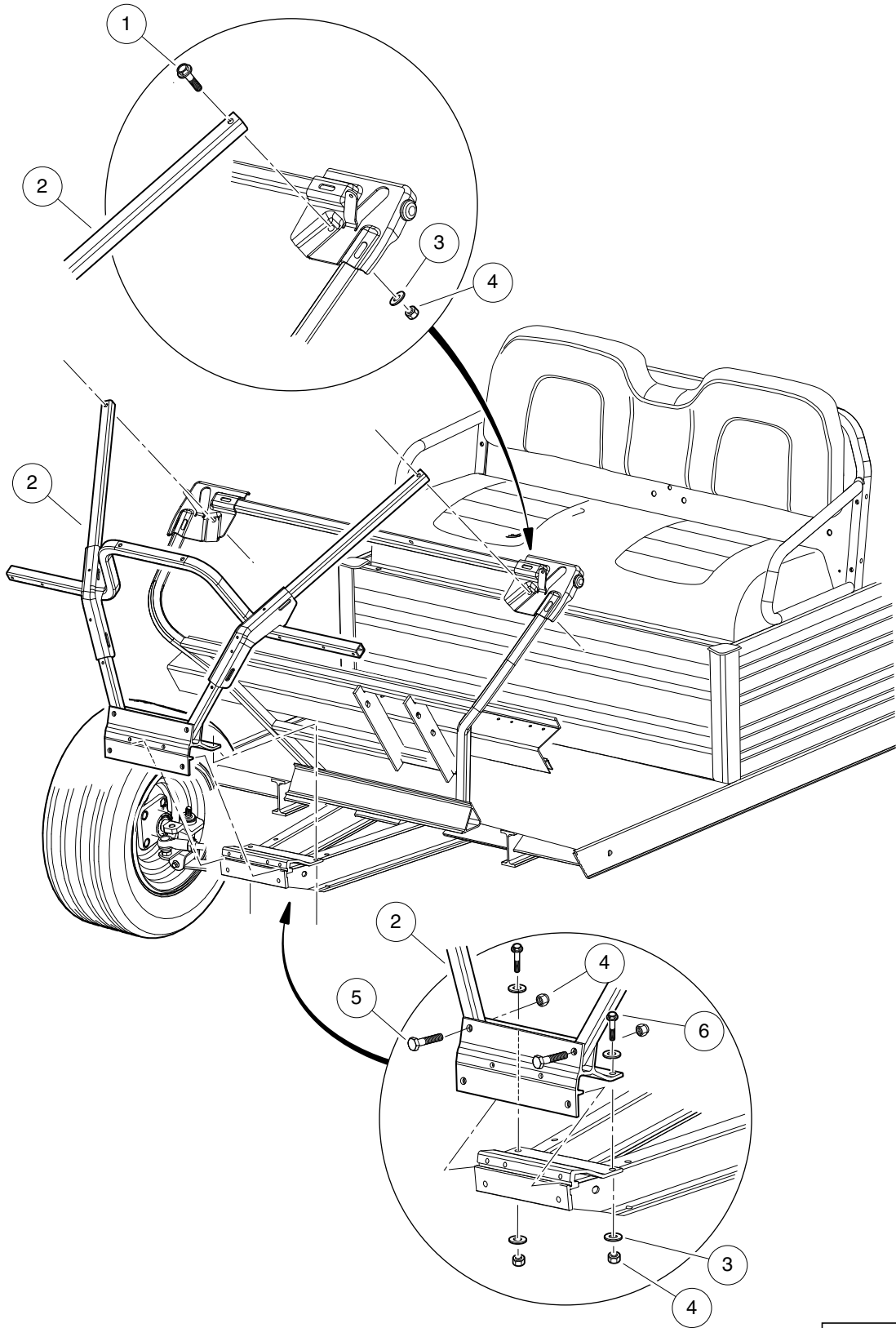
001300-006

DASH, GLOVEBOX DOOR, AND FLOORMAT

ITEM	PART NO.	DESCRIPTION	QTY
		1 2 3 4	
1	101503202	Floormat	1
2	102297125	Screw, M6-1.0x25.4, Thread-Forming, SEMS	6
3	103182701	Latch, Push Close	1
4	103182702	Latch, Push Close W/ Key	1
5	103540203	Seal, Bulb, 13 X 27 X 579 Mm	1
6	105034001	Dash, Ca	1
7	105034201	Door, Glove Box, Ca	1
8	105035701	Keeper, Latch, Ca	1
9	105049201	Cover, Bolt, Rh Series	2
10	105049301	Cover, Washer, Rhw Series	2
11	320	Screw, 3/8-16 X 1.00 Hex-Head Cap	2
12	334	Washer, 3/8, Type A, Flat	2

1
G
E

1
G
E



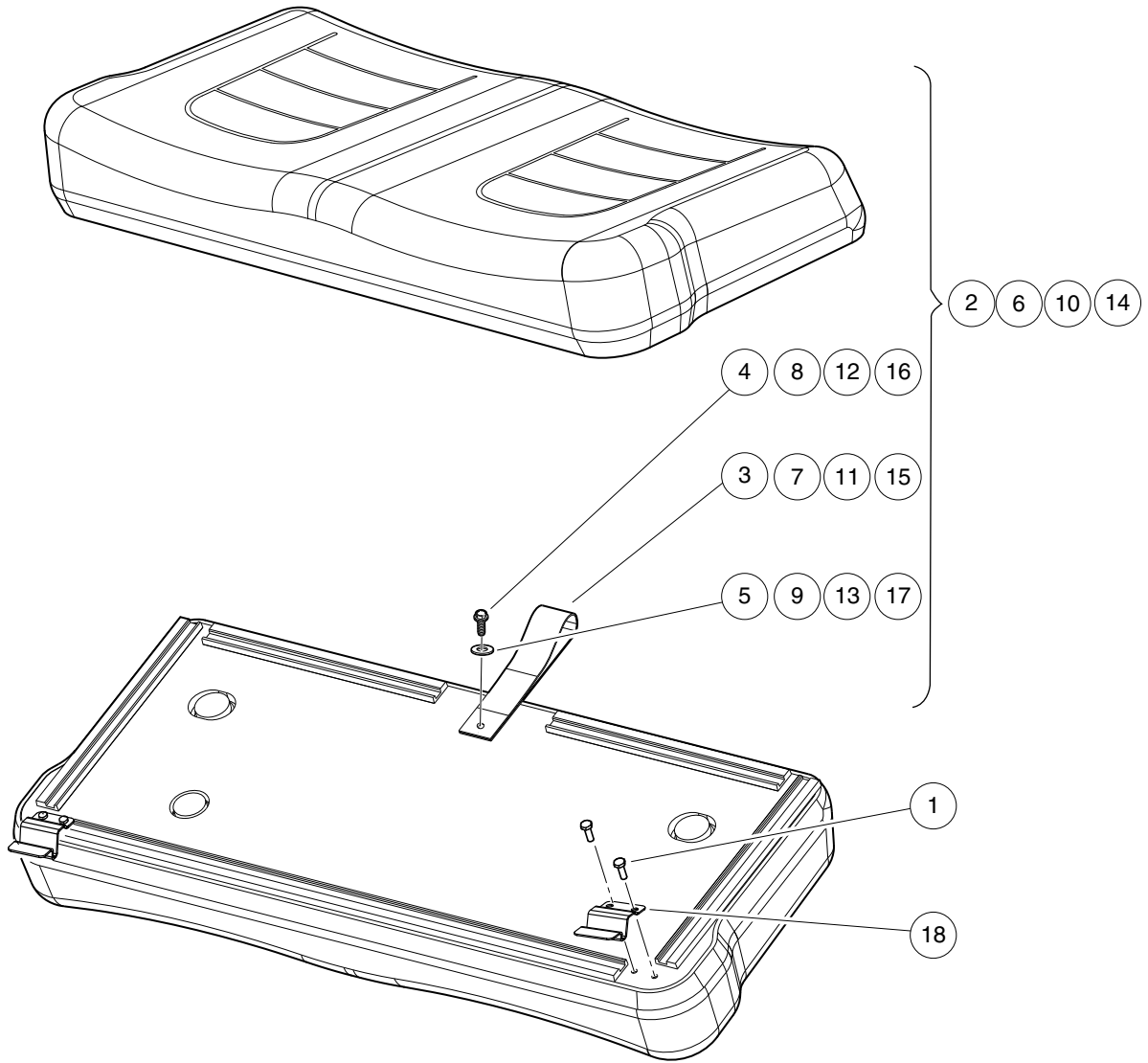
001107-001

FRONT FRAME, STANDARD

ITEM	PART NO.	DESCRIPTION	QTY
		1 2 3 4	
1	1011937	Bolt, 5/16-18 X 1.25 Hex Head	2
2	105007001	Weldment, Front, Util, Std	1
3	1241	Washer, 5/16 Type A Flat	6
4	7473	Locknut, 5/16-18 Nylon Insert	6
5	8935	Screw, 5/16-18 X 2.25 Hex-Head Cap	2
6	8963	Screw, 5/16-18 X 1.75 Hex-Head Cap	2

1
G
E

1
G
E



001300-021

SEAT BOTTOM

ITEM	PART NO.	DESCRIPTION	QTY
		1 2 3 4	
1	101954301	Screw, 1/4-20 X 0.75 Hex-Head Cap	4
2	105064521	Asm, Seatbottom, White, Ca, Sp (includes items 3 through 5)	1
3	1013309	Strap, Utility Seat	1
4	101954301	Screw, 1/4-20 X 0.75 Hex-Head Cap	1
5	332	Washer, 1/4 Type A Narrow Flat	1
6	105064522	Asm, Seatbottom, Black, Ca, Sp (includes items 7 through 9)	1
7	1013309	Strap, Utility Seat	1
8	101954301	Screw, 1/4-20 X 0.75 Hex-Head Cap	1
9	332	Washer, 1/4 Type A Narrow Flat	1
10	105064523	Asm, Seatbottom, Gray, Ca, Sp (includes items 11 through 13)	1
11	1013309	Strap, Utility Seat	1
12	101954301	Screw, 1/4-20 X 0.75 Hex-Head Cap	1
13	332	Washer, 1/4 Type A Narrow Flat	1
14	105064524	Asm, Seatbottom, Beige,ca, Sp (includes items 15 through 17)	1
15	1013309	Strap, Utility Seat	1
16	101954301	Screw, 1/4-20 X 0.75 Hex-Head Cap	1
17	332	Washer, 1/4 Type A Narrow Flat	1
18	105200401	Bracket,Hinge, Seat,CA	2

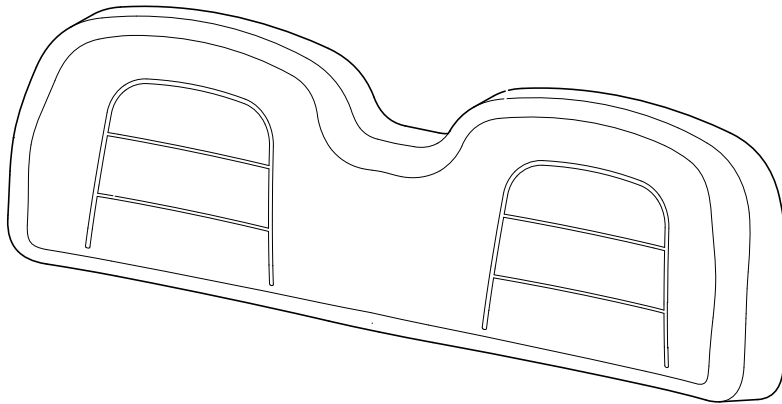
1
G
E

1

G

E

1 2 3 4



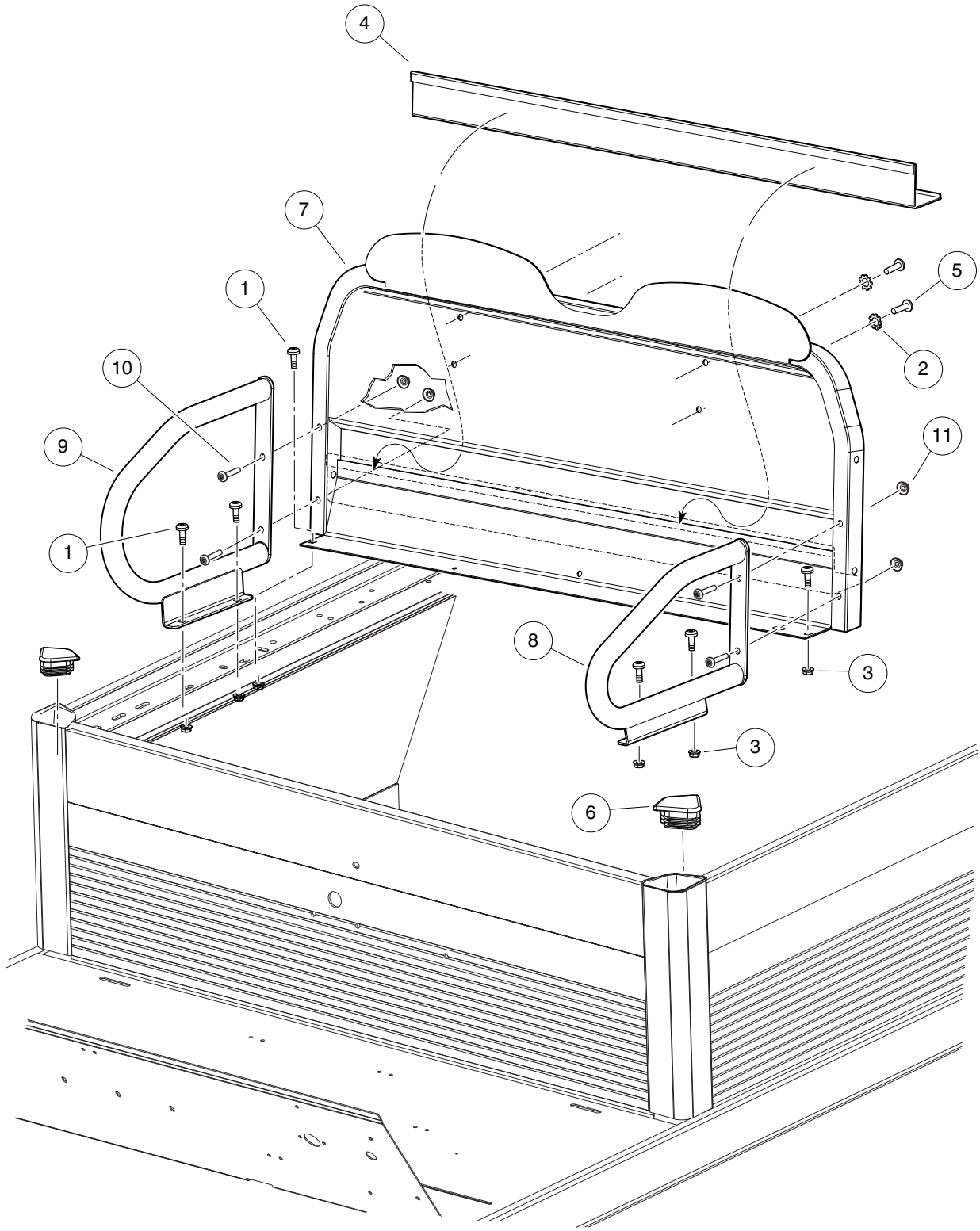
001300-022

SEAT BACK

ITEM	PART NO.	DESCRIPTION	QTY
		1 2 3 4	
1	105064121	Asm, Seatback, White, Ca, Sp	1
2	105064122	Asm, Seatback, Black, Ca, Sp	1
3	105064123	Asm, Seatback, Gray, Ca, Sp	1
4	105064124	Asm, Seatback, Beige, Ca, Sp	1

1
G
E

1
G
E



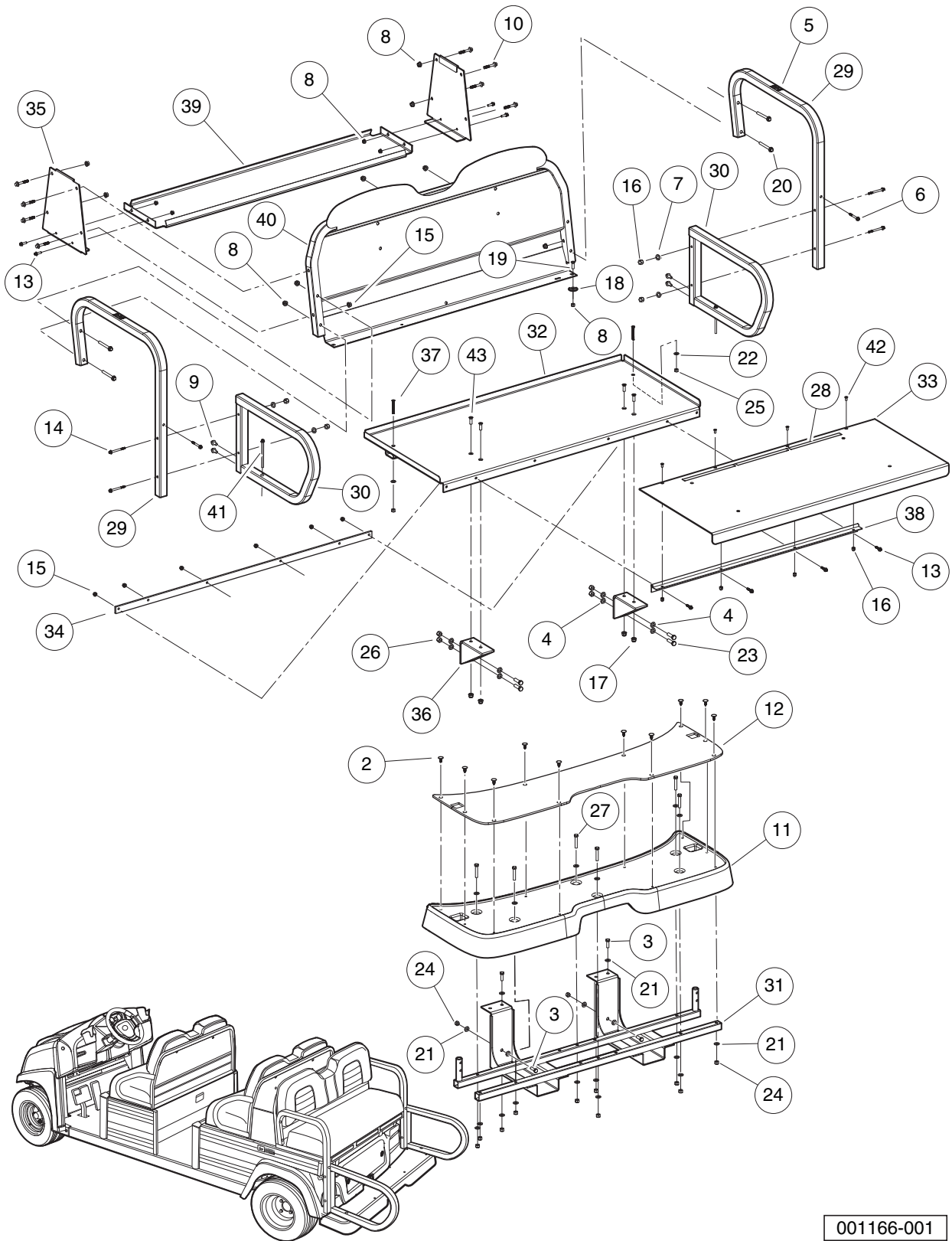
001161-003

SEAT FRAME AND HIP-RESTRAINT

ITEM	PART NO.	DESCRIPTION	QTY
		1 2 3 4	
1	1015399	Screw, 5/16-18 X 0.88 Torx Truss-Head	6
2	101946201	Washer, Lock, 0.250 External-Tooth	4
3	101963401	Locknut, 5/16-18 Hex Flange	6
4	102989501	Seal, Bed, 41-Inch	1
5	103487501	Screw, 1/4-20 X 1.0, Black	4
6	105006501	Cap, Corner, Frame	2
7	105062401	Seatback, Weldment, Ca	1
8	105063001	Wldmnt, Hip Restraint, Sml, Lh	1
9	105063002	Wldmnt, Hip Restraint, Lrg, Rh	1
10	105078401	Scrw, 5/16-18 X 1.75, Tr Tx Hd	4
11	105194301	Nut, 5/16-18, Conical Washer	4

1
G
E

1
G
E



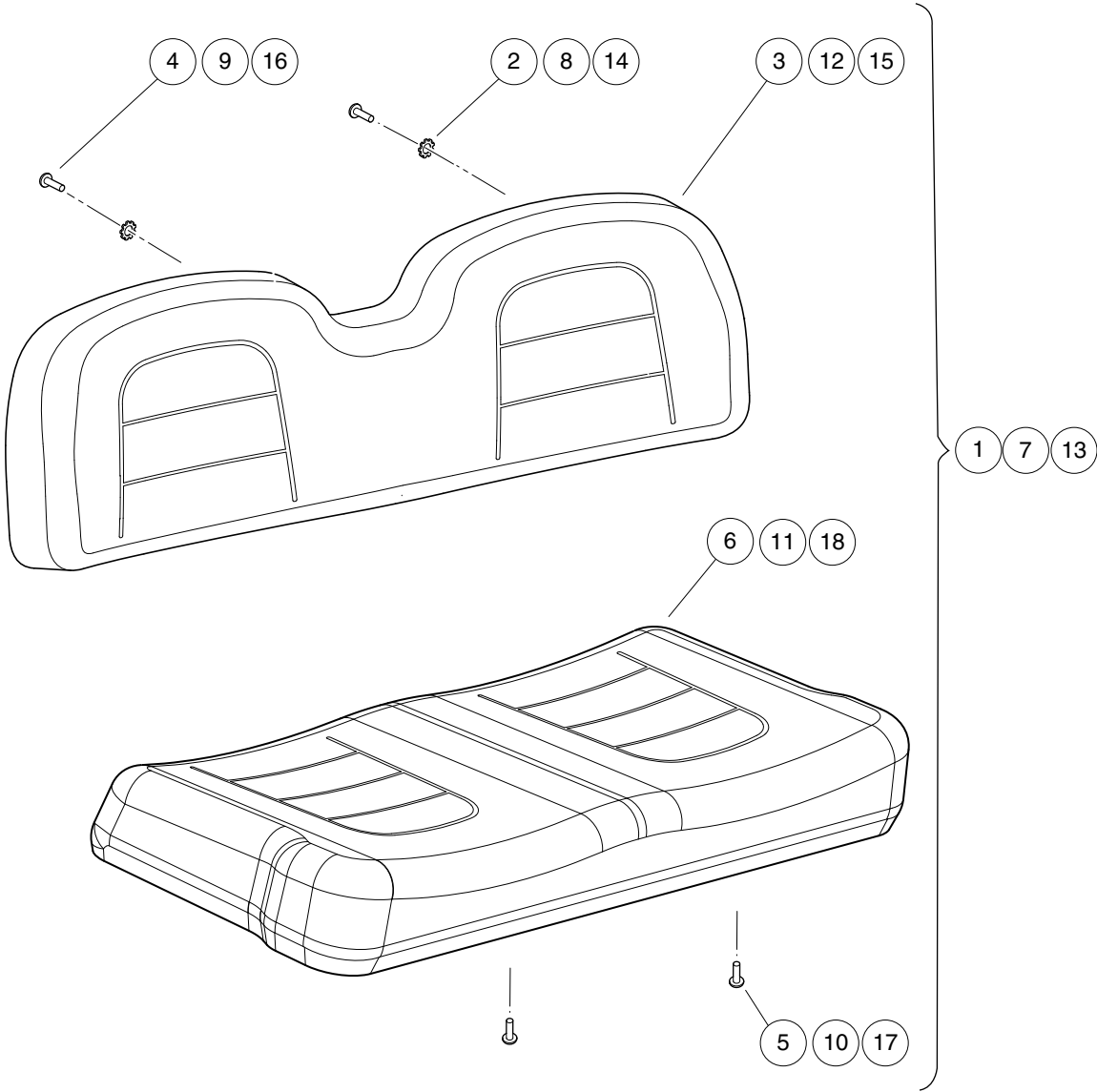
001166-001

REAR FACING FOLD DOWN SEAT

ITEM	PART NO.	DESCRIPTION	QTY
		1 2 3 4	
1	SVP777501	Kit, Fold Down, Ca300 (includes items 2 through 43)	1
2	1010434	Barrel - Plastic	10
3	1010934	Screw, 5/16-18 X 1.00 Hex Cap	4
4	1011990	Washer, 3/8 Flat	8
5	101609401	Decal, Crush Area Warning	2
6	102296150	Bolt - M6x1.0x50 Hex Flng Hd	2
7	102296301	Washer, M6x18x1.6 Flat	4
8	102298401	Nut, M8, All Metal Lock	14
9	102298720	Screw, M8-1.25x20, TapTite	4
10	102299550	Screw, m8x50, sems, tx, btt, plt	8
11	102531402	Footdeck, 4-Passenger, Black	1
12	102531601	Floormat, 4-Passenger, Rear	1
13	102541401	Bolt-m6x1.0x20 Hex Flhd Blk-l	8
14	102541470	Bolt-m6x1.0x70 Hex Flhd, Blk-l	4
15	102541501	Nut-m6x1.0 Fl Mtl Lock, blk	12
16	102582401	Cap Nut M6, Sp	8
17	102618601	Lock Nut, Flange, M8 X 1.25 Nylon	4
18	103201101	Washer, Step, CVT Primary	2
19	103262201	Bolt Flg Blk, M8 X 25, Loctite	2
20	105188185	Bolt, M8 X 85mm, 10.9 Grade	4
21	1241	Washer, 5/16 Type A Flat	20
22	332	Washer, 1/4 Type A Narrow Flat	2
23	705	Screw, Cap-hex Hd 3/8-16x1.25	4
24	7473	Locknut, 5/16-18 Nylon Insert	10
25	8233	Locknut, 1/4-20, Nylon Insert	2
26	8754	Locknut, 3/8-16 Hex	4
27	8963	Screw, 5/16-18 X 1.75 Hex-Head Cap	6
28	SVP370901	Asm, Decal, Warn 800 850 Prec	1
29	SVP658101	Hip Restraint, Folddown, Ca	2
30	SVP658401	Asm, D-ring, Folddown, Ca	2
31	SVP658602	Wldmnt, Support, Foot Deck	1
32	SVP659001	Channel, Support, Panel, Fixed	1
33	SVP659101	Panel, Flip Folddown, Ca	1
34	SVP659301	Plate, Back, Hinge, Folddown	1
35	SVP659401	Panel, Support, Seat, Side, Fl	2
36	SVP659503	Wldmnt, Support, Fixed Panel	2
37	SVP664101	Screw, 1/4-20x2.0, Csfh, Ss	2
38	SVP713301	Hinge, 2 In Open X 25 In Long	1
39	SVP732201	Panel, Closeout, Folddown, 300	1
40	SVP732901	Weldment, Seat Back, Fold Down	1
41	SVP736801	Screw, M6-1.0x100	2
42	SVPP229901	M6x1.0x12 Fl Hd Mach Scr Ss	4
43	SVPP234001	M8x1.25x25 Fl Hd Mach Scr	4

1
G
E

1
G
E



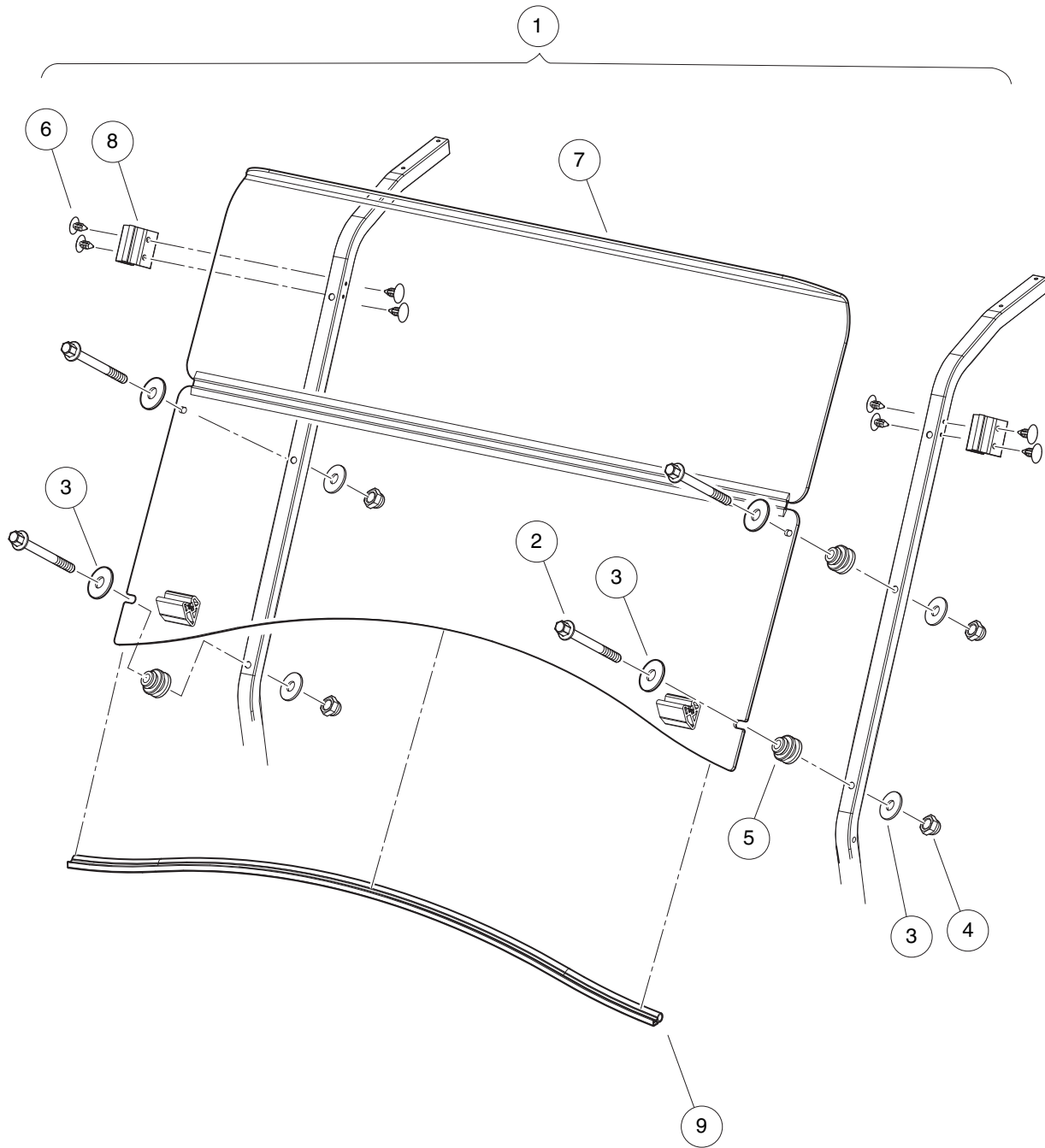
001300-025

REAR SEATS – VEHICLE WITH FOLD-DOWN REAR SEAT

ITEM	PART NO.	DESCRIPTION	QTY
		1 2 3 4	
1	SVP777401	Kit, Seats, Fold Down, Black (includes items 2 through 6)	1
2	101946201	Washer, Lock, 0.250 External-Tooth	4
3	105064102	Asm, Seatback, Black, Ca	1
4	8251	Screw, 1/4-20 X 1.0 Truss-Head Machine	4
5	SVP387901	1/4-20x1.00 Fl Hd Mach Scr Ss	4
6	SVP716903	Asm, Seat, Fold Down, Black	1
7	SVP777402	Kit, Seats, Fold Down, Beige (includes items 8 through 12)	1
8	101946201	Washer, Lock, 0.250 External-Tooth	4
9	8251	Screw, 1/4-20 X 1.0 Truss-Head Machine	4
10	SVP387901	1/4-20x1.00 Fl Hd Mach Scr Ss	4
11	SVP716905	Asm, Seat, Fold Down, Bge	1
12	SVP860101	Asm, Seatback, Biege, Ca	1
13	SVP777403	Kit, Seats, Fold Down, Gray (includes items 14 through 18)	1
14	101946201	Washer, Lock, 0.250 External-Tooth	4
15	105064103	Asm, Seatback, Gray, Ca	1
16	8251	Screw, 1/4-20 X 1.0 Truss-Head Machine	4
17	SVP387901	1/4-20x1.00 Fl Hd Mach Scr Ss	4
18	SVP716902	Asm, Seat, Fold Down, Gray	1

1
G
E

1
G
E

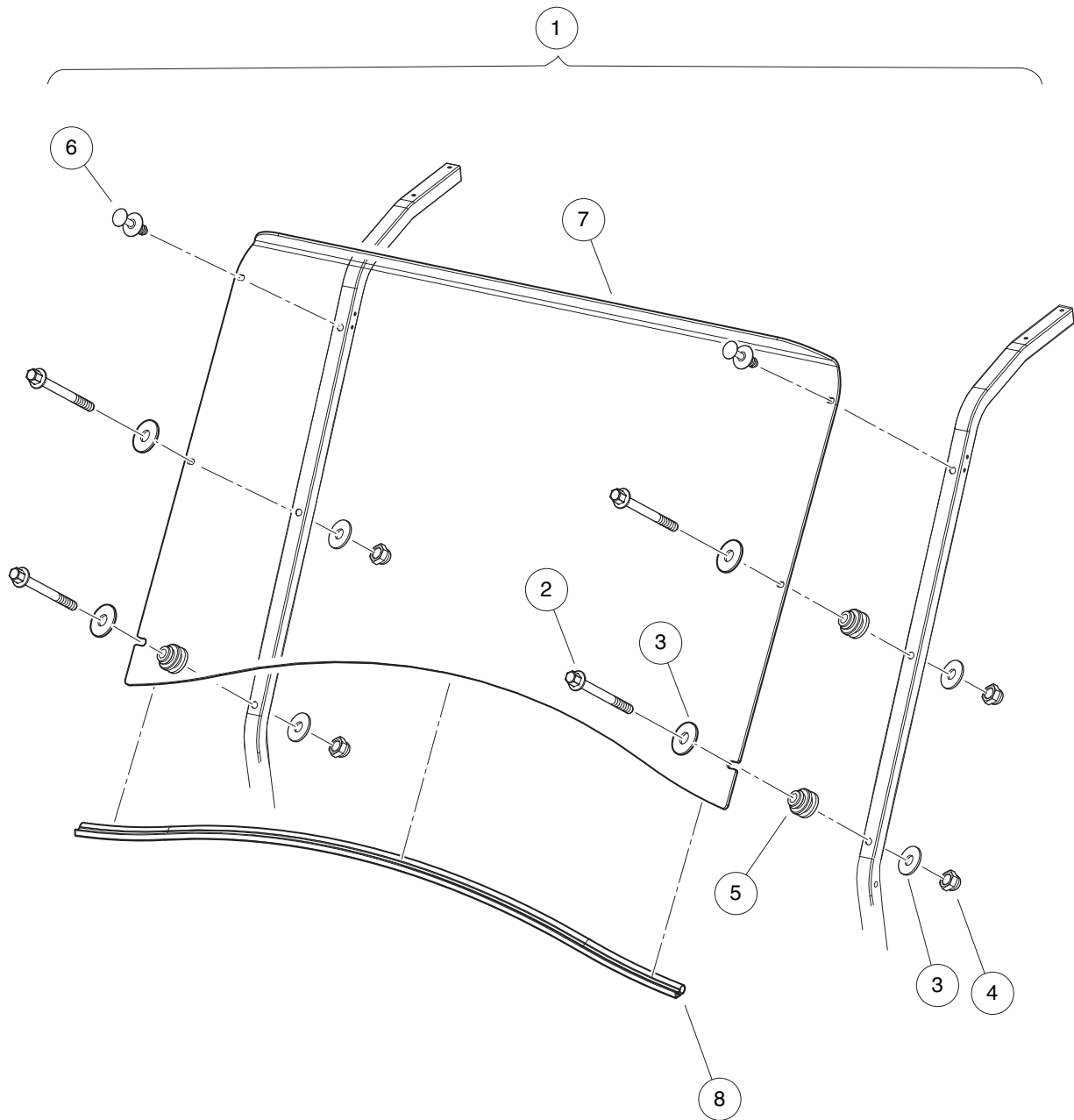


001114-001

WINDSHIELD, HINGED

ITEM	PART NO.	DESCRIPTION	QTY
		1 2 3 4	
1	105109101	Kit, Windshield, Hinged, Hb (includes items 2 through 9)	1
2	102296150	Bolt - M6x1.0x50 Hex Flng Hd	4
3	102296301	Washer, M6x18x1.6 Flat	4
4	102582401	Cap Nut M6, Sp	4
5	102947601	Grommet, Windshield, Prec	4
6	103754901	Fastener, Barrel - .610 X .25	8
7	105060901	Windshield, Hinged, Utility Hb	1
8	105069901	Clip, Retainer, W/s 1.25"	2
9	105196001	seal,windshield	1

1
G
E



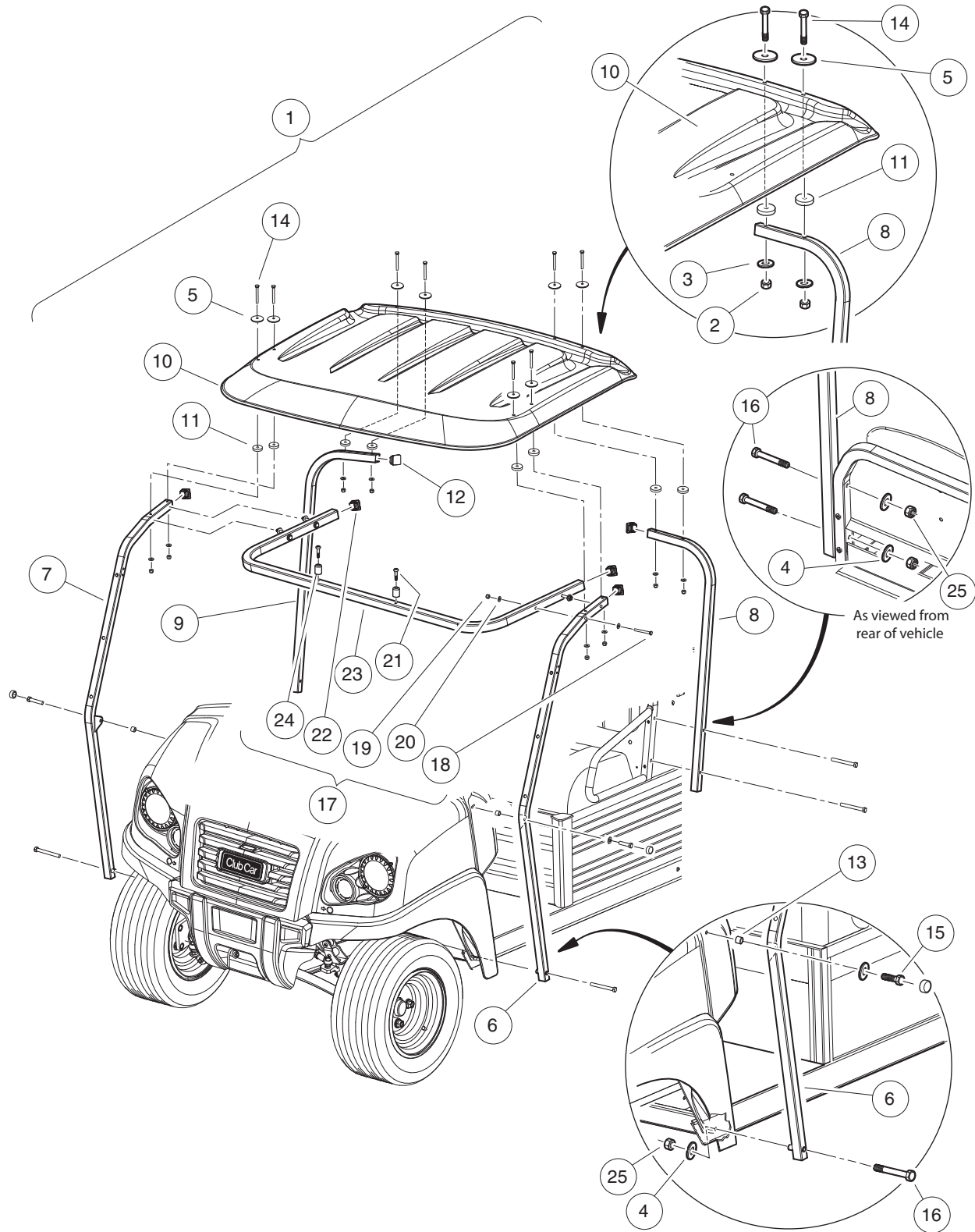
001115-001

WINDSHIELD, NON-HINGED

ITEM	PART NO.	DESCRIPTION	QTY
		1 2 3 4	
1	105109201	Kit, Windshield, Single, Hb (includes items 2 through 8)	1
2	102296150	Bolt - M6x1.0x50 Hex Flng Hd	4
3	102296301	Washer, M6x18x1.6 Flat	8
4	102582401	Cap Nut M6, Sp	4
5	102947601	Grommet, Windshield, Prec	4
6	105093501	Blind Rivet, Push, 3-10 Panel	2
7	105102301	Windshield, Single, Hb	1
8	105196001	seal,windshield	1

1
G
E

1
G
E



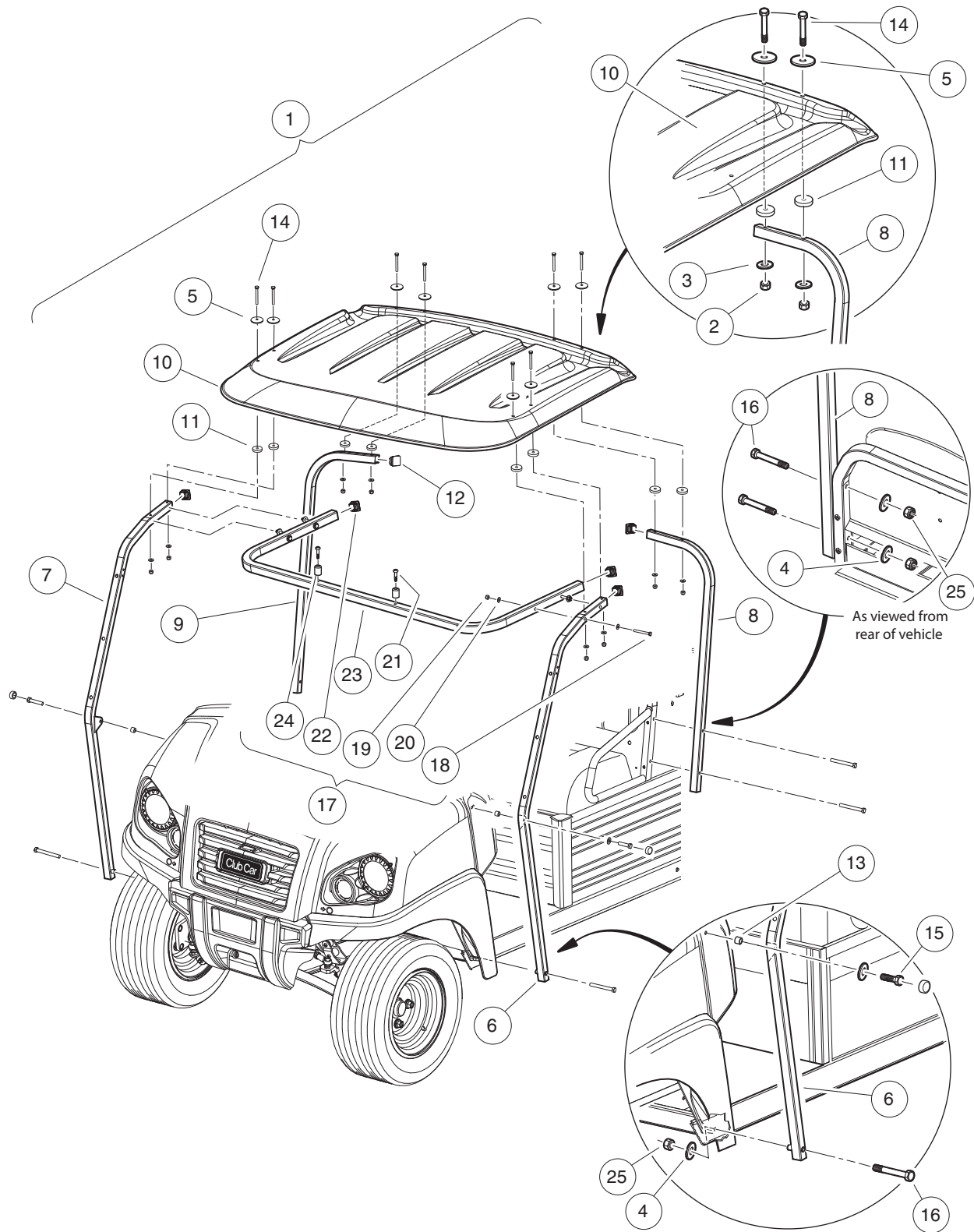
001300-014

CANOPY KIT, WHITE

ITEM	PART NO.	DESCRIPTION	QTY
		1 2 3 4	
1	105063301	Kit, Canopy, Hb, White (includes items 2 through 25)	1
2	102242401	Nut - Nylon Insert W/cap	8
3	102296301	Washer, M6x18x1.6 Flat	8
4	102323501	Washer, Flat, 3/8, Blk Fin	6
5	103196001	Washer, Conical Spring, Canopy	8
6	105063201	Weldment, Strut, Ds, Hb	1
7	105063202	Weldment, Strut, Ps, Hb	1
8	105063401	Rear, Strut, Bent, Ds	1
9	105063402	Rear, Strut, Bent, Ps	1
10	105072001	Canopy, Short, Restyle, White	1
11	105086101	Spacer, Rubber, 7.1i D-6.35 Thk	8
12	105092601	Plug, Square -31.75mm	4
13	105094001	Spacer, Canopy Support, Dash	2
14	105197301	1/4-20 x 2.25, BHCS, 6-LOBE	8
15	105197401	BOLT, FLG, 3/8-16 X 1.00 LOC	2
16	105197402	BOLT, FLG, 3/8-16 X 3.00	6
17	105251901	Kit, Canopy Support, Front (includes items 18 through 24)	1
18	1012159	Bolt, 1/4-20 X 2.75 Hex-Head	4
19	102242401	Nut - Nylon Insert W/cap	4
20	102296301	Washer, M6x18x1.6 Flat	8
21	102557201	Screw, #6-20 Type Abx1.00 Pan	2
22	102581201	Plug, Square - 25.4 mm	2
23	105249901	Tube, Front Support, Canopy, Utility	1
24	105250501	Bumper, Rubber, 3/4-in. Round	2
25	8754	Locknut, 3/8-16 Hex	6

1
G
E

1
G
E



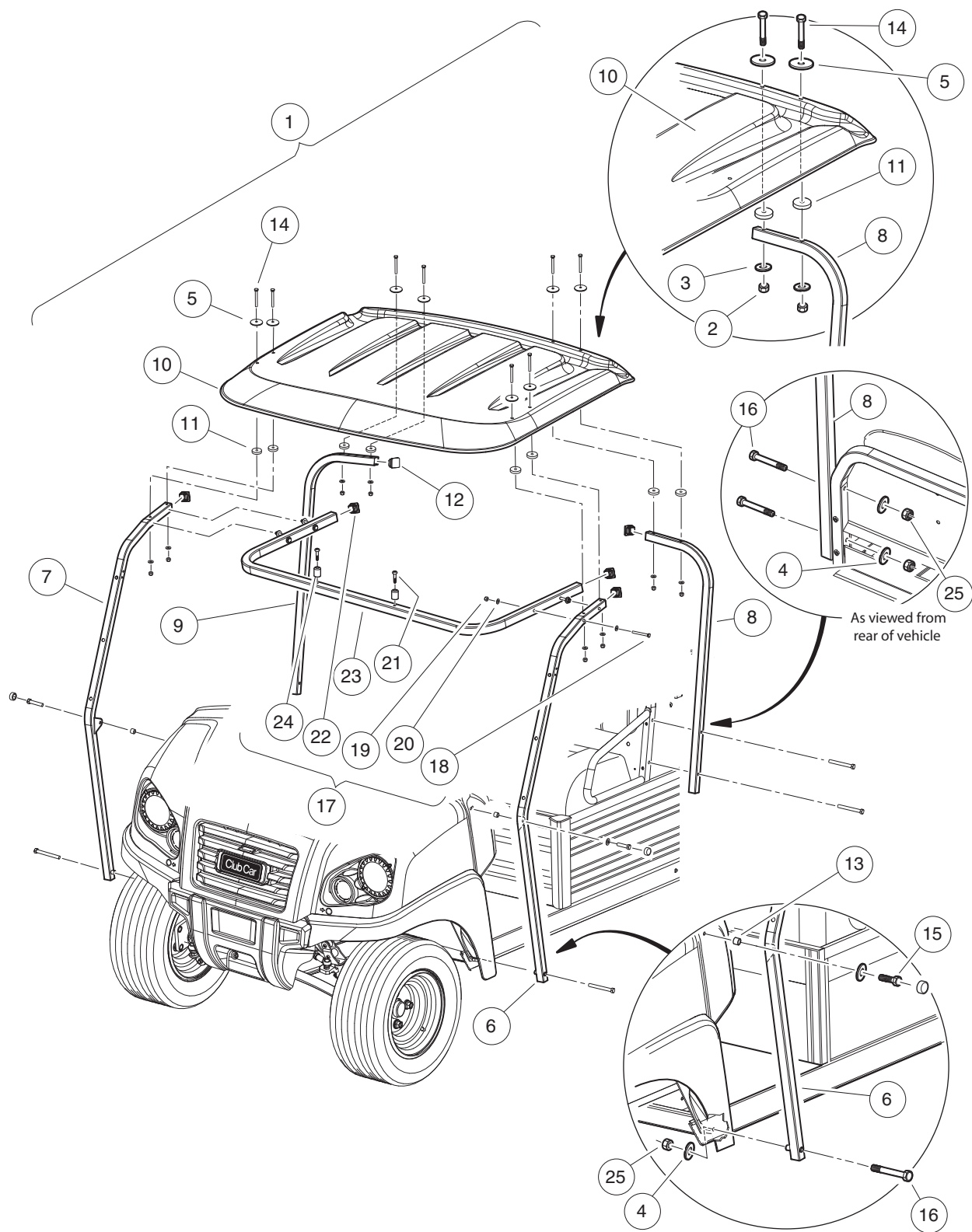
001300-014

CANOPY KIT, BIEGE

ITEM	PART NO.	DESCRIPTION	QTY
		1 2 3 4	
1	105063302	Kit, Canopy, Hb, Beige (includes items 2 through 25)	1
2	102242401	Nut - Nylon Insert W/cap	8
3	102296301	Washer, M6x18x1.6 Flat	8
4	102323501	Washer, Flat, 3/8, Blk Fin	6
5	103196001	Washer, Conical Spring, Canopy	8
6	105063201	Weldment, Strut, Ds, Hb	1
7	105063202	Weldment, Strut, Ps, Hb	1
8	105063401	Rear, Strut, Bent, Ds	1
9	105063402	Rear, Strut, Bent, Ps	1
10	105072002	Canopy, Short, Restyle, Beige	1
11	105086101	Spacer, Rubber, 7.1i D-6.35 Thk	8
12	105092601	Plug, Square -31.75mm	8
13	105094001	Spacer, Canopy Support, Dash	4
14	105197301	1/4-20 x 2.25, BHCS, 6-LOBE	8
15	105197401	BOLT, FLG, 3/8-16 X 1.00 LOC	2
16	105197402	BOLT, FLG, 3/8-16 X 3.00	6
17	105251901	Kit, Canopy Support, Front (includes items 18 through 24)	1
18	1012159	Bolt, 1/4-20 X 2.75 Hex-Head	4
19	102242401	Nut - Nylon Insert W/cap	4
20	102296301	Washer, M6x18x1.6 Flat	8
21	102557201	Screw, #6-20 Type Abx1.00 Pan	2
22	102581201	Plug, Square - 25.4 mm	2
23	105249901	Tube, Front Support, Canopy, Utility	1
24	105250501	Bumper, Rubber, 3/4-in. Round	2
25	8754	Locknut, 3/8-16 Hex	6

1
G
E

1
G
E



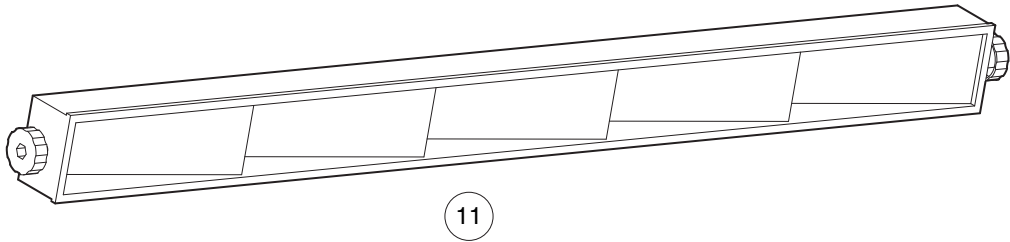
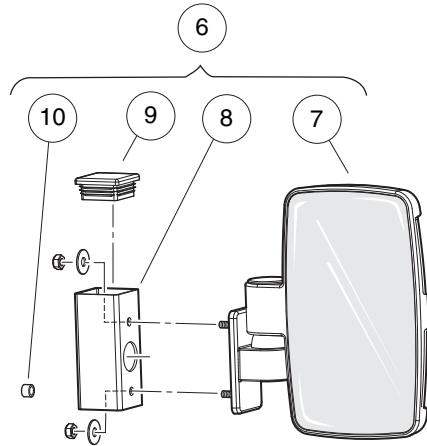
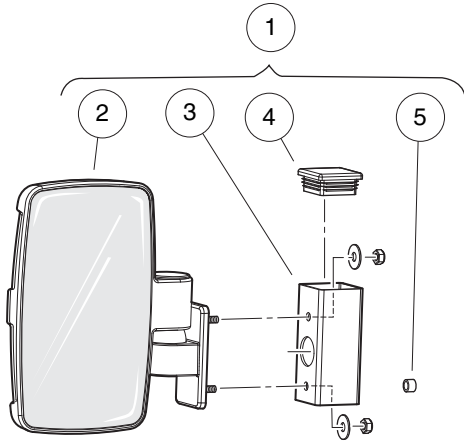
001300-014

CANOPY KIT, BLACK

ITEM	PART NO.	DESCRIPTION	QTY
		1 2 3 4	
1	105063303	Kit, Canopy, Hb, Black (includes items 2 through 25)	1
2	102242401	Nut - Nylon Insert W/cap	8
3	102296301	Washer, M6x18x1.6 Flat	8
4	102323501	Washer, Flat, 3/8, Blk Fin	6
5	103196001	Washer, Conical Spring, Canopy	8
6	105063201	Weldment, Strut, Ds, Hb	1
7	105063202	Weldment, Strut, Ps, Hb	1
8	105063401	Rear, Strut, Bent, Ds	1
9	105063402	Rear, Strut, Bent, Ps	1
10	105072003	Canopy, Short, Restyle, Blk	1
11	105086101	Spacer, Rubber,7.1i D-6.35 Thk	8
12	105092601	Plug, Square -31.75mm	4
13	105094001	Spacer, Canopy Support, Dash	2
14	105197301	1/4-20 x 2.25,BHCS,6-LOBE	8
15	105197401	BOLT,FLG,3/8-16 X 1.00 LOC	2
16	105197402	BOLT,FLG,3/8-16 X 3.00	6
17	105251901	Kit, Canopy Support, Front (includes items 18 through 24)	1
18	1012159	Bolt, 1/4-20 X 2.75 Hex-Head	4
19	102242401	Nut - Nylon Insert W/cap	4
20	102296301	Washer, M6x18x1.6 Flat	8
21	102557201	Screw, #6-20 Type Abx1.00 Pan	2
22	102581201	Plug, Square - 25.4 mm	2
23	105249901	Tube, Front Support, Canopy, Utility	1
24	105250501	Bumper, Rubber, 3/4-in. Round	2
25	8754	Locknut, 3/8-16 Hex	6

1
G
E

1
G
E



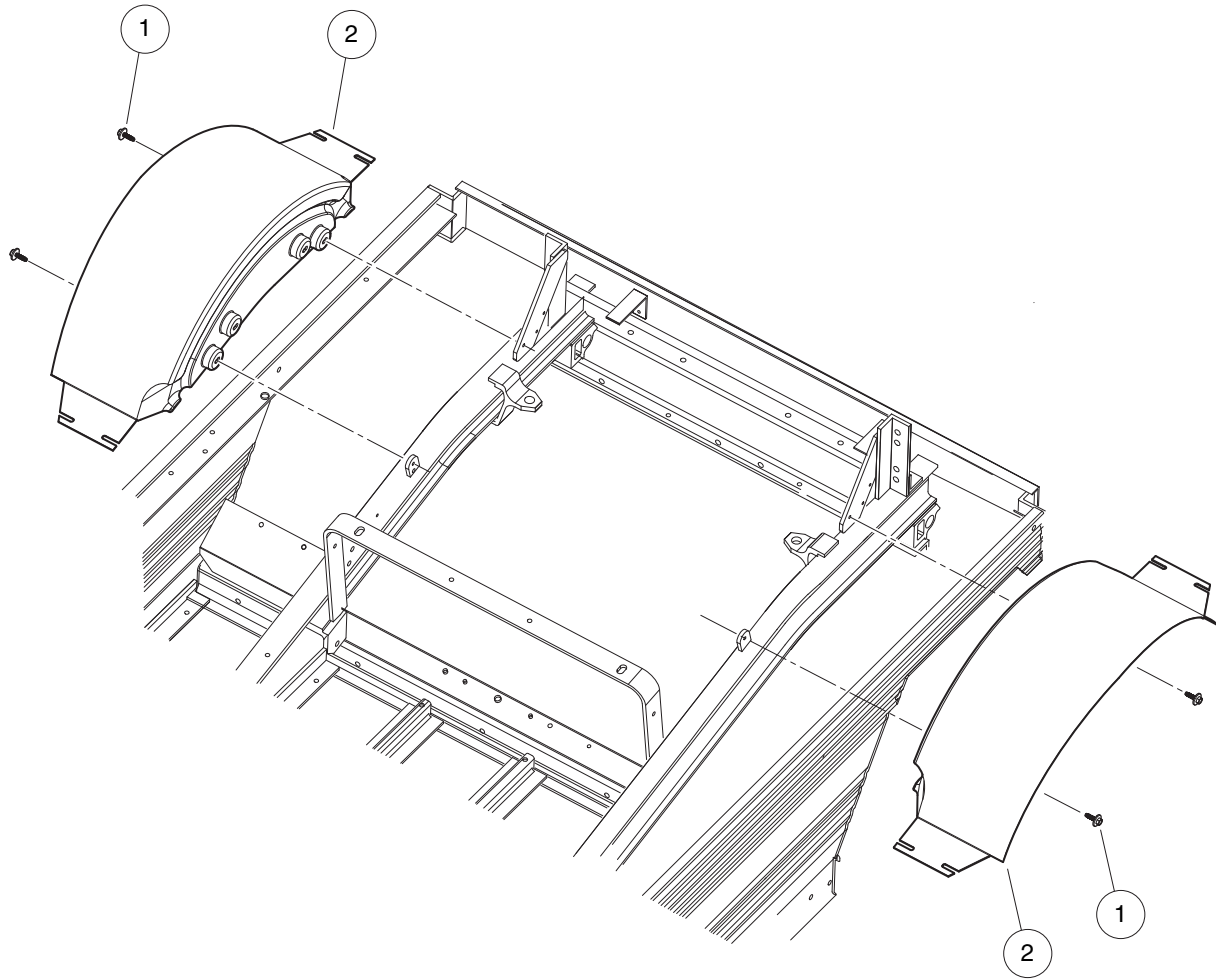
001300-019

MIRRORS

ITEM	PART NO.	DESCRIPTION	QTY
		1 2 3 4	
1	105124201	Kit, Mirror, Hb, Res, Ds (includes items 2 through 5)	1
2	105128801	Asm, Mirror, Utl Res, Ds	1
3	105128901	Tube, Mirror, Support	1
4	105129001	Plug, Square 38.1 Mm	1
5	105170101	Spacer, M6, Plastic	1
6	105124202	Kit, Mirror, Hb, Res, Ps (includes items 7 through 10)	1
7	105128802	Asm, Mirror, Utl Res, Ps	1
8	105128901	Tube, Mirror, Support	1
9	105129001	Plug, Square 38.1 Mm	1
10	105170101	Spacer, M6, Plastic	1
11	105288801	Kit, Mirror, 5 Panel, Canopy	1

1
G
E

1
G
E

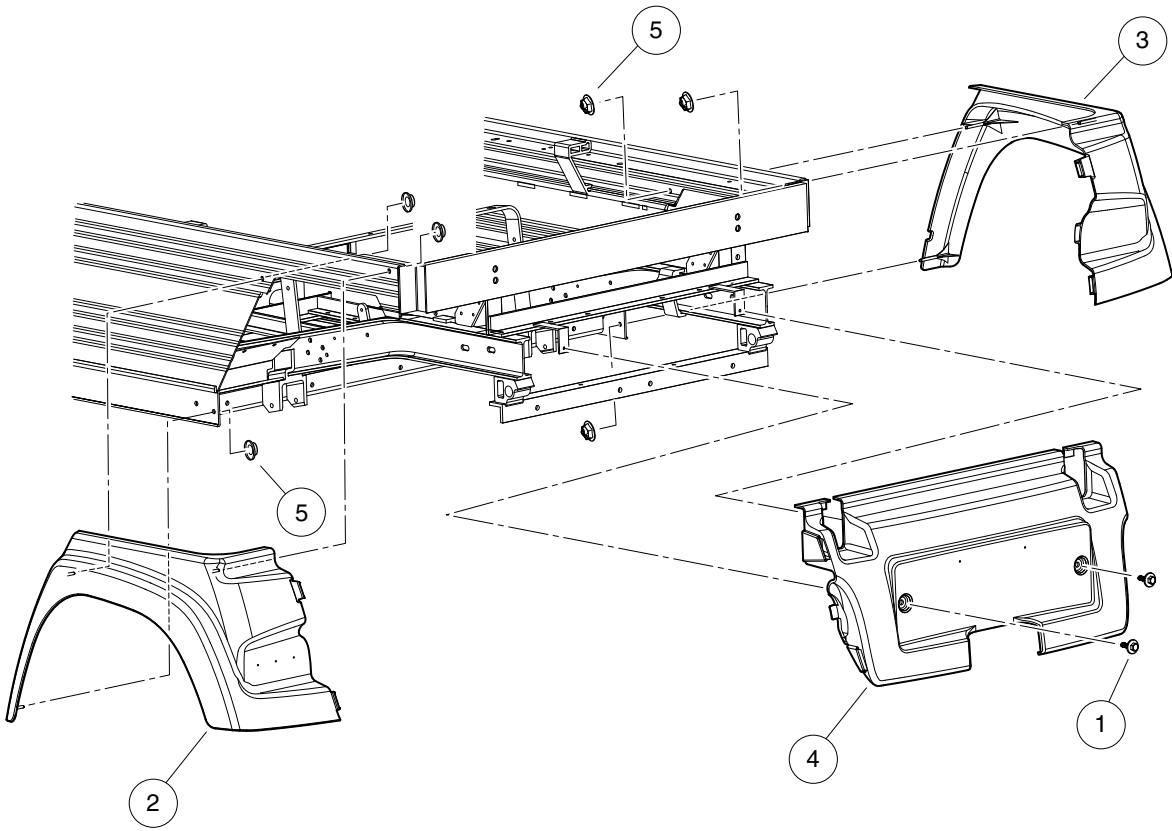


001123-001

INNER REAR FENDERS

ITEM	PART NO.	DESCRIPTION	QTY
1	102297125	1 2 3 4 Screw, M6-1.0x25.4, Thread-Forming, SEMS	4
2	105035801	Fender, Inner, Ca	2

1
G
E



001124-001

REAR FENDERS AND TAIL SKIRT

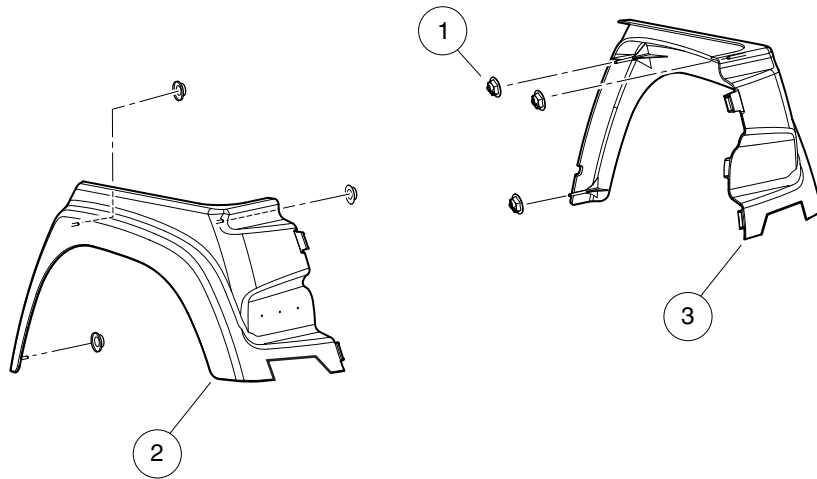
ITEM	PART NO.	DESCRIPTION	QTY
		1 2 3 4	
1	102297125	Screw, M6-1.0x25.4, Thread-Forming, SEMS	2
2	105035101	Fender, Rear, Lh, Ca	1
3	105035201	Fender, Rear, Rh, Ca	1
4	105035301	Tailskirt, Ca	1
5	105066401	Nut, Self Thread, 5x10x15	6

1
G
E

1

G

E



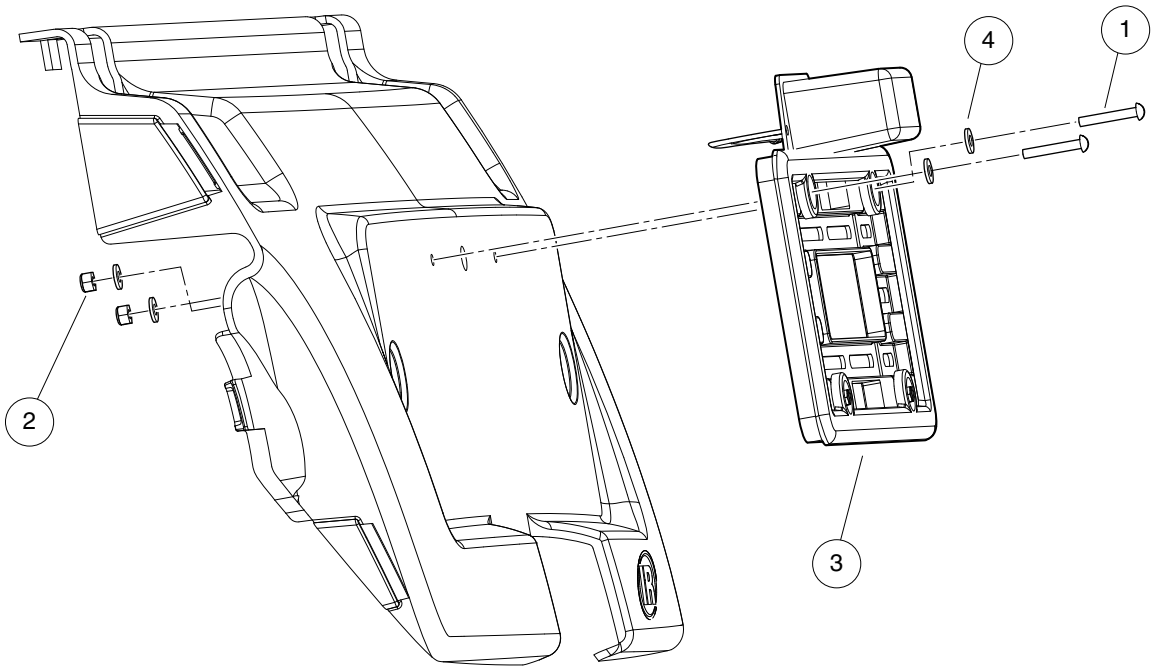
001125-001

REAR FENDERS – VEHICLE WITH FOLD-DOWN REAR SEAT

ITEM	PART NO.	DESCRIPTION	QTY
		1 2 3 4	
1	105066401	Nut, Self Thread, 5x10x15	6
2	SVP826501	Fender Lh W Fold Down Seat Ca	1
3	SVP826502	Fender Rh W Fold Down Seat Ca	1

1
G
E

1
G
E



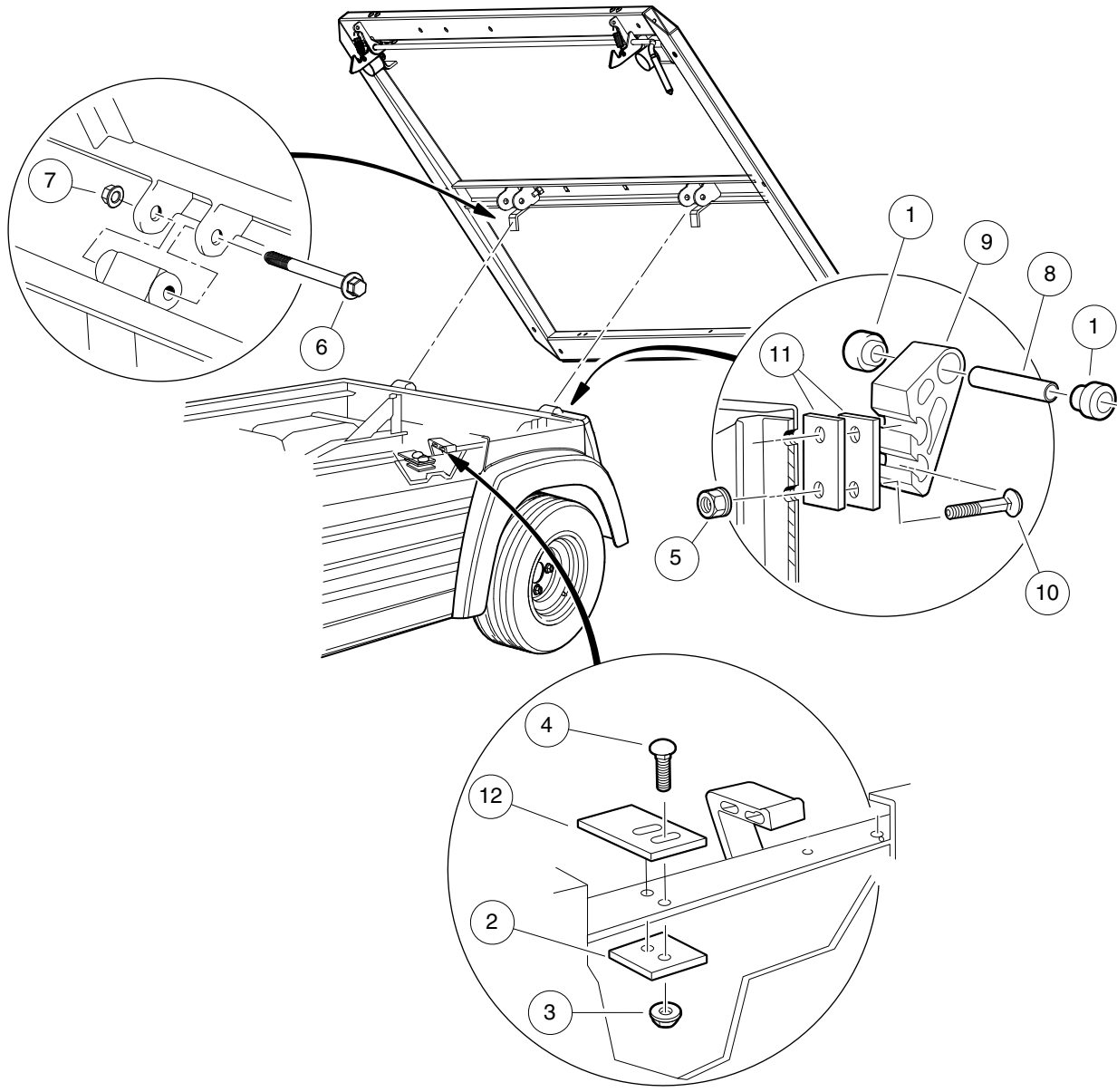
001170-001

REAR LICENSE PLATE HOLDER

ITEM	PART NO.	DESCRIPTION	QTY
		1 2 3 4	
1	1010909	Screw, #10-32 X 1.25 Rd Hd Mch	2
2	1013061	Locknut, #10-32 Nylon Insert	2
3	N/A	License Plate,ASM, Rear	1
4	183	Washer, #10, Type A, Flat	4

1
G
E

1
G
E



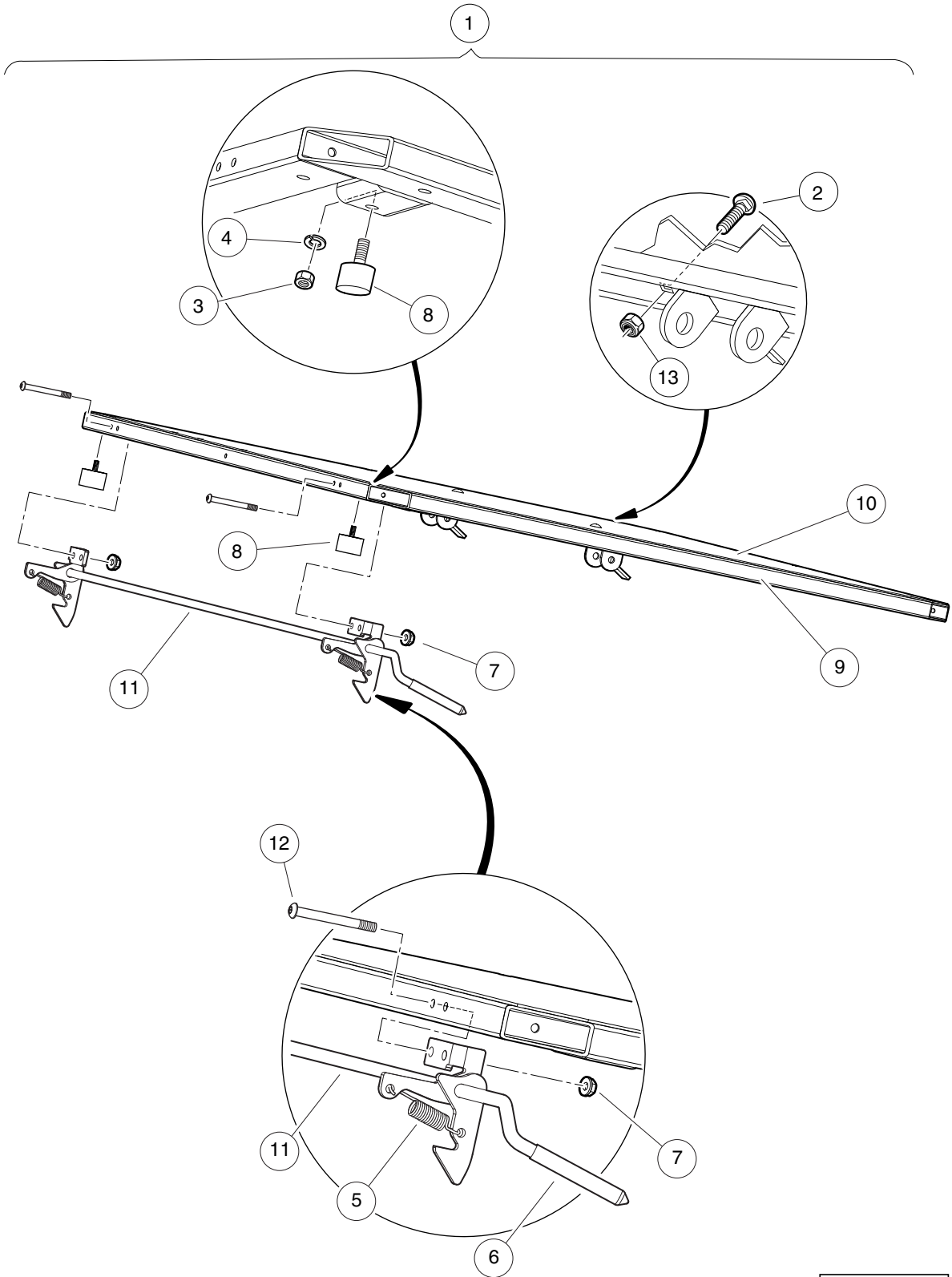
001145-001

BED HINGE AND LATCH

ITEM	PART NO.	DESCRIPTION	QTY
		1 2 3 4	
1	1015583	Bushing, Urethane	4
2	1016060	Plate, Latch Support	2
3	101835601	Locknut, 1/4-20 Hex Whiz	4
4	101958602	Bolt, Carriage, 1/4-20 X 1.0	4
5	102065901	Locknut, 3/8-16 Flanged Dimple	4
6	102298185	Bolt - Flange Hd, M8 X 85.0	2
7	102298401	Nut,m8,all Metal Lock	2
8	102506401	Sleeve - Spring Eye Mounts	2
9	103538701	Bracket, Bed Hinge, Extruded	2
10	103539001	3/8-16 X 1.25 Carr Blt Gr5 Zn	4
11	103575801	Shim, Bed Hinge, .125 Thick	4
12	105110801	Plate, Latch, Ca	2

1
G
E

1
G
E



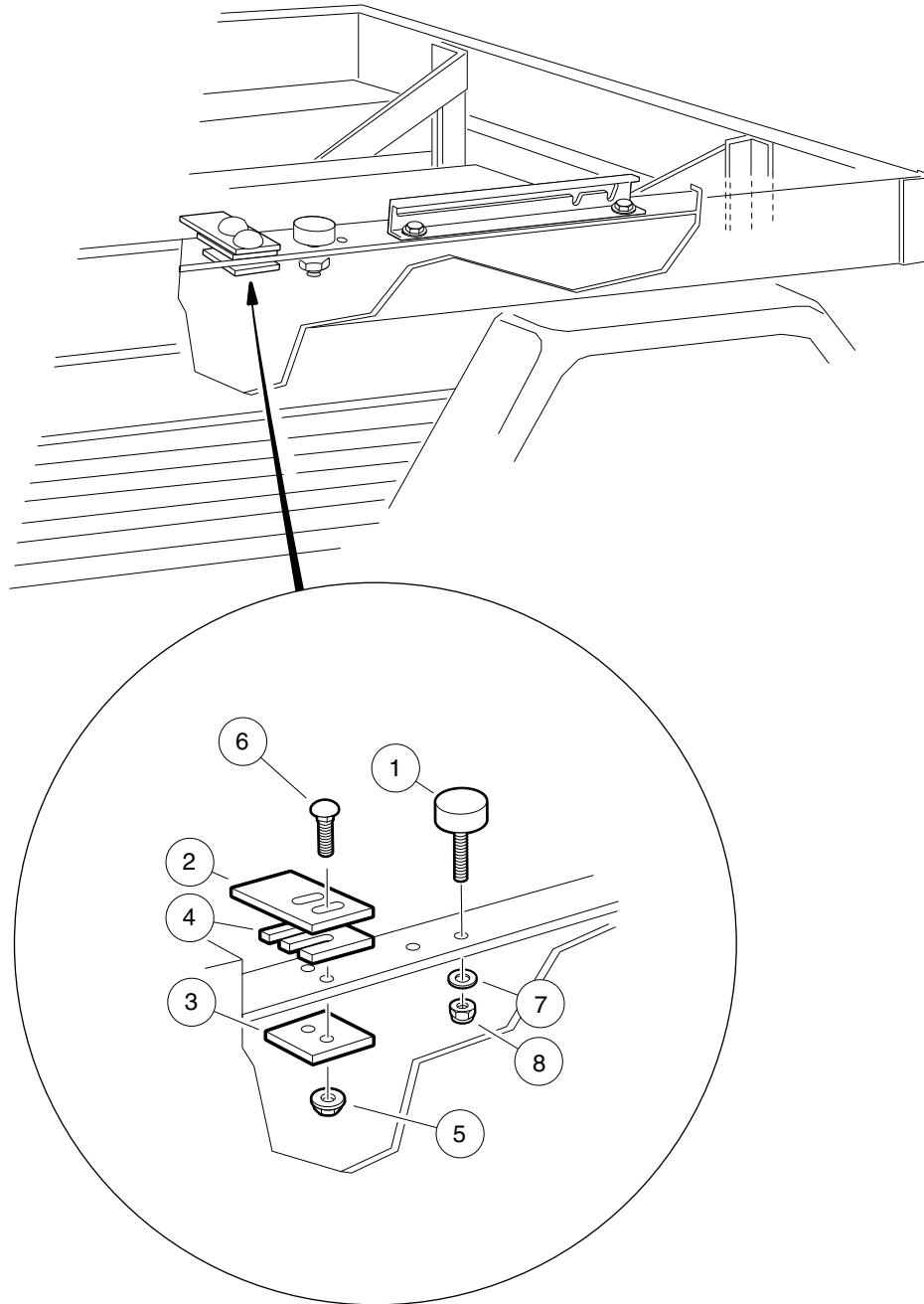
001146-001

TILT BED AND LATCH

ITEM	PART NO.	DESCRIPTION	QTY
		1 2 3 4	
1	105197001	Kit, Bed Floor, Short (includes items 2 through 13)	1
2	101043502	Bolt, Carriage, 5/16-18x1 blk	2
3	1012528	Nut, M8-1.25 Hex	2
4	1013734	Lockwasher, 8mm Split	2
5	1015391	Extension, Spring Latch	2
6	1015400	Grip, Tilt Latch Hand	1
7	101835601	Locknut, 1/4-20 Hex Whiz	4
8	105036601	Bumper, Bedfloor, Ca	2
9	N/A	Frame, Weldment, Bed, Short	1
10	N/A	Plate, Flr, Bed Utl, Sht Rhino	1
11	105169101	Weldment, Bed Latch, CA	1
12	105194101	1/4-20 X 2.5, Bhcs, 6-lobe	4
13	7473	Locknut, 5/16-18 Nylon Insert	2

1
G
E

1
G
E



000258-002

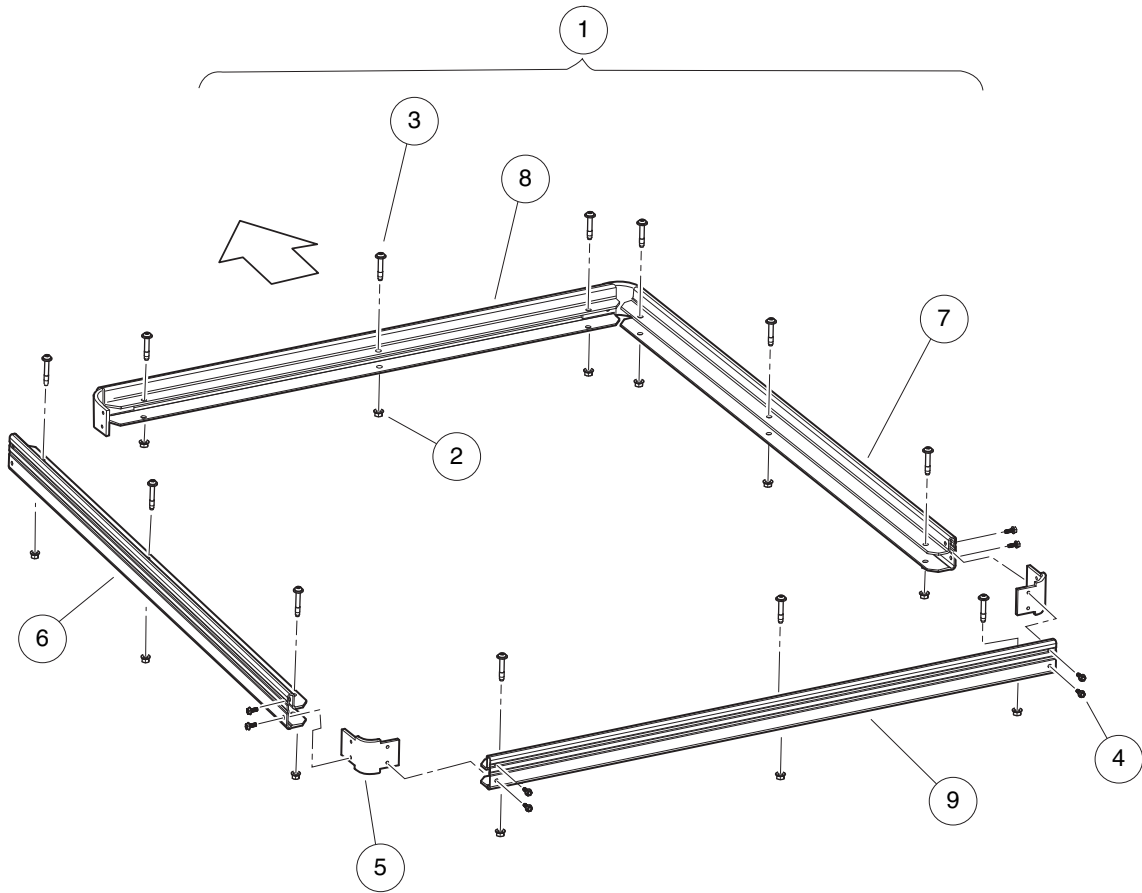
LATCH PLATE

ITEM	PART NO.	DESCRIPTION	QTY
		1 2 3 4	
1	1010878	Bumper, Rubber	2
2	1015277	Latch Plate, Tilt Bed	2
3	1016060	Plate, Latch Support	2
4	1016078	Latch Plate Shim	1
5	101835601	Locknut, 1/4-20 Hex Whiz	4
6	101958601	Carriage Bolt, 1/4-20 X 0.75	4
7	332	Washer, 1/4 Type A Narrow Flat	4
8	8233	Locknut, 1/4-20, Nylon Insert	4

1

G

E

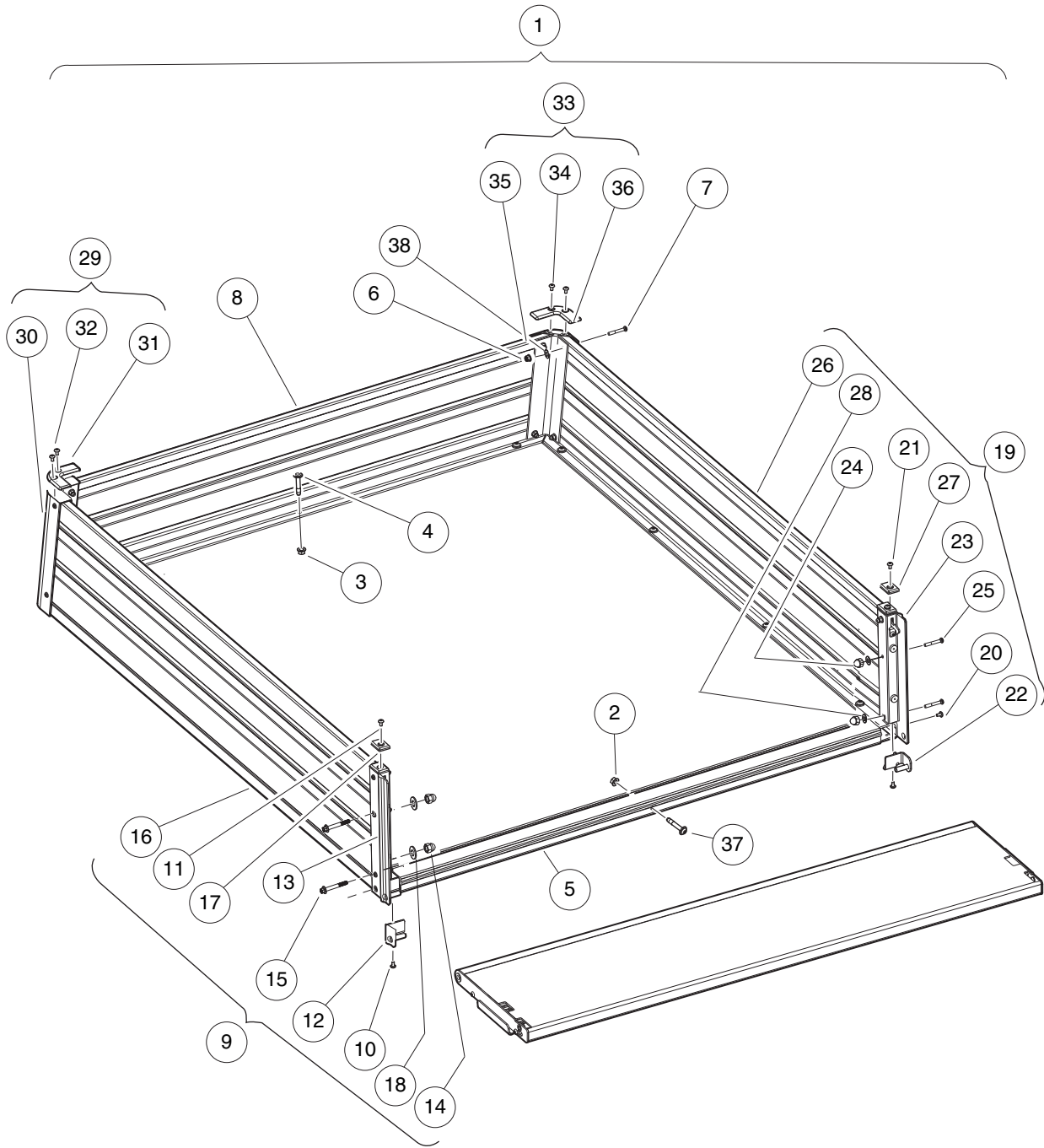


001126-002

FLAT BED TRIM (SHORT BED)

ITEM	PART NO.	DESCRIPTION	QTY
		1 2 3 4	
1	105122204	Kit, Flat Trim, Ca, Short (includes items 2 through 9)	1
2	102298401	Nut,m8,all Metal Lock	12
3	102299550	Screw,m8x50,sems,tx,bttm,plt	12
4	105185701	Pan Head Screw, M6 X 16 Tt	16
5	105185801	Bracket,Bed Corner,CA	4
6	105194701	Trim, Bed, Shrt, Lh	1
7	105194702	Trim, Bed, Shrt, Rh	1
8	105194801	Trim, Bed, Cntr, Front	1
9	105194802	Trim, Bed, Cntr, Rear	1

1
G
E



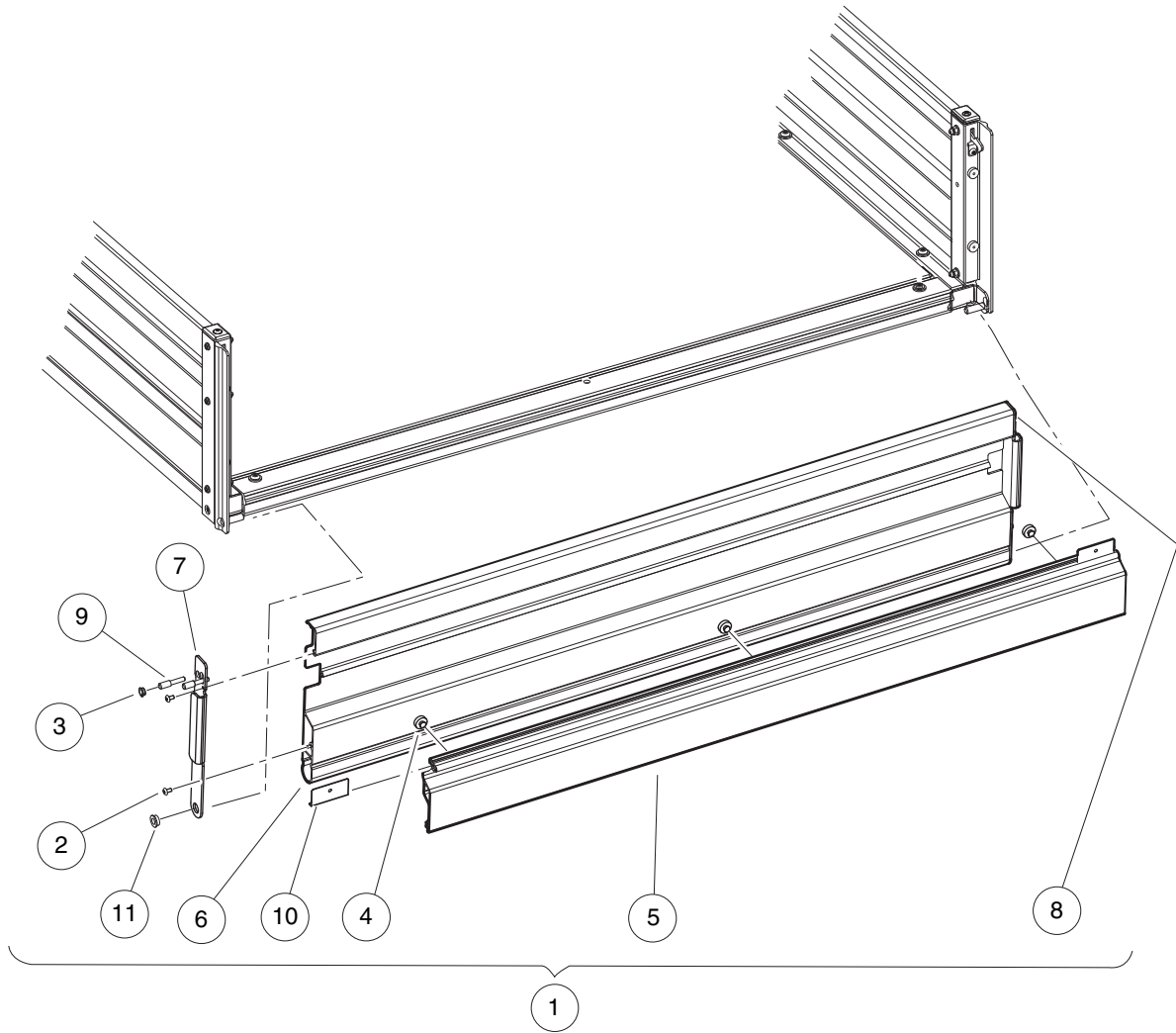
001136-002

CARGO BOX KIT - SHORT (PAGE 1 OF 2)

ITEM	PART NO.	DESCRIPTION	QTY
		1 2 3 4	
1	105122104	Kit, Cargo Box,Short (includes items 2 through 38)	1
2	1015661	Nut, Lock Hx Flanged 1/4-20	3
3	102298401	Nut,m8,all Metal Lock	9
4	102299550	Screw,m8x50,sems,tx,bttm,plt	9
5	105192301	Extr, Bed, Cargo, Rear	1
6	105192901	Nut, Acorn, M6, Lock, Silver	8
7	105193001	Screw, 6 Lobe, M6 X 35	8
8	105194601	Panel, Cargo Box, Frt	1
9	105200701	Asm,Cargo Box Side Panel,DS,Short (includes items 10 through 18)	1
10	1014321	Screw, #10 Truss-Head Torx	2
11	102554512	Screw M5-08x12 Torx Pn Trs	1
12	105127201	Weldment, Pivot, Tailgate, Lh	1
13	105127401	Asm, Latch, Tailgate, Lh	1
14	105192901	Nut, Acorn, M6, Lock, Silver	2
15	105193001	Screw, 6 Lobe, M6 X 35	2
16	N/A	Panel, Cargo Box, Lh, Shrt	1
17	105196201	Cap, Corner, Rear, Cargo Bed	1
18	96705199	Washer, M6	2
19	105200801	Asm,Cargo Box Side Panel,PS,Short (includes items 20 through 28)	1
20	1014321	Screw, #10 Truss-Head Torx	2
21	1025545	SCREW M5-0.8X12 TORX PN TRS	1
22	105127202	Weldment, Pivot, Tailgate, Rh	1
23	105127402	Asm, Latch, Tailgate, Rh	1
24	105192901	Nut, Acorn, M6, Lock, Silver	2
25	105193001	Screw, 6 Lobe, M6 X 35	2
26	N/A	Panel, Cargo Box, Rh Shrt	1
27	105196201	Cap, Corner, Rear, Cargo Bed	1
28	96705199	Washer, M6	2
29	105200901	Asm, Cargo Box,Corner,DS (includes items 30 through 32)	1
30	N/A	Extr, Bed Corner, Lh	1
31	105196101	Cap, Corner, Frt, Cargo Bed	1
32	105205201	Screw, 10-24 X .36, St Torx	2
33	105201001	Asm,Cargo Box,Corner,PS (includes items 34 through 36)	1
34	N/A	Extr, Bed Corner, Rh	1
35	105196101	Cap, Corner, Frt, Cargo Bed	1
36	105205201	Screw, 10-24 X .36, St Torx	2
37	324	Screw, 1/4-20 X 2.50 Hx Hd Cap	3
38	96705199	Washer, M6	8

1
G
E

1
G
E

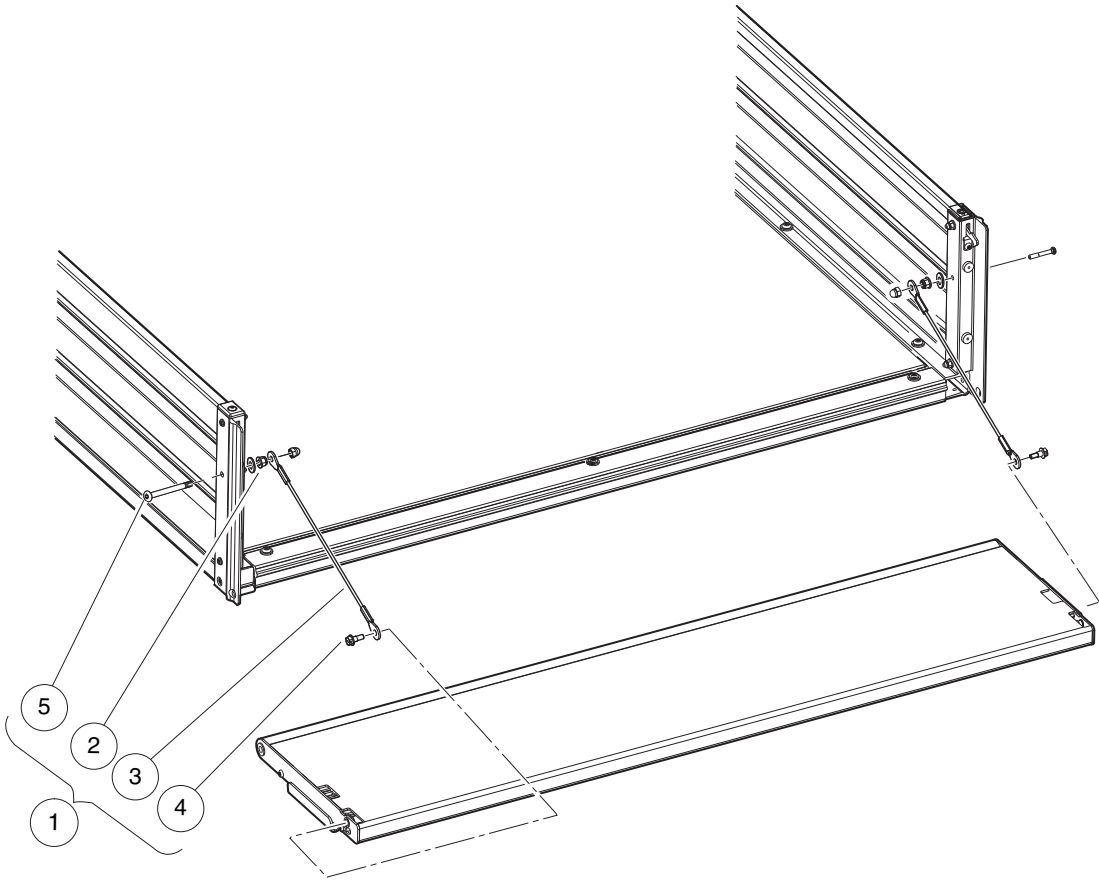


001152-001

CARGO BOX KIT (PAGE 2 OF 2)

ITEM	PART NO.	DESCRIPTION	QTY
		1 2 3 4	
1	105128101	Asm, Tailgate, Wide Handle (includes items 2 through 11)	1
2	1014321	Screw, #10 Truss-Head Torx	4
3	1015363	Bushing, Snap-In	2
4	102590801	Bumper, Rubber	3
5	105128201	Handle, Tailgate, Wide	1
6	N/A	Panel, Tailgate, Wide	1
7	105130301	Bracket, End, Tailgate, Lh	1
8	105130302	Bracket, End, Tailgate, Rh	1
9	105130501	Pin, Latch, Tailgate	4
10	105130601	Spring, Handle, Tailgate	2
11	7049	Bushing, Nylon	2

1
G
E



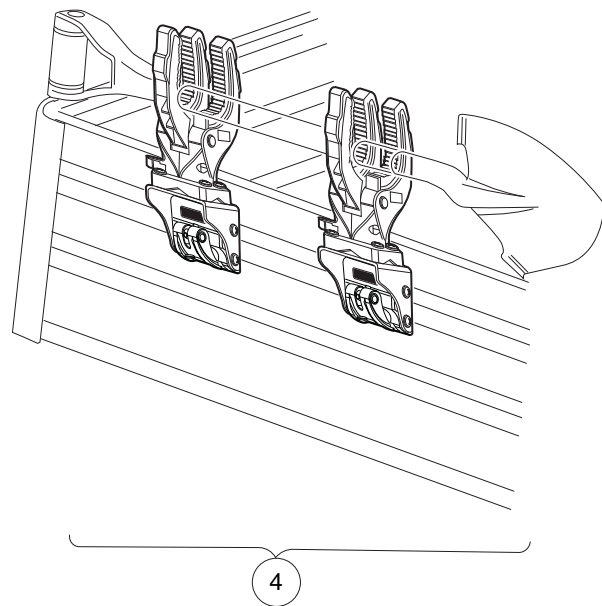
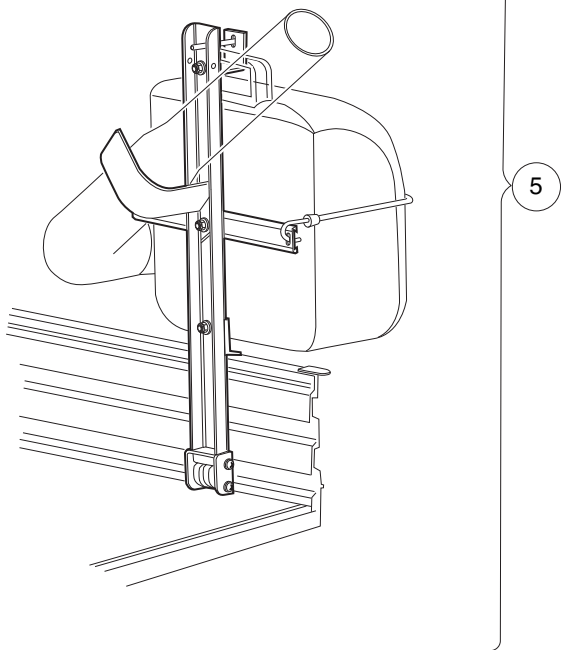
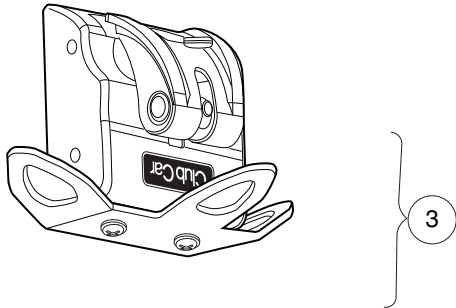
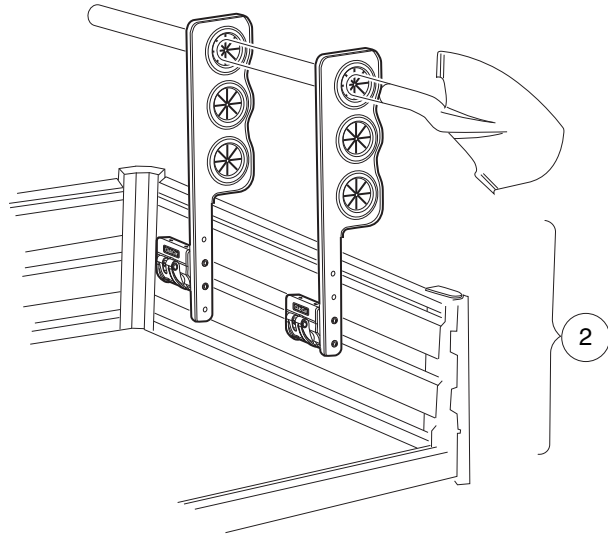
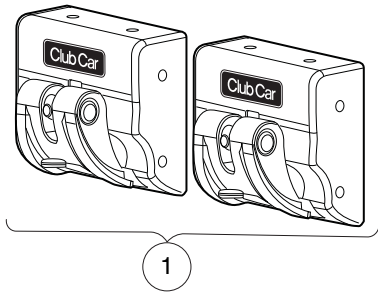
001160-002

TAILGATE TEATHER

ITEM	PART NO.	DESCRIPTION	QTY
		1 2 3 4	
1	105127302	Kit, Tether, Tailgate (includes items 2 through 5)	1
2	102621501	Nut, Flange, M6 X 1.0, Nylon	2
3	105128001	Cable, Tether, Tailgate	2
4	105129901	Screw, Shoulder, Self Thread	2
5	105193101	Screw, 6 Lobe, M6 X 50	2

1
G
E

1
G
E



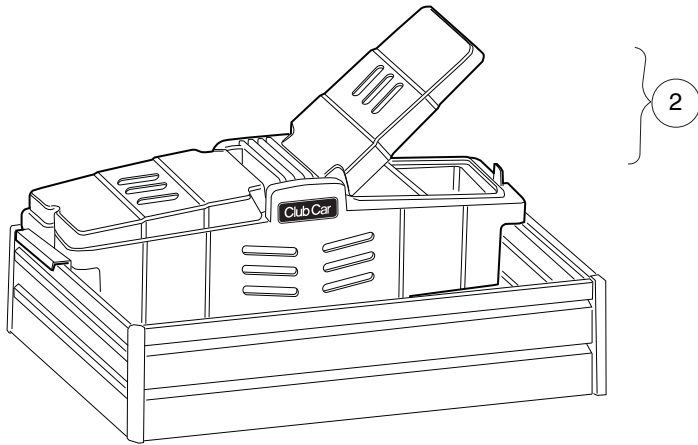
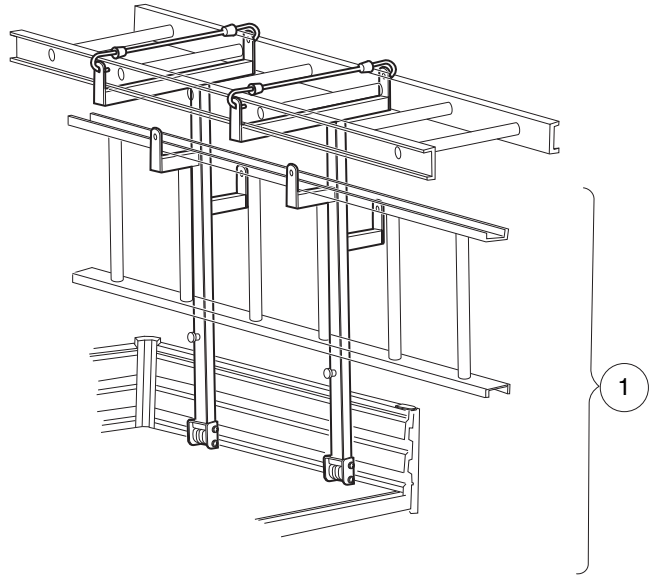
001167-001

MODULAR BED ACCESSORIES

ITEM	PART NO.	DESCRIPTION	QTY
		1 2 3 4	
1	105160401	Bed Clamp, Set	1
2	105160801	Kit, Tool Rack	1
3	105160901	Kit, Tie Down	1
4	105161101	Kit, Static Grip	1
5	105161401	Kit, Holder, Leaf Blower	1
		Note: Component part numbers unavailable at publication.	

1
G
E

1
G
E



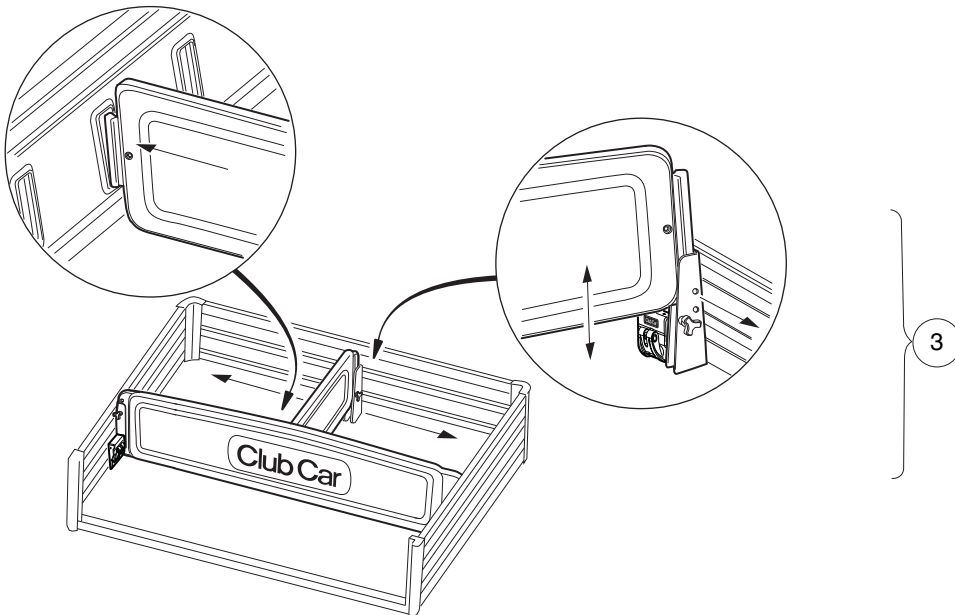
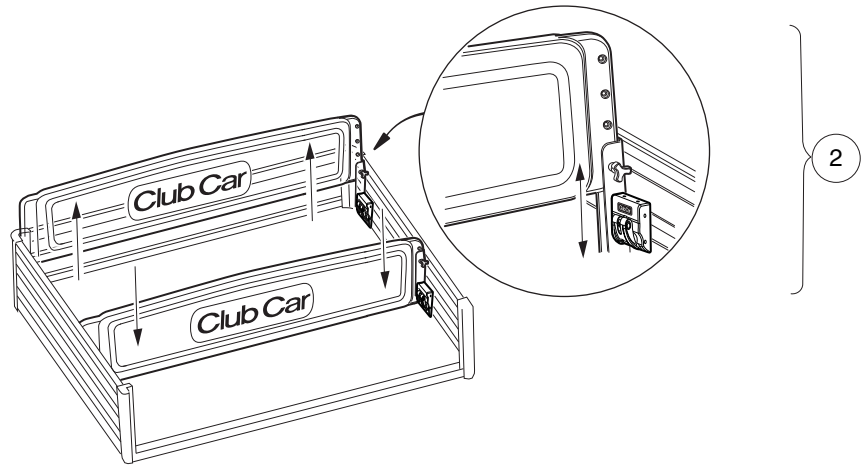
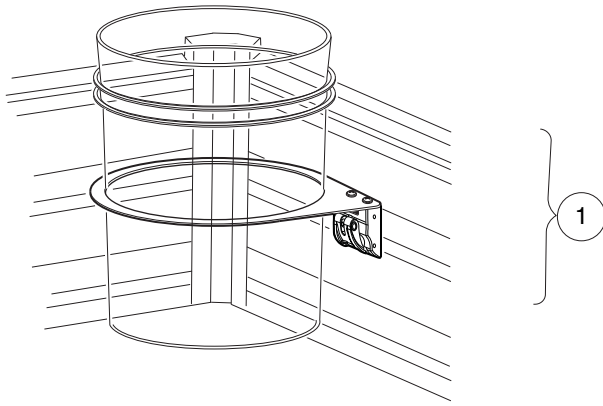
001168-001

MODULAR BED ACCESSORIES

ITEM	PART NO.	DESCRIPTION	QTY
1	105161501	1 2 3 4 Kit, Rack, Ladder	1
2	105161601	Kit, Toolbox	1
<p>Note: Component part numbers unavailable at publication.</p>			

1
G
E

1
G
E

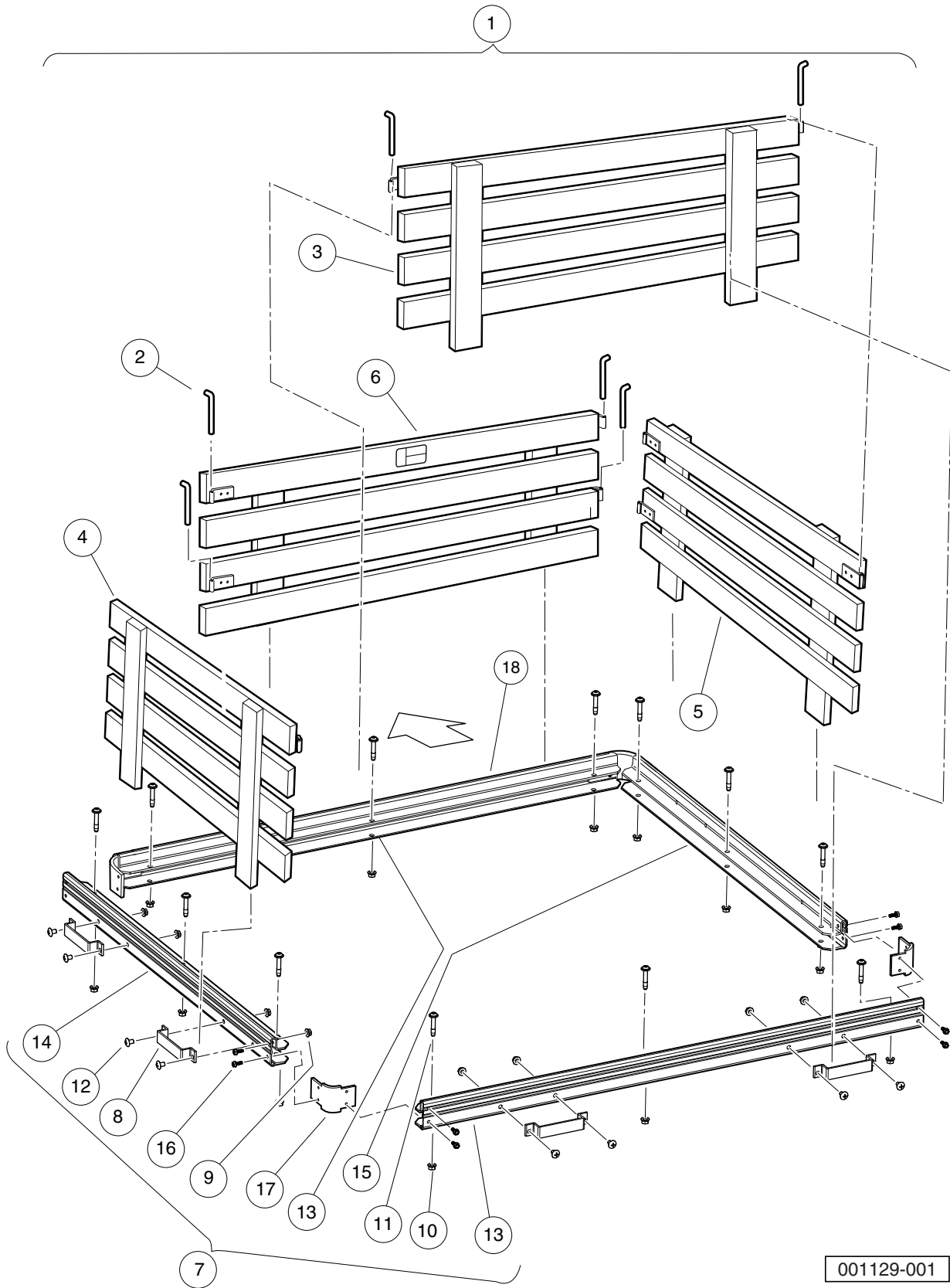


001169-001

MODULAR BED ACCESSORIES

ITEM	PART NO.	DESCRIPTION	QTY
		1 2 3 4	
1	105160501	Kit, Holder, Bucket	1
2	105161201	Kit, Bed Divider/extension	1
3	105161301	Kit, Bed Divider, Short	1
		Note: Component part numbers unavailable at publication.	

1
G
E



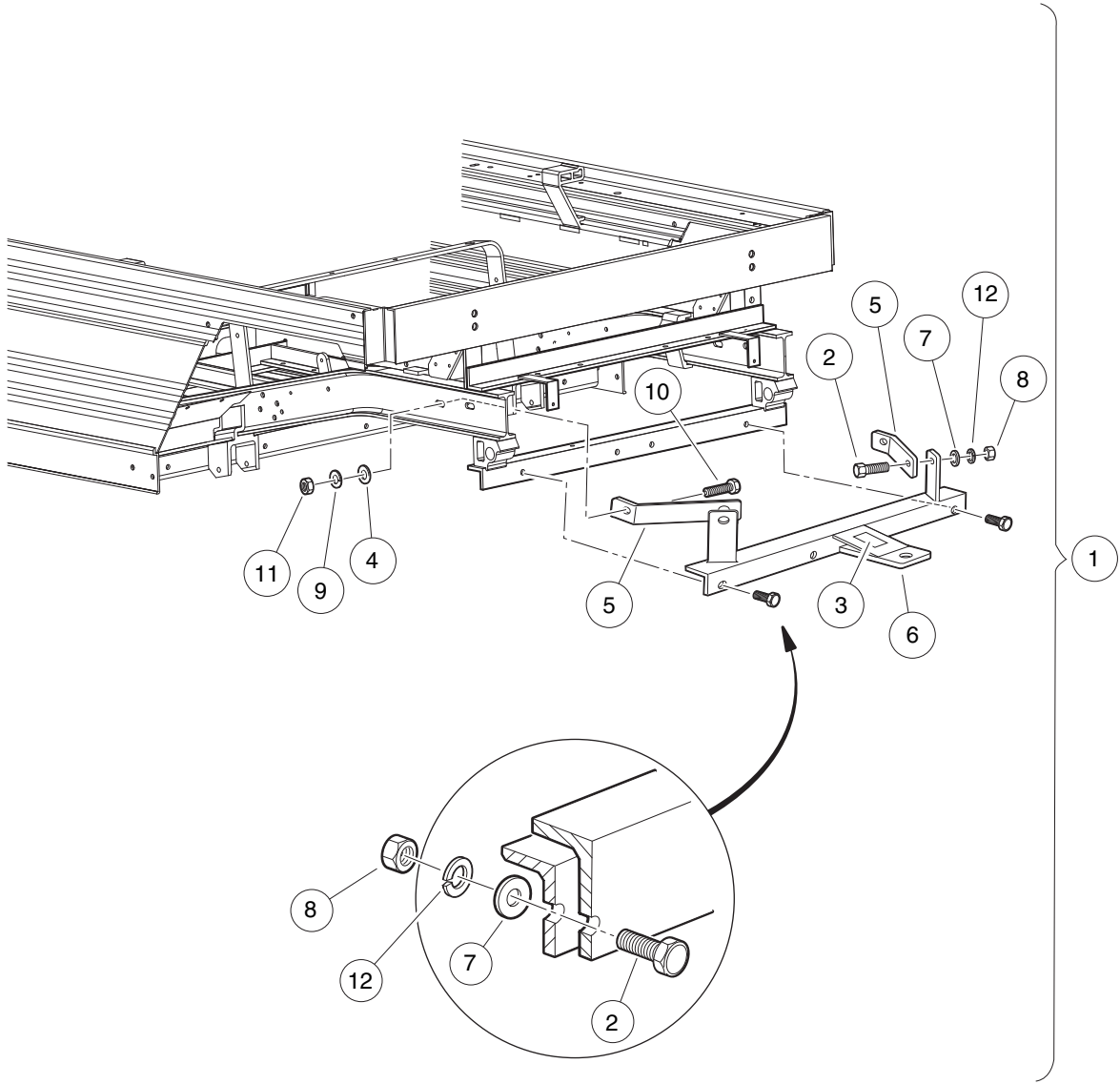
001129-001

STAKE SIDE KIT - SHORT

ITEM	PART NO.	DESCRIPTION	QTY
		1 2 3 4	
1	105109401	Kit, Stake Side, Short (includes items 2 through 7)	1
2	1015656	Pin, hinge	6
3	102847603	Asm, Stake Side, 48 X 19 Rear	1
4	105113201	Stake Side, Ca Small, Lh	1
5	105113202	Stake Side, Ca Small, Rh	1
6	105129501	Stake Side, Front, Ca, 50"	1
7	105148501	Asm, Trim, Stake Side, Short (includes items 8 through 18)	1
8	1016077	Bracket, Stake Side	6
9	101963401	Locknut, 5/16-18 Hex Flange	12
10	102298401	Nut,m8,all Metal Lock	14
11	102299550	Screw,m8x50,sems,tx,bttn,plt	14
12	105129601	Screw, Phl Trus Hd, 5/16-18x.5	12
13	105148601	Trim, Stake Side, Cen, Rear	1
14	105148701	Trim, Stake Side, Shrt, Lh	1
15	105148702	Trim, Stake Side, Shrt, Rh	1
16	105185701	Pan Head Screw, M6 X 16 Tt	16
17	105185801	Bracket, Bed Corner, CA	4
18	105194801	Trim, Bed, Cntr, Front	1

1
G
E

1
G
E

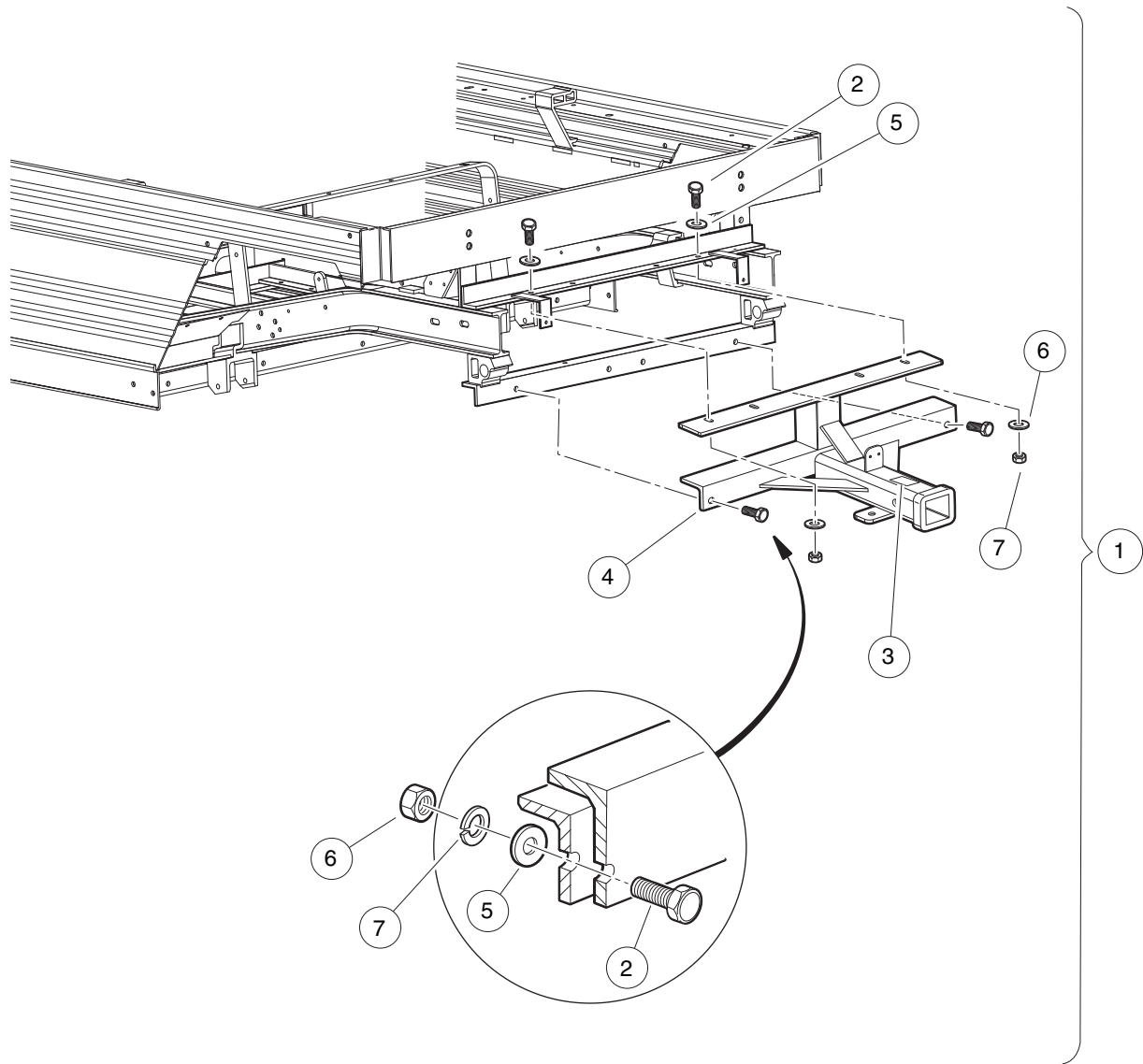


001132-001

HEAVY DUTY TRAILER HITCH

ITEM	PART NO.	DESCRIPTION	QTY
		1 2 3 4	
1	1015445	Kit, Trailer Hitch (includes items 2 through 12)	1
2	1010934	Screw, 5/16-18 X 1.00 Hex Cap	4
3	1011553	Decal, Trailer Hitch	1
4	1011990	Washer, 3/8 Flat	2
5	1013483	Brace, Trailer Hitch	2
6	N/A	Asm, Trailer Hitch	1
7	1241	Washer, 5/16 Type A Flat	4
8	1242	Nut, 5/16-18 Hex	4
9	357	Lockwasher, 3/8 Split	2
10	705	Screw, Cap-hex Hd 3/8-16x1.25	2
11	706	Nut, Hex 3/8-16	2
12	7174	Lockwasher, 5/16 Split	4

1
G
E



001133-001

REAR RECIEVER HITCH

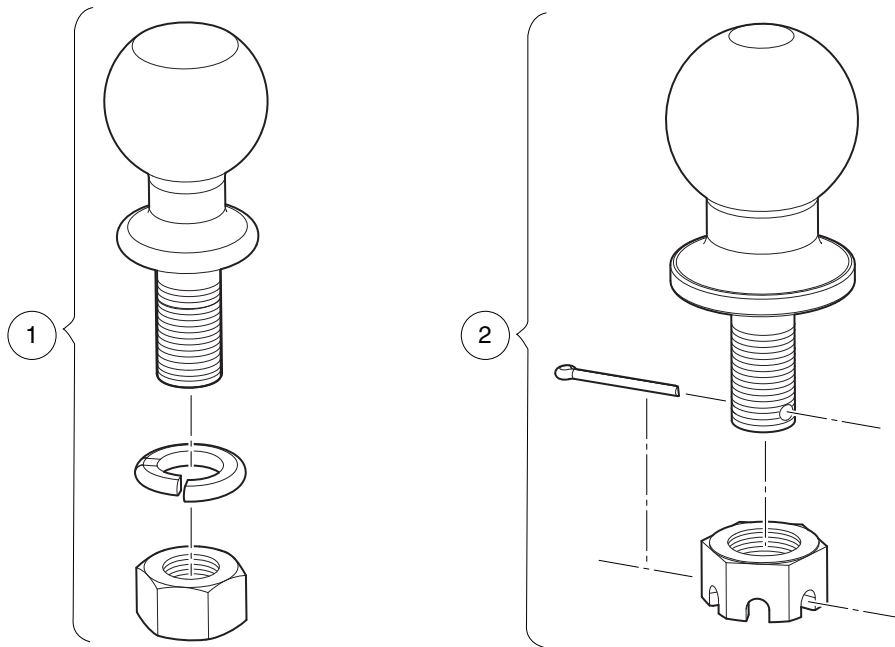
ITEM	PART NO.	DESCRIPTION	QTY
		1 2 3 4	
1	102065103	Kit, Rear Receiver (includes items 2 through 7)	1
2	1010934	Screw, 5/16-18 X 1.00 Hex Cap	6
3	1011553	Decal, Trailer Hitch	1
4	102056001	Rear Receiver Weld Asm	1
5	1241	Washer, 5/16 Type A Flat	6
6	1242	Nut, 5/16-18 Hex	6
7	7174	Lockwasher, 5/16 Split	6

1
G
E

1

G

E

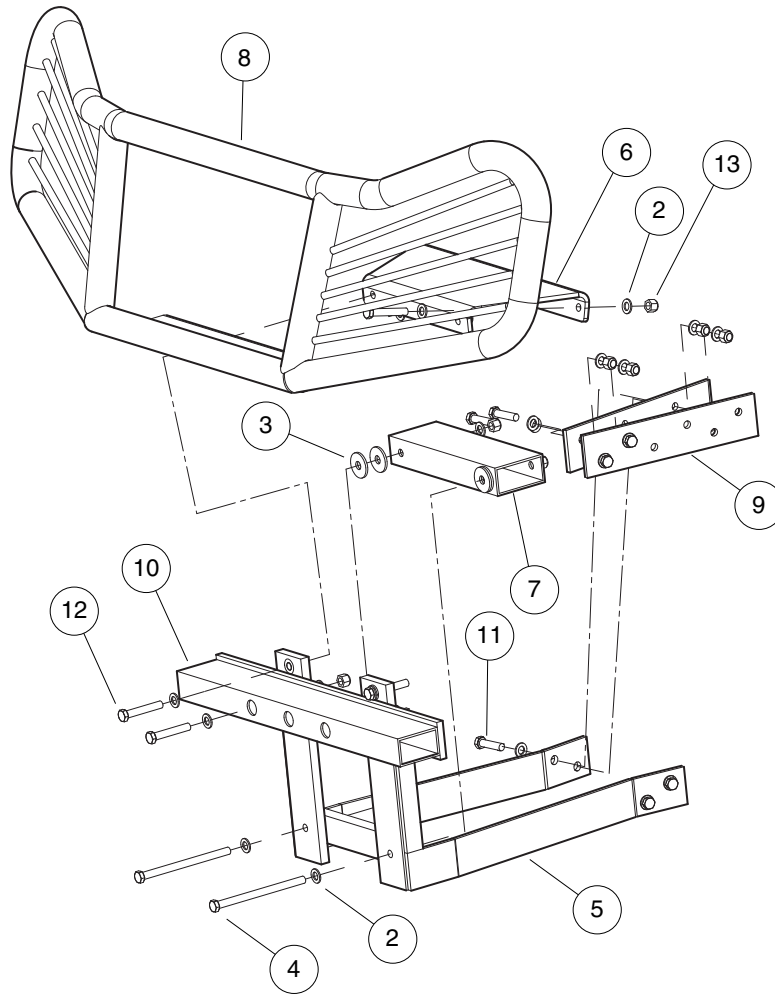


001137-001

TRAILER HITCH BALL

ITEM	PART NO.	DESCRIPTION	QTY
1	1011546	1 2 3 4 Trailer Hitch Ball - 1 7/8"	1
2	104033601	Ball, Trailer Hitch, 50mm	1

1
G
E



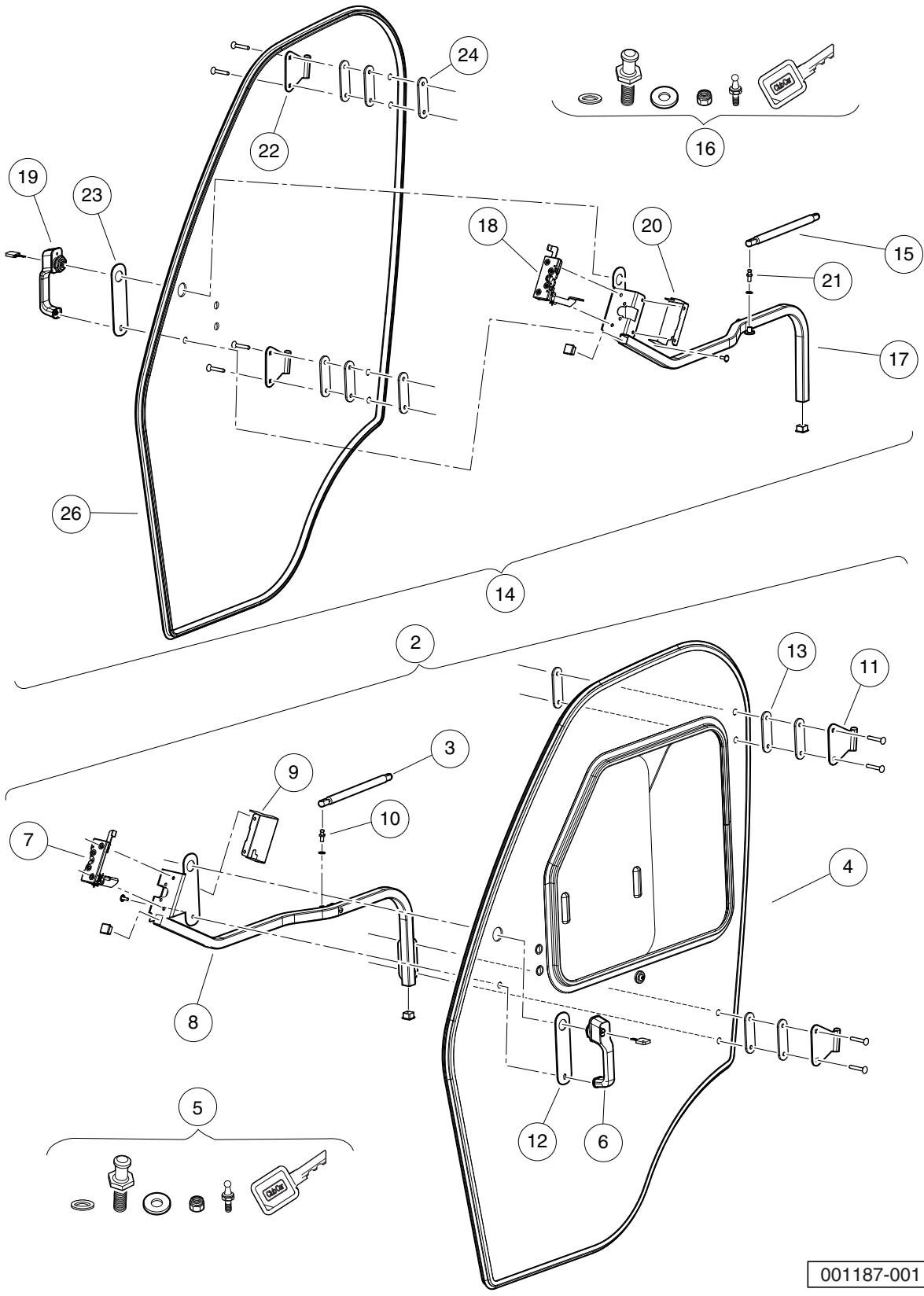
001138-002

RANGE PICKER ADAPTER

ITEM	PART NO.	DESCRIPTION	QTY
		1 2 3 4	
1	105124101	Kit, Adapter, Range Picker (includes items 2 through 13)	1
2	1011990	Washer, 3/8 Flat	32
3	102491501	Washer, Hard, M10	4
4	102913601	Screw, 3/8-16 X 5.50 Hx Hd Cap	2
5	104033701	Weldment, Adapter, Rp	1
6	105145401	Bracket, Top Support, Rp	1
7	105145501	Tube, Btm Support, Rp	1
8	105216701	Wldmnt, Guard, Hdlight, Range	1
9	105233701	Plate, Support, I-beam	2
10	105248201	Tube, 1.5" X 2.5", 19.5" Long	1
11	1624	Screw, 3/8-16 X 1.50, Hex-Head Cap	8
12	2402	Screw, 3/8-16 X 2.25 Hx Hd Cap	6
13	8754	Locknut, 3/8-16 Hex	16

1
G
E

1
G
E



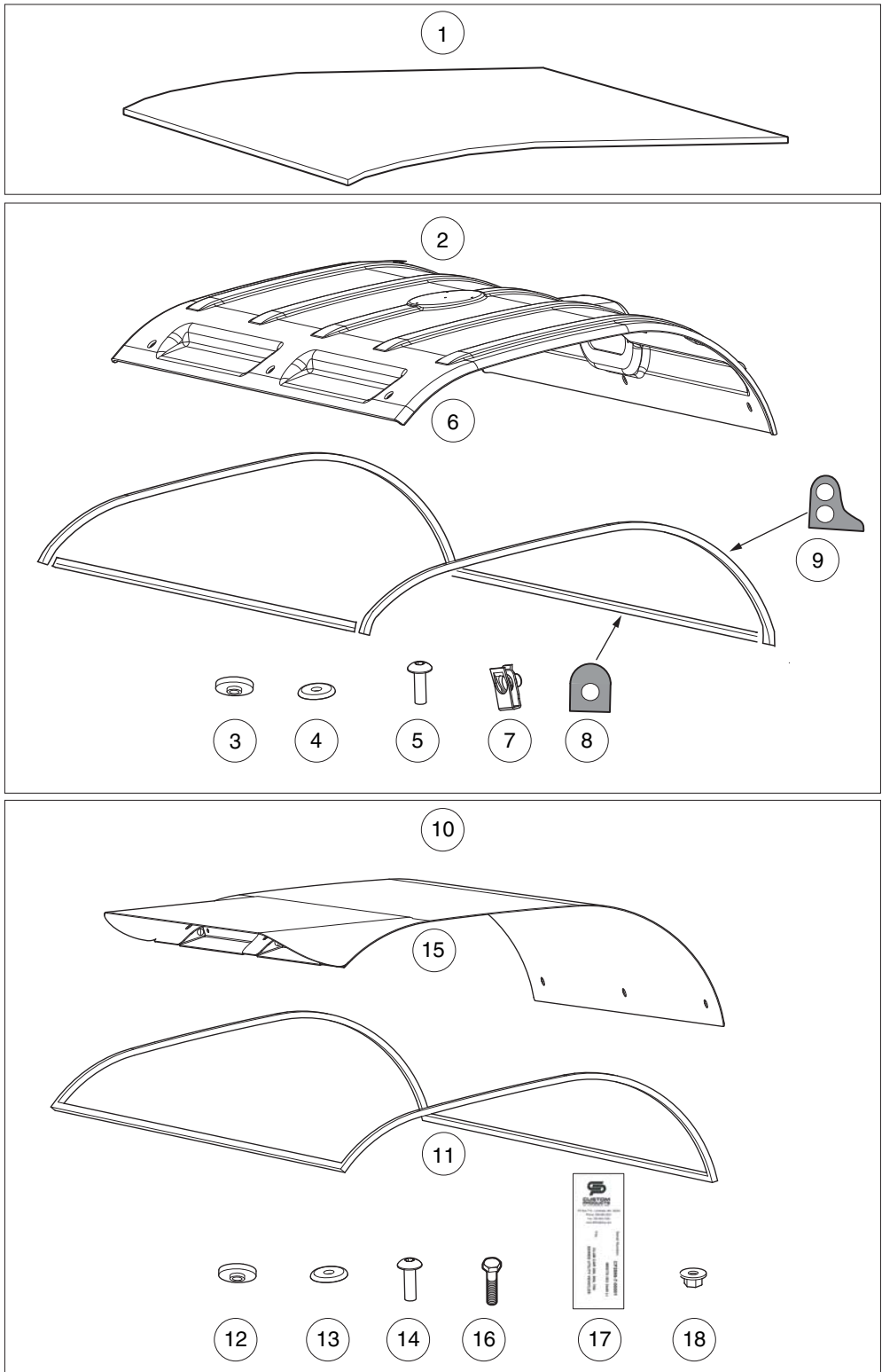
001187-001

CAB DOORS – GLASS

ITEM	PART NO.	DESCRIPTION	QTY
		1 2 3 4	
1	105097301	Cab, Doors, Glass Kit (includes items 2 through 14)	1
2	105181701	Glass Door Asm, Lh (includes items 3 through 13)	1
3	104001201	Gas Spring	1
4	105181801	Glass Door Replacement, Lh	1
5	105181901	Hardware Kit, Glass Door	1
6	105182001	Handle, Push Button	1
7	105182101	Latch, Glass Door, Lh	1
8	105182201	Handle, Glass Door, Lh	1
9	105182301	Cover, Latch, Lh	1
10	105182401	Spring, Ball Stud	1
11	105182501	Hinge, Door	2
12	105182601	Spacer, Handle	1
13	105182701	Plate, Upper Hinge	1
14	105182901	Glass Door Asm, Rh (includes items 15 through 26)	1
15	104001201	Gas Spring	1
16	105181901	Hardware Kit, Glass Door	1
17	105182002	Handle, Glass Door, RH	1
18	105182102	Latch, Glass Door, Rh	1
19	105182202	Handle, Glass Door, Rh	1
20	105182302	Cover, Latch, Rh	1
21	105182401	Spring, Ball Stud	1
22	105182501	Hinge, Door	2
23	105182601	Spacer, Handle	1
24	105182701	Plate, Upper Hinge	1
25	105182801	Hardware Kit, Door Striker	1
26	105183001	Glass Door Replacement, Rh	1

1
G
E

1
G
E



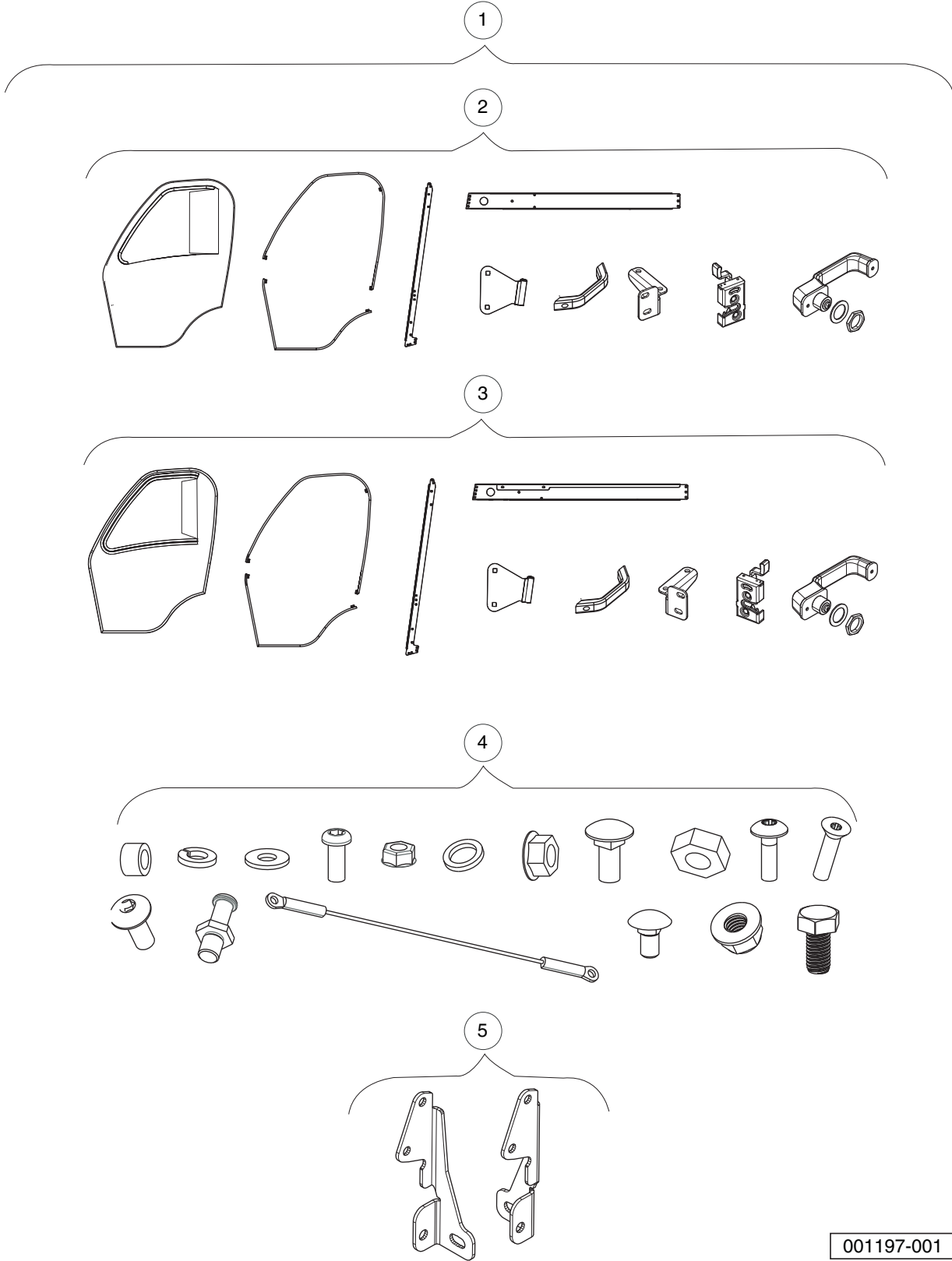
001182-002

CAB ROOF

ITEM	PART NO.	DESCRIPTION	QTY
		1 2 3 4	
1	105097001	Kit, Cab, Canopy, Liner	1
2	47552858001	Kit, Cab Roof, Standard (includes items 3 through 9)	1
3	47553013001	Washer, Rubber, 5/16 ID-1-1/4 OD in.	10
4	47553014001	Washer, Chamfered, 5/16 ID-1-1/4 OD in.	10
5	47553015001	Screw, Torx, Pan-Hed, 5/16-18 x 1-1/4 in.	10
6	47553777001	Roof, Cab, Standard	1
7	47554192001	Clip Nut, 5/16-18	10
8	47570761001	D-Seal, Roof	2
9	47570762001	P-Seal, Roof	2
10	47552859001	Kit, Cab, FOPS (includes items 11 through 18)	A/R
11	47553012001	Seal, Roof	1
12	47553013001	Washer, Rubber, 5/16 ID-1-1/4 OD in.	10
13	47553014001	Washer, Chamfered, 5/16 ID-1-1/4 OD in.	10
14	47553015001	Screw, Torx, Pan-Hed, 5/16-18 x 1-1/4 in.	7
15	47553824001	Roof, Cab, FOPS	1
16	47553825001	Screw, 5/16-18 x 1-1/4 in. Hex-Head Cap	3
17	47555699001	Decal, Fops, Cab	1
18	47573611001	Locknut, 5/16-18, Hex-Flange	10

1
G
E

1
G
E



001197-001

CAB DOORS – SOFT

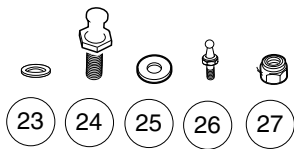
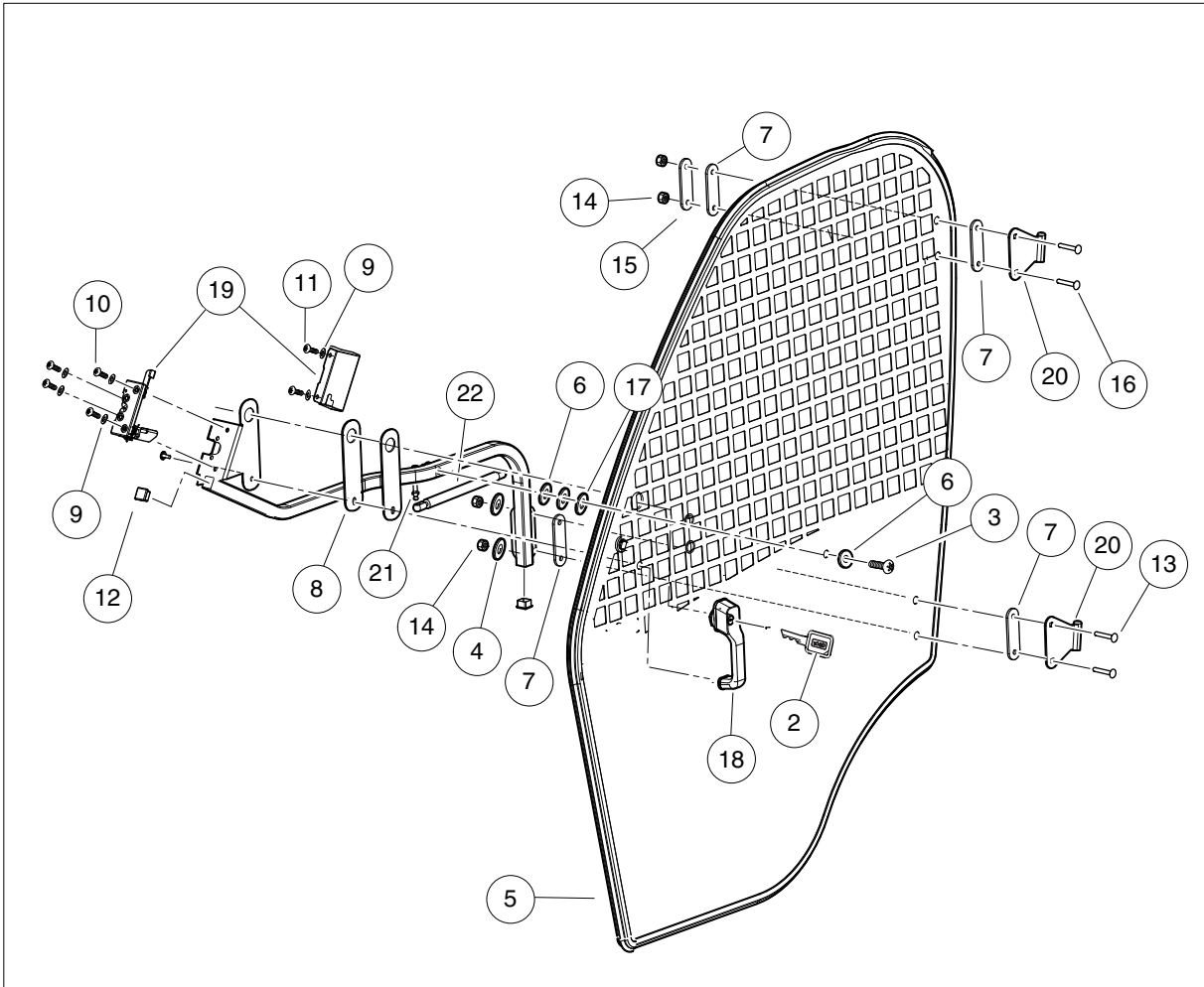
ITEM	PART NO.	DESCRIPTION	QTY
		1 2 3 4	
1	105097401	Cab, Doors, Soft Kit (includes items 2 through 5)	1
2	105183101	Soft Door Asm, Lh	1
3	105183201	Soft Door Asm, Rh	1
4	105183301	Hardware, Soft Door	1
5	105183401	Hardware Kit, Soft Door Strike	1

1

G

E

1

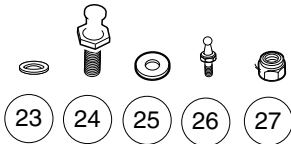
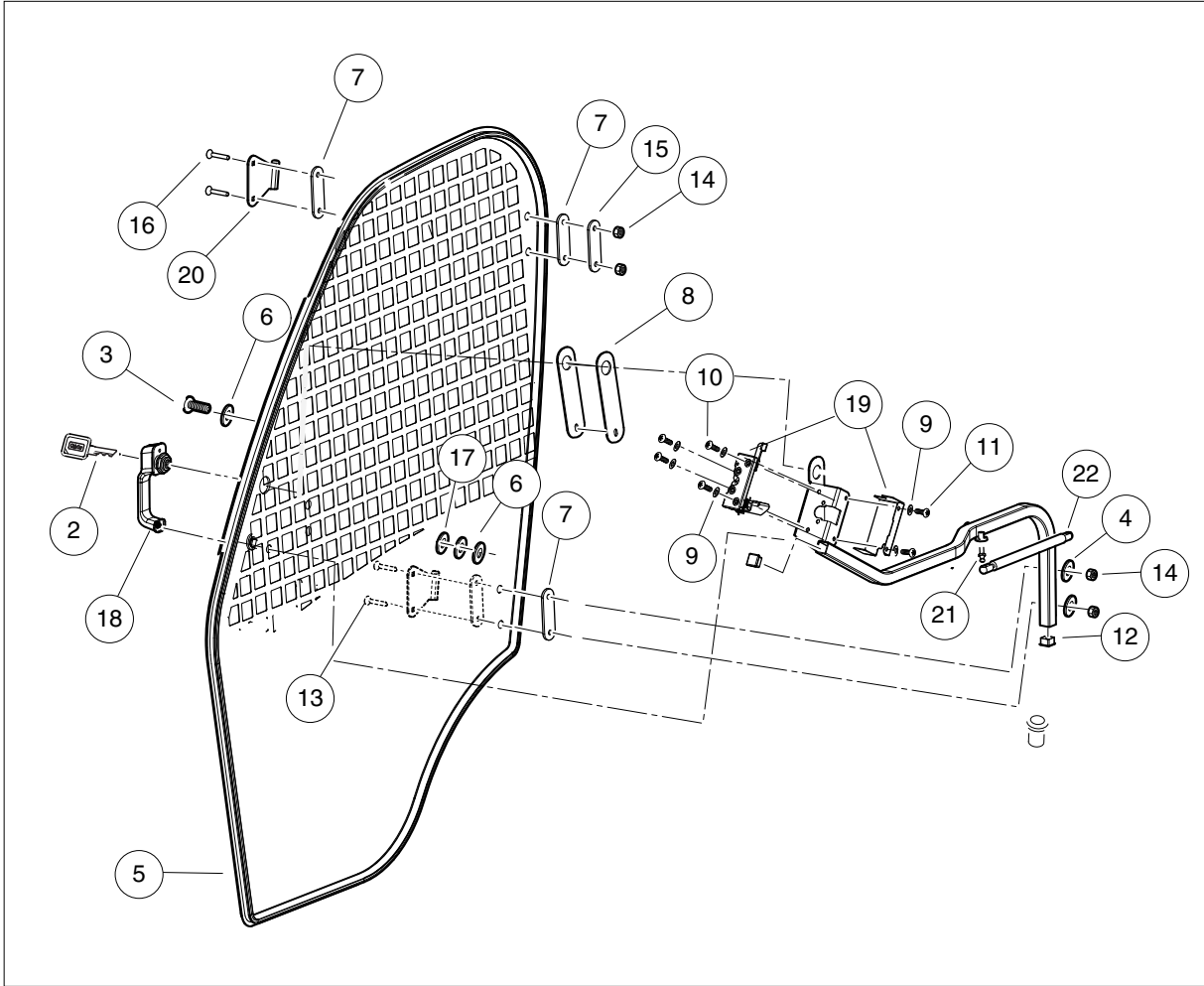


001195-003

CAB DOORS – RANGE, DRIVER-SIDE

ITEM	PART NO.	DESCRIPTION	QTY	
		1 2 3 4		1
1	47555423001	Asm, Door, Range, Lh (includes items 2 through 22)	1	G
2	105068001	Key, Uncommon, Padded 1a	1	E
3	47553026001	Scrw, 5/16-18x1.50", Pn Hd Trx	3	
4	47553027001	Washer, 5/16" id X .875" od, Fw	3	
5	47553942001	Seal, Windshld Frame, Lamntd	1	
6	47554388001	Washer, 11/32" id X 1.25" od, Fw	6	
7	47555424001	Shim, Door Hinge, Rubr, Range	4	
8	47555425001	Shim, Dr Handle, Foam, Range	2	
9	47555426001	Washer, 1/4" id X .485" od, Lw	7	
10	47555427001	Scrw, M6-1.0 X 20", Pn Hd Trx	4	
11	47555428001	Scrw, M6-1.0 X 10", Pn Hd Trx	2	
12	47555429001	Plug, Cap, 1" Sq. Tube	2	
13	47555430001	Bolt, 5/16-18 X 1.50", Carr	2	
14	47555431001	Locknut, 5/16-18, Hex	5	
15	47555432001	Plate, Door Hinge, Range	1	
16	47555433001	Bolt, 5/16-18 X 1.25", Carr	2	
17	47555434001	Washer, 5/16" id X 1.25" od, Rbr	2	
18	47555435001	Asm, Door Handle, Range	1	
19	47555436001	Asm, Latch Mech, Door, Rng, Lh	1	
20	47555437001	Wldmnt, Door Hinge, Range	2	
21	47555446001	Stud, Ball, Gas Spring	1	
22	47555451001	Spring, Gas, Cab	1	
23	47555441001	Washer, .443" id X .630" od	2	
24	47555442001	Striker, Latch, Door, Cab	1	
25	47555443001	Washer, 1/2" id X 1.25" od, Fw	2	
26	47555446001	Stud, Ball, Gas Spring	1	
27	47555447001	Nut, 7/16-14, Hex Hd Flng	1	

1



001195-004

CAB DOORS – RANGE, PASSENGER-SIDE

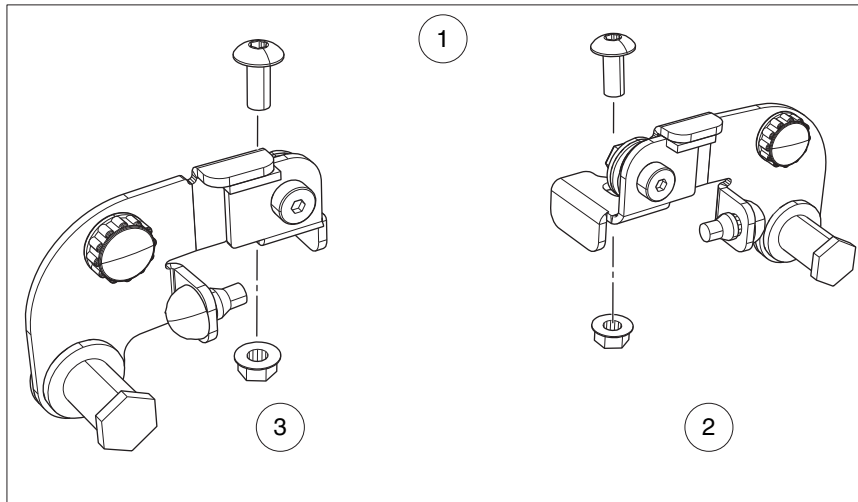
ITEM	PART NO.	DESCRIPTION	QTY
		1 2 3 4	
1	47555423002	Asm, Door, Range, Rh (includes items 2 through 22)	1
2	105068001	Key, Uncommon, Padded 1a	1
3	47553026001	Scrw, 5/16-18x1.50", Pn Hd Trx	3
4	47553027001	Washer, 5/16" id X .875" od, Fw	3
5	47553942001	Seal, Windshld Frame, Lamntd	1
6	47554388001	Washer, 11/32" id X 1.25" od, Fw	6
7	47555424001	Shim, Door Hinge, Rubr, Range	4
8	47555425001	Shim, Dr Handle, Foam, Range	2
9	47555426001	Washer, 1/4" id X .485" od, Lw	7
10	47555427001	Scrw, M6-1.0 X 20", Pn Hd Trx	4
11	47555428001	Scrw, M6-1.0 X 10", Pn Hd Trx	2
12	47555429001	Plug, Cap, 1" Sq. Tube	2
13	47555430001	Bolt, 5/16-18 X 1.50", Carr	2
14	47555431001	Locknut, 5/16-18, Hex	5
15	47555432001	Plate, Door Hinge, Range	1
16	47555433001	Bolt, 5/16-18 X 1.25", Carr	2
17	47555434001	Washer, 5/16" id X 1.25" od, Rbr	2
18	47555435001	Asm, Door Handle, Range	1
19	47555436002	Asm, Latch Mech, Door, Rng, Rh	1
20	47555437001	Wldmnt, Door Hinge, Range	2
21	47555446001	Stud, Ball, Gas Spring	1
22	47555451001	Spring, Gas, Cab	1
23	47555441001	Washer, .443" id X .630" od	4
24	47555442001	Striker, Latch, Door, Cab	2
25	47555443001	Washer, 1/2" id X 1.25" od, Fw	4
26	47555446001	Stud, Ball, Gas Spring	2
27	47555447001	Nut, 7/16-14, Hex Hd Flng	2

1
G
E

1

G

E



001143-002

CAB DOORS – VENT

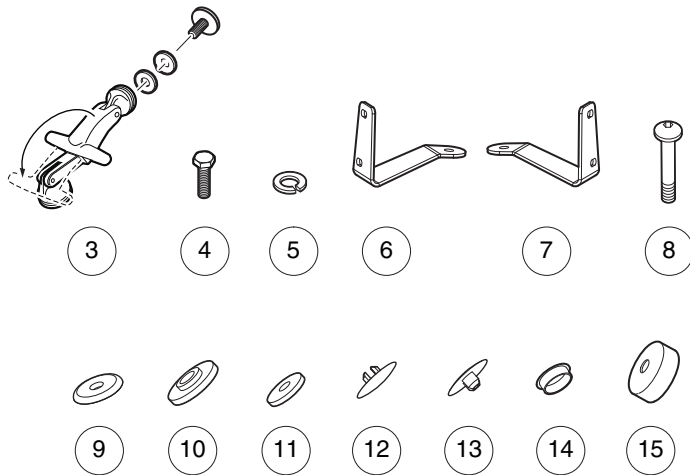
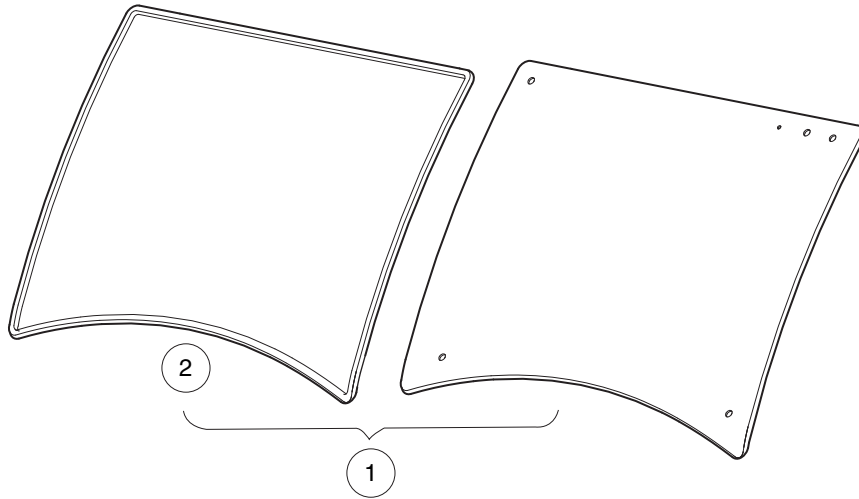
ITEM	PART NO.	DESCRIPTION	QTY
		1 2 3 4	
1	105097501	Cab, Door, Vent Kit (includes items 2 and 3)	1
2	105178301	Door Vent Lh	1
3	105178401	Door Vent Rh	1

1

G

E

1
G
E



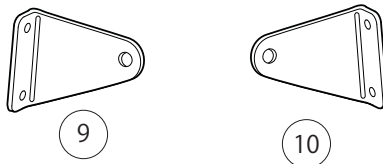
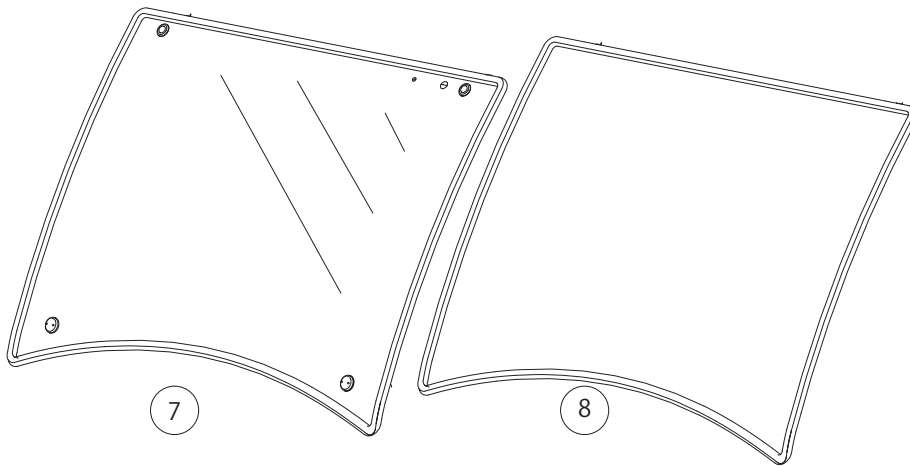
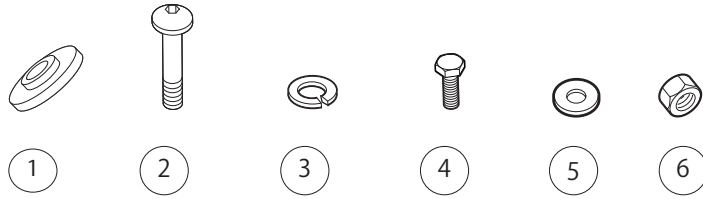
001184-003

CAB – WINDSHIELD

ITEM	PART NO.	DESCRIPTION	QTY
		1 2 3 4	
1	105097101	Cab, Windshield Kit (includes items 2 through 5)	1
2	104003901	Handle, Tee	2
3	105177101	Seal, Rubber Windshield	1
4	105177901	Cab, Windshield, Tempered	1
5	105178001	Hardware Kit, Windshield	1
6	105177001	Front Window Polycarb (Range)	1
7	105177101	Seal, Rubber Windshield	1

1
G
E

1
G
E



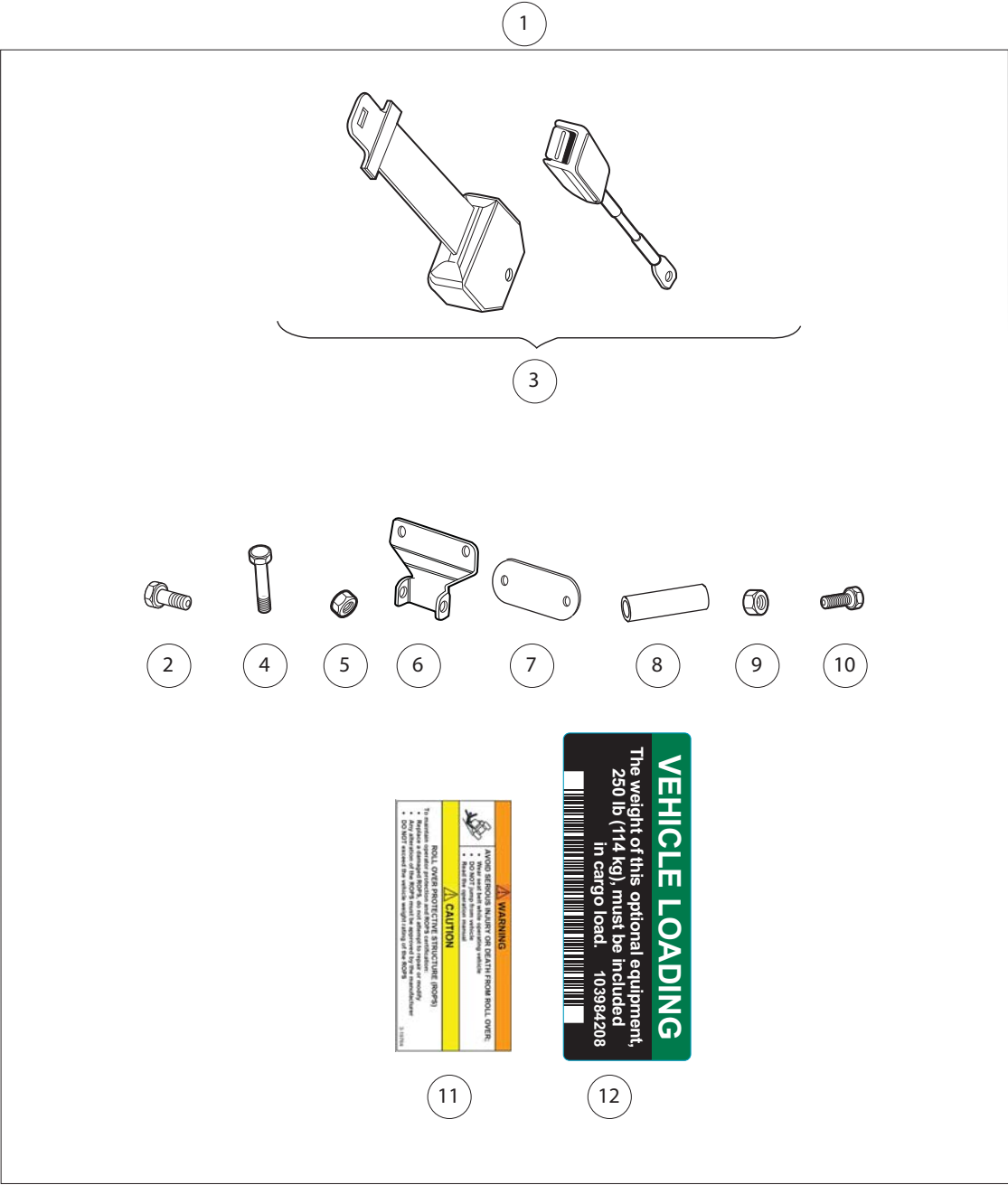
001186-003

CAB – WINDSHIELD, RANGE, (POLY)

ITEM	PART NO.	DESCRIPTION	QTY
		1 2 3 4	
1	47553013001	Washer, Rubber, 5/16 ID-1-1/4 OD in.	22
2	47553015001	Screw, Torx, Pan-Hed, 5/16-18 x 1-1/4 in.	4
3	47553028001	Washer, Lock, 5/16 in.	4
4	47553029001	Screw, Hex-Head, M8 x 16 mm	4
5	47554388001	Washer, Flat, 11/35 x 1-1/4 in.	8
6	47555431001	Locknut, 5/16-18 in.	2
7	47555438001	ASM, Windshield and Seal, Polycarb	1
8	47555439001	Seal, Window Trim, Polycarb	1
9	47555440001	Bracket, Windshield, Polycarb, Driver-side	1
10	47555440002	Bracket, Windshield, Polycarb, Passenger side	1

1
G
E

1
G
E



001180-002

CAB – 2-POINT SEAT BELTS

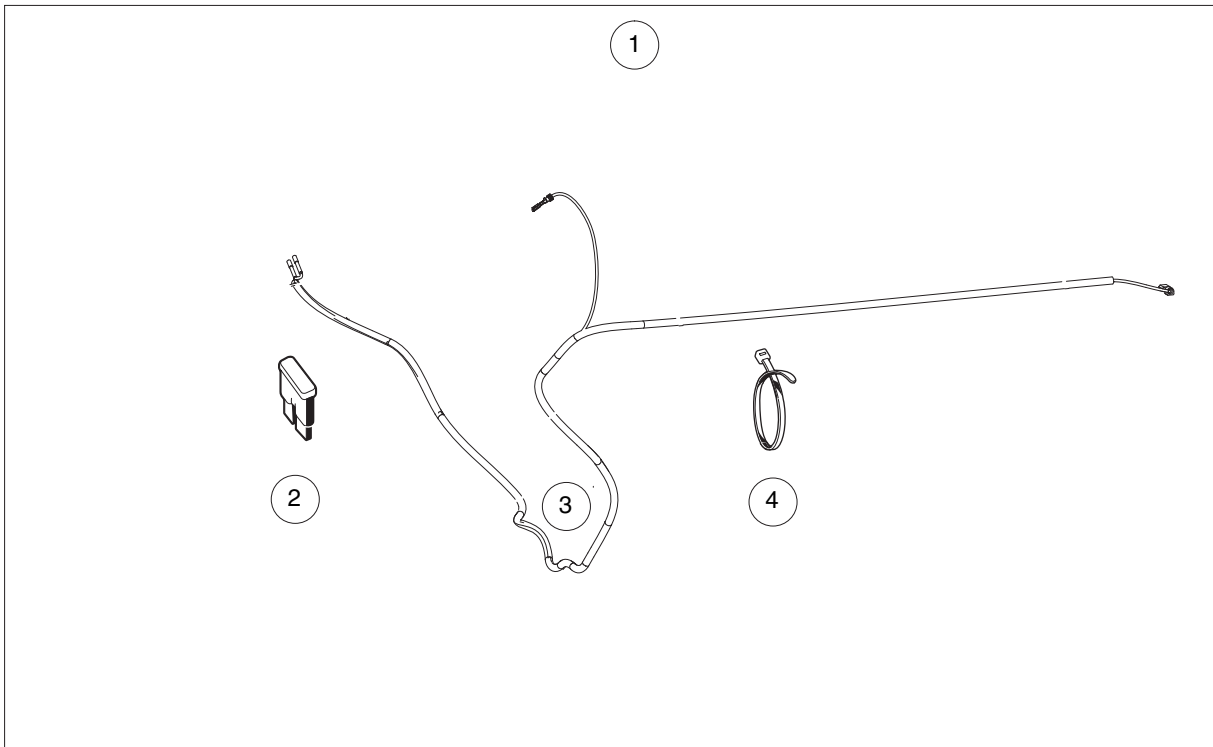
ITEM	PART NO.	DESCRIPTION	QTY
		1 2 3 4	
1	47552865001	Kit, 2-Point Seat Belt (includes items 2 through 12)	1
2	47552872001	Screw, Hex-Head Cap, 3/8-16 x 1 in.	2
3	47554720001	ASM, Seat Belt, 2-Point	2
4	47554721001	Screw, Cap, Hex-Head, 7/16-14 x 2-1/2 in.	2
5	47554722001	Locknut, Hex, 7/16-14	4
6	47554723001	Bracket, Center Mount, 2-Point Seat Belt	1
7	47554724001	Plate, Backing, Center Mount, 2-Point Seat Belt	1
8	47554726001	Spacer, Retractor, 1/2 x 9/16 in.	2
9	47554727001	Locknut, Center, 3/8-16 in.	2
10	47554728001	Screw, Cap, Hex-Head, 7/16-14 x 1 in.	2
11	47554730001	Decal, Warn, Rops	1
12	47554731001	Decal, Weight, Reduce	1

1
G
E

1

G

E



001193-001

CAB – ELECTRICAL, POWER HARNESS, ELECTRIC VEHICLE TO CAB

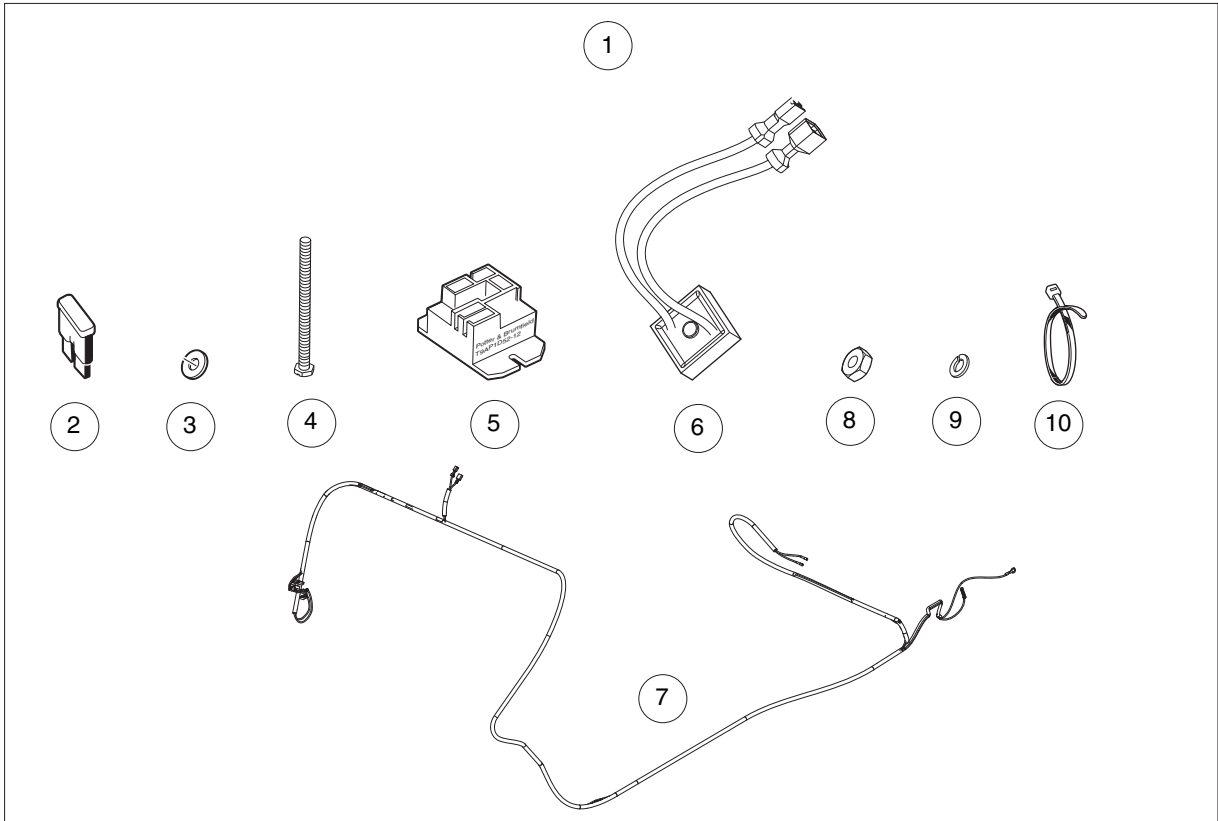
ITEM	PART NO.	DESCRIPTION	QTY
		1 2 3 4	
1	105234002	Kit, Cab Pwr Harness, Elec (includes items 2 through 4)	1
2	105114807	Fuse, Mini, Atm, 15 Amp	1
3	105205501	Harn, Pwr Supply, Cab	1
4	8639	Tie Wrap, 11" Nylon	5

1

G

E

1
G
E



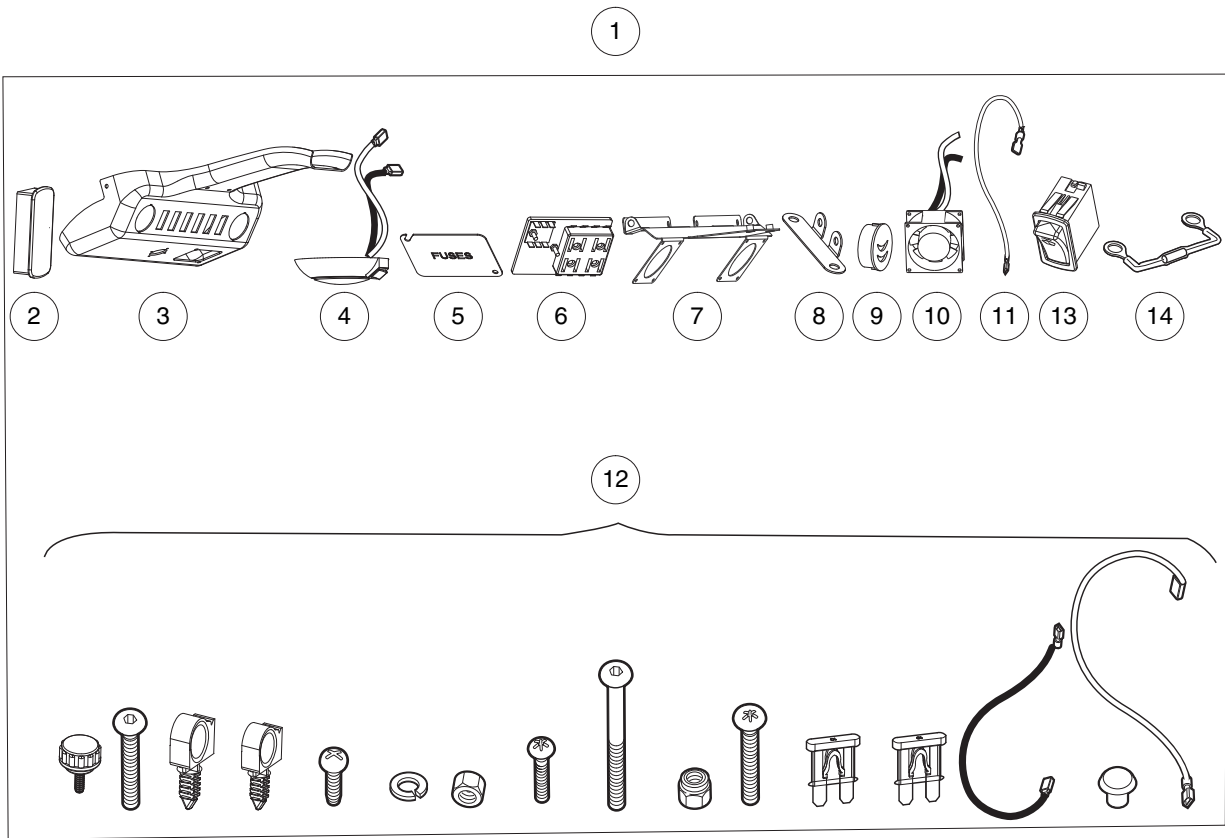
001194-001

CAB – ELECTRICAL, CAB POWER HARNESS, GASOLINE VEHICLE TO CAB

ITEM	PART NO.	DESCRIPTION	QTY
		1 2 3 4	
1	105234102	Kit, Cab Pwr Harness, Gas (includes items 2 through 10)	1
2	1012295	Fuse, 10-Amp	1
3	1012431	Washer, #4 Flat	3
4	1015878	Screw, #4-40 Hex Head Machine	3
5	102199001	Relay, 12-Volt	1
6	102529101	Voltage Limiter, Prec	1
7	105236301	Harness, Pwr, Cab, Gas	1
8	8057	Nut, #4-40 Hex Machine	3
9	8058	Lockwasher, #4 Split	3
10	8639	Tie Wrap, 11" Nylon	17

1
G
E

1
G
E



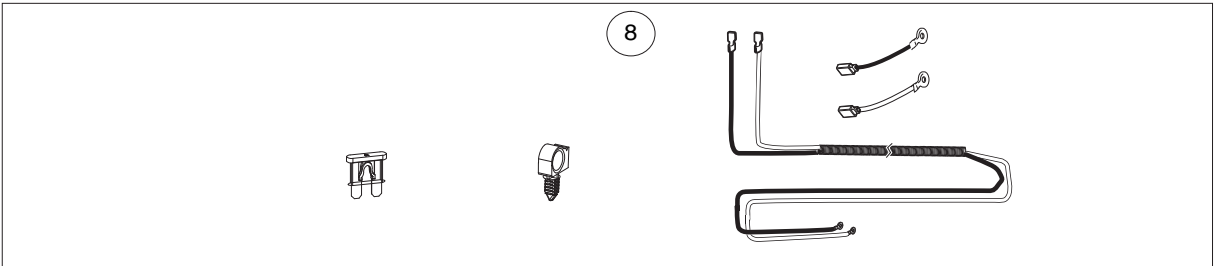
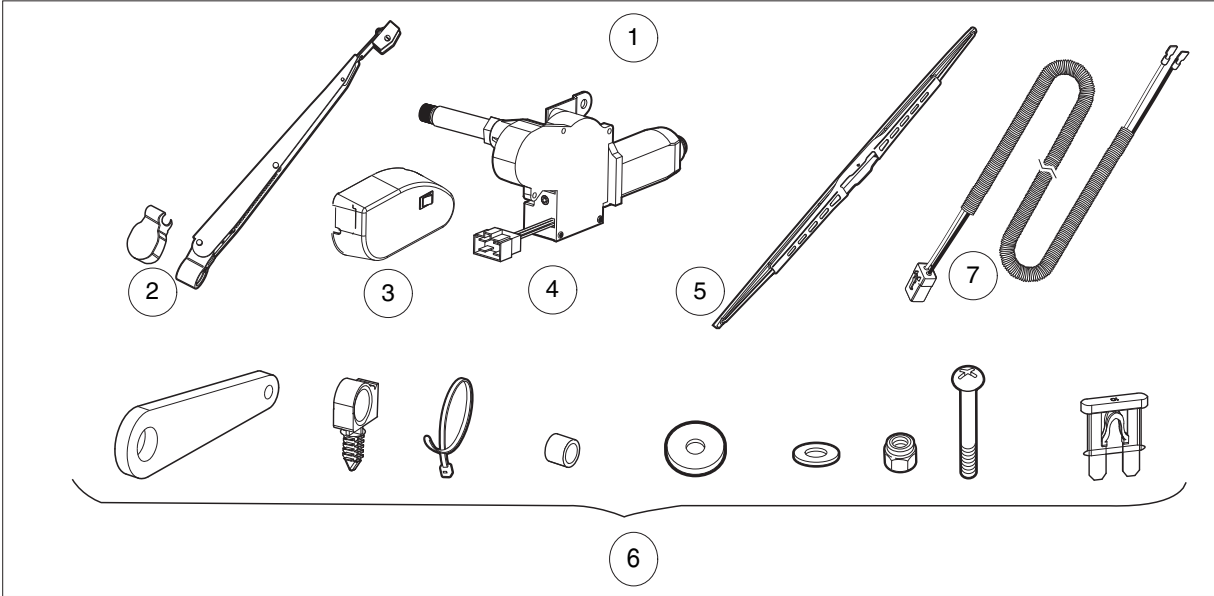
001188-002

CAB – ELECTRICAL, OVERHEAD CONSOLE

ITEM	PART NO.	DESCRIPTION	QTY
		1 2 3 4	
1	105097901	Cab, Overhead Console, Kit (includes items 2 through 14)	1
2	103180101	Cover, Hole, Switch, Rocker	5
3	105179001	Overhead Console Asm	1
4	105179101	Cab, Dome Light	1
5	105179201	Cab, Fuse Cover	1
6	105179301	Cab, Fuse Holder 8 W Grnd	1
7	105179401	Front Fan Bracket, Asm	1
8	105179501	Rear Oh Console Bracket	1
9	105179601	Fan Louver	2
10	105179701	Oh Console Fan	1
11	105179801	Wire Jumper, Fan	1
12	105179901	Hardware Kit, Oh Console	1
13	105183501	Rocker, Fan	1
14	105295301	Asm, Capacitor, 0.47uf	1

1
G
E

1
G
E



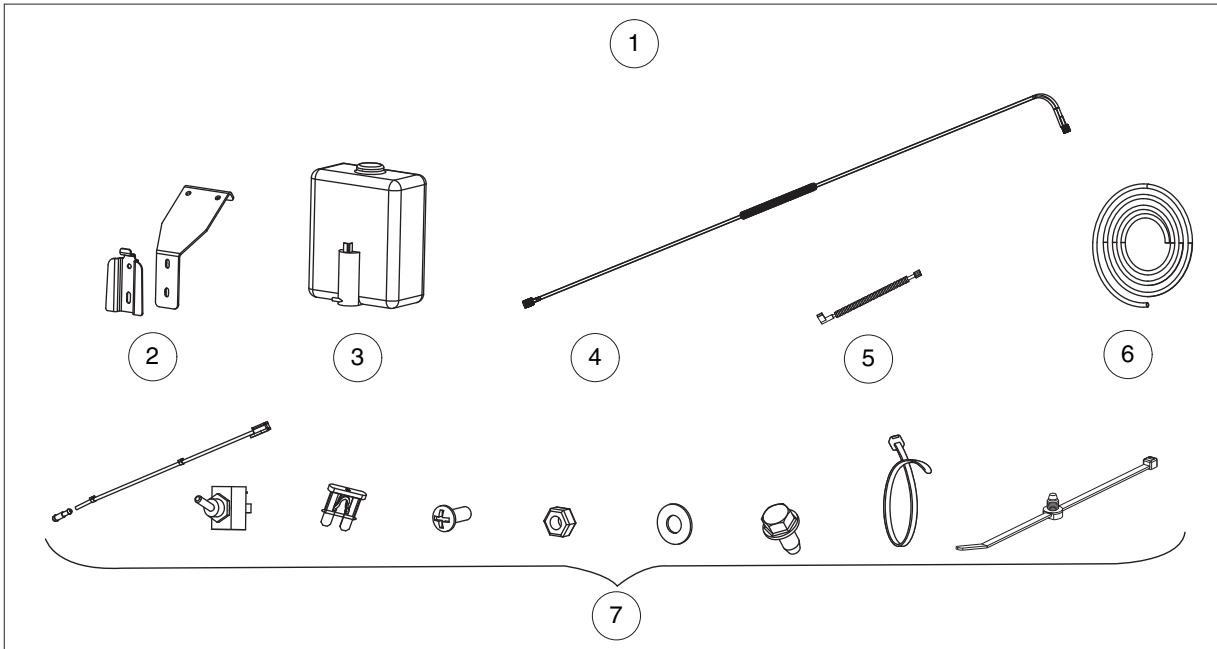
001190-001

CAB – ELECTRICAL, WINDSHIELD WIPER

ITEM	PART NO.	DESCRIPTION	QTY
		1 2 3 4	
1	105098001	Cab, Front Wiper Kit (includes items 2 through 7)	1
2	104000901	Wiper Arm, Modified	1
3	104003501	Cover, Wiper Mtr & Switch Asm	1
4	105180001	Wiper Motor, 85 Deg	1
5	105180101	Wiper Blade 18 inch	1
6	105180201	Hardware Kit, Wiper	1
7	105183701	Harness, Wiper	1
8	105098002	Cab, Wiper Power Harness Kit (w/o Console)	1
<p>Note: Vehicles not equipped with an overhead console will require kit part number 105098001, Front Wiper Kit, and 105098002, Cab Wiper Power Harness Kit. Vehicles equipped with an overhead console are wired for wiper power and require only the 105098001, Front Wiper Kit.</p>			

1
G
E

1
G
E



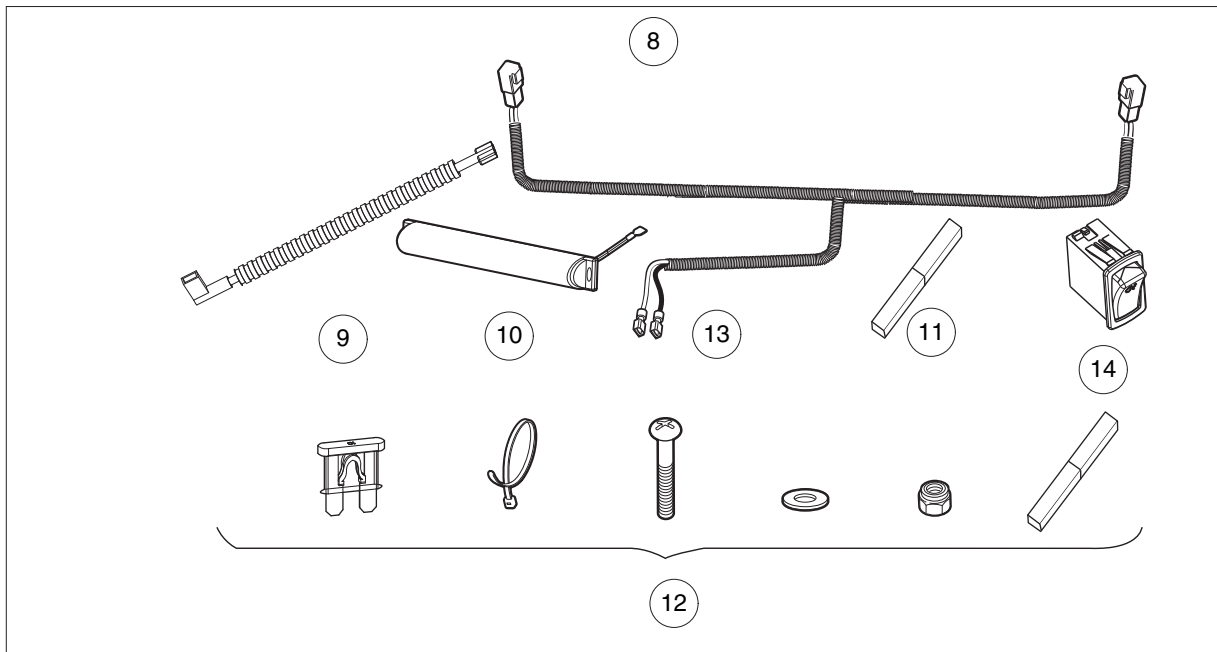
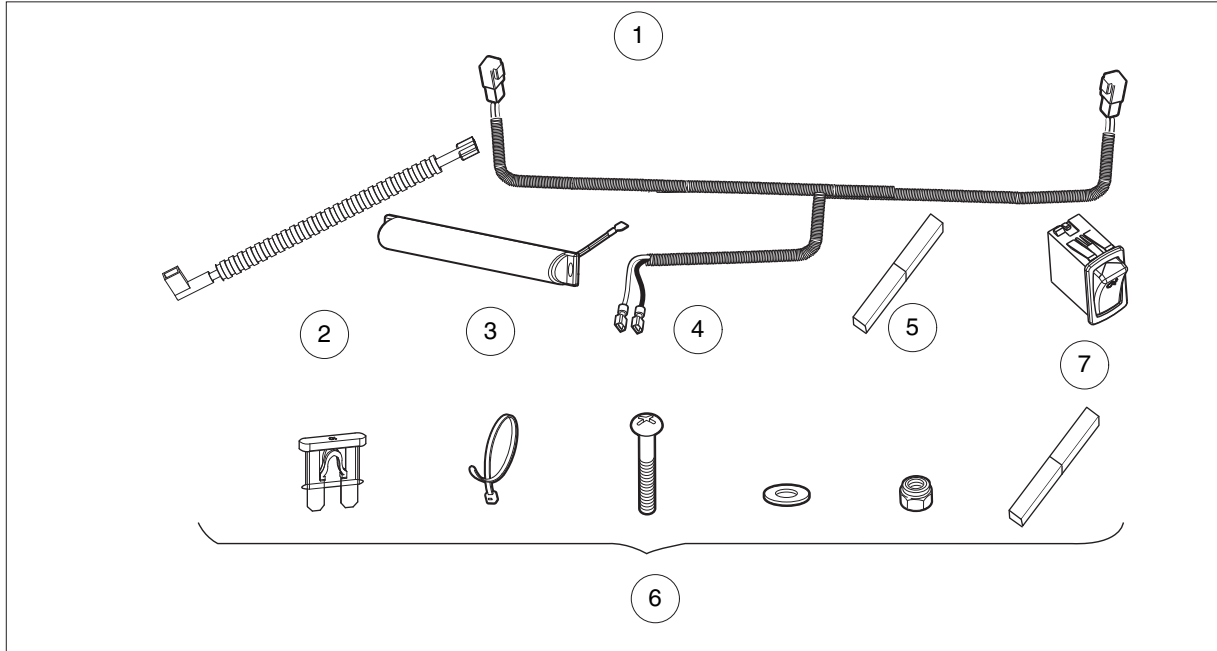
001189-001

CAB – ELECTRICAL, WINDSHIELD WASHER

ITEM	PART NO.	DESCRIPTION	QTY
		1 2 3 4	
1	105098101	Cab, Front Wiper, Washer Kit (includes items 2 through 7)	1
2	105180301	Washer Tank Mount Plate	1
3	105180401	Wash Tank Asm	1
4	105180501	Wire Harness Sw To Pump	1
5	105180601	Wire Harness Fb To Sw	1
6	105180701	Hose 18x31x17ft	1
7	105180801	Hardware Kit, Wiper Washer	1

1
G
E

1
G
E



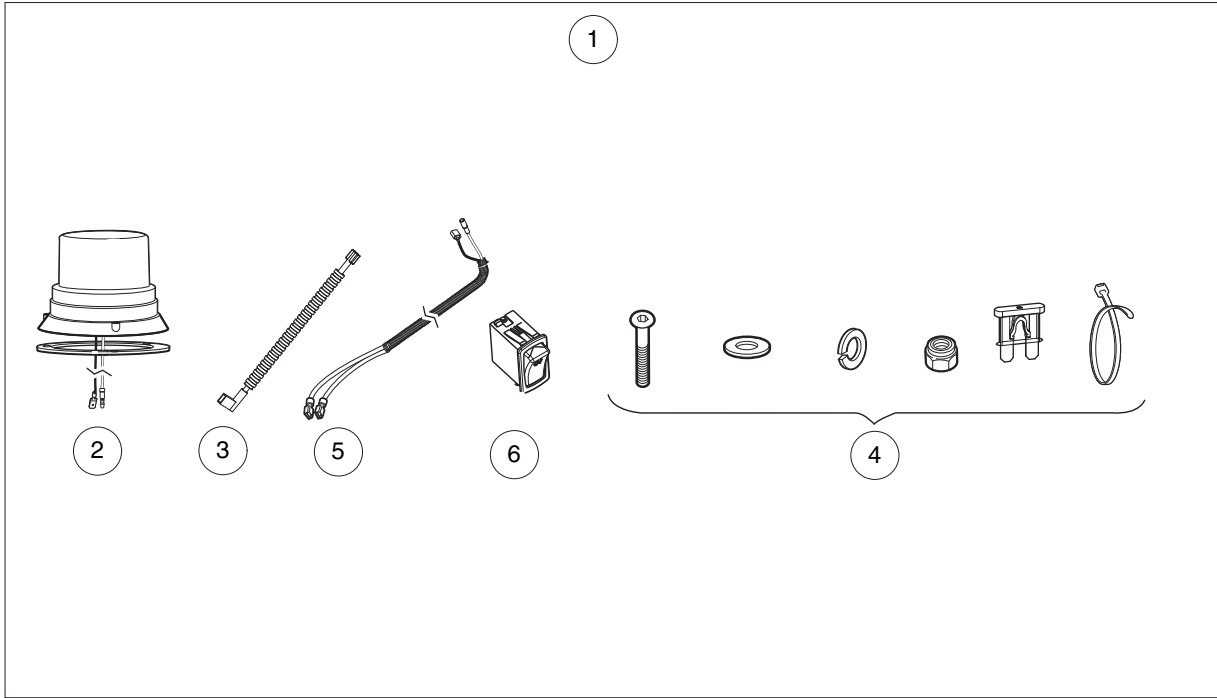
001191-001

CAB – ELECTRICAL, WORK LIGHTS

ITEM	PART NO.	DESCRIPTION	QTY
		1 2 3 4	
1	105098201	Cab, Front Work Light Kit (includes items 2 through 7)	1
2	105180601	Wire Harness Fb To Sw	1
3	105180901	Cab Work Light Led	2
4	105181001	Wire Harn Front WI	1
5	105181101	Work Light Tape	2
6	105181301	Hardware Kit, Work Light	1
7	105183601	Switch, Rocker, Front Work Light	1
8	105098301	Cab, Rear Work Light Kit (includes items 9 through 14)	1
9	105180601	Wire Harness Fb To Sw	1
10	105180901	Cab Work Light Led	2
11	105181101	Work Light Tape	2
12	105181301	Hardware Kit, Work Light	1
13	105181401	Wire Harn Rear WI	1
14	105181501	Rocker Rear WI	1

1
G
E

1
G
E



001192-001

CAB – ELECTRICAL, WARNING BEACON

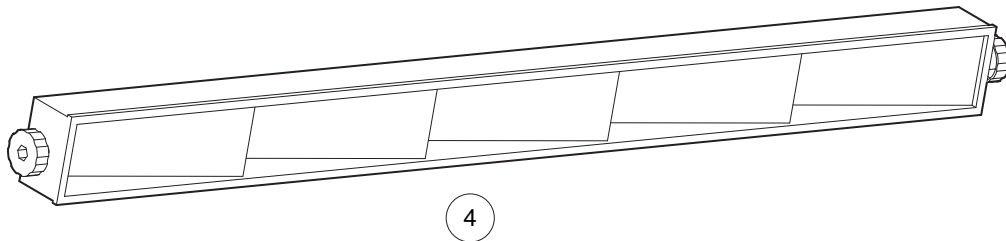
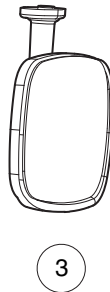
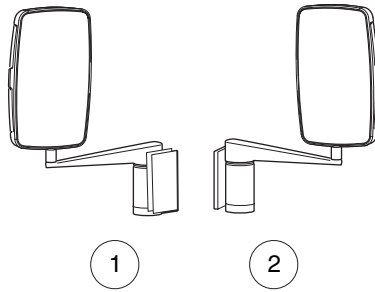
ITEM	PART NO.	DESCRIPTION	QTY
		1 2 3 4	
1	105098401	Cab, Warning Beacon Kit (includes items 2 through 6)	1
2	104002101	Light, Strobe, Amber	1
3	105180601	Wire Harness Fb To Sw	1
4	105181201	Hardware Kit, Beacon Kit	1
5	105181601	Wire Harness Sw To Beac	1
6	105183801	Rocker Beacon	1

1
G
E

1

G

E



001198-001

CAB – MIRRORS

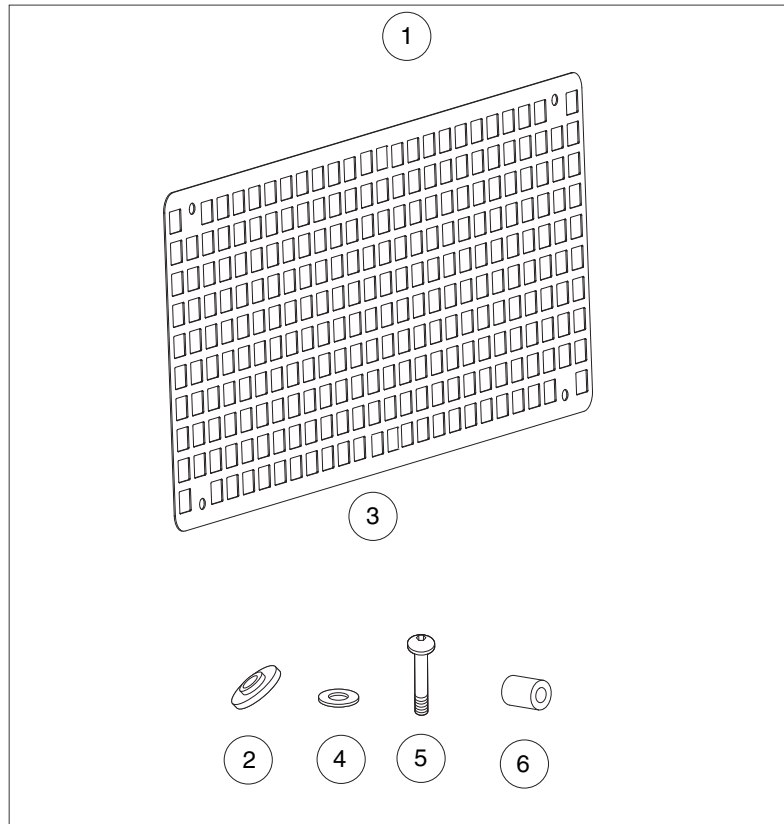
ITEM	PART NO.	DESCRIPTION	QTY
		1 2 3 4	
1	105098501	Cab, Mirror, Left Hand Kit	1
2	105098502	Cab Passenger Side Mirror Kit	1
3	105098701	Cab, Mirror, Interior Kit	1
4	105289301	Kit, Mirror, 5 Panel, Cab	1

1
G
E

1

G

E

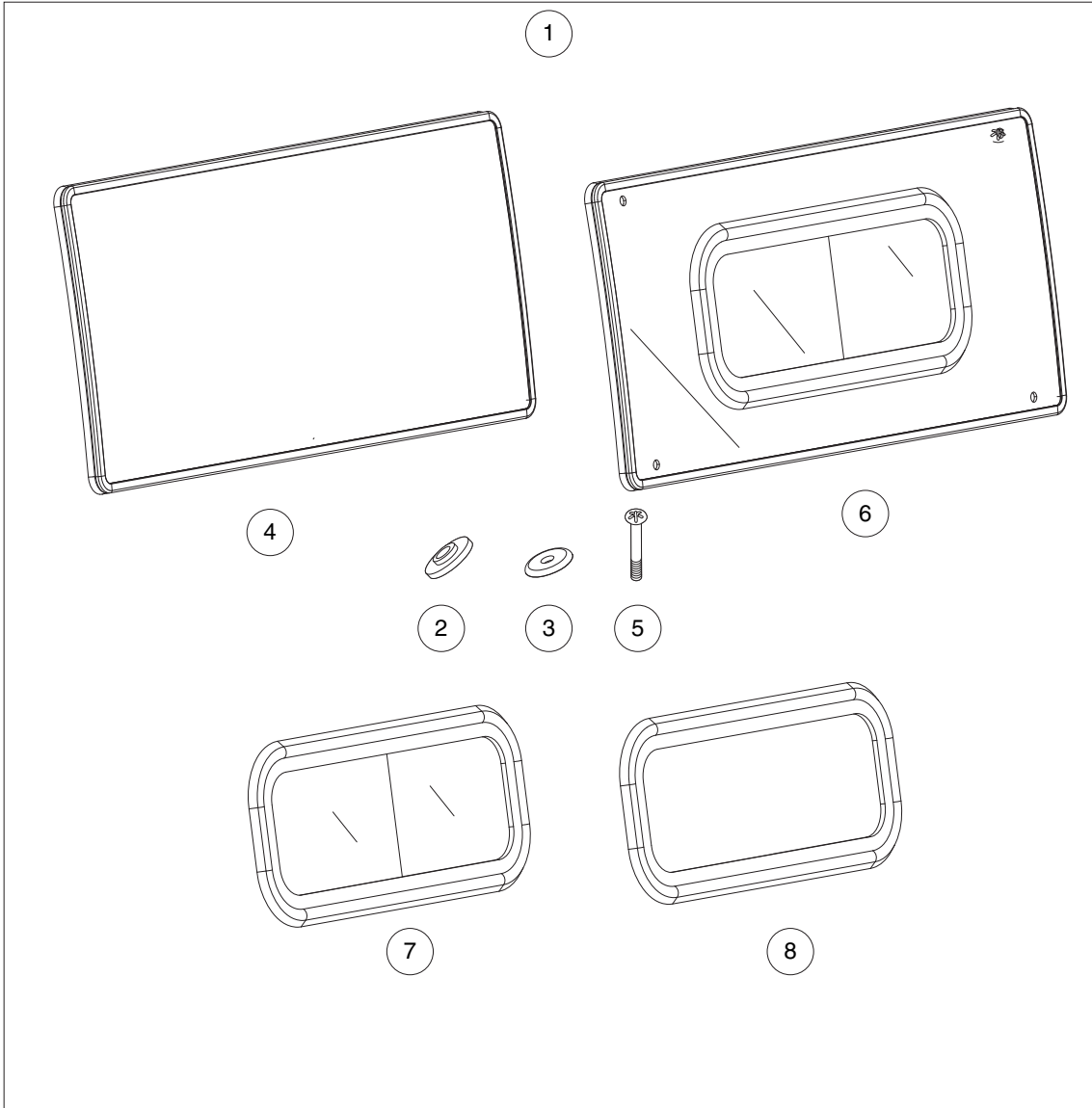


001185-004

CAB – REAR WINDOW SCREEN

ITEM	PART NO.	DESCRIPTION	QTY
		1 2 3 4	
1	47552864001	Kit, Cab Rear Window Screen (includes items 2 through 6)	1
2	47553013001	Washer, Rubber, 5/16 ID-1-1/4 OD in.	4
3	47554387001	Rear Window Screen, Cab	1
4	47554388001	Washer, Flat, 11/35 x 1-1/4 in.	4
5	47554389001	Screw, Pan-Head, Torx, 5/16-18 x 2-1/2 in.	4
6	47554390001	Spacer, 3/8 x 1 in.	4

1
G
E



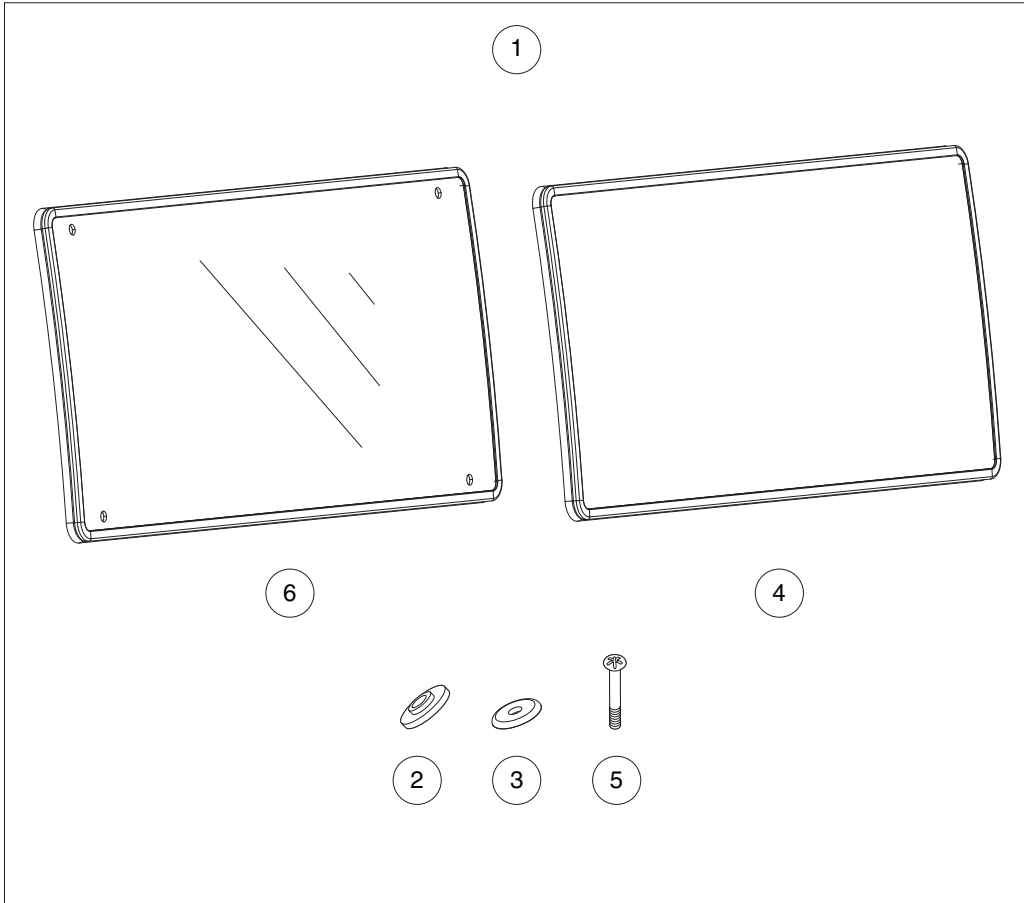
001185-003

CAB – REAR WINDOW WITH SLIDER

ITEM	PART NO.	DESCRIPTION	QTY
		1 2 3 4	
1	47552863001	Kit, Cab Rear Window with Slider (includes items 2 through 8)	1
2	47553013001	Washer, Rubber, 5/16 ID-1-1/4 OD in.	12
3	47553014001	Washer, Chamfered, 5/16 ID-1-1/4 OD in.	4
4	47553024001	Seal, Window Trim, Tempered	1
5	47553026001	Screw, Pan-Head Torx, 5/16-18 x 1-1/2 in.	4
6	47554309001	Asm, Rear Window with Slider Window and Seal	1
7	47554310001	Rear Slider Window with Seal, Cab	1
8	47554311001	Seal, Rear Slider Window, Cab	1

1
G
E

1
G
E



001185-002

CAB – REAR WINDOW, ONE-PIECE

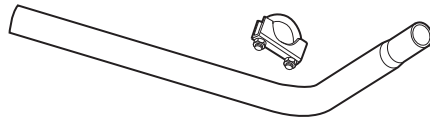
ITEM	PART NO.	DESCRIPTION	QTY
		1 2 3 4	
1	47552862001	Kit, Cab Rear Window (includes items 2 through 6)	1
2	47553013001	Washer, Rubber, 5/16 ID-1-1/4 OD in.	12
3	47553014001	Washer, Chamfered, 5/16 ID-1-1/4 OD in.	4
4	47553024001	Seal, Window Trim, Tempered	1
5	47553026001	Screw, Pan-Head Torx, 5/16-18 x 1-1/2 in.	4
6	47553950001	Rear Window with Seal, One-Piece	1

1
G
E

1

G

E



1

001199-001

CAB – EXHAUST

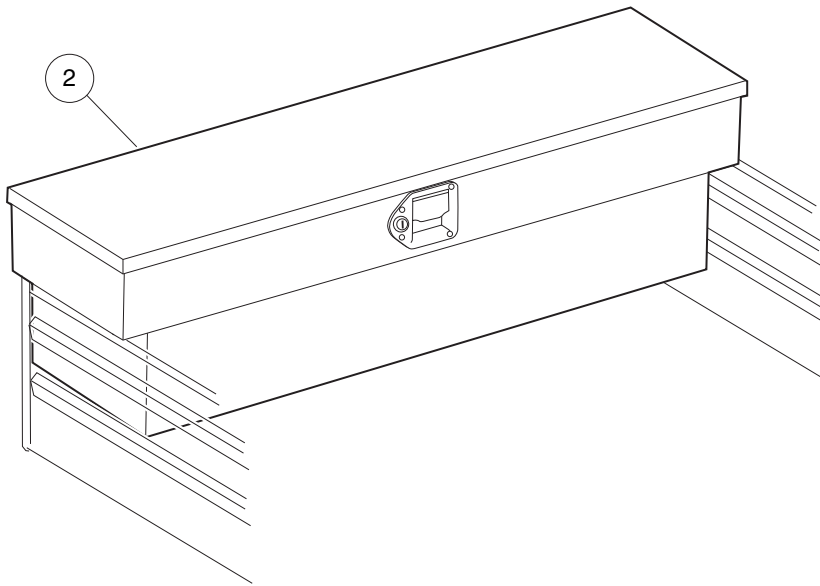
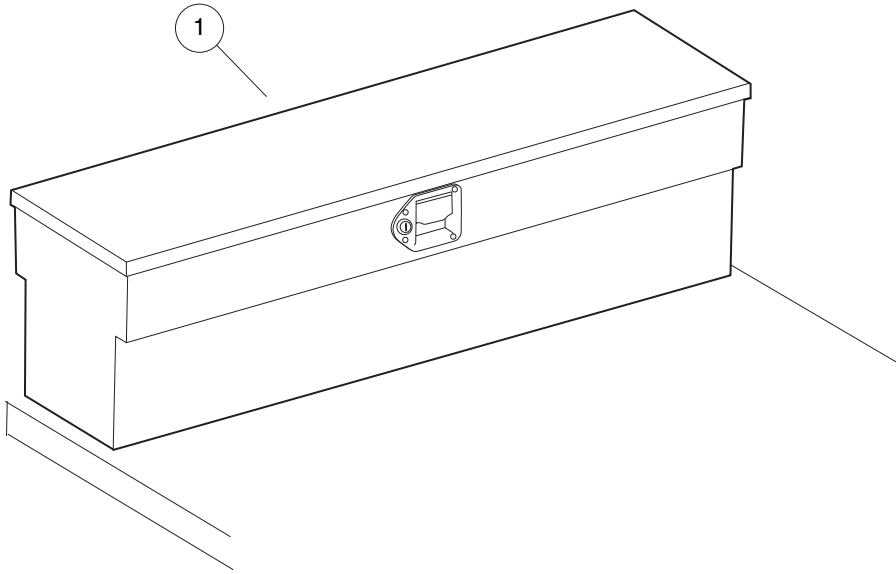
ITEM	PART NO.	DESCRIPTION	QTY
1	105143401	<div style="display: flex; justify-content: space-between; margin-bottom: 5px;"> 1 2 3 4 </div> Kit, Exhaust Extension, 400cc	1

1

G

E

1
G
E



001157-001

TOOLBOXES

ITEM	PART NO.	DESCRIPTION	QTY
1	101837401	1 2 3 4 Toolbox, Flat Bed	1
2	101837502	Toolbox, Box Bed	1

1
G
E

1

G

E

WHEELS AND TIRES

2

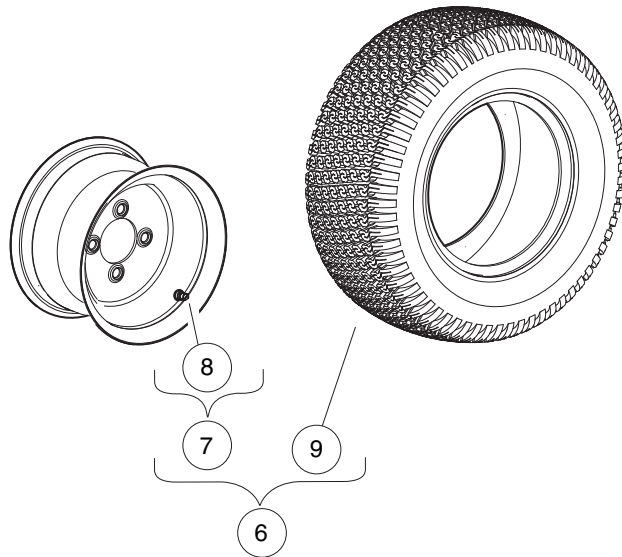
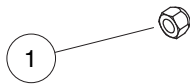
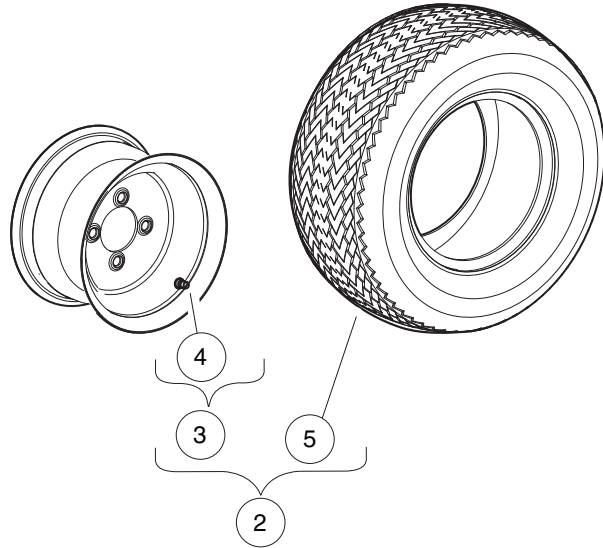
G

E

2

G

E



001320-001

WHEELS AND TIRES

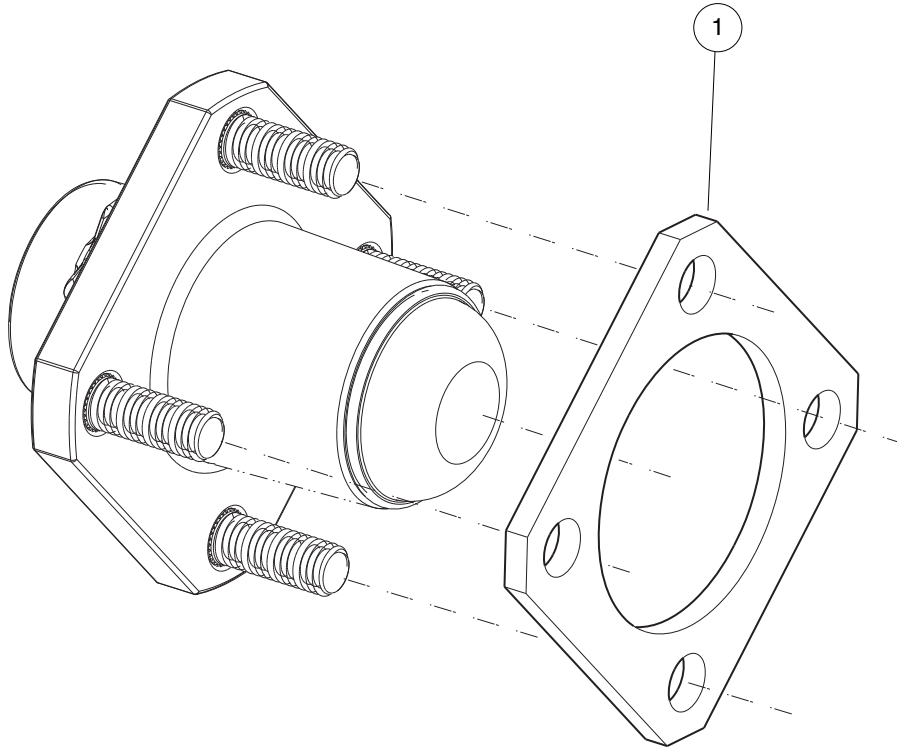
ITEM	PART NO.	DESCRIPTION	QTY
		1 2 3 4	
1	1010984	.500-20 Unf Lug Nut	16
2	105078809	Asm,whl,hn1,20x10-10,6pl (includes items 3 through 5)	4
3	105079204	Whl,10x6", Gray, 0 Os,rr W/ Vs (includes item 4)	1
4	105078901	Valve Stem, Kenda, Tr 412	1
5	105079301	Tire, Hole-n-1, 20x10-10, 6pl	1
6	105078810	Asm,whl,st,20x10-10,6pl (includes items 7 through 9)	4
7	105079204	Whl,10x6", Gray, 0 Os,rr W/ Vs (includes item 8)	1
8	105078901	Valve Stem, Kenda, Tr 412	1
9	105079401	Tire, Superturf, 20x10-10, 6pl	1

2
G
E

2

G

E



001322-001

FRONT WHEEL SPACER PLATE

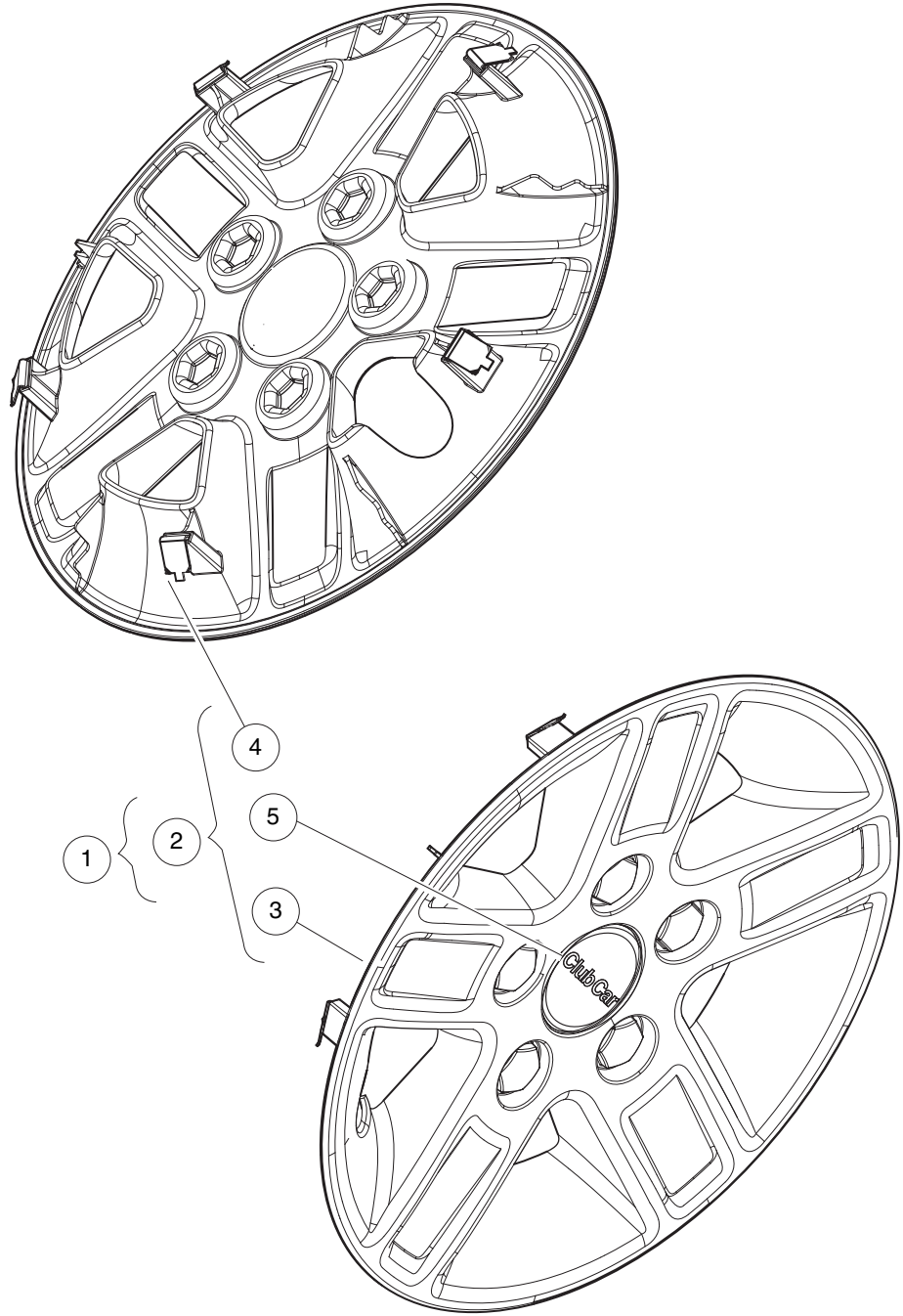
ITEM	PART NO.	DESCRIPTION	QTY
1	105243301	<div style="display: flex; justify-content: space-between; margin-bottom: 5px;"> 1 2 3 4 </div> Plate, Spacer, Wheel, Front	2

2

G

E

2
G
E



001350-002

WHEEL COVERS

ITEM	PART NO.	DESCRIPTION	QTY
		1 2 3 4	
1	105106501	Kit, Wheel Cover, 10x6" (includes item 2)	1
2	105106301	Asm, Whl Cover, 5 Spoke, 10x6" (includes items 3 through 5)	4
3	N/A	Wheel Cover, 5 Spoke, 10x7"	1
4	105106101	Wheel Cover, Clip	5
5	105106201	Decal, Wheel Cover, Club Car	1

2
G
E

2

G

E

DECALS

3

G

E

⚠ WARNING

Unintended vehicle movement may cause severe injury or death. Before using vehicle, read owner's manual and vehicle safety warnings.

Before leaving vehicle:

- Engage park brake to lock wheels.
- Place vehicle in NEUTRAL.
- Turn key to OFF and remove key.

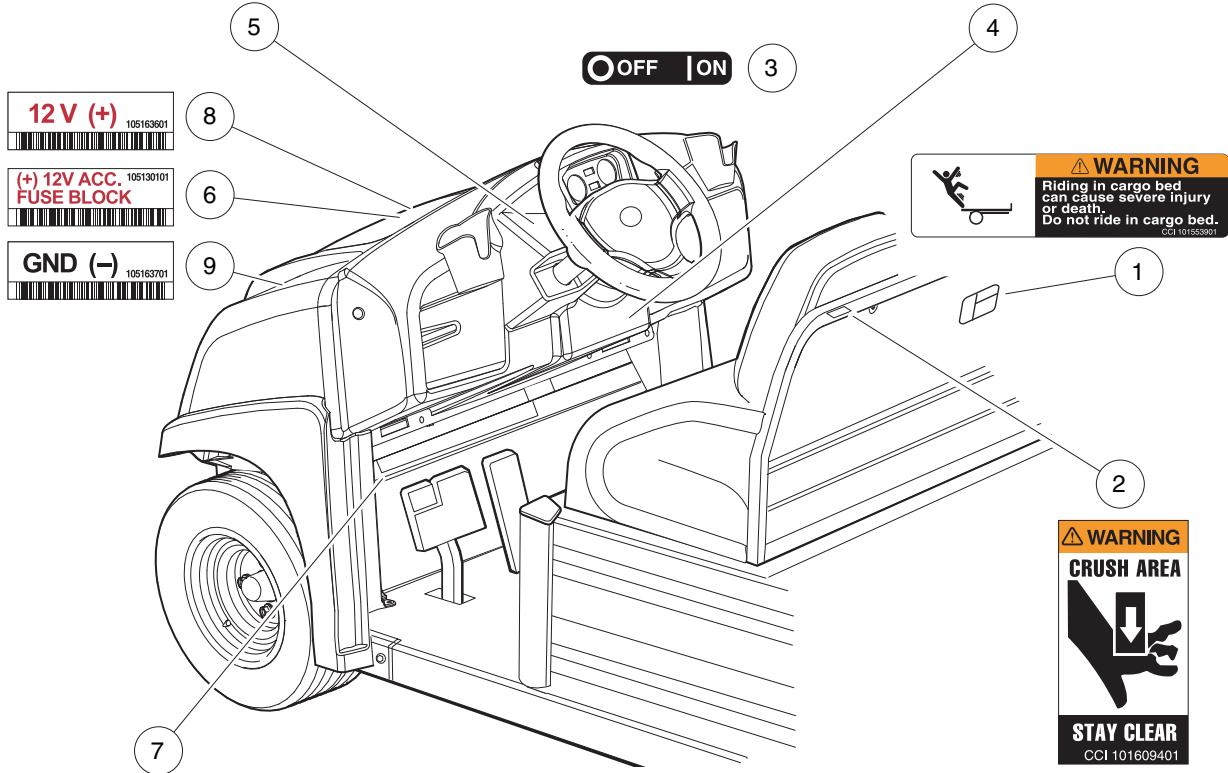
105246101

⚠ WARNING

UNINTENDED MOVEMENT, ROLLOVER, OR FALLING OUT CAN CAUSE SERIOUS INJURY OR DEATH.

- Vehicle to be operated by licensed and authorized persons only.
- Use in authorized areas only. Do not operate on public roads.
- One (1) person per bucket seat maximum.
- Two (2) persons per bench seat maximum.
- Operate from driver's seat only.
- Do not start vehicle until all occupants are fully seated.
- Drive slowly in turns and straight up and down slopes.
- Remain fully seated while moving.
- Hold on and keep entire body inside vehicle while moving.
- Never attempt jumps and avoid extreme braking in reverse.
- Do not leave children unattended in vehicle at any time.
- Children requiring a child safety seat must not ride in vehicle.
- Never operate under the influence of alcohol or drugs.

104029801



VEHICLE LOADING

Read owner's manual and warnings on dash.

- Vehicle rated capacity: 800 lb (363 kg) on level surface only.
- Includes occupants and cargo load.
- Maximum cargo load: 300 lb (136 kg)
- Includes cargo, bed load, and optional equipment.
- Vehicle combination rated capacity: 800 lb (363 kg)
- Includes vehicle rated capacity and gross trailer weight.

⚠ WARNING

ROLLOVER CAN CAUSE SERIOUS INJURY OR DEATH.

- Place cargo forward in the cargo bed and distribute evenly side to side. Secure load.
- On uneven or steep terrain, reduce speed and load.
- Avoid stopping on or backing down steep hills.
- Avoid top-heavy loads.

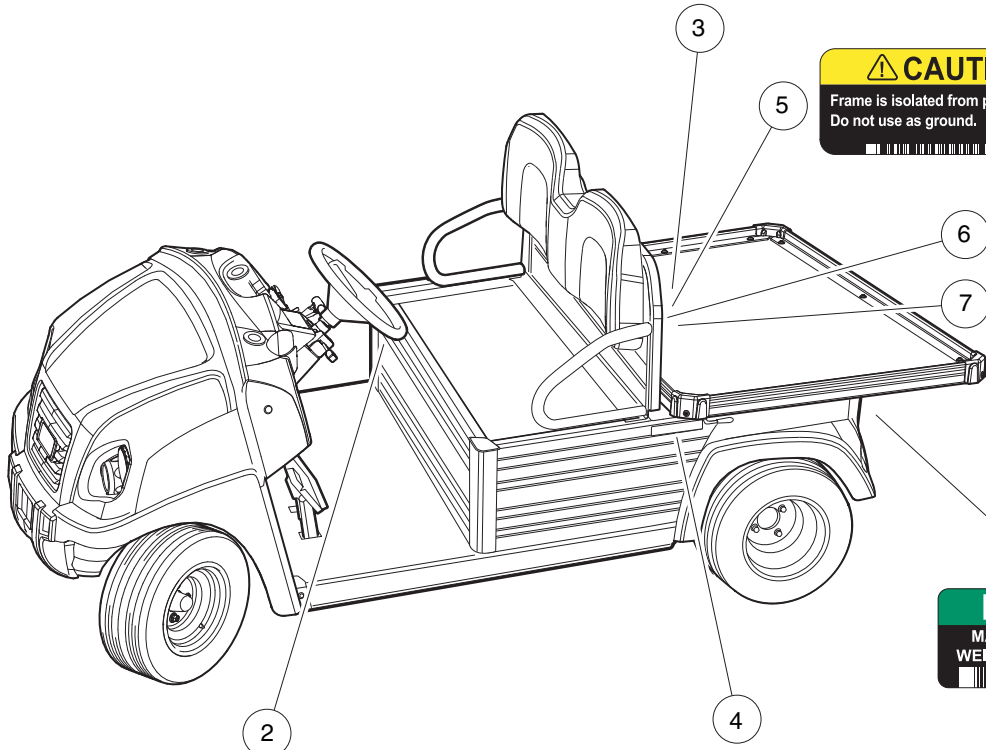
105137101

2773

DECALS - ELECTRIC VEHICLE

ITEM	PART NO.	DESCRIPTION	QTY
		1 2 3 4	
1	101553901	Decal, Bed Load Warning	1
2	101609401	Decal, Crush Area Warning	1
3	101825101	Decal, Off/On	1
4	104026801	Decal, Oc, Warning, Ca	1
5	105046101	Decal, Op, Instructions, Ca	1
6	105130101	Decal, Fuse Block, Acc, 12v	1
7	105137101	Decal, Vehicle Loading, 800lb	1
8	105163601	Decal, 12v (+)	1
9	105163701	Decal, Gnd (-)	1

3
G
E



NOTICE
Do not operate vehicle without this cover properly installed.
Do not direct water stream in this area, will cause damage to components.
See vehicle maintenance and service manual before servicing. CCI 101931501

CAUTION
Frame is isolated from power system.
Do not use as ground. 105124701

(+) 48V ACC. FUSE BLOCK
105130001

GND (-)
105163701

NOTICE
MAXIMUM TONGUE WEIGHT-150 lb. (667 N)
1011653

WARNING TOW RUN
Place Tow/Run switch in TOW position before:
• Disconnecting or connecting batteries
• Towing
• Extended storage
• Servicing
FAILURE TO HEED THIS WARNING COULD RESULT IN A BATTERY EXPLOSION OR SEVERE PERSONAL INJURY.
CCI 101908601

LATCH **OPEN** **WARNING**
Crush area. Can cause severe injury. Stay clear when closing bed. CCI 102459301

2774

DECALS – ELECTRIC CARRYALL 300, CONTINUED

ITEM	PART NO.	DESCRIPTION	QTY
		1 2 3 4	
1	1011553	Decal, Trailer Hitch	1
2	101908601	Decal, Tow/Run Switch Warning	1
3	101931501	Decal, Component Cover	1
4	102459301	Decal, Bed Crush Area Warning	1
5	105124701	Decal, Caution, Not Use As Gnd	1
6	105130001	Decal, Fuse Block, Acc, 48v	1
7	105163701	Decal, Gnd (-)	1

3
G
E

⚠ WARNING

Unintended vehicle movement may cause severe injury or death. Before using vehicle, read owner's manual and vehicle safety warnings.

Before leaving vehicle:

- Engage park brake to lock wheels.
- Place vehicle in NEUTRAL.
- Turn key to OFF and remove key.

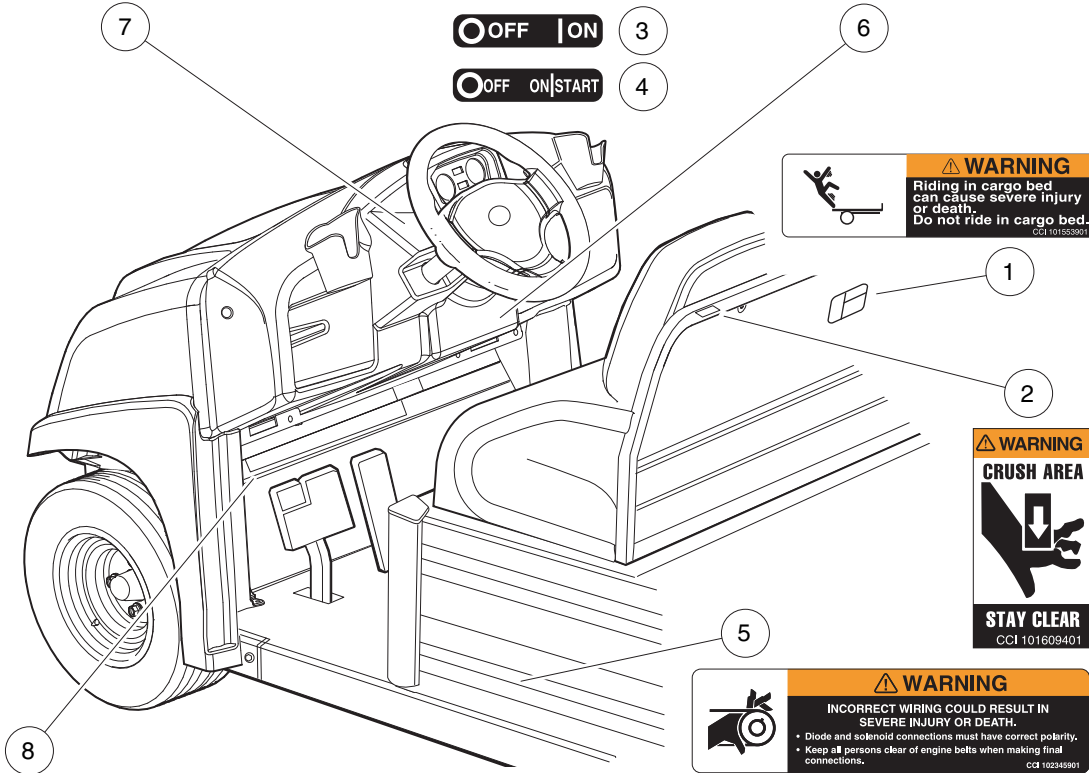
105040101

⚠ WARNING

UNINTENDED MOVEMENT, ROLLOVER, OR FALLING OUT CAN CAUSE SERIOUS INJURY OR DEATH.

- Vehicle to be operated by licensed and authorized persons only.
- Use in authorized areas only. Do not operate on public roads.
- One (1) person per bucket seat maximum.
- Two (2) persons per bench seat maximum.
- Operate from driver's seat only.
- Do not start vehicle until all occupants are fully seated.
- Drive slowly in turns and straight up and down slopes.
- Remain fully seated while moving.
- Hold on and keep entire body inside vehicle while moving.
- Never attempt jumps and avoid extreme braking in reverse.
- Do not leave children unattended in vehicle at any time.
- Children requiring a child safety seat must not ride in vehicle.
- Never operate under the influence of alcohol or drugs.

104028001



⚠ WARNING

Riding in cargo bed can cause severe injury or death. Do not ride in cargo bed.

CCI 101653901

⚠ WARNING

CRUSH AREA

STAY CLEAR

CCI 101609401

⚠ WARNING

INCORRECT WIRING COULD RESULT IN SEVERE INJURY OR DEATH.

- Diode and solenoid connections must have correct polarity.
- Keep all persons clear of engine belts when making final connections.

CCI 102349901

VEHICLE LOADING

Read owner's manual and warnings on dash.

- Vehicle rated capacity: 800 lb (363 kg) on level surface only.
- Includes occupants and cargo load.
- Maximum cargo load: 300 lb (136 kg)
- Includes cargo, bed load, and optional equipment.
- Vehicle combination rated capacity: 800 lb (363 kg)
- Includes vehicle rated capacity and gross trailer weight.

⚠ WARNING

ROLLOVER CAN CAUSE SERIOUS INJURY OR DEATH.

- Place cargo forward in the cargo bed and distribute evenly side to side. Secure load.
- On uneven or steep terrain, reduce speed and load.
- Avoid stopping on or backing down steep hills.
- Avoid top-heavy loads.

1045137101

2775

DECALS – GASOLINE CARRYALL 300

ITEM	PART NO.	DESCRIPTION	QTY
		1 2 3 4	
1	101553901	Decal, Bed Load Warning	1
2	101609401	Decal, Crush Area Warning	1
3	101825101	Decal, Off/On	1
4	101825102	Decal, Off/On/Start	1
5	102345901	Decal, Diode Safety	1
6	104026801	Decal, Oc, Warning, Ca	1
7	105046101	Decal, Op, Instructions, Ca	1
8	105137101	Decal, Vehicle Loading, 800lb	1

3
G
E

⚠ WARNING

GASOLINE EXPLOSION / FIRE CAN CAUSE SERIOUS INJURY OR DEATH

- No sparks or open flame near fuel or fuel tank.
- No smoking near fuel or fuel tank.
- Stop engine and allow to cool before refueling.
- Do not disconnect pressurized fuel lines.

105082301

⚠ WARNING

GASOLINE EXPLOSION / FIRE CAN CAUSE SERIOUS INJURY OR DEATH.

- No sparks or open flame near fuel or fuel tank.
- No smoking near fuel or fuel tank.
- Stop engine and allow to cool before refueling.

105084701

⚠ WARNING

CAN CAUSE SEVERE BURNS

Hot Surface

102458901

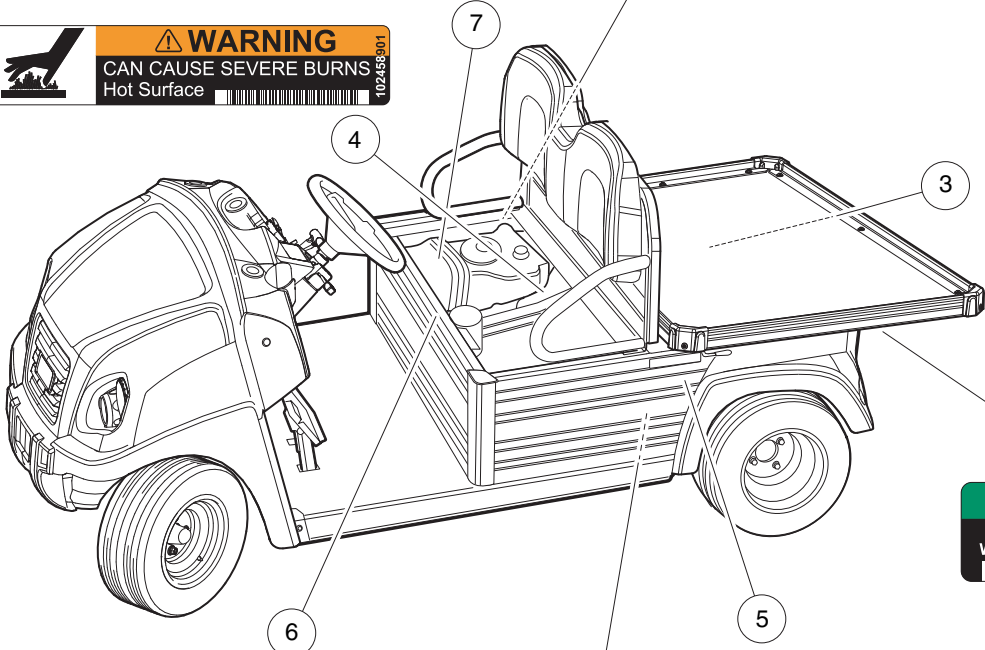
⚠ WARNING

CAN CAUSE SEVERE INJURY

Rotating parts

HOT manifold & muffler

KEEP CLEAR CCI 1011960501



NOTICE

MAXIMUM TONGUE WEIGHT—150 lb. (667 N)

10111553

Maintenance Operate

⚠ WARNING

VEHICLE MOVEMENT MAY CAUSE SERIOUS INJURY

When switch is in Maintenance position, chock wheels and firmly set park brake.

CCI 103205501

⚠ WARNING

Crush area. Can cause severe injury. Stay clear when closing bed.

CCI 102459301

⚠ WARNING

Negative frame ground. Can cause severe injury. Do not contact positive (+) battery post or cable to frame. Disconnect negative battery lead first.

⚠ WARNING

Excessive speed. Can cause severe injury or death. Do not tamper with engine governor adjustment.

CCI 101915201

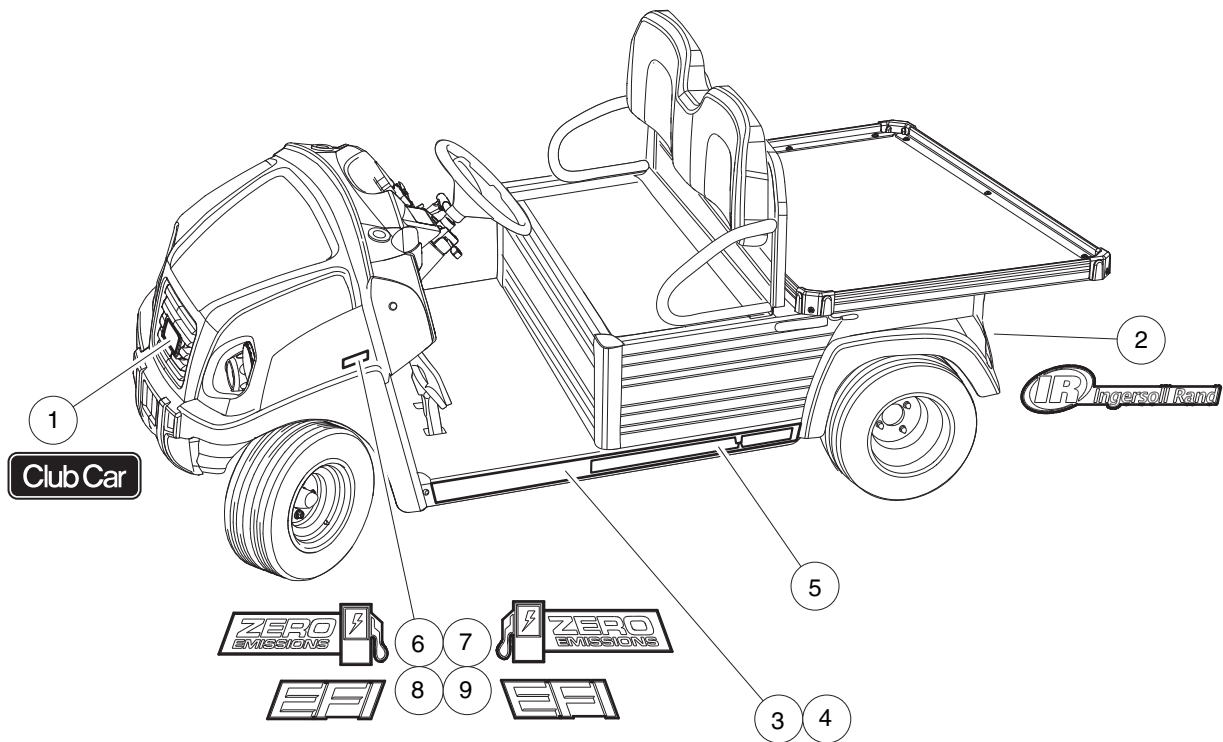
2776

DECALS – GASOLINE CARRYALL 300, CONTINUED

ITEM	PART NO.	DESCRIPTION	QTY
		1 2 3 4	
1	1011553	Decal, Trailer Hitch	1
2	101915201	Decal, Frame Ground and Governor Warning	1
3	101960501	Decal, Rotating Parts/Hot Manifold	1
4	102458901	Decal, Hot Surface Warning	1
5	102459301	Decal, Bed Crush Area Warning	1
6	103205501	Decal, Run/Service Switch	1
7	105082301	Decal, Warn, Gas Pressure	1
8	105084701	Decal, Warn Gas Side Fill	1

3
G
E

3
G
E



001025-001

BADGING DECALS – CARRYALL 300

ITEM	PART NO.	DESCRIPTION	QTY
		1 2 3 4	
1	102883601	Decal, Nameplate, CCI, Front	1
2	103234304	Decal, Badge, Ir, Red	1
3	105115001	Decal, Side Stringer, Short	1
4	105115004	Decal, R Side Stringer, Short	1
5	105152401	Decal, Branding, Ca 300	2
6	105153201	Decal, Zero Emission Vhcle, Lh	1
7	105153202	Decal, Zero Emission Vhcle, Rh	1
8	105153301	Decal, Efi, Italic, Lh	1
9	105153302	Decal, Efi, Italic, Rh	1

3
G
E

3

G

E

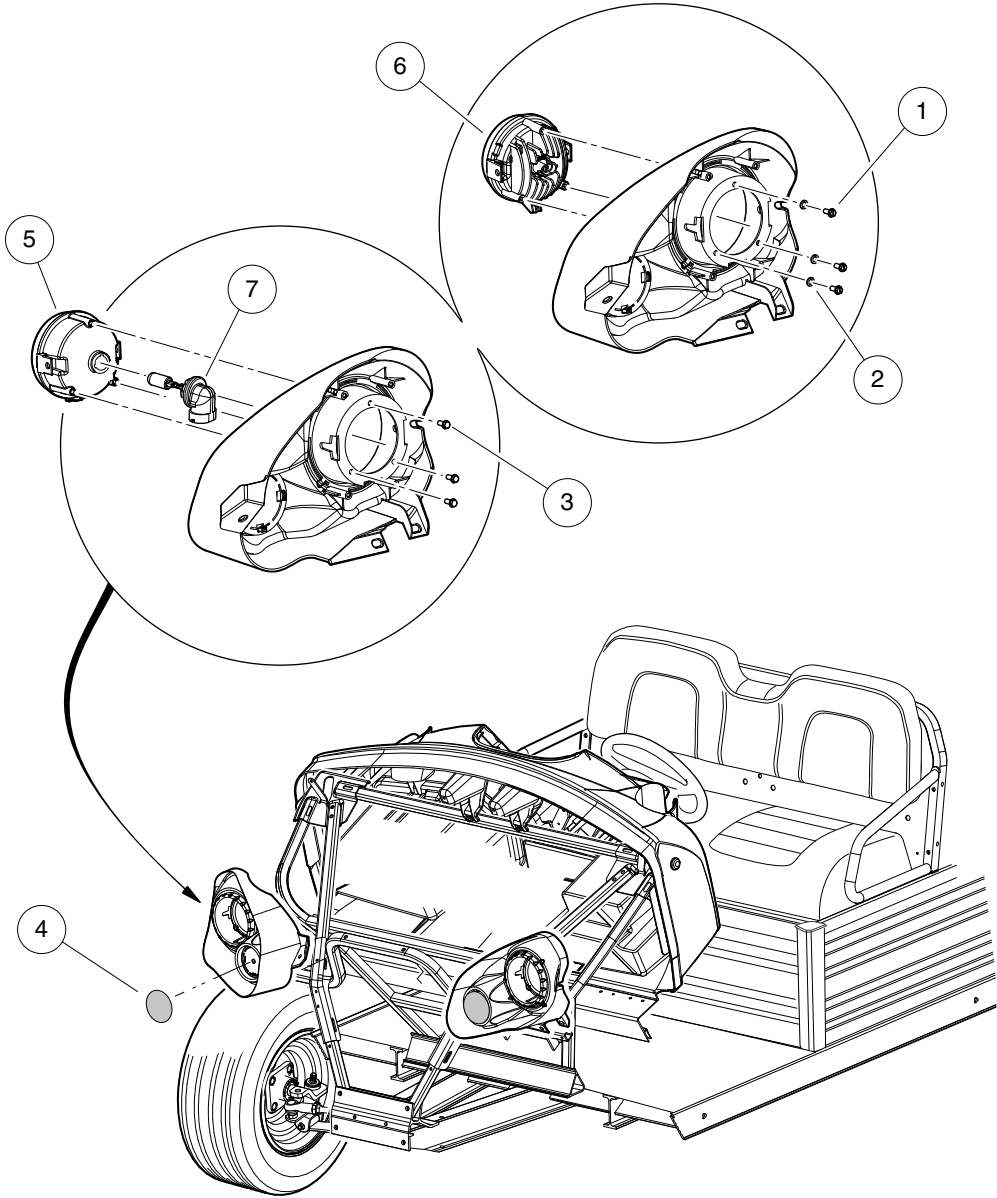
LIGHTS, CONTROLS, AND INDICATORS

4

G

E

4
G
E



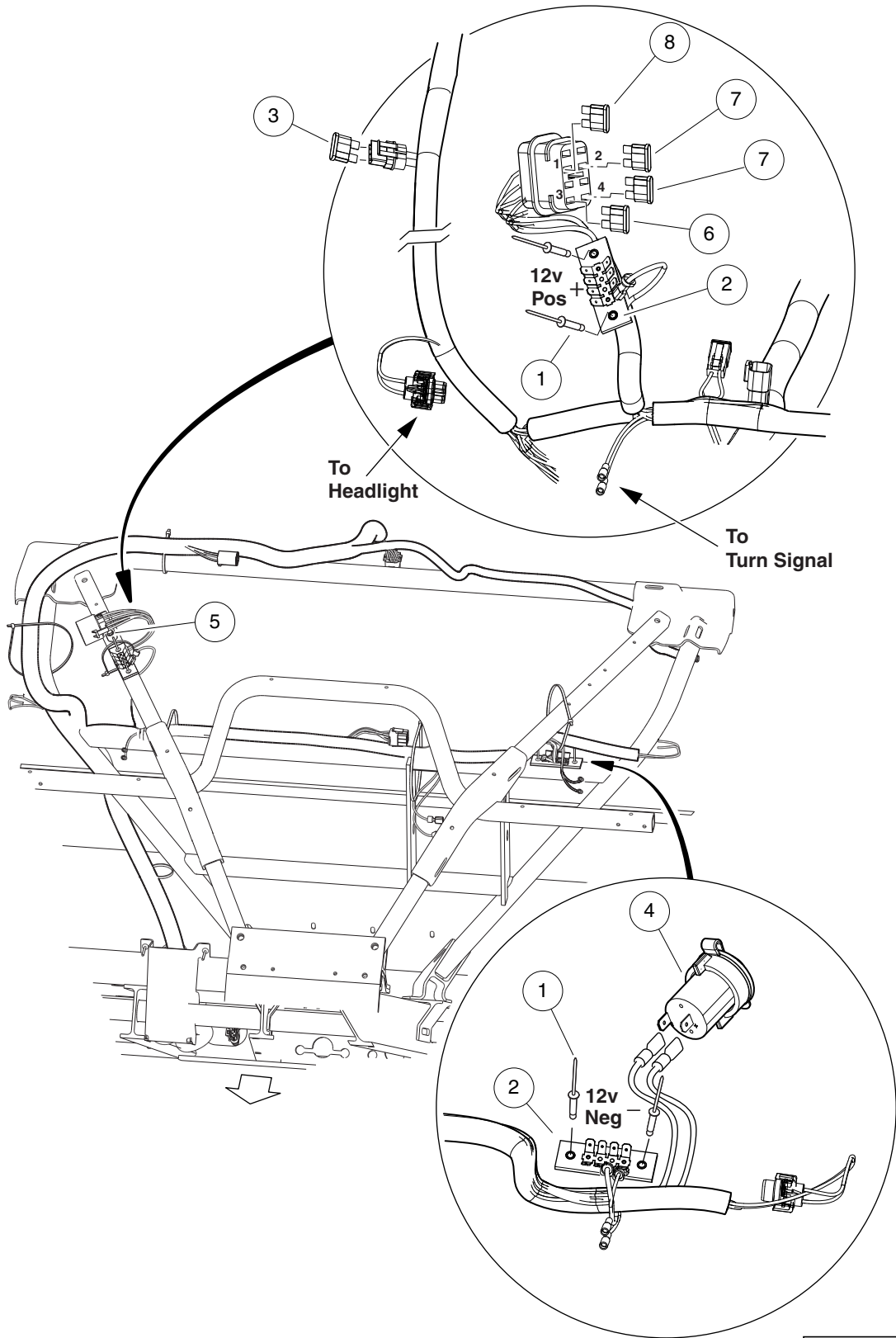
001370-001

HEADLIGHTS

ITEM	PART NO.	DESCRIPTION	QTY
		1 2 3 4	
1	1011017	Screw, #8-32 X 0.375	6
2	1011610	Lockwasher, #8 Split SS	6
3	101850301	Screw, #12-16 X 0.50 Washer-Head Hi-Lo	6
4	105036801	Reflector, Decal, 3.20", Amber	2
5	105073401	Hdlight, Round, 4.5", Utl	2
6	105093701	Hdlight, Round, 4.5", Led, Utl	2
7	105093801	Bulb, Halogen, 862	2

4
G
E

4
G
E



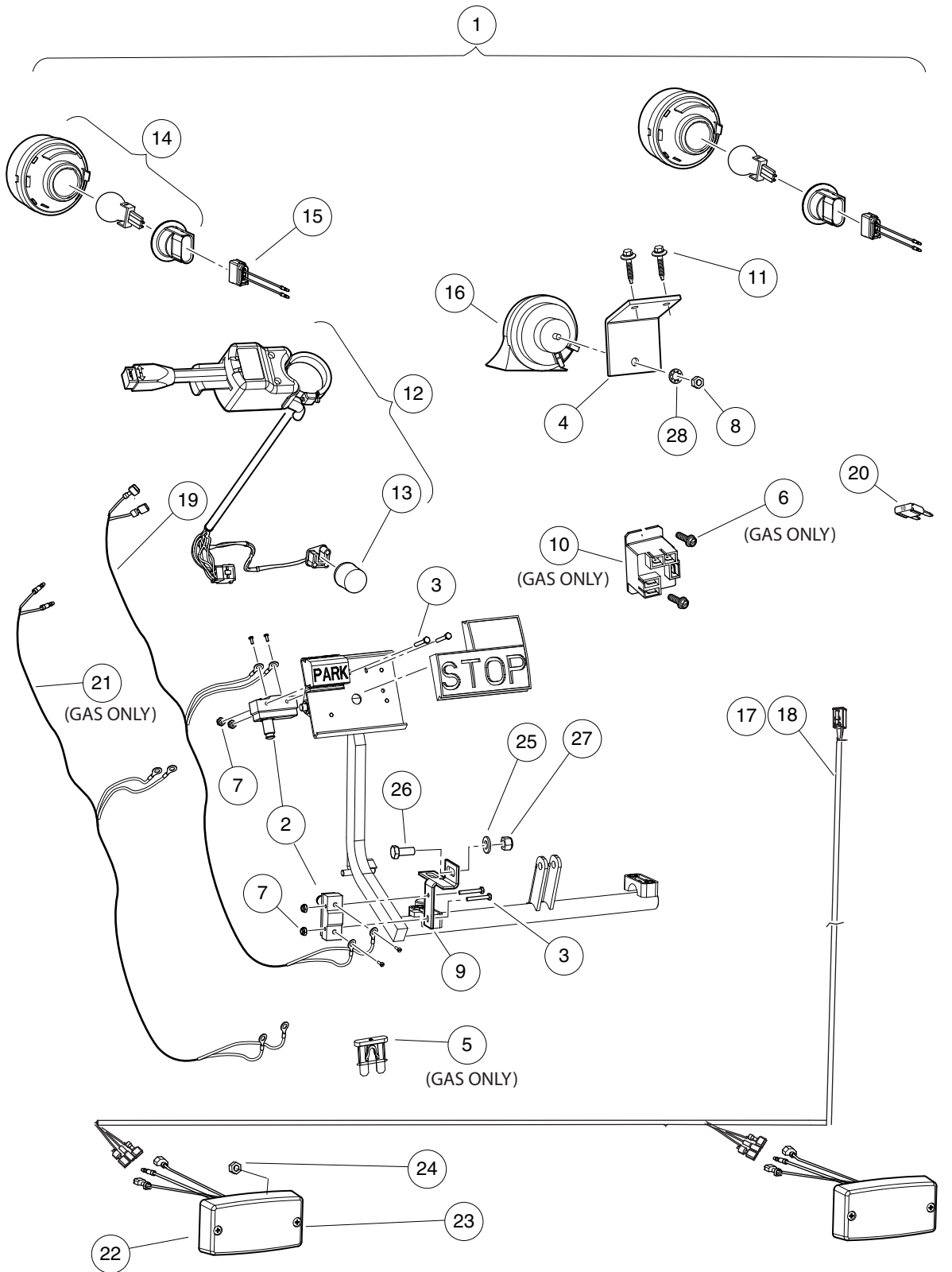
001360-002

12-VOLT FUSE BLOCK AND FUSES – ELECTRIC VEHICLE

ITEM	PART NO.	DESCRIPTION	QTY
		1 2 3 4	
1	1013357	Rivet, 5/32 Aluminum Pop	4
2	1016356	Terminal Block with Insulator	2
3	1016423	Fuse, 20-Amp	1
4	102198001	Receptacle, Accessory	1
5	102238001	#10-24 Taptite Screw	1
6	105114805	Fuse, Mini, Atm, 7.5 Amp	1
7	105114806	Fuse, Mini, Atm, 10 Amp	2
8	105114807	Fuse, Mini, Atm, 15 Amp	1

4
G
E

4
G
E



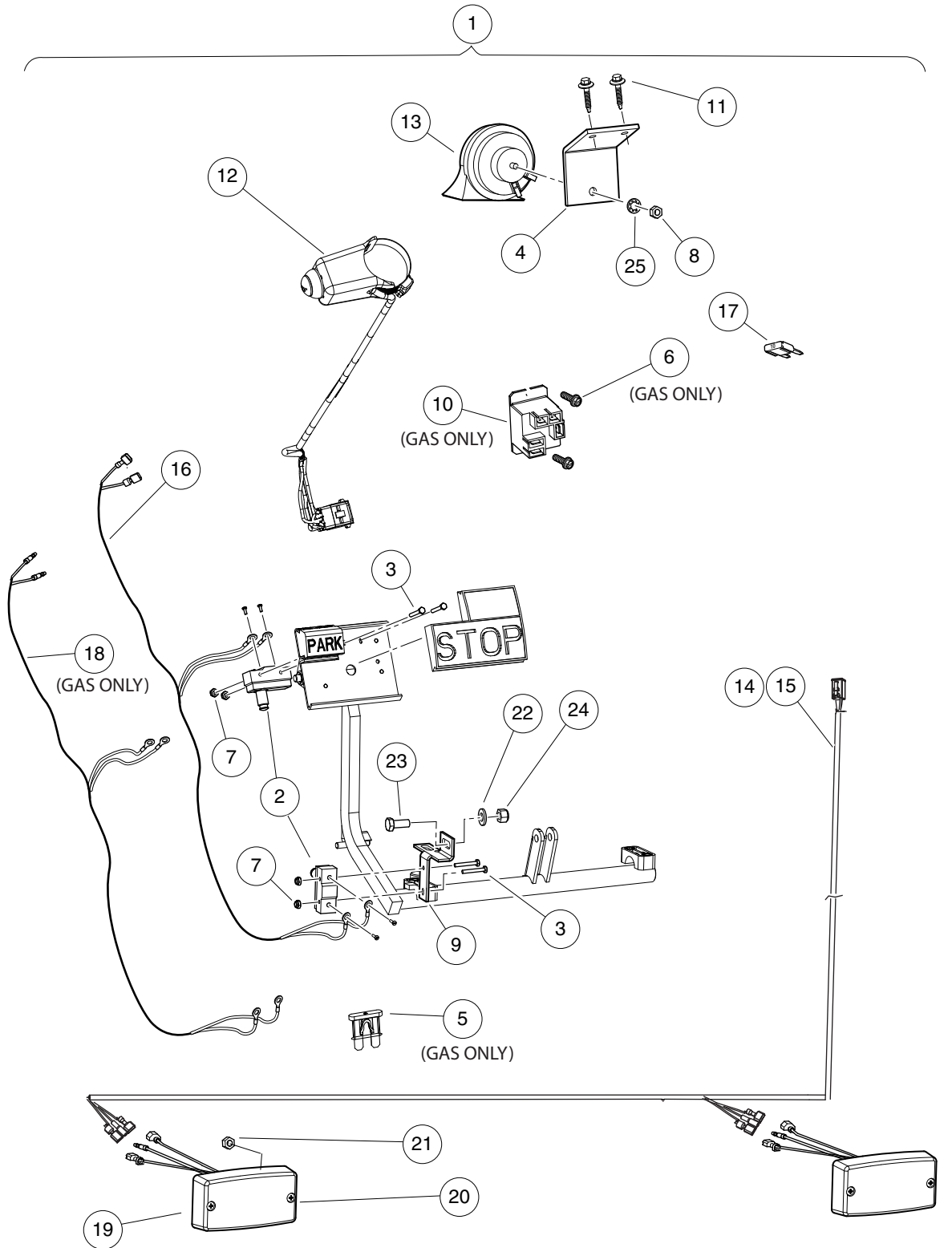
001368-002

HORN, TURN SIGNALS, AND TAILLIGHTS – ELECTRIC AND GASOLINE VEHICLES

ITEM	PART NO.	DESCRIPTION	QTY
		1 2 3 4	
1	105122808	Kit, Horn/Tail Light/Turn (includes items 2 through 28)	1
2	1011439	Switch, Limit	2
3	1011557	Screw, #6-32 X 1.00 Hex-Head Machine	4
4	1011825	Horn Bracket	1
5	1012295	Fuse, 10-Amp	1
6	1016849	Screw, #4-24 X 0.33, Pan-Head, Machine	2
7	101932201	Locknut, #6-32 Nylon	4
8	101955101	Nut, M6 Hex	1
9	101957101	Bracket, Brake Light Switch	1
10	102199001	Relay, 12-Volt	1
11	102297125	Screw, M6-1.0x25.4, Thread-Forming, SEMS	2
12	102517501	Turn Signal Asm (includes item 13)	1
13	102546401	Flasher Unit, Prec	1
14	102894503	Light, Turn Sig, Round 3", Utl	2
15	103245001	Jumper, Turn Signal, Ca/xrt/hu	2
16	103484301	Horn, 12v, Gnd Isolated	1
17	105108201	Harness, Tail Light, Utility, Short	1
18	105108301	Harness, Tail Light, Utility, Long	1
19	105108401	Harness, Brk, Pedal Switch Utl	1
20	105114806	Fuse, Mini, Atm, 10 Amp	1
21	105135201	Jumper, Hill Brake, Switch	1
22	105165801	Lamp, Stop/trn/tail, Footdeck	2
23	105190601	Screw, #8-32 X 0.625, Clr Znc	4
24	105190701	Nut, Flanged, #8-32, Serrated	4
25	1241	Washer, 5/16 Type A Flat	1
26	7173	Screw, 5/16-18 X 0.75, Hex-Head Cap	1
27	7473	Locknut, 5/16-18 Nylon Insert	2
28	7820	Washer, 5/16 Internal-Tooth	1
<p>Note: 1051082, Harness, Tail Light, Utility, Short, fits the following vehicles with serial prefix: MA, MB, MC, MD, ME, MF, MK, ML, MM, MP, MU.</p>			

4
G
E

4
G
E



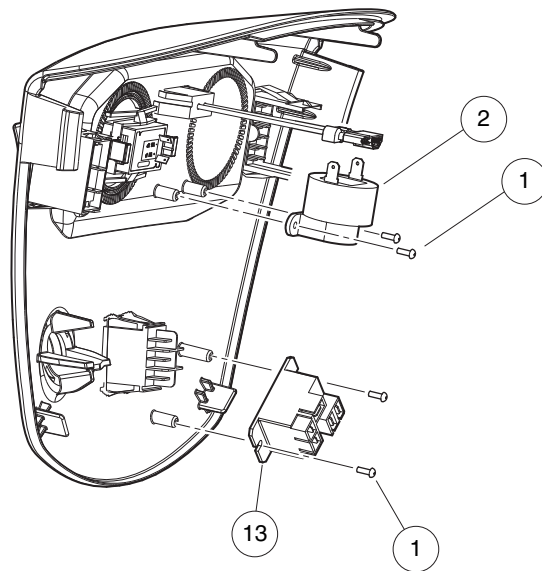
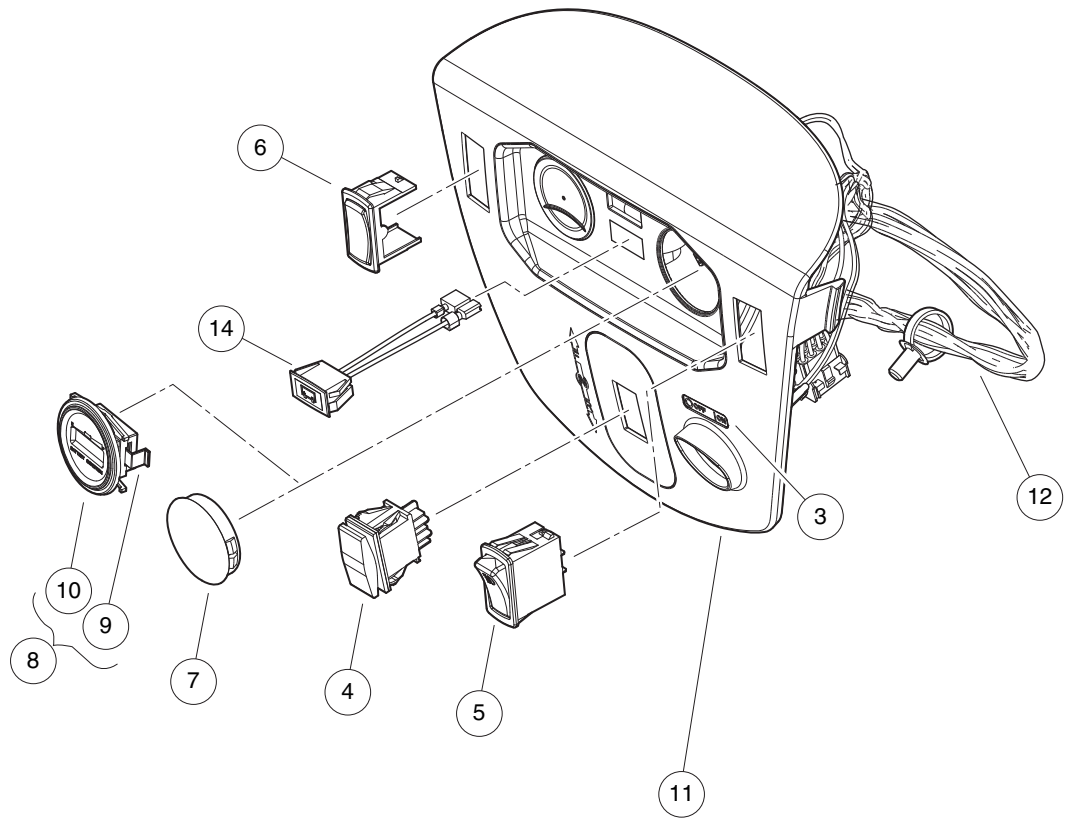
001367-002

HORN AND TAIL LIGHT KIT – ELECTRIC AND GASOLINE VEHICLES

ITEM	PART NO.	DESCRIPTION	QTY
		1 2 3 4	
1	105122807	Kit, Horn/Tail Light/Turn (includes items 2 through 25)	1
2	1011439	Switch, Limit	2
3	1011557	Screw, #6-32 X 1.00 Hex-Head Machine	4
4	1011825	Horn Bracket	1
5	1012295	Fuse, 10-Amp	1
6	1016849	Screw, #4-24 X 0.33, Pan-Head, Machine	2
7	101932201	Locknut, #6-32 Nylon	4
8	101955101	Nut, M6 Hex	1
9	101957101	Bracket, Brake Light Switch	1
10	102199001	Relay, 12-Volt	1
11	102297125	Screw, M6-1.0x25.4, Thread-Forming, SEMS	2
12	102517601	Subasm, Horn Button Harness	1
13	103484301	Horn, 12v, Gnd Isolated	1
14	105108201	Harness, Tail Light, Utility, Short	1
15	105108301	Harness, Tail Light, Utility, Long	1
16	105108401	Harness, Brk, Pedal Switch Utl	1
17	105114806	Fuse, Mini, Atm, 10 Amp	1
18	105135201	Jumper, Hill Brake, Switch	1
19	105165801	Lamp, Stop/trn/tail, Footdeck	2
20	105190601	Screw, #8-32 X 0.625, Clr Znc	4
21	105190701	Nut, Flanged, #8-32, Serrated	4
22	1241	Washer, 5/16 Type A Flat	1
23	7173	Screw, 5/16-18 X 0.75, Hex-Head Cap	1
24	7473	Locknut, 5/16-18 Nylon Insert	1
25	7820	Washer, 5/16 Internal-Tooth	1
<p style="text-align: center;">Note: 105108201 Harness, Tail Light, Utility, Short, fits the following vehicles with serial prefix: MA, MB, MC, MD, ME, MF, MK, ML, MM, MP, MU.</p>			

4
G
E

4
G
E



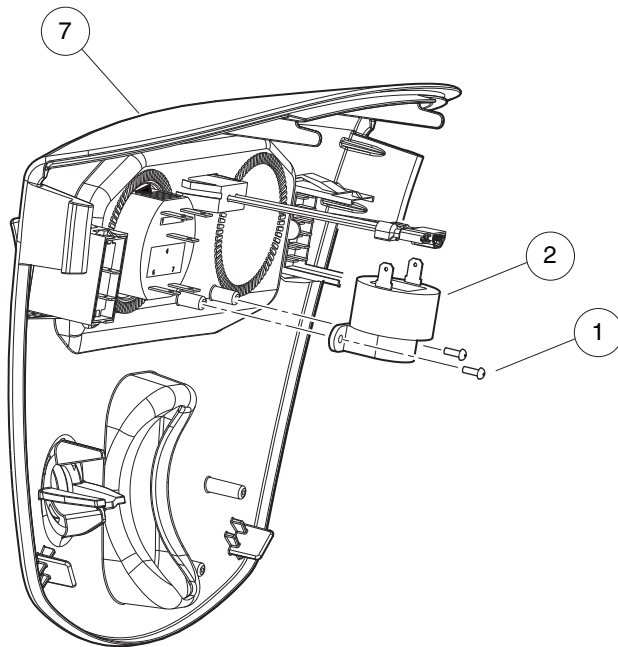
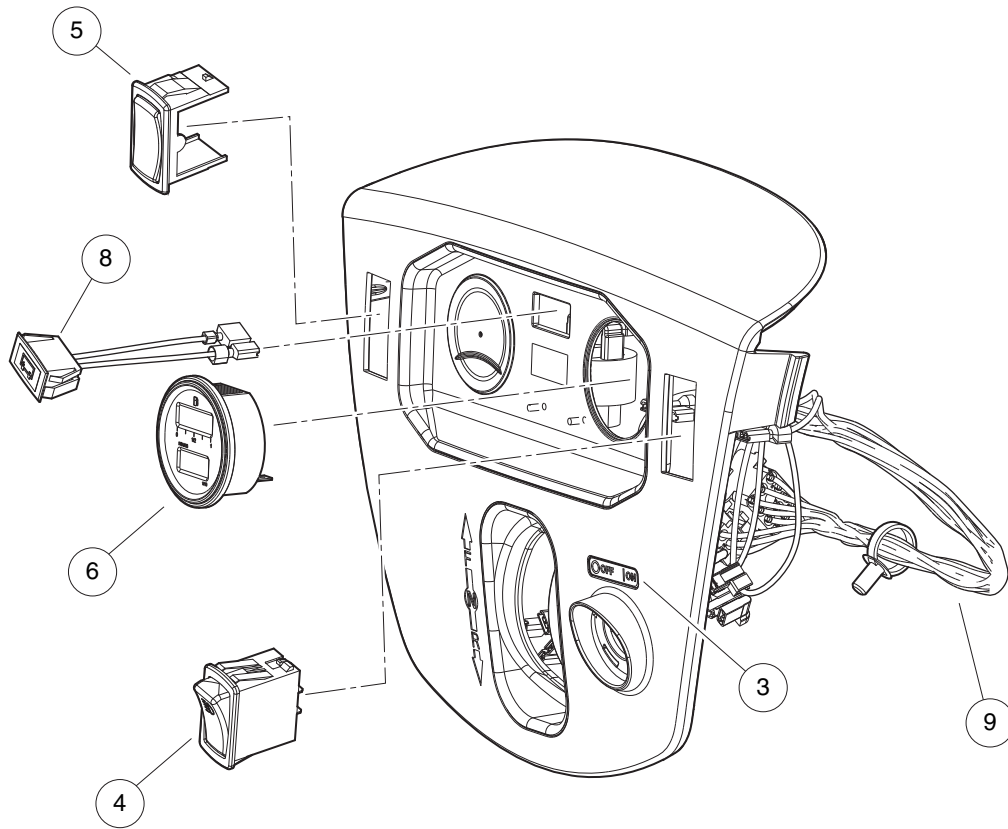
001371-001

INSTRUMENT PANEL – ELECTRIC VEHICLE

ITEM	PART NO.	DESCRIPTION	QTY
		1 2 3 4	
1	1016849	Screw, #4-24 X 0.33, Pan-Head, Machine	2
2	1016851	Buzzer, Reverse (9-48 VDC)	1
3	101825101	Decal, Off/On	1
4	101856002	Switch, Rocker, Single-Pole	1
5	102869401	Switch, Rocker, Light	1
6	103180101	Cover, Hole, Switch, Rocker	1
7	103198301	Plug, Hole, Round, 2.0 In	1
8	103354401	Gauge, Battery Cond Ind, Rnd (includes item 9)	1
9	103348202	Clip, Bci, Round	1
10	105034101	Panel, Instrument, Elec, Ca	1
11	105082101	Harness, Ip, Elec, Util	1
12	105112401	Relay, Spdt Nc, 48v 30a, Pmt	1
13	105152301	Indicator, Charger, Dash, Cap	1

4
G
E

4
G
E



001372-001

INSTRUMENT PANEL – GASOLINE VEHICLE

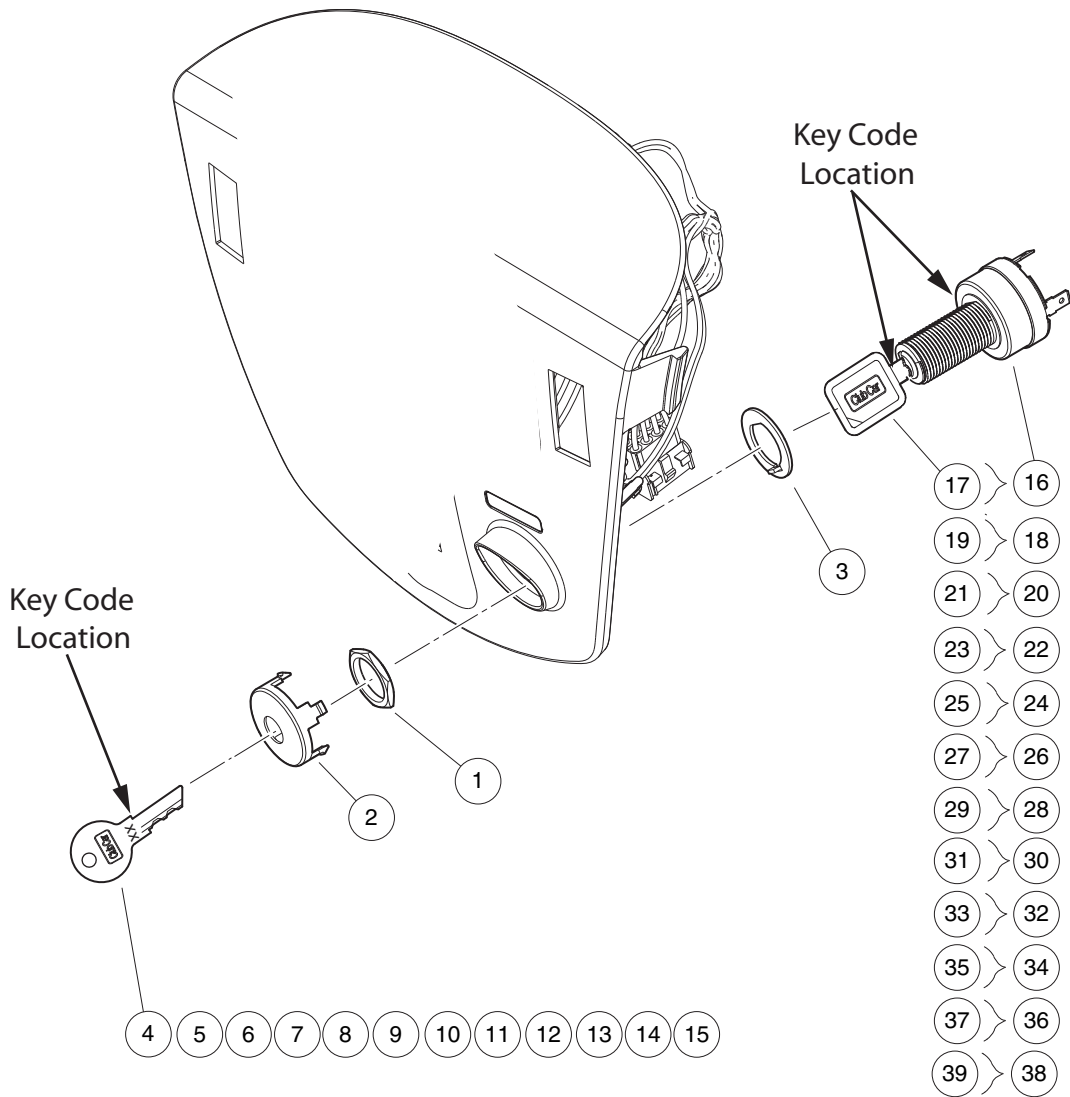
ITEM	PART NO.	DESCRIPTION	QTY
		1 2 3 4	
1	1016849	Screw, #4-24 X 0.33, Pan-Head, Machine	2
2	1016851	Buzzer, Reverse (9-48 VDC)	1
3	101825101	Decal, Off/On	1
4	102869401	Switch, Rocker, Light	1
5	103180101	Cover, Hole, Switch, Rocker	1
6	103348602	Gauge, Fuel-hour,sep Gnd, Ds	1
7	105034102	Panel, Instrument, Gas, Ca	1
8	105037101	Light, Oil (LED)	1
9	105095101	Harness, Wire, Instr. Panel, Gas, CA300-700	1

4

G

E

4
G
E



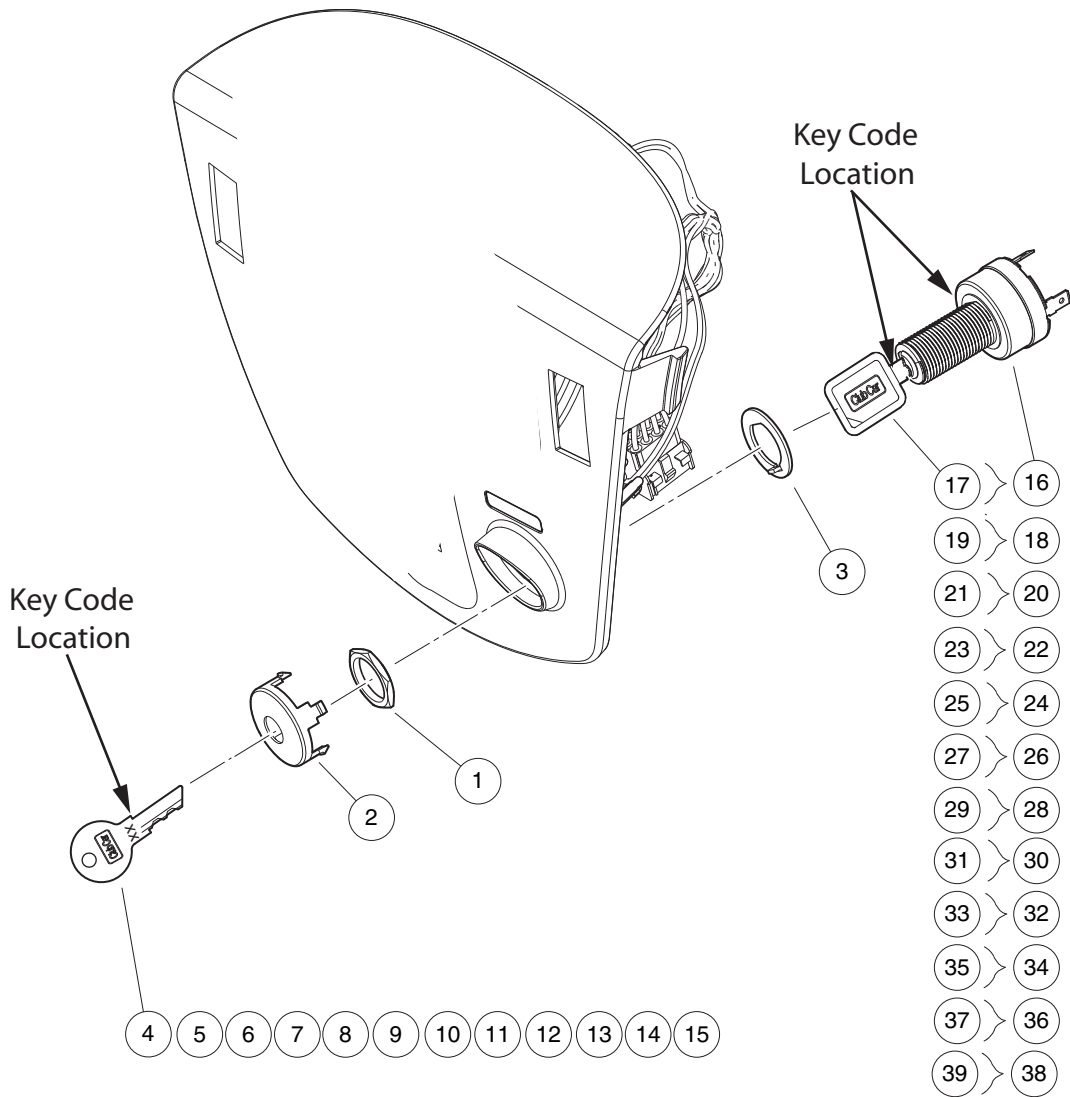
001355-001

KEYSWITCH – ELECTRIC VEHICLE

ITEM	PART NO.	DESCRIPTION	QTY
		1 2 3 4	
1	101830701	Nut, Key Switch	1
2	101834502	Cap, Black Key Switch	1
3	101851101	Washer, Key Switch	1
4	101974701	Key, Uncommon 1a	1
5	101974702	Key, Uncommon 1b	1
6	101974703	Key, Uncommon 1c	1
7	101974704	Key, Uncommon 1d	1
8	101974705	Key, Uncommon 2a	1
9	101974706	Key, Uncommon 2b	1
10	101974707	Key, Uncommon 2c	1
11	101974708	Key, Uncommon 2d	1
12	101974709	Key, Uncommon 1e	1
13	101974710	Key, Uncommon 1f	1
14	101974711	Key, Uncommon 2e	1
15	101974712	Key, Uncommon 2f	1
16	105081701	Keysw, Uncom, 4t, Off/on 1a, E (includes item 17)	1
17	105068001	Key, Uncommon, Padded 1a	1
18	105081702	Keysw, Uncom, 4t, Off/on 1b, E (includes item 19)	1
19	105068002	Key, Uncommon, Padded 1b	1
20	105081703	Keysw, Uncom, 4t, Off/on 1c, E (includes item 21)	1
21	105068003	Key, Uncommon, Padded 1c	1
22	105081704	Keysw, Uncom, 4t, Off/on 1d, E (includes item 23)	1
23	105068004	Key, Uncommon, Padded 1d	1
24	105081705	Keysw, Uncom, 4t, Off/on 1e, E (includes item 25)	1
25	105068005	Key, Uncommon, Padded 1e	1
26	105081706	Keysw, Uncom, 4t, Off/on 1f, E (includes item 27)	1
27	105068006	Key, Uncommon, Padded 1f	1
28	105081707	Keysw, Uncom, 4t, Off/on 2a, E (includes item 29)	1
29	105068007	Key, Uncommon, Padded 2a	1
30	105081708	Keysw, Uncom, 4t, Off/on 2b, E (includes item 31)	1
31	105068008	Key, Uncommon, Padded 2b	1
32	105081709	Keysw, Uncom, 4t, Off/on 2c, E (includes item 33)	1
33	105068009	Key, Uncommon, Padded 2c	1
34	105081710	Keysw, Uncom, 4t, Off/on 2d, E (includes item 35)	1
35	105068010	Key, Uncommon, Padded 2d	1
36	105081711	Keysw, Uncom, 4t, Off/on 2e, E (includes item 37)	1
37	105068011	Key, Uncommon, Padded 2e	1
38	105081712	Keysw, Uncom, 4t, Off/on 2f, E (includes item 39)	1
39	105068012	Key, Uncommon, Padded 2f	1
		Note: Keyswitch 105081701, is standard for electric vehicles equipped with a cab. Keyswitch 105081702, is standard for electric vehicles without a cab. Keyswitches 105081703 through 105081712 allows different key code combinations for electric fleet vehicles.	

4
G
E

4
G
E



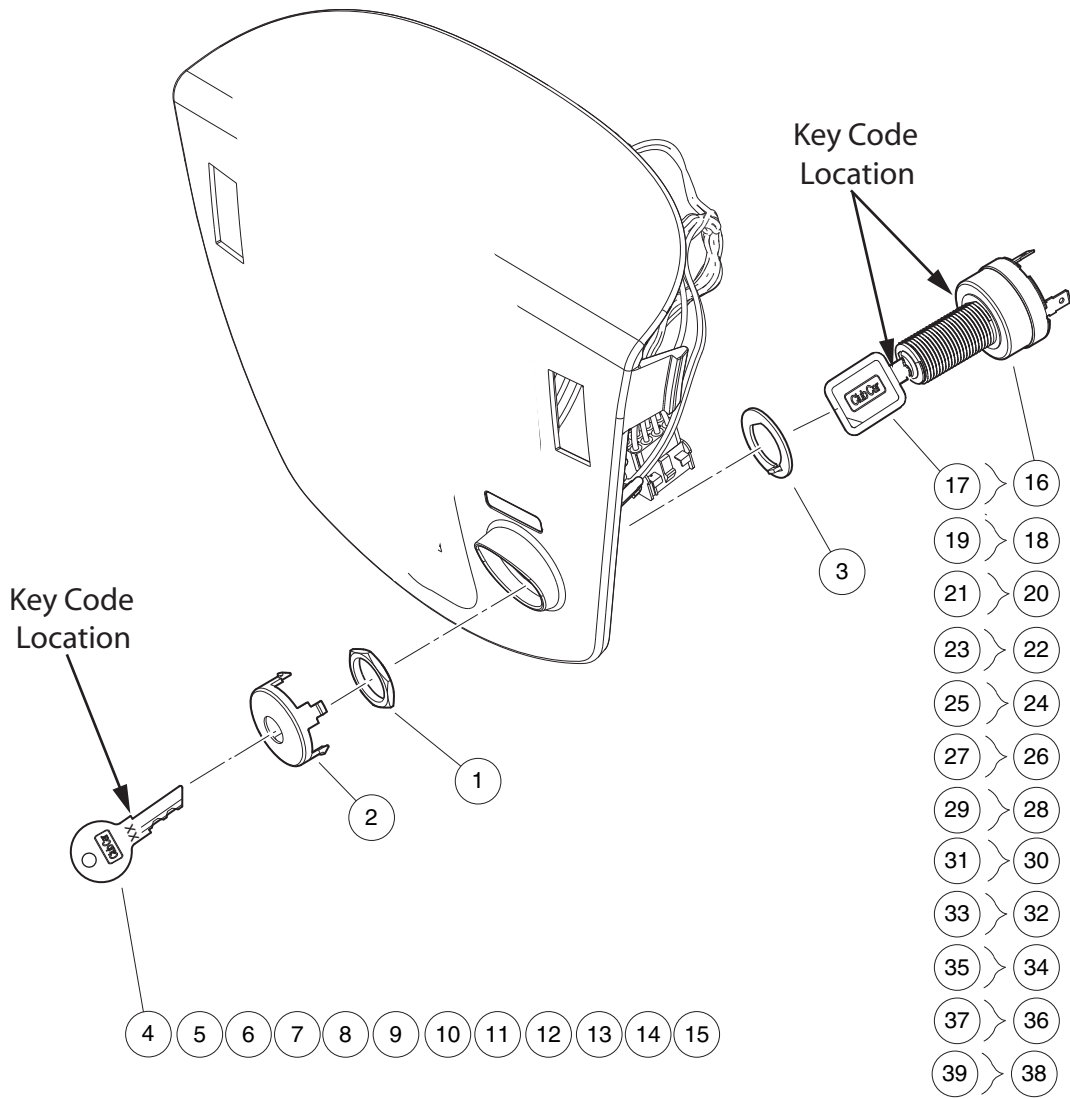
001355-001

KEYSWITCH, PEDAL-START – GASOLINE VEHICLE

ITEM	PART NO.	DESCRIPTION	QTY
		1 2 3 4	
1	101830701	Nut, Key Switch	1
2	101834502	Cap, Black Key Switch	1
3	101851101	Washer, Key Switch	1
4	101974701	Key, Uncommon 1a	1
5	101974702	Key, Uncommon 1b	1
6	101974703	Key, Uncommon 1c	1
7	101974704	Key, Uncommon 1d	1
8	101974705	Key, Uncommon 2a	1
9	101974706	Key, Uncommon 2b	1
10	101974707	Key, Uncommon 2c	1
11	101974708	Key, Uncommon 2d	1
12	101974709	Key, Uncommon 1e	1
13	101974710	Key, Uncommon 1f	1
14	101974711	Key, Uncommon 2e	1
15	101974712	Key, Uncommon 2f	1
16	105081801	Keysw, Uncom, 4t, Off/on 1a, G (includes item 17)	1
17	105068001	Key, Uncommon, Padded 1a	1
18	105081802	Keysw, Uncom, 4t, Off/on 1b, G (includes item 19)	1
19	105068002	Key, Uncommon, Padded 1b	1
20	105081803	Keysw, Uncom, 4t, Off/on 1c, G (includes item 21)	A/R
21	105068003	Key, Uncommon, Padded 1c	1
22	105081804	Keysw, Uncom, 4t, Off/on 1d, G (includes item 23)	1
23	105068004	Key, Uncommon, Padded 1d	1
24	105081805	Keysw, Uncom, 4t, Off/on 1e, G (includes item 25)	1
25	105068005	Key, Uncommon, Padded 1e	1
26	105081806	Keysw, Uncom, 4t, Off/on 1f, G (includes item 27)	1
27	105068006	Key, Uncommon, Padded 1f	1
28	105081807	Keysw, Uncom, 4t, Off/on 2a, G (includes item 29)	1
29	105068007	Key, Uncommon, Padded 2a	1
30	105081808	Keysw, Uncom, 4t, Off/on 2b, G (includes item 31)	1
31	105068008	Key, Uncommon, Padded 2b	1
32	105081809	Keysw, Uncom, 4t, Off/on 2c, G (includes item 33)	1
33	105068009	Key, Uncommon, Padded 2c	1
34	105081810	Keysw, Uncom, 4t, Off/on 2d, G (includes item 35)	1
35	105068010	Key, Uncommon, Padded 2d	1
36	105081811	Keysw, Uncom, 4t, Off/on 2e, G (includes item 37)	1
37	105068011	Key, Uncommon, Padded 2e	1
38	105081812	Keysw, Uncom, 4t, Off/on 2f, G (includes item 39)	1
39	105068012	Key, Uncommon, Padded 2f	1
		Note: Keyswitch 105081801, is standard for pedal-start gasoline vehicles equipped with a cab. Keyswitch 105081802, is standard for pedal-start gasoline vehicles without a cab. Keyswitches 105081803 through 105081812 allows different key code combinations for pedal-start gasoline fleet vehicles.	

4
G
E

4
G
E



001355-001

KEYSWITCH, KEY-START – GASOLINE VEHICLE

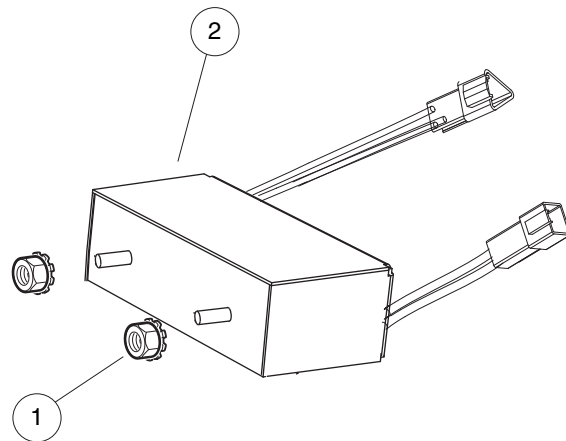
ITEM	PART NO.	DESCRIPTION	QTY
		1 2 3 4	
1	101830701	Nut, Key Switch	1
2	101834502	Cap, Black Key Switch	1
3	101851101	Washer, Key Switch	1
4	101974701	Key, Uncommon 1a	1
5	101974702	Key, Uncommon 1b	1
6	101974703	Key, Uncommon 1c	1
7	101974704	Key, Uncommon 1d	1
8	101974705	Key, Uncommon 2a	1
9	101974706	Key, Uncommon 2b	1
10	101974707	Key, Uncommon 2c	1
11	101974708	Key, Uncommon 2d	1
12	101974709	Key, Uncommon 1e	1
13	101974710	Key, Uncommon 1f	1
14	101974711	Key, Uncommon 2e	1
15	101974712	Key, Uncommon 2f	1
16	105081901	Keysw, Uncom, 4t, Off/on/st 1a (includes item 17)	1
17	105068001	Key, Uncommon, Padded 1a	1
18	105081902	Keysw, Uncom, 4t, Off/on/st 1b (includes item 19)	1
19	105068002	Key, Uncommon, Padded 1b	1
20	105081903	Keysw, Uncom, 4t, Off/on/st 1c (includes item 21)	1
21	105068003	Key, Uncommon, Padded 1c	1
22	105081904	Keysw, Uncom, 4t, Off/on/st 1d (includes item 23)	1
23	105068004	Key, Uncommon, Padded 1d	1
24	105081905	Keysw, Uncom, 4t, Off/on/st 1e (includes item 25)	1
25	105068005	Key, Uncommon, Padded 1e	1
26	105081906	Keysw, Uncom, 4t, Off/on/st 1f (includes item 27)	1
27	105068006	Key, Uncommon, Padded 1f	1
28	105081907	Keysw, Uncom, 4t, Off/on/st 2a (includes item 29)	1
29	105068007	Key, Uncommon, Padded 2a	1
30	105081908	Keysw, Uncom, 4t, Off/on/st 2b (includes item 31)	1
31	105068008	Key, Uncommon, Padded 2b	1
32	105081909	Keysw, Uncom, 4t, Off/on/st 2c (includes item 33)	1
33	105068009	Key, Uncommon, Padded 2c	1
34	105081910	Keysw, Uncom, 4t, Off/on/st 2d (includes item 35)	1
35	105068010	Key, Uncommon, Padded 2d	1
36	105081911	Keysw, Uncom, 4t, Off/on/st 2e (includes item 37)	1
37	105068011	Key, Uncommon, Padded 2e	1
38	105081912	Keysw, Uncom, 4t, Off/on/st 2f (includes item 39)	1
39	105068012	Key, Uncommon, Padded 2f	1
		Note: Keyswitch 105081901, is standard for key-start gasolinevehicles equipped with a cab. Keyswitch 105081902, is standard for key-start gasoline vehicles without a cab. Keyswitches 105081903 through 105081912 allows different key code combinations for key-start gasoline fleet vehicles.	

4
G
E

4

G

E



001358-001

DC CONVERTER – ELECTRIC VEHICLE

ITEM	PART NO.	DESCRIPTION	QTY
1	101835601	1 2 3 4 Locknut, 1/4-20 Hex Whiz	2
2	103700301	Converter, Dc/dc, Isoltd	1

4

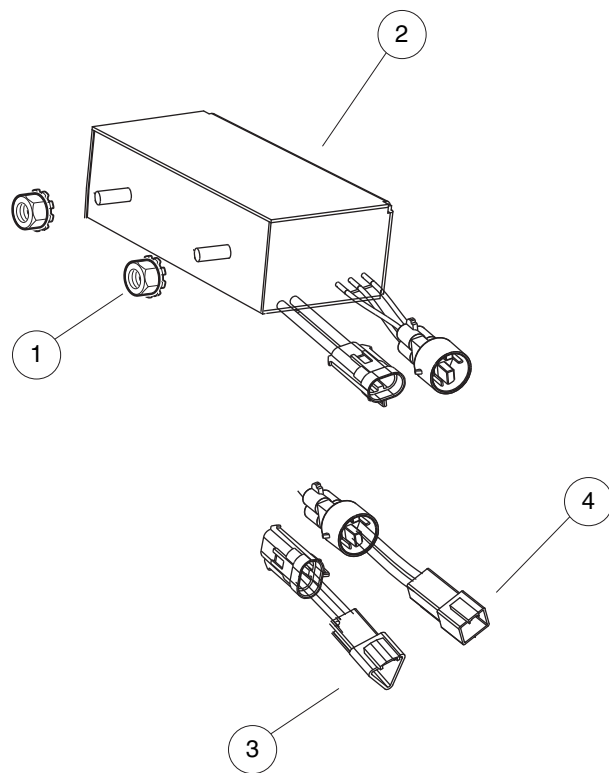
G

E

4

G

E



001359-001

DC CONVERTER, HEAVY DUTY – ELECTRIC VEHICLE

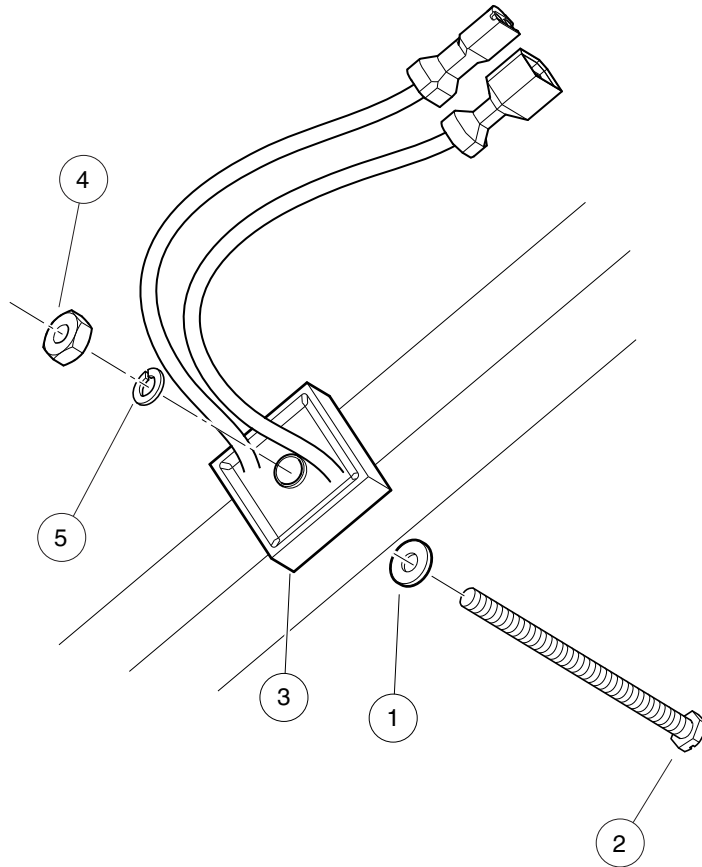
ITEM	PART NO.	DESCRIPTION	QTY
		1 2 3 4	
1	101835601	Locknut, 1/4-20 Hex Whiz	2
2	103449501	Bead, Ferrite, Tdk	1
3	103804901	Converter, 25a, Isolated, Ce	1
4	105146901	Jmpr, Dc Conv, Dt/mp480s, In	1
5	105147001	Jmpr, Dc Conv, Dt/mp480s, Out	1

4
G
E

4

G

E



001365-001

VOLTAGE LIMITER – GASOLINE VEHICLE

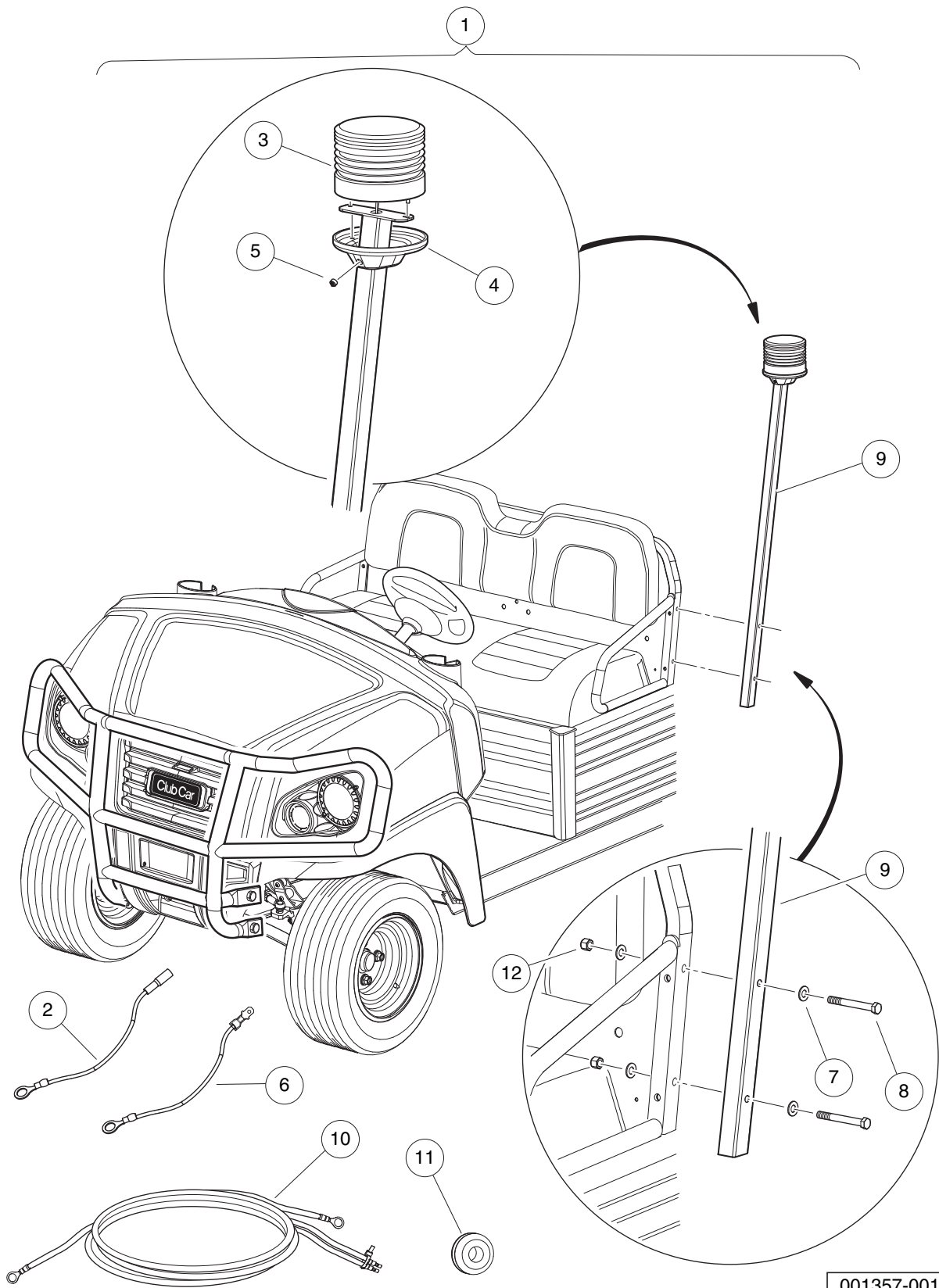
ITEM	PART NO.	DESCRIPTION	QTY
		1 2 3 4	
1	1012431	Washer, #4 Flat	1
2	1015878	Screw, #4-40 Hex Head Machine	1
3	102529101	Voltage Limiter, Prec	1
4	8057	Nut, #4-40 Hex Machine	1
5	8058	Lockwasher, #4 Split	1

4

G

E

4
G
E



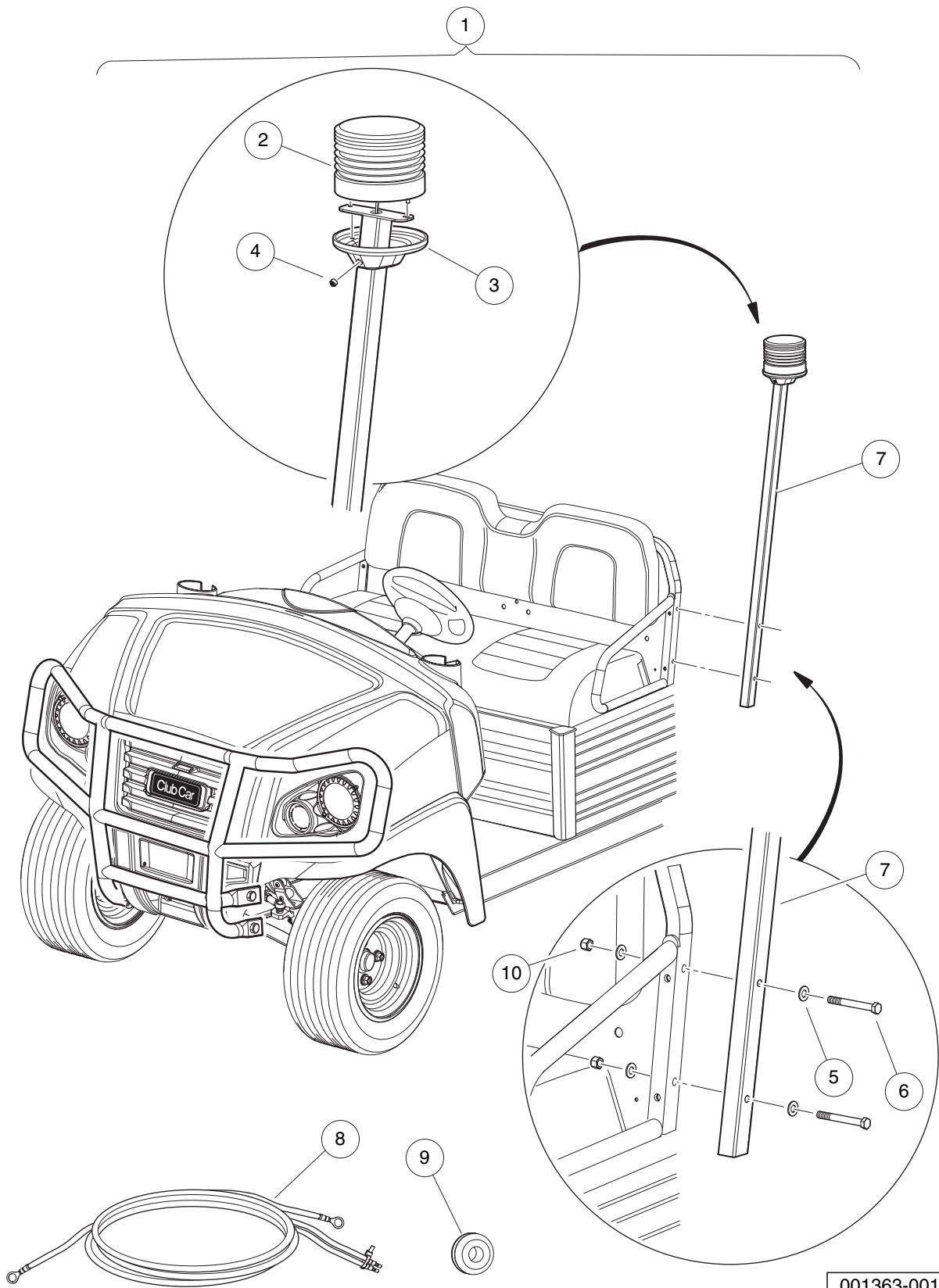
001357-001

STROBE LIGHT, POST MOUNTED – GASOLINE VEHICLES

ITEM	PART NO.	DESCRIPTION	QTY
		1 2 3 4	
1	105155601	Kit, Post Mtd. Strobe, Gas (includes items 2 through 12)	1
2	1015154	Wire Assembly Blue Ca #16	1
3	1015156	Light Assembly, Strobe	1
4	1015157	Cover Plate Switch - Pole Ca	1
5	1015187	Switch Assembly	1
6	1016929	Wire Assembly Black #16	1
7	102323501	Washer, Flat, 3/8, Blk Fin	4
8	105088601	Hhcs, 3/8 - 16 X 3.25, Black	2
9	105118601	Weldment, Post Mtd. Strobe	1
10	105204401	Wire Harness Asm,PM Strobe	1
11	105205301	Grommet,1/8-in groove	1
12	8754	Locknut, 3/8-16 Hex	2

4
G
E

4
G
E



001363-001

STROBE LIGHT, POST MOUNTED – ELECTRIC VEHICLES

ITEM	PART NO.	DESCRIPTION	QTY
		1 2 3 4	
1	105155501	Kit, Post Mtd. Strobe, Elec (includes items 2 through 10)	1
2	1015156	Light Assembly, Strobe	1
3	1015157	Cover Plate Switch - Pole Ca	1
4	1015187	Switch Assembly	1
5	102323501	Washer, Flat, 3/8, Blk Fin	4
6	105088601	Hhcs, 3/8 - 16 X 3.25, Black	2
7	105118601	Weldment, Post Mtd. Strobe	1
8	105204401	Wire Harness Asm,PM Strobe	1
9	105205301	Grommet,1/8-in groove	1
10	8754	Locknut, 3/8-16 Hex	2

4

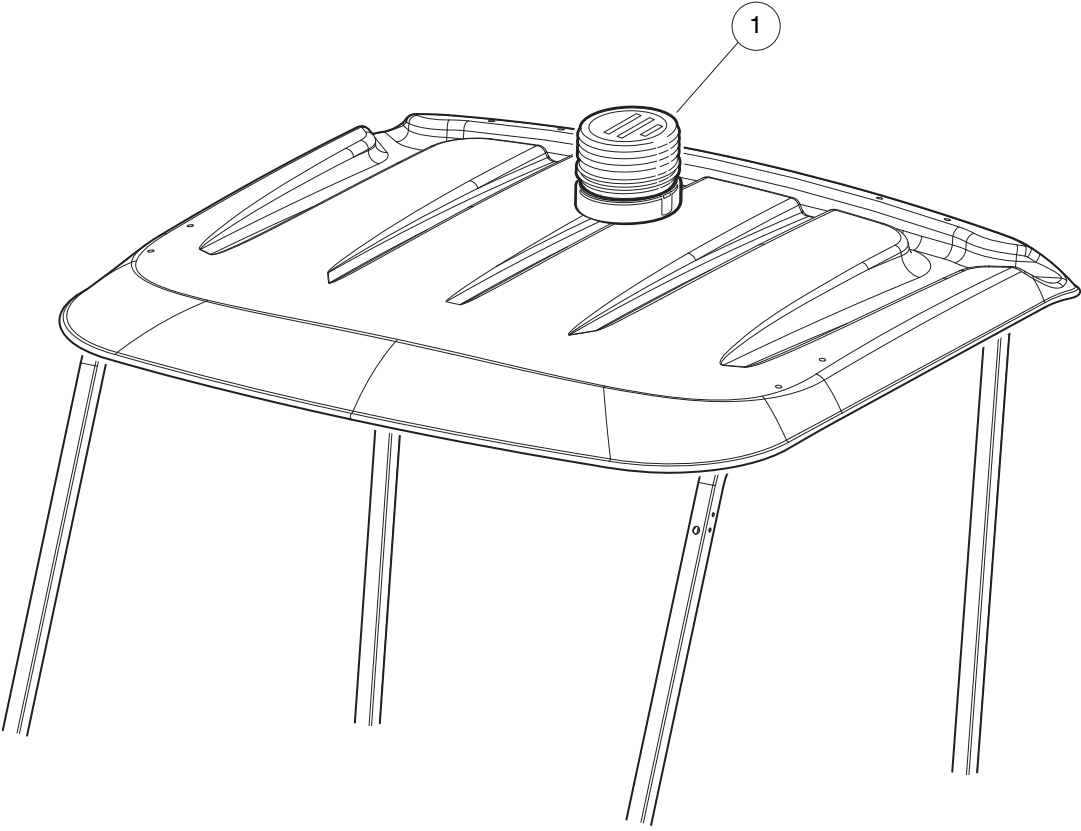
G

E

4

G

E



001364-001

STROBE LIGHT – CANOPY MOUNTED

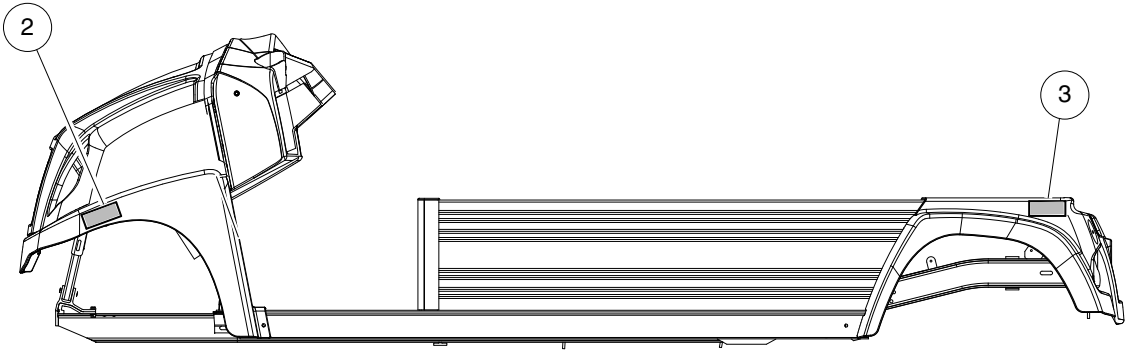
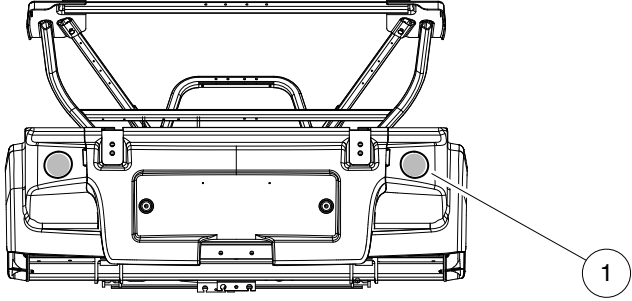
ITEM	PART NO.	DESCRIPTION	QTY
1	105185101	1 2 3 4 Kit, Strobe, Canopy	1

4

G

E

4
G
E



001362-001

REFLECTORS

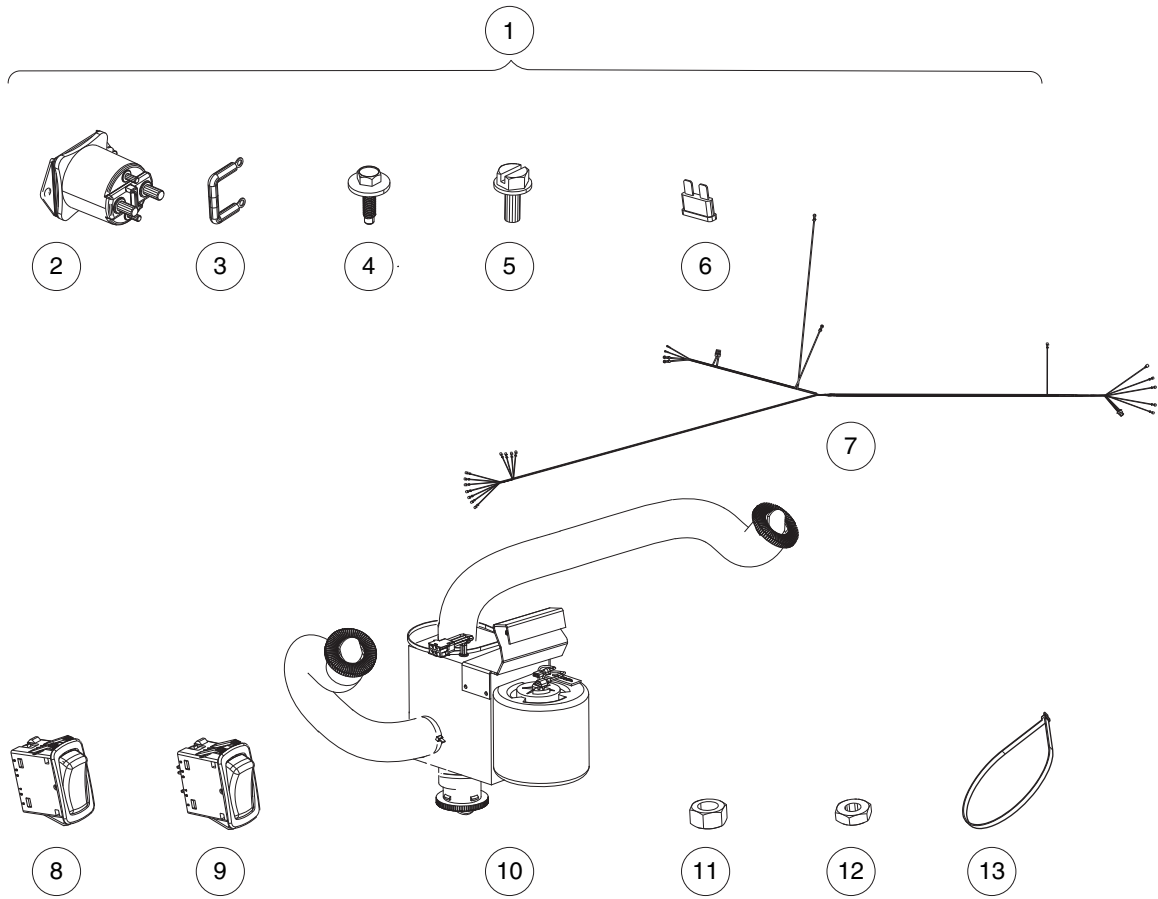
ITEM	PART NO.	DESCRIPTION	QTY
		1 2 3 4	
1	103832501	Reflector, Red, Round, Sae	2
2	103832601	Reflector, Yell, Rect, Sae	2
3	105144801	Reflector, Red, Rect, Sae	2

4

G

E

4
G
E



001366-002

HEATER DEFOGGER – ELECTRIC VEHICLE

ITEM	PART NO.	DESCRIPTION	QTY
		1 2 3 4	
1	105135802	Kit, Defogger, Heater (includes items 2 through 13)	1
2	1013609	Solenoid, 12-Volt	1
3	1014948	Diode	1
4	102297125	Screw, M6-1.0x25.4, Thread-Forming, SEMS	2
5	102817101	Screw, 1/4-20 X .50 Hex Wsh Hd	2
6	103541401	Fuse, Atc, 5 Amp	1
7	105108801	Harness, Heater, Cab, Util	1
8	105112501	Switch, Heater, 12vdc	1
9	105112601	Switch, Blower, 12vdc	1
10	N/A	Heater, Defogger	1
11	1242	Nut, 5/16-18 Hex	2
12	7893	Nut, #10-32 Hex	2
13	8639	Tie Wrap, 11" Nylon	8

4
G
E

4

G

E

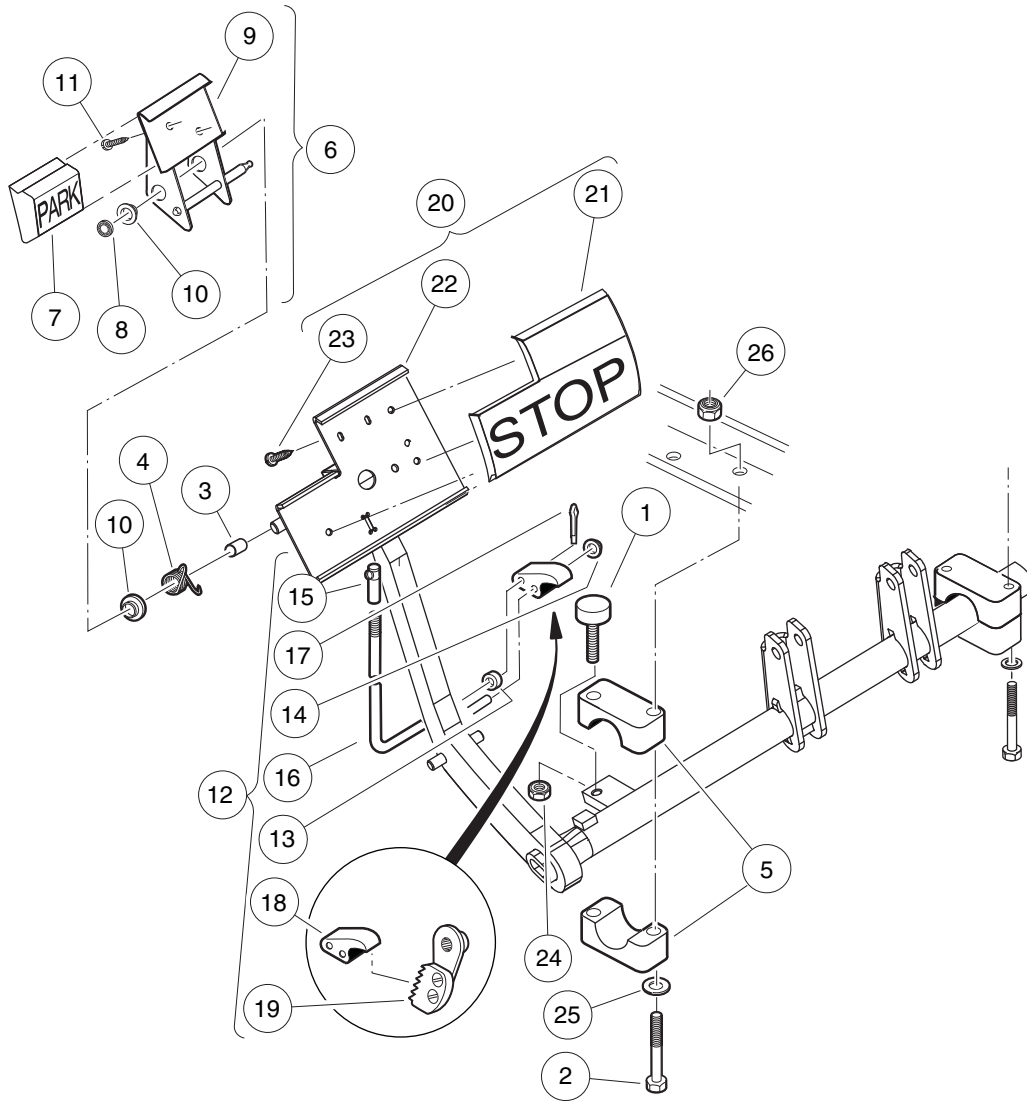
BRAKES, PEDALS, AND CABLE ASSEMBLIES

5

G

E

5
G
E



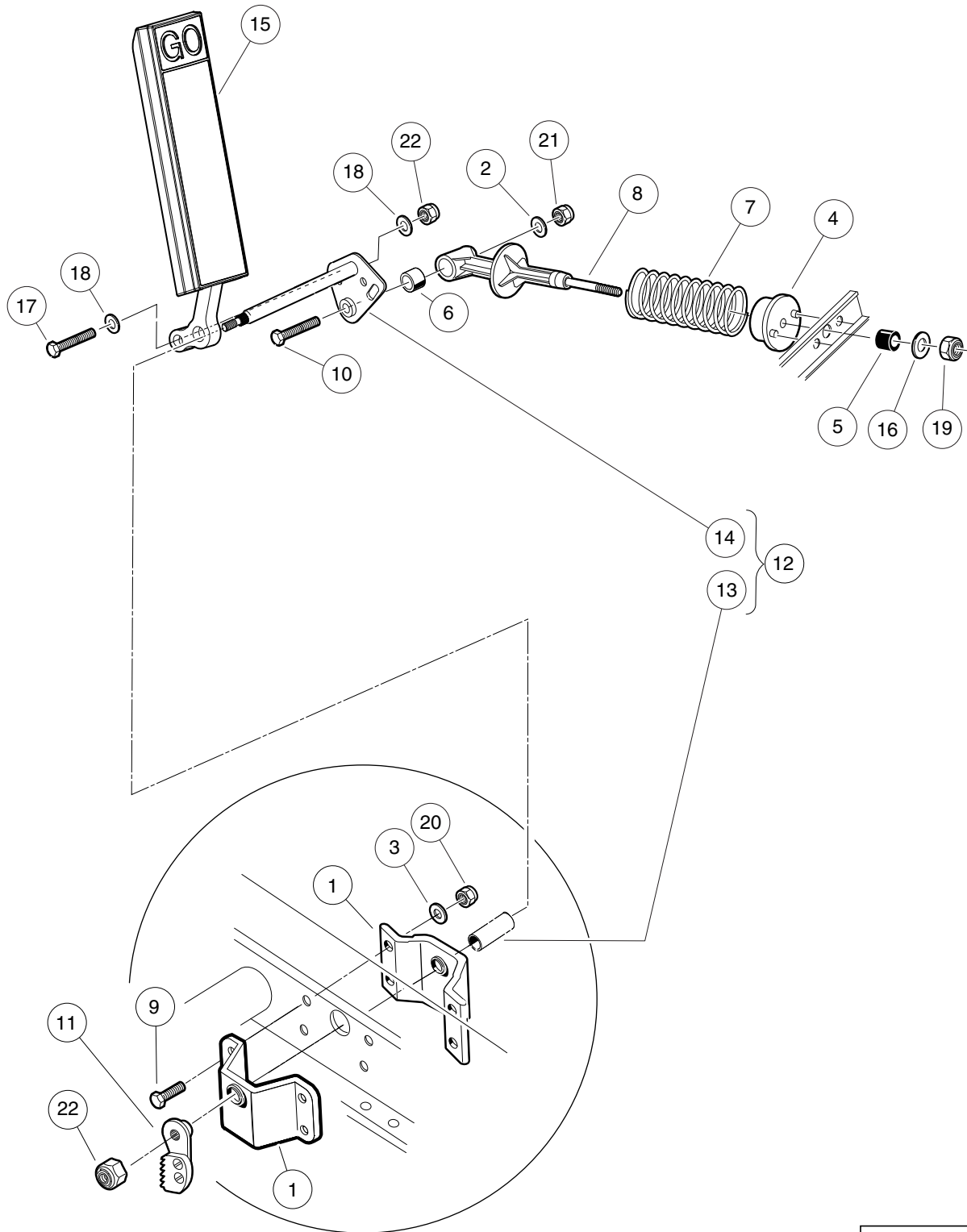
001405-002

BRAKE PEDAL ASSEMBLY – VEHICLES WITH 2-WHEEL BRAKES AND 4-WHEEL BRAKES

ITEM	PART NO.	DESCRIPTION	QTY
		1 2 3 4	
1	1010878	Bumper, Rubber	1
2	1010921	Screw, 5/16-18 X 2.50 Hex Cap	4
3	1010927	Hill Brake Spacer	1
4	1010933	Spring, Hill Brake Torsion	1
5	1011402	Package, Brake Mounting Block	1
6	1011418	Kit, Hill Brake Pedal (includes items 7 through 11)	1
7	1013870	Pad, Hill Brake	1
8	1013876	Pushnut, 3/8	1
9	N/A	Hill Brake Weld Assembly	1
10	1032	Bushing, Nylon	2
11	7716	Screw, #10-16 Type AB, Sheet Metal	2
12	101187702	Kit, Hill Brake Latch (includes items 13 through 19)	1
13	1010805	Sleeve, Hill Brake Rod	1
14	1010877	Pushnut, 3/8	1
15	1010932	Ball Joint, 1/4-28	1
16	N/A	Rod, Hill Brake	1
17	1017029	Pin, Cotter, 7/64 x 1/2 Stainless-Steel	1
18	N/A	Pawl, Hill Brake	1
19	101918501	Ratchet Assembly	1
20	101878201	Brake Pedal Kit (includes items 21 through 23)	1
21	1013869	Pad, Brake Pedal	1
22	N/A	Weldment, Brake Pedal, 2wr Std	1
23	7716	Screw, #10-16 Type AB, Sheet Metal	3
24	1028	Nut, 1/4-20 Hex	1
25	1241	Washer, 5/16 Type A Flat	4
26	7473	Locknut, 5/16-18 Nylon Insert	4

5
G
E

5
G
E



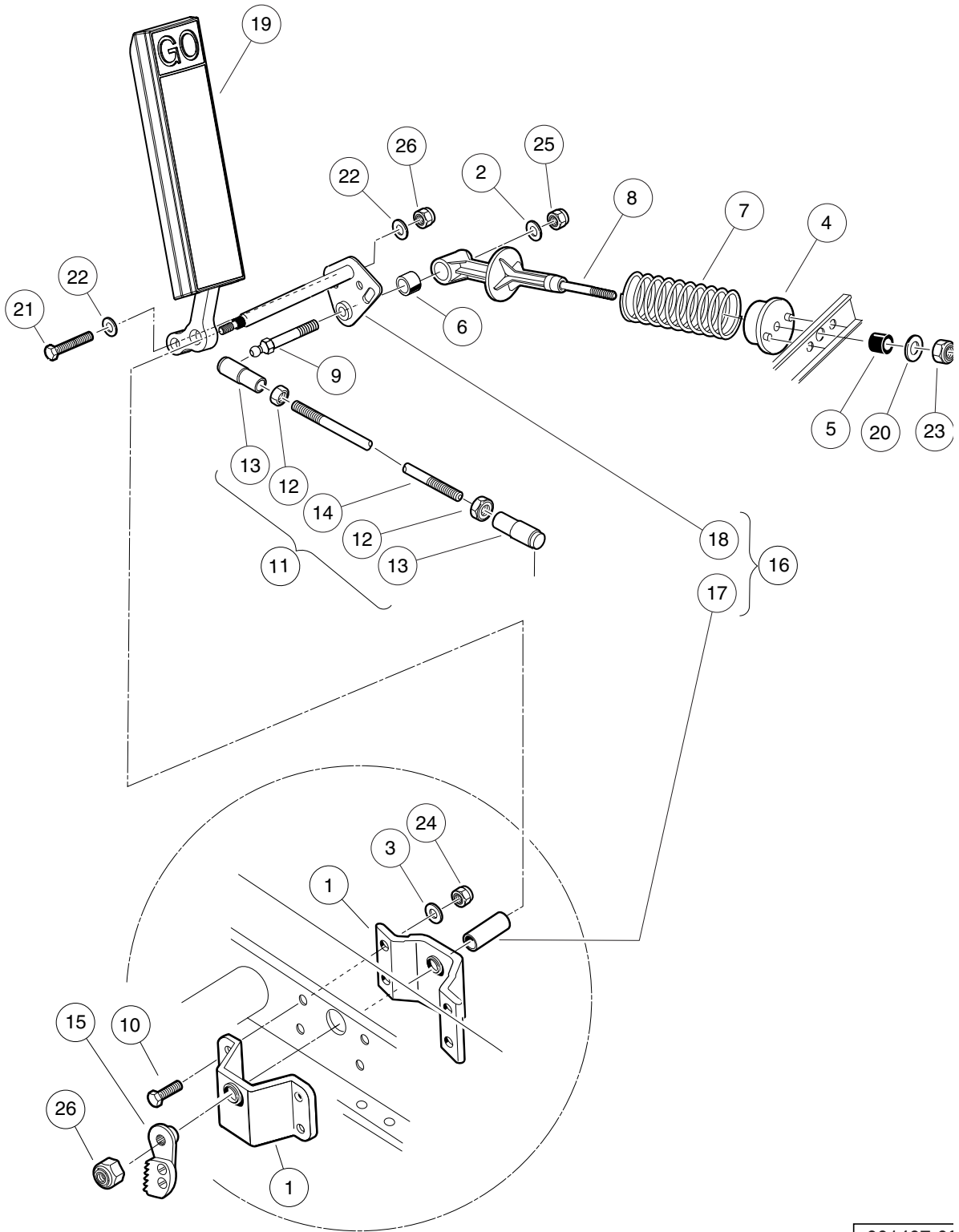
001406-001

ACCELERATOR PEDAL ASSEMBLY – ELECTRIC VEHICLES

ITEM	PART NO.	DESCRIPTION	QTY
		1 2 3 4	
1	1011694	Accelerator Bracket and Bearing Assembly	2
2	1011931	Washer, 1/4 Flat	1
3	1014007	Washer, 1/4, Flat	4
4	1017378	Cup, Spring	1
5	1017380	Bumper, Spring Return	1
6	1017424	Bearing, Pivot Support	1
7	101796201	Spring, Accelerator Return	1
8	101817401	Retainer, Spring	1
9	101861901	Screw, 1/4-20 X 1.125 Hex Cap	4
10	101862001	Screw, 1/4-20 X 1.500 Flange	1
11	101918501	Ratchet Assembly	1
12	102026001	Kit, Accelerator Pivot Rod Assembly (includes items 13 and 14)	1
13	101919801	Spacer, Accelerator	1
14	102158901	Pivot Rod Weldment	1
15	103865101	Pedal, Accel, Insert	A/R
16	1241	Washer, 5/16 Type A Flat	1
17	1624	Screw, 3/8-16 X 1.50, Hex-Head Cap	1
18	334	Washer, 3/8, Type A, Flat	2
19	7473	Locknut, 5/16-18 Nylon Insert	1
20	8233	Locknut, 1/4-20, Nylon Insert	4
21	8717	Locknut, Nylon Insert, 1/4-28	1
22	8754	Locknut, 3/8-16 Hex	2

5
G
E

5
G
E



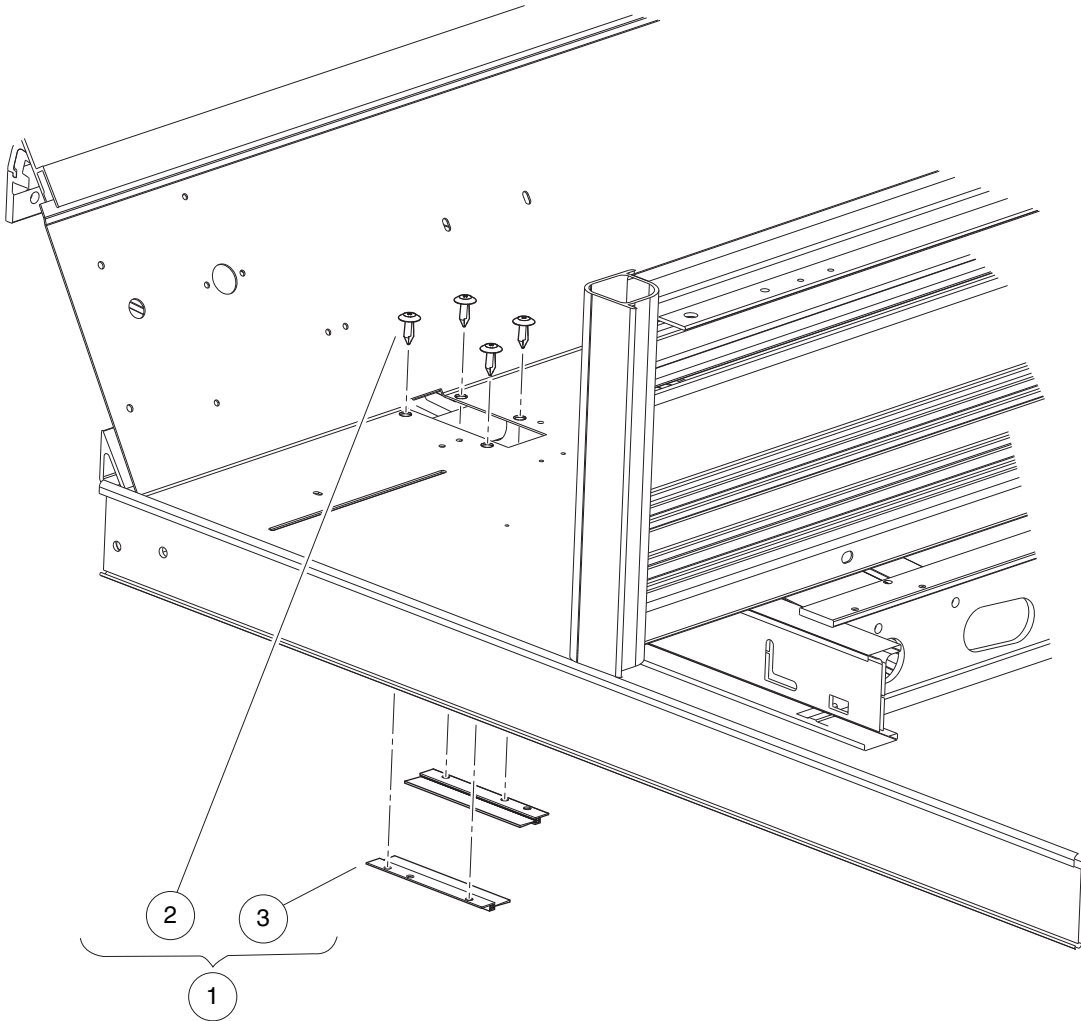
001407 06

ACCELERATOR PEDAL AND ROD ASSEMBLY – GASOLINE VEHICLE

ITEM	PART NO.	DESCRIPTION	QTY
		1 2 3 4	
1	1011694	Accelerator Bracket and Bearing Assembly	2
2	1011931	Washer, 1/4 Flat	1
3	1014007	Washer, 1/4, Flat	4
4	1017378	Cup, Spring	1
5	1017380	Bumper, Spring Return	1
6	1017424	Bearing, Pivot Support	1
7	101796201	Spring, Accelerator Return	1
8	101817401	Retainer, Spring	1
9	101818801	Stud, 1/4-28 X 1.35 Ball	1
10	101861901	Screw, 1/4-20 X 1.125 Hex Cap	4
11	101912401	Rod, Accelerator (includes items 12 through 14)	1
12	1011084	Nut, 1/4-28 Hex Jam	2
13	1011734	Joint, Ball	2
14	N/A	Accelerator Rod	1
15	101918501	Ratchet Assembly	1
16	102026001	Kit, Accelerator Pivot Rod Assembly (includes items 17 and 18)	1
17	101919801	Spacer, Accelerator	1
18	102158901	Pivot Rod Weldment	1
19	103865101	Pedal, Accel, Insert	1
20	1241	Washer, 5/16 Type A Flat	1
21	1624	Screw, 3/8-16 X 1.50, Hex-Head Cap	1
22	334	Washer, 3/8, Type A, Flat	2
23	7473	Locknut, 5/16-18 Nylon Insert	1
24	8233	Locknut, 1/4-20, Nylon Insert	4
25	8717	Locknut, Nylon Insert, 1/4-28	1
26	8754	Locknut, 3/8-16 Hex	2

5
G
E

5
G
E



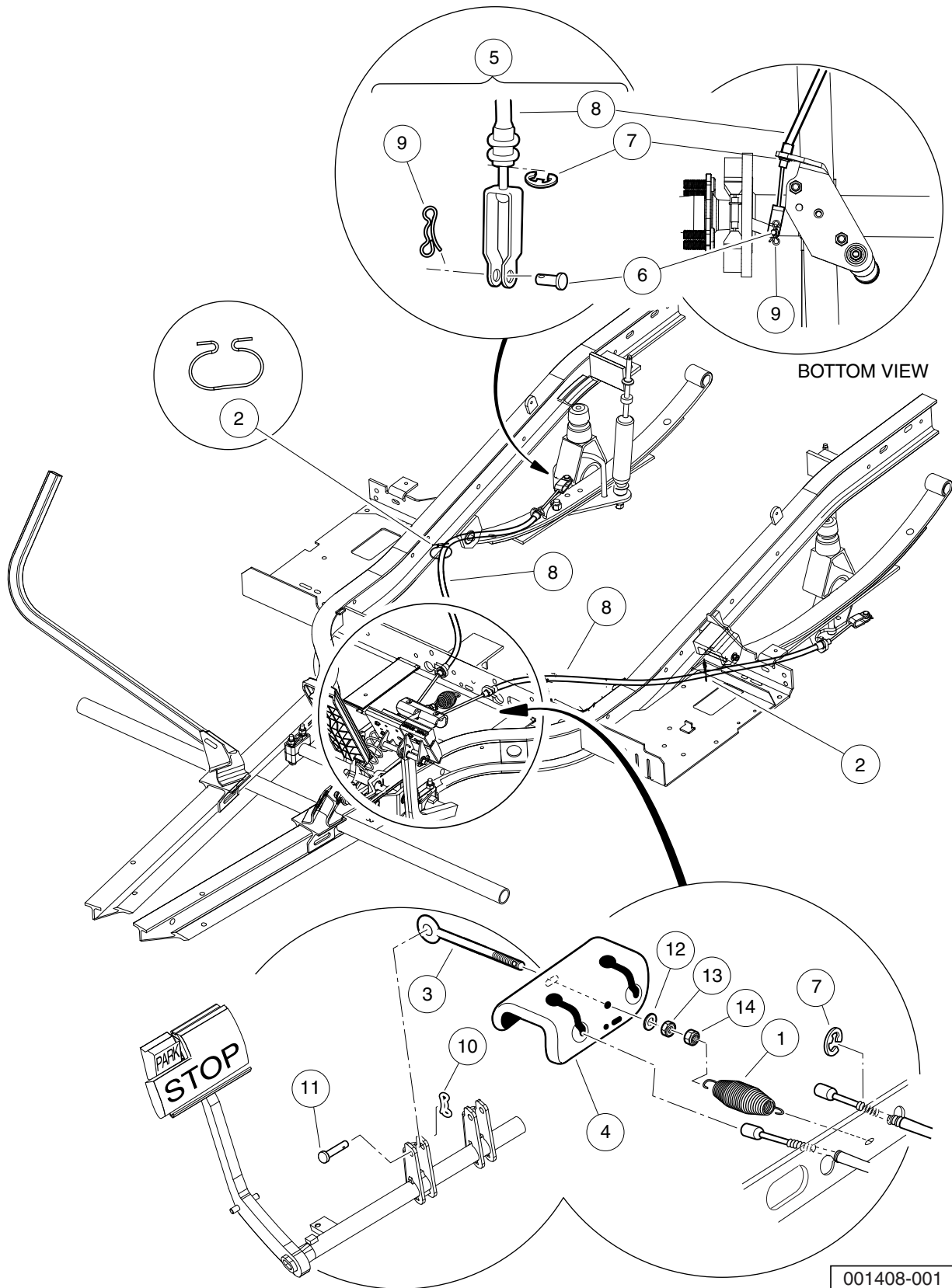
001418-001

PEDAL CLOSE-OUT KIT

ITEM	PART NO.	DESCRIPTION	QTY
		1 2 3 4	
1	105149101	Kit, Close Out, Pedal, Utl (includes items 2 and 3)	1
2	102025701	Screw, Tuflok Panel, 1/4	4
3	105149201	Asm, Brush, Pedal Close Out	2

5
G
E

5
G
E

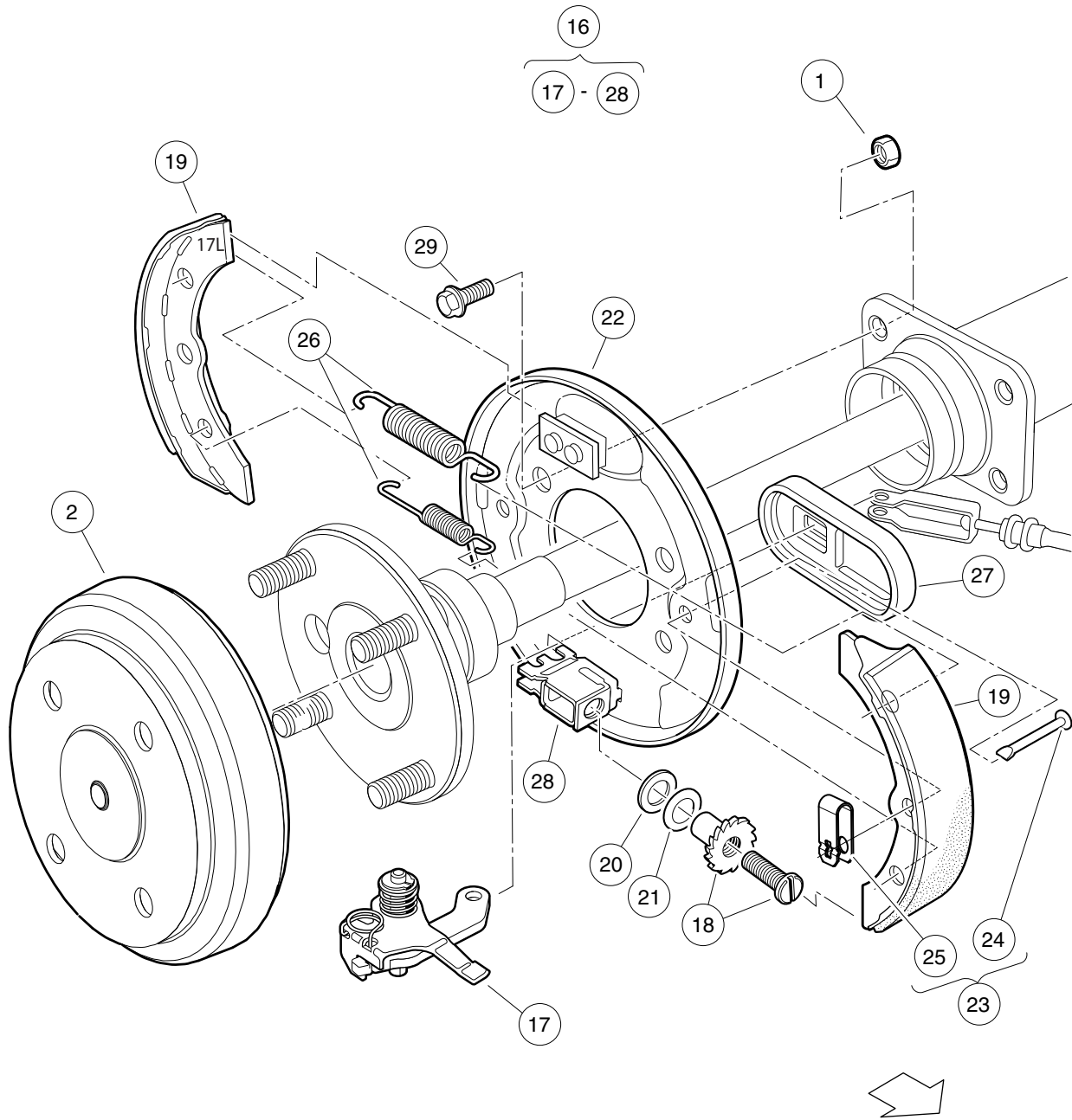


BRAKE CABLES AND EQUALIZER

ITEM	PART NO.	DESCRIPTION	QTY
		1 2 3 4	
1	1013531	Spring, Brake Return	1
2	101900801	Hanger, Brake Cable	2
3	101953101	Rod, Equalizer, 8.91"	1
4	101990801	Equalizer Bracket	1
5	102166901	Kit, Brake Cable Rear (includes items 6 through 9)	1
6	1010829	Pin, Clevis, 5/16 X 3/4	2
7	1011779	E-Clip, 1/2	4
8	102162601	Cable, Brake	2
9	102292801	Pin, Bow Tie Locking - .072	2
10	102323101	Pin, Bow Tie Locking	1
11	102323201	Pin, 3/8 X 1-5/16 Clevis	1
12	1241	Washer, 5/16 Type A Flat	5
13	1242	Nut, 5/16-18 Hex	1
14	7473	Locknut, 5/16-18 Nylon Insert	5

5
G
E

5
G
E



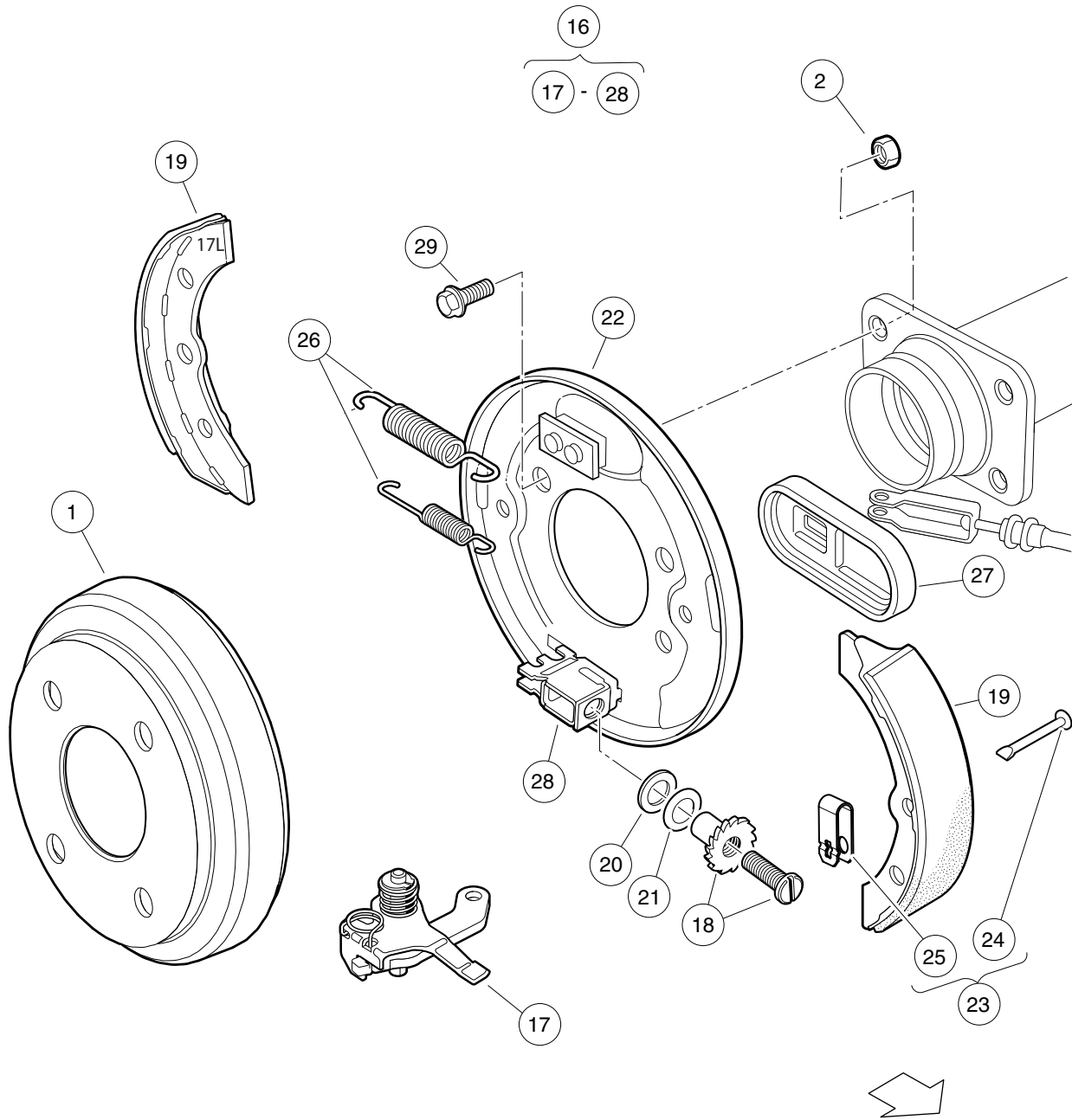
000186-006

REAR BRAKES, SELF-ADJUSTING – ELECTRIC VEHICLE

ITEM	PART NO.	DESCRIPTION	QTY
		1 2 3 4	
1	1013924	Nut, 5/16-24, Hex Head Cone	8
2	101791101	Drum without Center Hole, Brake	2
3	103380201	Asm, Brake Cluster, Mech, Drvr (includes items 4 through 15)	1
4	101815502	Lever Assembly, Self-Adjusting Brake, Left	1
5	101816502	Adjusting Mechanism, Self-Adjusting Brake, Left	1
6	101823201	Package, Brake Shoe, Self-Adjusting	1
7	101823801	Plate, Washer, Brake, Self-Adjusting	1
8	101823901	Washer, Brake, Self-Adjusting	1
9	103483102	Back Plate, Lh	1
10	103483201	Kit, Shoe Retainer (includes items 11 and 12)	1
11	N/A	Pin	2
12	N/A	Spring, Shoe, Clamp	2
13	103483401	Package Brake Spring Self Adj	1
14	103483601	Cover, Dust	1
15	103483701	Brake Block	1
16	103380202	Asm, Brake Cluster, Mech, Pass (includes items 17 through 28)	1
17	101815501	Lever Assembly, Self-Adjusting Brake, Right (Passenger)	1
18	101816501	Adj Mechanism, S.A. Brakes, Right (Passenger)	1
19	101823201	Package, Brake Shoe, Self-Adjusting	1
20	101823801	Plate, Washer, Brake, Self-Adjusting	1
21	101823901	Washer, Brake, Self-Adjusting	1
22	103483101	Back Plate, Rh	1
23	103483201	Kit, Shoe Retainer (includes items 24 and 25)	1
24	N/A	Pin	2
25	N/A	Spring, Shoe, Clamp	2
26	103483401	Package Brake Spring Self Adj	1
27	103483601	Cover, Dust	1
28	103483701	Brake Block	1
29	47542195001	Bolt, Brake Cluster Mnt	8
		Note: Driver-side brake cluster (items 4 -16) not shown. Components have a similar appearance to passenger-side brake cluster components.	

5
G
E

5
G
E



000186-007

REAR BRAKES, SELF-ADJUSTING – GASOLINE VEHICLE

ITEM	PART NO.	DESCRIPTION	QTY
		1 2 3 4	
1	1011137	Drum, Brake	2
2	1013924	Nut, 5/16-24, Hex Head Cone	8
3	103380201	Asm, Brake Cluster, Mech, Drvr (includes items 4 through 15)	1
4	101815502	Lever Assembly, Self-Adjusting Brake, Left	1
5	101816502	Adjusting Mechanism, Self-Adjusting Brake, Left	1
6	101823201	Package, Brake Shoe, Self-Adjusting	1
7	101823801	Plate, Washer, Brake, Self-Adjusting	1
8	101823901	Washer, Brake, Self-Adjusting	1
9	103483102	Back Plate, Lh	1
10	103483201	Kit, Shoe Retainer (includes items 11 and 12)	1
11	N/A	Pin	2
12	N/A	Spring, Shoe, Clamp	2
13	103483401	Package Brake Spring Self Adj	1
14	103483601	Cover, Dust	1
15	103483701	Brake Block	1
16	103380202	Asm, Brake Cluster, Mech, Pass (includes items 17 through 28)	1
17	101815501	Lever Assembly, Self-Adjusting Brake, Right (Passenger)	1
18	101816501	Adj Mechanism, S.A. Brakes, Right (Passenger)	1
19	101823201	Package, Brake Shoe, Self-Adjusting	1
20	101823801	Plate, Washer, Brake, Self-Adjusting	1
21	101823901	Washer, Brake, Self-Adjusting	1
22	103483101	Back Plate, Rh	1
23	103483201	Kit, Shoe Retainer (includes items 24 and 25)	1
24	N/A	Pin	2
25	N/A	Spring, Shoe, Clamp	2
26	103483401	Package Brake Spring Self Adj	1
27	103483601	Cover, Dust	1
28	103483701	Brake Block	1
29	47542195001	Bolt, Brake Cluster Mnt	8
		Note: Driver-side brake cluster (items 4 -16) not shown. Components have a similar appearance to passenger-side brake cluster components.	

5
G
E

5

G

E

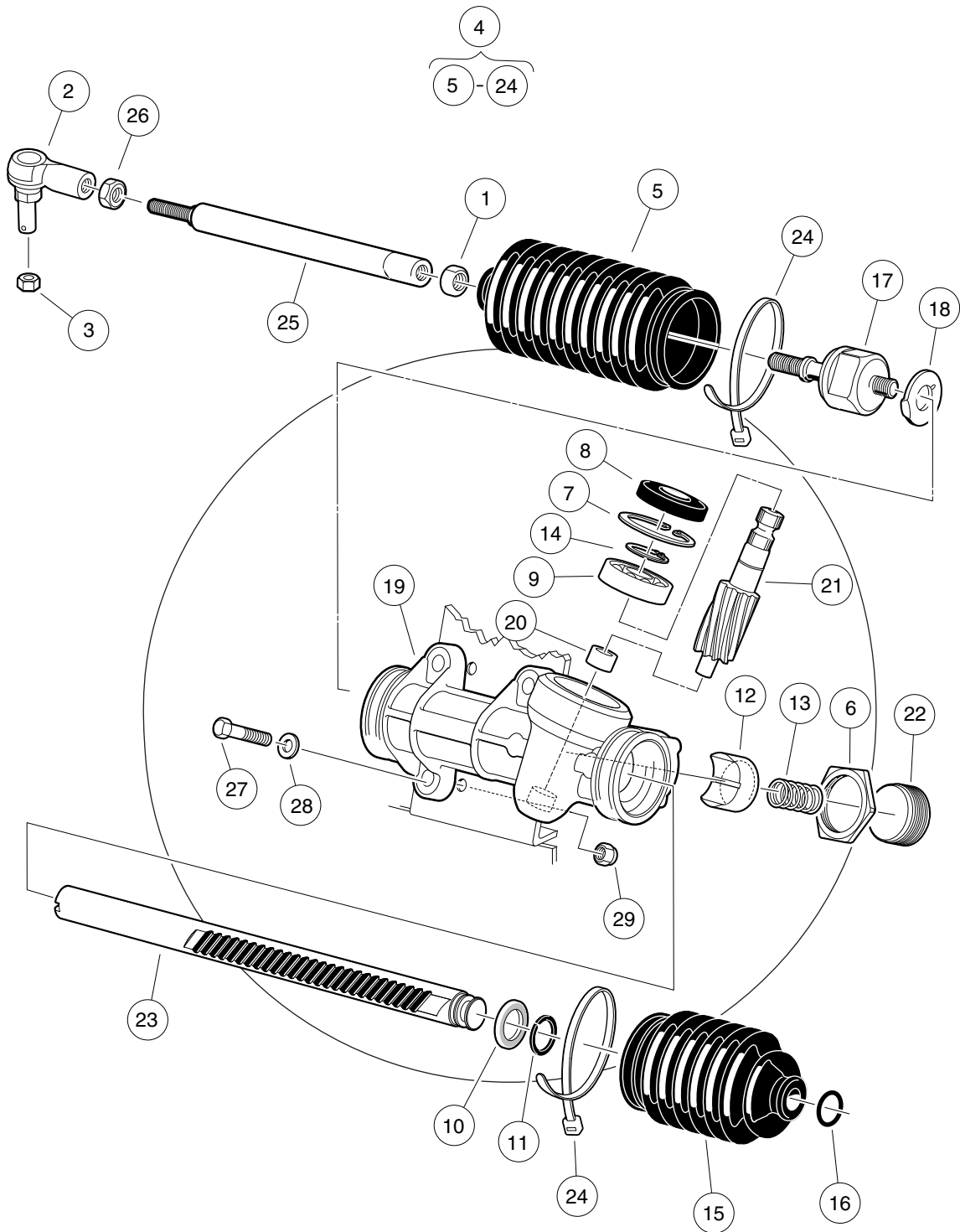
STEERING, FRONT AND REAR SUSPENSION

6

G

E

6
G
E

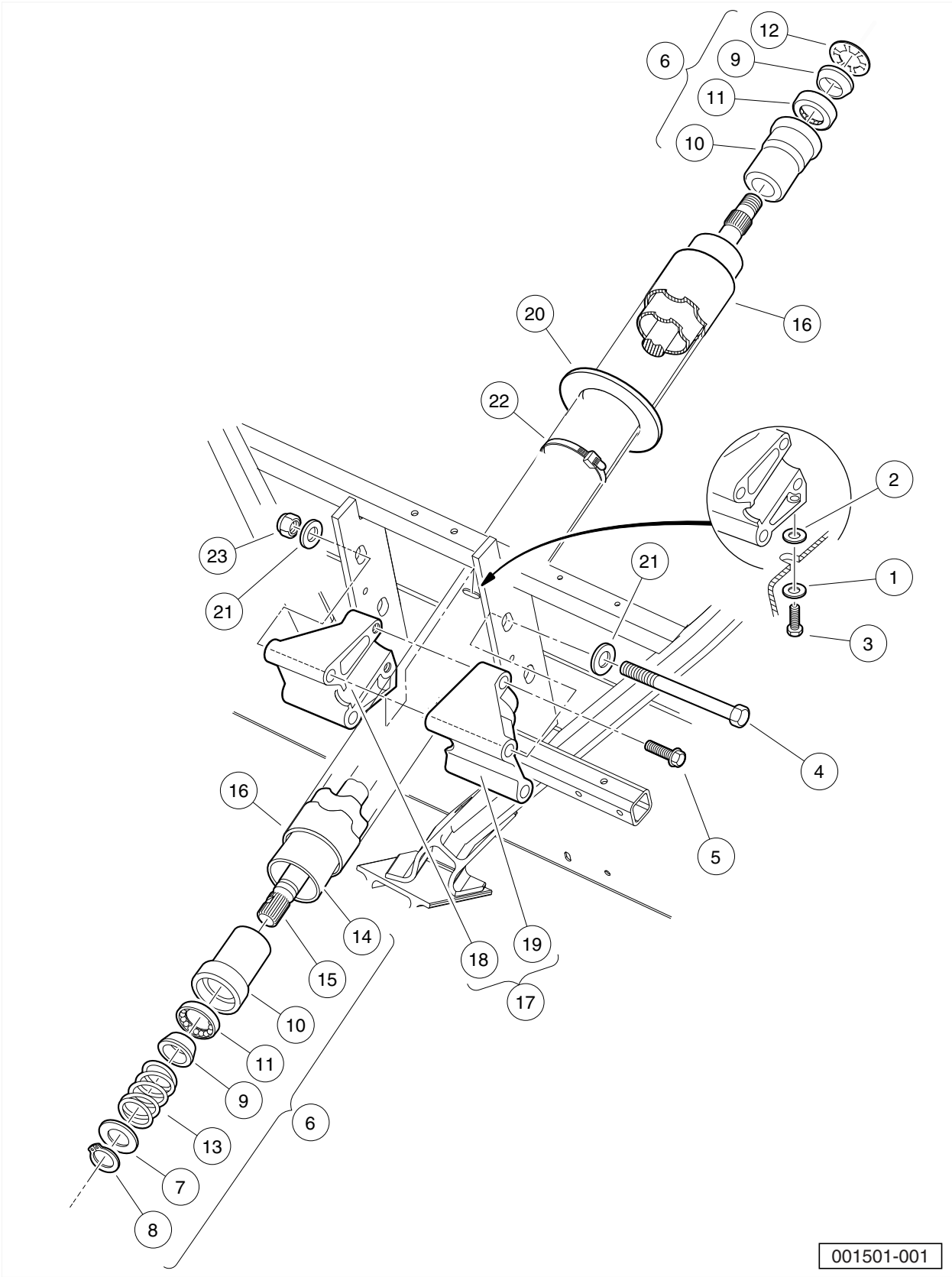


001500-002

STEERING GEAR ASSEMBLY

ITEM	PART NO.	DESCRIPTION	QTY	6
		1 2 3 4		
1	1013042	Nut, 12mm Hex	1	G
2	102022602	End, Tie Rod, M12 X 1.25, Lh	1	E
3	102289201	Nut - Hex Locking, M12 X 1.25	1	
4	103601501	Asm, Steering Rack And Pinion (includes items 5 through 24)	1	
5	1013035	Bellows, Long	1	
6	1013044	Rack Screw Locknut	1	
7	N/A	Snap Ring	1	
8	1013052	Seal, Steering Pinion Dust	1	
9	101879401	Bearing, Ball	1	
10	101879501	Stop Washer	1	
11	101879601	Stop Ring, C-Type	1	
12	101879701	Support Yoke	1	
13	101879801	Rack Guide Pressure Spring	1	
14	101879901	Ring, Stop, C-Type	1	
15	101880001	Bellows, Short	1	
16	101880101	Dust Seal Retaining Ring	1	
17	101880201	Inner Ball Joint Asm	1	
18	101880301	Washer, Tab	1	
19	N/A	Box, Steering Gear	1	
20	N/A	Bearing, Lower Pinion	1	
21	N/A	Pinion, Steering	1	
22	N/A	Screw, Rack Guide	1	
23	N/A	Rack, Steering	1	
24	8990	Tie Wrap, 8" Nylon	2	
25	103653401	Link, Drag, Male Thd	1	
26	103653501	Nut, Jam, M12-1.25, Lh	1	
27	1624	Screw, 3/8-16 X 1.50, Hex-Head Cap	3	
28	334	Washer, 3/8, Type A, Flat	3	
29	8754	Locknut, 3/8-16 Hex	3	

6
G
E

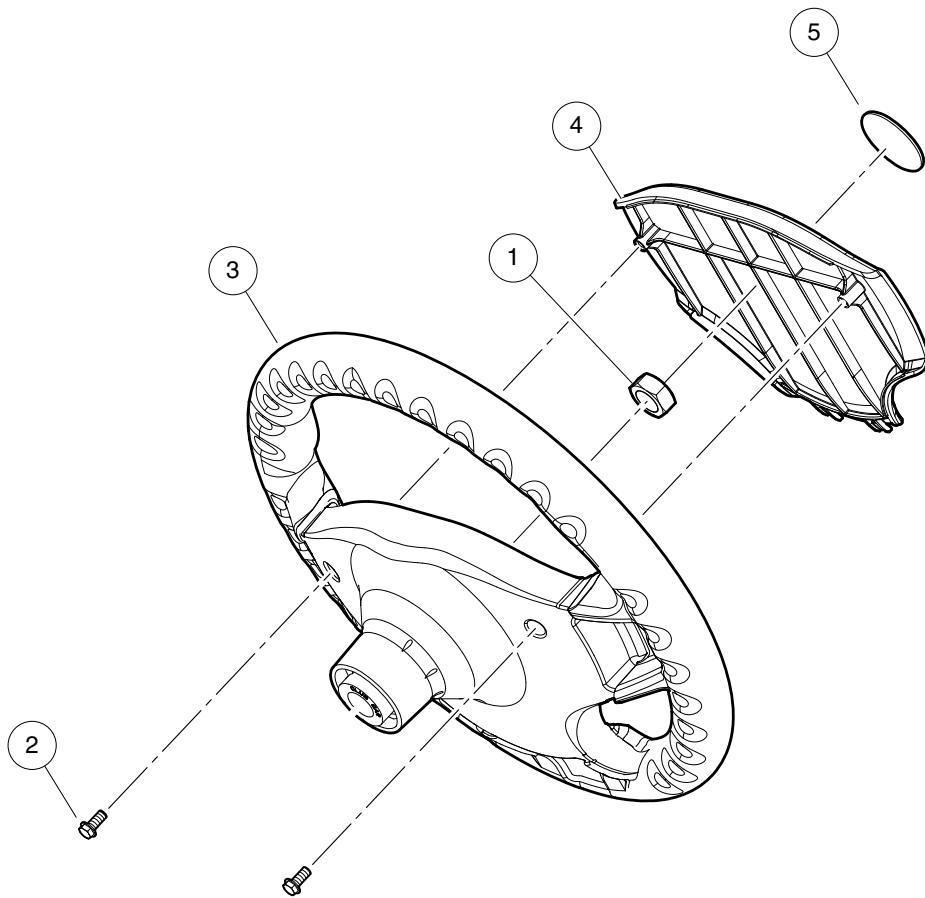
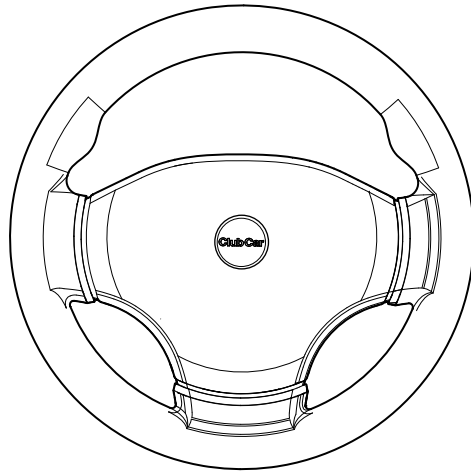


STEERING COLUMN

ITEM	PART NO.	DESCRIPTION	QTY
		1 2 3 4	
1	1011697	Washer, 5/16 Flat	1
2	1012571	Washer, 5/16 Extra Thick Flat	1
3	1014288	Screw, 5/16-18 X 0.75, Thread-Forming	1
4	1016183	Screw, 3/8-16 X 7.00 Hex Cap	2
5	1016269	Screw, 5/16-18 Thrd Forming	2
6	1017313	Steering Shaft Assembly (includes items 7 through 15)	1
7	1012604	Washer, 0.675 ID X 1.19 OD	1
8	1012605	Ring, 0.579 Internal Retaining	1
9	1014125	Wedge, Molded	2
10	1014126	Seat, Plastic Bearing	2
11	1014213	Bearing, Ball	2
12	1014214	Ring, Retaining	1
13	1014217	Spring, Steering Shaft	1
14	1017314	Column, Aluminum Steering	1
15	1017315	Shaft Steering Column	1
16	1017317	Tube Cover, Steering Column	1
17	101984801	Kit, Steering Column Mounting Bracket (includes items 18 and 19)	1
18	N/A	Bracket, RH Steering Column Mount	1
19	N/A	Bracket, LH Steering column mount	1
20	102278001	Boot, Steering Column Round	1
21	334	Washer, 3/8, Type A, Flat	4
22	8639	Tie Wrap, 11" Nylon	1
23	8754	Locknut, 3/8-16 Hex	2

6
G
E

6
G
E



001503-001

STEERING WHEEL

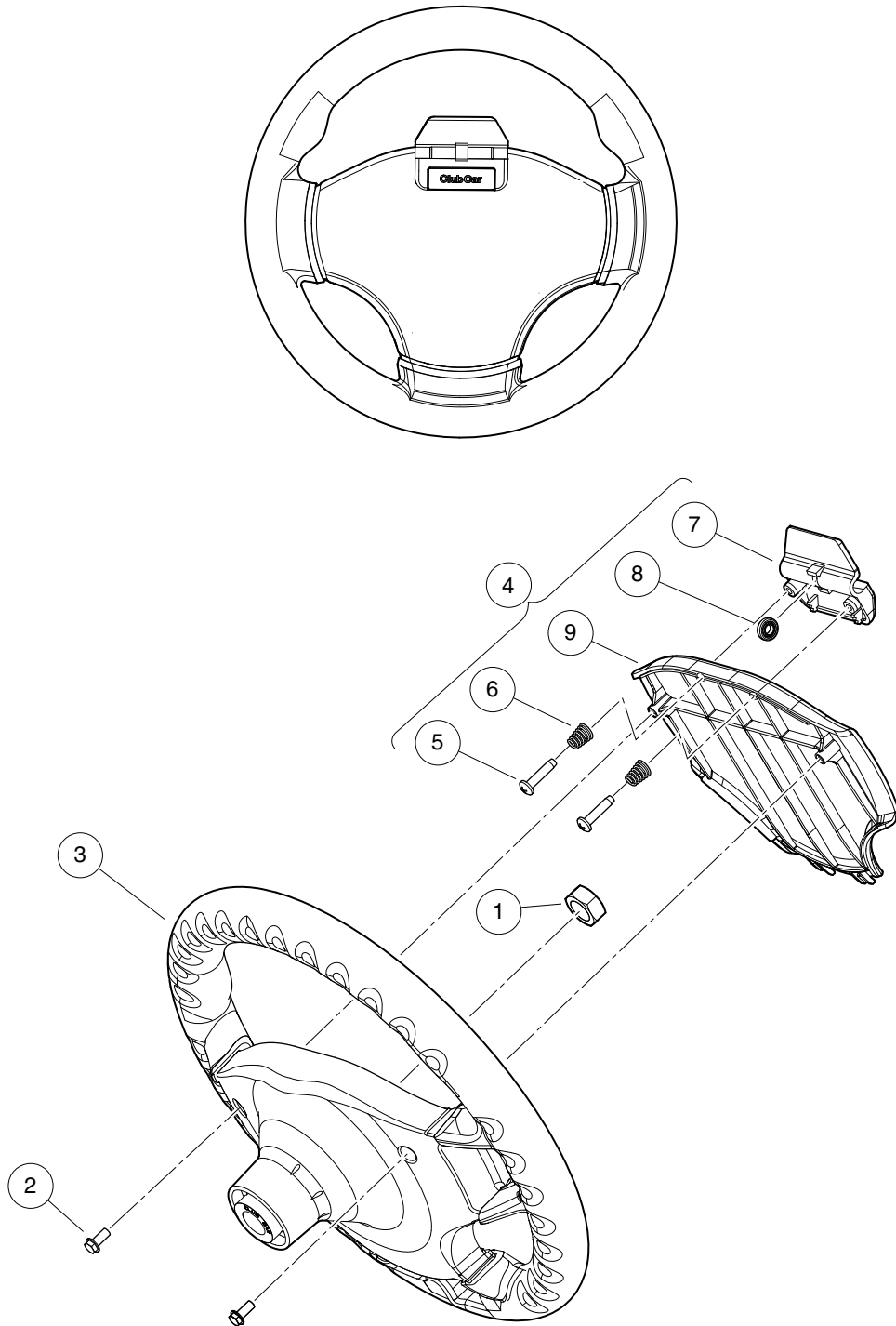
ITEM	PART NO.	DESCRIPTION	QTY
		1 2 3 4	
1	1017273	Nut, 5/8-18 Nylon Insert Jam	1
2	101850301	Screw, #12-16 X 0.50 Washer-Head Hi-Lo	2
3	103724504	Steering Wheel, Soft Spl	1
4	103724602	Cover, Steering Wheel, Generic	1
5	103829401	Logo, Cci, Steer Wheel	1

6

G

E

6
G
E



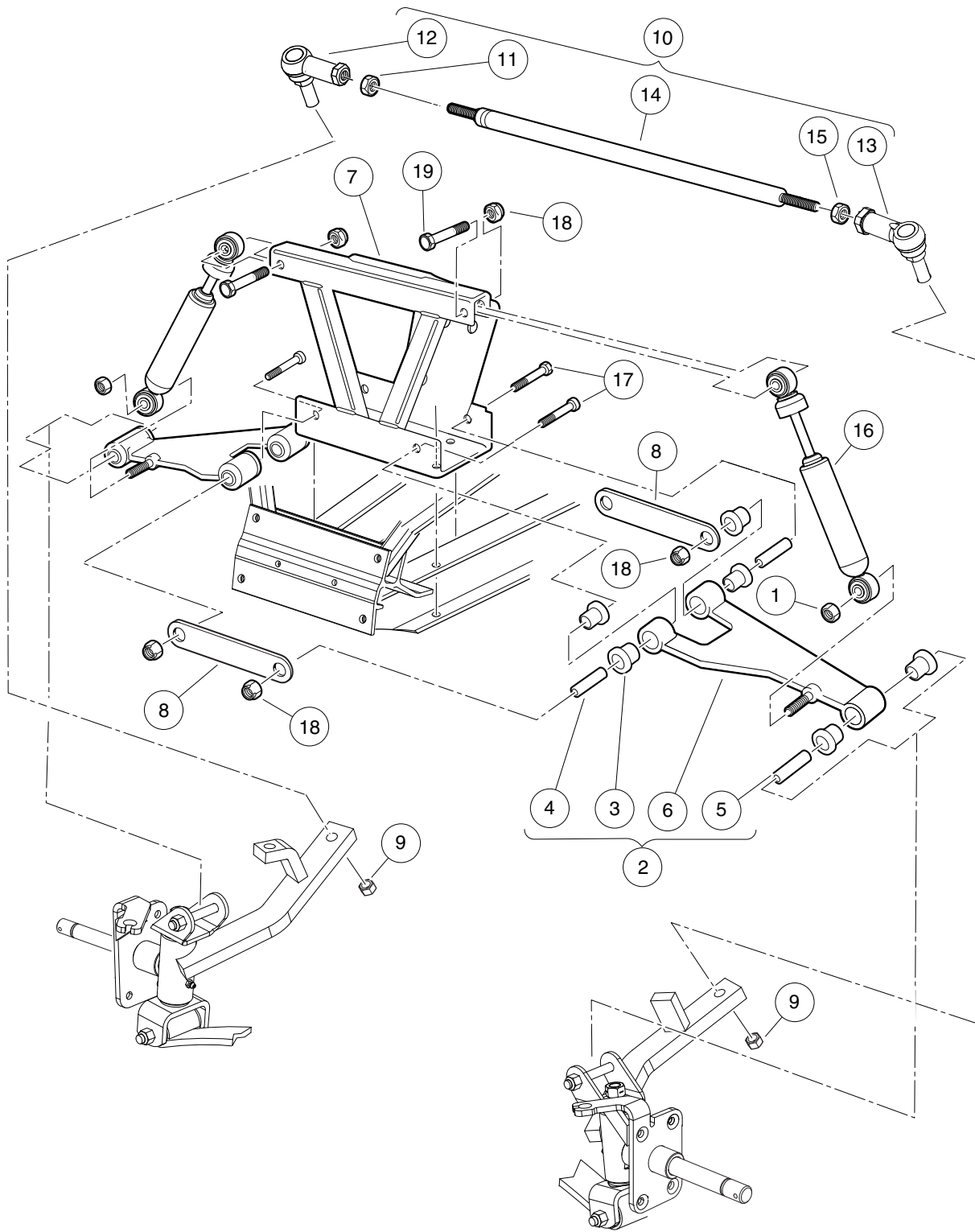
001504-001

STEERING WHEEL WITH CLIP

ITEM	PART NO.	DESCRIPTION	QTY
		1 2 3 4	
1	1017273	Nut, 5/8-18 Nylon Insert Jam	1
2	101850301	Screw, #12-16 X 0.50 Washer-Head Hi-Lo	2
3	103724504	Steering Wheel, Soft Spl	1
4	103724901	Asm, Scorecard, Clip (includes items 5 through 9)	1
5	1012565	Screw, #12 Phillips Round Head	2
6	1012566	Tapered Compression Spring	2
7	1016154	Clip, Scorecard	1
8	1016214	Pencil Grip	1
9	103724601	Cover, Steering Wheel, Clip	1

6
G
E

6
G
E



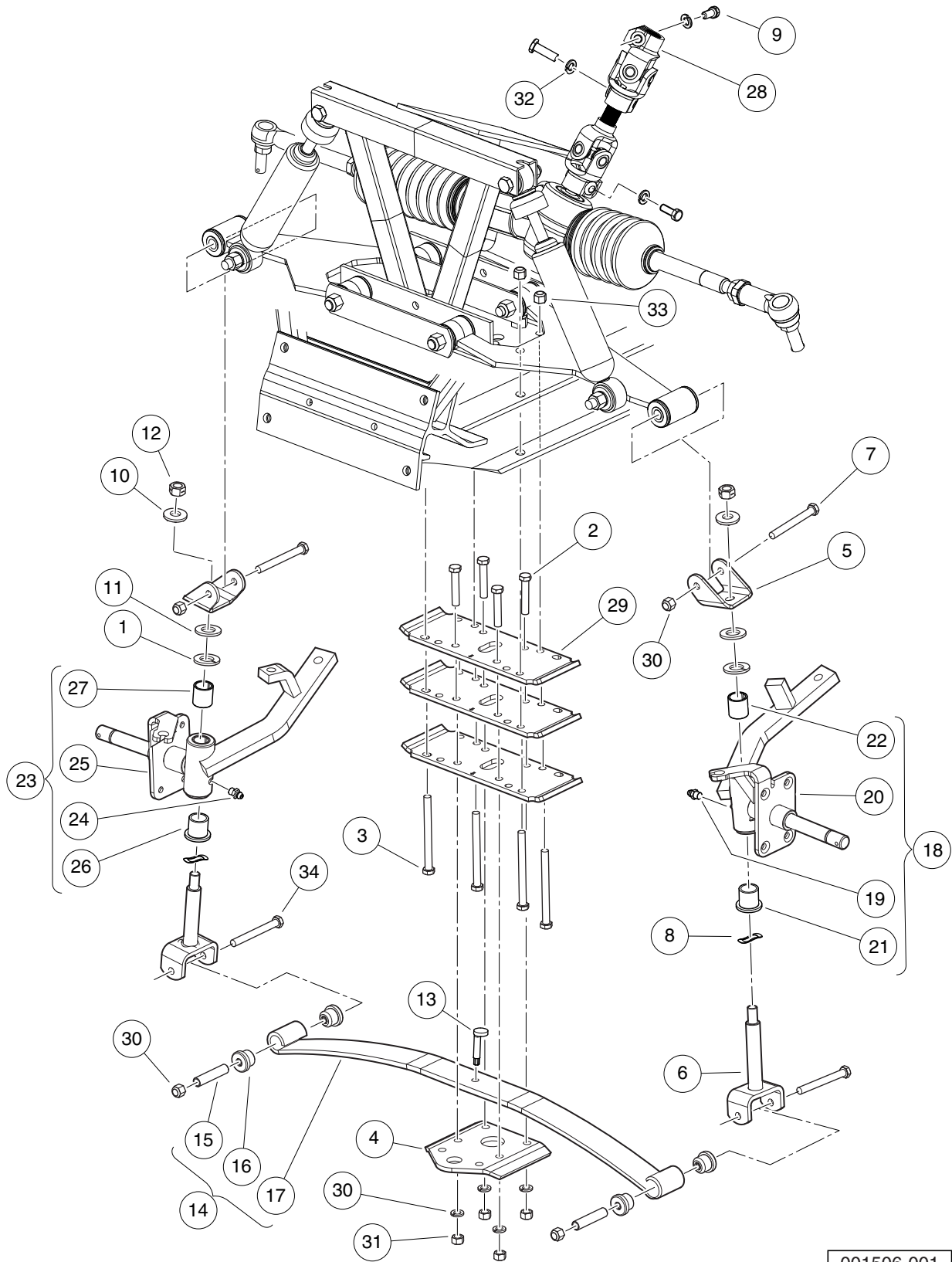
001505-001

FRONT SUSPENSION, UPPER

ITEM	PART NO.	DESCRIPTION	QTY
		1 2 3 4	
1	1010138	Locknut, 3/8-16 Dimpled	2
2	1016353	Sub-Assembly, Delta A-Plate (includes items 3 through 6)	2
3	1016346	Bushing, Urethane	6
4	1016349	Sleeve, Delta Inner	2
5	1016350	Sleeve, Delta Outer	1
6	1016351	Delta A-Plate	1
7	101638502	Weldment, Shock & Gear, Ca	1
8	1017266	A-Plate Strap	2
9	102289201	Nut - Hex Locking, M12 X 1.25	2
10	103653601	Asm, Tie Rod (includes items 11 through 15)	1
11	1013042	Nut, 12mm Hex	1
12	102022601	End, Tie Rod M12 X 1.25 Rh	1
13	102022602	End, Tie Rod, M12 X 1.25, Lh	1
14	103354701	Rod, Tie, Male Thd	1
15	103653501	Nut, Jam, M12-1.25, Lh	1
16	105106601	Shock Absorber, Front, 1 Bumper	2
17	2402	Screw, 3/8-16 X 2.25 Hx Hd Cap	4
18	8754	Locknut, 3/8-16 Hex	6
19	8861	Bolt, 3/8-16 X 1.75 Hex	2

6
G
E

6
G
E



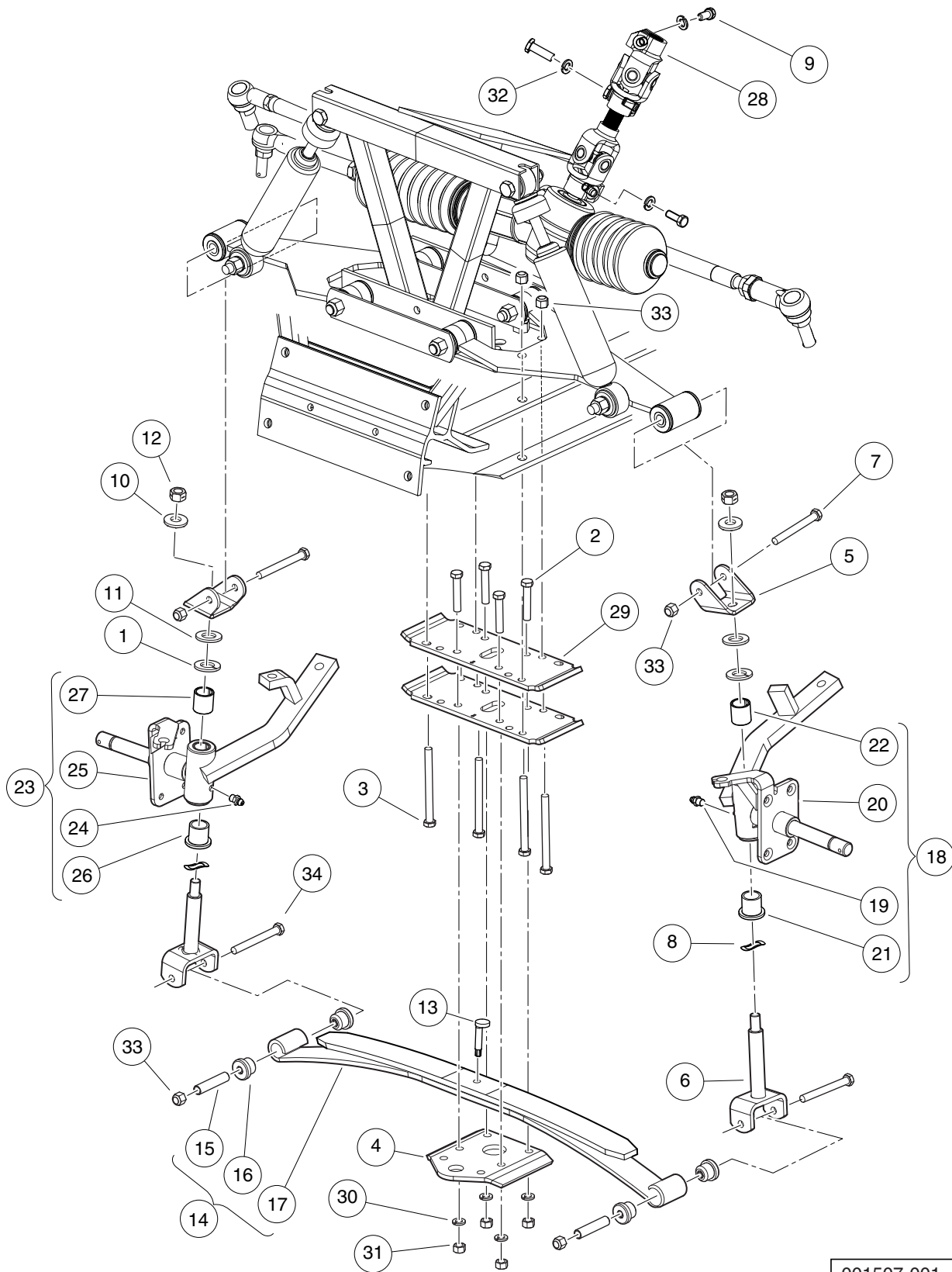
001506-001

FRONT SUSPENSION, LOWER, STD, 1 LEAF, 3 PLATES

ITEM	PART NO.	DESCRIPTION	QTY
		1 2 3 4	
1	1010150	Bearing, Thrust	2
2	1010177	Bolt, 3/8-16 X 2.00 Hex Head	4
3	1010200	Bolt, 3/8-16 X 4.25 Hex Head	4
4	1014276	Plate, Front Spring Retainer	1
5	1016384	Clevis, Delta Upper	2
6	1016386	King Pin Assembly	2
7	1016387	Screw, 3/8-16 X 2.75 Hx Hd Cap	2
8	1016389	Washer, 1.125 Od Wave	2
9	1017226	Bolt, Hex-Head, 8mm X 1.25 - 30	3
10	102564002	Washer-1/2 Conical, Yellow	2
11	102684501	Washer, M12 Hard Regular	2
12	102766301	Nut, 1/2-20, Center Lock	2
13	103507001	Eccentric Bolt Common	1
14	103628701	Spring Asm, Front, 1 Leaf (includes items 15 through 17)	1
15	1012303	Bushing, Steel	2
16	101558302	Bushing, Urethane, Soft	4
17	103502601	Spring, Front, 1 Leaf	1
18	103717302	Asm, Spindle, Lh, 4wb, Sp (includes items 19 through 22)	1
19	1015597	Fitting, 1/4-28 Thread-Forming Grease	1
20	N/A	Subasm, Spindle, Lh, 4wb	1
21	7048	Bushing, Flanged Bronze	1
22	8067	Bushing, Bronze Spindle	1
23	103717402	Asm, Spindle, Rh, 4wb, Sp (includes items 24 through 27)	1
24	1015597	Fitting, 1/4-28 Thread-Forming Grease	1
25	N/A	Subasm, Spindle, Rh, 4wb	1
26	7048	Bushing, Flanged Bronze	1
27	8067	Bushing, Bronze Spindle	1
28	105074201	Shaft, Int, Steering, Sus Fwd	1
29	105083301	Plate, Spring Mount, Restyle	3
30	357	Lockwasher, 3/8 Split	4
31	706	Nut, Hex 3/8-16	5
32	7174	Lockwasher, 5/16 Split	3
33	8754	Locknut, 3/8-16 Hex	8
34	8755	Screw, 3/8-16 X 3.375 Hex Cap	2

6
G
E

6
G
E

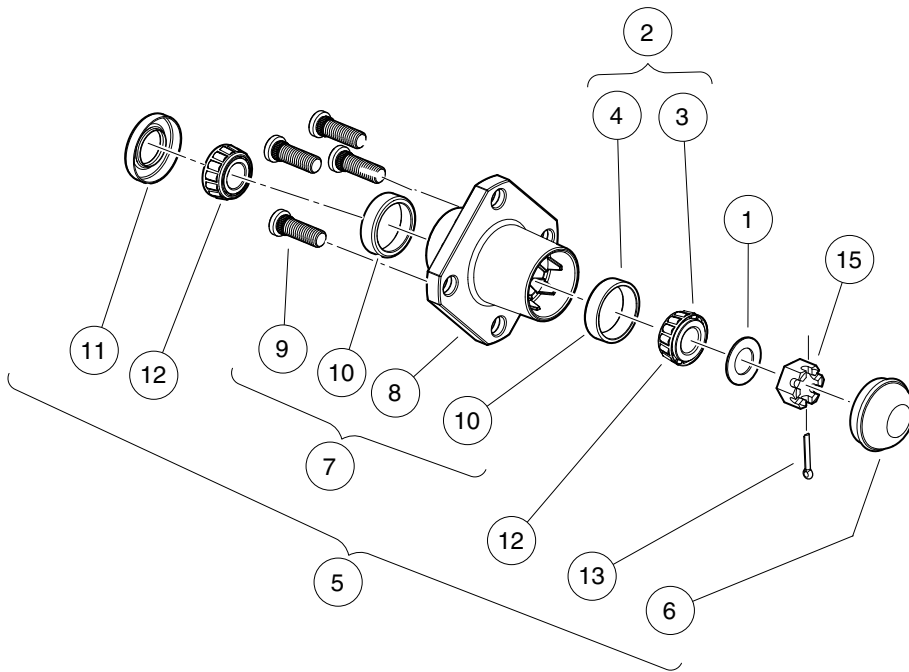


001507-001

FRONT SUSPENSION, LOWER, HD, 2 LEAF-2 PLATES

ITEM	PART NO.	DESCRIPTION	QTY
		1 2 3 4	
1	1010150	Bearing, Thrust	2
2	1010177	Bolt, 3/8-16 X 2.00 Hex Head	4
3	1010200	Bolt, 3/8-16 X 4.25 Hex Head	4
4	1014276	Plate, Front Spring Retainer	1
5	1016384	Clevis, Delta Upper	2
6	1016386	King Pin Assembly	2
7	1016387	Screw, 3/8-16 X 2.75 Hx Hd Cap	2
8	1016389	Washer, 1.125 Od Wave	2
9	1017226	Bolt, Hex-Head, 8mm X 1.25 - 30	3
10	102564002	Washer-1/2 Conical, Yellow	2
11	102684501	Washer, M12 Hard Regular	2
12	102766301	Nut, 1/2-20, Center Lock	2
13	103507001	Eccentric Bolt Common	1
14	103628801	Spring Asm, Front, 2 Leaf (includes items 15 through 17)	1
15	1012303	Bushing, Steel	2
16	1015583	Bushing, Urethane	4
17	103502701	Spring, Front, 2 Leaf	1
18	103717302	Asm, Spindle, Lh, 4wb, Sp (includes items 19 through 22)	1
19	1015597	Fitting, 1/4-28 Thread-Forming Grease	1
20	N/A	Subasm, Spindle, Lh, 4wb	1
21	7048	Bushing, Flanged Bronze	1
22	8067	Bushing, Bronze Spindle	1
23	103717402	Asm, Spindle, Rh, 4wb, Sp (includes items 24 through 27)	1
24	1015597	Fitting, 1/4-28 Thread-Forming Grease	1
25	N/A	Subasm, Spindle, Rh, 4wb	1
26	7048	Bushing, Flanged Bronze	1
27	8067	Bushing, Bronze Spindle	1
28	105074201	Shaft, Int, Steering, Sus Fwd	1
29	105083301	Plate, Spring Mount, Restyle	2
30	357	Lockwasher, 3/8 Split	4
31	706	Nut, Hex 3/8-16	5
32	7174	Lockwasher, 5/16 Split	3
33	8754	Locknut, 3/8-16 Hex	8
34	8755	Screw, 3/8-16 X 3.375 Hex Cap	2

6
G
E



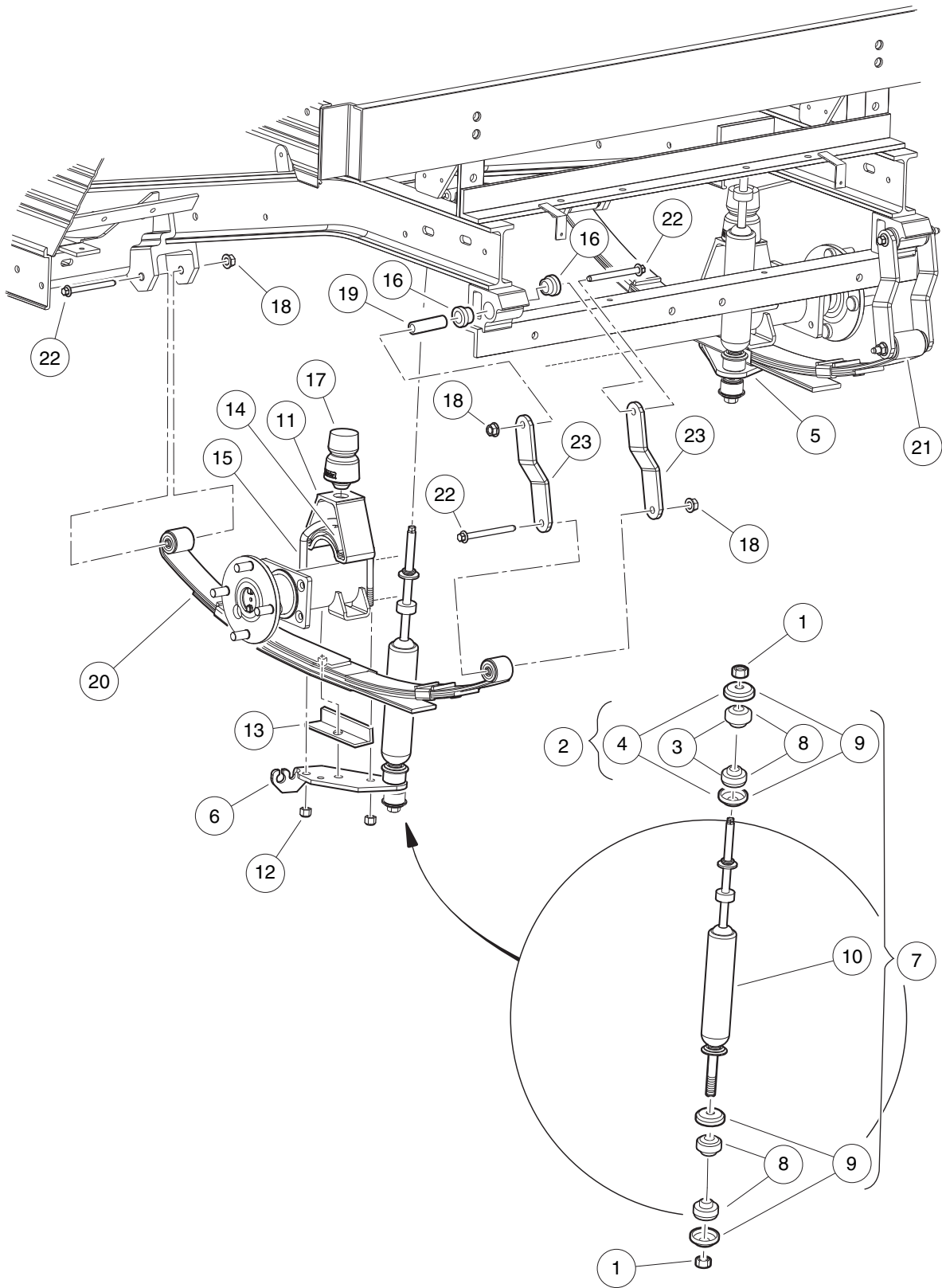
001520-002

FRONT WHEEL HUBS

ITEM	PART NO.	DESCRIPTION	QTY
		1 2 3 4	
1	1010005	Washer, 3/4 Flat	2
2	1011393	Hub Bearing Package (includes items 3 and 4)	4
3	7274	Bearing, Front Hub Wheel	1
4	7308	Race, Front Hub Bearing	1
5	1011892	Hub Assembly (includes items 6 through 13)	1
6	1011887	Dust Cover	1
7	N/A	Hub (includes items 8 through 10)	1
8	N/A	Front Hub	1
9	103477901	Lug Stud, 1/2-20 Unf, 4037	4
10	7308	Race, Front Hub Bearing	2
11	1013135	Seal, Double Lip	1
12	7274	Bearing, Front Hub Wheel	2
13	7910	Pin, 5/32 X 1.00 Cotter	1
14	1013135	Seal, Double Lip	2
15	7840	Nut, 3/4-16 Hex Slotted	2

6
G
E

6
G
E



001522-001

REAR SUSPENSION COMPONENTS

ITEM	PART NO.	DESCRIPTION	QTY
		1 2 3 4	
1	1010145	Nut, 3/8-24 Hex	4
2	1011415	Kit, Shock Absorber Cushion (includes items 3 and 4)	4
3	N/A	Cushion, Shock Absorber	2
4	N/A	Retainer, Shock Absorber Cushion	2
5	1012181	Bracket, Shock Mounting, Right (Passenger)	1
6	1012182	Bracket, Shock Mounting, Left (Driver)	1
7	1013164	Shock Absorber Kit (includes items 8 through 10)	1
8	N/A	Cushion, Shock Absorber	8
9	N/A	Retainer, Shock Absorber Cushion	8
10	102706401	Shock Absorber Rear	2
11	101454602	Bumper Mount	2
12	1014555	Locknut, 7/16-14 Nylon Hex	4
13	1014573	Spring Retainer	2
14	1014901	Spacer, Overload Bumper	2
15	1014902	U-Bolt	2
16	101558302	Bushing, Urethane, Soft	4
17	1017235	Bumper, Jounce	2
18	102298401	Nut,m8,all Metal Lock	6
19	102506401	Sleeve - Spring Eye Mounts	2
20	105186001	Asm, Spring 260lb Nr Light, Lh	1
21	105186002	Asm, Spring 260lb Nr Light, Rh	1
22	105188185	Bolt, M8x85mm,10.9 Grade	6
23	105188201	Shackle,Steel Standard,M8	4
		Note: Only the driver-side rear suspension is shown. Parts for the passenger-side rear suspension are identical except for the shock mounting bracket (RH-1012181 and LH-1012182).	

6
G
E

6

G

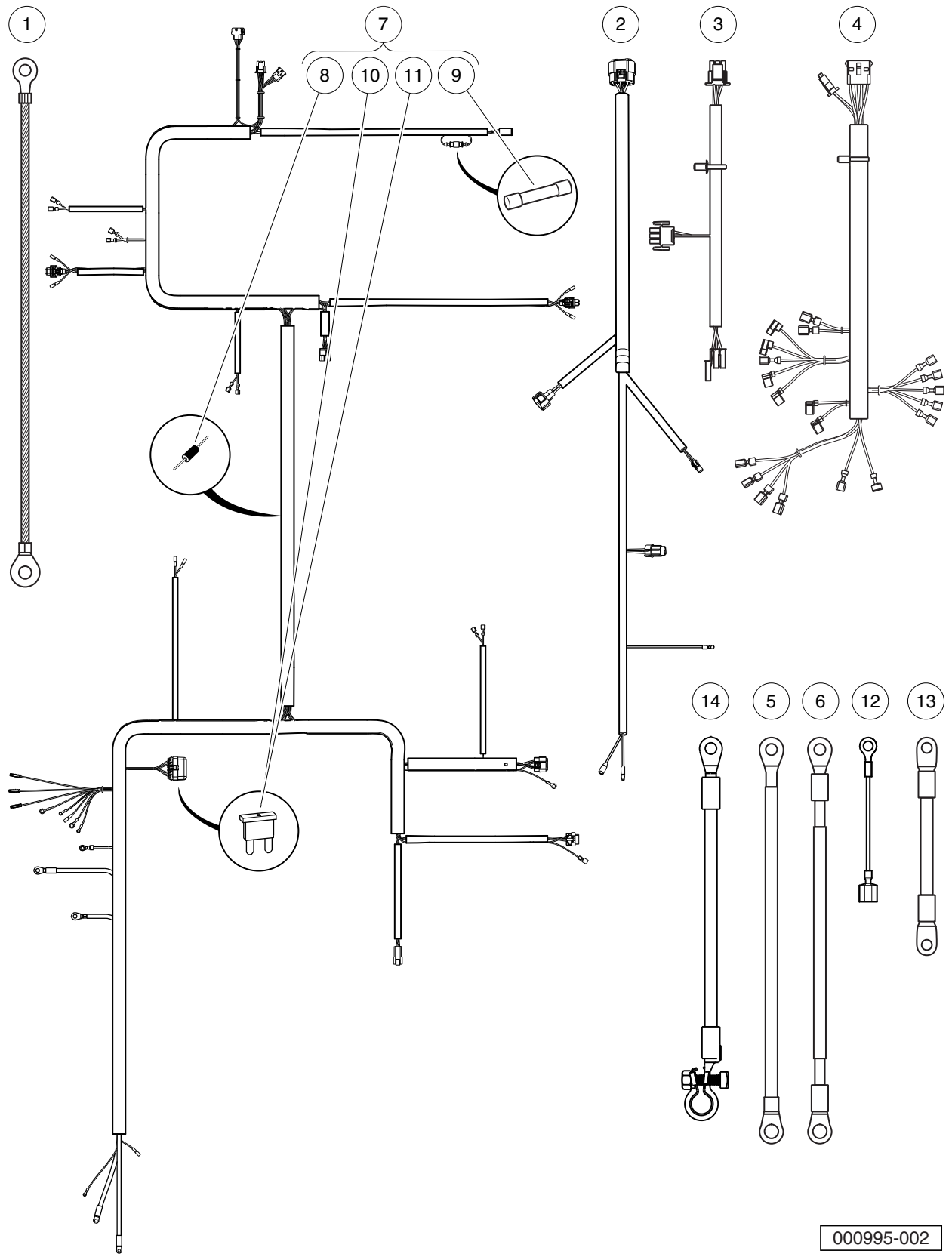
E

ELECTRICAL SYSTEM – GASOLINE EFI

7

G

7
G



000995-002

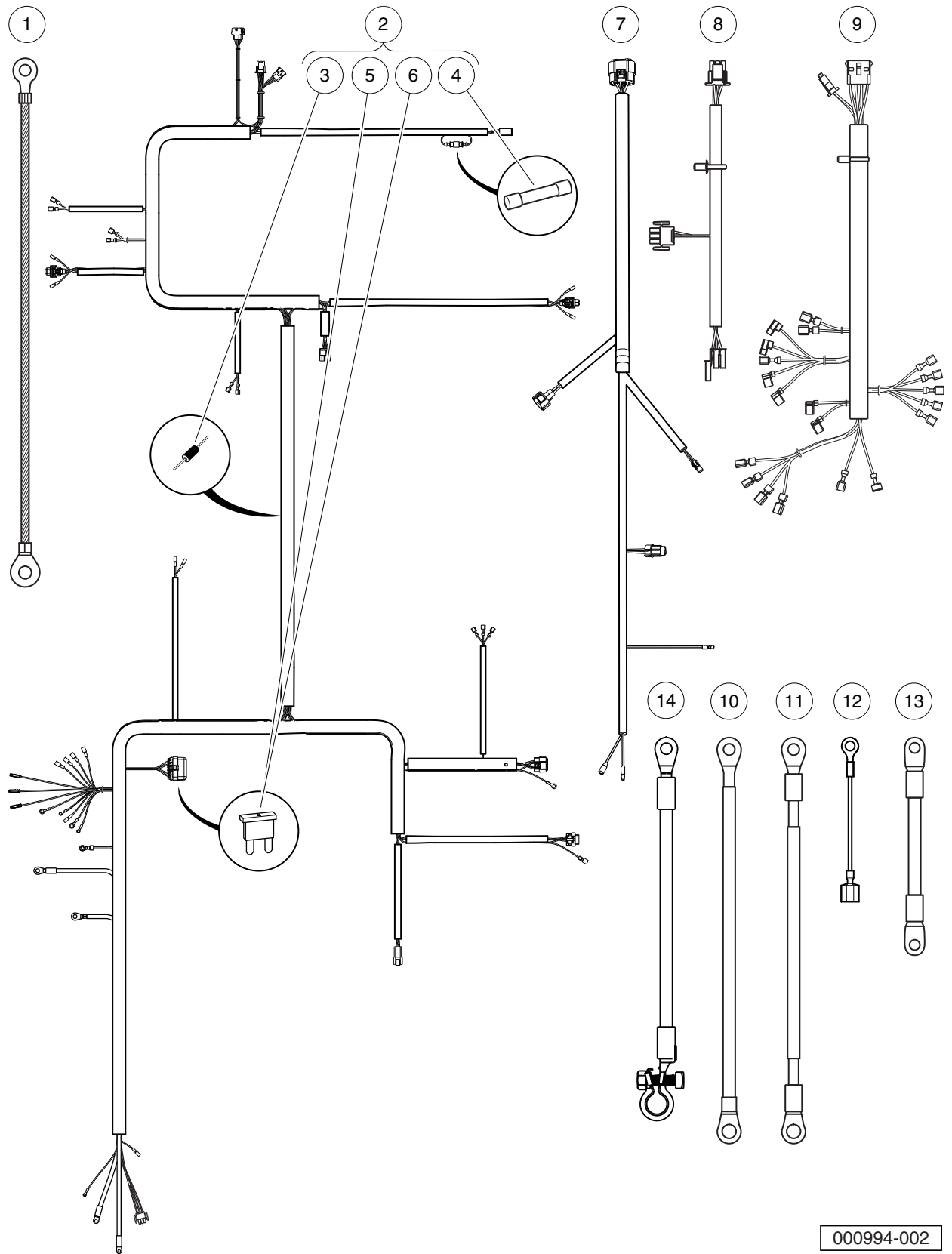
WIRING, FUSES, AND DIODES, KEY-START – EFI

ITEM	PART NO.	DESCRIPTION	QTY
		1 2 3 4	
1	1015332	Wire, Ground, #10, Uninsulated	1
2	105008101	Harness, Wire, ECU/Engine	1
3	105093301	Harness, Wire, FNR Connector, CA300-700	1
4	105095101	Harness, Wire, Instr. Panel, Gas, CA300-700	1
5	105135901	Wire, Battery (side-post), B-, Gas	1
6	105136001	Wire, Battery (side-post), B+, Gas	1
7	105142301	Harness, Wire, Main, CA300, Key-Start Gas (includes items 8 through 11)	1
8	1014789	Diode, General Purpose, 3.0-Amp	2
9	103924801	Fuse, Glass, 2-Amp	1
10	105081501	Fuse, ATM, 5-Amp	1
11	105081601	Fuse, ATM, 10-Amp	1
12	105143301	Wire, Ground, Fuel Tank	1
13	105161701	Wire, 4-Ga, Green, Starter/Generator	1
14	105256801	Wire Assy, 4ga, Battery, (top-post) B+, Gas	1
		Note: For ECU, see Throttle Body in Fuel System section.	

7

G

7
G



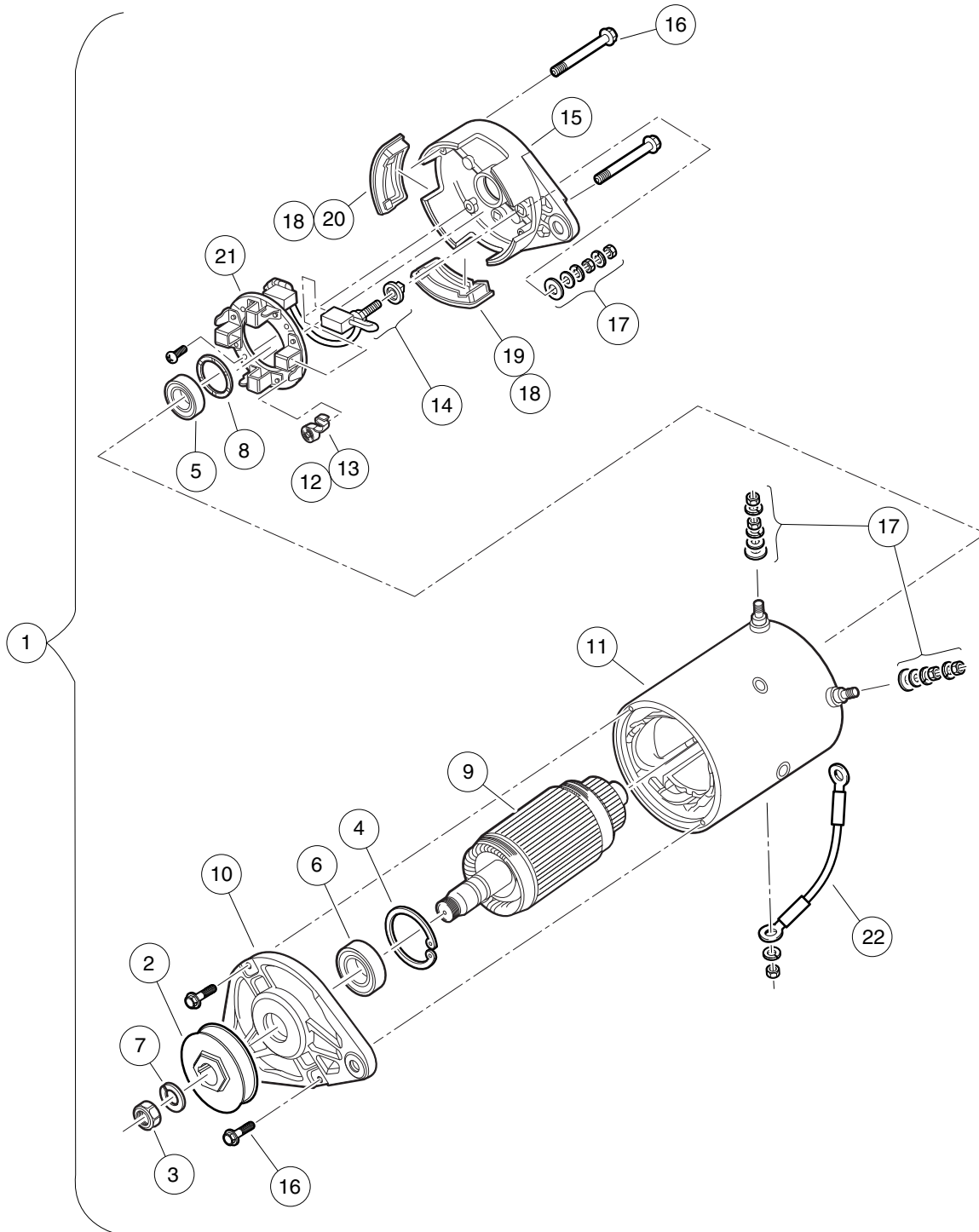
000994-002

WIRING, FUSES, AND DIODES, PEDAL-START – EFI

ITEM	PART NO.	DESCRIPTION	QTY
		1 2 3 4	
1	1015332	Wire, Ground, #10, Uninsulated	1
2	105007601	Harness, Wire, Main, CA300, Pedal-Start Gas (includes items 3 through 6)	1
3	1014789	Diode, General Purpose, 3.0-Amp	2
4	103924801	Fuse, Glass, 2-Amp	1
5	105081501	Fuse, ATM, 5-Amp	1
6	105081601	Fuse, ATM, 10-Amp	1
7	105008101	Harness, Wire, ECU/Engine	1
8	105093301	Harness, Wire, FNR Connector, CA300-700	1
9	105095101	Harness, Wire, Instr. Panel, Gas, CA300-700	1
10	105135901	Wire, Battery (side-post), B-, Gas	1
11	105136001	Wire, Battery (side-post), B+, Gas	1
12	105143301	Wire, Ground, Fuel Tank	1
13	105161701	Wire, 4-Ga, Green, Starter/Generator	1
14	105256801	Wire Assy, 4ga, Battery, (top-post) B+, Gas	1
		Note: For ECU, see Throttle Body in Fuel System section.	

7

G

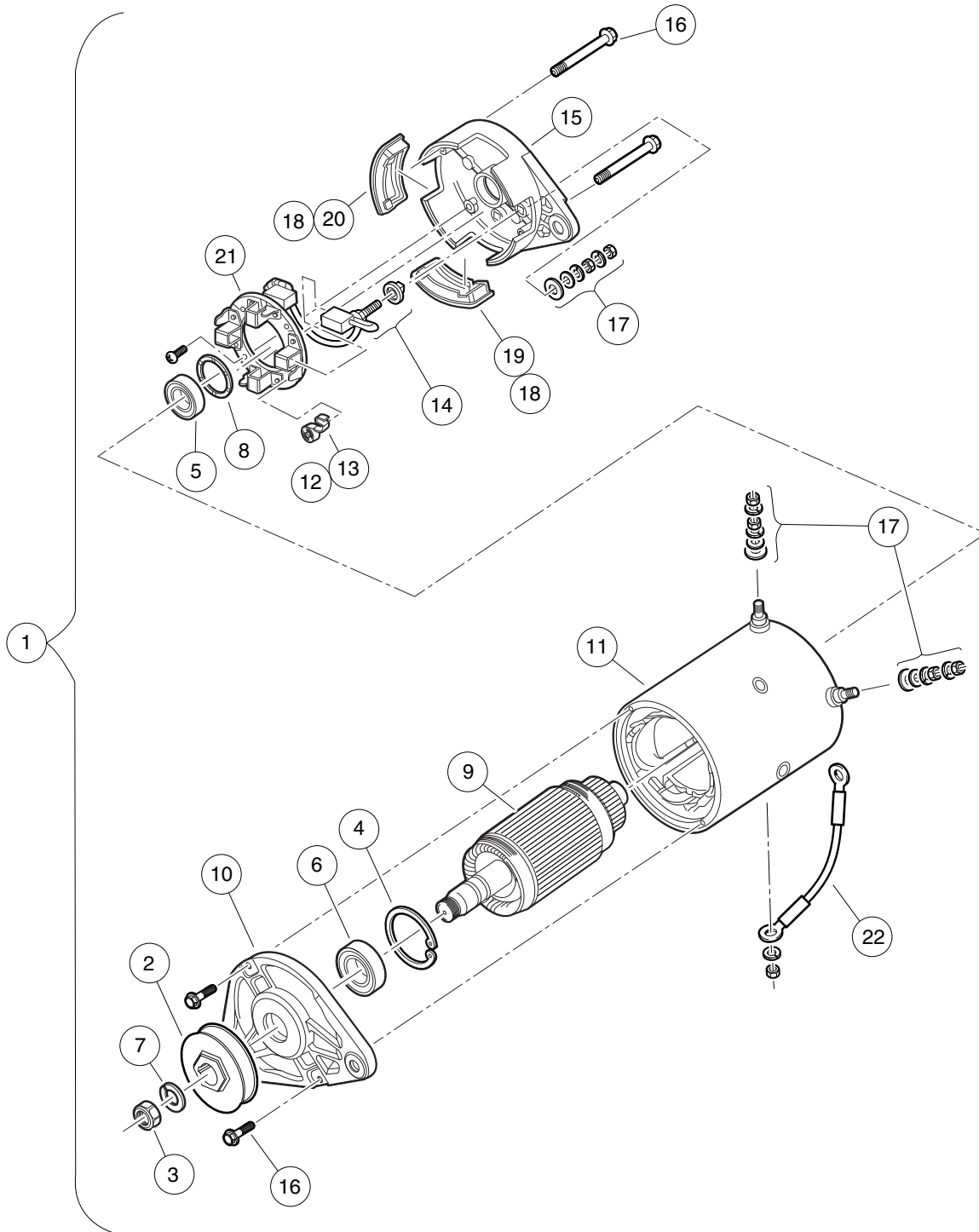


001016-001

STARTER/GENERATOR (MODEL 114-04-4006), KEY-START – EFI

ITEM	PART NO.	DESCRIPTION	QTY
		1 2 3 4	
1	105190102	Starter/Generator, Bi-Rotational, Utility, Key-Start (includes items 2 through 22)	1
2	1014289	Pulley, Starter/Generator	1
3	102838701	Nut, Hex, M14x2, S/G	1
4	102838801	Retainer, Front, S/G	1
5	102838901	Bearing, Ball, Front, S-g	1
6	102839001	Bearing, Ball, Front, S-g	1
7	102839301	Washer, Lock M14x2, S-g	1
8	102841101	Washer, Wave, S-g	1
9	N/A	Asm, Armature, Starter/Generator	1
10	102844601	Head, Drive End, S-g	1
11	102844701	Asm, Frame and Field, Starter/Generator	1
12	103347101	Kit, Spring Brush, Starter/Generator (includes item 13)	1
13	N/A	Spring, Brush, S-g	4
14	103347301	Set, Brush Term, S-g	1
15	103347601	Head, Comm End, S-g	1
16	103347701	Set, Fastener, Ceh Deh, S-g	1
17	103347801	Set, Term Hardware, S/G	1
18	103347901	Kit, Cover, Brush Insp, Starter/Generator (includes items 19 and 20)	1
19	N/A	Plug, Rubber Drain, Start/Generator	3
20	N/A	Cover, Inspection, S-g	1
21	103953301	Kit, Brush And Brush Holder	1
22	105161701	Wire, 4-Ga, Green, Starter/Generator	1

7
G

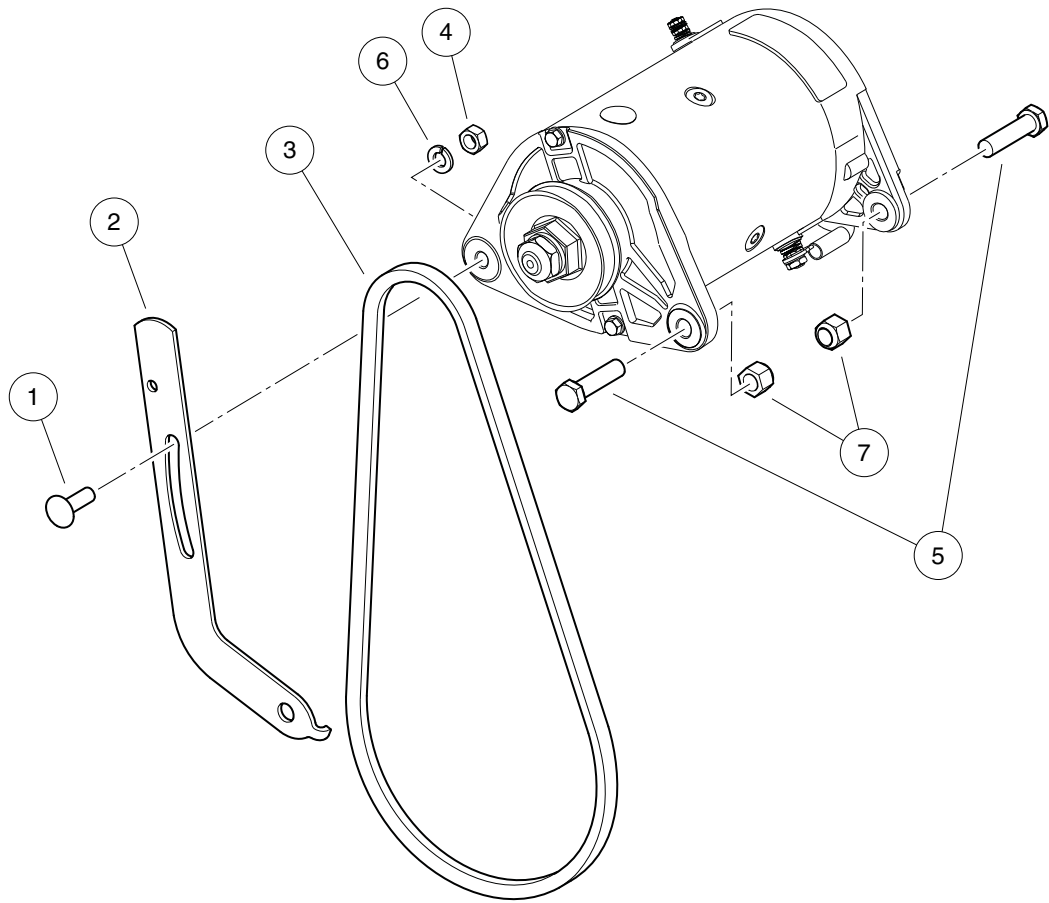


001016-001

STARTER/GENERATOR (MODEL 114-05-4001), PEDAL-START – EFI

ITEM	PART NO.	DESCRIPTION	QTY
		1 2 3 4	
1	105190101	Starter/Generator, High-Torque, Utility, Pedal-Start (includes items 2 through 22)	1
2	1014289	Pulley, Starter/Generator	1
3	102838701	Nut, Hex, M14x2, S/G	1
4	102838801	Retainer, Front, S/G	1
5	102838901	Bearing, Ball, Front, S-g	1
6	102839001	Bearing, Ball, Front, S-g	1
7	102839301	Washer, Lock M14x2, S-g	1
8	102841101	Washer, Wave, S-g	1
9	N/A	Asm, Armature, Starter/Generator	1
10	102844601	Head, Drive End, S-g	1
11	102844701	Asm, Frame and Field, Starter/Generator	1
12	103347101	Kit, Spring Brush, Starter/Generator (includes item 13)	1
13	N/A	Spring, Brush, S-g	4
14	103347301	Set, Brush Term, S-g	1
15	103347601	Head, Comm End, S-g	1
16	103347701	Set, Fastener, Ceh Deh, S-g	1
17	103347801	Set, Term Hardware, S/G	1
18	103347901	Kit, Cover, Brush Insp, Starter/Generator (includes items 19 and 20)	1
19	N/A	Plug, Rubber Drain, Start/Generator	3
20	N/A	Cover, Inspection, S-g	1
21	103953301	Kit, Brush And Brush Holder	1
22	105161701	Wire, 4-Ga, Green, Starter/Generator	1

7
G

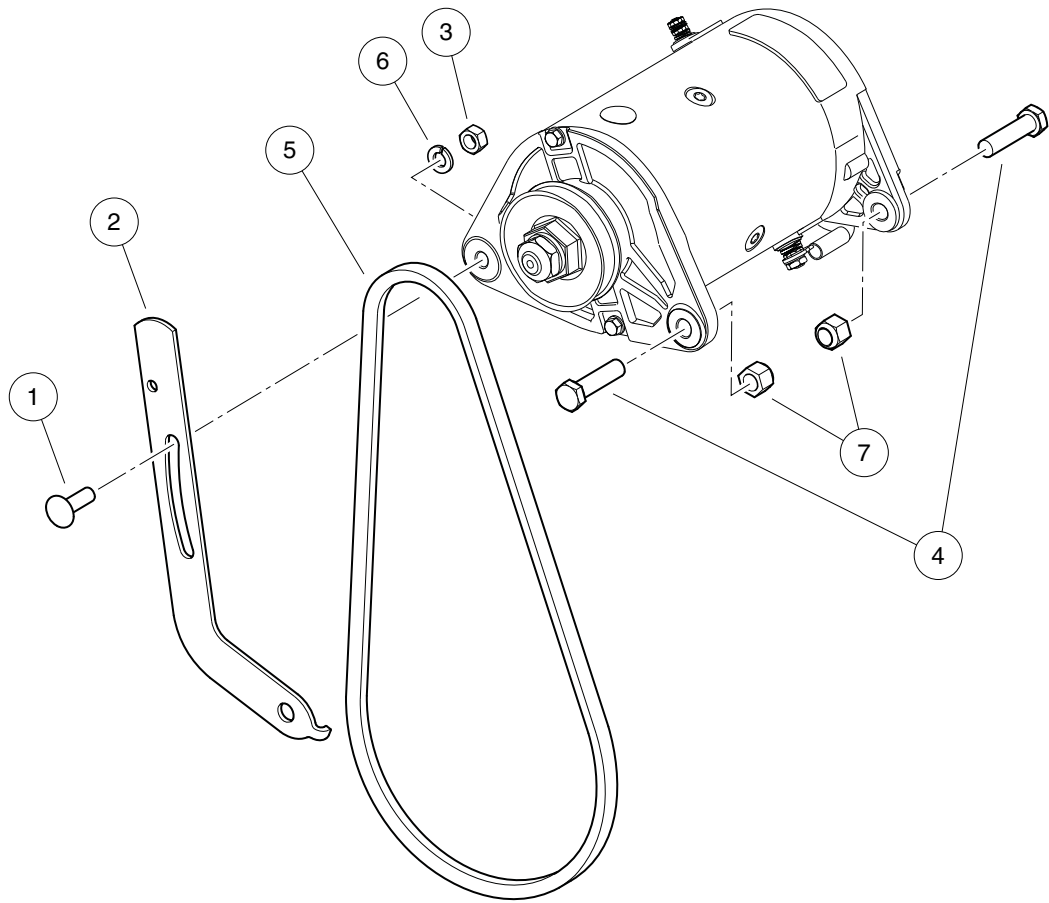


001009-001

STARTER/GENERATOR MOUNTING, EX40 – TO EARLY-2016 MODEL YEAR

ITEM	PART NO.	DESCRIPTION	QTY
		1 2 3 4	
1	1015932	Bolt, Carriage, 5/16-18	1
2	104005301	Bracket, Adjustable, Starter/Generator, EX40	1
3	105205401	Belt, Sg, 871, Ex40	1
4	1242	Nut, 5/16-18 Hex	1
5	1624	Screw, 3/8-16 X 1.50, Hex-Head Cap	2
6	7174	Lockwasher, 5/16 Split	1
7	8754	Locknut, 3/8-16 Hex	2

7
G



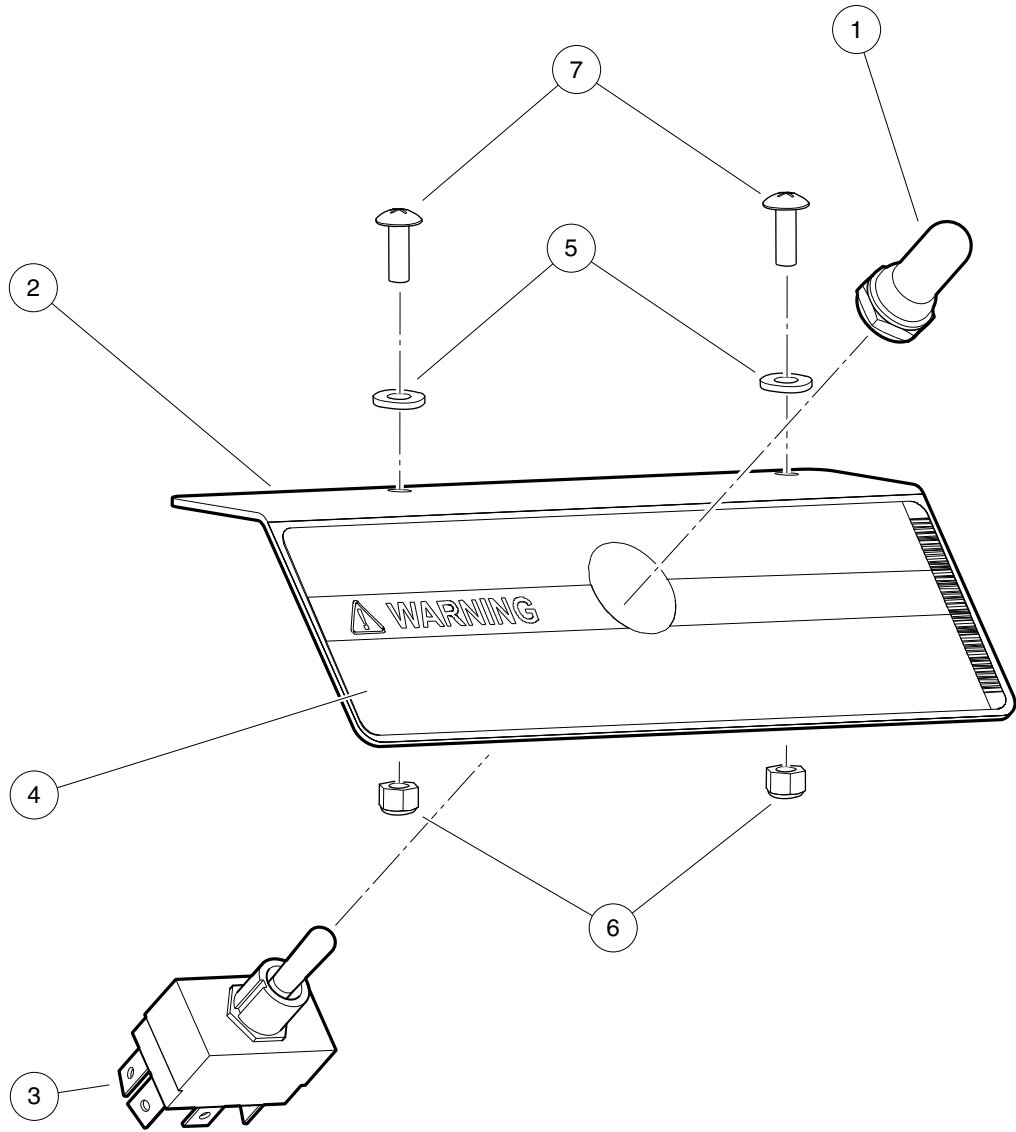
001009-002

STARTER/GENERATOR MOUNTING, EX40 – FROM EARLY-2016 MODEL YEAR

ITEM	PART NO.	DESCRIPTION	QTY
		1 2 3 4	
1	1015932	Bolt, Carriage, 5/16-18	1
2	104005301	Bracket, Adjustable, Starter/Generator, EX40	1
3	1242	Nut, 5/16-18 Hex	1
4	1624	Screw, 3/8-16 X 1.50, Hex-Head Cap	2
5	47539338001	Belt, Sg, Ex40, #5a	1
6	7174	Lockwasher, 5/16 Split	1
7	8754	Locknut, 3/8-16 Hex	2

7
G

7
G

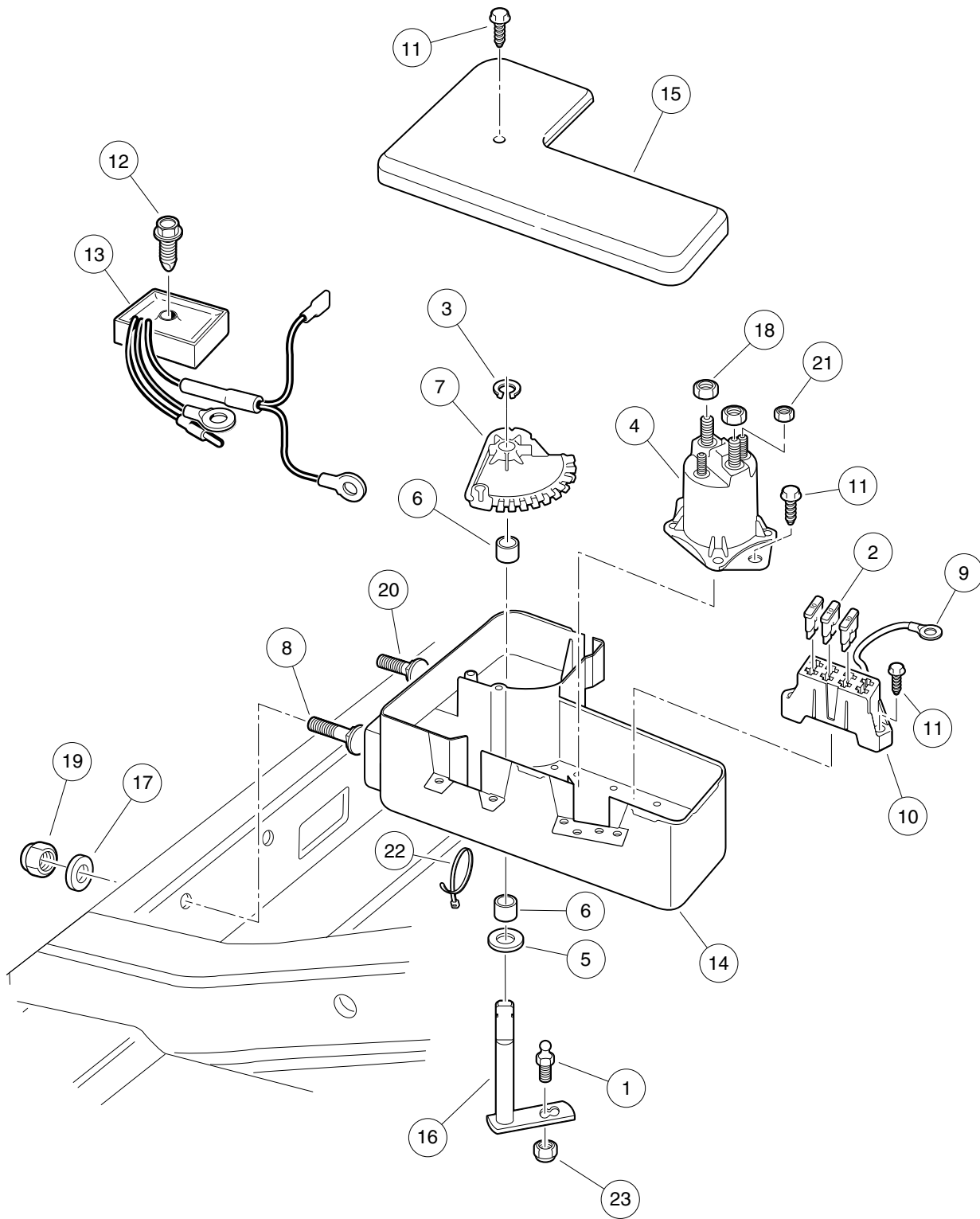


000755-003

OPERATION AND MAINTENANCE SWITCH

ITEM	PART NO.	DESCRIPTION	QTY
		1 2 3 4	
1	101908401	Boot, Switch	1
2	101922501	Bracket, Tow/Run Switch Mounting	1
3	103198401	Switch, Toggle, SPDT	1
4	103205501	Decal, Run/Service Switch	1
5	332	Washer, 1/4 Type A Narrow Flat	2
6	8233	Locknut, 1/4-20, Nylon Insert	2
7	8248	Screw, 1/4-20 X 0.75, Truss-Head Machine	2

7
G



001014-002

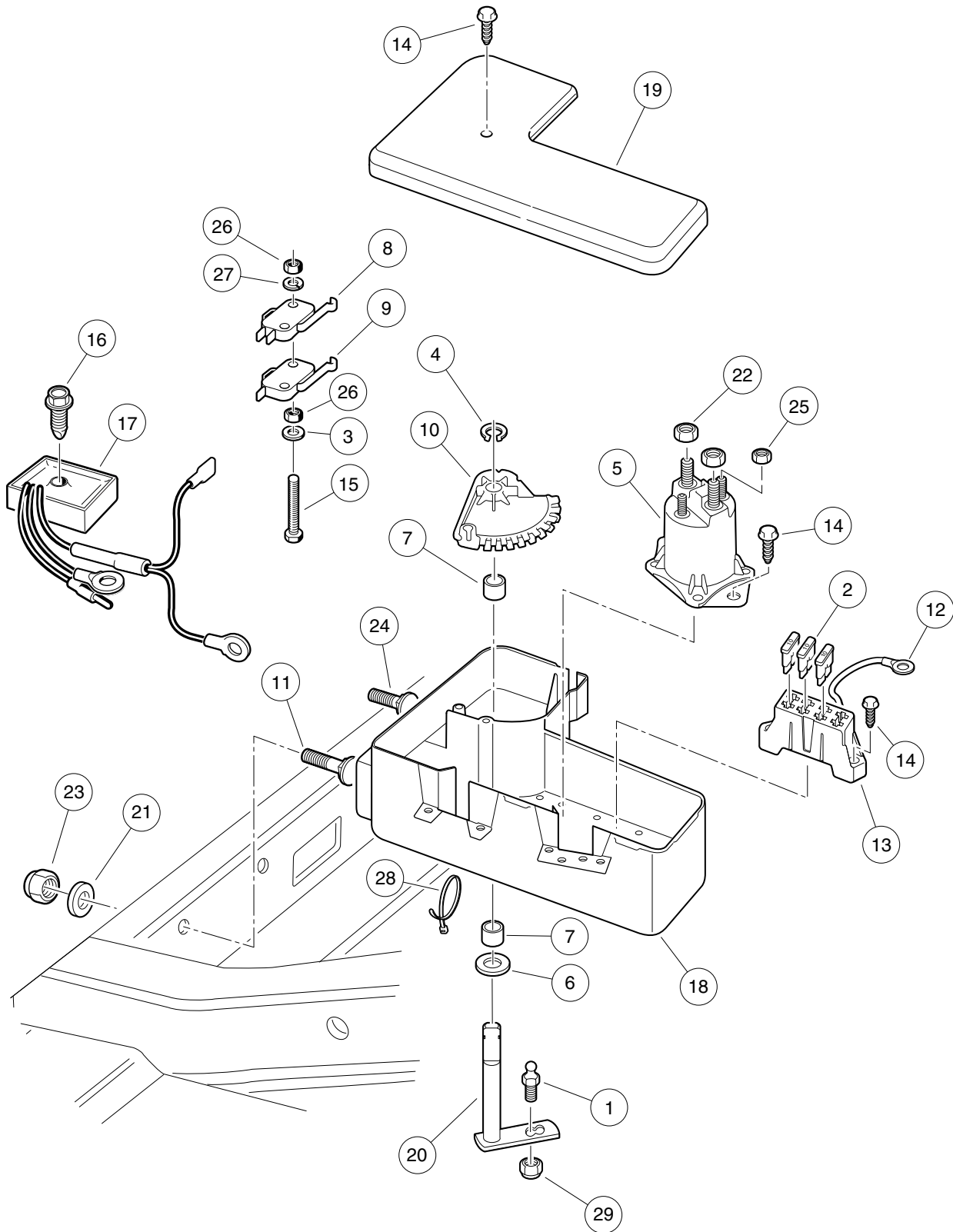
ELECTRICAL COMPONENT BOX, KEY-START – EX40

ITEM	PART NO.	DESCRIPTION	QTY
		1 2 3 4	
1	1010954	Stud, Ball, 1/4-28 X 0.560	1
2	1012295	Fuse, 10-Amp	3
3	1013589	Ring, Retaining, 0.338" Internal	1
4	1013609	Solenoid, 12-Volt	1
5	1014065	Washer, Flat, 0.38" ID, Delrin	1
6	1014145	Bushing, Secondary Weight, Split	2
7	1015373	Cam, Electric Box	1
8	1015405	Bolt, Carriage, 5/16-18 X 2.0	1
9	1015737	Wire Assy, #10 Red	1
10	1015741	Fuse Block	1
11	1015752	Screw, #12-16 X 0.625, Hi-Lo	5
12	101856102	Screw, 1/4-15 X 1.50, Hi-lo, Hex	1
13	102711201	Voltage Regulator	1
14	105000301	Box, Component, Electrical	1
15	105000401	Cover, Box, Component, Elec	1
16	105037401	Weldment, Bellcrank, Comp Box	1
17	1241	Washer, 5/16 Type A Flat	2
18	1242	Nut, 5/16-18 Hex	2
19	7473	Locknut, 5/16-18 Nylon Insert	2
20	7818	Bolt, Carriage, 5/16-18 X 1.5	1
21	7893	Nut, #10-32 Hex	2
22	8639	Tie Wrap, 11" Nylon	6
23	8717	Locknut, Nylon Insert, 1/4-28	1

7

G

7
G

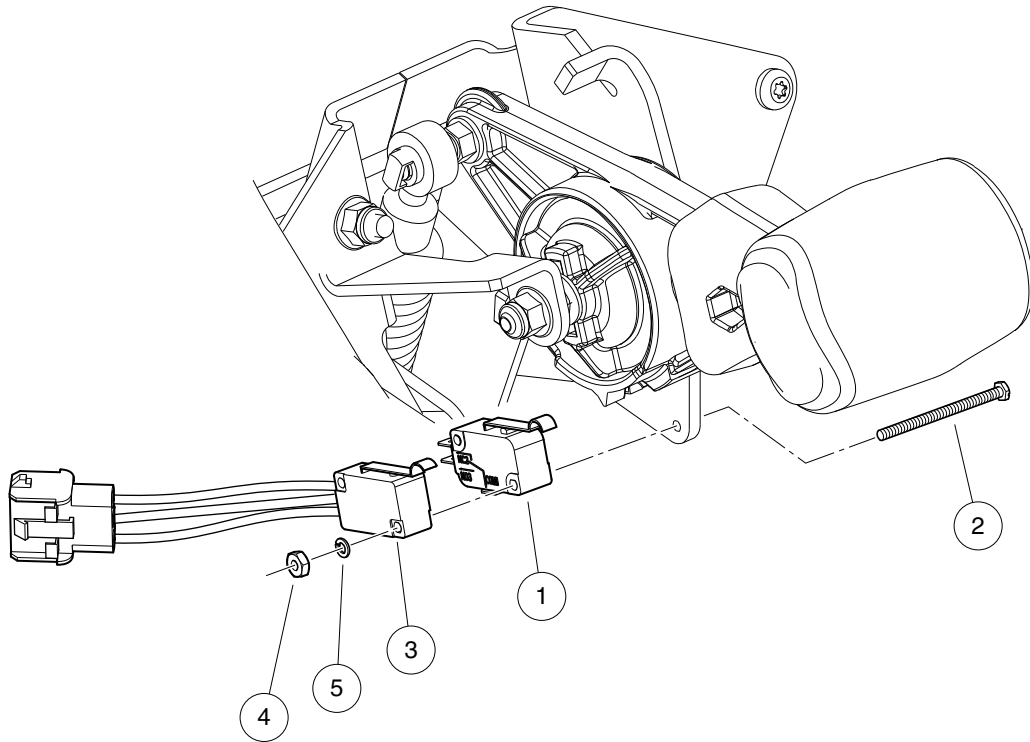


001014-001

ELECTRICAL COMPONENT BOX, PEDAL-START – EX40

ITEM	PART NO.	DESCRIPTION	QTY
		1 2 3 4	
1	1010954	Stud, Ball, 1/4-28 X 0.560	1
2	1012295	Fuse, 10-Amp	3
3	1012431	Washer, #4 Flat	2
4	1013589	Ring, Retaining, 0.338" Internal	1
5	1013609	Solenoid, 12-Volt	1
6	1014065	Washer, Flat, 0.38" ID, Delrin	1
7	1014145	Bushing, Secondary Weight, Split	2
8	1014807	Switch, Limit	1
9	1014808	Switch, Limit	1
10	1015373	Cam, Electric Box	1
11	1015405	Bolt, Carriage, 5/16-18 X 2.0	1
12	1015737	Wire Assy, #10 Red	1
13	1015741	Fuse Block	1
14	1015752	Screw, #12-16 X 0.625, Hi-Lo	5
15	1015878	Screw, #4-40 Hex Head Machine	2
16	101856102	Screw, 1/4-15 X 1.50, Hi-lo, Hex	1
17	102711201	Voltage Regulator	1
18	105000301	Box, Component, Electrical	1
19	105000401	Cover, Box, Component, Elec	1
20	105037401	Weldment, Bellcrank, Comp Box	1
21	1241	Washer, 5/16 Type A Flat	2
22	1242	Nut, 5/16-18 Hex	2
23	7473	Locknut, 5/16-18 Nylon Insert	2
24	7818	Bolt, Carriage, 5/16-18 X 1.5	1
25	7893	Nut, #10-32 Hex	2
26	8057	Nut, #4-40 Hex Machine	4
27	8058	Lockwasher, #4 Split	2
28	8639	Tie Wrap, 11" Nylon	6
29	8717	Locknut, Nylon Insert, 1/4-28	1

7
G

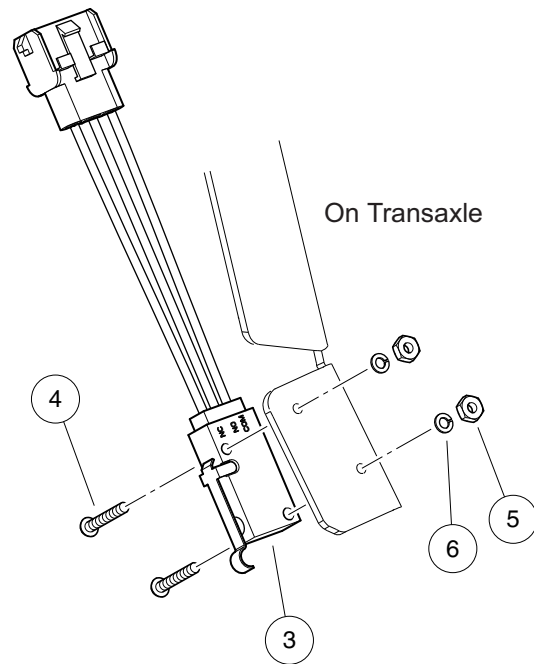
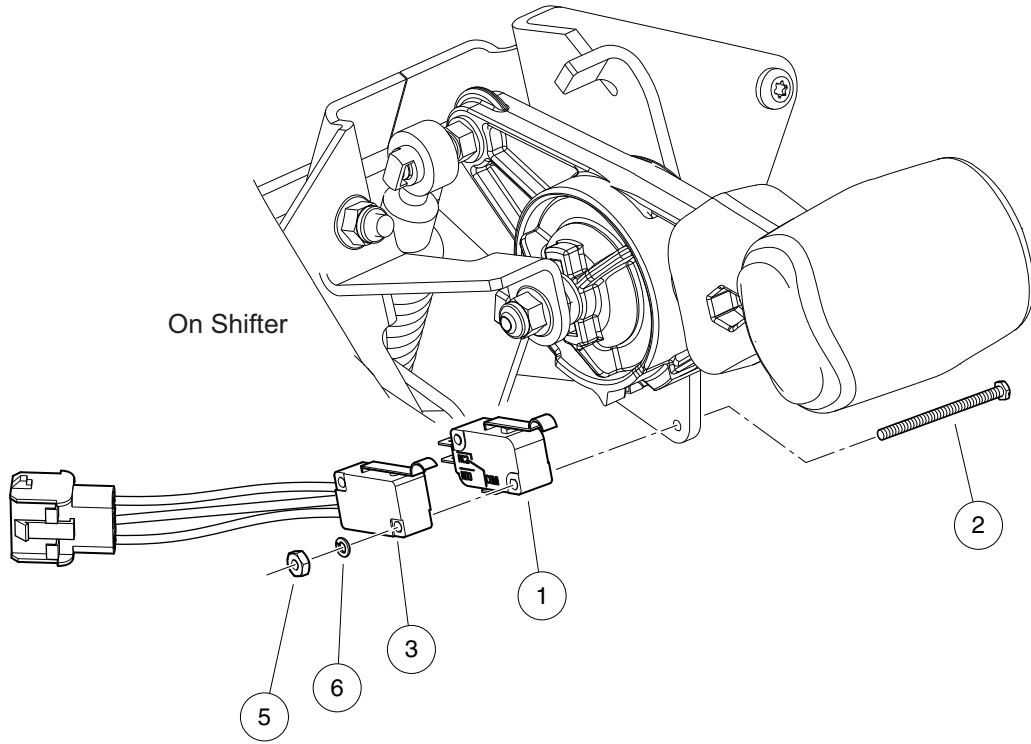


000999-002

FORWARD/REVERSE SHIFTER SWITCHES, KEY-START – EFI

ITEM	PART NO.	DESCRIPTION	QTY
		1 2 3 4	
1	1014807	Switch, Limit	1
2	1015878	Screw, #4-40 Hex Head Machine	2
3	105102601	Switch, Limit, Sealed, with 3-Wire Lead	1
4	8057	Nut, #4-40 Hex Machine	2
5	8058	Lockwasher, #4 Split	2

7
G

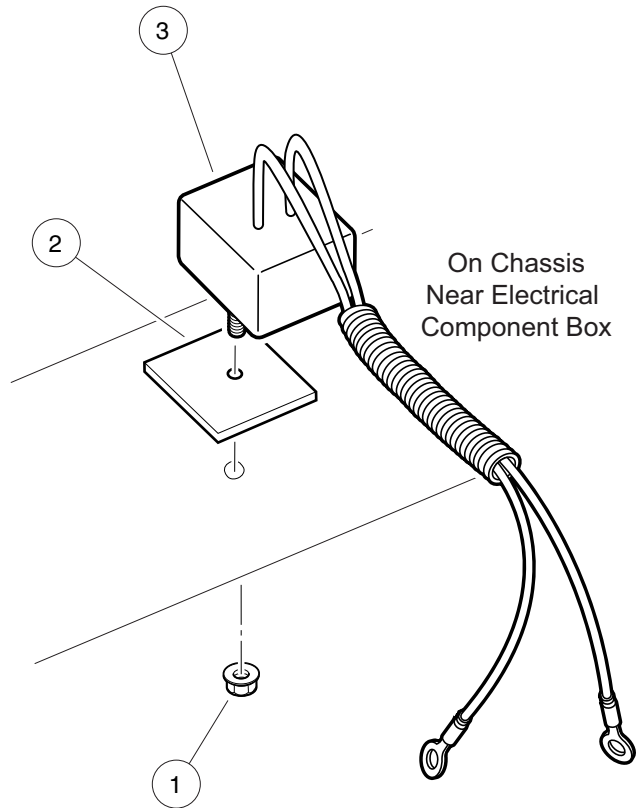


000999-001

FORWARD/REVERSE SHIFTER SWITCHES, PEDAL-START – EFI

ITEM	PART NO.	DESCRIPTION	QTY
		1 2 3 4	
1	1014807	Switch, Limit	1
2	1015878	Screw, #4-40 Hex Head Machine	2
3	105102601	Switch, Limit, Sealed, with 3-Wire Lead	2
4	8056	Screw, #4-40 X 0.75 Round-Head Machine	2
5	8057	Nut, #4-40 Hex Machine	4
6	8058	Lockwasher, #4 Split	4

7
G



001015-001

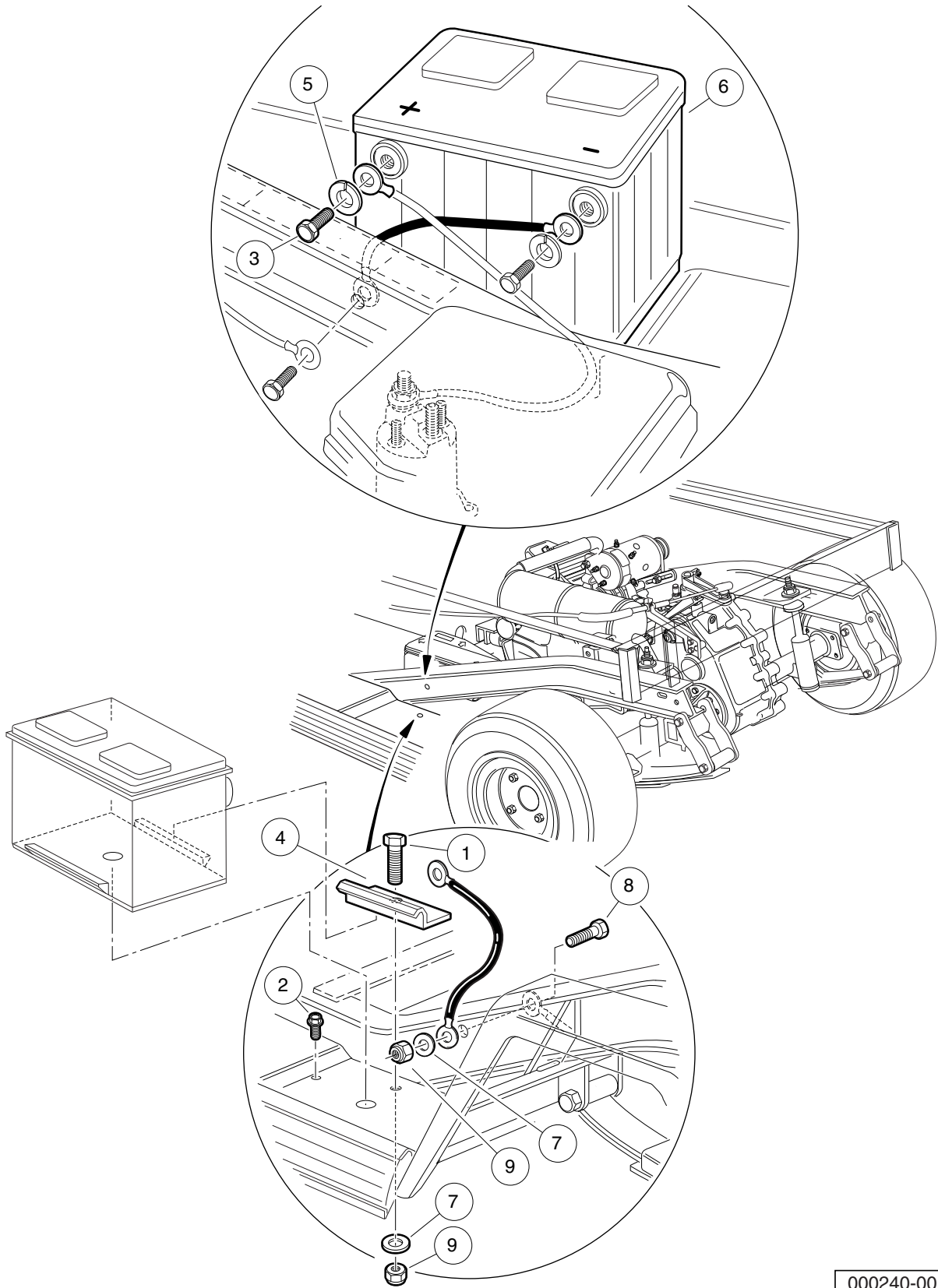
CHARGING DIODE, KEY-START – EFI

ITEM	PART NO.	DESCRIPTION	QTY
		1 2 3 4	
1	101963401	Locknut, 5/16-18 Hex Flange	1
2	102269701	Thermal Pad	1
3	105037201	Diode, Charging	1

7

G

7
G



000240-001

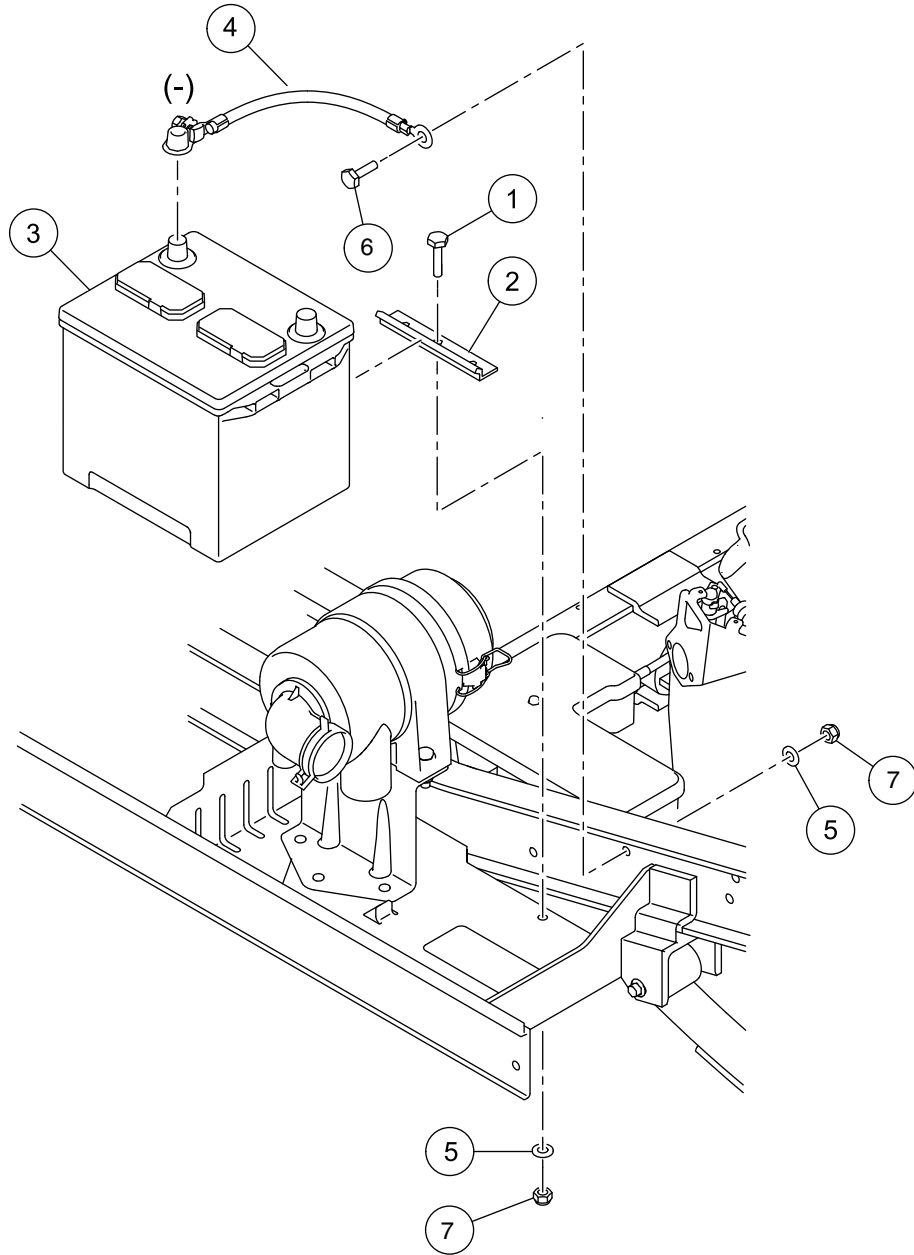
BATTERY – GASOLINE UTILITY VEHICLES

ITEM	PART NO.	DESCRIPTION	QTY
		1 2 3 4	
1	1010934	Screw, 5/16-18 X 1.00 Hex Cap	1
2	1014288	Screw, 5/16-18 X 0.75, Thread-Forming	1
3	1014375	Screw, 3/8-16 X 0.50, Stainless Steel, Hex-Head	2
4	101898001	Clamp, Battery	1
5	102355301	Lockwasher, 3/8 Split Ss	2
6	103496801	Battery, Start, 12v	1
7	1241	Washer, 5/16 Type A Flat	2
8	7173	Screw, 5/16-18 X 0.75, Hex-Head Cap	1
9	7473	Locknut, 5/16-18 Nylon Insert	2

7

G

7
G



000250-001

TOP-POST BATTERY - GASOLINE UTILITY VEHICLES

ITEM	PART NO.	DESCRIPTION	QTY
		1 2 3 4	
1	1010934	Screw, 5/16-18 X 1.00 Hex Cap	1
2	101898001	Clamp, Battery	1
3	105237301	Battery, Start, 12v, Type 26	1
4	105256701	Wire Assy, 4ga, Battery, (top-post) B-, Gas	1
5	1241	Washer, 5/16 Type A Flat	2
6	7173	Screw, 5/16-18 X 0.75, Hex-Head Cap	1
7	7473	Locknut, 5/16-18 Nylon Insert	2

7

G

7

G

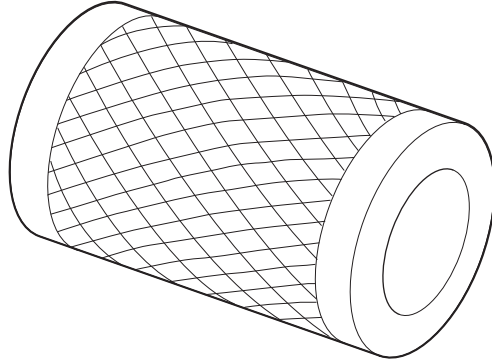
ENGINE (SUBARU EX40)

8

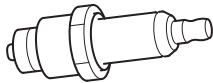
G

8

G



1



2

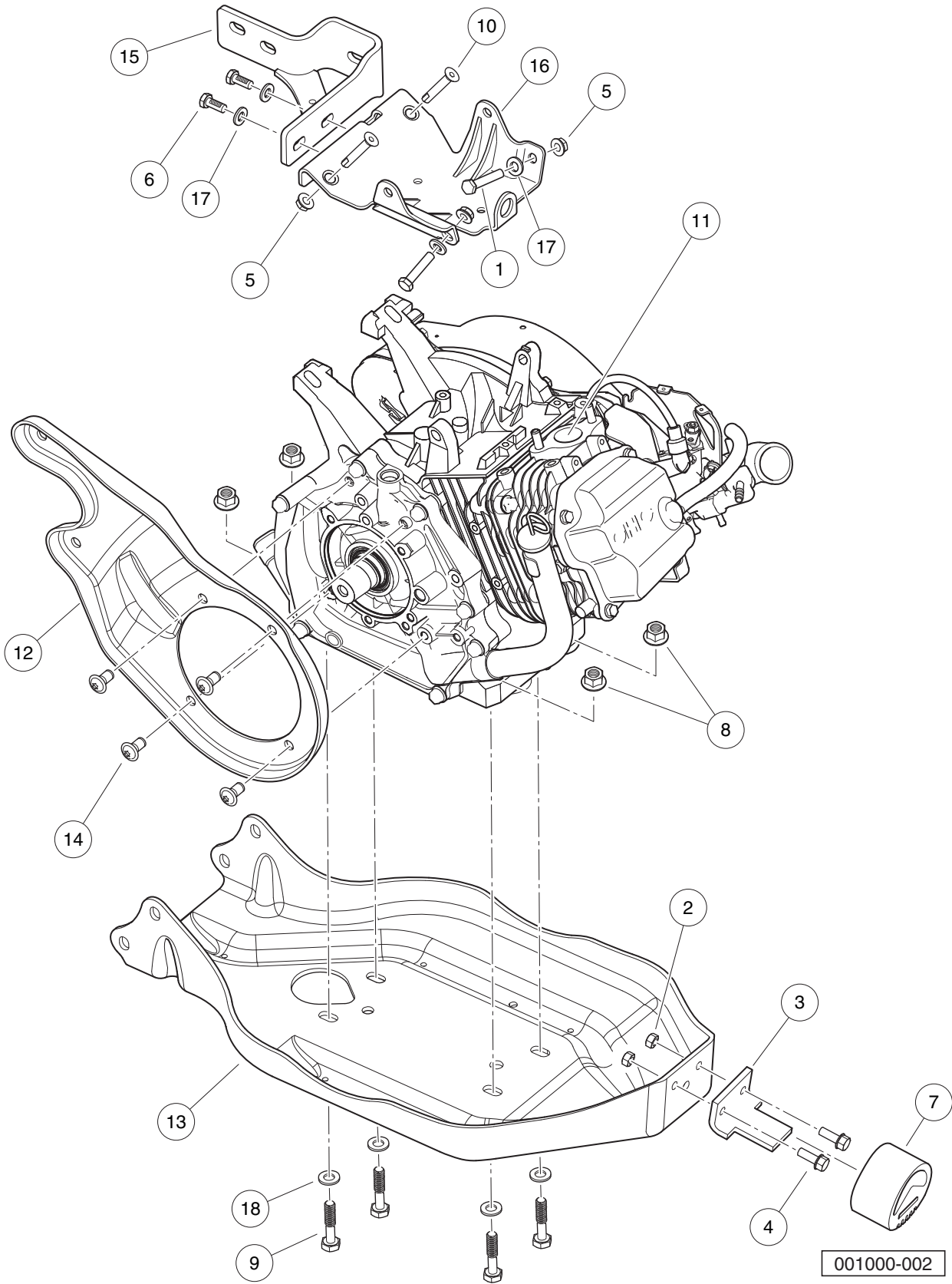
000992-003

TUNE-UP PARTS – SUBARU EX40

ITEM	PART NO.	DESCRIPTION	QTY
		1 2 3 4	
1	102558201	Air Filter, 4 Inch	1
2	105017801	Spark Plug, Subaru EX40	1

8

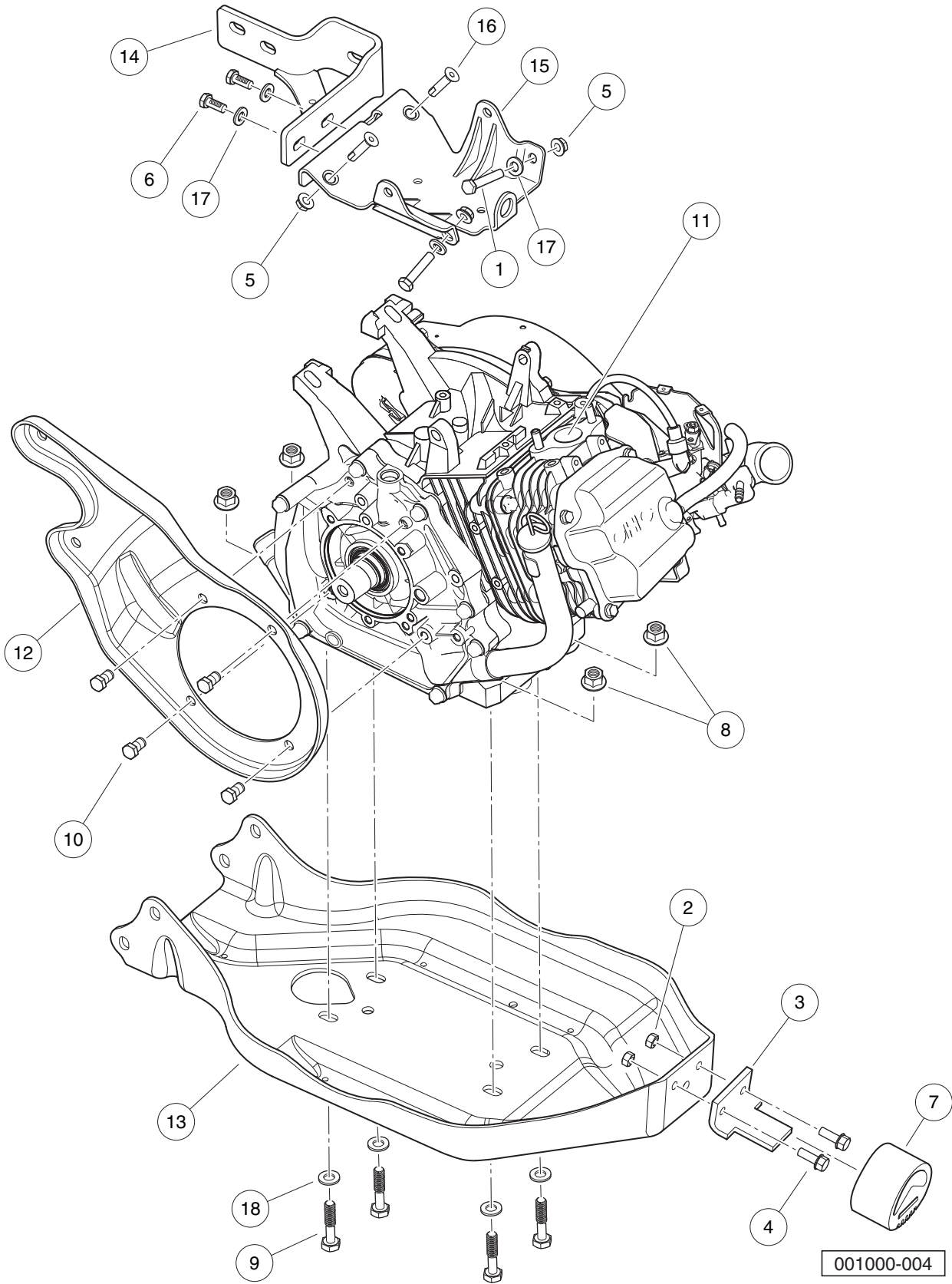
G



ENGINE AND ENGINE MOUNTING, UTILITY – TO EARLY-2016 MODEL YEAR

ITEM	PART NO.	DESCRIPTION	QTY
		1 2 3 4	
1	1010577	Bolt, Hex-Head, 5/16-18 X 1.50	2
2	1013924	Nut, 5/16-24, Hex Head Cone	2
3	101834602	Bracket, Snubber, Tall	1
4	101884801	Screw, 5/16-24 X 0.875, Grade-8	2
5	101963401	Locknut, 5/16-18 Hex Flange	4
6	102242101	Screw, 5/16-18 X 3/4 Hex-Head with Patch	2
7	102540301	Snubber, Inner Frame	1
8	102617201	Nut, Flanged, M10 X 1.5, Mechanically Deformed	4
9	102732401	Bolt, M10 X 45, Zn-Ni (Black)	4
10	103196202	5/16-18x1.75, Bolt, Loctite	2
11	103882801	Engine, Gas, Subaru EX40, EFI	1
12	103979401	Plate, Mounting, CVT, Center	1
13	103982201	Plate, Engine/Axle Mounting	1
14	103996201	Screw, 3/8-16 X .75, Btn Hd Cap	4
15	105134601	Bracket, Mounting, Transaxle/Exhaust,†EX40	1
16	105149301	Bracket,†Mounting, Starter/Generator,†EX40	1
17	1241	Washer, 5/16 Type A Flat	4
18	96741046	Washer, M10, Hard	4

8
G

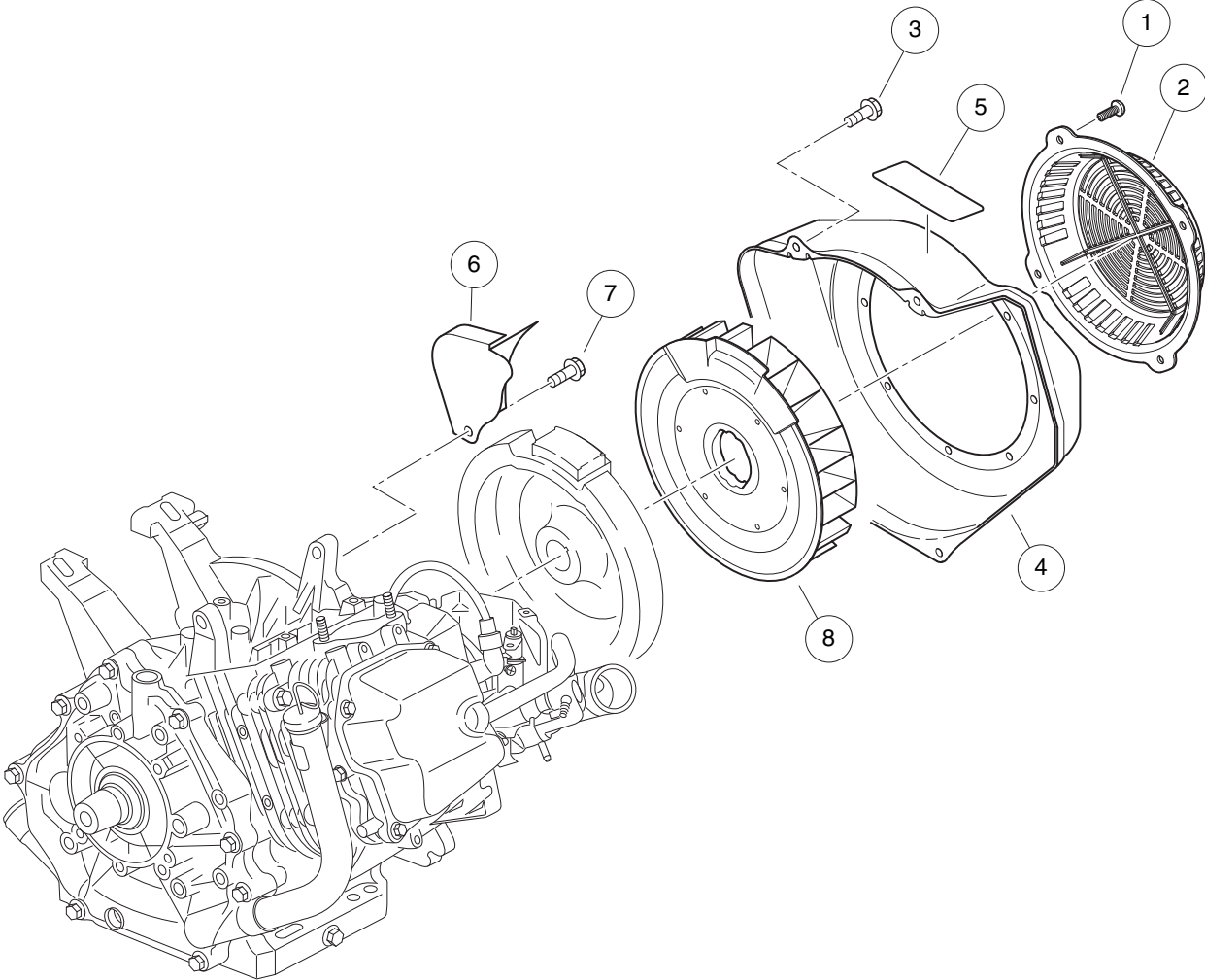


001000-004

ENGINE AND ENGINE MOUNTING, UTILITY – FROM EARLY-2016 MODEL YEAR

ITEM	PART NO.	DESCRIPTION	QTY
		1 2 3 4	
1	1010577	Bolt, Hex-Head, 5/16-18 X 1.50	2
2	1013924	Nut, 5/16-24, Hex Head Cone	2
3	101834602	Bracket, Snubber, Tall	1
4	101884801	Screw, 5/16-24 X 0.875, Grade-8	2
5	101963401	Locknut, 5/16-18 Hex Flange	4
6	102242101	Screw, 5/16-18 X 3/4 Hex-Head with Patch	2
7	102540301	Snubber, Inner Frame	1
8	102617201	Nut, Flanged, M10 X 1.5, Mechanically Deformed	4
9	102732401	Bolt, M10 X 45, Zn-Ni (Black)	4
10	103508101	Bolt, 3/8-16 X .75 Lock Patch	4
11	103882801	Engine, Gas, Subaru EX40, EFI	1
12	103979401	Plate, Mounting, CVT, Center	1
13	103982201	Plate, Engine/Axle Mounting	1
14	105134601	Bracket, Mounting, Transaxle/Exhaust,†EX40	1
15	105149301	Bracket,†Mounting, Starter/Generator,†EX40	1
16	105262401	Screw, 5/16-18 X 1.25, Cs, Lck	2
17	1241	Washer, 5/16 Type A Flat	4
18	96741046	Washer, M10, Hard	4

8
G



001001-001

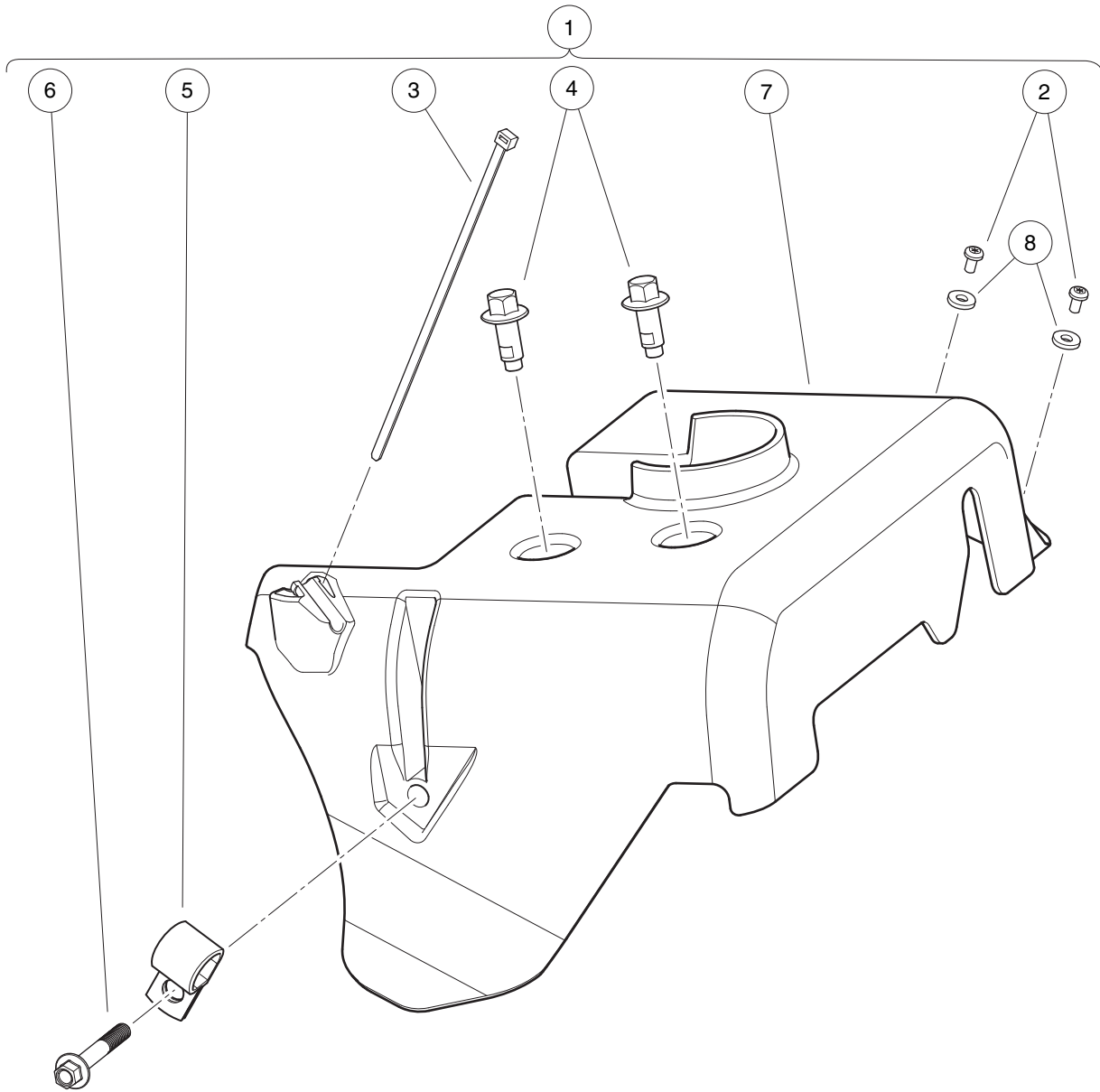
FAN AND SHROUD – EX40

ITEM	PART NO.	DESCRIPTION	QTY
		1 2 3 4	
1	1015969	Screw, M6-1.00 X 10mm, Pan Hd	4
2	103995901	Cover, Fan, EX40	1
3	105012601	Bolt, Flange, M6x1.0x12, EX40	4
4	105016701	Housing, Fan, EX40	1
5	105016801	Label, Engine Warning, EX40	1
6	105016901	Baffle, Crankcase, EX40	1
7	105017001	Bolt, Baffle, M8x1.25x12 Ex40	1
8	105017101	Fan, Cooling, EX40	1

8

G

8
G

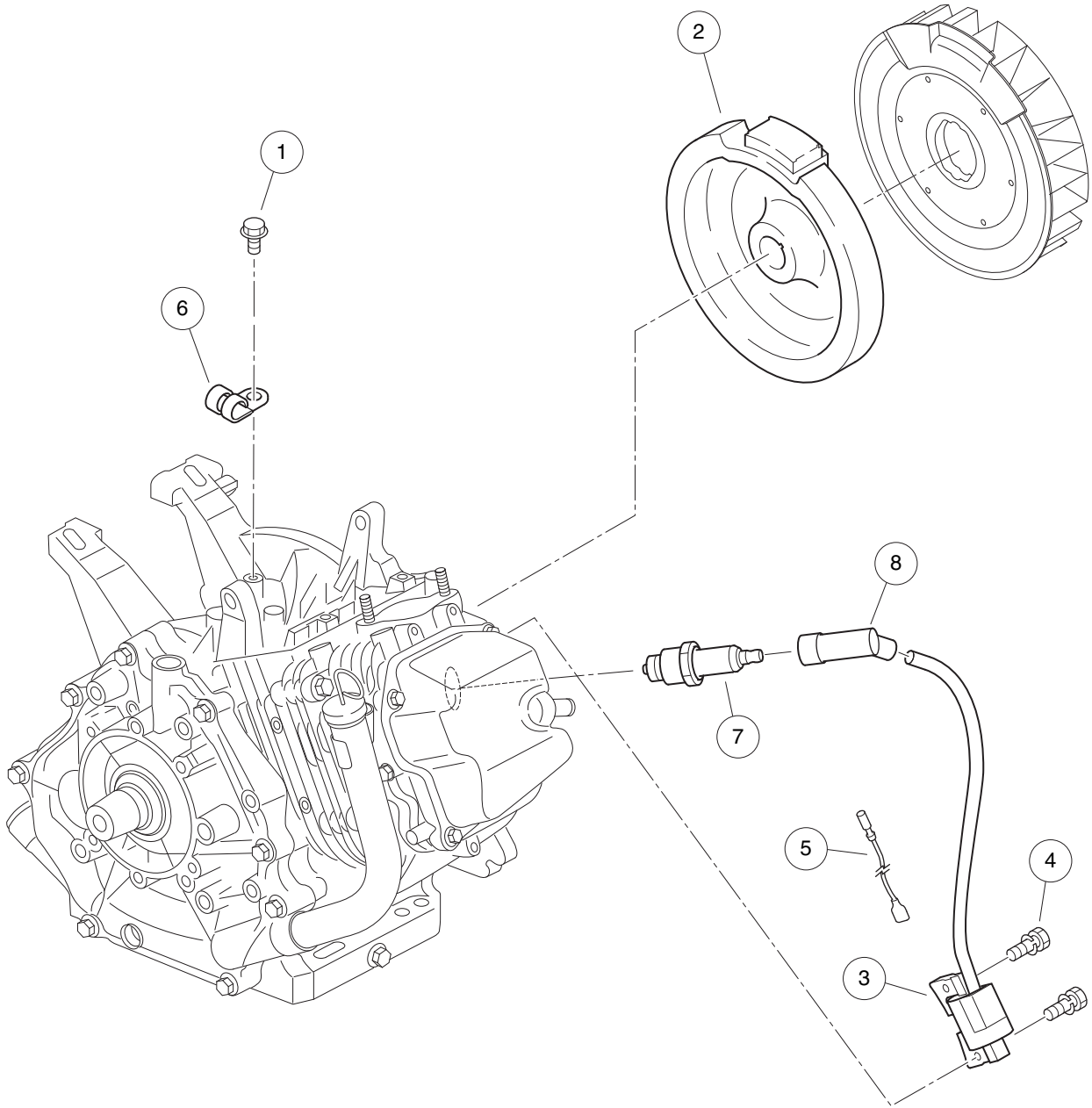


001002-001

AIR DEFLECTOR – EX40

ITEM	PART NO.	DESCRIPTION	QTY
		1 2 3 4	
1	105084801	Kit, Air Deflector, Subaru EX40 (includes items 2 through 8)	1
2	1016103	Screw, Pan Hd Tx, Taptite 6-32	2
3	101824101	Tie Wrap, Black	1
4	102298116	Bolt, Flanged Head, M8 X 16.0	2
5	102410604	P-clamp, Insulated, 0.625 Inch	1
6	102541402	Bolt, M6x1.0x40, Hex Flange Head, Blk-l	1
7	105075301	Deflector, Air, Subaru EX40	1
8	7591	Washer, #6, Flat	2

8
G

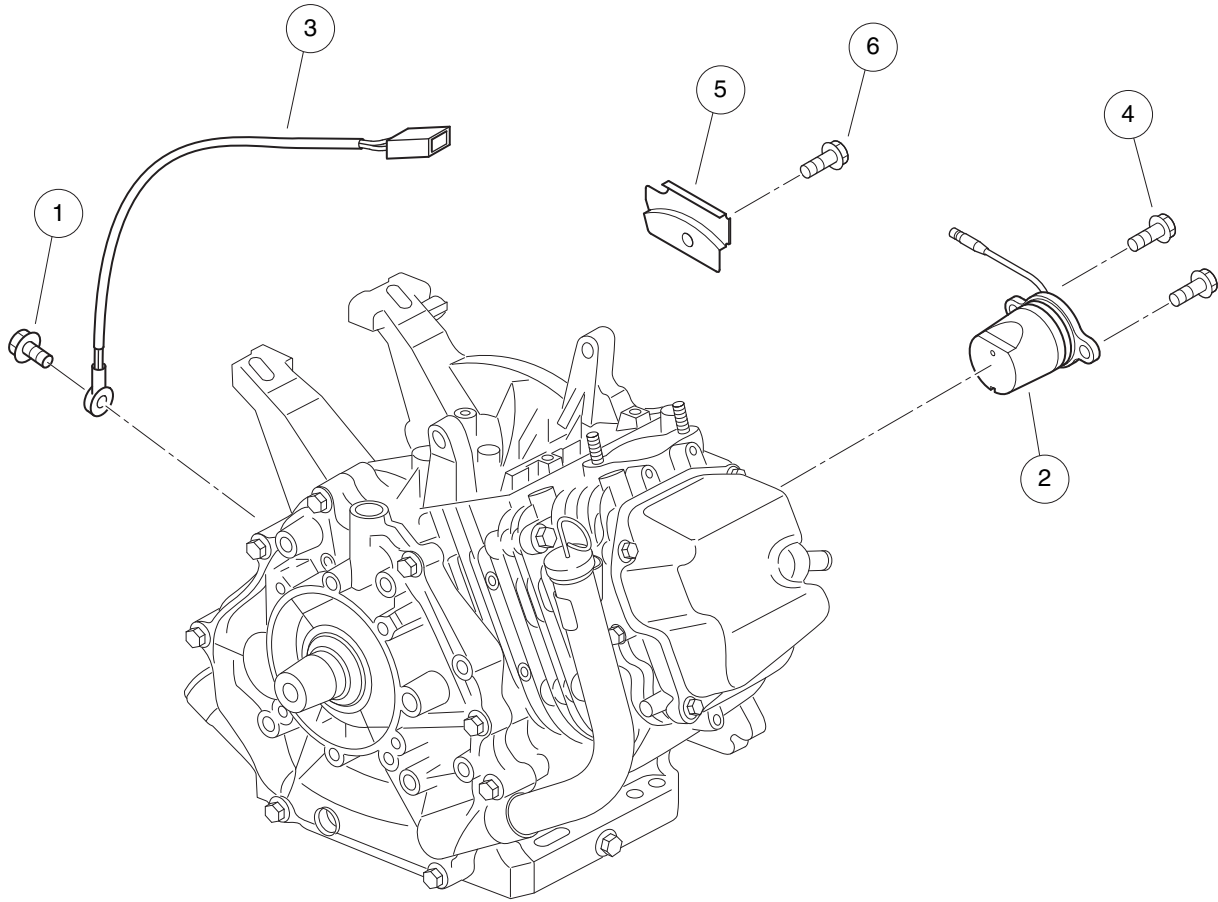


001003-001

IGNITION COMPONENTS AND FLYWHEEL – EX40

ITEM	PART NO.	DESCRIPTION	QTY
		1 2 3 4	
1	105016001	Bolt, Flange, M6x1.0x8, EX40	1
2	105017301	Flywheel, EX40	1
3	105017401	Coil, Ignition, CDI, EX40	1
4	105017501	Asm, Bolt-Washer, Coil, EX40	2
5	105017601	Asm, Wire, Coil Control, EX40	1
6	105017701	Clamp, Coil Control Wire, EX40	1
7	105017801	Spark Plug, Subaru EX40	1
8	105017901	Cap, Spark Plug, EX40	1

8
G



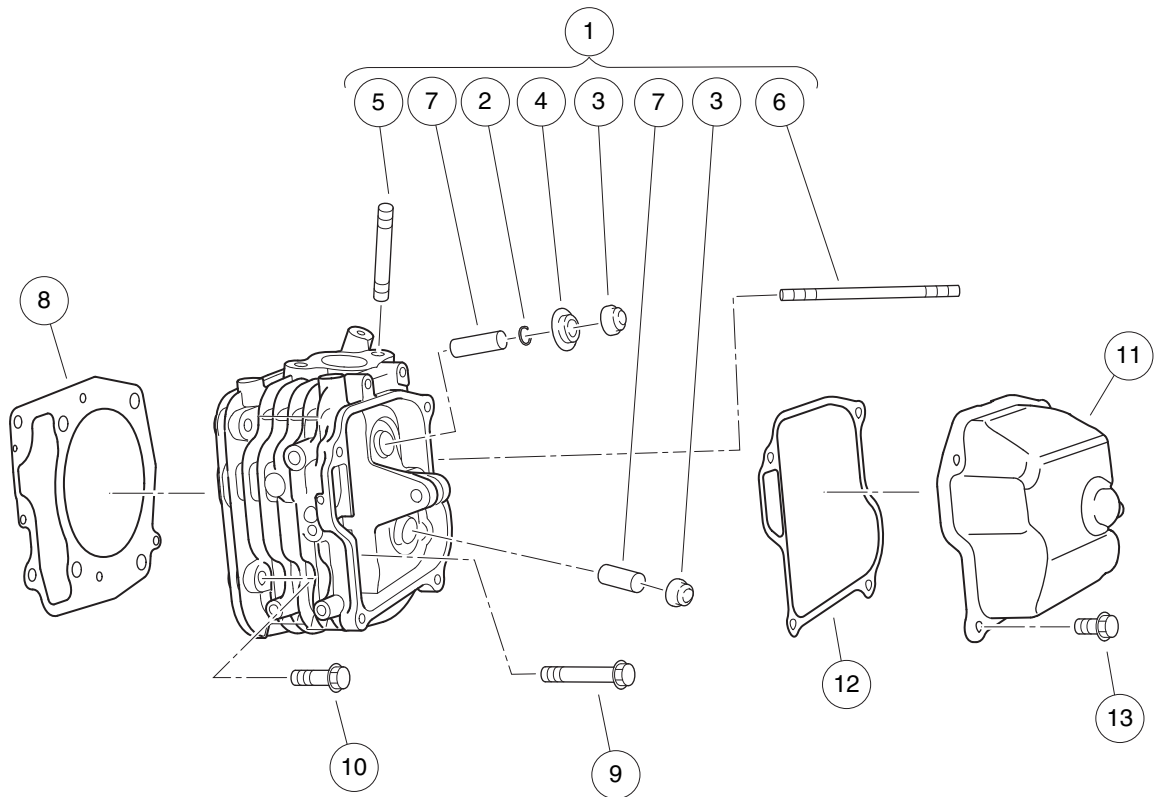
001004-001

SENSORS – EX40

ITEM	PART NO.	DESCRIPTION	QTY
		1 2 3 4	
1	105012601	Bolt, Flange, M6x1.0x12, EX40	1
2	105018001	Sensor, Oil Level, EX40	1
3	105018101	Sensor, Temperature, EX40	1
4	105018201	Bolt, Oil Sensor, M6x1.0x14, EX40	2
5	105018301	Clamp, Oil Sensor Wire, EX40	1
6	105018401	Bolt, Tap, Oil Wire Clamp, EX40	1

8

G



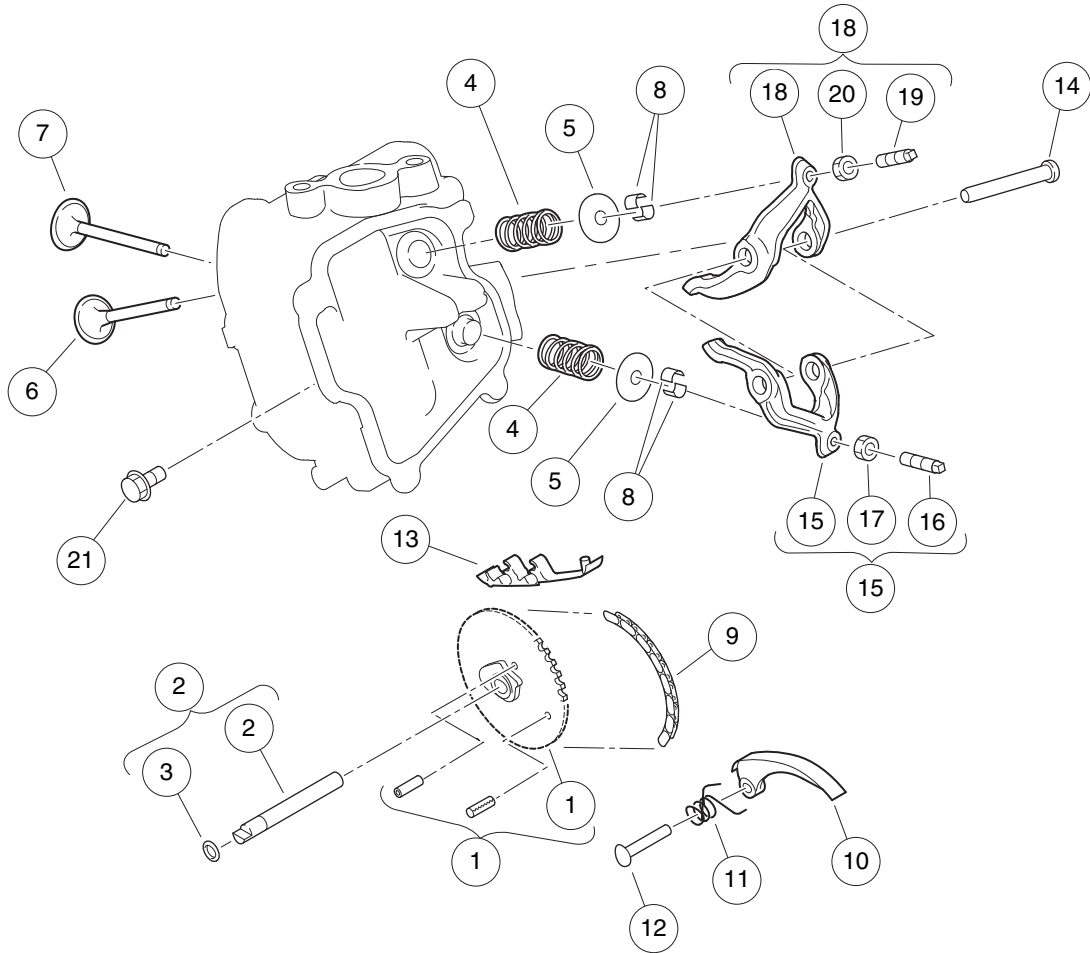
001005-001

CYLINDER HEAD – EX40

ITEM	PART NO.	DESCRIPTION	QTY
		1 2 3 4	
1	105011901	Asm, Cylinder Head, EX40 (includes items 2 through 7)	1
2	105010101	Clip, Retainer Plate, EX40	1
3	105010201	Seal, Valve, EX40	2
4	105010301	Plate, Retainer, EX40	1
5	105010801	Stud, Mounting, Exhaust, EX40	2
6	105010901	Stud, Mounting, Intake, EX40	2
7	105018501	Guide, Valve, EX40	2
8	105012001	Gasket, Head, EX40	1
9	105012101	Bolt, Head, M10x1.25x75, EX40	4
10	105012201	Bolt, Head, M8x1.25x35, EX40	2
11	105012301	Cover, Rocker, EX40	1
12	105012401	Gasket, Rocker Cover, EX40	1
13	105012601	Bolt, Flange, M6x1.0x12, EX40	4

8

G

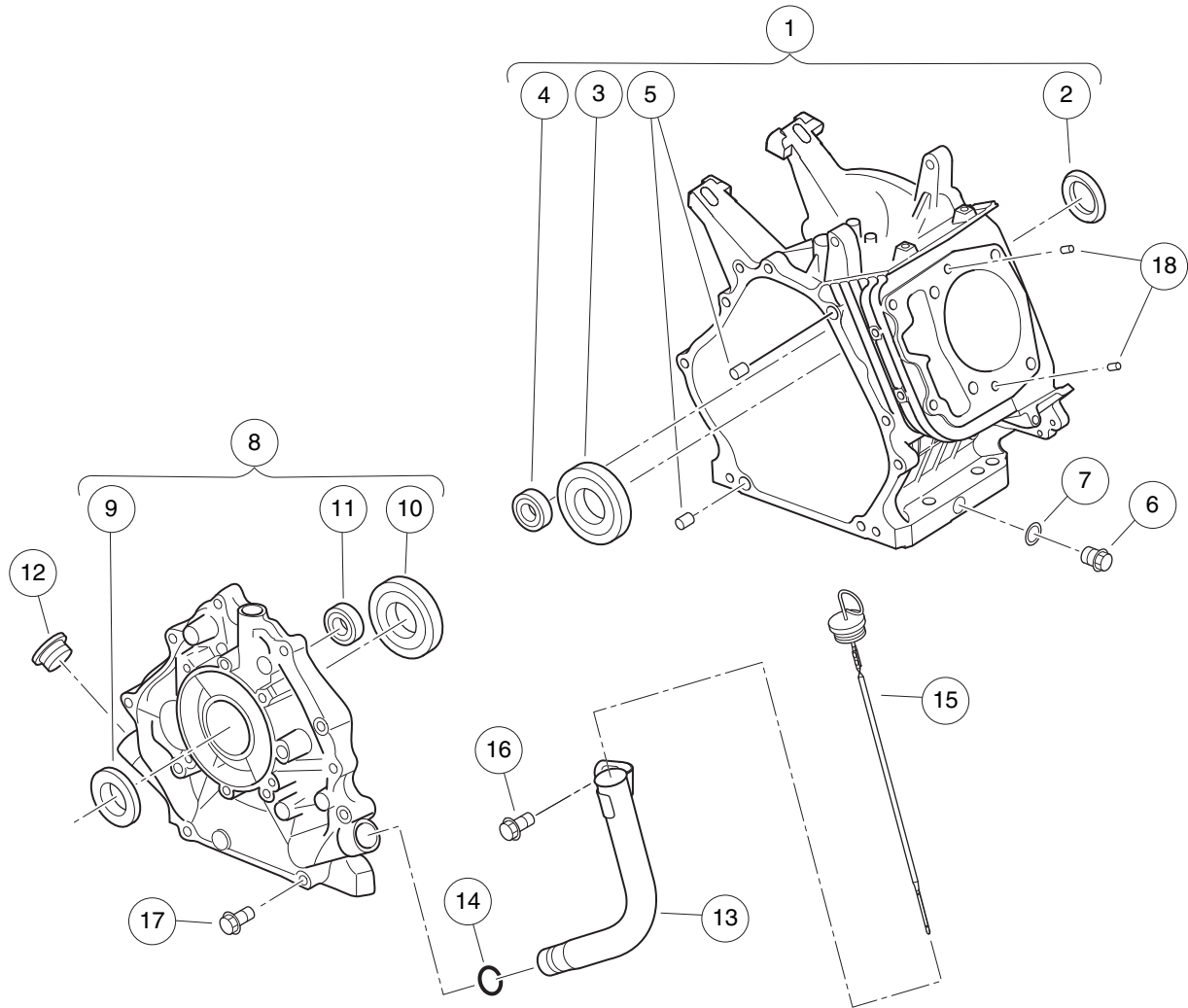


001006-001

VALVETRAIN AND TIMING CHAIN – EX40

ITEM	PART NO.	DESCRIPTION	QTY
		1 2 3 4	
1	105014201	Asm, Cam/Chain Sprocket, EX40	1
2	105014301	Asm, Camshaft and O-ring, EX40 (includes item 3)	1
3	105014401	O-ring, Camshaft, EX40	1
4	105014501	Spring, Valve, EX40	2
5	105014601	Retainer, Spring, EX40	2
6	105014701	Valve, Intake, EX40	1
7	105014801	Valve, Exhaust, EX40	1
8	105014901	Collet, Valve, EX40	4
9	105015001	Chain, Timing, EX40	1
10	105015101	Tensioner, Chain, EX40	1
11	105015201	Spring, Tension, EX40	1
12	105015301	Pin, Tensioner, EX40	1
13	105015401	Guide, Chain, EX40	1
14	105015501	Shaft, Rocker, EX40	1
15	105015601	Asm, Rocker Arm, Intake, EX40 (includes items 16 and 17)	1
16	105015801	Screw, Adjust, Valve, EX40	1
17	105015901	Nut, Adjust, Valve, EX40	1
18	105015701	Asm, Rocker Arm, Exhaust, EX40 (includes items 19 and 20)	1
19	105015801	Screw, Adjust, Valve, EX40	1
20	105015901	Nut, Adjust, Valve, EX40	1
21	105016001	Bolt, Flange, M6x1.0x8, EX40	1

8
G



001007-001

CRANKCASE – EX40

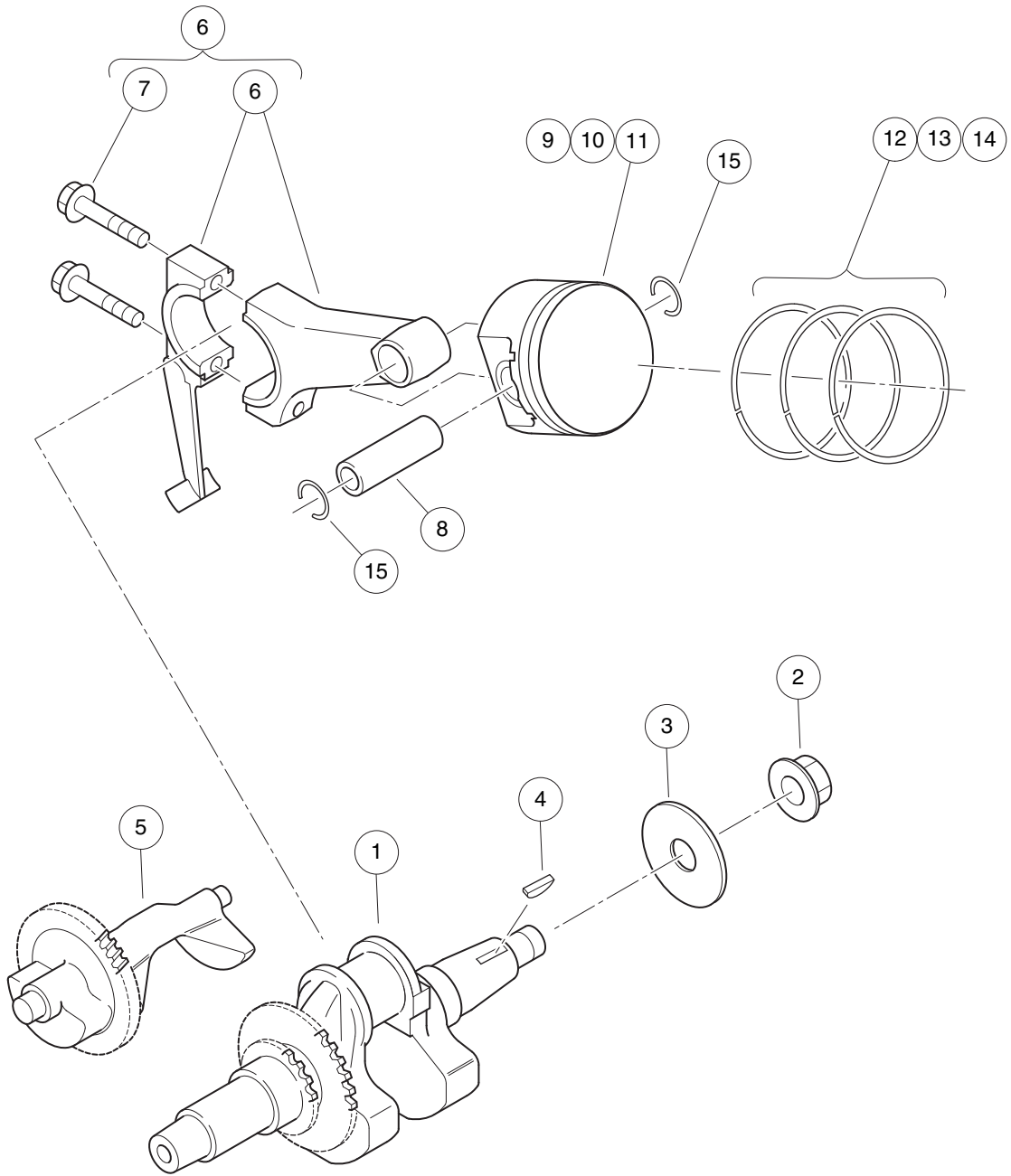
ITEM	PART NO.	DESCRIPTION	QTY
		1 2 3 4	
1	105010001	Crankcase, EX40 (includes items 2 through 5)	1
2	105010401	Seal, Oil, Crankshaft, EX40	1
3	105010501	Bearing, Crankshaft, EX40	1
4	105010601	Bearing, Balance Shaft, EX40	1
5	105010701	Pin, Guide, Crankcase, EX40	2
6	105011001	Plug, Oil Drain, EX40	2
7	105011101	Gasket, Oil Drain Plug, EX40	2
8	105011201	Asm, Cover, Crankcase, EX40 (includes items 9 through 11)	1
9	105010401	Seal, Oil, Crankshaft, EX40	1
10	105010501	Bearing, Crankshaft, EX40	1
11	105010601	Bearing, Balance Shaft, EX40	1
12	105011301	Plug, Rubber, Crankcase, EX40	1
13	105011401	Tube, Oil Filler, EX40	1
14	105011501	O-ring, Oil Filler Tube, EX40	1
15	105011601	Dipstick, EX40	1
16	105011701	Bolt, Filler Tube, M8x1.25x12, EX40	1
17	105011801	Bolt, Case Cover, M8x1.25x38, EX40	8
18	105012501	Pin, Guide, Head, EX40	2

8

G

8

G



001008-001

CRANKSHAFT AND PISTON – EX40

ITEM	PART NO.	DESCRIPTION	QTY
		1 2 3 4	
1	105012701	Crankshaft, EX40	1
2	105012801	Nut, Crankshaft M18x1.5 Ex40	1
3	105012901	Washer, Crankshaft Ex40	1
4	105013001	Key, Woodruff, Crankshaft, EX40	1
5	105013101	Shaft, Balance, EX40	1
6	105013201	Asm, Rod, Connecting, EX40 (includes item 7)	1
7	105013301	Bolt, Rod M8x1.25x40 Ex40	2
8	105013401	Pin, Piston, EX40	1
9	105013501	Piston, Standard, EX40	1
10	105013601	Piston, 0.25 mm Oversize, EX40	1
11	105013701	Piston, 0.50 mm Oversize, EX40	1
12	105013801	Set, Piston Ring, Standard, EX40	1
13	105013901	Set, Piston Ring, 0.25 mm Oversize, EX40	1
14	105014001	Set, Piston Ring, 0.50 mm Oversize, EX40	1
15	105014101	Clip, Piston Pin, EX40	2

8

G

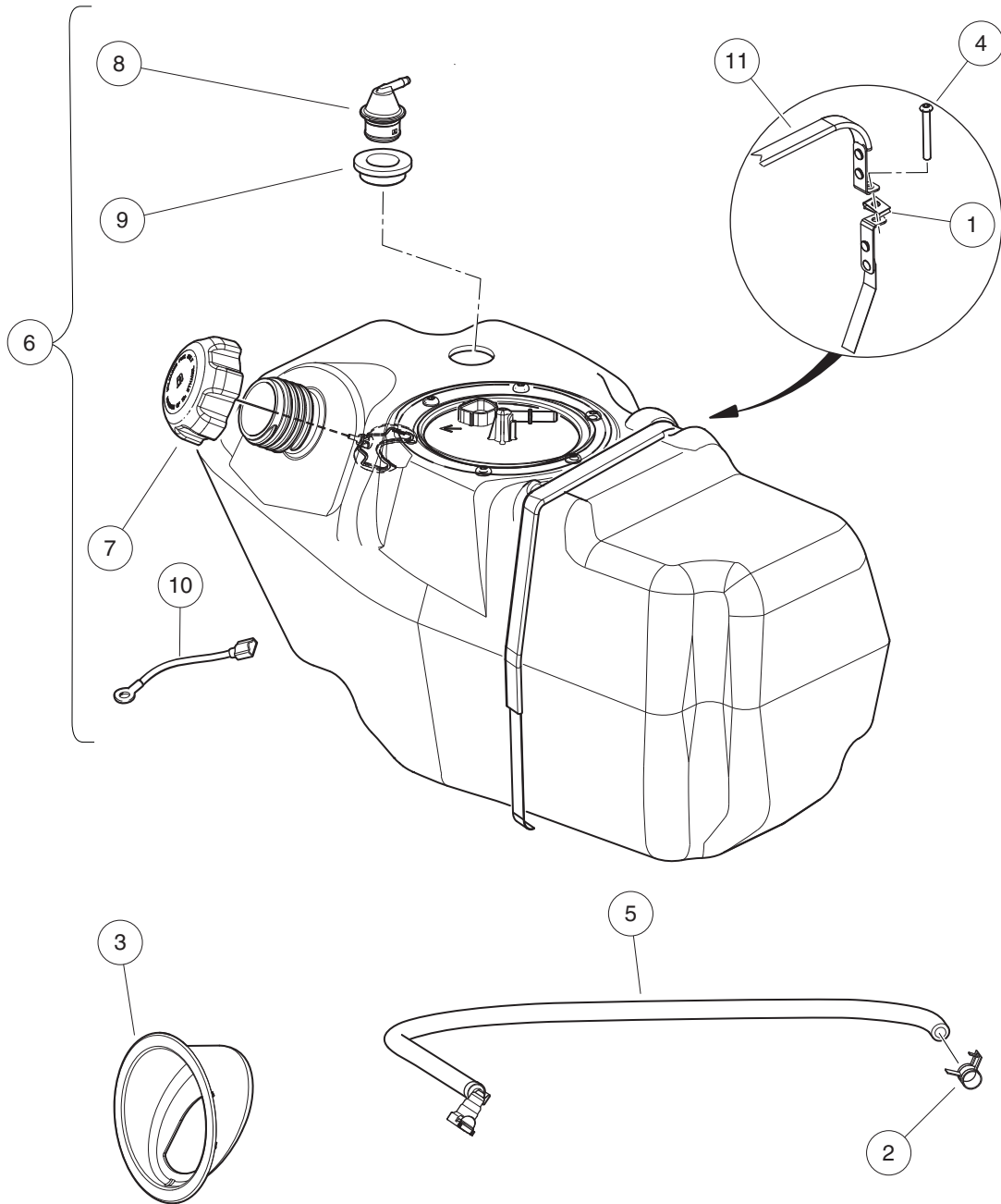
8

G

FUEL SYSTEM – EFI

9

G



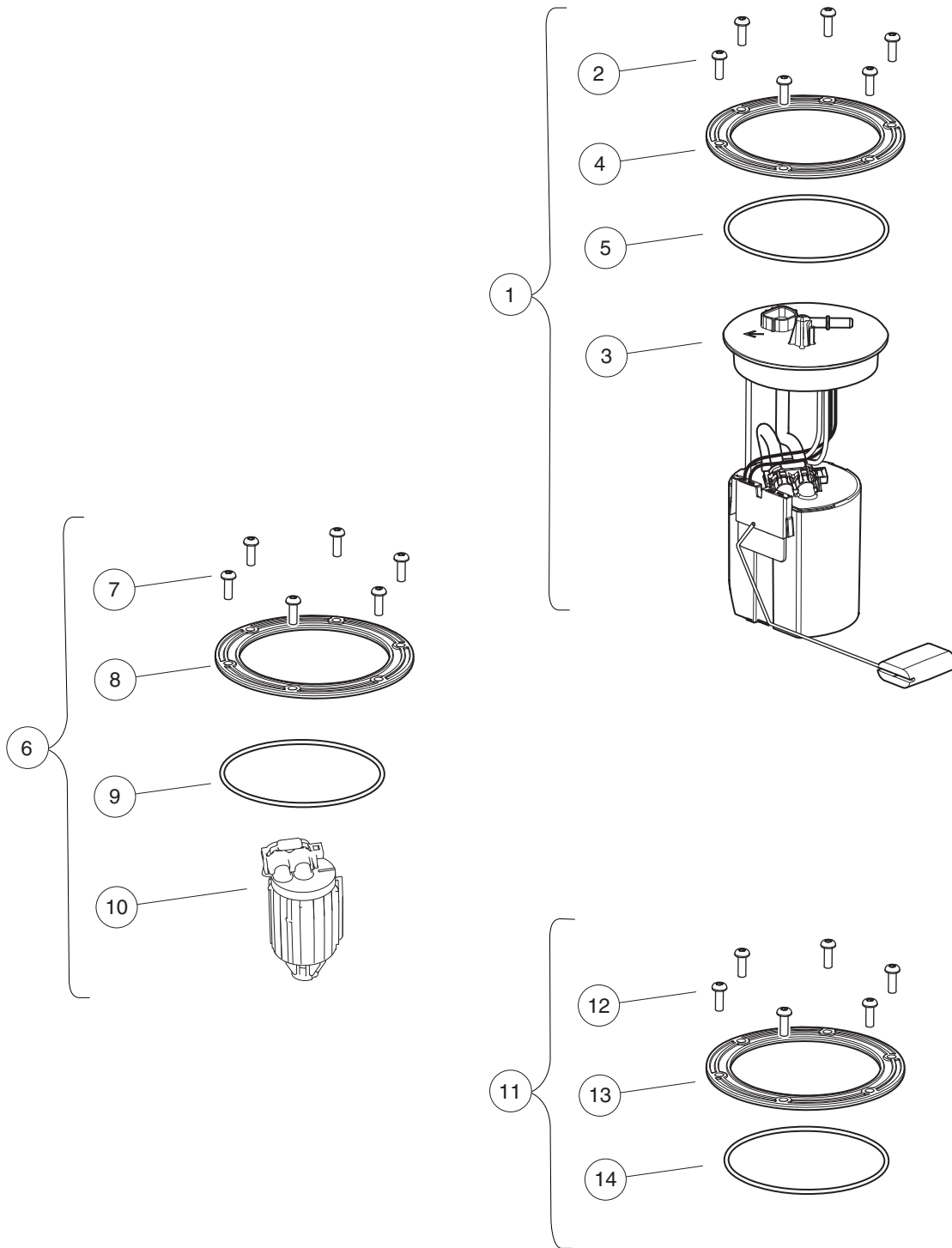
000977-006

FUEL TANK WITH SENDING UNIT, SIDE FILL – EFI

ITEM	PART NO.	DESCRIPTION	QTY
		1 2 3 4	
1	1014116	Nut, 1/4-20 Speed	1
2	102411203	Clamp, Hose, Ctb 14mm Dia.	1
3	102977901	Bezel, Fuel Fill, 5.0 Dia	1
4	103306301	Screw, Bhsc, 1/4-20 X 2.0	1
5	105043501	Asm, Fuel Line, Utility	1
6	105044001	Asm, Tank, Fuel, Side-Fill, Complete, w/Sending Unit (includes items 7 through 10)	1
7	103372101	Cap, Fuel Tank, Gas, Ratchet	1
8	103905201	Assembly, Vent, Fuel, 1/4 Inch O.D.	1
9	103944301	Grommet, Fuel Tank, Vent	1
10	105143301	Wire, Ground, Fuel Tank	1
11	105093601	Retention Strap, Tank	1

9

G



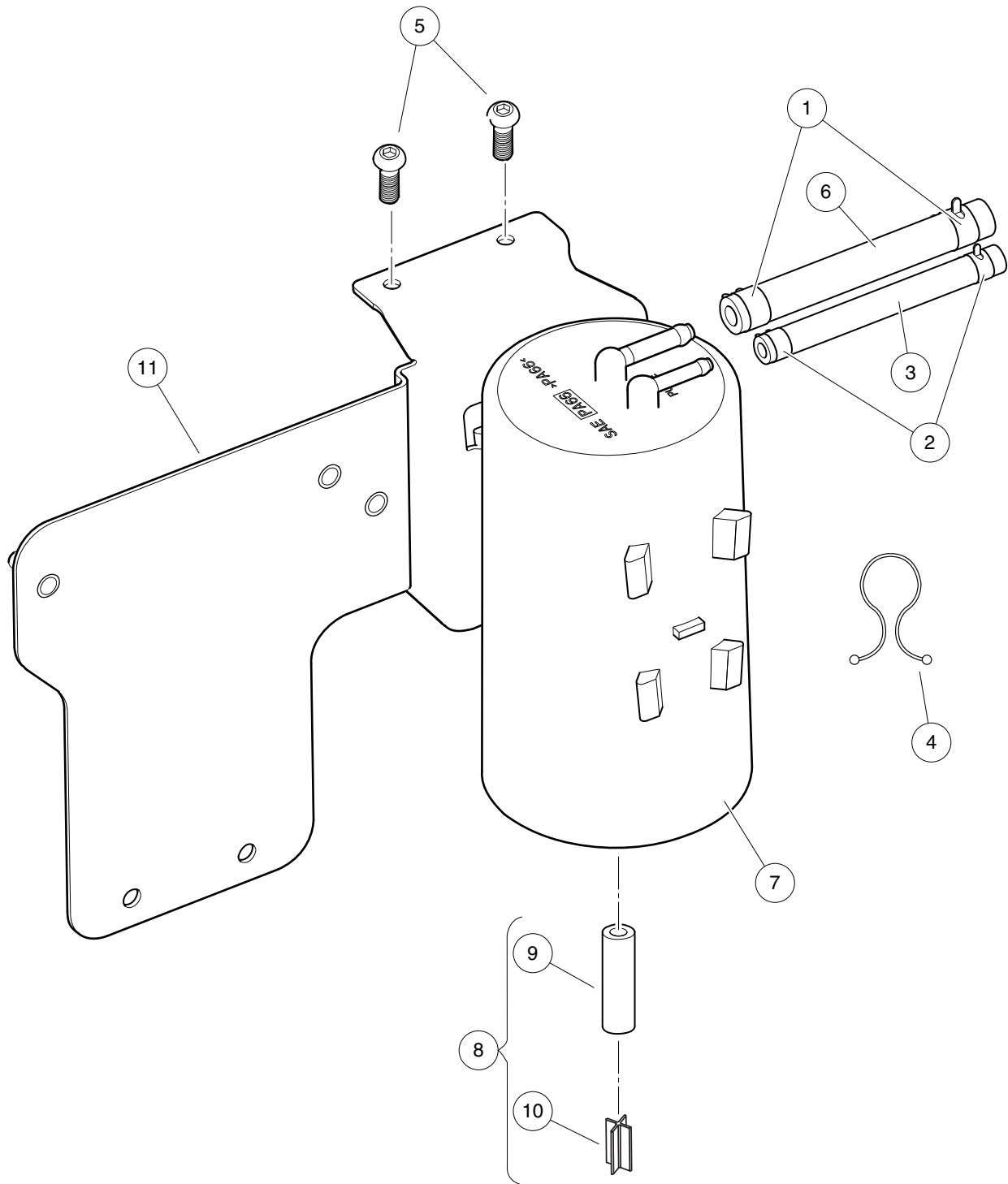
000977-005

FUEL TANK KITS – EFI

ITEM	PART NO.	DESCRIPTION	QTY
		1 2 3 4	
1	105282901	Kit, Fuel Pump Module (includes items 2 through 5)	1
2	102025801	Screw, 1/4-20 X .75 Torx Pn Hd	6
3	105043401	Fuel Pump Module, with Sending Unit	1
4	105043801	Fuel Module, Hold Down Ring	1
5	105043901	O-Ring, Fuel Module	1
6	105282902	Kit, Fuel Filter (includes items 7 through 10)	1
7	102025801	Screw, 1/4-20 X .75 Torx Pn Hd	6
8	105043801	Fuel Module, Hold Down Ring	1
9	105043901	O-Ring, Fuel Module	1
10	105073001	Fuel Filter, EX40, EFI	1
11	105282903	Kit, O-ring (includes items 12 through 14)	1
12	102025801	Screw, 1/4-20 X .75 Torx Pn Hd	6
13	105043801	Fuel Module, Hold Down Ring	1
14	105043901	O-Ring, Fuel Module	1

9

G



000980-006

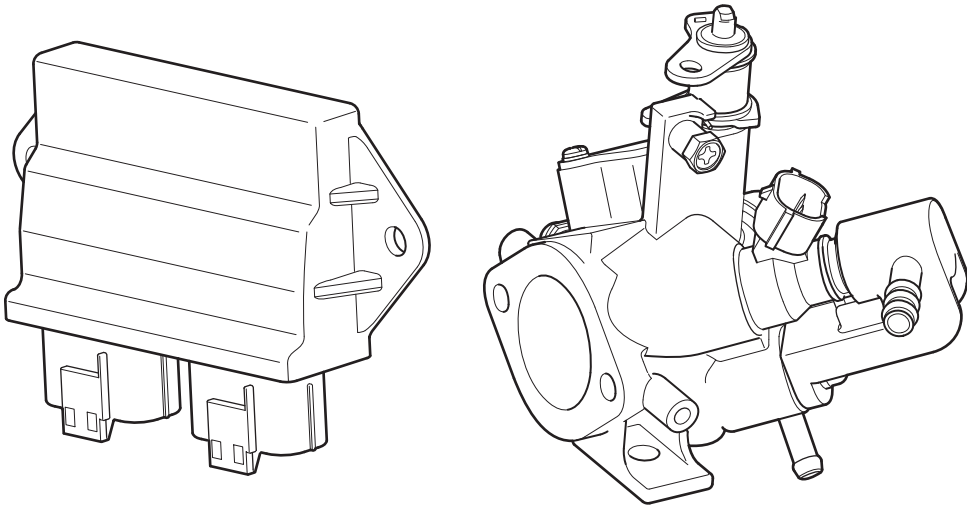
CARBON CANISTER – EFI

ITEM	PART NO.	DESCRIPTION	QTY
		1 2 3 4	
1	1012649	Clamp, 0.460 Red Hose	2
2	1013746	Clamp, 0.301 ID Hose	2
3	1015137	Fuel Line, 3/16 (available by the foot)	A/R
4	101987701	Clamp, Plastic Tie	2
5	102025801	Screw, 1/4-20 X .75 Torx Pn Hd	2
6	102865101	Fuel Line, 1/4 (available by the foot)	A/R
7	103372401	Canister, Carbon	1
8	103756401	Asm, Vent Line, Carbon Canister (includes items 9 and 10)	1
9	N/A	Hose, Vent, 5/16 I.D., Bulk	1
10	N/A	Vent, Barb, 5/16 I.D. Hose	1
11	105044901	Bracket, Carbon Canister/ECU	1

9

G

1



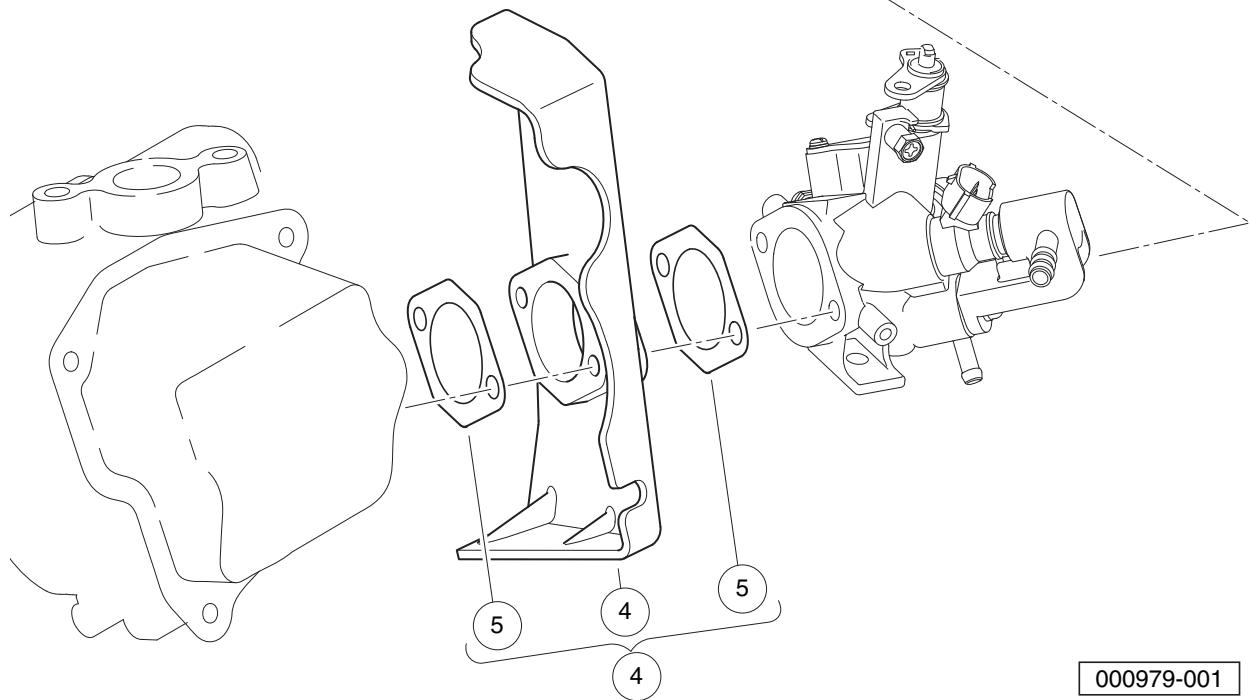
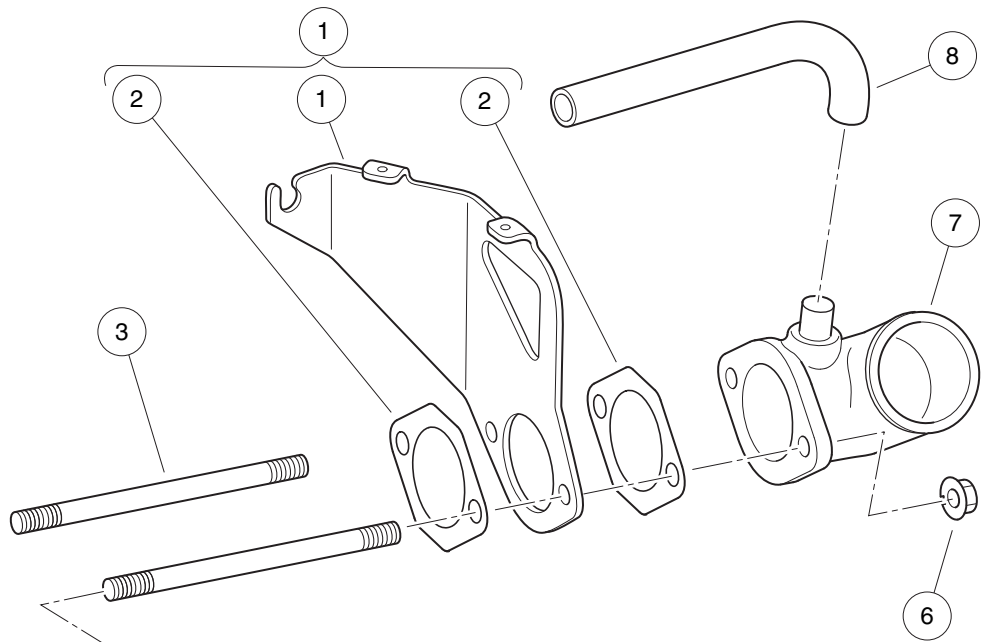
000964-001

THROTTLE BODY AND ECU – EFI

ITEM	PART NO.	DESCRIPTION	QTY
1	105017201	1 2 3 4 Asm, Throttle Body/Fuel Injector with ECU, EX40	1

9

G

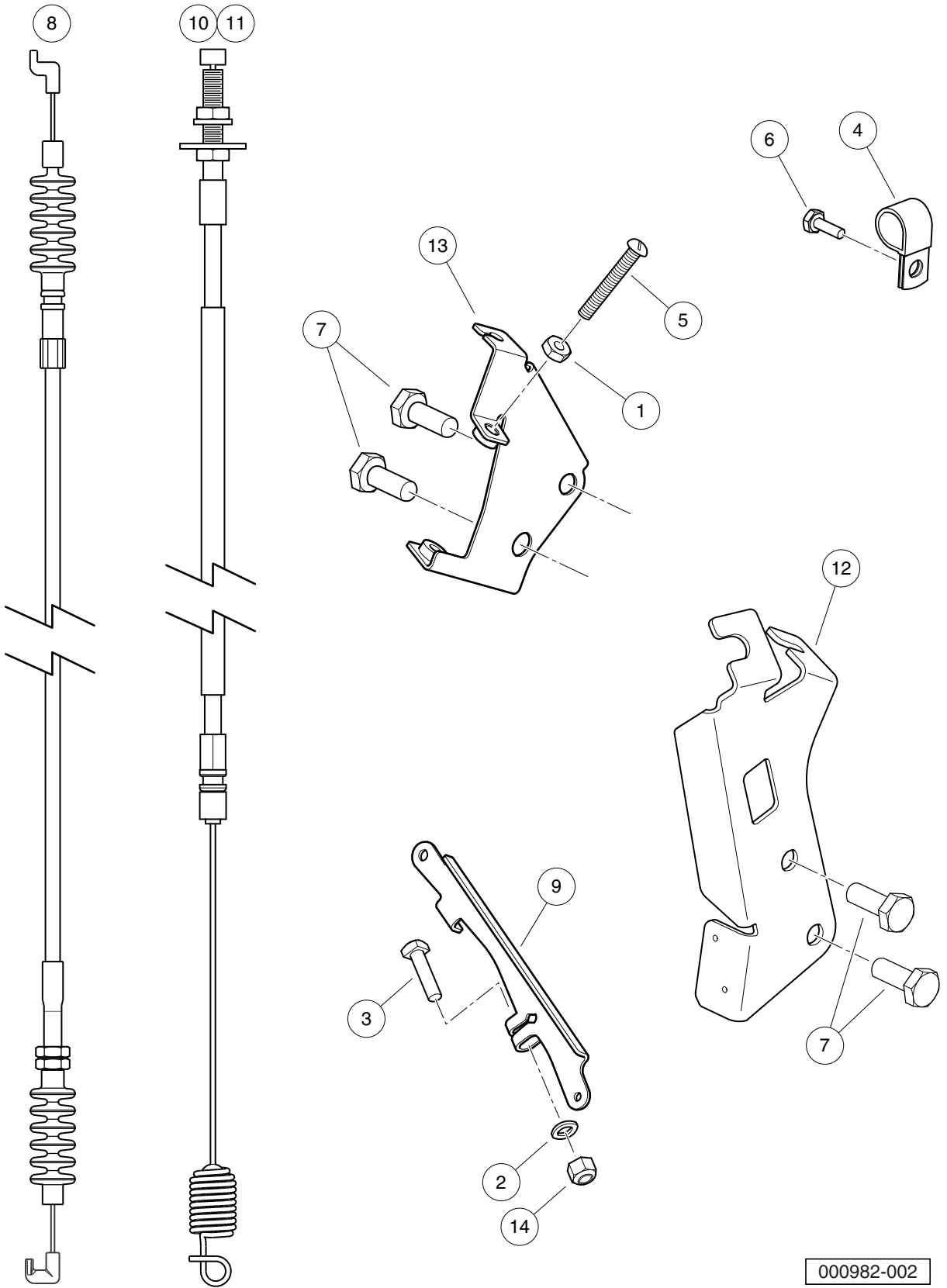


000979-001

THROTTLE BODY MOUNTING – EFI

ITEM	PART NO.	DESCRIPTION	QTY
		1 2 3 4	
1	103983501	Bracket, Operation, EX40 (includes item 2)	1
2	105016201	Gasket, Insulator, EX40	2
3	105010901	Stud, Mounting, Intake, EX40	2
4	105016101	Insulator, EX40 (includes item 5)	1
5	105016201	Gasket, Insulator, EX40	2
6	105016301	Nut, Intake Adapter, M6x1.0, EX40	2
7	105016401	Adapter, Air Intake, EX40	1
8	105016501	Hose, Breather, EX40	1

9
G



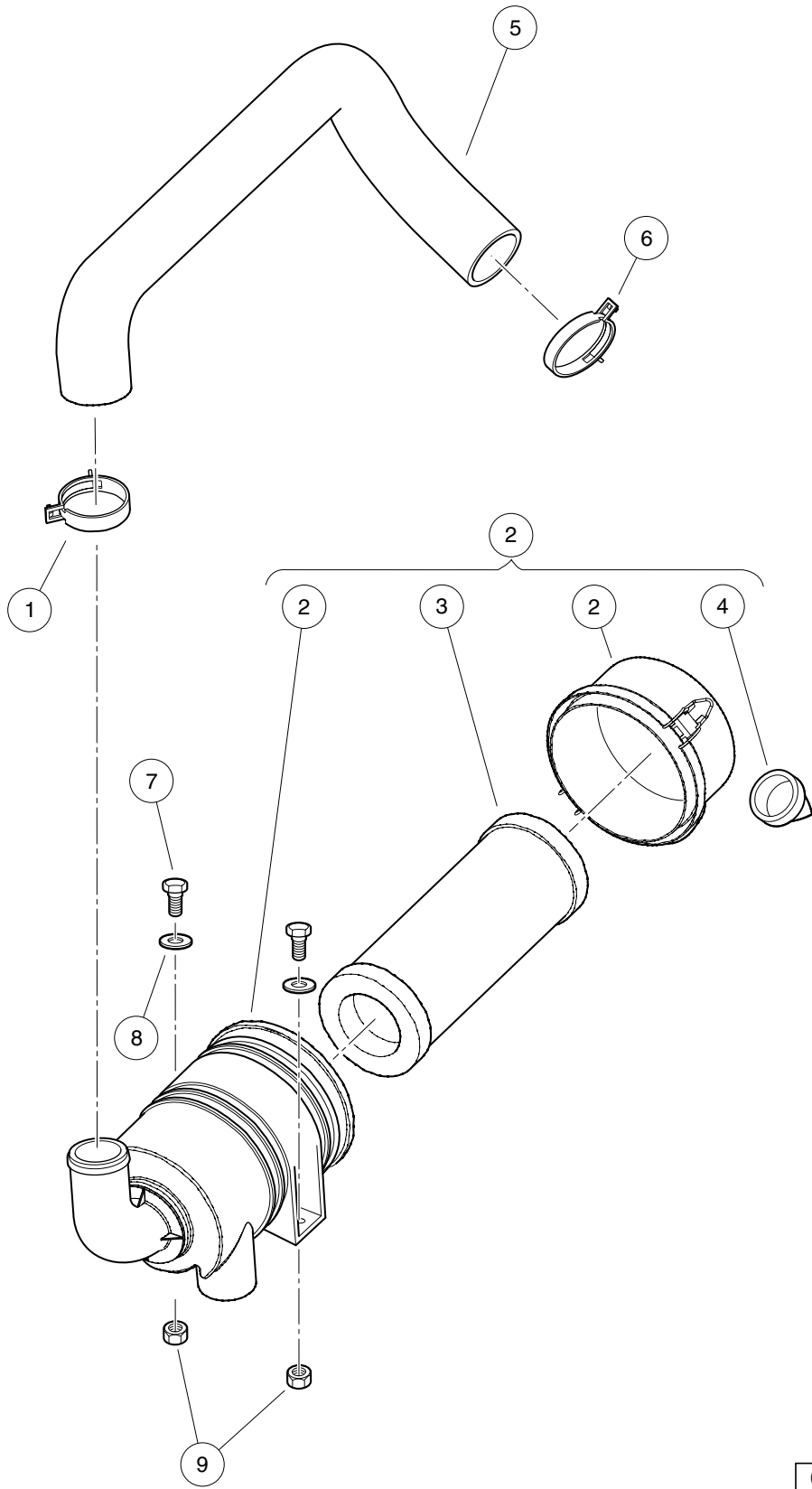
000982-002

GOVERNOR AND ACCELERATOR CABLES – EFI

ITEM	PART NO.	DESCRIPTION	QTY
		1 2 3 4	
1	1011114	Nut, M6-1.00 Hex	1
2	1014007	Washer, 1/4, Flat	1
3	101886101	Screw, 1/4-20 X 1.00, Square-Head	1
4	102410604	P-clamp, Insulated, 0.625 Inch	1
5	102476401	Bolt, Stop, Pedal	1
6	102490301	Bolt, M6 X 1 X 16, Loctite	1
7	102498201	Bolt, M10 X 1.25 X 25, Loctite	4
8	103978001	Cable, Governor, EX40	1
9	104023501	Arm, Governor, ED65	1
10	105007402	Cable, Accelerator, Utility, Low-Speed	1
11	105007403	Cable, Accelerator, Utility, Std-Speed	1
12	105135101	Bracket, Cable, FNR/Accelerator, ED65	1
13	105144401	Weldment, Governor Bracket	1
14	8233	Locknut, 1/4-20, Nylon Insert	1

9

G



000983-001

AIR FILTER SYSTEM AND INTAKE HOSE – EFI

ITEM	PART NO.	DESCRIPTION	QTY
		1 2 3 4	
1	102411209	Clamp, Hose, Ctb 55mm Dia.	1
2	105009101	Air Cleaner, Utility with EFI (includes items 3 and 4)	1
3	102558201	Air Filter, 4 Inch	1
4	102725501	Valve, Evacuator, Filter Air	1
5	105043001	Hose, Air Intake, Utility with EFI	1
6	105088501	Clamp, Ctb, 49mm Dia, W/clip	1
7	1218	Screw, 5/16-18 X 1.25 Hex-Head Cap	2
8	1241	Washer, 5/16 Type A Flat	2
9	7473	Locknut, 5/16-18 Nylon Insert	2

9

G

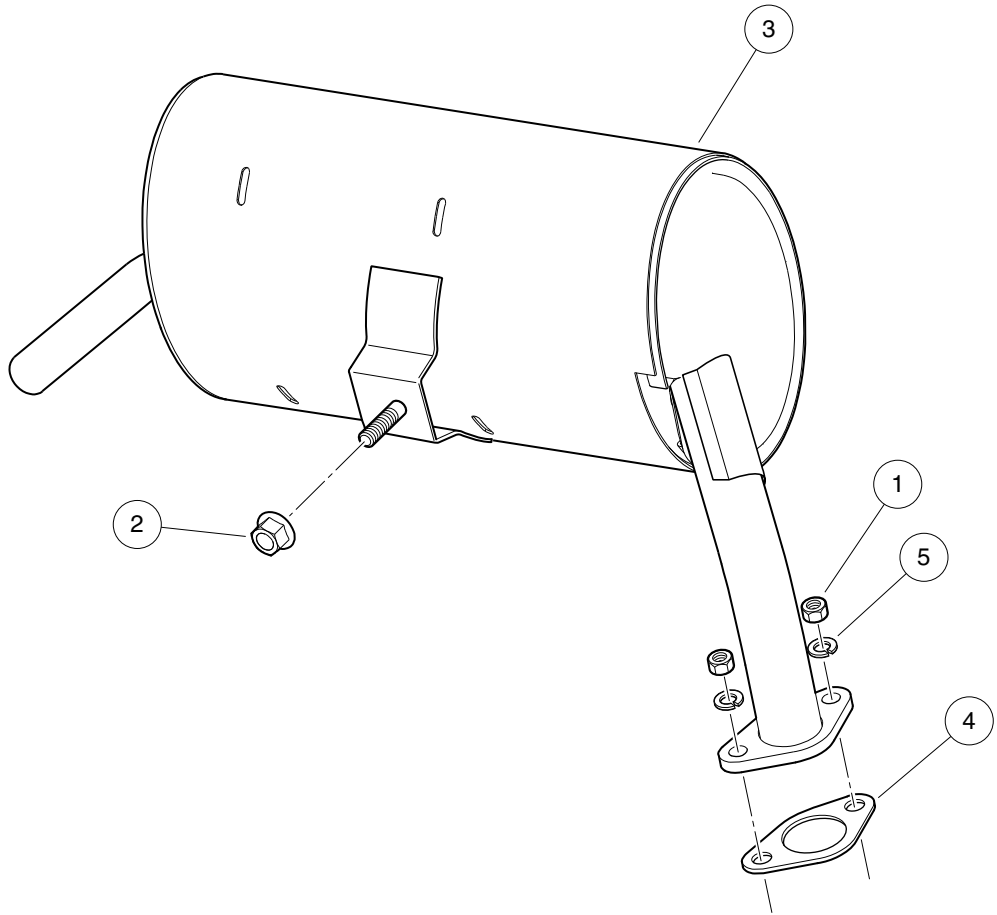
9

G

EXHAUST SYSTEM – EX40 ENGINE

10

G



000948-001

EXHAUST SYSTEM – UTILITY

ITEM	PART NO.	DESCRIPTION	QTY
		1 2 3 4	
1	1012528	Nut, M8-1.25 Hex	2
2	102617201	Nut, Flanged, M10 X 1.5, Mechanically Deformed	1
3	105214101	Exhaust, Low, Ex40, Utl	1
4	47539957001	Gasket, Exhaust, Ex40, Graphit	1
5	7174	Lockwasher, 5/16 Split	2

10

G

10

G

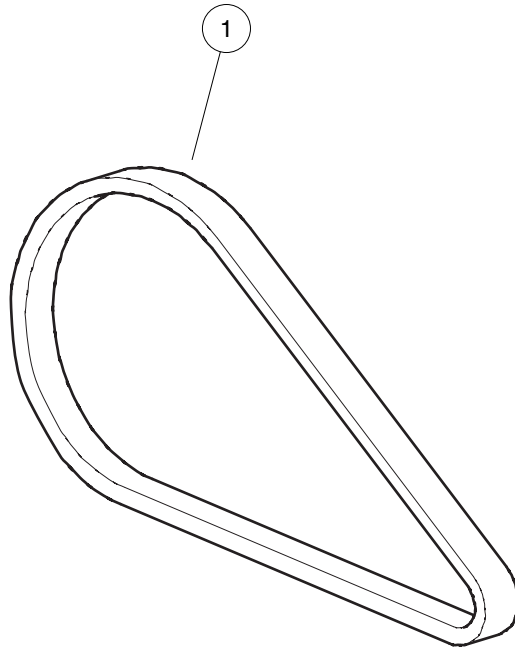
DRIVE BELT AND CLUTCHES – EX40

11

G

11

G



000918-001

DRIVE BELT – KEY-START VEHICLES WITH EFI

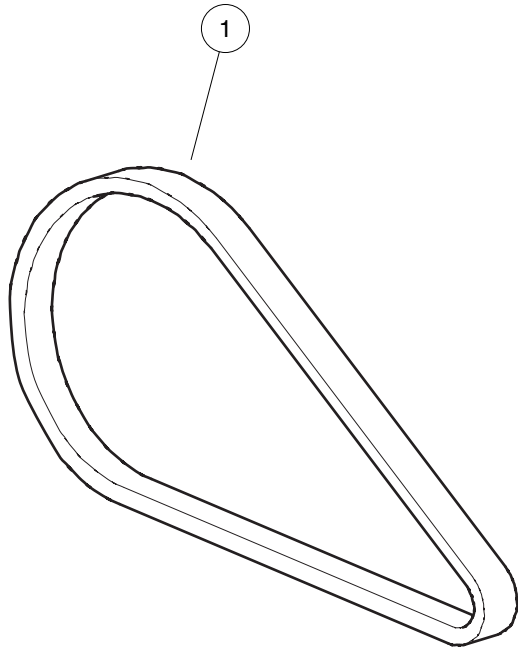
ITEM	PART NO.	DESCRIPTION	QTY
1	103974102	<div style="display: flex; justify-content: space-between; margin-bottom: 5px;"> 1 2 3 4 </div> Belt, Drive, Key-Start	1

11

G

11

G



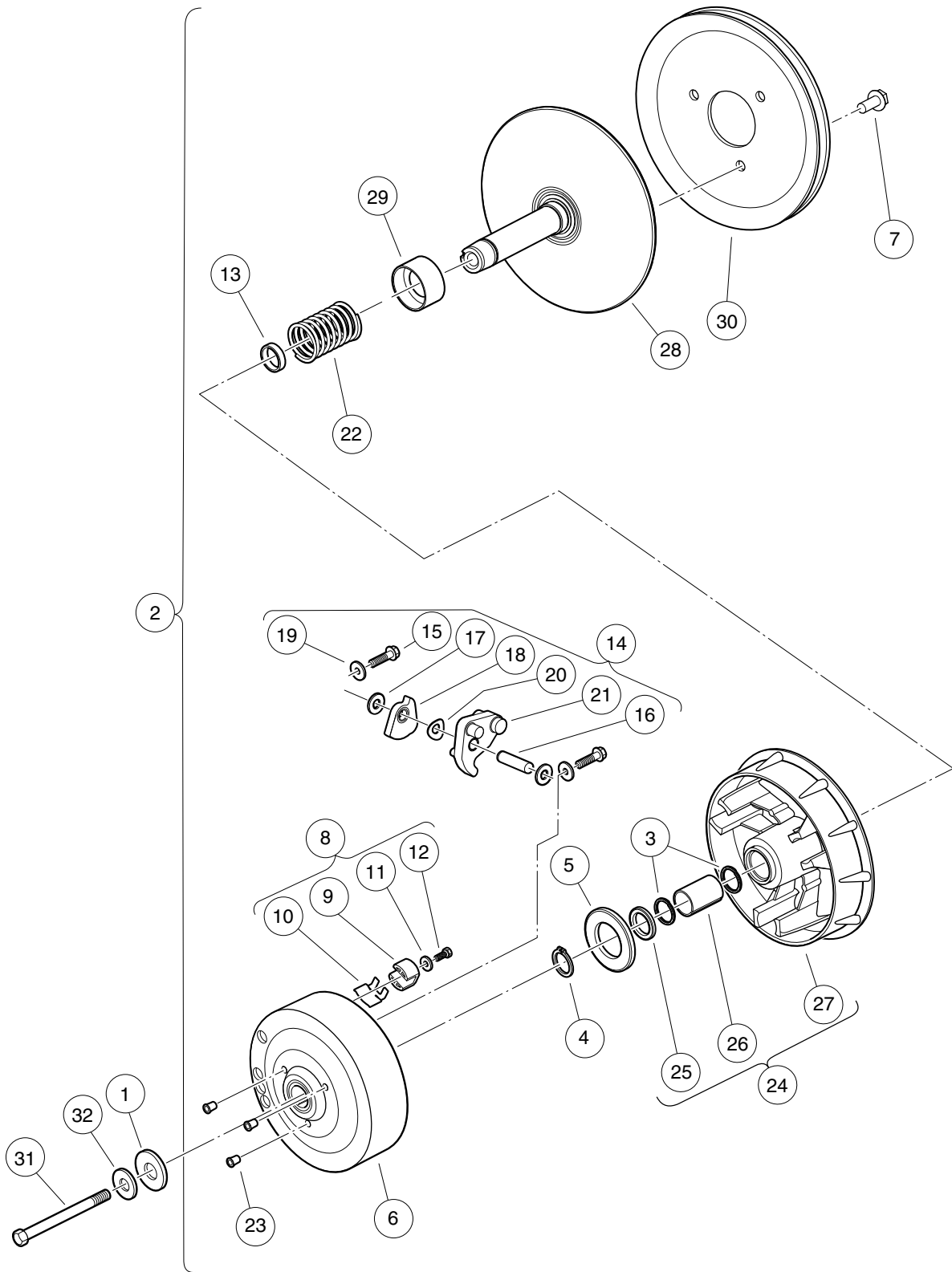
000918-001

DRIVE BELT – PEDAL-START VEHICLES WITH EFI

ITEM	PART NO.	DESCRIPTION	QTY
1	105245801	1 2 3 4 Belt, Drive, Pedal-Start	1

11

G



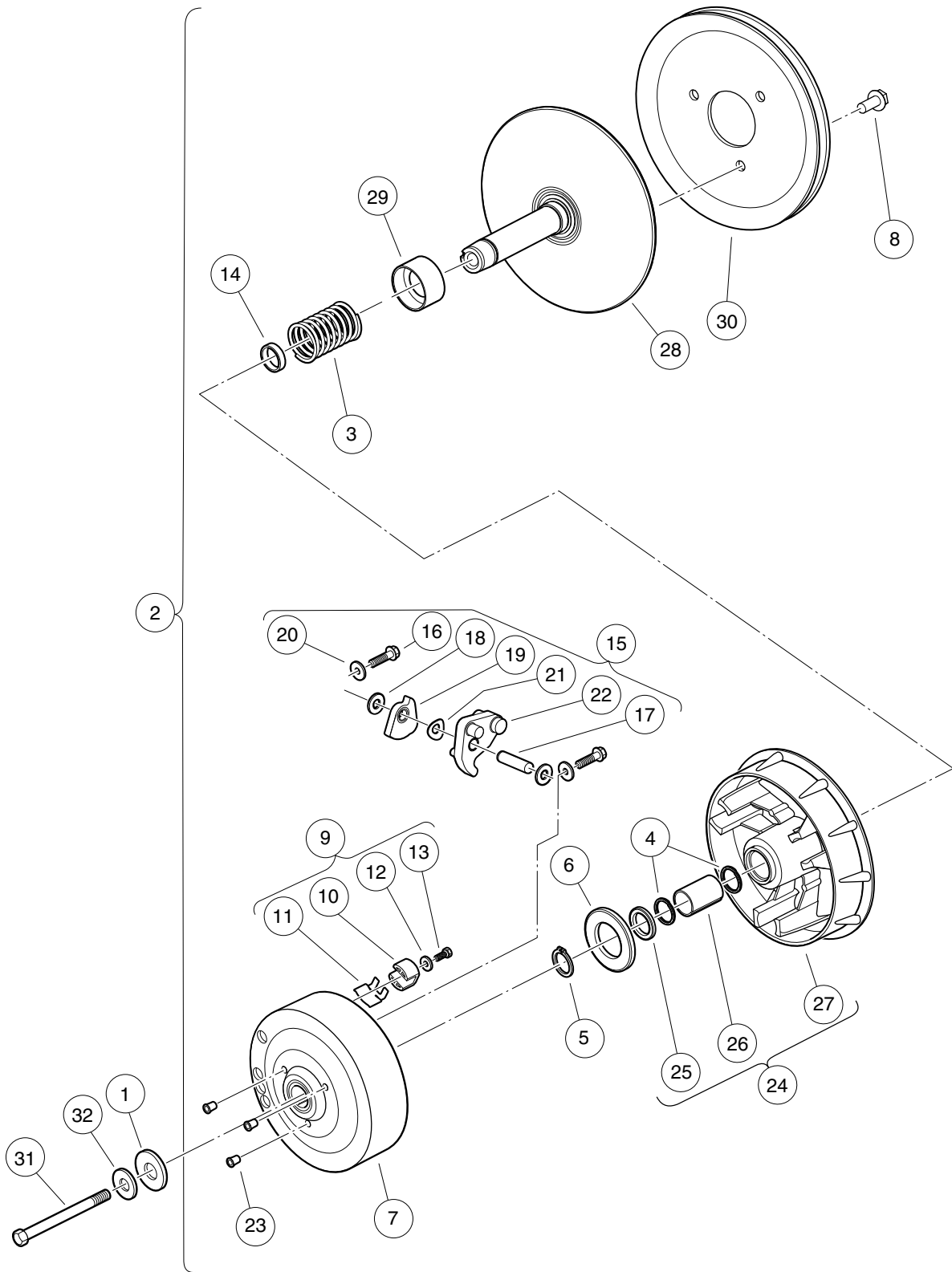
000958-002

DRIVE CLUTCH – KEY-START VEHICLES

ITEM	PART NO.	DESCRIPTION	QTY
		1 2 3 4	
1	102491501	Washer, Hard, M10	1
2	103973902	Clutch, Drive, Key-Start (includes items 3 through 30)	1
3	1014056	Ring, Spiral Backup	2
4	1014057	Ring, 0.810" Internal Retaining	1
5	1014058	Thrust Washer	1
6	1014059	Drive Hub Assy, Drive Clutch	1
7	1014288	Screw, 5/16-18 X 0.75, Thread-Forming	3
8	1014453	Kit, Drive Clutch Button (includes items 9 through 12)	1
9	1014062	Driver, Drive Clutch	3
10	1014287	Spring, Drive Button	3
11	183	Washer, #10, Type A, Flat	3
12	8450	Screw, #10-24 X 0.50, Hex-Head	3
13	1016289	Spacer, Fixed Face Shaft	1
14	1016801	Kit, Drive Clutch Weight (includes items 15 through 21)	1
15	1014063	Screw, 1/4-20 X 1.00, Hex Head	6
16	N/A	Pin, Dowel, 0.3752 x 1.50	3
17	1014065	Washer, Flat, 0.38" ID, Delrin	6
18	N/A	Clutch Weight, Secondary	3
19	N/A	Washer	6
20	1016201	Washer, Wave	3
21	N/A	Weight, Primary	3
22	1016901	Spring, Drive Clutch	1
23	N/A	Cap Plug	3
24	103974201	Asm, Sheave, Moveable, Drive, Wr (includes items 25 through 27)	1
25	1014055	Retainer	1
26	N/A	Bushing, Split, Drive Clutch	1
27	N/A	Sheave, Moveable, Drive, Wr	1
28	103974401	Sheave, Fixed, Drive, Wr	1
29	103984601	Spacer, Idler, Drive	1
30	105096101	Pulley, 7.3 Inch Effective Dia	1
31	103976101	Screw, 3/8-24x5.75, Patch	1
32	334	Washer, 3/8, Type A, Flat	1

11

G



000958-001

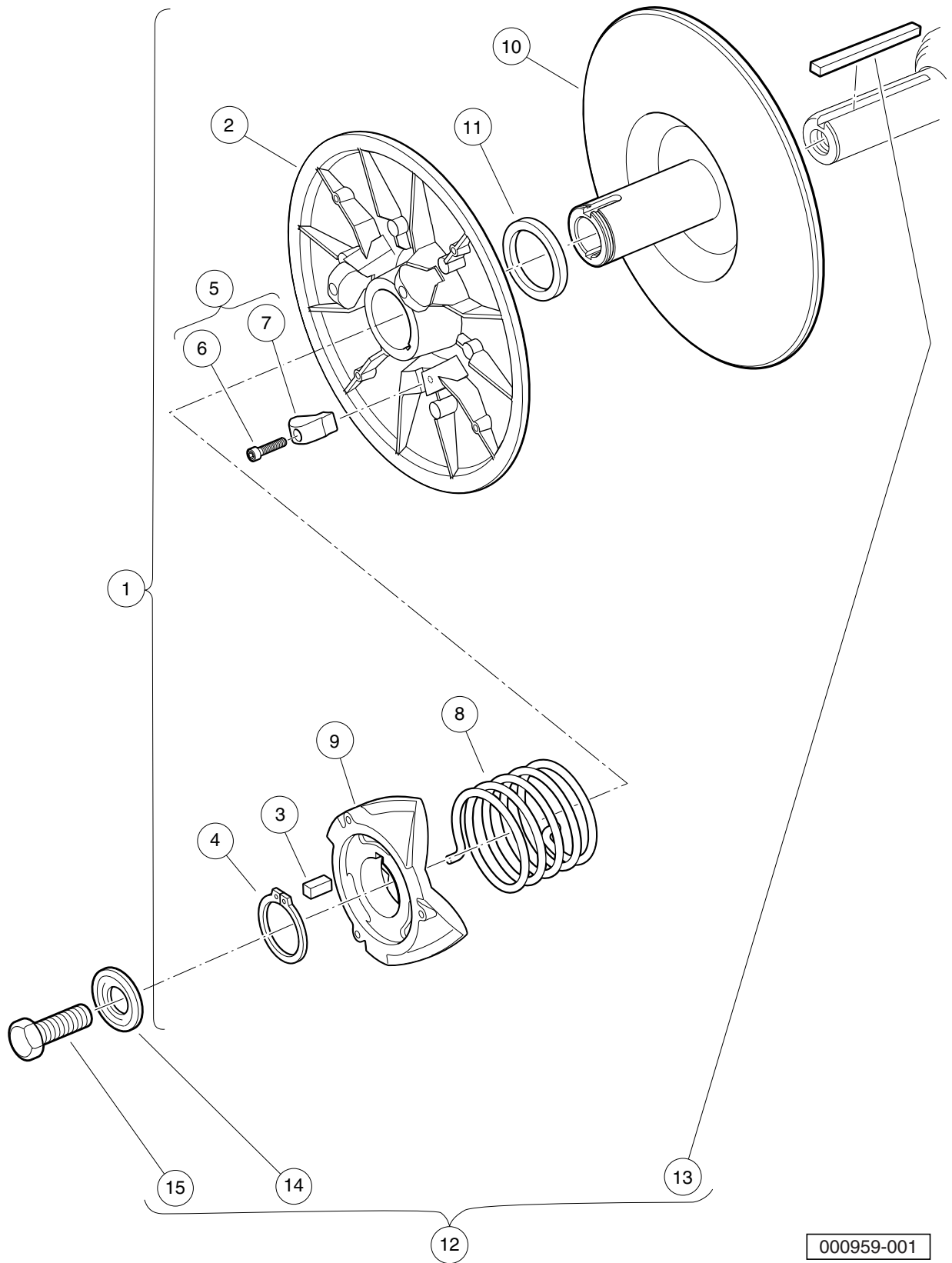
DRIVE CLUTCH – PEDAL-START VEHICLES

ITEM	PART NO.	DESCRIPTION	QTY
		1 2 3 4	
1	102491501	Washer, Hard, M10	1
2	103973901	Clutch, Drive, Pedal-Start (includes items 3 through 30)	1
3	1014051	Spring, Drive Clutch	1
4	1014056	Ring, Spiral Backup	2
5	1014057	Ring, 0.810" Internal Retaining	1
6	1014058	Thrust Washer	1
7	1014059	Drive Hub Assy, Drive Clutch	1
8	1014288	Screw, 5/16-18 X 0.75, Thread-Forming	3
9	1014453	Kit, Drive Clutch Button (includes items 10 through 13)	1
10	1014062	Driver, Drive Clutch	3
11	1014287	Spring, Drive Button	3
12	183	Washer, #10, Type A, Flat	3
13	8450	Screw, #10-24 X 0.50, Hex-Head	3
14	1016289	Spacer, Fixed Face Shaft	1
15	1016801	Kit, Drive Clutch Weight (includes items 16 through 22)	1
16	1014063	Screw, 1/4-20 X 1.00, Hex Head	6
17	N/A	Pin, Dowel, 0.3752 x 1.50	3
18	1014065	Washer, Flat, 0.38" ID, Delrin	6
19	N/A	Clutch Weight, Secondary	3
20	N/A	Washer	6
21	1016201	Washer, Wave	3
22	N/A	Weight, Primary	3
23	N/A	Cap Plug	3
24	103974201	Asm, Sheave, Moveable, Drive, Wr (includes items 25 through 27)	1
25	1014055	Retainer	1
26	N/A	Bushing, Split, Drive Clutch	1
27	N/A	Sheave, Moveable, Drive, Wr	1
28	103974401	Sheave, Fixed, Drive, Wr	1
29	103984601	Spacer, Idler, Drive	1
30	105096101	Pulley, 7.3 Inch Effective Dia	1
31	103976101	Screw, 3/8-24x5.75, Patch	1
32	334	Washer, 3/8, Type A, Flat	1

11

G

11
G



000959-001

DRIVEN CLUTCH (STANDARD SPEED) – KEY START AND PEDAL START

ITEM	PART NO.	DESCRIPTION	QTY
		1 2 3 4	
1	103974002	Clutch, Driven, Std-Speed, Key and Pedal Start (includes items 2 through 11)	1
2	1014072	Movable-Face Assembly with Bushing	1
3	1014078	Key, Driven Clutch	1
4	1014080	Ring, Retaining	1
5	1014454	Kit, Driven Clutch Button (includes items 6 and 7)	1
6	1012836	Screw, #8-32 X 3/4, Socket-Head Cap	3
7	N/A	Button, Drive	3
8	1017145	Spring, Driven Clutch, 55 Degree	1
9	1017686	Cam, Driven Clutch	1
10	103975301	Sheave, Fixed, Driven, Wr	1
11	104025101	Washer, Acetal, Driven Clutch	1
12	AM10419	Kit, Clutch Repair (includes items 13 through 15)	1
13	101833401	Key, 3/16 Sq X 1.50"	1
14	102155801	Washer, Driven Clutch	1
15	102242101	Screw, 5/16-18 X 3/4 Hex-Head with Patch	1

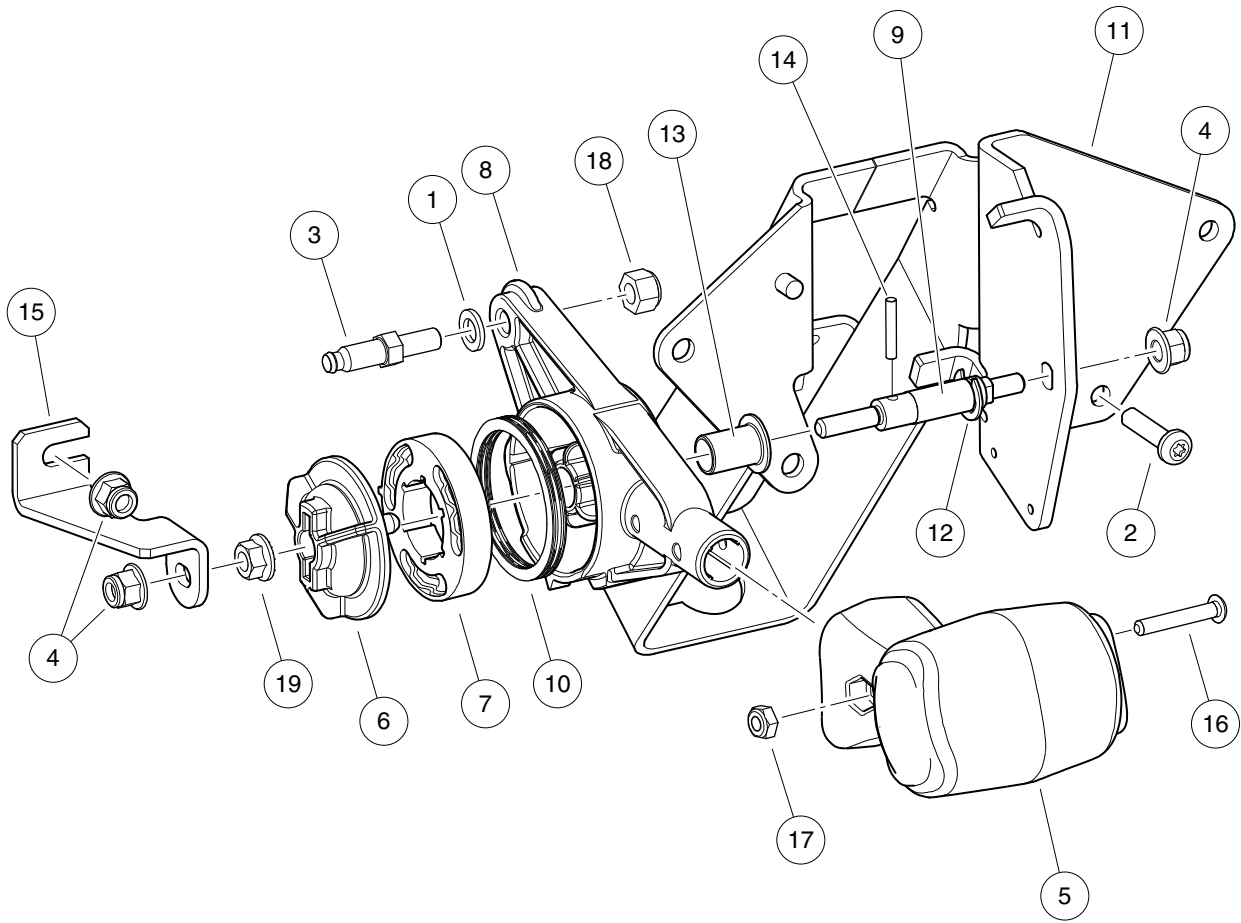
11

G

11

G

TRANSAXLE (FUJI ED65)



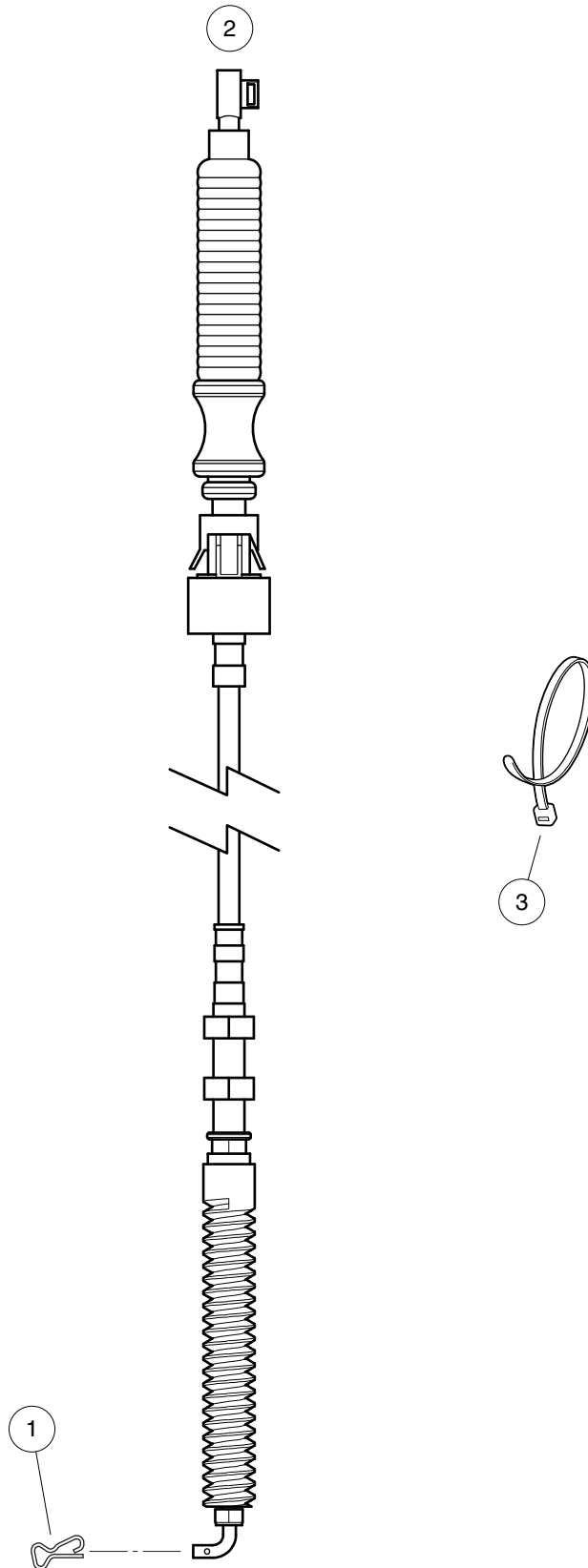
000987-001

FORWARD/REVERSE SHIFTER ASSEMBLY

ITEM	PART NO.	DESCRIPTION	QTY
		1 2 3 4	
1	1014007	Washer, 1/4, Flat	1
2	102296020	Screw, Torx Pan Hd Pt, M6 X 20	4
3	102526201	Stud, Thread, 1/4-28	1
4	102621501	Nut, Flange, M6 X 1.0, Nylon	3
5	105036301	Shifter, Soft, Gas, CA300-700	1
6	105037701	Follower, FNR Detent	1
7	105038001	Cam, FNR Detent, Alternate	1
8	105038101	Housing, FNR, Gas, CA300-700	1
9	105038201	Shaft, FNR, Dash	1
10	105038501	Spring, Wave, Gas FNR Shifter	1
11	105039401	Bracket, Shifter, Dash Mount	1
12	105039801	E-Clip, External, 8mm Groove	1
13	105039901	Bushing, Dash Shifter, Gas	1
14	105040401	Pin, Round, 0.125 Dia x 0.625	1
15	105040501	Bracket, Shifter, Brace, Dash	1
16	105083701	Bolt, 10-24 X 1.25", But Head	1
17	105083801	Nut, Nylon Lock, #10-24, Blk	1
18	8717	Locknut, Nylon Insert, 1/4-28	1
19	96704176	Nut, Flanged, M6 X 1, Serrated	1

12
G

12
G

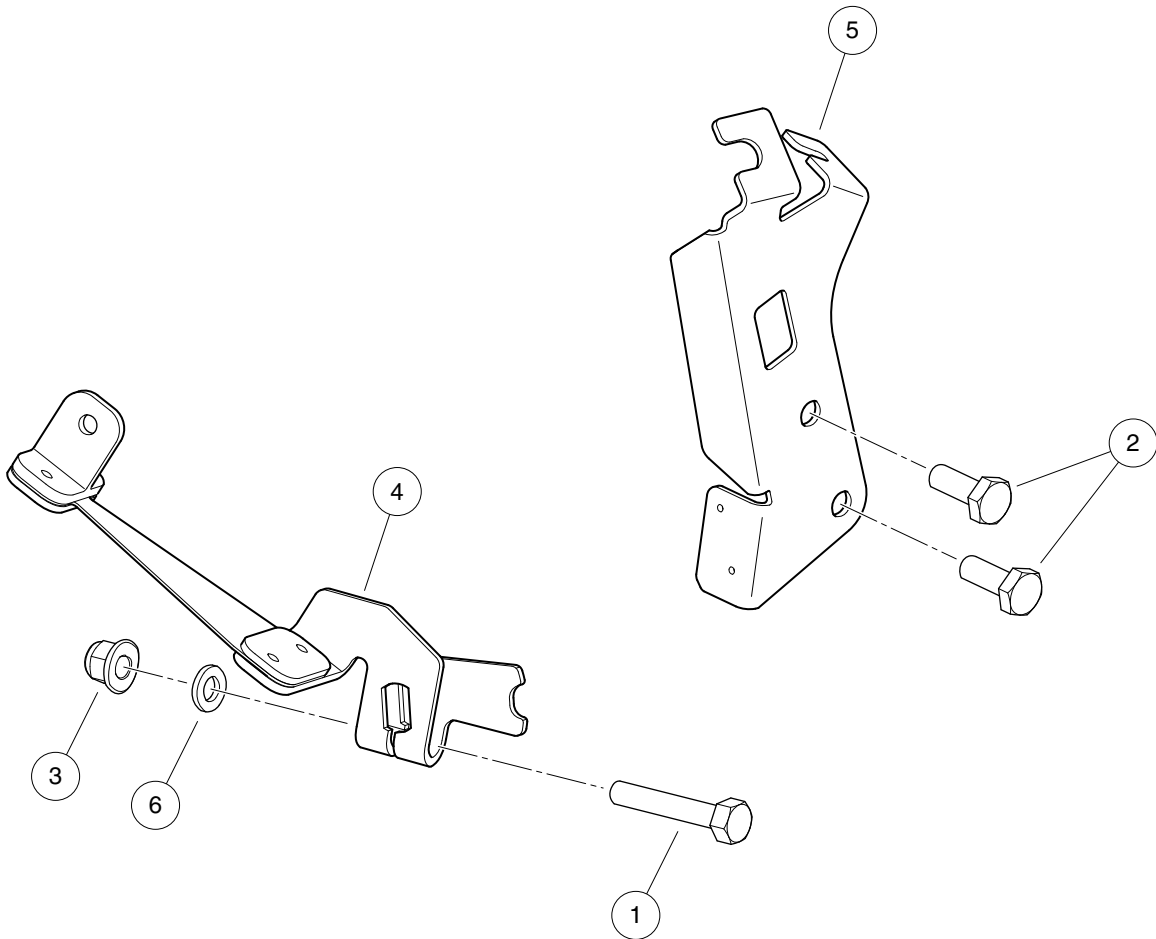


000988-001

SHIFTER CABLE – CA300

ITEM	PART NO.	DESCRIPTION	QTY
1	103886601	1 2 3 4 Clip, Bowtie	1
2	105038802	Cable, Shifter, CA300	1
3	8990	Tie Wrap, 8" Nylon	A/R

12
G

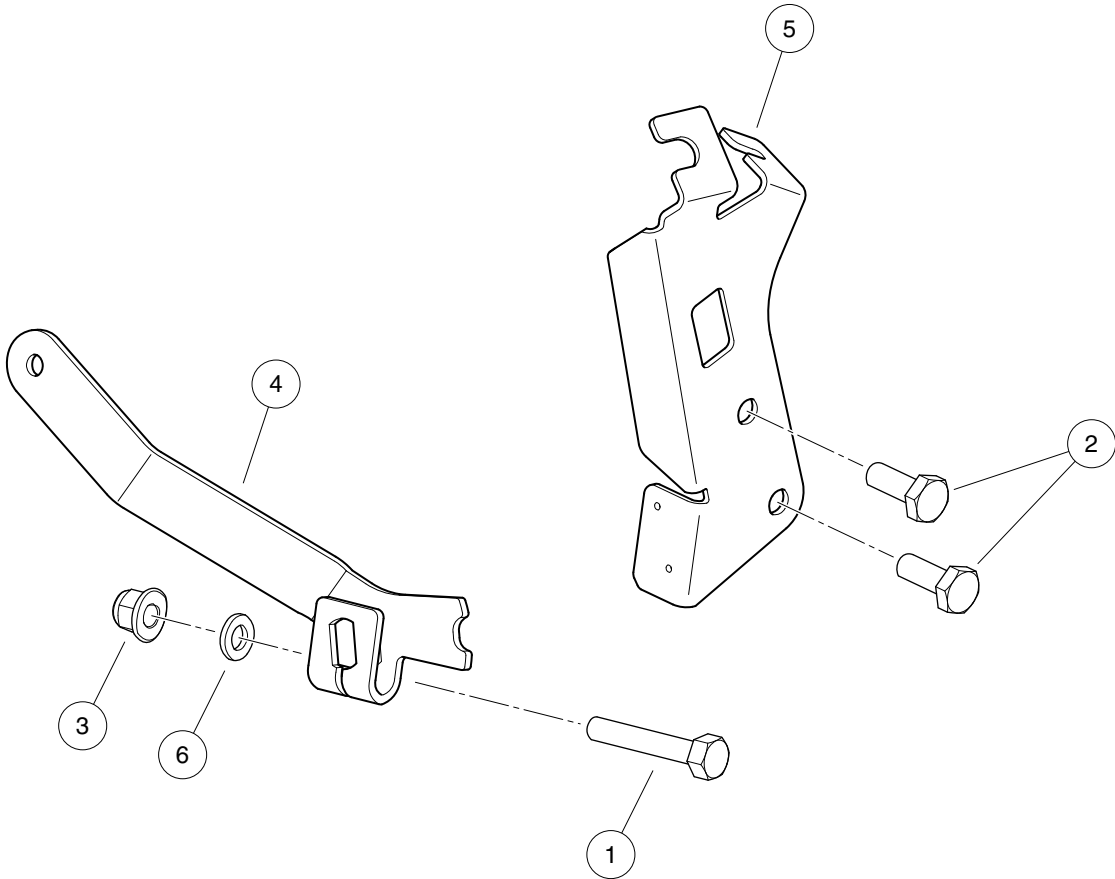


000965-001

SHIFT LEVER AND BRACKET – PEDAL-START ENGINES

ITEM	PART NO.	DESCRIPTION	QTY
		1 2 3 4	
1	102059501	Screw, 6M-1.00 X 35mm, Hex Head	1
2	102498201	Bolt, M10 X 1.25 X 25, Loctite	2
3	102621501	Nut, Flange, M6 X 1.0, Nylon	1
4	105040901	Lever, Shift, Flex, Transaxle, Pedal-Start	1
5	105135101	Bracket, Cable, FNR/Accelerator, ED65	1
6	96705199	Washer, M6	1

12
G



000965-002

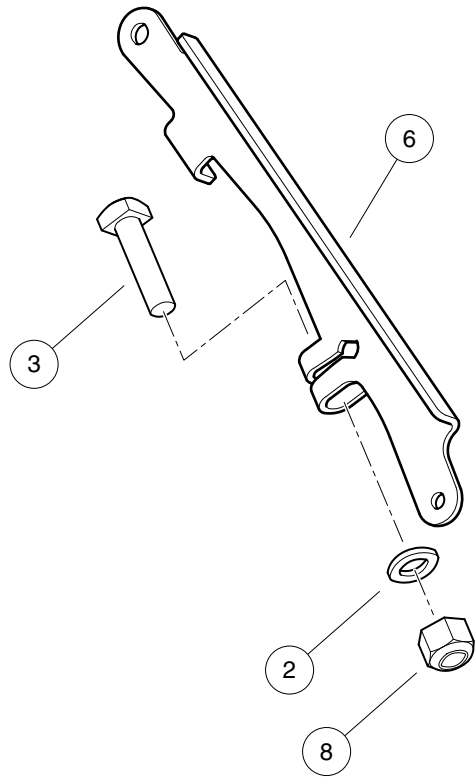
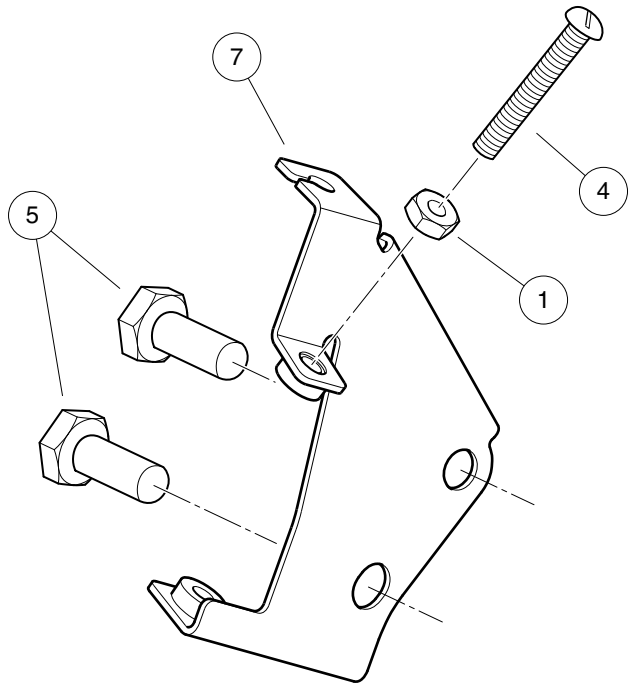
SHIFT LEVER AND BRACKET – KEY-START ENGINES

ITEM	PART NO.	DESCRIPTION	QTY
		1 2 3 4	
1	102059501	Screw, 6M-1.00 X 35mm, Hex Head	1
2	102498201	Bolt, M10 X 1.25 X 25, Loctite	2
3	102621501	Nut, Flange, M6 X 1.0, Nylon	1
4	105134901	Lever, Shift, Transaxle, Key-Start	1
5	105135101	Bracket, Cable, FNR/Accelerator, ED65	1
6	96705199	Washer, M6	1

12

G

12
G



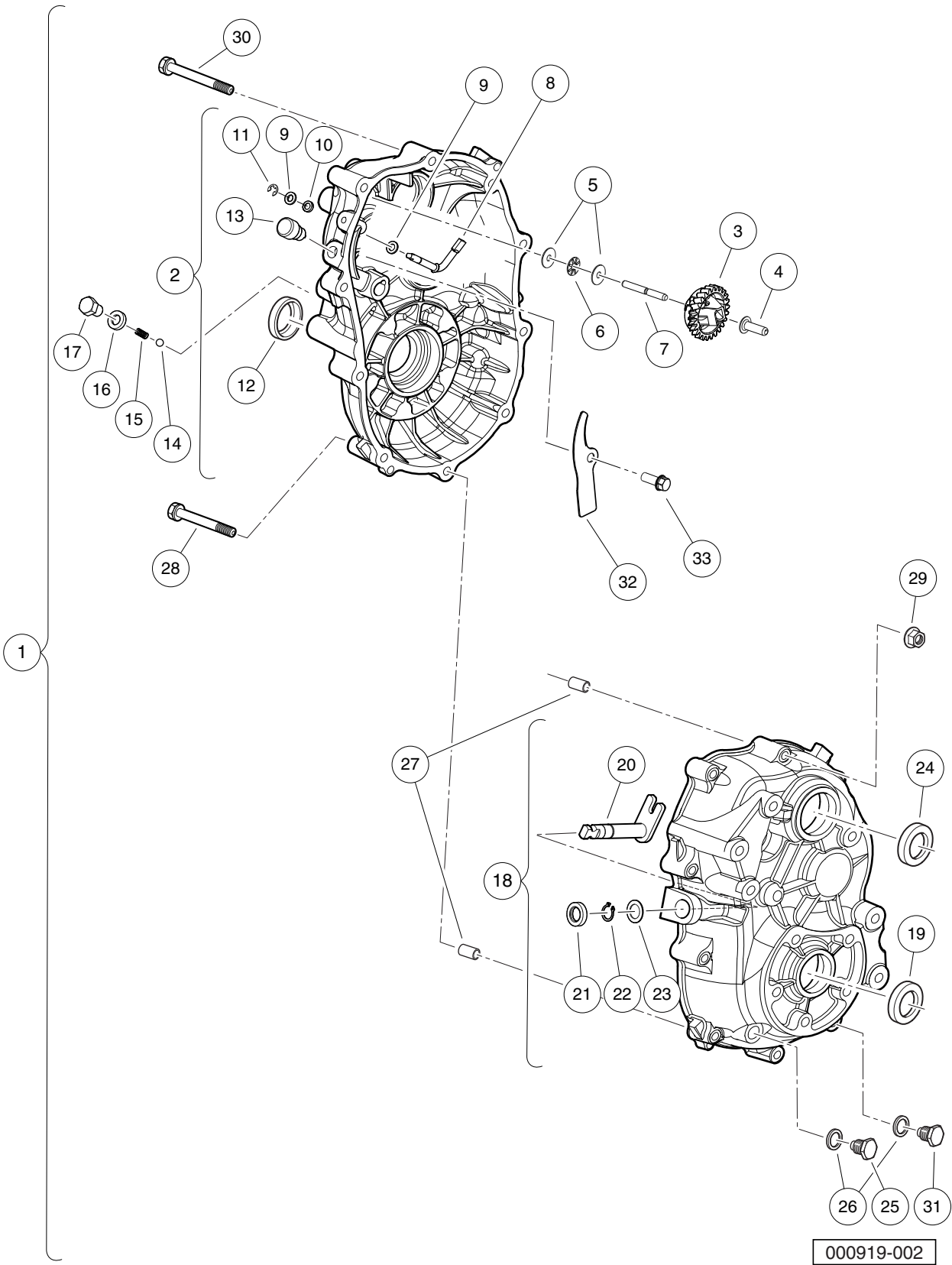
000966-002

GOVERNOR ARM AND BRACKETS – UTILITY VEHICLES

12

G

ITEM	PART NO.	DESCRIPTION	QTY
		1 2 3 4	
1	1011114	Nut, M6-1.00 Hex	1
2	1014007	Washer, 1/4, Flat	1
3	101886101	Screw, 1/4-20 X 1.00, Square-Head	1
4	102476401	Bolt, Stop, Pedal	1
5	102498201	Bolt, M10 X 1.25 X 25, Loctite	2
6	104023501	Arm, Governor, ED65	1
7	105144401	Weldment, Governor Bracket	1
8	8233	Locknut, 1/4-20, Nylon Insert	1

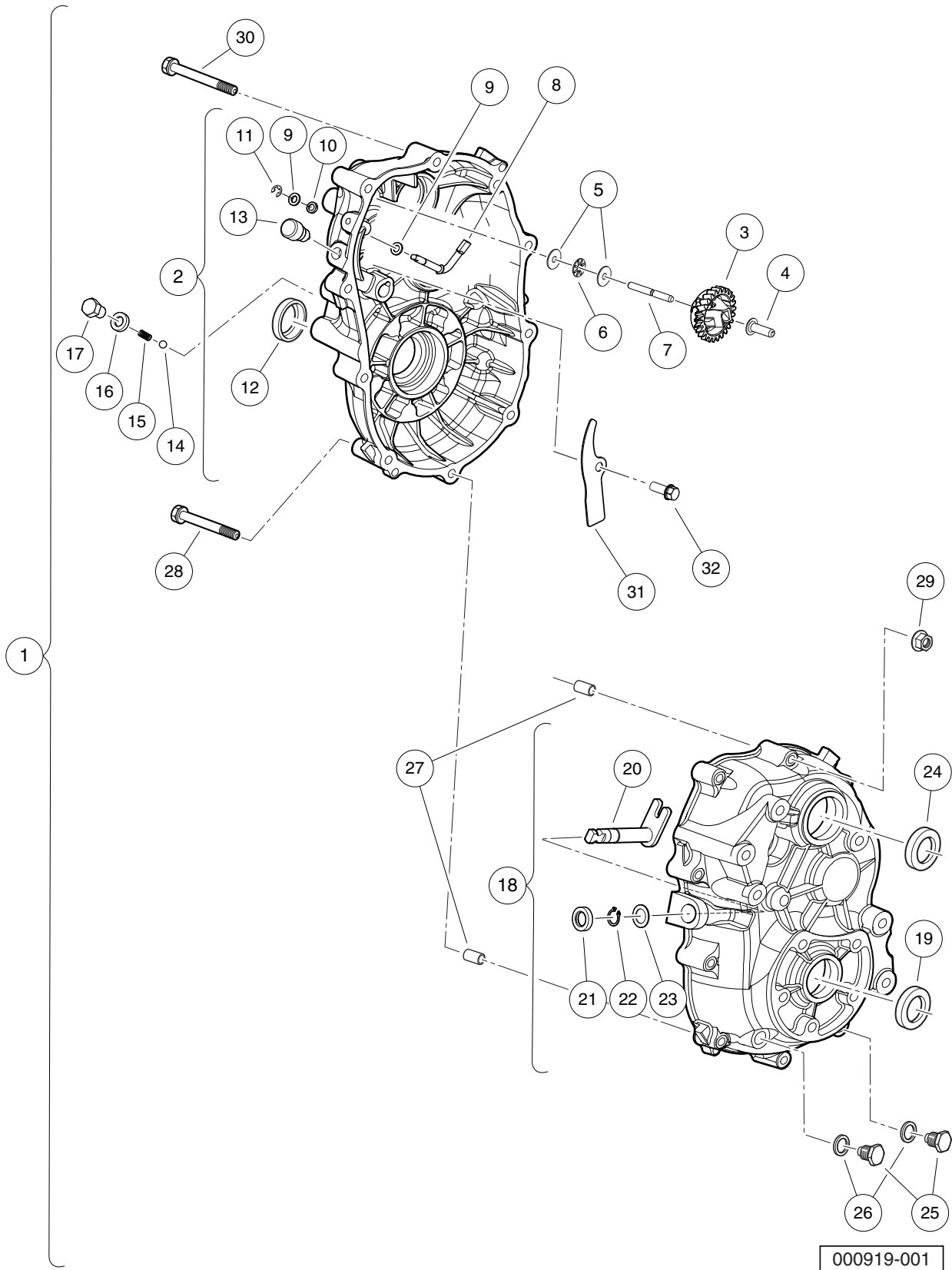


TRANSAXLE (ED65), LIMITED SLIP – PAGE 1 OF 3

ITEM	PART NO.	DESCRIPTION	QTY
		1 2 3 4	
1	103879702	Transaxle, ED65, Limited-Slip Differential (includes items 2 through 33)	1
2	105025001	Case, Transaxle, Left, Complete, ED65 (includes items 3 through 13)	1
3	105025101	Gear, Governor, Complete, ED65	1
4	105025201	Sleeve, Governor, ED65	1
5	105025301	Washer, ED65	2
6	105025401	Bearing, Thrust, ED65	1
7	105025501	Shaft, Governor Gear, ED65	1
8	105025601	Shaft, Governor, ED65	1
9	105025701	Washer, 6mm, ED65	2
10	105025801	Seal, Oil, 6x10x2.5, ED65	1
11	105025901	Retaining Ring, E5, ED65	1
12	105026001	Seal, Oil, 24x40x9, ED65	1
13	105027101	Vent, Breather, ED65	1
14	105026101	Ball, Steel, ED65	1
15	105026201	Spring, ED65	1
16	105026301	Gasket, 10, ED65	1
17	105026401	Bolt, M10-1.25x12mm Lg, ED65	1
18	105026501	Case, Transaxle, Right, Complete, ED65 (includes items 19 through 24)	1
19	105026001	Seal, Oil, 24x40x9, ED65	1
20	105026601	Shaft, Select, ED65	1
21	105026701	Seal, Oil, 13x22x5, ED65	1
22	105026801	Snap Ring, 13mm, ED65	1
23	105026901	Spacer, 13x1, ED65	1
24	105027001	Seal, Oil, 25x45x7, ED65	1
25	105027201	Plug, Oil Drain, ED65	1
26	105027301	Gasket, 14, ED65	2
27	105028301	Pin, Guide, ED65	2
28	105028501	Bolt, Flange, M8-1.25x65mm, ED65	1
29	105030001	Nut, Flange, M8-1.25, ED65	10
30	105030701	Bolt, Flanged, M8-1.25x80mm, ED65	9
31	105063501	Plug, Oil Drain, Magnetic, ED65	1
32	105234801	Plate, Ed65 Splash	1
33	105234901	Bolt, M6-1 X 12mm Lg, Ed65	1
Note: Fuji transaxle component listings span three pages. To identify your transaxle, locate the serial number decal on the axle tube.			

12

G



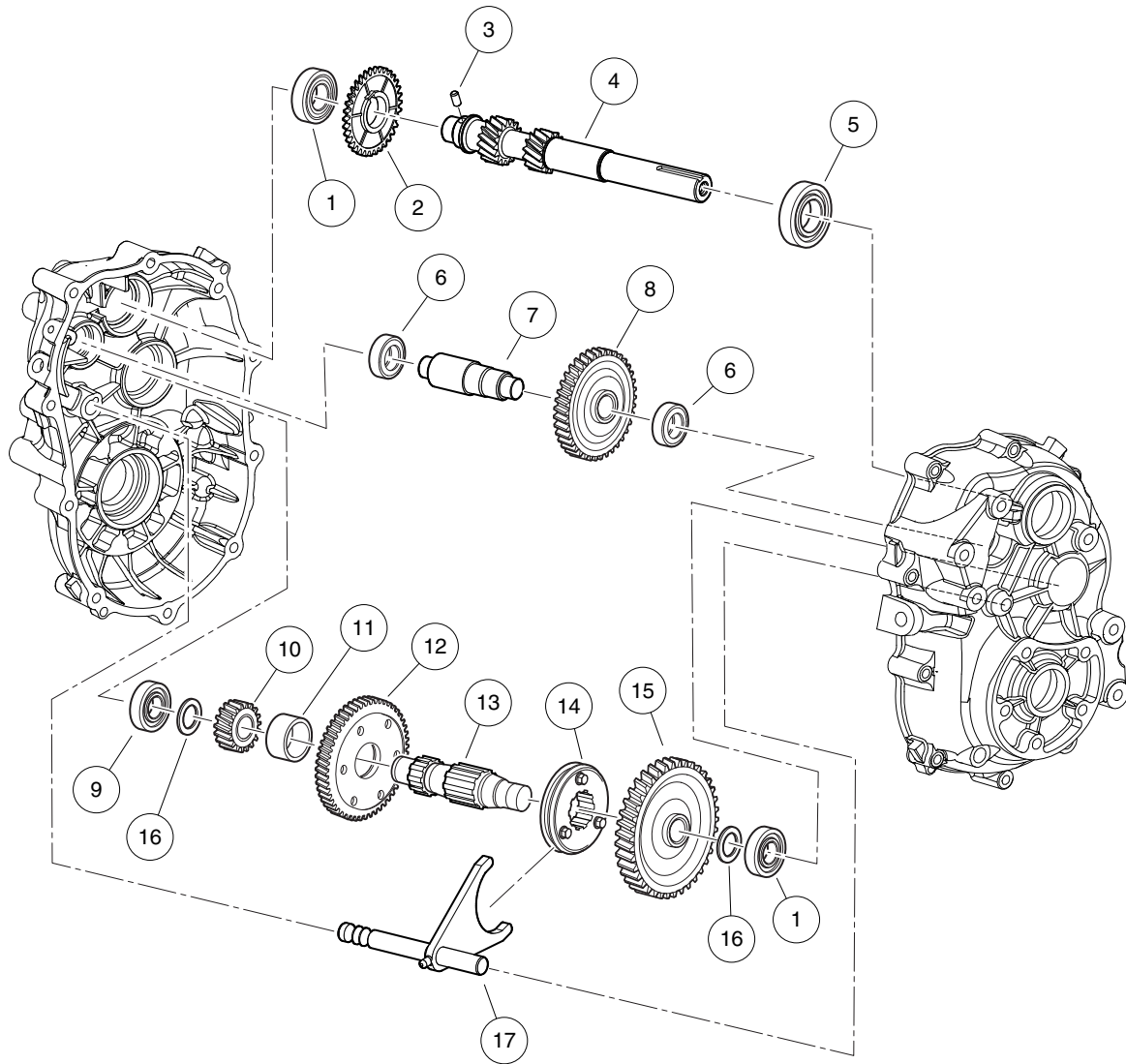
000919-001

TRANSAXLE (ED65), OPEN – PAGE 1 OF 3

ITEM	PART NO.	DESCRIPTION	QTY
		1 2 3 4	
1	103879701	Transaxle, ED65, Open Differential (includes items 2 through 32)	1
2	105025001	Case, Transaxle, Left, Complete, ED65 (includes items 3 through 13)	1
3	105025101	Gear, Governor, Complete, ED65	1
4	105025201	Sleeve, Governor, ED65	1
5	105025301	Washer, ED65	2
6	105025401	Bearing, Thrust, ED65	1
7	105025501	Shaft, Governor Gear, ED65	1
8	105025601	Shaft, Governor, ED65	1
9	105025701	Washer, 6mm, ED65	2
10	105025801	Seal, Oil, 6x10x2.5, ED65	1
11	105025901	Retaining Ring, E5, ED65	1
12	105026001	Seal, Oil, 24x40x9, ED65	1
13	105027101	Vent, Breather, ED65	1
14	105026101	Ball, Steel, ED65	1
15	105026201	Spring, ED65	1
16	105026301	Gasket, 10, ED65	1
17	105026401	Bolt, M10-1.25x12mm Lg, ED65	1
18	105026501	Case, Transaxle, Right, Complete, ED65 (includes items 19 through 24)	1
19	105026001	Seal, Oil, 24x40x9, ED65	1
20	105026601	Shaft, Select, ED65	1
21	105026701	Seal, Oil, 13x22x5, ED65	1
22	105026801	Snap Ring, 13mm, ED65	1
23	105026901	Spacer, 13x1, ED65	1
24	105027001	Seal, Oil, 25x45x7, ED65	1
25	105027201	Plug, Oil Drain, ED65	2
26	105027301	Gasket, 14, ED65	2
27	105028301	Pin, Guide, ED65	2
28	105028501	Bolt, Flange, M8-1.25x65mm, ED65	1
29	105030001	Nut, Flange, M8-1.25, ED65	10
30	105030701	Bolt, Flanged, M8-1.25x80mm, ED65	9
31	105234801	Plate, Ed65 Splash	1
32	105234901	Bolt, M6-1 X 12mm Lg, Ed65	1
Note: Fuji transaxle component listings span three pages. To identify your transaxle, locate the serial number decal on the axle tube.			

12

G



000919-003

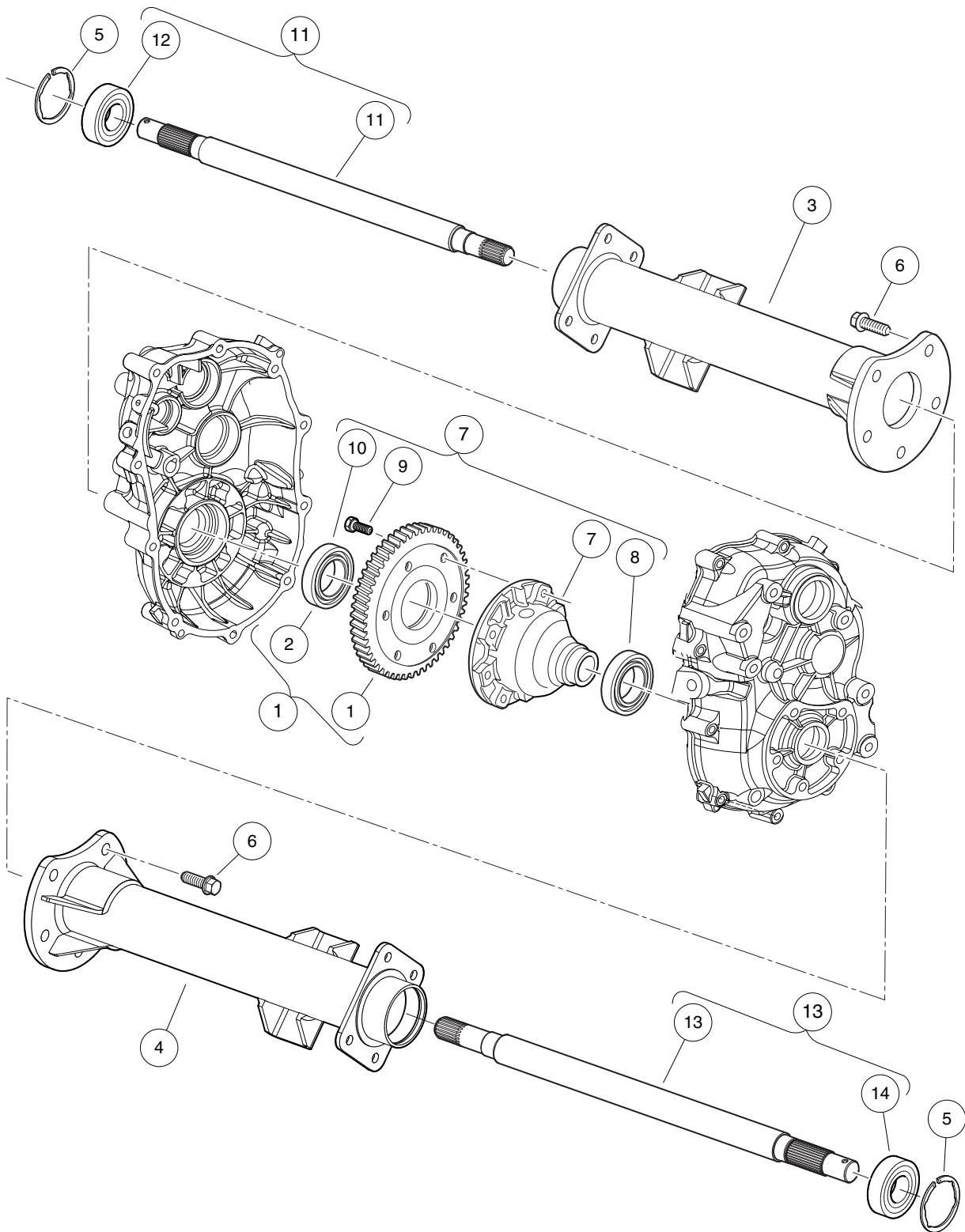
TRANSAXLE (ED65), LIMITED SLIP AND OPEN – PAGE 2 OF 3

ITEM	PART NO.	DESCRIPTION	QTY
		1 2 3 4	
1	105027401	Bearing, Ball (6204)	2
2	105027501	Gear, Governor, 34 Tooth, ED65	1
3	105027601	Pin, 6x12 Long, ED65	1
4	105027701	Shaft, Input, ED65	1
5	105027801	Bearing, Ball (6205 seal)	1
6	105027901	Bearing, Ball (6202)	2
7	105028001	Shaft, Counter, ED65	1
8	105028201	Gear, 34 Tooth, ED65	1
9	105028401	Bearing, Ball (6304)	1
10	105028601	Gear, 17 Tooth, ED65	1
11	105028701	Collar, 24 x 12, ED65	1
12	105028801	Gear, 52 Tooth, ED65	1
13	105028901	Shaft, Center, ED65	1
14	105029001	Clutch, Pin, ED65	1
15	105029101	Gear, 62 Tooth, ED65	1
16	105029201	Spacer, 20x2, ED65	2
17	105030901	Shaft, Shift, ED65	1
		<p>Note: To identify your transaxle, locate the serial number decal on the axle tube.</p>	

12

G

12
G



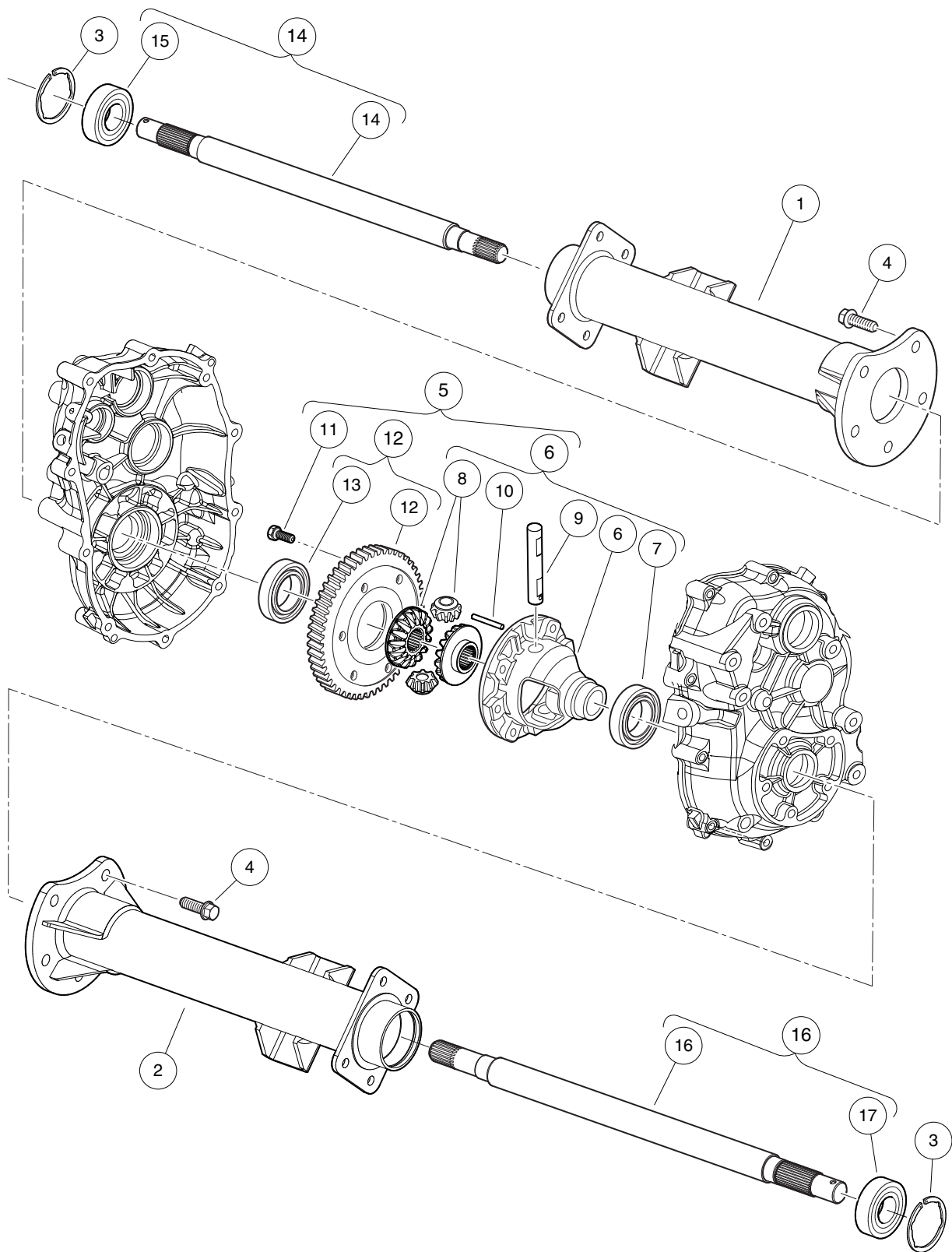
000919-005

TRANSAXLE (ED65), LIMITED SLIP – PAGE 3 OF 3

ITEM	PART NO.	DESCRIPTION	QTY
		1 2 3 4	
1	105029901	Gear, 60 Tooth, Complete, ED65 (includes item 2)	1
2	105029801	Bearing, Ball (6007)	1
3	105030401	Axle Tube, Driver-Side, ED65	1
4	105030501	Axle Tube, Passenger-Side, ED65	1
5	105030601	Snap Ring, 52mm, ED65	2
6	105030801	Bolt, Flange, M10-1.25x25, ED65	10
7	105063601	Differential, Limited-Slip, ED65 (includes items 8 through 10)	1
8	105028101	Bearing, Ball (6006)	1
9	105029501	Bolt, M10-1.25x26mm Lg, ED65	6
10	105029801	Bearing, Ball (6007)	1
11	105066001	Axle Shaft, Driver-Side, Complete, ED65 (includes item 12)	1
12	105030301	Bearing, Ball (6205DD)	1
13	105066101	Axle Shaft, Passenger-Side, Complete, ED65 (includes item 14)	1
14	105030301	Bearing, Ball (6205DD)	1
		Note: To identify your transaxle, locate the serial number decal on the axle tube.	

12

G

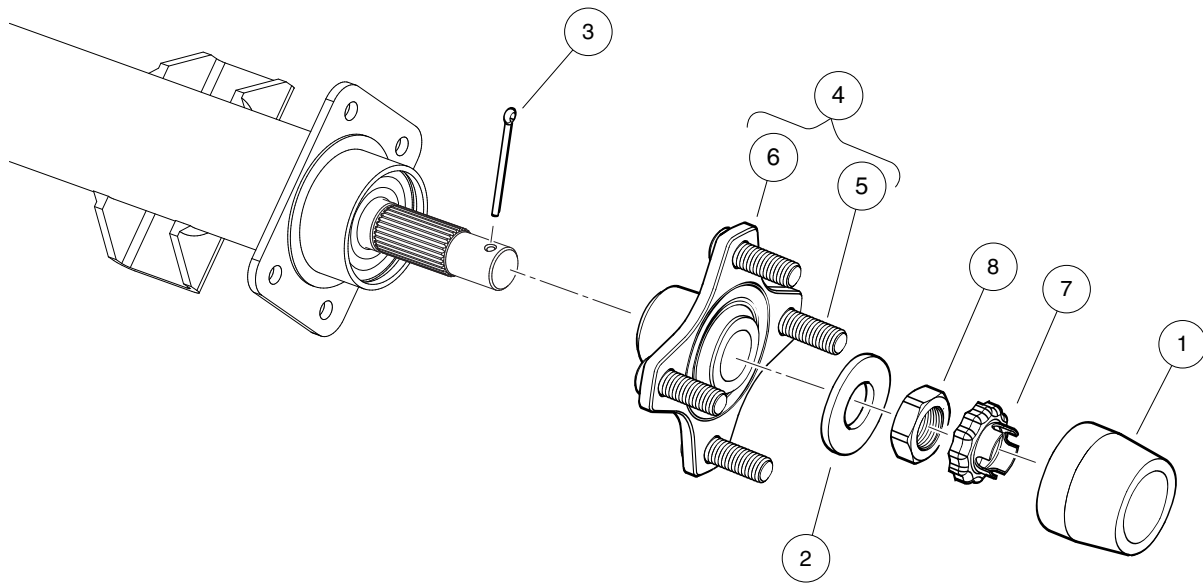


000919-004

TRANSAXLE (ED65), OPEN – PAGE 3 OF 3

ITEM	PART NO.	DESCRIPTION	QTY
		1 2 3 4	
1	105030401	Axle Tube, Driver-Side, ED65	1
2	105030501	Axle Tube, Passenger-Side, ED65	1
3	105030601	Snap Ring, 52mm, ED65	2
4	105030801	Bolt, Flange, M10-1.25x25, ED65	10
5	105031001	Differential, Open, ED65 (includes items 6 through 12)	1
6	105029301	Case, Differential, Complete, ED65 (includes items 7 through 10)	1
7	105028101	Bearing, Ball (6006)	1
8	105029401	Gear Set, Differential, ED65	1
9	105029601	Shaft, Differential, ED65	1
10	105029701	Pin, 4x40 Long, ED65	1
11	105029501	Bolt, M10-1.25x26mm Lg, ED65	6
12	105029901	Gear, 60 Tooth, Complete, ED65 (includes item 13)	1
13	105029801	Bearing, Ball (6007)	1
14	105066001	Axle Shaft, Driver-Side, Complete, ED65 (includes item 15)	1
15	105030301	Bearing, Ball (6205DD)	1
16	105066101	Axle Shaft, Passenger-Side, Complete, ED65 (includes item 17)	1
17	105030301	Bearing, Ball (6205DD)	1
		Note: To identify your transaxle, locate the serial number decal on the axle tube.	

12
G



000919-006

HUB, REAR

ITEM	PART NO.	DESCRIPTION	QTY
		1 2 3 4	
1	102274101	Center Cap, Rubber	2
2	102617801	Washer, Hard, M22	2
3	103989501	Pin, Cotter, 9/64 X 1.75"	2
4	103995001	Asm, Hub, Machined, Golf/Utility (includes items 5 and 6)	2
5	103951501	Lug Stud, 1/2-20 UNF, SAE J1102	4
6	103979301	Hub, Machined, Golf/Utility	1
7	104021701	Retaining Ring, Hex Nut, M22	2
8	104027101	Nut, Hex, M22x1.5, Thin	2

12
G

12

G

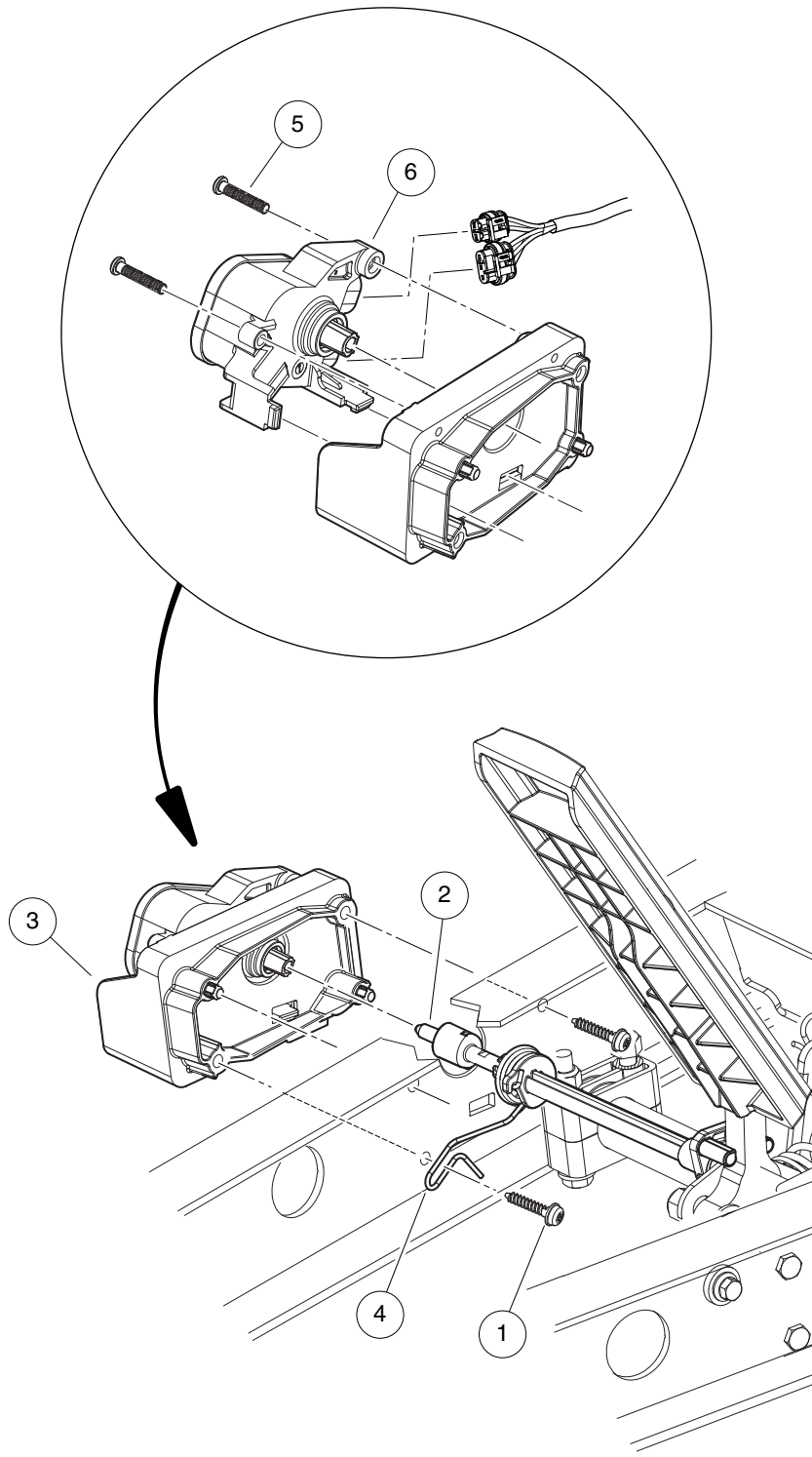
ELECTRICAL SYSTEM – ELECTRIC VEHICLES

13

E

13

E



002522-001

MOTOR CONTROLLER OUTPUT REGULATOR (MCOR)

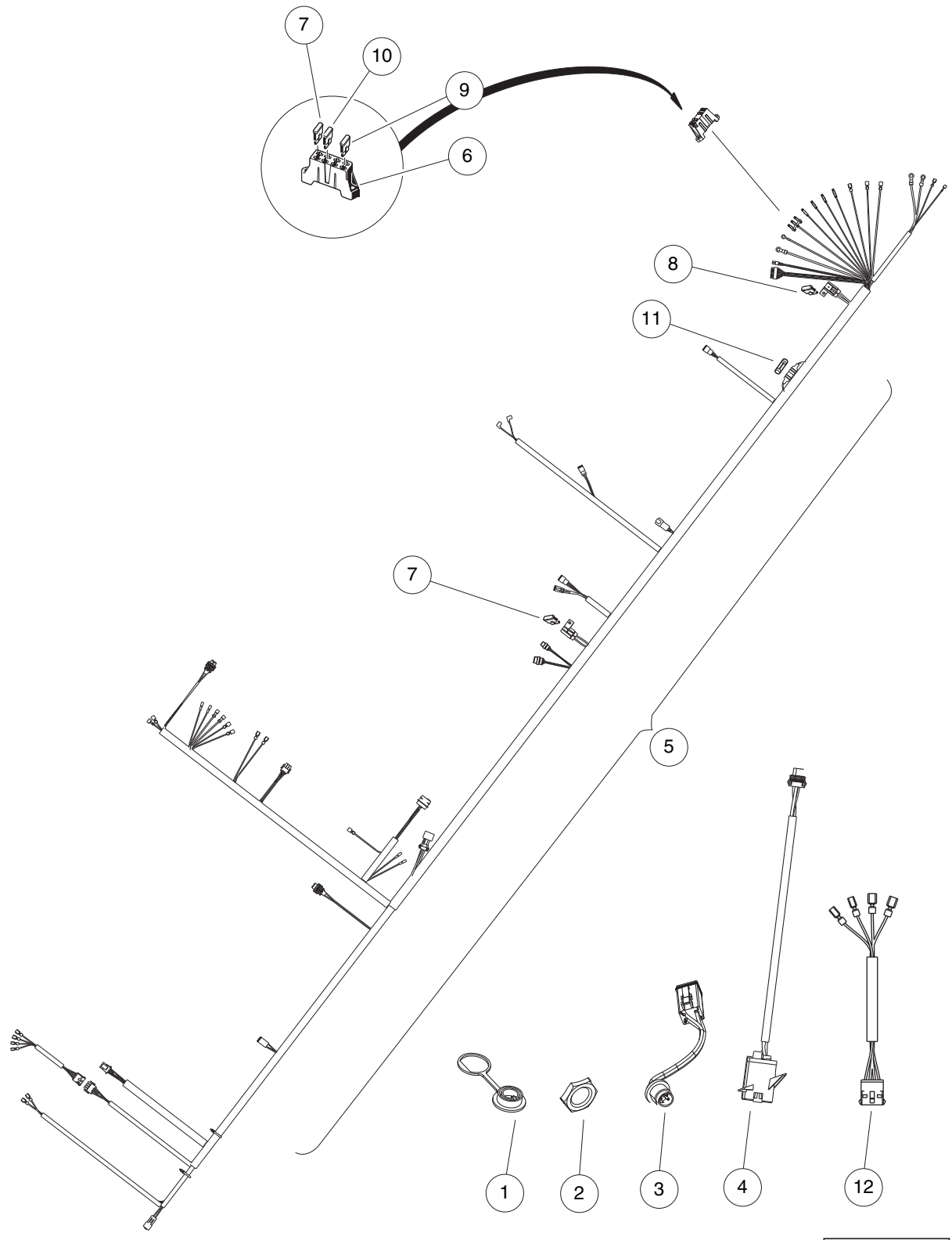
ITEM	PART NO.	DESCRIPTION	QTY
		1 2 3 4	
1	102297230	Screw, M6, Torx, Interlock Thread	2
2	103902101	Bar, Drive, Cast	1
3	103902301	Housing, Mcor	1
4	103902401	Spring, Torsion	1
5	103943401	Screw, Pan, #10 X 1.00 Hi-lo	2
6	105116301	MCOR4, Type 16 Switch	1

13

E

13

E



002534-003

MAIN WIRING HARNESS,48-VOLT FUSE BLOCK - ELECTRIC VEHICLE

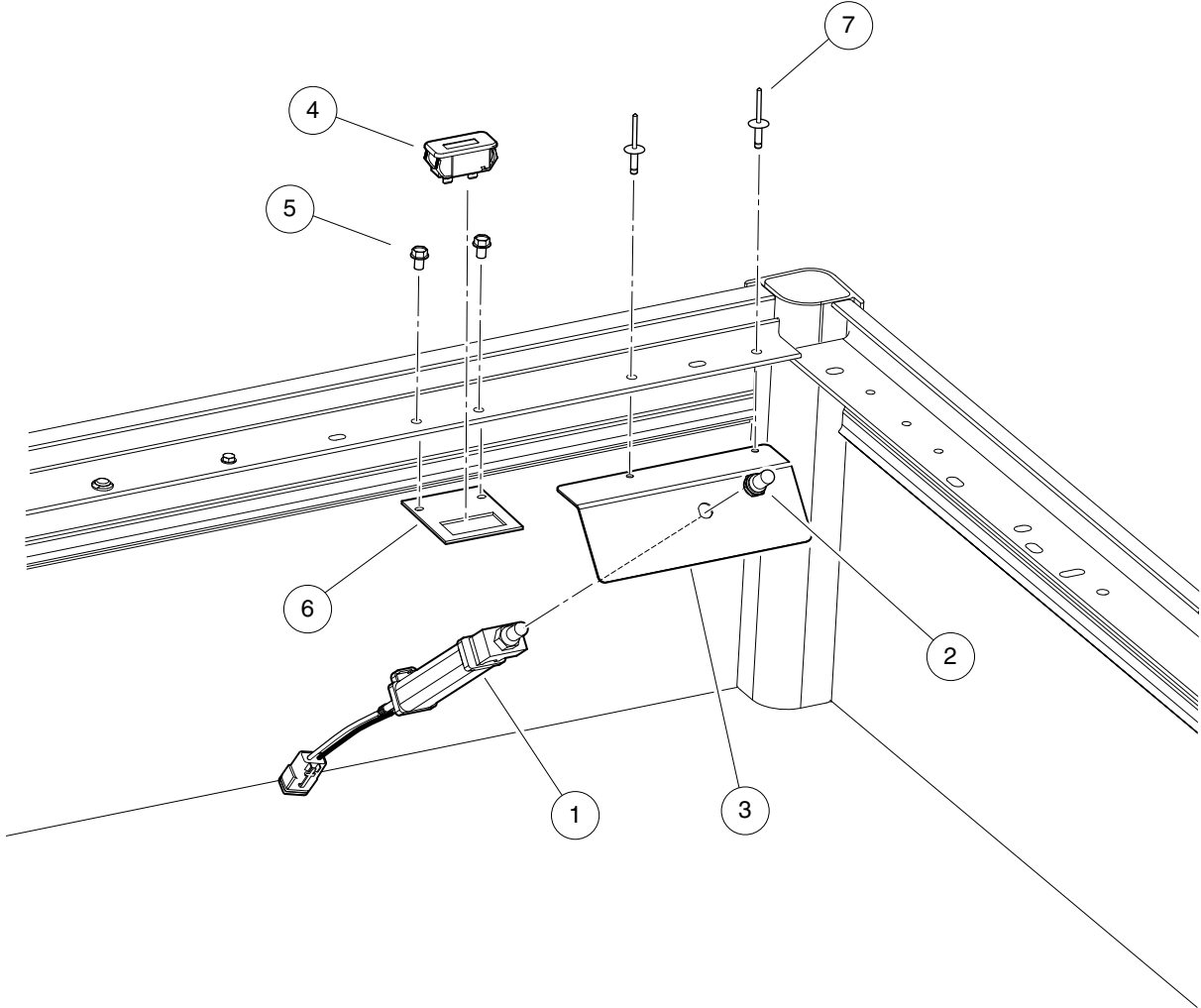
ITEM	PART NO.	DESCRIPTION	QTY
		1 2 3 4	
1	102196901	Dust Cap	1
2	102572401	Nut, Diagnostic Port, Prec	1
3	103218601	Harness, Diagnostic Port	1
4	105070401	Harness, Recept, Charge, Util	1
5	105077201	Asm, Harness, Ca300, Elec (includes items 6 through 11)	1
6	1015741	Fuse Block	1
7	1016423	Fuse, 20-Amp	2
8	102492301	Fuse, 30-Amp	1
9	102538601	15 Amp Fuse	2
10	105167201	Fuse, Atc, 2 Amp	1
11	105173901	Fuse, Agc, 1 Amp	1
12	105243501	Harn, Acc Lockout, Ca300e	1

13

E

13

E



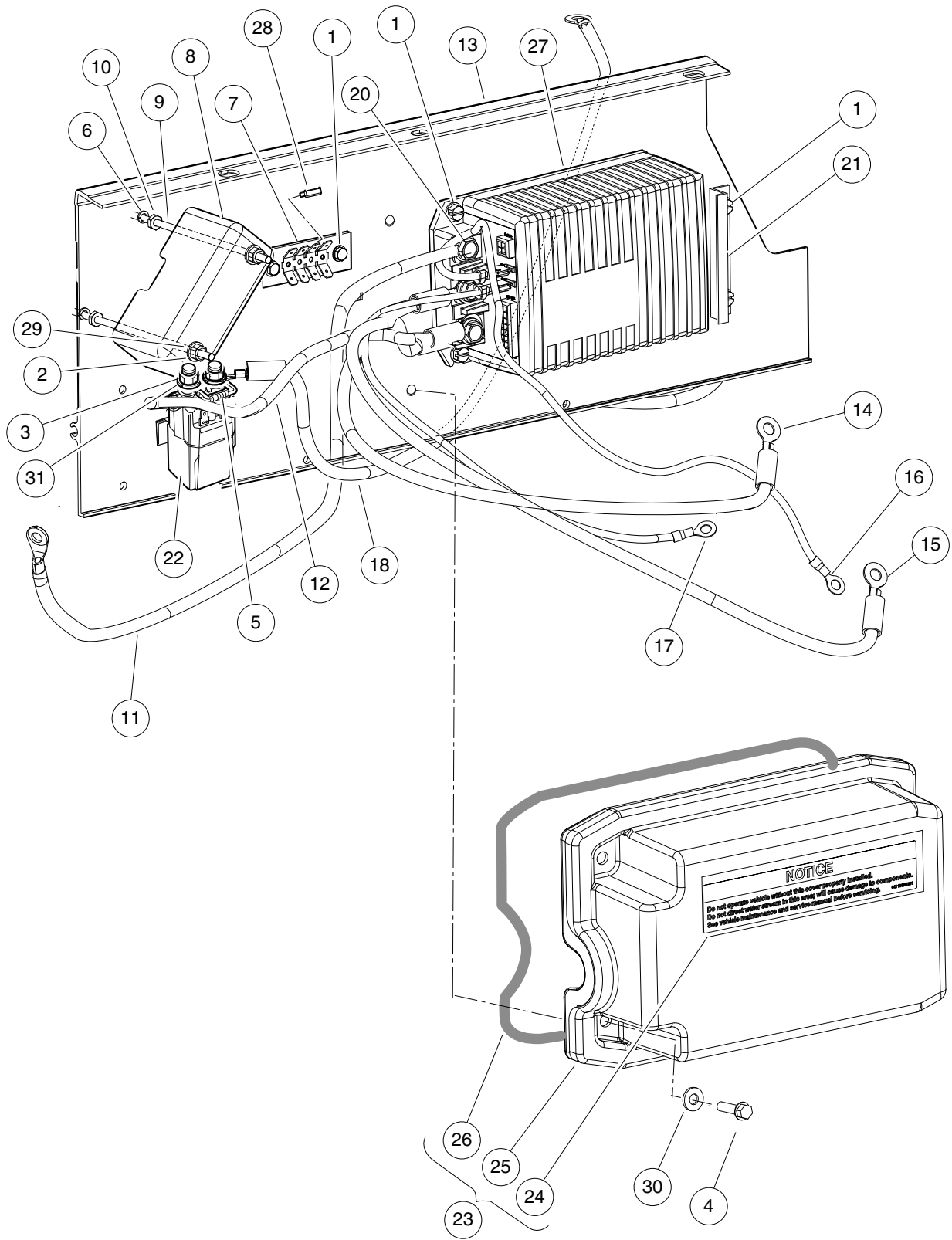
002519-001

TOW/RUN SWITCH AND HOUR METER

ITEM	PART NO.	DESCRIPTION	QTY
		1 2 3 4	
1	101908101	Switch Assembly, Tow/Run	1
2	101908401	Boot, Switch	1
3	101922501	Bracket, Tow/Run Switch Mounting	1
4	103510301	Meter, Hour	1
5	103541501	Screw, Tapping, 1/4-20 X .375	2
6	105145201	Bracket, Hour Meter Sq, Short	1
7	7973	Rivet, 3/16 X .400 Blind	2

13

E



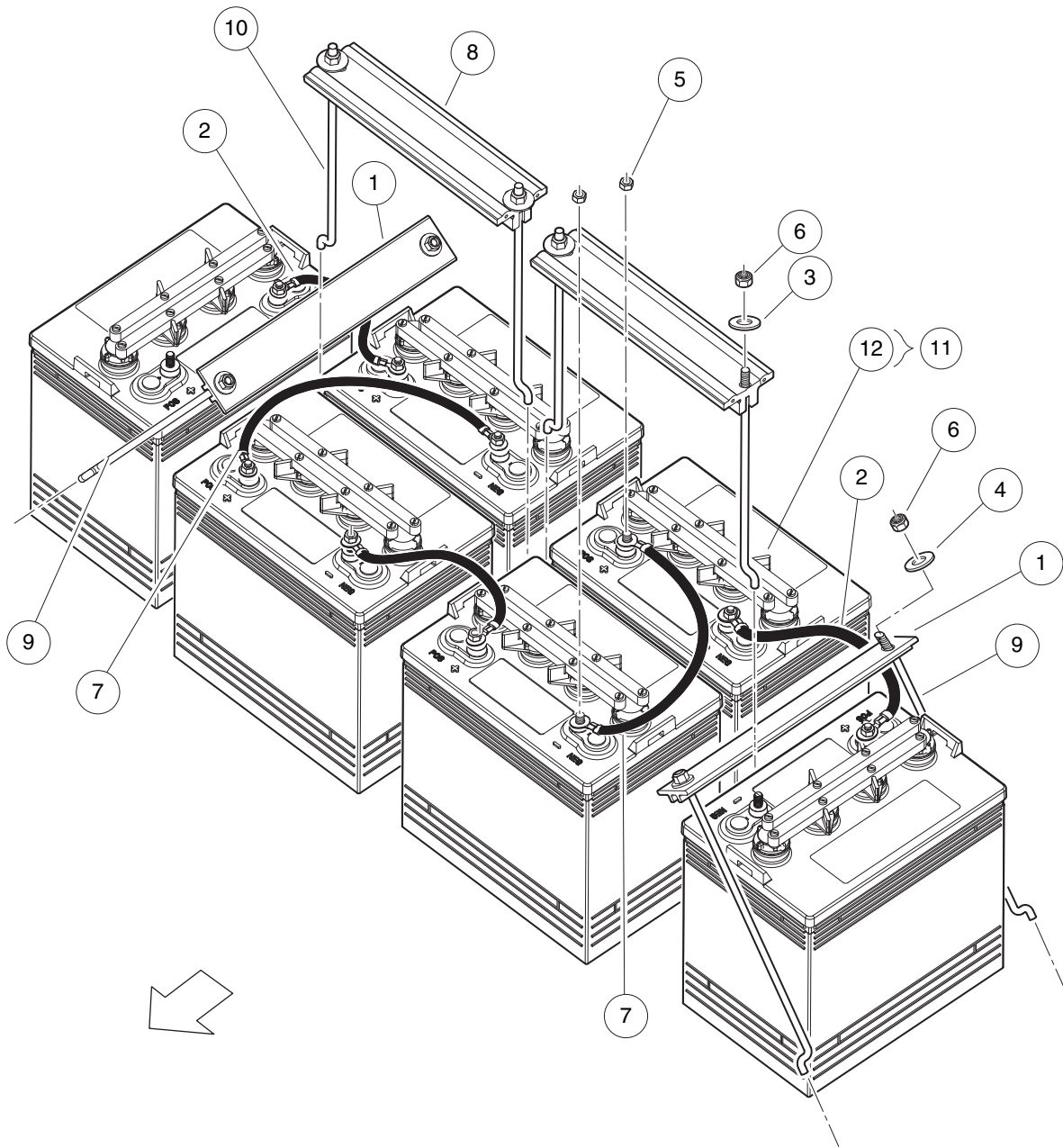
002514-001

ELECTRIC COMPONENTS

13

E

ITEM	PART NO.	DESCRIPTION	QTY
		1 2 3 4	
1	1012285	Screw, 1/4 X 0.625 Hex-Head	5
2	1012438	Locknut, #10-24 Nylon Insert	2
3	1012528	Nut, M8-1.25 Hex	2
4	1014063	Screw, 1/4-20 X 1.00, Hex Head	2
5	1014947	Resistor Assembly	1
6	1016	Lockwasher, #10 Split	2
7	1016356	Terminal Block with Insulator	1
8	1016363	Fuse Block Cover	1
9	1016366	Screw, #10-24 X 3.0 Pan-Head Machine	2
10	1017	Nut, #10-24 Stainless-Steel Hex Machine	2
11	101795705	Asm, Wire, #6blk, 37 In	1
12	101903001	Wire Assembly #6 Yellow	1
13	101965206	Plate, Component, No Obc, Lt	1
14	101968701	Wire Assy, #6 White	1
15	101978001	Wire Assy, #6 Green	1
16	101978102	Asm, Wire, #10 Orange 1/4	1
17	101978202	Asm, Wire, #10 Blue 1/4	1
18	102199601	Wire Asm, #6 Red, 37.7	1
19	102238001	#10-24 Taptite Screw	2
20	102240501	Bolt, Controller, Terminal	3
21	102243101	Extrusion, Cover Support	1
22	102865901	Solenoid 48v Slot Mt No Diode	1
23	103316901	Cover Asm - Controller (includes items 24 through 26)	1
24	101931501	Decal, Component Cover	1
25	103316701	Cover - Controller, Deep	1
26	103316801	Gasket - Controller Cover	1
27	103982301	Controller, 1515, 250A, White	1
28	105195501	Cap, Quick Conn Tab, 1/4 In	5
29	183	Washer, #10, Type A, Flat	2
30	332	Washer, 1/4 Type A Narrow Flat	2
31	7174	Lockwasher, 5/16 Split	2



002515-002

BATTERIES 8-VOLT, HEAVY DUTY

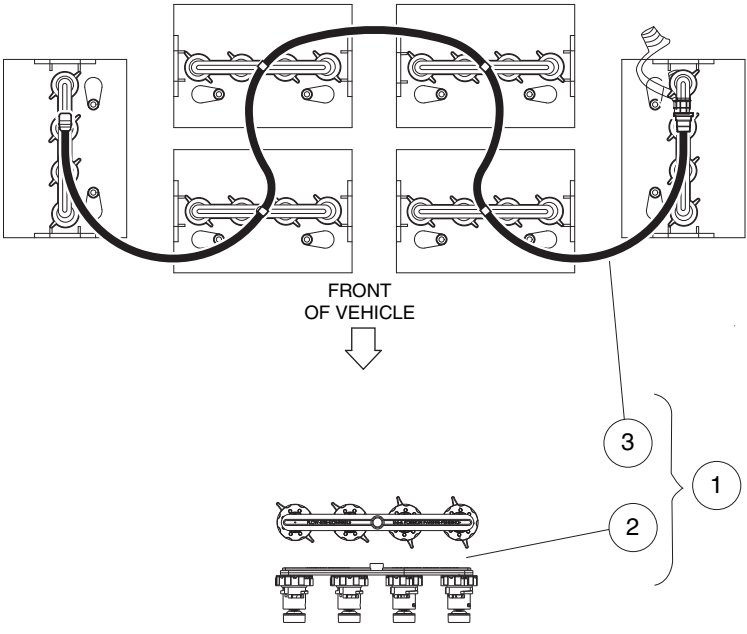
ITEM	PART NO.	DESCRIPTION	QTY
		1 2 3 4	
1	101090802	Hold-Down, Battery	2
2	1010958	Asm, Wire, #6blk 8in	3
3	1011578	Washer, 5/16 Type B Flat	4
4	1011697	Washer, 5/16 Flat	4
5	1014304	Nut, 5/16-18 Stainless-Steel Hex	12
6	1015072	Locknut, 5/16-18 Nylon Insert	8
7	101795701	Asm, Wire, #6blk, 15 In	2
8	103504301	Tee, Batt Ret Ctr Short	2
9	103696801	J Bolt, Batt Hold Down 12"	4
10	103958101	J-bolt 10.75"	4
11	105138301	Battery, 8-Volt, JCI GC8 Type E (includes item 12)	6
12	103765601	Cap, Spin, 8-Volt Battery	1

13

E

13

E



002526-001

SINGLE POINT WATERING SYSTEM (SPWS)

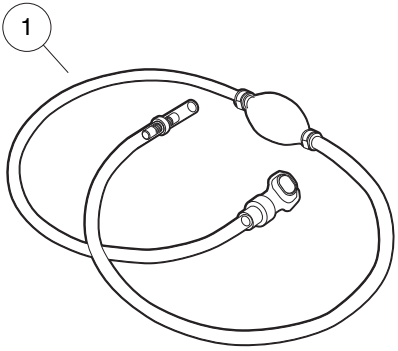
ITEM	PART NO.	DESCRIPTION	QTY
		1 2 3 4	
1	103711302	Kit, Spws, Us 8v, Ds (includes items 2 and 3)	1
2	103510602	Spws, Manifold Asm, 8v Non-Trojan	6
3	103864601	Asm, Hose, Spws, Ds 8v	1

13

E

13

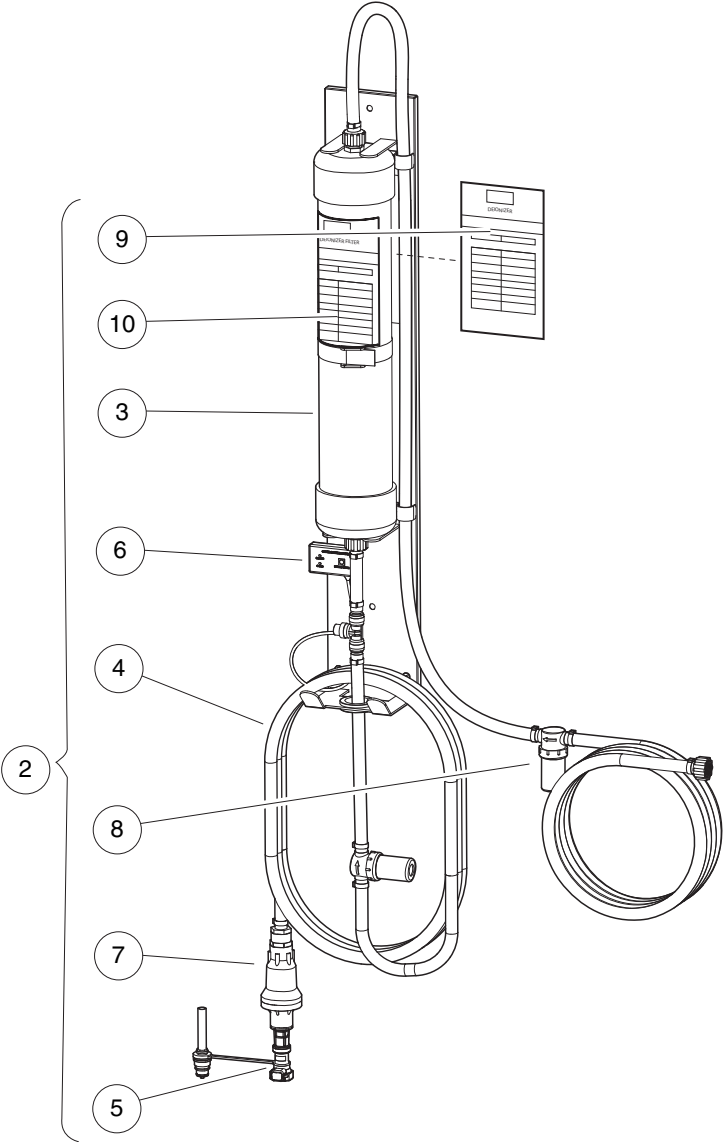
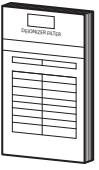
E



11



12



002523-003

HAND PUMP AND DEIONIZER (BATTERY-POWERED QUALITY LIGHT)

ITEM	PART NO.	DESCRIPTION	QTY
		1 2 3 4	
1	104006101	Kit, Hand Pump, Spws	1
2	105166801	Deionizer, w/Battery-Powered Water Quality Light (includes items 3 through 10)	1
3	104005901	Cartridge, Deionizer	1
4	105166901	Hose,outlet,deionizer	1
5	105167001	Flow Ind, W/coupler, Deionizer	1
6	105167101	Light, Quality, Battery-Powered, w/T-Fitting	1
7	105168501	Regulator, Pressure, Deionizer	1
8	105168601	Strainer, In-line, Deionizer	1
9	AM1300001	Decal, Filter Log, Blue	1
10	AM1300201	Decal, Inspect Log, Yellow	1
11	AM1300101	Decal, Filter Log, Blue, Pack of 100	A/R
12	AM1300301	Decal, Inspect Log, Yellow, Pack of 100	A/R

13

E

13

E

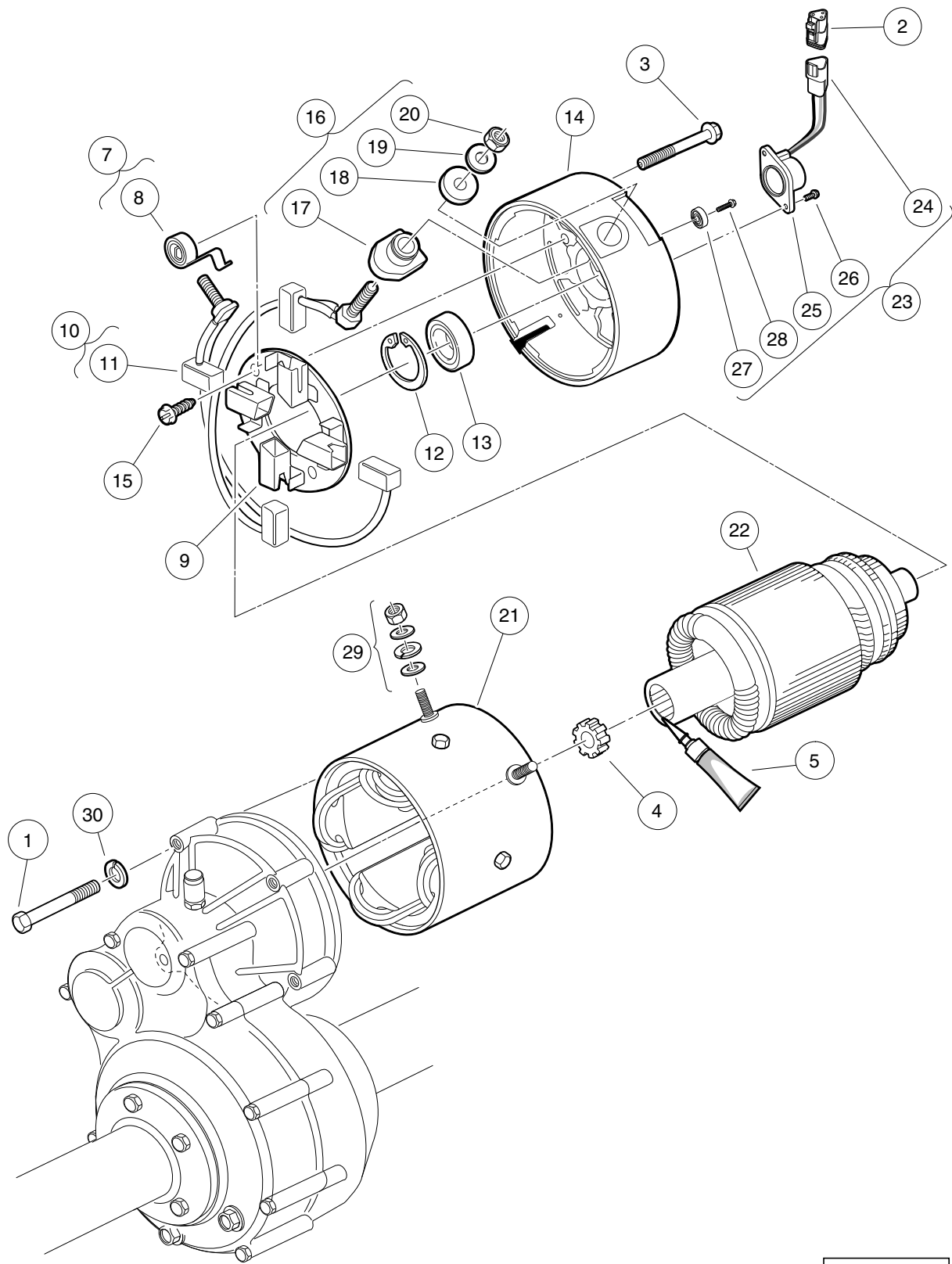
ELECTRIC MOTOR

14

E

14

E



000185-004

MOTOR (MODEL EJ8-4001A)

ITEM	PART NO.	DESCRIPTION	QTY
		1 2 3 4	
1	1014201	Screw, 1/4-20 X 2.25 Hex Cap	3
2	101920101	Kit, 3-Pin Wedge Lock	1
3	N/A	Screw, 1/4-20 X 2.25 Hex-Head Washer	2
4	102235201	Bumper, Drive Unit	1
5	102243403	Lubricant, Moly-Teflon (Single-Use Tube)	1
6	103572501	IQ Electric Motor, 48-VDC 3.3 hp (includes items 7 through 23)	1
7	102186001	Spring Kit, Motor Brush (includes item 8)	1
8	N/A	Spring, Brush, S-g	4
9	102186101	Brush Box Assembly	1
10	102186201	Brush Kit, Motor (includes item 11)	1
11	N/A	Assembly, Brush and Terminal	2
12	N/A	Ring, 2.24" Internal Retaining	1
13	102186401	Bearing, Ball	1
14	102186701	End Cap, Motor	1
15	102186901	Screw, #8-32 X .5 Hex-Head	2
16	102187101	Hardware Kit, Motor Terminal (includes items 17 through 20)	2
17	N/A	Bushing, Nylon	2
18	N/A	Washer, Nylon Flat	2
19	N/A	Washer, Flat, 5/16 Steel	2
20	N/A	Nut, Brass Hex, 5/16 - 18	2
21	102704701	Frame and Field Assembly	1
22	102704801	Armature Assembly	1
23	102704901	Kit, Speed Sensor (includes items 24 through 28)	1
24	101942301	Kit, 3-Pin Wedge Lock	1
25	N/A	Sensor, Motor Speed, ADC	1
26	N/A	Screw, #8-32, Taptite Thread	2
27	N/A	Magnet, ADC Motor	1
28	N/A	Screw, 1/4-20 x 0.5	1
29	103615001	Kit, Motor F1 and F2 Terminal Adapter	1
30	451	Lockwasher, 1/4 Split	3
		Note: The F1 and F2 terminal posts on the EJ8-4001A motor have 1/4 - 20 thread.	

14

E

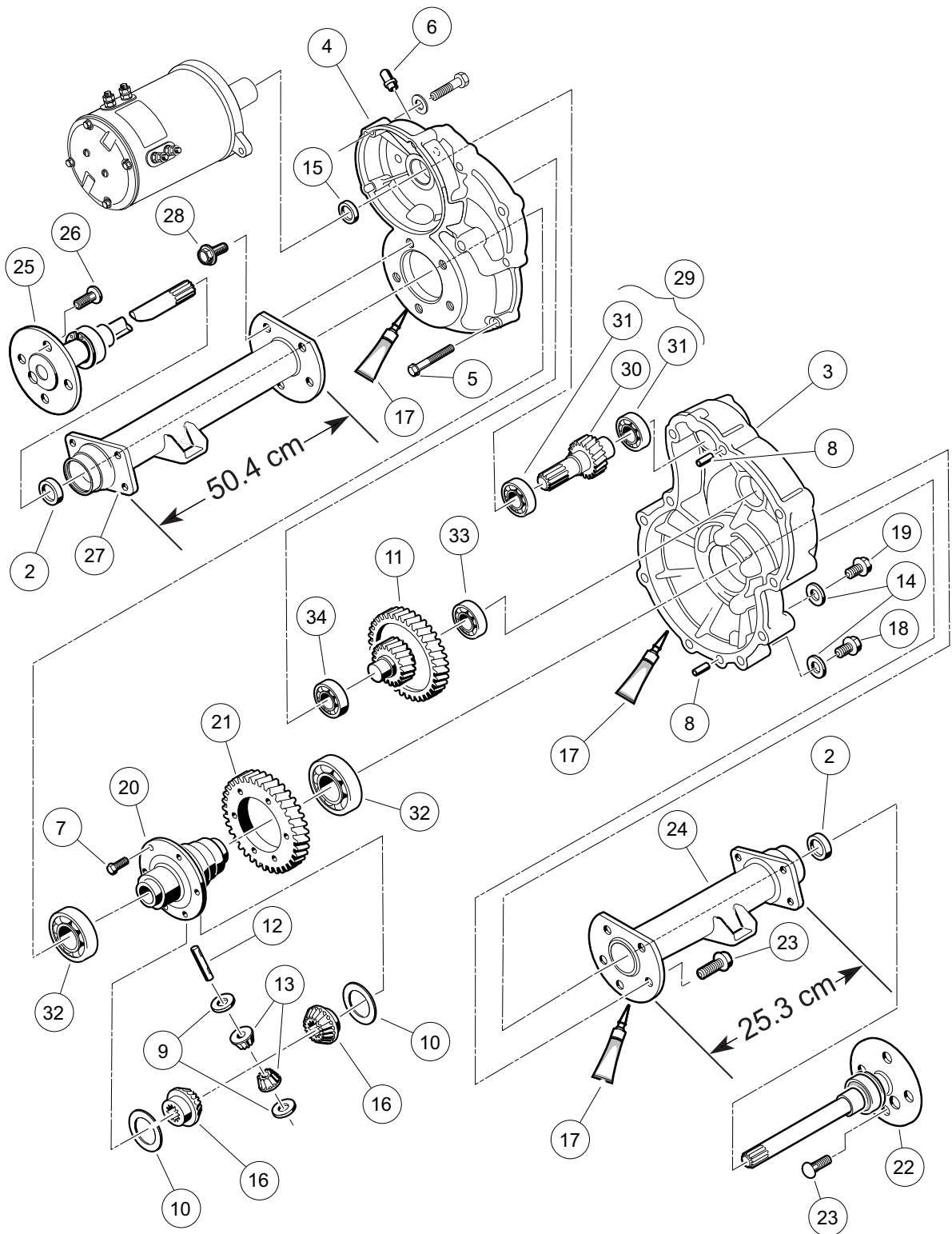
14

E

TRANSAXLE – ELECTRIC VEHICLES

15

E



000223-005

TRANSAXLE – ELECTRIC VEHICLES

ITEM	PART NO.	DESCRIPTION	QTY
		1 2 3 4	
1	102771701	Transaxle, Electric (includes items 2 through 34)	1
2	1013794	Axle Shaft Oil Seal	2
3	101895401	Gear Case, Driver-Side	1
4	101895501	Gear Case, Passenger-Side	1
5	101897001	Screw, M8-1.25 X 60mm Hex-Head	11
6	101897201	Breather	1
7	101897401	Screw, M10-1.25 X 25mm	6
8	101897601	Pin, 11mm OD X 8.5mm ID X 10mm	2
9	101903601	Washer, Thrust	2
10	101903701	Washer, Thrust	2
11	101906901	Intermediate Shaft Assembly	1
12	101922101	Pin, 15.99mm X 88.7mm Dowel	1
13	101923001	Gear, Differential Idler	2
14	101923201	Gasket	2
15	101923501	Seal, Lip	1
16	101923901	Gear, Differential	2
17	101928701	Liquid Gasket (Transaxle case)	1
18	101972101	Plug, M14-1.5 X 12mm Magnetic	1
19	101972201	Plug, M14-1.5 X 12mm Hex	1
20	102356601	Housing, Differential, 6 Bolt	6
21	102356801	Gear, Differential Output, 6-Bolt	6
22	102886301	Axle Assembly, Driver-Side (includes item 23)	1
23	101922201	Lug Stud	4
24	102886401	Tube, Axle, Driver-Side	1
25	102886501	Axle Assembly, Passenger-Side (includes item 26)	1
26	101922201	Lug Stud	4
27	102886601	Tube, Axle, Passenger-Side	1
28	102902801	Screw, M10 X 30	10
29	103582801	Asm, E Trans Shaft/bearing (includes items 30 and 31)	1
30	N/A	Shaft, Input	1
31	7335	Bearing	2
32	7330	Inner Axle Tube Bearing	2
33	7335	Bearing	1
34	7336	Bearing	1

15

E

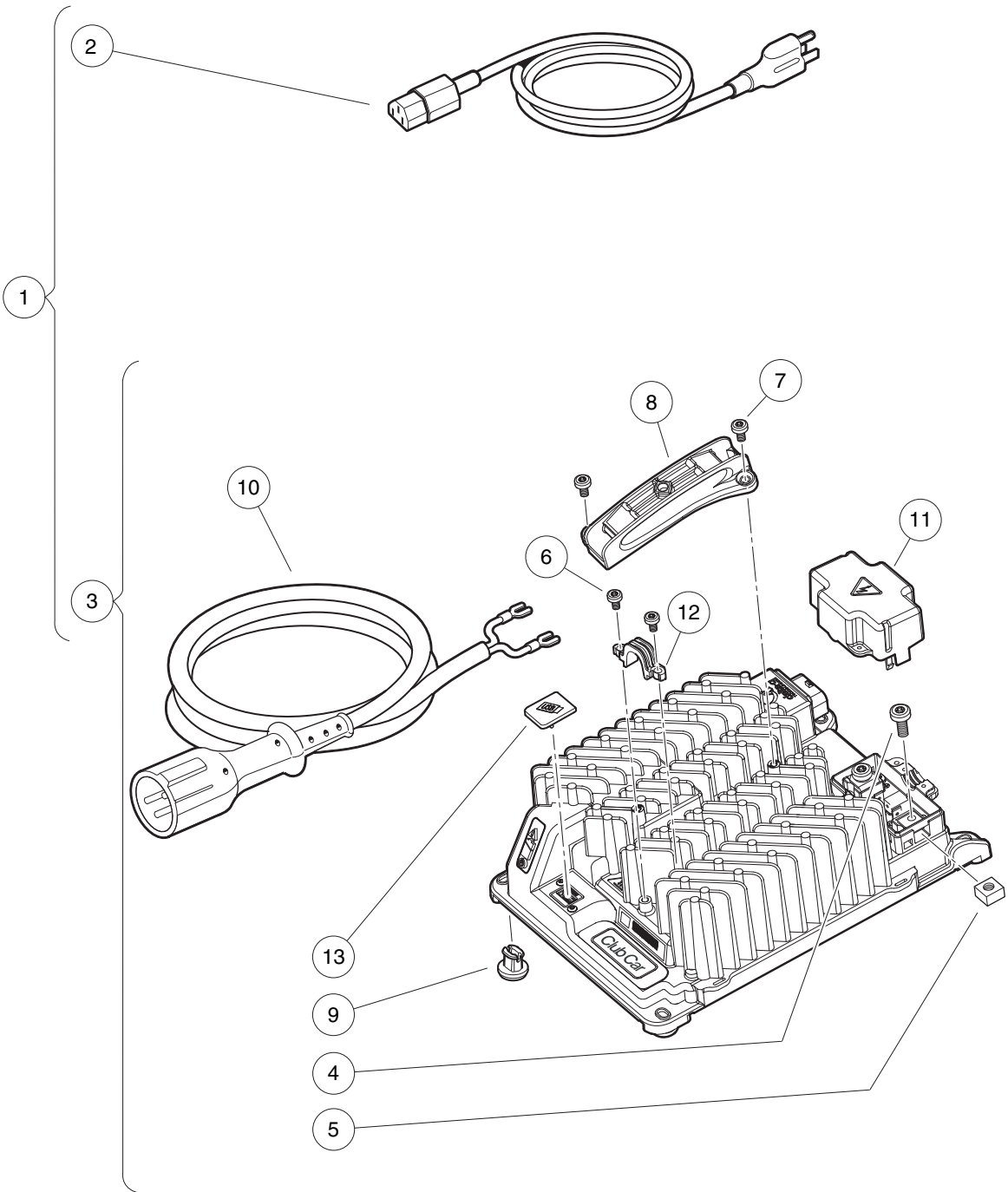
15

E

BATTERY CHARGERS – HIGH-FREQUENCY

16

E



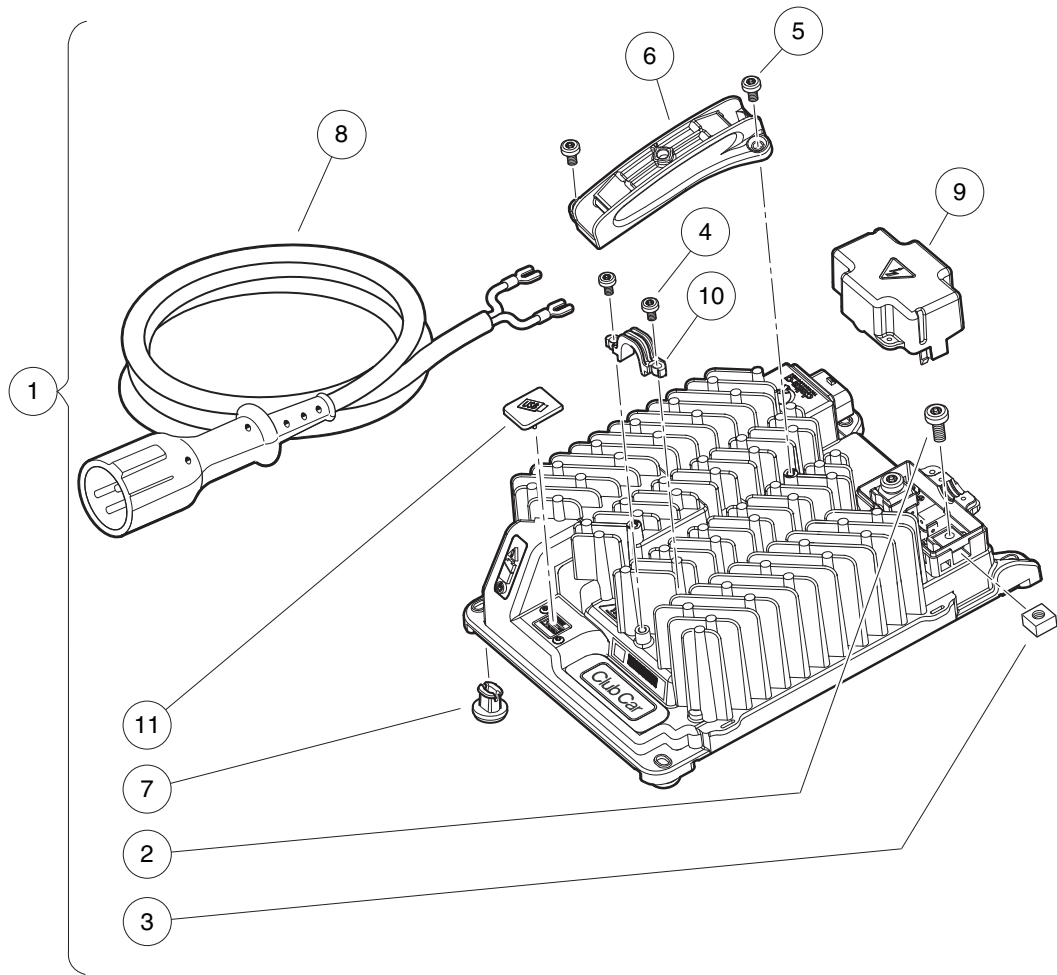
000610-002

BATTERY CHARGER, HIGH-FREQUENCY – U.S./CANADA

ITEM	PART NO.	DESCRIPTION	QTY
		1 2 3 4	
1	105095201	Charger, High-Freq, Service, 9ft Yel DC, 6ft AC, US/Canada (includes items 2 and 3)	1
2	104024201	Cord, AC, Nema To Iec320, 6ft (1.83 m), U.S./Canada	1
3	104029601	Charger, Asm, High-Freq, 9ft (2.74 m) Yellow DC Cord (includes items 4 through 13)	1
4	104024501	Screw, M6, Torx Head	2
5	104024601	Nut, M6, Square, Captured	2
6	104028901	Screw, M4 X .70, Pan Hd, Torx	2
7	104029001	Screw, M5 X .80, Pan Hd, Torx	2
8	105003601	Handle, Charger, High-Freq	1
9	105003701	Foot, Charger, High-Freq	4
10	105070101	Cord, DC, Yellow, 9ft (2.74 m)	1
11	105092301	Cover, DC Terminal Block, High-Freq Charger	1
12	105093101	Strain Relief, High-Freq, External, Charger	1
13	105123801	Cover, USB	1
<p>Note: This charger includes both an AC cord and DC cord. For additional cord lengths that may be used with this charger, see the Battery Charger Cords page.</p>			

16

E



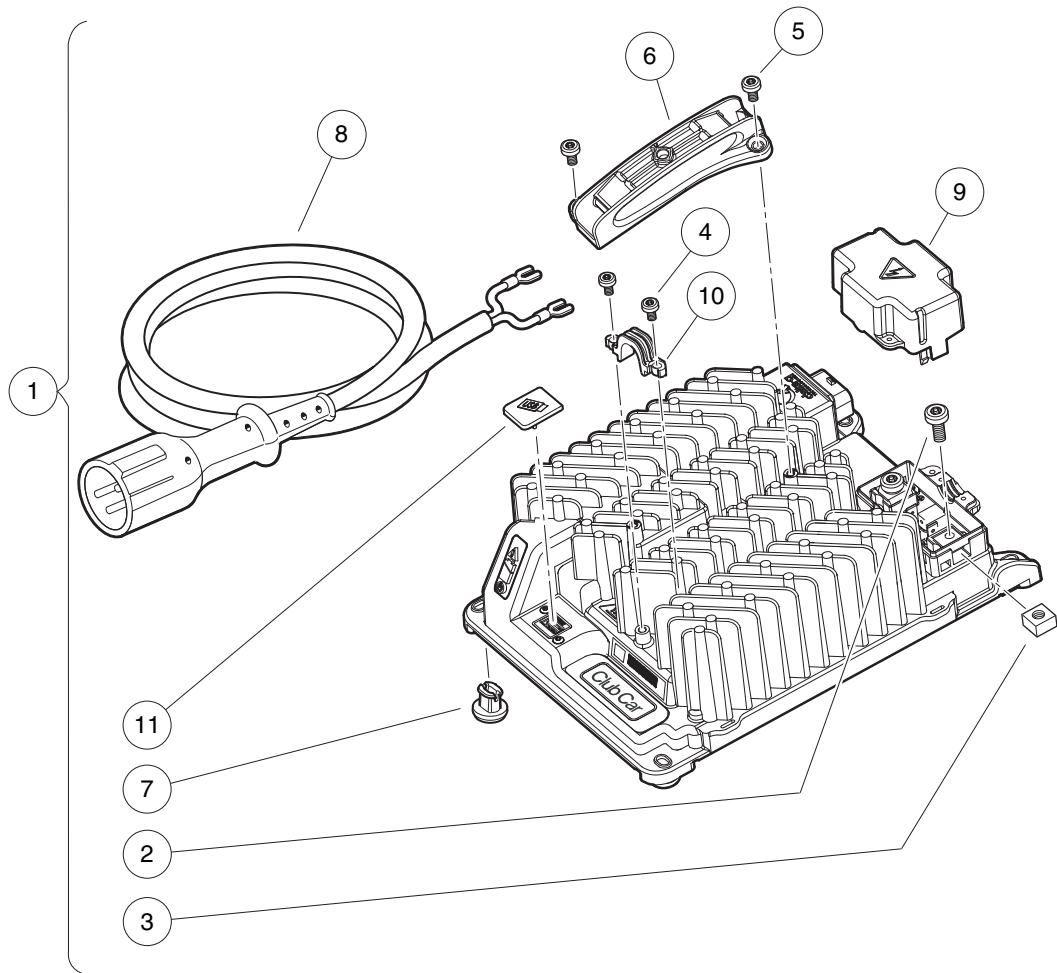
000610-003

BATTERY CHARGER, HIGH-FREQ., 2.74 M DC CORD – GLOBAL

ITEM	PART NO.	DESCRIPTION	QTY
		1 2 3 4	
1	104029601	Charger, Asm, High-Freq, 9ft (2.74 m) Yellow DC Cord (includes items 2 through 11)	1
2	104024501	Screw, M6, Torx Head	2
3	104024601	Nut, M6, Square, Captured	2
4	104028901	Screw, M4 X .70, Pan Hd, Torx	2
5	104029001	Screw, M5 X .80, Pan Hd, Torx	2
6	105003601	Handle, Charger, High-Freq	1
7	105003701	Foot, Charger, High-Freq	4
8	105070101	Cord, DC, Yellow, 9ft (2.74 m)	1
9	105092301	Cover, DC Terminal Block, High-Freq Charger	1
10	105093101	Strain Relief, High-Freq, External, Charger	1
11	105123801	Cover, USB	1
<p>Note: This charger does not include the AC cord. To complete the charger, choose the appropriate type and length of AC cord found on the Battery Charger Cords page.</p>			

16

E



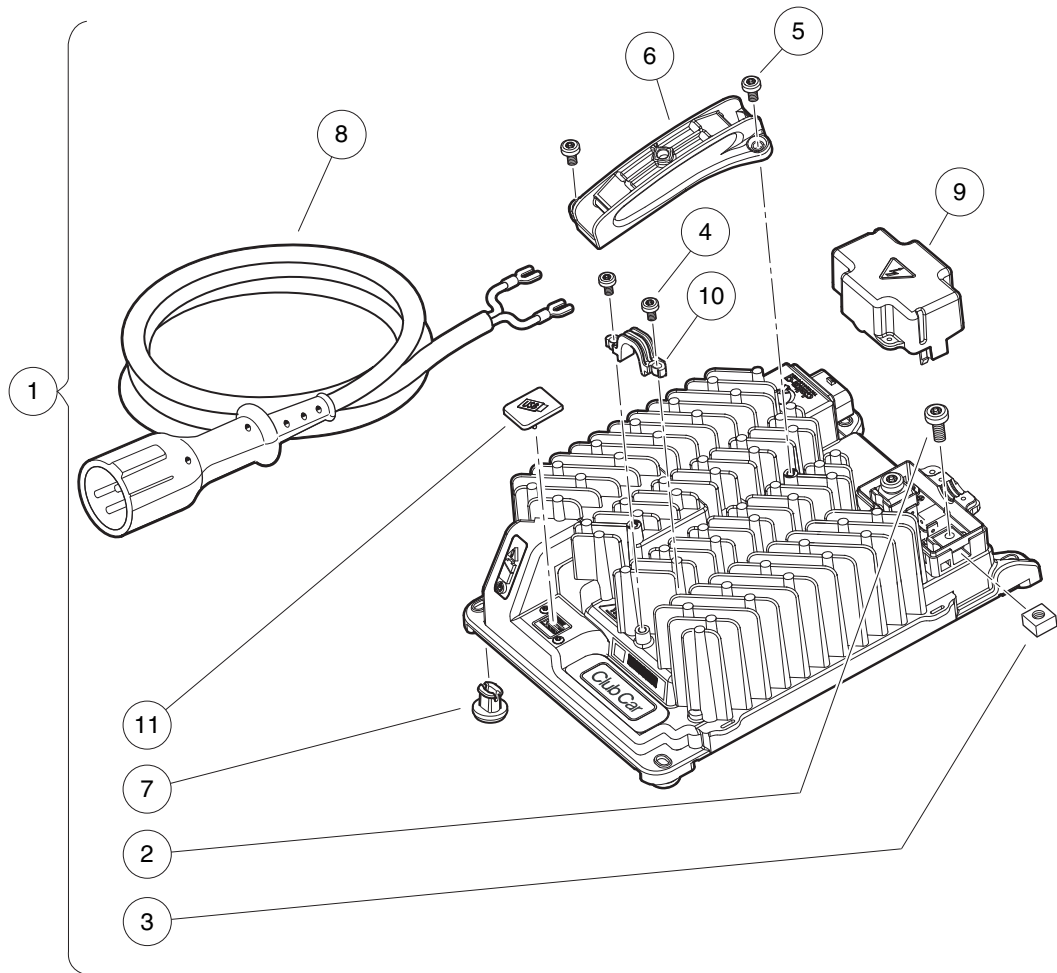
000610-003

BATTERY CHARGER, HIGH-FREQ., 3.66 M DC CORD – GLOBAL

ITEM	PART NO.	DESCRIPTION	QTY
		1 2 3 4	
1	104029602	Charger, Asm, High-Freq, 12ft (3.66 m) Yellow DC Cord (includes items 2 through 11) ..	1
2	104024501	Screw, M6, Torx Head	2
3	104024601	Nut, M6, Square, Captured	2
4	104028901	Screw, M4 X .70, Pan Hd, Torx	2
5	104029001	Screw, M5 X .80, Pan Hd, Torx	2
6	105003601	Handle, Charger, High-Freq	1
7	105003701	Foot, Charger, High-Freq	4
8	105070102	Cord, DC, Yellow, 12ft (3.66 m)	1
9	105092301	Cover, DC Terminal Block, High-Freq Charger	1
10	105093101	Strain Relief, High-Freq, External, Charger	1
11	105123801	Cover, USB	1
<p>Note: This charger does not include the AC cord. To complete the charger, choose the appropriate type and length of AC cord found on the Battery Charger Cords page.</p>			

16

E



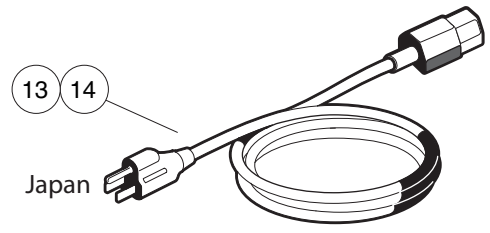
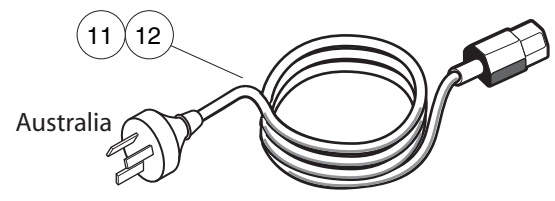
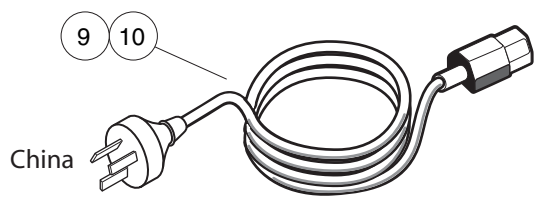
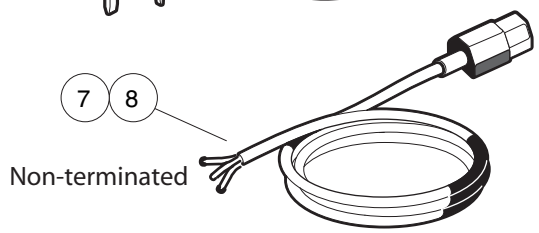
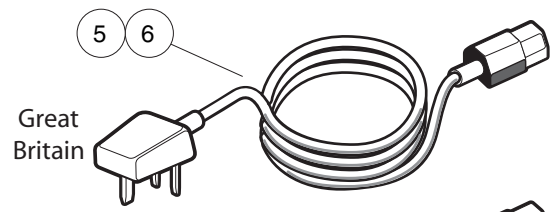
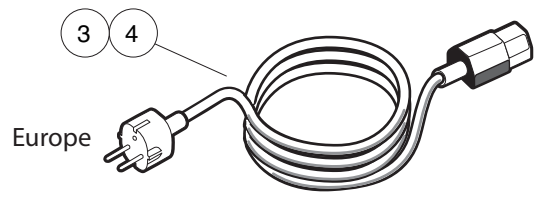
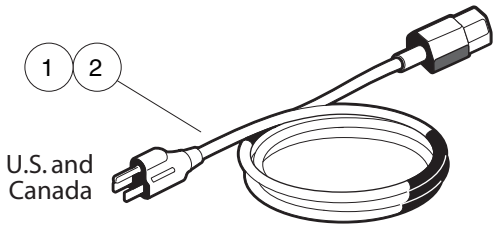
000610-003

BATTERY CHARGER, HIGH-FREQ., 6.1 M DC CORD – GLOBAL

ITEM	PART NO.	DESCRIPTION	QTY
		1 2 3 4	
1	104029603	Charger, Asm, High-Freq, 20ft (6.1 m) Yellow DC Cord (includes items 2 through 11)	1
2	104024501	Screw, M6, Torx Head	2
3	104024601	Nut, M6, Square, Captured	2
4	104028901	Screw, M4 X .70, Pan Hd, Torx	2
5	104029001	Screw, M5 X .80, Pan Hd, Torx	2
6	105003601	Handle, Charger, High-Freq	1
7	105003701	Foot, Charger, High-Freq	4
8	105070103	Cord, DC, Yellow, 20ft (6.1 m)	1
9	105092301	Cover, DC Terminal Block, High-Freq Charger	1
10	105093101	Strain Relief, High-Freq, External, Charger	1
11	105123801	Cover, USB	1
<p>Note: This charger does not include the AC cord. To complete the charger, choose the appropriate type and length of AC cord found on the Battery Charger Cords page.</p>			

16

E



002808-001

CORDS – BATTERY CHARGER, HIGH-FREQUENCY

ITEM	PART NO.	DESCRIPTION	QTY
		1 2 3 4	
1	104024201	Cord, AC, Nema To lec320, 6ft (1.83 m), U.S./Canada	1
2	104024202	Cord, AC, Nema To lec320, 9ft (2.74 m), U.S./Canada	1
3	104024401	Cord, AC, lec320, 6ft (1.83 m), Europe	1
4	104024402	Cord, AC, lec320, 9ft (2.74 m), Europe	1
5	104028501	Cord, AC, lec320, 6ft (1.83 m), Great Britain	1
6	104028502	Cord, AC, lec320, 9ft (2.74 m), Great Britain	1
7	104028601	Cord, AC, lec320, 6ft (1.83 m), Non-terminated	1
8	104028602	Cord, AC, lec320, 9ft (2.74 m), Non-terminated	1
9	105068201	Cord, AC, lec320, 6ft (1.83 m), China	1
10	105068202	Cord, AC, lec320, 9ft (2.74 m), China	1
11	105068301	Cord, AC, lec320, 6ft (1.83 m), Australia	1
12	105068302	Cord, AC, lec320, 9ft (2.74 m), Australia	1
13	105068401	Cord, AC, lec320, 6ft (1.83 m), Japan	1
14	105068402	Cord, AC, lec320, 9ft (2.74 m), Japan	1

16

E

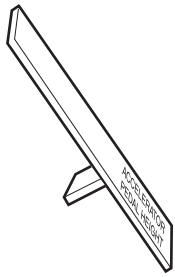
16

E

MAINTENANCE AND SERVICE TOOLS

17
G
E

17
G
E



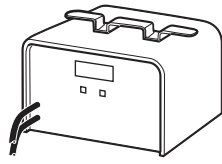
1



2



3



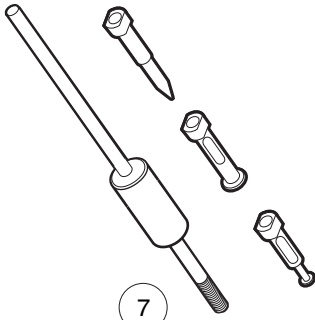
4



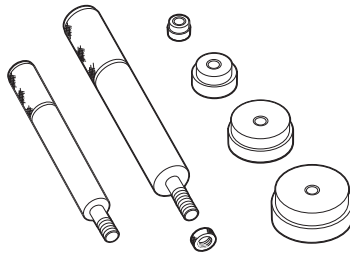
5



6



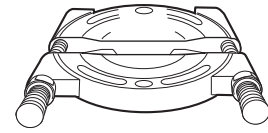
7



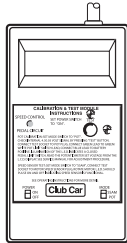
8



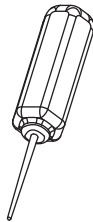
9



10



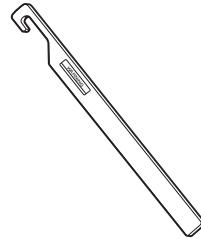
11



12



13



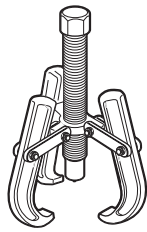
14



15



16



17



18



19

001060-002

MAINTENANCE AND SERVICE TOOLS

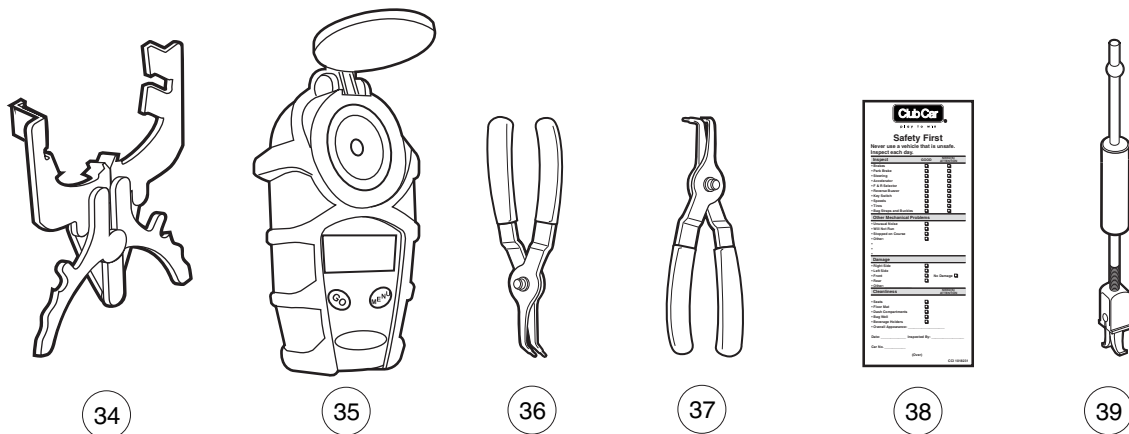
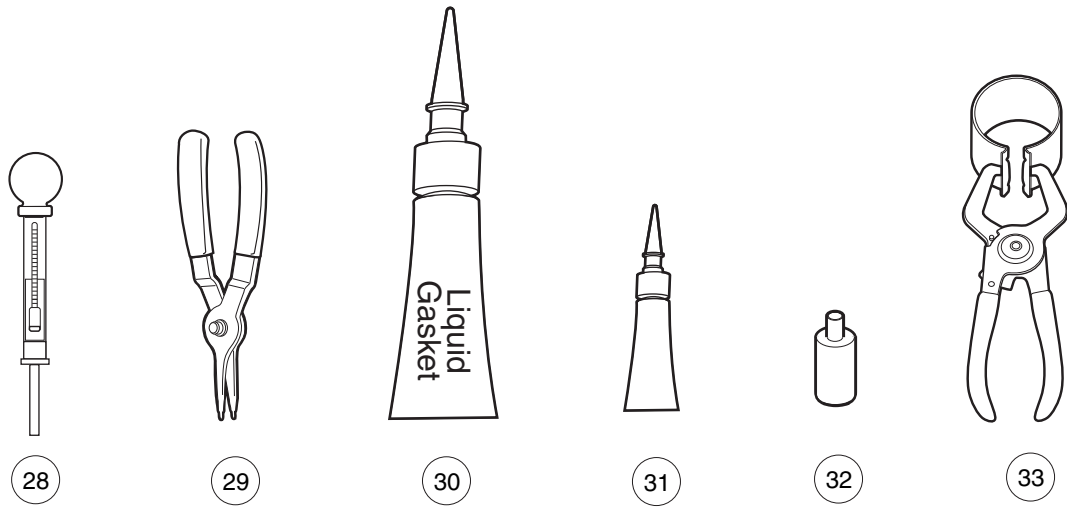
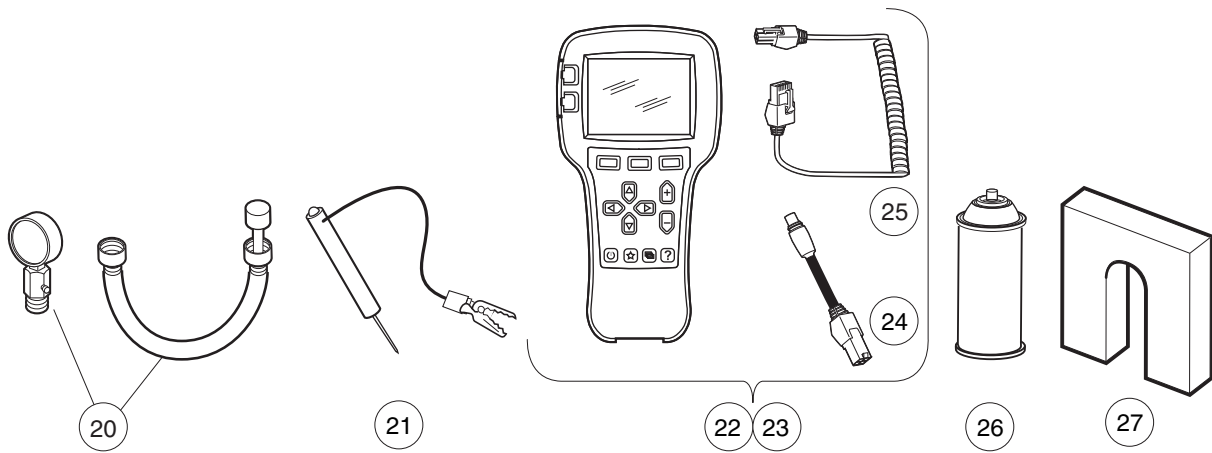
ITEM	PART NO.	DESCRIPTION	QTY GAS	QTY ELEC
		<p>1 2 3 4</p> <p>The following tool list includes all tools available from Club Car for maintenance and service procedures for gasoline and electric golf and utility vehicles. Be sure to carefully examine the tool list for applicability to your vehicle before ordering.</p>		
1	101871001	Accelerator Pedal Adjustment Tool (Utility Vehicles).....	1	1
2	101813202	Adhesive, Guide Ring, 3-Gram Tube		1
3	101641202	Arbor	1	
4	101831901	Battery Discharge Machine, 36/48 Volt		1
5	1014305	Battery Terminal Protector Spray	1	1
6	1011767	Battery Thermometer	1	1
7	1016417	Bearing and Oil Seal Remover Assembly	1	1
8	1016416	Bearing Driver Set	1	1
9	1012811	Bearing Puller	1	1
10	1012812	Bearing Puller Wedge Attachment	1	1
11	101887101	Calibration Test Module		1
12	102562401	Charger Bezel Tool		1
		Clutch Tools (items 14 - 20)	1	
13	101808401	Clutch Cam Installation Tool (for Subaru and Kawasaki engines)	1	
14	105072501	Drive Clutch Holder Tool Assembly (for Subaru and Kawasaki engines)	1	
15	1014497	Drive Clutch Hub Puller (for Subaru and Kawasaki engines)	1	
16	1014496	Drive Clutch Puller (for Subaru and Kawasaki engines)	1	
17	1014508	Driven Clutch Cam Puller (for Subaru and Kawasaki engines)	1	
18	1014507	Driven Clutch Puller Plug (for Subaru and Kawasaki engines)	1	
19	101809101	Press Weldment (for Subaru and Kawasaki engines)	1	
		<p>Please refer to the maintenance and service manual for proper tool application.</p>		

17

G

E

17
G
E



001061-002

MAINTENANCE AND SERVICE TOOLS, CONTINUED

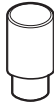
ITEM	PART NO.	DESCRIPTION	QTY GAS	QTY ELEC
		1 2 3 4		
20	101641002	Compression Gauge and Adapter	1	
21	1011273	Continuity Tester	1	1
22	105234501	Controller Diagnostic Tool (CDT) User Kit (includes items 25 and 26)		1
23	105234502	Controller Diagnostic Tool (CDT) OEM Kit (includes items 25 and 26)		1
24	102251501	Adaptor, Cable		1
25	105209601	CDT Cable		1
26	1012151	Dry Moly Lubricant	1	1
27	1016418	Gear Yoke	1	1
28	1011478	Hydrometer	1	1
29	1013593	Internal Retaining Ring Pliers	1	1
30	101928701	Liquid Gasket (transaxle case)	1	1
31	102243402	Moly-Teflon Lubricant (4-oz. (113-gram) tube)		1
32	102587201	Paint Pen, Touch-Up, Precedent Underbody ,Ai Black.....	1	1
33	1016414	Piston Ring Compressor Kit	1	
34	1016415	Piston Ring Pliers	1	
35	AM1285701	Refractometer	1	1
36	1012549	Retaining Ring Pliers, 45→× External	1	1
37	1012560	Retaining Ring Pliers, 90→× Internal	1	1
38	101823101	Safety First Card (50 per pack)	1	1
39	1012809	Seal Puller	1	1
		Please refer to the maintenance and service manual for proper tool application.		

17
G
E

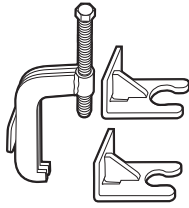
17
G
E



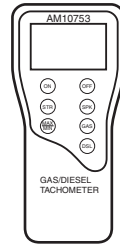
40



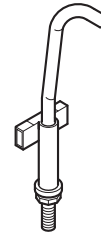
41



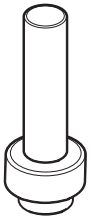
42



43



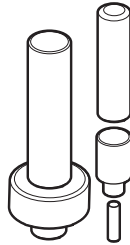
44



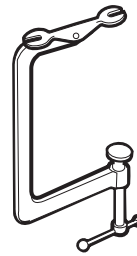
45



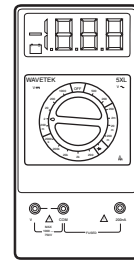
46



47



48



49

001062-001

MAINTENANCE AND SERVICE TOOLS, CONTINUED

ITEM	PART NO.	DESCRIPTION	QTY GAS	QTY ELEC
		1 2 3 4		
40	1014264	Steering Column Bearing Press Tool	1	1
41	1014259	Steering Column Retaining Ring Tool	1	1
42	102061201	Steering Wheel Puller Tool	1	1
43	AM10753	Tachometer (includes gasoline engine pick up lead only)	1	
44	102570401	Tool, Tensioning, Starter Generator (For Precedent vehicles)	1	
45	1014162	Transaxle Axle Seal Tool (for electric vehicles)		1
46	1014161	Transaxle Pinion Seal Tool (for electric vehicles)		1
47	1014115	Transmission Tool Kit (for electric vehicles).....		1
48	101641101	Valve Spring Compressor	1	
49	1011480	Volt Ohm Meter	1	1
		Please refer to the maintenance and service manual for proper tool application.		

17
G
E

INDEX

Part Number and Page

AM10753	17-7	7173	4-7, 4-9, 7-27, 7-29	1010954	7-17, 7-19
AM10419	11-11	7174	1-75, 1-77, 6-13, 6-15, 7-11, 7-13, 10-3, 13-9	1010958	13-11
AM1300001	13-15	7274	6-17	1010984	2-3
AM1300101	13-15	7308	6-17	1011017	4-3
AM1300201	13-15	7330	15-3	1011084	5-7
AM1300301	13-15	7335	15-3	1011114	9-13, 12-11
SVP370901	1-29	7336	15-3	1011137	5-15
SVP387901	1-31	7473	1-21, 1-29, 1-55, 4-7, 4-9, 5-3, 5-5, 5-7, 5-11, 7-17, 7-19, 7-27, 7-29, 9-15	1011273	17-5
SVP658101	1-29	7591	8-11	1011393	6-17
SVP658401	1-29	7716	5-3	1011402	5-3
SVP658602	1-29	7818	7-17, 7-19	1011415	6-19
SVP659001	1-29	7820	4-7, 4-9	1011418	5-3
SVP659101	1-29	7840	6-17	1011439	4-7, 4-9
SVP659301	1-29	7893	4-35, 7-17, 7-19	1011478	17-5
SVP659401	1-29	7910	6-17	1011480	17-7
SVP659503	1-29	7973	13-7	1011546	1-79
SVP664101	1-29	8056	7-23	1011553	1-75, 1-77, 3-5, 3-9
SVP713301	1-29	8057	1-103, 4-25, 7-19, 7-21, 7-23	1011557	4-7, 4-9
SVP716902	1-31	8058	1-103, 4-25, 7-19, 7-21, 7-23	1011578	13-11
SVP716903	1-31	8067	6-13, 6-15	1011610	4-3
SVP716905	1-31	8233	1-29, 1-57, 5-5, 5-7, 7-15, 9-13, 12-11	1011694	5-5, 5-7
SVP732201	1-29	8248	7-15	1011697	6-5, 13-11
SVP732901	1-29	8251	1-31	1011734	5-7
SVP736801	1-29	8450	11-7, 11-9	1011767	17-3
SVP777401	1-31	8639	1-101, 1-103, 4-35, 6-5, 7-17, 7-19	1011779	5-11
SVP777402	1-31	8717	5-5, 5-7, 7-17, 7-19, 12-3	1011825	4-7, 4-9
SVP777403	1-31	8754	1-7, 1-29, 1-37, 1-39, 1-41, 1-81, 4-27, 4-29, 5-5, 5-7, 6-3, 6-5, 6-11, 6-13, 6-15, 7-11, 7-13	101187702	5-3
SVP777501	1-29	8755	6-13, 6-15	1011887	6-17
SVP826501	1-49	8861	6-11	1011892	6-17
SVP826502	1-49	8935	1-21	1011931	5-5, 5-7
SVP860101	1-31	8963	1-21, 1-29	1011937	1-21
SVPP229901	1-29	8990	6-3, 12-5	1011990	1-29, 1-75, 1-81
SVPP234001	1-29	1010005	6-17	1012151	17-5
183	1-51, 11-7, 11-9, 13-9	1010138	6-11	1012159	1-37, 1-39, 1-41
320	1-19	1010145	6-19	1012181	6-19
324	1-61	1010150	6-13, 6-15	1012182	6-19
332	1-23, 1-29, 1-57, 7-15, 13-9	1010177	6-13, 6-15	1012285	13-9
334	1-19, 5-5, 5-7, 6-3, 6-5, 11-7, 11-9	1010200	6-13, 6-15	1012295	1-103, 4-7, 4-9, 7-17, 7-19
357	1-75, 6-13, 6-15	1010434	1-29	1012303	6-13, 6-15
451	14-3	101043502	1-55	101242802	1-7
705	1-29, 1-75	1010577	8-5, 8-7	1012431	1-103, 4-25, 7-19
706	1-75, 6-13, 6-15	1010805	5-3	1012438	13-9
1016	13-9	1010829	5-11	1012528	1-55, 10-3, 13-9
1017	13-9	1010877	5-3	1012549	17-5
1028	5-3	1010878	1-57, 5-3	1012560	17-5
1032	5-3	101090802	13-11	1012565	6-9
1218	9-15	1010909	1-51	1012566	6-9
1241	1-21, 1-29, 1-75, 1-77, 4-7, 4-9, 5-3, 5-5, 5-7, 5-11, 7-17, 7-19, 7-27, 7-29, 8-5, 8-7, 9-15	1010921	5-3	1012571	6-5
1242	1-75, 1-77, 4-35, 5-11, 7-11, 7-13, 7-17, 7-19	1010927	5-3	1012604	6-5
1624	1-81, 5-5, 5-7, 6-3, 7-11, 7-13	1010932	5-3	1012605	6-5
2402	1-81, 6-11	1010933	5-3	1012649	9-7
7048	6-13, 6-15	1010934	1-29, 1-75, 1-77, 7-27, 7-29	1012809	17-5
7049	1-63			1012811	17-3
				1012812	17-3
				1012836	11-11
				1013035	6-3

INDEX

1013042	6-3, 6-11	1014496	17-3	1016350	6-11
1013044	6-3	1014497	17-3	1016351	6-11
1013052	6-3	1014507	17-3	1016353	6-11
1013061	1-51	1014508	17-3	1016356	4-5, 13-9
1013135	6-17	101454602	6-19	1016363	13-9
1013164	6-19	1014555	6-19	1016366	13-9
1013309	1-23	1014573	6-19	1016384	6-13, 6-15
1013357	4-5	1014789	7-3, 7-5	101638502	6-11
1013483	1-75	1014807	7-19, 7-21, 7-23	1016386	6-13, 6-15
1013531	5-11	1014808	7-19	1016387	6-13, 6-15
1013589	7-17, 7-19	1014901	6-19	1016389	6-13, 6-15
1013593	17-5	1014902	6-19	101641002	17-5
1013609	4-35, 7-17, 7-19	1014947	13-9	101641101	17-7
1013734	1-55	1014948	4-35	101641202	17-3
1013746	9-7	101503202	1-19	1016414	17-5
1013794	15-3	1015072	13-11	1016415	17-5
1013869	5-3	1015137	9-7	1016416	17-3
1013870	5-3	1015154	4-27	1016417	17-3
1013876	5-3	1015156	4-27, 4-29	1016418	17-5
1013924	5-13, 5-15, 8-5, 8-7	1015157	4-27, 4-29	1016423	4-5, 13-5
1014007	5-5, 5-7, 9-13, 12-3, 12-11	1015187	4-27, 4-29	1016801	11-7, 11-9
1014051	11-9	1015277	1-57	1016849	4-7, 4-9, 4-11, 4-13
1014055	11-7, 11-9	1015332	7-3, 7-5	1016851	4-11, 4-13
1014056	11-7, 11-9	1015363	1-63	1016901	11-7
1014057	11-7, 11-9	1015373	7-17, 7-19	1016929	4-27
1014058	11-7, 11-9	1015391	1-55	1017029	5-3
1014059	11-7, 11-9	1015399	1-27	1017145	11-11
1014062	11-7, 11-9	1015400	1-55	1017226	6-13, 6-15
1014063	11-7, 11-9, 13-9	1015405	7-17, 7-19	1017235	6-19
1014065	7-17, 7-19, 11-7, 11-9	1015445	1-75	1017266	6-11
1014072	11-11	1015524	17-3	1017273	6-7, 6-9
1014078	11-11	101553901	3-3, 3-7	1017313	6-5
1014080	11-11	1015583	1-53, 6-15	1017314	6-5
1014115	17-7	101558302	6-13, 6-19	1017315	6-5
1014116	9-3	1015597	6-13, 6-15	1017317	6-5
1014125	6-5	1015656	1-73	1017378	5-5, 5-7
1014126	6-5	1015661	1-61	1017380	5-5, 5-7
1014145	7-17, 7-19	1015737	7-17, 7-19	1017424	5-5, 5-7
1014161	17-7	1015741	7-17, 7-19, 13-5	1017686	11-11
1014162	17-7	1015752	7-17, 7-19	101791101	5-13
1014201	14-3	1015878	1-103, 4-25, 7-19, 7-21, 7-23	101795701	13-11
1014213	6-5	1015932	7-11, 7-13	101795705	13-9
1014214	6-5	1015969	8-9	101796201	5-5, 5-7
1014217	6-5	1016060	1-53, 1-57	101808401	17-3
1014259	17-7	1016077	1-73	101809101	17-3
1014264	17-7	1016078	1-57	101813202	17-3
1014276	6-13, 6-15	101609401	1-29, 3-3, 3-7	101815501	5-13, 5-15
1014287	11-7, 11-9	1016103	8-11	101815502	5-13, 5-15
1014288	6-5, 7-27, 11-7, 11-9	1016154	6-9	101816501	5-13, 5-15
1014289	7-7, 7-9	1016183	6-5	101816502	5-13, 5-15
1014304	13-11	1016201	11-7, 11-9	101817401	5-5, 5-7
1014305	17-3	1016214	6-9	101818801	5-7
1014321	1-61, 1-63	1016269	6-5	101823101	17-5
1014375	7-27	1016289	11-7, 11-9	101823201	5-13, 5-15
1014453	11-7, 11-9	1016346	6-11	101823801	5-13, 5-15
1014454	11-11	1016349	6-11	101823901	5-13, 5-15

INDEX

101824101	8-11	101923001	15-3	102186401	14-3
101825101	3-3, 3-7, 4-11, 4-13	101923201	15-3	102186701	14-3
101825102	3-7	101923501	15-3	102186901	14-3
101830701	4-15, 4-17, 4-19	101923901	15-3	102187101	14-3
101831901	17-3	101928701	15-3, 17-5	102196901	13-5
101833401	11-11	101931501	3-5, 13-9	102198001	4-5
101834502	4-15, 4-17, 4-19	101932201	4-7, 4-9	102199001	1-103, 4-7, 4-9
101834602	8-5, 8-7	101942301	14-3	102199601	13-9
101835601	1-53, 1-55, 1-57, 4-21, 4-23	101946201	1-27, 1-31	102235201	14-3
101837401	1-125	101953101	5-11	102238001	4-5, 13-9
101837502	1-125	101954301	1-23	102240501	13-9
101850301	4-3, 6-7, 6-9	101955101	4-7, 4-9	102242101	8-5, 8-7, 11-11
101851101	4-15, 4-17, 4-19	101957101	4-7, 4-9	102242401	1-37, 1-39, 1-41
101856002	4-11	101958601	1-57	102243101	13-9
101856101	1-9	101958602	1-53	102243402	17-5
101856102	7-17, 7-19	101960501	3-9	102243403	14-3
101861901	5-5, 5-7	101963401	1-27, 1-73, 7-25, 8-5, 8-7	102251501	17-5
101862001	5-5	101965206	13-9	102269701	7-25
101871001	17-3	101968701	13-9	102274101	12-23
101878201	5-3	101972101	15-3	102278001	6-5
101879401	6-3	101972201	15-3	102289201	6-3, 6-11
101879501	6-3	101974701	4-15, 4-17, 4-19	102292701	1-15
101879601	6-3	101974702	4-15, 4-17, 4-19	102292801	5-11
101879701	6-3	101974703	4-15, 4-17, 4-19	102296020	12-3
101879801	6-3	101974704	4-15, 4-17, 4-19	102296150	1-29, 1-33, 1-35
101879901	6-3	101974705	4-15, 4-17, 4-19	102296301	1-15, 1-29, 1-33, 1-35, 1-37, 1-39, 1-41
101880001	6-3	101974706	4-15, 4-17, 4-19	102296530	1-15
101880101	6-3	101974707	4-15, 4-17, 4-19	102296819	1-5
101880201	6-3	101974708	4-15, 4-17, 4-19	102297125	1-15, 1-17, 1-19, 1-45, 1-47, 4-7, 4-9, 4-35
101880301	6-3	101974709	4-15, 4-17, 4-19	102297230	13-3
101884801	8-5, 8-7	101974710	4-15, 4-17, 4-19	102298116	8-11
101886101	9-13, 12-11	101974711	4-15, 4-17, 4-19	102298185	1-53
101887101	17-3	101974712	4-15, 4-17, 4-19	102298401	1-29, 1-53, 1-59, 1-61, 1-73, 6-19
101895401	15-3	101978001	13-9	102298720	1-29
101895501	15-3	101978102	13-9	102299550	1-29, 1-59, 1-61, 1-73
101897001	15-3	101978202	13-9	102311501	1-9
101897201	15-3	101984801	6-5	102323101	5-11
101897401	15-3	101987701	9-7	102323201	5-11
101897601	15-3	101990801	5-11	102323501	1-7, 1-37, 1-39, 1-41, 4-27, 4-29
101898001	7-27, 7-29	102022601	6-11	102345901	3-7
101900801	5-11	102022602	6-3, 6-11	102355301	7-27
101903001	13-9	102025701	5-9	102356601	15-3
101903601	15-3	102025801	9-5, 9-7	102356801	15-3
101903701	15-3	102026001	5-5, 5-7	102410604	8-11, 9-13
101906901	15-3	102056001	1-77	102411203	9-3
101908101	13-7	102059501	12-7, 12-9	102411209	9-15
101908401	7-15, 13-7	102061201	17-7	102458901	3-9
101908601	3-5	102065103	1-77	102459301	3-5, 3-9
101912401	5-7	102065901	1-53	102476401	9-13, 12-11
101915201	3-9	102155801	11-11	102490301	9-13
101918501	5-3, 5-5, 5-7	102158901	5-5, 5-7	102491501	1-81, 11-7, 11-9
101919801	5-5, 5-7	102162601	5-11	102492301	13-5
101920101	14-3	102166901	5-11	102498201	9-13, 12-7, 12-9, 12-11
101922101	15-3	102186001	14-3	102506401	1-53, 6-19
101922201	15-3	102186101	14-3		
101922501	7-15, 13-7	102186201	14-3		

INDEX

102517501	4-7	102886401	15-3	103510301	13-7
102517601	4-9	102886501	15-3	103510602	13-13
102526201	12-3	102886601	15-3	103538701	1-53
102529101	1-103, 4-25	102894503	4-7	103539001	1-53
102531402	1-29	102902801	15-3	103540203	1-19
102531601	1-29	102913601	1-81	103541401	4-35
102538601	13-5	102947601	1-33, 1-35	103541501	13-7
102540301	8-5, 8-7	102977901	9-3	103572501	14-3
102541401	1-29	102989501	1-27	103575801	1-53
102541402	8-11	103180101	1-105, 4-11, 4-13	103582801	15-3
102541470	1-29	103182701	1-19	103601501	6-3
102541501	1-15, 1-29	103182702	1-19	103615001	14-3
102546401	4-7	103196001	1-37, 1-39, 1-41	103628701	6-13
1025545	1-61	103196202	8-5	103628801	6-15
102554512	1-61	103198301	4-11	103653401	6-3
102557201	1-37, 1-39, 1-41	103198401	7-15	103653501	6-3, 6-11
102558201	8-3, 9-15	103201101	1-29	103653601	6-11
102562401	17-3	103205501	3-9, 7-15	103696801	13-11
102564002	6-13, 6-15	103218601	13-5	103700301	4-21
102570401	17-7	103234304	3-11	103711302	13-13
102572401	13-5	103245001	4-7	103717302	6-13, 6-15
102581201	1-37, 1-39, 1-41	103262201	1-29	103717402	6-13, 6-15
102582401	1-29, 1-33, 1-35	103306301	9-3	103724504	6-7, 6-9
102587201	17-5	103316701	13-9	103724601	6-9
102590801	1-63	103316801	13-9	103724602	6-7
102617201	8-5, 8-7, 10-3	103316901	13-9	103724901	6-9
102617801	12-23	103347101	7-7, 7-9	103754901	1-33
102618601	1-29	103347301	7-7, 7-9	103756401	9-7
102621501	1-65, 12-3, 12-7, 12-9	103347601	7-7, 7-9	103765601	13-11
102621601	1-7	103347701	7-7, 7-9	103804901	4-23
102670701	1-7	103347801	7-7, 7-9	103829401	6-7
102684501	6-13, 6-15	103347901	7-7, 7-9	103832501	4-33
102704701	14-3	103348202	4-11	103832601	4-33
102704801	14-3	103348602	4-13	103864601	13-13
102704901	14-3	103354401	4-11	103865101	5-5, 5-7
102706401	6-19	103354701	6-11	103879701	12-15
102711201	7-17, 7-19	103372101	9-3	103879702	12-13
102725501	9-15	103372401	9-7	103882801	8-5, 8-7
102732401	8-5, 8-7	103380201	5-13, 5-15	103886601	12-5
102766301	6-13, 6-15	103380202	5-13, 5-15	103902101	13-3
102771701	15-3	103449501	4-23	103902301	13-3
102817101	4-35	103477901	6-17	103902401	13-3
102838701	7-7, 7-9	103483101	5-13, 5-15	103905201	9-3
102838801	7-7, 7-9	103483102	5-13, 5-15	103924801	7-3, 7-5
102838901	7-7, 7-9	103483201	5-13, 5-15	103943401	13-3
102839001	7-7, 7-9	103483401	5-13, 5-15	103944301	9-3
102839301	7-7, 7-9	103483601	5-13, 5-15	103951501	12-23
102841101	7-7, 7-9	103483701	5-13, 5-15	103953301	7-7, 7-9
102844601	7-7, 7-9	103484301	4-7, 4-9	103958101	13-11
102844701	7-7, 7-9	103487501	1-27	103973901	11-9
102847603	1-73	103496801	7-27	103973902	11-7
102865101	9-7	103502601	6-13	103974002	11-11
102865901	13-9	103502701	6-15	103974102	11-3
102869401	4-11, 4-13	103504301	13-11	103974201	11-7, 11-9
102883601	1-15, 3-11	103507001	6-13, 6-15	103974401	11-7, 11-9
102886301	15-3	103508101	8-7	103975301	11-11

INDEX

103976101	11-7, 11-9	105010301	8-17	105015901	8-19
103978001	9-13	105010401	8-21	105016001	8-13, 8-19
103979301	12-23	105010501	8-21	105016101	9-11
103979401	8-5, 8-7	105010601	8-21	105016201	9-11
103982201	8-5, 8-7	105010701	8-21	105016301	9-11
103982301	13-9	105010801	8-17	105016401	9-11
103983501	9-11	105010901	8-17, 9-11	105016501	9-11
103984601	11-7, 11-9	105011001	8-21	105016701	8-9
103989501	12-23	105011101	8-21	105016801	8-9
103995001	12-23	105011201	8-21	105016901	8-9
103995901	8-9	105011301	8-21	105017001	8-9
103996201	8-5	105011401	8-21	105017101	8-9
104000901	1-107	105011501	8-21	105017201	9-9
104001201	1-83	105011601	8-21	105017301	8-13
104002101	1-113	105011701	8-21	105017401	8-13
104003501	1-107	105011801	8-21	105017501	8-13
104003901	1-95	105011901	8-17	105017601	8-13
104005301	7-11, 7-13	105012001	8-17	105017701	8-13
104005901	13-15	105012101	8-17	105017801	8-3, 8-13
104006101	13-15	105012201	8-17	105017901	8-13
104021701	12-23	105012301	8-17	105018001	8-15
104023501	9-13, 12-11	105012401	8-17	105018101	8-15
104024201	16-3, 16-11	105012501	8-21	105018201	8-15
104024202	16-11	105012601	8-9, 8-15, 8-17	105018301	8-15
104024401	16-11	105012701	8-23	105018401	8-15
104024402	16-11	105012801	8-23	105018501	8-17
104024501	16-3, 16-5, 16-7, 16-9	105012901	8-23	105025001	12-13, 12-15
104024601	16-3, 16-5, 16-7, 16-9	105013001	8-23	105025101	12-13, 12-15
104025101	11-11	105013101	8-23	105025201	12-13, 12-15
104026801	3-3, 3-7	105013201	8-23	105025301	12-13, 12-15
104027101	12-23	105013301	8-23	105025401	12-13, 12-15
104028501	16-11	105013401	8-23	105025501	12-13, 12-15
104028502	16-11	105013501	8-23	105025601	12-13, 12-15
104028601	16-11	105013601	8-23	105025701	12-13, 12-15
104028602	16-11	105013701	8-23	105025801	12-13, 12-15
104028901	16-3, 16-5, 16-7, 16-9	105013801	8-23	105025901	12-13, 12-15
104029001	16-3, 16-5, 16-7, 16-9	105013901	8-23	105026001	12-13, 12-15
104029601	16-3, 16-5	105014001	8-23	105026101	12-13, 12-15
104029602	16-7	105014101	8-23	105026201	12-13, 12-15
104029603	16-9	105014201	8-19	105026301	12-13, 12-15
104033601	1-79	105014301	8-19	105026401	12-13, 12-15
104033701	1-81	105014401	8-19	105026501	12-13, 12-15
105000301	7-17, 7-19	105014501	8-19	105026601	12-13, 12-15
105000401	7-17, 7-19	105014601	8-19	105026701	12-13, 12-15
105003601	16-3, 16-5, 16-7, 16-9	105014701	8-19	105026801	12-13, 12-15
105003701	16-3, 16-5, 16-7, 16-9	105014801	8-19	105026901	12-13, 12-15
105006501	1-27	105014901	8-19	105027001	12-13, 12-15
105007001	1-21	105015001	8-19	105027101	12-13, 12-15
105007402	9-13	105015101	8-19	105027201	12-13, 12-15
105007403	9-13	105015201	8-19	105027301	12-13, 12-15
105007601	7-5	105015301	8-19	105027401	12-17
105008101	7-3, 7-5	105015401	8-19	105027501	12-17
105009101	9-15	105015501	8-19	105027601	12-17
105010001	8-21	105015601	8-19	105027701	12-17
105010101	8-17	105015701	8-19	105027801	12-17
105010201	8-17	105015801	8-19	105027901	12-17

INDEX

105028001	12-17	105036701	1-15	105068004	4-15, 4-17, 4-19
105028101	12-19, 12-21	105036801	4-3	105068005	4-15, 4-17, 4-19
105028201	12-17	105037101	4-13	105068006	4-15, 4-17, 4-19
105028301	12-13, 12-15	105037201	7-25	105068007	4-15, 4-17, 4-19
105028401	12-17	105037401	7-17, 7-19	105068008	4-15, 4-17, 4-19
105028501	12-13, 12-15	105037701	12-3	105068009	4-15, 4-17, 4-19
105028601	12-17	105038001	12-3	105068010	4-15, 4-17, 4-19
105028701	12-17	105038101	12-3	105068011	4-15, 4-17, 4-19
105028801	12-17	105038201	12-3	105068012	4-15, 4-17, 4-19
105028901	12-17	105038501	12-3	105068201	16-11
105029001	12-17	105038802	12-5	105068202	16-11
105029101	12-17	105039401	12-3	105068301	16-11
105029201	12-17	105039801	12-3	105068302	16-11
105029301	12-21	105039901	12-3	105068401	16-11
105029401	12-21	105040401	12-3	105068402	16-11
105029501	12-19, 12-21	105040501	12-3	105069901	1-33
105029601	12-21	105040901	12-7	105070101	16-3, 16-5
105029701	12-21	105043001	9-15	105070102	16-7
105029801	12-19, 12-21	105043401	9-5	105070103	16-9
105029901	12-19, 12-21	105043501	9-3	105070401	13-5
105030001	12-13, 12-15	105043801	9-5	105072001	1-37
105030301	12-19, 12-21	105043901	9-5	105072002	1-39
105030401	12-19, 12-21	105044001	9-3	105072003	1-41
105030501	12-19, 12-21	105044901	9-7	105073001	9-5
105030601	12-19, 12-21	105046101	3-3, 3-7	105073401	4-3
105030701	12-13, 12-15	105049201	1-19	105074201	6-13, 6-15
105030801	12-19, 12-21	105049301	1-19	105074501	1-7
105030901	12-17	105060901	1-33	105074502	1-7
105031001	12-21	105062401	1-27	105075301	8-11
105034001	1-19	105063001	1-27	105077201	13-5
105034101	4-11	105063002	1-27	105078401	1-27
105034102	4-13	105063201	1-37, 1-39, 1-41	105078809	2-3
105034201	1-19	105063202	1-37, 1-39, 1-41	105078810	2-3
105034321	1-11	105063301	1-37	105078901	2-3
105034322	1-11	105063302	1-39	105079204	2-3
105034323	1-11	105063303	1-41	105079301	2-3
105034324	1-11	105063401	1-37, 1-39, 1-41	105079401	2-3
105034325	1-11	105063402	1-37, 1-39, 1-41	105081501	7-3, 7-5
105034326	1-11	105063501	12-13	105081601	7-3, 7-5
105034327	1-11	105063601	12-19	105081701	4-15
105034328	1-11	105064102	1-31	105081702	4-15
105034329	1-11	105064103	1-31	105081703	4-15
105034401	1-15	105064121	1-25	105081704	4-15
105034501	1-15	105064122	1-25	105081705	4-15
105034601	1-15	105064123	1-25	105081706	4-15
105034701	1-15	105064124	1-25	105081707	4-15
105034801	1-15	105064521	1-23	105081708	4-15
105034901	1-17	105064522	1-23	105081709	4-15
105035001	1-17	105064523	1-23	105081710	4-15
105035101	1-47	105064524	1-23	105081711	4-15
105035201	1-47	105066001	12-19, 12-21	105081712	4-15
105035301	1-47	105066101	12-19, 12-21	105081801	4-17
105035701	1-19	105066401	1-47, 1-49	105081802	4-17
105035801	1-45	105068001	1-89, 1-91, 4-15, 4-17, 4-19	105081803	4-17
105036301	12-3	105068002	4-15, 4-17, 4-19	105081804	4-17
105036601	1-55	105068003	4-15, 4-17, 4-19	105081805	4-17

INDEX

105081806	4-17	105100601	1-3	105128201	1-63
105081807	4-17	105102301	1-35	105128801	1-43
105081808	4-17	105102601	7-21, 7-23	105128802	1-43
105081809	4-17	105106101	2-7	105128901	1-43
105081810	4-17	105106201	2-7	105129001	1-43
105081811	4-17	105106301	2-7	105129501	1-73
105081812	4-17	105106501	2-7	105129601	1-73
105081901	4-19	105106601	6-11	105129901	1-65
105081902	4-19	105108201	4-7, 4-9	105130001	3-5
105081903	4-19	105108301	4-7, 4-9	105130101	3-3
105081904	4-19	105108401	4-7, 4-9	105130301	1-63
105081905	4-19	105108801	4-35	105130302	1-63
105081906	4-19	105109101	1-33	105130501	1-63
105081907	4-19	105109201	1-35	105130601	1-63
105081908	4-19	105109401	1-73	105134601	8-5, 8-7
105081909	4-19	105110801	1-53	105134901	12-9
105081910	4-19	105112401	4-11	105135101	9-13, 12-7, 12-9
105081911	4-19	105112501	4-35	105135201	4-7, 4-9
105081912	4-19	105112601	4-35	105135802	4-35
105082101	4-11	105113201	1-73	105135901	7-3, 7-5
105082301	3-9	105113202	1-73	105136001	7-3, 7-5
105083301	6-13, 6-15	105114805	4-5	105137101	3-3, 3-7
105083701	12-3	105114806	4-5, 4-7, 4-9	105138301	13-11
105083801	12-3	105114807	1-101, 4-5	105142301	7-3
105084701	3-9	105115001	3-11	105143301	7-3, 7-5, 9-3
105084801	8-11	105115004	3-11	105143401	1-123
105086101	1-37, 1-39, 1-41	105116301	13-3	105144401	9-13, 12-11
105088501	9-15	105117701	1-13	105144801	4-33
105088601	4-27, 4-29	105117702	1-13	105145201	13-7
105092301	16-3, 16-5, 16-7, 16-9	105117703	1-13	105145401	1-81
105092601	1-37, 1-39, 1-41	105117704	1-13	105145501	1-81
105093101	16-3, 16-5, 16-7, 16-9	105117705	1-13	105146901	4-23
105093301	7-3, 7-5	105117706	1-13	105147001	4-23
105093501	1-35	105117707	1-13	105148501	1-73
105093601	9-3	105117708	1-13	105148601	1-73
105093701	4-3	105117709	1-13	105148701	1-73
105093801	4-3	105117710	1-13	105148702	1-73
105094001	1-7, 1-37, 1-39, 1-41	105118601	4-27, 4-29	105149101	5-9
105095101	4-13, 7-3, 7-5	105122104	1-61	105149201	5-9
105095201	16-3	105122204	1-59	105149301	8-5, 8-7
105096101	11-7, 11-9	105122807	4-9	105152301	4-11
105097001	1-85	105122808	4-7	105152401	3-11
105097101	1-95	105123801	16-3, 16-5, 16-7, 16-9	105153201	3-11
105097301	1-83	105124001	1-7	105153202	3-11
105097401	1-87	105124101	1-81	105153301	3-11
105097501	1-93	105124201	1-43	105153302	3-11
105097901	1-105	105124202	1-43	105155501	4-29
105098001	1-107	105124701	3-5	105155601	4-27
105098002	1-107	105124901	1-9	105156301	1-5
105098101	1-109	105127201	1-61	105156701	1-5
105098201	1-111	105127202	1-61	105156702	1-5
105098301	1-111	105127302	1-65	105160401	1-67
105098401	1-113	105127401	1-61	105160501	1-71
105098501	1-115	105127402	1-61	105160801	1-67
105098502	1-115	105128001	1-65	105160901	1-67
105098701	1-115	105128101	1-63	105161101	1-67

INDEX

105161201	1-71	105182002	1-83	105201001	1-61
105161301	1-71	105182101	1-83	105204401	4-27, 4-29
105161401	1-67	105182102	1-83	105205201	1-61
105161501	1-69	105182201	1-83	105205301	4-27, 4-29
105161601	1-69	105182202	1-83	105205401	7-11
105161701	7-3, 7-5, 7-7, 7-9	105182301	1-83	105205501	1-101
105163601	3-3	105182302	1-83	105209601	17-5
105163701	3-3, 3-5	105182401	1-83	105214101	10-3
105165801	4-7, 4-9	105182501	1-83	105216701	1-81
105166801	13-15	105182601	1-83	105233701	1-81
105166901	13-15	105182701	1-83	105234002	1-101
105167001	13-15	105182801	1-83	105234102	1-103
105167101	13-15	105182901	1-83	105234501	17-5
105167201	13-5	105183001	1-83	105234502	17-5
105168501	13-15	105183101	1-87	105234801	12-13, 12-15
105168601	13-15	105183201	1-87	105234901	12-13, 12-15
105169101	1-55	105183301	1-87	105236301	1-103
105170101	1-43	105183401	1-87	105237301	7-29
105173901	13-5	105183501	1-105	105243301	2-5
105177001	1-95	105183601	1-111	105243501	13-5
105177101	1-95	105183701	1-107	105245801	11-5
105177901	1-95	105183801	1-113	105248201	1-81
105178001	1-95	105185101	4-31	105249901	1-37, 1-39, 1-41
105178301	1-93	105185701	1-59, 1-73	105250501	1-37, 1-39, 1-41
105178401	1-93	105185801	1-59, 1-73	105251901	1-37, 1-39, 1-41
105179001	1-105	105186001	6-19	105256701	7-29
105179101	1-105	105186002	6-19	105256801	7-3, 7-5
105179201	1-105	105188185	1-29, 6-19	105262401	8-7
105179301	1-105	105188201	6-19	105282901	9-5
105179401	1-105	105190101	7-9	105282902	9-5
105179501	1-105	105190102	7-7	105282903	9-5
105179601	1-105	105190601	4-7, 4-9	105288801	1-43
105179701	1-105	105190701	4-7, 4-9	105289301	1-115
105179801	1-105	105192301	1-61	105295301	1-105
105179901	1-105	105192901	1-61	47539338001	7-13
105180001	1-107	105193001	1-61	47539957001	10-3
105180101	1-107	105193101	1-65	47542195001	5-13, 5-15
105180201	1-107	105194101	1-55	47552858001	1-85
105180301	1-109	105194301	1-27	47552859001	1-85
105180401	1-109	105194601	1-61	47552862001	1-121
105180501	1-109	105194701	1-59	47552863001	1-119
105180601	1-109, 1-111, 1-113	105194702	1-59	47552864001	1-117
105180701	1-109	105194801	1-59, 1-73	47552865001	1-99
105180801	1-109	105194802	1-59	47552872001	1-99
105180901	1-111	105195501	13-9	47553012001	1-85
105181001	1-111	105196001	1-33, 1-35	47553013001	1-85, 1-97, 1-117, 1-119, 1-121
105181101	1-111	105196101	1-61	47553014001	1-85, 1-119, 1-121
105181201	1-113	105196201	1-61	47553015001	1-85, 1-97
105181301	1-111	105197001	1-55	47553024001	1-119, 1-121
105181401	1-111	105197301	1-37, 1-39, 1-41	47553026001	1-89, 1-91, 1-119, 1-121
105181501	1-111	105197401	1-37, 1-39, 1-41	47553027001	1-89, 1-91
105181601	1-113	105197402	1-37, 1-39, 1-41	47553028001	1-97
105181701	1-83	105200401	1-23	47553029001	1-97
105181801	1-83	105200701	1-61	47553777001	1-85
105181901	1-83	105200801	1-61	47553824001	1-85
105182001	1-83	105200901	1-61	47553825001	1-85

INDEX

47553942001 1-89, 1-91
47553950001 1-121
47554192001 1-85
47554309001 1-119
47554310001 1-119
47554311001 1-119
47554387001 1-117
47554388001 1-89, 1-91, 1-97, 1-117
47554389001 1-117
47554390001 1-117
47554720001 1-99
47554721001 1-99
47554722001 1-99
47554723001 1-99
47554724001 1-99
47554726001 1-99
47554727001 1-99
47554728001 1-99
47554730001 1-99
47554731001 1-99
47555423001 1-89
47555423002 1-91
47555424001 1-89, 1-91
47555425001 1-89, 1-91
47555426001 1-89, 1-91
47555427001 1-89, 1-91
47555428001 1-89, 1-91
47555429001 1-89, 1-91
47555430001 1-89, 1-91
47555431001 1-89, 1-91, 1-97
47555432001 1-89, 1-91
47555433001 1-89, 1-91
47555434001 1-89, 1-91
47555435001 1-89, 1-91
47555436001 1-89
47555436002 1-91
47555437001 1-89, 1-91
47555438001 1-97
47555439001 1-97
47555440001 1-97
47555440002 1-97
47555441001 1-89, 1-91
47555442001 1-89, 1-91
47555443001 1-89, 1-91
47555446001 1-89, 1-91
47555447001 1-89, 1-91
47555451001 1-89, 1-91
47555699001 1-85
47570761001 1-85
47570762001 1-85
47573611001 1-85
96704176 12-3
96705199 1-61, 12-7, 12-9
96741046 8-5, 8-7

A

AC cord 16-3, 16-11
accelerator bracket and bearing assembly 5-5, 5-7
accelerator cable 9-13
accelerator pedal adjustment tool 17-3
accelerator pivot rod 5-5, 5-7
accelerator return spring 5-5, 5-7
accelerator rod 5-7
accessory receptacle 4-5
adapter
 air intake 9-11
 cable (IQDM) 17-5
adhesive, guide ring 17-3
air cleaner assembly 9-15
air deflector 8-11
air filter 8-3, 9-15
air filter evacuator 9-15
air intake adapter 9-11
air intake hose 9-15
AM1285701 17-5
A-plate strap 6-11
A-plate, delta 6-11
arbor 17-3
arm
 governor 9-13, 12-11
armature 14-3
assembly
 accelerator bracket and bearing 5-5, 5-7
 accelerator pivot rod 5-5, 5-7
 bearing, steering shaft 6-5
 brake lever 5-13, 5-15
 delta A-plate 6-11
 drive hub 11-7, 11-9
 driven clutch 11-11
 frame and field (motor) 14-3
 fuel cap 9-3
 fuel pump 9-5
 inner ball joint 6-3
 kingpin 6-13, 6-15
 moveable-face 11-7, 11-9, 11-11
 ratchet 5-3, 5-5, 5-7
 secondary clutch weight 11-7, 11-9
 steering shaft 6-5
axle 15-3
axle shaft 12-19, 12-21
axle shaft oil seal 15-3
axle tube 12-19, 12-21, 15-3

B

backing plate, brake 5-13, 5-15
baffle
 crankcase 8-9
balance shaft 8-23
ball bearing 7-7, 7-9, 12-17, 12-19, 12-21

ball joint 5-3, 5-7
ball stud 7-17, 7-19
ball, trailer hitch 1-79
barrel, plastic 1-29
battery
 12-volt, side-post 7-27
 12-volt, top-post 7-29
 8-volt, GC8 Type E 13-11
battery charger 16-3, 16-5, 16-7, 16-9
battery clamp 7-27, 7-29
battery condition indicator 4-11
battery discharge machine 17-3
battery hold-down 13-11
battery terminal protector spray 17-3
battery thermometer 17-3
battery, top-post, wire, 4ga, B+ 7-3, 7-5
battery, top-post, wire, B- 4ga, 7-29
bead, ferrite 4-23
bearing 15-3
 balance shaft 8-21
 ball 7-7, 7-9, 12-17, 12-19, 12-21
 ball (motor) 14-3
 ball (steering pinion) 6-3
 crankshaft 8-21
 front wheel hub 6-17
 hub 6-17
 inner axle tube 15-3
 lower pinion (steering) 6-3
 pivot support 5-5, 5-7
 steering shaft 6-5
 thrust 6-13, 6-15, 12-13, 12-15
bearing and oil seal remover 17-3
bearing driver set 17-3
bearing puller 17-3
bearing puller wedge 17-3
bearing seat 6-5
bed clamp kit 1-67
bed floor 1-55
bed floor kit 1-55
bed latch weldment 1-55
bed seal 1-27
bellows 6-3
belt, drive 11-3, 11-5
belt, starter/generator 7-11, 7-13
block, brake-mounting 5-3
block, fuse 7-17, 7-19, 13-5
block, terminal 4-5, 13-9
bolt, U- 6-19
boot, steering column 6-5
boot, switch 7-15, 13-7
box
 steering gear 6-3
 tool 1-125
brace, trailer hitch 1-75
bracket
 accel.cable 9-13, 12-7, 12-9

INDEX

- brake light switch 4-7, 4-9
- carbon canister/ECU 9-7
- FNR cable 9-13, 12-7, 12-9
- governor 9-13, 12-11
- horn 4-7, 4-9
- mounting, starter/generator 8-5, 8-7
- mounting, transaxle/exhaust 8-5, 8-7
- shifter 12-3
- shock mounting, drv 6-19
- shock mounting, pas 6-19
- snubber 8-5, 8-7
- stake side 1-73
- starter/generator adjusting 7-11, 7-13
- steering column 6-5
- steering column mounting 6-5
 - Tow/Run switch 7-15, 13-7
- bracket, hinge, bed 1-53
- bracket, tailgate Lh 1-63
- bracket, tailgate Rh 1-63
- brake adjusting mechanism 5-13, 5-15
- brake backing plate 5-13, 5-15
- brake cable 5-11
- brake cable equalizer 5-11
- brake cable hanger 5-11
- brake cluster 5-13, 5-15
- brake drum 5-13, 5-15
- brake lever 5-13, 5-15
- brake light switch bracket 4-7, 4-9
- brake mounting block 5-3
- brake pedal 5-3
- brake pedal pad 5-3
- brake return spring 5-11
- brake self-adjusting mechanism 5-13, 5-15
- brake shoe 5-13, 5-15
- brake spring 5-13, 5-15
- breather 12-13, 12-15, 15-3
- breather hose 9-11
- brush 14-3
- brush box assembly 14-3
- brush cover kit, starter/generator 7-7, 7-9
- brush inspection port cover 7-7, 7-9
- brush rigging 14-3
- brush spring 7-7, 7-9, 14-3
- brush spring set 7-7, 7-9
- brush spring, starter/generator 7-7, 7-9
- brush terminal, starter/generator 7-7, 7-9
- bucket holder kit 1-71
- bulb, halogen 4-3
- bumper
 - drive unit (motor) 14-3
 - jounce 6-19
 - rubber 1-57, 5-3
 - spring return 5-5, 5-7
- bumper kit 1-3
- bumper mount 6-19
- bumper, bed floor 1-55
- bushing 7-17, 7-19, 11-7, 11-9, 12-3
 - bronze 6-13, 6-15
 - nylon 1-63, 5-3
 - snap-in 1-63
 - spindle 6-13, 6-15
 - steel 6-13, 6-15
 - urethane 1-53, 6-11, 6-13, 6-15, 6-19
- button, drive 11-11
- buzzer, reverse 4-11, 4-13
- C**
- cab liner 1-85
- cab mirror 1-115
- cab mirror lh 1-115
- cab overhead console 1-105
- cab roof, standard 1-85
- cab windshield kit 1-95
- cab wiper kit 1-107
- cable
 - accelerator 9-13
 - brake 5-11
 - FNR shifter 12-5
 - governor 9-13
- calibration test module 17-3
- cam
 - driven clutch 11-11
 - electrical component box 7-17, 7-19
- cam, engine 8-19
- camshaft 8-19
- camshaft o-ring 8-19
- canister, carbon, fuel tank 9-7
- canopy
 - short 1-37
- canopy kit 1-37
- cap
 - dust 13-5
 - fuel, gas, ratchet 9-3
 - key switch 4-15, 4-17, 4-19
 - rubber 12-23
- cap, quick connector 13-9
- carbon canister 9-7
- card, safety first 17-5
- cargo box kit 1-61
- cargo box, corner, ds 1-61
- cargo box, front panel 1-61
- cargo box, side panel, ds, short 1-61
- cargo box, corner, ps 1-61
- cargo box, side panel, ps, short 1-61
- case
 - gear 15-3
 - transaxle 12-13, 12-15
- CE mark ferrite bead, TDK 4-23
- center shaft 12-17
- chain, timing 8-19
- charge receptacle 13-5
- charger bezel tool 17-3
- charger, battery, Hi-Freq 16-3, 16-5, 16-7, 16-9
- charging diode 7-25
- clamp
 - battery 7-27, 7-29
 - hose 9-3, 9-7, 9-15
 - p- (fuel filter) 8-11, 9-13
- clevis, upper delta 6-13, 6-15
- clip
 - body trim 1-15
 - retainer plate 8-17
 - wheel cover 2-7
- clip, piston pin 8-23
- clip, score card 6-9
- cluster, brake 5-13, 5-15
- clutch
 - pin 12-17
- clutch cam installation tool 17-3
- clutch repair kit 11-11
- clutch tool kit 17-3
- clutch weight 11-7, 11-9
- clutch, drive 11-7, 11-9
- clutch, driven 11-11
- coil, ignition 8-13
- collar 12-17
- collet 8-19
- column, steering 6-5
- compression gauge 17-5
- compressor, piston ring 17-5
- compressor, valve spring 17-7
- connecting rod 8-23
- continuity tester 17-5
- controller cover 13-9
- controller cover gasket 13-9
- controller diagnostic tool (CDT) 17-5
- controller diagnostic tool (CDT) cable 17-5
- controller, motor speed
 - Excel w/Hi-Freq 13-9
- cooling fan 8-9
- cord set, DC 16-3, 16-5, 16-7, 16-9
- cord, AC 16-3, 16-11
- counter shaft 12-17
- cover
 - brush inspection port 7-7, 7-9
 - crankcase 8-21
 - DC terminal block 16-3, 16-5, 16-7, 16-9
 - dust 5-13, 5-15, 6-17
 - fan 8-9
 - fuse block 13-9
 - rocker switch hole 1-105, 4-11, 4-13
 - steering column 6-5
 - USB 16-3, 16-5, 16-7, 16-9
- cover gasket, controller 13-9
- cover, controller 13-9
- cover, rocker 8-17
- cover, speed controller 13-9
- cover, valve 8-17

INDEX

cowl 1-11
crankcase 8-21
crankcase baffle 8-9
crankcase cover 8-21
crankshaft 8-23
C-type stop ring 6-3
cup, spring 5-5, 5-7
cushion, shock absorber 6-19
cylinder head 8-17

D

dash 1-19
dc converter, 15A 4-21
dc converter, 25A 4-23
DC cord set 16-3, 16-5, 16-7, 16-9
decal
 bed load warning 3-3, 3-7
 component cover 3-5, 13-9
 crush area warning 1-29, 3-3, 3-5, 3-7, 3-9
 diode safety 3-7
 engine warning 8-9
 filter log 13-15
 frame ground 3-9
 hot surface warning 3-9
 inspect log 13-15
 key switch 3-7
 nameplate 1-15, 3-11
 on/off 3-3, 3-7, 4-11, 4-13
 rotating parts 3-9
 run/service switch 3-9, 7-15
 Tow/Run switch warning 3-5
 trailer hitch 1-75, 1-77, 3-5, 3-9
 wheel cover 2-7
deflector
 air 8-11
deionizer 13-15
 cartridge 13-15
delta A-plate 6-11
delta A-plate sub-assembly 6-11
diagnostic port 13-5
differential 12-21
 limited-slip 12-19
 open 12-21
differential drive unit 15-3
differential gear 15-3
differential gear set 12-21
differential housing 15-3
differential shaft 12-21
diode 4-35, 7-3, 7-5
diode, charging 7-25
dipstick 8-21
door, charger port 1-15
door, glove box 1-19
doors, soft, cab 1-87
drain plug 8-21, 12-13, 12-15
drain plug gasket 8-21

drain plug, rubber 7-7, 7-9
drive belt 11-3, 11-5
drive button 11-11
drive clutch 11-7, 11-9
drive clutch button 11-7, 11-9
drive clutch holder tool 17-3
drive clutch hub puller 17-3
drive clutch puller 17-3
drive clutch spring 11-7, 11-9
drive clutch weight 11-7, 11-9
drive hub 11-7, 11-9
drive unit bumper 14-3
driven clutch 11-11
driven clutch button 11-11
driven clutch cam 11-11
driven clutch cam puller 17-3
driven clutch puller plug 17-3
driver, drive clutch 11-7, 11-9
drum, brake 5-13, 5-15
dry moly lubricant 17-5
dust cap 13-5
dust cover 5-13, 5-15, 6-17

E

eccentric bolt 6-13, 6-15
E-clip 5-11
ECU 9-9
end cap, motor 14-3
end, tie rod 6-11
engine
 air cleaner 9-15
 air deflector 8-11
 air filter 8-3, 9-15
 air intake hose 9-15
 balance shaft 8-23
 bearing, balance shaft 8-21
 bearing, crankshaft 8-21
 breather hose 9-11
 cam 8-19
 camshaft 8-19
 camshaft O-ring 8-19
 connecting rod 8-23
 crankcase 8-21
 crankcase baffle 8-9
 crankcase cover 8-21
 crankcase plug 8-21
 crankshaft 8-23
 crankshaft key 8-23
 cylinder head 8-17
 dipstick 8-21
 drain plug gasket 8-21
 ECU 9-9
 exhaust valve 8-19
 fan 8-9
 fan housing 8-9
 flywheel 8-13

fuel injector 9-9
guide pin 8-21
head gasket 8-17
ignition coil 8-13
insulator, throttle body 9-11
intake valve 8-19
oil drain plug 8-21
oil filler tube 8-21
oil filler tube O-ring 8-21
oil level sensor 8-15
oil seal 8-21
piston 8-23
piston pin 8-23
piston pin clip 8-23
piston ring set 8-23
retainer plate 8-17
retainer plate clip 8-17
rocker arm 8-19
rocker cover 8-17
rocker cover gasket 8-17
rocker shaft 8-19
spark plug 8-3, 8-13
temperature sensor 8-15
throttle body 9-9
timing chain 8-19
timing chain guide 8-19
timing chain sprocket 8-19
timing chain tensioner 8-19
valve collet 8-19
valve guide 8-17
valve seal 8-17
valve spring 8-19
valve spring retainer 8-19
warning decal 8-9
engine warning decal 8-9
engine, EX40 8-5, 8-7
equalizer rod 5-11
equalizer, brake cable 5-11
exhaust extension 1-123
exhaust valve 8-19
extension, spring latch 1-55
extrusion, cover support 13-9

F

face, moveable 11-11
fan
 cooling 8-9
fan cover 8-9
fan housing 8-9
fender, front, lh 1-15
fender, front, rh 1-15
fender, inner 1-45
fender, rear 1-47
ferrite bead (CE), TDK 4-23
field coil housing 7-7, 7-9
filter

INDEX

air 8-3, 9-15
fuel 9-5
fitting, thread-forming grease 6-13, 6-15
flasher, turn signal, 12-volt 4-7
flat bed trim kit 1-59
floor mat 1-19
floor mat, 4 pass, rear 1-29
flywheel 8-13
fnr shaft 12-3
FNR shift lever 12-7, 12-9
FNR shifter base 12-3
FNR shifter cable 12-5
foot deck 1-29
fops kit 1-85
frame
 corner cap 1-27
frame and field assembly (motor) 14-3
frame and field, starter/generator 7-7, 7-9
frame weldment, front 1-21
front spring retainer plate 6-13, 6-15
fuel filter 9-5
Fuel Filter Kit 9-5
fuel injector 9-9
fuel line 9-7
Fuel Module, Hold-Down Ring 9-5
Fuel Pump 9-5
fuel pump 9-5
fuel tank 9-3
fuse
 10-amp 1-103, 4-7, 4-9, 7-3, 7-5, 7-17, 7-19
 15-amp 13-5
 1-amp 13-5
 20-amp 4-5, 13-5
 2-amp 7-3, 7-5, 13-5
 30-amp 13-5
 5-amp 7-3, 7-5
fuse block 7-17, 7-19, 13-5
fuse block cover 13-9
fuse, mini, 7.5A 4-5
fuse, mini, 10A 4-5, 4-7, 4-9
fuse, mini, 15A 1-101, 4-5

G

gasket 12-13, 12-15
 cover, rocker 8-17
 cover, valve 8-17
 drain plug 8-21
 insulator 9-11
 liquid 15-3, 17-5
 plug 15-3
gasket, controller cover 13-9
gasket, head 8-17
gauge, battery condition 4-11
gauge, compression 17-5
gear
 17 tooth 12-17

 34 tooth 12-17
 52 tooth 12-17
 60 tooth 12-19, 12-21
 62 tooth 12-17
 differential 15-3
 differential idler 15-3
 differential output 15-3
 governor 12-13, 12-15
 governor, 34 tooth 12-17
 set, differential 12-21
gear yoke 17-5
gearcase 15-3
governor arm 9-13, 12-11
governor cable 9-13
governor gear shaft 12-13, 12-15
governor shaft 12-13, 12-15
grill 1-15
grip, pencil 6-9
grip, tilt latch hand 1-55
grommet 9-3
guide
 valve 8-17
guide pin 8-21, 12-13, 12-15
guide ring adhesive 17-3
guide, timing chain 8-19

H

handle, FNR 12-3
handle, tee 1-95
hanger, brake cable 5-11
harness, main 7-3, 7-5
harness, wire 4-9
harness, wire, gas engine-ECU 7-3, 7-5
harness, wire, gas FNR connector 7-3, 7-5
harness, wire, gas instr. panel 4-13, 7-3, 7-5
harness, brake pedal switch 4-7, 4-9
harness, taillight 4-7, 4-9
head gasket 8-17
head, cylinder 8-17
headlight 4-3
headlight bezel, lh 1-17
headlight bezel, rh 1-17
headlight guard kit 1-5
headlight, led 4-3
heater, defogger 4-35
heater, defogger kit 4-35
hill brake rod 5-3
hill brake weld assembly 5-3
hinge pin 1-73
hip restraint 1-27
hitch, trailer 1-75
hitch, trailer, ball 1-79
hold-down, battery 13-11
holder, license plate 1-9
hole plug 4-11
horn bracket 4-7, 4-9

hose

 air intake 9-15
 engine breather 9-11
 fuel 9-7
 vent 9-7
hour meter 13-7
hour meter bracket 13-7
housing
 3-pin 14-3
 differential 15-3
 fan 8-9
 field coil 7-7, 7-9
hub 6-17, 12-23
hub bearing 6-17
hydrometer 17-5

I

idler gear, differential 15-3
ignition coil 8-13
indicator, battery condition 4-11
indicator, charger 4-11
inner frame snubber 8-5, 8-7
input shaft 12-17, 15-3
instrument panel 4-13
instrument panel wire harness, electric vehicle 4-11
instrument panel, electric vehicle 4-11
insulator 9-11
insulator gasket 9-11
intake valve 8-19
intermediate shaft 15-3
internal retaining ring pliers 17-5

J

joint
 ball 5-3, 5-7
jounce bumper 6-19

K

key
 driven clutch 11-11
 square 11-11
key switch cap 4-15, 4-17, 4-19
key switch, uncommon 4-15, 4-17, 4-19
key, crankshaft 8-23
keyswitch, uncommon 4-15
kingpin 6-13, 6-15
kit
 3-pin housing 14-3
 accelerator pivot rod 5-5, 5-7
 brake pedal 5-3
 brake shoe retainer 5-13, 5-15
 clutch repair 11-11
 controller diagnostic tool (CDT) 17-5
 deflector, air 8-11

INDEX

drive clutch button 11-7, 11-9
drive clutch weight 11-7, 11-9
driven clutch button 11-11
hand pump, SPWS 13-15
motor brush 14-3
motor brush spring 14-3
motor speed sensor 14-3
motor terminal adapter (EJ8-4001A) 14-3
motor terminal hardware 14-3
park brake latch 5-3
park brake pedal 5-3
rear receiver hitch 1-77
shock absorber 6-19
shock absorber cushion 6-19
shoe retainer 5-13, 5-15
steering column mounting bracket 6-5
trailer hitch 1-75
Kit, Horn/Tail Light/Turn 4-9

L

ladder rack kit 1-69
lamp, stop, turn, tail 4-7, 4-9
latch 1-19
latch plate 1-53
latch plate, tilt bed 1-57
latch, park brake 5-3
leaf blower holder kit 1-67
leaf spring, 260lb, lh 6-19
leaf spring, 260lb, rh 6-19
lever
 transaxle shift 12-7, 12-9
license frame kit 1-9
license plate 1-9
license plate holder 1-9
light
 oil 4-13
 strobe 1-113
 water quality 13-15
light, strobe 4-27, 4-29
limit switch 4-7, 4-9, 7-19, 7-21, 7-23
limiter
 voltage 1-103, 4-25
line, fuel 9-7
liquid gasket 15-3, 17-5
low oil warning light 4-13
lubricant, dry moly 17-5
lubricant, moly-teflon 14-3, 17-5
lug nut 2-3
lug stud 12-23, 15-3

M

magnet, speed sensor 14-3
main harness 7-3, 7-5
mat, floor 1-19
mat, floor, 4 pass, rear 1-29

MCOR 13-3
mechanism, brake adjusting 5-13, 5-15
meter, hour 13-7
meter, volt ohm 17-7
mirror 1-115
mirror, exterior kit 1-43
module
 calibration test 17-3
moly-teflon lubricant 17-5
motor
 48-volt IQ 14-3
motor brush kit 14-3
motor brush spring kit 14-3
motor bumper 14-3
motor end cap 14-3
motor magnet, speed sensor 14-3
motor speed controller
 Excel w/Hi-Freq 13-9
motor speed sensor 14-3
motor speed sensor kit 14-3
motor terminal adapter kit (EJ8-4001A) 14-3
motor terminal hardware kit 14-3
mount, bumper 6-19
mounting block, brake 5-3
moveable-face 11-7, 11-9, 11-11

N

nameplate decal 1-15, 3-11
nut, lug 2-3

O

oil filler tube 8-21
oil level sensor 8-15
oil seal 8-21, 12-13, 12-15
oil warning light, low 4-13
O-ring 8-19, 8-21
O-ring Kit, Fuel Module 9-5
O-Ring, Fuel Module 9-5
overload bumper spacer 6-19

P

pad
 brake pedal 5-3
 park brake 5-3
 thermal 7-25
paint, underbody (black) 17-5
paint, touch-up 1-13
park brake latch 5-3
park brake pedal 5-3
park brake rod sleeve 5-3
park brake spacer 5-3
park brake torsion spring 5-3
pawl 5-3
p-clamp (fuel filter) 8-11, 9-13
pedal, brake 5-3

pedal, park brake 5-3
pencil grip 6-9
pin
 bow tie locking 5-11
 clevis 5-11
 differential 12-21
 guide 8-21, 12-13, 12-15
 input shaft 12-17
 piston 8-23
pin, hinge 1-73
pinion, steering 6-3
piston 8-23
piston pin 8-23
piston pin clip 8-23
piston ring 8-23
piston ring compressor 17-5
piston ring pliers 17-5
piston ring set 8-23
pivot support bearing 5-5, 5-7
plate
 backing (brake) 5-13, 5-15
 front spring retainer 6-13, 6-15
 latch 1-57
 license 1-9
 mounting, CVT, center 8-5, 8-7
 mounting, engine/axle 8-5, 8-7
 retainer 8-17
pliers
 internal retaining ring 17-5
 piston ring 17-5
 retaining ring 17-5
plug
 drain 12-13, 12-15
 driven clutch puller 17-3
 hole 4-11
 oil drain 8-21
 rubber drain 7-7, 7-9
 rubber, crankcase 8-21
 spark 8-3, 8-13
port, diagnostic 13-5
press weldment 17-3
protector spray, battery terminal 17-3
puller
 bearing 17-3
 drive clutch 17-3
 drive clutch hub 17-3
 driven clutch cam 17-3
 seal 17-5
pulley
 starter-generator 7-7, 7-9
 v-belt 7-7, 7-9
pump
 fuel 9-5

R

race, front hub bearing 6-17

INDEX

- rack guide pressure spring 6-3
- rack, steering 6-3
- range picker adapter 1-81
- ratchet, park brake 5-3, 5-5, 5-7
- rear shock absorber 6-19
- rear window screen, cab 1-117
- rear window with slider, cab 1-119
- rear window, cab 1-121
- receiver hitch 1-77
- receptacle, accessory 4-5
- reflector, yellow 4-33
- reflector, amber 4-3
- reflector, red 4-33
- reflector, red, rectangle 4-33
- refractometer 17-5
- regulator, voltage 7-17, 7-19
- relay 48v 4-11
- relay, 12-volt 1-103, 4-7, 4-9
- remover, bearing and oil seal 17-3
- resistor assembly 13-9
- retainer
 - accelerator pedal spring 5-5, 5-7
 - brake shoe 5-13, 5-15
 - shock absorber cushion 6-19
 - spring 6-19
 - valve spring 8-19
- retainer plate 8-17
- retaining ring 6-5
- retaining ring pliers 17-5
- return spring bumper 5-5, 5-7
- reverse buzzer 4-11, 4-13
- ring
 - C-type stop 6-3
 - piston 8-23
 - retaining 6-5, 7-17, 7-19, 11-7, 11-9, 11-11, 12-13, 12-15, 12-23
 - snap 6-3
 - spiral backup 11-7, 11-9
- rocker arm 8-19
- rocker cover 8-17
- rocker cover gasket 8-17
- rocker shaft 8-19
- rocker switch 4-11
- rocker switch (lights) 4-11, 4-13
- rod
 - accelerator 5-7
 - accelerator pivot 5-5, 5-7
 - connecting 8-23
 - equalizer 5-11
 - hill brake 5-3
- S**
- safety first card 17-5
- score card clip 6-9
- score card plate 6-9
- seal
 - lip 15-3
 - oil 8-21, 12-13, 12-15, 15-3
 - steering pinion dust 6-3
 - valve 8-17
- seal puller 17-5
- seal, bed 1-27
- sealant 15-3
- seat bottom 1-23
- seat strap 1-23
- seat, bearing 6-5
- seatback 1-25
- seatback weldment 1-27
- select shaft 12-13, 12-15
- sensor
 - oil level 8-15
 - temperature 8-15
- sensor, motor speed 14-3
- shackle 6-19
- shaft
 - axle 12-19, 12-21
 - balance 8-23
 - center 12-17
 - counter 12-17
 - differential 12-21
 - governor 12-13, 12-15
 - governor gear 12-13, 12-15
 - input 12-17, 15-3
 - intermediate 15-3
 - rocker 8-19
 - select 12-13, 12-15
 - shift 12-17
 - steering column 6-5
- shift lever 12-7, 12-9
- shift shaft 12-3, 12-17
- shifter bracket 12-3
- shifter handle 12-3
- shifter, base 12-3
- shifter, FNR 12-3
- shim, latch plate 1-57
- shock absorber cushion 6-19
- shock absorber cushion retainer 6-19
- shock absorber, rear 6-19
- shock mounting bracket, drv 6-19
- shock mounting bracket, pas 6-19
- shoe retainer kit 5-13, 5-15
- shoe, brake 5-13, 5-15
- sleeve 1-53, 6-19, 12-13, 12-15
 - delta A-plate 6-11
 - park brake rod 5-3
- snap ring 6-3
- snubber bracket 8-5, 8-7
- snubber, inner frame 8-5, 8-7
- solenoid, 12-volt 4-35, 7-17, 7-19
- spacer 12-13, 12-15, 12-17
 - accelerator pivot rod 5-5, 5-7
 - overload bumper 6-19
- park brake 5-3
- spark plug 8-3, 8-13
- speed controller
 - Excel w/Hi-Freq 13-9
- speed controller cover 13-9
- speed sensor 14-3
- speed sensor magnet 14-3
- speed sensor, motor 14-3
- spindle assembly 6-13, 6-15
- spiral backup ring 11-7, 11-9
- spray, battery terminal protector 17-3
- spring 12-13, 12-15
 - accelerator return 5-5, 5-7
 - brake 5-13, 5-15
 - brake return 5-11
 - brush 7-7, 7-9, 14-3
 - compression 6-9
 - drive button 11-7, 11-9
 - drive clutch 11-7, 11-9
 - driven clutch 11-11
 - extension 1-55
 - park brake torsion 5-3
 - rack guide pressure 6-3
 - steering shaft compression 6-5
 - valve 8-19
- spring cup 5-5, 5-7
- spring mounting plate 6-13, 6-15
- spring retainer 6-19, 8-19
- spring, leaf 6-13
- spring, tailgate 1-63
- stake side 1-73
- stake side bracket 1-73
- stake side kit 1-73
- stake side panel, front 1-73
- stake side trim kit 1-73
- stake side trim, center 1-73
- starter/generator 7-7, 7-9
- starter/generator brush cover kit 7-7, 7-9
- starter/generator brush spring 7-7, 7-9
- starter/generator brush terminal 7-7, 7-9
- starter/generator frame and field 7-7, 7-9
- starter/generator pulley 7-7, 7-9
- static grip kit 1-67
- steel bushing 6-13, 6-15
- steering column 6-5
- steering column bearing press tool 17-7
- steering column retaining ring tool 17-7
- steering gear box 6-3
- steering pinion 6-3
- steering pinion dust seal 6-3
- steering rack 6-3
- steering shaft 6-13, 6-15
- steering shaft assembly 6-5
- steering shaft compression spring 6-5
- steering wheel puller tool 17-7
- strap, A-plate 6-11

INDEX

strap, seat 1-23
strobe light 1-113, 4-27, 4-29
strobe light, post mounted 4-27, 4-29
strut, canopy front 1-37, 1-39, 1-41
stud
 exhaust mounting
 engine
 exhaust mounting stud 8-17
 intake mounting
 engine
 intake mounting stud 8-17, 9-11
 lug 12-23, 15-3
stud, ball 7-17, 7-19
support yoke (steering) 6-3
switch plate cover 4-27, 4-29
switch
 key, uncommon 4-15, 4-17, 4-19
 light rocker 4-11, 4-13
 limit 4-7, 4-9, 7-19, 7-21, 7-23
 rocker 4-11
 Tow/Run 13-7
 turn signal 4-7
switch assembly 4-27, 4-29
switch rubber boot 7-15, 13-7
switch, toggle 7-15

T

12-volt solenoid 4-35, 7-17, 7-19
tachometer 17-7
tailgate 1-63
tailgate handle 1-63
tailgate latch, lh 1-61
tailgate latch, rh 1-61
tailgate teather kit 1-65
taillskirt 1-47
tank, fuel 9-3
tee handle 1-95
temperature sensor 8-15
tensioner, timing chain 8-19
terminal block 4-5, 13-9
tester, continuity 17-5
thermal pad 7-25
thermometer, battery 17-3
thread-forming grease fitting 6-13, 6-15
throttle body 9-9
thrust bearing 6-13, 6-15
tie down kit 1-67
tie rod 6-11
tie rod end 6-11
tie wrap 1-101, 1-103, 4-35, 6-3, 6-5, 7-17, 7-19, 12-5
tilt latch hand grip 1-55
timing chain 8-19
timing chain guide 8-19
tire 2-3
toggle switch 7-15

tool
 accelerator pedal adjustment 17-3
 belt tensioning, starter/generator 17-7
 charger bezel 17-3
 clutch cam installation 17-3
 drive clutch holder 17-3
 steering column bearing press 17-7
 steering column retaining ring 17-7
 steering wheel puller 17-7
 transaxle axle seal 17-7
 transaxle pinion seal 17-7
 transmission 17-7
tool kit, clutch 17-3
tool rack kit 1-67
toolbox 1-125
toolbox kit 1-69
touch-up paint 17-5
Tow/Run switch 13-7
Tow/Run switch bracket 7-15, 13-7
trailer hitch 1-75
trailer hitch ball 1-79
trailer hitch brace 1-75
transaxle (Electric Vehicle) 15-3
transaxle axle seal tool 17-7
transaxle pinion seal tool 17-7
transaxle, limited-slip (Gas Vehicle) 12-13
transaxle, open-diff (Gas Vehicle) 12-15
transmission tool 17-7
tube
 axle 12-19, 12-21, 15-3
 oil filler 8-21
turn signal switch 4-7

U

U-bolt 6-19
upper delta clevis 6-13, 6-15
urethane bushing 1-53, 6-11, 6-13, 6-15, 6-19
USB cover 16-3, 16-5, 16-7, 16-9

V

valve 9-15
 exhaust 8-19
 intake 8-19
valve collet 8-19
valve cover 8-17
valve cover gasket 8-17
valve guide 8-17
valve seal 8-17
valve spring 8-19
valve spring compressor 17-7
valve stem 2-3
vent
 fuel tank 9-3
 transaxle 12-13, 12-15
vent, barb 9-7

vent, door, cab 1-93
volt ohm meter 17-7
voltage limiter 1-103, 4-25
voltage regulator 7-17, 7-19

W

warning beacon, cab 1-113
warning light, low oil 4-13
washer, cab 1-109
water quality light 13-15
wedge, bearing puller 17-3
weight
 clutch 11-7, 11-9
 secondary clutch 11-7, 11-9
weldment
 governor bracket 9-13, 12-11
 press 17-3
weldment, receiver hitch 1-77
wheel cover 2-7
wheel spacer 2-5
windshield kit, hinged 1-33
windshield kit, non-hinged 1-35
windshield, hinged 1-33
windshield, non-hinged 1-35
wire
 green, starter/generator 7-3, 7-5, 7-7, 7-9
 ground, fuel tank 7-3, 7-5, 9-3
wire harness 4-9, 4-13, 7-3, 7-5
wire harness, main 13-5
work light, front, cab 1-111
work light, rear, cab 1-111
wrap, tie 1-101, 1-103, 4-35, 6-3, 6-5, 7-17, 7-19, 12-5

Y

yoke, gear 17-5
yoke, support (steering) 6-3



Club Car, Inc.
P.O. Box 204658
Augusta, GA 30917-4658
USA

Web www.clubcar.com
Phone 1.706.863.3000
1.800.ClubCar
Int'l +1 706.863.3000
Fax 1.706.863.5808