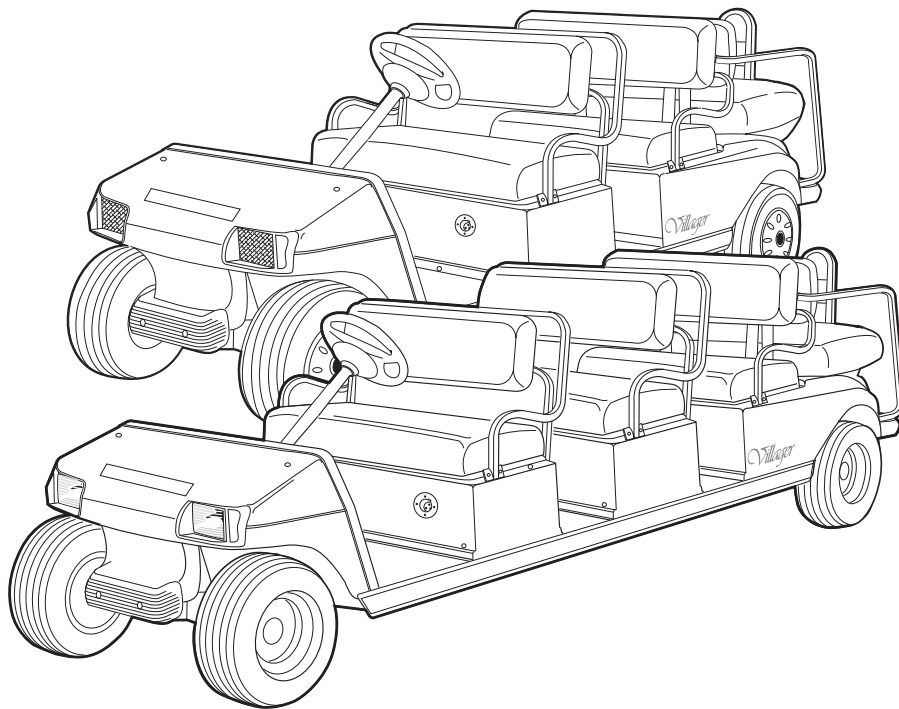




# 2018 Villager 6 and 8 Illustrated Parts List



**Gasoline and Electric Vehicles**

Manual Number 105344114

Edition Code B



# USING THE ILLUSTRATED PARTS LIST

---

## **⚠ WARNING**

- **This manual is to be used only for identification and ordering of service parts. Be sure to read and use the maintenance and service manual before attempting any vehicle repairs.**

This manual covers all 2018 Villager 6 and 8 gasoline and electric vehicles.

The manual is divided into sections. Note that there are two or three flags on the outside edge of each page. The first flag contains the section number of which that page is a part. The other flag (or flags) contains the letter E or G, signifying that the page pertains to the electric or gasoline vehicles only.

Use the Table of Contents to find the sections and pages that contain the parts and assemblies you seek. The Table of Contents lists section numbers, and under them, the individual page titles and numbers to be found in that section. The index can be used to find specific parts and assemblies. The index is divided into numerical and alphabetical listings with the page numbers in italic text.

There is a two-page spread for each individual page title in the Table of Contents. On the left-hand page is an illustration showing the parts in their relative positions; the parts are each tagged with an item number in a balloon. The right-hand page is the parts list page, and gives the page title at the top, then the item numbers (corresponding to the numbers on the illustration), part descriptions, and quantity of parts used.

Note that a part description may be indented. This indention corresponds to a parts assembly level indicated by the numbers 1, 2, 3, and 4 at the top left corner of the parts description area of the parts list page. A part that is indented to *level 2* is a component of the *level 1* part (assembly) that it is listed under. A *level 3* part is a component of the *level 2* part that it is listed under, and a *level 4* part is a component of the *level 3* part preceding it. In each case, the part quantity given for a level 2, 3, or 4 part is the quantity used per next higher level assembly of which it is a component. A part that is not indented is a *level 1* part. This means that the quantity given is the quantity used per the portion of the vehicle illustrated on that particular spread.



P. O. Box 204658  
Augusta, Georgia 30917-4658 USA  
Telephone 706-863-3000  
Service Parts Fax 706-855-7413  
[www.clubcar.com](http://www.clubcar.com)

## HOW TO ORDER PARTS

Replacement parts and accessories can be obtained from our network of authorized dealers and distributors. You can obtain the name and phone number of your closest authorized Club Car dealer or distributor by visiting our web site at [www.clubcardealer.com](http://www.clubcardealer.com), by calling our toll-free Service Parts and Technical Assistance hotline at (800) 872-2246 or (706) 863-3000, extension 3887, or by scanning this Quick Response (QR) code to be taken to the Club Car dealer locator. **Refer to Figure 1.** Download a QR code reader such as RedLaser or Barcode Scanner to your cell phone or tablet.



Figure 1 Dealer Locator QR Code

## CUSTOMER SATISFACTION SURVEY

Let your voice be heard!

Please take time to participate in the Technical Publications satisfaction survey. Obtaining feedback from our customers is important to the department's continuous improvement process. The online survey takes less than five minutes and responses will help the department to examine current performance as well as identify areas for future improvement.

Our top priority is to provide timely, accurate, and user friendly manuals.

The online satisfaction survey can be found at: <http://bit.ly/1w9uFMh>



Figure 2 Survey QR Code

**NOTE:** *This illustrated parts list represents the most current information at the time of publication. Club Car, LLC is continually working to further improve its vehicles and other products. These improvements may affect the parts used to service the vehicle. Any modification and/or significant change in specifications will be forwarded to all Club Car and Carryall distributors/dealers and will, when applicable, appear in future editions of this illustrated parts list.*

*Club Car, LLC reserves the right to change specifications and designs at any time without notice and without the obligation of making changes to units previously sold.*

Copyright © 2018 Club Car, LLC.  
Club Car is a registered trademark of Club Car, LLC.  
This manual effective July 1, 2018.

2018 Villager 6 and 8 Gasoline and Electric Vehicles



# CONTENTS

## SECTION 1 – BODY AND TRIM

Front Body and Trim – Turf, Utility, & Transportation .....	1-3
Brush Guard Kit – DS, Utility, & Villager .....	1-5
Splash Guard – Gasoline Vehicles Only .....	1-7
Dash Pockets and Floormat .....	1-9
Floormat, Rear – Villager & Transportation Vehicles .....	1-11
Beverage Holder – Dual .....	1-13
Mirror, Rear-View – without Cab .....	1-15
Grommets, Chassis .....	1-17
Front and Center Seat Bottoms .....	1-19
Seat Back Assembly .....	1-21
Armrests, Front – Villager 6 & 8 Vehicles .....	1-23
Windshield, Hinged .....	1-25
Windshield, Non-Hinged .....	1-27
Center Body – Villager 6 Gasoline Vehicle .....	1-29
Center Body – Villager 6 IQ Plus Vehicle .....	1-31
Center Bodies – Villager 8 Gasoline Vehicle .....	1-33
Center Bodies – Villager 8 IQ Plus Vehicle .....	1-35
Rear, Forward-Facing Seat Bottom .....	1-37
Armrests, Rear, Forward-Facing – Villager 6 & 8 Vehicles .....	1-39
Rear Body and Fender – Villager 6 & 8 .....	1-41
Heat Insulation, Foam – EFI Gasoline Vehicle .....	1-43
Heat Shield, Transporter, Vill 6 & 8, XRT800/850 Rear Body – Gas .....	1-45
Battery Insulator, Transporter, Vill 6 & 8, XRT850 Rear Body – Electric .....	1-47
Rear Access Door .....	1-49
Rear-Facing Seat Bottom – Villager Vehicles .....	1-51
Rear Footrest, Armrests and Handrails – DS Villager 4, Villager 6 and 8 .....	1-53
Canopy Kit, White – Vill. 6 with Rear-Facing Seats .....	1-55
Canopy Kit, Beige – Vill. 6 with Rear-Facing Seats .....	1-57
Canopy Kit, White – Vill. 6 with Flat Bed .....	1-59
Canopy Kit, Beige – Vill. 6 with Flat Bed .....	1-61
Canopy Kit, White – Vill. 8 with Rear-Facing Seats .....	1-63
Canopy Kit, Beige – Vill. 8 with Rear-Facing Seats .....	1-65
Canopy Kit, White – Vill. 8 with Flat Bed .....	1-67
Canopy Kit, Beige – Vill. 8 with Flat Bed .....	1-69

## SECTION 2 – WHEELS AND TIRES

Wheels (Silver) and Tires .....	2-3
Wheel Covers .....	2-5

# CONTENTS

---

## SECTION 3 – DECALS

---

Decals – Villager 6 Gas and IQ Plus .....	3-3
Decals – Villager 6 IQ Plus Vehicle Only .....	3-5
Decals – Villager 6 Gasoline Vehicle Only .....	3-7
Decals – Villager 8 Gas and IQ Plus .....	3-9
Decals – Villager 8 IQ Plus Vehicle Only .....	3-11
Decals – Villager 8 Gasoline Vehicle Only .....	3-13
Badging Decals – Villager .....	3-15
IQ Plus Logo Decal – IQ Plus Vehicles Only .....	3-17

---

## SECTION 4 – LIGHTS, CONTROLS, AND INDICATORS

---

Headlights .....	4-3
Lighting System Components – Transportation Gasoline Vehicles .....	4-5
Lighting System Components – CA6/Vill. 6/Tporter Elec. With IQ Plus Charger .....	4-7
Lighting System Components – Villager 6 Elec. With High-Freq. Charger .....	4-9
Lighting System Components – Villager 8 Elec. with IQ Plus Charger .....	4-11
Lighting System Components – Villager 8 Elec. with High-Freq. Charger .....	4-13
Turn Signal Kit – DS and Utility Gasoline and Electric Vehicles .....	4-15
Turn Signal (with Horn Button) Kit – DS and Utility Gas and Electric Vehicles .....	4-17
Instrument Panel and Electrical Components – CA6/Vill 6 & 8/Tporter Gas .....	4-19
Instrument Panel – CA6/Vill 6 & 8/Tporter/XRT850 Elec. With Lester Charger .....	4-21
Instrument Panel with Electrical Components – Villager 6 & 8 Elec. with High-Freq. Charger .....	4-23
Keys and Keyswitches, SmartKey Kit – Electric Vehicle .....	4-25
Keys and Keyswitches, Uncommon – Gas Vehicle .....	4-27
DC Converter (Isolated) – Electric Vehicle .....	4-29
DC Converter (Isolated) – CE Electric Vehicle .....	4-31
Voltage Limiter – Gasoline Vehicle .....	4-33
Strobe Light, Roof-Mounted .....	4-35
Horn with Column-Mounted Button .....	4-37
Hour Meter – IQ System and IQ Plus Electric Vehicles .....	4-39
Rear Reverse Buzzer .....	4-41
Tail Lights .....	4-43

---

## SECTION 5 – BRAKES, PEDALS, AND CABLES

---

Brake Pedal Assembly .....	5-3
Accelerator Pedal Assembly – Electric Vehicles .....	5-5
Accelerator Pedal Assembly – Gasoline Vehicles .....	5-7
Accelerator Rod – Turf/CA6/Vill6/Tporter Gas Vehicles .....	5-9

# CONTENTS

---

Accelerator Rod – Villager 8 Gas Vehicles .....	5-11
Front Brake Assembly – Vehicles with Four-Wheel Brakes .....	5-13
Front Brake Cables and Equalizer – Vehicles with Four-Wheel Brakes .....	5-15
Rear Brakes, Manually-Adjusted – Elec. Vehicles with 4-Wheel Brakes .....	5-17
Rear Brakes, Manually-Adjusted – Gas Vehicles with 4-Wheel Brakes .....	5-19
Rear Brake Cables and Equalizer – Turf/CA6/Vill. 6/Tporter .....	5-21
Rear Brake Cables and Equalizer – Villager 8 .....	5-23

## SECTION 6 – STEERING AND SUSPENSIONS

---

Steering Gear Assembly (Wanda) – Maint.-Free Ball Joint .....	6-3
Steering Column – Utility .....	6-5
Intermediate Steering Shaft (Wanda) – Turf/CA/Villager/Tporter .....	6-7
Steering Wheel .....	6-9
Steering Wheel with Clip .....	6-11
Front Spindles and Hubs – Vehicles with Four-Wheel Brakes and Maintenance-Free Ball Joints .....	6-13
Front Susp., Upper – Vill 6/8 & TransPorter with Maintenance-Free Ball Joints .....	6-15
Front Suspension, Lower – Villager 6 with Maintenance-Free Ball Joints .....	6-17
Front Suspension, Lower – Villager 8 with Maintenance-Free Ball Joints .....	6-19
Rear Suspension – Turf/CA 2, 2 Plus, 6, and Transportation Gasoline .....	6-21
Rear Suspension – Turf/CA 2, 6, and Transportation IQ Plus Electric .....	6-23
Stabilizer Bar – Turf/CA 2, 2 Plus, 6, and Transportation Gas .....	6-25

## SECTION 7 – ELECTRICAL SYSTEM – EFI GASOLINE VEHICLES

---

Wiring, Fuses, and Diodes, Key-Start – EFI, Villager 6, XRT850 SE .....	7-3
Wiring, Fuses, and Diodes, Key-Start – EFI, Villager 8 .....	7-5
Starter/Generator (Model 114-04-4006), Key-Start – EFI .....	7-7
Starter/Generator Mounting – EX40 .....	7-9
Kit, Battery Terminal Adapter (Side-Post to Top-Post) – EFI .....	7-11
Electrical Component Box, Key-Start – EX40 .....	7-13
Charging Diode, Key-Start – EFI .....	7-15
Forward/Reverse Shifter Switches, Key-Start – EFI, Villager 6, 8, 850, 850SE .....	7-17
Forward/Reverse Shifter Switches, Pedal-Start – EFI, Villager 6, 8, 850, 850SE .....	7-19
Top-Post Battery – Gasoline Utility Vehicles .....	7-21

## SECTION 8 – ENGINE (SUBARU EX40)

---

Tune-Up Parts – Subaru EX40 .....	8-3
Engine and Engine Mounting, Utility .....	8-5
Fan and Shroud – EX40 .....	8-7
Air Deflector – EX40 .....	8-9

# CONTENTS

---

Ignition Components and Flywheel – EX40 .....	8-11
Sensors – EX40 .....	8-13
Cylinder Head – EX40 .....	8-15
Valvetrain and Timing Chain – EX40 .....	8-17
Crankcase – EX40 .....	8-19
Crankshaft and Piston – EX40 .....	8-21

## **SECTION 9 – FUEL SYSTEM – EFI**

---

Fuel System with Sending Unit, Top Fill – EFI .....	9-3
Fuel Tank Kits – EFI .....	9-5
Carbon Canister – EFI .....	9-7
Throttle Body and ECU – EFI .....	9-9
Throttle Body Mounting – EFI .....	9-11
Governor and Accelerator Cables – EFI .....	9-13
Air Filter System and Intake Hose – EFI, LWB Utility/Trans .....	9-15

## **SECTION 10 – EXHAUST SYSTEM, UTILITY – EX40 ENGINE**

---

Exhaust System – Utility .....	10-3
--------------------------------	------

## **SECTION 11 – DRIVE BELT AND CLUTCHES – EFI GASOLINE VEHICLES**

---

Drive Belt – Key-Start Vehicles with EFI .....	11-3
Drive Clutch – Key-Start Vehicles .....	11-5
Driven Clutch (Standard Speed) – Key Start and Pedal Start .....	11-7

## **SECTION 12 – TRANSAXLE (FUJI ED65) – EFI GASOLINE VEHICLES**

---

Forward/Reverse Shifter – EFI Villager 6, 8, 850, 850SE .....	12-3
Shifter Cable – Villager 6, XRT850SE .....	12-5
Shifter Cable – Villager 8 .....	12-7
Shift Lever and Bracket – Key-Start Engines .....	12-9
Governor Arm and Brackets – Utility Vehicles .....	12-11
Transaxle (ED65), Limited Slip – Page 1 of 3 .....	12-13
Transaxle (ED65), Open – Page 1 of 3 .....	12-15
Transaxle (ED65), Limited Slip and Open – Page 2 of 3 .....	12-17
Transaxle (ED65), Limited Slip – Page 3 of 3 .....	12-19
Transaxle (ED65), Open – Page 3 of 3 .....	12-21
Hub, Rear .....	12-23

# CONTENTS

---

## SECTION 13 – ELECTRICAL SYSTEM, ELECTRIC VEHICLES WITH IQ PLUS CHARGER

---

Motor Controller Output Regulator (MCOR) .....	13-3
Wiring – Villager 6 and TransPorter IQ Plus Electric .....	13-5
Wiring – Villager 8 IQ Plus Electric .....	13-7
Battery Charger Receptacle .....	13-9
Tow/Run Switch – IQ Plus Vehicles .....	13-11
Batteries, 6-Volt, Standard Duty, JCI .....	13-13
Batteries, 6-Volt, Heavy Duty, Trojan .....	13-15
Single Point Watering System (SPWS) .....	13-17
Hand Pump and Deionizer (Battery-Powered Quality Light) .....	13-19
Computer, Controller, and Solenoid – for Trojan Batteries .....	13-21
Ferrite Beads, CE .....	13-23

---

## SECTION 14 – ELECTRICAL SYSTEM, ELECTRIC VEHICLES WITH HIGH-FREQUENCY CHARGER

---

Motor Controller Output Regulator (MCOR) .....	14-3
Wiring – Villager 6 Electric with High-Freq. Charger .....	14-5
Wiring – Villager 8 Electric with High-Freq. Charger .....	14-7
Tow/Run Switch – IQ Plus Vehicles .....	14-9
Batteries, 6-Volt, Standard Duty, JCI .....	14-11
Batteries, 6-Volt, Heavy Duty, Trojan .....	14-13
Single Point Watering System (SPWS) .....	14-15
Hand Pump and Deionizer (Battery-Powered Quality Light) .....	14-17
Computer, Controller, and Solenoid – High-Freq. Charger .....	14-19
Ferrite Beads, CE .....	14-21

---

## SECTION 15 – MOTOR (MODEL DA5-4006) – IQ PLUS

---

Motor (Model DA5-4006) – IQ Plus .....	15-3
--	------

---

## SECTION 16 – TRANSAXLE – ELECTRIC VEHICLES

---

Transaxle – Electric Vehicles .....	16-3
Differential Guard – Electric Vehicles .....	16-5

---

## SECTION 17 – BATTERY CHARGERS – IQ PLUS

---

IQ Plus Battery Charger (Models 25730-11,-18,-19), Domestic .....	17-3
IQ Plus Battery Charger (Models 25880-11 and -18), International .....	17-5
Onboard IQ Plus Battery Charger (Model 25260-50), Domestic .....	17-7
Onboard IQ Plus Battery Charger (Model 25660-50), International .....	17-9
Onboard IQ Plus Charger and Cord Reel Mounting .....	17-11

# CONTENTS

---

## SECTION 18 – BATTERY CHARGER – HIGH-FREQUENCY

---

High-Frequency Battery Charger – Onboard .....	18-3
Cord Reels, Onboard – High-Frequency Charger .....	18-5
Charger Mounting – Onboard High-Freq. ....	18-7

## SECTION 19 – MAINTENANCE AND SERVICE TOOLS

---

Maintenance and Service Tools .....	19-3
Maintenance and Service Tools, Continued .....	19-5
Maintenance and Service Tools, Continued .....	19-7
Maintenance and Service Tools, Continued .....	19-9
Maintenance and Service Tools, Continued .....	19-11

## SECTION i – INDEX

---

# BODY AND TRIM

---

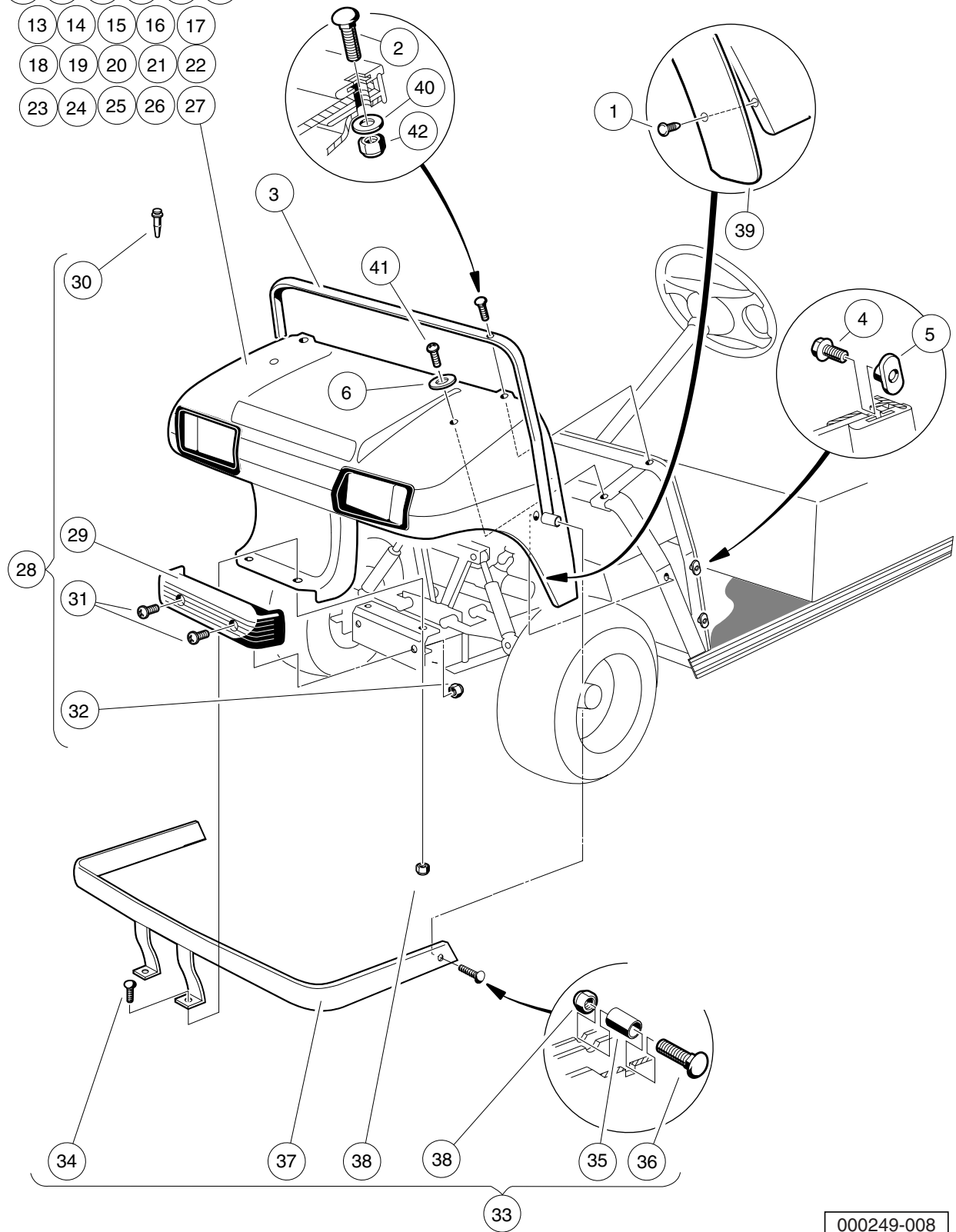
1

G

E

**1**  
**G**  
**E**

- 7 8 9 10 11 12
- 13 14 15 16 17
- 18 19 20 21 22
- 23 24 25 26 27



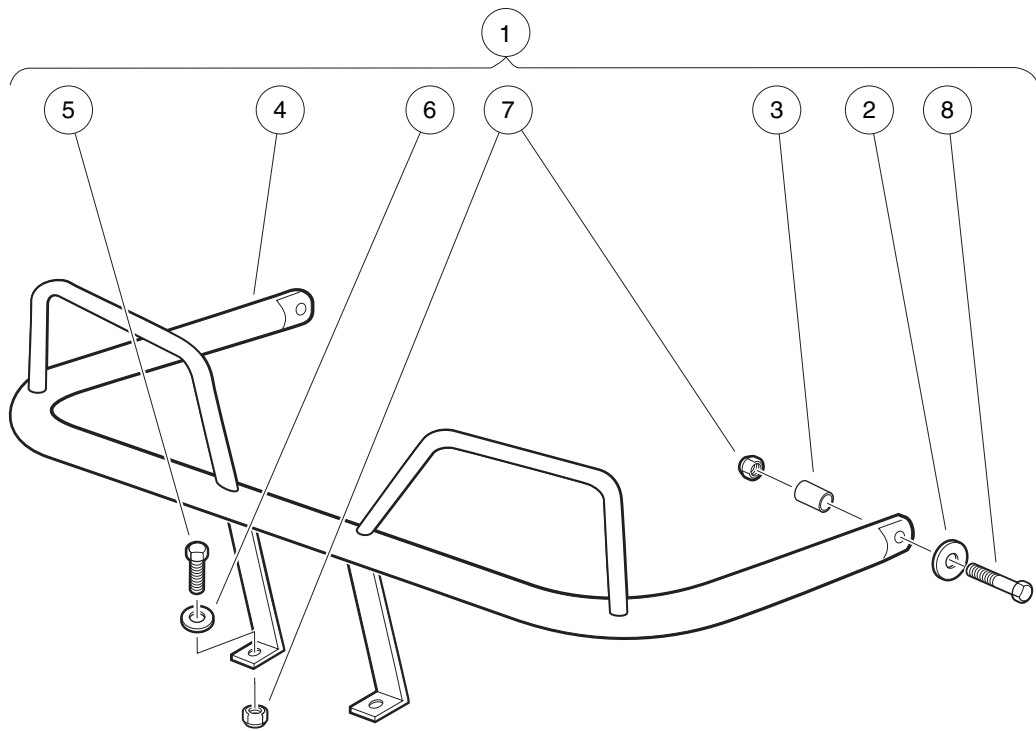
000249-008



# FRONT BODY AND TRIM – TURF, UTILITY, & TRANSPORTATION

ITEM	PART NO.	DESCRIPTION	QTY
		1 2 3 4	
1	1010434	Barrel - Plastic .....	12
2	1010435	Bolt, Carriage, 5/16-18 X 1.00 .....	2
3	1011014	Trim, Cowl .....	1
4	1011017	Screw, #8-32 X 0.375 .....	6
5	1011394	T-Nut Package (Set of 4) .....	1
6	1015075	Washer, 5/16 Flat Type A .....	2
7	101692501	Cowl, TPO, Beige .....	1
8	101692502	Cowl, TPO, White .....	1
9	101692504	Cowl, Tpo -gray .....	1
10	101692506	Cowl, TPO, Red .....	1
11	101692509	Cowl, TPO, Pacific Blue (Royal Blue) .....	1
12	101692510	Cowl, TPO, Dark Green .....	1
13	101692511	Cowl, TPO, Black .....	1
14	101692512	Cowl, TPO, Classic Blue (Navy) .....	1
15	101692513	Cowl, TPO, Burgundy .....	1
16	101692514	Cowl, TPO, Dark Gray .....	1
17	101692515	Cowl, TPO, Safety Yellow .....	1
18	101693901	Cowl with Headlight Opening, TPO, Beige .....	1
19	101693902	Cowl with Headlight Opening, TPO, White .....	1
20	101693904	Cowl with Headlight Opening, TPO, Gray .....	1
21	101693906	Cowl with Headlight Opening, TPO, Red .....	1
22	101693909	Cowl with Headlight Opening, TPO, Dark Green .....	1
23	101693910	Cowl with Headlight Opening, TPO, Black .....	1
24	101693911	Cowl with Headlight Opening, TPO, Classic Blue (Navy) .....	1
25	101693912	Cowl with Headlight Opening, TPO, Burgundy .....	1
26	101693913	Cowl with Headlight Opening, TPO, Dark Gray .....	1
27	101693914	Cowl with Headlight Opening, TPO, Safety Yellow .....	1
28	1017080	Kit, Front Bumper (includes items 29 through 32) .....	1
29	1016868	Front Bumper .....	1
30	1016967	Blind Rivet, Push Type .....	2
31	7251	Screw, 5/16-18 x 1.0 Truss-Head .....	2
32	7473	Locknut, 5/16-18 Nylon Insert .....	2
33	101734802	Kit, Heavy-Duty Bumper (includes items 34 through 38) .....	1
34	1010435	Bolt, Carriage, 5/16-18 X 1.00 .....	2
35	1010546	Spacer .....	2
36	1015405	Bolt, Carriage, 5/16-18 X 2.0 .....	2
37	N/A	Weldment, Heavy Duty Bumper .....	1
38	7473	Locknut, 5/16-18 Nylon Insert .....	4
39	101870401	Fender Extrusion .....	2
40	1241	Washer, 5/16 Type A Flat .....	2
41	7251	Screw, 5/16-18 x 1.0 Truss-Head .....	2
42	7473	Locknut, 5/16-18 Nylon Insert .....	2

**1**  
**G**  
**E**



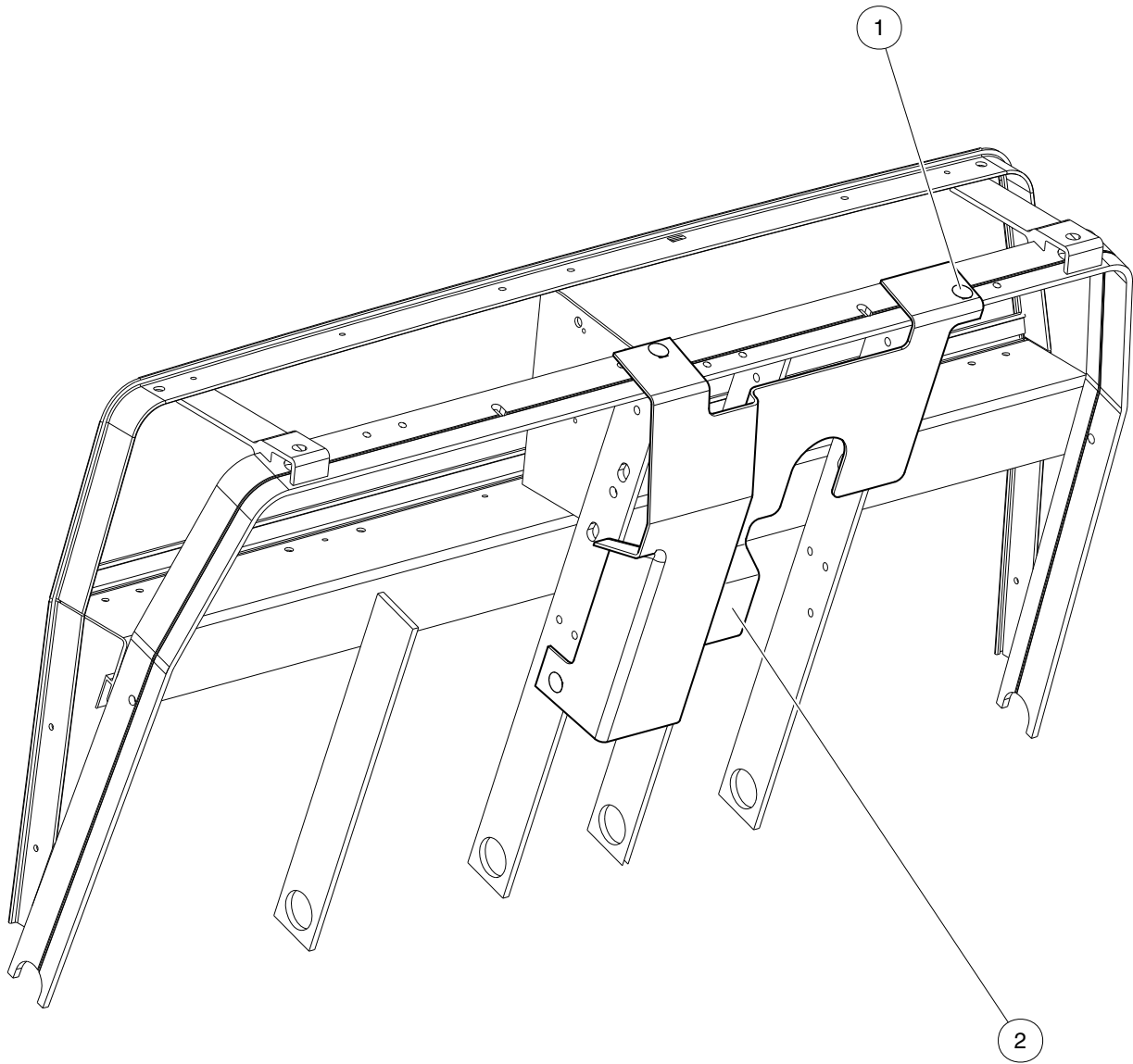
001238-001

# BRUSH GUARD KIT – DS, UTILITY, & VILLAGER

ITEM	PART NO.	DESCRIPTION	QTY
		<b>1 2 3 4</b>	
1	SVP143902	Kit, Brush Guard, Heavy-Duty, DS/Utility/Villager (includes items 2 through 8) .....	1
2	1011578	Washer, 5/16 Type B Flat .....	2
3	1015608	Tube Spacer, Hydraulic Cylinder .....	2
4	103895401	Weldment, Brush Guard, Hd .....	1
5	1218	Screw, 5/16-18 X 1.25 Hex-Head Cap .....	2
6	1241	Washer, 5/16 Type A Flat .....	2
7	7473	Locknut, 5/16-18 Nylon Insert .....	4
8	8935	Screw, 5/16-18 X 2.25 Hex-Head Cap .....	2



**1**  
**G**  
**E**



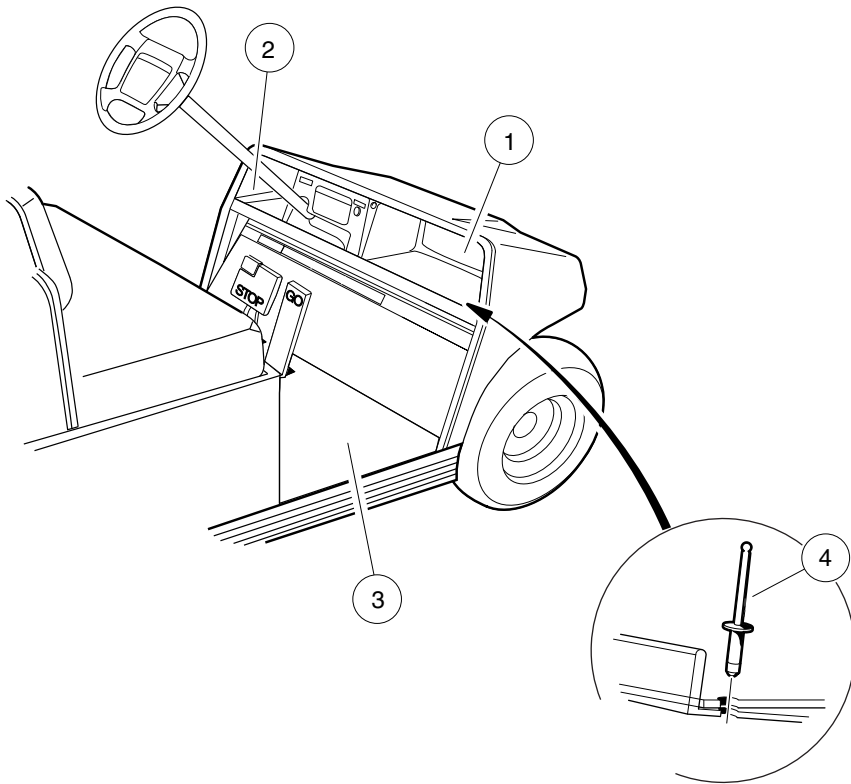
000593-002

# SPLASH GUARD – GASOLINE VEHICLES ONLY

ITEM	PART NO.	DESCRIPTION	QTY
1	1010434	1 2 3 4 Barrel - Plastic .....	3
2	103174401	Splash Guard .....	1

**1**  
**G**  
**E**

**1**  
**G**  
**E**



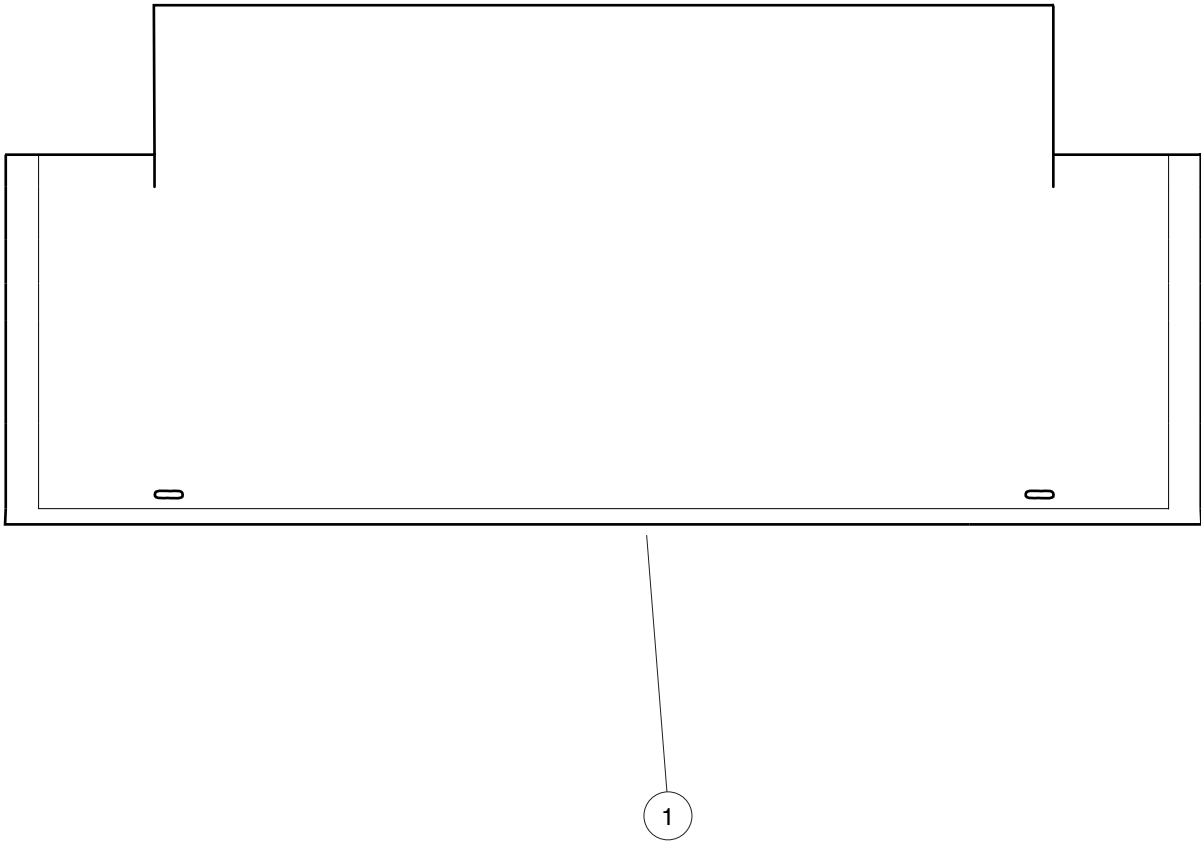
000252-002

# DASH POCKETS AND FLOORMAT

ITEM	PART NO.	DESCRIPTION	QTY
		<b>1 2 3 4</b>	
1	1013343	Dash Component, Passenger-Side, Black .....	1
2	1013344	Dash Component, Driver-Side .....	1
3	101503202	Floormat .....	1
4	7973	Rivet, 3/16 X .400 Blind .....	5

1  
G  
E

**1**  
**G**  
**E**



001281-001

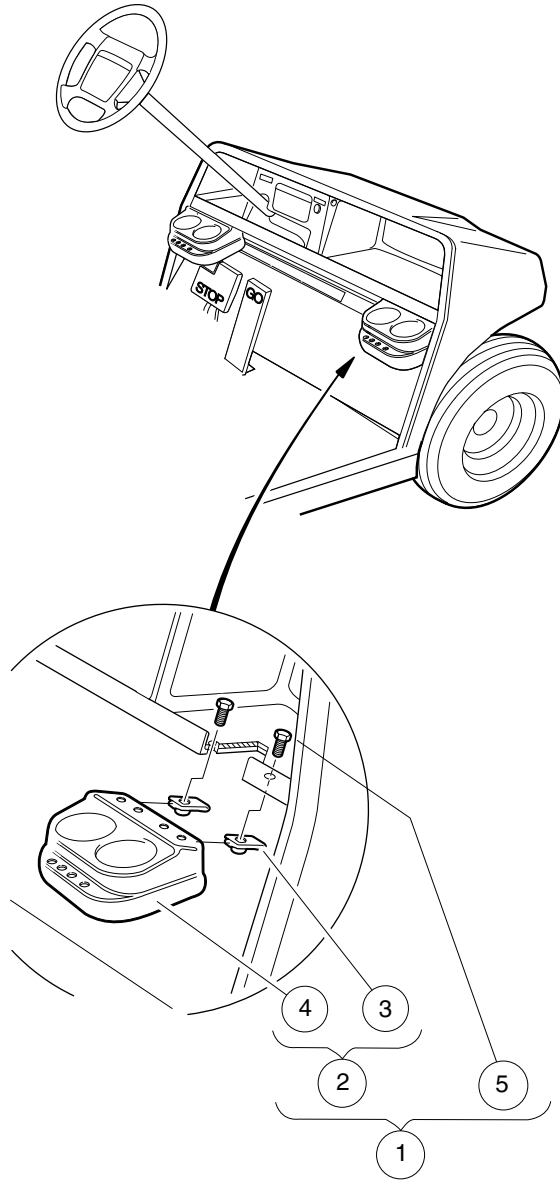


# FLOORMAT, REAR – VILLAGER & TRANSPORTATION VEHICLES

ITEM	PART NO.	DESCRIPTION	QTY
1	103952201	1 2 3 4 Floor Mat, Ds/utl, Rear, Limo .....	A/R

**1**  
**G**  
**E**

**1**  
**G**  
**E**



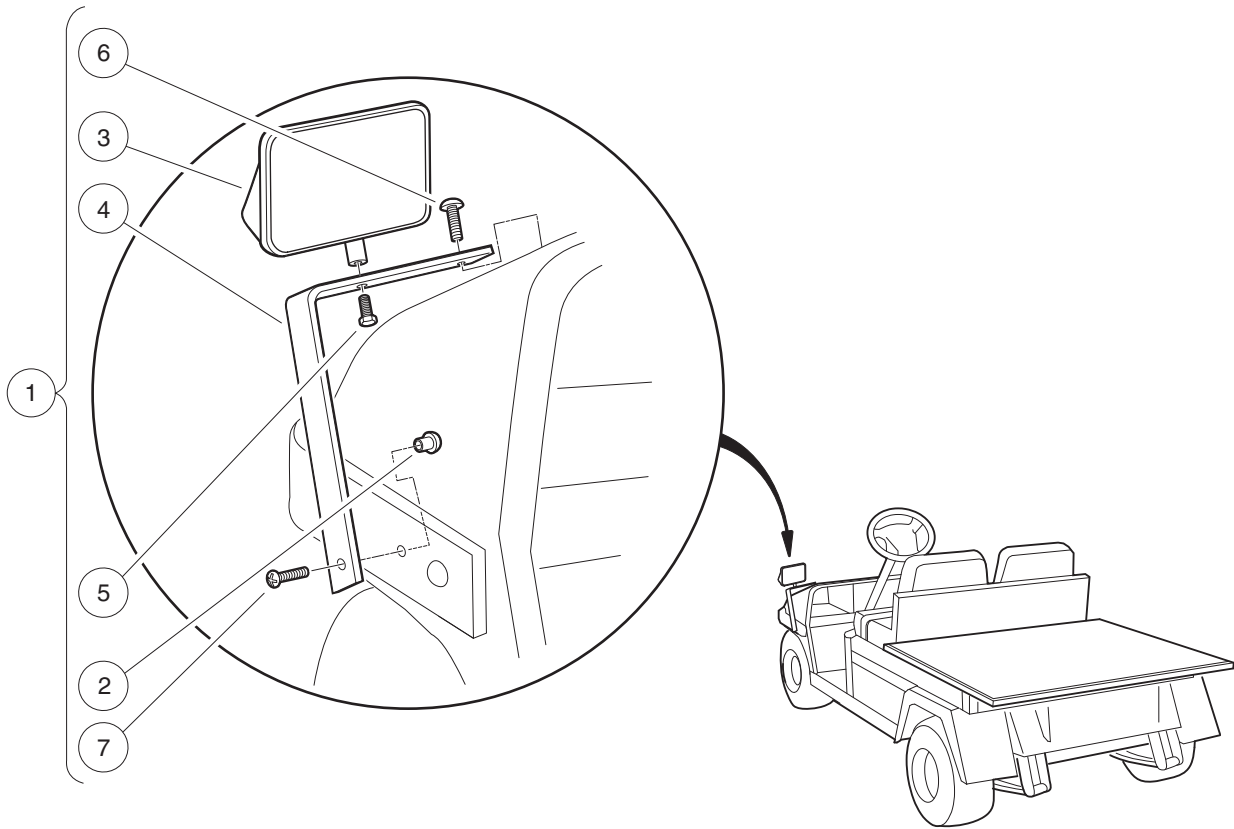
000253-002

# BEVERAGE HOLDER – DUAL

ITEM	PART NO.	DESCRIPTION	QTY
		<b>1 2 3 4</b>	
1	101708301	Drink Holder Kit (includes items 2 through 5) .....	2
2	1016811	Holder, Dual Cup (includes items 3 and 4) .....	1
3	1016952	U-Nut, 1/4-20 .....	2
4	N/A	Cup Holder, Dual .....	1
5	7847	Screw, 1/4-20 X 0.75 Hex-Head Cap .....	2

1  
G  
E

**1**  
**G**  
**E**



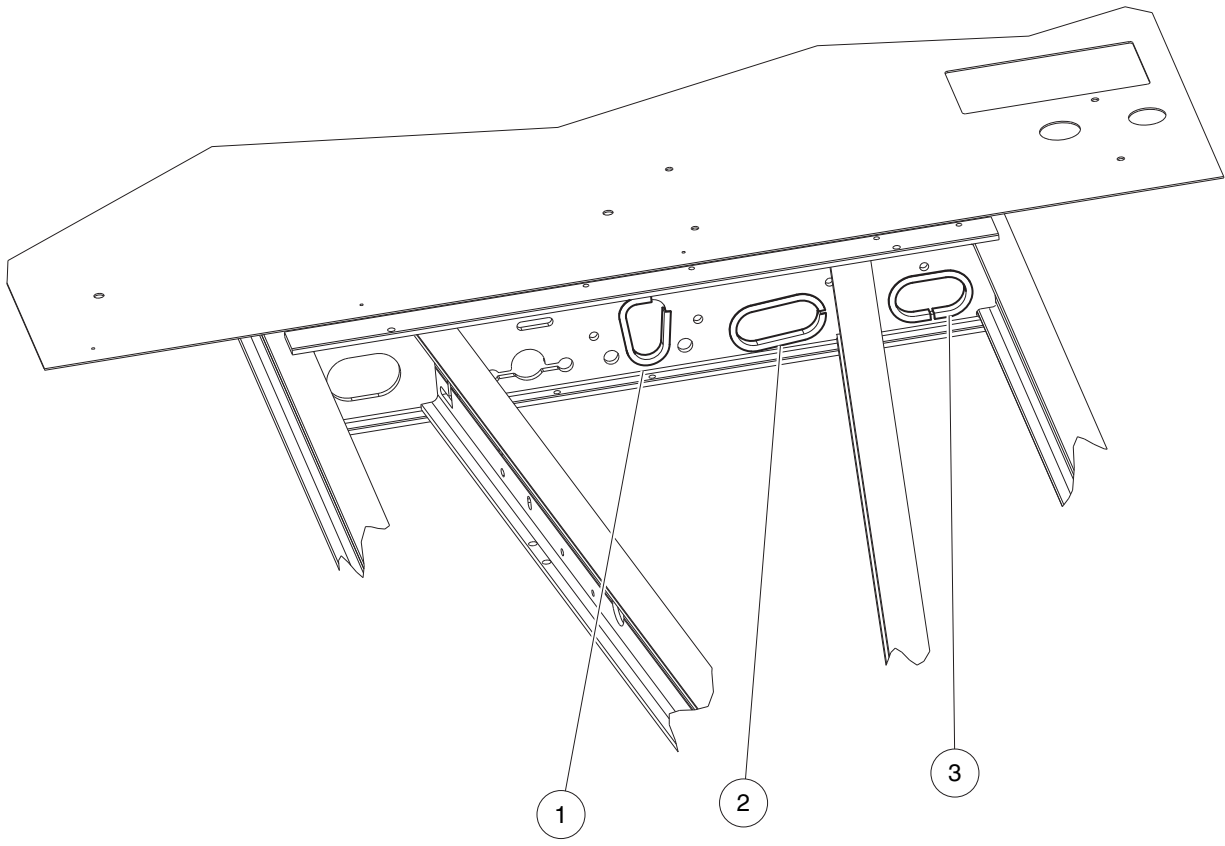
001211-001

## MIRROR, REAR-VIEW – WITHOUT CAB

ITEM	PART NO.	DESCRIPTION	QTY
		1 2 3 4	
1	1013846	Kit, Rear Mirror, West Coast (includes items 2 through 7) .....	1
2	1011878	T-nut, 1/4-20 X .310 Capped .....	1
3	1013824	Rear View Mirror .....	1
4	1013825	Mirror Mounting Bracket .....	1
5	7173	Screw, 5/16-18 X 0.75, Hex-Head Cap .....	1
6	7251	Screw, 5/16-18 x 1.0 Truss-Head .....	1
7	8248	Screw, 1/4-20 X 0.75, Truss-Head Machine .....	1
<p style="margin-left: 40px;">Note: To install this kit, vehicle must be equipped with a heavy-duty front bumper.</p>			

1  
G  
E

**1**  
**G**  
**E**



001221-001

# GROMMETS, CHASSIS

ITEM	PART NO.	DESCRIPTION	QTY
		1 2 3 4	
1	101806001	I-beam Grommet - 5.5 .....	A/R
2	101806002	I-beam Grommet - 7.5 .....	A/R
3	101806005	I-beam Grommet - 6.75 .....	A/R

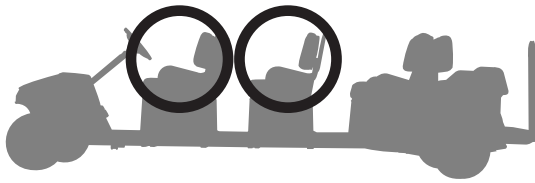
**1**

**G**

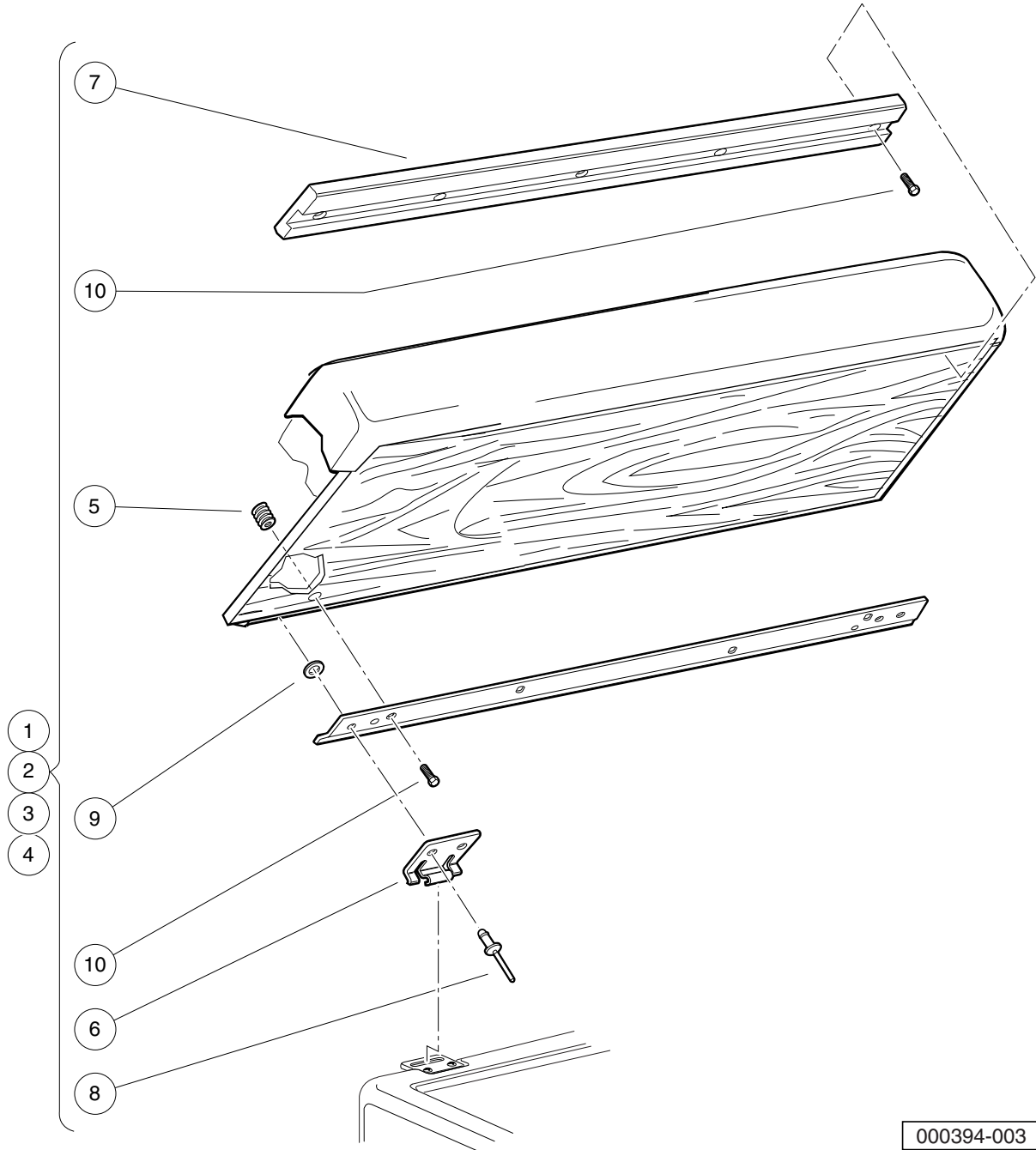
**E**

**1**  
**G**  
**E**

VILLAGER 8



VILLAGER 6



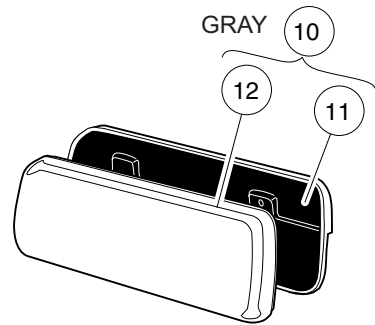
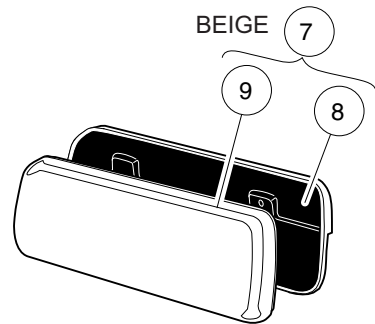
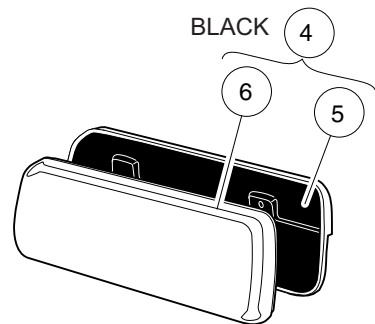
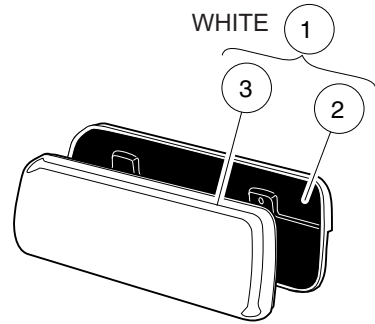
000394-003



## FRONT AND CENTER SEAT BOTTOMS

ITEM	PART NO.	DESCRIPTION	QTY	
		1 2 3 4		<b>1</b>
1	101728201	Seat Bottom Assembly, Front, White .....	1	<b>G</b>
2	101728203	Seat Bottom Assembly, Front, Beige .....	1	<b>E</b>
3	101728210	Seat Bottom Assembly, Front, Black .....	1	
4	101728213	Seat Bottom Assembly, Rear, Gray (includes items 5 through 10) .....	1	
5	1010543	Insert - Wood .....	8	
6	1011652	Hinge Plate .....	2	
7	1013312	Bumper, Seat, Long .....	1	
8	101880901	Rivet, 3/16, Stainless-Steel, Pop .....	4	
9	101881701	Washer, #8 Stainless-Steel Flat .....	4	
10	101954301	Screw, 1/4-20 X 0.75 Hex-Head Cap .....	8	

**1**  
**G**  
**E**



000608-001

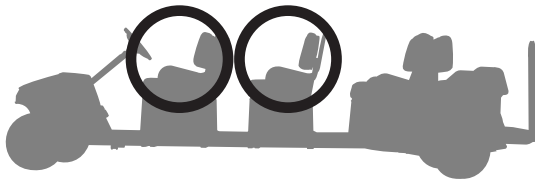
# SEAT BACK ASSEMBLY

ITEM	PART NO.	DESCRIPTION	QTY
		<b>1 2 3 4</b>	
1	101677701	Seat Back Assembly, White (includes items 2 and 3) .....	1
2	1016751	Cap, Seat Back .....	1
3	101675512	Vinyl Seat Back, White .....	1
4	101677702	Seat Back Assembly, Black (includes items 5 and 6) .....	1
5	1016751	Cap, Seat Back .....	1
6	101675514	Vinyl Seat Back, Black .....	1
7	101677703	Seat Back Assembly, Beige (includes items 8 and 9) .....	1
8	1016751	Cap, Seat Back .....	1
9	101675511	Vinyl Seat Back, Beige .....	1
10	101677705	Seat Back Assembly, Gray (includes items 11 and 12) .....	1
11	1016751	Cap, Seat Back .....	1
12	101675515	Vinyl Seat Back-nstd Svc .....	1

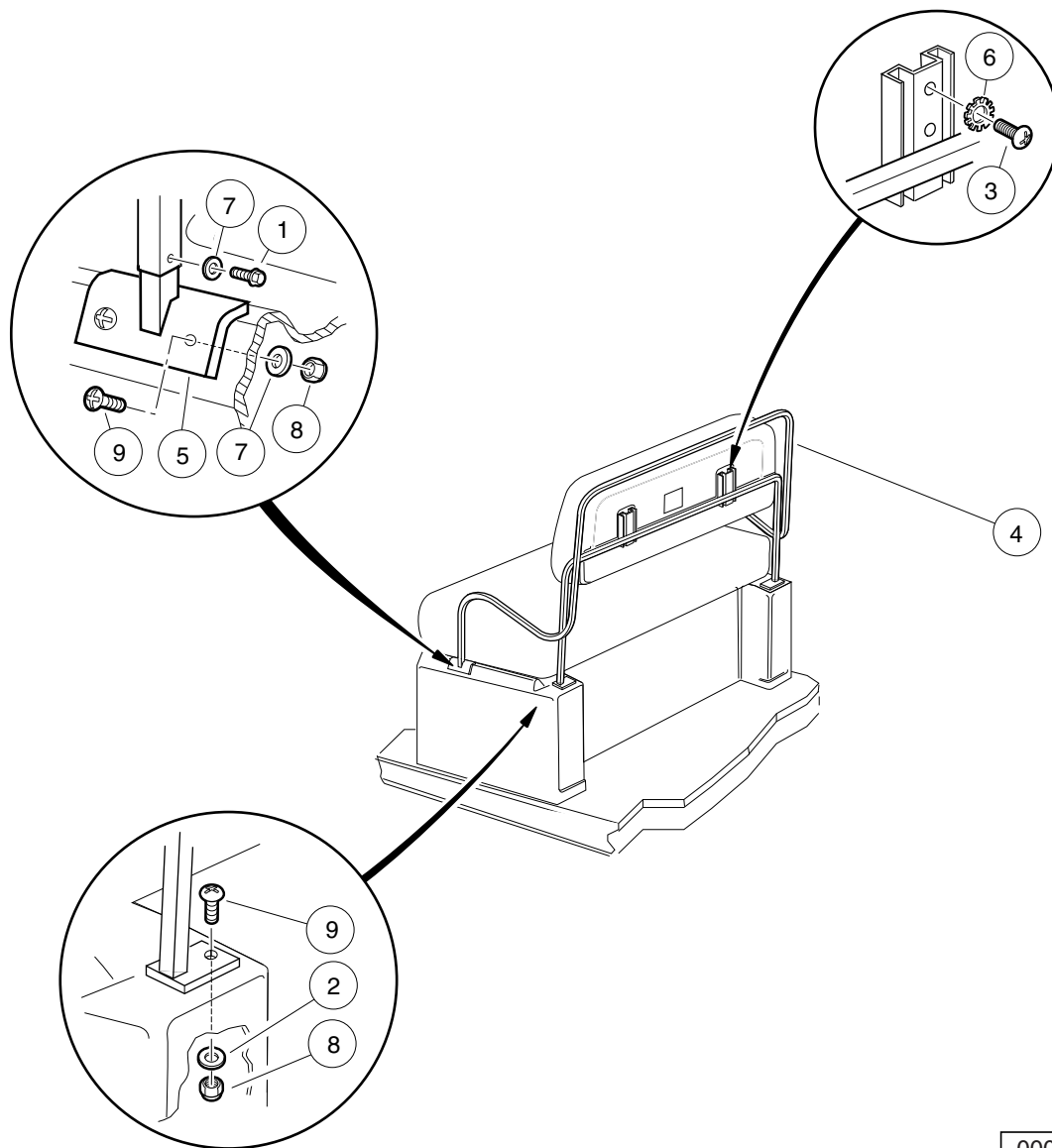
1  
G  
E

**1**  
**G**  
**E**

VILLAGER 8



VILLAGER 6



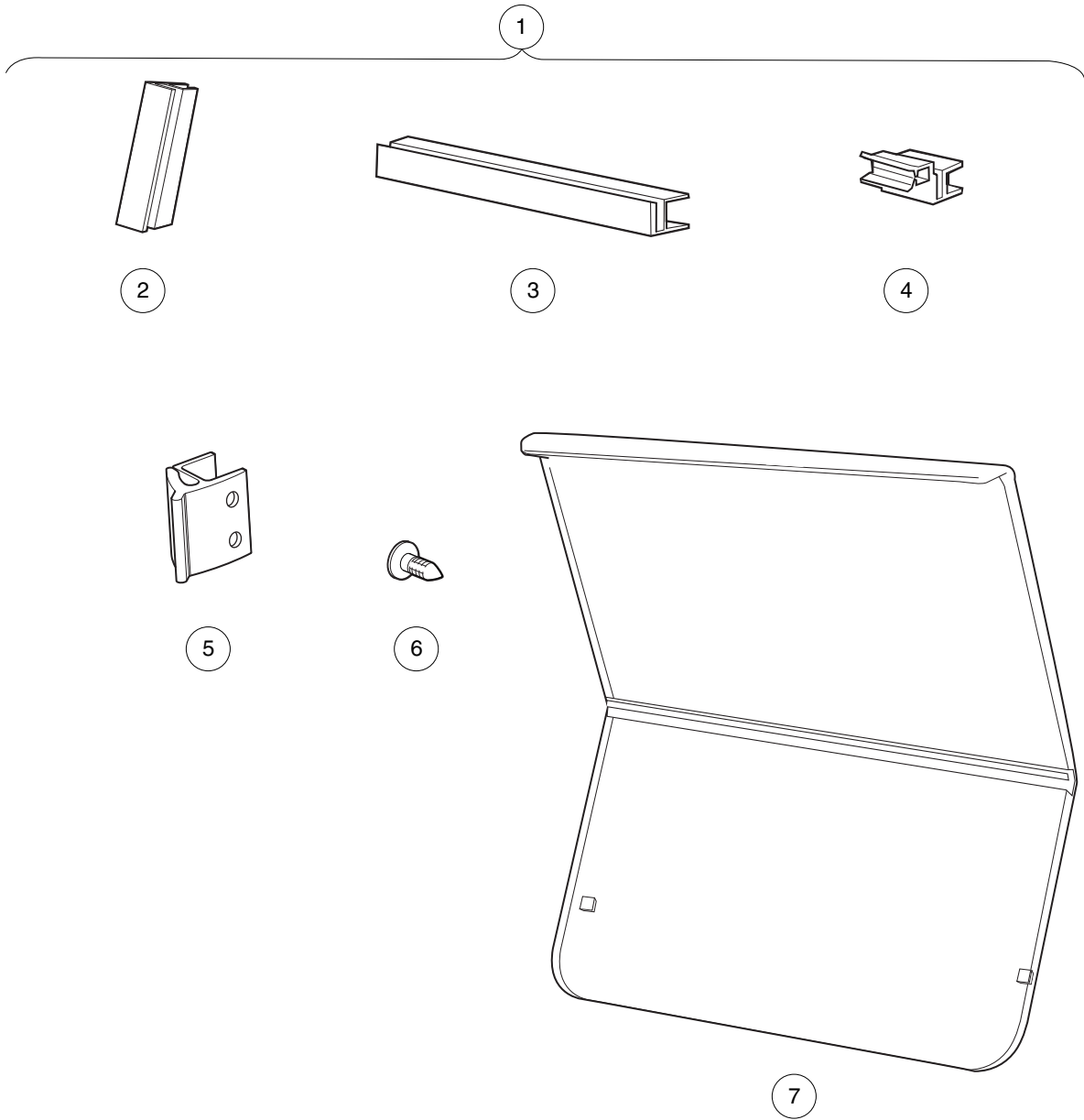
000396-003

## ARMRESTS, FRONT – VILLAGER 6 & 8 VEHICLES

ITEM	PART NO.	DESCRIPTION	QTY
		1 2 3 4	
1	1012285	Screw, 1/4 X 0.625 Hex-Head .....	4
2	1014306	Washer, 1/4" Type B Flat .....	2
3	1015902	Screw, 1/4-20 X 1.25 Truss-Head .....	4
4	1017259	Armrest Weld Asm Front .....	1
5	1017310	Armrest Mounting Weldment .....	2
6	101946201	Washer, Lock, 0.250 External-Tooth .....	4
7	332	Washer, 1/4 Type A Narrow Flat .....	6
8	8233	Locknut, 1/4-20, Nylon Insert .....	6
9	8251	Screw, 1/4-20 X 1.0 Truss-Head Machine .....	6

**1**  
**G**  
**E**

**1**  
**G**  
**E**



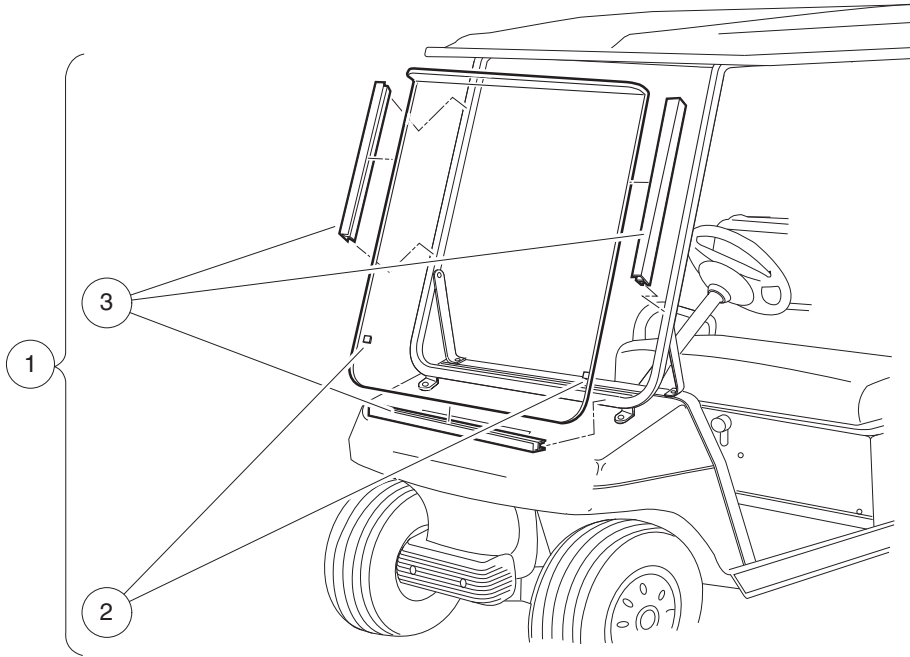
001257-001

# WINDSHIELD, HINGED

ITEM	PART NO.	DESCRIPTION	QTY
		<b>1 2 3 4</b>	
1	105077801	Kit, Hinged Ws, Util, Clear (includes items 2 through 7) .....	1
2	102005701	5" Plastic Extrusion .....	4
3	102163001	Windshield Channel .....	1
4	102163101	Channel with Receiver Clip .....	2
5	103677101	W/s, Rubber, Clip Retainer .....	2
6	103754901	Fastener, Barrel - .610 X .25 .....	8
7	105077701	Ws, Hinged, Utility, Clear .....	1

1  
G  
E

**1**  
**G**  
**E**



001204-001



# WINDSHIELD, NON-HINGED

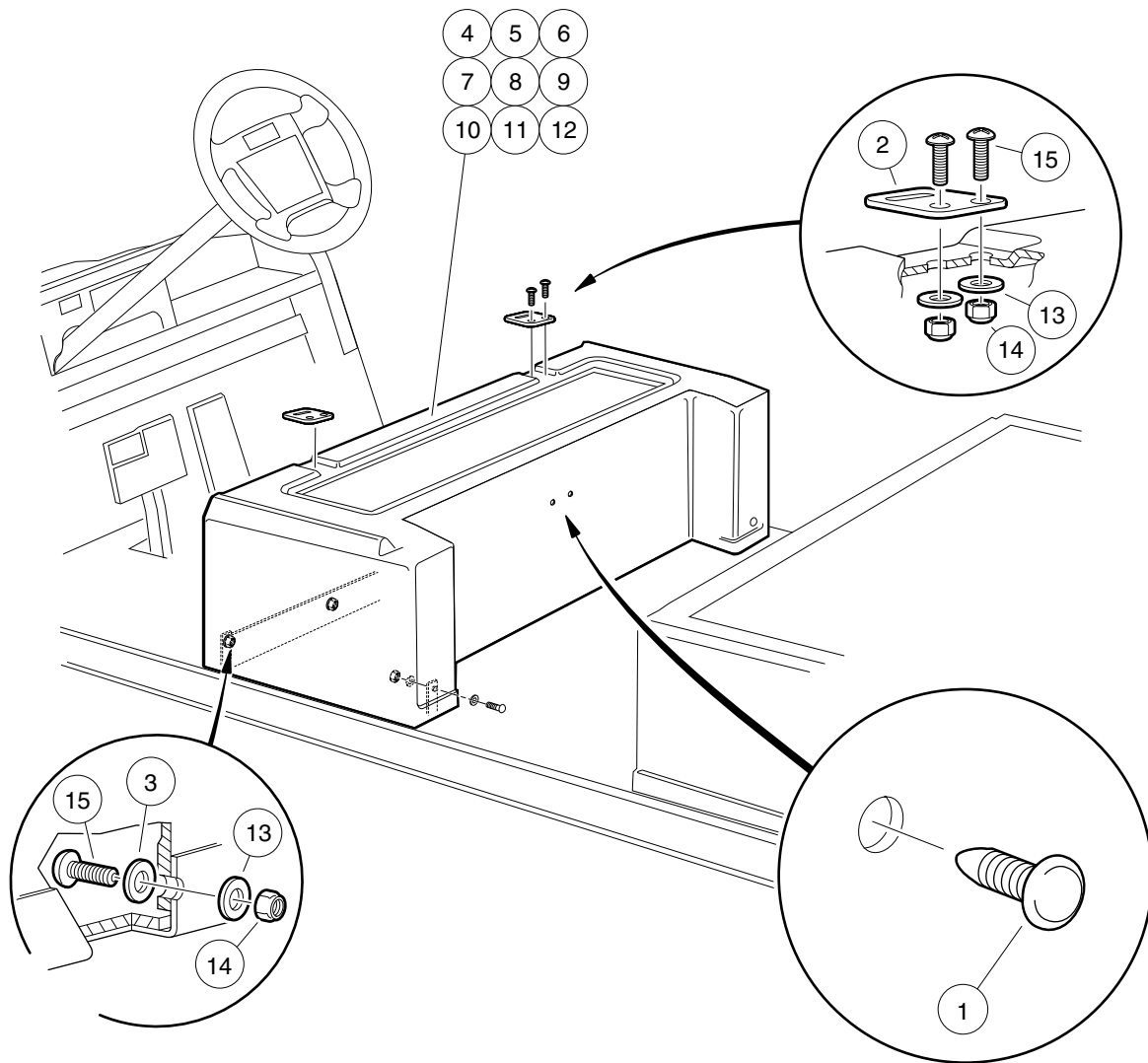
ITEM	PART NO.	DESCRIPTION	QTY
		<b>1 2 3 4</b>	
1	105074901	Windshield One-piece (includes items 2 and 3) .....	1
2	1011897	Bumper, Protective .....	2
3	101444101	21" Plastic Extrusion .....	3

1

G

E

**1**  
**G**  
**E**



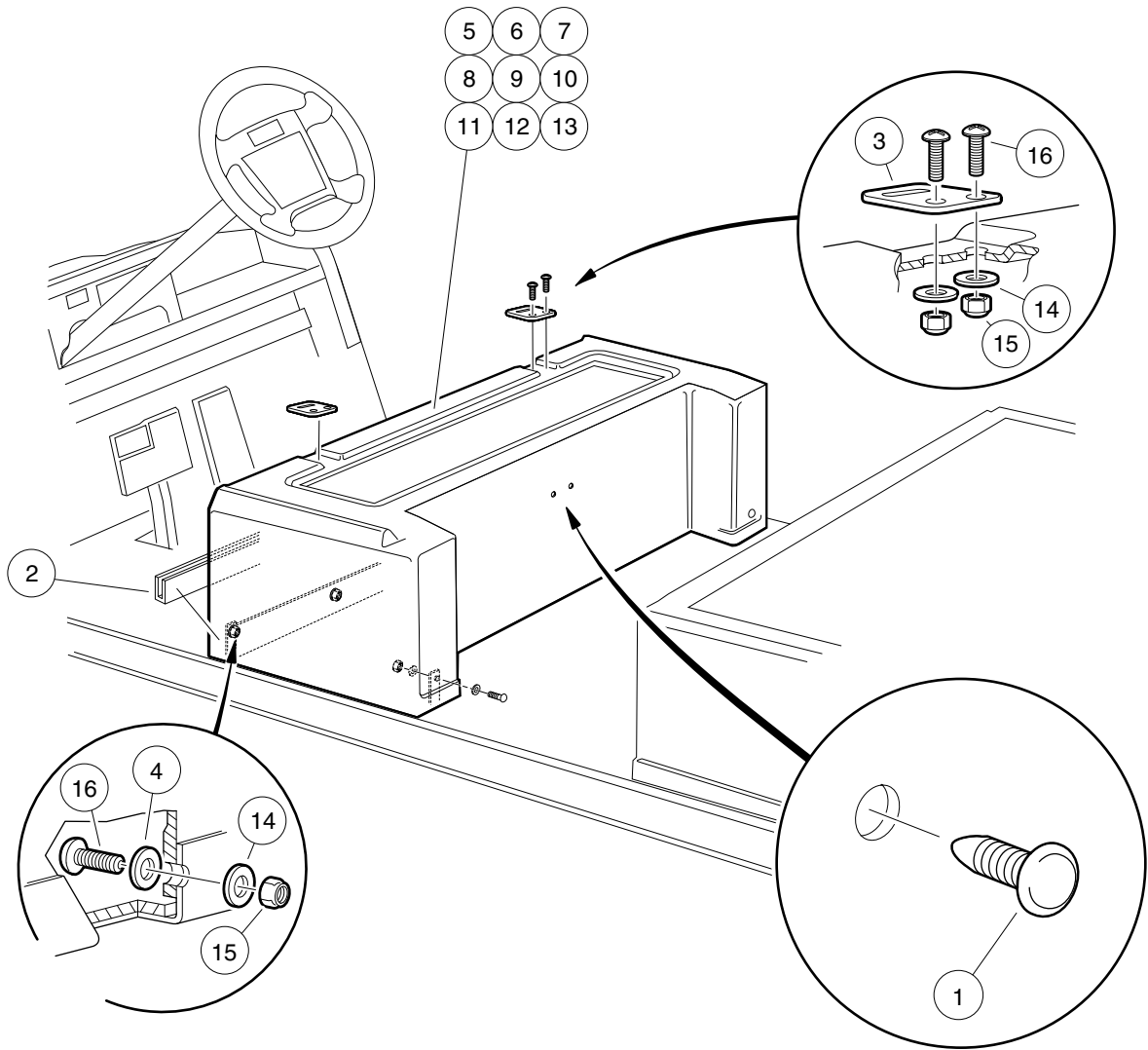
000389-004

## CENTER BODY – VILLAGER 6 GASOLINE VEHICLE

ITEM	PART NO.	DESCRIPTION	QTY
		<b>1 2 3 4</b>	
1	1010434	Barrel - Plastic .....	2
2	1012412	Body, Hinge Plate .....	2
3	1012581	Washer, 0.609-inch OD, Nylon Cup .....	6
4	105005301	Body, Center, Efi, Beige .....	1
5	105005302	Body, Center, Efi, Wht .....	1
6	105005304	Body, Center, Efi, Gray .....	1
7	105005306	Body, Center, Efi, Red .....	1
8	105005308	Body, Center, Efi, Pacific Bl .....	1
9	105005309	Body, Center, Efi, Dk Green .....	1
10	105005310	Body, Center, Efi, Black .....	1
11	105005311	Body, Center, Efi, C/blu .....	1
12	105005312	Body, Center, Efi, Burgundy .....	1
13	332	Washer, 1/4 Type A Narrow Flat .....	10
14	8233	Locknut, 1/4-20, Nylon Insert .....	10
15	8251	Screw, 1/4-20 X 1.0 Truss-Head Machine .....	10

**1**  
**G**  
**E**

**1**  
**G**  
**E**



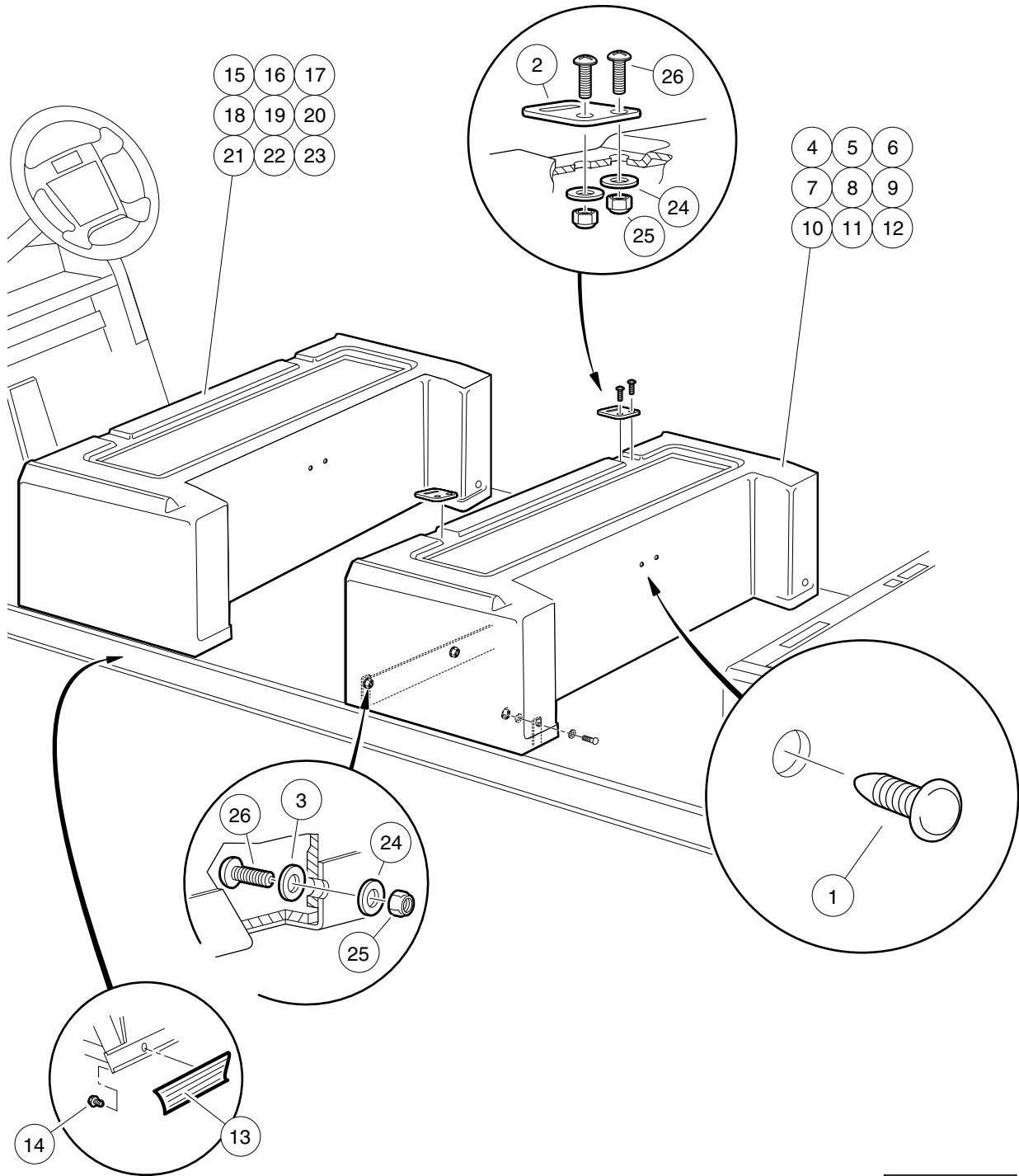
000389-005

## CENTER BODY – VILLAGER 6 IQ PLUS VEHICLE

ITEM	PART NO.	DESCRIPTION	QTY
		<b>1 2 3 4</b>	
1	1010434	Barrel - Plastic .....	2
2	1010993	Body Kick Plate .....	1
3	1012412	Body, Hinge Plate .....	2
4	1012581	Washer, 0.609-inch OD, Nylon Cup .....	4
5	103274001	Body, Center, Elec, Beige .....	1
6	103274002	Body, Center, Elec, Wht .....	1
7	103274004	Body, Center, Elec, Gray .....	1
8	103274006	Body, Center, Elec, Red .....	1
9	103274008	Body, Center, Elec, Pacific Bl .....	1
10	103274009	Body, Center, Elec, Dk Green .....	1
11	103274010	Body, Center, Elec, Black .....	1
12	103274011	Body, Center, Elec, C/blu .....	1
13	103274012	Body, Center, Elec, Burgundy .....	1
14	332	Washer, 1/4 Type A Narrow Flat .....	8
15	8233	Locknut, 1/4-20, Nylon Insert .....	8
16	8251	Screw, 1/4-20 X 1.0 Truss-Head Machine .....	8

**1**  
**G**  
**E**

**1**  
**G**  
**E**



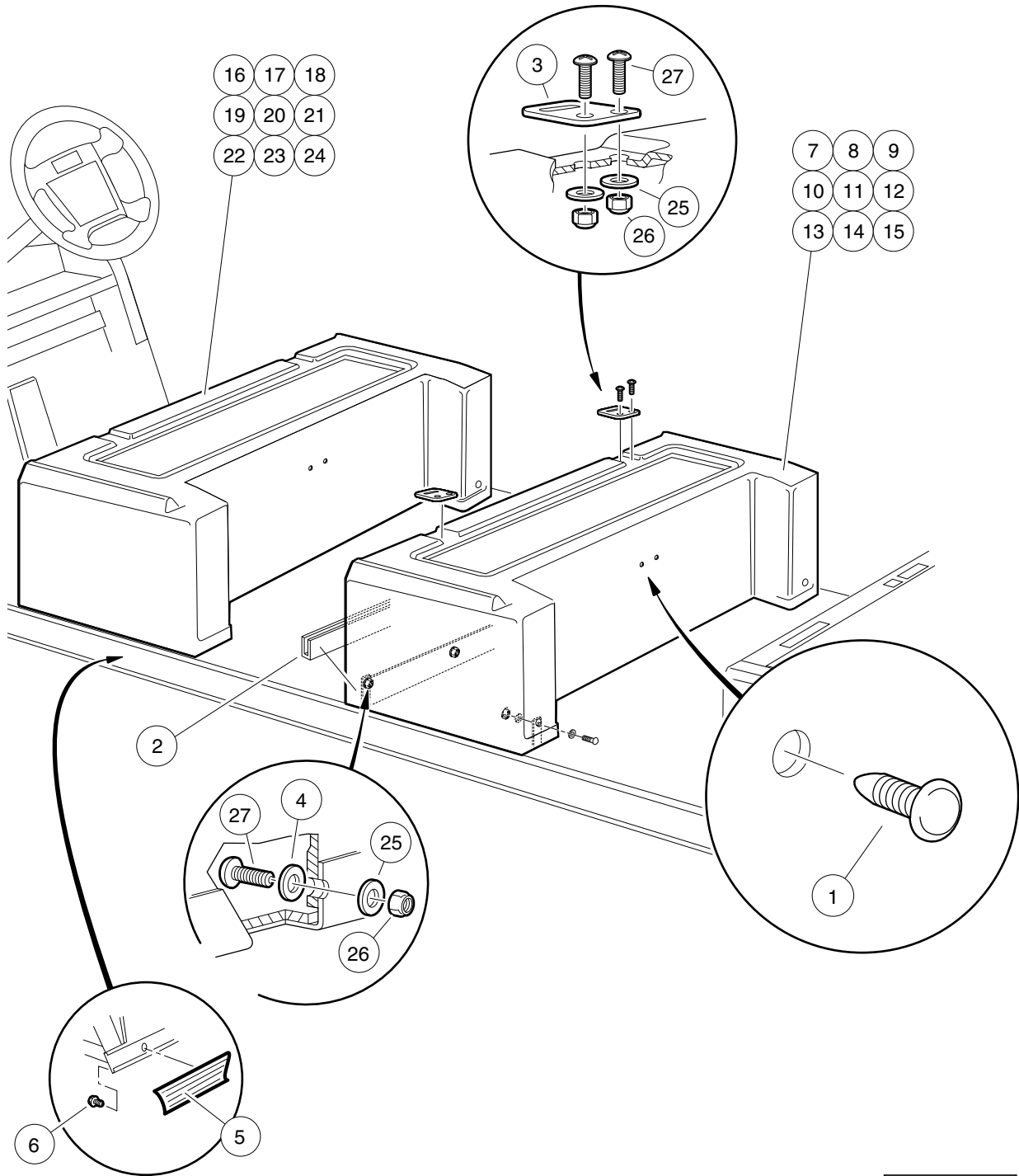
000390-003

## CENTER BODIES – VILLAGER 8 GASOLINE VEHICLE

ITEM	PART NO.	DESCRIPTION	QTY
		1 2 3 4	
1	1010434	Barrel - Plastic .....	2
2	1012412	Body, Hinge Plate .....	2
3	1012581	Washer, 0.609-inch OD, Nylon Cup .....	6
4	101788201	Body, Beige, Center .....	1
5	101788202	Body, White, Center .....	1
6	101788204	Body, Gray, Center .....	1
7	101788206	Body, Red, Center .....	1
8	101788208	Body, Pacific Blue, Center .....	1
9	101788209	Body, Dark Green, Center .....	1
10	101788210	Body, Black, Center .....	1
11	101788211	Body, Classic Blue, Center .....	1
12	101788212	Body, Burgundy, Center .....	1
13	101791901	Bumper Guard Vinyl Trim .....	2
14	102310701	Screw, #8-18 x 0.375, Hex-Head Washer .....	8
15	105005301	Body, Center, Efi, Beige .....	1
16	105005302	Body, Center, Efi, Wht .....	1
17	105005304	Body, Center, Efi, Gray .....	1
18	105005306	Body, Center, Efi, Red .....	1
19	105005308	Body, Center, Efi, Pacific Bl .....	1
20	105005309	Body, Center, Efi, Dk Green .....	1
21	105005310	Body, Center, Efi, Black .....	1
22	105005311	Body, Center, Efi, C/blu .....	1
23	105005312	Body, Center, Efi, Burgundy .....	1
24	332	Washer, 1/4 Type A Narrow Flat .....	10
25	8233	Locknut, 1/4-20, Nylon Insert .....	10
26	8251	Screw, 1/4-20 X 1.0 Truss-Head Machine .....	10

**1**  
**G**  
**E**

**1**  
**G**  
**E**



000390-004



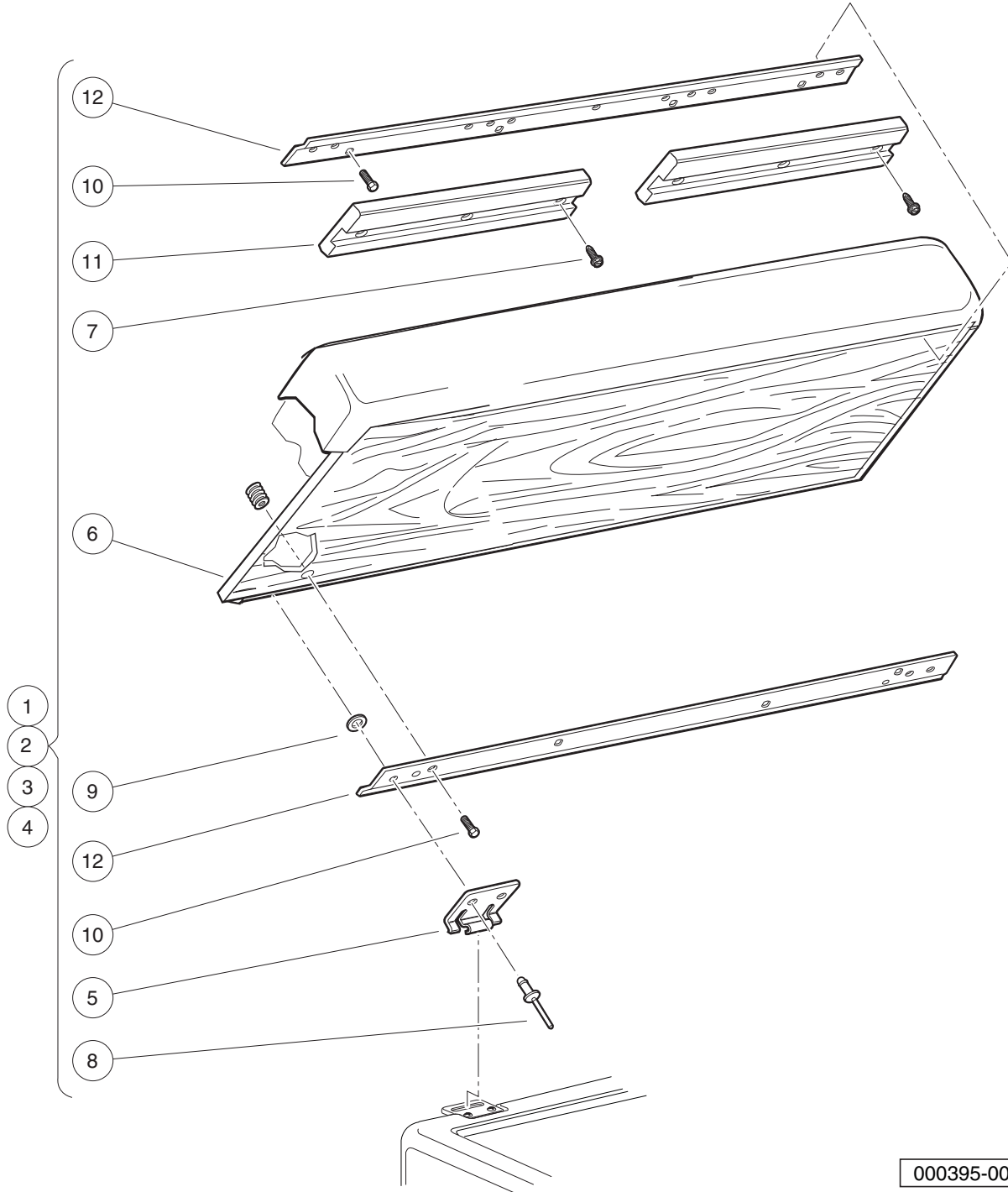
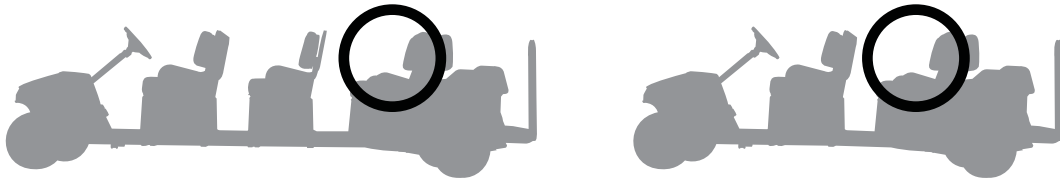
## CENTER BODIES – VILLAGER 8 IQ PLUS VEHICLE

ITEM	PART NO.	DESCRIPTION	QTY
		<b>1 2 3 4</b>	
1	1010434	Barrel - Plastic .....	2
2	1010993	Body Kick Plate .....	2
3	1012412	Body, Hinge Plate .....	2
4	1012581	Washer, 0.609-inch OD, Nylon Cup .....	4
5	101791901	Bumper Guard Vinyl Trim .....	2
6	102310701	Screw, #8-18 x 0.375, Hex-Head Washer .....	8
7	102945501	Body, Beige, Center .....	1
8	102945502	Body, White, Center .....	1
9	102945504	Body, Gray, Center .....	1
10	102945506	Body, Red, Center .....	1
11	102945508	Body, Pacific Blue, Center .....	1
12	102945509	Body, Dark Green, Center .....	1
13	102945510	Body, Black, Center .....	1
14	102945511	Body, Classic Blue, Center .....	1
15	102945512	Body, Burgundy, Center .....	1
16	103274001	Body, Center, Elec, Beige .....	1
17	103274002	Body, Center, Elec, Wht .....	1
18	103274004	Body, Center, Elec, Gray .....	1
19	103274006	Body, Center, Elec, Red .....	1
20	103274008	Body, Center, Elec, Pacific Bl .....	1
21	103274009	Body, Center, Elec, Dk Green .....	1
22	103274010	Body, Center, Elec, Black .....	1
23	103274011	Body, Center, Elec, C/blu .....	1
24	103274012	Body, Center, Elec, Burgundy .....	1
25	332	Washer, 1/4 Type A Narrow Flat .....	8
26	8233	Locknut, 1/4-20, Nylon Insert .....	8
27	8251	Screw, 1/4-20 X 1.0 Truss-Head Machine .....	8

**1**  
**G**  
**E**

VILLAGER 8

VILLAGER 6



000395-004

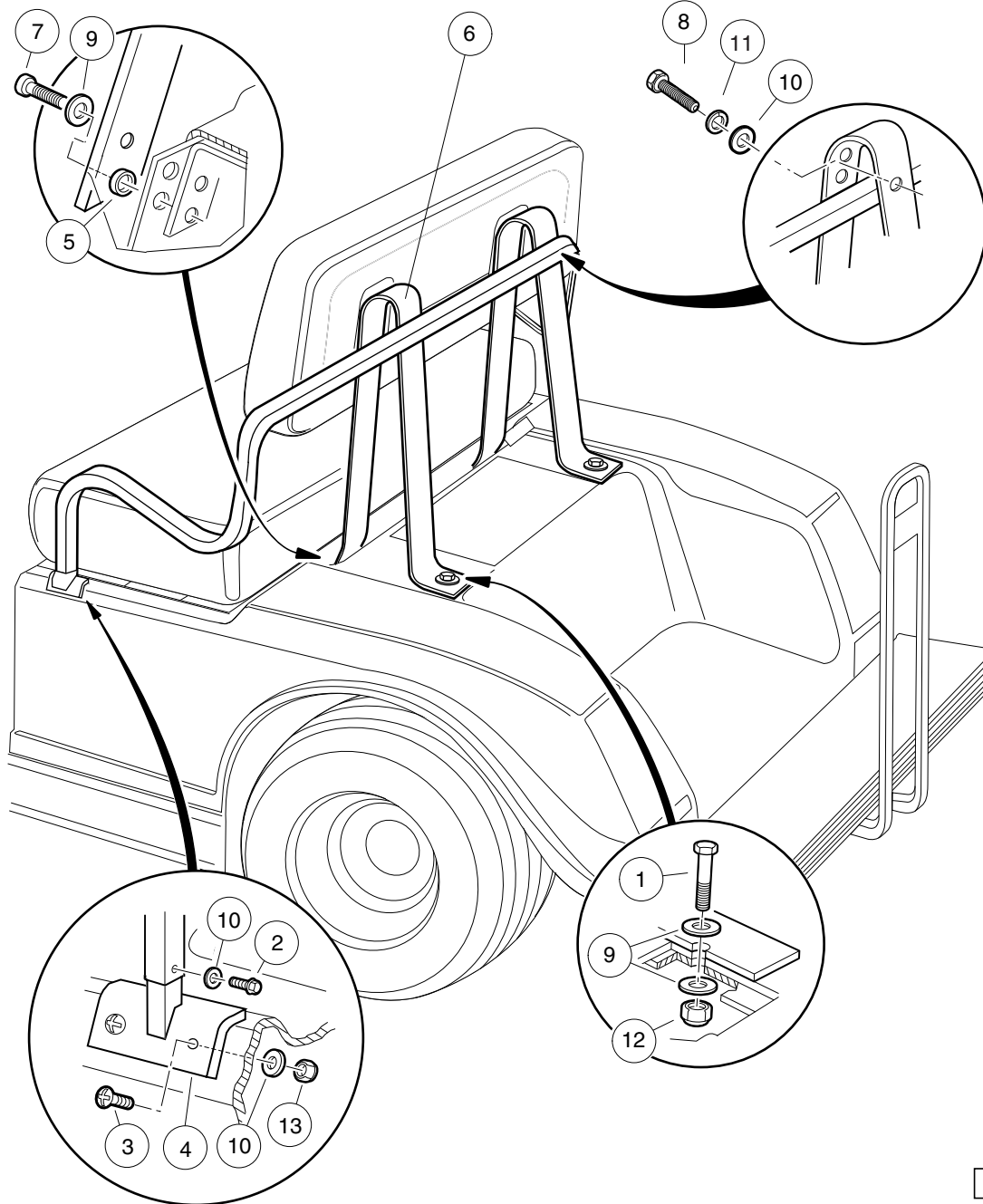
## REAR, FORWARD-FACING SEAT BOTTOM

ITEM	PART NO.	DESCRIPTION	QTY
		<b>1 2 3 4</b>	
1	101728202	Seat Bottom Assembly, Rear, White .....	1
2	101728204	Seat Bottom Assembly, Rear, Beige .....	1
3	101728211	Seat Bottom Assembly, Rear, Black .....	1
4	101728214	Seat Bottom Assembly, Rear, Gray (includes items 5 through 12) .....	1
5	1011652	Hinge Plate .....	2
6	N/A	Plywood Assy .....	1
7	1017384	Screw, #12 X .50 Hex, Washer-Head .....	6
8	101880901	Rivet, 3/16, Stainless-Steel, Pop .....	4
9	101881701	Washer, #8 Stainless-Steel Flat .....	4
10	101954301	Screw, 1/4-20 X 0.75 Hex-Head Cap .....	8
11	105064802	Seat, Bumper, Hole, 13.78in .....	2
12	105216301	Bracket, Seat Support .....	2

**1**  
**G**  
**E**

VILLAGER 8

VILLAGER 6



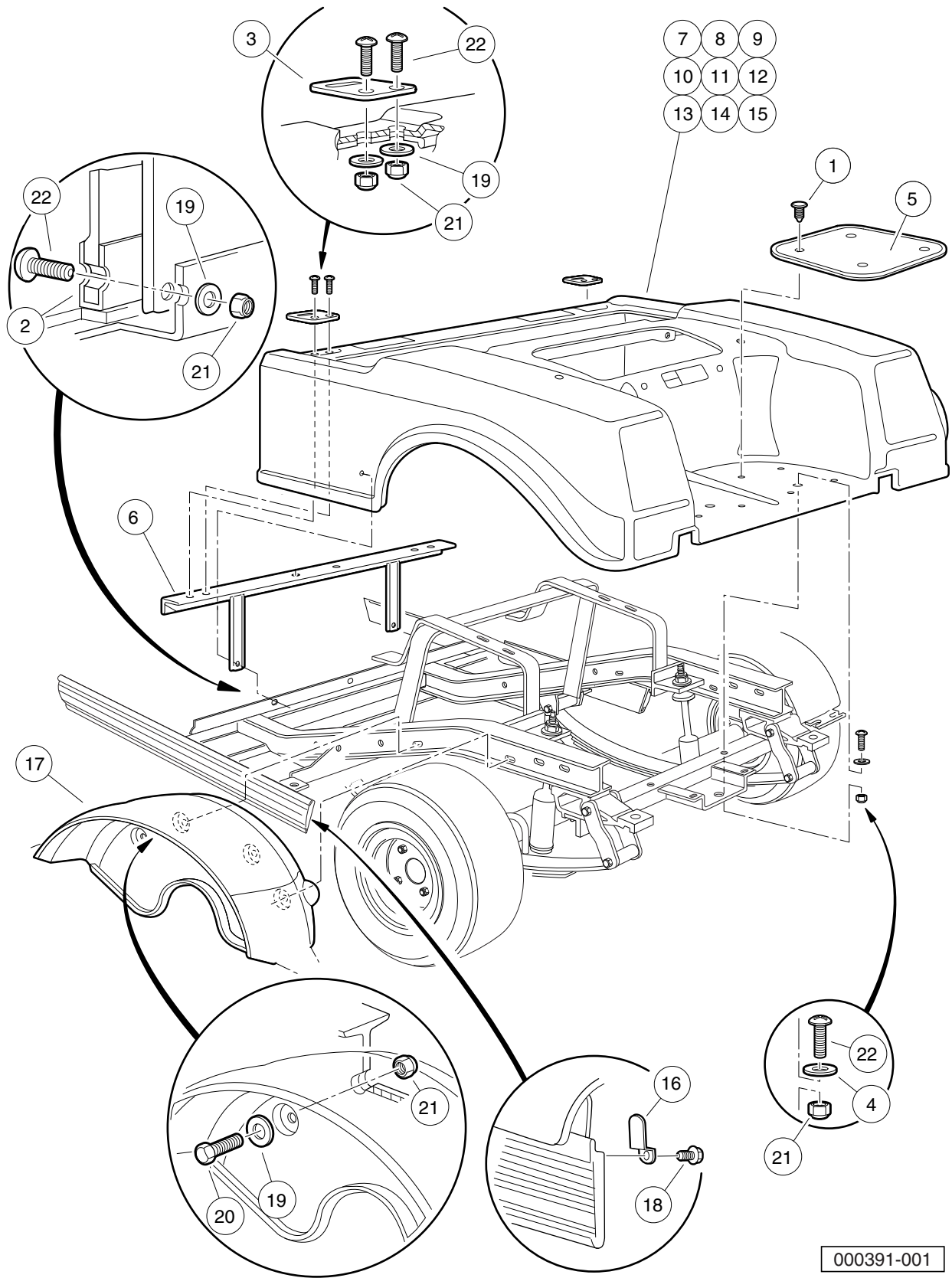
000397-002

# ARMRESTS, REAR, FORWARD-FACING – VILLAGER 6 & 8 VEHICLES

ITEM	PART NO.	DESCRIPTION	QTY
		<b>1 2 3 4</b>	
1	1010577	Bolt, Hex-Head, 5/16-18 X 1.50 .....	2
2	1012285	Screw, 1/4 X 0.625 Hex-Head .....	10
3	1015902	Screw, 1/4-20 X 1.25 Truss-Head .....	4
4	1017310	Armrest Mounting Weldment .....	2
5	1017774	Body Spacer .....	4
6	101799201	Armrest Weldment Rear .....	1
7	101910401	Screw, 5/16-18 X 1.25 Thrd Frm .....	4
8	101954301	Screw, 1/4-20 X 0.75 Hex-Head Cap .....	8
9	1241	Washer, 5/16 Type A Flat .....	6
10	332	Washer, 1/4 Type A Narrow Flat .....	14
11	451	Lockwasher, 1/4 Split .....	8
12	7473	Locknut, 5/16-18 Nylon Insert .....	2
13	8233	Locknut, 1/4-20, Nylon Insert .....	4

**1**  
**G**  
**E**

**1**  
**G**  
**E**



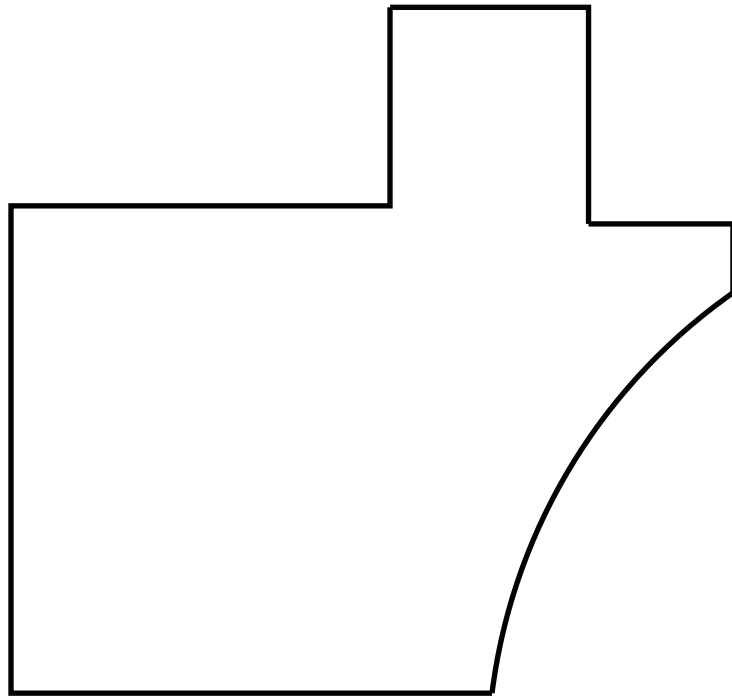
000391-001

## REAR BODY AND FENDER – VILLAGER 6 & 8

ITEM	PART NO.	DESCRIPTION	QTY
		1 2 3 4	
1	1010434	Barrel - Plastic .....	8
2	1010993	Body Kick Plate .....	1
3	1012412	Body, Hinge Plate .....	2
4	1014306	Washer, 1/4" Type B Flat .....	2
5	1014392	Bag Rest Mat .....	2
6	1017141	Body Support Weldment .....	1
7	101728701	Body, Beige, TPO, Rear .....	1
8	101728702	Body, White, TPO, Rear .....	1
9	101728704	Body, Gray, TPO, Rear .....	1
10	101728706	Body, Red, TPO, Rear .....	1
11	101728708	Body, Royal Blue, TPO, Rear .....	1
12	101728709	Body, Dark Green, TPO, Rear .....	1
13	101728710	Body, Black, TPO, Rear .....	1
14	101728711	Body, Classic Blue, TPO, Rear .....	1
15	101728712	Body, Burgundy, TPO, Rear .....	1
16	1017748	Body Keeper Clip .....	2
17	1017936	Fender, Inner .....	2
18	102310701	Screw, #8-18 x 0.375, Hex-Head Washer .....	2
19	332	Washer, 1/4 Type A Narrow Flat .....	10
20	7847	Screw, 1/4-20 X 0.75 Hex-Head Cap .....	4
21	8233	Locknut, 1/4-20, Nylon Insert .....	12
22	8251	Screw, 1/4-20 X 1.0 Truss-Head Machine .....	8

1  
G  
E

**1**  
**G**  
**E**



1



2



3

001603-001

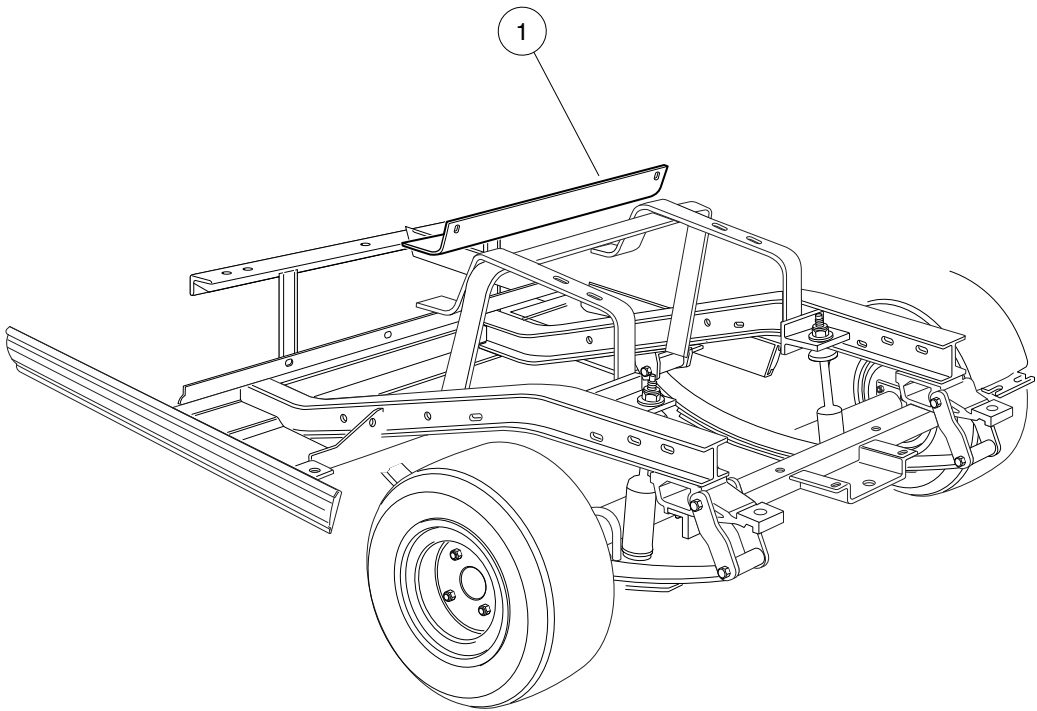
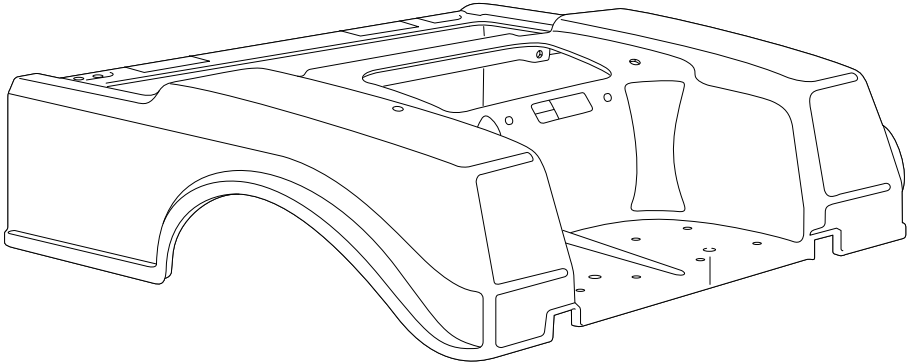


# HEAT INSULATION, FOAM – EFI GASOLINE VEHICLE

ITEM	PART NO.	DESCRIPTION	QTY
		1 2 3 4	
1	105280201	Foam, Poly, Alum, 1", Style A .....	1
2	105280202	Foam, Poly, Alum, 1", Style B .....	1
3	105280203	Foam, Poly, Alum, 1", Style C .....	1
		Note: Foil lining over foam.	

1  
G  
E

**1**  
**G**  
**E**

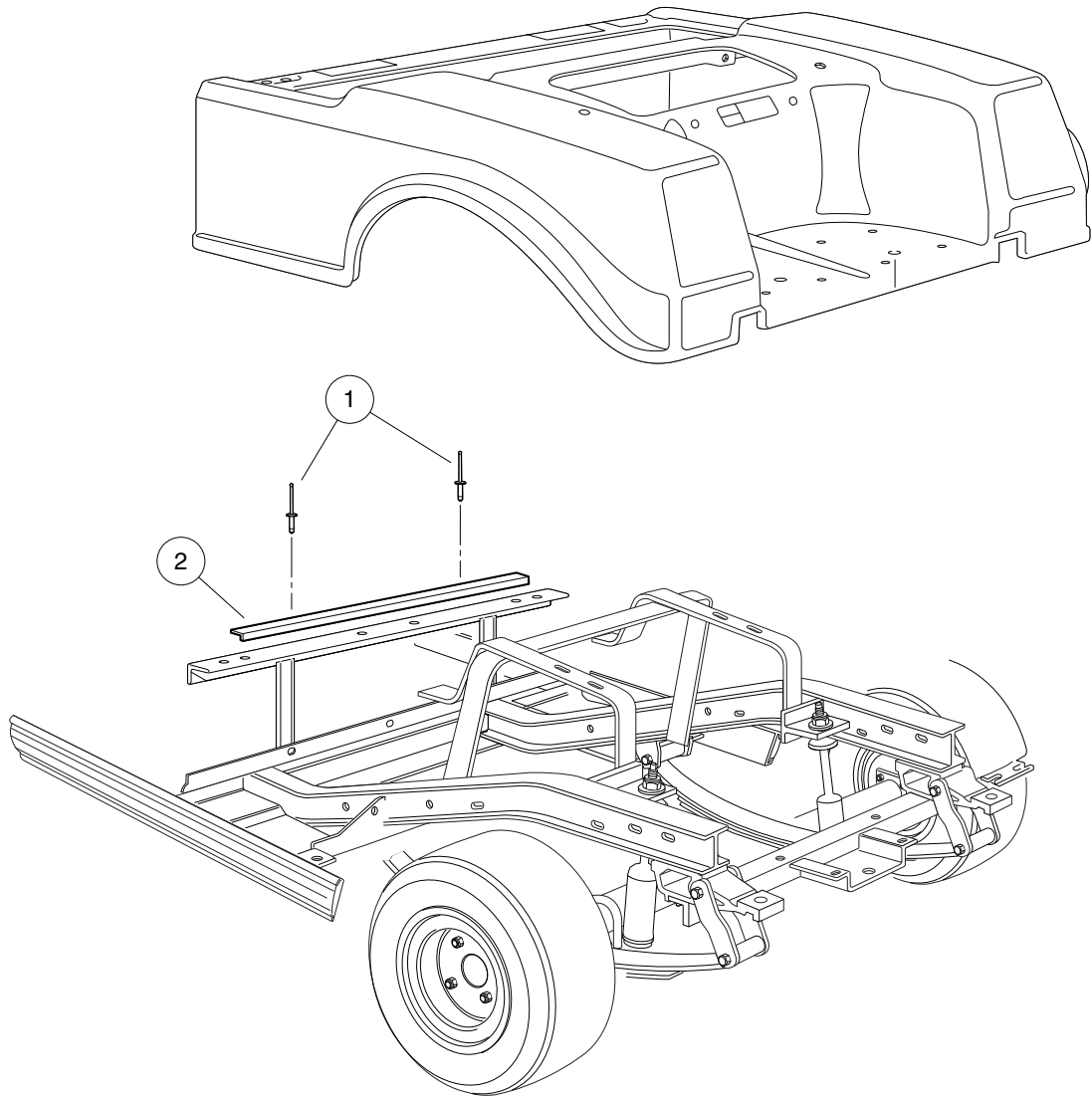


000392-001

# HEAT SHIELD, TRANSPORTER, VILL 6 & 8, XRT800/850 REAR BODY – GAS

ITEM	PART NO.	DESCRIPTION	QTY
1	101806901	<div style="font-size: small; margin-bottom: 5px;">1 2 3 4</div> Shield, Heat .....	1

1  
G  
E

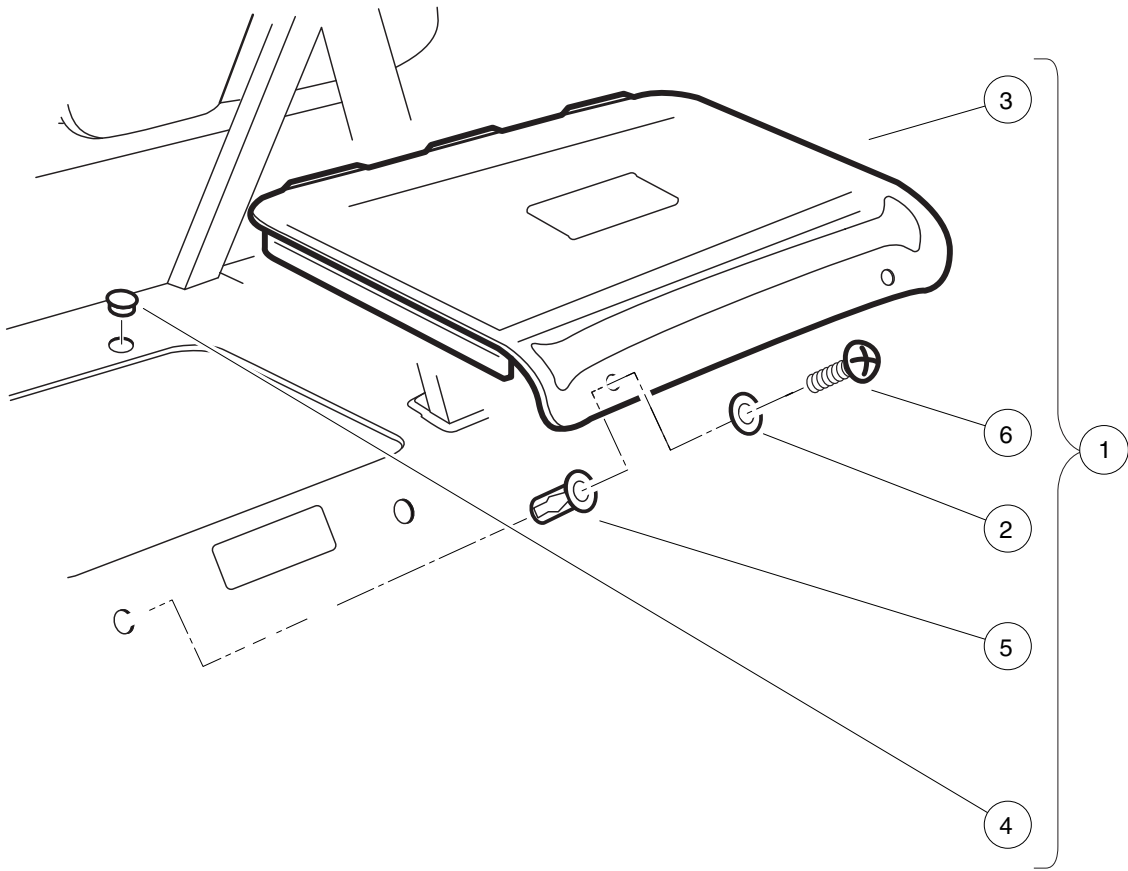


000393-001

# BATTERY INSULATOR, TRANSPORTER, VILL 6 & 8, XRT850 REAR BODY – ELECTRIC

ITEM	PART NO.	DESCRIPTION	QTY
1	1013357	1 2 3 4 Rivet, 5/32 Aluminum Pop .....	2
2	101837001	Battery Insulator .....	1

**1**  
**G**  
**E**



000783-002

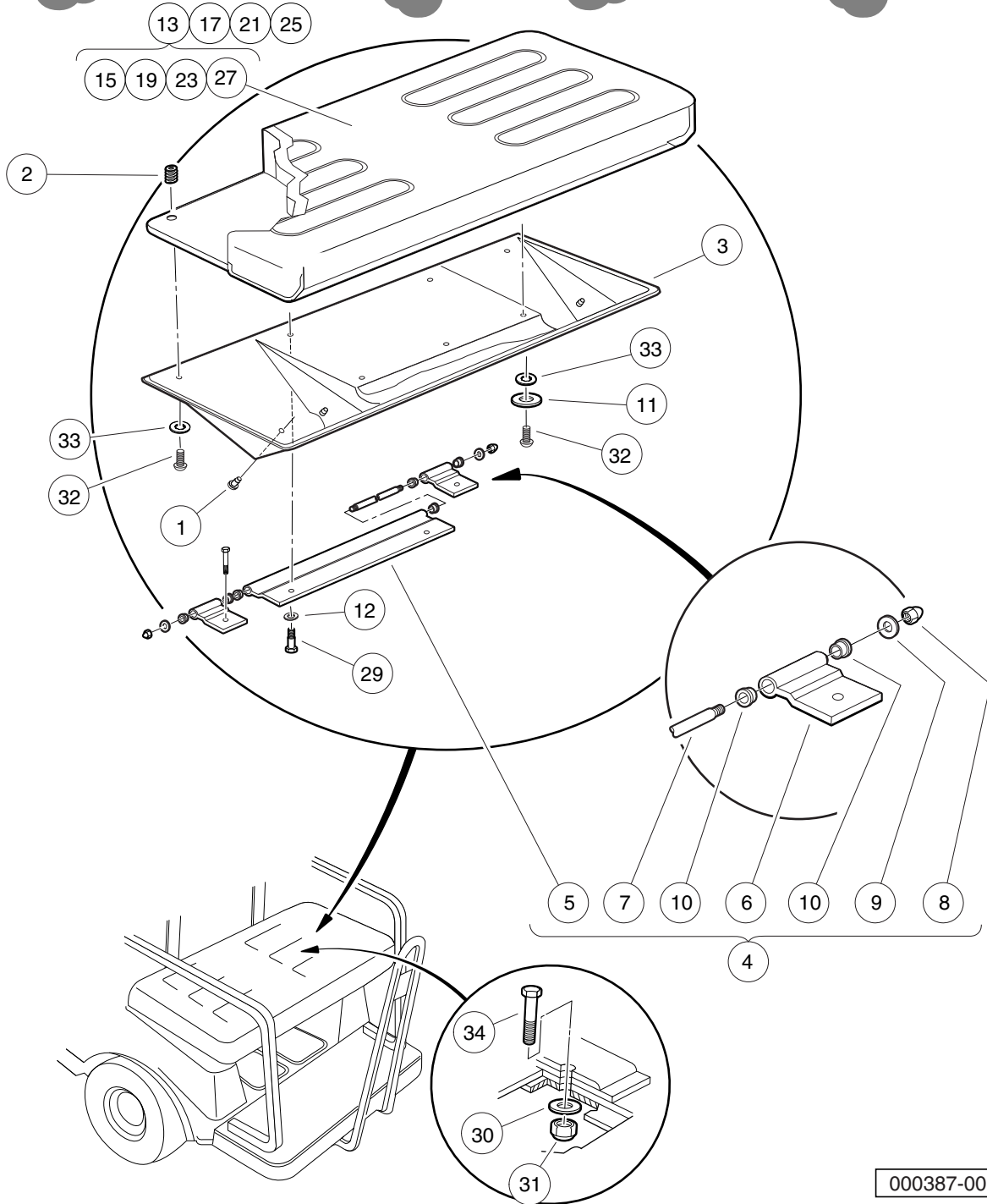
# REAR ACCESS DOOR

ITEM	PART NO.	DESCRIPTION	QTY
		<b>1 2 3 4</b>	
1	1013218	Kit, Access Door Black (includes items 2 through 6) .....	1
2	1012581	Washer, 0.609-inch OD, Nylon Cup .....	2
3	1013032	Molded Access Door Black .....	1
4	1013216	Plug, Button .....	2
5	1015525	Nut, 1/4-20 Blind .....	2
6	8251	Screw, 1/4-20 X 1.0 Truss-Head Machine .....	2

**1**  
**G**  
**E**

VILLAGER 8

VILLAGER 6



000387-001

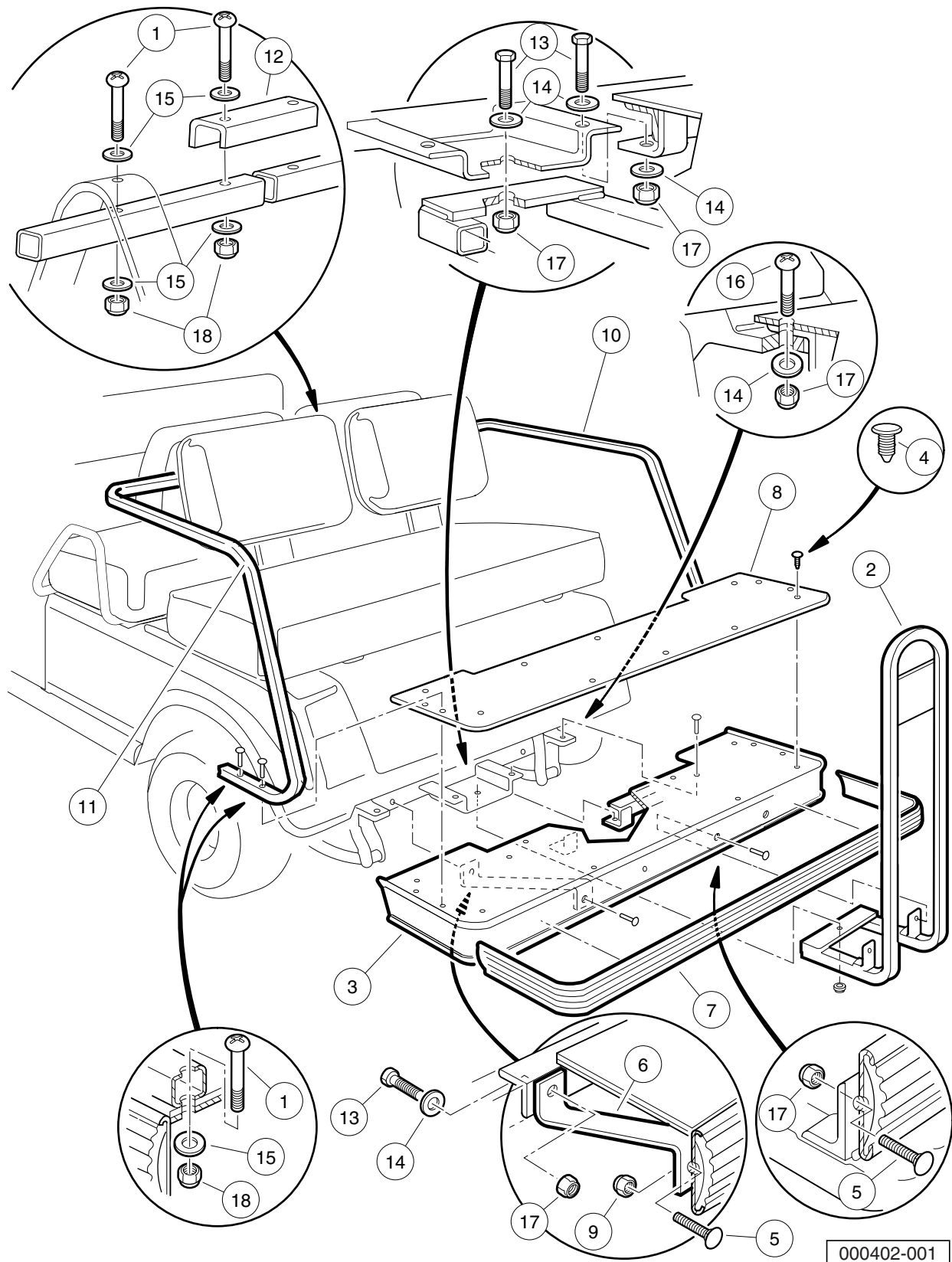


## REAR-FACING SEAT BOTTOM – VILLAGER VEHICLES

ITEM	PART NO.	DESCRIPTION	QTY
		1 2 3 4	
1	1010436	Bumper, Rubber .....	4
2	1010543	Insert - Wood .....	7
3	1011210	Seat Support 4-Passenger .....	1
4	1011219	Hinge Assembly 4 Passenger (includes items 5 through 10) .....	1
5	1011220	Hinge Long 4 Passenger .....	1
6	1011221	Hinge Short 4 Passenger .....	2
7	1011222	Pin, Hinge, Long, 4-Pass .....	1
8	1015091	Nut, 1/4-20 Stainless-Steel Center-Lock Cap .....	2
9	332	Washer, 1/4 Type A Narrow Flat .....	2
10	8028	Rotor Stop, FNR .....	6
11	1011578	Washer, 5/16 Type B Flat .....	3
12	1014007	Washer, 1/4, Flat .....	2
13	101564804	Seat Bottom Assembly, Buff (includes items 14 through 16) .....	1
14	N/A	Foam, Seat .....	1
15	101562711	Vinyl Cover, Seat Bottom, Buff .....	1
16	N/A	Plywood Assy .....	1
17	101564805	Seat Bottom Assembly, White (includes items 18 through 20) .....	1
18	N/A	Foam, Seat .....	1
19	101562712	Vinyl Cover, Seat Bottom, White .....	1
20	N/A	Plywood Assy .....	1
21	101564807	Seat Bottom Assembly, Gray (includes items 22 through 24) .....	1
22	N/A	Foam, Seat .....	1
23	101562715	Vinyl Cover, Seat Bottom, Gray .....	1
24	N/A	Plywood Assy .....	1
25	101564808	Seat Bottom Assembly, Black (includes items 26 through 28) .....	1
26	N/A	Foam, Seat .....	1
27	101562714	Vinyl Cover, Seat Bottom, Black .....	1
28	N/A	Plywood Assy .....	1
29	1016916	Screw, 1/4-20 X 1.50 Hex-Head Cap .....	2
30	1241	Washer, 5/16 Type A Flat .....	2
31	7473	Locknut, 5/16-18 Nylon Insert .....	2
32	8251	Screw, 1/4-20 X 1.0 Truss-Head Machine .....	5
33	8304	Lockwasher, 1/4 Type A Int.tth .....	5
34	8963	Screw, 5/16-18 X 1.75 Hex-Head Cap .....	2
Note: Sub-components contained in items 17, 21, and 25 are the same as those shown for item 13, except for the vinyl seat covers.			

1  
G  
E

**1**  
**G**  
**E**



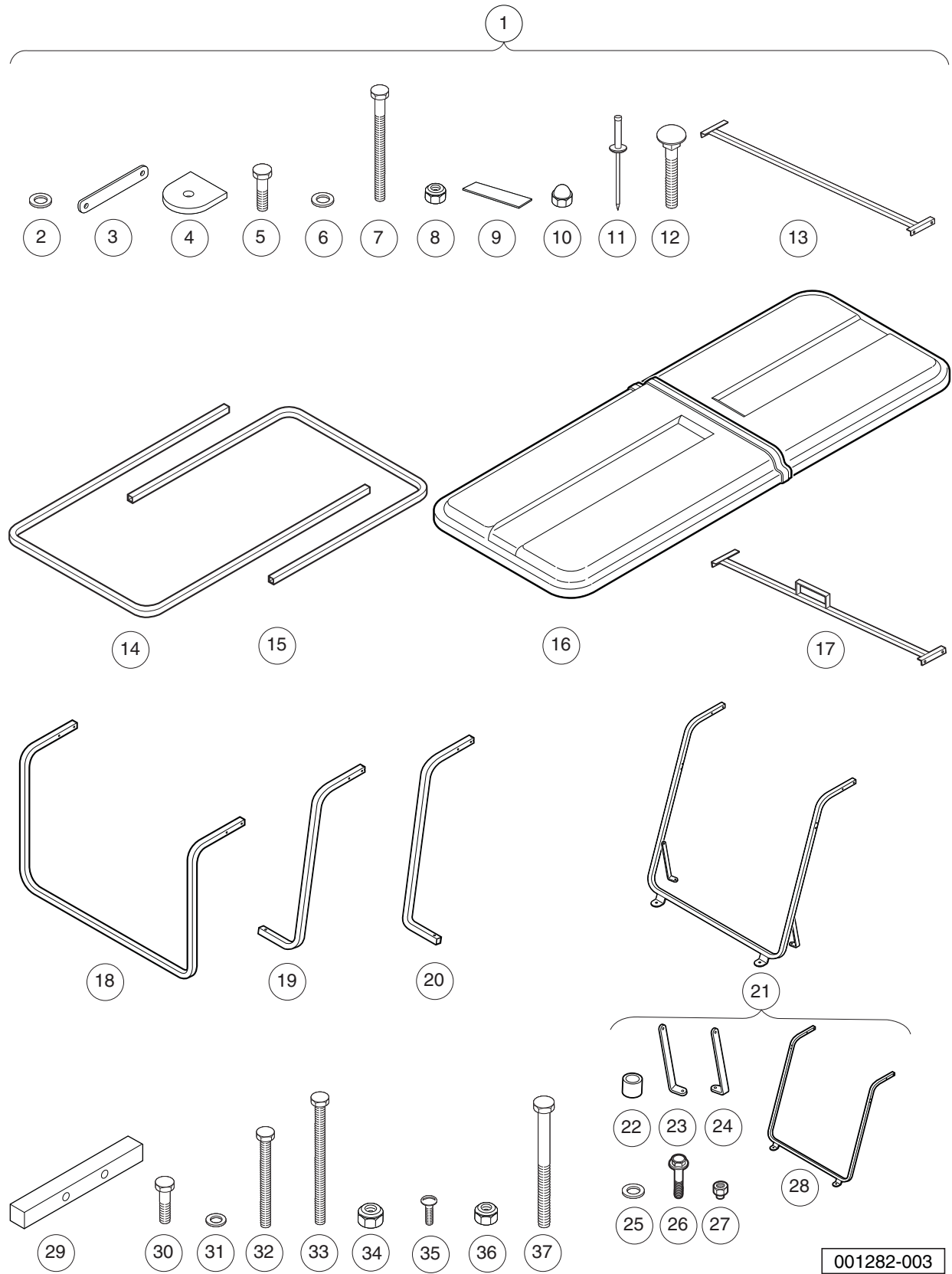
000402-001

# REAR FOOTREST, ARMRESTS AND HANDRAILS – DS VILLAGER 4, VILLAGER 6 AND 8

ITEM	PART NO.	DESCRIPTION	QTY
		<b>1 2 3 4</b>	
1	1011988	Screw, 1/4-20 X 2.00 Phillips Truss-Head .....	8
2	1016842	Rear Seat Handrail Weldment .....	1
3	101841101	Rear Foot Rest Asm (includes items 4 through 9) .....	1
4	1010434	Barrel - Plastic .....	8
5	1010435	Bolt, Carriage, 5/16-18 X 1.00 .....	4
6	1016668	Connecting Bar .....	2
7	1016835	Bumper, Side Trim .....	1
8	101840901	Foot Rest Mat .....	1
9	7473	Locknut, 5/16-18 Nylon Insert .....	2
10	101841201	Armrest, Seat, Rear, Right-Hand .....	1
11	101841202	Armrest, Seat, Rear, Left-Hand .....	1
12	101841301	Armrest Bracket .....	1
13	1218	Screw, 5/16-18 X 1.25 Hex-Head Cap .....	5
14	1241	Washer, 5/16 Type A Flat .....	9
15	332	Washer, 1/4 Type A Narrow Flat .....	8
16	7410	Screw, 5/16-18 X 1.25 Truss Hd .....	2
17	7473	Locknut, 5/16-18 Nylon Insert .....	9
18	8233	Locknut, 1/4-20, Nylon Insert .....	8

**1**  
**G**  
**E**

**1**  
**G**  
**E**

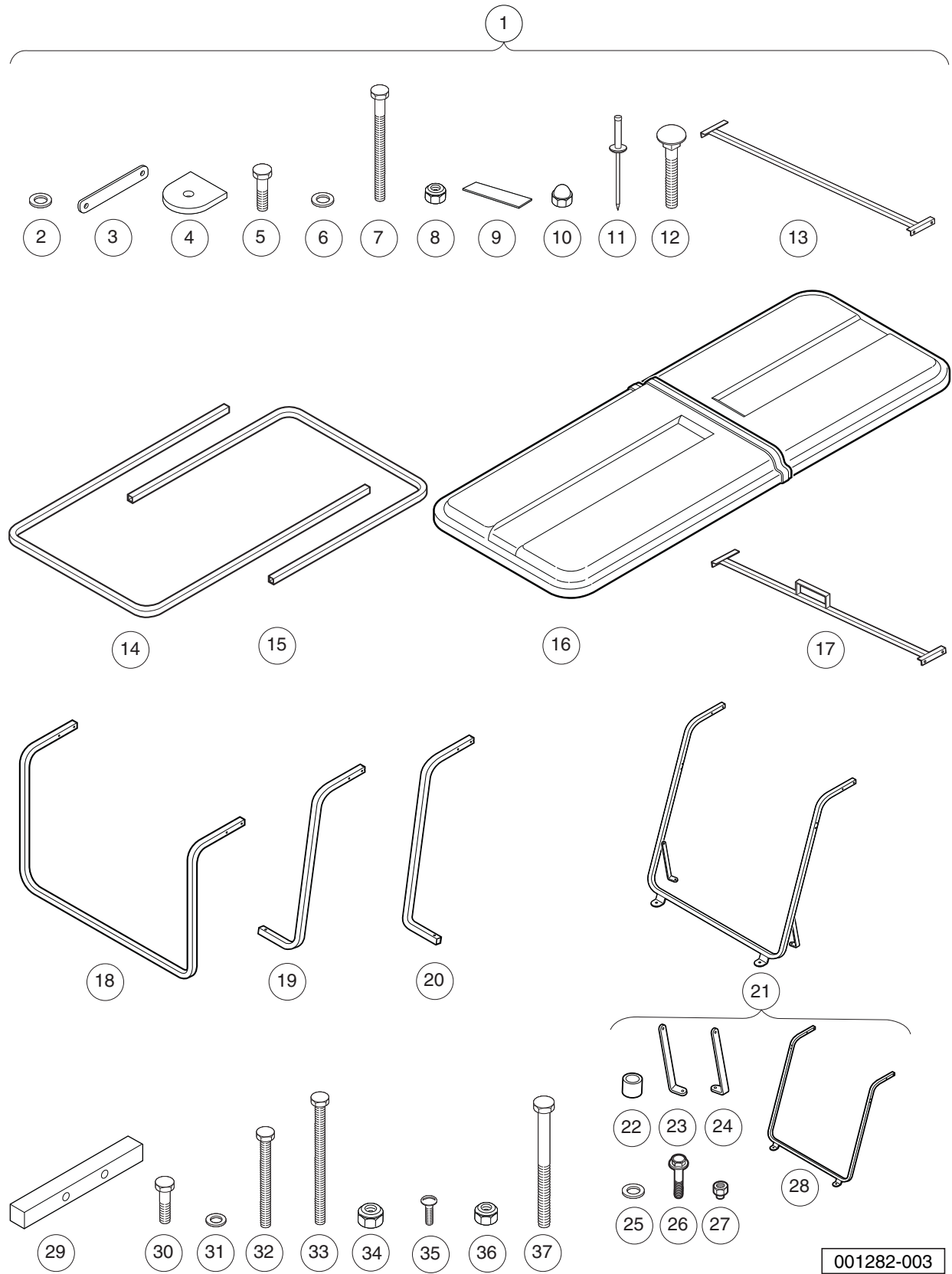


# CANOPY KIT, WHITE – VILL. 6 WITH REAR-FACING SEATS

ITEM	PART NO.	DESCRIPTION	QTY
		<b>1 2 3 4</b>	
1	101816701	Canopy Top Wht Vill W/rear St (includes items 2 through 37) .....	1
2	1011697	Washer, 5/16 Flat .....	2
3	1011852	Plate, Canopy Trim .....	10
4	1011883	Pad, Windshield Frame Mounting .....	2
5	1011937	Bolt, 5/16-18 X 1.25 Hex Head .....	2
6	1011964	Washer, 1/4 Flat .....	14
7	1012159	Bolt, 1/4-20 X 2.75 Hex-Head .....	8
8	1013061	Locknut, #10-32 Nylon Insert .....	8
9	1014471	Tape, Vinyl Foam 1/8" x 3/4" .....	20
10	1015091	Nut, 1/4-20 Stainless-Steel Center-Lock Cap .....	4
11	1015392	Rivet, 3/16 Pop .....	8
12	1015405	Bolt, Carriage, 5/16-18 X 2.0 .....	2
13	1016781	Hanger Weldment .....	1
14	1016793	Top Front Support .....	1
15	1016794	Top Rear Support .....	1
16	101679902	Canopy Front & Rear White .....	1
17	1017185	Hanger Weldment Front .....	1
18	101815301	Brace, Rear Canopy .....	1
19	101815401	Canopy Side Brace Lh .....	1
20	101815402	Canopy Side Brace Rh .....	1
21	103789601	W/s Fr / Knee Br, Aluminum (includes items 22 through 28) .....	1
22	1010237	Bushing .....	2
23	1011862	Brace, Right-Hand Canopy Mount Knee .....	1
24	1011865	Brace, Left-Hand Canopy Mount Knee .....	1
25	1011964	Washer, 1/4 Flat .....	2
26	102076701	Screw, 1/4-20 X 1.75 Hex Sems .....	2
27	102242401	Nut - Nylon Insert W/cap .....	2
28	103787401	Asm, Windshield Frame, Alum .....	1
29	103954301	Splice Bar 10.5" .....	2
30	1218	Screw, 5/16-18 X 1.25 Hex-Head Cap .....	2
31	183	Washer, #10, Type A, Flat .....	16
32	324	Screw, 1/4-20 X 2.50 Hx Hd Cap .....	4
33	343	Screw, 1/4-20 X 3.00 Hx Hd Cap .....	4
34	7473	Locknut, 5/16-18 Nylon Insert .....	2
35	8104	Screw, #10-32 X .75 Rd Hd Mach .....	8
36	8233	Locknut, 1/4-20, Nylon Insert .....	12
37	8915	Screw, 5/16-18 X 3.0 Hx Hd Cap .....	2

**1**  
**G**  
**E**

**1**  
**G**  
**E**

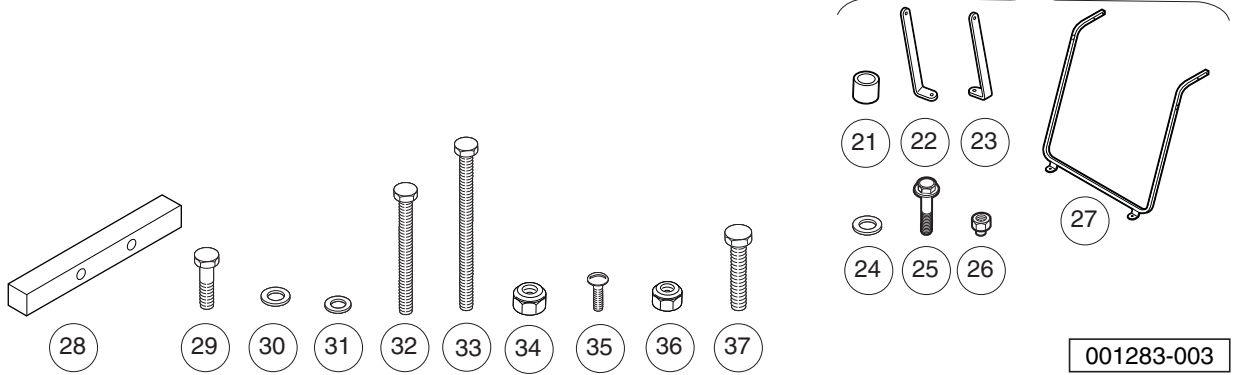
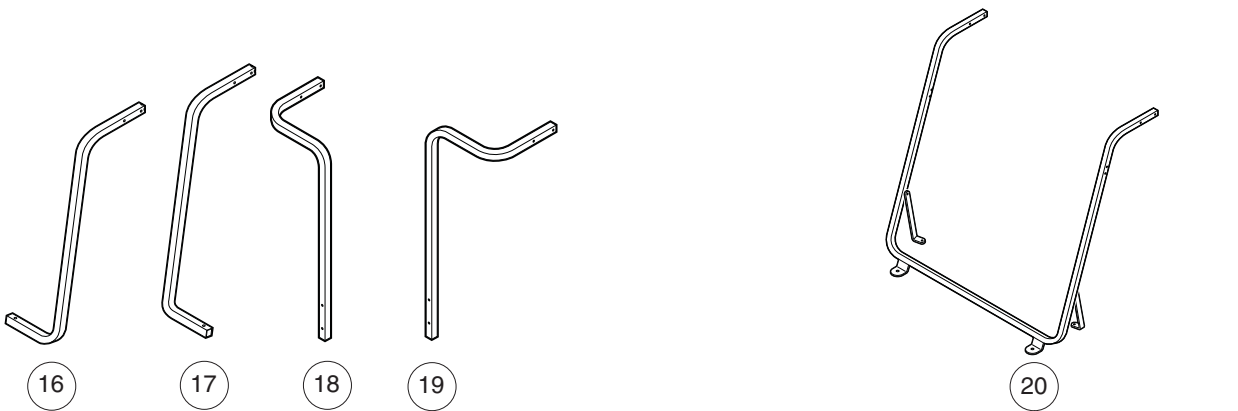
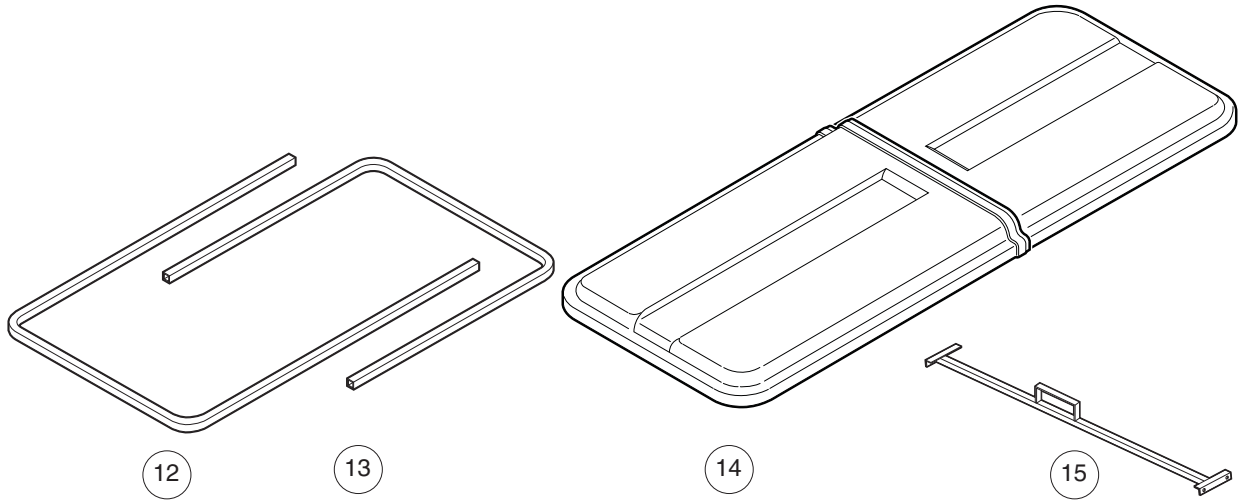
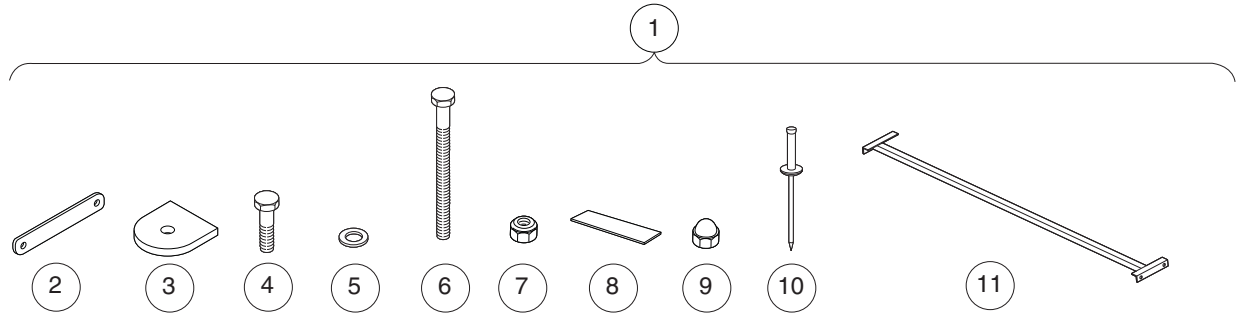


# CANOPY KIT, BEIGE – VILL. 6 WITH REAR-FACING SEATS

ITEM	PART NO.	DESCRIPTION	QTY
		<b>1 2 3 4</b>	
1	101816702	Canopy Beige Vill W/rear St (includes items 2 through 37) .....	1
2	1011697	Washer, 5/16 Flat .....	2
3	1011852	Plate, Canopy Trim .....	10
4	1011883	Pad, Windshield Frame Mounting .....	2
5	1011937	Bolt, 5/16-18 X 1.25 Hex Head .....	2
6	1011964	Washer, 1/4 Flat .....	14
7	1012159	Bolt, 1/4-20 X 2.75 Hex-Head .....	8
8	1013061	Locknut, #10-32 Nylon Insert .....	8
9	1014471	Tape, Vinyl Foam 1/8" x 3/4" .....	20
10	1015091	Nut, 1/4-20 Stainless-Steel Center-Lock Cap .....	4
11	1015392	Rivet, 3/16 Pop .....	8
12	1015405	Bolt, Carriage, 5/16-18 X 2.0 .....	2
13	1016781	Hanger Weldment .....	1
14	1016793	Top Front Support .....	1
15	1016794	Top Rear Support .....	1
16	101679901	Canopy Front & Rear Beige .....	1
17	1017185	Hanger Weldment Front .....	1
18	101815301	Brace, Rear Canopy .....	1
19	101815401	Canopy Side Brace Lh .....	1
20	101815402	Canopy Side Brace Rh .....	1
21	103789601	W/s Fr / Knee Br, Aluminum (includes items 22 through 28) .....	1
22	1010237	Bushing .....	2
23	1011862	Brace, Right-Hand Canopy Mount Knee .....	1
24	1011865	Brace, Left-Hand Canopy Mount Knee .....	1
25	1011964	Washer, 1/4 Flat .....	2
26	102076701	Screw, 1/4-20 X 1.75 Hex Sems .....	2
27	102242401	Nut - Nylon Insert W/cap .....	2
28	103787401	Asm, Windshield Frame, Alum .....	1
29	103954301	Splice Bar 10.5" .....	2
30	1218	Screw, 5/16-18 X 1.25 Hex-Head Cap .....	2
31	183	Washer, #10, Type A, Flat .....	16
32	324	Screw, 1/4-20 X 2.50 Hx Hd Cap .....	4
33	343	Screw, 1/4-20 X 3.00 Hx Hd Cap .....	4
34	7473	Locknut, 5/16-18 Nylon Insert .....	2
35	8104	Screw, #10-32 X .75 Rd Hd Mach .....	8
36	8233	Locknut, 1/4-20, Nylon Insert .....	12
37	8915	Screw, 5/16-18 X 3.0 Hx Hd Cap .....	2

**1**  
**G**  
**E**

**1**  
**G**  
**E**



001283-003

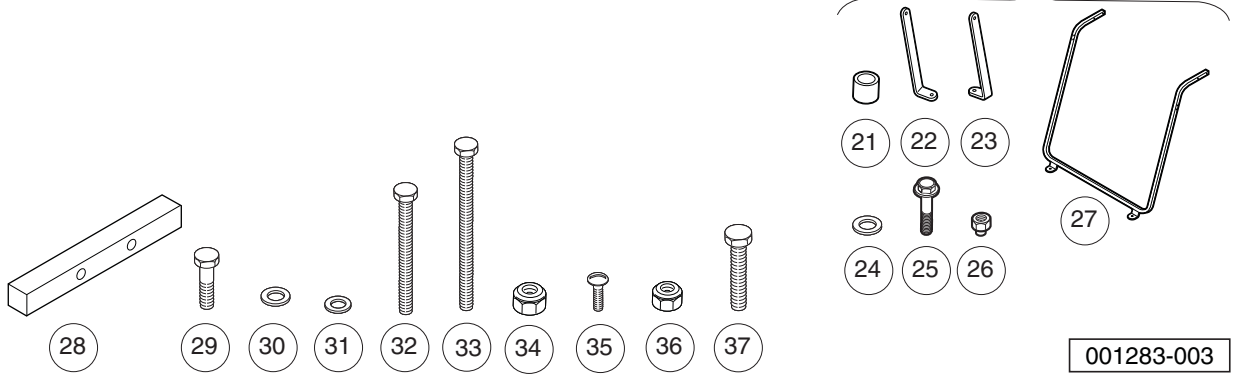
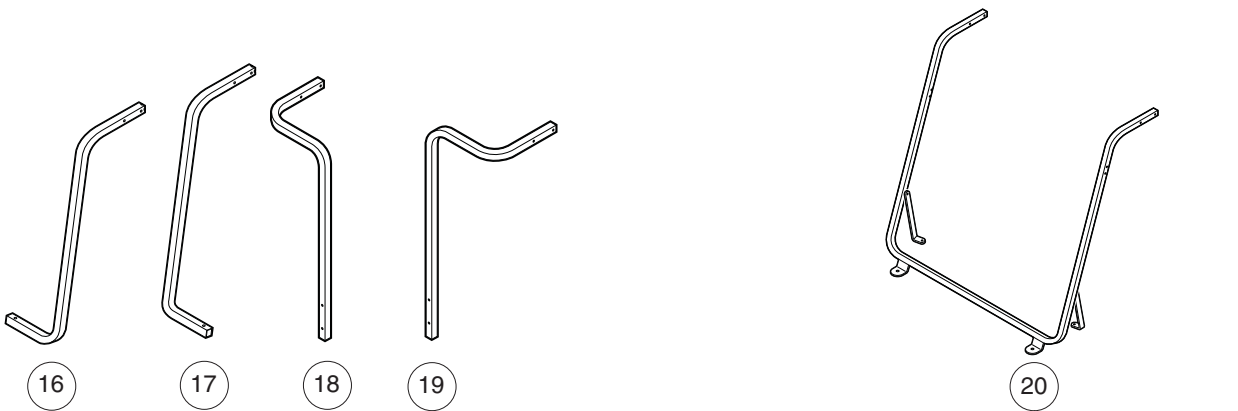
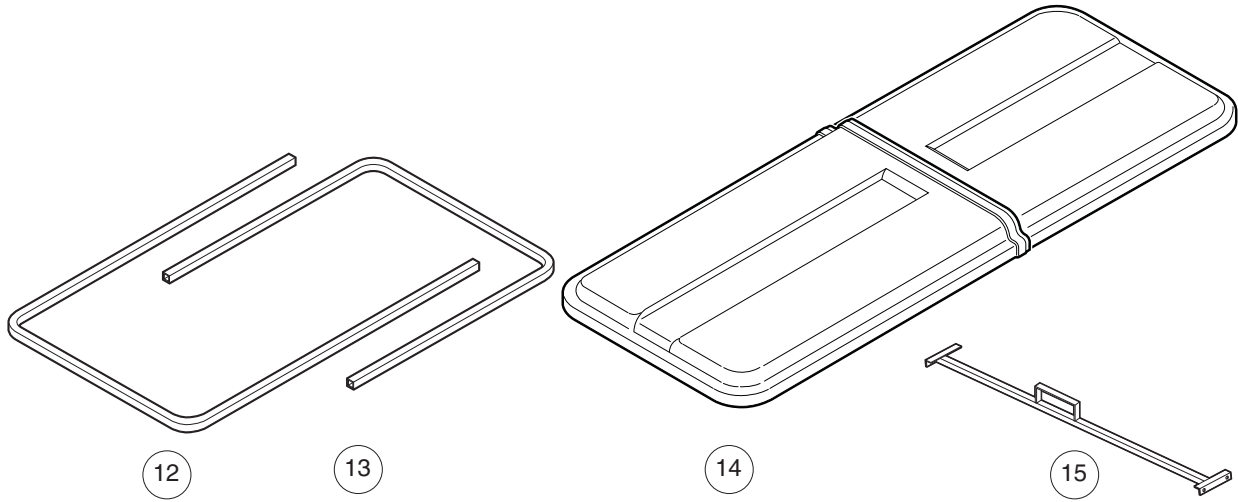
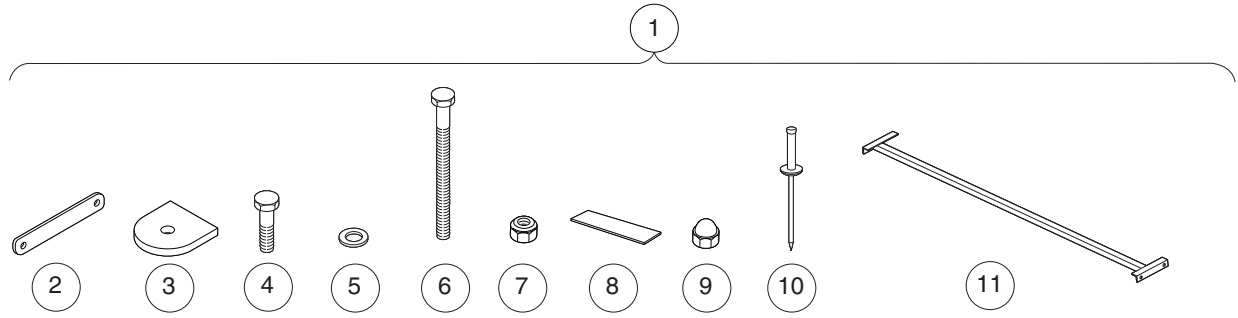


# CANOPY KIT, WHITE – VILL. 6 WITH FLAT BED

ITEM	PART NO.	DESCRIPTION	QTY
		<b>1 2 3 4</b>	
1	101838001	Canopy Top Wht Vill W/cargo Bd (includes items 2 through 37) .....	1
2	1011852	Plate, Canopy Trim .....	10
3	1011883	Pad, Windshield Frame Mounting .....	2
4	1011937	Bolt, 5/16-18 X 1.25 Hex Head .....	2
5	1011964	Washer, 1/4 Flat .....	14
6	1012159	Bolt, 1/4-20 X 2.75 Hex-Head .....	8
7	1013061	Locknut, #10-32 Nylon Insert .....	8
8	1014471	Tape, Vinyl Foam 1/8" x 3/4" .....	20
9	1015091	Nut, 1/4-20 Stainless-Steel Center-Lock Cap .....	4
10	1015392	Rivet, 3/16 Pop .....	8
11	1016781	Hanger Weldment .....	1
12	1016793	Top Front Support .....	1
13	1016794	Top Rear Support .....	1
14	101679902	Canopy Front & Rear White .....	1
15	1017185	Hanger Weldment Front .....	1
16	101815401	Canopy Side Brace Lh .....	1
17	101815402	Canopy Side Brace Rh .....	1
18	101837801	Rear Canopy Brace Rh .....	1
19	101837802	Rear Canopy Brace Lh .....	1
20	103789601	W/s Fr / Knee Br, Aluminum (includes items 21 through 27) .....	1
21	1010237	Bushing .....	2
22	1011862	Brace, Right-Hand Canopy Mount Knee .....	1
23	1011865	Brace, Left-Hand Canopy Mount Knee .....	1
24	1011964	Washer, 1/4 Flat .....	2
25	102076701	Screw, 1/4-20 X 1.75 Hex Sems .....	2
26	102242401	Nut - Nylon Insert W/cap .....	2
27	103787401	Asm, Windshield Frame, Alum .....	1
28	103954301	Splice Bar 10.5" .....	2
29	1218	Screw, 5/16-18 X 1.25 Hex-Head Cap .....	2
30	1241	Washer, 5/16 Type A Flat .....	4
31	183	Washer, #10, Type A, Flat .....	16
32	324	Screw, 1/4-20 X 2.50 Hx Hd Cap .....	4
33	343	Screw, 1/4-20 X 3.00 Hx Hd Cap .....	4
34	7473	Locknut, 5/16-18 Nylon Insert .....	4
35	8104	Screw, #10-32 X .75 Rd Hd Mach .....	8
36	8233	Locknut, 1/4-20, Nylon Insert .....	12
37	8963	Screw, 5/16-18 X 1.75 Hex-Head Cap .....	4

**1**  
**G**  
**E**

**1**  
**G**  
**E**

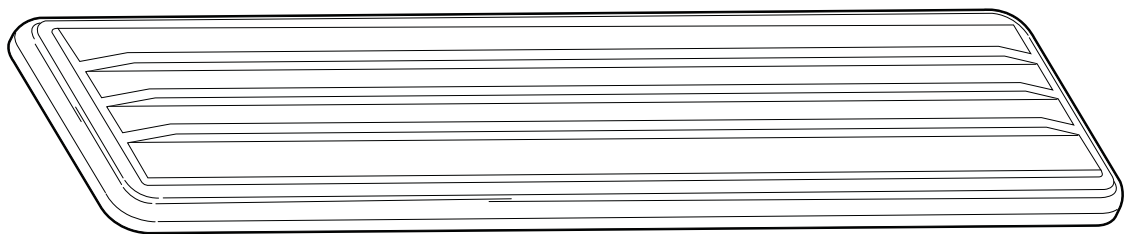
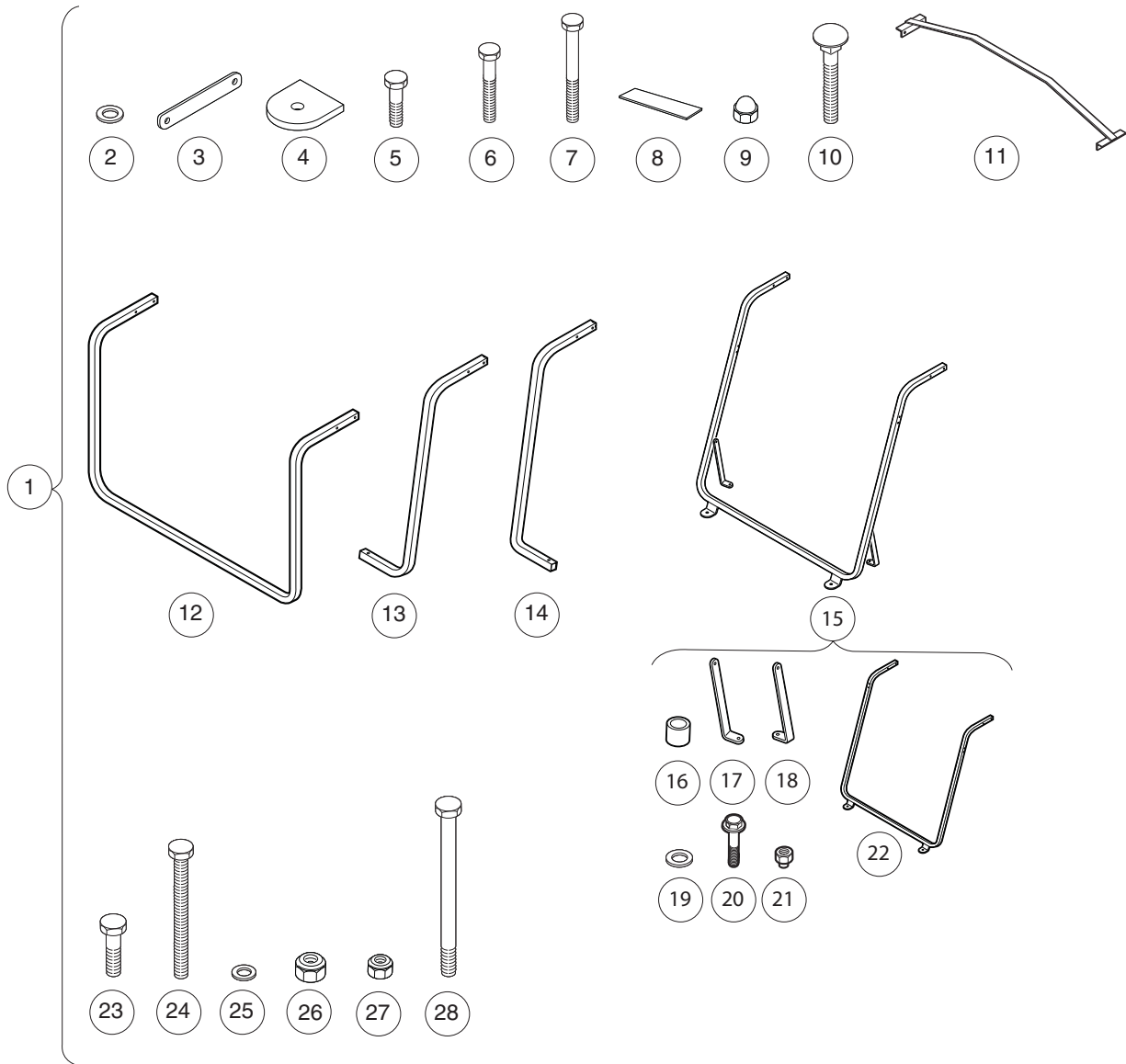


## CANOPY KIT, BEIGE – VILL. 6 WITH FLAT BED

ITEM	PART NO.	DESCRIPTION	QTY
		<b>1 2 3 4</b>	
1	101838002	Canopy Beige Vill W/cargo Bd (includes items 2 through 37) .....	1
2	1011852	Plate, Canopy Trim .....	10
3	1011883	Pad, Windshield Frame Mounting .....	2
4	1011937	Bolt, 5/16-18 X 1.25 Hex Head .....	2
5	1011964	Washer, 1/4 Flat .....	14
6	1012159	Bolt, 1/4-20 X 2.75 Hex-Head .....	8
7	1013061	Locknut, #10-32 Nylon Insert .....	8
8	1014471	Tape, Vinyl Foam 1/8" x 3/4" .....	20
9	1015091	Nut, 1/4-20 Stainless-Steel Center-Lock Cap .....	4
10	1015392	Rivet, 3/16 Pop .....	8
11	1016781	Hanger Weldment .....	1
12	1016793	Top Front Support .....	1
13	1016794	Top Rear Support .....	1
14	101679901	Canopy Front & Rear Beige .....	1
15	1017185	Hanger Weldment Front .....	1
16	101815401	Canopy Side Brace Lh .....	1
17	101815402	Canopy Side Brace Rh .....	1
18	101837801	Rear Canopy Brace Rh .....	1
19	101837802	Rear Canopy Brace Lh .....	1
20	103789601	W/s Fr / Knee Br, Aluminum (includes items 21 through 27) .....	1
21	1010237	Bushing .....	2
22	1011862	Brace, Right-Hand Canopy Mount Knee .....	1
23	1011865	Brace, Left-Hand Canopy Mount Knee .....	1
24	1011964	Washer, 1/4 Flat .....	2
25	102076701	Screw, 1/4-20 X 1.75 Hex Sems .....	2
26	102242401	Nut - Nylon Insert W/cap .....	2
27	103787401	Asm, Windshield Frame, Alum .....	1
28	103954301	Splice Bar 10.5" .....	2
29	1218	Screw, 5/16-18 X 1.25 Hex-Head Cap .....	2
30	1241	Washer, 5/16 Type A Flat .....	4
31	183	Washer, #10, Type A, Flat .....	16
32	324	Screw, 1/4-20 X 2.50 Hx Hd Cap .....	4
33	343	Screw, 1/4-20 X 3.00 Hx Hd Cap .....	4
34	7473	Locknut, 5/16-18 Nylon Insert .....	4
35	8104	Screw, #10-32 X .75 Rd Hd Mach .....	8
36	8233	Locknut, 1/4-20, Nylon Insert .....	12
37	8963	Screw, 5/16-18 X 1.75 Hex-Head Cap .....	4

**1**  
**G**  
**E**

**1**  
**G**  
**E**



29

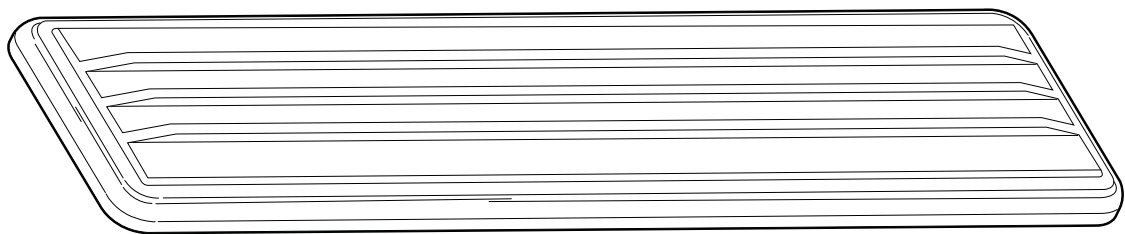
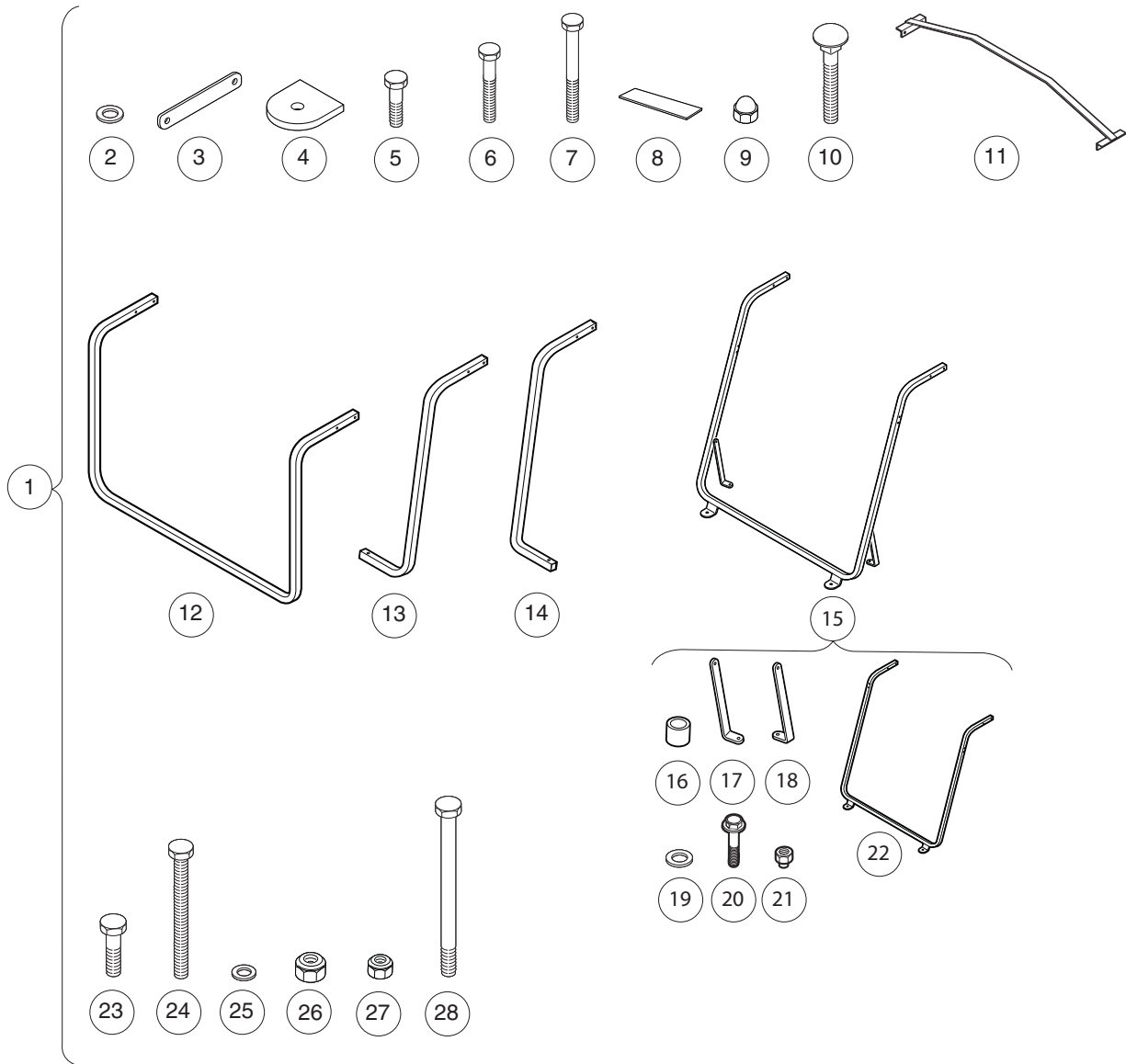
001284-003

# CANOPY KIT, WHITE – VILL. 8 WITH REAR-FACING SEATS

ITEM	PART NO.	DESCRIPTION	QTY
		<b>1 2 3 4</b>	
1	101805801	Canopy Hardware Kit (includes items 2 through 28) .....	1
2	1011697	Washer, 5/16 Flat .....	2
3	1011852	Plate, Canopy Trim .....	4
4	1011883	Pad, Windshield Frame Mounting .....	2
5	1011937	Bolt, 5/16-18 X 1.25 Hex Head .....	2
6	1013509	Screw, 1/4-20 X 1.75 Hx Hd Cap .....	4
7	1014201	Screw, 1/4-20 X 2.25 Hex Cap .....	16
8	1014471	Tape, Vinyl Foam 1/8" x 3/4" .....	20
9	1015091	Nut, 1/4-20 Stainless-Steel Center-Lock Cap .....	8
10	1015405	Bolt, Carriage, 5/16-18 X 2.0 .....	2
11	101800201	Canopy Top Brace Weldment .....	2
12	101805601	Rear Brace XI Canopy .....	1
13	101815401	Canopy Side Brace Lh .....	2
14	101815402	Canopy Side Brace Rh .....	2
15	103789601	W/s Fr / Knee Br, Aluminum (includes items 16 through 22) .....	1
16	1010237	Bushing .....	2
17	1011862	Brace, Right-Hand Canopy Mount Knee .....	1
18	1011865	Brace, Left-Hand Canopy Mount Knee .....	1
19	1011964	Washer, 1/4 Flat .....	2
20	102076701	Screw, 1/4-20 X 1.75 Hex Sems .....	2
21	102242401	Nut - Nylon Insert W/cap .....	2
22	103787401	Asm, Windshield Frame, Alum .....	1
23	1218	Screw, 5/16-18 X 1.25 Hex-Head Cap .....	2
24	324	Screw, 1/4-20 X 2.50 Hx Hd Cap .....	12
25	332	Washer, 1/4 Type A Narrow Flat .....	56
26	7473	Locknut, 5/16-18 Nylon Insert .....	2
27	8233	Locknut, 1/4-20, Nylon Insert .....	24
28	8915	Screw, 5/16-18 X 3.0 Hx Hd Cap .....	2
29	101835501	XI Canopy - White .....	1

**1**  
**G**  
**E**

**1**  
**G**  
**E**



29

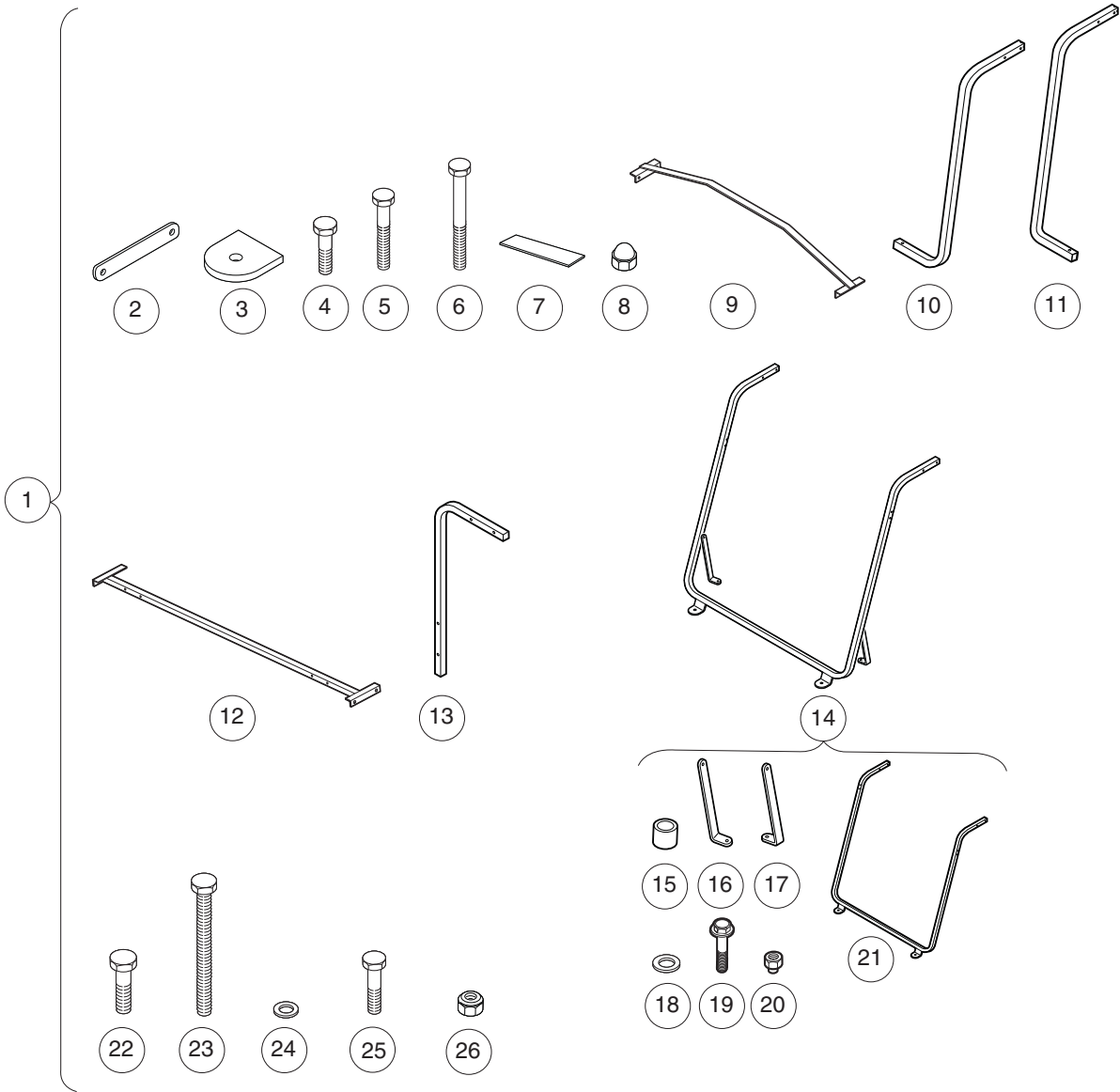
001284-003

# CANOPY KIT, BEIGE – VILL. 8 WITH REAR-FACING SEATS

ITEM	PART NO.	DESCRIPTION	QTY
		<b>1 2 3 4</b>	
1	101805801	Canopy Hardware Kit (includes items 2 through 28) .....	1
2	1011697	Washer, 5/16 Flat .....	2
3	1011852	Plate, Canopy Trim .....	4
4	1011883	Pad, Windshield Frame Mounting .....	2
5	1011937	Bolt, 5/16-18 X 1.25 Hex Head .....	2
6	1013509	Screw, 1/4-20 X 1.75 Hx Hd Cap .....	4
7	1014201	Screw, 1/4-20 X 2.25 Hex Cap .....	16
8	1014471	Tape, Vinyl Foam 1/8" x 3/4" .....	20
9	1015091	Nut, 1/4-20 Stainless-Steel Center-Lock Cap .....	8
10	1015405	Bolt, Carriage, 5/16-18 X 2.0 .....	2
11	101800201	Canopy Top Brace Weldment .....	2
12	101805601	Rear Brace XI Canopy .....	1
13	101815401	Canopy Side Brace Lh .....	2
14	101815402	Canopy Side Brace Rh .....	2
15	103789601	W/s Fr / Knee Br, Aluminum (includes items 16 through 22) .....	1
16	1010237	Bushing .....	2
17	1011862	Brace, Right-Hand Canopy Mount Knee .....	1
18	1011865	Brace, Left-Hand Canopy Mount Knee .....	1
19	1011964	Washer, 1/4 Flat .....	2
20	102076701	Screw, 1/4-20 X 1.75 Hex Sems .....	2
21	102242401	Nut - Nylon Insert W/cap .....	2
22	103787401	Asm, Windshield Frame, Alum .....	1
23	1218	Screw, 5/16-18 X 1.25 Hex-Head Cap .....	2
24	324	Screw, 1/4-20 X 2.50 Hx Hd Cap .....	12
25	332	Washer, 1/4 Type A Narrow Flat .....	56
26	7473	Locknut, 5/16-18 Nylon Insert .....	2
27	8233	Locknut, 1/4-20, Nylon Insert .....	24
28	8915	Screw, 5/16-18 X 3.0 Hx Hd Cap .....	2
29	101835502	XI Canopy - Beige .....	1

**1**  
**G**  
**E**

**1**  
**G**  
**E**



001285-003

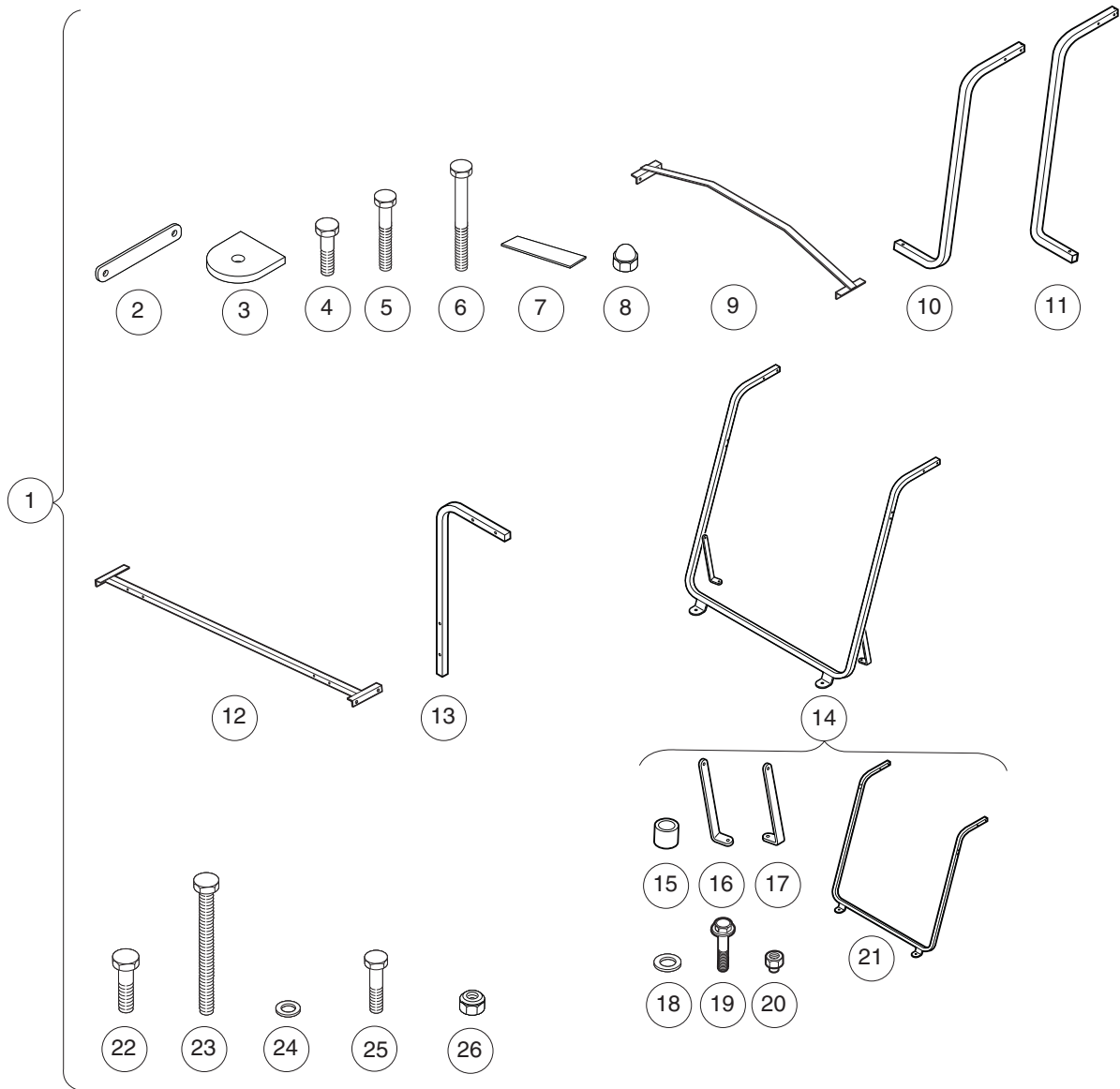


## CANOPY KIT, WHITE – VILL. 8 WITH FLAT BED

ITEM	PART NO.	DESCRIPTION	QTY
		<b>1 2 3 4</b>	
1	101835001	Kit, Rv XI Canopy Hardware (includes items 2 through 26) .....	1
2	1011852	Plate, Canopy Trim .....	4
3	1011883	Pad, Windshield Frame Mounting .....	2
4	1011937	Bolt, 5/16-18 X 1.25 Hex Head .....	2
5	1013509	Screw, 1/4-20 X 1.75 Hx Hd Cap .....	4
6	1014201	Screw, 1/4-20 X 2.25 Hex Cap .....	8
7	1014471	Tape, Vinyl Foam 1/8" x 3/4" .....	20
8	1015091	Nut, 1/4-20 Stainless-Steel Center-Lock Cap .....	8
9	101800201	Canopy Top Brace Weldment .....	2
10	101805501	Side Brace XI Canopy L.h. ....	2
11	101805502	Side Brace XI Canopy R.h. ....	2
12	101835101	Rear Cross Brace XI Canopy .....	1
13	101835401	Rear Brace XI Canopy .....	2
14	103789601	W/s Fr / Knee Br, Aluminum (includes items 15 through 21) .....	1
15	1010237	Bushing .....	2
16	1011862	Brace, Right-Hand Canopy Mount Knee .....	1
17	1011865	Brace, Left-Hand Canopy Mount Knee .....	1
18	1011964	Washer, 1/4 Flat .....	2
19	102076701	Screw, 1/4-20 X 1.75 Hex Sems .....	2
20	102242401	Nut - Nylon Insert W/cap .....	2
21	103787401	Asm, Windshield Frame, Alum .....	1
22	1218	Screw, 5/16-18 X 1.25 Hex-Head Cap .....	2
23	324	Screw, 1/4-20 X 2.50 Hx Hd Cap .....	16
24	332	Washer, 1/4 Type A Narrow Flat .....	56
25	7479	Screw, 1/4-20 X 1.25 Hex-Head Cap .....	4
26	8233	Locknut, 1/4-20, Nylon Insert .....	24
27	101835501	XI Canopy - White .....	1

**1**  
**G**  
**E**

**1**  
**G**  
**E**



001285-003

## CANOPY KIT, BEIGE – VILL. 8 WITH FLAT BED

ITEM	PART NO.	DESCRIPTION	QTY
		<b>1 2 3 4</b>	
1	101835001	Kit, Rv XI Canopy Hardware (includes items 2 through 26) .....	1
2	1011852	Plate, Canopy Trim .....	4
3	1011883	Pad, Windshield Frame Mounting .....	2
4	1011937	Bolt, 5/16-18 X 1.25 Hex Head .....	2
5	1013509	Screw, 1/4-20 X 1.75 Hx Hd Cap .....	4
6	1014201	Screw, 1/4-20 X 2.25 Hex Cap .....	8
7	1014471	Tape, Vinyl Foam 1/8" x 3/4" .....	20
8	1015091	Nut, 1/4-20 Stainless-Steel Center-Lock Cap .....	8
9	101800201	Canopy Top Brace Weldment .....	2
10	101805501	Side Brace XI Canopy L.h. ....	2
11	101805502	Side Brace XI Canopy R.h. ....	2
12	101835101	Rear Cross Brace XI Canopy .....	1
13	101835401	Rear Brace XI Canopy .....	2
14	103789601	W/s Fr / Knee Br, Aluminum (includes items 15 through 21) .....	1
15	1010237	Bushing .....	2
16	1011862	Brace, Right-Hand Canopy Mount Knee .....	1
17	1011865	Brace, Left-Hand Canopy Mount Knee .....	1
18	1011964	Washer, 1/4 Flat .....	2
19	102076701	Screw, 1/4-20 X 1.75 Hex Sems .....	2
20	102242401	Nut - Nylon Insert W/cap .....	2
21	103787401	Asm, Windshield Frame, Alum .....	1
22	1218	Screw, 5/16-18 X 1.25 Hex-Head Cap .....	2
23	324	Screw, 1/4-20 X 2.50 Hx Hd Cap .....	16
24	332	Washer, 1/4 Type A Narrow Flat .....	56
25	7479	Screw, 1/4-20 X 1.25 Hex-Head Cap .....	4
26	8233	Locknut, 1/4-20, Nylon Insert .....	24
27	101835502	XI Canopy - Beige .....	1

**1**  
**G**  
**E**

**1**

**G**

**E**

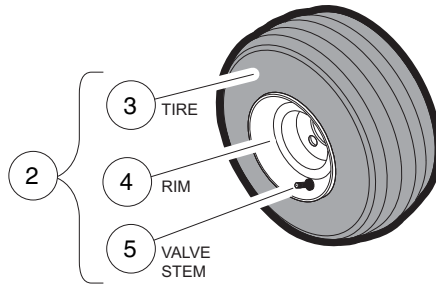
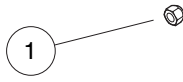
# WHEELS AND TIRES

---

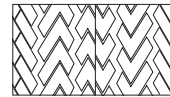
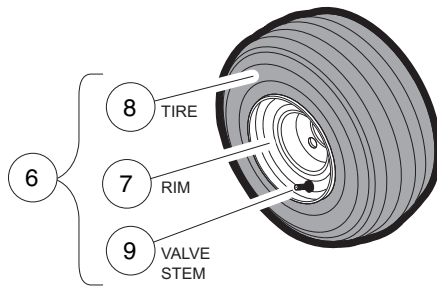
2

G

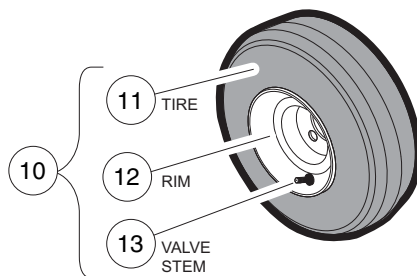
E



EXTRA TRACTION  
TREAD



KENDA HOLE-N-ONE  
K389 TREAD



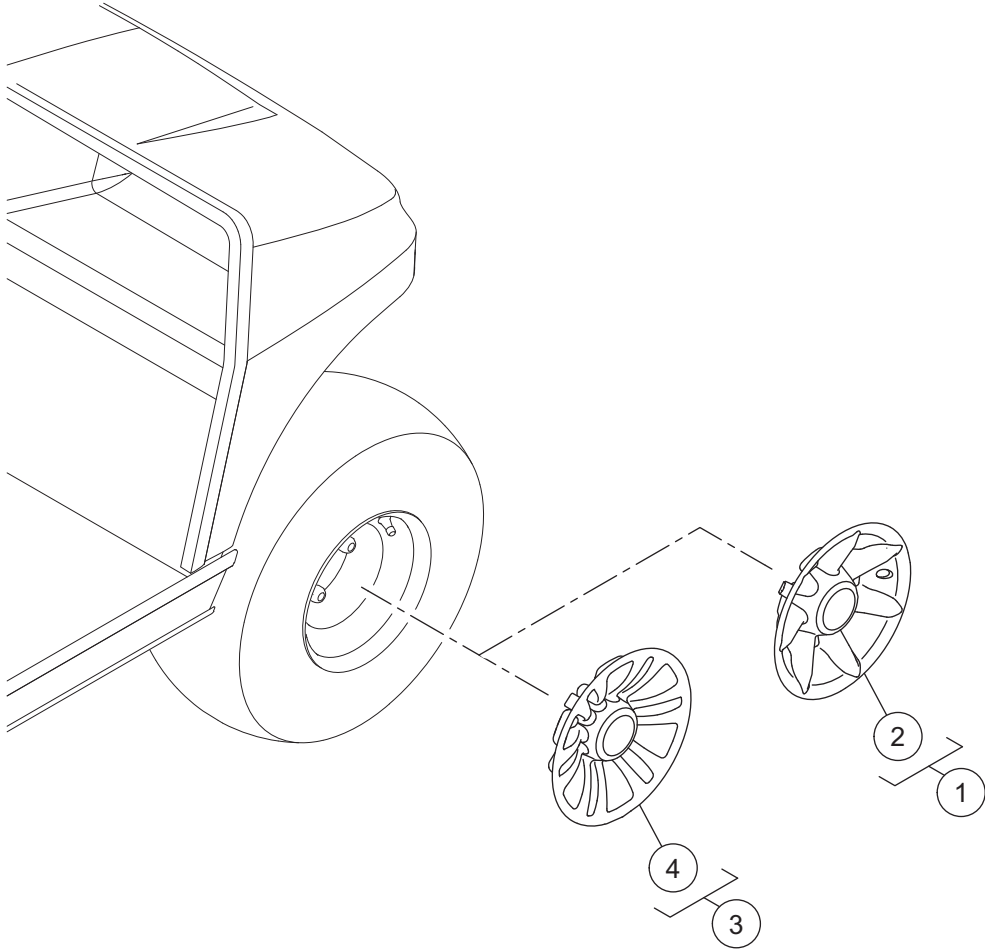
KENDA HOLE-N-ONE  
K389 TREAD

000269-018

## WHEELS (SILVER) AND TIRES

ITEM	PART NO.	DESCRIPTION	QTY
		<b>1 2 3 4</b>	
1	1010984	.500-20 Unf Lug Nut .....	16
2	103951002	Assembly, Silver Wheel Kenda, X/t 6ply (includes items 3 through 5) .....	A/R
3	102569302	Tire, Kenda, 18x8.5-8, 6-ply Xtr .....	1
4	103459104	Wheel Rim, 8"x7", Silver, Std .....	1
5	7310	Valve Stem, Black Plastic .....	1
6	103951003	Asm,silver Whl Kenda, Hn1 6pl (includes items 7 through 9) .....	A/R
7	103459104	Wheel Rim, 8"x7", Silver, Std .....	1
8	103658601	Tire, Kenda Hn1, 6pl .....	1
9	7310	Valve Stem, Black Plastic .....	1
10	103951004	Asm,silver Whl Kenda,6.5" 6pl (includes items 11 through 13) .....	A/R
11	103722901	Tire, Kenda Hole-N-One, 18x6.5 - 8, Prem, 6-Ply .....	1
12	103723003	Wheel Rim, 8 X 5.375, Silver .....	1
13	7310	Valve Stem, Black Plastic .....	1

**2**  
**G**  
**E**



001203-002



# WHEEL COVERS

ITEM	PART NO.	DESCRIPTION	QTY
		1 2 3 4	
1	102559901	Hub Cap Kit (includes item 2) .....	1
2	103694501	Hub Cap, 7 Prong .....	4
3	102559902	Kit, Wheel Cover, 12 Spk (includes item 4) .....	1
4	105142401	Wheel Cover, 12 Spk, 8", Slvr .....	4

2  
G  
E

**2**

**G**

**E**

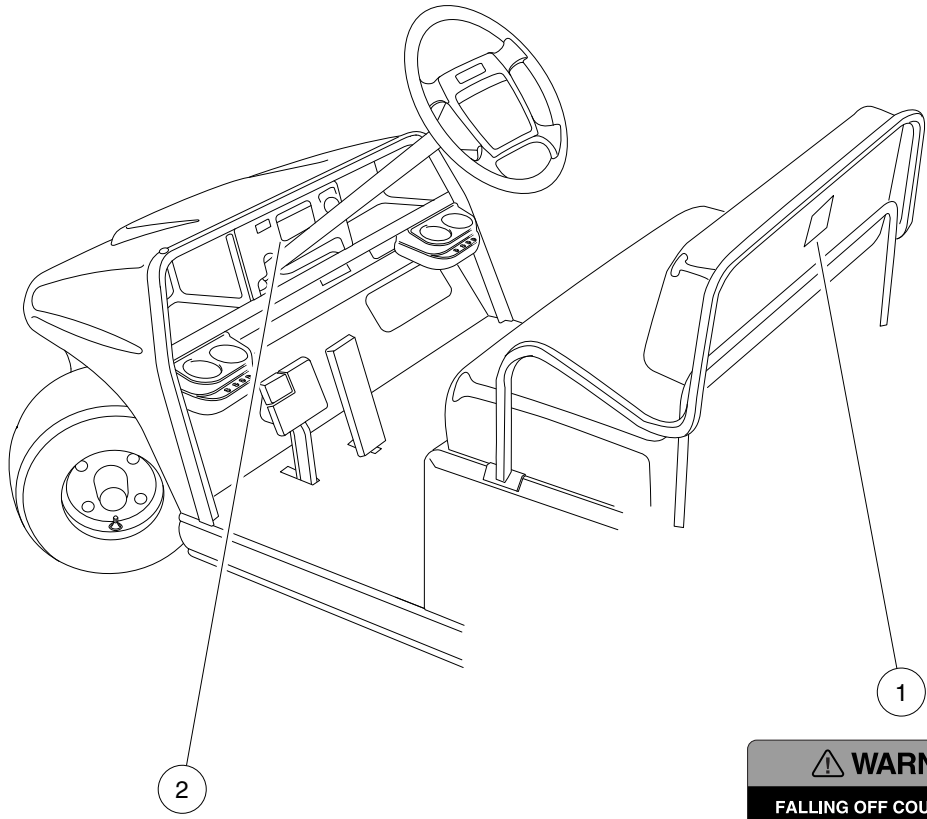
# DECALS

---

3

G

E



**⚠ WARNING**

**ROLLOVER OR FALLING OFF MAY CAUSE DEATH.**

- Before using vehicle, read operating instructions.
- Remain seated and hold on to seat handle while moving.
- Do not start vehicle until all occupants are seated.
- Two (2) persons per seat maximum.
- Operate from driver side only and not on public roads.
- Keep entire body inside vehicle while moving.
- Drive slowly in turns and straight up and down slopes.
- Do not leave children unattended on vehicle.
- Never operate under the influence of alcohol or drugs.
- Use brakes to reduce speed when coasting downhill.
- Never stand in front of or behind vehicle.

CC# 103205401

**⚠ WARNING**

**FALLING OFF COULD RESULT IN SEVERE INJURY OR DEATH**

- Remain seated with entire body inside vehicle and hold on to seat handle or handrail at all times.
- Two (2) persons per bench seat maximum.
- One (1) person per bucket seat maximum.
- Do not leave children unattended on vehicle at anytime.
- Never stand in front of or behind vehicle.

CC# 101705701

000374-002

# DECALS – VILLAGER 6 GAS AND IQ PLUS

ITEM	PART NO.	DESCRIPTION	QTY
		1 2 3 4	
1	101705701	Decal, Warning .....	1
2	103961601	Decal, Warn, Rollover, Ds Utl .....	1



**OPERATING INSTRUCTIONS**

Before using vehicle, read owner's manual and vehicle safety warnings. Study and understand controls.

**TO OPERATE**

- Ensure wheels are turned in desired direction and path is clear.
- Turn key to ON position.
- Select FORWARD or REVERSE only when stopped.
- Release park brake fully.
- Vehicle will start moving when accelerator pedal is pressed.
- Slowly press accelerator pedal to increase speed.
- During operation, beeping alarm indicates reduction in motor braking.
- To stop, release accelerator pedal and press brake pedal.

**WARNING**

Unintended vehicle movement may cause severe injury or death. Before leaving vehicle:

- Engage park brake to lock wheels.
- Place vehicle in NEUTRAL.
- Turn key to OFF and remove key.

103783001

**⚠ DANGER / POISON**

SHIELD EYES  
EXPLOSIVE GASES CAN CAUSE BLINDNESS OR INJURY

NO SPARKS  
FLAMES  
SMOKING

SULFURIC ACID CAN CAUSE BLINDNESS OR SEVERE BURNS

FLUSH EYES IMMEDIATELY WITH WATER  
GET MEDICAL HELP FAST

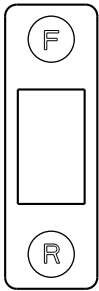
KEEP OUT OF THE REACH OF CHILDREN - DO NOT TIP - KEEP VENT CAPS TIGHT AND LEVEL

**CAUTION**

**EXPOSURE TO WATER MAY DAMAGE ELECTRONIC COMPONENTS**

- Do not operate vehicle without this cover properly installed.
- Do not direct water stream in the area of the cover without cover securely in place.
- See vehicle maintenance and service manual before servicing.

CCI 102518301



**⚠ WARNING**

**AVOID FIRE HAZARD**

- Replacement battery wires must be 4-gauge (AWG) with low-resistance terminals equivalent to factory-installed wires.
- Ensure that battery connections are clean and properly tightened. See owner's manual.

CCI 102967601

**⚠ WARNING**

**BATTERY EXPLOSION COULD RESULT IN SEVERE PERSONAL INJURY.**

- Do not store items in battery compartment.
- Place Run/Tow switch in TOW position before:
  - Disconnecting or connecting battery cables
  - Towing this vehicle
  - Extended storage
  - Servicing the vehicle

NORMAL TRIPPED

TOW RUN

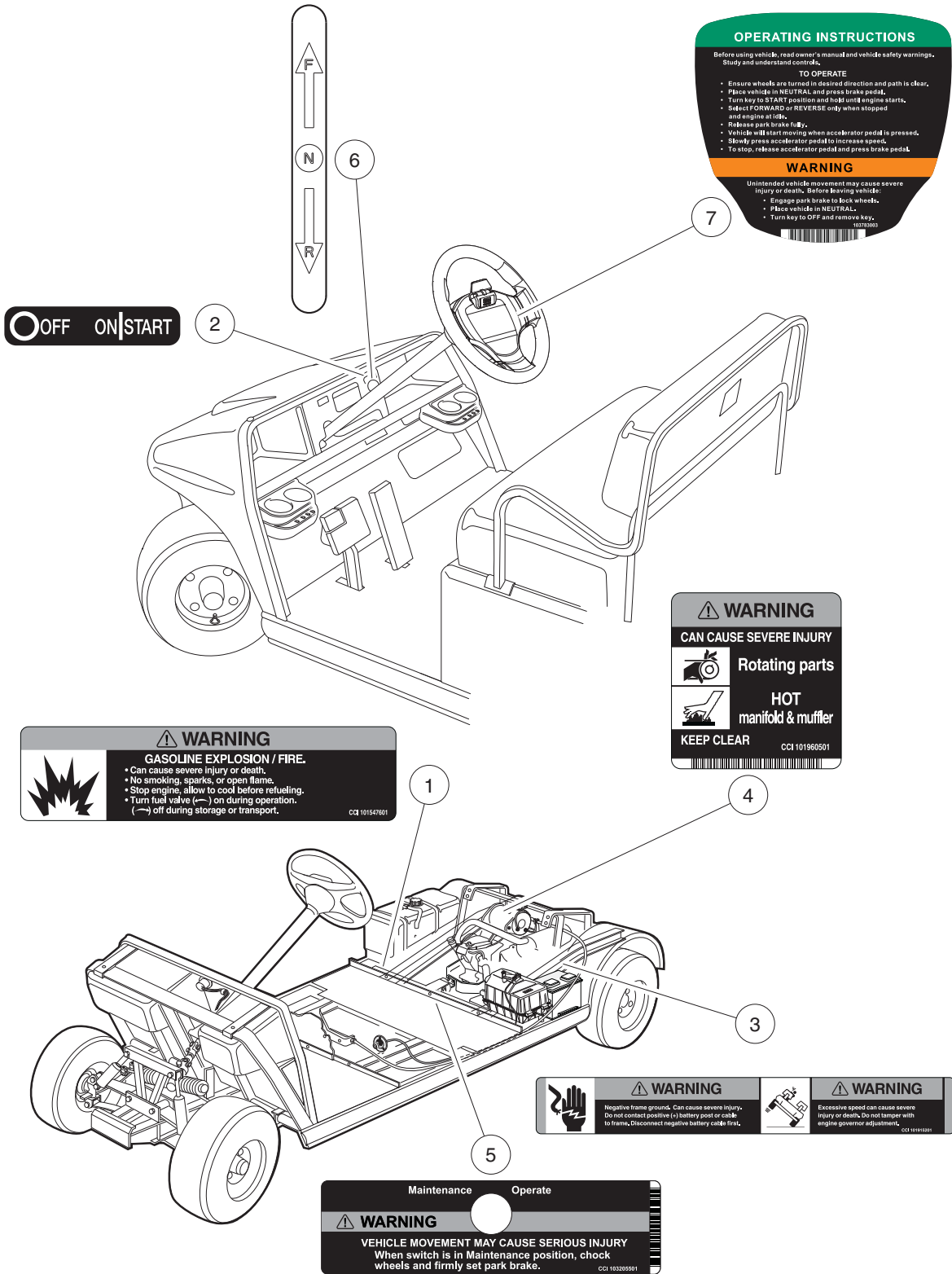
CCI 102845101

001292-001

## DECALS – VILLAGER 6 IQ PLUS VEHICLE ONLY

ITEM	PART NO.	DESCRIPTION	QTY
		<b>1 2 3 4</b>	
1	1013677	Decal, Battery Danger .....	1
2	101825101	Decal, Off/On .....	1
3	102518301	Decal, Caution, Electrical Component Cover .....	1
4	102845101	Decal, Tow Switch .....	1
5	102967601	Decal, Warning, 4 Gauge Wire .....	1
6	103210301	Decal, Forward/Reverse, Electric .....	1
7	103783001	Decal, Op Instr, Ele .....	1

**3**  
**G**  
**E**



**OPERATING INSTRUCTIONS**

Before using vehicle, read owner's manual and vehicle safety warnings. Study and understand controls.

**TO OPERATE**

- Ensure wheels are turned in desired direction and path is clear.
- Place vehicle in NEUTRAL and press brake pedal.
- Turn key to START position and hold until engine starts.
- Select FORWARD or REVERSE only when stopped and engine at idle.
- Release park brake fully.
- Vehicle will start moving when accelerator pedal is pressed.
- Slowly press accelerator pedal to increase speed.
- To stop, release accelerator pedal and press brake pedal.

**WARNING**

Unintended vehicle movement may cause severe injury or death. Before leaving vehicle:

- Engage park brake to lock wheels.
- Place vehicle in NEUTRAL.
- Turn key to OFF and remove key.

10382003

OFF ON/START

**WARNING**

**GASOLINE EXPLOSION / FIRE.**

- Can cause severe injury or death.
- No smoking, sparks, or open flame.
- Stop engine, allow to cool before refueling.
- Turn fuel valve (←) on during operation. (→) off during storage or transport.

CCI 101547601

**WARNING**

**CAN CAUSE SEVERE INJURY**

**Rotating parts**

**HOT manifold & muffler**

**KEEP CLEAR**

CCI 101960501

<b>WARNING</b>	<b>WARNING</b>
Negative frame ground. Can cause severe injury. Do not contact positive (+) battery post or cable to frame. Disconnect negative battery cable first.	Excessive speed can cause severe injury or death. Do not tamper with engine governor adjustment.

CCI 10382003

Maintenance Operate

**WARNING**

**VEHICLE MOVEMENT MAY CAUSE SERIOUS INJURY**

When switch is in Maintenance position, chock wheels and firmly set park brake.

CCI 10320501

001293-001



## DECALS – VILLAGER 6 GASOLINE VEHICLE ONLY

ITEM	PART NO.	DESCRIPTION	QTY
		<b>1 2 3 4</b>	
1	101547601	Decal, Gasoline Explosion/Fire Warning .....	1
2	101825102	Decal, Off/On/Start .....	1
3	101915201	Decal, Frame Ground and Governor Warning .....	1
4	101960501	Decal, Rotating Parts/Hot Manifold .....	1
5	103205501	Decal, Maintenance/Operate Switch .....	1
6	103210201	Decal, Forward/Reverse, Gas .....	1
7	103783003	Decal, Op Instr, Gas Ks .....	1

3  
G  
E

**⚠ WARNING**

**ROLLOVER OR FALLING OFF MAY CAUSE DEATH.**

- Before using vehicle, read operating instructions.
- Remain seated and hold on to seat handle while moving.
- Do not start vehicle until all occupants are seated.
- Two (2) persons per seat maximum.
- Operate from driver side only and not on public roads.
- Keep entire body inside vehicle while moving.
- Drive slowly in turns and straight up and down slopes.
- Do not leave children unattended on vehicle.
- Never operate under the influence of alcohol or drugs.
- Use brakes to reduce speed when coasting downhill.
- Never stand in front of or behind vehicle.

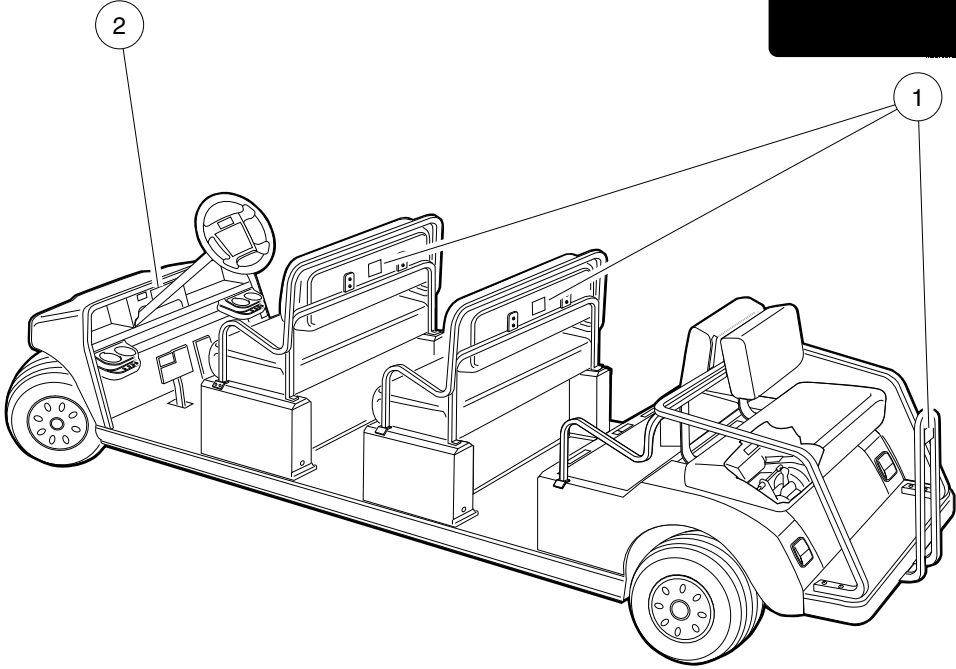
CCJ 103205401

**⚠ WARNING**

**FALLING OFF COULD RESULT IN SEVERE INJURY OR DEATH**

- Remain seated with entire body inside vehicle and hold on to seat handle or handrail at all times.
- Two (2) persons per bench seat maximum.
- One (1) person per bucket seat maximum.
- Do not leave children unattended on vehicle at anytime.
- Never stand in front of or behind vehicle.

CCJ 101705701



000377-002

# DECALS – VILLAGER 8 GAS AND IQ PLUS

ITEM	PART NO.	DESCRIPTION	QTY
		1 2 3 4	
1	101705701	Decal, Warning .....	3
2	103961601	Decal, Warn, Rollover, Ds Utl .....	1

3  
G  
E

**OPERATING INSTRUCTIONS**

Before using vehicle, read owner's manual and vehicle safety warnings. Study and understand controls.

**TO OPERATE**

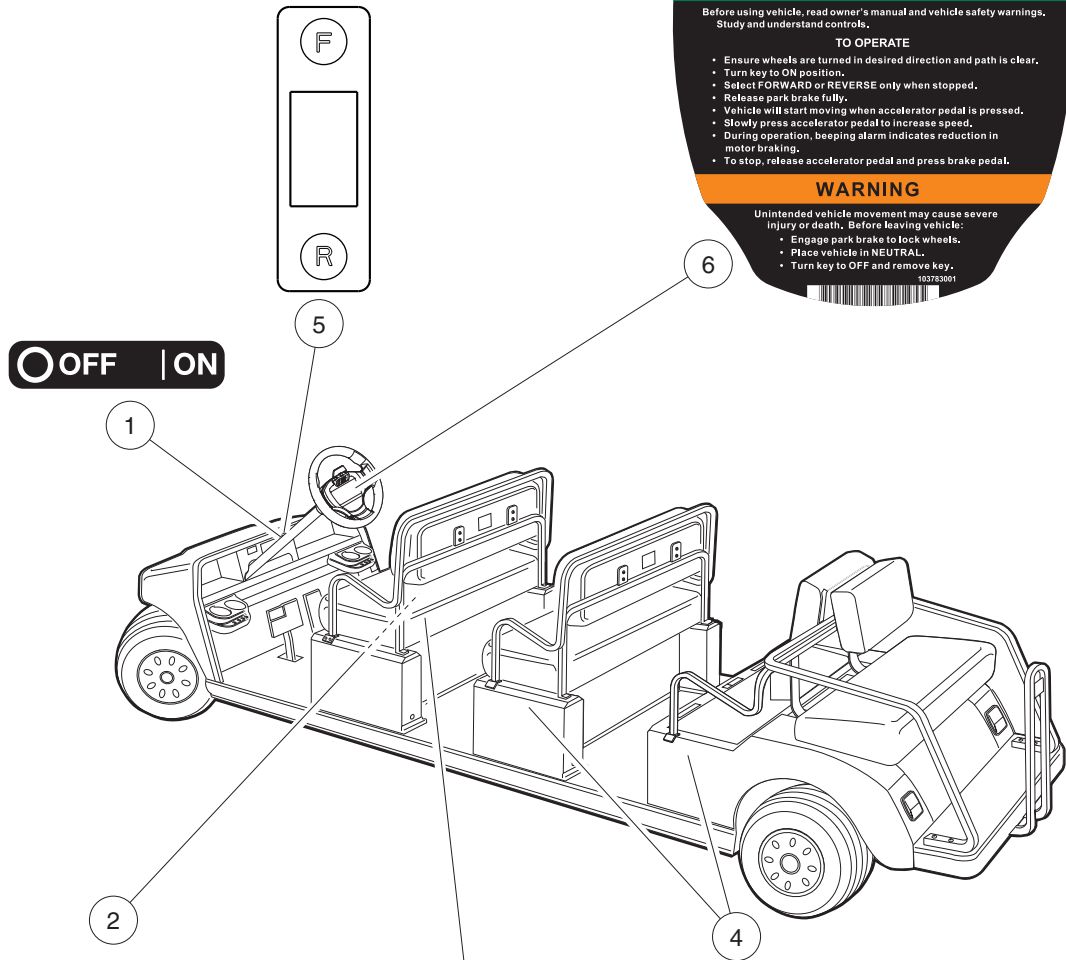
- Ensure wheels are turned in desired direction and path is clear.
- Turn key to ON position.
- Select FORWARD or REVERSE only when stopped.
- Release park brake fully.
- Vehicle will start moving when accelerator pedal is pressed.
- Slowly press accelerator pedal to increase speed.
- During operation, beeping alarm indicates reduction in motor braking.
- To stop, release accelerator pedal and press brake pedal.

**WARNING**

Unintended vehicle movement may cause severe injury or death. Before leaving vehicle:

- Engage park brake to lock wheels.
- Place vehicle in NEUTRAL.
- Turn key to OFF and remove key.

103763001



**OFF** | **ON**

**CAUTION**

**EXPOSURE TO WATER MAY DAMAGE ELECTRONIC COMPONENTS**

- Do not operate vehicle without this cover properly installed.
- Do not direct water stream in the area of the cover without cover securely in place.
- See vehicle maintenance and service manual before servicing.

CCI 102518301

**WARNING**

**AVOID FIRE HAZARD**

- Replacement battery wires must be 4-gauge (AWG) with low-resistance terminals equivalent to factory-installed wires.
- Ensure that battery connections are clean and properly tightened. See owner's manual.

CCI 102967601

**WARNING**

**BATTERY EXPLOSION COULD RESULT IN SEVERE PERSONAL INJURY.**

- Do not store items in battery compartment.
- Place Run/Tow switch in TOW position before:
  - Disconnecting or connecting battery cables
  - Towing this vehicle
  - Extended storage
  - Servicing the vehicle

NORMAL	TRIPPED
TOW	RUN

CCI 102845101

001294-001

## DECALS – VILLAGER 8 IQ PLUS VEHICLE ONLY

ITEM	PART NO.	DESCRIPTION	QTY
		<b>1 2 3 4</b>	
1	101825101	Decal, Off/On .....	1
2	102518301	Decal, Caution, Electrical Component Cover .....	1
3	102845101	Decal, Tow Switch .....	1
4	102967601	Decal, Warning, 4 Gauge Wire .....	2
5	103210301	Decal, Forward/Reverse, Electric .....	1
6	103783001	Decal, Op Instr, Ele .....	1

**3**  
**G**  
**E**

**OPERATING INSTRUCTIONS**

Before using vehicle, read owner's manual and vehicle safety warnings. Study and understand controls.

**TO OPERATE**

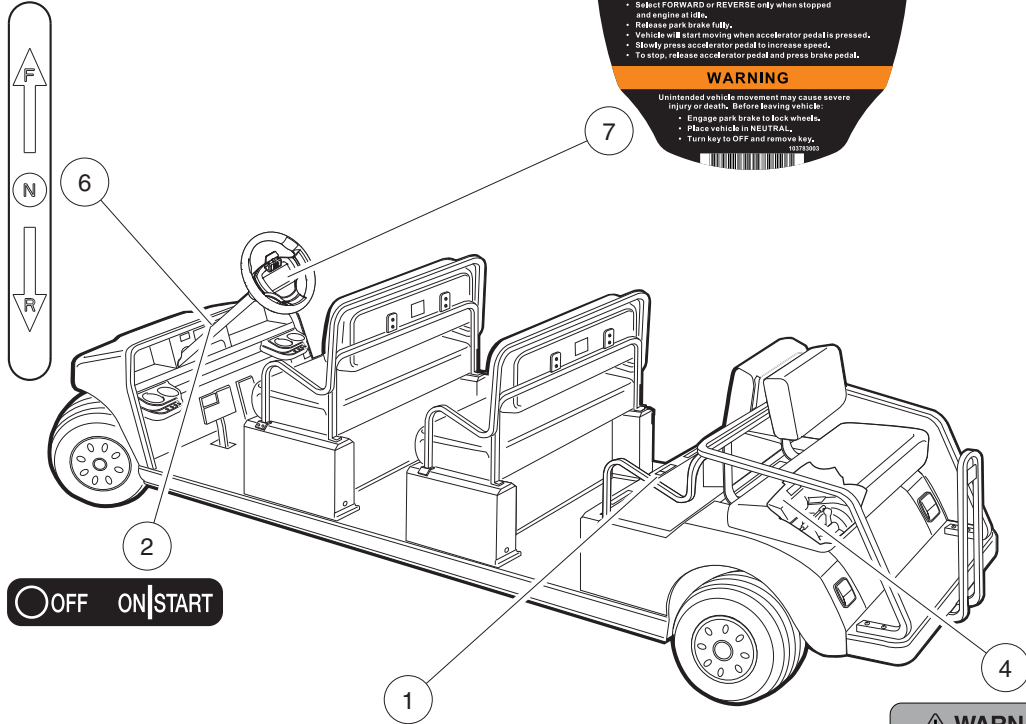
- Ensure wheels are turned in desired direction and path is clear.
- Place vehicle in NEUTRAL and press brake pedal.
- Turn key to START position and hold until engine starts.
- Select FORWARD or REVERSE only when stopped and engine at idle.
- Release park brake fully.
- Vehicle will start moving when accelerator pedal is pressed.
- Slowly press accelerator pedal to increase speed.
- To stop, release accelerator pedal and press brake pedal.

**WARNING**

Unintended vehicle movement may cause severe injury or death. Before leaving vehicle:

- Engage park brake to lock wheels.
- Place vehicle in NEUTRAL.
- Turn key to OFF and remove key.

103793003



OFF ON START

**WARNING**

**GASOLINE EXPLOSION / FIRE.**

- Can cause severe injury or death.
- No smoking, sparks, or open flame.
- Stop engine, allow to cool before refueling.
- Turn fuel valve (←) on during operation. (→) off during storage or transport.

CC1 101547601

**WARNING**

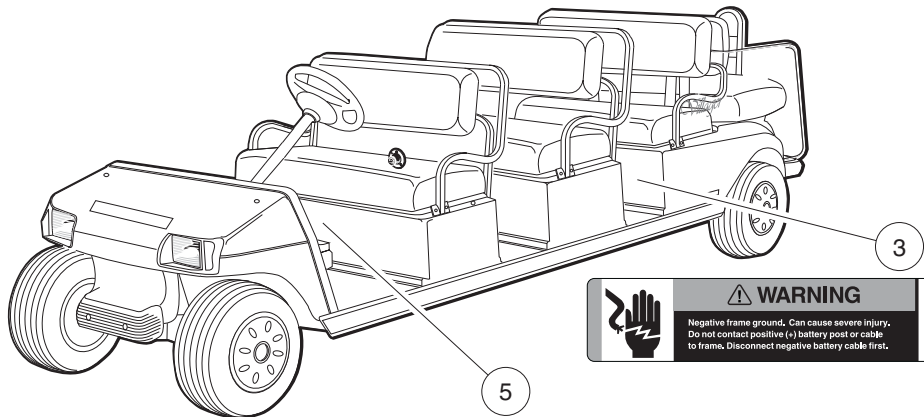
**CAN CAUSE SEVERE INJURY**

**Rotating parts**

**HOT manifold & muffler**

**KEEP CLEAR**

CC1 101960501



**WARNING**

Negative frame ground. Can cause severe injury. Do not contact positive (+) battery post or cable to frame. Disconnect negative battery cable first.

**WARNING**

Excessive speed can cause severe injury or death. Do not tamper with engine governor adjustment.

CC1 101915201

Maintenance Operate

**WARNING**

**VEHICLE MOVEMENT MAY CAUSE SERIOUS INJURY**

When switch is in Maintenance position, chock wheels and firmly set park brake.

CC1 103205501

001295-001

## DECALS – VILLAGER 8 GASOLINE VEHICLE ONLY

ITEM	PART NO.	DESCRIPTION	QTY
		<b>1 2 3 4</b>	
1	101547601	Decal, Gasoline Explosion/Fire Warning .....	1
2	101825102	Decal, Off/On/Start .....	1
3	101915201	Decal, Frame Ground and Governor Warning .....	1
4	101960501	Decal, Rotating Parts/Hot Manifold .....	2
5	103205501	Decal, Maintenance/Operate Switch .....	1
6	103210201	Decal, Forward/Reverse, Gas .....	1
7	103783003	Decal, Op Instr, Gas Ks .....	1

**3**  
**G**  
**E**

Club Car

1

(ON FRONT OF COWL)

Villager

2

(ON REAR BODY)

IR Ingersoll Rand

3

(ON REAR BODY)

000380-001



## BADGING DECALS – VILLAGER

ITEM	PART NO.	DESCRIPTION	QTY
		1 2 3 4	
1	1014198	Nameplate Kit (gold) .....	1
2	102158701	Decal, Villager .....	2
3	103234303	Decal, Badge, Ir Black .....	2

**3**

**G**

**E**



1

000422-003

## IQ PLUS LOGO DECAL – IQ PLUS VEHICLES ONLY

ITEM	PART NO.	DESCRIPTION	QTY
1	103464801	1 2 3 4 Decal, Iq Plus, Zev .....	2

3  
G  
E

**3**

**G**

**E**

# LIGHTS, CONTROLS, AND INDICATORS

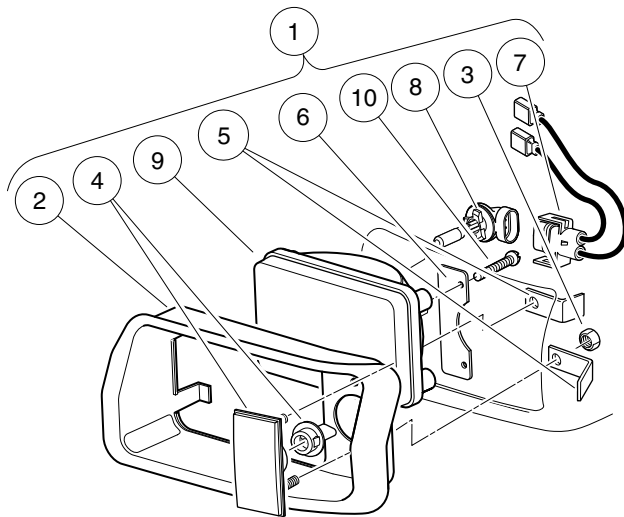
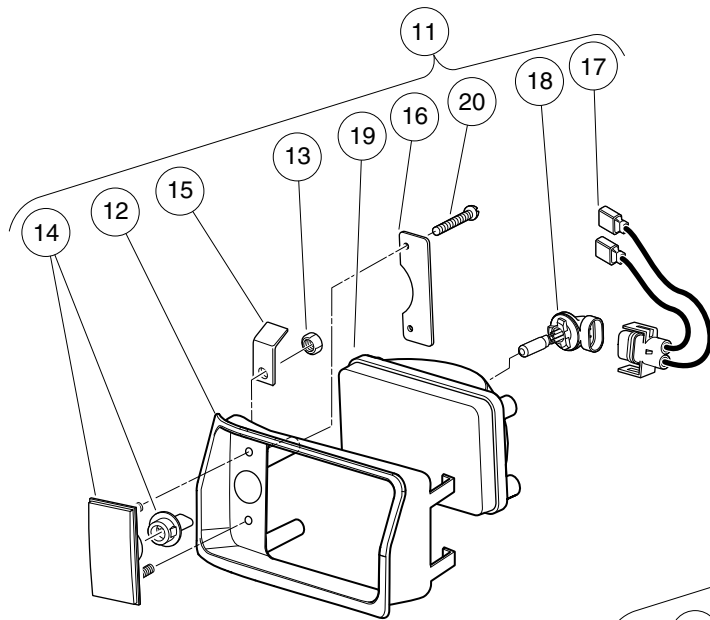
---

4

G

E

**4**  
**G**  
**E**



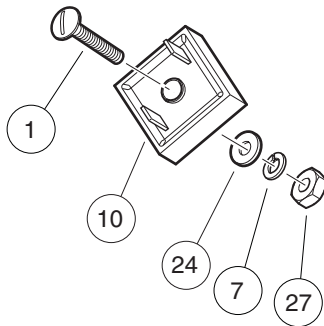
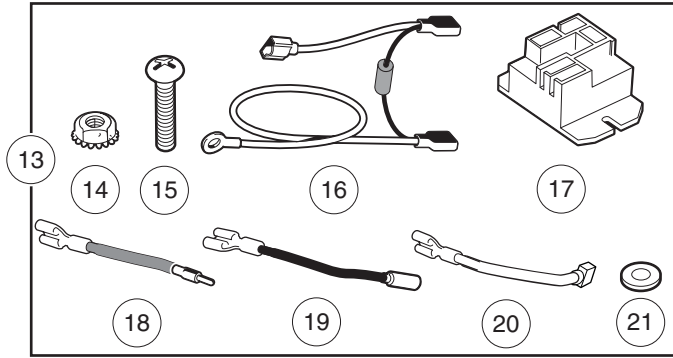
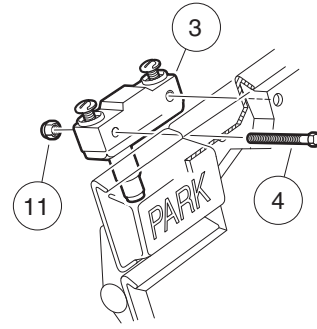
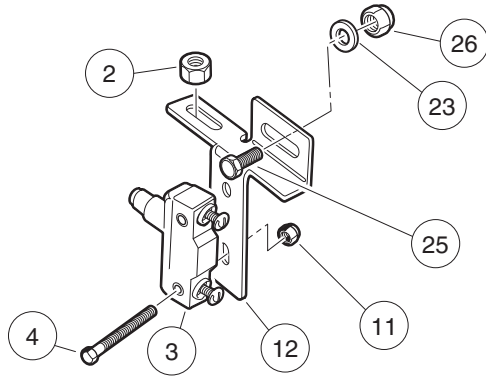
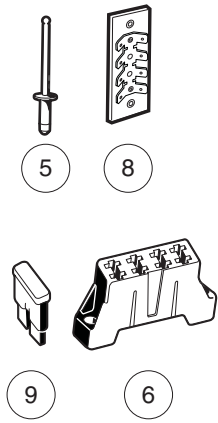
001097-001

# HEADLIGHTS

ITEM	PART NO.	DESCRIPTION	QTY
		<b>1 2 3 4</b>	
1	101988001	Headlight Assembly, Driver-Side Single Beam (includes items 2 through 10) .....	1
2	1016880	Headlight Bezel, Left .....	1
3	1017	Nut, #10-24 Stainless-Steel Hex Machine .....	2
4	1017062	Turn Signal Lens Assy .....	1
5	1017064	Mounting Bracket .....	2
6	1017065	Retainer, Headlight .....	1
7	101987901	Connector, Harness Assembly, Headlight .....	1
8	101988101	Bulb, Headlight .....	1
9	101988201	Lens, Headlight .....	1
10	1620	Screw, #10-16 X 0.75 Pan-Head Tap .....	2
11	101988002	Headlight Assy, Passenger-Side Single Beam (includes items 12 through 20) .....	1
12	1016879	Headlight Bezel, Right .....	1
13	1017	Nut, #10-24 Stainless-Steel Hex Machine .....	2
14	1017062	Turn Signal Lens Assy .....	1
15	1017064	Mounting Bracket .....	2
16	1017065	Retainer, Headlight .....	1
17	101987901	Connector, Harness Assembly, Headlight .....	1
18	101988101	Bulb, Headlight .....	1
19	101988201	Lens, Headlight .....	1
20	1620	Screw, #10-16 X 0.75 Pan-Head Tap .....	2

**4**  
**G**  
**E**

**4**  
**G**  
**E**



001291-001

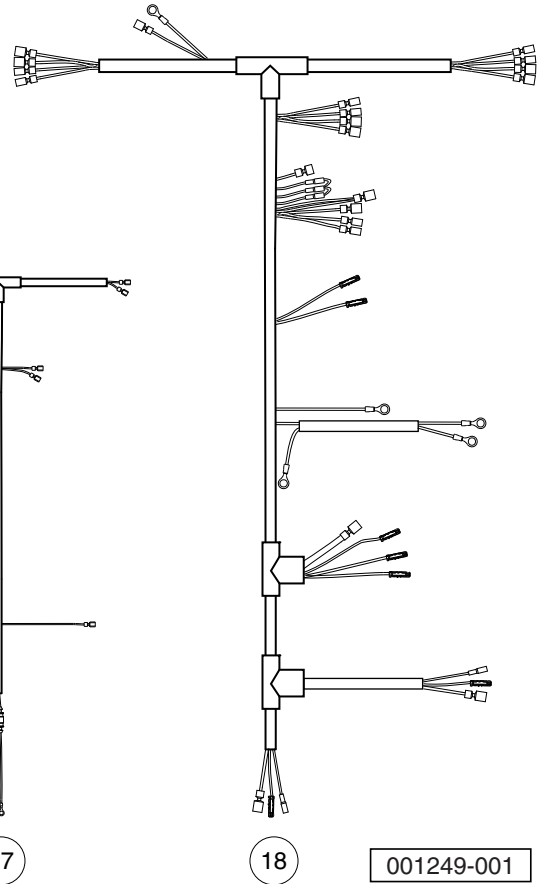
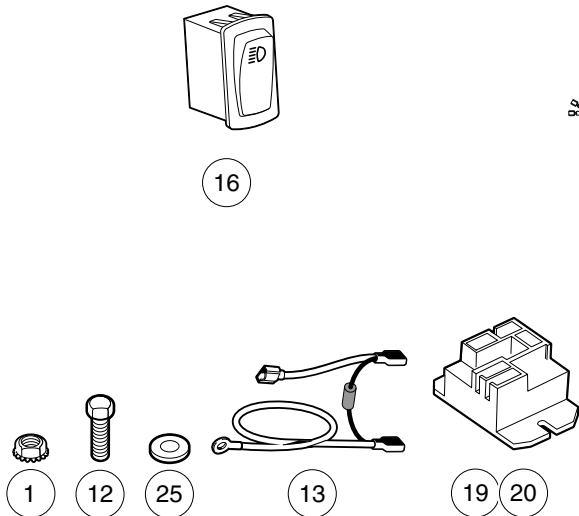
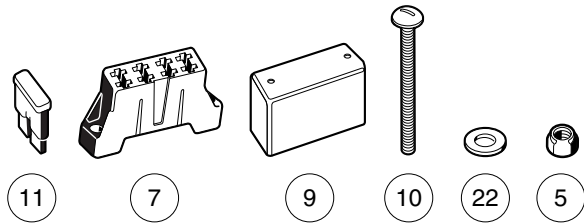
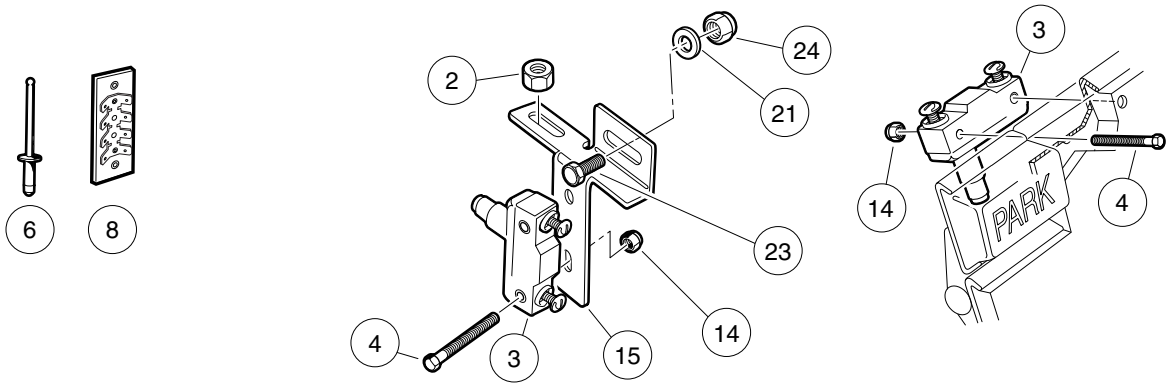


# LIGHTING SYSTEM COMPONENTS – TRANSPORTATION GASOLINE VEHICLES

ITEM	PART NO.	DESCRIPTION	QTY
		<b>1 2 3 4</b>	
1	1010909	Screw, #10-32 X 1.25 Rd Hd Mch .....	1
2	1011280	Locknut, 5/16-18 .....	1
3	1011439	Switch, Limit .....	2
4	1011557	Screw, #6-32 X 1.00 Hex-Head Machine .....	4
5	1013357	Rivet, 5/32 Aluminum Pop .....	2
6	1015741	Fuse Block .....	1
7	1016	Lockwasher, #10 Split .....	1
8	1016356	Terminal Block with Insulator .....	1
9	1016423	Fuse, 20-Amp .....	3
10	1017721	Limiter, Voltage .....	1
11	101932201	Locknut, #6-32 Nylon .....	4
12	101957101	Bracket, Brake Light Switch .....	1
13	102198701	Brake Relay Kit - 12v (includes items 14 through 21) .....	1
14	1011229	Locknut, #6-32 Whiz .....	2
15	1017853	Screw, #6-32 X 0.75 Hex-Head Machine .....	2
16	101914401	Assembly, Voltage Suppressor .....	1
17	102199001	Relay, 12-Volt .....	1
18	102199201	Wire Asm #18 Brown .....	1
19	102199301	Wire Asm #18 Black .....	1
20	102199401	Wire Asm #18 Black .....	1
21	7591	Washer, #6, Flat .....	2
22	102869401	Switch, Rocker, Light .....	1
23	1241	Washer, 5/16 Type A Flat .....	1
24	183	Washer, #10, Type A, Flat .....	1
25	7173	Screw, 5/16-18 X 0.75, Hex-Head Cap .....	1
26	7473	Locknut, 5/16-18 Nylon Insert .....	1
27	7893	Nut, #10-32 Hex .....	1
<p>Note: The Villager 6 and 8 and TransPorter gasoline models have wiring for lights built into the main wire harness.</p>			

**4**  
**G**  
**E**

**4**  
**G**  
**E**



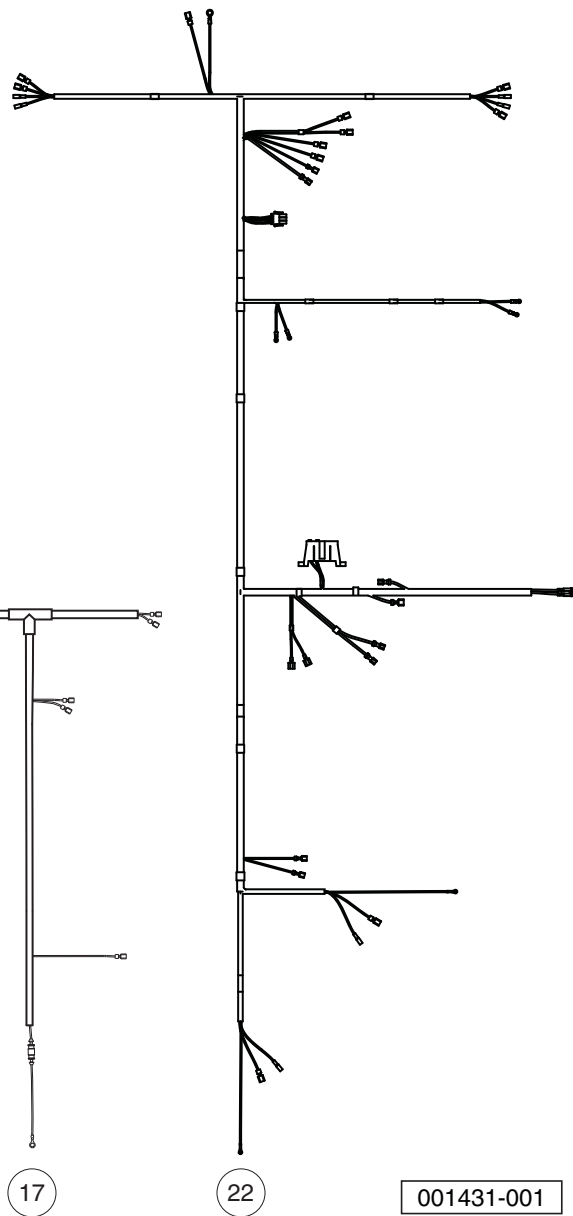
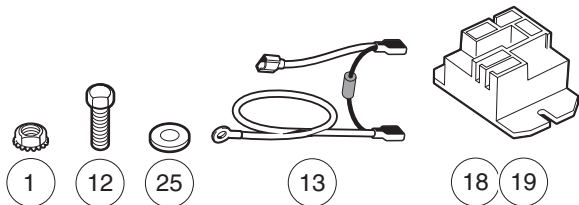
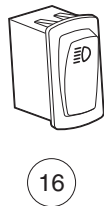
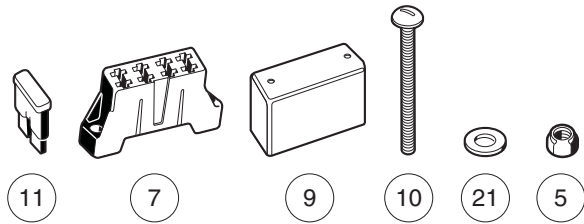
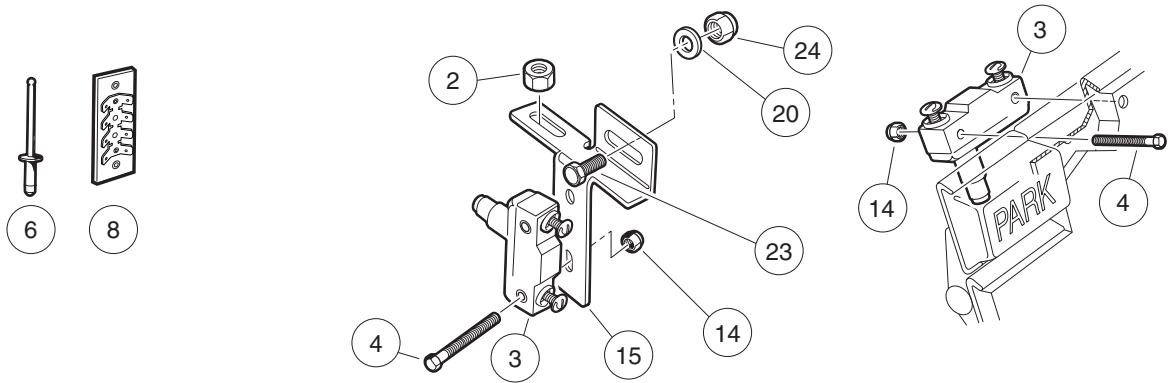
001249-001

# LIGHTING SYSTEM COMPONENTS – CA6/VILL. 6/TPORTER ELEC. WITH IQ PLUS CHARGER

ITEM	PART NO.	DESCRIPTION	QTY
		1 2 3 4	
1	1011229	Locknut, #6-32 Whiz .....	2
2	1011280	Locknut, 5/16-18 .....	1
3	1011439	Switch, Limit .....	2
4	1011557	Screw, #6-32 X 1.00 Hex-Head Machine .....	4
5	1012438	Locknut, #10-24 Nylon Insert .....	2
6	1013357	Rivet, 5/32 Aluminum Pop .....	2
7	1015741	Fuse Block .....	1
8	1016356	Terminal Block with Insulator .....	1
9	1016363	Fuse Block Cover .....	1
10	1016366	Screw, #10-24 X 3.0 Pan-Head Machine .....	2
11	1016423	Fuse, 20-Amp .....	3
12	1017853	Screw, #6-32 X 0.75 Hex-Head Machine .....	2
13	101914401	Assembly, Voltage Suppressor .....	1
14	101932201	Locknut, #6-32 Nylon .....	4
15	101957101	Bracket, Brake Light Switch .....	1
16	102869401	Switch, Rocker, Light .....	1
17	103255701	Wire Harness, Headlights-Only, CA, Electric .....	1
18	103257101	Wire Harness, Lighting Package, Stretch, Electric .....	1
19	103414901	Kit, Relay, 48v 30a W/instr (includes item 20) .....	1
20	103397901	Relay, Spst No, 48v 30a, Pmt .....	1
21	1241	Washer, 5/16 Type A Flat .....	1
22	183	Washer, #10, Type A, Flat .....	4
23	7173	Screw, 5/16-18 X 0.75, Hex-Head Cap .....	1
24	7473	Locknut, 5/16-18 Nylon Insert .....	1
25	7591	Washer, #6, Flat .....	2
		Note: Use item 17 for headlights only. NOTE 2: Use item 18 for headlights and taillights.	

4  
G  
E

**4**  
**G**  
**E**



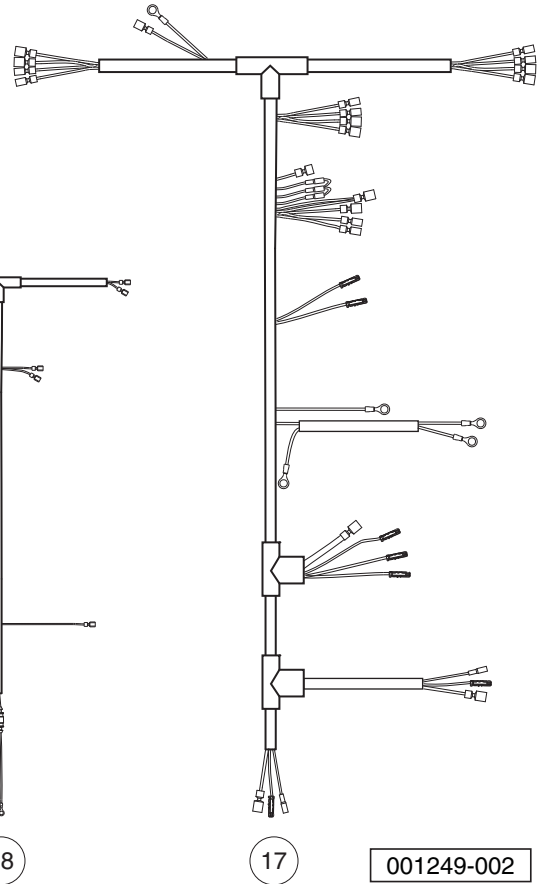
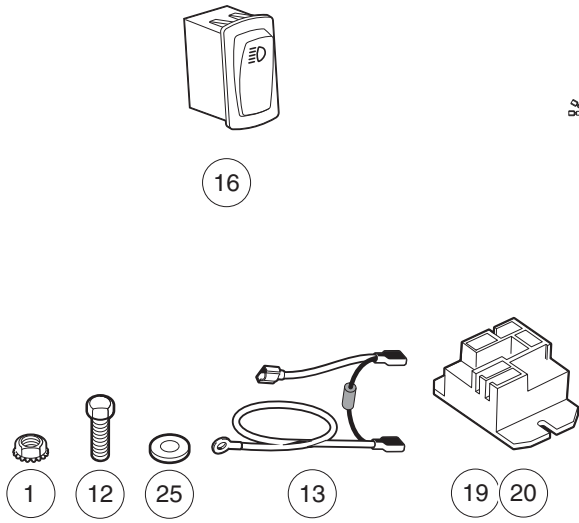
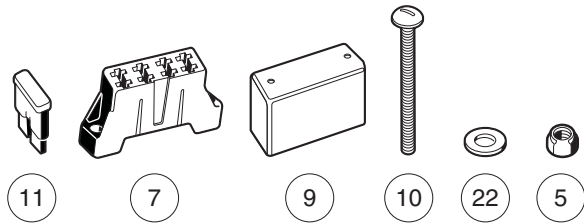
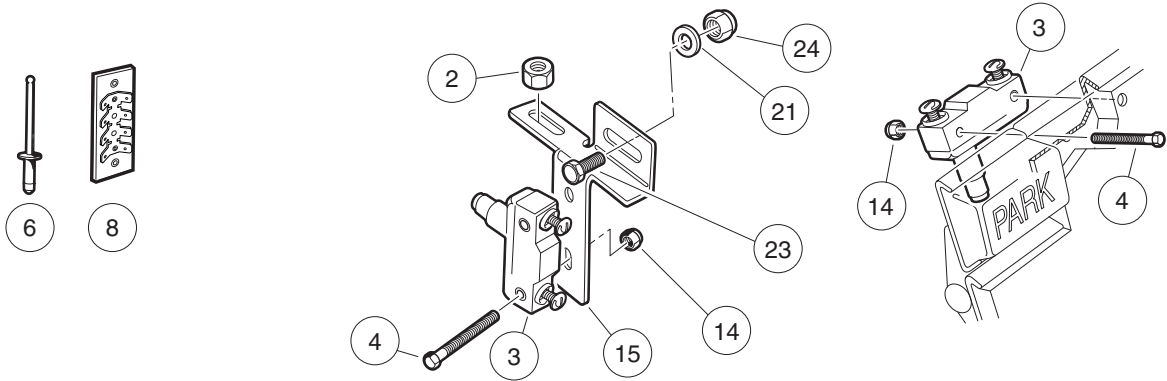
001431-001

# LIGHTING SYSTEM COMPONENTS – VILLAGER 6 ELEC. WITH HIGH-FREQ. CHARGER

ITEM	PART NO.	DESCRIPTION	QTY
		<b>1 2 3 4</b>	
1	1011229	Locknut, #6-32 Whiz .....	2
2	1011280	Locknut, 5/16-18 .....	1
3	1011439	Switch, Limit .....	2
4	1011557	Screw, #6-32 X 1.00 Hex-Head Machine .....	4
5	1012438	Locknut, #10-24 Nylon Insert .....	2
6	1013357	Rivet, 5/32 Aluminum Pop .....	2
7	1015741	Fuse Block .....	1
8	1016356	Terminal Block with Insulator .....	1
9	1016363	Fuse Block Cover .....	1
10	1016366	Screw, #10-24 X 3.0 Pan-Head Machine .....	2
11	1016423	Fuse, 20-Amp .....	3
12	1017853	Screw, #6-32 X 0.75 Hex-Head Machine .....	2
13	101914401	Assembly, Voltage Suppressor .....	1
14	101932201	Locknut, #6-32 Nylon .....	4
15	101957101	Bracket, Brake Light Switch .....	1
16	102869401	Switch, Rocker, Light .....	1
17	103255701	Wire Harness, Headlights-Only, CA, Electric .....	1
18	103414901	Kit, Relay, 48v 30a W/instr (includes item 19) .....	1
19	103397901	Relay, Spst No, 48v 30a, Pmt .....	1
20	1241	Washer, 5/16 Type A Flat .....	1
21	183	Washer, #10, Type A, Flat .....	4
22	47564908001	Harness, Lighting, Vill6, Hfc .....	1
23	7173	Screw, 5/16-18 X 0.75, Hex-Head Cap .....	1
24	7473	Locknut, 5/16-18 Nylon Insert .....	1
25	7591	Washer, #6, Flat .....	2
<p>Note: Use item 17 for headlights only. NOTE 2: Use item 22 for headlights and taillights.</p>			

**4**  
**G**  
**E**

**4**  
**G**  
**E**



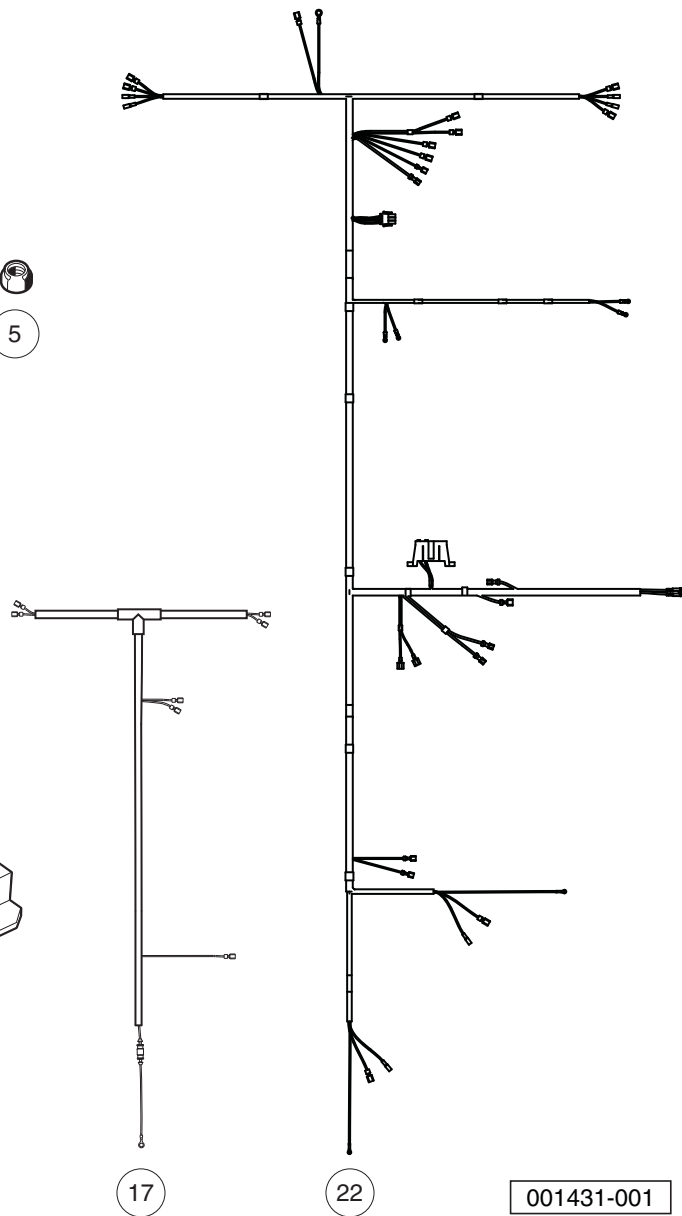
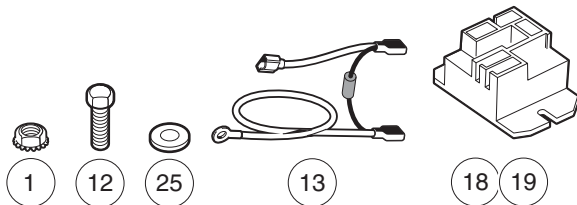
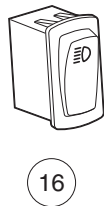
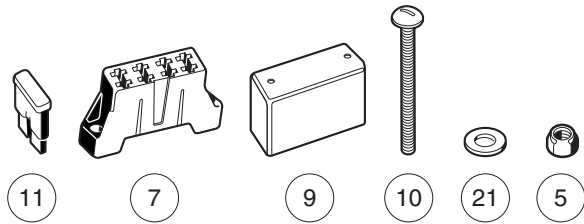
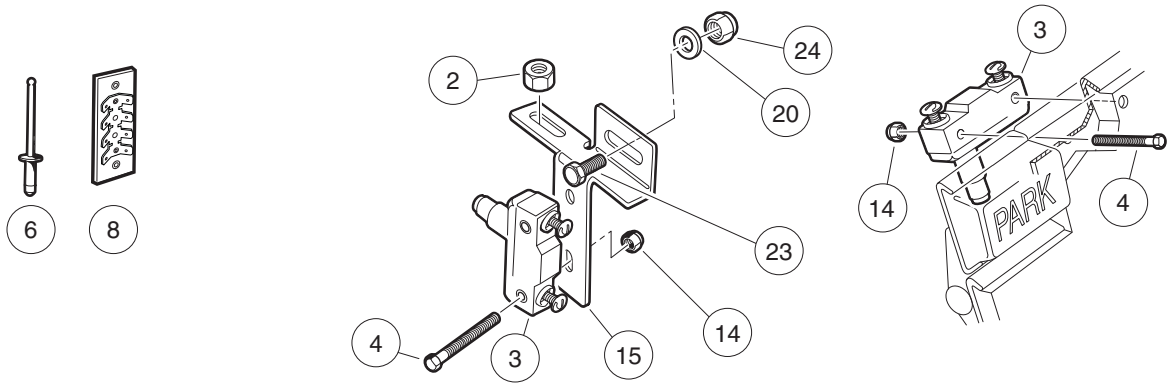
001249-002

# LIGHTING SYSTEM COMPONENTS – VILLAGER 8 ELEC. WITH IQ PLUS CHARGER

ITEM	PART NO.	DESCRIPTION	QTY
		1 2 3 4	
1	1011229	Locknut, #6-32 Whiz .....	2
2	1011280	Locknut, 5/16-18 .....	1
3	1011439	Switch, Limit .....	2
4	1011557	Screw, #6-32 X 1.00 Hex-Head Machine .....	4
5	1012438	Locknut, #10-24 Nylon Insert .....	2
6	1013357	Rivet, 5/32 Aluminum Pop .....	2
7	1015741	Fuse Block .....	1
8	1016356	Terminal Block with Insulator .....	1
9	1016363	Fuse Block Cover .....	1
10	1016366	Screw, #10-24 X 3.0 Pan-Head Machine .....	2
11	1016423	Fuse, 20-Amp .....	3
12	1017853	Screw, #6-32 X 0.75 Hex-Head Machine .....	2
13	101914401	Assembly, Voltage Suppressor .....	1
14	101932201	Locknut, #6-32 Nylon .....	4
15	101957101	Bracket, Brake Light Switch .....	1
16	102869401	Switch, Rocker, Light .....	1
17	103254401	Wire Harness, Lght Pkg, V8, El .....	1
18	103255701	Wire Harness, Headlights-Only, CA, Electric .....	1
19	103414901	Kit, Relay, 48v 30a W/instr (includes item 20) .....	1
20	103397901	Relay, Spst No, 48v 30a, Pmt .....	1
21	1241	Washer, 5/16 Type A Flat .....	1
22	183	Washer, #10, Type A, Flat .....	4
23	7173	Screw, 5/16-18 X 0.75, Hex-Head Cap .....	1
24	7473	Locknut, 5/16-18 Nylon Insert .....	1
25	7591	Washer, #6, Flat .....	2
		<p>Note: Use item 18 for headlights only. NOTE 2: Use item 17 for headlights and taillights.</p>	

4  
G  
E

**4**  
**G**  
**E**



001431-001

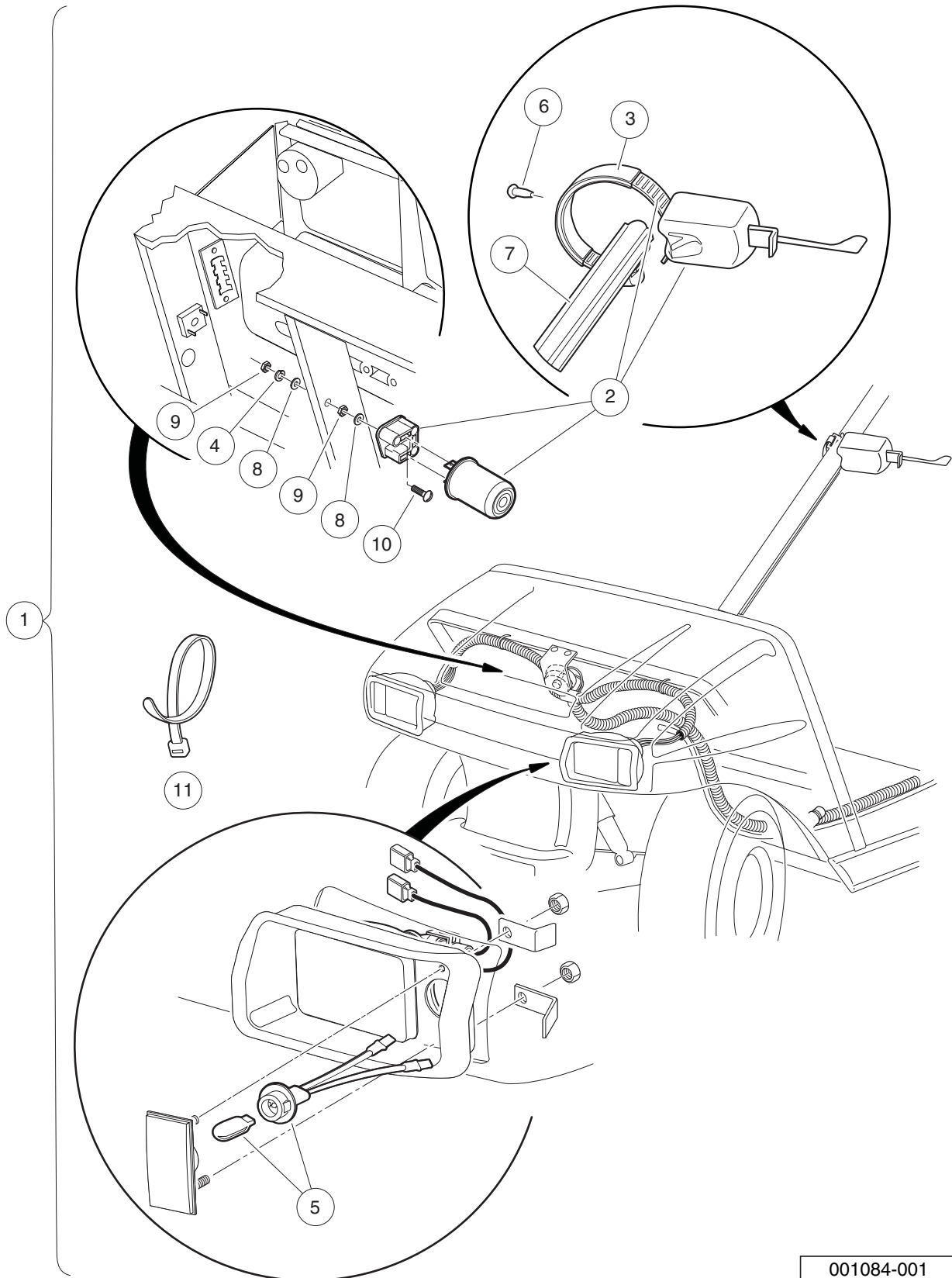


# LIGHTING SYSTEM COMPONENTS – VILLAGER 8 ELEC. WITH HIGH-FREQ. CHARGER

ITEM	PART NO.	DESCRIPTION	QTY
		1 2 3 4	
1	1011229	Locknut, #6-32 Whiz .....	2
2	1011280	Locknut, 5/16-18 .....	1
3	1011439	Switch, Limit .....	2
4	1011557	Screw, #6-32 X 1.00 Hex-Head Machine .....	4
5	1012438	Locknut, #10-24 Nylon Insert .....	2
6	1013357	Rivet, 5/32 Aluminum Pop .....	2
7	1015741	Fuse Block .....	1
8	1016356	Terminal Block with Insulator .....	1
9	1016363	Fuse Block Cover .....	1
10	1016366	Screw, #10-24 X 3.0 Pan-Head Machine .....	2
11	1016423	Fuse, 20-Amp .....	3
12	1017853	Screw, #6-32 X 0.75 Hex-Head Machine .....	2
13	101914401	Assembly, Voltage Suppressor .....	1
14	101932201	Locknut, #6-32 Nylon .....	4
15	101957101	Bracket, Brake Light Switch .....	1
16	102869401	Switch, Rocker, Light .....	1
17	103255701	Wire Harness, Headlights-Only, CA, Electric .....	1
18	103414901	Kit, Relay, 48v 30a W/instr (includes item 19) .....	1
19	103397901	Relay, Spst No, 48v 30a, Pmt .....	1
20	1241	Washer, 5/16 Type A Flat .....	1
21	183	Washer, #10, Type A, Flat .....	4
22	47564902001	Harness, Lighting, Vill8, Hfc .....	1
23	7173	Screw, 5/16-18 X 0.75, Hex-Head Cap .....	1
24	7473	Locknut, 5/16-18 Nylon Insert .....	1
25	7591	Washer, #6, Flat .....	2
		Note: Use item 17 for headlights only. NOTE 2: Use item 22 for headlights and taillights.	

4  
G  
E

**4**  
**G**  
**E**



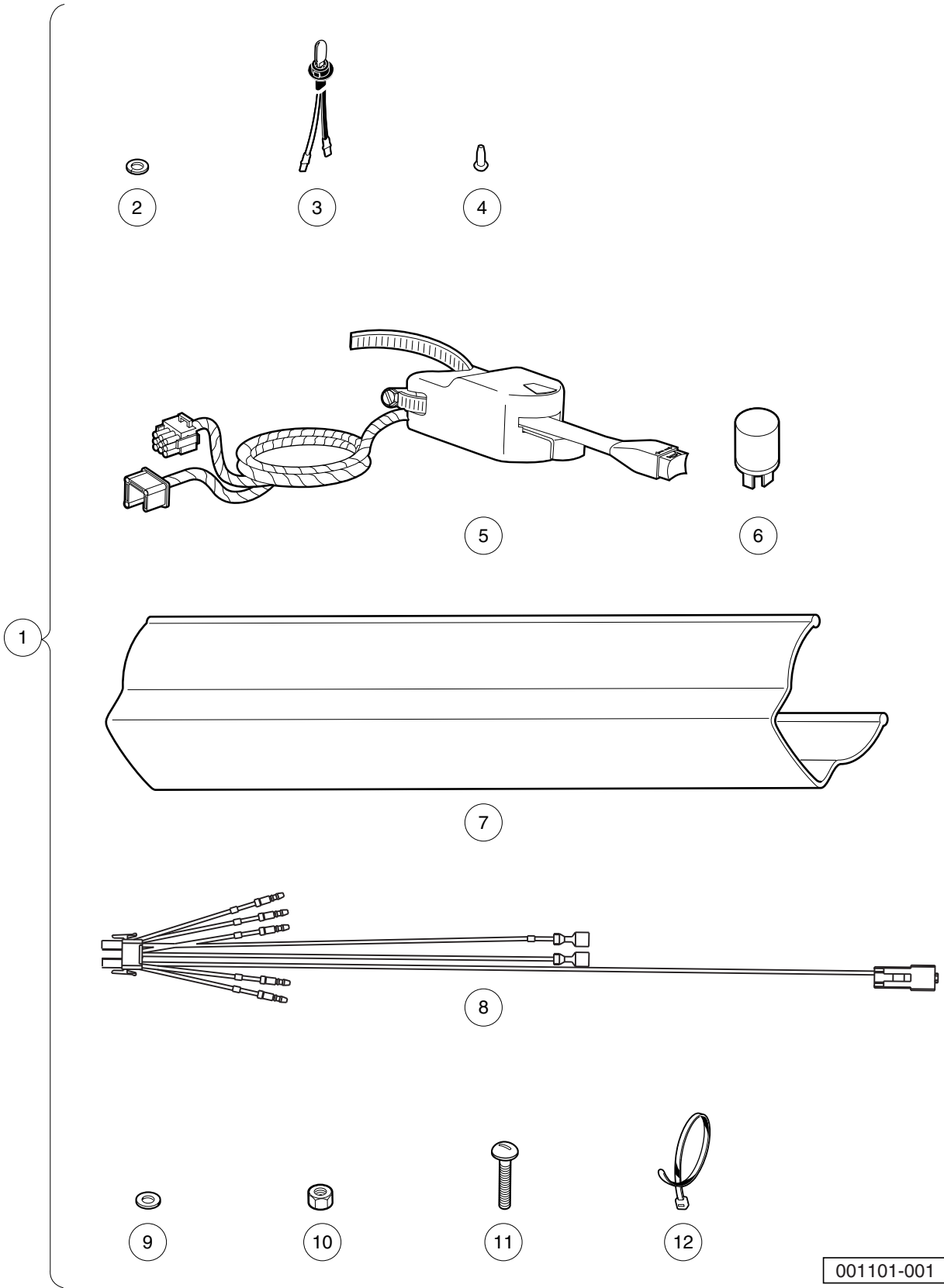
001084-001

# TURN SIGNAL KIT – DS AND UTILITY GASOLINE AND ELECTRIC VEHICLES

ITEM	PART NO.	DESCRIPTION	QTY
		<b>1 2 3 4</b>	
1	101707402	Turn Signal Conversion Kit (includes items 2 through 11) .....	1
2	1011590	Switch Sub-assy, Turn Signal .....	1
3	N/A	Strap, Extrusion .....	1
4	1016	Lockwasher, #10 Split .....	1
5	1017075	Socket & Lamp Assembly .....	2
6	1017724	Rivet, Plastic .....	1
7	102529201	Wire Cover, Steering Column .....	1
8	183	Washer, #10, Type A, Flat .....	2
9	7893	Nut, #10-32 Hex .....	2
10	8104	Screw, #10-32 X .75 Rd Hd Mach .....	1
11	8990	Tie Wrap, 8" Nylon .....	1

**4**  
**G**  
**E**

**4**  
**G**  
**E**

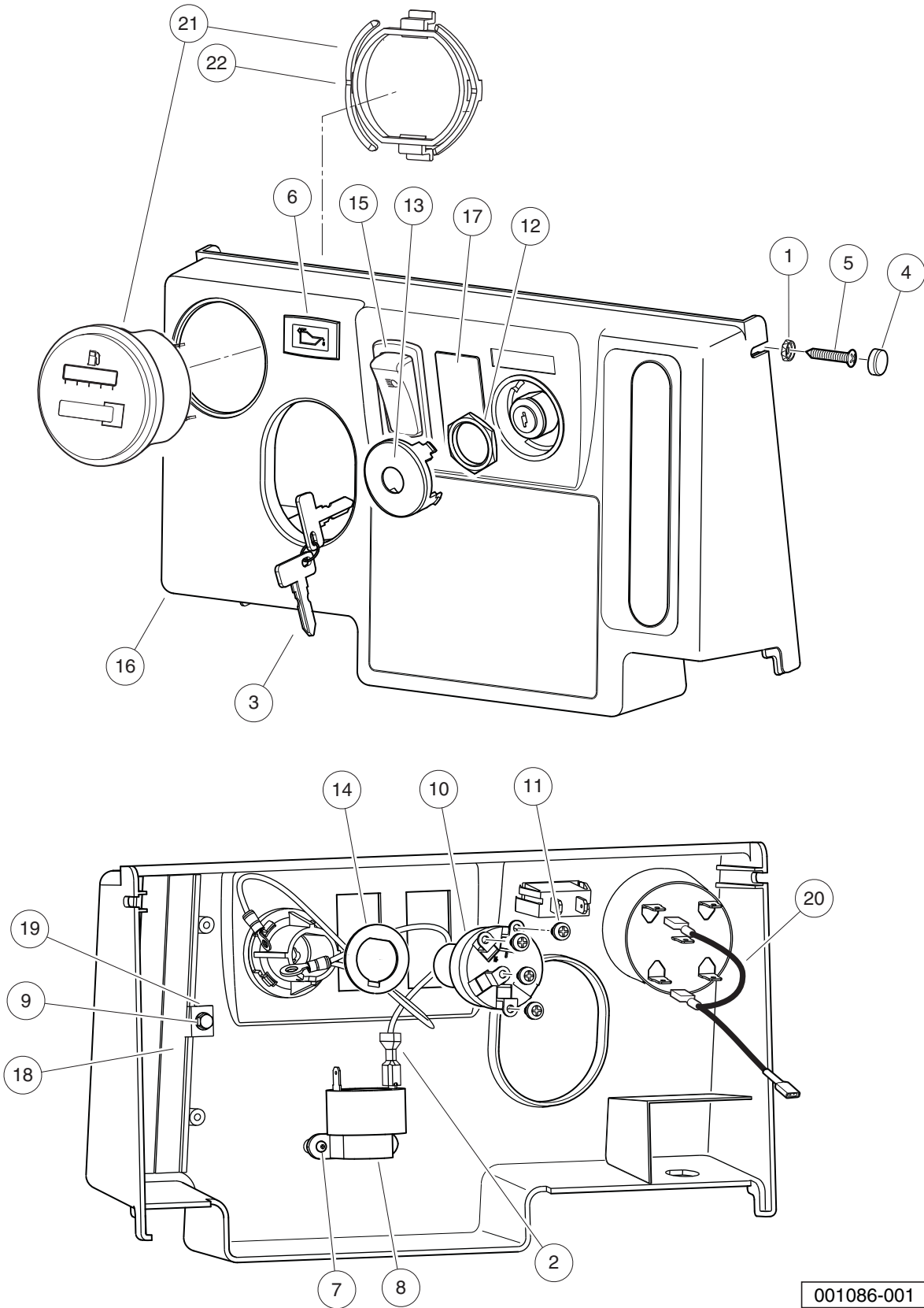


# TURN SIGNAL (WITH HORN BUTTON) KIT – DS AND UTILITY GAS AND ELECTRIC VEHICLES

ITEM	PART NO.	DESCRIPTION	QTY
		<b>1 2 3 4</b>	
1	101707405	Kit, Turn Signal-horn (includes items 2 through 12) .....	1
2	1016	Lockwasher, #10 Split .....	1
3	1017075	Socket & Lamp Assembly .....	2
4	1017724	Rivet, Plastic .....	1
5	102517501	Turn Signal Asm (includes item 6) .....	1
6	102546401	Flasher Unit, Prec .....	1
7	102529201	Wire Cover, Steering Column .....	1
8	103618001	Harness, Jumper, Turn Signal .....	1
9	183	Washer, #10, Type A, Flat .....	2
10	7893	Nut, #10-32 Hex .....	2
11	8104	Screw, #10-32 X .75 Rd Hd Mach .....	1
12	8990	Tie Wrap, 8" Nylon .....	1

**4**  
**G**  
**E**

**4**  
**G**  
**E**



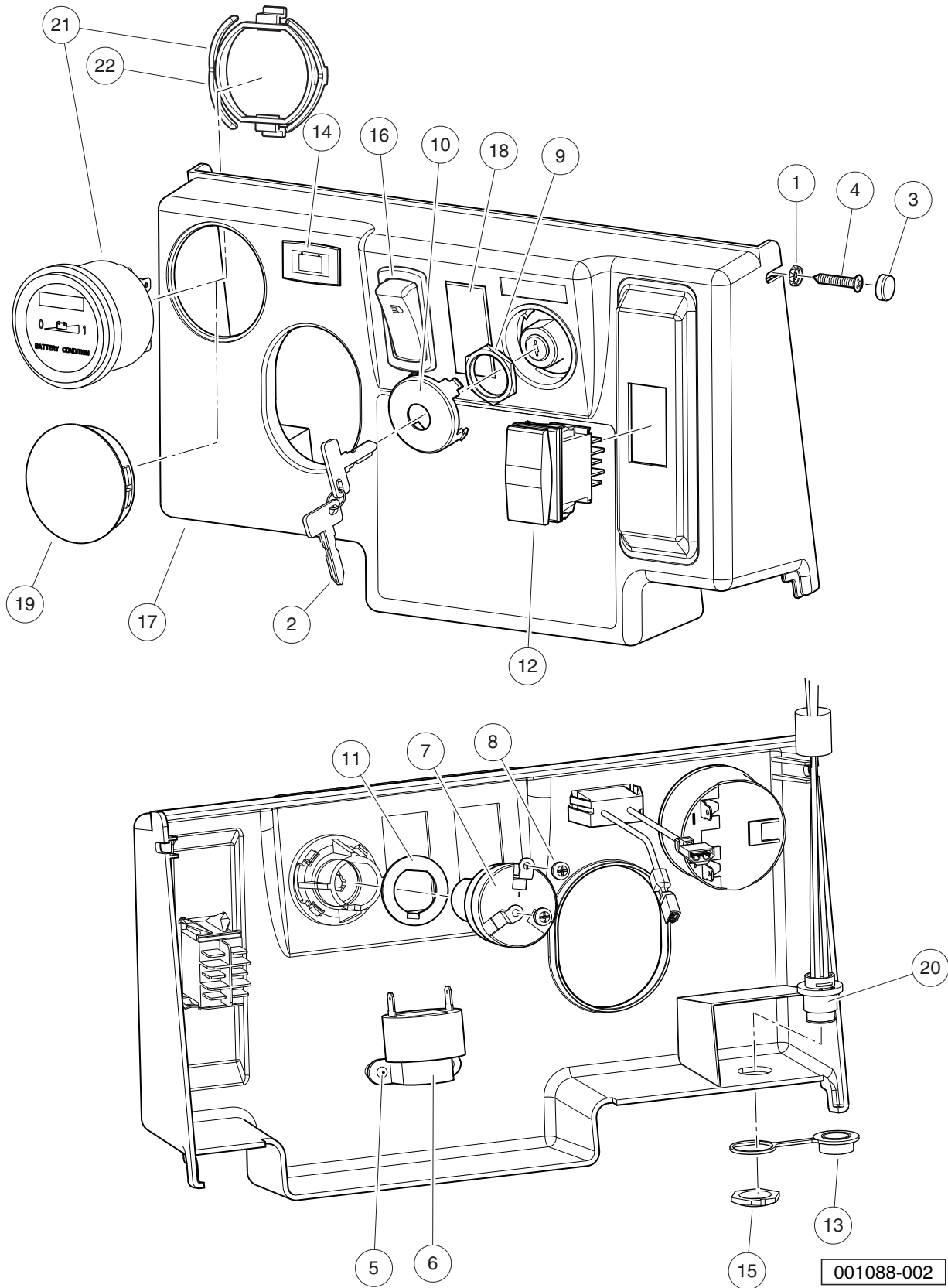
001086-001

# INSTRUMENT PANEL AND ELECTRICAL COMPONENTS – CA6/ VILL 6 & 8/TPORTER GAS

ITEM	PART NO.	DESCRIPTION	QTY
		<b>1 2 3 4</b>	
1	1011382	Washer, #10 Pan-Head Screw .....	2
2	1012396	Wire Assy #18 Black .....	1
3	1012505	Keys (set of 2) .....	1
4	1013494	Cover, Screw Head .....	2
5	1015528	Screw, #10 x 1-1/4 Phillips Head .....	2
6	1016630	Light, Oil .....	1
7	1016849	Screw, #4-24 X 0.33, Pan-Head, Machine .....	2
8	1016851	Buzzer, Reverse (9-48 VDC) .....	1
9	101804301	Screw, #8 X 0.500, Hex-Head Hi-Lo .....	2
10	101826401	Key Switch, 12-Volt, Off/On/Start .....	1
11	101830601	Screw and Washer Assembly .....	5
12	101830701	Nut, Key Switch .....	1
13	101834502	Cap, Black Key Switch .....	1
14	101851101	Washer, Key Switch .....	1
15	102869401	Switch, Rocker, Light .....	1
16	102977001	Panel, Dash, Center, Gas (Instrument Panel) .....	1
17	103180101	Cover, Hole, Switch, Rocker .....	1
18	103199001	Brush, Closeout, FNR .....	2
19	103199101	Washer, Retaining, Brush, FNR .....	2
20	103348501	Asm, Wire Meter, F-h Jumper .....	1
21	103348601	Gauge, Fuel-hour, sep Gnd, utl (includes item 22) .....	1
22	103348201	Clip, Meter, Round .....	1

**4**  
**G**  
**E**

**4**  
**G**  
**E**



001088-002

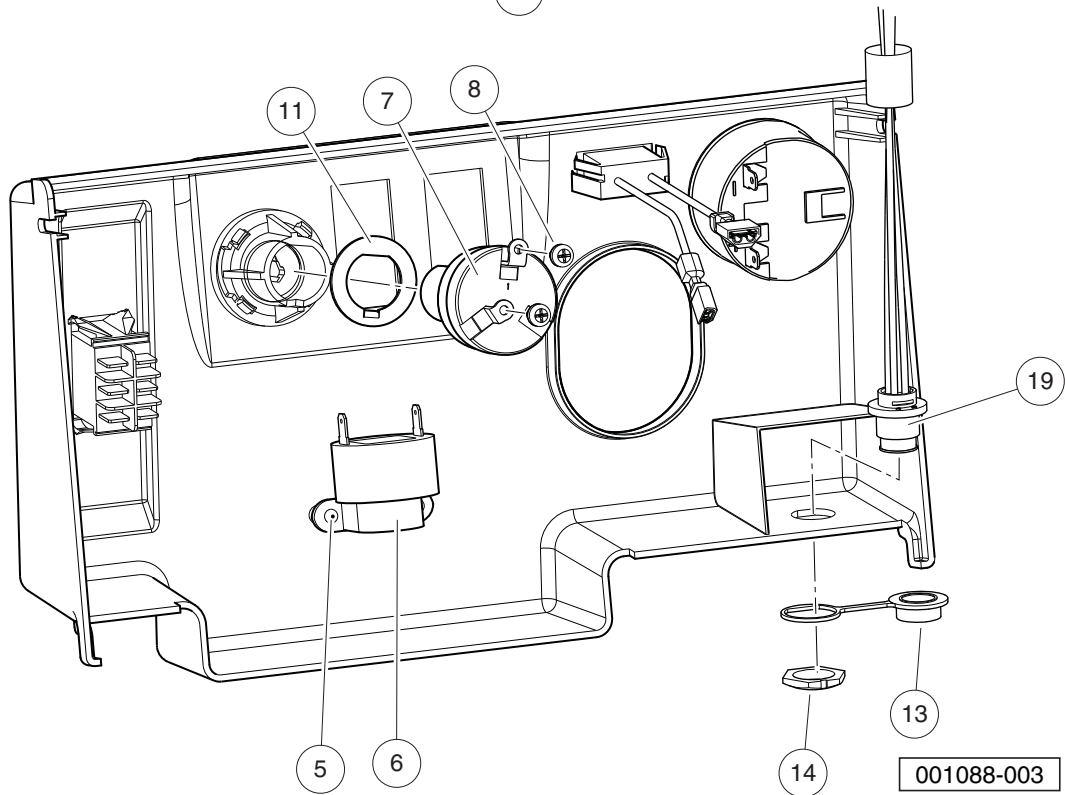
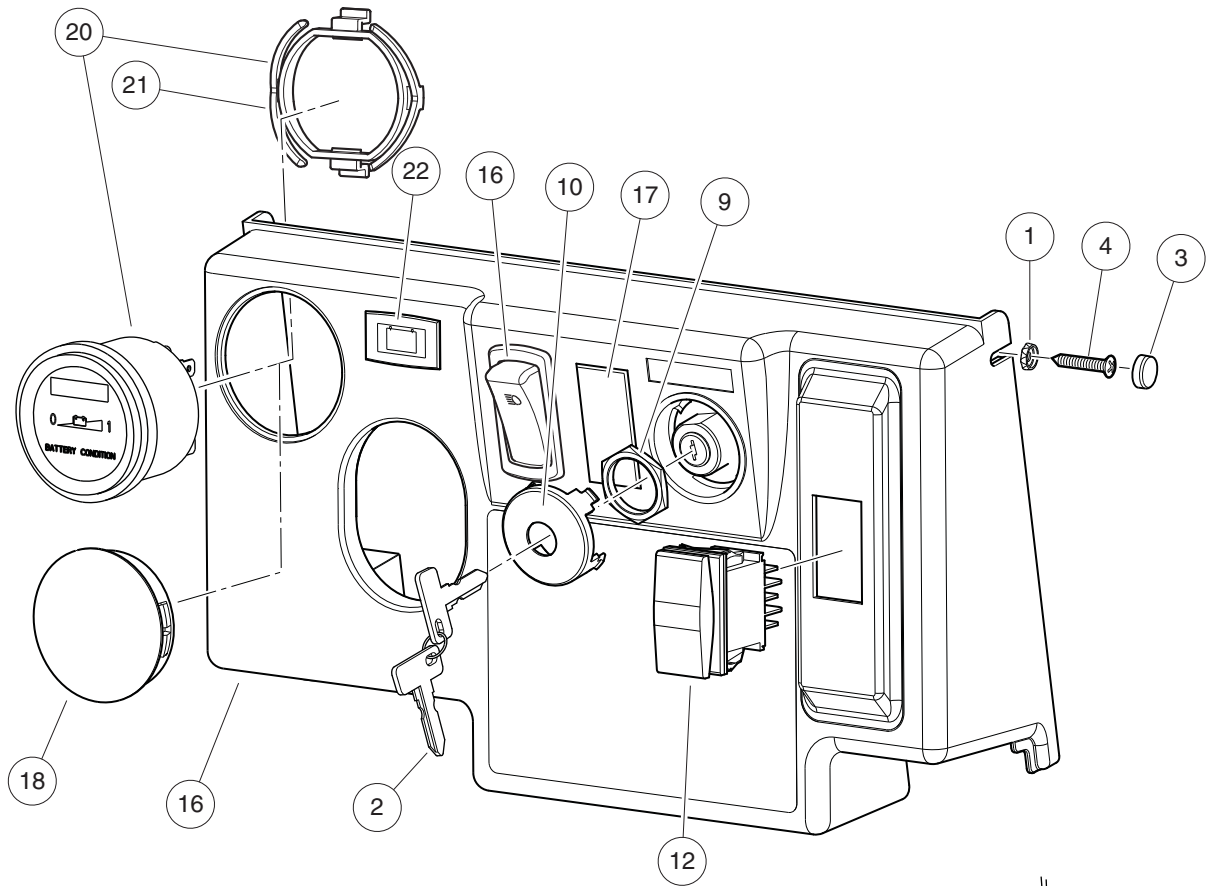


# INSTRUMENT PANEL – CA6/VILL 6 & 8/TPORTER/XRT850 ELEC. WITH LESTER CHARGER

ITEM	PART NO.	DESCRIPTION	QTY
		<b>1 2 3 4</b>	
1	1011382	Washer, #10 Pan-Head Screw .....	2
2	1012505	Keys (set of 2) .....	1
3	1013494	Cover, Screw Head .....	2
4	1015528	Screw, #10 x 1-1/4 Phillips Head .....	2
5	1016849	Screw, #4-24 X 0.33, Pan-Head, Machine .....	2
6	1016851	Buzzer, Reverse (9-48 VDC) .....	1
7	101826201	Key Switch, On/Off .....	1
8	101830601	Screw and Washer Assembly .....	2
9	101830701	Nut, Key Switch .....	1
10	101834502	Cap, Black Key Switch .....	1
11	101851101	Washer, Key Switch .....	1
12	101856002	Switch, Rocker, Single-Pole .....	1
13	102196901	Dust Cap .....	1
14	102508701	Light, Battery .....	1
15	102572401	Nut, Diagnostic Port .....	1
16	102869401	Switch, Rocker, Light .....	1
17	102977002	Panel, Dash, Center, Elec (Instrument Panel) .....	1
18	103180101	Cover, Hole, Switch, Rocker .....	1
19	103198301	Plug, Hole, Round, 2.0 In .....	1
20	103218601	Harness, Diagnostic Port .....	1
21	103354401	Gauge, Battery Cond Ind, Rnd (includes item 22) .....	1
22	103348202	Clip, Bci, Round .....	1

**4**  
**G**  
**E**

**4**  
**G**  
**E**



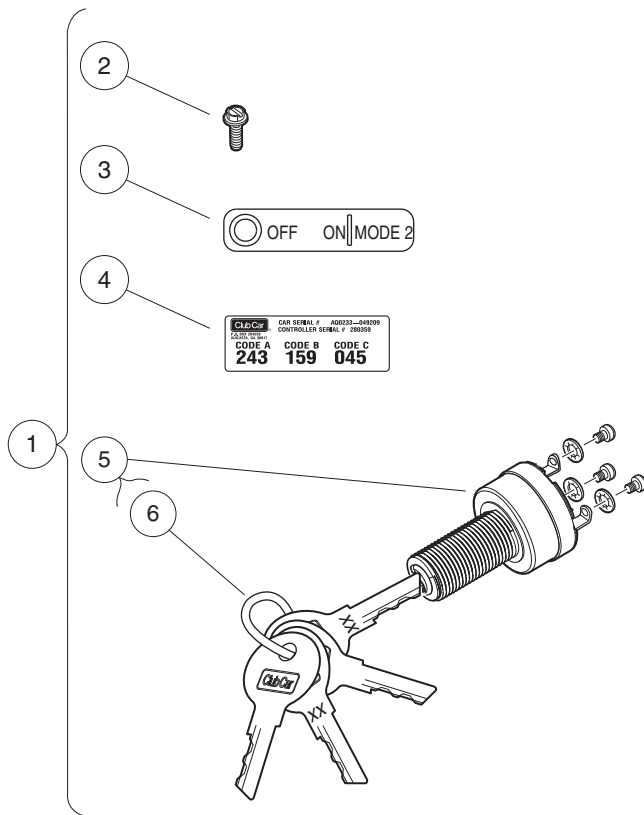
001088-003

## INSTRUMENT PANEL WITH ELECTRICAL COMPONENTS – VILLAGER 6 & 8 ELEC. WITH HIGH-FREQ. CHARGER

ITEM	PART NO.	DESCRIPTION	QTY
		<b>1 2 3 4</b>	
1	1011382	Washer, #10 Pan-Head Screw .....	2
2	1012505	Keys (set of 2) .....	1
3	1013494	Cover, Screw Head .....	2
4	1015528	Screw, #10 x 1-1/4 Phillips Head .....	2
5	1016849	Screw, #4-24 X 0.33, Pan-Head, Machine .....	2
6	1016851	Buzzer, Reverse (9-48 VDC) .....	1
7	101826201	Key Switch, On/Off .....	1
8	101830601	Screw and Washer Assembly .....	2
9	101830701	Nut, Key Switch .....	1
10	101834502	Cap, Black Key Switch .....	1
11	101851101	Washer, Key Switch .....	1
12	101856002	Switch, Rocker, Single-Pole .....	1
13	102196901	Dust Cap .....	1
14	102572401	Nut, Diagnostic Port .....	1
15	102869401	Switch, Rocker, Light .....	1
16	102977002	Panel, Dash, Center, Elec (Instrument Panel) .....	1
17	103180101	Cover, Hole, Switch, Rocker .....	1
18	103198301	Plug, Hole, Round, 2.0 In .....	1
19	103218601	Harness, Diagnostic Port .....	1
20	103354401	Gauge, Battery Cond Ind, Rnd (includes item 21) .....	1
21	103348202	Clip, Bci, Round .....	1
22	105152301	Indicator, Charger, Dash, Cap .....	1

**4**  
**G**  
**E**

**4**  
**G**  
**E**



001212-001

# KEYS AND KEYSWITCHES, SMARTKEY KIT – ELECTRIC VEHICLE

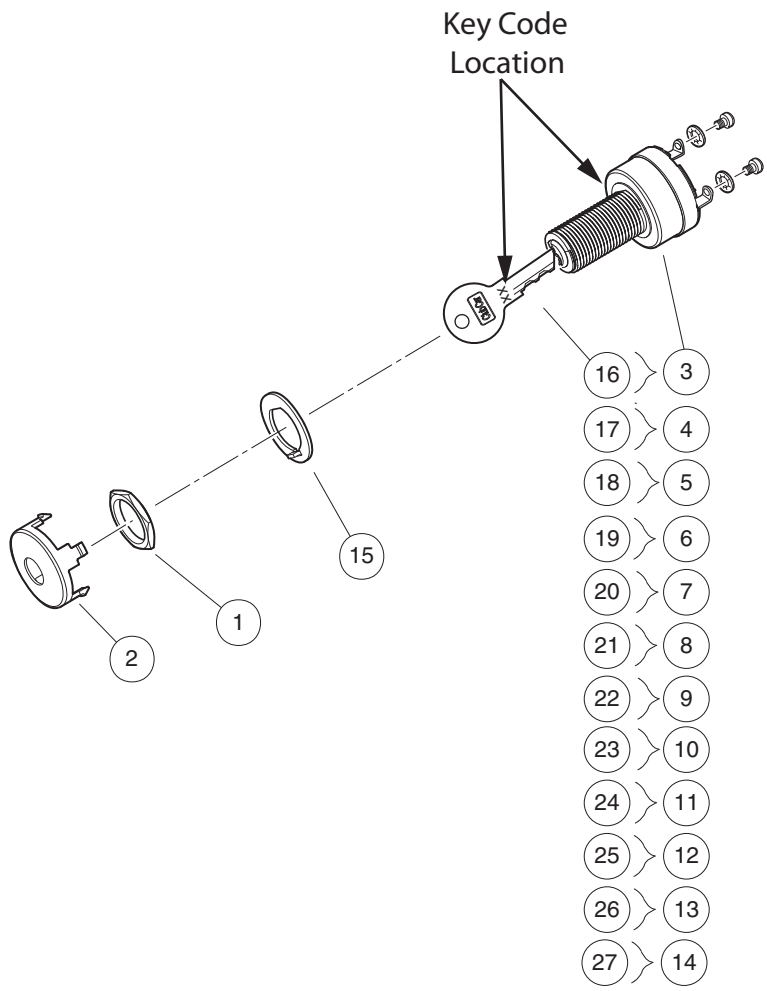
ITEM	PART NO.	DESCRIPTION	QTY
		<b>1 2 3 4</b>	
1	102962602	Kit, Field, Smartkey (includes items 2 through 5) .....	1
2	1011017	Screw, #8-32 X 0.375 .....	1
3	101825103	Decal, Keyswitch, Iq Plus Mode .....	1
4	N/A	Decal, Passcode .....	1
5	102950301	Key Switch, Mode B, Iq Plus (includes item 6) .....	1
6	102962303	Keys, Set Of 4, Iq Plus Mode .....	1
		 Note: Not available in the EU.	

**4**  
**G**  
**E**

4

G

E



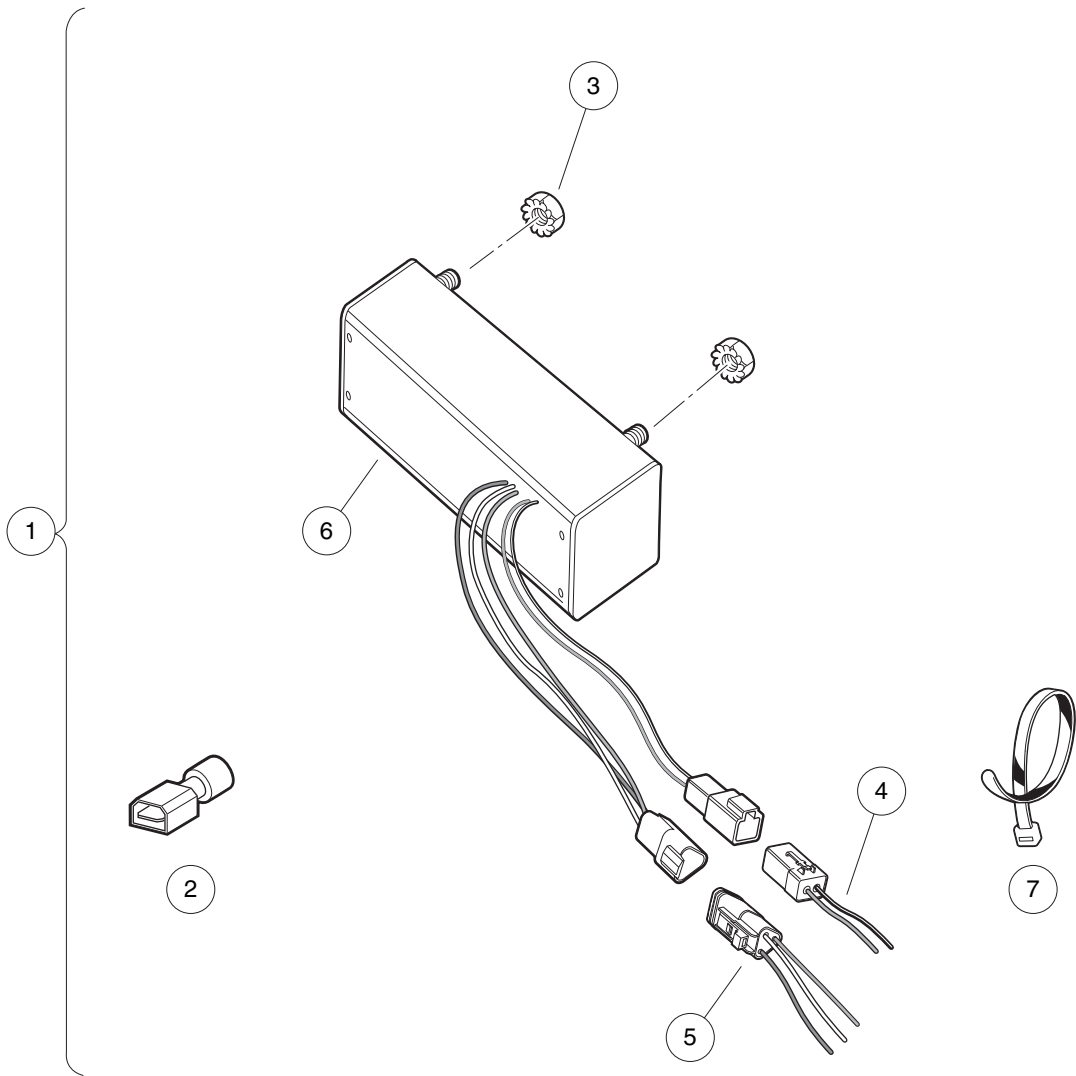
001089-001

## KEYS AND KEYSWITCHES, UNCOMMON – GAS VEHICLE

ITEM	PART NO.	DESCRIPTION	QTY
		1 2 3 4	
1	101830701	Nut, Key Switch .....	1
2	101834502	Cap, Black Key Switch .....	1
3	101839801	Keyswtch Uncom A408 On/off/st .....	1
4	101839802	Keyswtch Uncom B408 On/off/st .....	1
5	101839803	Keyswtch Uncom C408 On/off/st .....	1
6	101839804	Keyswtch Uncom D408 On/off/st .....	1
7	101839805	Keyswtch Uncom 2a408 On/off/st .....	1
8	101839806	Keyswtch Uncom 2b408 On/off/st .....	1
9	101839807	Keyswtch Uncom 2c408 On/off/st .....	1
10	101839808	Keyswtch Uncom 2d408 On/off/st .....	1
11	101839809	Keyswtch Uncom E408 On/off/st .....	1
12	101839810	Keyswtch Uncom F408 On/off/st .....	1
13	101839811	Keyswtch Uncom 2e408 On/off/st .....	1
14	101839812	Keyswtch Uncom 2f408 On/off/st .....	1
15	101851101	Washer, Key Switch .....	1
16	101974701	Key, Uncommon 1a .....	1
17	101974702	Key, Uncommon 1b .....	1
18	101974703	Key, Uncommon 1c .....	1
19	101974704	Key, Uncommon 1d .....	1
20	101974705	Key, Uncommon 2a .....	1
21	101974706	Key, Uncommon 2b .....	1
22	101974707	Key, Uncommon 2c .....	1
23	101974708	Key, Uncommon 2d .....	1
24	101974709	Key, Uncommon 1e .....	1
25	101974710	Key, Uncommon 1f .....	1
26	101974711	Key, Uncommon 2e .....	1
27	101974712	Key, Uncommon 2f .....	1
		Note: Keyswitches 101839801 through 101839812 are for key-start, gasoline vehicles ONLY.	

4  
G  
E

**4**  
**G**  
**E**



001090-002



## DC CONVERTER (ISOLATED) – ELECTRIC VEHICLE

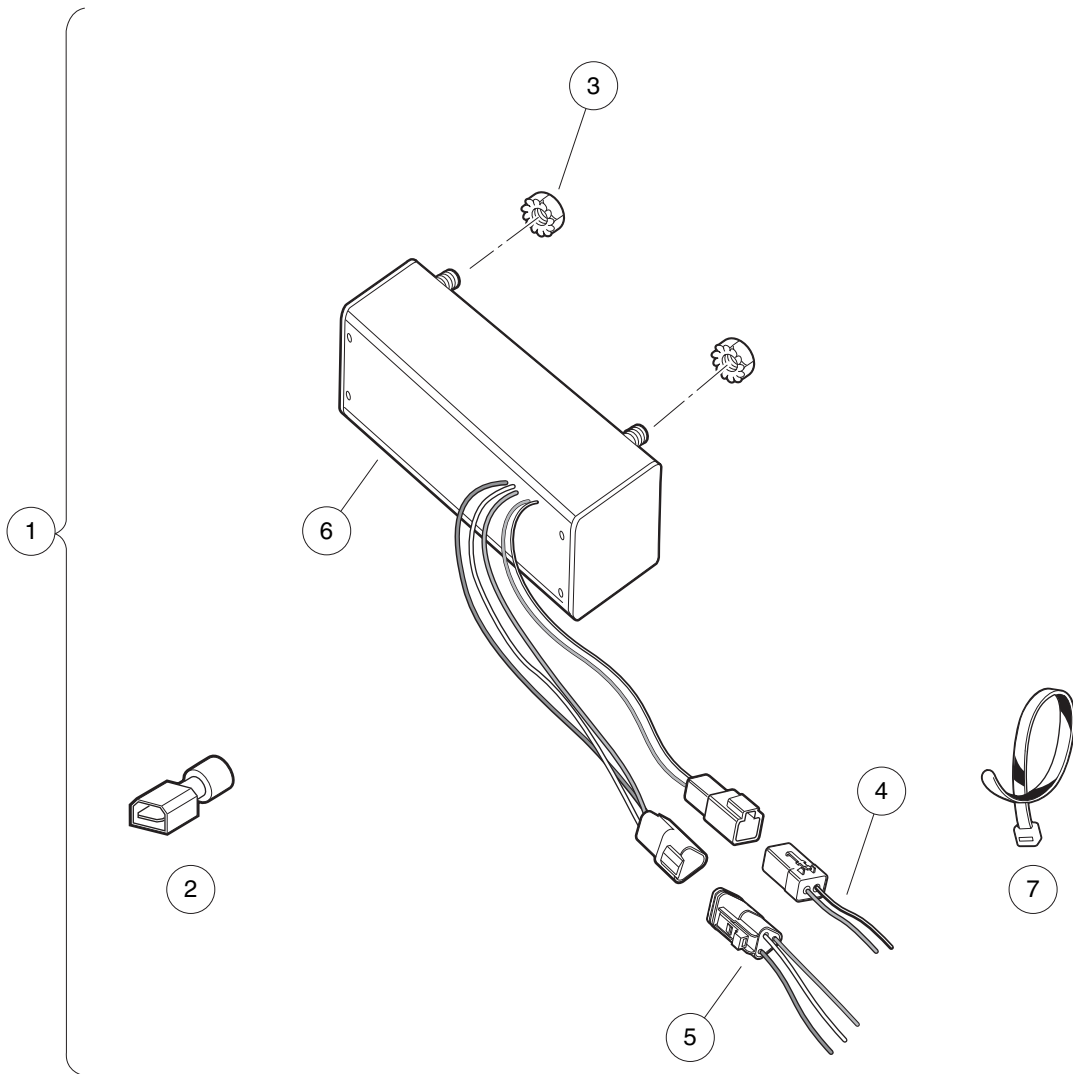
ITEM	PART NO.	DESCRIPTION	QTY
		<b>1 2 3 4</b>	
1	102918701	Kit, DC/DC Converter, IQ Plus (includes items 2 through 7) .....	1
2	1016365	Terminal, 1/4" Male Quick Disconnect .....	1
3	101835601	Locknut, 1/4-20 Hex Whiz .....	2
4	102354901	Harness, Dc Converter - 12v .....	1
5	102890201	Harness, Dc Converter, 48v .....	1
6	103700301	Converter, Dc/dc, Isoldt .....	1
7	8990	Tie Wrap, 8" Nylon .....	10

4

G

E

**4**  
**G**  
**E**



001090-002

## DC CONVERTER (ISOLATED) – CE ELECTRIC VEHICLE

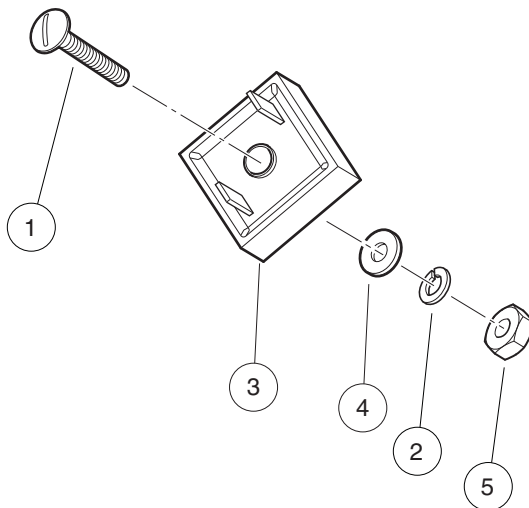
ITEM	PART NO.	DESCRIPTION	QTY
		<b>1 2 3 4</b>	
1	102918702	Kit, Dc Conv. Iq Plus Ce (includes items 2 through 7) .....	1
2	1016365	Terminal, 1/4" Male Quick Disconnect .....	1
3	101835601	Locknut, 1/4-20 Hex Whiz .....	2
4	102354901	Harness, Dc Converter - 12v .....	1
5	102890201	Harness, Dc Converter, 48v .....	1
6	103802401	Converter, Dc/dc, Ce .....	1
7	8990	Tie Wrap, 8" Nylon .....	10

**4**  
**G**  
**E**

4

G

E



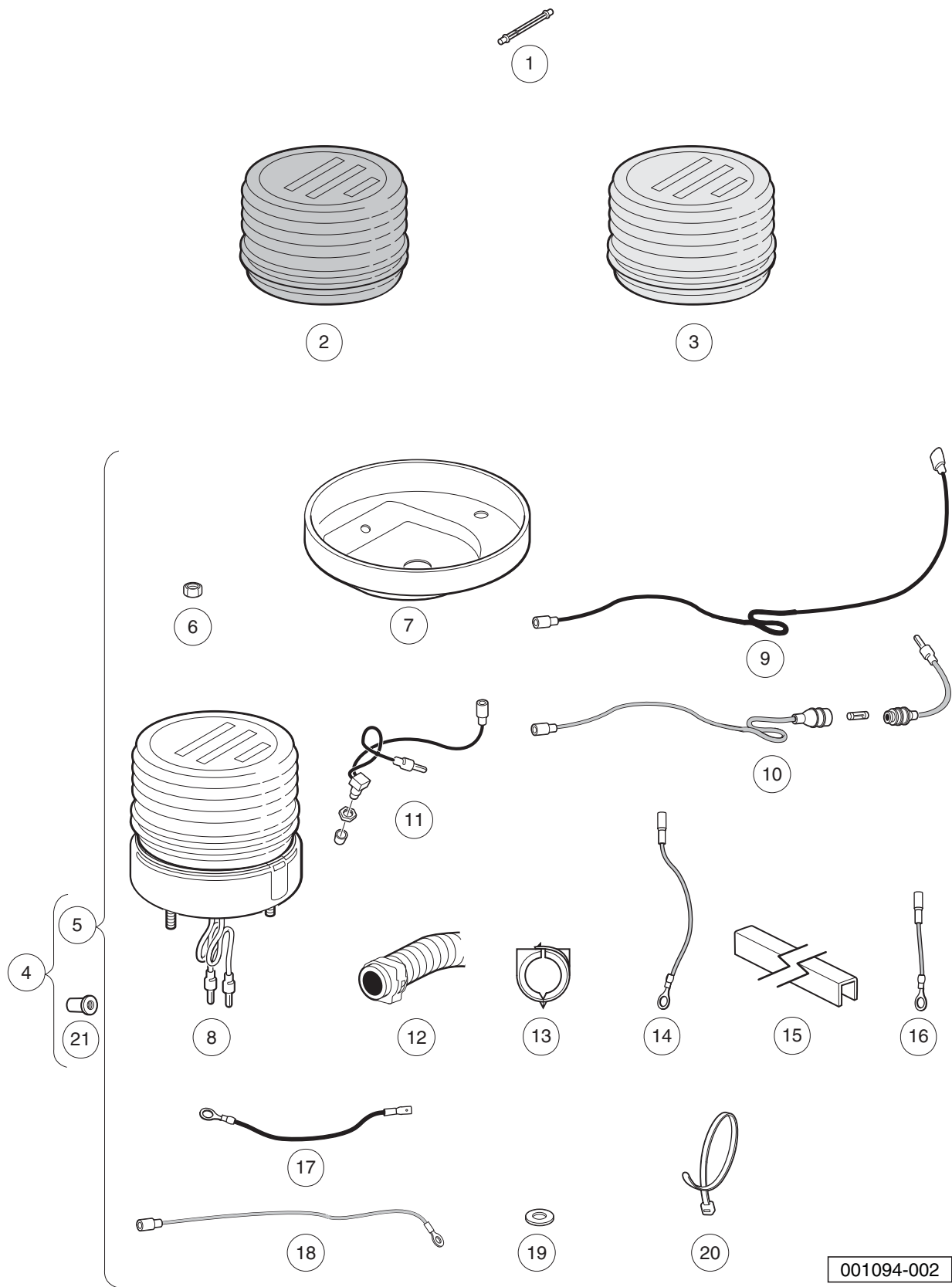
001091-001

## VOLTAGE LIMITER – GASOLINE VEHICLE

ITEM	PART NO.	DESCRIPTION	QTY
		<b>1 2 3 4</b>	
1	1010909	Screw, #10-32 X 1.25 Rd Hd Mch .....	1
2	1016	Lockwasher, #10 Split .....	1
3	1017721	Limiter, Voltage .....	1
4	183	Washer, #10, Type A, Flat .....	1
5	7893	Nut, #10-32 Hex .....	1

**4**  
**G**  
**E**

**4**  
**G**  
**E**



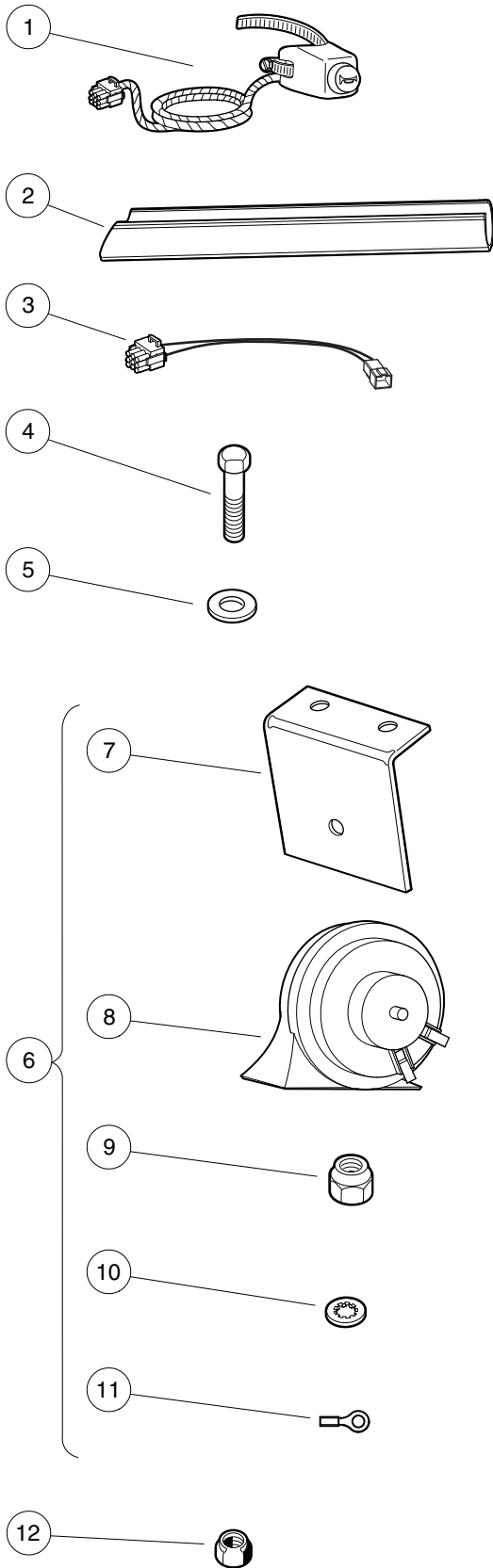
001094-002

# STROBE LIGHT, ROOF-MOUNTED

ITEM	PART NO.	DESCRIPTION	QTY
		<b>1 2 3 4</b>	
1	1015526	Bulb, Replacement, for Strobe Light .....	1
2	AM1243701	Lens, Blue, for Strobe Light .....	A/R
3	AM1243801	Lens, Red, for Strobe Light .....	A/R
4	SVP119201	Light, Roof-Mounted Strobe, Field (includes items 5 through 21) .....	A/R
5	AM1243501	Kit, Roof Mounted Strobe Fd (includes items 6 through 20) .....	1
6	1012438	Locknut, #10-24 Nylon Insert .....	2
7	1015010	Cover Plate Switch .....	1
8	1015156	Light Assembly, Strobe .....	1
9	1015167	#16 Black Wire Asm .....	1
10	1015170	Wire Assembly #16 .....	1
11	1015187	Switch Assembly .....	1
12	1015768	Split Convolute Elec Conduit .....	11
13	1015770	Outlet Ring - .5 Diameter .....	5
14	1016230	Wire Asm #16 Red .....	1
15	1016267	Snap On Conduit Vert. ....	1
16	1016287	Wire Asm #16 Red .....	1
17	1016929	Wire Assembly Black #16 .....	1
18	101821601	#18 Red Wire Assembly .....	1
19	183	Washer, #10, Type A, Flat .....	2
20	8639	Tie Wrap, 11" Nylon .....	8
21	SVP493201	Well Nut, 10-32 .....	3

**4**  
**G**  
**E**

**4**  
**G**  
**E**



001095-002

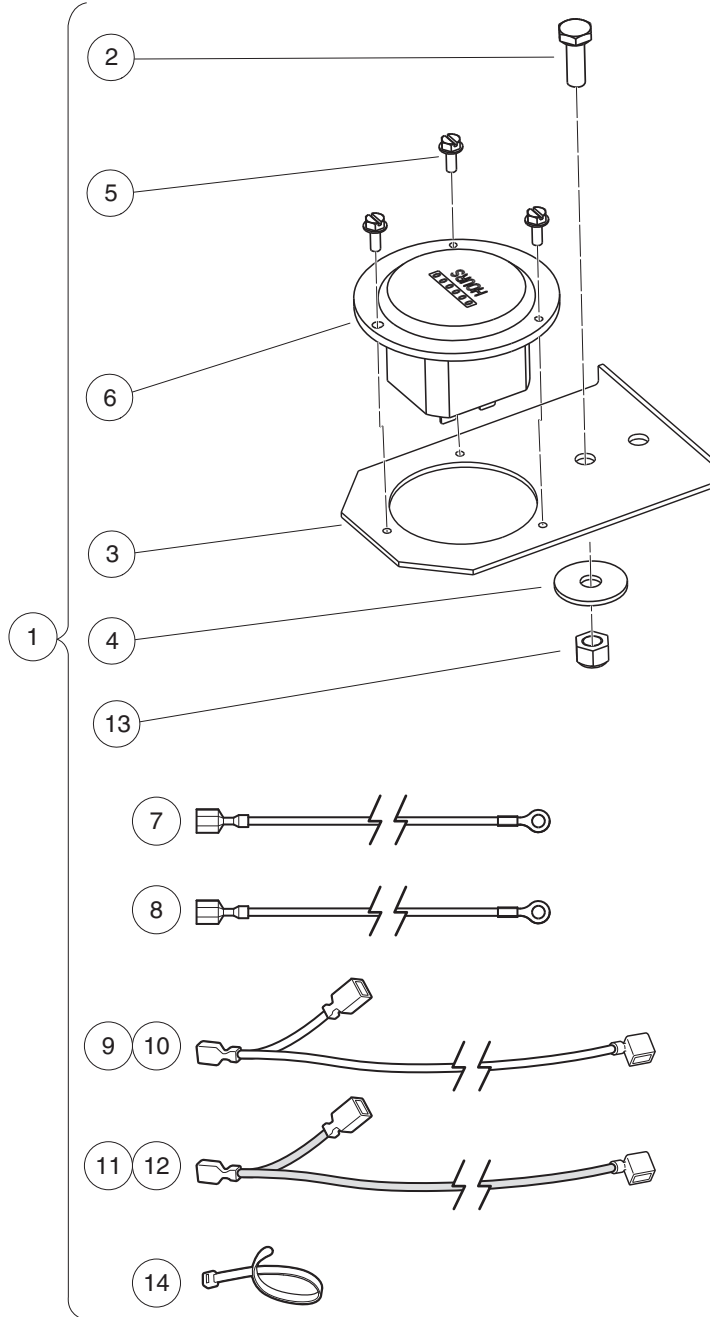


## HORN WITH COLUMN-MOUNTED BUTTON

ITEM	PART NO.	DESCRIPTION	QTY
		<b>1 2 3 4</b>	
1	102517601	Subasm, Horn Button Harness .....	1
2	102529203	Wire Cover-steer Column 304 Mm .....	1
3	103618101	Harness, Jumper, Horn .....	1
4	304	Screw, 1/4-20 X 1.0 Hex-Head Cap .....	2
5	332	Washer, 1/4 Type A Narrow Flat .....	2
6	4029	Horn (includes items 7 through 11) .....	1
7	1011825	Horn Bracket .....	1
8	1014530	Horn, 12-VDC .....	1
9	101955101	Nut, M6 Hex .....	1
10	7820	Washer, 5/16 Internal-Tooth .....	1
11	8294	5/16 Ring Term. ....	1
12	8233	Locknut, 1/4-20, Nylon Insert .....	2

**4**  
**G**  
**E**

**4**  
**G**  
**E**

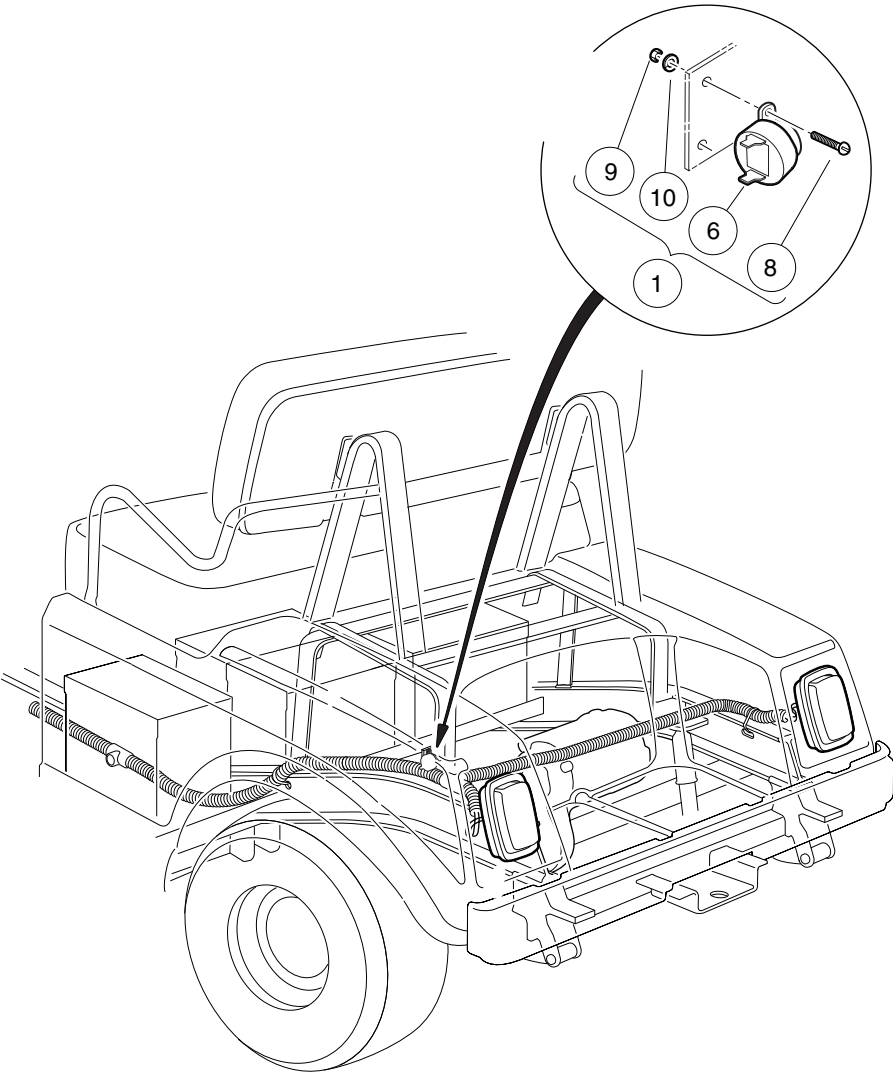


001096-001

# HOUR METER – IQ SYSTEM AND IQ PLUS ELECTRIC VEHICLES

ITEM	PART NO.	DESCRIPTION	QTY
		1 2 3 4	
1	1013579	Kit, Hour Meter (includes items 2 through 14) .....	1
2	1012285	Screw, 1/4 X 0.625 Hex-Head .....	1
3	1013547	Hour Meter Bracket .....	1
4	1014306	Washer, 1/4" Type B Flat .....	1
5	1014540	Screw, #6-32 X 3/8 Taptite .....	3
6	N/A	Hour Meter .....	1
7	101881501	Wire Assembly Black #18 .....	1
8	101881601	Wire Assembly Red #18 .....	1
9	101997802	Wire Assembly #18 Yellow .....	1
10	101997803	Wire Asm #18 Yellow 31" .....	1
11	101997902	Wire Assembly #18 Red .....	1
12	101997903	Wire Asm # 18 Red 31" .....	1
13	8233	Locknut, 1/4-20, Nylon Insert .....	1
14	8990	Tie Wrap, 8" Nylon .....	1
		<p>Note: The kit includes components that apply to multiple vehicles. The installation instructions will specify which components are required for a specific model. After installation, discard components not used.</p>	

4  
G  
E



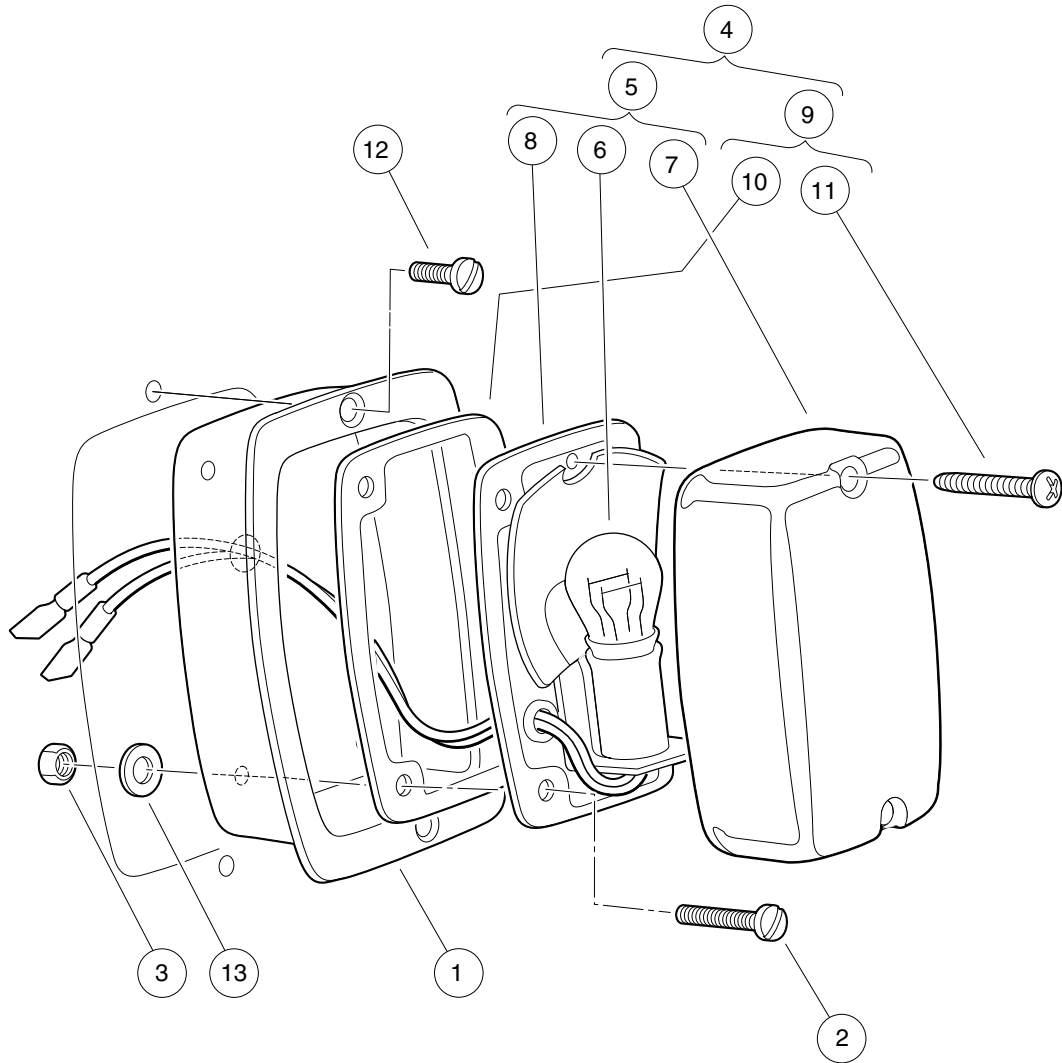
000433-001

## REAR REVERSE BUZZER

ITEM	PART NO.	DESCRIPTION	QTY
		<b>1 2 3 4</b>	
1	1016859	Kit, Reverse Buzzer (includes items 2 through 10) .....	1
2	1011229	Locknut, #6-32 Whiz .....	1
3	1012431	Washer, #4 Flat .....	2
4	1015720	Screw, #6-32 X 1/2 Hex Washer-Head .....	1
5	1016849	Screw, #4-24 X 0.33, Pan-Head, Machine .....	2
6	1016851	Buzzer, Reverse (9-48 VDC) .....	1
7	1016857	Wire Assembly Black #18 .....	1
8	8056	Screw, #4-40 X 0.75 Round-Head Machine .....	2
9	8057	Nut, #4-40 Hex Machine .....	2
10	8058	Lockwasher, #4 Split .....	2
Note: Note: Items 2 through 5 and 7 are included in the kit, but are not used in this application.			

4  
G  
E

**4**  
**G**  
**E**



000348-006

# TAIL LIGHTS

ITEM	PART NO.	DESCRIPTION	QTY
		<b>1 2 3 4</b>	
1	1011497	Bezel, Taillight .....	1
2	1011557	Screw, #6-32 X 1.00 Hex-Head Machine .....	1
3	1011558	Nut, #6-32 Hex .....	1
4	1017035	Taillight Assembly (includes items 5 through 9) .....	1
5	N/A	Light, Tail (includes items 6 through 8) .....	1
6	1011582	Taillight Bulb .....	1
7	1011843	Taillight Lens .....	1
8	N/A	Base, Taillight .....	1
9	1017699	Hardware Kit, Tail Light (includes items 10 and 11) .....	1
10	N/A	Gasket .....	1
11	N/A	Screw, Tapered .....	2
12	102915601	Plastic Rivet - Tuflock .....	1
13	7591	Washer, #6, Flat .....	1

**4**  
**G**  
**E**

**4**

**G**

**E**



# **BRAKES, PEDALS, AND CABLES**

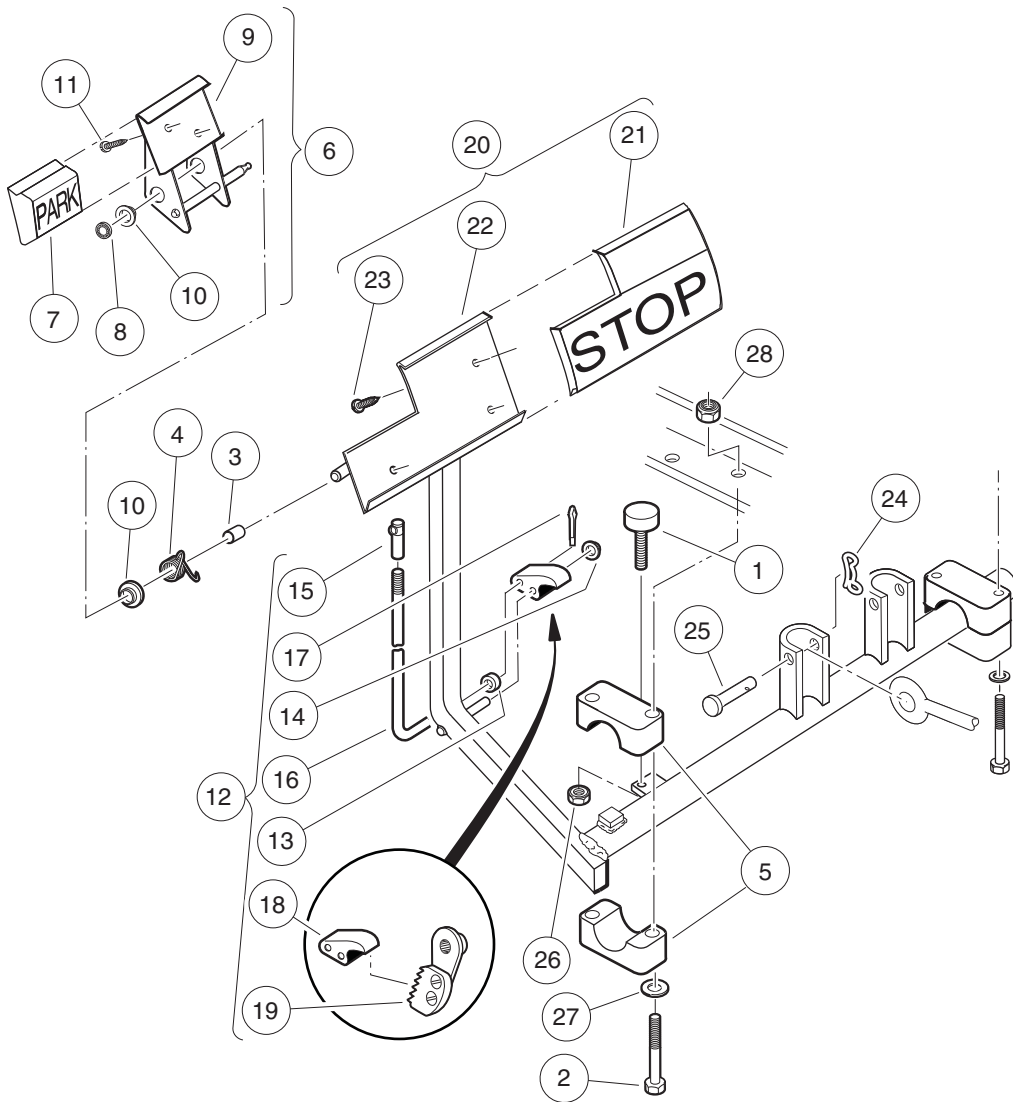
---

**5**

**G**

**E**

**5**  
**G**  
**E**

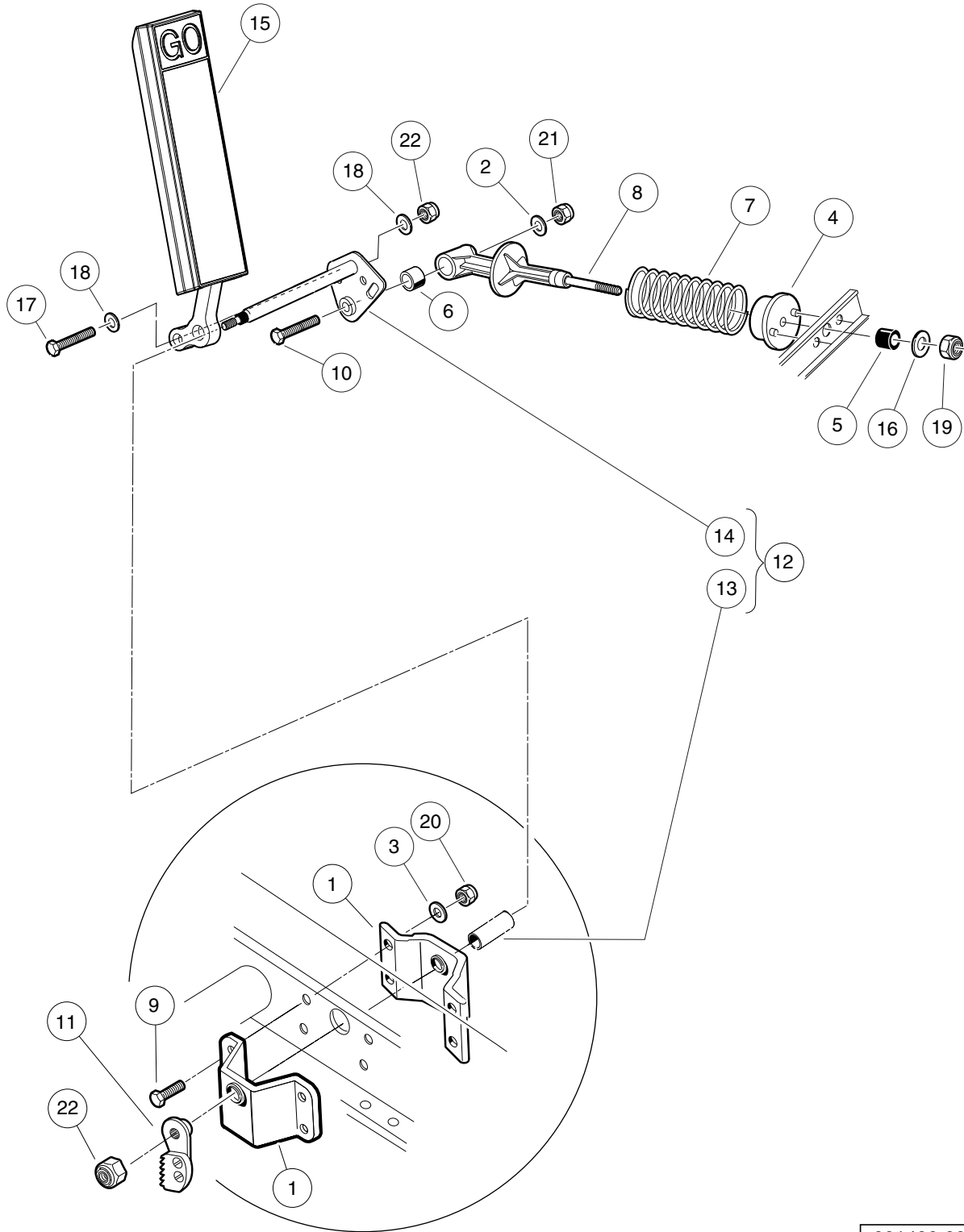


000187-001

## BRAKE PEDAL ASSEMBLY

ITEM	PART NO.	DESCRIPTION	QTY	
		<b>1 2 3 4</b>		<b>5</b>
1	1010878	Bumper, Rubber .....	1	<b>G</b>
2	1010921	Screw, 5/16-18 X 2.50 Hex Cap .....	4	<b>E</b>
3	1010927	Hill Brake Spacer .....	1	
4	1010933	Spring, Hill Brake Torsion .....	1	
5	1011402	Package, Brake Mounting Block .....	1	
6	1011418	Kit, Hill Brake Pedal (includes items 7 through 11) .....	1	
7	1013870	Pad, Hill Brake .....	1	
8	1013876	Pushnut, 3/8 .....	1	
9	N/A	Hill Brake Weld Assembly .....	1	
10	1032	Bushing, Nylon .....	2	
11	7716	Screw, #10-16 Type AB, Sheet Metal .....	2	
12	101187702	Kit, Hill Brake Latch (includes items 13 through 19) .....	1	
13	1010805	Sleeve, Hill Brake Rod .....	1	
14	1010877	Pushnut, 3/8 .....	1	
15	1010932	Ball Joint, 1/4-28 .....	1	
16	N/A	Rod, Hill Brake .....	1	
17	1017029	Pin, Cotter, 7/64 x 1/2 Stainless-Steel .....	1	
18	N/A	Pawl, Hill Brake .....	1	
19	101918501	Ratchet Assembly .....	1	
20	101878201	Brake Pedal Kit (includes items 21 through 23) .....	1	
21	1013869	Pad, Brake Pedal .....	1	
22	N/A	Weldment, Brake Pedal, 2wr Std .....	1	
23	7716	Screw, #10-16 Type AB, Sheet Metal .....	3	
24	102323101	Pin, Bow Tie Locking .....	1	
25	102323201	Pin, 3/8 X 1-5/16 Clevis .....	1	
26	1028	Nut, 1/4-20 Hex .....	1	
27	1241	Washer, 5/16 Type A Flat .....	4	
28	7473	Locknut, 5/16-18 Nylon Insert .....	4	

**5**  
**G**  
**E**



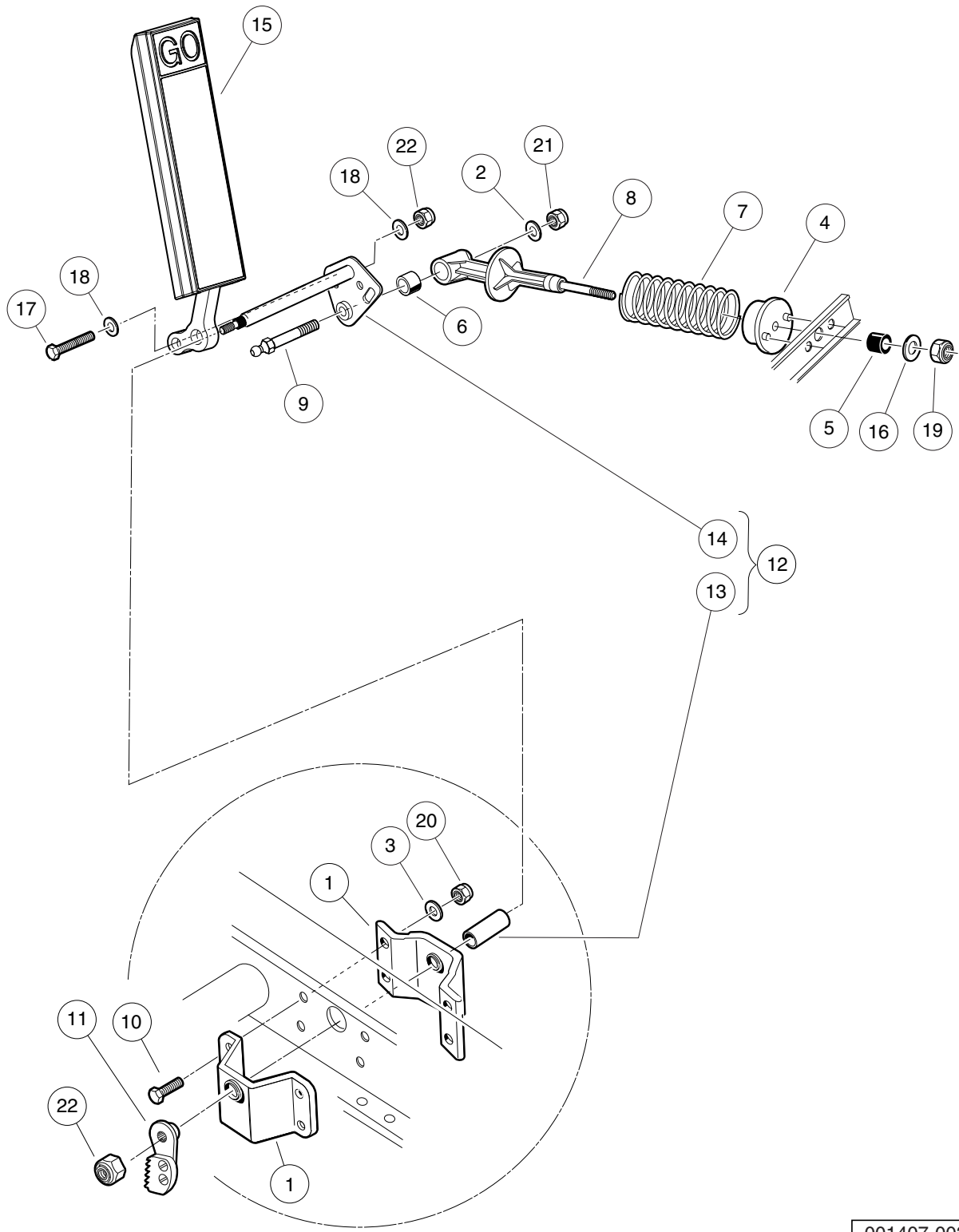
001406-001

# ACCELERATOR PEDAL ASSEMBLY – ELECTRIC VEHICLES

ITEM	PART NO.	DESCRIPTION	QTY
		<b>1 2 3 4</b>	
1	1011694	Accelerator Bracket and Bearing Assembly .....	2
2	1011931	Washer, 1/4 Flat .....	1
3	1014007	Washer, 1/4, Flat .....	4
4	1017378	Cup, Spring .....	1
5	1017380	Bumper, Spring Return .....	1
6	1017424	Bearing, Pivot Support .....	1
7	101796201	Spring, Accelerator Return .....	1
8	101817401	Retainer, Spring .....	1
9	101861901	Screw, 1/4-20 X 1.125 Hex Cap .....	4
10	101862001	Screw, 1/4-20 X 1.500 Flange .....	1
11	101918501	Ratchet Assembly .....	1
12	102026001	Kit, Accelerator Pivot Rod Assembly (includes items 13 and 14) .....	1
13	101919801	Spacer, Accelerator .....	1
14	102158901	Pivot Rod Weldment .....	1
15	103865101	Pedal, Accel, Insert .....	A/R
16	1241	Washer, 5/16 Type A Flat .....	1
17	1624	Screw, 3/8-16 X 1.50, Hex-Head Cap .....	1
18	334	Washer, 3/8, Type A, Flat .....	2
19	7473	Locknut, 5/16-18 Nylon Insert .....	1
20	8233	Locknut, 1/4-20, Nylon Insert .....	4
21	8717	Locknut, Nylon Insert, 1/4-28 .....	1
22	8754	Locknut, 3/8-16 Hex .....	2

**5**  
**G**  
**E**

**5**  
**G**  
**E**



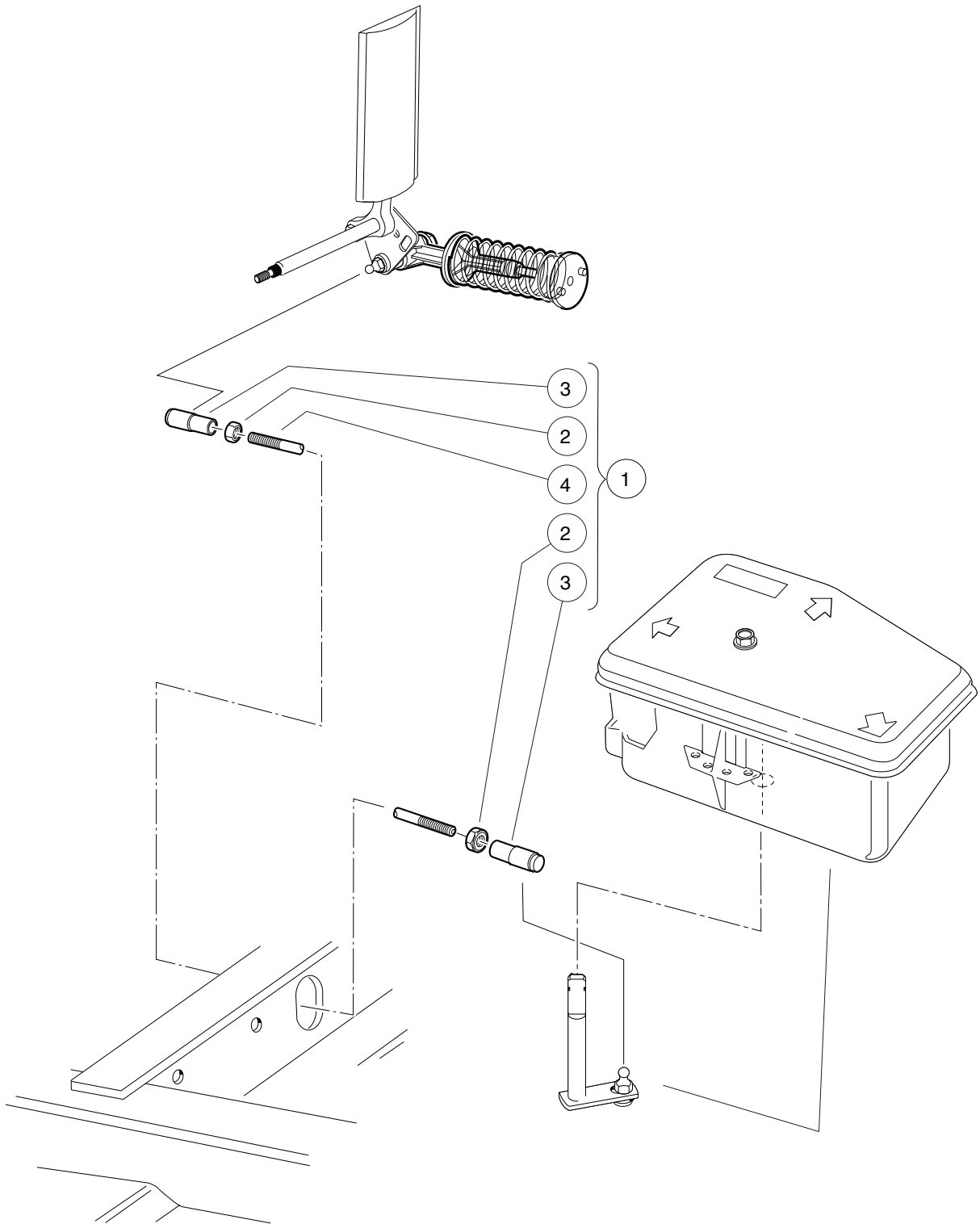
001407-003

# ACCELERATOR PEDAL ASSEMBLY – GASOLINE VEHICLES

ITEM	PART NO.	DESCRIPTION	QTY
		<b>1 2 3 4</b>	
1	1011694	Accelerator Bracket and Bearing Assembly .....	2
2	1011931	Washer, 1/4 Flat .....	1
3	1014007	Washer, 1/4, Flat .....	4
4	1017378	Cup, Spring .....	1
5	1017380	Bumper, Spring Return .....	1
6	1017424	Bearing, Pivot Support .....	1
7	101796201	Spring, Accelerator Return .....	1
8	101817401	Retainer, Spring .....	1
9	101818801	Stud, 1/4-28 X 1.35 Ball .....	1
10	101861901	Screw, 1/4-20 X 1.125 Hex Cap .....	4
11	101918501	Ratchet Assembly .....	1
12	102026001	Kit, Accelerator Pivot Rod Assembly (includes items 13 and 14) .....	1
13	101919801	Spacer, Accelerator .....	1
14	102158901	Pivot Rod Weldment .....	1
15	103865101	Pedal, Accel, Insert .....	1
16	1241	Washer, 5/16 Type A Flat .....	1
17	1624	Screw, 3/8-16 X 1.50, Hex-Head Cap .....	1
18	334	Washer, 3/8, Type A, Flat .....	2
19	7473	Locknut, 5/16-18 Nylon Insert .....	1
20	8233	Locknut, 1/4-20, Nylon Insert .....	4
21	8717	Locknut, Nylon Insert, 1/4-28 .....	1
22	8754	Locknut, 3/8-16 Hex .....	2

**5**  
**G**  
**E**

**5**  
**G**  
**E**



000362-001

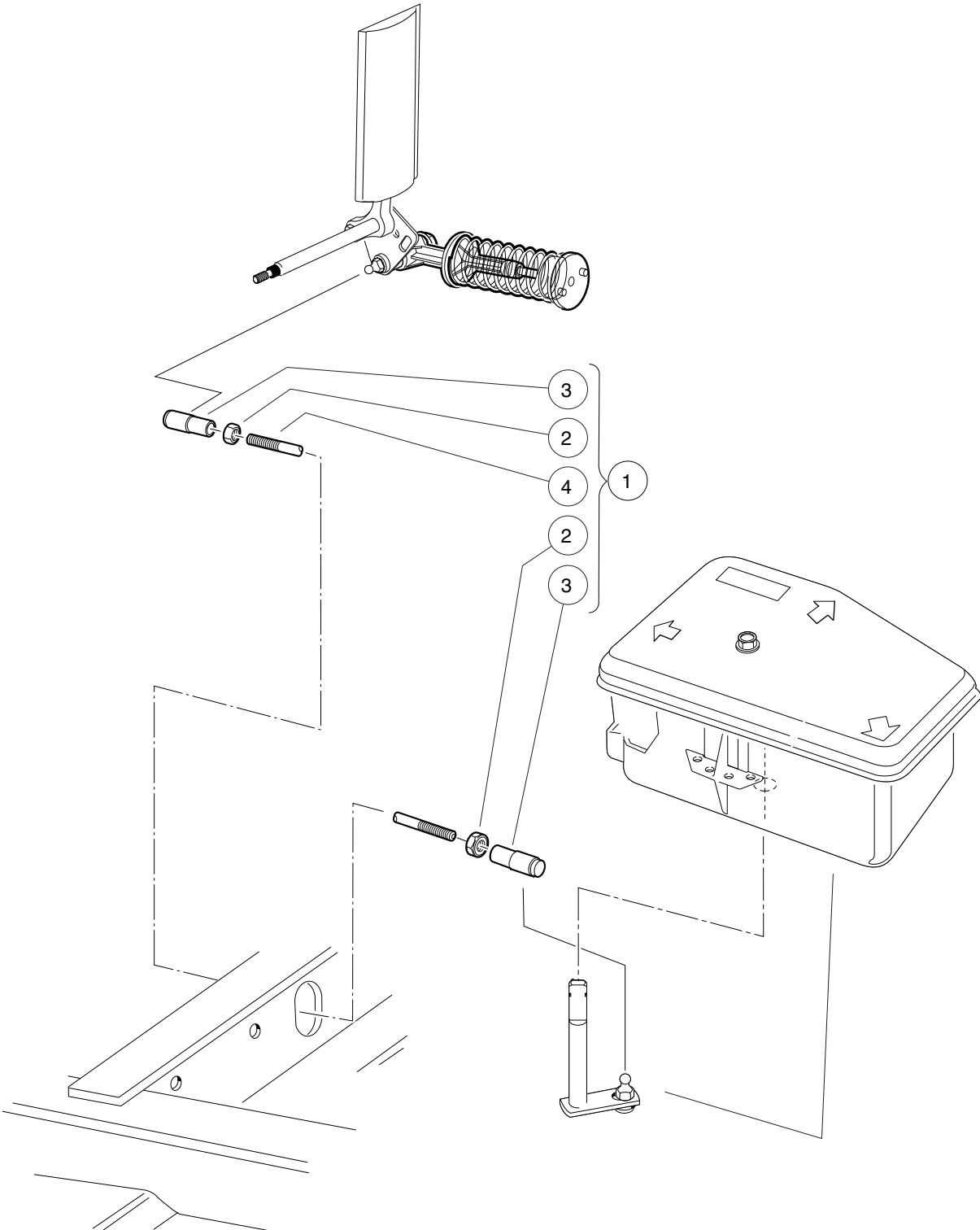


# ACCELERATOR ROD – TURF/CA6/VILL6/TPORTER GAS VEHICLES

ITEM	PART NO.	DESCRIPTION	QTY
		<b>1 2 3 4</b>	
1	101674702	Rod, Accelerator (includes items 2 through 4) .....	1
2	1011084	Nut, 1/4-28 Hex Jam .....	2
3	1011734	Joint, Ball .....	2
4	N/A	Accelerator Rod Elec Stretch .....	1

**5**  
**G**  
**E**

**5**  
**G**  
**E**



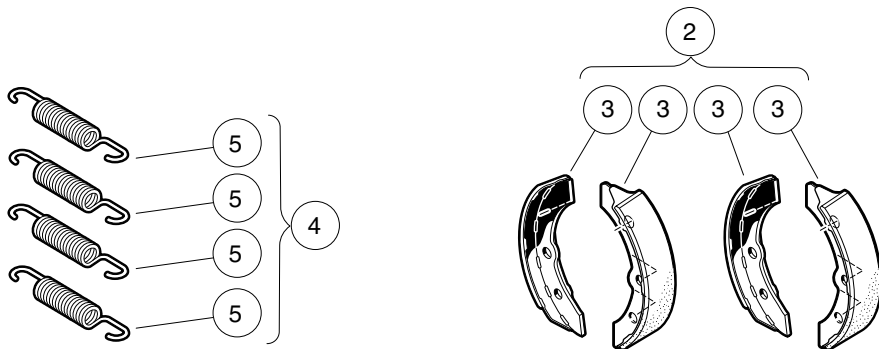
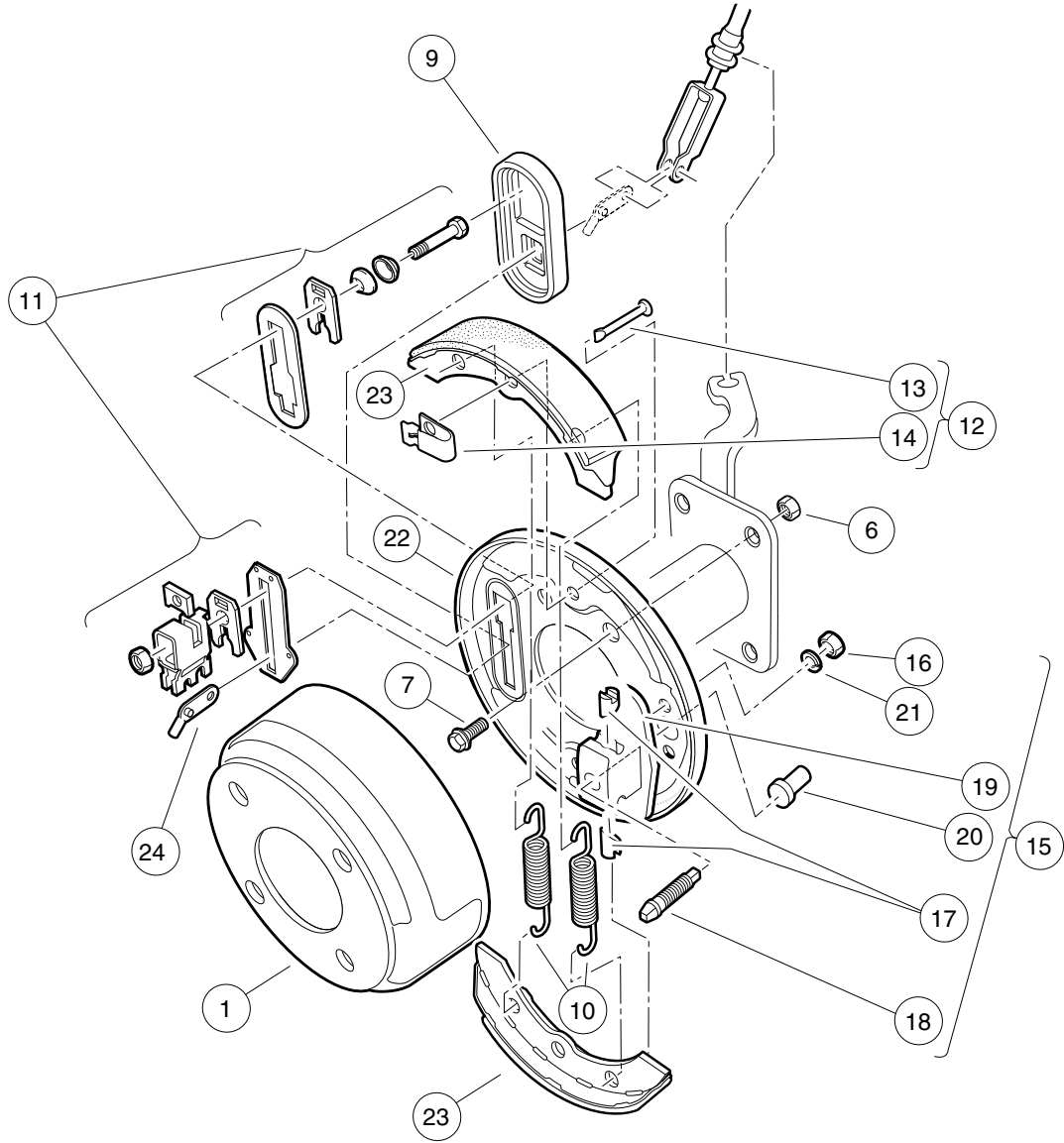
000362-001

## ACCELERATOR ROD – VILLAGER 8 GAS VEHICLES

ITEM	PART NO.	DESCRIPTION	QTY
		1 2 3 4	
1	101674704	Accelerator Rod Assembly, RV XL (includes items 2 through 4) .....	1
2	1011084	Nut, 1/4-28 Hex Jam .....	2
3	1011734	Joint, Ball .....	2
4	N/A	Accelerator Rod, RV XL .....	1

5  
G  
E

**5**  
**G**  
**E**



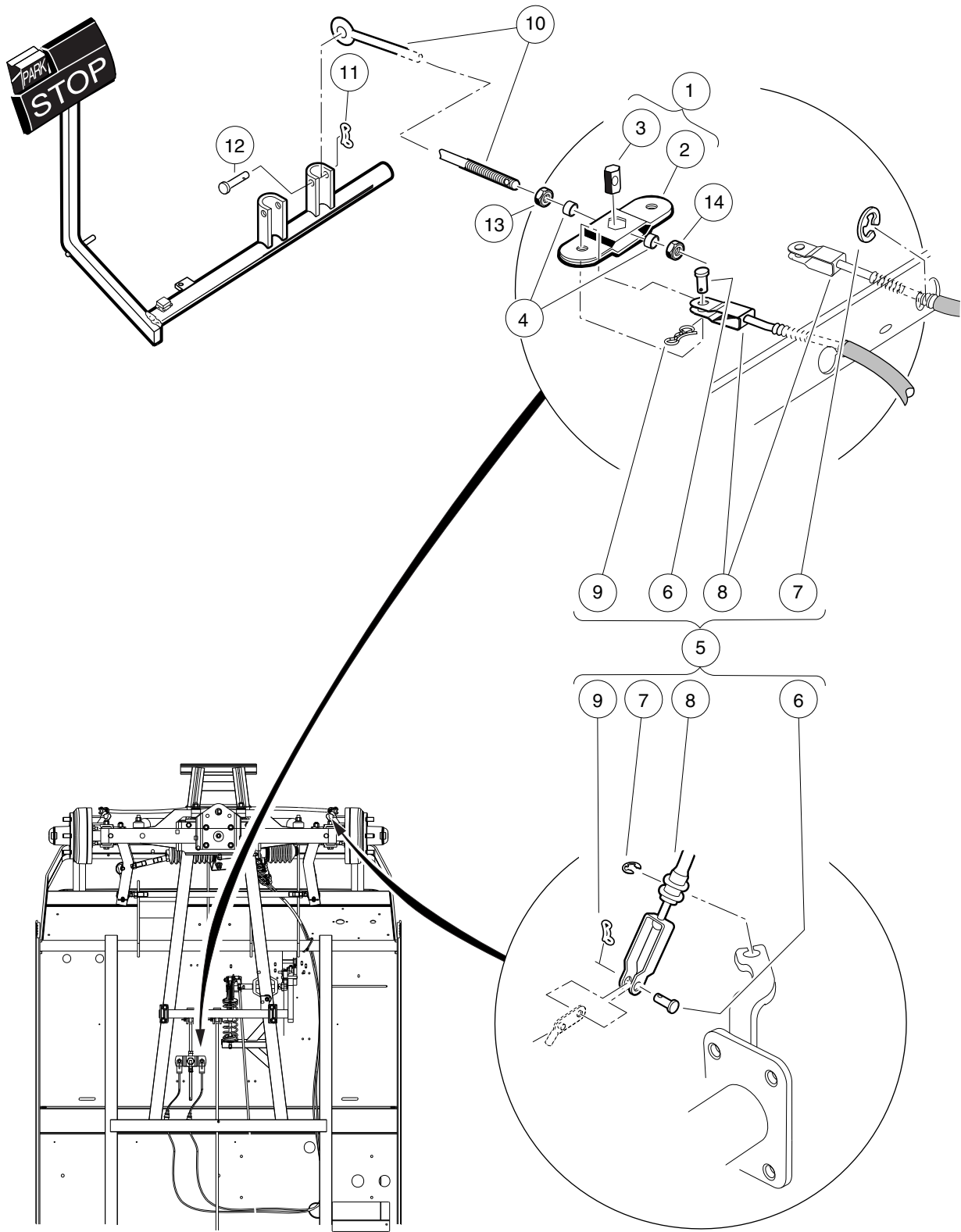
000298-001

# FRONT BRAKE ASSEMBLY – VEHICLES WITH FOUR-WHEEL BRAKES

ITEM	PART NO.	DESCRIPTION	QTY
		<b>1 2 3 4</b>	
1	1011137	Drum, Brake .....	2
2	101146302	Kit, Non-Asbestos Brake Shoe (includes item 3) .....	1
3	101880701	Shoe Brake Manual Adj (Available in Kit, Non-Asbestos Brake Shoe) .....	4
4	1011464	Package, Brake Spring (includes item 5) .....	1
5	1011314	Brake Spring .....	4
6	1013924	Nut, 5/16-24, Hex Head Cone .....	8
7	1014153	Bolt, Brake Cluster Mounting .....	8
8	1016557	Cluster, Brake, Driver-Side (includes items 9 through 24) .....	1
9	1010850	Dust Cover .....	1
10	1011314	Brake Spring .....	2
11	1011465	Kit, Brake Actuator .....	1
12	1011466	Kit, Shoe Retainer (includes items 13 and 14) .....	1
13	N/A	Pin .....	2
14	N/A	Shoe Clamp Spring .....	2
15	1011467	Kit, Anchor Body (includes items 16 through 21) .....	1
16	1011114	Nut, M6-1.00 Hex .....	2
17	1011298	Anchor Piston .....	2
18	N/A	Adjustment Bolt .....	1
19	N/A	Anchor Body Component .....	1
20	1011303	Adjustment Bolt Cap .....	1
21	451	Lockwasher, 1/4 Split .....	2
22	1011494	Backing Plate, Left-Hand .....	1
23	101880701	Shoe Brake Manual Adj (Available in Kit, Non-Asbestos Brake Shoe) .....	2
24	N/A	Arm, Brake Lever .....	1
25	1016573	Cluster, Brake, Passenger-Side (includes items 26 through 41) .....	1
26	1010850	Dust Cover .....	1
27	1011154	Backing Plate, Right-Hand .....	1
28	1011314	Brake Spring .....	2
29	1011465	Kit, Brake Actuator .....	1
30	1011466	Kit, Shoe Retainer (includes items 31 and 32) .....	1
31	N/A	Pin .....	2
32	N/A	Shoe Clamp Spring .....	2
33	1011467	Kit, Anchor Body (includes items 34 through 39) .....	1
34	1011114	Nut, M6-1.00 Hex .....	2
35	1011298	Anchor Piston .....	2
36	N/A	Adjustment Bolt .....	1
37	N/A	Anchor Body Component .....	1
38	1011303	Adjustment Bolt Cap .....	1
39	451	Lockwasher, 1/4 Split .....	2
40	101880701	Shoe Brake Manual Adj (Available in Kit, Non-Asbestos Brake Shoe) .....	2
41	N/A	Arm, Brake Lever .....	1
		Note: Passenger-side brake cluster not shown. Components have a similar appearance to driver-side brake cluster components.	

**5**  
**G**  
**E**

**5**  
**G**  
**E**



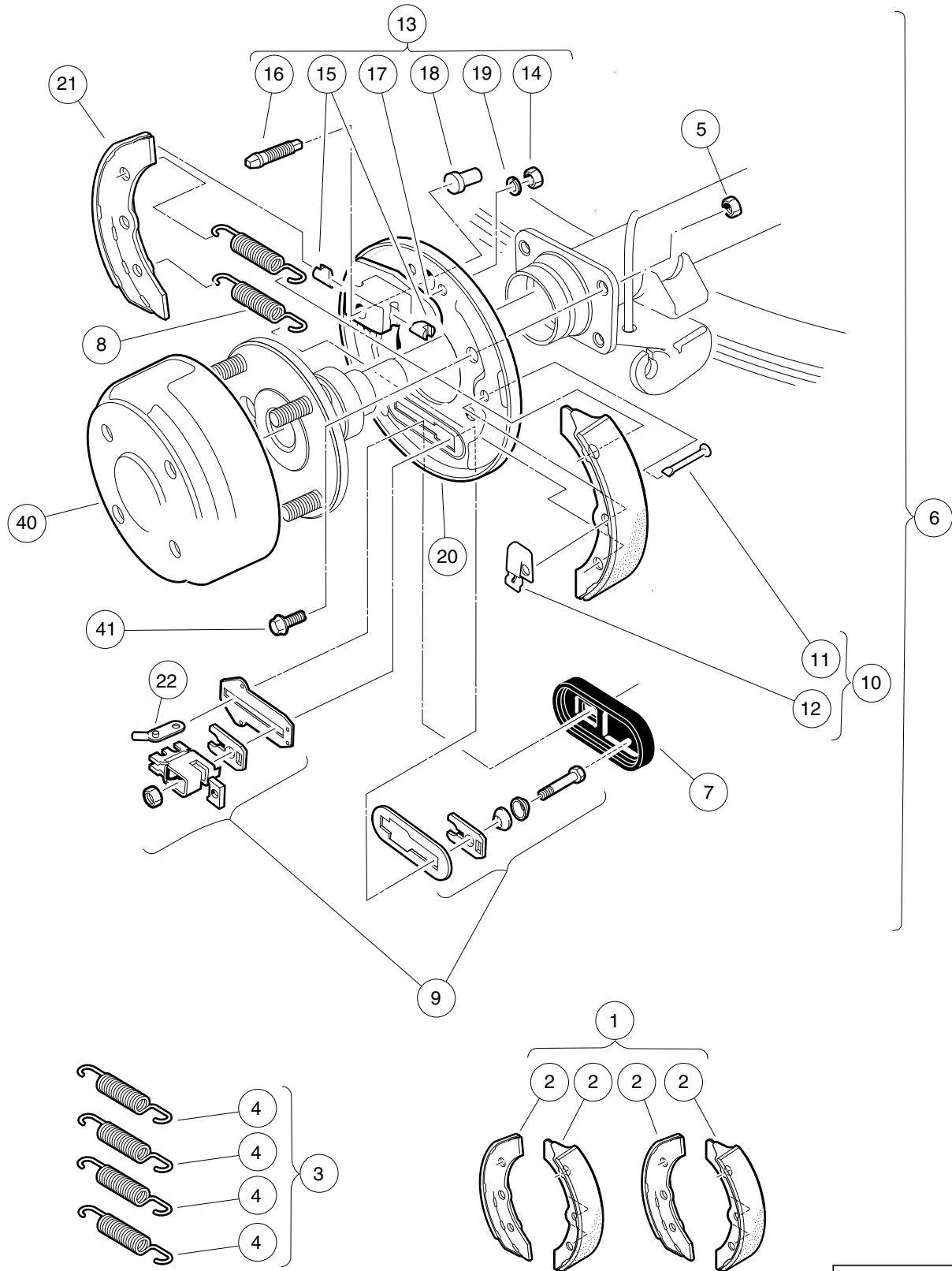
000294-001

# FRONT BRAKE CABLES AND EQUALIZER – VEHICLES WITH FOUR-WHEEL BRAKES

ITEM	PART NO.	DESCRIPTION	QTY
		<b>1 2 3 4</b>	
1	1017211	Kit, Equalizer and Pivot Limiter (includes items 2 and 3) .....	1
2	1016319	Equalizer Weld Assembly .....	1
3	1016320	Equalizer, Pivot Limiter .....	1
4	101865301	Spacer .....	2
5	101874601	Kit, Brake Cable (includes items 6 through 9) .....	1
6	1010829	Pin, Clevis, 5/16 X 3/4 .....	4
7	1011779	E-Clip, 1/2 .....	4
8	N/A	Brake Cable .....	2
9	102292801	Pin, Bow Tie Locking - .072 .....	4
10	101953106	Rod, Equalizer, 9.75" .....	1
11	102323101	Pin, Bow Tie Locking .....	1
12	102323201	Pin, 3/8 X 1-5/16 Clevis .....	1
13	1242	Nut, 5/16-18 Hex .....	1
14	7473	Locknut, 5/16-18 Nylon Insert .....	1

**5**  
**G**  
**E**

**5**  
**G**  
**E**



001403-003

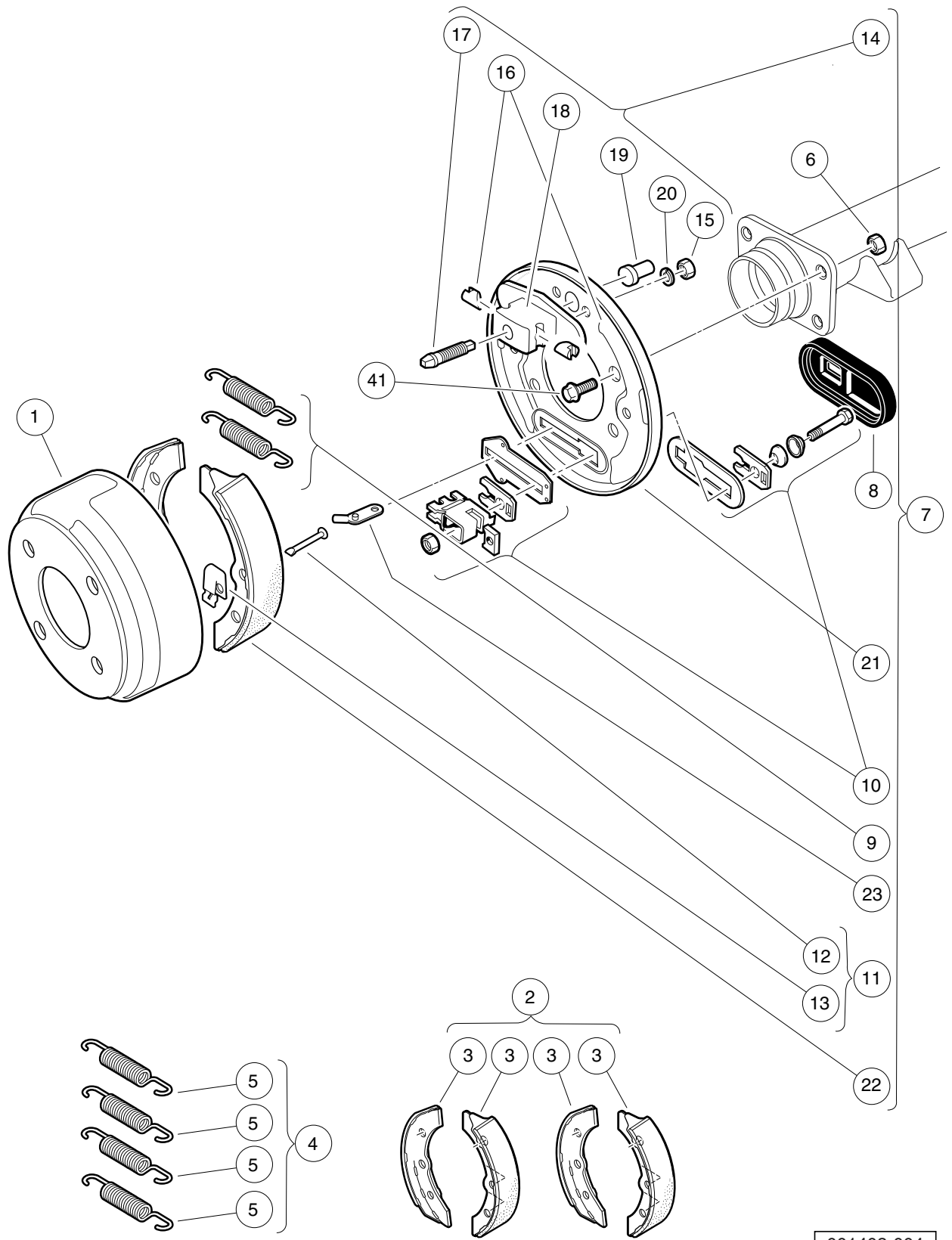


# REAR BRAKES, MANUALLY-ADJUSTED – ELEC. VEHICLES WITH 4-WHEEL BRAKES

ITEM	PART NO.	DESCRIPTION	QTY
		<b>1 2 3 4</b>	
1	101146302	Kit, Non-Asbestos Brake Shoe (includes item 2) .....	1
2	101880701	Shoe Brake Manual Adj (Available in Kit, Non-Asbestos Brake Shoe) .....	4
3	1011464	Package, Brake Spring (includes item 4) .....	1
4	1011314	Brake Spring .....	4
5	1013924	Nut, 5/16-24, Hex Head Cone .....	8
6	1016557	Cluster, Brake, Driver-Side (includes items 7 through 22) .....	1
7	1010850	Dust Cover .....	1
8	1011314	Brake Spring .....	2
9	1011465	Kit, Brake Actuator .....	1
10	1011466	Kit, Shoe Retainer (includes items 11 and 12) .....	1
11	N/A	Pin .....	2
12	N/A	Shoe Clamp Spring .....	2
13	1011467	Kit, Anchor Body (includes items 14 through 19) .....	1
14	1011114	Nut, M6-1.00 Hex .....	2
15	1011298	Anchor Piston .....	2
16	N/A	Adjustment Bolt .....	1
17	N/A	Anchor Body Component .....	1
18	1011303	Adjustment Bolt Cap .....	1
19	451	Lockwasher, 1/4 Split .....	2
20	1011494	Backing Plate, Left-Hand .....	1
21	101880701	Shoe Brake Manual Adj (Available in Kit, Non-Asbestos Brake Shoe) .....	2
22	N/A	Arm, Brake Lever .....	1
23	1016573	Cluster, Brake, Passenger-Side (includes items 24 through 39) .....	1
24	1010850	Dust Cover .....	1
25	1011154	Backing Plate, Right-Hand .....	1
26	1011314	Brake Spring .....	2
27	1011465	Kit, Brake Actuator .....	1
28	1011466	Kit, Shoe Retainer (includes items 29 and 30) .....	1
29	N/A	Pin .....	2
30	N/A	Shoe Clamp Spring .....	2
31	1011467	Kit, Anchor Body (includes items 32 through 37) .....	1
32	1011114	Nut, M6-1.00 Hex .....	2
33	1011298	Anchor Piston .....	2
34	N/A	Adjustment Bolt .....	1
35	N/A	Anchor Body Component .....	1
36	1011303	Adjustment Bolt Cap .....	1
37	451	Lockwasher, 1/4 Split .....	2
38	101880701	Shoe Brake Manual Adj (Available in Kit, Non-Asbestos Brake Shoe) .....	2
39	N/A	Arm, Brake Lever .....	1
40	101791101	Drum without Center Hole, Brake .....	2
41	47542195001	Bolt, Brake Cluster Mnt .....	8
		Note: Passenger-side brake cluster (items 24-40) not shown. Components have a similar appearance to driver-side brake cluster components.	

**5**  
**G**  
**E**

**5**  
**G**  
**E**

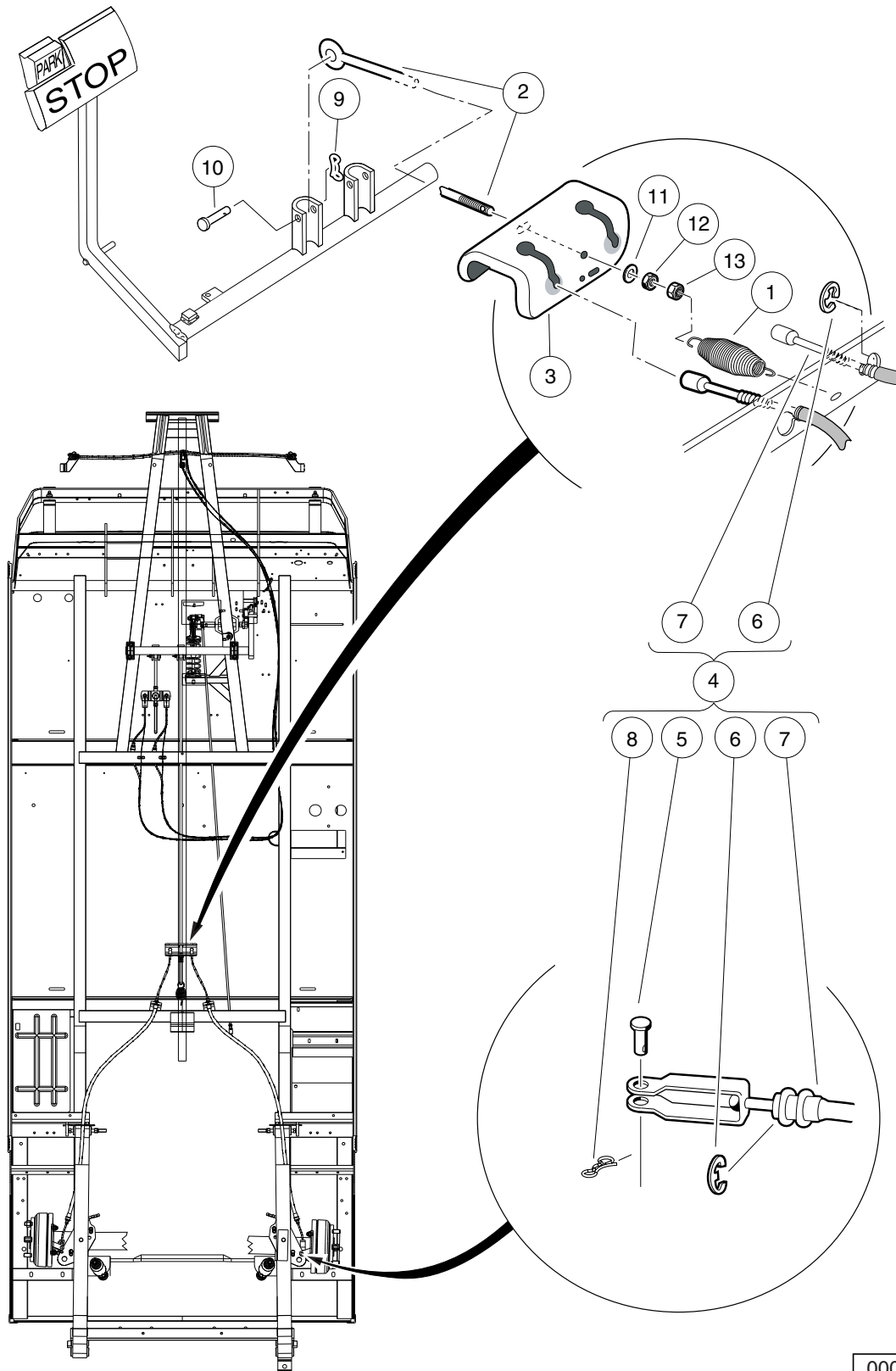


001403-004

# REAR BRAKES, MANUALLY-ADJUSTED – GAS VEHICLES WITH 4-WHEEL BRAKES

ITEM	PART NO.	DESCRIPTION	QTY	
		1 2 3 4		<b>5</b>
1	1011137	Drum, Brake .....	2	<b>G</b>
2	101146302	Kit, Non-Asbestos Brake Shoe (includes item 3) .....	1	<b>E</b>
3	101880701	Shoe Brake Manual Adj (Available in Kit, Non-Asbestos Brake Shoe) .....	4	
4	1011464	Package, Brake Spring (includes item 5) .....	1	
5	1011314	Brake Spring .....	4	
6	1013924	Nut, 5/16-24, Hex Head Cone .....	8	
7	1016557	Cluster, Brake, Driver-Side (includes items 8 through 23) .....	1	
8	1010850	Dust Cover .....	1	
9	1011314	Brake Spring .....	2	
10	1011465	Kit, Brake Actuator .....	1	
11	1011466	Kit, Shoe Retainer (includes items 12 and 13) .....	1	
12	N/A	Pin .....	2	
13	N/A	Shoe Clamp Spring .....	2	
14	1011467	Kit, Anchor Body (includes items 15 through 20) .....	1	
15	1011114	Nut, M6-1.00 Hex .....	2	
16	1011298	Anchor Piston .....	2	
17	N/A	Adjustment Bolt .....	1	
18	N/A	Anchor Body Component .....	1	
19	1011303	Adjustment Bolt Cap .....	1	
20	451	Lockwasher, 1/4 Split .....	2	
21	1011494	Backing Plate, Left-Hand .....	1	
22	101880701	Shoe Brake Manual Adj (Available in Kit, Non-Asbestos Brake Shoe) .....	2	
23	N/A	Arm, Brake Lever .....	1	
24	1016573	Cluster, Brake, Passenger-Side (includes items 25 through 40) .....	1	
25	1010850	Dust Cover .....	1	
26	1011154	Backing Plate, Right-Hand .....	1	
27	1011314	Brake Spring .....	2	
28	1011465	Kit, Brake Actuator .....	1	
29	1011466	Kit, Shoe Retainer (includes items 30 and 31) .....	1	
30	N/A	Pin .....	2	
31	N/A	Shoe Clamp Spring .....	2	
32	1011467	Kit, Anchor Body (includes items 33 through 38) .....	1	
33	1011114	Nut, M6-1.00 Hex .....	2	
34	1011298	Anchor Piston .....	2	
35	N/A	Adjustment Bolt .....	1	
36	N/A	Anchor Body Component .....	1	
37	1011303	Adjustment Bolt Cap .....	1	
38	451	Lockwasher, 1/4 Split .....	2	
39	101880701	Shoe Brake Manual Adj (Available in Kit, Non-Asbestos Brake Shoe) .....	2	
40	N/A	Arm, Brake Lever .....	1	
41	47542195001	Bolt, Brake Cluster Mnt .....	8	
		Note: Passenger-side brake cluster (items 25-41) not shown. Components have a similar appearance to driver-side brake cluster components.		

**5**  
**G**  
**E**



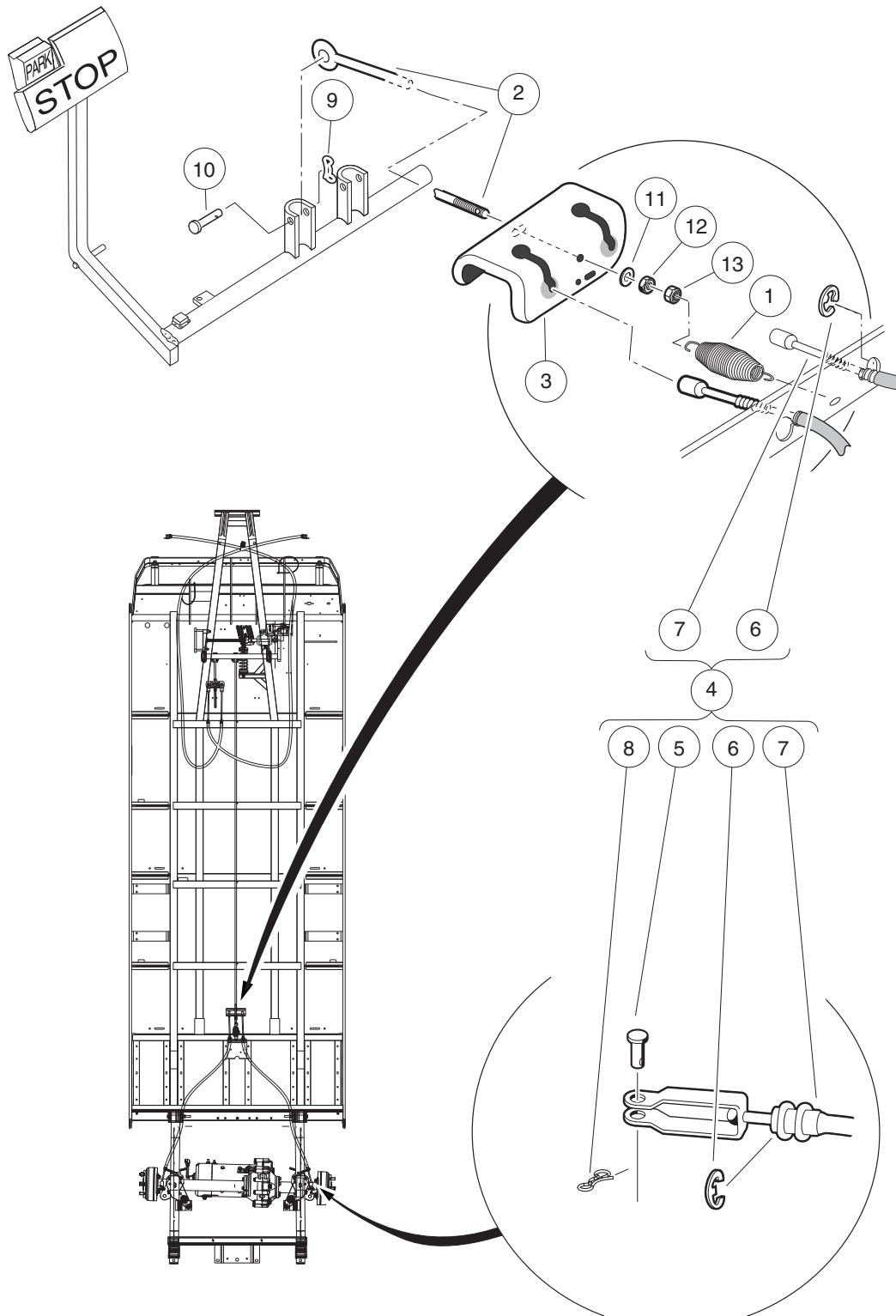
000296-004

# REAR BRAKE CABLES AND EQUALIZER – TURF/CA6/VILL. 6/ TPORTER

ITEM	PART NO.	DESCRIPTION	QTY
		<b>1 2 3 4</b>	
1	1013531	Spring, Brake Return .....	1
2	101953103	Rod, Equalizer, 41.91" .....	1
3	101990801	Equalizer Bracket .....	1
4	102166901	Kit, Brake Cable Rear (includes items 5 through 8) .....	1
5	1010829	Pin, Clevis, 5/16 X 3/4 .....	2
6	1011779	E-Clip, 1/2 .....	4
7	102162601	Cable, Brake .....	2
8	102292801	Pin, Bow Tie Locking - .072 .....	2
9	102323101	Pin, Bow Tie Locking .....	1
10	102323201	Pin, 3/8 X 1-5/16 Clevis .....	1
11	1241	Washer, 5/16 Type A Flat .....	1
12	1242	Nut, 5/16-18 Hex .....	1
13	7473	Locknut, 5/16-18 Nylon Insert .....	1

**5**  
**G**  
**E**

**5**  
**G**  
**E**



000296-003

## REAR BRAKE CABLES AND EQUALIZER – VILLAGER 8

ITEM	PART NO.	DESCRIPTION	QTY
		1 2 3 4	
1	1013531	Spring, Brake Return .....	1
2	101953104	Rod, Equalizer .....	1
3	101990801	Equalizer Bracket .....	1
4	102166901	Kit, Brake Cable Rear (includes items 5 through 8) .....	1
5	1010829	Pin, Clevis, 5/16 X 3/4 .....	2
6	1011779	E-Clip, 1/2 .....	4
7	102162601	Cable, Brake .....	2
8	102292801	Pin, Bow Tie Locking - .072 .....	2
9	102323101	Pin, Bow Tie Locking .....	1
10	102323201	Pin, 3/8 X 1-5/16 Clevis .....	1
11	1241	Washer, 5/16 Type A Flat .....	1
12	1242	Nut, 5/16-18 Hex .....	1
13	7473	Locknut, 5/16-18 Nylon Insert .....	1

**5**  
**G**  
**E**

**5**

**G**

**E**



# STEERING AND SUSPENSIONS

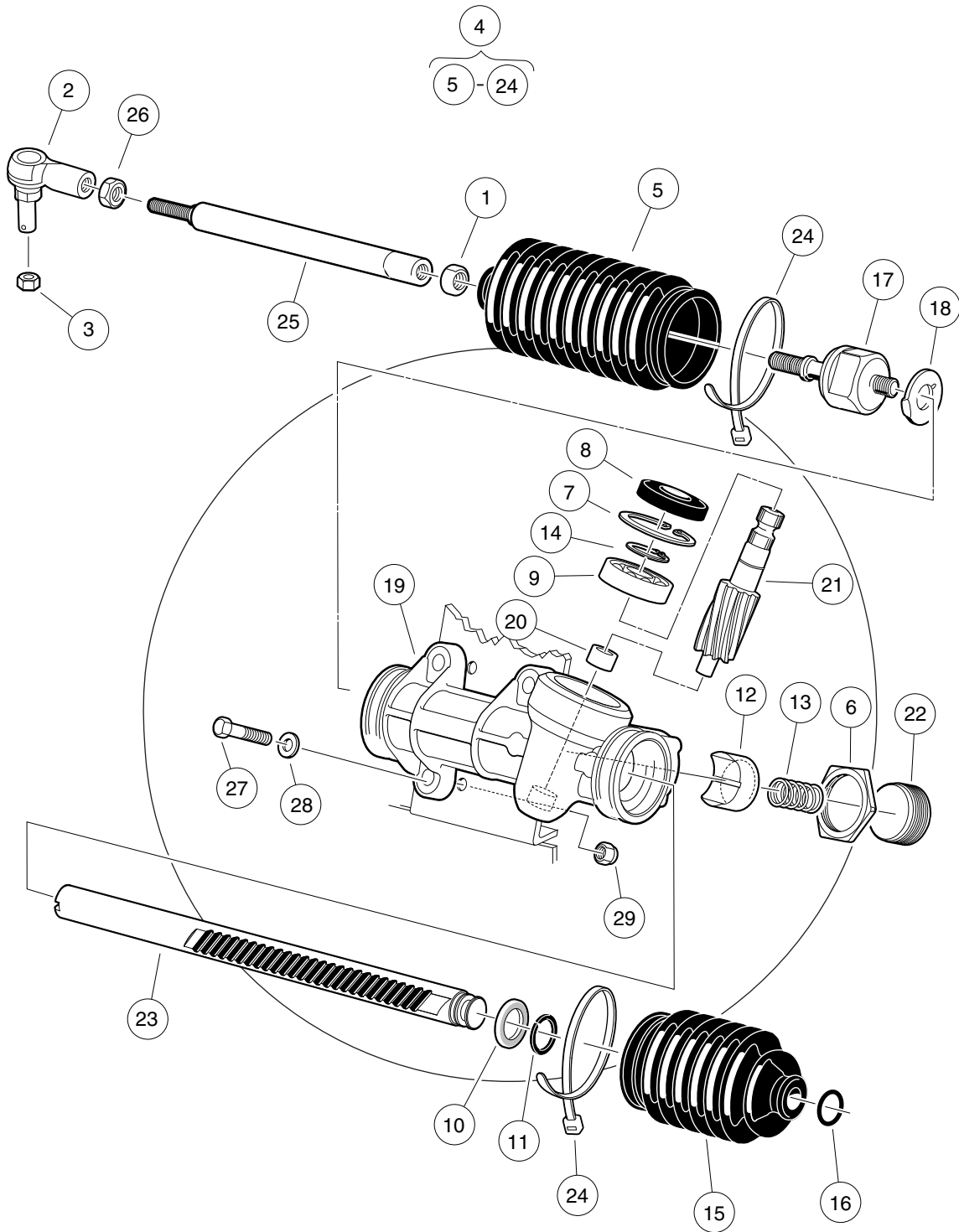
---

6

G

E

**6**  
**G**  
**E**



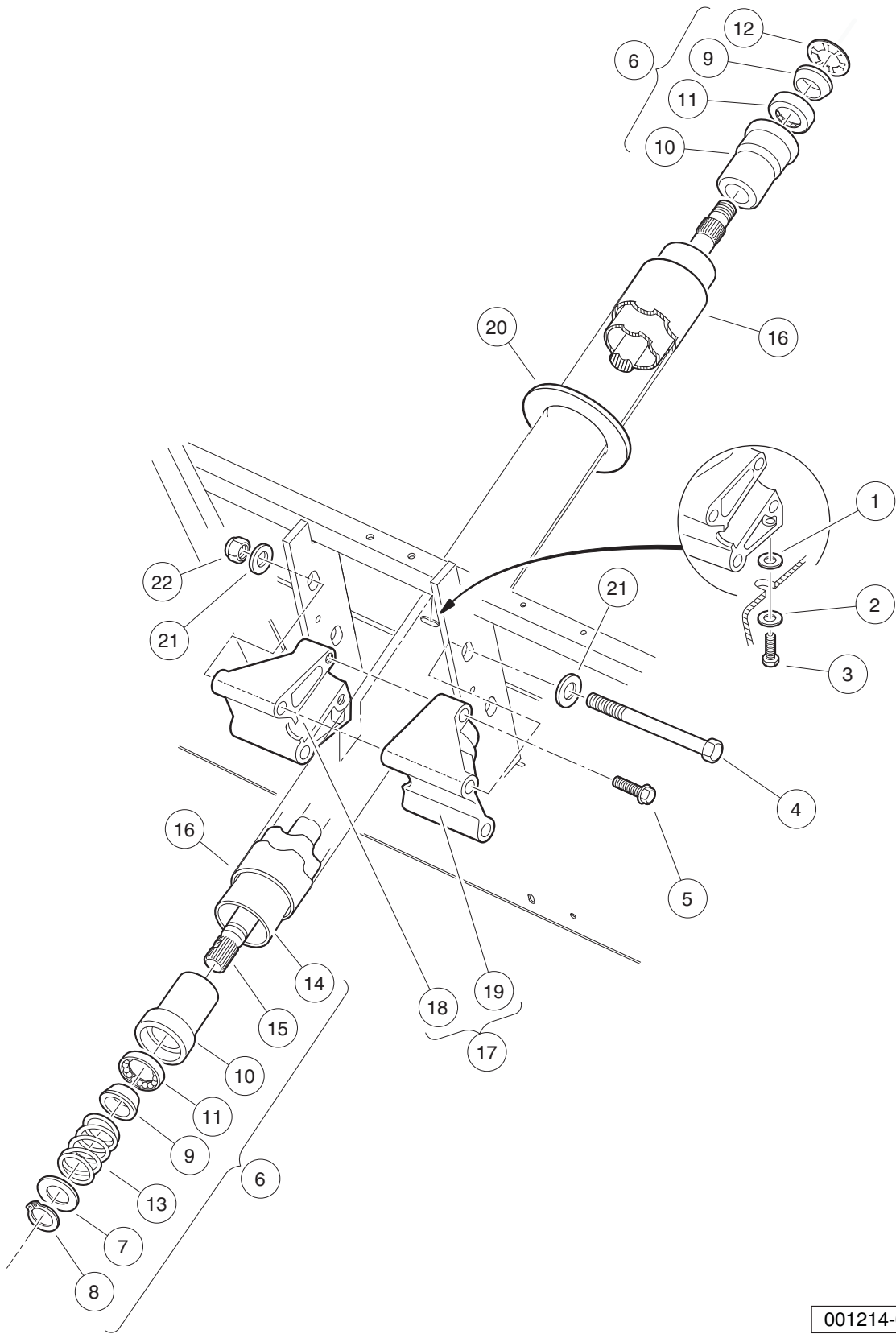
001500-002

# STEERING GEAR ASSEMBLY (WANDA) – MAINT.-FREE BALL JOINT

ITEM	PART NO.	DESCRIPTION	QTY
		<b>1 2 3 4</b>	
1	1013042	Nut, 12mm Hex .....	1
2	102022602	End, Tie Rod, M12 X 1.25, Lh .....	1
3	102289201	Nut - Hex Locking, M12 X 1.25 .....	1
4	103601501	Asm, Steering Rack And Pinion (includes items 5 through 24) .....	1
5	1013035	Bellows, Long .....	1
6	1013044	Rack Screw Locknut .....	1
7	N/A	Snap Ring .....	1
8	1013052	Seal, Steering Pinion Dust .....	1
9	101879401	Bearing, Ball .....	1
10	101879501	Stop Washer .....	1
11	101879601	Stop Ring, C-Type .....	1
12	101879701	Support Yoke .....	1
13	101879801	Rack Guide Pressure Spring .....	1
14	101879901	Ring, Stop, C-Type .....	1
15	101880001	Bellows, Short .....	1
16	101880101	Dust Seal Retaining Ring .....	1
17	101880201	Inner Ball Joint Asm .....	1
18	101880301	Washer, Tab .....	1
19	N/A	Box, Steering Gear .....	1
20	N/A	Bearing, Lower Pinion .....	1
21	N/A	Pinion, Steering .....	1
22	N/A	Screw, Rack Guide .....	1
23	N/A	Rack, Steering .....	1
24	8990	Tie Wrap, 8" Nylon .....	2
25	103653401	Link, Drag, Male Thd .....	1
26	103653501	Nut, Jam, M12-1.25, Lh .....	1
27	1624	Screw, 3/8-16 X 1.50, Hex-Head Cap .....	3
28	334	Washer, 3/8, Type A, Flat .....	3
29	8754	Locknut, 3/8-16 Hex .....	3

**6**  
**G**  
**E**

**6**  
**G**  
**E**



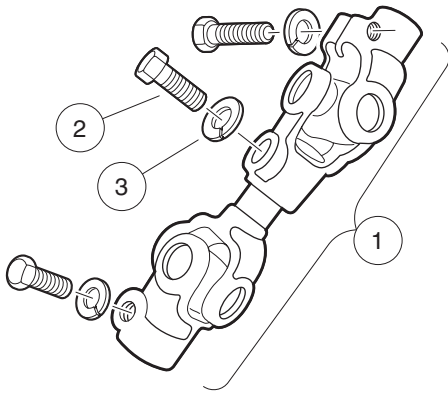
001214-001

## STEERING COLUMN – UTILITY

ITEM	PART NO.	DESCRIPTION	QTY
		<b>1 2 3 4</b>	
1	1011578	Washer, 5/16 Type B Flat .....	1
2	1011697	Washer, 5/16 Flat .....	1
3	1014288	Screw, 5/16-18 X 0.75, Thread-Forming .....	1
4	1016183	Screw, 3/8-16 X 7.00 Hex Cap .....	2
5	1016269	Screw, 5/16-18 Thrd Forming .....	2
6	1017313	Steering Shaft Assembly (includes items 7 through 15) .....	1
7	1012604	Washer, 0.675 ID X 1.19 OD .....	1
8	1012605	Ring, 0.579 Internal Retaining .....	1
9	1014125	Wedge, Molded .....	2
10	1014126	Seat, Plastic Bearing .....	2
11	1014213	Bearing, Ball .....	2
12	1014214	Ring, Retaining .....	1
13	1014217	Spring, Steering Shaft .....	1
14	1017314	Column, Aluminum Steering .....	1
15	1017315	Shaft Steering Column .....	1
16	1017317	Tube Cover, Steering Column .....	1
17	101984801	Kit, Steering Column Mounting Bracket (includes items 18 and 19) .....	1
18	N/A	Bracket, RH Steering Column Mount .....	1
19	N/A	Bracket, LH Steering column mount .....	1
20	102278001	Boot, Steering Column Round .....	1
21	334	Washer, 3/8, Type A, Flat .....	4
22	8754	Locknut, 3/8-16 Hex .....	2

**6**  
**G**  
**E**

**6**  
**G**  
**E**



001217-001

# INTERMEDIATE STEERING SHAFT (WANDA) – TURF/CA/ VILLAGER/TPORTER

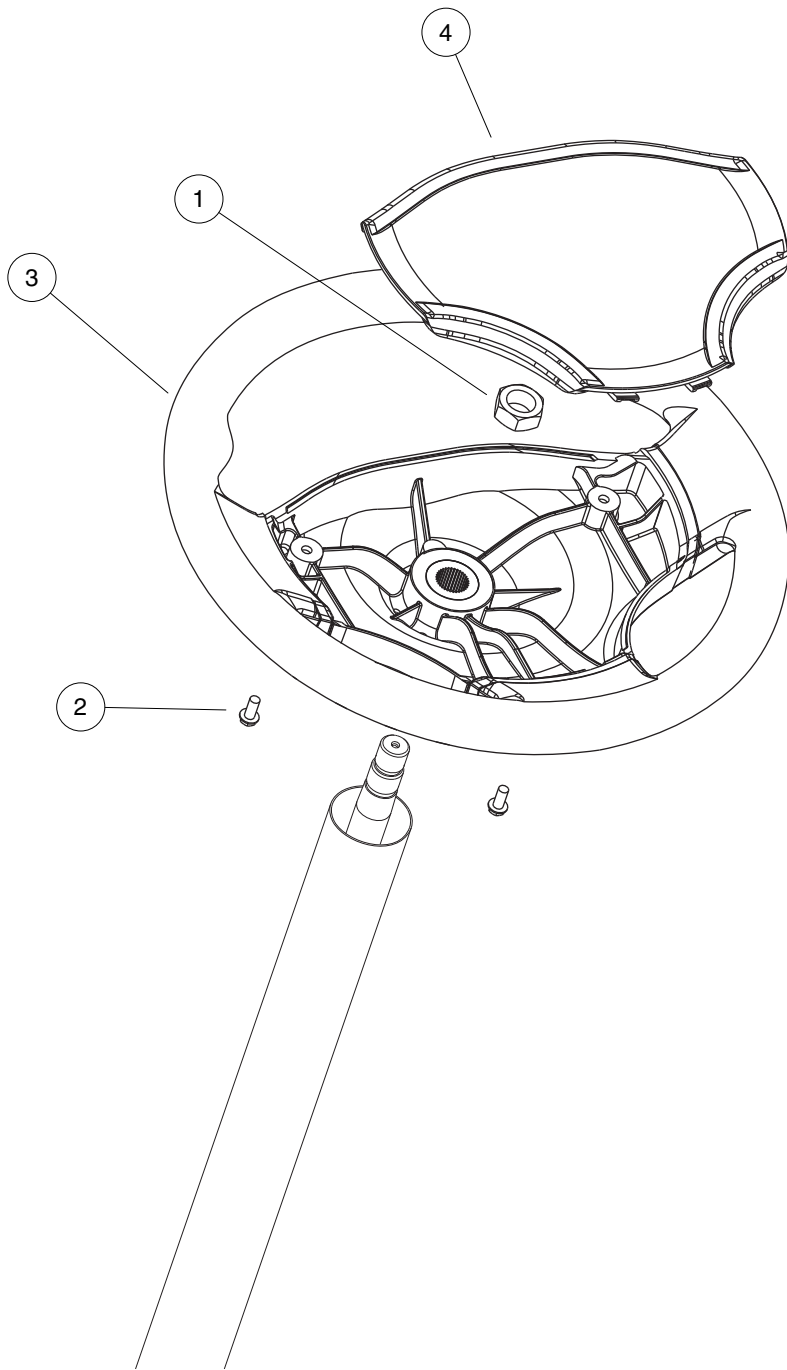
ITEM	PART NO.	DESCRIPTION	QTY
		<b>1 2 3 4</b>	
1	103601601	Shaft, Intermediate Steering (includes items 2 and 3) .....	1
2	1017226	Bolt, Hex-Head, 8mm X 1.25 - 30 .....	3
3	7174	Lockwasher, 5/16 Split .....	3

**6**

**G**

**E**

**6**  
**G**  
**E**



000246-007



# STEERING WHEEL

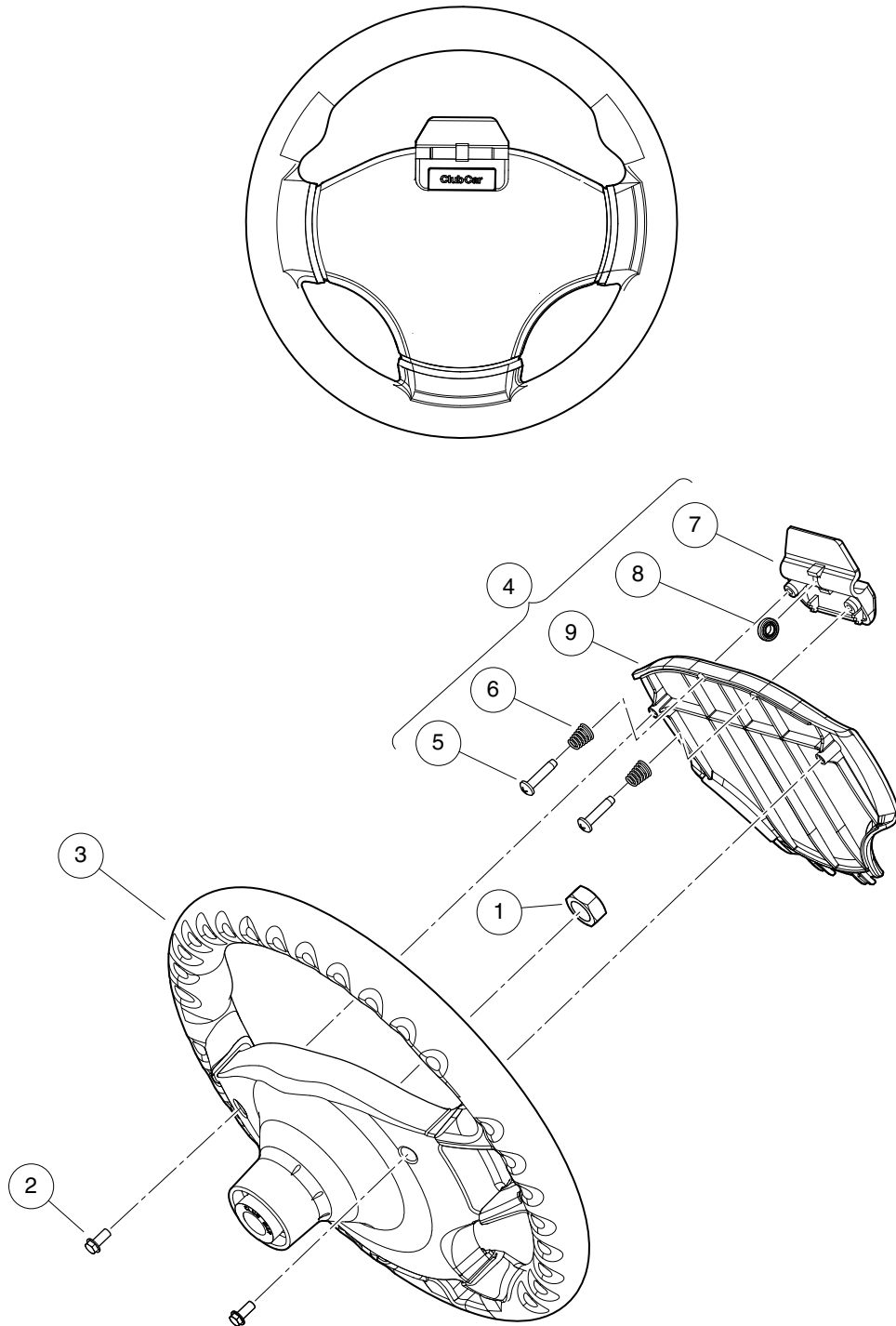
ITEM	PART NO.	DESCRIPTION	QTY
		1 2 3 4	
1	1017273	Nut, 5/8-18 Nylon Insert Jam .....	1
2	101850301	Screw, #12-16 X 0.50 Washer-Head Hi-Lo .....	2
3	103724502	Wheel, Steering, Splined .....	1
4	103724602	Cover, Steering Wheel, Generic .....	1

6

G

E

**6**  
**G**  
**E**



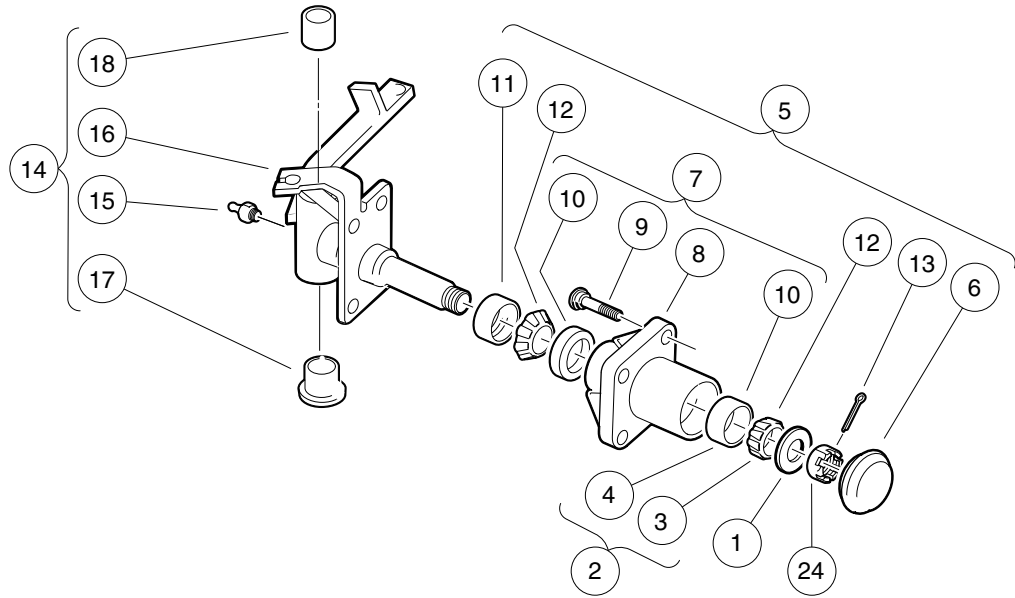
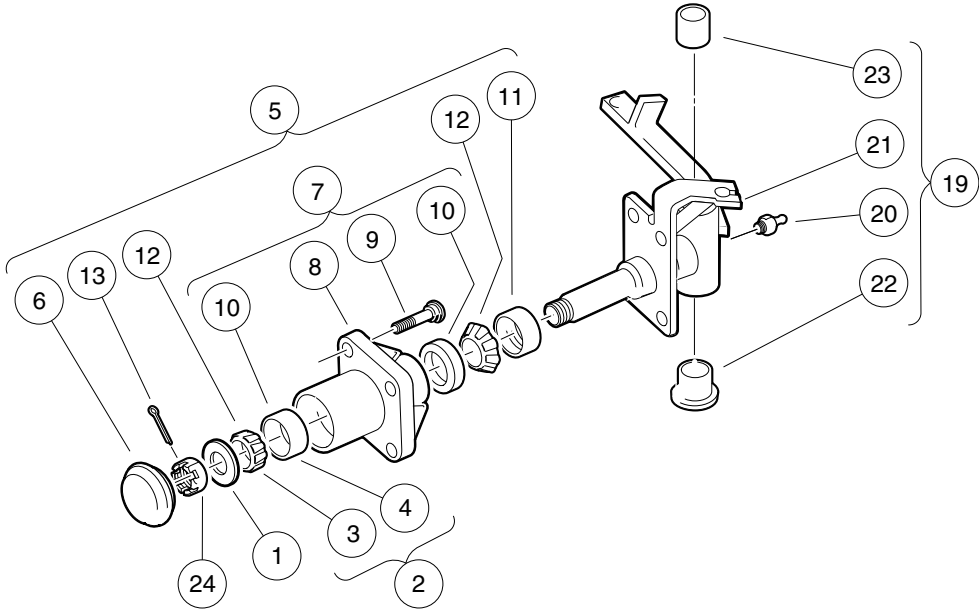
001504-001

# STEERING WHEEL WITH CLIP

ITEM	PART NO.	DESCRIPTION	QTY
		1 2 3 4	
1	1017273	Nut, 5/8-18 Nylon Insert Jam .....	1
2	101850301	Screw, #12-16 X 0.50 Washer-Head Hi-Lo .....	2
3	103724502	Wheel, Steering, Splined .....	1
4	103724901	Asm, Scorecard, Clip (includes items 5 through 9) .....	1
5	1012565	Screw, #12 Phillips Round Head .....	2
6	1012566	Tapered Compression Spring .....	2
7	1016154	Clip, Scorecard .....	1
8	1016214	Pencil Grip .....	1
9	103724601	Cover, Steering Wheel, Clip .....	1

6  
G  
E

**6**  
**G**  
**E**



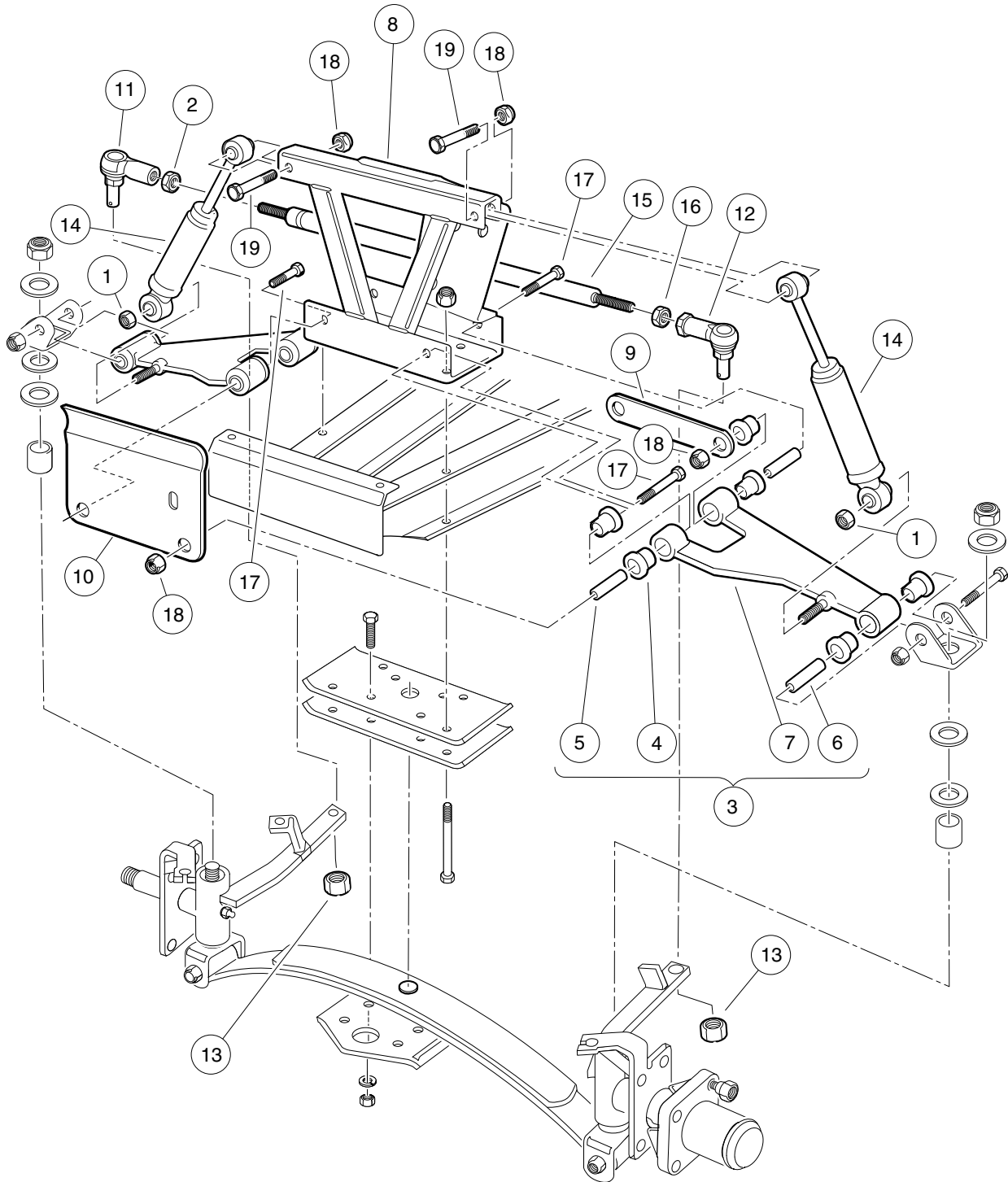
000310-002

# FRONT SPINDLES AND HUBS – VEHICLES WITH FOUR-WHEEL BRAKES AND MAINTENANCE-FREE BALL JOINTS

ITEM	PART NO.	DESCRIPTION	QTY
		<b>1 2 3 4</b>	
1	1010005	Washer, 3/4 Flat .....	2
2	1011393	Hub Bearing Package (includes items 3 and 4) .....	4
3	7274	Bearing, Front Hub Wheel .....	1
4	7308	Race, Front Hub Bearing .....	1
5	1011892	Hub Assembly (includes items 6 through 13) .....	2
6	1011887	Dust Cover .....	1
7	N/A	Hub (includes items 8 through 10) .....	1
8	N/A	Front Hub .....	1
9	103477901	Lug Stud, 1/2-20 Unf, 4037 .....	4
10	7308	Race, Front Hub Bearing .....	2
11	1013135	Seal, Double Lip .....	1
12	7274	Bearing, Front Hub Wheel .....	2
13	7910	Pin, 5/32 X 1.00 Cotter .....	1
14	103717302	Asm, Spindle, Lh, 4wb, Sp (includes items 15 through 18) .....	1
15	1015597	Fitting, 1/4-28 Thread-Forming Grease .....	1
16	N/A	Subasm, Spindle, Lh, 4wb .....	1
17	7048	Bushing, Flanged Bronze .....	1
18	8067	Bushing, Bronze Spindle .....	1
19	103717402	Asm, Spindle, Rh, 4wb, Sp (includes items 20 through 23) .....	1
20	1015597	Fitting, 1/4-28 Thread-Forming Grease .....	1
21	N/A	Subasm, Spindle, Rh, 4wb .....	1
22	7048	Bushing, Flanged Bronze .....	1
23	8067	Bushing, Bronze Spindle .....	1
24	7840	Nut, 3/4-16 Hex Slotted .....	2

**6**  
**G**  
**E**

**6**  
**G**  
**E**



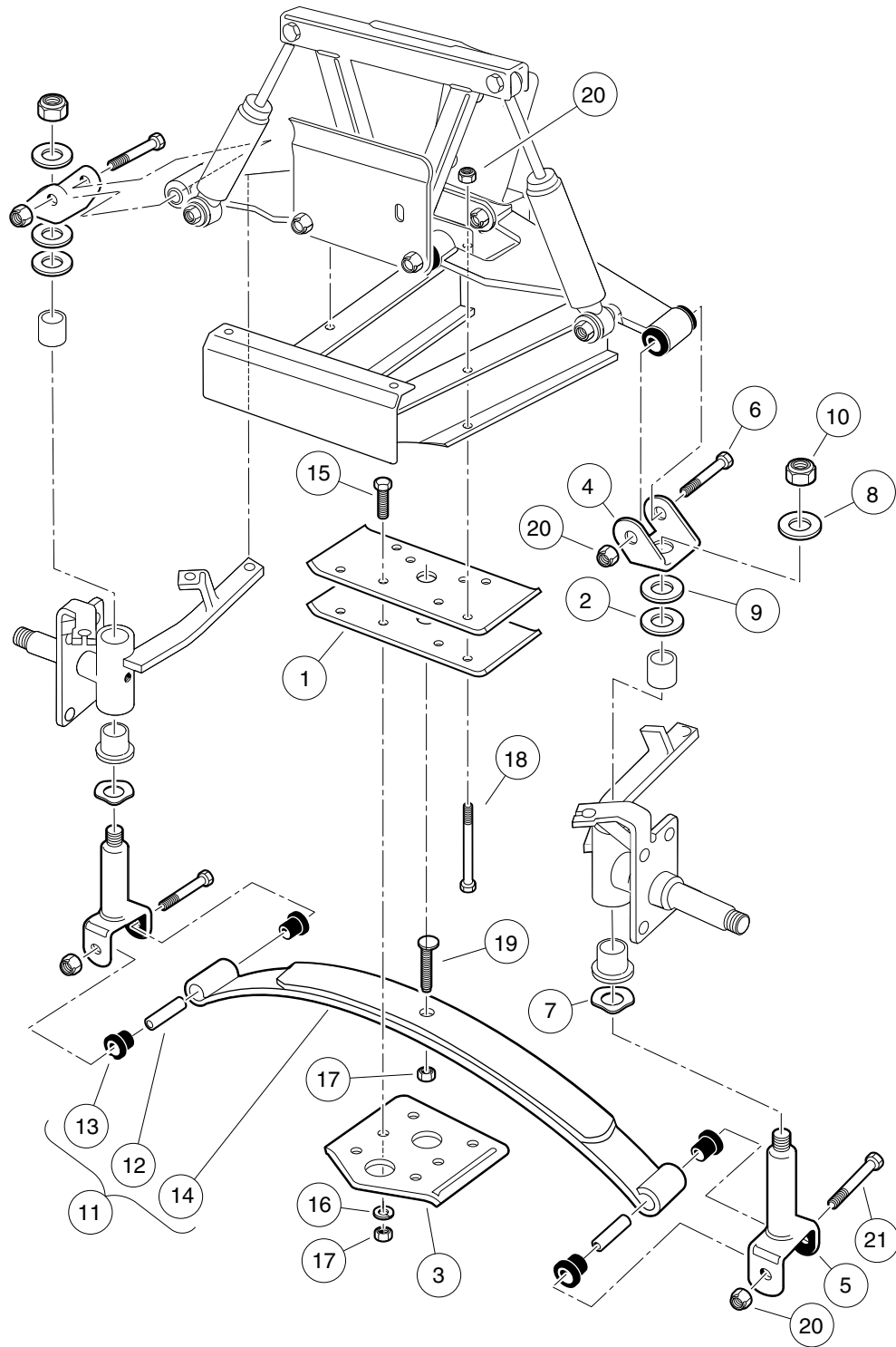
001265-001

# FRONT SUSP., UPPER – VILL 6/8 & TRANSPORTER WITH MAINTENANCE-FREE BALL JOINTS

ITEM	PART NO.	DESCRIPTION	QTY
		<b>1 2 3 4</b>	
1	1010138	Locknut, 3/8-16 Dimpled .....	2
2	1013042	Nut, 12mm Hex .....	1
3	1016353	Sub-Assembly, Delta A-Plate (includes items 4 through 7) .....	2
4	1016346	Bushing, Urethane .....	6
5	1016349	Sleeve, Delta Inner .....	2
6	1016350	Sleeve, Delta Outer .....	1
7	1016351	Delta A-Plate .....	1
8	1016385	Delta Shock and Gear Support Assembly .....	1
9	1017266	A-Plate Strap .....	1
10	101955001	Brake Cable Guide Bracket .....	1
11	102022601	End, Tie Rod M12 X 1.25 Rh .....	1
12	102022602	End, Tie Rod, M12 X 1.25, Lh .....	1
13	102289201	Nut - Hex Locking, M12 X 1.25 .....	3
14	103351001	Shock Absorber, Front, Common .....	2
15	103354701	Rod, Tie, Male Thd .....	1
16	103653501	Nut, Jam, M12-1.25, Lh .....	1
17	2402	Screw, 3/8-16 X 2.25 Hx Hd Cap .....	4
18	8754	Locknut, 3/8-16 Hex .....	13
19	8861	Bolt, 3/8-16 X 1.75 Hex .....	2

**6**  
**G**  
**E**

**6**  
**G**  
**E**



001266-001

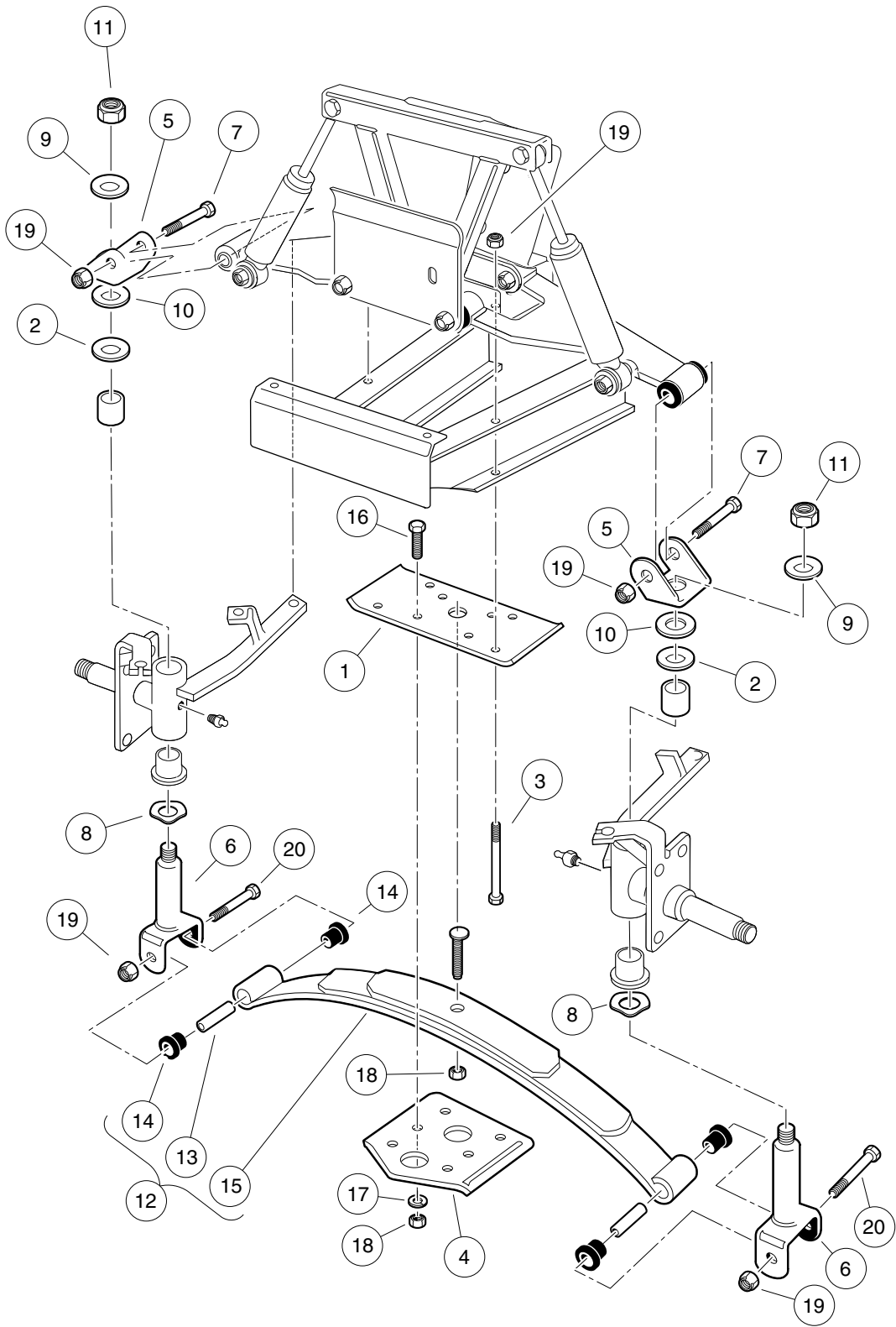


## FRONT SUSPENSION, LOWER – VILLAGER 6 WITH MAINTENANCE-FREE BALL JOINTS

ITEM	PART NO.	DESCRIPTION	QTY
		<b>1 2 3 4</b>	
1	1010124	Plate, Spring Mount .....	2
2	1010150	Bearing, Thrust .....	2
3	1014276	Plate, Front Spring Retainer .....	1
4	1016384	Clevis, Delta Upper .....	2
5	1016386	King Pin Assembly .....	2
6	1016387	Screw, 3/8-16 X 2.75 Hx Hd Cap .....	2
7	1016389	Washer, 1.125 Od Wave .....	2
8	102564002	Washer-1/2 Conical, Yellow .....	2
9	102684501	Washer, M12 Hard Regular .....	2
10	102766301	Nut, 1/2-20, Center Lock .....	2
11	103628801	Spring Asm, Front, 2 Leaf (includes items 12 through 14) .....	1
12	1012303	Bushing, Steel .....	2
13	1015583	Bushing, Urethane .....	4
14	103502701	Spring, Front, 2 Leaf .....	1
15	2402	Screw, 3/8-16 X 2.25 Hx Hd Cap .....	4
16	357	Lockwasher, 3/8 Split .....	4
17	706	Nut, Hex 3/8-16 .....	5
18	7270	Bolt, 3/8-16 X 4.50 Hex Head .....	4
19	8745	Screw, Eccentric Adjustment .....	1
20	8754	Locknut, 3/8-16 Hex .....	8
21	8755	Screw, 3/8-16 X 3.375 Hex Cap .....	2

**6**  
**G**  
**E**

**6**  
**G**  
**E**



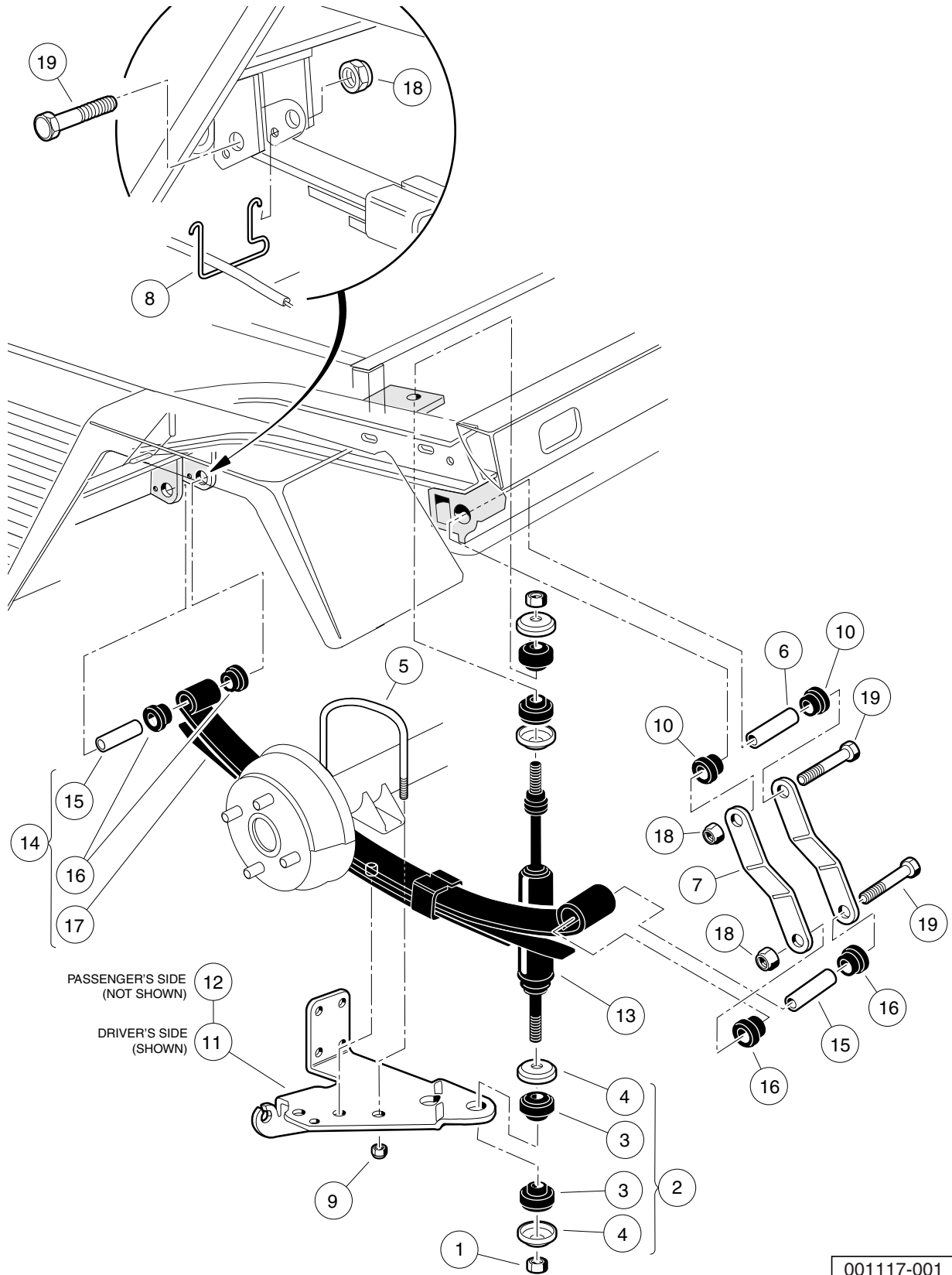
000313-005

## FRONT SUSPENSION, LOWER – VILLAGER 8 WITH MAINTENANCE-FREE BALL JOINTS

ITEM	PART NO.	DESCRIPTION	QTY
		<b>1 2 3 4</b>	
1	1010124	Plate, Spring Mount .....	1
2	1010150	Bearing, Thrust .....	2
3	1010200	Bolt, 3/8-16 X 4.25 Hex Head .....	4
4	1014276	Plate, Front Spring Retainer .....	1
5	1016384	Clevis, Delta Upper .....	2
6	1016386	King Pin Assembly .....	2
7	1016387	Screw, 3/8-16 X 2.75 Hx Hd Cap .....	2
8	1016389	Washer, 1.125 Od Wave .....	2
9	102564002	Washer-1/2 Conical, Yellow .....	2
10	102684501	Washer, M12 Hard Regular .....	2
11	102766301	Nut, 1/2-20, Center Lock .....	2
12	103628901	Spring Asm, Front, 3 Leaf (includes items 13 through 15) .....	1
13	1012303	Bushing, Steel .....	2
14	1015583	Bushing, Urethane .....	4
15	103502801	Spring, Front, 3 Leaf .....	1
16	2402	Screw, 3/8-16 X 2.25 Hx Hd Cap .....	4
17	357	Lockwasher, 3/8 Split .....	4
18	706	Nut, Hex 3/8-16 .....	5
19	8754	Locknut, 3/8-16 Hex .....	8
20	8755	Screw, 3/8-16 X 3.375 Hex Cap .....	2

**6**  
**G**  
**E**

**6**  
**G**  
**E**

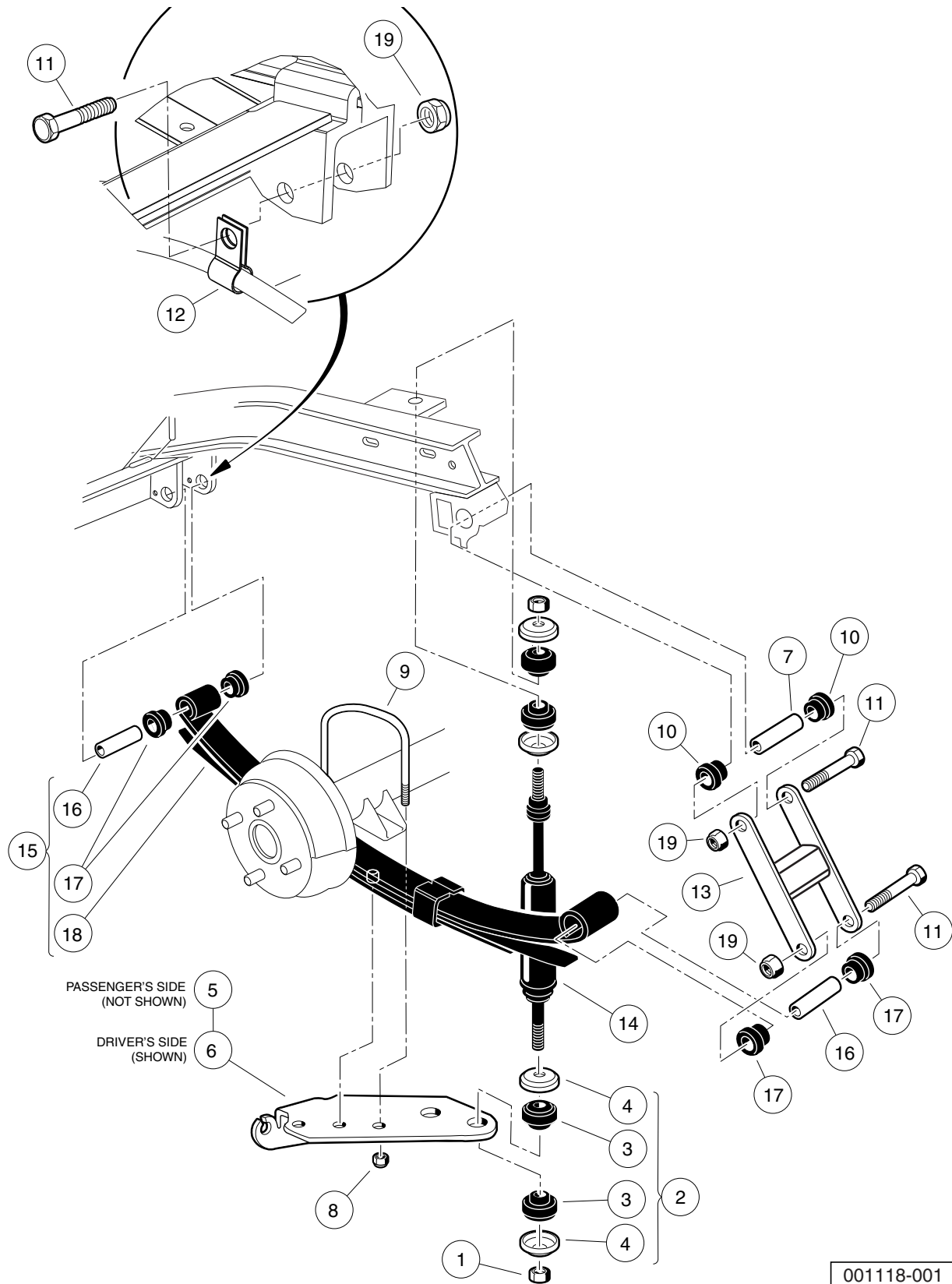


## REAR SUSPENSION – TURF/CA 2, 2 PLUS, 6, AND TRANSPORTATION GASOLINE

ITEM	PART NO.	DESCRIPTION	QTY
		1 2 3 4	
1	1010145	Nut, 3/8-24 Hex .....	4
2	1011415	Kit, Shock Absorber Cushion (includes items 3 and 4) .....	4
3	N/A	Retainer, Shock Absorber Cushion .....	2
4	47579096001	Isolator, Shock Damper .....	2
5	1012180	U-Bolt .....	2
6	1012303	Bushing, Steel .....	2
7	1012304	Shackle, Rear Spring .....	4
8	1013207	Hanger, Brake Cable .....	2
9	1014555	Locknut, 7/16-14 Nylon Hex .....	4
10	101558302	Bushing, Urethane, Soft .....	4
11	101926501	Bracket, Left-Hand .....	1
12	101929401	Bracket, Right .....	1
13	103350901	Shock Absorber, Rear, Utility .....	2
14	103657301	Asm-rear 3leaf Spring, 600 Lb (includes items 15 through 17) .....	2
15	1012303	Bushing, Steel .....	2
16	101558302	Bushing, Urethane, Soft .....	4
17	102871801	Rear Spring, 3leaf, 600 Lb/in .....	1
18	8754	Locknut, 3/8-16 Hex .....	6
19	8755	Screw, 3/8-16 X 3.375 Hex Cap .....	6
<p>Note: Only the driver-side rear suspension is shown. Parts for the passenger-side rear suspension are identical except for the leaf spring/shock mounting plate.</p>			

6  
G  
E

**6**  
**G**  
**E**



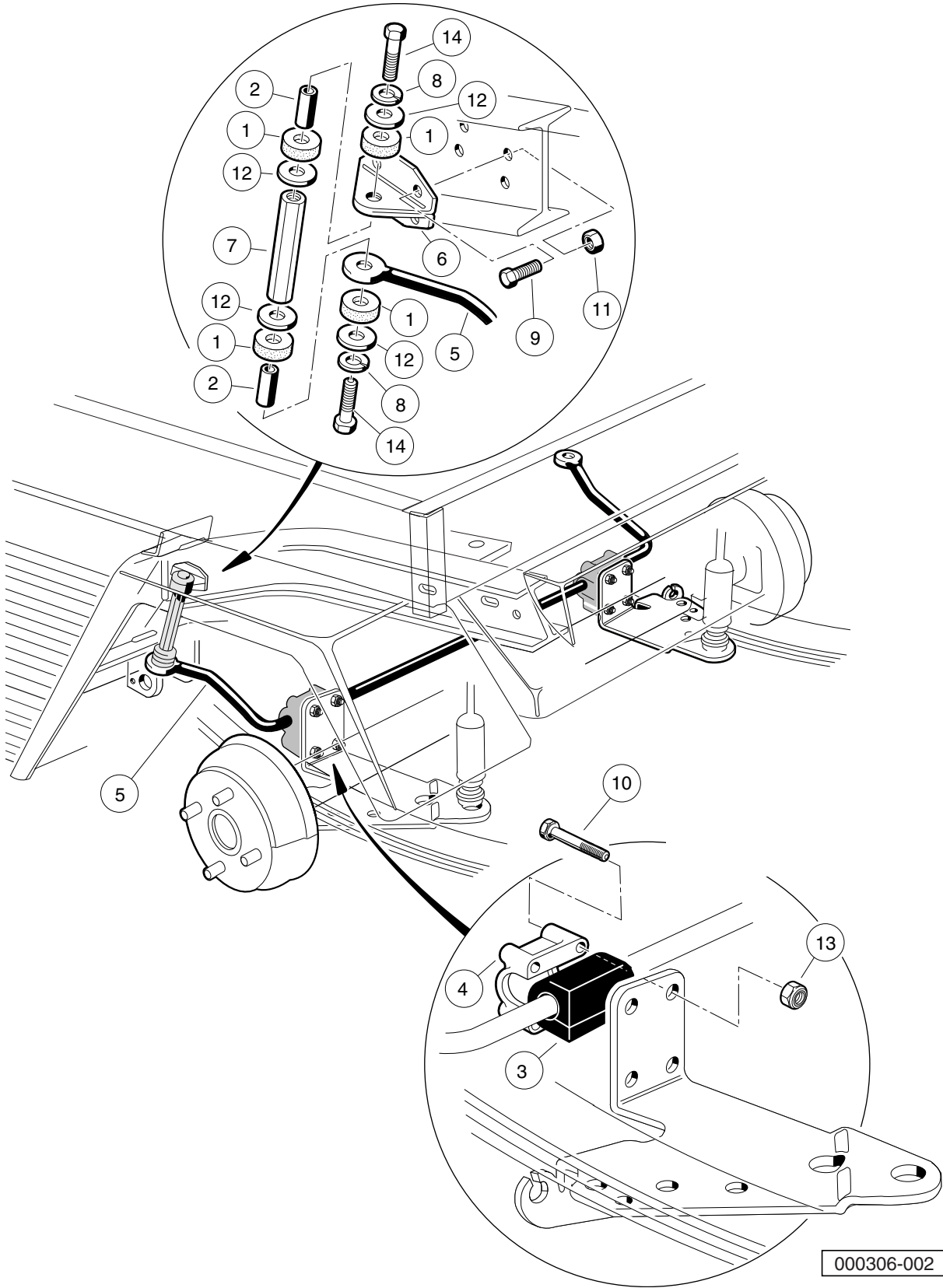
001118-001

# REAR SUSPENSION – TURF/CA 2, 6, AND TRANSPORTATION IQ PLUS ELECTRIC

**6**  
**G**  
**E**

ITEM	PART NO.	DESCRIPTION	QTY
		1 2 3 4	
1	1010145	Nut, 3/8-24 Hex .....	4
2	1011415	Kit, Shock Absorber Cushion (includes items 3 and 4) .....	4
3	N/A	Retainer, Shock Absorber Cushion .....	2
4	47579096001	Isolator, Shock Damper .....	2
5	1012181	Bracket, Shock Mounting, Right (Passenger) .....	1
6	1012182	Bracket, Shock Mounting, Left (Driver) .....	1
7	1012303	Bushing, Steel .....	2
8	1014555	Locknut, 7/16-14 Nylon Hex .....	4
9	1014902	U-Bolt .....	2
10	101558302	Bushing, Urethane, Soft .....	4
11	102066201	Screw, 3/8-16 X 3.50 Hex Cap .....	6
12	102891101	Clamp, Cable, Brake, Sym .....	2
13	102917101	Weldment, Shackle .....	2
14	103351101	Shock, Absorber, Utility .....	2
15	103657301	Asm-rear 3leaf Spring, 600 Lb (includes items 16 through 18) .....	2
16	1012303	Bushing, Steel .....	2
17	101558302	Bushing, Urethane, Soft .....	4
18	102871801	Rear Spring, 3leaf, 600 Lb/in .....	1
19	8754	Locknut, 3/8-16 Hex .....	6
<p>Note: Only the driver-side rear suspension is shown. Parts for the passenger-side rear suspension are identical except for the leaf spring/shock mounting plate.</p>			

**6**  
**G**  
**E**



000306-002



# STABILIZER BAR – TURF/CA 2, 2 PLUS, 6, AND TRANSPORTATION GAS

ITEM	PART NO.	DESCRIPTION	QTY
		1 2 3 4	
1	1015453	Compression Mount .....	8
2	1015457	Spacer, 0.720" .....	4
3	1015613	Bushing, Stabilizer Bar .....	2
4	1015614	Support, Bushing .....	2
5	1015760	Stabilizer Bar .....	1
6	1016813	Mounting Bracket, Stabilizer Bar .....	2
7	1016814	Link, Stabilizer Bar .....	2
8	357	Lockwasher, 3/8 Split .....	4
9	7173	Screw, 5/16-18 X 0.75, Hex-Head Cap .....	8
10	7311	Screw, 1/4-20 X 2.00 Hex-Head Cap .....	8
11	7473	Locknut, 5/16-18 Nylon Insert .....	8
12	808	Washer, 3/8 Type B Flat .....	8
13	8233	Locknut, 1/4-20, Nylon Insert .....	8
14	8861	Bolt, 3/8-16 X 1.75 Hex .....	4

**6**  
**G**  
**E**

**6**

**G**

**E**

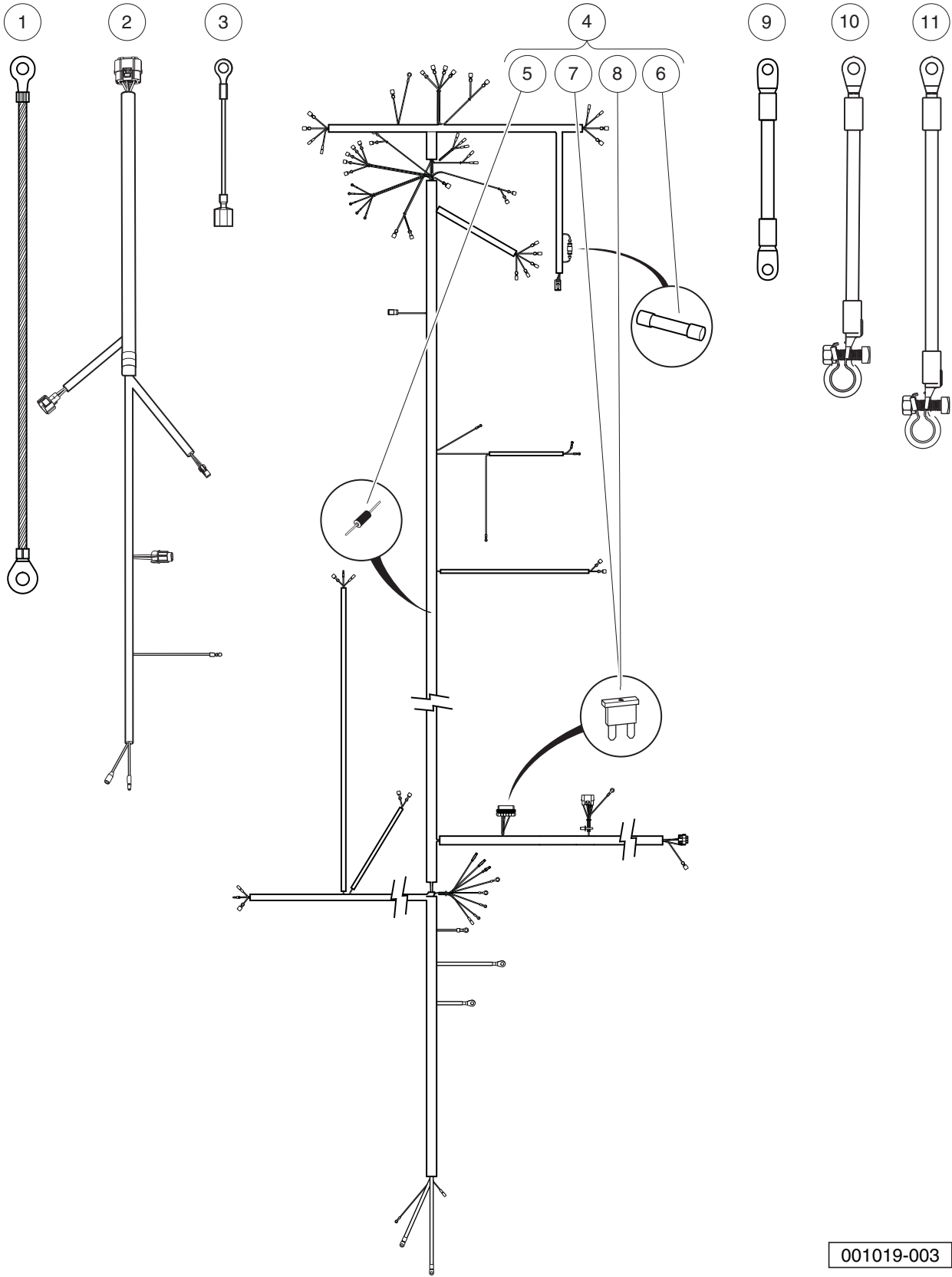
# ELECTRICAL SYSTEM – EFI GASOLINE VEHICLES

---

7

G

**7**  
**G**



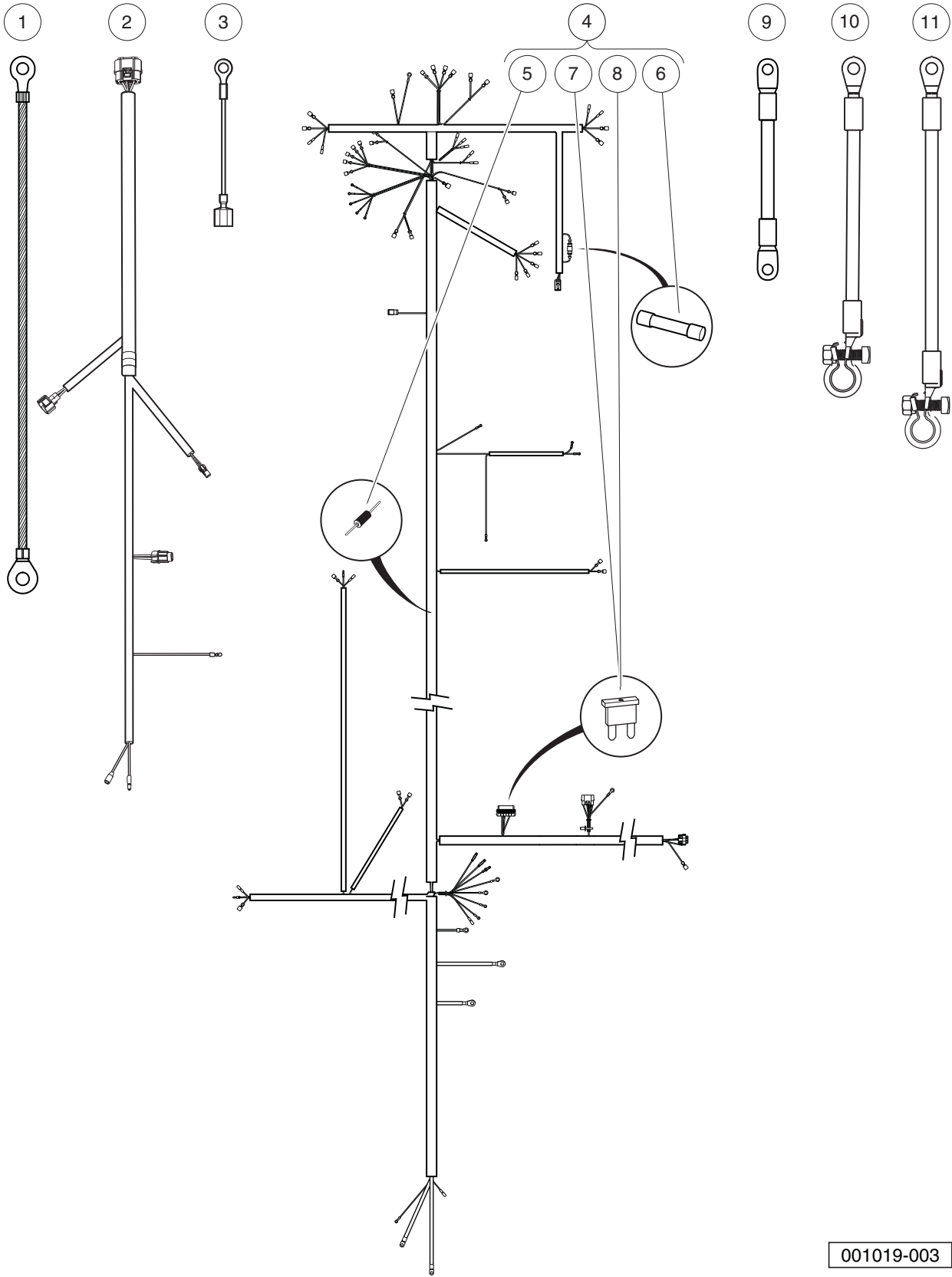
001019-003

# WIRING, FUSES, AND DIODES, KEY-START – EFI, VILLAGER 6, XRT850 SE

ITEM	PART NO.	DESCRIPTION	QTY
		1 2 3 4	
1	1015332	Wire, Ground, #10, Uninsulated .....	1
2	105008101	Harness, Wire, ECU/Engine .....	1
3	105143301	Wire, Ground, Fuel Tank .....	1
4	105151201	Harness, Main, Vill6, Ks (includes items 5 through 8) .....	1
5	1014789	Diode, General Purpose, 3.0-Amp .....	1
6	103924801	Fuse, Glass, 2-Amp .....	1
7	105081501	Fuse, ATM, 5-Amp .....	1
8	105081601	Fuse, ATM, 10-Amp .....	1
9	105161701	Wire, 4-Ga, Green, Starter/Generator .....	1
10	105256701	Wire Assy, 4ga, Battery, (top-post) B-, Gas .....	1
11	105256801	Wire Assy, 4ga, Battery, (top-post) B+, Gas .....	1
Note: For ECU, see Throttle Body in Fuel System section.			

7  
G

**7**  
**G**



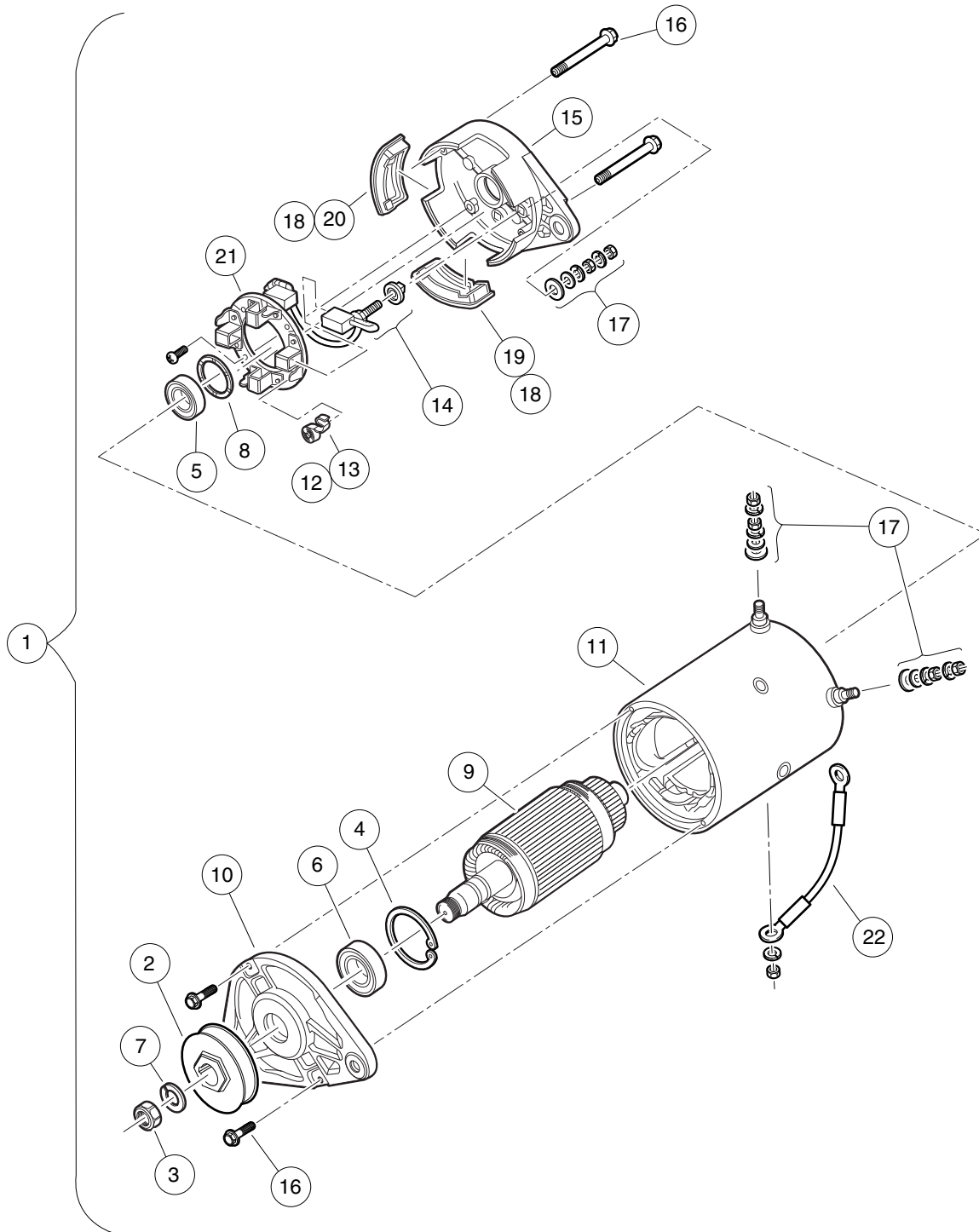
001019-003

# WIRING, FUSES, AND DIODES, KEY-START – EFI, VILLAGER 8

ITEM	PART NO.	DESCRIPTION	QTY
		1 2 3 4	
1	1015332	Wire, Ground, #10, Uninsulated .....	1
2	105008101	Harness, Wire, ECU/Engine .....	1
3	105143301	Wire, Ground, Fuel Tank .....	1
4	105151301	Harness, Main, Vill8, Ks (includes items 5 through 8) .....	1
5	1014789	Diode, General Purpose, 3.0-Amp .....	1
6	103924801	Fuse, Glass, 2-Amp .....	1
7	105081501	Fuse, ATM, 5-Amp .....	1
8	105081601	Fuse, ATM, 10-Amp .....	1
9	105161701	Wire, 4-Ga, Green, Starter/Generator .....	1
10	105256701	Wire Assy, 4ga, Battery, (top-post) B-, Gas .....	1
11	105256801	Wire Assy, 4ga, Battery, (top-post) B+, Gas .....	1
Note: For ECU, see Throttle Body in Fuel System section.			

7

G



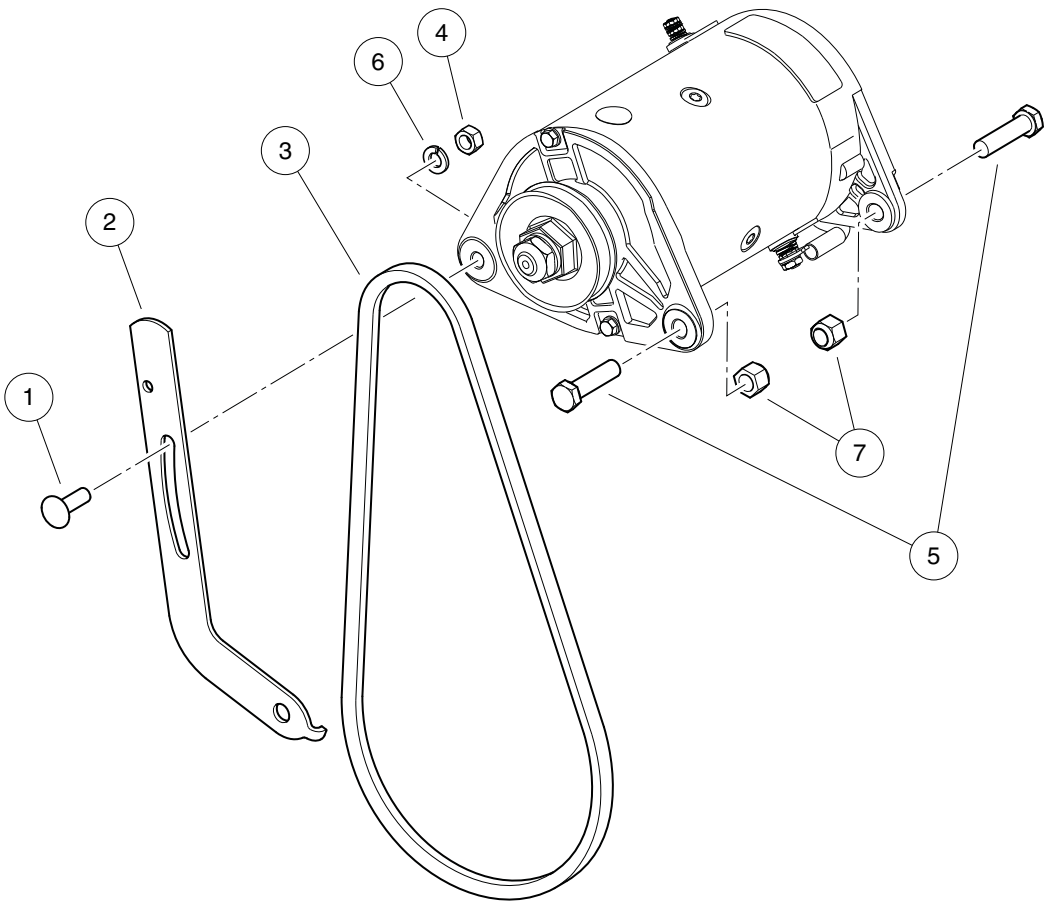
001016-001



# STARTER/GENERATOR (MODEL 114-04-4006), KEY-START – EFI

ITEM	PART NO.	DESCRIPTION	QTY
		<b>1 2 3 4</b>	
1	105190102	Starter/Generator, Bi-Rotational, Utility, Key-Start (includes items 2 through 22) .....	1
2	1014289	Pulley, Starter/Generator .....	1
3	102838701	Nut, Hex, M14x2, S/G .....	1
4	102838801	Retainer, Front, S/G .....	1
5	102838901	Bearing, Ball, Front, S-g .....	1
6	102839001	Bearing, Ball, Front, S-g .....	1
7	102839301	Washer, Lock M14x2, S-g .....	1
8	102841101	Washer, Wave, S-g .....	1
9	N/A	Asm, Armature, Starter/Generator .....	1
10	102844601	Head, Drive End, S-g .....	1
11	102844701	Asm, Frame and Field, Starter/Generator .....	1
12	103347101	Kit, Spring Brush, Starter/Generator (includes item 13) .....	1
13	N/A	Spring, Brush, S-g .....	4
14	103347301	Set, Brush Term, S-g .....	1
15	103347601	Head, Comm End, S-g .....	1
16	103347701	Set, Fastener, Ceh Deh, S-g .....	1
17	103347801	Set, Term Hardware, S/G .....	1
18	103347901	Kit, Cover, Brush Insp, Starter/Generator (includes items 19 and 20) .....	1
19	N/A	Plug, Rubber Drain, Start/Generator .....	3
20	N/A	Cover, Inspection, S-g .....	1
21	103953301	Kit, Brush And Brush Holder .....	1
22	105161701	Wire, 4-Ga, Green, Starter/Generator .....	1

**7**  
**G**

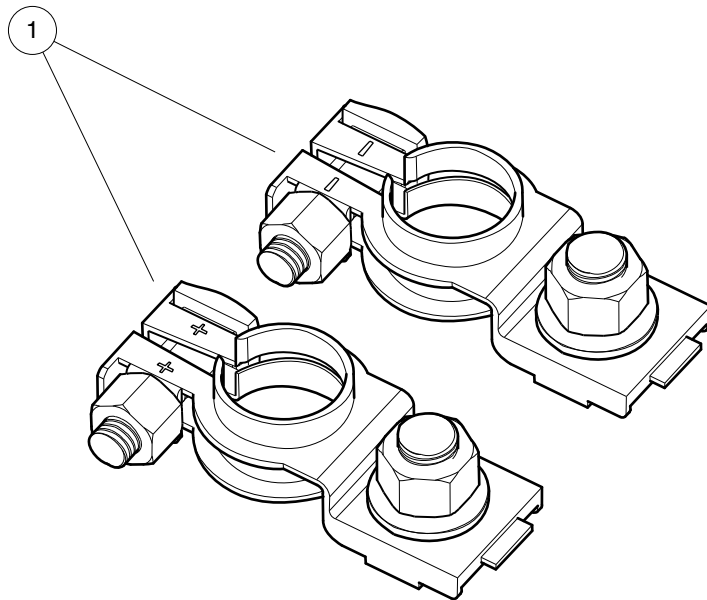


001009-001

## STARTER/GENERATOR MOUNTING – EX40

ITEM	PART NO.	DESCRIPTION	QTY
		<b>1 2 3 4</b>	
1	1015932	Bolt, Carriage, 5/16-18 .....	1
2	104005301	Bracket, Adjustable, Starter/Generator, EX40 .....	1
3	105205401	Belt, Sg, 871, Ex40 .....	1
4	1242	Nut, 5/16-18 Hex .....	1
5	1624	Screw, 3/8-16 X 1.50, Hex-Head Cap .....	2
6	7174	Lockwasher, 5/16 Split .....	1
7	8754	Locknut, 3/8-16 Hex .....	2

**7**  
**G**

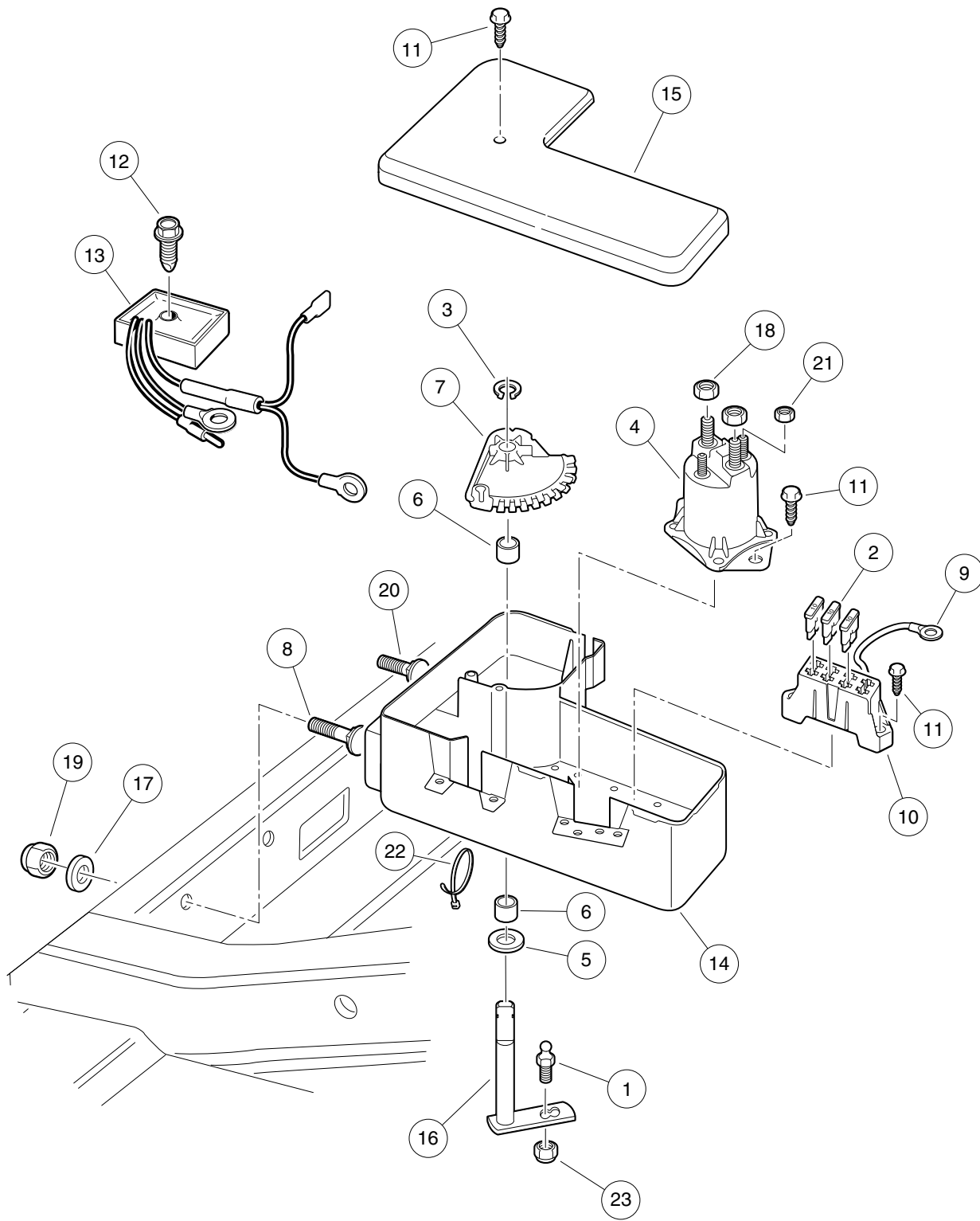


001066-001

# KIT, BATTERY TERMINAL ADAPTER (SIDE-POST TO TOP-POST) – EFI

ITEM	PART NO.	DESCRIPTION	QTY
1	105266401	1 2 3 4 Kit, Term Adaptor, G26 Batt .....	A/R

**7**  
**G**

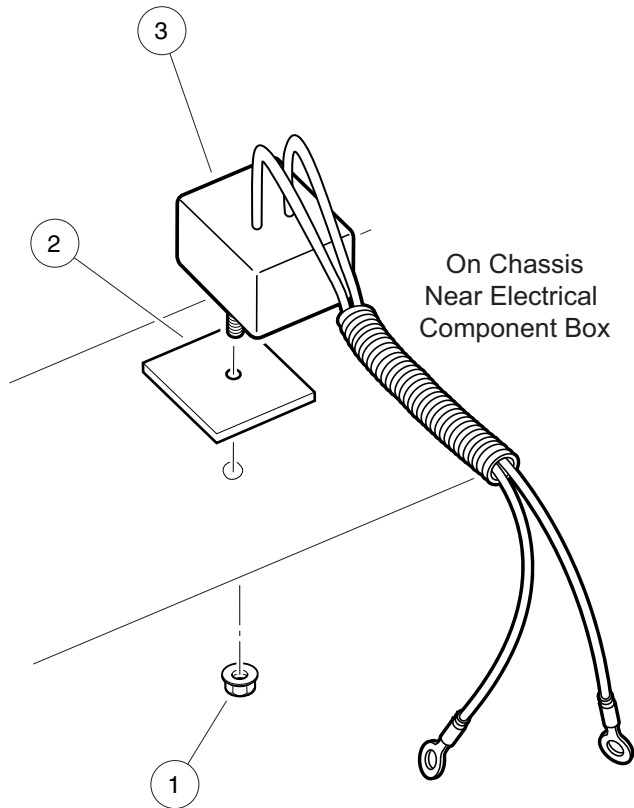


001014-002

# ELECTRICAL COMPONENT BOX, KEY-START – EX40

ITEM	PART NO.	DESCRIPTION	QTY
		<b>1 2 3 4</b>	
1	1010954	Stud, Ball, 1/4-28 X 0.560 .....	1
2	1012295	Fuse, 10-Amp .....	3
3	1013589	Ring, Retaining, 0.338" Internal .....	1
4	1013609	Solenoid, 12-Volt .....	1
5	1014065	Washer, Flat, 0.38" ID, Delrin .....	1
6	1014145	Bushing, Secondary Weight, Split .....	2
7	1015373	Cam, Electric Box .....	1
8	1015405	Bolt, Carriage, 5/16-18 X 2.0 .....	1
9	1015737	Wire Assy, #10 Red .....	1
10	1015741	Fuse Block .....	1
11	1015752	Screw, #12-16 X 0.625, Hi-Lo .....	5
12	101856102	Screw, 1/4-15 X 1.50, Hi-lo, Hex .....	1
13	102711201	Voltage Regulator .....	1
14	105000301	Box, Component, Electrical .....	1
15	105000401	Cover, Box, Component, Elec .....	1
16	105037401	Weldment, Bellcrank, Comp Box .....	1
17	1241	Washer, 5/16 Type A Flat .....	2
18	1242	Nut, 5/16-18 Hex .....	2
19	7473	Locknut, 5/16-18 Nylon Insert .....	2
20	7818	Bolt, Carriage, 5/16-18 X 1.5 .....	1
21	7893	Nut, #10-32 Hex .....	2
22	8639	Tie Wrap, 11" Nylon .....	6
23	8717	Locknut, Nylon Insert, 1/4-28 .....	1

**7**  
**G**



001015-001

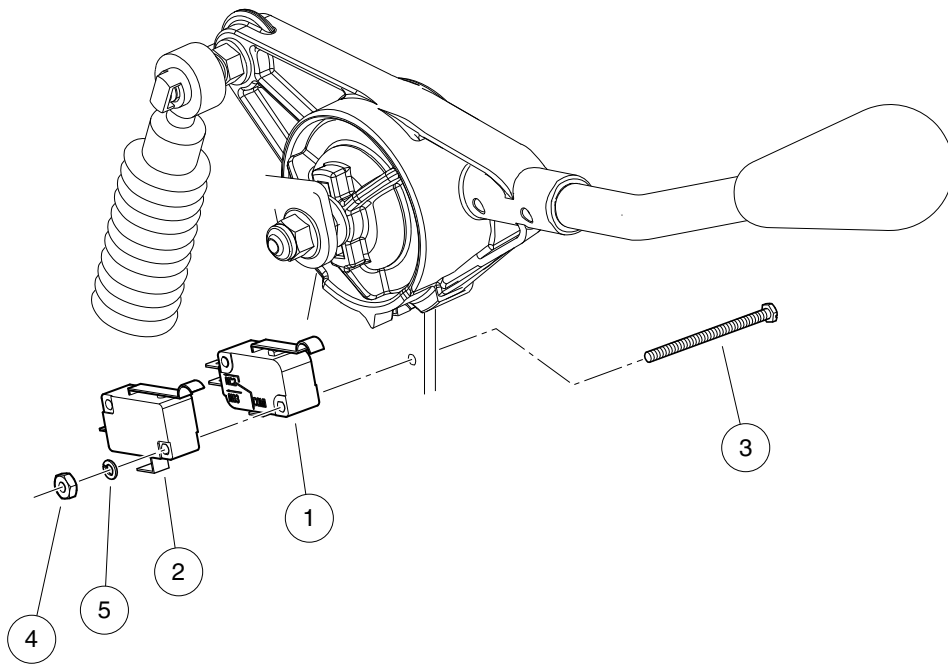


# CHARGING DIODE, KEY-START – EFI

ITEM	PART NO.	DESCRIPTION	QTY
		1 2 3 4	
1	101963401	Locknut, 5/16-18 Hex Flange .....	1
2	102269701	Thermal Pad .....	1
3	105037201	Diode, Charging .....	1

7

G

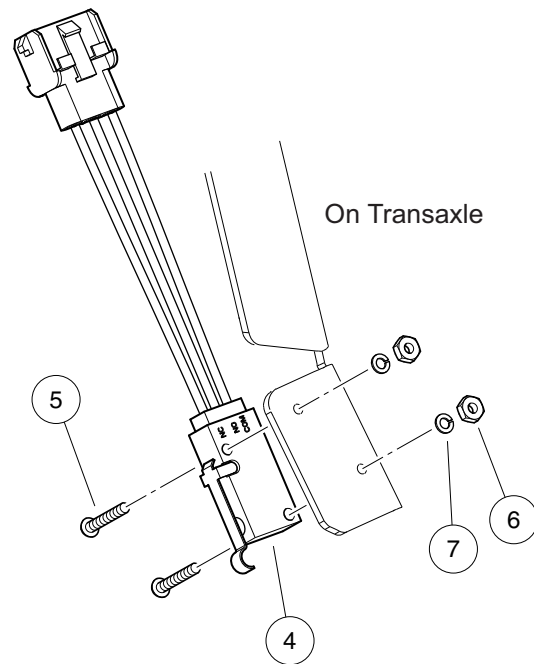
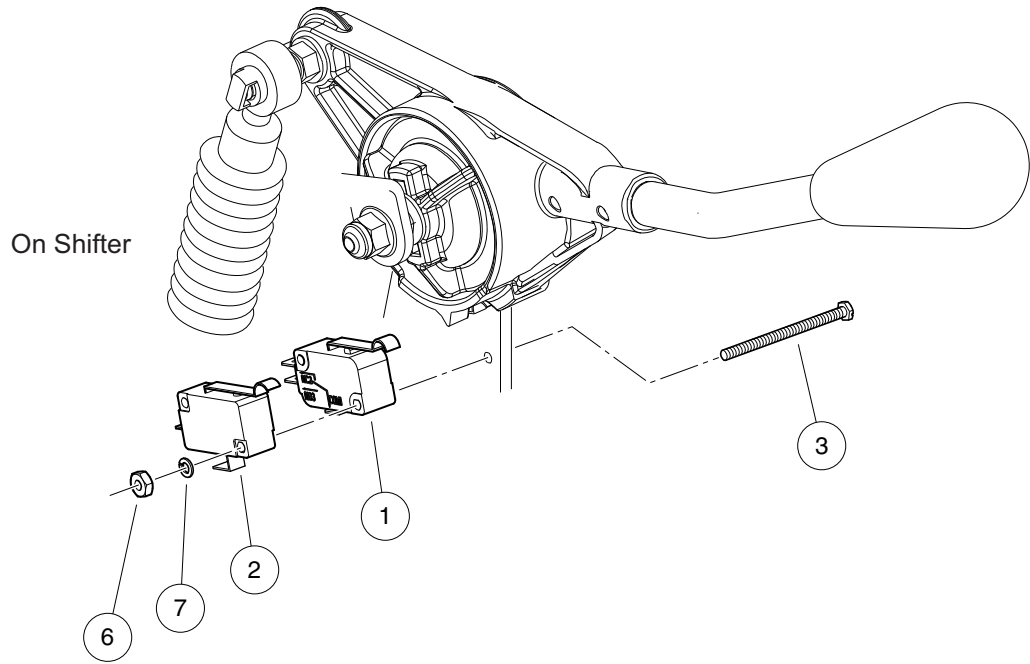


001010-002

# FORWARD/REVERSE SHIFTER SWITCHES, KEY-START – EFI, VILLAGER 6, 8, 850, 850SE

ITEM	PART NO.	DESCRIPTION	QTY
		<b>1 2 3 4</b>	
1	1014807	Switch, Limit .....	1
2	1014808	Switch, Limit .....	1
3	1015878	Screw, #4-40 Hex Head Machine .....	2
4	8057	Nut, #4-40 Hex Machine .....	2
5	8058	Lockwasher, #4 Split .....	2

**7**  
**G**



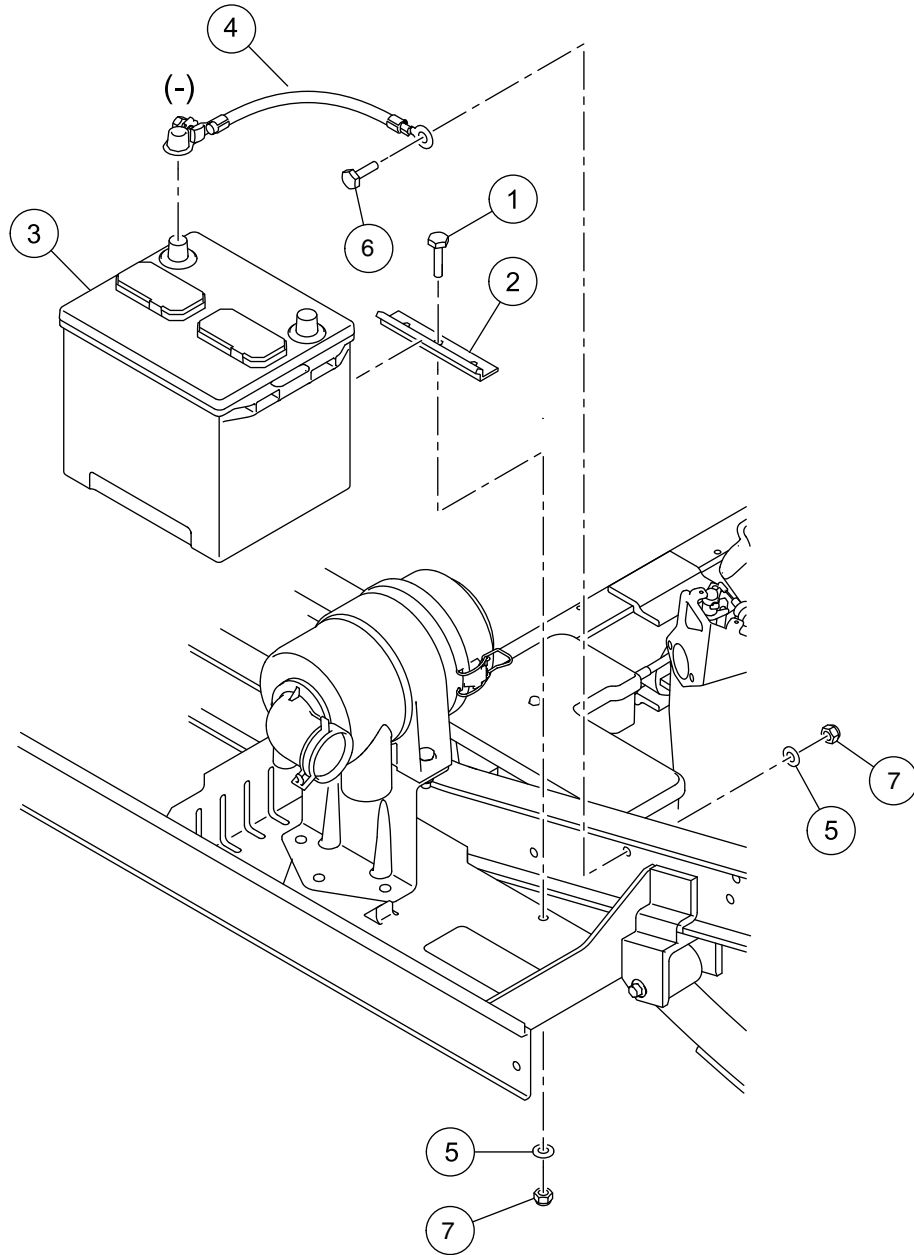
001010-001

# FORWARD/REVERSE SHIFTER SWITCHES, PEDAL-START – EFI, VILLAGER 6, 8, 850, 850SE

ITEM	PART NO.	DESCRIPTION	QTY
		1 2 3 4	
1	1014807	Switch, Limit .....	1
2	1014808	Switch, Limit .....	1
3	1015878	Screw, #4-40 Hex Head Machine .....	2
4	105102601	Switch, Limit, Sealed, with 3-Wire Lead .....	1
5	8056	Screw, #4-40 X 0.75 Round-Head Machine .....	2
6	8057	Nut, #4-40 Hex Machine .....	4
7	8058	Lockwasher, #4 Split .....	4

7

G



000250-001

# TOP-POST BATTERY – GASOLINE UTILITY VEHICLES

ITEM	PART NO.	DESCRIPTION	QTY
		1 2 3 4	
1	1010934	Screw, 5/16-18 X 1.00 Hex Cap .....	1
2	101898001	Clamp, Battery .....	1
3	105237301	Battery, Start, 12v, Type 26 .....	1
4	105256701	Wire Assy, 4ga, Battery, (top-post) B-, Gas .....	1
5	1241	Washer, 5/16 Type A Flat .....	2
6	7173	Screw, 5/16-18 X 0.75, Hex-Head Cap .....	1
7	7473	Locknut, 5/16-18 Nylon Insert .....	2

7

G

7

G



# ENGINE (SUBARU EX40)

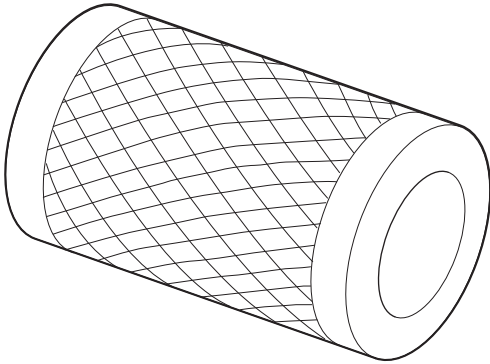
---

8

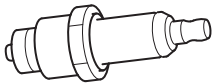
G

8

G



1



2

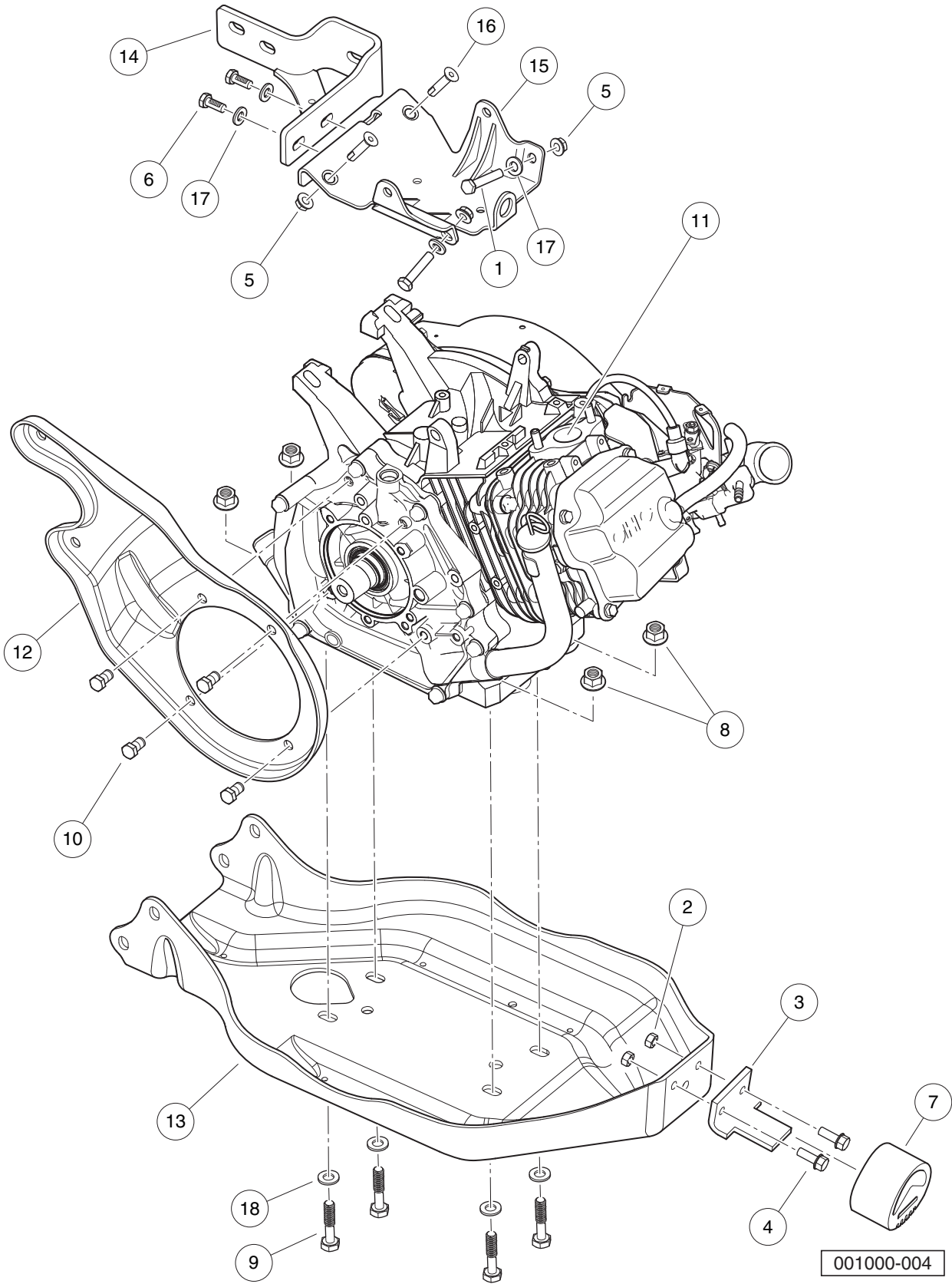
000992-003

# TUNE-UP PARTS – SUBARU EX40

ITEM	PART NO.	DESCRIPTION	QTY
		1 2 3 4	
1	102558201	Air Filter, 4 Inch .....	1
2	47539956001	Spark Plug, Ex40, Brp4hs .....	1

**8**

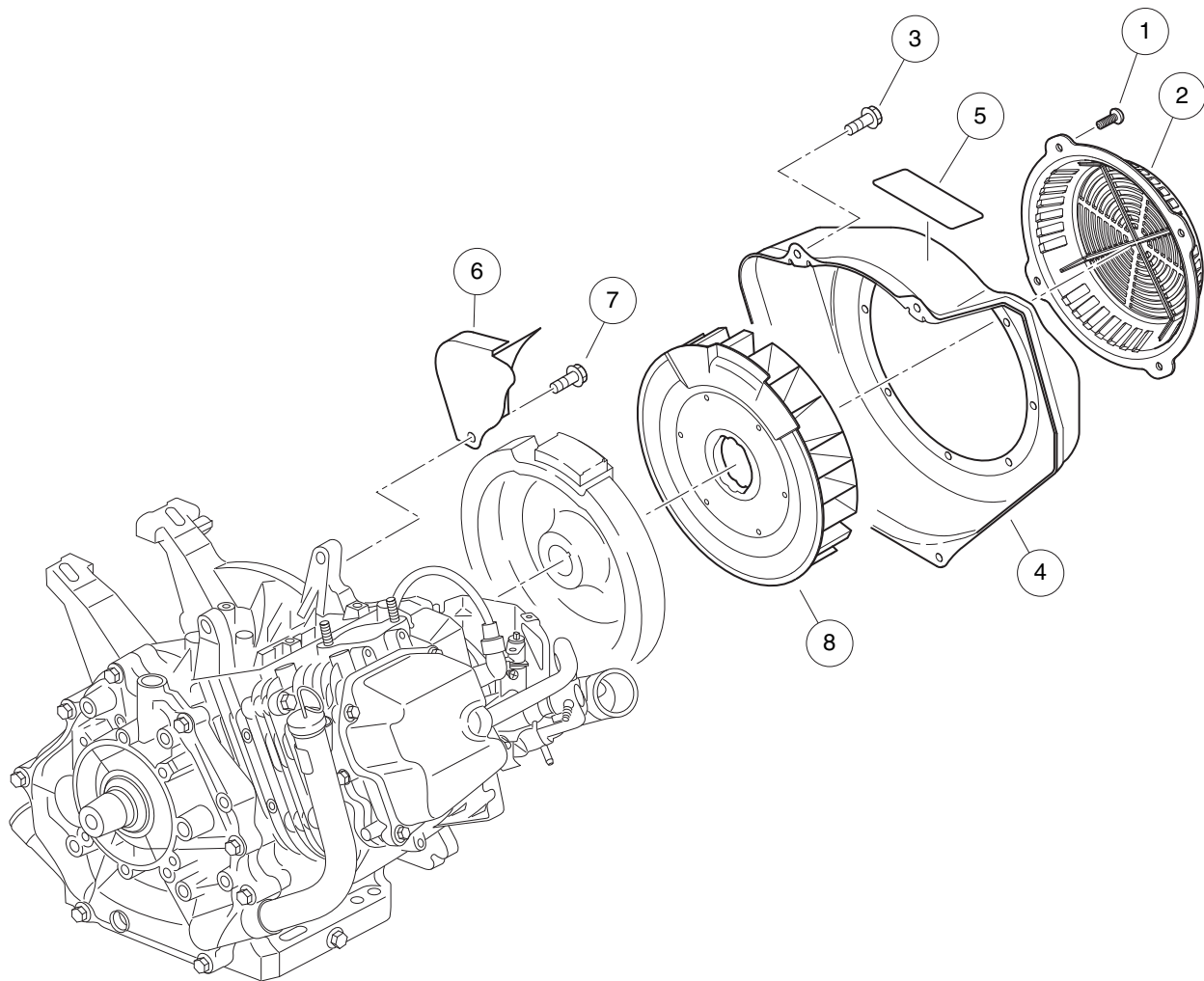
**G**



## ENGINE AND ENGINE MOUNTING, UTILITY

ITEM	PART NO.	DESCRIPTION	QTY
		1 2 3 4	
1	1010577	Bolt, Hex-Head, 5/16-18 X 1.50 .....	2
2	1013924	Nut, 5/16-24, Hex Head Cone .....	2
3	101834602	Bracket, Snubber, Tall .....	1
4	101884801	Screw, 5/16-24 X 0.875, Grade-8 .....	2
5	101963401	Locknut, 5/16-18 Hex Flange .....	4
6	102242101	Screw, 5/16-18 X 3/4 Hex-Head with Patch .....	2
7	102540301	Snubber, Inner Frame .....	1
8	102617201	Nut, Flanged, M10 X 1.5, Mechanically Deformed .....	4
9	102732401	Bolt, M10 X 45, Zn-Ni (Black) .....	4
10	103508101	Bolt, 3/8-16 X .75 Lock Patch .....	4
11	103882801	Engine, Gas, Subaru EX40, EFI .....	1
12	103979401	Plate, Mounting, CVT, Center .....	1
13	103982201	Plate, Engine/Axle Mounting .....	1
14	105134601	Bracket, Mounting, Transaxle/Exhaust, EX40 .....	1
15	105149301	Bracket, Mounting, Starter/Generator, EX40 .....	1
16	105262401	Screw, 5/16-18 X 1.25, Cs, Lck .....	2
17	1241	Washer, 5/16 Type A Flat .....	4
18	96741046	Washer, M10, Hard .....	4

**8**  
**G**



001001-001

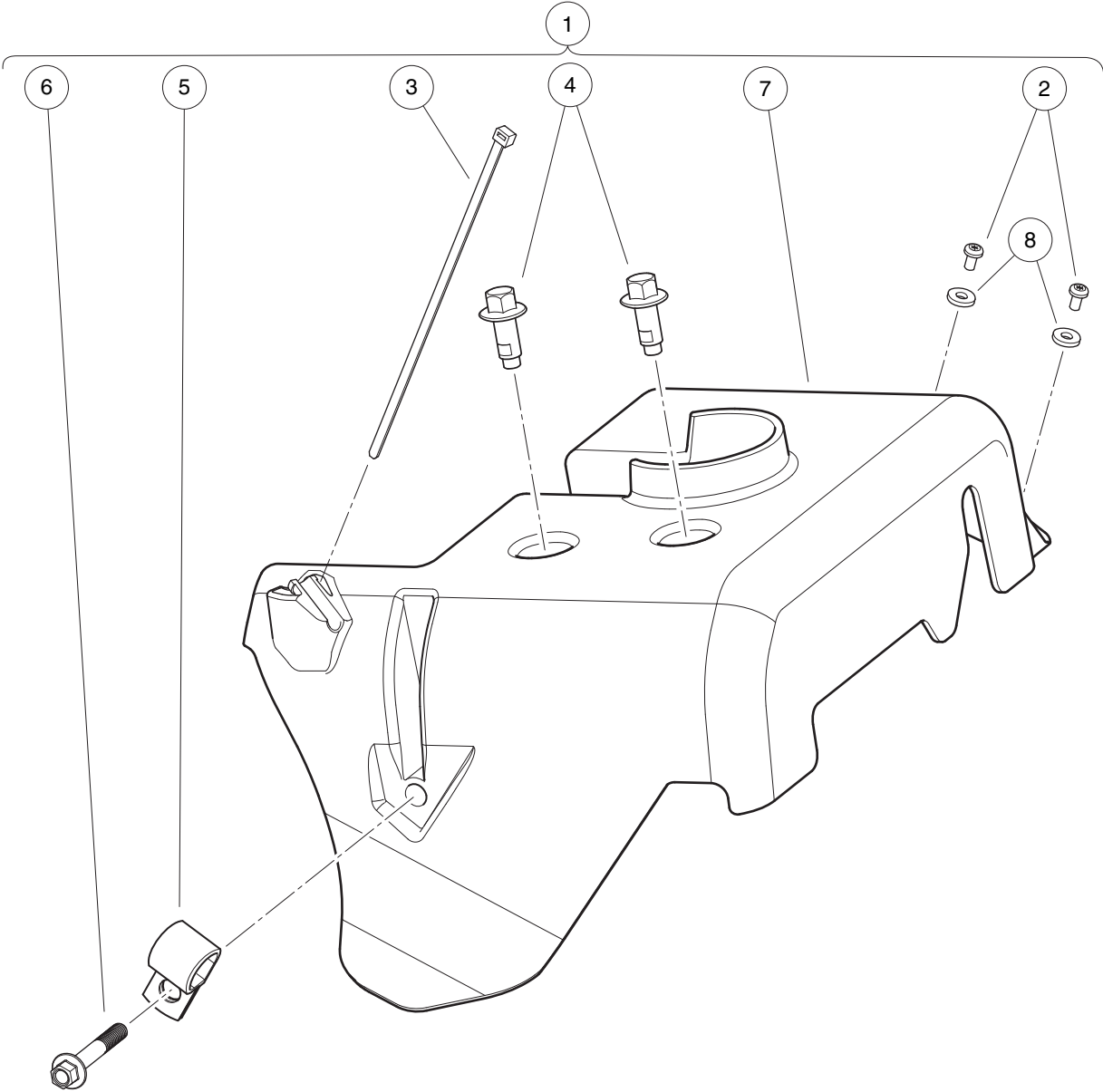
## FAN AND SHROUD – EX40

ITEM	PART NO.	DESCRIPTION	QTY
		<b>1 2 3 4</b>	
1	1015969	Screw, M6-1.00 X 10mm, Pan Hd .....	4
2	103995901	Cover, Fan, EX40 .....	1
3	105012601	Bolt, Flange, M6x1.0x12, EX40 .....	4
4	105016701	Housing, Fan, EX40 .....	1
5	105016801	Label, Engine Warning, EX40 .....	1
6	105016901	Baffle, Crankcase, EX40 .....	1
7	105017001	Bolt, Baffle, M8x1.25x12 Ex40 .....	1
8	105017101	Fan, Cooling, EX40 .....	1

**8**

**G**

**8**  
**G**



001002-001

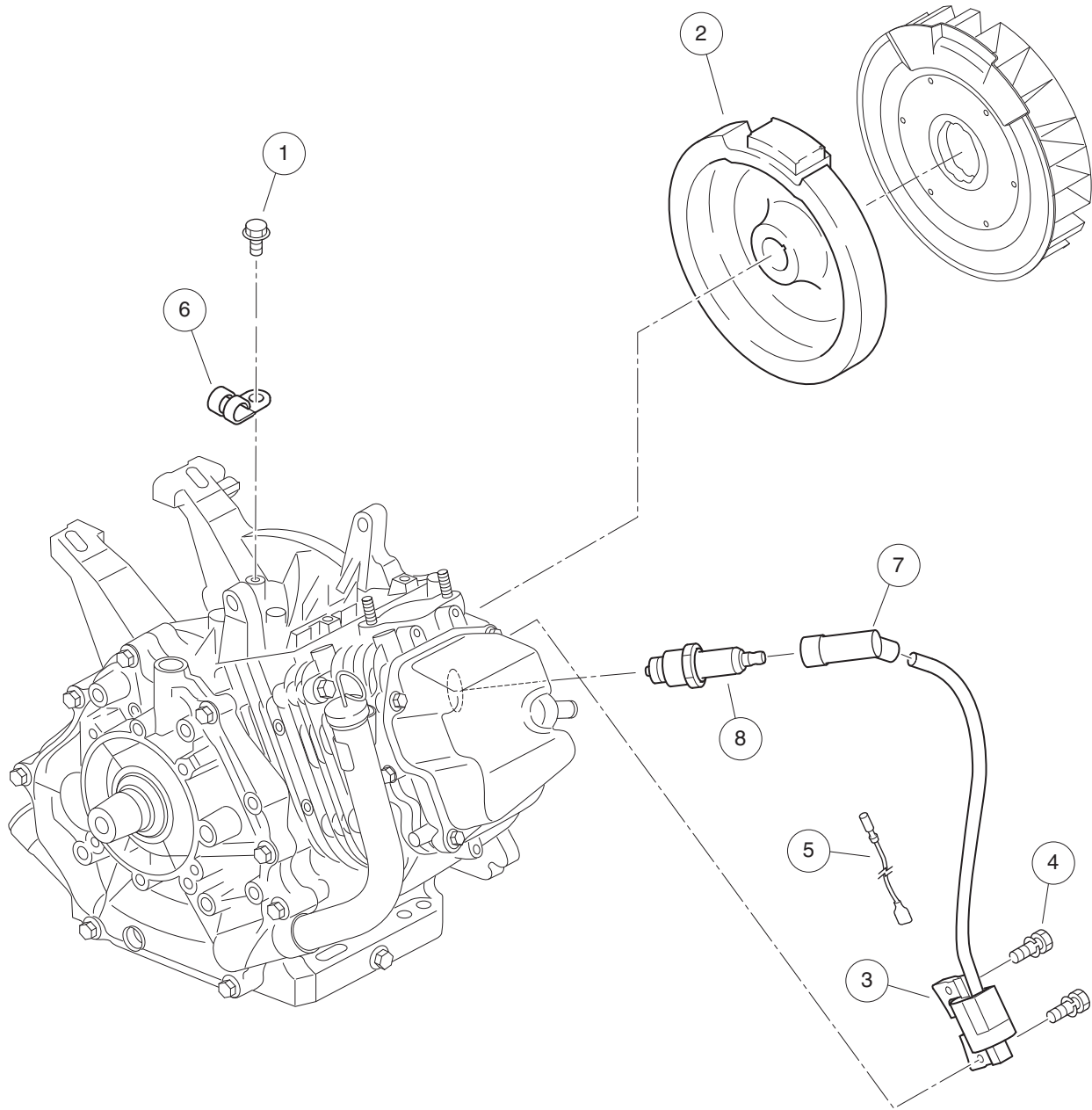


# AIR DEFLECTOR – EX40

ITEM	PART NO.	DESCRIPTION	QTY
		<b>1 2 3 4</b>	
1	105084801	Kit, Air Deflector, Subaru EX40 (includes items 2 through 8) .....	1
2	1016103	Screw, Pan Hd Tx, Taptite 6-32 .....	2
3	101824101	Tie Wrap, Black .....	1
4	102298116	Bolt, Flanged Head, M8 X 16.0 .....	2
5	102410604	P-clamp, Insulated, 0.625 Inch .....	1
6	102541402	Bolt, M6x1.0x40, Hex Flange Head, Blk-l .....	1
7	105075301	Deflector, Air, Subaru EX40 .....	1
8	7591	Washer, #6, Flat .....	2

**8**

**G**



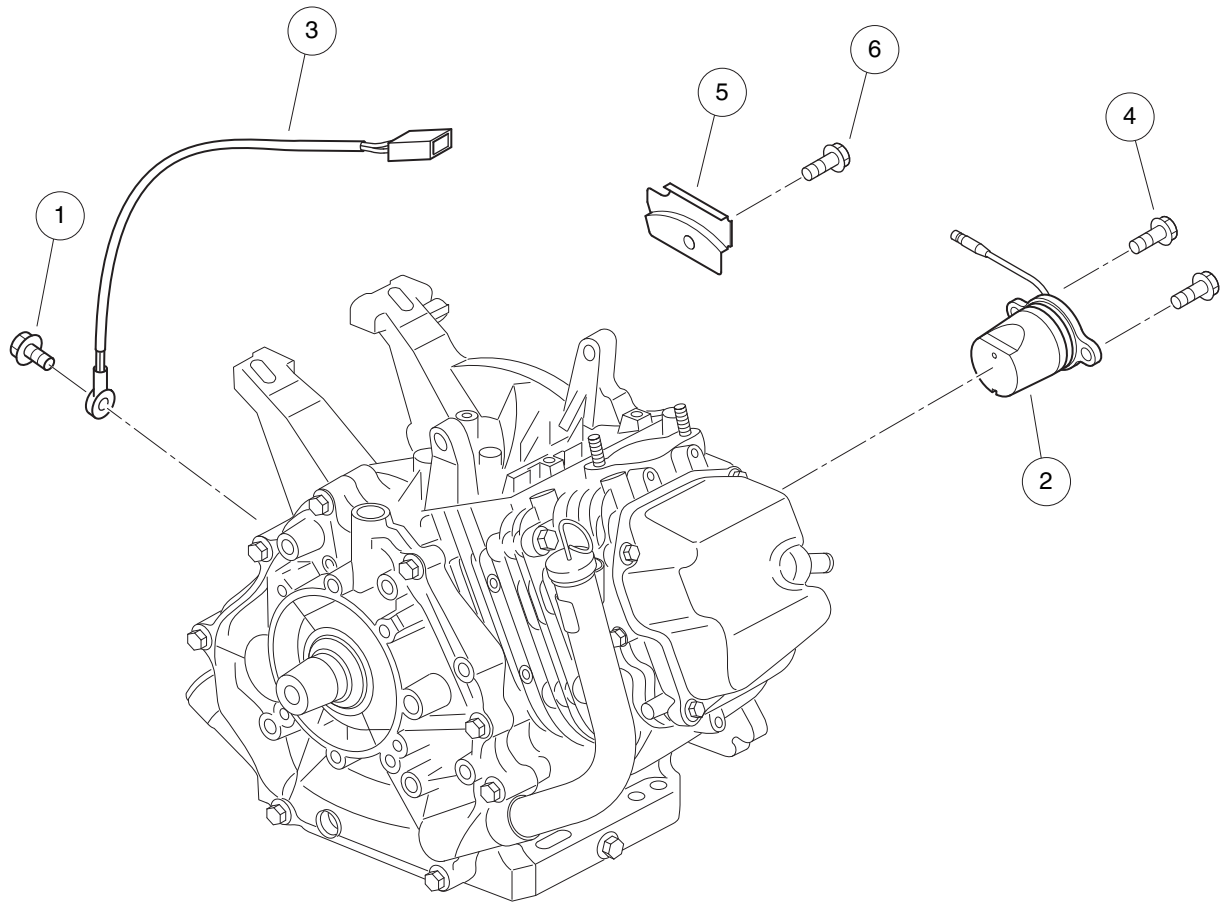
001003-002

## IGNITION COMPONENTS AND FLYWHEEL – EX40

ITEM	PART NO.	DESCRIPTION	QTY
		1 2 3 4	
1	105016001	Bolt, Flange, M6x1.0x8, EX40 .....	1
2	105017301	Flywheel, EX40 .....	1
3	105017401	Coil, Ignition, CDI, EX40 .....	1
4	105017501	Asm, Bolt-Washer, Coil, EX40 .....	2
5	105017601	Asm, Wire, Coil Control, EX40 .....	1
6	105017701	Clamp, Coil Control Wire, EX40 .....	1
7	105017901	Cap, Spark Plug, EX40 .....	1
8	47539956001	Spark Plug, Ex40, Brp4hs .....	1

**8**

**G**



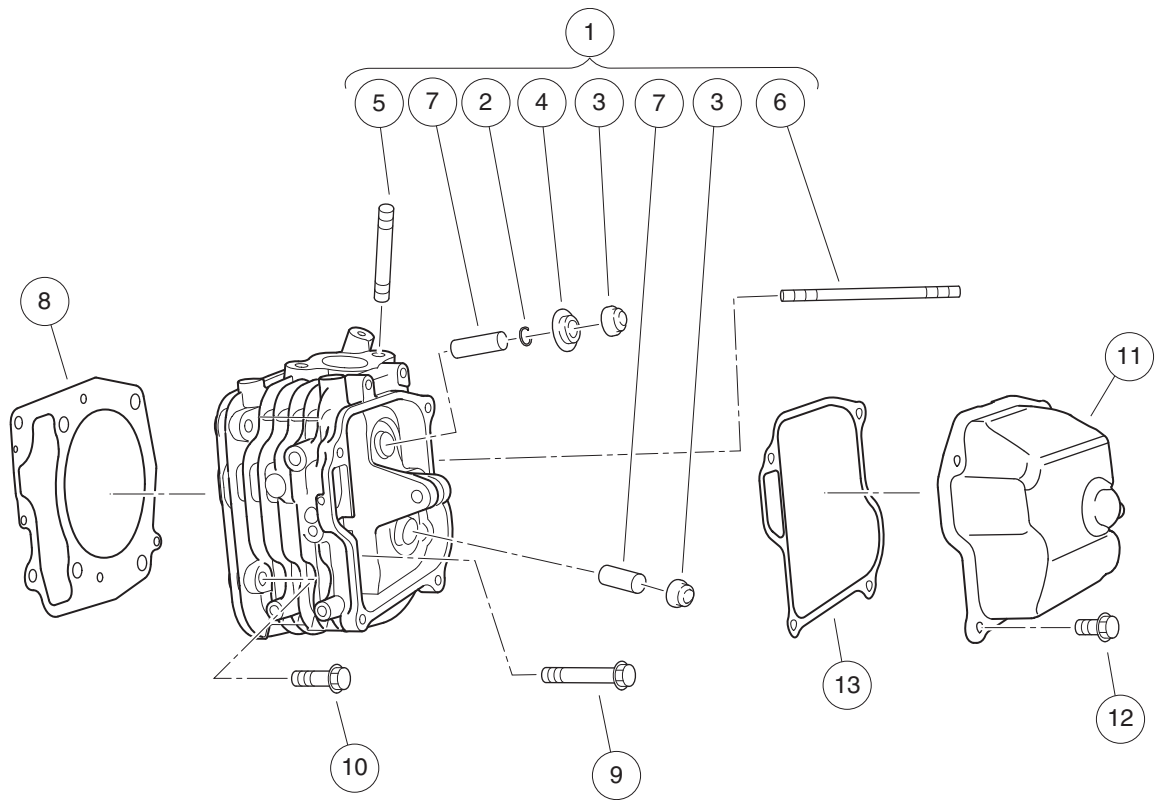
001004-001

# SENSORS – EX40

ITEM	PART NO.	DESCRIPTION	QTY
		<b>1 2 3 4</b>	
1	105012601	Bolt, Flange, M6x1.0x12, EX40 .....	1
2	105018001	Sensor, Oil Level, EX40 .....	1
3	105018101	Sensor, Temperature, EX40 .....	1
4	105018201	Bolt, Oil Sensor, M6x1.0x14, EX40 .....	2
5	105018301	Clamp, Oil Sensor Wire, EX40 .....	1
6	105018401	Bolt, Tap, Oil Wire Clamp, EX40 .....	1

8

G



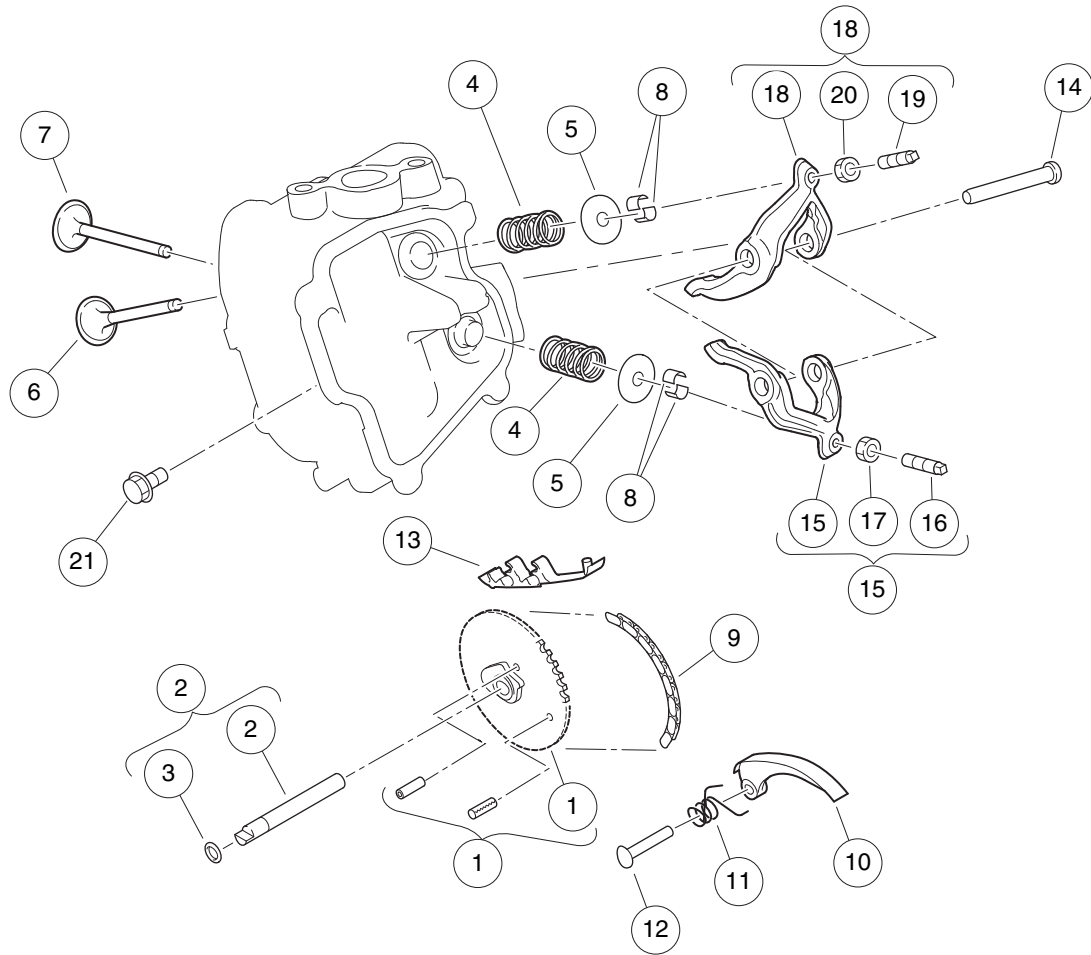
001005-002

# CYLINDER HEAD – EX40

ITEM	PART NO.	DESCRIPTION	QTY
		1 2 3 4	
1	105011901	Asm, Cylinder Head, EX40 (includes items 2 through 7) .....	1
2	105010101	Clip, Retainer Plate, EX40 .....	1
3	105010201	Seal, Valve, EX40 .....	2
4	105010301	Plate, Retainer, EX40 .....	1
5	105010801	Stud, Mounting, Exhaust, EX40 .....	2
6	105010901	Stud, Mounting, Intake, EX40 .....	2
7	105018501	Guide, Valve, EX40 .....	2
8	105012001	Gasket, Head, EX40 .....	1
9	105012101	Bolt, Head, M10x1.25x75, EX40 .....	4
10	105012201	Bolt, Head, M8x1.25x35, EX40 .....	2
11	105012301	Cover, Rocker, EX40 .....	1
12	105012601	Bolt, Flange, M6x1.0x12, EX40 .....	4
13	47540040001	Gasket, Rocker Cover, Sub .....	1

8

G



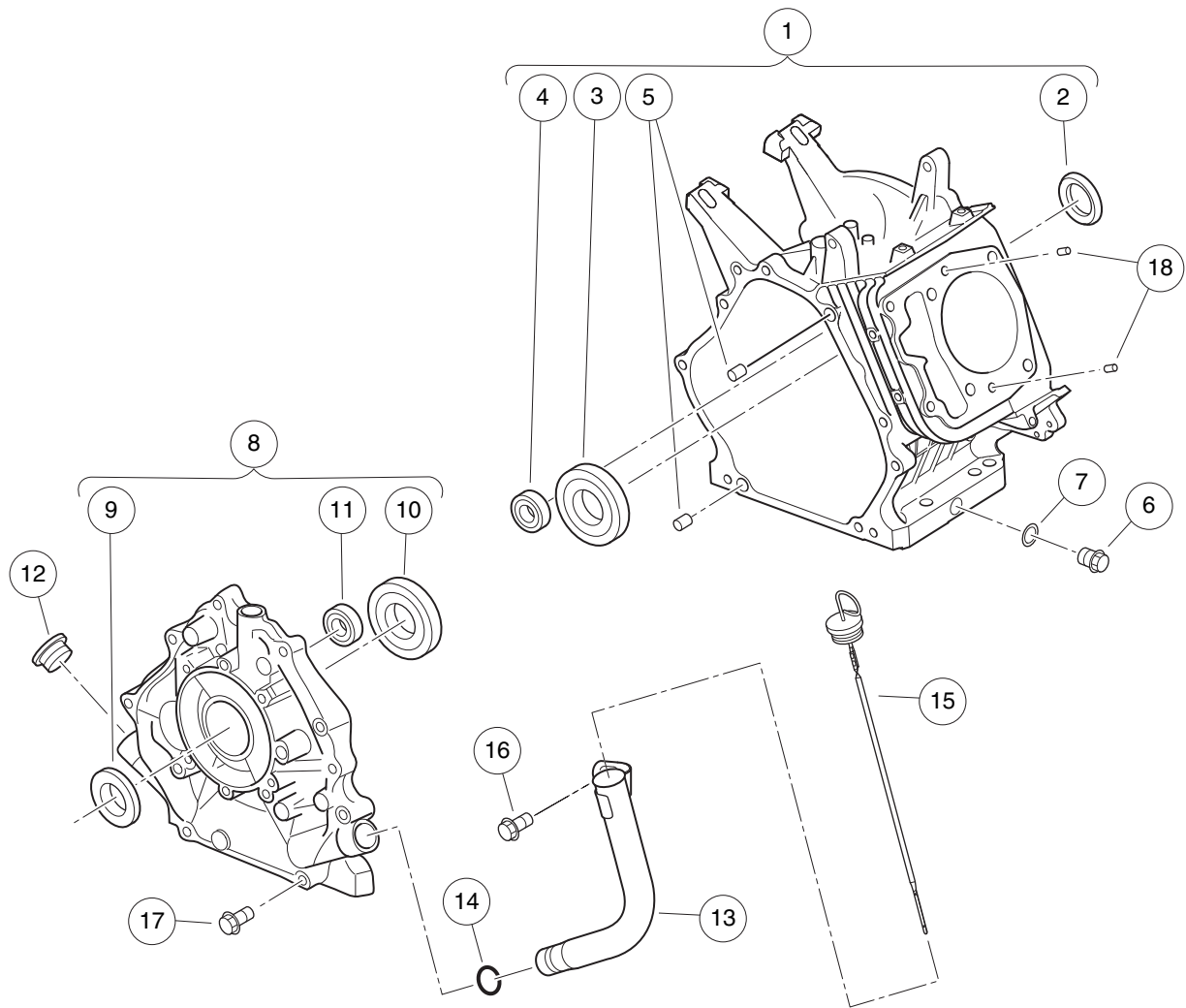
001006-001



## VALVETRAIN AND TIMING CHAIN – EX40

ITEM	PART NO.	DESCRIPTION	QTY
		<b>1 2 3 4</b>	
1	105014201	Asm, Cam/Chain Sprocket, EX40 .....	1
2	105014301	Asm, Camshaft and O-ring, EX40 (includes item 3) .....	1
3	105014401	O-ring, Camshaft, EX40 .....	1
4	105014501	Spring, Valve, EX40 .....	2
5	105014601	Retainer, Spring, EX40 .....	2
6	105014701	Valve, Intake, EX40 .....	1
7	105014801	Valve, Exhaust, EX40 .....	1
8	105014901	Collet, Valve, EX40 .....	4
9	105015001	Chain, Timing, EX40 .....	1
10	105015101	Tensioner, Chain, EX40 .....	1
11	105015201	Spring, Tension, EX40 .....	1
12	105015301	Pin, Tensioner, EX40 .....	1
13	105015401	Guide, Chain, EX40 .....	1
14	105015501	Shaft, Rocker, EX40 .....	1
15	105015601	Asm, Rocker Arm, Intake, EX40 (includes items 16 and 17) .....	1
16	105015801	Screw, Adjust, Valve, EX40 .....	1
17	105015901	Nut, Adjust, Valve, EX40 .....	1
18	105015701	Asm, Rocker Arm, Exhaust, EX40 (includes items 19 and 20) .....	1
19	105015801	Screw, Adjust, Valve, EX40 .....	1
20	105015901	Nut, Adjust, Valve, EX40 .....	1
21	105016001	Bolt, Flange, M6x1.0x8, EX40 .....	1

**8**  
**G**



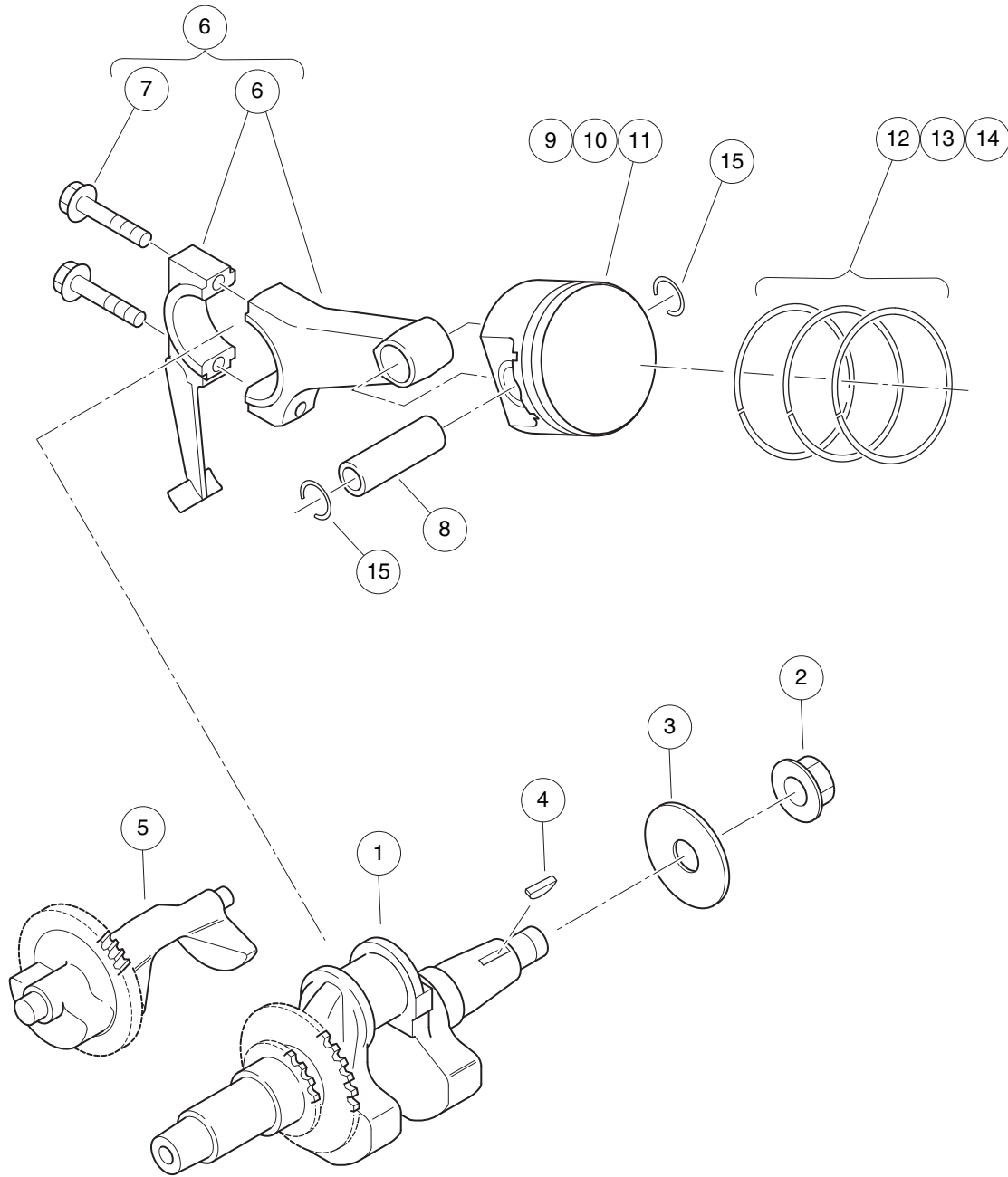
001007-001

## CRANKCASE – EX40

ITEM	PART NO.	DESCRIPTION	QTY
		<b>1 2 3 4</b>	
1	105010001	Crankcase, EX40 (includes items 2 through 5) .....	1
2	105010401	Seal, Oil, Crankshaft, EX40 .....	1
3	105010501	Bearing, Crankshaft, EX40 .....	1
4	105010601	Bearing, Balance Shaft, EX40 .....	1
5	105010701	Pin, Guide, Crankcase, EX40 .....	2
6	105011001	Plug, Oil Drain, EX40 .....	2
7	105011101	Gasket, Oil Drain Plug, EX40 .....	2
8	105011201	Asm, Cover, Crankcase, EX40 (includes items 9 through 11) .....	1
9	105010401	Seal, Oil, Crankshaft, EX40 .....	1
10	105010501	Bearing, Crankshaft, EX40 .....	1
11	105010601	Bearing, Balance Shaft, EX40 .....	1
12	105011301	Plug, Rubber, Crankcase, EX40 .....	1
13	105011401	Tube, Oil Filler, EX40 .....	1
14	105011501	O-ring, Oil Filler Tube, EX40 .....	1
15	105011601	Dipstick, EX40 .....	1
16	105011701	Bolt, Filler Tube, M8x1.25x12, EX40 .....	1
17	105011801	Bolt, Case Cover, M8x1.25x38, EX40 .....	8
18	105012501	Pin, Guide, Head, EX40 .....	2

**8**

**G**



001008-001

## CRANKSHAFT AND PISTON – EX40

ITEM	PART NO.	DESCRIPTION	QTY
		<b>1 2 3 4</b>	
1	105012701	Crankshaft, EX40 .....	1
2	105012801	Nut, Crankshaft M18x1.5 Ex40 .....	1
3	105012901	Washer, Crankshaft Ex40 .....	1
4	105013001	Key, Woodruff, Crankshaft, EX40 .....	1
5	105013101	Shaft, Balance, EX40 .....	1
6	105013201	Asm, Rod, Connecting, EX40 (includes item 7) .....	1
7	105013301	Bolt, Rod M8x1.25x40 Ex40 .....	2
8	105013401	Pin, Piston, EX40 .....	1
9	105013501	Piston, Standard, EX40 .....	1
10	105013601	Piston, 0.25 mm Oversize, EX40 .....	1
11	105013701	Piston, 0.50 mm Oversize, EX40 .....	1
12	105013801	Set, Piston Ring, Standard, EX40 .....	1
13	105013901	Set, Piston Ring, 0.25 mm Oversize, EX40 .....	1
14	105014001	Set, Piston Ring, 0.50 mm Oversize, EX40 .....	1
15	105014101	Clip, Piston Pin, EX40 .....	2

**8**

**G**

8

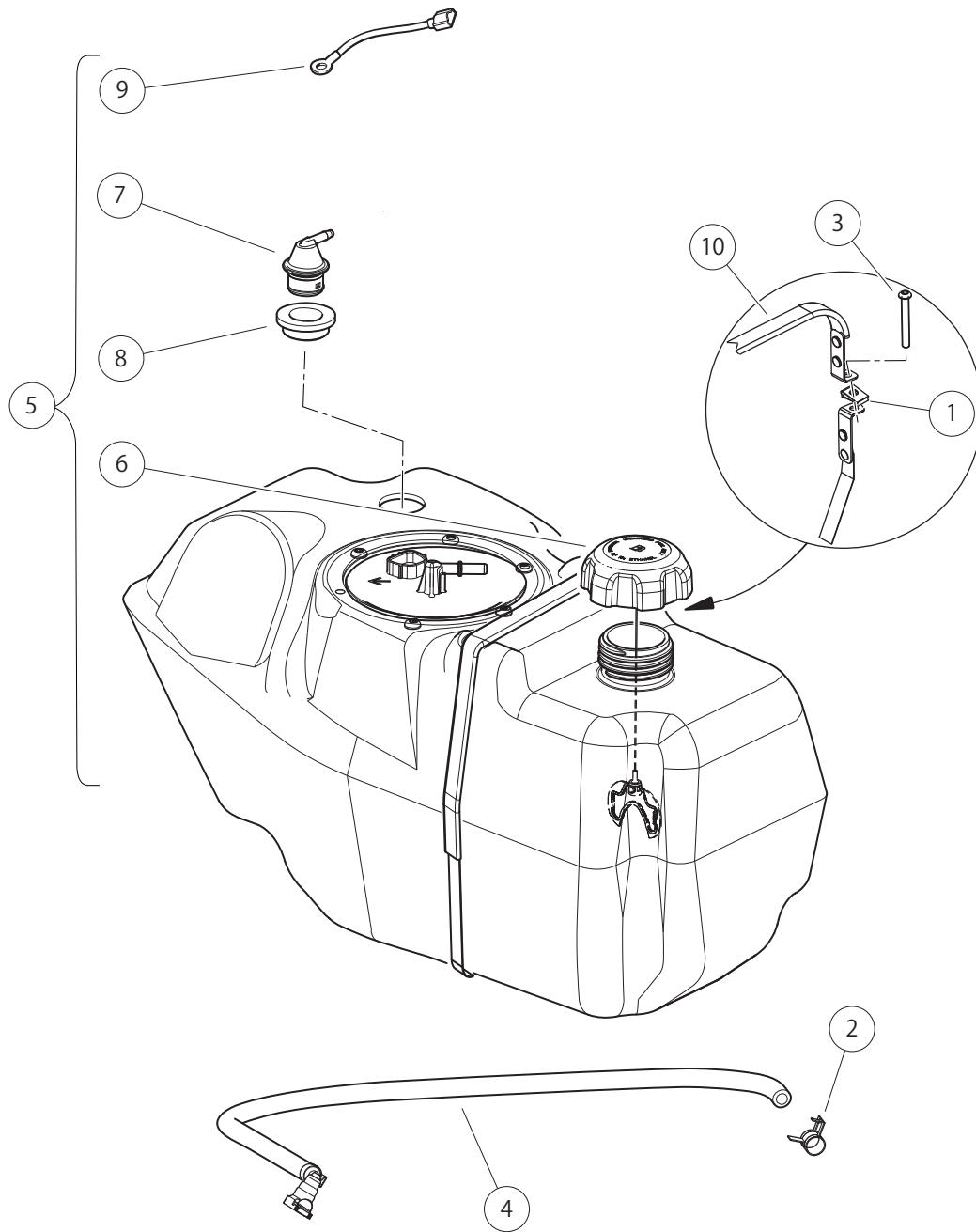
G

# FUEL SYSTEM – EFI

---

9

G



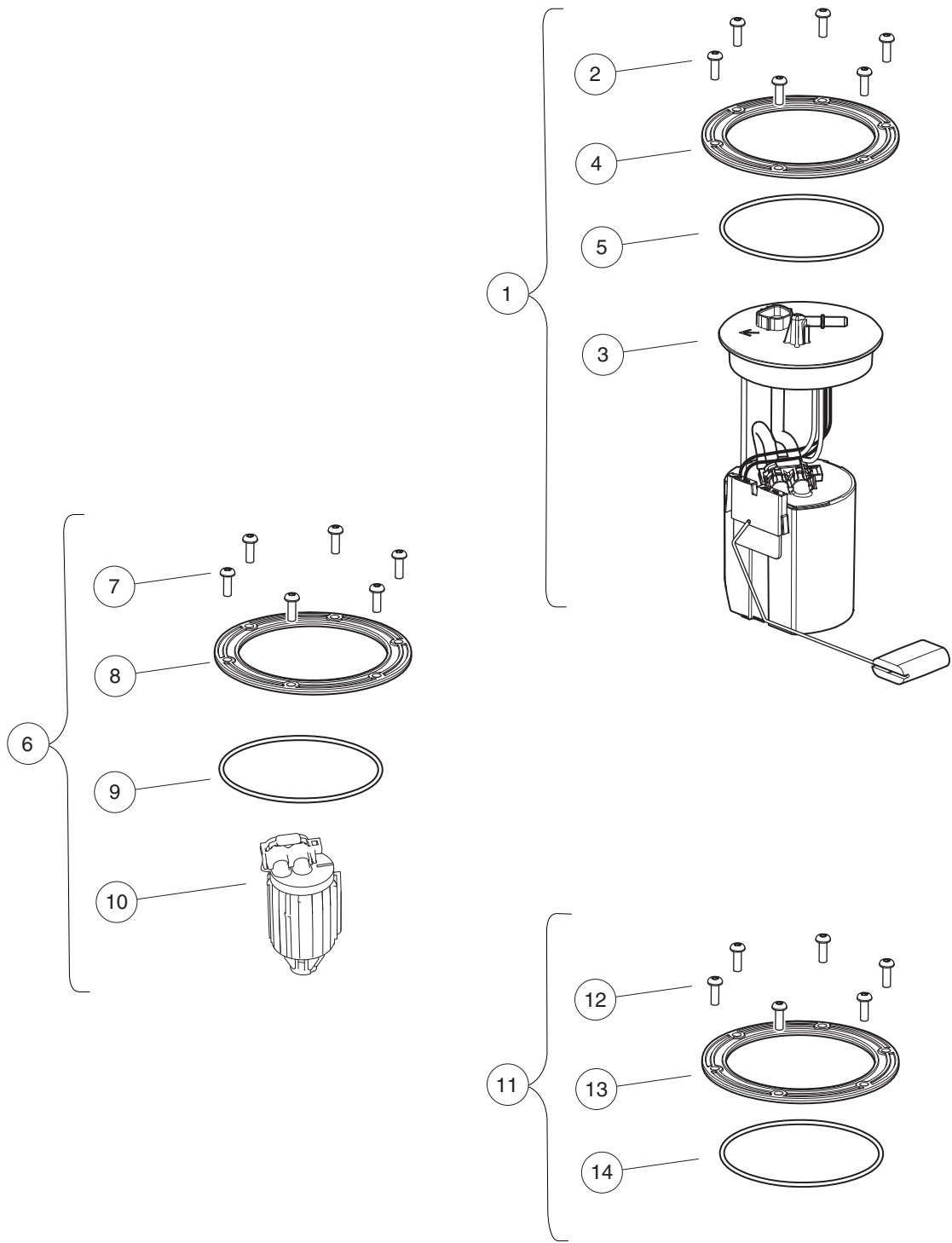
000975-004



## FUEL SYSTEM WITH SENDING UNIT, TOP FILL – EFI

ITEM	PART NO.	DESCRIPTION	QTY
		<b>1 2 3 4</b>	
1	1014116	Nut, 1/4-20 Speed .....	1
2	102411203	Clamp, Hose, Ctb 14mm Dia. ....	1
3	103306301	Screw, Bhsc, 1/4-20 X 2.0 .....	1
4	105043501	Asm, Fuel Line, Utility .....	1
5	105215401	Asm, Tank, Fuel, Top, Complete, w/Sending Unit (includes items 6 through 9) .....	1
6	103372101	Cap, Fuel Tank, Gas, Ratchet .....	1
7	103905201	Assembly, Vent, Fuel, 1/4 Inch O.D. ....	1
8	103944301	Grommet, Fuel Tank, Vent .....	1
9	105143301	Wire, Ground, Fuel Tank .....	1
10	105245401	Strap, Tank, Utility .....	1

**9**  
**G**

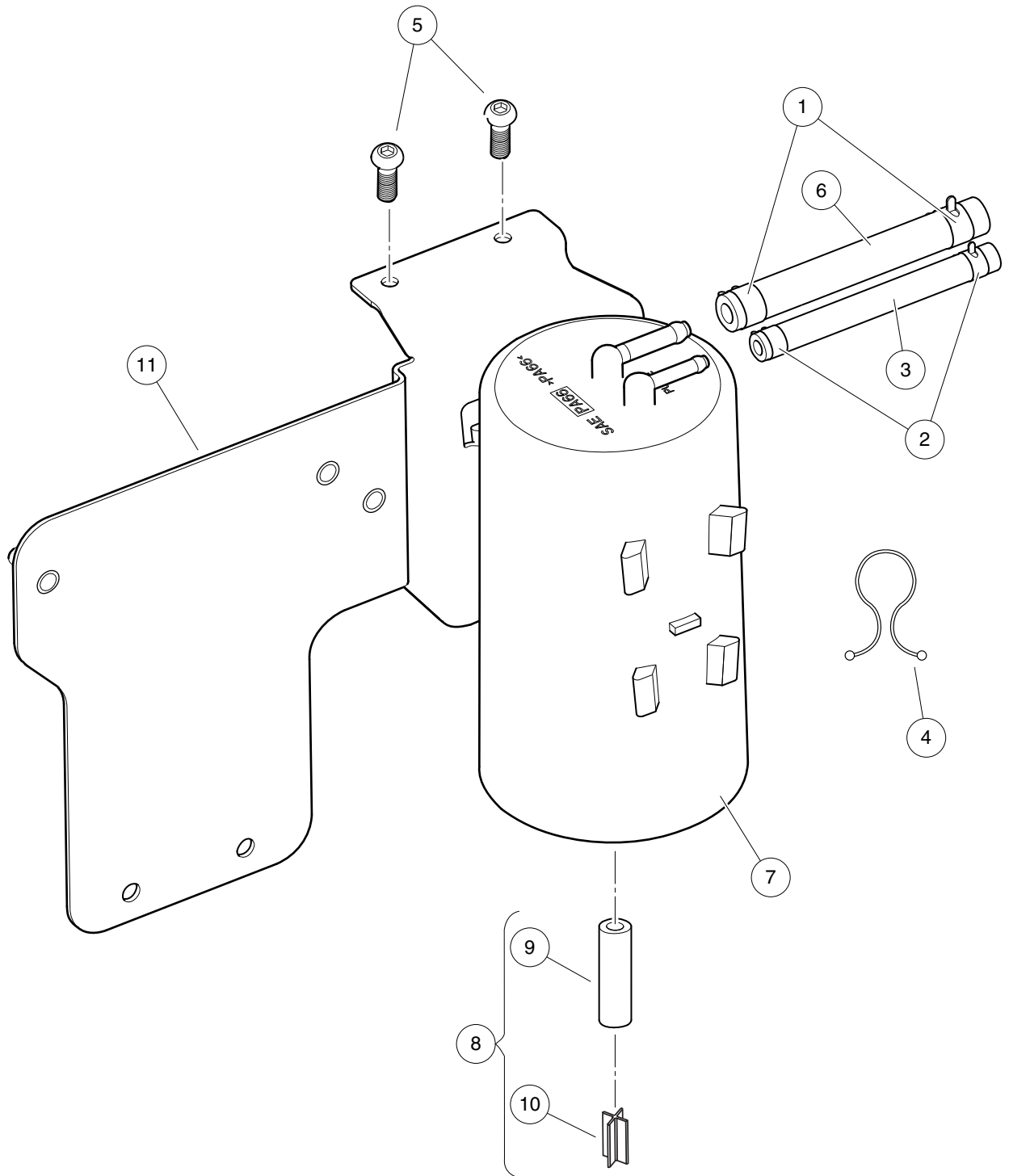


000977-005

## FUEL TANK KITS – EFI

ITEM	PART NO.	DESCRIPTION	QTY
		1 2 3 4	
1	105282901	Kit, Fuel Pump Module (includes items 2 through 5) .....	1
2	102025801	Screw, 1/4-20 X .75 Torx Pn Hd .....	6
3	105043401	Fuel Pump Module, with Sending Unit .....	1
4	105043801	Fuel Module, Hold Down Ring .....	1
5	105043901	O-Ring, Fuel Module .....	1
6	105282902	Kit, Fuel Filter (includes items 7 through 10) .....	1
7	102025801	Screw, 1/4-20 X .75 Torx Pn Hd .....	6
8	105043801	Fuel Module, Hold Down Ring .....	1
9	105043901	O-Ring, Fuel Module .....	1
10	105073001	Fuel Filter, EX40, EFI .....	1
11	105282903	Kit, O-ring (includes items 12 through 14) .....	1
12	102025801	Screw, 1/4-20 X .75 Torx Pn Hd .....	6
13	105043801	Fuel Module, Hold Down Ring .....	1
14	105043901	O-Ring, Fuel Module .....	1

9  
G



000980-006

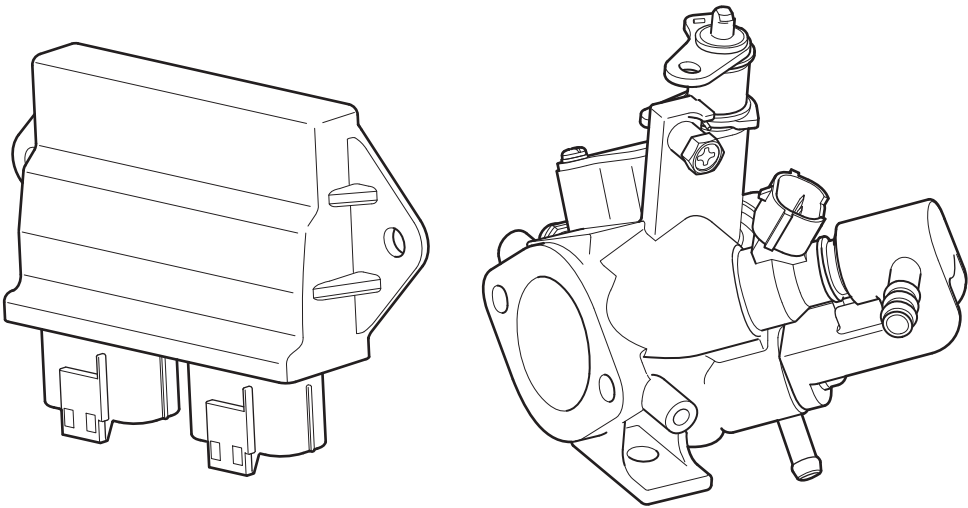
## CARBON CANISTER – EFI

ITEM	PART NO.	DESCRIPTION	QTY
		<b>1 2 3 4</b>	
1	1012649	Clamp, 0.460 Red Hose .....	2
2	1013746	Clamp, 0.301 ID Hose .....	2
3	1015137	Fuel Line, 3/16 (available by the foot) .....	A/R
4	101987701	Clamp, Plastic Tie .....	2
5	102025801	Screw, 1/4-20 X .75 Torx Pn Hd .....	2
6	102865101	Fuel Line, 1/4 (available by the foot) .....	A/R
7	103372401	Canister, Carbon .....	1
8	103756401	Asm, Vent Line, Carbon Canister (includes items 9 and 10) .....	1
9	N/A	Hose, Vent, 5/16 I.D., Bulk .....	1
10	N/A	Vent, Barb, 5/16 I.D. Hose .....	1
11	105044901	Bracket, Carbon Canister/ECU .....	1

9

G

1

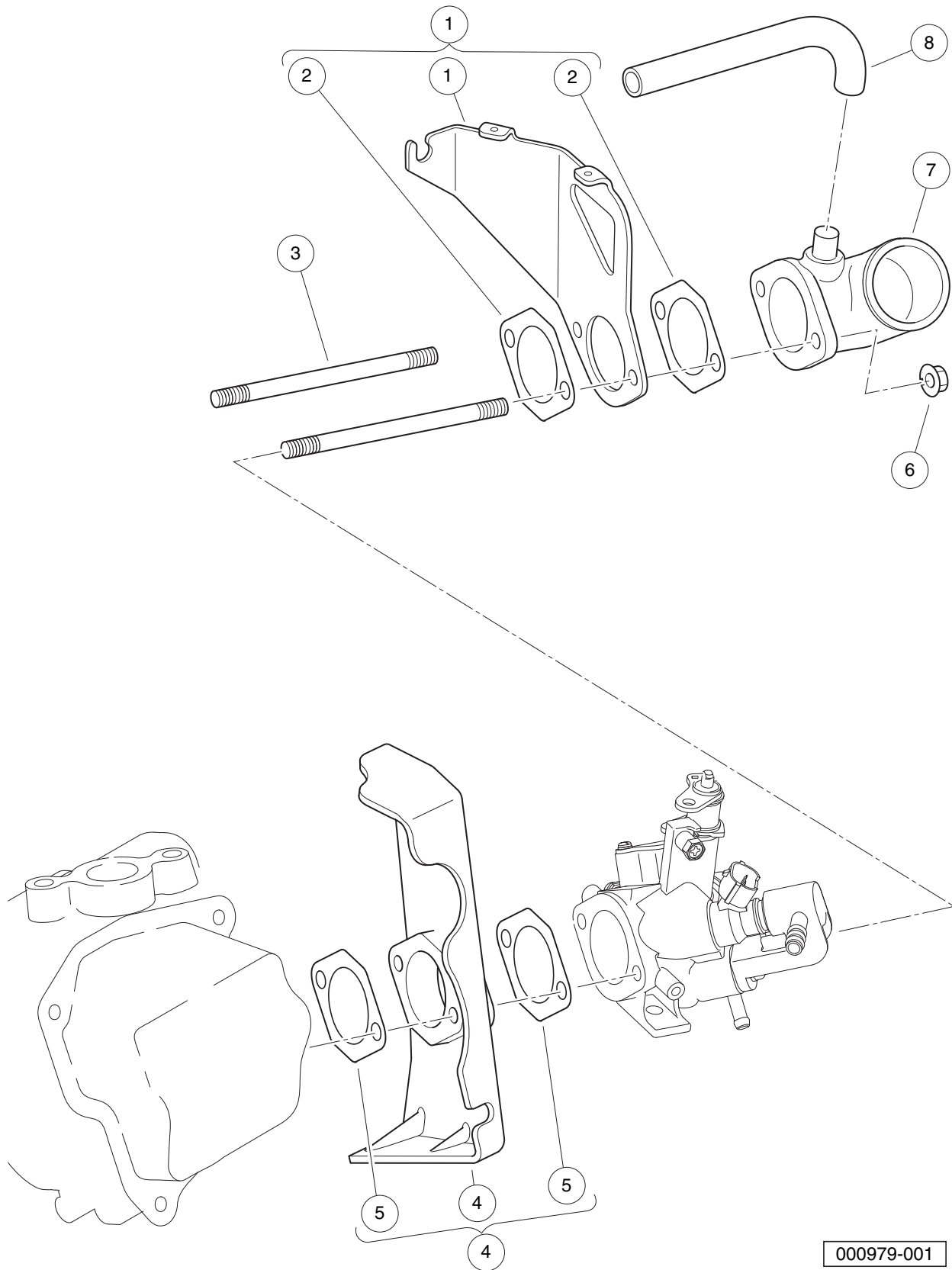


000964-001

# THROTTLE BODY AND ECU – EFI

ITEM	PART NO.	DESCRIPTION	QTY
1	105017201	1 2 3 4 Asm, Throttle Body/Fuel Injector with ECU, EX40 .....	1

**9**  
**G**



000979-001

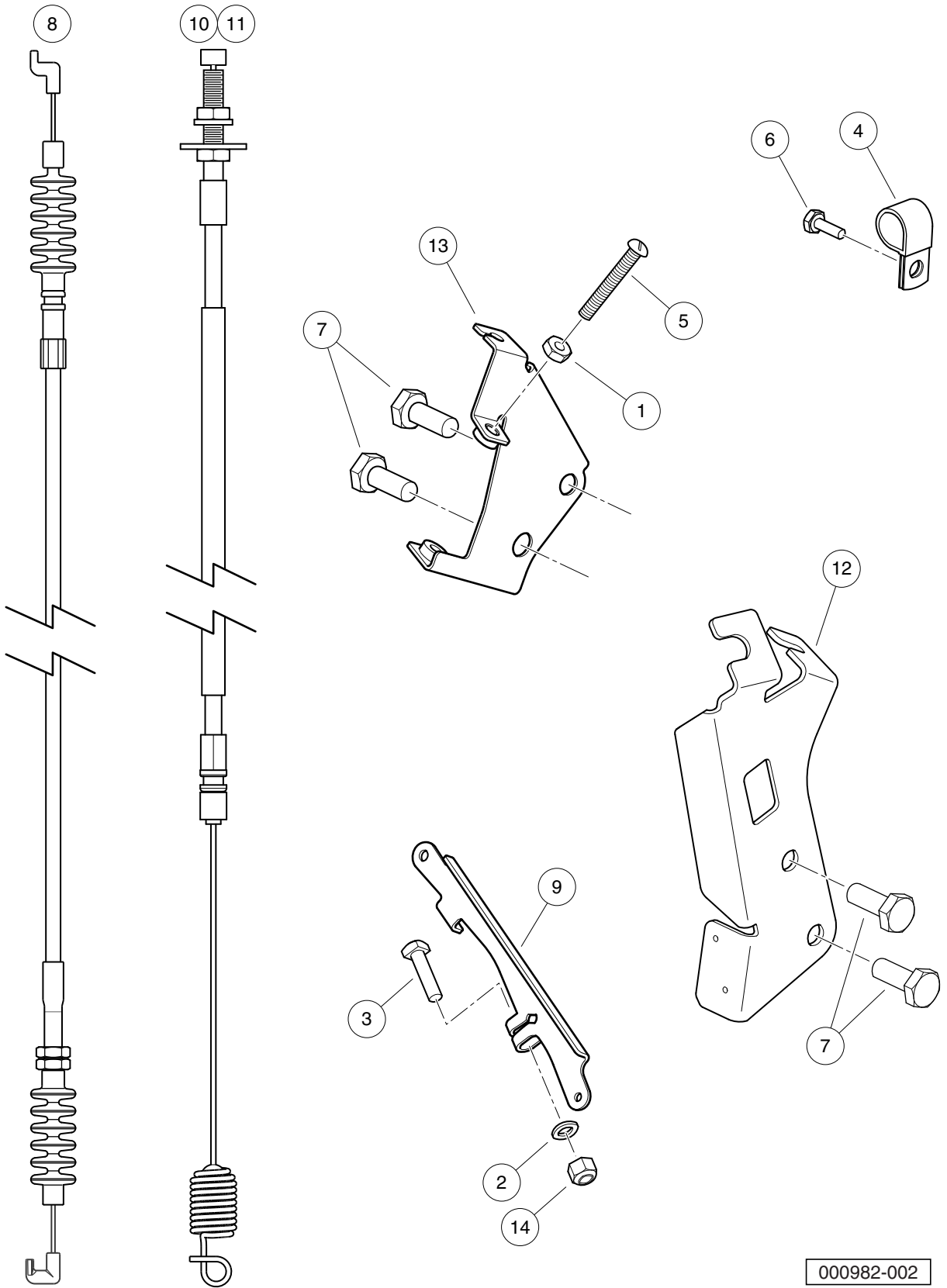


## THROTTLE BODY MOUNTING – EFI

ITEM	PART NO.	DESCRIPTION	QTY
		<b>1 2 3 4</b>	
1	103983501	Bracket, Operation, EX40 (includes item 2) .....	1
2	105016201	Gasket, Insulator, EX40 .....	2
3	105010901	Stud, Mounting, Intake, EX40 .....	2
4	105016101	Insulator, EX40 (includes item 5) .....	1
5	105016201	Gasket, Insulator, EX40 .....	2
6	105016301	Nut, Intake Adapter, M6x1.0, EX40 .....	2
7	105016401	Adapter, Air Intake, EX40 .....	1
8	105016501	Hose, Breather, EX40 .....	1

**9**

**G**



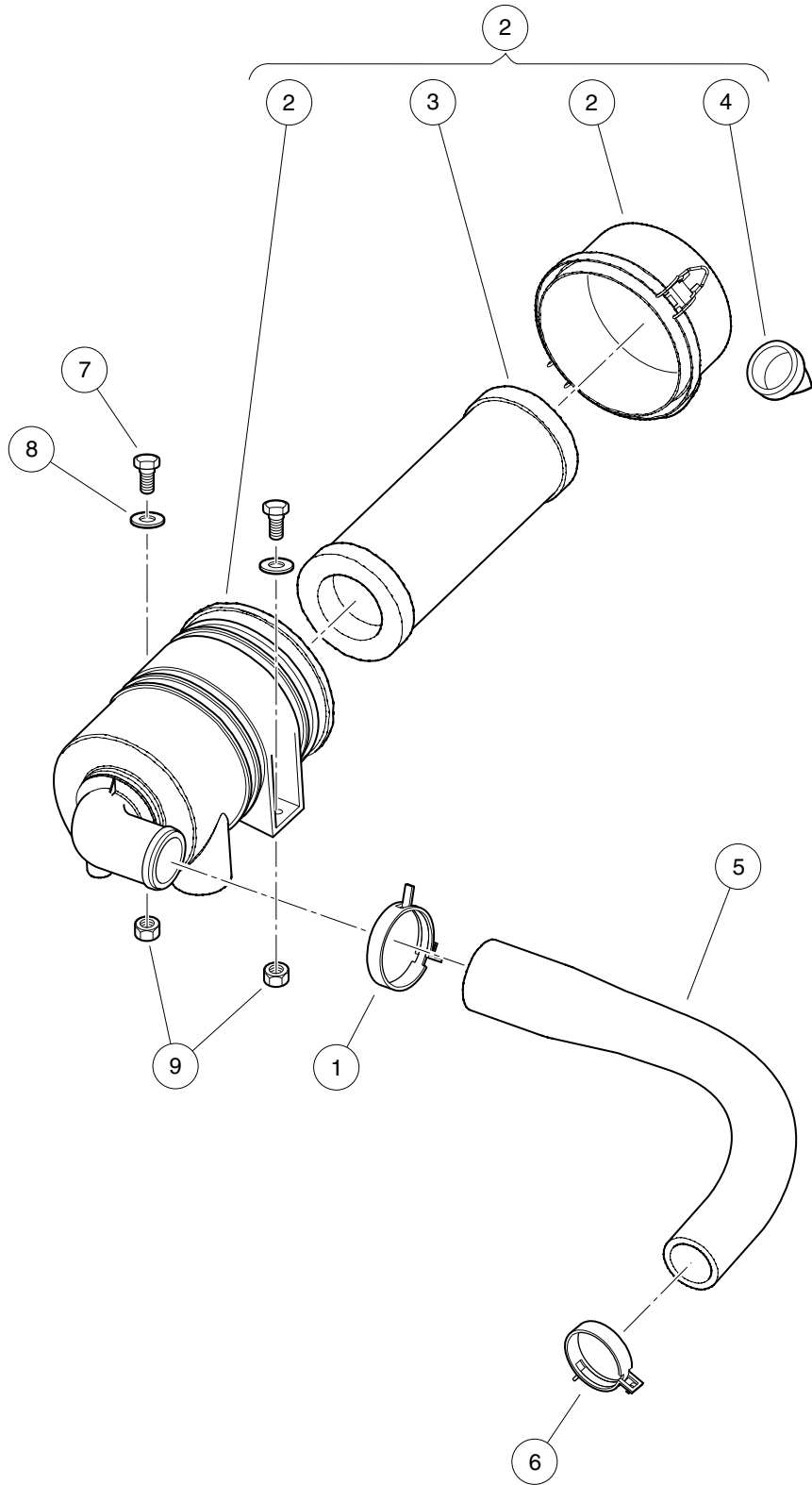
000982-002

## GOVERNOR AND ACCELERATOR CABLES – EFI

ITEM	PART NO.	DESCRIPTION	QTY
		1 2 3 4	
1	1011114	Nut, M6-1.00 Hex .....	1
2	1014007	Washer, 1/4, Flat .....	1
3	101886101	Screw, 1/4-20 X 1.00, Square-Head .....	1
4	102410604	P-clamp, Insulated, 0.625 Inch .....	1
5	102476401	Bolt, Stop, Pedal .....	1
6	102490301	Bolt, M6 X 1 X 16, Loctite .....	1
7	102498201	Bolt, M10 X 1.25 X 25, Loctite .....	4
8	103978001	Cable, Governor, EX40 .....	1
9	104023501	Arm, Governor, ED65 .....	1
10	105007402	Cable, Accelerator, Utility, Low-Speed .....	1
11	105007403	Cable, Accelerator, Utility, Std-Speed .....	1
12	105135101	Bracket, Cable, FNR/Accelerator, ED65 .....	1
13	105144401	Weldment, Governor Bracket .....	1
14	8233	Locknut, 1/4-20, Nylon Insert .....	1

9

G



000984-001

# AIR FILTER SYSTEM AND INTAKE HOSE – EFI, LWB UTILITY/ TRANS

ITEM	PART NO.	DESCRIPTION	QTY
		<b>1 2 3 4</b>	
1	102411209	Clamp, Hose, Ctb 55mm Dia. ....	1
2	105009101	Air Cleaner, Utility with EFI (includes items 3 and 4) ....	1
3	102558201	Air Filter, 4 Inch ....	1
4	102725501	Valve, Evacuator, Filter Air ....	1
5	105009401	Hose, Air Intake, LWB Utility with EFI ....	1
6	105088501	Clamp, Ctb, 49mm Dia, W/clip ....	1
7	1218	Screw, 5/16-18 X 1.25 Hex-Head Cap ....	2
8	1241	Washer, 5/16 Type A Flat ....	2
9	7473	Locknut, 5/16-18 Nylon Insert ....	2

**9**  
**G**

9

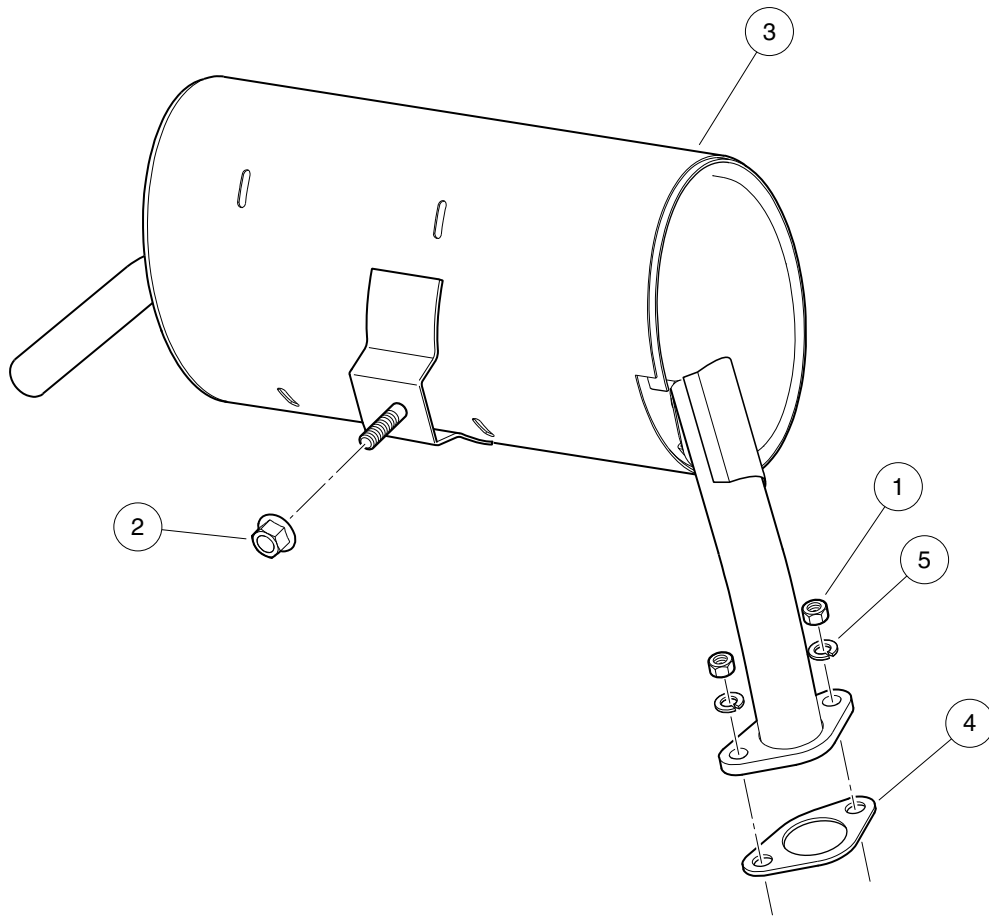
G

# EXHAUST SYSTEM, UTILITY – EX40 ENGINE

---

10

G



000948-001



## EXHAUST SYSTEM – UTILITY

ITEM	PART NO.	DESCRIPTION	QTY
		<b>1 2 3 4</b>	
1	1012528	Nut, M8-1.25 Hex .....	2
2	102617201	Nut, Flanged, M10 X 1.5, Mechanically Deformed .....	1
3	105214101	Exhaust, Low, Ex40, Utl .....	1
4	47539957001	Gasket, Exhaust, Ex40, Graphite .....	1
5	7174	Lockwasher, 5/16 Split .....	2

**10**  
**G**

**10**

**G**

# DRIVE BELT AND CLUTCHES – EFI GASOLINE VEHICLES

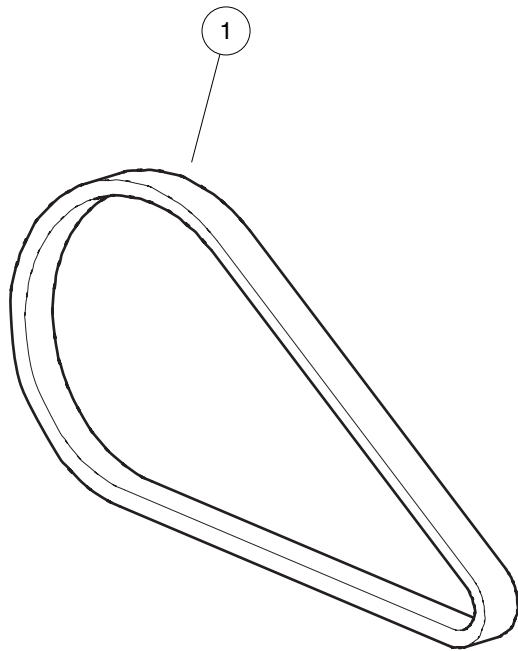
---

11

G

11

G



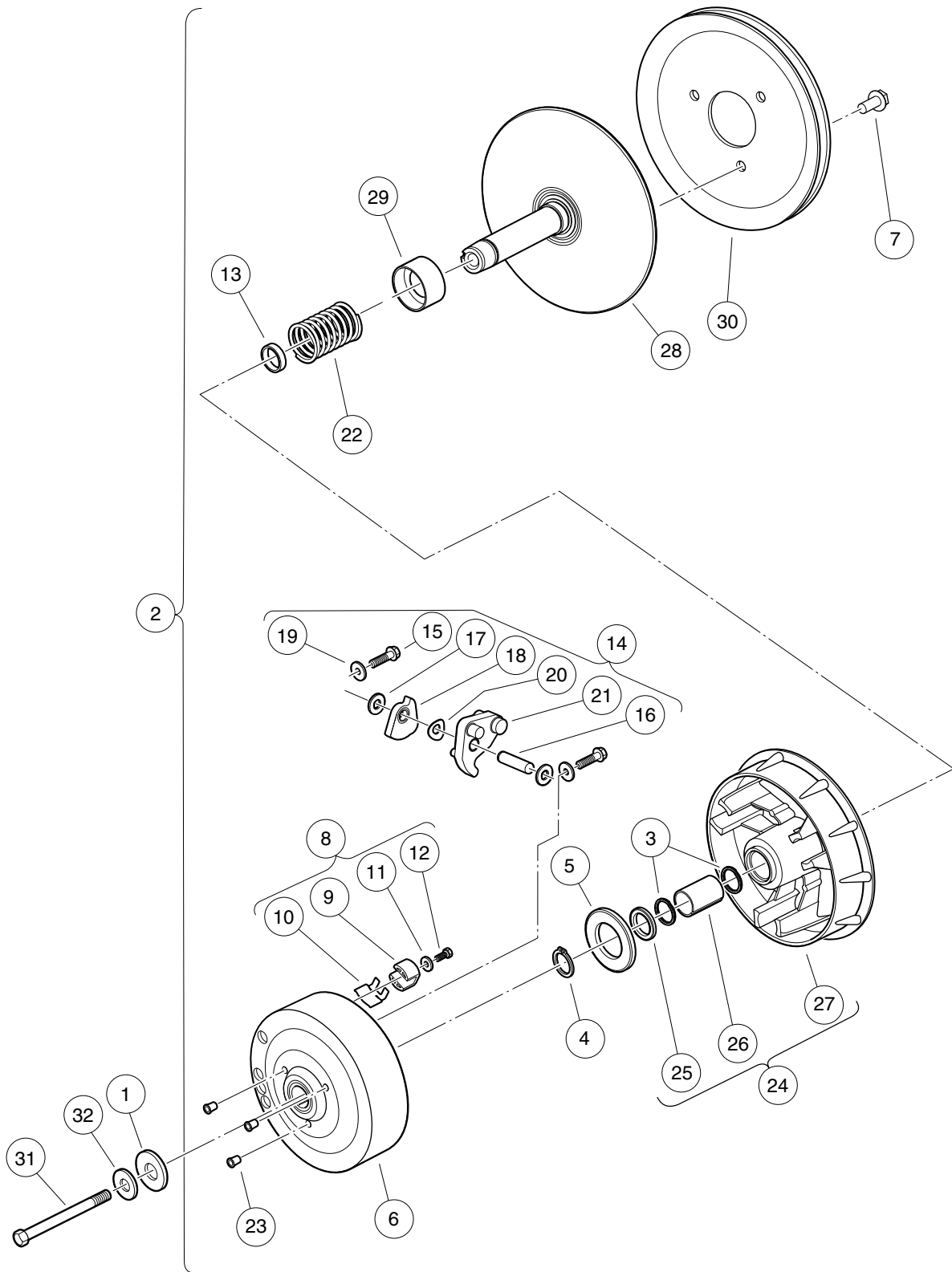
000918-001

# DRIVE BELT – KEY-START VEHICLES WITH EFI

ITEM	PART NO.	DESCRIPTION	QTY
1	103974102	1 2 3 4 Belt, Drive, Key-Start .....	1

11

G



000958-002

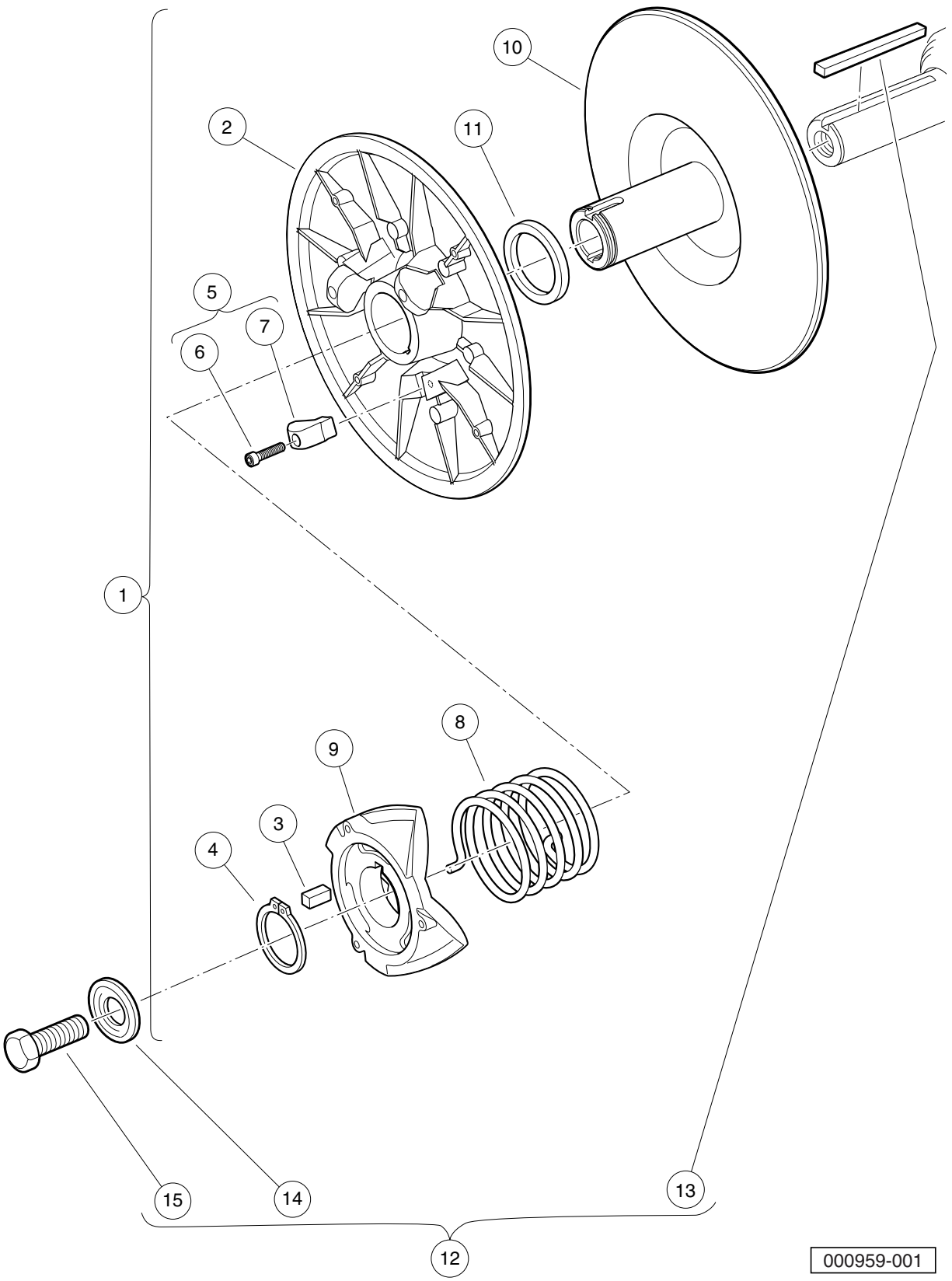
# DRIVE CLUTCH – KEY-START VEHICLES

ITEM	PART NO.	DESCRIPTION	QTY
		1 2 3 4	
1	102491501	Washer, Hard, M10 .....	1
2	103973902	Clutch, Drive, Key-Start (includes items 3 through 30) .....	1
3	1014056	Ring, Spiral Backup .....	2
4	1014057	Ring, 0.810" Internal Retaining .....	1
5	1014058	Thrust Washer .....	1
6	1014059	Drive Hub Assy, Drive Clutch .....	1
7	1014288	Screw, 5/16-18 X 0.75, Thread-Forming .....	3
8	1014453	Kit, Drive Clutch Button (includes items 9 through 12) .....	1
9	1014062	Driver, Drive Clutch .....	3
10	1014287	Spring, Drive Button .....	3
11	183	Washer, #10, Type A, Flat .....	3
12	8450	Screw, #10-24 X 0.50, Hex-Head .....	3
13	1016289	Spacer, Fixed Face Shaft .....	1
14	1016801	Kit, Drive Clutch Weight (includes items 15 through 21) .....	1
15	1014063	Screw, 1/4-20 X 1.00, Hex Head .....	6
16	N/A	Pin, Dowel, 0.3752 x 1.50 .....	3
17	1014065	Washer, Flat, 0.38" ID, Delrin .....	6
18	N/A	Clutch Weight, Secondary .....	3
19	N/A	Washer .....	6
20	1016201	Washer, Wave .....	3
21	N/A	Weight, Primary .....	3
22	1016901	Spring, Drive Clutch .....	1
23	N/A	Cap Plug .....	3
24	103974201	Asm, Sheave, Moveable, Drive, Wr (includes items 25 through 27) .....	1
25	1014055	Retainer .....	1
26	N/A	Bushing, Split, Drive Clutch .....	1
27	N/A	Sheave, Moveable, Drive, Wr .....	1
28	103974401	Sheave, Fixed, Drive, Wr .....	1
29	103984601	Spacer, Idler, Drive .....	1
30	105096101	Pulley, 7.3 Inch Effective Dia .....	1
31	103976101	Screw, 3/8-24x5.75, Patch .....	1
32	334	Washer, 3/8, Type A, Flat .....	1

11

G

**11**  
**G**



000959-001



# DRIVEN CLUTCH (STANDARD SPEED) – KEY START AND PEDAL START

ITEM	PART NO.	DESCRIPTION	QTY
		1 2 3 4	
1	103974002	Clutch, Driven, Std-Speed, Key and Pedal Start (includes items 2 through 11) .....	1
2	1014072	Movable-Face Assembly with Bushing .....	1
3	1014078	Key, Driven Clutch .....	1
4	1014080	Ring, Retaining .....	1
5	1014454	Kit, Driven Clutch Button (includes items 6 and 7) .....	1
6	1012836	Screw, #8-32 X 3/4, Socket-Head Cap .....	3
7	N/A	Button, Drive .....	3
8	1017145	Spring, Driven Clutch, 55 Degree .....	1
9	1017686	Cam, Driven Clutch .....	1
10	103975301	Sheave, Fixed, Driven, Wr .....	1
11	104025101	Washer, Acetal, Driven Clutch .....	1
12	AM10419	Kit, Clutch Repair (includes items 13 through 15) .....	1
13	101833401	Key, 3/16 Sq X 1.50" .....	1
14	102155801	Washer, Driven Clutch .....	1
15	102242101	Screw, 5/16-18 X 3/4 Hex-Head with Patch .....	1

11

G

11

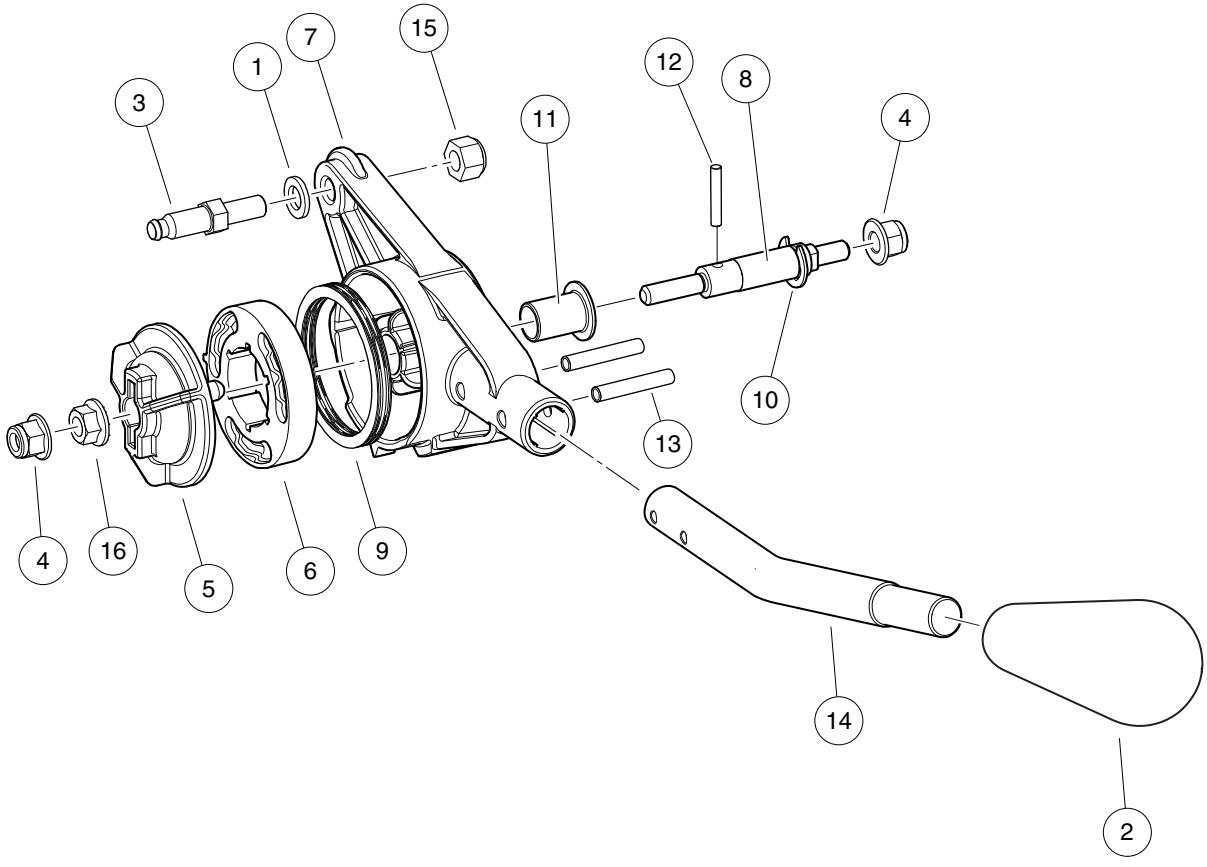
G

# TRANSAXLE (FUJI ED65) – EFI GASOLINE VEHICLES

---

12

G



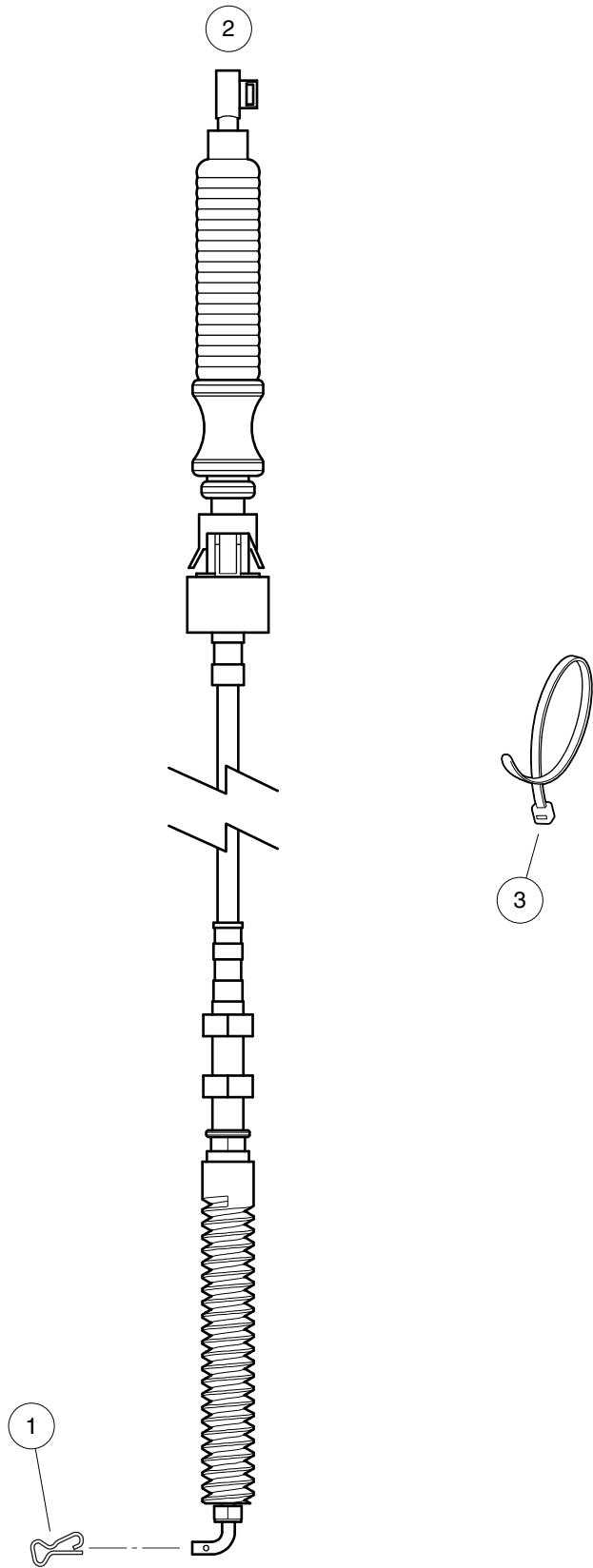
001011-001

# FORWARD/REVERSE SHIFTER – EFI VILLAGER 6, 8, 850, 850SE

ITEM	PART NO.	DESCRIPTION	QTY
		<b>1 2 3 4</b>	
1	1014007	Washer, 1/4, Flat .....	1
2	102376001	Knob, FNR, Shifter .....	1
3	102526201	Stud, Thread, 1/4-28 .....	1
4	102621501	Nut, Flange, M6 X 1.0, Nylon .....	2
5	105037701	Follower, FNR Detent .....	1
6	105038001	Cam, FNR Detent, Alternate .....	1
7	105038101	Housing, FNR, Gas, CA300-700 .....	1
8	105038201	Shaft, FNR, Dash .....	1
9	105038501	Spring, Wave, Gas FNR Shifter .....	1
10	105039801	E-Clip, External, 8mm Groove .....	1
11	105039901	Bushing, Dash Shifter, Gas .....	1
12	105040401	Pin, Round, 0.125 Dia x 0.625 .....	1
13	105040402	Pin, Grooved, 0.187 x 0.75 .....	2
14	105060601	Handle, Shift, EX40, Villager .....	1
15	8717	Locknut, Nylon Insert, 1/4-28 .....	1
16	96704176	Nut, Flanged, M6 X 1, Serrated .....	1

**12**  
**G**

**12**  
**G**



000988-001

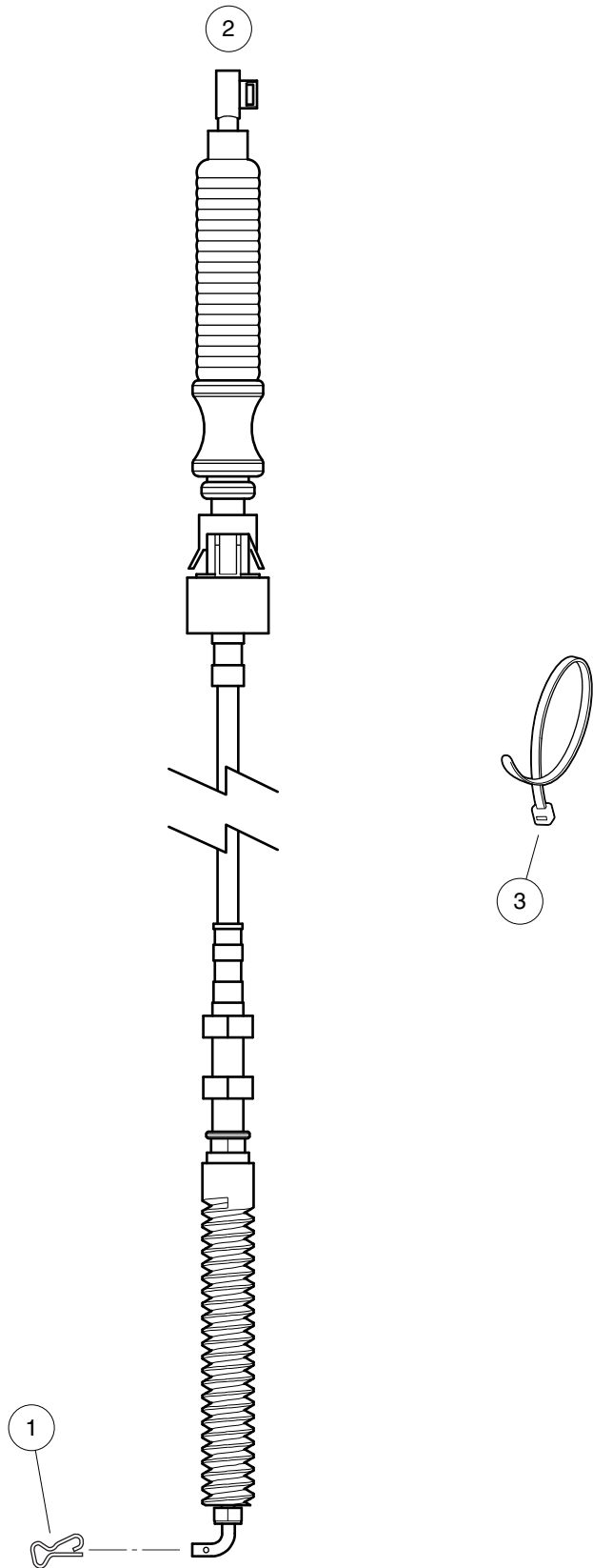
## SHIFTER CABLE – VILLAGER 6, XRT850SE

ITEM	PART NO.	DESCRIPTION	QTY
		1 2 3 4	
1	103886601	Clip, Bowtie .....	1
2	105038805	Cable, Shifter, Villager 6/850 SE .....	1
3	8990	Tie Wrap, 8" Nylon .....	A/R

12

G

12  
G



000988-001

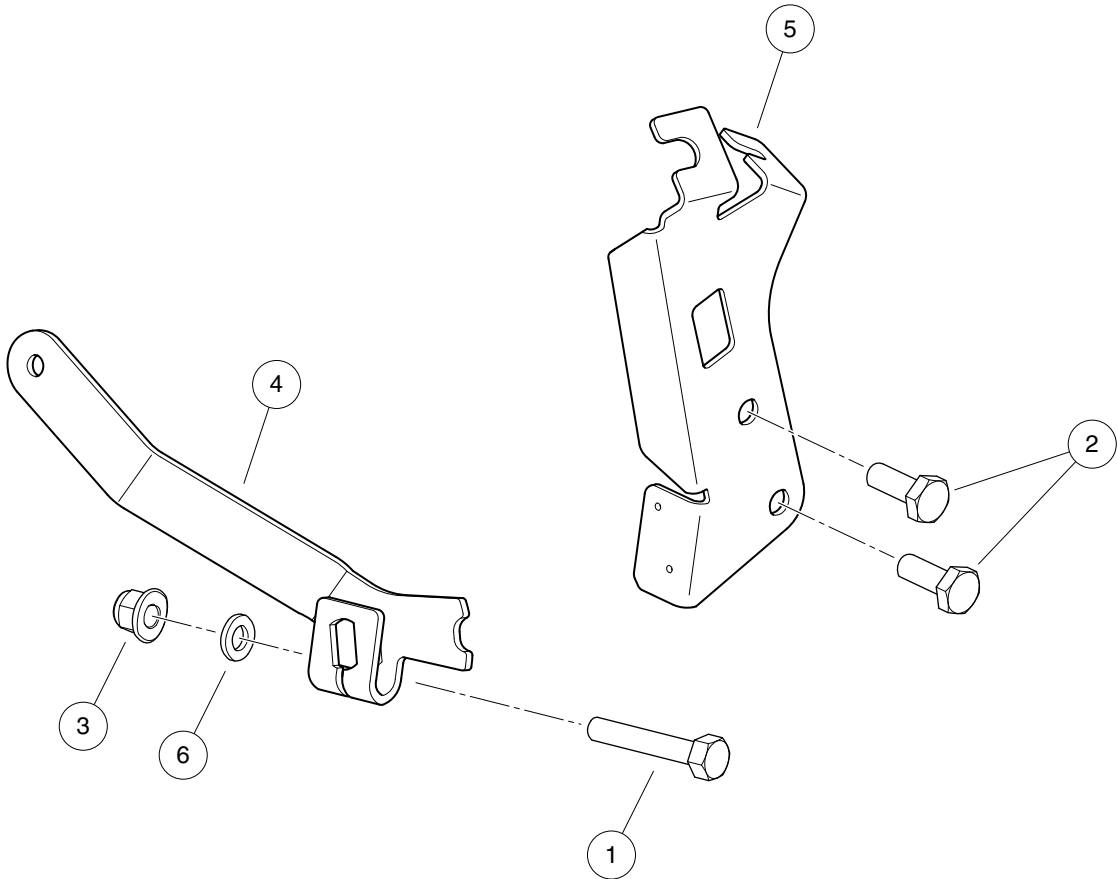


# SHIFTER CABLE – VILLAGER 8

ITEM	PART NO.	DESCRIPTION	QTY
		1 2 3 4	
1	103886601	Clip, Bowtie .....	1
2	105038806	Cable, Shifter, Villager 8 .....	1
3	8990	Tie Wrap, 8" Nylon .....	A/R

12

G

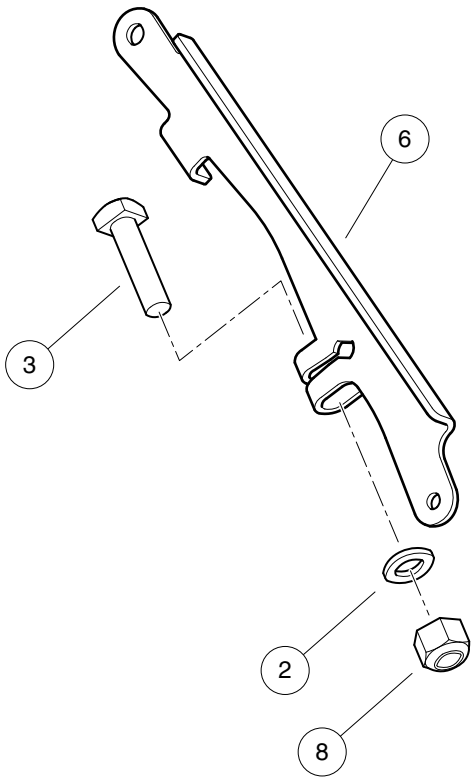
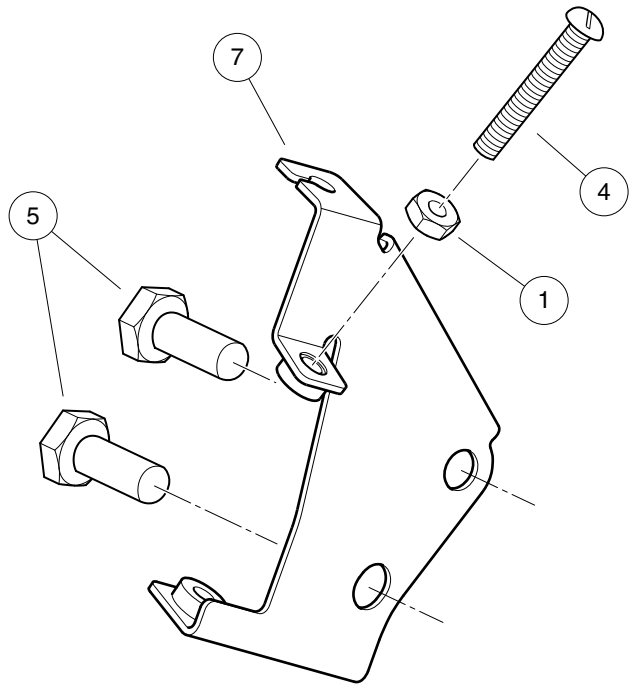


000965-002

## SHIFT LEVER AND BRACKET – KEY-START ENGINES

ITEM	PART NO.	DESCRIPTION	QTY
		1 2 3 4	
1	102059501	Screw, 6M-1.00 X 35mm, Hex Head .....	1
2	102498201	Bolt, M10 X 1.25 X 25, Loctite .....	2
3	102621501	Nut, Flange, M6 X 1.0, Nylon .....	1
4	105134901	Lever, Shift, Transaxle, Key-Start .....	1
5	105135101	Bracket, Cable, FNR/Accelerator, ED65 .....	1
6	96705199	Washer, M6 .....	1

**12**  
**G**



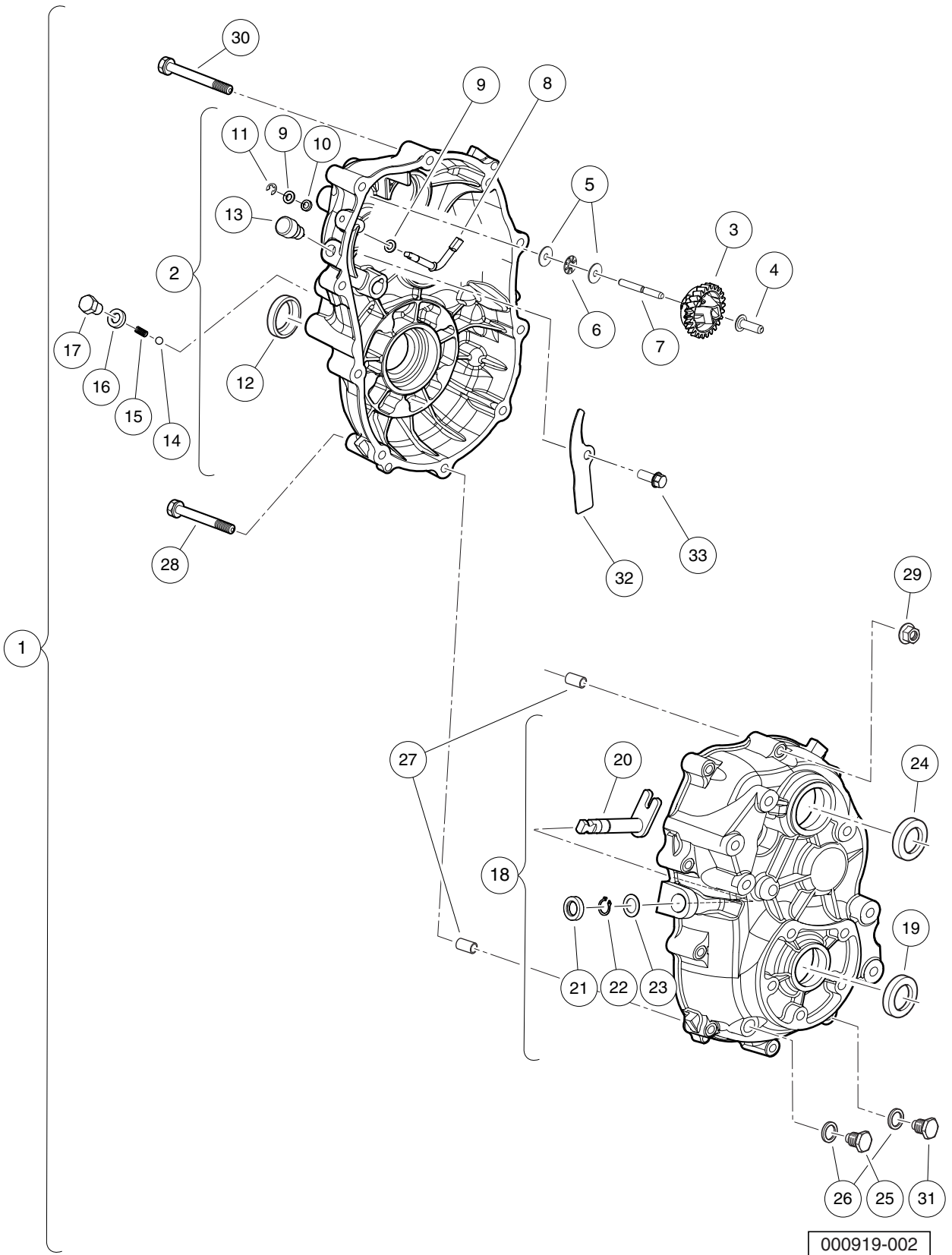
000966-002

## GOVERNOR ARM AND BRACKETS – UTILITY VEHICLES

ITEM	PART NO.	DESCRIPTION	QTY
		1 2 3 4	
1	1011114	Nut, M6-1.00 Hex .....	1
2	1014007	Washer, 1/4, Flat .....	1
3	101886101	Screw, 1/4-20 X 1.00, Square-Head .....	1
4	102476401	Bolt, Stop, Pedal .....	1
5	102498201	Bolt, M10 X 1.25 X 25, Loctite .....	2
6	104023501	Arm, Governor, ED65 .....	1
7	105144401	Weldment, Governor Bracket .....	1
8	8233	Locknut, 1/4-20, Nylon Insert .....	1

12

G



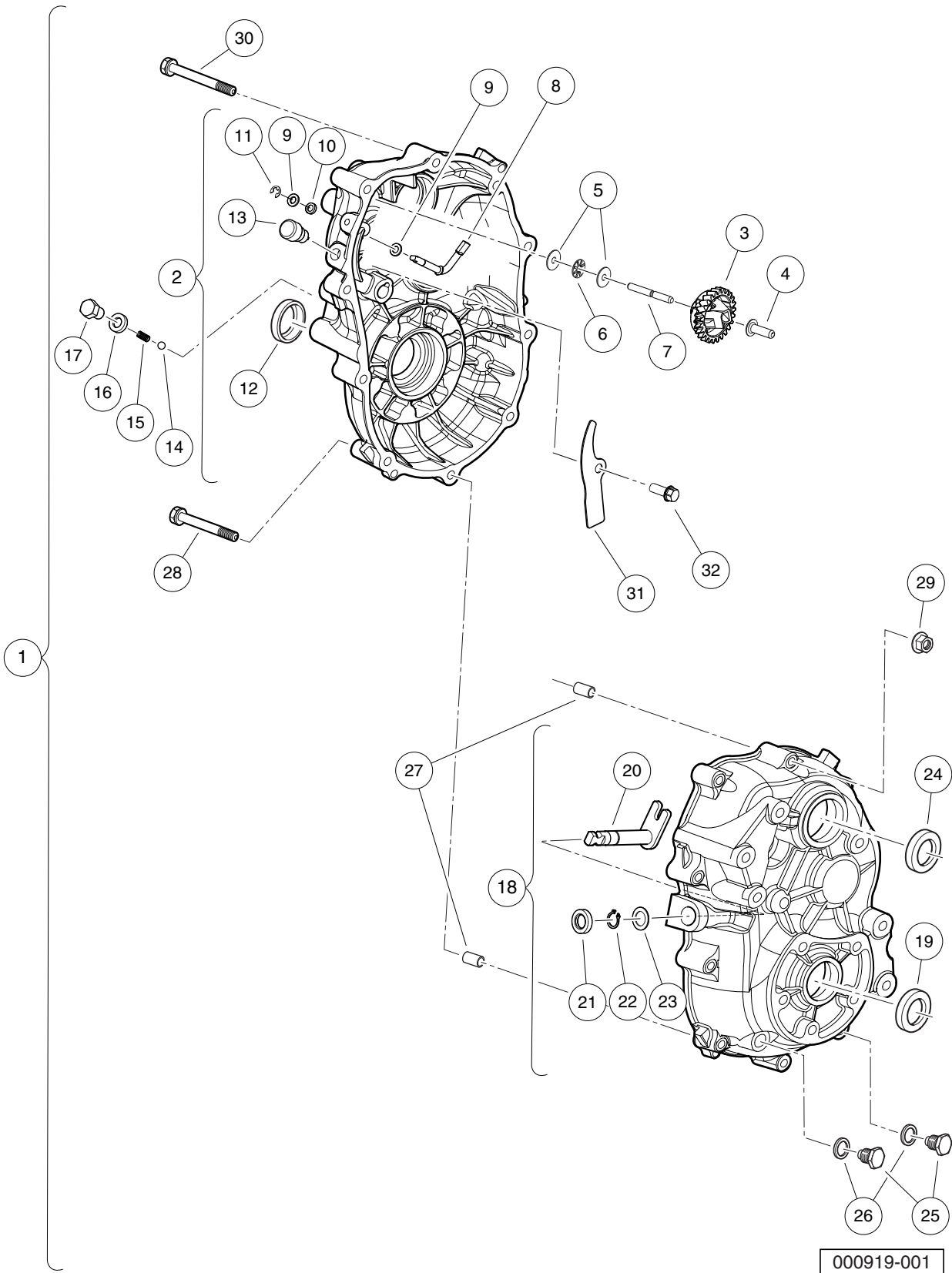
000919-002

## TRANSAXLE (ED65), LIMITED SLIP – PAGE 1 OF 3

ITEM	PART NO.	DESCRIPTION	QTY
		1 2 3 4	
1	103879702	Transaxle, ED65, Limited-Slip Differential (includes items 2 through 33) .....	1
2	105025001	Case, Transaxle, Left, Complete, ED65 (includes items 3 through 13) .....	1
3	105025101	Gear, Governor, Complete, ED65 .....	1
4	105025201	Sleeve, Governor, ED65 .....	1
5	105025301	Washer, ED65 .....	2
6	105025401	Bearing, Thrust, ED65 .....	1
7	105025501	Shaft, Governor Gear, ED65 .....	1
8	105025601	Shaft, Governor, ED65 .....	1
9	105025701	Washer, 6mm, ED65 .....	2
10	105025801	Seal, Oil, 6x10x2.5, ED65 .....	1
11	105025901	Retaining Ring, E5, ED65 .....	1
12	105026001	Seal, Oil, 24x40x9, ED65 .....	1
13	105027101	Vent, Breather, ED65 .....	1
14	105026101	Ball, Steel, ED65 .....	1
15	105026201	Spring, ED65 .....	1
16	105026301	Gasket, 10, ED65 .....	1
17	105026401	Bolt, M10-1.25x12mm Lg, ED65 .....	1
18	105026501	Case, Transaxle, Right, Complete, ED65 (includes items 19 through 24) .....	1
19	105026001	Seal, Oil, 24x40x9, ED65 .....	1
20	105026601	Shaft, Select, ED65 .....	1
21	105026701	Seal, Oil, 13x22x5, ED65 .....	1
22	105026801	Snap Ring, 13mm, ED65 .....	1
23	105026901	Spacer, 13x1, ED65 .....	1
24	105027001	Seal, Oil, 25x45x7, ED65 .....	1
25	105027201	Plug, Oil Drain, ED65 .....	1
26	105027301	Gasket, 14, ED65 .....	2
27	105028301	Pin, Guide, ED65 .....	2
28	105028501	Bolt, Flange, M8-1.25x65mm, ED65 .....	1
29	105030001	Nut, Flange, M8-1.25, ED65 .....	10
30	105030701	Bolt, Flanged, M8-1.25x80mm, ED65 .....	9
31	105063501	Plug, Oil Drain, Magnetic, ED65 .....	1
32	105234801	Plate, Ed65 Splash .....	1
33	105234901	Bolt, M6-1 X 12mm Lg, Ed65 .....	1
Note: Fuji transaxle component listings span three pages. To identify your transaxle, locate the serial number decal on the axle tube.			

12

G

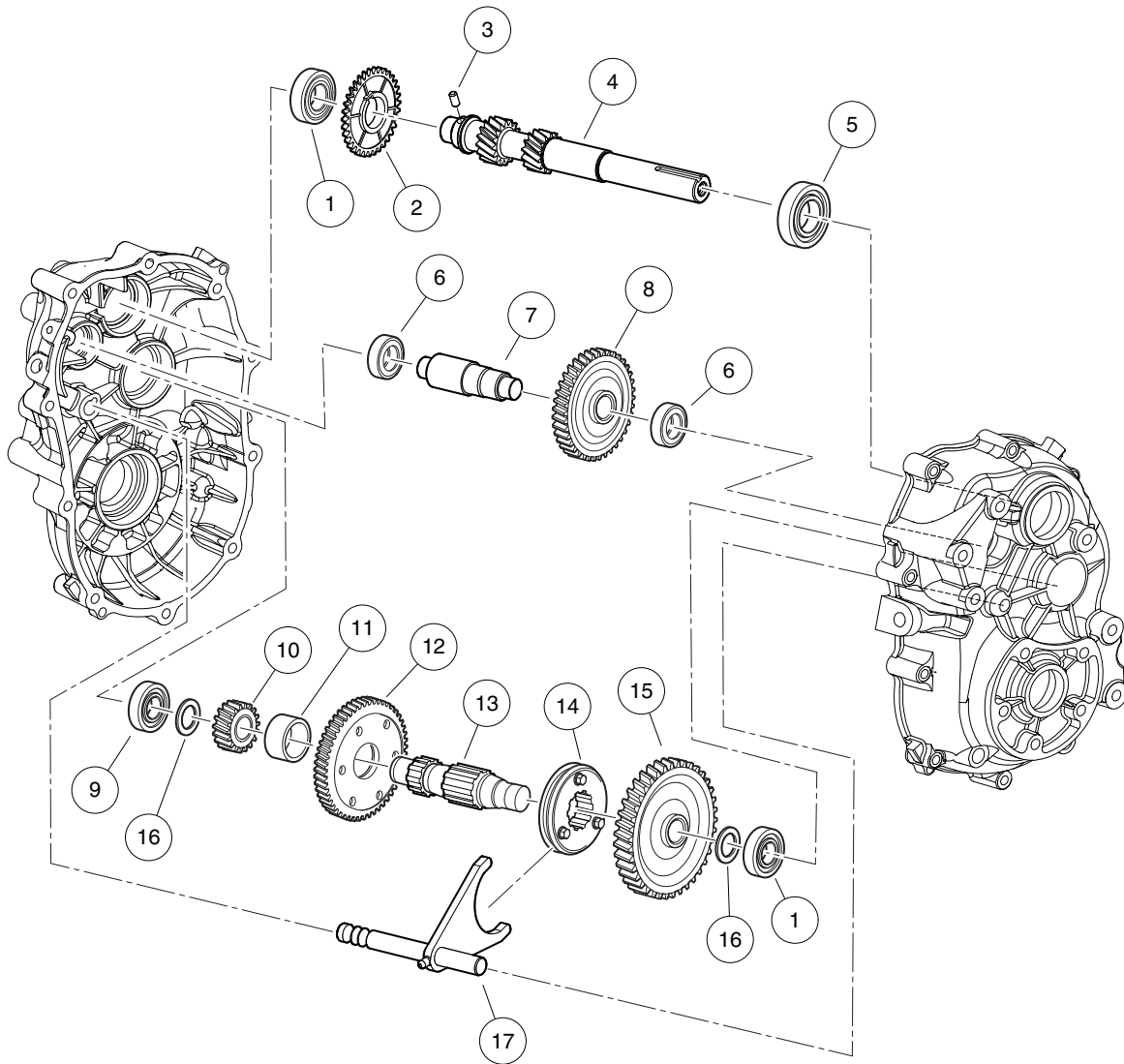




# TRANSAXLE (ED65), OPEN – PAGE 1 OF 3

ITEM	PART NO.	DESCRIPTION	QTY
		1 2 3 4	
1	103879701	Transaxle, ED65, Open Differential (includes items 2 through 32) .....	1
2	105025001	Case, Transaxle, Left, Complete, ED65 (includes items 3 through 13) .....	1
3	105025101	Gear, Governor, Complete, ED65 .....	1
4	105025201	Sleeve, Governor, ED65 .....	1
5	105025301	Washer, ED65 .....	2
6	105025401	Bearing, Thrust, ED65 .....	1
7	105025501	Shaft, Governor Gear, ED65 .....	1
8	105025601	Shaft, Governor, ED65 .....	1
9	105025701	Washer, 6mm, ED65 .....	2
10	105025801	Seal, Oil, 6x10x2.5, ED65 .....	1
11	105025901	Retaining Ring, E5, ED65 .....	1
12	105026001	Seal, Oil, 24x40x9, ED65 .....	1
13	105027101	Vent, Breather, ED65 .....	1
14	105026101	Ball, Steel, ED65 .....	1
15	105026201	Spring, ED65 .....	1
16	105026301	Gasket, 10, ED65 .....	1
17	105026401	Bolt, M10-1.25x12mm Lg, ED65 .....	1
18	105026501	Case, Transaxle, Right, Complete, ED65 (includes items 19 through 24) .....	1
19	105026001	Seal, Oil, 24x40x9, ED65 .....	1
20	105026601	Shaft, Select, ED65 .....	1
21	105026701	Seal, Oil, 13x22x5, ED65 .....	1
22	105026801	Snap Ring, 13mm, ED65 .....	1
23	105026901	Spacer, 13x1, ED65 .....	1
24	105027001	Seal, Oil, 25x45x7, ED65 .....	1
25	105027201	Plug, Oil Drain, ED65 .....	2
26	105027301	Gasket, 14, ED65 .....	2
27	105028301	Pin, Guide, ED65 .....	2
28	105028501	Bolt, Flange, M8-1.25x65mm, ED65 .....	1
29	105030001	Nut, Flange, M8-1.25, ED65 .....	10
30	105030701	Bolt, Flanged, M8-1.25x80mm, ED65 .....	9
31	105234801	Plate, Ed65 Splash .....	1
32	105234901	Bolt, M6-1 X 12mm Lg, Ed65 .....	1
		Note: Fuji transaxle component listings span three pages. To identify your transaxle, locate the serial number decal on the axle tube.	

**12**  
**G**



000919-003

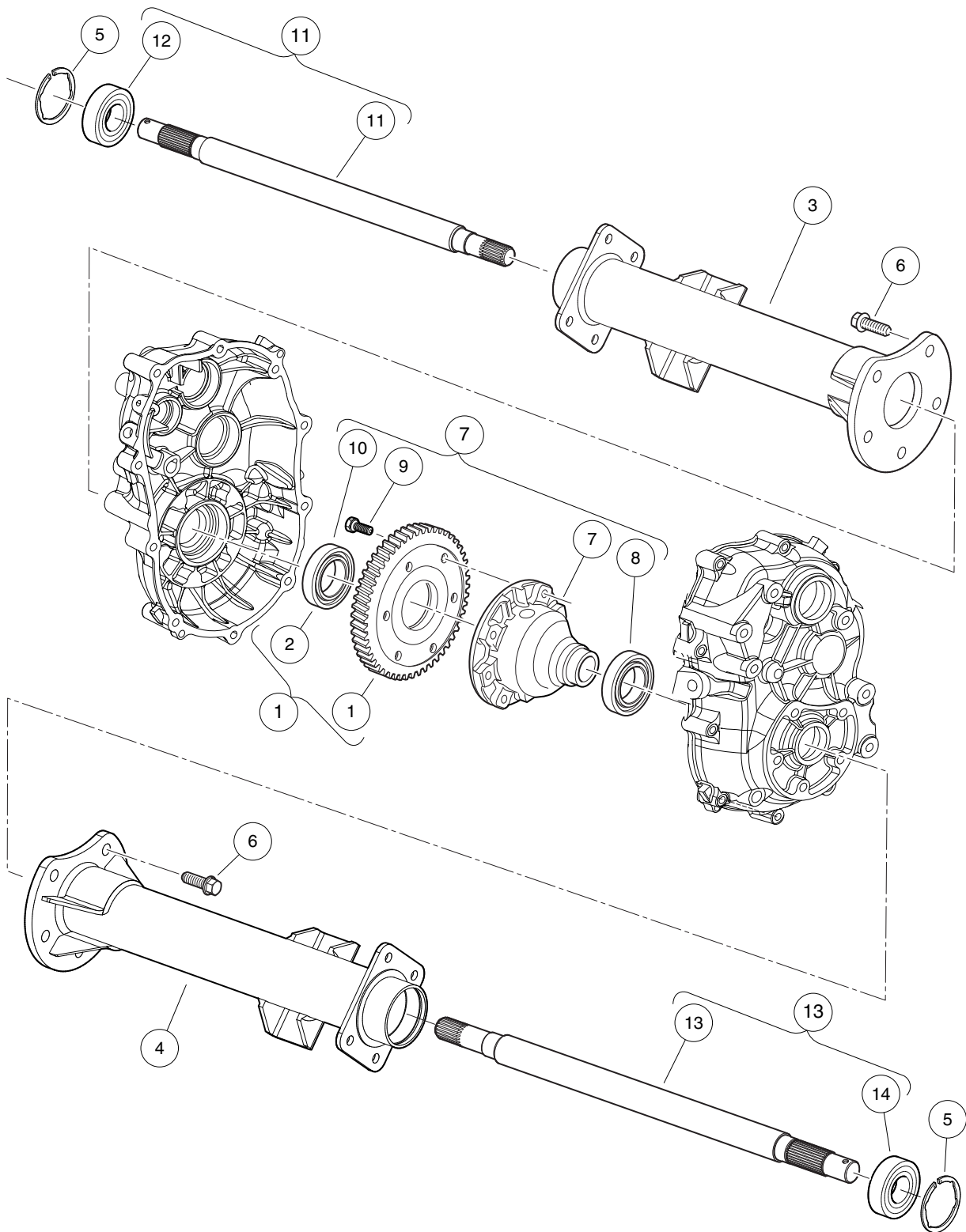
# TRANSAXLE (ED65), LIMITED SLIP AND OPEN – PAGE 2 OF 3

ITEM	PART NO.	DESCRIPTION	QTY
		1 2 3 4	
1	105027401	Bearing, Ball (6204) .....	2
2	105027501	Gear, Governor, 34 Tooth, ED65 .....	1
3	105027601	Pin, 6x12 Long, ED65 .....	1
4	105027701	Shaft, Input, ED65 .....	1
5	105027801	Bearing, Ball (6205 seal) .....	1
6	105027901	Bearing, Ball (6202) .....	2
7	105028001	Shaft, Counter, ED65 .....	1
8	105028201	Gear, 34 Tooth, ED65 .....	1
9	105028401	Bearing, Ball (6304) .....	1
10	105028601	Gear, 17 Tooth, ED65 .....	1
11	105028701	Collar, 24 x 12, ED65 .....	1
12	105028801	Gear, 52 Tooth, ED65 .....	1
13	105028901	Shaft, Center, ED65 .....	1
14	105029001	Clutch, Pin, ED65 .....	1
15	105029101	Gear, 62 Tooth, ED65 .....	1
16	105029201	Spacer, 20x2, ED65 .....	2
17	105030901	Shaft, Shift, ED65 .....	1
		<p>Note: To identify your transaxle, locate the serial number decal on the axle tube.</p>	

12

G

**12**  
**G**



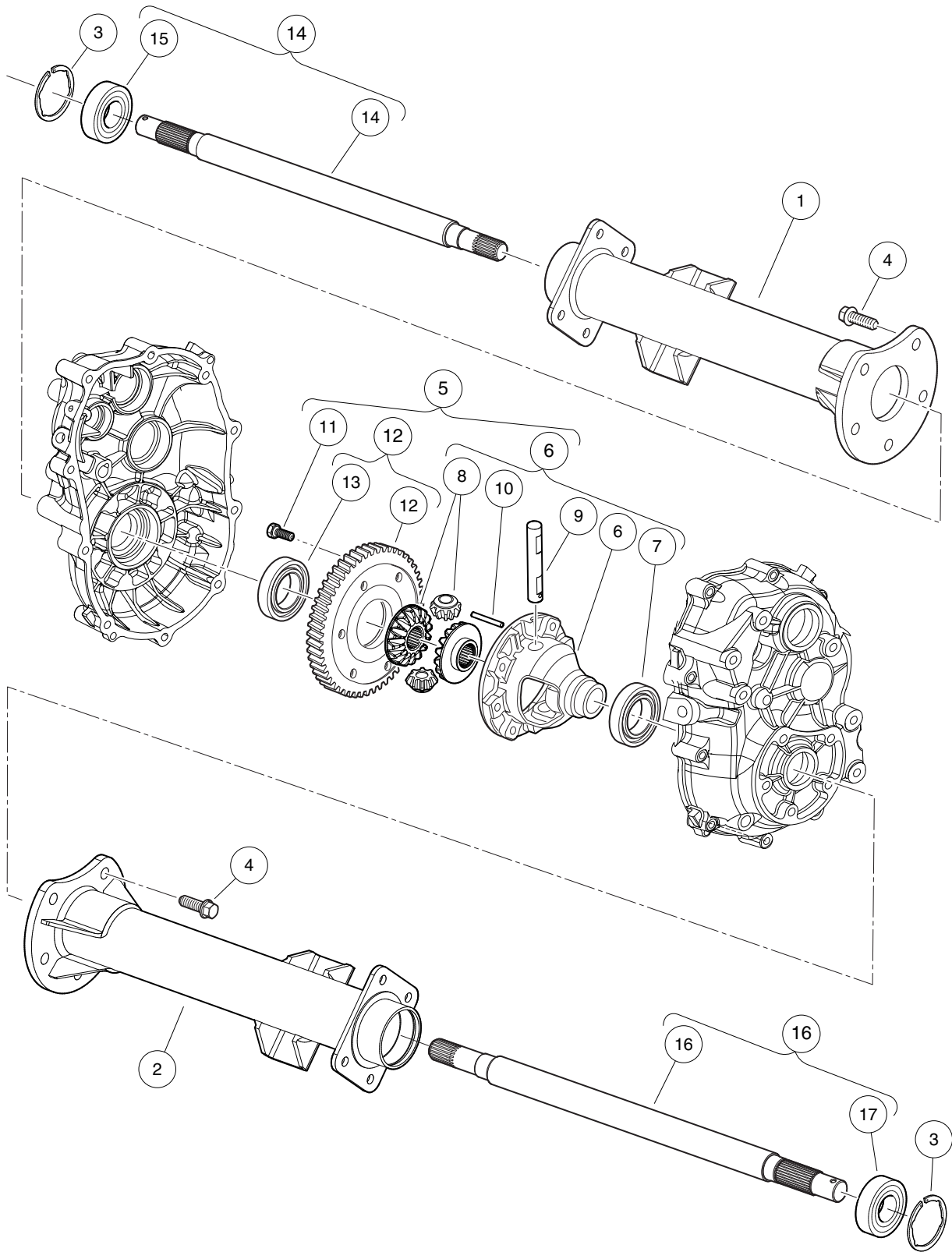
000919-005

## TRANSAXLE (ED65), LIMITED SLIP – PAGE 3 OF 3

ITEM	PART NO.	DESCRIPTION	QTY
		1 2 3 4	
1	105029901	Gear, 60 Tooth, Complete, ED65 (includes item 2) .....	1
2	105029801	Bearing, Ball (6007) .....	1
3	105030401	Axle Tube, Driver-Side, ED65 .....	1
4	105030501	Axle Tube, Passenger-Side, ED65 .....	1
5	105030601	Snap Ring, 52mm, ED65 .....	2
6	105030801	Bolt, Flange, M10-1.25x25, ED65 .....	10
7	105063601	Differential, Limited-Slip, ED65 (includes items 8 through 10) .....	1
8	105028101	Bearing, Ball (6006) .....	1
9	105029501	Bolt, M10-1.25x26mm Lg, ED65 .....	6
10	105029801	Bearing, Ball (6007) .....	1
11	105066001	Axle Shaft, Driver-Side, Complete, ED65 (includes item 12) .....	1
12	105030301	Bearing, Ball (6205DD) .....	1
13	105066101	Axle Shaft, Passenger-Side, Complete, ED65 (includes item 14) .....	1
14	105030301	Bearing, Ball (6205DD) .....	1
		Note: To identify your transaxle, locate the serial number decal on the axle tube.	

12

G



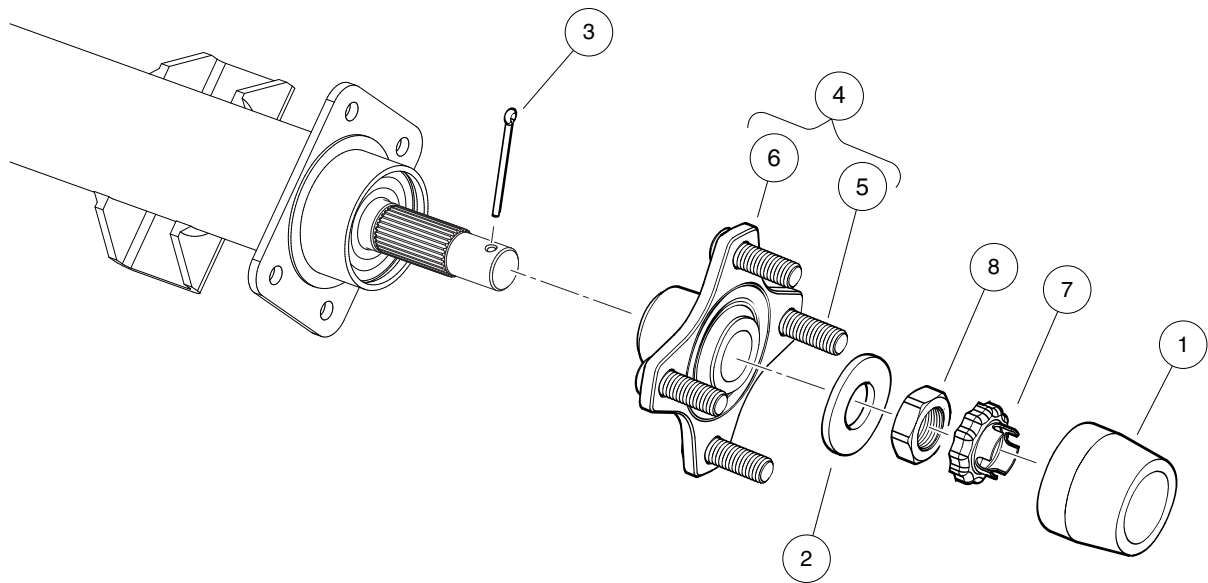
000919-004

## TRANSAXLE (ED65), OPEN – PAGE 3 OF 3

ITEM	PART NO.	DESCRIPTION	QTY
		<b>1 2 3 4</b>	
1	105030401	Axle Tube, Driver-Side, ED65 .....	1
2	105030501	Axle Tube, Passenger-Side, ED65 .....	1
3	105030601	Snap Ring, 52mm, ED65 .....	2
4	105030801	Bolt, Flange, M10-1.25x25, ED65 .....	10
5	105031001	Differential, Open, ED65 (includes items 6 through 12) .....	1
6	105029301	Case, Differential, Complete, ED65 (includes items 7 through 10) .....	1
7	105028101	Bearing, Ball (6006) .....	1
8	105029401	Gear Set, Differential, ED65 .....	1
9	105029601	Shaft, Differential, ED65 .....	1
10	105029701	Pin, 4x40 Long, ED65 .....	1
11	105029501	Bolt, M10-1.25x26mm Lg, ED65 .....	6
12	105029901	Gear, 60 Tooth, Complete, ED65 (includes item 13) .....	1
13	105029801	Bearing, Ball (6007) .....	1
14	105066001	Axle Shaft, Driver-Side, Complete, ED65 (includes item 15) .....	1
15	105030301	Bearing, Ball (6205DD) .....	1
16	105066101	Axle Shaft, Passenger-Side, Complete, ED65 (includes item 17) .....	1
17	105030301	Bearing, Ball (6205DD) .....	1
Note: To identify your transaxle, locate the serial number decal on the axle tube.			

12

G



000919-006



# HUB, REAR

ITEM	PART NO.	DESCRIPTION	QTY
		<b>1 2 3 4</b>	
1	102274101	Center Cap, Rubber .....	2
2	102617801	Washer, Hard, M22 .....	2
3	103989501	Pin, Cotter, 9/64 X 1.75" .....	2
4	103995001	Asm, Hub, Machined (includes items 5 and 6) .....	2
5	103951501	Lug Stud, 1/2-20 UNF, SAE J1102 .....	4
6	103979301	Hub, Machined .....	1
7	104021701	Retaining Ring, Hex Nut, M22 .....	2
8	104027101	Nut, Hex, M22x1.5, Thin .....	2

**12**  
**G**

12

G

# **ELECTRICAL SYSTEM, ELECTRIC VEHICLES WITH IQ PLUS CHARGER**

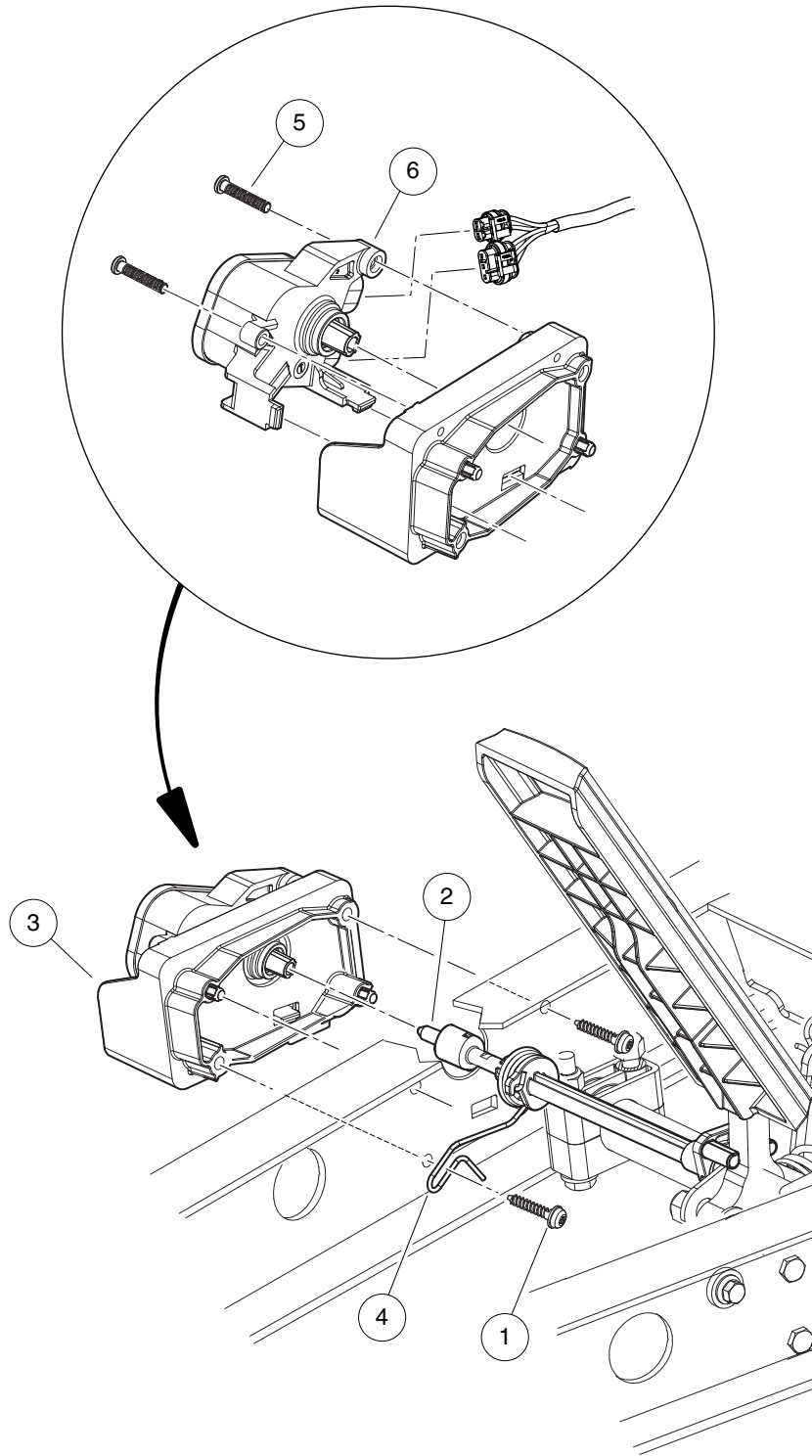
---

**13**

**E**

13

E



002522-001

## MOTOR CONTROLLER OUTPUT REGULATOR (MCOR)

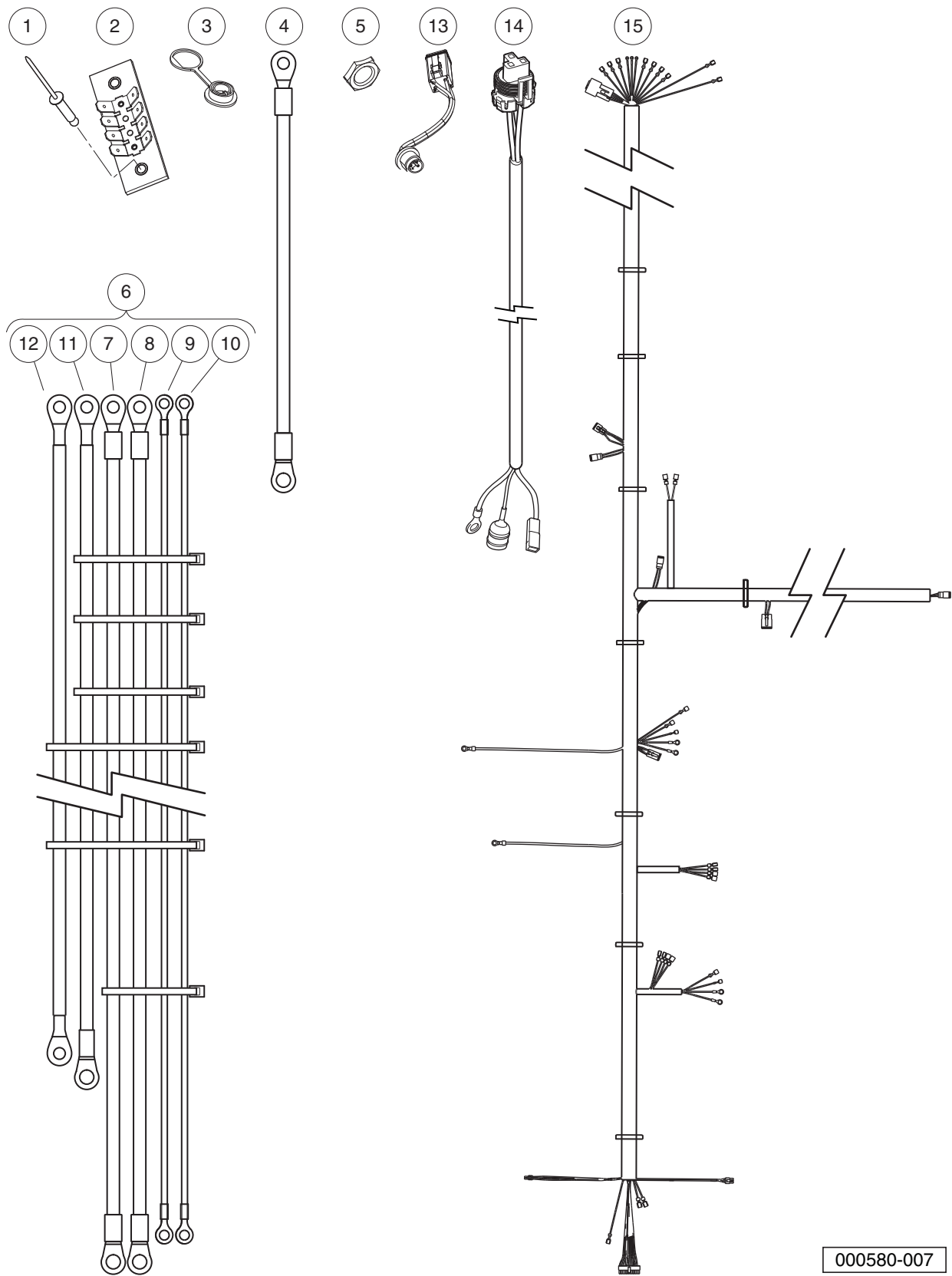
ITEM	PART NO.	DESCRIPTION	QTY
		1 2 3 4	
1	102297230	Screw, M6, Torx, Interlock Thread .....	2
2	103902101	Bar, Drive, Cast .....	1
3	103902301	Housing, Mcor .....	1
4	103902401	Spring, Torsion .....	1
5	103943401	Screw, Pan, #10 X 1.00 Hi-lo .....	2
6	105116301	MCOR4, Type 16 Switch .....	1

13

E

13

E



000580-007

# WIRING – VILLAGER 6 AND TRANSPORTER IQ PLUS ELECTRIC

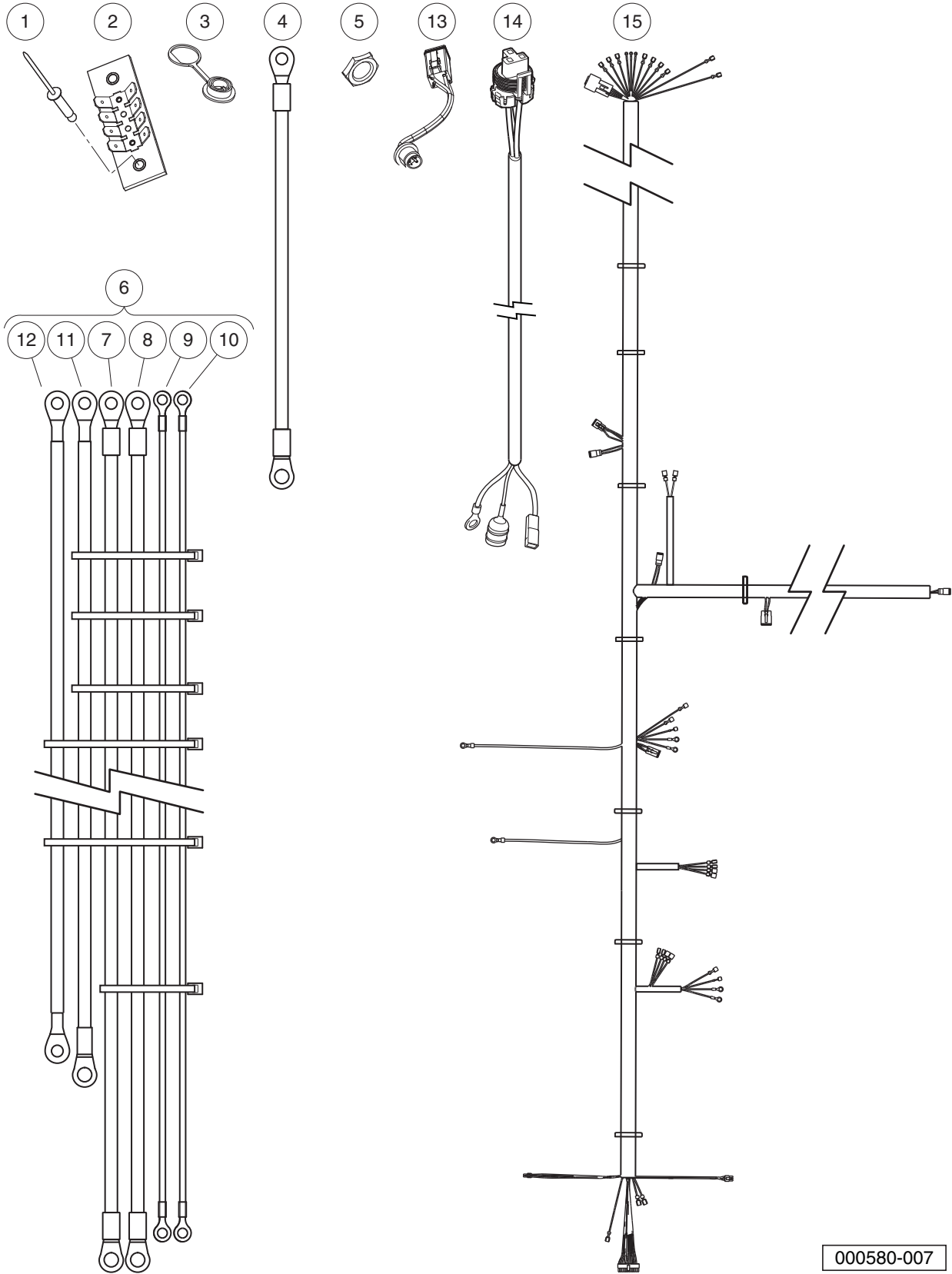
ITEM	PART NO.	DESCRIPTION	QTY
		1 2 3 4	
1	1013357	Rivet, 5/32 Aluminum Pop .....	2
2	1016356	Terminal Block with Insulator .....	1
3	102196901	Dust Cap .....	1
4	102440901	Wire Asm, #4 Yellow, 13" .....	1
5	102572401	Nut, Diagnostic Port .....	1
6	102845501	Harness, Power, Stretch IQ Plus (includes items 7 through 12) .....	1
7	N/A	Asm, #4 Grn Wire, 89" .....	1
8	N/A	Asm, #4 Wht Wire, 88.5" .....	1
9	N/A	Asm, #10 Org Wire, 89.5" .....	1
10	N/A	Asm, #10 Blu Wire, 95.5" .....	1
11	N/A	Asm, #4 Red Wire, 67.5" .....	1
12	N/A	Asm, #4 Blk Wire, 57.5" .....	1
13	103218601	Harness, Diagnostic Port .....	1
14	103772101	Charg Harness Iqplus,shelf 480 .....	1
15	103940701	Harness, Wire, CA6, Vill 6, IQ Plus, MCOR3/4 .....	1
Note: Wire Harness (item 15) is for use with MCOR3 and MCOR4.			

13

E

13

E



000580-007



## WIRING – VILLAGER 8 IQ PLUS ELECTRIC

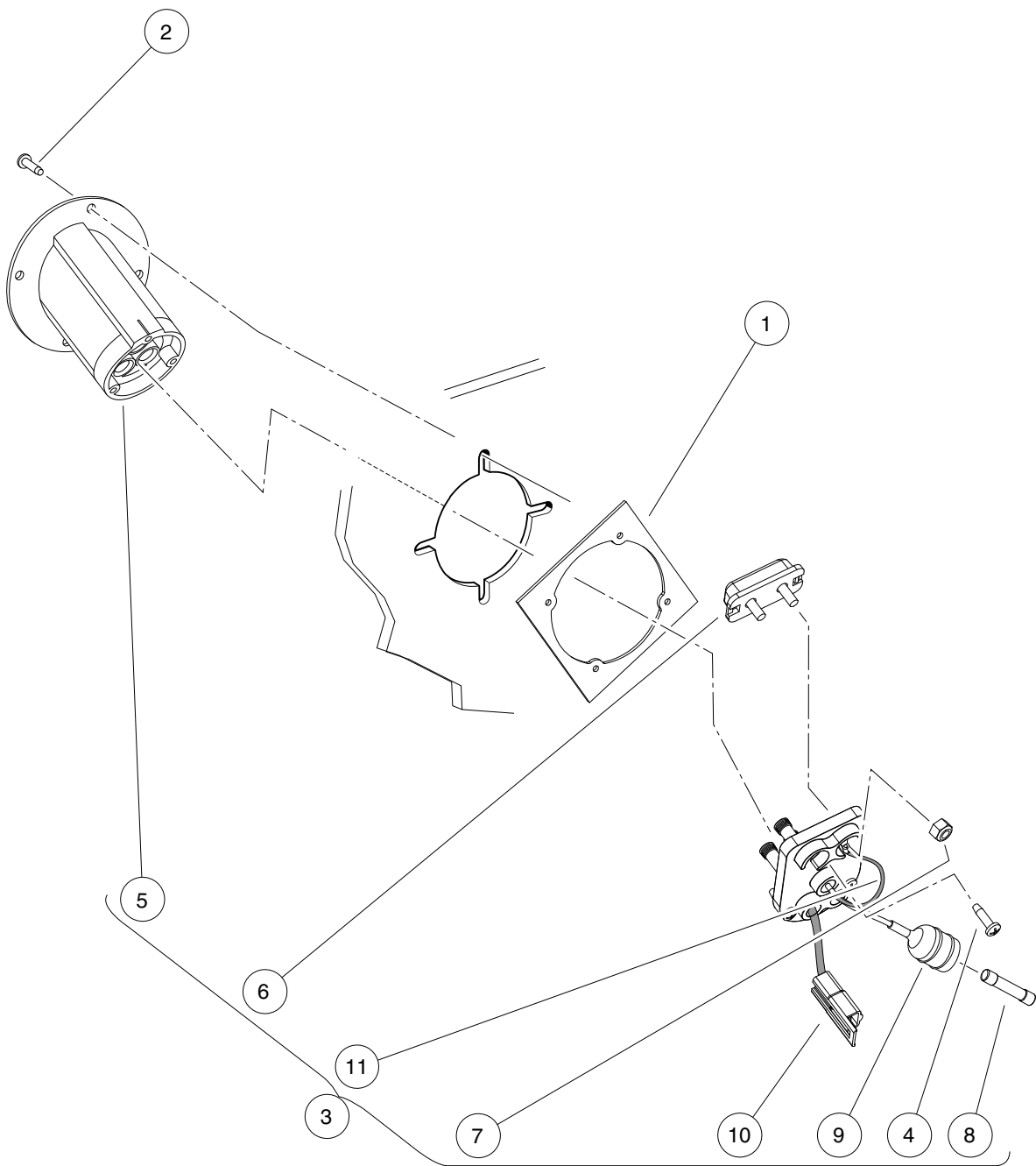
ITEM	PART NO.	DESCRIPTION	QTY
		1 2 3 4	
1	1013357	Rivet, 5/32 Aluminum Pop .....	2
2	1016356	Terminal Block with Insulator .....	1
3	102196901	Dust Cap .....	1
4	102440901	Wire Asm, #4 Yellow, 13" .....	1
5	102572401	Nut, Diagnostic Port .....	1
6	102845501	Harness, Power, Stretch IQ Plus (includes items 7 through 12) .....	1
7	N/A	Asm, #4 Grn Wire, 89" .....	1
8	N/A	Asm, #4 Wht Wire, 88.5" .....	1
9	N/A	Asm, #10 Org Wire, 89.5" .....	1
10	N/A	Asm, #10 Blu Wire, 95.5" .....	1
11	N/A	Asm, #4 Red Wire, 67.5" .....	1
12	N/A	Asm, #4 Blk Wire, 57.5" .....	1
13	103218601	Harness, Diagnostic Port .....	1
14	103772101	Charg Harness Iqplus,shelf 480 .....	1
15	103940801	Harness, Vill 8, Iq Plus, Mc3 .....	1
		Note: Wire Harness (item 15) is for use with MCOR3 and MCOR4.	

13

E

**13**

**E**



000369-002

# BATTERY CHARGER RECEPTACLE

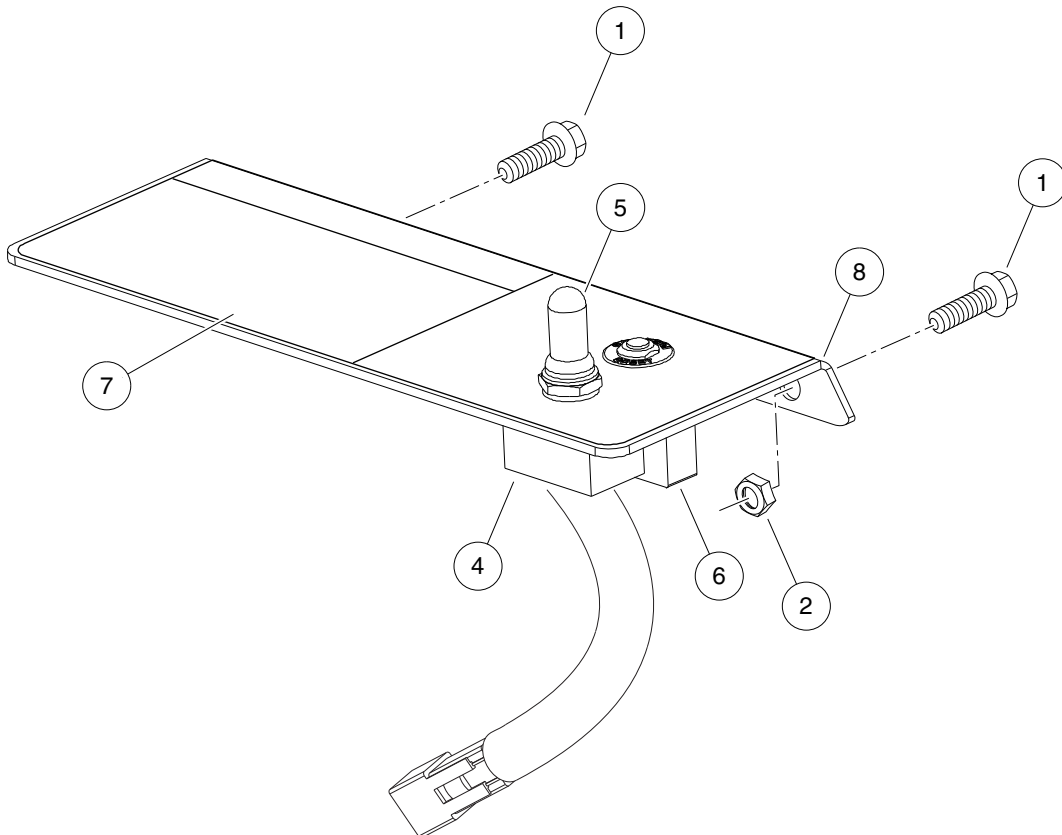
ITEM	PART NO.	DESCRIPTION	QTY
		<b>1 2 3 4</b>	
1	101801001	Plate, Receptacle Backing .....	1
2	101832001	Screw, #7-19 X 0.625 Phillips Pan-Head Tap .....	4
3	103771901	Asm, Fuse & Receptacle, 480 (includes items 4 through 11) .....	1
4	1017705	Screw, #8 X 5/8 Phillips Pan-Head Type AB .....	3
5	101796501	Receptacle .....	1
6	101796801	Fuse Assembly (includes item 7) .....	1
7	1013061	Locknut, #10-32 Nylon Insert .....	2
8	101894901	Fuse, 3/8-Amp .....	1
9	N/A	Wire Assembly, Sense Lead, Gray .....	1
10	N/A	Wire Assembly, #10 Red .....	1
11	N/A	Wire Assembly, #10 Black .....	1

13

E

13

E



000425-001

## TOW/RUN SWITCH – IQ PLUS VEHICLES

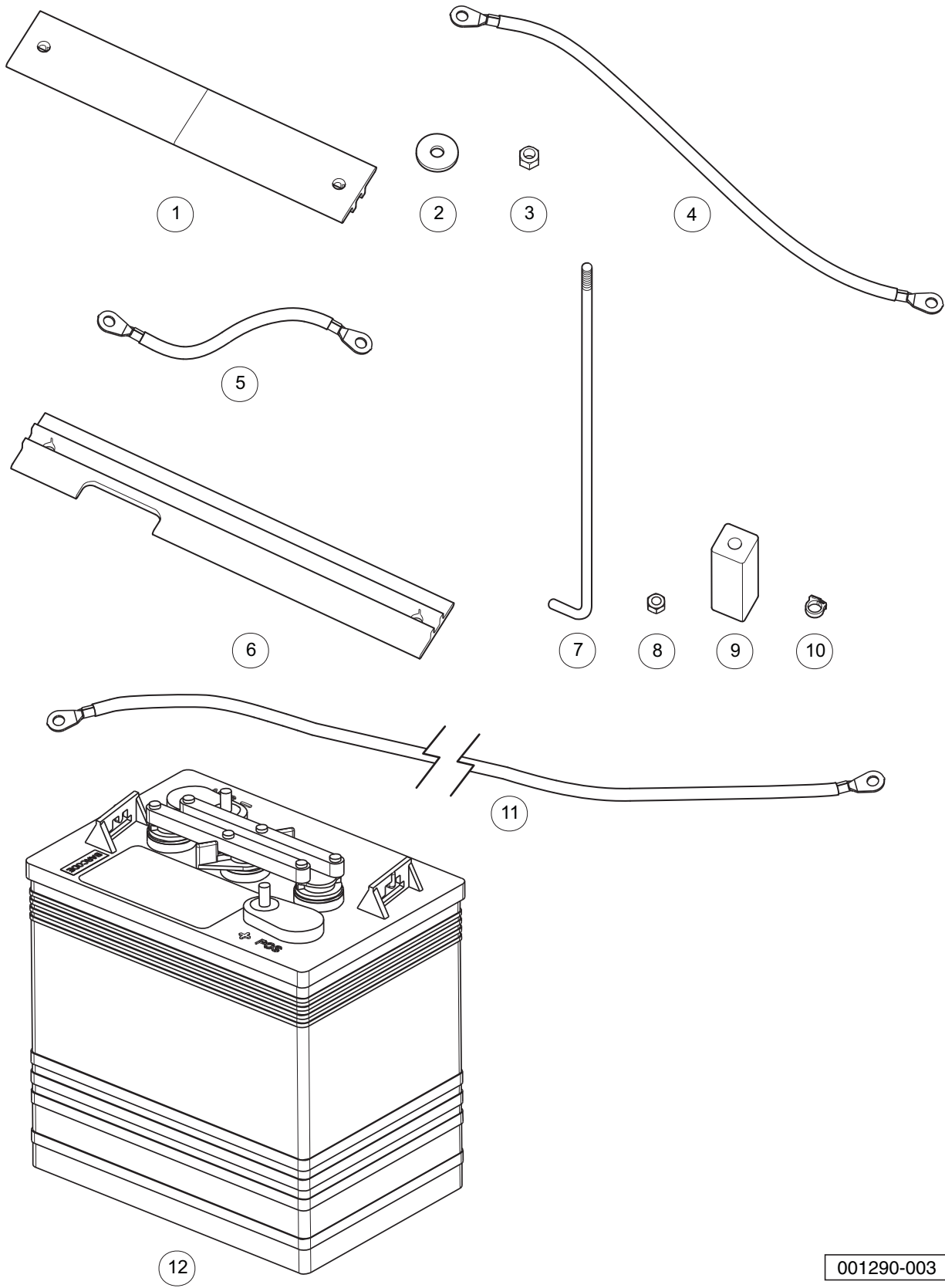
ITEM	PART NO.	DESCRIPTION	QTY
		<b>1 2 3 4</b>	
1	1012126	Screw, #10-32 X .625 Hx Washer .....	1
2	1013061	Locknut, #10-32 Nylon Insert .....	2
3	N/A	Tow/Run Switch Assembly (includes items 4 through 8) .....	1
4	101908101	Switch Assembly, Tow/Run .....	1
5	101908401	Boot, Switch .....	1
6	102838101	Circuit Breaker 250vac-50vdc .....	1
7	102845101	Decal, Tow Switch .....	1
8	102915701	Plate, Switch, Run Tow, Mode .....	1

13

E

13

E



001290-003

## BATTERIES, 6-VOLT, STANDARD DUTY, JCI

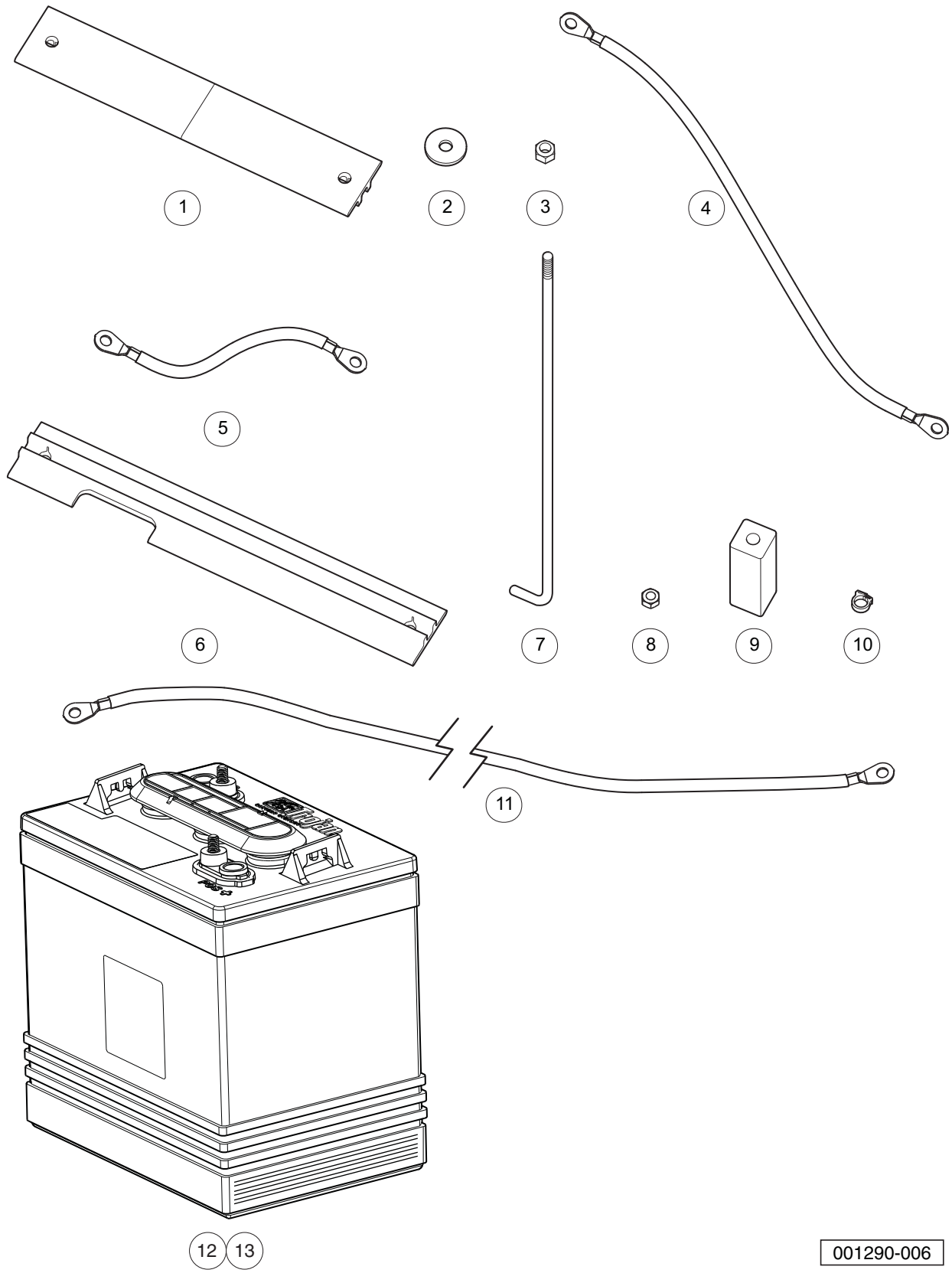
ITEM	PART NO.	DESCRIPTION	QTY
		1 2 3 4	
1	101090801	Hold-Down, Battery .....	2
2	1011578	Washer, 5/16 Type B Flat .....	12
3	1015072	Locknut, 5/16-18 Nylon Insert .....	12
4	102002801	Wire Assy, #4 Black .....	2
5	102002901	Wire Assy, #4 Black .....	3
6	102766201	Hold Down, Outside .....	4
7	102845203	Rod, Battery Hold Down 10.7" .....	12
8	102873401	5/16-18 Heavy Hex Nut .....	16
9	102980801	Extr, Plastic, 1 X 1 X 3 .....	4
10	102980901	Clamp, Hose, Nylon, .25 .....	1
11	103198201	Asm, #4 Blk Wire, 42" .....	1
12	105210299	Battery, 6v, Type E, Gc2, Wet .....	8

13

E

13

E



001290-006

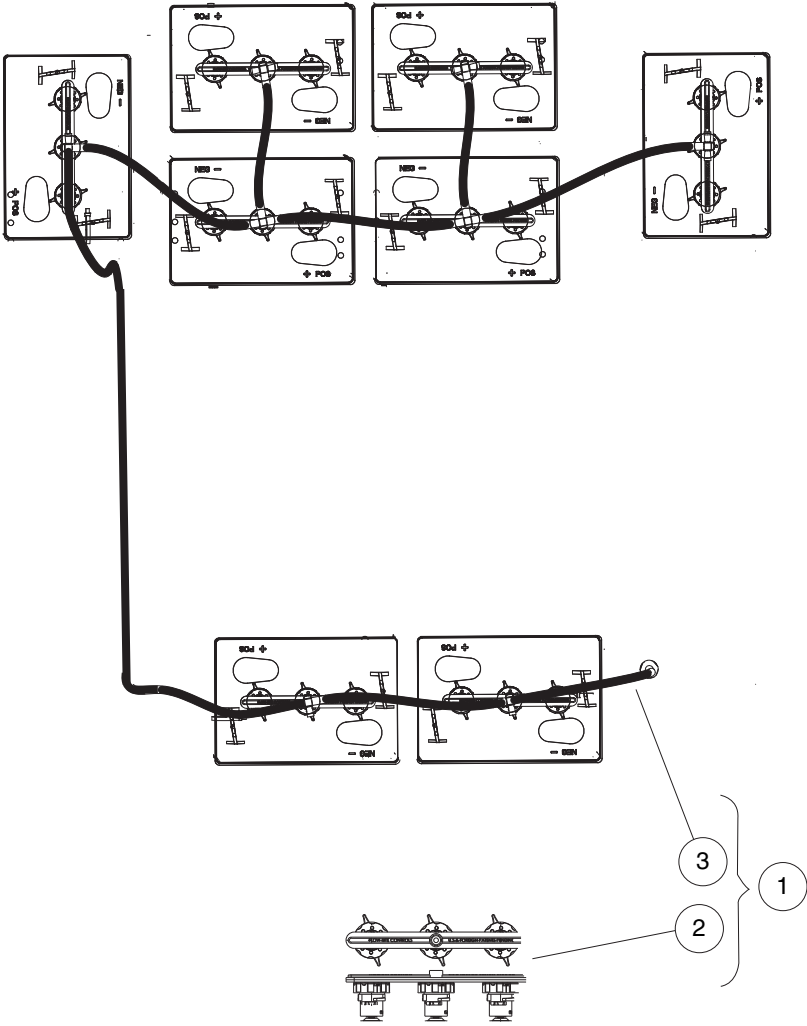


## BATTERIES, 6-VOLT, HEAVY DUTY, TROJAN

ITEM	PART NO.	DESCRIPTION	QTY
		1 2 3 4	
1	101090801	Hold-Down, Battery .....	2
2	1011578	Washer, 5/16 Type B Flat .....	12
3	1015072	Locknut, 5/16-18 Nylon Insert .....	12
4	102002801	Wire Assy, #4 Black .....	2
5	102002901	Wire Assy, #4 Black .....	3
6	102766201	Hold Down, Outside .....	4
7	102845204	Rod, Battery Hold Down 12" .....	12
8	102873401	5/16-18 Heavy Hex Nut .....	16
9	102980801	Extr, Plastic, 1 X 1 X 3 .....	4
10	102980901	Clamp, Hose, Nylon, .25 .....	4
11	103198201	Asm, #4 Blk Wire, 42" .....	1
12	103969701	Battery, 6-Volt, Trojan T145 (Wet) (includes item 13) .....	8
13	101831401	Battery Cap 6 Volt .....	1

13

E



002525-001

# SINGLE POINT WATERING SYSTEM (SPWS)

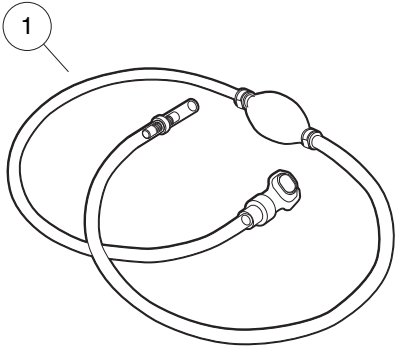
ITEM	PART NO.	DESCRIPTION	QTY
		1 2 3 4	
1	103942902	Kit, Spws, Villager 6, 8 (includes items 2 and 3) .....	1
2	103510501	Manifold, Lpr, 3 Vlve, Spw .....	8
3	103942101	Spws, Villager 6, 8 .....	1

13

E

**13**

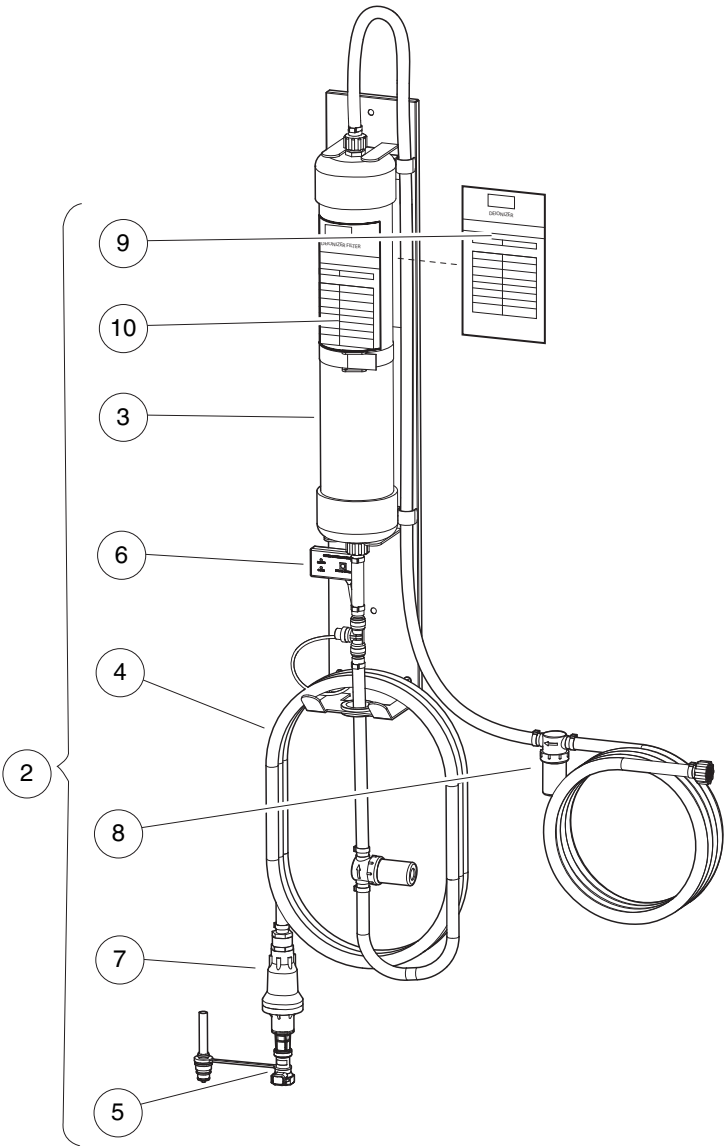
**E**



11



12



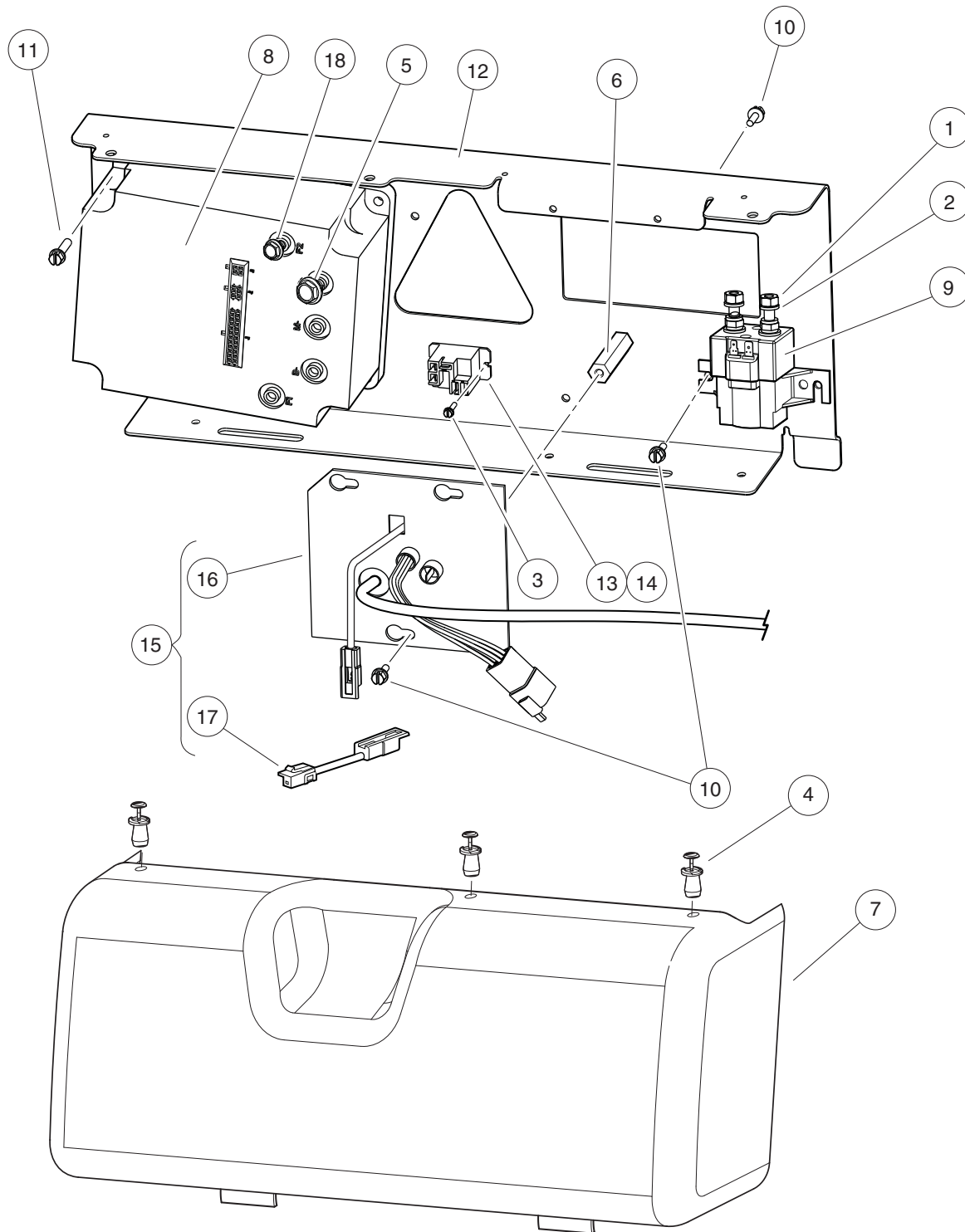
002523-003

# HAND PUMP AND DEIONIZER (BATTERY-POWERED QUALITY LIGHT)

ITEM	PART NO.	DESCRIPTION	QTY
		<b>1 2 3 4</b>	
1	104006101	Kit, Hand Pump, Spws .....	1
2	105166801	Deionizer, w/Battery-Powered Water Quality Light (includes items 3 through 10) .....	1
3	104005901	Cartridge, Deionizer .....	1
4	105166901	Hose,outlet,deionizer .....	1
5	105167001	Flow Ind, W/coupler, Deionizer .....	1
6	105167101	Light, Quality, Battery-Powered, w/T-Fitting .....	1
7	105168501	Regulator, Pressure, Deionizer .....	1
8	105168601	Strainer, In-line, Deionizer .....	1
9	AM1300001	Decal, Filter Log, Blue .....	1
10	AM1300201	Decal, Inspect Log, Yellow .....	1
11	AM1300101	Decal, Filter Log, Blue, Pack of 100 .....	A/R
12	AM1300301	Decal, Inspect Log, Yellow, Pack of 100 .....	A/R

13

E



001246-004

# COMPUTER, CONTROLLER, AND SOLENOID – FOR TROJAN BATTERIES

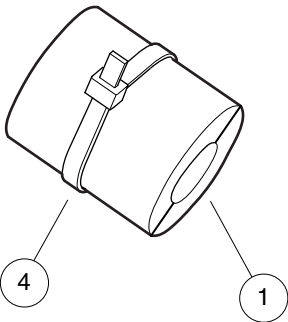
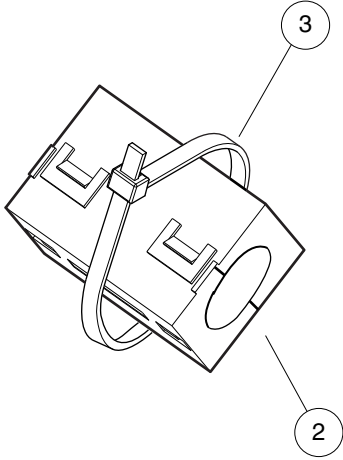
ITEM	PART NO.	DESCRIPTION	QTY
		1 2 3 4	
1	1012528	Nut, M8-1.25 Hex .....	2
2	1013734	Lockwasher, 8mm Split .....	2
3	1015720	Screw, #6-32 X 1/2 Hex Washer-Head .....	2
4	1016967	Blind Rivet, Push Type .....	3
5	102240501	Bolt, Controller, Terminal .....	3
6	102769701	Spacer, 2", 1/4-20, Hex .....	1
7	102772402	Cover, Electrical Component, Carryall 6 .....	1
8	102774501	Controller, 500 Amp .....	1
9	102774701	Solenoid, 48v .....	1
10	102817101	Screw, 1/4-20 X .50 Hex Wsh Hd .....	6
11	102817201	Screw, 1/4-20 X .88 Hex Wsh Hd .....	4
12	102912801	Plate, Component, Front .....	1
13	103414901	Kit, Relay, 48v 30a W/instr (includes item 14) .....	1
14	103397901	Relay, Spst No, 48v 30a, Pmt .....	1
15	103697109	Kit, Obc, Iqplus, A1, 64" (includes items 16 and 17) .....	1
16	103709201	Obc, Iqplus, A1, 64", 480 .....	1
17	103822101	Adapter, 480 Obc To 56 Harn .....	1
18	105000501	Screw, M6 X 1 X 12 Ser Hex Flg .....	2

13

E

13

E



001055-001



# FERRITE BEADS, CE

ITEM	PART NO.	DESCRIPTION	QTY
		1 2 3 4	
1	103449501	Bead, Ferrite, Tdk .....	A/R
2	103449601	Bead, Ferrite, Fair-rite .....	A/R
3	8639	Tie Wrap, 11" Nylon .....	A/R
4	8990	Tie Wrap, 8" Nylon .....	A/R

13

E

**13**

***E***

# **ELECTRICAL SYSTEM, ELECTRIC VEHICLES WITH HIGH-FREQUENCY**

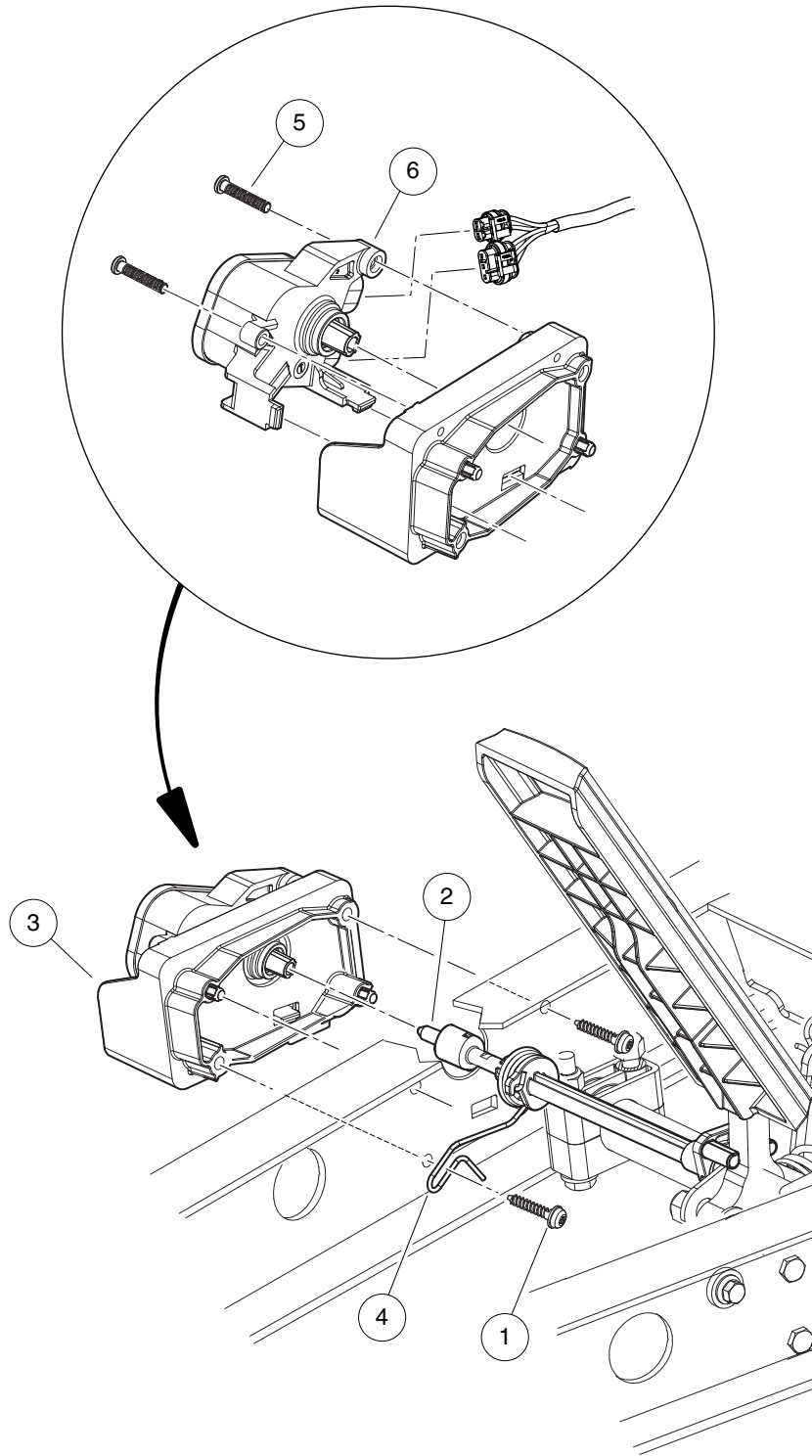
---

**14**

**E**

14

E



002522-001

# MOTOR CONTROLLER OUTPUT REGULATOR (MCOR)

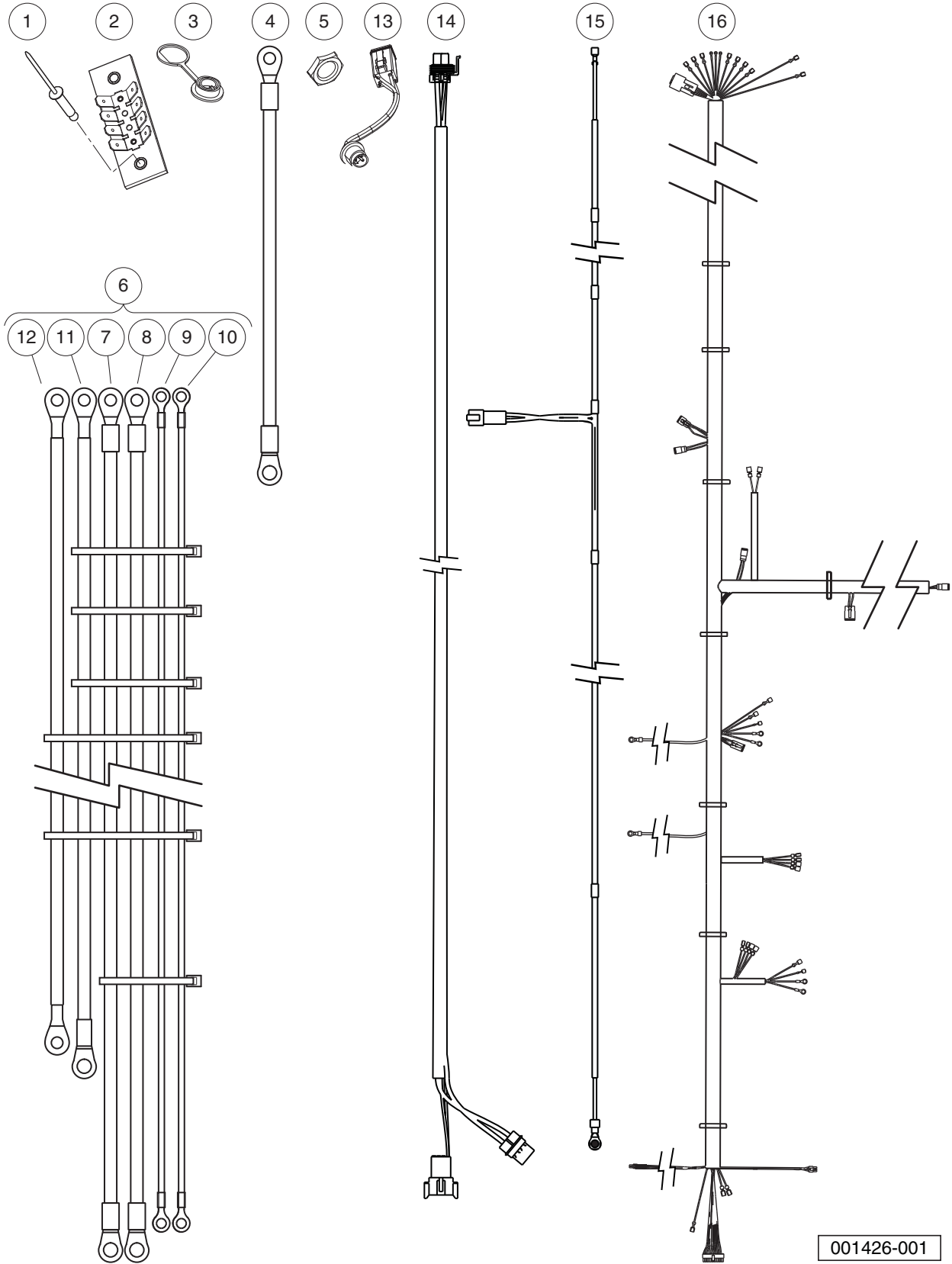
ITEM	PART NO.	DESCRIPTION	QTY
		1 2 3 4	
1	102297230	Screw, M6, Torx, Interlock Thread .....	2
2	103902101	Bar, Drive, Cast .....	1
3	103902301	Housing, Mcor .....	1
4	103902401	Spring, Torsion .....	1
5	103943401	Screw, Pan, #10 X 1.00 Hi-lo .....	2
6	105116301	MCOR4, Type 16 Switch .....	1

14

E

14

E



001426-001

# WIRING – VILLAGER 6 ELECTRIC WITH HIGH-FREQ. CHARGER

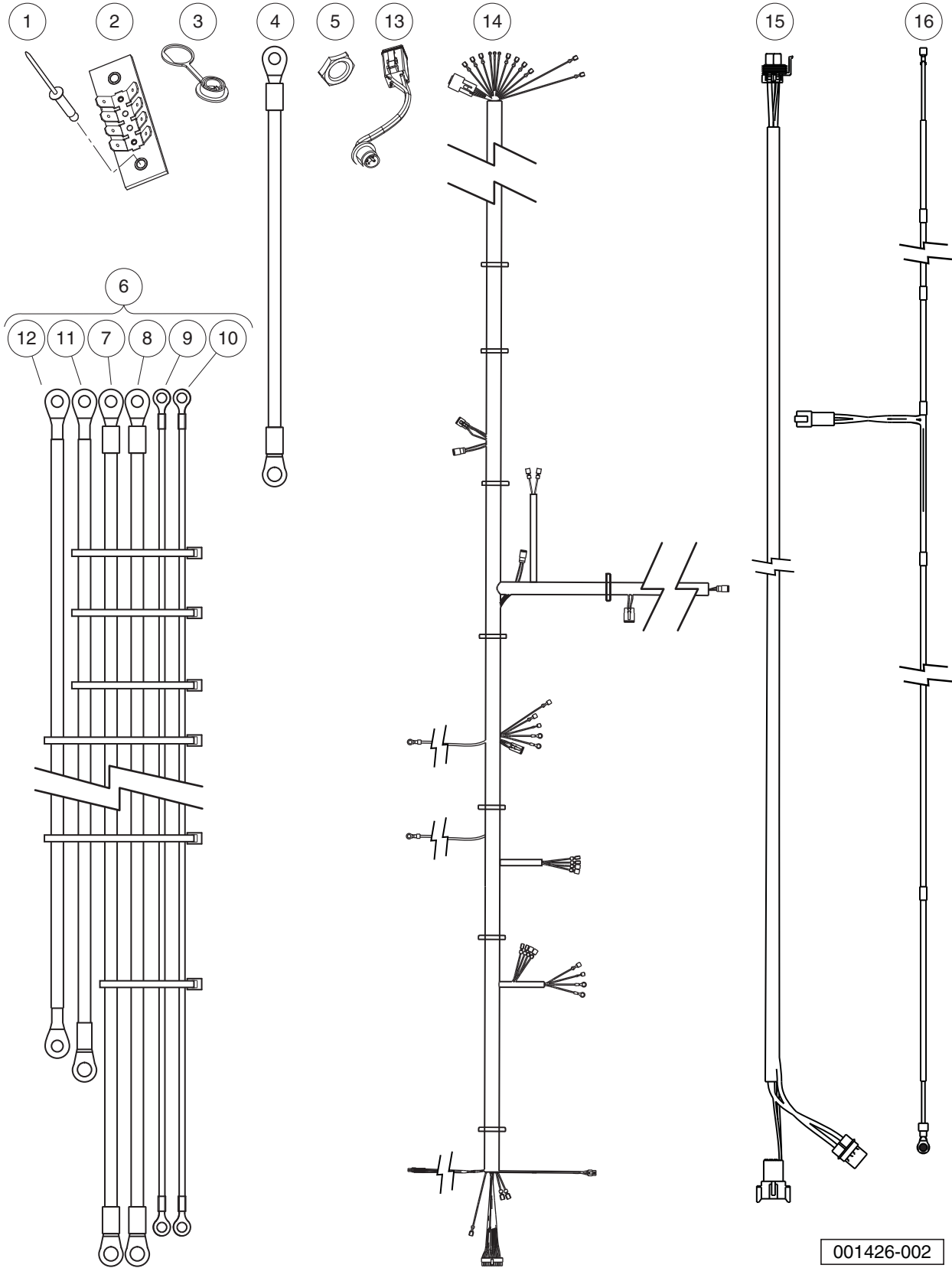
ITEM	PART NO.	DESCRIPTION	QTY
		1 2 3 4	
1	1013357	Rivet, 5/32 Aluminum Pop .....	2
2	1016356	Terminal Block with Insulator .....	1
3	102196901	Dust Cap .....	1
4	102440901	Wire Asm, #4 Yellow, 13" .....	1
5	102572401	Nut, Diagnostic Port .....	1
6	102845501	Harness, Power, Stretch IQ Plus (includes items 7 through 12) .....	1
7	N/A	Asm, #4 Grn Wire, 89" .....	1
8	N/A	Asm, #4 Wht Wire, 88.5" .....	1
9	N/A	Asm, #10 Org Wire, 89.5" .....	1
10	N/A	Asm, #10 Blu Wire, 95.5" .....	1
11	N/A	Asm, #4 Red Wire, 67.5" .....	1
12	N/A	Asm, #4 Blk Wire, 57.5" .....	1
13	103218601	Harness, Diagnostic Port .....	1
14	47564903001	Harness, Charg, Ob, V6/8, Hfc .....	1
15	47564905001	Harness, Relay, Vill 6/8, Hfc .....	1
16	47564907001	Harness, Villager 6, Hfc .....	1

14

E

14

E



001426-002



# WIRING – VILLAGER 8 ELECTRIC WITH HIGH-FREQ. CHARGER

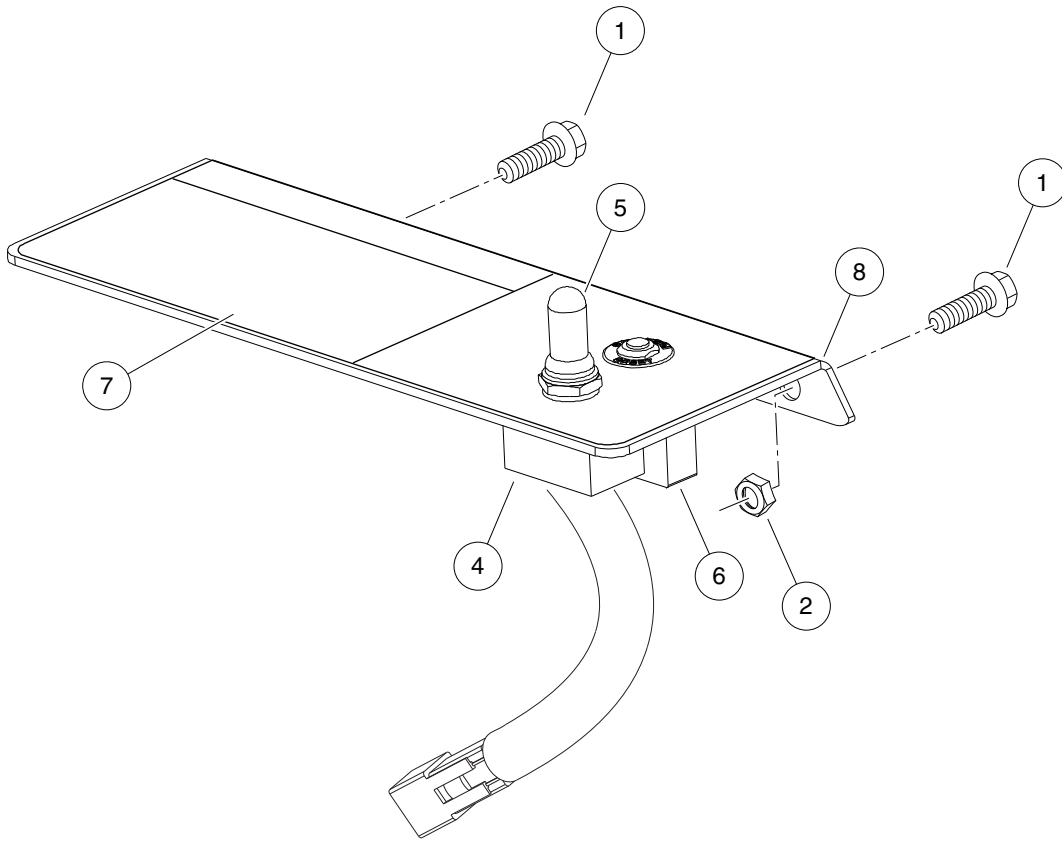
ITEM	PART NO.	DESCRIPTION	QTY
		1 2 3 4	
1	1013357	Rivet, 5/32 Aluminum Pop .....	2
2	1016356	Terminal Block with Insulator .....	1
3	102196901	Dust Cap .....	1
4	102440901	Wire Asm, #4 Yellow, 13" .....	1
5	102572401	Nut, Diagnostic Port .....	1
6	102845501	Harness, Power, Stretch IQ Plus (includes items 7 through 12) .....	1
7	N/A	Asm, #4 Grn Wire, 89" .....	1
8	N/A	Asm, #4 Wht Wire, 88.5" .....	1
9	N/A	Asm, #10 Org Wire, 89.5" .....	1
10	N/A	Asm, #10 Blu Wire, 95.5" .....	1
11	N/A	Asm, #4 Red Wire, 67.5" .....	1
12	N/A	Asm, #4 Blk Wire, 57.5" .....	1
13	103218601	Harness, Diagnostic Port .....	1
14	47564901001	Harness, Villager 8, Hfc .....	1
15	47564903001	Harness, Charg, Ob, V6/8, Hfc .....	1
16	47564905001	Harness, Relay, Vill 6/8, Hfc .....	1

14

E

14

E



000425-001

## TOW/RUN SWITCH – IQ PLUS VEHICLES

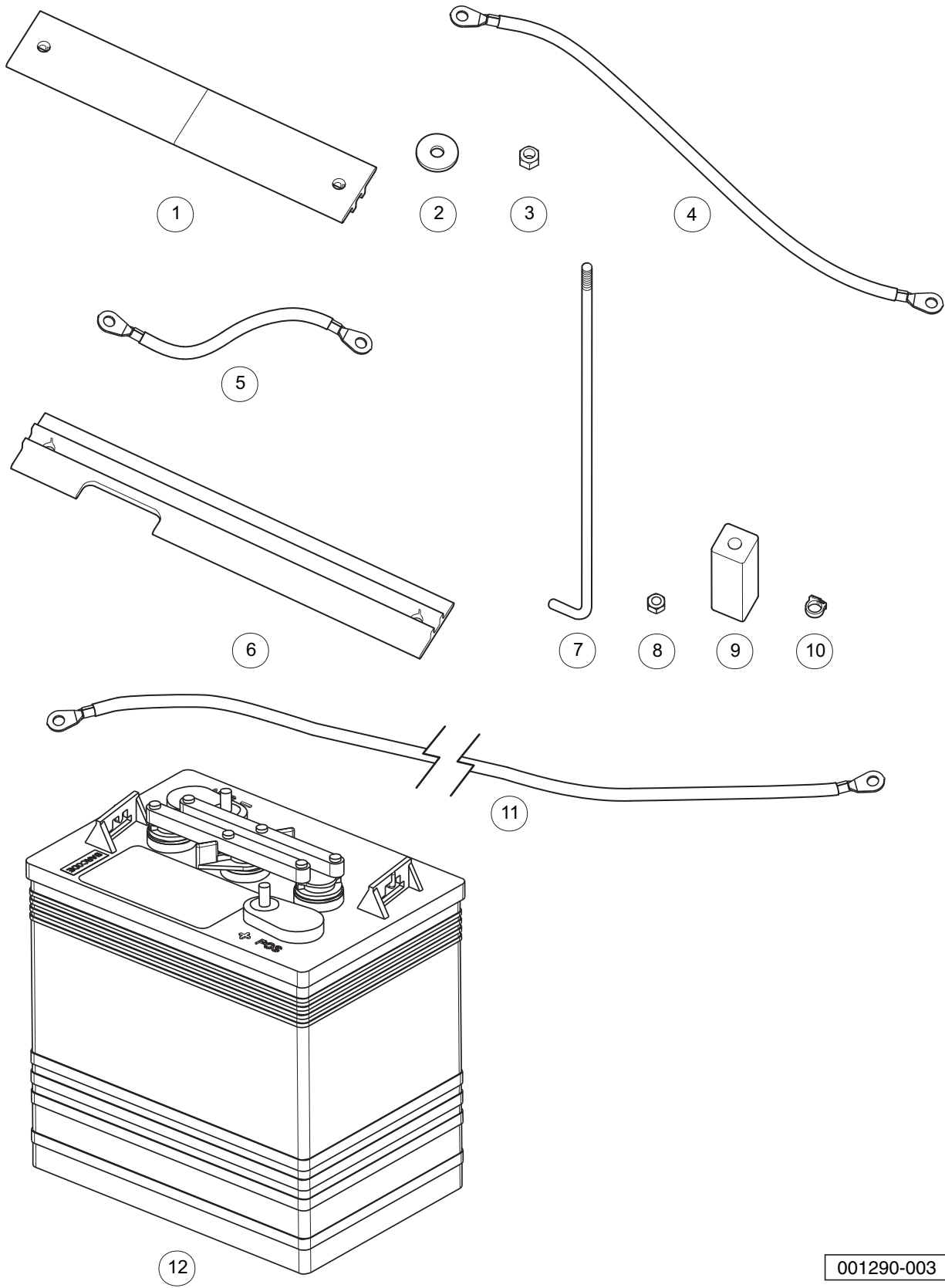
ITEM	PART NO.	DESCRIPTION	QTY
		<b>1 2 3 4</b>	
1	1012126	Screw, #10-32 X .625 Hx Washer .....	1
2	1013061	Locknut, #10-32 Nylon Insert .....	2
3	N/A	Tow/Run Switch Assembly (includes items 4 through 8) .....	1
4	101908101	Switch Assembly, Tow/Run .....	1
5	101908401	Boot, Switch .....	1
6	102838101	Circuit Breaker 250vac-50vdc .....	1
7	102845101	Decal, Tow Switch .....	1
8	102915701	Plate, Switch, Run Tow, Mode .....	1

14

E

14

E



001290-003

## BATTERIES, 6-VOLT, STANDARD DUTY, JCI

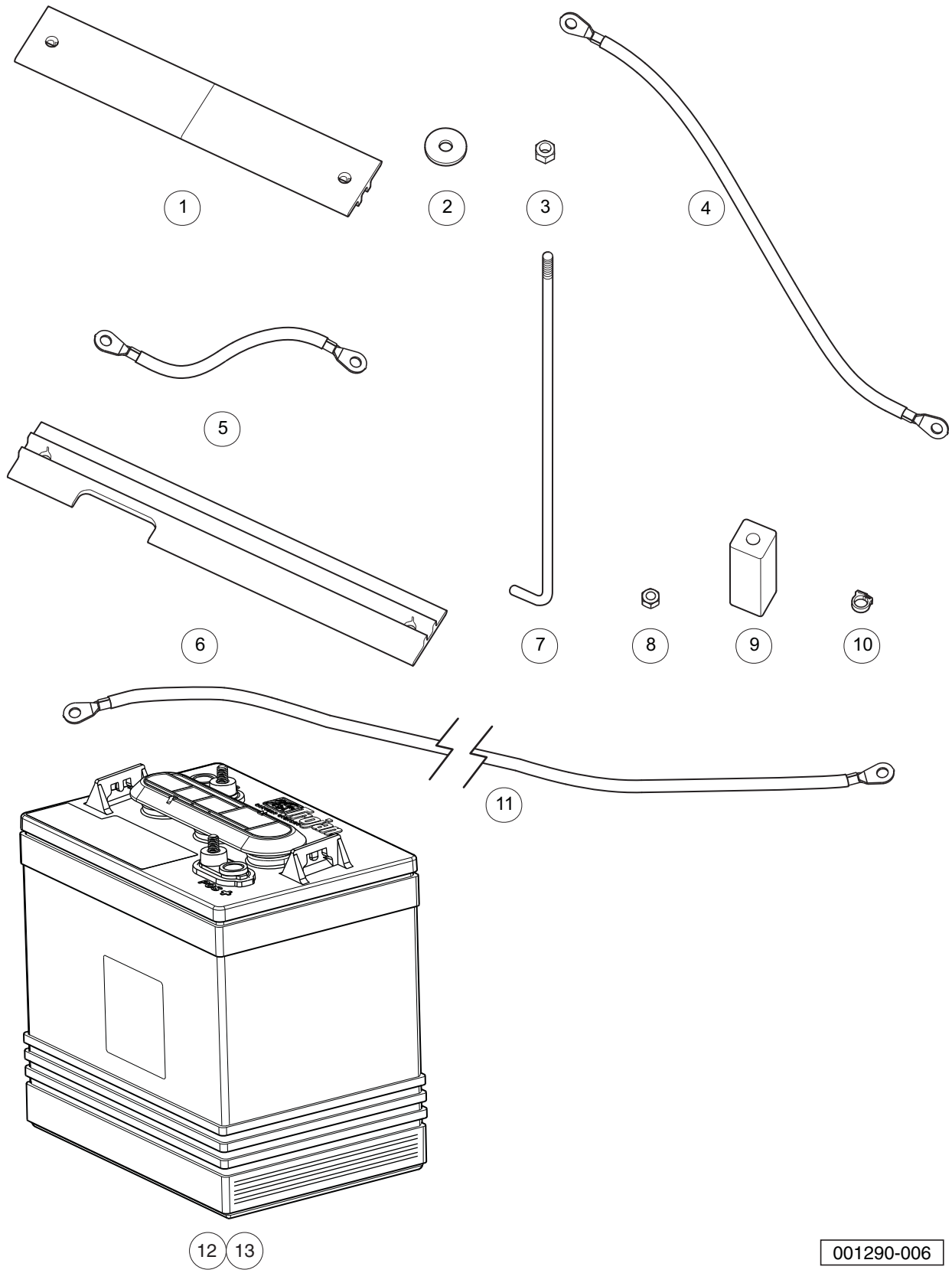
ITEM	PART NO.	DESCRIPTION	QTY
		1 2 3 4	
1	101090801	Hold-Down, Battery .....	2
2	1011578	Washer, 5/16 Type B Flat .....	12
3	1015072	Locknut, 5/16-18 Nylon Insert .....	12
4	102002801	Wire Assy, #4 Black .....	2
5	102002901	Wire Assy, #4 Black .....	3
6	102766201	Hold Down, Outside .....	4
7	102845203	Rod, Battery Hold Down 10.7" .....	12
8	102873401	5/16-18 Heavy Hex Nut .....	16
9	102980801	Extr, Plastic, 1 X 1 X 3 .....	4
10	102980901	Clamp, Hose, Nylon, .25 .....	1
11	103198201	Asm, #4 Blk Wire, 42" .....	1
12	105210299	Battery, 6v, Type E, Gc2, Wet .....	8

14

E

14

E



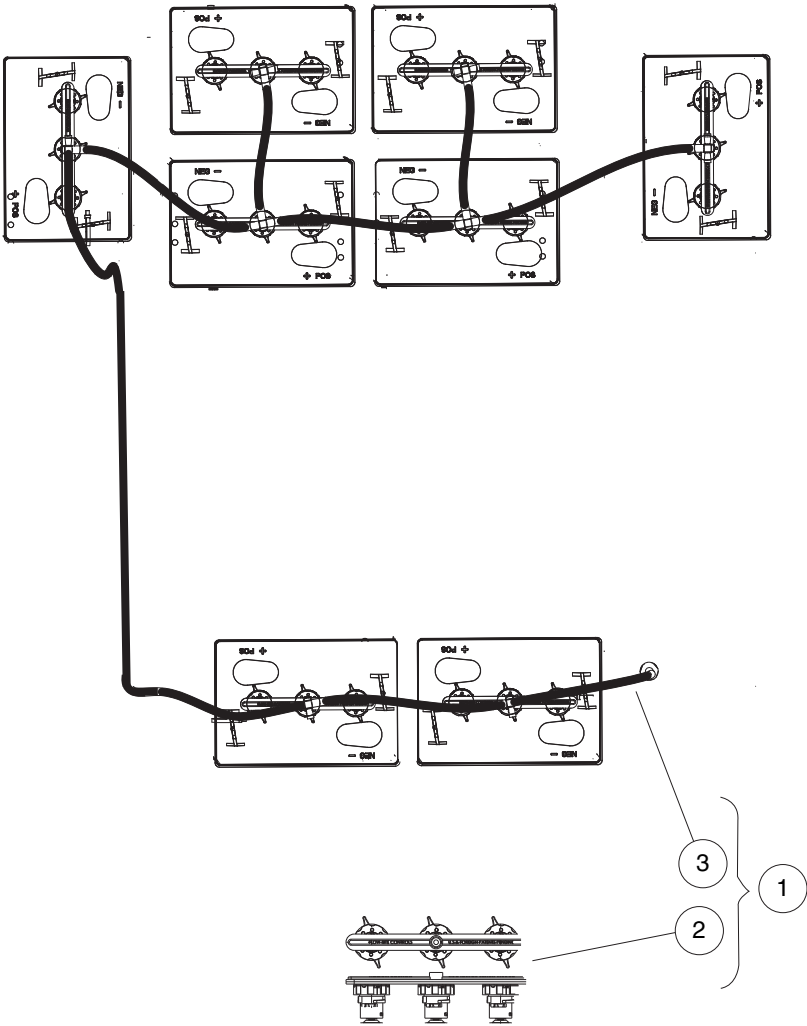
001290-006

## BATTERIES, 6-VOLT, HEAVY DUTY, TROJAN

ITEM	PART NO.	DESCRIPTION	QTY
		1 2 3 4	
1	101090801	Hold-Down, Battery .....	2
2	1011578	Washer, 5/16 Type B Flat .....	12
3	1015072	Locknut, 5/16-18 Nylon Insert .....	12
4	102002801	Wire Assy, #4 Black .....	2
5	102002901	Wire Assy, #4 Black .....	3
6	102766201	Hold Down, Outside .....	4
7	102845204	Rod, Battery Hold Down 12" .....	12
8	102873401	5/16-18 Heavy Hex Nut .....	16
9	102980801	Extr, Plastic, 1 X 1 X 3 .....	4
10	102980901	Clamp, Hose, Nylon, .25 .....	4
11	103198201	Asm, #4 Blk Wire, 42" .....	1
12	103969701	Battery, 6-Volt, Trojan T145 (Wet) (includes item 13) .....	8
13	101831401	Battery Cap 6 Volt .....	1

14

E



002525-001



# SINGLE POINT WATERING SYSTEM (SPWS)

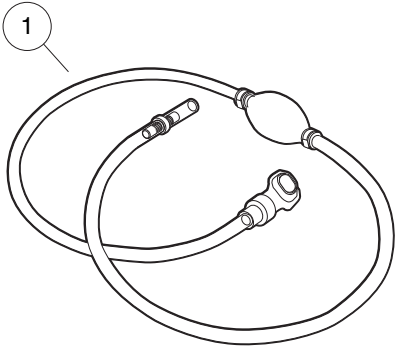
ITEM	PART NO.	DESCRIPTION	QTY
		1 2 3 4	
1	103942902	Kit, Spws, Villager 6, 8 (includes items 2 and 3) .....	1
2	103510501	Manifold, Lpr, 3 Vlve, Spw .....	8
3	103942101	Spws, Villager 6, 8 .....	1

14

E

**14**

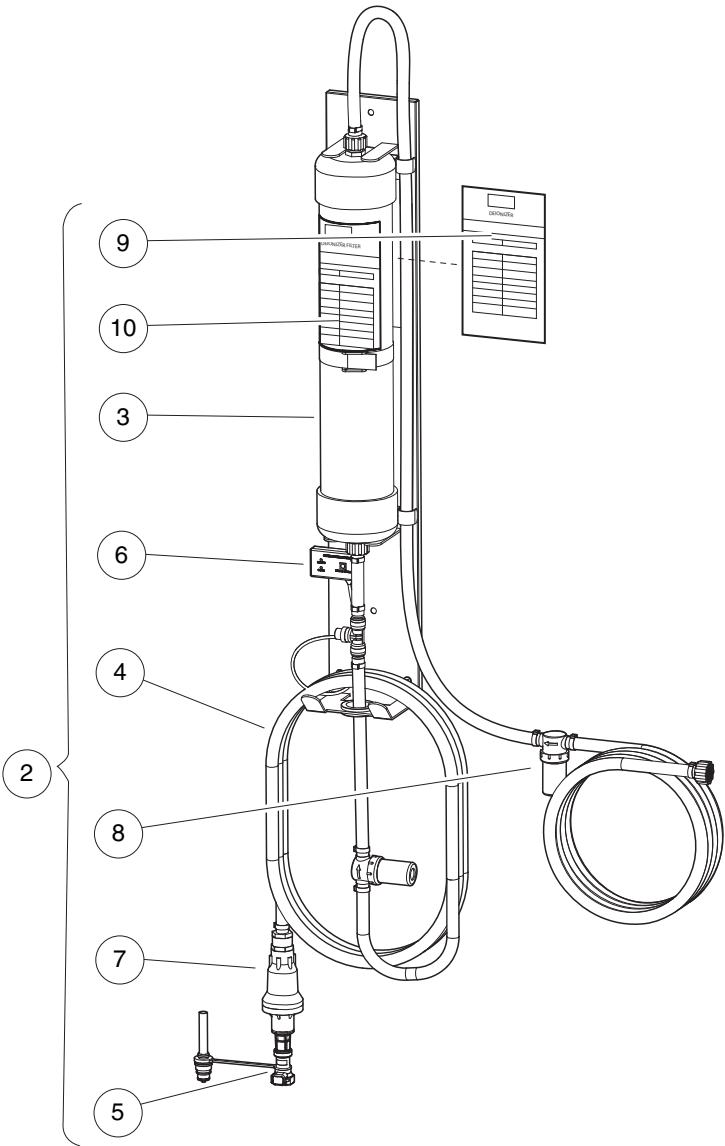
**E**



11



12



002523-003

# HAND PUMP AND DEIONIZER (BATTERY-POWERED QUALITY LIGHT)

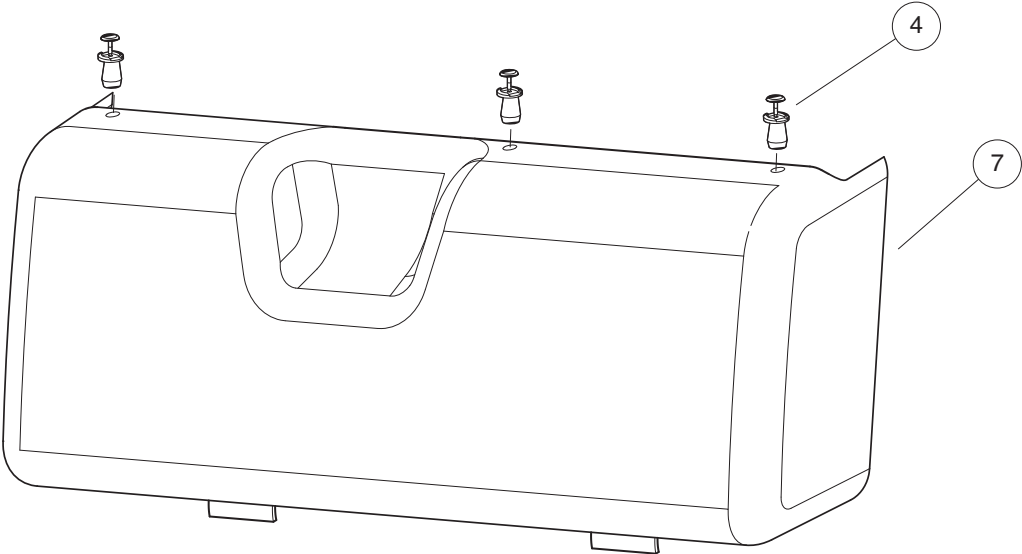
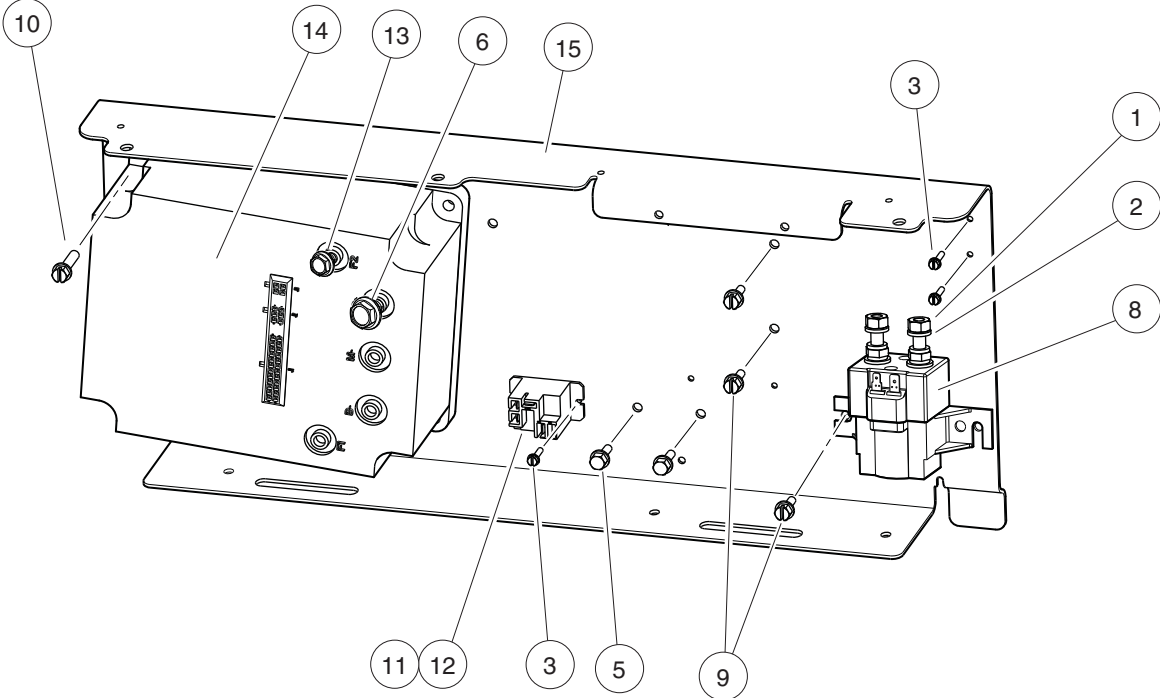
ITEM	PART NO.	DESCRIPTION	QTY
		<b>1 2 3 4</b>	
1	104006101	Kit, Hand Pump, Spws .....	1
2	105166801	Deionizer, w/Battery-Powered Water Quality Light (includes items 3 through 10) .....	1
3	104005901	Cartridge, Deionizer .....	1
4	105166901	Hose,outlet,deionizer .....	1
5	105167001	Flow Ind, W/coupler, Deionizer .....	1
6	105167101	Light, Quality, Battery-Powered, w/T-Fitting .....	1
7	105168501	Regulator, Pressure, Deionizer .....	1
8	105168601	Strainer, In-line, Deionizer .....	1
9	AM1300001	Decal, Filter Log, Blue .....	1
10	AM1300201	Decal, Inspect Log, Yellow .....	1
11	AM1300101	Decal, Filter Log, Blue, Pack of 100 .....	A/R
12	AM1300301	Decal, Inspect Log, Yellow, Pack of 100 .....	A/R

14

E

14

E



001427-001

# COMPUTER, CONTROLLER, AND SOLENOID – HIGH-FREQ. CHARGER

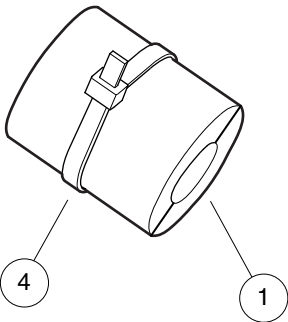
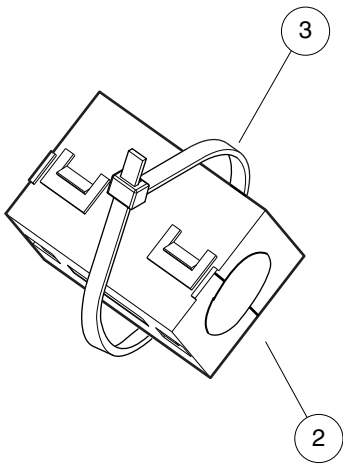
ITEM	PART NO.	DESCRIPTION	QTY
		<b>1 2 3 4</b>	
1	1012528	Nut, M8-1.25 Hex .....	2
2	1013734	Lockwasher, 8mm Split .....	2
3	1015720	Screw, #6-32 X 1/2 Hex Washer-Head .....	4
4	1016967	Blind Rivet, Push Type .....	3
5	102238001	#10-24 Taptite Screw .....	2
6	102240501	Bolt, Controller, Terminal .....	3
7	102772402	Cover, Electrical Component, Carryall 6 .....	1
8	102774701	Solenoid, 48v .....	1
9	102817101	Screw, 1/4-20 X .50 Hex Wsh Hd .....	4
10	102817201	Screw, 1/4-20 X .88 Hex Wsh Hd .....	4
11	103414901	Kit, Relay, 48v 30a W/instr (includes item 12) .....	1
12	103397901	Relay, Spst No, 48v 30a, Pmt .....	1
13	105000501	Screw, M6 X 1 X 12 Ser Hex Flg .....	2
14	105075201	Controller, 500 Amp, Hfc .....	1
15	105147101	Plate, Component, Frnt, No Obc .....	1

**14**

**E**

14

E



001055-001

# FERRITE BEADS, CE

ITEM	PART NO.	DESCRIPTION	QTY
		1 2 3 4	
1	103449501	Bead, Ferrite, Tdk .....	A/R
2	103449601	Bead, Ferrite, Fair-rite .....	A/R
3	8639	Tie Wrap, 11" Nylon .....	A/R
4	8990	Tie Wrap, 8" Nylon .....	A/R

14

E

**14**

***E***

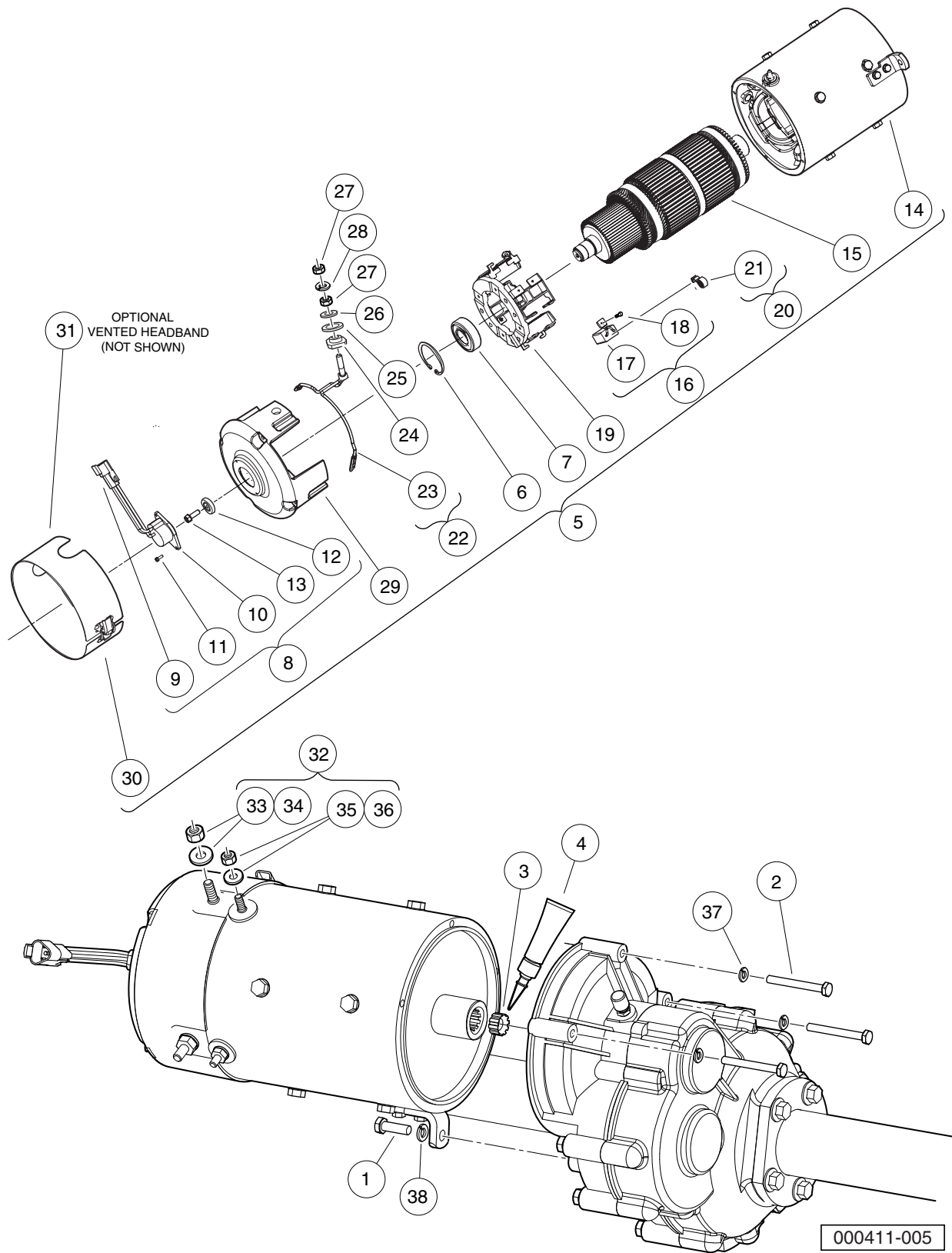


# MOTOR (MODEL DA5-4006) – IQ PLUS

---

15

E



# MOTOR (MODEL DA5-4006) – IQ PLUS

ITEM	PART NO.	DESCRIPTION	QTY
		<b>1 2 3 4</b>	
1	1010934	Screw, 5/16-18 X 1.00 Hex Cap .....	1
2	1014201	Screw, 1/4-20 X 2.25 Hex Cap .....	3
3	102235201	Bumper, Drive Unit .....	1
4	102243403	Lubricant, Moly-Teflon (Single-Use Tube) .....	1
5	102775101	IQ Plus Electric Motor, 48-VDC 3.7 hp (includes items 6 through 30) .....	1
6	N/A	Ring, 2.24" Internal Retaining .....	1
7	102186401	Bearing, Ball .....	1
8	102704901	Kit, Speed Sensor (includes items 9 through 13) .....	1
9	101942301	Kit, 3-Pin Wedge Lock .....	1
10	N/A	Sensor, Motor Speed, ADC .....	1
11	N/A	Screw, #8-32, Taptite Thread .....	2
12	N/A	Magnet, ADC Motor .....	1
13	N/A	Screw, 1/4-20 x 0.5 .....	1
14	N/A	Asm, Frame And Field, 3.7 Hp .....	1
15	N/A	Armature (Includes external hardware not shown) .....	1
16	102938601	Kit, Brush, 3.7 Hp (includes items 17 and 18) .....	1
17	N/A	Brush, Motor .....	8
18	N/A	Screw, Taptite .....	8
19	102938701	Asm, Brush Box, 3.7 Hp .....	1
20	102938801	Kit, Brush Spring, 3.7 Hp (includes item 21) .....	1
21	N/A	Brush Spring .....	8
22	102938901	Kit, Brush Lead Asm, 3.7 Hp (includes items 23 through 28) .....	1
23	N/A	Terminal and Lead Assembly .....	2
24	N/A	Insulator, Terminal .....	2
25	N/A	Washer, Insulating .....	2
26	N/A	Washer, Flat, 5/16, Brass/Bronze .....	2
27	N/A	Nut, 5/16, Steel .....	4
28	N/A	Lockwasher, 5/16, Steel .....	2
29	102939001	Commutator End Head, 3.7 Hp .....	1
30	102939101	Sealed Headband, 3.7 Hp .....	1
31	102939102	Vented Headband, 3.7 HP (optional - not shown) .....	1
32	102951701	Pkg, Terminal Hardware, 3.7hp (includes items 33 through 36) .....	1
33	N/A	Nut, 5/16, Steel .....	2
34	N/A	Lockwasher, 5/16, Steel .....	2
35	N/A	Nut, 1/4-20, Steel .....	2
36	N/A	Lockwasher, 1/4-20, Steel .....	2
37	451	Lockwasher, 1/4 Split .....	3
38	7174	Lockwasher, 5/16 Split .....	1

15

E

**15**

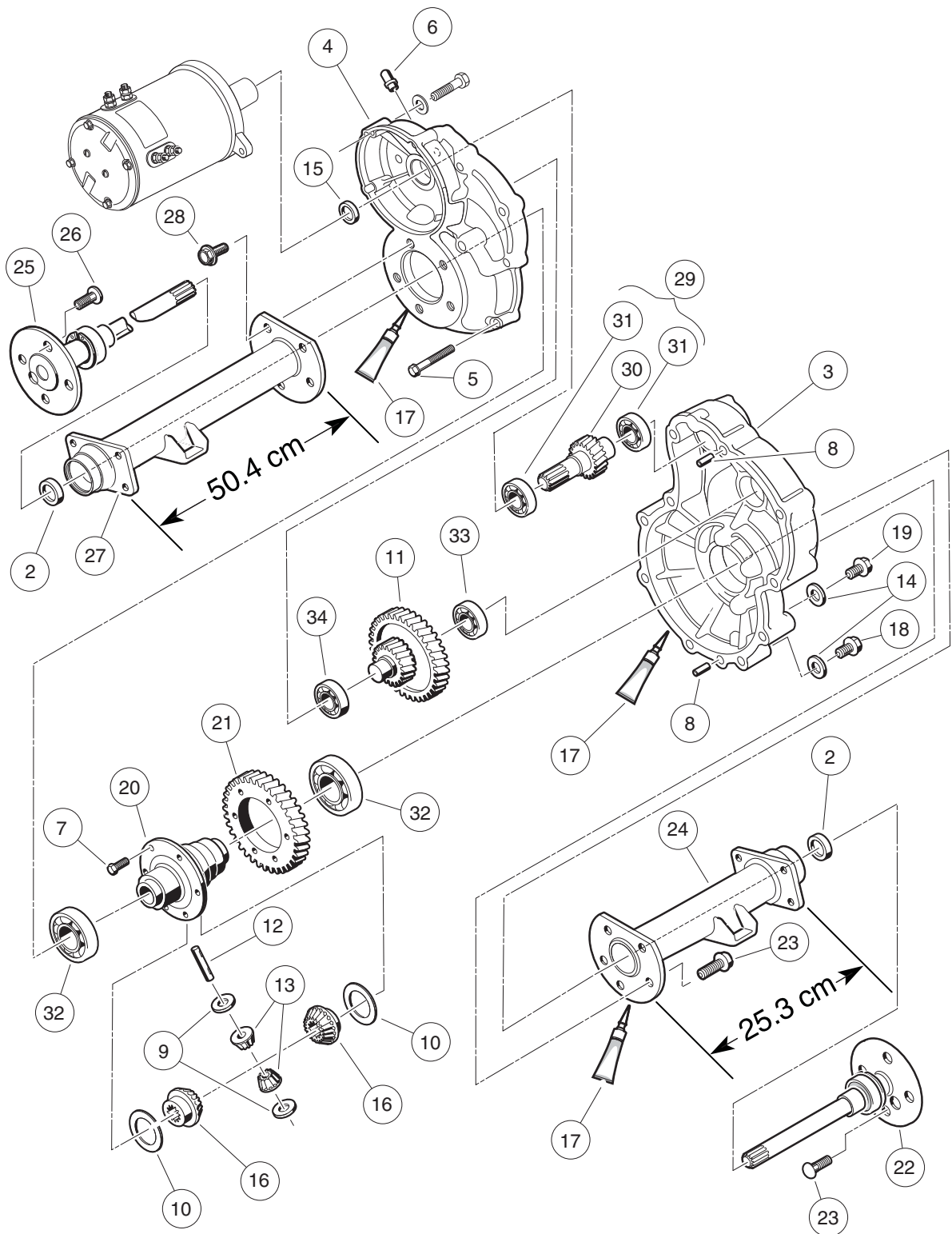
***E***

# TRANSAXLE – ELECTRIC VEHICLES

---

16

*E*



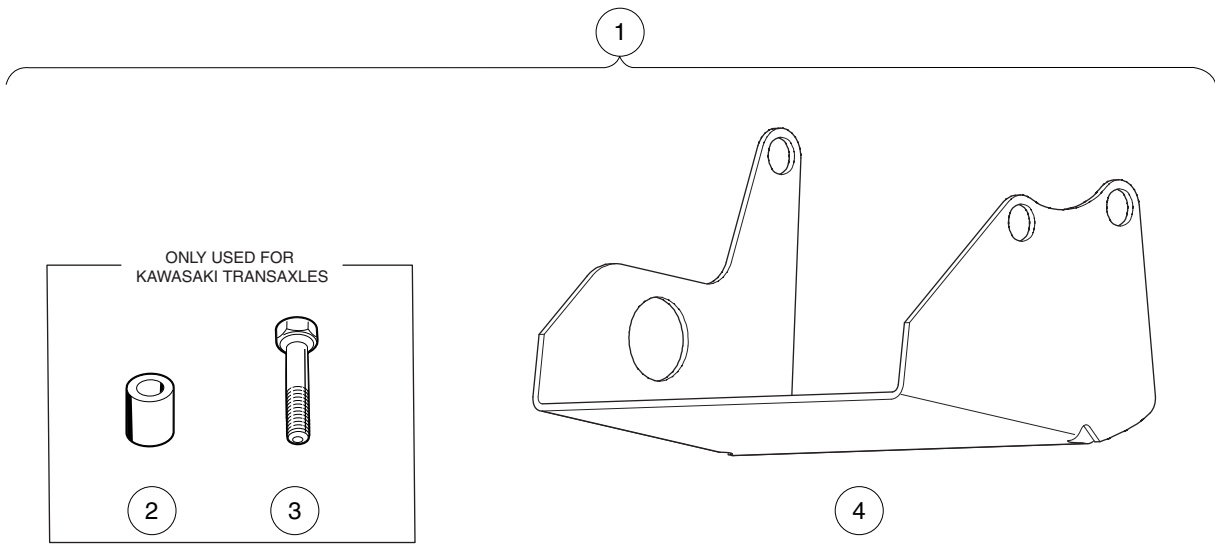
000223-005

# TRANSAXLE – ELECTRIC VEHICLES

ITEM	PART NO.	DESCRIPTION	QTY
		<b>1 2 3 4</b>	
1	102771701	Transaxle, Electric (includes items 2 through 34) .....	1
2	1013794	Axle Shaft Oil Seal .....	2
3	101895401	Gear Case, Driver-Side .....	1
4	101895501	Gear Case, Passenger-Side .....	1
5	101897001	Screw, M8-1.25 X 60mm Hex-Head .....	11
6	101897201	Breather .....	1
7	101897401	Screw, M10-1.25 X 25mm .....	6
8	101897601	Pin, 11mm OD X 8.5mm ID X 10mm .....	2
9	101903601	Washer, Thrust .....	2
10	101903701	Washer, Thrust .....	2
11	101906901	Intermediate Shaft Assembly .....	1
12	101922101	Pin, 15.99mm X 88.7mm Dowel .....	1
13	101923001	Gear, Differential Idler .....	2
14	101923201	Gasket .....	2
15	101923501	Seal, Lip .....	1
16	101923901	Gear, Differential .....	2
17	101928701	Liquid Gasket (Transaxle case) .....	1
18	101972101	Plug, M14-1.5 X 12mm Magnetic .....	1
19	101972201	Plug, M14-1.5 X 12mm Hex .....	1
20	102356601	Housing, Differential, 6 Bolt .....	6
21	102356801	Gear, Differential Output, 6-Bolt .....	6
22	102886301	Axle Assembly, Driver-Side (includes item 23) .....	1
23	101922201	Lug Stud .....	4
24	102886401	Tube, Axle, Driver-Side .....	1
25	102886501	Axle Assembly, Passenger-Side (includes item 26) .....	1
26	101922201	Lug Stud .....	4
27	102886601	Tube, Axle, Passenger-Side .....	1
28	102902801	Screw, M10 X 30 .....	10
29	103582801	Asm, E Trans Shaft/bearing (includes items 30 and 31) .....	1
30	N/A	Shaft, Input .....	1
31	7335	Bearing .....	2
32	7330	Inner Axle Tube Bearing .....	2
33	7335	Bearing .....	1
34	7336	Bearing .....	1

**16**

**E**



000365-002



## DIFFERENTIAL GUARD – ELECTRIC VEHICLES

ITEM	PART NO.	DESCRIPTION	QTY
		1 2 3 4	
1	101611402	Kit, Differential Guard, Elec Vehicles (includes items 2 through 4) .....	1
2	101914001	Spacer, Steel .....	2
3	101936101	Screw, M10-1.50 X 60mm Hex Cap .....	2
4	101978601	Guard, Differential, Electric Vehicle Transaxle .....	1

16

E

**16**

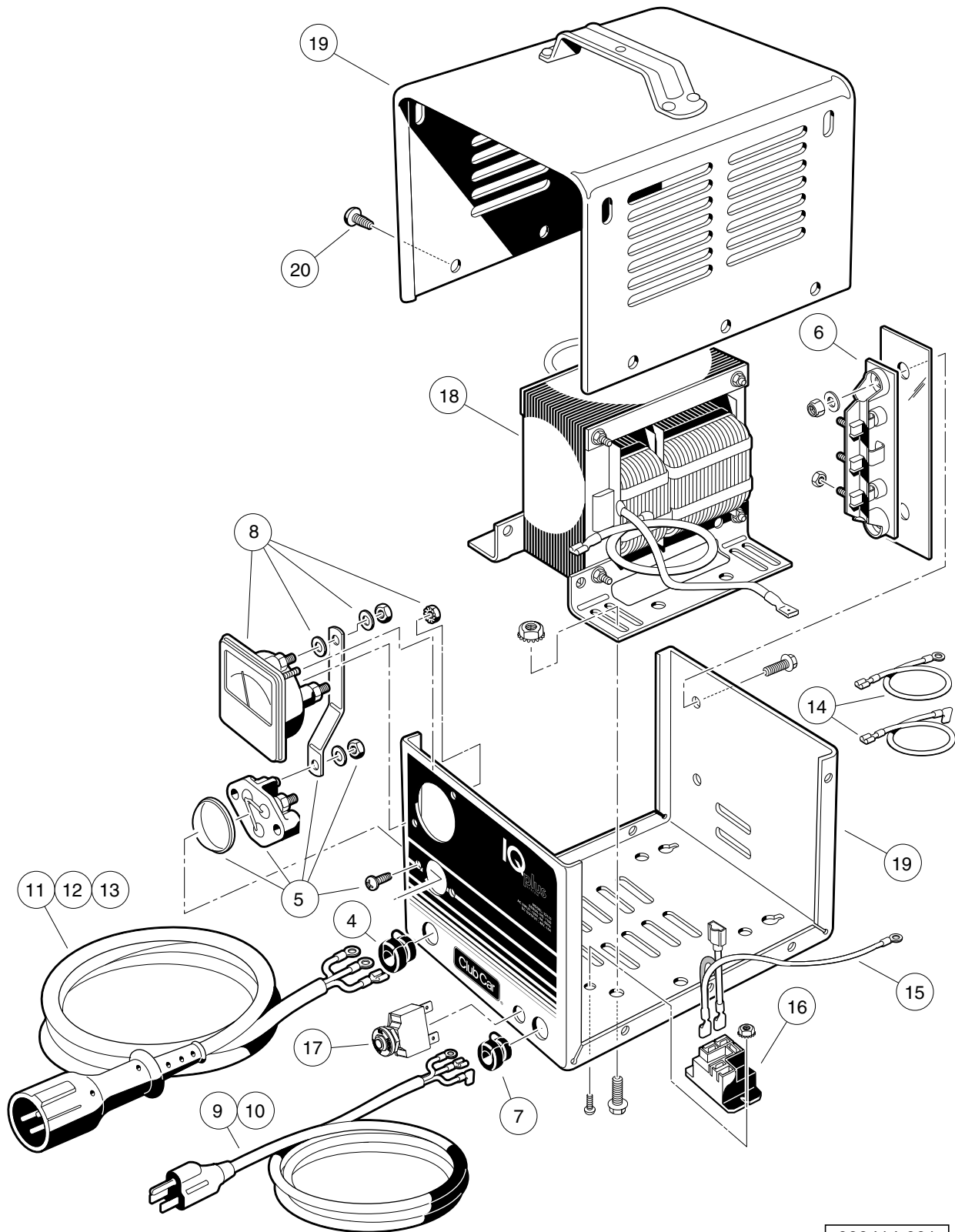
***E***

# BATTERY CHARGERS – IQ PLUS

---

17

E



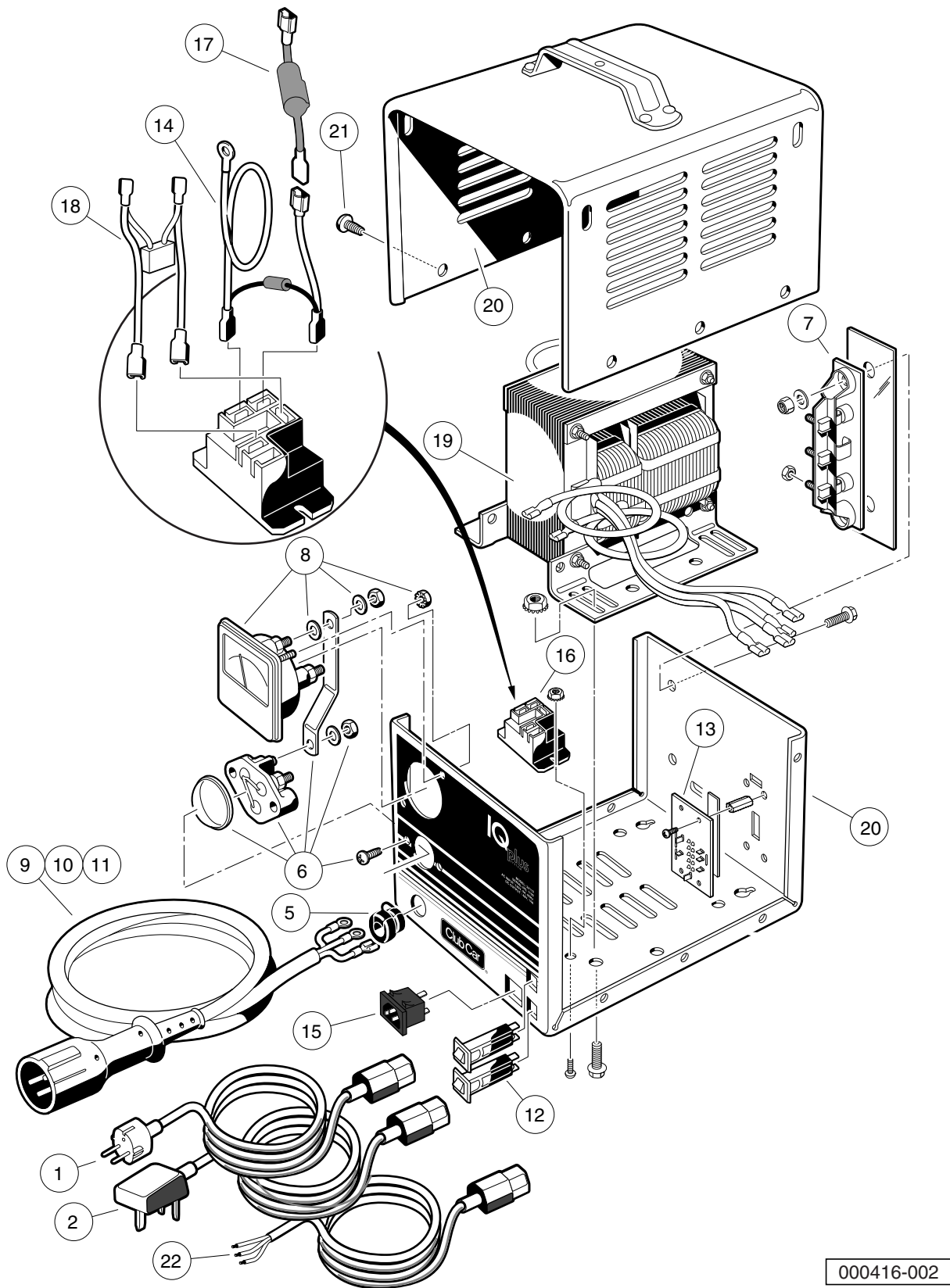
000414-001

# IQ PLUS BATTERY CHARGER (MODELS 25730-11,-18,-19), DOMESTIC

ITEM	PART NO.	DESCRIPTION	QTY
		1 2 3 4	
1	102847801	Charger, IQ Plus, Domestic (9-ft. DC Cord, 6-ft. AC Cord) .....	1
2	102847802	Charger, IQ Plus, Domestic (12-ft. DC Cord, 9-ft. AC Cord) .....	1
3	102847803	Charger, IQ Plus, Domestic (20-ft. DC Cord, 9-ft. AC Cord) (includes items 4 through 20)	1
4	1012098	Bushing, DC Cord .....	1
5	1012101	Fuse Assembly .....	1
6	1015914	Rectifier with Heatsink Assembly .....	1
7	1015917	Bushing, AC Cord .....	1
8	101828501	Ammeter .....	1
9	101828801	Cord, AC, 80-Inch (203 cm) .....	1
10	101828802	Cord, AC, 108-Inch (274 cm) .....	1
11	101828901	Cord, DC, 113-Inch (287 cm) .....	1
12	101828902	Cord, DC, 154-Inch (391 cm) .....	1
13	101828903	Cord, DC, 250-Inch (635 cm) .....	1
14	101831101	Wire Assembly Kit .....	1
15	101914401	Assembly, Voltage Suppressor .....	1
16	102275401	Relay, 48-VDC .....	1
17	102838101	Circuit Breaker 250vac-50vdc .....	1
18	N/A	Transformer, Battery Charger .....	1
19	N/A	Case, Battery Charger .....	1
20	7577	Screw, #10 X 0.50 Phillips Pan-Head .....	10

17

E



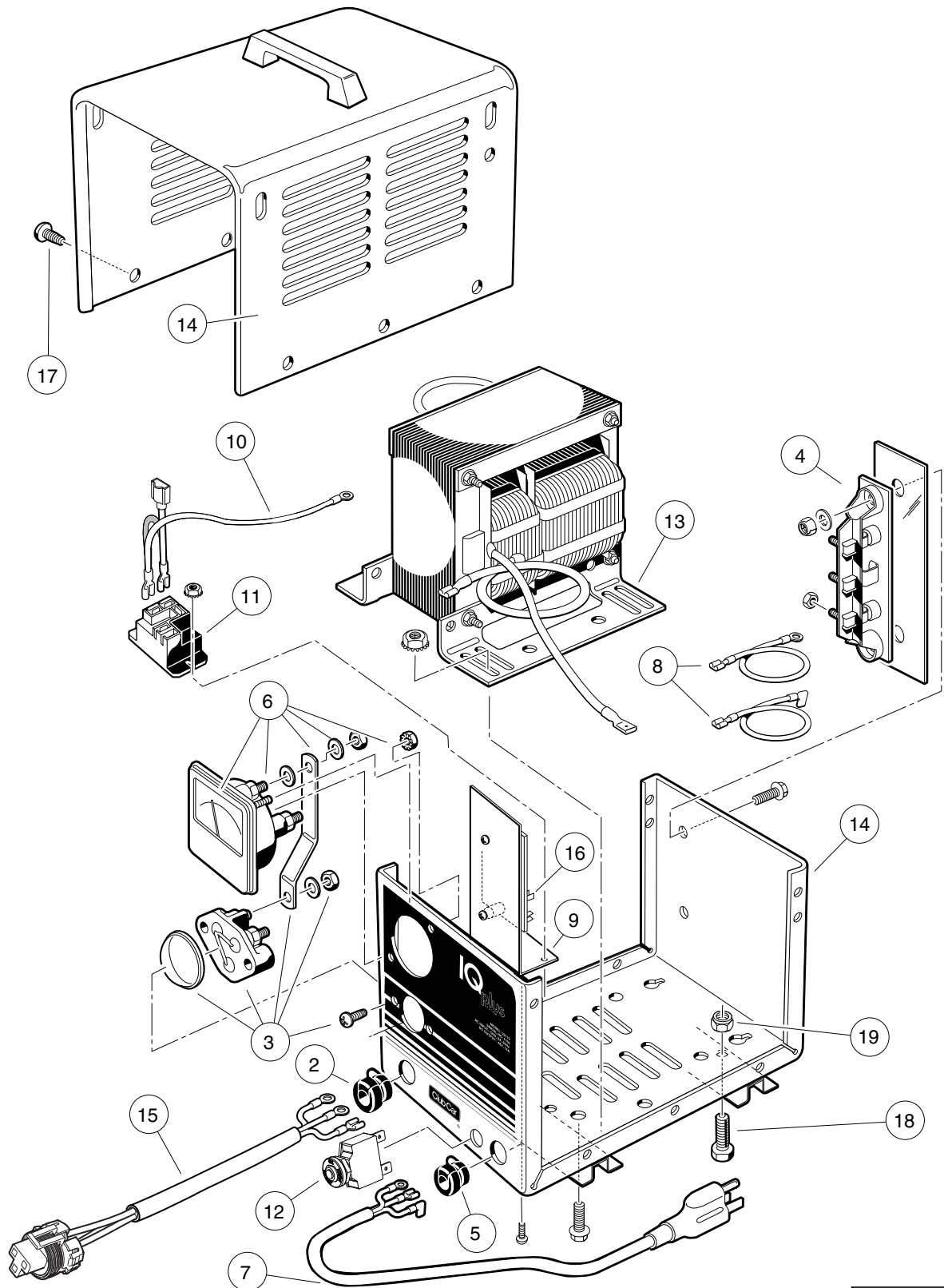
000416-002

# IQ PLUS BATTERY CHARGER (MODELS 25880-11 AND -18), INTERNATIONAL

ITEM	PART NO.	DESCRIPTION	QTY
		1 2 3 4	
1	101958201	Cord, UK, AC, Battery Charger .....	1
2	101958301	Cord, European AC, Battery Charger .....	1
3	102892901	Charger, IQ Plus, International (9-ft. DC Cord) .....	1
4	102892902	Charger, IQ Plus, International (12-ft. DC Cord) (includes items 5 through 21) .....	1
5	1012098	Bushing, DC Cord .....	1
6	1012101	Fuse Assembly .....	1
7	1015914	Rectifier with Heatsink Assembly .....	1
8	101828501	Ammeter .....	1
9	101828901	Cord, DC, 113-Inch (287 cm) .....	1
10	101828902	Cord, DC, 154-Inch (391 cm) .....	1
11	101828903	Cord, DC, 250-Inch (635 cm) .....	1
12	101838401	Circuit Breaker .....	2
13	101838601	Four-Position Switch .....	1
14	101914401	Assembly, Voltage Suppressor .....	1
15	101973501	Receptacle, AC Cord .....	1
16	102275401	Relay, 48-VDC .....	1
17	N/A	Limiter, Current .....	1
18	N/A	Wire Assembly, Battery Charger .....	1
19	N/A	Transformer, Battery Charger .....	1
20	N/A	Case, Battery Charger .....	1
21	7577	Screw, #10 X 0.50 Phillips Pan-Head .....	10
22	102939501	Cord, European AC, Battery Charger .....	1

17

E



000415-002

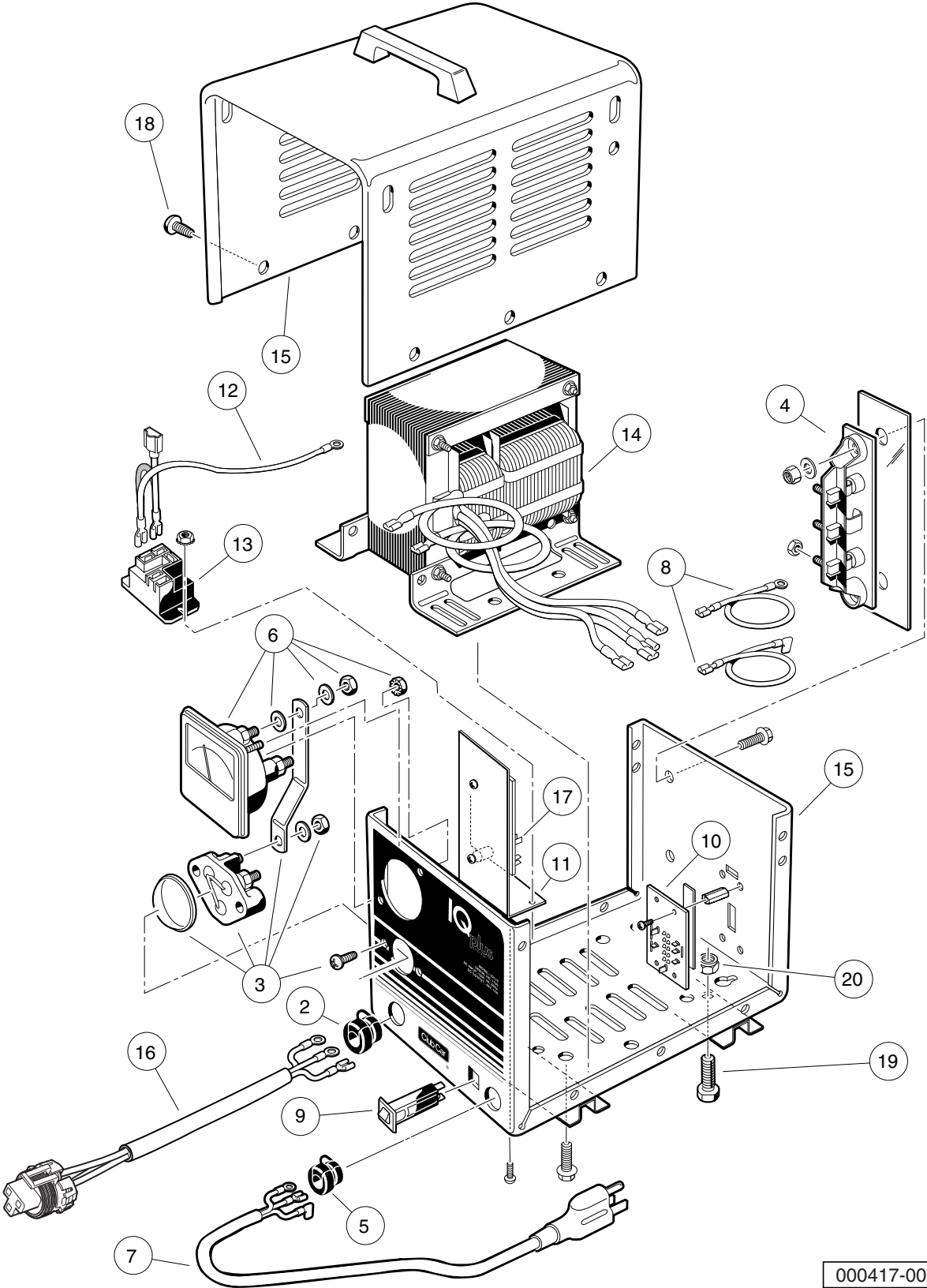


# ONBOARD IQ PLUS BATTERY CHARGER (MODEL 25260-50), DOMESTIC

ITEM	PART NO.	DESCRIPTION	QTY
		1 2 3 4	
1	103772401	Charger, IQ Plus, Onboard, Domestic (includes items 2 through 19) .....	1
2	1012098	Bushing, DC Cord .....	1
3	1012101	Fuse Assembly .....	1
4	1015914	Rectifier with Heatsink Assembly .....	1
5	1015917	Bushing, AC Cord .....	1
6	101828501	Ammeter .....	1
7	101829001	Cord, AC, 22-Inch (56 cm) .....	1
8	101831101	Wire Assembly Kit .....	1
9	101838701	Mounting Bracket, Relay .....	1
10	101914401	Assembly, Voltage Suppressor .....	1
11	102275401	Relay, 48-VDC .....	1
12	102838101	Circuit Breaker, 20 Amp .....	1
13	N/A	Transformer, Battery Charger .....	1
14	N/A	Case, Battery Charger .....	1
15	103832001	Cord, DC, 20", Charger .....	1
16	103869401	Control Board, Potted .....	1
17	7577	Screw, #10 X 0.50 Phillips Pan-Head .....	12
18	7847	Screw, 1/4-20 X 0.75 Hex-Head Cap .....	4
19	8233	Locknut, 1/4-20, Nylon Insert .....	4
<p style="text-align: center;">Note: DC Cord (item 15) uses the Packard 480 Connector.</p>			

17

E



000417-002

# ONBOARD IQ PLUS BATTERY CHARGER (MODEL 25660-50), INTERNATIONAL

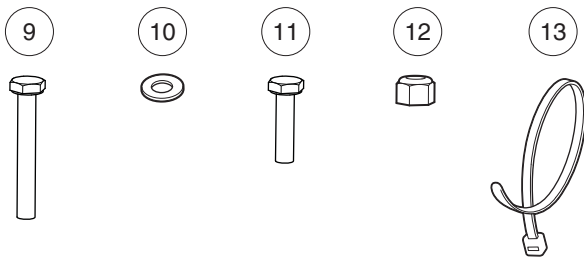
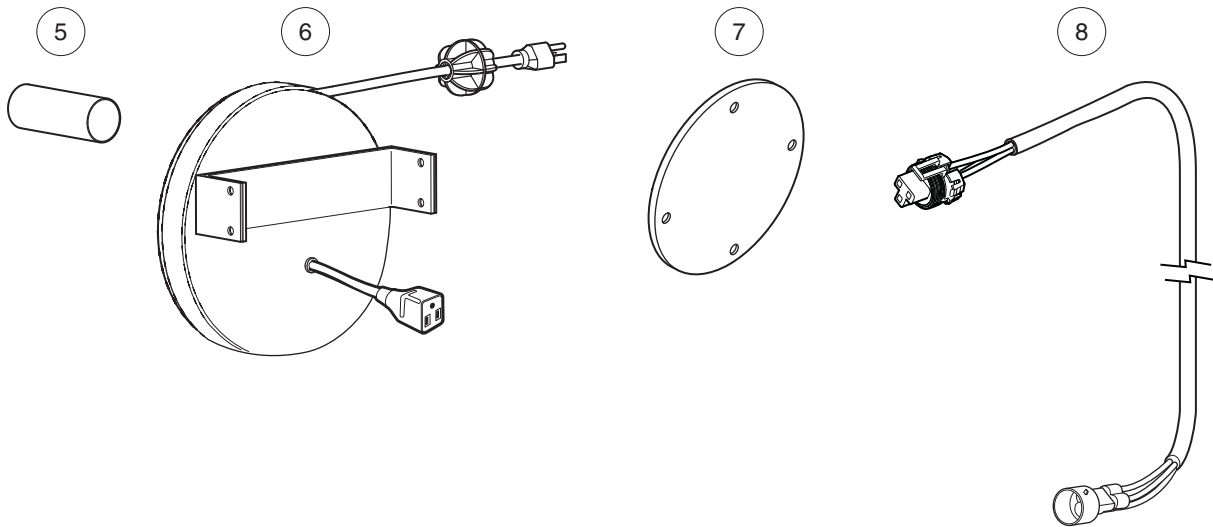
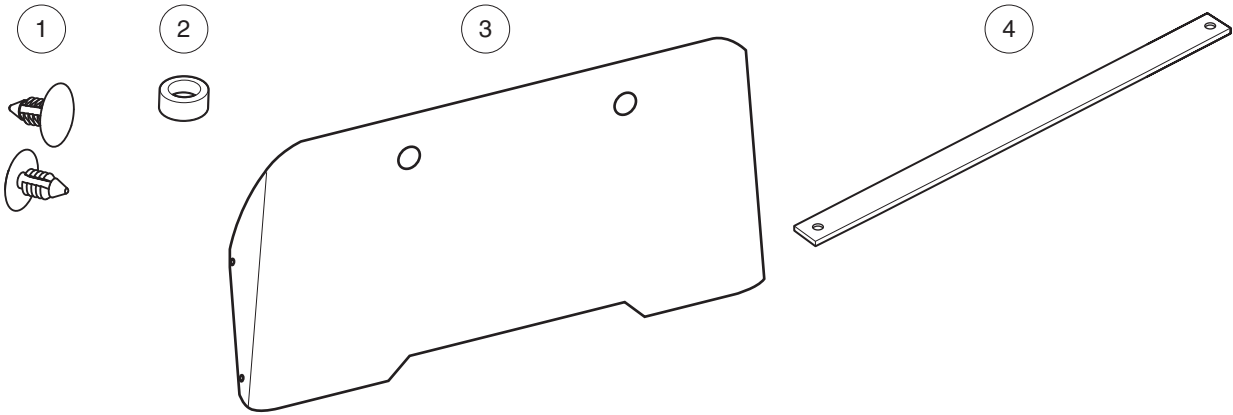
17

E

ITEM	PART NO.	DESCRIPTION	QTY
		1 2 3 4	
1	103771601	Charger, IQ Plus, Onboard, International (includes items 2 through 20) .....	1
2	1012098	Bushing, DC Cord .....	1
3	1012101	Fuse Assembly .....	1
4	1015914	Rectifier with Heatsink Assembly .....	1
5	1015917	Bushing, AC Cord .....	1
6	101828501	Ammeter .....	1
7	101829001	Cord, AC, 22-Inch (56 cm) .....	1
8	101831101	Wire Assembly Kit .....	1
9	101838401	Circuit Breaker .....	1
10	101838601	Four-Position Switch .....	1
11	101838701	Mounting Bracket, Relay .....	1
12	101914401	Assembly, Voltage Suppressor .....	1
13	102275401	Relay, 48-VDC .....	1
14	N/A	Transformer, Battery Charger .....	1
15	N/A	Case, Battery Charger .....	1
16	103832001	Cord, DC, 20", Charger .....	1
17	103869401	Control Board, Potted .....	1
18	7577	Screw, #10 X 0.50 Phillips Pan-Head .....	12
19	7847	Screw, 1/4-20 X 0.75 Hex-Head Cap .....	4
20	8233	Locknut, 1/4-20, Nylon Insert .....	4
<p style="margin-left: 40px;">Note: DC Cord (item 16) uses the Packard 480 Connector.</p>			

17

E



001289-002

# ONBOARD IQ PLUS CHARGER AND CORD REEL MOUNTING

ITEM	PART NO.	DESCRIPTION	QTY
		1 2 3 4	
1	1010434	Barrel - Plastic .....	4
2	1010927	Hill Brake Spacer .....	4
3	1011348	Rear Panel 4 Passenger .....	1
4	1011707	Bracket, Mounting, Battery Charger .....	2
5	1017189	Heat Shrink Tube 1.5"x 4' .....	1
6	101965401	Reel Assy, Retractable Cord .....	1
7	103218001	Cover Plate, Receptacle .....	1
8	103772201	Harness, Ob Charg, Vill, 480 .....	1
9	1703	Screw, 1/4-20 X 1.50 Hx Hd Cap .....	4
10	332	Washer, 1/4 Type A Narrow Flat .....	4
11	7847	Screw, 1/4-20 X 0.75 Hex-Head Cap .....	4
12	8233	Locknut, 1/4-20, Nylon Insert .....	8
13	8990	Tie Wrap, 8" Nylon .....	4
Note: Charger Harness (item 8) uses the Packard 480 Connector.			

17

E

17

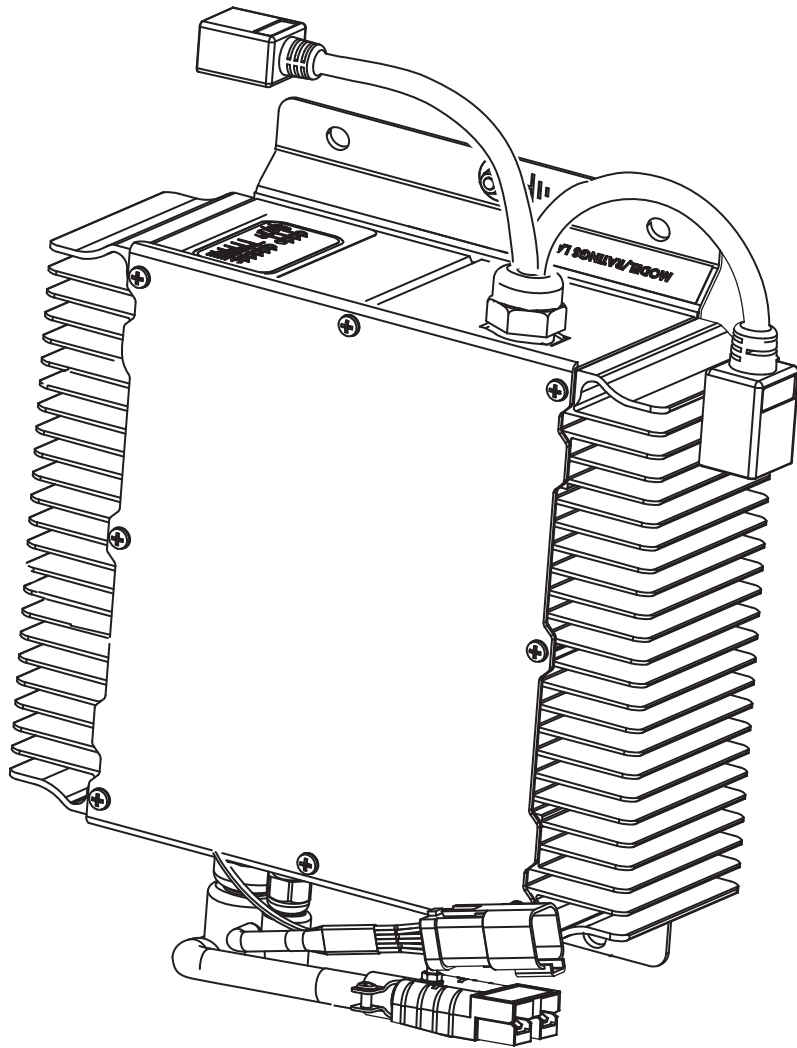
*E*

# BATTERY CHARGER – HIGH-FREQUENCY

---

18

E



1

001428-001

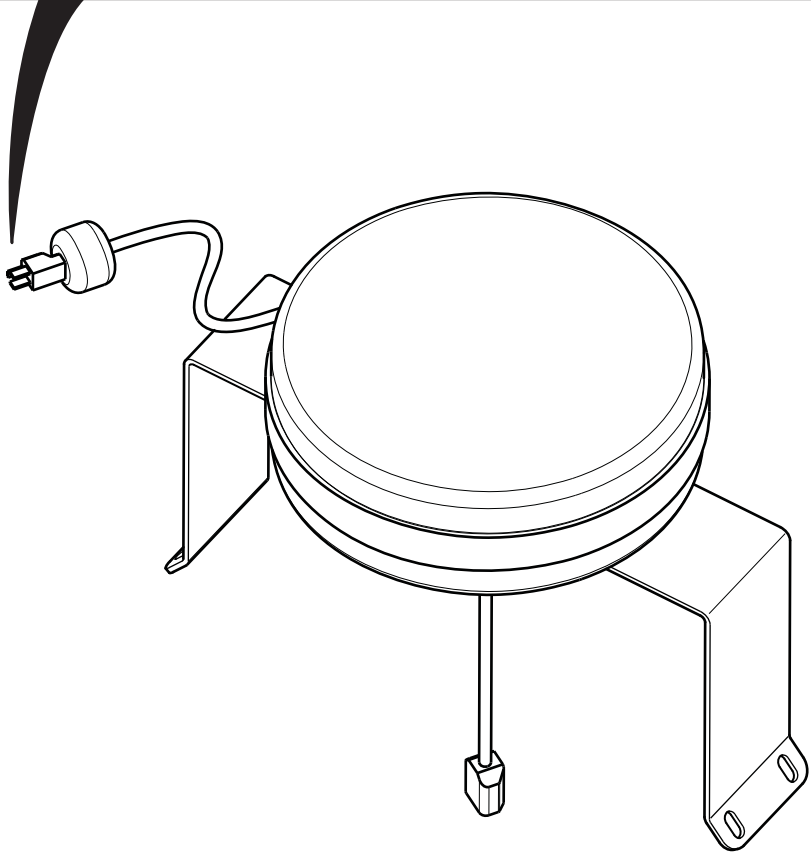
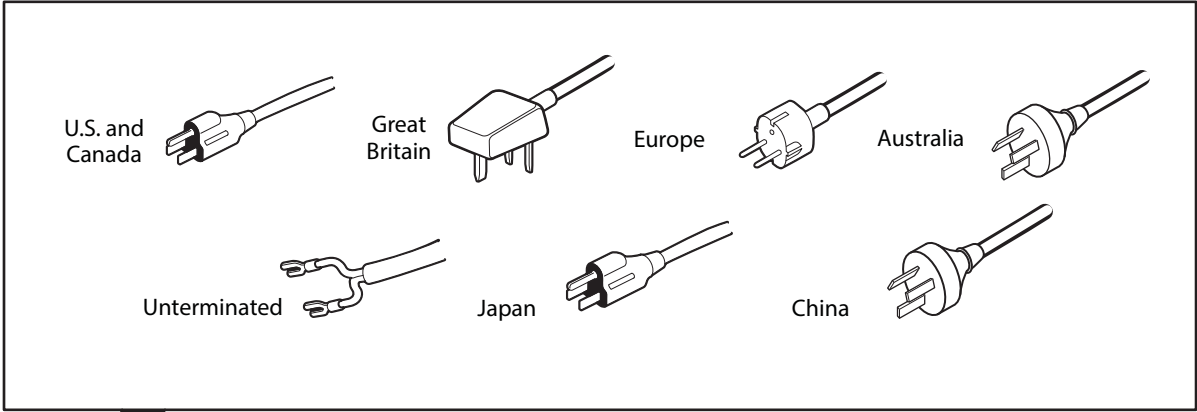


# HIGH-FREQUENCY BATTERY CHARGER – ONBOARD

ITEM	PART NO.	DESCRIPTION	QTY
1	105149401	1 2 3 4 Chrg, Batt, Onboard, Quiq .....	1

18

E



- 1
- 2
- 3
- 4
- 5
- 6
- 7

001429-001

# CORD REELS, ONBOARD – HIGH-FREQUENCY CHARGER

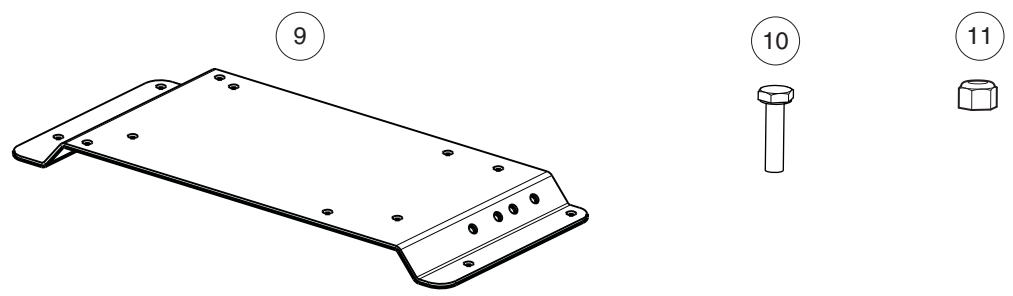
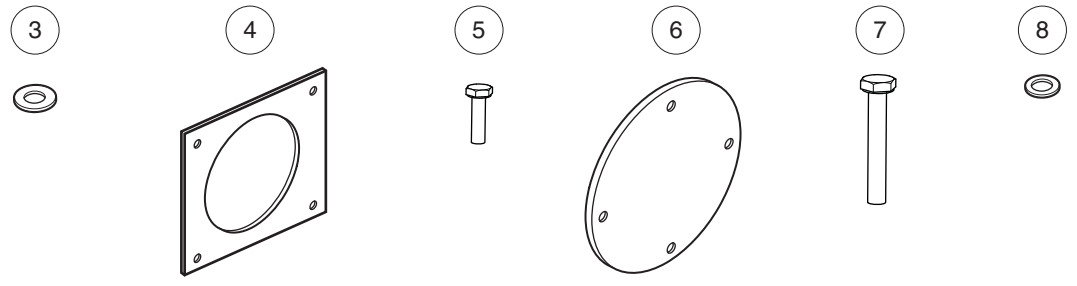
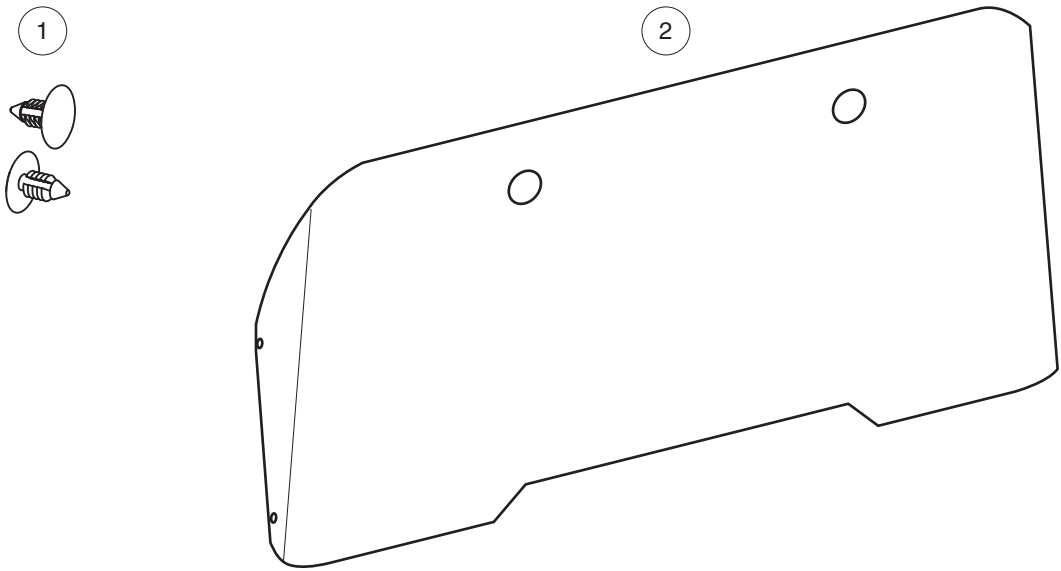
ITEM	PART NO.	DESCRIPTION	QTY
		1 2 3 4	
1	47579307001	Cord Reel, Retrct, V6/v8 .....	1
2	47579307002	Cord Reel,retrct,v6/v8, Uk .....	1
3	47579307003	Cord Reel,retrct,v6/v8, Eu .....	1
4	47579307004	Cord Reel,retrct,v6/v8, Au .....	1
5	47579307005	Cord Reel,retrct,v6/v8, Unterm .....	1
6	47579307006	Cord Reel,retrct,v6/v8, Japan .....	1
7	47579307007	Cord Reel,retrct,v6/v8, China .....	1

18

E

18

E



001430-001

## CHARGER MOUNTING – ONBOARD HIGH-FREQ.

ITEM	PART NO.	DESCRIPTION	QTY
		1 2 3 4	
1	1010434	Barrel - Plastic .....	4
2	1011348	Rear Panel 4 Passenger .....	1
3	1014306	Washer, 1/4" Type B Flat .....	4
4	101801001	Plate, Receptacle Backing .....	1
5	101832001	Screw, #7-19 X 0.625 Phillips Pan-Head Tap .....	4
6	103218001	Cover Plate, Receptacle .....	1
7	304	Screw, 1/4-20 X 1.0 Hex-Head Cap .....	4
8	332	Washer, 1/4 Type A Narrow Flat .....	12
9	47579306001	Brkt, Ob Charger, V6/v8 .....	1
10	7847	Screw, 1/4-20 X 0.75 Hex-Head Cap .....	8
11	8233	Locknut, 1/4-20, Nylon Insert .....	12

18

E



# MAINTENANCE AND SERVICE TOOLS

---

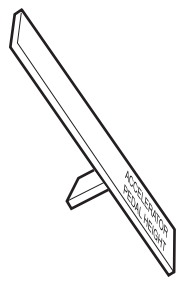
19

G

E

D

**19**  
**G**  
**E**  
**D**



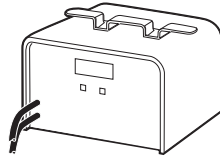
1



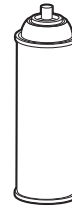
2



3



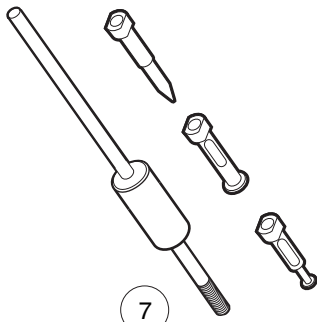
4



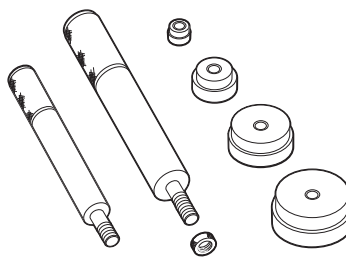
5



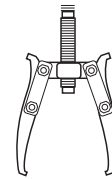
6



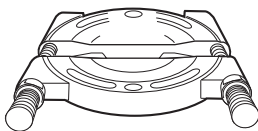
7



8



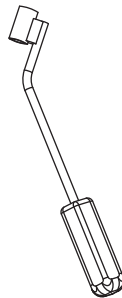
9



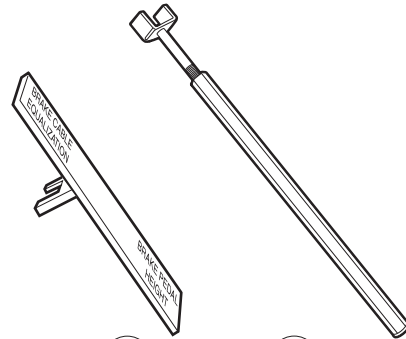
10



11



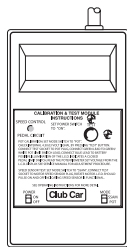
12



13

14

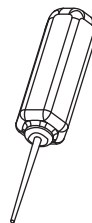
15



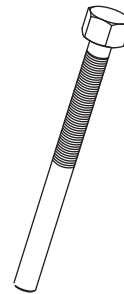
16



17



18



19



# MAINTENANCE AND SERVICE TOOLS

ITEM	PART NO.	DESCRIPTION	QTY DIESEL	QTY GAS	QTY ELEC
		<p style="text-align: center;">1 2 3 4</p> <p>The following tool list includes all tools available from Club Car for maintenance and service procedures for gasoline, electric, and/or diesel vehicles, both past and present models. Be sure to carefully examine the tool list for applicability to your vehicle before ordering.</p>			
1	101871001	Accelerator Pedal Adjustment Tool .....		1	1
2	101813202	Adhesive, Guide Ring, 3-Gram Tube .....			1
3	101641202	Arbor .....		1	
4	101831901	Battery Discharge Machine, 36/48 Volt .....			1
5	1014305	Battery Terminal Protector Spray .....	1	1	1
6	1011767	Battery Thermometer .....	1	1	1
7	1016417	Bearing and Oil Seal Remover Assembly .....	1	1	1
8	1016416	Bearing Driver Set .....	1	1	1
9	1012811	Bearing Puller .....	1	1	1
10	1012812	Bearing Puller Wedge Attachment .....	1	1	1
11	1013582	Brake Adjustment Tool (used only on vehicles with manually adjusted mechanical brakes) .....		1	1
12	102555501	Brake Cable Release Tool .....	1	1	1
13	102249901	Brake Pedal Adjustment Tool Kit (used for the Carryall Electric Industrial Truck only) (includes items 14 and 15).....			1
14	****	Brake Pedal Adjustment Tool .....			1
15	****	Brake Pedal Tension Tool .....			1
16	101887101	Calibration Test Module .....			1
17	101808401	Cam Installation Tool .....		1	
18	102562401	Charger Bezel Tool .....			1
19	102686101	Clutch Removal Tool (for 4x4 vehicles) .....	1	1	
		Please refer to the maintenance and service manual for proper tool application.			
	****	Special order item available upon request			

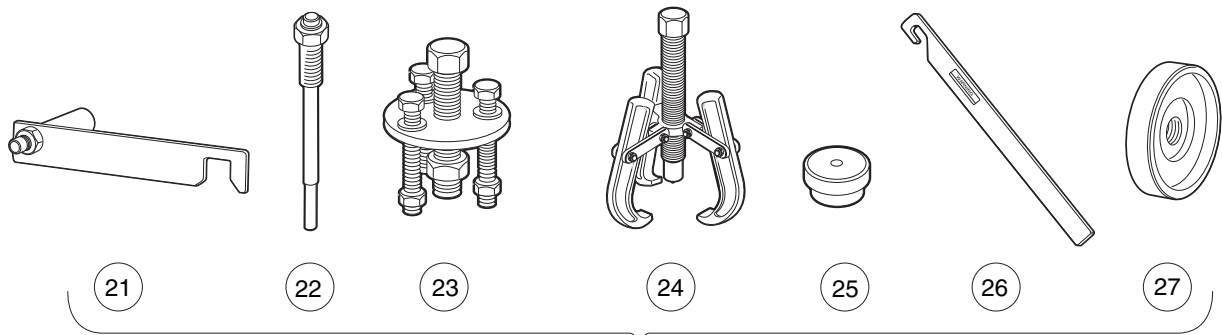
19

G

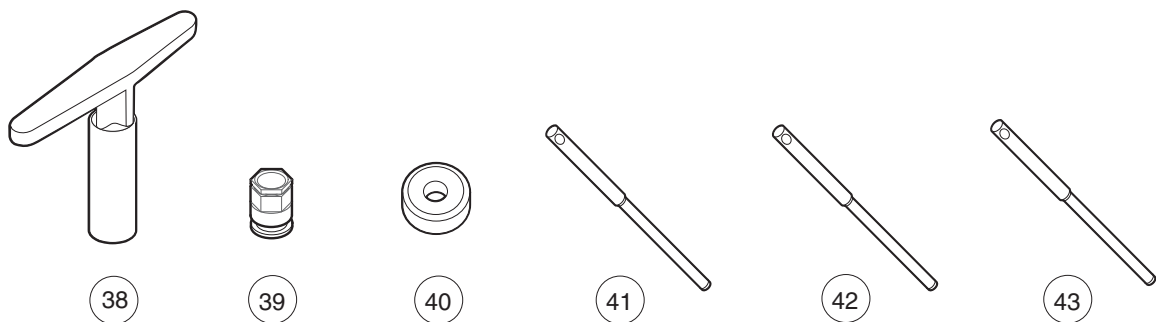
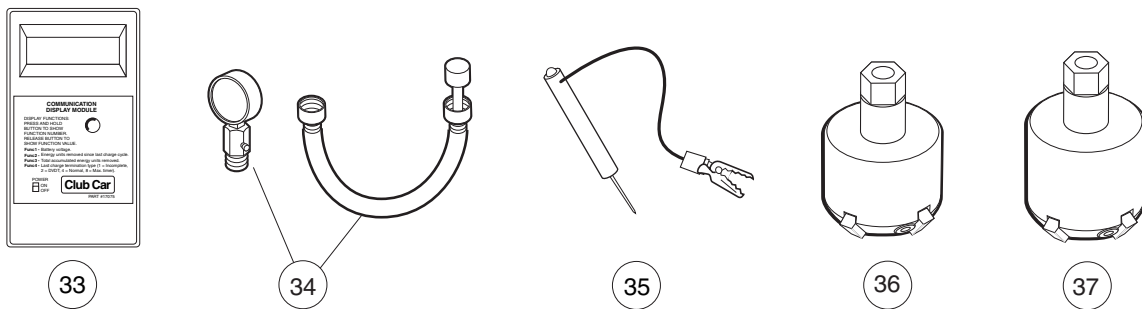
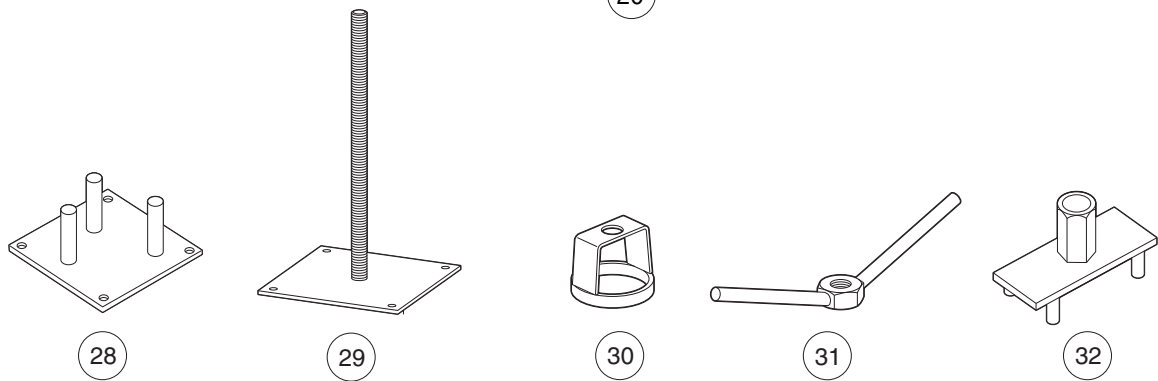
E

D

**19**  
**G**  
**E**  
**D**



20



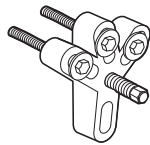
## MAINTENANCE AND SERVICE TOOLS, CONTINUED

ITEM	PART NO.	DESCRIPTION	QTY	QTY	QTY	19
			DIESEL	GAS	ELEC	
		1 2 3 4				G
20	1014510	Clutch Tool Kit (includes items 21 - 27) .....		1		E
21	1014498	Clutch Alignment Tool (for pre-unitized transaxle vehicles built prior to 1997 model year) .....		1		D
22	1014496	Drive Clutch Puller (for Kawasaki engines only) .....		1		
23	1014497	Drive Clutch Hub Puller (for Kawasaki engines only) .....		1		
24	1014508	Driven Clutch Cam Puller (for Kawasaki engines only) .....		1		
25	1014507	Driven Clutch Puller Plug (for Kawasaki engines only) .....		1		
26	1015524	Drive Clutch Holder Tool Assembly (for Kawasaki engines only) .....		1		
27	101809101	Press Weldment (for Kawasaki engines only) .....		1		
28	102601501	Drive ClutchFixed Sheave Tool (for 4x4 vehicles) .....	1	1		
29	102603501	Driven Clutch Spring Compression Base (for use with items 30 and 31) (for 4x4 vehicles) .....	1	1		
30	102605201	Driven Clutch Spring Compression Collar (for use with items 29 and 31) (for 4x4 vehicles) .....	1	1		
31	102606101	Driven Clutch Spring Compression Nut (for use with items 29 and 30) (for 4x4 vehicles) .....	1	1		
32	102607501	Drive Clutch Spider Removal Tool (for 4x4 vehicles) .....	1	1		
33	101831801	Communication Display Module .....			1	
34	101641002	Compression Gauge and Adapter .....		1		
35	1011273	Continuity Tester .....		1	1	
36	102773801	Cutter, Valve Seat, #122 .....		1		
37	102773901	Cutter, Valve Seat #115 .....		1		
38	102774101	Wrench, T, #505.....		1		
39	102774101	Adapter, T-Wrench.....		1		
40	102675401	Cutter, Valve Seat, 60 Degree (requires item 51) (for Honda GX620 Gasoline Engines) .....		1		
41	102774201	Pilot, 6.6 MM .....		1		
42	102774301	Pilot, 6.62 MM.....		1		
43	102774401	Pilot, 6.65 MM.....		1		
		Please refer to the maintenance and service manual for proper tool application.				

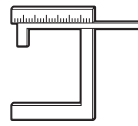
**19**  
**G**  
**E**  
**D**



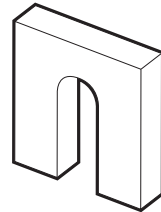
44



45



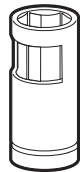
46



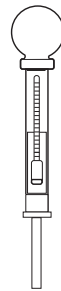
47



48



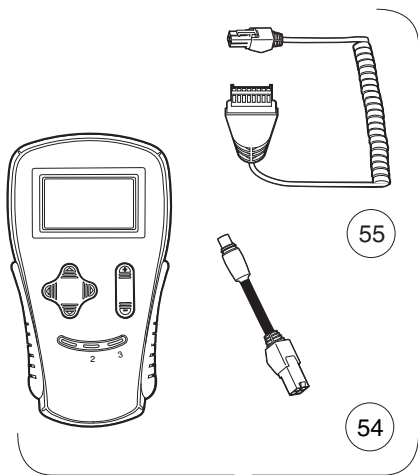
49



50



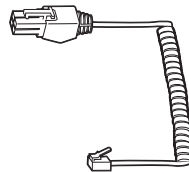
51



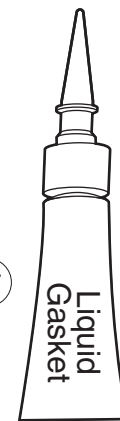
52 53

55

54



56



57



58



59 60



61

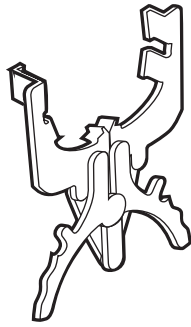
## MAINTENANCE AND SERVICE TOOLS, CONTINUED

ITEM	PART NO.	DESCRIPTION	QTY DIESEL	QTY GAS	QTY ELEC	<b>19</b>
		1 2 3 4				
44	1012151	Dry Moly Lubricant .....	1	1	1	<b>G</b>
45	1016627	Flywheel Puller Kit (for Kawasaki Engines) .....		1		<b>E</b>
46	102669901	Gauge, Carburetor Float Level (for Honda GX620 Gasoline Engines) .....		1		<b>D</b>
47	1016418	Gear Yoke .....	1	1	1	
48	101933101	Governor Shaft Installation Tool (for Kawasaki Engine Vehicles) .....		1		
49	102169401	Hydraulic Brake Adjuster (for Turf/CA 272/472, Pioneer/XRT 1200, Bobcat 2100, HUV 4213) .....			1	
50	1011478	Hydrometer .....	1	1	1	
51	1013593	Internal Retaining Ring Pliers .....	1	1	1	
52	102248803	IQ Display Module (IQDM) Kit (IQ System and IQ Plus vehicles) .....			1	
		(includes items 54 and 55)				
53	102248804	IQ Display Module (IQDM-P) Kit (IQ System and IQ Plus vehicles) .....			1	
		(includes items 54 and 55)				
54	102251501	Adaptor, Cable .....			1	
55	102241502	IQDM Series 2 Cable .....			1	
56	102241501	IQDM Series 1 Cable (replacement) .....			1	
57	101928701	Liquid Gasket (transaxle case) .....	1	1	1	
58	102243402	Moly-Teflon Lubricant (4-oz. (113-gram) tube) .....			1	
59	101997201	Paint, Touch-Up – Beige* .....		1	1	
59	101997207	Paint, Touch-Up – Black* .....		1	1	
59	101997212	Paint, Touch-Up – Burgundy* .....		1	1	
59	101997211	Paint, Touch-Up – Classic Blue (Navy)* .....		1	1	
59	101997205	Paint, Touch-Up – Dark Gray* .....	1	1	1	
59	101997209	Paint, Touch-Up – Dark Green* .....	1	1	1	
59	101997204	Paint, Touch-Up – Gray* .....	1	1	1	
59	101997203	Paint, Touch-Up – Red* .....	1	1	1	
59	101997206	Paint, Touch-Up – Royal Blue (Pacific Blue)* .....		1	1	
59	101997202	Paint, Touch-Up – White* .....	1	1	1	
60	102562301	Paint, Precedent Underbody – Gray .....		1	1	
61	102587201	Paint Pen, Touch-Up, Precedent Underbody – Black .....		1	1	
		Please refer to the maintenance and service manual for proper tool application.				
		* Item 59 is not for use on Surlyn <sup>®</sup> body material, which is used on Precedent vehicles.				

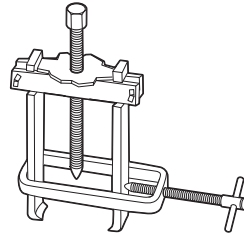
**19**  
**G**  
**E**  
**D**



62



63



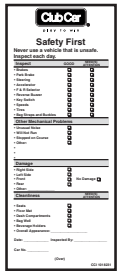
64



65



66



67



68



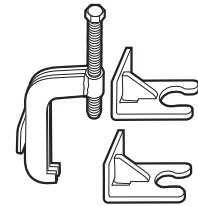
69



70



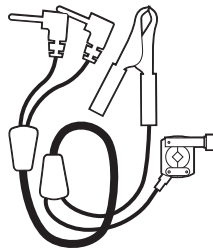
71



72



73



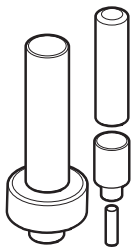
74



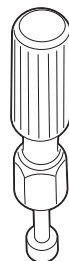
75



76



77



83



84



85



86

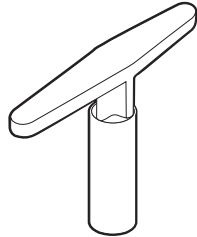
## MAINTENANCE AND SERVICE TOOLS, CONTINUED

ITEM	PART NO.	DESCRIPTION	QTY	QTY	QTY	19
			DIESEL	GAS	ELEC	
		1 2 3 4				G
62	1016414	Piston Ring Compressor Kit (FE290, FE350 and FE400 engines) .....		1		E
63	1016415	Piston Ring Pliers (for Kawasaki Engines) .....		1		D
64	102668801	Puller, Special Use (for Kubota D722 Diesel Engines) .....	1			
65	1012549	Retaining Ring Pliers, 45° External .....	1	1	1	
66	1012560	Retaining Ring Pliers, 90° Internal .....	1	1	1	
67	101823101	Safety First Card (50 per pack) .....	1	1	1	
68	1012809	Seal Puller .....	1	1	1	
69	102330901	Spanner Wrench (for coil over shock front suspension vehicles only) .....	1	1		
70	1014264	Steering Column Bearing Press Tool .....		1	1	
71	1014259	Steering Column Retaining Ring Tool .....		1	1	
72	102061201	Steering Wheel Puller Tool .....	1	1	1	
73	AM10753	Tachometer (includes gasoline engine pick up lead only) .....	1	1		
74	AM10771	Tachometer Diesel Probe (for use with item 73) .....	1			
75	1014162	Transaxle Axle Seal Tool .....		1		
76	1014161	Transaxle Pinion Seal Tool .....		1		
77	1014115	Transmission Tool Kit .....		1		
78	101611003	Tune-Up Kit, All OHV (for FE290, FE350, FE400 only) (includes air filter, spark plug, oil filter, fuel filters) (not shown) .....		1		
79	AM11804	Tune-Up Kit, Gx620 (for Honda Engines) (includes air filter, spark plug, oil filter, fuel filters) (not shown) .....		1		
80	AM11805	Tune-Up Kit, D722 (for Kubota Engines) (includes air filter, oil filter, fuel filters, water separator filter) (not shown) .....	1			
81	AM1220301	Tune-Up Kit, Precedent (for FE290/350 Engines) (includes air filter, spark plug, oil filter, fuel filters) (not shown) .....		1		
82	AM1232401	Tune-Up Kit, FH680D (for Kawasaki V-Twin Engines) (includes oil filter, fuel filter, air filter, and spark plugs) (not shown).....		1		
83	1016413	Valve Clearance Adjuster Screw Holder (for FE290 engines only) .....		1		
84	102674601	Valve Guide Driver (for Honda GX620 Gasoline Engines) .....		1		
85	101641201	Valve Guide Reamer (FE290, FE350, and FE400 only) .....		1		
86	102674401	Valve Guide Reamer, 6.6 mm (for Honda GX620 Gasoline Engines) .....		1		

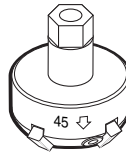
**19**  
**G**  
**E**  
**D**



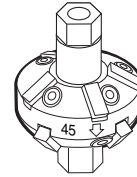
87



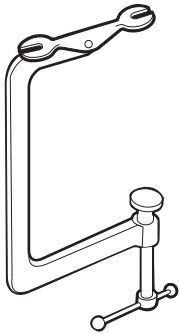
88



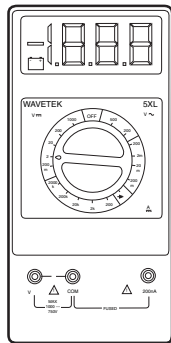
89



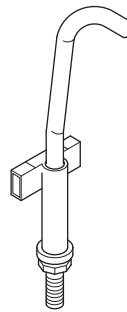
90



91



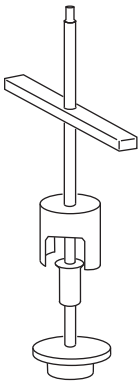
92



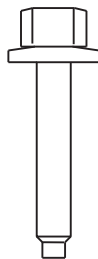
93



94



95



96



## MAINTENANCE AND SERVICE TOOLS, CONTINUED

ITEM	PART NO.	DESCRIPTION	QTY DIESEL	QTY GAS	QTY ELEC	<b>19</b>
		<b>1 2 3 4</b>				
87	1016552	Valve Seat Cutter Guide .....		1		<b>G</b>
88	1016551	Valve Seat Cutter T-Wrench .....		1		<b>E</b>
89	1016553	Valve Seat Cutter, 45° (32 mm diameter) (for FE290 engines only) .....		1		<b>D</b>
90	1016554	Valve Seat Cutter, 45°/30° (35 mm diameter) .....		1		
91	101641101	Valve Spring Compressor .....		1		
92	1011480	Volt Ohm Meter .....	1	1	1	
93	102570401	Tool, Tensioning, Starter Generator (For Precedent vehicles) .....		1		
94	103601401	Puller, Drive Clutch, XRT 950* .....		1		
95	103601701	Tool, Disassembly, Driven Clutch, XRT 950 .....		1		
96	103600501	Screw, Driven Clutch Disassembly, M6, XRT 950 .....		1		
<p>*Note: The XRT 950 Drive Clutch Puller requires the use of Screw, Driven Clutch Disassembly, CCI Part Number 103600501.</p>						



# INDEX

## Part Number and Page

AM10753	19-9	5-5, 5-7, 5-15, 5-21, 5-23, 6-25, 7-13, 7-21, 9-15	1010829	5-15, 5-21, 5-23	
AM10771	19-9	7479	1-67, 1-69	1010850	5-13, 5-17, 5-19
AM10419	11-7	7577	17-3, 17-5, 17-7, 17-9	1010877	5-3
AM1243501	4-35	7591	4-5, 4-7, 4-9, 4-11, 4-13, 4-43, 8-9	1010878	5-3
AM1243701	4-35	7716	5-3	101090801	13-13, 13-15, 14-11, 14-13
AM1243801	4-35	7818	7-13	1010909	4-5, 4-33
AM1300001	13-19, 14-17	7820	4-37	1010921	5-3
AM1300101	13-19, 14-17	7840	6-13	1010927	5-3, 17-11
AM1300201	13-19, 14-17	7847	1-13, 1-41, 17-7, 17-9, 17-11, 18-7	1010932	5-3
AM1300301	13-19, 14-17	7893	4-5, 4-15, 4-17, 4-33, 7-13	1010933	5-3
SVP119201	4-35	7910	6-13	1010934	7-21, 15-3
SVP143902	1-5	7973	1-9	1010954	7-13
SVP493201	4-35	8028	1-51	1010984	2-3
183	1-55, 1-57, 1-59, 1-61, 4-5, 4-7, 4-9, 4-11, 4-13, 4-15, 4-17, 4-33, 4-35, 11-5	8056	4-41, 7-19	1010993	1-31, 1-35, 1-41
304	4-37, 18-7	8057	4-41, 7-17, 7-19	1011014	1-3
324	1-55, 1-57, 1-59, 1-61, 1-63, 1-65, 1-67, 1-69	8058	4-41, 7-17, 7-19	1011017	1-3, 4-25
332	1-23, 1-29, 1-31, 1-33, 1-35, 1-39, 1-41, 1-51, 1-53, 1-63, 1-65, 1-67, 1-69, 4-37, 17-11, 18-7	8067	6-13	1011084	5-9, 5-11
334	5-5, 5-7, 6-3, 6-5, 11-5	8104	1-55, 1-57, 1-59, 1-61, 4-15, 4-17	1011114	5-13, 5-17, 5-19, 9-13, 12-11
343	1-55, 1-57, 1-59, 1-61	8233	1-23, 1-29, 1-31, 1-33, 1-35, 1-39, 1-41, 1-53, 1-55, 1-57, 1-59, 1-61, 1-63, 1-65, 1-67, 1-69, 4-37, 4-39, 5-5, 5-7, 6-25, 9-13, 12-11, 17-7, 17-9, 17-11, 18-7	1011137	5-13, 5-19
357	6-17, 6-19, 6-25	8248	1-15	1011154	5-13, 5-17, 5-19
451	1-39, 5-13, 5-17, 5-19, 15-3	8251	1-23, 1-29, 1-31, 1-33, 1-35, 1-41, 1-49, 1-51	1011210	1-51
706	6-17, 6-19	8294	4-37	1011219	1-51
808	6-25	8304	1-51	1011220	1-51
1016	4-5, 4-15, 4-17, 4-33	8450	11-5	1011221	1-51
1017	4-3	8639	4-35, 7-13, 13-23, 14-21	1011222	1-51
1028	5-3	8717	5-5, 5-7, 7-13, 12-3	1011229	4-5, 4-7, 4-9, 4-11, 4-13, 4-41
1032	5-3	8745	6-17	1011273	19-5
1218	1-5, 1-53, 1-55, 1-57, 1-59, 1-61, 1-63, 1-65, 1-67, 1-69, 9-15	8754	5-5, 5-7, 6-3, 6-5, 6-15, 6-17, 6-19, 6-21, 6-23, 7-9	1011280	4-5, 4-7, 4-9, 4-11, 4-13
1241	1-3, 1-5, 1-39, 1-51, 1-53, 1-59, 1-61, 4-5, 4-7, 4-9, 4-11, 4-13, 5-3, 5-5, 5-7, 5-21, 5-23, 7-13, 7-21, 8-5, 9-15	8755	6-17, 6-19, 6-21	1011298	5-13, 5-17, 5-19
1242	5-15, 5-21, 5-23, 7-9, 7-13	8861	6-15, 6-25	1011303	5-13, 5-17, 5-19
1620	4-3	8915	1-55, 1-57, 1-63, 1-65	1011314	5-13, 5-17, 5-19
1624	5-5, 5-7, 6-3, 7-9	8935	1-5	1011348	17-11, 18-7
1703	17-11	8963	1-51, 1-59, 1-61	1011382	4-19, 4-21, 4-23
2402	6-15, 6-17, 6-19	8990	4-15, 4-17, 4-29, 4-31, 4-39, 6-3, 12-5, 12-7, 13-23, 14-21, 17-11	1011393	6-13
4029	4-37	1010005	6-13	1011394	1-3
7048	6-13	1010124	6-17, 6-19	1011402	5-3
7173	1-15, 4-5, 4-7, 4-9, 4-11, 4-13, 6-25, 7-21	1010138	6-15	1011415	6-21, 6-23
7174	6-7, 7-9, 10-3, 15-3	1010145	6-21, 6-23	1011418	5-3
7251	1-3, 1-15	1010150	6-17, 6-19	1011439	4-5, 4-7, 4-9, 4-11, 4-13
7270	6-17	1010200	6-19	101146302	5-13, 5-17, 5-19
7274	6-13	1010237	1-55, 1-57, 1-59, 1-61, 1-63, 1-65, 1-67, 1-69	1011464	5-13, 5-17, 5-19
7308	6-13	1010434	1-3, 1-7, 1-29, 1-31, 1-33, 1-35, 1-41, 1-53, 17-11, 18-7	1011465	5-13, 5-17, 5-19
7310	2-3	1010435	1-3, 1-53	1011466	5-13, 5-17, 5-19
7311	6-25	1010436	1-51	1011467	5-13, 5-17, 5-19
7330	16-3	1010543	1-19, 1-51	1011478	19-7
7335	16-3	1010546	1-3	1011480	19-11
7336	16-3	1010577	1-39, 8-5	1011494	5-13, 5-17, 5-19
7410	1-53	1010805	5-3	1011497	4-43
7473	1-3, 1-5, 1-39, 1-51, 1-53, 1-55, 1-57, 1-59, 1-61, 1-63, 1-65, 4-5, 4-7, 4-9, 4-11, 4-13, 5-3,			1011557	4-5, 4-7, 4-9, 4-11, 4-13, 4-43

# INDEX

1011697	1-55, 1-57, 1-63, 1-65, 6-5	1013035	6-3	1014201	1-63, 1-65, 1-67, 1-69, 15-3
1011707	17-11	1013042	6-3, 6-15	1014213	6-5
1011734	5-9, 5-11	1013044	6-3	1014214	6-5
1011767	19-3	1013052	6-3	1014217	6-5
1011779	5-15, 5-21, 5-23	1013061	1-55, 1-57, 1-59, 1-61, 13-9, 13-11, 14-9	1014259	19-9
1011825	4-37	1013135	6-13	1014264	19-9
1011843	4-43	1013207	6-21	1014276	6-17, 6-19
1011852	1-55, 1-57, 1-59, 1-61, 1-63, 1-65, 1-67, 1-69	1013216	1-49	1014287	11-5
1011862	1-55, 1-57, 1-59, 1-61, 1-63, 1-65, 1-67, 1-69	1013218	1-49	1014288	6-5, 11-5
1011865	1-55, 1-57, 1-59, 1-61, 1-63, 1-65, 1-67, 1-69	1013312	1-19	1014289	7-7
101187702	5-3	1013343	1-9	1014305	19-3
1011878	1-15	1013344	1-9	1014306	1-23, 1-41, 4-39, 18-7
1011883	1-55, 1-57, 1-59, 1-61, 1-63, 1-65, 1-67, 1-69	1013357	1-47, 4-5, 4-7, 4-9, 4-11, 4-13, 13-5, 13-7, 14-5, 14-7	1014392	1-41
1011887	6-13	1013494	4-19, 4-21, 4-23	101444101	1-27
1011892	6-13	1013509	1-63, 1-65, 1-67, 1-69	1014453	11-5
1011897	1-27	1013531	5-21, 5-23	1014454	11-7
1011931	5-5, 5-7	1013547	4-39	1014471	1-55, 1-57, 1-59, 1-61, 1-63, 1-65, 1-67, 1-69
1011937	1-55, 1-57, 1-59, 1-61, 1-63, 1-65, 1-67, 1-69	1013579	4-39	1014496	19-5
1011964	1-55, 1-57, 1-59, 1-61, 1-63, 1-65, 1-67, 1-69	1013582	19-3	1014497	19-5
1011988	1-53	1013589	7-13	1014498	19-5
1012098	17-3, 17-5, 17-7, 17-9	1013593	19-7	1014507	19-5
1012101	17-3, 17-5, 17-7, 17-9	1013609	7-13	1014510	19-5
1012126	13-11, 14-9	1013677	3-5	1014530	4-37
1012151	19-7	1013734	13-21, 14-19	1014540	4-39
1012159	1-55, 1-57, 1-59, 1-61	1013746	9-7	1014555	6-21, 6-23
1012180	6-21	1013794	16-3	1014789	7-3, 7-5
1012181	6-23	1013824	1-15	1014807	7-17, 7-19
1012182	6-23	1013825	1-15	1014808	7-17, 7-19
1012285	1-23, 1-39, 4-39	1013846	1-15	1014902	6-23
1012295	7-13	1013869	5-3	1015010	4-35
1012303	6-17, 6-19, 6-21, 6-23	1013870	5-3	101503202	1-9
1012304	6-21	1013876	5-3	1015072	13-13, 13-15, 14-11, 14-13
1012396	4-19	1013924	5-13, 5-17, 5-19, 8-5	1015075	1-3
1012412	1-29, 1-31, 1-33, 1-35, 1-41	1014007	1-51, 5-5, 5-7, 9-13, 12-3, 12-11	1015091	1-51, 1-55, 1-57, 1-59, 1-61, 1-63, 1-65, 1-67, 1-69
1012431	4-41	1014055	11-5	1015137	9-7
1012438	4-7, 4-9, 4-11, 4-13, 4-35	1014056	11-5	1015156	4-35
1012505	4-19, 4-21, 4-23	1014057	11-5	1015167	4-35
1012528	10-3, 13-21, 14-19	1014058	11-5	1015170	4-35
1012549	19-9	1014059	11-5	1015187	4-35
1012560	19-9	1014062	11-5	1015332	7-3, 7-5
1012565	6-11	1014063	11-5	1015373	7-13
1012566	6-11	1014065	7-13, 11-5	1015392	1-55, 1-57, 1-59, 1-61
1012581	1-29, 1-31, 1-33, 1-35, 1-49	1014072	11-7	1015405	1-3, 1-55, 1-57, 1-63, 1-65, 7-13
1012604	6-5	1014078	11-7	1015453	6-25
1012605	6-5	1014080	11-7	1015457	6-25
1012649	9-7	1014115	19-9	101547601	3-7, 3-13
1012809	19-9	1014116	9-3	1015524	19-5
1012811	19-3	1014125	6-5	1015525	1-49
1012812	19-3	1014126	6-5	1015526	4-35
1012836	11-7	1014145	7-13	1015528	4-19, 4-21, 4-23
1013032	1-49	1014153	5-13	1015583	6-17, 6-19
		1014161	19-9	101558302	6-21, 6-23
		1014162	19-9	1015597	6-13
		1014198	3-15		

# INDEX

1015608	1-5	101641202	19-3	101692513	1-3
1015613	6-25	1016413	19-9	101692514	1-3
1015614	6-25	1016414	19-9	101692515	1-3
101562711	1-51	1016415	19-9	1016929	4-35
101562712	1-51	1016416	19-3	101693901	1-3
101562714	1-51	1016417	19-3	101693902	1-3
101562715	1-51	1016418	19-7	101693904	1-3
101564804	1-51	1016423	4-5, 4-7, 4-9, 4-11, 4-13	101693906	1-3
101564805	1-51	1016551	19-11	101693909	1-3
101564807	1-51	1016552	19-11	101693910	1-3
101564808	1-51	1016553	19-11	101693911	1-3
1015720	4-41, 13-21, 14-19	1016554	19-11	101693912	1-3
1015737	7-13	1016557	5-13, 5-17, 5-19	101693913	1-3
1015741	4-5, 4-7, 4-9, 4-11, 4-13, 7-13	1016573	5-13, 5-17, 5-19	101693914	1-3
1015752	7-13	1016627	19-7	1016952	1-13
1015760	6-25	1016630	4-19	1016967	1-3, 13-21, 14-19
1015768	4-35	1016668	1-53	1017029	5-3
1015770	4-35	101674702	5-9	1017035	4-43
1015878	7-17, 7-19	101674704	5-11	101705701	3-3, 3-9
1015902	1-23, 1-39	1016751	1-21	1017062	4-3
1015914	17-3, 17-5, 17-7, 17-9	101675511	1-21	1017064	4-3
1015917	17-3, 17-7, 17-9	101675512	1-21	1017065	4-3
1015932	7-9	101675514	1-21	101707402	4-15
1015969	8-7	101675515	1-21	101707405	4-17
1016103	8-9	101677701	1-21	1017075	4-15, 4-17
101611003	19-9	101677702	1-21	1017080	1-3
101611402	16-5	101677703	1-21	101708301	1-13
1016154	6-11	101677705	1-21	1017141	1-41
1016183	6-5	1016781	1-55, 1-57, 1-59, 1-61	1017145	11-7
1016201	11-5	1016793	1-55, 1-57, 1-59, 1-61	1017185	1-55, 1-57, 1-59, 1-61
1016214	6-11	1016794	1-55, 1-57, 1-59, 1-61	1017189	17-11
1016230	4-35	101679901	1-57, 1-61	1017211	5-15
1016267	4-35	101679902	1-55, 1-59	1017226	6-7
1016269	6-5	1016801	11-5	1017259	1-23
1016287	4-35	1016811	1-13	1017266	6-15
1016289	11-5	1016813	6-25	1017273	6-9, 6-11
1016319	5-15	1016814	6-25	101728201	1-19
1016320	5-15	1016835	1-53	101728202	1-37
1016346	6-15	1016842	1-53	101728203	1-19
1016349	6-15	1016849	4-19, 4-21, 4-23, 4-41	101728204	1-37
1016350	6-15	1016851	4-19, 4-21, 4-23, 4-41	101728210	1-19
1016351	6-15	1016857	4-41	101728211	1-37
1016353	6-15	1016859	4-41	101728213	1-19
1016356	4-5, 4-7, 4-9, 4-11, 4-13, 13-5, 13-7, 14-5, 14-7	1016868	1-3	101728214	1-37
1016363	4-7, 4-9, 4-11, 4-13	1016879	4-3	101728701	1-41
1016365	4-29, 4-31	1016880	4-3	101728702	1-41
1016366	4-7, 4-9, 4-11, 4-13	1016901	11-5	101728704	1-41
1016384	6-17, 6-19	1016916	1-51	101728706	1-41
1016385	6-15	101692501	1-3	101728708	1-41
1016386	6-17, 6-19	101692502	1-3	101728709	1-41
1016387	6-17, 6-19	101692504	1-3	101728710	1-41
1016389	6-17, 6-19	101692506	1-3	101728711	1-41
101641002	19-5	101692509	1-3	101728712	1-41
101641101	19-11	101692510	1-3	1017310	1-23, 1-39
101641201	19-9	101692511	1-3	1017313	6-5
		101692512	1-3	1017314	6-5

# INDEX

1017315	6-5	101825102	3-7, 3-13	101861901	5-5, 5-7
1017317	6-5	101825103	4-25	101862001	5-5
101734802	1-3	101826201	4-21, 4-23	101865301	5-15
1017378	5-5, 5-7	101826401	4-19	101870401	1-3
1017380	5-5, 5-7	101828501	17-3, 17-5, 17-7, 17-9	101871001	19-3
1017384	1-37	101828801	17-3	101874601	5-15
1017424	5-5, 5-7	101828802	17-3	101878201	5-3
1017686	11-7	101828901	17-3, 17-5	101879401	6-3
1017699	4-43	101828902	17-3, 17-5	101879501	6-3
1017705	13-9	101828903	17-3, 17-5	101879601	6-3
1017721	4-5, 4-33	101829001	17-7, 17-9	101879701	6-3
1017724	4-15, 4-17	101830601	4-19, 4-21, 4-23	101879801	6-3
1017748	1-41	101830701	4-19, 4-21, 4-23, 4-27	101879901	6-3
1017774	1-39	101831101	17-3, 17-7, 17-9	101880001	6-3
1017853	4-5, 4-7, 4-9, 4-11, 4-13	101831401	13-15, 14-13	101880101	6-3
101788201	1-33	101831801	19-5	101880201	6-3
101788202	1-33	101831901	19-3	101880301	6-3
101788204	1-33	101832001	13-9, 18-7	101880701	5-13, 5-17, 5-19
101788206	1-33	101833401	11-7	101880901	1-19, 1-37
101788208	1-33	101834502	4-19, 4-21, 4-23, 4-27	101881501	4-39
101788209	1-33	101834602	8-5	101881601	4-39
101788210	1-33	101835001	1-67, 1-69	101881701	1-19, 1-37
101788211	1-33	101835101	1-67, 1-69	101884801	8-5
101788212	1-33	101835401	1-67, 1-69	101886101	9-13, 12-11
101791101	5-17	101835501	1-63, 1-67	101887101	19-3
101791901	1-33, 1-35	101835502	1-65, 1-69	101894901	13-9
1017936	1-41	101835601	4-29, 4-31	101895401	16-3
101796201	5-5, 5-7	101837001	1-47	101895501	16-3
101796501	13-9	101837801	1-59, 1-61	101897001	16-3
101796801	13-9	101837802	1-59, 1-61	101897201	16-3
101799201	1-39	101838001	1-59	101897401	16-3
101800201	1-63, 1-65, 1-67, 1-69	101838002	1-61	101897601	16-3
101801001	13-9, 18-7	101838401	17-5, 17-9	101898001	7-21
101804301	4-19	101838601	17-5, 17-9	101903601	16-3
101805501	1-67, 1-69	101838701	17-7, 17-9	101903701	16-3
101805502	1-67, 1-69	101839801	4-27	101906901	16-3
101805601	1-63, 1-65	101839802	4-27	101908101	13-11, 14-9
101805801	1-63, 1-65	101839803	4-27	101908401	13-11, 14-9
101806001	1-17	101839804	4-27	101910401	1-39
101806002	1-17	101839805	4-27	101914001	16-5
101806005	1-17	101839806	4-27	101914401	4-5, 4-7, 4-9, 4-11, 4-13, 17-3, 17-5, 17-7, 17-9
101806901	1-45	101839807	4-27	101915201	3-7, 3-13
101808401	19-3	101839808	4-27	101918501	5-3, 5-5, 5-7
101809101	19-5	101839809	4-27	101919801	5-5, 5-7
101813202	19-3	101839810	4-27	101922101	16-3
101815301	1-55, 1-57	101839811	4-27	101922201	16-3
101815401	1-55, 1-57, 1-59, 1-61, 1-63, 1-65	101839812	4-27	101923001	16-3
101815402	1-55, 1-57, 1-59, 1-61, 1-63, 1-65	101840901	1-53	101923201	16-3
101816701	1-55	101841101	1-53	101923501	16-3
101816702	1-57	101841201	1-53	101923901	16-3
101817401	5-5, 5-7	101841202	1-53	101926501	6-21
101818801	5-7	101841301	1-53	101928701	16-3, 19-7
101821601	4-35	101850301	6-9, 6-11	101929401	6-21
101823101	19-9	101851101	4-19, 4-21, 4-23, 4-27	101932201	4-5, 4-7, 4-9, 4-11, 4-13
101824101	8-9	101856002	4-21, 4-23	101933101	19-7
101825101	3-5, 3-11	101856102	7-13		

# INDEX

101936101	16-5	102022601	6-15	102440901	13-5, 13-7, 14-5, 14-7
101942301	15-3	102022602	6-3, 6-15	102476401	9-13, 12-11
101946201	1-23	102025801	9-5, 9-7	102490301	9-13
101953103	5-21	102026001	5-5, 5-7	102491501	11-5
101953104	5-23	102059501	12-9	102498201	9-13, 12-9, 12-11
101953106	5-15	102061201	19-9	102508701	4-21
101954301	1-19, 1-37, 1-39	102066201	6-23	102517501	4-17
101955001	6-15	102076701	1-55, 1-57, 1-59, 1-61, 1-63, 1-65, 1-67, 1-69	102517601	4-37
101955101	4-37	102155801	11-7	102518301	3-5, 3-11
101957101	4-5, 4-7, 4-9, 4-11, 4-13	102158701	3-15	102526201	12-3
101958201	17-5	102158901	5-5, 5-7	102529201	4-15, 4-17
101958301	17-5	102162601	5-21, 5-23	102529203	4-37
101960501	3-7, 3-13	102163001	1-25	102540301	8-5
101963401	7-15, 8-5	102163101	1-25	102541402	8-9
101965401	17-11	102166901	5-21, 5-23	102546401	4-17
101972001	19-7	102169401	19-7	102555501	19-3
101972002	19-7	102186401	15-3	102558201	8-3, 9-15
101972003	19-7	102196901	4-21, 4-23, 13-5, 13-7, 14-5, 14-7	102559901	2-5
101972004	19-7	102198701	4-5	102559902	2-5
101972005	19-7	102199001	4-5	102562401	19-3
101972006	19-7	102199201	4-5	102564002	6-17, 6-19
101972007	19-7	102199301	4-5	102569302	2-3
101972009	19-7	102199401	4-5	102570401	19-11
101972011	19-7	102235201	15-3	102572401	4-21, 4-23, 13-5, 13-7, 14-5, 14-7
101972012	19-7	102238001	14-19	102601501	19-5
101972101	16-3	102240501	13-21, 14-19	102603501	19-5
101972201	16-3	102241501	19-7	102605201	19-5
101973501	17-5	102241502	19-7	102606101	19-5
101974701	4-27	102242101	8-5, 11-7	102607501	19-5
101974702	4-27	102242401	1-55, 1-57, 1-59, 1-61, 1-63, 1-65, 1-67, 1-69	102617201	8-5, 10-3
101974703	4-27	102243402	19-7	102617801	12-23
101974704	4-27	102243403	15-3	102621501	12-3, 12-9
101974705	4-27	102248803	19-7	102668801	19-9
101974706	4-27	102249901	19-3	102669901	19-7
101974707	4-27	102251501	19-7	102674001	19-5
101974708	4-27	102269701	7-15	102674101	19-5
101974709	4-27	102274101	12-23	102674201	19-5
101974710	4-27	102275401	17-3, 17-5, 17-7, 17-9	102674401	19-9
101974711	4-27	102278001	6-5	102674601	19-9
101974712	4-27	102289201	6-3, 6-15	102675001	19-5
101978601	16-5	102292801	5-15, 5-21, 5-23	102675101	19-5
101984801	6-5	102297230	13-3, 14-3	102675201	19-5
101987701	9-7	102298116	8-9	102675301	19-5
101987901	4-3	102310701	1-33, 1-35, 1-41	102675401	19-5
101988001	4-3	102323101	5-3, 5-15, 5-21, 5-23	102684501	6-17, 6-19
101988002	4-3	102323201	5-3, 5-15, 5-21, 5-23	102686101	19-3
101988101	4-3	102330901	19-9	102704901	15-3
101988201	4-3	102354901	4-29, 4-31	102711201	7-13
101990801	5-21, 5-23	102356601	16-3	102725501	9-15
101997802	4-39	102356801	16-3	102732401	8-5
101997803	4-39	102376001	12-3	102766201	13-13, 13-15, 14-11, 14-13
101997902	4-39	102410604	8-9, 9-13	102766301	6-17, 6-19
101997903	4-39	102411203	9-3	102769701	13-21
102002801	13-13, 13-15, 14-11, 14-13	102411209	9-15	102771701	16-3
102002901	13-13, 13-15, 14-11, 14-13			102772402	13-21, 14-19
102005701	1-25			102774501	13-21

# INDEX

102774701	13-21, 14-19	102945512	1-35	103459104	2-3
102775101	15-3	102950301	4-25	103464801	3-17
102817101	13-21, 14-19	102951701	15-3	103477901	6-13
102817201	13-21, 14-19	102962303	4-25	103502701	6-17
102838101	13-11, 14-9, 17-3, 17-7	102962602	4-25	103502801	6-19
102838701	7-7	102967601	3-5, 3-11	103508101	8-5
102838801	7-7	102977001	4-19	103510501	13-17, 14-15
102838901	7-7	102977002	4-21, 4-23	103582801	16-3
102839001	7-7	102980801	13-13, 13-15, 14-11, 14-13	103601501	6-3
102839301	7-7	102980901	13-13, 13-15, 14-11, 14-13	103601601	6-7
102841101	7-7	103174401	1-7	103618001	4-17
102844601	7-7	103180101	4-19, 4-21, 4-23	103618101	4-37
102844701	7-7	103198201	13-13, 13-15, 14-11, 14-13	103628801	6-17
102845101	3-5, 3-11, 13-11, 14-9	103198301	4-21, 4-23	103628901	6-19
102845203	13-13, 14-11	103199001	4-19	103653401	6-3
102845204	13-15, 14-13	103199101	4-19	103653501	6-3, 6-15
102845501	13-5, 13-7, 14-5, 14-7	103205501	3-7, 3-13	103657301	6-21, 6-23
102847801	17-3	103210201	3-7, 3-13	103658601	2-3
102847802	17-3	103210301	3-5, 3-11	103677101	1-25
102847803	17-3	103218001	17-11, 18-7	103694501	2-5
102865101	9-7	103218601	4-21, 4-23, 13-5, 13-7, 14-5, 14-7	103697109	13-21
102869401	4-5, 4-7, 4-9, 4-11, 4-13, 4-19, 4-21, 4-23	103234303	3-15	103700301	4-29
102871801	6-21, 6-23	103254401	4-11	103709201	13-21
102873401	13-13, 13-15, 14-11, 14-13	103255701	4-7, 4-9, 4-11, 4-13	103717302	6-13
102886301	16-3	103257101	4-7	103717402	6-13
102886401	16-3	103274001	1-31, 1-35	103722901	2-3
102886501	16-3	103274002	1-31, 1-35	103723003	2-3
102886601	16-3	103274004	1-31, 1-35	103724502	6-9, 6-11
102890201	4-29, 4-31	103274006	1-31, 1-35	103724601	6-11
102891101	6-23	103274008	1-31, 1-35	103724602	6-9
102892901	17-5	103274009	1-31, 1-35	103724901	6-11
102892902	17-5	103274010	1-31, 1-35	103754901	1-25
102902801	16-3	103274011	1-31, 1-35	103756401	9-7
102912801	13-21	103274012	1-31, 1-35	103771601	17-9
102915601	4-43	103306301	9-3	103771901	13-9
102915701	13-11, 14-9	103347101	7-7	103772101	13-5, 13-7
102917101	6-23	103347301	7-7	103772201	17-11
102918701	4-29	103347601	7-7	103772401	17-7
102918702	4-31	103347701	7-7	103783001	3-5, 3-11
102938601	15-3	103347801	7-7	103783003	3-7, 3-13
102938701	15-3	103347901	7-7	103787401	1-55, 1-57, 1-59, 1-61, 1-63, 1-65, 1-67, 1-69
102938801	15-3	103348201	4-19	103789601	1-55, 1-57, 1-59, 1-61, 1-63, 1-65, 1-67, 1-69
102938901	15-3	103348202	4-21, 4-23	103802401	4-31
102939001	15-3	103348501	4-19	103822101	13-21
102939101	15-3	103348601	4-19	103832001	17-7, 17-9
102939102	15-3	103350901	6-21	103865101	5-5, 5-7
102939501	17-5	103351001	6-15	103869401	17-7, 17-9
102945501	1-35	103351101	6-23	103879701	12-15
102945502	1-35	103354401	4-21, 4-23	103879702	12-13
102945504	1-35	103354701	6-15	103882801	8-5
102945506	1-35	103372101	9-3	103886601	12-5, 12-7
102945508	1-35	103372401	9-7	103895401	1-5
102945509	1-35	103397901	4-7, 4-9, 4-11, 4-13, 13-21, 14-19	103902101	13-3, 14-3
102945510	1-35	103414901	4-7, 4-9, 4-11, 4-13, 13-21, 14-19	103902301	13-3, 14-3
102945511	1-35	103449501	13-23, 14-21		
		103449601	13-23, 14-21		



# INDEX

103902401	13-3, 14-3	105009101	9-15	105015501	8-17
103905201	9-3	105009401	9-15	105015601	8-17
103924801	7-3, 7-5	105010001	8-19	105015701	8-17
103940701	13-5	105010101	8-15	105015801	8-17
103940801	13-7	105010201	8-15	105015901	8-17
103942101	13-17, 14-15	105010301	8-15	105016001	8-11, 8-17
103942902	13-17, 14-15	105010401	8-19	105016101	9-11
103943401	13-3, 14-3	105010501	8-19	105016201	9-11
103944301	9-3	105010601	8-19	105016301	9-11
103951002	2-3	105010701	8-19	105016401	9-11
103951003	2-3	105010801	8-15	105016501	9-11
103951004	2-3	105010901	8-15, 9-11	105016701	8-7
103951501	12-23	105011001	8-19	105016801	8-7
103952201	1-11	105011101	8-19	105016901	8-7
103953301	7-7	105011201	8-19	105017001	8-7
103954301	1-55, 1-57, 1-59, 1-61	105011301	8-19	105017101	8-7
103961601	3-3, 3-9	105011401	8-19	105017201	9-9
103969701	13-15, 14-13	105011501	8-19	105017301	8-11
103973902	11-5	105011601	8-19	105017401	8-11
103974002	11-7	105011701	8-19	105017501	8-11
103974102	11-3	105011801	8-19	105017601	8-11
103974201	11-5	105011901	8-15	105017701	8-11
103974401	11-5	105012001	8-15	105017901	8-11
103975301	11-7	105012101	8-15	105018001	8-13
103976101	11-5	105012201	8-15	105018101	8-13
103978001	9-13	105012301	8-15	105018201	8-13
103979301	12-23	105012501	8-19	105018301	8-13
103979401	8-5	105012601	8-7, 8-13, 8-15	105018401	8-13
103982201	8-5	105012701	8-21	105018501	8-15
103983501	9-11	105012801	8-21	105025001	12-13, 12-15
103984601	11-5	105012901	8-21	105025101	12-13, 12-15
103989501	12-23	105013001	8-21	105025201	12-13, 12-15
103995001	12-23	105013101	8-21	105025301	12-13, 12-15
103995901	8-7	105013201	8-21	105025401	12-13, 12-15
104005301	7-9	105013301	8-21	105025501	12-13, 12-15
104005901	13-19, 14-17	105013401	8-21	105025601	12-13, 12-15
104006101	13-19, 14-17	105013501	8-21	105025701	12-13, 12-15
104021701	12-23	105013601	8-21	105025801	12-13, 12-15
104023501	9-13, 12-11	105013701	8-21	105025901	12-13, 12-15
104025101	11-7	105013801	8-21	105026001	12-13, 12-15
104027101	12-23	105013901	8-21	105026101	12-13, 12-15
105000301	7-13	105014001	8-21	105026201	12-13, 12-15
105000401	7-13	105014101	8-21	105026301	12-13, 12-15
105000501	13-21, 14-19	105014201	8-17	105026401	12-13, 12-15
105005301	1-29, 1-33	105014301	8-17	105026501	12-13, 12-15
105005302	1-29, 1-33	105014401	8-17	105026601	12-13, 12-15
105005304	1-29, 1-33	105014501	8-17	105026701	12-13, 12-15
105005306	1-29, 1-33	105014601	8-17	105026801	12-13, 12-15
105005308	1-29, 1-33	105014701	8-17	105026901	12-13, 12-15
105005309	1-29, 1-33	105014801	8-17	105027001	12-13, 12-15
105005310	1-29, 1-33	105014901	8-17	105027101	12-13, 12-15
105005311	1-29, 1-33	105015001	8-17	105027201	12-13, 12-15
105005312	1-29, 1-33	105015101	8-17	105027301	12-13, 12-15
105007402	9-13	105015201	8-17	105027401	12-17
105007403	9-13	105015301	8-17	105027501	12-17
105008101	7-3, 7-5	105015401	8-17	105027601	12-17

# INDEX

105027701	12-17	105073001	9-5	47564901001	14-7
105027801	12-17	105074901	1-27	47564902001	4-13
105027901	12-17	105075201	14-19	47564903001	14-5, 14-7
105028001	12-17	105075301	8-9	47564905001	14-5, 14-7
105028101	12-19, 12-21	105077701	1-25	47564907001	14-5
105028201	12-17	105077801	1-25	47564908001	4-9
105028301	12-13, 12-15	105081501	7-3, 7-5	47579096001	6-21, 6-23
105028401	12-17	105081601	7-3, 7-5	47579306001	18-7
105028501	12-13, 12-15	105084801	8-9	47579307001	18-5
105028601	12-17	105088501	9-15	47579307002	18-5
105028701	12-17	105096101	11-5	47579307003	18-5
105028801	12-17	105102601	7-19	47579307004	18-5
105028901	12-17	105116301	13-3, 14-3	47579307005	18-5
105029001	12-17	105134601	8-5	47579307006	18-5
105029101	12-17	105134901	12-9	47579307007	18-5
105029201	12-17	105135101	9-13, 12-9	96704176	12-3
105029301	12-21	105142401	2-5	96705199	12-9
105029401	12-21	105143301	7-3, 7-5, 9-3	96741046	8-5
105029501	12-19, 12-21	105144401	9-13, 12-11		
105029601	12-21	105147101	14-19	<b>A</b>	
105029701	12-21	105149301	8-5	AC cord	17-3, 17-5, 17-7, 17-9
105029801	12-19, 12-21	105149401	18-3	AC cord receptacle	17-5
105029901	12-19, 12-21	105151201	7-3	accelerator bracket and bearing assembly	5-5, 5-7
105030001	12-13, 12-15	105151301	7-5	accelerator cable	9-13
105030301	12-19, 12-21	105152301	4-23	accelerator pedal adjustment tool	19-3
105030401	12-19, 12-21	105161701	7-3, 7-5, 7-7	accelerator pivot rod	5-5, 5-7
105030501	12-19, 12-21	105166801	13-19, 14-17	accelerator return spring	5-5, 5-7
105030601	12-19, 12-21	105166901	13-19, 14-17	accelerator rod	5-9, 5-11
105030701	12-13, 12-15	105167001	13-19, 14-17	access door	1-49
105030801	12-19, 12-21	105167101	13-19, 14-17	adapter	
105030901	12-17	105168501	13-19, 14-17	air intake	9-11
105031001	12-21	105168601	13-19, 14-17	battery terminal	7-11
105037201	7-15	105190102	7-7	cable (IQDM)	19-7
105037401	7-13	105205401	7-9	adhesive, guide ring	19-3
105037701	12-3	105210299	13-13, 14-11	adjuster	
105038001	12-3	105214101	10-3	hydraulic brake	19-7
105038101	12-3	105215401	9-3	air cleaner assembly	9-15
105038201	12-3	105216301	1-37	air deflector	8-9
105038501	12-3	105234801	12-13, 12-15	air filter	8-3, 9-15
105038805	12-5	105234901	12-13, 12-15	air filter evacuator	9-15
105038806	12-7	105237301	7-21	air intake adapter	9-11
105039801	12-3	105245401	9-3	air intake hose	9-15
105039901	12-3	105256701	7-3, 7-5, 7-21	ammeter	17-3, 17-5, 17-7, 17-9
105040401	12-3	105256801	7-3, 7-5	anchor body	5-13, 5-17, 5-19
105040402	12-3	105262401	8-5	anchor body kit	5-13, 5-17, 5-19
105043401	9-5	105266401	7-11	anchor, piston	5-13, 5-17, 5-19
105043501	9-3	105280201	1-43	anti-sway bar	6-25
105043801	9-5	105280202	1-43	A-plate strap	6-15
105043901	9-5	105280203	1-43	A-plate, delta	6-15
105044901	9-7	105282901	9-5	arbor	19-3
105060601	12-3	105282902	9-5	arm	
105063501	12-13	105282903	9-5	governor	9-13, 12-11
105063601	12-19	47539956001	8-3, 8-11	armature	15-3
105064802	1-37	47539957001	10-3	armrest	1-23, 1-39, 1-53
105066001	12-19, 12-21	47540040001	8-15	assembly	
105066101	12-19, 12-21	47542195001	5-17, 5-19		

# INDEX

- accelerator bracket and bearing 5-5, 5-7
  - accelerator pivot rod 5-5, 5-7
  - bearing, steering shaft 6-5
  - delta A-plate 6-15
  - delta shock and gear support 6-15
  - drive hub 11-5
  - driven clutch 11-7
  - fuel cap 9-3
  - fuel pump 9-5
  - headlight 4-3
  - headlight harness 4-3
  - inner ball joint 6-3
  - kingpin 6-17, 6-19
  - moveable-face 11-5, 11-7
  - ratchet 5-3, 5-5, 5-7
  - secondary clutch weight 11-5
  - steering shaft 6-5
  - turn signal lens 4-3
  - axle 16-3
  - axle guard 16-5
  - axle shaft 12-19, 12-21
  - axle shaft oil seal 16-3
  - axle tube 12-19, 12-21, 16-3
- B**
- backing plate, brake 5-13, 5-17, 5-19
  - baffle
    - crankcase 8-7
  - bag rest mat 1-41
  - balance shaft 8-21
  - ball bearing 7-7, 12-17, 12-19, 12-21
  - ball joint 5-3, 5-9, 5-11
  - ball stud 7-13
  - bar, stabilizer 6-25
  - barrel, plastic 1-3, 1-7, 1-29, 1-31, 1-33, 1-35, 1-41, 1-53, 17-11, 18-7
  - battery
    - 12-volt, top-post 7-21
  - battery cap, 6-volt 13-15, 14-13
  - battery charger 17-3, 17-5, 18-3
  - battery charger case 17-3, 17-5, 17-7, 17-9
  - battery charger receptacle 13-9
  - battery charger retractable cord assembly 17-11
  - battery charger transformer 17-3, 17-5, 17-7, 17-9
  - battery charger wire assembly 17-5
  - battery charger, onboard 17-7, 17-9
  - battery clamp 7-21
  - battery condition indicator 4-21, 4-23
  - battery discharge machine 19-3
  - battery HD, 6-volt, Trojan T145 13-15, 14-13
  - battery hold-down 13-13, 13-15, 14-11, 14-13
  - battery hold-down rod 13-13, 13-15, 14-11, 14-13
  - battery insulator 1-47
  - battery light 4-21
  - battery terminal protector spray 19-3
  - battery thermometer 19-3
  - battery, 6-volt, JCI GC2 Entek 13-13, 14-11
  - battery, top-post, wire, 4ga, B+ 7-3, 7-5
  - battery, top-post, wire, B- 4ga, 7-3, 7-5, 7-21
  - bead, ferrite 13-23, 14-21
  - bearing 16-3
    - balance shaft 8-19
    - ball 7-7, 12-17, 12-19, 12-21
    - ball (motor) 15-3
    - ball (steering pinion) 6-3
    - crankshaft 8-19
    - front wheel hub 6-13
    - hub 6-13
    - inner axle tube 16-3
    - lower pinion (steering) 6-3
    - pivot support 5-5, 5-7
    - steering shaft 6-5
    - thrust 6-17, 6-19, 12-13, 12-15
  - bearing and oil seal remover 19-3
  - bearing driver set 19-3
  - bearing puller 19-3
  - bearing puller wedge 19-3
  - bearing seat 6-5
  - bellows 6-3
  - belt, drive 11-3
  - belt, starter/generator 7-9
  - beverage holder 1-13
  - bezel, headlight 4-3
  - bezel, taillight 4-43
  - block, brake-mounting 5-3
  - block, fuse 4-5, 4-7, 4-9, 4-11, 4-13, 7-13
  - block, terminal 4-5, 4-7, 4-9, 4-11, 4-13, 13-5, 13-7, 14-5, 14-7
  - body kick plate 1-29, 1-31, 1-33, 1-35, 1-41
  - body, anchor 5-13, 5-17, 5-19
  - body, center 1-33, 1-35
  - body, front 1-3
  - body, rear 1-41
  - bolt, U- 6-23
  - boot, steering column 6-5
  - boot, switch 13-11, 14-9
  - box
    - steering gear 6-3
  - brace 1-67, 1-69
  - bracket 6-21
    - accel.cable 9-13, 12-9
    - battery charger 17-11
    - brake cable guide 6-15
    - brake light switch 4-5, 4-7, 4-9, 4-11, 4-13
    - carbon canister/ECU 9-7
    - FNR cable 9-13, 12-9
    - governor 9-13, 12-11
    - headlight mounting 4-3
    - horn 4-37
  - hour meter 4-39
  - mounting, starter/generator 8-5
  - mounting, transaxle/exhaust 8-5
  - relay mounting 17-7, 17-9
  - shock mounting, drv 6-23
  - shock mounting, pas 6-23
  - snubber 8-5
  - stabilizer bar mounting 6-25
  - starter/generator adjusting 7-9
  - steering column 6-5
  - steering column mounting 6-5
  - brake actuator kit 5-13, 5-17, 5-19
  - brake adjustment tool 19-3
  - brake backing plate 5-13, 5-17, 5-19
  - brake cable 5-15, 5-21, 5-23
  - brake cable equalizer 5-15, 5-21, 5-23
  - brake cable hanger 6-21
  - brake cable release tool 19-3
  - brake cluster 5-13, 5-17, 5-19
  - brake drum 5-13, 5-17, 5-19
  - brake lever arm 5-13, 5-17, 5-19
  - brake light switch bracket 4-5, 4-7, 4-9, 4-11, 4-13
  - brake mounting block 5-3
  - brake pedal 5-3
  - brake pedal adjustment tool 19-3
  - brake pedal pad 5-3
  - brake pedal tension tool 19-3
  - brake relay kit, 12-volt 4-5
  - brake return spring 5-21, 5-23
  - brake shoe 5-13, 5-17, 5-19
  - brake spring 5-13, 5-17, 5-19
  - breaker, circuit 17-5, 17-9
  - breather 12-13, 12-15, 16-3
  - breather hose 9-11
  - brush box assembly 15-3
  - brush cover kit, starter/generator 7-7
  - brush guard kit 1-5
  - brush inspection port cover 7-7
  - brush kit, motor 15-3
  - brush rigging 15-3
  - brush spring 7-7, 15-3
  - brush spring set 7-7
  - brush spring, starter/generator 7-7
  - brush terminal, starter/generator 7-7
  - brush, motor 15-3
  - bulb, headlight 4-3
  - bulb, strobe light 4-35
  - bulb, tail light 4-43
  - bumper 1-27
    - drive unit (motor) 15-3
    - front 1-3
    - front, heavy duty 1-3
    - front, kit 1-3
    - rubber 1-51, 5-3
    - seal, long 1-19

# INDEX

side trim 1-53  
spring return 5-5, 5-7  
bumper guard vinyl trim 1-33, 1-35  
bumper, heavy-duty 1-3  
bushing 7-13, 11-5, 12-3  
bronze 6-13  
nylon 5-3  
spindle 6-13  
stabilizer bar 6-25  
steel 6-17, 6-19, 6-21, 6-23  
urethane 6-15, 6-17, 6-19, 6-21, 6-23  
bushing support 6-25  
button, drive 11-7  
buzzer, reverse 4-19, 4-21, 4-23, 4-41

## C

cable  
accelerator 9-13  
brake 5-15, 5-21, 5-23  
FNR shifter 12-5, 12-7  
governor 9-13  
IQDM 19-7  
calibration test module 19-3  
cam  
driven clutch 11-7  
electrical component box 7-13  
cam installation tool 19-3  
cam, engine 8-17  
camshaft 8-17  
camshaft o-ring 8-17  
canister, carbon, fuel tank 9-7  
canopy 1-55, 1-57, 1-59, 1-61  
canopy brace 1-55, 1-57, 1-59, 1-61, 1-63, 1-65, 1-67, 1-69  
canopy hardware 1-63, 1-65, 1-67, 1-69  
canopy top, beige 1-65, 1-69  
canopy top, white 1-63, 1-67  
canopy trim plate 1-55, 1-57, 1-59, 1-61, 1-63, 1-65, 1-67, 1-69  
cap  
battery, 6-volt 13-15, 14-13  
dust 4-21, 4-23, 13-5, 13-7, 14-5, 14-7  
fuel, gas, ratchet 9-3  
key switch 4-19, 4-21, 4-23, 4-27  
rubber 12-23  
seat back 1-21  
cap, hub, 7 prong 2-5  
carbon canister 9-7  
carburetor float level tool 19-7  
card, safety first 19-9  
case  
battery charger 17-3, 17-5, 17-7, 17-9  
gear 16-3  
transaxle 12-13, 12-15  
CE mark ferrite bead, Fair-rite 13-23, 14-21  
CE mark ferrite bead, TDK 13-23, 14-21

center body 1-33, 1-35  
center shaft 12-17  
chain, timing 8-17  
charger  
wire assembly kit 17-3, 17-7, 17-9  
charger bezel tool 19-3  
charger receptacle 13-9  
charger, battery 17-3, 17-5, 18-3  
charger, battery, onboard 17-7, 17-9  
charging diode 7-15  
circuit breaker 13-11, 14-9, 17-3, 17-5, 17-7, 17-9  
clamp  
battery 7-21  
hose 9-3, 9-7, 9-15  
p- (fuel filter) 8-9, 9-13  
clevis, upper delta 6-17, 6-19  
clip  
meter 4-19  
retainer plate 8-15  
clip, piston pin 8-21  
clip, score card 6-11  
cluster, brake 5-13, 5-17, 5-19  
clutch  
pin 12-17  
clutch alignment tool 19-5  
clutch removal tool 19-3  
clutch repair kit 11-7  
clutch tool kit 19-5  
clutch weight 11-5  
clutch, drive 11-5  
clutch, driven 11-7  
coil, ignition 8-11  
collar 12-17  
collet 8-17  
column, steering 6-5  
communication display module 19-5  
component mounting plate 13-21  
component mounting plate cover 13-21, 14-19  
compression gauge 19-5  
compression mount 6-25  
compressor, piston ring 19-9  
compressor, valve spring 19-11  
conduit 4-35  
connecting bar 1-53  
connecting rod 8-21  
continuity tester 19-5  
control board, potted 17-7, 17-9  
controller, speed 13-21  
controller, iq plus 500 amp 14-19  
converter, DC/DC 4-29  
cooling fan 8-7  
cord, AC 17-3, 17-5, 17-7, 17-9  
cord, DC 17-3, 17-5, 17-7, 17-9  
cord, retractable, assembly 17-11

counter shaft 12-17  
cover  
brush inspection port 7-7  
crankcase 8-19  
dust 5-13, 5-17, 5-19, 6-13  
fan 8-7  
fuse block 4-7, 4-9, 4-11, 4-13  
rocker switch hole 4-19, 4-21, 4-23  
screw head 4-19, 4-21, 4-23  
steering column 6-5  
cover, rocker 8-15  
cover, steering column 4-15, 4-17  
cover, valve 8-15  
cowl 1-3  
crankcase 8-19  
crankcase baffle 8-7  
crankcase cover 8-19  
crankshaft 8-21  
cross brace 1-67, 1-69  
C-type stop ring 6-3  
cup holder 1-13  
cup, spring 5-5, 5-7  
current limiter 17-5  
cushion, shock absorber 6-21, 6-23  
cutter, valve seat 19-5, 19-11  
cylinder head 8-15

## D

dash component 1-9  
dash panel 4-19, 4-21, 4-23  
dc converter, 15A 4-29  
dc converter, CE 4-31  
DC cord 17-3, 17-5, 17-7, 17-9  
DC/DC converter 4-29  
decal  
4-gauge wire warning 3-5, 3-11  
battery danger 3-5  
driver/passenger 3-7, 3-13  
electrical cover safety 3-5, 3-11  
engine warning 8-7  
filter log 13-19, 14-17  
FNR 3-5, 3-7, 3-11, 3-13  
four-passenger warning 3-3, 3-9  
frame ground 3-7, 3-13  
inspect log 13-19, 14-17  
key switch 3-7, 3-13  
maintenance/operate switch 3-7, 3-13  
on/off 3-5, 3-11  
operating instructions 3-5, 3-7, 3-11, 3-13  
passcode 4-25  
rotating parts 3-7, 3-13  
Tow/Run switch 3-5, 3-11, 13-11, 14-9  
Villager 3-15  
deflector  
air 8-9  
deionizer 13-19, 14-17

# INDEX

cartridge 13-19, 14-17  
delta A-plate 6-15  
delta A-plate sub-assembly 6-15  
delta shock and gear support 6-15  
diagnostic port 4-21, 4-23, 13-5, 13-7, 14-5, 14-7  
diesel tachometer probe 19-9  
differential 12-21  
    limited-slip 12-19  
    open 12-21  
differential drive unit 16-3  
differential gear 16-3  
differential gear set 12-21  
differential guard 16-5  
differential housing 16-3  
differential shaft 12-21  
diode 7-3, 7-5  
diode, charging 7-15  
dipstick 8-19  
door, access 1-49  
drain plug 8-19, 12-13, 12-15  
drain plug gasket 8-19  
drain plug, rubber 7-7  
drink holder 1-13  
drive belt 11-3  
drive button 11-7  
drive clutch 11-5  
drive clutch button 11-5  
drive clutch fixed sheave tool 19-5  
drive clutch holder tool 19-5  
drive clutch hub puller 19-5  
drive clutch puller 19-5  
drive clutch spider removal tool 19-5  
drive clutch spring 11-5  
drive clutch weight 11-5  
drive hub 11-5  
drive unit bumper 15-3  
drive unit guard 16-5  
driven clutch 11-7  
driven clutch button 11-7  
driven clutch cam 11-7  
driven clutch cam puller 19-5  
driven clutch puller plug 19-5  
driven clutch spring compression base tool 19-5  
driven clutch spring compression collar tool 19-5  
driven clutch spring compression nut tool 19-5  
driver, drive clutch 11-5  
drum, brake 5-13, 5-17, 5-19  
dry moly lubricant 19-7  
dust cap 4-21, 4-23, 13-5, 13-7, 14-5, 14-7  
dust cover 5-13, 5-17, 5-19, 6-13

## E

eccentric adjustment screw 6-17  
E-clip 5-15, 5-21, 5-23  
ECU 9-9  
end cap, motor 15-3  
end, tie rod 6-15  
engine  
    air cleaner 9-15  
    air deflector 8-9  
    air filter 8-3, 9-15  
    air intake hose 9-15  
    balance shaft 8-21  
    bearing, balance shaft 8-19  
    bearing, crankshaft 8-19  
    breather hose 9-11  
    cam 8-17  
    camshaft 8-17  
    camshaft O-ring 8-17  
    connecting rod 8-21  
    crankcase 8-19  
    crankcase baffle 8-7  
    crankcase cover 8-19  
    crankcase plug 8-19  
    crankshaft 8-21  
    crankshaft key 8-21  
    cylinder head 8-15  
    dipstick 8-19  
    drain plug gasket 8-19  
    ECU 9-9  
    exhaust valve 8-17  
    fan 8-7  
    fan housing 8-7  
    flywheel 8-11  
    fuel injector 9-9  
    guide pin 8-19  
    head gasket 8-15  
    ignition coil 8-11  
    insulator, throttle body 9-11  
    intake valve 8-17  
    oil drain plug 8-19  
    oil filler tube 8-19  
    oil filler tube O-ring 8-19  
    oil level sensor 8-13  
    oil seal 8-19  
    piston 8-21  
    piston pin 8-21  
    piston pin clip 8-21  
    piston ring set 8-21  
    retainer plate 8-15  
    retainer plate clip 8-15  
    rocker arm 8-17  
    rocker cover 8-15  
    rocker shaft 8-17  
    spark plug 8-3, 8-11  
    temperature sensor 8-13

throttle body 9-9  
timing chain 8-17  
timing chain guide 8-17  
timing chain sprocket 8-17  
timing chain tensioner 8-17  
valve collet 8-17  
valve guide 8-15  
valve seal 8-15  
valve spring 8-17  
valve spring retainer 8-17  
warning decal 8-7  
engine warning decal 8-7  
engine, EX40 8-5  
equalizer pivot 5-15  
equalizer rod 5-15, 5-21, 5-23  
equalizer, brake cable 5-15, 5-21, 5-23  
exhaust valve 8-17  
extrusion, fender 1-3  
extrusion, plastic 1-27

## F

face, moveable 11-7  
fan  
    cooling 8-7  
fan cover 8-7  
fan housing 8-7  
fender extrusion 1-3  
fender, inner 1-41  
ferrite bead (CE), Fair-rite 13-23, 14-21  
ferrite bead (CE), TDK 13-23, 14-21  
field coil housing 7-7  
filter  
    air 8-3, 9-15  
    fuel 9-5  
fitting, thread-forming grease 6-13  
flasher, turn signal, 12-volt 4-17  
floor mat 1-9, 1-11  
flywheel 8-11  
flywheel puller 19-7  
FNR closeout brush 4-19  
fnr shaft 12-3  
FNR shift lever 12-9  
FNR shifter base 12-3  
FNR shifter cable 12-5, 12-7  
foam, seat 1-51  
foot rest 1-53  
foot rest mat 1-53  
frame and field, motor 15-3  
frame and field, starter/generator 7-7  
front body 1-3  
front body support 1-41  
front bumper 1-3  
front bumper kit 1-3  
front spring retainer plate 6-17, 6-19  
fuel filter 9-5  
Fuel Filter Kit 9-5

# INDEX

fuel injector 9-9  
fuel line 9-7  
fuel meter 4-19  
Fuel Module, Hold-Down Ring 9-5  
Fuel Pump 9-5  
fuel pump 9-5  
fuse 13-9, 17-3, 17-5, 17-7, 17-9  
    10-amp 7-3, 7-5, 7-13  
    20-amp 4-5, 4-7, 4-9, 4-11, 4-13  
    2-amp 7-3, 7-5  
    3/8-amp 13-9  
    5-amp 7-3, 7-5  
fuse block 4-5, 4-7, 4-9, 4-11, 4-13, 7-13  
fuse block cover 4-7, 4-9, 4-11, 4-13

## G

gasket 12-13, 12-15  
    drain plug 8-19  
    insulator 9-11  
    liquid 16-3, 19-7  
    plug 16-3  
    taillight 4-43  
gasket, head 8-15  
gauge, battery condition 4-21, 4-23  
gauge, compression 19-5  
gauge, fuel-hour 4-19  
gear  
    17 tooth 12-17  
    34 tooth 12-17  
    52 tooth 12-17  
    60 tooth 12-19, 12-21  
    62 tooth 12-17  
    differential 16-3  
    differential idler 16-3  
    differential output 16-3  
    governor 12-13, 12-15  
    governor, 34 tooth 12-17  
    set, differential 12-21  
gear yoke 19-7  
gearcase 16-3  
governor arm 9-13, 12-11  
governor cable 9-13  
governor gear shaft 12-13, 12-15  
governor shaft 12-13, 12-15  
governor shaft installation tool 19-7  
grip, pencil 6-11  
grommet 1-17, 9-3  
guard, differential 16-5  
guard, splash 1-7  
guide  
    valve 8-15  
    valve seat cutter 19-11  
guide pin 8-19, 12-13, 12-15  
guide ring adhesive 19-3  
guide, timing chain 8-17

## H

handle 12-3  
handrail 1-53  
hanger, brake cable 6-21  
hardware, canopy 1-67, 1-69  
harness  
    wire 4-37  
harness, headlight 4-7, 4-9, 4-11, 4-13  
harness, lighting 4-7, 4-9, 4-13  
harness, wire 4-29, 4-31, 4-37, 13-5, 13-7, 14-5, 14-7  
harness, wire, gas engine-ECU 7-3, 7-5  
harness, wire, lighting 4-11  
head gasket 8-15  
head, cylinder 8-15  
headband, sealed, motor 15-3  
headband, vented, motor 15-3  
headlight 4-3  
headlight assembly 4-3  
headlight bulb 4-3  
headlight harness 4-3  
headlight retainer 4-3  
headlight wire harness 4-7, 4-9, 4-11, 4-13  
heat shrink tube 17-11  
heatsink and rectifier 17-3, 17-5, 17-7, 17-9  
heavy-duty bumper 1-3  
hill brake rod 5-3  
hill brake weld assembly 5-3  
hinge assembly 1-51  
hinge pin 1-51  
hinge plate 1-19, 1-29, 1-31, 1-33, 1-35, 1-37, 1-41  
hinge, long 1-51  
hold-down rod, battery 13-13, 13-15, 14-11, 14-13  
hold-down, battery 13-13, 13-15, 14-11, 14-13  
holder, cup 1-13  
hole plug 4-21, 4-23  
horn 4-37  
horn bracket 4-37  
hose  
    air intake 9-15  
    engine breather 9-11  
    fuel 9-7  
    vent 9-7  
hour meter 4-19, 4-39  
hour meter, 36-48 volt 4-39  
housing  
    3-pin 15-3  
    differential 16-3  
    fan 8-7  
    field coil 7-7  
hub 6-13, 12-23  
hub bearing 6-13  
hub cap 2-5  
hub cap, 7 prong 2-5

hydraulic brake adjuster 19-7  
hydrometer 19-7

## I

idler gear, differential 16-3  
ignition coil 8-11  
indicator, battery condition 4-21, 4-23  
indicator, charger 4-23  
inner frame snubber 8-5  
input shaft 12-17, 16-3  
instrument panel 4-19, 4-21, 4-23  
insulating washer 15-3  
insulator 9-11  
insulator gasket 9-11  
insulator, battery 1-47  
insulator, motor terminal 15-3  
intake valve 8-17  
intermediate shaft 16-3  
internal retaining ring pliers 19-7  
IQ display module (IQDM) 19-7  
isolator, shock damper 6-21, 6-23

## J

joint  
    ball 5-3, 5-9, 5-11

## K

key  
    driven clutch 11-7  
    On/Off 4-19, 4-21, 4-23  
    square 11-7  
key switch 4-19  
key switch cap 4-19, 4-21, 4-23, 4-27  
key switch, On/Off 4-21, 4-23  
key switch, uncommon 4-27  
key, crankshaft 8-21  
kick plate, body 1-29, 1-31, 1-33, 1-35, 1-41  
kingpin 6-17, 6-19  
kit  
    3-pin housing 15-3  
    accelerator pivot rod 5-5, 5-7  
    anchor body 5-13, 5-17, 5-19  
    battery terminal adapter 7-11  
    brake actuator 5-13, 5-17, 5-19  
    brake cable 5-15  
    brake pedal 5-3  
    brake pedal adjustment tool 19-3  
    brake relay 4-5  
    brake shoe 5-13, 5-17, 5-19  
    brake shoe retainer 5-13, 5-17, 5-19  
    brush guard 1-5  
    clutch repair 11-7  
    DC/DC converter 4-29  
    deflector, air 8-9  
    drive clutch button 11-5

# INDEX

drive clutch weight 11-5  
driven clutch button 11-7  
equalizer, brake 5-15  
front bumper 1-3  
hand pump, SPWS 13-19, 14-17  
heavy-duty front bumper 1-3  
hour meter 4-39  
hub cap 2-5  
IQ display module (IQDM) 19-7  
mirror 1-15  
motor brush 15-3  
motor brush lead assembly 15-3  
motor brush spring 15-3  
motor speed sensor 15-3  
park brake latch 5-3  
park brake pedal 5-3  
relay, 48V 4-7, 4-9, 4-11, 4-13, 13-21, 14-19  
reverse buzzer 4-41  
shock absorber cushion 6-21, 6-23  
shoe retainer 5-13, 5-17, 5-19  
smartkey 4-25  
steering column mounting bracket 6-5  
strobe light 4-35  
taillight hardware 4-43  
tune-up 19-9  
turn signal 4-15  
wire assembly, charger 17-3, 17-7, 17-9  
knob, forward/reverse 12-3

## L

lamp, strobe light 4-35  
lamp, turn signal and socket 4-15, 4-17  
latch, park brake 5-3  
leaf spring 6-21, 6-23  
lens, headlight 4-3  
lens, strobe light 4-35  
lens, taillight 4-43  
lever  
transaxle shift 12-9  
light  
battery 4-21  
oil 4-19  
water quality 13-19, 14-17  
light, strobe 4-35  
lighting wire harness 4-7, 4-9, 4-13  
limit switch 4-5, 4-7, 4-9, 4-11, 4-13, 7-17, 7-19  
limiter  
current 17-5  
voltage 4-5, 4-33  
line, fuel 9-7  
link, stabilizer bar 6-25  
liquid gasket 16-3, 19-7  
low oil warning light 4-19  
lubricant, dry moly 19-7  
lubricant, moly-teflon 15-3, 19-7  
lug nut 2-3

lug stud 12-23, 16-3

## M

magnet, speed sensor 15-3  
mat, floor 1-9, 1-11  
mat, foot rest 1-53  
MCOR 13-3, 14-3  
meter clip 4-19  
meter, hour 4-39  
meter, volt ohm 19-11  
mirror 1-15  
mirror, rear view 1-15  
module  
calibration test 19-3  
communication display 19-5  
moly-teflon lubricant 19-7  
motor  
48-volt IQ Plus 15-3  
motor brush 15-3  
motor brush kit 15-3  
motor brush lead assembly kit 15-3  
motor brush spring 15-3  
motor bumper 15-3  
motor controller 13-21  
motor end cap 15-3  
motor frame and field 15-3  
motor headband, sealed 15-3  
motor headband, vented 15-3  
motor magnet, speed sensor 15-3  
motor speed sensor 15-3  
motor speed sensor kit 15-3  
motor terminal and lead assembly 15-3  
motor terminal insulator 15-3  
mount, compression 6-25  
mounting block, brake 5-3  
moveable-face 11-5, 11-7

## N

nameplate kit, amber 3-15  
nut, lug 2-3

## O

oil filler tube 8-19  
oil level sensor 8-13  
oil seal 8-19, 12-13, 12-15  
oil warning light, low 4-19  
onboard battery charger 17-7, 17-9  
O-ring 8-17, 8-19  
O-ring Kit, Fuel Module 9-5  
O-Ring, Fuel Module 9-5

## P

pad  
brake pedal 5-3  
park brake 5-3

thermal 7-15  
paint, touch-up 19-7  
panel, instrument 4-19, 4-21, 4-23  
panel, rear 17-11, 18-7  
park brake latch 5-3  
park brake pedal 5-3  
park brake rod sleeve 5-3  
park brake spacer 5-3, 17-11  
park brake torsion spring 5-3  
pawl 5-3  
p-clamp (fuel filter) 8-9, 9-13  
pedal, brake 5-3  
pedal, park brake 5-3  
pencil grip 6-11  
pin  
bow tie locking 5-15, 5-21, 5-23  
clevis 5-15, 5-21, 5-23  
differential 12-21  
guide 8-19, 12-13, 12-15  
input shaft 12-17  
piston 8-21  
pinion, steering 6-3  
piston 8-21  
piston anchor 5-13, 5-17, 5-19  
piston pin 8-21  
piston pin clip 8-21  
piston ring 8-21  
piston ring compressor 19-9  
piston ring pliers 19-9  
piston ring set 8-21  
pivot support bearing 5-5, 5-7  
plate  
body kick 1-31, 1-35, 1-41  
component mounting 13-21  
front spring retainer 6-17, 6-19  
hinge 1-19, 1-29, 1-31, 1-33, 1-35, 1-37, 1-41  
mounting, CVT, center 8-5  
mounting, engine/axle 8-5  
receptacle backing 13-9, 18-7  
retainer 8-15  
spring mounting 6-17, 6-19  
plate, canopy trim 1-55, 1-57, 1-59, 1-61, 1-63, 1-65, 1-67, 1-69  
plate, Tow/Run switch 13-11, 14-9  
pliers  
internal retaining ring 19-7  
piston ring 19-9  
retaining ring 19-9  
plug  
drain 12-13, 12-15  
driven clutch puller 19-5  
hole 4-21, 4-23  
oil drain 8-19  
rubber drain 7-7  
rubber, crankcase 8-19

# INDEX

spark 8-3, 8-11  
port, diagnostic 4-21, 4-23, 13-5, 13-7, 14-5, 14-7  
press weldment 19-5  
protector spray, battery terminal 19-3  
puller  
    bearing 19-3  
    clutch 19-3  
    drive clutch 19-5  
    drive clutch hub 19-5  
    driven clutch cam 19-5  
    flywheel 19-7  
    seal 19-9  
    special use tool 19-9  
pulley  
    starter-generator 7-7  
    v-belt 7-7  
pump  
    fuel 9-5

## R

race, front hub bearing 6-13  
rack guide pressure spring 6-3  
rack, steering 6-3  
ratchet, park brake 5-3, 5-5, 5-7  
reamer, valve guide 19-9  
rear panel 17-11, 18-7  
rear spring shackle 6-21  
rear view mirror 1-15  
receptacle backing plate 13-9, 18-7  
receptacle, AC cord 17-5  
receptacle, battery charger 13-9  
rectifier with heatsink 17-3, 17-5, 17-7, 17-9  
reel assembly, retractable 17-11  
regulator, voltage 7-13  
relay 4-7, 4-9, 4-11, 4-13, 13-21, 14-19  
relay mounting bracket 17-7, 17-9  
relay, 12-volt 4-5  
relay, 48V 4-7, 4-9, 4-11, 4-13, 13-21, 14-19  
relay, 48-volt 17-3, 17-5, 17-7, 17-9  
relay, brake, kit, 12-volt 4-5  
remover, bearing and oil seal 19-3  
retainer  
    accelerator pedal spring 5-5, 5-7  
    brake shoe 5-13, 5-17, 5-19  
    headlight 4-3  
    shock absorber cushion 6-21, 6-23  
    valve spring 8-17  
retainer plate 8-15  
retaining ring 6-5  
retaining ring pliers 19-9  
return spring bumper 5-5, 5-7  
reverse buzzer 4-19, 4-21, 4-23, 4-41  
rim (wheel) 2-3  
ring  
    C-type stop 6-3

piston 8-21  
retaining 6-5, 7-13, 11-5, 11-7, 12-13, 12-15, 12-23  
snap 6-3  
spiral backup 11-5  
rivet, blind push 1-3, 13-21, 14-19  
rock guard 16-5  
rocker arm 8-17  
rocker cover 8-15  
rocker shaft 8-17  
rocker switch 4-21, 4-23  
rocker switch (lights) 4-5, 4-7, 4-9, 4-11, 4-13, 4-19, 4-21, 4-23  
rod  
    accelerator 5-9, 5-11  
    accelerator pivot 5-5, 5-7  
    battery hold-down 13-13, 13-15, 14-11, 14-13  
    connecting 8-21  
    equalizer 5-15, 5-21, 5-23  
    hill brake 5-3  
rubber bumper 1-51

## S

safety first card 19-9  
score card clip 6-11  
score card plate 6-11  
screw, eccentric adjustment 6-17  
screw, valve clearance adjuster 19-9  
seal  
    lip 16-3  
    oil 8-19, 12-13, 12-15, 16-3  
    steering pinion dust 6-3  
    valve 8-15  
seal puller 19-9  
sealant 16-3  
seat back 1-21  
seat back assembly 1-21  
seat back cap 1-21  
seat back, white 1-21  
seat bottom assembly 1-19, 1-37, 1-51  
seat cover, vinyl 1-51  
seat foam 1-51  
seat support, four-passenger 1-51  
seat, bearing 6-5  
select shaft 12-13, 12-15  
sensor  
    oil level 8-13  
    temperature 8-13  
sensor, motor speed 15-3  
shackle weldment 6-23  
shackle, rear spring 6-21  
shaft  
    axle 12-19, 12-21  
    balance 8-21  
    center 12-17  
    counter 12-17  
    differential 12-21  
    governor 12-13, 12-15  
    governor gear 12-13, 12-15  
    input 12-17, 16-3  
    intermediate 16-3  
    rocker 8-17  
    select 12-13, 12-15  
    shift 12-17  
    steering column 6-5  
shift lever 12-9  
shift shaft 12-3, 12-17  
shifter, base 12-3  
shock absorber 6-15, 6-21, 6-23  
shock absorber cushion 6-21, 6-23  
shock absorber cushion retainer 6-21, 6-23  
shock damper isolator 6-21, 6-23  
shock mounting bracket, drv 6-23  
shock mounting bracket, pas 6-23  
shoe retainer kit 5-13, 5-17, 5-19  
shoe, brake 5-13, 5-17, 5-19  
signal, turn 4-15  
sleeve 12-13, 12-15  
    delta A-plate 6-15  
    park brake rod 5-3  
smartkey 4-25  
snap ring 6-3  
snubber bracket 8-5  
snubber, inner frame 8-5  
solenoid 13-21, 14-19  
solenoid, 12-volt 7-13  
spacer 1-5, 12-13, 12-15, 12-17  
    accelerator pivot rod 5-5, 5-7  
    park brake 5-3, 17-11  
spanner wrench 19-9  
spark plug 8-3, 8-11  
speed controller 13-21  
speed sensor 15-3  
speed sensor magnet 15-3  
speed sensor, motor 15-3  
spindle assembly 6-13  
spiral backup ring 11-5  
splash guard 1-7  
spray, battery terminal protector 19-3  
spring 12-13, 12-15  
    accelerator return 5-5, 5-7  
    brake 5-13, 5-17, 5-19  
    brake return 5-21, 5-23  
    brush 7-7, 15-3  
    compression 6-11  
    drive button 11-5  
    drive clutch 11-5  
    driven clutch 11-7  
    leaf 6-21, 6-23  
    park brake torsion 5-3  
    rack guide pressure 6-3



# INDEX

- steering shaft compression valve 6-5
  - valve 8-17
  - spring cup 5-5, 5-7
  - spring mounting plate 6-17, 6-19
  - spring retainer 8-17
  - spring, motor brush 15-3
  - SPWS manifold 13-17, 14-15
  - stabilizer bar 6-25
  - stabilizer bar link 6-25
  - stabilizer bar mounting bracket 6-25
  - starter/generator 7-7
  - starter/generator brush cover kit 7-7
  - starter/generator brush spring 7-7
  - starter/generator brush terminal 7-7
  - starter/generator frame and field 7-7
  - starter/generator pulley 7-7
  - steel bushing 6-17, 6-19, 6-21, 6-23
  - steering column 6-5
  - steering column bearing press tool 19-9
  - steering column cover 4-15, 4-17
  - steering column retaining ring tool 19-9
  - steering gear box 6-3
  - steering pinion 6-3
  - steering pinion dust seal 6-3
  - steering rack 6-3
  - steering shaft assembly 6-5
  - steering shaft compression spring 6-5
  - steering wheel 6-9, 6-11
  - steering wheel puller tool 19-9
  - stem, valve 2-3
  - strap, A-plate 6-15
  - strobe light 4-35
  - strobe light lens 4-35
  - stud
    - exhaust mounting engine exhaust mounting stud 8-15
    - intake mounting engine intake mounting stud 8-15, 9-11
    - lug 12-23, 16-3
  - stud, ball 7-13
  - support yoke (steering) 6-3
  - support, bushing 6-25
  - support, front body 1-41
  - suppressor, voltage 4-5, 4-7, 4-9, 4-11, 4-13, 17-3, 17-5, 17-7, 17-9
  - switch plate cover 4-35
  - switch
    - four-position 17-5, 17-9
    - key 4-19, 4-21, 4-23
    - key, uncommon 4-27
    - light rocker 4-5, 4-7, 4-9, 4-11, 4-13, 4-19, 4-21, 4-23
    - limit 4-5, 4-7, 4-9, 4-11, 4-13, 7-17, 7-19
    - rocker 4-21, 4-23
    - Tow/Run 13-11, 14-9
    - turn signal 4-15, 4-17
  - switch assembly 4-35
  - switch plate, Tow/Run 13-11, 14-9
  - switch rubber boot 13-11, 14-9
- ## T
- 12-volt solenoid 7-13
  - tachometer 19-9
  - tachometer probe, diesel 19-9
  - tail light bulb 4-43
  - taillight 4-43
  - taillight assembly 4-43
  - taillight base 4-43
  - taillight bezel 4-43
  - taillight gasket 4-43
  - taillight hardware kit 4-43
  - taillight lens 4-43
  - tape, vinyl foam 1-55, 1-57, 1-59, 1-61, 1-63, 1-65, 1-67, 1-69
  - temperature sensor 8-13
  - tensioner, timing chain 8-17
  - terminal block 4-5, 4-7, 4-9, 4-11, 4-13, 13-5, 13-7, 14-5, 14-7
  - tester, continuity 19-5
  - thermal pad 7-15
  - thermometer, battery 19-3
  - thread-forming grease fitting 6-13
  - throttle body 9-9
  - thrust bearing 6-17, 6-19
  - tie rod 6-15
  - tie rod end 6-15
  - tie wrap 4-15, 4-17, 4-29, 4-31, 4-35, 4-39, 6-3, 7-13, 12-5, 12-7, 13-23, 14-21, 17-11
  - timing chain 8-17
  - timing chain guide 8-17
  - tire 2-3
  - tool
    - accelerator pedal adjustment 19-3
    - belt tensioning, starter/generator 19-11
    - brake adjustment 19-3
    - brake cable release 19-3
    - brake pedal adjustment 19-3
    - brake pedal tension 19-3
    - cam installation 19-3
    - carburetor float level 19-7
    - charger bezel 19-3
    - clutch alignment 19-5
    - cT-wrench 19-5
    - drive clutch fixed sheave 19-5
    - drive clutch holder 19-5
    - drive clutch spider removal 19-5
    - driven clutch spring compression base 19-5
    - driven clutch spring compression collar 19-5
    - driven clutch spring compression nut 19-5
    - governor shaft installation 19-7
    - puller, special use 19-9
    - steering column bearing press 19-9
    - steering column retaining ring 19-9
    - steering wheel puller 19-9
    - transaxle axle seal 19-9
    - transaxle pinion seal 19-9
    - transmission 19-9
      - valve guide driver 19-9
      - valve seat cutter 19-5
    - tool kit, clutch 19-5
    - touch-up paint 19-7
    - Tow/Run switch 13-11, 14-9
    - Tow/Run switch plate 13-11, 14-9
    - transaxle (Electric Vehicle) 16-3
    - transaxle axle seal tool 19-9
    - transaxle guard 16-5
    - transaxle pinion seal tool 19-9
    - transaxle, limited-slip (Gas Vehicle) 12-13
    - transaxle, open-diff (Gas Vehicle) 12-15
    - transformer, battery charger 17-3, 17-5, 17-7, 17-9
    - transmission tool 19-9
  - trim
    - cowl 1-3
  - tube
    - axle 12-19, 12-21, 16-3
    - oil filler 8-19
  - tune-up kit 19-9
  - turn signal 4-15
  - turn signal conversion kit 4-15
  - turn signal lens 4-3
  - turn signal socket and lamp 4-15, 4-17
  - turn signal switch 4-17
  - T-wrench tool 19-5
- ## U
- U-bolt 6-21, 6-23
  - upper delta clevis 6-17, 6-19
  - urethane bushing 6-15, 6-17, 6-19, 6-21, 6-23
- ## V
- valve 9-15
    - exhaust 8-17
    - intake 8-17
  - valve clearance adjuster screw 19-9
  - valve collet 8-17
  - valve cover 8-15
  - valve guide 8-15
  - valve guide driver tool 19-9
  - valve guide reamer 19-9
  - valve seal 8-15
  - valve seat cutter 19-5, 19-11
  - valve seat cutter guide 19-11
  - valve seat cutter tool 19-5

# INDEX

valve seat t-wrench 19-11  
valve spring 8-17  
valve spring compressor 19-11  
valve stem 2-3  
vent  
    fuel tank 9-3  
    transaxle 12-13, 12-15  
vent, barb 9-7  
volt ohm meter 19-11  
voltage limiter 4-5, 4-33  
voltage regulator 7-13  
voltage suppressor 4-5, 4-7, 4-9, 4-11, 4-13,  
    17-3, 17-5, 17-7, 17-9

## W

warning light, low oil 4-19  
washer, insulating 15-3  
water quality light 13-19, 14-17  
wedge, bearing puller 19-3  
weight  
    clutch 11-5  
    secondary clutch 11-5  
weldment  
    governor bracket 9-13, 12-11  
    press 19-5  
wheel 2-3  
    steering 6-9, 6-11  
windshield channel 1-25  
windshield frame pad 1-55, 1-57, 1-59, 1-61,  
    1-63, 1-65, 1-67, 1-69  
wire  
    green, starter/generator 7-3, 7-5, 7-7  
    ground, fuel tank 7-3, 7-5, 9-3  
wire assembly, battery charger 17-5  
wire harness 4-29, 4-31, 4-37, 7-3, 7-5, 13-5,  
    13-7, 14-5, 14-7  
wire harness, headlight 4-7, 4-9, 4-11, 4-13  
wire harness, lighting 4-7, 4-9, 4-11, 4-13  
wrap, tie 4-15, 4-17, 4-29, 4-31, 4-35, 4-39, 6-3,  
    7-13, 12-5, 12-7, 13-23, 14-21, 17-11  
wrench, spanner 19-9

## Y

yoke, gear 19-7  
yoke, support (steering) 6-3





**Club Car, Inc.**  
P.O. Box 204658  
Augusta, GA 30917-4658  
USA

**Web** [www.clubcar.com](http://www.clubcar.com)  
**Phone** 1.706.863.3000  
1.800.ClubCar  
**Int'l** +1 706.863.3000  
**Fax** 1.706.863.5808