



2020 Carryall 502 Illustrated Parts List



2020 Carryall 502 Illustrated Parts List

Manual Number 86753090045
Edition Code A

USING THE ILLUSTRATED PARTS LIST

⚠ WARNING

- **This manual is to be used only for identification and ordering of service parts. Be sure to read and use the maintenance and service manual before attempting any vehicle repairs.**

The manual is divided into sections. Note that there are two or three flags on the outside edge of each page. The first flag contains the section number of which that page is a part. The other flag (or flags) contains the letter E or G, signifying that the page pertains to the electric or gasoline vehicles only.

Use the Table of Contents to find the sections and pages that contain the parts and assemblies you seek. The Table of Contents lists section numbers, and under them, the individual page titles and numbers to be found in that section. The index can be used to find specific parts and assemblies. The index is divided into numerical and alphabetical listings with the page numbers in italic text.

There is a two-page spread for each individual page title in the Table of Contents. On the left-hand page is an illustration showing the parts in their relative positions; the parts are each tagged with an item number in a balloon. The right-hand page is the parts list page, and gives the page title at the top, then the item numbers (corresponding to the numbers on the illustration), part descriptions, and quantity of parts used.

Note that a part description may be indented. This indentation corresponds to a parts assembly level indicated by the numbers 1, 2, 3, and 4 at the top left corner of the parts description area of the parts list page. A part that is indented to *level 2* is a component of the *level 1* part (assembly) that it is listed under. A *level 3* part is a component of the *level 2* part that it is listed under, and a *level 4* part is a component of the *level 3* part preceding it. In each case, the part quantity given for a level 2, 3, or 4 part is *the quantity used per next higher level assembly of which it is a component*. A part that is not indented is a *level 1* part. This means that the quantity given is the quantity used per the portion of the vehicle illustrated on that particular spread.



P. O. Box 204658
Augusta, Georgia 30917-4658 USA
Telephone 706-863-3000
Service Parts Fax 706-855-7413
www.clubcar.com

HOW TO ORDER PARTS

Replacement parts and accessories can be obtained from our network of authorized dealers and distributors. You can obtain the name and phone number of your closest authorized Club Car dealer or distributor by visiting our web site at www.clubcardealer.com, by calling our toll-free Service Parts and Technical Assistance hotline at (800) 872-2246 or (706) 863-3000, extension 3887, or by scanning this Quick Response (QR) code to be taken to the Club Car dealer locator. **Refer to Figure 1.** Download a QR code reader such as RedLaser or Barcode Scanner to your cell phone or tablet.



Figure 1 Dealer Locator QR Code

CUSTOMER SATISFACTION SURVEY

Let your voice be heard!

Please take time to participate in the Technical Publications satisfaction survey. Obtaining feedback from our customers is important to the department's continuous improvement process. The online survey takes less than five minutes and responses will help the department to examine current performance as well as identify areas for future improvement. Our top priority is to provide timely, accurate, and user friendly manuals.

The online satisfaction survey can be found at: <http://bit.ly/1w9uFMh>



Figure 2 Survey QR Code

NOTE: *This illustrated parts list represents the most current information at the time of publication. Club Car, LLC is continually working to further improve its vehicles and other products. These improvements may affect the parts used to service the vehicle. Any modification and/or significant change in specifications will be forwarded to all Club Car and Carryall distributors/dealers and will, when applicable, appear in future editions of this illustrated parts list.*

Club Car, LLC reserves the right to change specifications and designs at any time without notice and without the obligation of making changes to units previously sold.

Copyright © 2019 Club Car, LLC.
Club Car is a registered trademark of Club Car, LLC.
This manual effective July 1, 2019.

CONTENTS

SECTION 1 – BODY AND TRIM

Brush Guard, Front Bumper and Fenders	1-3
Cowl and Trim	1-5
Dash Pockets, Floormat and Cupholders	1-7
Seat Bottom	1-9
Seat Back	1-11
Seat Frame and Hip-Restraint	1-13
Windshield, Hinged	1-15
Canopies and Struts	1-17
Mirrors	1-19
Inner Rear Fenders	1-21
Rear Fenders and Tail Skirt	1-23
Rear Bumper Guard	1-25
Rear License Plate Holder	1-27
Bed Hinge, Latch, and Prop Rod – Medium	1-29
Tilt Bed and Bed Latch – Medium	1-31
Electric Bed Lift – Medium, Electric Vehicles	1-33
Electric Bed Lift – Gasoline Vehicles	1-35
Flat Bed Trim – Medium	1-37
Cargo Box Kit – Medium (Page 1 of 2)	1-39
Cargo Box Kit (Page 2 of 2)	1-41
Tailgate Teather	1-43
Modular Bed Accessories	1-45
Modular Bed Accessories	1-47
Modular Bed Accessories	1-49
Stake Side Kit – Medium	1-51
Heavy Duty Trailer Hitch	1-53
Rear Receiver Hitch	1-55
Trailer Hitch Ball	1-57
Toolboxes	1-59

SECTION 2 – WHEELS AND TIRES

10 Inch Wheels and 20 Inch Tires	2-3
8 Inch Wheels and 18 Inch Tires – Vehicles with Small-Wheel Turf Package	2-5
Wheel Covers	2-7

SECTION 3 – DECALS

Decals – Electric Carryall 502	3-3
--------------------------------------	-----

CONTENTS

Decals – Gasoline Carryall 502	3-5
Decals – Electric and Gasoline Carryall 502	3-7
Badging Decals – Carryall 502	3-9
Reflectors and Triangle – Carryall 502	3-11

SECTION 4 – LIGHTS, CONTROLS, AND INDICATORS

Headlights and Bezels	4-3
12-Volt Fuse Block and Fuses – Electric Vehicle	4-5
Horn, Turn Signals, and Taillights	4-7
Instrument Panel – Electric Vehicle	4-9
Instrument Panel – Key and Pedal Start – Gas	4-11
Keyswitches	4-13
DC Converter – Electric Vehicle	4-15
Voltage Limiter – Gasoline Vehicle	4-17
USB Port	4-19

SECTION 5 – BRAKES, PEDALS, AND CABLE ASSEMBLIES

Brake Pedal Assembly – Vehicles with 2-Wheel Brakes and 4-Wheel Brakes	5-3
Accelerator Pedal Assembly – Electric Vehicles	5-5
Accelerator Pedal and Rod Assembly – Gasoline Vehicle	5-7
Pedal Close-Out Kit	5-9
Front Brake Assembly – Vehicles with 4-Wheel Brakes	5-11
Front Brake Cables and Equalizer – Gasoline Vehicle with 4-Wheel Brakes	5-13
Front Brake Cables and Equalizer – Electric Vehicle with 4-Wheel Brakes	5-15
Rear Brake Cables and Equalizer – Gasoline Vehicle with 4-Wheel Brakes	5-17
Rear Brake Cables and Equalizer – Electric Vehicle with 4-Wheel Brakes	5-19
Rear Brakes, Manually-Adjusted – Elec. Vehicles with 4-Wheel Brakes	5-21
Rear Brakes, Manually-Adjusted – Gas Vehicles with 4-Wheel Brakes	5-23

SECTION 6 – STEERING, FRONT AND REAR SUSPENSION

Steering Gear Assembly	6-3
Steering Column	6-5
Steering Wheel	6-7
Steering Wheel with Clip	6-9
Front Suspension, Upper, STD	6-11
Front Suspension, Lower, 2 Leaf-2 Plates	6-13
Steering Stop	6-15
Front Wheel Hubs	6-17
Rear Suspension Components, Standard	6-19

CONTENTS

SECTION 7 – ELECTRICAL SYSTEM – GASOLINE EFI

Wiring, Fuses, and Diodes, Key and Pedal Start – EFI	7-3
Starter/Generator, Key and Pedal Start – EFI	7-5
Starter/Generator Mounting – ECH440	7-7
Operation and Maintenance Switch	7-9
Electrical Component Box, Key-Start	7-11
Electrical Component Box, Pedal-Start	7-13
Forward/Reverse Shifter Switches, Key-Start – EFI	7-15
Forward/Reverse Shifter Switches, Pedal-Start – EFI	7-17
Top-Post Battery – Gasoline Utility Vehicles	7-19

SECTION 8 – ENGINE (KOHLER ECH440)

Tune-Up Parts	8-3
Engine and Engine Mounting	8-5
Engine Pan and Snubber Mounting	8-7
Blower Housing and Heat Shield – ECH440	8-9
Ignition Components and Flywheel – ECH440	8-11
Cylinder Head and Valve – ECH440	8-13
Crankcase and Piston – ECH440	8-15
Oil Sensor and Lubrication – ECH440	8-17
Crankshaft – ECH440	8-19

SECTION 9 – FUEL SYSTEM – EFI

Fuel Tank with Pump, Side Fill – EFI	9-3
Carbon Canister – EFI	9-5
Throttle Body and Mounting	9-7
Governor Bracket and Cover – EFI	9-9
Governor and Accelerator Cables – EFI	9-11
Air Intake Elbow – EFI	9-13
Air Filter System and Intake Hose – EFI, LWB Utility/Trans	9-15

SECTION 10 – EXHAUST SYSTEM – ECH440

Exhaust System	10-3
----------------------	------

SECTION 11 – DRIVE BELT AND CLUTCHES – EFI GASOLINE VEHICLES

Drive Belts – EFI	11-3
Drive Clutch – Key-Start Vehicles	11-5
Drive Clutch – Pedal-Start Vehicles	11-7

CONTENTS

Driven Clutch – Key Start and Pedal Start	11-9
---	------

SECTION 12 – TRANSAXLE (FUJI ED65)

Forward/Reverse Shifter – EFI Villager 6, 8, 850, 850SE	12-3
Shifter Cable – CA500 & CA550	12-5
Shift Lever and Bracket – Pedal-Start Engines	12-7
Shift Lever and Bracket – Key-Start Engines	12-9
Governor Arm and Brackets – Utility Vehicles	12-11
Transaxle (ED65), Limited Slip – Page 1 of 3	12-13
Transaxle (ED65), Open – Page 1 of 3	12-15
Transaxle (ED65), Limited Slip and Open – Page 2 of 3	12-17
Transaxle (ED65), Limited Slip – Page 3 of 3	12-19
Transaxle (ED65), Open – Page 3 of 3	12-21
Hub, Rear	12-23
Differential Guard, ED65 – Gasoline Vehicle	12-25

SECTION 13 – ELECTRICAL SYSTEM – ELECTRIC VEHICLES

Motor Controller Output Regulator (MCOR)	13-3
Main Wiring Harness, 48-Volt Fuse Block – Electric Vehicle	13-5
Tow/Run Switch and Hour Meter	13-7
Electric Components – Electric Vehicle	13-9
Batteries 6-Volt, Standard Duty	13-11
Batteries 6-Volt, Heavy Duty	13-13
Single Point Watering System (SPWS)	13-15
Hand Pump and Deionizer (Battery-Powered Quality Light)	13-17

SECTION 14 – ELECTRIC MOTOR

Motor (Model DA5-4006) – IQ Plus	14-3
--	------

SECTION 15 – TRANSAXLE – ELECTRIC VEHICLES

Transaxle – Electric Vehicles	15-3
Differential Guard – Electric Vehicles	15-5

SECTION 16 – BATTERY CHARGERS – HIGH-FREQUENCY

On-Board Battery Charger	16-3
--------------------------------	------

CONTENTS

SECTION 17 – MAINTENANCE AND SERVICE TOOLS

Maintenance and Service Tools	17-3
Maintenance and Service Tools, Continued	17-5
Maintenance and Service Tools, Continued	17-7

SECTION i – INDEX

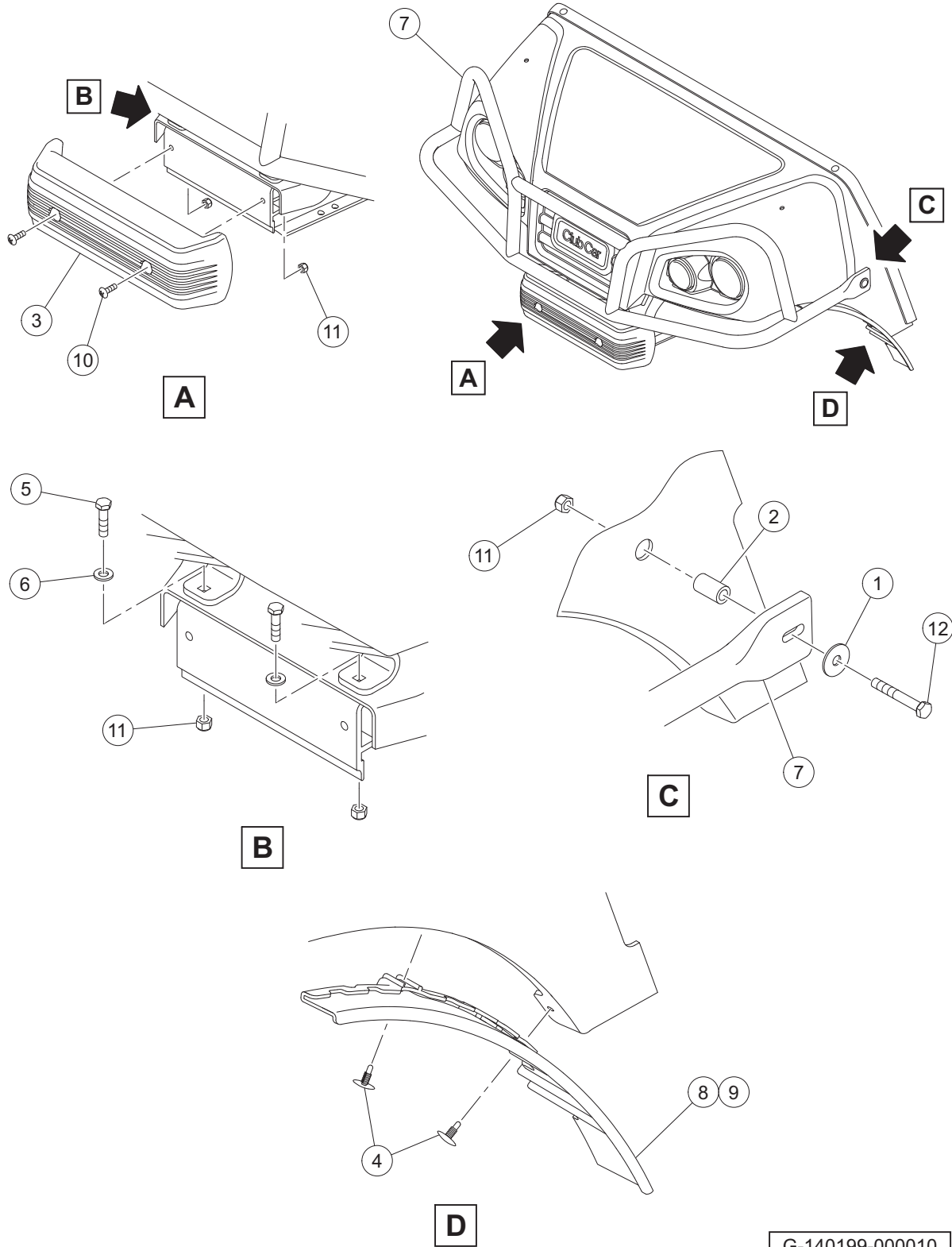
BODY AND TRIM

1

G

E

1
G
E



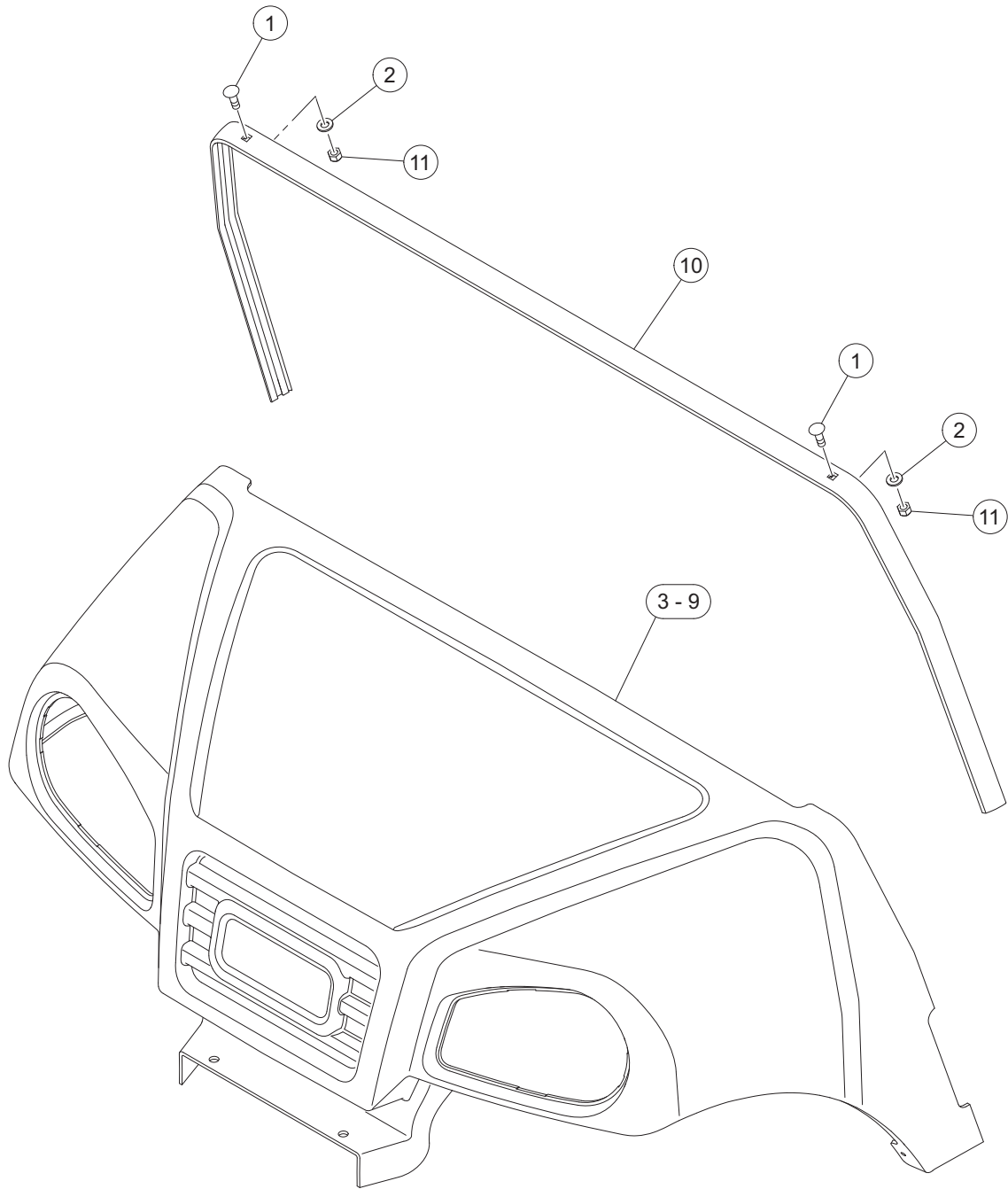
G-140199-000010

BRUSH GUARD, FRONT BUMPER AND FENDERS

ITEM	PART NO.	DESCRIPTION	QTY
		1 2 3 4	
1	1011578	Washer, 5/16 Type B Flat	2
2	1015608	Tube Spacer, Hydraulic Cylinder	2
3	1016868	Front Bumper	1
4	103978801	Barrel-push 6mm	4
5	1218	Screw, 5/16-18 X 1.25 Hex-Head Cap	2
6	1241	Washer, 5/16 Type A Flat	2
7	47621444002	Weldment, Hd Bumper, Shrt, HI	1
8	47650438001	Guard, Fender, Drv	1
9	47650438002	Guard, Fender, Pas	1
10	7251	Screw, 5/16-18 x 1.0 Truss-Head	2
11	7473	Locknut, 5/16-18 Nylon Insert	6
12	8935	Screw, 5/16-18 X 2.25 Hex-Head Cap	2

1
G
E

1
G
E



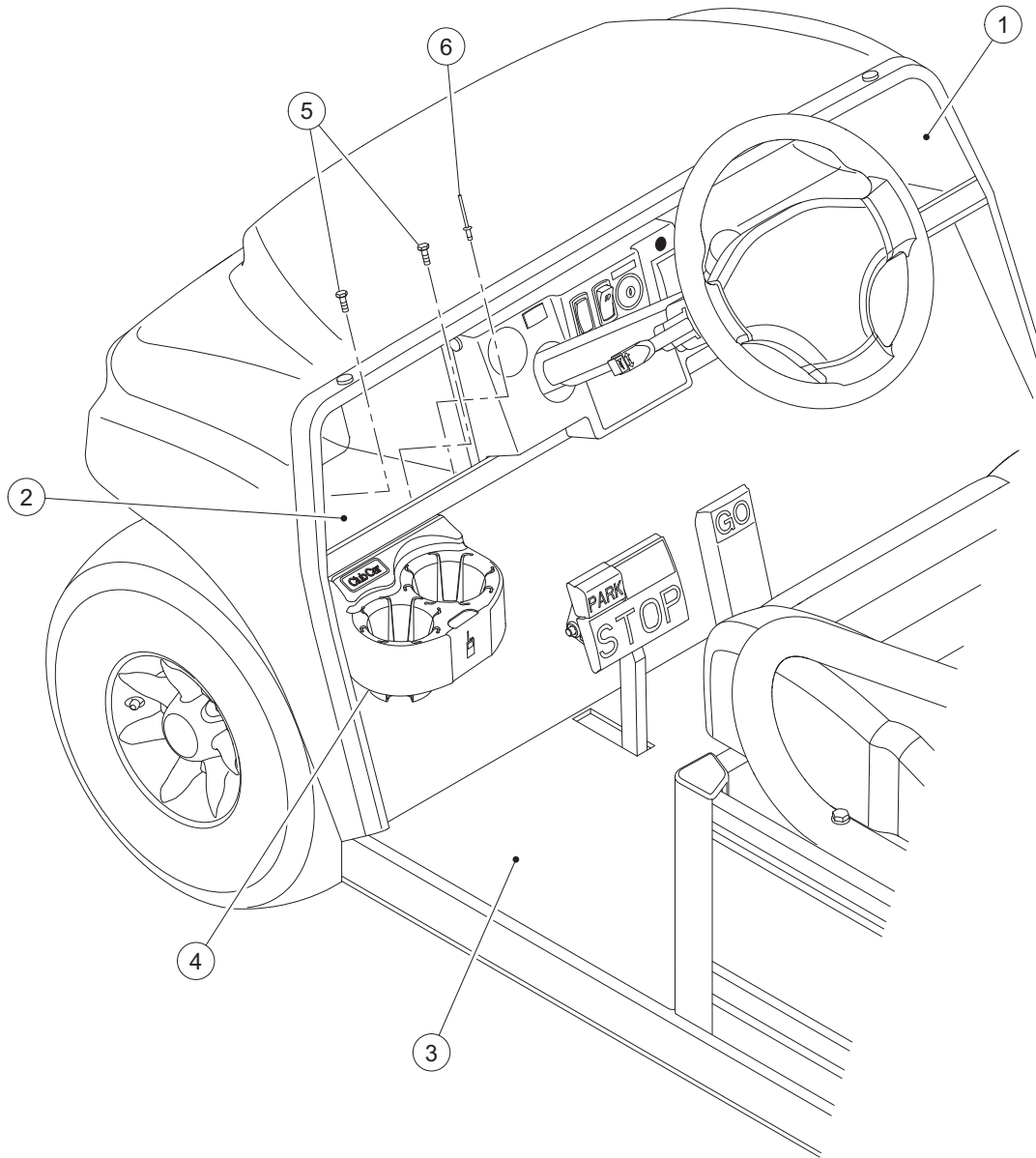
G-140199-000011

COWL AND TRIM

ITEM	PART NO.	DESCRIPTION	QTY
		1 2 3 4	
1	101043502	Bolt, Cariage, 5/16-18 X 1 Blk	2
2	1241	Washer, 5/16 Type A Flat	2
3	47650425001	Cowl, Dark Green	A/R
4	47650425002	Cowl, White	A/R
5	47650425003	Cowl, Black	A/R
6	47650425004	Cowl, Dark Gray	A/R
7	47650425005	Cowl, Blue	A/R
8	47650425007	Cowl, Beige	A/R
9	47650425099	Cowl, No Paint	A/R
10	47661239001	Cowl Trim, Black	1
11	7473	Locknut, 5/16-18 Nylon Insert	2
		<p>Note: For current and available cowl colors contact your local Club Car dealer or distributor.</p>	

1
G
E

1
G
E



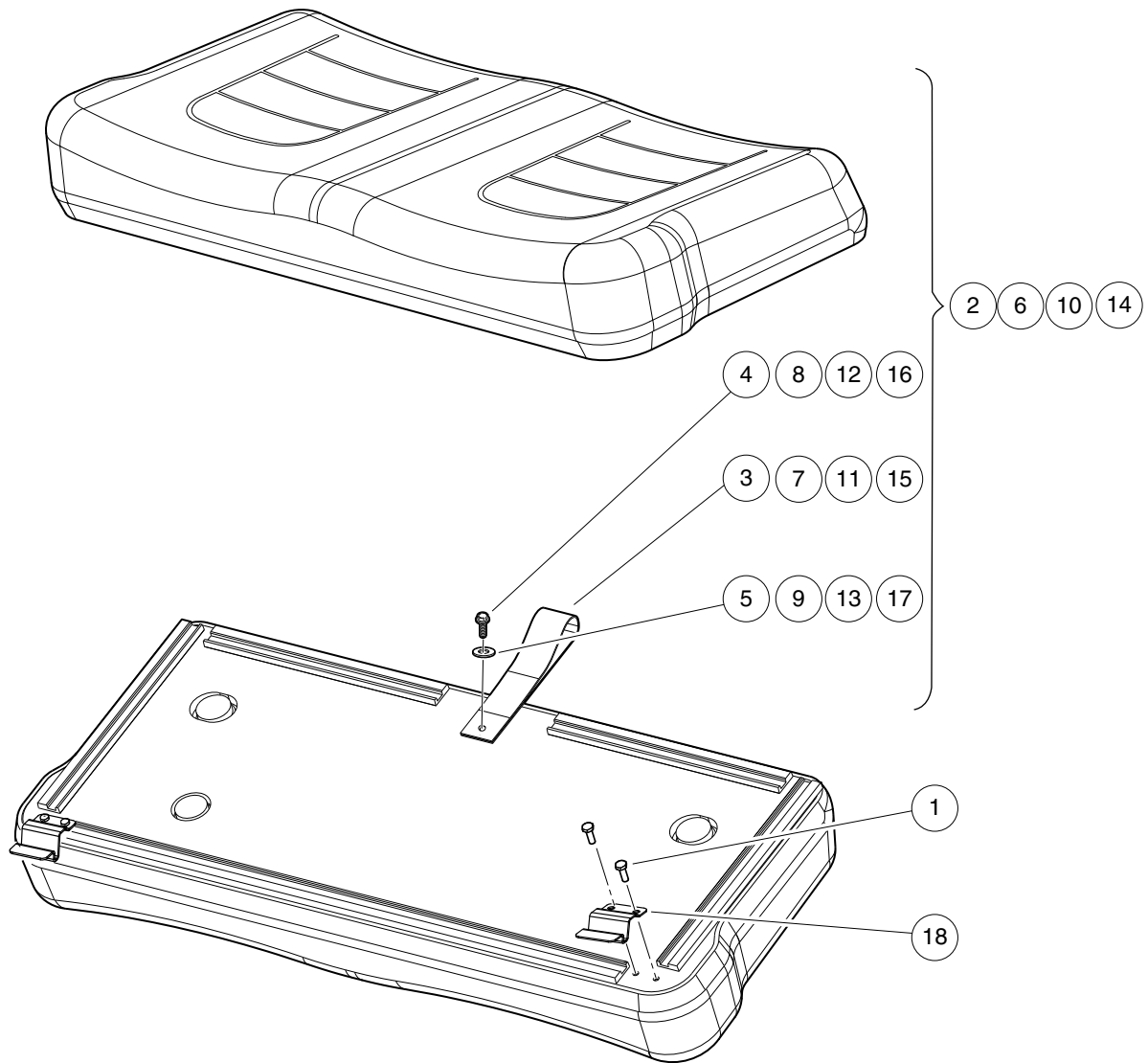
G-140499-000002

DASH POCKETS, FLOORMAT AND CUPHOLDERS

ITEM	PART NO.	DESCRIPTION	QTY
		1 2 3 4	
1	1013343	Dash Component, Passenger-Side, Black	1
2	1013344	Dash Component, Driver-Side	1
3	101503202	Floormat	1
4	47621704001	Cup Holder	A/R
5	N/A	Bolt, 1/2-13 X 3.75 Hex Head	A/R
6	7973	Rivet, 3/16 X .400 Blind	5

1
G
E

1
G
E



001300-021

SEAT BOTTOM

ITEM	PART NO.	DESCRIPTION	QTY
		1 2 3 4	
1	101954301	Screw, 1/4-20 X 0.75 Hex-Head Cap	4
2	105064521	Asm, Seatbottom, White, Ca, Sp (includes items 3 through 5)	1
3	1013309	Strap, Utility Seat	1
4	101954301	Screw, 1/4-20 X 0.75 Hex-Head Cap	1
5	332	Washer, 1/4 Type A Narrow Flat	1
6	105064522	Asm, Seatbottom, Black, Ca, Sp (includes items 7 through 9)	1
7	1013309	Strap, Utility Seat	1
8	101954301	Screw, 1/4-20 X 0.75 Hex-Head Cap	1
9	332	Washer, 1/4 Type A Narrow Flat	1
10	105064523	Asm, Seatbottom, Gray, Ca, Sp (includes items 11 through 13)	1
11	1013309	Strap, Utility Seat	1
12	101954301	Screw, 1/4-20 X 0.75 Hex-Head Cap	1
13	332	Washer, 1/4 Type A Narrow Flat	1
14	105064524	Asm, Seatbottom, Beige,ca, Sp (includes items 15 through 17)	1
15	1013309	Strap, Utility Seat	1
16	101954301	Screw, 1/4-20 X 0.75 Hex-Head Cap	1
17	332	Washer, 1/4 Type A Narrow Flat	1
18	105200401	Bracket,Hinge, Seat,CA	2

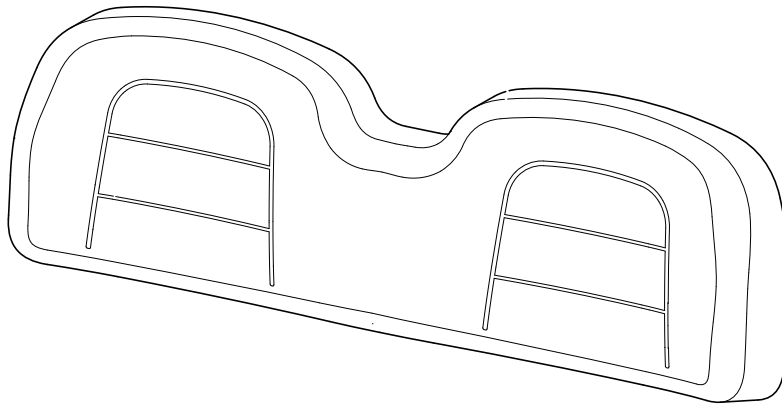
1
G
E

1

G

E

1 2 3 4



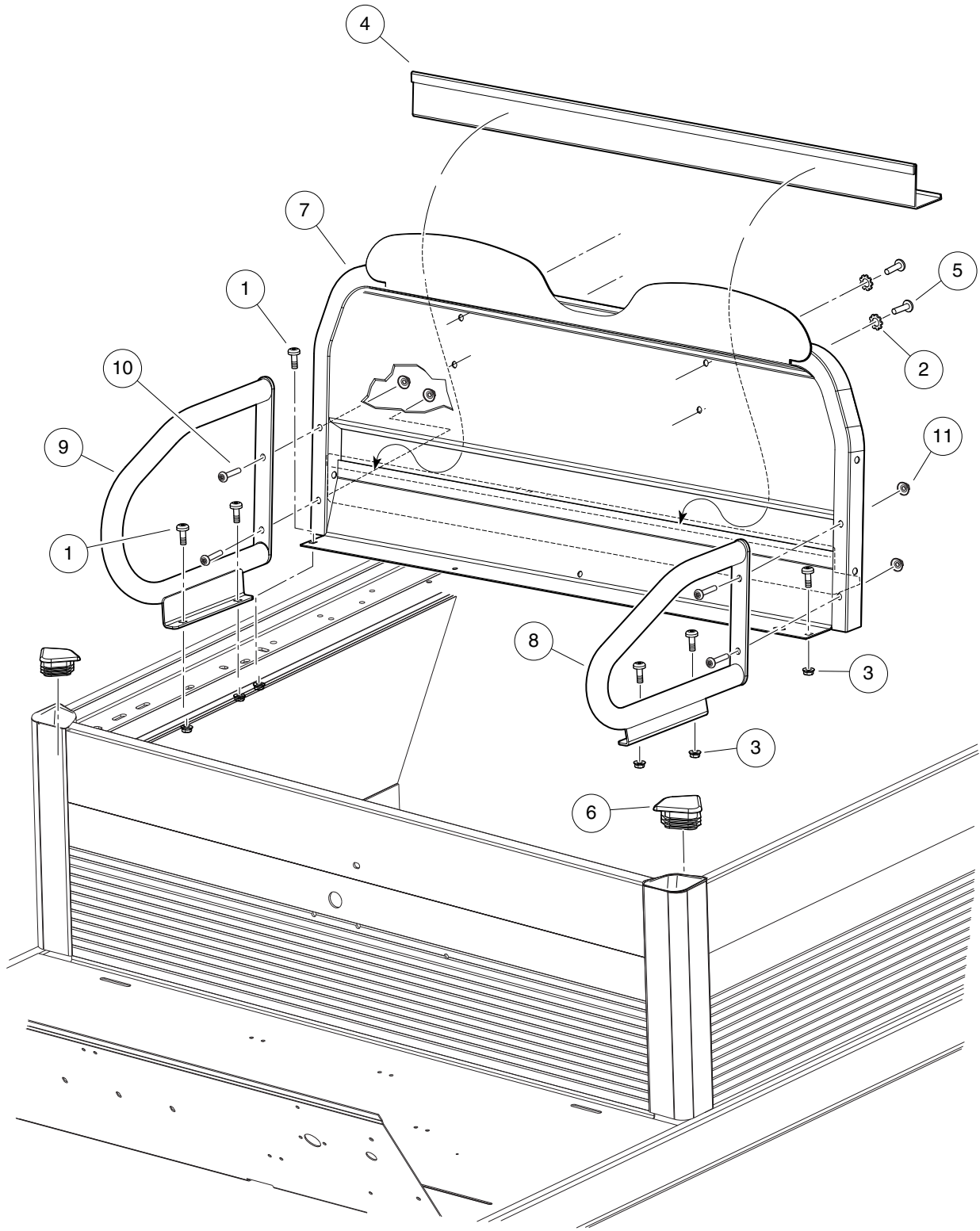
001300-022

SEAT BACK

ITEM	PART NO.	DESCRIPTION	QTY
		1 2 3 4	
1	105064121	Asm, Seatback, White, Ca, Sp	1
2	105064122	Asm, Seatback, Black, Ca, Sp	1
3	105064123	Asm, Seatback, Gray, Ca, Sp	1
4	105064124	Asm, Seatback, Beige, Ca, Sp	1

1
G
E

1
G
E



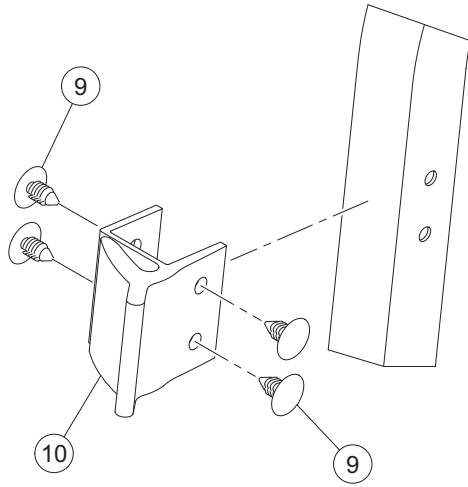
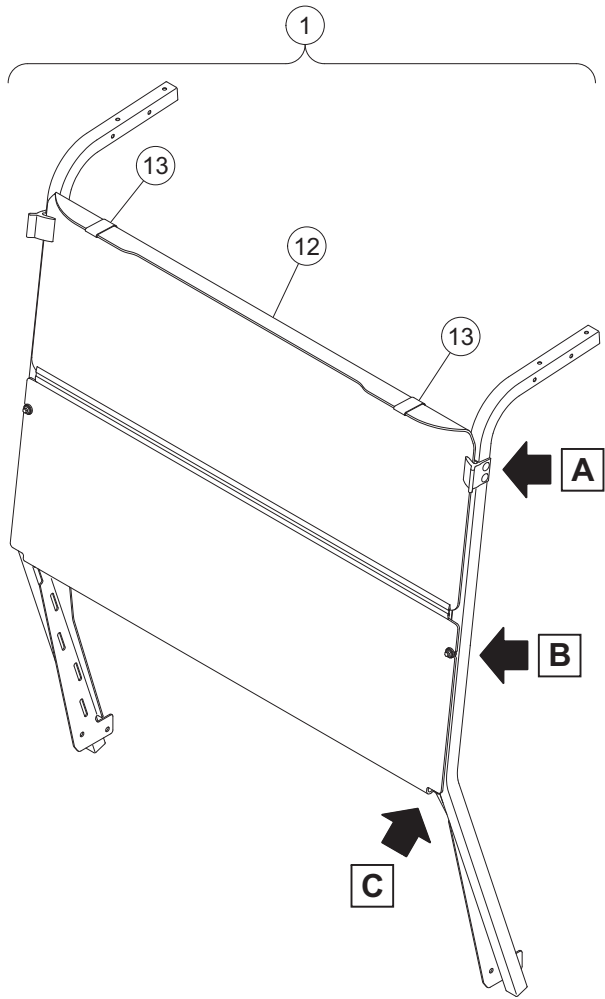
001161-003

SEAT FRAME AND HIP-RESTRAINT

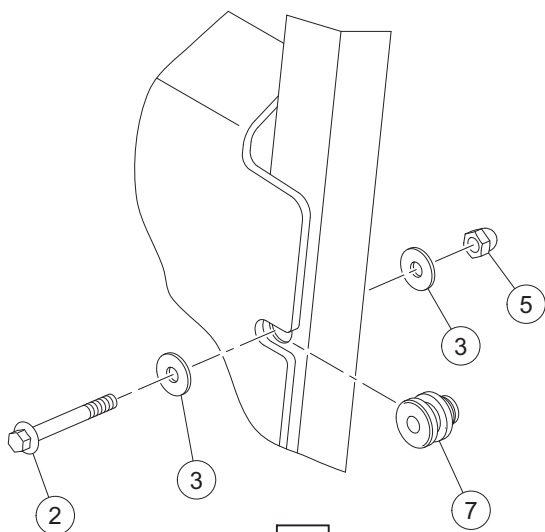
ITEM	PART NO.	DESCRIPTION	QTY
		1 2 3 4	
1	1015399	Screw, 5/16-18 X 0.88 Torx Truss-Head	6
2	101946201	Washer, Lock, 0.250 External-Tooth	4
3	101963401	Locknut, 5/16-18 Hex Flange	6
4	102989501	Seal, Bed, 41-Inch	1
5	103487501	Screw, 1/4-20 X 1.0, Black	4
6	105006501	Cap, Corner, Frame	2
7	105062401	Seatback, Weldment, Ca	1
8	105063001	Wldmnt, Hip Restraint, Sml, Lh	1
9	105063002	Wldmnt, Hip Restraint, Lrg, Rh	1
10	105078401	Scrw, 5/16-18 X 1.75, Tr Tx Hd	4
11	105194301	Nut, 5/16-18, Conical Washer	4

1
G
E

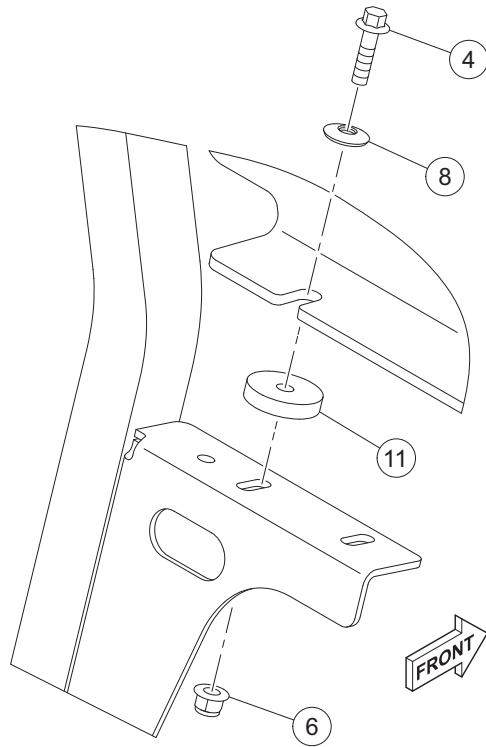
1
G
E



A



B



C

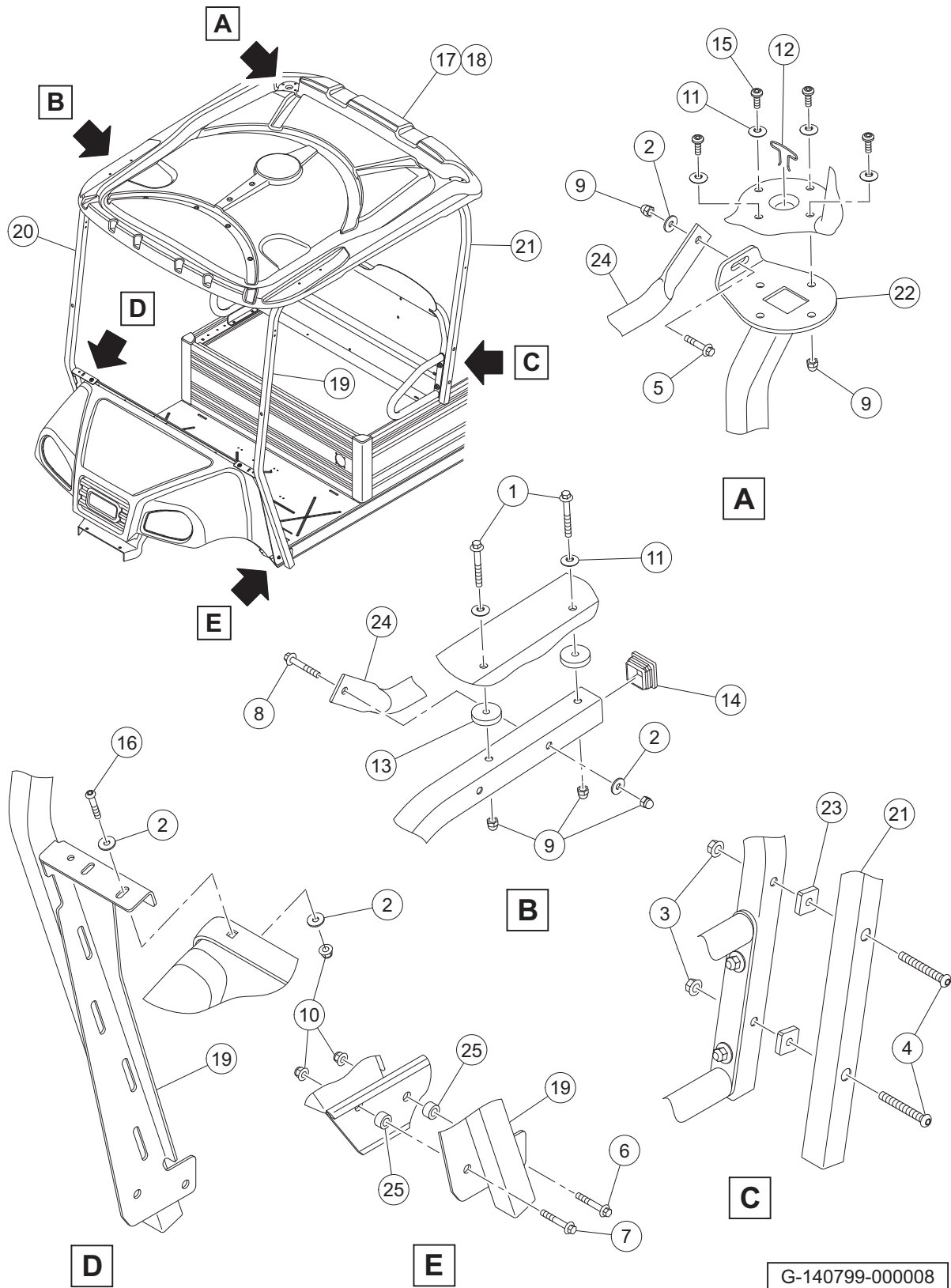
G-140899-000001

WINDSHIELD, HINGED

ITEM	PART NO.	DESCRIPTION	QTY
		1 2 3 4	
1	47662157001	Kit, Wshld, Hinged, Style 502 (includes items 2 through 13)	1
2	102296150	Bolt - M6x1.0x50 Hex Flng Hd	2
3	102296301	Washer, M6x18x1.6 Flat	4
4	102541425	Bolt, M6x1.0x25, Hex Flhd, Blk-l	2
5	102582401	Cap Nut M6, Sp	2
6	102621501	Nut, Flange, M6 X 1.0, Nylon	2
7	102947601	Grommet, Windshield	2
8	103196001	Washer, Conical Spring, Canopy	2
9	103754901	Fastener, Barrel - .610 X .25	8
10	105069901	Clip, Retainer, W/s 1.25"	2
11	105086101	Spacer, Rubber, 7.1i D-6.35 Thk	2
12	47650436001	Windshield, Hinged	1
13	47665001001	Retainer, Hgd Wdshld	2

1
G
E

1
G
E



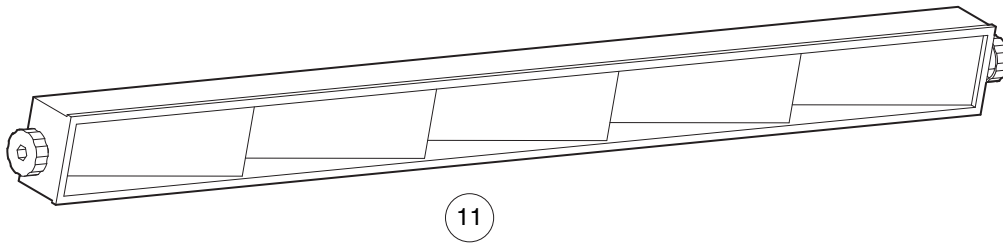
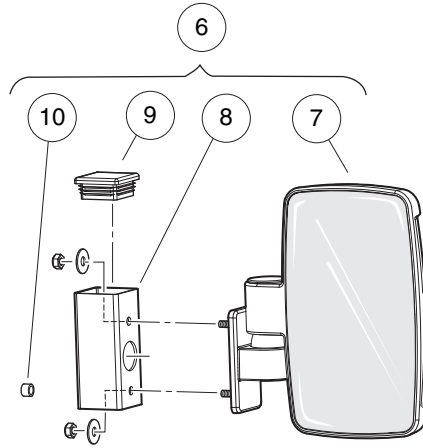
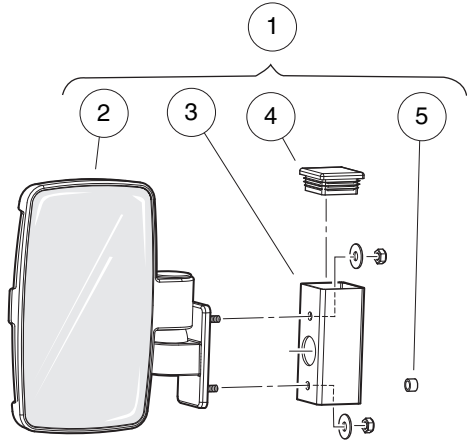
G-140799-000008

CANOPIES AND STRUTS

ITEM	PART NO.	DESCRIPTION	QTY
		1 2 3 4	
1	102296150	Bolt - M6x1.0x50 Hex Flng Hd	4
2	102296301	Washer, M6x18x1.6 Flat	10
3	102298401	Nut, M8, All Metal Lock	4
4	102299065	M8-1.25 X 65 Tx Bttm Hd Bolt	4
5	102541401	Bolt-m6x1.0x20 Hex Flhd Blk-l	1
6	102541425	Bolt, M6x1.0x25, Hex Flhd, Blk-l	4
7	102541440	Bolt-m6x1.0x40 Hex Flhd, Blk	2
8	102541445	Bolt-m6x1.0x45 Hex Flhd,blk	1
9	102582401	Cap Nut M6, Sp	8
10	102621501	Nut, Flange, M6 X 1.0, Nylon	8
11	103196001	Washer, Conical Spring, Canopy	14
12	103653801	Wireform- Acorn Spring	2
13	105086101	Spacer, Rubber,7.1i D-6.35 Thk	6
14	105092601	Plug, Square -31.75mm	2
15	105185701	Pan Head Screw, M6 X 16 Tt	8
16	105193002	Screw, 6 Lobe, M6 X 35, Black	2
17	47650426001	Canopy, Drain, White	A/R
18	47650426002	Canopy, Drain, Black	A/R
19	47650427001	Strut Weldment, Front, Drv	1
20	47650427002	Strut Weldment, Front, Pas	1
21	47650430001	Strut Weld, Rear, Drain, Drv	1
22	47650430002	Strut Weld, Rear, Drain, Pas	1
23	47650444001	Spacer, Strut, Rear	4
24	47653998001	Handle, Canopy	1
25	47654000001	Strut, Spacer, Bottom	4

1
G
E

1
G
E



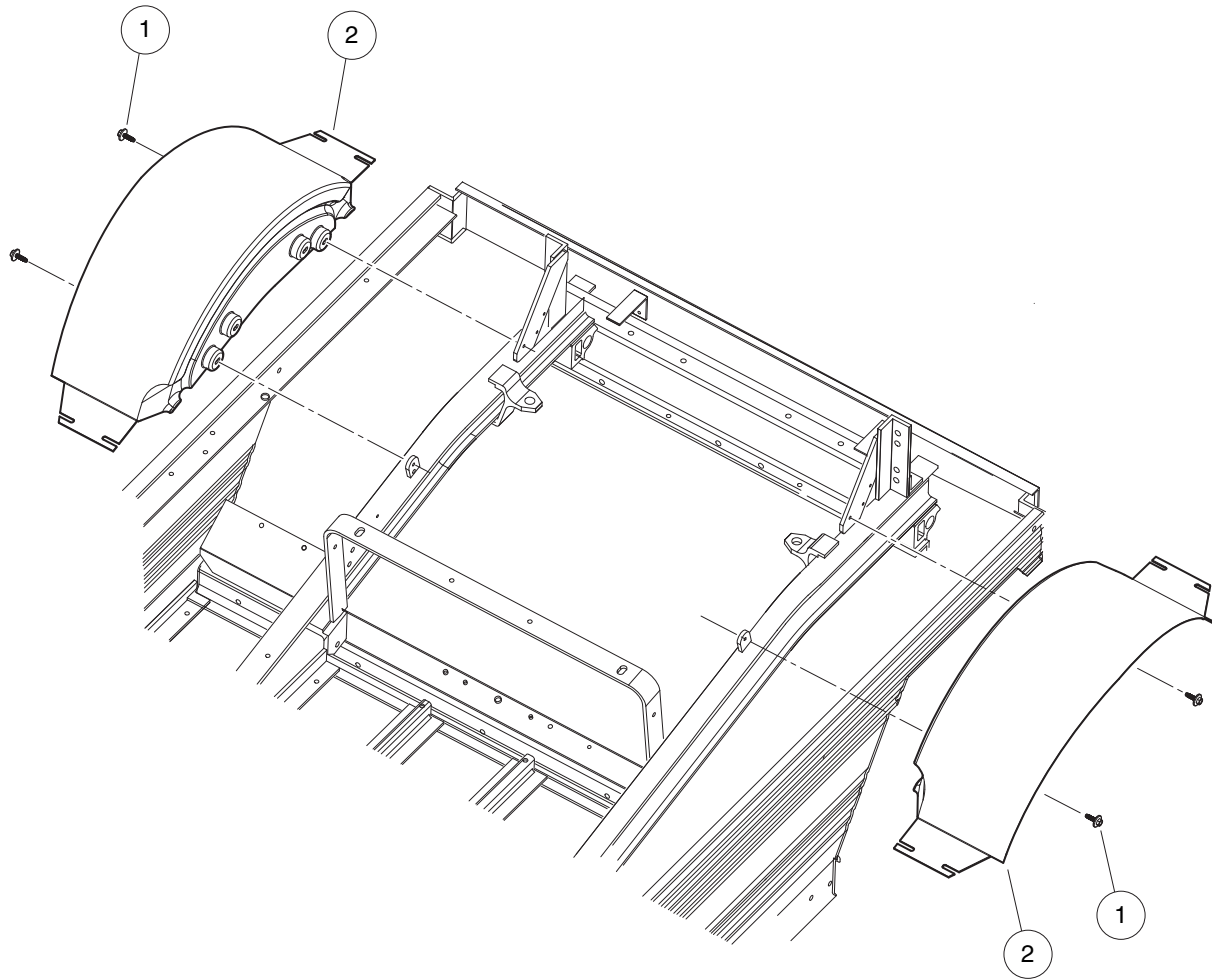
001300-019

MIRRORS

ITEM	PART NO.	DESCRIPTION	QTY
		1 2 3 4	
1	105124201	Kit, Mirror, Hb, Res, Ds (includes items 2 through 5)	1
2	105128801	Asm, Mirror, Utl Res, Ds	1
3	105128901	Tube, Mirror, Support	1
4	105129001	Plug, Square 38.1 Mm	1
5	105170101	Spacer, M6, Plastic	1
6	105124202	Kit, Mirror, Hb, Res, Ps (includes items 7 through 10)	1
7	105128802	Asm, Mirror, Utl Res, Ps	1
8	105128901	Tube, Mirror, Support	1
9	105129001	Plug, Square 38.1 Mm	1
10	105170101	Spacer, M6, Plastic	1
11	105288801	Kit, Mirror, 5 Panel, Canopy	1

1
G
E

1
G
E

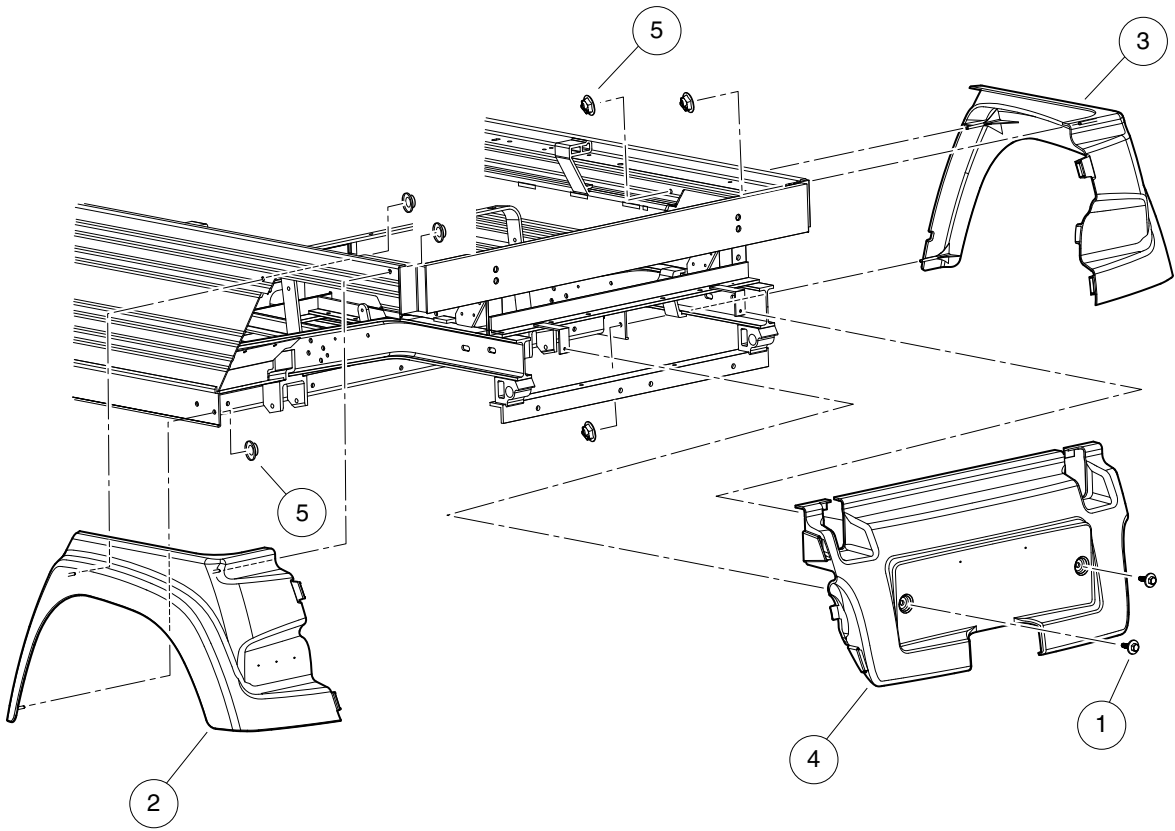


001123-001

INNER REAR FENDERS

ITEM	PART NO.	DESCRIPTION	QTY
1	102297125	1 2 3 4 Screw, M6-1.0x25.4, Thread-Forming, SEMS	4
2	105035801	Fender, Inner, Ca	2

1
G
E



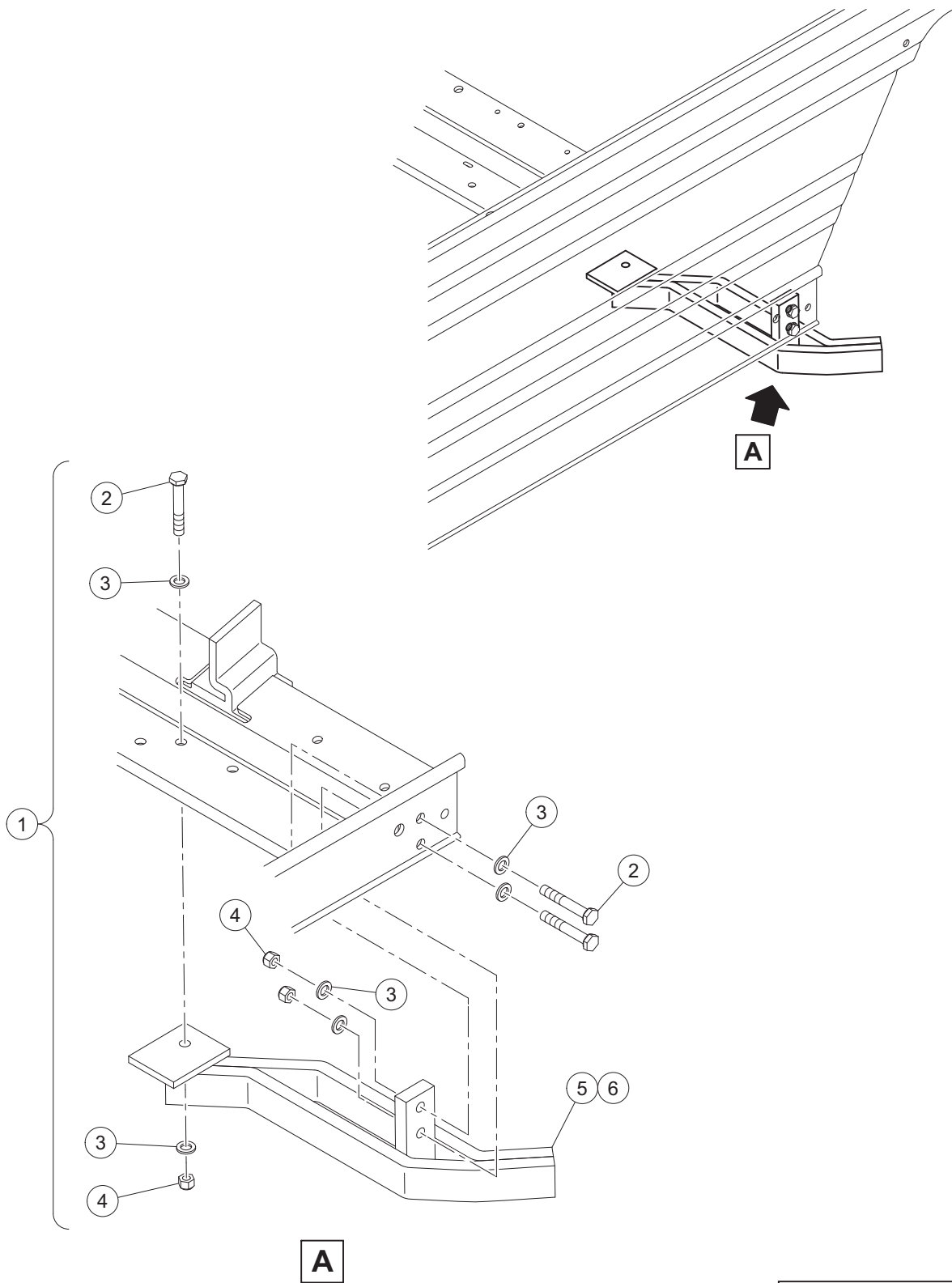
001124-001

REAR FENDERS AND TAIL SKIRT

ITEM	PART NO.	DESCRIPTION	QTY
		1 2 3 4	
1	102297125	Screw, M6-1.0x25.4, Thread-Forming, SEMS	2
2	105035101	Fender, Rear, Lh, Ca	1
3	105035201	Fender, Rear, Rh, Ca	1
4	105035301	Tailskirt, Ca	1
5	105066401	Nut, Self Thread, 5x10x15	6

1
G
E

1
G
E



G-010199-000003

REAR BUMPER GUARD

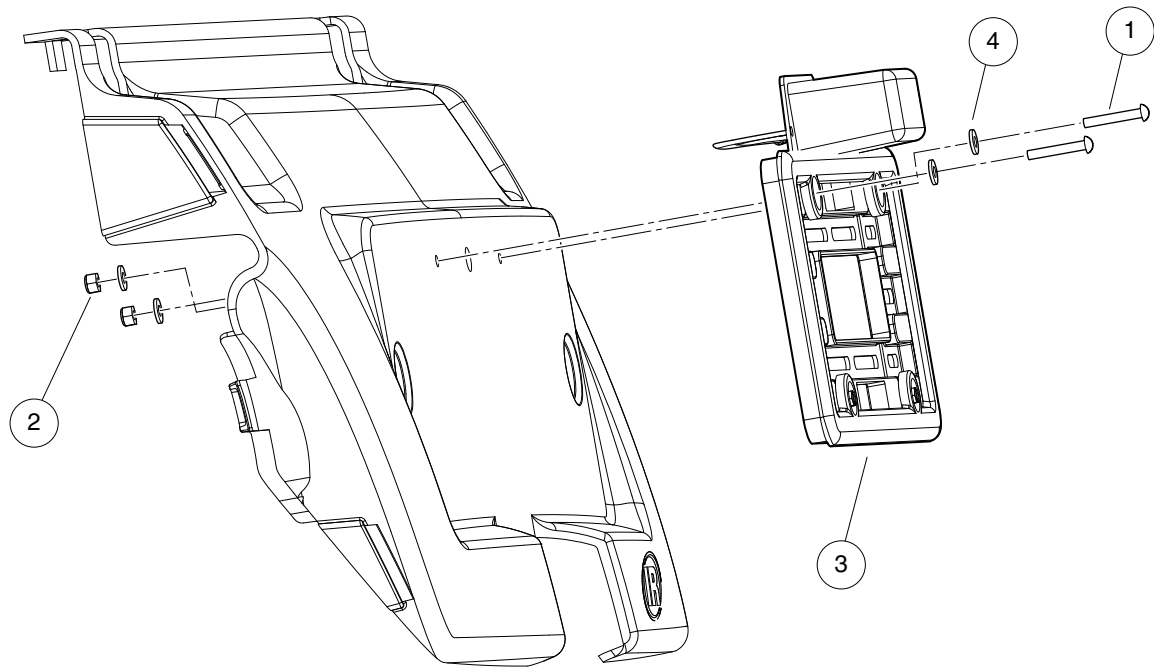
ITEM	PART NO.	DESCRIPTION	QTY
		1 2 3 4	
1	47653325002	Kit, Bumper Guard, Rear, Ca (includes items 2 through 6)	1
2	1218	Screw, 5/16-18 X 1.25 Hex-Head Cap	6
3	1241	Washer, 5/16 Type A Flat	12
4	7473	Locknut, 5/16-18 Nylon Insert	6
5	SVP707604	Wldmnt, Bumper Guard, Driver	1
6	SVP707605	Wldmnt, Bumper Guard, Pass	1

1
G
E

1

G

E



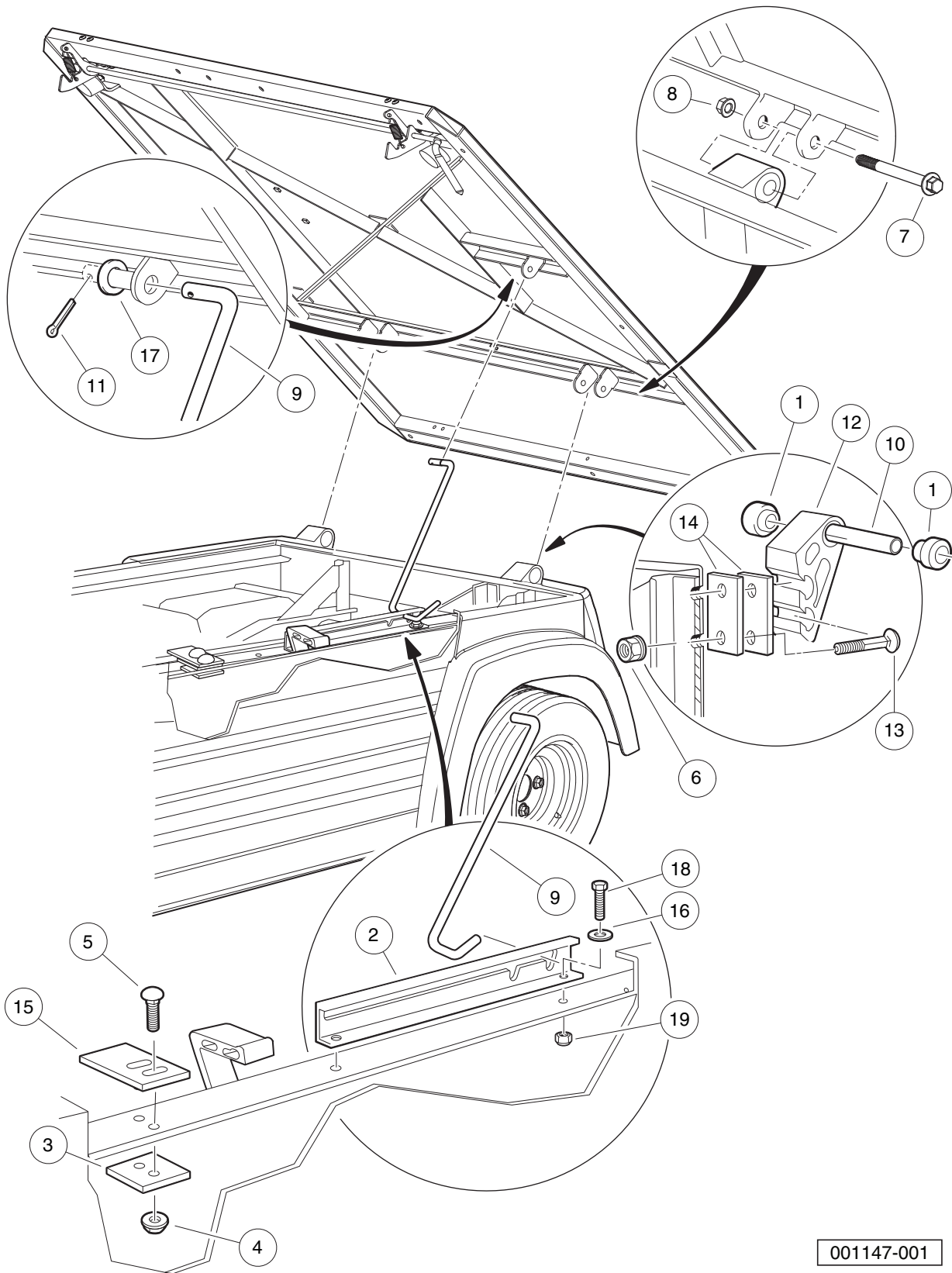
001170-001

REAR LICENSE PLATE HOLDER

ITEM	PART NO.	DESCRIPTION	QTY
		1 2 3 4	
1	1010909	Screw, #10-32 X 1.25 Rd Hd Mch	2
2	1013061	Locknut, #10-32 Nylon Insert	2
3	N/A	License Plate,ASM, Rear	1
4	183	Washer, #10, Type A, Flat	4

1
G
E

1
G
E



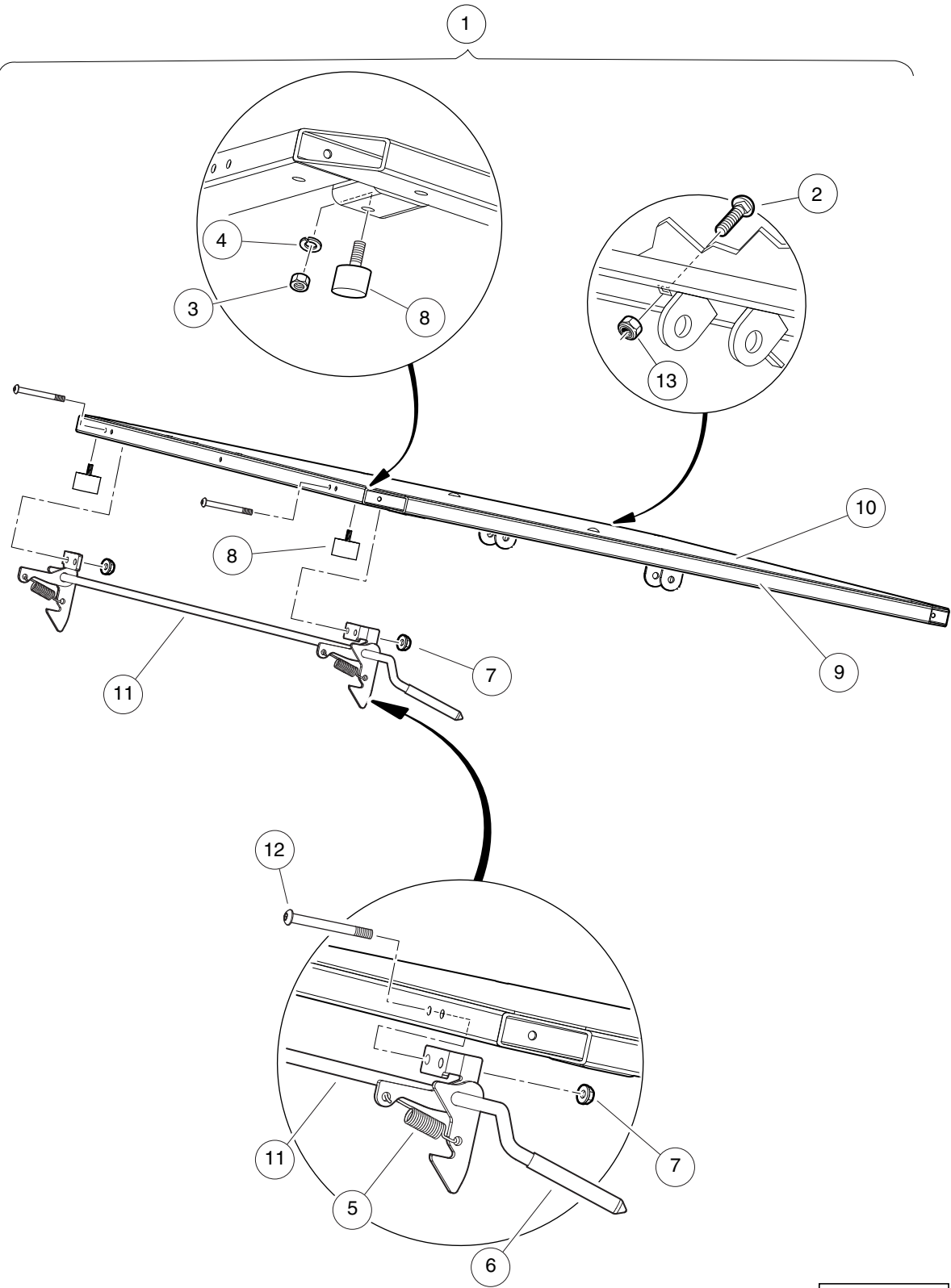
001147-001

BED HINGE, LATCH, AND PROP ROD – MEDIUM

ITEM	PART NO.	DESCRIPTION	QTY
		1 2 3 4	
1	1015583	Bushing, Urethane	4
2	1015700	Track Prop Rod Ca li	1
3	1016060	Plate, Latch Support	2
4	101835601	Locknut, 1/4-20 Hex Whiz	4
5	101958602	Bolt, Carriage, 1/4-20 X 1.0	4
6	102065901	Locknut, 3/8-16 Flanged Dimple	4
7	102298185	Bolt - Flange Hd, M8 X 85.0	2
8	102298401	Nut,m8,all Metal Lock	2
9	102301401	Rod, Prop	1
10	102506401	Sleeve - Spring Eye Mounts	2
11	1035	Cotter Pin, 3/32 x 1	1
12	103538701	Bracket, Bed Hinge, Extruded	2
13	103539001	3/8-16 X 1.25 Carr Blt Gr5 Zn	4
14	103575801	Shim, Bed Hinge, .125 Thick	4
15	105110801	Plate, Latch, Ca	2
16	332	Washer, 1/4 Type A Narrow Flat	2
17	334	Washer, 3/8, Type A, Flat	1
18	7479	Screw, 1/4-20 X 1.25 Hex-Head Cap	2
19	8233	Locknut, 1/4-20, Nylon Insert	2

1
G
E

1
G
E



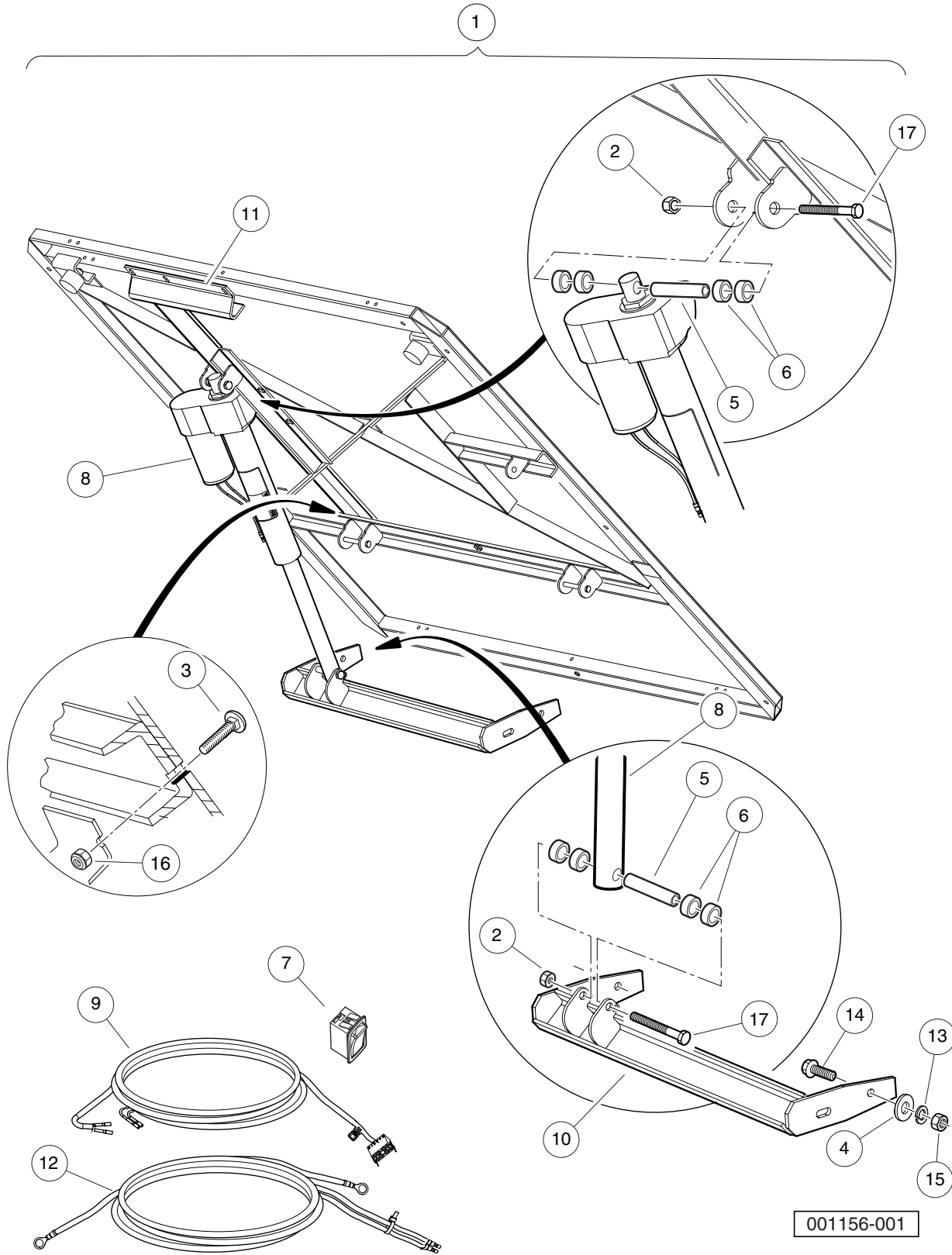
001148-001

TILT BED AND BED LATCH – MEDIUM

ITEM	PART NO.	DESCRIPTION	QTY
		1 2 3 4	
1	105197101	Kit, Bed Floor, Med (includes items 2 through 13)	1
2	101043502	Bolt, Carriage, 5/16-18x1 blk	4
3	1012528	Nut, M8-1.25 Hex	2
4	1013734	Lockwasher, 8mm Split	2
5	1015391	Extension, Spring Latch	2
6	1015400	Grip, Tilt Latch Hand	1
7	1015661	Nut, Lock Hx Flanged 1/4-20	4
8	105036601	Bumper, Bedfloor, Ca	2
9	N/A	Frame, Weldmnt, Bed, Medium	1
10	N/A	Plate, Floor, Bed, Rhino, Med	1
11	105169101	Weldment, Bed Latch, CA	1
12	105194101	1/4-20 X 2.5, Bhcs, 6-lobe	1
13	7473	Locknut, 5/16-18 Nylon Insert	4

1
G
E

1
G
E

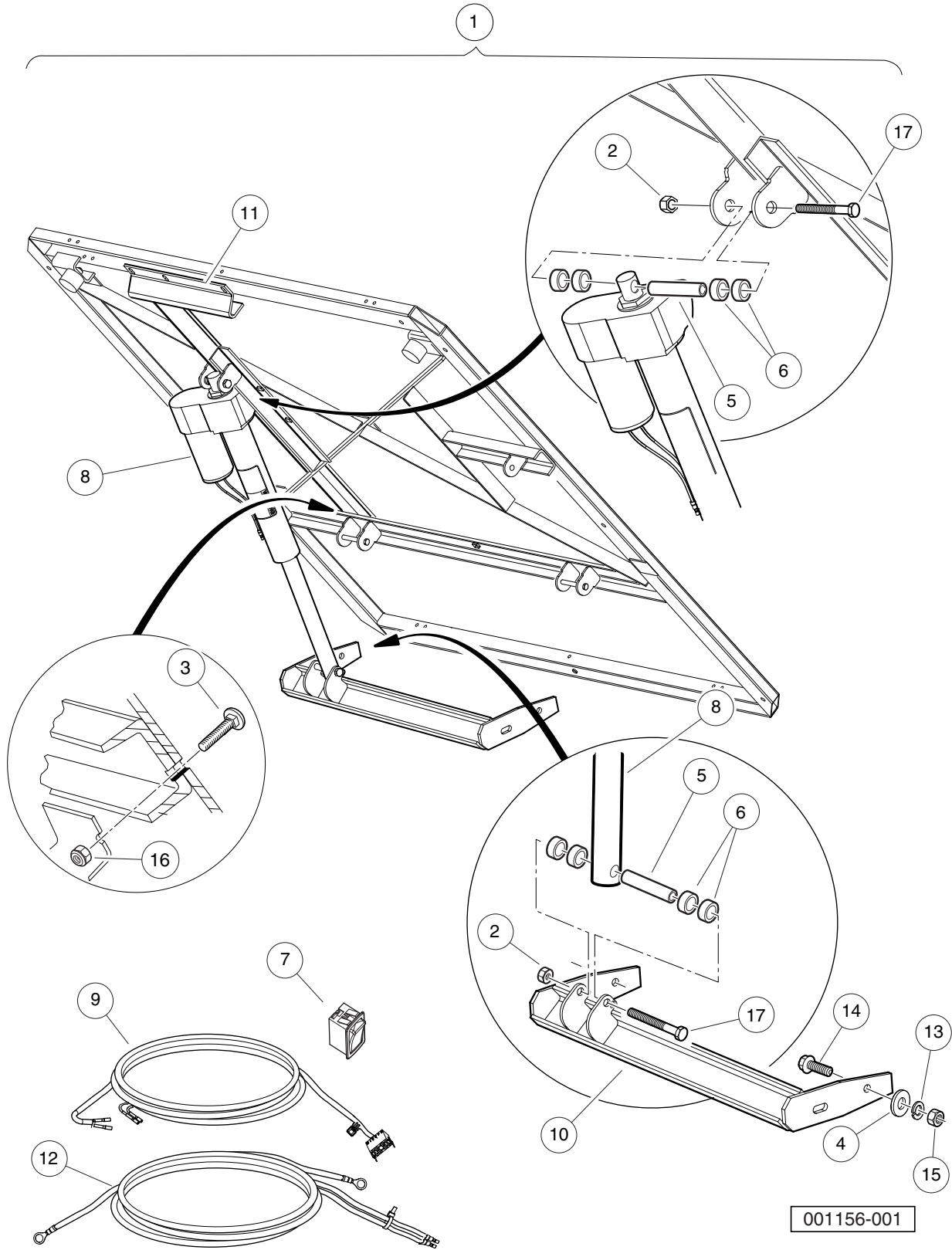


ELECTRIC BED LIFT – MEDIUM, ELECTRIC VEHICLES

ITEM	PART NO.	DESCRIPTION	QTY
		1 2 3 4	
1	105170301	Kit, Bed Lift, Elec, Med (includes items 2 through 17)	1
2	1010138	Locknut, 3/8-16 Dimpled	2
3	101043502	Bolt, Carriage, 5/16-18x1 blk	1
4	1011990	Washer, 3/8 Flat	4
5	1016603	Bushing, Long	2
6	1017774	Body Spacer	8
7	102882501	Switch, Rocker, Bed Lift	1
8	103951801	Actuator, Bed Lift, Electric	1
9	105108901	Harness, Bed Lift, Util	1
10	105131001	Weldment, Mnt, Bed Lift, Ca	1
11	105193501	Weldment, Bed Lift, Med	1
12	105197601	Asm, Jumper, Bedlift, Ca500	1
13	357	Lockwasher, 3/8 Split	4
14	705	Screw, Cap-hex Hd 3/8-16x1.25	4
15	706	Nut, Hex 3/8-16	4
16	7473	Locknut, 5/16-18 Nylon Insert	1
17	7561	Bolt, 3/8-16 X 3.00 Hex Head	2

1
G
E

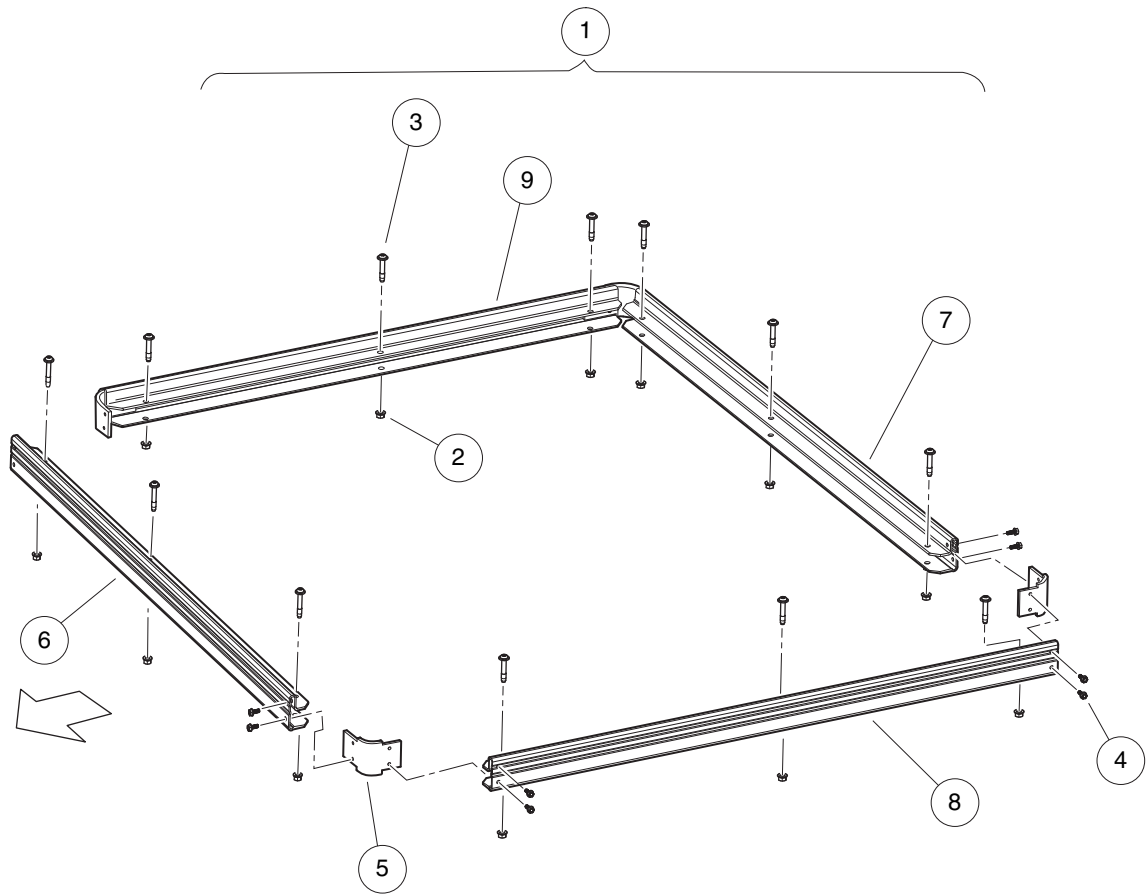
1
G
E



ELECTRIC BED LIFT – GASOLINE VEHICLES

ITEM	PART NO.	DESCRIPTION	QTY
		1 2 3 4	
1	105170501	Kit, Bed Lift, Gas, Med (includes items 2 through 17)	1
2	1010138	Locknut, 3/8-16 Dimpled	2
3	101043502	Bolt, Carriage, 5/16-18x1 blk	1
4	1011990	Washer, 3/8 Flat	4
5	1016603	Bushing, Long	2
6	1017774	Body Spacer	8
7	102882501	Switch, Rocker, Bed Lift	1
8	103951801	Actuator, Bed Lift, Electric	1
9	105108901	Harness, Bed Lift, Util	1
10	105131001	Weldment, Mnt, Bed Lift, Ca	1
11	105193501	Weldment, Bed Lift, Med	1
12	105197601	Asm, Jumper, Bedlift, Ca500	1
13	357	Lockwasher, 3/8 Split	4
14	705	Screw, Cap-hex Hd 3/8-16x1.25	4
15	706	Nut, Hex 3/8-16	4
16	7473	Locknut, 5/16-18 Nylon Insert	1
17	7561	Bolt, 3/8-16 X 3.00 Hex Head	2

1
G
E



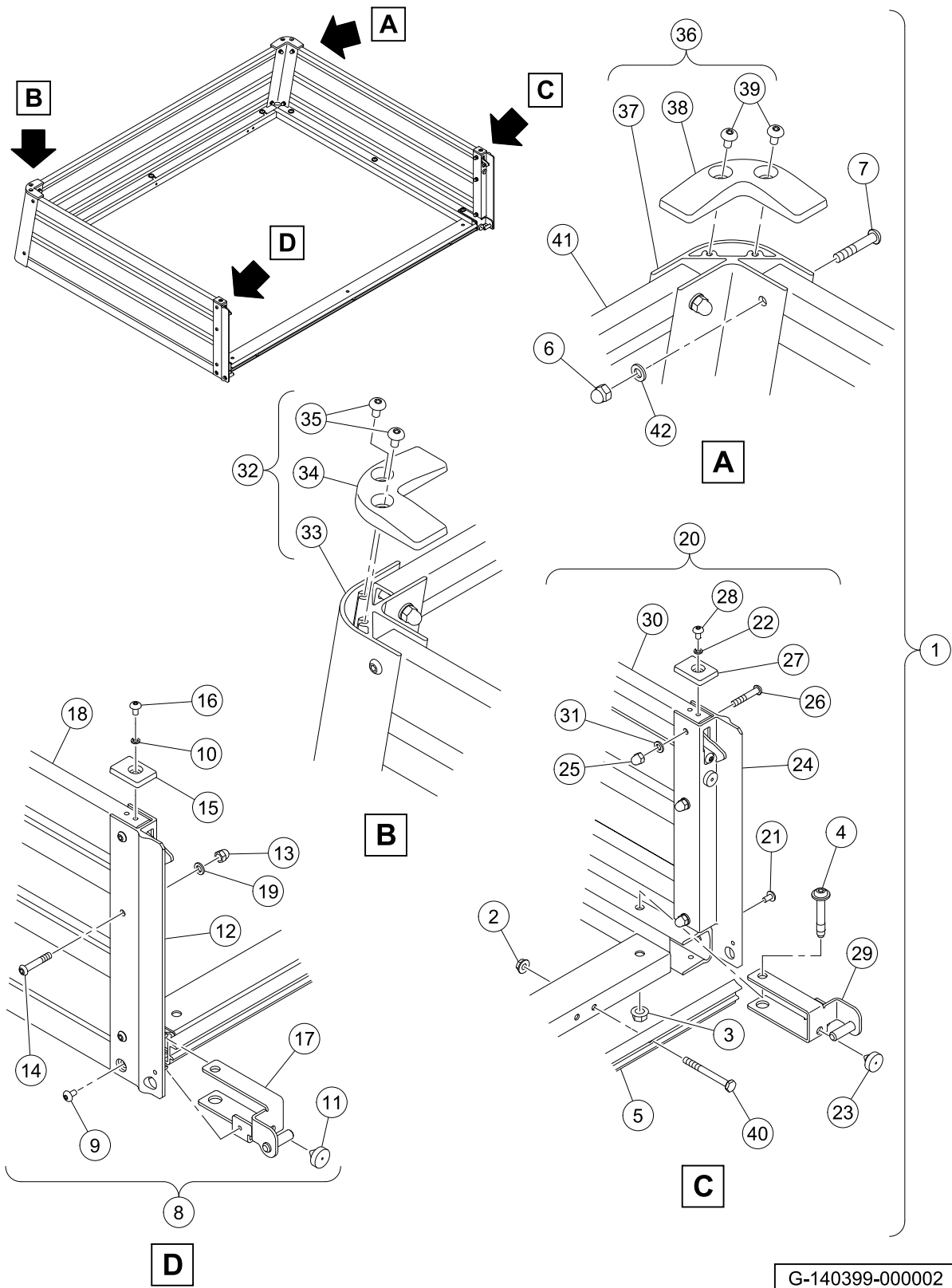
001126-001

FLAT BED TRIM – MEDIUM

ITEM	PART NO.	DESCRIPTION	QTY
		1 2 3 4	
1	105122205	Kit, Flat Trim, Ca, Med (includes items 2 through 9)	1
2	102298401	Nut,m8,all Metal Lock	12
3	102299550	Screw,m8x50,sems,tx,bttn,plt	12
4	105185701	Pan Head Screw, M6 X 16 Tt	16
5	105185801	Bracket,Bed Corner,CA	4
6	105194801	Trim, Bed, Cntr, Front	1
7	105194802	Trim, Bed, Cntr, Rear	1
8	105194901	Trim, Bed, Medium, Lh	1
9	105194902	Trim, Bed, Medium, Rh	1

1
G
E

1
G
E

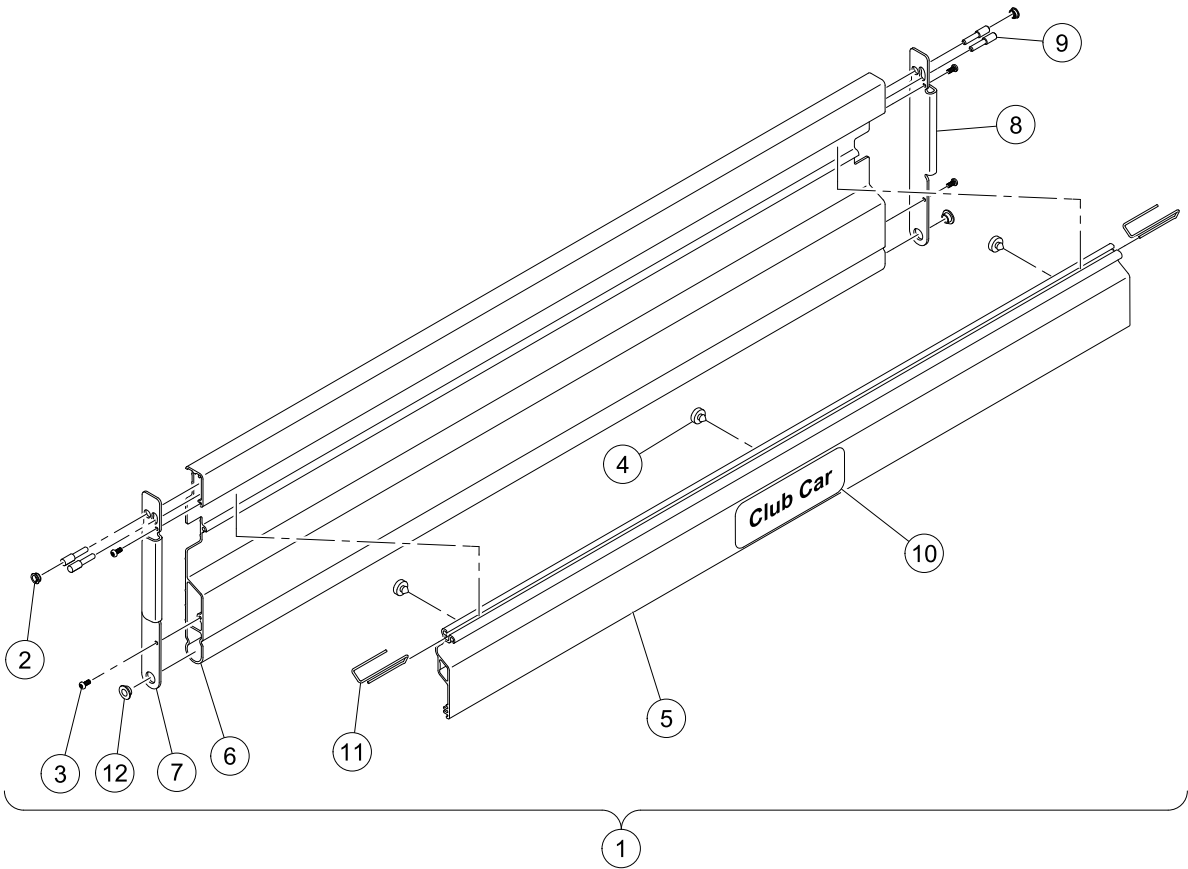


CARGO BOX KIT – MEDIUM (PAGE 1 OF 2)

ITEM	PART NO.	DESCRIPTION	QTY
		1 2 3 4	
1	105122105	Kit, Cargo Box, Med (includes items 2 through 42)	1
2	1015661	Nut, Lock Hx Flanged 1/4-20	3
3	102298401	Nut, M8, All Metal Lock	9
4	102299550	Screw,m8x50,sems,tx,bttn,plt	9
5	105192301	Extr, Bed, Cargo, Rear	1
6	105192901	Nut, Acorn, M6, Lock, Silver	8
7	105193001	Screw, 6 Lobe, M6 X 35	8
8	105200702	Asm, Cargo Box, DS, Medium (includes items 9 through 19)	1
9	1014321	Screw, #10 Truss-Head Torx	1
10	1016	Lockwasher, #10 Split	1
11	102590801	Bumper, Rubber	1
12	105127401	Asm, Latch, Tailgate, Lh	1
13	105192901	Nut, Acorn, M6, Lock, Silver	2
14	105193001	Screw, 6 Lobe, M6 X 35	2
15	105196201	Cap, Corner, Rear, Cargo Bed	1
16	105205201	Screw, 10-24 X .36, St Torx	1
17	47563313001	Weldment, Pivot, Tailgate, Lh	1
18	N/A	Panel, Cargo Box, Lh, Med	1
19	96705199	Washer, M6	2
20	105200802	Asm, Cargo Box, PS, Medium (includes items 21 through 31)	1
21	1014321	Screw, #10 Truss-Head Torx	1
22	1016	Lockwasher, #10 Split	1
23	102590801	Bumper, Rubber	1
24	105127402	Asm, Latch, Tailgate, Rh	1
25	105192901	Nut, Acorn, M6, Lock, Silver	2
26	105193001	Screw, 6 Lobe, M6 X 35	2
27	105196201	Cap, Corner, Rear, Cargo Bed	1
28	105205201	Screw, 10-24 X .36, St Torx	1
29	47563313002	Weldment, Pivot, Tailgate, Rh	1
30	N/A	Panel, Cargo Box, Rh, Med	1
31	96705199	Washer, M6	2
32	105200901	Asm, Cargo Box,Corner,DS (includes items 33 through 35)	1
33	N/A	Extr, Bed Corner, Lh	1
34	105196101	Cap, Corner, Frt, Cargo Bed	1
35	105205201	Screw, 10-24 X .36, St Torx	2
36	105201001	Asm,Cargo Box,Corner,PS (includes items 37 through 39)	1
37	N/A	Extr, Bed Corner, Rh	1
38	105196101	Cap, Corner, Frt, Cargo Bed	1
39	105205201	Screw, 10-24 X .36, St Torx	2
40	324	Screw, 1/4-20 X 2.50 Hx Hd Cap	3
41	47621599001	Panel, Cargo Box, Frt	1
42	96705199	Washer, M6	8

1
G
E

1
G
E



G-140399-000001

CARGO BOX KIT (PAGE 2 OF 2)

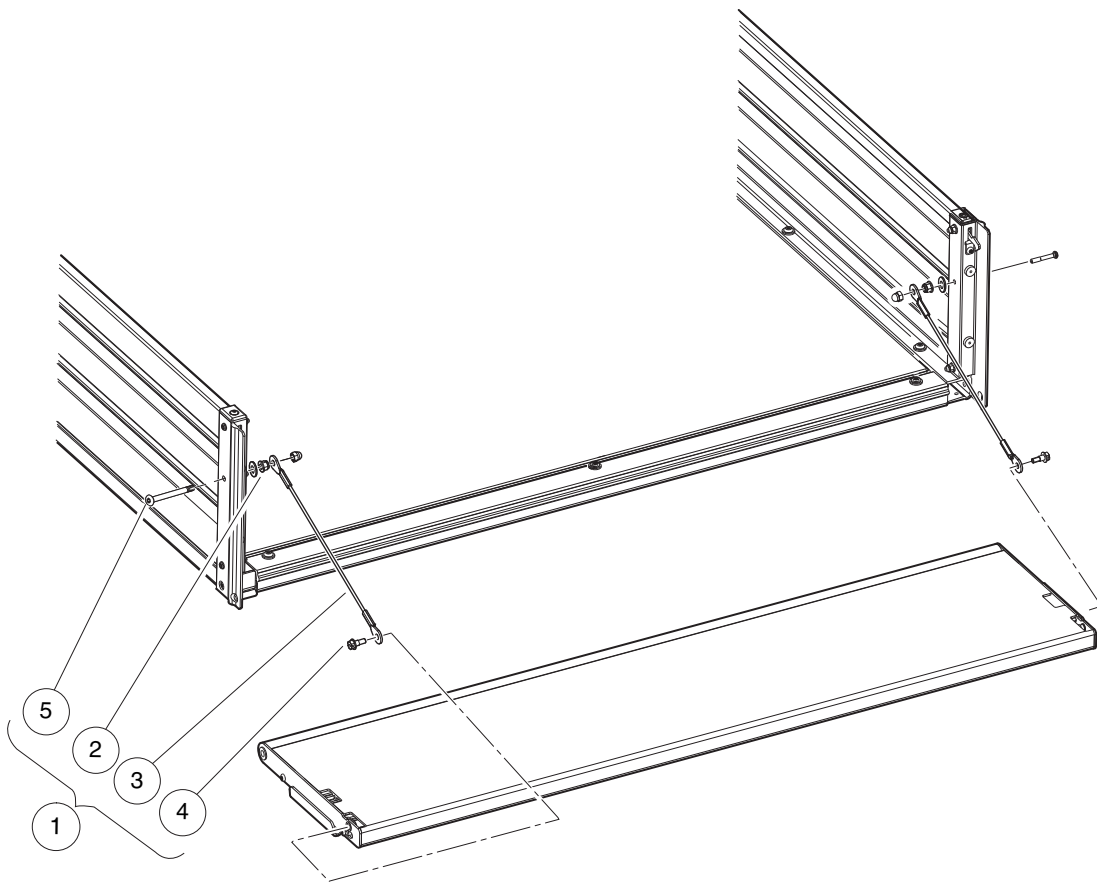
ITEM	PART NO.	DESCRIPTION	QTY
		1 2 3 4	
1	105128101	Asm, Tailgate, Wide Handle (includes items 2 through 12)	1
2	1015363	Bushing, Snap-In	2
3	102554512	Screw M5-08x12 Torx Pn Trs	4
4	102590801	Bumper, Rubber	3
5	105128201	Handle, Tailgate, Wide	1
6	N/A	Panel, Tailgate, Wide	1
7	105130301	Bracket, End, Tailgate, Lh	1
8	105130302	Bracket, End, Tailgate, Rh	1
9	105130501	Pin, Latch, Tailgate	4
10	105165901	Decal, Branding, Club Car Logo	1
11	105216201	Spring, Return, Handle	2
12	7049	Bushing, Nylon	2

1
G
E

1

G

E



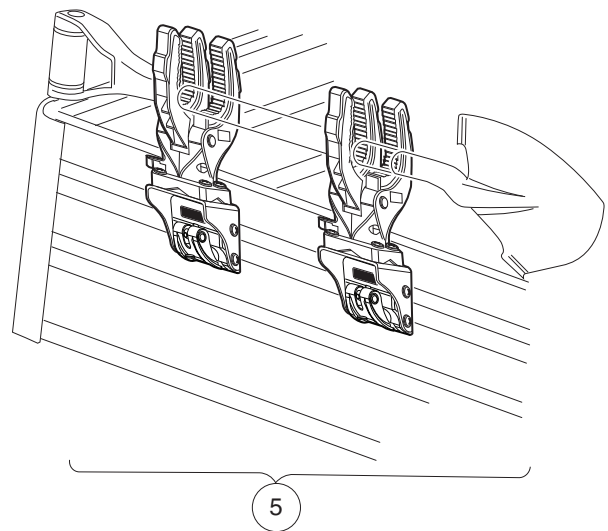
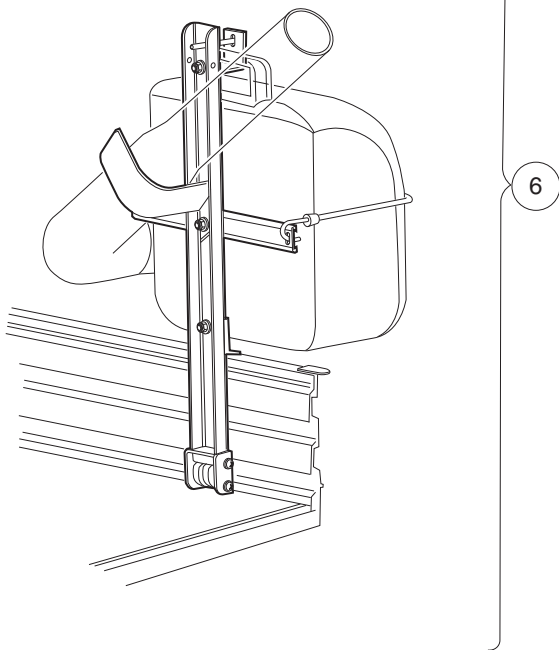
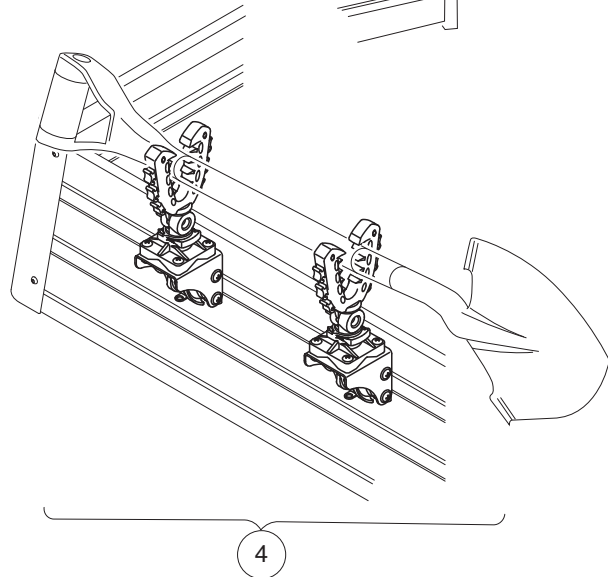
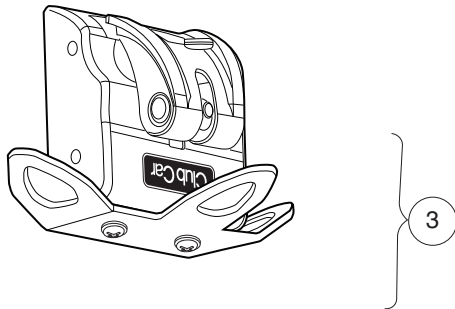
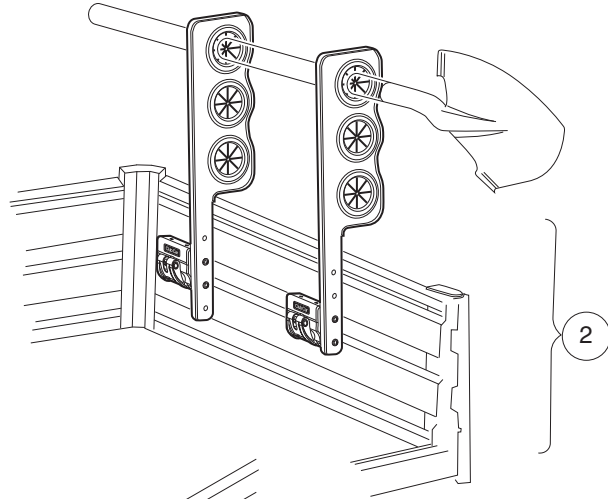
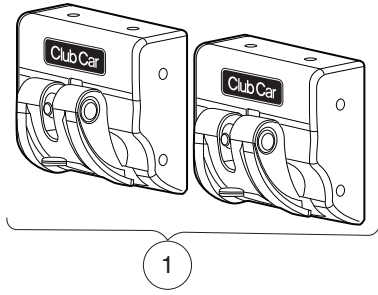
001160-002

TAILGATE TEATHER

ITEM	PART NO.	DESCRIPTION	QTY
1	105127302	1 2 3 4 Kit, Tether, Tailgate (includes items 2 through 5)	1
2	102621501	Nut, Flange, M6 X 1.0, Nylon	2
3	105128001	Cable, Tether, Tailgate	2
4	105129901	Screw, Shoulder, Self Thread	2
5	105193101	Screw, 6 Lobe, M6 X 50	2

1
G
E

1
G
E



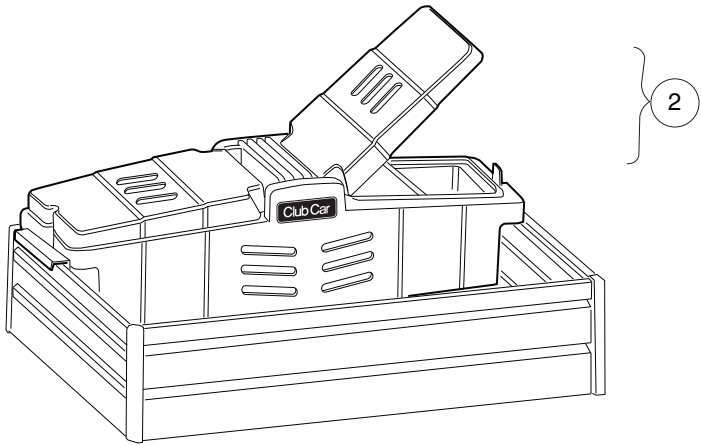
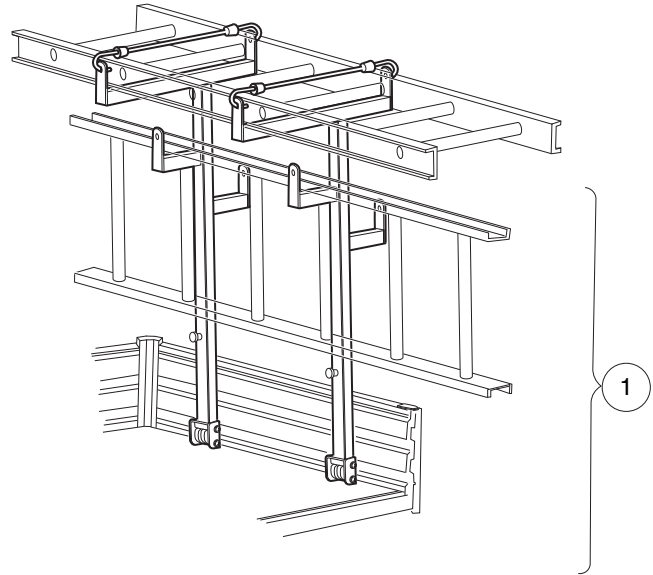
001167-003

MODULAR BED ACCESSORIES

ITEM	PART NO.	DESCRIPTION	QTY
		1 2 3 4	
1	105160401	Bed Clamp, Set	1
2	105160801	Kit, Tool Rack	1
3	105160901	Kit, Tie Down	1
4	105161001	Kit, Ratcheting Grip	1
5	105161101	Kit, Static Grip	1
6	105161401	Kit, Holder, Leaf Blower	1
		Note: Component part numbers unavailable at publication.	

1
G
E

1
G
E



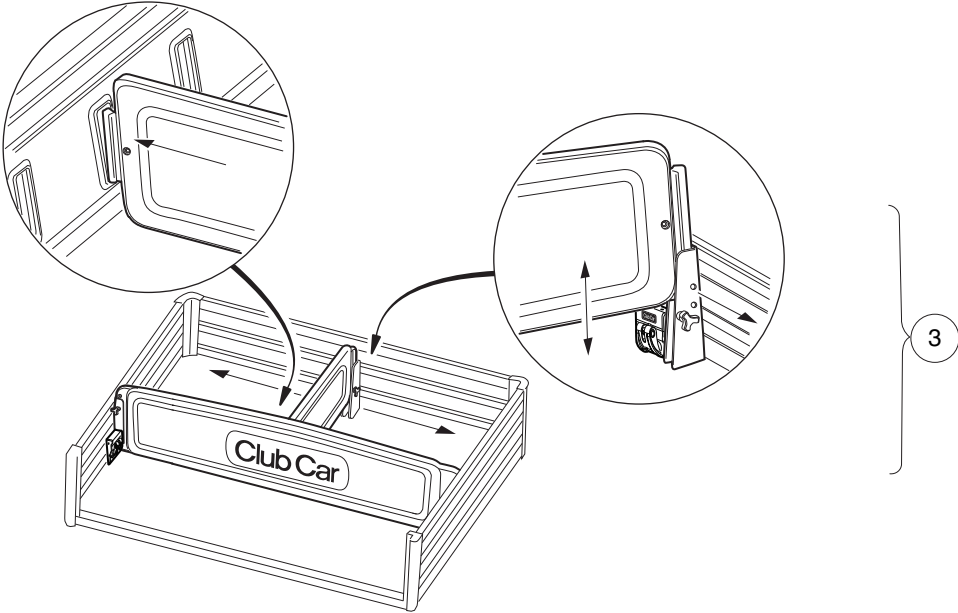
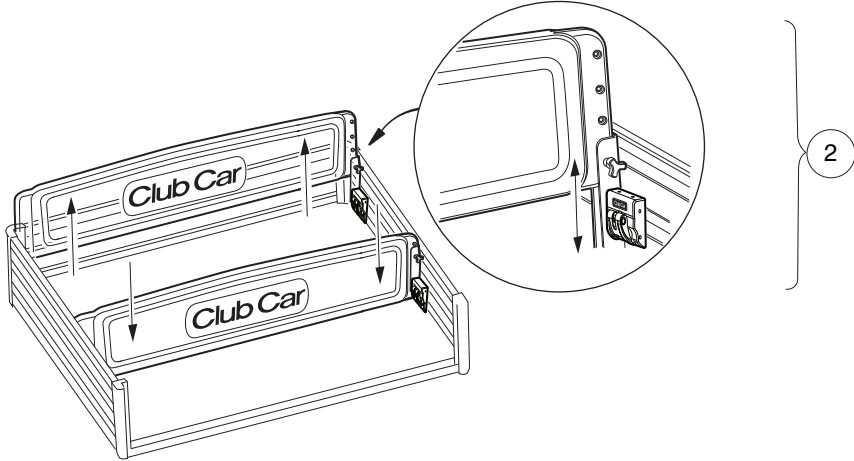
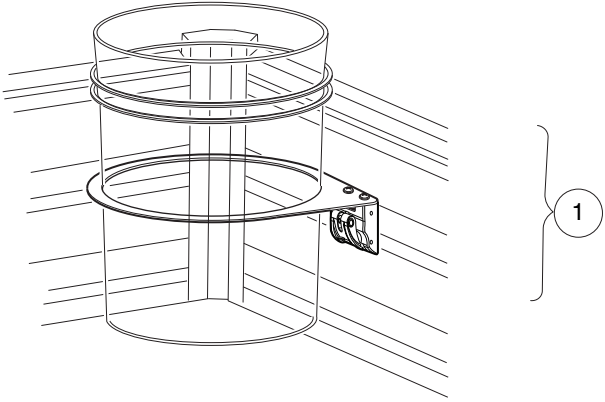
001168-001

MODULAR BED ACCESSORIES

ITEM	PART NO.	DESCRIPTION	QTY
1	105161501	1 2 3 4 Kit, Rack, Ladder	1
2	105161601	Kit, Toolbox	1
<p>Note: Component part numbers unavailable at publication.</p>			

1
G
E

1
G
E

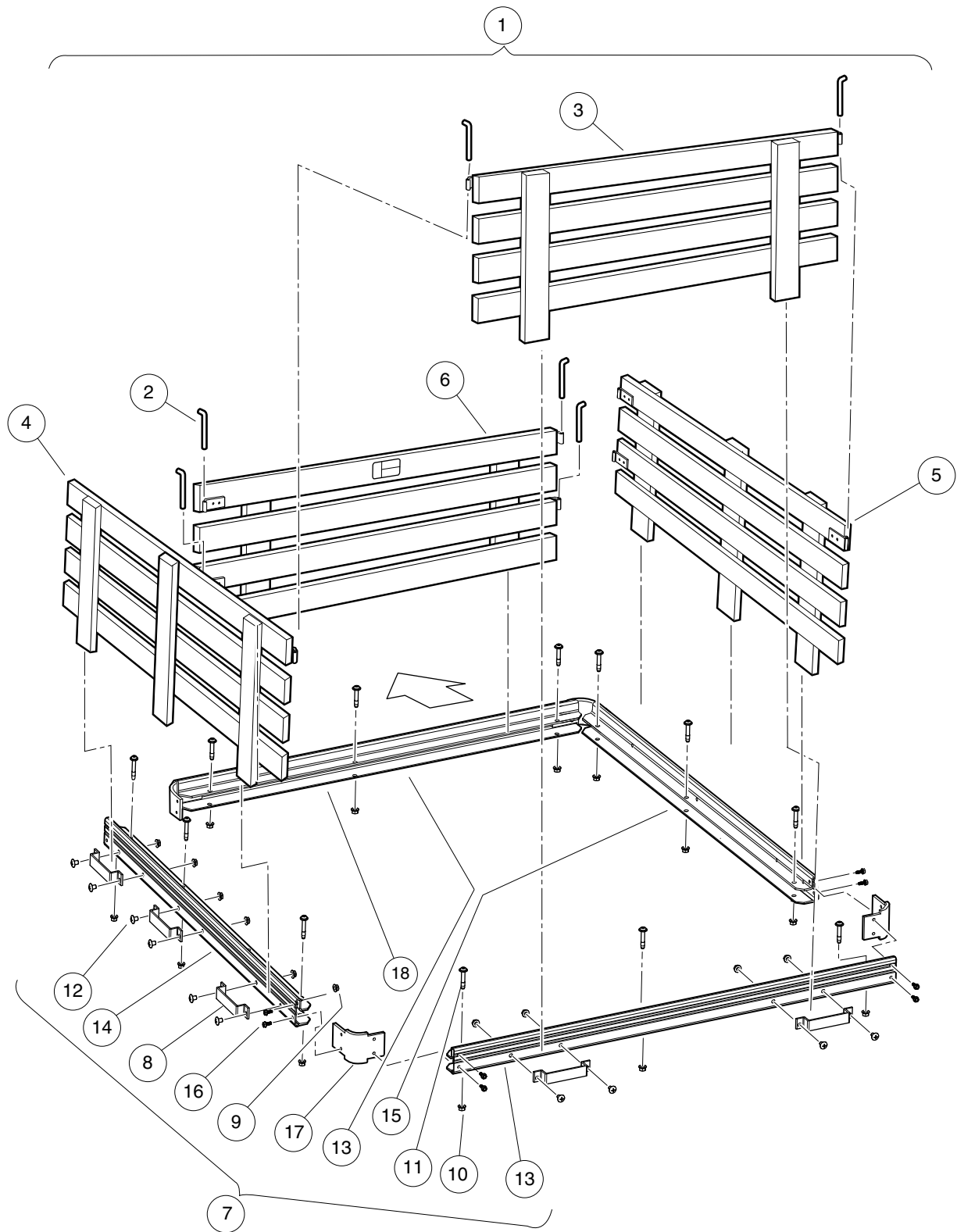


001169-001

MODULAR BED ACCESSORIES

ITEM	PART NO.	DESCRIPTION	QTY
1	105160501	1 2 3 4 Kit, Holder, Bucket	1
2	105161201	Kit, Bed Divider/extension	1
3	105161301	Kit, Bed Divider, Short	1
<p>Note: Component part numbers unavailable at publication.</p>			

1
G
E



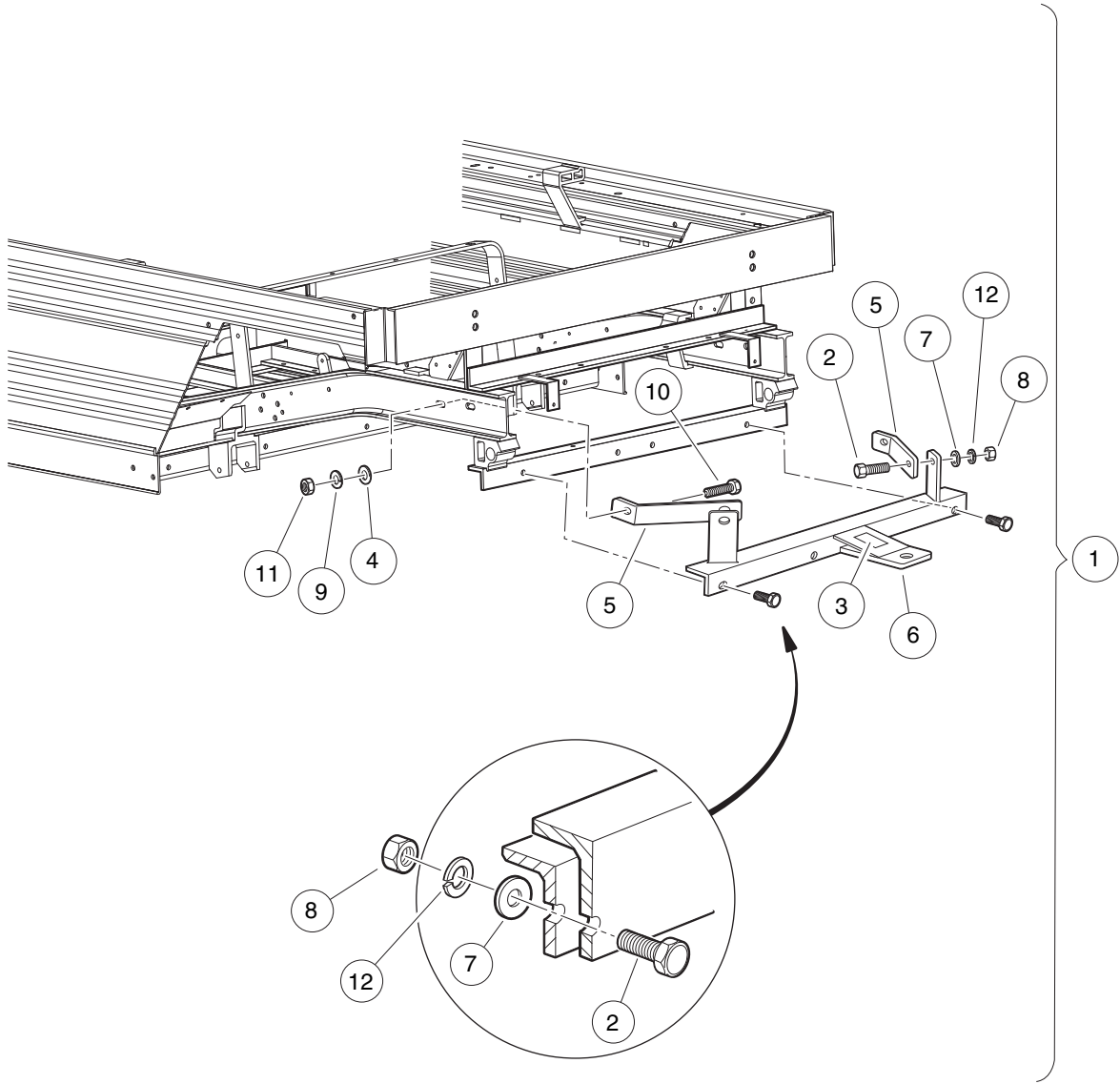
001130-001

STAKE SIDE KIT – MEDIUM

ITEM	PART NO.	DESCRIPTION	QTY
		1 2 3 4	
1	105109501	Kit, Stake Side, Med (includes items 2 through 7)	1
2	1015656	Pin, hinge	6
3	102847603	Asm, Stake Side, 48 X 19 Rear	1
4	105113301	Stake Side, Ca Med, Lh	1
5	105113302	Stake Side, Ca Med, Rh	1
6	105129501	Stake Side, Front, Ca, 50"	1
7	105148502	Asm, Trim, Stake Side, Med (includes items 8 through 18)	1
8	1016077	Bracket, Stake Side	8
9	101963401	Locknut, 5/16-18 Hex Flange	16
10	102298401	Nut,m8,all Metal Lock	14
11	102299550	Screw,m8x50,sems,tx,bttn,plt	14
12	105129601	Screw, Phl Trus Hd, 5/16-18x.5	16
13	105148601	Trim, Stake Side, Cen, Rear	1
14	105148801	Trim, Stake Side, Med, Lh	1
15	105148802	Trim, Stake Side, Med, Rh	1
16	105185701	Pan Head Screw, M6 X 16 Tt	16
17	105185801	Bracket, Bed Corner, CA	4
18	105194801	Trim, Bed, Cntr, Front	1

1
G
E

1
G
E



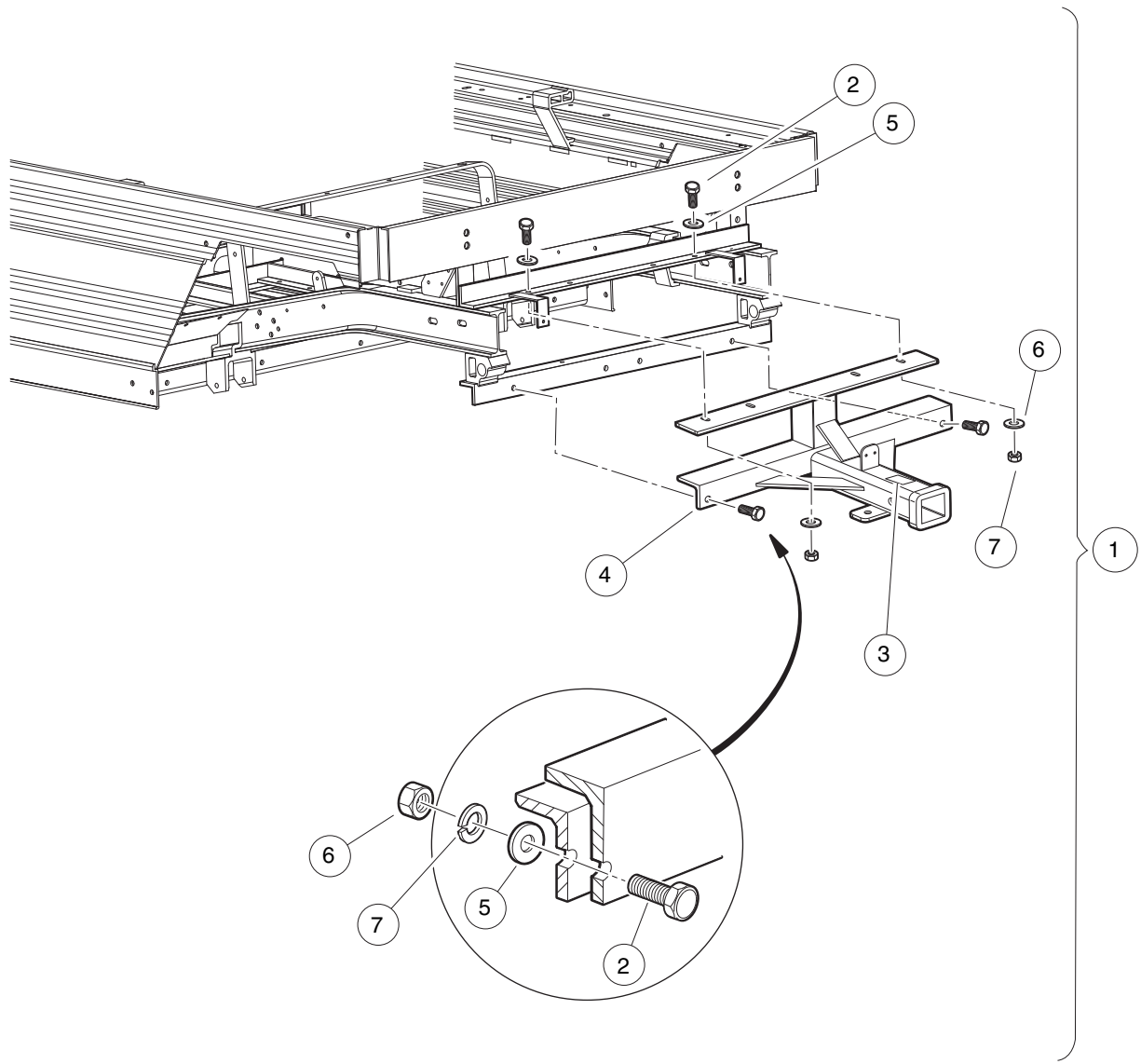
001132-001

HEAVY DUTY TRAILER HITCH

ITEM	PART NO.	DESCRIPTION	QTY
		1 2 3 4	
1	1015445	Kit, Trailer Hitch (includes items 2 through 12)	1
2	1010934	Screw, 5/16-18 X 1.00 Hex Cap	4
3	1011553	Decal, Trailer Hitch	1
4	1011990	Washer, 3/8 Flat	2
5	1013483	Brace, Trailer Hitch	2
6	N/A	Asm, Trailer Hitch	1
7	1241	Washer, 5/16 Type A Flat	4
8	1242	Nut, 5/16-18 Hex	4
9	357	Lockwasher, 3/8 Split	2
10	705	Screw, Cap-hex Hd 3/8-16x1.25	2
11	706	Nut, Hex 3/8-16	2
12	7174	Lockwasher, 5/16 Split	4

1
G
E

1
G
E



001133-001

REAR RECIEVER HITCH

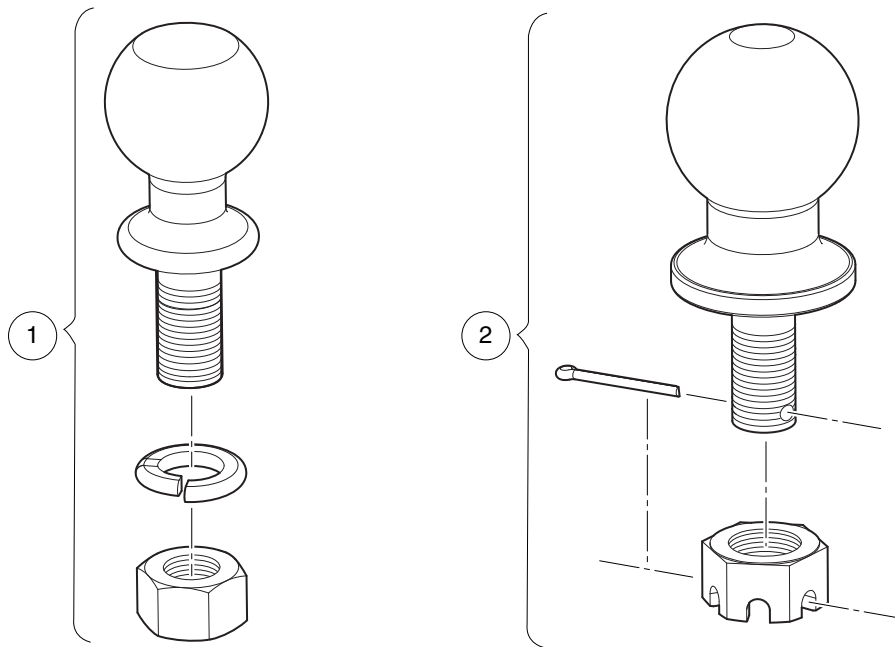
ITEM	PART NO.	DESCRIPTION	QTY
		1 2 3 4	
1	102065103	Kit, Rear Receiver (includes items 2 through 7)	1
2	1010934	Screw, 5/16-18 X 1.00 Hex Cap	6
3	1011553	Decal, Trailer Hitch	1
4	102056001	Rear Receiver Weld Asm	1
5	1241	Washer, 5/16 Type A Flat	6
6	1242	Nut, 5/16-18 Hex	6
7	7174	Lockwasher, 5/16 Split	6

1
G
E

1

G

E



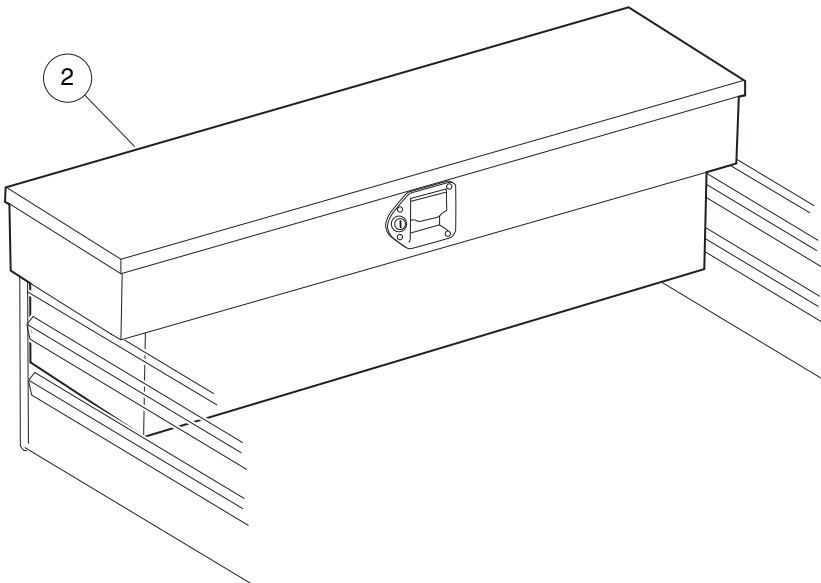
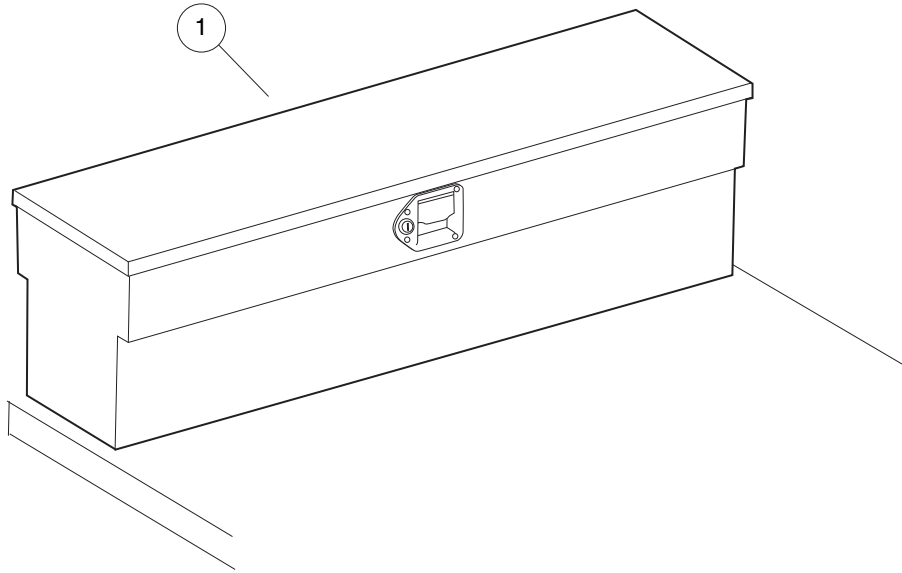
001137-001

TRAILER HITCH BALL

ITEM	PART NO.	DESCRIPTION	QTY
1	1011546	1 2 3 4 Trailer Hitch Ball - 1 7/8"	1
2	104033601	Ball, Trailer Hitch, 50mm	1

1
G
E

1
G
E



001157-001

TOOLBOXES

ITEM	PART NO.	DESCRIPTION	QTY
1	101837401	1 2 3 4 Toolbox, Flat Bed	1
2	101837502	Toolbox, Box Bed	1

1
G
E

1

G

E

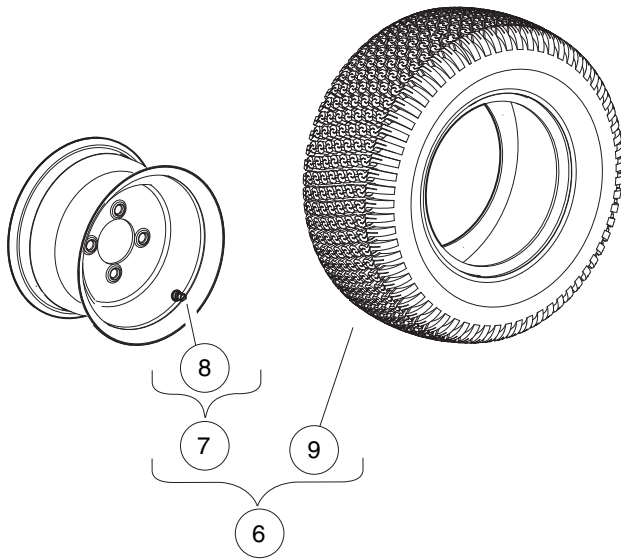
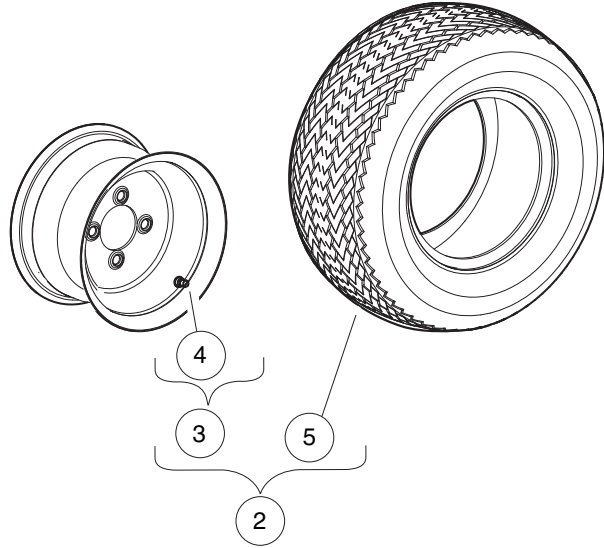
WHEELS AND TIRES

2

G

E

2
G
E



001320-001

10 INCH WHEELS AND 20 INCH TIRES

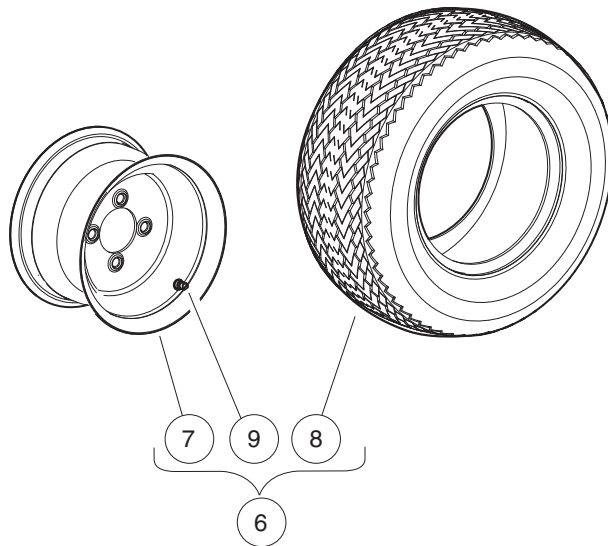
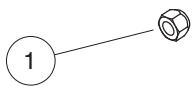
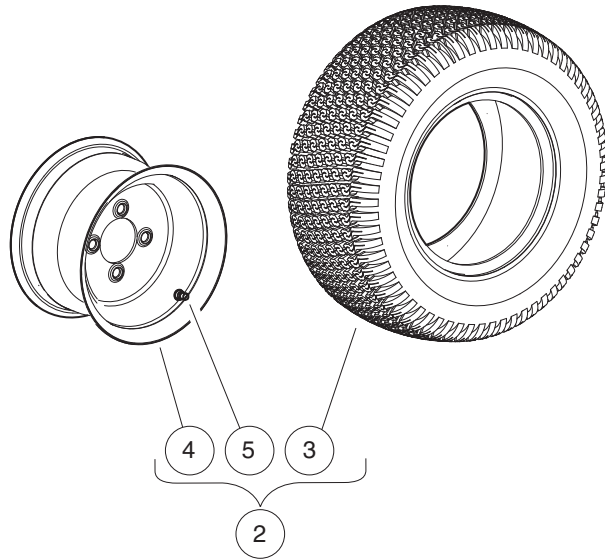
ITEM	PART NO.	DESCRIPTION	QTY
		1 2 3 4	
1	1010984	.500-20 Unf Lug Nut	16
2	105078809	Asm,whl,hn1,20x10-10,6pl (includes items 3 through 5)	4
3	105079204	Wheel, 10"x6", Gray, 0 Offset, RR, with Valve Stem (includes item 4)	1
4	105078901	Valve Stem, Kenda, Tr 412	1
5	105079301	Tire, Hole-n-1, 20x10-10, 6pl	1
6	105078810	Asm,whl,st,20x10-10,6pl (includes items 7 through 9)	4
7	105079204	Wheel, 10"x6", Gray, 0 Offset, RR, with Valve Stem (includes item 8)	1
8	105078901	Valve Stem, Kenda, Tr 412	1
9	105079401	Tire, Superturf, 20x10-10, 6pl	1

2
G
E

2

G

E



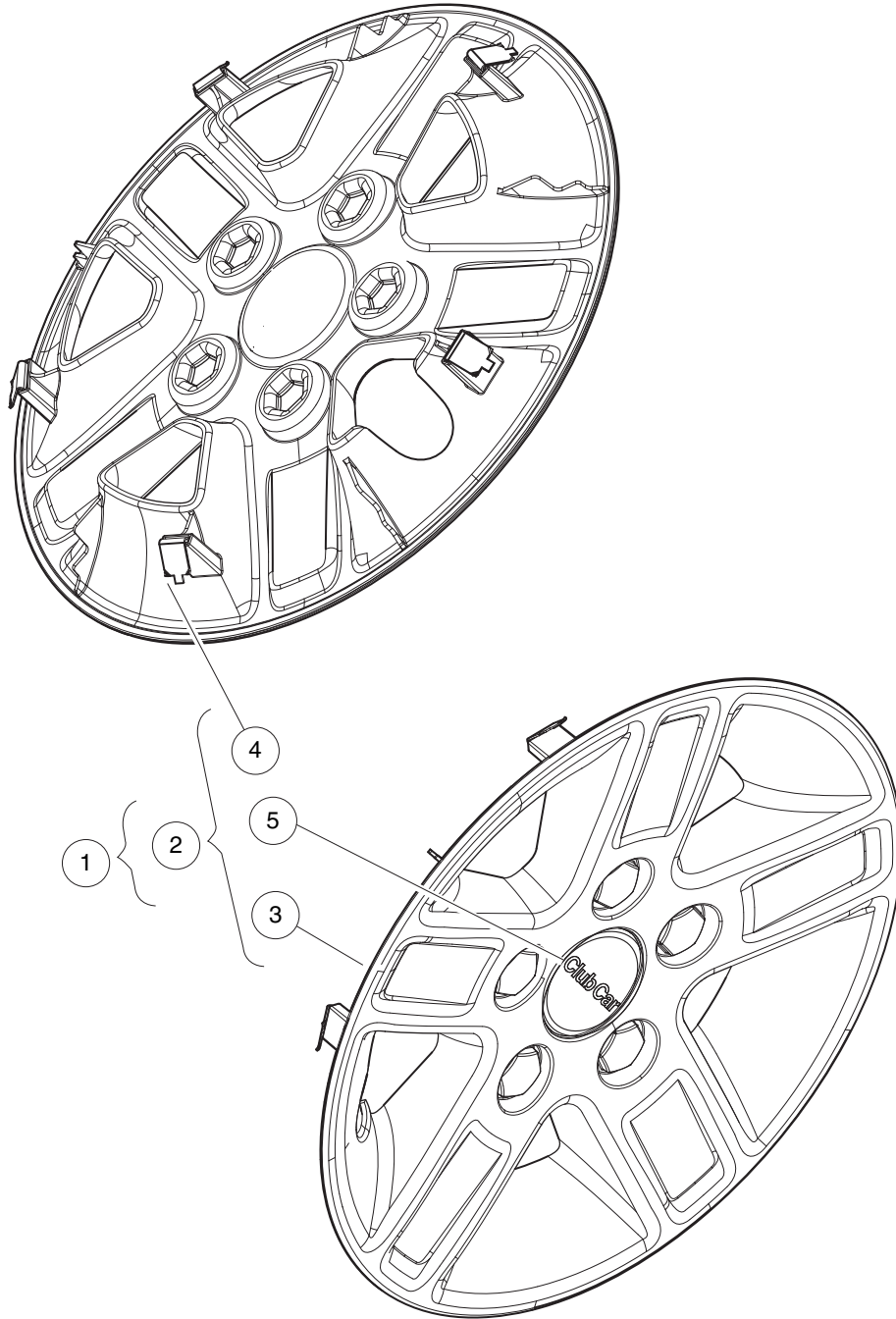
001320-002

8 INCH WHEELS AND 18 INCH TIRES – VEHICLES WITH SMALL-WHEEL TURF PACKAGE

ITEM	PART NO.	DESCRIPTION	QTY
		1 2 3 4	
1	1010984	.500-20 Unf Lug Nut	16
2	103951002	Assembly, Silver Wheel Kenda, X/t 6ply (includes items 3 through 5)	4
3	102569302	Tire, Kenda, 18x8.5-8, 6-ply Xtr	1
4	103459104	Wheel Rim, 8"x7", Silver, Std	1
5	7310	Valve Stem, Black Plastic	1
6	103951003	Asm,silver Whl Kenda, Hn1 6pl (includes items 7 through 9)	4
7	103459104	Wheel Rim, 8"x7", Silver, Std	1
8	103658601	Tire, Kenda Hn1, 6pl	1
9	7310	Valve Stem, Black Plastic	1

2
G
E

2
G
E



001350-002

WHEEL COVERS

ITEM	PART NO.	DESCRIPTION	QTY
		1 2 3 4	
1	105106501	Kit, Wheel Cover, 10x6" (includes item 2)	1
2	105106301	Asm, Whl Cover, 5 Spoke, 10x6" (includes items 3 through 5)	4
3	N/A	Wheel Cover, 5 Spoke, 10x7"	1
4	105106101	Wheel Cover, Clip	5
5	105106201	Decal, Wheel Cover, Club Car	1

2

G

E

2

G

E

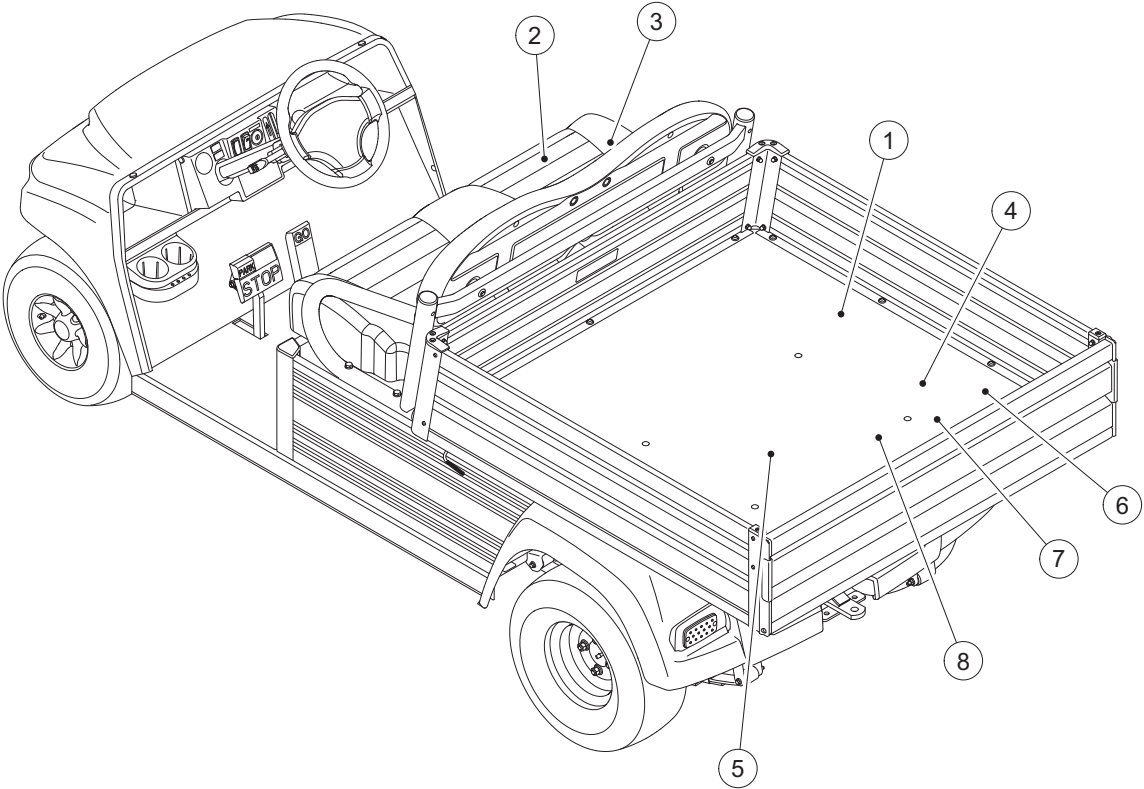
DECALS

3

G

E

3
G
E



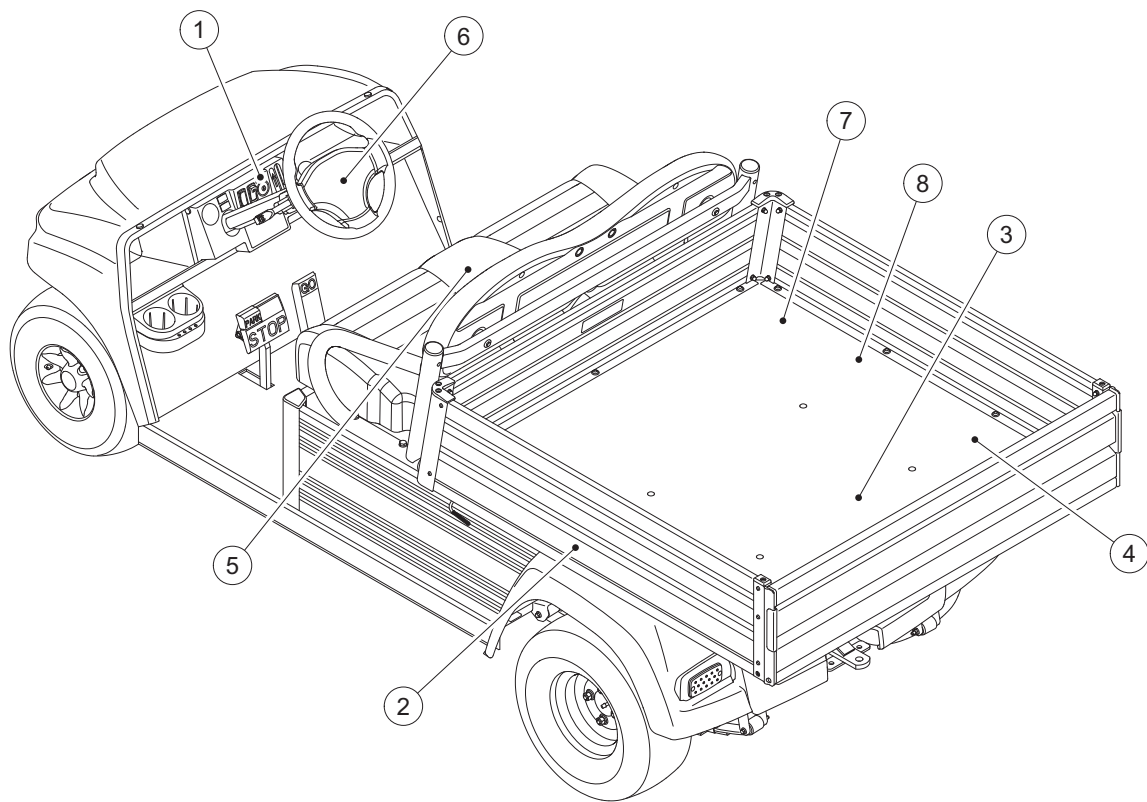
G-160199-000003

DECALS – ELECTRIC CARRYALL 502

ITEM	PART NO.	DESCRIPTION	QTY
		1 2 3 4	
1	102518301	Decal, Caution, Electrical Component Cover	1
2	102845101	Decal, Tow Switch	1
3	102967601	Decal, Warning, 4 Gauge Wire	1
4	105124701	Decal, Caution, Not Use As Gnd	1
5	105130001	Decal, Fuse Block, Acc, 48v	1
6	105130101	Decal, Fuse Block, Acc, 12v	1
7	105163601	Decal, 12v (+)	1
8	105163701	Decal, Gnd (-)	1

3
G
E

3
G
E

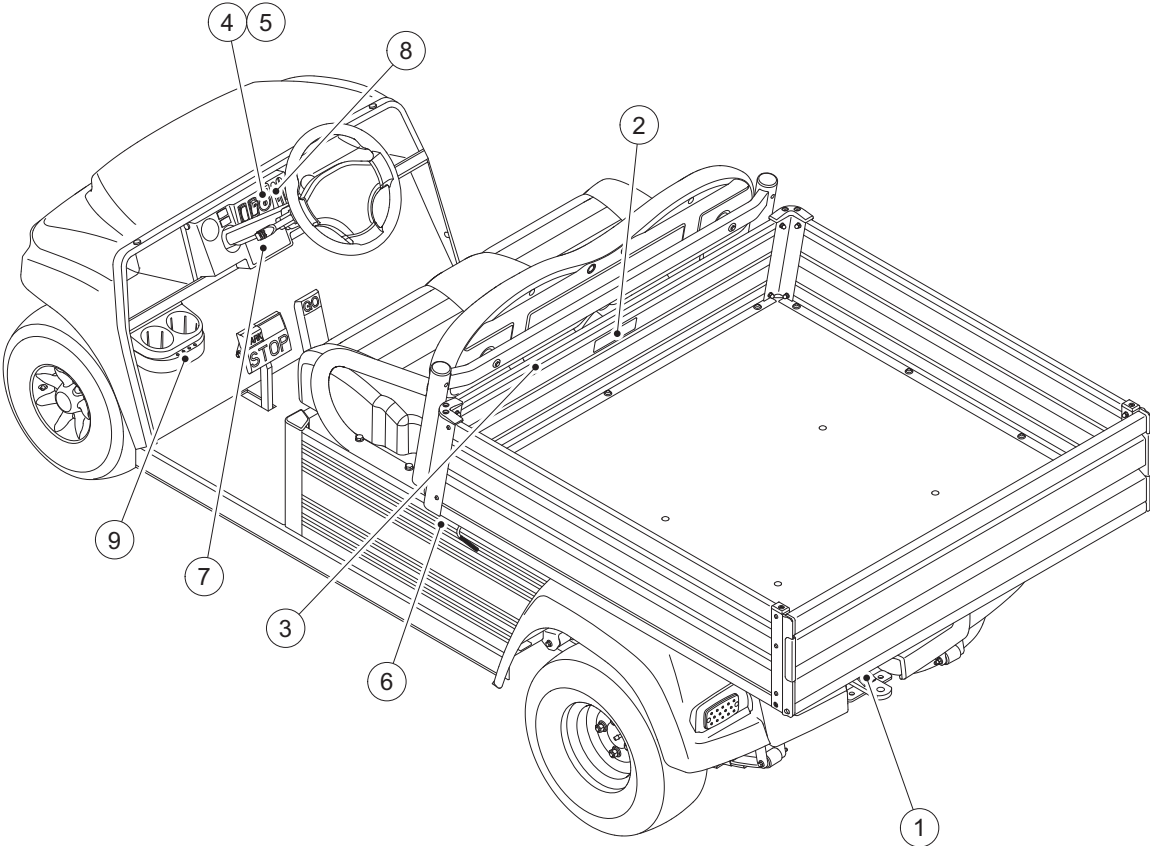


G-160199-000002

DECALS – GASOLINE CARRYALL 502

ITEM	PART NO.	DESCRIPTION	QTY
		1 2 3 4	
1	101825102	Decal, Off/On/Start	1
2	101915201	Decal, Frame Ground and Governor Warning	1
3	101960501	Decal, Rotating Parts/Hot Manifold	1
4	102345901	Decal, Diode Safety	1
5	103205501	Decal, Maintenance/Operate Switch	1
6	103783003	Decal, Op Instr, Gas Ks	1
7	105082301	Decal, Warn, Gas Pressure	1
8	105084701	Decal, Warn Gas Side Fill	1

3
G
E



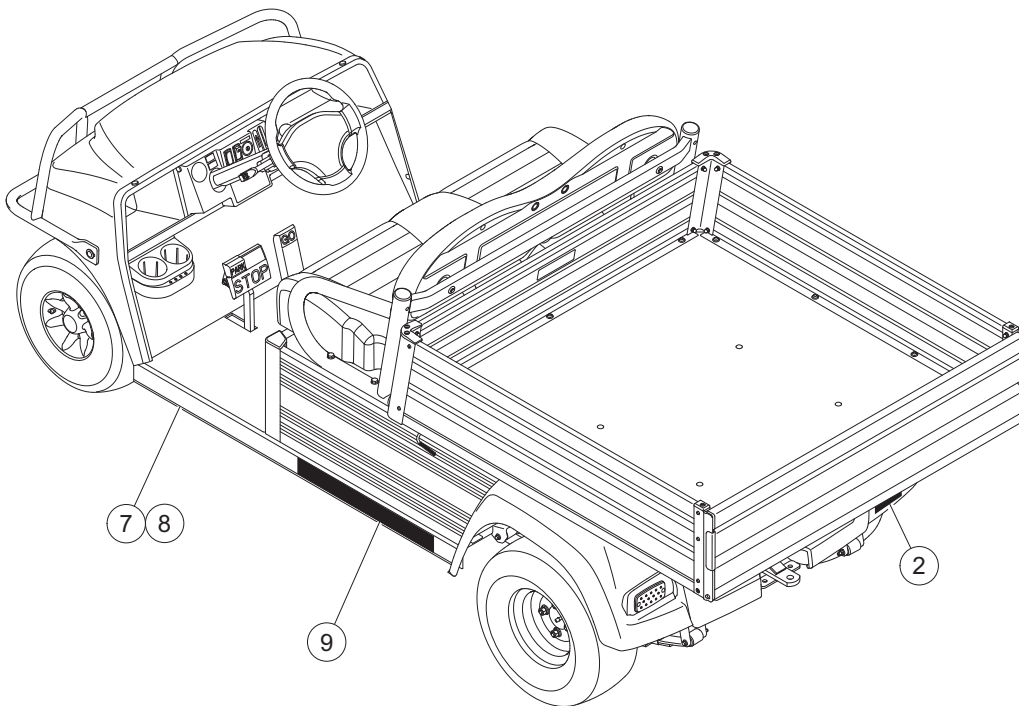
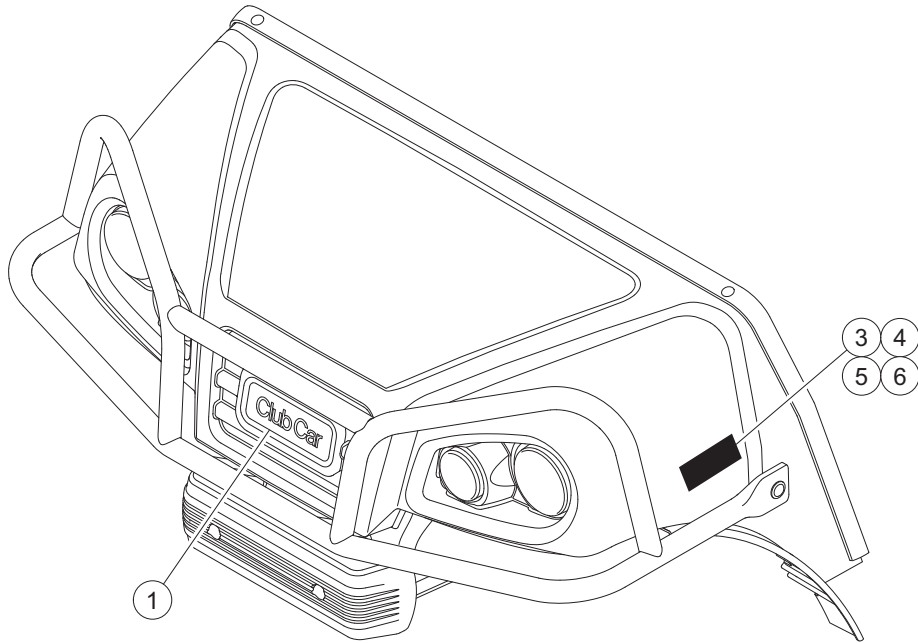
G-160199-000004

DECALS – ELECTRIC AND GASOLINE CARRYALL 502

ITEM	PART NO.	DESCRIPTION	QTY
		1 2 3 4	
1	1011553	Decal, Trailer Hitch	1
2	101553901	Decal, Bed Load Warning	1
3	101609401	Decal, Crush Area Warning	2
4	101825101	Decal, Off/On	A/R
5	101825102	Decal, Off/On/Start	A/R
6	102459301	Decal, Bed Crush Area Warning	2
7	104026801	Decal, Oc, Warning, Ca	1
8	105046101	Decal, Op, Instructions, Ca	1
9	105137106	Decal, Veh Load, Ca500 4wb	1

3
G
E

3
G
E



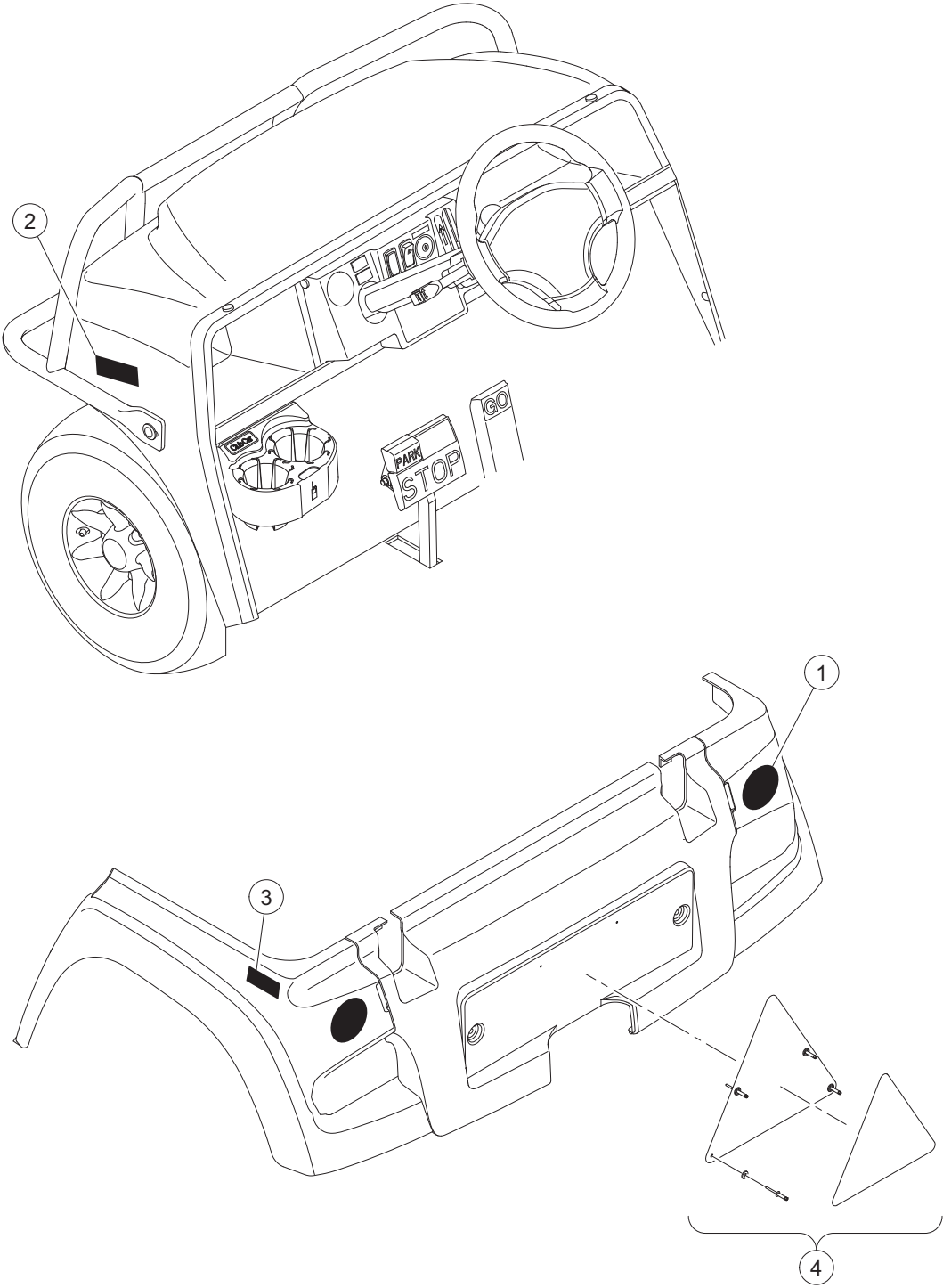
G-160299-000011

BADGING DECALS – CARRYALL 502

ITEM	PART NO.	DESCRIPTION	QTY
		1 2 3 4	
1	102883601	Decal, Nameplate, CCI, Front	1
2	103234304	Decal, Badge, Ir, Red	1
3	105153201	Decal, Zero Emission Vhcle, Lh	1
4	105153202	Decal, Zero Emission Vhcle, Rh	1
5	105153301	Decal, Efi, Italic, Lh	1
6	105153302	Decal, Efi, Italic, Rh	1
7	47654905001	Decal, Side Stringer, Pas	1
8	47654905002	Decal, Side Stringer, Drv	1
9	47660193001	Decal, Branding, Ca 502	2

3
G
E

3
G
E



G-160299-000012

REFLECTORS AND TRIANGLE – CARRYALL 502

ITEM	PART NO.	DESCRIPTION	QTY
		1 2 3 4	
1	103832501	Reflector, Red, Round, Sae	2
2	103832601	Reflector, Yell, Rect, Sae	2
3	105144801	Reflector, Red, Rect, Sae	2
4	47653103002	Kit, Reflect Tri,tail Skirt	1

3
G
E

3

G

E

LIGHTS, CONTROLS, AND INDICATORS

4

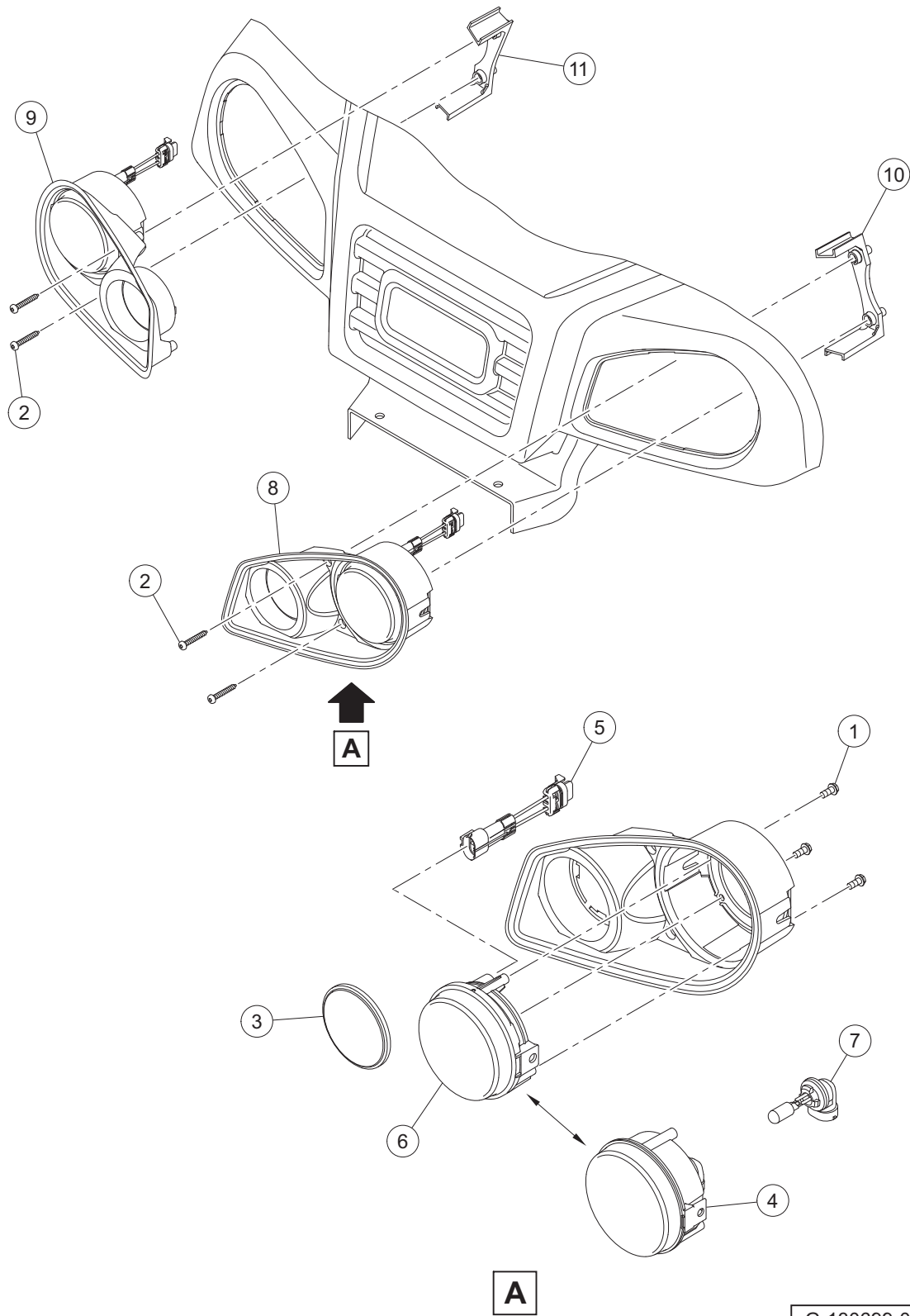
G

E

4

G

E



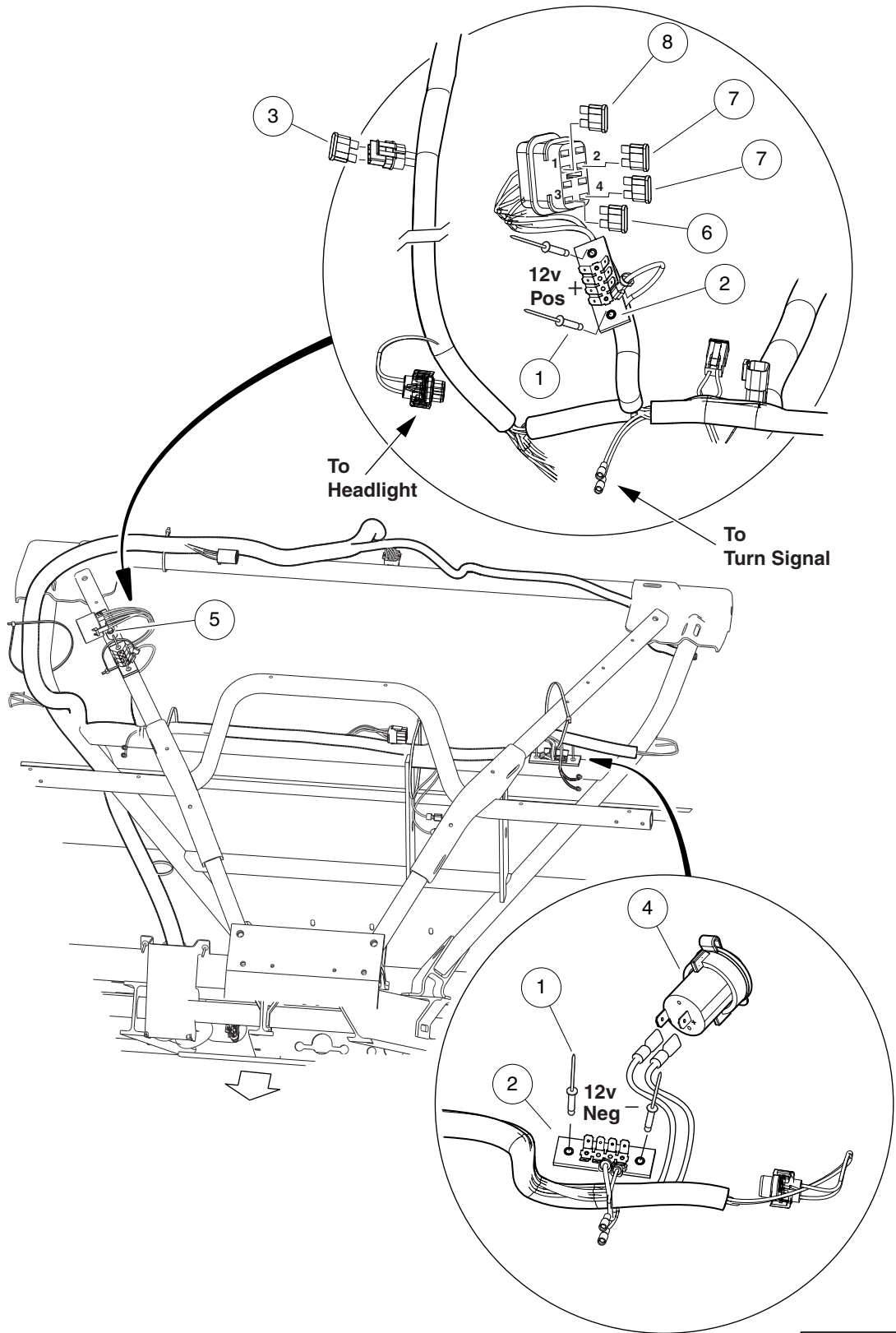
G-130699-000006

HEADLIGHTS AND BEZELS

ITEM	PART NO.	DESCRIPTION	QTY
		1 2 3 4	
1	101850301	Screw, #12-16 X 0.50 Washer-Head Hi-Lo	6
2	102296040	Screw, Torx Pan Hd Pt, M6 X 40	4
3	105036801	Reflector, Decal, 3.20", Amber	2
4	105073401	Hdlight, Round, 4.5", Utl	2
5	47579923001	Jmpr, Head Lt, Led, Ca	2
6	47583907001	Headlight, Led, 4.5", Ca	2
7	47621253001	Bulb, Halogen, 881	2
8	47650433001	Bezel, Hl, Drv	1
9	47650433002	Bezel, Hl, Pas	1
10	47650445001	Clamp, Light, Drv	1
11	47650445002	Clamp, Light, Pas	1
		<p>Note: Halogen and LED headlights are both shown. Make sure to replace parts with the proper configuration.</p>	

4
G
E

4
G
E



001360-002

12-VOLT FUSE BLOCK AND FUSES – ELECTRIC VEHICLE

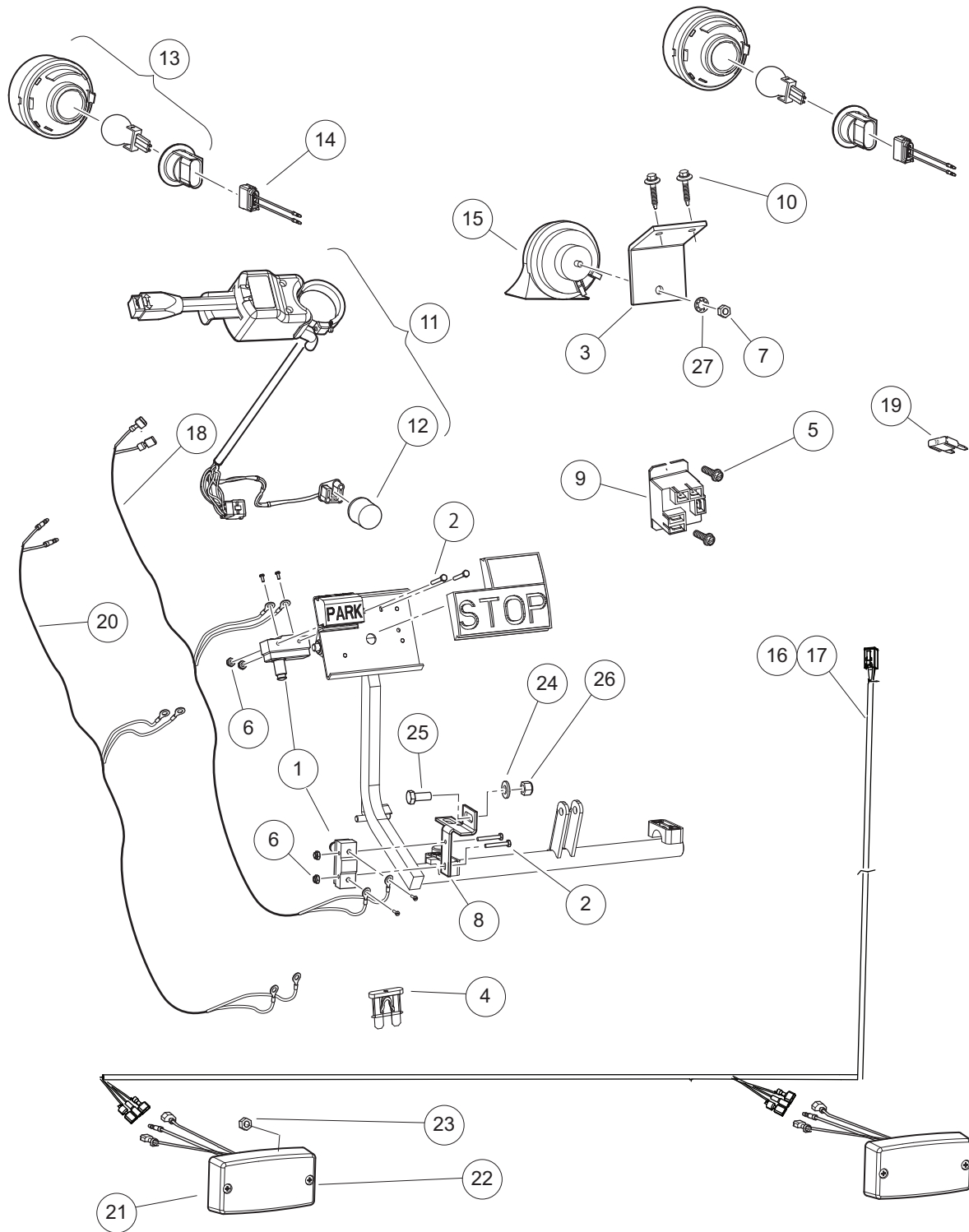
ITEM	PART NO.	DESCRIPTION	QTY
		1 2 3 4	
1	1013357	Rivet, 5/32 Aluminum Pop	4
2	1016356	Terminal Block with Insulator	2
3	1016423	Fuse, 20-Amp	1
4	102198001	Receptacle, Accessory	1
5	102238001	#10-24 Taptite Screw	1
6	105114805	Fuse, Mini, Atm, 7.5 Amp	1
7	105114806	Fuse, Mini, Atm, 10 Amp	2
8	105114807	Fuse, Mini, Atm, 15 Amp	1

4

G

E

4
G
E



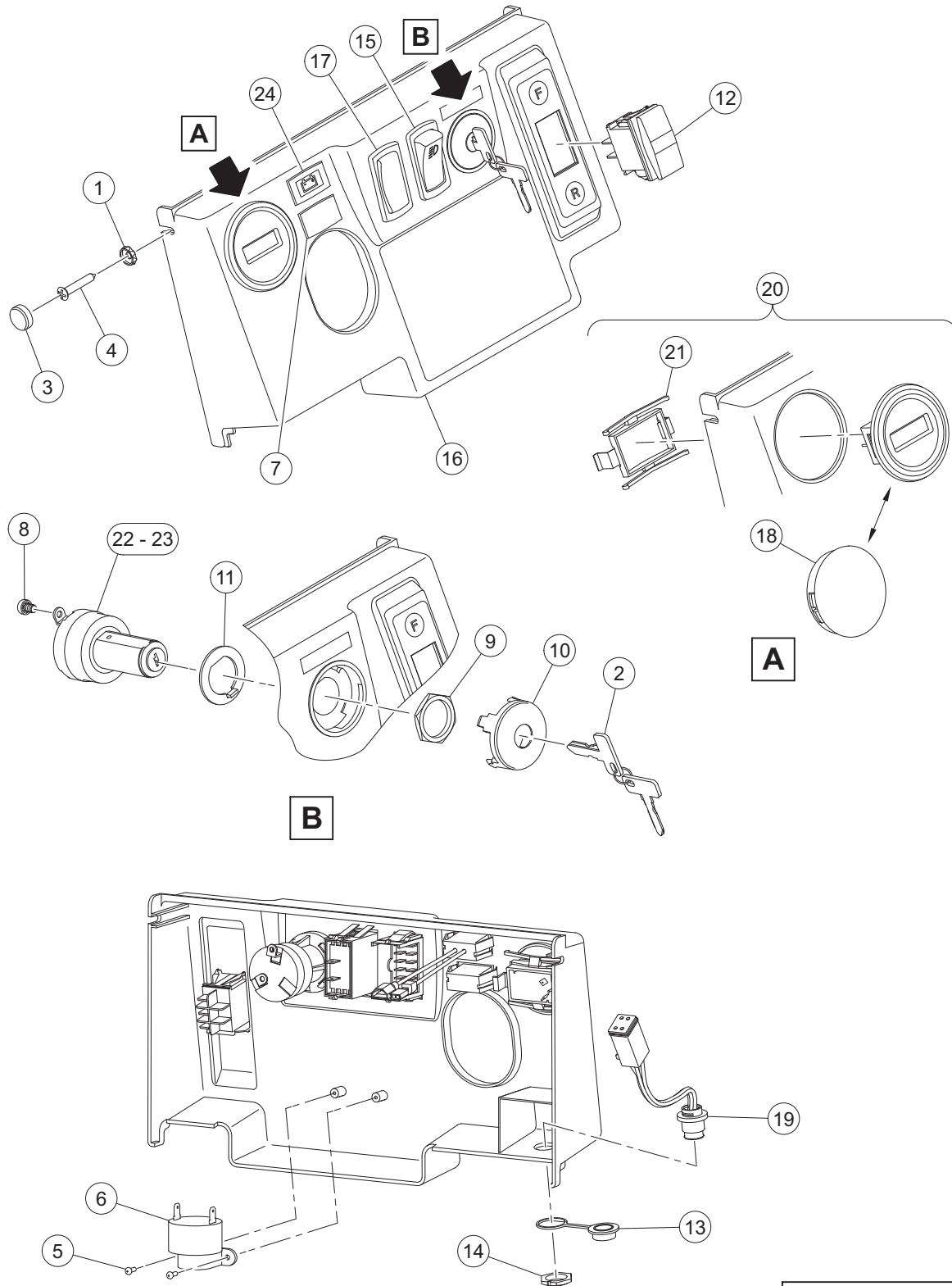
001368-004

HORN, TURN SIGNALS, AND TAILLIGHTS

ITEM	PART NO.	DESCRIPTION	QTY
		1 2 3 4	
1	1011439	Switch, Limit	2
2	1011557	Screw, #6-32 X 1.00 Hex-Head Machine	4
3	1011825	Horn Bracket	1
4	1012295	Fuse, 10-Amp	1
5	1016849	Screw, #4-24 X 0.33, Pan-Head, Machine	2
6	101932201	Locknut, #6-32 Nylon	4
7	101955101	Nut, M6 Hex	1
8	101957101	Bracket, Brake Light Switch	1
9	102199001	Relay, 12-Volt	1
10	102297125	Screw, M6-1.0x25.4, Thread-Forming, SEMS	2
11	102517501	Turn Signal Asm	1
12	102546401	Flasher Unit, Prec	1
13	102894503	Light, Turn Sig, Round 3", Utl	2
14	103245001	Jumper, Turn Signal, Ca/xrt/hu	2
15	103484301	Horn, 12v, Gnd Isolated	1
16	105108201	Harness, Tail Light, Utility, Short	1
17	105108301	Harness, Tail Light, Utility, Long	1
18	105108401	Harness, Brk, Pedal Switch Utl	1
19	105114806	Fuse, Mini, Atm, 10 Amp	1
20	105135201	Jumper, Hill Brake, Switch	1
21	105165801	Lamp, Stop/trn/tail, Footdeck	2
22	105190601	Screw, #8-32 X 0.625, Clr Znc	4
23	105190701	Nut, Flanged, #8-32, Serrated	4
24	1241	Washer, 5/16 Type A Flat	1
25	7173	Screw, 5/16-18 X 0.75, Hex-Head Cap	1
26	7473	Locknut, 5/16-18 Nylon Insert	2
27	7820	Washer, 5/16 Internal-Tooth	1
<p>Note: For applicable kits, order the following: Horn, Tail Lights - Electric Vehicle Kit p/n 47668657005. Horn, Tail Lights, Turn Signals - Electric Vehicle Kit p/n 47668657006. Horn, Tail Lights - Gasoline Vehicle Kit p/n 47668657007. Horn, Tail Lights, Turn Signals - Gasoline Vehicle Kit p/n 47668657008.</p>			

4
G
E

4
G
E



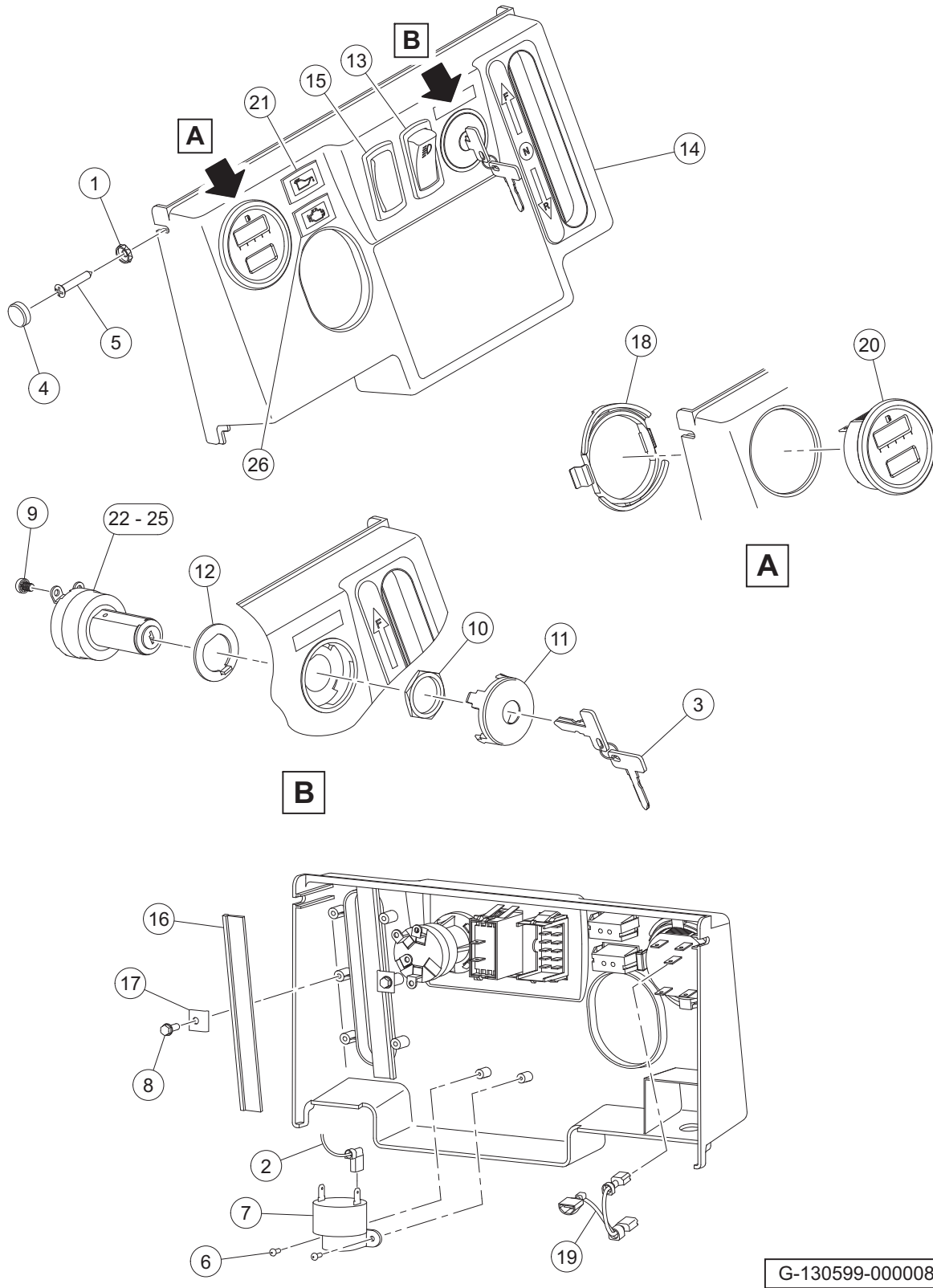
G-130599-000009

INSTRUMENT PANEL – ELECTRIC VEHICLE

ITEM	PART NO.	DESCRIPTION	QTY
		1 2 3 4	
1	1011382	Washer, #10 Pan-Head Screw	2
2	1012505	Keys (set of 2)	1
3	1013494	Cover, Screw Head	2
4	1015528	Screw, #10 x 1-1/4 Phillips Head	2
5	1016849	Screw, #4-24 X 0.33, Pan-Head, Machine	2
6	1016851	Multi-Purpose Buzzer (9-48 VDC)	1
7	101802601	Plug, Hole	1
8	101830601	Screw and Washer Assembly	5
9	101830701	Nut, Key Switch	1
10	101834502	Cap, Black Key Switch	1
11	101851101	Washer, Key Switch	1
12	101856002	Switch, Rocker, Single-Pole	1
13	102196901	Dust Cap	1
14	102572401	Nut, Diagnostic Port	1
15	102869401	Switch, Rocker, Light	1
16	102977004	Panel, Dash, Center, Elec	1
17	103180101	Cover, Hole, Switch, Rocker	1
18	103198301	Plug, Hole, Round, 2.0 In	1
19	103218601	Harness, Diagnostic Port	1
20	103354401	Gauge, Battery Cond Ind, Rnd (includes item 21)	1
21	103348202	Clip, Bci, Round	1
22	105081702	Keysw, Uncom, 4t, Off/on 1b, E	1
23	105081703	Keysw, Uncom, 4t, Off/on 1c, E	1
24	105152301	Indicator, Charger, Dash, Cap	1
		<p>Note: Item 3 (Keys) are blank and will need to be key coded to match the keyswitch section applicable to the vehicle.</p>	

4
G
E

4
G
E



G-130599-000008

INSTRUMENT PANEL – KEY AND PEDAL START – GAS

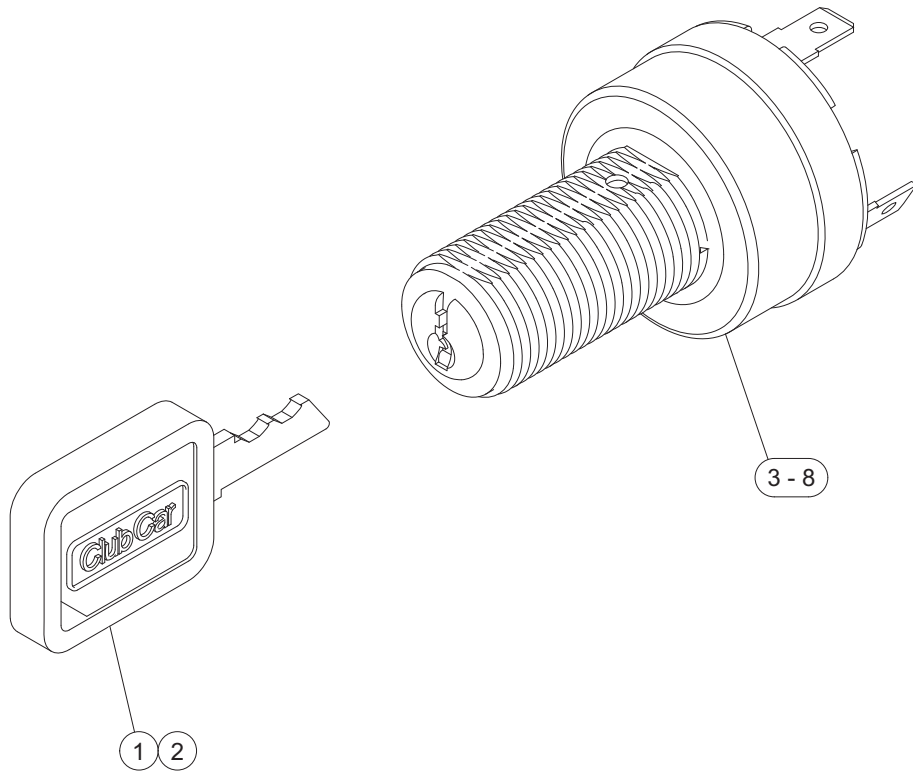
ITEM	PART NO.	DESCRIPTION	QTY
		1 2 3 4	
1	1011382	Washer, #10 Pan-Head Screw	2
2	1012396	Wire Assy #18 Black	1
3	1012505	Keys (set of 2)	1
4	1013494	Cover, Screw Head	2
5	1015528	Screw, #10 x 1-1/4 Phillips Head	2
6	1016849	Screw, #4-24 X 0.33, Pan-Head, Machine	2
7	1016851	Multi-Purpose Buzzer (9-48 VDC)	1
8	101804301	Screw, #8 X 0.500, Hex-Head Hi-Lo	2
9	101830601	Screw and Washer Assembly	5
10	101830701	Nut, Key Switch	1
11	101834502	Cap, Black Key Switch	1
12	101851101	Washer, Key Switch	1
13	102869401	Switch, Rocker, Light	1
14	102977003	Panel, Dash, Center, Gas	1
15	103180101	Cover, Hole, Switch, Rocker	1
16	103199001	Brush, Closeout, FNR	2
17	103199101	Washer, Retaining, Brush, FNR	1
18	103348201	Clip, Meter, Round	1
19	103348501	Asm, Wire Meter, F-h Jumper	1
20	103348602	Gauge, Fuel-hour,sep Gnd, Ds	1
21	105037101	Light, Oil (LED)	1
22	105081802	Keysw, Uncom, 4t, Off/on 1b, G	1
23	105081803	Keysw, Uncom, 4t, Off/on 1c, G	1
24	105081902	Keysw, Uncom, 4t, Off/on/st 1b	1
25	105081903	Keysw, Uncom, 4t, Off/on/st 1c	1
26	47598441001	Light, Dash, Led, Mil	1
		<p>Note: Item 3 (Keys) are blank and will need to be key coded to match the keyswitch section applicable to the vehicle.</p>	

4
G
E

4

G

E



G-130499-000010

KEYSWITCHES

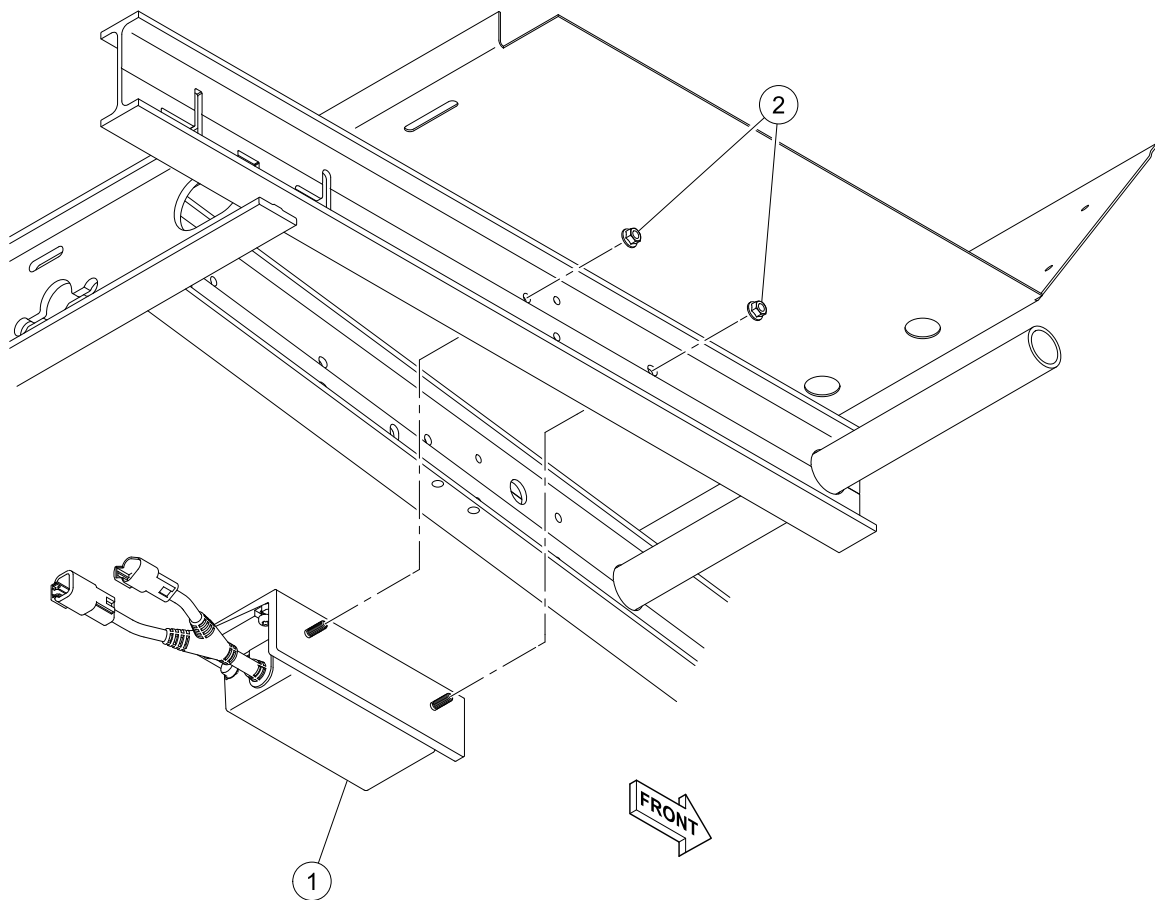
ITEM	PART NO.	DESCRIPTION	QTY
		1 2 3 4	
1	105068002	Key, Uncommon, Padded 1b	1
2	105068003	Key, Uncommon, Padded 1c	1
3	105081702	Keysw, Uncom, 4t, Off/on 1b, E	1
4	105081703	Keysw, Uncom, 4t, Off/on 1c, E	1
5	105081802	Keysw, Uncom, 4t, Off/on 1b, G	1
6	105081803	Keysw, Uncom, 4t, Off/on 1c, G	1
7	105081902	Keysw, Uncom, 4t, Off/on/st 1b	1
8	105081903	Keysw, Uncom, 4t, Off/on/st 1c	1

4
G
E

4

G

E



G-130299-000003

DC CONVERTER – ELECTRIC VEHICLE

ITEM	PART NO.	DESCRIPTION	QTY
1	47594727001	1 2 3 4 Converter, Dc/dc	1
2	96704176	Nut, Flanged, M6 X 1, Serrated	2

4

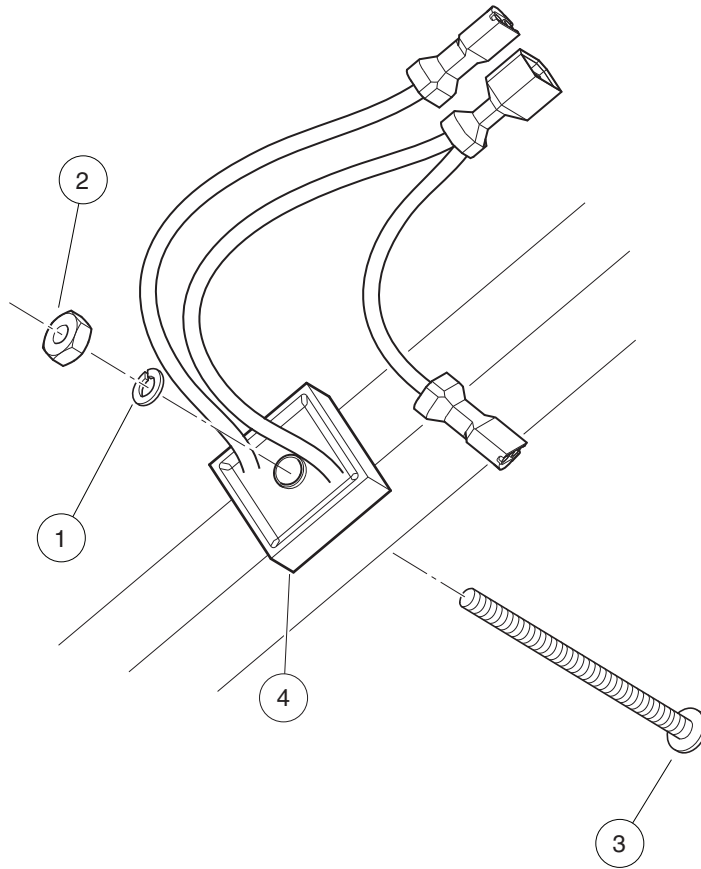
G

E

4

G

E



001365-003

VOLTAGE LIMITER – GASOLINE VEHICLE

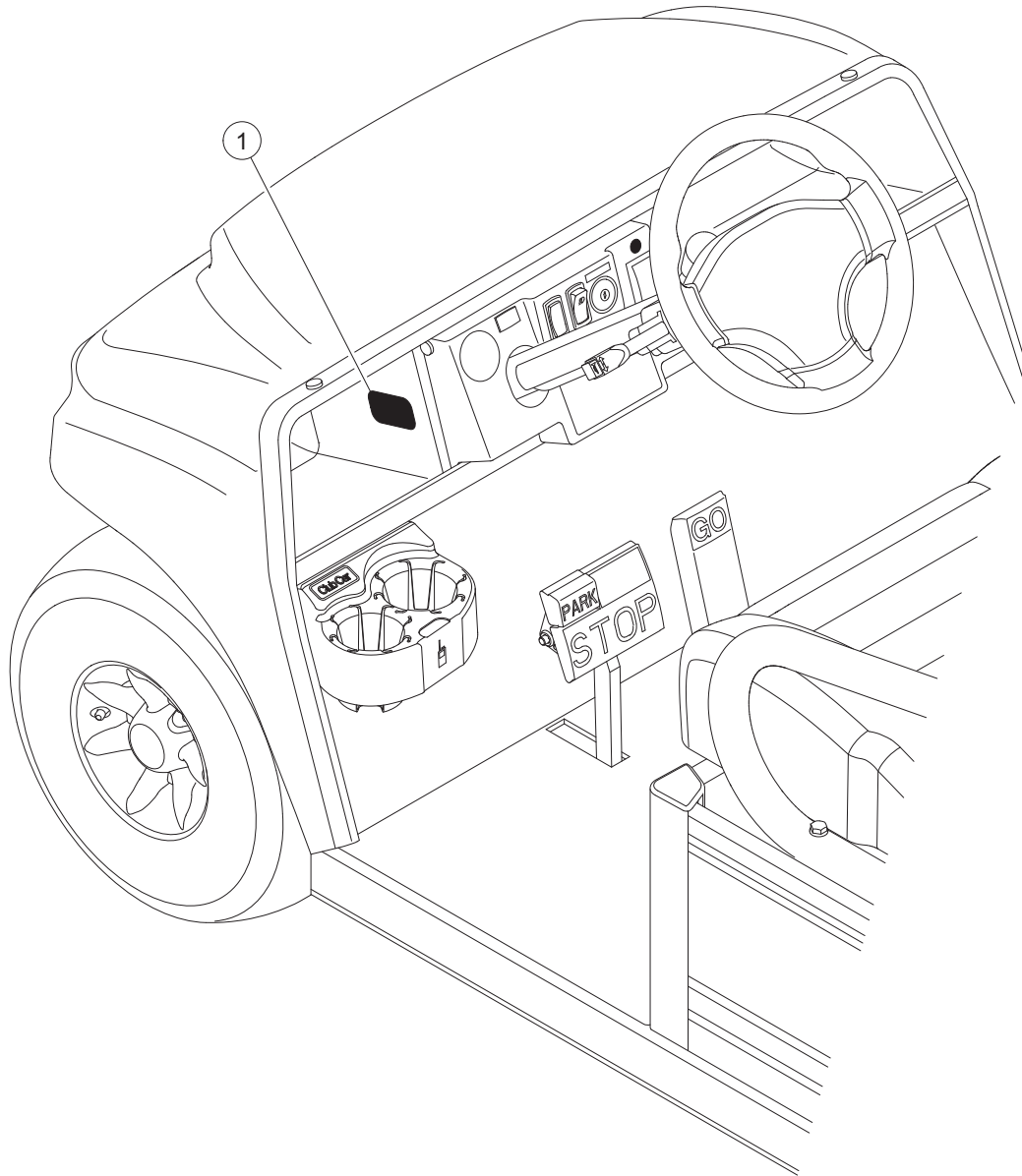
ITEM	PART NO.	DESCRIPTION	QTY
		1 2 3 4	
1	1016	Lockwasher, #10 Split	1
2	103821301	Screw, Panhead #10-32 X 1.75	1
3	47604303001	Voltage Limiter, Gas	1
4	7893	Nut, #10-32 Hex	1

4

G

E

4
G
E



G-130599-00007

USB PORT

ITEM	PART NO.	DESCRIPTION	QTY
1	47587715001	1 2 3 4 Usb, 12v	1

4
G
E

4

G

E

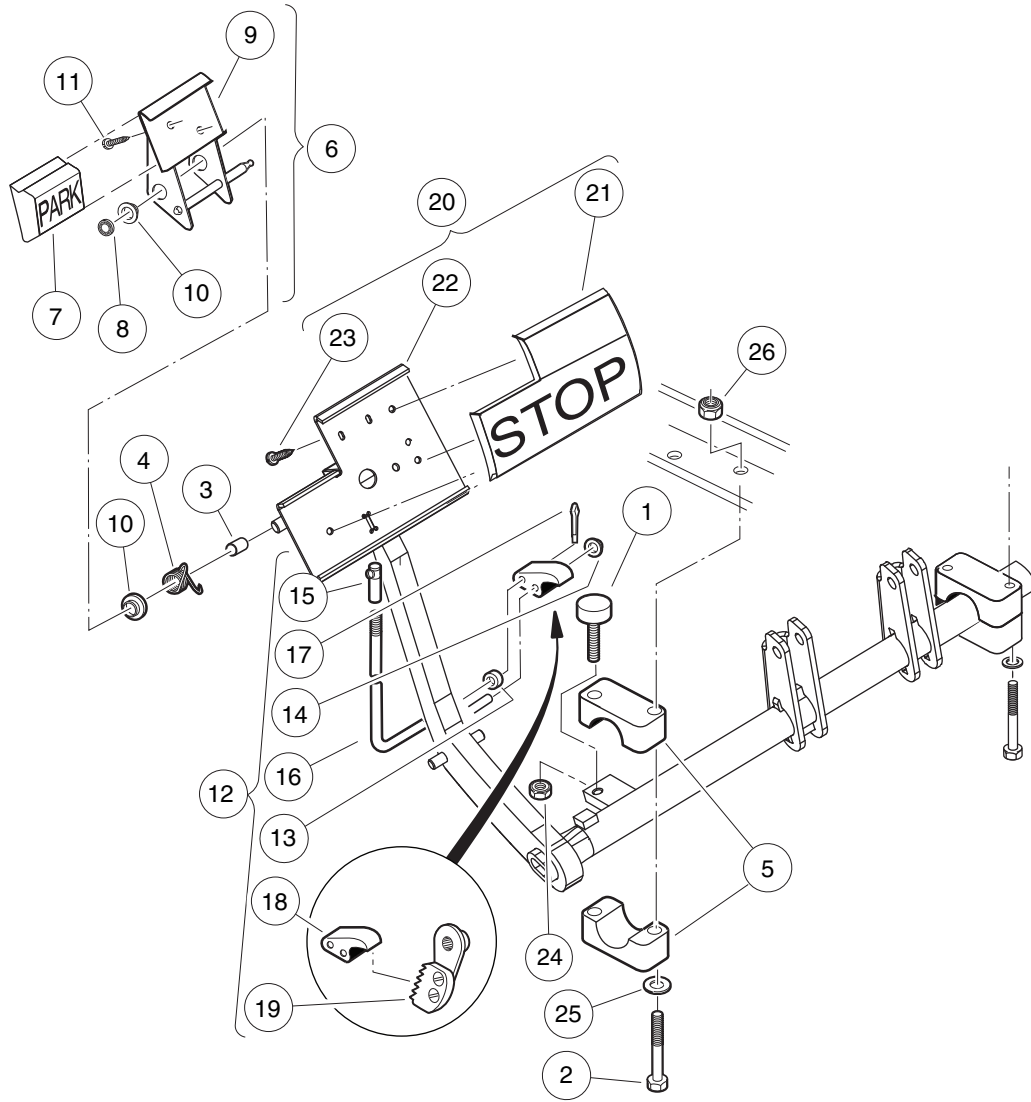
BRAKES, PEDALS, AND CABLE ASSEMBLIES

5

G

E

5
G
E



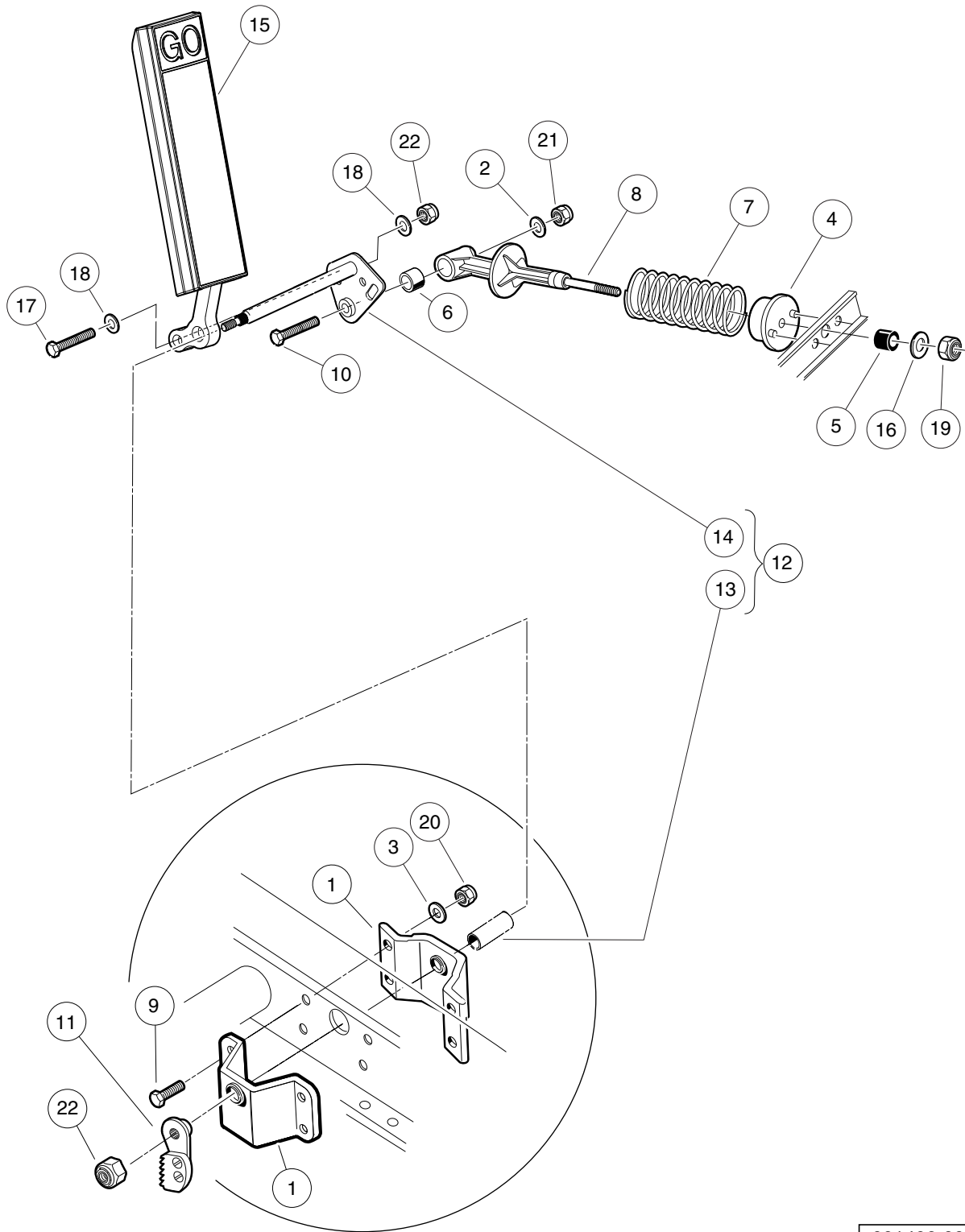
001405-002

BRAKE PEDAL ASSEMBLY – VEHICLES WITH 2-WHEEL BRAKES AND 4-WHEEL BRAKES

ITEM	PART NO.	DESCRIPTION	QTY
		1 2 3 4	
1	1010878	Bumper, Rubber	1
2	1010921	Screw, 5/16-18 X 2.50 Hex Cap	4
3	1010927	Hill Brake Spacer	1
4	1010933	Spring, Hill Brake Torsion	1
5	1011402	Package, Brake Mounting Block	1
6	1011418	Kit, Hill Brake Pedal (includes items 7 through 11)	1
7	1013870	Pad, Hill Brake	1
8	1013876	Pushnut, 3/8	1
9	N/A	Hill Brake Weld Assembly	1
10	1032	Bushing, Nylon	2
11	7716	Screw, #10-16 Type AB, Sheet Metal	2
12	101187702	Kit, Hill Brake Latch (includes items 13 through 19)	1
13	1010805	Sleeve, Hill Brake Rod	1
14	1010877	Pushnut, 3/8	1
15	1010932	Ball Joint, 1/4-28	1
16	N/A	Rod, Hill Brake	1
17	1017029	Pin, Cotter, 7/64 x 1/2 Stainless-Steel	1
18	N/A	Pawl, Hill Brake	1
19	101918501	Ratchet Assembly	1
20	101878201	Brake Pedal Kit (includes items 21 through 23)	1
21	1013869	Pad, Brake Pedal	1
22	N/A	Weldment, Brake Pedal, 2wr Std	1
23	7716	Screw, #10-16 Type AB, Sheet Metal	3
24	1028	Nut, 1/4-20 Hex	1
25	1241	Washer, 5/16 Type A Flat	4
26	7473	Locknut, 5/16-18 Nylon Insert	4

5
G
E

5
G
E



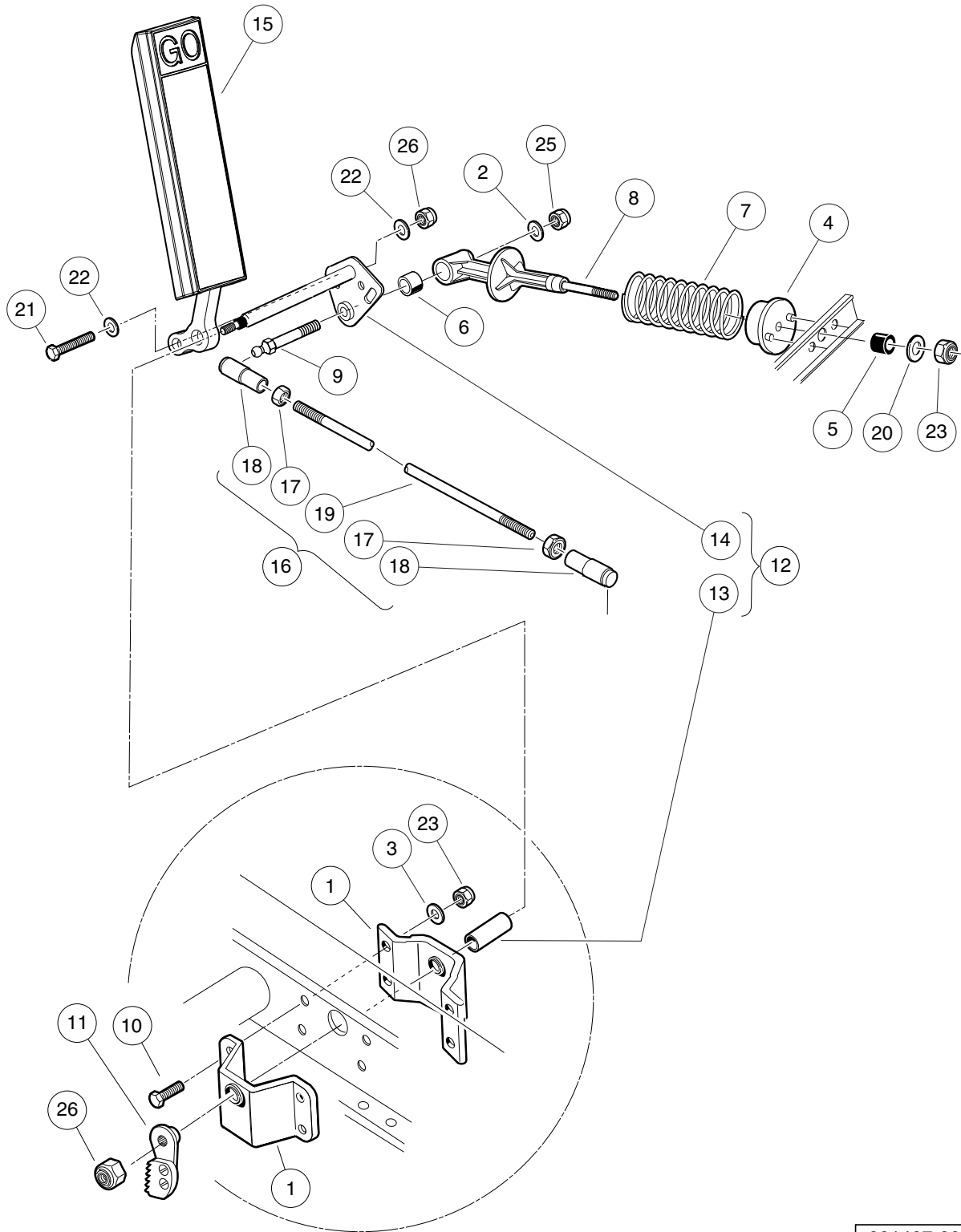
001406-001

ACCELERATOR PEDAL ASSEMBLY – ELECTRIC VEHICLES

ITEM	PART NO.	DESCRIPTION	QTY
		1 2 3 4	
1	1011694	Accelerator Bracket and Bearing Assembly	2
2	1011931	Washer, 1/4 Flat	1
3	1014007	Washer, 1/4, Flat	4
4	1017378	Cup, Spring	1
5	1017380	Bumper, Spring Return	1
6	1017424	Bearing, Pivot Support	1
7	101796201	Spring, Accelerator Return	1
8	101817401	Retainer, Spring	1
9	101861901	Screw, 1/4-20 X 1.125 Hex Cap	4
10	101862001	Screw, 1/4-20 X 1.500 Flange	1
11	101918501	Ratchet Assembly	1
12	102026001	Kit, Accelerator Pivot Rod Assembly (includes items 13 and 14)	1
13	101919801	Spacer, Accelerator	1
14	102158901	Pivot Rod Weldment	1
15	103865101	Pedal, Accel, Insert	A/R
16	1241	Washer, 5/16 Type A Flat	1
17	1624	Screw, 3/8-16 X 1.50, Hex-Head Cap	1
18	334	Washer, 3/8, Type A, Flat	2
19	7473	Locknut, 5/16-18 Nylon Insert	1
20	8233	Locknut, 1/4-20, Nylon Insert	4
21	8717	Locknut, Nylon Insert, 1/4-28	1
22	8754	Locknut, 3/8-16 Hex	2

5
G
E

5
G
E



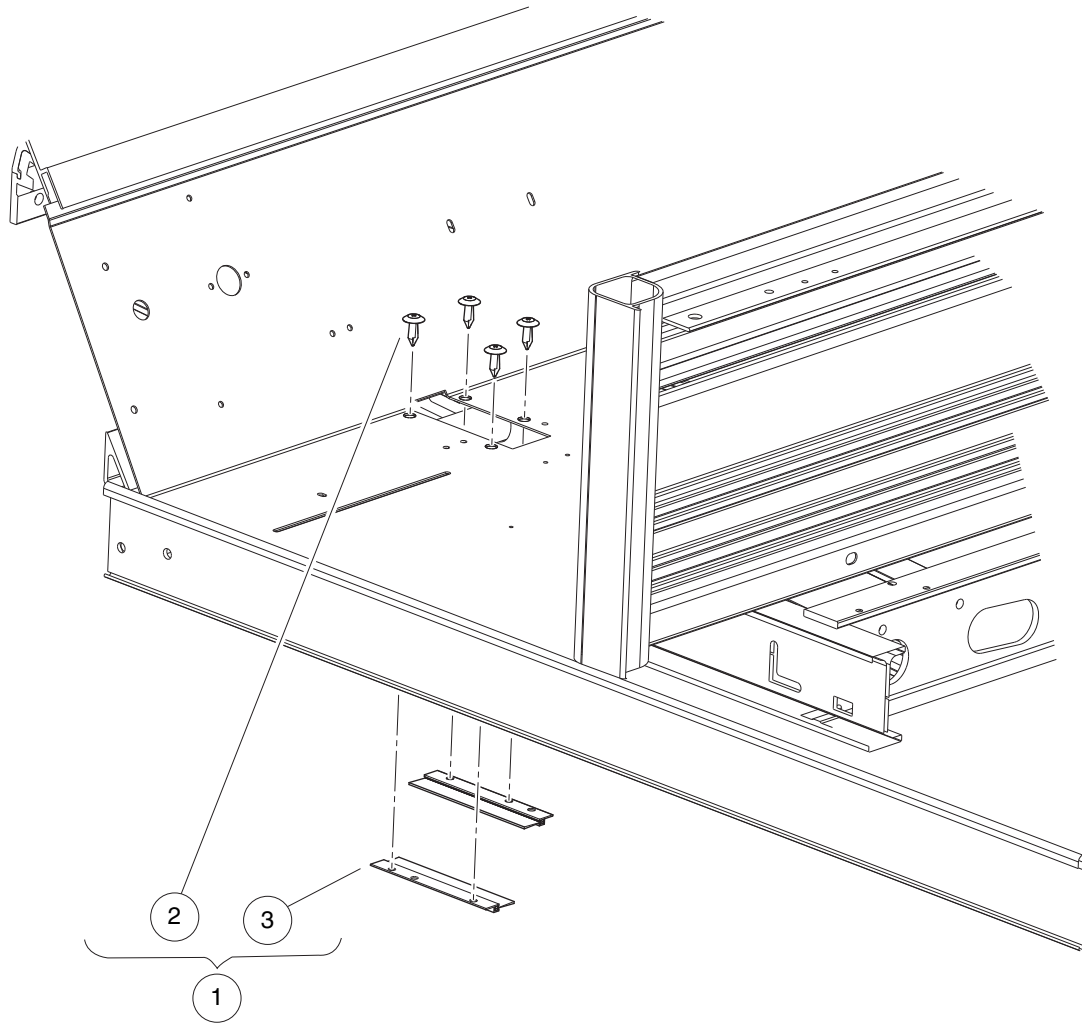
001407-001

ACCELERATOR PEDAL AND ROD ASSEMBLY – GASOLINE VEHICLE

ITEM	PART NO.	DESCRIPTION	QTY
		1 2 3 4	
1	1011694	Accelerator Bracket and Bearing Assembly	2
2	1011931	Washer, 1/4 Flat	1
3	1014007	Washer, 1/4, Flat	4
4	1017378	Cup, Spring	1
5	1017380	Bumper, Spring Return	1
6	1017424	Bearing, Pivot Support	1
7	101796201	Spring, Accelerator Return	1
8	101817401	Retainer, Spring	1
9	101818801	Stud, 1/4-28 X 1.35 Ball	1
10	101861901	Screw, 1/4-20 X 1.125 Hex Cap	4
11	101918501	Ratchet Assembly	1
12	102026001	Kit, Accelerator Pivot Rod Assembly (includes items 13 and 14)	1
13	101919801	Spacer, Accelerator	1
14	102158901	Pivot Rod Weldment	1
15	103865101	Pedal, Accel, Insert	1
16	105100801	Asm, Accel Rod, Utility (includes items 17 through 19)	1
17	1011084	Nut, 1/4-28 Hex Jam	2
18	1011734	Joint, Ball	2
19	105100401	Rod, Accel, Utility, Adj	1
20	1241	Washer, 5/16 Type A Flat	1
21	1624	Screw, 3/8-16 X 1.50, Hex-Head Cap	1
22	334	Washer, 3/8, Type A, Flat	2
23	7473	Locknut, 5/16-18 Nylon Insert	1
24	8233	Locknut, 1/4-20, Nylon Insert	4
25	8717	Locknut, Nylon Insert, 1/4-28	1
26	8754	Locknut, 3/8-16 Hex	2

5
G
E

5
G
E



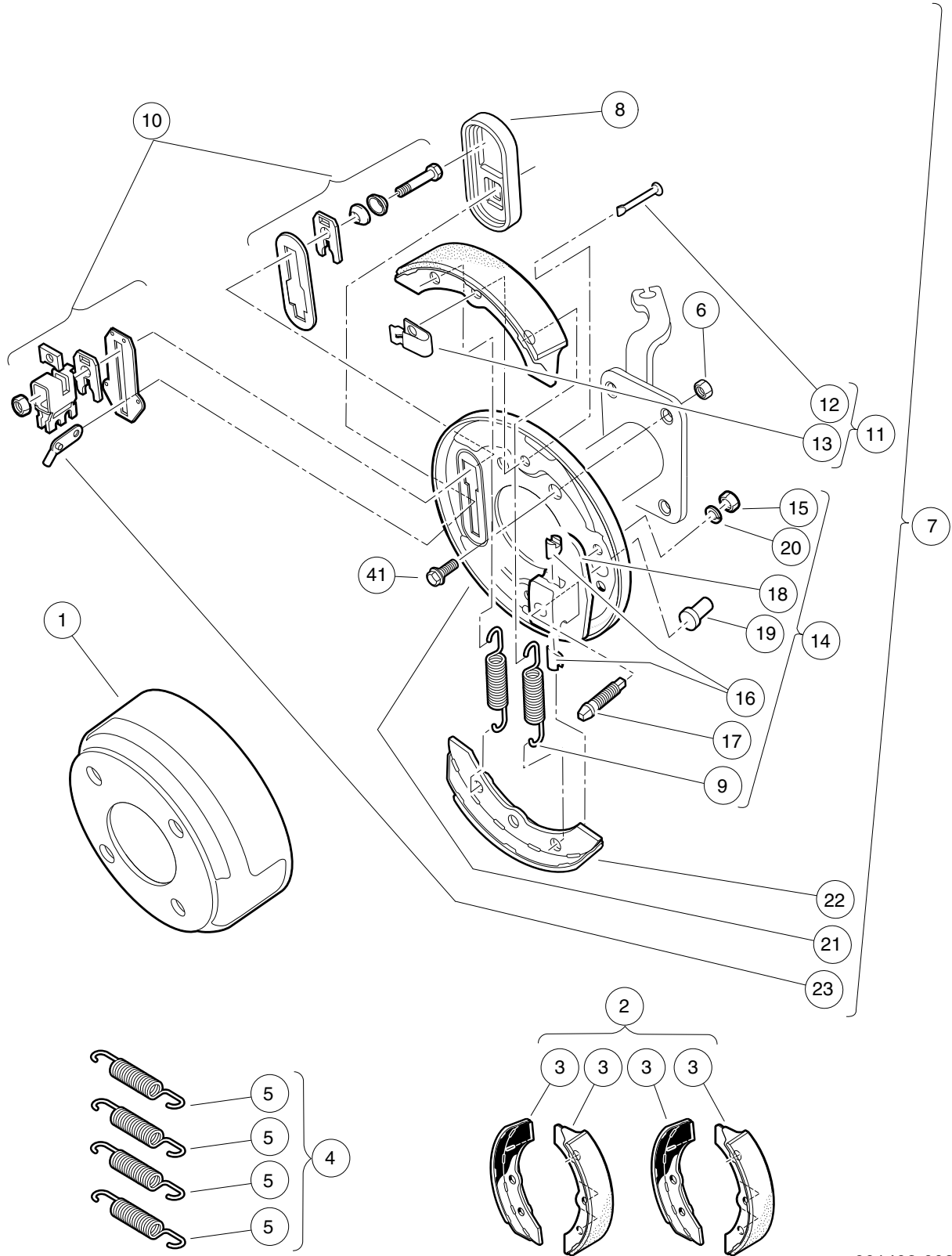
001418-001

PEDAL CLOSE-OUT KIT

ITEM	PART NO.	DESCRIPTION	QTY
		1 2 3 4	
1	105149101	Kit, Close Out, Pedal, Utl (includes items 2 and 3)	1
2	102025701	Screw, Tuflok Panel, 1/4	4
3	105149201	Asm, Brush, Pedal Close Out	2

5
G
E

5
G
E



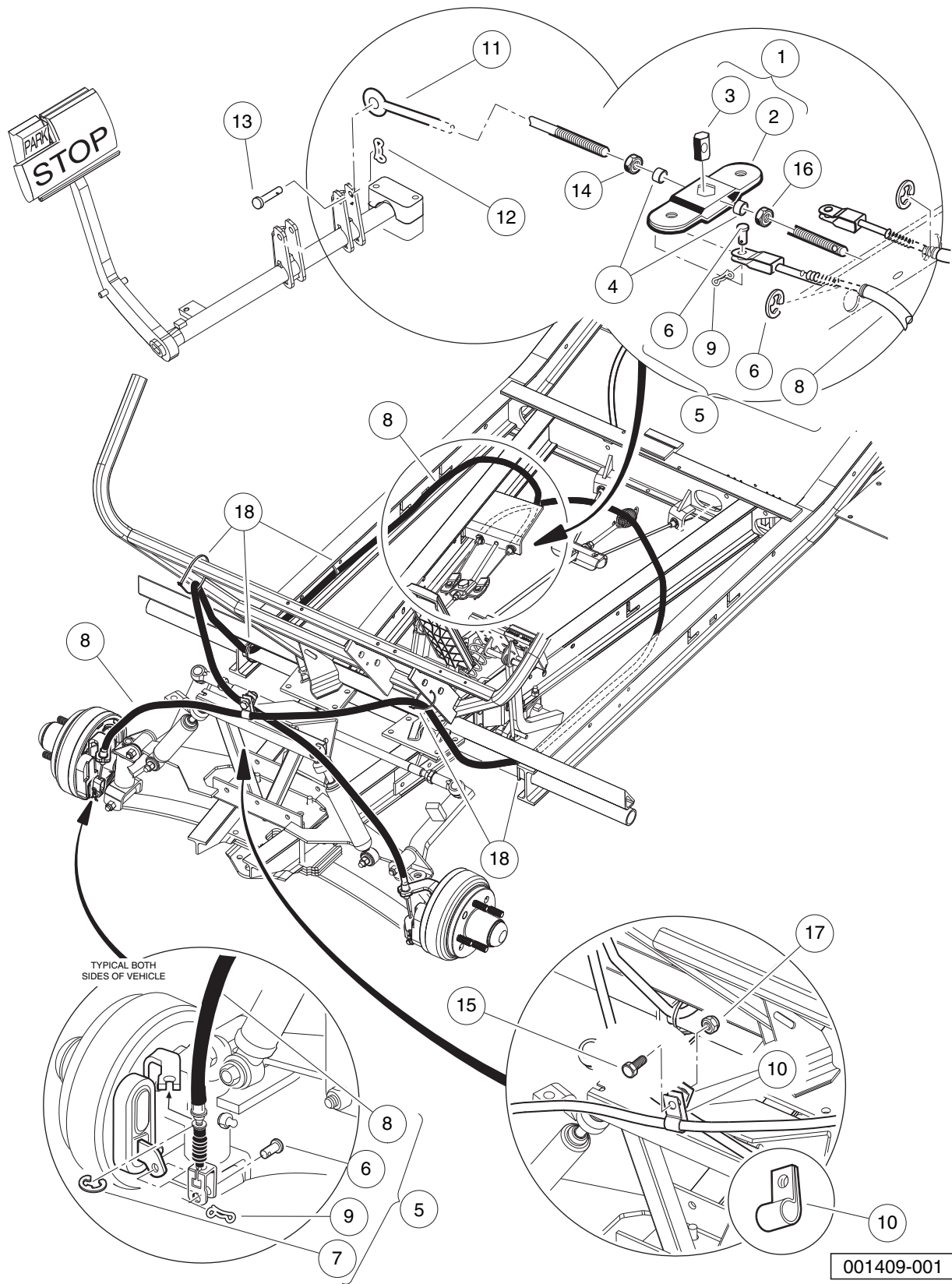
001402-002

FRONT BRAKE ASSEMBLY – VEHICLES WITH 4-WHEEL BRAKES

ITEM	PART NO.	DESCRIPTION	QTY
		1 2 3 4	
1	1011137	Drum, Brake	2
2	101146302	Kit, Non-Asbestos Brake Shoe (includes item 3)	1
3	101880701	Shoe Brake Manual Adj (Available in Kit, Non-Asbestos Brake Shoe)	4
4	1011464	Package, Brake Spring (includes item 5)	1
5	1011314	Brake Spring	4
6	1013924	Nut, 5/16-24, Hex Head Cone	8
7	1016557	Cluster, Brake, Driver-Side (includes items 8 through 23)	1
8	1010850	Dust Cover	1
9	1011314	Brake Spring	2
10	1011465	Kit, Brake Actuator	1
11	1011466	Kit, Shoe Retainer (includes items 12 and 13)	1
12	N/A	Pin	2
13	N/A	Shoe Clamp Spring	2
14	1011467	Kit, Anchor Body (includes items 15 through 20)	1
15	1011114	Nut, M6-1.00 Hex	2
16	1011298	Anchor Piston	2
17	N/A	Adjustment Bolt	1
18	N/A	Anchor Body Component	1
19	1011303	Adjustment Bolt Cap	1
20	451	Lockwasher, 1/4 Split	2
21	1011494	Backing Plate, Left-Hand	1
22	101880701	Shoe Brake Manual Adj (Available in Kit, Non-Asbestos Brake Shoe)	2
23	102860501	Arm, Brake Lever	1
24	1016573	Cluster, Brake, Passenger-Side (includes items 25 through 40)	1
25	1010850	Dust Cover	1
26	1011154	Backing Plate, Right-Hand	1
27	1011314	Brake Spring	2
28	1011465	Kit, Brake Actuator	1
29	1011466	Kit, Shoe Retainer (includes items 30 and 31)	1
30	N/A	Pin	2
31	N/A	Shoe Clamp Spring	2
32	1011467	Kit, Anchor Body (includes items 33 through 38)	1
33	1011114	Nut, M6-1.00 Hex	2
34	1011298	Anchor Piston	2
35	N/A	Adjustment Bolt	1
36	N/A	Anchor Body Component	1
37	1011303	Adjustment Bolt Cap	1
38	451	Lockwasher, 1/4 Split	2
39	101880701	Shoe Brake Manual Adj (Available in Kit, Non-Asbestos Brake Shoe)	2
40	102860501	Arm, Brake Lever	1
41	47542195001	Bolt, Brake Cluster Mnt	8
		Note: Passenger-side brake cluster (items 25-41) not shown. Components have a similar appearance to driver-side brake cluster components.	

5
G
E

5
G
E

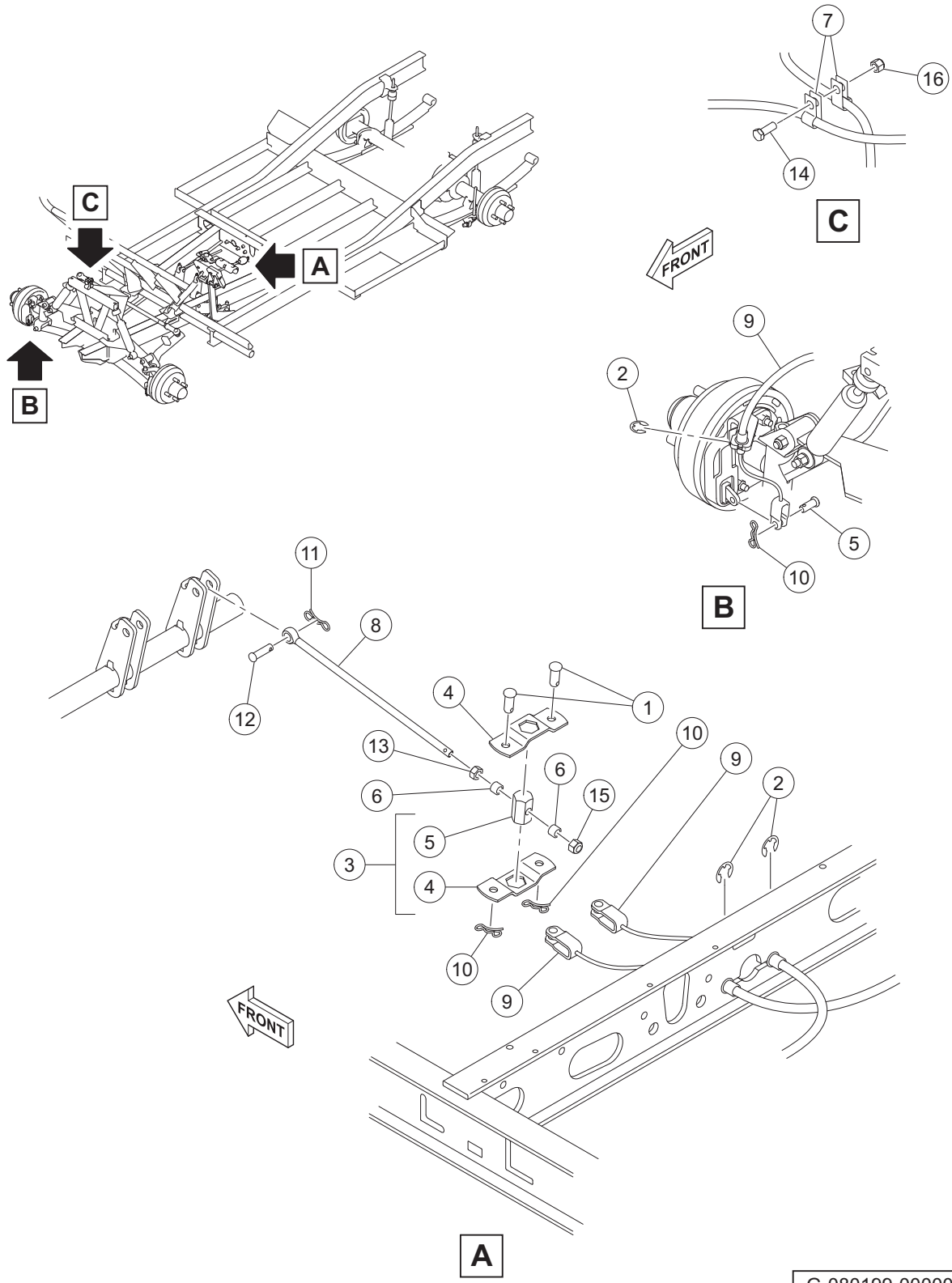


FRONT BRAKE CABLES AND EQUALIZER – GASOLINE VEHICLE WITH 4-WHEEL BRAKES

ITEM	PART NO.	DESCRIPTION	QTY
		1 2 3 4	
1	1017211	Kit, Equalizer and Pivot Limiter (includes items 2 and 3)	1
2	1016319	Equalizer Weld Assembly	2
3	1016320	Equalizer, Pivot Limiter	1
4	101865301	Spacer	2
5	101874601	Kit, Brake Cable (includes items 6 through 9)	1
6	1010829	Pin, Clevis, 5/16 X 3/4	4
7	1011779	E-Clip, 1/2	4
8	N/A	Brake Cable	2
9	102292801	Pin, Bow Tie Locking - .072	4
10	101935301	Clamp, Brake Cable	2
11	101953106	Rod, Equalizer, 9.75"	1
12	102323101	Pin, Bow Tie Locking	1
13	102323201	Pin, 3/8 X 1-5/16 Clevis	1
14	1242	Nut, 5/16-18 Hex	1
15	320	Screw, 3/8-16 X 1.00 Hex-Head Cap	1
16	7473	Locknut, 5/16-18 Nylon Insert	1
17	8754	Locknut, 3/8-16 Hex	1
18	8990	Tie Wrap, 8" Nylon	5

5
G
E

5
G
E



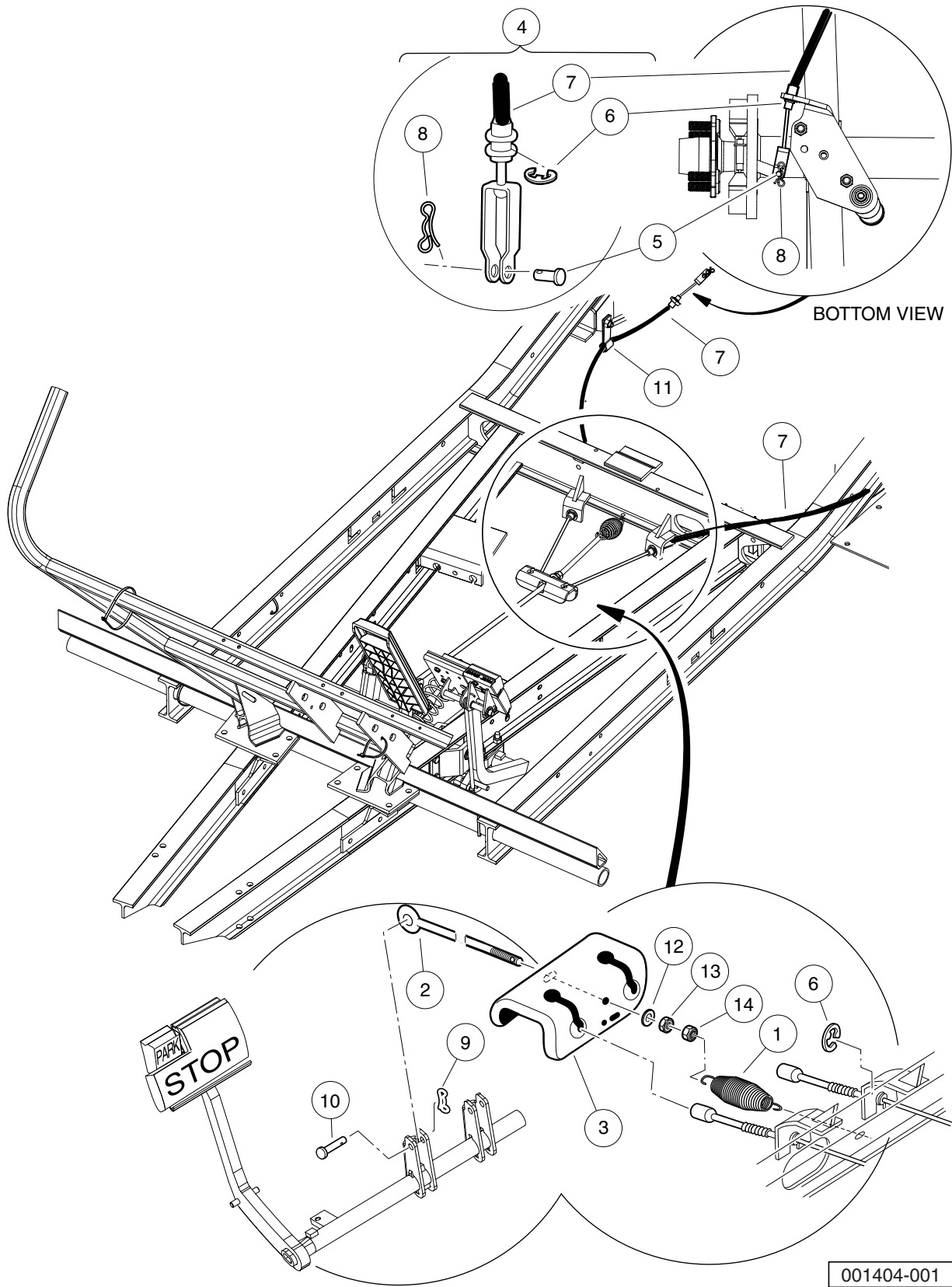
G-080199-000009

FRONT BRAKE CABLES AND EQUALIZER – ELECTRIC VEHICLE WITH 4-WHEEL BRAKES

ITEM	PART NO.	DESCRIPTION	QTY
		1 2 3 4	
1	1010829	Pin, Clevis, 5/16 X 3/4	4
2	1011779	E-Clip, 1/2	4
3	1017211	Kit, Equalizer and Pivot Limiter (includes items 4 and 5)	1
4	1016319	Equalizer Weld Assembly	2
5	1016320	Equalizer, Pivot Limiter	1
6	101865301	Spacer	2
7	101935301	Clamp, Brake Cable	2
8	101953106	Rod, Equalizer, 9.75"	1
9	N/A	Asm, Brake Cable	1
10	102292801	Pin, Bow Tie Locking - .072	4
11	102323101	Pin, Bow Tie Locking	1
12	102323201	Pin, 3/8 X 1-5/16 Clevis	1
13	1242	Nut, 5/16-18 Hex	1
14	320	Screw, 3/8-16 X 1.00 Hex-Head Cap	1
15	7473	Locknut, 5/16-18 Nylon Insert	1
16	8754	Locknut, 3/8-16 Hex	1

5
G
E

5
G
E



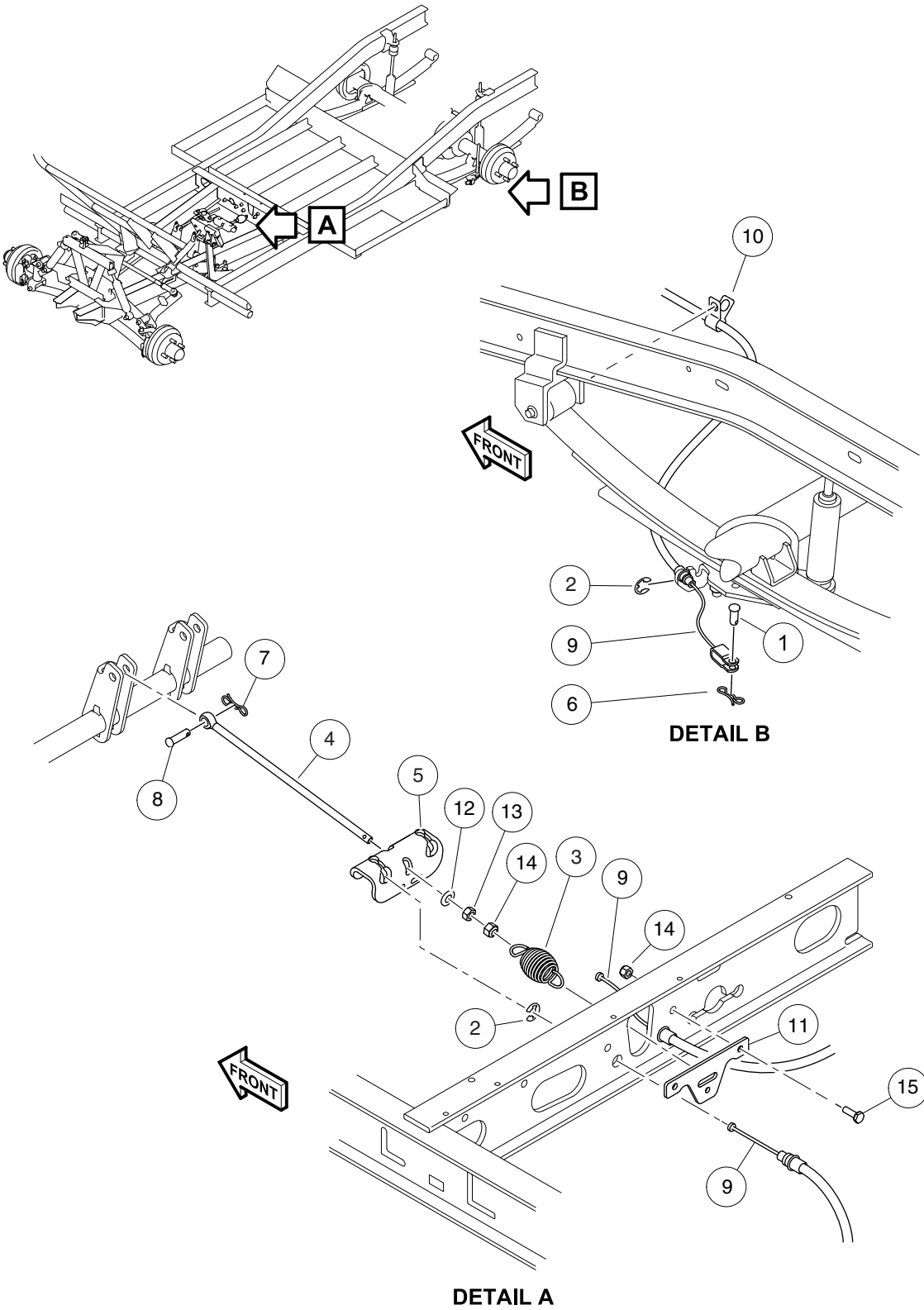
001404-001

REAR BRAKE CABLES AND EQUALIZER – GASOLINE VEHICLE WITH 4-WHEEL BRAKES

ITEM	PART NO.	DESCRIPTION	QTY
		1 2 3 4	
1	1013531	Spring, Brake Return	1
2	101953102	Rod, Equalizer, 20.91 inch	1
3	101990801	Equalizer Bracket	1
4	102166901	Kit, Brake Cable Rear (includes items 5 through 8)	A/R
5	1010829	Pin, Clevis, 5/16 X 3/4	2
6	1011779	E-Clip, 1/2	4
7	102162601	Cable, Brake	2
8	102292801	Pin, Bow Tie Locking - .072	2
9	102323101	Pin, Bow Tie Locking	1
10	102323201	Pin, 3/8 X 1-5/16 Clevis	1
11	102891101	Clamp, Cable, Brake, Sym	2
12	1241	Washer, 5/16 Type A Flat	5
13	1242	Nut, 5/16-18 Hex	1
14	7473	Locknut, 5/16-18 Nylon Insert	5

5
G
E

5
G
E



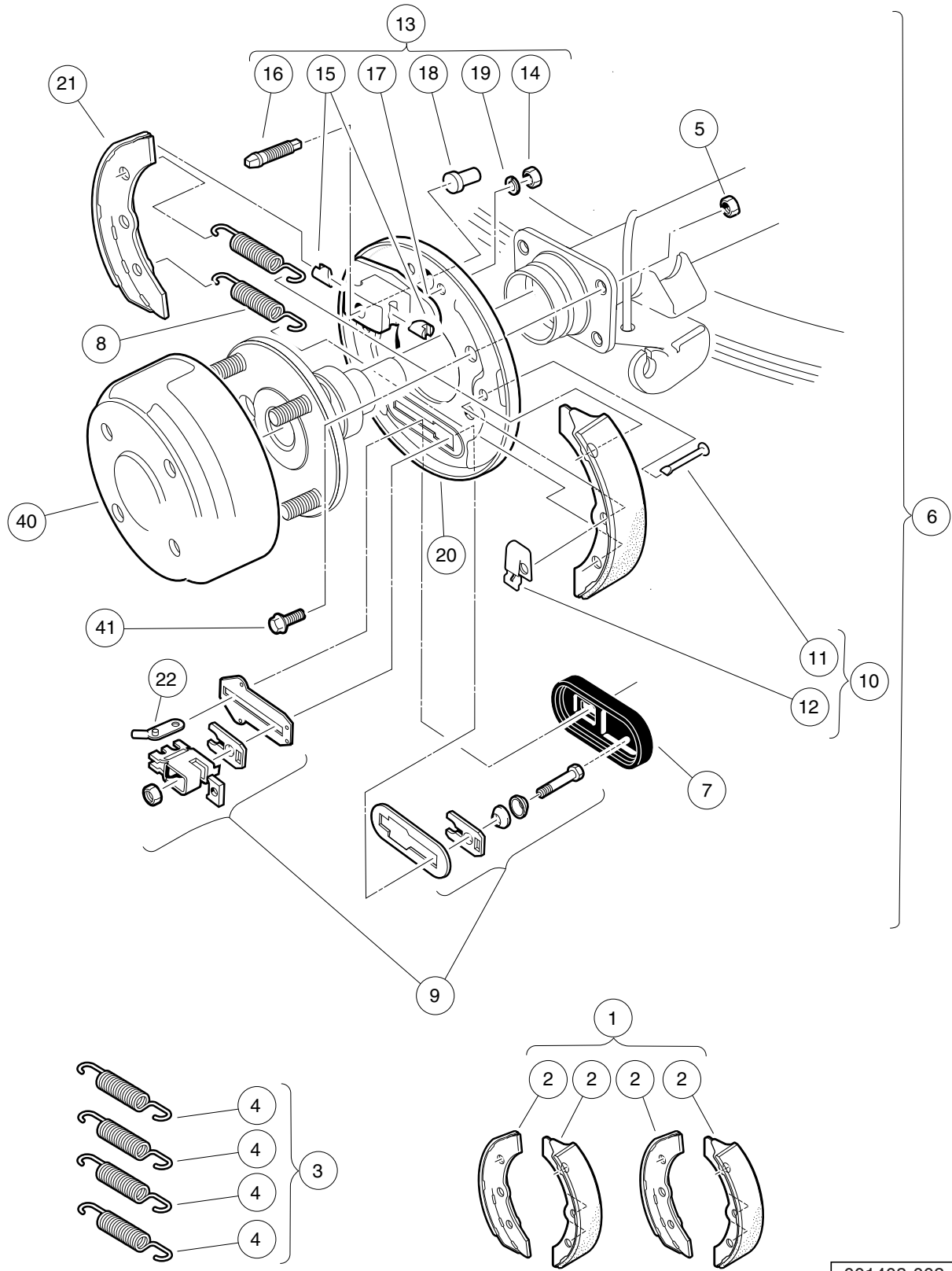
001424-001

REAR BRAKE CABLES AND EQUALIZER – ELECTRIC VEHICLE WITH 4-WHEEL BRAKES

ITEM	PART NO.	DESCRIPTION	QTY
		1 2 3 4	
1	1010829	Pin, Clevis, 5/16 X 3/4	2
2	1011779	E-Clip, 1/2	4
3	1013531	Spring, Brake Return	1
4	101953106	Rod, Equalizer, 9.75"	1
5	101990801	Equalizer Bracket	1
6	102292801	Pin, Bow Tie Locking - .072	2
7	102323101	Pin, Bow Tie Locking	1
8	102323201	Pin, 3/8 X 1-5/16 Clevis	1
9	102852103	Cable, Brake, 51" Sym	2
10	102891101	Clamp, Cable, Brake, Sym	2
11	105310301	Plate, Spring Return	1
12	1241	Washer, 5/16 Type A Flat	5
13	1242	Nut, 5/16-18 Hex	1
14	7473	Locknut, 5/16-18 Nylon Insert	3
15	7847	Screw, 1/4-20 X 0.75 Hex-Head Cap	2

5
G
E

5
G
E



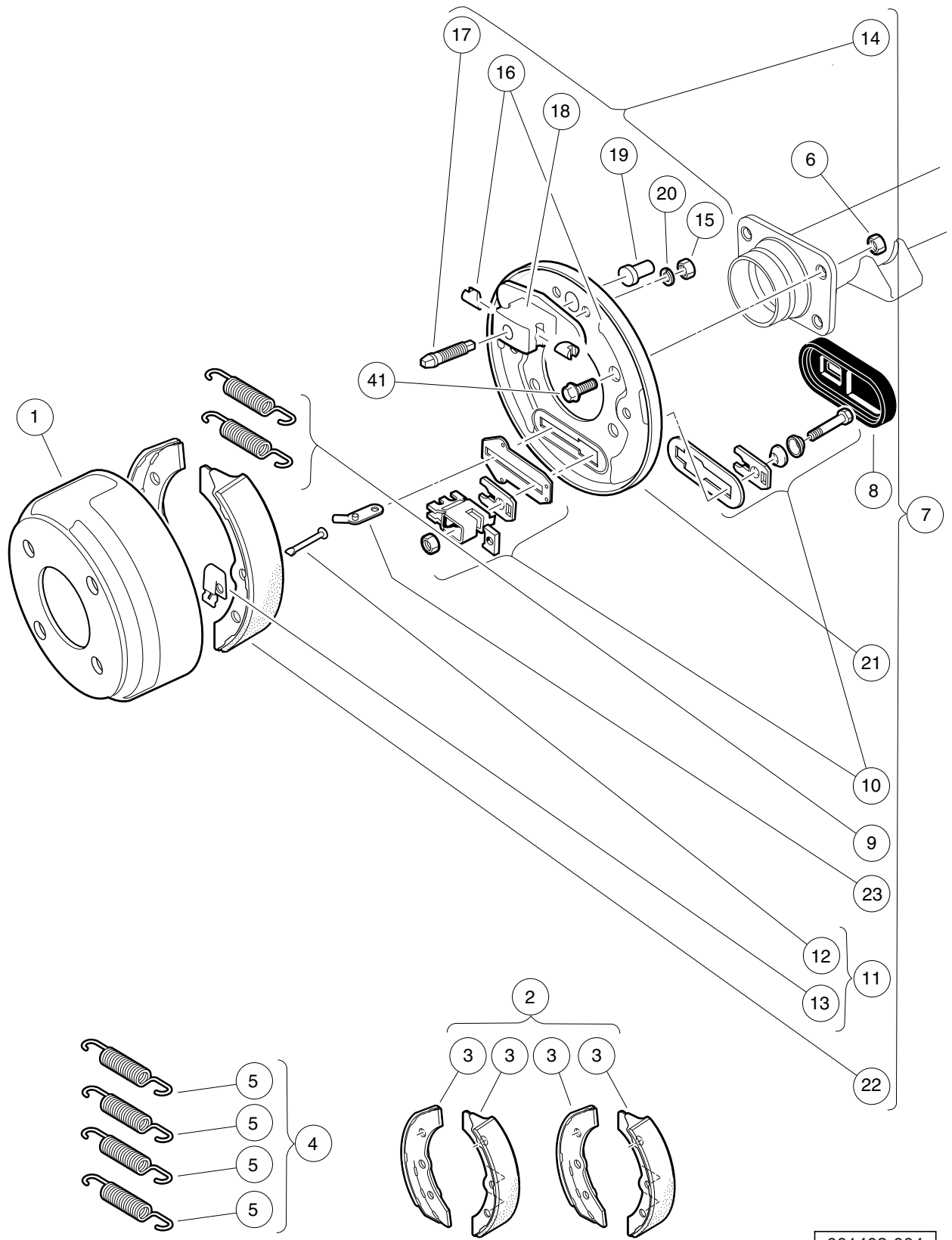
001403-003

REAR BRAKES, MANUALLY-ADJUSTED – ELEC. VEHICLES WITH 4-WHEEL BRAKES

ITEM	PART NO.	DESCRIPTION	QTY
		1 2 3 4	
1	101146302	Kit, Non-Asbestos Brake Shoe (includes item 2)	1
2	101880701	Shoe Brake Manual Adj (Available in Kit, Non-Asbestos Brake Shoe)	4
3	1011464	Package, Brake Spring (includes item 4)	1
4	1011314	Brake Spring	4
5	1013924	Nut, 5/16-24, Hex Head Cone	8
6	1016557	Cluster, Brake, Driver-Side (includes items 7 through 22)	1
7	1010850	Dust Cover	1
8	1011314	Brake Spring	2
9	1011465	Kit, Brake Actuator	1
10	1011466	Kit, Shoe Retainer (includes items 11 and 12)	1
11	N/A	Pin	2
12	N/A	Shoe Clamp Spring	2
13	1011467	Kit, Anchor Body (includes items 14 through 19)	1
14	1011114	Nut, M6-1.00 Hex	2
15	1011298	Anchor Piston	2
16	N/A	Adjustment Bolt	1
17	N/A	Anchor Body Component	1
18	1011303	Adjustment Bolt Cap	1
19	451	Lockwasher, 1/4 Split	2
20	1011494	Backing Plate, Left-Hand	1
21	101880701	Shoe Brake Manual Adj (Available in Kit, Non-Asbestos Brake Shoe)	2
22	102860501	Arm, Brake Lever	1
23	1016573	Cluster, Brake, Passenger-Side (includes items 24 through 39)	1
24	1010850	Dust Cover	1
25	1011154	Backing Plate, Right-Hand	1
26	1011314	Brake Spring	2
27	1011465	Kit, Brake Actuator	1
28	1011466	Kit, Shoe Retainer (includes items 29 and 30)	1
29	N/A	Pin	2
30	N/A	Shoe Clamp Spring	2
31	1011467	Kit, Anchor Body (includes items 32 through 37)	1
32	1011114	Nut, M6-1.00 Hex	2
33	1011298	Anchor Piston	2
34	N/A	Adjustment Bolt	1
35	N/A	Anchor Body Component	1
36	1011303	Adjustment Bolt Cap	1
37	451	Lockwasher, 1/4 Split	2
38	101880701	Shoe Brake Manual Adj (Available in Kit, Non-Asbestos Brake Shoe)	2
39	102860501	Arm, Brake Lever	1
40	101791101	Drum without Center Hole, Brake	2
41	47542195001	Bolt, Brake Cluster Mnt	8
		Note: Passenger-side brake cluster (items 24-40) not shown. Components have a similar appearance to driver-side brake cluster components.	

5
G
E

5
G
E



001403-004

REAR BRAKES, MANUALLY-ADJUSTED – GAS VEHICLES WITH 4-WHEEL BRAKES

ITEM	PART NO.	DESCRIPTION	QTY
		1 2 3 4	
1	1011137	Drum, Brake	2
2	101146302	Kit, Non-Asbestos Brake Shoe (includes item 3)	1
3	101880701	Shoe Brake Manual Adj (Available in Kit, Non-Asbestos Brake Shoe)	4
4	1011464	Package, Brake Spring (includes item 5)	1
5	1011314	Brake Spring	4
6	1013924	Nut, 5/16-24, Hex Head Cone	8
7	1016557	Cluster, Brake, Driver-Side (includes items 8 through 23)	1
8	1010850	Dust Cover	1
9	1011314	Brake Spring	2
10	1011465	Kit, Brake Actuator	1
11	1011466	Kit, Shoe Retainer (includes items 12 and 13)	1
12	N/A	Pin	2
13	N/A	Shoe Clamp Spring	2
14	1011467	Kit, Anchor Body (includes items 15 through 20)	1
15	1011114	Nut, M6-1.00 Hex	2
16	1011298	Anchor Piston	2
17	N/A	Adjustment Bolt	1
18	N/A	Anchor Body Component	1
19	1011303	Adjustment Bolt Cap	1
20	451	Lockwasher, 1/4 Split	2
21	1011494	Backing Plate, Left-Hand	1
22	101880701	Shoe Brake Manual Adj (Available in Kit, Non-Asbestos Brake Shoe)	2
23	102860501	Arm, Brake Lever	1
24	1016573	Cluster, Brake, Passenger-Side (includes items 25 through 40)	1
25	1010850	Dust Cover	1
26	1011154	Backing Plate, Right-Hand	1
27	1011314	Brake Spring	2
28	1011465	Kit, Brake Actuator	1
29	1011466	Kit, Shoe Retainer (includes items 30 and 31)	1
30	N/A	Pin	2
31	N/A	Shoe Clamp Spring	2
32	1011467	Kit, Anchor Body (includes items 33 through 38)	1
33	1011114	Nut, M6-1.00 Hex	2
34	1011298	Anchor Piston	2
35	N/A	Adjustment Bolt	1
36	N/A	Anchor Body Component	1
37	1011303	Adjustment Bolt Cap	1
38	451	Lockwasher, 1/4 Split	2
39	101880701	Shoe Brake Manual Adj (Available in Kit, Non-Asbestos Brake Shoe)	2
40	102860501	Arm, Brake Lever	1
41	47542195001	Bolt, Brake Cluster Mnt	8
		Note: Passenger-side brake cluster (items 25-41) not shown. Components have a similar appearance to driver-side brake cluster components.	

5
G
E

5

G

E

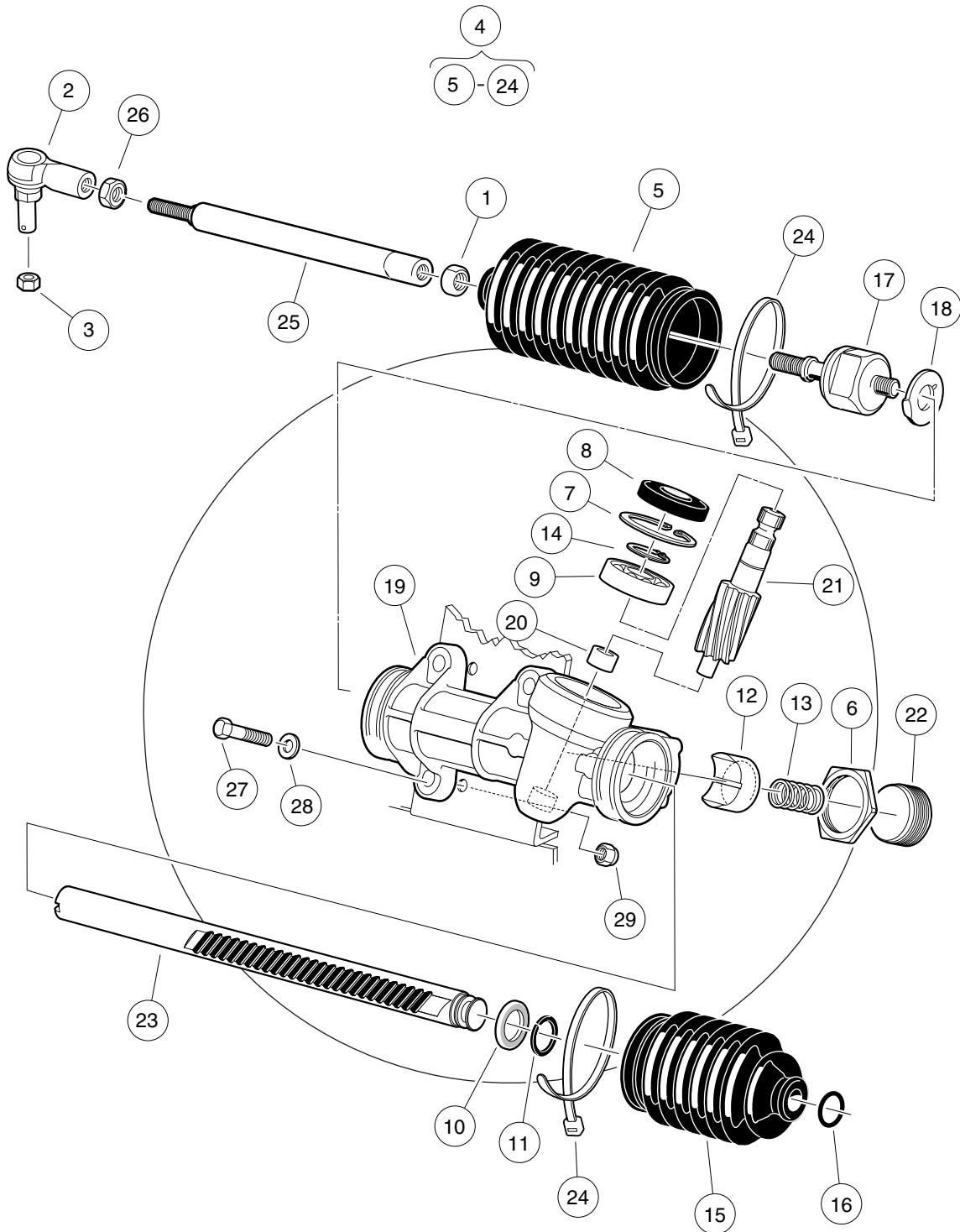
STEERING, FRONT AND REAR SUSPENSION

6

G

E

6
G
E



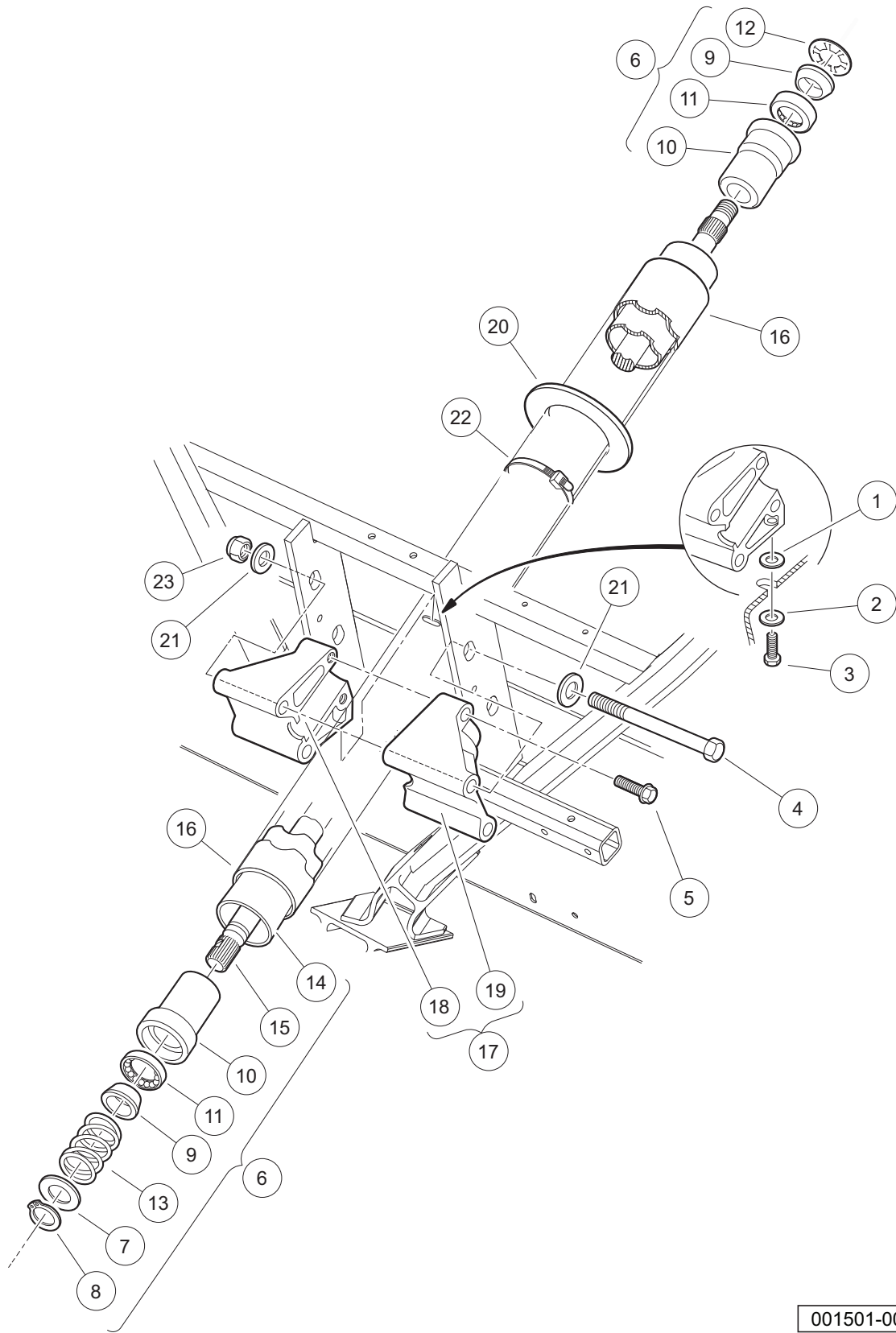
001500-002

STEERING GEAR ASSEMBLY

ITEM	PART NO.	DESCRIPTION	QTY
		1 2 3 4	
1	1013042	Nut, 12mm Hex	1
2	102022602	End, Tie Rod, M12 X 1.25, Lh	1
3	102289201	Nut - Hex Locking, M12 X 1.25	1
4	103601501	Asm, Steering Rack And Pinion (includes items 5 through 24)	1
5	1013035	Bellows, Long	1
6	1013044	Rack Screw Locknut	1
7	N/A	Snap Ring	1
8	1013052	Seal, Steering Pinion Dust	1
9	101879401	Bearing, Ball	1
10	101879501	Stop Washer	1
11	101879601	Stop Ring, C-Type	1
12	101879701	Support Yoke	1
13	101879801	Rack Guide Pressure Spring	1
14	101879901	Ring, Stop, C-Type	1
15	101880001	Bellows, Short	1
16	101880101	Dust Seal Retaining Ring	1
17	101880201	Inner Ball Joint Asm	1
18	101880301	Washer, Tab	1
19	N/A	Box, Steering Gear	1
20	N/A	Bearing, Lower Pinion	1
21	N/A	Pinion, Steering	1
22	N/A	Screw, Rack Guide	1
23	N/A	Rack, Steering	1
24	8990	Tie Wrap, 8" Nylon	2
25	103653401	Link, Drag, Male Thd	1
26	103653501	Nut, Jam, M12-1.25, Lh	1
27	1624	Screw, 3/8-16 X 1.50, Hex-Head Cap	3
28	334	Washer, 3/8, Type A, Flat	3
29	8754	Locknut, 3/8-16 Hex	3

6
G
E

6
G
E



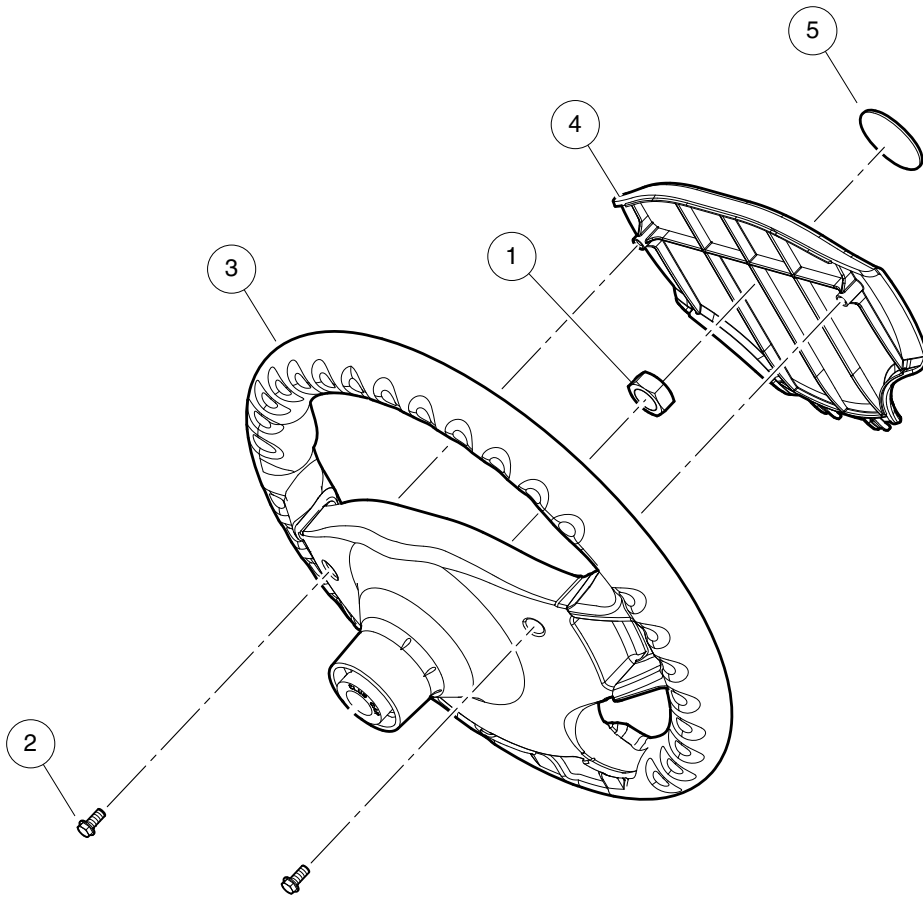
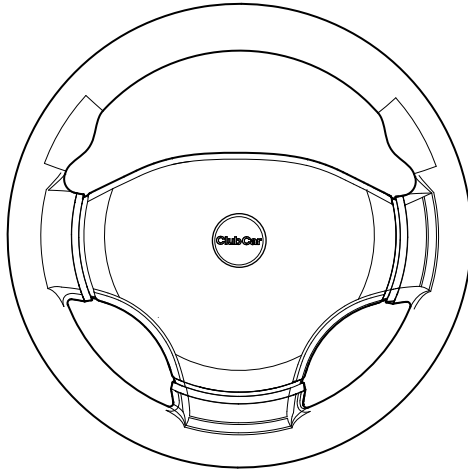
001501-003

STEERING COLUMN

ITEM	PART NO.	DESCRIPTION	QTY
		1 2 3 4	
1	1011578	Washer, 5/16 Type B Flat	1
2	1011697	Washer, 5/16 Flat	1
3	1014288	Screw, 5/16-18 X 0.75, Thread-Forming	1
4	1016183	Screw, 3/8-16 X 7.00 Hex Cap	2
5	1016269	Screw, 5/16-18 Thrd Forming	2
6	1017313	Steering Shaft Assembly (includes items 7 through 15)	1
7	1012604	Washer, 0.675 ID X 1.19 OD	1
8	1012605	Ring, 0.579 Internal Retaining	1
9	1014125	Wedge, Molded	2
10	1014126	Seat, Plastic Bearing	2
11	1014213	Bearing, Ball	2
12	1014214	Ring, Retaining	1
13	1014217	Spring, Steering Shaft	1
14	1017314	Column, Aluminum Steering	1
15	1017315	Shaft Steering Column	1
16	1017317	Tube Cover, Steering Column	1
17	101984801	Kit, Steering Column Mounting Bracket (includes items 18 and 19)	1
18	N/A	Bracket, RH Steering Column Mount	1
19	N/A	Bracket, LH Steering column mount	1
20	102278001	Boot, Steering Column Round	1
21	334	Washer, 3/8, Type A, Flat	4
22	8639	Tie Wrap, 11" Nylon	1
23	8754	Locknut, 3/8-16 Hex	2

6
G
E

6
G
E



001503-001

STEERING WHEEL

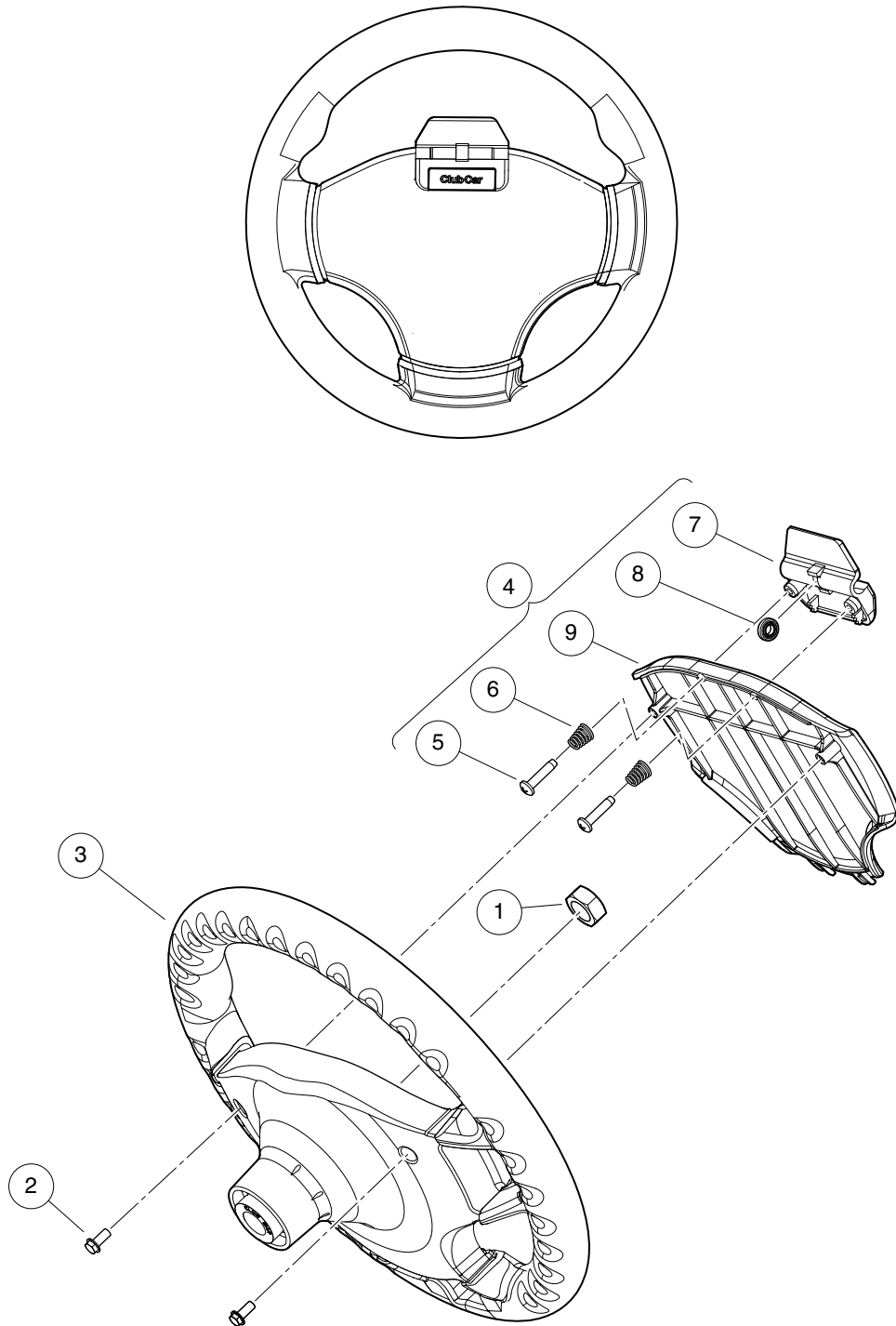
ITEM	PART NO.	DESCRIPTION	QTY
		1 2 3 4	
1	1017273	Nut, 5/8-18 Nylon Insert Jam	1
2	101850301	Screw, #12-16 X 0.50 Washer-Head Hi-Lo	2
3	103724504	Steering Wheel, Soft Spl	1
4	103724602	Cover, Steering Wheel, Generic	1
5	103829401	Logo, Cci, Steer Wheel	1

6

G

E

6
G
E



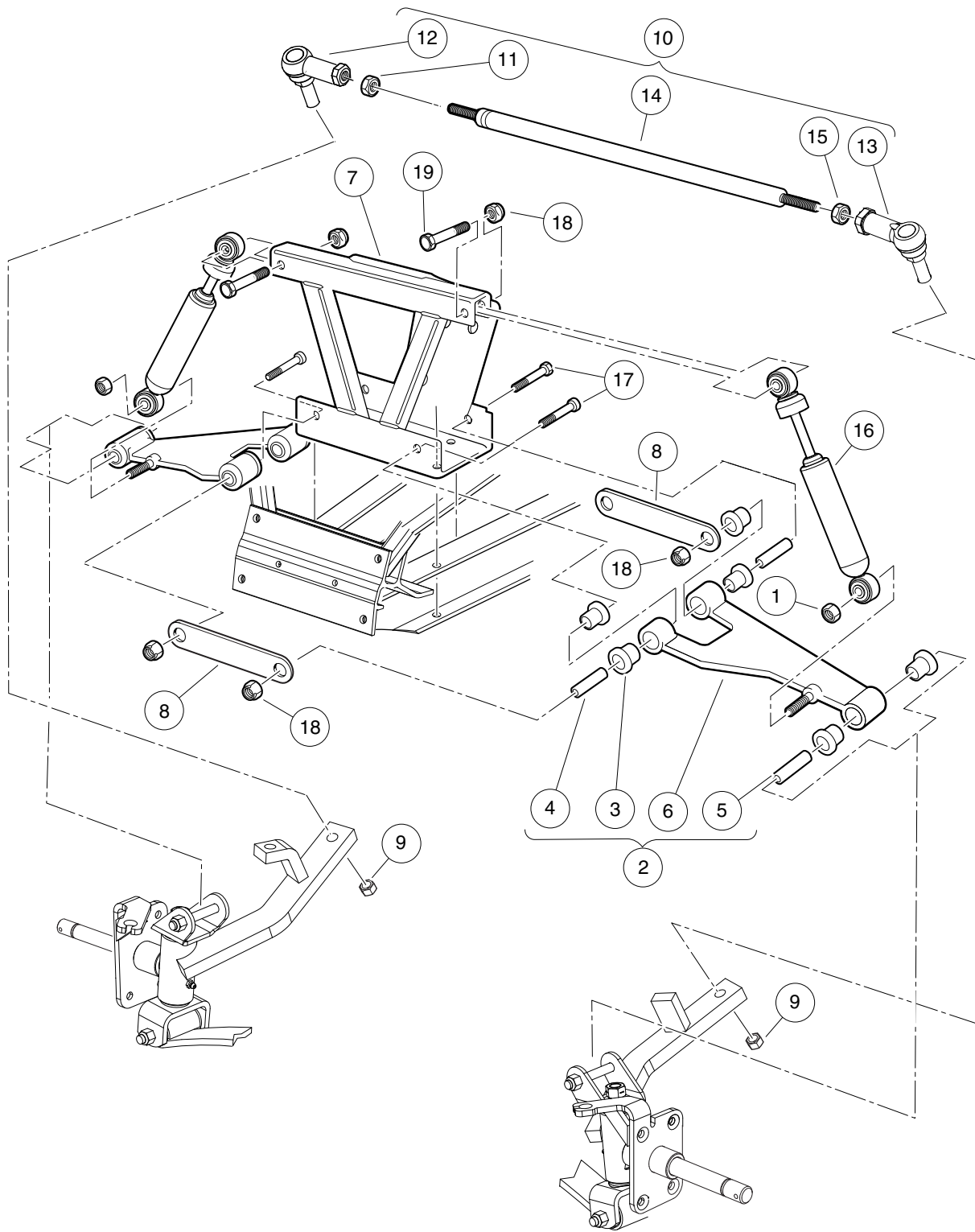
001504-001

STEERING WHEEL WITH CLIP

ITEM	PART NO.	DESCRIPTION	QTY
		1 2 3 4	
1	1017273	Nut, 5/8-18 Nylon Insert Jam	1
2	101850301	Screw, #12-16 X 0.50 Washer-Head Hi-Lo	2
3	103724504	Steering Wheel, Soft Spl	1
4	103724901	Asm, Scorecard, Clip (includes items 5 through 9)	1
5	1012565	Screw, #12 Phillips Round Head	2
6	1012566	Tapered Compression Spring	2
7	1016154	Clip, Scorecard	1
8	1016214	Pencil Grip	1
9	103724601	Cover, Steering Wheel, Clip	1

6
G
E

6
G
E



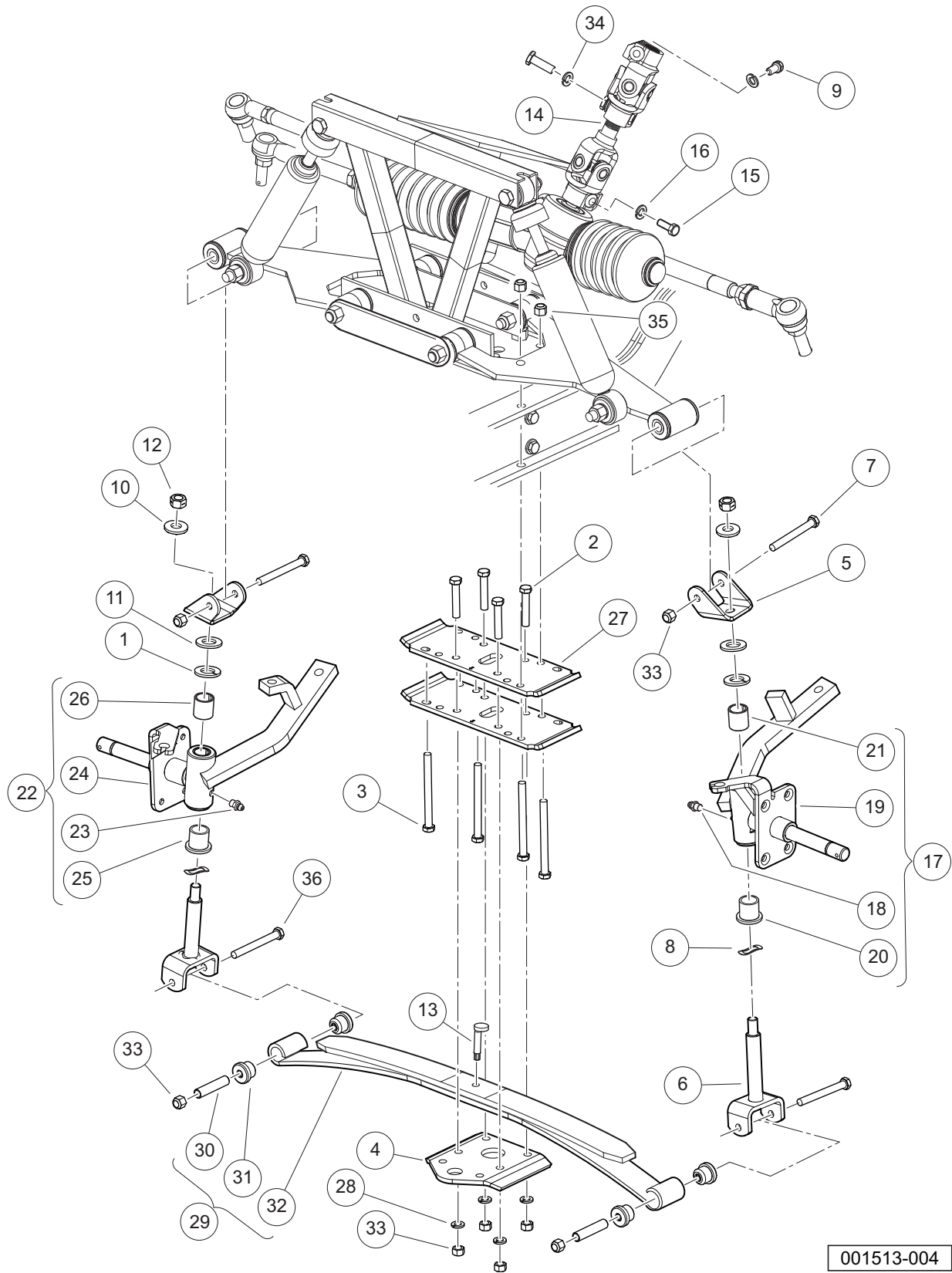
001508-001

FRONT SUSPENSION, UPPER, STD

ITEM	PART NO.	DESCRIPTION	QTY
		1 2 3 4	
1	1010138	Locknut, 3/8-16 Dimpled	2
2	1016353	Sub-Assembly, Delta A-Plate (includes items 3 through 6)	2
3	1016346	Bushing, Urethane	6
4	1016349	Sleeve, Delta Inner	2
5	1016350	Sleeve, Delta Outer	1
6	1016351	Delta A-Plate	1
7	101638502	Weldment, Shock & Gear, Ca	1
8	1017266	A-Plate Strap	2
9	102289201	Nut - Hex Locking, M12 X 1.25	2
10	103653601	Asm, Tie Rod (includes items 11 through 15)	1
11	1013042	Nut, 12mm Hex	1
12	102022601	End, Tie Rod M12 X 1.25 Rh	1
13	102022602	End, Tie Rod, M12 X 1.25, Lh	1
14	103354701	Rod, Tie, Male Thd	1
15	103653501	Nut, Jam, M12-1.25, Lh	1
16	105106601	Shock Absorber, Front, 1 Bumper	2
17	2402	Screw, 3/8-16 X 2.25 Hx Hd Cap	4
18	8754	Locknut, 3/8-16 Hex	6
19	8861	Bolt, 3/8-16 X 1.75 Hex	2

6
G
E

6
G
E

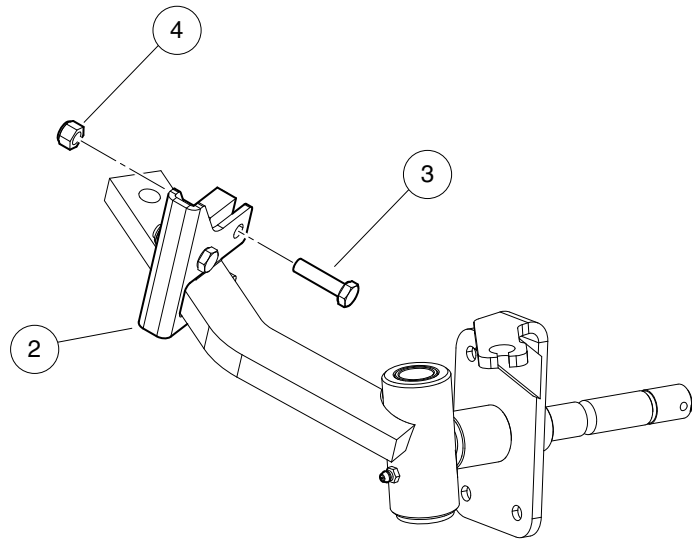


001513-004

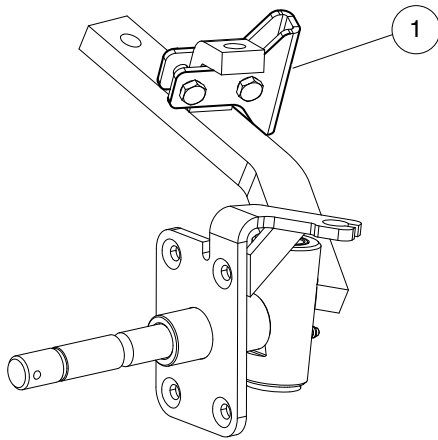
FRONT SUSPENSION, LOWER, 2 LEAF-2 PLATES

ITEM	PART NO.	DESCRIPTION	QTY
		1 2 3 4	
1	1010150	Bearing, Thrust	2
2	1010177	Bolt, 3/8-16 X 2.00 Hex Head	4
3	1010200	Bolt, 3/8-16 X 4.25 Hex Head	4
4	1014276	Plate, Front Spring Retainer	1
5	1016384	Clevis, Delta Upper	2
6	1016386	King Pin Assembly	2
7	1016387	Screw, 3/8-16 X 2.75 Hx Hd Cap	2
8	1016389	Washer, 1.125 Od Wave	2
9	1017226	Bolt, Hex-Head, 8mm X 1.25 - 30	3
10	102564002	Washer-1/2 Conical, Yellow	2
11	102684501	Washer, M12 Hard Regular	2
12	102766301	Nut, 1/2-20, Center Lock	2
13	103507001	Eccentric Bolt Common	1
14	103601601	Shaft, Intermediate Steering (includes items 15 and 16)	1
15	1017226	Bolt, Hex-Head, 8mm X 1.25 - 30	3
16	7174	Lockwasher, 5/16 Split	3
17	103717302	Asm, Spindle, Lh, 4wb, Sp (includes items 18 through 21)	1
18	1015597	Fitting, 1/4-28 Thread-Forming Grease	1
19	N/A	Subasm, Spindle, Lh, 4wb	1
20	7048	Bushing, Flanged Bronze	1
21	8067	Bushing, Bronze Spindle	1
22	103717402	Asm, Spindle, Rh, 4wb, Sp (includes items 23 through 26)	1
23	1015597	Fitting, 1/4-28 Thread-Forming Grease	1
24	N/A	Subasm, Spindle, Rh, 4wb	1
25	7048	Bushing, Flanged Bronze	1
26	8067	Bushing, Bronze Spindle	1
27	105083301	Plate, Spring Mount, Restyle	2
28	357	Lockwasher, 3/8 Split	4
29	47585213001	Spring Asm, Front 2 Leaf, Hd (includes items 30 through 32)	1
30	1012303	Bushing, Steel	2
31	101558302	Bushing, Urethane, Soft	4
32	105187801	Spring, Front 2 Leaf, Hd	1
33	706	Nut, Hex 3/8-16	5
34	7174	Lockwasher, 5/16 Split	3
35	8754	Locknut, 3/8-16 Hex	8
36	8755	Screw, 3/8-16 X 3.375 Hex Cap	2

6
G
E



**DRIVER SIDE
SPINDLE**



**PASSENGER SIDE
SPINDLE**



001529-001

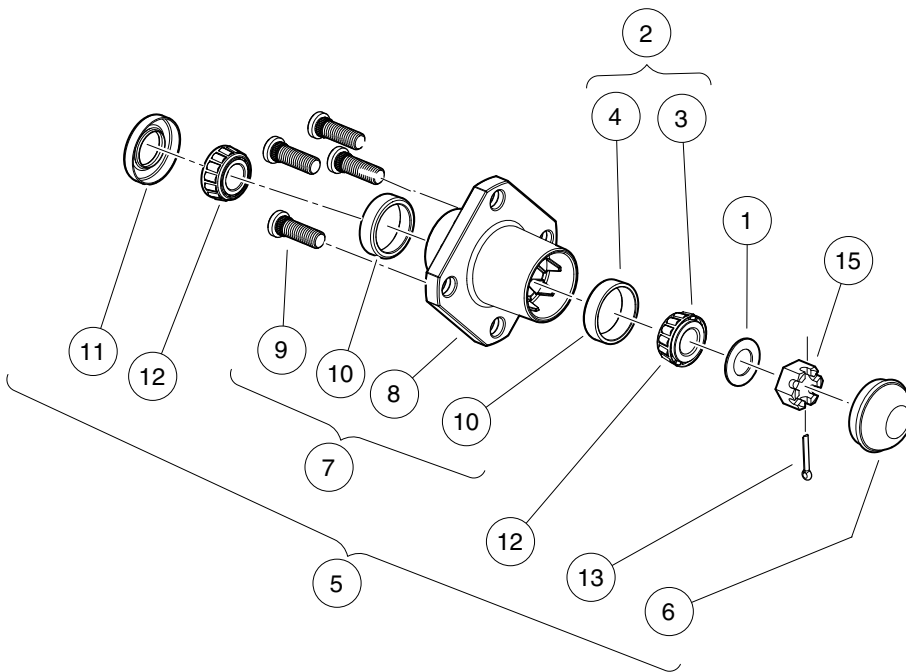
STEERING STOP

ITEM	PART NO.	DESCRIPTION	QTY
		1 2 3 4	
1	105242801	Brkt, Steering Stop, Pass, Ca	1
2	105243001	Brkt, Steering Stop, Drv, Ca	1
3	1218	Screw, 5/16-18 X 1.25 Hex-Head Cap	4
4	7473	Locknut, 5/16-18 Nylon Insert	4
<p>Note: Steering Stops 105242801 and 105243001 are required if vehicle is equipped with the 105100601, HD Bumper Kit.</p>			

6

G

E



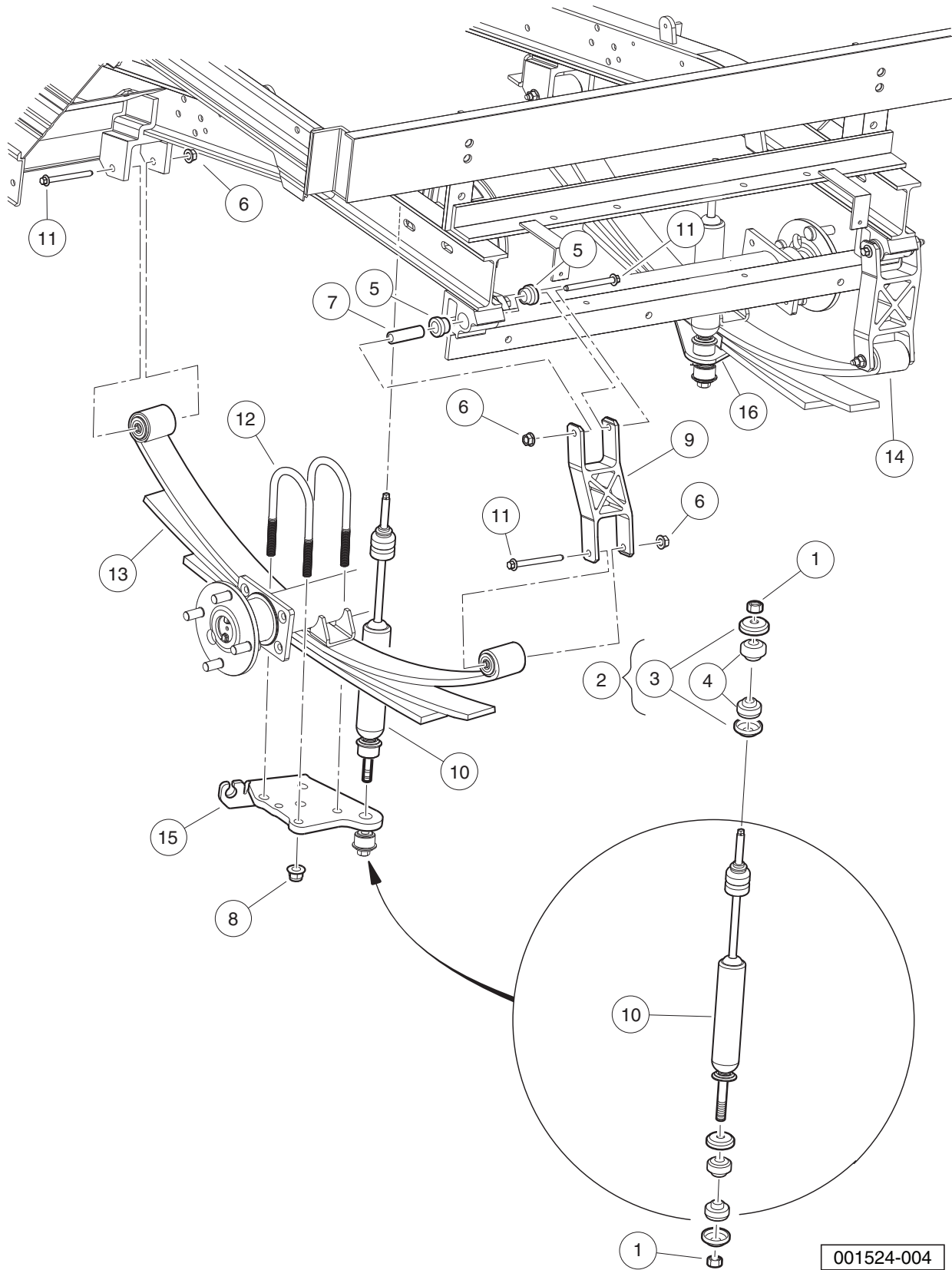
001520-002

FRONT WHEEL HUBS

ITEM	PART NO.	DESCRIPTION	QTY
		1 2 3 4	
1	1010005	Washer, 3/4 Flat	2
2	1011393	Hub Bearing Package (includes items 3 and 4)	4
3	7274	Bearing, Front Hub Wheel	1
4	7308	Race, Front Hub Bearing	1
5	1011892	Hub Assembly (includes items 6 through 13)	1
6	1011887	Dust Cover	1
7	N/A	Hub (includes items 8 through 10)	1
8	N/A	Front Hub	1
9	103477901	Lug Stud, 1/2-20 Unf, 4037	4
10	7308	Race, Front Hub Bearing	2
11	1013135	Seal, Double Lip	1
12	7274	Bearing, Front Hub Wheel	2
13	7910	Pin, 5/32 X 1.00 Cotter	1
14	1013135	Seal, Double Lip	2
15	7840	Nut, 3/4-16 Hex Slotted	2

6
G
E

6
G
E



001524-004

REAR SUSPENSION COMPONENTS, STANDARD

ITEM	PART NO.	DESCRIPTION	QTY
		1 2 3 4	
1	1010145	Nut, 3/8-24 Hex	4
2	1011415	Kit, Shock Absorber Cushion (includes items 3 and 4)	4
3	N/A	Retainer, Shock Absorber Cushion	2
4	47579096001	Isolator, Shock Damper	2
5	101558302	Bushing, Urethane, Soft	4
6	102298401	Nut,m8,all Metal Lock	6
7	102506401	Sleeve - Spring Eye Mounts	2
8	102670701	Nut, Flange, M10 X 1.5 Nylon	8
9	105068902	Shackle, 6", Com, Machined	2
10	105106801	Shock Absorber,Rear, 2 Bumper	2
11	105188185	Bolt, M8x85mm,10.9 Grade	6
12	105188701	U-bolt, M10x1.5x58	4
13	47585228001	Spring Asm, Std Rear Leaf, Lh	1
14	47585228002	Spring Asm, Std Rear Leaf, Rh	1
15	47599907001	Bkt, U-bolt, 3-1, Lh	1
16	47599907002	Bkt, U-bolt, 3-1, Rh	1

6
G
E

6

G

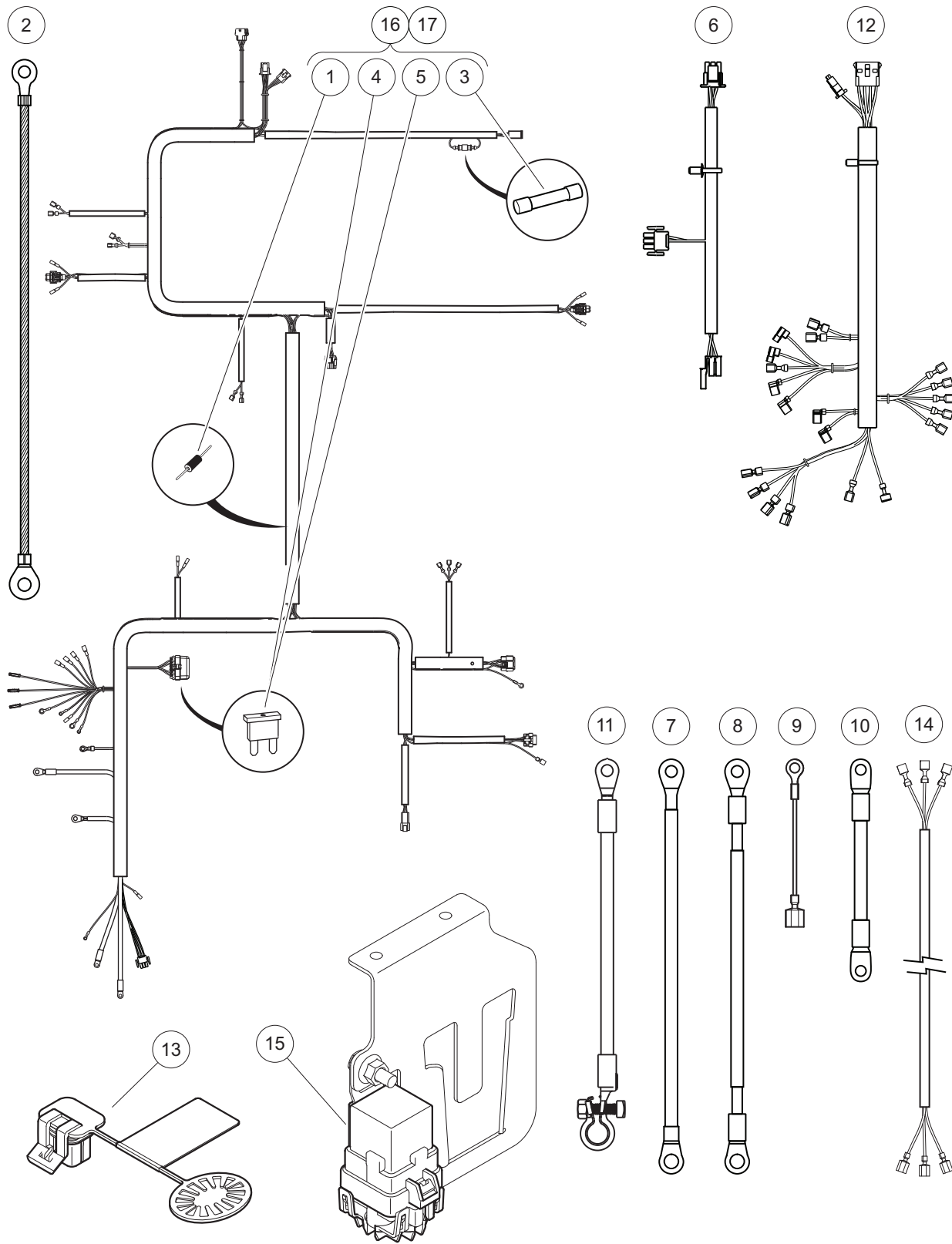
E

ELECTRICAL SYSTEM – GASOLINE EFI

7

G

7
G



000994-008

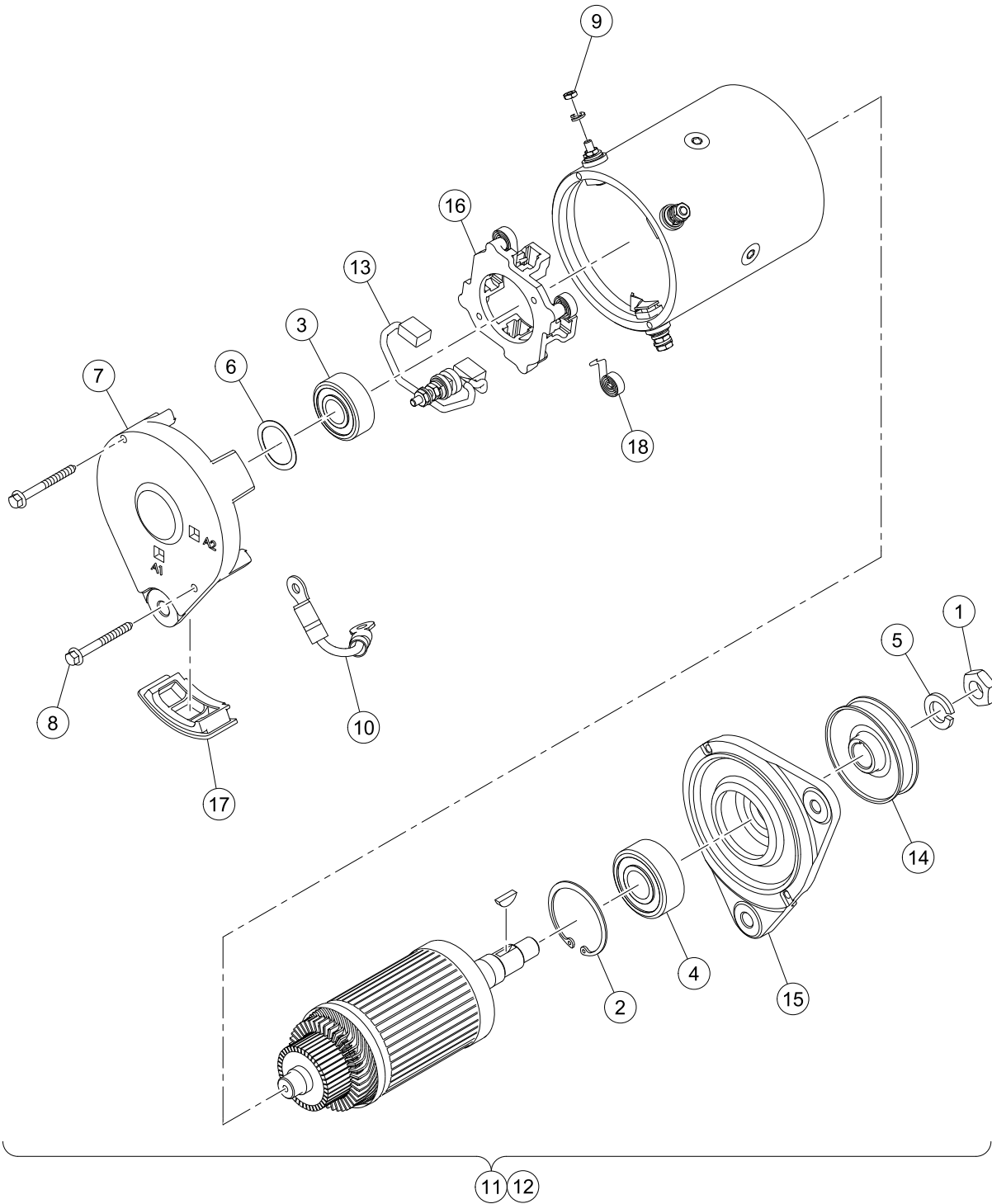
WIRING, FUSES, AND DIODES, KEY AND PEDAL START – EFI

ITEM	PART NO.	DESCRIPTION	QTY
		1 2 3 4	
1	1014789	Diode, General Purpose, 3.0-Amp	2
2	1015332	Wire, Ground, #10, Uninsulated	1
3	103924801	Fuse, Glass, 2-Amp	1
4	105081501	Fuse, ATM, 5-Amp	1
5	105081601	Fuse, ATM, 10-Amp	1
6	105093301	Harness, Wire, FNR Connector, CA300-700	1
7	105135901	Wire, Battery (side-post), B-, Gas	1
8	105136001	Wire, Battery (side-post), B+, Gas	1
9	105143301	Wire, Ground, Fuel Tank	1
10	105161701	Wire, 4-Ga, Green, Starter/Generator	1
11	105256801	Wire Assy, 4ga, Battery, (top-post) B+, Gas	1
12	47609057001	Harness, Ip, Gas, Ca, Com	1
13	47611208001	Cap, Diagnostic Port	1
14	47616912001	Jumper, Maint Sw / Diag. Port	1
15	47623281001	Relay, Mini 630 Spdt,40a/30a	1
16	47662295001	Harness, Main, Uv, Gas, Ps	1
17	47664009001	Harness, Main, Uv, Gas, Ks	1
Note: For ECU, see Engine Ignition Components section.			

7

G

7
G

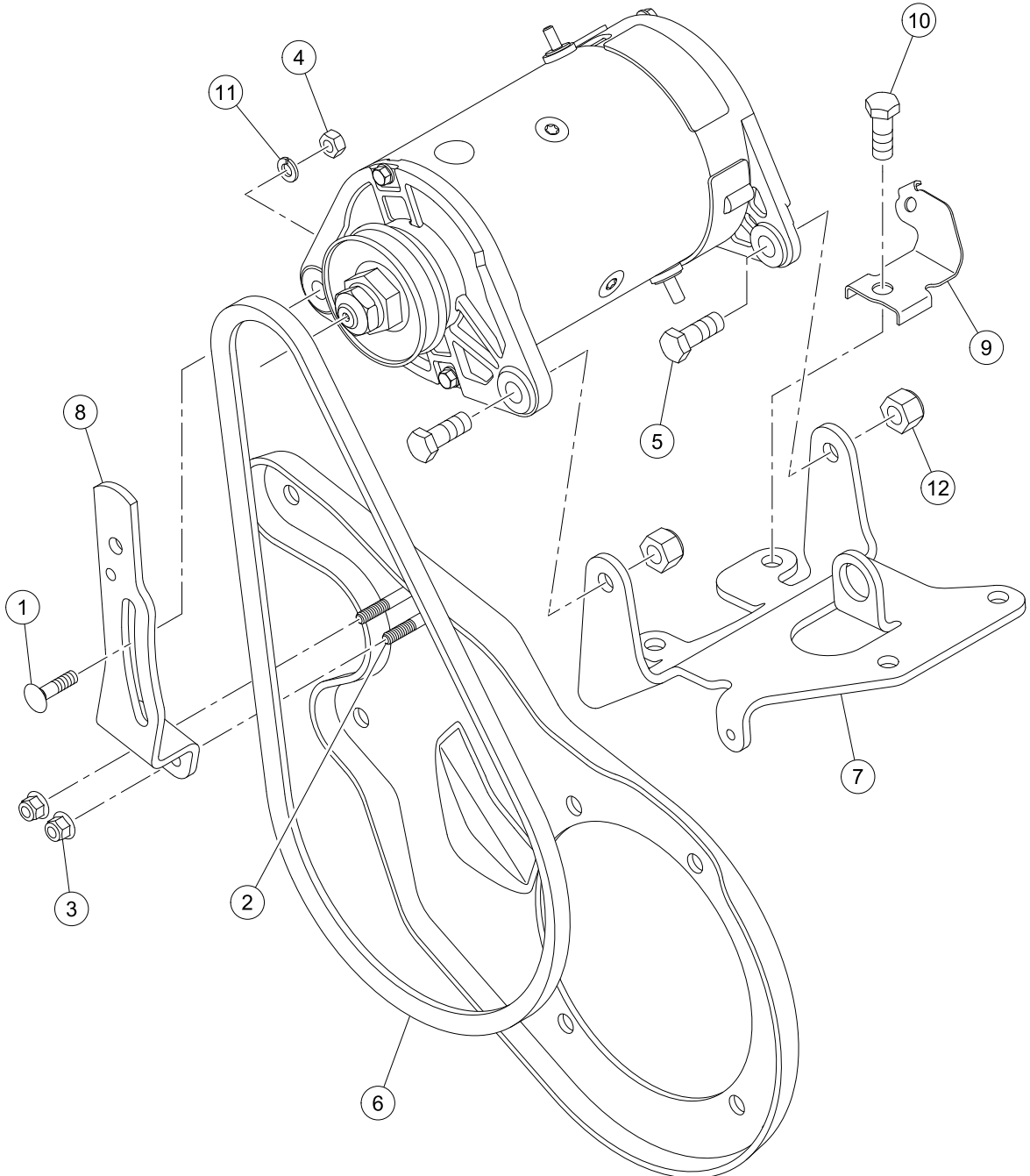


G-130199-000001

STARTER/GENERATOR, KEY AND PEDAL START – EFI

ITEM	PART NO.	DESCRIPTION	QTY
		1 2 3 4	
1	102838701	Nut, Hex, M14x2, S/G	1
2	102838801	Retainer, Front, S/G	1
3	102838901	Bearing, Ball, Rear, S-g	1
4	102839001	Bearing, Ball, Front, S-g	1
5	102839301	Washer, Lock M14x2, S-g	1
6	102841101	Washer, Wave, S-g	1
7	103347601	Head, Comm End, S-g	1
8	103347701	Set, Fast, Ceh Deh, S-g	1
9	103347801	Set, Term Hardware, S/G	1
10	105161701	Wire, 4-Ga, Green, Starter/Generator	1
11	47559475001	Starter Generator, Ps	1
12	47559475002	Starter Generator, Ks	1
13	47583000001	Set, Brush Term, S-g	1
14	47583790001	Pulley, Starter-generator	1
15	47583791001	Head, Drive End, S-g	1
16	47583794001	Kit, Brush And Brush Holder	1
17	47584178001	Kit, Cover, Brush Insp, S-g	1
18	47584179001	Kit, Spring Brush, S-g	1

7
G



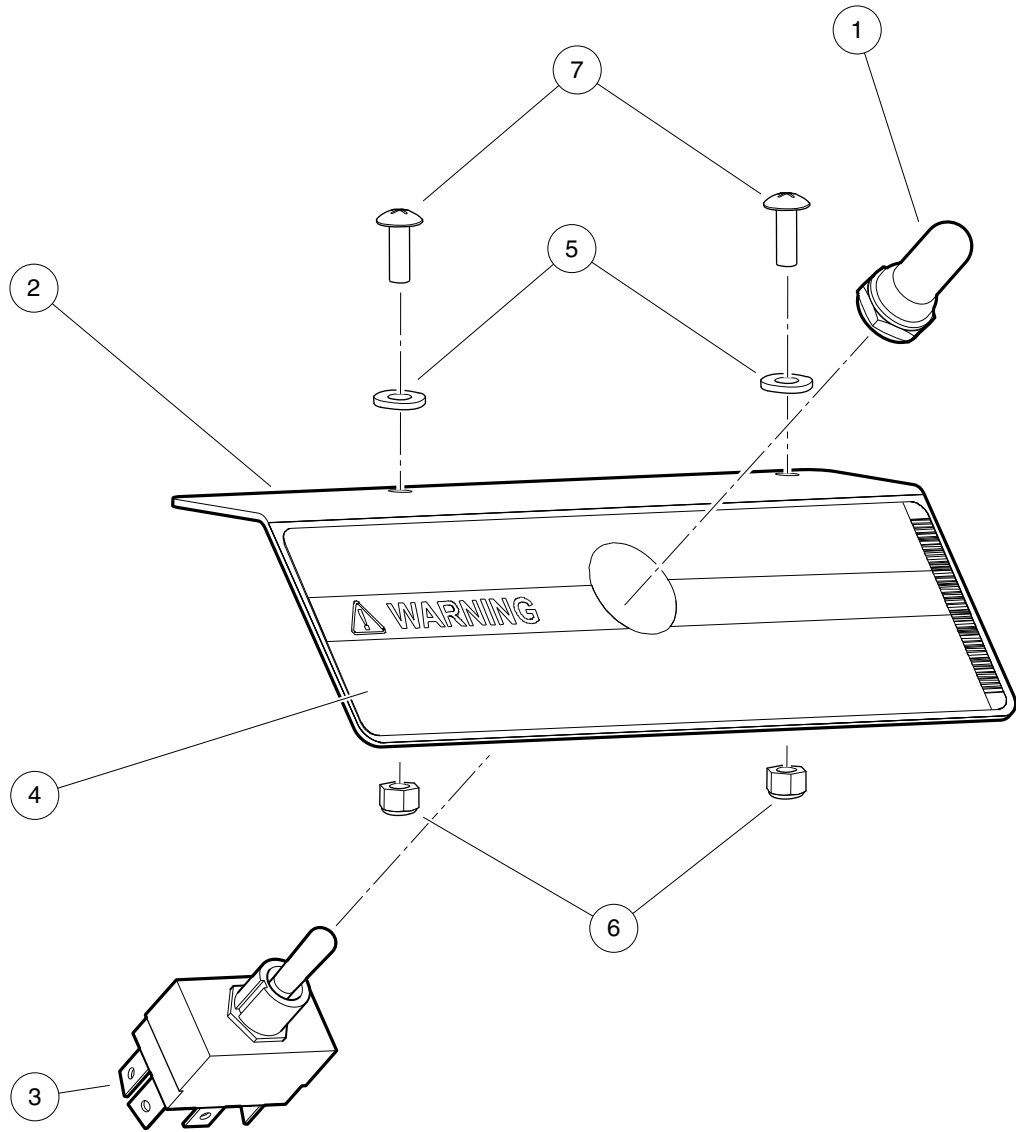
G-130199-00002

STARTER/GENERATOR MOUNTING – ECH440

ITEM	PART NO.	DESCRIPTION	QTY
		1 2 3 4	
1	1015932	Bolt, Carriage, 5/16-18	1
2	102541401	Bolt-m6x1.0x20 Hex Flhd Blk-I	2
3	102621501	Nut, Flange, M6 X 1.0, Nylon	2
4	1242	Nut, 5/16-18 Hex	1
5	1624	Screw, 3/8-16 X 1.50, Hex-Head Cap	2
6	47539338002	Belt, Sg, Ech440, #5a	1
7	47611868001	Bracket, Mounting, S/g	1
8	47611869001	Bracket, Tensioner, S/g	1
9	47611870001	Bracket, Mtg, Gov Cable Clip	1
10	47617345001	Screw, M8-1.25x20, Hex Hd Flg	4
11	7174	Lockwasher, 5/16 Split	1
12	8754	Locknut, 3/8-16 Hex	2

7
G

7
G

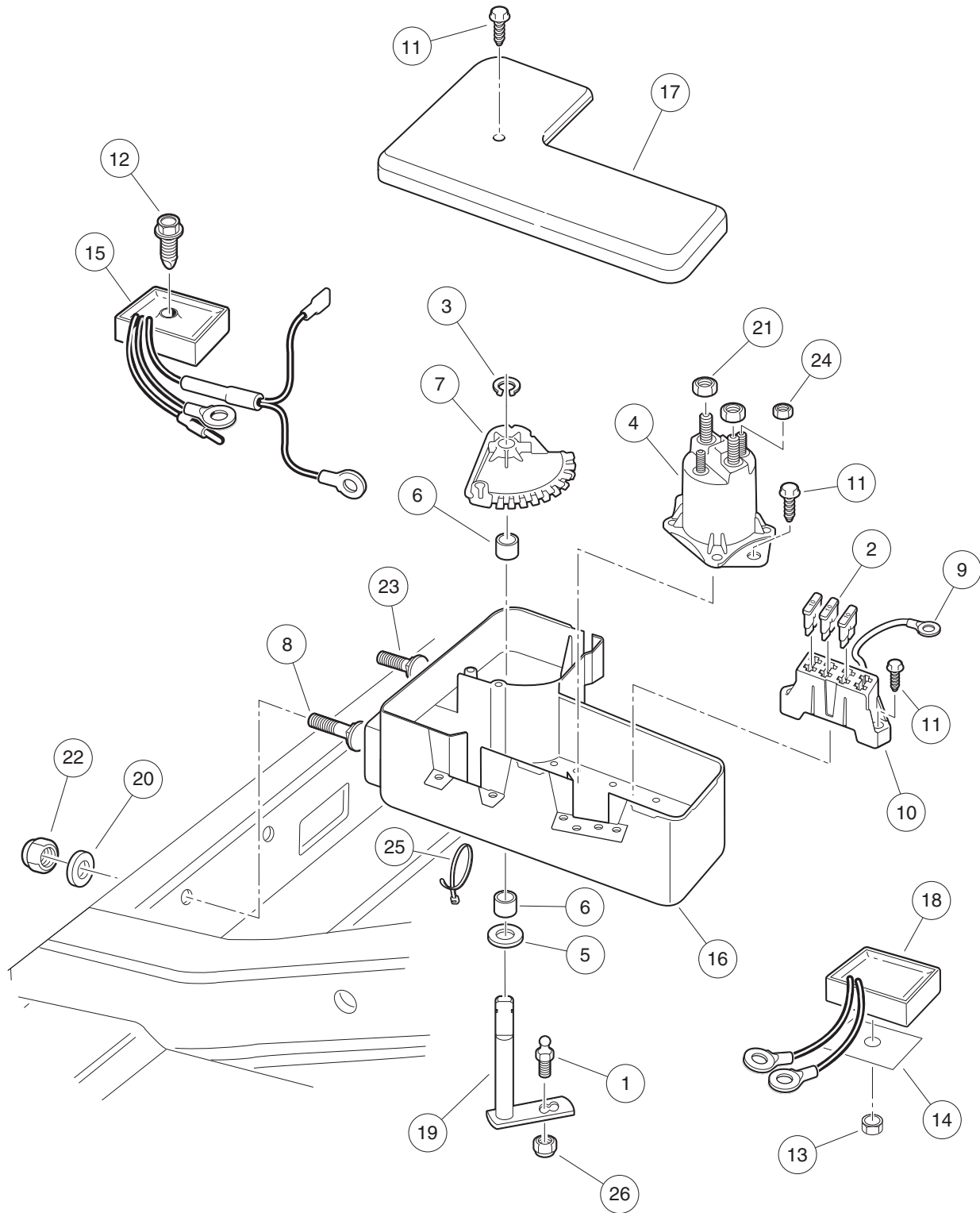


000755-003

OPERATION AND MAINTENANCE SWITCH

ITEM	PART NO.	DESCRIPTION	QTY
		1 2 3 4	
1	101908401	Boot, Switch	1
2	101922501	Bracket, Tow/Run Switch Mounting	1
3	103198401	Switch, Toggle, SPDT	1
4	103205501	Decal, Maintenance/Operate Switch	1
5	332	Washer, 1/4 Type A Narrow Flat	2
6	8233	Locknut, 1/4-20, Nylon Insert	2
7	8248	Screw, 1/4-20 X 0.75, Truss-Head Machine	2

7
G



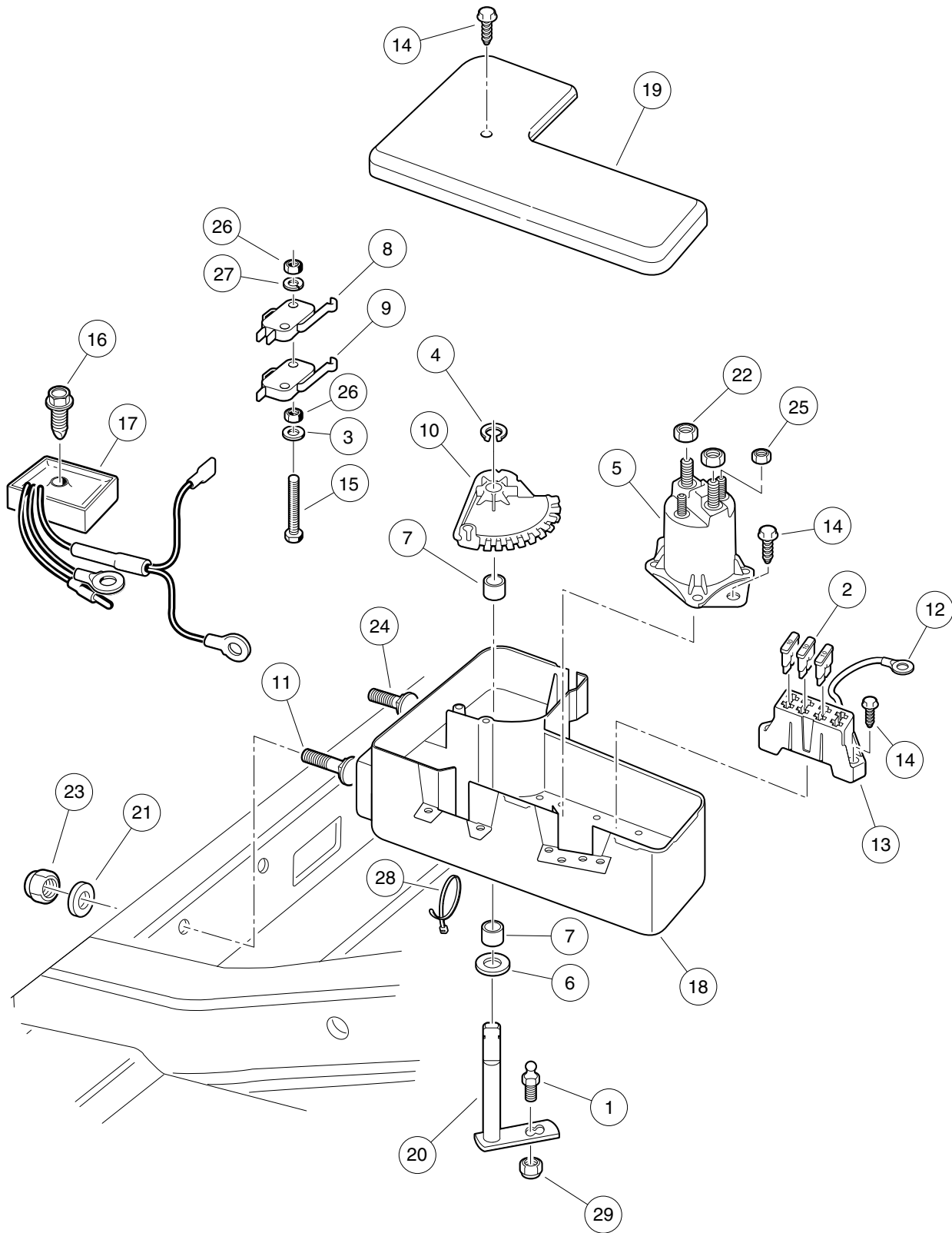
001014-005

ELECTRICAL COMPONENT BOX, KEY-START

ITEM	PART NO.	DESCRIPTION	QTY
		1 2 3 4	
1	1010954	Stud, Ball, 1/4-28 X 0.560	1
2	1012295	Fuse, 10-Amp	3
3	1013589	Ring, Retaining, 0.338" Internal	1
4	1013609	Solenoid, 12-Volt	1
5	1014065	Washer, Flat, 0.38" ID, Delrin	1
6	1014145	Bushing, Secondary Weight, Split	2
7	1015373	Cam, Electric Box	1
8	1015405	Bolt, Carriage, 5/16-18 X 2.0	1
9	1015737	Wire Assy, #10 Red	1
10	1015741	Fuse Block	1
11	1015752	Screw, #12-16 X 0.625, Hi-Lo	5
12	101856102	Screw, 1/4-15 X 1.50, Hi-lo, Hex	1
13	101963401	Locknut, 5/16-18 Hex Flange	1
14	102269701	Thermal Pad	1
15	102711201	Voltage Regulator	1
16	105000301	Box, Component, Electrical	1
17	105000401	Cover, Box, Component, Elec	1
18	105037201	Diode, Charging	1
19	105037401	Weldment, Bellcrank, Comp Box	1
20	1241	Washer, 5/16 Type A Flat	2
21	1242	Nut, 5/16-18 Hex	2
22	7473	Locknut, 5/16-18 Nylon Insert	2
23	7818	Bolt, Carriage, 5/16-18 X 1.5	1
24	7893	Nut, #10-32 Hex	2
25	8639	Tie Wrap, 11" Nylon	6
26	8717	Locknut, Nylon Insert, 1/4-28	1

7
G

7
G

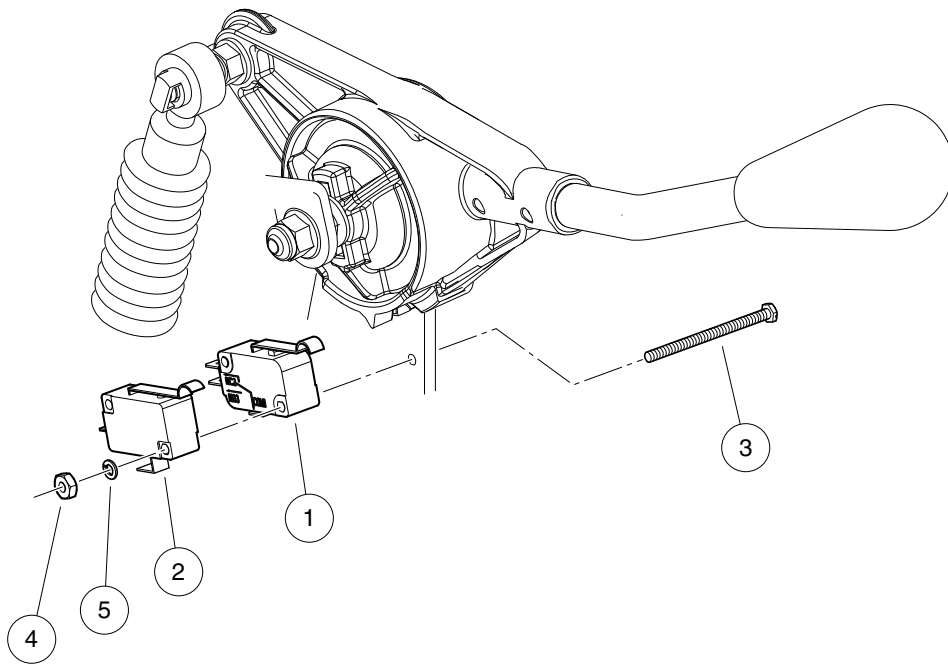


001014-001

ELECTRICAL COMPONENT BOX, PEDAL-START

ITEM	PART NO.	DESCRIPTION	QTY
		1 2 3 4	
1	1010954	Stud, Ball, 1/4-28 X 0.560	1
2	1012295	Fuse, 10-Amp	3
3	1012431	Washer, #4 Flat	2
4	1013589	Ring, Retaining, 0.338" Internal	1
5	1013609	Solenoid, 12-Volt	1
6	1014065	Washer, Flat, 0.38" ID, Delrin	1
7	1014145	Bushing, Secondary Weight, Split	2
8	1014807	Switch, Limit	1
9	1014808	Switch, Limit	1
10	1015373	Cam, Electric Box	1
11	1015405	Bolt, Carriage, 5/16-18 X 2.0	1
12	1015737	Wire Assy, #10 Red	1
13	1015741	Fuse Block	1
14	1015752	Screw, #12-16 X 0.625, Hi-Lo	5
15	1015878	Screw, #4-40 Hex Head Machine	2
16	101856102	Screw, 1/4-15 X 1.50, Hi-lo, Hex	1
17	102711201	Voltage Regulator	1
18	105000301	Box, Component, Electrical	1
19	105000401	Cover, Box, Component, Elec	1
20	105037401	Weldment, Bellcrank, Comp Box	1
21	1241	Washer, 5/16 Type A Flat	2
22	1242	Nut, 5/16-18 Hex	2
23	7473	Locknut, 5/16-18 Nylon Insert	2
24	7818	Bolt, Carriage, 5/16-18 X 1.5	1
25	7893	Nut, #10-32 Hex	2
26	8057	Nut, #4-40 Hex Machine	4
27	8058	Lockwasher, #4 Split	2
28	8639	Tie Wrap, 11" Nylon	6
29	8717	Locknut, Nylon Insert, 1/4-28	1

7
G



001010-002

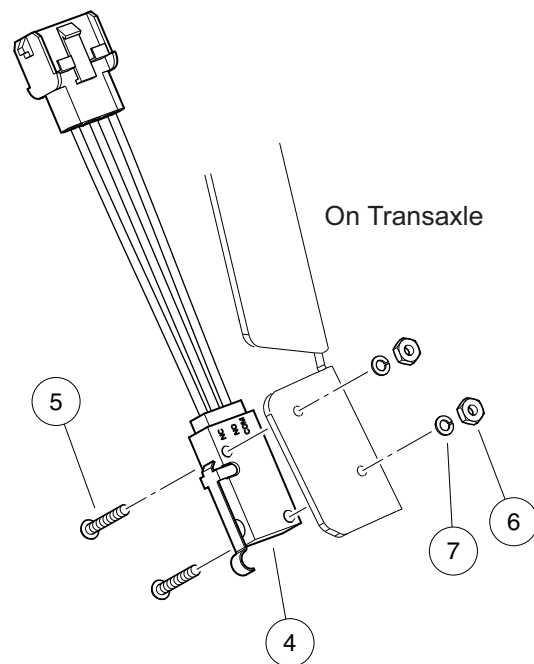
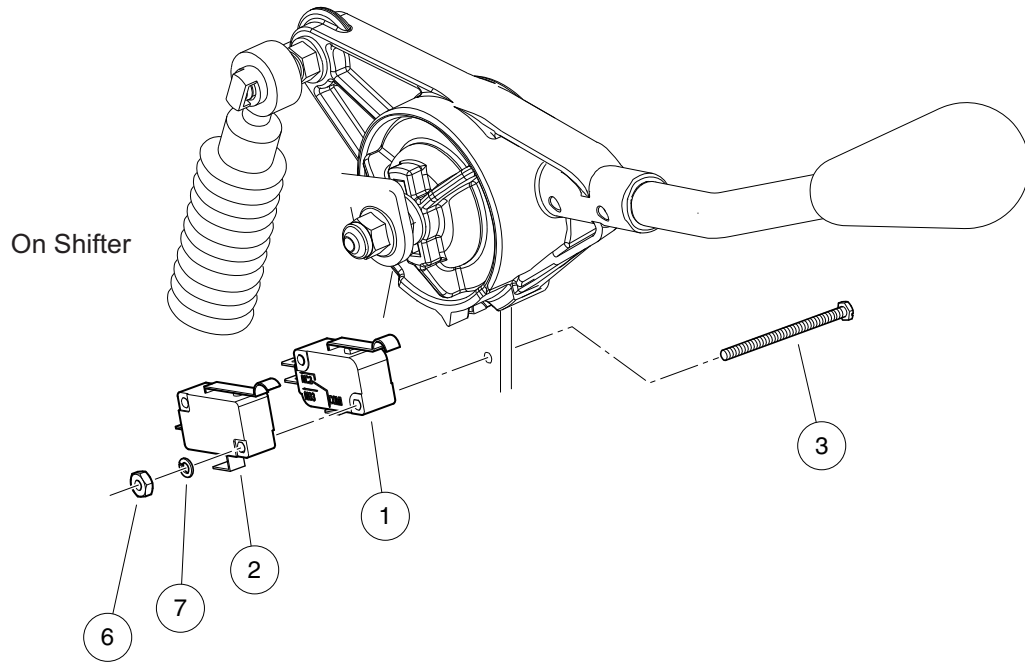
FORWARD/REVERSE SHIFTER SWITCHES, KEY-START – EFI

ITEM	PART NO.	DESCRIPTION	QTY
		1 2 3 4	
1	1014807	Switch, Limit	1
2	1014808	Switch, Limit	1
3	1015878	Screw, #4-40 Hex Head Machine	2
4	8057	Nut, #4-40 Hex Machine	2
5	8058	Lockwasher, #4 Split	2

7

G

7
G



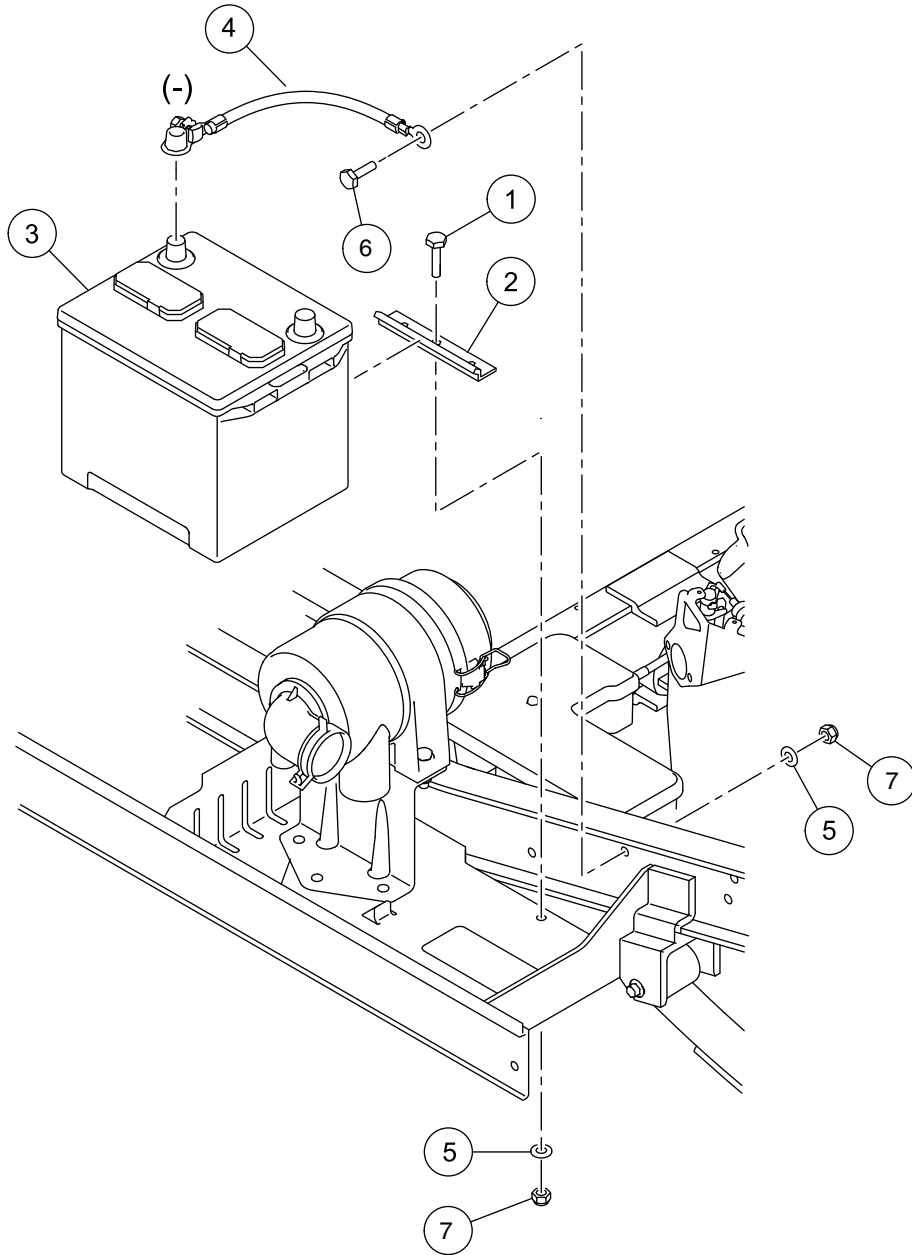
001010-001

FORWARD/REVERSE SHIFTER SWITCHES, PEDAL-START – EFI

ITEM	PART NO.	DESCRIPTION	QTY
		1 2 3 4	
1	1014807	Switch, Limit	1
2	1014808	Switch, Limit	1
3	1015878	Screw, #4-40 Hex Head Machine	2
4	105102601	Switch, Limit, Sealed, with 3-Wire Lead	1
5	8056	Screw, #4-40 X 0.75 Round-Head Machine	2
6	8057	Nut, #4-40 Hex Machine	4
7	8058	Lockwasher, #4 Split	4

7
G

7
G



000250-001

TOP-POST BATTERY – GASOLINE UTILITY VEHICLES

ITEM	PART NO.	DESCRIPTION	QTY
		1 2 3 4	
1	1010934	Screw, 5/16-18 X 1.00 Hex Cap	1
2	101898001	Clamp, Battery	1
3	105237301	Battery, Start, 12v, Type 26	1
4	105256701	Wire Assy, 4ga, Battery, (top-post) B-, Gas	1
5	1241	Washer, 5/16 Type A Flat	2
6	7173	Screw, 5/16-18 X 0.75, Hex-Head Cap	1
7	7473	Locknut, 5/16-18 Nylon Insert	2

7

G

7

G

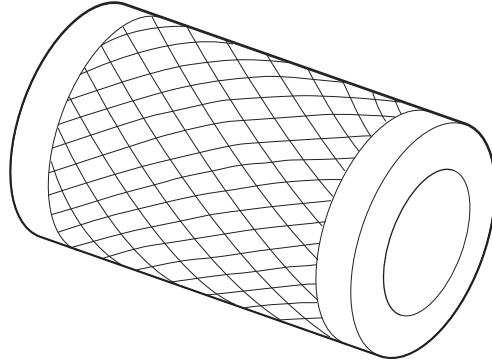
ENGINE (KOHLER ECH440)

8

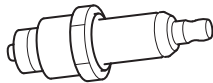
G

8

G



1



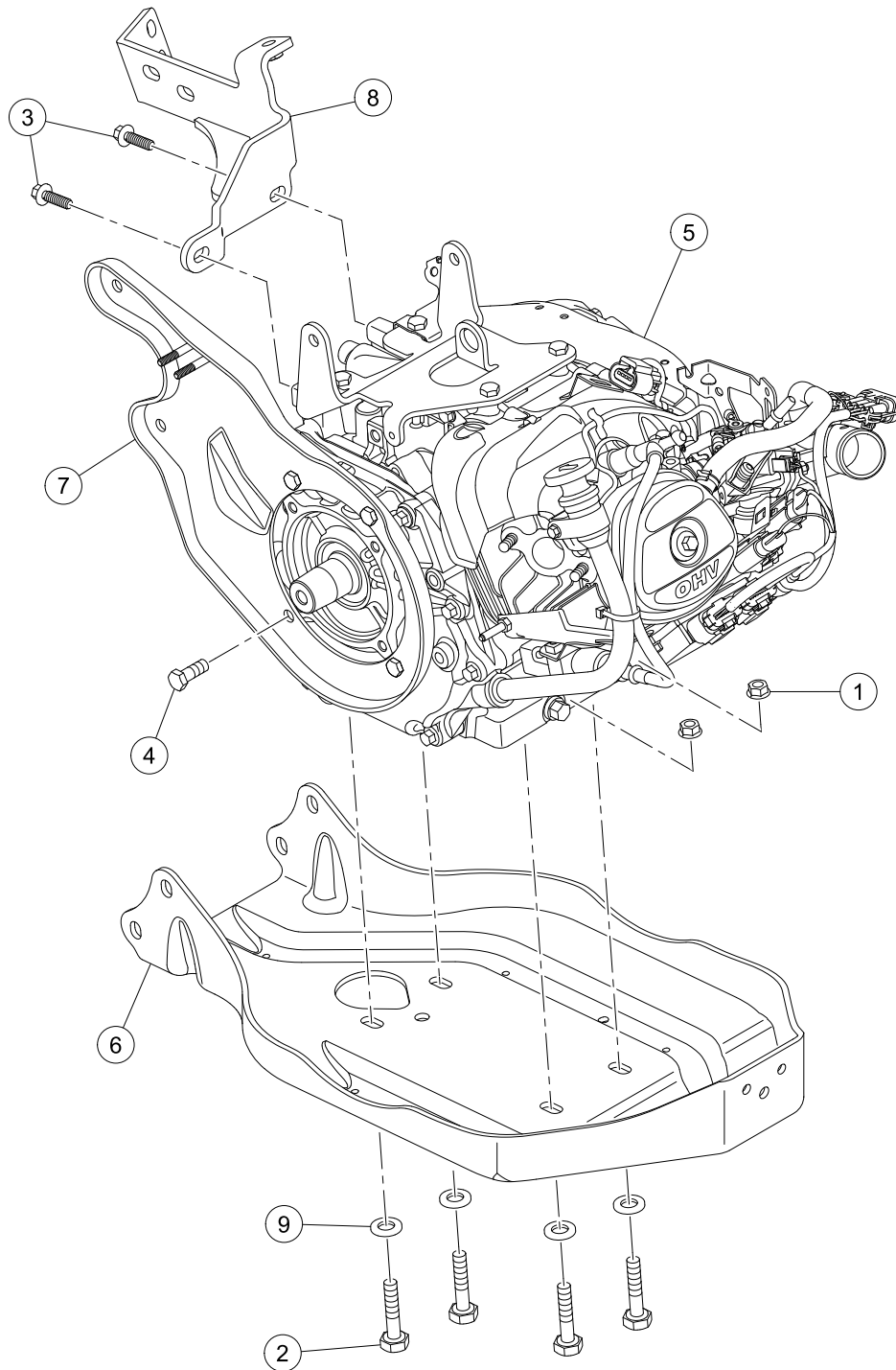
2

000992-003

TUNE-UP PARTS

ITEM	PART NO.	DESCRIPTION	QTY
1	102558201	1 2 3 4 Air Filter, 4 Inch	1
2	47640281001	Plug, Spark, Kohler	1

8
G



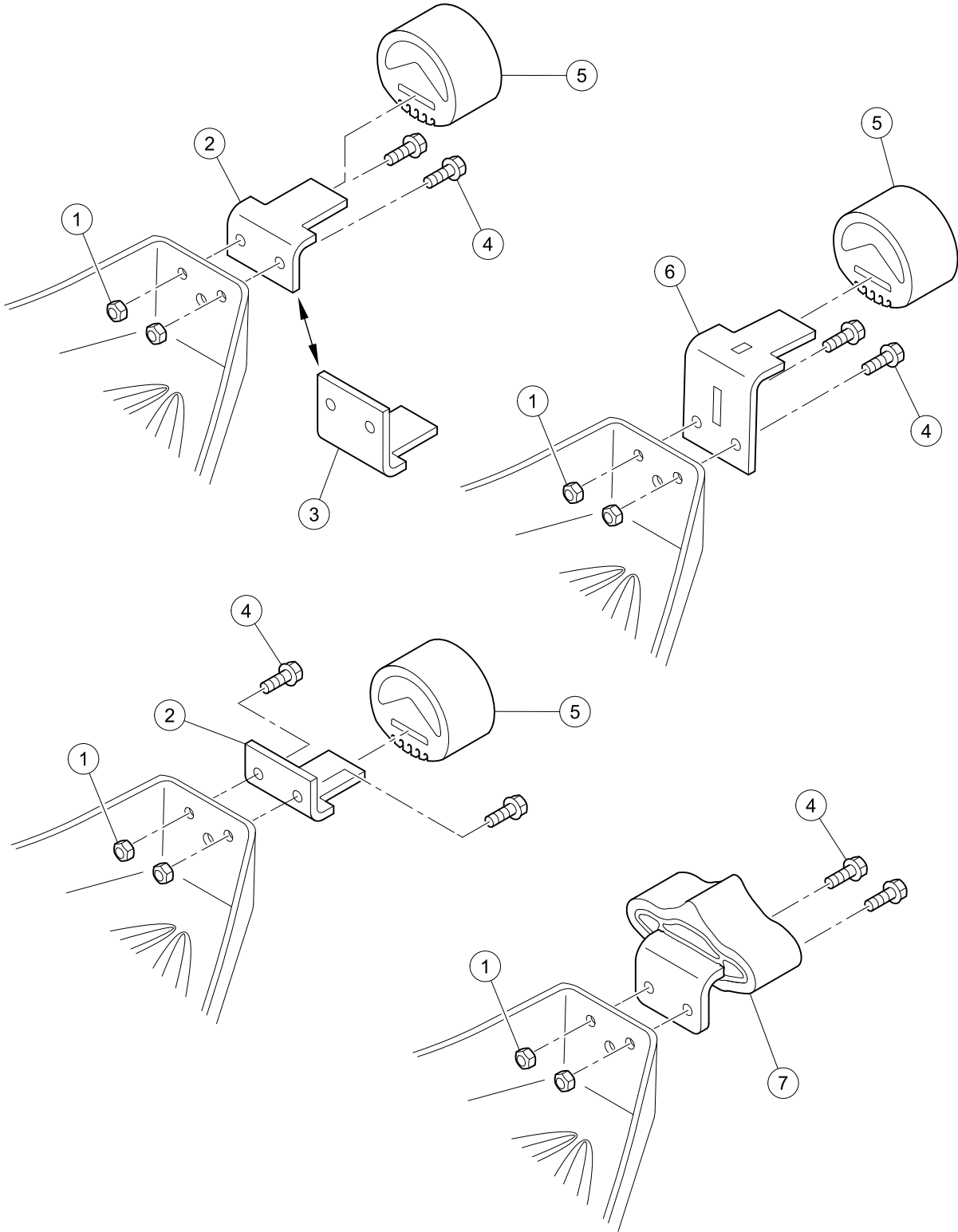
G-110199-000002

ENGINE AND ENGINE MOUNTING

ITEM	PART NO.	DESCRIPTION	QTY
		1 2 3 4	
1	102617201	Nut, Flanged, M10 X 1.5, Mechanically Deformed	4
2	102732401	Bolt, M10 X 45, Zn-Ni (Black)	4
3	103262201	Bolt Flg Blk, M8 X 25, Loctite	2
4	103508101	Bolt, 3/8-16 X .75 Lock Patch	4
5	47598099001	Engine, Gas, Ech440	1
6	47611483001	Plate, Mtg, Engine/axle, Pan	1
7	47611484001	Plate, Mtg, Engine/axle, Cvt	1
8	47611648001	Weldment, Mtg, Exhaust	1
9	96741046	Washer, M10, Hard	4

8

G



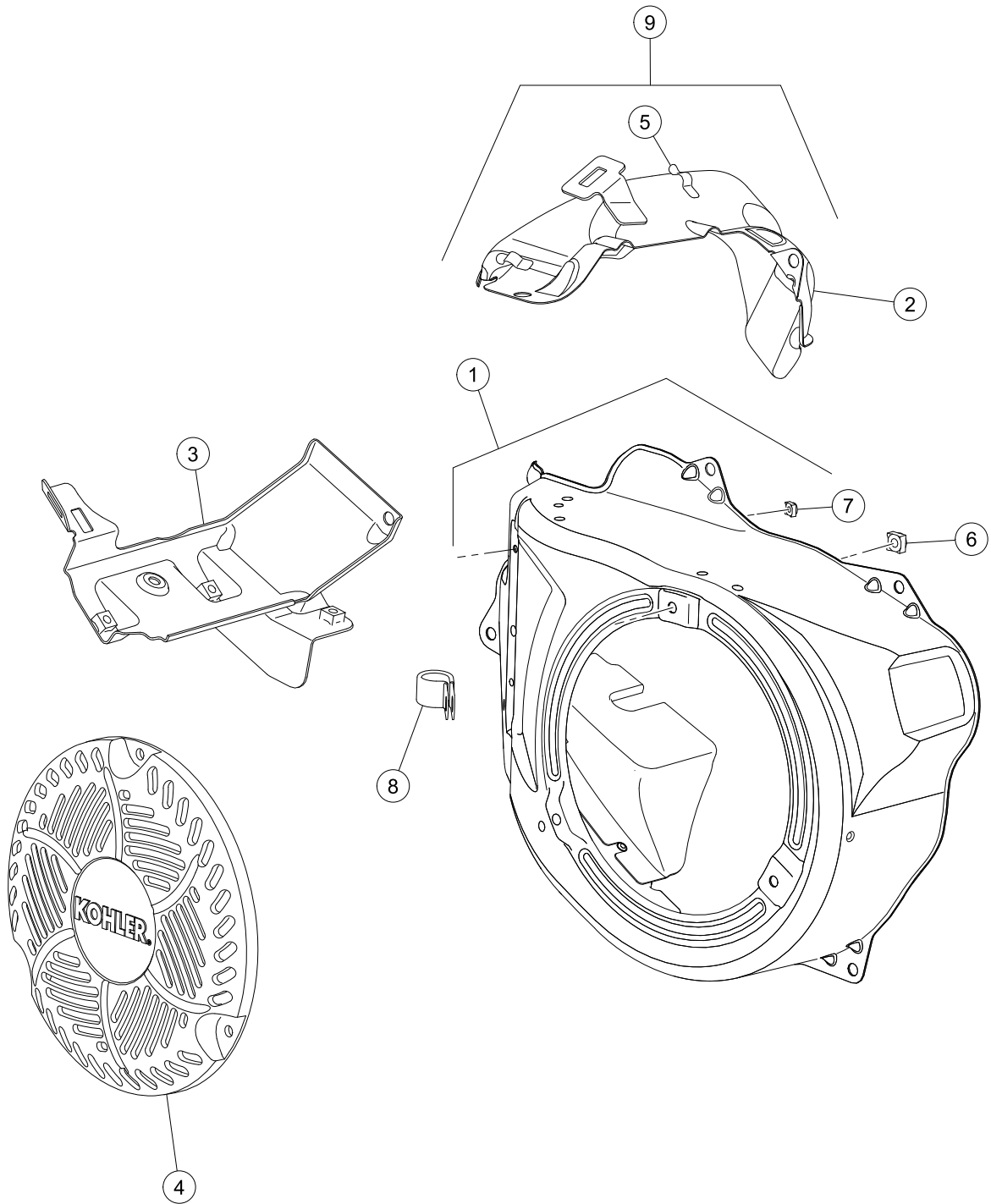
G-010299-000001

ENGINE PAN AND SNUBBER MOUNTING

ITEM	PART NO.	DESCRIPTION	QTY
		1 2 3 4	
1	1013924	Nut, 5/16-24, Hex Head Cone	2
2	101834601	Bracket, Snubber	1
3	101834602	Bracket, Snubber, Tall	1
4	101884801	Screw, 5/16-24 X 0.875, Grade-8	2
5	102540301	Snubber, Inner Frame	1
6	47564890001	Bracket, Snubber, Csmr, Lifted	1
7	47587701001	Asm, Dual Snubber (includes items 8 and 9)	1
8	47583795001	Bracket, Dual Snubber	1
9	47584184001	Snubber, Dual	1
<p style="margin-left: 40px;">Note: Items 8 and 9 are not illustrated.</p>			

8

G



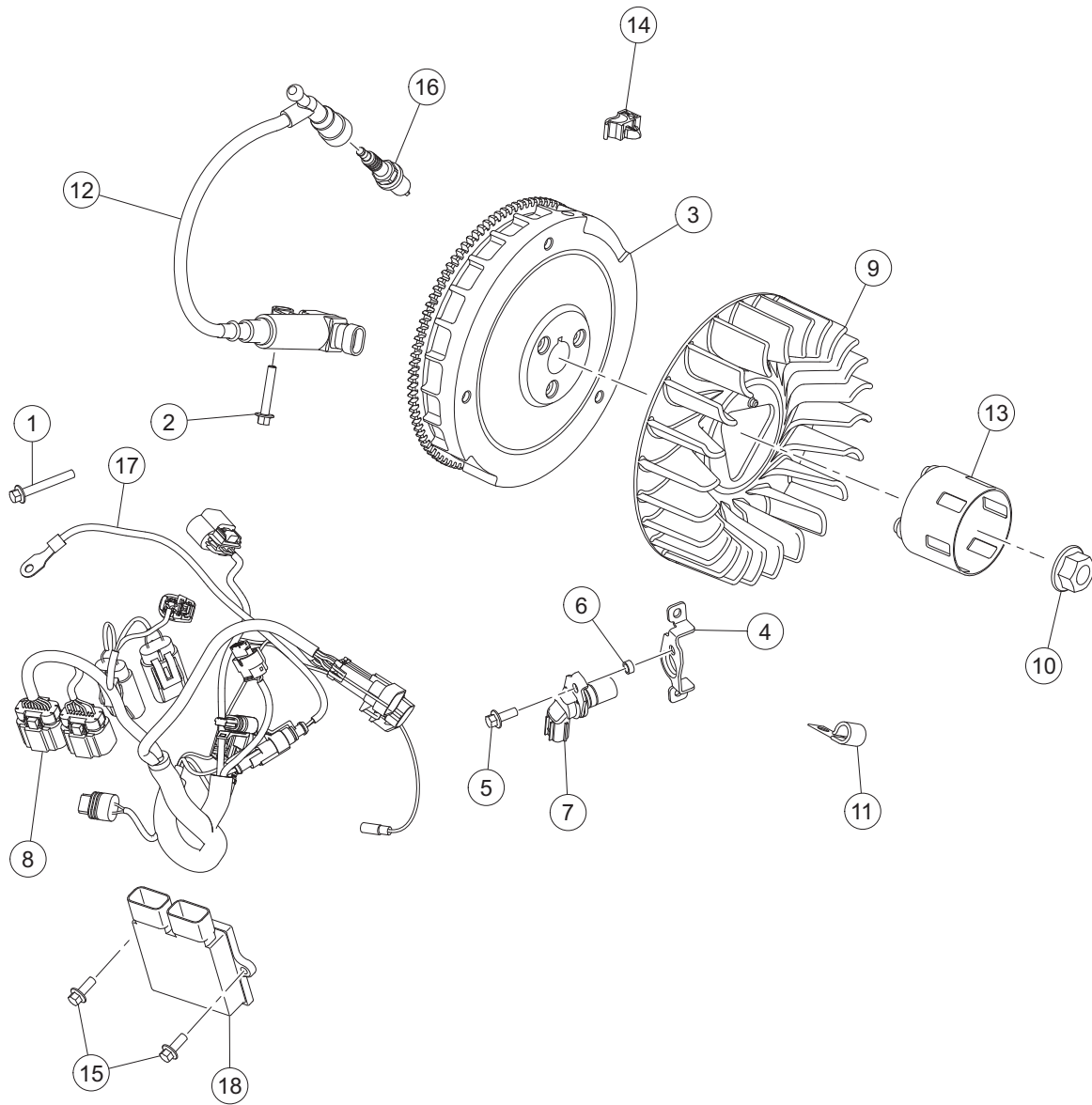
G-040899-000001

BLOWER HOUSING AND HEAT SHIELD – ECH440

ITEM	PART NO.	DESCRIPTION	QTY
		1 2 3 4	
1	47629844001	Kit, Blower Housing, Kohler	1
2	47629845001	Shield, Upper Heater, Kohler	1
3	47629846001	Shield Assembly, Cylinder, Koh	1
4	47629847001	Screen, Blower Housing, Kohler	1
5	47629848001	Clip, Wire, Kohler	2
6	47629851001	Nut, Blower Housing (cky), Koh	1
7	47629853001	Nut, Blower Housing (cky), Koh	1
8	47629855001	Clamp, Insulator, Kohler	1
9	47629856001	Assembly, Heat Shield, Kohler	1

8

G



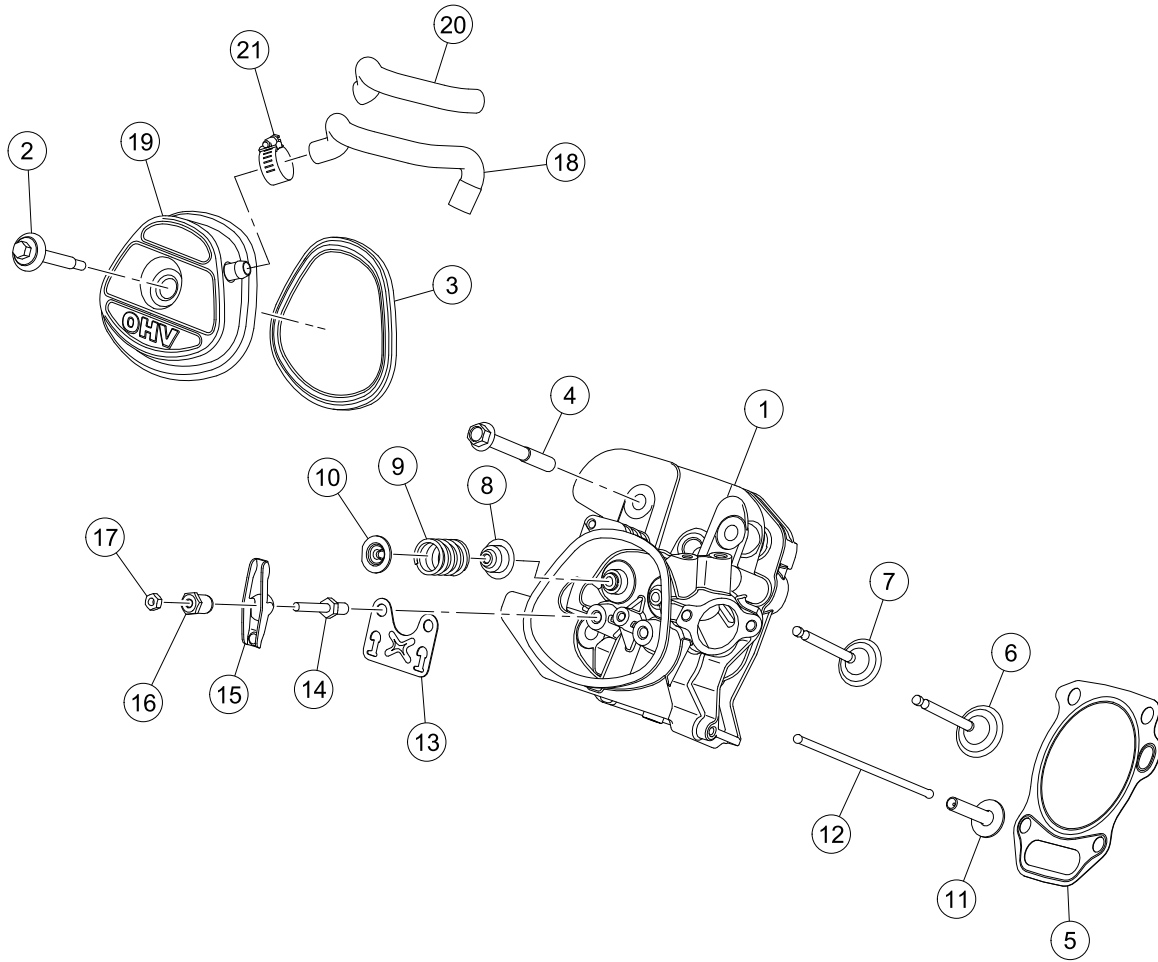
G-040799-000002

IGNITION COMPONENTS AND FLYWHEEL – ECH440

ITEM	PART NO.	DESCRIPTION	QTY
		1 2 3 4	
1	47629702001	Screw, Hex Flange (m6), Kohler	3
2	47629702001	Screw, Hex Flange (m6), Kohler	1
3	47629826001	Flywheel Assy, Electric Start	1
4	47629828001	Bracket, Crank Sensor, Kohler	1
5	47629831001	Screw, Hex Flange, Kohler	1
6	47629832001	Spacer, Kohler	1
7	47629833001	Sensor, Speed, Kohler	1
8	47629834001	Harness, Wiring Assy, Kohler	1
9	47629835001	Fan, Flywheel, Kohler	1
10	47629836001	Nut, Flywheel, Kohler	1
11	47629837001	Clip, Cable, Kohler	1
12	47629838001	Coil, Ignition-efi, Kohler	1
13	47629841001	Cup, Starter Drive, Kohler	1
14	47629843001	Clip, Wiring Harness, Kohler	1
15	47640021001	Screw, M6x16, Kohler	2
16	47640281001	Plug, Spark, Kohler	1
17	47650647001	Sensor, Temperature	1
18	47664335001	Module, Ecu, Kohler, O2 Update	1

8

G



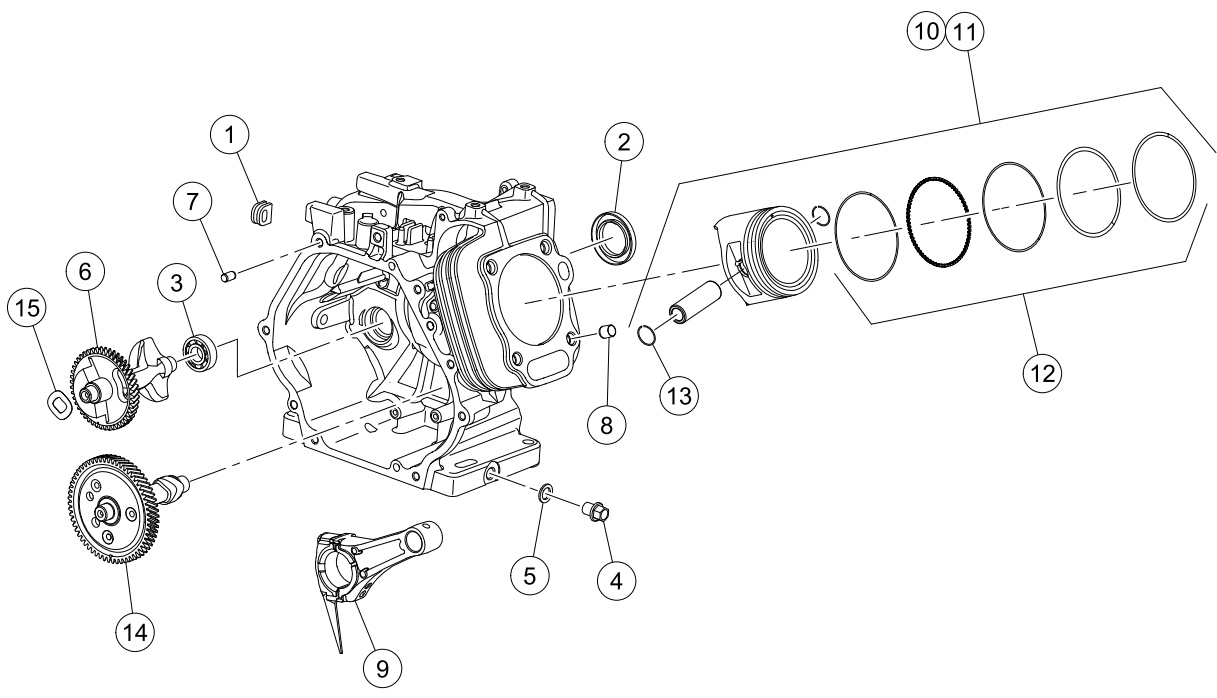
G-040599-000001

CYLINDER HEAD AND VALVE – ECH440

ITEM	PART NO.	DESCRIPTION	QTY
		1 2 3 4	
1	47629711001	Assembly, Cylinder Head, Kohle	1
2	47629714001	Screw, Valve Cover Seal Assy,	1
3	47629716001	Gasket, Valve Cover, Kohler	1
4	47629717001	Screw, Hex Flange Cylinder Hea	4
5	47629718001	Kit, Head Gasket, Kohler	1
6	47629719001	Valve, Intake, Kohler	1
7	47629720001	Valve, Exhaust, Kohler	1
8	47629722001	Seal, Valve Stem, Kohler	2
9	47629723001	Spring, Valve, Kohler	2
10	47629724001	Retainer, Valve Spring, Kohler	2
11	47629725001	Lifter, Valve, Kohler	2
12	47629726001	Rod, Push, Kohler	2
13	47629727001	Plate, Pushrod Guide, Kohler	1
14	47629728001	Stud, Rocker, Kohler	2
15	47629729001	Arm, Rocker, Kohler	2
16	47629730001	Pivot, Rocker Arm, Kohler	2
17	47629768001	Nut, Hex Jam, Kohler	2
18	47629822001	Hose, Breather, Kohler	1
19	47629823001	Valve Cover Assembly, Kohler	1
20	47629824001	Sleeve, Anti Abrasion, Kohler	1
21	47629825001	Clamp, Hose, Kohler	1

8

G



G-040399-000001

CRANKCASE AND PISTON – ECH440

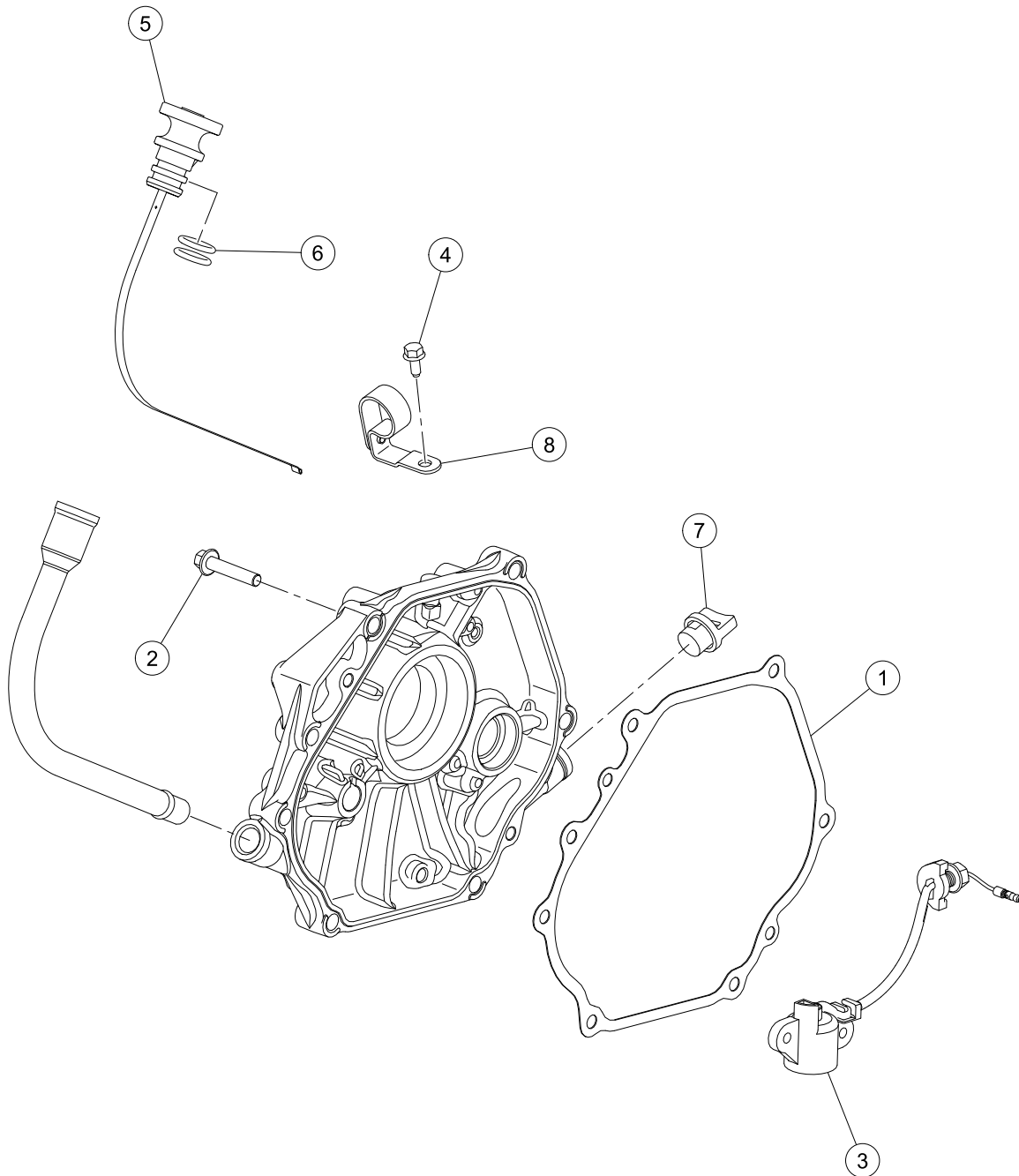
ITEM	PART NO.	DESCRIPTION	QTY
		1 2 3 4	
1	47629677001	Grommet, Crankcase,kohler	1
2	47629680001	Seal, Crankcase, Kohler	2
3	47629682001	Bearing, Balancing Shaft, Kohl	2
4	47629685001	Kit, Drain Plug, Kohler	2
5	47629686001	Washer, Drain Plug, Kohler	2
6	47629687001	Shaft, Balance, Kohler	1
7	47629688001	Pin, Dowel, Kohler	2
8	47629689001	Pin, Dowel Cylinder Head, Kohl	2
9	47629690001	Rod, Connecting Assembly,kohle	1
10	47629691001	Kit, Piston Wing Set (std), Ko	1
11	47629693001	Kit, Piston (0.25 O.s.), Kohle	1
12	47629694001	Ring Set, Kohler	2
13	47629696001	Retainer, Piston, Kohler	2
14	47629697001	Camshaft Assembly, Kohler	1
15	47629698001	Spring, Wave, Kohler	1

8

G

8

G



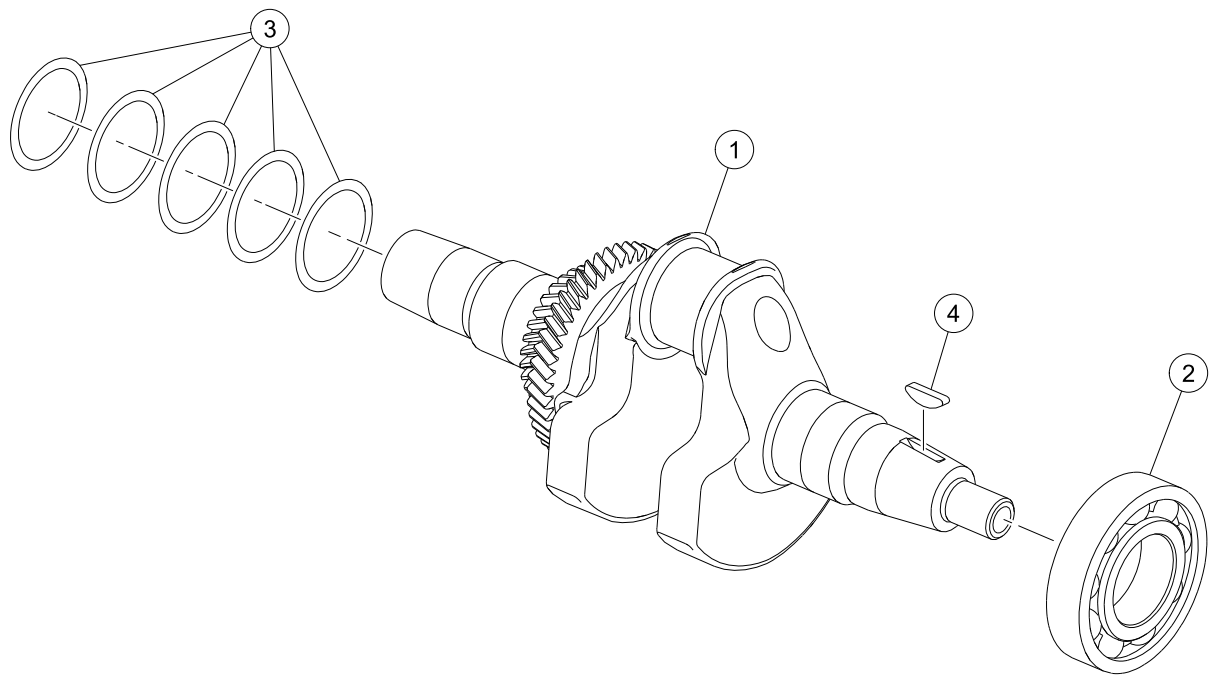
G-040699-000001

OIL SENSOR AND LUBRICATION – ECH440

ITEM	PART NO.	DESCRIPTION	QTY
		1 2 3 4	
1	47629699001	Gasket, Closure Plate, Kohler	1
2	47629700001	Screw, Closure Plate, Kohler	7
3	47629701001	Switch, Oil Sensor Assembly, K	1
4	47629702001	Screw, Hex Flange (m6), Kohler	18
5	47629703001	Dipstick, Assembly, Kohler	1
6	47629705001	O-ring, Dipstick Cap, Kohler	2
7	47629707001	Cap Assy, Oil Fill, Kohler	1
8	47629709001	Bracket, Dipstick Tub, Kohler	1

8

G



G-040299-000001

CRANKSHAFT – ECH440

ITEM	PART NO.	DESCRIPTION	QTY
		1 2 3 4	
1	47629583001	Crankshaft Assembly, Kohler	1
2	47629585001	Bearing, Crankshaft, Kohler	2
3	47629588001	Kit, Shims, Kohler	5
4	47629589001	Key, Flywheel, Kohler	1

8

G

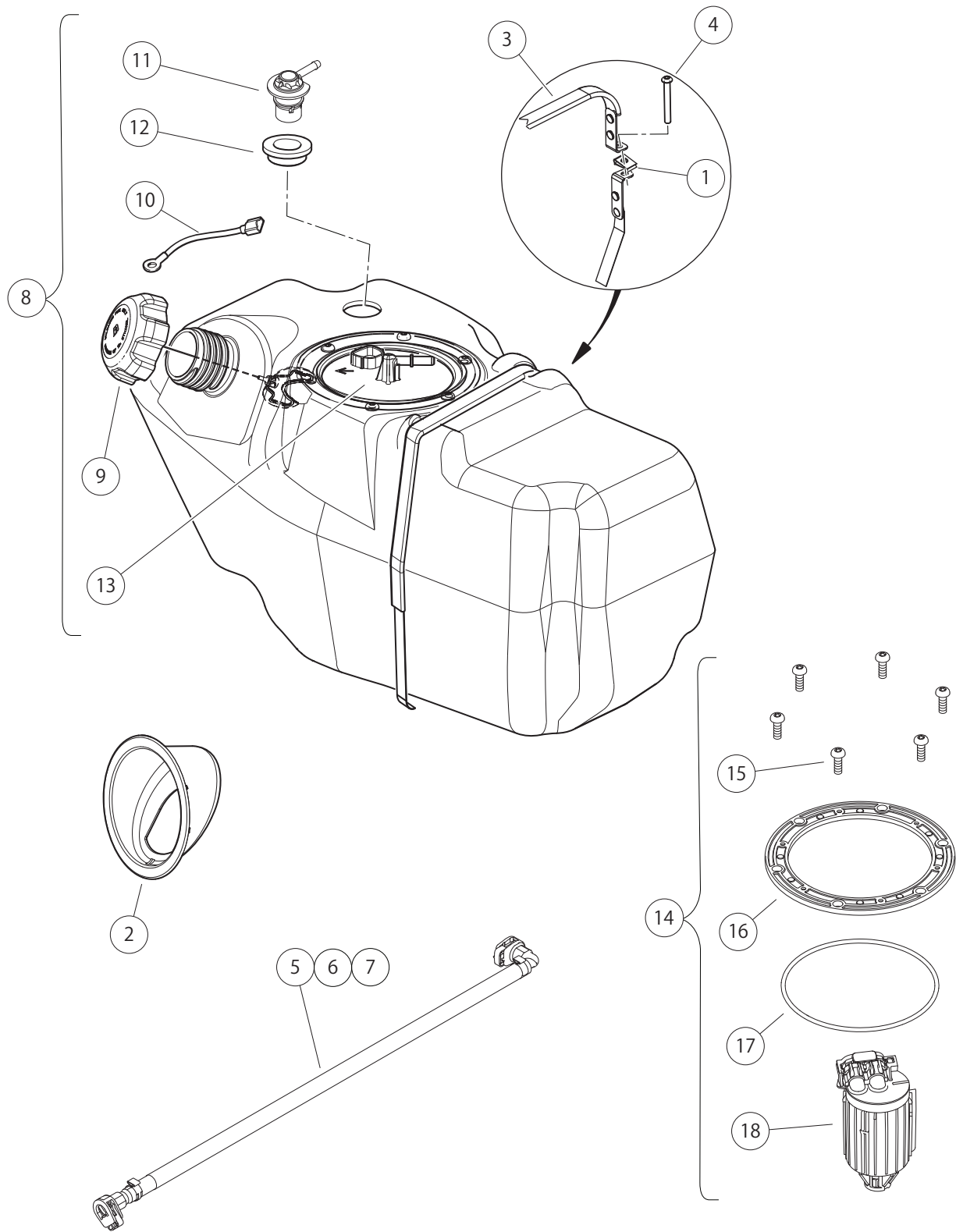
8

G

FUEL SYSTEM – EFI

9

G

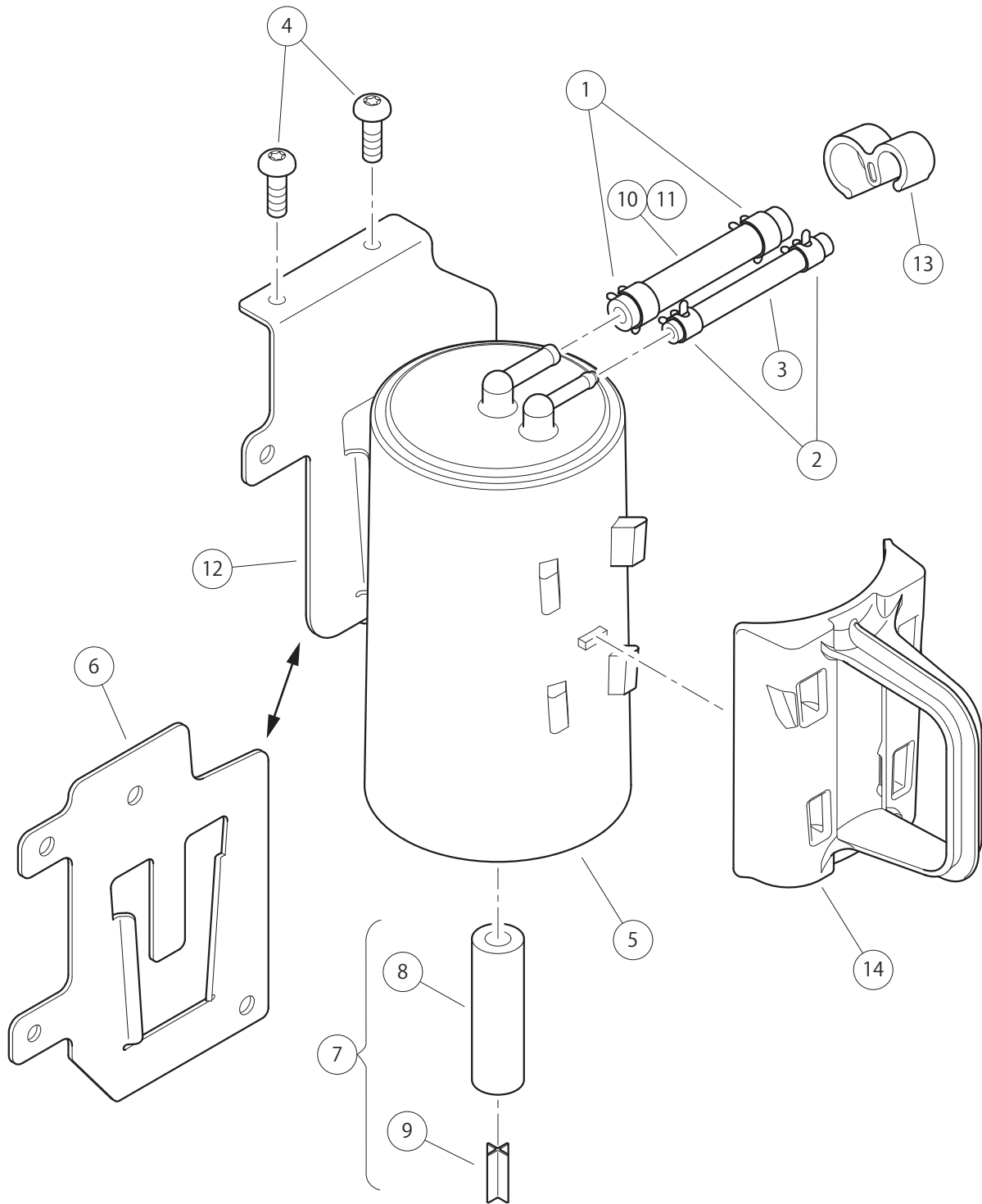


000977-008

FUEL TANK WITH PUMP, SIDE FILL – EFI

ITEM	PART NO.	DESCRIPTION	QTY
		1 2 3 4	
1	1014116	Nut, 1/4-20 Speed	1
2	102977901	Bezel, Fuel Fill, 5.0 Dia	1
3	105093601	Retention Strap, Tank	1
4	105194101	1/4-20 X 2.5, Bhcs, 6-lobe	1
5	47606233001	Asm, Fuel Line, Util	1
6	47606233002	Asm, Fuel Line, Util	1
7	47606233004	Asm, Fuel Line, Uff, Hb, Lwb	1
8	47664037001	Asm, Tank, Fuel, Side, Su (includes items 9 through 14)	1
9	103372101	Cap, Fuel Tank, Gas, Ratchet	1
10	105143301	Wire, Ground, Fuel Tank	1
11	47611876001	Vent Rov, Fuel Tank, Precedent	1
12	47611877001	Grommet, Fuel Tank, Vent	1
13	N/A	Fuel Pump Module Su 50psi	1
14	47623339001	Kit, Fuel Filter, 50 Psi (includes items 15 through 18)	1
15	102025801	Screw, 1/4-20 X .75 Torx Pn Hd	6
16	105043801	Fuel Module, Hold Down Ring	1
17	105043901	O-Ring, Fuel Module	1
18	N/A	Fuel Filter, 50psi	1
<p>Note: Item 5 applies to short wheel base vehicles only. Item 6 applies to medium wheel base vehicles only. Item 7 applies to long wheel base vehicles only.</p>			

9
G



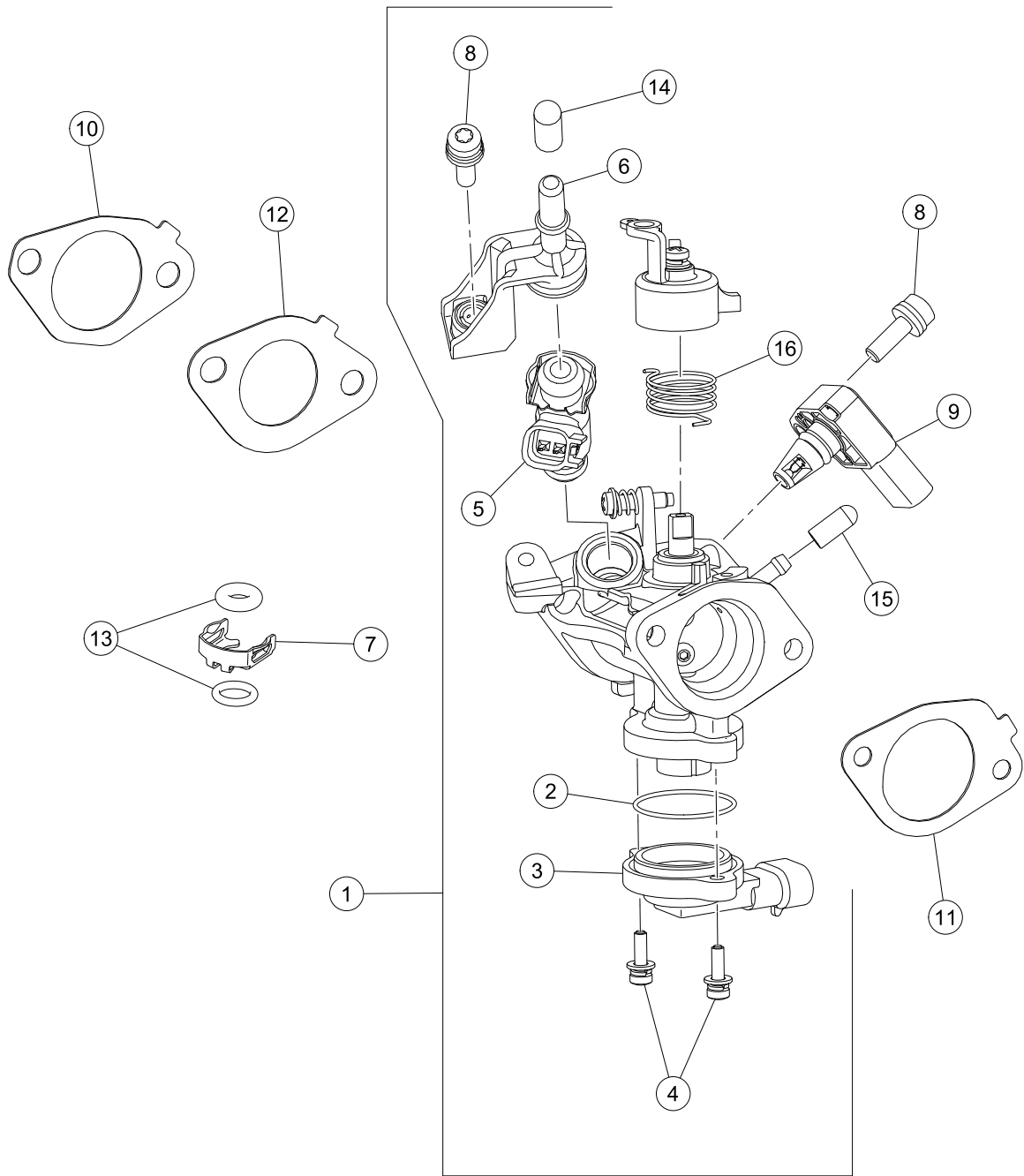
000980-014

CARBON CANISTER – EFI

ITEM	PART NO.	DESCRIPTION	QTY
		1 2 3 4	
1	1012649	Clamp, 0.460 Red Hose	2
2	1013746	Clamp, 0.301 ID Hose	2
3	101587714	Hose, Fuel, Vent, 34" Long	1
4	102025801	Screw, 1/4-20 X .75 Torx Pn Hd	2
5	103372401	Canister, Carbon	1
6	103452001	Brkt, Mtg, Carbon Canister	1
7	103756401	Asm, Vent Line, Carbon Canister (includes items 8 and 9)	1
8	N/A	Hose, Vent, 5/16 I.D., Bulk	1
9	N/A	Vent, Barb, 5/16 I.D. Hose	1
10	103896604	Hose, Vent, 1/4 Id, 17 In (SWB and Utility)	1
11	103896605	Hose, Vent, 1/4 Id, 23.5 In	1
12	47606257001	Brkt, Mtg, Carbon Canister	1
13	47619701001	Clip, Purge Line, Util	2
14	47637087001	Bracket, fuel line routing	1
<p>Note: Items 6 and 14 apply to short wheel base vehicles only. Item 12 applies to utility and long wheel base vehicles only.</p>			

9

G

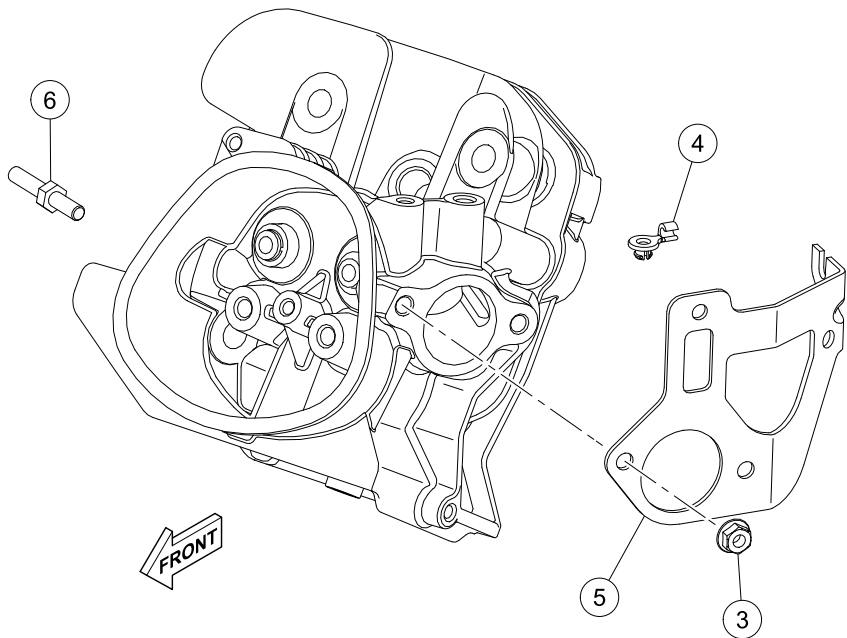
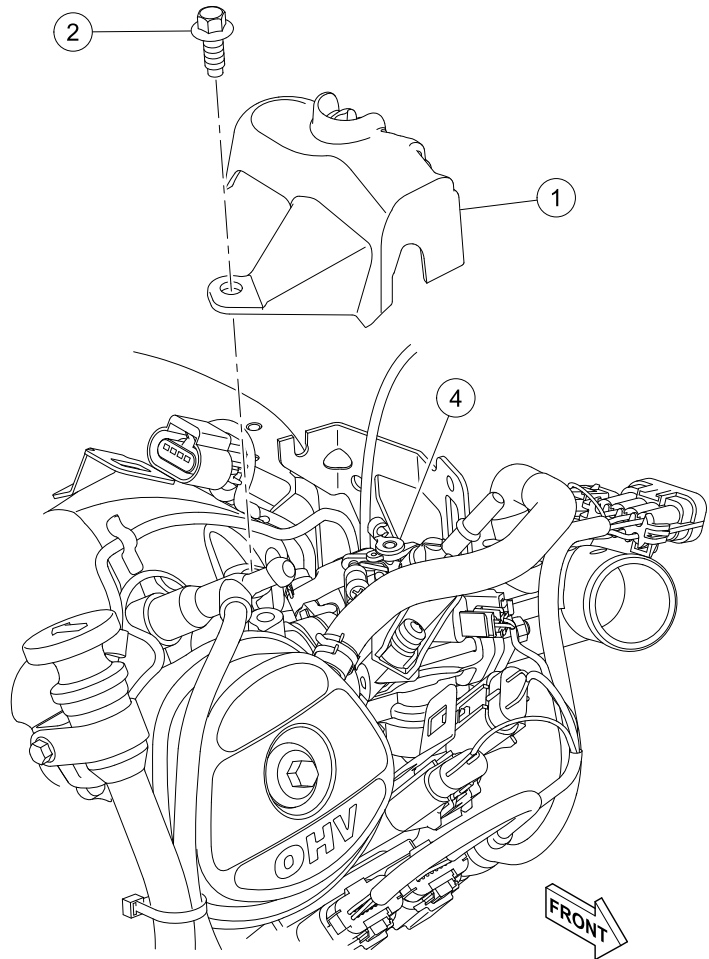


G-100199-000001

THROTTLE BODY AND MOUNTING

ITEM	PART NO.	DESCRIPTION	QTY
		1 2 3 4	
1	47629857001	Throttle Body, Assembly, Kohler	1
2	47629858001	O-ring, Kohler	1
3	47629859001	Kit, Tps, Kohler	1
4	47629860001	Screw, Hexalobular, M4 X 0.7 X	2
5	47629861001	Injector, Fuel, Kohler	1
6	47629862001	Cap, Fuel Inector, Kohler	1
7	47629864001	Clip, Retainer, Kohler	1
8	47629865001	Screw, Hexalobular, M6 X 1 Sem	2
9	47629866001	Sensor, T-map, Kohler	1
10	47629867001	Kit, Gasket Intake, Kohler	1
11	47629868001	Gasket, Throttle Body, Kohler	1
12	47629869001	Gasket, Insulator To T-body, K	1
13	47629870001	Kit, Fuel Injector O-ring, Koh	1
14	47629871001	Cap, Masking, Kohler	1
15	47629872001	Cap, Masking, Kohler	1
16	47629874001	Spring, Return, Kohler	1

9
G



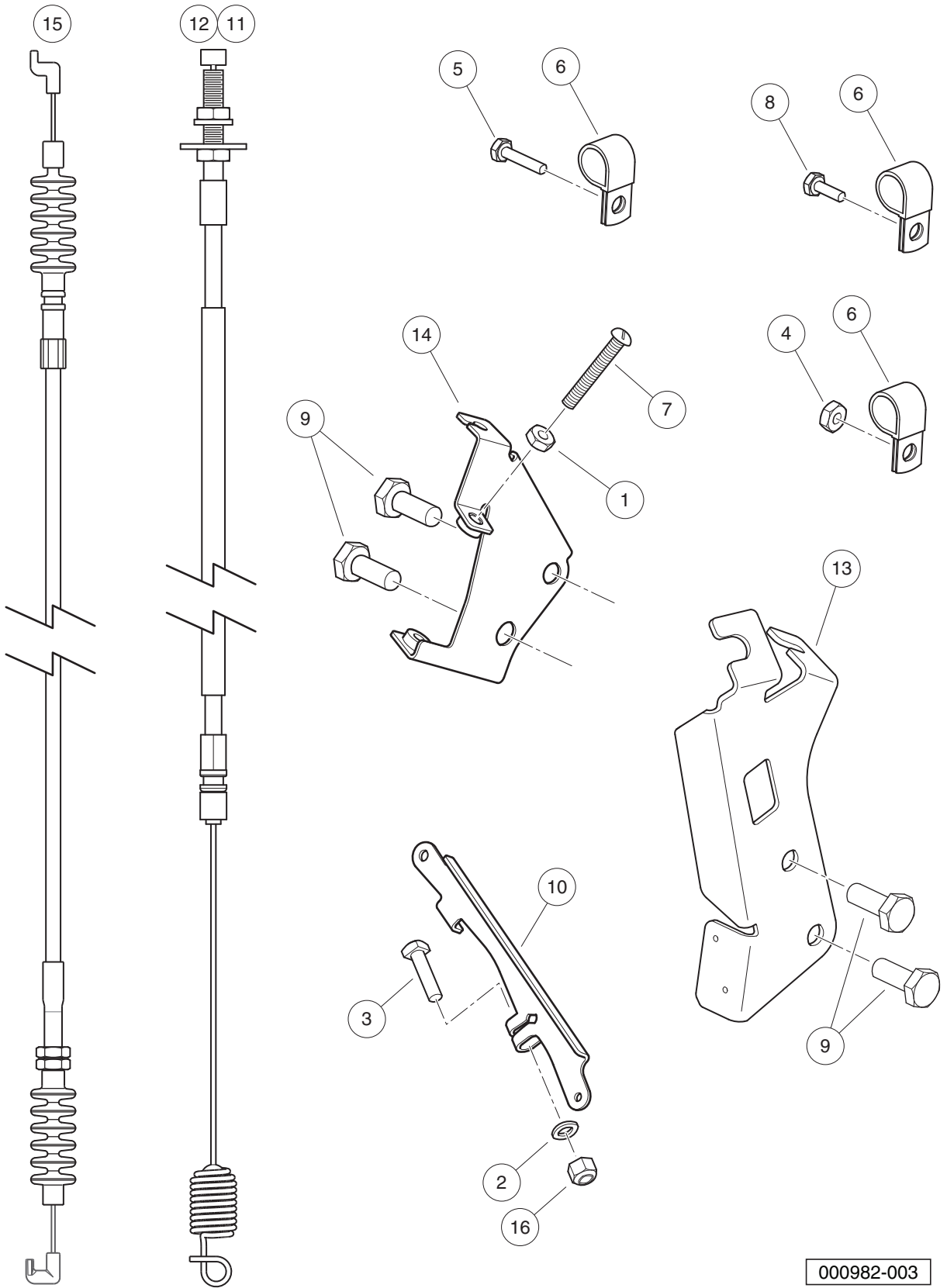
G-040999-000002

GOVERNOR BRACKET AND COVER – EFI

ITEM	PART NO.	DESCRIPTION	QTY
		1 2 3 4	
1	47612352001	Cover, Governor, Ech 440	1
2	47617158001	M8-1.25 X 16 Lg, Pan Hd, Torx	2
3	47629875001	Nut, Hex Flange Lock (m6), Koh	2
4	47629876001	Bushing, Linkage Retainer, Koh	1
5	47629877001	Bracket, Governor, Kohler	1
6	47629878001	Stud, Ground, Kohler	1

9

G



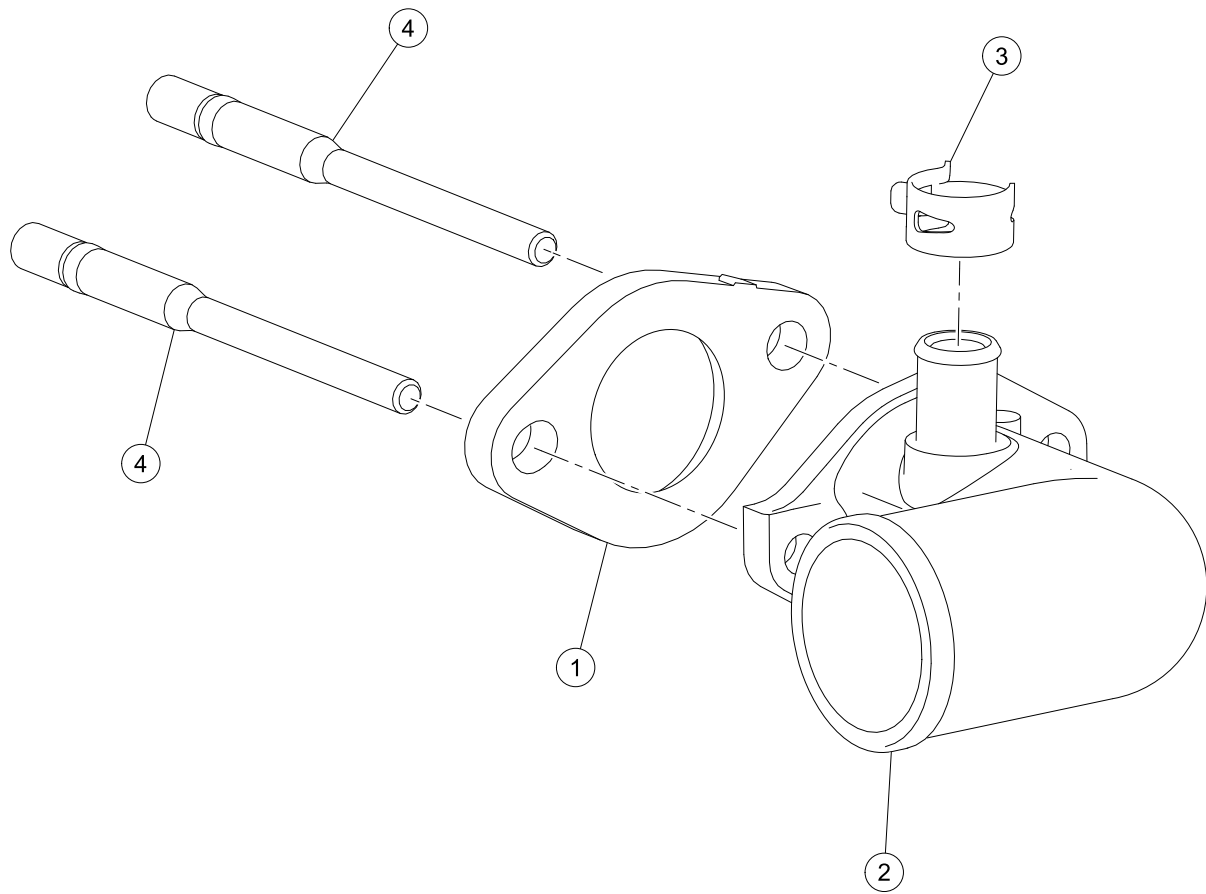
000982-003

GOVERNOR AND ACCELERATOR CABLES – EFI

ITEM	PART NO.	DESCRIPTION	QTY
		1 2 3 4	
1	1011114	Nut, M6-1.00 Hex	2
2	1014007	Washer, 1/4, Flat	1
3	101886101	Screw, 1/4-20 X 1.00, Square-Head	1
4	101887601	Locknut, M6-1.00 Nylon Insert	1
5	102296716	Screw, M6 X 16 Tt Hx Fl Hd	1
6	102410604	P-clamp, Insulated, 0.625 Inch	3
7	102476401	Bolt, Stop, Pedal	1
8	102490301	Bolt, M6 X 1 X 16, Loctite	1
9	102498201	Bolt, M10 X 1.25 X 25, Loctite	2
10	104023501	Arm, Governor, ED65	1
11	105007402	Cable, Accelerator, Utility, Low-Speed	1
12	105007403	Cable, Accelerator, Utility, Std-Speed	1
13	105135101	Bracket, Cable, FNR/Accelerator, ED65	1
14	105144401	Weldment, Governor Bracket	1
15	47601355001	Cable, Governor, Z Fit 90 Fit	1
16	8233	Locknut, 1/4-20, Nylon Insert	1

9

G



G-040999-000003

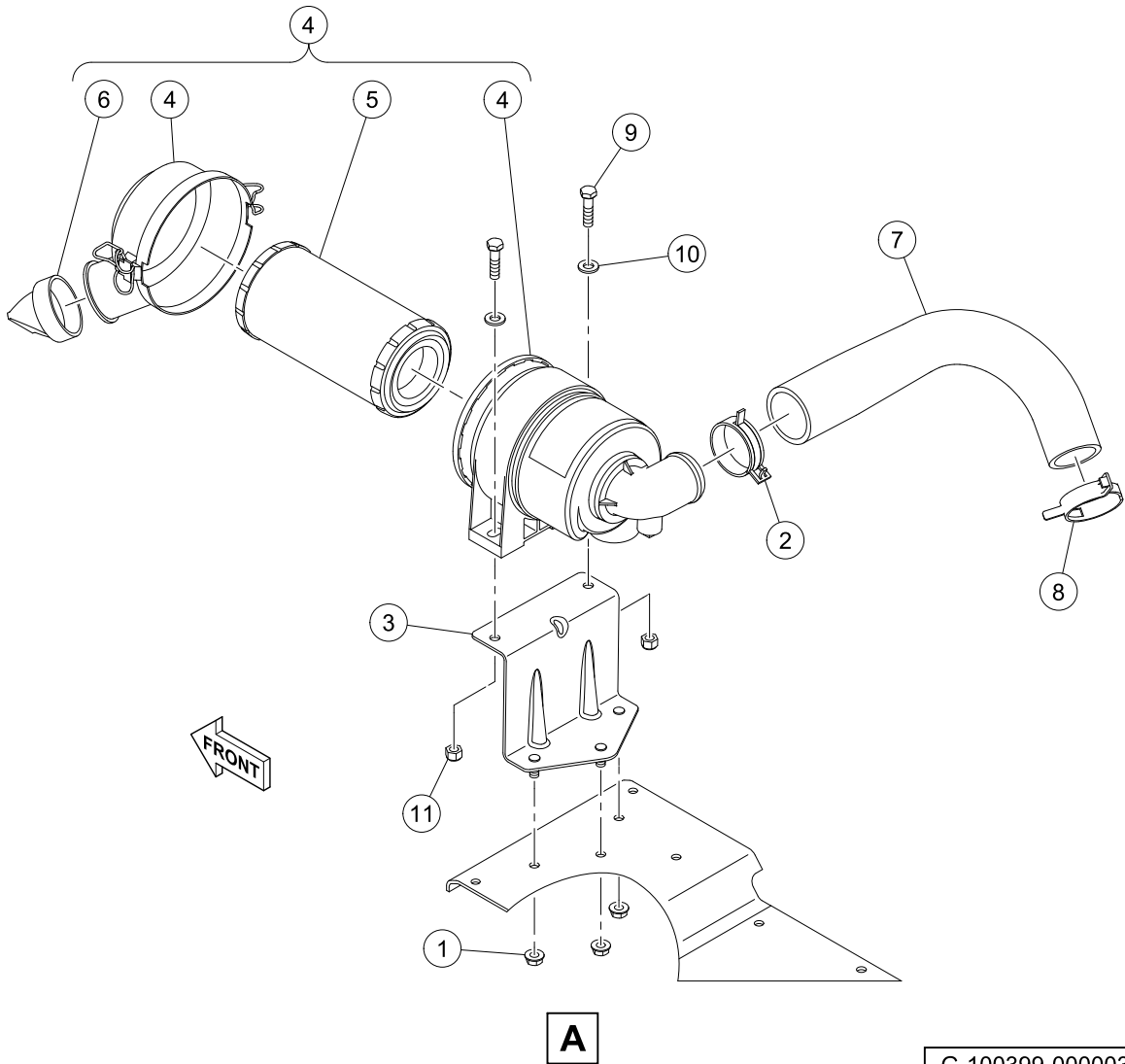
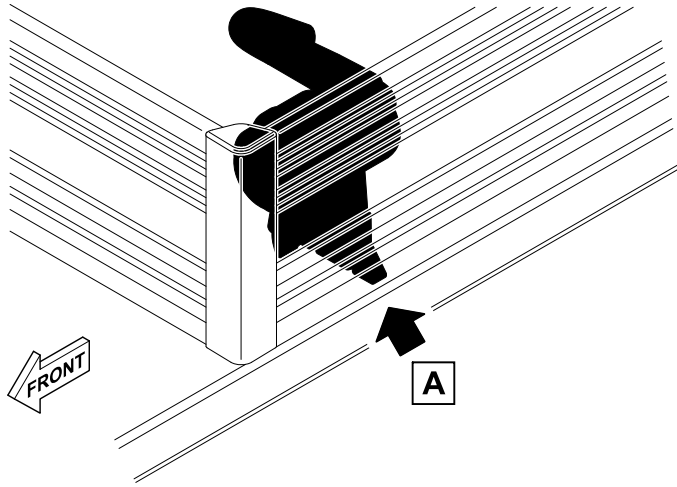
AIR INTAKE ELBOW – EFI

ITEM	PART NO.	DESCRIPTION	QTY
		1 2 3 4	
1	47629879001	Insulator Throttle Body, Kohler	1
2	47629880001	Elbow, Air Inlet, Kohler	1
3	47629881001	Clamp, Breather Hose, Kohler	1
4	47629882001	Stud, Intake, Kohler	2

9

G

9
G



G-100399-000003

AIR FILTER SYSTEM AND INTAKE HOSE – EFI, LWB UTILITY/ TRANS

ITEM	PART NO.	DESCRIPTION	QTY
		1 2 3 4	
1	101963401	Locknut, 5/16-18 Hex Flange	3
2	102411209	Clamp, Hose, Ctb 55mm Dia.	1
3	105003401	Asm, Bracket, Mtg, Air Cleaner	1
4	105009101	Air Cleaner, Utility with EFI (includes items 5 and 6)	1
5	102558201	Air Filter, 4 Inch	1
6	102725501	Valve, Evacuator, Filter Air	1
7	105009401	Hose, Air Intake, LWB Utility with EFI	1
8	105088501	Clamp, Ctb, 49mm Dia, W/clip	1
9	1218	Screw, 5/16-18 X 1.25 Hex-Head Cap	2
10	1241	Washer, 5/16 Type A Flat	2
11	7473	Locknut, 5/16-18 Nylon Insert	2

9

G

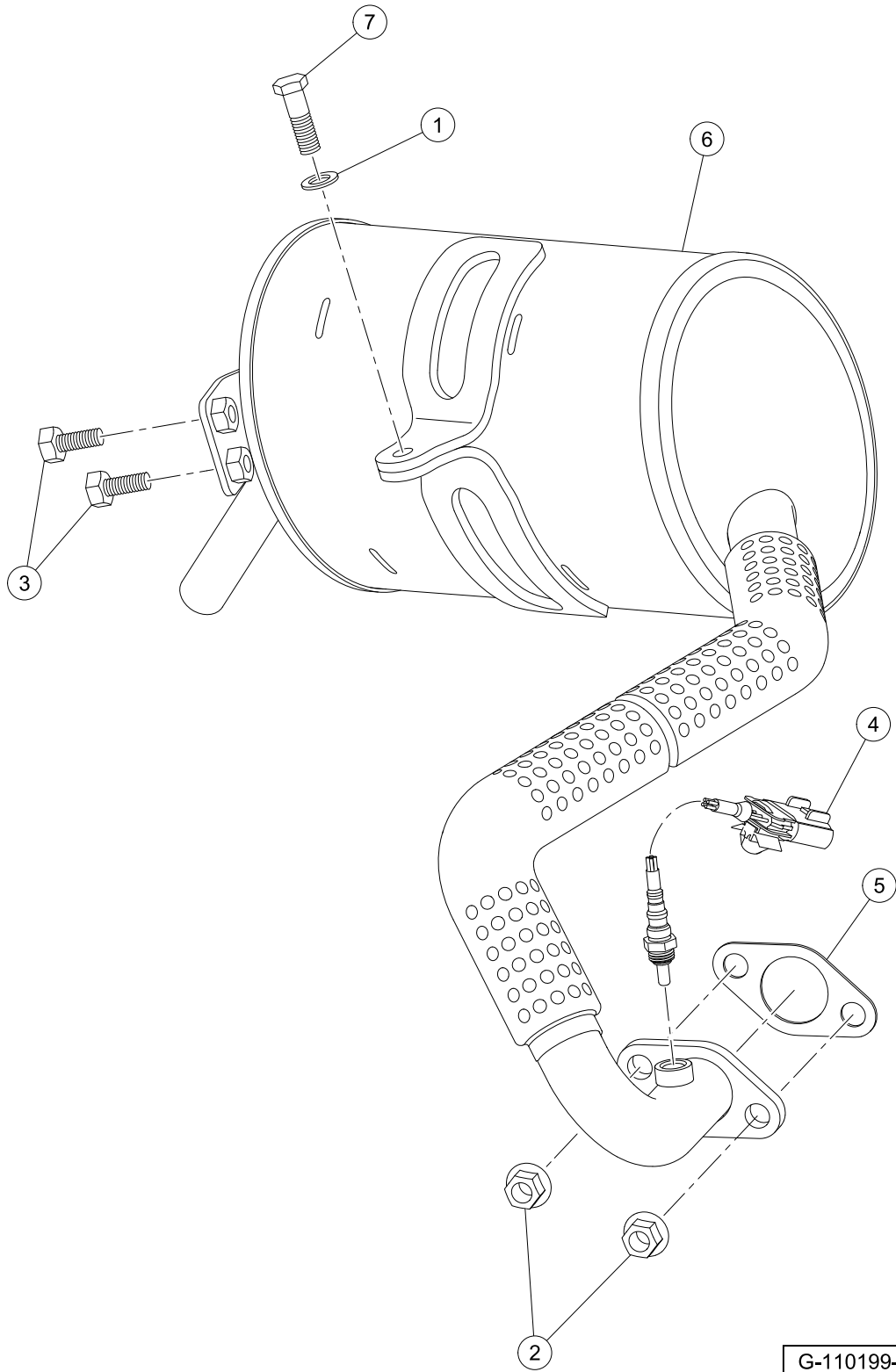
9

G

EXHAUST SYSTEM – ECH440

10

G



G-110199-000001

EXHAUST SYSTEM

ITEM	PART NO.	DESCRIPTION	QTY
		1 2 3 4	
1	1011697	Washer, 5/16 Flat	1
2	102298401	Nut, M8, All Metal Lock	2
3	102922701	Bolt, Flanged Head, M8x1.25x20 Lock Patch	2
4	47611209001	Asm, Sensor, Oxygen, Heated	1
5	47611210001	Gasket, Exhaust, Grpht, Ech440	1
6	47613047002	Exhaust, Ech440, Utility	1
7	96705587	Bolt, M8 X 1.25 X 30	1

10

G

10

G

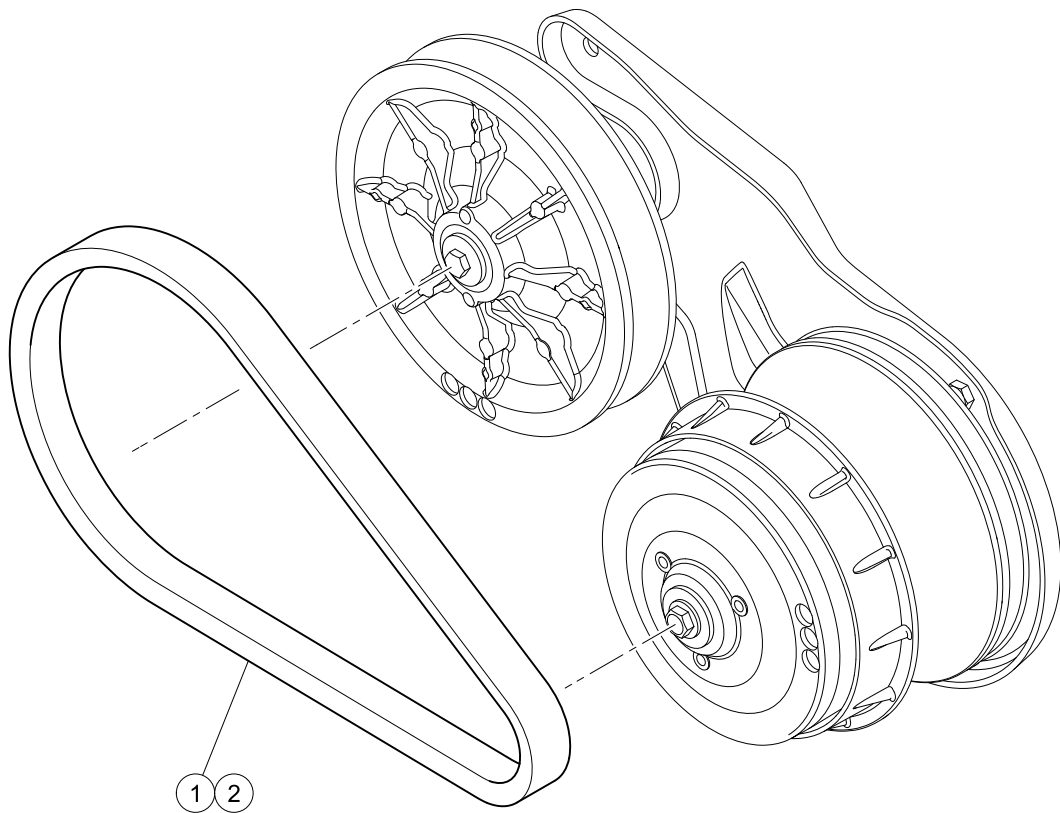
DRIVE BELT AND CLUTCHES – EFI GASOLINE VEHICLES

11

G

11

G

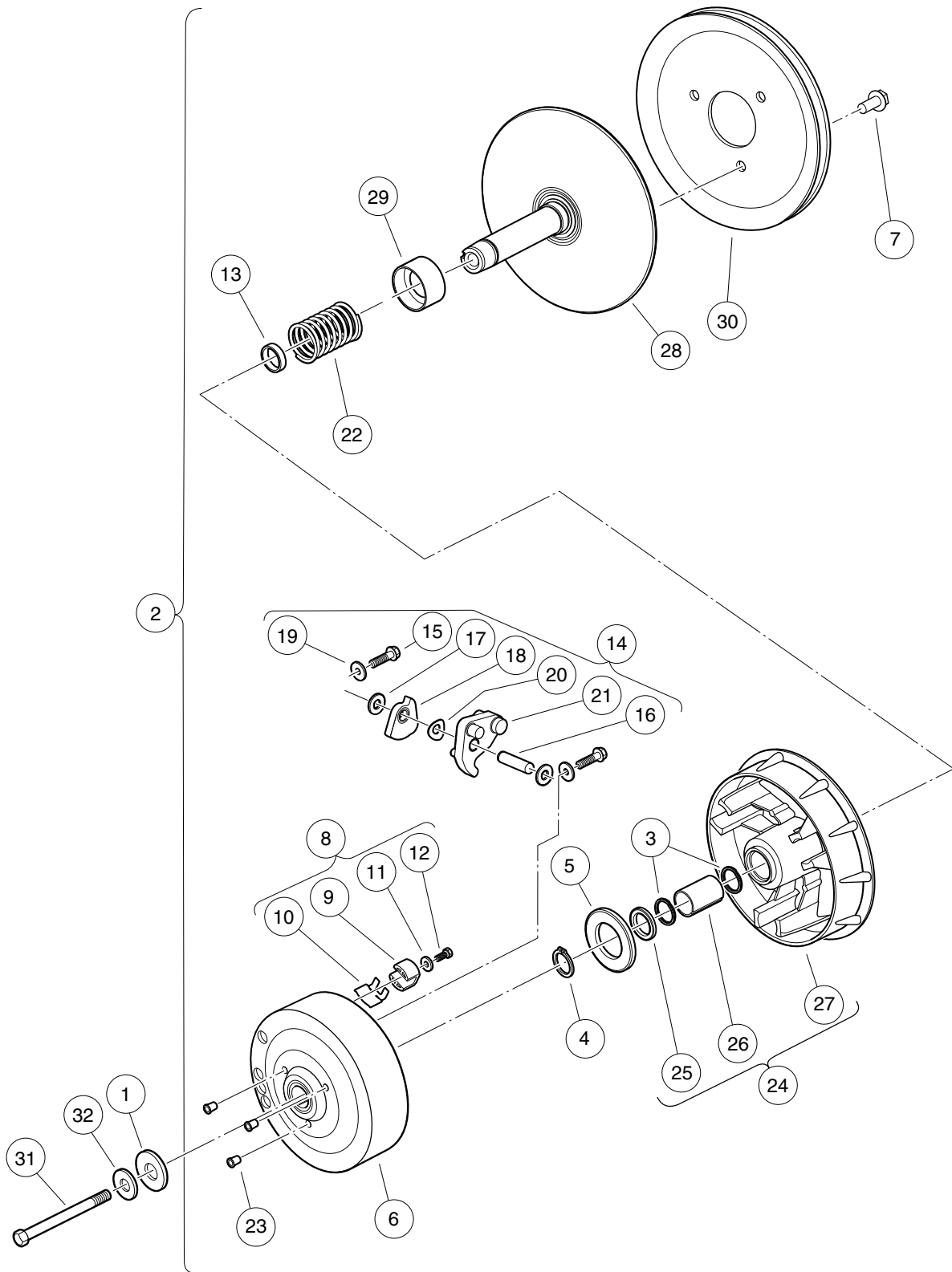


G-060099-000001

DRIVE BELTS – EFI

ITEM	PART NO.	DESCRIPTION	QTY
1	103974102	1 2 3 4 Belt, Drive, Key-Start	1
2	105245801	Belt, Drive, Pedal-Start	1

11
G



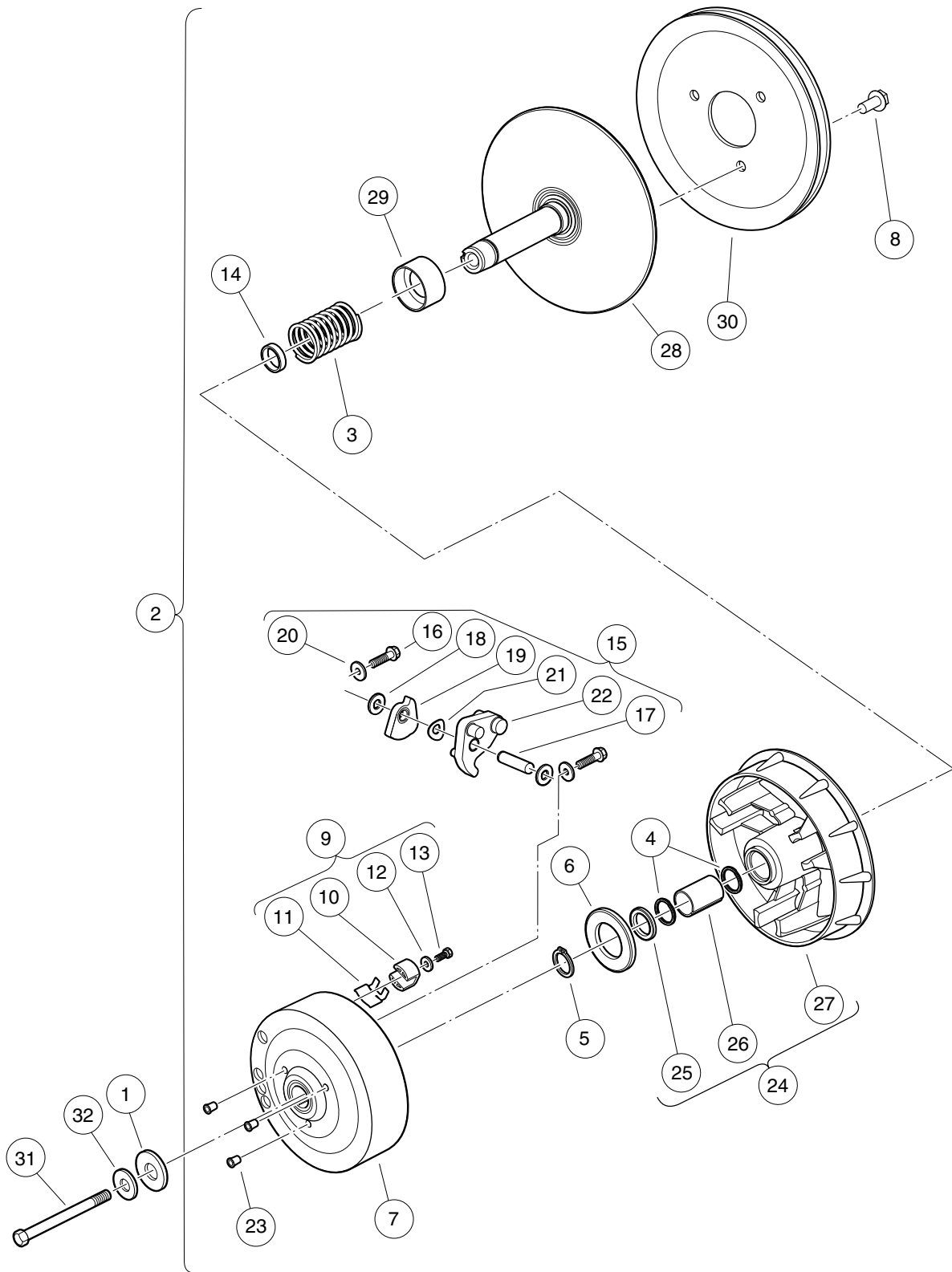
000958-002

DRIVE CLUTCH – KEY-START VEHICLES

ITEM	PART NO.	DESCRIPTION	QTY
		1 2 3 4	
1	102491501	Washer, Hard, M10	1
2	103973902	Clutch, Drive, Key-Start (includes items 3 through 30)	1
3	1014056	Ring, Spiral Backup	2
4	1014057	Ring, 0.810" Internal Retaining	1
5	1014058	Thrust Washer	1
6	1014059	Drive Hub Assy, Drive Clutch	1
7	1014288	Screw, 5/16-18 X 0.75, Thread-Forming	3
8	1014453	Kit, Drive Clutch Button (includes items 9 through 12)	1
9	1014062	Driver, Drive Clutch	3
10	1014287	Spring, Drive Button	3
11	183	Washer, #10, Type A, Flat	3
12	8450	Screw, #10-24 X 0.50, Hex-Head	3
13	1016289	Spacer, Fixed Face Shaft	1
14	1016801	Kit, Drive Clutch Weight (includes items 15 through 21)	1
15	1014063	Screw, 1/4-20 X 1.00, Hex Head	6
16	N/A	Pin, Dowel, 0.3752 x 1.50	3
17	1014065	Washer, Flat, 0.38" ID, Delrin	6
18	N/A	Clutch Weight, Secondary	3
19	N/A	Washer	6
20	1016201	Washer, Wave	3
21	N/A	Weight, Primary	3
22	1016901	Spring, Drive Clutch	1
23	N/A	Cap Plug	3
24	103974201	Asm, Sheave, Moveable, Drive, Wr (includes items 25 through 27)	1
25	1014055	Retainer	1
26	N/A	Bushing, Split, Drive Clutch	1
27	N/A	Sheave, Moveable, Drive, Wr	1
28	103974401	Sheave, Fixed, Drive, Wr	1
29	103984601	Spacer, Idler, Drive	1
30	105096101	Pulley, 7.3 Inch Effective Dia	1
31	103976101	Screw, 3/8-24x5.75, Patch	1
32	334	Washer, 3/8, Type A, Flat	1

11

G



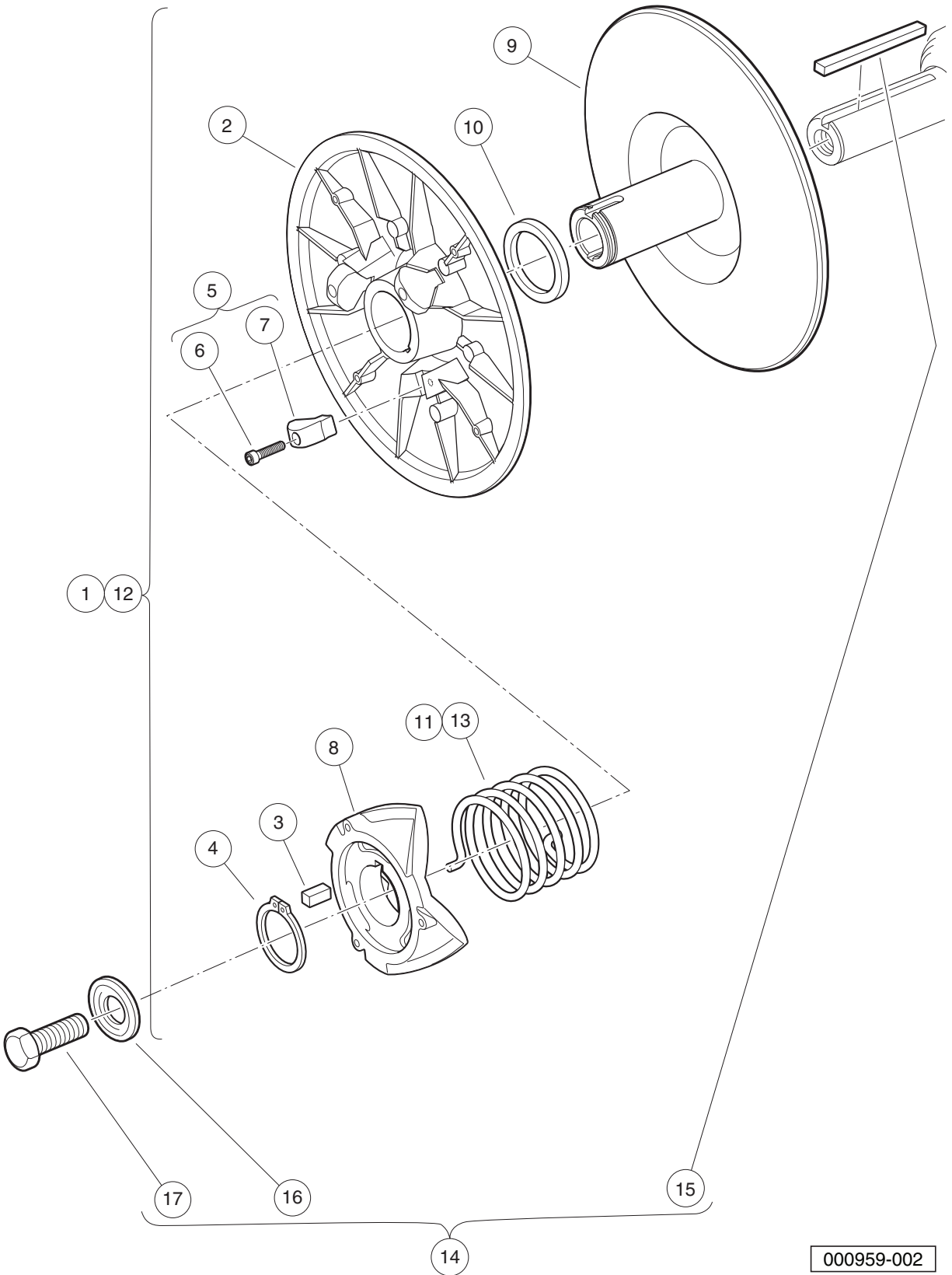
000958-001

DRIVE CLUTCH – PEDAL-START VEHICLES

ITEM	PART NO.	DESCRIPTION	QTY
		1 2 3 4	
1	102491501	Washer, Hard, M10	1
2	103973901	Clutch, Drive, Pedal-Start (includes items 3 through 30)	1
3	1014051	Spring, Drive Clutch	1
4	1014056	Ring, Spiral Backup	2
5	1014057	Ring, 0.810" Internal Retaining	1
6	1014058	Thrust Washer	1
7	1014059	Drive Hub Assy, Drive Clutch	1
8	1014288	Screw, 5/16-18 X 0.75, Thread-Forming	3
9	1014453	Kit, Drive Clutch Button (includes items 10 through 13)	1
10	1014062	Driver, Drive Clutch	3
11	1014287	Spring, Drive Button	3
12	183	Washer, #10, Type A, Flat	3
13	8450	Screw, #10-24 X 0.50, Hex-Head	3
14	1016289	Spacer, Fixed Face Shaft	1
15	1016801	Kit, Drive Clutch Weight (includes items 16 through 22)	1
16	1014063	Screw, 1/4-20 X 1.00, Hex Head	6
17	N/A	Pin, Dowel, 0.3752 x 1.50	3
18	1014065	Washer, Flat, 0.38" ID, Delrin	6
19	N/A	Clutch Weight, Secondary	3
20	N/A	Washer	6
21	1016201	Washer, Wave	3
22	N/A	Weight, Primary	3
23	N/A	Cap Plug	3
24	103974201	Asm, Sheave, Moveable, Drive, Wr (includes items 25 through 27)	1
25	1014055	Retainer	1
26	N/A	Bushing, Split, Drive Clutch	1
27	N/A	Sheave, Moveable, Drive, Wr	1
28	103974401	Sheave, Fixed, Drive, Wr	1
29	103984601	Spacer, Idler, Drive	1
30	105096101	Pulley, 7.3 Inch Effective Dia	1
31	103976101	Screw, 3/8-24x5.75, Patch	1
32	334	Washer, 3/8, Type A, Flat	1

11

G



000959-002

DRIVEN CLUTCH – KEY START AND PEDAL START

ITEM	PART NO.	DESCRIPTION	QTY
		1 2 3 4	
1	47601767001	Asm, Clutch, Driven, Ccw, Blk (includes items 2 through 11)	1
2	1014072	Movable-Face Assembly with Bushing	1
3	1014078	Key, Driven Clutch	1
4	1014080	Ring, Retaining	1
5	1014454	Kit, Driven Clutch Button (includes items 6 and 7)	1
6	1012836	Screw, #8-32 X 3/4, Socket-Head Cap	3
7	N/A	Button, Drive	3
8	1017686	Cam, Driven Clutch	1
9	103975301	Sheave, Fixed, Driven, Wr	1
10	104025101	Washer, Acetal, Driven Clutch	1
11	47600218001	Spring, Drvn Clutch, Ccw, Blk	1
12	47601767002	Asm, Clutch, Driven, Ccw, Red	1
13	47601832001	Spring, Drvn Clutch, Ccw, Red	1
14	AM10419	Kit, Clutch Repair (includes items 15 through 17)	1
15	101833401	Key, 3/16 Sq X 1.50"	1
16	102155801	Washer, Driven Clutch	1
17	102242101	Screw, 5/16-18 X 3/4 Hex-Head with Patch	1
Note: Item 11 is only applicable to item 1. Item 13 is only applicable to item 12. All other details apply to both driven clutch assemblies.			

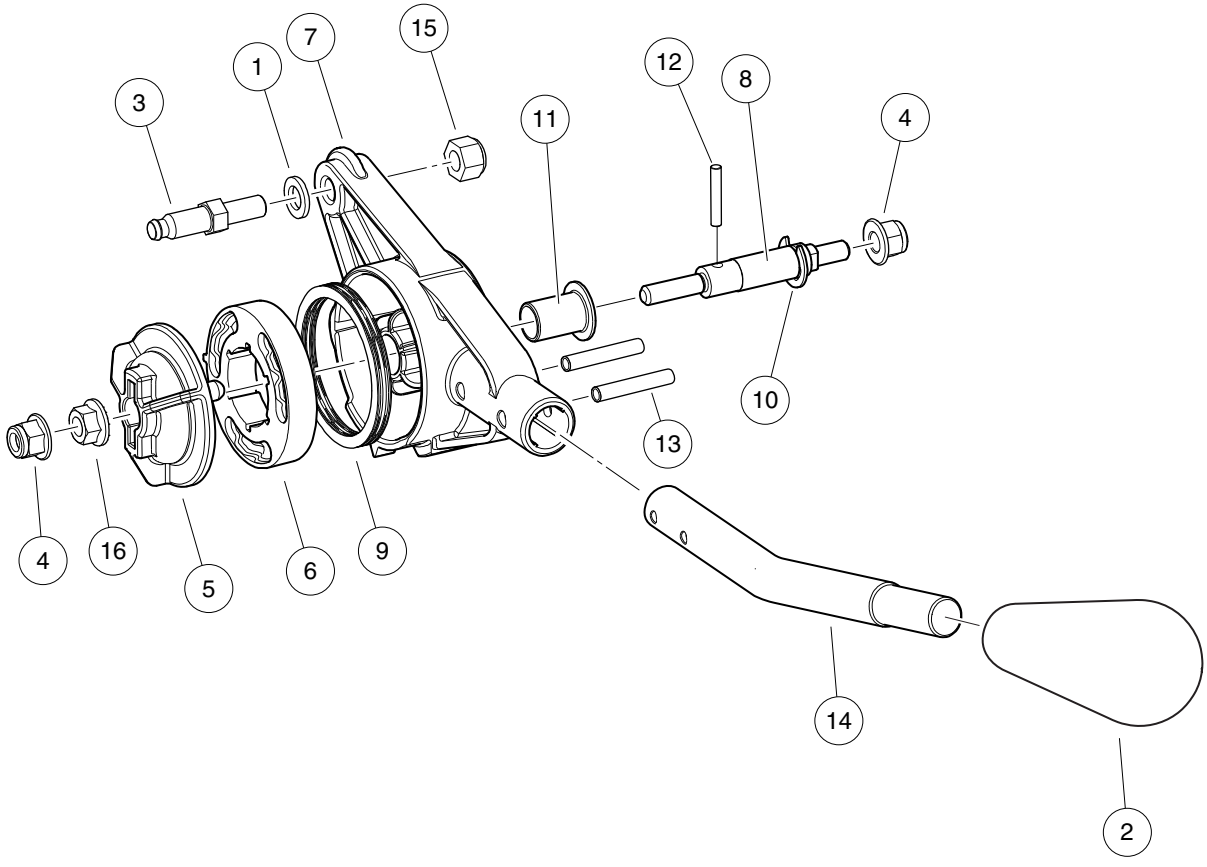
11

G

11

G

TRANSAXLE (FUJI ED65)



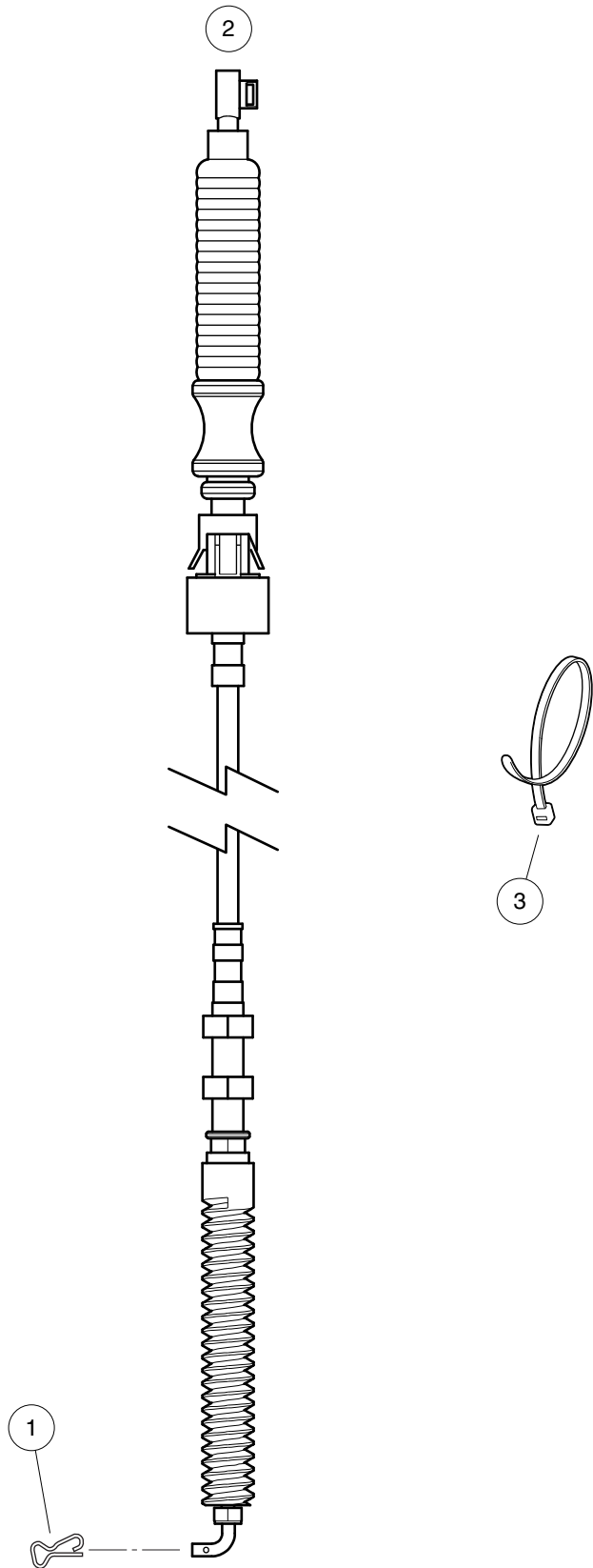
001011-001

FORWARD/REVERSE SHIFTER – EFI VILLAGER 6, 8, 850, 850SE

ITEM	PART NO.	DESCRIPTION	QTY
		1 2 3 4	
1	1014007	Washer, 1/4, Flat	1
2	102376001	Knob, FNR, Shifter	1
3	102526201	Stud, Thread, 1/4-28	1
4	102621501	Nut, Flange, M6 X 1.0, Nylon	2
5	105037701	Follower, FNR Detent	1
6	105038001	Cam, FNR Detent, Alternate	1
7	105038101	Housing, FNR, Gas, CA300-700	1
8	105038201	Shaft, FNR, Dash	1
9	105038501	Spring, Wave, Gas FNR Shifter	1
10	105039801	E-Clip, External, 8mm Groove	1
11	105039901	Bushing, Dash Shifter, Gas	1
12	105040401	Pin, Round, 0.125 Dia x 0.625	1
13	105040402	Pin, Grooved, 0.187 x 0.75	2
14	105060601	Handle, Shift, EX40, Villager	1
15	8717	Locknut, Nylon Insert, 1/4-28	1
16	96704176	Nut, Flanged, M6 X 1, Serrated	1

12
G

12
G



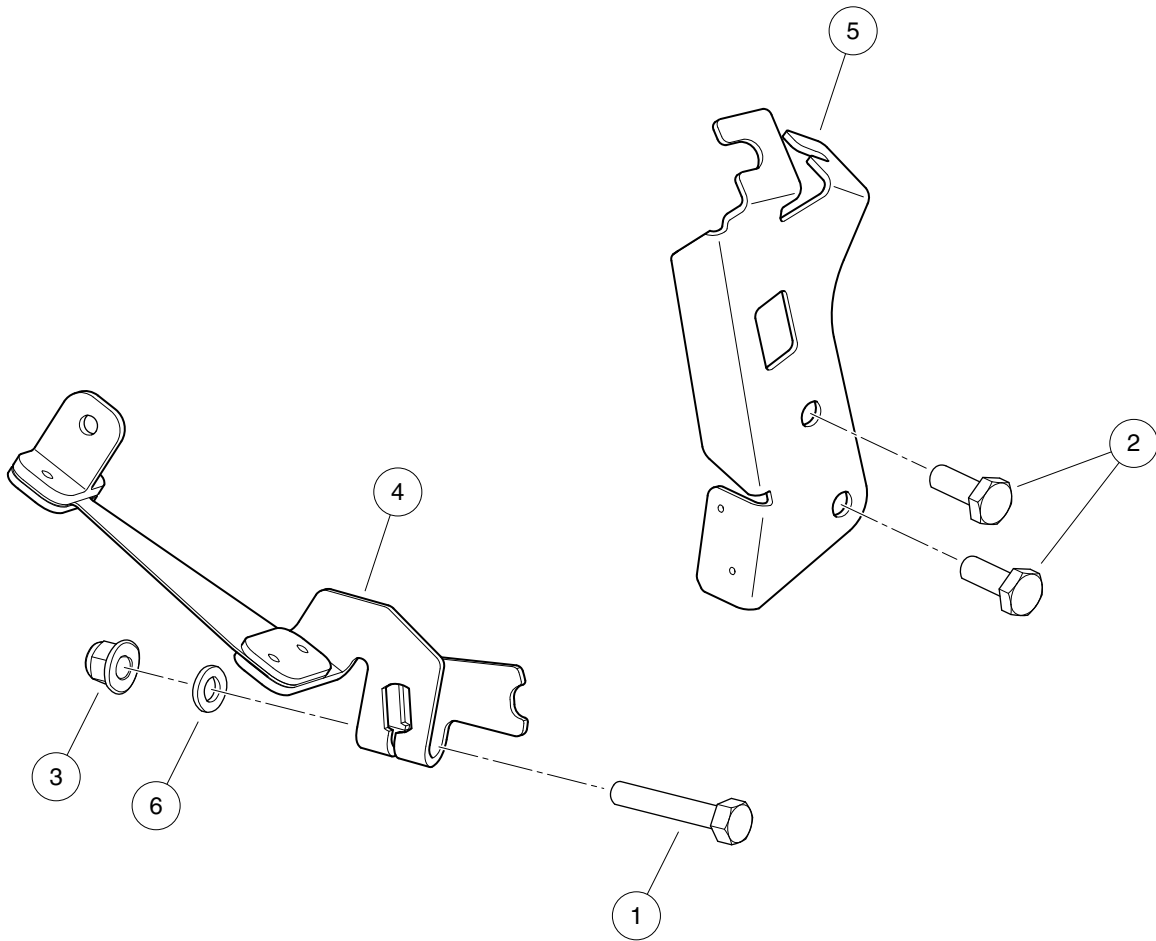
000988-001

SHIFTER CABLE – CA500 & CA550

ITEM	PART NO.	DESCRIPTION	QTY
		1 2 3 4	
1	103886601	Clip, Bowtie	1
2	105038803	Cable, Shifter, CA500/550/CafÉ Express	1
3	8990	Tie Wrap, 8" Nylon	A/R

12

G

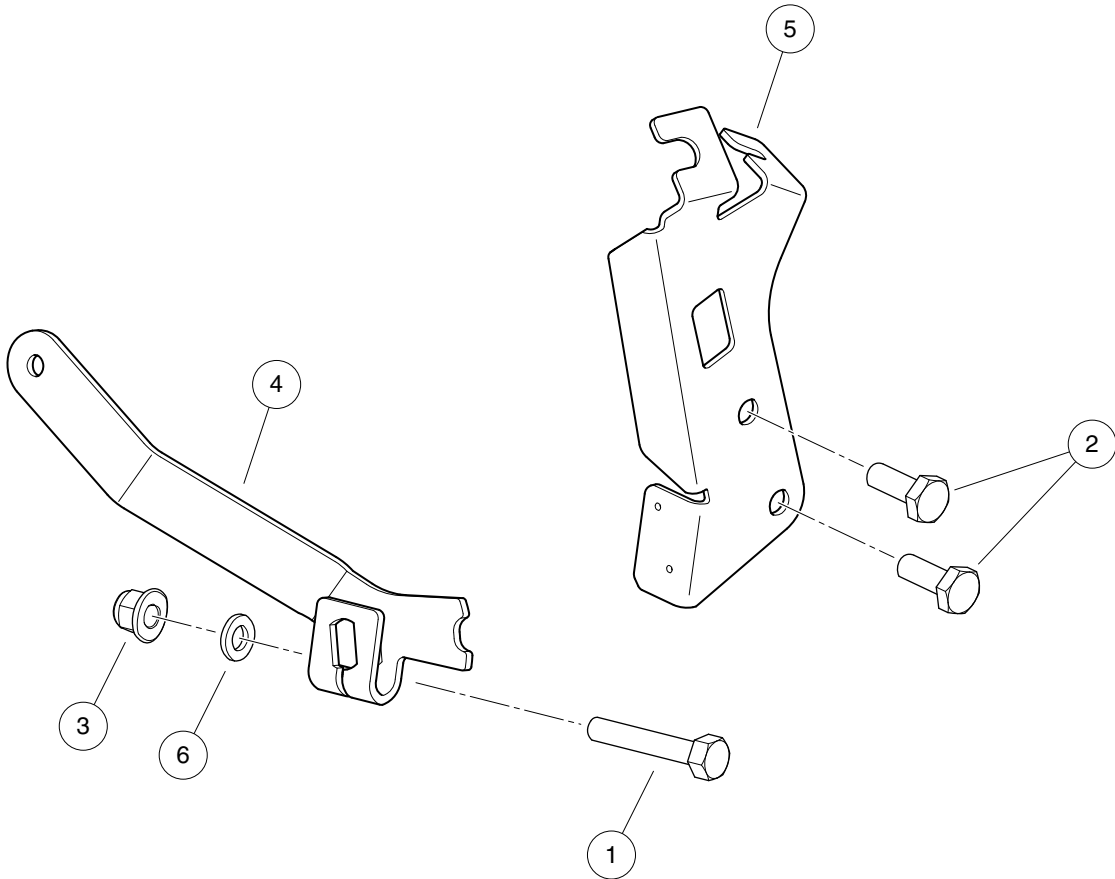


000965-001

SHIFT LEVER AND BRACKET – PEDAL-START ENGINES

ITEM	PART NO.	DESCRIPTION	QTY
		1 2 3 4	
1	102059501	Screw, 6M-1.00 X 35mm, Hex Head	1
2	102498201	Bolt, M10 X 1.25 X 25, Loctite	2
3	102621501	Nut, Flange, M6 X 1.0, Nylon	1
4	105040901	Lever, Shift, Flex, Transaxle, Pedal-Start	1
5	105135101	Bracket, Cable, FNR/Accelerator, ED65	1
6	96705199	Washer, M6	1

12
G



000965-002

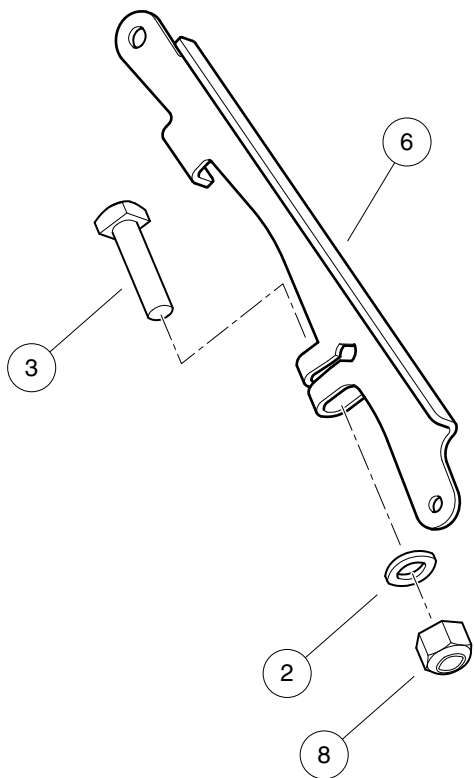
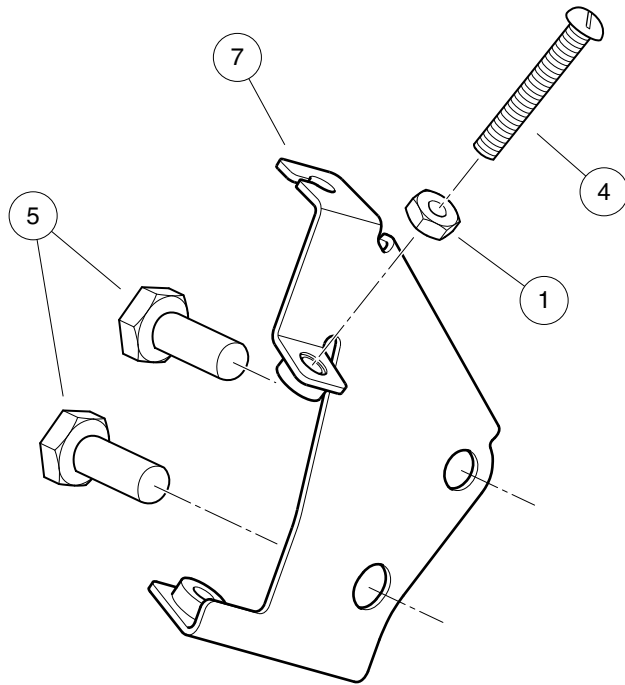
SHIFT LEVER AND BRACKET – KEY-START ENGINES

ITEM	PART NO.	DESCRIPTION	QTY
		1 2 3 4	
1	102059501	Screw, 6M-1.00 X 35mm, Hex Head	1
2	102498201	Bolt, M10 X 1.25 X 25, Loctite	2
3	102621501	Nut, Flange, M6 X 1.0, Nylon	1
4	105134901	Lever, Shift, Transaxle, Key-Start	1
5	105135101	Bracket, Cable, FNR/Accelerator, ED65	1
6	96705199	Washer, M6	1

12

G

12
G

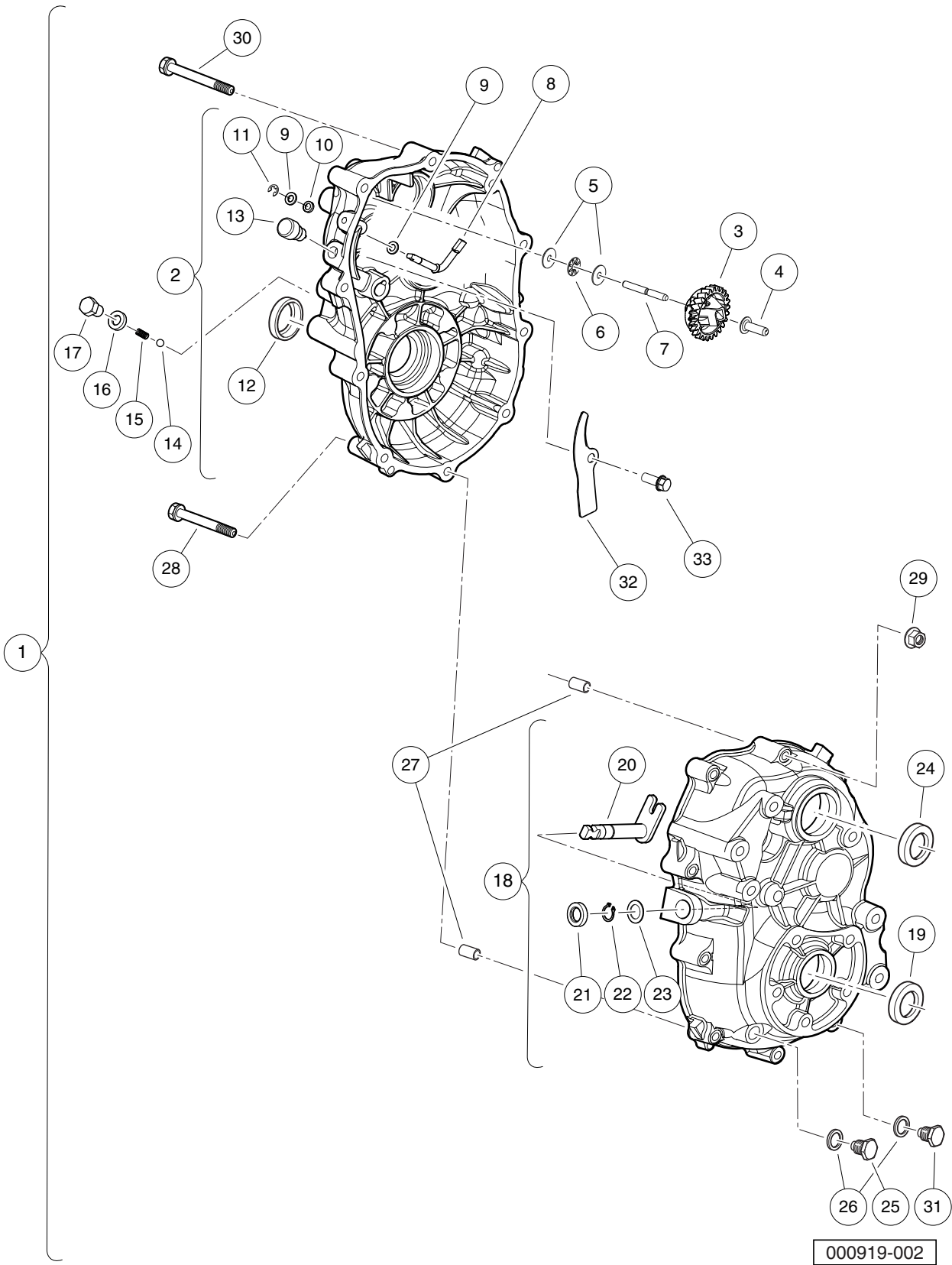


000966-002

GOVERNOR ARM AND BRACKETS – UTILITY VEHICLES

ITEM	PART NO.	DESCRIPTION	QTY
		1 2 3 4	
1	1011114	Nut, M6-1.00 Hex	1
2	1014007	Washer, 1/4, Flat	1
3	101886101	Screw, 1/4-20 X 1.00, Square-Head	1
4	102476401	Bolt, Stop, Pedal	1
5	102498201	Bolt, M10 X 1.25 X 25, Loctite	2
6	104023501	Arm, Governor, ED65	1
7	105144401	Weldment, Governor Bracket	1
8	8233	Locknut, 1/4-20, Nylon Insert	1

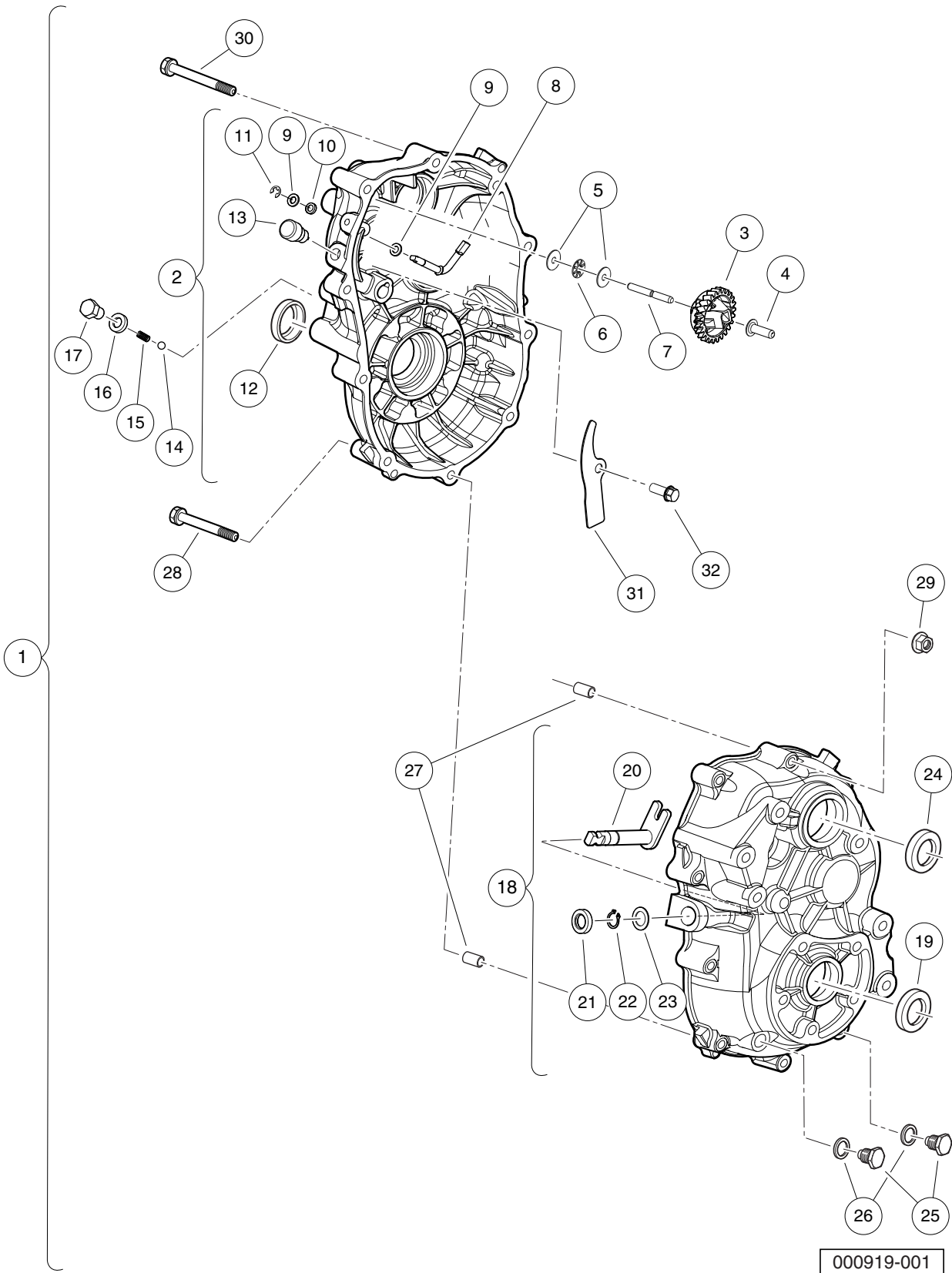
12
G



TRANSAXLE (ED65), LIMITED SLIP – PAGE 1 OF 3

ITEM	PART NO.	DESCRIPTION	QTY
		1 2 3 4	
1	103879702	Transaxle, ED65, Limited-Slip Differential (includes items 2 through 33)	1
2	105025001	Case, Transaxle, Left, Complete, ED65 (includes items 3 through 13)	1
3	105025101	Gear, Governor, Complete, ED65	1
4	105025201	Sleeve, Governor, ED65	1
5	105025301	Washer, ED65	2
6	105025401	Bearing, Thrust, ED65	1
7	105025501	Shaft, Governor Gear, ED65	1
8	105025601	Shaft, Governor, ED65	1
9	105025701	Washer, 6mm, ED65	2
10	105025801	Seal, Oil, 6x10x2.5, ED65	1
11	105025901	Retaining Ring, E5, ED65	1
12	105026001	Seal, Oil, 24x40x9, ED65	1
13	105027101	Vent, Breather, ED65	1
14	105026101	Ball, Steel, ED65	1
15	105026201	Spring, ED65	1
16	105026301	Gasket, 10, ED65	1
17	105026401	Bolt, M10-1.25x12mm Lg, ED65	1
18	105026501	Case, Transaxle, Right, Complete, ED65 (includes items 19 through 24)	1
19	105026001	Seal, Oil, 24x40x9, ED65	1
20	105026601	Shaft, Select, ED65	1
21	105026701	Seal, Oil, 13x22x5, ED65	1
22	105026801	Snap Ring, 13mm, ED65	1
23	105026901	Spacer, 13x1, ED65	1
24	105027001	Seal, Oil, 25x45x7, ED65	1
25	105027201	Plug, Oil Drain, ED65	1
26	105027301	Gasket, 14, ED65	2
27	105028301	Pin, Guide, ED65	2
28	105028501	Bolt, Flange, M8-1.25x65mm, ED65	1
29	105030001	Nut, Flange, M8-1.25, ED65	10
30	105030701	Bolt, Flanged, M8-1.25x80mm, ED65	9
31	105063501	Plug, Oil Drain, Magnetic, ED65	1
32	105234801	Plate, Ed65 Splash	1
33	105234901	Bolt, M6-1 X 12mm Lg, Ed65	1
		Note: Fuji transaxle component listings span three pages. To identify your transaxle, locate the serial number decal on the axle tube.	

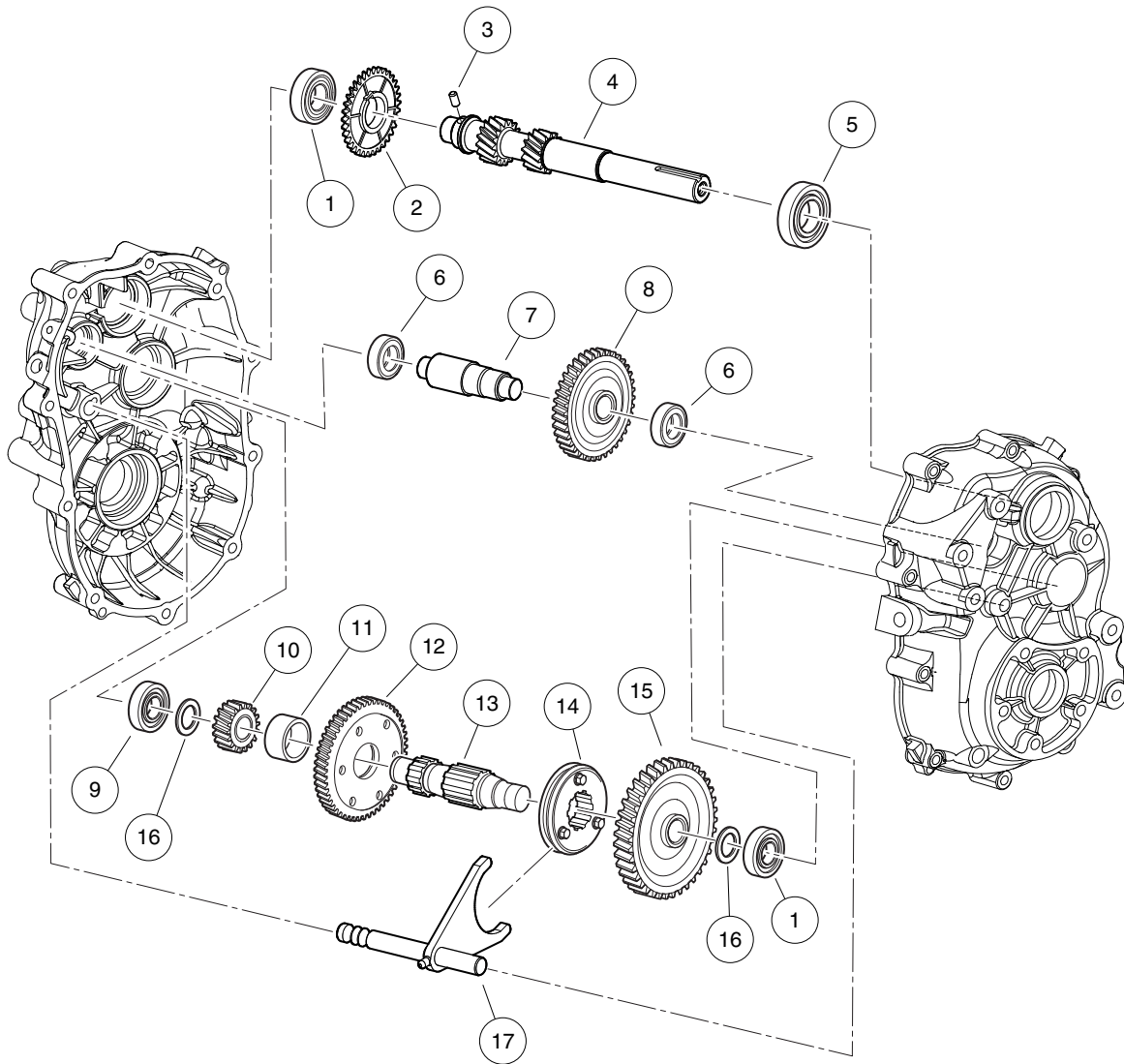
12
G



TRANSAXLE (ED65), OPEN – PAGE 1 OF 3

ITEM	PART NO.	DESCRIPTION	QTY
		1 2 3 4	
1	103879701	Transaxle, ED65, Open Differential (includes items 2 through 32)	1
2	105025001	Case, Transaxle, Left, Complete, ED65 (includes items 3 through 13)	1
3	105025101	Gear, Governor, Complete, ED65	1
4	105025201	Sleeve, Governor, ED65	1
5	105025301	Washer, ED65	2
6	105025401	Bearing, Thrust, ED65	1
7	105025501	Shaft, Governor Gear, ED65	1
8	105025601	Shaft, Governor, ED65	1
9	105025701	Washer, 6mm, ED65	2
10	105025801	Seal, Oil, 6x10x2.5, ED65	1
11	105025901	Retaining Ring, E5, ED65	1
12	105026001	Seal, Oil, 24x40x9, ED65	1
13	105027101	Vent, Breather, ED65	1
14	105026101	Ball, Steel, ED65	1
15	105026201	Spring, ED65	1
16	105026301	Gasket, 10, ED65	1
17	105026401	Bolt, M10-1.25x12mm Lg, ED65	1
18	105026501	Case, Transaxle, Right, Complete, ED65 (includes items 19 through 24)	1
19	105026001	Seal, Oil, 24x40x9, ED65	1
20	105026601	Shaft, Select, ED65	1
21	105026701	Seal, Oil, 13x22x5, ED65	1
22	105026801	Snap Ring, 13mm, ED65	1
23	105026901	Spacer, 13x1, ED65	1
24	105027001	Seal, Oil, 25x45x7, ED65	1
25	105027201	Plug, Oil Drain, ED65	2
26	105027301	Gasket, 14, ED65	2
27	105028301	Pin, Guide, ED65	2
28	105028501	Bolt, Flange, M8-1.25x65mm, ED65	1
29	105030001	Nut, Flange, M8-1.25, ED65	10
30	105030701	Bolt, Flanged, M8-1.25x80mm, ED65	9
31	105234801	Plate, Ed65 Splash	1
32	105234901	Bolt, M6-1 X 12mm Lg, Ed65	1
<p>Note: Fuji transaxle component listings span three pages. To identify your transaxle, locate the serial number decal on the axle tube.</p>			

12
G



000919-003

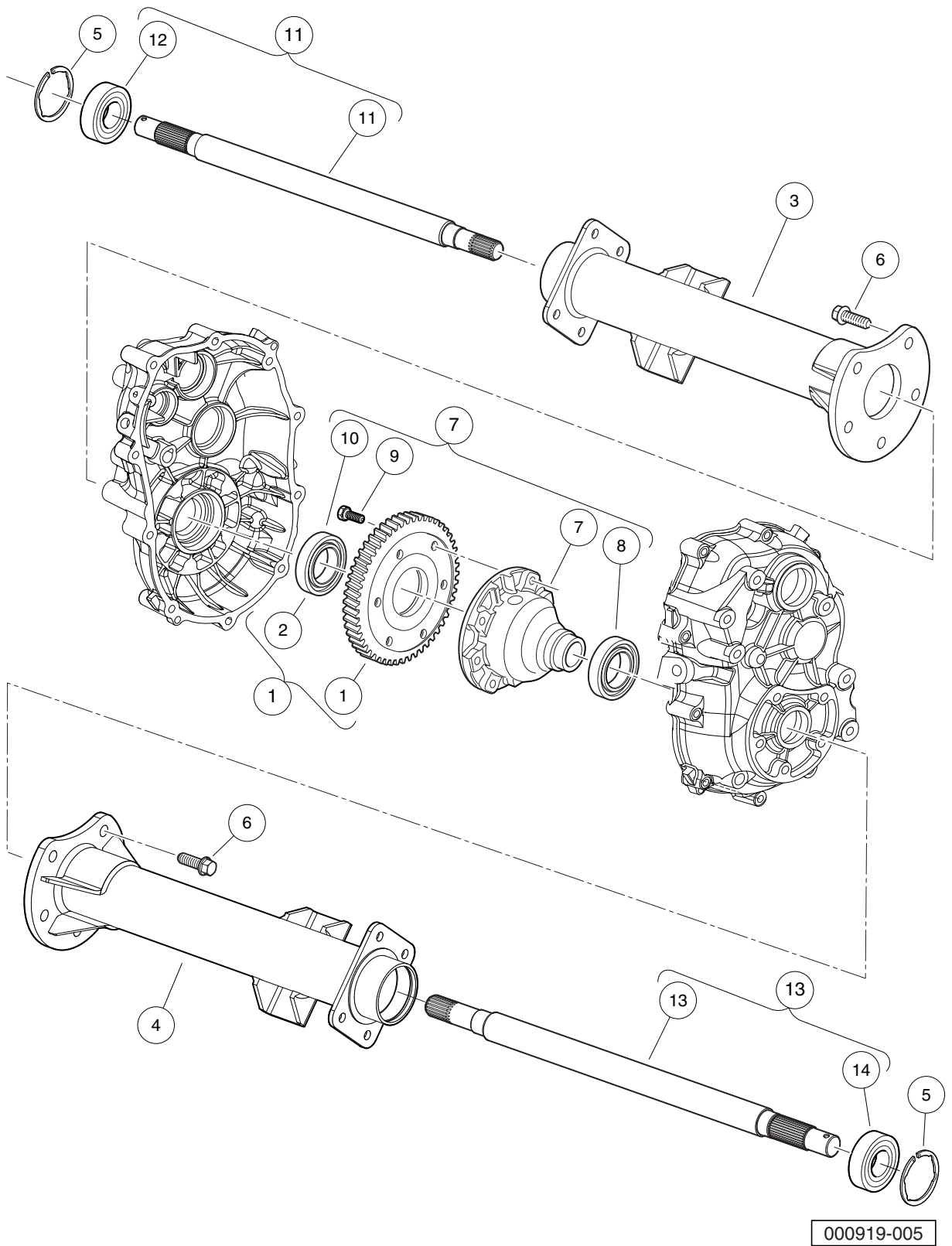
TRANSAXLE (ED65), LIMITED SLIP AND OPEN – PAGE 2 OF 3

ITEM	PART NO.	DESCRIPTION	QTY
		1 2 3 4	
1	105027401	Bearing, Ball (6204)	2
2	105027501	Gear, Governor, 34 Tooth, ED65	1
3	105027601	Pin, 6x12 Long, ED65	1
4	105027701	Shaft, Input, ED65	1
5	105027801	Bearing, Ball (6205 seal)	1
6	105027901	Bearing, Ball (6202)	2
7	105028001	Shaft, Counter, ED65	1
8	105028201	Gear, 34 Tooth, ED65	1
9	105028401	Bearing, Ball (6304)	1
10	105028601	Gear, 17 Tooth, ED65	1
11	105028701	Collar, 24 x 12, ED65	1
12	105028801	Gear, 52 Tooth, ED65	1
13	105028901	Shaft, Center, ED65	1
14	105029001	Clutch, Pin, ED65	1
15	105029101	Gear, 62 Tooth, ED65	1
16	105029201	Spacer, 20x2, ED65	2
17	105030901	Shaft, Shift, ED65	1
		<p>Note: To identify your transaxle, locate the serial number decal on the axle tube.</p>	

12

G

12
G



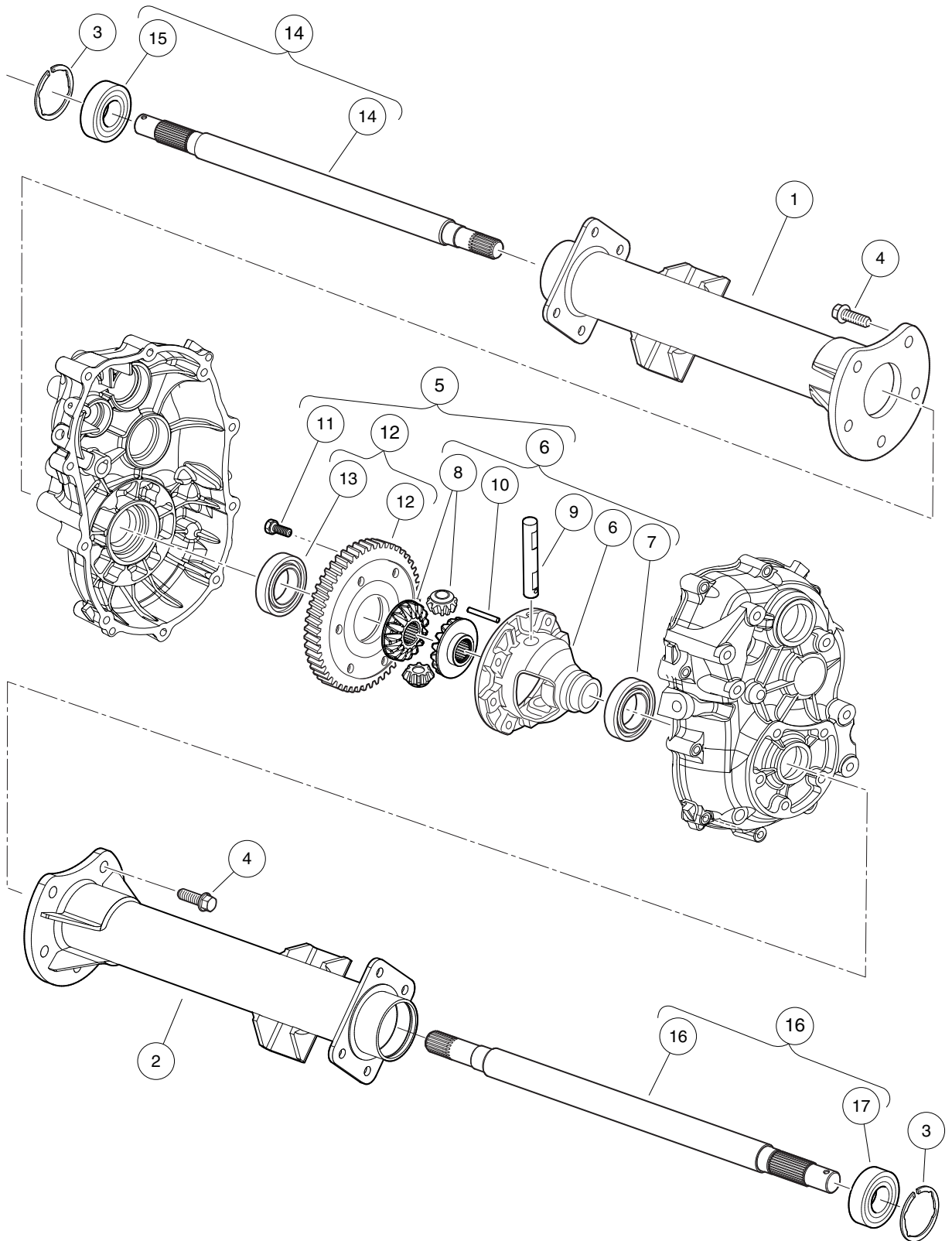
000919-005

TRANSAXLE (ED65), LIMITED SLIP – PAGE 3 OF 3

ITEM	PART NO.	DESCRIPTION	QTY
		1 2 3 4	
1	105029901	Gear, 60 Tooth, Complete, ED65 (includes item 2)	1
2	105029801	Bearing, Ball (6007)	1
3	105030401	Axle Tube, Driver-Side, ED65	1
4	105030501	Axle Tube, Passenger-Side, ED65	1
5	105030601	Snap Ring, 52mm, ED65	2
6	105030801	Bolt, Flange, M10-1.25x25, ED65	10
7	105063601	Differential, Limited-Slip, ED65 (includes items 8 through 10)	1
8	105028101	Bearing, Ball (6006)	1
9	105029501	Bolt, M10-1.25x26mm Lg, ED65	6
10	105029801	Bearing, Ball (6007)	1
11	105066001	Axle Shaft, Driver-Side, Complete, ED65 (includes item 12)	1
12	105030301	Bearing, Ball (6205DD)	1
13	105066101	Axle Shaft, Passenger-Side, Complete, ED65 (includes item 14)	1
14	105030301	Bearing, Ball (6205DD)	1
		Note: To identify your transaxle, locate the serial number decal on the axle tube.	

12

G



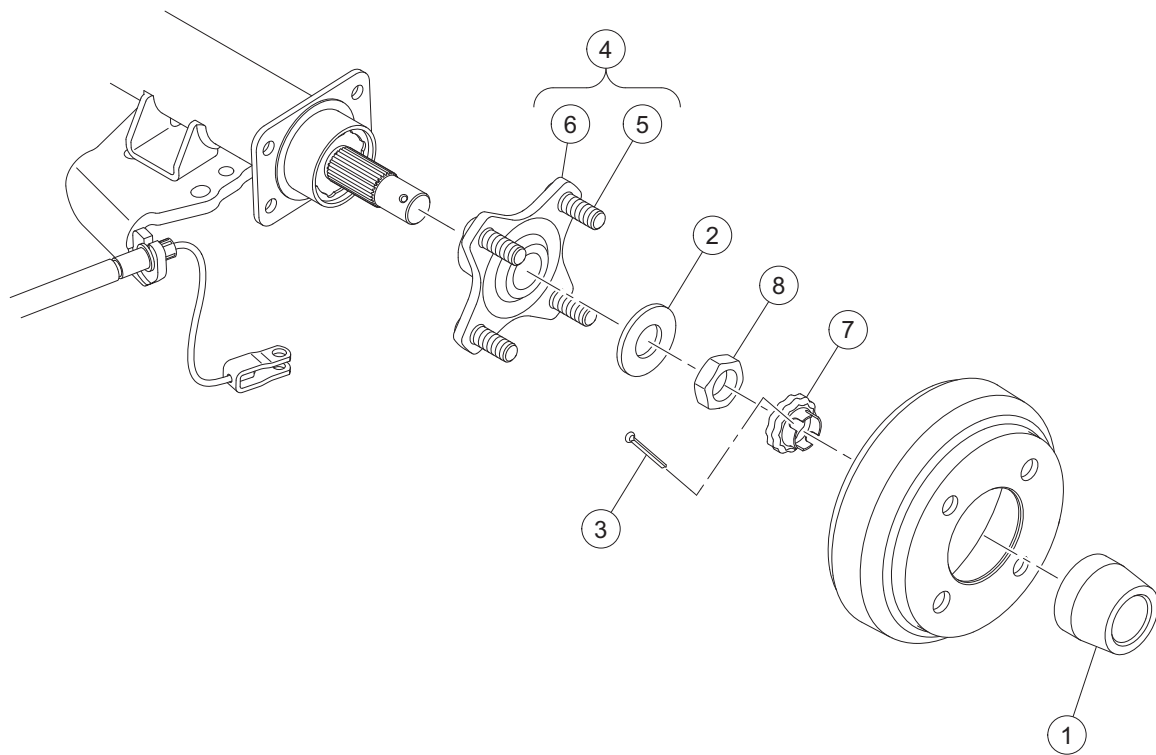
000919-004

TRANSAXLE (ED65), OPEN – PAGE 3 OF 3

ITEM	PART NO.	DESCRIPTION	QTY
		1 2 3 4	
1	105030401	Axle Tube, Driver-Side, ED65	1
2	105030501	Axle Tube, Passenger-Side, ED65	1
3	105030601	Snap Ring, 52mm, ED65	2
4	105030801	Bolt, Flange, M10-1.25x25, ED65	10
5	105031001	Differential, Open, ED65 (includes items 6 through 12)	1
6	105029301	Case, Differential, Complete, ED65 (includes items 7 through 10)	1
7	105028101	Bearing, Ball (6006)	1
8	105029401	Gear Set, Differential, ED65	1
9	105029601	Shaft, Differential, ED65	1
10	105029701	Pin, 4x40 Long, ED65	1
11	105029501	Bolt, M10-1.25x26mm Lg, ED65	6
12	105029901	Gear, 60 Tooth, Complete, ED65 (includes item 13)	1
13	105029801	Bearing, Ball (6007)	1
14	105066001	Axle Shaft, Driver-Side, Complete, ED65 (includes item 15)	1
15	105030301	Bearing, Ball (6205DD)	1
16	105066101	Axle Shaft, Passenger-Side, Complete, ED65 (includes item 17)	1
17	105030301	Bearing, Ball (6205DD)	1
<p style="margin-left: 40px;">Note: To identify your transaxle, locate the serial number decal on the axle tube.</p>			

12

G



G-070199-000003

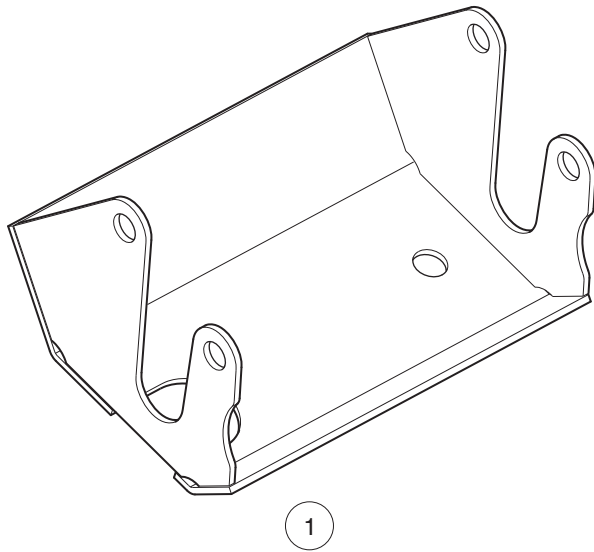
HUB, REAR

ITEM	PART NO.	DESCRIPTION	QTY
		1 2 3 4	
1	102274101	Center Cap, Rubber	2
2	102617801	Washer, Hard, M22	2
3	103989501	Pin, Cotter, 9/64 X 1.75"	2
4	103995001	Asm, Hub, Machined (includes items 5 and 6)	2
5	103951501	Lug Stud, 1/2-20 UNF, SAE J1102	4
6	103979301	Hub, Machined	1
7	104021701	Retaining Ring, Hex Nut, M22	2
8	104027101	Nut, Hex, M22x1.5, Thin	2

12
G

12

G



001436-001

DIFFERENTIAL GUARD, ED65 – GASOLINE VEHICLE

ITEM	PART NO.	DESCRIPTION	QTY
1	103989901	<div style="display: flex; justify-content: space-between; margin-bottom: 5px;"> 1 2 3 4 </div> Weldment, Diff Guard, Ed65	1

12

G

12

G

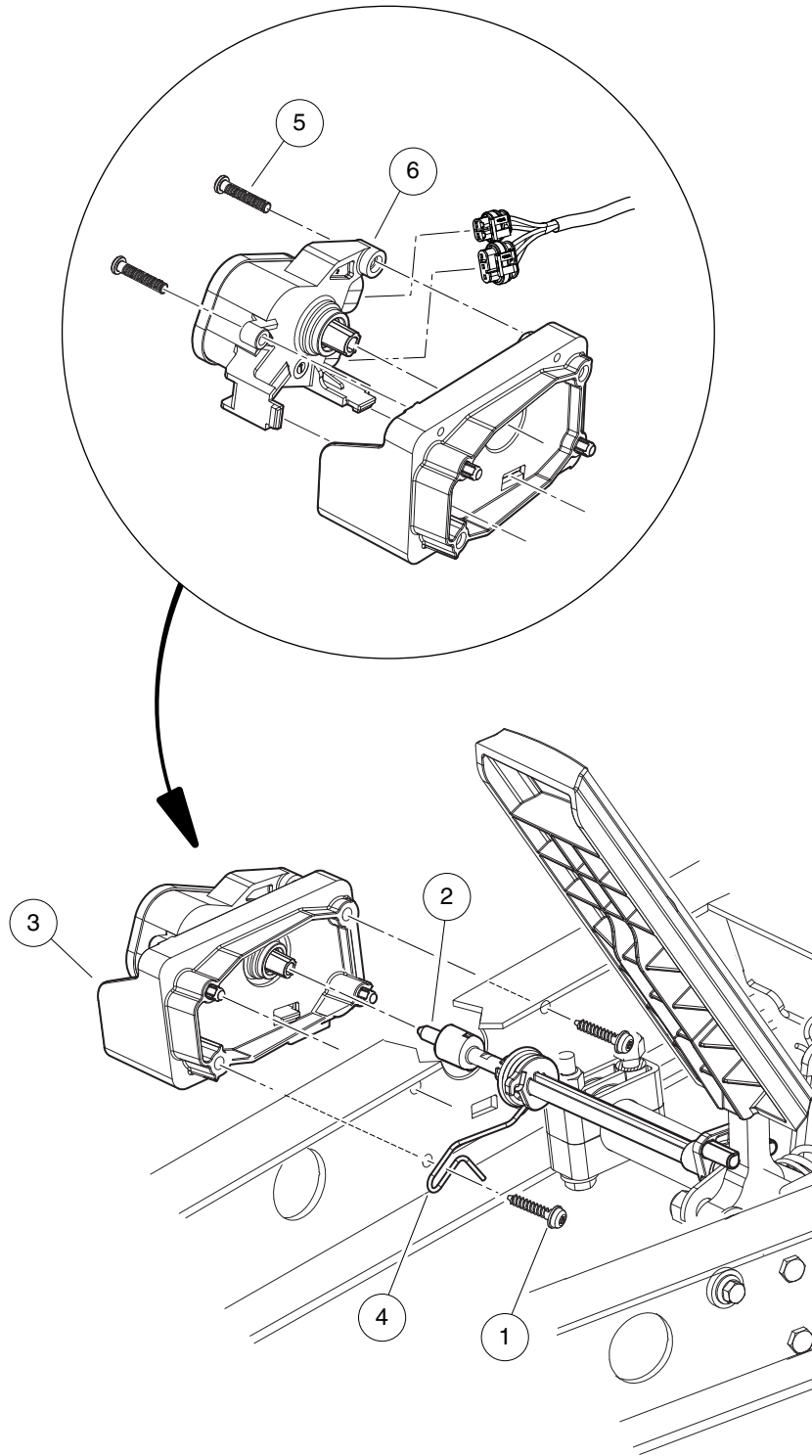
ELECTRICAL SYSTEM – ELECTRIC VEHICLES

13

E

13

E



002522-001

MOTOR CONTROLLER OUTPUT REGULATOR (MCOR)

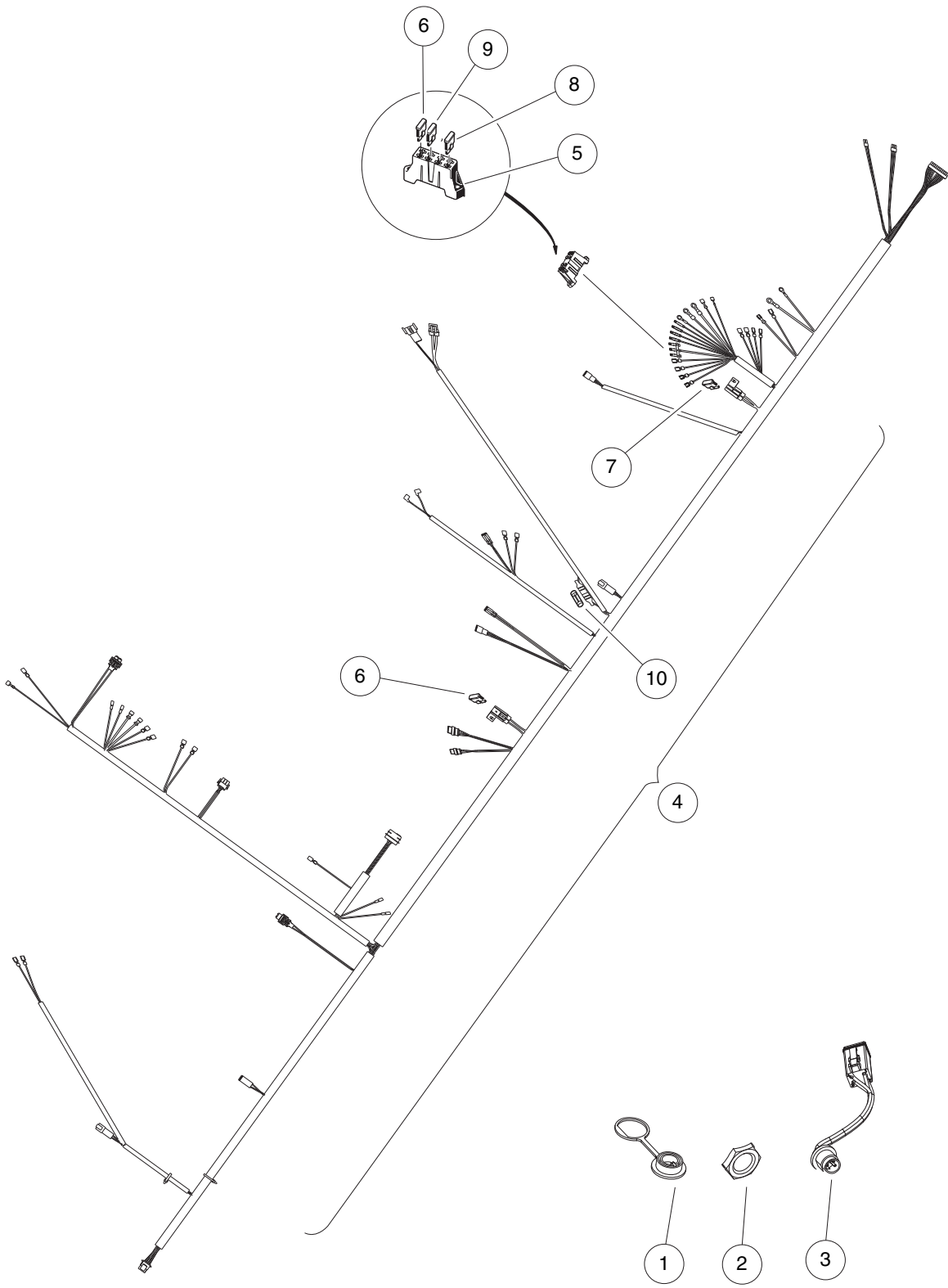
ITEM	PART NO.	DESCRIPTION	QTY
		1 2 3 4	
1	102297230	Screw, M6, Torx, Interlock Thread	2
2	103902101	Bar, Drive, Cast	1
3	103902301	Housing, Mcor	1
4	103902401	Spring, Torsion	1
5	103943401	Screw, Pan, #10 X 1.00 Hi-lo	2
6	105116301	MCOR4, Type 16 Switch	1

13

E

13

E



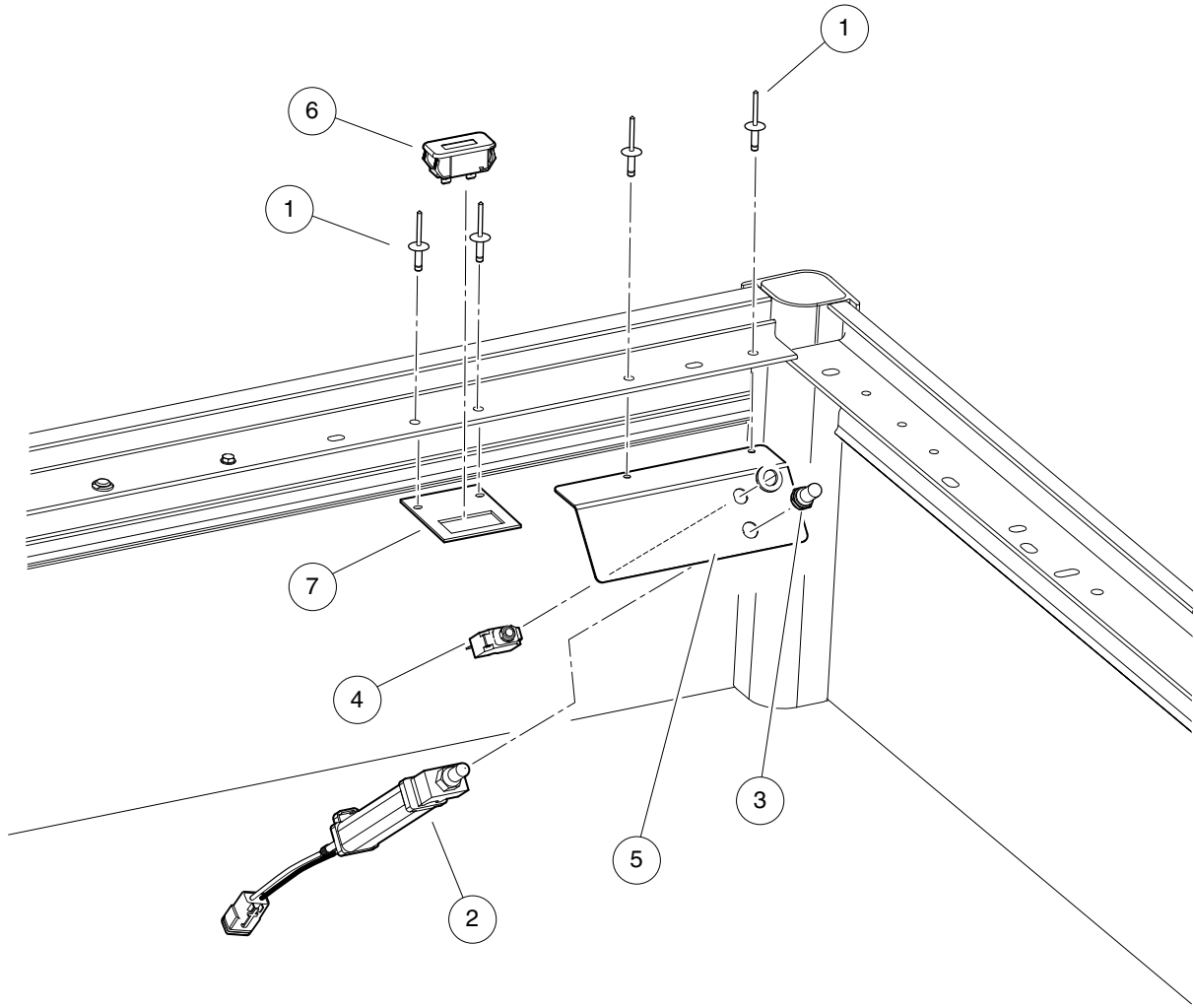
002533-002

MAIN WIRING HARNESS, 48-VOLT FUSE BLOCK – ELECTRIC VEHICLE

ITEM	PART NO.	DESCRIPTION	QTY
		1 2 3 4	
1	102196901	Dust Cap	1
2	102572401	Nut, Diagnostic Port	1
3	103218601	Harness, Diagnostic Port	1
4	47664008001	Harness, Main, Uv, Elec (includes items 5 through 10)	1
5	1015741	Fuse Block	1
6	1016423	Fuse, 20-Amp	1
7	102492301	Fuse, 30-Amp	1
8	102538601	15 Amp Fuse	1
9	105167201	Fuse, Atc, 2 Amp	1
10	105173901	Fuse, Agc, 1 Amp	1

13

E



002520-002

TOW/RUN SWITCH AND HOUR METER

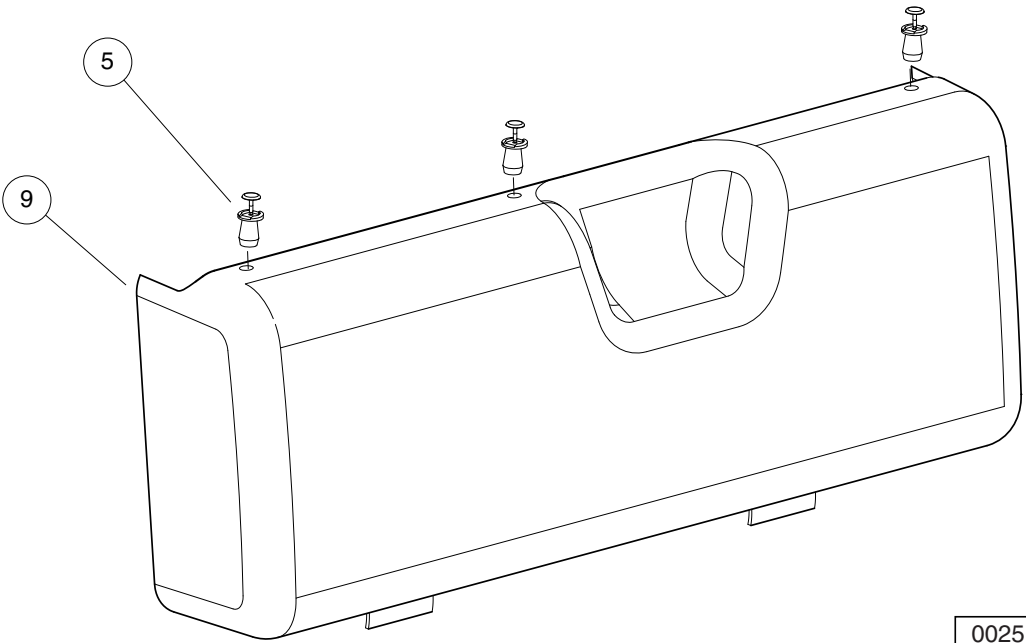
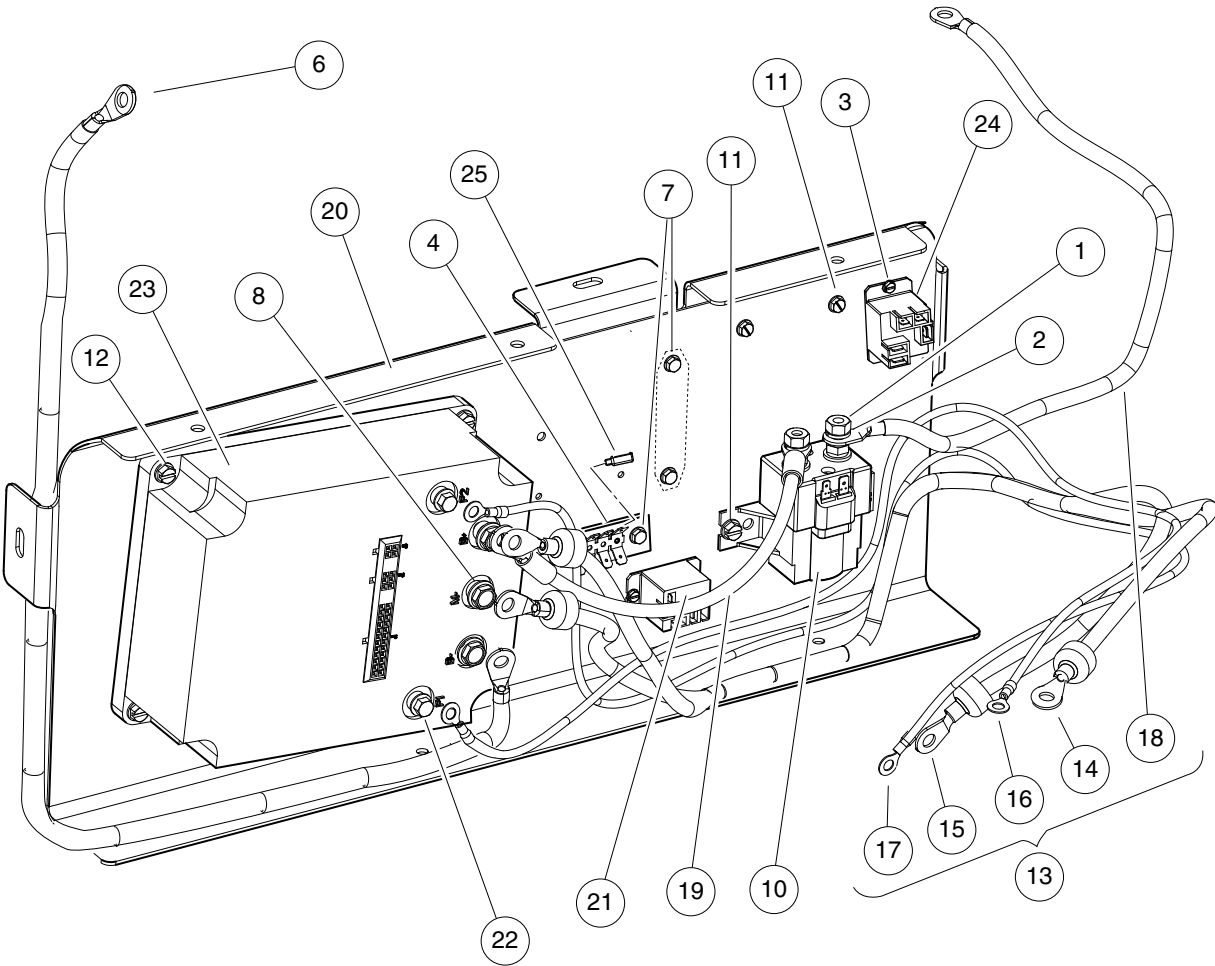
ITEM	PART NO.	DESCRIPTION	QTY
		1 2 3 4	
1	1015392	Rivet, 3/16 Pop	4
2	101908101	Switch Assembly, Tow/Run	1
3	101908401	Boot, Switch	1
4	102838101	Circuit Breaker, 20 Amp	1
5	102915701	Plate, Switch, Run Tow, Mode	1
6	103510301	Meter, Hour	1
7	105145201	Bracket, Hour Meter Sq, Short	1

13

E

13

E



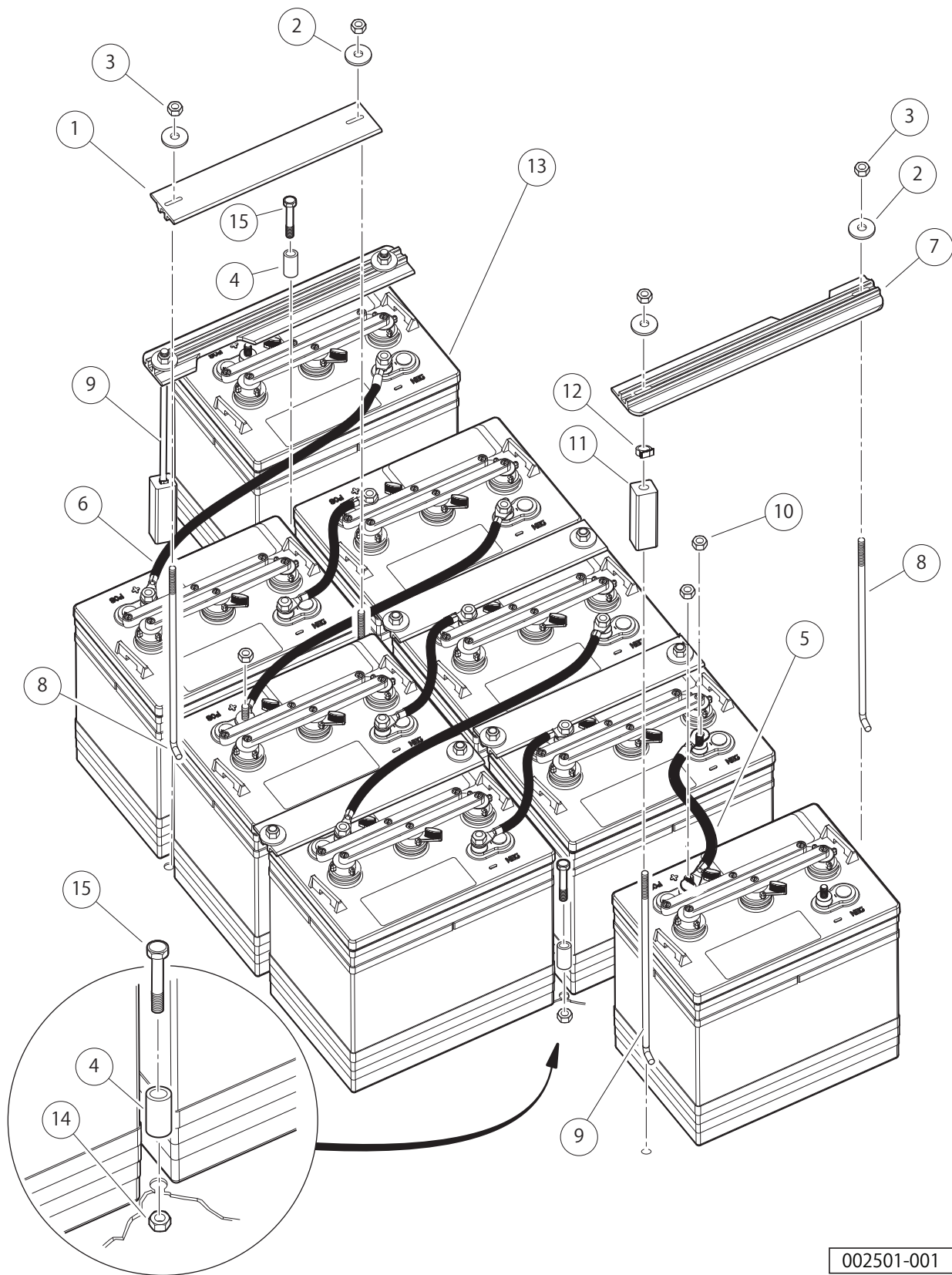
002512-001

ELECTRIC COMPONENTS – ELECTRIC VEHICLE

ITEM	PART NO.	DESCRIPTION	QTY
		1 2 3 4	
1	1012528	Nut, M8-1.25 Hex	2
2	1013734	Lockwasher, 8mm Split	2
3	1015720	Screw, #6-32 X 1/2 Hex Washer-Head	4
4	1016356	Terminal Block with Insulator	1
5	1016967	Blind Rivet, Push Type	3
6	102002802	Wire Assy, #4 Black, 33 In	1
7	102238001	#10-24 Taptite Screw	4
8	102240501	Bolt, Controller, Terminal	3
9	102772401	Cover, Component, Elec, Rear	1
10	102774701	Solenoid, 48v	1
11	102817101	Screw, 1/4-20 X .50 Hex Wsh Hd	5
12	102817201	Screw, 1/4-20 X .88 Hex Wsh Hd	4
13	102845401	Wire Harness, Power, IQ Plus (includes items 14 through 18)	1
14	N/A	Asm, #4 Grn Wire, 37"	1
15	N/A	Asm, #4 Wht Wire, 36.5"	1
16	N/A	Asm, #10 Org Wire, 39"	1
17	N/A	Asm, #10 Blu Wire, 46"	1
18	102846402	Asm, #4 Red Wire, 33"	1
19	102863801	Wire Asm, #4 Yellow, 12.5"	1
20	102931102	Plate, Component, Rear, No Obc	1
21	103397901	Relay, Spst No, 48v 30a, Pmt	2
22	105000501	Screw, M6 X 1 X 12 Ser Hex Flg	2
23	105075202	Controller, 500 Amp, Hfc, Sp	1
24	105112401	Relay, Spdt Nc, 48v 30a, Pmt	1
25	105195501	Cap, Quick Conn Tab, 1/4 In	5

13

E



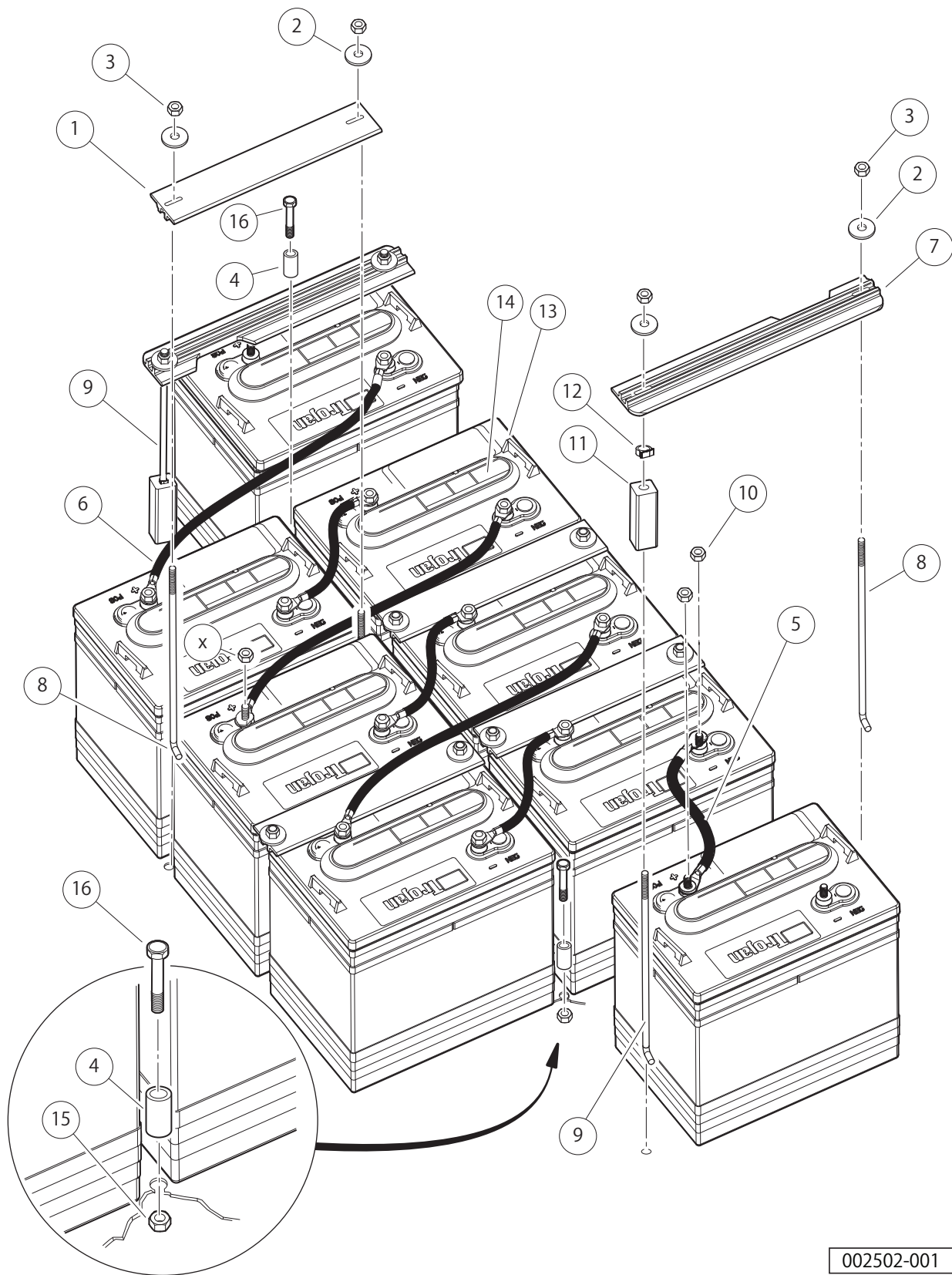
002501-001

BATTERIES 6-VOLT, STANDARD DUTY

ITEM	PART NO.	DESCRIPTION	QTY
		1 2 3 4	
1	101090801	Hold-Down, Battery	4
2	1012571	Washer, 5/16 Extra Thick Flat	12
3	1015072	Locknut, 5/16-18 Nylon Insert	12
4	1015608	Tube Spacer, Hydraulic Cylinder	2
5	102002901	Wire Assy, #4 Black	4
6	102764001	Wire Asm, #4 Black	3
7	102766201	Hold Down, Outside	2
8	102845201	Rod, Battery Hold Down 9.7"	10
9	102845203	Rod, Battery Hold Down 10.7"	2
10	102873401	5/16-18 Heavy Hex Nut	16
11	102980801	Extr, Plastic, 1 X 1 X 3	2
12	102980901	Clamp, Hose, Nylon, .25	2
13	105210201	Battery, 6v, Type E, Gc2, Wet	8
14	7473	Locknut, 5/16-18 Nylon Insert	2
15	8963	Screw, 5/16-18 X 1.75 Hex-Head Cap	2

13

E



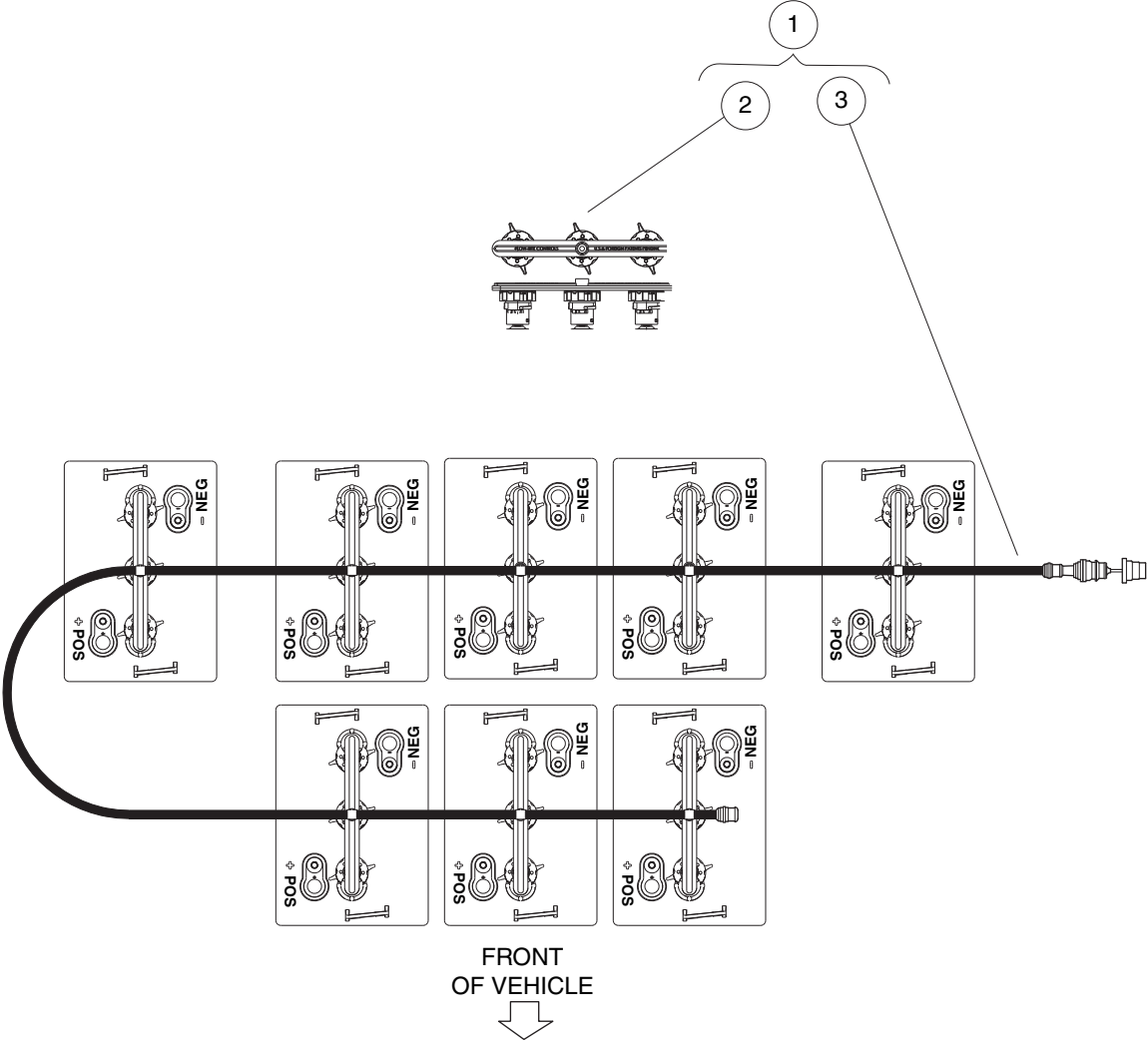
002502-001

BATTERIES 6-VOLT, HEAVY DUTY

ITEM	PART NO.	DESCRIPTION	QTY
		1 2 3 4	
1	101090801	Hold-Down, Battery	4
2	1012571	Washer, 5/16 Extra Thick Flat	12
3	1015072	Locknut, 5/16-18 Nylon Insert	12
4	1015608	Tube Spacer, Hydraulic Cylinder	2
5	102002901	Wire Assy, #4 Black	4
6	102764001	Wire Asm, #4 Black	3
7	102766201	Hold Down, Outside	2
8	102845203	Rod, Battery Hold Down 10.7"	10
9	102845204	Rod, Battery Hold Down 12"	2
10	102873401	5/16-18 Heavy Hex Nut	16
11	102980801	Extr, Plastic, 1 X 1 X 3	2
12	102980901	Clamp, Hose, Nylon, .25	2
13	103969701	Battery, 6-Volt, Trojan T145 (Wet) (includes item 14)	8
14	101831401	Battery Cap 6 Volt	1
15	7473	Locknut, 5/16-18 Nylon Insert	2
16	8963	Screw, 5/16-18 X 1.75 Hex-Head Cap	2

13

E



002524-001

SINGLE POINT WATERING SYSTEM (SPWS)

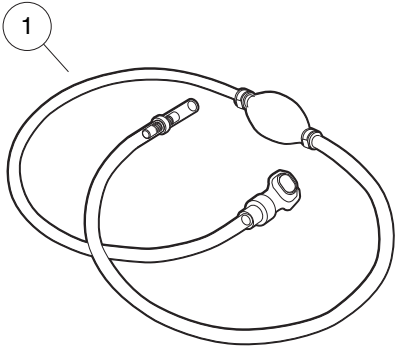
ITEM	PART NO.	DESCRIPTION	QTY
		1 2 3 4	
1	103497702	Kit, Spws, 8x6v (includes items 2 and 3)	1
2	103510501	Manifold, Lpr, 3 Vlve, Spw	8
3	103942601	Spws, Carryall, 8x6v	1

13

E

13

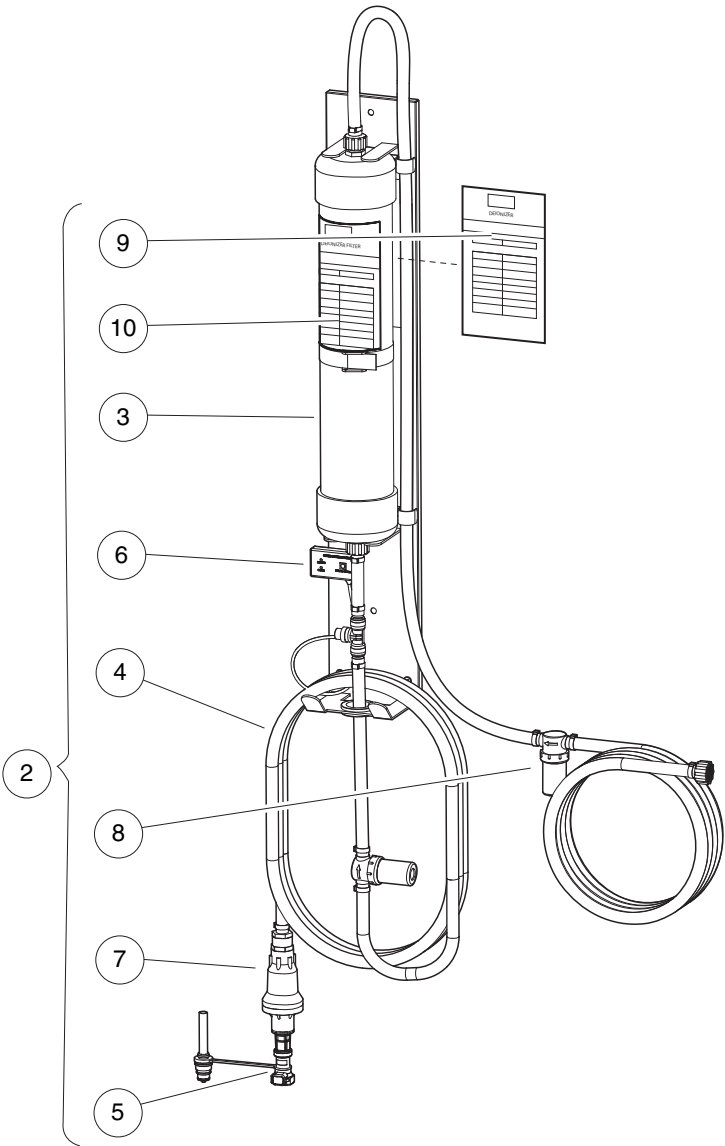
E



11



12



002523-003

HAND PUMP AND DEIONIZER (BATTERY-POWERED QUALITY LIGHT)

ITEM	PART NO.	DESCRIPTION	QTY
		1 2 3 4	
1	104006101	Kit, Hand Pump, Spws	1
2	105166801	Deionizer, w/Battery-Powered Water Quality Light (includes items 3 through 10)	1
3	104005901	Cartridge, Deionizer	1
4	105166901	Hose,outlet,deionizer	1
5	105167001	Flow Ind, W/coupler, Deionizer	1
6	105167101	Light, Quality, Battery-Powered, w/T-Fitting	1
7	105168501	Regulator, Pressure, Deionizer	1
8	105168601	Strainer, In-line, Deionizer	1
9	AM1300001	Decal, Filter Log, Blue	1
10	AM1300201	Decal, Inspect Log, Yellow	1
11	AM1300101	Decal, Filter Log, Blue, Pack of 100	A/R
12	AM1300301	Decal, Inspect Log, Yellow, Pack of 100	A/R

13

E

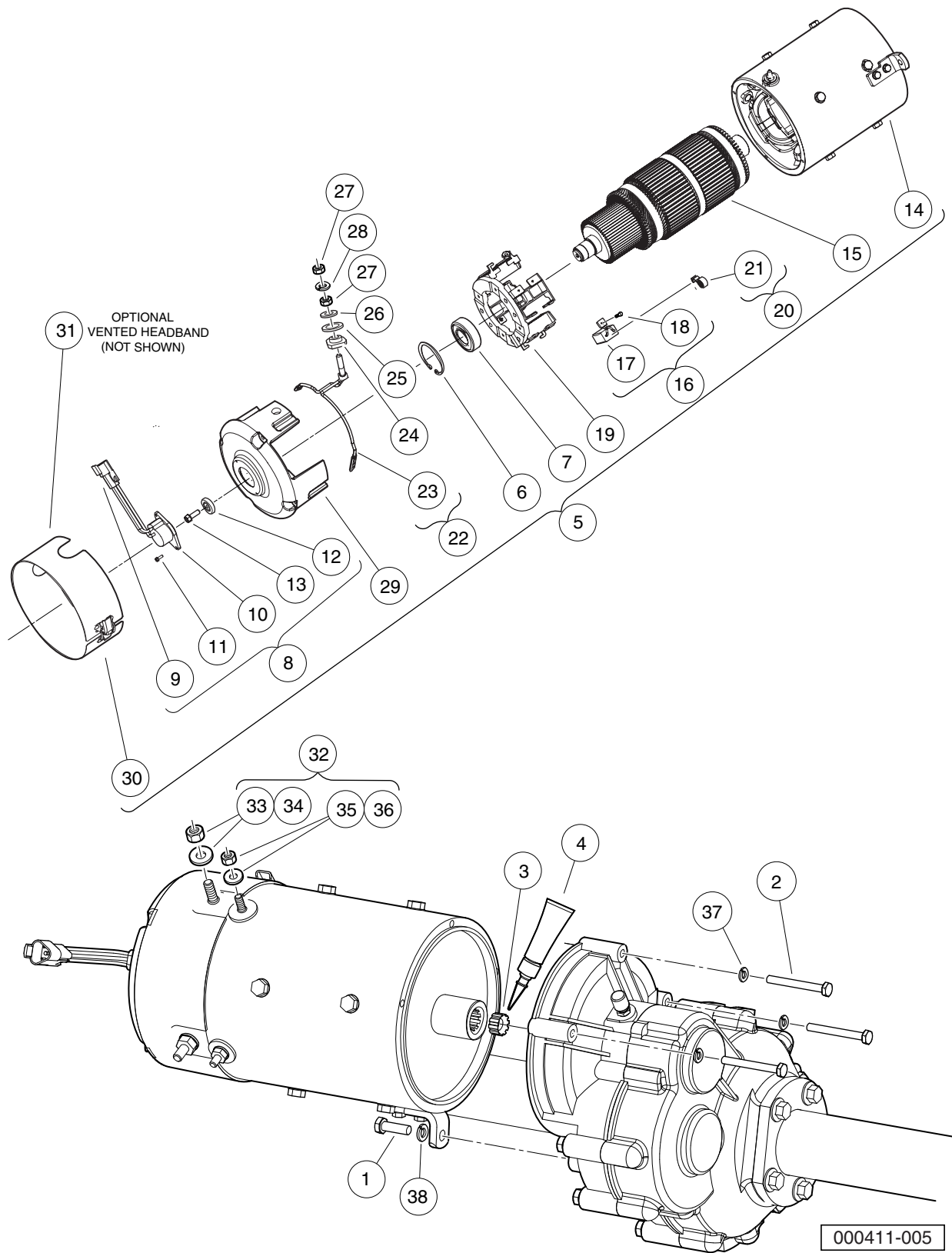
13

E

ELECTRIC MOTOR

14

E



MOTOR (MODEL DA5-4006) – IQ PLUS

ITEM	PART NO.	DESCRIPTION	QTY
		1 2 3 4	
1	1010934	Screw, 5/16-18 X 1.00 Hex Cap	1
2	1014201	Screw, 1/4-20 X 2.25 Hex Cap	3
3	102235201	Bumper, Drive Unit	1
4	102243403	Lubricant, Moly-Teflon (Single-Use Tube)	1
5	102775101	IQ Plus Electric Motor, 48-VDC 3.7 hp (includes items 6 through 30)	1
6	N/A	Ring, 2.24" Internal Retaining	1
7	102186401	Bearing, Ball	1
8	102704901	Kit, Speed Sensor (includes items 9 through 13)	1
9	101942301	Kit, 3-Pin Wedge Lock	1
10	N/A	Sensor, Motor Speed, ADC	1
11	N/A	Screw, #8-32, Taptite Thread	2
12	N/A	Magnet, ADC Motor	1
13	N/A	Screw, 1/4-20 x 0.5	1
14	N/A	Asm, Frame And Field, 3.7 Hp	1
15	N/A	Armature (Includes external hardware not shown)	1
16	102938601	Kit, Brush, 3.7 Hp (includes items 17 and 18)	1
17	N/A	Brush, Motor	8
18	N/A	Screw, Taptite	8
19	102938701	Asm, Brush Box, 3.7 Hp	1
20	102938801	Kit, Brush Spring, 3.7 Hp (includes item 21)	1
21	N/A	Brush Spring	8
22	102938901	Kit, Brush Lead Asm, 3.7 Hp (includes items 23 through 28)	1
23	N/A	Terminal and Lead Assembly	2
24	N/A	Insulator, Terminal	2
25	N/A	Washer, Insulating	2
26	N/A	Washer, Flat, 5/16, Brass/Bronze	2
27	N/A	Nut, 5/16, Steel	4
28	N/A	Lockwasher, 5/16, Steel	2
29	102939001	Commutator End Head, 3.7 Hp	1
30	102939101	Sealed Headband, 3.7 Hp	1
31	102939102	Vented Headband, 3.7 HP (optional - not shown)	1
32	102951701	Pkg, Terminal Hardware, 3.7hp (includes items 33 through 36)	1
33	N/A	Nut, 5/16, Steel	2
34	N/A	Lockwasher, 5/16, Steel	2
35	N/A	Nut, 1/4-20, Steel	2
36	N/A	Lockwasher, 1/4-20, Steel	2
37	451	Lockwasher, 1/4 Split	3
38	7174	Lockwasher, 5/16 Split	1

14

E

14

E

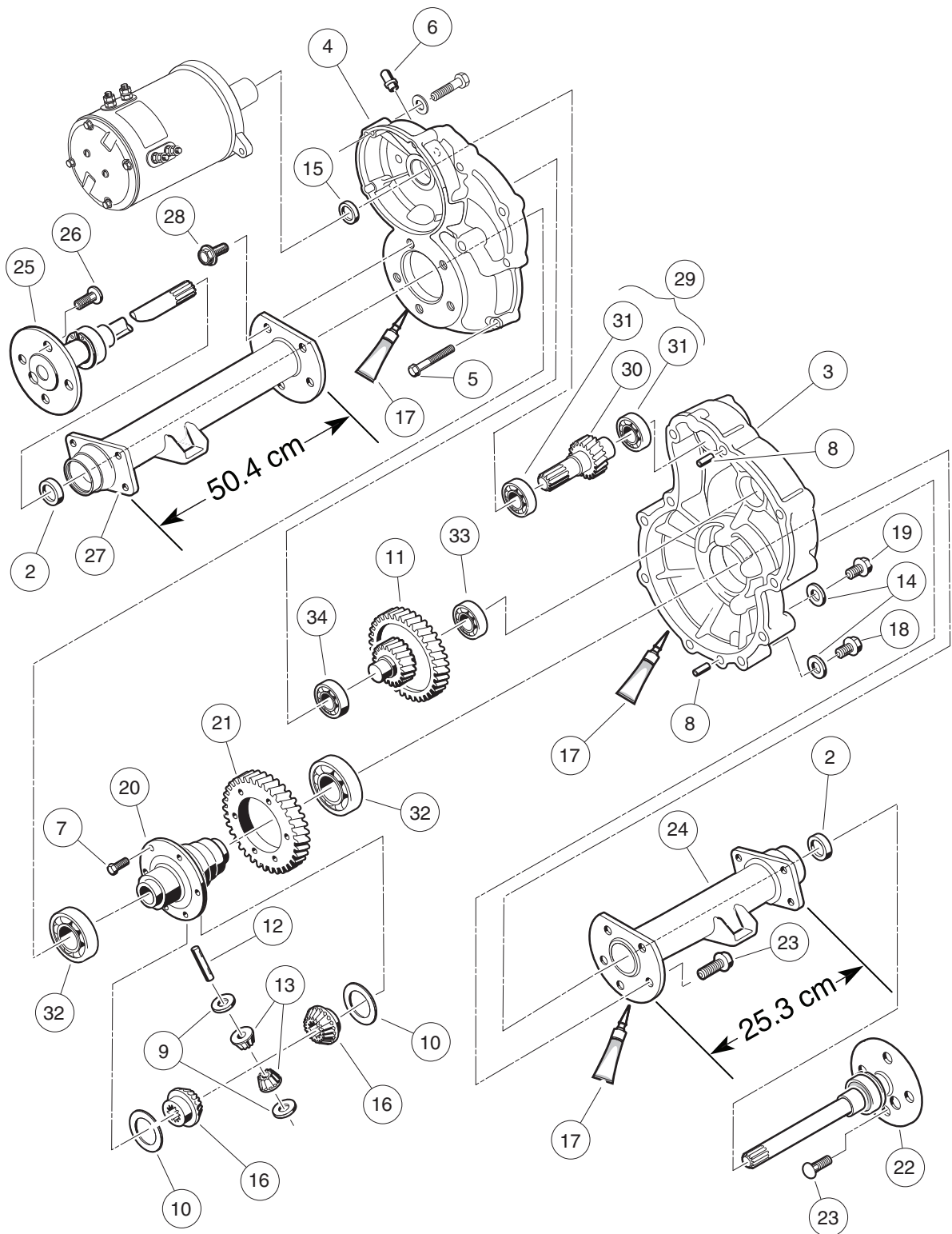
TRANSAXLE – ELECTRIC VEHICLES

15

E

15

E



000223-005

TRANSAXLE – ELECTRIC VEHICLES

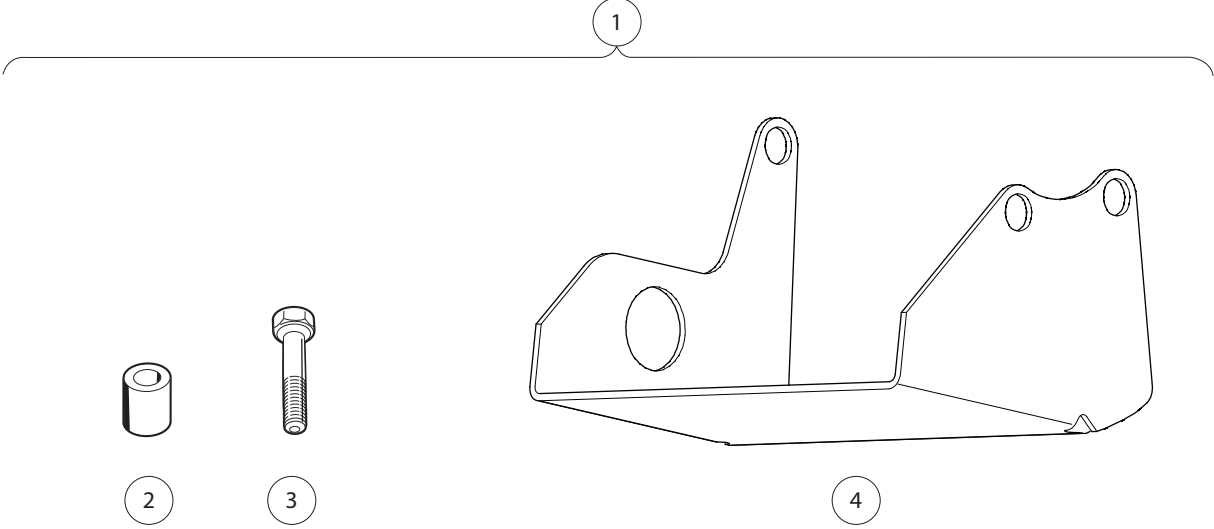
ITEM	PART NO.	DESCRIPTION	QTY
		1 2 3 4	
1	102771701	Transaxle, Electric (includes items 2 through 34)	1
2	1013794	Axle Shaft Oil Seal	2
3	101895401	Gear Case, Driver-Side	1
4	101895501	Gear Case, Passenger-Side	1
5	101897001	Screw, M8-1.25 X 60mm Hex-Head	11
6	101897201	Breather	1
7	101897401	Screw, M10-1.25 X 25mm	6
8	101897601	Pin, 11mm OD X 8.5mm ID X 10mm	2
9	101903601	Washer, Thrust	2
10	101903701	Washer, Thrust	2
11	101906901	Intermediate Shaft Assembly	1
12	101922101	Pin, 15.99mm X 88.7mm Dowel	1
13	101923001	Gear, Differential Idler	2
14	101923201	Gasket	2
15	101923501	Seal, Lip	1
16	101923901	Gear, Differential	2
17	101928701	Liquid Gasket (Transaxle case)	1
18	101972101	Plug, M14-1.5 X 12mm Magnetic	1
19	101972201	Plug, M14-1.5 X 12mm Hex	1
20	102356601	Housing, Differential, 6 Bolt	6
21	102356801	Gear, Differential Output, 6-Bolt	6
22	102886301	Axle Assembly, Driver-Side (includes item 23)	1
23	101922201	Lug Stud	4
24	102886401	Tube, Axle, Driver-Side	1
25	102886501	Axle Assembly, Passenger-Side (includes item 26)	1
26	101922201	Lug Stud	4
27	102886601	Tube, Axle, Passenger-Side	1
28	102902801	Screw, M10 X 30	10
29	103582801	Asm, E Trans Shaft/bearing (includes items 30 and 31)	1
30	N/A	Shaft, Input	1
31	7335	Bearing	2
32	7330	Inner Axle Tube Bearing	2
33	7335	Bearing	1
34	7336	Bearing	1

15

E

15

E



000365-002

DIFFERENTIAL GUARD – ELECTRIC VEHICLES

ITEM	PART NO.	DESCRIPTION	QTY
		1 2 3 4	
1	101611402	Kit, Differential Guard, Elec Vehicles (includes items 2 through 4)	1
2	101914001	Spacer, Steel	2
3	101936101	Screw, M10-1.50 X 60mm Hex Cap	2
4	101978601	Guard, Differential, Electric Vehicle Transaxle	1

15

E

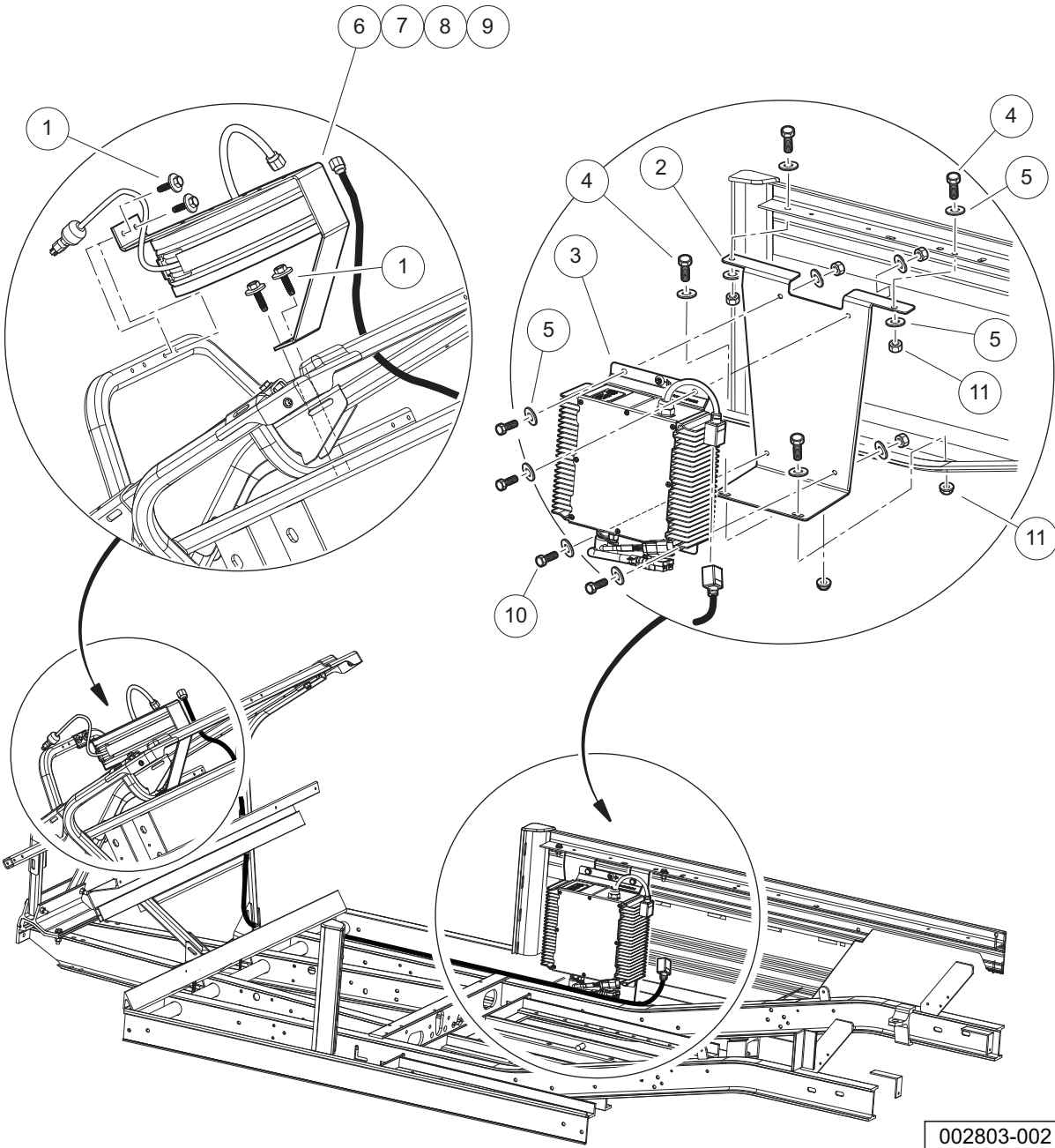
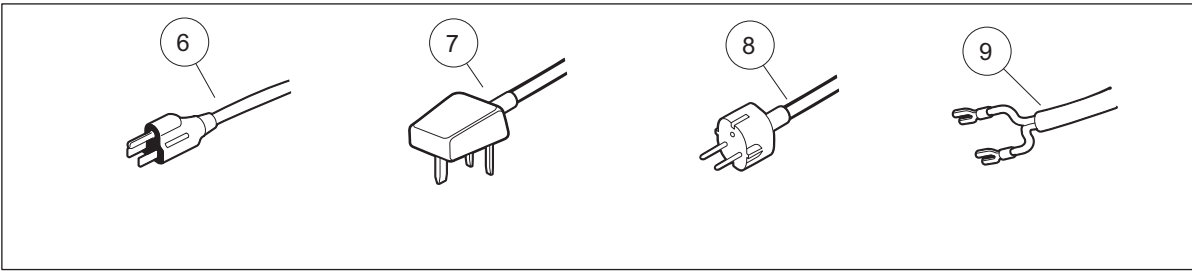
15

E

BATTERY CHARGERS – HIGH-FREQUENCY

16

E



ON-BOARD BATTERY CHARGER

ITEM	PART NO.	DESCRIPTION	QTY
		1 2 3 4	
1	102297125	Screw, M6-1.0x25.4, Thread-Forming, SEMS	4
2	103865201	Bracket, Mounting, Hf Charger	1
3	105149401	Chrg, Batt, Onboard, Quiq	1
4	304	Screw, 1/4-20 X 1.0 Hex-Head Cap	4
5	332	Washer, 1/4 Type A Narrow Flat	16
6	47623721001	Cord Reel, Retract, Us	1
7	47623721002	Cord Reel, Retract, Uk	1
8	47623721003	Cord Reel, Retract, Eu	1
9	47623721004	Cord Reel, Retract, Unterm	1
10	7847	Screw, 1/4-20 X 0.75 Hex-Head Cap	4
11	8233	Locknut, 1/4-20, Nylon Insert	8

16

E

16

E

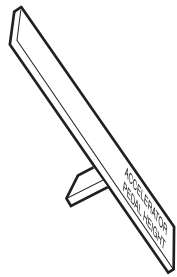
MAINTENANCE AND SERVICE TOOLS

17

G

E

17
G
E



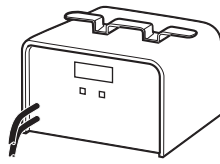
1



2



3



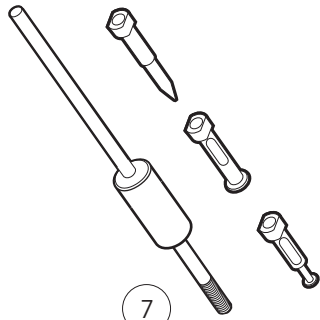
4



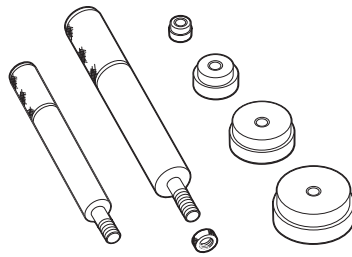
5



6



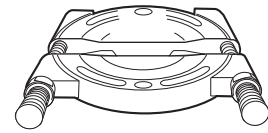
7



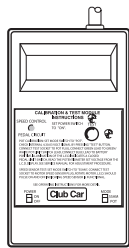
8



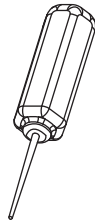
9



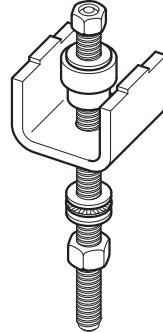
10



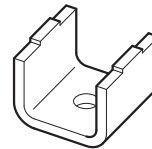
11



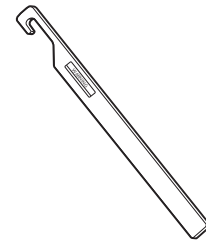
12



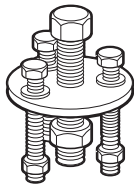
13



14



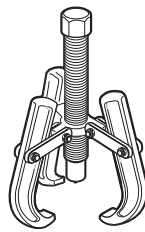
15



16



17



18



19

001060-003

MAINTENANCE AND SERVICE TOOLS

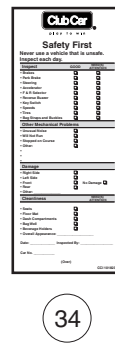
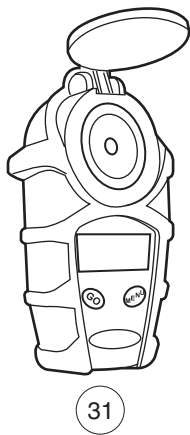
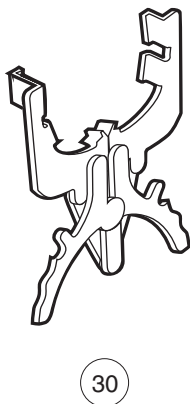
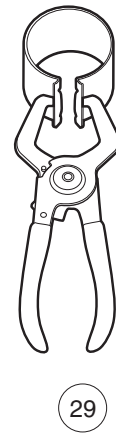
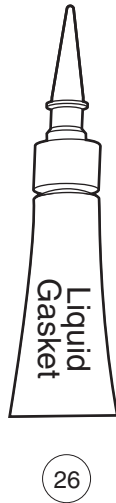
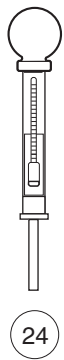
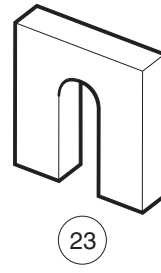
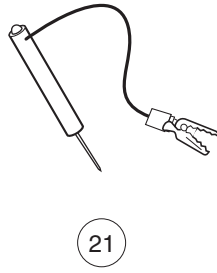
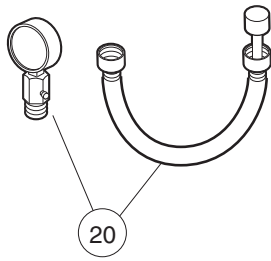
ITEM	PART NO.	DESCRIPTION	QTY GAS	QTY ELEC
		<p>1 2 3 4</p> <p>The following tool list includes all tools available from Club Car for maintenance and service procedures for gasoline and electric golf and utility vehicles. Be sure to carefully examine the tool list for applicability to your vehicle before ordering.</p>		
1	101871001	Accelerator Pedal Adjustment Tool (Utility Vehicles).....	1	1
2	101813202	Adhesive, Guide Ring, 3-Gram Tube		1
3	101641202	Arbor	1	
4	101831901	Battery Discharge Machine, 36/48 Volt		1
5	1014305	Battery Terminal Protector Spray	1	1
6	1011767	Battery Thermometer	1	1
7	1016417	Bearing and Oil Seal Remover Assembly	1	1
8	1016416	Bearing Driver Set	1	1
9	1012811	Bearing Puller	1	1
10	1012812	Bearing Puller Wedge Attachment	1	1
11	101887101	Calibration Test Module		1
12	102562401	Charger Bezel Tool		1
		Clutch Tools (items 13 - 19)	1	
13	47568549001	Driven Clutch Tool	1	
14	47568246001	Plate, Cam Press (supplied with item 13).....	1	
15	105072501	Drive Clutch Holder Tool Assembly	1	
16	1014497	Drive Clutch Hub Puller	1	
17	1014496	Drive Clutch Puller	1	
18	1014508	Driven Clutch Cam Puller	1	
19	1014507	Driven Clutch Puller Plug	1	
		<p>Please refer to the maintenance and service manual for proper tool application.</p>		

17

G

E

17
G
E



001061-003

MAINTENANCE AND SERVICE TOOLS, CONTINUED

ITEM	PART NO.	DESCRIPTION	QTY GAS	QTY ELEC
		1 2 3 4		
20	101641002	Compression Gauge and Adapter	1	
21	1011273	Continuity Tester	1	1
22	1012151	Dry Moly Lubricant	1	1
23	1016418	Gear Yoke	1	1
24	1011478	Hydrometer	1	1
25	1013593	Internal Retaining Ring Pliers	1	1
26	101928701	Liquid Gasket (transaxle case)	1	1
27	102243402	Moly-Teflon Lubricant (4-oz. (113-gram) tube)		1
28	102587201	Paint Pen, Touch-Up, Underbody ,Black	1	1
29	1016414	Piston Ring Compressor Kit	1	
30	1016415	Piston Ring Pliers	1	
31	AM1285701	Refractometer	1	1
32	1012549	Retaining Ring Pliers, 45 External	1	1
33	1012560	Retaining Ring Pliers, 90 Internal	1	1
34	101823101	Safety First Card (50 per pack)	1	1
35	1012809	Seal Puller	1	1
		Please refer to the maintenance and service manual for proper tool application.		

17

G

E

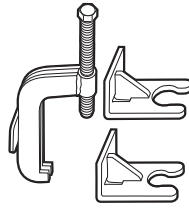
17
G
E



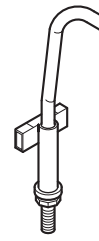
36



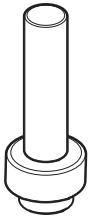
37



38



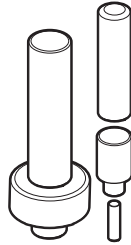
39



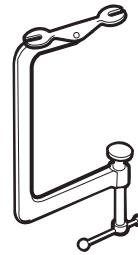
40



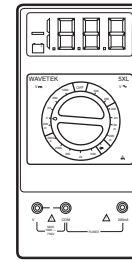
41



42



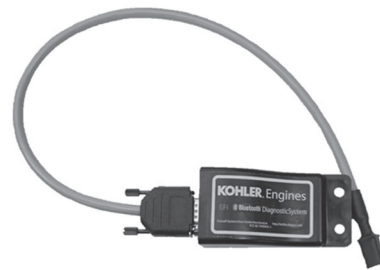
43



44



45



46



47

001062-002

MAINTENANCE AND SERVICE TOOLS, CONTINUED

ITEM	PART NO.	DESCRIPTION	QTY GAS	QTY ELEC	
		1 2 3 4			17
36	1014264	Steering Column Bearing Press Tool	1	1	G
37	1014259	Steering Column Retaining Ring Tool	1	1	E
38	102061201	Steering Wheel Puller Tool	1	1	
39	102570401	Tool, Tensioning, Starter Generator	1		
40	1014162	Transaxle Axle Seal Tool		1	
41	1014161	Transaxle Pinion Seal Tool		1	
42	1014115	Transmission Tool Kit		1	
43	101641101	Valve Spring Compressor	1		
44	1011480	Volt Ohm Meter	1	1	
45	47631025001	Kit, EFI Diagnostics	1		
46	47631026001	Kit, Bluetooth EFI Diagnostics	1		
47	47631075001	Kit, EFI Tool	1		
<p>Please refer to the maintenance and service manual for proper tool application.</p>					

INDEX

Part Number and Page

AM10419	11-9	8067	6-13	1011546	1-57
AM1300001	13-17	8233	1-29, 5-5, 5-7, 7-9, 9-11, 12-11, 16-3	1011553	1-53, 1-55, 3-7
AM1300101	13-17	8248	7-9	1011557	4-7
AM1300201	13-17	8450	11-5, 11-7	1011578	1-3, 6-5
AM1300301	13-17	8639	6-5, 7-11, 7-13	1011694	5-5, 5-7
SVP707604	1-25	8717	5-5, 5-7, 7-11, 7-13, 12-3	1011697	6-5, 10-3
SVP707605	1-25	8754	5-5, 5-7, 5-13, 5-15, 6-3, 6-5, 6-11, 6-13, 7-7	1011734	5-7
183	1-27, 11-5, 11-7	8755	6-13	1011767	17-3
304	16-3	8861	6-11	1011779	5-13, 5-15, 5-17, 5-19
320	5-13, 5-15	8935	1-3	1011825	4-7
324	1-39	8963	13-11, 13-13	101187702	5-3
332	1-9, 1-29, 7-9, 16-3	8990	5-13, 6-3, 12-5	1011887	6-17
334	1-29, 5-5, 5-7, 6-3, 6-5, 11-5, 11-7	1010005	6-17	1011892	6-17
357	1-33, 1-35, 1-53, 6-13	1010138	1-33, 1-35, 6-11	1011931	5-5, 5-7
451	5-11, 5-21, 5-23, 14-3	1010145	6-19	1011990	1-33, 1-35, 1-53
705	1-33, 1-35, 1-53	1010150	6-13	1012151	17-5
706	1-33, 1-35, 1-53, 6-13	1010177	6-13	1012295	4-7, 7-11, 7-13
1016	1-39, 4-17	1010200	6-13	1012303	6-13
1028	5-3	101043502	1-5, 1-31, 1-33, 1-35	1012396	4-11
1032	5-3	1010805	5-3	1012431	7-13
1035	1-29	1010829	5-13, 5-15, 5-17, 5-19	1012505	4-9, 4-11
1218	1-3, 1-25, 6-15, 9-15	1010850	5-11, 5-21, 5-23	1012528	1-31, 13-9
1241	1-3, 1-5, 1-25, 1-53, 1-55, 4-7, 5-3, 5-5, 5-7, 5-17, 5-19, 7-11, 7-13, 7-19, 9-15	1010877	5-3	1012549	17-5
1242	1-53, 1-55, 5-13, 5-15, 5-17, 5-19, 7-7, 7-11, 7-13	1010878	5-3	1012560	17-5
1624	5-5, 5-7, 6-3, 7-7	101090801	13-11, 13-13	1012565	6-9
2402	6-11	1010909	1-27	1012566	6-9
7048	6-13	1010921	5-3	1012571	13-11, 13-13
7049	1-41	1010927	5-3	1012604	6-5
7173	4-7, 7-19	1010932	5-3	1012605	6-5
7174	1-53, 1-55, 6-13, 7-7, 14-3	1010933	5-3	1012649	9-5
7251	1-3	1010934	1-53, 1-55, 7-19, 14-3	1012809	17-5
7274	6-17	1010954	7-11, 7-13	1012811	17-3
7308	6-17	1010984	2-3, 2-5	1012812	17-3
7310	2-5	1011084	5-7	1012836	11-9
7330	15-3	1011114	5-11, 5-21, 5-23, 9-11, 12-11	1013035	6-3
7335	15-3	1011137	5-11, 5-23	1013042	6-3, 6-11
7336	15-3	1011154	5-11, 5-21, 5-23	1013044	6-3
7473	1-3, 1-5, 1-25, 1-31, 1-33, 1-35, 4-7, 5-3, 5-5, 5-7, 5-13, 5-15, 5-17, 5-19, 6-15, 7-11, 7-13, 7-19, 9-15, 13-11, 13-13	1011273	17-5	1013052	6-3
7479	1-29	1011298	5-11, 5-21, 5-23	1013061	1-27
7561	1-33, 1-35	1011303	5-11, 5-21, 5-23	1013135	6-17
7716	5-3	1011314	5-11, 5-21, 5-23	1013309	1-9
7818	7-11, 7-13	1011382	4-9, 4-11	1013343	1-7
7820	4-7	1011393	6-17	1013344	1-7
7840	6-17	1011402	5-3	1013357	4-5
7847	5-19, 16-3	1011415	6-19	1013483	1-53
7893	4-17, 7-11, 7-13	1011418	5-3	1013494	4-9, 4-11
7910	6-17	1011439	4-7	1013531	5-17, 5-19
7973	1-7	101146302	5-11, 5-21, 5-23	1013589	7-11, 7-13
8056	7-17	1011464	5-11, 5-21, 5-23	1013593	17-5
8057	7-13, 7-15, 7-17	1011465	5-11, 5-21, 5-23	1013609	7-11, 7-13
8058	7-13, 7-15, 7-17	1011466	5-11, 5-21, 5-23	1013734	1-31, 13-9
		1011467	5-11, 5-21, 5-23	1013746	9-5
		1011478	17-5	1013794	15-3
		1011480	17-7	1013869	5-3
		1011494	5-11, 5-21, 5-23	1013870	5-3
				1013876	5-3

INDEX

1013924	5-11, 5-21, 5-23, 8-7	101558302	6-13, 6-19	1017226	6-13
1014007	5-5, 5-7, 9-11, 12-3, 12-11	1015597	6-13	1017266	6-11
1014051	11-7	1015608	1-3, 13-11, 13-13	1017273	6-7, 6-9
1014055	11-5, 11-7	1015656	1-51	1017313	6-5
1014056	11-5, 11-7	1015661	1-31, 1-39	1017314	6-5
1014057	11-5, 11-7	1015700	1-29	1017315	6-5
1014058	11-5, 11-7	1015720	13-9	1017317	6-5
1014059	11-5, 11-7	1015737	7-11, 7-13	1017378	5-5, 5-7
1014062	11-5, 11-7	1015741	7-11, 7-13, 13-5	1017380	5-5, 5-7
1014063	11-5, 11-7	1015752	7-11, 7-13	1017424	5-5, 5-7
1014065	7-11, 7-13, 11-5, 11-7	101587714	9-5	1017686	11-9
1014072	11-9	1015878	7-13, 7-15, 7-17	1017774	1-33, 1-35
1014078	11-9	1015932	7-7	101791101	5-21
1014080	11-9	1016060	1-29	101796201	5-5, 5-7
1014115	17-7	1016077	1-51	101802601	4-9
1014116	9-3	101609401	3-7	101804301	4-11
1014125	6-5	101611402	15-5	101808401	17-3
1014126	6-5	1016154	6-9	101813202	17-3
1014145	7-11, 7-13	1016183	6-5	101817401	5-5, 5-7
1014161	17-7	1016201	11-5, 11-7	101818801	5-7
1014162	17-7	1016214	6-9	101823101	17-5
1014201	14-3	1016269	6-5	101825101	3-7
1014213	6-5	1016289	11-5, 11-7	101825102	3-5, 3-7
1014214	6-5	1016319	5-13, 5-15	101830601	4-9, 4-11
1014217	6-5	1016320	5-13, 5-15	101830701	4-9, 4-11
1014259	17-7	1016346	6-11	101831401	13-13
1014264	17-7	1016349	6-11	101831901	17-3
1014276	6-13	1016350	6-11	101833401	11-9
1014287	11-5, 11-7	1016351	6-11	101834502	4-9, 4-11
1014288	6-5, 11-5, 11-7	1016353	6-11	101834601	8-7
1014305	17-3	1016356	4-5, 13-9	101834602	8-7
1014321	1-39	1016384	6-13	101835601	1-29
1014453	11-5, 11-7	101638502	6-11	101837401	1-59
1014454	11-9	1016386	6-13	101837502	1-59
1014496	17-3	1016387	6-13	101850301	4-3, 6-7, 6-9
1014497	17-3	1016389	6-13	101851101	4-9, 4-11
1014507	17-3	101641002	17-5	101856002	4-9
1014508	17-3	101641101	17-7	101856102	7-11, 7-13
1014789	7-3	101641202	17-3	101861901	5-5, 5-7
1014807	7-13, 7-15, 7-17	1016414	17-5	101862001	5-5
1014808	7-13, 7-15, 7-17	1016415	17-5	101865301	5-13, 5-15
101503202	1-7	1016416	17-3	101871001	17-3
1015072	13-11, 13-13	1016417	17-3	101874601	5-13
1015332	7-3	1016418	17-5	101878201	5-3
1015363	1-41	1016423	4-5, 13-5	101879401	6-3
1015373	7-11, 7-13	1016557	5-11, 5-21, 5-23	101879501	6-3
1015391	1-31	1016573	5-11, 5-21, 5-23	101879601	6-3
1015392	13-7	1016603	1-33, 1-35	101879701	6-3
1015399	1-13	1016801	11-5, 11-7	101879801	6-3
1015400	1-31	1016849	4-7, 4-9, 4-11	101879901	6-3
1015405	7-11, 7-13	1016851	4-9, 4-11	101880001	6-3
1015445	1-53	1016868	1-3	101880101	6-3
1015524	17-3	1016901	11-5	101880201	6-3
1015528	4-9, 4-11	1016967	13-9	101880301	6-3
101553901	3-7	1017029	5-3	101880701	5-11, 5-21, 5-23
1015583	1-29	1017211	5-13, 5-15	101884801	8-7

INDEX

101886101	9-11, 12-11	102065901	1-29	102546401	4-7
101887101	17-3	102155801	11-9	102554512	1-41
101887601	9-11	102158901	5-5, 5-7	102558201	8-3, 9-15
101895401	15-3	102162601	5-17	102562401	17-3
101895501	15-3	102166901	5-17	102564002	6-13
101897001	15-3	102186401	14-3	102569302	2-5
101897201	15-3	102196901	4-9, 13-5	102570401	17-7
101897401	15-3	102198001	4-5	102572401	4-9, 13-5
101897601	15-3	102199001	4-7	102582401	1-15, 1-17
101898001	7-19	102235201	14-3	102587201	17-5
101903601	15-3	102238001	4-5, 13-9	102590801	1-39, 1-41
101903701	15-3	102240501	13-9	102617201	8-5
101906901	15-3	102242101	11-9	102617801	12-23
101908101	13-7	102243402	17-5	102621501	1-15, 1-17, 1-43, 7-7, 12-3, 12-7, 12-9
101908401	7-9, 13-7	102243403	14-3	102670701	6-19
101914001	15-5	102269701	7-11	102684501	6-13
101915201	3-5	102274101	12-23	102704901	14-3
101918501	5-3, 5-5, 5-7	102278001	6-5	102711201	7-11, 7-13
101919801	5-5, 5-7	102289201	6-3, 6-11	102725501	9-15
101922101	15-3	102292801	5-13, 5-15, 5-17, 5-19	102732401	8-5
101922201	15-3	102296040	4-3	102764001	13-11, 13-13
101922501	7-9	102296150	1-15, 1-17	102766201	13-11, 13-13
101923001	15-3	102296301	1-15, 1-17	102766301	6-13
101923201	15-3	102296716	9-11	102771701	15-3
101923501	15-3	102297125	1-21, 1-23, 4-7, 16-3	102772401	13-9
101923901	15-3	102297230	13-3	102774701	13-9
101928701	15-3, 17-5	102298185	1-29	102775101	14-3
101932201	4-7	102298401	1-17, 1-29, 1-37, 1-39, 1-51, 6-19, 10-3	102817101	13-9
101935301	5-13, 5-15	102299065	1-17	102817201	13-9
101936101	15-5	102299550	1-37, 1-39, 1-51	102838101	13-7
101942301	14-3	102301401	1-29	102838701	7-5
101946201	1-13	102323101	5-13, 5-15, 5-17, 5-19	102838801	7-5
101953102	5-17	102323201	5-13, 5-15, 5-17, 5-19	102838901	7-5
101953106	5-13, 5-15, 5-19	102345901	3-5	102839001	7-5
101954301	1-9	102356601	15-3	102839301	7-5
101955101	4-7	102356801	15-3	102841101	7-5
101957101	4-7	102376001	12-3	102845101	3-3
101958602	1-29	102410604	9-11	102845201	13-11
101960501	3-5	102411209	9-15	102845203	13-11, 13-13
101963401	1-13, 1-51, 7-11, 9-15	102459301	3-7	102845204	13-13
101972101	15-3	102476401	9-11, 12-11	102845401	13-9
101972201	15-3	102490301	9-11	102846402	13-9
101978601	15-5	102491501	11-5, 11-7	102847603	1-51
101984801	6-5	102492301	13-5	102852103	5-19
101990801	5-17, 5-19	102498201	9-11, 12-7, 12-9, 12-11	102860501	5-11, 5-21, 5-23
102002802	13-9	102506401	1-29, 6-19	102863801	13-9
102002901	13-11, 13-13	102517501	4-7	102869401	4-9, 4-11
102022601	6-11	102518301	3-3	102873401	13-11, 13-13
102022602	6-3, 6-11	102526201	12-3	102882501	1-33, 1-35
102025701	5-9	102538601	13-5	102883601	3-9
102025801	9-3, 9-5	102540301	8-7	102886301	15-3
102026001	5-5, 5-7	102541401	1-17, 7-7	102886401	15-3
102056001	1-55	102541425	1-15, 1-17	102886501	15-3
102059501	12-7, 12-9	102541440	1-17	102886601	15-3
102061201	17-7	102541445	1-17	102891101	5-17, 5-19
102065103	1-55				

INDEX

102894503	4-7	103575801	1-29	104023501	9-11, 12-11
102902801	15-3	103582801	15-3	104025101	11-9
102915701	13-7	103601501	6-3	104026801	3-7
102922701	10-3	103601601	6-13	104027101	12-23
102931102	13-9	103653401	6-3	104033601	1-57
102938601	14-3	103653501	6-3, 6-11	105000301	7-11, 7-13
102938701	14-3	103653601	6-11	105000401	7-11, 7-13
102938801	14-3	103653801	1-17	105000501	13-9
102938901	14-3	103658601	2-5	105003401	9-15
102939001	14-3	103717302	6-13	105006501	1-13
102939101	14-3	103717402	6-13	105007402	9-11
102939102	14-3	103724504	6-7, 6-9	105007403	9-11
102947601	1-15	103724601	6-9	105009101	9-15
102951701	14-3	103724602	6-7	105009401	9-15
102967601	3-3	103724901	6-9	105025001	12-13, 12-15
102977003	4-11	103754901	1-15	105025101	12-13, 12-15
102977004	4-9	103756401	9-5	105025201	12-13, 12-15
102977901	9-3	103783003	3-5	105025301	12-13, 12-15
102980801	13-11, 13-13	103821301	4-17	105025401	12-13, 12-15
102980901	13-11, 13-13	103829401	6-7	105025501	12-13, 12-15
102989501	1-13	103832501	3-11	105025601	12-13, 12-15
103180101	4-9, 4-11	103832601	3-11	105025701	12-13, 12-15
103196001	1-15, 1-17	103865101	5-5, 5-7	105025801	12-13, 12-15
103198301	4-9	103865201	16-3	105025901	12-13, 12-15
103198401	7-9	103879701	12-15	105026001	12-13, 12-15
103199001	4-11	103879702	12-13	105026101	12-13, 12-15
103199101	4-11	103886601	12-5	105026201	12-13, 12-15
103205501	3-5, 7-9	103896604	9-5	105026301	12-13, 12-15
103218601	4-9, 13-5	103896605	9-5	105026401	12-13, 12-15
103234304	3-9	103902101	13-3	105026501	12-13, 12-15
103245001	4-7	103902301	13-3	105026601	12-13, 12-15
103262201	8-5	103902401	13-3	105026701	12-13, 12-15
103347601	7-5	103924801	7-3	105026801	12-13, 12-15
103347701	7-5	103942601	13-15	105026901	12-13, 12-15
103347801	7-5	103943401	13-3	105027001	12-13, 12-15
103348201	4-11	103951002	2-5	105027101	12-13, 12-15
103348202	4-9	103951003	2-5	105027201	12-13, 12-15
103348501	4-11	103951501	12-23	105027301	12-13, 12-15
103348602	4-11	103951801	1-33, 1-35	105027401	12-17
103354401	4-9	103969701	13-13	105027501	12-17
103354701	6-11	103973901	11-7	105027601	12-17
103372101	9-3	103973902	11-5	105027701	12-17
103372401	9-5	103974102	11-3	105027801	12-17
103397901	13-9	103974201	11-5, 11-7	105027901	12-17
103452001	9-5	103974401	11-5, 11-7	105028001	12-17
103459104	2-5	103975301	11-9	105028101	12-19, 12-21
103477901	6-17	103976101	11-5, 11-7	105028201	12-17
103484301	4-7	103978801	1-3	105028301	12-13, 12-15
103487501	1-13	103979301	12-23	105028401	12-17
103497702	13-15	103984601	11-5, 11-7	105028501	12-13, 12-15
103507001	6-13	103989501	12-23	105028601	12-17
103508101	8-5	103989901	12-25	105028701	12-17
103510301	13-7	103995001	12-23	105028801	12-17
103510501	13-15	104005901	13-17	105028901	12-17
103538701	1-29	104006101	13-17	105029001	12-17
103539001	1-29	104021701	12-23	105029101	12-17

INDEX

105029201	12-17	105066401	1-23	105124202	1-19
105029301	12-21	105068002	4-13	105124701	3-3
105029401	12-21	105068003	4-13	105127302	1-43
105029501	12-19, 12-21	105068902	6-19	105127401	1-39
105029601	12-21	105069901	1-15	105127402	1-39
105029701	12-21	105073401	4-3	105128001	1-43
105029801	12-19, 12-21	105075202	13-9	105128101	1-41
105029901	12-19, 12-21	105078401	1-13	105128201	1-41
105030001	12-13, 12-15	105078809	2-3	105128801	1-19
105030301	12-19, 12-21	105078810	2-3	105128802	1-19
105030401	12-19, 12-21	105078901	2-3	105128901	1-19
105030501	12-19, 12-21	105079204	2-3	105129001	1-19
105030601	12-19, 12-21	105079301	2-3	105129501	1-51
105030701	12-13, 12-15	105079401	2-3	105129601	1-51
105030801	12-19, 12-21	105081501	7-3	105129901	1-43
105030901	12-17	105081601	7-3	105130001	3-3
105031001	12-21	105081702	4-9, 4-13	105130101	3-3
105035101	1-23	105081703	4-9, 4-13	105130301	1-41
105035201	1-23	105081802	4-11, 4-13	105130302	1-41
105035301	1-23	105081803	4-11, 4-13	105130501	1-41
105035801	1-21	105081902	4-11, 4-13	105131001	1-33, 1-35
105036601	1-31	105081903	4-11, 4-13	105134901	12-9
105036801	4-3	105082301	3-5	105135101	9-11, 12-7, 12-9
105037101	4-11	105083301	6-13	105135201	4-7
105037201	7-11	105084701	3-5	105135901	7-3
105037401	7-11, 7-13	105086101	1-15, 1-17	105136001	7-3
105037701	12-3	105088501	9-15	105137106	3-7
105038001	12-3	105092601	1-17	105143301	7-3, 9-3
105038101	12-3	105093301	7-3	105144401	9-11, 12-11
105038201	12-3	105093601	9-3	105144801	3-11
105038501	12-3	105096101	11-5, 11-7	105145201	13-7
105038803	12-5	105100401	5-7	105148502	1-51
105039801	12-3	105100801	5-7	105148601	1-51
105039901	12-3	105102601	7-17	105148801	1-51
105040401	12-3	105106101	2-7	105148802	1-51
105040402	12-3	105106201	2-7	105149101	5-9
105040901	12-7	105106301	2-7	105149201	5-9
105043801	9-3	105106501	2-7	105149401	16-3
105043901	9-3	105106601	6-11	105152301	4-9
105046101	3-7	105106801	6-19	105153201	3-9
105060601	12-3	105108201	4-7	105153202	3-9
105062401	1-13	105108301	4-7	105153301	3-9
105063001	1-13	105108401	4-7	105153302	3-9
105063002	1-13	105108901	1-33, 1-35	105160401	1-45
105063501	12-13	105109501	1-51	105160501	1-49
105063601	12-19	105110801	1-29	105160801	1-45
105064121	1-11	105112401	13-9	105160901	1-45
105064122	1-11	105113301	1-51	105161001	1-45
105064123	1-11	105113302	1-51	105161101	1-45
105064124	1-11	105114805	4-5	105161201	1-49
105064521	1-9	105114806	4-5, 4-7	105161301	1-49
105064522	1-9	105114807	4-5	105161401	1-45
105064523	1-9	105116301	13-3	105161501	1-47
105064524	1-9	105122105	1-39	105161601	1-47
105066001	12-19, 12-21	105122205	1-37	105161701	7-3, 7-5
105066101	12-19, 12-21	105124201	1-19	105163601	3-3

INDEX

105163701	3-3	105310301	5-19	47619701001	9-5
105165801	4-7	47539338002	7-7	47621253001	4-3
105165901	1-41	47542195001	5-11, 5-21, 5-23	47621444002	1-3
105166801	13-17	47559475001	7-5	47621599001	1-39
105166901	13-17	47559475002	7-5	47621704001	1-7
105167001	13-17	47563313001	1-39	47623281001	7-3
105167101	13-17	47563313002	1-39	47623339001	9-3
105167201	13-5	47564890001	8-7	47623721001	16-3
105168501	13-17	47579096001	6-19	47623721002	16-3
105168601	13-17	47579923001	4-3	47623721003	16-3
105169101	1-31	47583000001	7-5	47623721004	16-3
105170101	1-19	47583790001	7-5	47629583001	8-19
105170301	1-33	47583791001	7-5	47629585001	8-19
105170501	1-35	47583794001	7-5	47629588001	8-19
105173901	13-5	47583795001	8-7	47629589001	8-19
105185701	1-17, 1-37, 1-51	47583907001	4-3	47629677001	8-15
105185801	1-37, 1-51	47584178001	7-5	47629680001	8-15
105187801	6-13	47584179001	7-5	47629682001	8-15
105188185	6-19	47584184001	8-7	47629685001	8-15
105188701	6-19	47585213001	6-13	47629686001	8-15
105190601	4-7	47585228001	6-19	47629687001	8-15
105190701	4-7	47585228002	6-19	47629688001	8-15
105192301	1-39	47587701001	8-7	47629689001	8-15
105192901	1-39	47587715001	4-19	47629690001	8-15
105193001	1-39	47594727001	4-15	47629691001	8-15
105193002	1-17	47598099001	8-5	47629693001	8-15
105193101	1-43	47598441001	4-11	47629694001	8-15
105193501	1-33, 1-35	47599907001	6-19	47629696001	8-15
105194101	1-31, 9-3	47599907002	6-19	47629697001	8-15
105194301	1-13	47600218001	11-9	47629698001	8-15
105194801	1-37, 1-51	47601355001	9-11	47629699001	8-17
105194802	1-37	47601767001	11-9	47629700001	8-17
105194901	1-37	47601767002	11-9	47629701001	8-17
105194902	1-37	47601832001	11-9	47629702001	8-11, 8-17
105195501	13-9	47604303001	4-17	47629703001	8-17
105196101	1-39	47606233001	9-3	47629705001	8-17
105196201	1-39	47606233002	9-3	47629707001	8-17
105197101	1-31	47606233004	9-3	47629709001	8-17
105197601	1-33, 1-35	47606257001	9-5	47629711001	8-13
105200401	1-9	47609057001	7-3	47629714001	8-13
105200702	1-39	47611208001	7-3	47629716001	8-13
105200802	1-39	47611209001	10-3	47629717001	8-13
105200901	1-39	47611210001	10-3	47629718001	8-13
105201001	1-39	47611483001	8-5	47629719001	8-13
105205201	1-39	47611484001	8-5	47629720001	8-13
105210201	13-11	47611648001	8-5	47629722001	8-13
105216201	1-41	47611868001	7-7	47629723001	8-13
105234801	12-13, 12-15	47611869001	7-7	47629724001	8-13
105234901	12-13, 12-15	47611870001	7-7	47629725001	8-13
105237301	7-19	47611876001	9-3	47629726001	8-13
105242801	6-15	47611877001	9-3	47629727001	8-13
105243001	6-15	47612352001	9-9	47629728001	8-13
105245801	11-3	47613047002	10-3	47629729001	8-13
105256701	7-19	47616912001	7-3	47629730001	8-13
105256801	7-3	47617158001	9-9	47629768001	8-13
105288801	1-19	47617345001	7-7	47629822001	8-13

INDEX

- 47629823001 8-13
47629824001 8-13
47629825001 8-13
47629826001 8-11
47629828001 8-11
47629831001 8-11
47629832001 8-11
47629833001 8-11
47629834001 8-11
47629835001 8-11
47629836001 8-11
47629837001 8-11
47629838001 8-11
47629841001 8-11
47629843001 8-11
47629844001 8-9
47629845001 8-9
47629846001 8-9
47629847001 8-9
47629848001 8-9
47629851001 8-9
47629853001 8-9
47629855001 8-9
47629856001 8-9
47629857001 9-7
47629858001 9-7
47629859001 9-7
47629860001 9-7
47629861001 9-7
47629862001 9-7
47629864001 9-7
47629865001 9-7
47629866001 9-7
47629867001 9-7
47629868001 9-7
47629869001 9-7
47629870001 9-7
47629871001 9-7
47629872001 9-7
47629874001 9-7
47629875001 9-9
47629876001 9-9
47629877001 9-9
47629878001 9-9
47629879001 9-13
47629880001 9-13
47629881001 9-13
47629882001 9-13
47637087001 9-5
47640021001 8-11
47640281001 8-3, 8-11
47650425001 1-5
47650425002 1-5
47650425003 1-5
47650425004 1-5
47650425005 1-5
47650425007 1-5
47650425099 1-5
47650426001 1-17
47650426002 1-17
47650427001 1-17
47650427002 1-17
47650430001 1-17
47650430002 1-17
47650433001 4-3
47650433002 4-3
47650436001 1-15
47650438001 1-3
47650438002 1-3
47650444001 1-17
47650445001 4-3
47650445002 4-3
47650647001 8-11
47653103002 3-11
47653325002 1-25
47653998001 1-17
47654000001 1-17
47654905001 3-9
47654905002 3-9
47660193001 3-9
47661239001 1-5
47662157001 1-15
47662295001 7-3
47664008001 13-5
47664009001 7-3
47664037001 9-3
47664335001 8-11
47665001001 1-15
96704176 4-15, 12-3
96705199 1-39, 12-7, 12-9
96705587 10-3
96741046 8-5
- A**
accelerator bracket and bearing assembly 5-5, 5-7
accelerator cable 9-11
accelerator pedal adjustment tool 17-3
accelerator pivot rod 5-5, 5-7
accelerator return spring 5-5, 5-7
accessory receptacle 4-5
adhesive, guide ring 17-3
air cleaner assembly 9-15
air filter 8-3, 9-15
air filter evacuator 9-15
air intake hose 9-15
AM1285701 17-5
anchor body 5-11, 5-21, 5-23
anchor body kit 5-11, 5-21, 5-23
anchor, piston 5-11, 5-21, 5-23
A-plate strap 6-11
A-plate, delta 6-11
- arbor 17-3
arm
 governor 9-11, 12-11
armature 14-3
assembly
 accelerator bracket and bearing 5-5, 5-7
 accelerator pivot rod 5-5, 5-7
 bearing, steering shaft 6-5
 delta A-plate 6-11
 drive hub 11-5, 11-7
 fuel cap 9-3
 inner ball joint 6-3
 kingpin 6-13
 moveable-face 11-5, 11-7, 11-9
 ratchet 5-3, 5-5, 5-7
 secondary clutch weight 11-5, 11-7
 steering shaft 6-5
axle 15-3
axle guard 15-5
axle shaft 12-19, 12-21
axle shaft oil seal 15-3
axle tube 12-19, 12-21, 15-3
- B**
backing plate, brake 5-11, 5-21, 5-23
ball bearing 7-5, 12-17, 12-19, 12-21
ball joint 5-3, 5-7
ball stud 7-11, 7-13
ball, trailer hitch 1-57
battery
 12-volt, top-post 7-19
 battery cap, 6-volt 13-13
 battery charger 16-3
 battery clamp 7-19
 battery condition indicator 4-9
 battery discharge machine 17-3
 battery HD, 6-volt, Trojan T145 13-13
 battery hold-down 13-11, 13-13
 battery hold-down rod 13-11, 13-13
 battery terminal protector spray 17-3
 battery thermometer 17-3
 battery, 6-volt, JCI GC2 Entek 13-11
 battery, top-post, wire, 4ga, B+ 7-3
 battery, top-post, wire, B- 4ga, 7-19
bearing 15-3
 ball 7-5, 12-17, 12-19, 12-21
 ball (motor) 14-3
 ball (steering pinion) 6-3
 front wheel hub 6-17
 hub 6-17
 inner axle tube 15-3
 lower pinion (steering) 6-3
 pivot support 5-5, 5-7
 steering shaft 6-5
 thrust 6-13, 12-13, 12-15
bearing and oil seal remover 17-3

INDEX

- bearing driver set 17-3
 - bearing puller 17-3
 - bearing puller wedge 17-3
 - bearing seat 6-5
 - bed clamp kit 1-45
 - bed floor 1-31
 - bed floor kit 1-31
 - bed latch weldment 1-31
 - bed lift actuator 1-33, 1-35
 - bed lift harness 1-33, 1-35
 - bed lift kit 1-35
 - bed lift kit, electric 1-33
 - bed lift weldment 1-33, 1-35
 - bed seal 1-13
 - bellows 6-3
 - belt, drive 11-3
 - block, brake-mounting 5-3
 - block, fuse 7-11, 7-13, 13-5
 - block, terminal 4-5, 13-9
 - body, anchor 5-11, 5-21, 5-23
 - boot, steering column 6-5
 - boot, switch 7-9, 13-7
 - box
 - steering gear 6-3
 - tool 1-59
 - brace, trailer hitch 1-53
 - bracket
 - accel.cable 9-11, 12-7, 12-9
 - brake light switch 4-7
 - carbon canister 9-5
 - FNR cable 9-11, 12-7, 12-9
 - governor 9-11, 12-11
 - horn 4-7
 - snubber 8-7
 - stake side 1-51
 - steering column 6-5
 - steering column mounting 6-5
 - Tow/Run switch 7-9
 - bracket, hinge, bed 1-29
 - bracket, tailgate Lh 1-41
 - bracket, tailgate Rh 1-41
 - brake actuator kit 5-11, 5-21, 5-23
 - brake backing plate 5-11, 5-21, 5-23
 - brake cable 5-13, 5-15, 5-17
 - brake cable equalizer 5-13, 5-15, 5-17, 5-19
 - brake cluster 5-11, 5-21, 5-23
 - brake drum 5-11, 5-21, 5-23
 - brake lever arm 5-11, 5-21, 5-23
 - brake light switch bracket 4-7
 - brake mounting block 5-3
 - brake pedal 5-3
 - brake pedal pad 5-3
 - brake return spring 5-17, 5-19
 - brake shoe 5-11, 5-21, 5-23
 - brake spring 5-11, 5-21, 5-23
 - breather 12-13, 12-15, 15-3
 - Brkt, Steering Stop, Drv, CA, LSV 6-15
 - brush box assembly 14-3
 - brush kit, motor 14-3
 - brush rigging 14-3
 - brush spring 14-3
 - brush, motor 14-3
 - bucket holder kit 1-49
 - bumper
 - drive unit (motor) 14-3
 - front 1-3
 - rubber 5-3
 - spring return 5-5, 5-7
 - bumper, bedfloor 1-31
 - bushing 1-33, 1-35, 7-11, 7-13, 11-5, 11-7, 12-3
 - bronze 6-13
 - nylon 1-41, 5-3
 - snap-in 1-41
 - spindle 6-13
 - steel 6-13
 - urethane 1-29, 6-11, 6-13, 6-19
 - button, drive 11-9
 - buzzer, reverse 4-9, 4-11
- ## C
- cable
 - accelerator 9-11
 - brake 5-13, 5-15, 5-17
 - FNR shifter 12-5
 - calibration test module 17-3
 - cam
 - driven clutch 11-9
 - electrical component box 7-11, 7-13
 - canister, carbon, fuel tank 9-5
 - cap
 - battery, 6-volt 13-13
 - dust 4-9, 13-5
 - fuel, gas, ratchet 9-3
 - key switch 4-9, 4-11
 - rubber 12-23
 - cap, quick connector 13-9
 - carbon canister 9-5
 - card, safety first 17-5
 - cargo box kit 1-39
 - cargo box, corner, ds 1-39
 - cargo box, side panel, ds, medium 1-39
 - cargo box, corner, ps 1-39
 - cargo box, side panel, ps, medium 1-39
 - case
 - gear 15-3
 - transaxle 12-13, 12-15
 - center shaft 12-17
 - charger bezel tool 17-3
 - charger, battery 16-3
 - charging diode 7-11
 - circuit breaker 13-7
 - clamp
 - battery 7-19
 - hose 9-5, 9-15
 - p- (fuel filter) 9-11
 - clevis, upper delta 6-13
 - clip
 - meter 4-11
 - wheel cover 2-7
 - clip, score card 6-9
 - cluster, brake 5-11, 5-21, 5-23
 - clutch
 - pin 12-17
 - clutch cam installation tool 17-3
 - clutch repair kit 11-9
 - clutch tool kit 17-3
 - clutch weight 11-5, 11-7
 - clutch, drive 11-5, 11-7
 - collar 12-17
 - column, steering 6-5
 - compression gauge 17-5
 - compressor, piston ring 17-5
 - compressor, valve spring 17-7
 - continuity tester 17-5
 - counter shaft 12-17
 - cover
 - dust 5-11, 5-21, 5-23, 6-17
 - electrical component 13-9
 - rocker switch hole 4-9, 4-11
 - screw head 4-9, 4-11
 - steering column 6-5
 - C-type stop ring 6-3
 - cup, spring 5-5, 5-7
 - cushion, shock absorber 6-19
- ## D
- dash component 1-7
 - decal
 - 4-gauge wire warning 3-3
 - bed load warning 3-7
 - crush area warning 3-7
 - diode safety 3-5
 - electrical cover safety 3-3
 - filter log 13-17
 - frame ground 3-5
 - inspect log 13-17
 - key switch 3-5, 3-7
 - maintenance/operate switch 3-5, 7-9
 - nameplate 3-9
 - on/off 3-7
 - operating instructions 3-5
 - rotating parts 3-5
 - Tow/Run switch 3-3
 - trailer hitch 1-53, 1-55, 3-7
 - wheel cover 2-7
 - deionizer 13-17
 - cartridge 13-17
 - delta A-plate 6-11

INDEX

delta A-plate sub-assembly 6-11
diagnostic port 4-9, 13-5
differential 12-21
 limited-slip 12-19
 open 12-21
differential drive unit 15-3
differential gear 15-3
differential gear set 12-21
differential guard 15-5
differential housing 15-3
differential shaft 12-21
diode 7-3
diode, charging 7-11
drain plug 12-13, 12-15
drive belt 11-3
drive button 11-9
drive clutch 11-5, 11-7
drive clutch button 11-5, 11-7
drive clutch holder tool 17-3
drive clutch hub puller 17-3
drive clutch puller 17-3
drive clutch spring 11-5, 11-7
drive clutch weight 11-5, 11-7
drive hub 11-5, 11-7
drive unit bumper 14-3
drive unit guard 15-5
driven clutch button 11-9
driven clutch cam 11-9
driven clutch cam puller 17-3
driven clutch puller plug 17-3
driver, drive clutch 11-5, 11-7
drum, brake 5-11, 5-21, 5-23
dry moly lubricant 17-5
dual snubber 8-7
dust cap 4-9, 13-5
dust cover 5-11, 5-21, 5-23, 6-17

E

eccentric bolt 6-13
E-clip 5-13, 5-15, 5-17, 5-19
electrical component cover 13-9
end cap, motor 14-3
end, tie rod 6-11
engine
 air cleaner 9-15
 air filter 8-3, 9-15
 air intake hose 9-15
equalizer pivot 5-13, 5-15
equalizer rod 5-13, 5-15, 5-17, 5-19
equalizer, brake cable 5-13, 5-15, 5-17, 5-19
extension, spring latch 1-31

F

face, moveable 11-9
fender, inner 1-21

fender, rear 1-23
filter
 air 8-3, 9-15
fitting, thread-forming grease 6-13
flasher, turn signal, 12-volt 4-7
flat trim kit 1-37
floor mat 1-7
FNR closeout brush 4-11
fnr shaft 12-3
FNR shift lever 12-7, 12-9
FNR shifter base 12-3
FNR shifter cable 12-5
frame
 corner cap 1-13
frame and field, motor 14-3
frame, bed 1-31
front bumper 1-3
front spring retainer plate 6-13
Fuel Module, Hold-Down Ring 9-3
fuse
 10-amp 4-7, 7-3, 7-11, 7-13
 15-amp 13-5
 1-amp 13-5
 20-amp 4-5, 13-5
 2-amp 7-3, 13-5
 30-amp 13-5
 5-amp 7-3
fuse block 7-11, 7-13, 13-5
fuse, mini, 7.5A 4-5
fuse, mini, 10A 4-5, 4-7
fuse, mini, 15A 4-5

G

gasket 12-13, 12-15
 liquid 15-3, 17-5
 plug 15-3
gauge, battery condition 4-9
gauge, compression 17-5
gear
 17 tooth 12-17
 34 tooth 12-17
 52 tooth 12-17
 60 tooth 12-19, 12-21
 62 tooth 12-17
 differential 15-3
 differential idler 15-3
 differential output 15-3
 governor 12-13, 12-15
 governor, 34 tooth 12-17
 set, differential 12-21
gear yoke 17-5
gearcase 15-3
governor arm 9-11, 12-11
governor gear shaft 12-13, 12-15
governor shaft 12-13, 12-15
grip, pencil 6-9

grip, tilt latch hand 1-31
guard, differential 15-5
guide pin 12-13, 12-15
guide ring adhesive 17-3

H

handle 12-3
harness, wire 13-9
harness, wire, gas FNR connector 7-3
harness, brake pedal switch 4-7
harness, taillight 4-7
headband, sealed, motor 14-3
headband, vented, motor 14-3
headlight 4-3
hill brake rod 5-3
hill brake weld assembly 5-3
hinge pin 1-51
hip restraint 1-13
hitch, trailer 1-53
hitch, trailer, ball 1-57
hold-down rod, battery 13-11, 13-13
hold-down, battery 13-11, 13-13
hole plug 4-9
horn bracket 4-7
hose
 air intake 9-15
 vent 9-5
hour meter 13-7
hour meter bracket 13-7
housing
 3-pin 14-3
 differential 15-3
hub 6-17, 12-23
hub bearing 6-17
hydrometer 17-5

I

idler gear, differential 15-3
indicator, battery condition 4-9
indicator, charger 4-9
inner frame snubber 8-7
input shaft 12-17, 15-3
insulating washer 14-3
insulator, motor terminal 14-3
intermediate shaft 15-3
internal retaining ring pliers 17-5
isolator, shock damper 6-19

J

joint
 ball 5-3, 5-7

K

key
 driven clutch 11-9

INDEX

On/Off 4-9, 4-11
square 11-9
key switch cap 4-9, 4-11
kingpin 6-13
kit
3-pin housing 14-3
accelerator pivot rod 5-5, 5-7
anchor body 5-11, 5-21, 5-23
brake actuator 5-11, 5-21, 5-23
brake cable 5-13
brake pedal 5-3
brake shoe 5-11, 5-21, 5-23
brake shoe retainer 5-11, 5-21, 5-23
clutch repair 11-9
drive clutch button 11-5, 11-7
drive clutch weight 11-5, 11-7
driven clutch button 11-9
equalizer, brake 5-13, 5-15
hand pump, SPWS 13-17
motor brush 14-3
motor brush lead assembly 14-3
motor brush spring 14-3
motor speed sensor 14-3
park brake latch 5-3
park brake pedal 5-3
rear receiver hitch 1-55
shock absorber cushion 6-19
shoe retainer 5-11, 5-21, 5-23
steering column mounting bracket 6-5
trailer hitch 1-53
knob, forward/reverse 12-3

L

ladder rack kit 1-47
lamp, stop, turn, tail 4-7
latch plate 1-29
latch, park brake 5-3
leaf blower holder kit 1-45
lever
transaxle shift 12-7, 12-9
light
oil 4-11
water quality 13-17
limit switch 4-7, 7-13, 7-15, 7-17
liquid gasket 15-3, 17-5
low oil warning light 4-11
lubricant, dry moly 17-5
lubricant, moly-teflon 14-3, 17-5
lug nut 2-3, 2-5
lug stud 12-23, 15-3

M

magnet, speed sensor 14-3
mat, floor 1-7
MCOR 13-3

meter clip 4-11
meter, hour 13-7
meter, volt ohm 17-7
mirror, exterior kit 1-19
module
calibration test 17-3
moly-teflon lubricant 17-5
motor
48-volt IQ Plus 14-3
motor brush 14-3
motor brush kit 14-3
motor brush lead assembly kit 14-3
motor brush spring 14-3
motor bumper 14-3
motor end cap 14-3
motor frame and field 14-3
motor headband, sealed 14-3
motor headband, vented 14-3
motor magnet, speed sensor 14-3
motor speed sensor 14-3
motor speed sensor kit 14-3
motor terminal and lead assembly 14-3
motor terminal insulator 14-3
mounting block, brake 5-3
moveable-face 11-5, 11-7, 11-9

N

nameplate decal 3-9
nut, lug 2-3, 2-5

O

oil seal 12-13, 12-15
oil warning light, low 4-11
O-Ring, Fuel Module 9-3

P

pad
brake pedal 5-3
park brake 5-3
thermal 7-11
paint, underbody (black) 17-5
park brake latch 5-3
park brake pedal 5-3
park brake rod sleeve 5-3
park brake spacer 5-3
park brake torsion spring 5-3
pawl 5-3
p-clamp (fuel filter) 9-11
pedal, brake 5-3
pedal, park brake 5-3
pencil grip 6-9
pin
bow tie locking 5-13, 5-15, 5-17, 5-19
clevis 5-13, 5-15, 5-17, 5-19
differential 12-21

guide 12-13, 12-15
input shaft 12-17
pin, hinge 1-51
pinion, steering 6-3
piston anchor 5-11, 5-21, 5-23
piston ring compressor 17-5
piston ring pliers 17-5
pivot support bearing 5-5, 5-7
plate
front spring retainer 6-13
plate, Tow/Run switch 13-7
pliers
internal retaining ring 17-5
piston ring 17-5
retaining ring 17-5
plug
drain 12-13, 12-15
driven clutch puller 17-3
hole 4-9
port, diagnostic 4-9, 13-5
prop rod 1-29
prop rod track 1-29
protector spray, battery terminal 17-3
puller
bearing 17-3
drive clutch 17-3
drive clutch hub 17-3
driven clutch cam 17-3
seal 17-5

R

race, front hub bearing 6-17
rack guide pressure spring 6-3
rack, steering 6-3
ratchet, park brake 5-3, 5-5, 5-7
receiver hitch 1-55
receptacle, accessory 4-5
reflector, yellow 3-11
reflector, amber 4-3
reflector, red 3-11
reflector, red, rectangle 3-11
refractometer 17-5
regulator, voltage 7-11, 7-13
relay 13-9
relay 48v 13-9
relay, 12-volt 4-7
remover, bearing and oil seal 17-3
retainer
accelerator pedal spring 5-5, 5-7
brake shoe 5-11, 5-21, 5-23
shock absorber cushion 6-19
retaining ring 6-5
retaining ring pliers 17-5
return spring bumper 5-5, 5-7
reverse buzzer 4-9, 4-11
rim (wheel) 2-5

INDEX

ring
 C-type stop 6-3
 retaining 6-5, 7-11, 7-13, 11-5, 11-7, 11-9, 12-13, 12-15, 12-23
 snap 6-3
 spiral backup 11-5, 11-7
rivet, blind push 13-9
rock guard 15-5
rocker switch 1-33, 1-35, 4-9
rocker switch (lights) 4-9, 4-11
rod
 accelerator pivot 5-5, 5-7
 battery hold-down 13-11, 13-13
 equalizer 5-13, 5-15, 5-17, 5-19
 hill brake 5-3
 prop 1-29

S

safety first card 17-5
score card clip 6-9
score card plate 6-9
seal
 lip 15-3
 oil 12-13, 12-15, 15-3
 steering pinion dust 6-3
seal puller 17-5
seal, bed 1-13
sealant 15-3
seat bottom 1-9
seat strap 1-9
seat, bearing 6-5
seatback 1-11
seatback weldment 1-13
select shaft 12-13, 12-15
sensor, motor speed 14-3
Sensor, Temperature 8-11
shaft
 axle 12-19, 12-21
 center 12-17
 counter 12-17
 differential 12-21
 governor 12-13, 12-15
 governor gear 12-13, 12-15
 input 12-17, 15-3
 intermediate 15-3
 select 12-13, 12-15
 shift 12-17
 steering column 6-5
shift lever 12-7, 12-9
shift shaft 12-3, 12-17
shifter, base 12-3
shock absorber 6-19
shock absorber cushion 6-19
shock absorber cushion retainer 6-19
shock damper isolator 6-19
shoe retainer kit 5-11, 5-21, 5-23

shoe, brake 5-11, 5-21, 5-23
sleeve 1-29, 6-19, 12-13, 12-15
 delta A-plate 6-11
 park brake rod 5-3
snap ring 6-3
snubber bracket 8-7
snubber, dual 8-7
snubber, inner frame 8-7
solenoid 13-9
solenoid, 12-volt 7-11, 7-13
spacer 1-3, 12-13, 12-15, 12-17, 13-11, 13-13
 accelerator pivot rod 5-5, 5-7
 park brake 5-3
speed sensor 14-3
speed sensor magnet 14-3
speed sensor, motor 14-3
spindle assembly 6-13
spiral backup ring 11-5, 11-7
spray, battery terminal protector 17-3
spring 12-13, 12-15
 accelerator return 5-5, 5-7
 brake 5-11, 5-21, 5-23
 brake return 5-17, 5-19
 brush 14-3
 compression 6-9
 drive button 11-5, 11-7
 drive clutch 11-5, 11-7
 extension 1-31
 park brake torsion 5-3
 rack guide pressure 6-3
 steering shaft compression 6-5
spring cup 5-5, 5-7
spring mounting plate 6-13
spring, motor brush 14-3
SPWS manifold 13-15
stake side 1-51
stake side bracket 1-51
stake side kit 1-51
stake side panel, front 1-51
stake side panel, lh 1-51
stake side panel, rh 1-51
stake side trim kit 1-51
stake side trim, center 1-51
stake side trim, rh 1-51
stake side trim, lh 1-51
static grip kit 1-45
steel bushing 6-13
steering column 6-5
steering column bearing press tool 17-7
steering column retaining ring tool 17-7
steering gear box 6-3
steering pinion 6-3
steering pinion dust seal 6-3
steering rack 6-3
steering shaft assembly 6-5
steering shaft compression spring 6-5

steering wheel puller tool 17-7
stem, valve 2-5
strap, A-plate 6-11
strap, seat 1-9
stud
 lug 12-23, 15-3
stud, ball 7-11, 7-13
support yoke (steering) 6-3
switch
 light rocker 4-9, 4-11
 limit 4-7, 7-13, 7-15, 7-17
 rocker 1-33, 1-35, 4-9
 Tow/Run 13-7
 turn signal 4-7
switch rubber boot 7-9, 13-7
switch, toggle 7-9

T

12-volt solenoid 7-11, 7-13
tailgate 1-41
tailgate handle 1-41
tailgate latch, lh 1-39
tailgate latch, rh 1-39
tailgate teather kit 1-43
tailskirt 1-23
terminal block 4-5, 13-9
tester, continuity 17-5
thermal pad 7-11
thermometer, battery 17-3
thread-forming grease fitting 6-13
thrust bearing 6-13
tie down kit 1-45
tie rod 6-11
tie rod end 6-11
tie wrap 5-13, 6-3, 6-5, 7-11, 7-13, 12-5
tilt latch hand grip 1-31
tire 2-3, 2-5
toggle switch 7-9
tool
 accelerator pedal adjustment 17-3
 belt tensioning, starter/generator 17-7
 charger bezel 17-3
 clutch cam installation 17-3
 drive clutch holder 17-3
 steering column bearing press 17-7
 steering column retaining ring 17-7
 steering wheel puller 17-7
 transaxle axle seal 17-7
 transaxle pinion seal 17-7
 transmission 17-7
tool kit, clutch 17-3
tool rack kit 1-45
toolbox 1-59
toolbox kit 1-47
touch-up paint 17-5
Tow/Run switch 13-7

INDEX

Tow/Run switch bracket 7-9
Tow/Run switch plate 13-7
track, prop rod 1-29
trailer hitch 1-53
trailer hitch ball 1-57
trailer hitch brace 1-53
transaxle (Electric Vehicle) 15-3
transaxle axle seal tool 17-7
transaxle guard 15-5
transaxle pinion seal tool 17-7
transaxle, limited-slip (Gas Vehicle) 12-13
transaxle, open-diff (Gas Vehicle) 12-15
transmission tool 17-7
tube
 axle 12-19, 12-21, 15-3
turn signal switch 4-7

U

U-bolt 6-19
upper delta clevis 6-13
urethane bushing 1-29, 6-11, 6-13, 6-19

V

valve 9-15
valve spring compressor 17-7
valve stem 2-3, 2-5
vent
 transaxle 12-13, 12-15
vent, barb 9-5
volt ohm meter 17-7
voltage regulator 7-11, 7-13

W

warning light, low oil 4-11
washer, insulating 14-3
water quality light 13-17
wedge, bearing puller 17-3
weight
 clutch 11-5, 11-7
 secondary clutch 11-5, 11-7
weldment
 governor bracket 9-11, 12-11
weldment, receiver hitch 1-55
wheel 2-3, 2-5
wheel cover 2-7
wire
 green, starter/generator 7-3, 7-5
 ground, fuel tank 7-3, 9-3
wire harness 7-3, 13-9
wrap, tie 5-13, 6-3, 6-5, 7-11, 7-13, 12-5

Y

yoke, gear 17-5
yoke, support (steering) 6-3



Club Car, Inc.
P.O. Box 204658
Augusta, GA 30917-4658
USA

Web www.clubcar.com
Phone 1.706.863.3000
1.800.ClubCar
Int'l +1 706.863.3000
Fax 1.706.863.5808