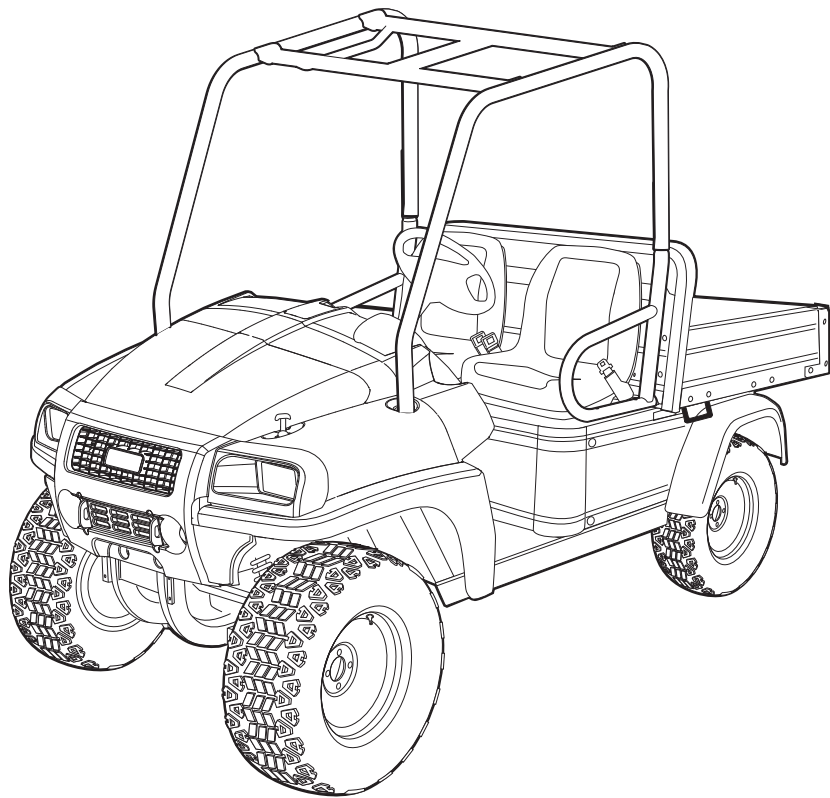




2021 Carryall 1500/1700 and XRT 1550 Illustrated Parts List



Gasoline and Diesel Engines

Manual Number 86753090069

Edition Code _B

USING THE ILLUSTRATED PARTS LIST

⚠ WARNING

- **This manual is to be used only for identification and ordering of service parts. Be sure to read and use the maintenance and service manual before attempting any vehicle repairs.**

This manual covers the XRT 1550, 1550 SE, 1550 IntelliTach, and Carryall 1500, 1700, Carryall 1500 IntelliTach vehicles.

The manual is divided into sections. Note that there are two or three flags on the outside edge of each page. The first flag contains the section number of which that page is a part. The other flag (or flags) contains the letter D, E, or G, signifying that the page pertains to the diesel, electric, or gasoline vehicles only.

Use the Table of Contents to find the sections and pages that contain the parts and assemblies you seek. The Table of Contents lists section numbers, and under them, the individual page titles and numbers to be found in that section. The index can be used to find specific parts and assemblies. The index is divided into numerical and alphabetical listings with the page numbers in italic text.

There is a two-page spread for each individual page title in the Table of Contents. On the left-hand page is an illustration showing the parts in their relative positions; the parts are each tagged with an item number in a balloon. The right-hand page is the parts list page, and gives the page title at the top, then the item numbers (corresponding to the numbers on the illustration), part descriptions, and quantity of parts used.

Note that a part description may be indented. This indentation corresponds to a parts assembly level indicated by the numbers 1, 2, 3, and 4 at the top left corner of the parts description area of the parts list page. A part that is indented to *level 2* is a component of the *level 1* part (assembly) that it is listed under. A *level 3* part is a component of the *level 2* part that it is listed under, and a *level 4* part is a component of the *level 3* part preceding it. In each case, the part quantity given for a level 2, 3, or 4 part is the quantity used per next higher level assembly of which it is a component. A part that is not indented is a *level 1* part. This means that the quantity given is the quantity used per the portion of the vehicle illustrated on that particular spread.



P. O. Box 204658
Augusta, Georgia 30917-4658 USA
Telephone 706-863-3000
Service Parts Fax 706-855-7413
www.clubcar.com

HOW TO ORDER PARTS

Replacement parts and accessories can be obtained from our network of authorized dealers and distributors. You can obtain the name and phone number of your closest authorized Club Car dealer or distributor by visiting our web site at www.clubcardealer.com, by calling our toll-free Service Parts and Technical Assistance hotline at (800) 872-2246 or (706) 863-3000, extension 3887, or by scanning this Quick Response (QR) code to be taken to the Club Car dealer locator. **Refer to Figure 1.** Download a QR code reader such as RedLaser or Barcode Scanner to your cell phone or tablet.



Figure 1 Dealer Locator QR Code

CUSTOMER SATISFACTION SURVEY

Let your voice be heard!

Please take time to participate in the Technical Publications satisfaction survey. Obtaining feedback from our customers is important to the department's continuous improvement process. The online survey takes less than five minutes and responses will help the department to examine current performance as well as identify areas for future improvement.

Our top priority is to provide timely, accurate, and user friendly manuals.

The online satisfaction survey can be found at: <http://bit.ly/1w9uFMh>



Figure 2 Survey QR Code

NOTE: *This illustrated parts list represents the most current information at the time of publication. Club Car, LLC is continually working to further improve its vehicles and other products. These improvements may affect the parts used to service the vehicle. Any modification and/or significant change in specifications will be forwarded to all Club Car and Carryall distributors/dealers and will, when applicable, appear in future editions of this illustrated parts list.*

Club Car, LLC reserves the right to change specifications and designs at any time without notice and without the obligation of making changes to units previously sold.

Copyright © 2019 Club Car, LLC
Club Car is a registered trademark of Club Car, LLC.
This manual effective July 1, 2020

2021 Carryall 1500/1700 and XRT 1550 Gasoline and Diesel

CONTENTS

SECTION 1 – BODY AND TRIM

Brush Guard	1-3
Glove Box	1-5
Tilt Bed, Hinge, and Latch	1-7
Electric Bed Lift	1-9
Tow Hook Plates	1-11
Plastic Skid Plate	1-13
Steel Skid Plate	1-15
Fascia, Fenders, and Cowls (Molded in Color) – Carryall	1-17
Dash and Splash Guard	1-19
Fascia, Fenders, and Cowls (Molded in Color) – XRT	1-21
Fascia, Fenders, and Cowl (Molded in Color) – IntelliTach	1-23
Side Stringers – 2 Passenger	1-25
Side Stringers – 4 Passenger	1-27
Floorboard	1-29
Floorboard – Rear	1-31
Bench Seat	1-33
Bench Seat, Rear – 4 Pass	1-35
Bucket Seats – Gray	1-37
Bucket Seats – Black	1-39
Windshield – Solid	1-41
2-Point Seat Belts	1-43
3-Point Seat Belts	1-45
ROPS – 4 Pass	1-47
ROPS and Seat Support	1-49
Head Rests and Rear Seat Handle – 4 Pass	1-51
Canopy (Vehicle with ROPS)	1-53
Side Panels and Rear Fenders – 2 Pass	1-55
Side Panels and Rear Fenders – 4 Pass	1-57
Latch Plates and Prop Rod	1-59
Box Bed – Aluminum	1-61
Box Bed – Steel	1-63

SECTION 2 – WHEELS AND TIRES

Wheels and Tires – Kenda	2-3
Wheels and Tires – OTR	2-5

CONTENTS

SECTION 3 – DECALS

Safety Decals – Carryall and XRT 2-Passenger	3-3
Safety Decals – Carryall and XRT 2-Passenger, Continued	3-5
Badging Decals – Carryall 2-Passenger	3-7
Badging Decals – XRT 2-Passenger	3-9
Safety Decals – Carryall and XRT 4-Passenger	3-11
Safety Decals – Carryall and XRT 4-Passenger, Continued	3-13
Badging Decals – Carryall 4-Passenger	3-15
Badging Decals – XRT 4-Passenger	3-17
Safety Decals – IntelliTach	3-19
Safety Decals – IntelliTach, Continued	3-21
Badging Decals – Carryall Intellitach	3-23
Badging Decals – XRT Intellitach	3-25
Badging Decals – Intellitach	3-27

SECTION 4 – BRAKE SYSTEMS AND PEDALS – WITH DUAL-PISTON FRONT CALIPERS

Front Brakes	4-3
Master Cylinder with Integral Reservoir	4-5
Hydraulic Brake Lines and Clips	4-7
Brake Pedal	4-9
Park Brake System	4-11
Rear Brakes – 2 Passenger Vehicles	4-13
Rear Brakes – 4 Passenger Vehicles	4-15

SECTION 5 – STEERING AND SUSPENSION – WITH DUAL-PISTON FRONT CALIPERS

Steering Wheel and Column	5-3
Steering Gear	5-5
Front Suspension – Page 1 of 2	5-7
Front Suspension – Page 2 of 2	5-9
Shock Absorbers – 800 lb. Capacity	5-11
Shock Absorbers – 1050 lb. Capacity	5-13
Rear Suspension (4-Link)	5-15

SECTION 6 – ELECTRICAL SYSTEM – GAS VEHICLES

Headlights – Carryall	6-3
Headlights – XRT	6-5
Ignition Interlock and Limit Switch – Gasoline	6-7
Electrical Component Box, Gasoline Vehicle	6-9

CONTENTS

Wiring – Kawasaki Gas Engine	6-11
Electrical Components, Front Body – Gas Vehicle	6-13
Top-Post Battery – Gasoline Vehicle	6-15

SECTION 7 – ELECTRICAL SYSTEM – DIESEL VEHICLES

Headlights – Carryall	7-3
Headlights – XRT	7-5
Ignition Interlock and Limit Switch – Diesel	7-7
Headlights – IntelliTach	7-9
Wiring Harness – Kubota Diesel Engine – 1500/1550	7-11
Wiring Harness – Kubota Diesel Engine – 1700	7-13
Wiring – Hydraulic Attachment (IntelliTach)	7-15
Wiring – Seat Belt Reminder (IntelliTach)	7-17
Electrical Components, Front Body – Diesel Vehicle	7-19
Electrical Components, Front Body – IntelliTach	7-21
Electrical Component Box, Diesel Vehicle	7-23
Top-Post Battery – Diesel Vehicle	7-25

SECTION 8 – ENGINE – KAWASAKI FH680D GASOLINE

Shrouds and Brackets	8-3
Valves and Camshaft	8-5
Tune-Up Kit – Kawasaki FH680	8-7
Kawasaki FH680D Gasoline Engine and Mounting	8-9
Oil and Lubrication Components	8-11
Oil Filter Adapter – Kawasaki FH680	8-13
Ignition Components and Flywheel – Kawasaki FH680	8-15
Cylinder Head and Crankcase	8-17
Pistons and Crankshaft	8-19

SECTION 9 – ENGINE – KUBOTA DIESEL, D722, E4B SERIES

Tune-Up Kit – Kubota D722	9-3
Diesel Engine and Engine Mounting (D722 – E4B)	9-5
Crankcase (D722 – E4B)	9-7
Oil Pan (D722 – E4B)	9-9
Cylinder Head (D722 – E4B)	9-11
Gear Case (D722 – E4B)	9-13
Head Cover (D722 – E4B)	9-15
Dipstick and Guide (D722 – E4B)	9-17
Oil Pump (D722 – E4B)	9-19

CONTENTS

Main Bearings and Bearing Cases (D722 – E4B)	9-21
Crankshaft (D722 – E4B)	9-23
Piston, Piston Rings and Connecting Rod (D722 – E4B)	9-25
Flywheel (D722 – E4B)	9-27
Camshaft and Idle Gear (D722 – E4B)	9-29
Fuel Camshaft (D722 – E4B)	9-31
Idle Apparatus (D722 – E4B)	9-33
Stop Solenoid (D722-E4B)	9-35
40-Amp Alternator, Belt and Pulleys (D722 – E4B)	9-37
60-Amp Alternator, Belt and Pulleys (D722 – E4B)	9-39
Fuel Injection Pump (D722 – E4B)	9-41
Speed Control (D722 – E4B)	9-43
Nozzle Holders and Glow Plugs (D722 – E4B)	9-45
Governor Components (D722 – E4B)	9-47
Starter – Sealed (D722 – E4B)	9-49
Valves and Rocker Arms (D722 – E4B)	9-51
Intake Manifold (D722 – E4B)	9-53
Exhaust Manifold (D722 – E4B)	9-55

SECTION 10 – FUEL, INTAKE, ACCELERATOR & GOVERNOR SYSTEMS – KAWASAKI GAS ENGINES

Governor Arm and Springs	10-3
Fuel Tank – Gasoline Vehicle	10-5
Fuel Pump, Filter and Hose – Kawasaki FH680	10-7
Carbon Canister – Gasoline Vehicle	10-9
Intake Hoses and Air Filter – Kawasaki FH680	10-11
Carburetor – Kawasaki FH680	10-13
Intake Manifold and Carburetor Mounting – Kawasaki FH680	10-15
Accelerator Pedal	10-17
Accelerator and Choke Cables – Kawasaki FH680	10-19

SECTION 11 – FUEL, INTAKE & ACCELERATOR SYSTEMS – KUBOTA DIESEL ENGINE

Fuel Tank – Diesel Vehicle	11-3
Fuel Pump, Filter and Hose – Diesel	11-5
Intake Hoses and Air Filter – Diesel Vehicle	11-7
Accelerator Pedal	11-9
Accelerator Cable – Diesel Vehicle	11-11

CONTENTS

SECTION 12 – EXHAUST SYSTEM – GAS & DIESEL

Exhaust Pipes – Diesel Vehicles	12-3
Exhaust Pipe and Muffler	12-5
Exhaust Header – Kawasaki FH680	12-7

SECTION 13 – CLUTCHES – KAWASAKI GAS ENGINE

Drive Belt	13-3
Drive Clutch (3 Weight) – Gas Vehicle	13-5
Driven Clutch (for 3 Weight Drive Clutch)	13-7
Clutch Cover (Non-Sealed)	13-9
Clutch Cover (Sealed)	13-11

SECTION 14 – CLUTCHES – KUBOTA DIESEL ENGINE

Drive Belt	14-3
Drive Clutch (3 Weight) – Diesel Vehicle	14-5
Driven Clutch (for 3 Weight Drive Clutch)	14-7
Clutch Cover (Non-Sealed)	14-9
Clutch Cover (Sealed)	14-11

SECTION 15 – DRIVETRAIN COMPONENTS – GAS & DIESEL

Front Differential	15-3
Front Differential Output Cover Assembly	15-5
Front Differential Race/Output Assembly	15-7
Front Differential Minor Repair Kit	15-9
Front Differential Input Cover Assembly	15-11
Front Differential Gear Kit	15-13
Front Differential Gearcase Assembly	15-15
Oil, Differential and Transmission	15-17
Forward/Reverse Shifter	15-19
Shifter Cable	15-21
Front Differential Mounting and Half Shafts	15-23
CV Boot Repair Kits	15-25
Transmission – Page 1 of 3	15-27
Transmission – Page 2 of 3	15-29
Transmission – Page 3 of 3	15-31
Prop Shafts	15-33
Rear Differential and Axles – Page 1 of 2	15-35
Rear Differential and Axles – Page 2 of 2	15-37

CONTENTS

SECTION 16 – RADIATOR AND COOLANT SYSTEM – DIESEL VEHICLES

Water Pump	16-3
Block Coolant Pipe	16-5
Radiator	16-7
Coolant Expansion Tank	16-9
Coolant Pipes, Clamps, Hoses and Hardware, 2-Passenger	16-11
Coolant Pipes, Clamps, Hoses and Hardware, 4-Passenger	16-13
Water Flange and Thermostat	16-15

SECTION 17 – HYDRAULIC ATTACHMENT SYSTEM AND ACCESSORIES

Handbook	17-3
Attachment – Pallet Fork	17-5
Attachment – Bucket	17-7
Attachment – Snow Blade	17-9
Attachment – Broom	17-11
Accessory Mounting Weldment	17-13
Attachment Arm Kit	17-15
Attachment Interface	17-17
Hydraulic Controls	17-19
Hydraulic Cylinders	17-21
Hydraulic Hoses	17-23
Hydraulic Attachment Angle Kit	17-25
Hydraulic Power Unit – Standard	17-27
Hydraulic Power Unit – with Auxiliary	17-29
Standard to Auxiliary Hydraulic Conversion Kit	17-31

SECTION 18 – MAINTENANCE AND SERVICE TOOLS

Maintenance and Service Tools – 1500/1550/1700	18-3
Maintenance and Service Tools – 1500/1550/1700 Continued	18-5

SECTION i – INDEX

BODY AND TRIM

1

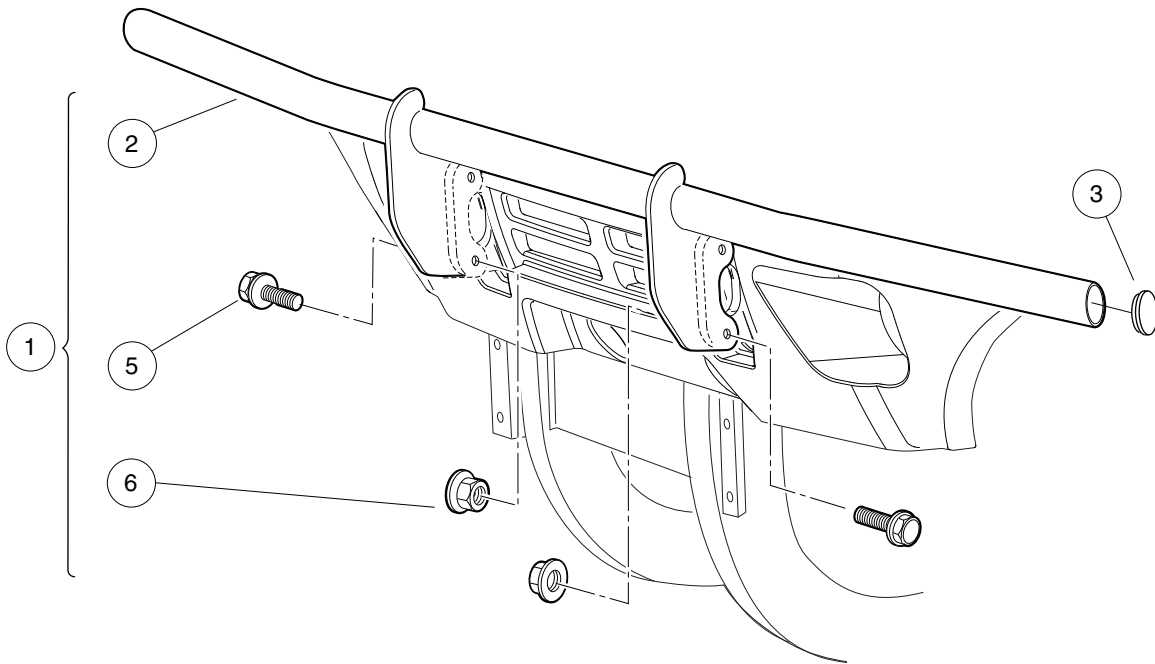
G

D

1

G

D



000526-001

BRUSH GUARD

ITEM	PART NO.	DESCRIPTION	QTY
		1 2 3 4	
1	103236001	Kit, Tube Bumper CCI (includes items 2 through 5)	1
2	N/A	Weldment, Frt Bumper, Restyle	1
3	103215401	Plug, Tube, Round, 1-3/4"	2
4	103231701	Screw, M10 X 1.25 X 30 Hex Blk	4
5	103231801	Nut, Flg, M10 X 1.25 Hex Blk	4
		Note: Brushguard is standard on XRT vehicles and is optional on Carryall vehicles.	

1

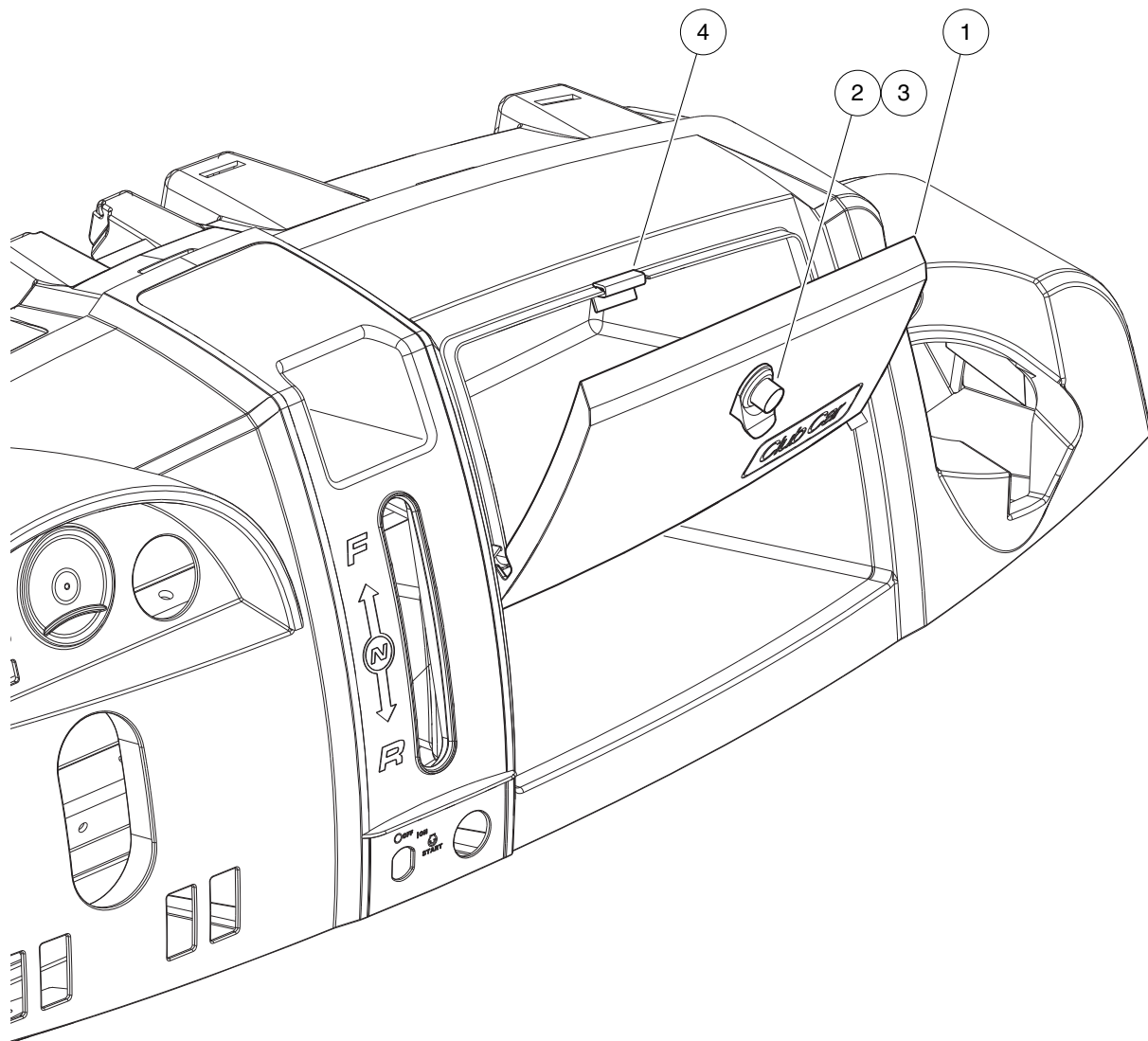
G

D

1

G

D



000789-001

GLOVE BOX

ITEM	PART NO.	DESCRIPTION	QTY
		1 2 3 4	
1	102867202	Cover, Storage, Dash, Blk, Cci	1
2	103182701	Latch, Push Close	1
3	103182702	Latch, Push Close W/ Key	1
4	103182801	Keeper, Latch, Push Close	1

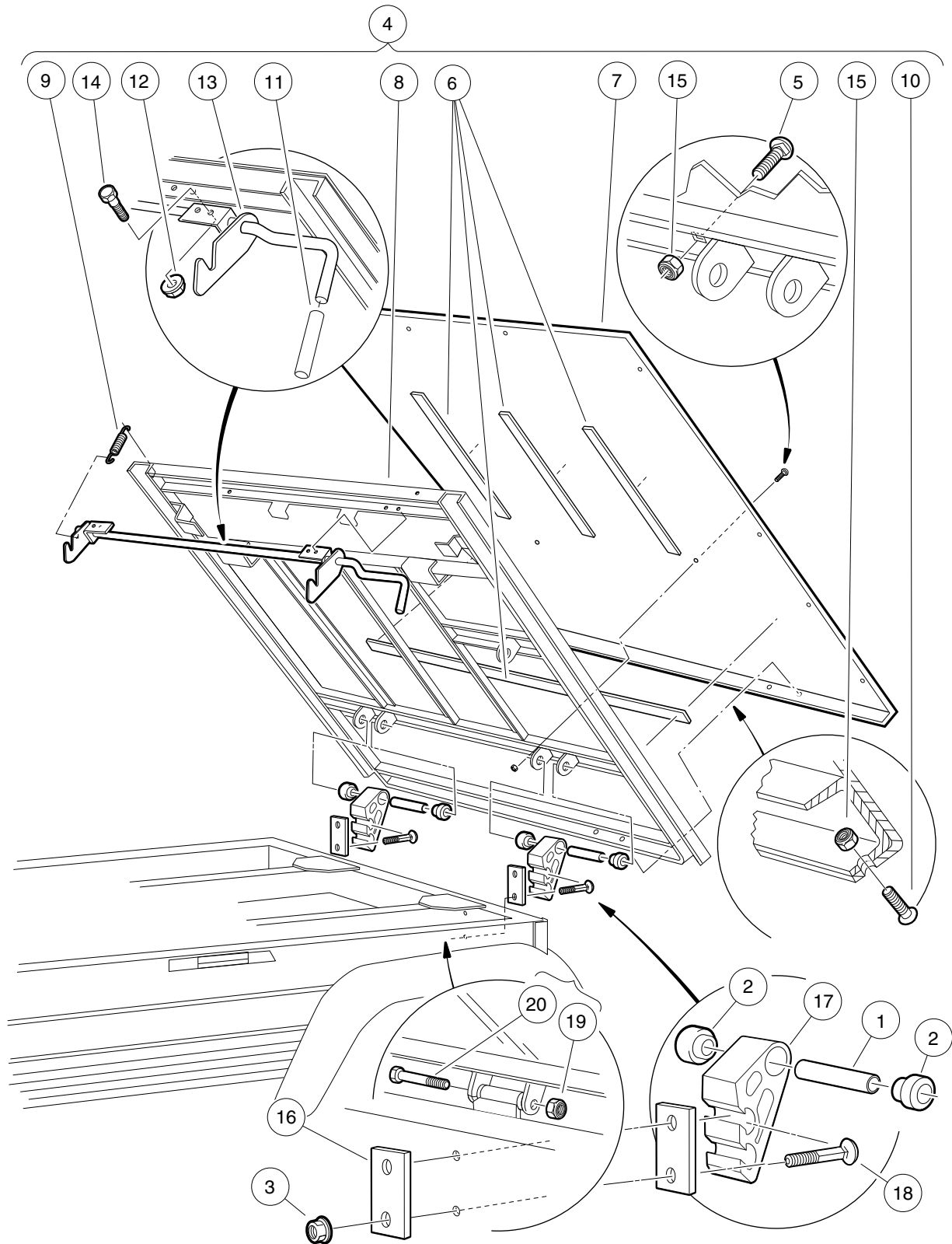
1

G

D

1
G

D



000037-001

TILT BED, HINGE, AND LATCH

ITEM	PART NO.	DESCRIPTION	QTY
		1 2 3 4	
1	1012303	Bushing, Steel	2
2	1015583	Bushing, Urethane	2
3	102065901	Locknut, 3/8-16 Flanged Dimple	4
4	102171503	Tilt Bed Assembly (includes items 5 through 15)	1
5	1010435	Bolt, Carriage, 5/16-18 X 1.00	4
6	1014471	Tape, Vinyl Foam 1/8" x 3/4"	1
7	1015258	Plate, Floor Bed	1
8	N/A	Frame Assembly	1
9	1015391	Extension, Spring Latch	2
10	1015399	Screw, 5/16-18 X 0.88 Torx Truss-Head	4
11	1015400	Grip, Tilt Latch Hand	1
12	101835601	Locknut, 1/4-20 Hex Whiz	4
13	102426901	Ltch Weld Asm Tlt Bd	1
14	403	Screw, 1/4-20 X 0.625 Hex-Head Cap	4
15	7473	Locknut, 5/16-18 Nylon Insert	8
16	102614101	Plate, Back	2
17	103538701	Bracket, Bed Hinge, Extruded	2
18	103538901	Bolt, Carriage, 3/8-16 x 3.5" Grade 5	4
19	8754	Locknut, 3/8-16 Hex	2
20	8755	Screw, 3/8-16 X 3.375 Hex Cap	2

1

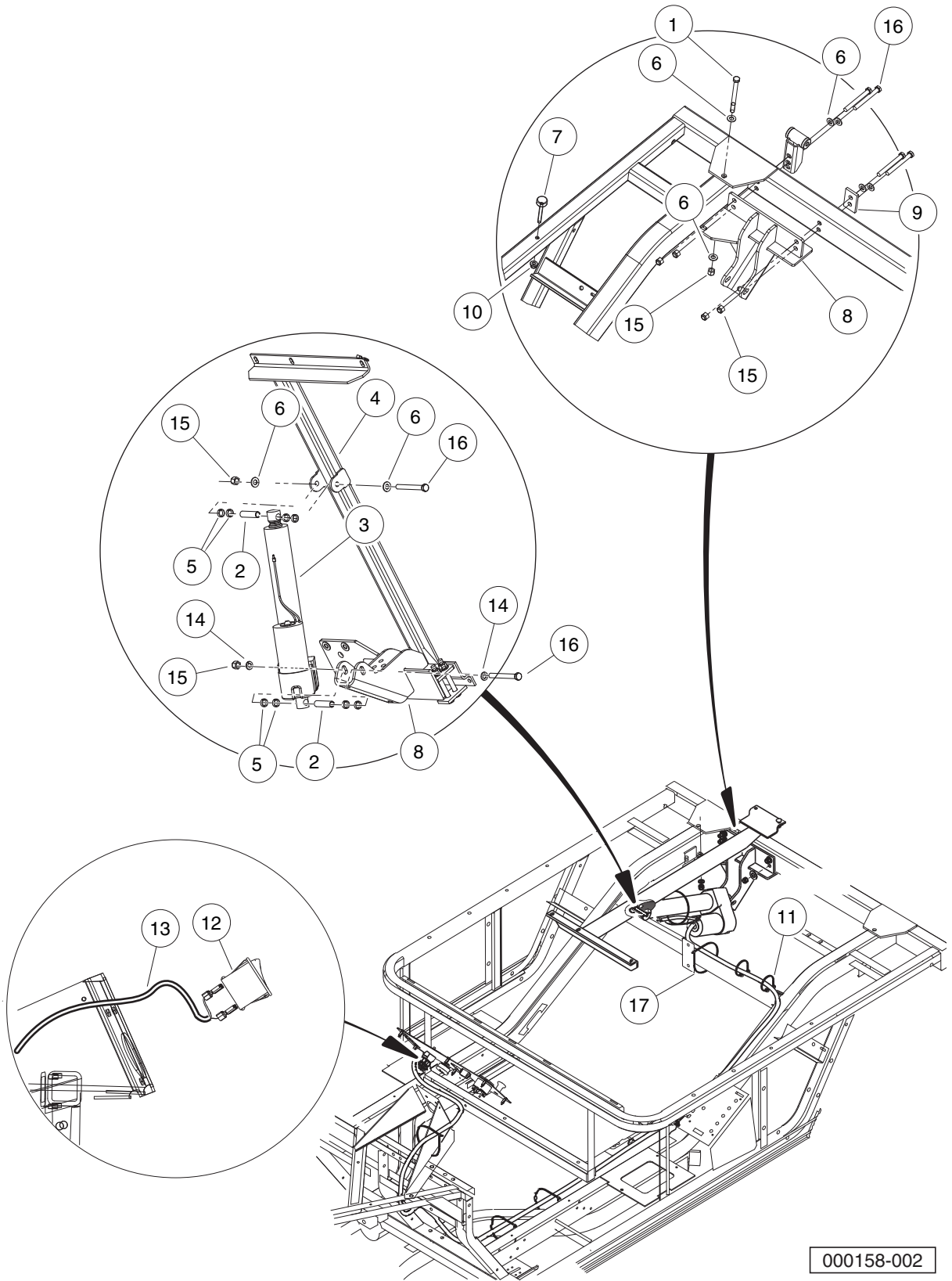
G

D

1

G

D



000158-002

ELECTRIC BED LIFT

ITEM	PART NO.	DESCRIPTION	QTY
		1 2 3 4	
1	1010200	Bolt, 3/8-16 X 4.25 Hex Head	1
2	1016603	Bushing Long	2
3	1017162	Actuator Assembly, Electric	1
4	1017167	Actuator Adapter	1
5	1017774	Body Spacer	8
6	102066001	Washer, 3/8 Type B Hard Flat	8
7	102426601	Bumper, Bed, Mtg, Front	2
8	102465701	Weldment, Bracket, Actuator	1
9	102614101	Plate, Back	1
10	102618601	Lock Nut, Flange, M8 X 1.25 Nylon	2
11	102629001	Tie Wrap, 8.00" With Mount	2
12	102882501	Switch, Rocker, Bed Lift	1
13	103227001	Harness, AWD Bedlift	1
14	357	Lockwasher, 3/8 Split	2
15	8754	Locknut, 3/8-16 Hex	9
16	8755	Screw, 3/8-16 X 3.375 Hex Cap	6
17	8990	Tie Wrap, 8" Nylon	5

1

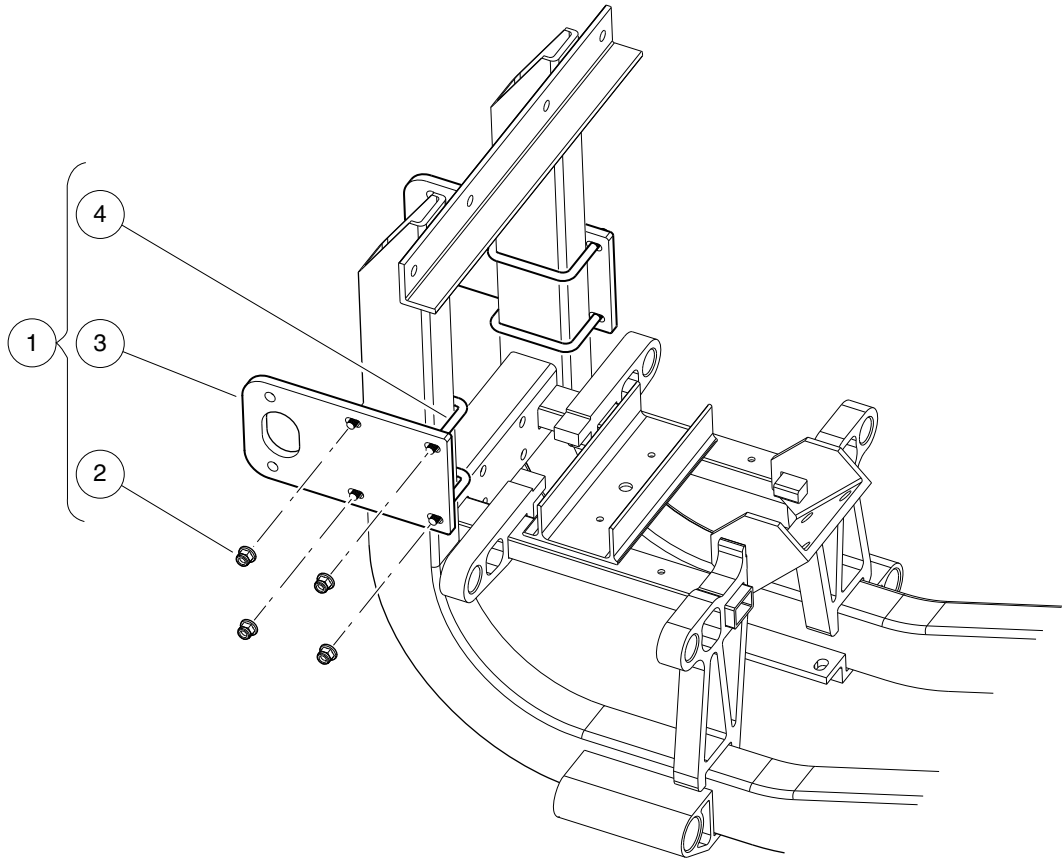
G

D

1

G

D



001068-001

TOW HOOK PLATES

ITEM	PART NO.	DESCRIPTION	QTY
		1 2 3 4	
1	103947102	Kit, Tow Hook (includes items 2 through 4)	1
2	102618601	Lock Nut, Flange, M8 X 1.25 Nylon	8
3	103892501	Plate, Tow Hook	2
4	103892601	Bolt, U, Sq. Bend, M8-1.25	4

1

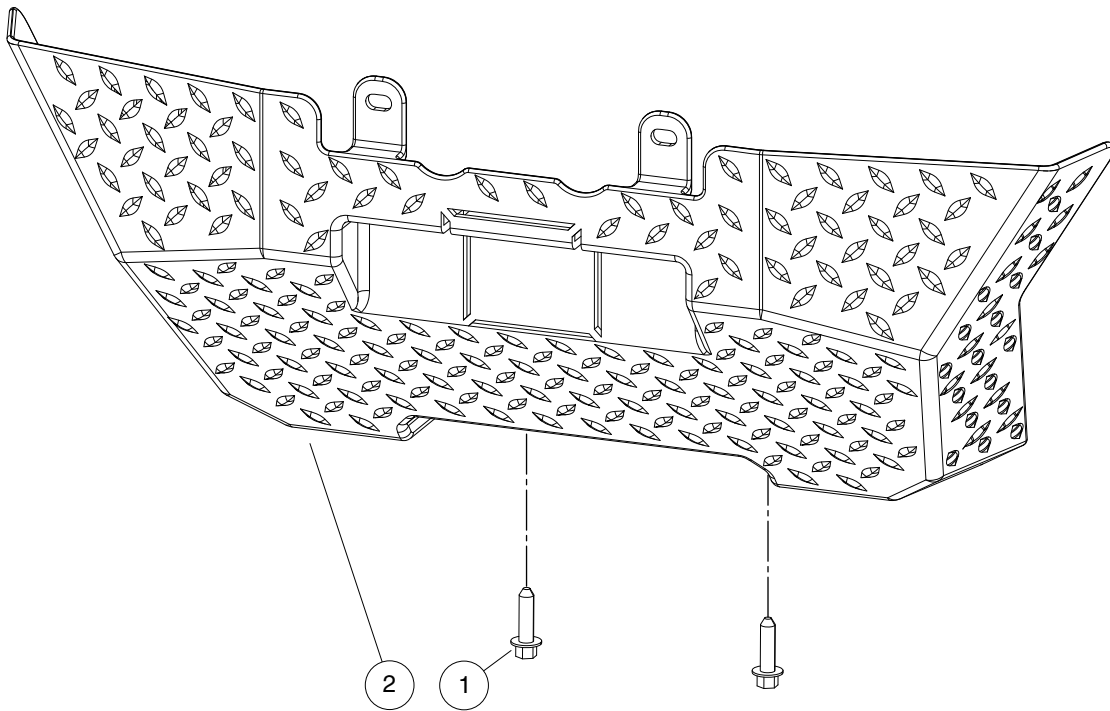
G

D

1

G

D



000537-003

PLASTIC SKID PLATE

ITEM	PART NO.	DESCRIPTION	QTY
1	102289001	1 2 3 4 Screw, M8X1.25X30, Hex	2
2	102882301	Plate, Skid, Std	1

1

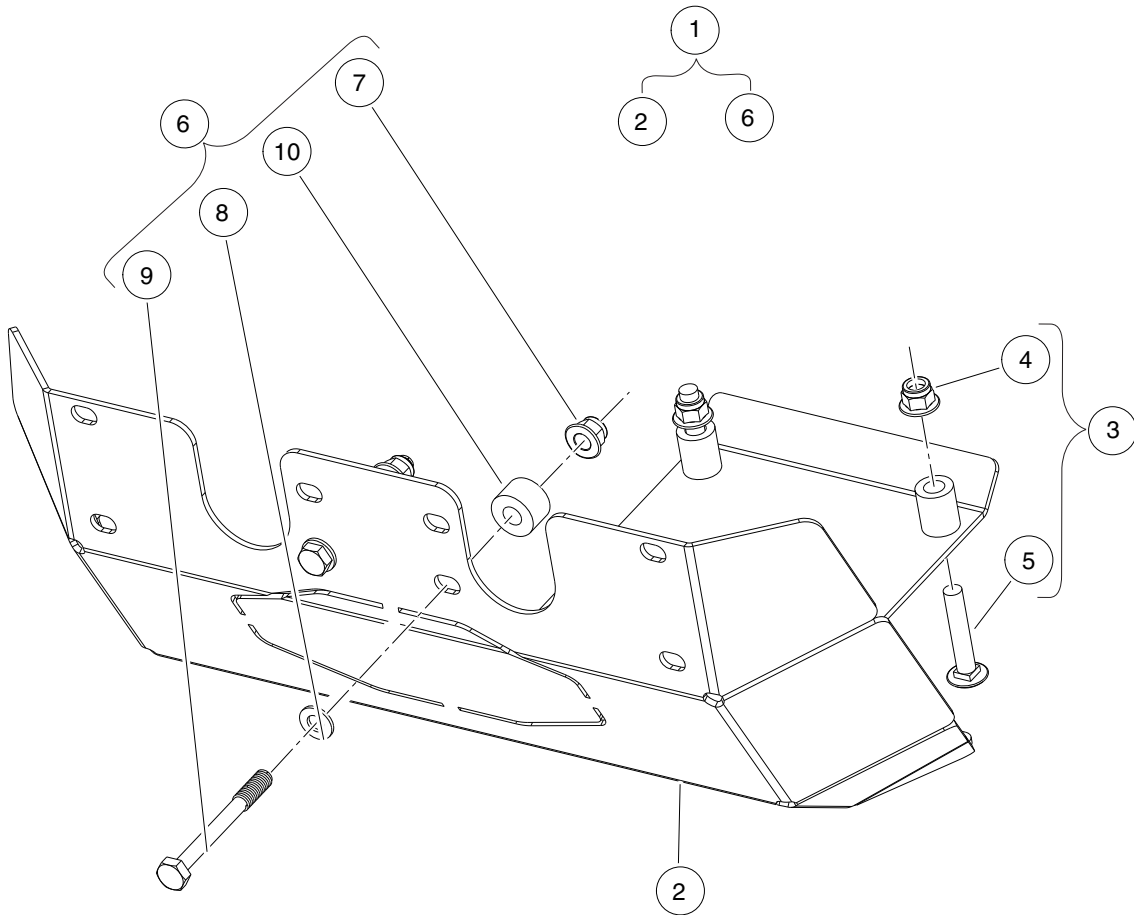
G

D

1

G

D



000537-004

STEEL SKID PLATE

ITEM	PART NO.	DESCRIPTION	QTY
		1 2 3 4	
1	AM1211003	Kit, Skidplate, Front, Steel (includes items 2 through 6)	1
2	AM1210002	Skid Plate, Front, Steel	1
3	AM1215701	Kit, Hardware, Skidplate, Front, A (includes items 4 and 5)	1
4	102670701	Nut, Flange, M10 X 1.5 Nylon	2
5	AM1210801	Bolt, Carriage, M10x1.5x55	2
6	AM1215801	Kit, Hardware, Skidplate, Front, B (includes items 7 through 10)	1
7	102670701	Nut, Flange, M10 X 1.5 Nylon	2
8	102718101	Washer, Hard, M10, Zn-Ni/Blk	2
9	102719301	Bolt, M10 X 1.50 X 90, Loctite	2
10	AM1211401	Spacer, 17mm Long, Skidplate	2

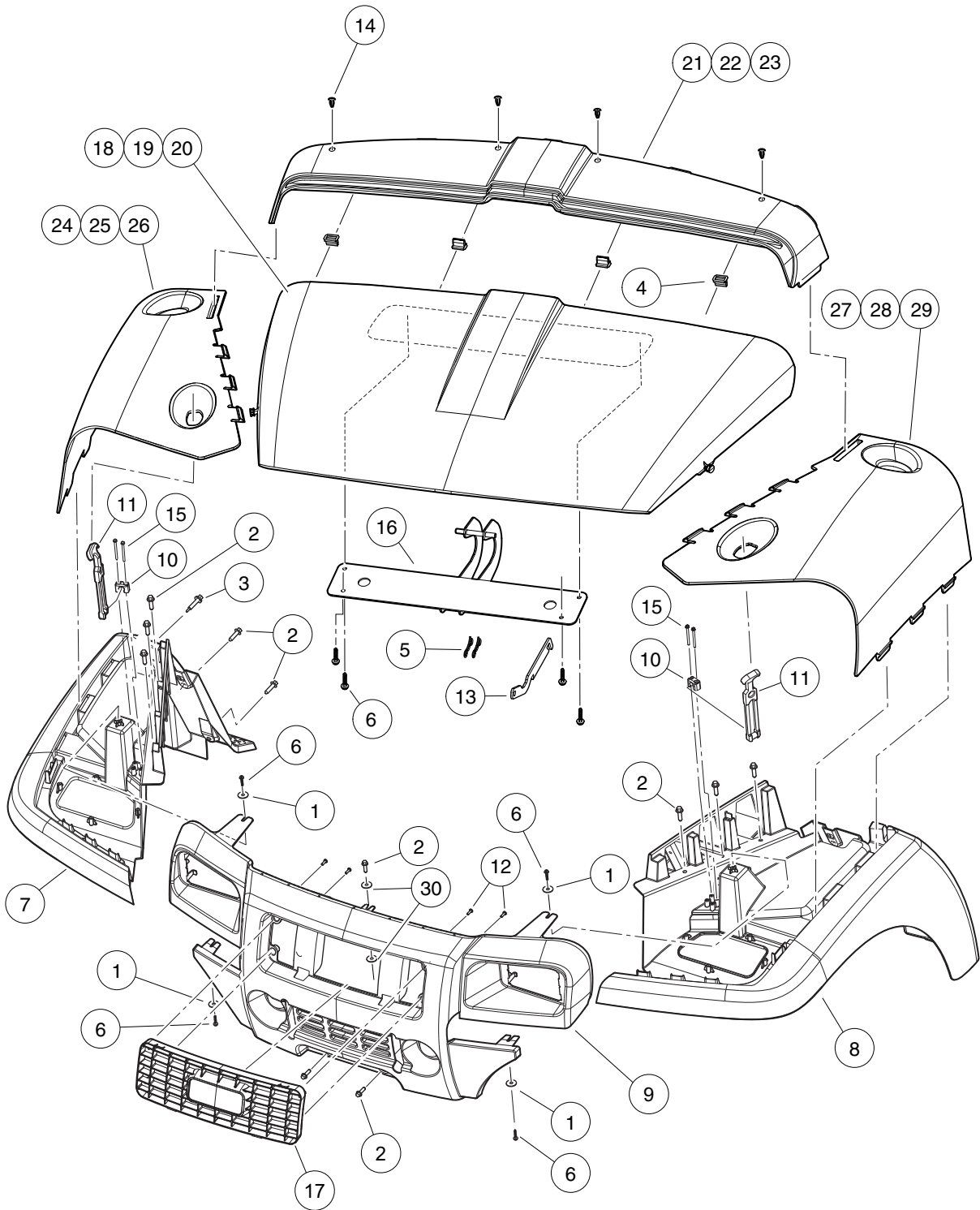
1

G

D

1
G

D



000507-006

FASCIA, FENDERS, AND COWLS (MOLDED IN COLOR) – CARRYALL

ITEM	PART NO.	DESCRIPTION	QTY
		1 2 3 4	
1	1011578	Washer, 5/16 Type B Flat	4
2	102289001	Screw, M8X1.25X30, Hex	13
3	102292356	Screw-1/4-20x56 Hwh Self Drill	2
4	102292701	Clip-body-trim	4
5	102292801	Pin, Bow Tie Locking - .072	2
6	102297230	Screw, M6, Torx, Interlock Thread	8
7	102866901	Fender, Front, Pass, AWD	1
8	102867001	Fender, Front, Drv, AWD	1
9	102867501	Fascia, Front, CA, AWD	1
10	102882401	Bracket, Latch, Draw	2
11	102895101	Latch, Draw, Hood	2
12	102895401	Screw, D50x16, Torx PN Hd PT	4
13	102896501	Prop, Hood	1
14	102967901	Rivet, Removable, Tuflok 1/4"	4
15	103218107	Screw, #8x2.00 AB Thd, Hex Hd	4
16	103588001	Asm, Hood Hinge	1
17	103760601	Grill, Carryall	1
18	103959210	Hood, Dark Green	1
19	103959214	Hood, Dark Gray	1
20	103959218	Hood, Real Tree Camo	1
21	103959310	Panel, Cowl, Center, Dark Green	1
22	103959314	Panel, Cowl, Center, Dark Gray	1
23	103959318	Panel, Cowl, Center, Real Tree Camo	1
24	103959410	Panel, Cowl, Passenger-Side, Dark Green	1
25	103959414	Panel, Cowl, Passenger-Side, Dark Gray	1
26	103959418	Panel, Cowl, Passenger-Side, Real Tree Camo	1
27	103959510	Panel, Cowl, Driver-Side, Dark Green	1
28	103959514	Panel, Cowl, Driver-Side, Dark Gray	1
29	103959518	Panel, Cowl, Driver-Side, Real Tree Camo	1
30	808	Washer, 3/8 Type B Flat	2

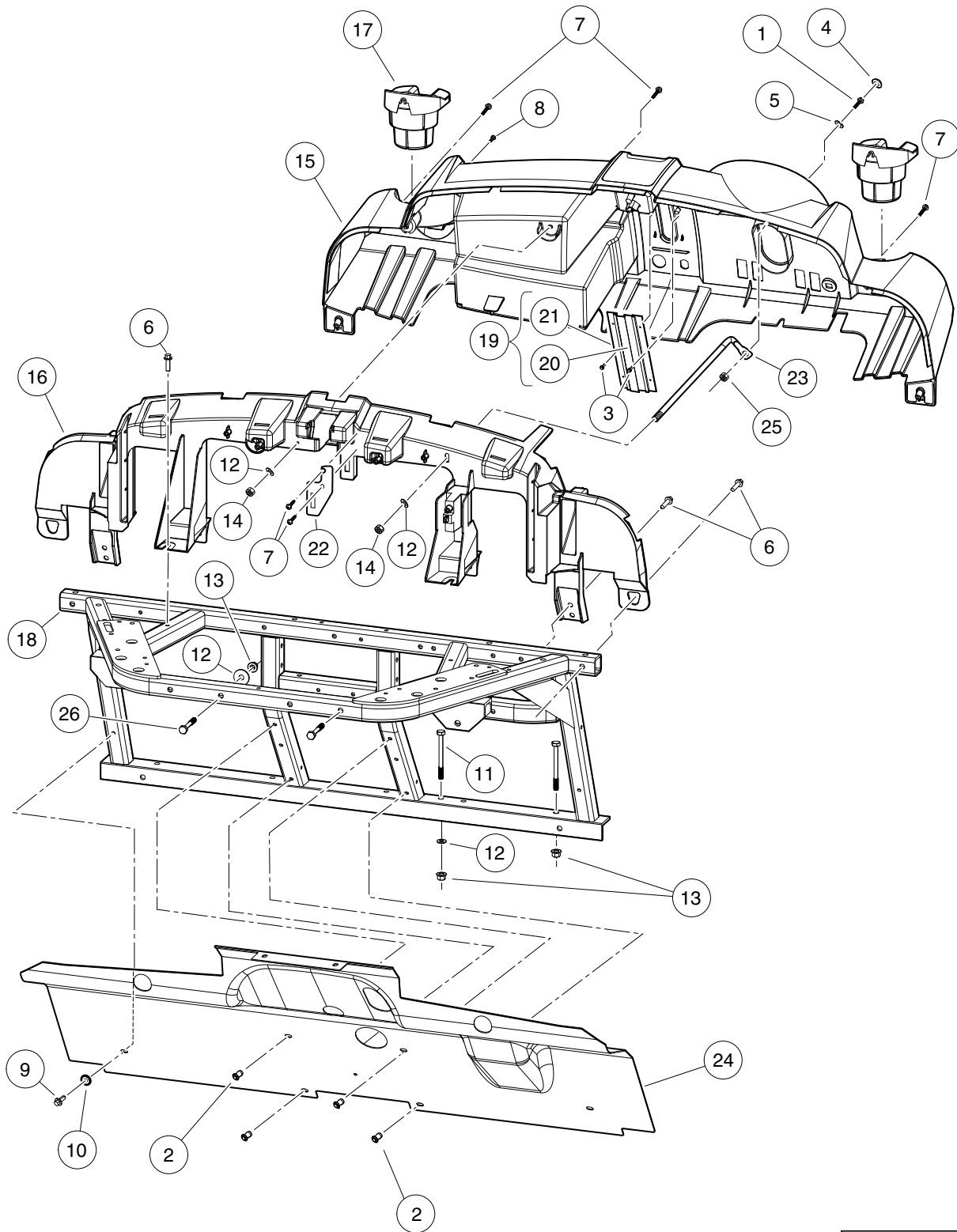
Note: These color body panels are molded in color except for black and camo.

1
G
D

1

G

D



000519-003

DASH AND SPLASH GUARD

ITEM	PART NO.	DESCRIPTION	QTY
		1 2 3 4	
1	1016916	Screw, 1/4-20 X 1.50 Hex-Head Cap	1
2	1016967	Blind Rivet, Push Type	4
3	101804301	Screw, #8 X 0.500, Hex-Head Hi-Lo	2
4	102045001	Cap, 1/4" Plastic Screw Head	1
5	102048401	Washer, 1/4 Id Scalloped Plast	1
6	102289001	Screw, M8X1.25X30, Hex	6
7	102297230	Screw, M6, Torx, Interlock Thread	5
8	102298580	M8-1.25 X 80 Sems	1
9	102298720	Screw, M8-1.25x20, Taptite	2
10	102323501	Washer, Flat, 3/8, Blk Fin	2
11	102491301	Bolt, M10x1.50x100 (Black)	4
12	102491501	Washer, Hard, M10	10
13	102617201	Nut, Flanged, M10 X 1.5, Mechanically Deformed	8
14	102618601	Lock Nut, Flange, M8 X 1.25 Nylon	2
15	102867102	Dash, Design A, Dd F/h	1
16	102867301	Support, Structural	1
17	102883401	Cup Holder, Utility	2
18	102935501	Weldment, Dash, Front	1
19	103233001	Asm, Brush, Fnr (includes items 20 and 21)	2
20	N/A	Brush, Strip, FNR	2
21	N/A	Holder, Brush, Strip, FNR	2
22	103253801	Bracket, Hood Support	1
23	103268001	Rod, Connection, Dash	1
24	103296001	Guard, Splash, Gas Injection	1
25	8233	Locknut, 1/4-20, Nylon Insert	1
26	96715552	Bolt, M10 X 1.50 X 65	4

1

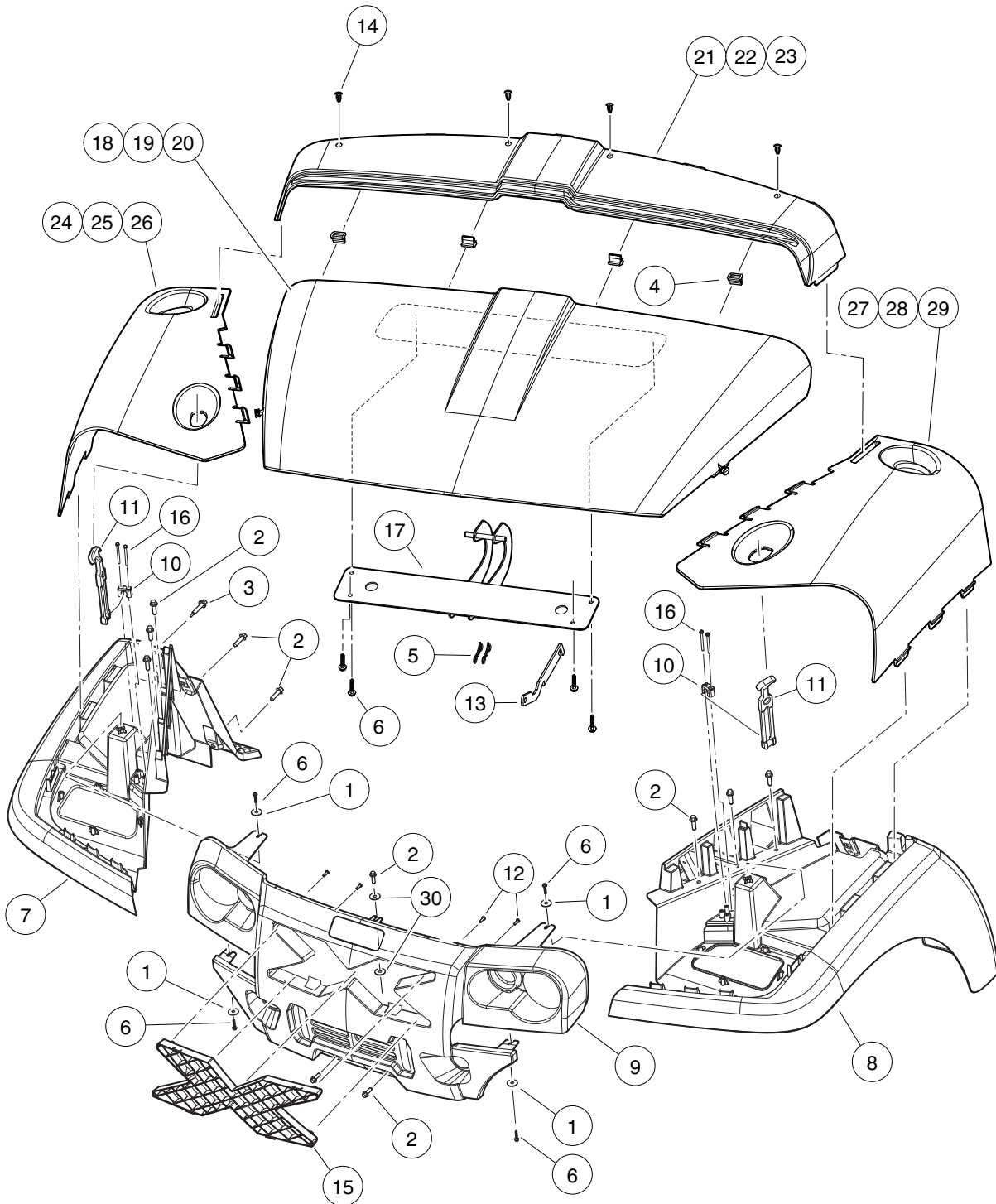
G

D

1

G

D



000522-004

FASCIA, FENDERS, AND COWLS (MOLDED IN COLOR) – XRT

ITEM	PART NO.	DESCRIPTION	QTY
		1 2 3 4	
1	1011578	Washer, 5/16 Type B Flat	4
2	102289001	Screw, M8X1.25X30, Hex	13
3	102292356	Screw-1/4-20x56 Hwh Self Drill	2
4	102292701	Clip-body-trim	4
5	102292801	Pin, Bow Tie Locking - .072	2
6	102297230	Screw, M6, Torx, Interlock Thread	8
7	102866901	Fender, Front, Pass, AWD	1
8	102867001	Fender, Front, Drv, AWD	1
9	102867401	Fascia, Front, XRT, AWD	1
10	102882401	Bracket, Latch, Draw	2
11	102895101	Latch, Draw, Hood	2
12	102895401	Screw, D50x16, Torx PN Hd PT	4
13	102896501	Prop, Hood	1
14	102967901	Rivet, Removable, Tuflok 1/4"	4
15	102979301	Grill, XRT	1
16	103218107	Screw, #8x2.00 AB Thd, Hex Hd	4
17	103588001	Asm, Hood Hinge	1
18	103959210	Hood, Dark Green	1
19	103959218	Hood, Real Tree Camo	1
20	103959230	Hood, Awd Red	1
21	103959310	Panel, Cowl, Center, Dark Green	1
22	103959318	Panel, Cowl, Center, Real Tree Camo	1
23	103959330	Panel, Cowl, Center, Awd Red	1
24	103959410	Panel, Cowl, Passenger-Side, Dark Green	1
25	103959418	Panel, Cowl, Passenger-Side, Real Tree Camo	1
26	103959430	Panel, Cowl, Passenger-Side, Awd Red	1
27	103959510	Panel, Cowl, Driver-Side, Dark Green	1
28	103959518	Panel, Cowl, Driver-Side, Real Tree Camo	1
29	103959530	Panel, Cowl, Driver-Side, Awd Red	1
30	808	Washer, 3/8 Type B Flat	2
		Note: These color body panels are molded in color except for black and camo.	

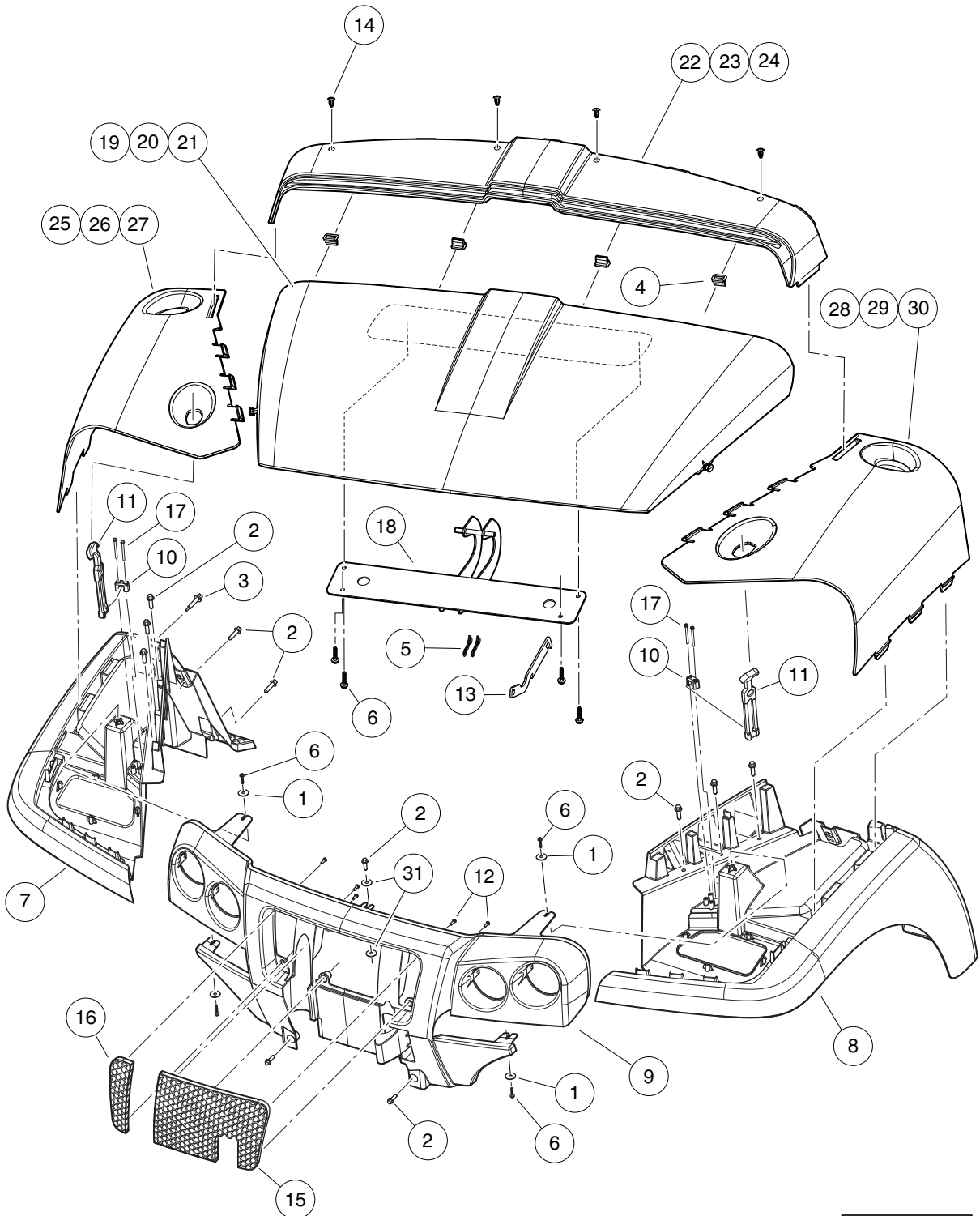
1

G

D

1
G

D



000559-006

FASCIA, FENDERS, AND COWL (MOLDED IN COLOR) – INTELLITACH

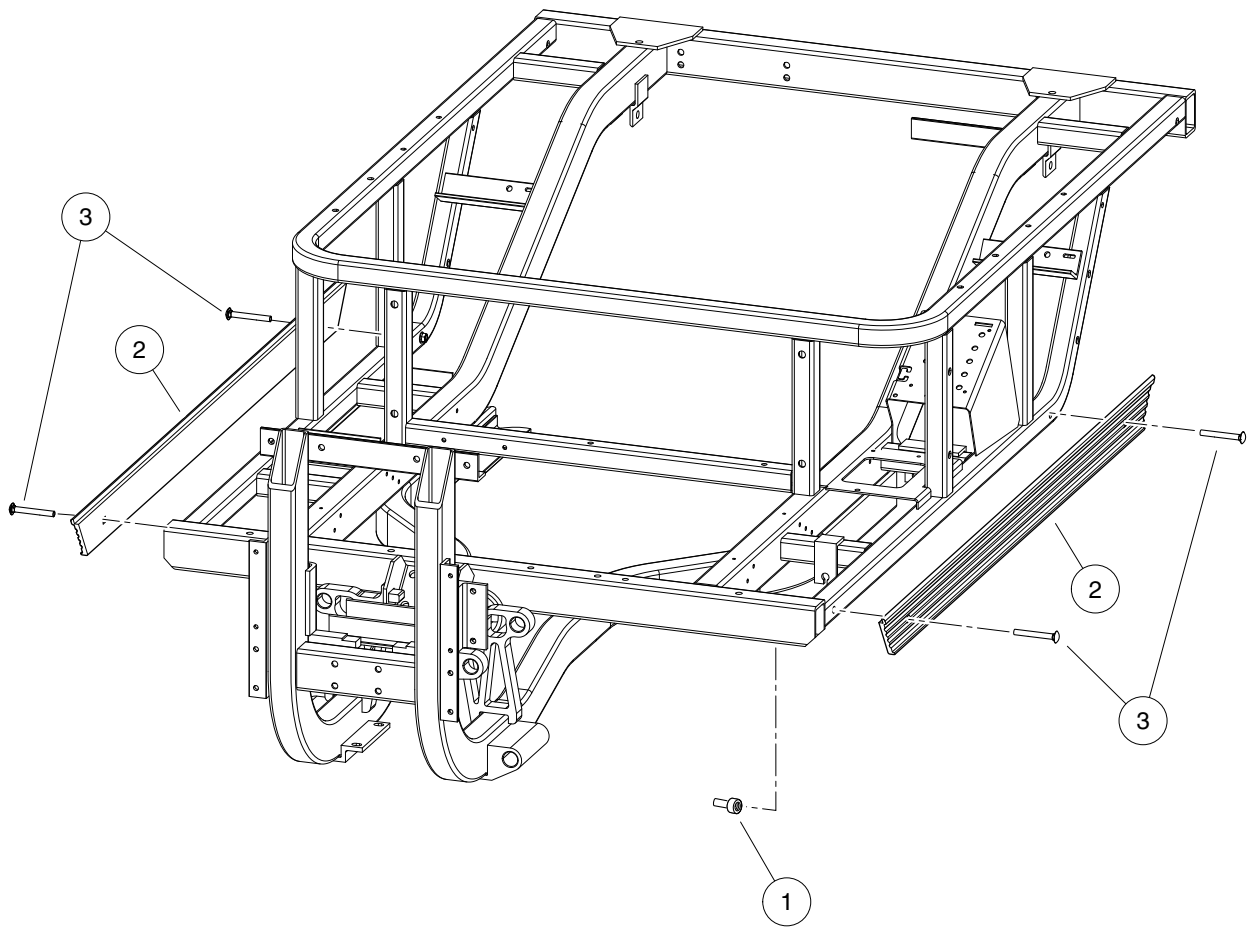
ITEM	PART NO.	DESCRIPTION	QTY
		1 2 3 4	
1	1011578	Washer, 5/16 Type B Flat	4
2	102289001	Screw, M8X1.25X30, Hex	13
3	102292356	Screw-1/4-20x56 Hwh Self Drill	2
4	102292701	Clip-body-trim	4
5	102292801	Pin, Bow Tie Locking - .072	2
6	102297230	Screw, M6, Torx, Interlock Thread	8
7	102866901	Fender, Front, Pass, AWD	1
8	102867001	Fender, Front, Drv, AWD	1
9	102867602	Fascia, Dual Round w/ Cut	1
10	102882401	Bracket, Latch, Draw	2
11	102895101	Latch, Draw, Hood	2
12	102895401	Screw, D50x16, Torx PN Hd PT	6
13	102896501	Prop, Hood	1
14	102967901	Rivet, Removable, Tuflok 1/4"	4
15	102978801	Grill, Hex Cut, DS	1
16	102978901	Grill, Hex, Cut, PS	1
17	103218107	Screw, #8x2.00 AB Thd, Hex Hd	4
18	103588001	Asm, Hood Hinge	1
19	103959210	Hood, Dark Green	1
20	103959214	Hood, Dark Gray	1
21	103959218	Hood, Real Tree Camo	1
22	103959310	Panel, Cowl, Center, Dark Green	1
23	103959314	Panel, Cowl, Center, Dark Gray	1
24	103959318	Panel, Cowl, Center, Real Tree Camo	1
25	103959410	Panel, Cowl, Passenger-Side, Dark Green	1
26	103959414	Panel, Cowl, Passenger-Side, Dark Gray	1
27	103959418	Panel, Cowl, Passenger-Side, Real Tree Camo	1
28	103959510	Panel, Cowl, Driver-Side, Dark Green	1
29	103959514	Panel, Cowl, Driver-Side, Dark Gray	1
30	103959518	Panel, Cowl, Driver-Side, Real Tree Camo	1
31	808	Washer, 3/8 Type B Flat	2
		Note: These color body panels are molded in color except for black and camo.	

1
G
D

1

G

D



000527-001

SIDE STRINGERS – 2 PASSENGER

ITEM	PART NO.	DESCRIPTION	QTY
1	102491701	Well Nut 1/4-20	8
2	103485501	Stringer, Side, 1200mm	2
3	103487501	Screw, 1/4-20 X 1.0, Black	8

1

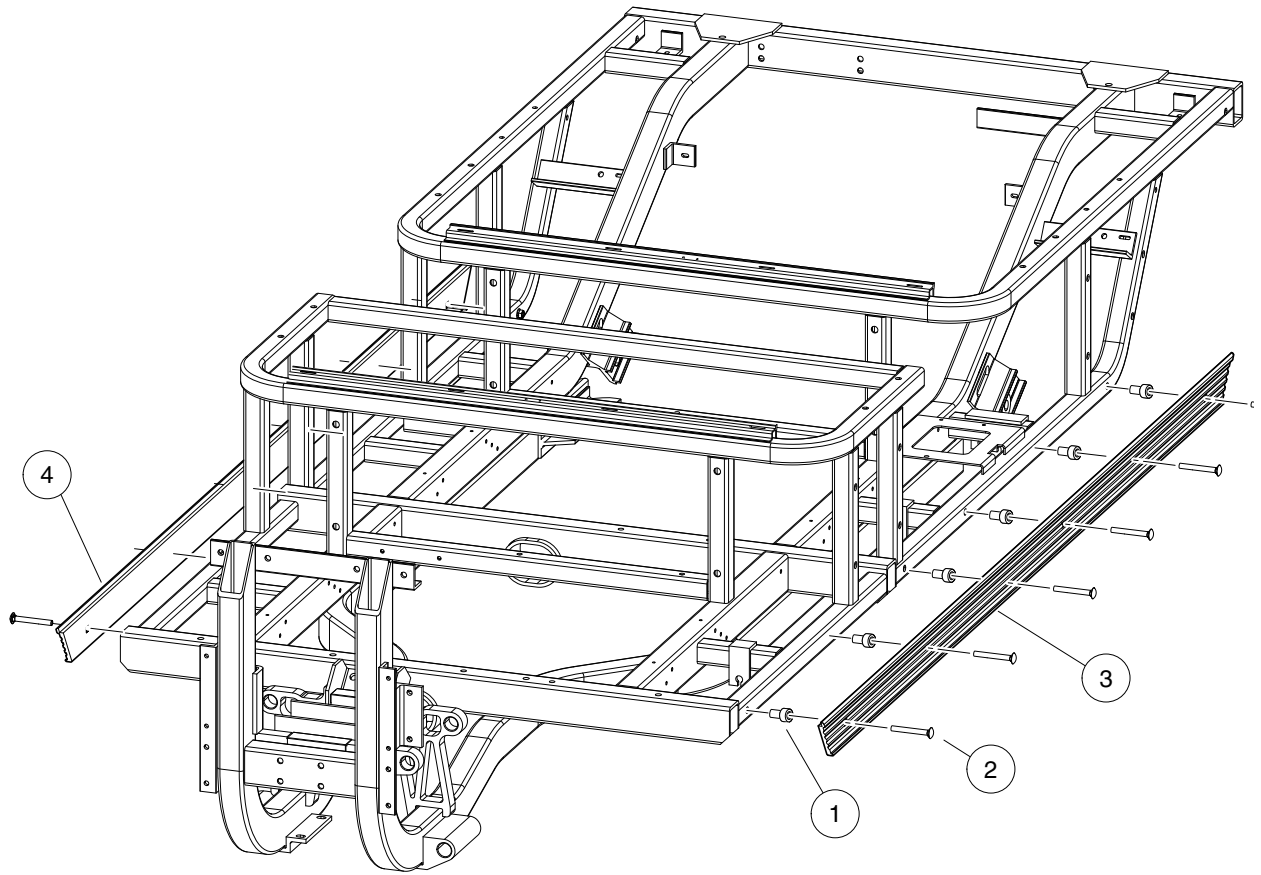
G

D

1

G

D



000527-003

SIDE STRINGERS – 4 PASSENGER

ITEM	PART NO.	DESCRIPTION	QTY
		1 2 3 4	
1	102491701	Well Nut 1/4-20	12
2	103487501	Screw, 1/4-20 X 1.0, Black	12
3	103488801	Stringer, Side, Awd, Se, Ds	1
4	103488802	Stringer, Side, Awd, Se, Ps	1

1

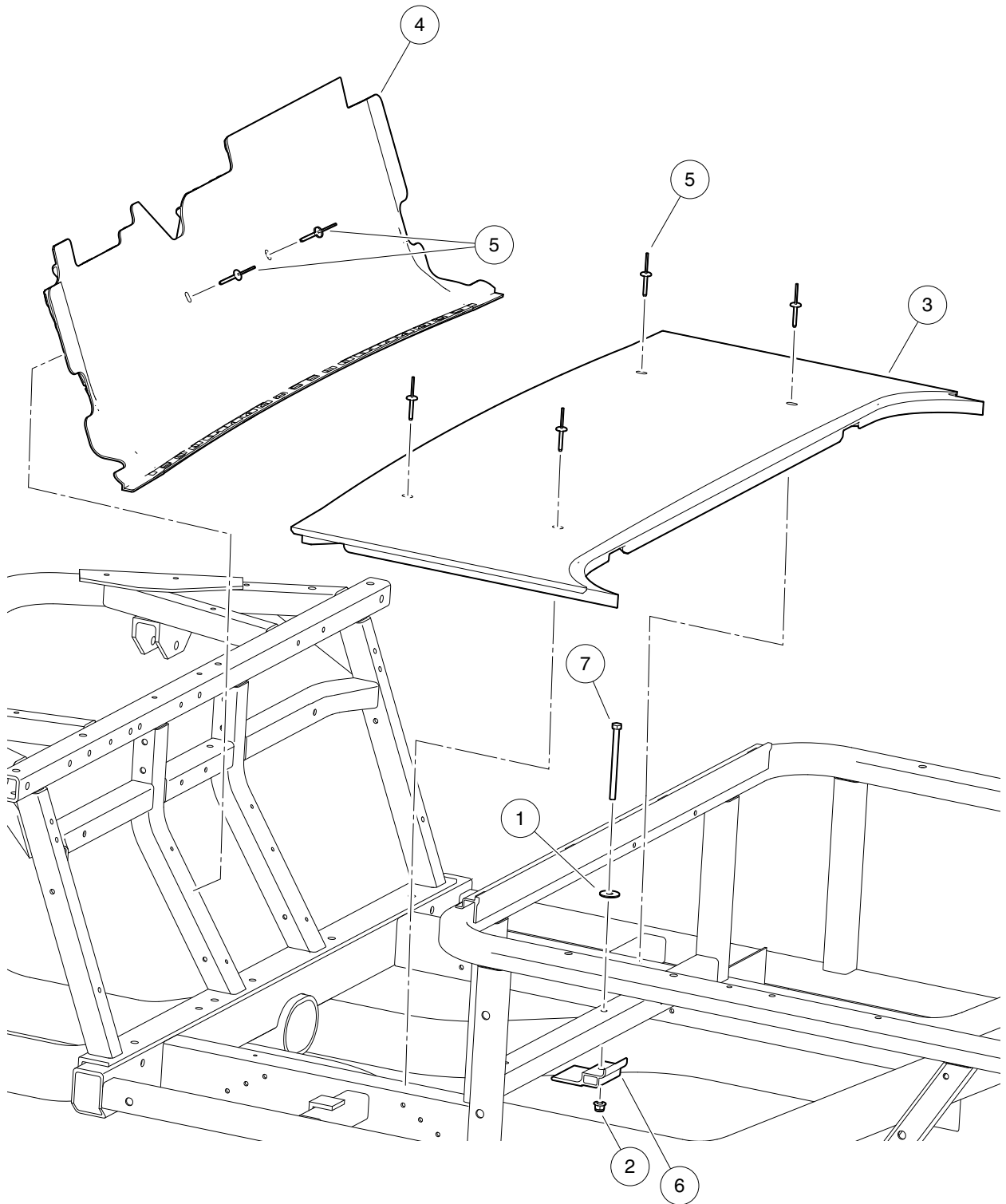
G

D

1

G

D



000790-003

FLOORBOARD

ITEM	PART NO.	DESCRIPTION	QTY
		1 2 3 4	
1	1011578	Washer, 5/16 Type B Flat	1
2	102618601	Lock Nut, Flange, M8 X 1.25 Nylon	1
3	103319601	Floorboard, Lower	1
4	103319701	Floorboard, Upper	1
5	103400001	3/16 X 1.19 Alum Rivet, Blk	6
6	103417401	Bracket, Support, Floorboard	1
7	103423701	Bolt, M8 X 1.25 X 110	1

1

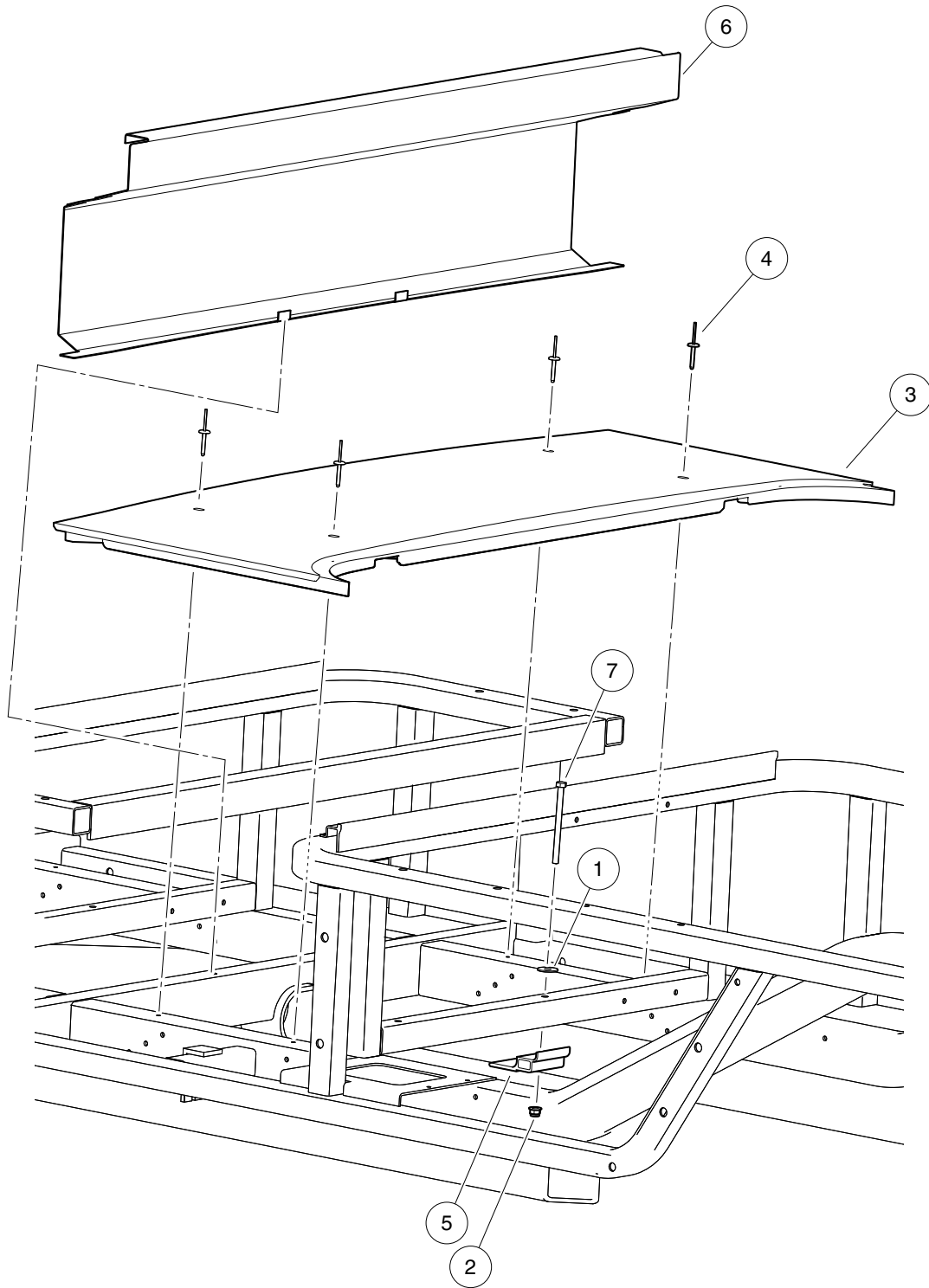
G

D

1

G

D



000790-004

FLOORBOARD – REAR

ITEM	PART NO.	DESCRIPTION	QTY
		1 2 3 4	
1	1011578	Washer, 5/16 Type B Flat	1
2	102618601	Lock Nut, Flange, M8 X 1.25 Nylon	1
3	103319601	Floorboard, Lower	1
4	103400001	3/16 X 1.19 Alum Rivet, Blk	4
5	103417401	Bracket, Support, Floorboard	1
6	103418001	Plate, Footwell, Rear	1
7	103423701	Bolt, M8 X 1.25 X 110	1

1

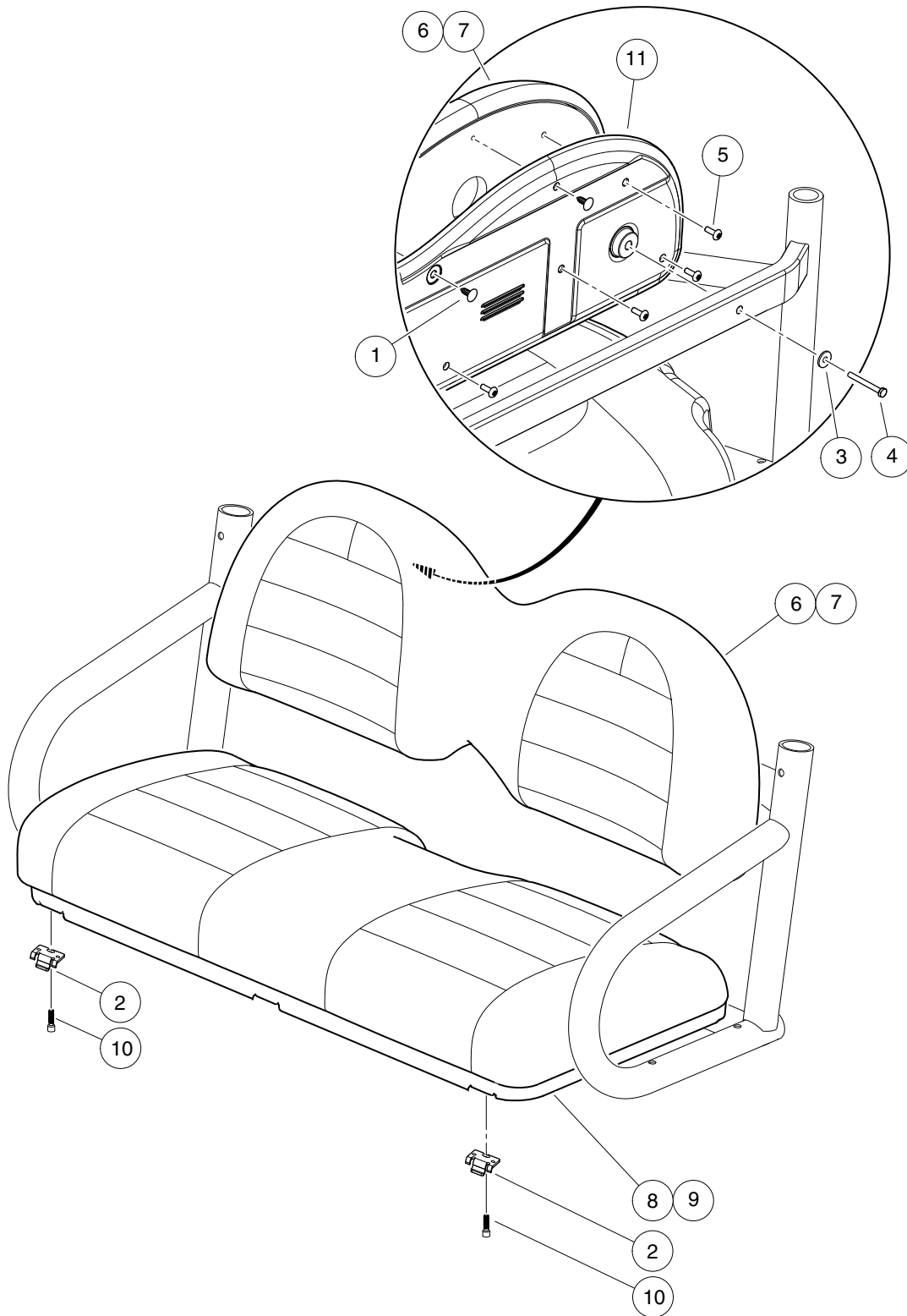
G

D

1

G

D



000523-005

BENCH SEAT

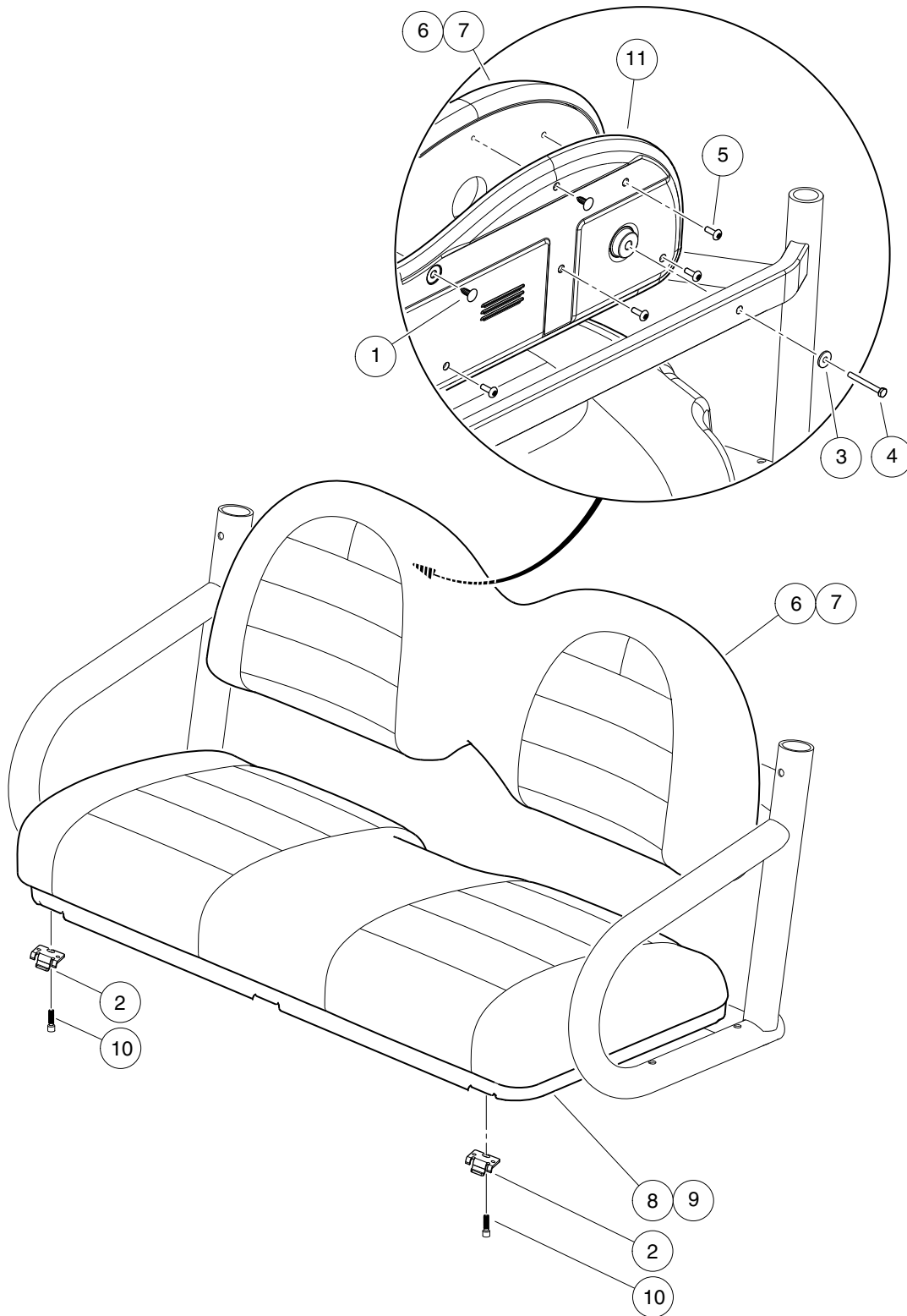
ITEM	PART NO.	DESCRIPTION	QTY
		1 2 3 4	
1	1010434	Barrel - Plastic	8
2	1011652	Hinge Plate	2
3	1011697	Washer, 5/16 Flat	3
4	1014201	Screw, 1/4-20 X 2.25 Hex Cap	3
5	1014415	Screw, 1/4-20 X 0.75 Torx Truss-Head	4
6	103456001	Seat Back, Bench, Gray	1
7	103456002	Seat Back, Bench, Black	1
8	103629101	Seat, Bench, Bottom, Blk	1
9	103629102	Seat, Bench, Bottom, Gray	1
10	103629501	Screw, 1/4-20 X .75 Shcs	4
11	103831101	Cap, Seatback, Vented	1

1
G
D

1

G

D



000523-005

BENCH SEAT, REAR – 4 PASS

ITEM	PART NO.	DESCRIPTION	QTY
		1 2 3 4	
1	1010434	Barrel - Plastic	8
2	1011652	Hinge Plate	2
3	1011697	Washer, 5/16 Flat	3
4	1014201	Screw, 1/4-20 X 2.25 Hex Cap	3
5	1014415	Screw, 1/4-20 X 0.75 Torx Truss-Head	4
6	103456001	Seat Back, Bench, Gray	1
7	103456002	Seat Back, Bench, Black	1
8	103629101	Seat, Bench, Bottom, Blk	1
9	103629102	Seat, Bench, Bottom, Gray	1
10	103629501	Screw, 1/4-20 X .75 Shcs	4
11	103831101	Cap, Seatback, Vented	1

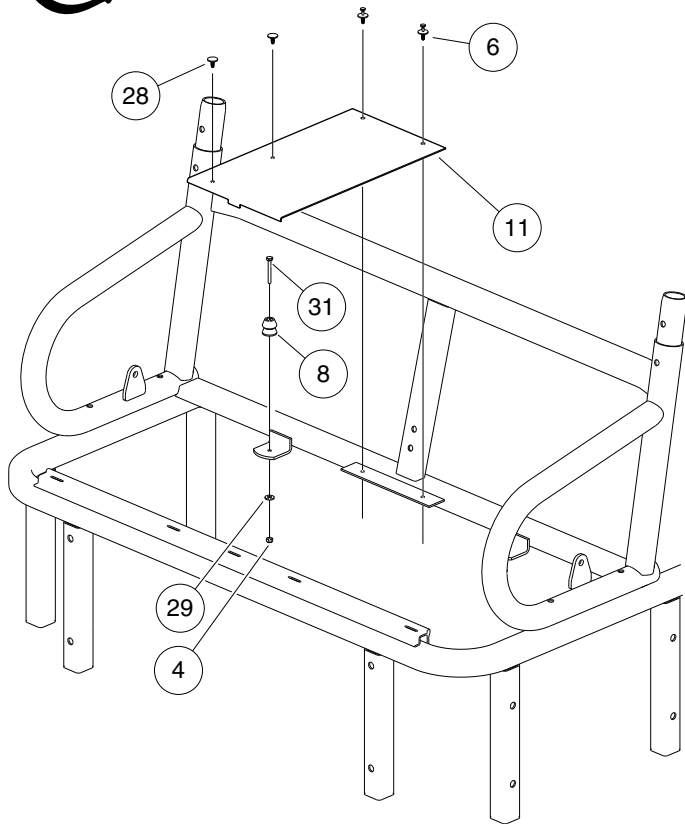
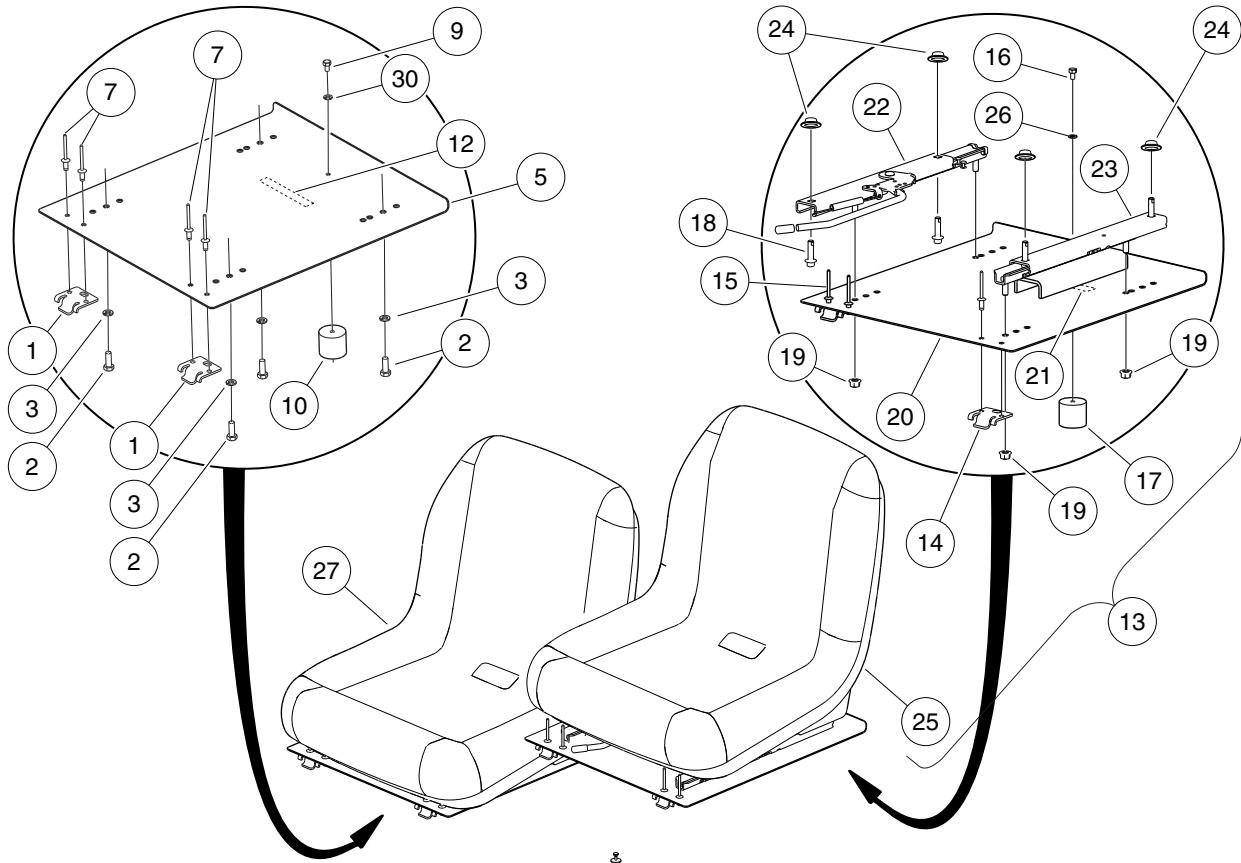
1

G

D

1
G

D



000524-011

BUCKET SEATS – GRAY

ITEM	PART NO.	DESCRIPTION	QTY
		1 2 3 4	
1	1011652	Hinge Plate	2
2	1012830	Screw, M8-125 X 22 Hex-Head	4
3	1013734	Lockwasher, 8mm Split	4
4	101887601	Locknut, M6-1.00 Nylon Insert	2
5	102023703	Pan, Seat, Passenger	1
6	102025701	Screw, Tuflok Panel, 1/4	2
7	102047001	Rivet, 1/4 X .438 Blind	4
8	102059001	Seat Holder Base	2
9	102059401	Screw, 6m-1.00 X 10mm Hex Head	1
10	102061101	Seat Holder Cup	1
11	102442002	Pan, Center, Closeout, Pfex	1
12	102458901	Decal, Hot Surface Warning	1
13	102473701	Asm, Bucket Seat Adjustable (includes items 14 through 26)	1
14	1011652	Hinge Plate	2
15	102047001	Rivet, 1/4 X .438 Blind	4
16	102059401	Screw, 6m-1.00 X 10mm Hex Head	1
17	102061101	Seat Holder Cup	1
18	102298130	Bolt, Flange Head, M8 X 30.0	4
19	102298401	Nut,m8,all Metal Lock	4
20	102456001	Pan, Seat, Driver Asm	1
21	102458901	Decal, Hot Surface Warning	1
22	102473501	Adjuster, Forward/Aft	1
23	102473601	Adjuster, Slider	1
24	102475901	Washer, Bell	4
25	103267001	Seat, Bucket, Gray	1
26	451	Lockwasher, 1/4 Split	1
27	103267001	Seat, Bucket, Gray	1
28	103978801	Barrel-push 6mm	2
29	332	Washer, 1/4 Type A Narrow Flat	2
30	451	Lockwasher, 1/4 Split	1
31	96742515	Bolt, M6 X 1 X 45	2

1

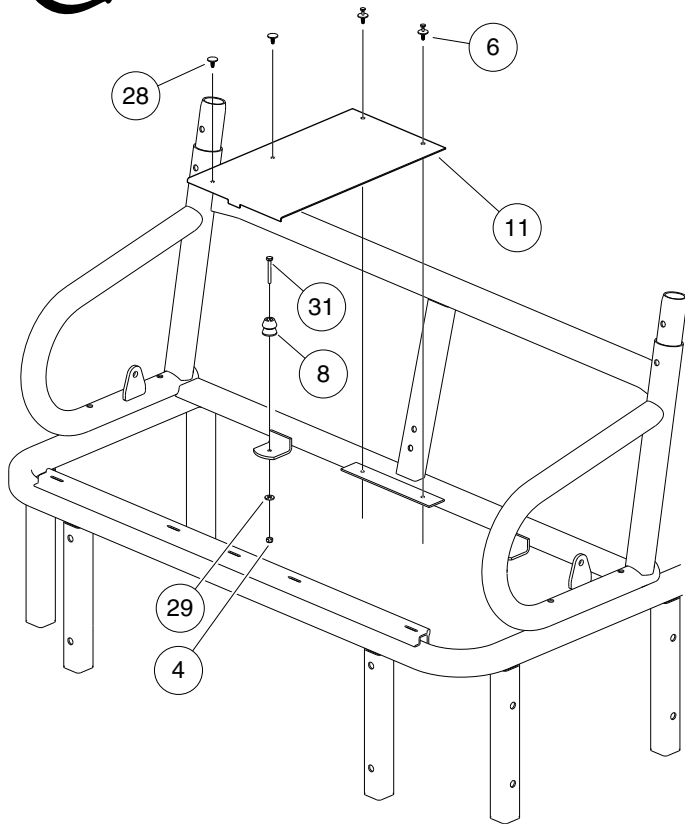
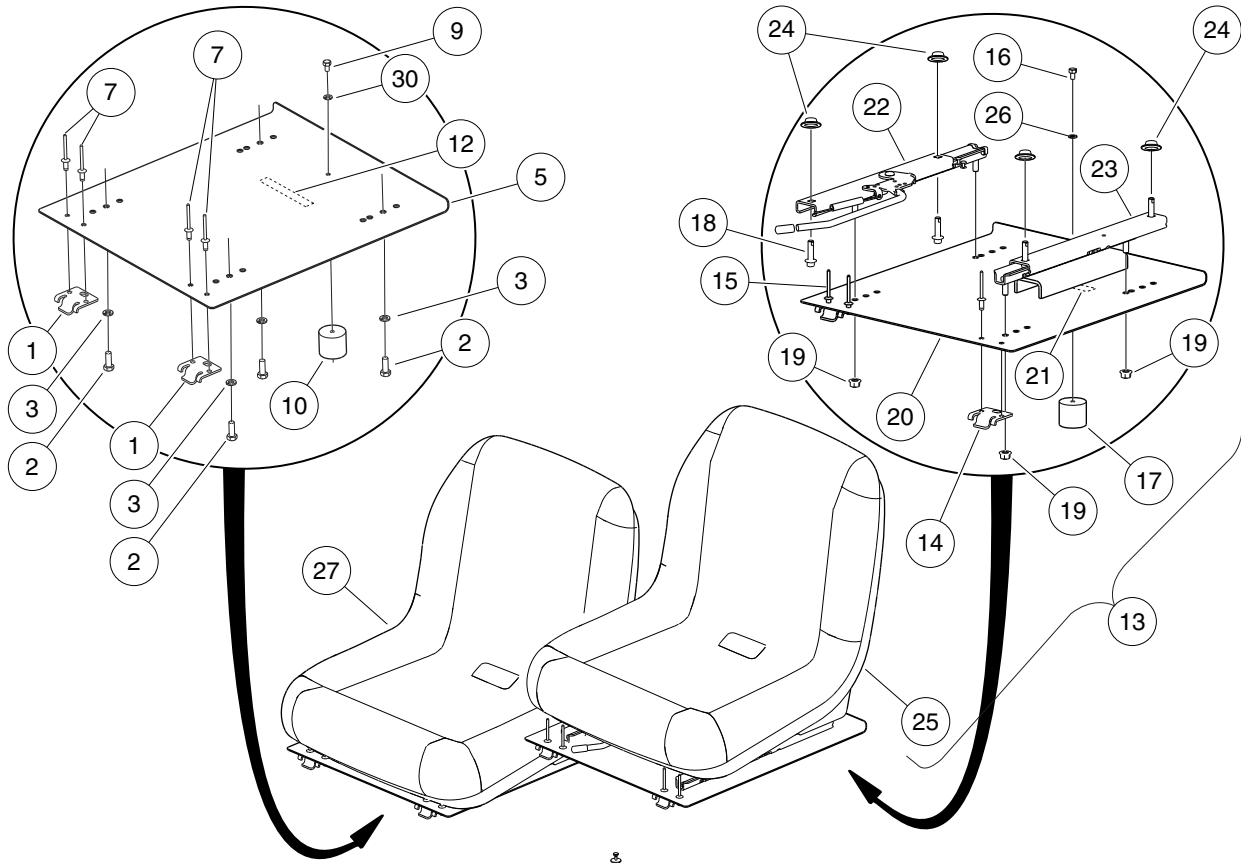
G

D

1

G

D



000524-011

BUCKET SEATS – BLACK

ITEM	PART NO.	DESCRIPTION	QTY
		1 2 3 4	
1	1011652	Hinge Plate	2
2	1012830	Screw, M8-125 X 22 Hex-Head	4
3	1013734	Lockwasher, 8mm Split	4
4	101887601	Locknut, M6-1.00 Nylon Insert	2
5	102023703	Pan, Seat, Passenger	1
6	102025701	Screw, Tuflok Panel, 1/4	2
7	102047001	Rivet, 1/4 X .438 Blind	4
8	102059001	Seat Holder Base	2
9	102059401	Screw, 6m-1.00 X 10mm Hex Head	1
10	102061101	Seat Holder Cup	1
11	102442002	Pan, Center, Closeout, Pfex	1
12	102458901	Decal, Hot Surface Warning	1
13	103218901	Asm, Bucket Seat, Adj, Blk (includes items 14 through 26)	1
14	1011652	Hinge Plate	2
15	102047001	Rivet, 1/4 X .438 Blind	4
16	102059401	Screw, 6m-1.00 X 10mm Hex Head	1
17	102061101	Seat Holder Cup	1
18	102298130	Bolt, Flange Head, M8 X 30.0	4
19	102298401	Nut,m8,all Metal Lock	4
20	102456001	Pan, Seat, Driver Asm	1
21	102458901	Decal, Hot Surface Warning	1
22	102473501	Adjuster, Forward/Aft	1
23	102473601	Adjuster, Slider	1
24	102475901	Washer, Bell	4
25	103267002	Seat, Bucket, Black	1
26	451	Lockwasher, 1/4 Split	1
27	103267002	Seat, Bucket, Black	1
28	103978801	Barrel-push 6mm	2
29	332	Washer, 1/4 Type A Narrow Flat	2
30	451	Lockwasher, 1/4 Split	1
31	96742515	Bolt, M6 X 1 X 45	2

1

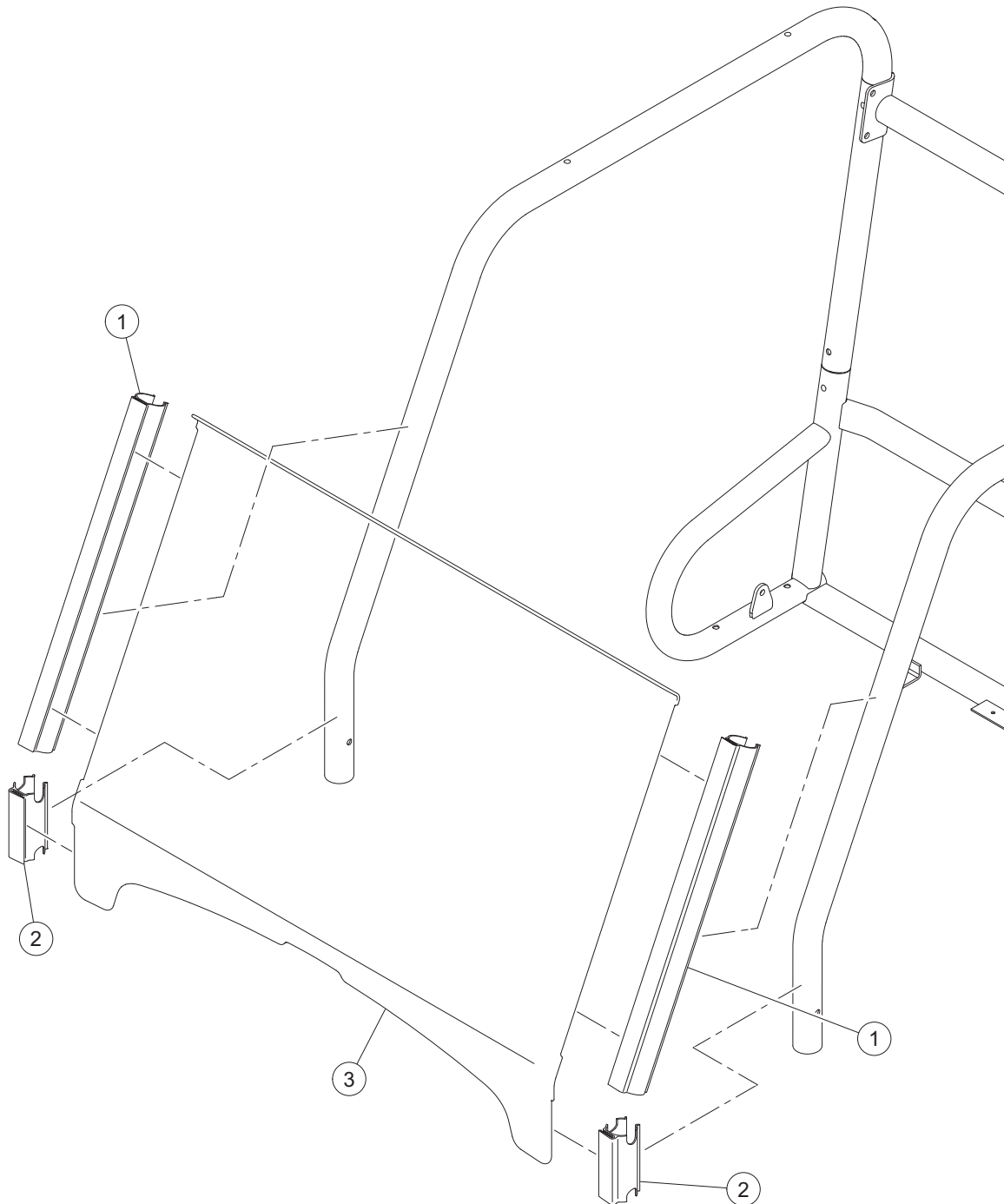
G

D

1

G

D



G-140899-000003

WINDSHIELD – SOLID

ITEM	PART NO.	DESCRIPTION	QTY
		1 2 3 4	
1	103186302	Clip, Windshield, 660 Mm	2
2	103255801	Clip, Windshield, 140 Mm Slots	2
3	105076401	Windshield, Clear, Solid, Oem	1
		Note: For complete windshield kit with instructions, order p/n 105080801.	

1

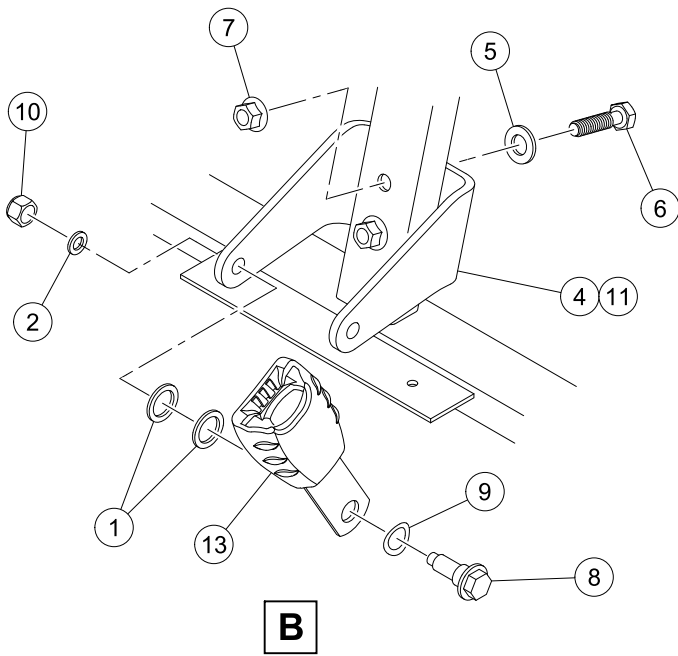
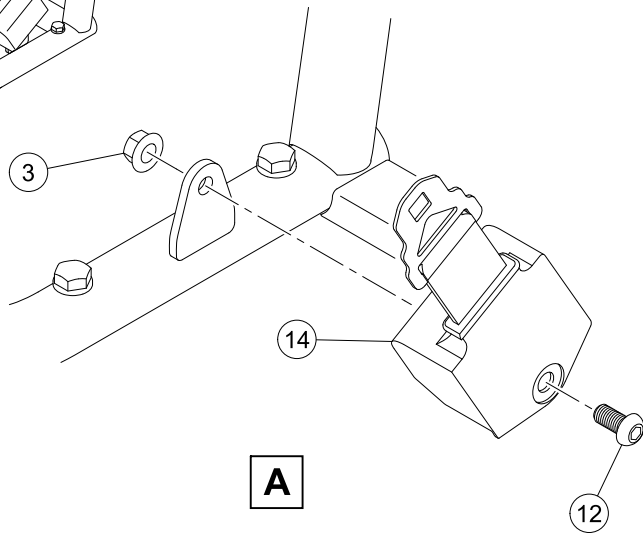
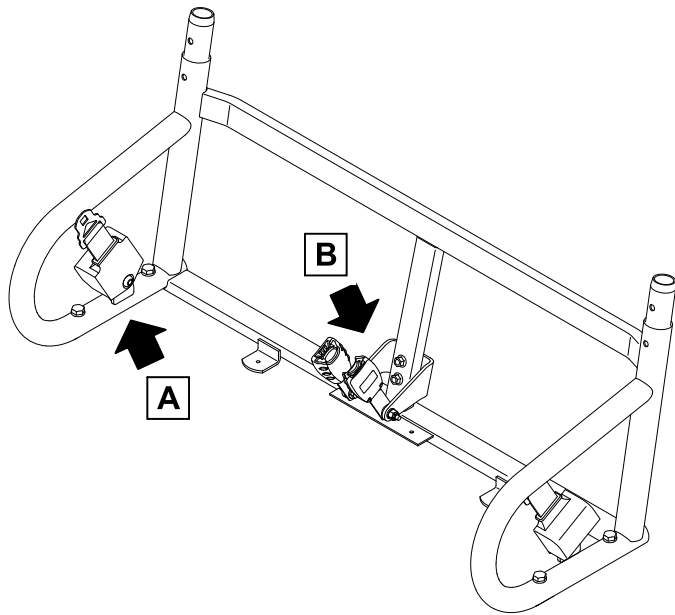
G

D

1

G

D



G-140699-000010

2-POINT SEAT BELTS

ITEM	PART NO.	DESCRIPTION	QTY
		1 2 3 4	
1	1012604	Washer, 0.675 ID X 1.19 OD	4
2	1014557	Washer, 7/16 Flat	2
3	102620301	Ln Flg, M12 X 1.75, Md, Black	2
4	102670601	Bracket, Seatbelt, Bolt-On (for Bucket Seats)	1
5	102718101	Washer, Hard, M10, Zn-Ni/Blk	2
6	102732401	Bolt, M10 X 45, Zn-Ni (Black)	2
7	103216401	Nut, Flanged, M10 x 1.5, Black	2
8	103529601	Bolt, Shoulder, 15 Mm	2
9	103530701	Washer, Spring, 15 Mm Id	2
10	103534201	Lock Nut, 7/16-20 Nylon	2
11	103635101	Bracket, Seatbelt, Style H, Bolt-On (for Bench Seat)	1
12	103806401	Bolt Btn, M12x1.75 X 25 Black	2
13	47637182001	Asm, Seat Belt, Buckle, Shield	2
14	47637183001	Asm, Seat Belt, Retractor, 2pt	2
Note: Item 4 bracket is for bucket seats. Item 11 bracket is for bench seat.			

1

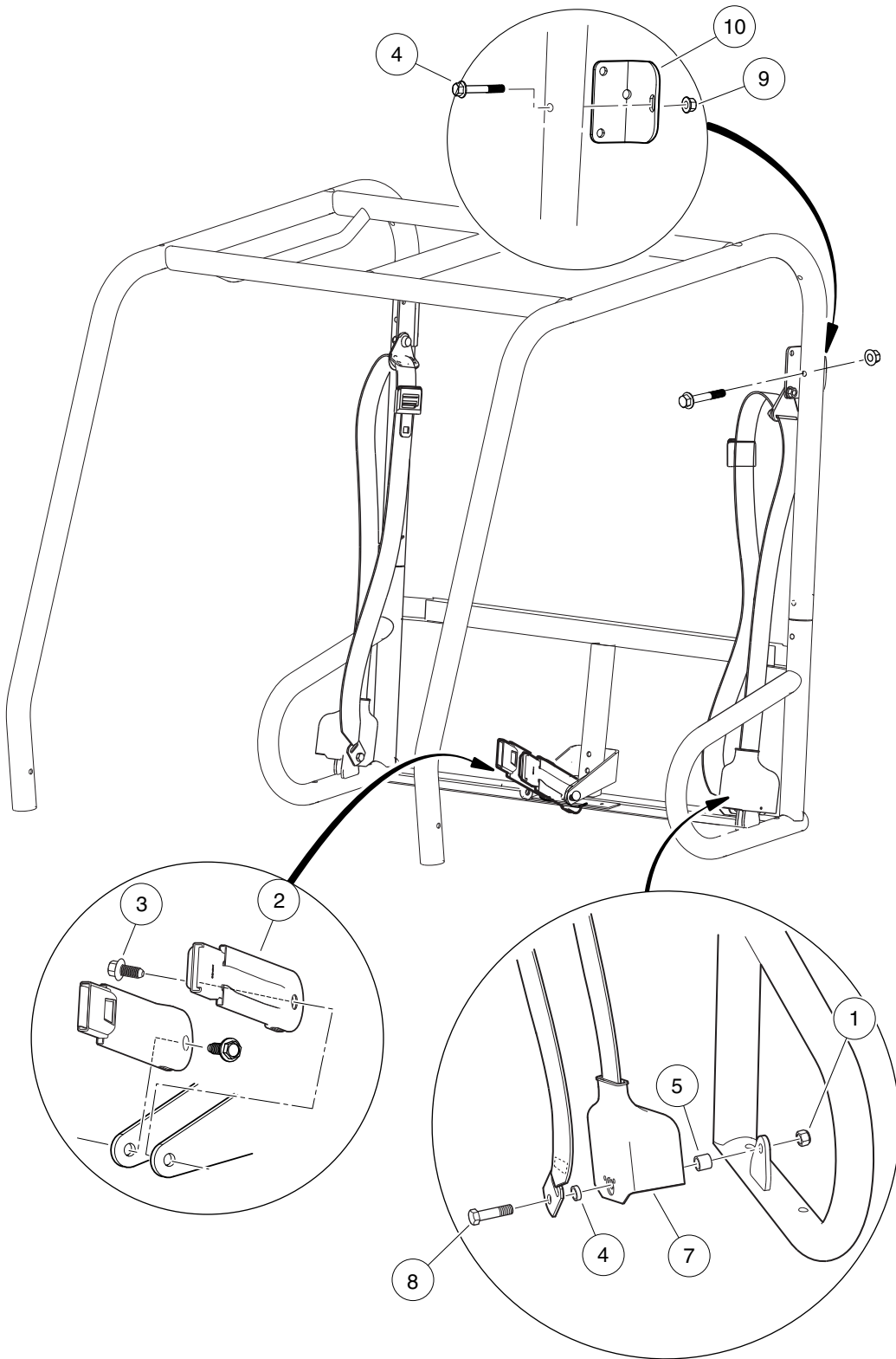
G

D

1

G

D



000560-002

3-POINT SEAT BELTS

ITEM	PART NO.	DESCRIPTION	QTY
		1 2 3 4	
1	102324401	Lock Nut, 7/16-20 Nylon Black	2
2	102447601	Buckle, Seat Belt with Sleeve	2
3	102671201	Screw,m12x1.75x30 Thd Form Blk	2
4	102988701	Bolt, Flanged, M10 X 1.5 X 65	2
5	103210801	Spacer, .69 Od X .5 Id X .60	2
6	103210802	Spacer, .69 Od X .5 Id X .20	2
7	103210901	Seat Belt, 3 Pt, Lock Tongue	2
8	103211101	Screw, 7/16-20 X 1.75	2
9	103216401	Nut, Flanged, M10 x 1.5, Black	2
10	103377501	Bracket, Support, Rear, ROPS	2

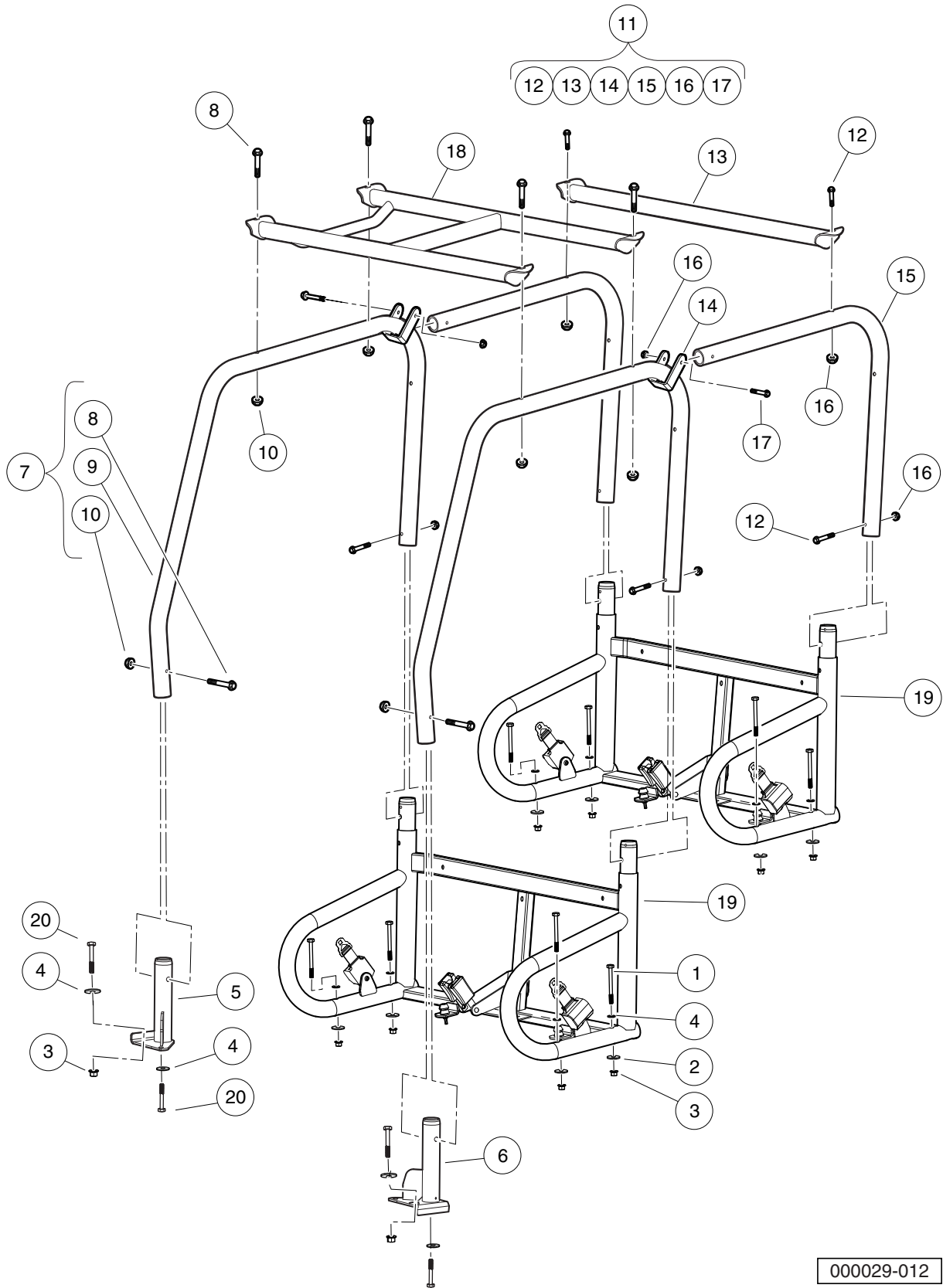
1

G

D

1
G

D



000029-012

ROPS – 4 PASS

ITEM	PART NO.	DESCRIPTION	QTY
		1 2 3 4	
1	102491301	Bolt, M10x1.50x100 (Black)	8
2	102491501	Washer, Hard, M10	10
3	102617201	Nut, Flanged, M10 X 1.5, Mechanically Deformed	10
4	102718101	Washer, Hard, M10, Zn-Ni/Blk	10
5	102983201	Weldment, Front, Base, ROPS, Right-Hand	1
6	102983601	Weldment, Front, Base, ROPS, Left-Hand	1
7	103215901	Kit, ROPS Sides, Domestic (includes items 8 through 10)	1
8	102988701	Bolt, Flanged, M10 X 1.5 X 65	8
9	103192101	Tube, Side Support Short, ROPS	2
10	103216401	Nut, Flanged, M10 x 1.5, Black	8
11	103216201	Kit, ROPS, Four Passenger (includes items 12 through 17)	1
12	102988701	Bolt, Flanged, M10 X 1.5 X 65	4
13	103214901	Weldment, ROPS, Top, 4 Pass	1
14	103215001	Bracket, ROPS, Rear, 4 Pass	2
15	103215101	Tube, Rear, 4 Pass	2
16	103216401	Nut, Flanged, M10 x 1.5, Black	6
17	103216801	Bolt, Flanged, M10 X 1.5 X 70	2
18	103225801	Asm, Top, ROPS	1
19	103361701	Weldment, Seat Support, ROPS	2
20	96715552	Bolt, M10 X 1.50 X 65	4

1

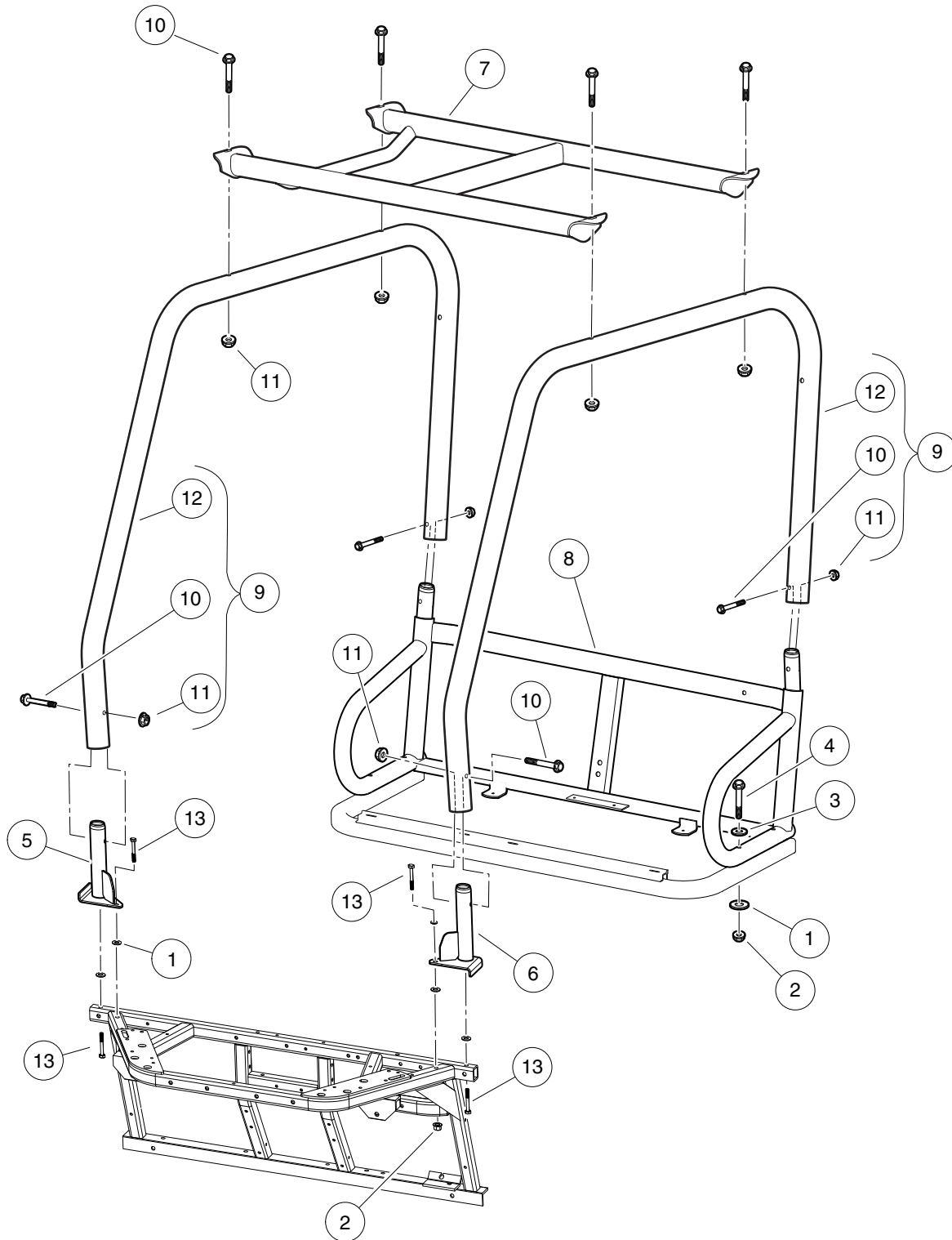
G

D

1

G

D



000029-008

ROPS AND SEAT SUPPORT

ITEM	PART NO.	DESCRIPTION	QTY
		1 2 3 4	
1	102491501	Washer, Hard, M10	8
2	102617201	Nut, Flanged, M10 X 1.5, Mechanically Deformed	4
3	102718101	Washer, Hard, M10, Zn-Ni/Blk	4
4	102732301	Bolt, M10 X 100, Zn-Ni (Black)	4
5	102983201	Weldment, Front, Base, ROPS, Right-Hand	1
6	102983601	Weldment, Front, Base, ROPS, Left-Hand	1
7	103225801	Asm, Top, ROPS	1
8	103361701	Weldment, Seat Support, ROPS	1
9	103511201	Kit, Side Rops, Awd, Domestic (includes items 10 through 12)	1
10	102988701	Bolt, Flanged, M10 X 1.5 X 65	8
11	103216401	Nut, Flanged, M10 x 1.5, Black	8
12	N/A	Tube, Rops, Side Support, Awd	2
13	96715552	Bolt, M10 X 1.50 X 65	4

1

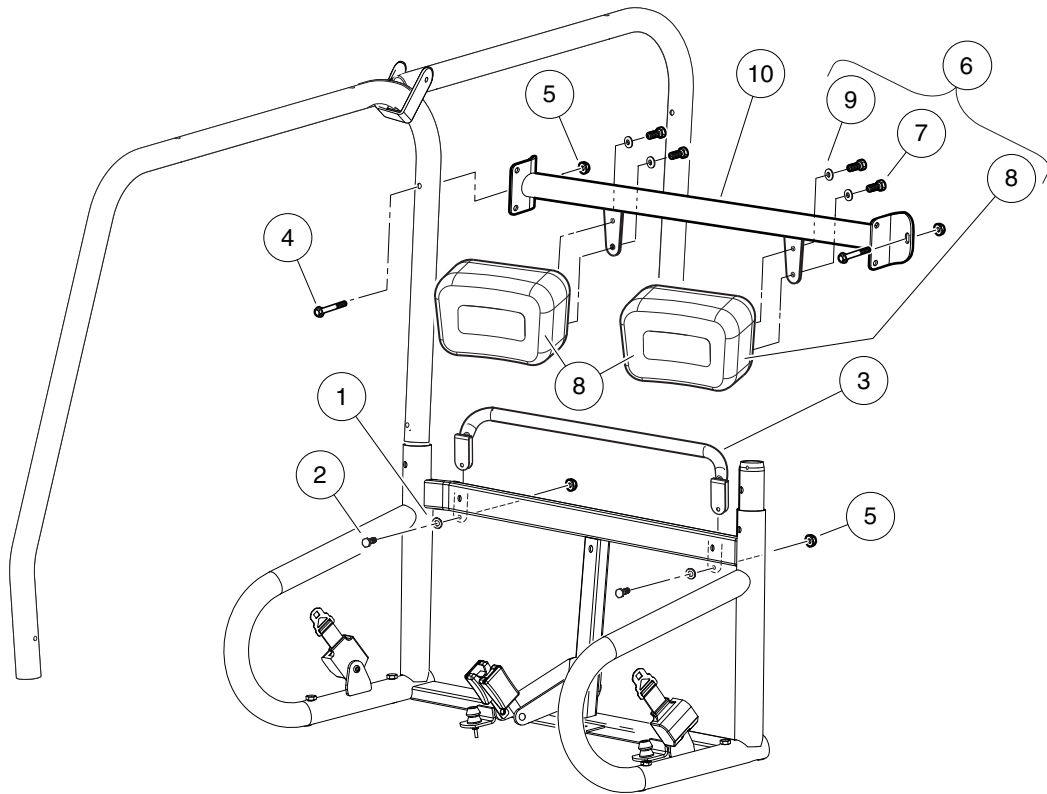
G

D

1

G

D



000029-013

HEAD RESTS AND REAR SEAT HANDLE – 4 PASS

ITEM	PART NO.	DESCRIPTION	QTY
		1 2 3 4	
1	102718101	Washer, Hard, M10, Zn-Ni/Blk	2
2	102732401	Bolt, M10 X 45, Zn-Ni (Black)	2
3	102834401	Weldment, Handle, ROPS, Rear	1
4	102988701	Bolt, Flanged, M10 X 1.5 X 65	2
5	103216401	Nut, Flanged, M10 x 1.5, Black	4
6	103274602	Kit, Head Restraint, Black (includes items 7 through 9)	1
7	102490101	Bolt, M10 X 1.5 X 20 Loctite	4
8	103274502	Asm, Head Restraint, Black	2
9	96741046	Washer, M10, Hard	4
10	103283801	Asm, Rear Brace	1

1

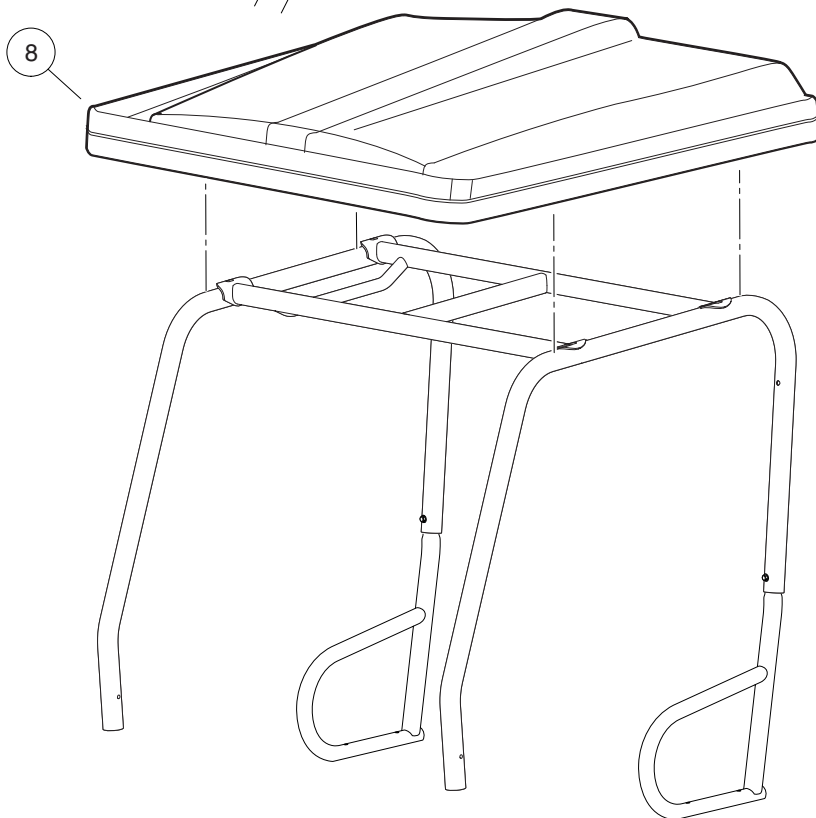
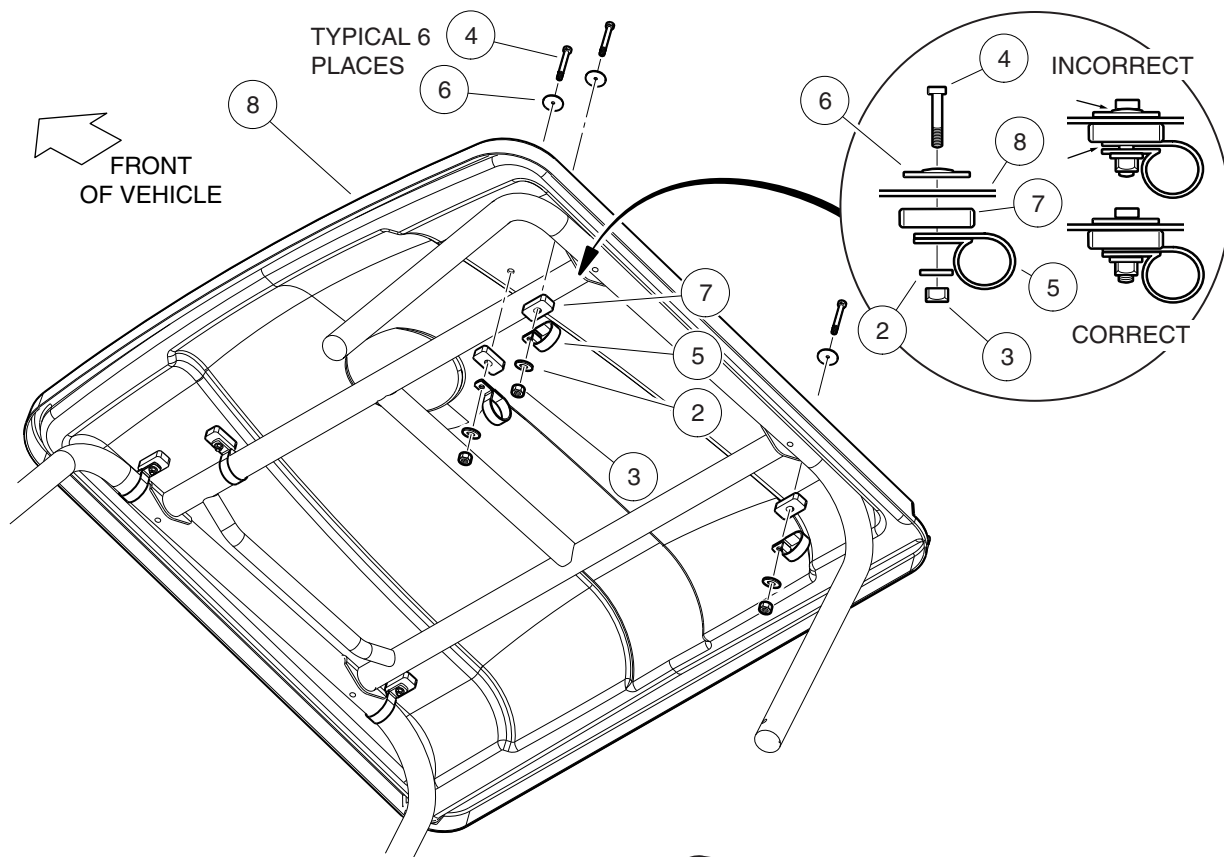
G

D

1

G

D



000963-001

CANOPY (VEHICLE WITH ROPS)

ITEM	PART NO.	DESCRIPTION	QTY
		1 2 3 4	
1	103955901	Kit, Canopy, Black, 4wd (includes items 2 through 8)	1
2	1011964	Washer, 1/4 Flat	6
3	1015068	Locknut, 1/4-20 Nylon	6
4	102343601	Screw, 1/4-20 X 1 3/4 Ss Hx Ca	6
5	103223101	P Clamp Insul 50.8 Dia	6
6	103844301	Washer, Sealing, 0.25 X 1.50	6
7	103844401	Spacer, 0.625 X 2.25 X 1.25	6
8	N/A	Canopy, Black, 4wd	1

1

G

D

SIDE PANELS AND REAR FENDERS – 2 PASS

ITEM	PART NO.	DESCRIPTION	QTY
		1 2 3 4	
1	1014306	Washer, 1/4" Type B Flat	4
2	102491701	Well Nut 1/4-20	8
3	102913801	Left Rear Fender (Black)	1
4	102913901	Right Rear Fender (Black)	1
5	102914001	Panel, Front, Kick (Black)	1
6	102914101	Panel, Side, Molded, Driver (Black)	1
7	102914102	Panel, Side, Molded, Passenger (Black)	1
8	103200501	Screw, Tuflok, 10mm	6
9	103289001	Panel, Front, Kick (Realtree Camo)	1
10	103289002	Panel, Front, Kick, Moff	1
11	103289101	Panel, Side, Molded, Driver (Realtree Camo)	1
12	103289102	Panel, Side, Molded, Drv, Moff	1
13	103289103	Panel, Side, Molded, Passenger (Realtree Camo)	1
14	103289104	Panel, Side, Molded, Pass, Moff	1
15	103331201	Closeout, Extrusion	1
16	8251	Screw, 1/4-20 X 1.0 Truss-Head Machine	8

1

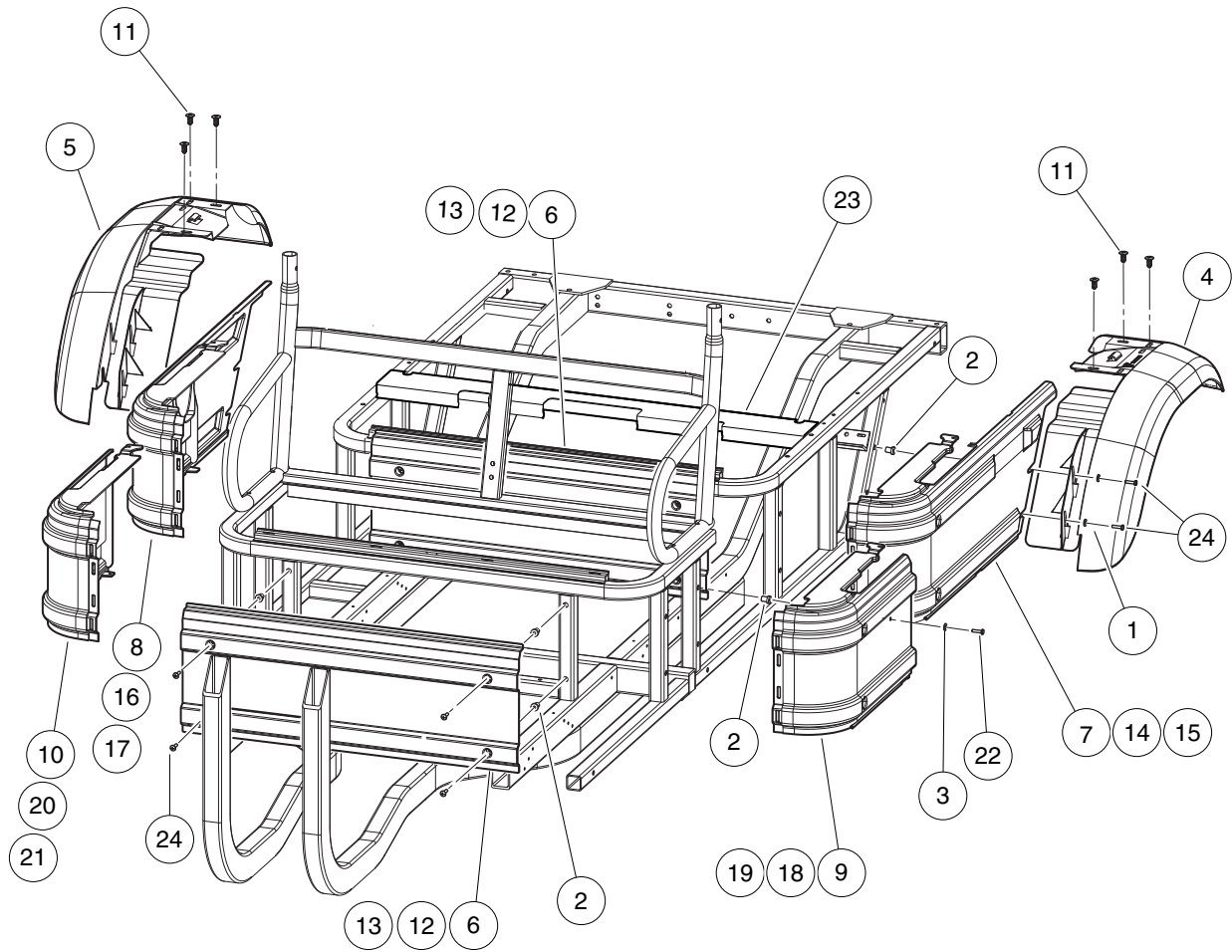
G

D

1

G

D



000518-007

SIDE PANELS AND REAR FENDERS – 4 PASS

ITEM	PART NO.	DESCRIPTION	QTY
		1 2 3 4	
1	1014306	Washer, 1/4" Type B Flat	4
2	102491701	Well Nut 1/4-20	14
3	102772201	Washer, Flat, 5/16, Black	2
4	102913801	Left Rear Fender (Black)	1
5	102913901	Right Rear Fender (Black)	1
6	102914001	Panel, Front, Kick (Black)	2
7	102914101	Panel, Side, Molded, Driver (Black)	1
8	102914102	Panel, Side, Molded, Passenger (Black)	1
9	102914104	Panel, Side, Cut, Driver (Black)	1
10	102914105	Panel, Side, Cut, Passenger (Black)	1
11	103200501	Screw, Tuflok, 10mm	6
12	103289001	Panel, Front, Kick (Realtree Camo)	2
13	103289002	Panel, Front, Kick, Moff	2
14	103289101	Panel, Side, Molded, Driver (Realtree Camo)	1
15	103289102	Panel, Side, Molded, Drv, Moff	1
16	103289103	Panel, Side, Molded, Passenger (Realtree Camo)	1
17	103289104	Panel, Side, Molded, Pass, Moff	1
18	103289107	Panel, Cut, Driver (Realtree Camo)	1
19	103289108	Panel, Side, Cut, Drv, Moff	1
20	103289109	Panel, Cut, Passenger (Realtree Camo)	1
21	103289110	Panel, Side, Cut, Pass, Moff	1
22	103319501	Screw, Pn Hd Blk, 1/4 - 20 X 1	2
23	103331201	Closeout, Extrusion	1
24	8251	Screw, 1/4-20 X 1.0 Truss-Head Machine	12

1

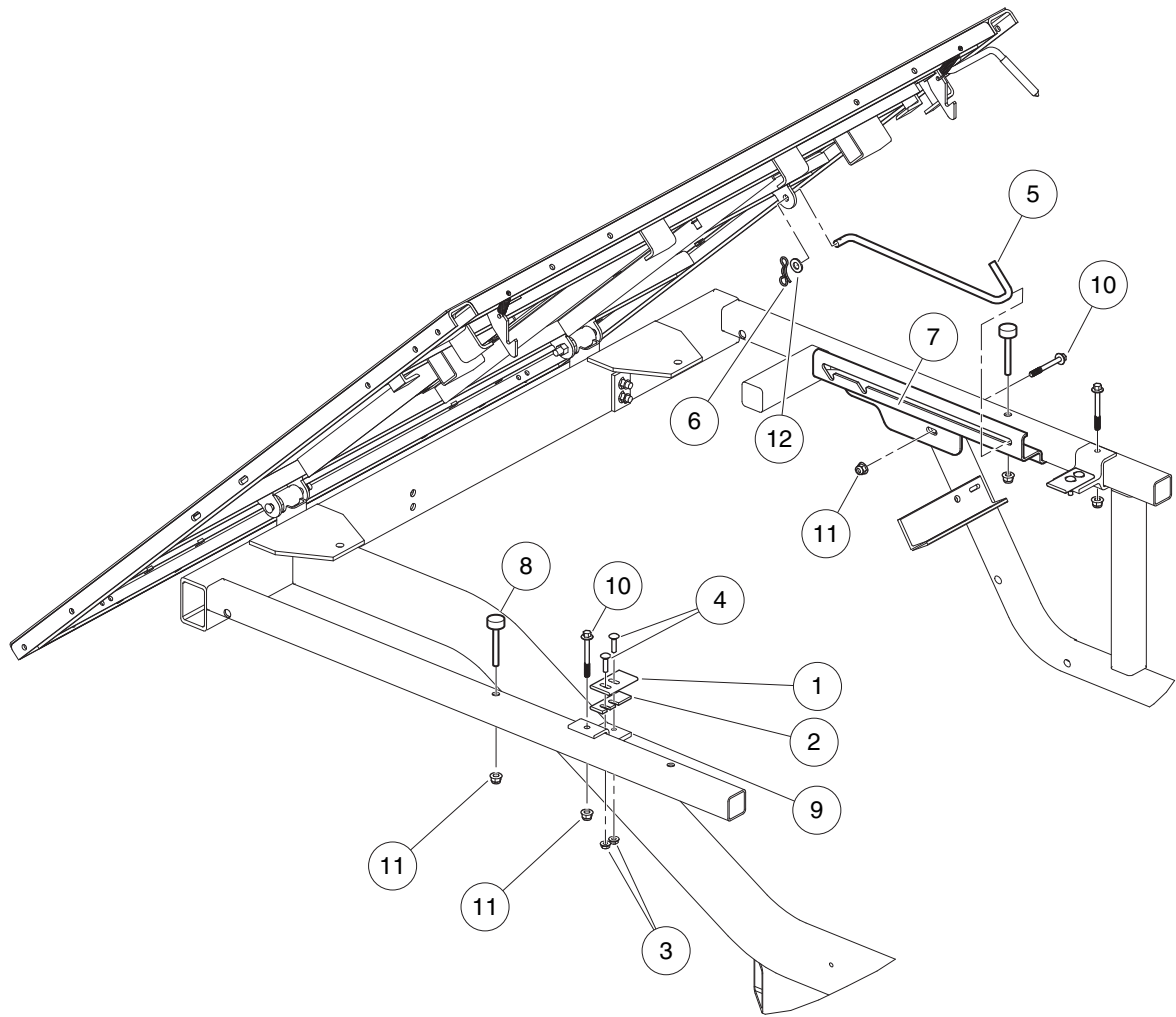
G

D

1

G

D



000036-001

LATCH PLATES AND PROP ROD

ITEM	PART NO.	DESCRIPTION	QTY
		1 2 3 4	
1	1015277	Latch Plate, Tilt Bed	2
2	1016078	Latch Plate Shim	1
3	101835601	Locknut, 1/4-20 Hex Whiz	4
4	101958602	Bolt, Carriage, 1/4-20 X 1.0	4
5	102301401	Rod, Prop	1
6	102323101	Pin, Bow Tie Locking	1
7	102418101	Track, Prop Rod	1
8	102426601	Bumper, Bed, Mtg, Front	2
9	102493801	Bracket, Latch, Bed	2
10	102618301	Bolt, Flanged Head, M8 X 1.25 X 65	3
11	102618601	Lock Nut, Flange, M8 X 1.25 Nylon	5
12	334	Washer, 3/8, Type A, Flat	1

1

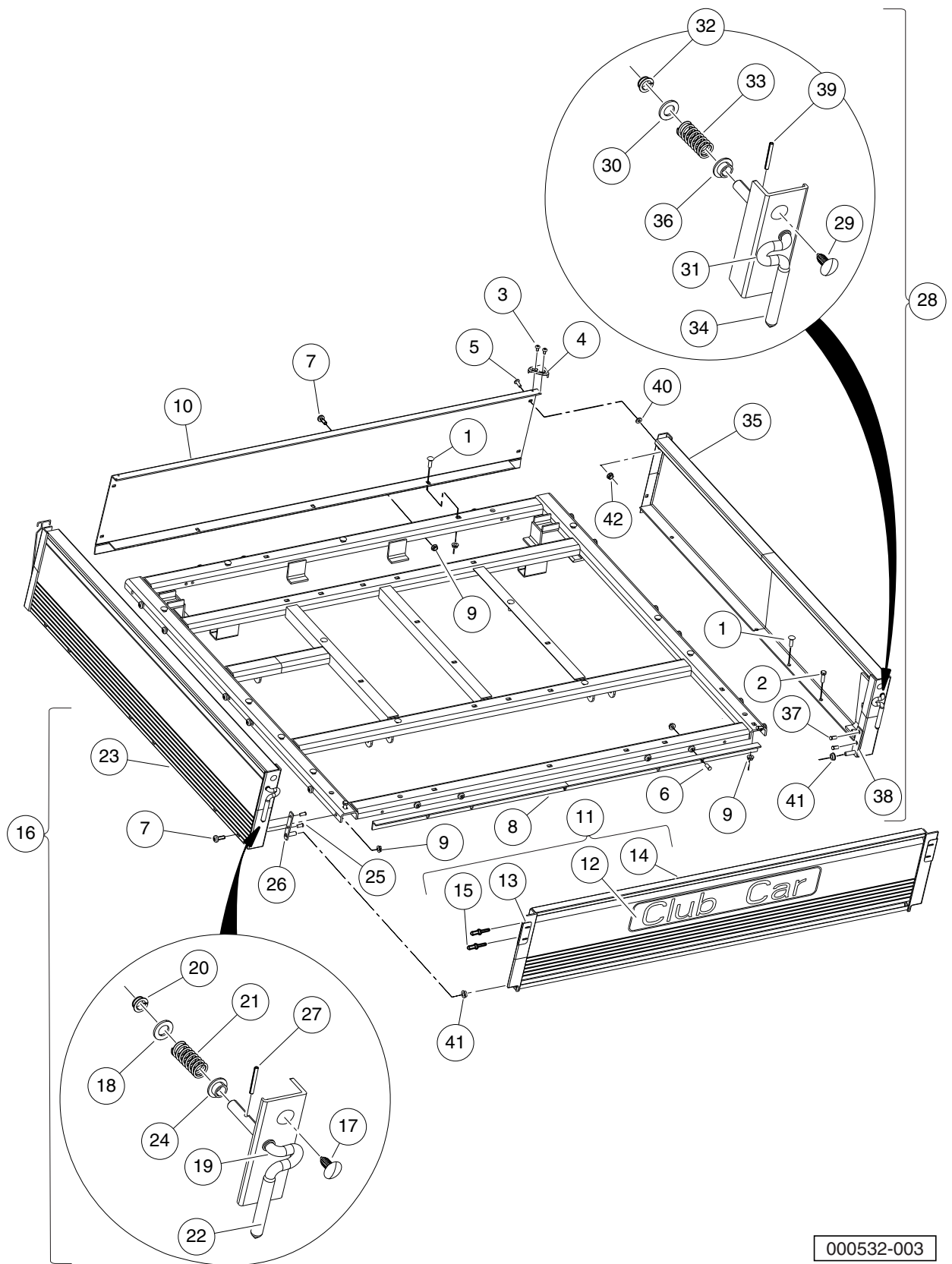
G

D

1

G

D



000532-003

BOX BED – ALUMINUM

ITEM	PART NO.	DESCRIPTION	QTY
		1 2 3 4	
1	1010435	Bolt, Carriage, 5/16-18 X 1.00	11
2	1010934	Screw, 5/16-18 X 1.00 Hex Cap	2
3	1014321	Screw, #10 Truss-Head Torx	4
4	1014387	Cap, Corner	2
5	1014415	Screw, 1/4-20 X 0.75 Torx Truss-Head	4
6	1014537	Stud, Self-Clinching Flush Head	2
7	1015399	Screw, 5/16-18 X 0.88 Torx Truss-Head	16
8	N/A	Box Bed Tailgate Angle	1
9	101963401	Locknut, 5/16-18 Hex Flange	33
10	102030101	Panel, Front	1
11	102030201	Tailgate Asm (includes items 12 through 15)	1
12	1013317	Decal, Logo, Tailgate	1
13	1015246	Plate, Tailgate Latch Wear	2
14	N/A	Tailgate Weldment	1
15	7973	Rivet, 3/16 X .400 Blind	4
16	103191401	Asm, Panel, Side, Left (includes items 17 through 28)	1
17	1010434	Barrel - Plastic	1
18	1011990	Washer, 3/8 Flat	1
19	1015313	Latch, Tailgate, Left-Hand	1
20	1015363	Bushing, Snap-In	1
21	1015390	Compression Spring Latch Tilt	1
22	1015400	Grip, Tilt Latch Hand	1
23	103191201	Weldment, Panel, Side, Left	1
24	1032	Bushing, Nylon	1
25	103379401	Rivet, 1/4 X 0.30, Blind	2
26	103406501	Kit, Tailgate Mounting Bracket, CA, LH (includes item 27)	1
27	103406601	Stud, 1/4 Self-clnchg Flush	2
28	1231	Pin, 1/8 X 1.00 Split Roll	1
29	103191501	Asm, Panel, Side, Right (includes items 30 through 41)	1
30	1010434	Barrel - Plastic	1
31	1011990	Washer, 3/8 Flat	1
32	1015245	Latch, Tailgate, Right-Hand	1
33	1015363	Bushing, Snap-In	1
34	1015390	Compression Spring Latch Tilt	1
35	1015400	Grip, Tilt Latch Hand	1
36	103191301	Weldment, Panel, Side, Right	1
37	1032	Bushing, Nylon	1
38	103379401	Rivet, 1/4 X 0.30, Blind	2
39	103406502	Kit, Tailgate Mounting Bracket, CA, RH (includes item 40)	1
40	103406601	Stud, 1/4 Self-clnchg Flush	2
41	1231	Pin, 1/8 X 1.00 Split Roll	1
42	332	Washer, 1/4 Type A Narrow Flat	4
43	7049	Bushing, Nylon	2
44	8233	Locknut, 1/4-20, Nylon Insert	4

1

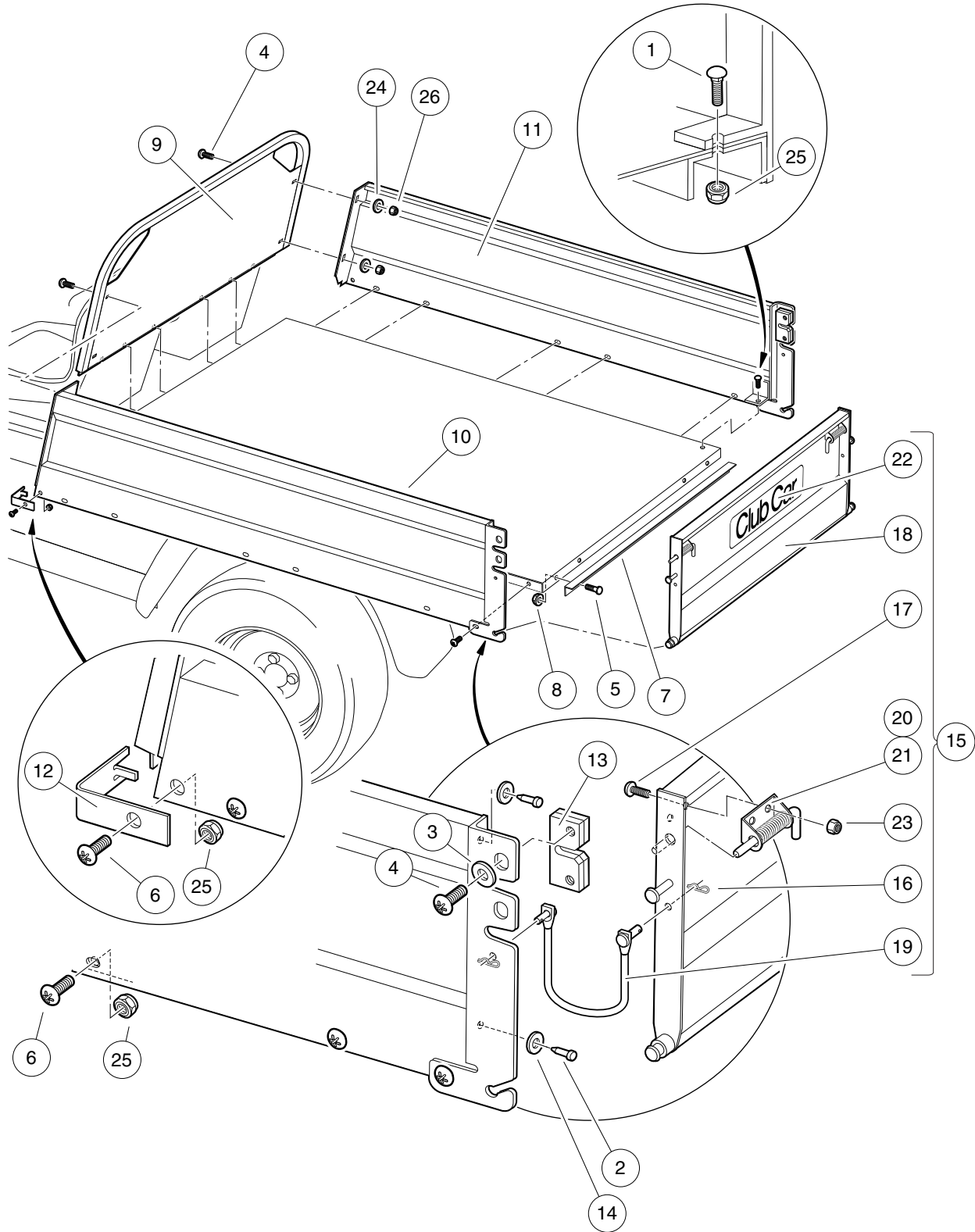
G

D

1

G

D



000038-006

BOX BED – STEEL

ITEM	PART NO.	DESCRIPTION	QTY
		1 2 3 4	
1	1010435	Bolt, Carriage, 5/16-18 X 1.00	13
2	1010436	Bumper, Rubber	4
3	1014306	Washer, 1/4" Type B Flat	4
4	1014415	Screw, 1/4-20 X 0.75 Torx Truss-Head	8
5	1014537	Stud, Self-Clinching Flush Head	4
6	1015399	Screw, 5/16-18 X 0.88 Torx Truss-Head	18
7	101894304	Box Bed Tailgate Angle	1
8	101963401	Locknut, 5/16-18 Hex Flange	4
9	102221301	Front Panel Weldment	1
10	102221401	Left Panel Weldment	1
11	102221501	Right Panel Weldment	1
12	102221701	Front Corner Cap	2
13	102222001	Slam Latch	2
14	102239901	Washer, Rubber, 3/8	4
15	102614401	Assembly, Tailgate (includes items 16 through 23)	1
16	1013366	Hair Pin Clip	4
17	1014415	Screw, 1/4-20 X 0.75 Torx Truss-Head	4
18	N/A	Tailgate, Weldment	1
19	102221801	Tether Assembly	2
20	102222101	Spring Latch Right	1
21	102222201	Spring Latch Left	1
22	102673201	Decal, Club Car Tailgate	1
23	8233	Locknut, 1/4-20, Nylon Insert	4
24	332	Washer, 1/4 Type A Narrow Flat	4
25	7473	Locknut, 5/16-18 Nylon Insert	31
26	8233	Locknut, 1/4-20, Nylon Insert	4

1

G

D

1

G

D

WHEELS AND TIRES

2

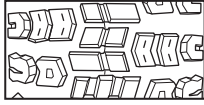
G

D

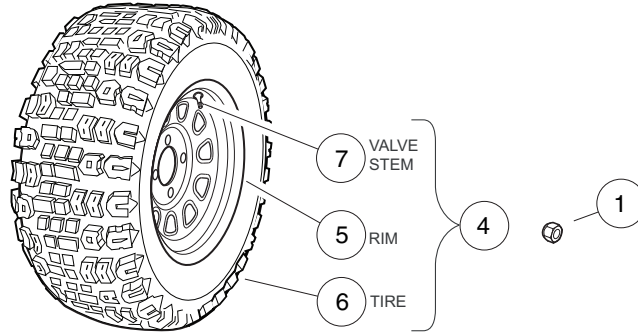
2

G

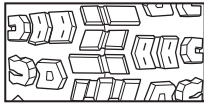
D



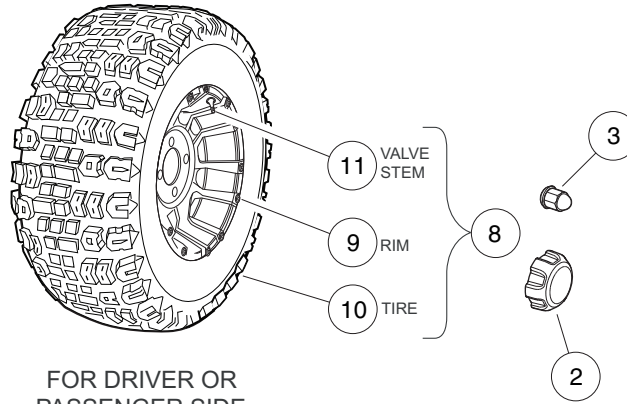
Kenda
All-Terrain
Tread



FOR DRIVER OR
PASSENGER SIDE



Kenda
All-Terrain
Tread



FOR DRIVER OR
PASSENGER SIDE

000506-006

WHEELS AND TIRES – KENDA

ITEM	PART NO.	DESCRIPTION	QTY
		1 2 3 4	
1	102736901	Nut, Lug, 1/2-20 SAE J2283	16
2	103532801	Cap, Center, Chrome	4
3	103699801	Lug Nut, 13/16 X 1/2-20, CE	16
4	103779001	Wheel/Tire Assy, All Terrain, 25x11-12 K502, Black Wheel (includes items 5 through 7) .	4
5	103234503	Wheel, 10 Window, Black	1
6	103778601	Tire, All Terrain, K502, 25x11-12	1
7	7310	Valve Stem, Black Plastic	1
8	103779004	Wheel/Tire Assy, All Terrain, 25x11-12 K502, Alloy Wheel (includes items 9 through 11)	4
9	103525002	Wheel, Alloy	1
10	103778601	Tire, All Terrain, K502, 25x11-12	1
11	7310	Valve Stem, Black Plastic	1
<p style="text-align: center;">Note: The tires listed above are Kenda brand.</p>			

2

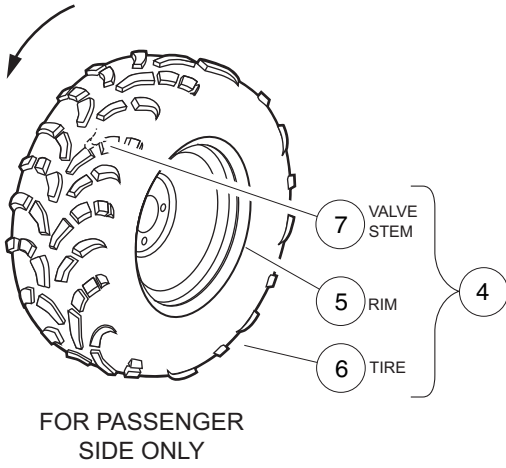
G

D

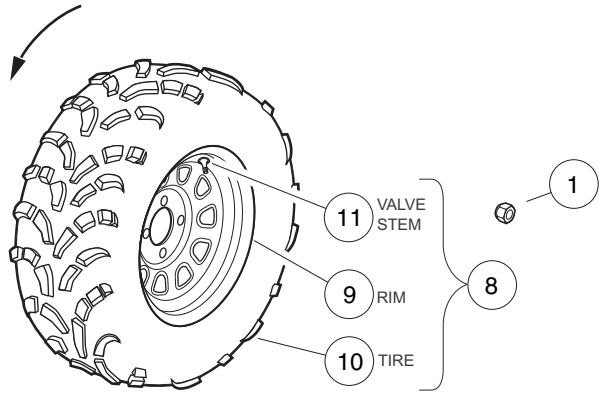
2

G

D



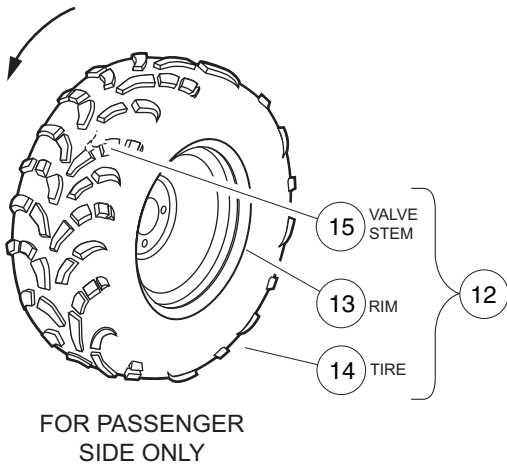
FOR PASSENGER SIDE ONLY



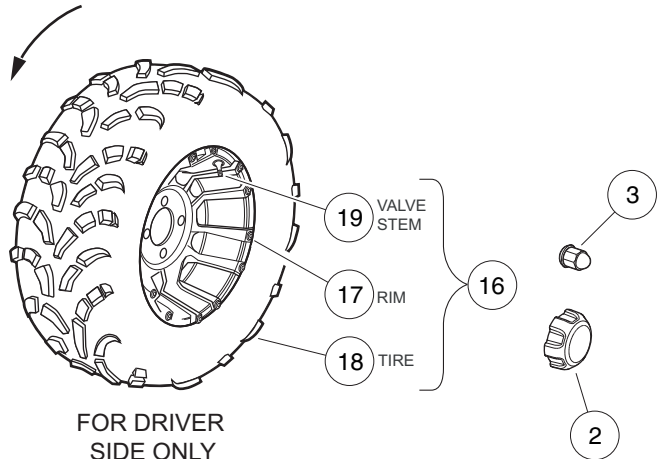
FOR DRIVER SIDE ONLY



OTR Mud Tread



FOR PASSENGER SIDE ONLY



FOR DRIVER SIDE ONLY



OTR Mud Tread

000506-007

WHEELS AND TIRES – OTR

ITEM	PART NO.	DESCRIPTION	QTY
		1 2 3 4	
1	102736901	Nut, Lug, 1/2-20 SAE J2283	16
2	103532801	Cap, Center, Chrome	4
3	103699801	Lug Nut, 13/16 X 1/2-20, CE	16
4	103901101	Wheel/Tire Assy, Pass. Side, Mud, 25x11-12 OTR 440, Black (includes items 5 through 7)	2
5	103234503	Wheel, 10 Window, Black	1
6	103901001	Tire, Mud, 6ply, 25x11-12, 440	1
7	7310	Valve Stem, Black Plastic	1
8	103901102	Wheel/Tire Assy, Driver Side, Mud, 25x11-12 OTR 440, Black (includes items 9 through 11)	2
9	103234503	Wheel, 10 Window, Black	1
10	103901001	Tire, Mud, 6ply, 25x11-12, 440	1
11	7310	Valve Stem, Black Plastic	1
12	103901107	Wheel/Tire Assy, Pass. Side, Mud, 25x11-12 OTR 440, Alloy (includes items 13 through 15)	2
13	103525002	Wheel, Alloy	1
14	103901001	Tire, Mud, 6ply, 25x11-12, 440	1
15	7310	Valve Stem, Black Plastic	1
16	103901108	Wheel/Tire Assy, Driver Side, Mud, 25x11-12 OTR 440, Alloy (includes items 17 through 19)	2
17	103525002	Wheel, Alloy	1
18	103901001	Tire, Mud, 6ply, 25x11-12, 440	1
19	7310	Valve Stem, Black Plastic	1
Note: The tires listed above are OTR brand. NOTE 2: Must use Items 4 and 12 on passenger side; Items 8 and 16 on driver side.			

2

G

D

2

G

D

DECALS

3

G

D

3

G

D

WARNING
GASOLINE EXPLOSION / FIRE.
 • Can cause severe injury or death.
 • No smoking, sparks, or open flames.
 • Stop engine, allow to cool before refueling.
 • Turn fuel valve (—) on during operation.
 • (→) off during storage or transport.
 CCI 102459201

WARNING
DIESEL FUEL EXPLOSION / FIRE.
 • Can cause severe injury or death.
 • No smoking, sparks, or open flames.
 • Stop engine, allow to cool before refueling.
 CCI 102459201

OPERATING INSTRUCTIONS

- Read owner's manual and vehicle safety warnings. Study and understand controls.

TO START ENGINE

- Place shift lever in NEUTRAL (N) and press brake pedal.
- Turn key to START and hold until engine starts.

Diesel Vehicles Only:

- If required, turn key to PREHEAT and hold for 10-15 seconds.

TO OPERATE VEHICLE

- Ensure wheels are turned in desired direction and path is clear.
- With vehicle stopped and engine at idle, select vehicle direction.

↑ Forward N Neutral ↓ Reverse (Buzzer will sound)

- Release park brake and slowly press accelerator pedal to increase speed.
- All-wheel drive will automatically drive appropriate wheel(s).

TO STOP VEHICLE

- Release accelerator pedal and push brake pedal.

BEFORE LEAVING VEHICLE

- Turn key to OFF and remove key.
- Place shift lever in NEUTRAL (N).
- Firmly set park brake.

CCI 10284301



WARNING
CAN CAUSE SEVERE INJURY
HOT manifold
KEEP CLEAR
 CCI 102459001

WARNING
WINCH CABLE FRACTURE COULD RESULT IN SERIOUS INJURY OR DEATH.
 • Do not use winch while persons are seated on the vehicle.
 • Use remote operation switch for winch control.
 • Stand to the side and away from the vehicle to operate winch.
 • Read winch operator manual before operating winch.
 102231601

WARNING
CAN CAUSE SEVERE BURNS
Hot Surface
 CCI 102458901

WARNING
Negative frame ground. Can cause severe injury. Do not contact positive (+) battery post or cable to frame. Disconnect negative (-) battery cable first.
 CCI 102459101

WARNING
CAN CAUSE SEVERE INJURY
Rotating parts. KEEP CLEAR.

WARNING
CAN CAUSE SEVERE INJURY
Hot manifold and muffler. KEEP CLEAR.
 CCI 102459501



3006

SAFETY DECALS – CARRYALL AND XRT 2-PASSENGER

ITEM	PART NO.	DESCRIPTION	QTY
		1 2 3 4	
1	101547601	Decal, Gasoline Explosion/Fire Warning	1
2	102231601	Decal, Winch Cable Fracture Warning	1
3	102427501	Cap, Radiator	1
4	102458901	Decal, Hot Surface Warning	2
5	102459001	Decal, Hot Manifold Warning	1
6	102459101	Decal, Frame Ground Warning	1
7	102459201	Decal, Diesel Explosion/Fire Warning	1
8	102459501	Decal, Rotating Parts and Hot Exhaust Warning	1
9	102884301	Decal, Operating Instr, AWD	1

3

G

D

3

G

D

WARNING

ROLLOVER OR FALLING OFF MAY CAUSE DEATH

- Read owner's manual and operating instructions.
- Fasten seat belts and remain seated while moving.
- Children requiring a child safety seat must not ride on vehicle.
- Comply with state and local laws pertaining to child safety.
- Drive slowly in turns and straight up and down slopes.
- Do not start vehicle until all occupants are seated.
- Two (2) persons per bench seat maximum.
- One (1) person per bucket seat maximum.
- Operate from driver side only and not on public roads.
- Keep entire body inside vehicle while moving.
- Do not operate while under the influence of alcohol or drugs.
- Never attempt jumps and avoid extreme braking in reverse.

CCI 10288461

UNDER 16

WARNING

YOUNG DRIVERS INCREASE CHANCE OF DEATH

- Young drivers may not be able to control vehicle.
- No drivers younger than 16 years old.
- Do not leave children unattended on vehicle.

CCI 10288461

WARNING

- Do not modify or remove Roll-over Protective Structure (ROPS).
- Replace ROPS if damaged. Do not attempt repair.
- Use seat belts during operation. Do not jump from vehicle.
- Keep away from drop-offs, steep slopes, and unstable surfaces.

CCI 102961201

WARNING

CAN CAUSE SEVERE INJURY

Rotating parts. KEEP CLEAR.

CCI 101040201

NOTICE

MAXIMUM TONGUE WEIGHT - 150 lbs.

CCI 1011553

WARNING

CRUSH AREA

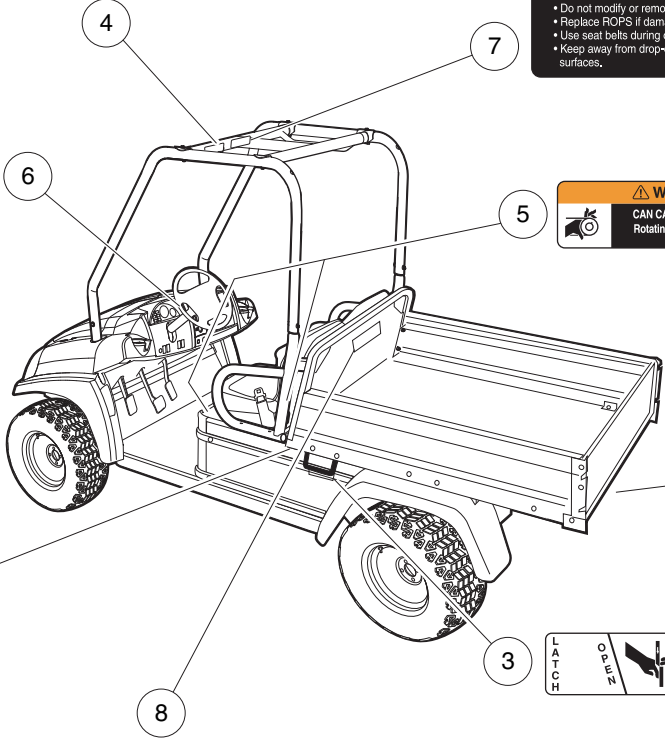
STAY CLEAR

CCI 101609401

WARNING

Crush area. Can cause severe injury. Stay clear when closing bed.

CCI 10105801



<p>WARNING</p> <p>RIDING IN CARGO BED CAN CAUSE SERIOUS INJURY OR DEATH.</p> <ul style="list-style-type: none"> • Do not ride in cargo bed. 	<p>WARNING</p> <p>ROLLOVER CAN CAUSE SERIOUS INJURY OR DEATH.</p> <ul style="list-style-type: none"> • Place cargo forward in the cargo bed and distribute evenly side to side. Secure load. • On uneven or steep terrain, reduce speed and load. • Avoid stopping on or backing down steep hills. • Avoid top-heavy loads. 	<p>VEHICLE LOADING</p> <ul style="list-style-type: none"> • Read owner's manual and warnings on dash. • Vehicle rated capacity: 1200 lb. (544 kg) on level surface only. • Includes occupants and cargo load. • Maximum cargo load: 800 lb. (363 kg). • Includes cargo, bed load, optional equipment, and trailer tongue weight. <p>102202691</p>
--	---	---

<p>WARNING</p> <p>RIDING IN CARGO BED CAN CAUSE SERIOUS INJURY OR DEATH.</p> <ul style="list-style-type: none"> • Do not ride in cargo bed. 	<p>WARNING</p> <p>ROLLOVER CAN CAUSE SERIOUS INJURY OR DEATH.</p> <ul style="list-style-type: none"> • Place cargo forward in the cargo bed and distribute evenly side to side. Secure load. • On uneven or steep terrain, reduce speed and load. • Avoid stopping on or backing down steep hills. • Avoid top-heavy loads. 	<p>HIGH-CAPACITY VEHICLE LOADING</p> <ul style="list-style-type: none"> • Read owner's manual and warnings on dash. • Vehicle rated capacity: 1450 lb. (653 kg) on level surface only. • Includes occupants and cargo load. • Maximum cargo load: 1050 lb. (476 kg). • Includes cargo, bed load, optional equipment, and trailer tongue weight. <p>103210401</p>
--	---	--

2705

SAFETY DECALS – CARRYALL AND XRT 2-PASSENGER, CONTINUED

ITEM	PART NO.	DESCRIPTION	QTY
		1 2 3 4	
1	1011553	Decal, Trailer Hitch	1
2	101609401	Decal, Crush Area Warning	2
3	102459301	Decal, Bed Crush Area Warning	1
4	102459401	Decal, Young Driver Warning	1
5	102460201	Decal, Rotating Parts Warning	2
6	102884401	Decal, Warning, Rollover	1
7	102961201	Decal, Warning, AWD ROPS	1
8	103202601	Decal, Vehicle Loading, 800 lbs	1
9	103210401	Decal, Vehicle Loading, 1050 lbs	1

3

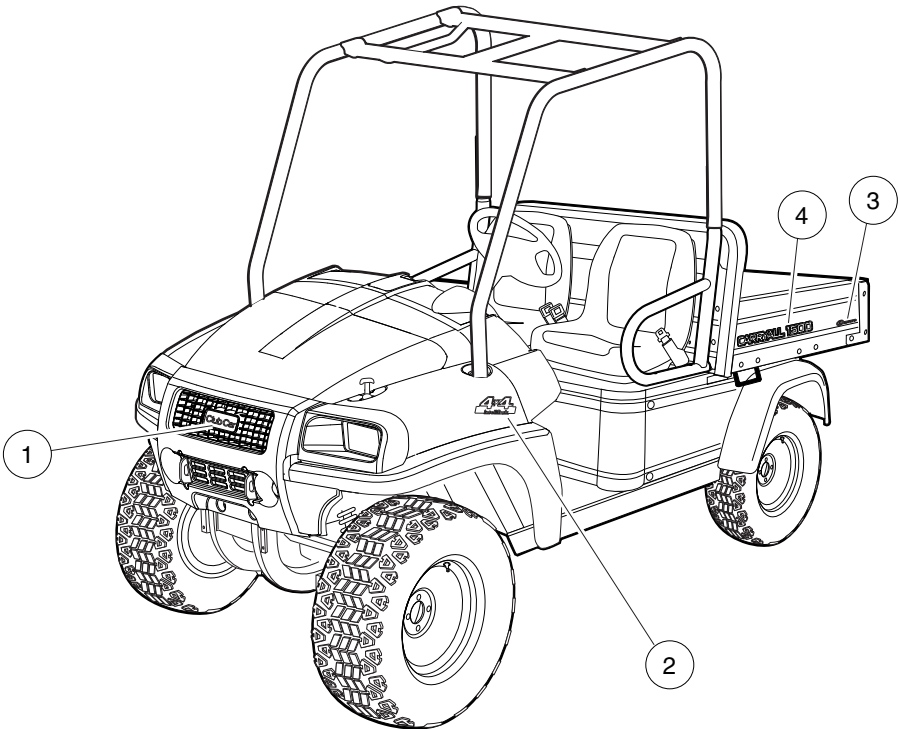
G

D

3

G

D



000531-009

BADGING DECALS – CARRYALL 2-PASSENGER

ITEM	PART NO.	DESCRIPTION	QTY
		1 2 3 4	
1	102883601	Decal, Nameplate, CCI, Front	1
2	103234201	Decal, Badge, 4x4	2
3	103234304	Decal, Badge, lr, Red	2
4	105200501	Decal, Badge, CA1500	2

3

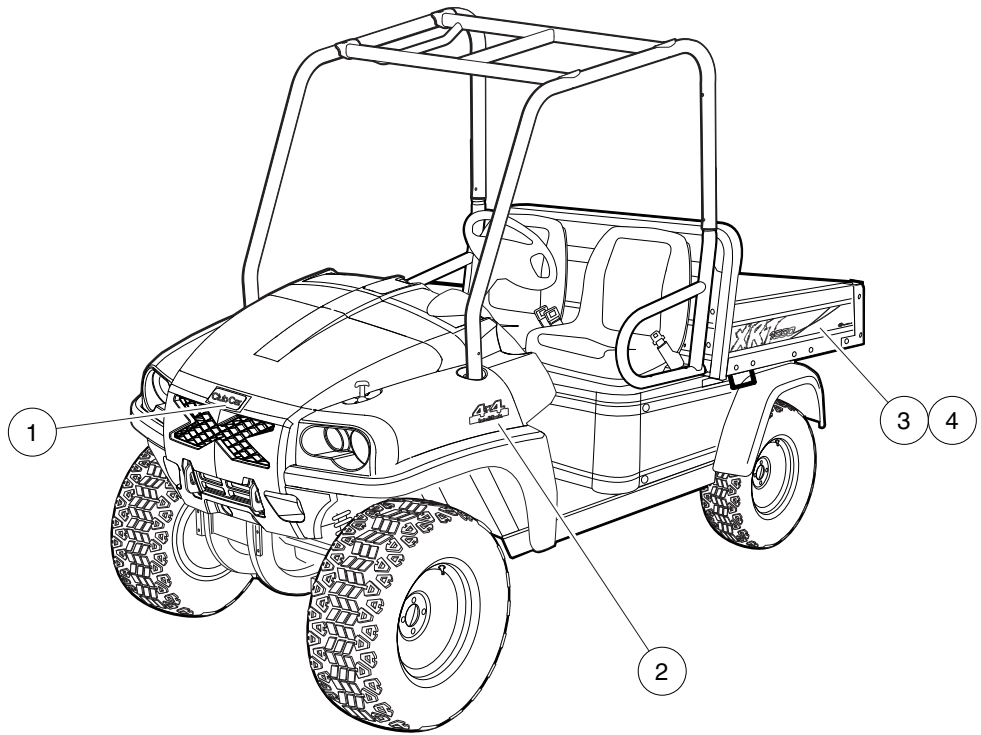
G

D

3

G

D



000531-008

BADGING DECALS – XRT 2-PASSENGER

ITEM	PART NO.	DESCRIPTION	QTY
		1 2 3 4	
1	102883601	Decal, Nameplate, CCI, Front	1
2	103234201	Decal, Badge, 4x4	2
3	103945601	Decal, Side, Bed, 1550, Ds	1
4	103945602	Decal, Side, Bed, 1550, Ps	1

3

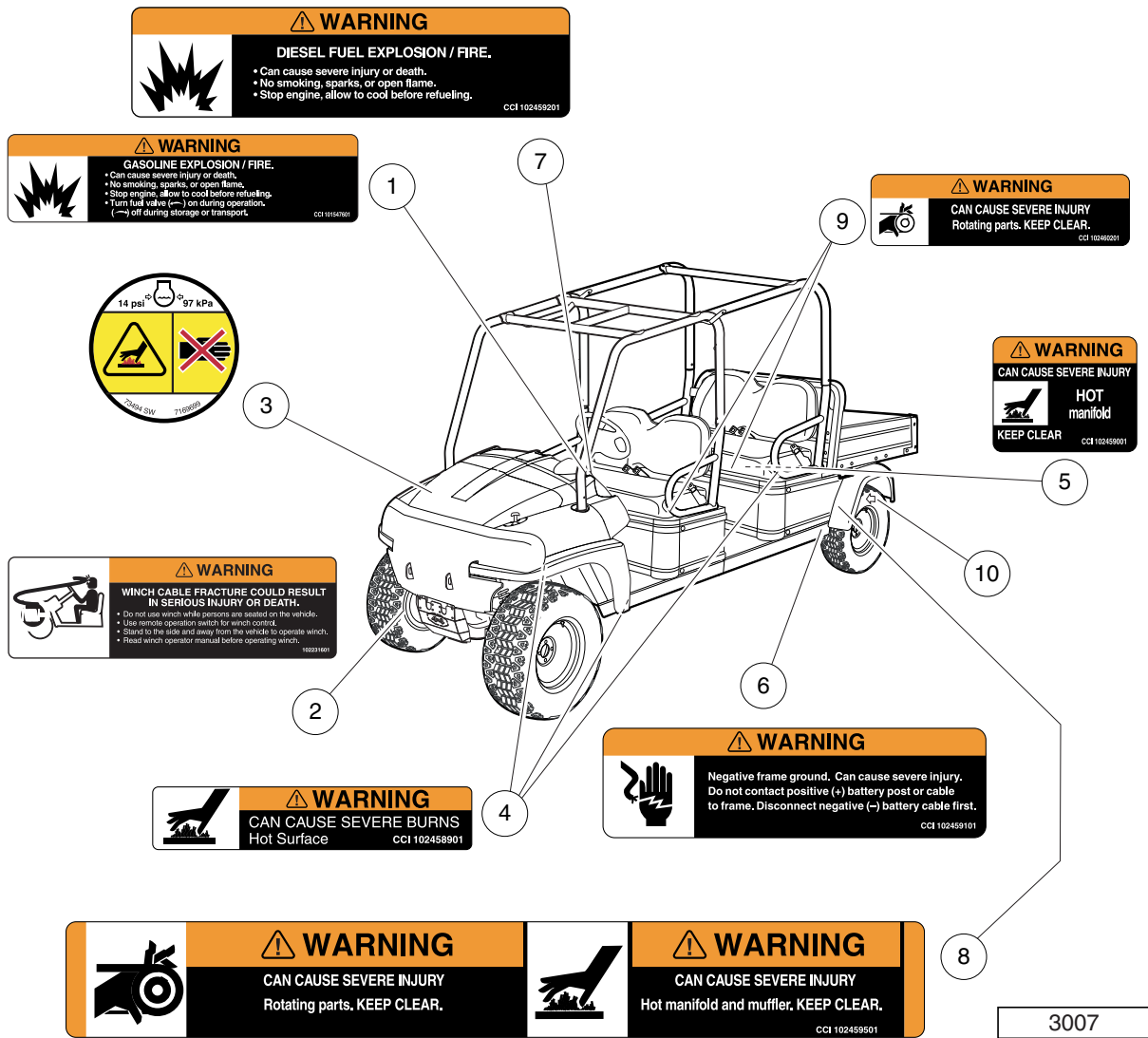
G

D

3

G

D



3007

SAFETY DECALS – CARRYALL AND XRT 4-PASSENGER

ITEM	PART NO.	DESCRIPTION	QTY
		1 2 3 4	
1	101547601	Decal, Gasoline Explosion/Fire Warning	1
2	102231601	Decal, Winch Cable Fracture Warning	1
3	102427501	Cap, Radiator	1
4	102458901	Decal, Hot Surface Warning	3
5	102459001	Decal, Hot Manifold Warning	1
6	102459101	Decal, Frame Ground Warning	1
7	102459201	Decal, Diesel Explosion/Fire Warning	1
8	102459501	Decal, Rotating Parts and Hot Exhaust Warning	1
9	102460201	Decal, Rotating Parts Warning	2

3

G

D

3

G

D

OPERATING INSTRUCTIONS

- Read owner's manual and vehicle safety warnings. Study and understand controls.

TO START ENGINE

- Place shift lever in NEUTRAL (N) and press brake pedal.
- Turn key to START and hold until engine starts.

Dead Vehicles Only:

- If required, turn key to PREHEAT and hold for 10-15 seconds.

TO OPERATE VEHICLE

- Ensure wheels are turned in desired direction and path is clear.
- With vehicle stopped and engine at idle, select vehicle direction.

Forward
 Neutral
 Reverse (Buzzer will sound)

- Release park brake and slowly press accelerator pedal to increase speed.
- Allowed drive will automatically drive appropriate wheel(s).

TO STOP VEHICLE

- Release accelerator pedal and push brake pedal.

BEFORE LEAVING VEHICLE

- Turn key to OFF and remove key.
- Place shift lever in NEUTRAL (N).
- Firmly set park brake.

CCI 10284301

WARNING

ROLLOVER OR FALLING OFF MAY CAUSE DEATH

- Read owner's manual and operating instructions.
- Fasten seat belts and remain seated while moving.
- Children requiring a child safety seat must not ride on vehicle.
- Comply with state and local laws pertaining to child safety.
- Drive slowly in turns and straight up and down slopes.
- Do not start vehicle until all occupants are seated.
- Two (2) persons per bench seat maximum.
- One (1) person per bucket seat maximum.
- Operate from driver side only and not on public roads.
- Keep entire body inside vehicle while moving.
- Do not operate while under the influence of alcohol or drugs.
- Never attempt jumps and avoid extreme braking in reverse.

CCI 10284301

UNDER 16

WARNING

YOUNG DRIVERS INCREASE CHANCE OF DEATH

- Young drivers may not be able to control vehicle.
- No drivers younger than 16 years old.
- Do not leave children unattended on vehicle.

CCI 10284301

WARNING

- Do not modify or remove Rollover Protective Structure (ROPS).
- Replace ROPS if damaged. Do not attempt repair.
- Use seat belts during operation. Do not jump from vehicle.
- Keep away from drop-offs, steep slopes, and unstable surfaces.

CCI 10284301

WARNING

CAN CAUSE SEVERE INJURY

Rotating parts, KEEP CLEAR.

CCI 10246001

NOTICE

MAXIMUM TONGUE WEIGHT - 150 lbs.

CCI 1011553

WARNING

FALLING OFF COULD RESULT IN SEVERE INJURY OR DEATH

- Fasten seat belt and remain seated while moving.
- One (1) person per bucket seat maximum.
- Do not leave children unattended on vehicle at any time.
- Two (2) persons per bench seat maximum.
- Never drive in front of or behind vehicle.

CCI 10284301

WARNING

CRUSH AREA

STAY CLEAR

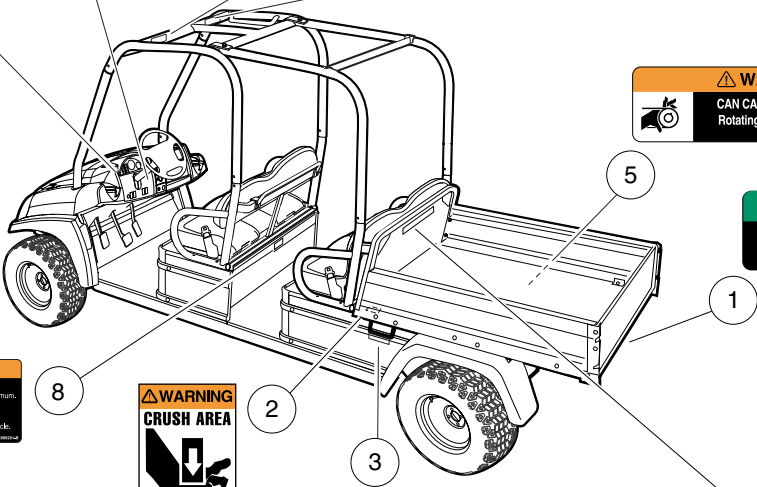
CCI 101609401

WARNING

Crush area. Can cause severe injury. Stay clear when closing bed.

CCI 1048301

<p>WARNING</p> <p>RIDING IN CARGO BED CAN CAUSE SERIOUS INJURY OR DEATH.</p> <ul style="list-style-type: none"> Do not ride in cargo bed. 	<p>WARNING</p> <p>ROLLOVER CAN CAUSE SERIOUS INJURY OR DEATH.</p> <ul style="list-style-type: none"> Place cargo forward in the cargo bed and distribute evenly side to side. Secure load. On uneven or steep terrain, reduce speed and load. Avoid stopping on or backing down steep hills. Avoid top-heavy loads. 	<p>VEHICLE LOADING</p> <ul style="list-style-type: none"> Read owner's manual and warnings on dash. Vehicle rated capacity: 1600 lb. (726 kg) on level surface only. Includes occupants and cargo load. Maximum cargo load: 800 lb. (363 kg). Includes cargo, bed load, optional equipment, and trailer tongue weight. <p>103219501</p>
--	---	---



2706

SAFETY DECALS – CARRYALL AND XRT 4-PASSENGER, CONTINUED

ITEM	PART NO.	DESCRIPTION	QTY
		1 2 3 4	
1	1011553	Decal, Trailer Hitch	1
2	101609401	Decal, Crush Area Warning	2
3	102459301	Decal, Bed Crush Area Warning	1
4	102459401	Decal, Young Driver Warning	1
5	102460201	Decal, Rotating Parts Warning	2
6	102884301	Decal, Operating Instr, AWD	1
7	102884401	Decal, Warning, Rollover	1
8	102889201	Decal, Warning, Passenger	1
9	102961201	Decal, Warning, AWD ROPS	1
10	103210501	Decal, Load, Vehicle, 3350 Lbs	1

3

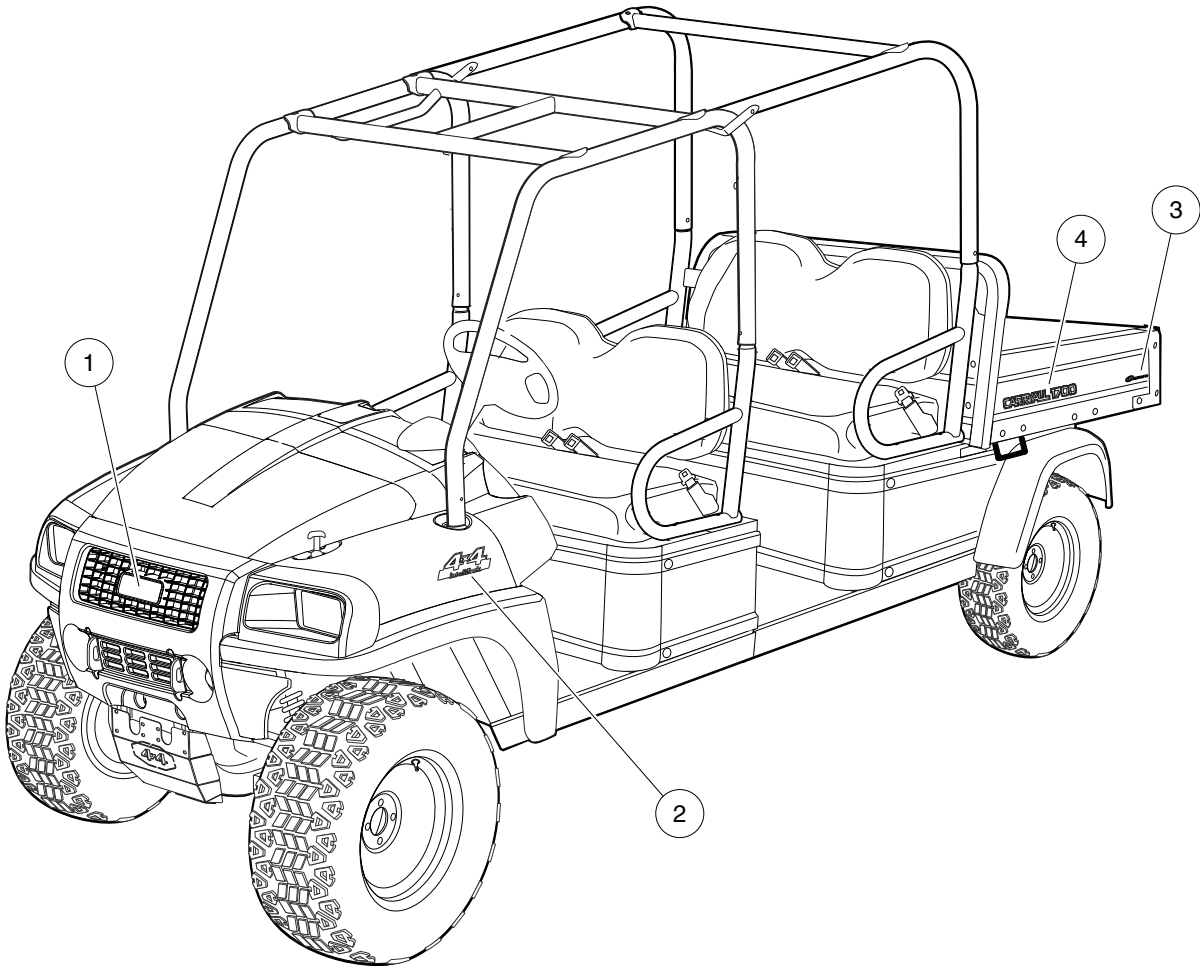
G

D

3

G

D



000547-007

BADGING DECALS – CARRYALL 4-PASSENGER

ITEM	PART NO.	DESCRIPTION	QTY
		1 2 3 4	
1	102883601	Decal, Nameplate, CCI, Front	1
2	103234201	Decal, Badge, 4x4	2
3	103234304	Decal, Badge, lr, Red	2
4	105200601	Decal, Badge, CA1700	2

3

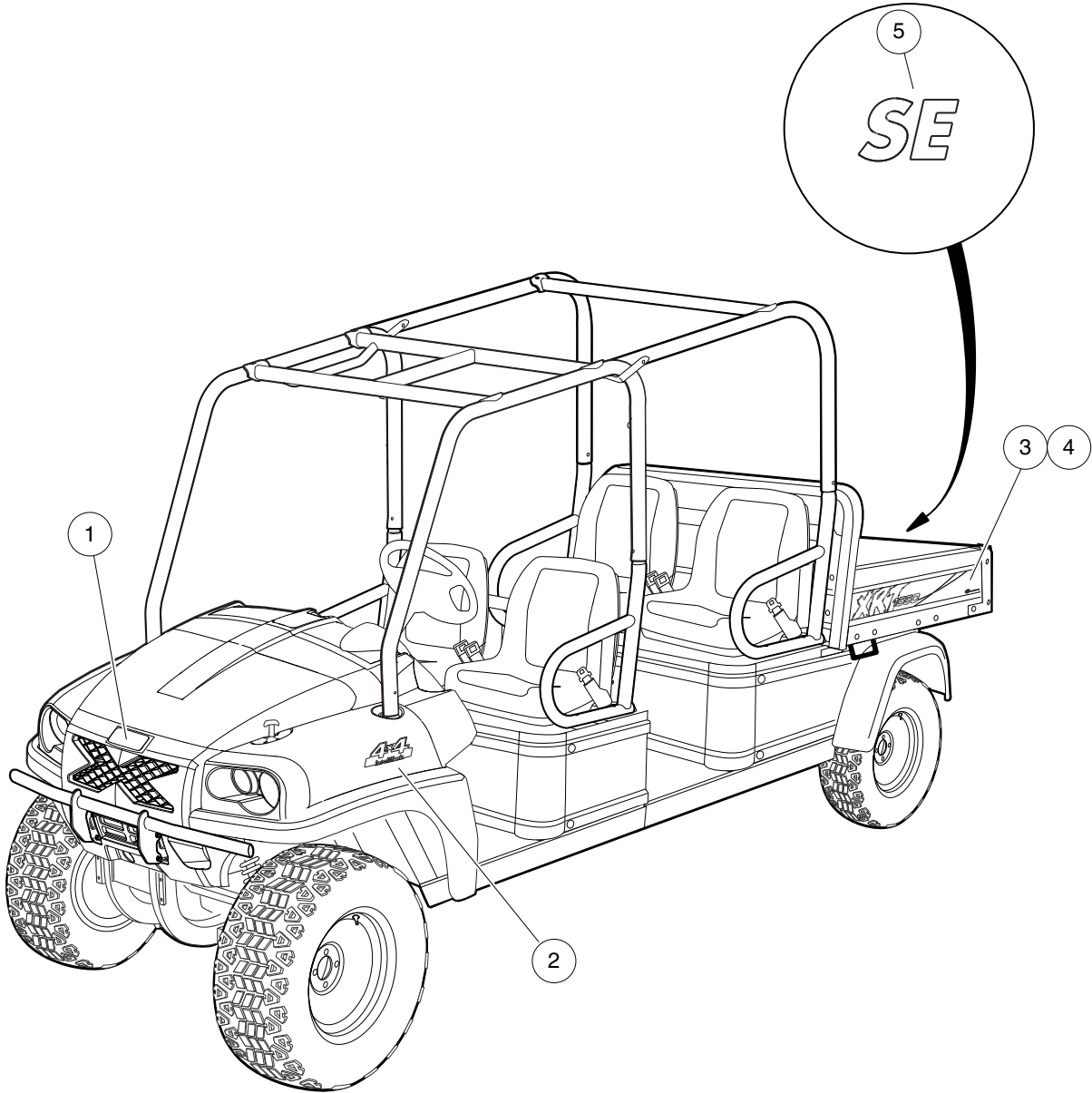
G

D

3

G

D



000547-006

BADGING DECALS – XRT 4-PASSENGER

ITEM	PART NO.	DESCRIPTION	QTY
		1 2 3 4	
1	102883601	Decal, Nameplate, CCI, Front	1
2	103234201	Decal, Badge, 4x4	2
3	103945601	Decal, Side, Bed, 1550, Ds	1
4	103945602	Decal, Side, Bed, 1550, Ps	1
5	103945701	Decal, Se	1

3

G

D

WARNING
 CAN CAUSE SEVERE INJURY
 Rotating parts. KEEP CLEAR.
 CCI 102459201



WARNING
DIESEL FUEL EXPLOSION / FIRE.
 • Can cause severe injury or death.
 • No smoking, sparks, or open flame.
 • Stop engine, allow to cool before refueling.
 CCI 102459201

OPERATING INSTRUCTIONS

- Read owner's manual, HANDBOOK, and vehicle safety warnings. Study and understand controls.

TO START ENGINE

- Place shift lever in NEUTRAL (N) and press brake pedal.
- If required, turn key to PREHEAT and hold for 10-15 seconds.
- Turn key to START and hold until engine starts.

TO OPERATE VEHICLE

- Ensure wheels are turned in desired direction and path is clear.
- Raise attachment to provide adequate ground clearance.
- With vehicle stopped and engine at idle, select vehicle direction.
 ↑ - Forward N - Neutral ↓ - Reverse (Buzzer will sound)
- Release park brake and slowly press accelerator pedal to increase speed.
- All-wheel drive will automatically drive appropriate wheel(s).

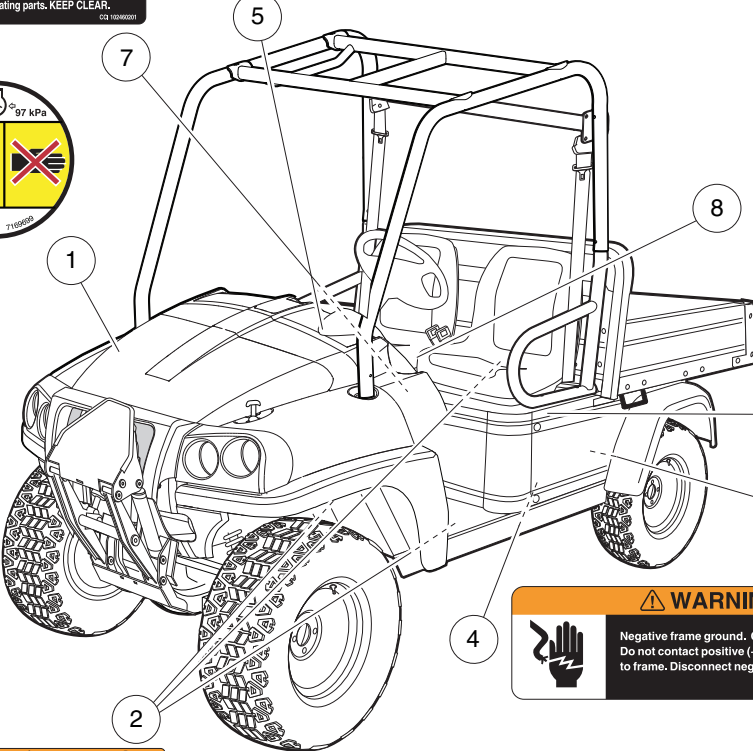
TO STOP VEHICLE

- Release accelerator pedal and push brake pedal.

BEFORE LEAVING VEHICLE

- Lower attachment arm until attachment is flat on the ground.
- Turn key to OFF and remove key.
- Place shift lever in NEUTRAL (N).
- Firmly set park brake.

CCI 103185701



WARNING
 CAN CAUSE SEVERE INJURY
HOT manifold
 KEEP CLEAR
 CCI 102459001

WARNING
 Negative frame ground. Can cause severe injury. Do not contact positive (+) battery post or cable to frame. Disconnect negative (-) battery cable first.
 CCI 102459101

WARNING
 CAN CAUSE SEVERE BURNS
 Hot Surface
 CCI 102458901

WARNING
 CAN CAUSE SEVERE INJURY
 Rotating parts. KEEP CLEAR.
 CCI 102459501

WARNING
 CAN CAUSE SEVERE INJURY
 Hot manifold and muffler. KEEP CLEAR.
 CCI 102459501

6

3010

SAFETY DECALS – INTELLITACH

ITEM	PART NO.	DESCRIPTION	QTY
		1 2 3 4	
1	102427501	Cap, Radiator	1
2	102458901	Decal, Hot Surface Warning	3
3	102459001	Decal, Hot Manifold Warning	1
4	102459101	Decal, Frame Ground Warning	1
5	102459201	Decal, Diesel Explosion/Fire Warning	1
6	102459501	Decal, Rotating Parts and Hot Exhaust Warning	1
7	102460201	Decal, Rotating Parts Warning	1
8	103188701	Decal, Operator Instructions, Intellitach	1

3

G

D

3

G

D

WARNING

ROLLOVER OR FALLING OFF MAY CAUSE DEATH

- Read owner's manual and HANDBOOK.
- Fasten seat belts and remain seated while moving.
- Children requiring a child safety seat must not ride on vehicle.
- Comply with state and local laws pertaining to child safety.
- Drive slowly in turns and straight up and down slopes.
- Do not start vehicle until all occupants are seated.
- One (1) person per bucket seat maximum.
- Operate from driver side only and not on public roads.
- Keep entire body inside vehicle while moving.
- Do not operate while under the influence of alcohol or drugs.
- Never attempt jumps and avoid extreme braking in reverse.

ATTACHMENT ARM CAN CAUSE SEVERE INJURY OR DEATH

- Keep bystanders away.
- Keep hands and body from under attachment.
- Always carry attachment as low as possible.
- Do not exceed attachment arm rated capacity.
- Do not modify the attachment arm or attachments.
- Before leaving vehicle, lower attachment arm until attachment is flat on the ground.

CCI 10318801

UNDER 16

WARNING

YOUNG DRIVERS INCREASE CHANCE OF DEATH

- Young drivers may not be able to control vehicle.
- No drivers younger than 16 years old.
- Do not leave children unattended on vehicle.

CCI 10295901

WARNING

- Do not modify or remove Roll-over Protective Structure (ROPS).
- Replace ROPS if damaged. Do not attempt repair.
- Use seat belts during operation. Do not jump from vehicle.
- Keep away from drop-offs, steep slopes, and unstable surfaces.

CCI 102961201

WARNING

Crush area. Can cause severe injury. Stay clear when closing bed.

CCI 10296201

FULLY ENGAGE LOCKING LEVER

LEVER

PINS MUST EXTEND THROUGH MOUNTING FRAME HOLES

CCI 10296301

WARNING

CAN CAUSE SEVERE INJURY

Rotating parts. KEEP CLEAR.

CCI 10296501

NOTICE

MAXIMUM TONGUE WEIGHT - 150 lbs.

CCI 1011553

WARNING

CRUSH AREA

STAY CLEAR

CCI 101029401

WARNING

HIGH PRESSURE FLUIDS COULD CAUSE SERIOUS INJURY OR DEATH

- Read maintenance and service manual before performing repairs on hydraulic system.
- Do not attempt to repair hydraulic pump or lines while engine or pump is in operation.
- Relieve pressure before disconnecting hydraulic lines or fittings.

102950601

WARNING

RIDING IN CARGO BED CAN CAUSE SERIOUS INJURY OR DEATH.

- Do not ride in cargo bed.

WARNING

ROLLOVER CAN CAUSE SERIOUS INJURY OR DEATH.

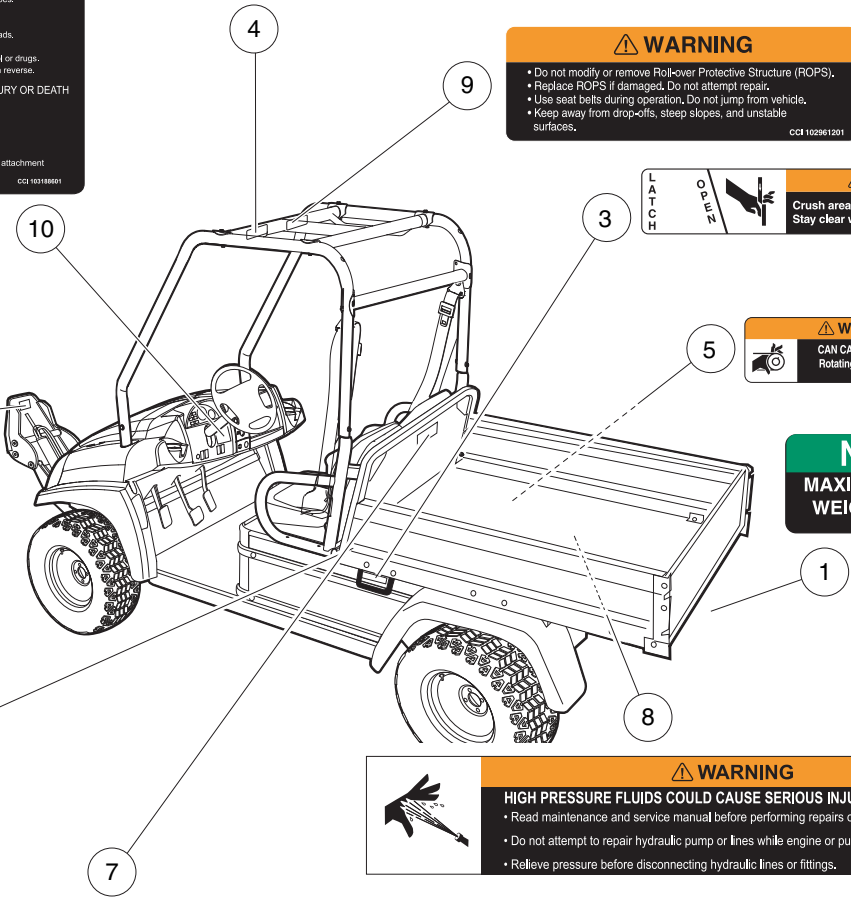
- Place cargo forward in the cargo bed and distribute evenly side to side. Secure load.
- On uneven or steep terrain, reduce speed and load.
- Avoid stopping on or backing down steep hills.
- Avoid top-heavy loads.

VEHICLE LOADING

- Read owner's manual, HANDBOOK, and warnings on dash.
- Vehicle rated capacity: 1200 lbs. (544 kg) on level surface only.
- Includes occupants and cargo load.
- Maximum attachment arm load: 500 lbs. (227 kg).
- Includes attachment weight and attachment load.

- Maximum cargo load: 800 lbs. (363 kg).
- Includes cargo, bed load, attachment arm load, optional equipment, and trailer tongue weight.

102950801



SAFETY DECALS – INTELLITACH, CONTINUED

ITEM	PART NO.	DESCRIPTION	QTY
		1 2 3 4	
1	1011553	Decal, Trailer Hitch	1
2	101609401	Decal, Crush Area Warning	2
3	102459301	Decal, Bed Crush Area Warning	1
4	102459401	Decal, Young Driver Warning	1
5	102460201	Decal, Rotating Parts Warning	2
6	N/A	Decal, Attachment Locking	1
7	102930801	Decal, Loading, Intellitach	1
8	102950601	Decal, Hydra Pump	1
9	102961201	Decal, Warning, AWD ROPS	1
10	103188601	Decal, Warn, Rollover & Attach	1

3

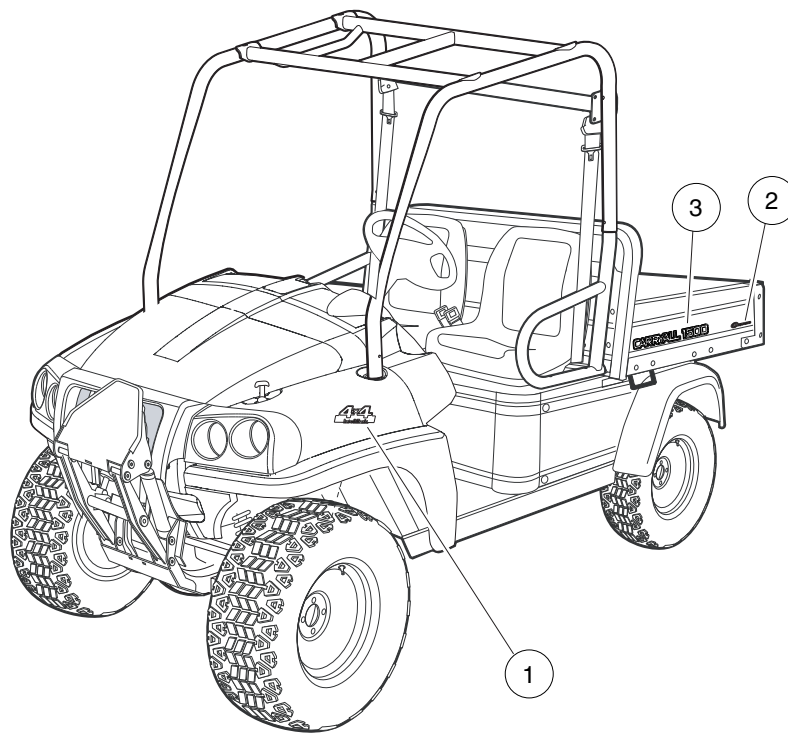
G

D

3

G

D



000562-008

BADGING DECALS – CARRYALL INTELLITACH

ITEM	PART NO.	DESCRIPTION	QTY
		1 2 3 4	
1	103234201	Decal, Badge, 4x4	2
2	103234304	Decal, Badge, lr, Red	2
3	105200501	Decal, Badge, CA1500	2

3

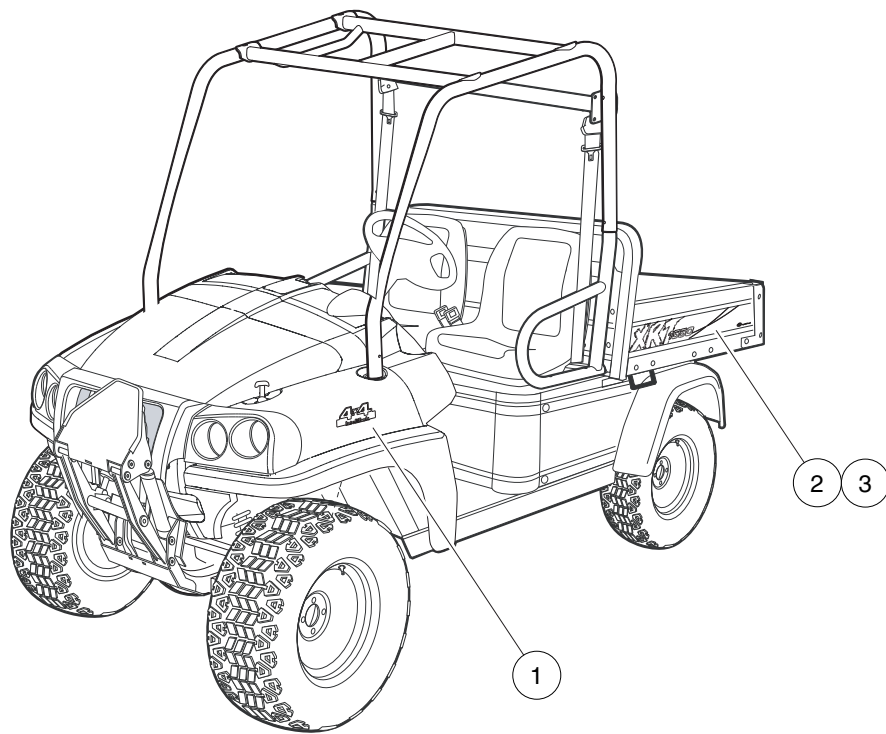
G

D

3

G

D



000562-007

BADGING DECALS – XRT INTELLITACH

ITEM	PART NO.	DESCRIPTION	QTY
1	103234201	1 2 3 4 Decal, Badge, 4x4	2
2	103945601	Decal, Side, Bed, 1550, Ds	1
3	103945602	Decal, Side, Bed, 1550, Ps	1

3

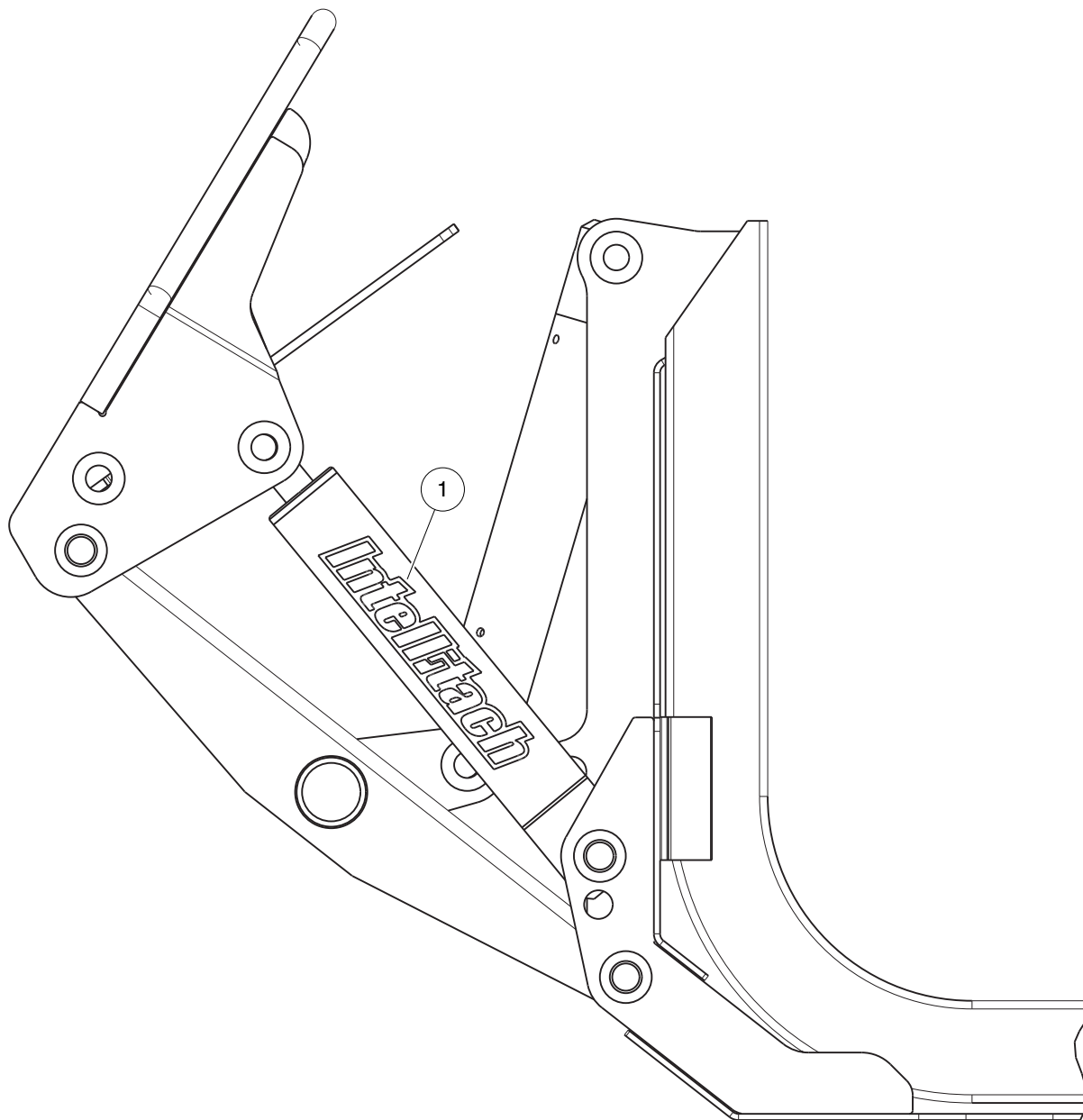
G

D

3

G

D



000562-006

BADGING DECALS – INTELLITACH

ITEM	PART NO.	DESCRIPTION	QTY
1	102925601	1 2 3 4 Decal, Brand, IntelliTach	1

3

G

D

3

G

D

BRAKE SYSTEMS AND PEDALS – WITH DUAL-PISTON FRONT CALIPERS

4

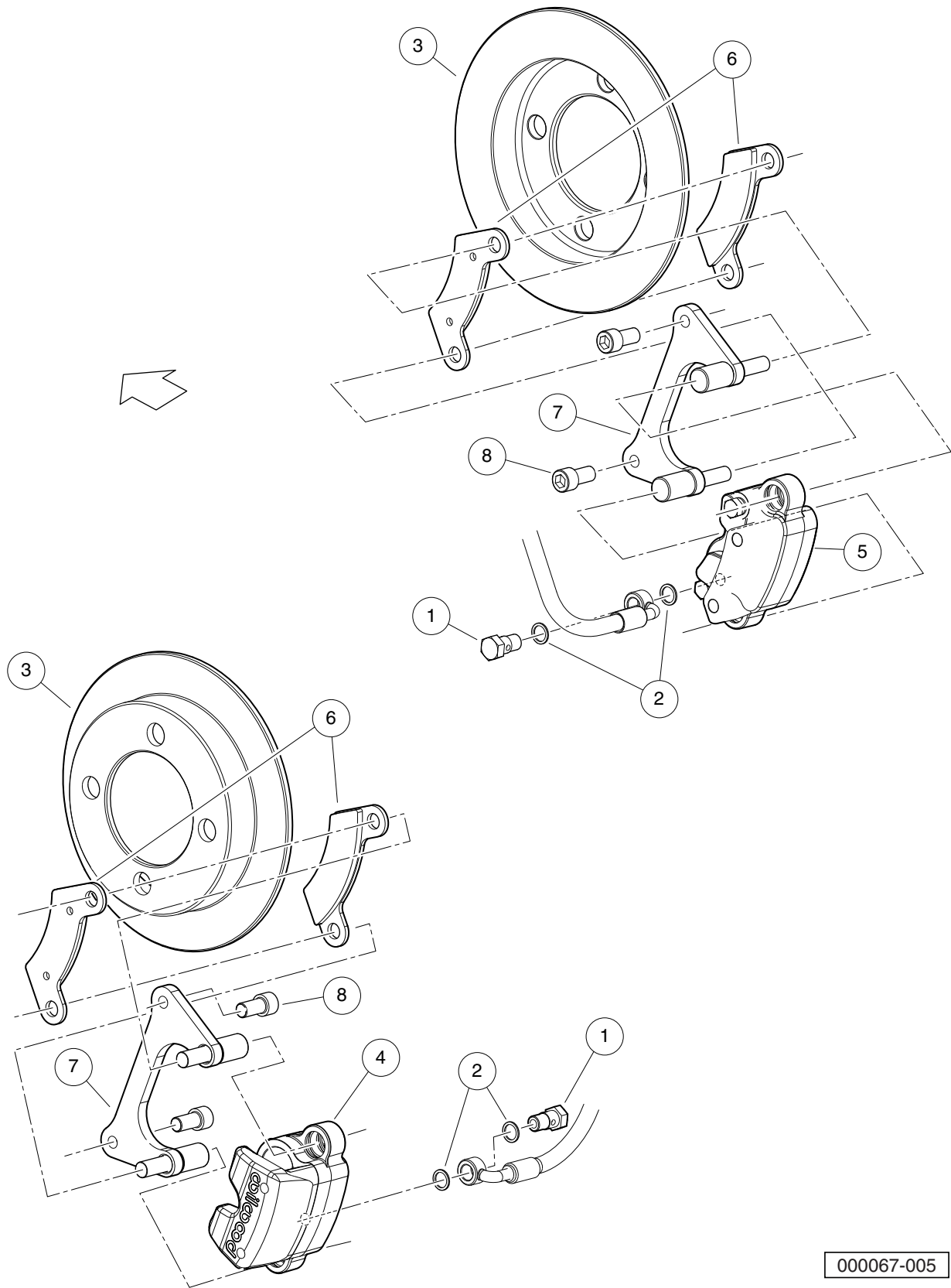
G

D

4

G

D



000067-005

FRONT BRAKES

ITEM	PART NO.	DESCRIPTION	QTY
		1 2 3 4	
1	102488001	Bolt, Banjo, M10x1x19	2
2	102491601	Washer, Copper, M10 Crush	4
3	103077501	Rotor, Disc, Brake	2
4	103967601	Caliper, Brake, Front, LH	1
5	103967602	Caliper, Brake, Front, RH	1
6	103993701	Brake Pad Set, Front (Four Pads)	1
7	103993801	Bracket, Caliper, Brake	2
8	104025201	Bolt, 3/8-24 x .75 SHCS, Patch	4
<p style="margin-left: 40px;">Note: 103967601 and 103967602 calipers are not compatible with MY2013 or earlier, and are specific to steering upright assemblies 103980901 and 103980902, which were introduced at MY 2014.</p>			

4

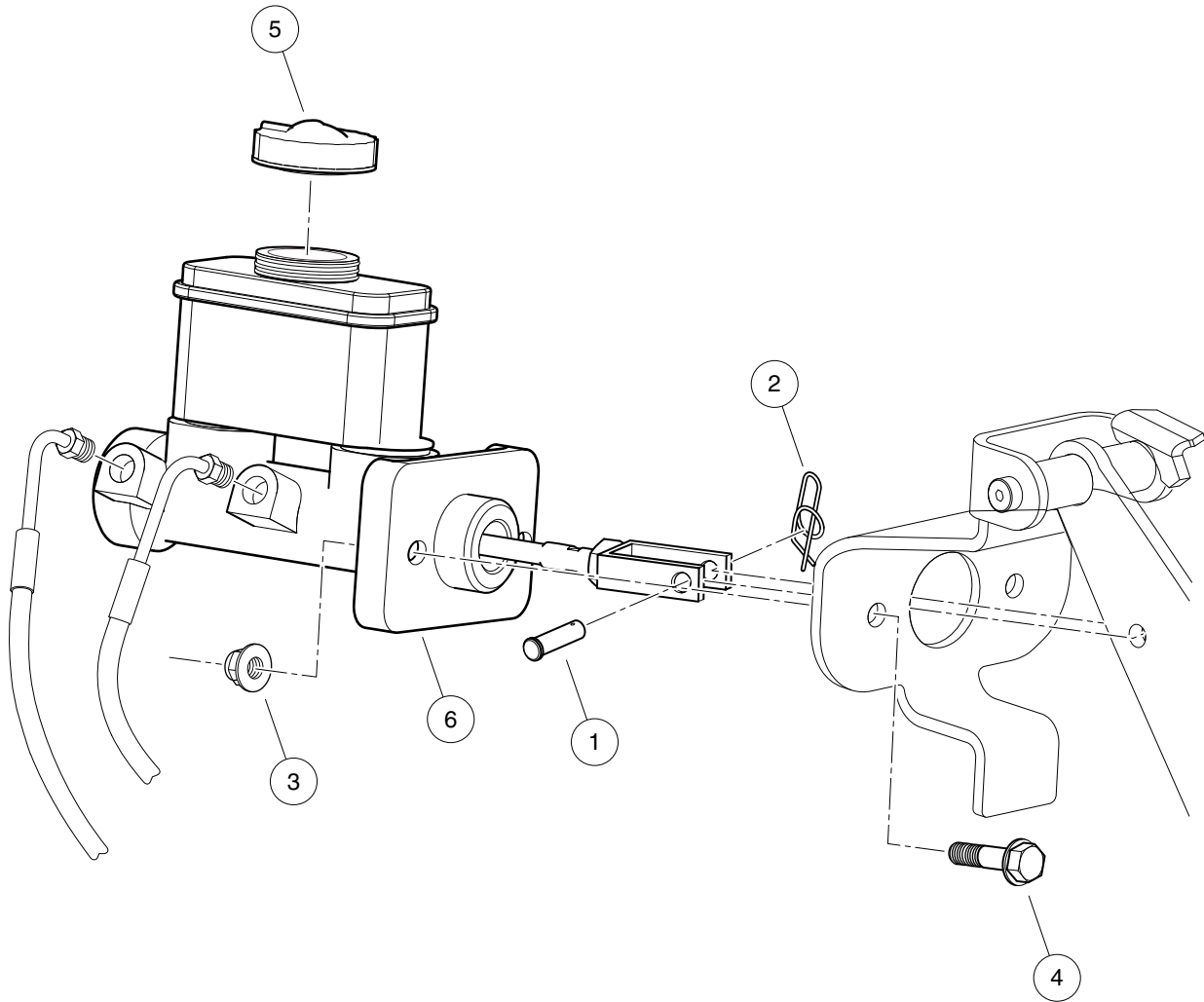
G

D

4

G

D



000792-002

MASTER CYLINDER WITH INTEGRAL RESERVOIR

ITEM	PART NO.	DESCRIPTION	QTY
		1 2 3 4	
1	101082903	Pin, Clevis, 5/16 X 1	1
2	102176901	Pin, Rue	1
3	102298401	Nut,m8,all Metal Lock	2
4	102618401	Bolt Flanged Head, M8 X 1.25 X 35	2
5	103380701	Cap, Filler, Master Cylinder	1
6	103987001	Cylinder,Master,7/8 Bore	1

4

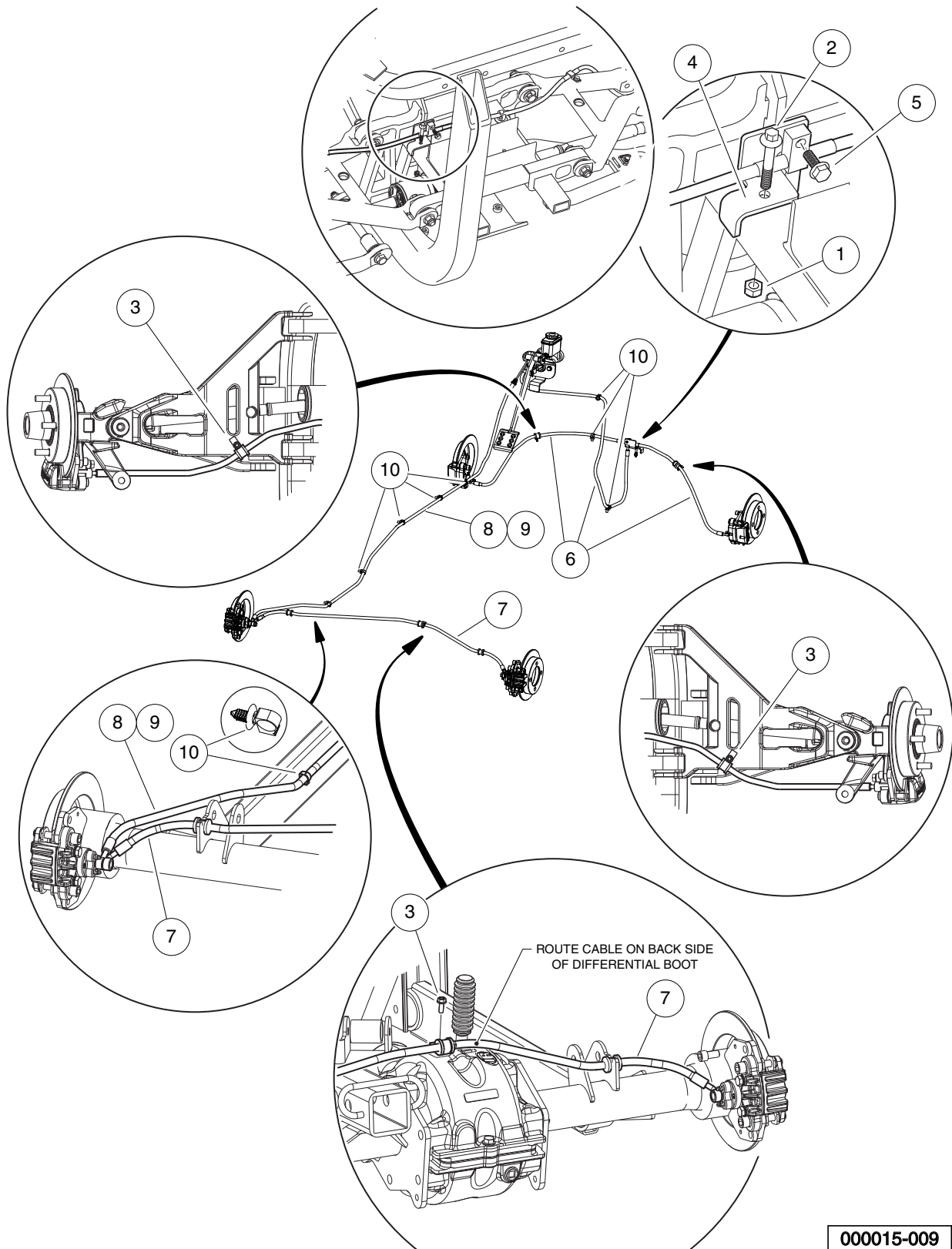
G

D

4

G

D



000015-009

HYDRAULIC BRAKE LINES AND CLIPS

ITEM	PART NO.	DESCRIPTION	QTY
		1 2 3 4	
1	101887601	Locknut, M6-1.00 Nylon Insert	1
2	102296140	Bolt, Flanged Head, M6x1.0x40	1
3	102296716	Screw, M6 X 16 Tt Hx Fl Hd	3
4	102474301	Bracket, Tee, Brakeline	1
5	102670801	Screw, M6 X 1 X 25 Thd Form	1
6	103967201	Brake Line, Front, AWD	1
7	103967301	Brake Line, Rear, AWD	1
8	103967401	Brake Line, Mid, AWD Std	1
9	103967501	Brake Line, Mid, AWD SE	1
10	103973101	Clip, Snap-close 10mm	8

4

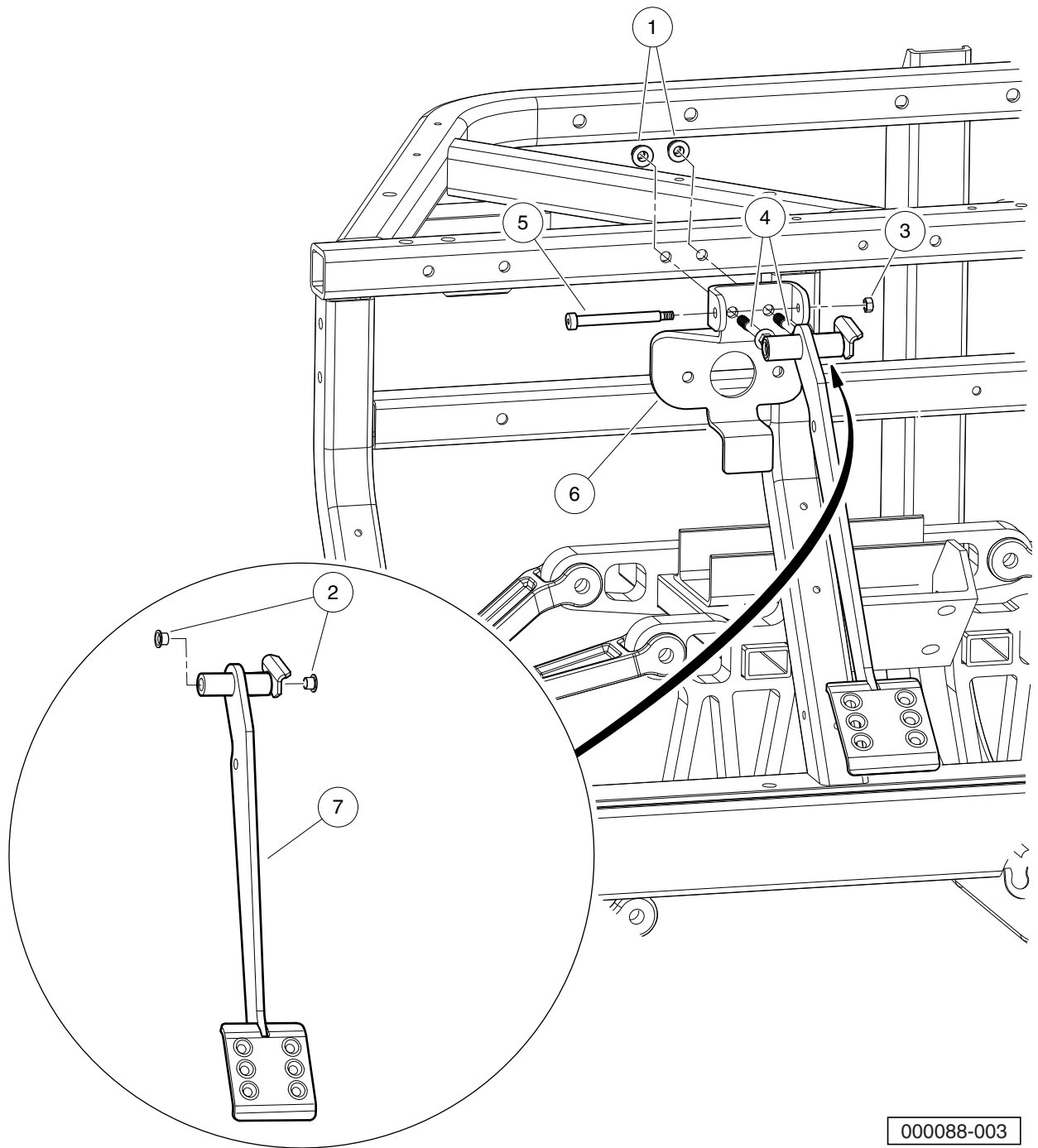
G

D

4

G

D



000088-003

BRAKE PEDAL

ITEM	PART NO.	DESCRIPTION	QTY
		1 2 3 4	
1	102298401	Nut,m8,all Metal Lock	2
2	102442901	Bushing, Greaseless	2
3	102618101	Nut, M6x1, Mechanically Deformed	1
4	102618301	Bolt, Flanged Head, M8 X 1.25 X 65	2
5	103273101	Bolt, Shoulder, M8 X 70, Hc	1
6	103986601	Bracket, Mtg, Brake Pedal	1
7	103986901	Pedal, Brake	1

4

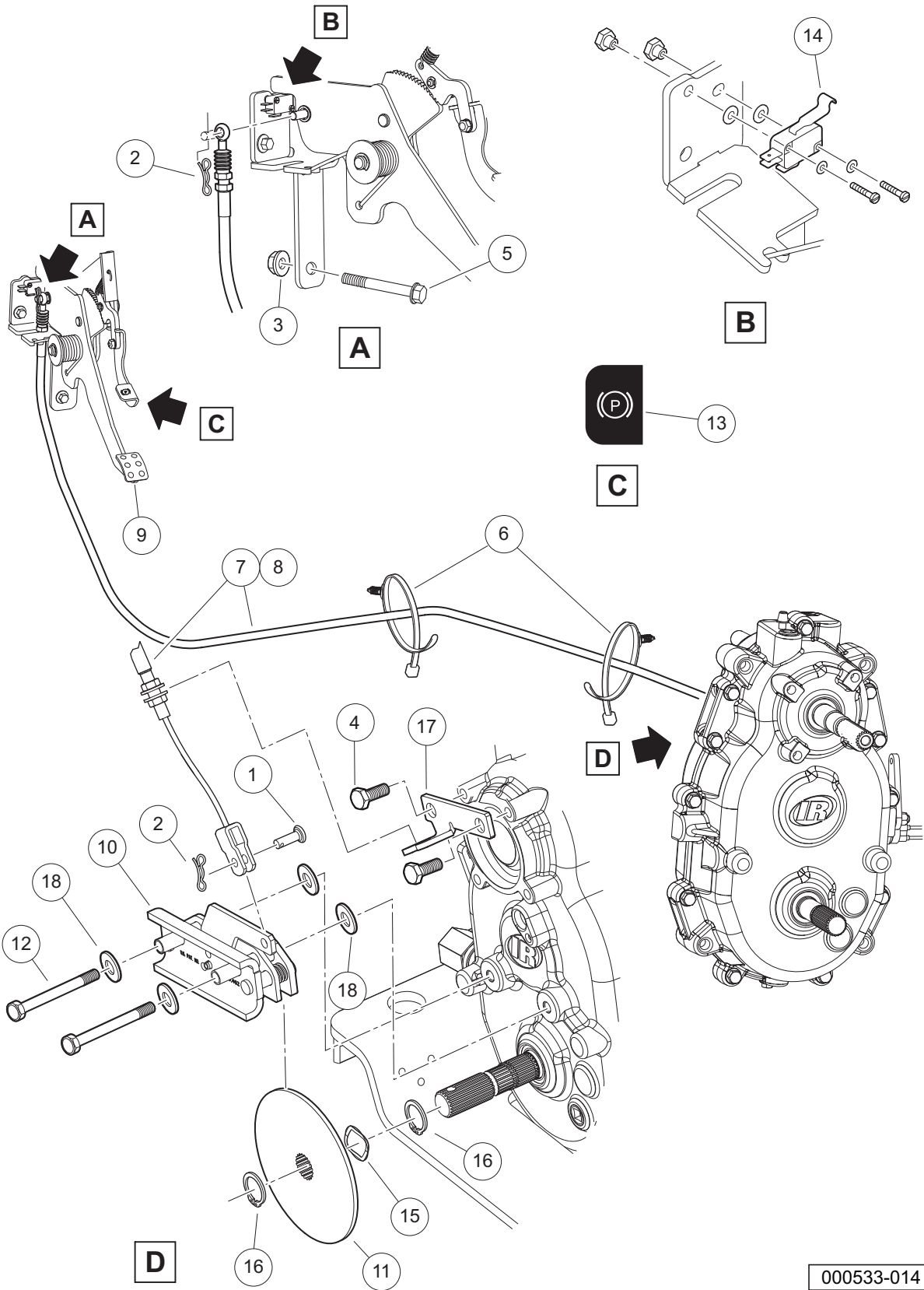
G

D

4

G

D



000533-014

PARK BRAKE SYSTEM

ITEM	PART NO.	DESCRIPTION	QTY
		1 2 3 4	
1	101082903	Pin, Clevis, 5/16 X 1	1
2	102292801	Pin, Bow Tie Locking - .072	2
3	102298401	Nut,m8,all Metal Lock	3
4	102490101	Bolt, M10 X 1.5 X 20 Loctite	2
5	102618301	Bolt, Flanged Head, M8 X 1.25 X 65	3
6	102629001	Tie Wrap, 8.00" With Mount	2
7	103968501	Cable, Park Brake, 1500/1550	1
8	103968601	Cable, Park Brake, 1700/1550 SE	1
9	103968701	Pedal, Foot, Park Brake	1
10	103968801	Caliper, Mech, Park Brake	1
11	103968903	Rotor, Park Brake, Duct Iron	1
12	103983301	M10-1.5 X 90 Hh Ft Pc 8.8 Zidi	2
13	103986501	Decal, Brake, Park	1
14	104005501	Switch, Micro, Plunger Only	1
15	104005601	Spring,Wave,0.96-in ID	1
16	104005701	Ring, Snap, Ext, 63/64-in	2
17	105265501	Brkt, Mtg, Park Brake, Xrt1550	1
18	96741046	Washer, M10, Hard	4

4

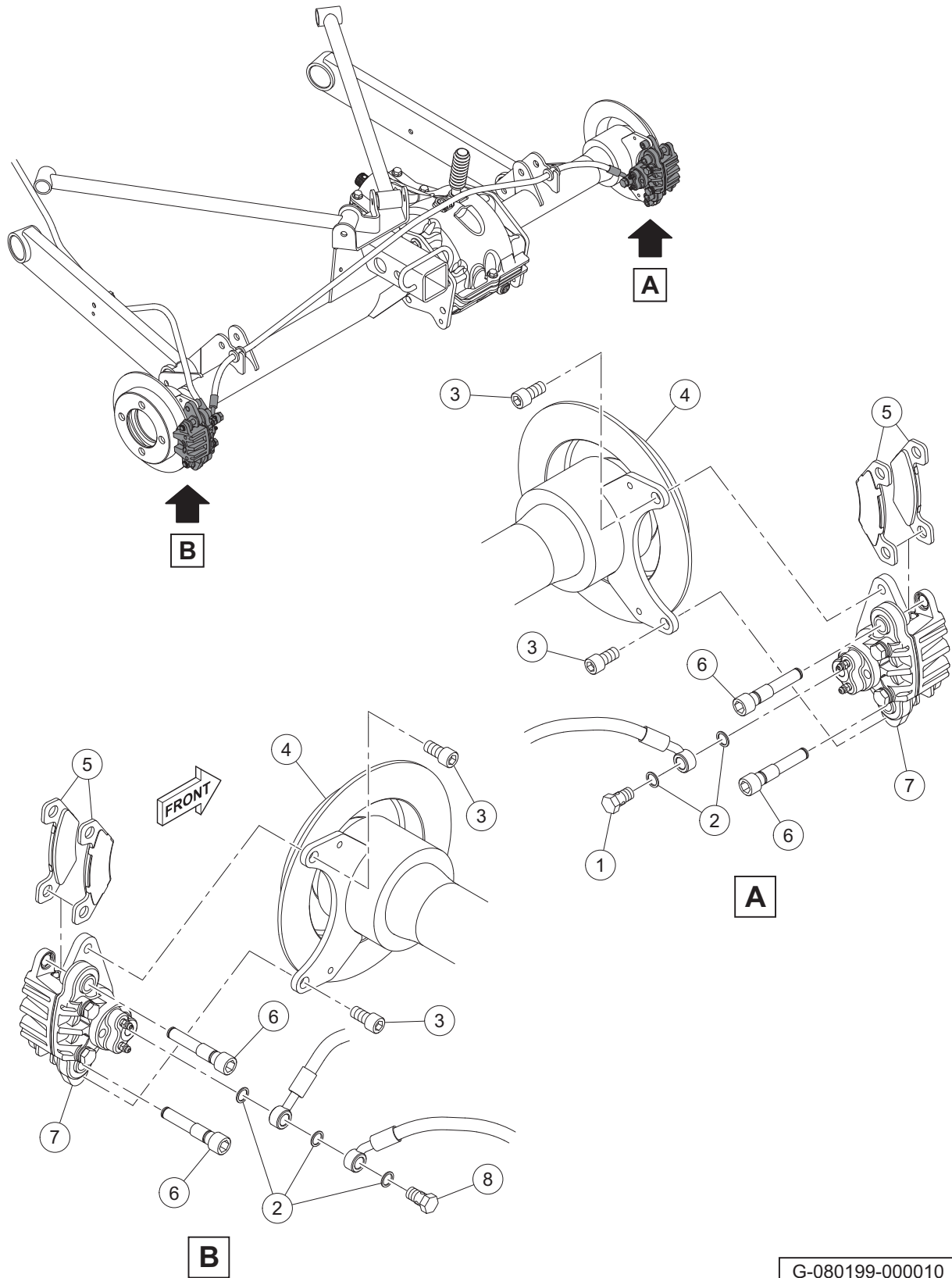
G

D

4

G

D



G-080199-000010

REAR BRAKES – 2 PASSENGER VEHICLES

ITEM	PART NO.	DESCRIPTION	QTY
		1 2 3 4	
1	102488001	Bolt, Banjo, M10x1x19	1
2	102491601	Washer, Copper, M10 Crush	4
3	102493301	Bolt, Flange Head, 3/8-24x.750 with Loctite	4
4	103077501	Rotor, Disc, Brake	2
5	103160101	Kit, Brake Pad, 7646	1
6	103418801	Pin, Slide, 7/16	4
7	103967701	Caliper, Brake, Rear, 1.06 inch	2
8	103967901	Bolt, Banjo, Double, M10 X 1	1
		<p>Note: Item 5 contains four brake pads. Slide pins are supplied with the caliper and can also be procured separately.</p>	

4

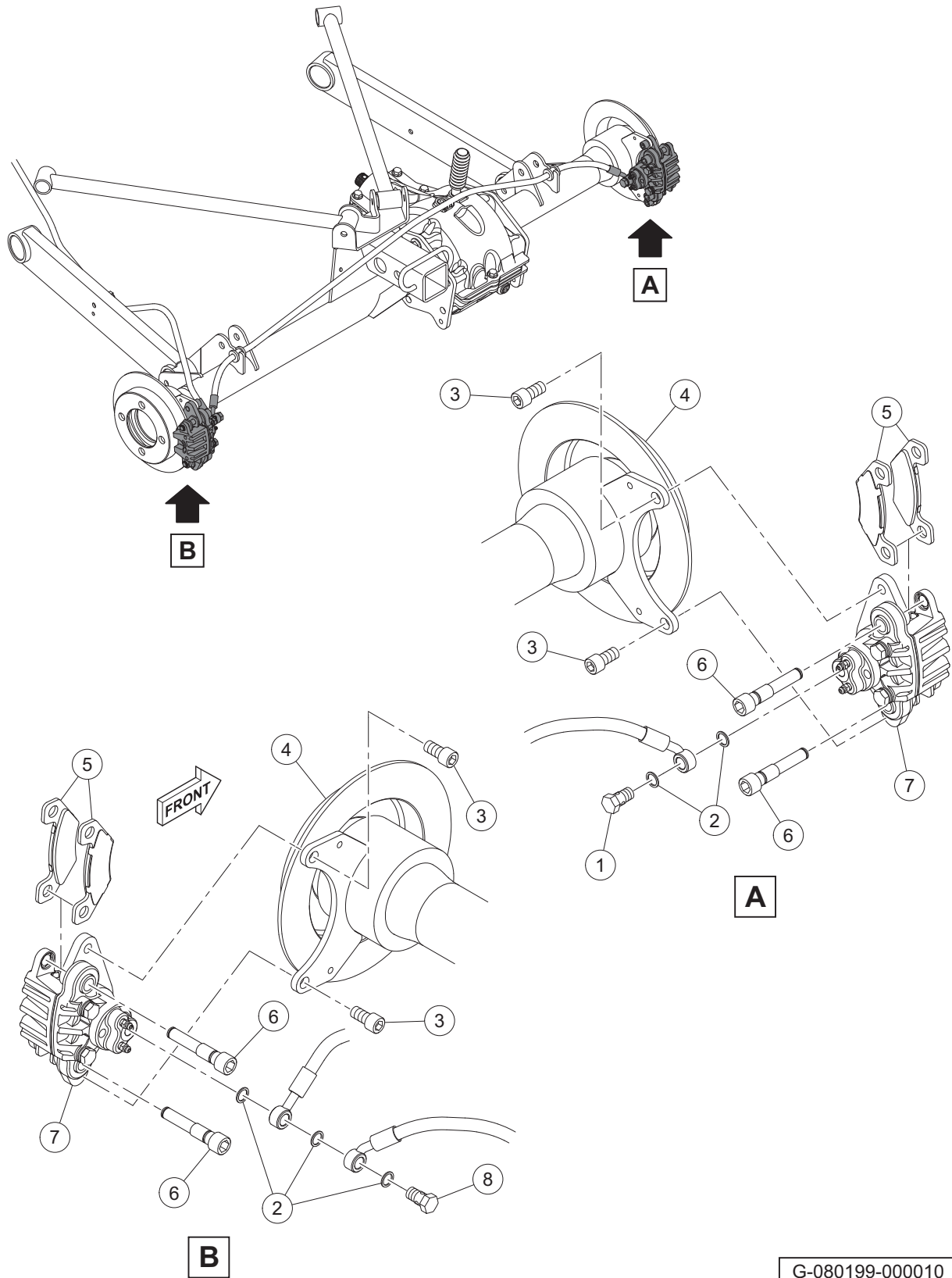
G

D

4

G

D



G-080199-000010

REAR BRAKES – 4 PASSENGER VEHICLES

ITEM	PART NO.	DESCRIPTION	QTY
		1 2 3 4	
1	102488001	Bolt, Banjo, M10x1x19	1
2	102491601	Washer, Copper, M10 Crush	4
3	102493301	Bolt, Flange Head, 3/8-24x.750 with Loctite	4
4	103077501	Rotor, Disc, Brake	2
5	103160101	Kit, Brake Pad, 7646	1
6	103418801	Pin, Slide, 7/16	4
7	103967801	Caliper, Rear, 1.25 Inch	2
8	103967901	Bolt, Banjo, Double, M10 X 1	1
<p>Note: Item 5 contains four brake pads. Slide pins are supplied with the caliper and can also be procured separately.</p>			

4

G

D

4

G

D

STEERING AND SUSPENSION – WITH DUAL-PISTON FRONT CALIPERS

5

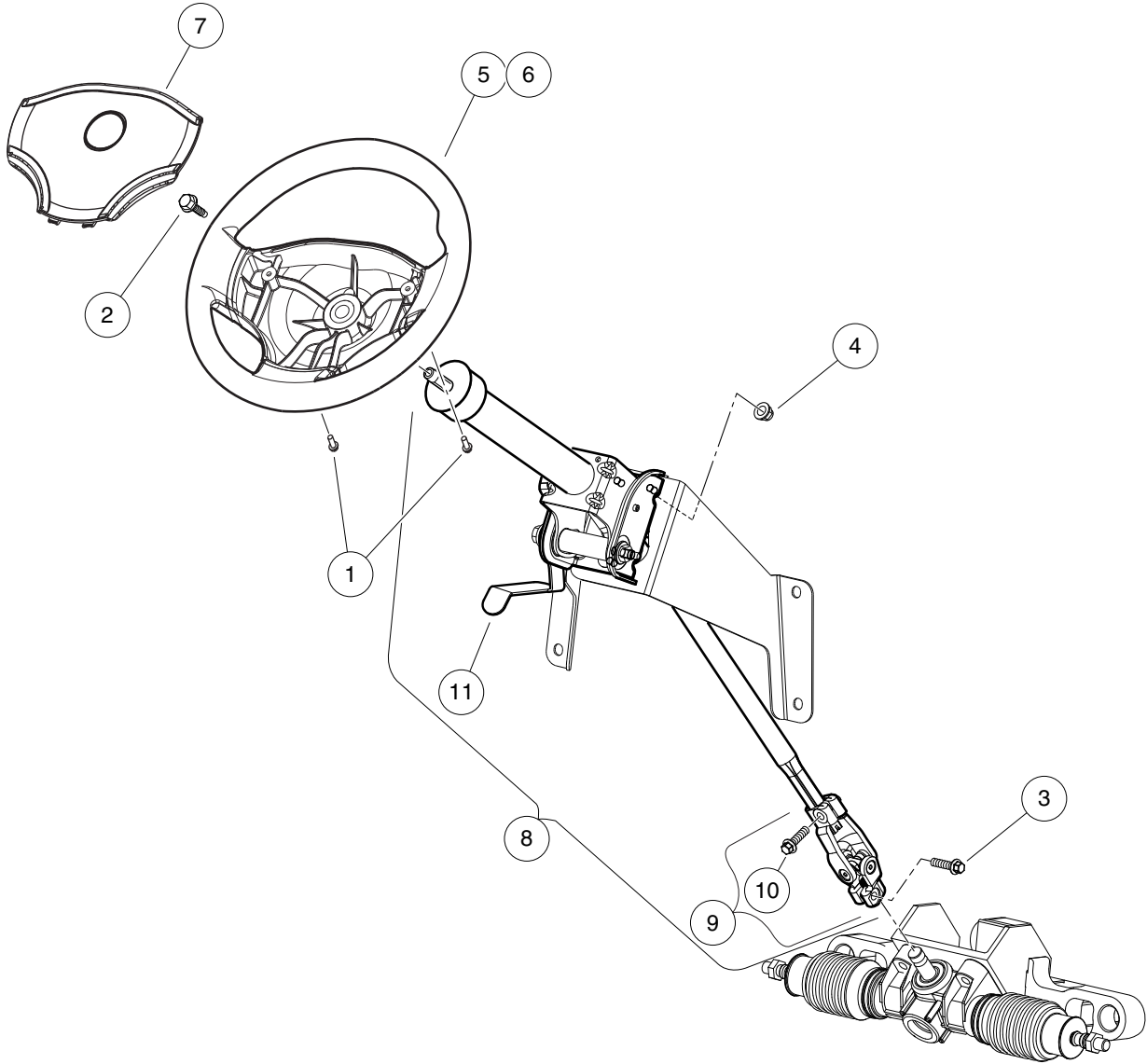
G

D

5

G

D



000070-006

STEERING WHEEL AND COLUMN

ITEM	PART NO.	DESCRIPTION	QTY
		1 2 3 4	
1	101850301	Screw, #12-16 X 0.50 Washer-Head Hi-Lo	2
2	102290120	Bolt, M10 X 20 Hex Washer Hd	1
3	102298130	Bolt, Flange Head, M8 X 30.0	1
4	102298401	Nut,m8,all Metal Lock	3
5	103724501	Steering Wheel, Hex	1
6	103724503	Steering Wheel, Soft Grip, Hex	1
7	103724602	Cover, Steering Wheel, Generic	1
8	103859901	Column, Steering, Awd (includes items 9 through 11)	1
9	103810201	Kit, Lower Yoke, Wanda (includes item 10)	1
10	102298130	Bolt, Flange Head, M8 X 30.0	1
11	103862701	Handle, Steering, Tilt, Awd	1

5

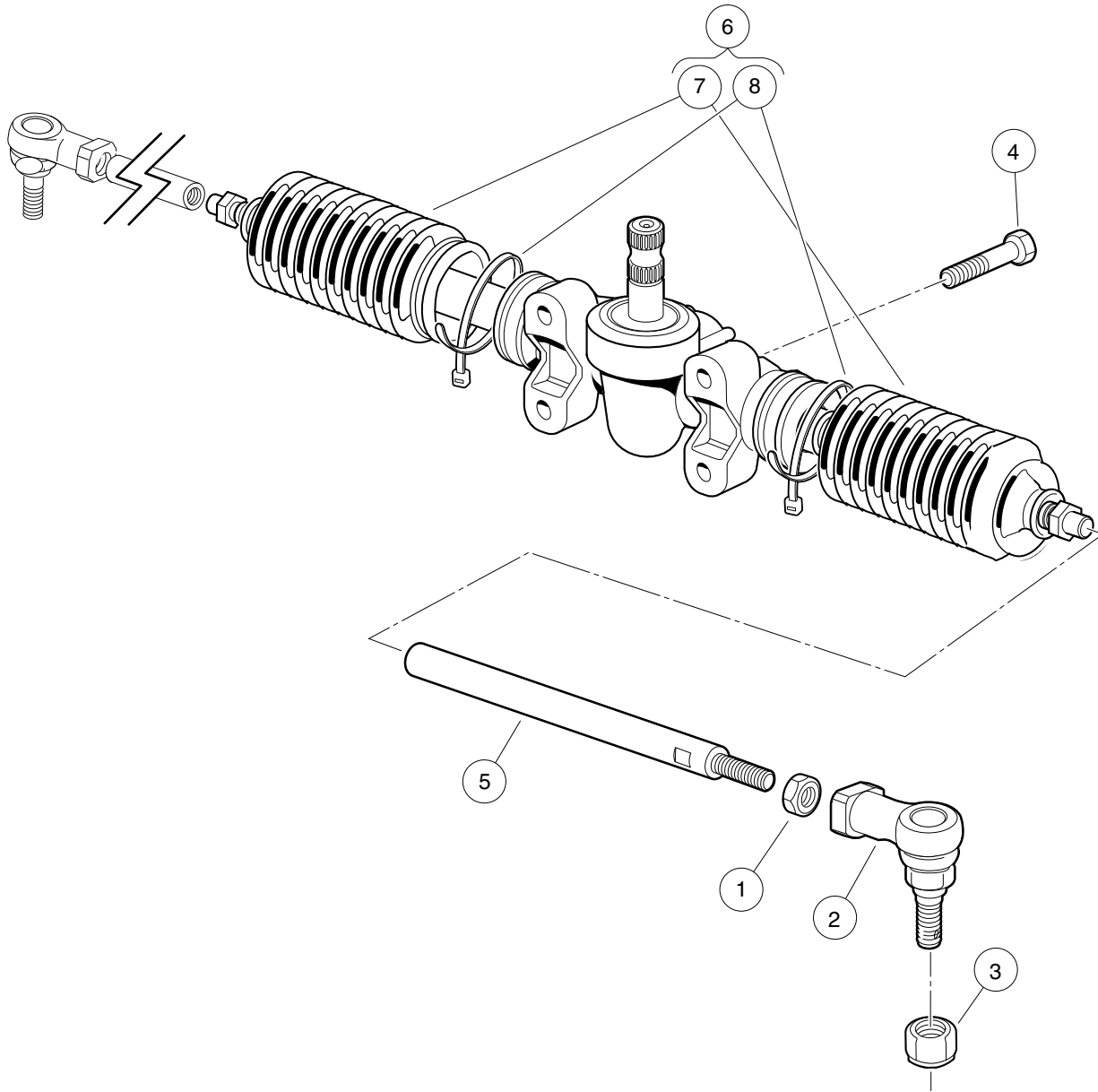
G

D

5

G

D



000071-004

STEERING GEAR

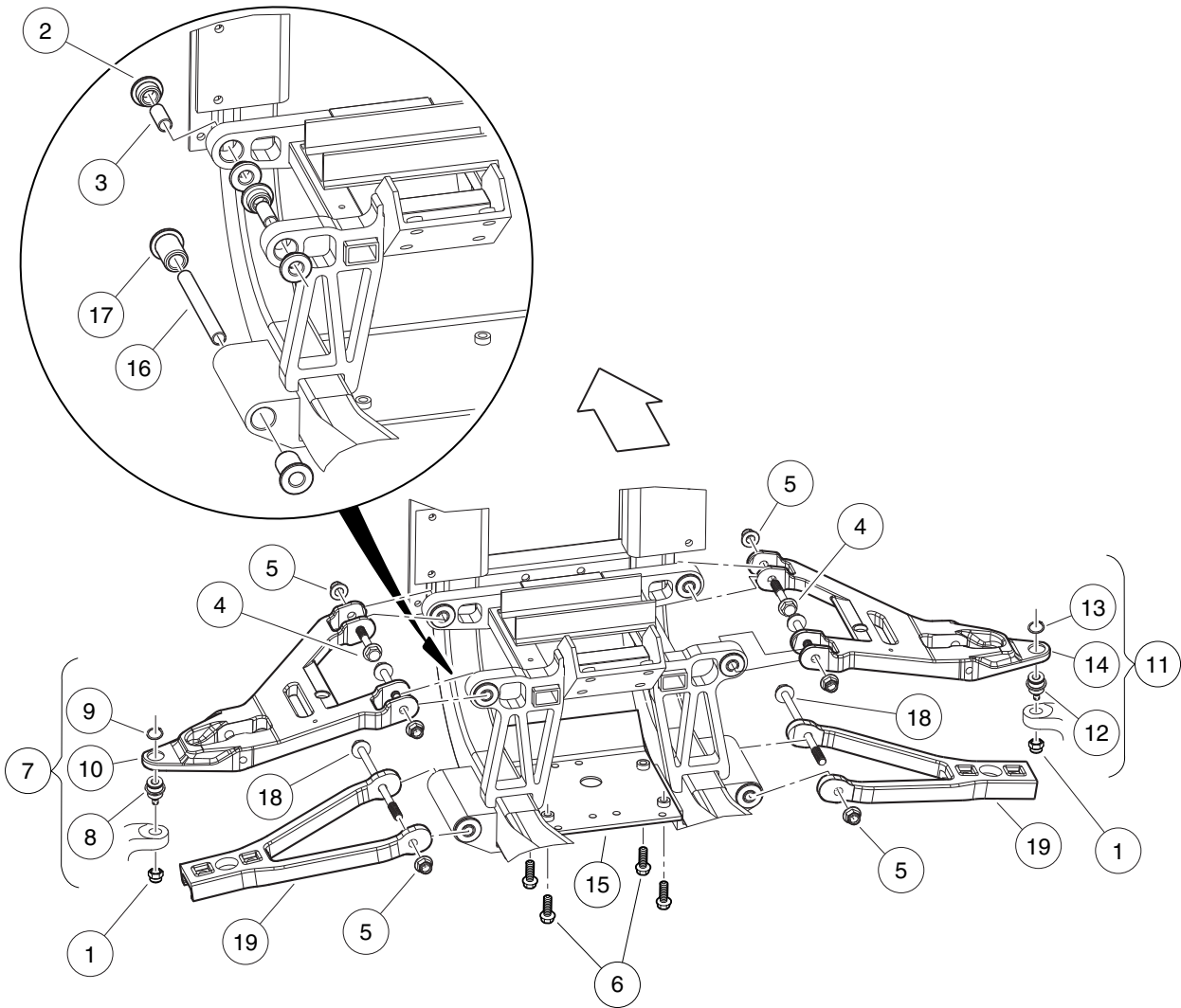
ITEM	PART NO.	DESCRIPTION	QTY
		1 2 3 4	
1	1013042	Nut, 12mm Hex	2
2	102022601	End, Tie Rod M12 X 1.25 Rh	2
3	102022901	Locknut, M12-1.25 Nylon	2
4	102687801	Bolt, Flange Head, M10x 1.5 X 40 with Loctite	4
5	102816801	Link, Drag, Wt	2
6	103866601	Gear, Steering, AWD (includes items 7 and 8)	1
7	1013035	Bellows, Long	2
8	8990	Tie Wrap, 8" Nylon	2

5
G
D

5

G

D



000534-011

FRONT SUSPENSION – PAGE 1 OF 2

ITEM	PART NO.	DESCRIPTION	QTY
		1 2 3 4	
1	102022901	Locknut, M12-1.25 Nylon	2
2	102408401	Bushing, A-Arm	8
3	102437001	Sleeve, Upper	4
4	102616301	Bolt, Flange Head, M12 X 1.75 X 70	4
5	102620501	Nut, Flange, M12x1.75, Nylon Grade 10	6
6	102711601	Bolt, Flange Head, M10 X 1.5 X 25	4
7	102792001	Asm, A-Arm, Upper, Left (includes items 8 through 10)	1
8	102361901	Joint, Ball	1
9	102722301	Ring, Retaining, Ext, 1-1/4"	1
10	102927101	Arm, Upper, Wide, Machined, LH	1
11	102792002	Asm, A-arm, Upper, Right (includes items 12 through 14)	1
12	102361901	Joint, Ball	1
13	102722301	Ring, Retaining, Ext, 1-1/4"	1
14	102927102	Arm, Upper, Wide, Machined, RH	1
15	103244701	Asm, Mount, Diff Plate	1
16	103256401	Sleeve, Lower Arm	2
17	103256501	Bushing, Lower Arm	4
18	103256701	Bolt, Flange, M12 X 1.75 X 200 10	2
19	103969801	Lower Control Arm, Machined	2

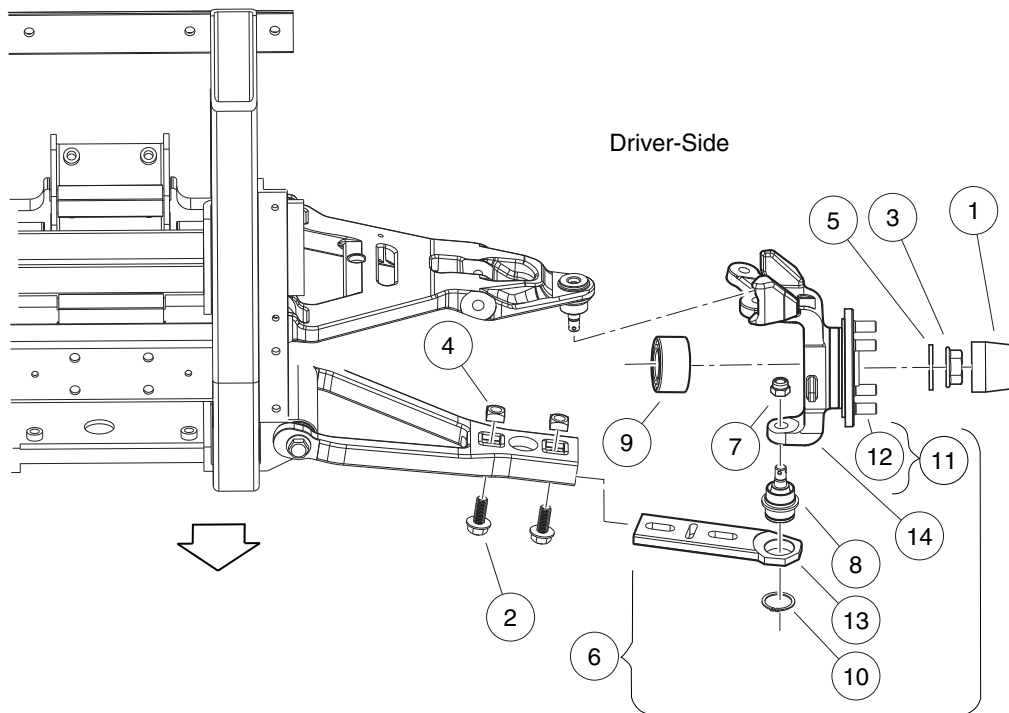
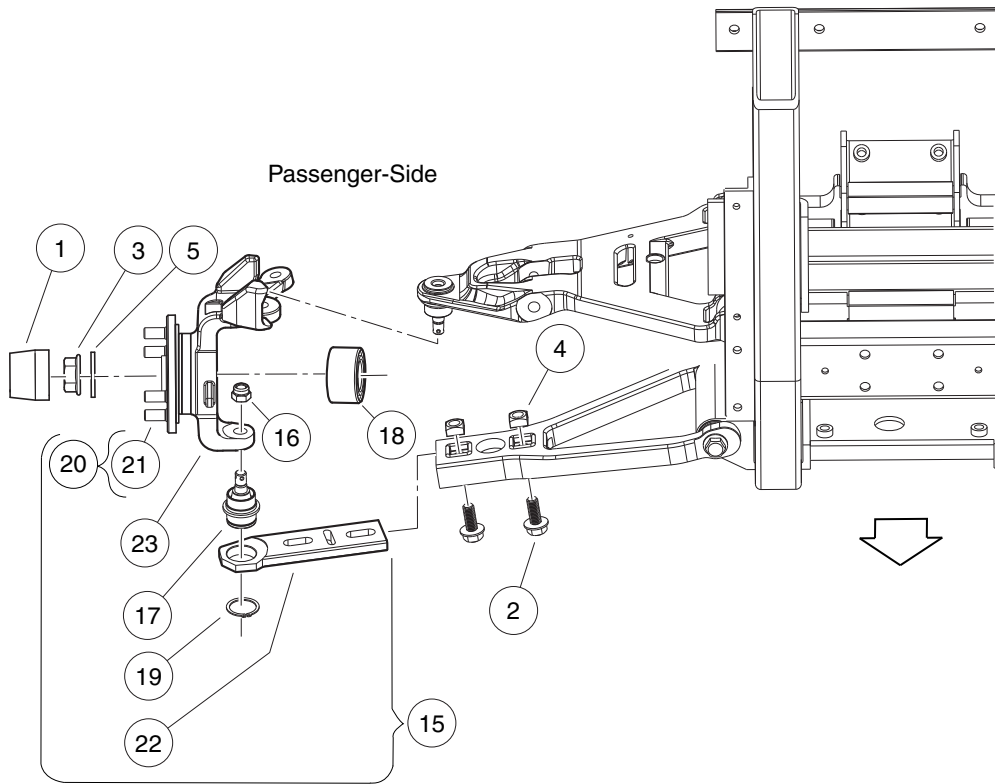
5

G

D

5
G

D



000534-009

FRONT SUSPENSION – PAGE 2 OF 2

ITEM	PART NO.	DESCRIPTION	QTY
		1 2 3 4	
1	102274101	Center Cap, Rubber	2
2	102490801	Bolt, Flange Head, M12x 1.75x 30 with Loctite	4
3	102617501	Nut, Flange, M22 X 1.5 Mech Def	2
4	102617701	Nut, Square, M12x 1.75	4
5	102617801	Washer, Hard, M22	2
6	105283703	Asm, Upright, AWD, Driver-Side, for Dual-Piston Caliper (includes items 7 through 14) .	1
7	102022901	Locknut, M12-1.25 Nylon	1
8	102361901	Joint, Ball	1
9	102464301	Bearing	1
10	102722301	Ring, Retaining, Ext, 1-1/4"	1
11	103146204	Wheel Hub, Front, 1550, Service (includes item 12)	1
12	103951501	Lug Stud, 1/2-20 UNF, SAE J1102	4
13	103939301	Slide, Adjuster, 5 Degree, Ds	1
14	N/A	Upright, Finished, Left	1
15	105283704	Asm, Upright, AWD, Passenger-Side, for Dual-Piston Caliper (includes items 16 through 23)	1
16	102022901	Locknut, M12-1.25 Nylon	1
17	102361901	Joint, Ball	1
18	102464301	Bearing	1
19	102722301	Ring, Retaining, Ext, 1-1/4"	1
20	103146204	Wheel Hub, Front, 1550, Service (includes item 21)	1
21	103951501	Lug Stud, 1/2-20 UNF, SAE J1102	4
22	103939302	Slide, Adjuster, 5 Degree, Ps	1
23	N/A	Upright, Finished, Right	1

5

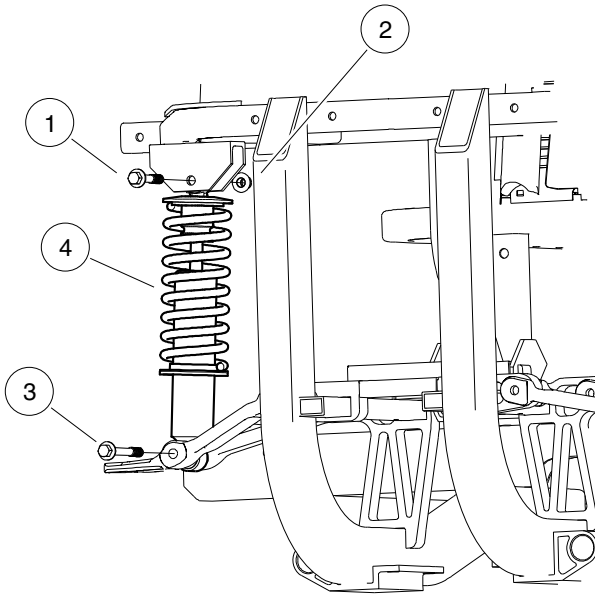
G

D

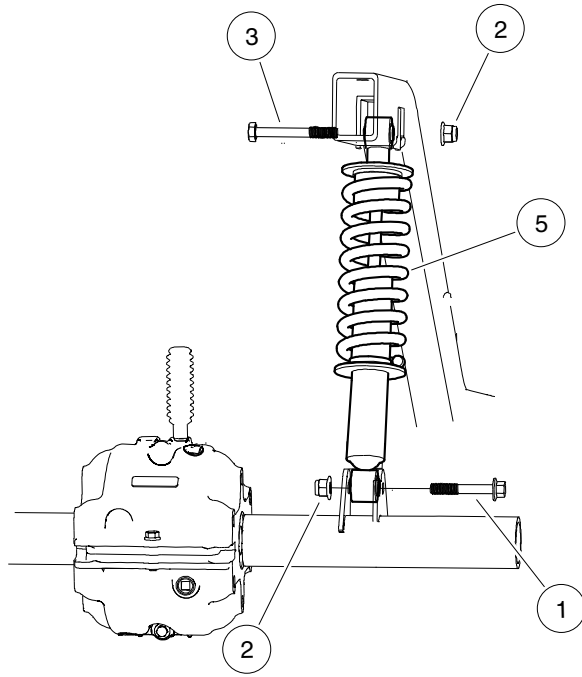
5

G

D



Front



Rear

000530-005

SHOCK ABSORBERS – 800 LB. CAPACITY

ITEM	PART NO.	DESCRIPTION	QTY
		1 2 3 4	
1	102616301	Bolt, Flange Head, M12 X 1.75 X 70	4
2	102620501	Nut, Flange, M12x1.75, Nylon Grade 10	6
3	102788701	Bolt, Flange, M12x1.75x100, Patch	4
4	103841701	Shock Absorber, Coil-over, Front, 800 lb Capacity	2
5	103930401	Shock Absorber, Coil-over, Rear, 800 lb Capacity	2
		Note: Shocks must be installed as matched pairs.	

5

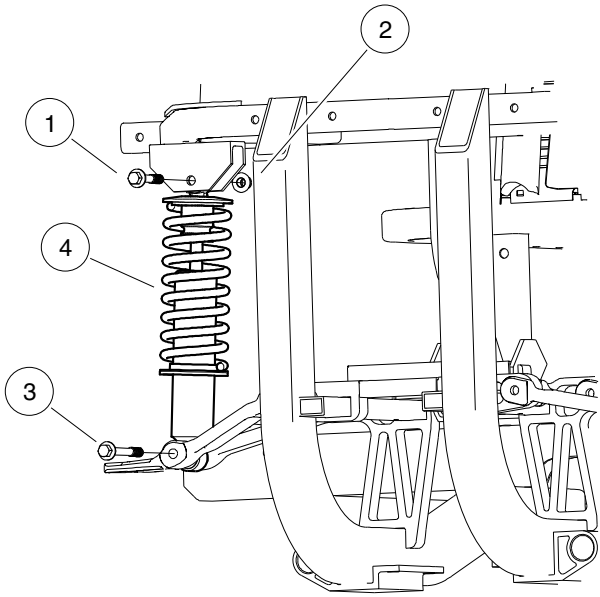
G

D

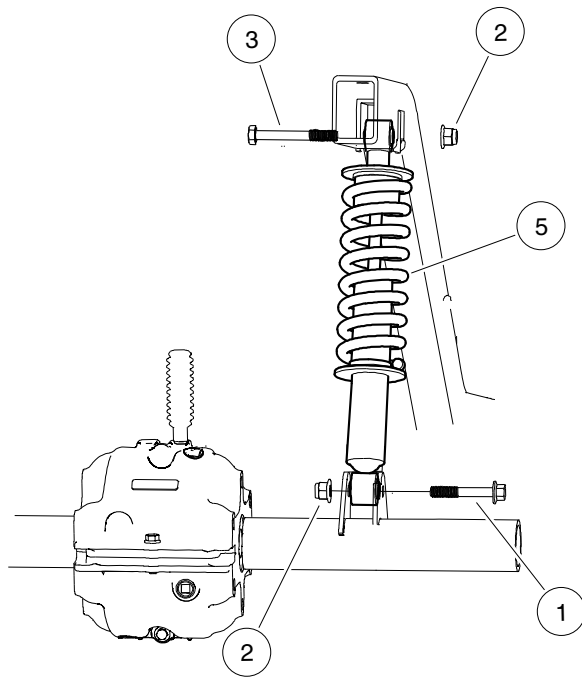
5

G

D



Front



Rear

000530-005

SHOCK ABSORBERS – 1050 LB. CAPACITY

ITEM	PART NO.	DESCRIPTION	QTY
		1 2 3 4	
1	102616301	Bolt, Flange Head, M12 X 1.75 X 70	4
2	102620501	Nut, Flange, M12x1.75, Nylon Grade 10	6
3	102788701	Bolt, Flange, M12x1.75x100, Patch	4
4	103841801	Shock Absorber, Coil-over, Front, 1050 lb Capacity	2
5	103930501	Shock Absorber, Coil-over, Rear, 1050 lb Capacity	2
		Note: Shocks must be installed as matched pairs.	

5

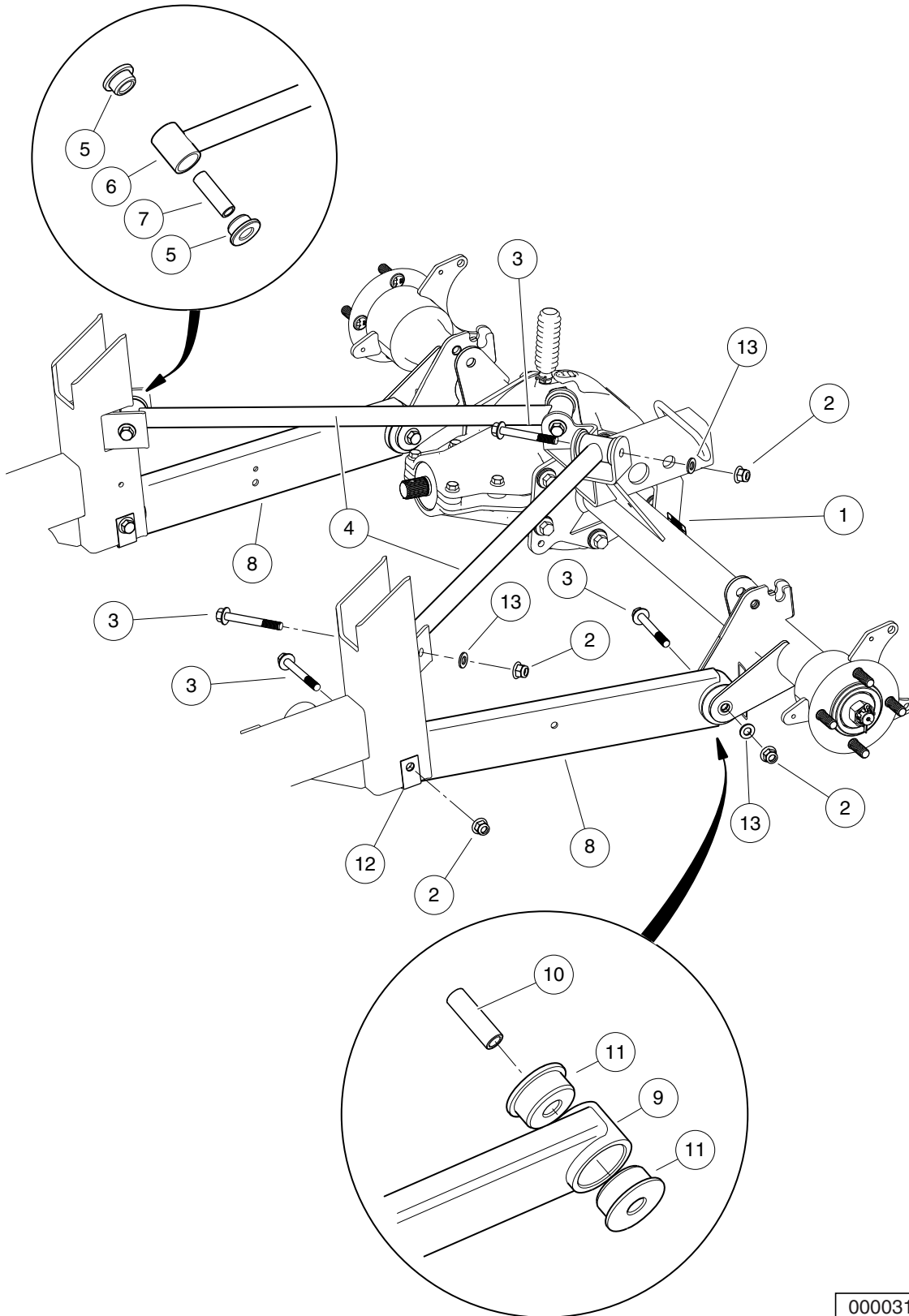
G

D

5

G

D



000031-005

REAR SUSPENSION (4-LINK)

ITEM	PART NO.	DESCRIPTION	QTY
		1 2 3 4	
1	1011553	Decal, Trailer Hitch	1
2	102670701	Nut, Flange, M10 X 1.5 Nylon	8
3	103147001	Bolt, Flg, M10 X 1.5 X 80	8
4	103860302	Assy, Lateral Link, Service Replacement, 4-Link Susp (includes items 5 through 7)	2
5	102408401	Bushing, A-Arm	4
6	N/A	Link, Lateral, Awd	1
7	103845501	Sleeve, Inner, 4link	2
8	103860402	Assy, Trailing Link, Service Replacement, 4-Link Susp (includes items 9 through 11)	2
9	N/A	Link, Trailing, Awd	1
10	103845501	Sleeve, Inner, 4link	2
11	103886201	Bushing, Poly, 4-link	4
12	103923001	Clip, Wear, Trail Link	4
13	96741046	Washer, M10, Hard	6

5

G

D

5

G

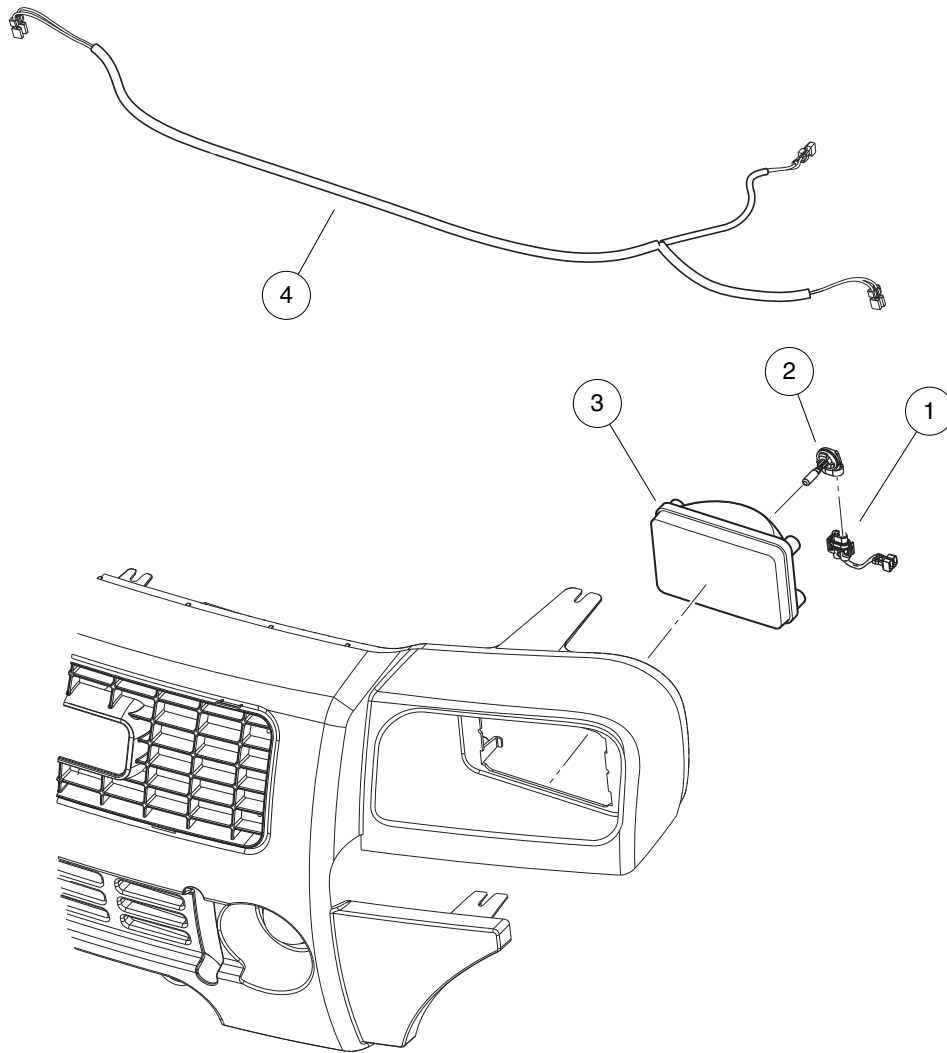
D

ELECTRICAL SYSTEM – GAS VEHICLES

6

G

6
G



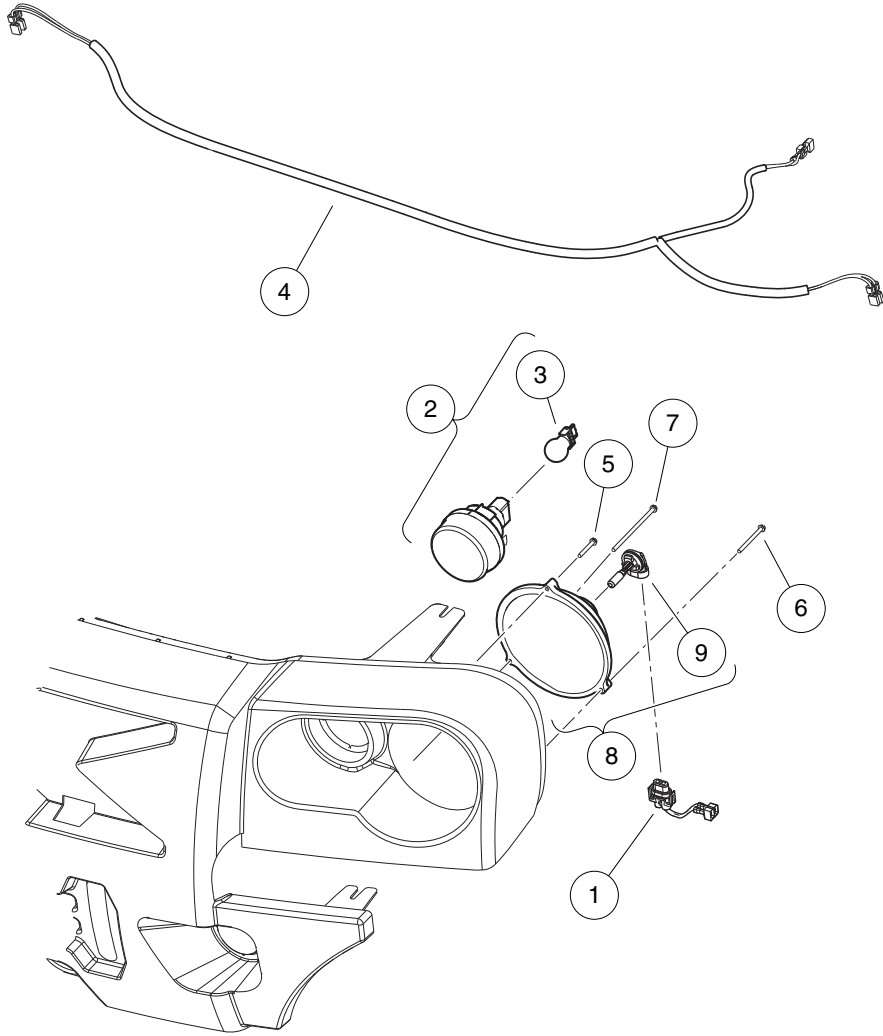
000880-003

HEADLIGHTS – CARRYALL

ITEM	PART NO.	DESCRIPTION	QTY
		1 2 3 4	
1	101987901	Connector, Harness Assembly, Headlight	2
2	101988101	Bulb, Headlight	2
3	101988201	Lens, Headlight	2
4	103213301	Harness, Wire, XRT/CA Restyle Headlights	1

6
G

6
G



000880-008

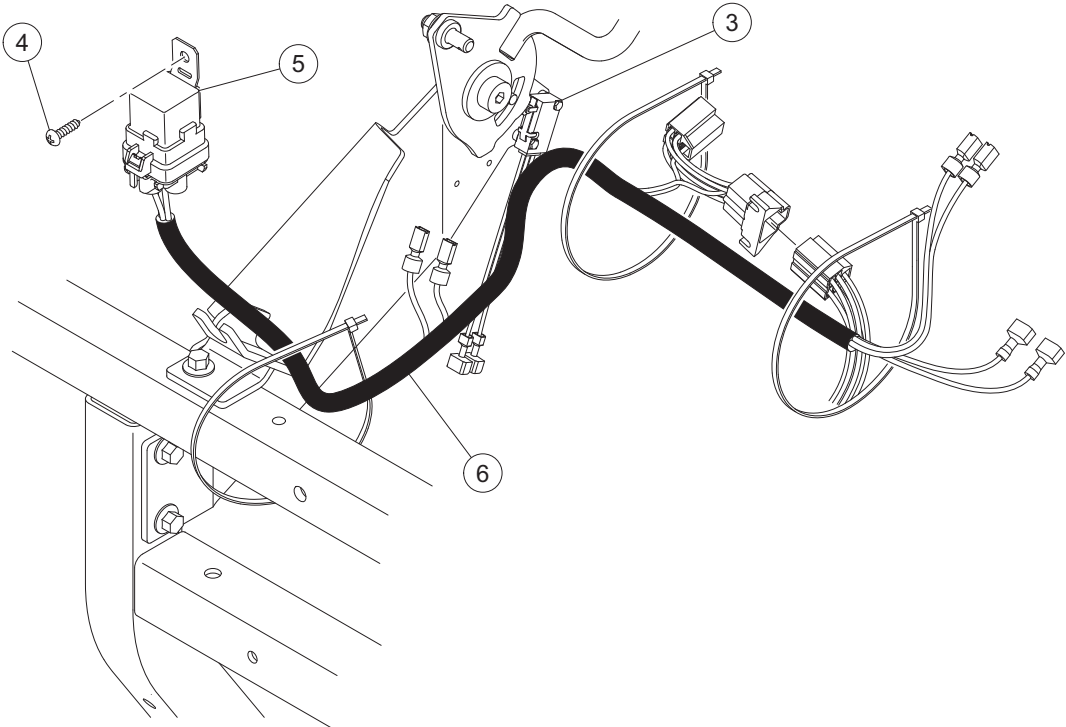
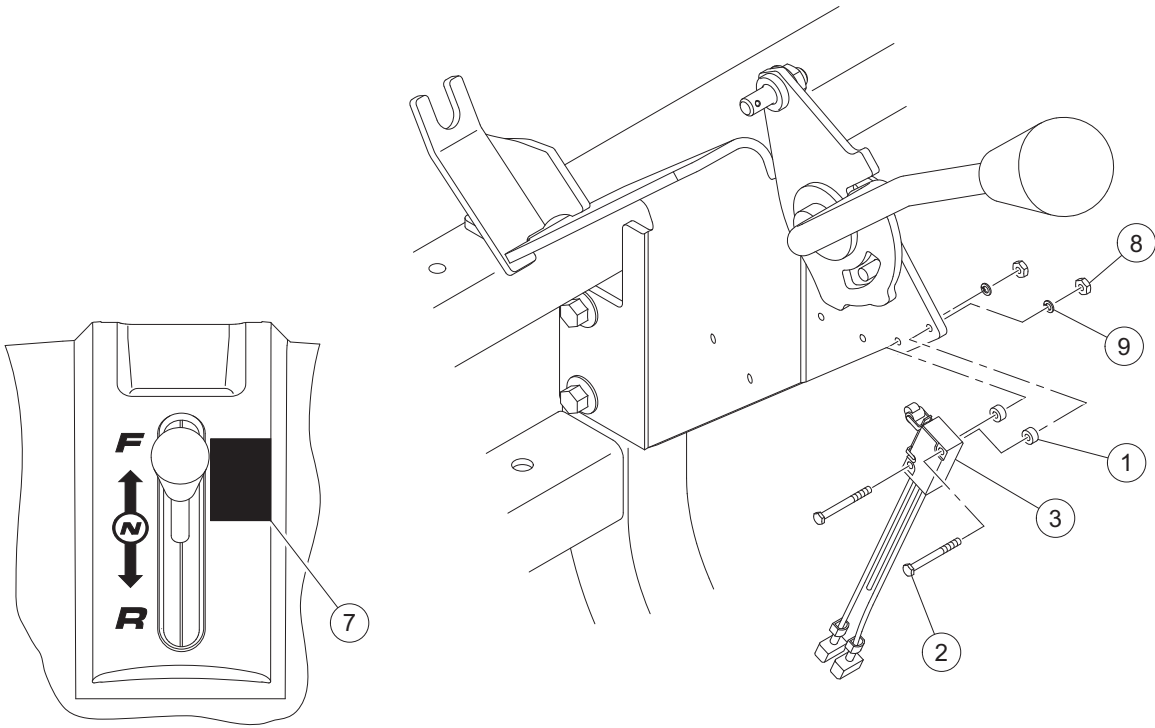
HEADLIGHTS – XRT

ITEM	PART NO.	DESCRIPTION	QTY
		1 2 3 4	
1	101987901	Connector, Harness Assembly, Headlight	2
2	102894501	Light, Turn Signal, Round, 3" (includes item 3)	2
3	103521001	Bulb, Signal, Marker	1
4	103213301	Harness, Wire, XRT/CA Restyle Headlights	1
5	103218104	Screw, #8x1.25 Ab Thd, Hex Hd	2
6	103218107	Screw, #8x2.00 AB Thd, Hex Hd	2
7	103218113	Screw, #8x3.50 Ab Thd, Hex Hd	2
8	103966401	Headlight, Round, 6", 8610 (includes item 9)	2
9	102535101	Bulb, Headlight, 37.5 W	1
		Note: This headlight is made of polycarbonate.	

6

G

6
G

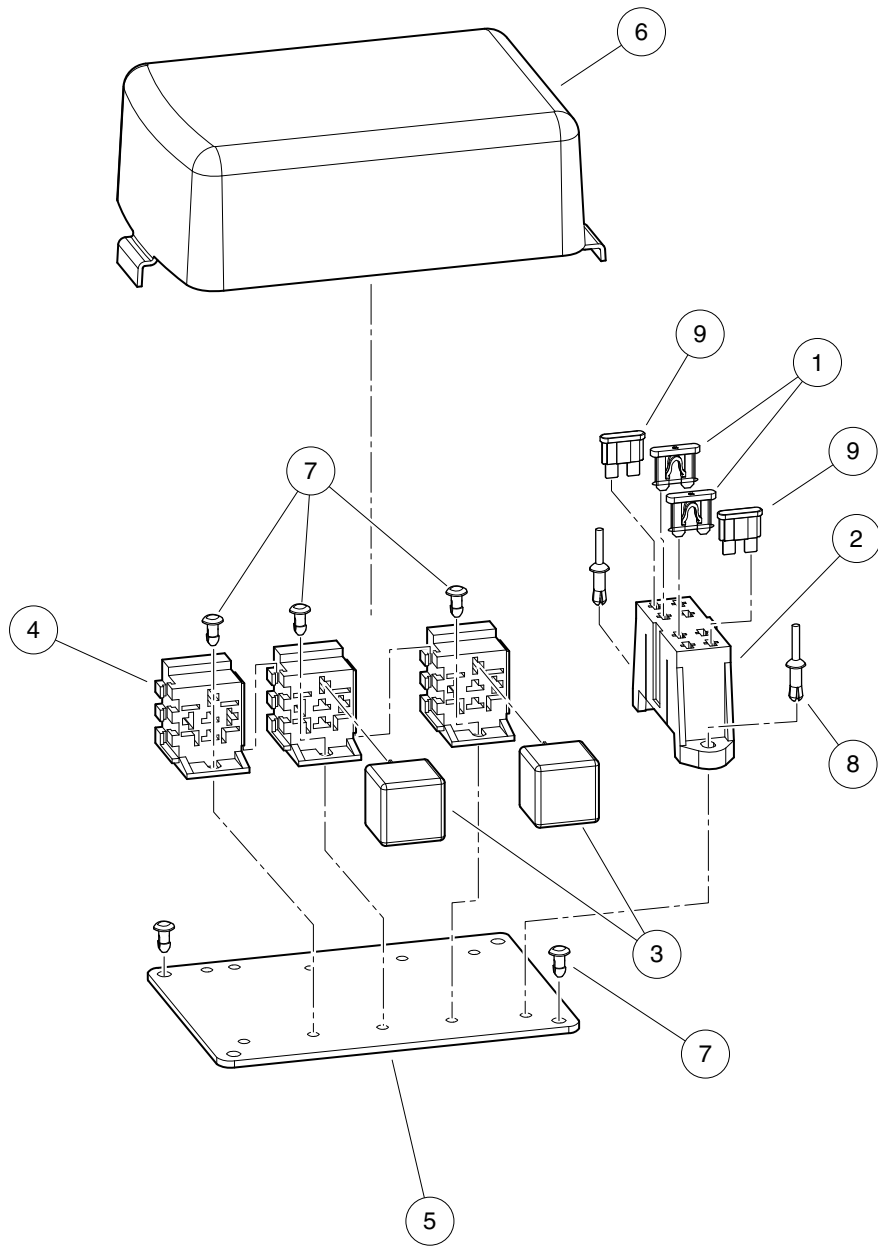


G-131299-000001

IGNITION INTERLOCK AND LIMIT SWITCH – GASOLINE

ITEM	PART NO.	DESCRIPTION	QTY
		1 2 3 4	
1	1014727	Washer, Flat, #4, Nylon	2
2	1016896	Screw, #4-40 X 1.125 Hx Hd Mch	2
3	103327201	Asm, Switch, Limit, Awd	1
4	1620	Screw, #10-16 X 0.75 Pan-Head Tap	1
5	47623281001	Relay, Mini 630 Spdt,40a/30a	1
6	47674660001	Harness, Ign Interlock, Gas	1
7	47676144001	Decal, Park Brake, Notice	1
8	8057	Nut, #4-40 Hex Machine	2
9	8058	Lockwasher, #4 Split	2

6
G

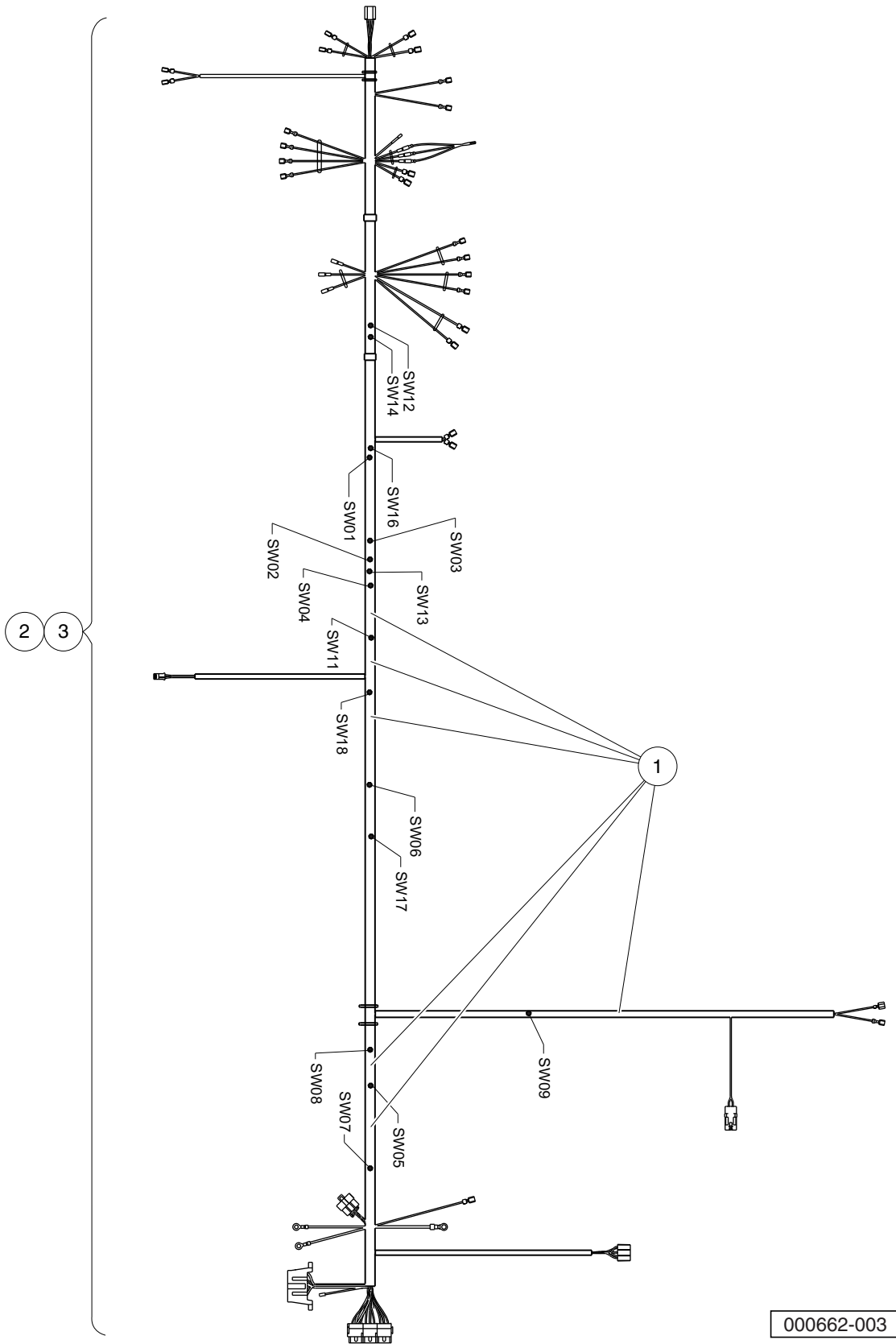


000076-003

ELECTRICAL COMPONENT BOX, GASOLINE VEHICLE

ITEM	PART NO.	DESCRIPTION	QTY
		1 2 3 4	
1	1012295	Fuse, 10-Amp	2
2	1015741	Fuse Block	1
3	102420201	Relay, Mini ISO, SPDT	3
4	102420301	Connector, Relay	3
5	102420401	Plate, Electrical	1
6	102420501	Cover, Electrical	1
7	102447901	Fastener, Push-in	7
8	102448001	Rivet, Drive	2
9	102492201	Fuse, 25-Amp	2

6
G



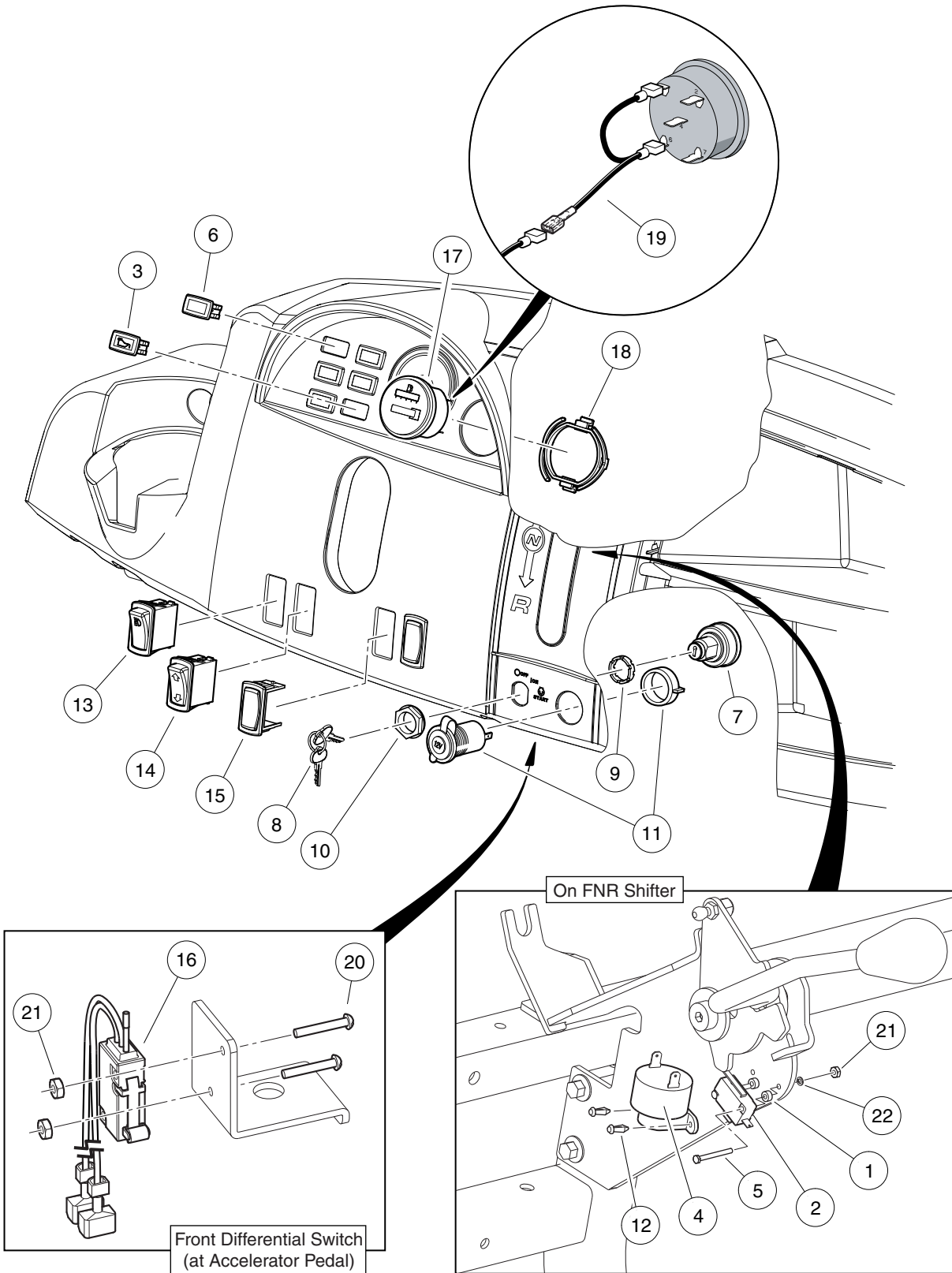
000662-003

WIRING – KAWASAKI GAS ENGINE

ITEM	PART NO.	DESCRIPTION	QTY
		1 2 3 4	
1	1014789	Diode, General Purpose, 3.0-Amp	6
2	103305701	Harness, Wire, AWD, Kawasaki FH680, 295/1550	1
3	103305801	Harness, Wire, AWD, Kawasaki FH680, 295 SE/1550 SE	1
<p>Note: Item 2 is for use with 81.5 in. (207 cm) wheelbase vehicle. Item 3 is for use with 114 in. (289.5 cm) wheelbase vehicle.</p>			

6

G



Front Differential Switch
(at Accelerator Pedal)

On FNR Shifter

000543-013

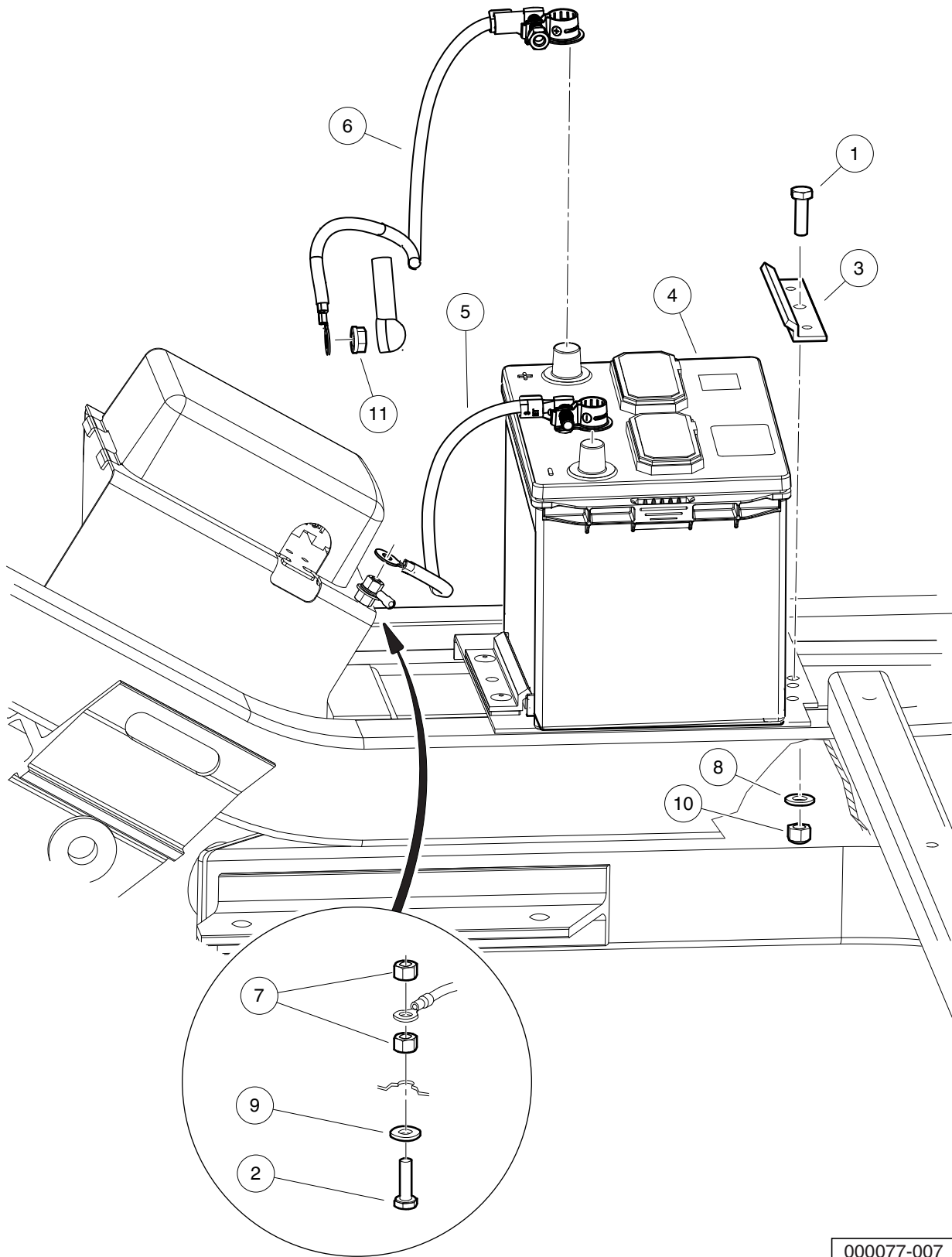
ELECTRICAL COMPONENTS, FRONT BODY – GAS VEHICLE

ITEM	PART NO.	DESCRIPTION	QTY
		1 2 3 4	
1	1014727	Washer, Flat, #4, Nylon	2
2	1014808	Switch, Limit	1
3	1016630	Light, Oil	1
4	1016851	Multi-Purpose Buzzer (9-48 VDC)	1
5	1016896	Screw, #4-40 X 1.125 Hx Hd Mch	2
6	101802601	Plug, Hole	5
7	102044702	Key Switch 12v Key Start	1
8	102044801	Key Set	1
9	102051601	Spacer, Keyswitch	1
10	102051701	Nut, Key Switch	1
11	102198001	Receptacle, Accessory	1
12	102499001	Rivet, Micro Tuflok	2
13	102869401	Switch, Rocker, Light	1
14	102882501	Switch, Rocker, Bed Lift	1
15	103180101	Cover, Hole, Switch, Rocker	3
16	103327201	Asm, Switch, Limit, Awd	1
17	103348101	Gauge, Fuel-hour, Sep Gnd	1
18	103348201	Clip, Meter, Round	1
19	103348501	Asm, Wire Meter, F-h Jumper	1
20	8056	Screw, #4-40 X 0.75 Round-Head Machine	2
21	8057	Nut, #4-40 Hex Machine	4
22	8058	Lockwasher, #4 Split	2
<p>Note: Item 4, reverse buzzer, is only if equipped. NOTE 2: Item 14, bed lift switch, is only if equipped. NOTE 3: Items 18, clip, and 19, jumper wire, are required with item 17, fuel/hour gauge.</p>			

6

G

6
G



000077-007

TOP-POST BATTERY – GASOLINE VEHICLE

ITEM	PART NO.	DESCRIPTION	QTY
		1 2 3 4	
1	1010934	Screw, 5/16-18 X 1.00 Hex Cap	1
2	1015521	Screw, 1/4-20 X .88 Hex Hd Cap	1
3	101898001	Clamp, Battery	1
4	105237301	Battery, Start, 12v, Type 26	1
5	105256201	Wire Asm, #6 Blk, (top-post battery) Awd, 426	1
6	105256601	Wire Asm, #6 Red, (top-post battery) Awd, 476	1
7	1108	Locknut, 1/4-20 Dimpled	2
8	1241	Washer, 5/16 Type A Flat	1
9	332	Washer, 1/4 Type A Narrow Flat	1
10	7473	Locknut, 5/16-18 Nylon Insert	1
11	96704416	Nut, Flange, M8 X 1.25 Serrated	1

6

G

6

G

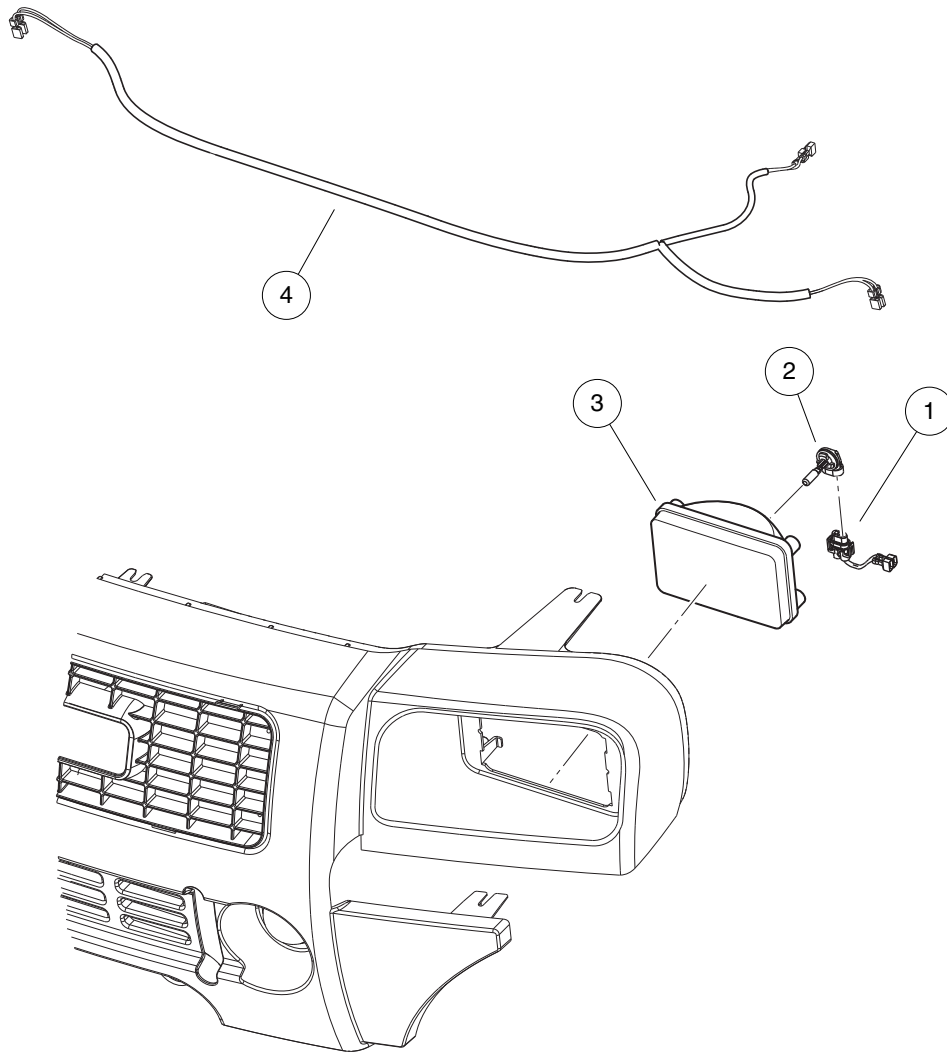
ELECTRICAL SYSTEM – DIESEL VEHICLES

7

D

7

D



000880-003

HEADLIGHTS – CARRYALL

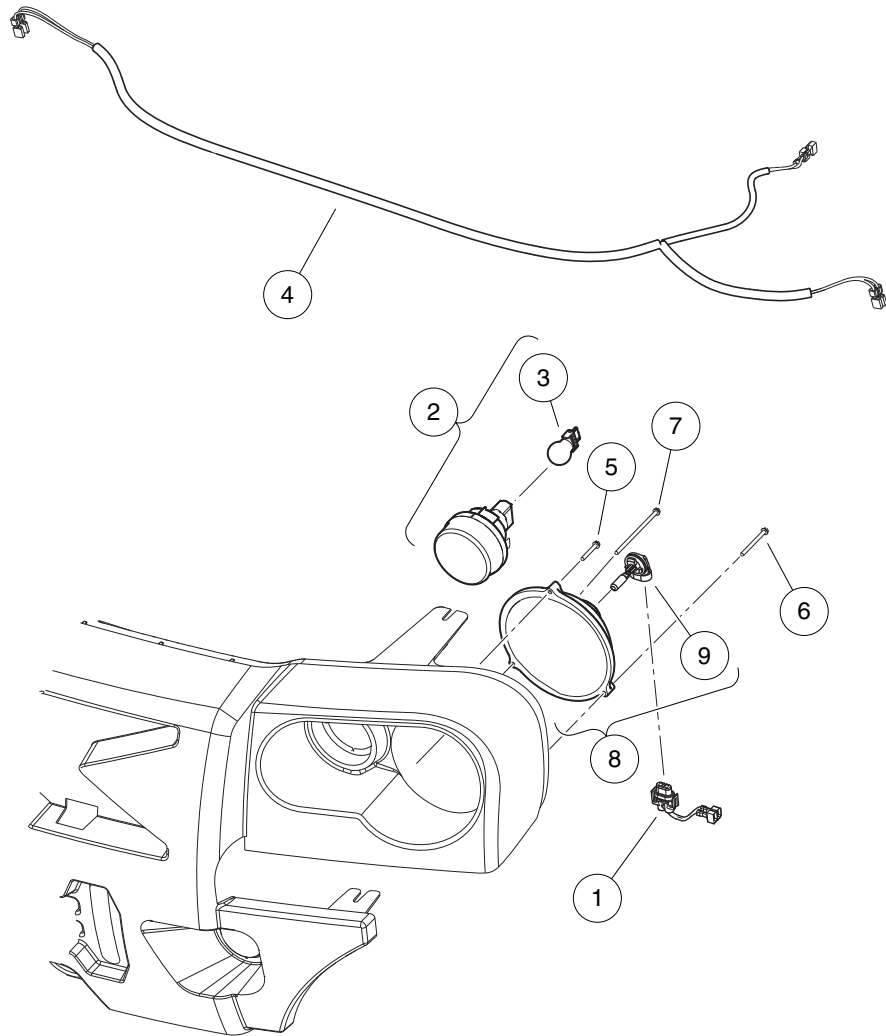
ITEM	PART NO.	DESCRIPTION	QTY
		1 2 3 4	
1	101987901	Connector, Harness Assembly, Headlight	2
2	101988101	Bulb, Headlight	2
3	101988201	Lens, Headlight	2
4	103213301	Harness, Wire, XRT/CA Restyle Headlights	1

7

D

7

D



000880-008

HEADLIGHTS – XRT

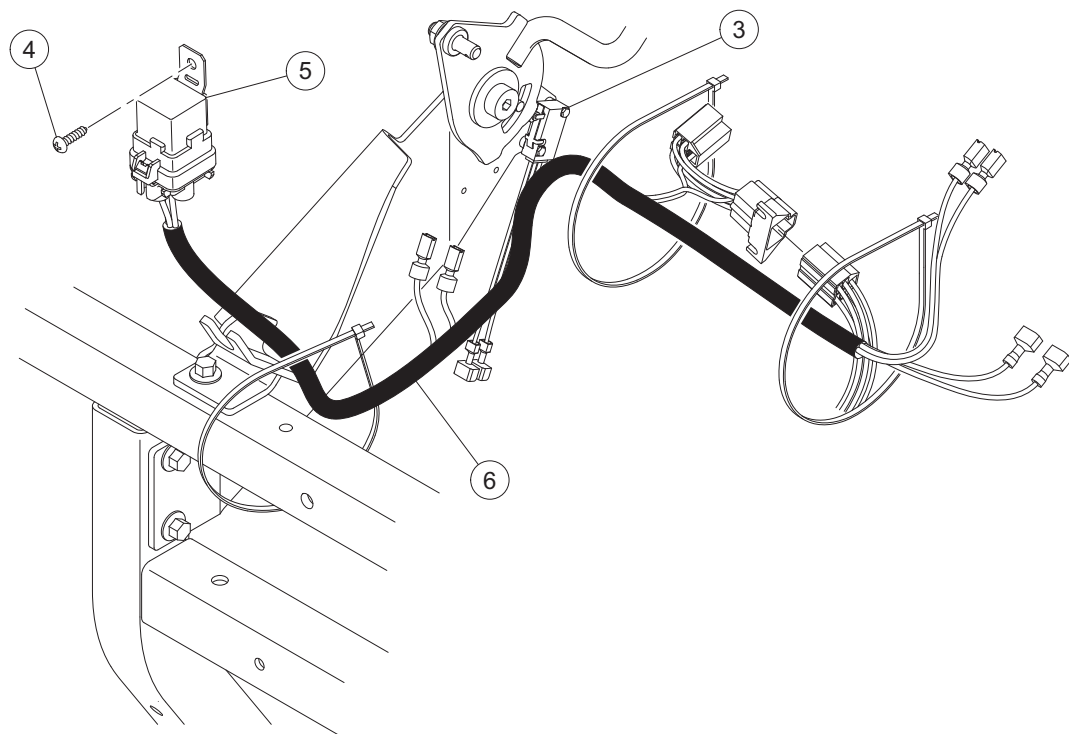
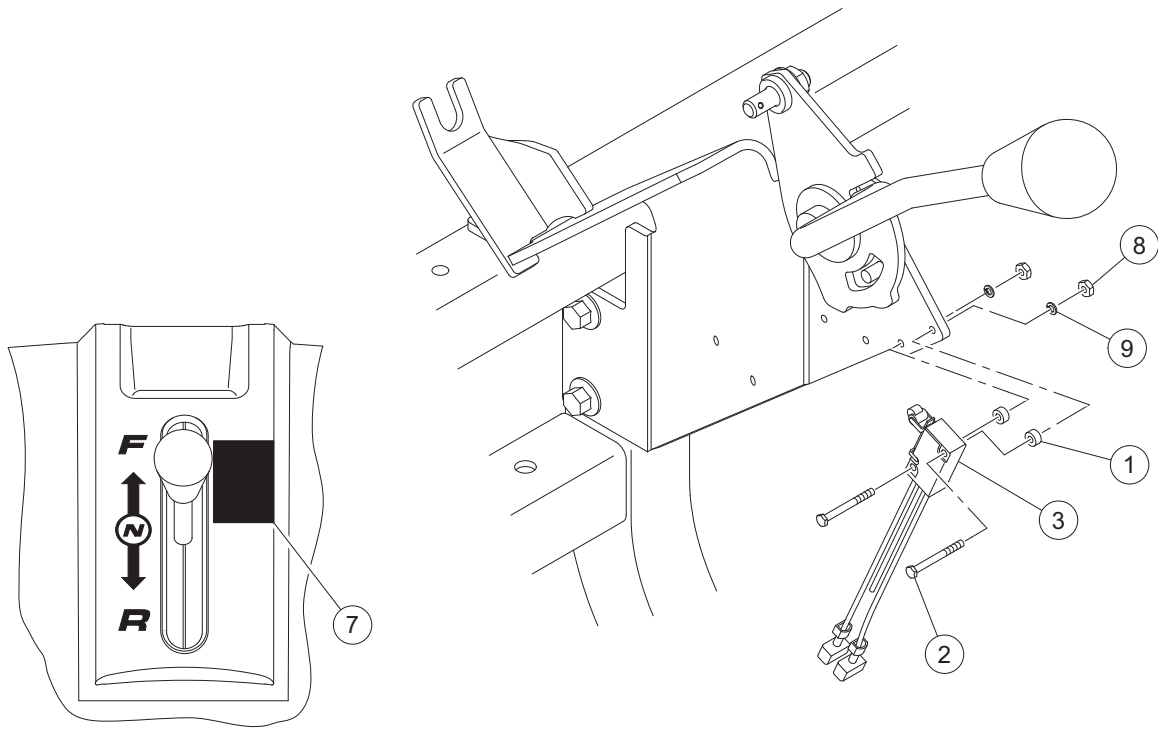
ITEM	PART NO.	DESCRIPTION	QTY
		1 2 3 4	
1	101987901	Connector, Harness Assembly, Headlight	2
2	102894501	Light, Turn Signal, Round, 3" (includes item 3)	2
3	103521001	Bulb, Signal, Marker	1
4	103213301	Harness, Wire, XRT/CA Restyle Headlights	1
5	103218104	Screw, #8x1.25 Ab Thd, Hex Hd	2
6	103218107	Screw, #8x2.00 AB Thd, Hex Hd	2
7	103218113	Screw, #8x3.50 Ab Thd, Hex Hd	2
8	103966401	Headlight, Round, 6", 8610 (includes item 9)	2
9	102535101	Bulb, Headlight, 37.5 W	1
		Note: This headlight is made of polycarbonate.	

7

D

7

D



G-131299-000001

IGNITION INTERLOCK AND LIMIT SWITCH – DIESEL

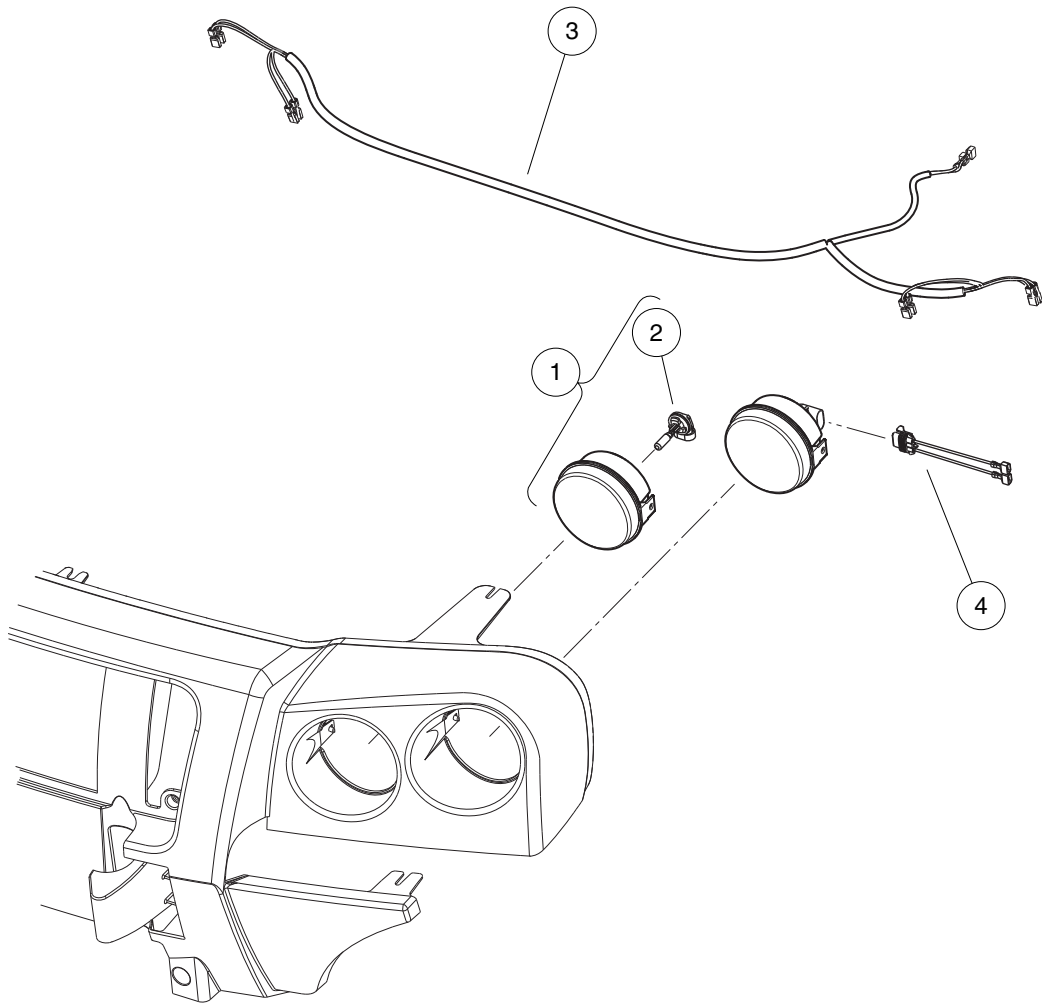
ITEM	PART NO.	DESCRIPTION	QTY
		1 2 3 4	
1	1014727	Washer, Flat, #4, Nylon	2
2	1016896	Screw, #4-40 X 1.125 Hx Hd Mch	2
3	103327201	Asm, Switch, Limit, Awd	1
4	1620	Screw, #10-16 X 0.75 Pan-Head Tap	1
5	47623281001	Relay, Mini 630 Spdt,40a/30a	1
6	47666420001	Harness, Ign Interlock, Diesel	1
7	47676144001	Decal, Park Brake, Notice	1
8	8057	Nut, #4-40 Hex Machine	2
9	8058	Lockwasher, #4 Split	2

7

D

7

D



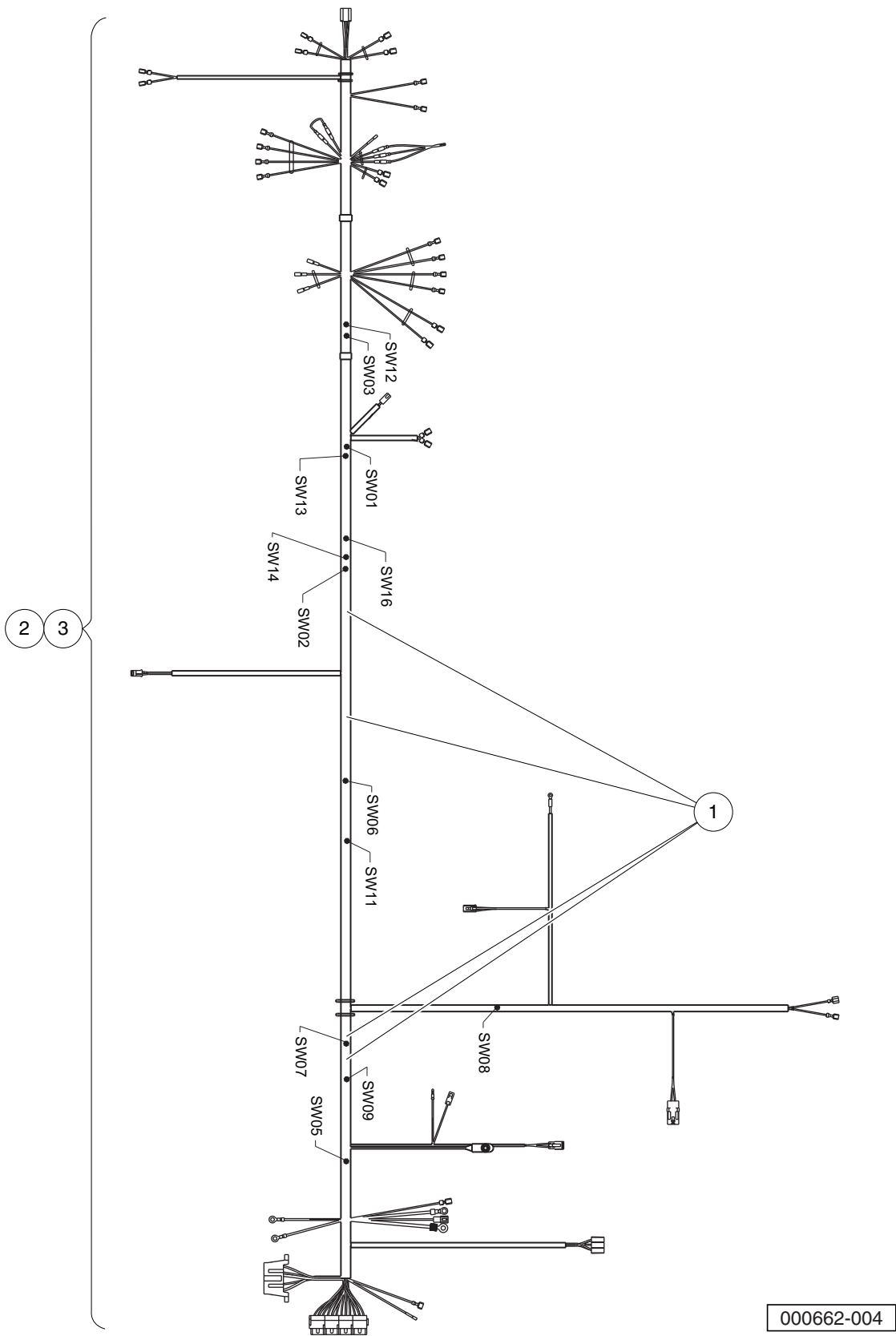
000880-009

HEADLIGHTS – INTELLITACH

ITEM	PART NO.	DESCRIPTION	QTY
		1 2 3 4	
1	102885001	Headlight, Round, 4" (includes item 2)	4
2	103762501	Bulb, Halogen, 35/35 Hi/lo	1
3	103213201	Harness, Wire, IntelliTach Headlights	1
4	103213501	Harness, Wire, Headlight Connector	4

7

D



000662-004

WIRING HARNESS – KUBOTA DIESEL ENGINE – 1500/1550

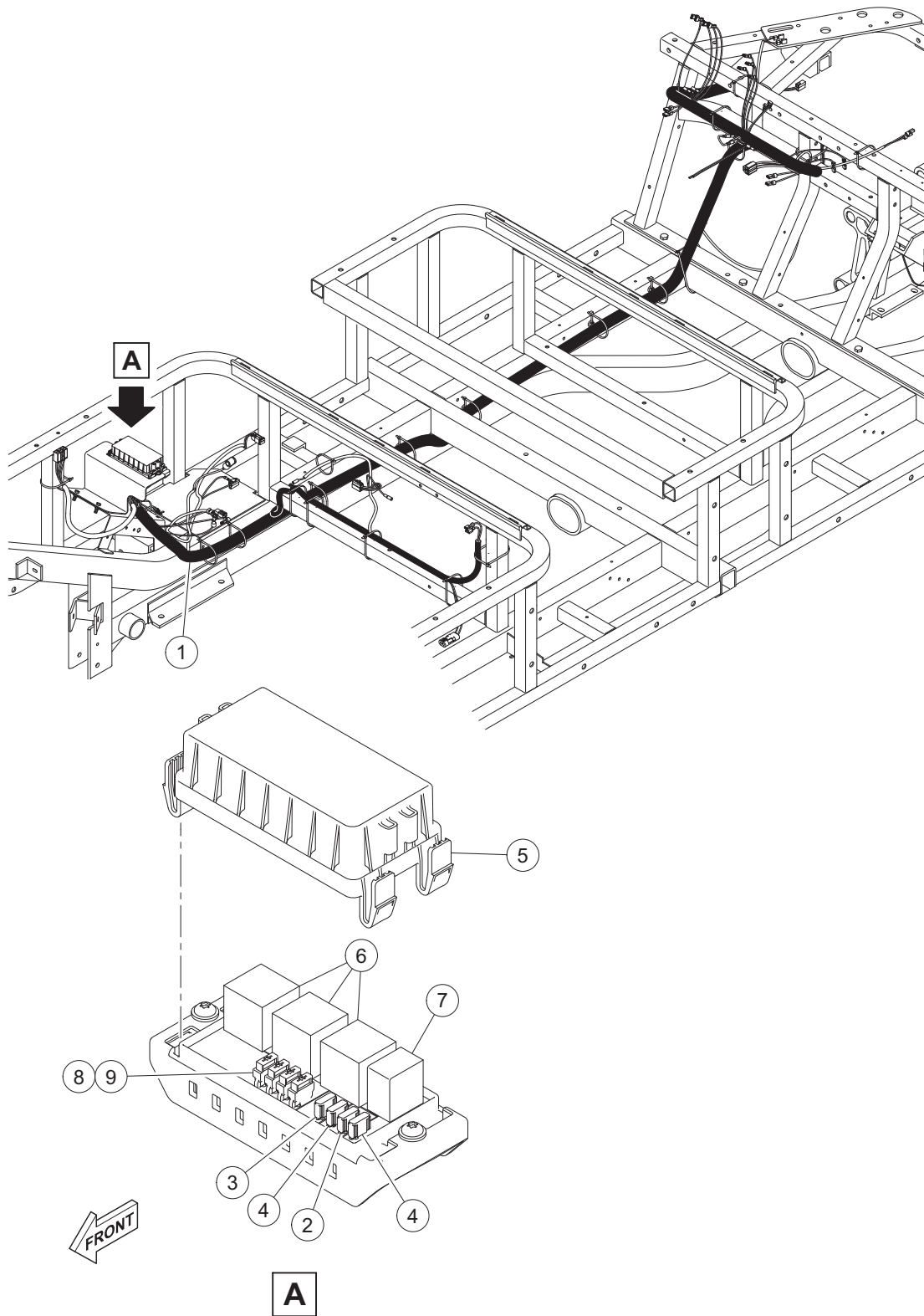
ITEM	PART NO.	DESCRIPTION	QTY
		1 2 3 4	
1	1014789	Diode, General Purpose, 3.0-Amp	4
2	103277501	Harness, Wire, AWD, Diesel, 295/1550	1
3	103277701	Harness, Wire, AWD, Diesel, 295 SE/1550 SE	1
<p style="text-align: center;">Note: Item 2 is for use with 81.5 in. (207 cm) wheelbase vehicle. Item 3 is for use with 114 in. (289.5 cm) wheelbase vehicle.</p>			

7

D

7

D



G-131099-000012

WIRING HARNESS – KUBOTA DIESEL ENGINE – 1700

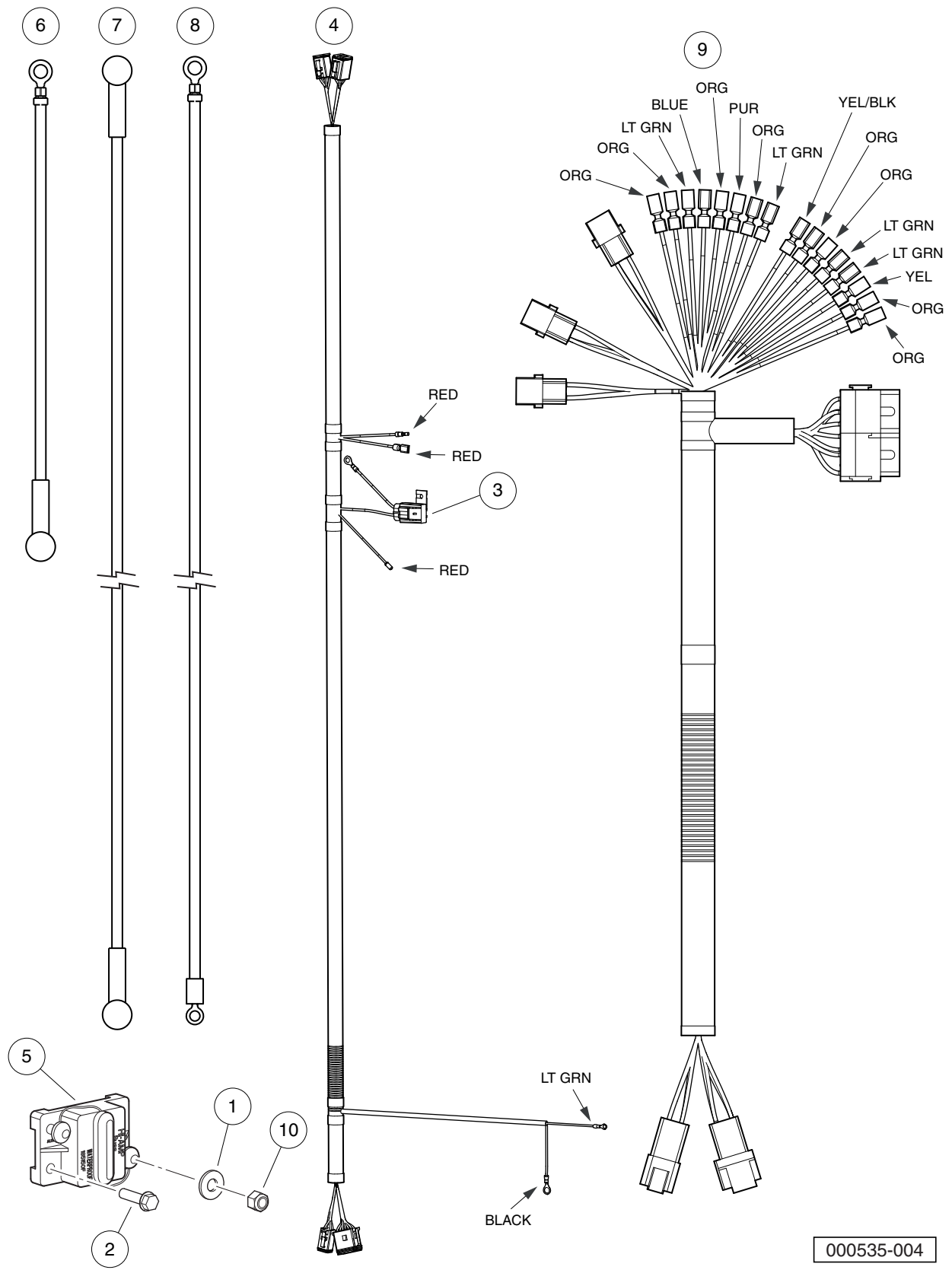
ITEM	PART NO.	DESCRIPTION	QTY
		1 2 3 4	
1	47610581001	Harness, Diesel Awd, Pdm (includes items 2 through 9)	1
2	105114806	Fuse, Mini, Atm, 10 Amp	1
3	105114809	Fuse, Mini, Atm, 25 Amp	1
4	105114810	Fuse, Mini, Atm, 30 Amp	2
5	47605993001	Asm, PDM Cover	1
6	47616611003	Relay, Mini 280 Spst, 50a	3
7	47616611004	Relay, Micro 280 Spst, 35a	1
8	47619337001	Diode, Key, PDM	4
9	47620397001	Diode, 1a, Mini, Pdm	4

7

D

7

D



000535-004

WIRING – HYDRAULIC ATTACHMENT (INTELLITACH)

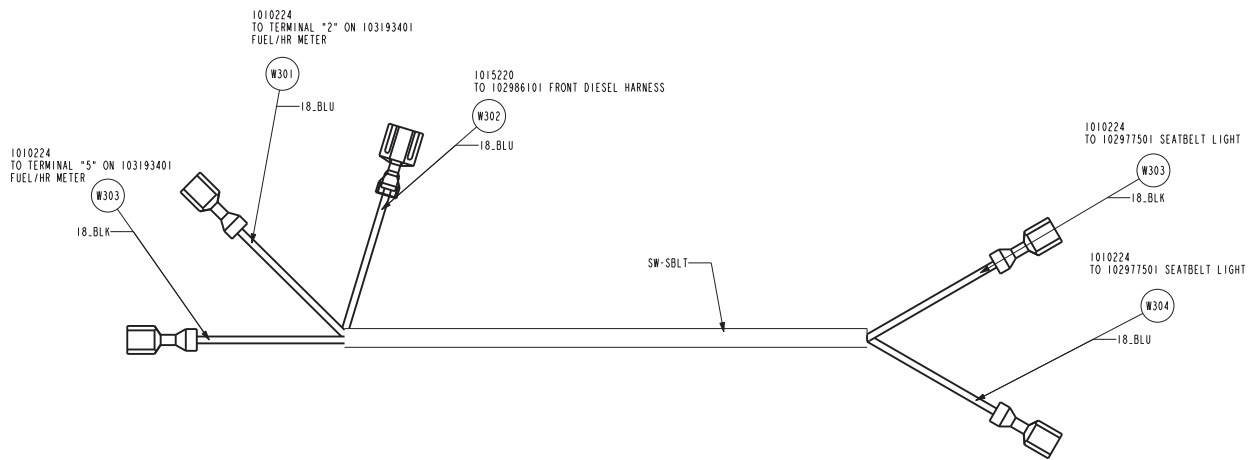
ITEM	PART NO.	DESCRIPTION	QTY
		1 2 3 4	
1	1011931	Washer, 1/4 Flat	2
2	1014063	Screw, 1/4-20 X 1.00, Hex Head	2
3	1016423	Fuse, 20-Amp	1
4	102786401	Wire Harness, Powerunit	1
5	102936801	Breaker, Circuit, 150-Amp	1
6	102937401	Wire Asm, #6, Red, Bt	1
7	102937501	Wire Asm, #6, Red, Bt	1
8	102937601	Wire Asm, #6, Black, Bt	1
9	103245801	Wire Harness, Control Panel	1
10	8717	Locknut, Nylon Insert, 1/4-28	2

7

D

7

D



000535-005

WIRING – SEAT BELT REMINDER (INTELLITACH)

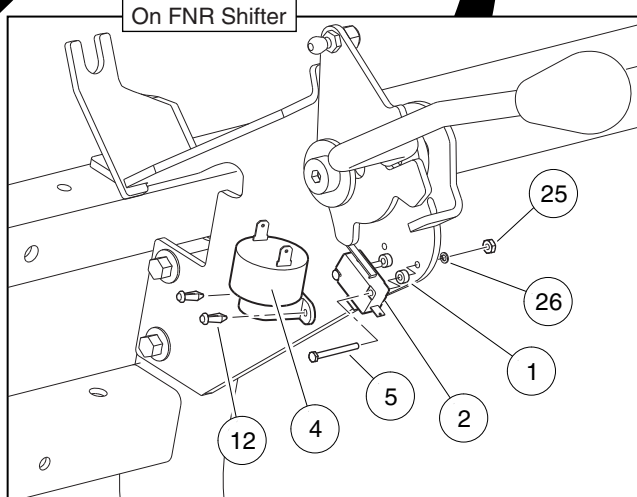
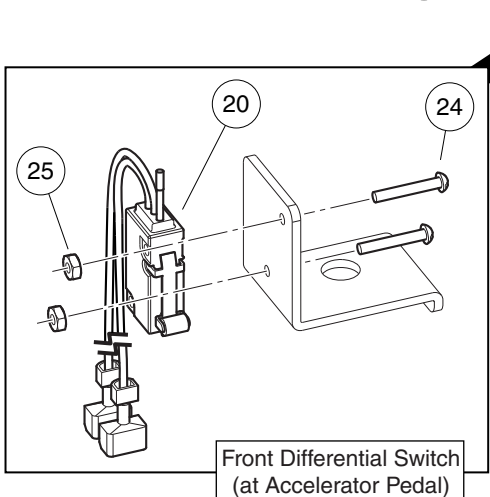
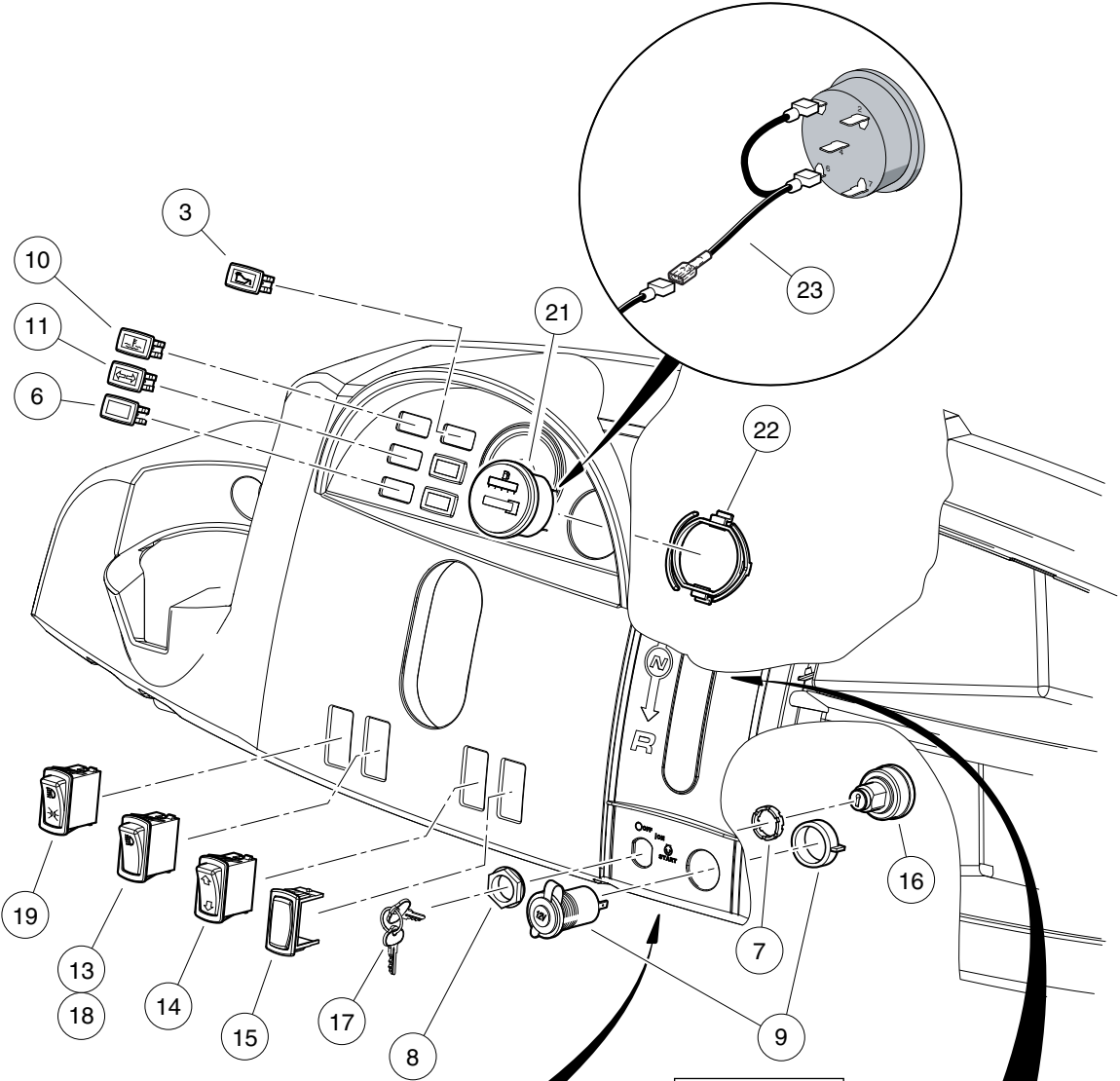
ITEM	PART NO.	DESCRIPTION	QTY
1	103213401	1 2 3 4 Harness, Wire, Seatbelt Light	1

7

D

7

D



000543-014

ELECTRICAL COMPONENTS, FRONT BODY – DIESEL VEHICLE

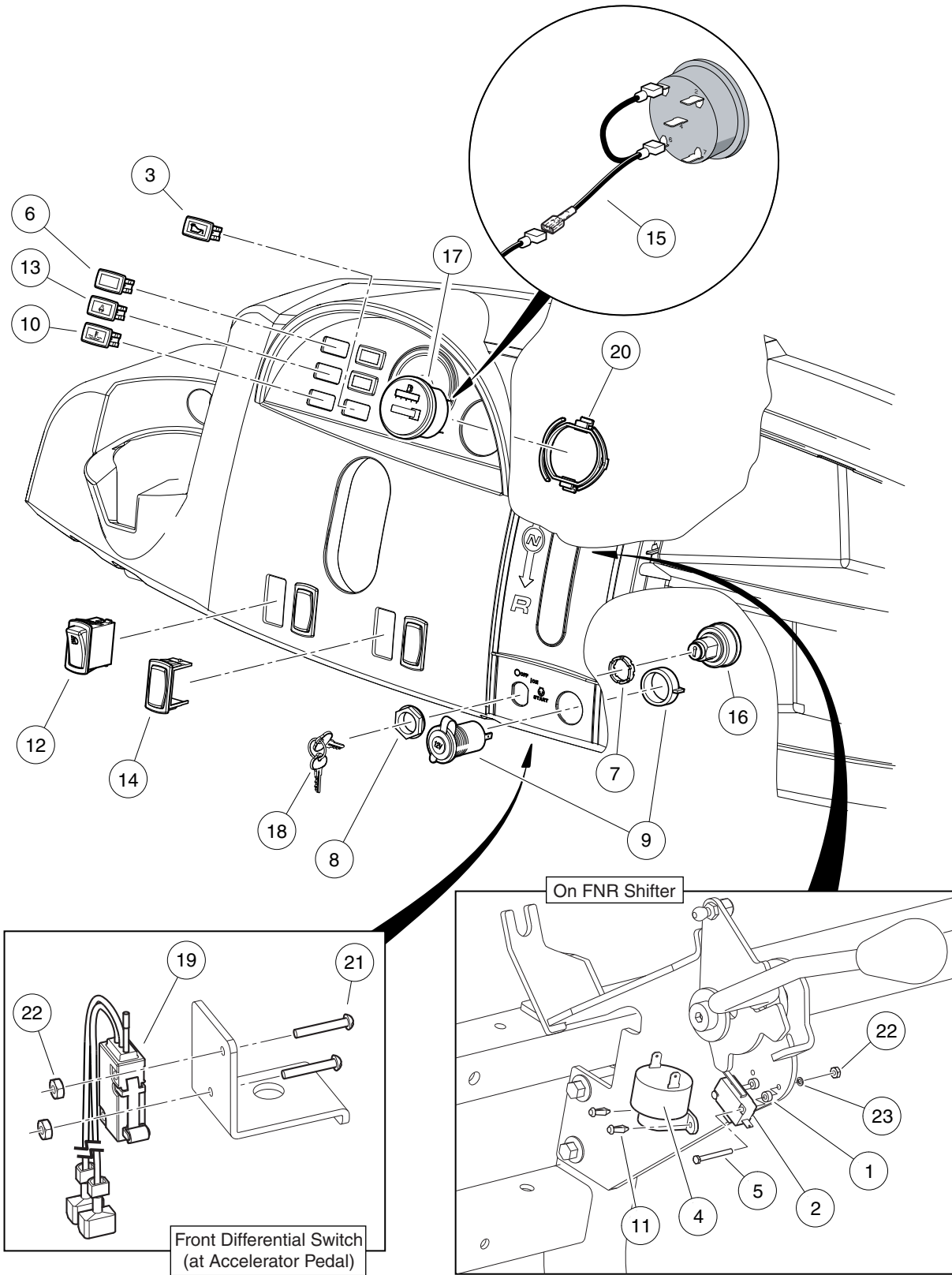
ITEM	PART NO.	DESCRIPTION	QTY
		1 2 3 4	
1	1014727	Washer, Flat, #4, Nylon	2
2	1014808	Switch, Limit	1
3	1016630	Light, Oil	1
4	1016851	Multi-Purpose Buzzer (9-48 VDC)	1
5	1016896	Screw, #4-40 X 1.125 Hx Hd Mch	2
6	101802601	Plug, Hole	5
7	102051601	Spacer, Keyswitch	1
8	102051701	Nut, Key Switch	1
9	102198001	Receptacle, Accessory	1
10	102375401	Light, Indicator, Coolant Temp	1
11	102495701	Light, Indicator, Turn Signals	1
12	102499001	Rivet, Micro Tuflok	2
13	102869401	Switch, Rocker, Light	1
14	102882501	Switch, Rocker, Bed Lift	1
15	103180101	Cover, Hole, Switch, Rocker	3
16	103208801	Keyswitch, 12v, Diesel	1
17	103234401	Keys (set of 2)	1
18	103310701	Switch, High Beam, Homologatn	1
19	103324901	Switch, 3-pos, Euro, Restyle	1
20	103327201	Asm, Switch, Limit, Awd	1
21	103348101	Gauge, Fuel-hour, Sep Gnd	1
22	103348201	Clip, Meter, Round	1
23	103348501	Asm, Wire Meter, F-h Jumper	1
24	8056	Screw, #4-40 X 0.75 Round-Head Machine	2
25	8057	Nut, #4-40 Hex Machine	4
26	8058	Lockwasher, #4 Split	2
<p>Note: Item 4, reverse buzzer, is only if equipped. NOTE 2: Items 22, clip, and 23, jumper wire, are required with item 21, fuel/hour gauge. NOTE 3: Item 14, bed lift switch, is only if equipped.</p>			

7

D

7

D



000543-015

ELECTRICAL COMPONENTS, FRONT BODY – INTELLITACH

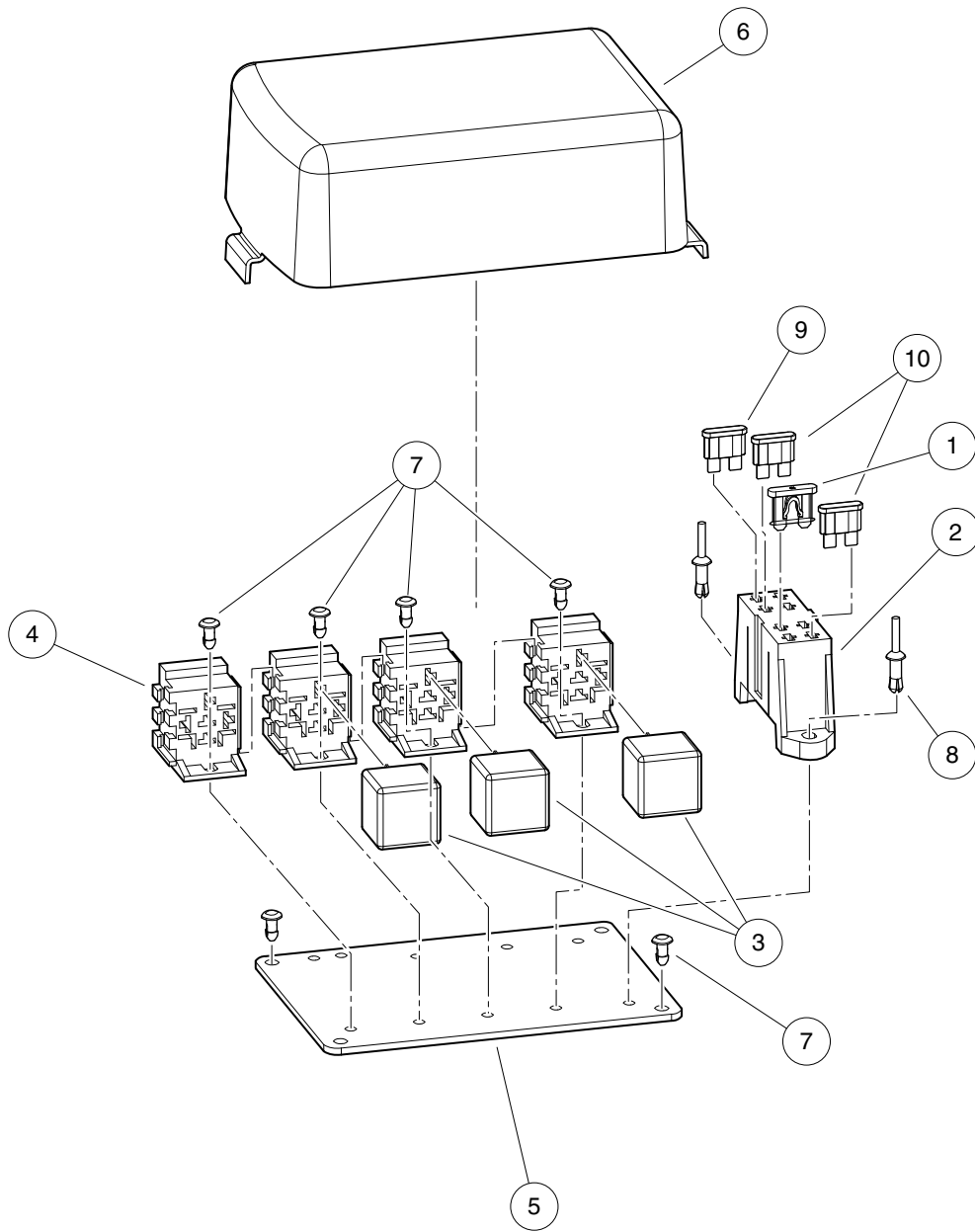
ITEM	PART NO.	DESCRIPTION	QTY
		1 2 3 4	
1	1014727	Washer, Flat, #4, Nylon	2
2	1014808	Switch, Limit	1
3	1016630	Light, Oil	1
4	1016851	Multi-Purpose Buzzer (9-48 VDC)	1
5	1016896	Screw, #4-40 X 1.125 Hx Hd Mch	2
6	101802601	Plug, Hole	5
7	102051601	Spacer, Keyswitch	1
8	102051701	Nut, Key Switch	1
9	102198001	Receptacle, Accessory	1
10	102375401	Light, Indicator, Coolant Temp	1
11	102499001	Rivet, Micro Tuflok	2
12	102869401	Switch, Rocker, Light	1
13	102977501	Light, Indicator, Seat Belt	1
14	103180101	Cover, Hole, Switch, Rocker	3
15	103205801	Asm, Wire, Meter F/h/sb Jumpr	1
16	103208801	Keyswitch, 12v, Diesel	1
17	103234001	Gauge, F/h, Sep Gnd Timer	1
18	103234401	Keys (set of 2)	1
19	103327201	Asm, Switch, Limit, Awd	1
20	103348201	Clip, Meter, Round	1
21	8056	Screw, #4-40 X 0.75 Round-Head Machine	2
22	8057	Nut, #4-40 Hex Machine	4
23	8058	Lockwasher, #4 Split	2
Note: Item 4, reverse buzzer, is only if equipped. NOTE 2: Items 15, jumper wire, and 20, clip, are required with item 17, fuel/hour gauge.			

7

D

7

D



000076-004

ELECTRICAL COMPONENT BOX, DIESEL VEHICLE

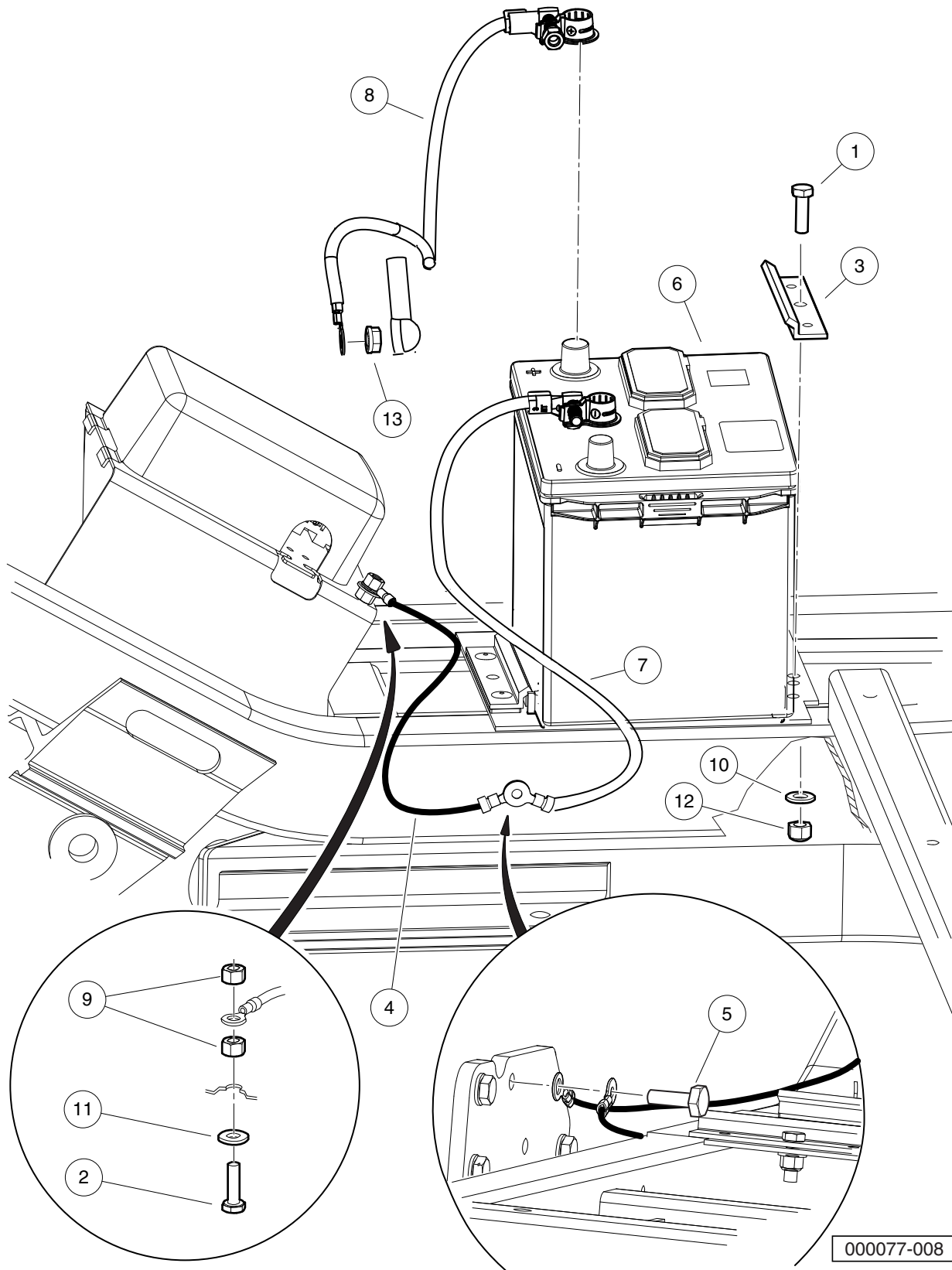
ITEM	PART NO.	DESCRIPTION	QTY
		1 2 3 4	
1	1012295	Fuse, 10-Amp	1
2	1015741	Fuse Block	1
3	102420201	Relay, Mini ISO, SPDT	3
4	102420301	Connector, Relay	4
5	102420401	Plate, Electrical	1
6	102420501	Cover, Electrical	1
7	102447901	Fastener, Push-in	8
8	102448001	Rivet, Drive	2
9	102492201	Fuse, 25-Amp	1
10	102492301	Fuse, 30-Amp	2

7

D

7

D



000077-008

TOP-POST BATTERY – DIESEL VEHICLE

ITEM	PART NO.	DESCRIPTION	QTY
		1 2 3 4	
1	1010934	Screw, 5/16-18 X 1.00 Hex Cap	1
2	1015521	Screw, 1/4-20 X .88 Hex Hd Cap	1
3	101898001	Clamp, Battery	1
4	102448501	Wire Asm, #6 Blk, Awd, 325	1
5	102498201	Bolt, M10 X 1.25 X 25, Loctite	1
6	105237301	Battery, Start, 12v, Type 26	1
7	105256201	Wire Asm, #6 Blk, (top-post battery) Awd, 426	1
8	105256601	Wire Asm, #6 Red, (top-post battery) Awd, 476	1
9	1108	Locknut, 1/4-20 Dimpled	2
10	1241	Washer, 5/16 Type A Flat	1
11	332	Washer, 1/4 Type A Narrow Flat	1
12	7473	Locknut, 5/16-18 Nylon Insert	1
13	96704416	Nut, Flange, M8 X 1.25 Serrated	1

7

D

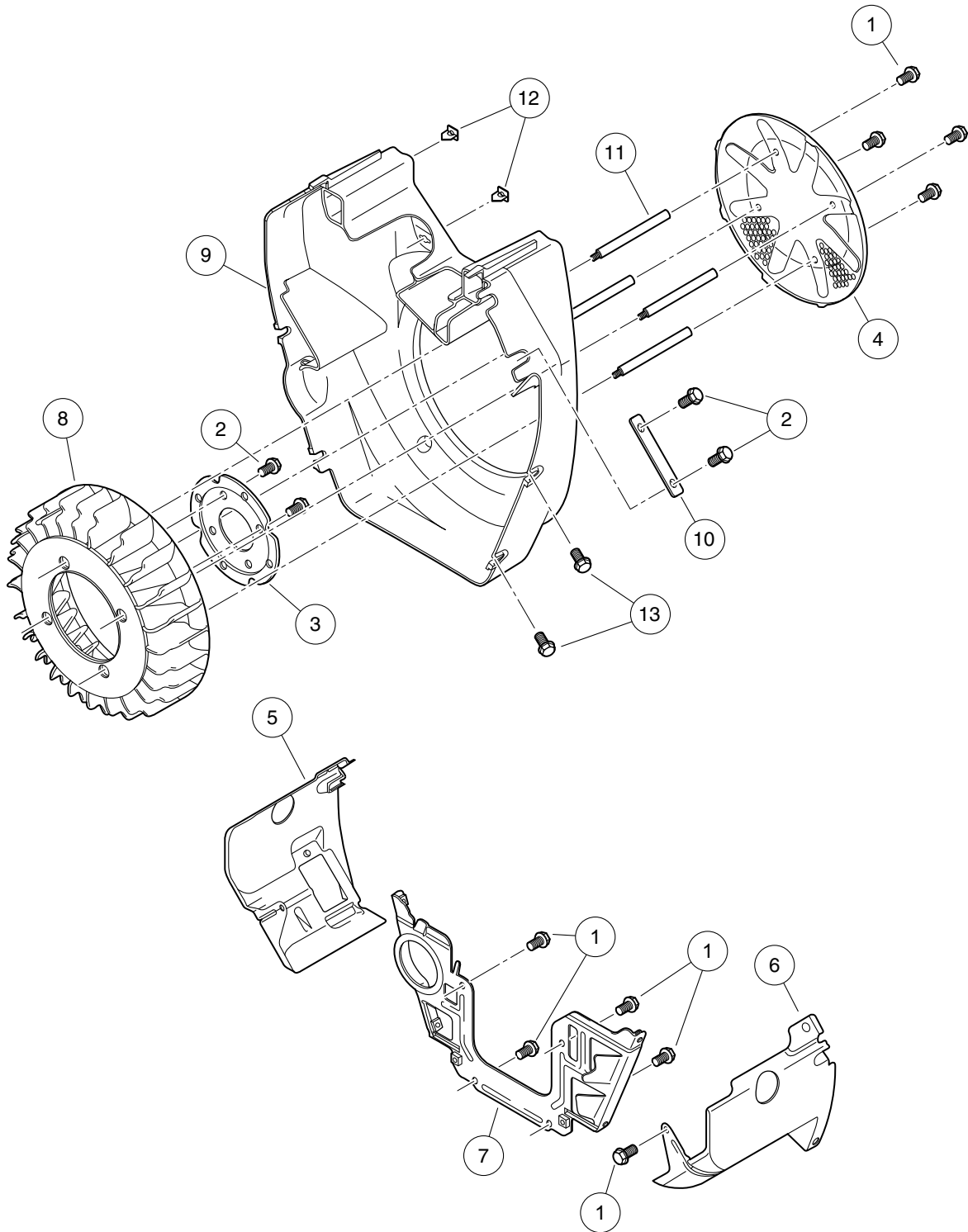
7

D

ENGINE – KAWASAKI FH680D GASOLINE

8

G



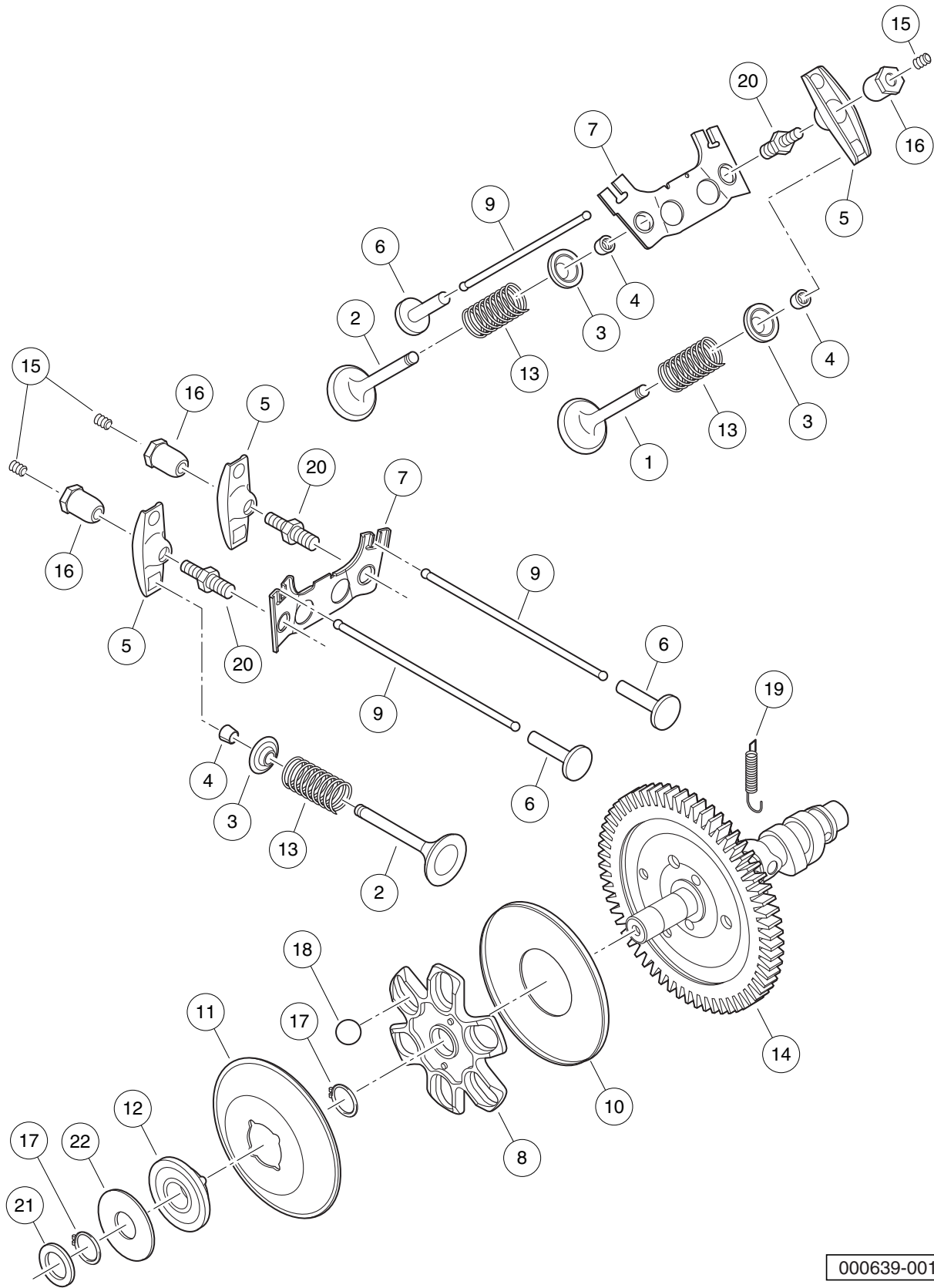
000625-001

SHROUDS AND BRACKETS

ITEM	PART NO.	DESCRIPTION	QTY
		1 2 3 4	
1	102992401	Bolt, Flg, M6 X 1.0 X 12	9
2	102992501	Bolt, Flg, M6 X 1.0 X 16	4
3	102998601	Plate, Housing, Fan, Fh	1
4	102998701	Screen, Fan, Fh	1
5	102999101	Shroud, Engine, Rh, Fh	1
6	102999201	Shroud, Engine, Lh, Fh	1
7	102999301	Shroud, Engine, Front, Fh	1
8	102999501	Fan, Cooling, Fh	1
9	102999601	Housing, Engine, Fh	1
10	103000001	Washer, Housing, Fan, Fh	1
11	103299301	Stud, Fan Screen, Fh	4
12	103299401	Nut, Press In, Front Cover, Fh	4
13	103300301	Bolt, Oil Pickup, Fh	4

8

G



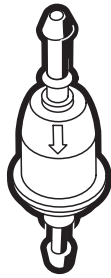
000639-001

VALVES AND CAMSHAFT

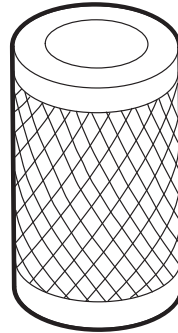
ITEM	PART NO.	DESCRIPTION	QTY
		1 2 3 4	
1	102994601	Valve, Intake, Fh	2
2	102994701	Valve, Exhaust, Fh	2
3	102994801	Retainer, Valve Spring, Fh	4
4	102994901	Collet, Spring, Valve, Fh	8
5	102995001	Arm, Rocker	4
6	102995101	Tappet, Rod, Push, Fh	4
7	102995201	Guide, Arm, Rocker, Fh	2
8	102995301	Guide, Camshaft, Gov, Fh	1
9	102995401	Rod, Push, Fh	4
10	102995501	Plate, Camshaft, Gov, Fh	1
11	102995601	Plate, Ring, Gov, Fh	1
12	102995701	Sleeve, Plate, Gov, Fh	1
13	102995801	Spring, Valve, Fh	4
14	102995901	Kit, Camshaft, Comp, Fh	1
15	102996001	Screw, Rocker Arm, Fh	4
16	102996101	Nut, Arm, Rocker, Fh	4
17	102996201	Ring, Snap, Gov, Fh	2
18	102996301	Ball, Guide, Gov, Fh	6
19	102996401	Spring, Camshaft, Fh	1
20	102996501	Stud, Rocker Arm, Fh	4
21	102996601	Washer, Sleeve, Gov, Fh	1
22	102996701	Washer, Gov, Fh	1

8

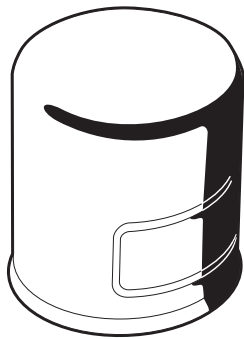
G



2



3



4



5

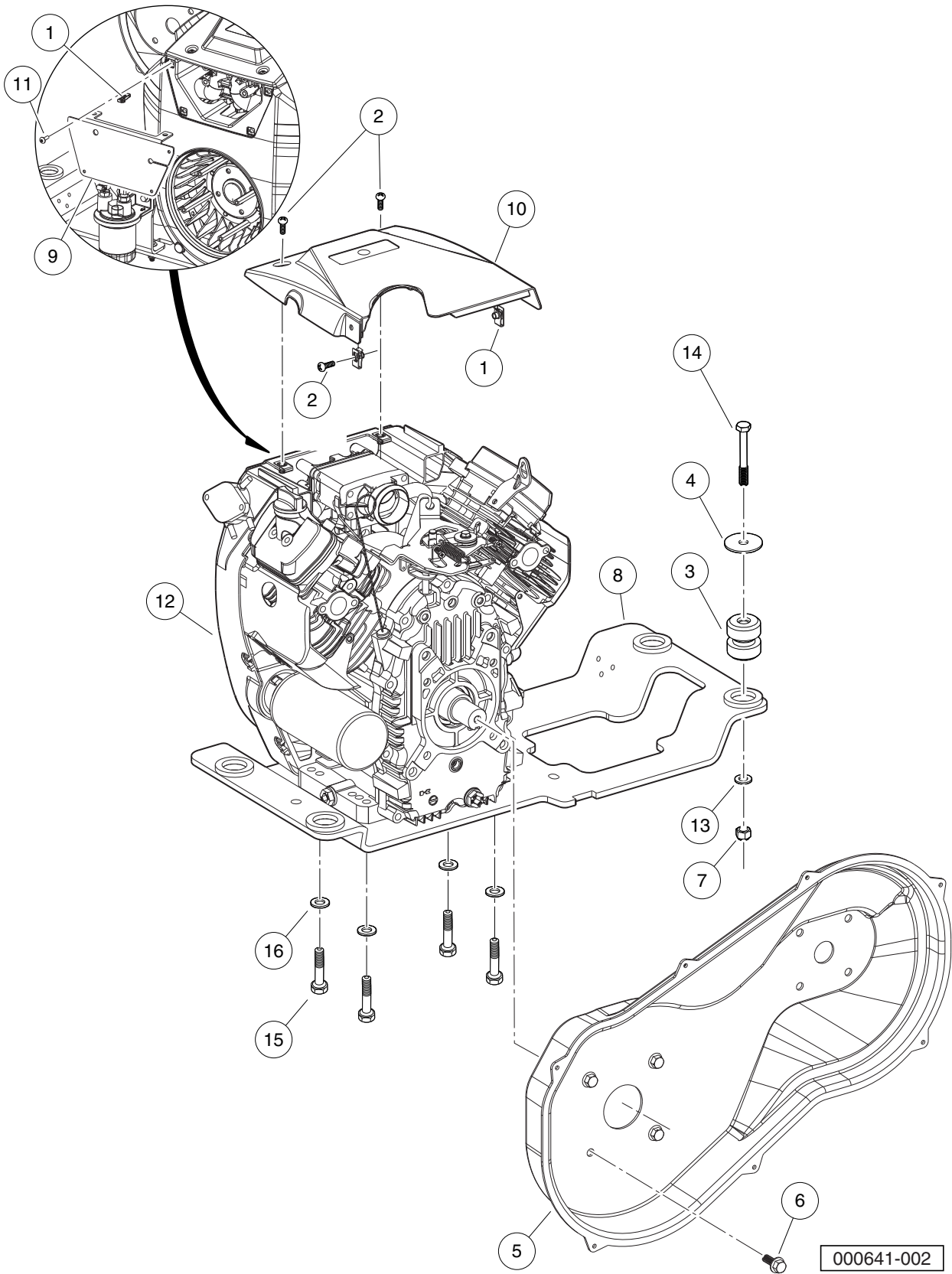
000992-001

TUNE-UP KIT – KAWASAKI FH680

ITEM	PART NO.	DESCRIPTION	QTY
		1 2 3 4	
1	AM1232401	Kit, Tune-Up (For Kawasaki V-twin engines) (includes items 2 through 5)	1
2	102003201	Filter, Fuel, 30 Micron	1
3	102498601	Element, Filter, Air, 5 Inch	1
4	103887901	Filter, Oil, Kawasaki	1
5	AM1232301	Spark Plug, BPR2ES	2

8

G

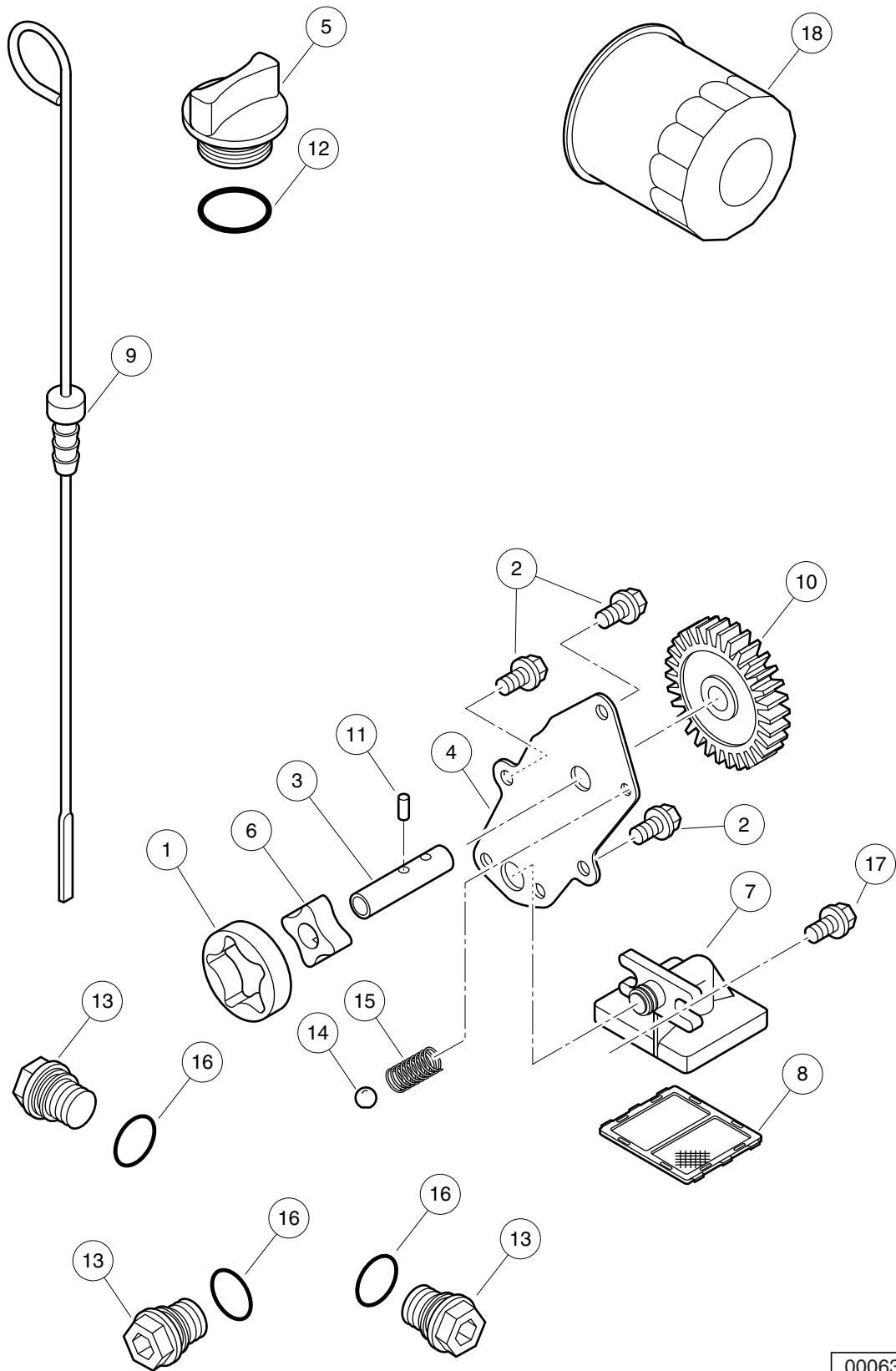


KAWASAKI FH680D GASOLINE ENGINE AND MOUNTING

ITEM	PART NO.	DESCRIPTION	QTY
		1 2 3 4	
1	102296601	U-Nut, M6-1.0, Prevailing Torque	4
2	102296920	Screw, M6, Torx Button Head, Sems	4
3	102370501	Isolator Ring and Bushing	4
4	102370601	Washer, Snubbing, Ring N Bush	4
5	102462504	Cover, Cvt, Inner Fh680d	1
6	102491001	Bolt, Flanged Head, 3/8-16x1.0 with Loctite	4
7	102740401	Locknut, M12x1.75 Nylon Insert	4
8	102951901	Weldment, Eng Mnt, Kaw, Fh680d	1
9	103208701	Engine, Front Cover, Fh680d	1
10	103262901	Cover, Engine, Top	1
11	103279201	Screw, Pn Hd Blk, 10-16 X .625	4
12	103528201	Engine, Kawasaki, FH680D	1
13	96701412	Washer, M12 Hard	4
14	96704721	Bolt, M12 X 1.75 X 90	4
15	96704960	Bolt, M10 X 1.5 X 60	4
16	96741046	Washer, M10, Hard	4

8

G



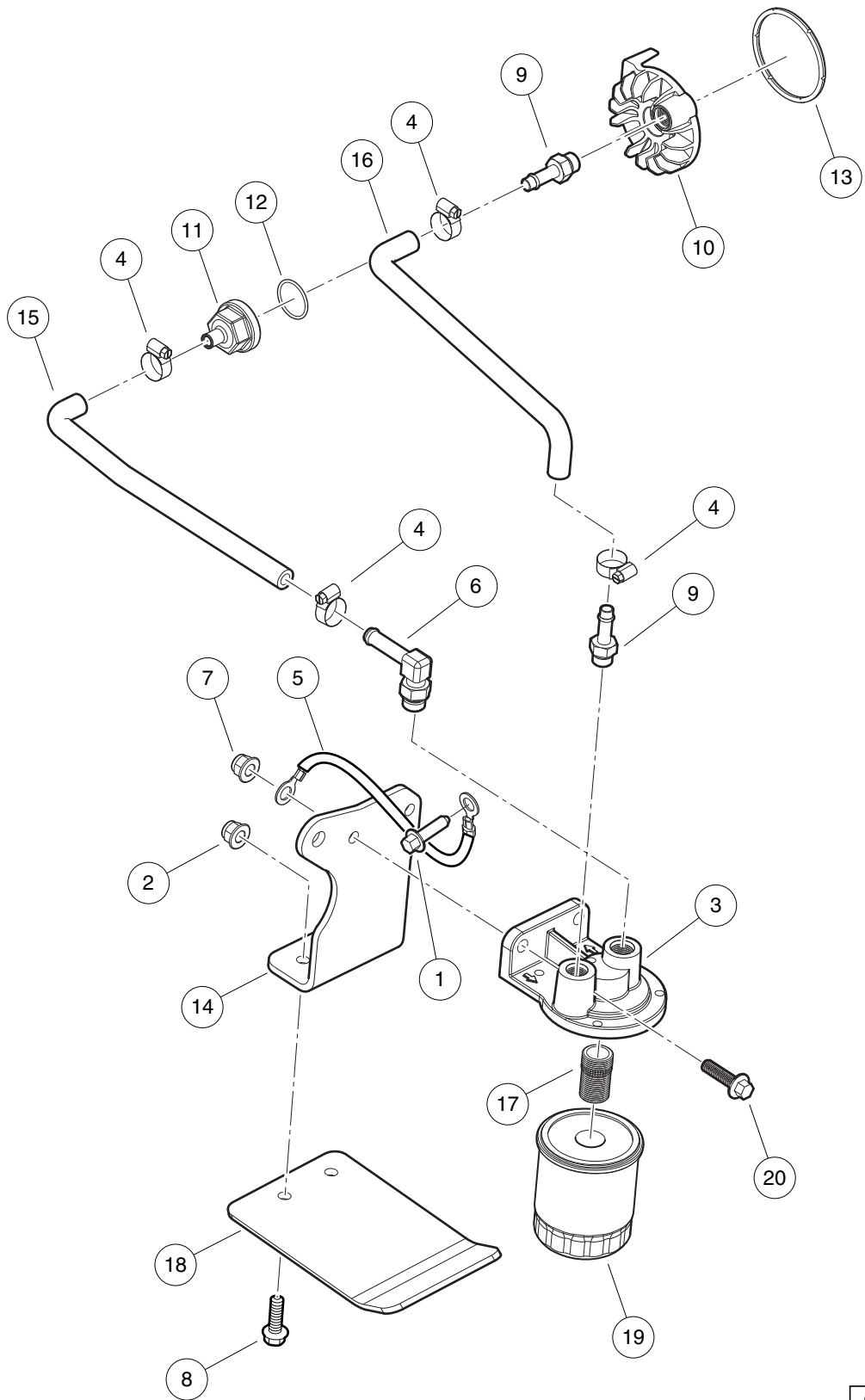
000637-004

OIL AND LUBRICATION COMPONENTS

ITEM	PART NO.	DESCRIPTION	QTY
		1 2 3 4	
1	101648201	Rotor, Pump, Oil, Outer	1
2	102992401	Bolt, Flg, M6 X 1.0 X 12	3
3	102996901	Shaft, Oil Pump, Fh	1
4	102997001	Plate, Oil Pump, Fh	1
5	102997101	Cap, Oil, Fill, Fh	1
6	102997201	Rotor, Pump, Oil, Inner, Fh	1
7	102997401	Pickup, Oil, Fh	1
8	102997601	Screen, Pickup, Oil, Fh	1
9	102997701	Gauge, Oil, Fh	1
10	102997801	Gear, Spur, Oil Pump, Fh	1
11	102997901	Pin, Oil Pump, Fh	2
12	102998001	O-ring, Cap, Oil, Fill, Fh	1
13	102998101	Plug, Oil Drain, Fh	3
14	102998201	Ball, Oil Pump, Fh	1
15	102998301	Spring, Oil Pump, Fh	1
16	102998401	O-ring, Drain Plug, Oil, Fh	3
17	103300301	Bolt, Oil Pickup, Fh	2
18	103887901	Filter, Oil, Kawasaki	1

8

G



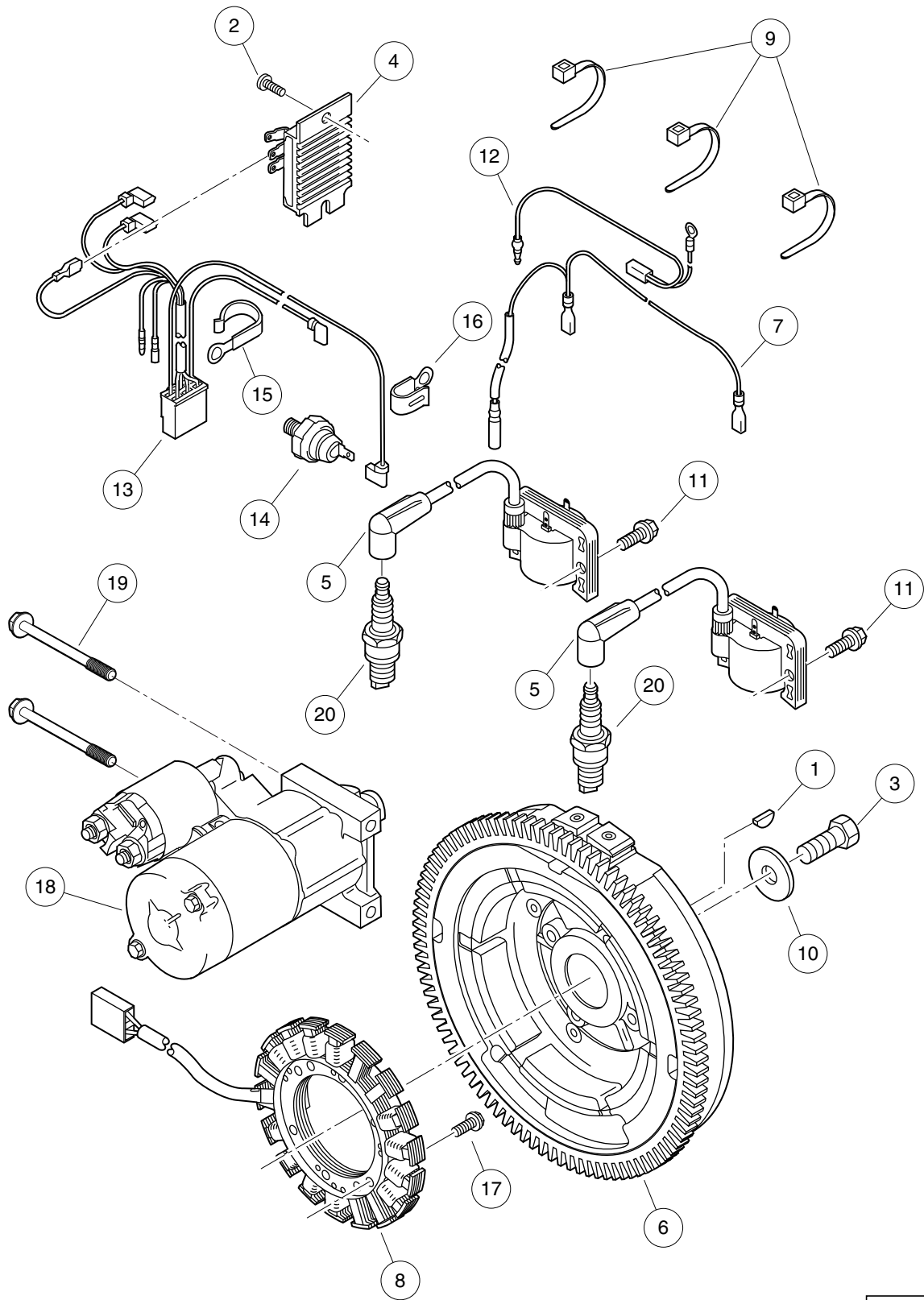
000671-004

OIL FILTER ADAPTER – KAWASAKI FH680

ITEM	PART NO.	DESCRIPTION	QTY
		1 2 3 4	
1	102289001	Screw, M8X1.25X30, Hex	1
2	102298401	Nut,m8,all Metal Lock	2
3	102371401	Bracket, Oil Filter Mount	1
4	102443601	Clamp, Hose	4
5	102448501	Wire Asm, #6 Blk, Awd, 325	1
6	102457501	Adapter, 90, 3/8 Tube	1
7	102618601	Lock Nut, Flange, M8 X 1.25 Nylon	2
8	102621301	Bolt, M8 X 1.25 X 40 with Loctite	2
9	102722001	Adapter, 5/16 Hose	2
10	102958301	Adapter, Special, Oil Filter	1
11	102958401	Nut, Special, Hose Adapter	1
12	102958501	O-ring, 23.52 X 1.78mm	1
13	102958601	O-ring, Oil Filter Adapter	1
14	103197201	Bracket, Oil Filter, Fh680d	1
15	103240601	Hose, Formed, Oil, 5/16"	1
16	103246901	Hose, Formed, Oil, 5/16", Ret	1
17	103276201	Nipple, 3/4-16 X M20 X 1.5-6g	1
18	103326401	Guard, Oil Filter, Fh680d	1
19	103887901	Filter, Oil, Kawasaki	1
20	96705587	Bolt, M8 X 1.25 X 30	2

8

G



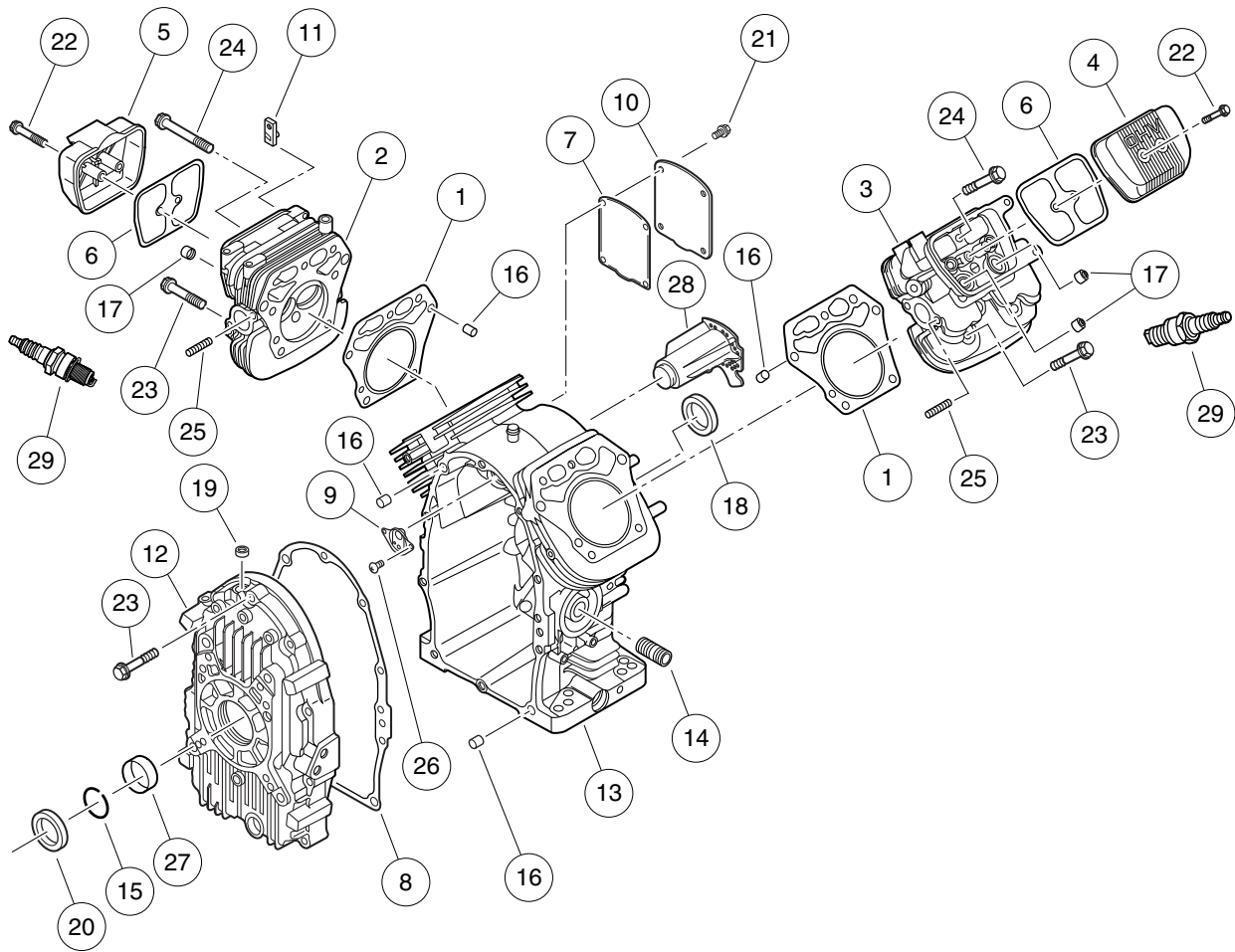
000626-002

IGNITION COMPONENTS AND FLYWHEEL – KAWASAKI FH680

ITEM	PART NO.	DESCRIPTION	QTY
		1 2 3 4	
1	N/A	Key	1
2	1016544	Screw	1
3	102994301	Bolt, Flg, M12 X 1.25 X 30	1
4	103000401	Regulator, Voltage, Fh	1
5	103000501	Asm, Coil, Ignition, Fh	2
6	103000601	Flywheel, Assy, Fh	1
7	103000801	Harness, Regulator, Fh	1
8	103000901	Coil, Charging, Fh	1
9	103001301	Band, Harness, Fh	3
10	103001501	Washer, Flywheel, Fh	1
11	103298501	Bolt, Flanged, M6 X 20, Kaw	4
12	103299501	Harness, Ignition, Fh	1
13	103299601	Harness, Engine, Main, Fh	1
14	103299701	Switch, Oil Pressure, Fh	1
15	103299801	Clamp, Harness, Large, Fh	1
16	103299901	Clamp, Harness, Small, Fh	1
17	103300101	Screw, Pan, Coil Mount, Fh	4
18	103345501	Starter, Electric, Fh680d	1
19	103687401	Bolt, Flg, M8 X 1.25 X 83	2
20	AM1232301	Spark Plug, BPR2ES	2

8

G

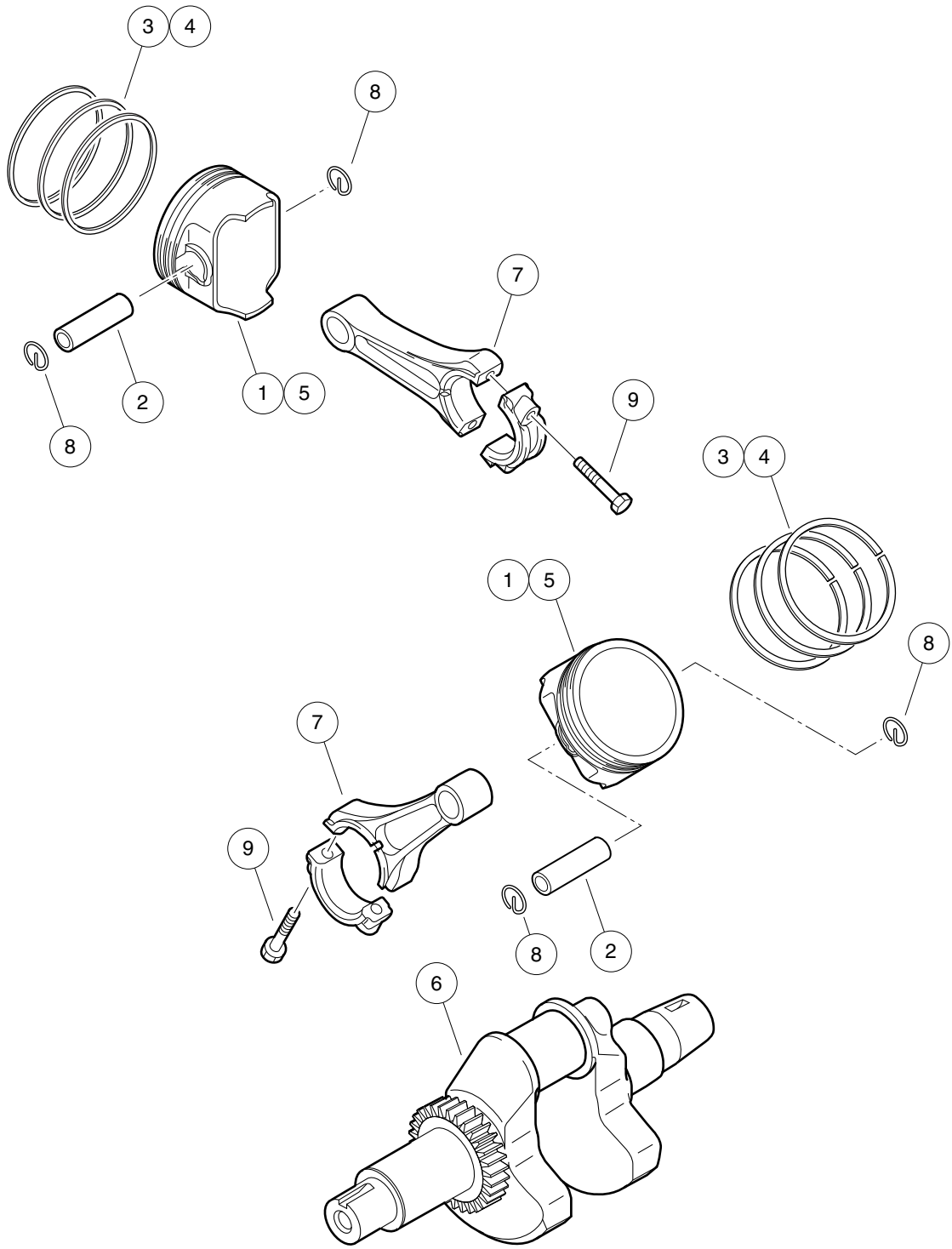


000638-003

CYLINDER HEAD AND CRANKCASE

ITEM	PART NO.	DESCRIPTION	QTY
		1 2 3 4	
1	102990101	Gasket, Head, Cyl, Fh	2
2	102990201	Head, Cyld 1, Fh	1
3	102990301	Head, Cyld 2, Fh	1
4	102990401	Cover, Rocker, Cyld 1, Fh	1
5	102990501	Cover, Rocker, Cyld 2, Fh	1
6	102990601	Gasket, Rocker, Cover, FH	2
7	102990701	Gasket, Breather, Fh	1
8	102990801	Gasket, Cover, Crank, Fh	1
9	102990901	Valve, Assy, Reed, Fh	1
10	102991101	Cover, Crkcase, Comp, Fh	1
11	102991201	Pipe, Head, Comp, Clyd, Fh	1
12	102991401	Cover, Crankcase, Fh	1
13	102991501	Crankcase, Comp, Fh	1
14	102991601	Nipple, Oil Filter, Fh	1
15	102991801	Ring, Snap, Fh	1
16	102991901	Pin, Head, Fh	6
17	102992001	Seal, Oil, Valve, Fh	4
18	102992101	Seal, Oil, Crank, Rear, Fh	1
19	102992201	Seal, Oil, Governor, Fh	1
20	102992301	Seal, Oil, Crank, Front, Fh	1
21	102992401	Bolt, Flg, M6 X 1.0 X 12	4
22	102992601	Bolt, Flg, M6 X 1.0 X 40	4
23	102992701	Bolt, Flg, M8 X 1.25 X 50	18
24	102992801	Bolt, Flg, M8 X 1.25 X 75	2
25	102992901	Stud, M8 X 1.25, Exhaust, Fh	4
26	103298601	Screw, Pan, Governor, Fh	2
27	103298901	Bushing, Main, Fh	1
28	103981201	Pipe, Crankcase Breather, Fh680 (with O-Ring)	1
29	AM1232301	Spark Plug, BPR2ES	2

8
G



000640-001

PISTONS AND CRANKSHAFT

ITEM	PART NO.	DESCRIPTION	QTY
		1 2 3 4	
1	102993201	Piston, Engine, Fh	2
2	102993301	Pin, Piston, Engine, Fh	2
3	102993401	Ring, Set, Piston, Fh	2
4	102993501	Ring, Set, Piston, 0.50, Fh	A/R
5	102993601	Piston, Engine, 0.50, Fh	A/R
6	102993701	Crankshaft, Comp, Fh	1
7	102993901	Kit, Rod, Connecting, Fh	2
8	102994101	Ring, Snap, Pin, Piston, Fh	4
9	102994401	Bolt, Flg, M6 X 1.00 X 35	4

8
G

8

G

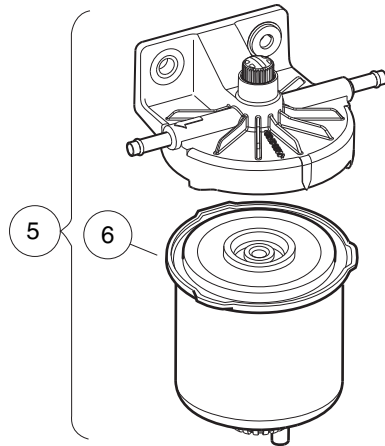
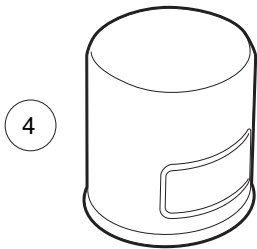
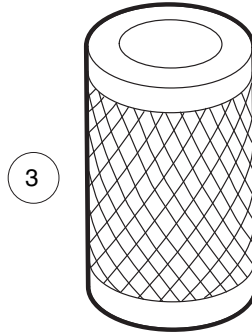
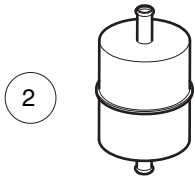
ENGINE – KUBOTA DIESEL, D722, E4B SERIES

9

D

9

D



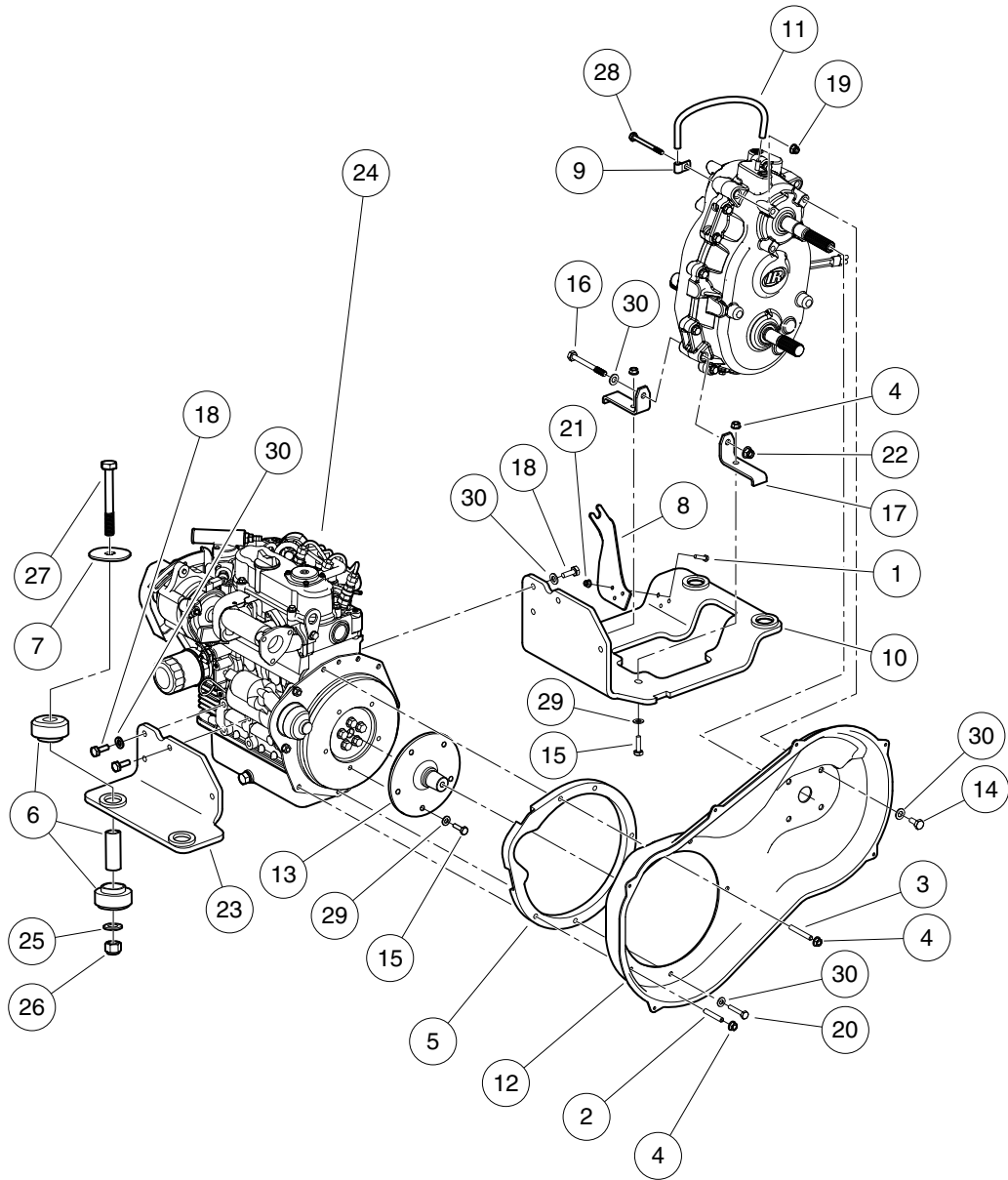
000992-002

TUNE-UP KIT – KUBOTA D722

ITEM	PART NO.	DESCRIPTION	QTY
		1 2 3 4	
1	AM11805	Kit, Tune-Up (For Kubota engines) (includes items 2 through 5)	1
2	102434701	Filter, Fuel	1
3	102498601	Element, Filter, Air, 5 Inch	1
4	102703301	Filter, Engine Oil, D722	1
5	103747301	Assembly, Filter/Bracket, Fuel, Diesel (includes item 6)	1
6	103761801	Filter, Fuel, Diesel	1

9

D



000025-005

DIESEL ENGINE AND ENGINE MOUNTING (D722 – E4B)

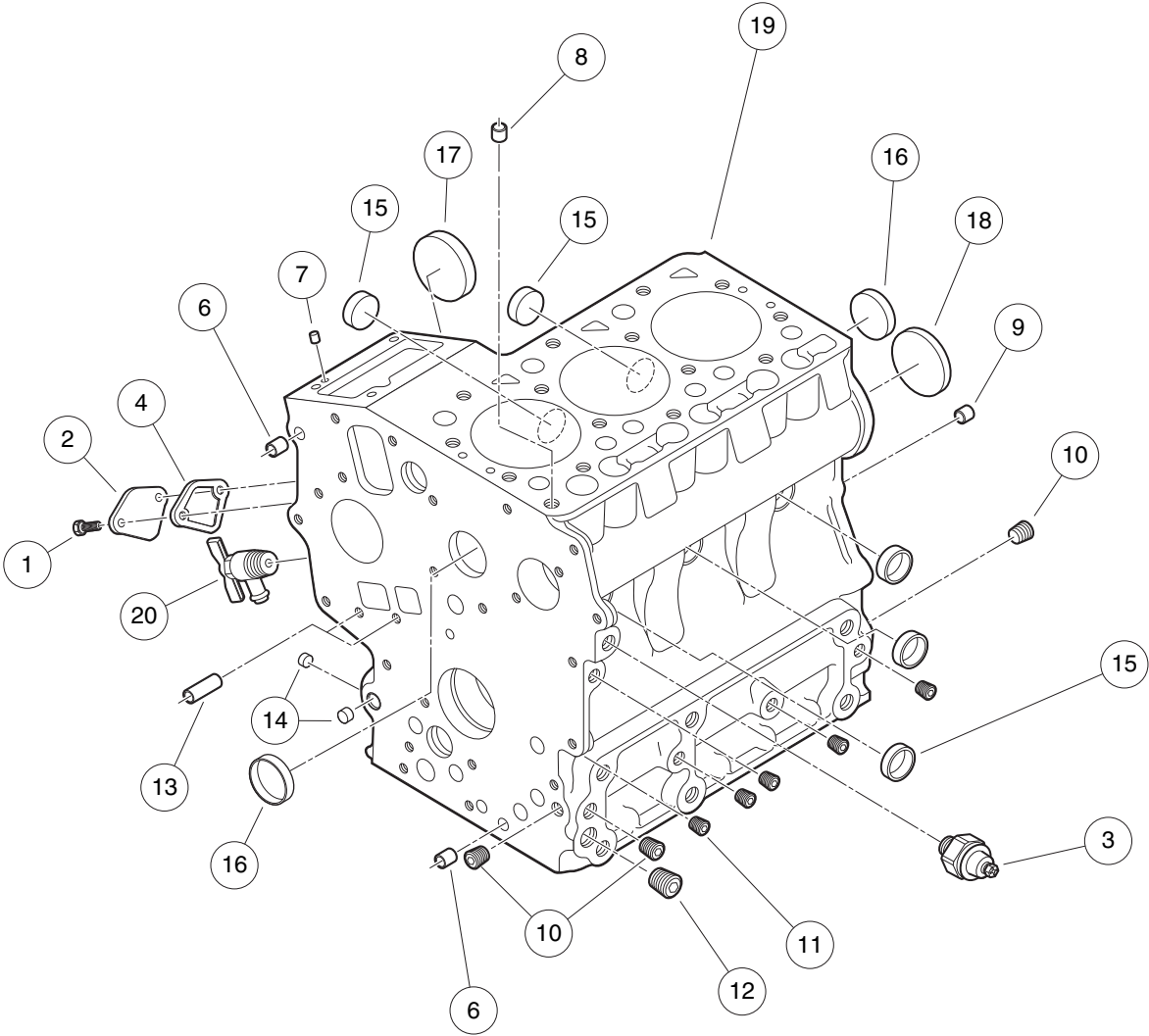
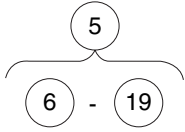
ITEM	PART NO.	DESCRIPTION	QTY
		1 2 3 4	
1	1012769	Screw, M6-1.00 X 25mm Hex Cap	3
2	101833101	Stud, M8-1.25 X 50 mm Two-Ended	1
3	101833201	Stud, M8-1.25 X 60mm Two-Ended	1
4	102298401	Nut,m8,all Metal Lock	7
5	102370101	Spacer, Engine, Diesel	1
6	102370501	Isolator Ring and Bushing	4
7	102370601	Washer, Snubbing, Ring N Bush	4
8	102382401	Bracket, FNR Trans Cable	1
9	102410603	P-Clamp, Insulated .312 In	1
10	102414801	Plate, Engine Mounting, Weld, Right-Hand	1
11	102462301	Hose, Vent, Transmission	1
12	102462501	Cover, CVT Inner, Diesel	1
13	102465901	Shaft, CVT Adapter	1
14	102490101	Bolt, M10 X 1.5 X 20 Loctite	4
15	102490201	Bolt, M8 X 1.25 X 25 Loctite	7
16	102490501	Bolt, M10 X 1.5 X 100 Loctite	1
17	102494401	Bracket, Transmission Mounting	2
18	102498201	Bolt, M10 X 1.25 X 25, Loctite	8
19	102618601	Lock Nut, Flange, M8 X 1.25 Nylon	1
20	102621301	Bolt, M8 X 1.25 X 40 with Loctite	3
21	102621501	Nut, Flange, M6 X 1.0, Nylon	3
22	102670701	Nut, Flange, M10 X 1.5 Nylon	1
23	102959001	Plate, Eng Mtg, Diesel, Lh	1
24	105159201	Engine, Diesel, Kubota, Tier4	1
25	96701412	Washer, M12 Hard	4
26	96704622	Locknut, M12x1.75 Nylon Insert	4
27	96704721	Bolt, M12 X 1.75 X 90	4
28	96718978	Bolt, M8 X 1.25 X 80	1
29	96741038	Washer, M8 Hard	10
30	96741046	Washer, M10, Hard	12

9

D

9

D



000039-002

CRANKCASE (D722 – E4B)

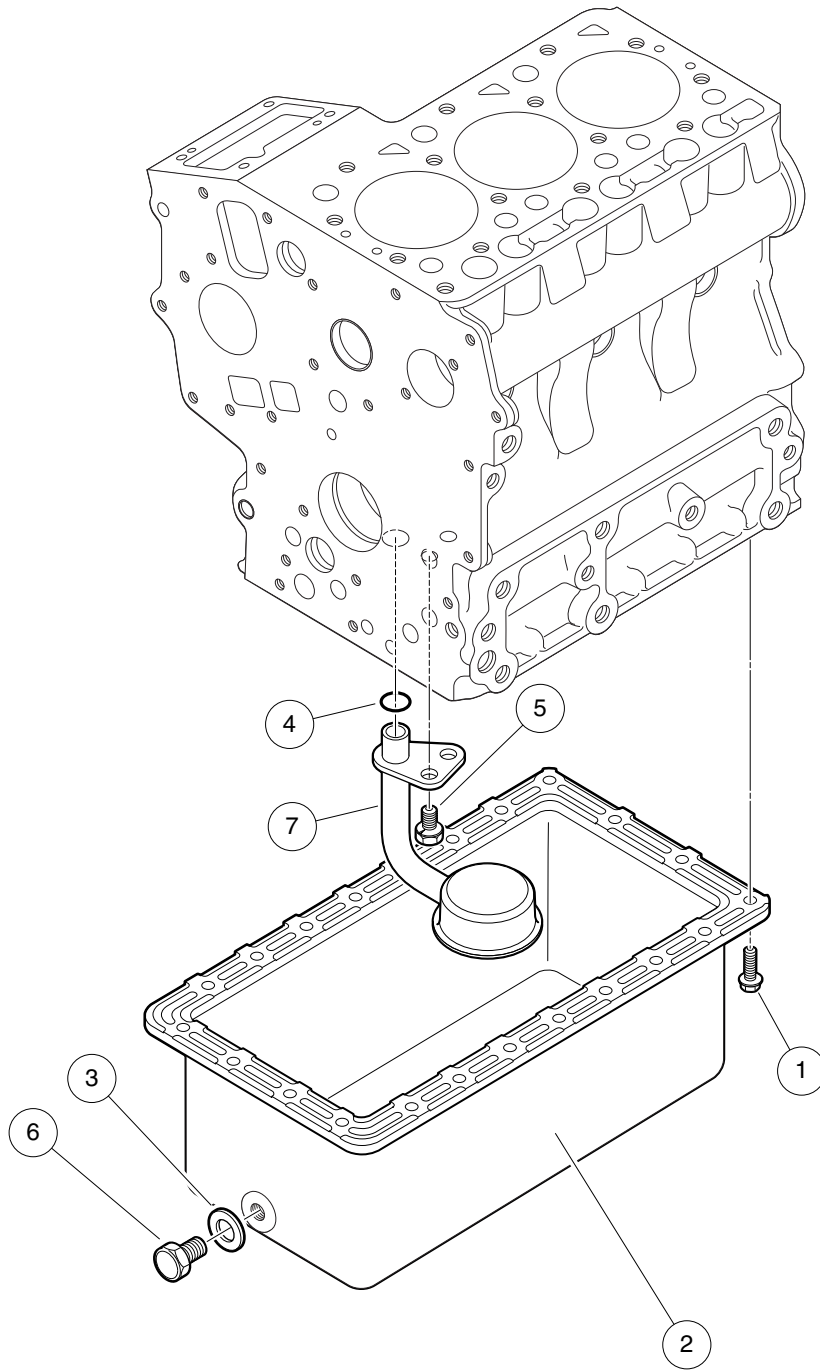
ITEM	PART NO.	DESCRIPTION	QTY
		1 2 3 4	
1	102631601	Bolt, M6 X 1 X 20	2
2	102700801	Plate, Engine Block	1
3	102730801	Switch, Oil Pressure	1
4	102732601	Gasket, Fuel Pump, D722	1
5	105205901	Engine Block, Kubota, D722 (includes items 6 through 19)	1
6	102600101	Pin, Pipe, Dia 8 X 14	2
7	102600201	Pin, Straight, Dia 5 X 10	2
8	102600401	Pin, Pipe, Dia 7 X 14	1
9	102600601	Pin, Straight, Dia 8 X 16	2
10	102600701	Plug, 1/8"	3
11	102600801	Plug, 3/32"	5
12	102601001	Plug, 1/4"	1
13	102601301	Pin, Pipe, Dia 8 X 11	2
14	102726201	Cap, Sealing, Small	3
15	102726301	Cap, Sealing, Med	5
16	102726401	Cap, Sealing, Large	2
17	102726501	Cover, Fuel Camshaft	1
18	102726601	Plug, Expansion	1
19	N/A	Block, Engine	1
20	105231101	Cock, Drain, D722	1

9

D

9

D



000040-002

OIL PAN (D722 – E4B)

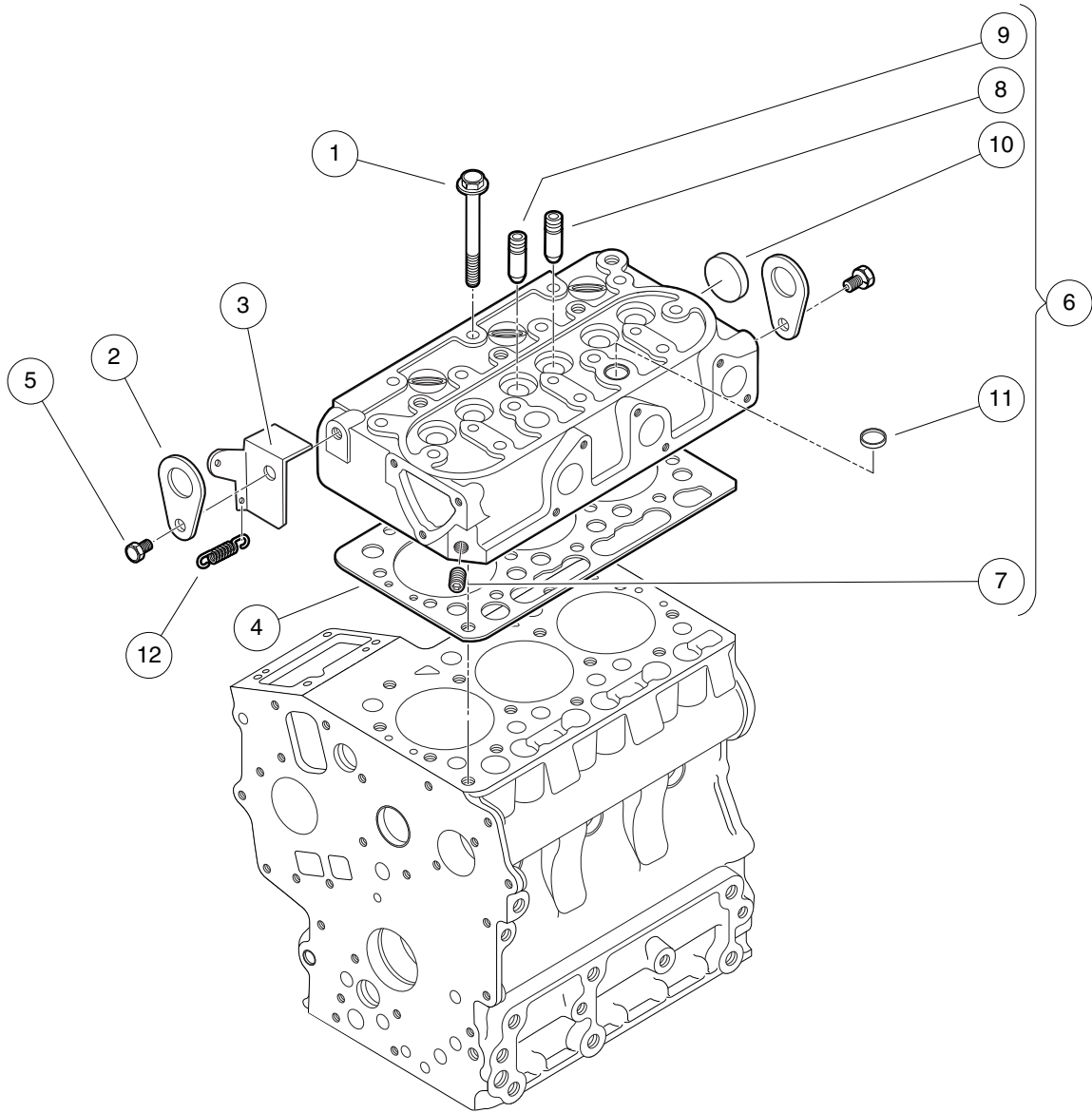
ITEM	PART NO.	DESCRIPTION	QTY
		1 2 3 4	
1	102604201	Bolt, D722, Cam End	22
2	102607001	Oil Pan	1
3	102607301	Gasket, 20 X 13	1
4	102654601	O Ring, 20 X 17	1
5	105206101	Bolt, Mntg, Oil Pkup, D722	1
6	105218401	Plug, Drain, D722	1
7	105218501	Filter, Oil, Pick Up, D722, Tier 4	1

9

D

9

D



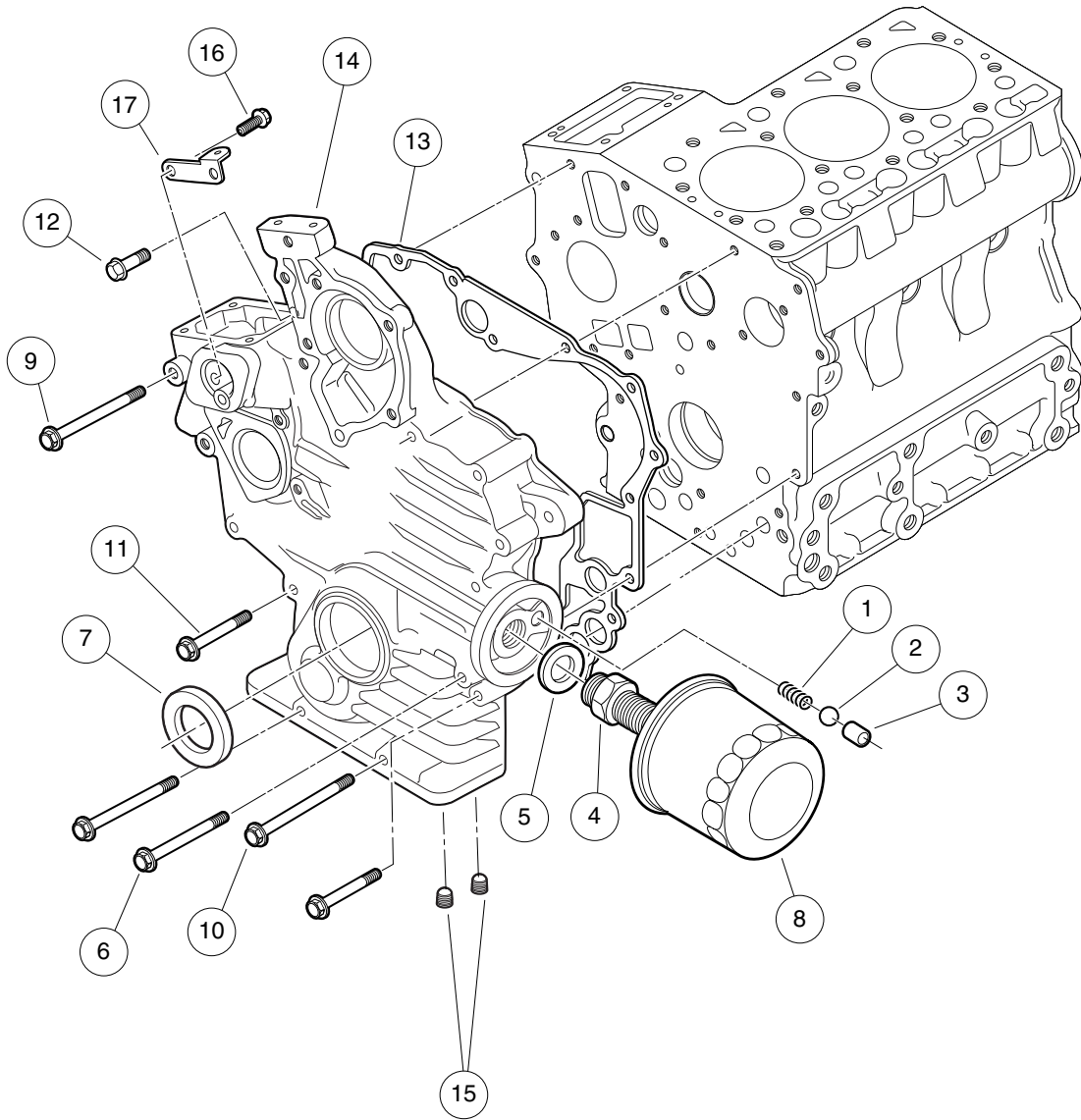
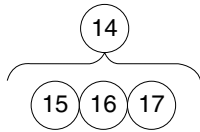
000041-003

CYLINDER HEAD (D722 – E4B)

ITEM	PART NO.	DESCRIPTION	QTY
		1 2 3 4	
1	102652801	Bolt, Cylinder Head	14
2	102653901	Hook, Engine	2
3	102727101	Stay, Cylinder Head	1
4	105206201	Gasket, Cylinder Hd, D722	1
5	105206301	Bolt, Engine Hook, D722	2
6	105206401	Cylinder Head, Comp, D722 (includes items 7 through 11)	1
7	102600801	Plug, 3/32"	1
8	102653401	Guide, Exhaust Valve	3
9	102653501	Guide, Inlet Valve	3
10	102726901	Cap, Sealing, Head	1
11	102727001	Cap, Sealing, Head, Top	2
12	105218601	Spring, Return, D722	1

9

D



000042-004

GEAR CASE (D722 – E4B)

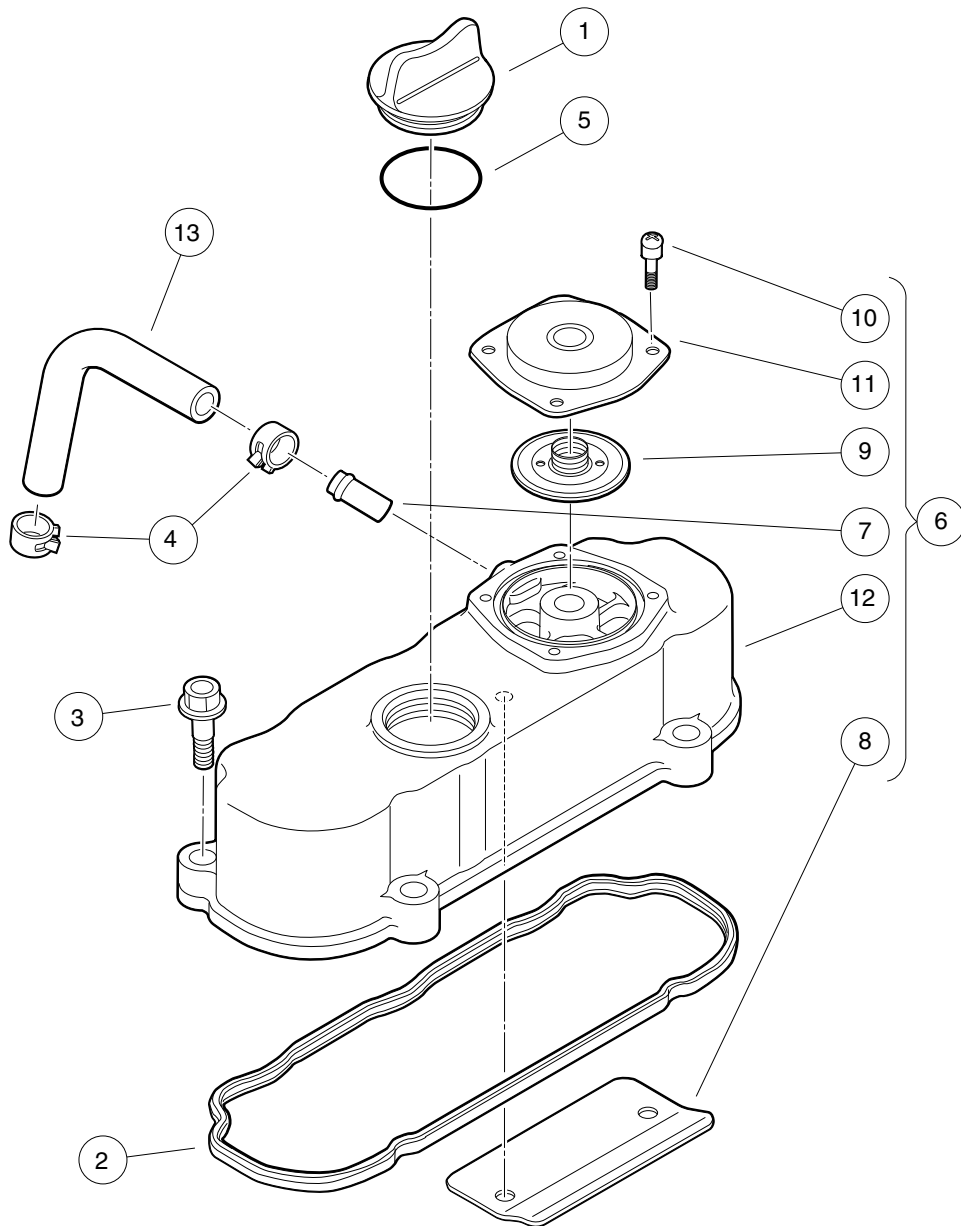
ITEM	PART NO.	DESCRIPTION	QTY
		1 2 3 4	
1	102601901	Spring, Valve	1
2	102602001	Ball, Valve	1
3	102602101	Seat, Valve	1
4	102602301	Joint, Pipe	1
5	102602401	Washer, Plain, Special	1
6	102602601	Bolt, M6 X 1 X 60	2
7	102602701	Seal, Oil	1
8	102703301	Filter, Engine Oil, D722	1
9	102727401	Bolt, Gearcase, Top	2
10	102727501	Bolt, Gearcase, Lower	1
11	105206501	Bolt, Front Case, D722	9
12	105206601	Bolt, Intake Manfld, D722	1
13	105218701	Gasket, Gearcase, D722	1
14	105218801	Case, Gear, D722 (includes items 15 through 17)	1
15	102601001	Plug, 1/4"	2
16	102727601	Screw, Breather	2
17	102798201	Stay, Spring	1

9

D

9

D



000181-002

HEAD COVER (D722 – E4B)

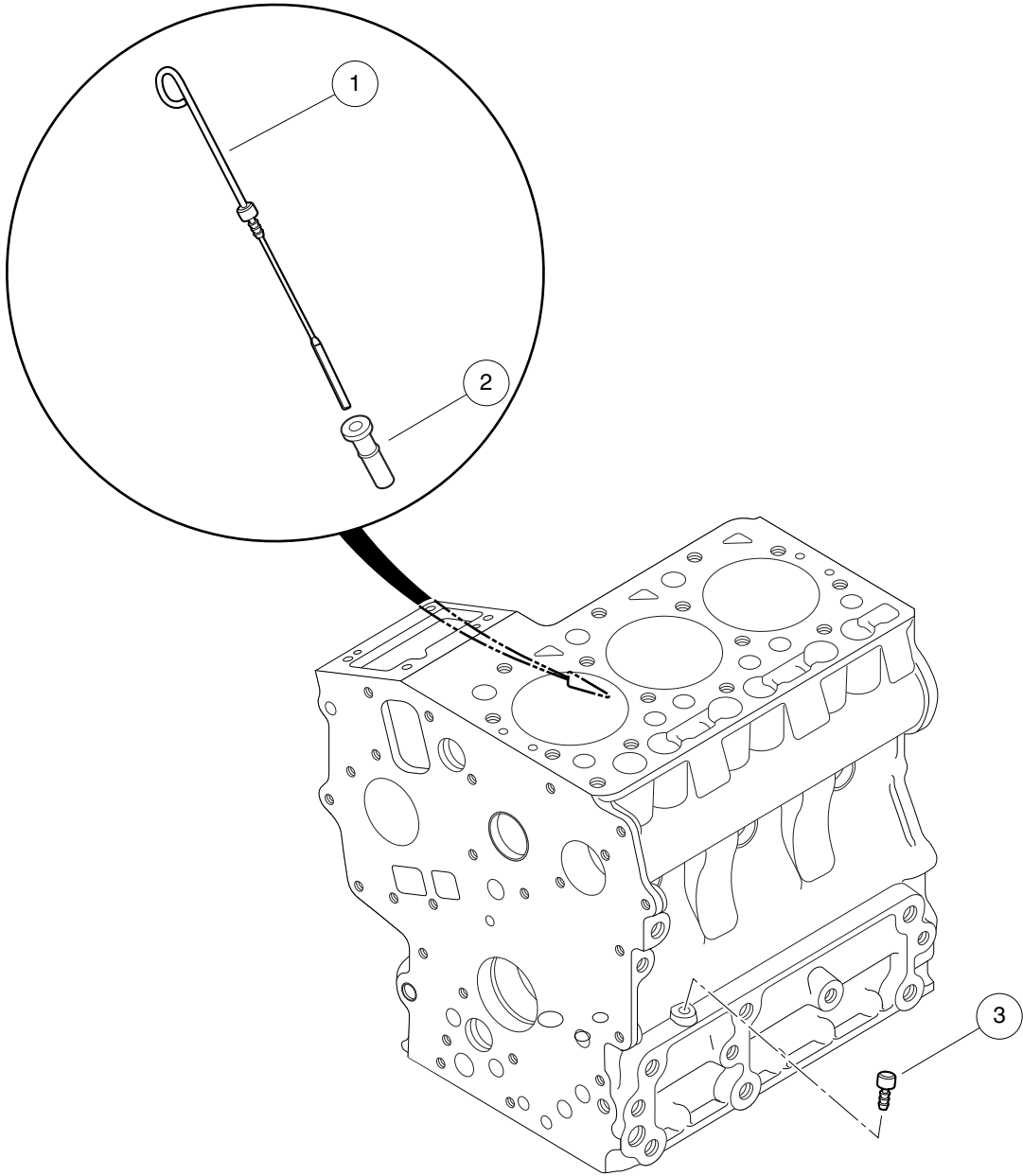
ITEM	PART NO.	DESCRIPTION	QTY
		1 2 3 4	
1	102644101	Plug, Oil Filler	1
2	102798501	Gasket, Cylinder Head Cover	1
3	102798701	Bolt, Cylinder Head Cover	4
4	102798901	Clamp, Breather Tube	2
5	105206701	O Ring, Oil Fill, D722	1
6	105218901	Assy, Cyl Head Cover, D722 (includes items 7 through 12)	1
7	102633301	Pipe, Water Return, D722	1
8	102798601	Shield, Breather	1
9	102799001	Valve, Breather	1
10	102799201	Screw, Breather	4
11	105219001	Cover, Breather, D722	1
12	105219101	Cover, Cyl Head, D722	1
13	105219201	Tube, Breather, D722	1

9

D

9

D



000044-004

DIPSTICK AND GUIDE (D722 – E4B)

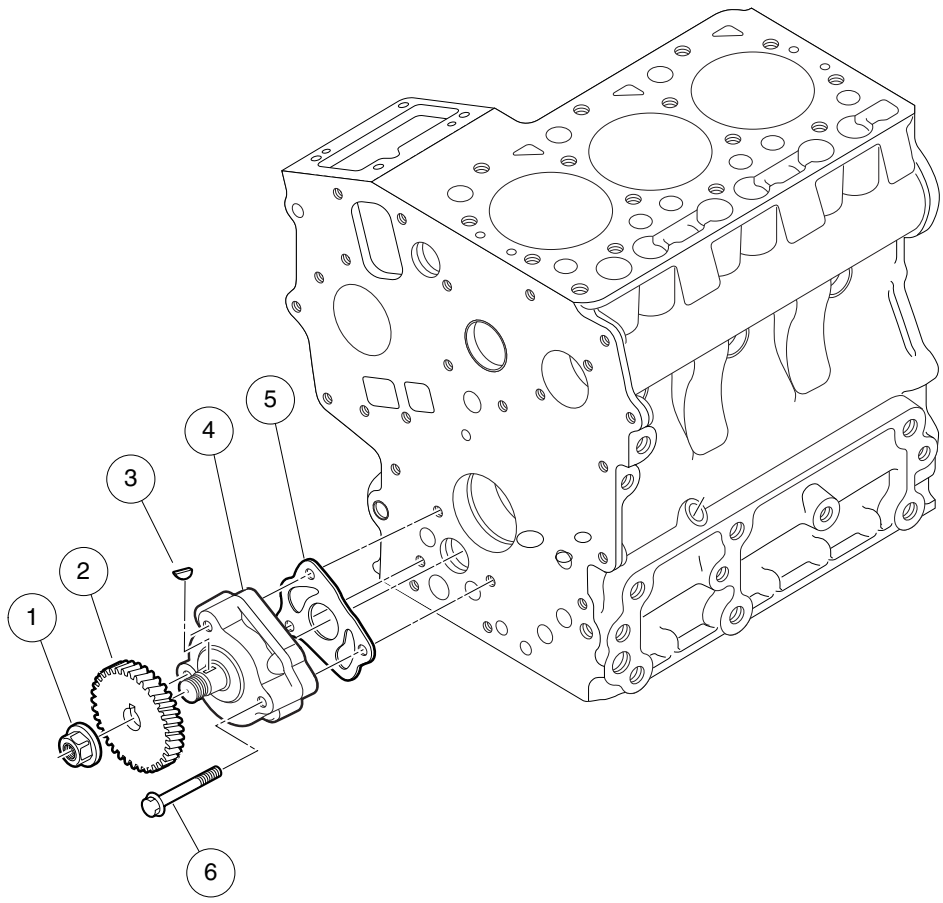
ITEM	PART NO.	DESCRIPTION	QTY
		1 2 3 4	
1	102606701	Dipstick, Oil	1
2	102727701	Guide, Oil Dipstick	1
3	105219401	Plug, Oil Gauge, D722	1

9

D

9

D



000045-001

OIL PUMP (D722 – E4B)

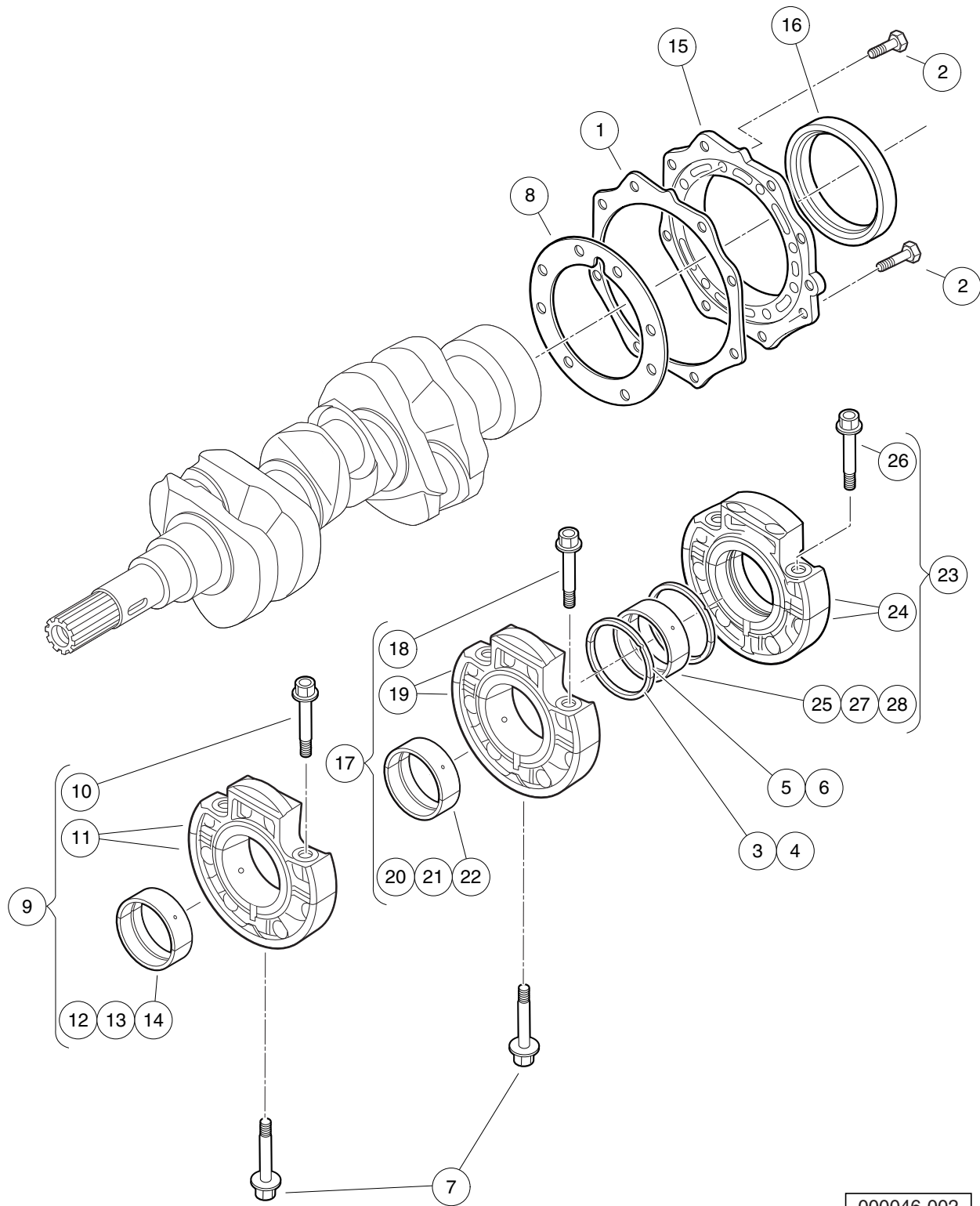
ITEM	PART NO.	DESCRIPTION	QTY
		1 2 3 4	
1	102606201	Nut, Flange, D722 Oil Pump	1
2	102606301	Gear, Oil Pump Drive	1
3	102606401	Key, Feather, 8x4	1
4	102606501	Assy, Pump, Oil	1
5	102606601	Gasket, Oil Pump	1
6	102727901	Bolt, Oil Pump	3

9

D

9

D



000046-002

MAIN BEARINGS AND BEARING CASES (D722 – E4B)

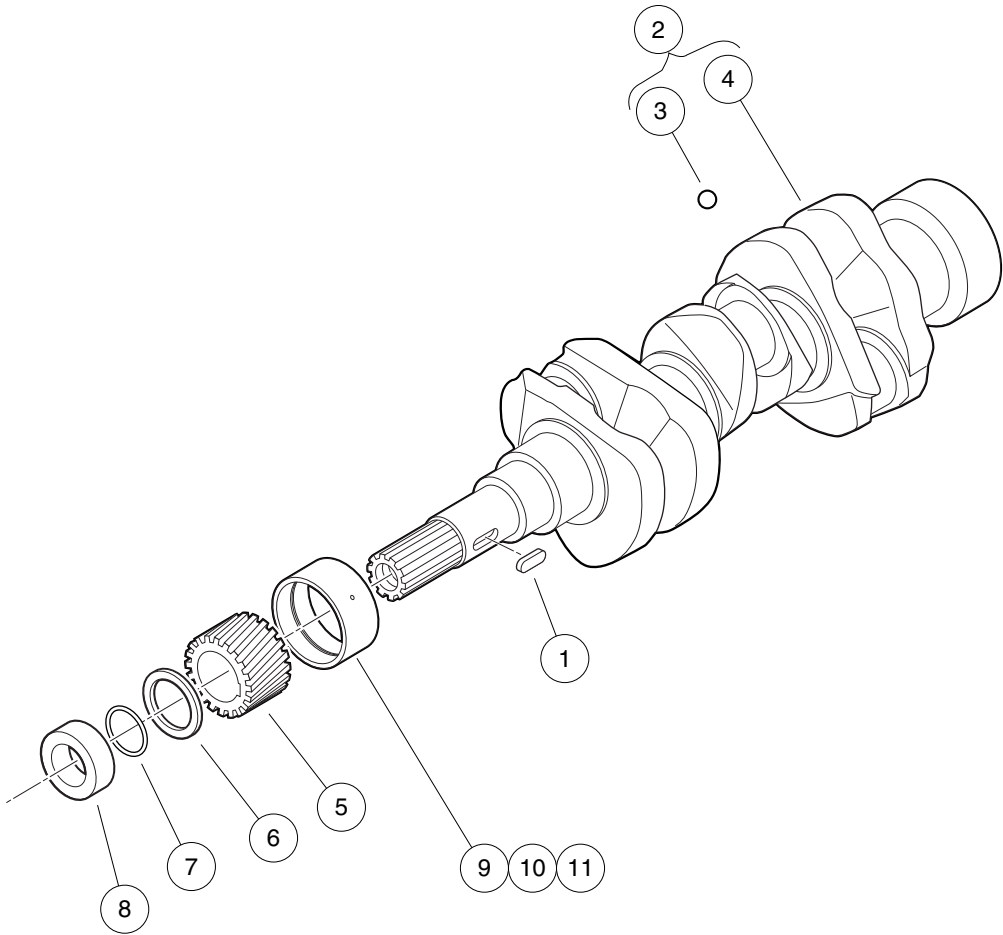
ITEM	PART NO.	DESCRIPTION	QTY
		1 2 3 4	
1	102608301	Gasket, Cover	1
2	102608701	Bolt, M6 X 1 X 22	16
3	102608801	Metal,crank, O Side, Std	2
4	102608802	Metal,crank, O Side, +.020	2
5	102608804	Metal,crank, I Side, Std	2
6	102608805	Metal,crank, I Side, +.020	2
7	102609401	Bolt, Bearing Case, Bottom	2
8	105219501	Gasket, Bearing Case, D722	1
9	105219801	Assy, Brg Case, D722 (includes items 10 through 14)	1
10	102608901	Bolt, Bearing Case, Top	2
11	105206901	Asm Case, Mn Brg, Third, D722	1
12	105220101	Metal, Crankshaft, Std, D722	1
13	105221701	Metal, Crankshaft, -0.20, D722	1
14	105221801	Metal, Crankshaft, -0.40, D722	1
15	105219901	Cover, Brg Case, D722	1
16	105220001	Seal, Oil, D722	1
17	105220201	Assy, Brg Case, D722 (includes items 18 through 22)	1
18	102608901	Bolt, Bearing Case, Top	2
19	102609301	Assy, Case, Main Bearing, Second	1
20	105220101	Metal, Crankshaft, Std, D722	1
21	105221701	Metal, Crankshaft, -0.20, D722	1
22	105221801	Metal, Crankshaft, -0.40, D722	1
23	105220301	Assy, Brg Case, D722 (includes items 24 through 28)	1
24	N/A	Assy, Case, Main Bearing, First	1
25	105219601	Metal, Crankshaft, Std, D722	1
26	105219701	Bolt, Flange, D722	2
27	105221501	Metal, Crankshaft, -0.20, D722	1
28	105221601	Metal, Crankshaft, -0.40, D722	1

9

D

9

D



000048-003

CRANKSHAFT (D722 – E4B)

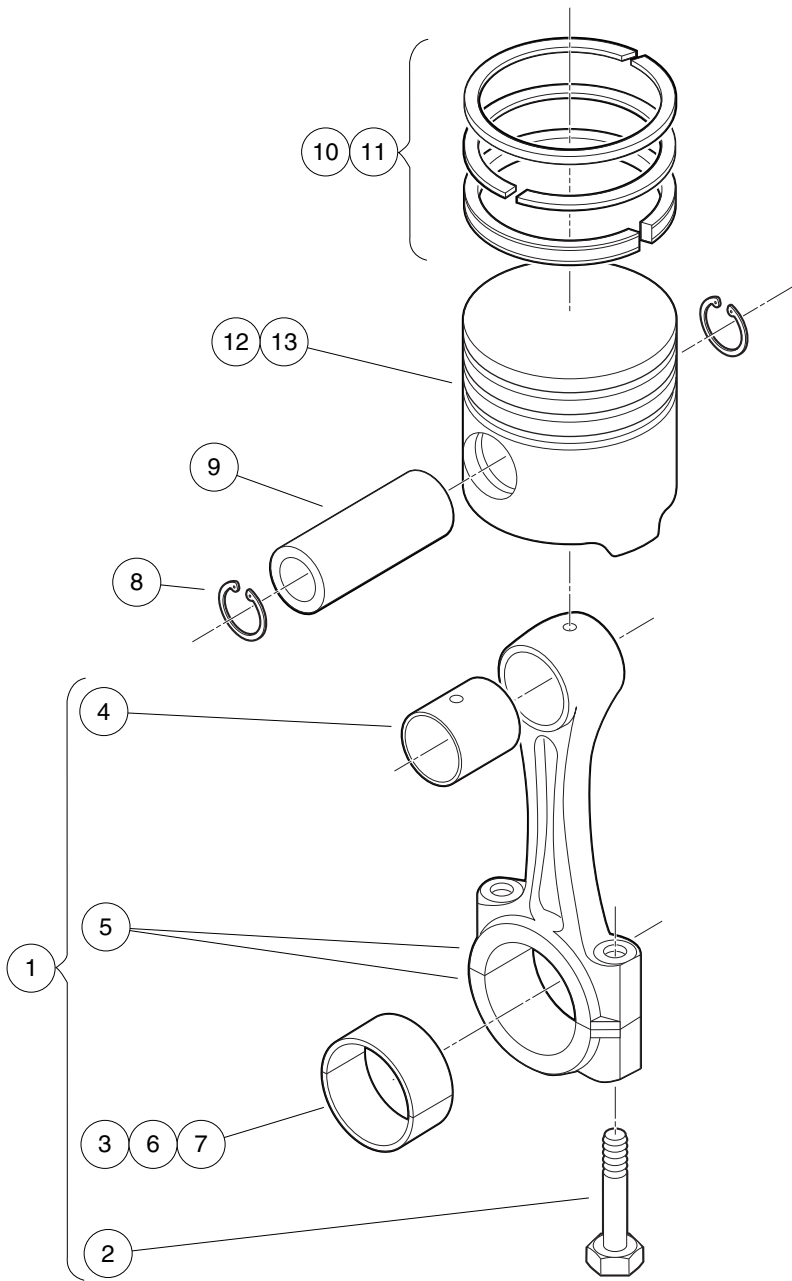
ITEM	PART NO.	DESCRIPTION	QTY
		1 2 3 4	
1	102604401	Key, Feather, Short Camshaft	1
2	102610001	Crankshaft (includes items 3 and 4)	1
3	102608001	Ball, Crankshaft	3
4	N/A	Crankshaft	1
5	102630101	Gear, Crank	1
6	102630201	Slinger, Oil	1
7	102630301	O Ring, 23 X 26	1
8	102630401	Collar, Crankshaft	1
9	105221101	Metal, Crank, Fr, Std, D722	1
10	105221201	Metal, Crank, Fr, -0.20, D722	1
11	105221301	Metal, Crank, Fr, -0.40, D722	1

9

D

9

D



000066-002

PISTON, PISTON RINGS AND CONNECTING ROD (D722 – E4B)

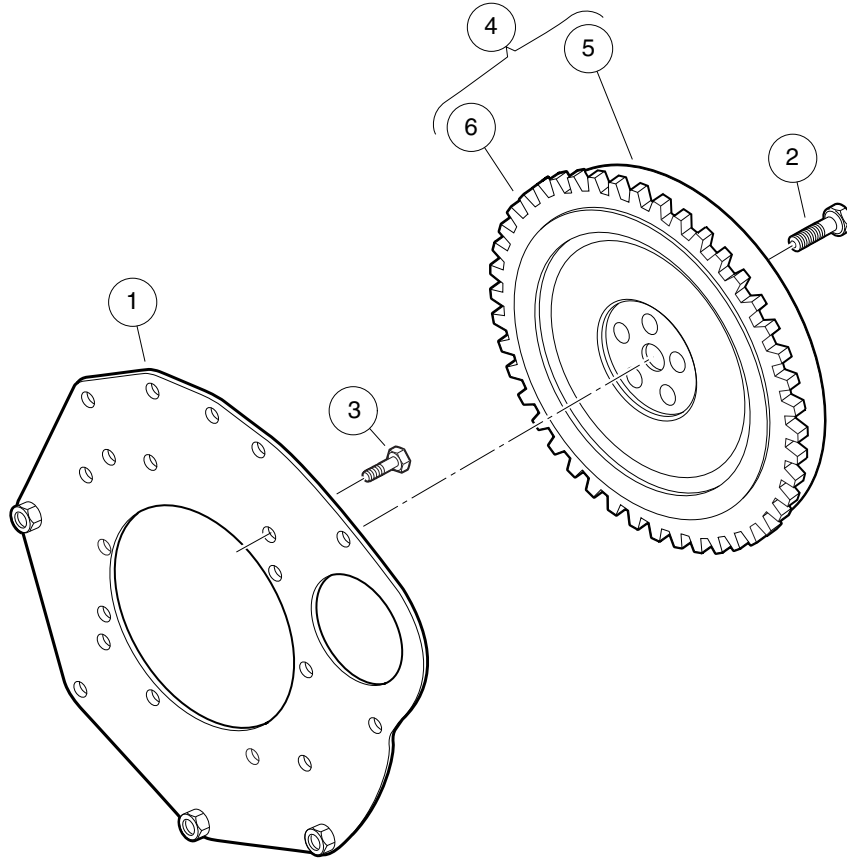
ITEM	PART NO.	DESCRIPTION	QTY
		1 2 3 4	
1	102607801	Assy, Connecting Rod (includes items 2 through 7)	3
2	102607901	Bolt, Connecting Rod	2
3	102630701	Metal, Crank, Rod, D722, Std	1
4	102732201	Bushing, Piston Pin, D722	1
5	N/A	Rod, Connecting	1
6	105220901	Metal, Crank, Rod, -0.20, D722	1
7	105221001	Metal, Crank, Rod, -0.40, D722	1
8	102630901	Circlip, Piston Pin	6
9	102631001	Pin, Piston	3
10	105207101	Assy, Piston Ring, Std, D722	3
11	105207201	Assy, Piston Ring, +0.25, D722	3
12	105207301	Piston, Std, D722	3
13	105207401	Piston, +0.25, D722	3

9

D

9

D



000049-002

FLYWHEEL (D722 – E4B)

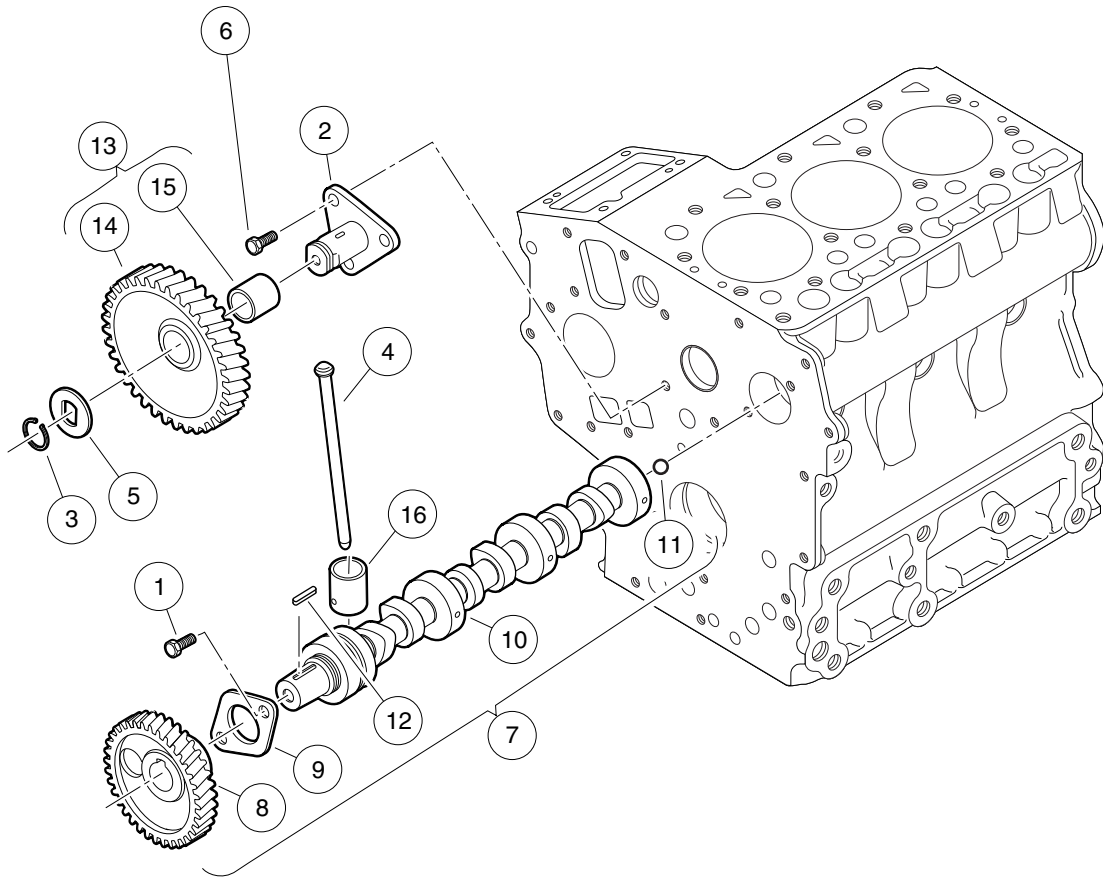
ITEM	PART NO.	DESCRIPTION	QTY
		1 2 3 4	
1	102647501	Plate, Rear End	1
2	102648001	Bolt, Flange Head, M10 X 1.5 X 25	5
3	102728301	Bolt, End Plate	10
4	105207501	Comp, Flywheel, D722 (includes items 5 and 6)	1
5	N/A	Flywheel	1
6	105207601	Gear, Ring, D722	1

9

D

9

D



000047-003

CAMSHAFT AND IDLE GEAR (D722 – E4B)

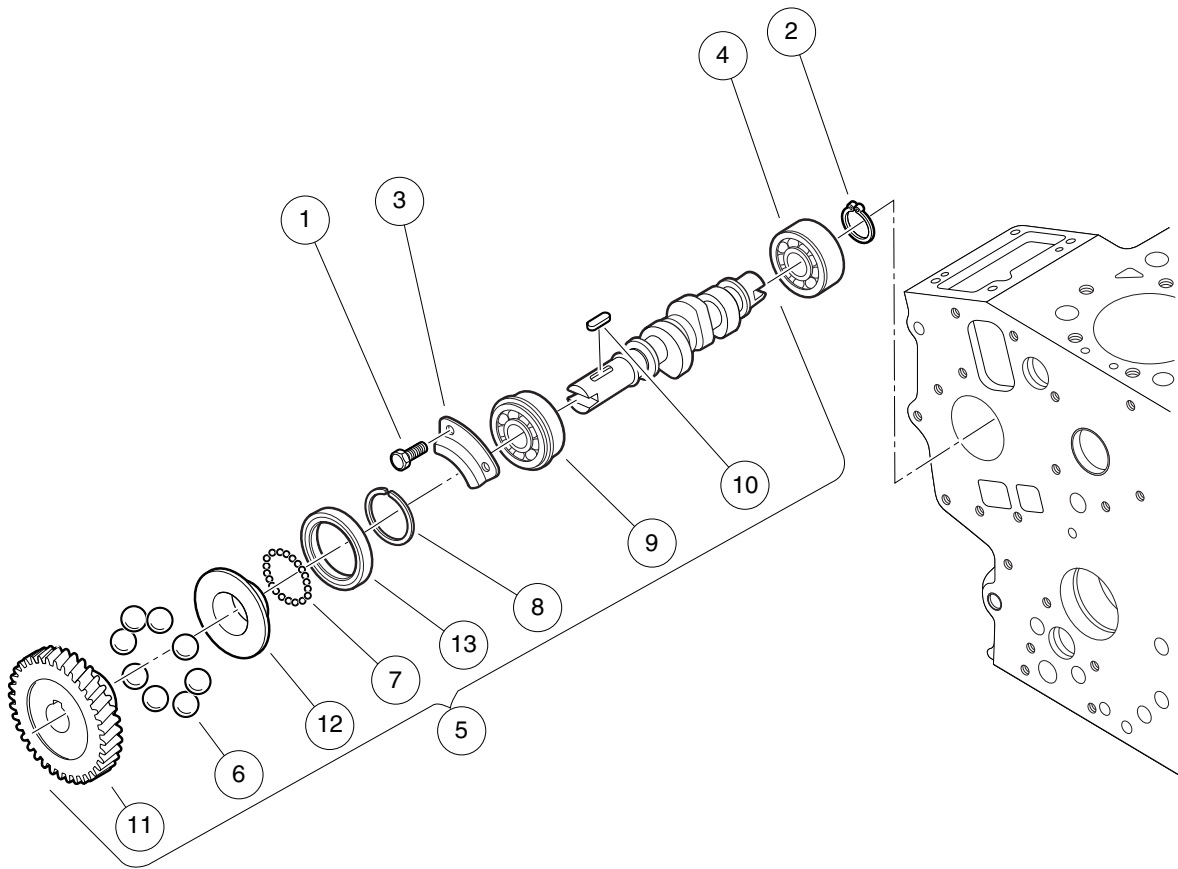
ITEM	PART NO.	DESCRIPTION	QTY
		1 2 3 4	
1	102604201	Bolt, D722, Cam End	2
2	102605001	Shaft, Idle Gear	1
3	102605301	Ring, Snap	1
4	102605401	Push Rod	6
5	102654401	Collar, Idle Gear	1
6	102729101	Bolt, Solenoid, Stop, D722	3
7	105207001	Assy, Camshaft, Long, D722 (includes items 8 through 12)	1
8	102605901	Gear, Cam	1
9	102606001	Stopper, Camshaft	1
10	N/A	Camshaft	1
11	102799401	Ball, Check	1
12	105220701	Key, Feather, D722	1
13	105220401	Gear, Idle, D722 (includes items 14 and 15)	1
14	N/A	Gear, Idle	1
15	105220501	Bushing, Idle Gear, D722	1
16	105220601	Tappet, D722	6

9

D

9

D



000050-002

FUEL CAMSHAFT (D722 – E4B)

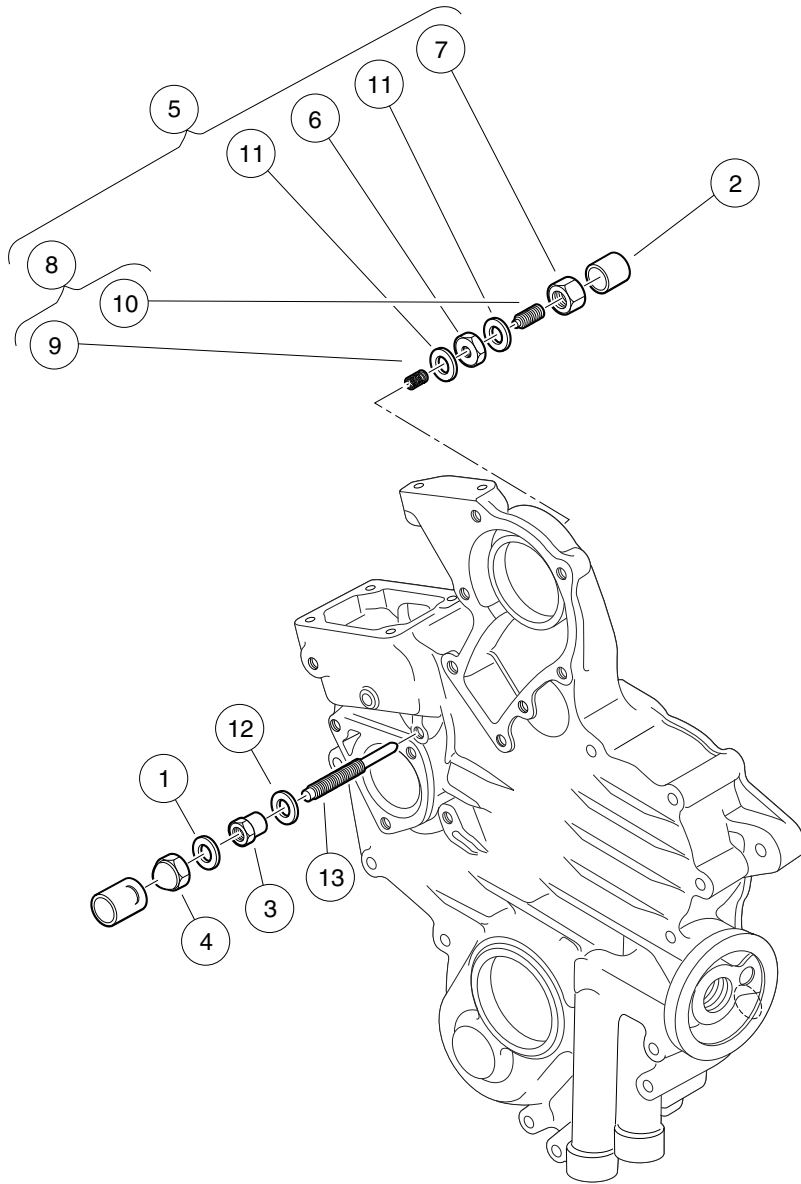
ITEM	PART NO.	DESCRIPTION	QTY
		1 2 3 4	
1	102604201	Bolt, D722, Cam End	2
2	102604701	Circlip, External	1
3	102604801	Stopper, Fuel, Camshaft	1
4	102728501	Bearing, Ball	1
5	105207701	Assy, Fuel Camshaft, D722 (includes items 6 through 13)	1
6	102603701	Ball, Injection Pump	8
7	102603901	Ball, Governor	32
8	102604101	Circlip	1
9	102604301	Bearing, Ball	1
10	102604401	Key, Feather, Short Camshaft	1
11	105207801	Gear, Injection Pump, D722	1
12	105221401	Sleeve, Governor, D722	1
13	105231201	Case, Governor Ball, D722	1

9

D

9

D



000051-002

IDLE APPARATUS (D722 – E4B)

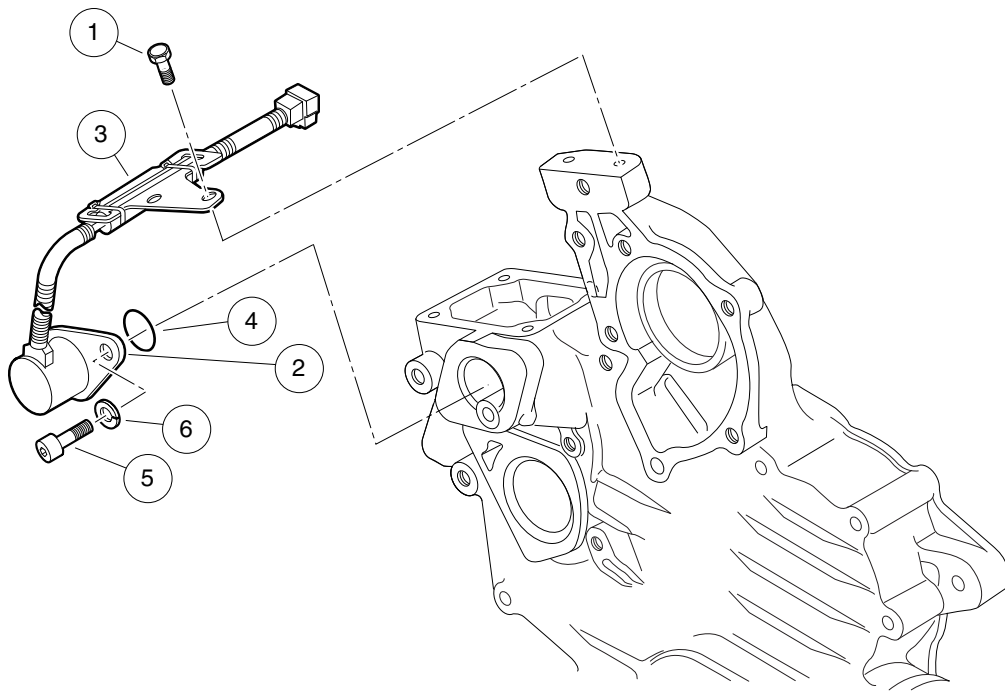
ITEM	PART NO.	DESCRIPTION	QTY
		1 2 3 4	
1	102635301	Gasket, 6 X 10	1
2	102635701	Cap, Bolt Assy	1
3	102637001	Nut, Lock, Special	1
4	102637101	Nut, Special	1
5	102728601	Assy, Idle Apparatus (includes items 6 through 11)	1
6	102635501	Nut, M8, D722 Idle App, Specl	1
7	102635801	Nut, M8, D722 Idle App	1
8	102635901	Assy, Bolt, Adjusting (includes items 9 and 10)	1
9	102728701	Spring, Idle Apparatus	1
10	N/A	Stud, Idle Adjustment	1
11	102728801	Gasket, Idle Apparatus, Rear	2
12	102728901	Gasket, Idle Apparatus, Front	1
13	102799501	Bolt, Idle Adjusting	1

9

D

9

D



000182-002

STOP SOLENOID (D722-E4B)

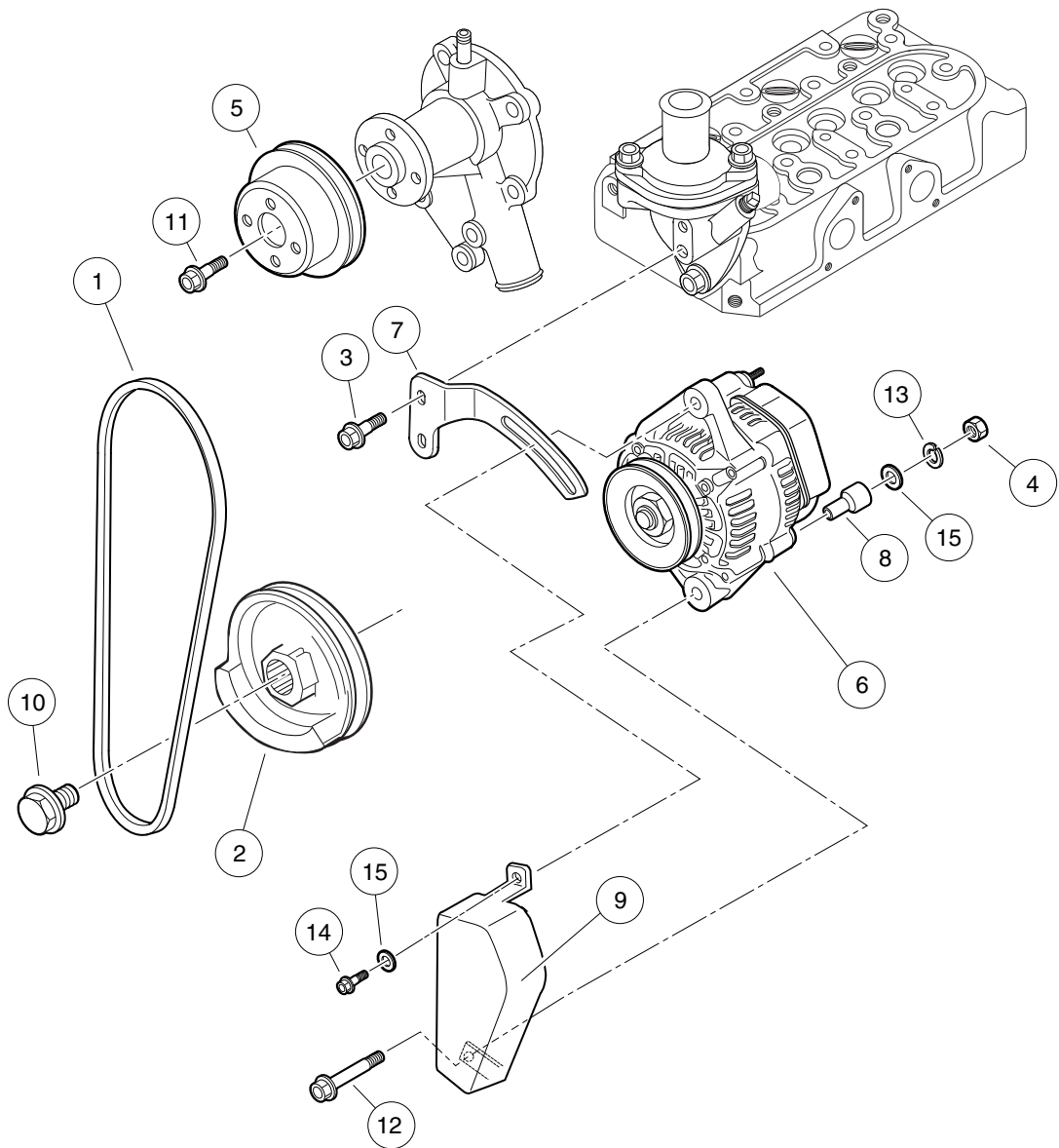
ITEM	PART NO.	DESCRIPTION	QTY
		1 2 3 4	
1	102729101	Bolt, Solenoid, Stop, D722	2
2	102799601	Solenoid, Stop	1
3	102799701	Stay, Stop Solenoid	1
4	102799801	O-Ring, Stop Solenoid	1
5	102799901	Bolt, Stop Solenoid	2
6	105207901	Washer, Spring, M6, D722	2

9

D

9

D



000057-004

40-AMP ALTERNATOR, BELT AND PULLEYS (D722 – E4B)

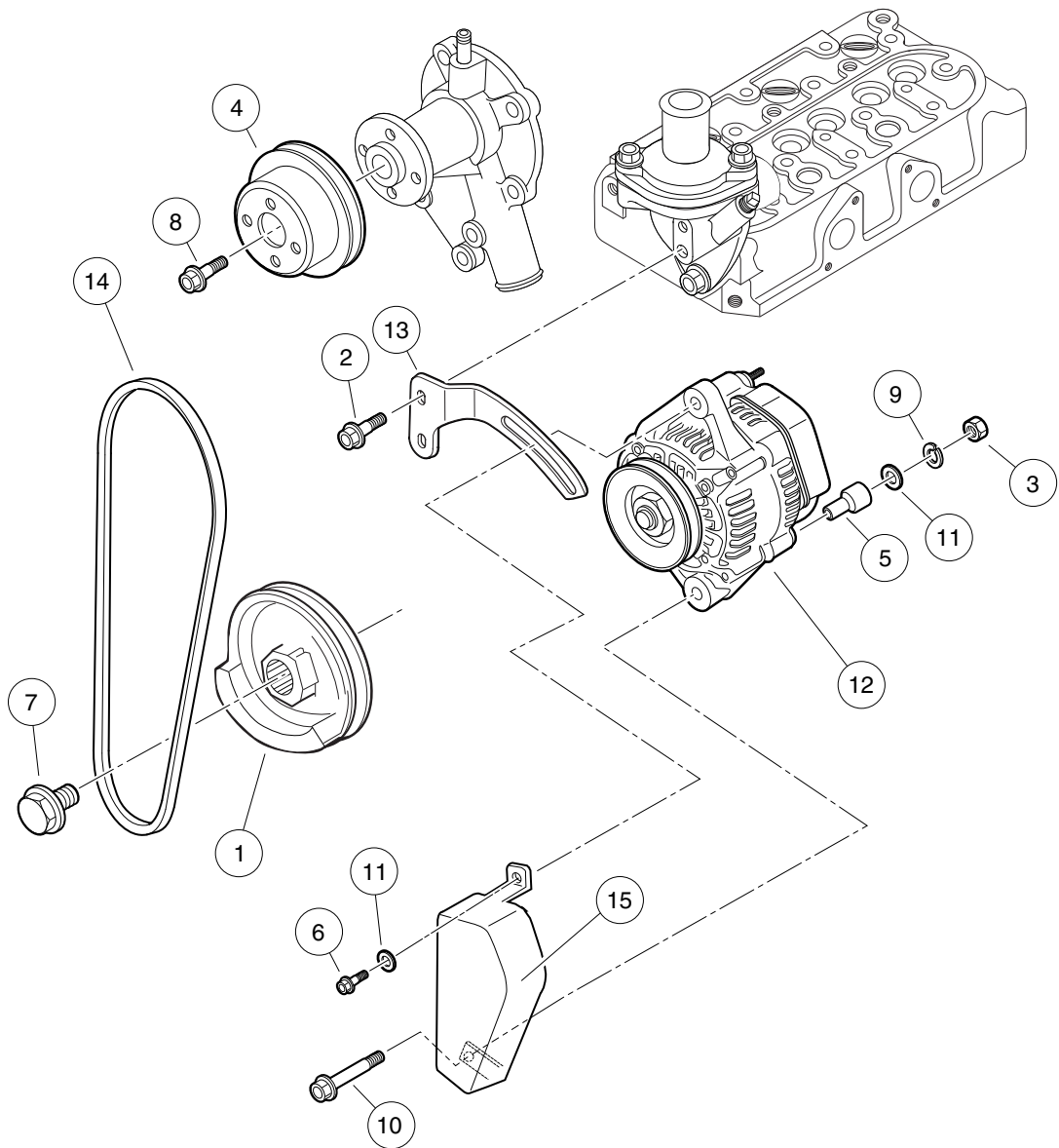
ITEM	PART NO.	DESCRIPTION	QTY
		1 2 3 4	
1	102601101	V-Belt	1
2	102630601	Pulley, Fan Drive	1
3	102631601	Bolt, M6 X 1 X 20	2
4	102647701	Nut, M8, Plate	1
5	102701201	Pulley, Water Pump	1
6	102730001	Alternator, 40-Amp	1
7	102730101	Stay, Alternator Assy, D722	1
8	102730201	Collar, Alternator Assy, D722	1
9	102730301	Cover, Alternator Assy, D722	1
10	102730601	Bolt, Alt, D722, Drive Pulley	1
11	102731301	Bolt, D722, Drive Pulley	4
12	102800701	Bolt, Alternator, Lower	1
13	105208001	Washer, Sprng, Strtr, D722	1
14	105221901	Bolt, Alt, Adjuster, D722	1
15	105222001	Washer, Alt, Upper, D722	2

9

D

9

D



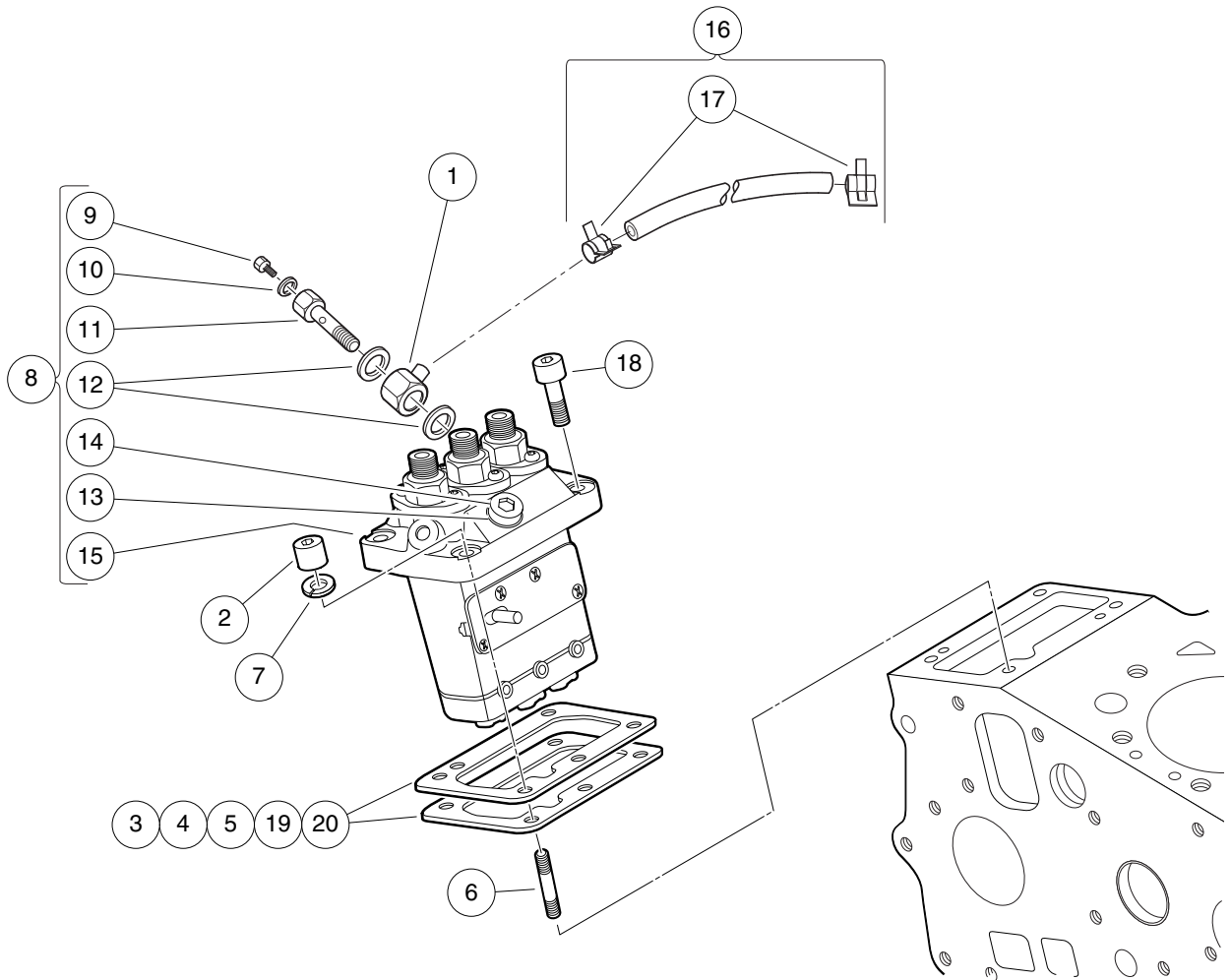
000057-003

60-AMP ALTERNATOR, BELT AND PULLEYS (D722 – E4B)

ITEM	PART NO.	DESCRIPTION	QTY
		1 2 3 4	
1	102630601	Pulley, Fan Drive	1
2	102631601	Bolt, M6 X 1 X 20	2
3	102647701	Nut, M8, Plate	1
4	102701201	Pulley, Water Pump	1
5	102730201	Collar, Alternator Assy, D722	1
6	102730401	Bolt, Alt, D722, Adjuster	1
7	102730601	Bolt, Alt, D722, Drive Pulley	1
8	102731301	Bolt, D722, Drive Pulley	4
9	102732501	Washer, Spring, D722, Starter	1
10	102800701	Bolt, Alternator, Lower	1
11	102801001	Washer, Alternator, Upper	2
12	102934701	Alternator, 60 Amp	1
13	102934801	Bracket, Alternator, D722, 60 Amp	1
14	102934901	Belt, Accessory Drive, D722, 60 Amp	1
15	103239901	Guard, Accessory Belt	1

9

D



000053-003

FUEL INJECTION PUMP (D722 – E4B)

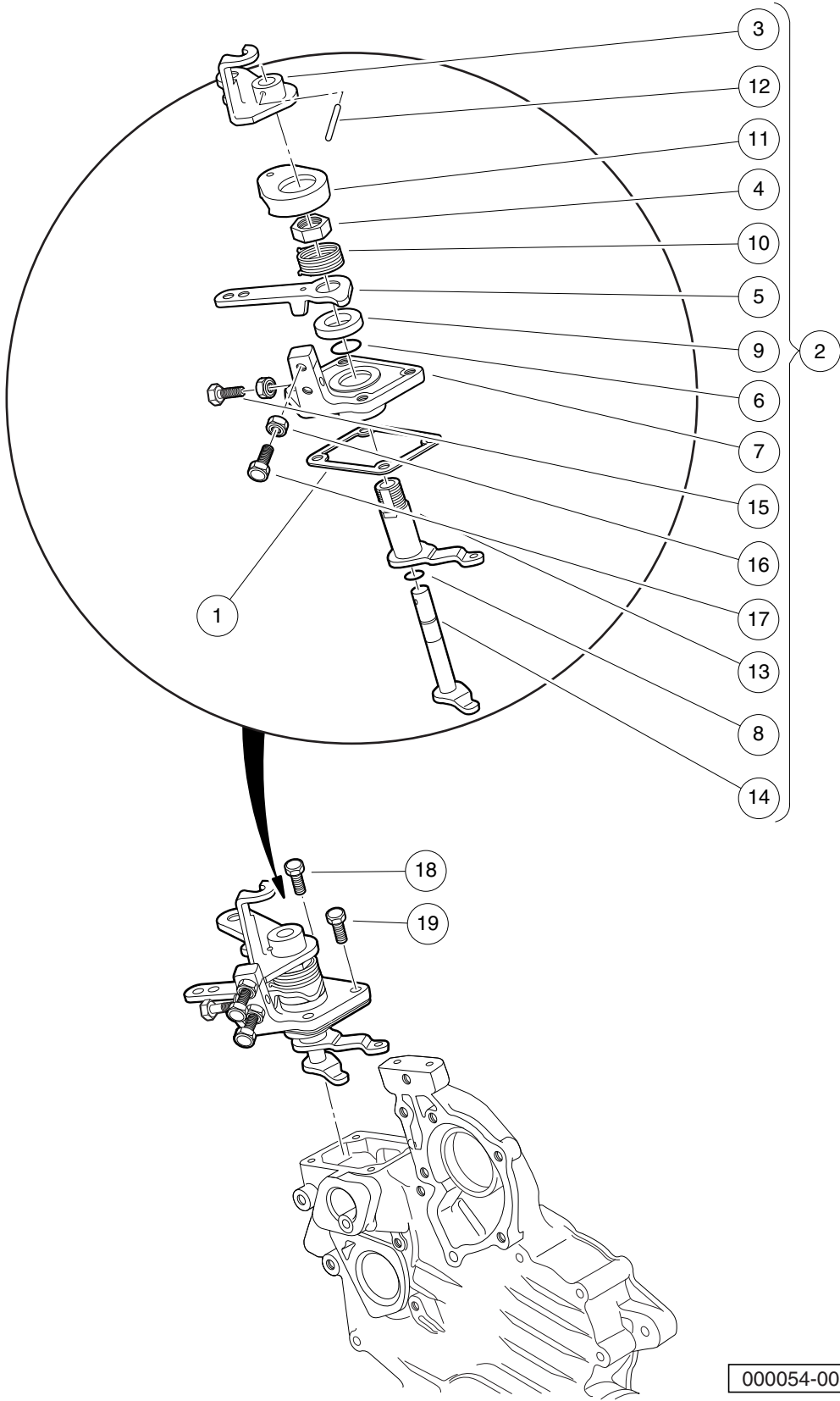
ITEM	PART NO.	DESCRIPTION	QTY
		1 2 3 4	
1	102640401	Joint, Eye	1
2	102640701	Nut, Special	2
3	102640901	Shim, Injection Pump, 0.20 mm	1
4	102641001	Shim, Injection Pump, 0.25 mm	1
5	102641101	Shim, Injection Pump, 0.30 mm	1
6	102641201	Stud, M5 X 25	2
7	105207901	Washer, Spring, M6, D722	2
8	105225401	Assy, Pump Injection, D722 (includes items 9 through 15)	1
9	102637501	Screw, D722, Injection Pump	1
10	102637601	Gasket, D722, Inj Pump, Top	1
11	102637701	Screw, Hollow, D722, Inj Pump	1
12	102637801	Gasket, D722, Inj Pump, Lower	2
13	102639101	Gasket, D722, Inj Pump, Plug	1
14	102729201	Plug, Injection Pump	1
15	N/A	Pump, Injection	1
16	105225501	Assy, Fuel Pipe, D722 (includes item 17)	1
17	105225601	Clip, Pipe, D722	2
18	105225701	Bolt, Hex Head, D722	2
19	105225801	Shim, Inj Pump, 0.175, D722	1
20	105225901	Shim, Inj Pump, 0.350, D722	1

9

D

9

D



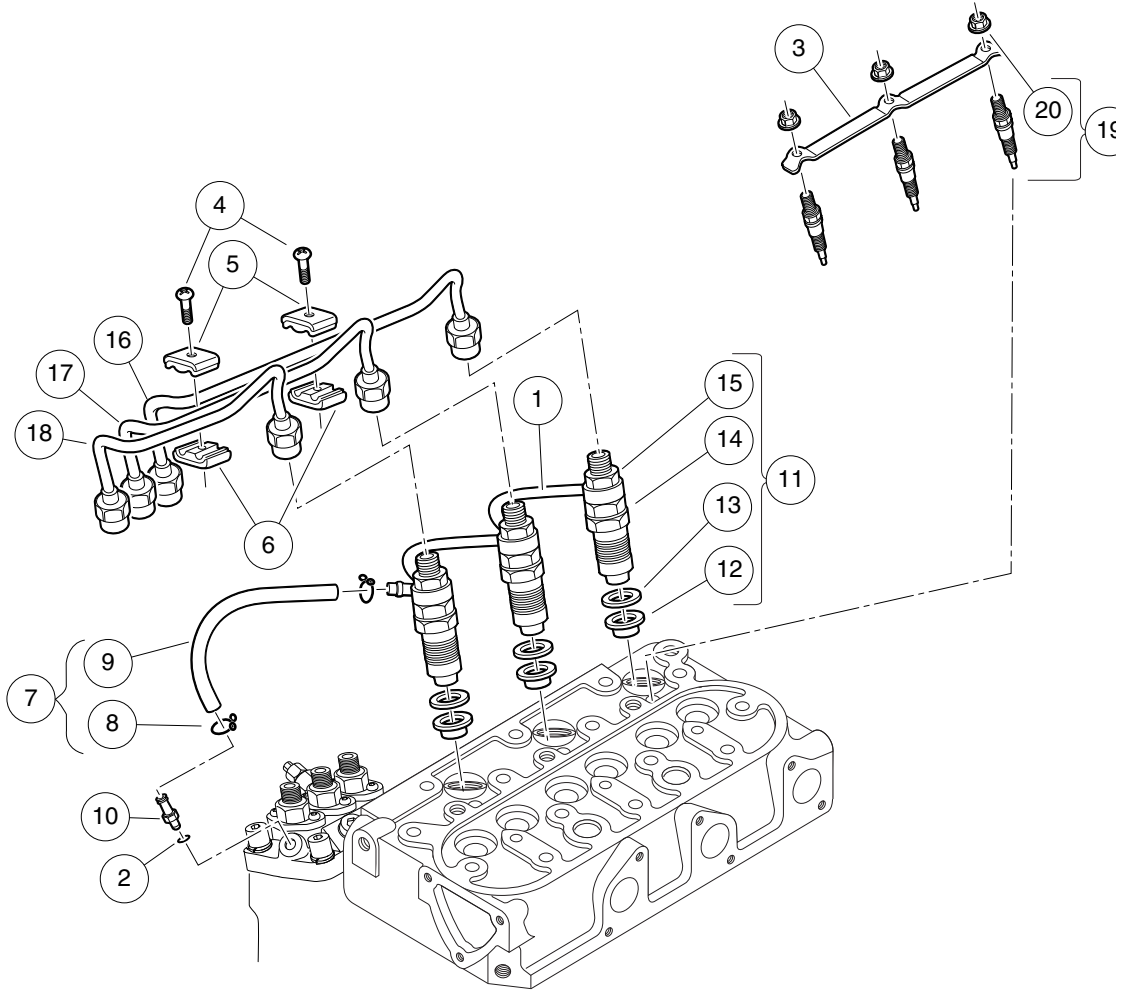
000054-003

SPEED CONTROL (D722 – E4B)

ITEM	PART NO.	DESCRIPTION	QTY
		1 2 3 4	
1	102634501	Gasket, Control Plate	1
2	102800401	Assembly, Speed Plate (includes items 3 through 17)	1
3	102633701	Lever, Engine Stop	1
4	102633801	Nut, Speed Control	1
5	102633901	Lever, Speed Control	1
6	102634001	O Ring, 19 X 16	1
7	102634101	Plate, Speed Control	1
8	102634401	O Ring, 9 X 7	1
9	102634601	Collar, Lever	1
10	102634701	Spring, Return	1
11	102729401	Cap, Speed Cntrl Plate Rtrn	1
12	102729501	Pin, Spring, Speed Plate	1
13	102800501	Lever, Governor	1
14	102800601	Shaft, Governor Lever	1
15	105222301	Bolt, Speed Control, D722	1
16	105222401	Nut, Speed Control, D722	3
17	105222501	Bolt, Speed Control, D722	2
18	105206601	Bolt, Intake Manfld, D722	2
19	105222201	Bolt, Flange, D722	2

9

D



000055-002

NOZZLE HOLDERS AND GLOW PLUGS (D722 – E4B)

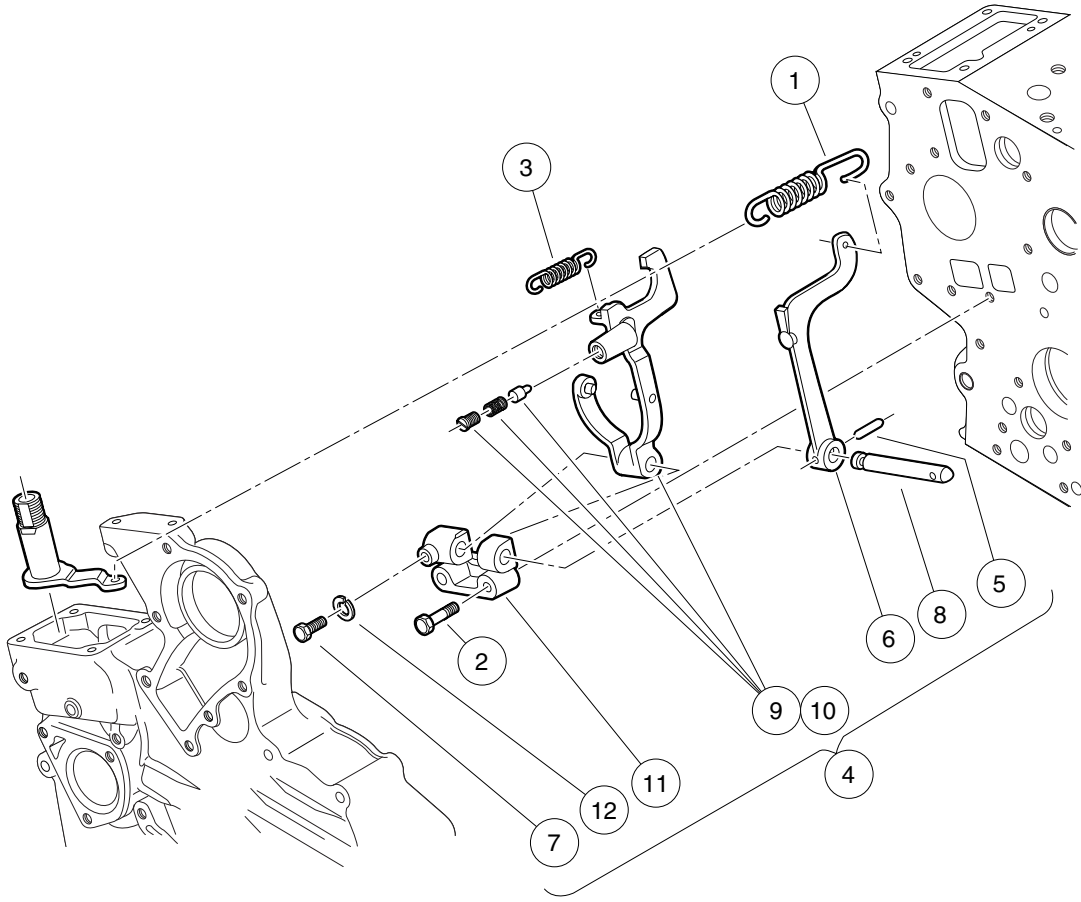
ITEM	PART NO.	DESCRIPTION	QTY
		1 2 3 4	
1	102605701	Assy Pipe, D722 Fuel Over Flow	1
2	102635301	Gasket, 6 X 10	1
3	102642401	Cord, Glow Plug	1
4	102642801	Screw, Washer	2
5	102642901	Clamp, Pipe, Top	2
6	102643301	Clamp, Pipe, Bottom	2
7	102643401	Assy Pipe, Over Flow (includes items 8 and 9)	1
8	102729601	Clip, Pipe, Return	2
9	105222901	Pipe, Fuel Overflow, D722	1
10	102643701	Screw, Air Bleeder	1
11	105208201	Kit, Holder, Nozzle, D722 (includes items 12 through 15)	3
12	102642701	Seal, Heat	3
13	102643601	Gasket, Nozzle	3
14	105208301	Assy Holder, Nozzle, D722	3
15	105223001	Nut, Hex, D722	3
16	105222601	Pipe, Injection, D722	1
17	105222701	Pipe, Injection, D722	1
18	105222801	Pipe, Injection, D722	1
19	105223101	Plug, Glow, D722 (includes item 20)	3
20	102642501	Nut, Flange,m4	3

9

D

9

D



000056-004

GOVERNOR COMPONENTS (D722 – E4B)

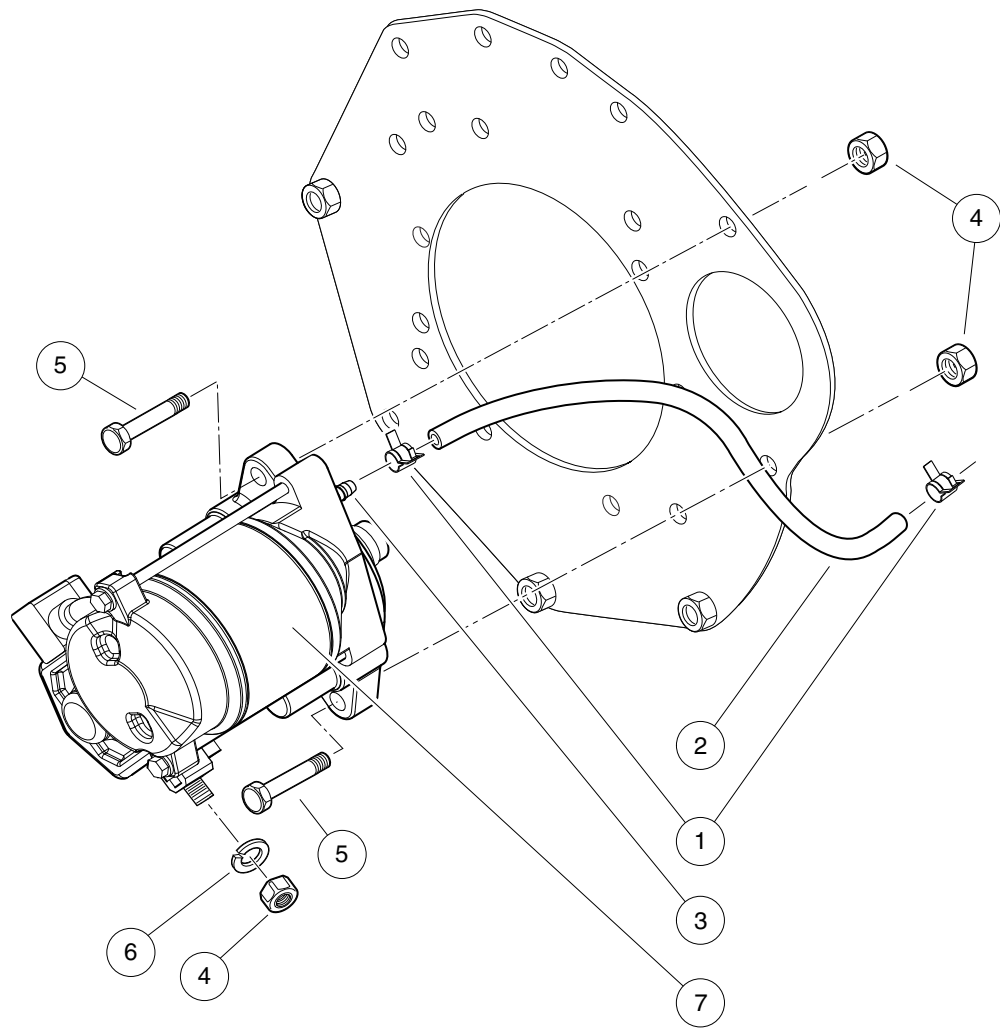
ITEM	PART NO.	DESCRIPTION	QTY
		1 2 3 4	
1	102635101	Spring, Governor	1
2	102636301	Bolt, M5 X 0.75 X 25	2
3	102800201	Spring, Start	1
4	105208401	Assy, Gov Fork, D722 (includes items 5 through 12)	1
5	102633601	Pin, Spring	1
6	102636101	Lever, Fork, End	1
7	102636401	Bolt, M5 X 0.75 X 11	1
8	102636601	Shaft, Fork Lever	1
9	N/A	Lever, Fork, Middle, D722 CB (includes item 10)	1
10	102701601	Spring, Lever	1
11	105208501	Holder, Fork Lever, D722	1
12	105208601	Washer, Spring, M5, D722	1

9

D

9

D



000058-003

STARTER – SEALED (D722 – E4B)

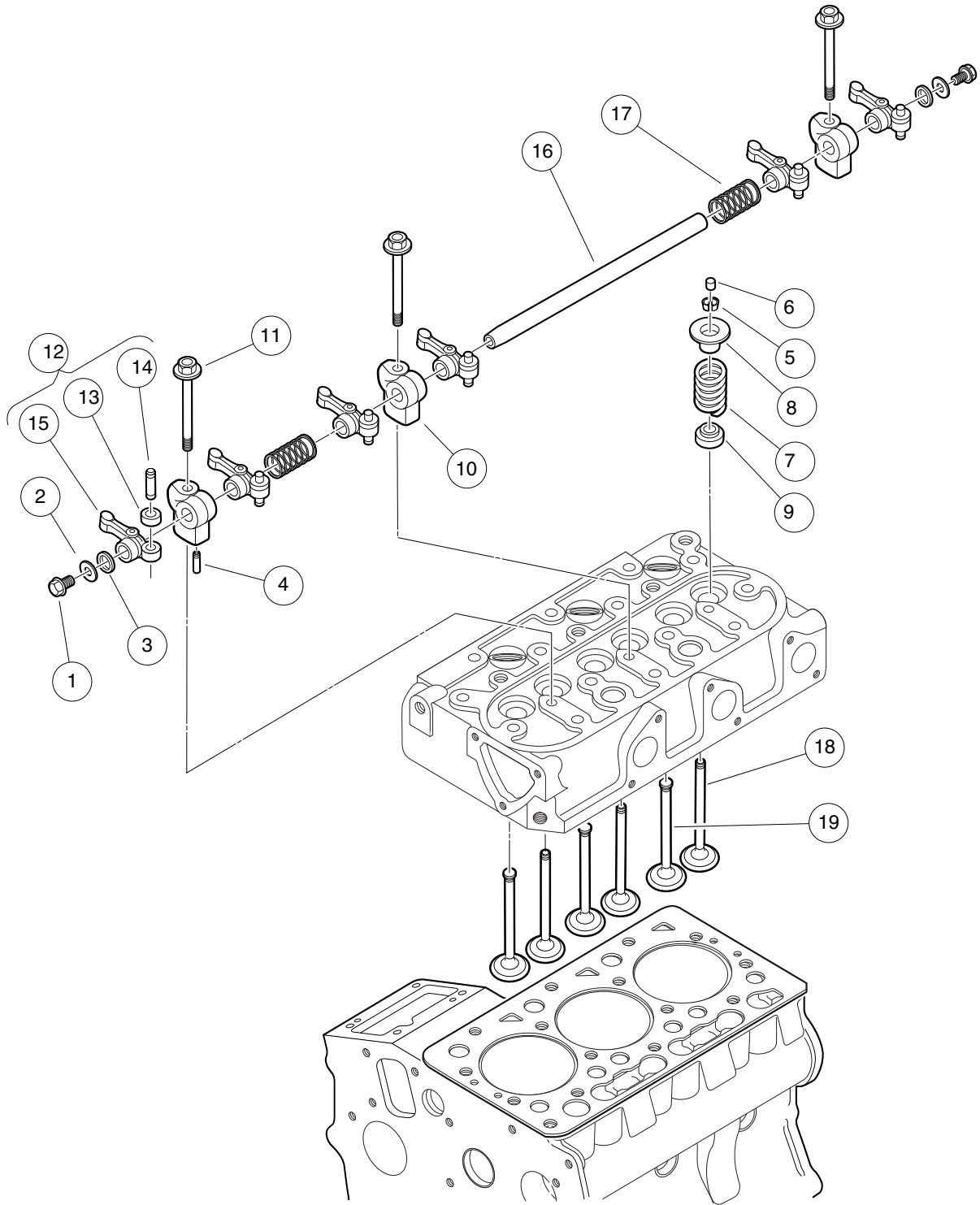
ITEM	PART NO.	DESCRIPTION	QTY
		1 2 3 4	
1	1013746	Clamp, 0.301 ID Hose	2
2	101587703	Hose, Fuel, Vent, 22" Long	1
3	101824401	Vent Barb	1
4	102647701	Nut, M8, Plate	3
5	102730401	Bolt, Alt, D722, Adjuster	2
6	105208001	Washer, Sprng, Strtr, D722	3
7	105226001	Assy, Sealed Starter, D722	1

9

D

9

D



000062-003

VALVES AND ROCKER ARMS (D722 – E4B)

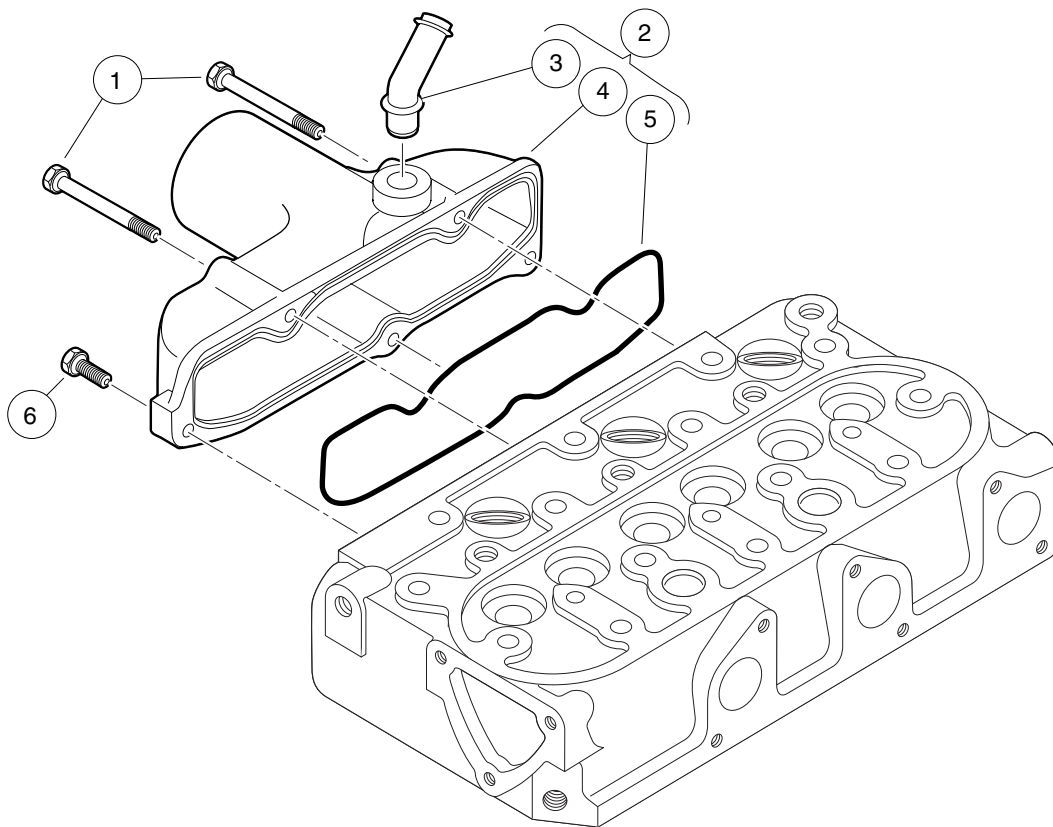
ITEM	PART NO.	DESCRIPTION	QTY
		1 2 3 4	
1	102646401	Bolt, M6 X 1 X 8	2
2	102651301	Washer, D722, Plain, Rocker	2
3	102651601	Washer, Rocker Arm	2
4	102651801	Pin, Spring, D722, Rocker	1
5	102652901	Collet, Valve Spring, Set	6
6	102653001	Cap, Valve, D722	6
7	102653101	Spring, Valve	6
8	102653201	Retainer, Spring	6
9	102653301	Seal, Valve Stem	6
10	102801101	Bracket, Rocker Arm, D722 Closed-Breather	3
11	102801201	Bolt, Rocker Arm	3
12	105208701	Assy, Rocker Arm, D722 (includes items 13 through 15)	6
13	102651501	Nut, M6	6
14	102651701	Screw-Adjusting	6
15	N/A	Arm, Rocker	6
16	105226101	Shaft, Rocker Arm, D722	1
17	105226201	Spring, Rocker Arm, D722	2
18	105226301	Valve, Exhaust, D722	3
19	105226401	Valve, Intake, D722	3

9

D

9

D



000063-003

INTAKE MANIFOLD (D722 – E4B)

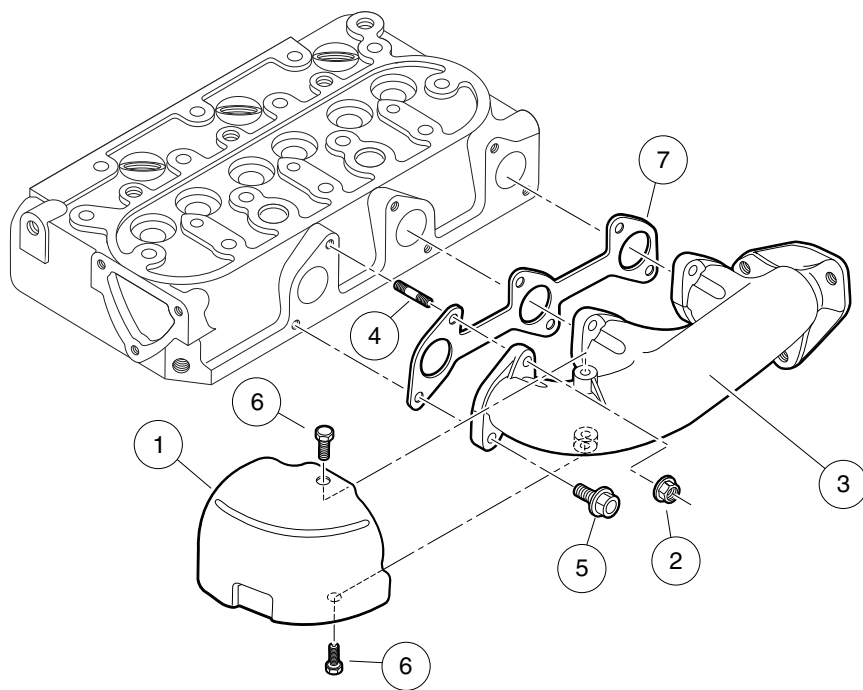
ITEM	PART NO.	DESCRIPTION	QTY
		1 2 3 4	
1	102646101	Bolt, M6 X 1 X 45	3
2	102801301	Assembly, Intake Manifold (includes items 3 through 5)	1
3	102801401	Pipe, Breather	1
4	102801501	Manifold, Intake	1
5	105226501	Gasket, Intake Manifold, D722	1
6	105206601	Bolt, Intake Manfld, D722	2

9

D

9

D



000064-002

EXHAUST MANIFOLD (D722 – E4B)

ITEM	PART NO.	DESCRIPTION	QTY
		1 2 3 4	
1	102646301	Cover, Heat Proof	1
2	102647101	Nut, Flange, M6, Ubs	3
3	102731501	Manifold, Exhaust, D722	1
4	105208801	Stud, M6 X 26, D722	3
5	105208901	Bolt, Exhst Manfld, D722	3
6	105209001	Bolt, Exhst Manfld Cvr, D722	2
7	105226601	Gasket, Exhaust Manifold, D722	1

9

D

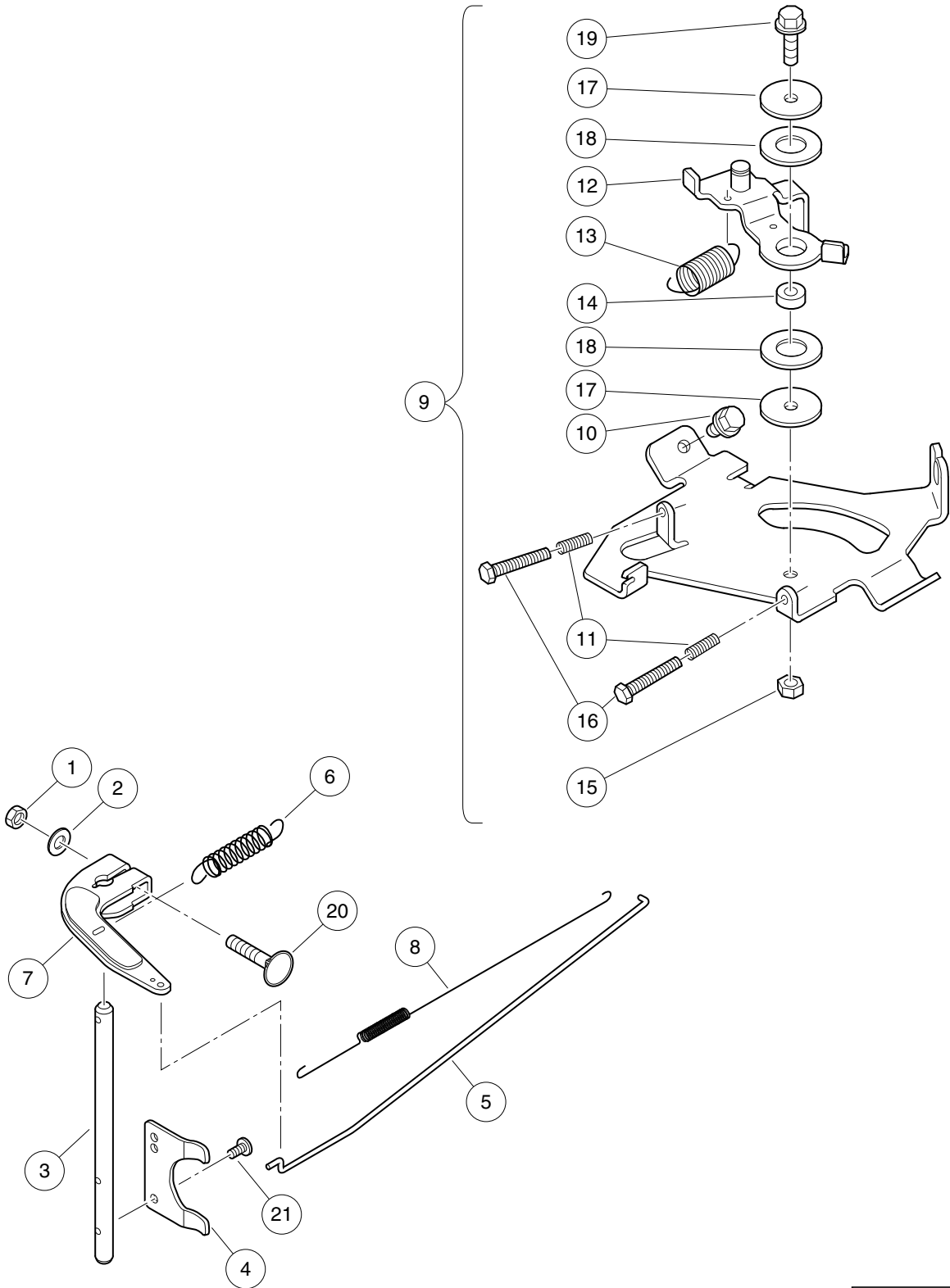
9

D

FUEL, INTAKE, ACCELERATOR & GOVERNOR SYSTEMS – KAWASAKI

10

G



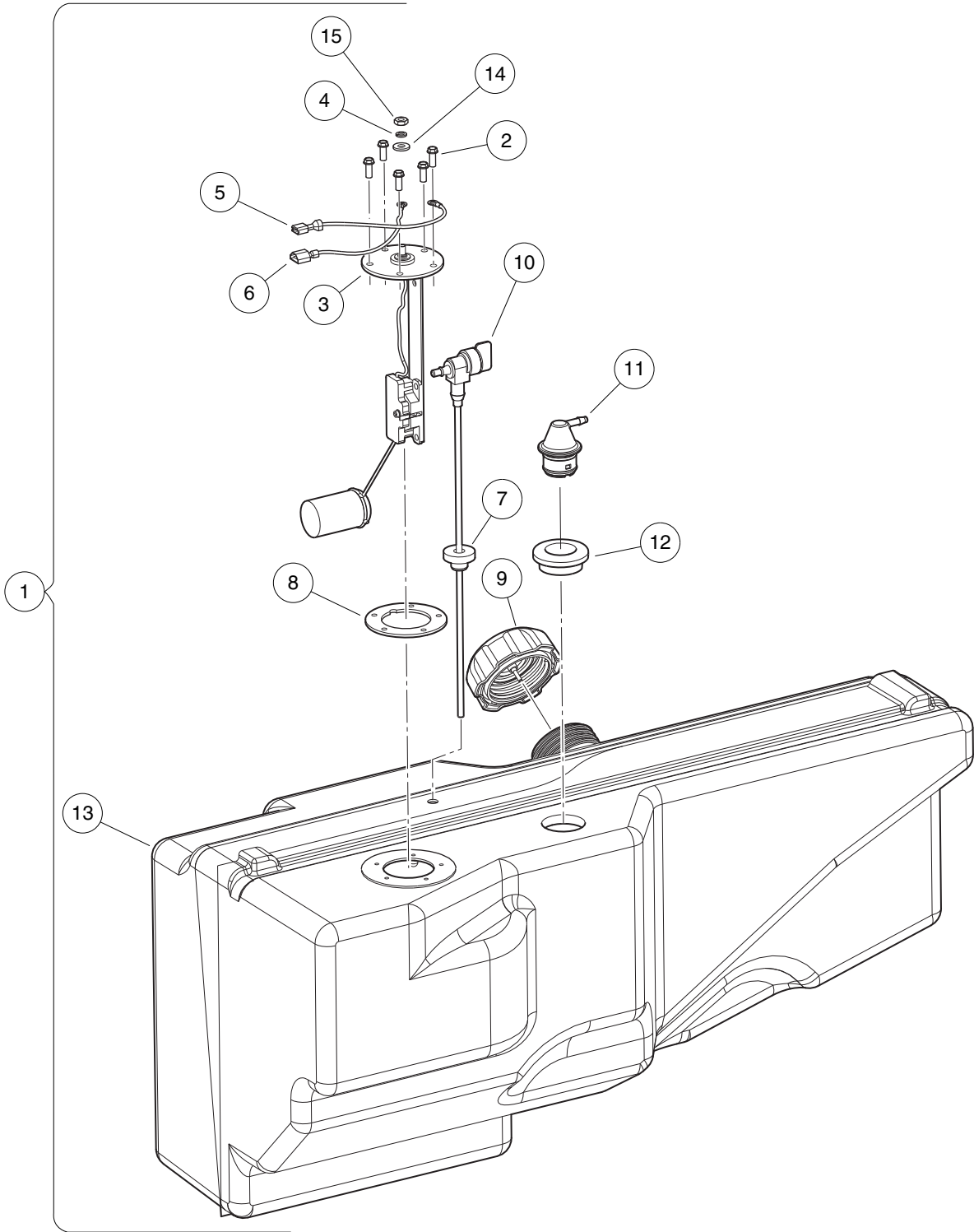
000636-001

GOVERNOR ARM AND SPRINGS

ITEM	PART NO.	DESCRIPTION	QTY
		1 2 3 4	
1	N/A	Nut, M6	1
2	1016513	Washer, M6 Flat	1
3	103002001	Shaft, Governor, Fh	1
4	103002101	Plate, Governor, Fh	1
5	103002301	Link, Arm, Governor, Fh	1
6	103002401	Spring, Governor, Fh	1
7	103002501	Arm, Governor, Shaft	1
8	103002901	Spring, Arm, Governor, Fh	1
9	103297701	Panel, Control, Complete, Fh (includes items 10 through 19)	1
10	102992401	Bolt, Flg, M6 X 1.0 X 12	2
11	103002801	Spring, Fh	2
12	103297401	Lever, Governor, Control, Fh	1
13	103297501	Spring, Governor Return, Fh	1
14	103297601	Collar, Governor, Fh	1
15	103297801	Nut, Governor, Fh	1
16	103298001	Bolt, Speed Control, Fh	2
17	103298201	Washer, Governor, Lower, Fh	2
18	103298301	Washer, Governor, Middle, Fh	2
19	103298501	Bolt, Flanged, M6 X 20, Kaw	1
20	103298101	Bolt, M6 X 35, Kawasaki	1
21	103298601	Screw, Pan, Governor, Fh	2

10

G

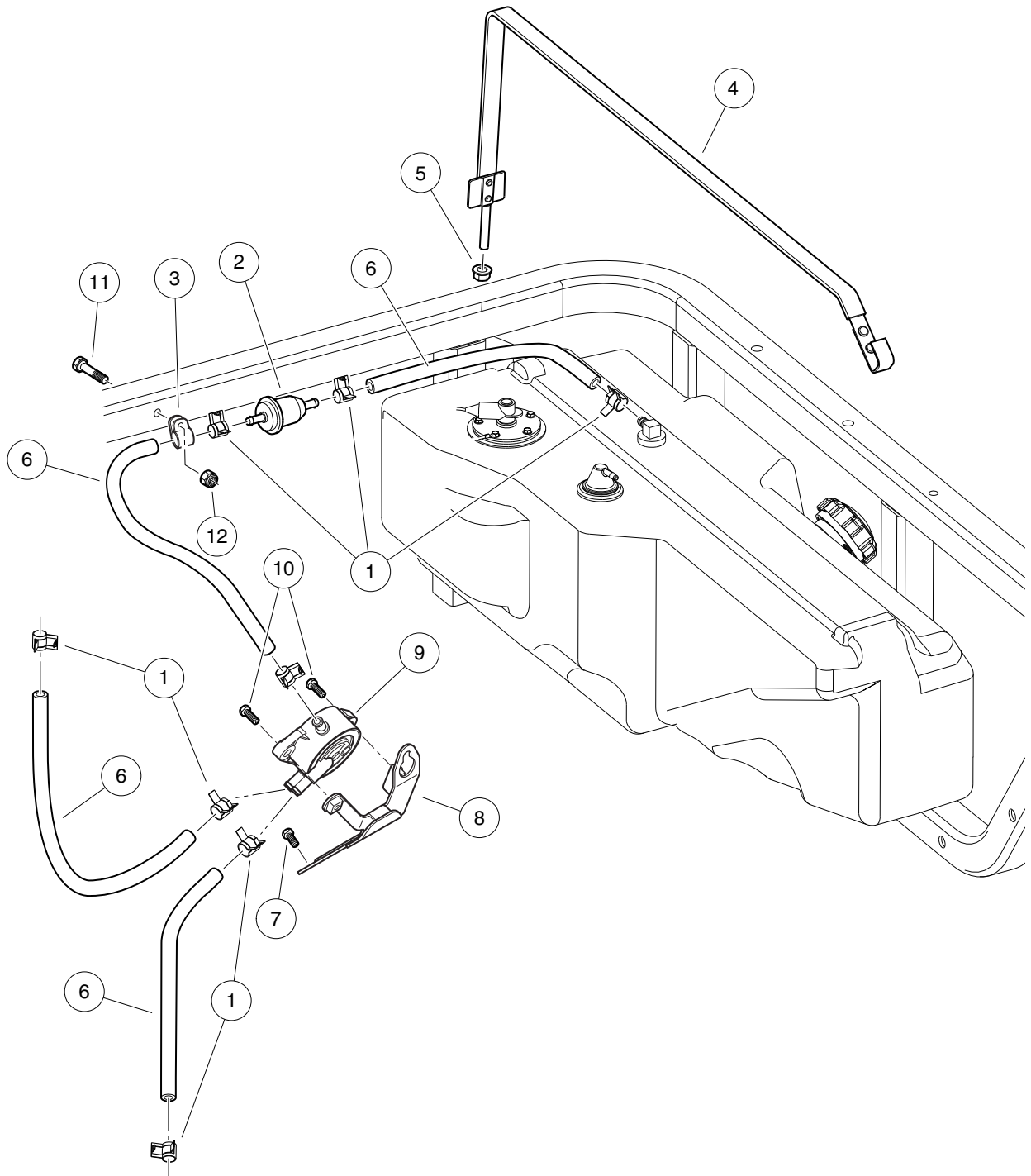


000082-008

FUEL TANK – GASOLINE VEHICLE

ITEM	PART NO.	DESCRIPTION	QTY
		1 2 3 4	
1	103963701	Asm, Tank Fuel, Gas 4x4 Nano (includes items 2 through 15)	1
2	1013461	Screw, #10-16 Hex-Head Hi-Lo	5
3	1013462	Sending Unit, Fuel Level *	1
4	1016	Lockwasher, #10 Split	1
5	N/A	Wire Asm, Blk, 170mm	1
6	N/A	Wire Asm, Org, 170mm	1
7	102406701	Bushing, Line, Return	1
8	102522001	Gasket, Rubber	1
9	103372101	Cap, Fuel Tank, Gas, Ratchet	1
10	103372302	Valve, Fuel, 288mm	1
11	103905201	Assembly, Vent, Fuel, 1/4 Inch O.D.	1
12	103944301	Grommet, Fuel Tank, Vent	1
13	N/A	Tank, Fuel, Gas, 4x4 Nano	1
14	183	Washer, #10, Type A, Flat	1
15	8797	Nut, #10-32 Brass Hex	1
		* Note: Must replace fuel sending unit gasket when servicing this component.	

10
G



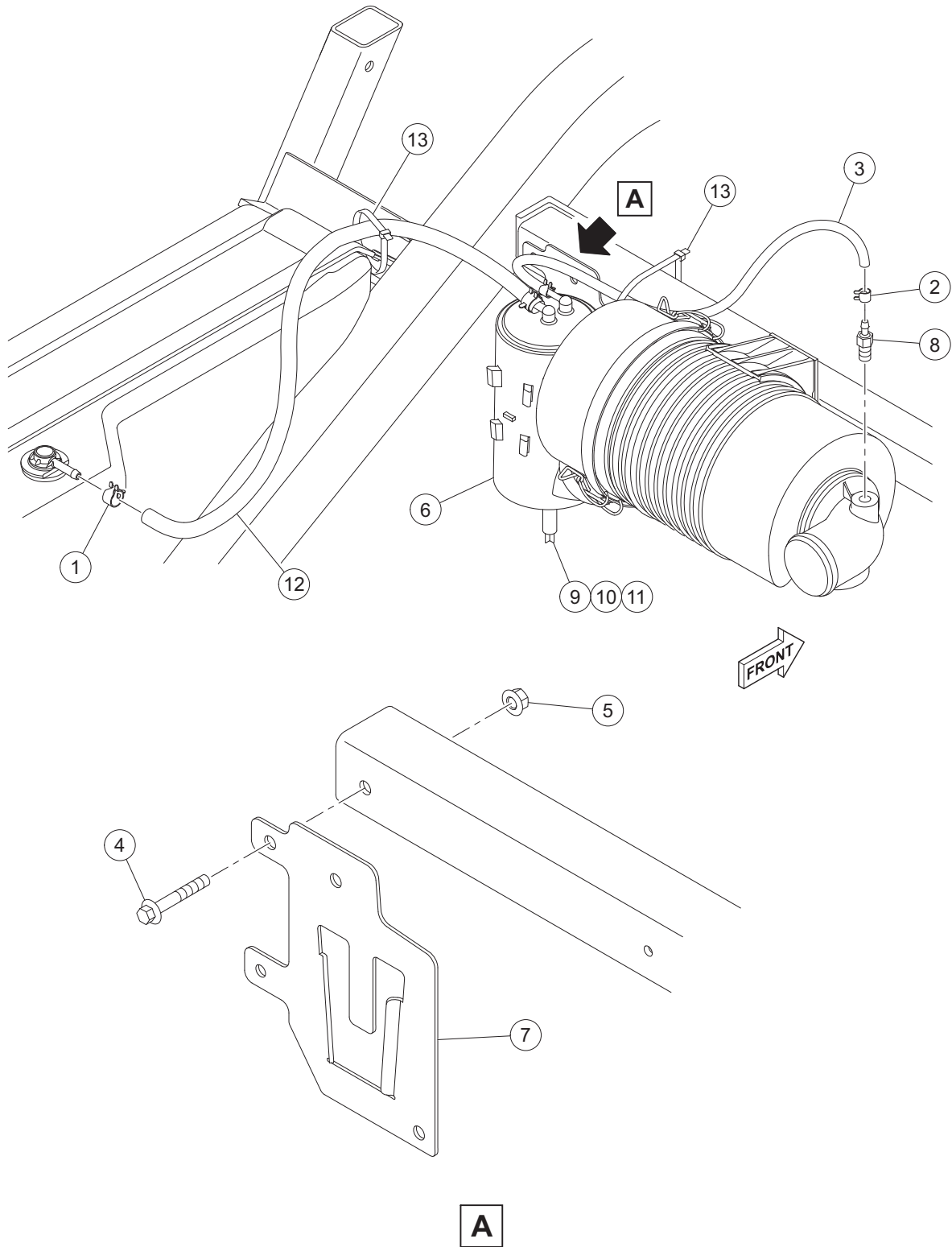
000672-003

FUEL PUMP, FILTER AND HOSE – KAWASAKI FH680

ITEM	PART NO.	DESCRIPTION	QTY
		1 2 3 4	
1	1012649	Clamp, 0.460 Red Hose	4
2	102003201	Filter, Fuel, 30 Micron	1
3	102410604	P-clamp, Insulated, 0.625 Inch	1
4	102426301	Strap, Tank, Fuel	1
5	102618601	Lock Nut, Flange, M8 X 1.25 Nylon	1
6	102865101	Fuel Line, 1/4 (available by the foot)	A/R
7	102992501	Bolt, Flg, M6 X 1.0 X 16	1
8	103009901	Bracket, Fuel Pump, Fh	1
9	103010101	Pump, Fuel, Impulse, Fh	1
10	103298501	Bolt, Flanged, M6 X 20, Kaw	2
11	324	Screw, 1/4-20 X 2.50 Hx Hd Cap	1
12	8233	Locknut, 1/4-20, Nylon Insert	1

10
G

10
G

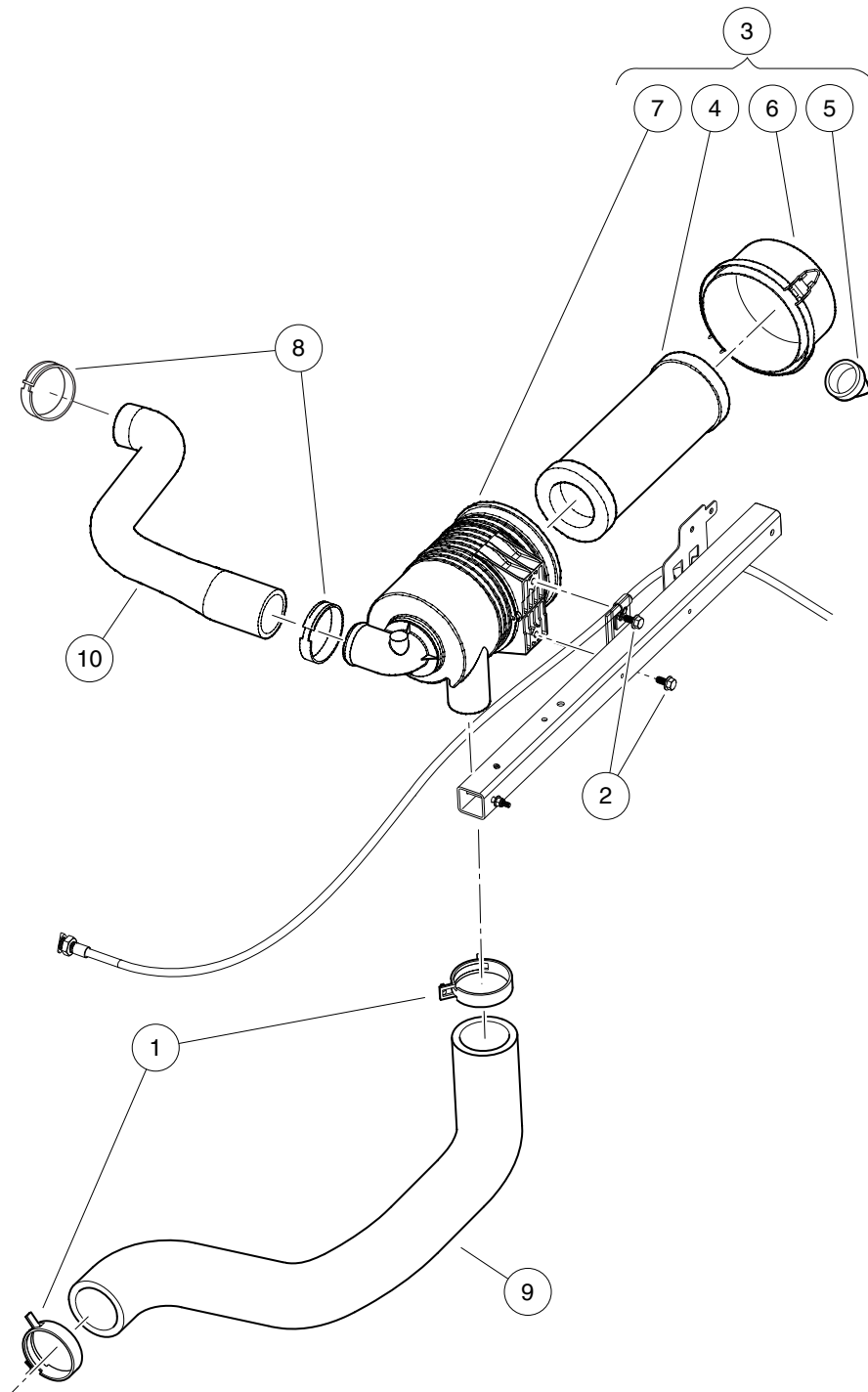


G-100499-000002

CARBON CANISTER – GASOLINE VEHICLE

ITEM	PART NO.	DESCRIPTION	QTY
		1 2 3 4	
1	1012649	Clamp, 0.460 Red Hose	2
2	1013746	Clamp, 0.301 ID Hose	2
3	101587709	Hose, Fuel, Vent, 26" Long	1
4	102541465	Bolt, M 6 X 1.0 X 65 Hex, Flange, Head, Black	2
5	102621501	Nut, Flange, M6 X 1.0, Nylon	2
6	103372401	Canister, Carbon	1
7	103452001	Brkt, Mtg, Carbon Canister	1
8	103701301	Adapter, 1/8 Npt X 3/16 Barb	1
9	103756401	Asm, Vent Line, Carbon Canister (includes items 10 and 11)	1
10	N/A	Hose, Vent, 5/16 I.D., Bulk	1
11	N/A	Vent, Barb, 5/16 I.D. Hose	1
12	103896603	Hose, Vent, 1/4 Id, 22 In	1
13	8639	Tie Wrap, 11" Nylon	2

10
G

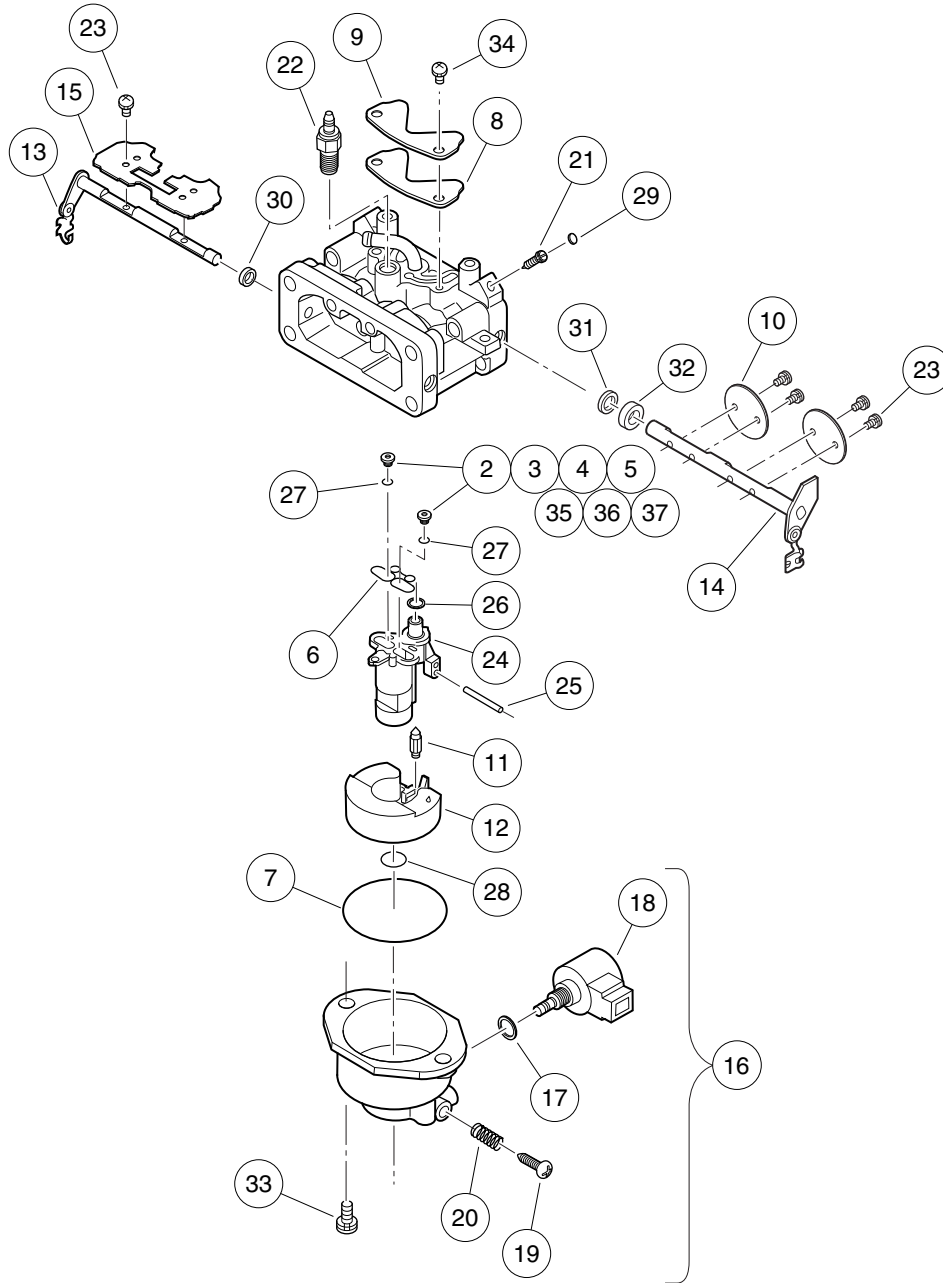


000090-006

INTAKE HOSES AND AIR FILTER – KAWASAKI FH680

ITEM	PART NO.	DESCRIPTION	QTY
		1 2 3 4	
1	102411210	Clamp, Hose, Ctb 64mm	2
2	102621201	Bolt, Flanged Head, M8 X1.25x 16, with Loctite	2
3	102810701	Filter, Air, Canister, with Label (includes items 4 through 7)	1
4	102498601	Element, Filter, Air, 5 Inch	1
5	102725501	Valve, Evacuator, Filter Air	1
6	102725601	Cap, Latch Lock, Filter, Air	1
7	N/A	Body, Canister, Filter, Air	1
8	103441401	Clamp, Worm Screw, Hose, 2"	2
9	103848401	Hose, Intake, Air	1
10	103924701	Hose, Air Intake, Awd, Gas	1

10
G

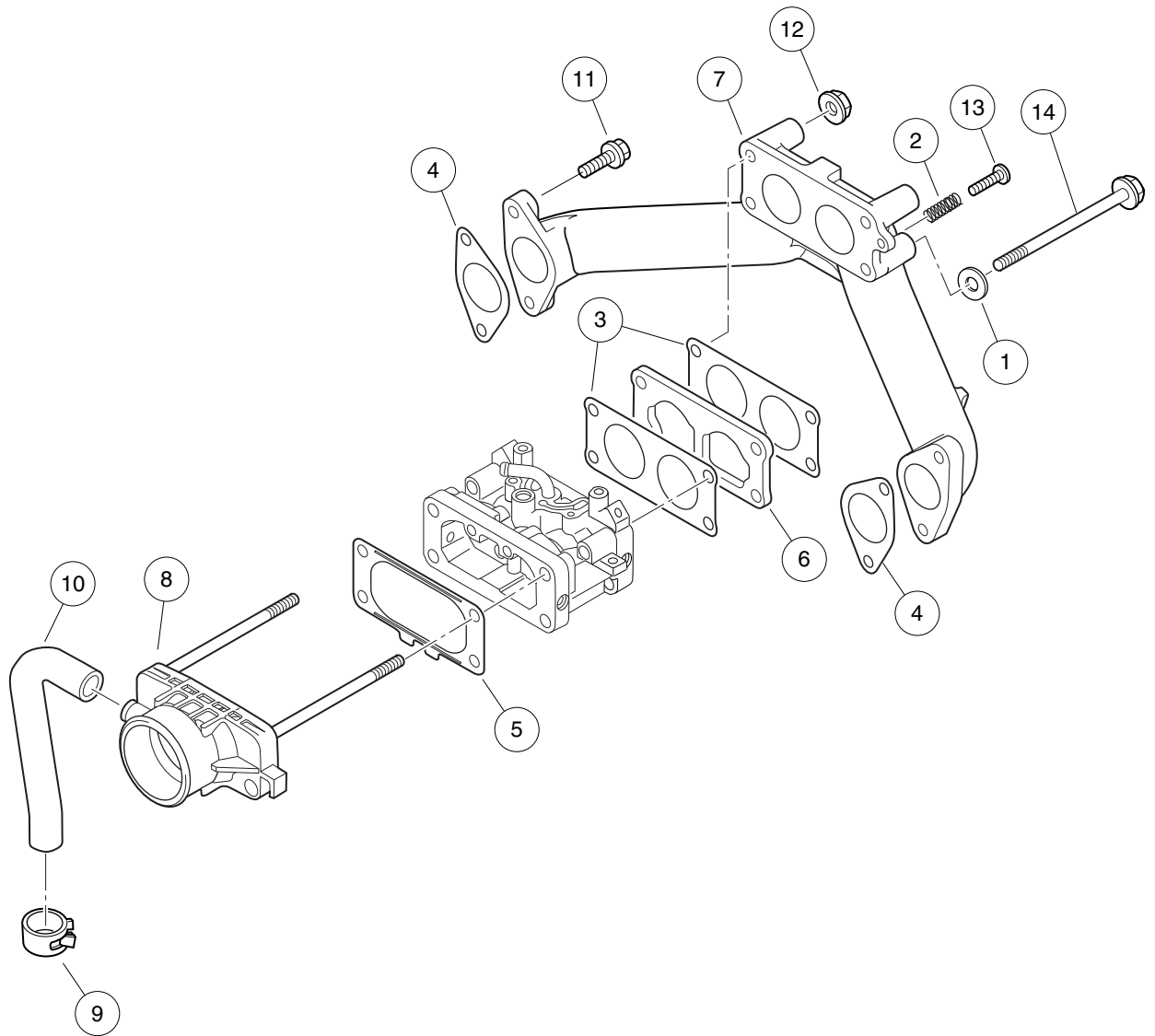


000673-004

CARBURETOR – KAWASAKI FH680

ITEM	PART NO.	DESCRIPTION	QTY
		1 2 3 4	
1	103596801	Asm, Carburetor, FH680D (includes items 2 through 35)	1
2	103307201	Kit, Jet, 6600 Ft +, Fh680d (includes item 3)	1
3	103306801	Jet, Push In #96, FH680D (6600 ft and higher (2000 m and higher))	2
4	103307301	Kit, Jet, 3300-6600 Ft, Fh680d (includes item 5)	1
5	103306901	Jet, Push In #99, FH680D (3300-6600 ft (1000-2000 m))	2
6	103340601	Gasket, Fh680d	1
7	103340701	Gasket, Carburetor, Dia. 52	1
8	103340801	Gasket, Cover, Fh680d	1
9	103340901	Cover, Slow Passage, Fh680d	1
10	103341101	Valve, Throttle, Fh680d	2
11	103341201	Valve, Float, Fh680d	1
12	103341301	Float, Carburetor, Fh680d	1
13	103341401	Shaft, Carburetor, Fh680d	1
14	103341501	Shaft, Carburetor, Throttle	1
15	103341601	Valve, Carburetor, Fh680d	1
16	103341701	Asm, Chamber, Float, Fh680d (includes items 17 through 20)	1
17	103340501	Gasket, Carburetor, Fh680d	1
18	103341901	Solenoid, Carburetor, Fh680d	1
19	103342201	Screw, Drain, Carburetor	1
20	103343601	Spring, Carburetor, Fh680d	1
21	103341801	Needle, Jet, Fh680d	2
22	103342001	Heater, Carburetor, Fh680d	1
23	103342101	Screw, Carburetor, M3 X 6	6
24	103342301	Spacer, Carburetor, Fh680d	1
25	N/A	Pin, Carburetor, Fh680d	1
26	103342501	O-ring, Carburetor, Dia. 6.5	1
27	103342601	O-ring, Carburetor, Fh680d	2
28	103342701	O-ring, Carburetor, Dia. 9	1
29	103343301	Plug, Expansion, Carburetor	2
30	103343401	Seal, Carburetor, Dia. 5.9	1
31	103343501	Seal, Carburetor, Fh680d	1
32	103343701	Collar, Carburetor, Fh680d	1
33	103343801	Screw, Carburetor, M5	2
34	103343901	Screw, Carburetor, M4	2
35	103596701	Kit, Jet, 0-3300 ft. FH680D (includes items 36 and 37)	1
36	103307001	Jet, Push In #102, FH680D (0-3300 ft (0-1000 m))	1
37	103596601	Jet, Push In, #104 FH680D (0-3000 ft (0-1000m))	1

10
G

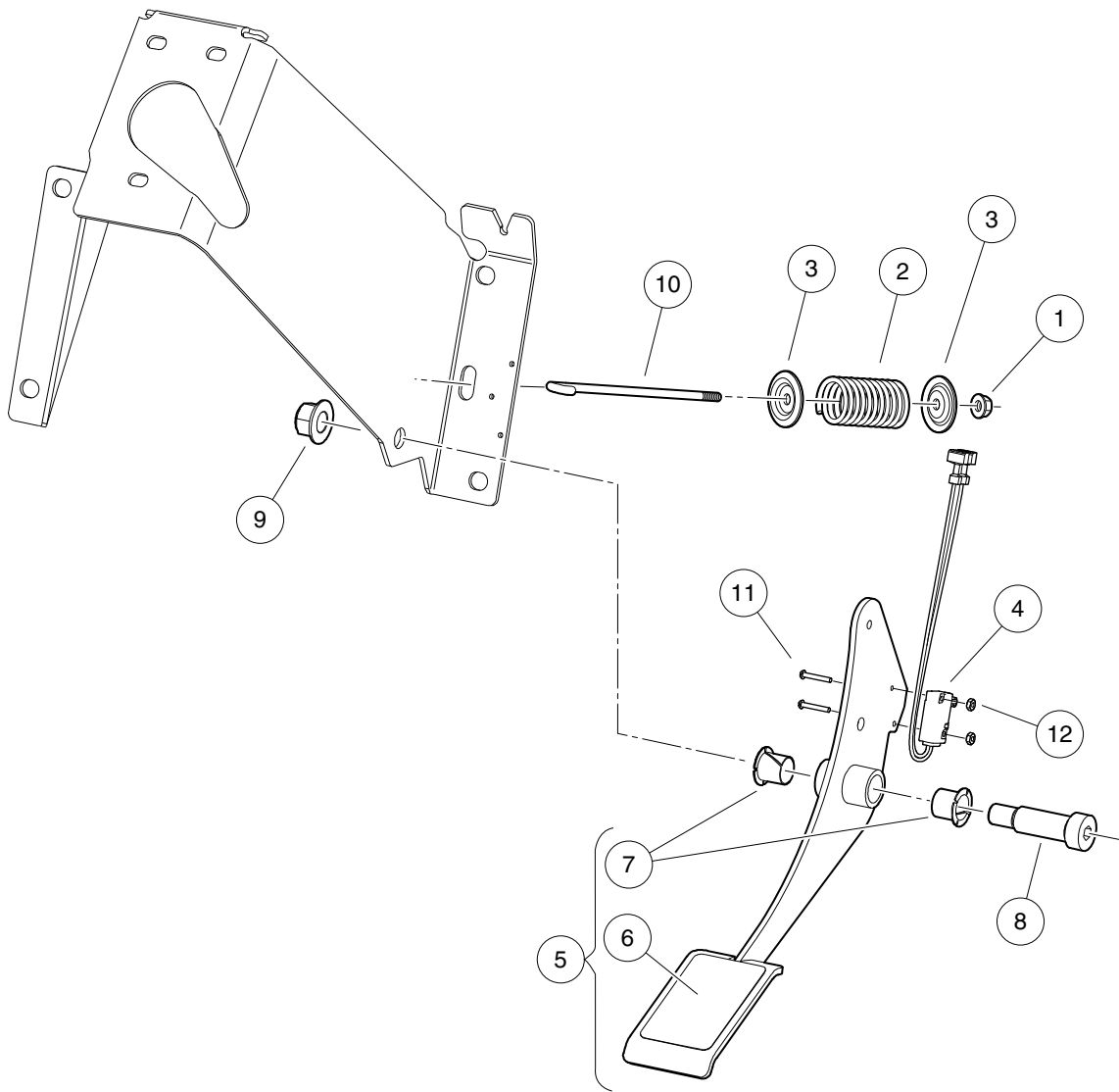


000673-002

INTAKE MANIFOLD AND CARBURETOR MOUNTING – KAWASAKI FH680

ITEM	PART NO.	DESCRIPTION	QTY
		1 2 3 4	
1	1016513	Washer, M6 Flat	2
2	103002801	Spring, Fh	1
3	103003801	Gasket, Carburetor, Fh	2
4	103003901	Gasket, Manifold, Fh	2
5	103004201	Gasket, Air Filter, Fh	1
6	103005001	Insulator, Manifold, Fh	1
7	103005601	Manifold, Intake, Fh	1
8	103297101	Pipe, Intake Adapter, Fh	1
9	103297201	Clamp, Crankcase Vent, Fh	1
10	103297301	Tube, Crankcase Vent, Fh	1
11	103298501	Bolt, Flanged, M6 X 20, Kaw	4
12	103320201	Nut, Carburetor, M6	2
13	103320301	Screw, Carburetor, M4 X 20	1
14	103320401	Bolt, Flg, Carburetor, M6x105	2

10
G



000026-003

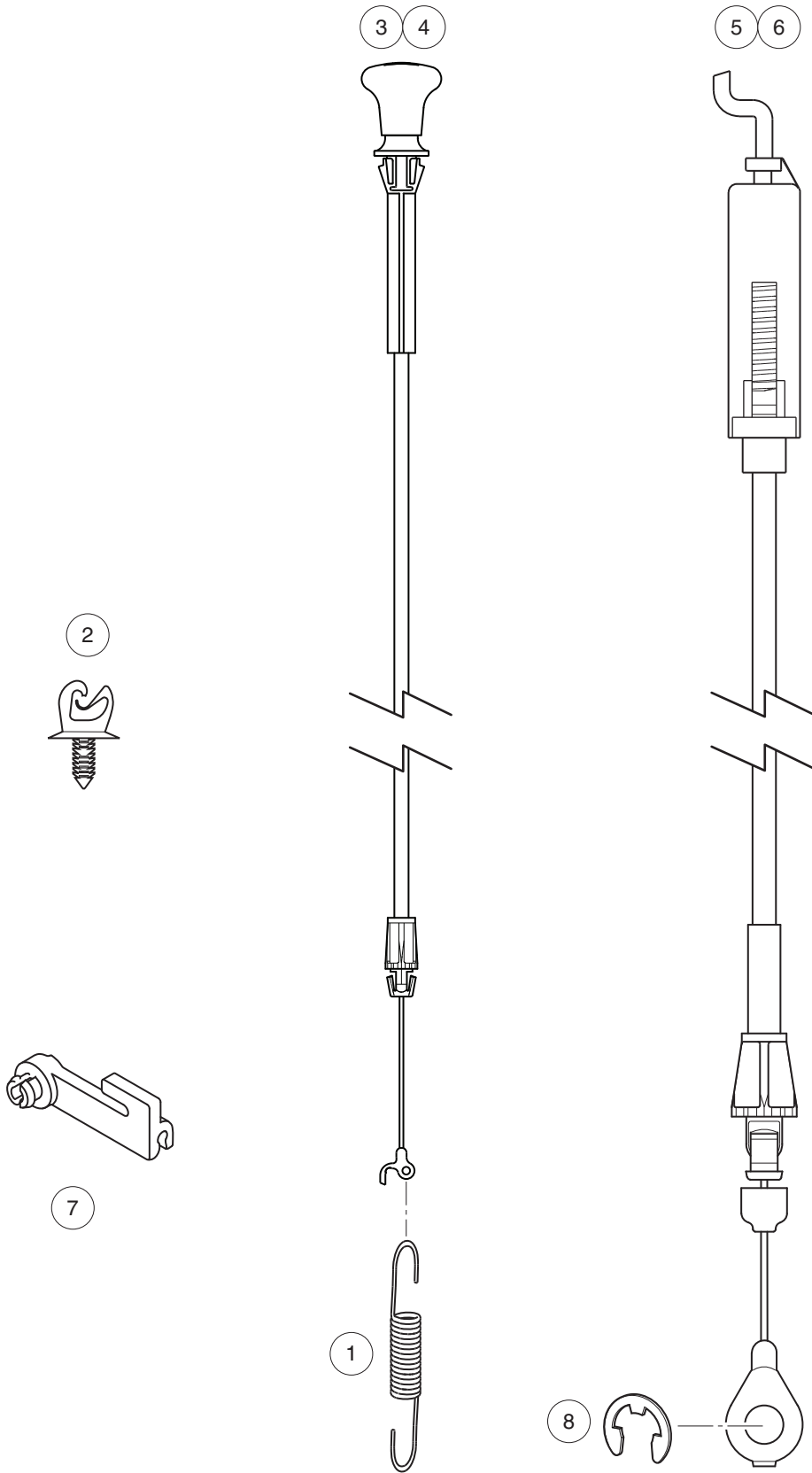
ACCELERATOR PEDAL

ITEM	PART NO.	DESCRIPTION	QTY
		1 2 3 4	
1	102296401	Nut, M6x1.0, Flange, Metal Lock	1
2	102445201	Spring, Comp, Pedal, Pullrod	1
3	102461401	Washer, Retaining Spring, 7mm	2
4	103327201	Asm, Switch, Limit, Awd	1
5	103478901	Asm, Pedal, Accelerator (includes items 6 and 7)	1
6	102479301	Pad, Grip Tape, Accelerator	1
7	103479101	Bushing, Nyliner, 5/8"	2
8	103479201	Bolt, Shoulder, 5/8 X 1 1/2	1
9	103479301	Nut Hex Flg 1/2-13 Nylock Gr G	1
10	103883201	Rod, Accelerator Return, J	1
11	8056	Screw, #4-40 X 0.75 Round-Head Machine	2
12	8057	Nut, #4-40 Hex Machine	2
		Note: Items 4 (switch), 11 (screw) and 12 (nut) are not used in two-wheel drive vehicle.	

10

G

10
G



000536-011

ACCELERATOR AND CHOKE CABLES – KAWASAKI FH680

ITEM	PART NO.	DESCRIPTION	QTY
		1 2 3 4	
1	102457001	Spring	1
2	102475701	Clip, Brake Line	4
3	103277402	Cable, Choke, 1550, Fh680d	1
4	103293402	Cable, Choke, 1550, Fh680d, Se	1
5	103921801	Cable, Accelerator, AWD, Gas, SE	1
6	103922001	Cable, Accelerator, AWD, Gas	1
7	105315101	Clip, Choke Cable, Fh680d	1
8	96950126	Ring, Retaining	1

10
G

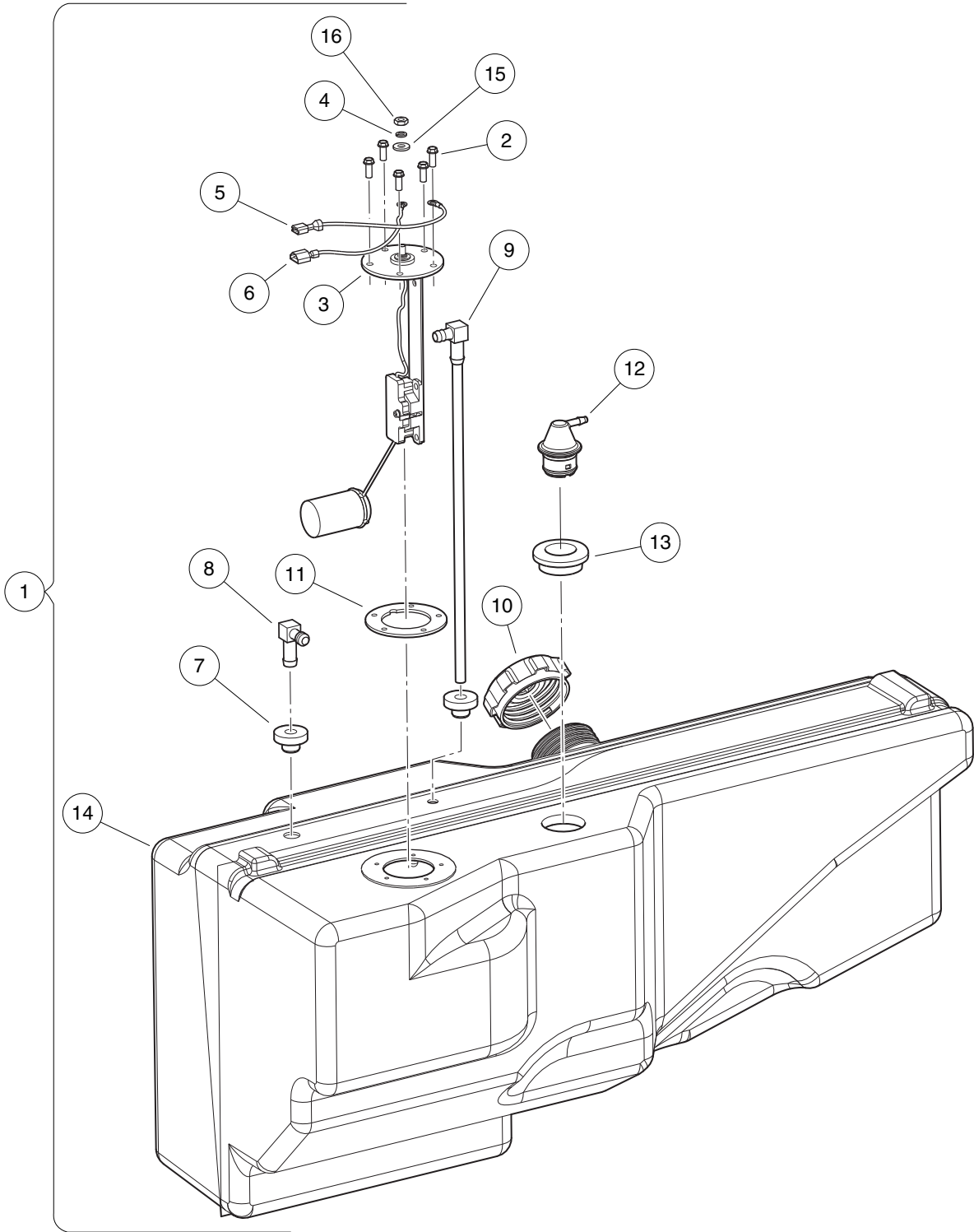
10

G

FUEL, INTAKE & ACCELERATOR SYSTEMS – KUBOTA DIESEL ENGINE

11

D



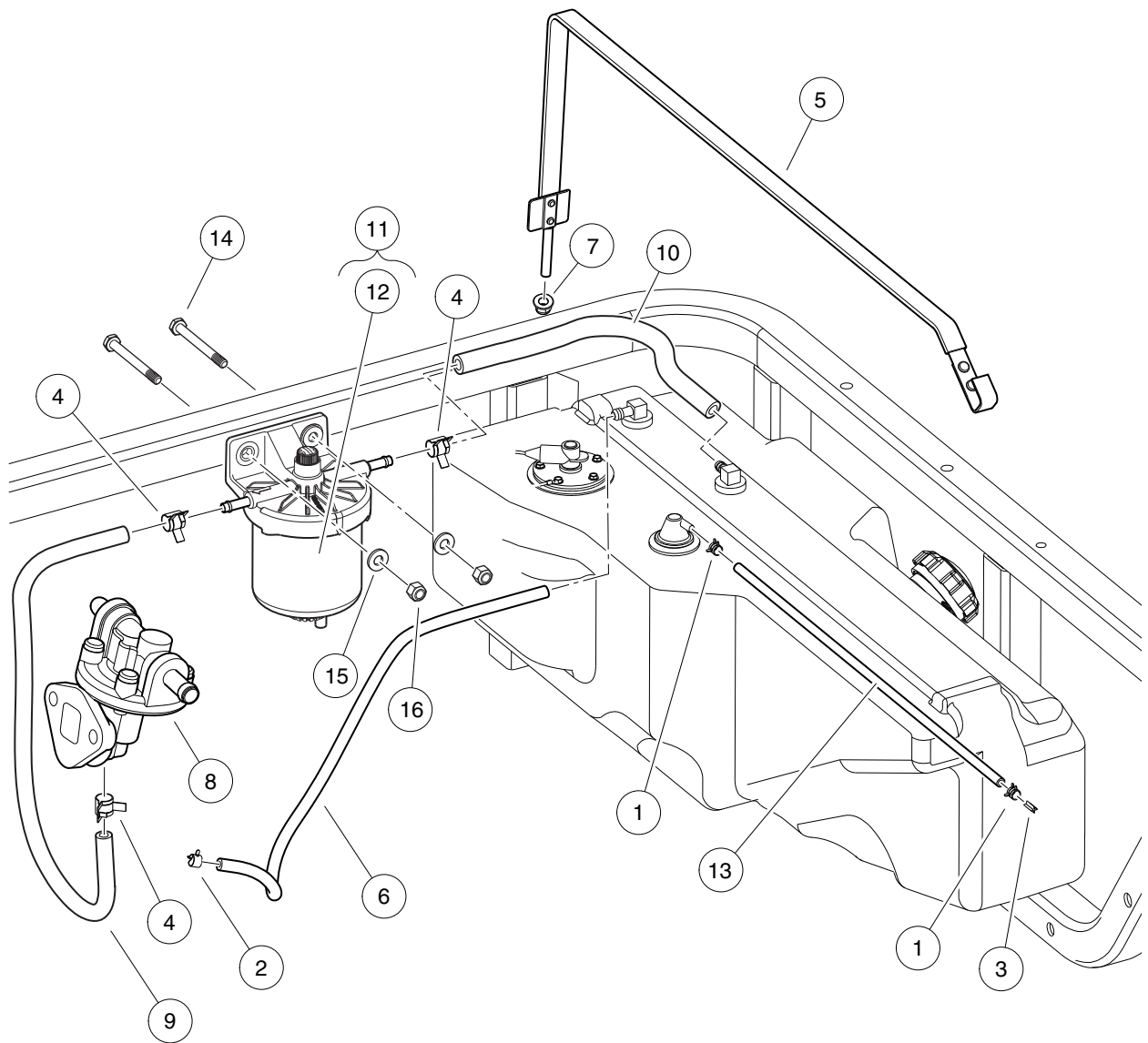
000082-011

FUEL TANK – DIESEL VEHICLE

ITEM	PART NO.	DESCRIPTION	QTY
		1 2 3 4	
1	103963501	Asm, Tank Fuel, Diesel, 4x4 (includes items 2 through 16)	1
2	1013461	Screw, #10-16 Hex-Head Hi-Lo	5
3	1013462	Sending Unit, Fuel Level *	1
4	1016	Lockwasher, #10 Split	1
5	N/A	Wire Asm, Blk, 170mm	1
6	N/A	Wire Asm, Org, 170mm	1
7	102406701	Bushing, Line, Return	2
8	102406801	Elbow, 90 Degree, Barbed	1
9	102478501	Pickup Tube, Fuel	1
10	102494701	Cap, Fuel (Diesel)	1
11	102522001	Gasket, Rubber	1
12	103905201	Assembly, Vent, Fuel, 1/4 Inch O.D.	1
13	103944301	Grommet, Fuel Tank, Vent	1
14	103950101	Tank, Fuel, Dsl, 4x4	1
15	183	Washer, #10, Type A, Flat	1
16	8797	Nut, #10-32 Brass Hex	1
		* Note: Must replace fuel sending unit gasket when servicing this component.	

11

D



000081-008

FUEL PUMP, FILTER AND HOSE – DIESEL

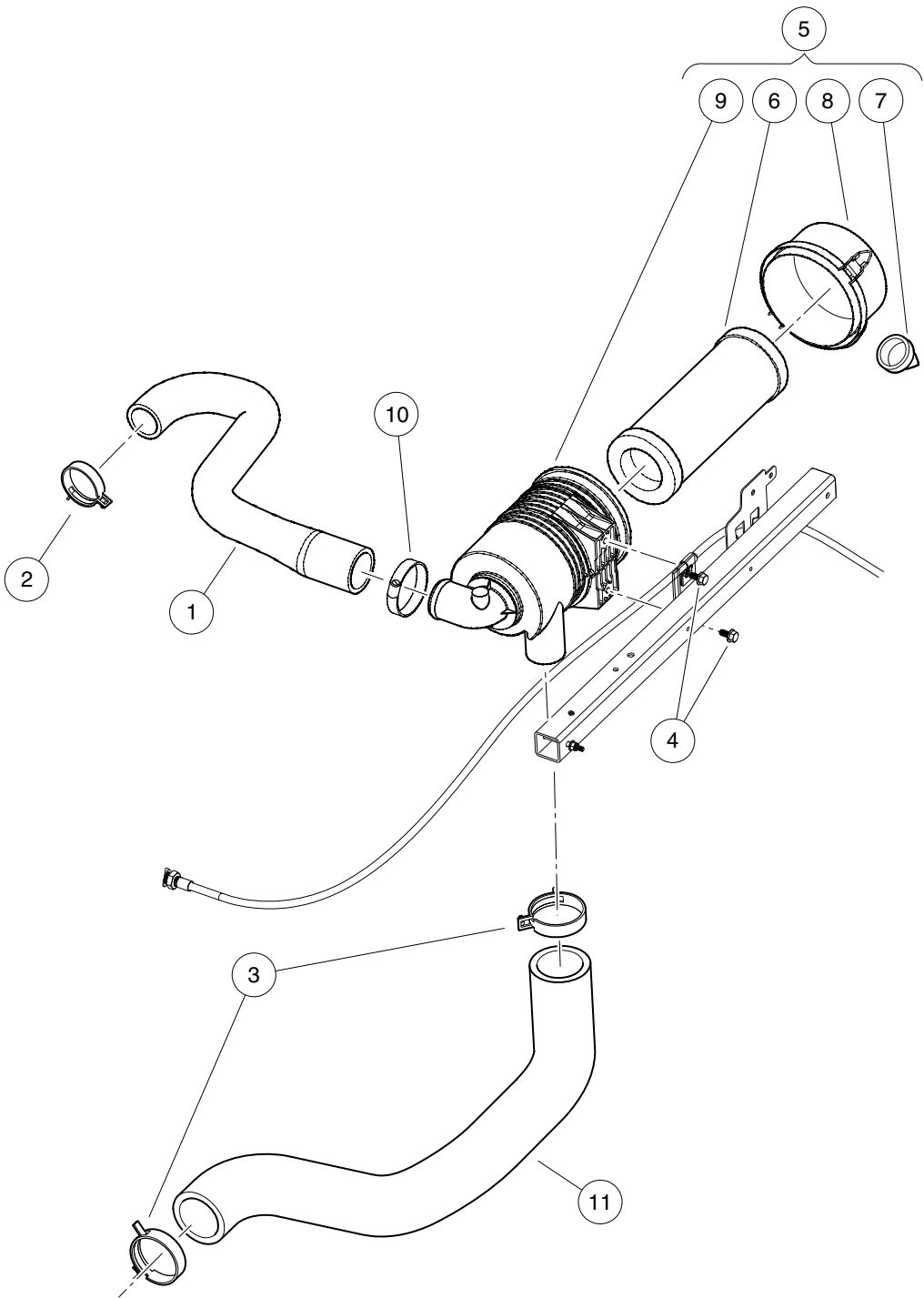
ITEM	PART NO.	DESCRIPTION	QTY
		1 2 3 4	
1	1012649	Clamp, 0.460 Red Hose	2
2	101313402	Clamp, Green Hose	1
3	101824401	Vent Barb	1
4	102411203	Clamp, Hose, Ctb 14mm Dia.	3
5	102426301	Strap, Tank, Fuel	1
6	102430401	Hose, Fuel Return	1
7	102618601	Lock Nut, Flange, M8 X 1.25 Nylon	1
8	103591301	Pump, Diesel Fuel, Mechanical	1
9	103593201	Hose, Awd Water Sep To Mech Fp	1
10	103593301	Hose, Awd Water Sep To Tank	1
11	103747301	Assembly, Filter/Bracket, Fuel, Diesel (includes item 12)	1
12	103761801	Filter, Fuel, Diesel	1
13	103896603	Hose, Vent, 1/4 Id, 22 In	1
14	324	Screw, 1/4-20 X 2.50 Hx Hd Cap	2
15	332	Washer, 1/4 Type A Narrow Flat	2
16	8233	Locknut, 1/4-20, Nylon Insert	2

11

D

11

D



000090-010

INTAKE HOSES AND AIR FILTER – DIESEL VEHICLE

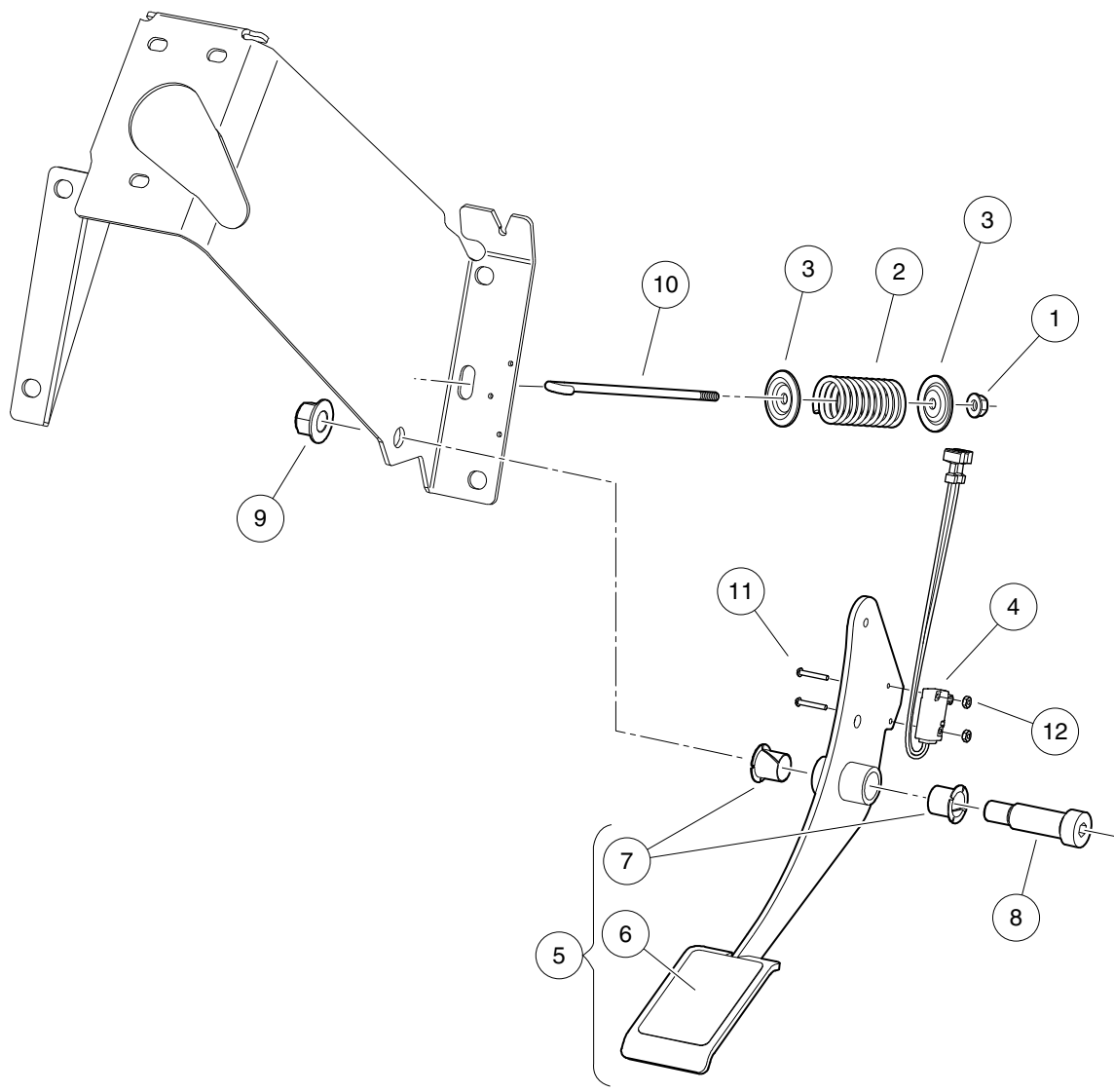
ITEM	PART NO.	DESCRIPTION	QTY
		1 2 3 4	
1	102379001	Hose, Intake, Kubota, Diesel, Engine	1
2	102411209	Clamp, Hose, Ctb 55mm Dia.	1
3	102411210	Clamp, Hose, Ctb 64mm	2
4	102621201	Bolt, Flanged Head, M8 X1.25x 16, with Loctite	2
5	102810701	Filter, Air, Canister, with Label (includes items 6 through 9)	1
6	102498601	Element, Filter, Air, 5 Inch	1
7	102725501	Valve, Evacuator, Filter Air	1
8	102725601	Cap, Latch Lock, Filter, Air	1
9	N/A	Body, Canister, Filter, Air	1
10	103441401	Clamp, Worm Screw, Hose, 2"	1
11	103848401	Hose, Intake, Air	1

11

D

11

D



000026-003

ACCELERATOR PEDAL

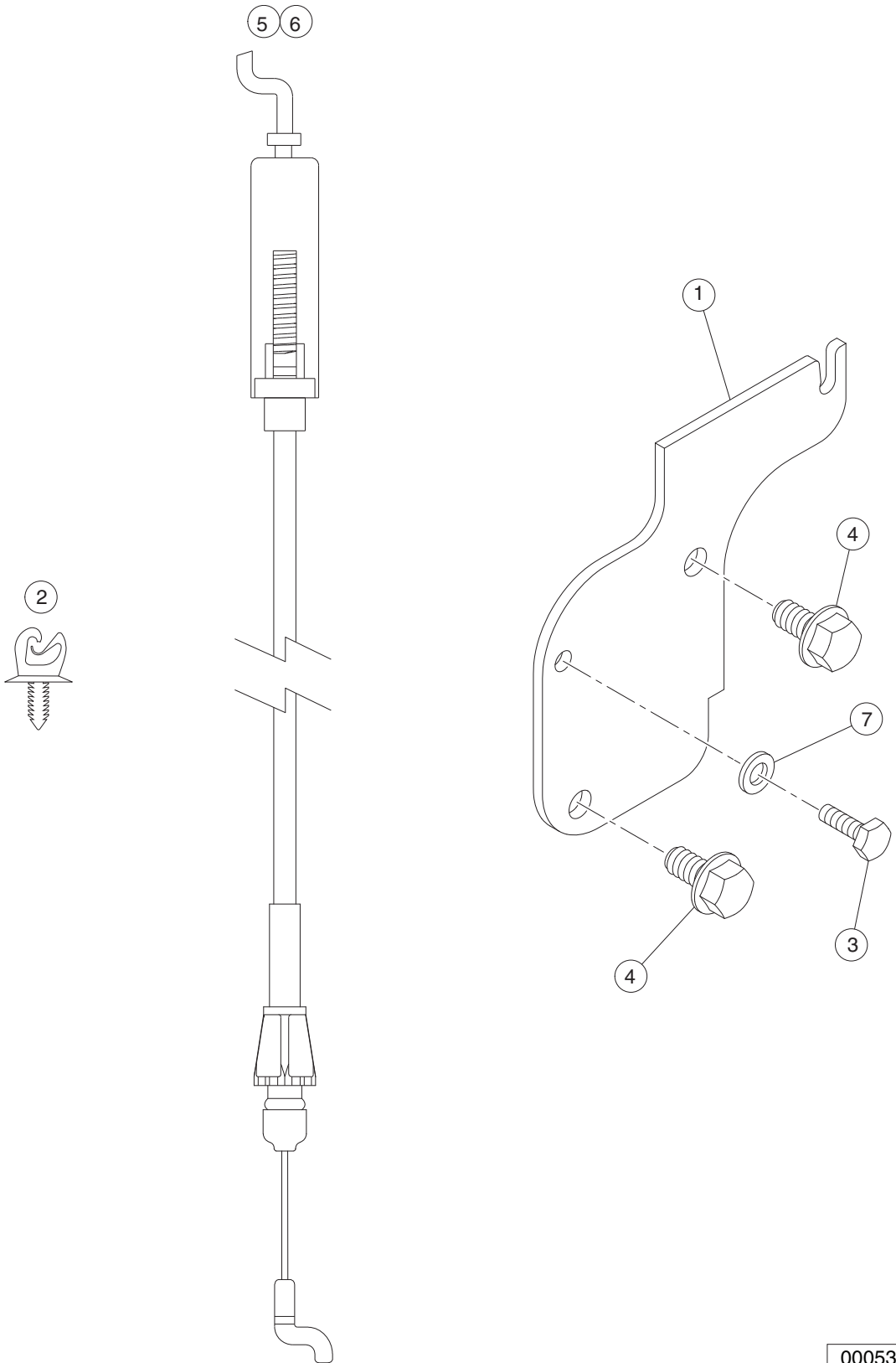
ITEM	PART NO.	DESCRIPTION	QTY
		1 2 3 4	
1	102296401	Nut, M6x1.0, Flange, Metal Lock	1
2	102445201	Spring, Comp, Pedal, Pullrod	1
3	102461401	Washer, Retaining Spring, 7mm	2
4	103327201	Asm, Switch, Limit, Awd	1
5	103478901	Asm, Pedal, Accelerator (includes items 6 and 7)	1
6	102479301	Pad, Grip Tape, Accelerator	1
7	103479101	Bushing, Nyliner, 5/8"	2
8	103479201	Bolt, Shoulder, 5/8 X 1 1/2	1
9	103479301	Nut Hex Flg 1/2-13 Nylock Gr G	1
10	103883201	Rod, Accelerator Return, J	1
11	8056	Screw, #4-40 X 0.75 Round-Head Machine	2
12	8057	Nut, #4-40 Hex Machine	2
		Note: Items 4 (switch), 11 (screw) and 12 (nut) are not used in two-wheel drive vehicle.	

11

D

11

D



000536-014

ACCELERATOR CABLE – DIESEL VEHICLE

ITEM	PART NO.	DESCRIPTION	QTY
		1 2 3 4	
1	102423201	Bracket, Accel Cable, Diesel	1
2	102475701	Clip, Brake Line	3
3	102490301	Bolt, M6 X 1 X 16, Loctite	1
4	102621201	Bolt, Flanged Head, M8 X1.25x 16, with Loctite	2
5	103921701	Cable, Accelerator, AWD, Diesel, 295 SE/1550 SE	1
6	103921901	Cable, Accelerator, AWD, Diesel, 295/1550	1
7	96705199	Washer, M6	1

11

D

11

D

EXHAUST SYSTEM – GAS & DIESEL

12

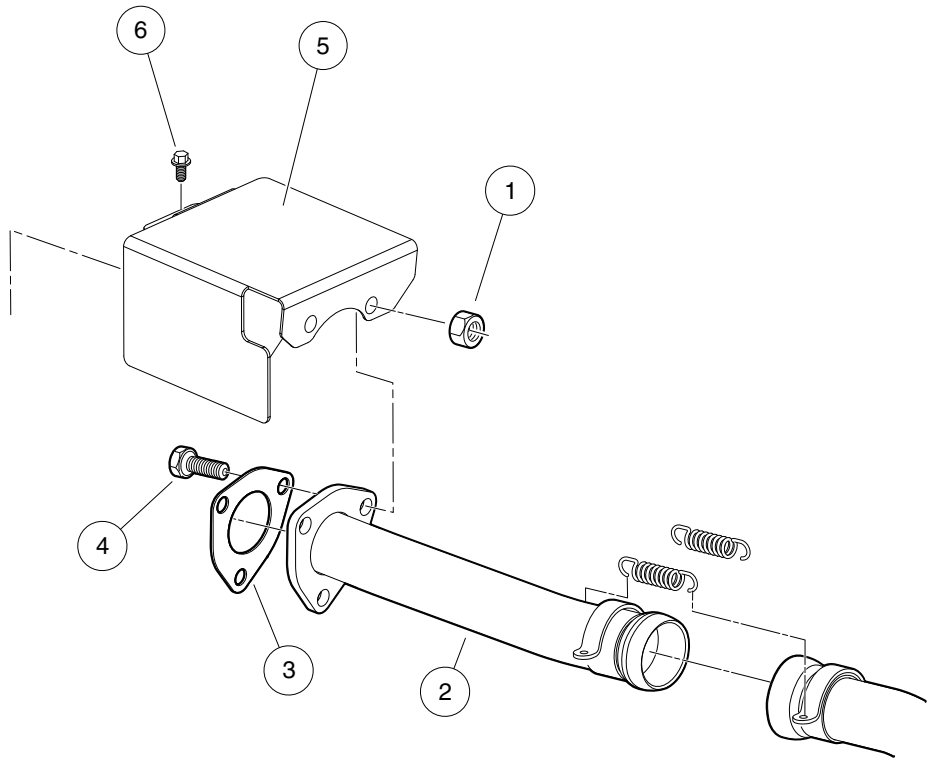
G

D

12

G

D



000538-003

EXHAUST PIPES – DIESEL VEHICLES

ITEM	PART NO.	DESCRIPTION	QTY
		1 2 3 4	
1	102298401	Nut,m8,all Metal Lock	3
2	102409301	Pipe, Exhaust Diesel Main	1
3	102422301	Gasket, Exhaust Diesel	1
4	102621301	Bolt, M8 X 1.25 X 40 with Loctite	3
5	102628101	Shield, Diesel Exhaust	1
6	102731601	Bolt, D722, Exhaust Manifold Cover	1

12

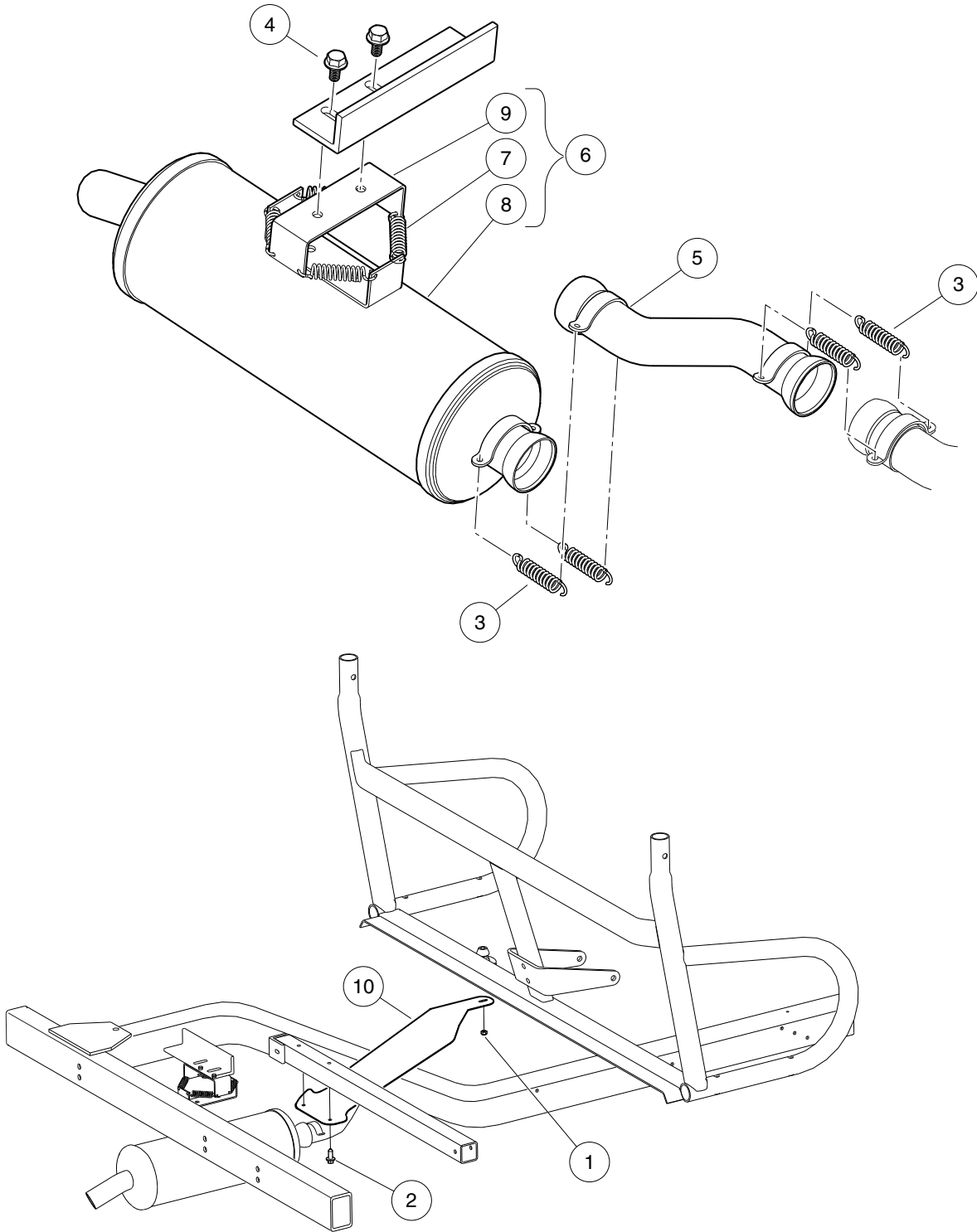
G

D

12

G

D



000538-005

EXHAUST PIPE AND MUFFLER

ITEM	PART NO.	DESCRIPTION	QTY
		1 2 3 4	
1	101887601	Locknut, M6-1.00 Nylon Insert	1
2	102298720	Screw, M8-1.25x20, Taptite	2
3	102409501	Spring, Exhaust	4
4	102621201	Bolt, Flanged Head, M8 X1.25x 16, with Loctite	2
5	102786201	Pipe, Exhaust, Int, Offset	1
6	102812801	Asm, Muffler, AWD Homologation (includes items 7 through 9)	1
7	102409501	Spring, Exhaust	4
8	N/A	Muffler	1
9	N/A	Bracket, Muffler	1
10	102930901	Shield, Exhaust, Clearance	1

12

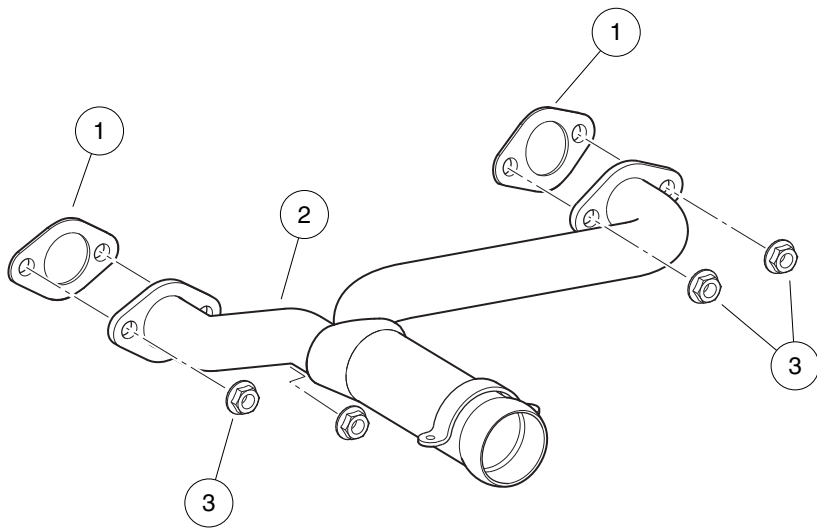
G

D

12

G

D



000538-004

EXHAUST HEADER – KAWASAKI FH680

ITEM	PART NO.	DESCRIPTION	QTY
		1 2 3 4	
1	102949301	Gasket, Exhaust Header, Fh680d	2
2	103268101	Header, Exhaust, Gas, Fh680d	1
3	96704416	Nut, Flange, M8 X 1.25 Serrated	4

12

G

D

12

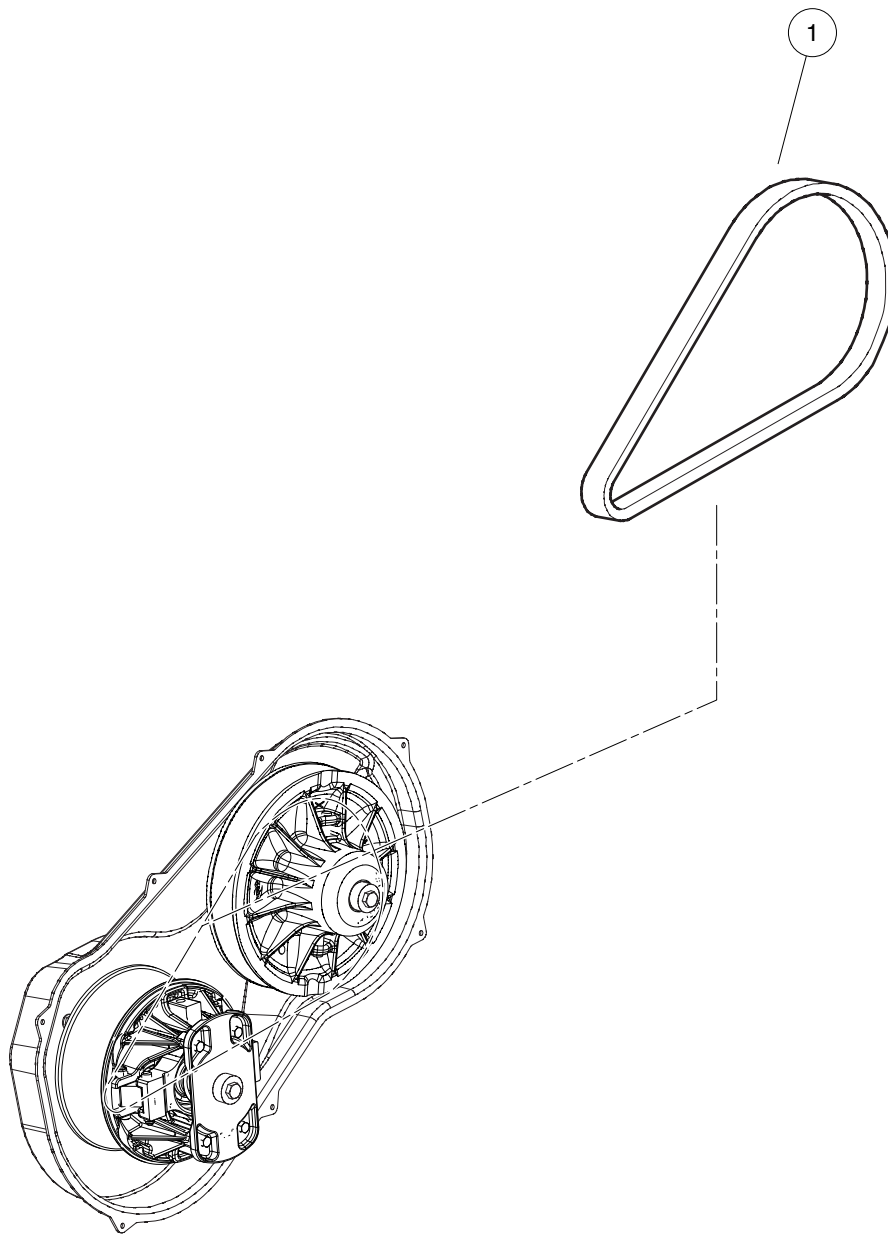
G

D

CLUTCHES – KAWASAKI GAS ENGINE

13

G

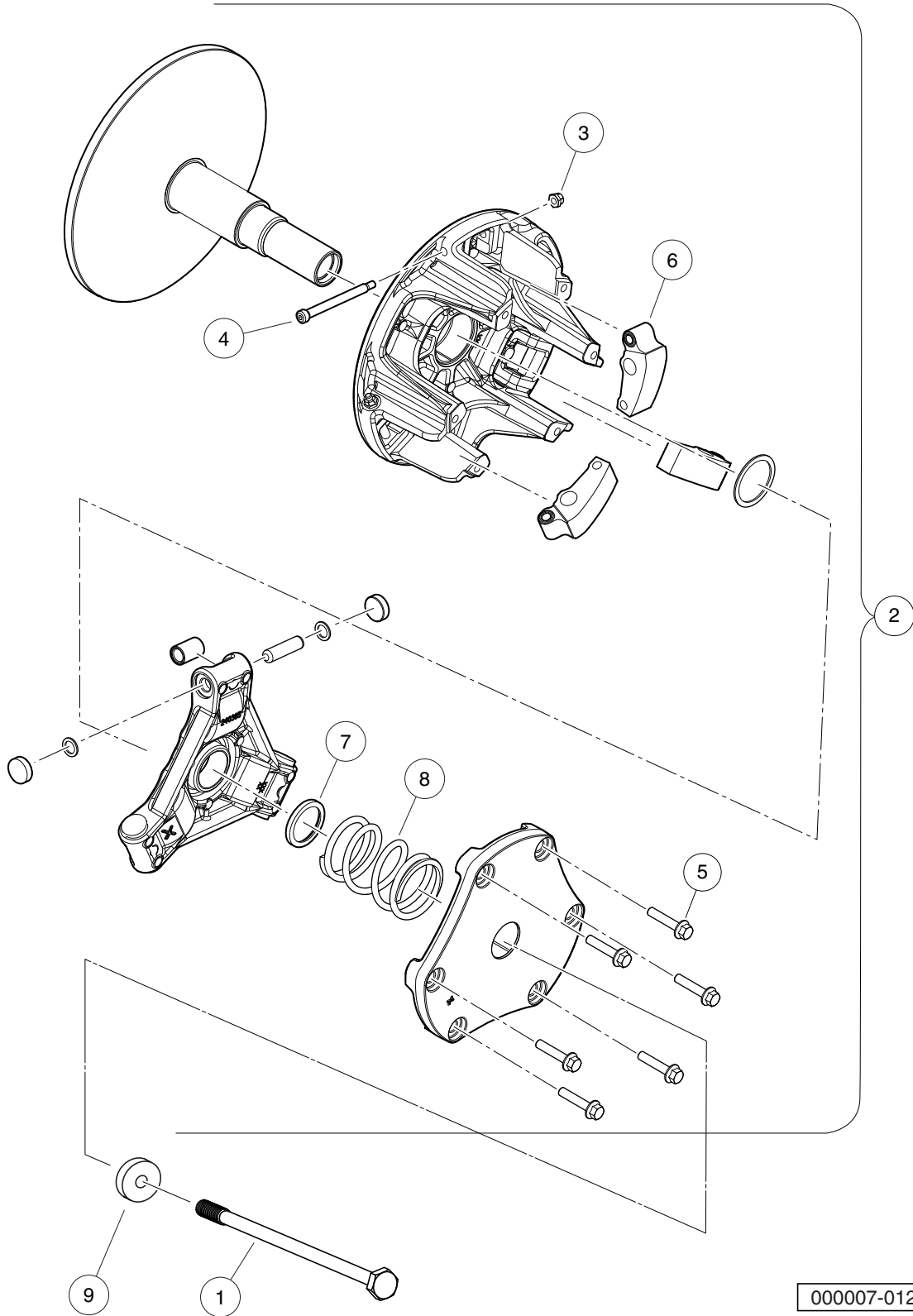


000084-001

DRIVE BELT

ITEM	PART NO.	DESCRIPTION	QTY
1	102374901	1 2 3 4 Belt, Drive	1

13
G



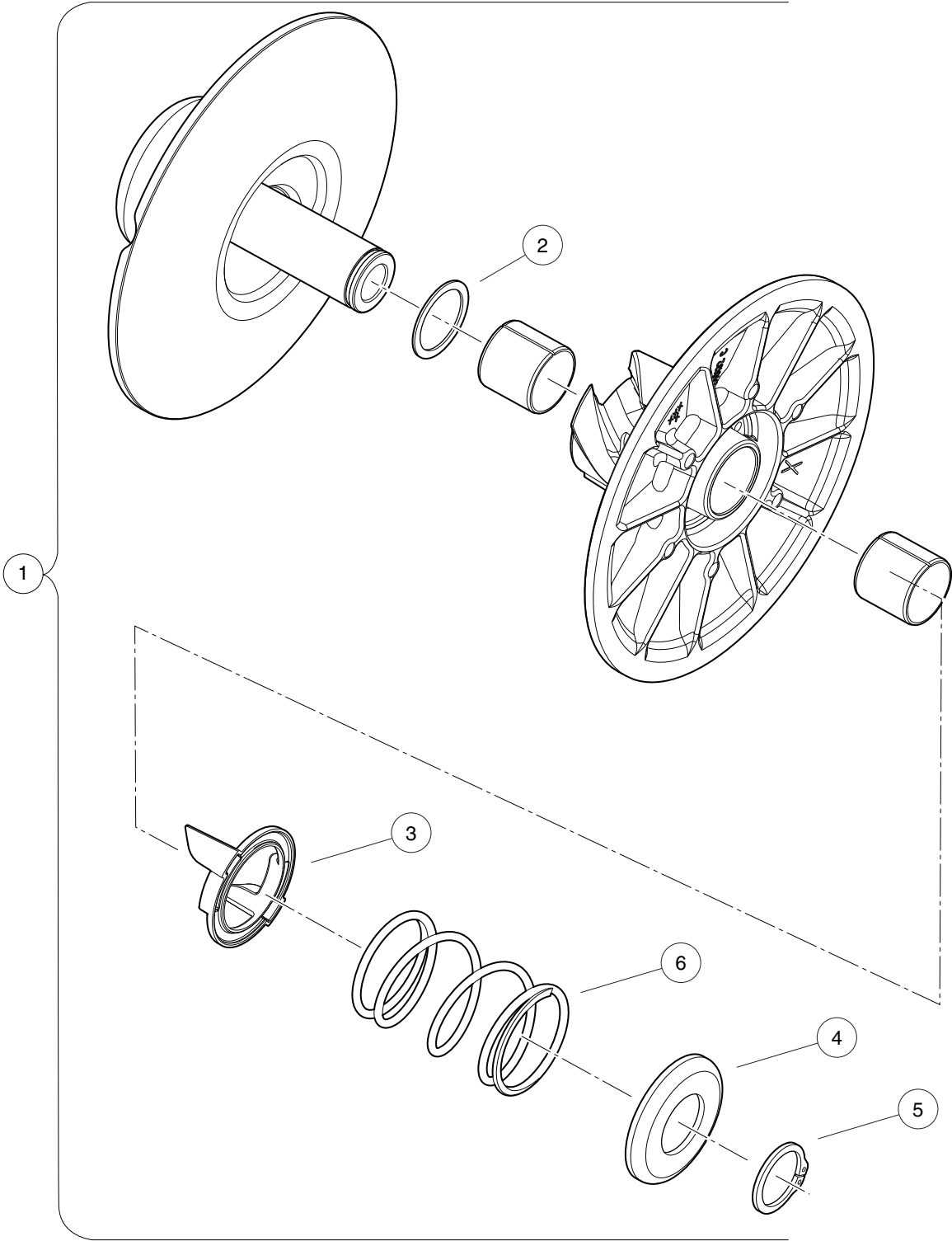
000007-012

DRIVE CLUTCH (3 WEIGHT) – GAS VEHICLE

ITEM	PART NO.	DESCRIPTION	QTY
		1 2 3 4	
1	103201501	Bolt, M8 X 1.25 X 200, Loctite	1
2	103848001	Clutch, Drive, Gas, 3 Weight (includes items 3 through 8)	1
3	103829601	Nut, Lock, Hex #10-24 Flexloc	3
4	103829701	Screw, Shldr, Hex Skt .25x2.5	3
5	103829801	Screw, Hex Flg Hd, 1/4-20x1.25	6
6	103829901	Weight, Clutch, D-153 G	3
7	103830001	Spacer, Clutch 1.44x1.125x.150	1
8	103856101	Spring, Comp, 2.0 Od Black/slv	1
9	103856501	Washer, Drv, 3-post, Gas	1

13

G



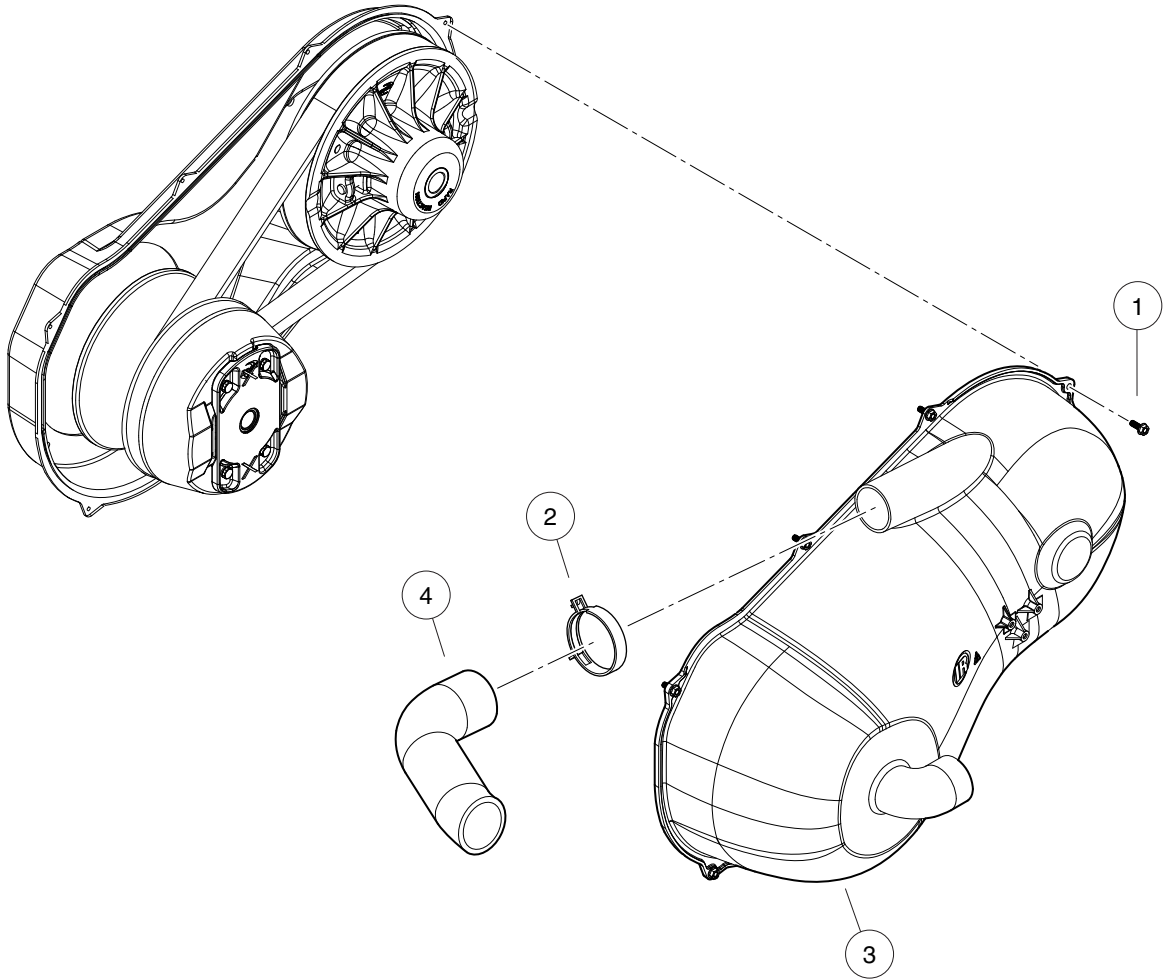
000003-002

DRIVEN CLUTCH (FOR 3 WEIGHT DRIVE CLUTCH)

ITEM	PART NO.	DESCRIPTION	QTY
		1 2 3 4	
1	103828201	Clutch, Driven, 3 Weight (includes items 2 through 6)	1
2	102695401	Washer, Thrust, 1.53 X 1.92	1
3	102695601	Retainer, Spring, Inner	1
4	102695801	Retainer, Spring, Outer	1
5	102695901	Ring, Retaining, External	1
6	103829001	Spring, Comp, 2.7 Od, Almd/blk	1

13

G



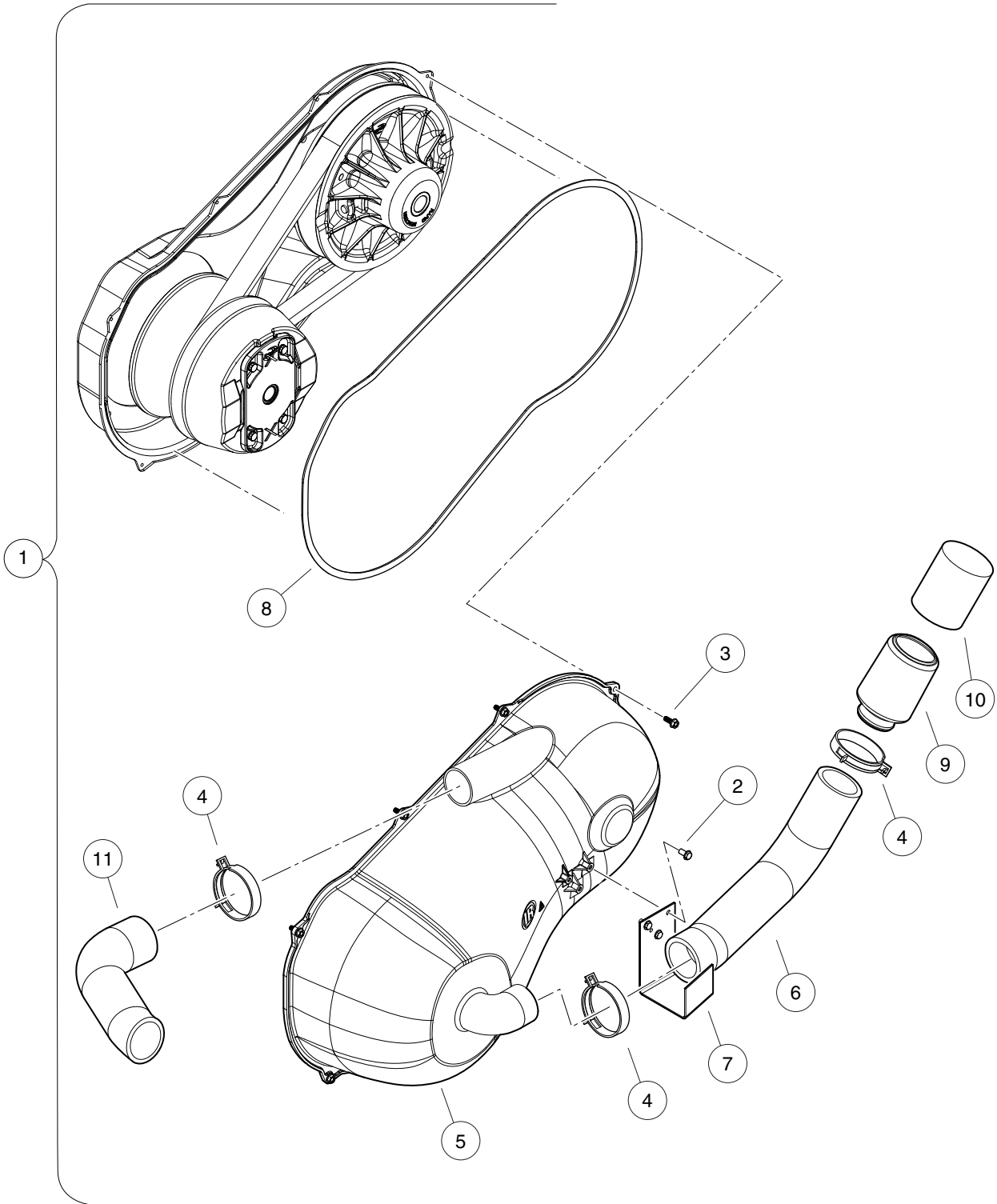
000008-003

CLUTCH COVER (NON-SEALED)

ITEM	PART NO.	DESCRIPTION	QTY
		1 2 3 4	
1	102296716	Screw, M6 X 16 Tt Hx Fl Hd	7
2	102411210	Clamp, Hose, Ctb 64mm	1
3	102628301	Cover, Cvt, Open	1
4	103320601	Hose, Outlet, Cvt	1

13

G



000008-004

CLUTCH COVER (SEALED)

ITEM	PART NO.	DESCRIPTION	QTY
		1 2 3 4	
1	102616003	Kit, Sealed CVT Cover (includes items 2 through 11)	1
2	101856101	Screw, 1/4-15 X .50 Hi-lo Hex	3
3	102296716	Screw, M6 X 16 Tt Hx Fl Hd	7
4	102411210	Clamp, Hose, Ctb 64mm	2
5	102414501	Cover, CVT Outer	1
6	102481001	Hose, Inlet, Cover, CVT	1
7	102481201	Bracket, Inlet, Cover, CVT	1
8	102481301	Gasket, Cover, CVT	1
9	102616101	Cap, Inlet, Cover, CVT	1
10	102628001	Filter, Inlet, Cover, CVT	1
11	103320601	Hose, Outlet, Cvt	1

13

G

13

G

CLUTCHES – KUBOTA DIESEL ENGINE

14

D

14

D



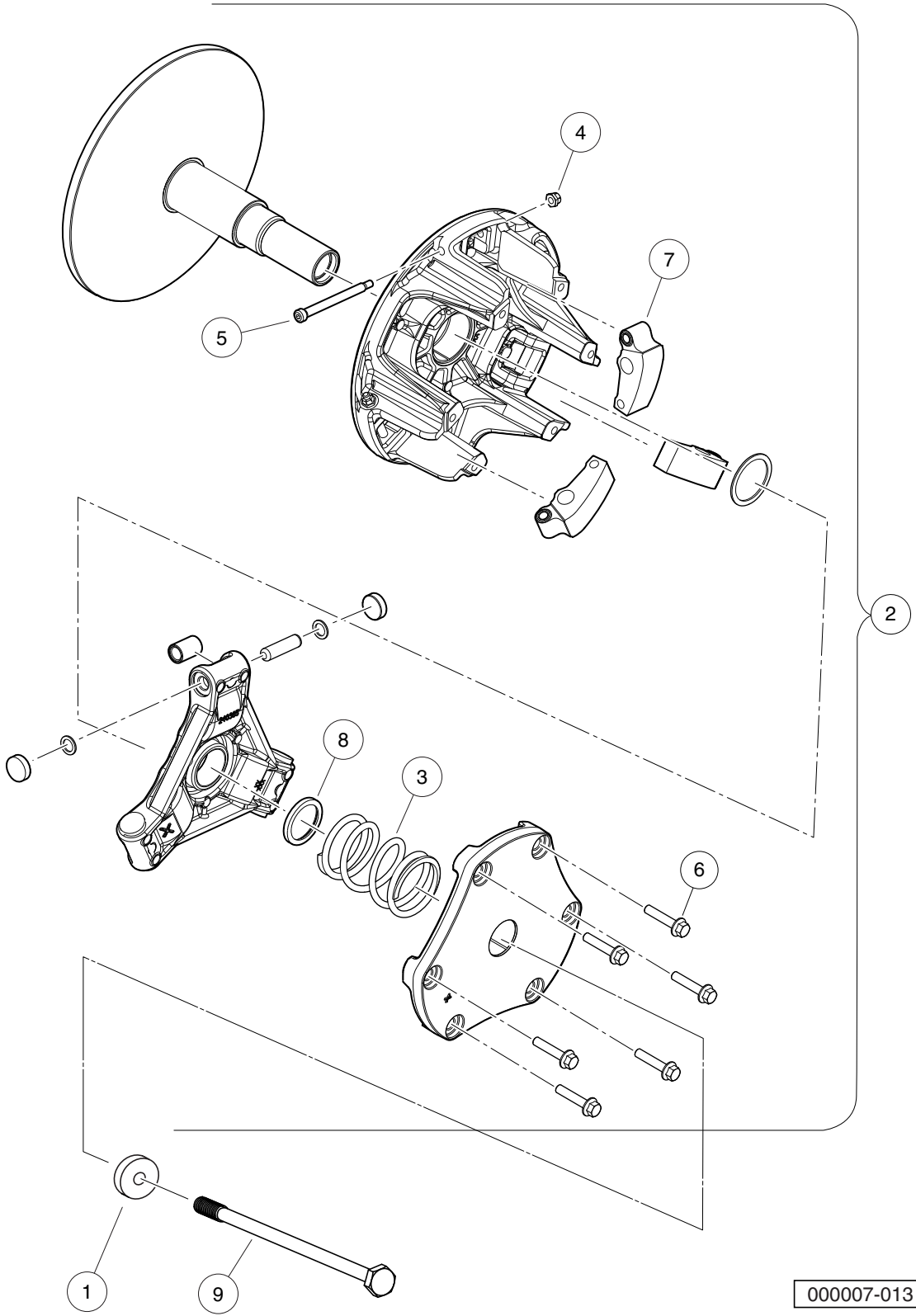
000084-001

DRIVE BELT

ITEM	PART NO.	DESCRIPTION	QTY
1	102374901	1 2 3 4 Belt, Drive	1

14

D



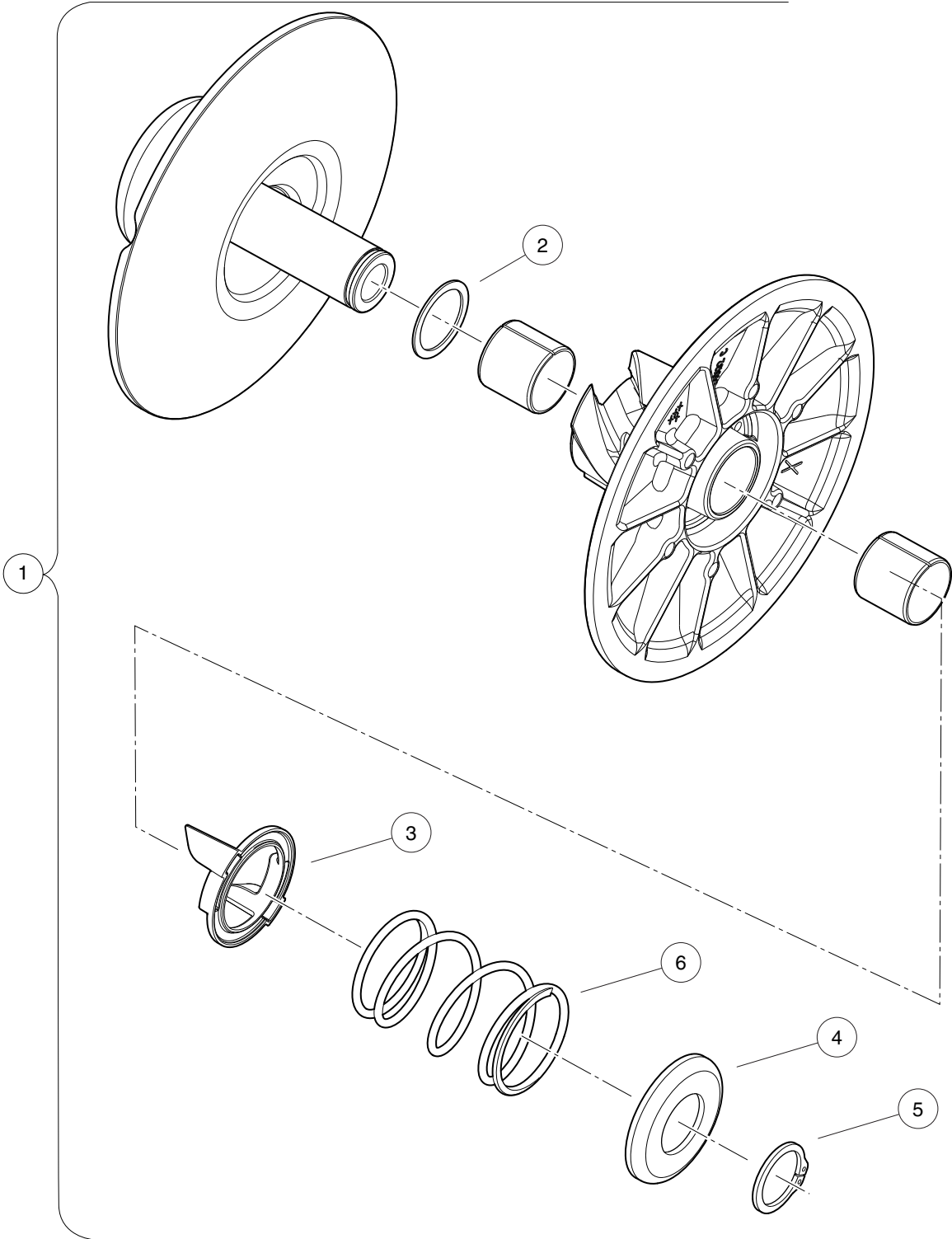
000007-013

DRIVE CLUTCH (3 WEIGHT) – DIESEL VEHICLE

ITEM	PART NO.	DESCRIPTION	QTY
		1 2 3 4	
1	102385601	Washer, Stepped	1
2	103828101	Clutch, Drive, Dsl, 3 Weight (includes items 3 through 8)	1
3	103829501	Spring, Comp, 2.0 Od Black/or	1
4	103829601	Nut, Lock, Hex #10-24 Flexloc	3
5	103829701	Screw, Shldr, Hex Skt .25x2.5	3
6	103829801	Screw, Hex Flg Hd, 1/4-20x1.25	6
7	103829901	Weight, Clutch, D-153 G	3
8	103830001	Spacer, Clutch 1.44x1.125x.150	1
9	103884001	Bolt, M10 X 1.5 X 170 Patch	1

14

D



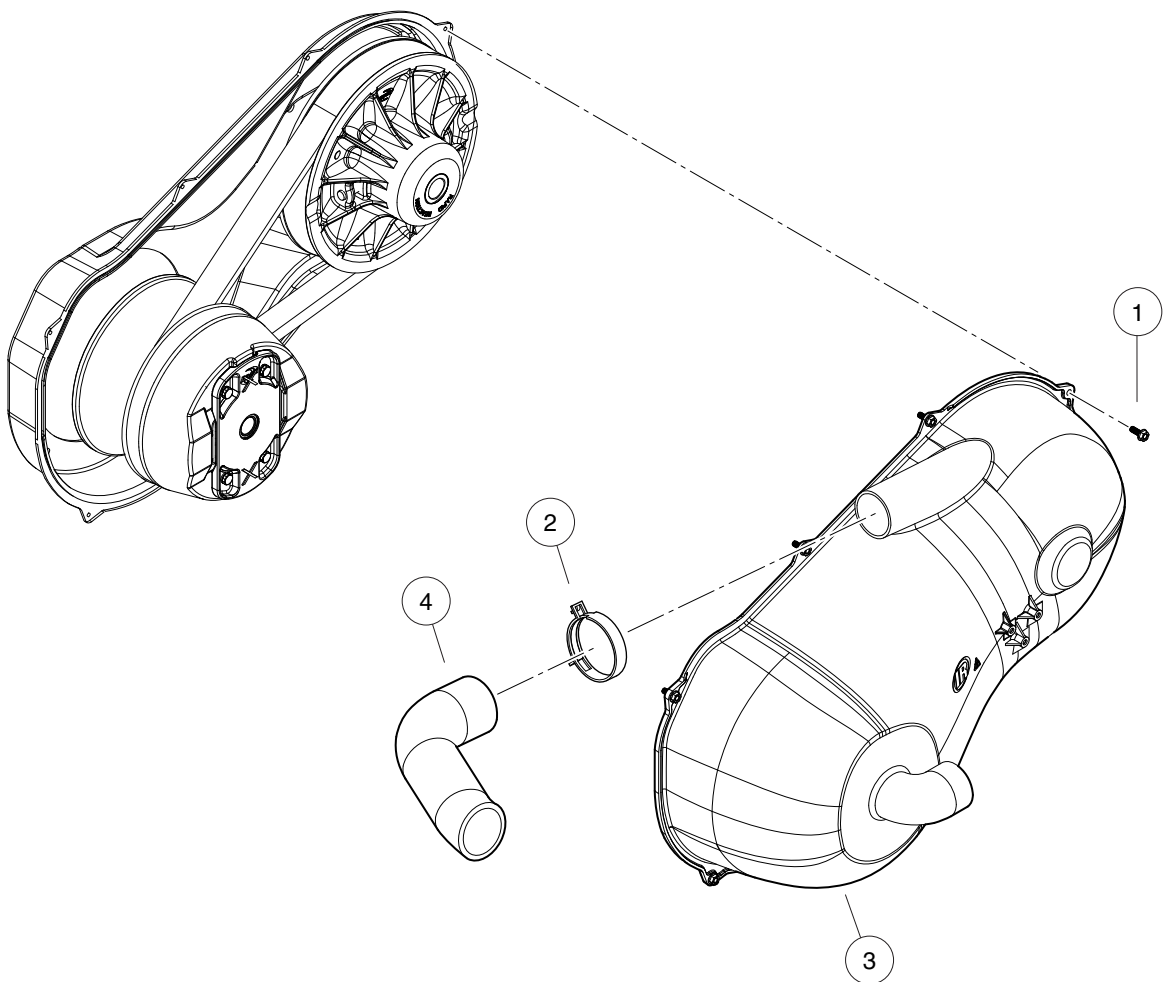
000003-002

DRIVEN CLUTCH (FOR 3 WEIGHT DRIVE CLUTCH)

ITEM	PART NO.	DESCRIPTION	QTY
		1 2 3 4	
1	103828201	Clutch, Driven, 3 Weight (includes items 2 through 6)	1
2	102695401	Washer, Thrust, 1.53 X 1.92	1
3	102695601	Retainer, Spring, Inner	1
4	102695801	Retainer, Spring, Outer	1
5	102695901	Ring, Retaining, External	1
6	103829001	Spring, Comp, 2.7 Od, Almd/blk	1

14

D



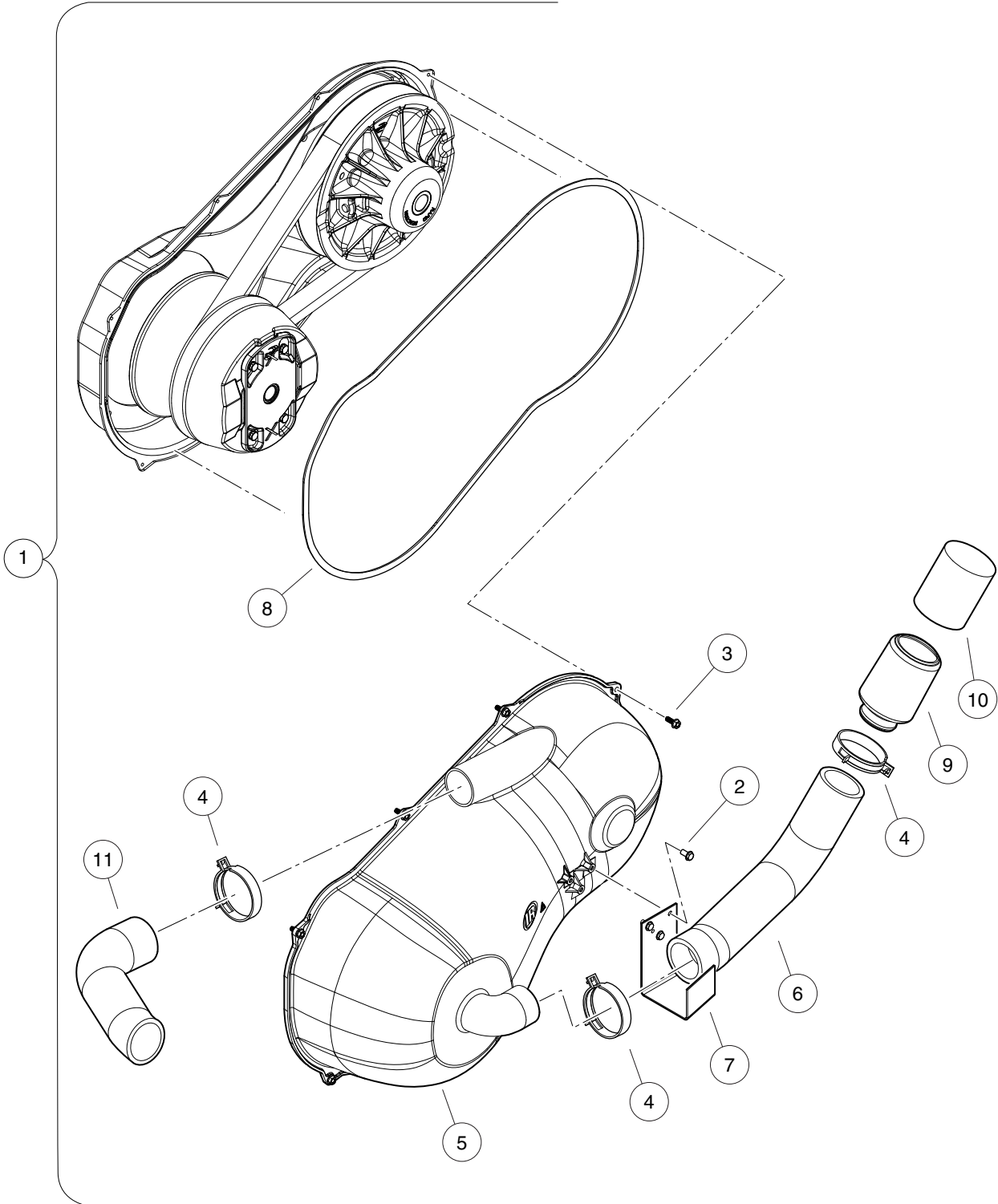
000008-003

CLUTCH COVER (NON-SEALED)

ITEM	PART NO.	DESCRIPTION	QTY
		1 2 3 4	
1	102296716	Screw, M6 X 16 Tt Hx Fl Hd	7
2	102411210	Clamp, Hose, Ctb 64mm	1
3	102628301	Cover, Cvt, Open	1
4	103320601	Hose, Outlet, Cvt	1

14

D



000008-004

CLUTCH COVER (SEALED)

ITEM	PART NO.	DESCRIPTION	QTY
		1 2 3 4	
1	102616003	Kit, Sealed CVT Cover (includes items 2 through 11)	1
2	101856101	Screw, 1/4-15 X .50 Hi-lo Hex	3
3	102296716	Screw, M6 X 16 Tt Hx Fl Hd	7
4	102411210	Clamp, Hose, Ctb 64mm	2
5	102414501	Cover, CVT Outer	1
6	102481001	Hose, Inlet, Cover, CVT	1
7	102481201	Bracket, Inlet, Cover, CVT	1
8	102481301	Gasket, Cover, CVT	1
9	102616101	Cap, Inlet, Cover, CVT	1
10	102628001	Filter, Inlet, Cover, CVT	1
11	103320601	Hose, Outlet, Cvt	1

14

D

14

D

DRIVETRAIN COMPONENTS – GAS & DIESEL

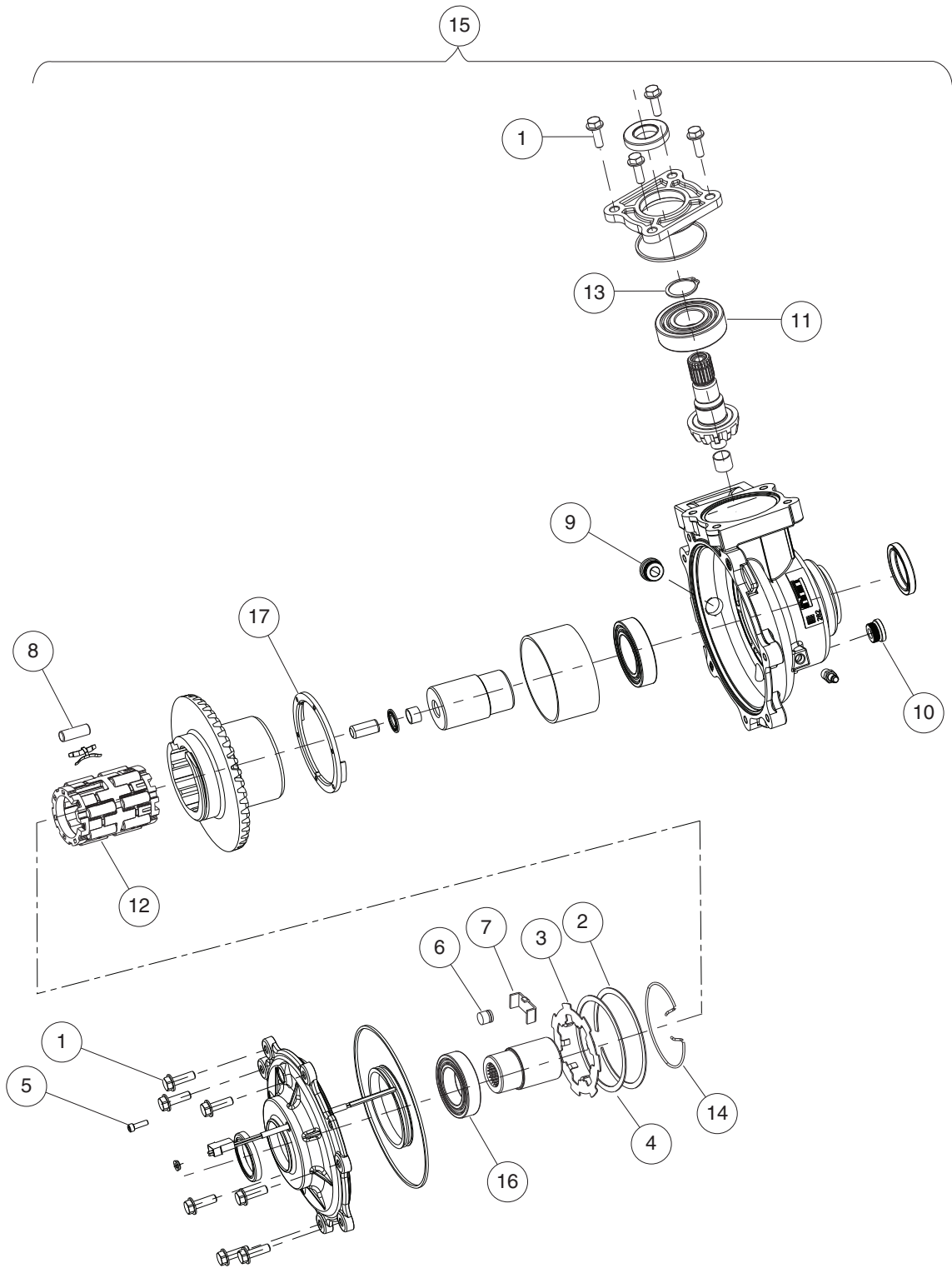
15

G

D

15
G

D



104025601

FRONT DIFFERENTIAL

ITEM	PART NO.	DESCRIPTION	QTY
		1 2 3 4	
1	102438501	Kit, Bolt (contains 7 bolts)	1
2	102438701	Retaining, Ring Internal	1
3	102438801	Plate, Armature	1
4	102438901	Shim, Armature, Plate	1
5	102439001	Set Screw, #10-24 UNC-3A with Patch	1
6	102439101	Thrust Button	1
7	102439201	Thrust Plate	1
8	102439801	Kit, Roller (contains 14 rollers)	1
9	102440101	Kit, Assy, Drain Plug	1
10	102440301	Plug, Oil Fill	1
11	102440501	Bearing, Ball	1
12	103898801	Roll Cage Assembly, Front Diff	1
13	103898901	Retaining Ring, Input Shaft	1
14	103899201	Torsion Return Spring, Fd	1
15	104025601	Diff, Front, Auto, Ccw	1
16	104026301	Kit, Bearing, Ccw Fd Output	1
17	104026501	Kit, Shim, Gear, Ccw Fd	1

15

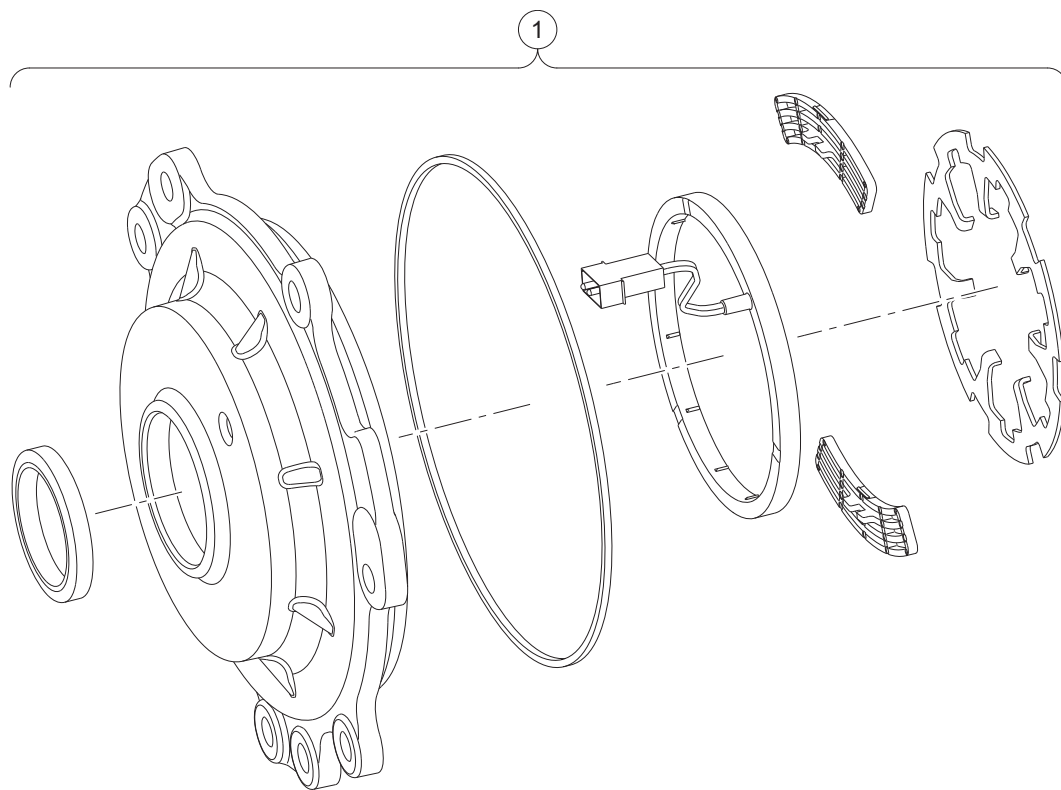
G

D

15

G

D



G-190299-000002

FRONT DIFFERENTIAL OUTPUT COVER ASSEMBLY

ITEM	PART NO.	DESCRIPTION	QTY
1	47638511001	1 2 3 4 Kit, Output Cover Asm, Ccw Fd	1

15

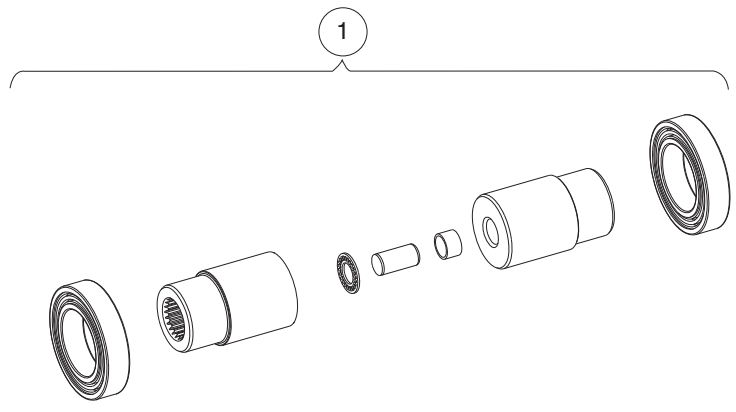
G

D

15

G

D



103898601

FRONT DIFFERENTIAL RACE/OUTPUT ASSEMBLY

ITEM	PART NO.	DESCRIPTION	QTY
1	103898601	1 2 3 4 Race/output Hub Assy, Frt Diff	1

15

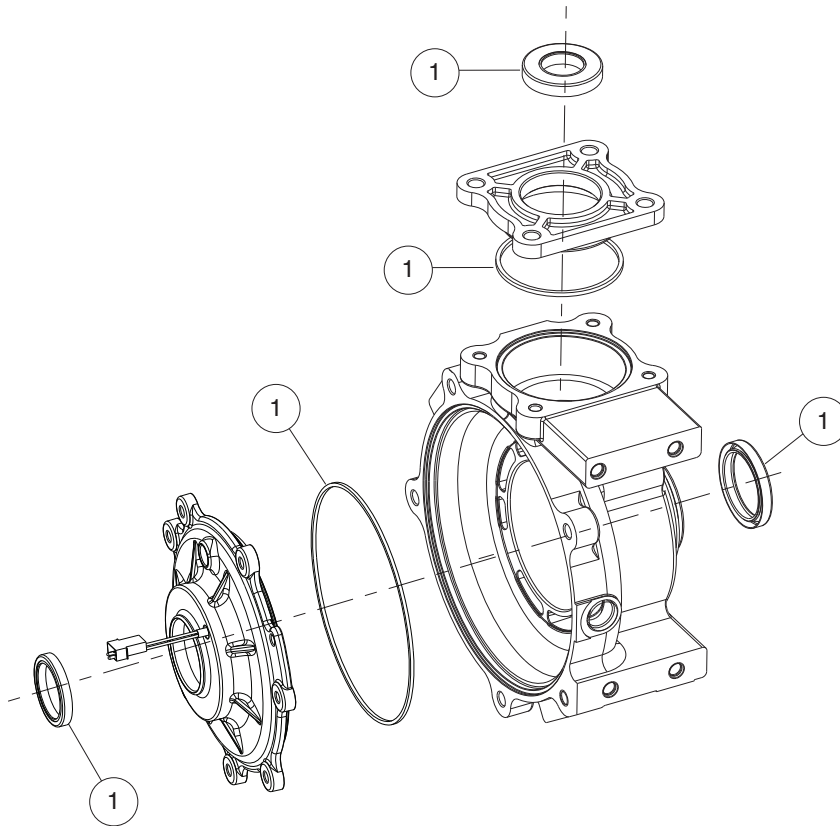
G

D

15

G

D



102438601

FRONT DIFFERENTIAL MINOR REPAIR KIT

ITEM	PART NO.	DESCRIPTION	QTY
1	102438601	1 2 3 4 Kit, Minor Repair (contains oil seals and O-rings)	1

15

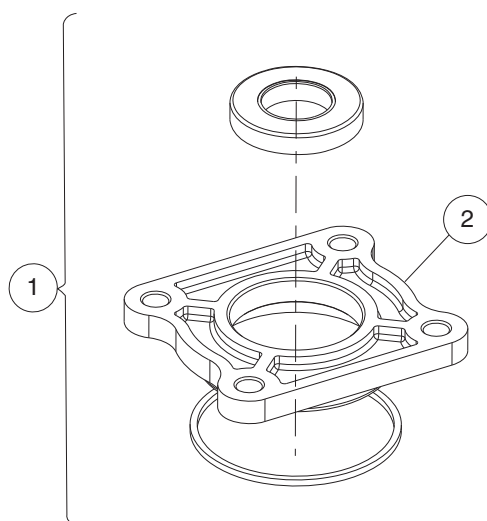
G

D

15

G

D



102440201

FRONT DIFFERENTIAL INPUT COVER ASSEMBLY

ITEM	PART NO.	DESCRIPTION	QTY
		1 2 3 4	
1	102440201	Kit, Assy, Input Cover Plate (includes items 2 through 4)	1
2	102440601	Cover, Input, Machined	1
3	N/A	O-Ring	1
4	N/A	Oil Seal, Triple-Lipped	1

15

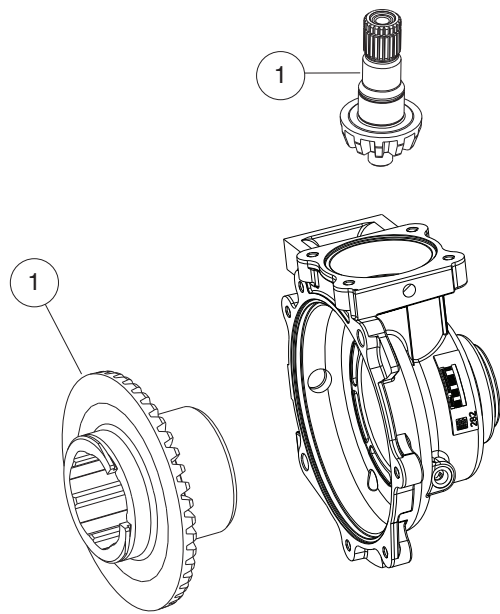
G

D

15

G

D



104026401

FRONT DIFFERENTIAL GEAR KIT

ITEM	PART NO.	DESCRIPTION	QTY
1	104026401	1 2 3 4 Kit, Gear, Ccw Fd	1

15

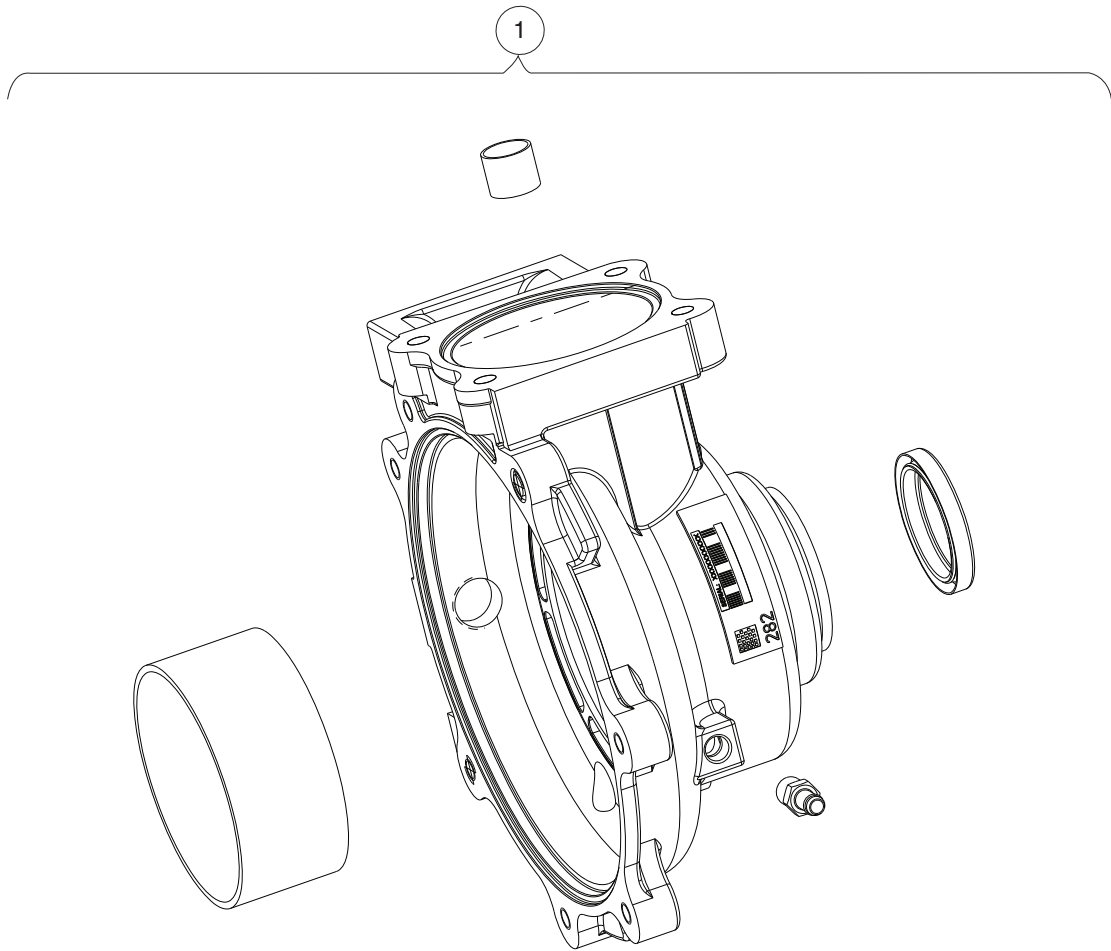
G

D

15

G

D



104026601

FRONT DIFFERENTIAL GEARCASE ASSEMBLY

ITEM	PART NO.	DESCRIPTION	QTY
1	104026601	<div style="display: flex; justify-content: space-between; margin-bottom: 5px;"> 1 2 3 4 </div> Kit, Gearcase Asm, Ccw Fd	1

15

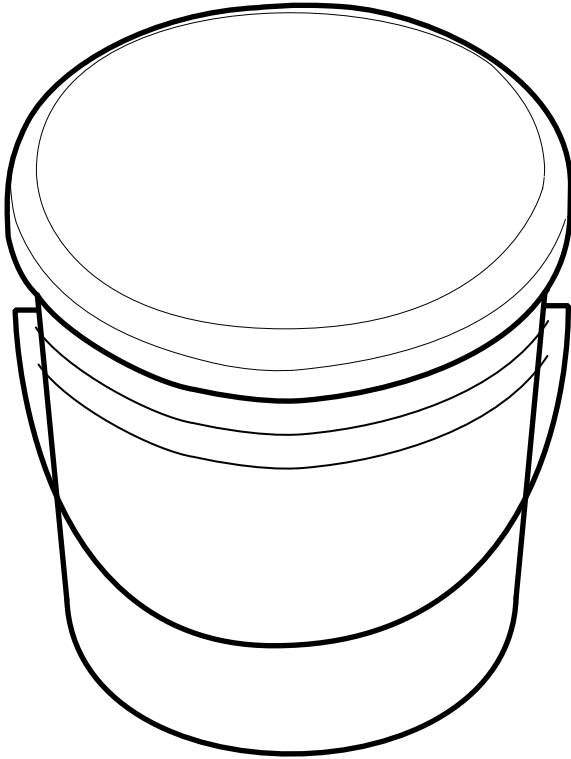
G

D

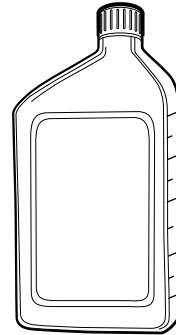
15

G

D



1



2

001069-001

OIL, DIFFERENTIAL AND TRANSMISSION

ITEM	PART NO.	DESCRIPTION	QTY
1	102723901	1 2 3 4 Oil, Locking Diff, 5 Gallon	A/R
2	AM1216101	Oil, Locking Diff, Quart	A/R
		<p>Note: Use this oil for both front and rear differentials and the transmission. Available in 5-Gallon or Quart.</p>	

15

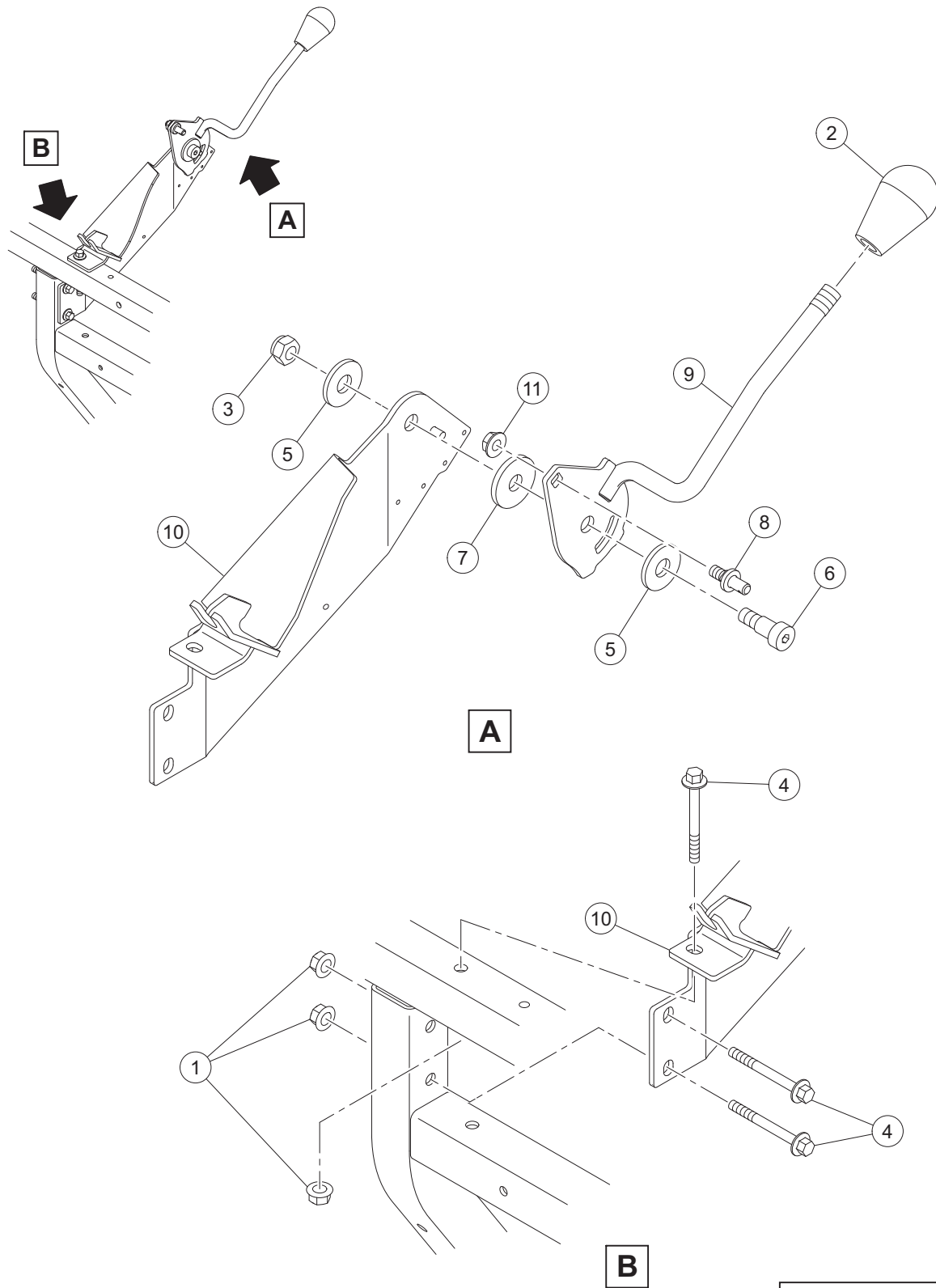
G

D

15

G

D



G-070299-000003

FORWARD/REVERSE SHIFTER

ITEM	PART NO.	DESCRIPTION	QTY
		1 2 3 4	
1	102298401	Nut,m8,all Metal Lock	3
2	102376001	Knob, FNR, Shifter	1
3	102616701	Locknut, M10x1.5 Nylon Insert	1
4	102618301	Bolt, Flanged Head, M8 X 1.25 X 65	3
5	102684501	Washer, M12 Hard Regular	2
6	102684603	Shoulder Bolt, M12 X 16	1
7	103873001	Bushing, Fnr, Awd	1
8	103886101	Pin, Cable, Fnr	1
9	47651702001	Weldment, Shifter, Fnr	1
10	47651930001	Weldment, Fnr Shift Brkt	1
11	96704416	Nut, Flange, M8 X 1.25 Serrated	1

15

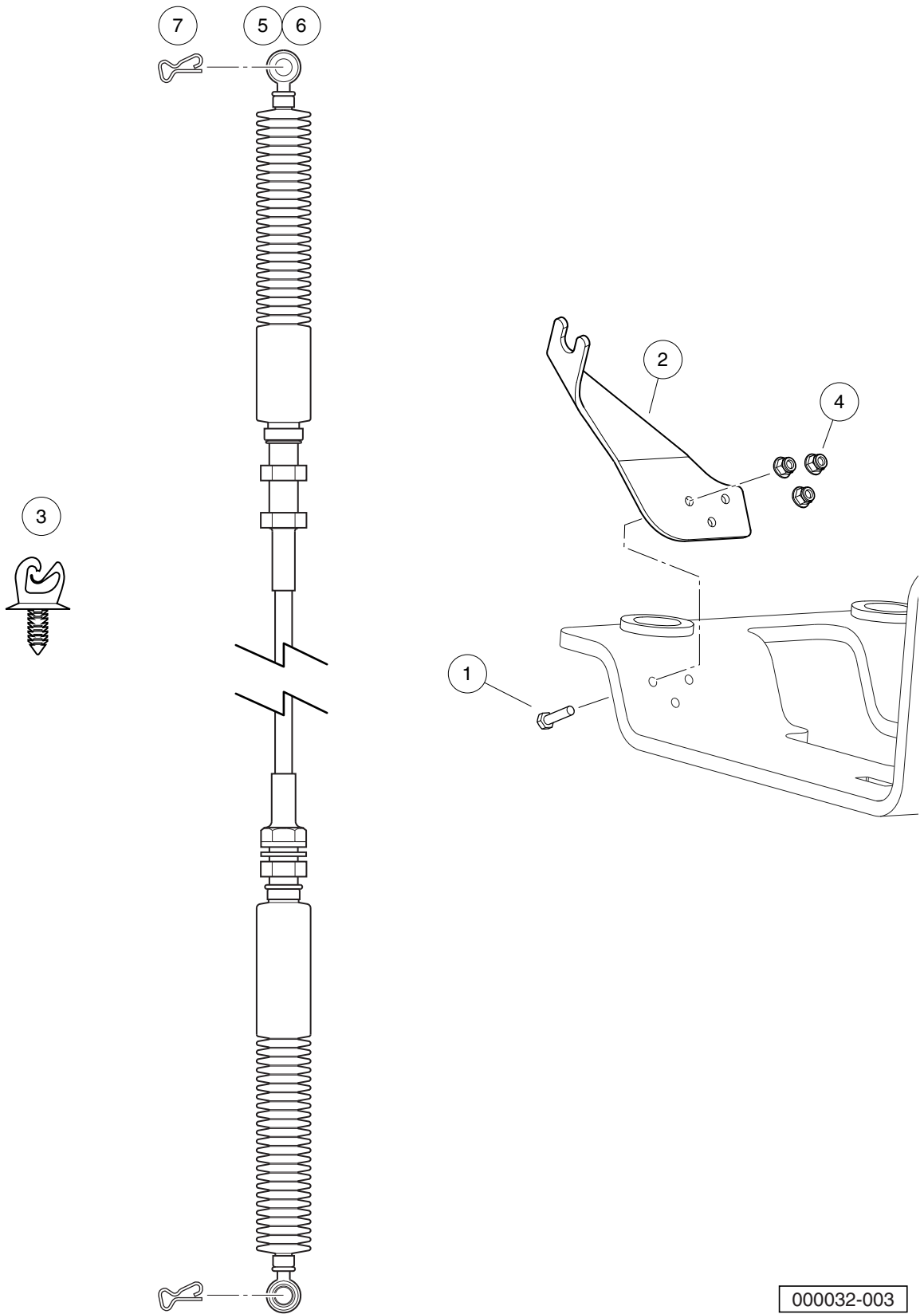
G

D

15

G

D



000032-003

SHIFTER CABLE

ITEM	PART NO.	DESCRIPTION	QTY
		1 2 3 4	
1	1012769	Screw, M6-1.00 X 25mm Hex Cap	3
2	102382401	Bracket, FNR Trans Cable	1
3	102475701	Clip, Brake Line	1
4	102621501	Nut, Flange, M6 X 1.0, Nylon	3
5	103879301	Cable, Transmission Shift, 295/1550	1
6	103879401	Cable, Transmission Shift, 295 SE/1550 SE	1
7	103886601	Clip, Bowtie	2

15

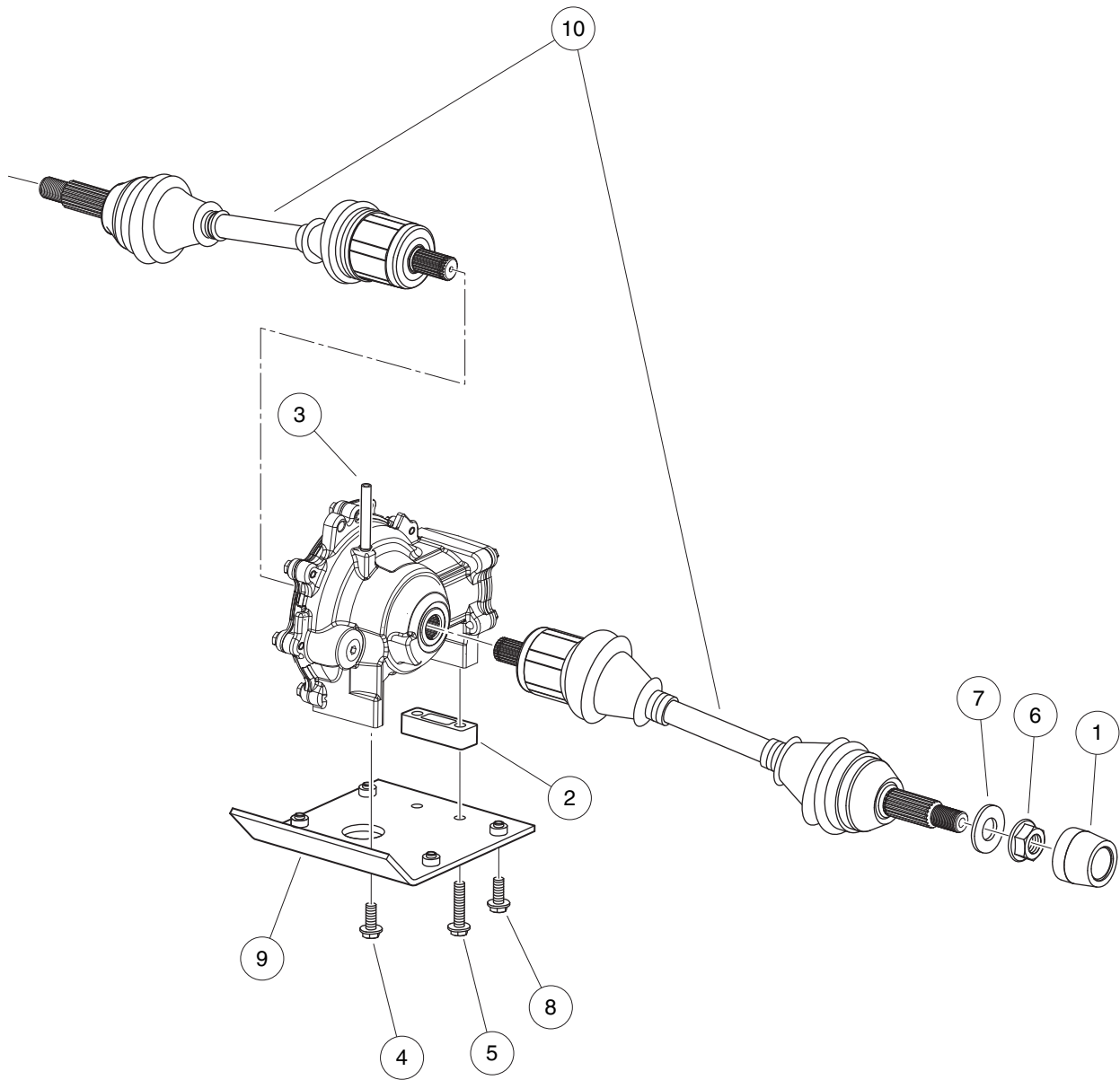
G

D

15

G

D



000012-006

FRONT DIFFERENTIAL MOUNTING AND HALF SHAFTS

ITEM	PART NO.	DESCRIPTION	QTY
		1 2 3 4	
1	102274101	Center Cap, Rubber	2
2	102381701	Spacer Block, Diff	1
3	102462401	Hose, Vent, Front Diff	1
4	102491001	Bolt, Flanged Head, 3/8-16x1.0 with Loctite	2
5	102491101	Bolt, Flanged Head, 3/8-16x1.500 with Loctite	2
6	102617501	Nut, Flange, M22 X 1.5 Mech Def	2
7	102617801	Washer, Hard, M22	2
8	102711601	Bolt, Flange Head, M10 X 1.5 X 25	4
9	103244701	Asm, Mount, Diff Plate	1
10	103762201	Half Shaft, Front, AWD	2

15

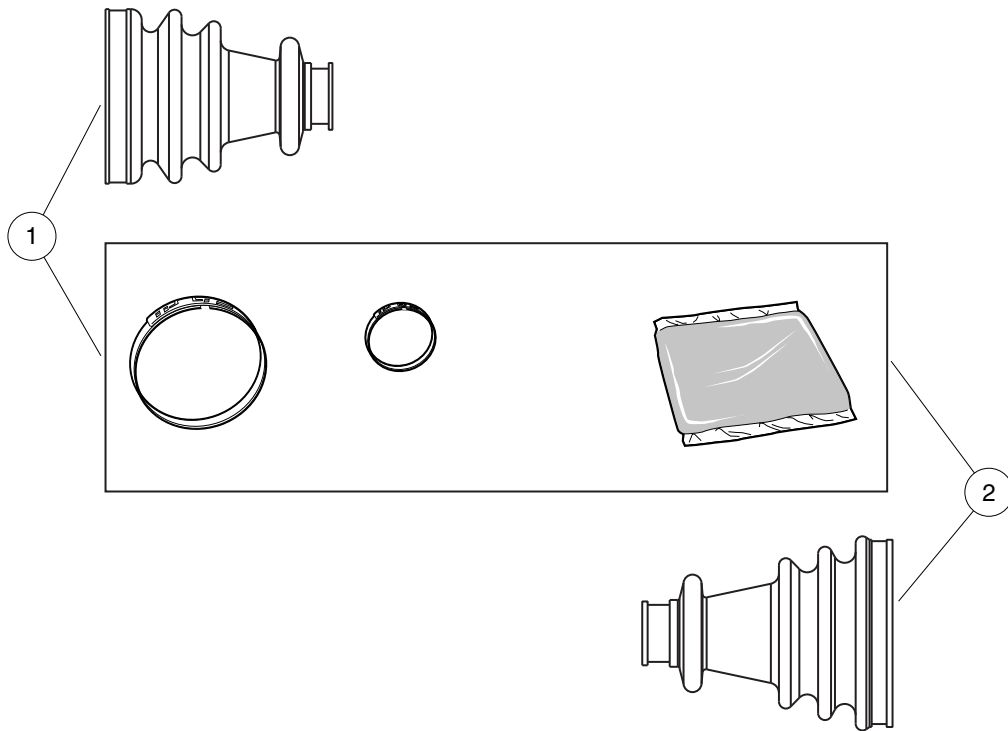
G

D

15

G

D



000791-004

CV BOOT REPAIR KITS

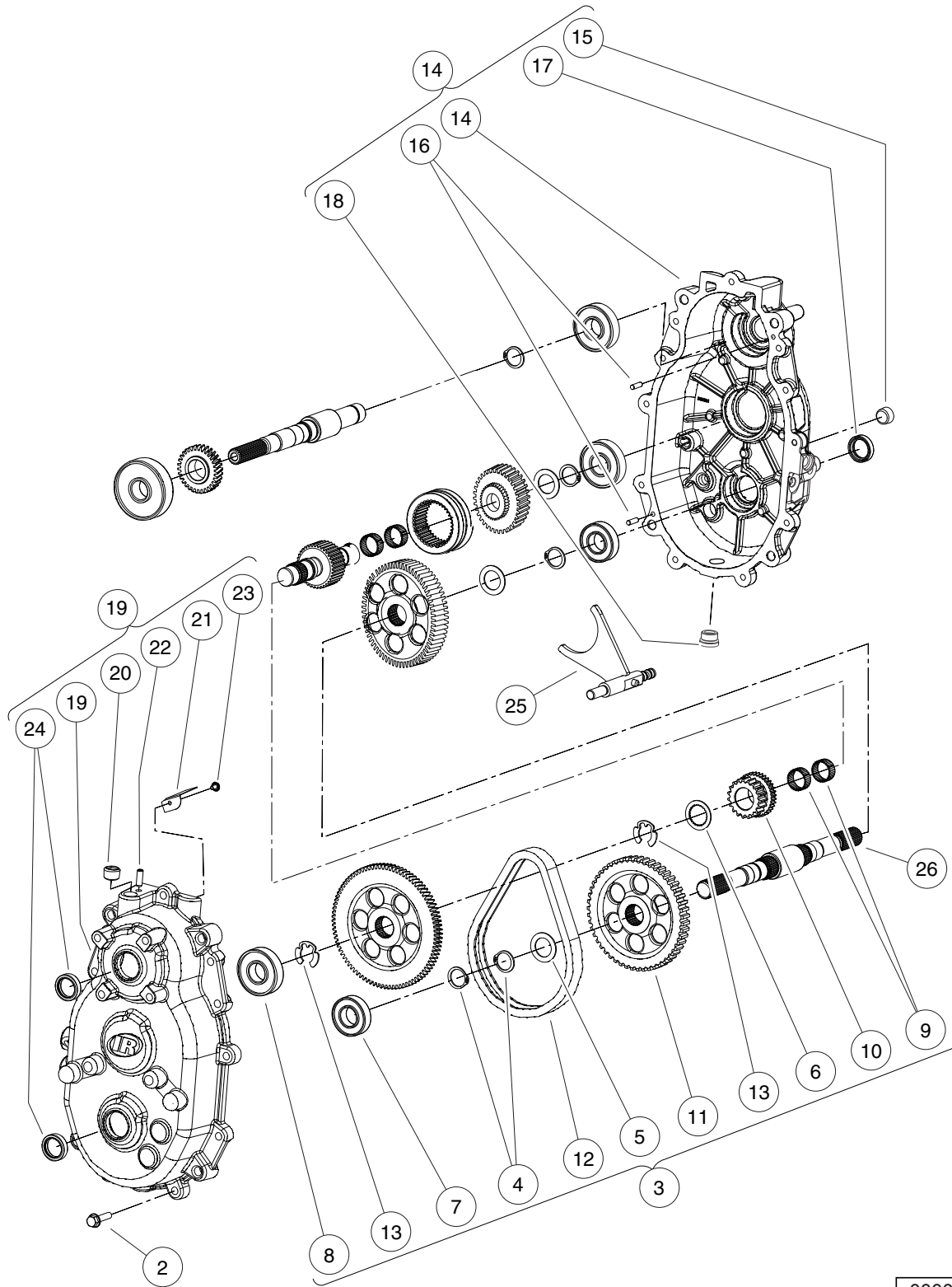
ITEM	PART NO.	DESCRIPTION	QTY
1	AM1291501	1 2 3 4 Kit, Outer Boot	1
2	AM1291601	Kit, Inner Boot	1

15
G
D

15

G

D



000016-018

TRANSMISSION – PAGE 1 OF 3

ITEM	PART NO.	DESCRIPTION	QTY
		1 2 3 4	
1	103969001	Transmission, Awd, 422046 (includes items 2 through 26)	1
2	102693301	Screw, hex Flange, M8 X 35	11
3	102765201	Kit, Reverse Gear Repair (includes items 4 through 13)	1
4	102696201	Ring, Retaining, Basic External	2
5	102696501	Washer, Thrust, 1.007 X .062	1
6	102696701	Washer, 26.231 X 39.167 X 1.57	1
7	102696801	Bearing, Ball	1
8	102696901	Bearing, Ball	1
9	102697101	Bearing, Needle	2
10	N/A	Sprocket, 19-Tooth	1
11	N/A	Sprocket, 51-Tooth	1
12	N/A	Chain, .375p, .75 Wide, 60ptch	1
13	102699701	Ring, Retaining, E-Ring	2
14	105125301	Asm, Gear Case, Front (includes items 15 through 18)	1
15	102694201	Plug, Square Skt, 1/12-14, Ptf	1
16	102696101	Pin, Dowel, 6 X 20	2
17	102699401	Seal, Triple, 25 X 35 X 7.8	1
18	103250401	Plug, 3/4-16	1
19	105125401	Asm, Gear Case, Rear (includes items 20 through 24)	1
20	102694201	Plug, Square Skt, 1/12-14, Ptf	1
21	N/A	Oil, Deflector	1
22	N/A	Vent, Trans	1
23	N/A	Screw, Tapping # 10-24 X .375	1
24	102699401	Seal, Triple, 25 X 35 X 7.8	2
25	105125701	Fork,Transmission	1
26	105125801	Shaft,Output	1

15

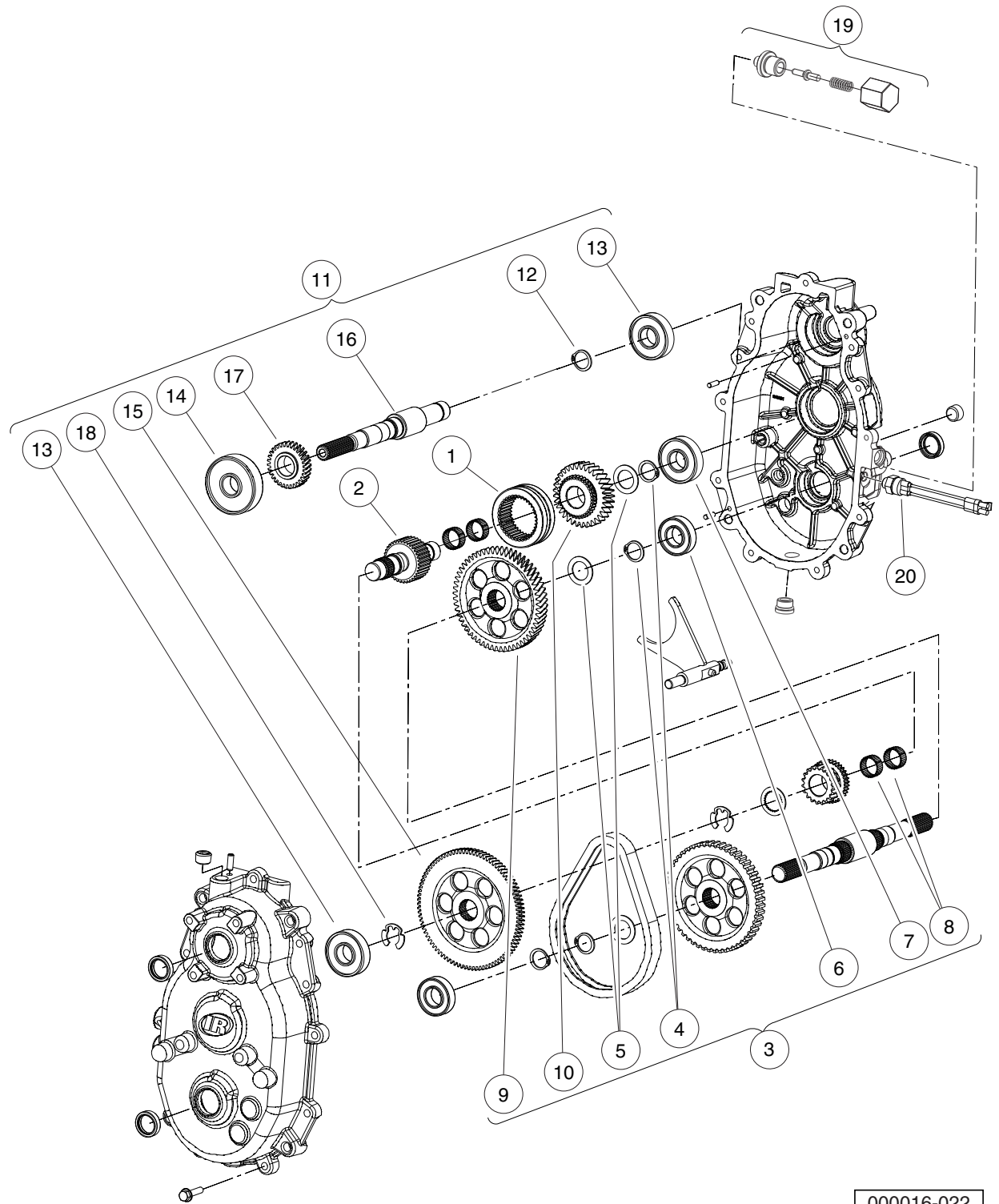
G

D

15

G

D



000016-022

TRANSMISSION – PAGE 2 OF 3

ITEM	PART NO.	DESCRIPTION	QTY
		1 2 3 4	
1	102697501	Dog, Engagement	1
2	102698701	Shaft, Intermediate	1
3	102764901	Kit, Forward Gear Repair (includes items 4 through 10)	1
4	102696201	Ring, Retaining, Basic External	2
5	102696501	Washer, Thrust, 1.007 X .062	2
6	102696801	Bearing, Ball	1
7	102696901	Bearing, Ball	1
8	102697101	Bearing, Needle	2
9	N/A	Gear, Helical 58-Tooth	1
10	N/A	Gear, Helical 34-Tooth	1
11	103721801	Kit, Input Shaft Repair (includes items 12 through 18)	1
12	102696201	Ring, Retaining, Basic External	1
13	102696901	Bearing, Ball	2
14	102697001	Bearing, Ball	1
15	N/A	Gear, Helical 90-Tooth	1
16	N/A	Shaft, Input	1
17	N/A	Gear, Helical, 31-tooth	1
18	102699701	Ring, Retaining, E-Ring	1
19	105125501	Kit, Detent Repair	1
20	105125601	Switch, Indicator, Pollak	1

15

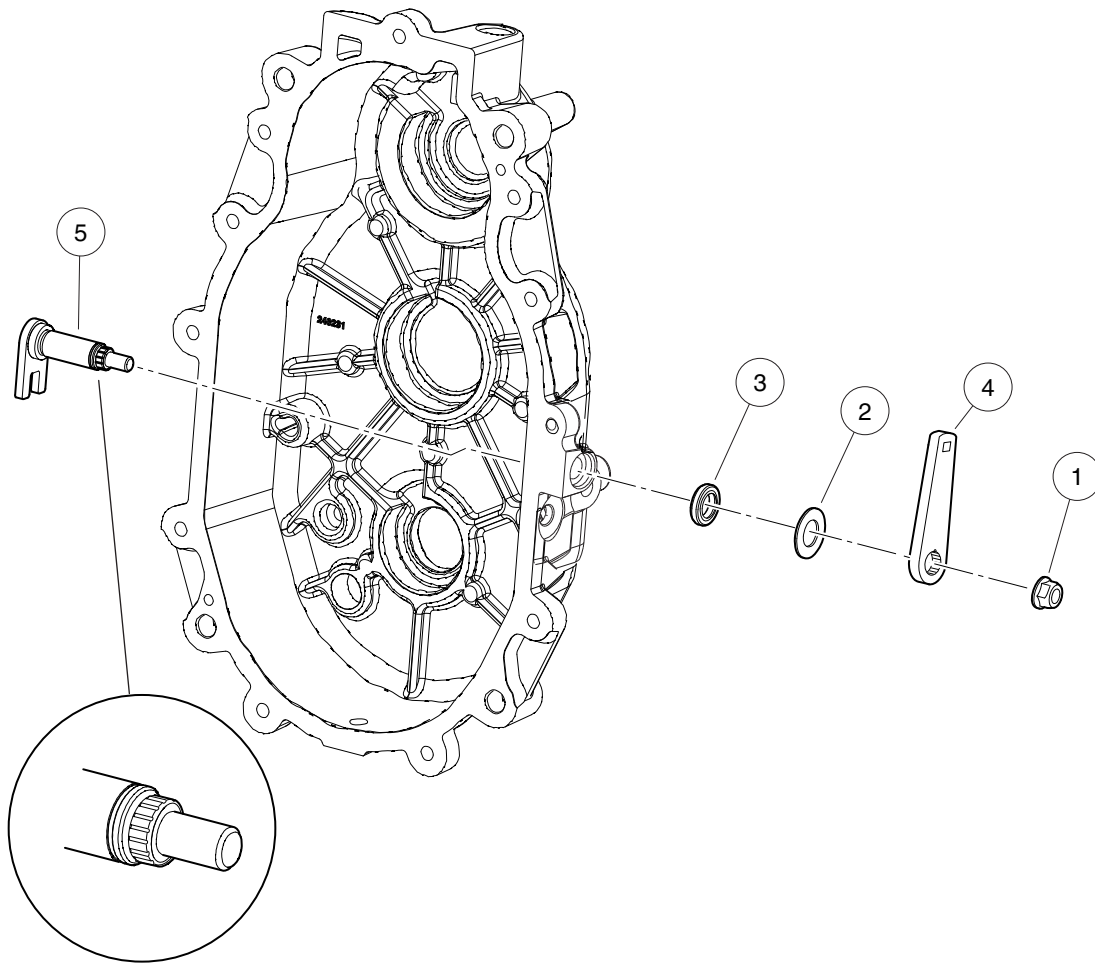
G

D

15

G

D



000016-021

TRANSMISSION – PAGE 3 OF 3

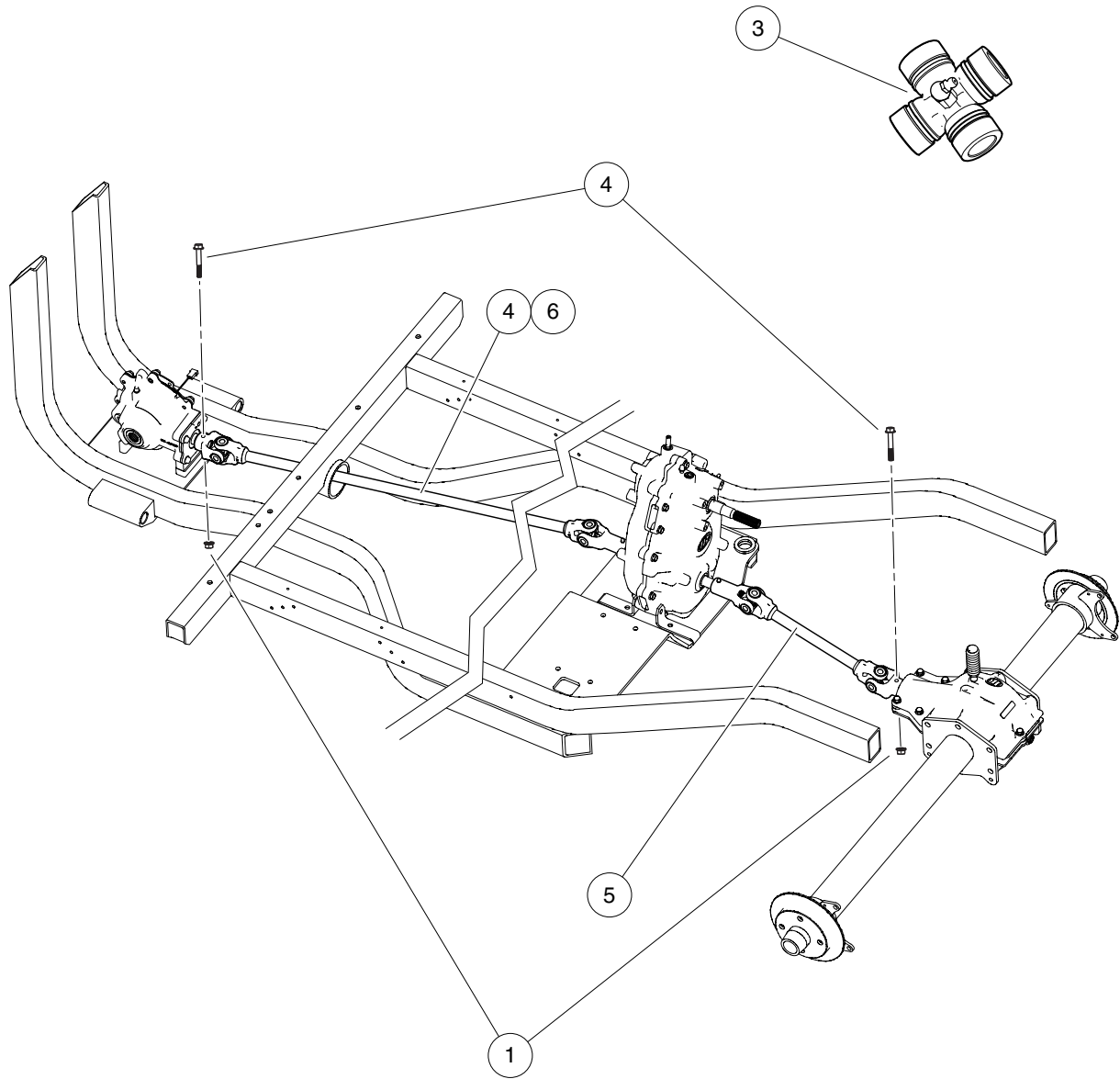
ITEM	PART NO.	DESCRIPTION	QTY
		1 2 3 4	
1	102696001	Nut, Lock Hex, Nylon, 5/16-24	1
2	102696601	Washer, Flat, .58 X 1.08 X .05	1
3	102699601	Seal, Dual Lip, .88 X .56 X .19	1
4	103883001	Bellcrank, Square-hole	1
5	105125901	Shaft, Shift	1

15
G
D

15

G

D



000091-006

PROP SHAFTS

ITEM	PART NO.	DESCRIPTION	QTY
		1 2 3 4	
1	102298401	Nut,m8,all Metal Lock	2
2	103990201	Bolt, M8 X 1.25 X 50 Hh Cap	2
3	105100901	Kit, Universal Joint Replacement	A/R
4	105173201	Propshaft, Front, No Spln Zerk	1
5	105173301	Propshaft, Rear, No Spln Zerk	1
6	105173401	Propshaft,frnt,lng,no Spln Zrk	1
		Note: Item 4 is for 81.5 in. (207 cm) wheelbase vehicle only. Item 6 is for 114 in. (289.5 cm) wheelbase vehicle only.	

15

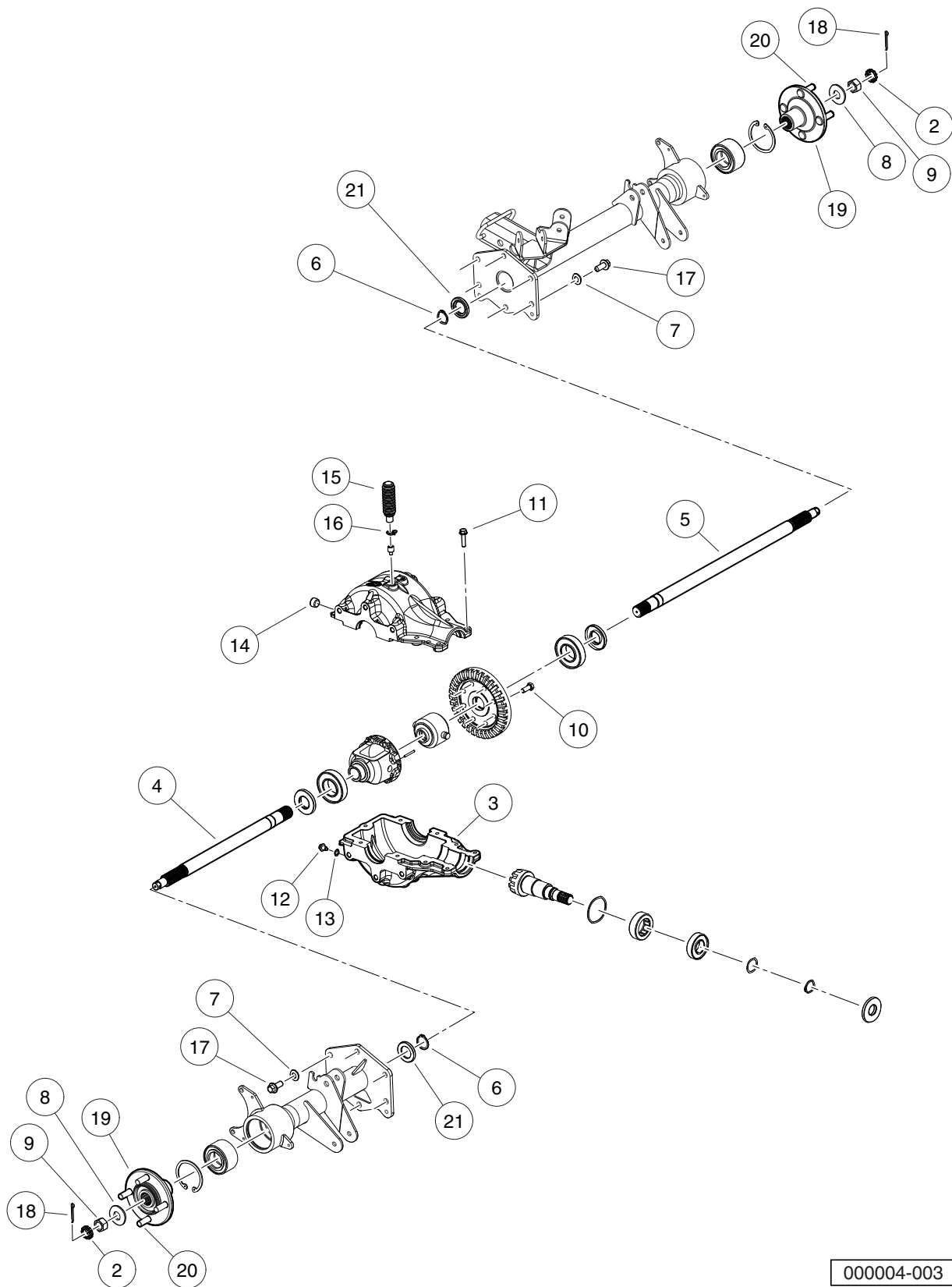
G

D

15

G

D



000004-003

REAR DIFFERENTIAL AND AXLES – PAGE 1 OF 2

ITEM	PART NO.	DESCRIPTION	QTY
		1 2 3 4	
1	103843901	Axle, Rear, Awd, 4link (includes items 2 through 21)	1
2	102276001	Locking Cap, Nut	2
3	102449101	Gearcase, Lower, Machined	1
4	102463501	Axle, Right-hand	1
5	102463601	Axle, Left-Hand	1
6	102463901	Ring, Retaining, External	2
7	102672201	Washer, Belleville, 1.063 X .043	12
8	102672301	Washer, Belleville, 49 X 4	2
9	102672401	Nut, Hex, M20 X 1.5 , Modified	2
10	102693201	Screw, M10 X 25	8
11	102693301	Screw, hex Flange, M8 X 35	9
12	102693401	Plug,3/8-16, Hex Flange	1
13	102693501	Washer, .625 X .382 X .60	1
14	102694201	Plug, Square Skt, 1/12-14, Ptf	1
15	102694301	Bellows, Vent, Upper Housing	1
16	102694401	Clamp, Hose, Dw-9.5	1
17	102694701	Screw, Hex Fl, M12 X 1.75 X 30	12
18	102694801	Pin, Cotter, 5/32 X 1.25	2
19	103146203	Asm, Wheel Hub, Rear, 1550 (includes item 20)	2
20	103951501	Lug Stud, 1/2-20 UNF, SAE J1102	4
21	103879501	Washer, C-bored 60.5 X 30.3	2

15

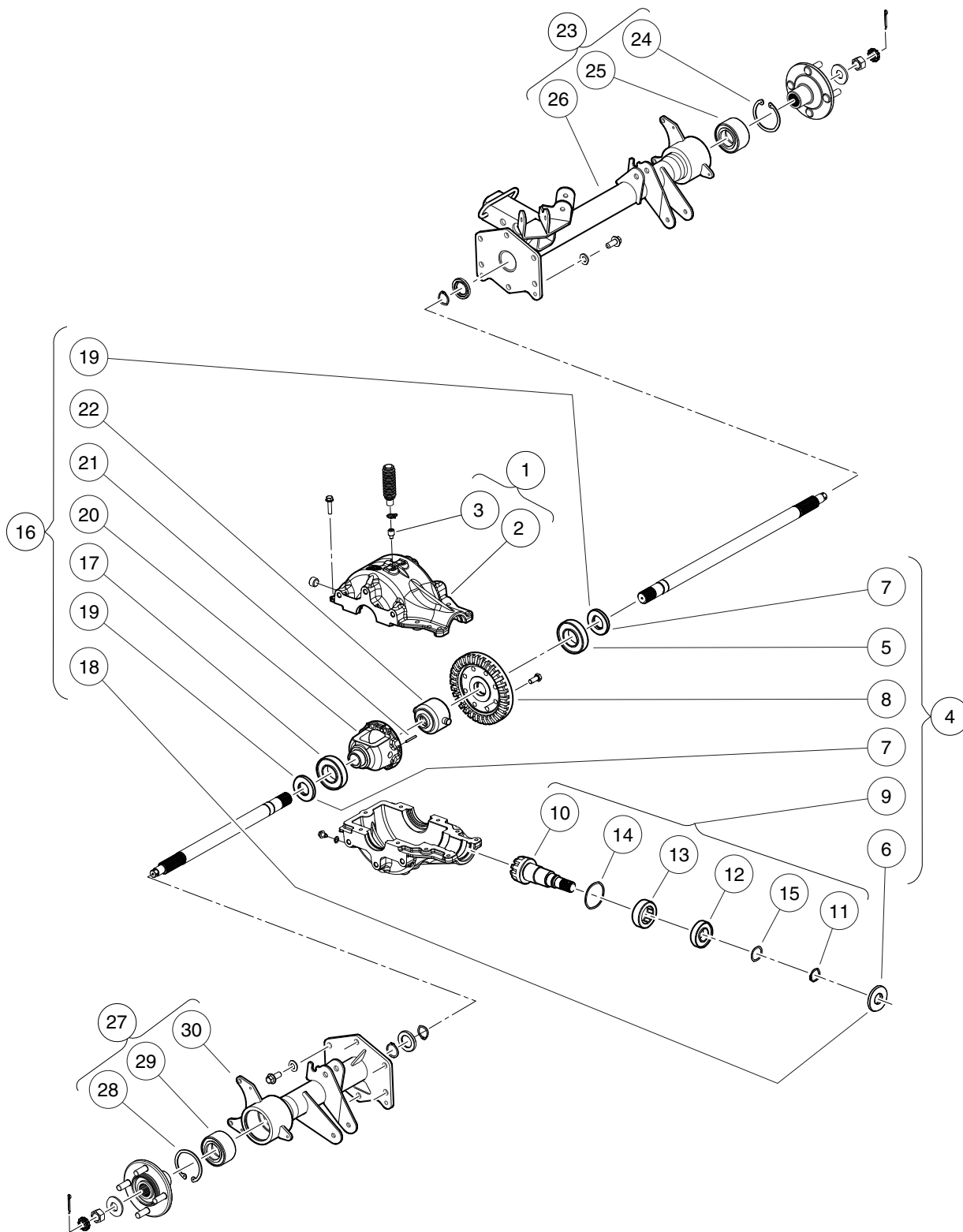
G

D

15

G

D



000004-004

REAR DIFFERENTIAL AND AXLES – PAGE 2 OF 2

ITEM	PART NO.	DESCRIPTION	QTY
		1 2 3 4	
1	102765301	Asm, Gearcase, Upper (includes items 2 and 3)	1
2	N/A	Gearcase, Upper, Machined	1
3	102694001	Vent, Top, Upper Housing	1
4	102765801	Kit, Rear Axle Gear Repair (includes items 5 through 9)	1
5	102464201	Bearing, Ball	1
6	102464401	Seal, Dual-Lip 25x 62x 7tc	1
7	102464501	Seal, Dual-Lip 30x 62x 8tc	2
8	102762601	Gear, Ring, 33-Tooth	1
9	102765701	Asm, Pinion W/ Bearings (includes items 10 through 15)	1
10	102463101	Pinion, 10t Machined	1
11	102463901	Ring, Retaining, External	1
12	102464001	Bearing, Ball	1
13	102464101	Bearing, Needle, Drawn Shell	1
14	102693601	Washer, 2.625 X 2.367 X .06	1
15	102694502	Shim, 1.50 X 1.189 X .008	1
16	103871801	Asm, Carrier, Etched Locker (includes items 17 through 22)	1
17	102464201	Bearing, Ball	1
18	102464401	Seal, Dual-Lip 25x 62x 7tc	1
19	102464501	Seal, Dual-Lip 30x 62x 8tc	2
20	102961301	Housing, Differential, Mach	1
21	102961401	Pin, Dowel, 4 X 35	1
22	N/A	Asm, Locker, Nongrease/Spacers	1
23	103922801	Assy, Axle Tube, Rear, LH (includes items 24 through 26)	1
24	102463801	Ring, Retaining, Internal	1
25	102464301	Bearing	1
26	103868201	Weldment, Axle Tube, LH, 4-Link Susp	1
27	103922901	Assy, Axle Tube, Rear, RH (includes items 28 through 30)	1
28	102463801	Ring, Retaining, Internal	1
29	102464301	Bearing	1
30	103868301	Weldment, Axle Tube, RH, 4-Link Susp	1

15

G

D

15

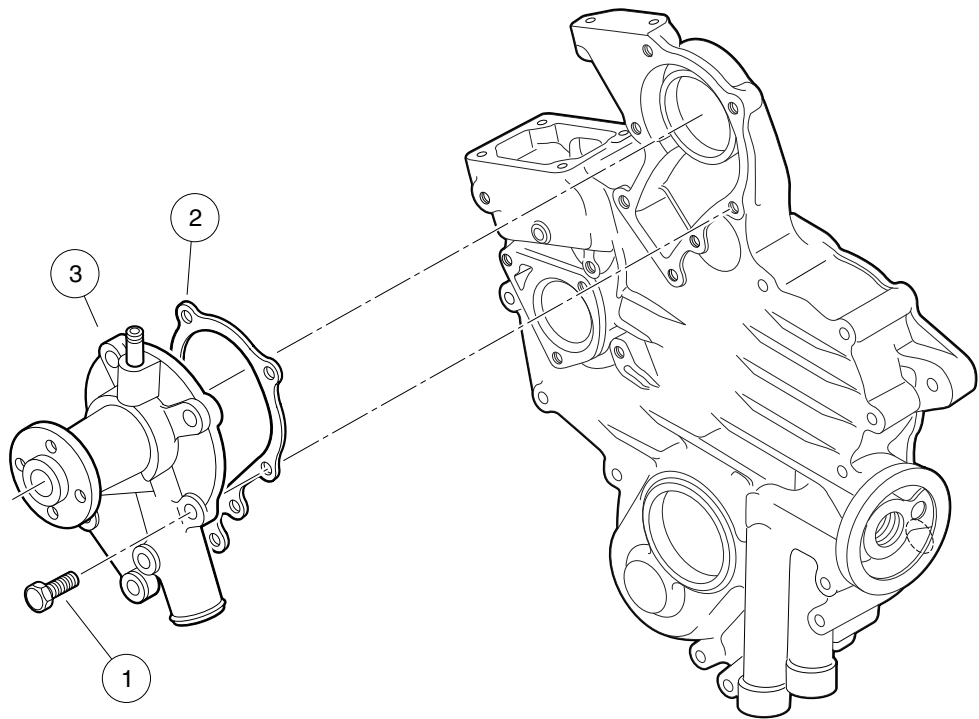
G

D

RADIATOR AND COOLANT SYSTEM – DIESEL VEHICLES

16

D



000060-001

WATER PUMP

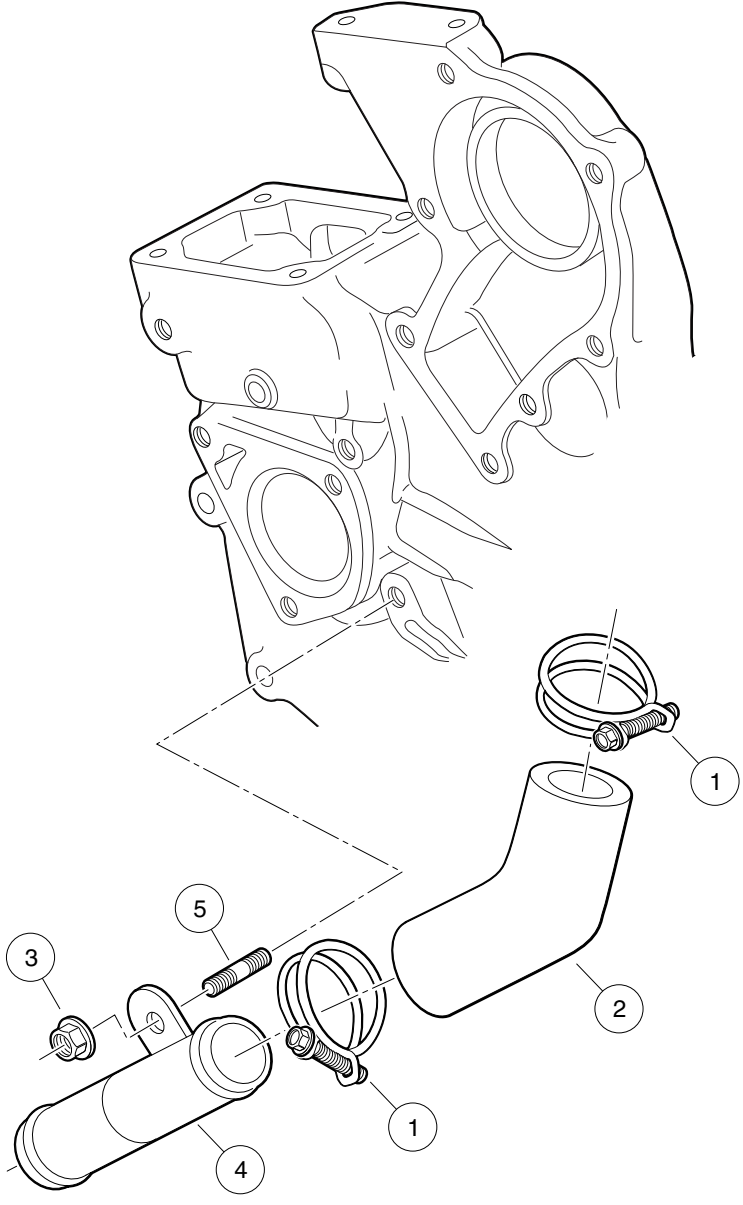
ITEM	PART NO.	DESCRIPTION	QTY
		1 2 3 4	
1	102608701	Bolt, M6 X 1 X 22	4
2	102632701	Gasket, Water Pump, D722	1
3	102731201	Water Pump Assembly	1

16

D

16

D



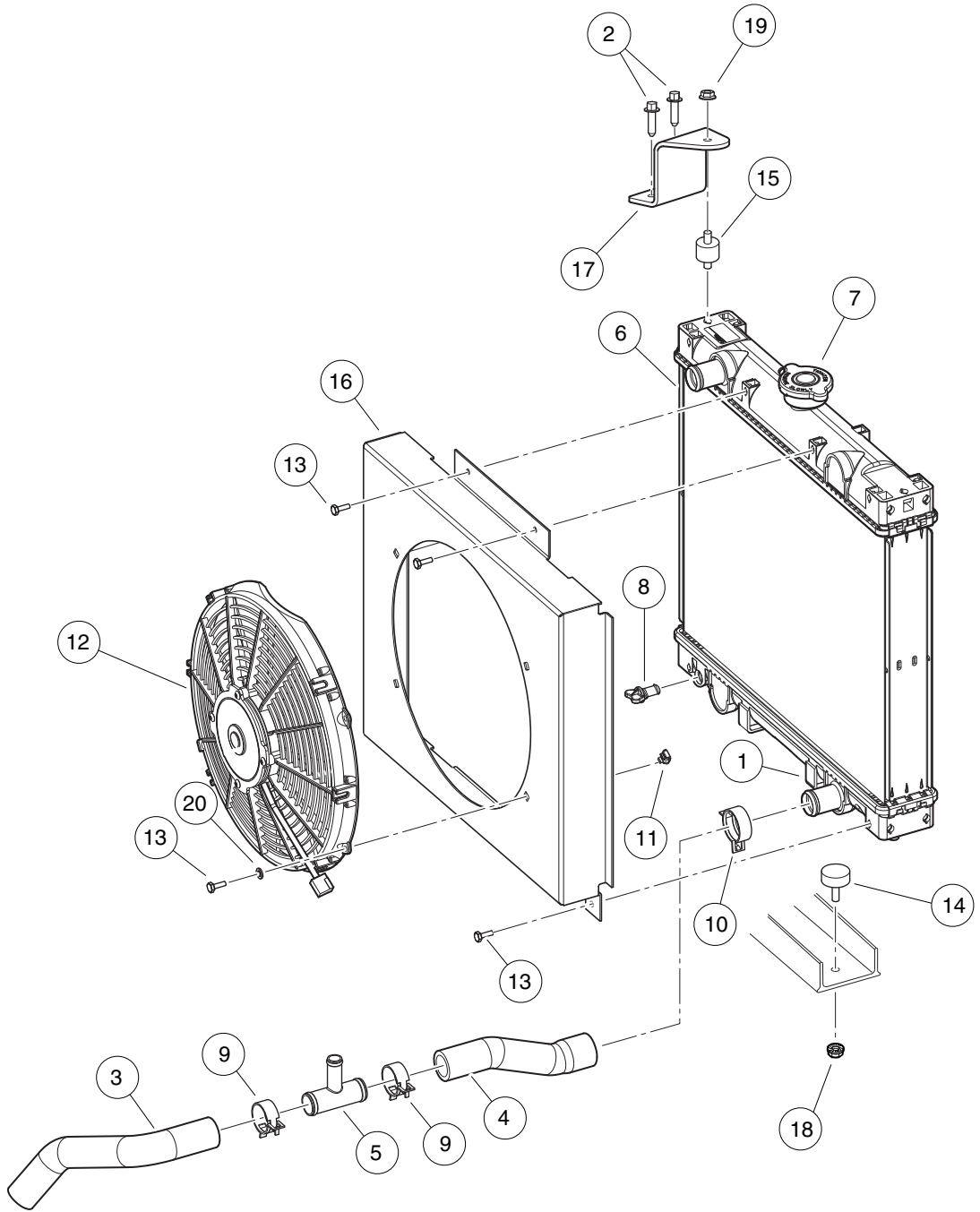
000061-001

BLOCK COOLANT PIPE

ITEM	PART NO.	DESCRIPTION	QTY
		1 2 3 4	
1	102631701	Band, Pipe, with Nut	2
2	102631801	Hose, Coolant	1
3	102632001	Nut, Flange, M6	1
4	102632101	Pipe, Coolant	1
5	102632201	Stud, M6 X 15	1

16

D



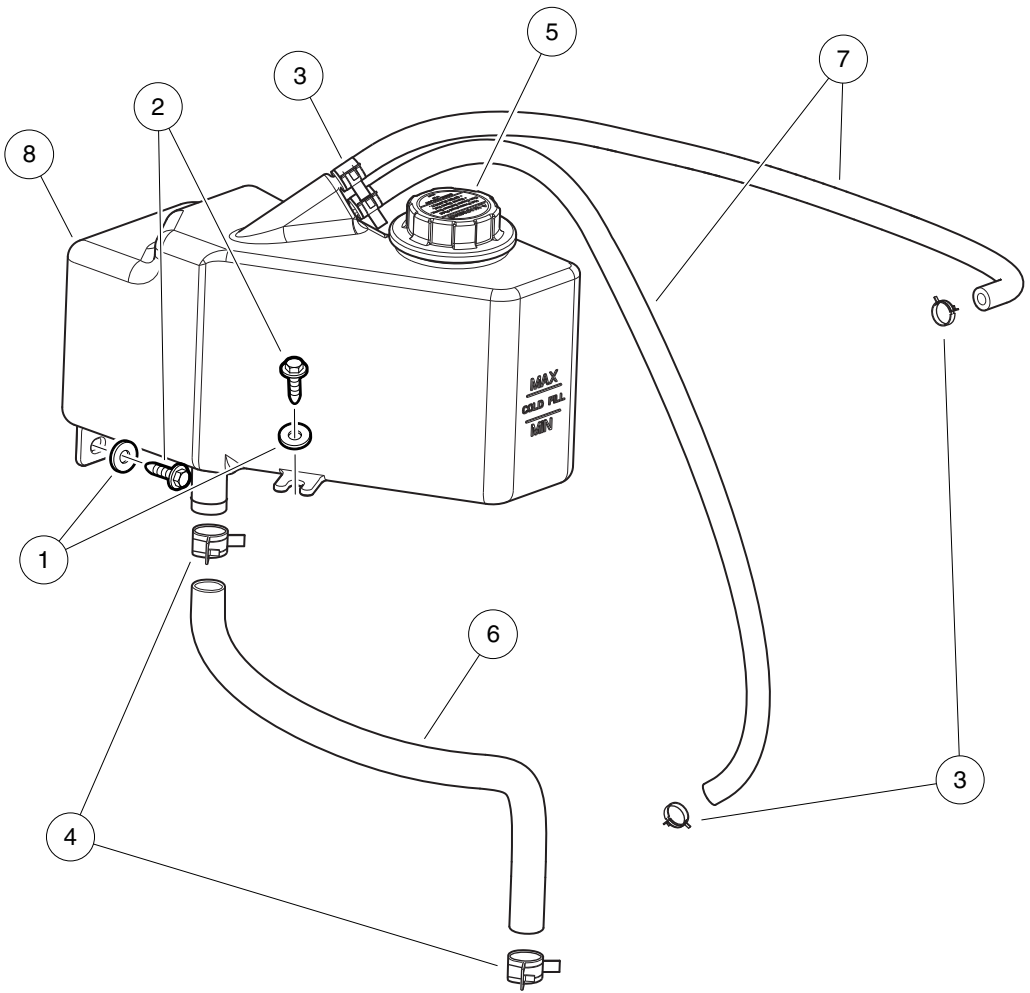
000541-002

RADIATOR

16

D

ITEM	PART NO.	DESCRIPTION	QTY
		1 2 3 4	
1	1014471	Tape, Vinyl Foam 1/8" x 3/4"	1
2	102289001	Screw, M8X1.25X30, Hex	4
3	102377801	Hose, Coolant Lower Pipe	1
4	102377901	Hose, Coolant Lower Rad	1
5	102380301	Tee, Coolant Fill	1
6	102410301	Radiator (includes items 7 and 8)	1
7	102737301	Cap, Radiator	1
8	N/A	Drain Cock, Radiator	1
9	102411207	Clamp, Hose, Ctb 35mm	2
10	102411208	Clamp, Hose, Ctb 38mm	1
11	102411301	Nut, Self Retaining	4
12	102436701	Fan, Cooling 12 In Elect	1
13	102490301	Bolt, M6 X 1 X 16, Loctite	8
14	102684901	Bumper, 19mm Stud	2
15	102685001	Isolator, Twin-Stud	2
16	102855501	Shroud, Radiator Fan	1
17	102946701	Bracket, Radiator Support	2
18	96704176	Nut, Flanged, M6 X 1, Serrated	2
19	96704416	Nut, Flange, M8 X 1.25 Serrated	2
20	96705199	Washer, M6	4



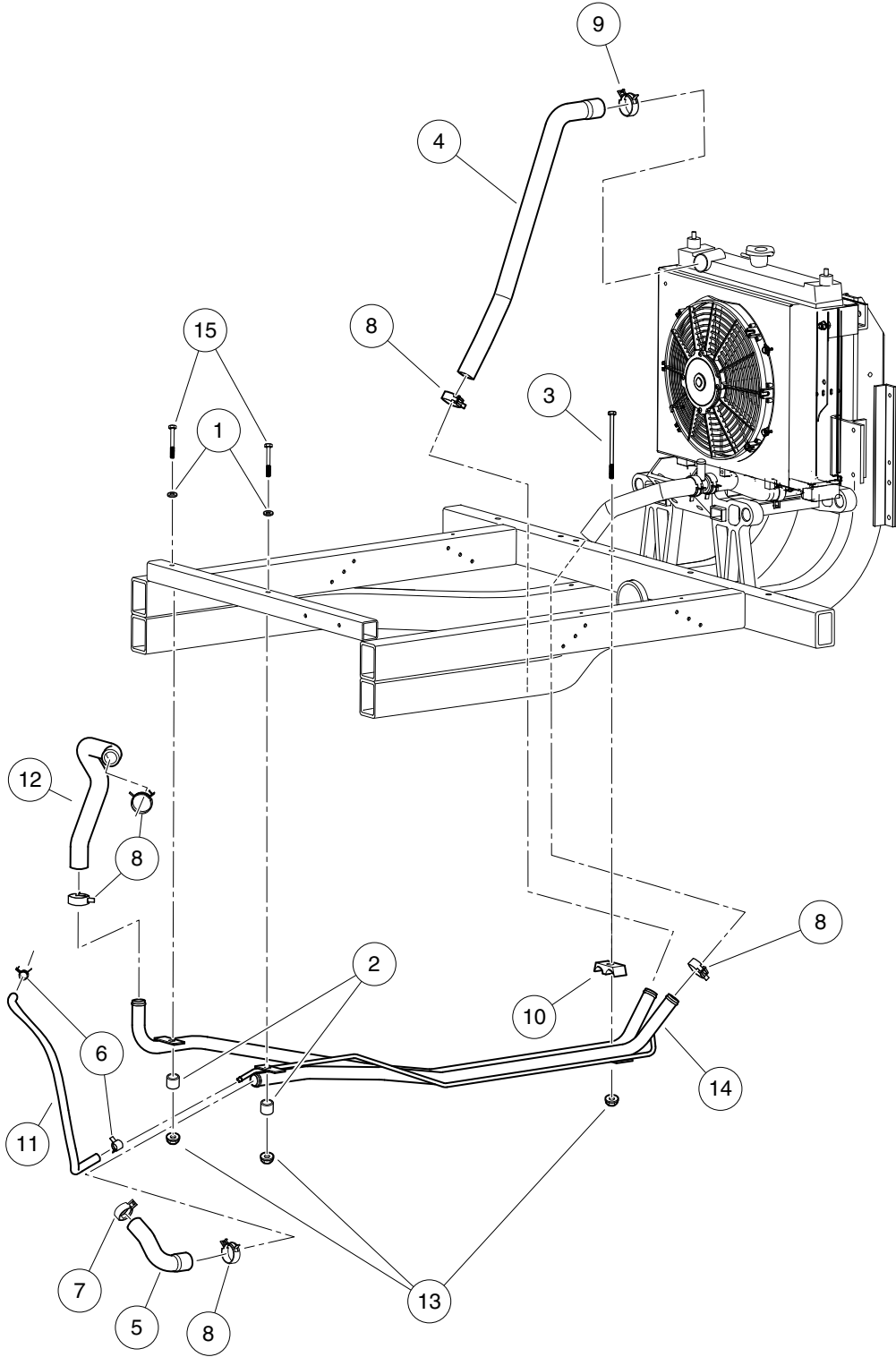
000540-003

COOLANT EXPANSION TANK

ITEM	PART NO.	DESCRIPTION	QTY
		1 2 3 4	
1	1011578	Washer, 5/16 Type B Flat	2
2	102298720	Screw, M8-1.25x20, Taptite	2
3	102411204	Clamp, Hose, CTB 15mm	4
4	102411205	Clamp, Hose, CTB 22mm	2
5	102427501	Cap, Radiator	1
6	102807601	Hose, Coolant, 5/8 SAE J20r3 Bulk	2
7	102807801	Hose, Coolant, 5/16 SAE J20r3 Bulk	8
8	102973201	Bottle, Coolant	1
Note: For hoses (items 6 and 7), quantity shown is length in feet per vehicle.			

16

D



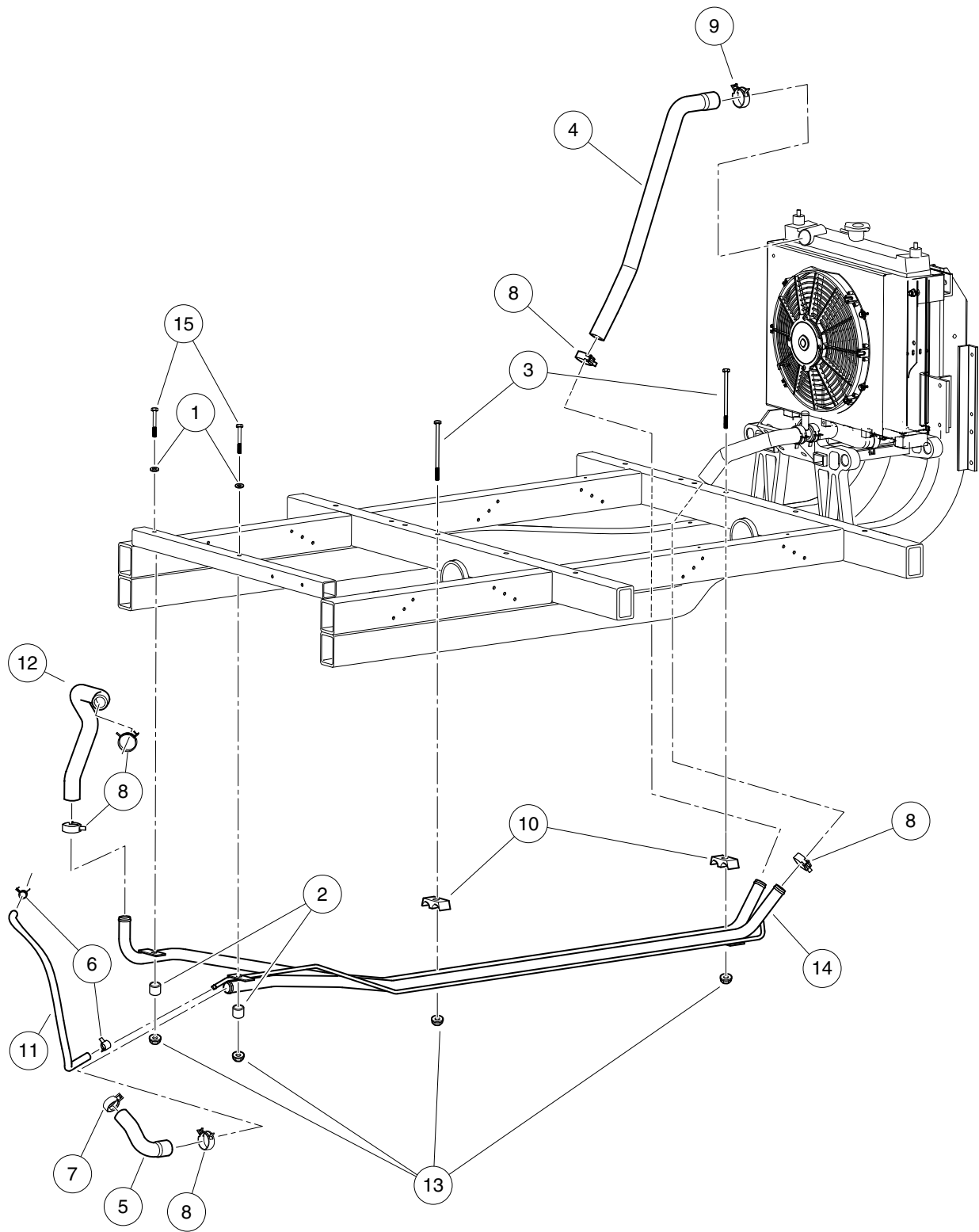
000079-004

COOLANT PIPES, CLAMPS, HOSES AND HARDWARE, 2-PASSENGER

ITEM	PART NO.	DESCRIPTION	QTY
		1 2 3 4	
1	1011578	Washer, 5/16 Type B Flat	2
2	1015457	Spacer, 0.720"	2
3	102288901	Bolt, Hex, M8x1.25 X 135	1
4	102377501	Hose, Coolant Upper Rad	1
5	102377601	Hose, Coolant Lower Eng	1
6	102411204	Clamp, Hose, CTB 15mm	2
7	102411206	Clamp, Hose, Ctb 30mm	1
8	102411207	Clamp, Hose, Ctb 35mm	5
9	102411208	Clamp, Hose, Ctb 38mm	1
10	102427601	Clamp, Bar	1
11	102435001	Hose, Vent Tube To Eng, Coolnt	1
12	102480501	Hose, Coolant, Return, Engine	1
13	102618601	Lock Nut, Flange, M8 X 1.25 Nylon	3
14	102628701	Coolant Pipe Assembly, 2-passenger	1
15	103423701	Bolt, M8 X 1.25 X 110	2

16

D



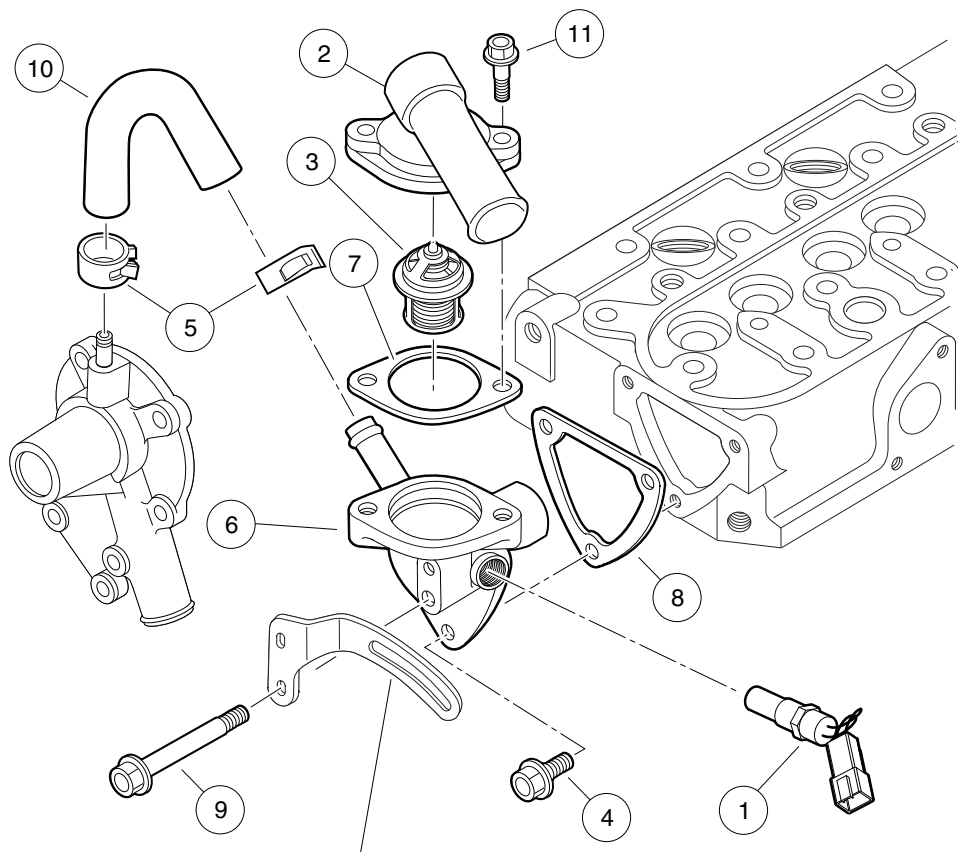
000079-005

COOLANT PIPES, CLAMPS, HOSES AND HARDWARE, 4-PASSENGER

ITEM	PART NO.	DESCRIPTION	QTY
		1 2 3 4	
1	1011578	Washer, 5/16 Type B Flat	2
2	1015457	Spacer, 0.720"	2
3	102288901	Bolt, Hex, M8x1.25 X 135	2
4	102377501	Hose, Coolant Upper Rad	1
5	102377601	Hose, Coolant Lower Eng	1
6	102411204	Clamp, Hose, CTB 15mm	2
7	102411206	Clamp, Hose, Ctb 30mm	1
8	102411207	Clamp, Hose, Ctb 35mm	5
9	102411208	Clamp, Hose, Ctb 38mm	1
10	102427601	Clamp, Bar	2
11	102435001	Hose, Vent Tube To Eng, Coolnt	1
12	102480501	Hose, Coolant, Return, Engine	1
13	102618601	Lock Nut, Flange, M8 X 1.25 Nylon	4
14	102767601	Coolant Pipe Assembly, 4-passenger	1
15	103423701	Bolt, M8 X 1.25 X 110	2

16

D



For bracket, see
Alternator pages
in the Diesel Engine
section

000059-002

WATER FLANGE AND THERMOSTAT

ITEM	PART NO.	DESCRIPTION	QTY
		1 2 3 4	
1	102410001	Sensor, Coolant Temp	1
2	102631301	Cover, Thermostat	1
3	102631401	Thermostat	1
4	102631601	Bolt, M6 X 1 X 20	2
5	102633001	Band, Pipe	2
6	102633201	Flange, Water	1
7	102633401	Gasket, Thermostat	1
8	102654701	Gasket, Water Flange	1
9	102730901	Bolt, Alt, D722, Stay Lower	1
10	102731001	Pipe, Water Return, D722	1
11	102731101	Bolt, D722, Thermostat Cover	2

16

D

16

D

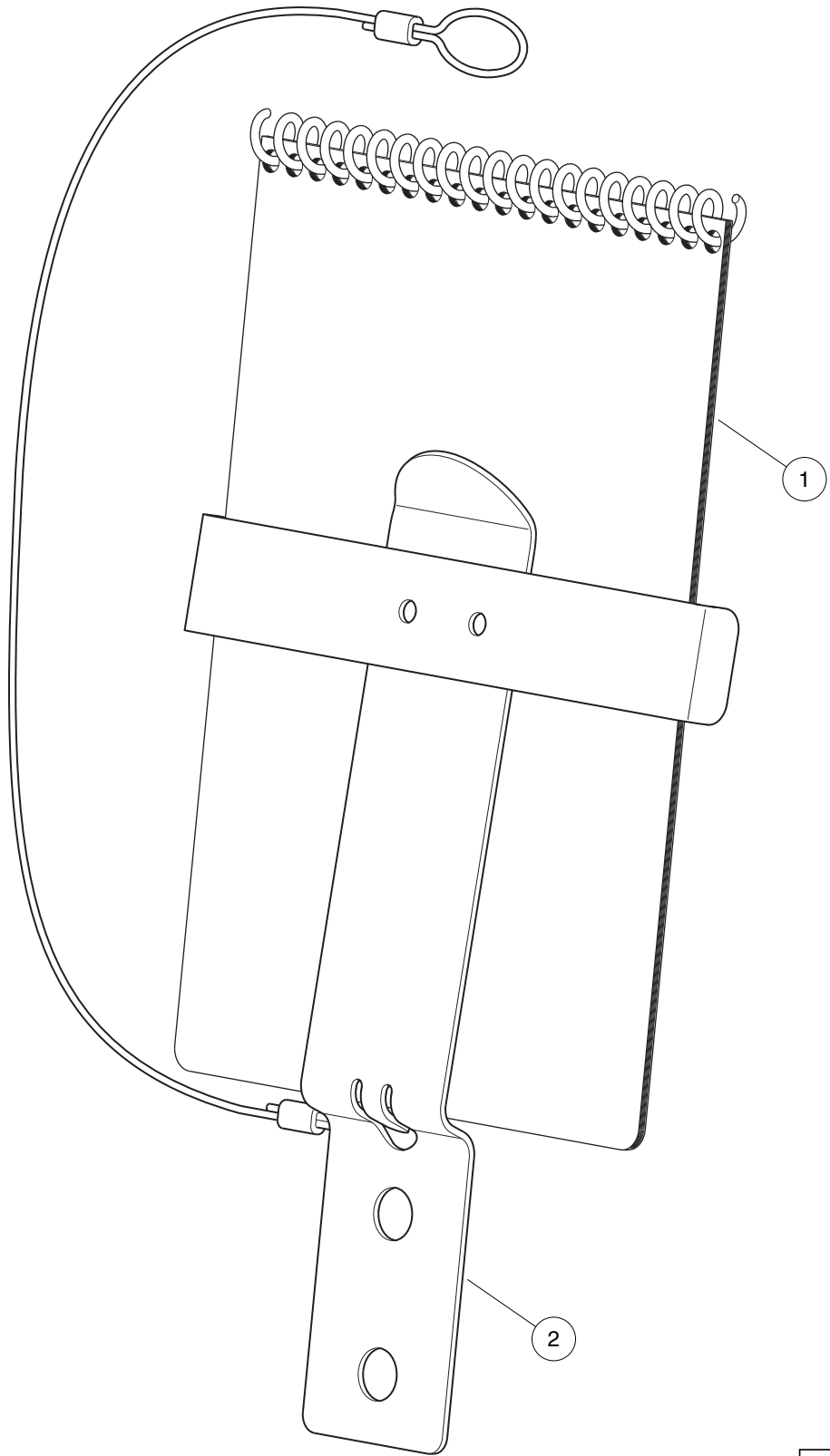
HYDRAULIC ATTACHMENT SYSTEM AND ACCESSORIES

17

D

17

D



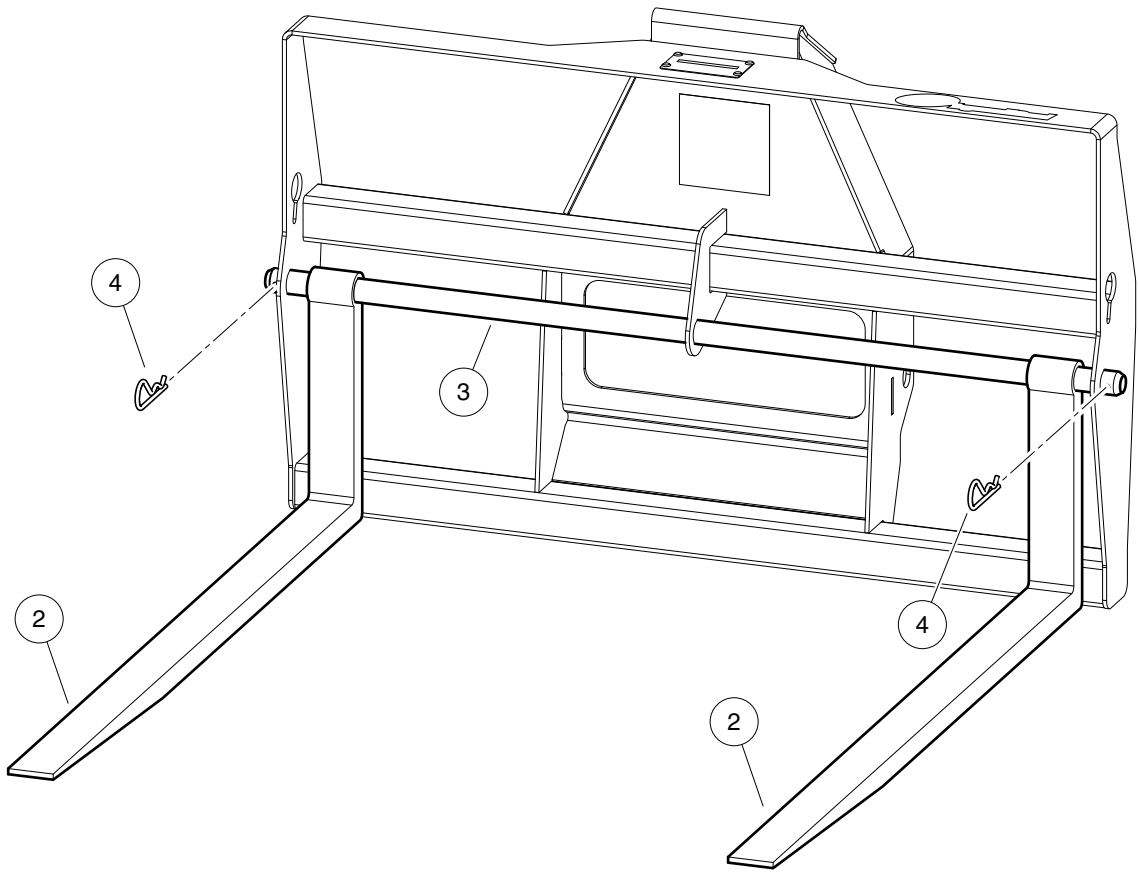
000558-002

HANDBOOK

17

ITEM	PART NO.	DESCRIPTION	QTY
1	103237501	1 2 3 4 Handbook, Operator, Club Car	1
2	103237701	Weldment, Clip, Handbook	1

D



000555-001

ATTACHMENT – PALLET FORK

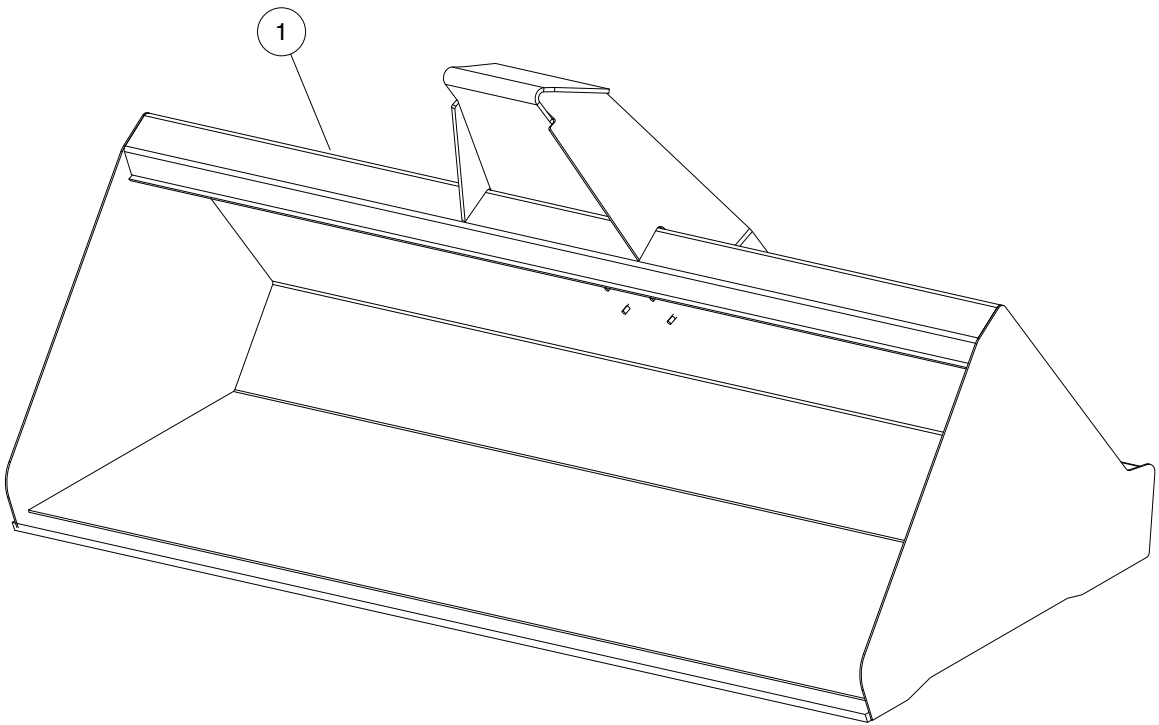
ITEM	PART NO.	DESCRIPTION	QTY
		1 2 3 4	
1	102930001	Attachment, Fork, Pallet (includes items 2 through 4)	1
2	102927201	Pallet Fork	2
3	102927301	Bar, Fork Mount	1
4	102927401	Pin, Hair	2

17

D

17

D



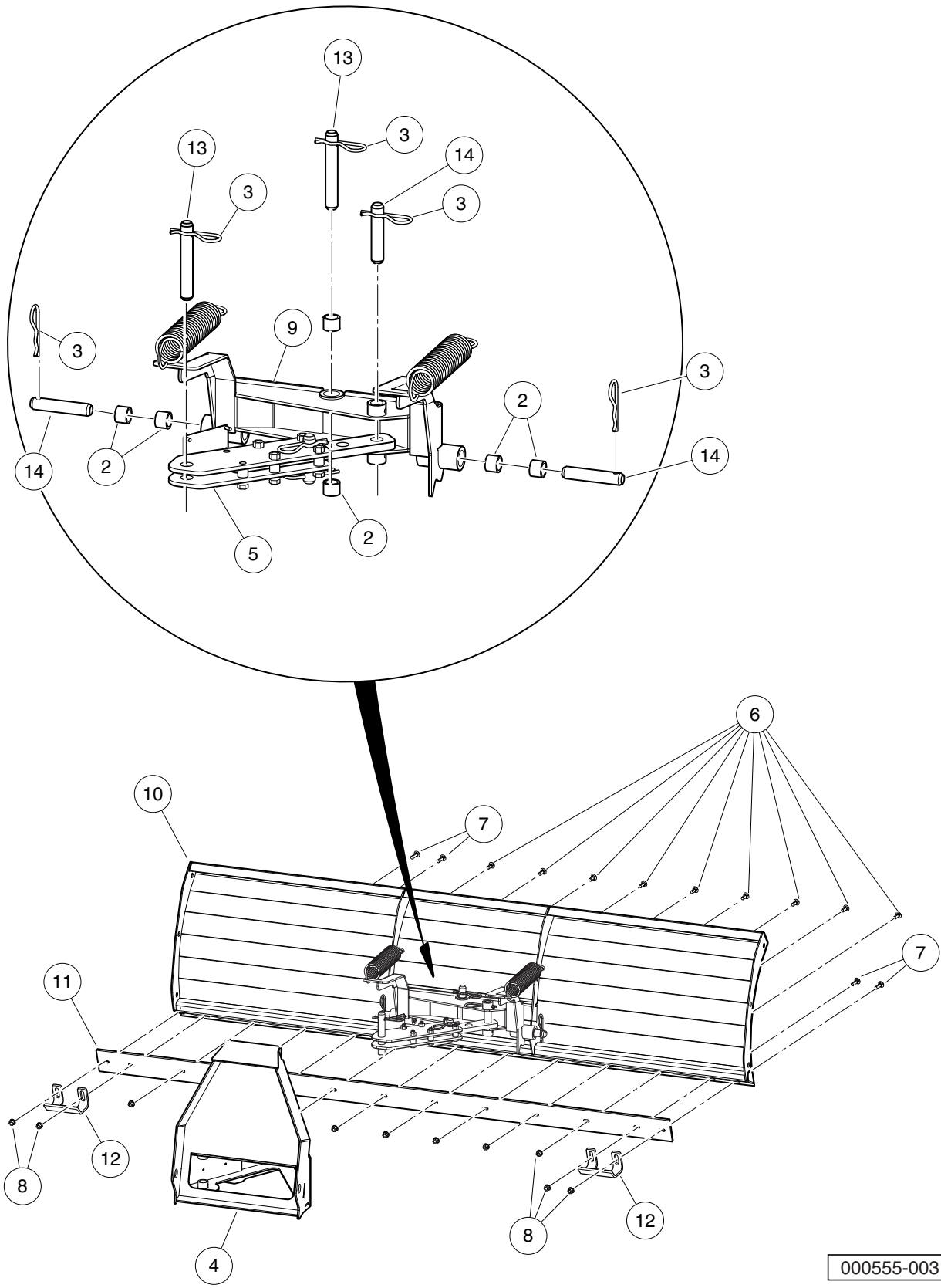
000555-002

ATTACHMENT – BUCKET

ITEM	PART NO.	DESCRIPTION	QTY
1	102930101	1 2 3 4 Attachment, Bucket	1

17

D



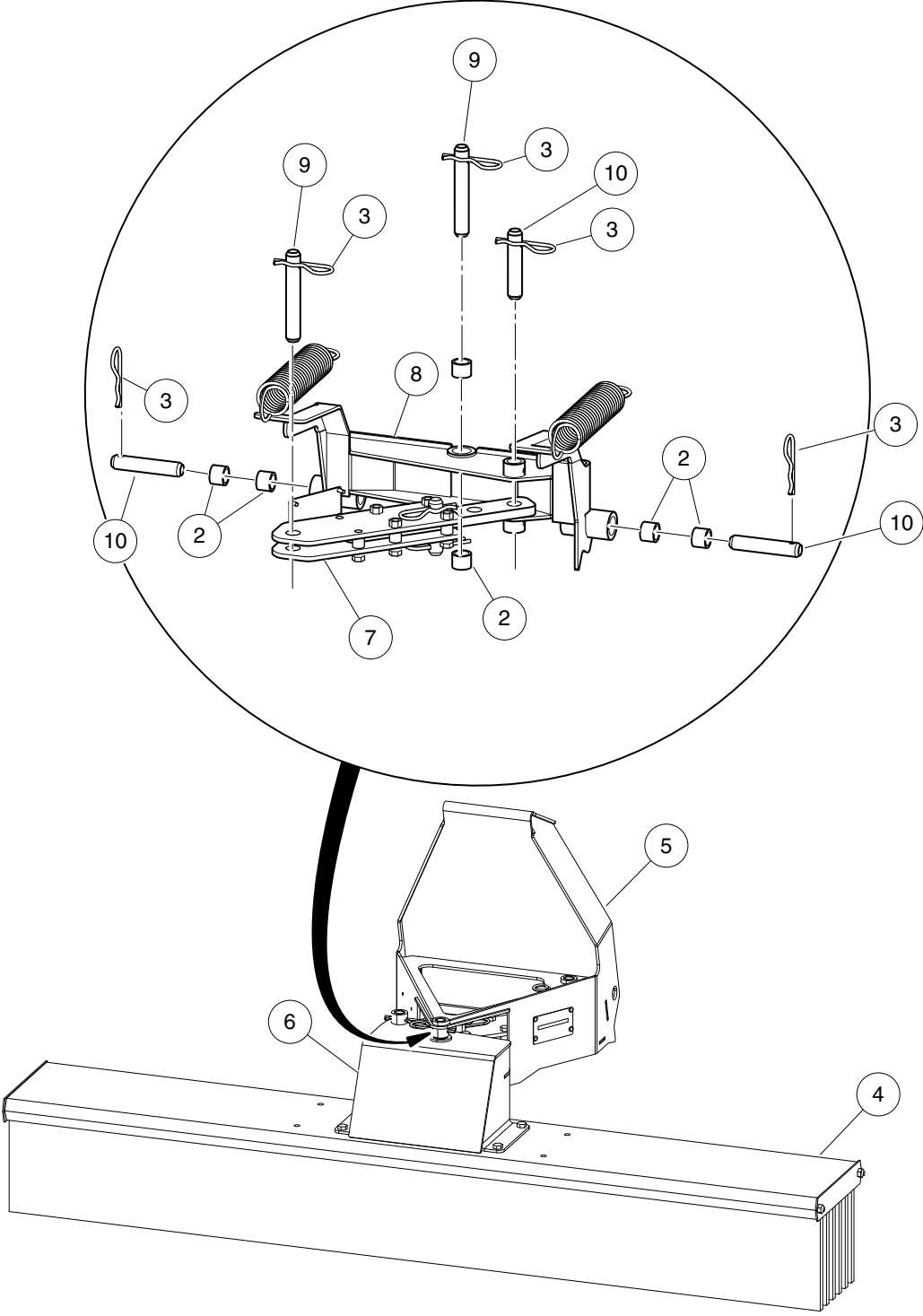
000555-003

ATTACHMENT – SNOW BLADE

ITEM	PART NO.	DESCRIPTION	QTY
		1 2 3 4	
1	102930201	Attachment, Blade, Snow (includes items 2 through 14)	1
2	102926601	Bearing, Fiber, -12	6
3	102927401	Pin, Hair	5
4	102929601	Weldment, Mount, Angle	1
5	N/A	Asm, Adjust, Manual	1
6	103243001	Bolt, Carriage	9
7	103243101	Bolt, Carriage	4
8	103243201	Nut, Pretrq, Hex Lock	13
9	103243501	Weldment, Head, Angle	1
10	103243601	Weldment, Blade, Snow	1
11	103243701	Edge, Cutting	1
12	103243801	Shoe, Skid	2
13	103243901	Pin, 5 In	2
14	103244001	Pin, 3.9 In	3

17

D



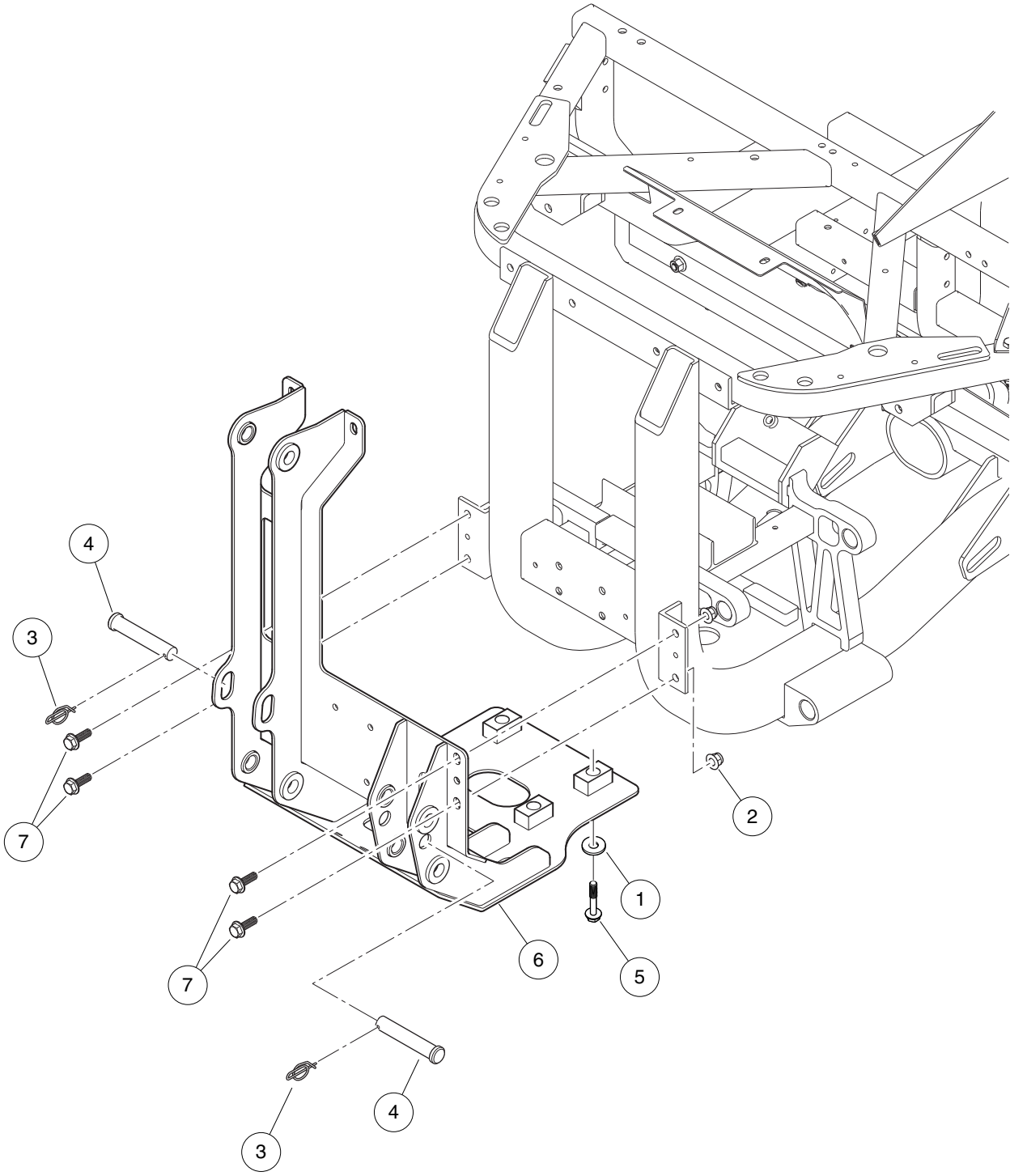
000555-004

ATTACHMENT – BROOM

ITEM	PART NO.	DESCRIPTION	QTY
		1 2 3 4	
1	102930301	Attachment, Broom, Push (includes items 2 through 10)	1
2	102926601	Bearing, Fiber, -12	6
3	102927401	Pin, Hair	5
4	102929501	Broom, Whisker, 60 In	1
5	102929601	Weldment, Mount, Angle	1
6	102929701	Wldmnt, Mount, Whisker	1
7	N/A	Asm, Adjust, Manual	1
8	103243501	Weldment, Head, Angle	1
9	103243901	Pin, 5 In	2
10	103244001	Pin, 3.9 In	3

17

D



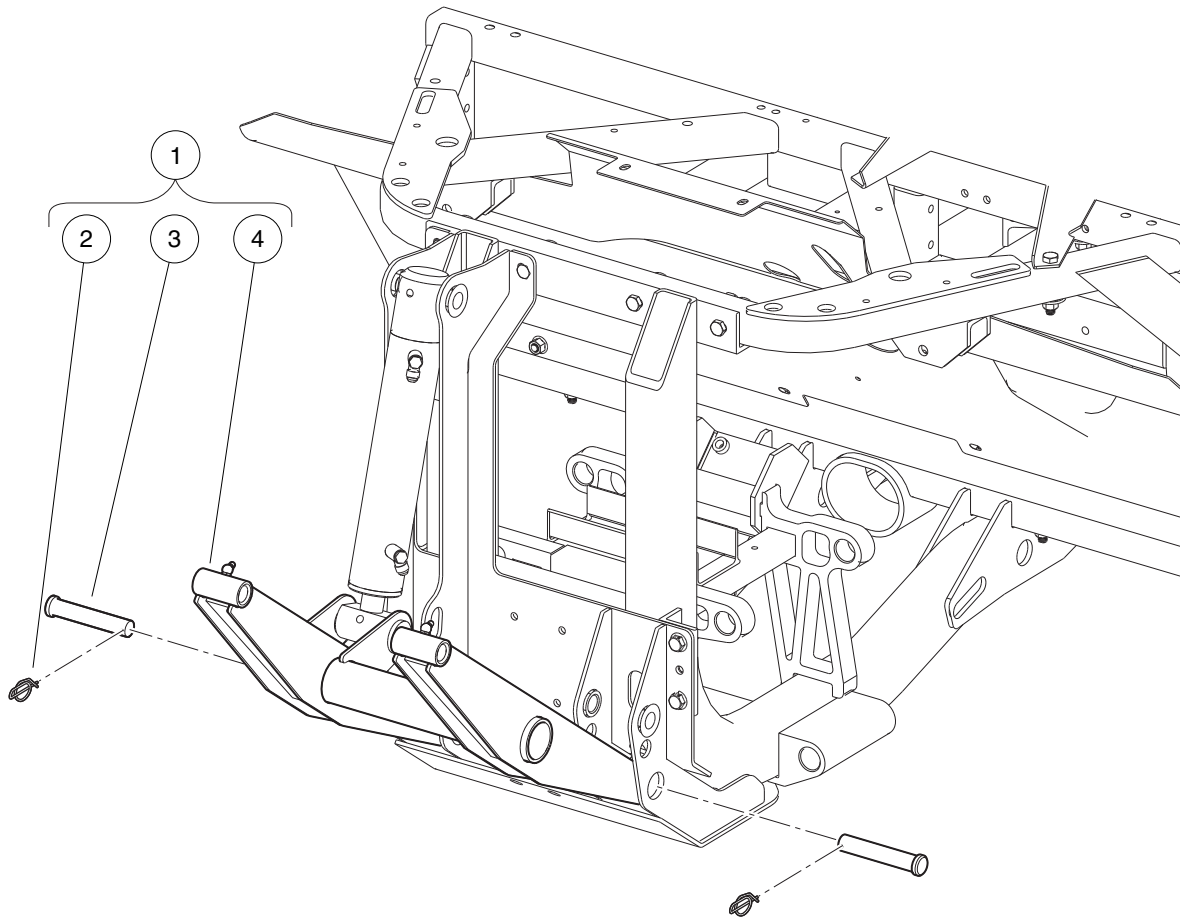
000552-002

ACCESSORY MOUNTING WELDMENT

ITEM	PART NO.	DESCRIPTION	QTY
		1 2 3 4	
1	102491501	Washer, Hard, M10	4
2	102670701	Nut, Flange, M10 X 1.5 Nylon	4
3	102786101	Ring, Rue, 3/4, Heavy	2
4	102921601	Pin, Clevis, 3/4 X 4	2
5	102925201	Bolt, Flg, M10x1.5x55, Patch	4
6	103355401	Weldment, Front Mount	1
7	96727003	Bolt Flg, M10 X 1.5 X 30	4

17

D



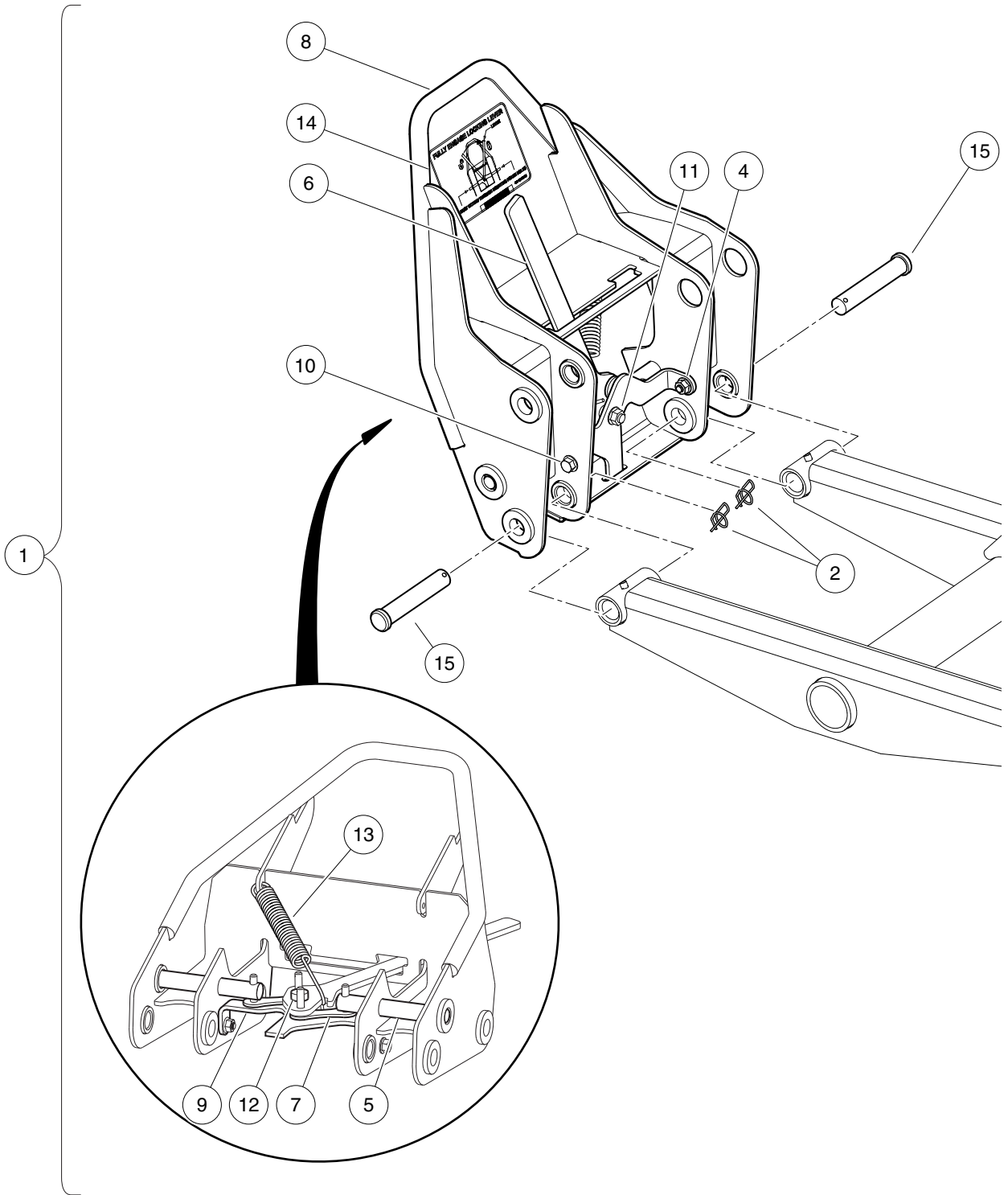
000786-001

ATTACHMENT ARM KIT

ITEM	PART NO.	DESCRIPTION	QTY
		1 2 3 4	
1	102923201	Kit, Arm, Attachment (includes items 2 through 4)	1
2	102786101	Ring, Rue, 3/4, Heavy	2
3	102921601	Pin, Clevis, 3/4 X 4	2
4	102923401	Asm, Arm, Attachment	1

17

D



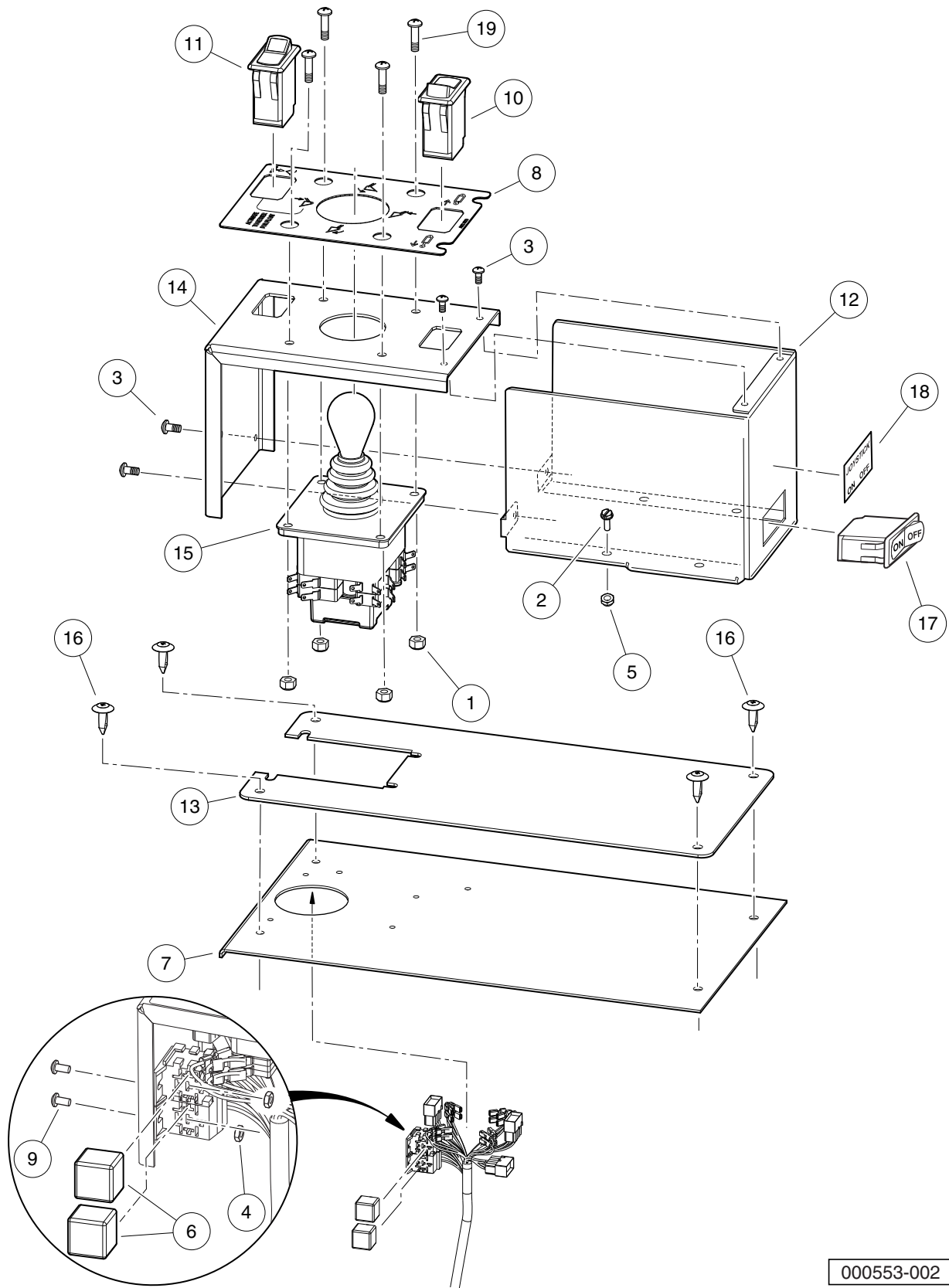
000787-002

ATTACHMENT INTERFACE

ITEM	PART NO.	DESCRIPTION	QTY
		1 2 3 4	
1	102923301	Kit, Interface, Attachment (includes items 2 through 15)	1
2	102786101	Ring, Rue, 3/4, Heavy	2
3	102789001	Asm, Interface, Attachment (includes items 4 through 14)	1
4	102617001	Nut Flg, M8 X 1.25 Mech Def	2
5	102789101	Pin, Latch	2
6	102789201	Lever, Release	1
7	102789301	Link, Chain 2080	2
8	N/A	Interface, Attachment	1
9	102790001	Brace, Cross	1
10	102790801	Bolt Flg, M8 X 1.25 X 20	2
11	102790901	Nut, Flg, 3/8-16 Gr8	1
12	102791001	Screw, Shoulder Hex Skt	1
13	102791301	Spring, Ext, Interface	1
14	N/A	Decal, Attachment Locking	1
15	102921601	Pin, Clevis, 3/4 X 4	2

17

D



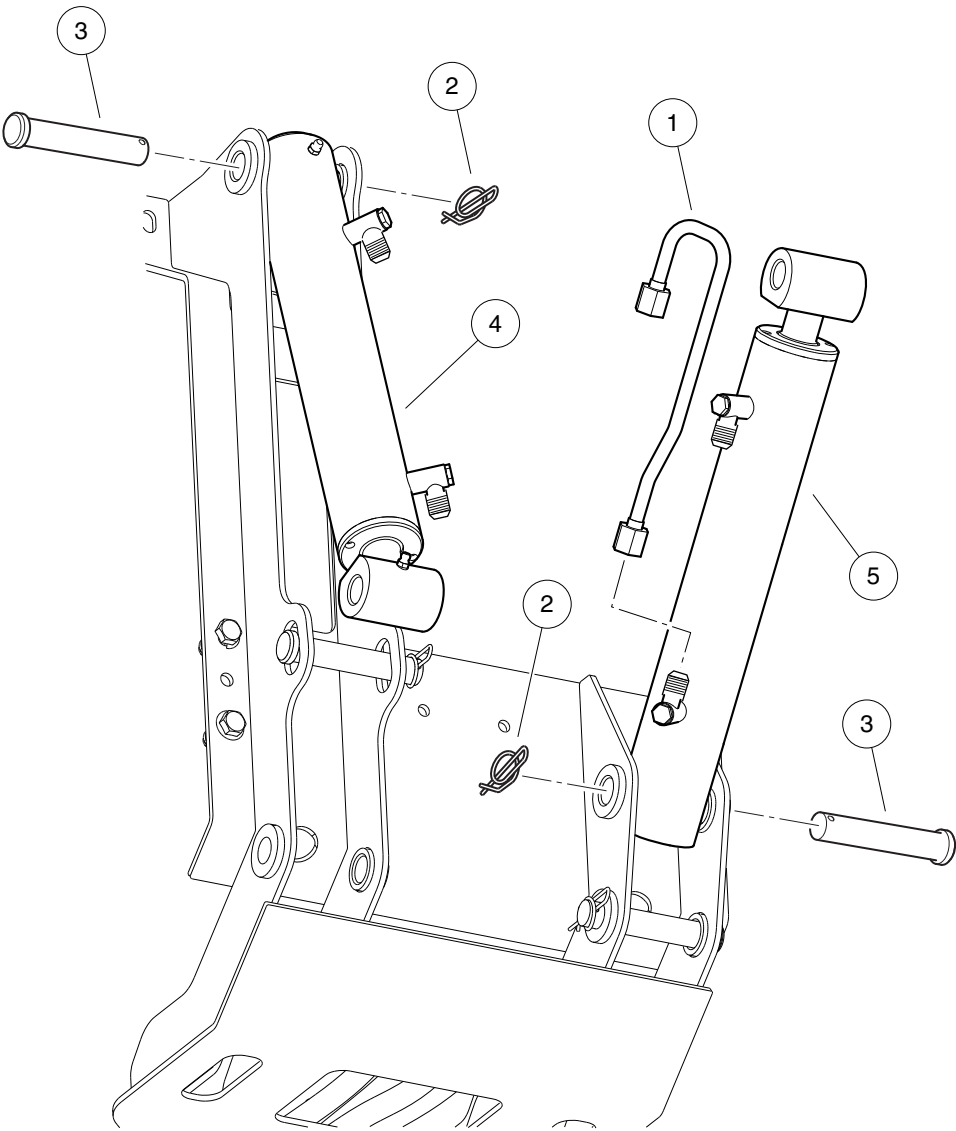
000553-002

HYDRAULIC CONTROLS

ITEM	PART NO.	DESCRIPTION	QTY
		1 2 3 4	
1	1012438	Locknut, #10-24 Nylon Insert	4
2	1015720	Screw, #6-32 X 1/2 Hex Washer-Head	4
3	1016103	Screw, Pan Hd Tx, Taptite 6-32	4
4	1017	Nut, #10-24 Stainless-Steel Hex Machine	2
5	101932201	Locknut, #6-32 Nylon	4
6	102420201	Relay, Mini ISO, SPDT	2
7	102442001	Pan, Center, Closeout	1
8	102849801	Decal, Controls, Bt	1
9	102850501	Screw, Phillips Pn Hd	2
10	102854401	Switch, Rocker, Sealed, DPDT Momentary	1
11	102854501	Switch, Rocker, Sealed, SPDT, Lighted	1
12	102854601	Base, Control Box, Joystick	1
13	102854801	Console, Center, Insulator	1
14	102854901	Cover, Control Box, Joystick	1
15	102918501	Joystick, 4 Way, W/ Boot	1
16	102967901	Rivet, Removable, Tuflok 1/4"	4
17	103215201	Switch, Rocker, Svr, On-off	1
18	103319901	Decal, Joystick, On Off	1
19	1631	Screw, #10-24 X 0.75 Phillips Pan-Head	4
20	8990	Tie Wrap, 8" Nylon	8
Note: Item 20, Tie Wrap, not shown.			

17

D



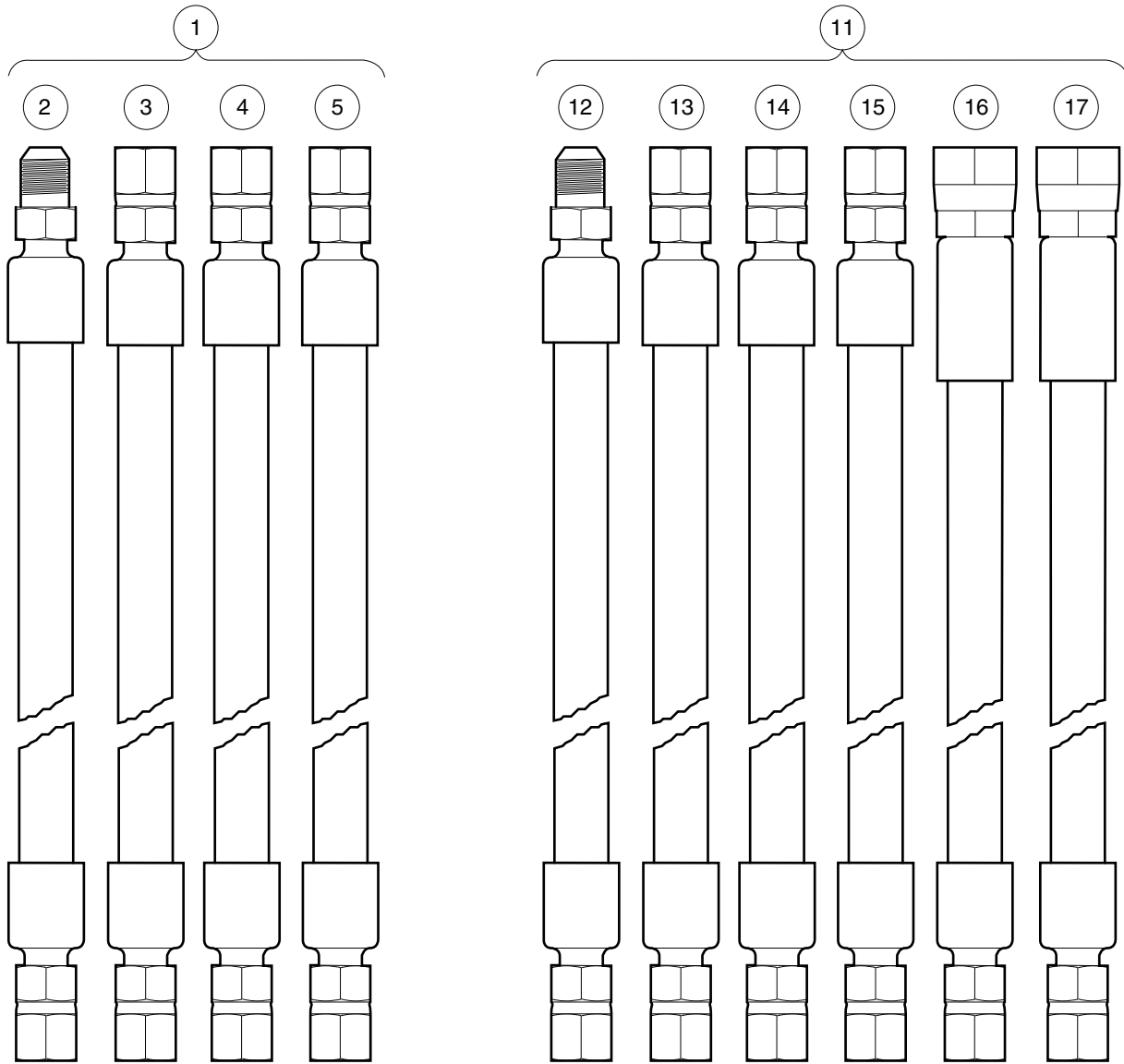
000990-001

HYDRAULIC CYLINDERS

ITEM	PART NO.	DESCRIPTION	QTY
		1 2 3 4	
1	102784201	Tube, Hydraulic -6 JIC 180 End	1
2	102786101	Ring, Rue, 3/4, Heavy	2
3	102921601	Pin, Clevis, 3/4 X 4	2
4	102923001	Cylinder, Hydraulic, Lift	1
5	102923101	Cylinder, Hydraulic, Tilt	1

17

D



000991-001

HYDRAULIC HOSES

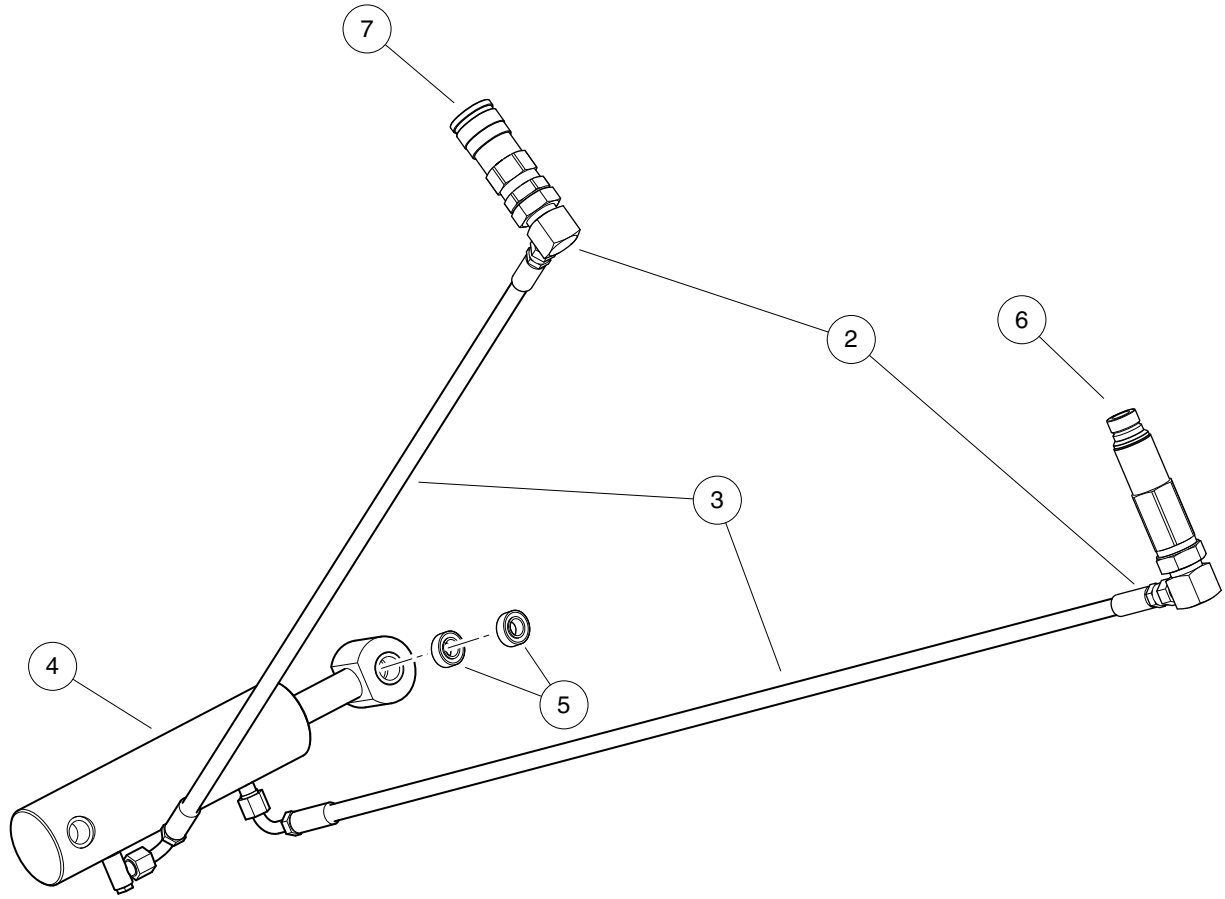
17

D

ITEM	PART NO.	DESCRIPTION	QTY
		1 2 3 4	
1	102787601	Asm, Hoses, Hydraulic (includes items 2 through 10)	1
2	102784601	Hose, Hydraulic, Pink Marking	1
3	102784701	Hose, Hydraulic, w/o Marking	1
4	102784801	Hose, Hydraulic, Green Marking	1
5	102784901	Hose, Hydraulic, Blue Marking	1
6	N/A	Mount, Cable Tie, 8mm Std Trq	1
7	N/A	Mount, Hd, Cable Tie, 8mm Bolt	1
8	102787101	Mount, Fir Tree, Cable Tie	1
9	N/A	Mount, Standoff, Dual Tie	1
10	102787701	Tie, Wide Strap	2
11	102787602	Asm, Hoses, Hydraulic W/aux (includes items 12 through 22)	1
12	102784601	Hose, Hydraulic, Pink Marking	1
13	102784701	Hose, Hydraulic, w/o Marking	1
14	102784801	Hose, Hydraulic, Green Marking	1
15	102784901	Hose, Hydraulic, Blue Marking	1
16	102785001	Hose, Hydraulic, Auxiliary, White Marking	1
17	102785101	Hose, Hydraulic, Auxiliary, Red Marking	1
18	N/A	Mount, Cable Tie, 8mm Std Trq	1
19	N/A	Mount, Hd, Cable Tie, 8mm Bolt	1
20	102787101	Mount, Fir Tree, Cable Tie	1
21	N/A	Mount, Standoff, Dual Tie	1
22	102787701	Tie, Wide Strap	2
<p>Note: Items 6 - 10 and items 18 - 22 not shown.</p>			

17

D



000556-001

HYDRAULIC ATTACHMENT ANGLE KIT

ITEM	PART NO.	DESCRIPTION	QTY
		1 2 3 4	
1	102930501	Kit, Angle, Hydraulic, Attachment (includes items 2 through 7)	1
2	102926301	Fitting, Elbow, 90, Hyd	2
3	102926401	Hose, Hydraulic, Angle kit	2
4	102926501	Cylinder, Hydraulic, Angle kit	1
5	102926601	Bearing, Fiber, -12	4
6	102926701	Coupler, Ff, Male, 1/2	1
7	102926801	Coupler, Ff, Fem, 1/2	1

17

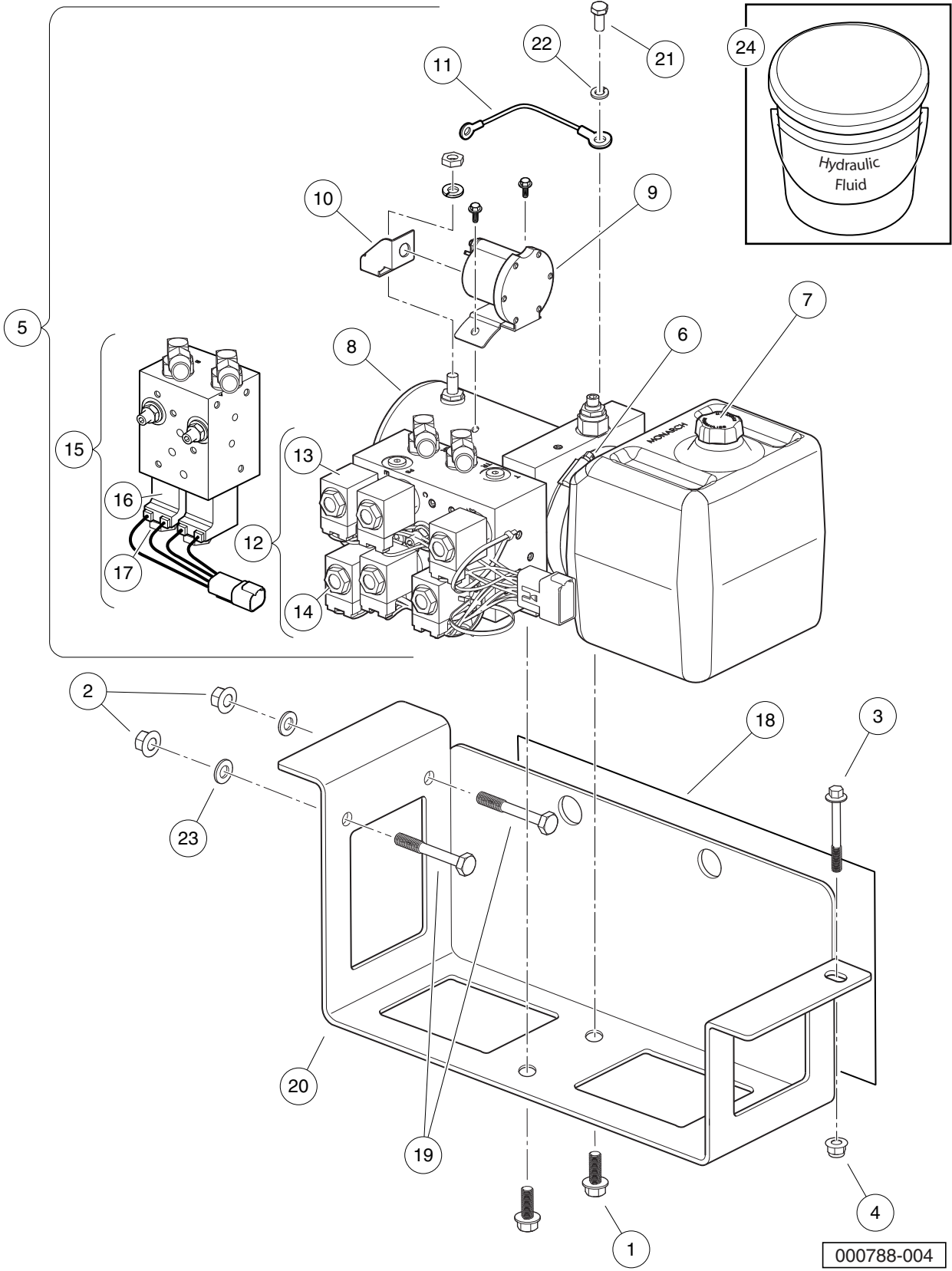
D

HYDRAULIC POWER UNIT – STANDARD

ITEM	PART NO.	DESCRIPTION	QTY
		1 2 3 4	
1	102491001	Bolt, Flanged Head, 3/8-16x1.0 with Loctite	2
2	102617201	Nut, Flanged, M10 X 1.5, Mechanically Deformed	2
3	102618301	Bolt, Flanged Head, M8 X 1.25 X 65	1
4	102618601	Lock Nut, Flange, M8 X 1.25 Nylon	1
5	102784001	Power Unit, Hydraulic, Std (includes items 6 through 12)	1
6	102928001	Clamp	1
7	102928101	Plug, Reservoir, Breather-Filler	1
8	102928201	Motor, Electric, DC, 12v, 4.5 In	1
9	102928301	Switch, Solenoid, 12vdc	1
10	102928401	Strap, Motor-Solenoid Connector	1
11	102928501	Assembly, Control Wire, 16 GA, Hs, Ring	1
12	102928601	Assembly, Control Valve, Std (includes items 13 and 14)	1
13	102928901	Coil, 10vdc, #8, 2lead, Diode	6
14	1308	Nut, 1/2-20 Hex	6
15	102785501	Barrier, Heat, Powerunit	1
16	102859101	Bolt, M10 X 1.50 X 70	2
17	102921701	Bracket, Mounting, Hydraulic Powerunit	1
18	7173	Screw, 5/16-18 X 0.75, Hex-Head Cap	1
19	7174	Lockwasher, 5/16 Split	1
20	96741046	Washer, M10, Hard	2
21	AM1245401	Fluid, Hydraulic, 5 Gallon	A/R

17

D

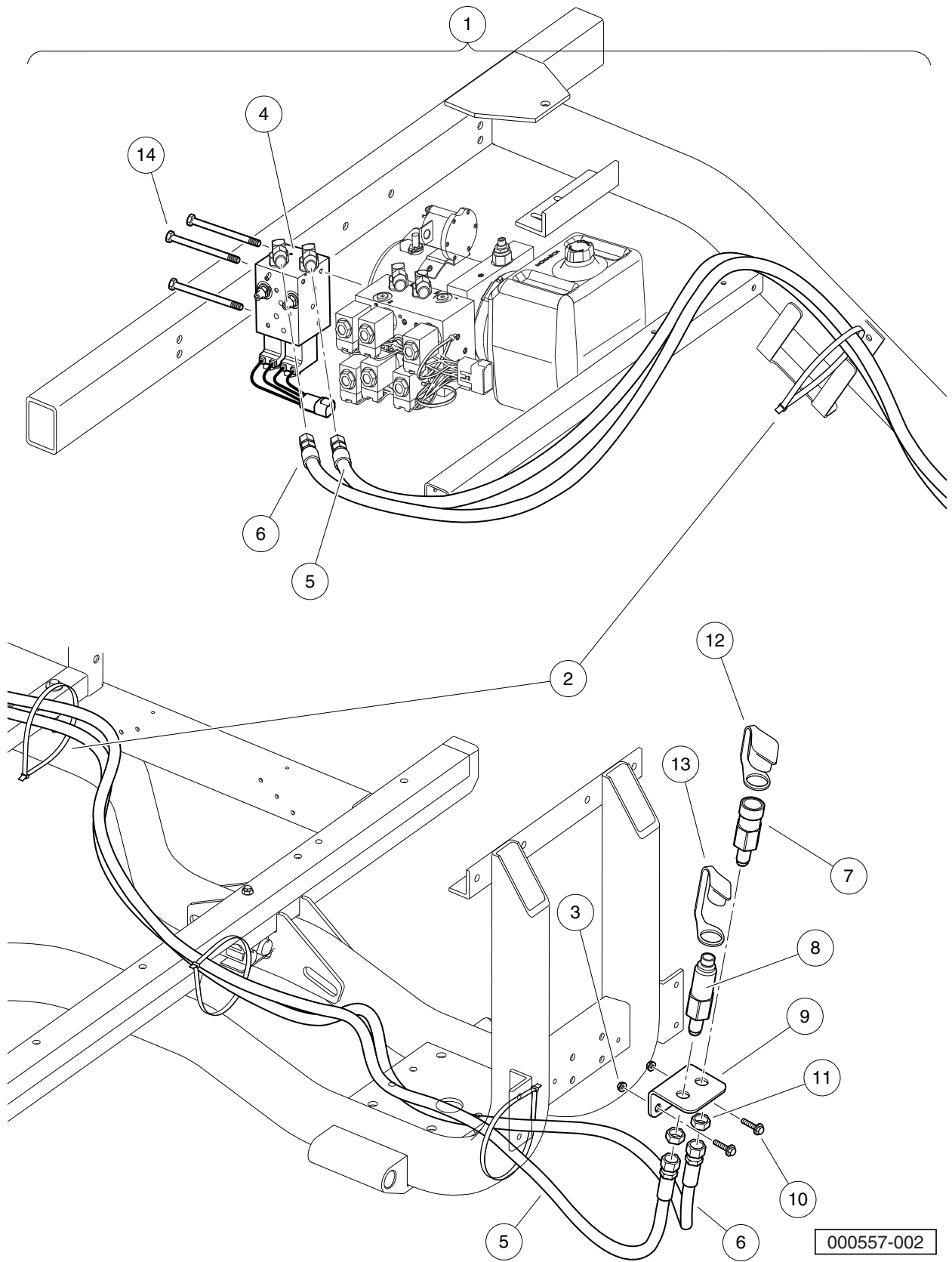


HYDRAULIC POWER UNIT – WITH AUXILIARY

ITEM	PART NO.	DESCRIPTION	QTY
		1 2 3 4	
1	102491001	Bolt, Flanged Head, 3/8-16x1.0 with Loctite	2
2	102617201	Nut, Flanged, M10 X 1.5, Mechanically Deformed	2
3	102618301	Bolt, Flanged Head, M8 X 1.25 X 65	1
4	102618601	Lock Nut, Flange, M8 X 1.25 Nylon	1
5	102784002	Power Unit, Hydraulic with Auxiliary (includes items 6 through 15)	1
6	102928001	Clamp	1
7	102928101	Plug, Reservoir, Breather-Filler	1
8	102928201	Motor, Electric, DC, 12v, 4.5 In	1
9	102928301	Switch, Solenoid, 12vdc	1
10	102928401	Strap, Motor-Solenoid Connector	1
11	102928501	Assembly, Control Wire, 16 GA, Hs, Ring	1
12	102928601	Assembly, Control Valve, Std (includes items 13 and 14)	1
13	102928901	Coil, 10vdc, #8, 2lead, Diode	6
14	1308	Nut, 1/2-20 Hex	6
15	102928701	Assembly, Control Valve, Auxiliary (includes items 16 and 17)	1
16	102928901	Coil, 10vdc, #8, 2lead, Diode	2
17	1308	Nut, 1/2-20 Hex	2
18	102785501	Barrier, Heat, Powerunit	1
19	102859101	Bolt, M10 X 1.50 X 70	2
20	102921701	Bracket, Mounting, Hydraulic Powerunit	1
21	7173	Screw, 5/16-18 X 0.75, Hex-Head Cap	1
22	7174	Lockwasher, 5/16 Split	1
23	96741046	Washer, M10, Hard	2
24	AM1245401	Fluid, Hydraulic, 5 Gallon	A/R

17

D



000557-002

STANDARD TO AUXILIARY HYDRAULIC CONVERSION KIT

ITEM	PART NO.	DESCRIPTION	QTY
		1 2 3 4	
1	102785401	Kit, Hydraulic, Aux (includes items 2 through 14)	1
2	102025401	Tie Wrap, Heavy Duty	8
3	102741601	Nut Flg M8 X 1.25 Gr 10	2
4	102784003	Power Unit, DC Hydraulic, Auxillary	1
5	102785001	Hose, Hydraulic, Auxiliary, White Marking	1
6	102785101	Hose, Hydraulic, Auxiliary, Red Marking	1
7	102794801	Coupling, Female Quick -6jic	1
8	102794901	Coupling, Male Quick -6jic	1
9	102922601	Bracket, Hydraulic, Auxiliary	1
10	102922701	Bolt, Flanged Head, M8x1.25x20 Lock Patch	2
11	102923801	Nut, Lock, Hyd Tube, 3/4-16	2
12	102973501	Cap, Quick Connect, Female	1
13	102973601	Cap, Quick Connect, Male	1
14	103409001	Screw, 1/4-20 X 3.5 Hex, Cap	3

17

D

17

D

MAINTENANCE AND SERVICE TOOLS

18

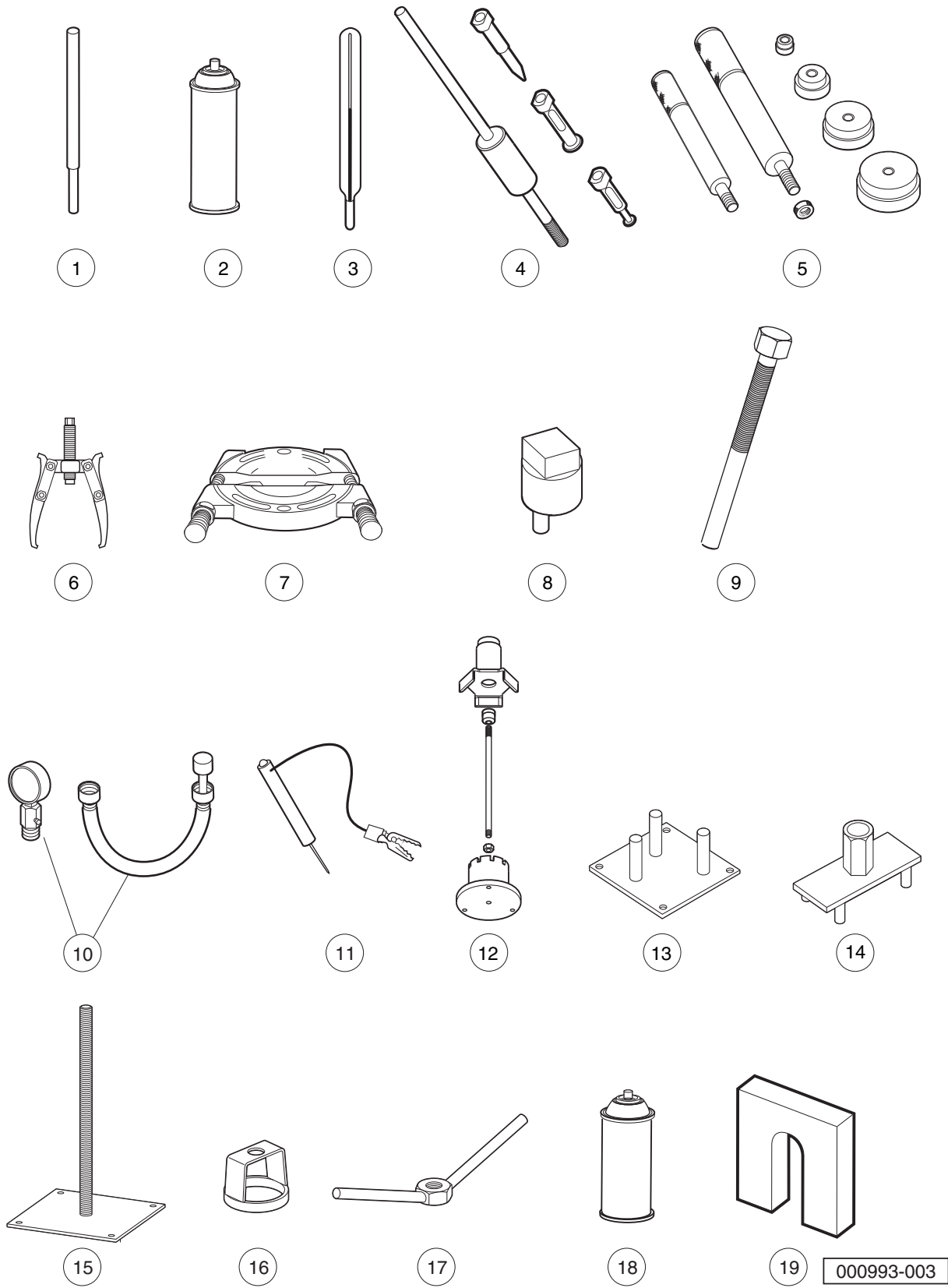
G

D

18

G

D



000993-003

MAINTENANCE AND SERVICE TOOLS – 1500/1550/1700

ITEM	PART NO.	DESCRIPTION	QTY GAS	QTY DIESEL
		<p style="text-align: center;">1 2 3 4</p> <p>The following list includes all tools available from Club Car for maintenance and service procedures on all variants of the Carryall 1500/1700 and XRT 1550 utility vehicles equipped with either the Kawasaki FH680 or Kubota D722 engines, both past and present models. Be sure to carefully examine the tool list for applicability to your vehicle before ordering.</p>		
1	101641202	Arbor	1	1
2	1014305	Battery Terminal Protector Spray	1	1
3	1011767	Battery Thermometer	1	1
4	1016417	Bearing and Oil Seal Remover Assembly	1	1
5	1016416	Bearing Driver Set	1	1
6	1012811	Bearing Puller	1	1
7	1012812	Bearing Puller Wedge Attachment	1	1
8	102447101	Camber Adjustment Tool (for AWD vehicles)	1	1
9	102686101	Clutch Removal Tool (for AWD vehicles)	1	1
10	101641002	Compression Gauge and Adapter	1	
11	1011273	Continuity Tester	1	1
12	103865301	Drive Clutch Service Tool (for AWD vehicles with 3-weight drive clutch)	1	1
13	102601501	Drive ClutchFixed Sheave Tool (for AWD vehicles with 2-weight drive clutch)	1	1
14	102607501	Drive Clutch Spider Removal Tool (for AWD vehicles with 2-weight drive clutch)	1	1
15	102603501	Driven Clutch Spring Compression Base (for use with items 17 and 18) (for AWD vehicles)	1	1
16	102605201	Driven Clutch Spring Compression Collar (for use with items 16 and 18) (for AWD vehicles)	1	1
17	102606101	Driven Clutch Spring Compression Nut (for use with items 16 and 17) (for AWD vehicles)	1	1
18	1012151	Dry Moly Lubricant	1	1
19	1016418	Gear Yoke	1	1
		<p>Please refer to the maintenance and service manual for proper tool application.</p>		

18

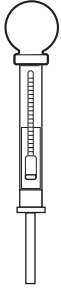
G

D

18

G

D



20



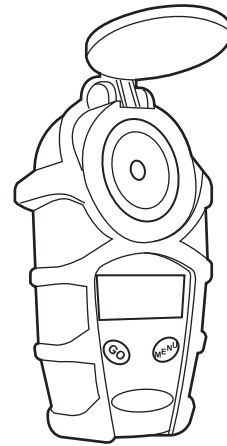
21



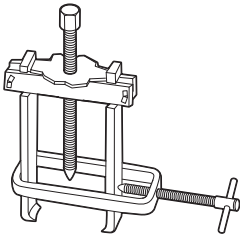
22



23



24



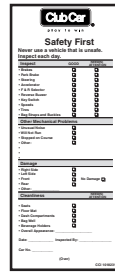
25



26



27



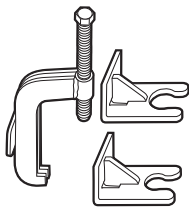
28



29



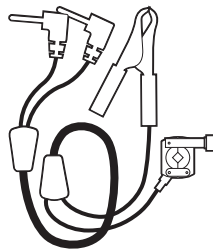
30



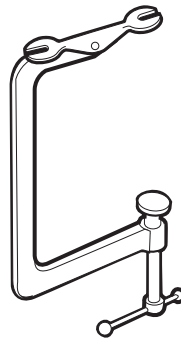
31



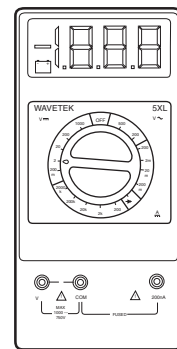
32



33



34



35

000993-004

MAINTENANCE AND SERVICE TOOLS – 1500/1550/1700 CONTINUED

ITEM	PART NO.	DESCRIPTION	QTY GAS	QTY DIESEL
		1 2 3 4		
20	1011478	Hydrometer	1	1
21	1013593	Internal Retaining Ring Pliers	1	1
22	101928701	Liquid Gasket (transaxle case)	1	1
23	101997207	Paint, Touch-Up ,Äi Black.....	1	1
23	101997205	Paint, Touch-Up ,Äi Dark Gray	1	1
23	101997209	Paint, Touch-Up ,Äi Dark Green.....	1	1
23	101997204	Paint, Touch-Up ,Äi Gray	1	1
23	101997203	Paint, Touch-Up ,Äi Red	1	1
24	AM1285701	Refractometer	1	1
25	102668801	Puller, Special Use (for AWD vehicles with Kubota D722 Diesel Engines)		1
26	1012549	Retaining Ring Pliers, 45→× External	1	1
27	1012560	Retaining Ring Pliers, 90→× Internal	1	1
28	101823101	Safety First Card (50 per pack)	1	1
29	1012809	Seal Puller	1	1
30	102330901	Spanner Wrench (for coil over shock front suspension vehicles only)	1	1
31	102061201	Steering Wheel Puller Tool	1	1
32	AM10753	Tachometer (includes gasoline engine pick up lead only)	1	1
33	AM10771	Tachometer Diesel Probe (for use with item 32)		1
34	101641101	Valve Spring Compressor	1	
35	1011480	Volt Ohm Meter	1	1
		Please refer to the maintenance and service manual for proper tool application.		

18

G

D

INDEX

Part Number and Page

AM10753	18-5	1010934	1-61, 6-15, 7-25	1015390	1-61
AM10771	18-5	1011273	18-3	1015391	1-7
AM11805	9-3	1011478	18-5	1015399	1-7, 1-61, 1-63
AM1210002	1-15	1011480	18-5	1015400	1-7, 1-61
AM1210801	1-15	1011553	3-5, 3-13, 3-21, 5-15	1015457	16-11, 16-13
AM1211003	1-15	1011578	1-17, 1-21, 1-23, 1-29, 1-31, 16-9, 16-11, 16-13	101547601	3-3, 3-11
AM1211401	1-15	1011652	1-33, 1-35, 1-37, 1-39	1015521	6-15, 7-25
AM1215701	1-15	1011697	1-33, 1-35	1015583	1-7
AM1215801	1-15	1011767	18-3	1015720	17-19
AM1216101	15-17	1011931	7-15	1015741	6-9, 7-23
AM1232301	8-7, 8-15, 8-17	1011964	1-53	101587703	9-49
AM1232401	8-7	1011990	1-61	101587709	10-9
AM1245401	17-27, 17-29	1012151	18-3	1016078	1-59
AM1291501	15-25	1012295	6-9, 7-23	101609401	3-5, 3-13, 3-21
AM1291601	15-25	1012303	1-7	1016103	17-19
183	10-5, 11-3	1012438	17-19	101641002	18-3
324	10-7, 11-5	1012549	18-5	101641101	18-5
332	1-37, 1-39, 1-61, 1-63, 6-15, 7-25, 11-5	1012560	18-5	101641202	18-3
334	1-59	1012604	1-43	1016416	18-3
357	1-9	1012649	10-7, 10-9, 11-5	1016417	18-3
403	1-7	1012769	9-5, 15-21	1016418	18-3
451	1-37, 1-39	1012809	18-5	1016423	7-15
808	1-17, 1-21, 1-23	1012811	18-3	101648201	8-11
1016	10-5, 11-3	1012812	18-3	1016513	10-3, 10-15
1017	17-19	1012830	1-37, 1-39	1016544	8-15
1032	1-61	1013035	5-5	1016603	1-9
1108	6-15, 7-25	1013042	5-5	1016630	6-13, 7-19, 7-21
1231	1-61	101313402	11-5	1016851	6-13, 7-19, 7-21
1241	6-15, 7-25	1013317	1-61	1016896	6-7, 6-13, 7-7, 7-19, 7-21
1308	17-27, 17-29	1013366	1-63	1016916	1-19
1620	6-7, 7-7	1013461	10-5, 11-3	1016967	1-19
1631	17-19	1013462	10-5, 11-3	1017162	1-9
7049	1-61	1013593	18-5	1017167	1-9
7173	17-27, 17-29	1013734	1-37, 1-39	1017774	1-9
7174	17-27, 17-29	1013746	9-49, 10-9	101802601	6-13, 7-19, 7-21
7310	2-3, 2-5	1014063	7-15	101804301	1-19
7473	1-7, 1-63, 6-15, 7-25	1014201	1-33, 1-35	101823101	18-5
7973	1-61	1014305	18-3	101824401	9-49, 11-5
8056	6-13, 7-19, 7-21, 10-17, 11-9	1014306	1-55, 1-57, 1-63	101833101	9-5
8057	6-7, 6-13, 7-7, 7-19, 7-21, 10-17, 11-9	1014321	1-61	101833201	9-5
8058	6-7, 6-13, 7-7, 7-19, 7-21	1014387	1-61	101835601	1-7, 1-59
8233	1-19, 1-61, 1-63, 10-7, 11-5	1014415	1-33, 1-35, 1-61, 1-63	101850301	5-3
8251	1-55, 1-57	1014471	1-7, 16-7	101856101	13-11, 14-11
8639	10-9	1014537	1-61, 1-63	101887601	1-37, 1-39, 4-7, 12-5
8717	7-15	1014557	1-43	101894304	1-63
8754	1-7, 1-9	1014727	6-7, 6-13, 7-7, 7-19, 7-21	101898001	6-15, 7-25
8755	1-7, 1-9	1014789	6-11, 7-11	101928701	18-5
8797	10-5, 11-3	1014808	6-13, 7-19, 7-21	101932201	17-19
8990	1-9, 5-5, 17-19	1015068	1-53	101958602	1-59
1010200	1-9	1015245	1-61	101963401	1-61, 1-63
1010434	1-33, 1-35, 1-61	1015246	1-61	101972003	18-5
1010435	1-7, 1-61, 1-63	1015258	1-7	101972004	18-5
1010436	1-63	1015277	1-59	101972005	18-5
101082903	4-5, 4-11	1015313	1-61	101972007	18-5
		1015363	1-61	101972009	18-5
				101987901	6-3, 6-5, 7-3, 7-5

INDEX

101988101	6-3, 7-3	102301401	1-59	102430401	11-5
101988201	6-3, 7-3	102323101	1-59	102434701	9-3
102003201	8-7, 10-7	102323501	1-19	102435001	16-11, 16-13
102022601	5-5	102324401	1-45	102436701	16-7
102022901	5-5, 5-7, 5-9	102330901	18-5	102437001	5-7
102023703	1-37, 1-39	102343601	1-53	102438501	15-3
102025401	17-31	102361901	5-7, 5-9	102438601	15-9
102025701	1-37, 1-39	102370101	9-5	102438701	15-3
102030101	1-61	102370501	8-9, 9-5	102438801	15-3
102030201	1-61	102370601	8-9, 9-5	102438901	15-3
102044702	6-13	102371401	8-13	102439001	15-3
102044801	6-13	102374901	13-3, 14-3	102439101	15-3
102045001	1-19	102375401	7-19, 7-21	102439201	15-3
102047001	1-37, 1-39	102376001	15-19	102439801	15-3
102048401	1-19	102377501	16-11, 16-13	102440101	15-3
102051601	6-13, 7-19, 7-21	102377601	16-11, 16-13	102440201	15-11
102051701	6-13, 7-19, 7-21	102377801	16-7	102440301	15-3
102059001	1-37, 1-39	102377901	16-7	102440501	15-3
102059401	1-37, 1-39	102379001	11-7	102440601	15-11
102061101	1-37, 1-39	102380301	16-7	102442001	17-19
102061201	18-5	102381701	15-23	102442002	1-37, 1-39
102065901	1-7	102382401	9-5, 15-21	102442901	4-9
102066001	1-9	102385601	14-5	102443601	8-13
102171503	1-7	102406701	10-5, 11-3	102445201	10-17, 11-9
102176901	4-5	102406801	11-3	102447101	18-3
102198001	6-13, 7-19, 7-21	102408401	5-7, 5-15	102447601	1-45
102221301	1-63	102409301	12-3	102447901	6-9, 7-23
102221401	1-63	102409501	12-5	102448001	6-9, 7-23
102221501	1-63	102410001	16-15	102448501	7-25, 8-13
102221701	1-63	102410301	16-7	102449101	15-35
102221801	1-63	102410603	9-5	102456001	1-37, 1-39
102222001	1-63	102410604	10-7	102457001	10-19
102222101	1-63	102411203	11-5	102457501	8-13
102222201	1-63	102411204	16-9, 16-11, 16-13	102458901	1-37, 1-39, 3-3, 3-11, 3-19
102231601	3-3, 3-11	102411205	16-9	102459001	3-3, 3-11, 3-19
102239901	1-63	102411206	16-11, 16-13	102459101	3-3, 3-11, 3-19
102274101	5-9, 15-23	102411207	16-7, 16-11, 16-13	102459201	3-3, 3-11, 3-19
102276001	15-35	102411208	16-7, 16-11, 16-13	102459301	3-5, 3-13, 3-21
102288901	16-11, 16-13	102411209	11-7	102459401	3-5, 3-13, 3-21
102289001	1-13, 1-17, 1-19, 1-21, 1-23, 8-13, 16-7	102411210	10-11, 11-7, 13-9, 13-11, 14-9, 14-11	102459501	3-3, 3-11, 3-19
102290120	5-3	102411301	16-7	102460201	3-5, 3-11, 3-13, 3-19, 3-21
102292356	1-17, 1-21, 1-23	102414501	13-11, 14-11	102461401	10-17, 11-9
102292701	1-17, 1-21, 1-23	102414801	9-5	102462301	9-5
102292801	1-17, 1-21, 1-23, 4-11	102418101	1-59	102462401	15-23
102296140	4-7	102420201	6-9, 7-23, 17-19	102462501	9-5
102296401	10-17, 11-9	102420301	6-9, 7-23	102462504	8-9
102296601	8-9	102420401	6-9, 7-23	102463101	15-37
102296716	4-7, 13-9, 13-11, 14-9, 14-11	102420501	6-9, 7-23	102463501	15-35
102296920	8-9	102422301	12-3	102463601	15-35
102297230	1-17, 1-19, 1-21, 1-23	102423201	11-11	102463801	15-37
102298130	1-37, 1-39, 5-3	102423201	11-11	102463901	15-35, 15-37
102298401	1-37, 1-39, 4-5, 4-9, 4-11, 5-3, 8-13, 9-5, 12-3, 15-19, 15-33	102426301	10-7, 11-5	102464001	15-37
102298580	1-19	102426601	1-9, 1-59	102464101	15-37
102298720	1-19, 12-5, 16-9	102426901	1-7	102464201	15-37
		102427501	3-3, 3-11, 3-19, 16-9	102464301	5-9, 15-37
		102427601	16-11, 16-13	102464401	15-37

INDEX

102464501	15-37	102602701	9-13	17-29	
102465701	1-9	102603501	18-3	102620301	1-43
102465901	9-5	102603701	9-31	102620501	5-7, 5-11, 5-13
102473501	1-37, 1-39	102603901	9-31	102621201	10-11, 11-7, 11-11, 12-5
102473601	1-37, 1-39	102604101	9-31	102621301	8-13, 9-5, 12-3
102473701	1-37	102604201	9-9, 9-29, 9-31	102621501	9-5, 10-9, 15-21
102474301	4-7	102604301	9-31	102628001	13-11, 14-11
102475701	10-19, 11-11, 15-21	102604401	9-23, 9-31	102628101	12-3
102475901	1-37, 1-39	102604701	9-31	102628301	13-9, 14-9
102478501	11-3	102604801	9-31	102628701	16-11
102479301	10-17, 11-9	102605001	9-29	102629001	1-9, 4-11
102480501	16-11, 16-13	102605201	18-3	102630101	9-23
102481001	13-11, 14-11	102605301	9-29	102630201	9-23
102481201	13-11, 14-11	102605401	9-29	102630301	9-23
102481301	13-11, 14-11	102605701	9-45	102630401	9-23
102488001	4-3, 4-13, 4-15	102605901	9-29	102630601	9-37, 9-39
102490101	1-51, 4-11, 9-5	102606001	9-29	102630701	9-25
102490201	9-5	102606101	18-3	102630901	9-25
102490301	11-11, 16-7	102606201	9-19	102631001	9-25
102490501	9-5	102606301	9-19	102631301	16-15
102490801	5-9	102606401	9-19	102631401	16-15
102491001	8-9, 15-23, 17-27, 17-29	102606501	9-19	102631601	9-7, 9-37, 9-39, 16-15
102491101	15-23	102606601	9-19	102631701	16-5
102491301	1-19, 1-47	102606701	9-17	102631801	16-5
102491501	1-19, 1-47, 1-49, 17-13	102607001	9-9	102632001	16-5
102491601	4-3, 4-13, 4-15	102607301	9-9	102632101	16-5
102491701	1-25, 1-27, 1-55, 1-57	102607501	18-3	102632201	16-5
102492201	6-9, 7-23	102607801	9-25	102632701	16-3
102492301	7-23	102607901	9-25	102633001	16-15
102493301	4-13, 4-15	102608001	9-23	102633201	16-15
102493801	1-59	102608301	9-21	102633301	9-15
102494401	9-5	102608701	9-21, 16-3	102633401	16-15
102494701	11-3	102608801	9-21	102633601	9-47
102495701	7-19	102608802	9-21	102633701	9-43
102498201	7-25, 9-5	102608804	9-21	102633801	9-43
102498601	8-7, 9-3, 10-11, 11-7	102608805	9-21	102633901	9-43
102499001	6-13, 7-19, 7-21	102608901	9-21	102634001	9-43
102522001	10-5, 11-3	102609301	9-21	102634101	9-43
102535101	6-5, 7-5	102609401	9-21	102634401	9-43
102541465	10-9	102610001	9-23	102634501	9-43
102600101	9-7	102614101	1-7, 1-9	102634601	9-43
102600201	9-7	102614401	1-63	102634701	9-43
102600401	9-7	102616003	13-11, 14-11	102635101	9-47
102600601	9-7	102616101	13-11, 14-11	102635301	9-33, 9-45
102600701	9-7	102616301	5-7, 5-11, 5-13	102635501	9-33
102600801	9-7, 9-11	102616701	15-19	102635701	9-33
102601001	9-7, 9-13	102617001	17-17	102635801	9-33
102601101	9-37	102617201	1-19, 1-47, 1-49, 17-27, 17-29	102635901	9-33
102601301	9-7	102617501	5-9, 15-23	102636101	9-47
102601501	18-3	102617701	5-9	102636301	9-47
102601901	9-13	102617801	5-9, 15-23	102636401	9-47
102602001	9-13	102618101	4-9	102636601	9-47
102602101	9-13	102618301	1-59, 4-9, 4-11, 15-19, 17-27, 17-29	102637001	9-33
102602301	9-13	102618401	4-5	102637101	9-33
102602401	9-13	102618601	1-9, 1-11, 1-19, 1-29, 1-31, 1-59, 8-13, 9-5, 10-7, 11-5, 16-11, 16-13, 17-27,	102637501	9-41
102602601	9-13			102637601	9-41

INDEX

102637701	9-41	102686101	18-3	102727701	9-17
102637801	9-41	102687801	5-5	102727901	9-19
102639101	9-41	102693201	15-35	102728301	9-27
102640401	9-41	102693301	15-27, 15-35	102728501	9-31
102640701	9-41	102693401	15-35	102728601	9-33
102640901	9-41	102693501	15-35	102728701	9-33
102641001	9-41	102693601	15-37	102728801	9-33
102641101	9-41	102694001	15-37	102728901	9-33
102641201	9-41	102694201	15-27, 15-35	102729101	9-29, 9-35
102642401	9-45	102694301	15-35	102729201	9-41
102642501	9-45	102694401	15-35	102729401	9-43
102642701	9-45	102694502	15-37	102729501	9-43
102642801	9-45	102694701	15-35	102729601	9-45
102642901	9-45	102694801	15-35	102730001	9-37
102643301	9-45	102695401	13-7, 14-7	102730101	9-37
102643401	9-45	102695601	13-7, 14-7	102730201	9-37, 9-39
102643601	9-45	102695801	13-7, 14-7	102730301	9-37
102643701	9-45	102695901	13-7, 14-7	102730401	9-39, 9-49
102644101	9-15	102696001	15-31	102730601	9-37, 9-39
102646101	9-53	102696101	15-27	102730801	9-7
102646301	9-55	102696201	15-27, 15-29	102730901	16-15
102646401	9-51	102696501	15-27, 15-29	102731001	16-15
102647101	9-55	102696601	15-31	102731101	16-15
102647501	9-27	102696701	15-27	102731201	16-3
102647701	9-37, 9-39, 9-49	102696801	15-27, 15-29	102731301	9-37, 9-39
102648001	9-27	102696901	15-27, 15-29	102731501	9-55
102651301	9-51	102697001	15-29	102731601	12-3
102651501	9-51	102697101	15-27, 15-29	102732201	9-25
102651601	9-51	102697501	15-29	102732301	1-49
102651701	9-51	102698701	15-29	102732401	1-43, 1-51
102651801	9-51	102699401	15-27	102732501	9-39
102652801	9-11	102699601	15-31	102732601	9-7
102652901	9-51	102699701	15-27, 15-29	102736901	2-3, 2-5
102653001	9-51	102700801	9-7	102737301	16-7
102653101	9-51	102701201	9-37, 9-39	102740401	8-9
102653201	9-51	102701601	9-47	102741601	17-31
102653301	9-51	102703301	9-3, 9-13	102762601	15-37
102653401	9-11	102711601	5-7, 15-23	102764901	15-29
102653501	9-11	102718101	1-15, 1-43, 1-47, 1-49, 1-51	102765201	15-27
102653901	9-11	102719301	1-15	102765301	15-37
102654401	9-29	102722001	8-13	102765701	15-37
102654601	9-9	102722301	5-7, 5-9	102765801	15-37
102654701	16-15	102723901	15-17	102767601	16-13
102668801	18-5	102725501	10-11, 11-7	102772201	1-57
102670601	1-43	102725601	10-11, 11-7	102784001	17-27
102670701	1-15, 5-15, 9-5, 17-13	102726201	9-7	102784002	17-29
102670801	4-7	102726301	9-7	102784003	17-31
102671201	1-45	102726401	9-7	102784201	17-21
102672201	15-35	102726501	9-7	102784601	17-23
102672301	15-35	102726601	9-7	102784701	17-23
102672401	15-35	102726901	9-11	102784801	17-23
102673201	1-63	102727001	9-11	102784901	17-23
102684501	15-19	102727101	9-11	102785001	17-23, 17-31
102684603	15-19	102727401	9-13	102785101	17-23, 17-31
102684901	16-7	102727501	9-13	102785401	17-31
102685001	16-7	102727601	9-13	102785501	17-27, 17-29

INDEX

102786101	17-13, 17-15, 17-17, 17-21	102854801	17-19	102927301	17-5
102786201	12-5	102854901	17-19	102927401	17-5, 17-9, 17-11
102786401	7-15	102855501	16-7	102928001	17-27, 17-29
102787101	17-23	102859101	17-27, 17-29	102928101	17-27, 17-29
102787601	17-23	102865101	10-7	102928201	17-27, 17-29
102787602	17-23	102866901	1-17, 1-21, 1-23	102928301	17-27, 17-29
102787701	17-23	102867001	1-17, 1-21, 1-23	102928401	17-27, 17-29
102788701	5-11, 5-13	102867102	1-19	102928501	17-27, 17-29
102789001	17-17	102867202	1-5	102928601	17-27, 17-29
102789101	17-17	102867301	1-19	102928701	17-29
102789201	17-17	102867401	1-21	102928901	17-27, 17-29
102789301	17-17	102867501	1-17	102929501	17-11
102790001	17-17	102867602	1-23	102929601	17-9, 17-11
102790801	17-17	102869401	6-13, 7-19, 7-21	102929701	17-11
102790901	17-17	102882301	1-13	102930001	17-5
102791001	17-17	102882401	1-17, 1-21, 1-23	102930101	17-7
102791301	17-17	102882501	1-9, 6-13, 7-19	102930201	17-9
102792001	5-7	102883401	1-19	102930301	17-11
102792002	5-7	102883601	3-7, 3-9, 3-15, 3-17	102930501	17-25
102794801	17-31	102884301	3-3, 3-13	102930801	3-21
102794901	17-31	102884401	3-5, 3-13	102930901	12-5
102798201	9-13	102885001	7-9	102934701	9-39
102798501	9-15	102889201	3-13	102934801	9-39
102798601	9-15	102894501	6-5, 7-5	102934901	9-39
102798701	9-15	102895101	1-17, 1-21, 1-23	102935501	1-19
102798901	9-15	102895401	1-17, 1-21, 1-23	102936801	7-15
102799001	9-15	102896501	1-17, 1-21, 1-23	102937401	7-15
102799201	9-15	102913801	1-55, 1-57	102937501	7-15
102799401	9-29	102913901	1-55, 1-57	102937601	7-15
102799501	9-33	102914001	1-55, 1-57	102946701	16-7
102799601	9-35	102914101	1-55, 1-57	102949301	12-7
102799701	9-35	102914102	1-55, 1-57	102950601	3-21
102799801	9-35	102914104	1-57	102951901	8-9
102799901	9-35	102914105	1-57	102958301	8-13
102800201	9-47	102918501	17-19	102958401	8-13
102800401	9-43	102921601	17-13, 17-15, 17-17, 17-21	102958501	8-13
102800501	9-43	102921701	17-27, 17-29	102958601	8-13
102800601	9-43	102922601	17-31	102959001	9-5
102800701	9-37, 9-39	102922701	17-31	102961201	3-5, 3-13, 3-21
102801001	9-39	102923001	17-21	102961301	15-37
102801101	9-51	102923101	17-21	102961401	15-37
102801201	9-51	102923201	17-15	102967901	1-17, 1-21, 1-23, 17-19
102801301	9-53	102923301	17-17	102973201	16-9
102801401	9-53	102923401	17-15	102973501	17-31
102801501	9-53	102923801	17-31	102973601	17-31
102807601	16-9	102925201	17-13	102977501	7-21
102807801	16-9	102925601	3-27	102978801	1-23
102810701	10-11, 11-7	102926301	17-25	102978901	1-23
102812801	12-5	102926401	17-25	102979301	1-21
102816801	5-5	102926501	17-25	102983201	1-47, 1-49
102834401	1-51	102926601	17-9, 17-11, 17-25	102983601	1-47, 1-49
102849801	17-19	102926701	17-25	102988701	1-45, 1-47, 1-49, 1-51
102850501	17-19	102926801	17-25	102990101	8-17
102854401	17-19	102927101	5-7	102990201	8-17
102854501	17-19	102927102	5-7	102990301	8-17
102854601	17-19	102927201	17-5	102990401	8-17

INDEX

102990501	8-17	102997101	8-11	103191501	1-61
102990601	8-17	102997201	8-11	103192101	1-47
102990701	8-17	102997401	8-11	103197201	8-13
102990801	8-17	102997601	8-11	103200501	1-55, 1-57
102990901	8-17	102997701	8-11	103201501	13-5
102991101	8-17	102997801	8-11	103202601	3-5
102991201	8-17	102997901	8-11	103205801	7-21
102991401	8-17	102998001	8-11	103208701	8-9
102991501	8-17	102998101	8-11	103208801	7-19, 7-21
102991601	8-17	102998201	8-11	103210401	3-5
102991801	8-17	102998301	8-11	103210501	3-13
102991901	8-17	102998401	8-11	103210801	1-45
102992001	8-17	102998601	8-3	103210802	1-45
102992101	8-17	102998701	8-3	103210901	1-45
102992201	8-17	102999101	8-3	103211101	1-45
102992301	8-17	102999201	8-3	103213201	7-9
102992401	8-3, 8-11, 8-17, 10-3	102999301	8-3	103213301	6-3, 6-5, 7-3, 7-5
102992501	8-3, 10-7	102999501	8-3	103213401	7-17
102992601	8-17	102999601	8-3	103213501	7-9
102992701	8-17	103000001	8-3	103214901	1-47
102992801	8-17	103000401	8-15	103215001	1-47
102992901	8-17	103000501	8-15	103215101	1-47
102993201	8-19	103000601	8-15	103215201	17-19
102993301	8-19	103000801	8-15	103215401	1-3
102993401	8-19	103000901	8-15	103215901	1-47
102993501	8-19	103001301	8-15	103216201	1-47
102993601	8-19	103001501	8-15	103216401	1-43, 1-45, 1-47, 1-49, 1-51
102993701	8-19	103002001	10-3	103216801	1-47
102993901	8-19	103002101	10-3	103218104	6-5, 7-5
102994101	8-19	103002301	10-3	103218107	1-17, 1-21, 1-23, 6-5, 7-5
102994301	8-15	103002401	10-3	103218113	6-5, 7-5
102994401	8-19	103002501	10-3	103218901	1-39
102994601	8-5	103002801	10-3, 10-15	103223101	1-53
102994701	8-5	103002901	10-3	103225801	1-47, 1-49
102994801	8-5	103003801	10-15	103227001	1-9
102994901	8-5	103003901	10-15	103231701	1-3
102995001	8-5	103004201	10-15	103231801	1-3
102995101	8-5	103005001	10-15	103233001	1-19
102995201	8-5	103005601	10-15	103234001	7-21
102995301	8-5	103009901	10-7	103234201	3-7, 3-9, 3-15, 3-17, 3-23, 3-25
102995401	8-5	103010101	10-7	103234304	3-7, 3-15, 3-23
102995501	8-5	103077501	4-3, 4-13, 4-15	103234401	7-19, 7-21
102995601	8-5	103146203	15-35	103234503	2-3, 2-5
102995701	8-5	103146204	5-9	103236001	1-3
102995801	8-5	103147001	5-15	103237501	17-3
102995901	8-5	103160101	4-13, 4-15	103237701	17-3
102996001	8-5	103180101	6-13, 7-19, 7-21	103239901	9-39
102996101	8-5	103182701	1-5	103240601	8-13
102996201	8-5	103182702	1-5	103243001	17-9
102996301	8-5	103182801	1-5	103243101	17-9
102996401	8-5	103186302	1-41	103243201	17-9
102996501	8-5	103188601	3-21	103243501	17-9, 17-11
102996601	8-5	103188701	3-19	103243601	17-9
102996701	8-5	103191201	1-61	103243701	17-9
102996901	8-11	103191301	1-61	103243801	17-9
102997001	8-11	103191401	1-61	103243901	17-9, 17-11

INDEX

103244001	17-9, 17-11	103299801	8-15	103348501	6-13, 7-19
103244701	5-7, 15-23	103299901	8-15	103355401	17-13
103245801	7-15	103300101	8-15	103361701	1-47, 1-49
103246901	8-13	103300301	8-3, 8-11	103372101	10-5
103250401	15-27	103305701	6-11	103372302	10-5
103253801	1-19	103305801	6-11	103372401	10-9
103255801	1-41	103306801	10-13	103377501	1-45
103256401	5-7	103306901	10-13	103379401	1-61
103256501	5-7	103307001	10-13	103380701	4-5
103256701	5-7	103307201	10-13	103400001	1-29, 1-31
103262901	8-9	103307301	10-13	103406501	1-61
103267001	1-37	103310701	7-19	103406502	1-61
103267002	1-39	103319501	1-57	103406601	1-61
103268001	1-19	103319601	1-29, 1-31	103409001	17-31
103268101	12-7	103319701	1-29	103417401	1-29, 1-31
103273101	4-9	103319901	17-19	103418001	1-31
103274502	1-51	103320201	10-15	103418801	4-13, 4-15
103274602	1-51	103320301	10-15	103423701	1-29, 1-31, 16-11, 16-13
103276201	8-13	103320401	10-15	103441401	10-11, 11-7
103277402	10-19	103320601	13-9, 13-11, 14-9, 14-11	103452001	10-9
103277501	7-11	103324901	7-19	103456001	1-33, 1-35
103277701	7-11	103326401	8-13	103456002	1-33, 1-35
103279201	8-9	103327201	6-7, 6-13, 7-7, 7-19, 7-21, 10-17, 11-9	103478901	10-17, 11-9
103283801	1-51	103331201	1-55, 1-57	103479101	10-17, 11-9
103289001	1-55, 1-57	103340501	10-13	103479201	10-17, 11-9
103289002	1-55, 1-57	103340601	10-13	103479301	10-17, 11-9
103289101	1-55, 1-57	103340701	10-13	103485501	1-25
103289102	1-55, 1-57	103340801	10-13	103487501	1-25, 1-27
103289103	1-55, 1-57	103340901	10-13	103488801	1-27
103289104	1-55, 1-57	103341101	10-13	103488802	1-27
103289107	1-57	103341201	10-13	103511201	1-49
103289108	1-57	103341301	10-13	103521001	6-5, 7-5
103289109	1-57	103341301	10-13	103525002	2-3, 2-5
103289110	1-57	103341401	10-13	103528201	8-9
103293402	10-19	103341501	10-13	103529601	1-43
103296001	1-19	103341601	10-13	103530701	1-43
103297101	10-15	103341701	10-13	103532801	2-3, 2-5
103297201	10-15	103341801	10-13	103534201	1-43
103297301	10-15	103341901	10-13	103538701	1-7
103297401	10-3	103342001	10-13	103538901	1-7
103297501	10-3	103342101	10-13	103588001	1-17, 1-21, 1-23
103297601	10-3	103342201	10-13	103591301	11-5
103297701	10-3	103342301	10-13	103593201	11-5
103297801	10-3	103342501	10-13	103593301	11-5
103298001	10-3	103342601	10-13	103596601	10-13
103298101	10-3	103342701	10-13	103596701	10-13
103298201	10-3	103343301	10-13	103596801	10-13
103298301	10-3	103343401	10-13	103629101	1-33, 1-35
103298501	8-15, 10-3, 10-7, 10-15	103343501	10-13	103629102	1-33, 1-35
103298601	8-17, 10-3	103343601	10-13	103629501	1-33, 1-35
103298901	8-17	103343701	10-13	103635101	1-43
103299301	8-3	103343801	10-13	103687401	8-15
103299401	8-3	103343901	10-13	103699801	2-3, 2-5
103299501	8-15	103345501	8-15	103701301	10-9
103299601	8-15	103348101	6-13, 7-19	103721801	15-29
103299701	8-15	103348201	6-13, 7-19, 7-21	103724501	5-3

INDEX

103724503	5-3	103898601	15-7	103967801	4-15
103724602	5-3	103898801	15-3	103967901	4-13, 4-15
103747301	9-3, 11-5	103898901	15-3	103968501	4-11
103756401	10-9	103899201	15-3	103968601	4-11
103760601	1-17	103901001	2-5	103968701	4-11
103761801	9-3, 11-5	103901101	2-5	103968801	4-11
103762201	15-23	103901102	2-5	103968903	4-11
103762501	7-9	103901107	2-5	103969001	15-27
103778601	2-3	103901108	2-5	103969801	5-7
103779001	2-3	103905201	10-5, 11-3	103973101	4-7
103779004	2-3	103921701	11-11	103978801	1-37, 1-39
103806401	1-43	103921801	10-19	103981201	8-17
103810201	5-3	103921901	11-11	103983301	4-11
103828101	14-5	103922001	10-19	103986501	4-11
103828201	13-7, 14-7	103922801	15-37	103986601	4-9
103829001	13-7, 14-7	103922901	15-37	103986901	4-9
103829501	14-5	103923001	5-15	103987001	4-5
103829601	13-5, 14-5	103924701	10-11	103990201	15-33
103829701	13-5, 14-5	103930401	5-11	103993701	4-3
103829801	13-5, 14-5	103930501	5-13	103993801	4-3
103829901	13-5, 14-5	103939301	5-9	104005501	4-11
103830001	13-5, 14-5	103939302	5-9	104005601	4-11
103831101	1-33, 1-35	103944301	10-5, 11-3	104005701	4-11
103841701	5-11	103945601	3-9, 3-17, 3-25	104025201	4-3
103841801	5-13	103945602	3-9, 3-17, 3-25	104025601	15-3
103843901	15-35	103945701	3-17	104026301	15-3
103844301	1-53	103947102	1-11	104026401	15-13
103844401	1-53	103950101	11-3	104026501	15-3
103845501	5-15	103951501	5-9, 15-35	104026601	15-15
103848001	13-5	103955901	1-53	105076401	1-41
103848401	10-11, 11-7	103959201	1-17, 1-21, 1-23	105100901	15-33
103856101	13-5	103959214	1-17, 1-23	105114806	7-13
103856501	13-5	103959218	1-17, 1-21, 1-23	105114809	7-13
103859901	5-3	103959230	1-21	105114810	7-13
103860302	5-15	103959310	1-17, 1-21, 1-23	105125301	15-27
103860402	5-15	103959314	1-17, 1-23	105125401	15-27
103862701	5-3	103959318	1-17, 1-21, 1-23	105125501	15-29
103865301	18-3	103959330	1-21	105125601	15-29
103866601	5-5	103959410	1-17, 1-21, 1-23	105125701	15-27
103868201	15-37	103959414	1-17, 1-23	105125801	15-27
103868301	15-37	103959418	1-17, 1-21, 1-23	105125901	15-31
103871801	15-37	103959430	1-21	105159201	9-5
103873001	15-19	103959510	1-17, 1-21, 1-23	105173201	15-33
103879301	15-21	103959514	1-17, 1-23	105173301	15-33
103879401	15-21	103959518	1-17, 1-21, 1-23	105173401	15-33
103879501	15-35	103959530	1-21	105200501	3-7, 3-23
103883001	15-31	103963501	11-3	105200601	3-15
103883201	10-17, 11-9	103963701	10-5	105205901	9-7
103884001	14-5	103966401	6-5, 7-5	105206101	9-9
103886101	15-19	103967201	4-7	105206201	9-11
103886201	5-15	103967301	4-7	105206301	9-11
103886601	15-21	103967401	4-7	105206401	9-11
103887901	8-7, 8-11, 8-13	103967501	4-7	105206501	9-13
103892501	1-11	103967601	4-3	105206601	9-13, 9-43, 9-53
103892601	1-11	103967602	4-3	105206701	9-15
103896603	10-9, 11-5	103967701	4-13	105206901	9-21

INDEX

- 105207001 9-29
105207101 9-25
105207201 9-25
105207301 9-25
105207401 9-25
105207501 9-27
105207601 9-27
105207701 9-31
105207801 9-31
105207901 9-35, 9-41
105208001 9-37, 9-49
105208201 9-45
105208301 9-45
105208401 9-47
105208501 9-47
105208601 9-47
105208701 9-51
105208801 9-55
105208901 9-55
105209001 9-55
105218401 9-9
105218501 9-9
105218601 9-11
105218701 9-13
105218801 9-13
105218901 9-15
105219001 9-15
105219101 9-15
105219201 9-15
105219401 9-17
105219501 9-21
105219601 9-21
105219701 9-21
105219801 9-21
105219901 9-21
105220001 9-21
105220101 9-21
105220201 9-21
105220301 9-21
105220401 9-29
105220501 9-29
105220601 9-29
105220701 9-29
105220901 9-25
105221001 9-25
105221101 9-23
105221201 9-23
105221301 9-23
105221401 9-31
105221501 9-21
105221601 9-21
105221701 9-21
105221801 9-21
105221901 9-37
105222001 9-37
105222201 9-43
- 105222301 9-43
105222401 9-43
105222501 9-43
105222601 9-45
105222701 9-45
105222801 9-45
105222901 9-45
105223001 9-45
105223101 9-45
105225401 9-41
105225501 9-41
105225601 9-41
105225701 9-41
105225801 9-41
105225901 9-41
105226001 9-49
105226101 9-51
105226201 9-51
105226301 9-51
105226401 9-51
105226501 9-53
105226601 9-55
105231101 9-7
105231201 9-31
105237301 6-15, 7-25
105256201 6-15, 7-25
105256601 6-15, 7-25
105265501 4-11
105283703 5-9
105283704 5-9
105315101 10-19
47605993001 7-13
47610581001 7-13
47616611003 7-13
47616611004 7-13
47619337001 7-13
47620397001 7-13
47623281001 6-7, 7-7
47637182001 1-43
47637183001 1-43
47638511001 15-5
47651702001 15-19
47651930001 15-19
47666420001 7-7
47674660001 6-7
47676144001 6-7, 7-7
96701412 8-9, 9-5
96704176 16-7
96704416 6-15, 7-25, 12-7, 15-19, 16-7
96704622 9-5
96704721 8-9, 9-5
96704960 8-9
96705199 11-11, 16-7
96705587 8-13
96715552 1-19, 1-47, 1-49
96718978 9-5
- 96727003 17-13
96741038 9-5
96741046 1-51, 4-11, 5-15, 8-9, 9-5, 17-27, 17-29
96742515 1-37, 1-39
96950126 10-19
- ## A
- A-arm 5-7
accelerator cable 10-19, 11-11
accelerator cable bracket 11-11
accelerator pedal 10-17, 11-9
accessory receptacle 6-13, 7-19, 7-21
actuator 1-9
adapter
 actuator 1-9
 hose 8-13
 oil filter 8-13
 tube 8-13
adjuster, forward/aft 1-37, 1-39
adjuster, slider 1-37, 1-39
air filter 8-7, 9-3, 10-11, 11-7
air filter canister 10-11, 11-7
air filter evacuator 10-11, 11-7
air filter gasket 10-15
alternator 9-37, 9-39
alternator belt 9-37, 9-39
AM1285701 18-5
arbor 18-3
arm
 A 5-7
 A- 5-7
 governor link 10-3
 governor shaft 10-3
 rocker 8-5, 9-51
arm attachment 17-15
assembly
 accelerator pedal 10-17, 11-9
 adjusting bolt 9-33
 alternator 9-37, 9-39
 bearing case cover 9-21
 brake pedal 4-9
 bucket seat 1-37
 camshaft 9-29
 case, main bearing 9-21
 connecting rod 9-25
 cylinder head cover 9-15
 drain cock 9-7
 filler cap 4-5
 fuel camshaft 9-31
 fuel cap 10-5, 11-3
 fuel filter/bracket 9-3, 11-5
 fuel injection pump 9-41
 fuel pump 10-7, 11-5
 gear case 15-37
 governor fork lever 9-47

INDEX

- headlight harness 6-3, 6-5, 7-3, 7-5
 - idle apparatus 9-33
 - intake manifold 9-53
 - latch, tilt bed 1-7
 - muffler 5-7, 15-23
 - nozzle holder 9-45
 - oil pump 9-19
 - overflow pipe 9-45
 - pinion 15-37
 - piston ring 9-25
 - rocker arm 9-51
 - speed plate 9-43
 - tailgate 1-63
 - tether 1-63
 - thermostat 16-15
 - tilt bed 1-7
 - water pump 16-3
 - wire 7-25, 8-13, 10-5, 11-3
 - attachment
 - bucket 17-7
 - pallet fork 17-5
 - push broom 17-11
 - snow blade 17-9
 - attachment arm 17-15
 - attachment interface 17-17
 - axle 15-35
 - axle tube 15-37
 - axle, rear 15-35
- B**
- ball
 - check 9-29
 - crankshaft 9-23
 - governor 9-31
 - injection pump 9-31
 - valve 9-13
 - ball joint 5-7, 5-9
 - band, pipe 16-5, 16-15
 - banjo bolt 4-3, 4-13, 4-15
 - bar clamp 16-11, 16-13
 - barb, vent 9-49, 11-5
 - barrel, plastic 1-33, 1-35, 1-61
 - barrier, heat 17-27, 17-29
 - base, seat holder 1-37, 1-39
 - battery
 - 12-volt, top-post 6-15, 7-25
 - battery clamp 6-15, 7-25
 - battery terminal protector spray 18-3
 - battery thermometer 18-3
 - bearing
 - hub 5-9, 15-37
 - needle 15-27, 15-29, 15-37
 - bearing and oil seal remover 18-3
 - bearing case cover 9-21
 - bearing case, main 9-21
 - bearing driver set 18-3
 - bearing puller 18-3
 - bearing puller wedge 18-3
 - bed floor plate 1-7
 - bed latch 1-61
 - bed latch spring 1-61
 - bed, tilt 1-7
 - bellcrank 15-31
 - bellows 5-5, 15-35
 - belt guard 9-39
 - belt, alternator 9-37, 9-39
 - belt, drive 13-3, 14-3
 - belt, V- 9-37, 9-39
 - bench seat back 1-33, 1-35
 - bench seat back cap 1-33, 1-35
 - bench seat bottom 1-33, 1-35
 - blade, snow 17-9
 - block, differential spacer 15-23
 - block, engine 9-7
 - block, fuse 6-9, 7-23
 - bolt
 - adjusting 9-33
 - banjo 4-3, 4-13, 4-15
 - boot replacement kit, inner 15-25
 - boot replacement kit, outer 15-25
 - bottle, coolant 16-9
 - box, hydraulic control 17-19
 - bracket
 - actuator 1-9
 - bed latch 1-59
 - brake line 4-7
 - carbon canister 10-9
 - cover inlet 13-11, 14-11
 - draw latch 1-17, 1-21, 1-23
 - hood support 1-19
 - muffler 12-5
 - oil filter 8-13
 - oil filter mount 8-13
 - radiator support 16-7
 - rocker arm 9-51
 - seatbelt 1-43
 - transmission cable 9-5, 15-21
 - transmission mounting 9-5
 - bracket, hinge, bed 1-7
 - brake caliper bracket 4-3
 - brake caliper, rear 4-13
 - brake front lh caliper 4-3
 - brake front rh caliper 4-3
 - brake line, front 4-7
 - brake line, mid 4-7
 - brake line, rear 4-7
 - brake master cylinder 4-5
 - brake pad service kit 4-13, 4-15
 - brake pads
 - front 4-3
 - brake pedal 4-9
 - brake rotor 4-3, 4-13, 4-15
 - breaker, circuit 7-15
 - breather cover 9-15
 - breather gasket 8-17
 - breather shield 9-15
 - breather tube 9-15
 - breather valve 9-15
 - broom weldment 17-11
 - broom, push 17-11
 - brush, FNR 1-19
 - bucket attachment 17-7
 - bucket seat 1-37, 1-39
 - buckle, seatbelt 1-45
 - bulb, headlight 6-3, 6-5, 7-3, 7-5
 - bulb, signal 6-5, 7-5
 - bumper 16-7
 - bed 1-9, 1-59
 - front 1-3
 - rubber 1-63
 - bushing 1-9
 - A-arm 5-7, 5-15
 - flanged 9-29
 - forward/reverse 15-19
 - greaseless 4-9
 - lower arm 5-7
 - nylon 1-61
 - piston pin 9-25
 - return line 10-5, 11-3
 - snap-in 1-61
 - steel 1-7
 - urethane 1-7
 - button, thrust 15-3
 - buzzer, reverse 6-13, 7-19, 7-21
- C**
- cable
 - accelerator 10-19, 11-11
 - FNR shifter 15-21
 - park brake 4-11
 - cable bracket, accelerator 11-11
 - caliper
 - brake, front lh 4-3
 - brake, front rh 4-3
 - brake, rear 4-13
 - caliper brake park 4-11
 - Caliper Rear 4-15
 - caliper slide pin 4-13, 4-15
 - camber adjustment tool 18-3
 - camshaft 8-5, 9-29
 - camshaft guide 8-5
 - camshaft kit 8-5
 - camshaft plate 8-5
 - camshaft spring 8-5
 - camshaft, fuel 9-31
 - canister, air filter 10-11, 11-7
 - canister, carbon, fuel tank 10-9
 - canopy 1-53

INDEX

- cap
 - air filter 10-11, 11-7
 - bolt assembly 9-33
 - center, alloy wheel 2-3, 2-5
 - corner 1-61
 - filler 4-5
 - front corner 1-63
 - fuel 11-3
 - fuel, gas, ratchet 10-5
 - inlet 13-11, 14-11
 - oil fill 8-11
 - pressure 3-3, 3-11, 3-19, 16-9
 - radiator 16-7
 - rubber 5-9, 15-23
 - sealing 9-7, 9-11
 - speed control plate 9-43
 - valve 9-51
 - carbon canister 10-9
 - carburetor 10-13
 - carburetor air vent tube 9-49
 - carburetor gasket 10-13, 10-15
 - carburetor heater 10-13
 - carburetor jet 10-13
 - carburetor seal 10-13
 - carburetor shaft 10-13
 - carburetor solenoid 10-13
 - carburetor spring 10-13
 - carburetor throttle shaft 10-13
 - carburetor valve 10-13
 - card, safety first 18-5
 - carrier, differential 15-37
 - case
 - gear 9-13, 15-35, 15-37
 - governor ball 9-31
 - main bearing 9-21
 - case cover, bearing 9-21
 - center console 17-19
 - chain, transmission 15-27
 - charge coil 8-15
 - circuit breaker 7-15
 - clamp
 - bar 16-11, 16-13
 - battery 6-15, 7-25
 - breather tube 9-15
 - hose 9-49, 10-7, 10-9, 11-5, 11-7
 - hose, green 11-5
 - p- (fuel filter) 9-5, 10-7
 - pipe 9-45
 - clevis pin 4-5, 4-11
 - clip
 - body trim 1-17, 1-21, 1-23
 - brake line 10-19, 11-11, 15-21
 - hair pin 1-63
 - meter 6-13, 7-19, 7-21
 - return pipe 9-45
 - snap-close 4-7
 - wear 5-15
 - closeout 1-55, 1-57
 - clutch 13-5, 13-7, 14-5, 14-7
 - clutch cover (non-sealed)
 - CVT 13-9, 14-9
 - clutch cover (sealed) 13-11, 14-11
 - clutch removal tool 18-3
 - coil
 - charge 8-15
 - ignition 8-15
 - coil over shock 5-11, 5-13
 - collar, alternator assembly 9-37, 9-39
 - collar, crankshaft 9-23
 - collar, idle gear 9-29
 - collar, lever 9-43
 - collet 9-51
 - column, steering 5-3
 - compression gauge 18-3
 - compressor, valve spring 18-5
 - connecting rod 8-19, 9-25
 - connector, relay 6-9, 7-23
 - console, center 17-19
 - continuity tester 18-3
 - control box, hydraulic 17-19
 - control panel 10-3
 - coolant bottle 16-9
 - coolant exchanger 16-7
 - coolant fill tee 16-7
 - coolant lamp sensor 16-15
 - coolant pipe 16-11
 - coolant pipe assembly 16-13
 - coolant temperature indicator light 7-19, 7-21
 - cooling fan 8-3, 16-7
 - cord, glow plug 9-45
 - corner cap 1-63
 - coupling 17-25, 17-31
 - cover
 - alternator assembly 9-37
 - bearing case 9-21
 - breather 9-15
 - CCI dash storage 1-5
 - crankcase 8-17
 - CVT 8-9, 9-5, 13-11, 14-11
 - cylinder head 9-15
 - electrical 6-9, 7-23
 - engine 8-9
 - fuel camshaft 9-7
 - heat proof 9-55
 - input 15-11
 - rocker 8-17
 - rocker switch hole 6-13, 7-19, 7-21
 - thermostat 16-15
 - cover gasket 10-13
 - Cover, PDM 7-13
 - cowl panel 1-17, 1-21, 1-23
 - cowl panel, driver-side 1-17, 1-21, 1-23
 - cowl panel, passenger-side 1-17, 1-21, 1-23
 - crank 9-21
 - crank oil seal 8-17
 - crankcase 8-17
 - crankcase cover 8-17
 - crankcase cover gasket 8-17
 - crankcase vent tube 10-15
 - crankshaft 8-19, 9-23
 - cup holder 1-19
 - cup holder, seat 1-37, 1-39
 - CVT cover 8-9, 13-9, 14-9
 - CVT cover kit, sealed 13-11, 14-11
 - CVT cover kit, unsealed 13-11, 14-11
 - cylinder head 8-17, 9-11
 - cylinder head cover 9-15
 - cylinder, hydraulic, lift 17-21
 - cylinder, hydraulic, tilt 17-21
- ## D
- dash weldment 1-19
 - decal
 - 4x4 3-7, 3-9, 3-15, 3-17, 3-23, 3-25
 - bed warning 3-21
 - Club Car tailgate 1-63
 - crush area warning 3-5, 3-13, 3-21
 - driver/passenger 3-3, 3-11, 3-19
 - ground warning 3-3, 3-11, 3-19
 - hot manifold warning 3-3, 3-11, 3-19
 - hot surface warning 1-37, 1-39, 3-3, 3-11, 3-19
 - hydraulic controls 17-19
 - hydraulic pump 3-21
 - IntelliTach 3-27
 - joystick on/off 17-19
 - lock lever 3-21, 17-17
 - nameplate 3-7, 3-9, 3-15, 3-17
 - on/off 17-19
 - operating instructions 3-3, 3-13, 3-19
 - operator warning 3-5, 3-13
 - park brake 4-11
 - rollover warning 3-21
 - ROPS warning 3-5, 3-13, 3-21
 - rotating parts and hot manifold 3-3, 3-11, 3-19
 - rotating parts warning 3-5, 3-11, 3-13, 3-19, 3-21
 - tailgate 1-61
 - trailer hitch 3-5, 3-13, 3-21, 5-15
 - under 16 warning 3-5, 3-13, 3-21
 - vehicle loading 3-5, 3-13
 - warning 3-13
 - winch cable warning 3-3, 3-11
 - deflector oil 15-27
 - detent, repair 15-29
 - diesel tachometer probe 18-5
 - differential housing 15-37

INDEX

differential oil 15-17
differential, rear 15-35, 15-37
diode 6-11, 7-11
dipstick, oil 9-17
drag link 5-5
drain cock 9-7
drive belt 13-3, 14-3
drive clutch 13-5, 14-5
drive clutch fixed sheave tool 18-3
drive clutch service tool 18-3
drive clutch spider removal tool 18-3
driven clutch 13-7, 14-7
driven clutch spring compression base tool 18-3
driven clutch spring compression collar tool 18-3
driven clutch spring compression nut tool 18-3
dry moly lubricant 18-3

E

elbow 11-3
electric motor 17-27, 17-29
end, tie rod 5-5
engine block 9-7
engine cover 8-9
engine shroud 8-3
engine starter motor 8-15
engine, gasoline, Kawaski FH680 8-9
exchanger, engine coolant 16-7
exhaust gasket 12-3, 12-7
exhaust header 12-7
exhaust header gasket 12-7
exhaust pipe 12-3, 12-5
exhaust shield 12-3, 12-5
exhaust valve 8-5, 9-51
extension, spring latch 1-7

F

fan housing plate 8-3
fan shroud 16-7
fan, cooling 8-3, 16-7
fascia 1-17, 1-21, 1-23
fastener, push-in 6-9, 7-23
fender, front 1-17, 1-21, 1-23
fender, left rear 1-55, 1-57
fender, rear 1-55, 1-57
filler cap 4-5
filter
 air 8-7, 9-3, 10-11, 11-7
 fuel 8-7, 9-3, 10-7, 11-5
 inlet cover 13-11, 14-11
 oil 8-7, 8-11, 8-13, 9-3, 9-13
 oil pick up 9-9
flange, water 16-15
float valve 10-13

floor plate, bed 1-7
floorboard 1-29, 1-31
fluid, hydraulic 17-27, 17-29
flywheel 8-15, 9-27
FNR brush 1-19
FNR brush strip 1-19
FNR shifter bracket 9-5, 15-21
FNR shifter cable 15-21
foot well plate 1-31
fork, pallet 17-5
fork, transmission 15-27
frame, tilt bed 1-7
front bumper 1-3
front panel 1-61
fuel camshaft 9-31
fuel cap 11-3
fuel filter 8-7, 9-3, 10-7, 11-5
fuel gauge sending unit 10-5, 11-3
fuel gauge/hour meter 6-13, 7-19
fuel gauge/hour meter/seatbelt timer 7-21
fuel injection pump 9-41
fuel line 10-7
fuel pickup tube 11-3
fuel pump 10-7, 11-5
fuel tank (diesel) 11-3
fuel tank (gasoline) 10-5
fuel tank strap 10-7, 11-5
fuse
 10-amp 6-9, 7-23
 20-amp 7-15
 25-amp 6-9, 7-23
 30-amp 7-23
fuse block 6-9, 7-23
fuse, mini,10A 7-13

G

gasket 10-13
 air filter 10-15
 bearing case 9-21
 breather 8-17
 carburetor 10-13, 10-15
 control plate 9-43
 cover 9-21, 10-13, 13-11, 14-11
 crankcase cover 8-17
 cylinder head 9-11
 cylinder head cover 9-15
 drain plug 9-9
 exhaust 12-3
 exhaust header 12-7
 exhaust-manifold 9-55
 fuel pump 9-7
 gearcase 9-13
 head 8-17
 head cover nut 9-33, 9-45
 idle apparatus 9-33
 injection pump 9-41
 liquid 18-5
 manifold 10-15
 nozzle 9-45
 oil pump 9-19
 rocker cover 8-17
 sending unit 10-5, 11-3
 thermostat 16-15
 water flange 16-15
 water pump 16-3
gauge
 compression 18-3
 fuel-hour 6-13, 7-19
 fuel-hour-timer 7-21
 oil dipstick 8-11
gear
 cam 9-29
 case 9-13, 15-35, 15-37
 crank 9-23
 helical 15-29
 idle 9-29
 injection pump 9-31
 oil pump 8-11
 oil pump drive 9-19
 ring 9-27, 15-37
 steering 5-5
gear case assembly, rear 15-27
gear case, front 15-27
gear ring engagement 15-29
gear yoke 18-3
glow plug 9-45
glow plug cord 9-45
governor control lever 10-3
governor fork lever 9-47
governor lever 9-43
governor link arm 10-3
governor oil seal 8-17
governor plate 10-3
governor return spring 10-3
governor shaft 10-3
governor shaft arm 10-3
governor spring 10-3
grill 1-17, 1-21, 1-23
grip tape, accelerator pad 10-17, 11-9
grip, tilt latch hand 1-7, 1-61
grommet 10-5, 11-3
guard, belt 9-39
guard, oil filter 8-13
guard, splash 1-19
guide
 camshaft 8-5
 exhaust valve 9-11
 inlet valve 9-11
 oil dipstick 9-17
 rocker arm 8-5

INDEX

- H**
- hair pin clip 1-63
 - half shaft 15-23
 - handbook, operator 17-3
 - harness 1-9, 6-11, 7-9, 7-11, 8-15
 - harness, control panel wire 7-15
 - harness, headlight 7-9
 - harness, hydraulic power unit 7-15
 - harness, seatbelt light 7-17
 - harness, wire 6-3, 6-5, 7-3, 7-5
 - harness, wire - Kawasaki FH680 6-11
 - head gasket 8-17
 - head restraint 1-51
 - head restraint kit 1-51
 - head, cylinder 8-17, 9-11
 - header, exhaust 12-7
 - headlight 6-3, 6-5, 7-3, 7-5, 7-9
 - headlight bulb 6-3, 6-5, 7-3, 7-5
 - headlight harness 6-3, 6-5, 7-3, 7-5, 7-9
 - heat barrier 17-27, 17-29
 - heat seal 9-45
 - heater, carburetor 10-13
 - helical gear 15-29
 - high beam switch 7-19
 - hinge plate 1-33, 1-35, 1-37, 1-39
 - hinge, hood 1-17, 1-21, 1-23
 - holder
 - cup 1-19
 - FNR strip brush 1-19
 - fork lever 9-47
 - hood 1-17, 1-21, 1-23
 - hood latch 1-17, 1-21, 1-23
 - hood prop 1-17, 1-21, 1-23
 - hook, engine 9-11
 - hose 16-9, 17-23, 17-31
 - coolant 16-5, 16-7, 16-11, 16-13
 - fuel 10-7
 - fuel return 11-5
 - hydraulic 17-23, 17-25
 - inlet 13-11, 14-11
 - intake 10-11, 11-7
 - outlet 13-9, 13-11, 14-9, 14-11
 - vent 9-5, 10-9, 15-23, 16-11, 16-13
 - hose clamp, green 11-5
 - hour meter 6-13, 7-19, 7-21
 - housing
 - differential 15-37
 - hub
 - wheel 5-9
 - hydraulic control box 17-19
 - hydraulic fluid 17-27, 17-29
 - hydraulic hose 17-23, 17-25
 - hydraulic power unit 17-27, 17-29, 17-31
 - hydraulic power unit harness 7-15
 - hydraulic tube 17-21
- hydrometer 18-5
- I**
- idle apparatus 9-33
 - idle gear 9-29
 - ignition coil 8-15
 - indicator, turn signal 7-19
 - injection pump gear 9-31
 - insulation, heat barrier 17-27, 17-29
 - insulator, manifold 10-15
 - intake adapter pipe 10-15
 - intake hose 10-11, 11-7
 - intake manifold 9-53, 10-15
 - intake valve 8-5, 9-51
 - internal retaining ring pliers 18-5
 - isolator ring and bushing 8-9, 9-5
 - isolator, twin stud 16-7
- J**
- jet kit
 - 0-3300 ft 10-13
 - 3300-6600 ft 10-13
 - 6600+ ft 10-13
 - jet needle 10-13
 - jet, carburetor 10-13
 - joint
 - ball 5-7, 5-9
 - eye 9-41
 - pipe 9-13
 - joystick control 17-19
 - joystick control box 17-19
- K**
- keeper, push-close latch 1-5
 - key 8-15
 - feather 9-19, 9-23, 9-31
 - key (pair) 6-13, 7-19, 7-21
 - key switch 6-13, 7-19, 7-21
 - key switch spacer 6-13, 7-19, 7-21
 - keyswitch nut 6-13, 7-19, 7-21
 - kick panel 1-55, 1-57
 - kit
 - auxiliary hydraulic 17-31
 - bolt 15-3
 - brake pad service 4-13, 4-15
 - canopy 1-53
 - carburetor jet 10-13
 - connecting rod 8-19
 - cover plate, input 15-11
 - drain plug 15-3
 - forward gear repair 15-29
 - front skidplate hardware 1-15
 - front steel skidplate 1-15
 - head restraint 1-51
 - hydraulic angle attachment 17-25
- inner boot replacement 15-25
 - nozzle holder 9-45
 - outer boot replacement 15-25
 - rear axle gear repair 15-37
 - repair, minor 15-9
 - reverse gear repair 15-27
 - roller 15-3
 - ROPS 1-47
 - tailgate mounting 1-61
 - tube bumper 1-3
 - tune-up 8-7, 9-3
- knob, forward/reverse 15-19
- L**
- latch 1-5
 - latch bracket 1-17, 1-21, 1-23
 - latch keeper 1-5
 - latch plate, tilt bed 1-59
 - latch, bed 1-61
 - latch, hood draw 1-17, 1-21, 1-23
 - latch, slam 1-63
 - latch, spring 1-63
 - latch, tilt bed 1-7
 - lateral link, rear suspension 5-15
 - lens, headlight 6-3, 7-3
 - lever
 - engine stop 9-43
 - fork 9-47
 - governor 9-43
 - governor control 10-3
 - speed control 9-43
 - light
 - coolant temperature indicator 7-19, 7-21
 - oil 6-13, 7-19, 7-21
 - seat belt 7-21
 - turn signal 6-5, 7-5
 - light switch, high beam 7-19
 - limit switch 6-7, 6-13, 7-7, 7-19, 7-21, 10-17, 11-9
 - link, drag 5-5
 - liquid gasket 18-5
 - low oil warning light 6-13, 7-19, 7-21
 - lubricant, dry moly 18-3
 - lug stud 5-9, 15-35
- M**
- manifold
 - exhaust 9-55
 - intake 9-53, 10-15
 - manifold gasket 10-15
 - manifold insulator 10-15
 - master cylinder 4-5
 - meter clip 6-13, 7-19, 7-21
 - meter, volt ohm 18-5
 - motor 17-27, 17-29
 - starter 9-49

INDEX

muffler 5-7, 12-5, 15-23

N

nameplate decal 3-7, 3-9, 3-15, 3-17

needle, jet 10-13

nongrease/spacers locker 15-37

nozzle holder 9-45

nut, keyswitch 6-13, 7-19, 7-21

O

oil cap 8-11

oil deflector 15-27

oil dipstick gauge 8-11

oil drain plug 8-11

oil filter 8-7, 8-11, 8-13, 9-3, 9-13

oil filter adapter 8-13

oil filter bracket 8-13

oil filter guard 8-13

oil filter nipple 8-17

oil filter pick up 9-9

oil pan 9-9

oil pickup 8-11

oil pickup screen 8-11

oil pressure switch 8-15, 9-7

oil pump 8-11, 9-19

oil pump drive gear 9-19

oil pump plate 8-11

oil pump rotor 8-11

oil pump shaft 8-11

oil pump spring 8-11

oil pump spur gear 8-11

oil seal 9-13, 15-11

oil seal, crank 8-17

oil seal, governor 8-17

oil slinger 9-23

oil valve seal 8-17

oil warning light, low 6-13, 7-19, 7-21

oil, locking differential 15-17

operator handbook 17-3

O-ring 8-11, 8-13, 9-9, 9-23, 9-35, 9-43, 10-13, 15-11

overflow pipe 9-45

P

pad

brake, front 4-3

pallet fork 17-5

pan

center 1-37, 1-39, 17-19

oil 9-9

seat 1-37, 1-39

panel

center cowl 1-17, 1-21, 1-23

control 10-3

driver-side 1-55, 1-57

driver-side cowl 1-17, 1-21, 1-23

front 1-61, 1-63

front kick 1-55, 1-57

left 1-63

passenger-side 1-55, 1-57

passenger-side cowl 1-17, 1-21, 1-23

right 1-63

side 1-55, 1-57, 1-61

park brake cable 4-11

park brake caliper 4-11

park brake foot pedal 4-11

p-clamp (fuel filter) 9-5, 10-7

pedal, accelerator 10-17, 11-9

pedal, brake 4-9

pickup, oil 8-11

pin

bow tie locking 1-17, 1-21, 1-23, 4-11

pin, cable 15-19

pin, clevis 4-5, 4-11

pin, piston 9-25

pinion 15-37

pipe

breather 9-53

coolant 16-5, 16-11

exhaust 12-3, 12-5

injection 9-45

intake adapter 10-15

overflow 9-45

water return 9-15, 16-15

pipe band 16-5, 16-15

pipe clamp 9-45

piston 8-19, 9-25

piston pin 9-25

piston ring 9-25

piston ring set 0.50 8-19

plate

armature 15-3

back 1-7, 1-9

camshaft 8-5

closeout 1-55, 1-57

electrical 6-9, 7-23

engine block 9-7

engine mounting 9-5

fan housing 8-3

foot well 1-31

governor 10-3

hinge 1-33, 1-35, 1-37, 1-39

latch 1-59

oil pump 8-11

shroud 9-27

skid 1-13, 1-15

speed 9-43

speed control 9-43

tailgate latch wear 1-61

thrust 15-3

pliers

internal retaining ring 18-5

retaining ring 18-5

plug 15-27, 17-27, 17-29

drain 9-9

engine block 9-7, 9-11, 9-13, 15-35

expansion 9-7

gearcase 15-27, 15-35

glow 9-45

hole 6-13, 7-19, 7-21

oil drain 8-11

oil fill 15-3

oil filler 9-15

spark 8-7, 8-15, 8-17

tube 1-3

power unit, hydraulic 17-29, 17-31

prop rod 1-59

prop, hood 1-17, 1-21, 1-23

protector spray, battery terminal 18-3

puller

bearing 18-3

clutch 18-3

seal 18-5

special use tool 18-5

pulley

fan drive 9-37, 9-39

water pump 9-37, 9-39

pump

fuel 10-7, 11-5

fuel injection 9-41

oil 9-19

water 16-3

pump, oil 8-11

push broom 17-11

push rod 8-5, 9-29

push rod tappet 8-5

R

radiator 16-7

radiator cap 16-7

radiator pipe assembly 16-13

rear axle 15-35

rear differential 15-35, 15-37

receptacle, accessory 6-13, 7-19, 7-21

reed valve assembly 8-17

refractometer 18-5

regulator, voltage 8-15

Relay 7-13

relay 6-9, 7-23, 17-19

relay connector 6-9, 7-23

remover, bearing and oil seal 18-3

restraint, head 1-51

retainer

spring (driven clutch) 13-7, 14-7

valve spring 8-5, 9-51

retaining ring pliers 18-5

reverse buzzer 6-13, 7-19, 7-21

INDEX

- ring
 - piston 9-25
 - retaining, ext 5-7, 5-9
 - snap 4-11
 - ring gear 9-27, 15-37
 - rivet, blind push 1-19
 - Rivet, Removable 1-17, 1-21, 1-23, 17-19
 - rocker arm 8-5, 9-51
 - rocker arm guide 8-5
 - rocker arm stud 8-5
 - rocker cover 8-17
 - rocker cover gasket 8-17
 - rocker switch 1-9, 6-13, 7-19, 17-19
 - rocker switch (lights) 6-13, 7-19, 7-21
 - rod
 - "J" 10-17, 11-9
 - connecting 9-25
 - crank crank rod 9-25
 - prop 1-59
 - push 8-5, 9-29
 - ROPS front base weldment 1-47, 1-49
 - ROPS kit 1-47
 - ROPS seat support 1-47, 1-49
 - ROPS side 1-49
 - ROPS support tube 1-47
 - ROPS top 1-47, 1-49
 - ROPS warning decal 3-5, 3-13, 3-21
 - ROPS weldment 1-47
 - ROPS, 4 Pass 1-47
 - ROPS, Rear Handle 1-51
 - rotor disc brake 4-3, 4-13, 4-15
 - rotor, oil pump 8-11
 - rubber bumper 1-63
- S**
- safety first card 18-5
 - screen, oil pickup 8-11
 - seal
 - carburetor 10-13
 - dual lip 15-31, 15-37
 - heat 9-45
 - oil 9-13, 15-11
 - oil valve 8-17
 - triple lip 15-27
 - valve stem 9-51
 - seal puller 18-5
 - seat
 - bucket 1-37, 1-39
 - valve 9-13
 - seat back cap, bench 1-33, 1-35
 - seat back, bench 1-33, 1-35
 - seat belt light 7-21
 - seat bottom, bench 1-33, 1-35
 - seat holder base 1-37, 1-39
 - seat, bucket 1-39
 - seatbelt buckle 1-45
 - seatbelt light harness 7-17
 - sending unit, fuel gauge 10-5, 11-3
 - sensor, coolant lamp 16-15
 - shaft
 - carburetor 10-13
 - CVT adapter 9-5
 - fork lever 9-47
 - governor 10-3
 - governor lever 9-43
 - half 15-23
 - idle gear 9-29
 - input 15-29
 - intermediate 15-29
 - oil pump 8-11
 - output 15-27
 - rock arm 9-51
 - shift 15-31
 - shield, breather 9-15
 - shield, exhaust 12-3, 12-5
 - shim 15-37
 - shim, armature plate 15-3
 - shim, injection pump 9-41
 - shim, latch plate 1-59
 - shock absorber, coil over 5-11, 5-13
 - shoe, skid 17-9
 - shroud, engine 8-3
 - shroud, fan 16-7
 - side panel 1-55, 1-57
 - side panel weldment 1-61
 - side stringer 1-25
 - signal bulb 6-5, 7-5
 - skid plate 1-13, 1-15
 - skid shoe 17-9
 - skidplate hardware kit 1-15
 - skidplate kit 1-15
 - slam latch 1-63
 - sleeve
 - governor 9-31
 - lower arm 5-7
 - upper suspension 5-7
 - slinger, oil 9-23
 - snow blade 17-9
 - snow blade weldment 17-9
 - solenoid, carburetor 10-13
 - solenoid, stop 9-35
 - spacer 1-15
 - 5/8 x 2 1/4 x 1 1/4 1-53
 - engine 9-5
 - key switch 6-13, 7-19, 7-21
 - spacer block, differential 15-23
 - spanner wrench 18-5
 - spark plug 8-7, 8-15, 8-17
 - speed plate 9-43
 - splash guard 1-19
 - spray, battery terminal protector 18-3
 - spring 8-5, 8-11
 - carburetor 10-13
 - choke spring 10-19
 - compression 13-5, 13-7, 14-7
 - exhaust 12-5
 - extension 1-7
 - governor 9-47, 10-3
 - governor idle 10-19
 - governor return 10-3
 - idle apparatus 9-33
 - latch tilt 1-61
 - pedal 10-17, 11-9
 - return 9-43
 - rocker arm 9-51
 - start 9-47
 - valve 8-5, 9-13, 9-51
 - wave 4-11
- spring latch 1-63
- sprocket 15-27
- start spring 9-47
- starter motor 9-49
- starter motor, engine 8-15
- stay
 - alternator assembly 9-37
 - cylinder head 9-11
 - spring 9-13
 - stop solenoid 9-35
- steel bushing 1-7
- steering
 - lower control arm 5-7
 - slide adjuster 5-9
 - upper A-arm 5-7
 - upright 5-9
- steering column 5-3
- steering gear 5-5
- steering wheel 5-3
- steering wheel puller tool 18-5
- stem, valve 2-3, 2-5
- stop solenoid stay 9-35
- stopper, camshaft 9-29
- stopper, fuel camshaft 9-31
- strap, fuel tank 10-7, 11-5
- stringer, side 1-25, 1-27
- strip, FNR brush 1-19
- stud 9-5, 9-41, 16-5
 - idle adjustment 9-33
 - lug 5-9, 15-35
 - self-clinching 1-61, 1-63
- support, structural 1-19
- switch 17-27, 17-29
 - high beam 7-19
 - key 6-13, 7-19, 7-21
 - light rocker 6-13, 7-19, 7-21
 - limit 6-7, 6-13, 7-7, 7-19, 7-21, 10-17, 11-9
 - oil pressure 8-15, 9-7
 - rocker 1-9, 6-13, 7-19
 - three-position 7-19

INDEX

switch, rocker 17-19
switch, indicator 15-29

T

tachometer 18-5
tachometer probe, diesel 18-5
tailgate 1-61, 1-63
tailgate angle 1-61, 1-63
tailgate latch wear plate 1-61
tailgate mounting kit 1-61
tank, fuel (diesel) 11-3
tank, fuel (gasoline) 10-5
tape, grip, accelerator pad 10-17, 11-9
tape, vinyl foam 1-7, 16-7
tappet 9-29
tappet, push rod 8-5
tee, coolant fill 16-7
temperature indicator light, coolant 7-19, 7-21
tester, continuity 18-3
tether 1-63
thermometer, battery 18-3
thermostat 16-15
throttle shaft, carburetor 10-13
throttle valve 10-13
thrust button 15-3
thrust plate 15-3
tie rod end 5-5
tie wrap 1-9, 5-5, 10-9, 17-19
tilt bed 1-7
tilt bed frame 1-7
tilt latch hand grip 1-7, 1-61
tire
 all-terrain 2-3
 mud 2-5
tool
 camber adjustment 18-3
 drive clutch fixed sheave 18-3
 drive clutch service 18-3
 drive clutch spider removal 18-3
 driven clutch spring compression base 18-3
 driven clutch spring compression collar 18-3
 driven clutch spring compression nut 18-3
 puller, special use 18-5
 steering wheel puller 18-5
track, prop rod 1-59
trailing link, rear suspension 5-15
transaxle housing 15-37
transmission 15-27
transmission cable bracket 9-5, 15-21
transmission chain 15-27
transmission fork 15-27
tube
 axle 15-37
 breather 9-15

carburetor air vent 9-49
crankcase vent 10-15
fuel pickup 11-3
hydraulic 17-21
 ROPS support 1-47
tube bumper kit 1-3
Tuflok 1-17, 1-21, 1-23, 17-19
tune-up kit 8-7, 9-3
turn signal indicator 7-19
turn signal light 6-5, 7-5

U

u-joint
 replacement kit 15-33
urethane bushing 1-7

V

valve 10-11, 11-7, 17-27, 17-29
 breather 9-15
 carburetor 10-13
 exhaust 8-5, 9-51
 float 10-13
 intake 8-5, 9-51
 seat 9-13
 throttle 10-13
valve assembly, reed 8-17
valve spring 8-5
valve spring compressor 18-5
valve spring retainer 8-5
valve stem 2-3, 2-5
V-belt 9-37, 9-39
vent
 fuel tank 10-5, 11-3
vent barb 9-49, 11-5
vent, barb 10-9
vent, housing, upper 15-37
vent, transmission 15-27
volt ohm meter 18-5
voltage regulator 8-15

W

warning light, low oil 6-13, 7-19, 7-21
water flange 16-15
water pump 16-3
wear clip 5-15
wedge, bearing puller 18-3
weldment
 actuator bracket 1-9
 brake pedal 4-9
 coolant pipe 16-11
 front dash 1-19
 ROPS base front 1-47, 1-49
 seat support ROPS 1-47, 1-49
 tilt bed frame 1-7
wheel

alloy 2-3, 2-5
hub 5-9
steel 2-3, 2-5
steering 5-3
wheel cap, alloy 2-3, 2-5
wire assembly 7-25, 8-13, 10-5, 11-3
wire harness 1-9, 6-3, 6-5, 6-11, 7-3, 7-5, 7-9, 7-11, 8-15
wire harness - Kawasaki FH680 6-11
wire harness, control panel 7-15
wire harness, headlight 7-9
wire harness, hydraulic power unit 7-15
wrap, tie 1-9, 5-5, 10-9, 17-19
wrench, spanner 18-5

Y

yoke, gear 18-3



Club Car, Inc.
P.O. Box 204658
Augusta, GA 30917-4658
USA

Web www.clubcar.com
Phone 1.706.863.3000
1.800.ClubCar
Int'l +1 706.863.3000
Fax 1.706.863.5808