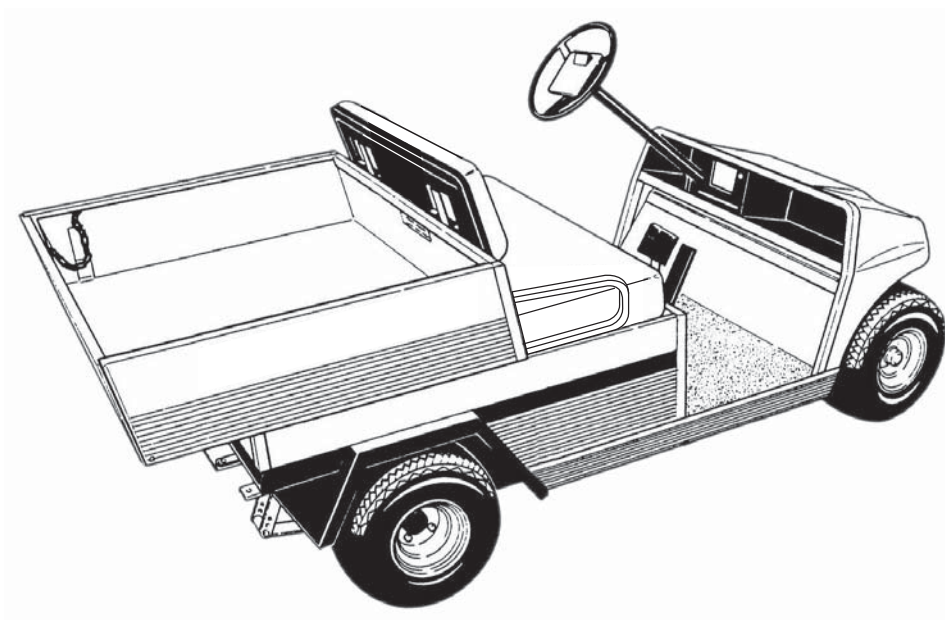




2011
Turf 1 and Carryall 1
Illustrated Parts List



Gasoline and Electric Vehicles

Manual Number 103814608
Edition Code 0316B0616A

USING THE ILLUSTRATED PARTS LIST

⚠ WARNING

- **This manual is to be used only for identification and ordering of service parts. Be sure to read and use the maintenance and service manual before attempting any vehicle repairs.**

This manual covers all Turf/Carryall 1 vehicles built during the 2011 model year.

The manual is divided into sections. Note that there are two or three flags on the outside edge of each page. The first flag contains the section number of which that page is a part. The other flag (or flags) contains the letter G or E, signifying that the page pertains to the electric or gasoline vehicles only.

Use the Table of Contents to find the sections and pages that contain the parts and assemblies you seek. The Table of Contents lists section numbers, and under them, the individual page titles and numbers to be found in that section. The index can be used to find specific parts and assemblies. The index is divided into numerical and alphabetical listings with the page numbers in italic text.

There is a two-page spread for each individual page title in the Table of Contents. On the left-hand page is an illustration showing the parts in their relative positions; the parts are each tagged with an item number in a balloon. The right-hand page is the parts list page, and gives the page title at the top, then the item numbers (corresponding to the numbers on the illustration), part descriptions, and quantity of parts used.

Note that a part description may be indented. This indention corresponds to a parts assembly level indicated by the numbers 1, 2, 3, and 4 at the top left corner of the parts description area of the parts list page. A part that is indented to *level 2* is a component of the *level 1* part (assembly) that it is listed under. A *level 3* part is a component of the *level 2* part that it is listed under, and a *level 4* part is a component of the *level 3* part preceding it. In each case, the part quantity given for a level 2, 3, or 4 part is the quantity used per next higher level assembly of which it is a component. A part that is not indented is a *level 1* part. This means that the quantity given is the quantity used per the portion of the vehicle illustrated on that particular spread.



P. O. Box 204658
Augusta, Georgia 30917-4658 USA
Telephone 706-863-3000
Service Parts Fax 706-855-7413
www.clubcar.com

HOW TO ORDER PARTS

Replacement parts and accessories can be obtained from our network of authorized dealers and distributors. You can obtain the name and phone number of your closest authorized Club Car dealer or distributor by visiting our web site at www.clubcardealer.com, by calling our toll-free Service Parts and Technical Assistance hotline at (800) 872-2246 or (706) 863-3000, extension 3887, or by scanning this Quick Response (QR) code to be taken to the Club Car dealer locator. **Refer to Figure 1.** Download a QR code reader such as RedLaser or Barcode Scanner to your cell phone or tablet.



Figure 1 Dealer Locator QR Code

CUSTOMER SATISFACTION SURVEY

Let your voice be heard!

Please take time to participate in the Technical Publications satisfaction survey. Obtaining feedback from our customers is important to the department's continuous improvement process. The online survey takes less than five minutes and responses will help the department to examine current performance as well as identify areas for future improvement.

Our top priority is to provide timely, accurate, and user friendly manuals.

The online satisfaction survey can be found at: <http://bit.ly/1w9uFMh>



Figure 2 Survey QR Code

NOTE: *This illustrated parts list represents the most current information at the time of publication. Club Car, Inc. is continually working to further improve its vehicles and other products. These improvements may affect the parts used to service the vehicle. Any modification and/or significant change in specifications will be forwarded to all Club Car and Carryall distributors/dealers and will, when applicable, appear in future editions of this illustrated parts list.*

Club Car, Inc. reserves the right to change specifications and designs at any time without notice and without the obligation of making changes to units previously sold.

Copyright © 2010 Club Car, LLC
Club Car and ArmorFlex
are registered trademarks of Club Car, LLC
This manual effective August 1, 2010.

2011 Turf 1 and Carryall 1 Vehicles Illustrated Part

CONTENTS

SECTION 1 – BODY AND TRIM

Front Body and Trim – Turf, Utility, & Transportation	1-3
Splash Guard – Gasoline Vehicles Only	1-5
Dash Pockets and Floormat	1-7
Beverage Holder	1-9
Mirror, Rear-View – without Cab	1-11
Grommets, Chassis	1-13
Seat Bottom	1-15
Seat Back Assembly	1-17
Windshield, Hinged	1-19
Windshield, Non-Hinged	1-21
Canopy Kit, White	1-23
Canopy Kit, Beige	1-25
Canopy Kit, Black	1-27
Hip Restraints and Seat Back Mounting	1-29
Tilt Bed, Extruded Hinge, and Latch	1-31
Latch Plate	1-33
Cargo Box	1-35
Cargo Box Mounting	1-37
Stake Side Kit – Turf/CA 1 and TransPorter 4	1-39
Bed Mat	1-41
Portable Refreshment Center	1-43
Toolboxes	1-45
Trailer Hitch	1-47
Trailer Hitch Ball	1-49
Rear Body Trim – Turf/Carryall 1, 2, 2 Plus, and 6	1-51
Cab, Curtis – Turf/Carryall 1, 2, 2 Plus, 252 and XRT 900	1-53
Mirror, Inside Rear-View – Curtis Cab	1-55
Mirror, Side-View – Curtis Cab	1-57
Accessory Switch Panel – Curtis Cab	1-59
Strobe Light – Curtis Cab	1-61
Work Lights – Curtis Cab	1-63
Fan/Defogger – Curtis Cab	1-65
Heater – Curtis Cab	1-67
Van Box – Turf/CA 1	1-69

SECTION 2 – WHEELS AND TIRES

Wheels and Tires – Turf/Carryall 1	2-3
Wheel Covers	2-5

CONTENTS

SECTION 3 – DECALS

Decals – Gas and Electric Vehicles	3-3
Decals – Turf/Carryall 1 Electric	3-5
Decals – Turf/Carryall 1 Gasoline	3-7
Decals, Badging – Turf/Carryall 1	3-9

SECTION 4 – LIGHTS, CONTROLS, AND INDICATORS

Headlights	4-3
Light Kit, Standard – Turf/CA 1 Gasoline Vehicles	4-5
Light Kit, Standard – Turf/CA 1 IQ System Electric Vehicles	4-7
Turn Signal Kit – DS and Utility Gasoline and Electric Vehicles	4-9
Turn Signal (with Horn Button) Kit – DS and Utility Gas and Electric Vehicles	4-11
Instrument Panel and Electrical Components – Turf/Carryall 1, 2, and 252 Gas	4-13
Instrument Panel and Electrical Components – Turf/CA 1 and 2 Electric	4-15
Battery Condition Indicator – Electric Vehicles	4-17
DC Converter – IQ System, Electric Vehicle	4-19
DC Converter – IQ System, CE Electric Vehicle	4-21
Voltage Limiter – Gasoline Vehicle	4-23
Strobe Light, Post-Mounted – Gasoline Vehicles	4-25
Strobe Light, Post-Mounted – Electric Vehicles	4-27
Strobe Light, Canopy-Mounted	4-29
Horn	4-31
Horn with Column-Mounted Button	4-33
Hour Meter – IQ System and IQ Plus Electric Vehicles	4-35
Taillights	4-37

SECTION 5 – BRAKES, PEDALS, AND CABLE ASSEMBLIES

Brake Pedal Assembly	5-3
Accelerator Pedal Assembly – Electric Vehicles with MCOR	5-5
Accelerator Pedal Assembly – Gasoline Vehicles	5-7
Accelerator Rod – Turf/Carryall 1 Gasoline Vehicles	5-9
Rear Brake Assembly, Self-Adjusting – Vehicle with 2-Wheel Brakes	5-11
Rear Brake Cables and Equalizer	5-13

SECTION 6 – STEERING AND SUSPENSION

Steering Gear Assembly (Wanda) – Maint.-Free Ball Joint	6-3
Steering Column – Utility	6-5
Intermediate Steering Shaft (Wanda) – Turf/CA 1/2/6	6-7

CONTENTS

Steering Wheel	6-9
Steering Wheel with Clip	6-11
Front Spindles and Hubs – Vehicles with Two-Wheel Brakes and Maintenance-Free Ball Joints	6-13
Front Suspension, Upper – Vehicles with Two-Wheel Brakes and Maintenance-Free Ball Joints	6-15
Front Suspension, Lower – Vehicles with Two-Wheel Brakes and Maintenance-Free Ball Joints	6-17
Heavy Duty Front Spindles for Maint.-Free Balljoints	6-19
Heavy Duty Front Springs	6-21
Rear Suspension – Gasoline Turf/CA 1	6-23
Rear Suspension – Electric Turf/CA 1	6-25

SECTION 7 – ELECTRICAL SYSTEM – GASOLINE VEHICLE

Wiring – Turf/Carryall 1 Gas with AMD Starter/Gen	7-3
Starter/Generator Assembly (Pedal-Start), Model 114-01-4009A	7-5
Starter/Generator Mounting – 114-0x-400xx Models	7-7
Operation and Maintenance Switch	7-9
Electrical Component Box – Turf/Carryall 1, 2, and 252	7-11
Forward/Reverse Shifter Switches – Dash Mounted Shifter	7-13
Battery – Gasoline Utility Vehicles	7-15

SECTION 8 – ENGINE (S27) W/O ACR, 50-STATE

FE350 Engine (S27) w/o ACR, Shrouds, and Brackets; 50-State	8-3
FE350 Engine (S27) – Ignition Components and Flywheel	8-5
FE350 Engine (S27) – Oil Circulation	8-7
FE350 Engine (S27) – Cylinder Head	8-9
FE350 Engine (S27) – Crankcase, Camshaft, and Oil Sensor	8-11
FE350 Engine (S27) – Crankcase and Crankshaft	8-13
FE350 Engine (S27) – Mounting	8-15

SECTION 9 – FUEL, INTAKE, AND GOVERNOR SYSTEMS

Fuel System, 50-State	9-3
Carbon Canister – To Mid-2011 Model Year	9-5
Carbon Canister – From Mid-2011 Model Year	9-7
Carburetor Assembly – FE350 S27	9-9
Carburetor Mounting, Utility, FE350 S23 S24 S27	9-11
Governor and Accelerator Cables	9-13
Air Intake Duct and Choke Button – Turf/Carryall 1	9-15
Air Filter and Intake Hose	9-17

CONTENTS

SECTION 10 – EXHAUST SYSTEM

Exhaust System – FE350 Engine	10-3
-------------------------------------	------

SECTION 11 – DRIVE BELT AND CLUTCHES

Drive Belt	11-3
Drive Clutch – Turf/Carryall 1, 2, and 252	11-5
Driven Clutch – Turf/Carryall 1, 2, and 252	11-7

SECTION 12 – UNITIZED TRANSAXLE – GASOLINE VEHICLES

Forward/Reverse Shifter	12-3
Shifter Cable – Turf/Carryall 1	12-5
Kawasaki Transaxle – Gear Cases and Brackets	12-7
Kawasaki Transaxle – F&R Transmission and Gear Reduction	12-9
Kawasaki Transaxle – Differential and Axles	12-11
Graziano Transaxle – Gear Cases and Levers	12-13
Graziano Transaxle – F&R Transmission and Gear Reduction	12-15
Graziano Transaxle -Differential and Axles	12-17

SECTION 13 – ELECTRICAL SYSTEM – ELECTRIC VEHICLES

Motor Controller Output Regulator (MCOR)	13-3
Wiring – Turf/CA 1 Electric	13-5
Battery Charger Receptacle	13-7
Tow/Run Switch – IQ System	13-9
Batteries, 8-Volt, Crown	13-11
Batteries, 8-volt, JCI	13-13
Computer, Controller, and Solenoid – For Crown and JCI Batteries	13-15
CE Compliance Kit – Turf and Carryall 1	13-17

SECTION 14 – ELECTRIC MOTOR

Motor (Model EJ8-4001A) – Electric Vehicle	14-3
--	------

SECTION 15 – TRANSAXLE – ELECTRIC VEHICLES

Transaxle – Electric Vehicles	15-3
Differential Guard – Electric Vehicles	15-5

SECTION 16 – BATTERY CHARGERS

PowerDrive 3 Battery Charger (Model 26580-31,-38,-39), Domestic	16-3
---	------

CONTENTS

PowerDrive Battery Charger (Models 17930-11,-18,-19), Domestic	16-5
PowerDrive Battery Charger (Models 18780-11,-18), Export	16-7
PowerDrive Battery Charger (Models 20310-11,-18), European	16-9
PowerDrive Battery Charger (Models 20310-11,-18) with Square Ammeter, European	16-11
Onboard PowerDrive Battery Charger (Model 19770-98), Domestic	16-13
Onboard PowerDrive Battery Charger (Model 19710), International	16-15

SECTION 17 – MAINTENANCE AND SERVICE TOOLS

Maintenance and Service Tools	17-3
Maintenance and Service Tools, Continued	17-5
Maintenance and Service Tools, Continued	17-7

SECTION i – INDEX

BODY AND TRIM

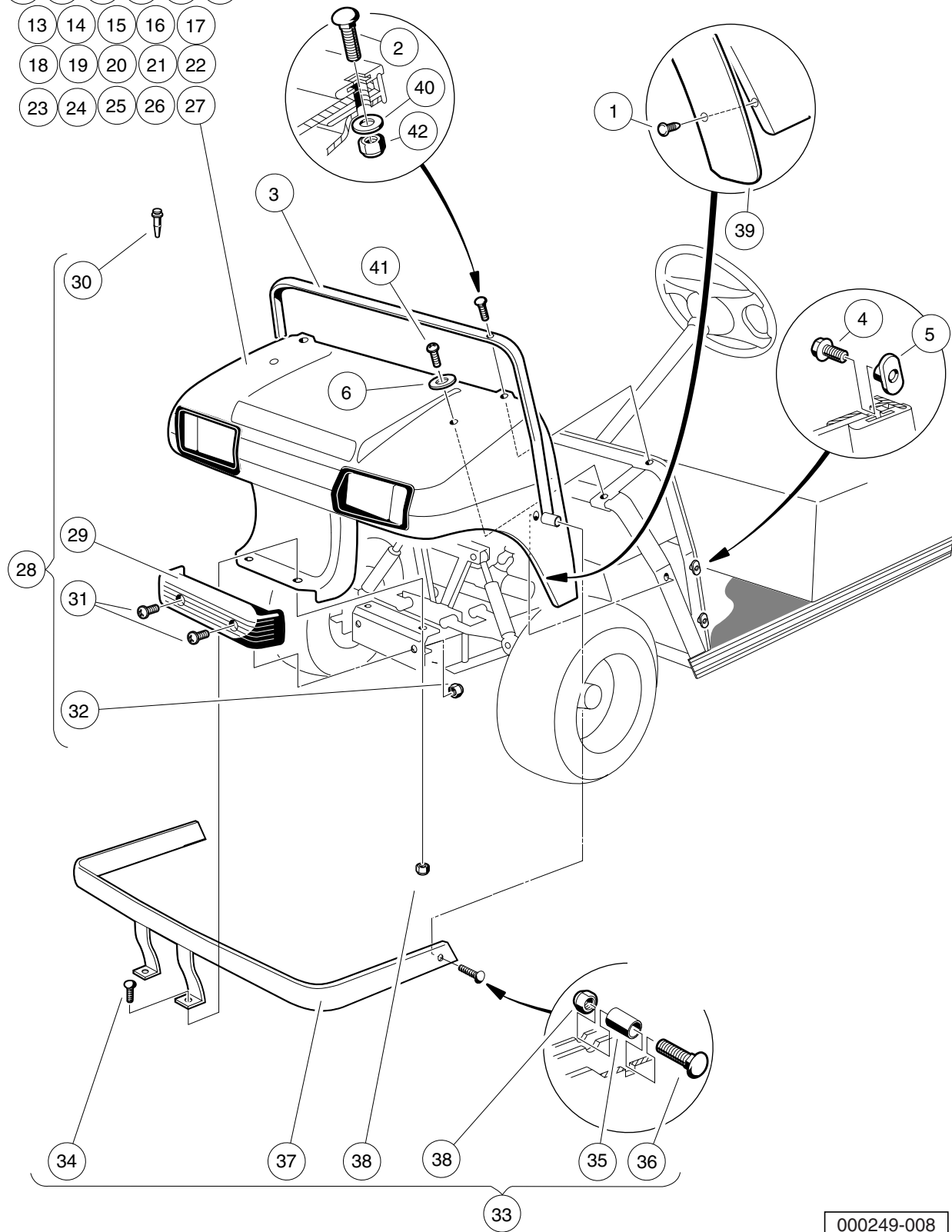
1

G

E

1
G
E

- 7 8 9 10 11 12
- 13 14 15 16 17
- 18 19 20 21 22
- 23 24 25 26 27



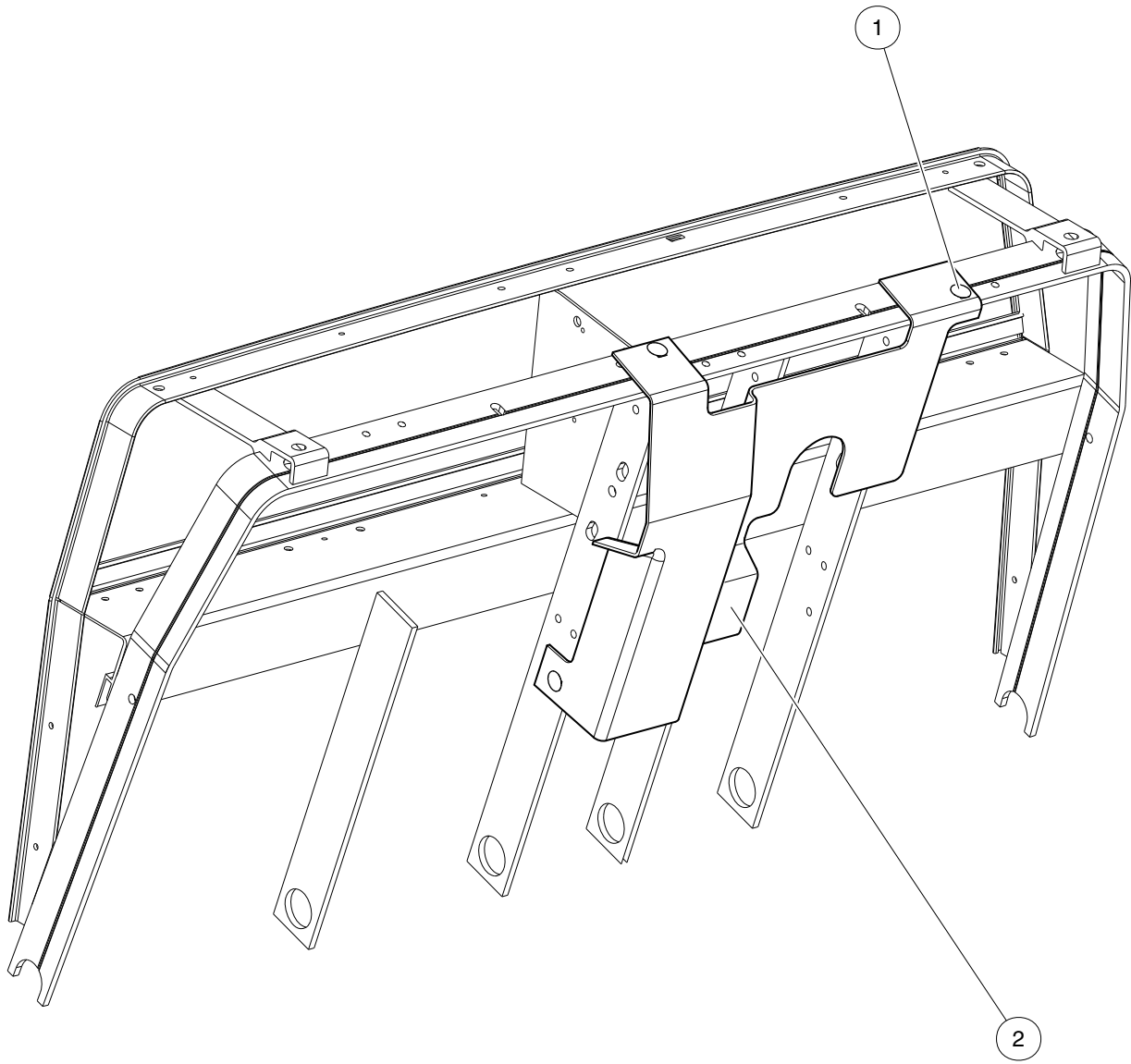
000249-008

FRONT BODY AND TRIM – TURF, UTILITY, & TRANSPORTATION

ITEM	PART NO.	DESCRIPTION	QTY
		1 2 3 4	
1	1010434	Barrel - Plastic	12
2	1010435	Bolt, Carriage, 5/16-18 X 1.00	2
3	1011014	Trim, Cowl	1
4	1011017	Screw, #8-32 X 0.375	6
5	1011394	T-Nut Package (Set of 4)	1
6	1015075	Washer, 5/16 Flat Type A	2
7	101692501	Cowl, TPO, Beige	1
8	101692502	Cowl, TPO, White	1
9	101692504	Cowl, Tpo -gray	1
10	101692506	Cowl, TPO, Red	1
11	101692509	Cowl, TPO, Pacific Blue (Royal Blue)	1
12	101692510	Cowl, TPO, Dark Green	1
13	101692511	Cowl, TPO, Black	1
14	101692512	Cowl, TPO, Classic Blue (Navy)	1
15	101692513	Cowl, TPO, Burgundy	1
16	101692514	Cowl, TPO, Dark Gray	1
17	101692515	Cowl, TPO, Safety Yellow	1
18	101693901	Cowl with Headlight Opening, TPO, Beige	1
19	101693902	Cowl with Headlight Opening, TPO, White	1
20	101693904	Cowl with Headlight Opening, TPO, Gray	1
21	101693906	Cowl with Headlight Opening, TPO, Red	1
22	101693909	Cowl with Headlight Opening, TPO, Dark Green	1
23	101693910	Cowl with Headlight Opening, TPO, Black	1
24	101693911	Cowl with Headlight Opening, TPO, Classic Blue (Navy)	1
25	101693912	Cowl with Headlight Opening, TPO, Burgundy	1
26	101693913	Cowl with Headlight Opening, TPO, Dark Gray	1
27	101693914	Cowl with Headlight Opening, TPO, Safety Yellow	1
28	1017080	Kit, Front Bumper (includes items 29 through 32)	1
29	1016868	Front Bumper	1
30	1016967	Blind Rivet, Push Type	2
31	7251	Screw, 5/16-18 x 1.0 Truss-Head	2
32	7473	Locknut, 5/16-18 Nylon Insert	2
33	101734802	Kit, Heavy-Duty Bumper (includes items 34 through 38)	1
34	1010435	Bolt, Carriage, 5/16-18 X 1.00	2
35	1010546	Spacer	2
36	1015405	Bolt, Carriage, 5/16-18 X 2.0	2
37	N/A	Weldment, Heavy Duty Bumper	1
38	7473	Locknut, 5/16-18 Nylon Insert	4
39	101870401	Fender Extrusion	2
40	1241	Washer, 5/16 Type A Flat	2
41	7251	Screw, 5/16-18 x 1.0 Truss-Head	2
42	7473	Locknut, 5/16-18 Nylon Insert	2

1
G
E

1
G
E



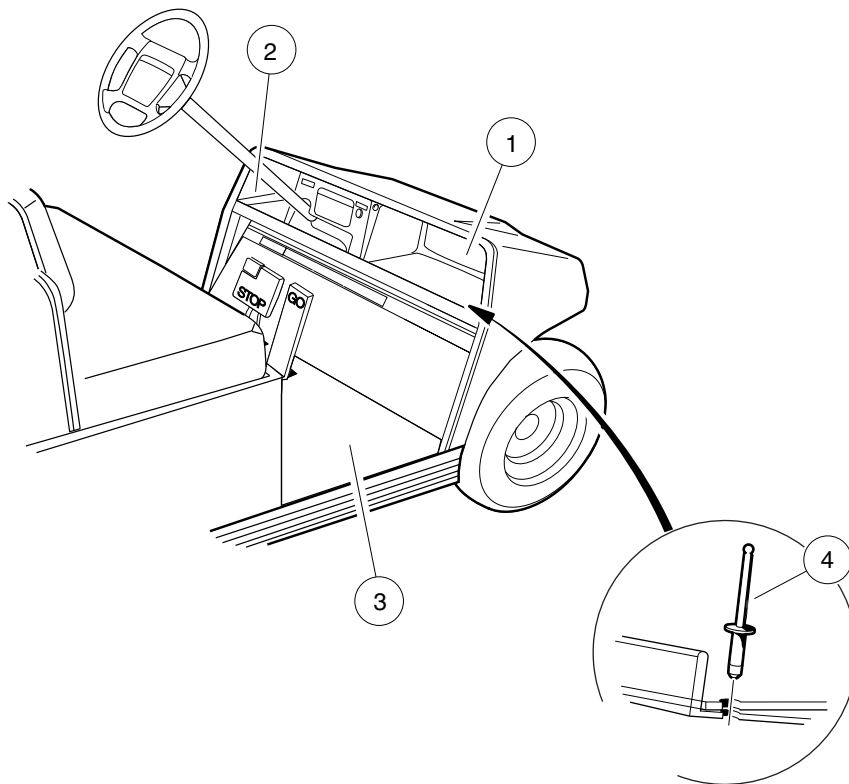
000593-002

SPLASH GUARD – GASOLINE VEHICLES ONLY

ITEM	PART NO.	DESCRIPTION	QTY
1	1010434	1 2 3 4 Barrel - Plastic	3
2	103174401	Splash Guard	1

1
G
E

1
G
E



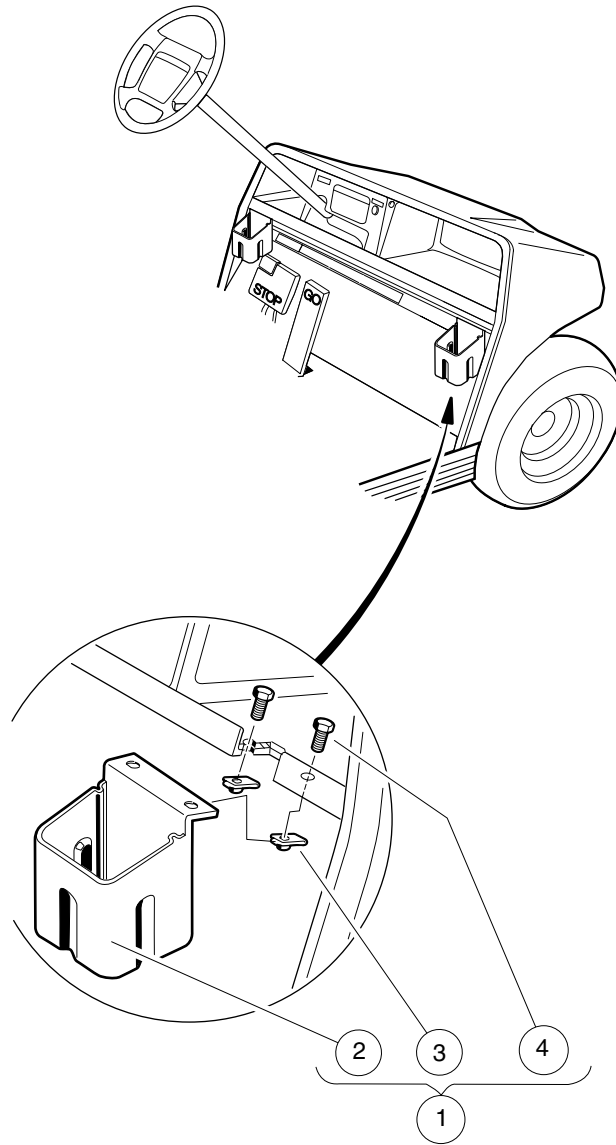
000252-002

DASH POCKETS AND FLOORMAT

ITEM	PART NO.	DESCRIPTION	QTY
		1 2 3 4	
1	1013343	Dash Component, Passenger-Side, Black	1
2	1013344	Dash Component, Driver-Side	1
3	101503202	Floormat	1
4	7973	Rivet, 3/16 X .400 Blind	5

1
G
E

1
G
E



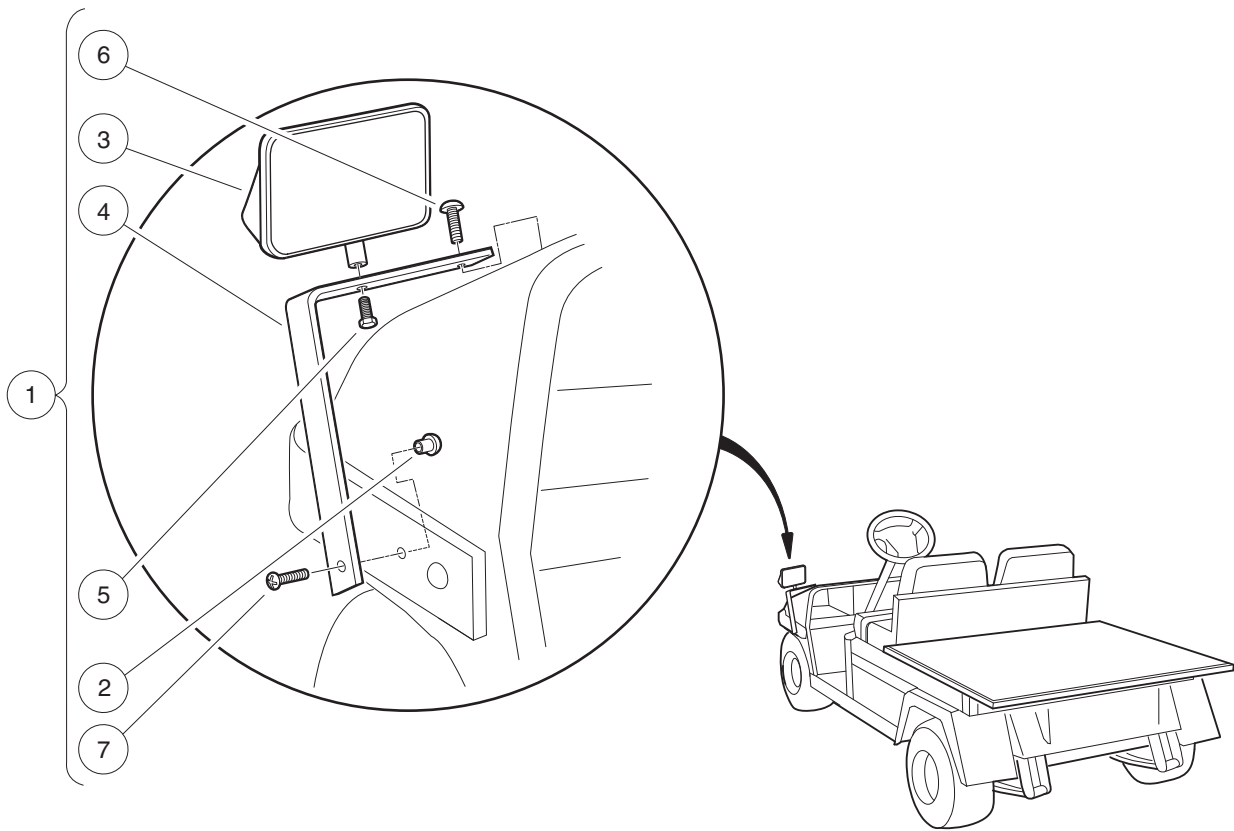
000253-001

BEVERAGE HOLDER

ITEM	PART NO.	DESCRIPTION	QTY
		1 2 3 4	
1	1013422	Cup Holder Kit (includes items 2 through 4)	2
2	1013420	Holder, Single Cup	1
3	1016952	U-Nut, 1/4-20	2
4	7847	Screw, 1/4-20 X 0.75 Hex-Head Cap	2

1
G
E

1
G
E



001211-001

MIRROR, REAR-VIEW – WITHOUT CAB

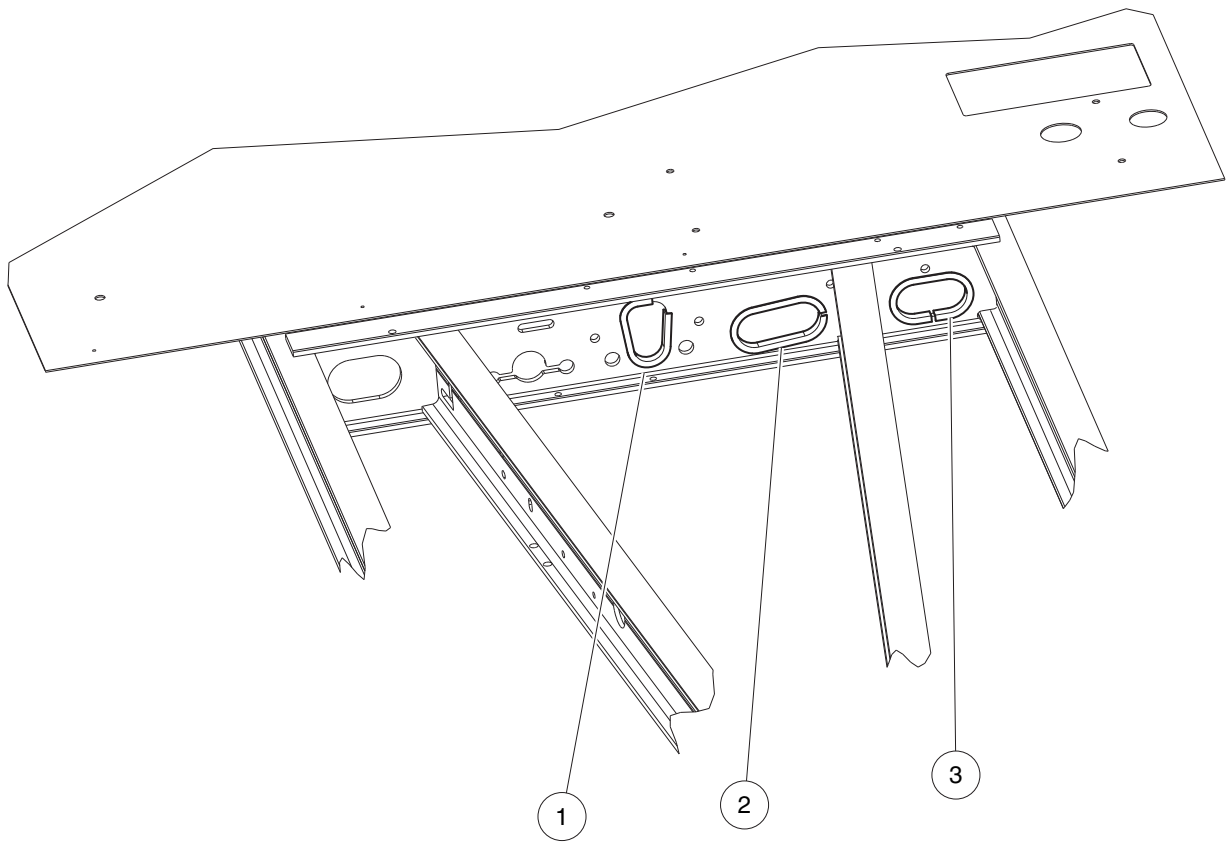
ITEM	PART NO.	DESCRIPTION	QTY
		1 2 3 4	
1	1013846	Kit, Rear Mirror, West Coast (includes items 2 through 7)	1
2	1011878	T-nut, 1/4-20 X .310 Capped	1
3	1013824	Rear View Mirror	1
4	1013825	Mirror Mounting Bracket	1
5	7173	Screw, 5/16-18 X 0.75, Hex-Head Cap	1
6	7251	Screw, 5/16-18 x 1.0 Truss-Head	1
7	8248	Screw, 1/4-20 X 0.75, Truss-Head Machine	1
		Note: To install this kit, vehicle must be equipped with a heavy-duty front bumper.	

1
G
E

1

G

E



001221-001

GROMMETS, CHASSIS

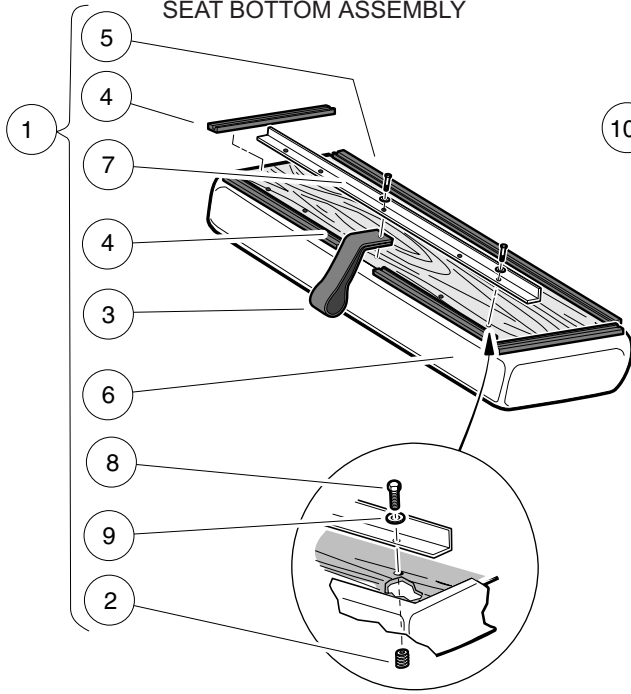
ITEM	PART NO.	DESCRIPTION	QTY
		1 2 3 4	
1	101806001	I-beam Grommet - 5.5	A/R
2	101806002	I-beam Grommet - 7.5	A/R
3	101806005	I-beam Grommet - 6.75	A/R

1

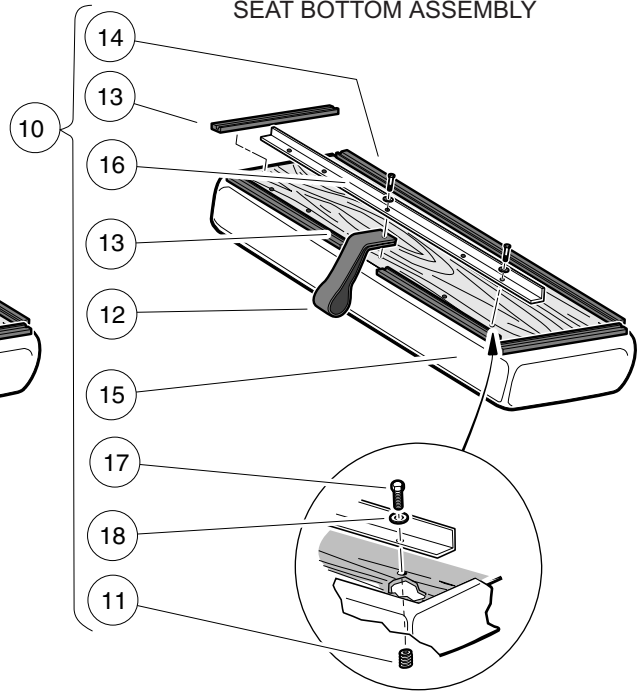
G

E

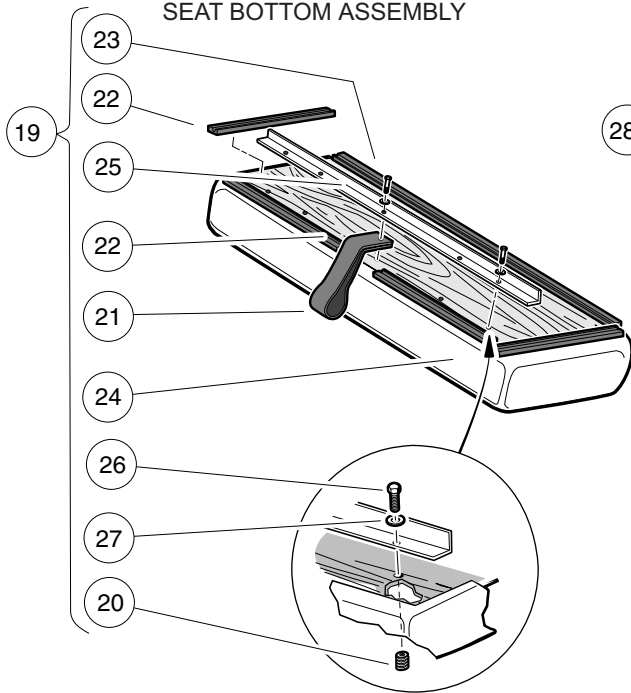
BEIGE
SEAT BOTTOM ASSEMBLY



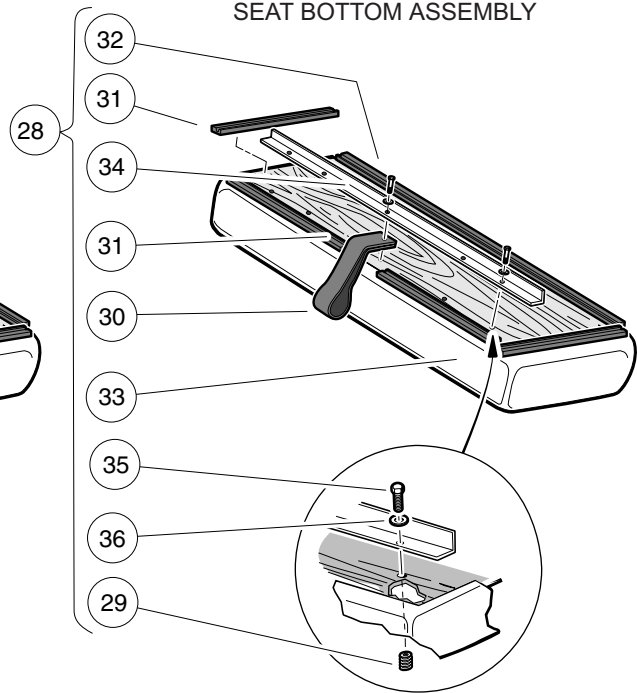
WHITE
SEAT BOTTOM ASSEMBLY



BLACK
SEAT BOTTOM ASSEMBLY



GRAY
SEAT BOTTOM ASSEMBLY



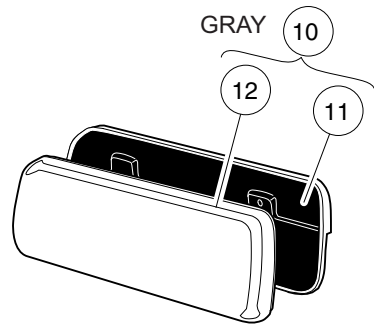
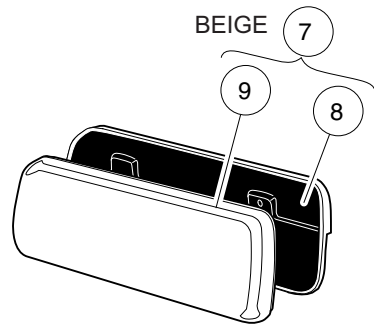
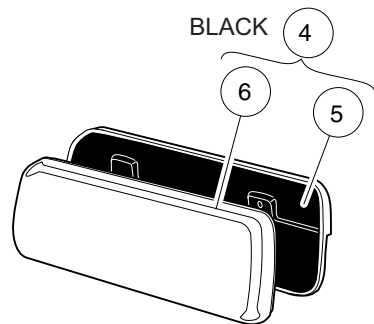
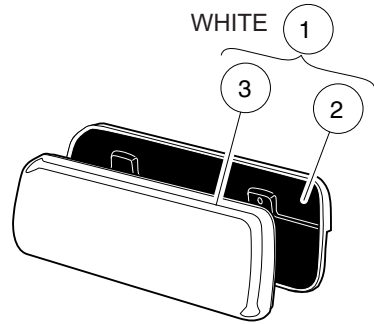
000254-001

SEAT BOTTOM

ITEM	PART NO.	DESCRIPTION	QTY
		1 2 3 4	
1	101564501	Seat Bottom Assembly, Beige (includes items 2 through 9)	1
2	1010543	Insert - Wood	5
3	1013309	Strap, Utility Seat	1
4	1013311	Bumper, Seat, Short	4
5	1013312	Bumper, Seat, Long	1
6	101562711	Vinyl Cover, Seat Bottom, Buff	1
7	101894303	Stiffener	1
8	101954301	Screw, 1/4-20 X 0.75 Hex-Head Cap	5
9	332	Washer, 1/4 Type A Narrow Flat	5
10	101564502	Seat Bottom Assembly, White (includes items 11 through 18)	1
11	1010543	Insert - Wood	5
12	1013309	Strap, Utility Seat	1
13	1013311	Bumper, Seat, Short	4
14	1013312	Bumper, Seat, Long	1
15	101562712	Vinyl Cover, Seat Bottom, White	1
16	101894303	Stiffener	1
17	101954301	Screw, 1/4-20 X 0.75 Hex-Head Cap	5
18	332	Washer, 1/4 Type A Narrow Flat	5
19	101564503	Seat Bottom Assembly, Black (includes items 20 through 27)	1
20	1010543	Insert - Wood	5
21	1013309	Strap, Utility Seat	1
22	1013311	Bumper, Seat, Short	4
23	1013312	Bumper, Seat, Long	1
24	101562714	Vinyl Cover, Seat Bottom, Black	1
25	101894303	Stiffener	1
26	101954301	Screw, 1/4-20 X 0.75 Hex-Head Cap	5
27	332	Washer, 1/4 Type A Narrow Flat	5
28	101564505	Seat Bottom Assembly, Gray (includes items 29 through 36)	1
29	1010543	Insert - Wood	5
30	1013309	Strap, Utility Seat	1
31	1013311	Bumper, Seat, Short	4
32	1013312	Bumper, Seat, Long	1
33	101562715	Vinyl Cover, Seat Bottom, Gray	2
34	101894303	Stiffener	1
35	101954301	Screw, 1/4-20 X 0.75 Hex-Head Cap	5
36	332	Washer, 1/4 Type A Narrow Flat	5

1
G
E

1
G
E

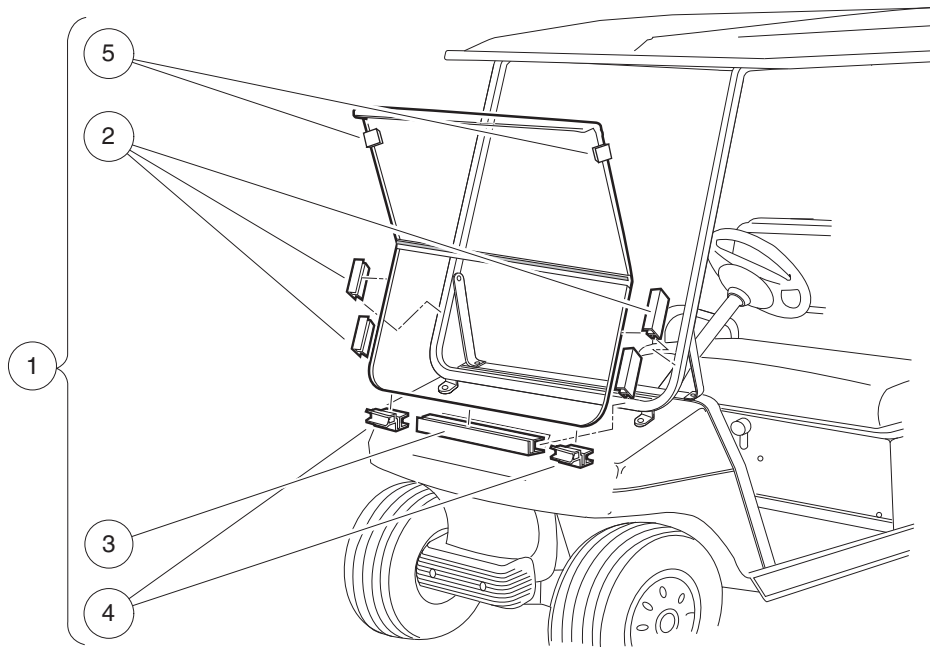


000608-001

SEAT BACK ASSEMBLY

ITEM	PART NO.	DESCRIPTION	QTY
		1 2 3 4	
1	101677701	Seat Back Assembly, White (includes items 2 and 3)	1
2	1016751	Cap, Seat Back	1
3	101675512	Vinyl Seat Back, White	1
4	101677702	Seat Back Assembly, Black (includes items 5 and 6)	1
5	1016751	Cap, Seat Back	1
6	101675514	Vinyl Seat Back, Black	1
7	101677703	Seat Back Assembly, Beige (includes items 8 and 9)	1
8	1016751	Cap, Seat Back	1
9	101675511	Vinyl Seat Back, Beige	1
10	101677705	Seat Back Assembly, Gray (includes items 11 and 12)	1
11	1016751	Cap, Seat Back	1
12	101675515	Vinyl Seat Back-nstd Svc	1

1
G
E



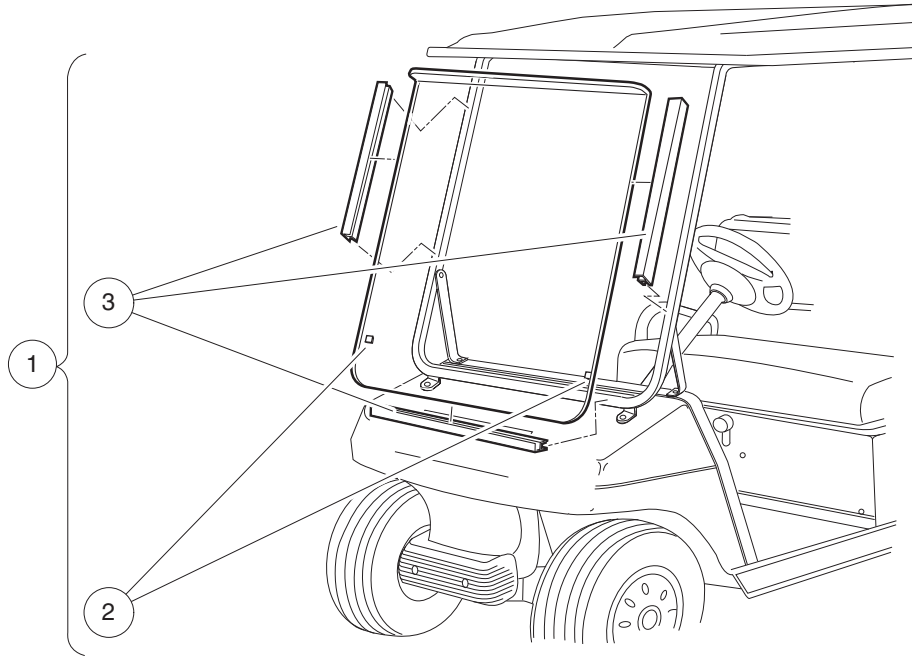
001205-001

WINDSHIELD, HINGED

ITEM	PART NO.	DESCRIPTION	QTY
		1 2 3 4	
1	101728602	Hinged Windshield Kit (includes items 2 through 5)	1
2	102005701	5" Plastic Extrusion	4
3	102163001	Windshield Channel	1
4	102163101	Channel with Receiver Clip	2
5	N/A	Clip, Release	2

1
G
E

1
G
E



001204-001

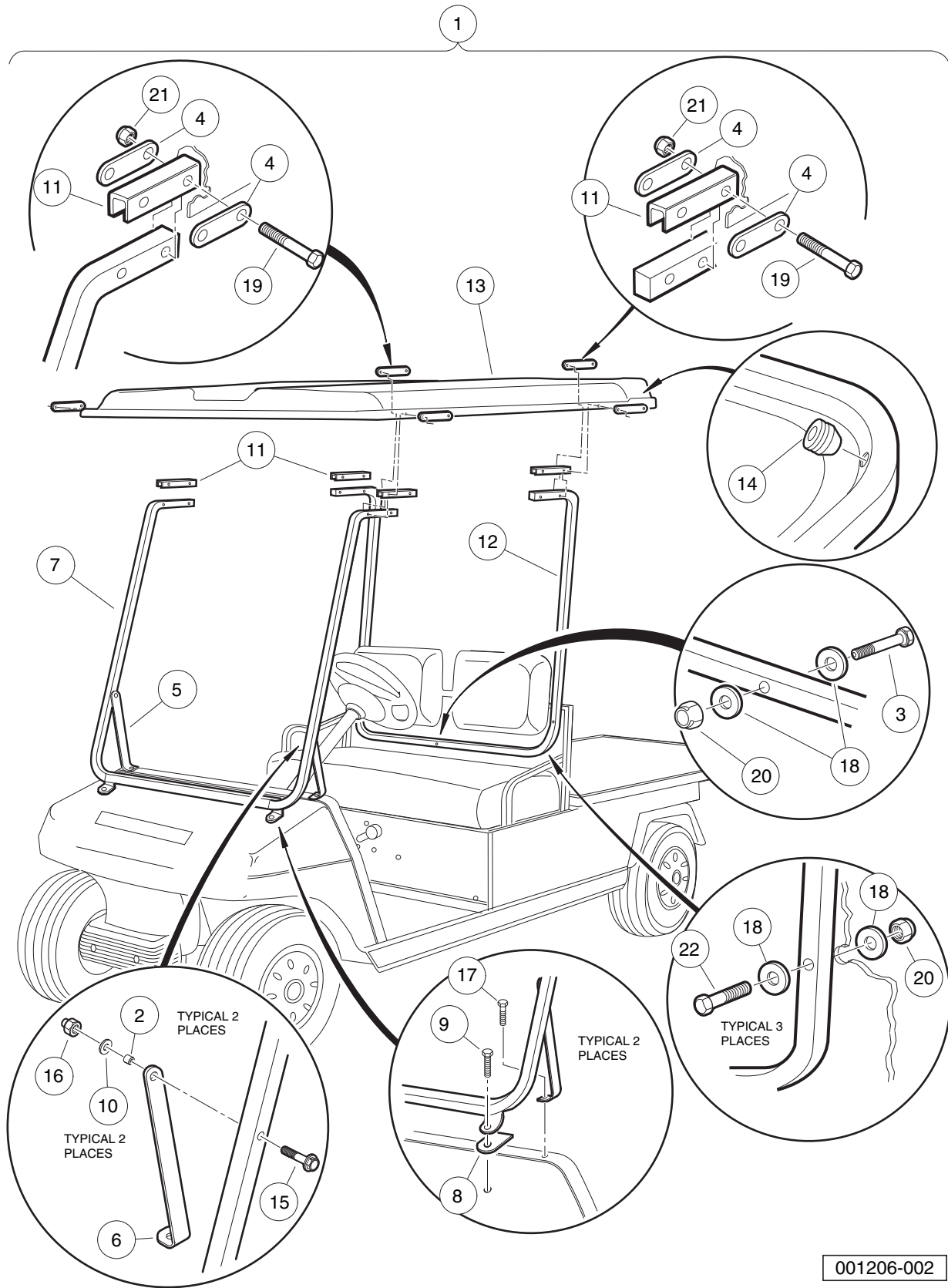
WINDSHIELD, NON-HINGED

ITEM	PART NO.	DESCRIPTION	QTY
		1 2 3 4	
1	1014435	Windshield Tinted One-Piece (includes items 2 and 3)	1
2	1011897	Bumper, Protective	2
3	101444101	21" Plastic Extrusion	3

1

G

E

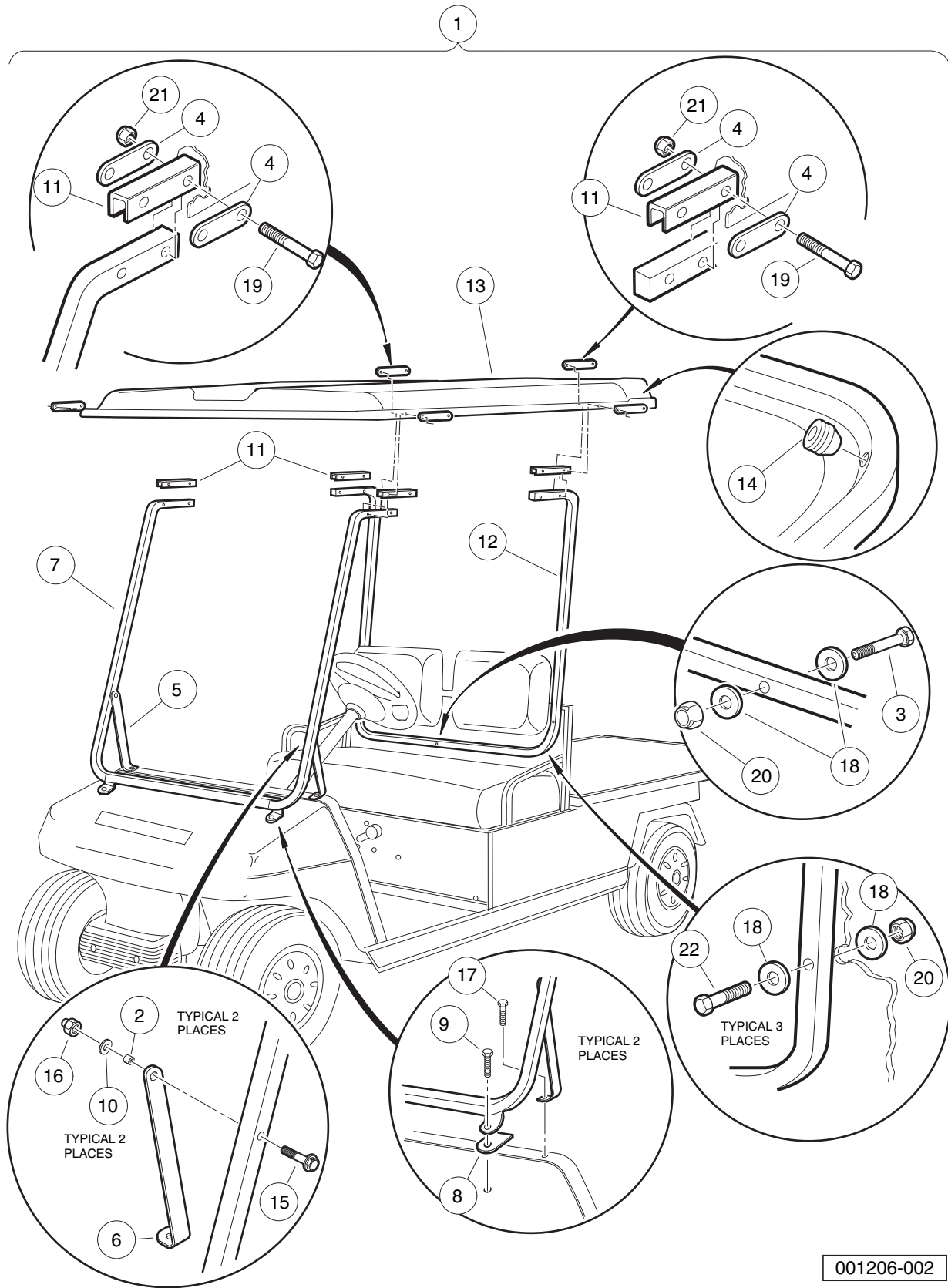


001206-002

CANOPY KIT, WHITE

ITEM	PART NO.	DESCRIPTION	QTY
		1 2 3 4	
1	1014506	Kit, Canopy, White (includes items 2 through 22)	1
2	1010237	Bushing	2
3	1010921	Screw, 5/16-18 X 2.50 Hex Cap	1
4	1011852	Plate, Canopy Trim	8
5	1011862	Brace, Right-Hand Canopy Mount Knee	1
6	1011865	Brace, Left-Hand Canopy Mount Knee	1
7	1011868	Weldment, Windshield Frame	1
8	1011883	Pad, Windshield Frame Mounting	2
9	1011937	Bolt, 5/16-18 X 1.25 Hex Head	2
10	1011964	Washer, 1/4 Flat	2
11	1012008	Support, Side Canopy	4
12	1014503	Brace, Rear Canopy	1
13	1014509	Canopy, White (includes item 14)	1
14	1011942	Modified Grommet	2
15	102076702	1/4-20 X 1.75 Hex Sems Blk	2
16	102242401	Nut - Nylon Insert W/cap	2
17	1218	Screw, 5/16-18 X 1.25 Hex-Head Cap	2
18	1241	Washer, 5/16 Type A Flat	6
19	7311	Screw, 1/4-20 X 2.00 Hex-Head Cap	8
20	7473	Locknut, 5/16-18 Nylon Insert	3
21	8233	Locknut, 1/4-20, Nylon Insert	8
22	8963	Screw, 5/16-18 X 1.75 Hex-Head Cap	3

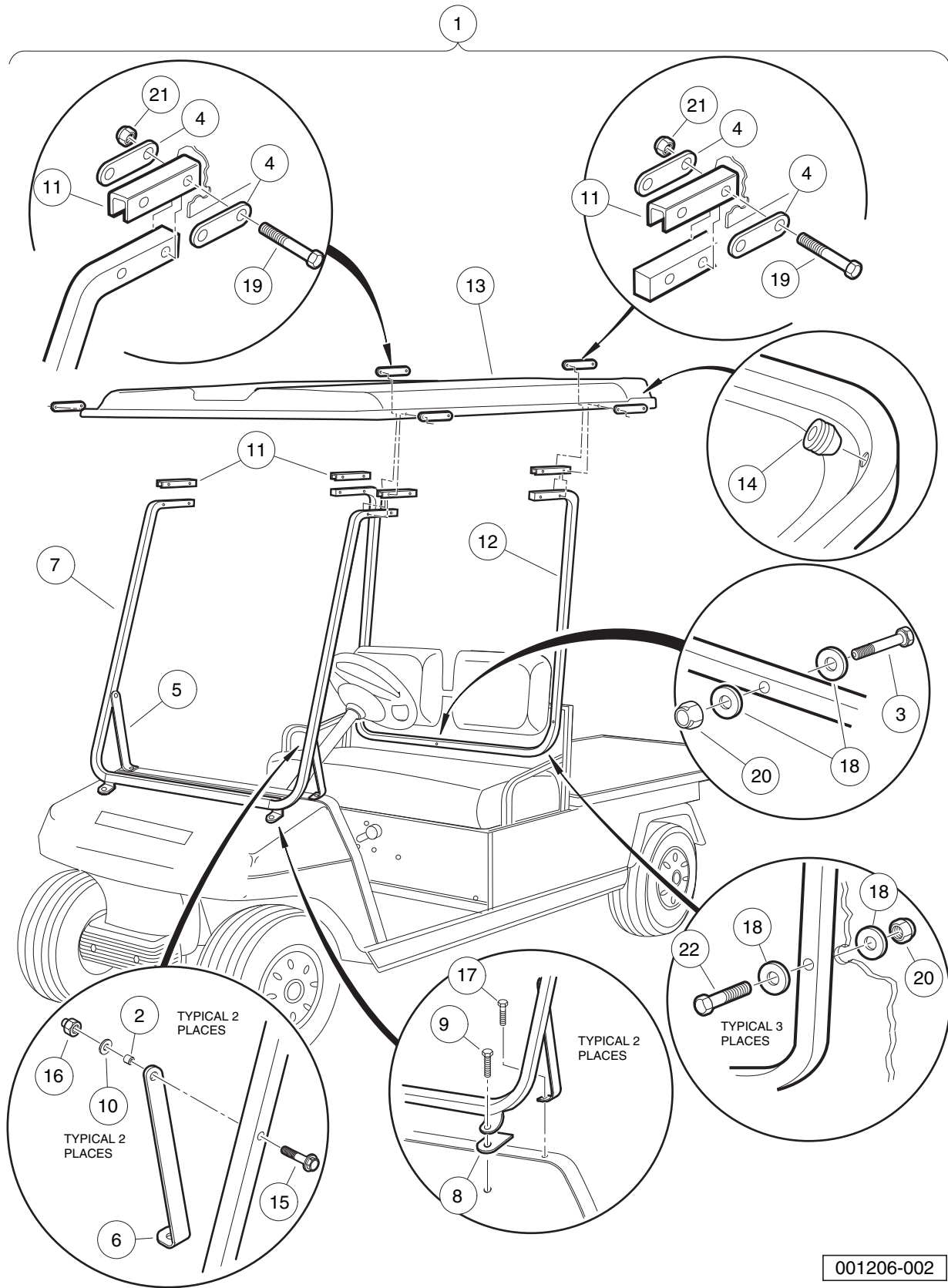
1
G
E



CANOPY KIT, BEIGE

ITEM	PART NO.	DESCRIPTION	QTY
		1 2 3 4	
1	101450698	Kit, Canopy, Beige, Ca1/2 (includes items 2 through 22)	1
2	1010237	Bushing	2
3	1010921	Screw, 5/16-18 X 2.50 Hex Cap	1
4	1011852	Plate, Canopy Trim	8
5	1011862	Brace, Right-Hand Canopy Mount Knee	1
6	1011865	Brace, Left-Hand Canopy Mount Knee	1
7	1011868	Weldment, Windshield Frame	1
8	1011883	Pad, Windshield Frame Mounting	2
9	1011937	Bolt, 5/16-18 X 1.25 Hex Head	2
10	1011964	Washer, 1/4 Flat	2
11	1012008	Support, Side Canopy	4
12	1014503	Brace, Rear Canopy	1
13	101450903	Asm, Canopy, Beige (includes item 14)	1
14	1011942	Modified Grommet	2
15	102076702	1/4-20 X 1.75 Hex Sems Blk	2
16	102242401	Nut - Nylon Insert W/cap	2
17	1218	Screw, 5/16-18 X 1.25 Hex-Head Cap	2
18	1241	Washer, 5/16 Type A Flat	6
19	7311	Screw, 1/4-20 X 2.00 Hex-Head Cap	8
20	7473	Locknut, 5/16-18 Nylon Insert	3
21	8233	Locknut, 1/4-20, Nylon Insert	8
22	8963	Screw, 5/16-18 X 1.75 Hex-Head Cap	3

1
G
E

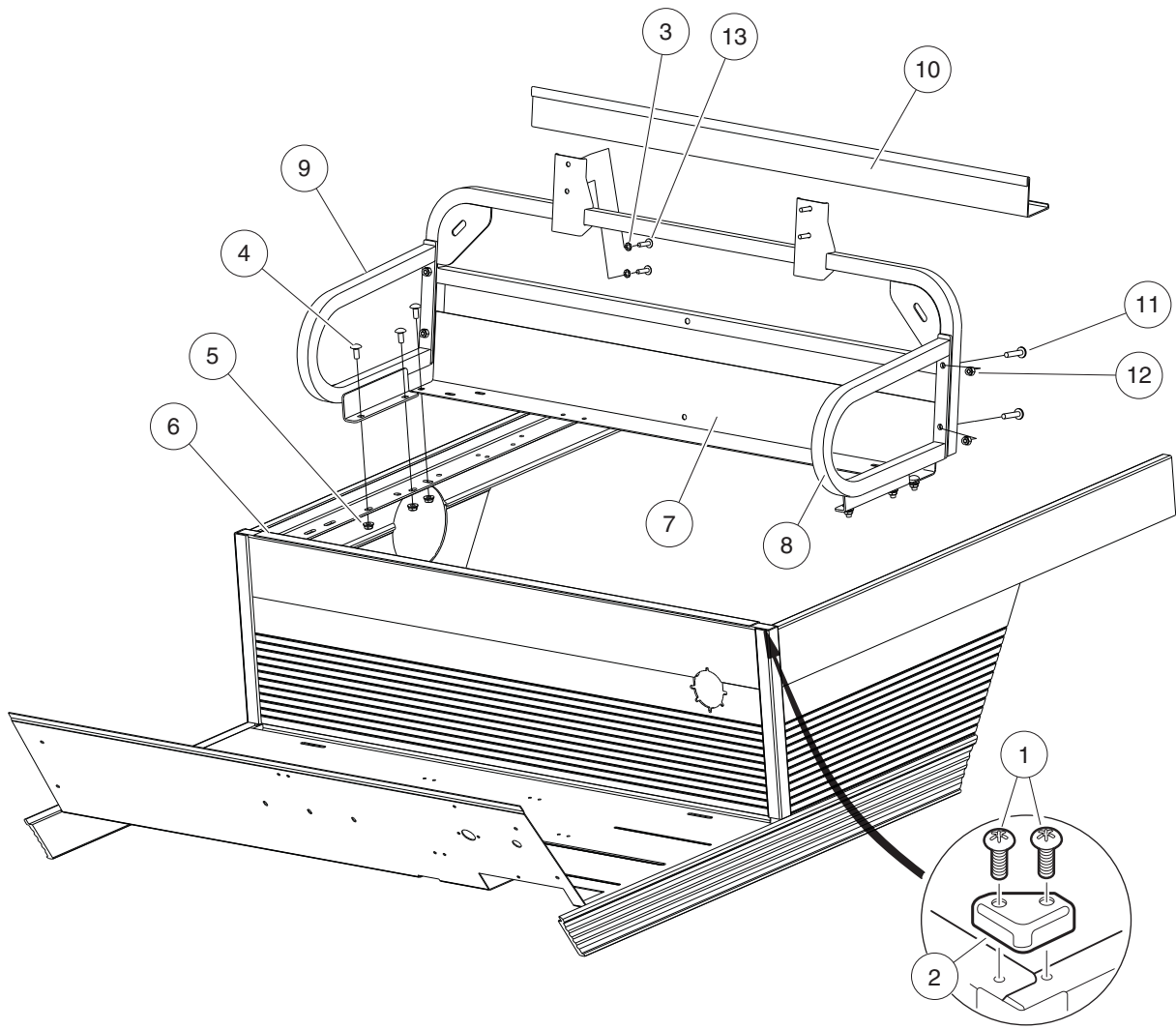


001206-002

CANOPY KIT, BLACK

ITEM	PART NO.	DESCRIPTION	QTY
		1 2 3 4	
1	102198501	Canopy Top Kit, Black (includes items 2 through 22)	1
2	1010237	Bushing	2
3	1010921	Screw, 5/16-18 X 2.50 Hex Cap	1
4	1011852	Plate, Canopy Trim	8
5	1011862	Brace, Right-Hand Canopy Mount Knee	1
6	1011865	Brace, Left-Hand Canopy Mount Knee	1
7	1011868	Weldment, Windshield Frame	1
8	1011883	Pad, Windshield Frame Mounting	2
9	1011937	Bolt, 5/16-18 X 1.25 Hex Head	2
10	1011964	Washer, 1/4 Flat	2
11	1012008	Support, Side Canopy	4
12	1014503	Brace, Rear Canopy	1
13	101450902	Asm, Canopy, Black (includes item 14)	1
14	1011942	Modified Grommet	2
15	102076702	1/4-20 X 1.75 Hex Sems Blk	2
16	102242401	Nut - Nylon Insert W/cap	2
17	1218	Screw, 5/16-18 X 1.25 Hex-Head Cap	2
18	1241	Washer, 5/16 Type A Flat	6
19	7311	Screw, 1/4-20 X 2.00 Hex-Head Cap	8
20	7473	Locknut, 5/16-18 Nylon Insert	3
21	8233	Locknut, 1/4-20, Nylon Insert	8
22	8963	Screw, 5/16-18 X 1.75 Hex-Head Cap	3

1
G
E



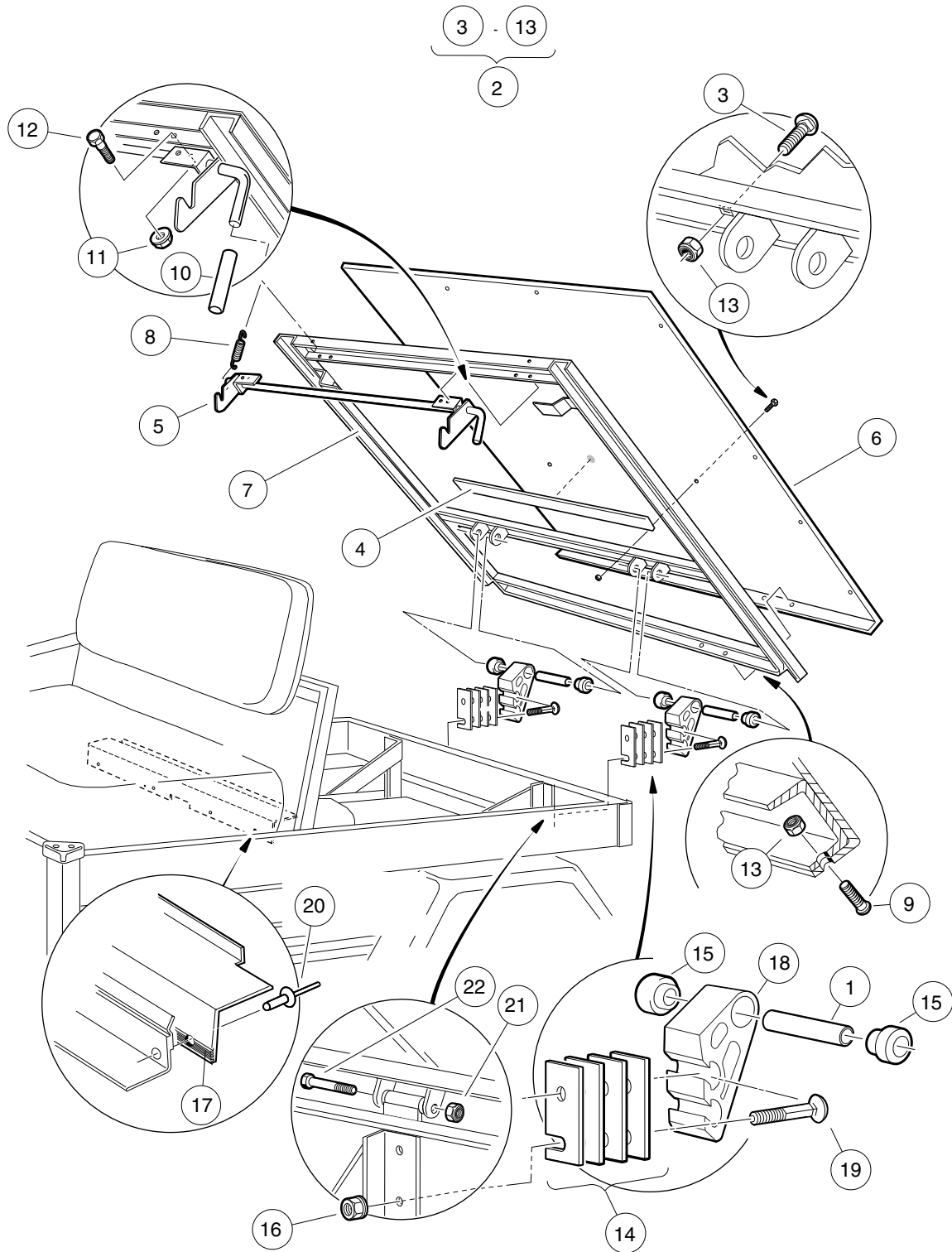
000603-004

HIP RESTRAINTS AND SEAT BACK MOUNTING

ITEM	PART NO.	DESCRIPTION	QTY
		1 2 3 4	
1	1014321	Screw, #10 Truss-Head Torx	4
2	1014387	Cap, Corner	2
3	101946201	Washer, Lock, 0.250 External-Tooth	4
4	101963301	Bolt, 5/16-18 X 0.75 Round-Head	6
5	101963401	Locknut, 5/16-18 Hex Flange	6
6	101964001	Trim, Seat Bottom Front	1
7	102966401	Seat Back, Tube	1
8	102966501	Hip Restraint, Left	1
9	102966502	Hip Restraint, Right	1
10	102989501	Seal, Bed, 41-Inch	1
11	103245201	Screw, 5/16-18 X 1.5, Tr Tx Hd	4
12	103245301	Nut, Hex, Cp, Mech Def, 5/16-1	4
13	8251	Screw, 1/4-20 X 1.0 Truss-Head Machine	4

1
G
E

1
G
E



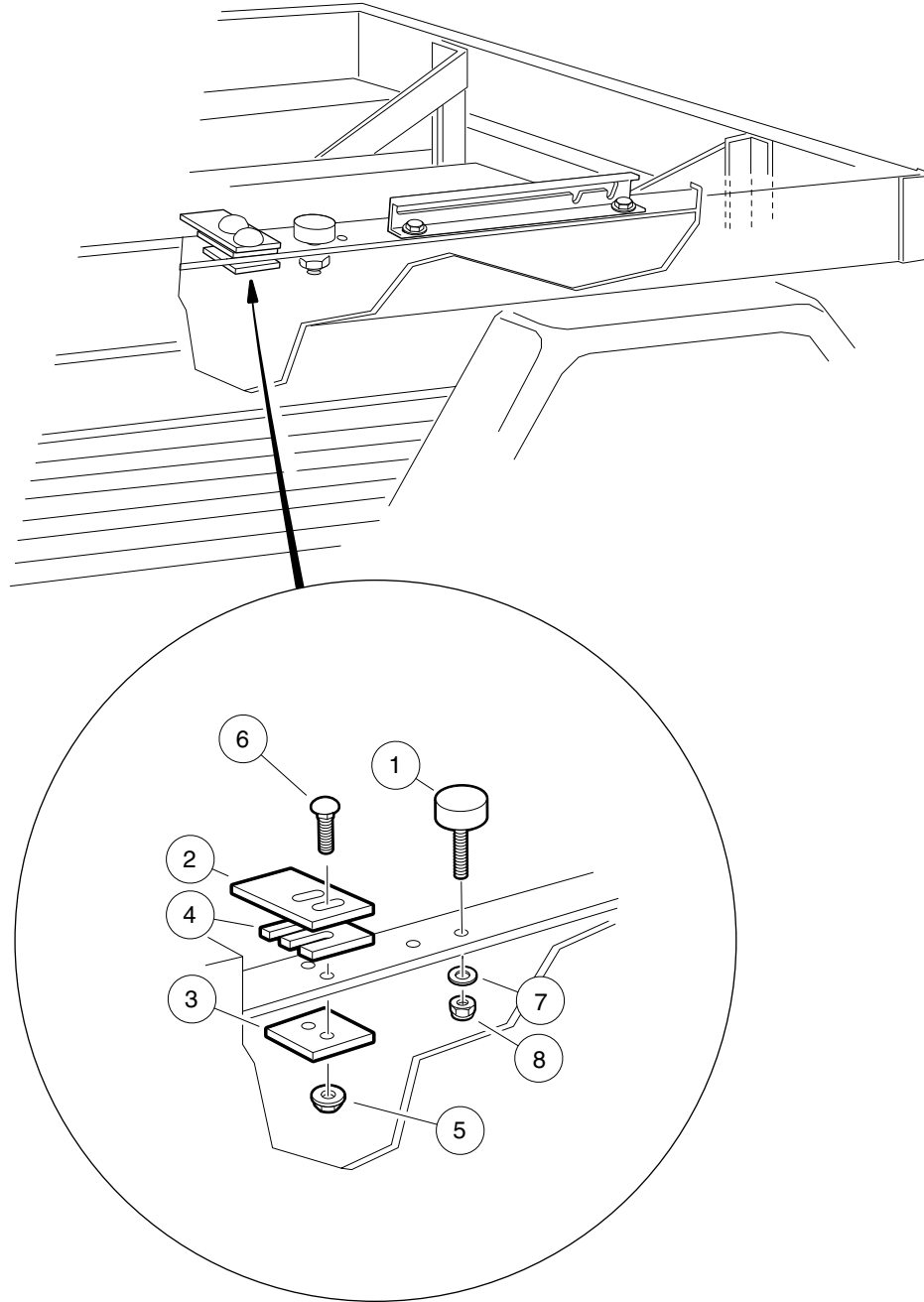
000256-003

TILT BED, EXTRUDED HINGE, AND LATCH

ITEM	PART NO.	DESCRIPTION	QTY
		1 2 3 4	
1	1012303	Bushing, Steel	2
2	1015427	Tilt Bed, Carryall 1 (includes items 3 through 13)	1
3	1010435	Bolt, Carriage, 5/16-18 X 1.00	2
4	1014471	Tape, Vinyl Foam 1/8" x 3/4"	1
5	1015252	Latch Weld Assembly	1
6	N/A	Plate, Floor, Carryall 1 Flat bed	1
7	N/A	Frame Assembly, Tilt Bed	1
8	1015391	Extension, Spring Latch	2
9	1015399	Screw, 5/16-18 X 0.88 Torx Truss-Head	4
10	1015400	Grip, Tilt Latch Hand	1
11	101835601	Locknut, 1/4-20 Hex Whiz	4
12	403	Screw, 1/4-20 X 0.625 Hex-Head Cap	4
13	7473	Locknut, 5/16-18 Nylon Insert	6
14	1015507	Shim, Tilt Bed Pivot	1
15	1015583	Bushing, Urethane	4
16	102065901	Locknut, 3/8-16 Flanged Dimple	4
17	102989501	Seal, Bed, 41-Inch	1
18	103538701	Bracket, Bed Hinge, Extruded	2
19	103538901	Bolt, Carriage, 3/8-16 x 3.5" Grade 5	4
20	7532	Rivet, 3/16 X 0.3125, Pop	4
21	8754	Locknut, 3/8-16 Hex	2
22	8755	Screw, 3/8-16 X 3.375 Hex Cap	2

1
G
E

1
G
E



000258-002

LATCH PLATE

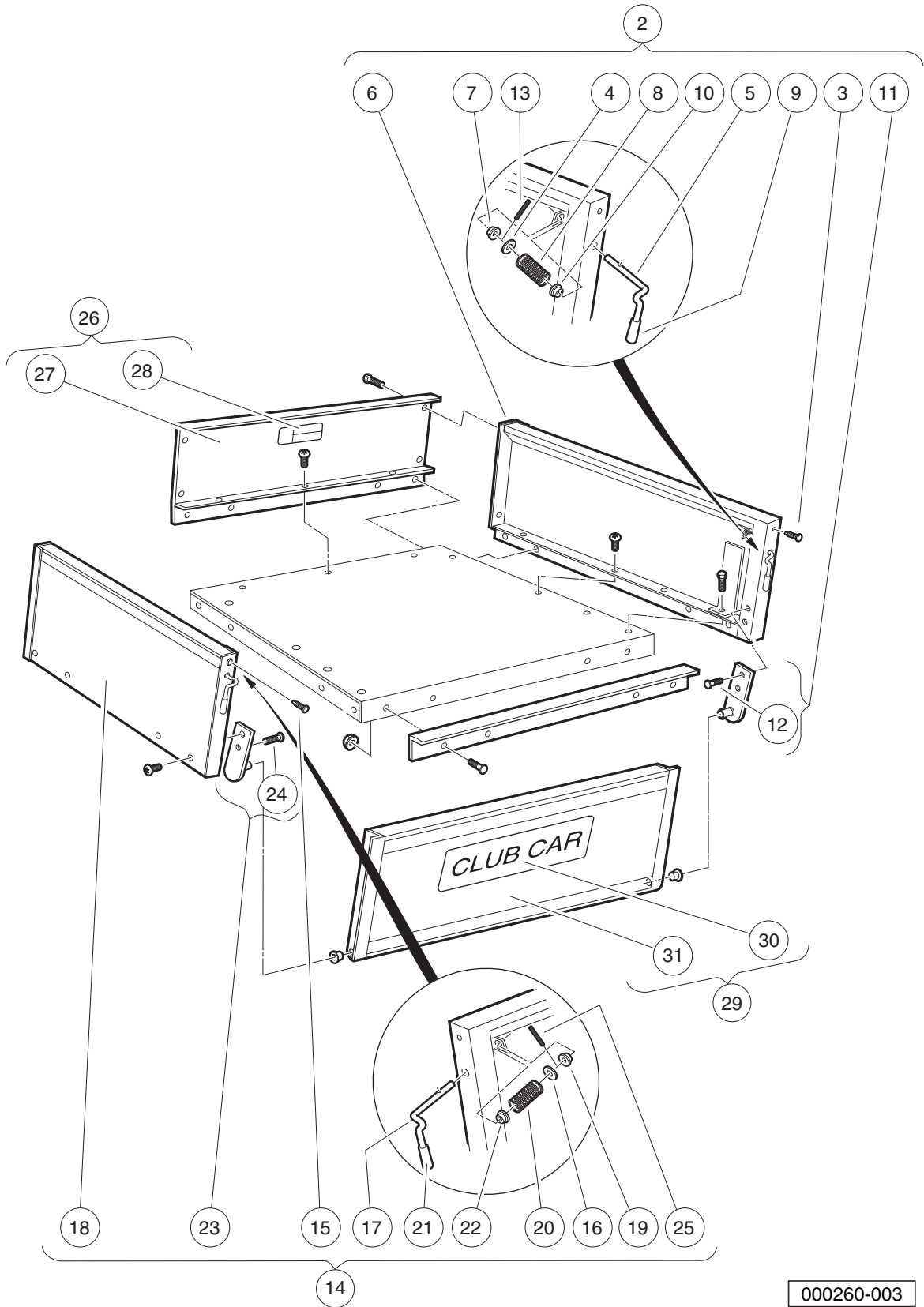
ITEM	PART NO.	DESCRIPTION	QTY
		1 2 3 4	
1	1010878	Bumper, Rubber	2
2	1015277	Latch Plate, Tilt Bed	2
3	1016060	Plate, Latch Support	2
4	1016078	Latch Plate Shim	A/R
5	101835601	Locknut, 1/4-20 Hex Whiz	4
6	101958601	Carriage Bolt, 1/4-20 X 0.75	4
7	332	Washer, 1/4 Type A Narrow Flat	4
8	8233	Locknut, 1/4-20, Nylon Insert	4

1

G

E

1
G
E



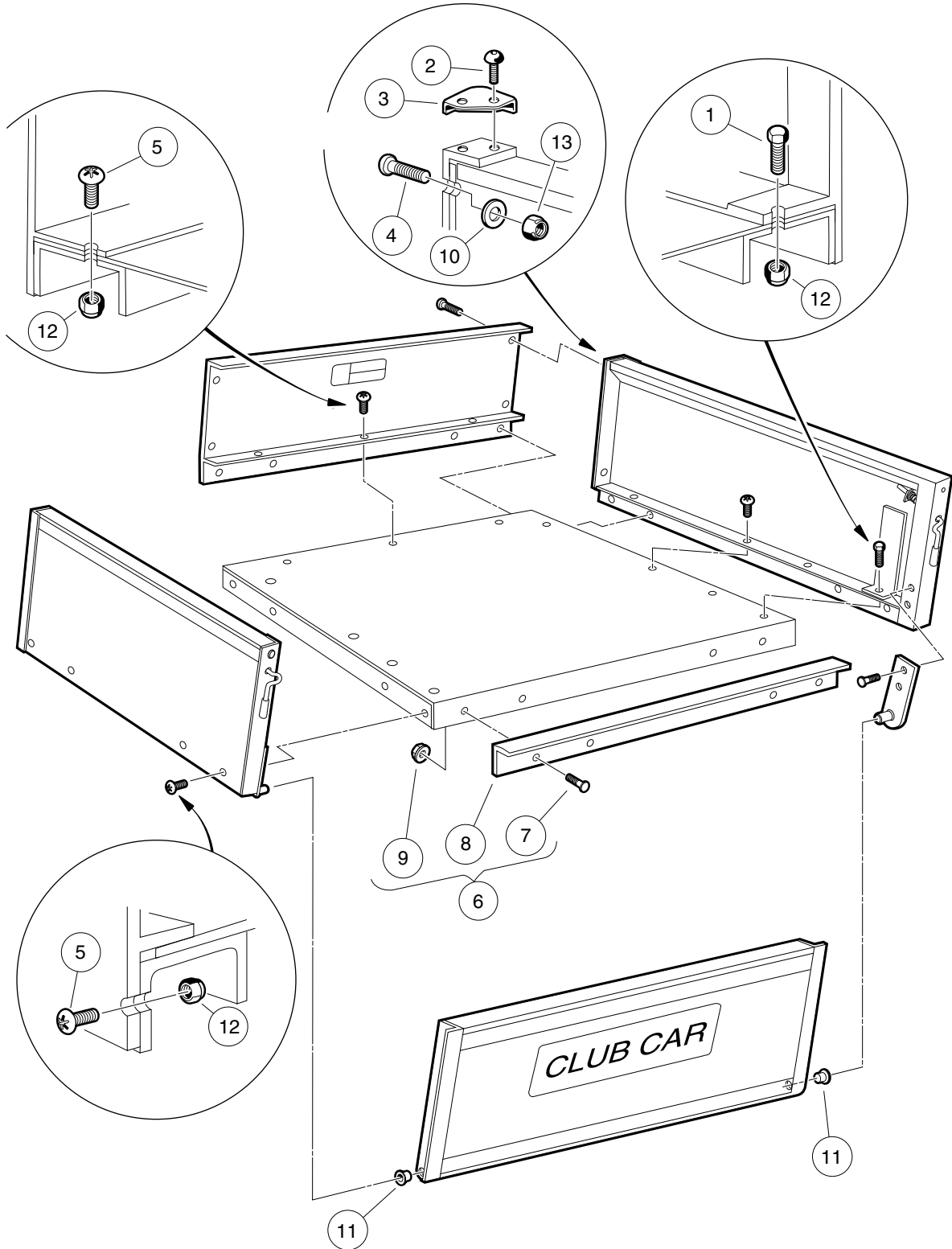
000260-003

CARGO BOX

ITEM	PART NO.	DESCRIPTION	QTY
		1 2 3 4	
1	1015606	Kit, Cargo Box (includes items 2 through 29)	1
2	1015365	Side Panel Assembly, Right-Hand (includes items 3 through 13)	1
3	1010434	Barrel - Plastic	1
4	1011990	Washer, 3/8 Flat	1
5	1015245	Latch, Tailgate, Right-Hand	1
6	N/A	Side-Panel Weldment, Right-Hand	1
7	1015363	Bushing, Snap-In	1
8	1015390	Compression Spring Latch Tilt	1
9	1015400	Grip, Tilt Latch Hand	1
10	1032	Bushing, Nylon	1
11	103406502	Kit, Tailgate Mounting Bracket, CA, RH (includes item 12)	1
12	103406601	Stud, 1/4 Self-clnchg Flush	2
13	1231	Pin, 1/8 X 1.00 Split Roll	1
14	1015367	Side Panel Assembly, Left-Hand (includes items 15 through 25)	1
15	1010434	Barrel - Plastic	1
16	1011990	Washer, 3/8 Flat	1
17	1015313	Latch, Tailgate, Left-Hand	1
18	N/A	Side-Panel Weldment	1
19	1015363	Bushing, Snap-In	1
20	1015390	Compression Spring Latch Tilt	1
21	1015400	Grip, Tilt Latch Hand	1
22	1032	Bushing, Nylon	1
23	103406501	Kit, Tailgate Mounting Bracket, CA, LH (includes item 24)	1
24	103406601	Stud, 1/4 Self-clnchg Flush	2
25	1231	Pin, 1/8 X 1.00 Split Roll	1
26	1015413	Assembly, Front Panel (includes items 27 and 28)	1
27	N/A	Front Panel Box	1
28	101553901	Decal, Bed Load Warning	1
29	1015414	Assembly, Tailgate (includes items 30 and 31)	1
30	1013317	Decal, Logo, Tailgate	1
31	N/A	Tailgate Weldment	1
		Note: Additional components in kit 1015606 are shown on the following two pages.	

1
G
E

1
G
E



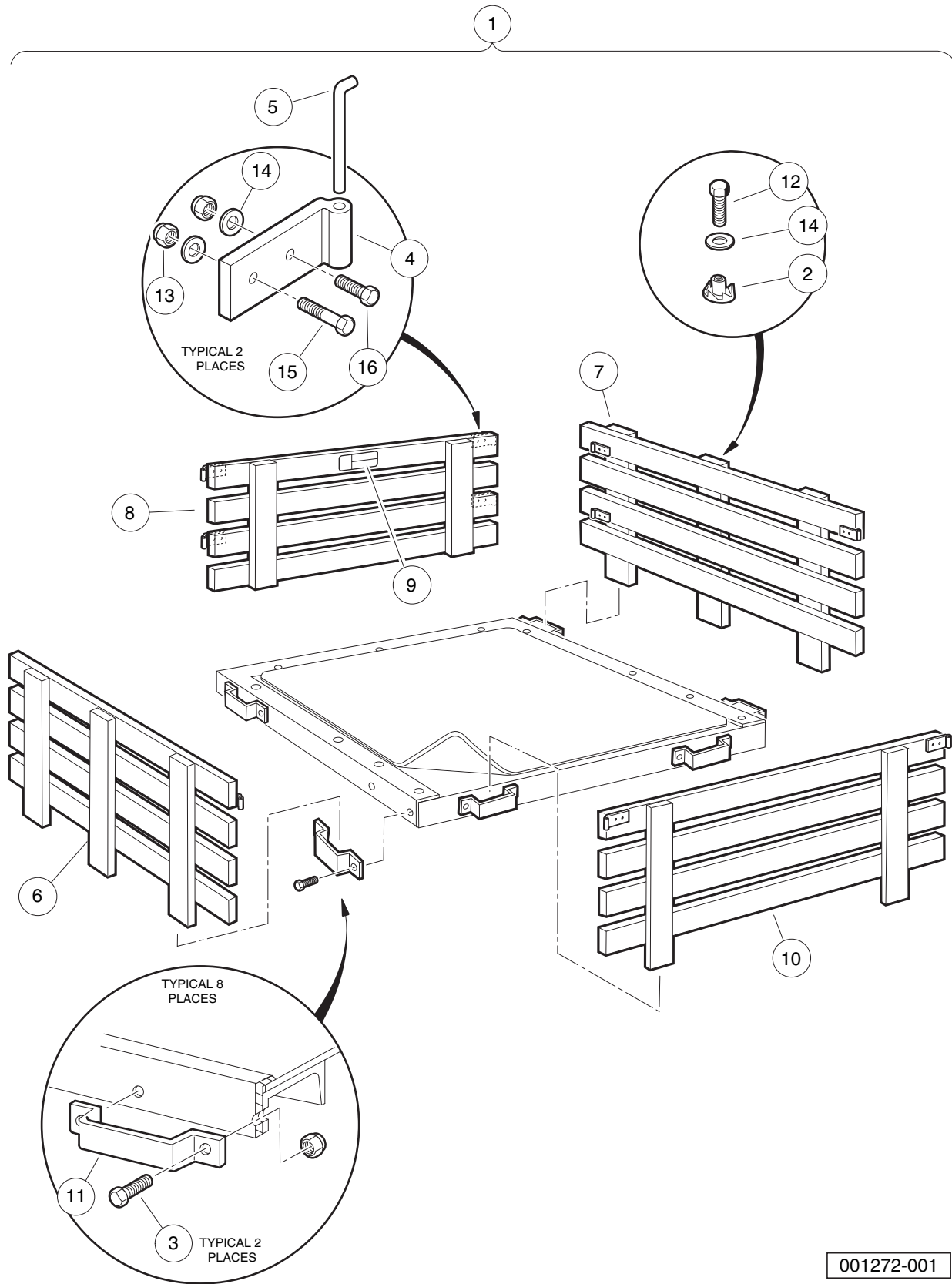
000261-001

CARGO BOX MOUNTING

ITEM	PART NO.	DESCRIPTION	QTY
		1 2 3 4	
1	1010934	Screw, 5/16-18 X 1.00 Hex Cap	2
2	1014321	Screw, #10 Truss-Head Torx	4
3	1014387	Cap, Corner	2
4	1014415	Screw, 1/4-20 X 0.75 Torx Truss-Head	4
5	1015399	Screw, 5/16-18 X 0.88 Torx Truss-Head	17
6	****	Kit, Tailgate Angle (includes items 7 through 9)	1
7	1014537	Stud, Self-Clinching Flush Head	4
8	N/A	Box Bed Tailgate Angle	1
9	101963401	Locknut, 5/16-18 Hex Flange	4
10	332	Washer, 1/4 Type A Narrow Flat	4
11	7049	Bushing, Nylon	2
12	7473	Locknut, 5/16-18 Nylon Insert	19
13	8233	Locknut, 1/4-20, Nylon Insert	4
		**** Special order item available upon request.	
		Note: All parts listed on this page are included in kit 1015606.	

1
G
E

1
G
E



STAKE SIDE KIT – TURF/CA 1 AND TRANSPORTER 4

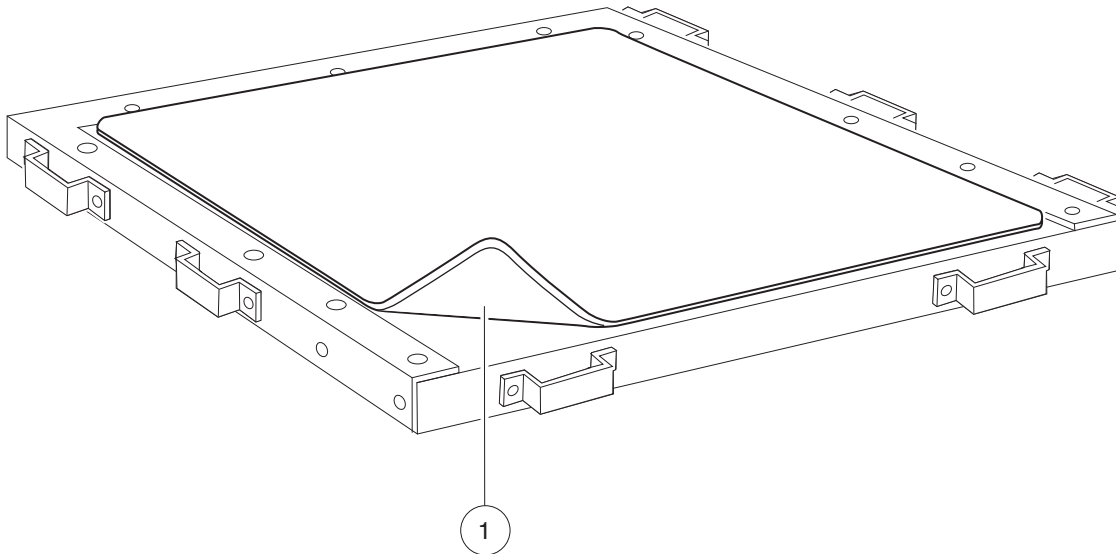
ITEM	PART NO.	DESCRIPTION	QTY
		1 2 3 4	
1	1015660	Stake Side Kit (includes items 2 through 16)	1
2	1010086	T-Nut	58
3	1010934	Screw, 5/16-18 X 1.00 Hex Cap	16
4	1015654	Stake Side Hinge	12
5	1015656	Pin, hinge	6
6	101565701	Stake Side, Driver-Side	1
7	101565702	Stake Side, Passenger-Side	1
8	101565703	Stake Side, Front (includes item 9)	1
9	101553901	Decal, Bed Load Warning	1
10	101565704	Stake Side, Rear	1
11	1016077	Bracket, Stake Side	6
12	1016916	Screw, 1/4-20 X 1.50 Hex-Head Cap	58
13	1108	Locknut, 1/4-20 Dimpled	24
14	332	Washer, 1/4 Type A Narrow Flat	82
15	7311	Screw, 1/4-20 X 2.00 Hex-Head Cap	6
16	7479	Screw, 1/4-20 X 1.25 Hex-Head Cap	18

1
G
E

1

G

E



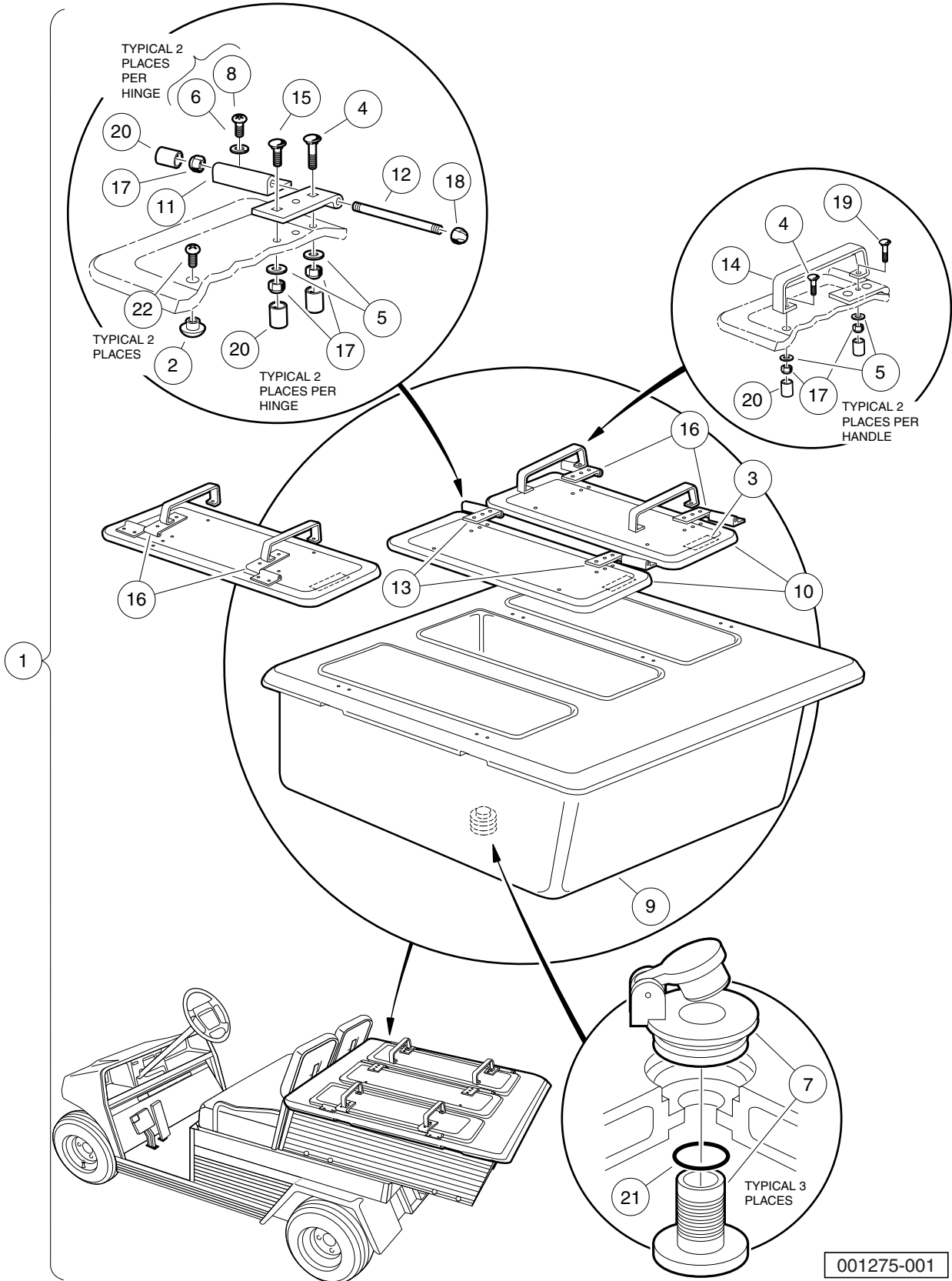
001207-001

BED MAT

ITEM	PART NO.	DESCRIPTION	QTY
1	101770203	1 2 3 4 Bed Mat - Turf/Carryall 1	1

1
G
E

1
G
E



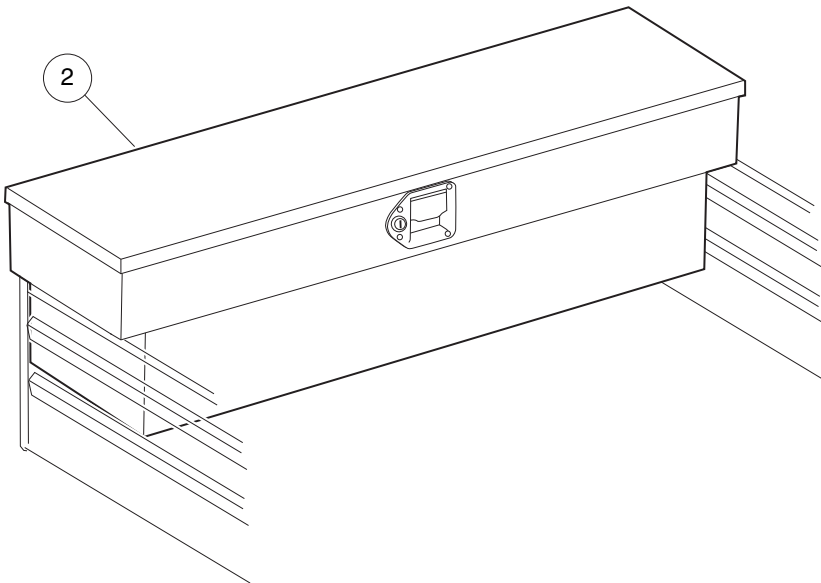
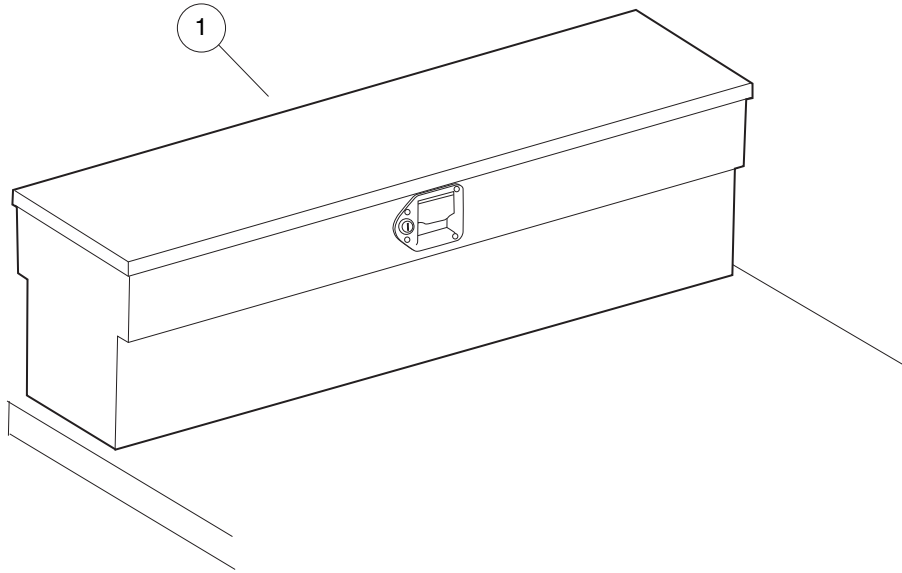
001275-001

PORTABLE REFRESHMENT CENTER

ITEM	PART NO.	DESCRIPTION	QTY
		1 2 3 4	
1	1014556	Portable Refreshment Center (includes items 2 through 22)	1
2	1011878	T-nut, 1/4-20 X .310 Capped	2
3	1011962	Decal, Refreshment Center	3
4	1011963	Bolt, 1/4-20 X 1.50 Rd Hd Sq N	10
5	1011964	Washer, 1/4 Flat	20
6	1011965	Lockwasher, 1/4 Split Ss	12
7	1011972	Drain Plug (port Refresh Ctr)	3
8	1014415	Screw, 1/4-20 X 0.75 Torx Truss-Head	12
9	1014490	Refreshment Unit Carryall I	1
10	1014517	Refreshment Unit Door Ca I	3
11	1014521	Bar Unit Hinge Ca I	6
12	1014548	Rod, Refreshment Center Hinge	6
13	1014559	Bar Unit Center Door Hinge Cai	2
14	1014942	Bar Unit Handle	4
15	1014943	Bolt, 1/4-20 X 1.25 Stainless	6
16	1014944	Bar Unit Side Door Hinge Ca I	4
17	1015068	Locknut, 1/4-20 Nylon	26
18	1015091	Nut, 1/4-20 Stainless-Steel Center-Lock Cap	6
19	1015148	Bolt, 1/4-20 X 1.75 Carriage	4
20	101885601	Cap	26
21	101918101	O-ring, Prc	3
22	8251	Screw, 1/4-20 X 1.0 Truss-Head Machine	2

1
G
E

1
G
E



001157-001

TOOLBOXES

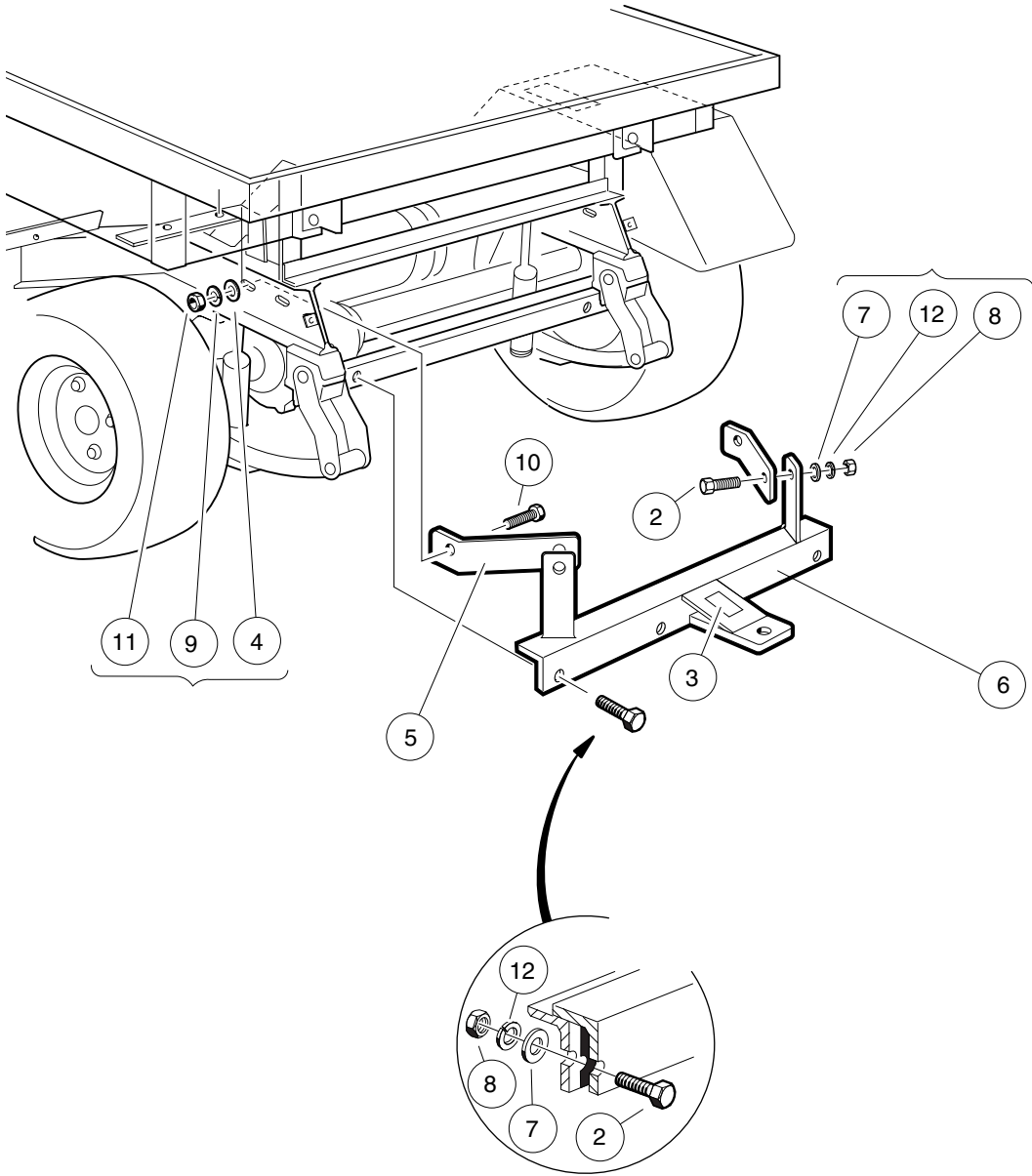
ITEM	PART NO.	DESCRIPTION	QTY
1	101837401	1 2 3 4 Toolbox, Flat Bed	1
2	101837501	Tool Box, Box Bed	1

1

G

E

1
G
E



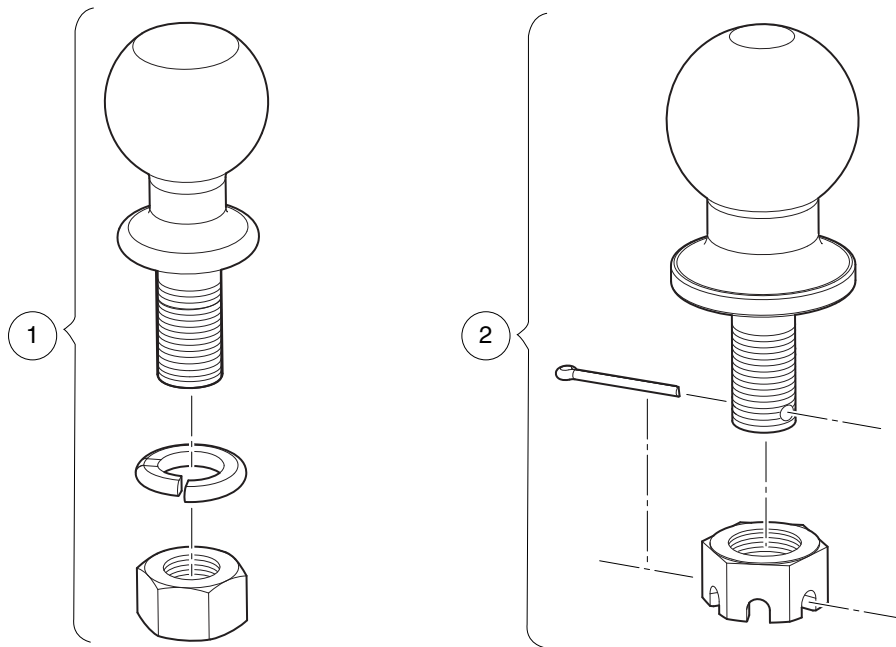
000265-001

TRAILER HITCH

ITEM	PART NO.	DESCRIPTION	QTY
		1 2 3 4	
1	1015445	Kit, Trailer Hitch (includes items 2 through 12)	1
2	1010934	Screw, 5/16-18 X 1.00 Hex Cap	4
3	1011553	Decal, Trailer Hitch	1
4	1011990	Washer, 3/8 Flat	2
5	1013483	Brace, Trailer Hitch	2
6	N/A	Asm, Trailer Hitch	1
7	1241	Washer, 5/16 Type A Flat	4
8	1242	Nut, 5/16-18 Hex	4
9	357	Lockwasher, 3/8 Split	2
10	705	Screw, Cap-hex Hd 3/8-16x1.25	2
11	706	Nut, Hex 3/8-16	2
12	7174	Lockwasher, 5/16 Split	4

1
G
E

1
G
E



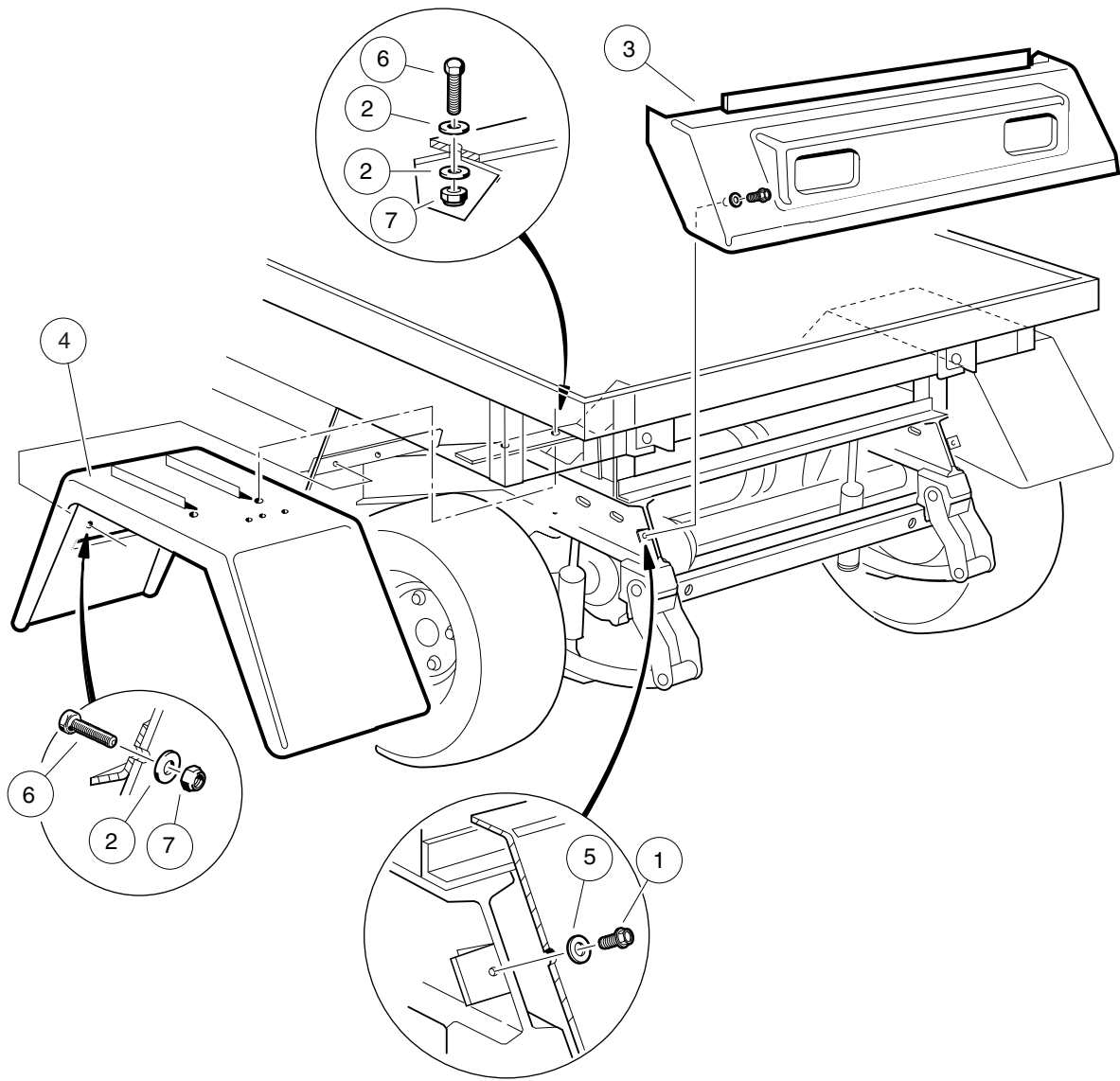
001137-001

TRAILER HITCH BALL

ITEM	PART NO.	DESCRIPTION	QTY
1	1011546	1 2 3 4 Trailer Hitch Ball - 1 7/8"	1
2	AM1264001	Chrome Hitch Ball, 2"	1

1
G
E

1
G
E



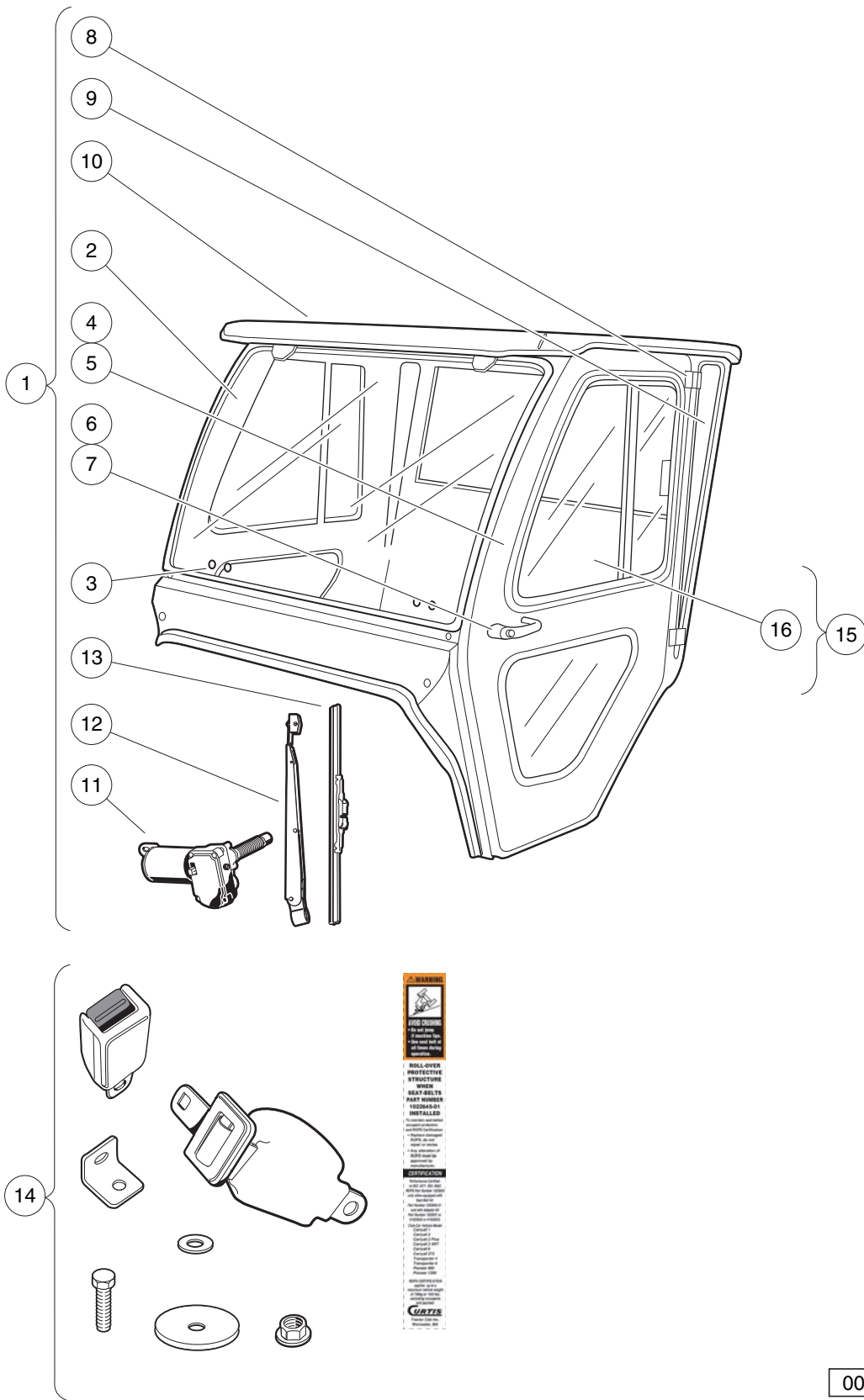
000266-001

REAR BODY TRIM – TURF/CARRYALL 1, 2, 2 PLUS, AND 6

ITEM	PART NO.	DESCRIPTION	QTY
		1 2 3 4	
1	1012285	Screw, 1/4 X 0.625 Hex-Head	2
2	1014306	Washer, 1/4" Type B Flat	12
3	1015530	Tailskirt	1
4	1016679	Rear Fender	2
5	332	Washer, 1/4 Type A Narrow Flat	2
6	7847	Screw, 1/4-20 X 0.75 Hex-Head Cap	8
7	8233	Locknut, 1/4-20, Nylon Insert	8

1
G
E

1
G
E



001098-001

CAB, CURTIS – TURF/CARRYALL 1, 2, 2 PLUS, 252 AND XRT 900

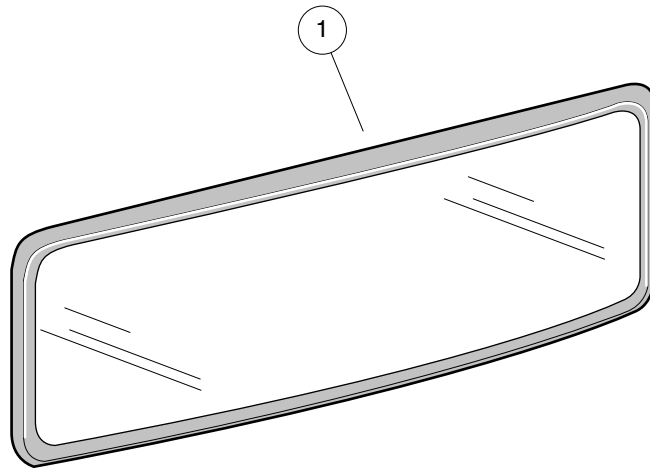
ITEM	PART NO.	DESCRIPTION	QTY
		1 2 3 4	
1	102262901	Asm, Cab (includes items 2 through 13)	1
2	AM1304001	CTC-Windshield Assembly	1
3	AM1304101	CTC-Windshield Latches	A/R
4	AM1304201	CTC-Drivers Side Door	1
5	AM1304301	CTC-Passenger Side Door	1
6	AM1304401	CTC-Inside Door Latches	2
7	AM1304501	CTC-Outside Door Latches	2
8	AM1304601	CTC-Door Hinge Kit	A/R
9	AM1304801	CTC-Side Frame Rear Window	1
10	AM1304901	CTC-Roof (White Plastic)	1
11	AM1305001	CTC-Wiper Motor	1
12	AM1305101	CTC-Wiper Arm	1
13	AM1305201	CTC-Wiper Blade	1
14	102264501	Kit, Seat Belt (required for ROPS certification, includes mounting hardware)	1
15	103274401	Kit, Adapter, Cab, Carryall (includes item 16)	1
16	AM1304701	CTC-Rear Panel	1

1
G
E

1

G

E



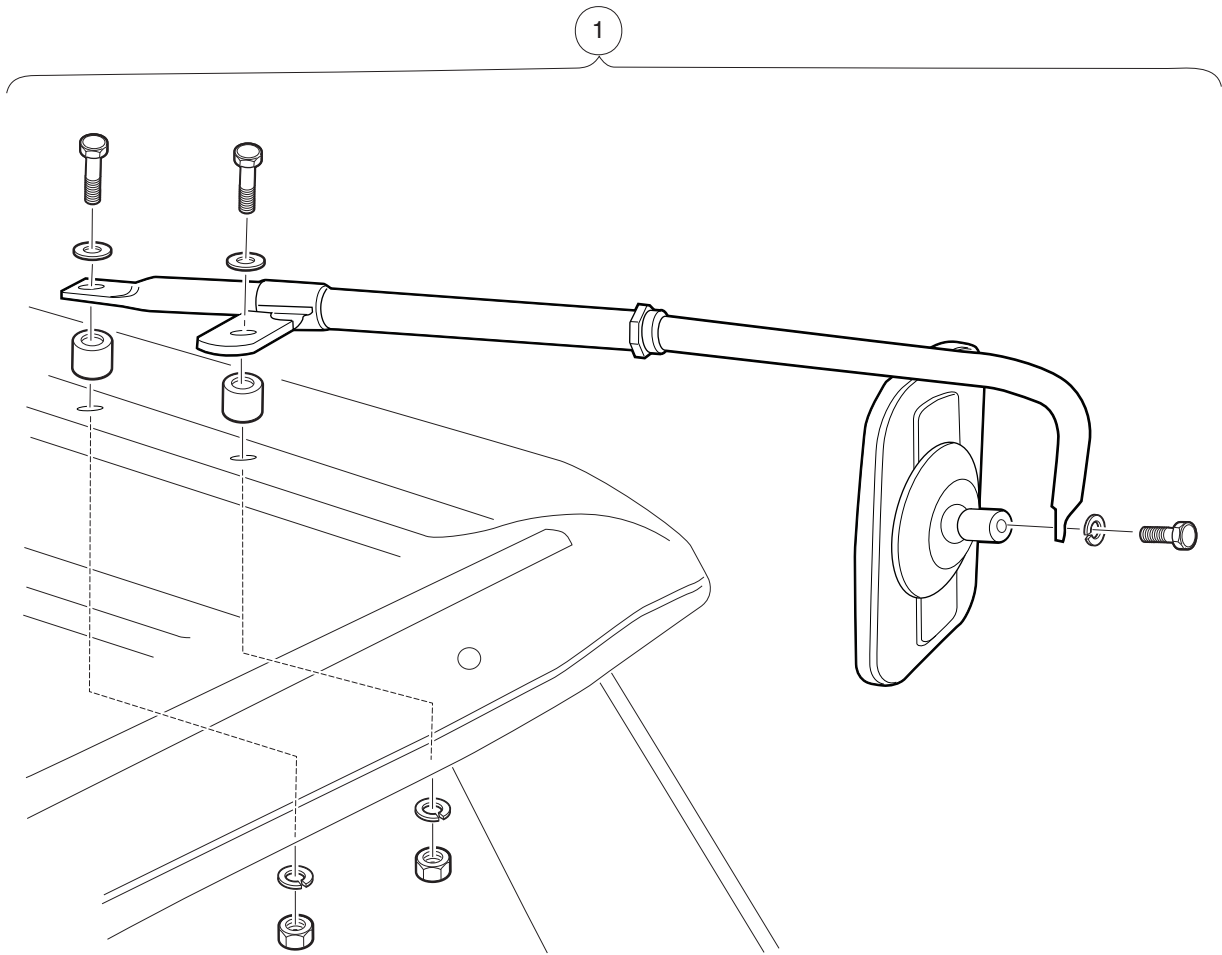
APM-000214-001

MIRROR, INSIDE REAR-VIEW – CURTIS CAB

ITEM	PART NO.	DESCRIPTION	QTY
1	101995101	<p>1 2 3 4 Kit, Rear-View Mirror (includes mounting hardware)</p> <p>Note: For installation on vehicles equipped with a Curtis cab.</p>	1

1
G
E

1
G
E



001202-001

MIRROR, SIDE-VIEW – CURTIS CAB

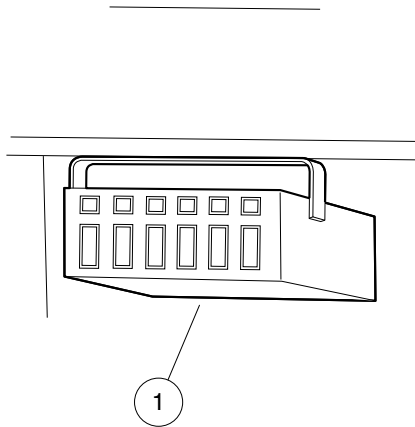
ITEM	PART NO.	DESCRIPTION	QTY
1	102272601	<p>1 2 3 4 Kit, Mirror</p> <p>Note: For installation on vehicles equipped with a Curtis cab.</p>	1

1
G
E

1

G

E



APM-000264-002

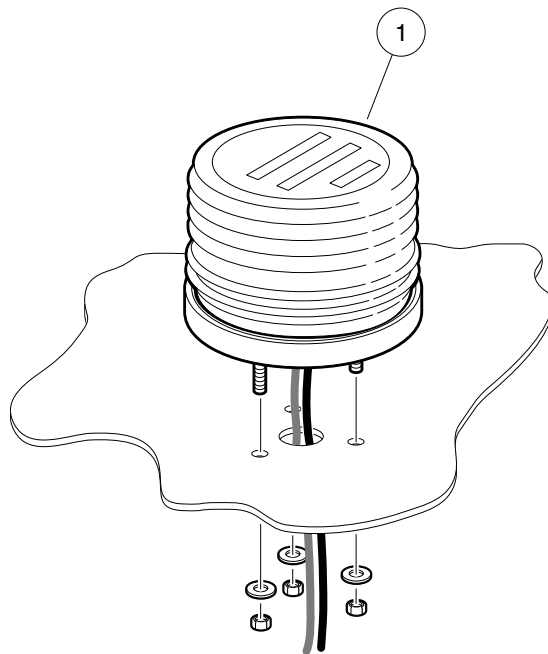
ACCESSORY SWITCH PANEL – CURTIS CAB

ITEM	PART NO.	DESCRIPTION	QTY
1	101994601	<p>1 2 3 4</p> <p>Panel, Accessory Switch</p> <p style="margin-top: 20px;">Note: For installation on vehicles equipped with a Curtis cab.</p>	1

1

G

E



APM-000212-001

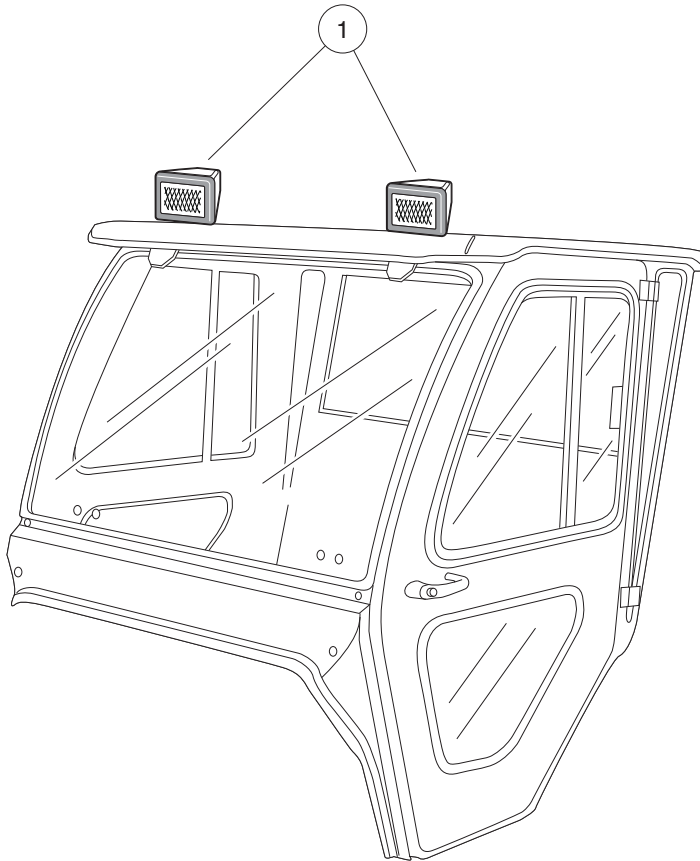
STROBE LIGHT – CURTIS CAB

ITEM	PART NO.	DESCRIPTION	QTY
1	101994301	<p>1 2 3 4</p> <p>Kit, Strobe Light (includes mounting hardware and wire harness)</p> <p style="margin-left: 40px;">Note: For installation on vehicles equipped with a Curtis cab.</p>	1

1

G

E



001201-001

WORK LIGHTS – CURTIS CAB

ITEM	PART NO.	DESCRIPTION	QTY
1	101994801	<p>1 2 3 4</p> <p>Kit, Work Light (includes mounting hardware and wire harness)</p> <p style="margin-left: 40px;">Note: For installation on vehicles equipped with a Curtis cab.</p>	1

1

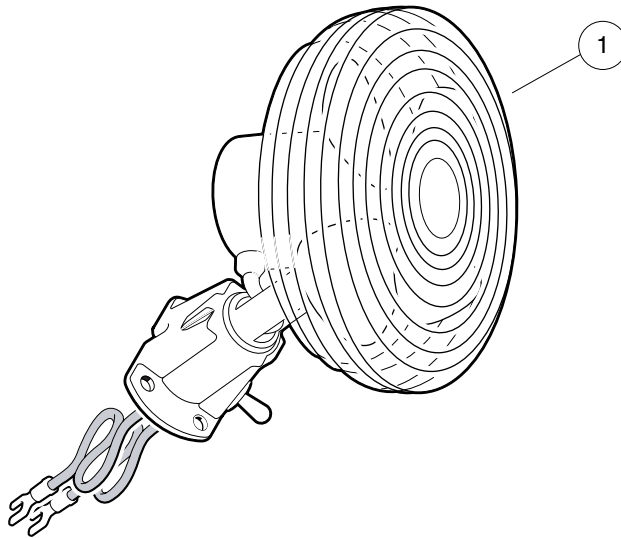
G

E

1

G

E



APM-000215-001

FAN/DEFOGGER – CURTIS CAB

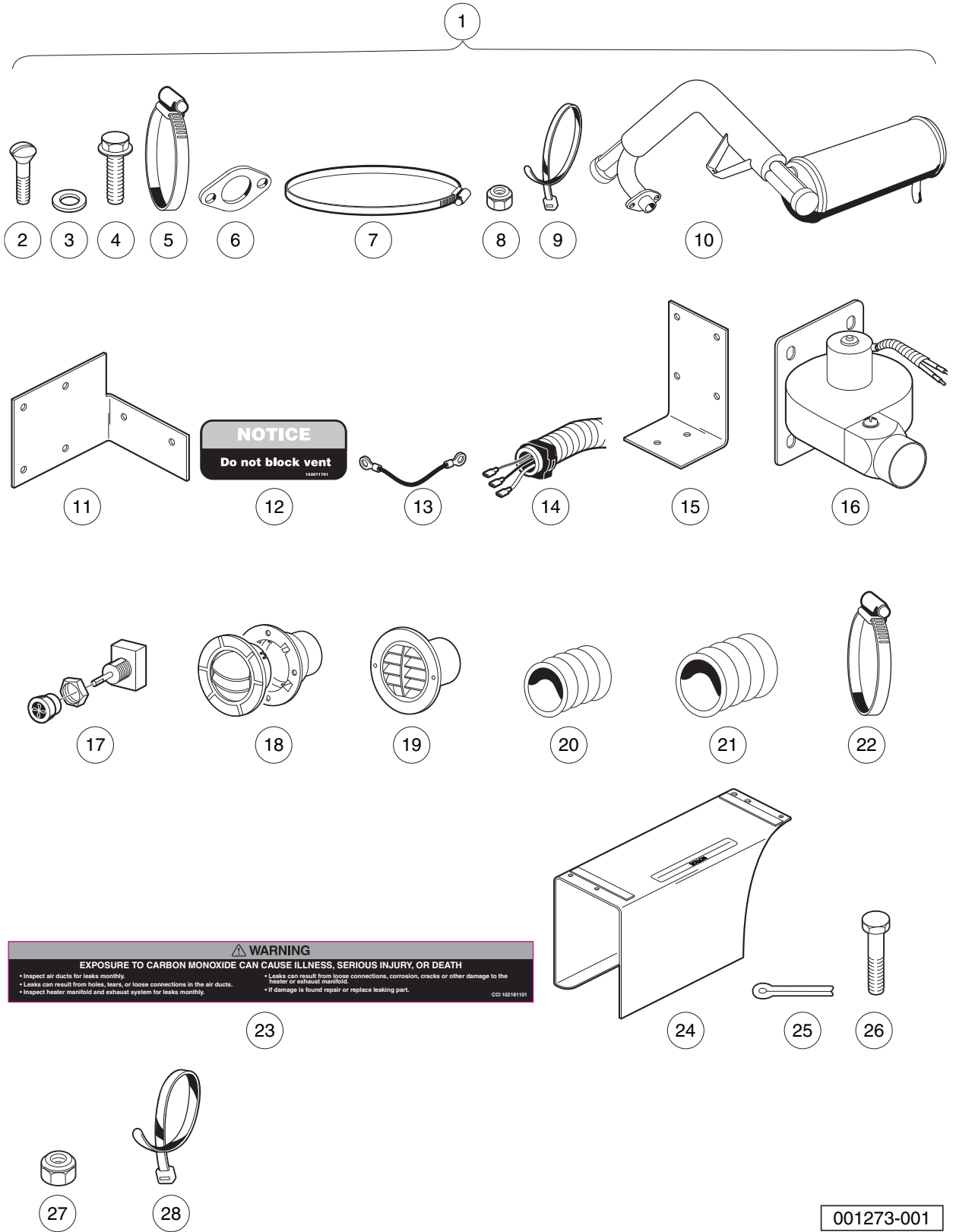
ITEM	PART NO.	DESCRIPTION	QTY
1	101994401	<p>1 2 3 4</p> <p>Kit, Fan/Defogger (includes mounting hardware and wire harness)</p> <p style="margin-left: 40px;">Note: For installation on vehicles equipped with a Curtis cab.</p>	1

1

G

E

1
G
E



001273-001

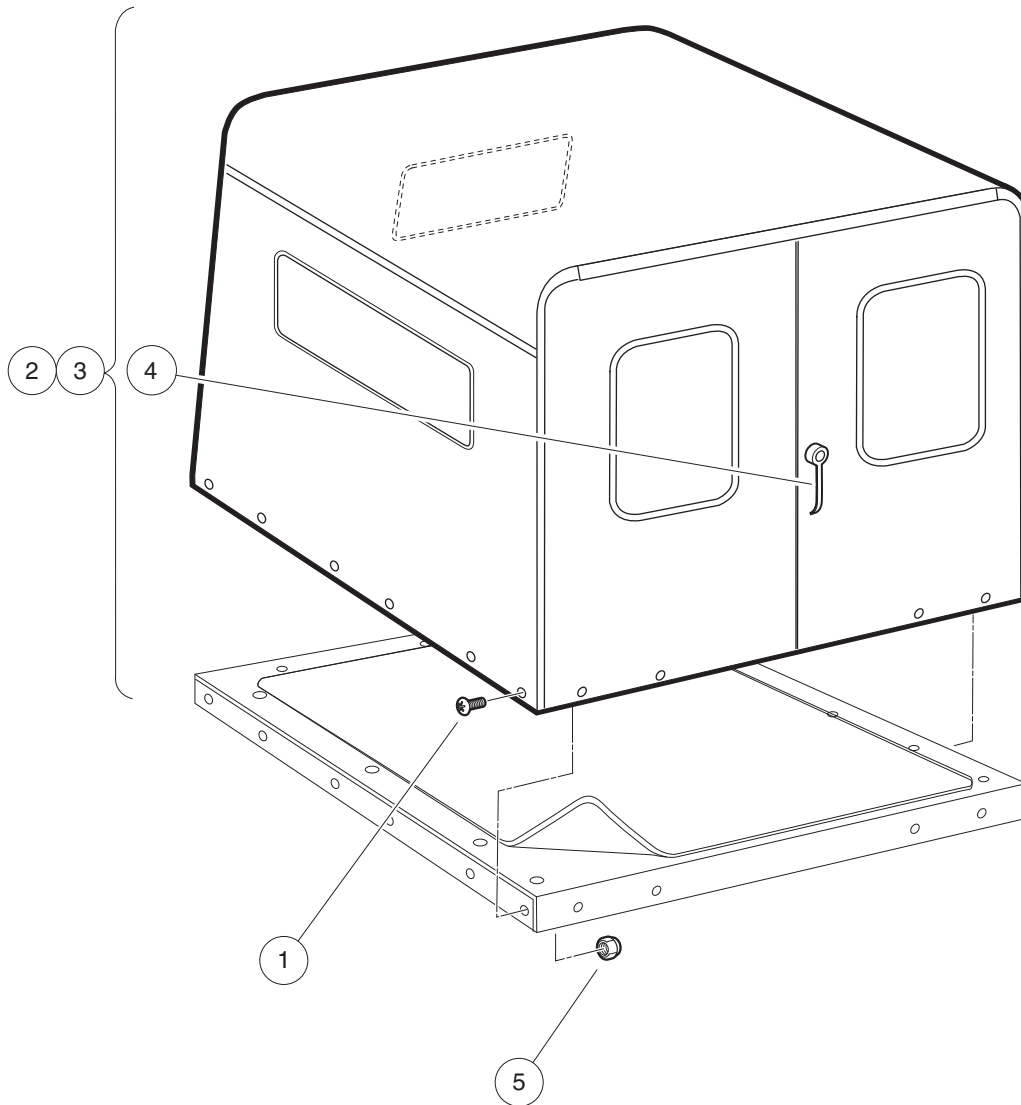
HEATER – CURTIS CAB

ITEM	PART NO.	DESCRIPTION	QTY
		1 2 3 4	
1	102056503	Comfort Cab Heater Kit, Turf/CA1 w/FE350 (includes items 2 through 28)	1
2	1011226	Screw, #6-32 X .62 Cs Oval Hd	4
3	1011964	Washer, 1/4 Flat	12
4	1012285	Screw, 1/4 X 0.625 Hex-Head	3
5	1012349	Clamp, Air Intake Hose, 2"	2
6	1016904	Gasket, Exhaust	1
7	1017689	Clamp, 5" Muffler Hose	1
8	101932201	Locknut, #6-32 Nylon	4
9	102025401	Tie Wrap, Heavy Duty	2
10	102070601	Header Heater, FE350	1
11	102071401	Mounting Bracket, Blower	1
12	102071701	Decal - Header Heater Kit	2
13	N/A	Wire Asm #16 Black	1
14	N/A	Wire Harness, Header Heater	1
15	N/A	Mounting Bracket, Blower	1
16	102074101	Centrifugal Blower Asm	1
17	102074201	Heater Switch	1
18	102074501	Outlet Vent	1
19	102074601	Inlet Vent	1
20	102074701	Duct Hose	1
21	102074801	Duct Hose	1
22	102074901	Clamp, Air Intake Hose, 2-1/2"	4
23	102181101	Decal Inspection Heater	1
24	102182101	Cover, Blower	1
25	1035	Cotter Pin, 3/32 x 1	2
26	304	Screw, 1/4-20 X 1.0 Hex-Head Cap	6
27	8233	Locknut, 1/4-20, Nylon Insert	6
28	8639	Tie Wrap, 11" Nylon	6
Note: For installation on vehicles equipped with a Curtis cab.			

1

G

E



001208-001

VAN BOX – TURF/CA 1

ITEM	PART NO.	DESCRIPTION	QTY
		1 2 3 4	
1	1015399	Screw, 5/16-18 X 0.88 Torx Truss-Head	20
2	101754203	Custom Van Box, Gray	1
3	101754206	Custom Van Box Kit, White (includes item 4)	1
4	102006201	Handle, Van Box Door	1
5	7473	Locknut, 5/16-18 Nylon Insert	20
<p>Note: Item 2, Van Box Gray, includes item 4, Door Handle.</p>			



1

G

E

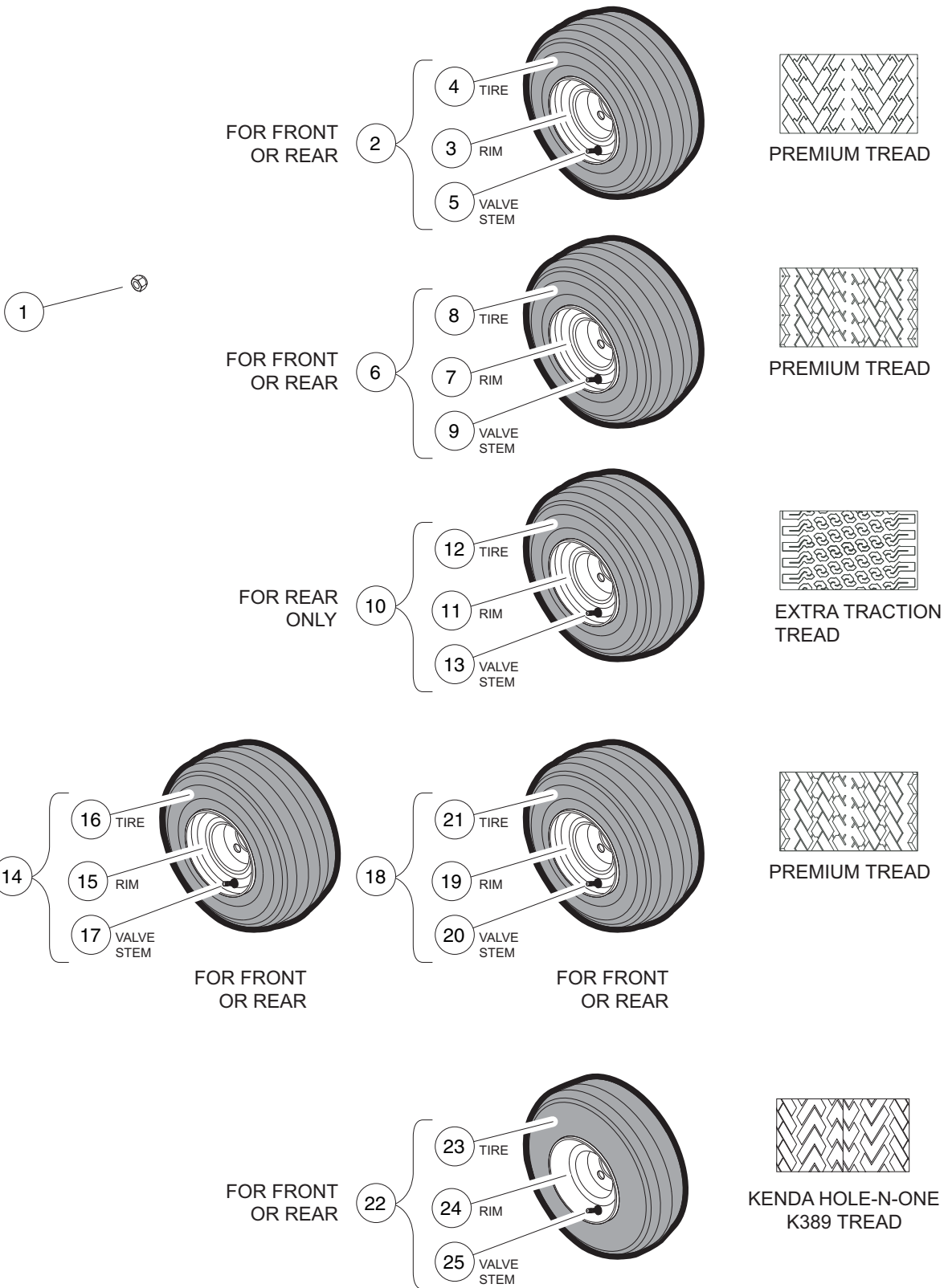
WHEELS AND TIRES

2

G

E

2
G
E



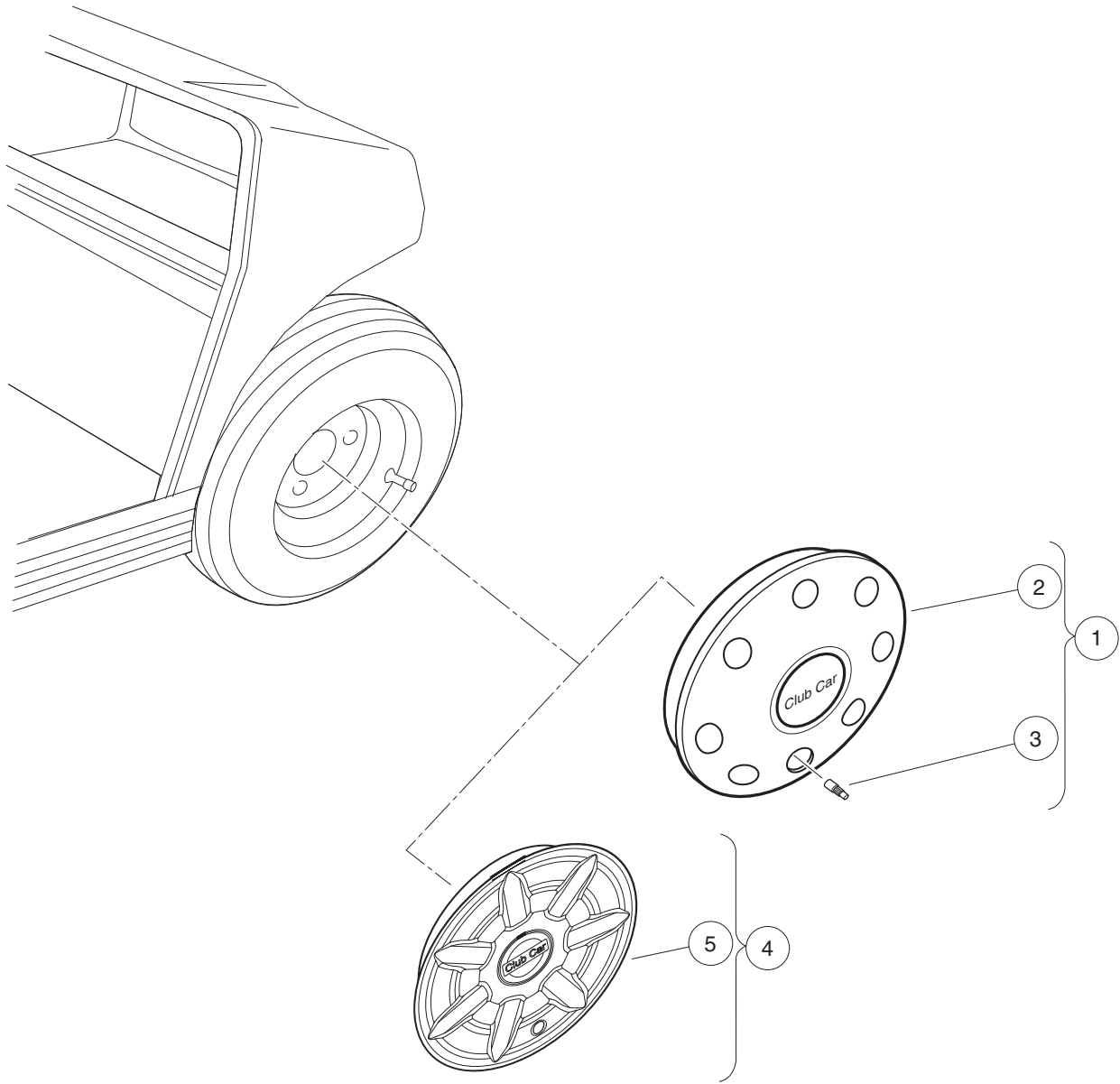
000269-019

WHEELS AND TIRES – TURF/CARRYALL 1

ITEM	PART NO.	DESCRIPTION	QTY
		1 2 3 4	
1	1010984	.500-20 Unf Lug Nut	16
2	101651402	Tire/Wheel Asm, White, Premium Tread (includes items 3 through 5)	4
3	1014771	Wheel Rim, White	1
4	101567202	Tire, Unmounted, Links 18 x 8.50-8	1
5	7310	Valve Stem, Black Plastic	1
6	101651406	Tire/Wheel Asm, White, Premium Tread, 6-Ply (includes items 7 through 9)	4
7	1014771	Wheel Rim, White	1
8	101737002	Tire, Unmounted	1
9	7310	Valve Stem, Black Plastic	1
10	101651407	Tire/Wheel Asm, White, Extra-Traction, 6-Ply (includes items 11 through 13)	2
11	1014771	Wheel Rim, White	1
12	101769302	Tire, Unmounted Xtrac 18 x 8.50-8	1
13	7310	Valve Stem, Black Plastic	1
14	101651412	Tire/Wheel Asm, White, Duro Premium Tread (includes items 15 through 17)	4
15	1014771	Wheel Rim, White	1
16	102569304	Duro 18 X 8.5 X 8, 4-Ply	1
17	7310	Valve Stem, Black Plastic	1
18	101651413	Tire/Wheel Asm, White, Kenda Premium Tread (includes items 19 through 21)	4
19	1014771	Wheel Rim, White	1
20	7310	Valve Stem, Black Plastic	1
21	AM10682	Unmounted Prem Tire 18x8.50x8	1
22	101651419	Tire/Wheel Asm, White, Kenda Hole-N-One, 6-Ply, Narrow (includes items 23 through 25)	2
23	103722901	Tire, Kenda Hole-N-One, 18x6.5 - 8, Prem, 6-Ply	1
24	103723002	Wheel Rim, 8 X 5.375, White	1
25	7310	Valve Stem, Black Plastic	1

2
G
E

2
G
E



001203-001

WHEEL COVERS

ITEM	PART NO.	DESCRIPTION	QTY
		1 2 3 4	
1	1012642	Sport Wheel Cover Kit (each) (includes items 2 and 3)	4
2	1012640	Hubcap	1
3	1012641	Valve Extension	1
4	102559901	Hub Cap Kit, Prec (includes item 5)	1
5	103694501	Hub Cap, 7 Prong	4

2
G
E

2

G

E

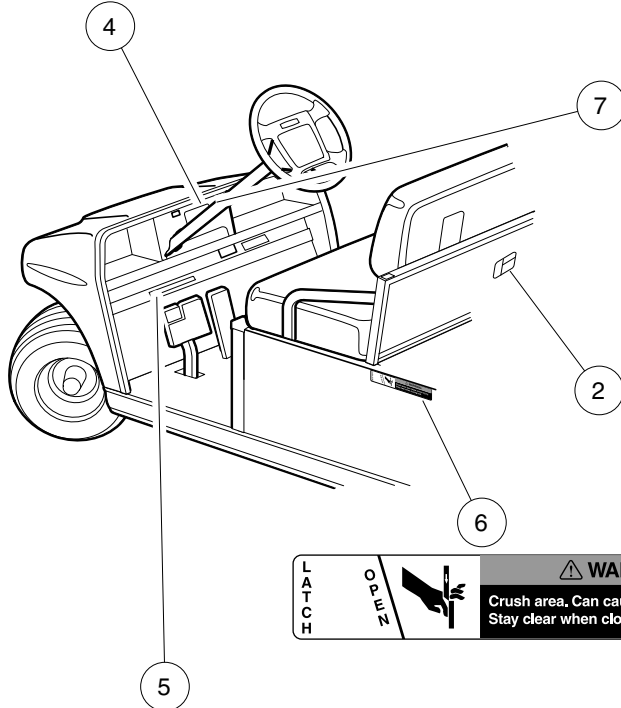
DECALS

3

G

E

OFF | ON



⚠ WARNING

ROLLOVER OR FALLING OFF MAY CAUSE DEATH.

- Before using vehicle, read operating instructions.
- Remain seated and hold on to seat handle while moving.
- Do not start vehicle until all occupants are seated.
- Two (2) persons per seat maximum.
- Operate from driver side only and not on public roads.
- Keep entire body inside vehicle while moving.
- Drive slowly in turns and straight up and down slopes.
- Do not leave children unattended on vehicle.
- Never operate under the influence of alcohol or drugs.
- Use brakes to reduce speed when coasting downhill.
- Never stand in front of or behind vehicle.

CCI 103205401

⚠ WARNING

Riding in cargo bed can cause severe injury or death. Do not ride in cargo bed.

CCI 1015339-01

LATCH | OPEN

⚠ WARNING

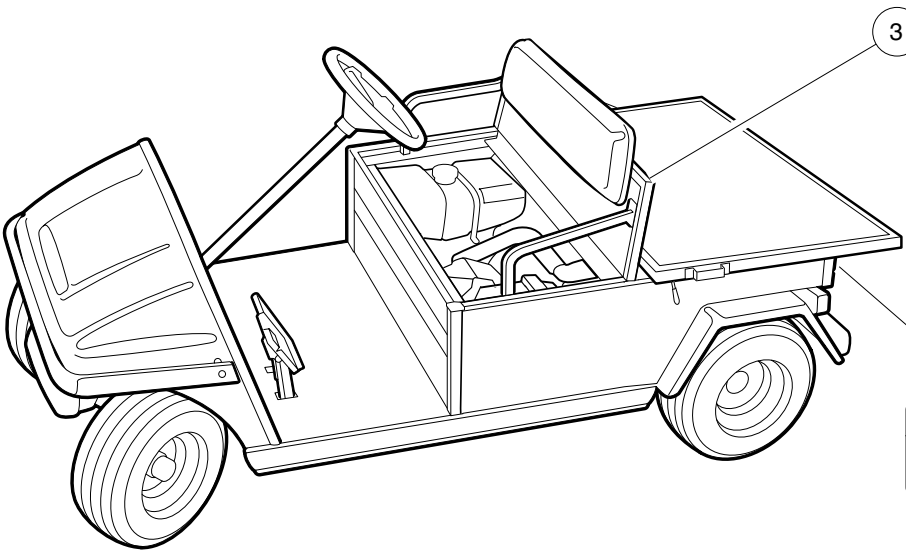
Crush area. Can cause severe injury. Stay clear when closing bed.

VEHICLE LOADING

Read owner's manual and warnings on dash.

- Vehicle rated capacity - 800 lb on level surface only. Weight to include passengers, cargo bed load, and gross trailer weight. See owner's manual.
- Maximum cargo load - 300 lb. Weight to include cargo bed load and gross trailer weight.
- Maximum trailer hitch tongue weight - 150 lbs.

- Cargo should be evenly spread over the floor of the cargo bed as far forward as possible and secured.
 - For vehicle stability, when fully loaded, drive slowly and avoid stopping on or backing down steep hills.
 - Avoid top heavy loads. See owner's manual.
 - When driving on uneven terrain or down steep hills, reduce speed and load.
- CCI 101960101



⚠ WARNING

CRUSH AREA

STAY CLEAR

CCI 1016094-01

NOTICE

MAXIMUM TONGUE WEIGHT - 150 lb. (667 N)

CCI 1011553

000270-002

DECALS – GAS AND ELECTRIC VEHICLES

ITEM	PART NO.	DESCRIPTION	QTY
		1 2 3 4	
1	1011553	Decal, Trailer Hitch	1
2	101553901	Decal, Bed Load Warning	1
3	101609401	Decal, Crush Area Warning	2
4	101825101	Decal, Off/On	1
5	101960101	Decal, Vehicle Loading	1
6	102459301	Decal, Bed Crush Area Warning	1
7	103205401	Decal, Warning, Rollover, Utl	1

3
G
E

OPERATING INSTRUCTIONS

Before using vehicle, read owner's manual and vehicle safety warnings. Study and understand controls.

TO OPERATE

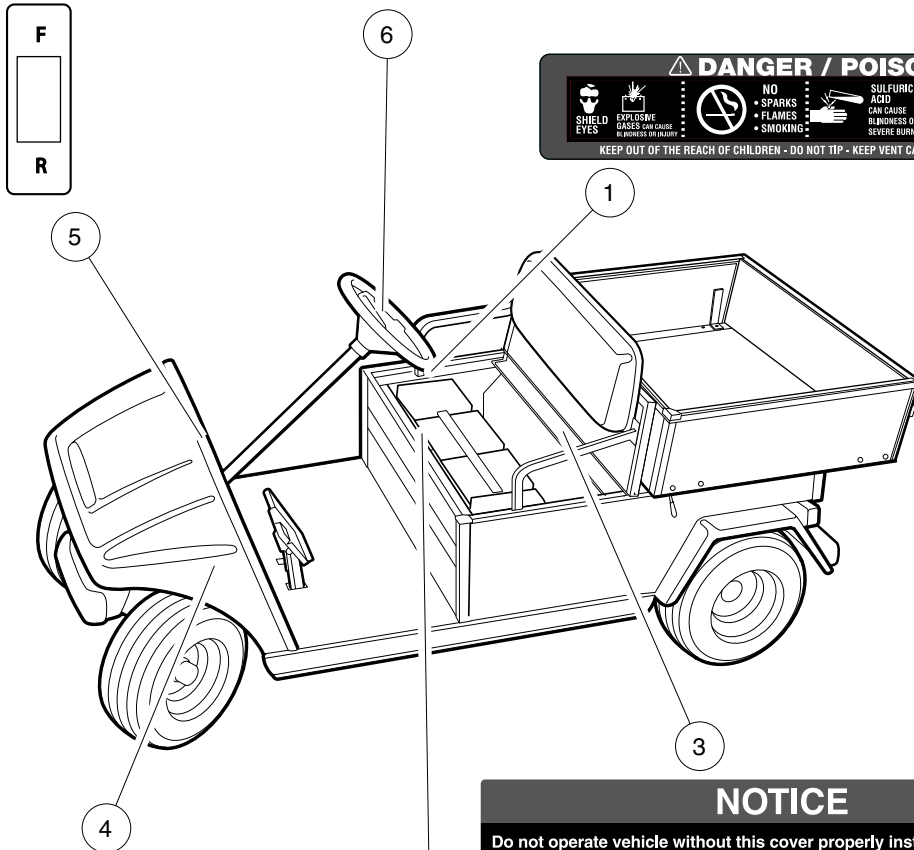
- Ensure wheels are turned in desired direction and path is clear.
- Turn key to **ON** position.
- Select **FORWARD** or **REVERSE** only when stopped.
- Release park brake fully.
- Vehicle will start moving when accelerator pedal is pressed.
- Slowly press accelerator pedal to increase speed.
- During operation, beeping alarm indicates reduction in motor braking.
- To stop, release accelerator pedal and press brake pedal.

WARNING

Unintended vehicle movement may cause severe injury or death. Before leaving vehicle:

- Engage park brake to lock wheels.
- Place vehicle in **NEUTRAL**.
- Turn key to **OFF** and remove key.

103783001



⚠ DANGER / POISON

 SHIELD EYES	 EXPLOSIVE GASES CAN CAUSE BLINDNESS OR INJURY	 NO SPARKS • FLAMES • SMOKING	 SULFURIC ACID CAN CAUSE BLINDNESS OR SEVERE BURNING	 FLUSH EYES IMMEDIATELY WITH WATER GET MEDICAL HELP FAST
------------------------	--	---	--	--

KEEP OUT OF THE REACH OF CHILDREN - DO NOT TIP - KEEP VENT CAPS TIGHT AND LEVEL

IMPORTANT NOTICE

- Maximum vehicle speed is limited by motor braking during downhill operation with accelerator pedal depressed.
- If motor brake enabled, vehicle motor will brake when accelerator pedal is released.
- Beeping alarm indicates reduction in motor braking. Apply brakes to reduce speed.
- System is activated only when tow switch is in the "RUN" position.
- When towing vehicle, tow switch must be in the "TOW" position.

101929902

NOTICE

Do not operate vehicle without this cover properly installed. Do not direct water stream in this area; will cause damage to components. See vehicle maintenance and service manual before servicing.

CCI 101931501

⚠ WARNING **TOW** **RUN**

Place Tow/Run switch in TOW position before:

- Disconnecting or connecting batteries
- Towing
- Extended storage
- Servicing

FAILURE TO HEED THIS WARNING COULD RESULT IN A BATTERY EXPLOSION OR SEVERE PERSONAL INJURY.

CCI 101908601

000272-003

DECALS – TURF/CARRYALL 1 ELECTRIC

ITEM	PART NO.	DESCRIPTION	QTY
		1 2 3 4	
1	1013677	Decal, Battery Danger	6
2	101908601	Decal, Tow/Run Switch Warning	1
3	101931501	Decal, Component Cover	1
4	101959902	Decal, IQ System Motor Braking	1
5	103210301	Decal, Forward/Reverse, Electric	1
6	103783001	Decal, Op Instr, Ele	1

3
G
E

OPERATING INSTRUCTIONS

Before using vehicle, read owner's manual and vehicle safety warnings. Study and understand controls.

TO OPERATE

- Ensure wheels are turned in desired direction and path is clear.
- Turn key to ON position.
- Select FORWARD or REVERSE only when stopped.
- Release park brake fully.
- Vehicle will start moving when accelerator pedal is pressed.
- Slowly press accelerator pedal to increase speed.
- To stop, release accelerator pedal and press brake pedal.

WARNING

Unintended vehicle movement may cause severe injury or death. Before leaving vehicle:

- Engage park brake to lock wheels.
- Place vehicle in NEUTRAL.
- Turn key to OFF and remove key.

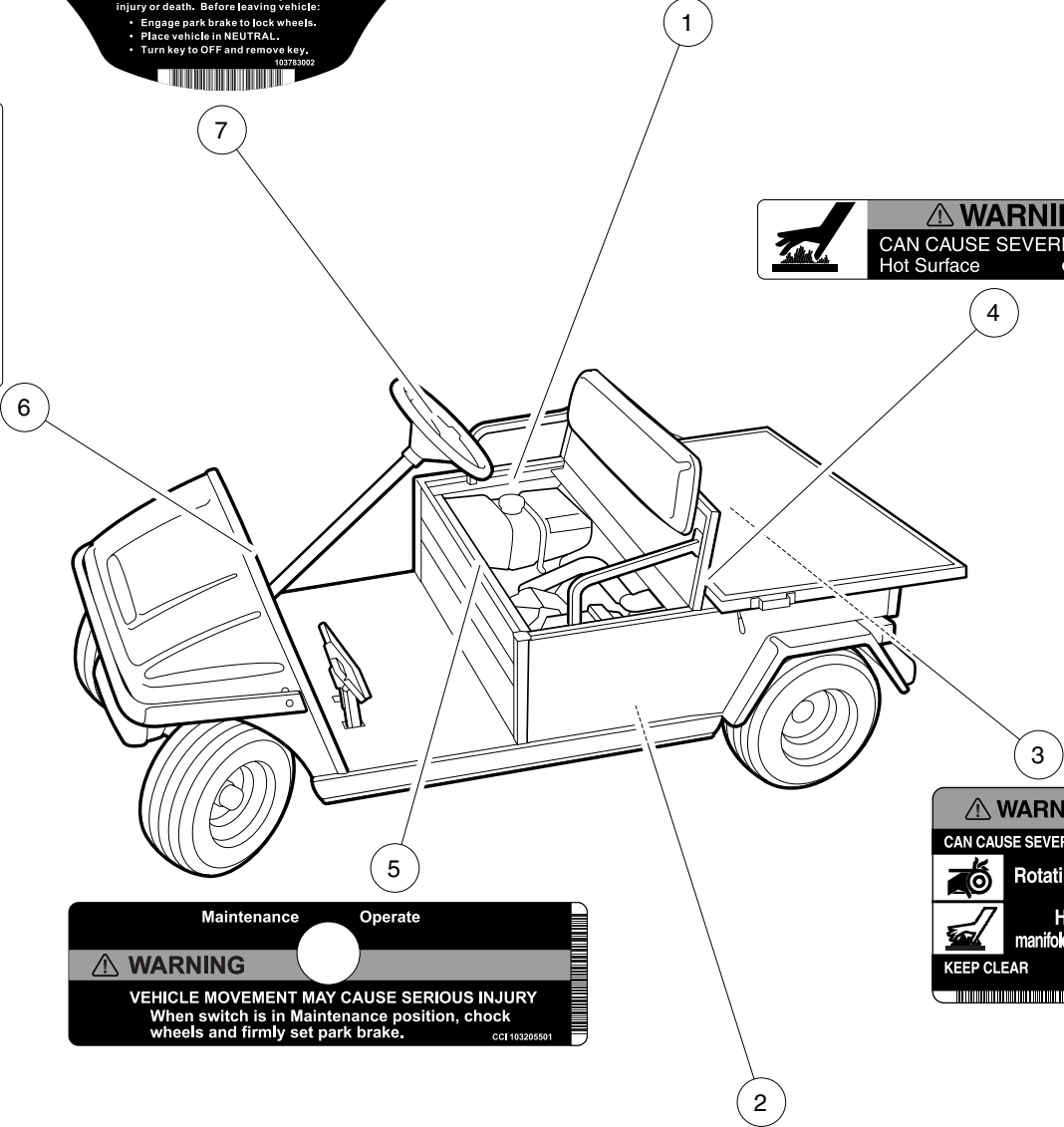
10373002

WARNING

GASOLINE EXPLOSION / FIRE.

- Can cause severe injury or death.
- No smoking, sparks, or open flame.
- Stop engine, allow to cool before refueling.
- Turn fuel valve (←) on during operation. (→) off during storage or transport.

CCI 101547601



WARNING

CAN CAUSE SEVERE BURNS
Hot Surface

CCI 102458901

Maintenance Operate

WARNING

VEHICLE MOVEMENT MAY CAUSE SERIOUS INJURY
When switch is in Maintenance position, chock wheels and firmly set park brake.

CCI 103205501

WARNING

CAN CAUSE SEVERE INJURY

Rotating parts

HOT
manifold & muffler

KEEP CLEAR

CCI 101960501

WARNING

Negative frame ground. Can cause severe injury. Do not contact positive (+) battery post or cable to frame. Disconnect negative battery cable first.

WARNING

Excessive speed can cause severe injury or death. Do not tamper with engine governor adjustment.

CCI 101915201

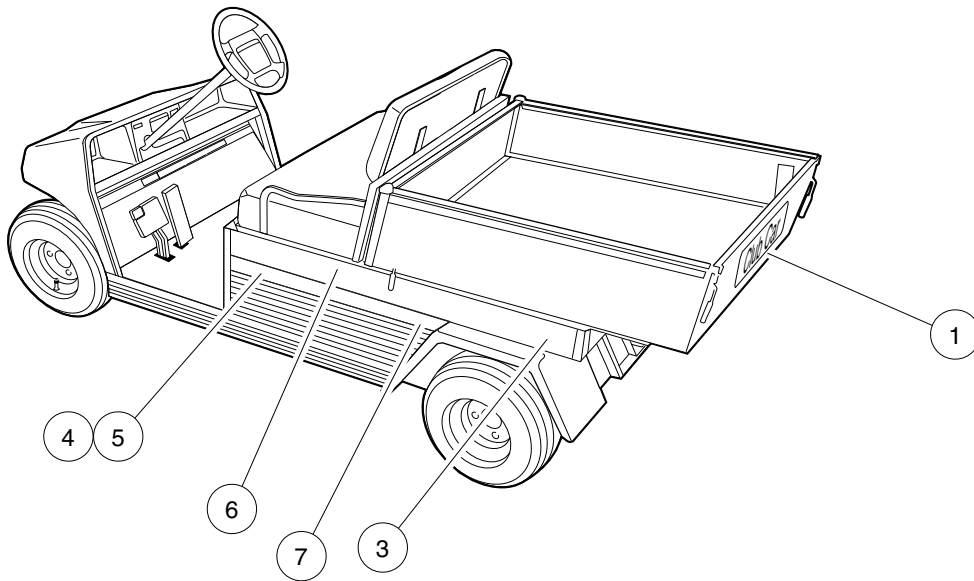
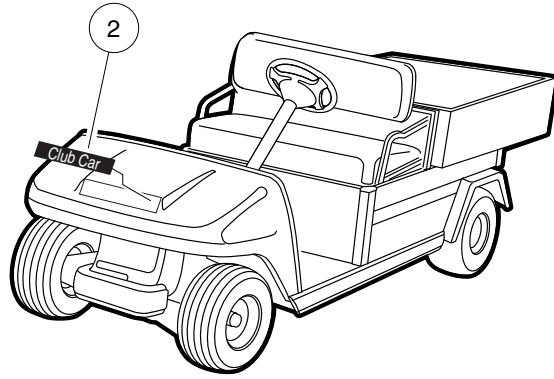
000273-003

DECALS – TURF/CARRYALL 1 GASOLINE

ITEM	PART NO.	DESCRIPTION	QTY
		1 2 3 4	
1	101547601	Decal, Gasoline Explosion/Fire Warning	1
2	101915201	Decal, Frame Ground and Governor Warning	1
3	101960501	Decal, Rotating Parts/Hot Manifold	2
4	102458901	Decal, Hot Surface Warning	2
5	103205501	Decal, Run/Service Switch	1
6	103210201	Decal, Forward/Reverse, Gas	1
7	103783002	Decal, Op Instr, Gas Ps	1

3
G
E

3
G
E



000287-008

DECALS, BADGING – TURF/CARRYALL 1

ITEM	PART NO.	DESCRIPTION	QTY
		1 2 3 4	
1	1013317	Decal, Logo, Tailgate	1
2	101670201	Nameplate Kit (silver)	1
3	103234301	Decal, Badge, IR	2
4	103260001	Decal Turf 1 Side Panel	2
5	103260701	Decal Ca 1 Side Panel	2
6	103284001	Decal Ca1 Black Bar	1
7	103464901	Decal, Zev	2

3
G
E

3

G

E

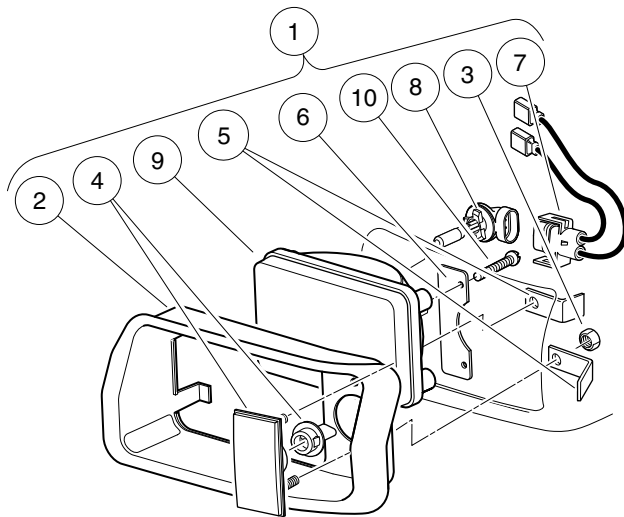
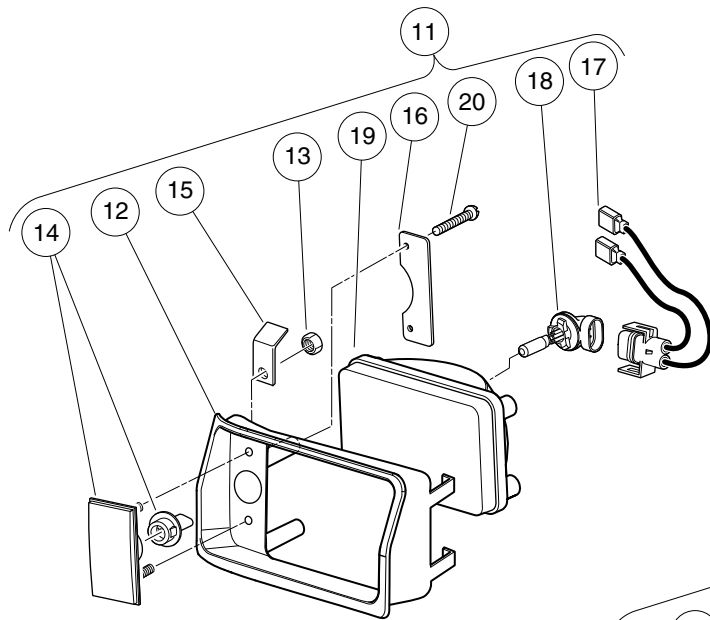
LIGHTS, CONTROLS, AND INDICATORS

4

G

E

4
G
E



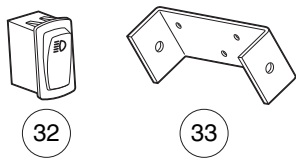
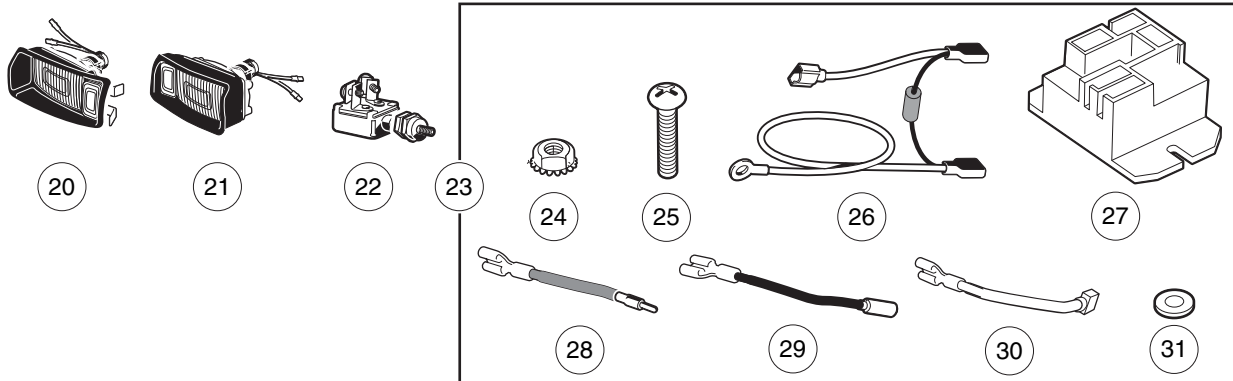
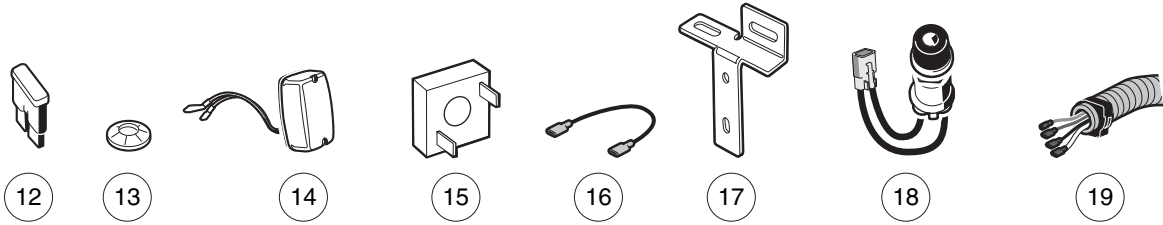
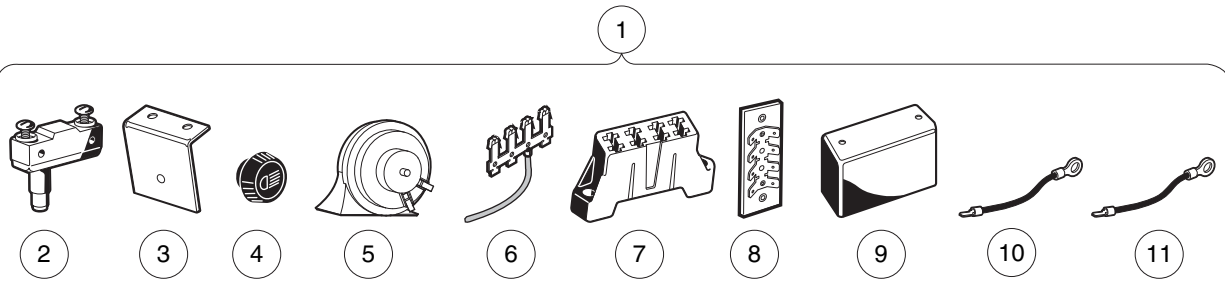
001097-001

HEADLIGHTS

ITEM	PART NO.	DESCRIPTION	QTY
		1 2 3 4	
1	101988001	Headlight Assembly, Driver-Side Single Beam (includes items 2 through 10)	1
2	1016880	Headlight Bezel, Left	1
3	1017	Nut, #10-24 Stainless-Steel Hex Machine	2
4	1017062	Turn Signal Lens Assy	1
5	1017064	Mounting Bracket	2
6	1017065	Retainer, Headlight	1
7	101987901	Connector, Harness Assembly, Headlight	1
8	101988101	Bulb, Headlight	1
9	101988201	Lens, Headlight	1
10	1620	Screw, #10-16 X 0.75 Pan-Head Tap	2
11	101988002	Headlight Assy, Passenger-Side Single Beam (includes items 12 through 20)	1
12	1016879	Headlight Bezel, Right	1
13	1017	Nut, #10-24 Stainless-Steel Hex Machine	2
14	1017062	Turn Signal Lens Assy	1
15	1017064	Mounting Bracket	2
16	1017065	Retainer, Headlight	1
17	101987901	Connector, Harness Assembly, Headlight	1
18	101988101	Bulb, Headlight	1
19	101988201	Lens, Headlight	1
20	1620	Screw, #10-16 X 0.75 Pan-Head Tap	2

4
G
E

4
G
E



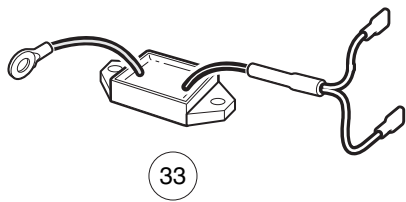
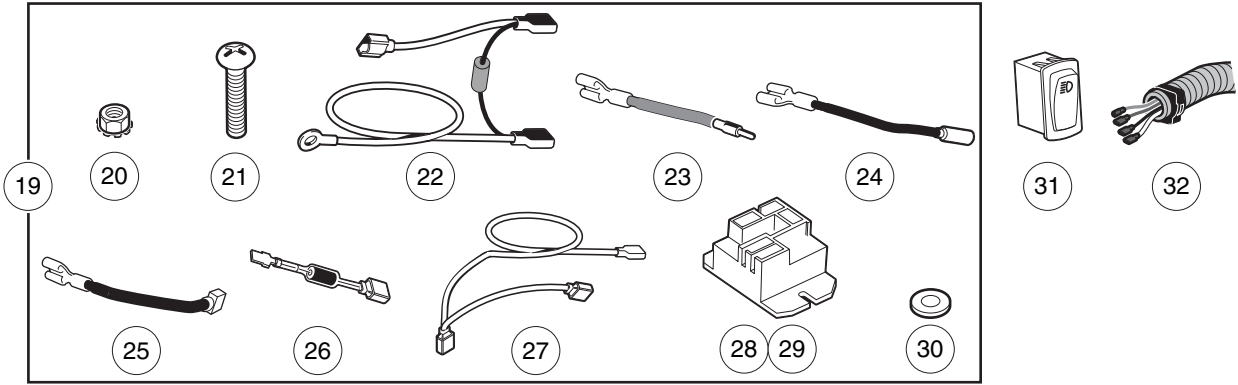
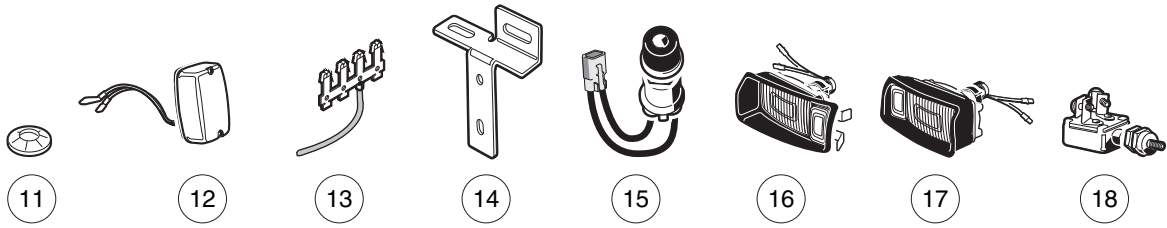
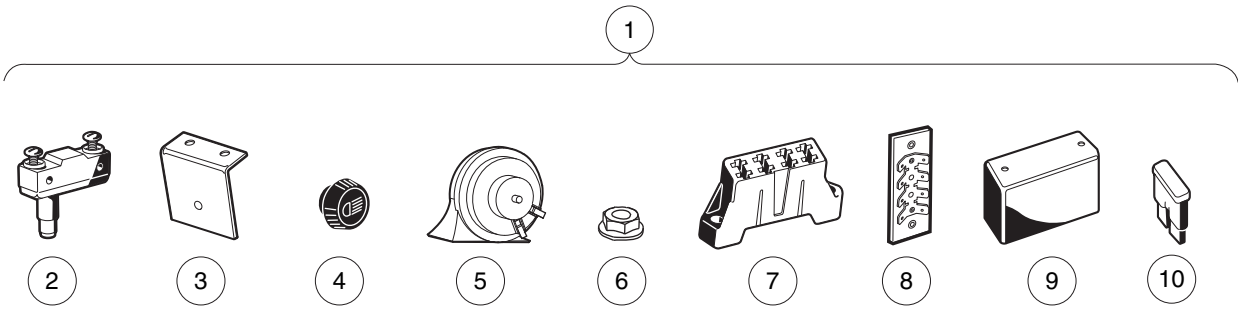
001277-001

LIGHT KIT, STANDARD – TURF/CA 1 GASOLINE VEHICLES

ITEM	PART NO.	DESCRIPTION	QTY
		1 2 3 4	
1	101705608	Light Pkg, Std, CA 1, Gas, Field (includes items 2 through 33)	1
2	1011439	Switch, Limit	2
3	1011825	Horn Bracket	1
4	1013857	Knob, Light Switch	1
5	1014530	Horn, 12-VDC	1
6	1015737	Wire Assy, #10 Red	1
7	1015741	Fuse Block	1
8	1016356	Terminal Block with Insulator	1
9	1016363	Fuse Block Cover	1
10	1016364	Wire Assembly #10 Black	1
11	1016367	Wire Assy, #10 Black	1
12	1016423	Fuse, 20-Amp	3
13	1016631	Push Nut	2
14	1017035	Taillight Assembly	2
15	1017721	Limiter, Voltage	1
16	1017722	Wire Assy, #16 Black	1
17	101957101	Bracket, Brake Light Switch	1
18	101969701	Horn Button and Wire Assembly	1
19	101987801	Lighting Harness Assembly	1
20	101988001	Headlight Assembly, Driver-Side Single Beam	1
21	101988002	Headlight Assy, Passenger-Side Single Beam	1
22	102051901	Switch, Light	1
23	102198701	Brake Relay Kit - 12v (includes items 24 through 31)	1
24	1011229	Locknut, #6-32 Whiz	2
25	1017853	Screw, #6-32 X 0.75 Hex-Head Machine	2
26	101914401	Assembly, Voltage Suppressor	1
27	102199001	Relay, 12-Volt	1
28	102199201	Wire Asm #18 Brown	1
29	102199301	Wire Asm #18 Black	1
30	102199401	Wire Asm #18 Black	1
31	7591	Washer, #6, Flat	2
32	102869401	Switch, Rocker, Light	1
33	103254101	Bracket, Mtg, Power Relay	1

4
G
E

4
G
E



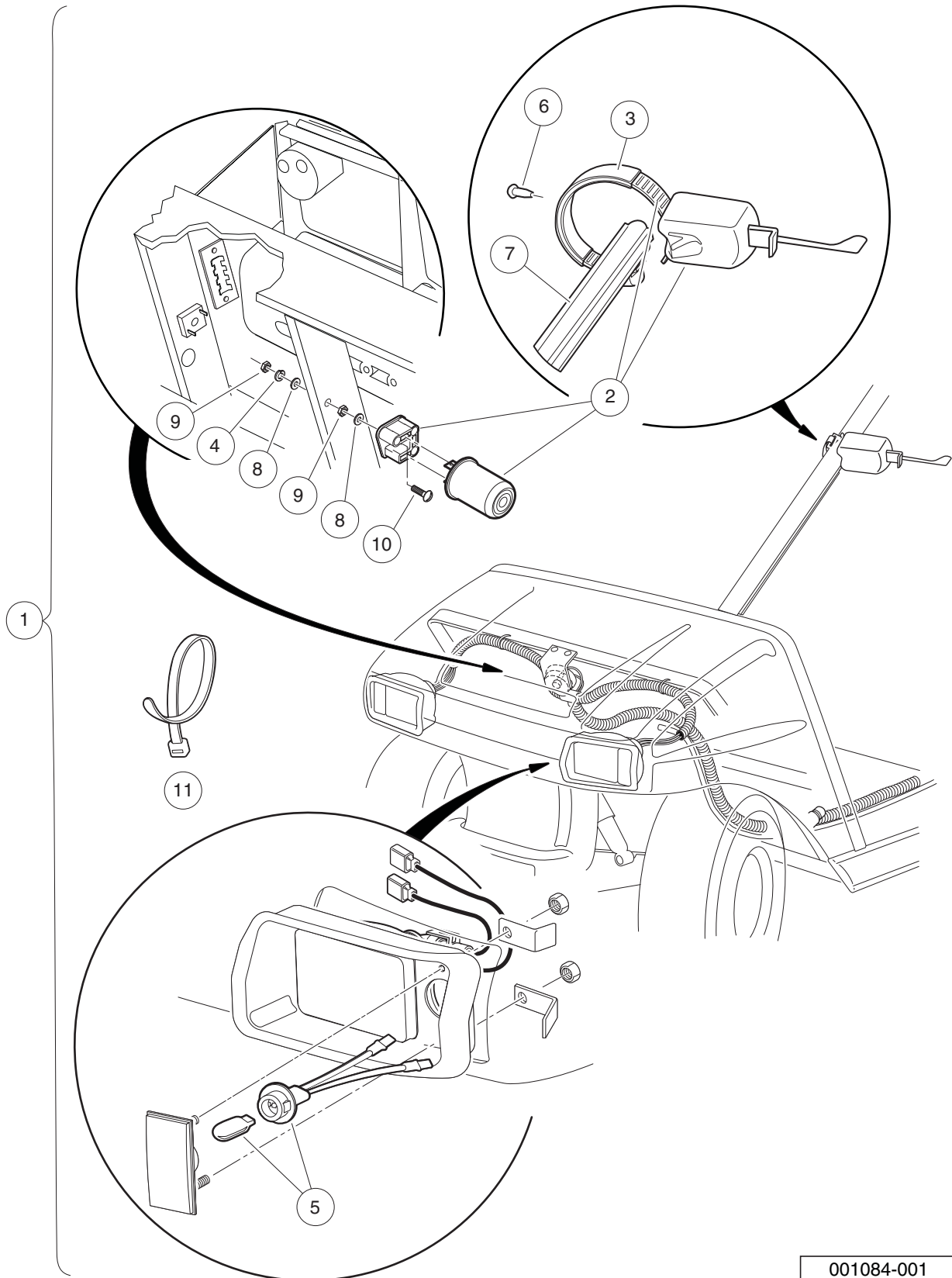
001278-002

LIGHT KIT, STANDARD – TURF/CA 1 IQ SYSTEM ELECTRIC VEHICLES

ITEM	PART NO.	DESCRIPTION	QTY
		1 2 3 4	
1	101814011	Light Pkg, Std, CA 1, Elec, Field (includes items 2 through 33)	1
2	1011439	Switch, Limit	2
3	1011825	Horn Bracket	1
4	1013857	Knob, Light Switch	1
5	1014530	Horn, 12-VDC	1
6	1015661	Nut, Lock Hx Flanged 1/4-20	2
7	1015741	Fuse Block	1
8	1016356	Terminal Block with Insulator	2
9	1016363	Fuse Block Cover	1
10	1016423	Fuse, 20-Amp	3
11	1016631	Push Nut	2
12	1017035	Taillight Assembly	2
13	101810601	Wire Assy, #10 Red	1
14	101957101	Bracket, Brake Light Switch	1
15	101969701	Horn Button and Wire Assembly	1
16	101988001	Headlight Assembly, Driver-Side Single Beam	1
17	101988002	Headlight Assy, Passenger-Side Single Beam	1
18	102051901	Switch, Light	1
19	102267501	Brake Relay Kit - 48v Series (includes items 20 through 30)	1
20	1011229	Locknut, #6-32 Whiz	2
21	1017853	Screw, #6-32 X 0.75 Hex-Head Machine	2
22	101914402	Asm, Pd Volt. Supp. W/o Instr.	1
23	102199201	Wire Asm #18 Brown	1
24	102199301	Wire Asm #18 Black	1
25	102199401	Wire Asm #18 Black	1
26	102273101	Diode Assembly	1
27	102569101	Wire Asm #18 Yellow	1
28	103414901	Kit, Relay, 48v 30a W/instr (includes item 29)	1
29	103397901	Relay, Spst No, 48v 30a, Pmt	1
30	7591	Washer, #6, Flat	2
31	102869401	Switch, Rocker, Light	1
32	103257001	Wire Harness, Lighting	1
33	103470902	Limiter, Voltage, Post Mnt	1

4
G
E

4
G
E



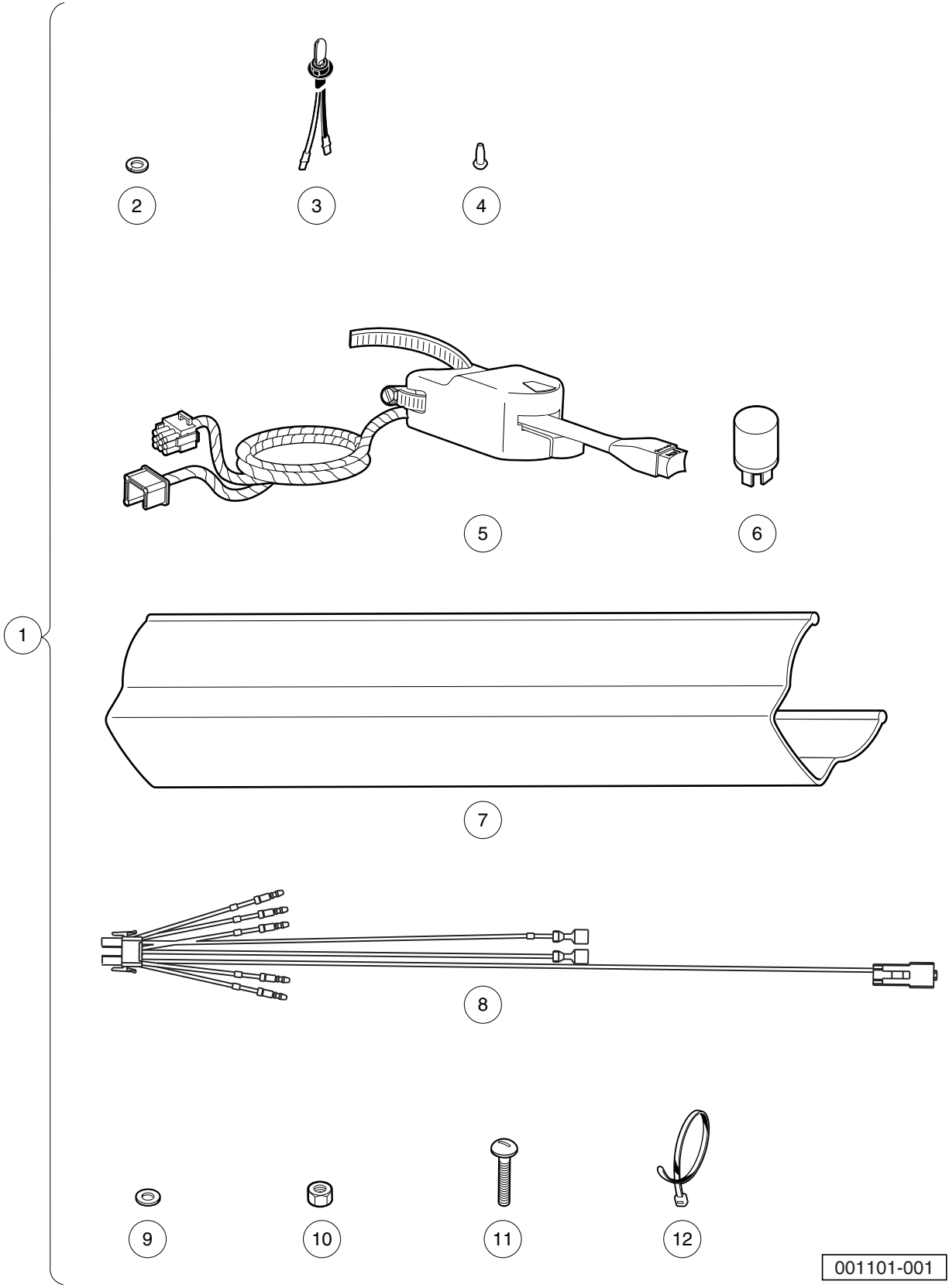
001084-001

TURN SIGNAL KIT – DS AND UTILITY GASOLINE AND ELECTRIC VEHICLES

ITEM	PART NO.	DESCRIPTION	QTY
		1 2 3 4	
1	101707402	Turn Signal Conversion Kit (includes items 2 through 11)	1
2	1011590	Switch Sub-assy, Turn Signal	1
3	N/A	Strap, Extrusion	1
4	1016	Lockwasher, #10 Split	1
5	1017075	Socket & Lamp Assembly	2
6	1017724	Rivet, Plastic	1
7	102529201	Wire Cover, Steering Column	1
8	183	Washer, #10, Type A, Flat	2
9	7893	Nut, #10-32 Hex	2
10	8104	Screw, #10-32 X .75 Rd Hd Mach	1
11	8990	Tie Wrap, 8" Nylon	1

4
G
E

4
G
E



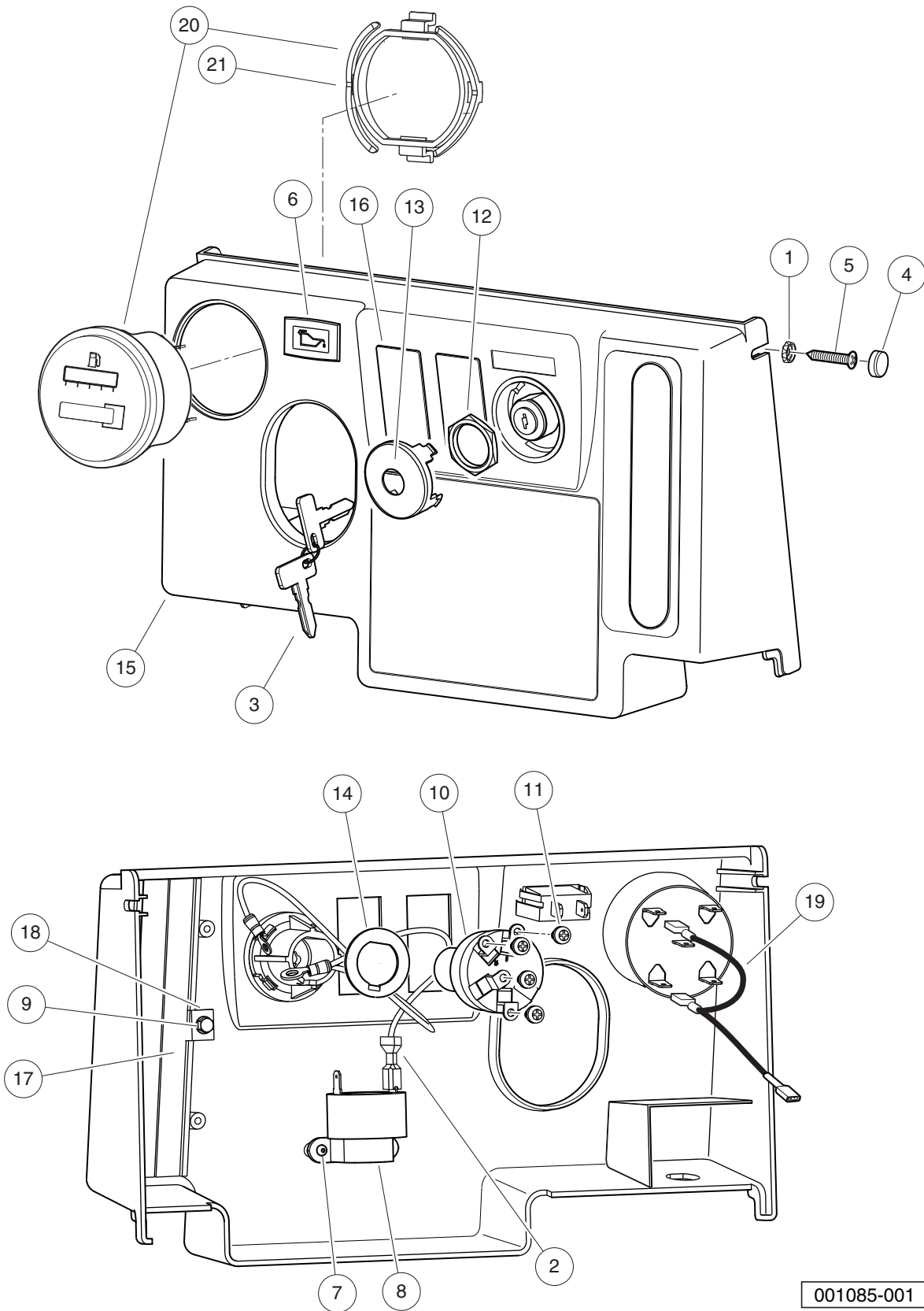
001101-001

TURN SIGNAL (WITH HORN BUTTON) KIT – DS AND UTILITY GAS AND ELECTRIC VEHICLES

ITEM	PART NO.	DESCRIPTION	QTY
		1 2 3 4	
1	101707405	Kit, Turn Signal-horn (includes items 2 through 12)	1
2	1016	Lockwasher, #10 Split	1
3	1017075	Socket & Lamp Assembly	2
4	1017724	Rivet, Plastic	1
5	102517501	Turn Signal Asm (includes item 6)	1
6	102546401	Flasher Unit, Prec	1
7	102529201	Wire Cover, Steering Column	1
8	103618001	Harness, Jumper, Turn Signal	1
9	183	Washer, #10, Type A, Flat	2
10	7893	Nut, #10-32 Hex	2
11	8104	Screw, #10-32 X .75 Rd Hd Mach	1
12	8990	Tie Wrap, 8" Nylon	1

4
G
E

4
G
E



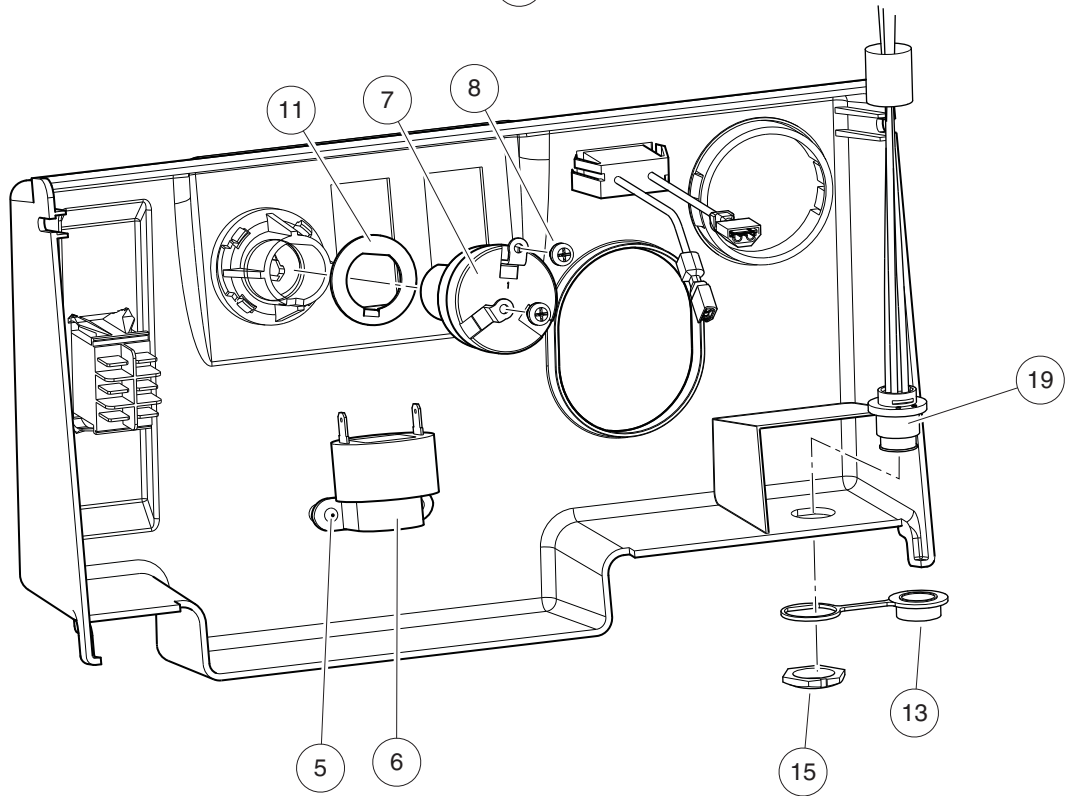
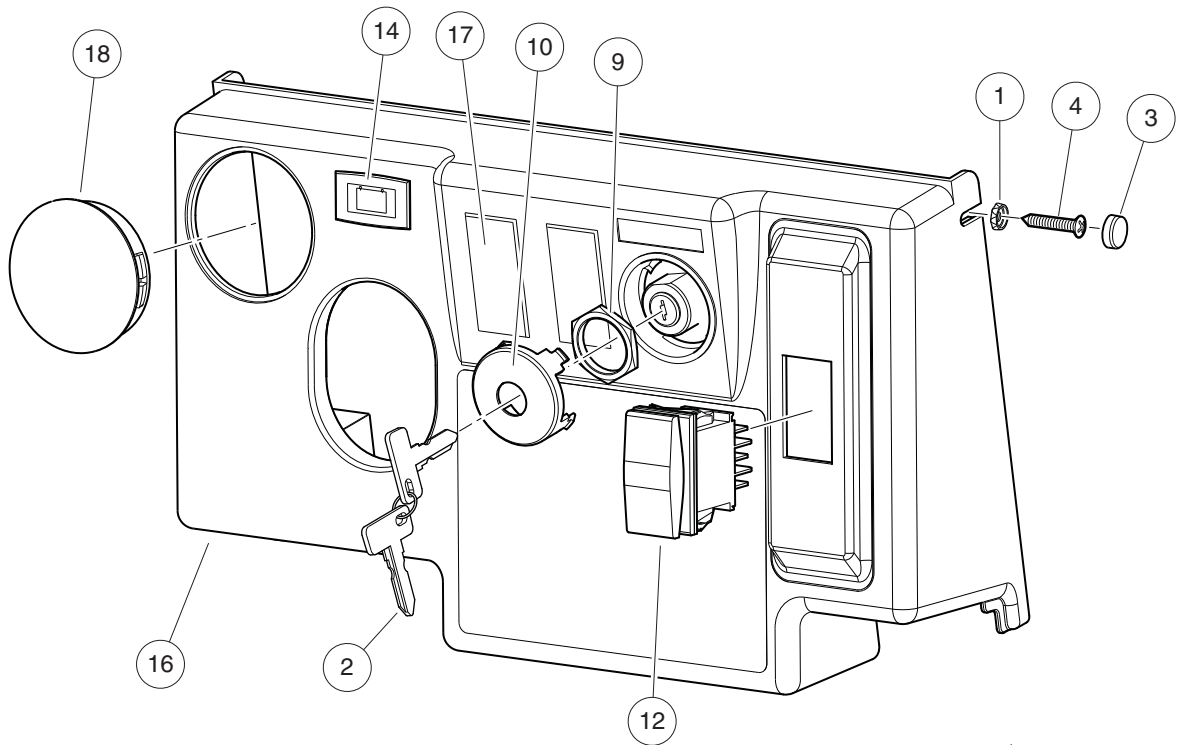
001085-001

INSTRUMENT PANEL AND ELECTRICAL COMPONENTS – TURF/ CARRYALL 1, 2, AND 252 GAS

ITEM	PART NO.	DESCRIPTION	QTY
		1 2 3 4	
1	1011382	Washer, #10 Pan-Head Screw	2
2	1012396	Wire Assy #18 Black	1
3	1012505	Keys (set of 2)	1
4	1013494	Cover, Screw Head	2
5	1015528	Screw, #10 x 1-1/4 Phillips Head	2
6	1016630	Light, Oil	1
7	1016849	Screw, #4-24 X 0.33, Pan-Head, Machine	2
8	1016851	Buzzer, Reverse (9-48 VDC)	1
9	101804301	Screw, #8 X 0.500, Hex-Head Hi-Lo	2
10	101826301	Key Switch, 12-Volt, Off/On	1
11	101830601	Screw and Washer Assembly	4
12	101830701	Nut, Key Switch	1
13	101834502	Cap, Black Key Switch	1
14	101851101	Washer, Key Switch	1
15	102977001	Panel, Dash, Center, Gas (Instrument Panel)	1
16	103180101	Cover, Hole, Switch, Rocker	2
17	103199001	Brush, Closeout, FNR	2
18	103199101	Washer, Retaining, Brush, FNR	2
19	103348501	Asm, Wire Meter, F-h Jumper	1
20	103348601	Gauge, Fuel-hour,sep Gnd,utl (includes item 21)	1
21	103348201	Clip, Meter, Round	1

4
G
E

4
G
E



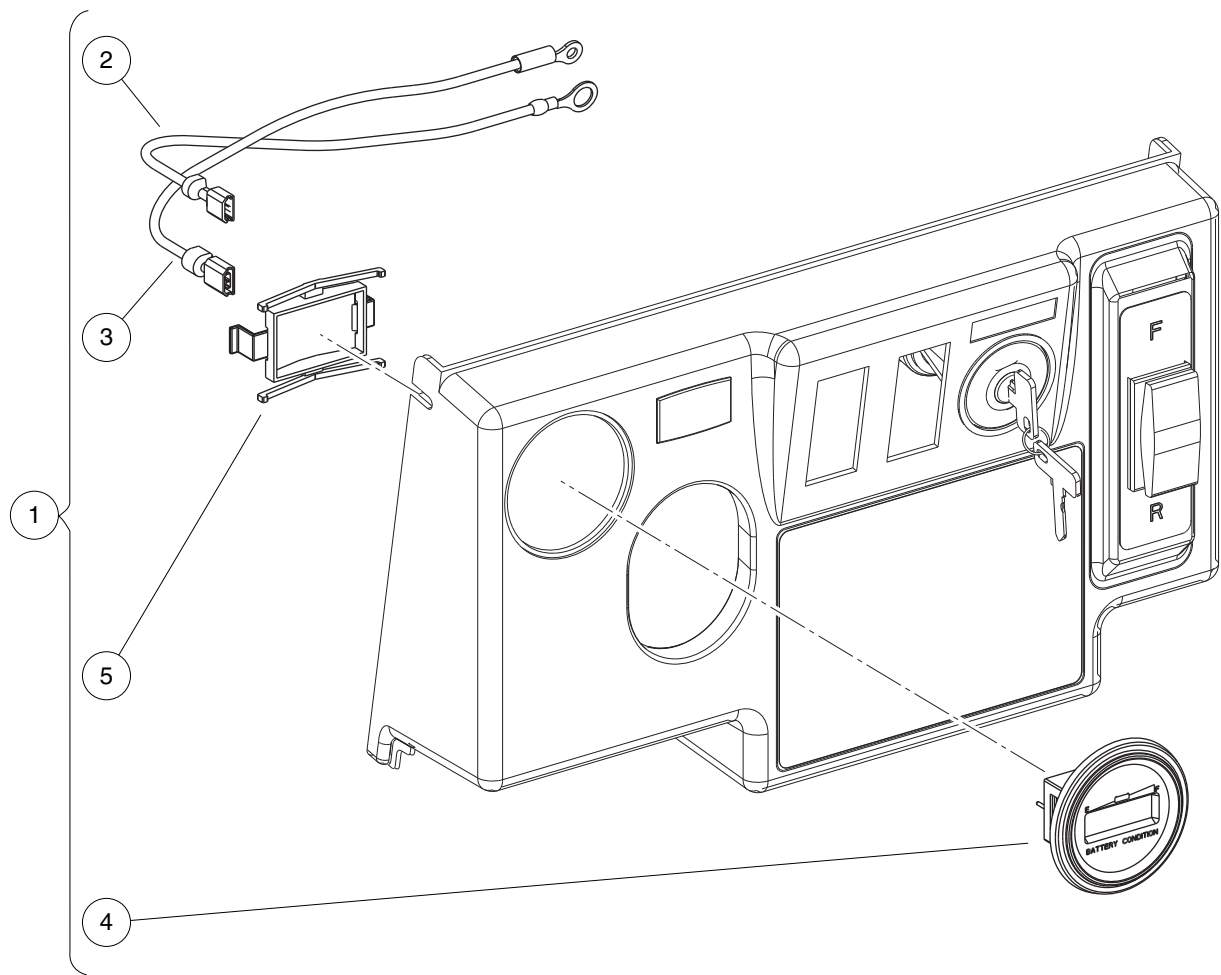
001087-001

INSTRUMENT PANEL AND ELECTRICAL COMPONENTS – TURF/ CA 1 AND 2 ELECTRIC

ITEM	PART NO.	DESCRIPTION	QTY
		1 2 3 4	
1	1011382	Washer, #10 Pan-Head Screw	2
2	1012505	Keys (set of 2)	1
3	1013494	Cover, Screw Head	2
4	1015528	Screw, #10 x 1-1/4 Phillips Head	2
5	1016849	Screw, #4-24 X 0.33, Pan-Head, Machine	2
6	1016851	Buzzer, Reverse (9-48 VDC)	1
7	101826201	Key Switch, On/Off	1
8	101830601	Screw and Washer Assembly	2
9	101830701	Nut, Key Switch	1
10	101834502	Cap, Black Key Switch	1
11	101851101	Washer, Key Switch	1
12	101856002	Switch, Rocker, Single-Pole	1
13	102196901	Dust Cap	1
14	102508701	Light, Battery	1
15	102572401	Nut, Diagnostic Port, Prec	1
16	102977002	Panel, Dash, Center, Elec (Instrument Panel)	1
17	103180101	Cover, Hole, Switch, Rocker	2
18	103198301	Plug, Hole, Round, 2.0 In	1
19	103218601	Harness, Diagnostic Port	1

4
G
E

4
G
E



000817-002

BATTERY CONDITION INDICATOR – ELECTRIC VEHICLES

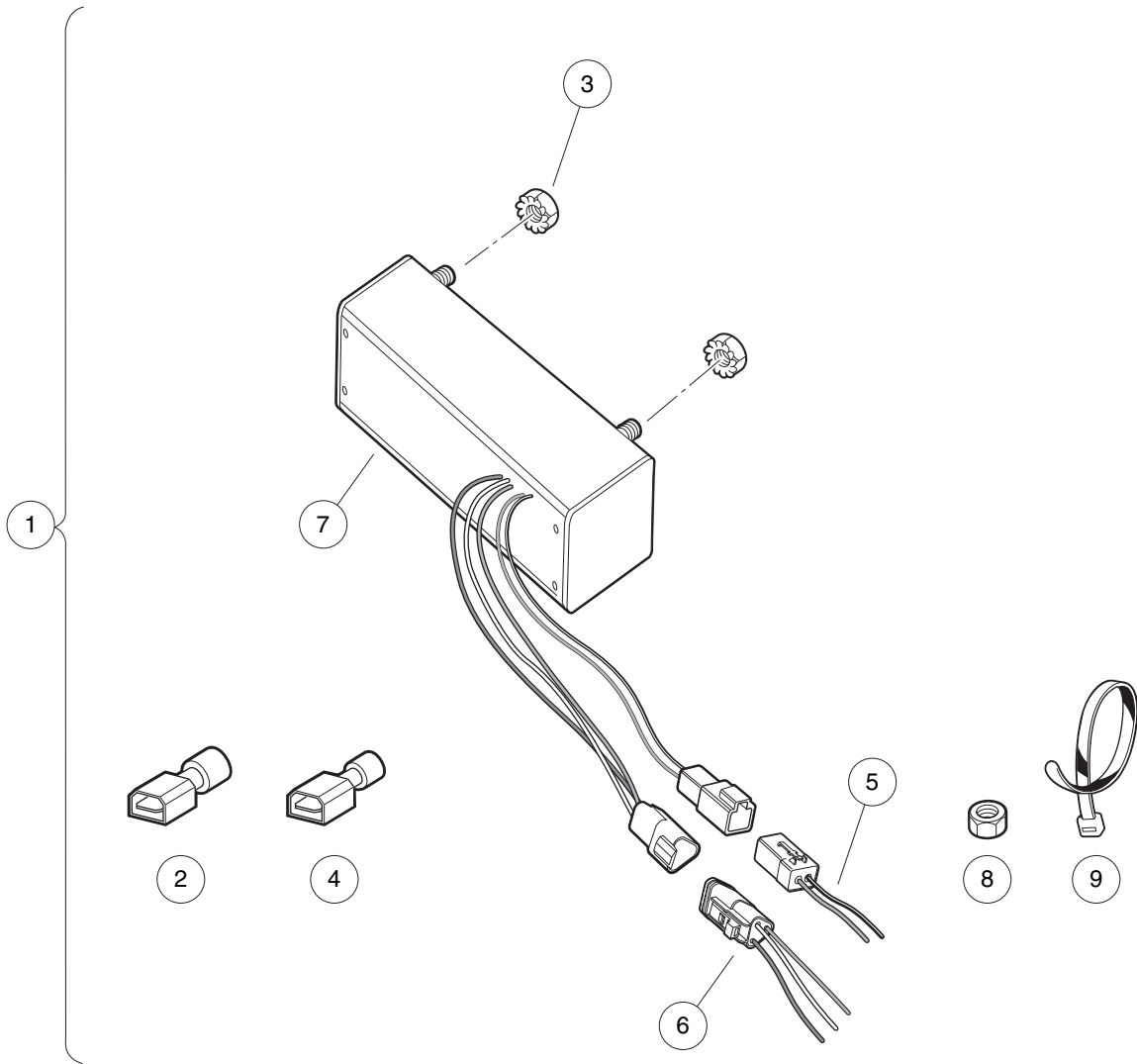
ITEM	PART NO.	DESCRIPTION	QTY
		1 2 3 4	
1	103257603	Kit, Gauge, Battery Condition Indicator (includes items 2 through 4)	1
2	103257701	Wire Asm, #18 Black, 2565mm	1
3	103257801	Wire Asm, #16 Red, 330mm	1
4	103354401	Gauge, Battery Cond Ind, Rnd (includes item 5)	1
5	103348202	Clip, Bci, Round	1

4

G

E

4
G
E



001271-002

DC CONVERTER – IQ SYSTEM, ELECTRIC VEHICLE

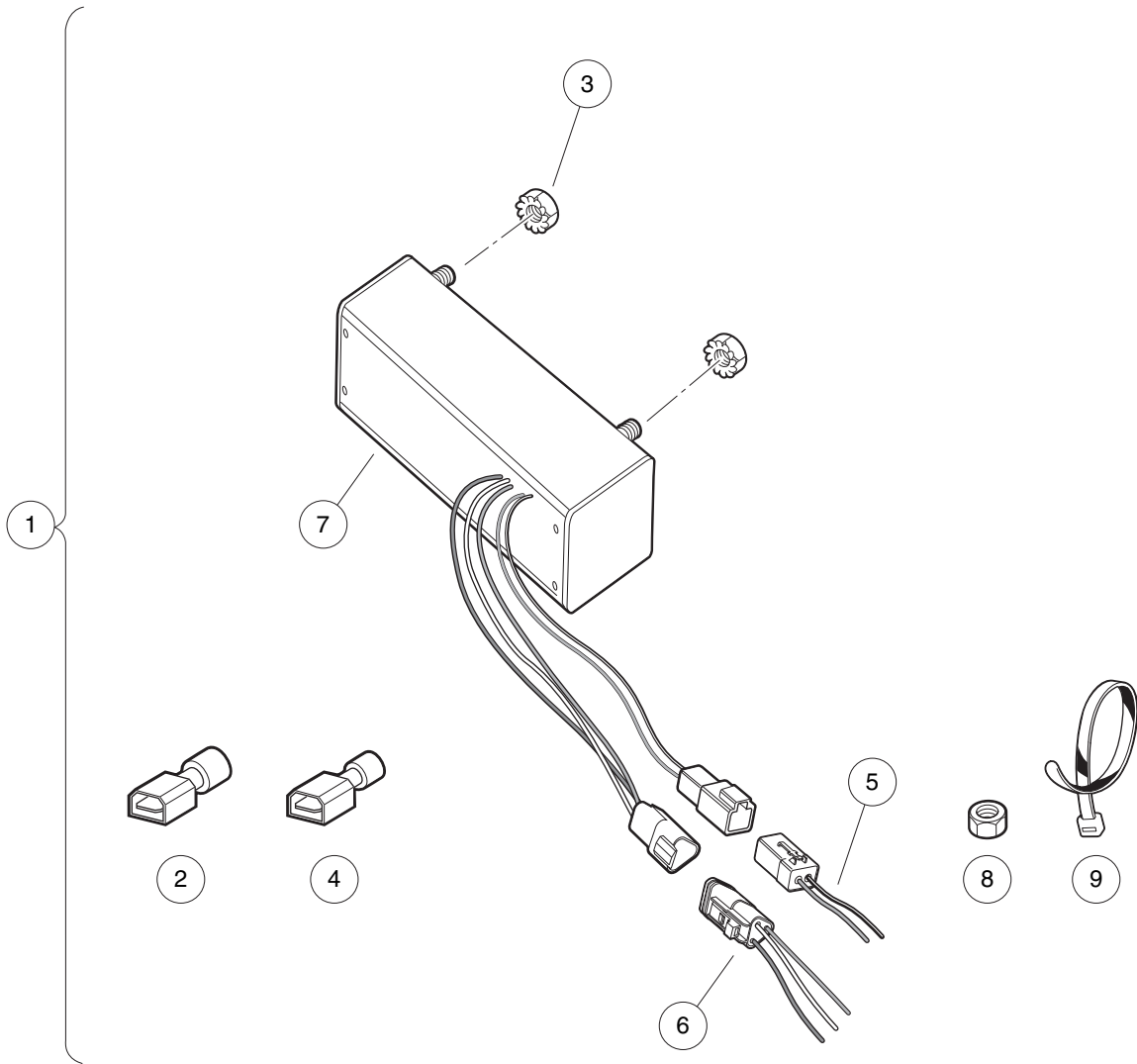
ITEM	PART NO.	DESCRIPTION	QTY
		1 2 3 4	
1	102357501	Kit, DC/DC Converter (includes items 2 through 9)	1
2	1016365	Terminal, 1/4" Male Quick Disconnect	1
3	101835601	Locknut, 1/4-20 Hex Whiz	2
4	N/A	Terminal, 1/4" Male Quick Disconnect	1
5	102354901	Harness, Dc Converter - 12v	1
6	102355001	Harness, Dc Converter - 48v	1
7	103700301	Converter, Dc/dc, Isoltd	1
8	1242	Nut, 5/16-18 Hex	1
9	8990	Tie Wrap, 8" Nylon	4

4

G

E

4
G
E



001271-002

DC CONVERTER – IQ SYSTEM, CE ELECTRIC VEHICLE

ITEM	PART NO.	DESCRIPTION	QTY
		1 2 3 4	
1	102357502	Kit, Dc Converter Ce (includes items 2 through 9)	1
2	1016365	Terminal, 1/4" Male Quick Disconnect	1
3	101835601	Locknut, 1/4-20 Hex Whiz	2
4	N/A	Terminal, 1/4" Male Quick Disconnect	1
5	102354901	Harness, Dc Converter - 12v	1
6	102355001	Harness, Dc Converter - 48v	1
7	103802401	Converter, Dc/dc, Ce	1
8	1242	Nut, 5/16-18 Hex	1
9	8990	Tie Wrap, 8" Nylon	4

4

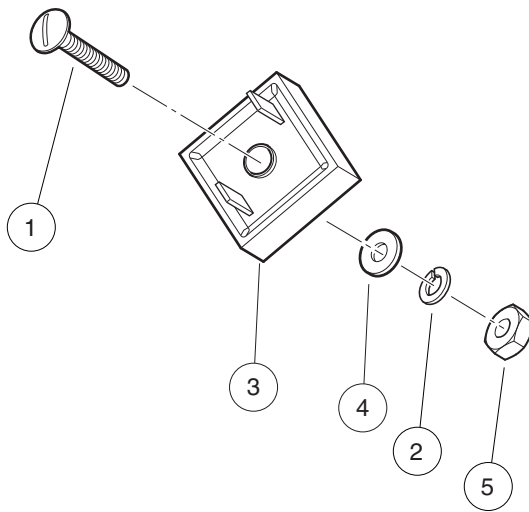
G

E

4

G

E



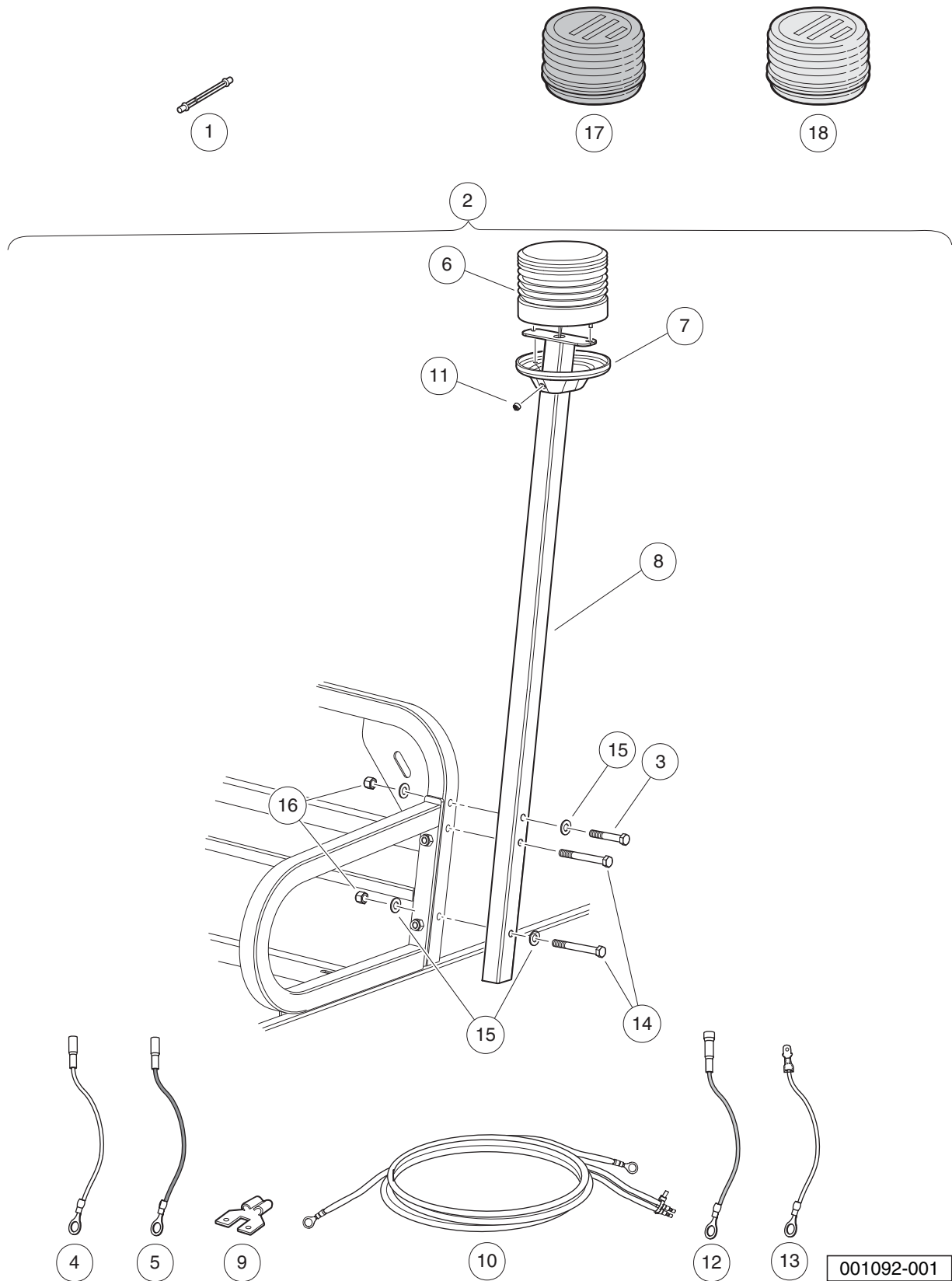
001091-001

VOLTAGE LIMITER – GASOLINE VEHICLE

ITEM	PART NO.	DESCRIPTION	QTY
		1 2 3 4	
1	1010909	Screw, #10-32 X 1.25 Rd Hd Mch	1
2	1016	Lockwasher, #10 Split	1
3	1017721	Limiter, Voltage	1
4	183	Washer, #10, Type A, Flat	1
5	7893	Nut, #10-32 Hex	1

4
G
E

4
G
E

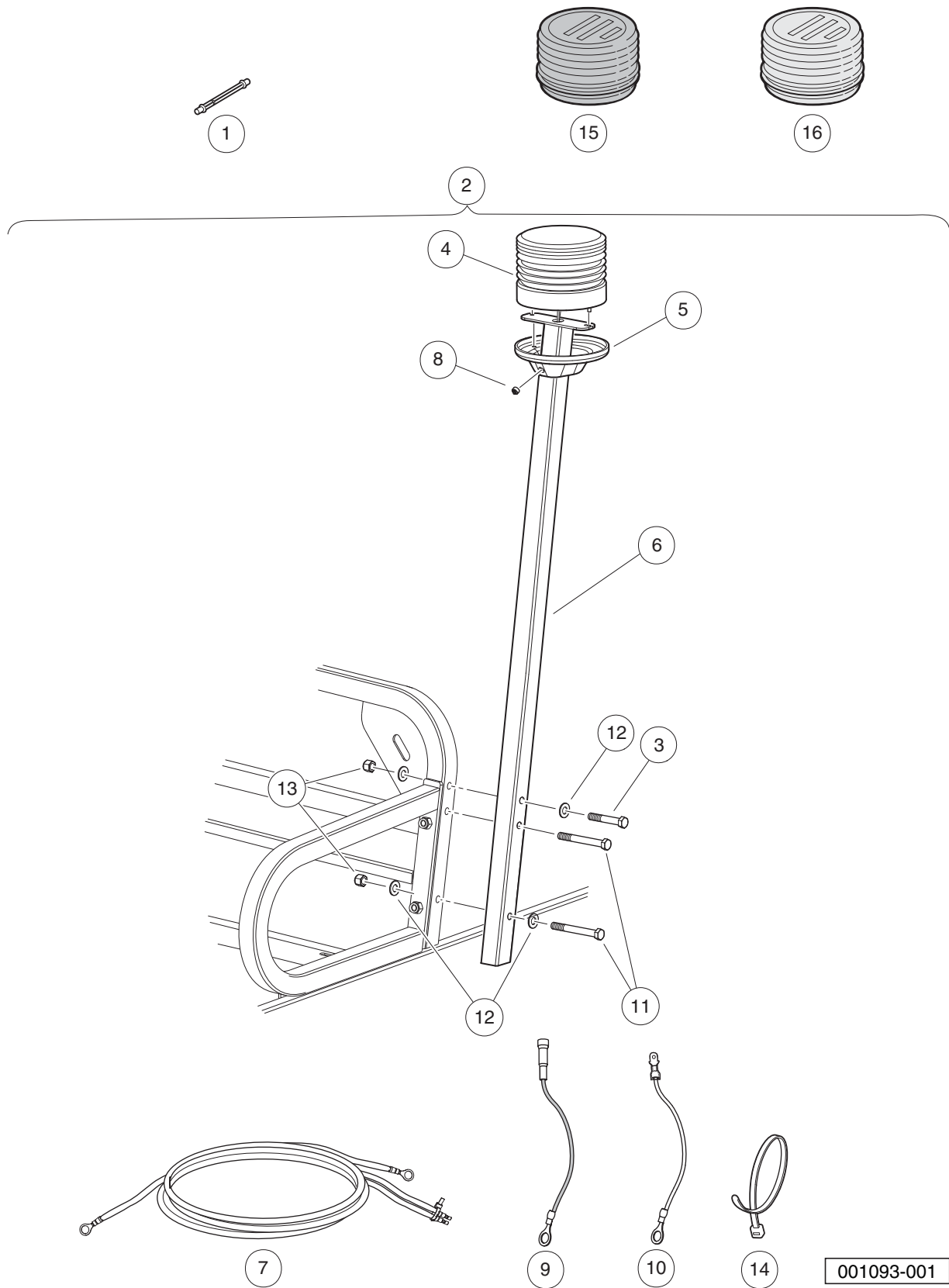


STROBE LIGHT, POST-MOUNTED – GASOLINE VEHICLES

ITEM	PART NO.	DESCRIPTION	QTY
		1 2 3 4	
1	1015526	Bulb, Replacement, for Strobe Light	1
2	1015765	Safety Strobe Lht Post Mnt Gas (includes items 3 through 16)	1
3	1013509	Screw, 1/4-20 X 1.75 Hx Hd Cap	2
4	1015153	Wire Assembly #16 Yellow	1
5	1015154	Wire Assembly Blue Ca #16	1
6	1015156	Light Assembly, Strobe	1
7	1015157	Cover Plate Switch - Pole Ca	1
8	1015160	Pole Weldment Carryall	1
9	1015162	3/16 Tab Adapter Non-insul	1
10	1015172	Wire Harness Assy, Strobe Lght	1
11	1015187	Switch Assembly	1
12	1016837	Wire Assembly Red #18	1
13	1016929	Wire Assembly Black #16	1
14	324	Screw, 1/4-20 X 2.50 Hx Hd Cap	2
15	332	Washer, 1/4 Type A Narrow Flat	4
16	8233	Locknut, 1/4-20, Nylon Insert	2
17	AM1243701	Lens, Blue, for Strobe Light	1
18	AM1243801	Lens, Red, for Strobe Light	1

4
G
E

4
G
E



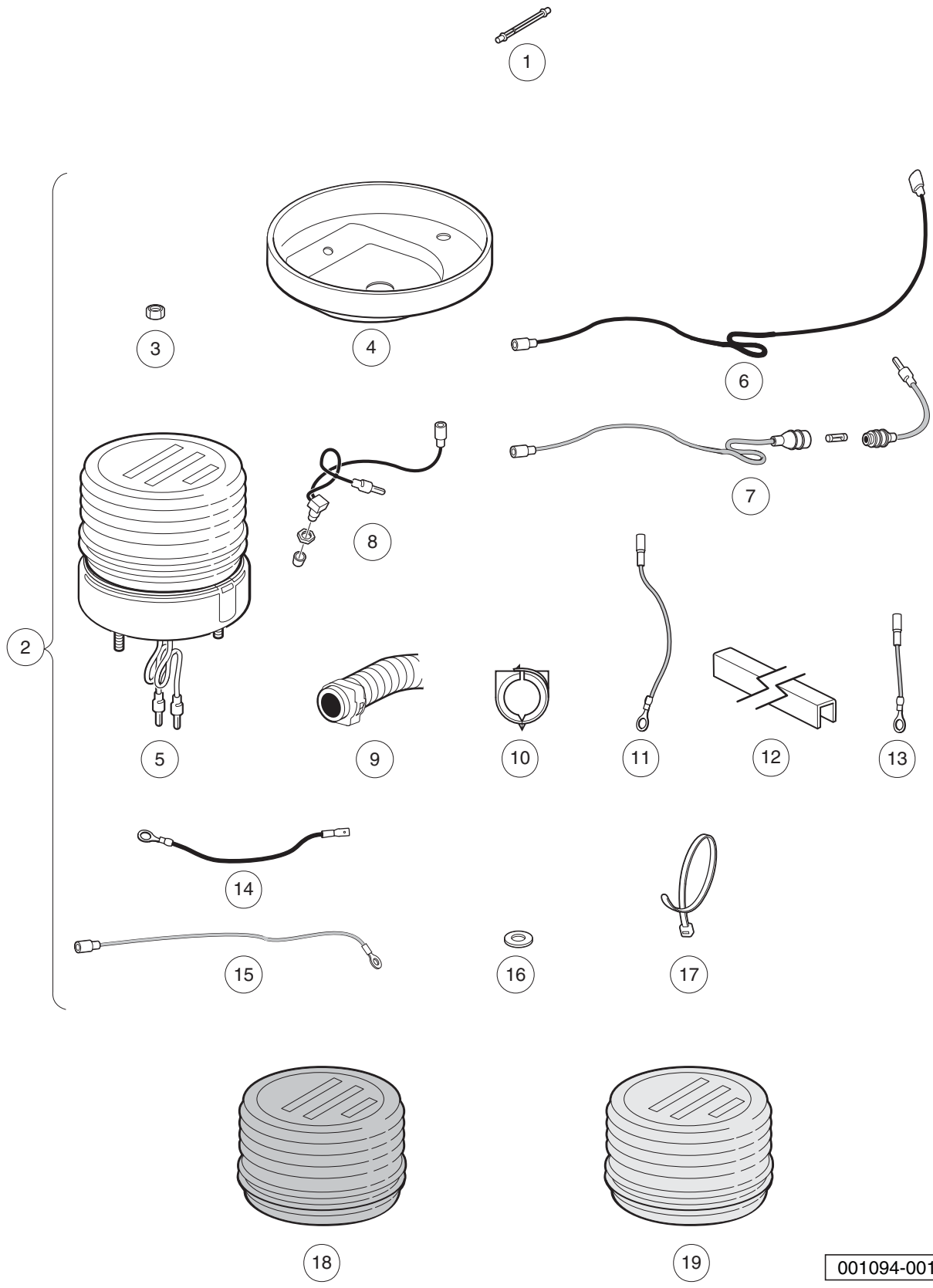
001093-001

STROBE LIGHT, POST-MOUNTED – ELECTRIC VEHICLES

ITEM	PART NO.	DESCRIPTION	QTY
		1 2 3 4	
1	1015526	Bulb, Replacement, for Strobe Light	1
2	101814601	Safety Strobe Lht & Post Mt El (includes items 3 through 14)	1
3	1013509	Screw, 1/4-20 X 1.75 Hx Hd Cap	2
4	1015156	Light Assembly, Strobe	1
5	1015157	Cover Plate Switch - Pole Ca	1
6	1015160	Pole Weldment Carryall	1
7	1015172	Wire Harness Assy, Strobe Lght	1
8	1015187	Switch Assembly	1
9	1016837	Wire Assembly Red #18	1
10	1016929	Wire Assembly Black #16	1
11	324	Screw, 1/4-20 X 2.50 Hx Hd Cap	2
12	332	Washer, 1/4 Type A Narrow Flat	4
13	8233	Locknut, 1/4-20, Nylon Insert	2
14	8990	Tie Wrap, 8" Nylon	4
15	AM1243701	Lens, Blue, for Strobe Light	1
16	AM1243801	Lens, Red, for Strobe Light	1

4
G
E

4
G
E



001094-001

STROBE LIGHT, CANOPY-MOUNTED

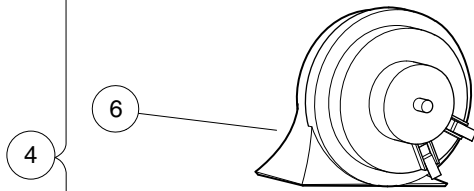
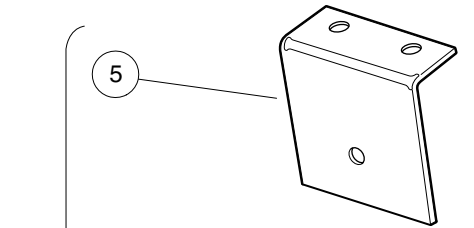
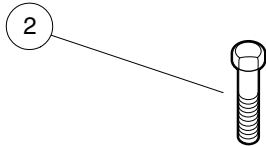
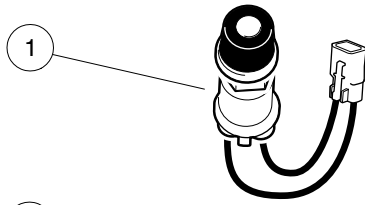
ITEM	PART NO.	DESCRIPTION	QTY
		1 2 3 4	
1	1015526	Bulb, Replacement, for Strobe Light	1
2	AM1243501	Kit, Roof Mounted Strobe Fd (includes items 3 through 17)	A/R
3	1012438	Locknut, #10-24 Nylon Insert	2
4	1015010	Cover Plate Switch	1
5	1015156	Light Assembly, Strobe	1
6	1015167	#16 Black Wire Asm	1
7	1015170	Wire Assembly #16	1
8	1015187	Switch Assembly	1
9	1015768	Split Convoluted Elec Conduit	11
10	1015770	Outlet Ring - .5 Diameter	5
11	1016230	Wire Asm #16 Red	1
12	1016267	Snap On Conduit Vert.	1
13	1016287	Wire Asm #16 Red	1
14	1016929	Wire Assembly Black #16	1
15	101821601	#18 Red Wire Assembly	1
16	183	Washer, #10, Type A, Flat	2
17	8639	Tie Wrap, 11" Nylon	8
18	AM1243701	Lens, Blue, for Strobe Light	A/R
19	AM1243801	Lens, Red, for Strobe Light	A/R

4
G
E

4

G

E



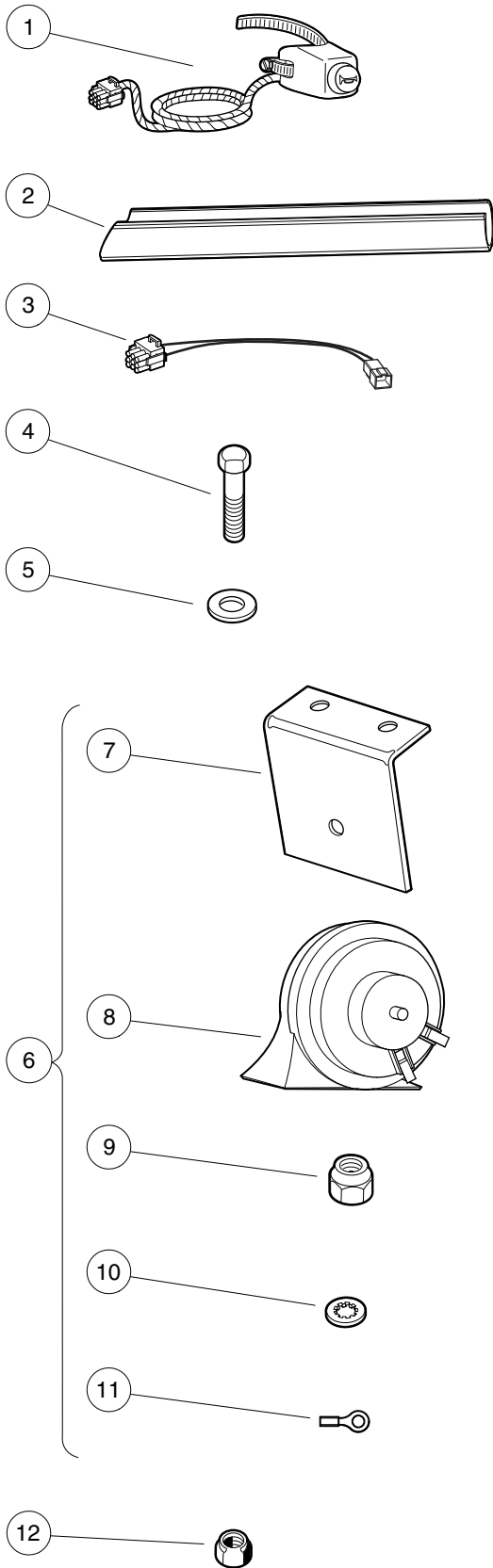
001095-001

HORN

ITEM	PART NO.	DESCRIPTION	QTY
		1 2 3 4	
1	101969701	Horn Button and Wire Assembly	1
2	304	Screw, 1/4-20 X 1.0 Hex-Head Cap	2
3	332	Washer, 1/4 Type A Narrow Flat	2
4	4029	Horn (includes items 5 through 9)	1
5	1011825	Horn Bracket	1
6	1014530	Horn, 12-VDC	1
7	101955101	Nut, M6 Hex	1
8	7820	Washer, 5/16 Internal-Tooth	1
9	8294	5/16 Ring Term.	1
10	8233	Locknut, 1/4-20, Nylon Insert	2

4
G
E

4
G
E



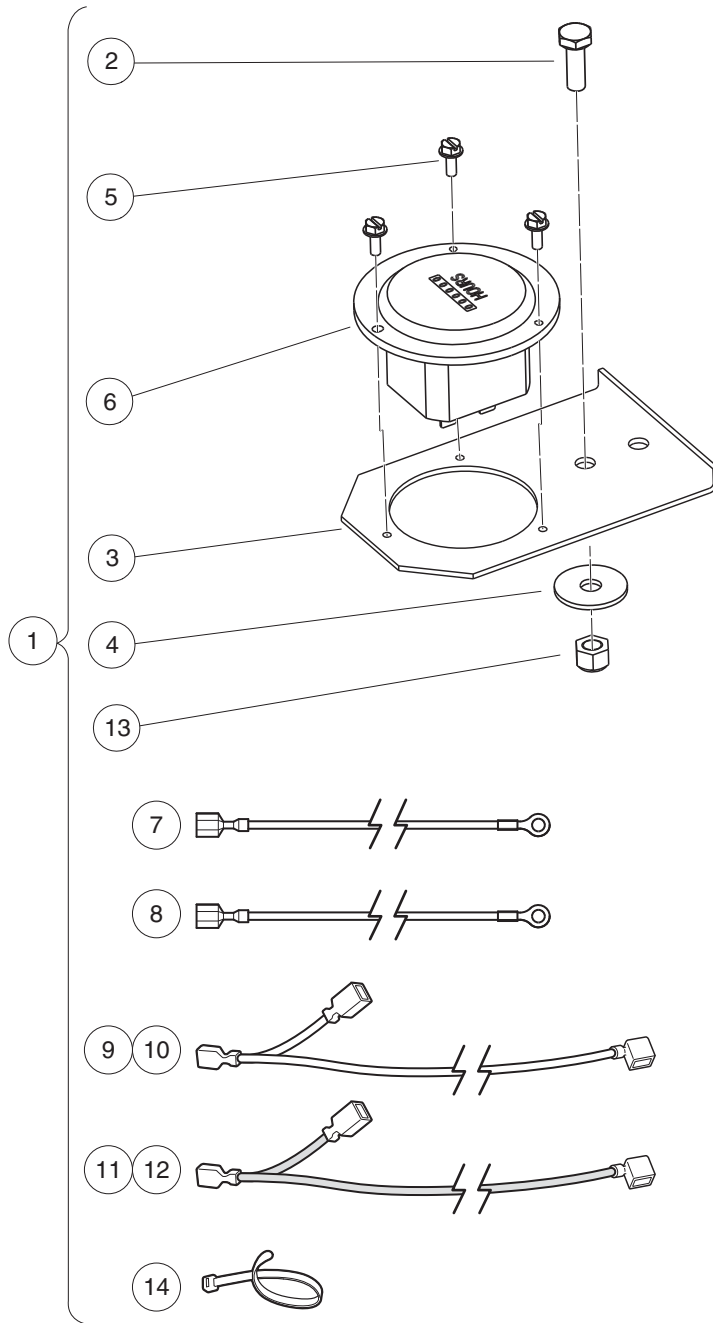
001095-002

HORN WITH COLUMN-MOUNTED BUTTON

ITEM	PART NO.	DESCRIPTION	QTY
		1 2 3 4	
1	102517601	Subasm, Horn Button Harness	1
2	102529203	Wire Cover-steer Column 304 Mm	1
3	103618101	Harness, Jumper, Horn	1
4	304	Screw, 1/4-20 X 1.0 Hex-Head Cap	2
5	332	Washer, 1/4 Type A Narrow Flat	2
6	4029	Horn (includes items 7 through 11)	1
7	1011825	Horn Bracket	1
8	1014530	Horn, 12-VDC	1
9	101955101	Nut, M6 Hex	1
10	7820	Washer, 5/16 Internal-Tooth	1
11	8294	5/16 Ring Term.	1
12	8233	Locknut, 1/4-20, Nylon Insert	2

4
G
E

4
G
E



001096-001

HOUR METER – IQ SYSTEM AND IQ PLUS ELECTRIC VEHICLES

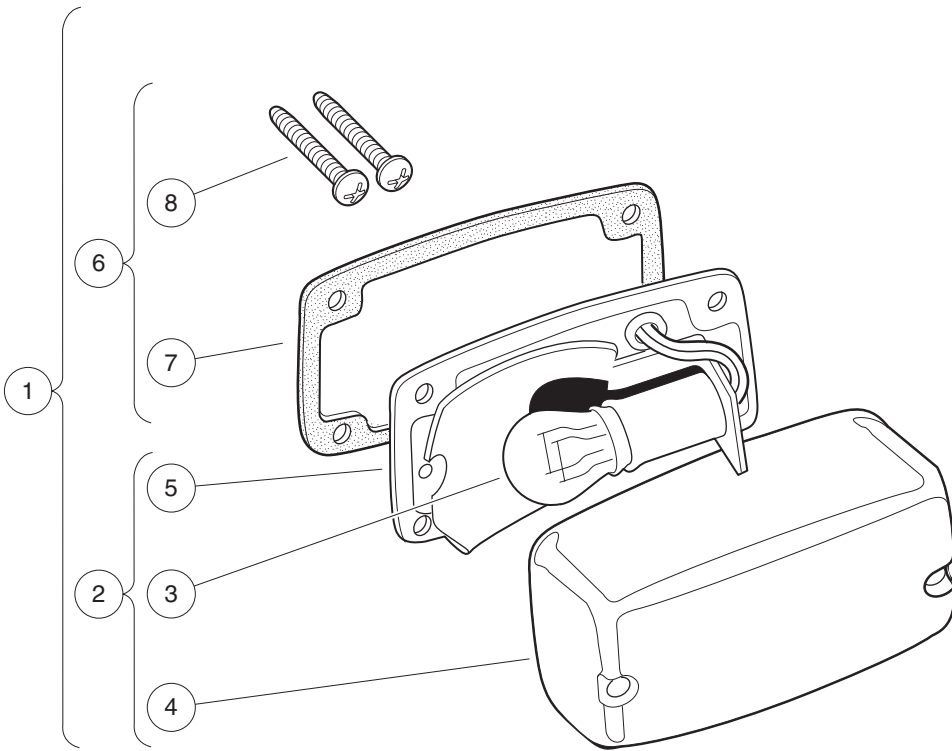
ITEM	PART NO.	DESCRIPTION	QTY
		1 2 3 4	
1	1013579	Kit, Hour Meter (includes items 2 through 14)	1
2	1012285	Screw, 1/4 X 0.625 Hex-Head	1
3	1013547	Hour Meter Bracket	1
4	1014306	Washer, 1/4" Type B Flat	1
5	1014540	Screw, #6-32 X 3/8 Taptite	3
6	N/A	Hour Meter	1
7	101881501	Wire Assembly Black #18	1
8	101881601	Wire Assembly Red #18	1
9	101997802	Wire Assembly #18 Yellow	1
10	101997803	Wire Asm #18 Yellow 31"	1
11	101997902	Wire Assembly #18 Red	1
12	101997903	Wire Asm # 18 Red 31"	1
13	8233	Locknut, 1/4-20, Nylon Insert	1
14	8990	Tie Wrap, 8" Nylon	1
		<p>Note: The kit includes components that apply to multiple vehicles. The installation instructions will specify which components are required for a specific model. After installation, discard components not used.</p>	

4
G
E

4

G

E



001081-001

TAILLIGHTS

ITEM	PART NO.	DESCRIPTION	QTY
		1 2 3 4	
1	1017035	Taillight Assembly (includes items 2 through 6)	2
2	N/A	Light, Tail (includes items 3 through 5)	1
3	1011582	Taillight Bulb	1
4	1011843	Taillight Lens	1
5	N/A	Base, Taillight	1
6	1017699	Hardware Kit, Tail Light (includes items 7 and 8)	1
7	N/A	Gasket	1
8	N/A	Screw, Tapered	2

4
G
E

4

G

E

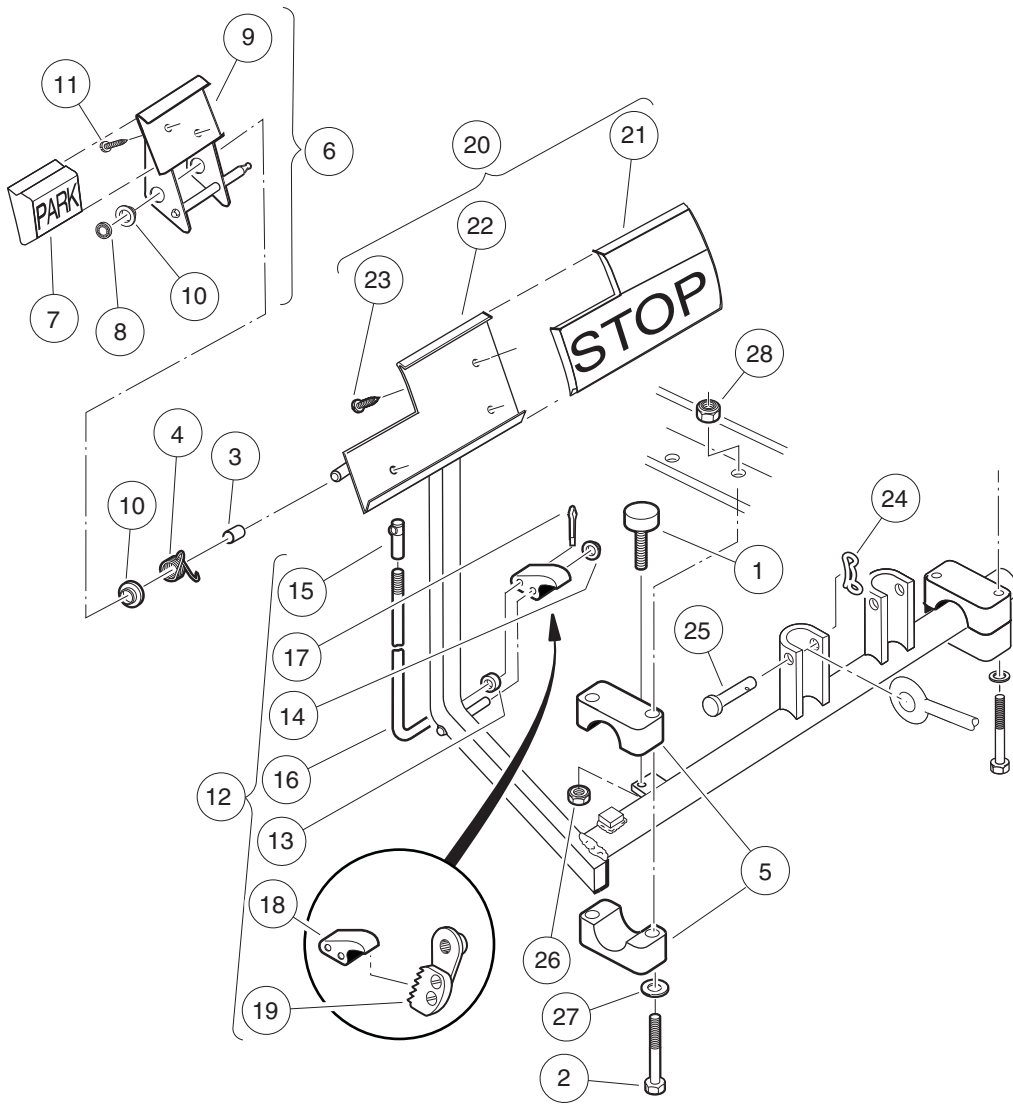
BRAKES, PEDALS, AND CABLE ASSEMBLIES

5

G

E

5
G
E



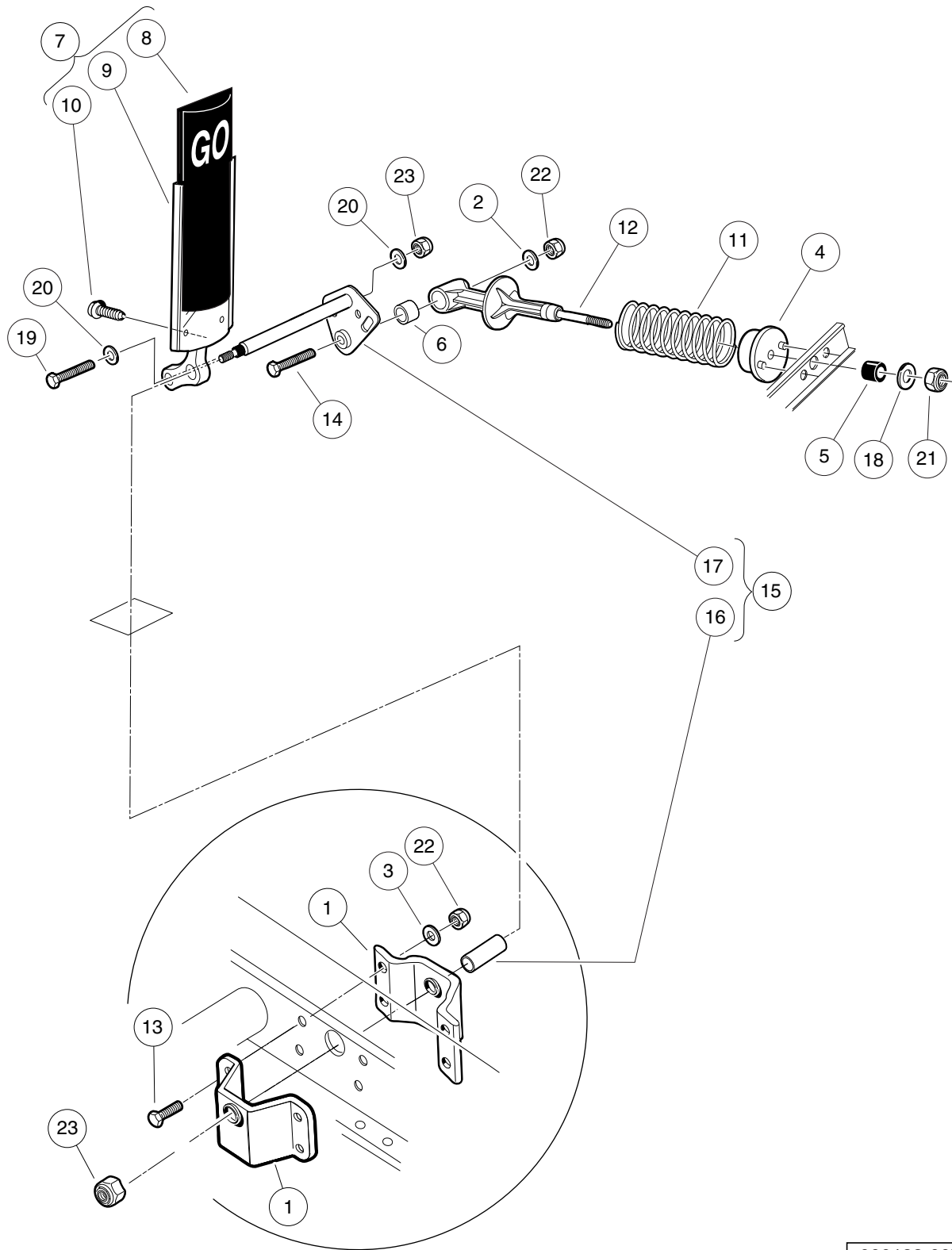
000187-001

BRAKE PEDAL ASSEMBLY

ITEM	PART NO.	DESCRIPTION	QTY
		1 2 3 4	
1	1010878	Bumper, Rubber	1
2	1010921	Screw, 5/16-18 X 2.50 Hex Cap	4
3	1010927	Hill Brake Spacer	1
4	1010933	Spring, Hill Brake Torsion	1
5	1011402	Package, Brake Mounting Block	1
6	1011418	Kit, Hill Brake Pedal (includes items 7 through 11)	1
7	1013870	Pad, Hill Brake	1
8	1013876	Pushnut, 3/8	1
9	N/A	Hill Brake Weld Assembly	1
10	1032	Bushing, Nylon	2
11	7716	Screw, #10-16 Type AB, Sheet Metal	2
12	101187702	Kit, Hill Brake Latch (includes items 13 through 19)	1
13	1010805	Sleeve, Hill Brake Rod	1
14	1010877	Pushnut, 3/8	1
15	1010932	Ball Joint, 1/4-28	1
16	N/A	Rod, Hill Brake	1
17	1017029	Pin, Cotter, 7/64 x 1/2 Stainless-Steel	1
18	N/A	Pawl, Hill Brake	1
19	101918501	Ratchet Assembly	1
20	101878201	Brake Pedal Kit (includes items 21 through 23)	1
21	1013869	Pad, Brake Pedal	1
22	N/A	Weldment, Brake Pedal, 2wr Std	1
23	7716	Screw, #10-16 Type AB, Sheet Metal	3
24	102323101	Pin, Bow Tie Locking	1
25	102323201	Pin, 3/8 X 1-5/16 Clevis	1
26	1028	Nut, 1/4-20 Hex	1
27	1241	Washer, 5/16 Type A Flat	4
28	7473	Locknut, 5/16-18 Nylon Insert	4

5
G
E

5
G
E



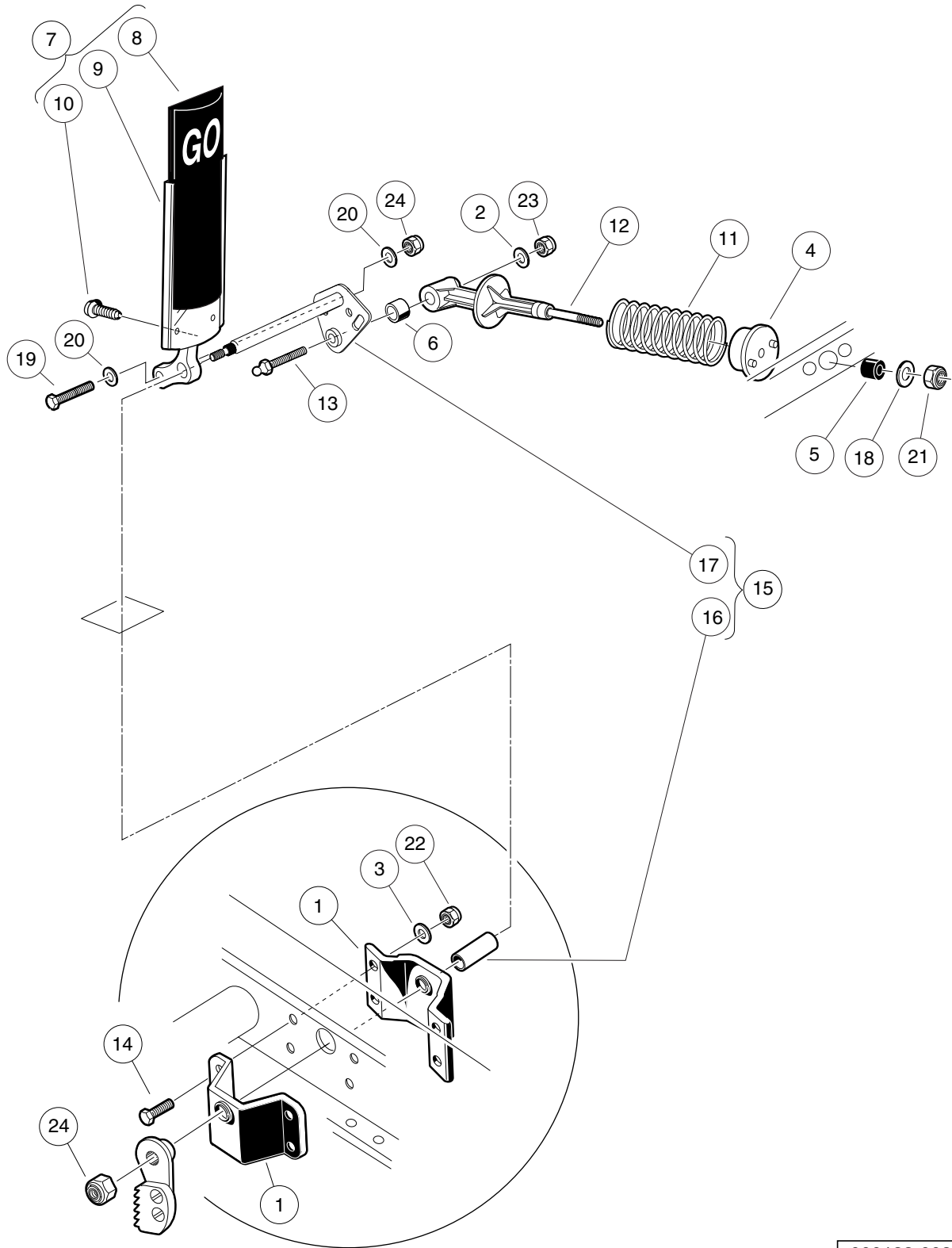
000188-007

ACCELERATOR PEDAL ASSEMBLY – ELECTRIC VEHICLES WITH MCOR

ITEM	PART NO.	DESCRIPTION	QTY
		1 2 3 4	
1	1011694	Accelerator Bracket and Bearing Assembly	2
2	1011931	Washer, 1/4 Flat	1
3	1014007	Washer, 1/4, Flat	4
4	1017378	Cup, Spring	1
5	1017380	Bumper, Spring Return	1
6	1017424	Bearing, Pivot Support	1
7	1017696	Sub Asm, Accelerator Pedal (includes items 8 through 10)	1
8	1013871	Pad, Accelerator Pedal	1
9	N/A	Accelerator Pedal Weldment	1
10	7716	Screw, #10-16 Type AB, Sheet Metal	4
11	101796201	Spring, Accelerator Return	1
12	101817401	Retainer, Spring	1
13	101861901	Screw, 1/4-20 X 1.125 Hex Cap	4
14	101862001	Screw, 1/4-20 X 1.500 Flange	1
15	102026001	Kit, Accelerator Pivot Rod Assembly (includes items 16 and 17)	1
16	101919801	Spacer, Accelerator	1
17	102158901	Pivot Rod Weldment	1
18	1241	Washer, 5/16 Type A Flat	1
19	1624	Screw, 3/8-16 X 1.50, Hex-Head Cap	1
20	334	Washer, 3/8, Type A, Flat	2
21	7473	Locknut, 5/16-18 Nylon Insert	1
22	8233	Locknut, 1/4-20, Nylon Insert	5
23	8754	Locknut, 3/8-16 Hex	2

5
G
E

5
G
E



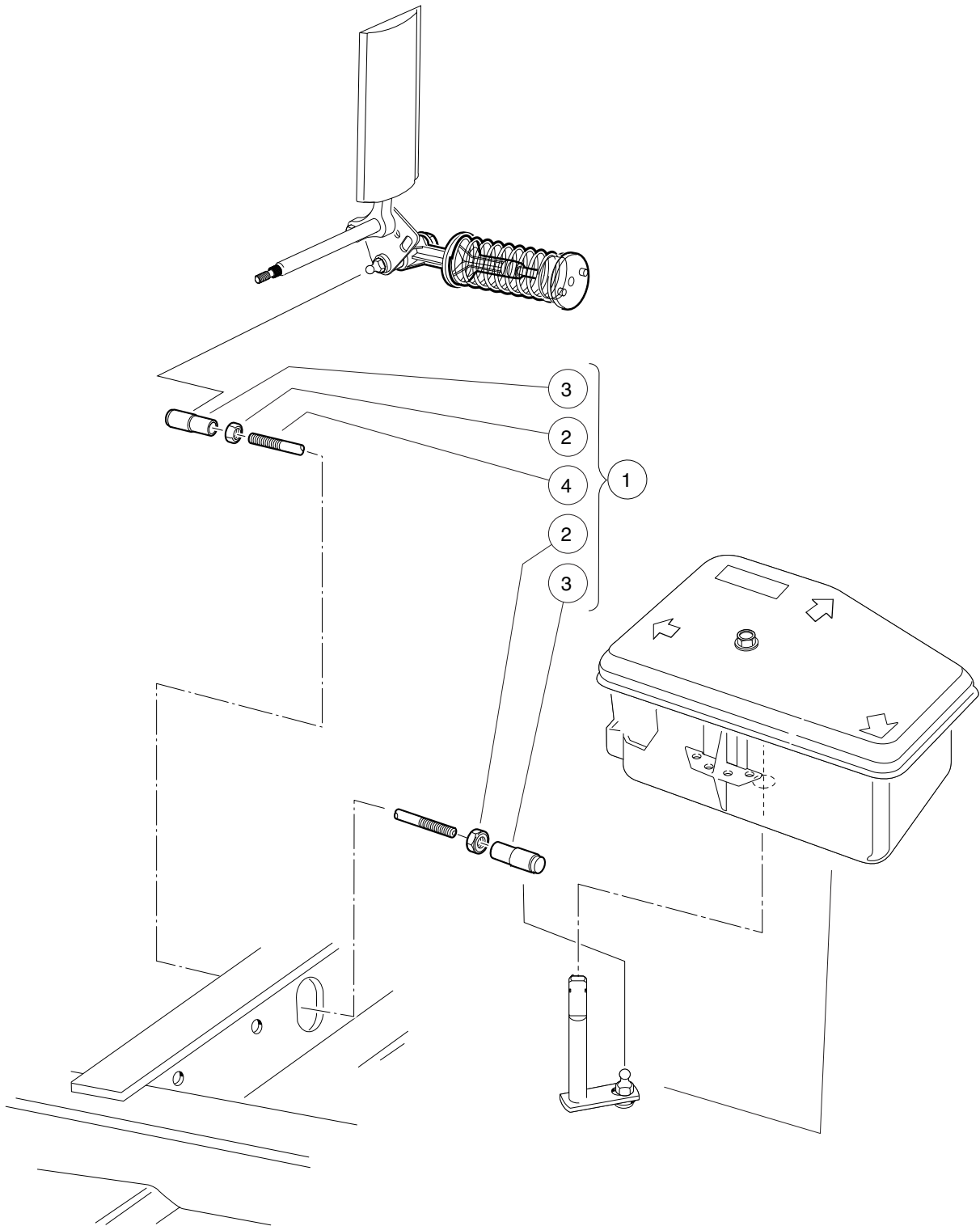
000188-008

ACCELERATOR PEDAL ASSEMBLY – GASOLINE VEHICLES

ITEM	PART NO.	DESCRIPTION	QTY
		1 2 3 4	
1	1011694	Accelerator Bracket and Bearing Assembly	2
2	1011931	Washer, 1/4 Flat	1
3	1014007	Washer, 1/4, Flat	4
4	1017378	Cup, Spring	1
5	1017380	Bumper, Spring Return	1
6	1017424	Bearing, Pivot Support	1
7	1017696	Sub Asm, Accelerator Pedal (includes items 8 through 10)	1
8	1013871	Pad, Accelerator Pedal	1
9	N/A	Accelerator Pedal Weldment	1
10	7716	Screw, #10-16 Type AB, Sheet Metal	4
11	101796201	Spring, Accelerator Return	1
12	101817401	Retainer, Spring	1
13	101818801	Stud, 1/4-28 X 1.35 Ball	1
14	101861901	Screw, 1/4-20 X 1.125 Hex Cap	4
15	102026001	Kit, Accelerator Pivot Rod Assembly (includes items 16 and 17)	1
16	101919801	Spacer, Accelerator	1
17	102158901	Pivot Rod Weldment	1
18	1241	Washer, 5/16 Type A Flat	1
19	1624	Screw, 3/8-16 X 1.50, Hex-Head Cap	1
20	334	Washer, 3/8, Type A, Flat	2
21	7473	Locknut, 5/16-18 Nylon Insert	1
22	8233	Locknut, 1/4-20, Nylon Insert	4
23	8717	Locknut, Nylon Insert, 1/4-28	1
24	8754	Locknut, 3/8-16 Hex	2

5
G
E

5
G
E



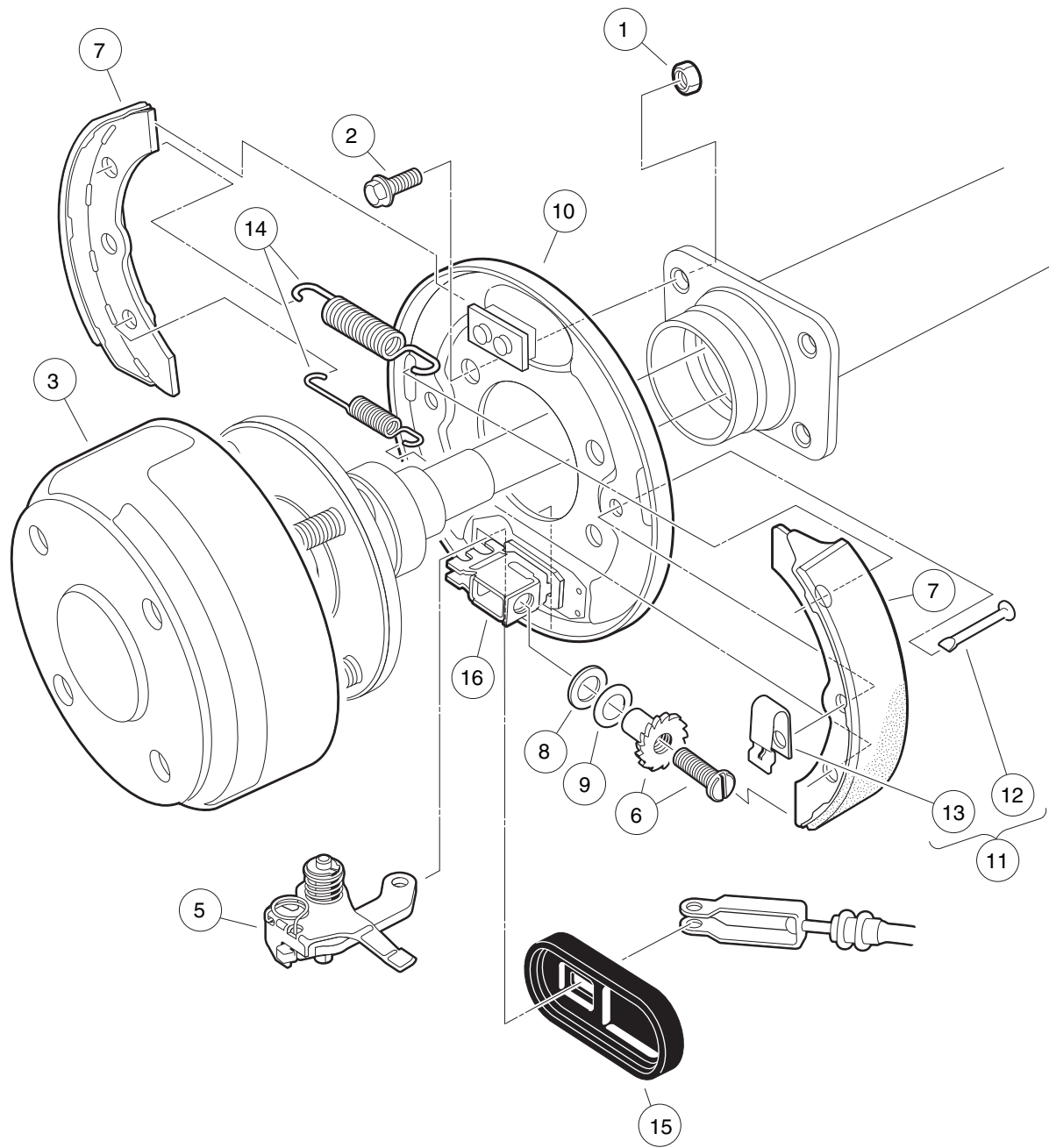
000362-001

ACCELERATOR ROD – TURF/CARRYALL 1 GASOLINE VEHICLES

ITEM	PART NO.	DESCRIPTION	QTY
		1 2 3 4	
1	101912401	Rod, Accelerator (includes items 2 through 4)	1
2	1011084	Nut, 1/4-28 Hex Jam	2
3	1011734	Joint, Ball	2
4	N/A	Accelerator Rod	1

5
G
E

5
G
E



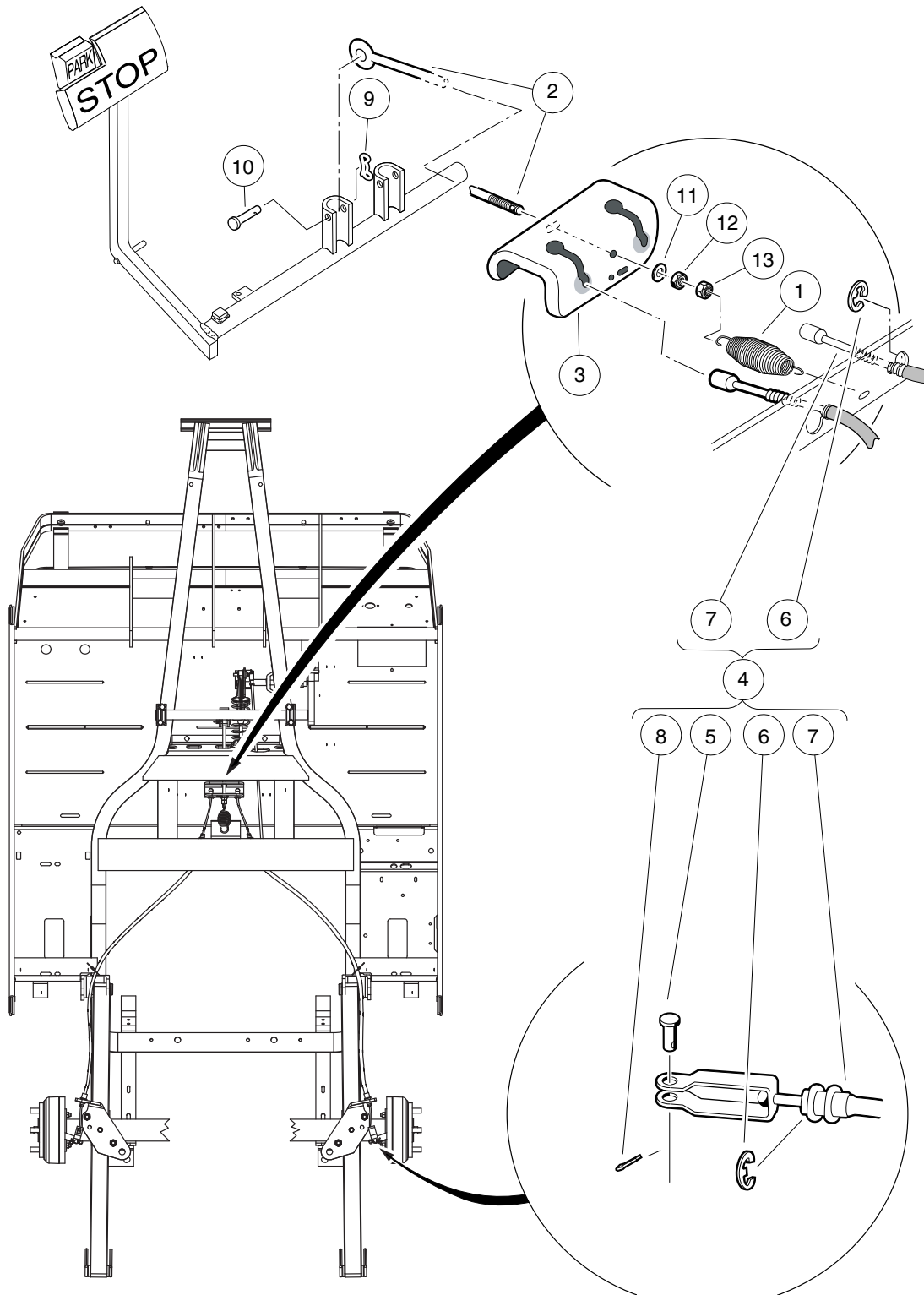
000186-003

REAR BRAKE ASSEMBLY, SELF-ADJUSTING – VEHICLE WITH 2-WHEEL BRAKES

ITEM	PART NO.	DESCRIPTION	QTY
		1 2 3 4	
1	1013924	Nut, 5/16-24, Hex Head Cone	8
2	1014153	Bolt, Brake Cluster Mounting	8
3	101791101	Drum without Center Hole, Brake	2
4	103380201	Asm, Brake Cluster, Mech, Drvr (includes items 5 through 16)	1
5	101815502	Lever Assembly, Self-Adjusting Brake, Left	1
6	101816502	Adjusting Mechanism, Self-Adjusting Brake, Left	1
7	101823201	Package, Brake Shoe, Self-Adjusting	1
8	101823801	Plate, Washer, Brake, Self-Adjusting	1
9	101823901	Washer, Brake, Self-Adjusting	1
10	103483102	Back Plate, Lh	1
11	103483201	Kit, Shoe Retainer (includes items 12 and 13)	1
12	N/A	Pin	2
13	N/A	Spring, Shoe, Clamp	2
14	103483401	Package Brake Spring Self Adj	1
15	103483601	Cover, Dust	1
16	103483701	Brake Block	1
17	103380202	Asm, Brake Cluster, Mech, Pass (includes items 18 through 29)	1
18	101815501	Lever Assembly, Self-Adjusting Brake, Right (Passenger)	1
19	101816501	Adj Mechanism, S.A. Brakes, Right (Passenger)	1
20	101823201	Package, Brake Shoe, Self-Adjusting	1
21	101823801	Plate, Washer, Brake, Self-Adjusting	1
22	101823901	Washer, Brake, Self-Adjusting	1
23	103483101	Back Plate, Rh	1
24	103483201	Kit, Shoe Retainer (includes items 25 and 26)	1
25	N/A	Pin	2
26	N/A	Spring, Shoe, Clamp	2
27	103483401	Package Brake Spring Self Adj	1
28	103483601	Cover, Dust	1
29	103483701	Brake Block	1
<p style="text-align: center;">Note: Passenger-side brake cluster not shown. Components have a similar appearance to driver-side brake cluster components. 1033802 brake cluster assemblies are backward compatible but individual parts that do not share part numbers with 1018233 are not.</p>			

5
G
E

5
G
E



000296-001

REAR BRAKE CABLES AND EQUALIZER

ITEM	PART NO.	DESCRIPTION	QTY
		1 2 3 4	
1	1013531	Spring, Brake Return	1
2	101953101	Rod, Equalizer, 8.91"	1
3	101990801	Equalizer Bracket	1
4	102022101	Brake Cable Kit (includes items 5 through 8)	2
5	1010829	Pin, Clevis, 5/16 X 3/4	1
6	1011779	E-Clip, 1/2	2
7	N/A	Cable, Brake, 41"	1
8	102292801	Pin, Bow Tie Locking - .072	1
9	102323101	Pin, Bow Tie Locking	1
10	102323201	Pin, 3/8 X 1-5/16 Clevis	1
11	1241	Washer, 5/16 Type A Flat	1
12	1242	Nut, 5/16-18 Hex	1
13	7473	Locknut, 5/16-18 Nylon Insert	1

5
G
E

5

G

E

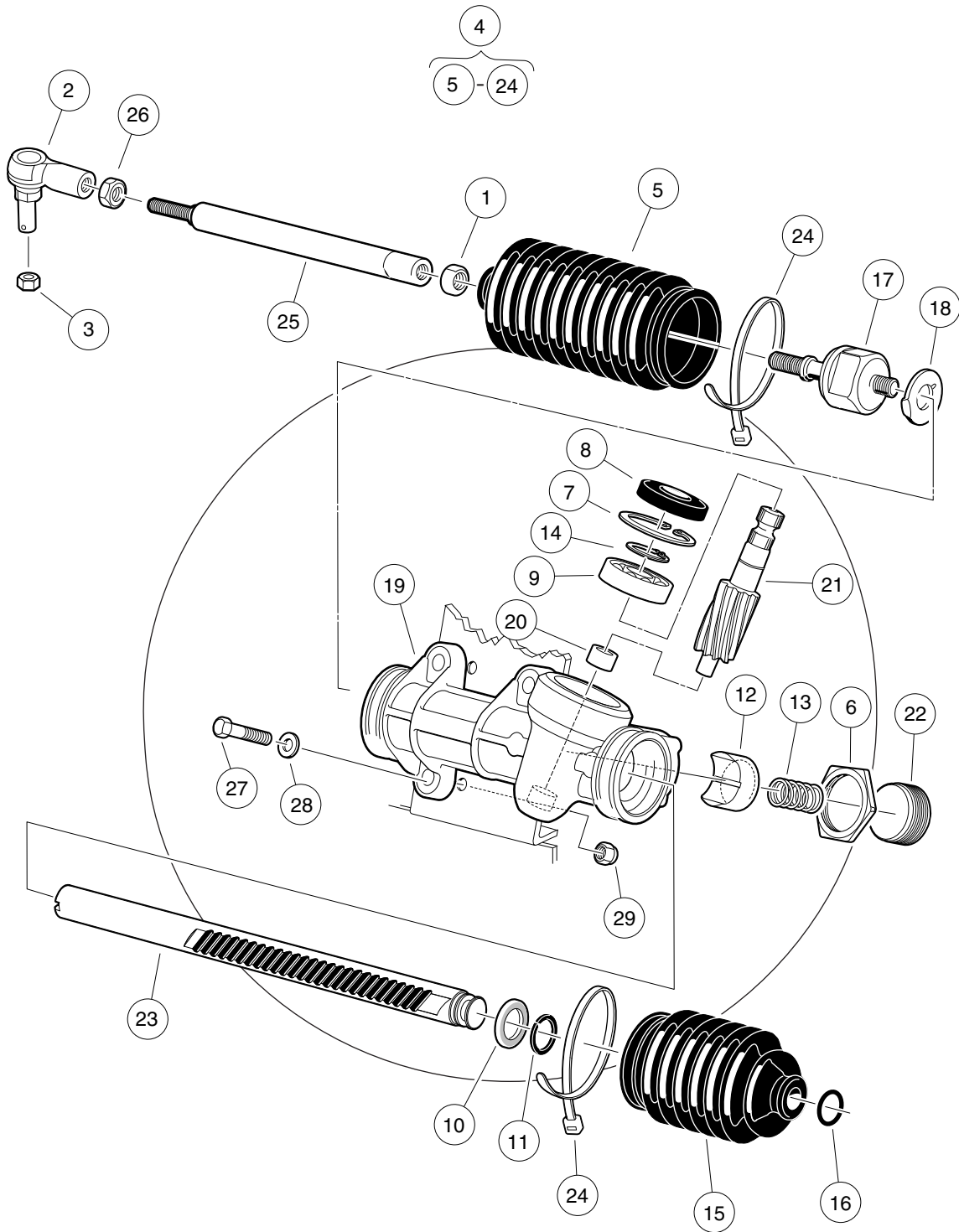
STEERING AND SUSPENSION

6

G

E

6
G
E



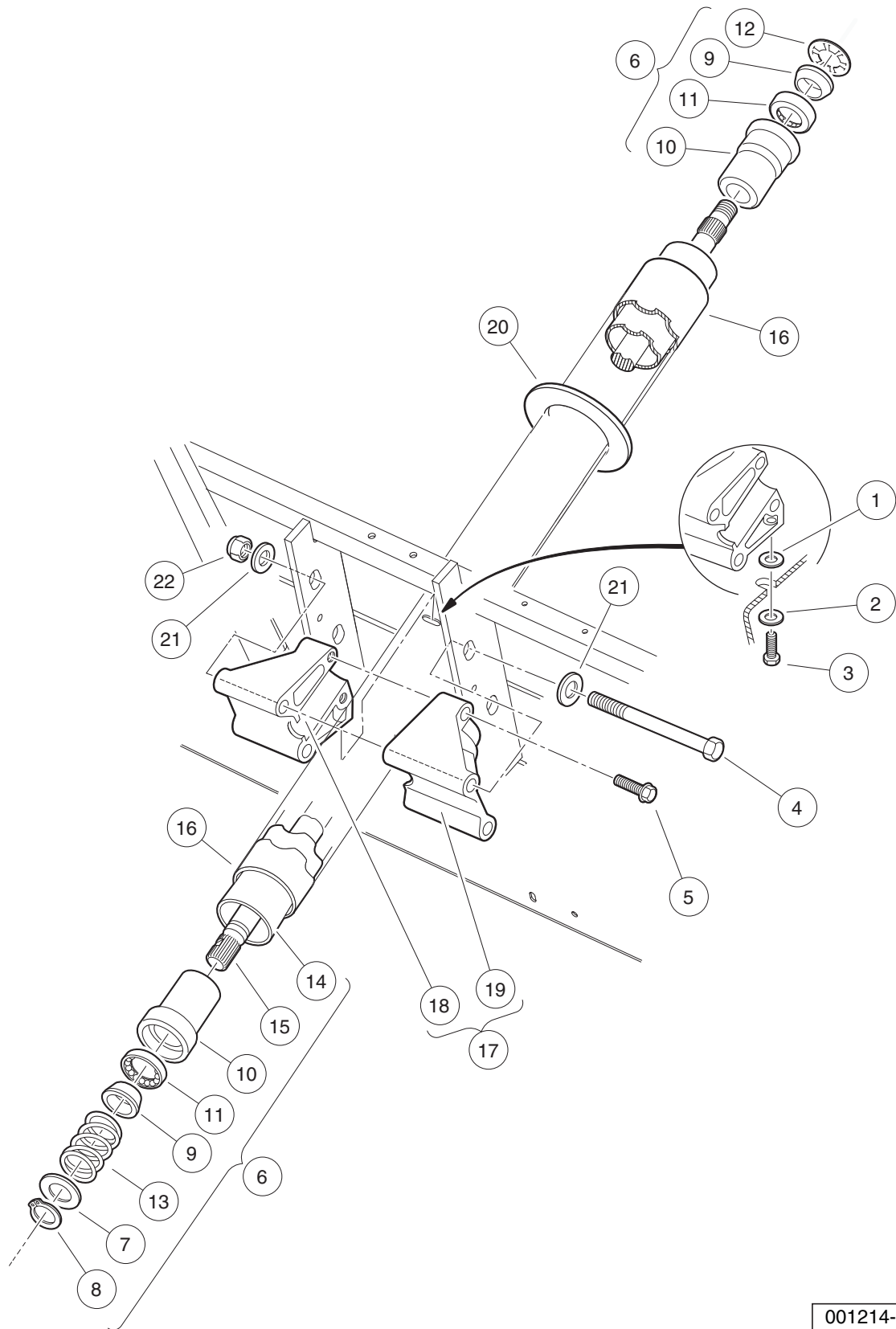
001500-002

STEERING GEAR ASSEMBLY (WANDA) – MAINT.-FREE BALL JOINT

ITEM	PART NO.	DESCRIPTION	QTY
		1 2 3 4	
1	1013042	Nut, 12mm Hex	1
2	102022602	End, Tie Rod, M12 X 1.25, Lh	1
3	102289201	Nut - Hex Locking, M12 X 1.25	1
4	103601501	Asm, Steering Rack And Pinion (includes items 5 through 24)	1
5	1013035	Bellows, Long	1
6	1013044	Rack Screw Locknut	1
7	N/A	Snap Ring	1
8	1013052	Seal, Steering Pinion Dust	1
9	101879401	Bearing, Ball	1
10	101879501	Stop Washer	1
11	101879601	Stop Ring, C-Type	1
12	101879701	Support Yoke	1
13	101879801	Rack Guide Pressure Spring	1
14	101879901	Ring, Stop, C-Type	1
15	101880001	Bellows, Short	1
16	101880101	Dust Seal Retaining Ring	1
17	101880201	Inner Ball Joint Asm	1
18	101880301	Washer, Tab	1
19	N/A	Box, Steering Gear	1
20	N/A	Bearing, Lower Pinion	1
21	N/A	Pinion, Steering	1
22	N/A	Screw, Rack Guide	1
23	N/A	Rack, Steering	1
24	8990	Tie Wrap, 8" Nylon	2
25	103653401	Link, Drag, Male Thd	1
26	103653501	Nut, Jam, M12-1.25, Lh	1
27	1624	Screw, 3/8-16 X 1.50, Hex-Head Cap	3
28	334	Washer, 3/8, Type A, Flat	3
29	8754	Locknut, 3/8-16 Hex	3

6
G
E

6
G
E



001214-001

STEERING COLUMN – UTILITY

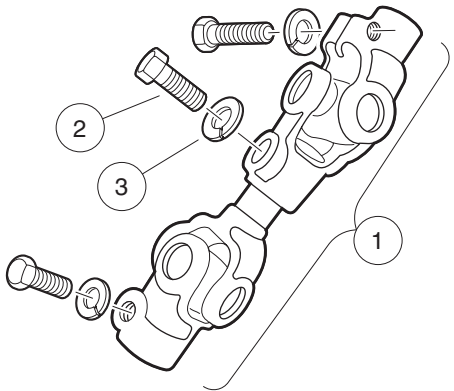
ITEM	PART NO.	DESCRIPTION	QTY
		1 2 3 4	
1	1011578	Washer, 5/16 Type B Flat	1
2	1011697	Washer, 5/16 Flat	1
3	1014288	Screw, 5/16-18 X 0.75, Thread-Forming	1
4	1016183	Screw, 3/8-16 X 7.00 Hex Cap	2
5	1016269	Screw, 5/16-18 Thrd Forming	2
6	1017313	Steering Shaft Assembly (includes items 7 through 15)	1
7	1012604	Washer, 0.675 ID X 1.19 OD	1
8	1012605	Ring, 0.579 Internal Retaining	1
9	1014125	Wedge, Molded	2
10	1014126	Seat, Plastic Bearing	2
11	1014213	Bearing, Ball	2
12	1014214	Ring, Retaining	1
13	1014217	Spring, Steering Shaft	1
14	1017314	Column, Aluminum Steering	1
15	1017315	Shaft Steering Column	1
16	1017317	Tube Cover, Steering Column	1
17	101984801	Kit, Steering Column Mounting Bracket (includes items 18 and 19)	1
18	N/A	Bracket, RH Steering Column Mount	1
19	N/A	Bracket, LH Steering column mount	1
20	102278001	Boot, Steering Column Round	1
21	334	Washer, 3/8, Type A, Flat	4
22	8754	Locknut, 3/8-16 Hex	2

6
G
E

6

G

E



001217-001

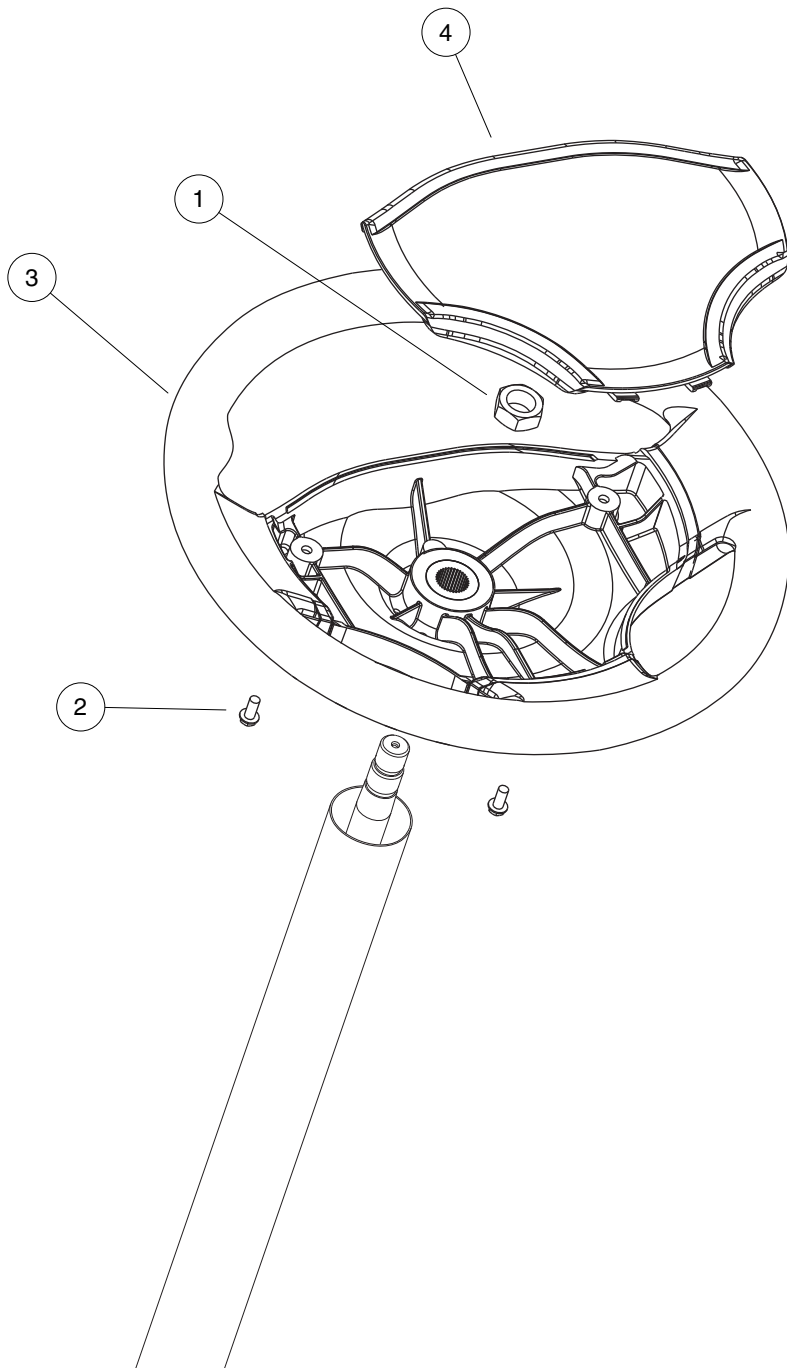
INTERMEDIATE STEERING SHAFT (WANDA) – TURF/CA 1/2/6

ITEM	PART NO.	DESCRIPTION	QTY
		1 2 3 4	
1	103601601	Shaft, Intermediate Steering (includes items 2 and 3)	1
2	1017226	Bolt, Hex-Head, 8mm X 1.25 - 30	3
3	7174	Lockwasher, 5/16 Split	3

6

G

E



000246-007

STEERING WHEEL

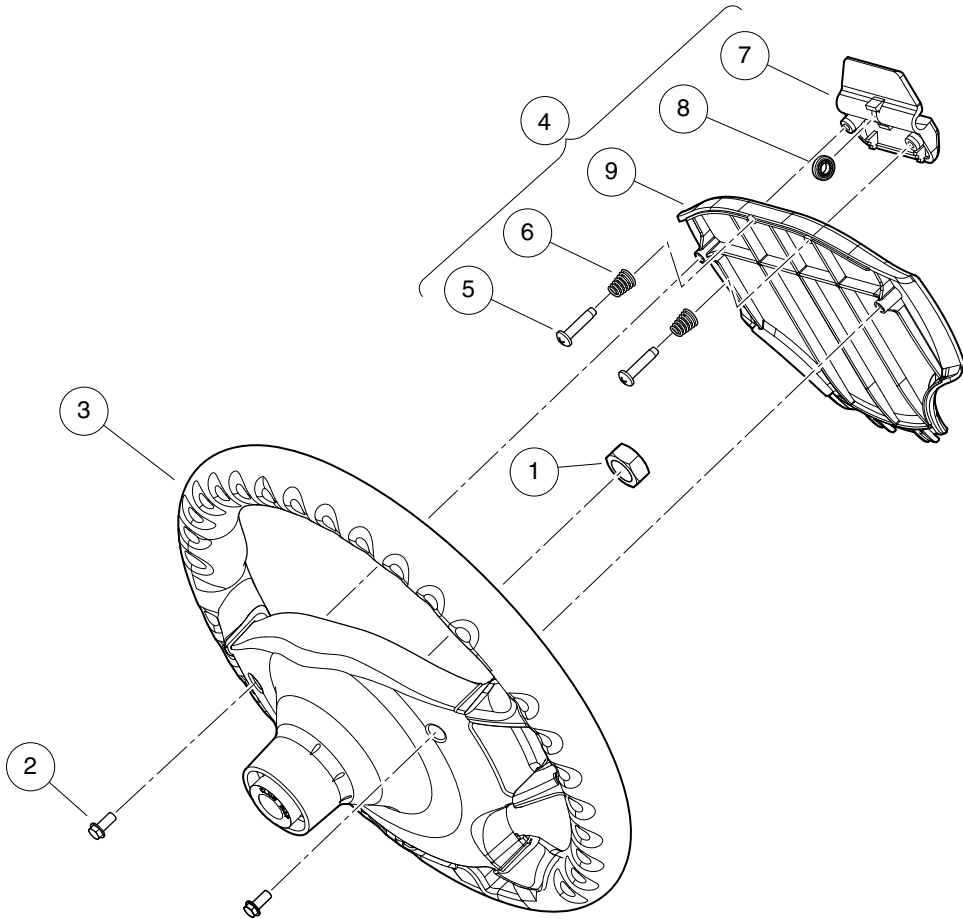
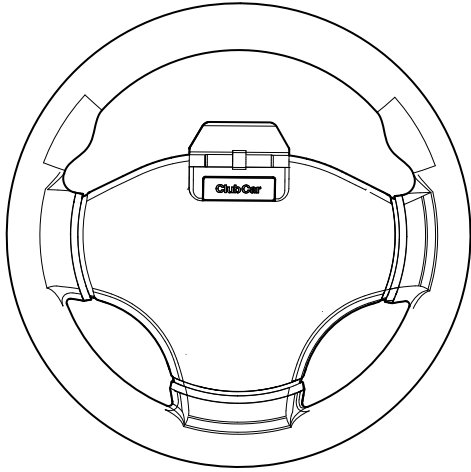
ITEM	PART NO.	DESCRIPTION	QTY
		1 2 3 4	
1	1017273	Nut, 5/8-18 Nylon Insert Jam	1
2	101850301	Screw, #12-16 X 0.50 Washer-Head Hi-Lo	2
3	103724502	Wheel, Steering, Splined	1
4	103724602	Cover, Steering Wheel, Generic	1

6

G

E

6
G
E



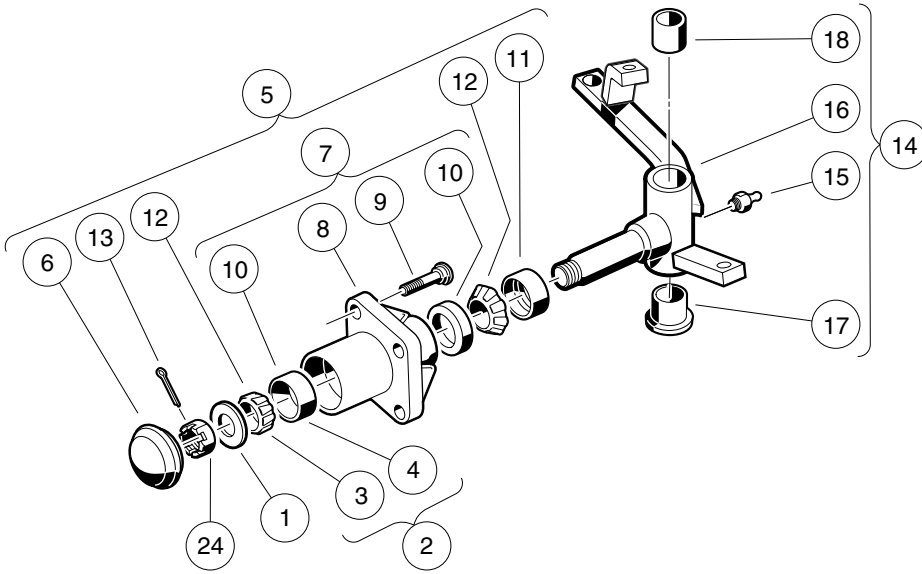
001504-001

STEERING WHEEL WITH CLIP

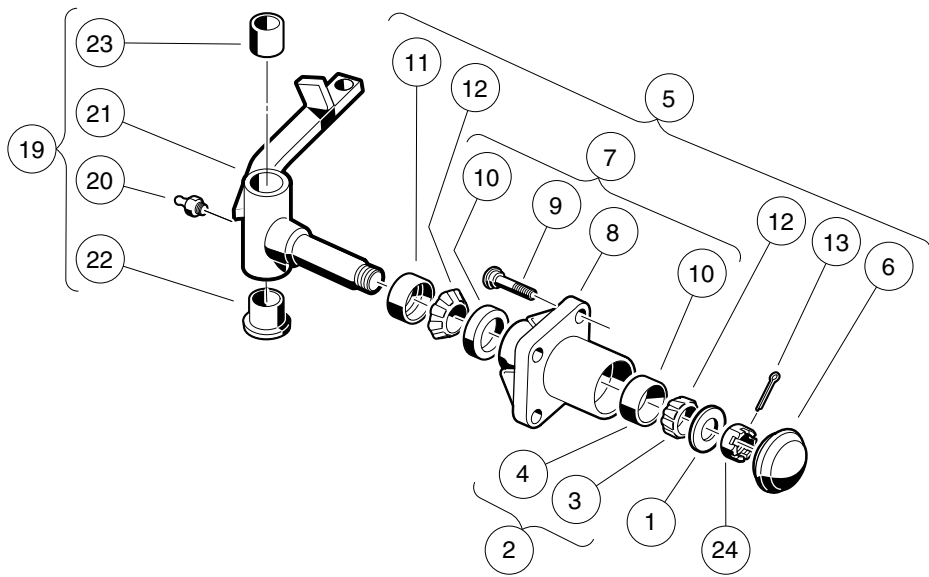
ITEM	PART NO.	DESCRIPTION	QTY
		1 2 3 4	
1	1017273	Nut, 5/8-18 Nylon Insert Jam	1
2	101850301	Screw, #12-16 X 0.50 Washer-Head Hi-Lo	2
3	103724502	Wheel, Steering, Splined	1
4	103724901	Asm, Scorecard, Clip (includes items 5 through 9)	1
5	1012565	Screw, #12 Phillips Round Head	2
6	1012566	Tapered Compression Spring	2
7	1016154	Clip, Scorecard	1
8	1016214	Pencil Grip	1
9	103724601	Cover, Steering Wheel, Clip	1

6
G
E

PASSENGER SIDE



DRIVER SIDE



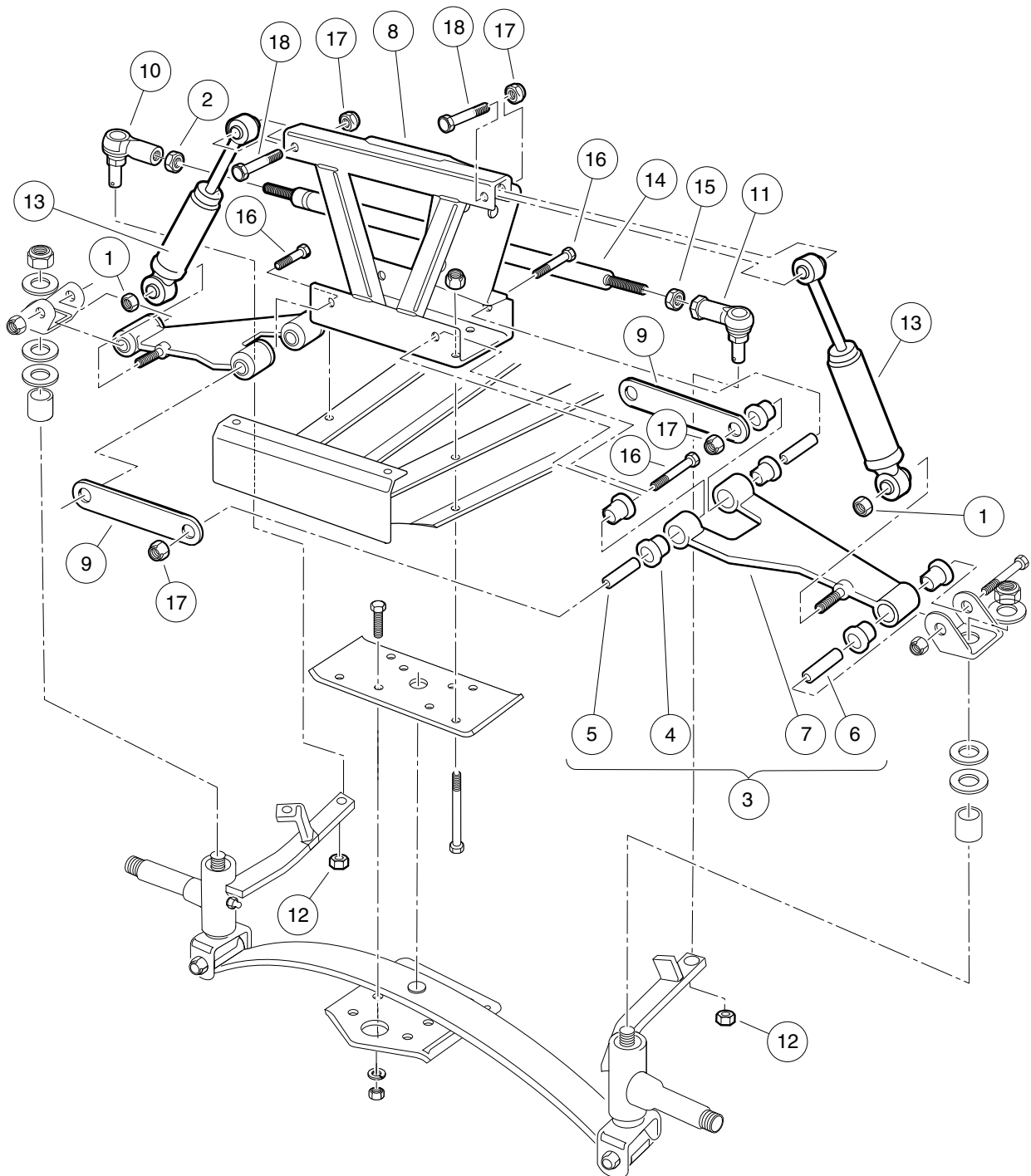
001104-001

FRONT SPINDLES AND HUBS – VEHICLES WITH TWO-WHEEL BRAKES AND MAINTENANCE-FREE BALL JOINTS

ITEM	PART NO.	DESCRIPTION	QTY
		1 2 3 4	
1	1010005	Washer, 3/4 Flat	2
2	1011393	Hub Bearing Package (includes items 3 and 4)	4
3	7274	Bearing, Front Hub Wheel	1
4	7308	Race, Front Hub Bearing	1
5	1011892	Hub Assembly (includes items 6 through 13)	2
6	1011887	Dust Cover	1
7	N/A	Hub (includes items 8 through 10)	1
8	N/A	Front Hub	1
9	103477901	Lug Stud, 1/2-20 Unf, 4037	4
10	7308	Race, Front Hub Bearing	2
11	1013135	Seal, Double Lip	1
12	7274	Bearing, Front Hub Wheel	2
13	7910	Pin, 5/32 X 1.00 Cotter	1
14	103665902	Asm, Spindle, Rh, 2wb, Sp (includes items 15 through 18)	1
15	1015597	Fitting, 1/4-28 Thread-Forming Grease	1
16	N/A	Subasm, Spndle, Rh, 2wb	1
17	7048	Bushing, Flanged Bronze	1
18	8067	Bushing, Bronze Spindle	1
19	103666002	Asm, Spindle, Lh, 2wb, Sp (includes items 20 through 23)	1
20	1015597	Fitting, 1/4-28 Thread-Forming Grease	1
21	N/A	Subasm, Spndle, Lh, 2wb	1
22	7048	Bushing, Flanged Bronze	1
23	8067	Bushing, Bronze Spindle	1
24	7840	Nut, 3/4-16 Hex Slotted	2

6
G
E

6
G
E



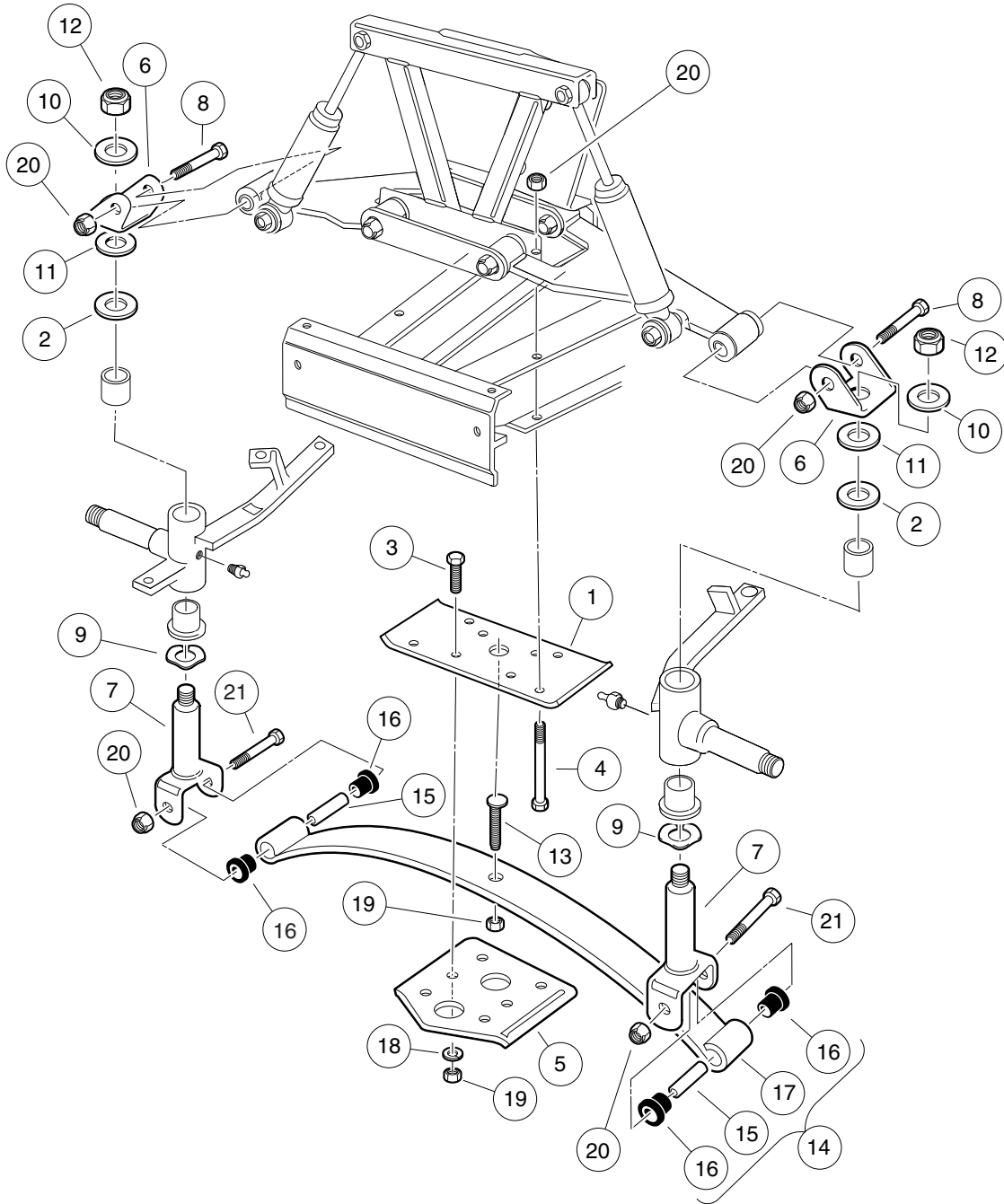
001105-001

FRONT SUSPENSION, UPPER – VEHICLES WITH TWO-WHEEL BRAKES AND MAINTENANCE-FREE BALL JOINTS

ITEM	PART NO.	DESCRIPTION	QTY
		1 2 3 4	
1	1010138	Locknut, 3/8-16 Dimpled	2
2	1013042	Nut, 12mm Hex	1
3	1016353	Sub-Assembly, Delta A-Plate (includes items 4 through 7)	2
4	1016346	Bushing, Urethane	6
5	1016349	Sleeve, Delta Inner	2
6	1016350	Sleeve, Delta Outer	1
7	1016351	Delta A-Plate	1
8	1016385	Delta Shock and Gear Support Assembly	1
9	1017266	A-Plate Strap	2
10	102022601	End, Tie Rod M12 X 1.25 Rh	1
11	102022602	End, Tie Rod, M12 X 1.25, Lh	1
12	102289201	Nut - Hex Locking, M12 X 1.25	2
13	103351001	Shock Absorber, Front, Common	2
14	103354701	Rod, Tie, Male Thd	1
15	103653501	Nut, Jam, M12-1.25, Lh	1
16	2402	Screw, 3/8-16 X 2.25 Hx Hd Cap	4
17	8754	Locknut, 3/8-16 Hex	6
18	8861	Bolt, 3/8-16 X 1.75 Hex	2

6
G
E

6
G
E



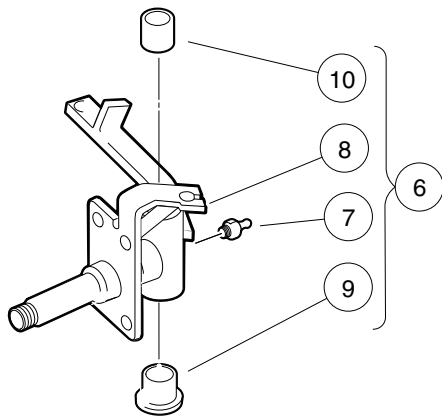
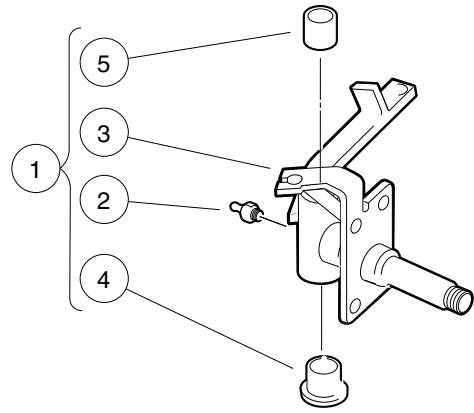
001106-001

FRONT SUSPENSION, LOWER – VEHICLES WITH TWO-WHEEL BRAKES AND MAINTENANCE-FREE BALL JOINTS

ITEM	PART NO.	DESCRIPTION	QTY
		1 2 3 4	
1	1010124	Plate, Spring Mount	1
2	1010150	Bearing, Thrust	2
3	1010177	Bolt, 3/8-16 X 2.00 Hex Head	4
4	1010200	Bolt, 3/8-16 X 4.25 Hex Head	4
5	1014276	Plate, Front Spring Retainer	1
6	1016384	Clevis, Delta Upper	2
7	1016386	King Pin Assembly	2
8	1016387	Screw, 3/8-16 X 2.75 Hx Hd Cap	2
9	1016389	Washer, 1.125 Od Wave	2
10	102564002	Washer-1/2 Conical, Yellow	2
11	102684501	Washer, M12 Hard Regular	2
12	102766301	Nut, 1/2-20, Center Lock	2
13	103507001	Eccentric Bolt Common	1
14	103628701	Spring Asm, Front, 1 Leaf (includes items 15 through 17)	1
15	1012303	Bushing, Steel	2
16	101558302	Bushing, Urethane, Soft	4
17	103502601	Spring, Front, 1 Leaf	1
18	357	Lockwasher, 3/8 Split	4
19	706	Nut, Hex 3/8-16	5
20	8754	Locknut, 3/8-16 Hex	8
21	8755	Screw, 3/8-16 X 3.375 Hex Cap	2

6
G
E

6
G
E



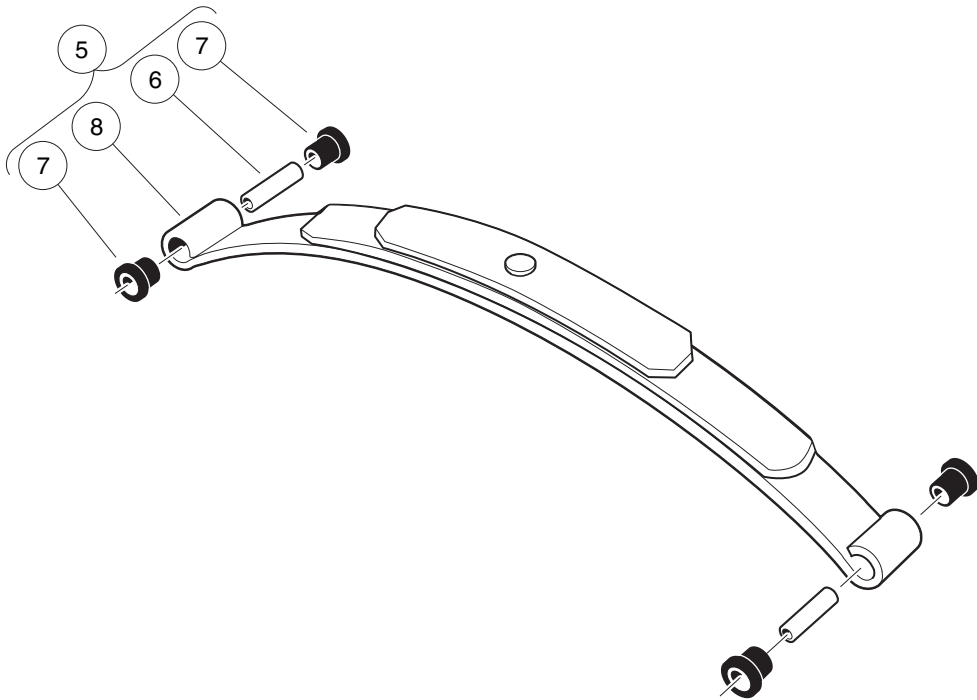
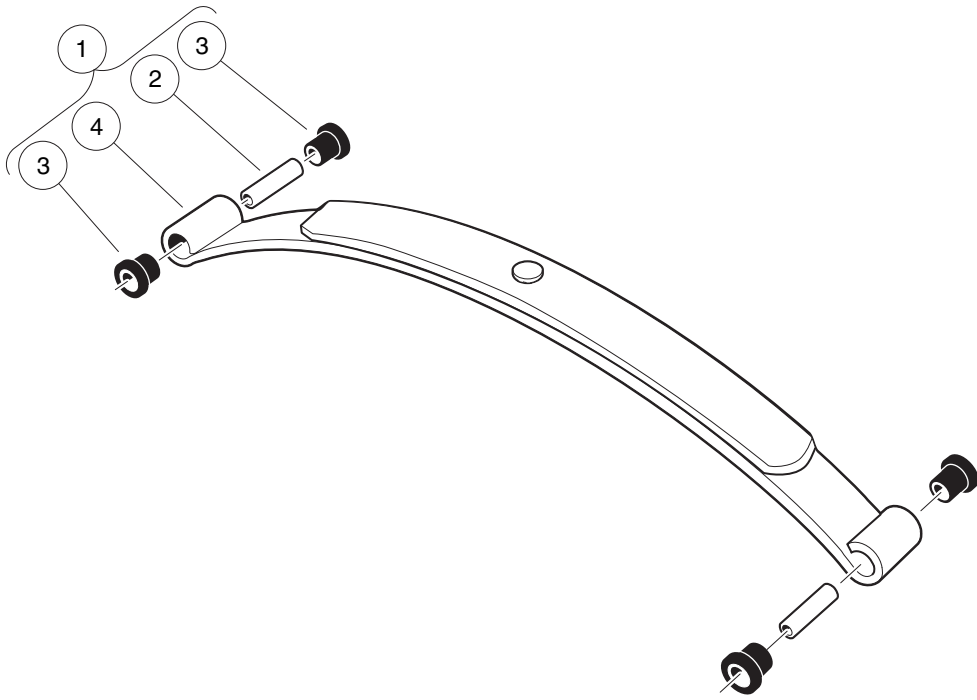
001280-001

HEAVY DUTY FRONT SPINDLES FOR MAINT.-FREE BALLJOINTS

ITEM	PART NO.	DESCRIPTION	QTY
		1 2 3 4	
1	103717302	Asm, Spindle, Lh, 4wb, Sp (includes items 2 through 5)	1
2	1015597	Fitting, 1/4-28 Thread-Forming Grease	1
3	N/A	Subasm, Spindle, Lh, 4wb	1
4	7048	Bushing, Flanged Bronze	1
5	8067	Bushing, Bronze Spindle	1
6	103717402	Asm, Spindle, Rh, 4wb, Sp (includes items 7 through 10)	1
7	1015597	Fitting, 1/4-28 Thread-Forming Grease	1
8	N/A	Subasm, Spindle, Rh, 4wb	1
9	7048	Bushing, Flanged Bronze	1
10	8067	Bushing, Bronze Spindle	1

6
G
E

6
G
E



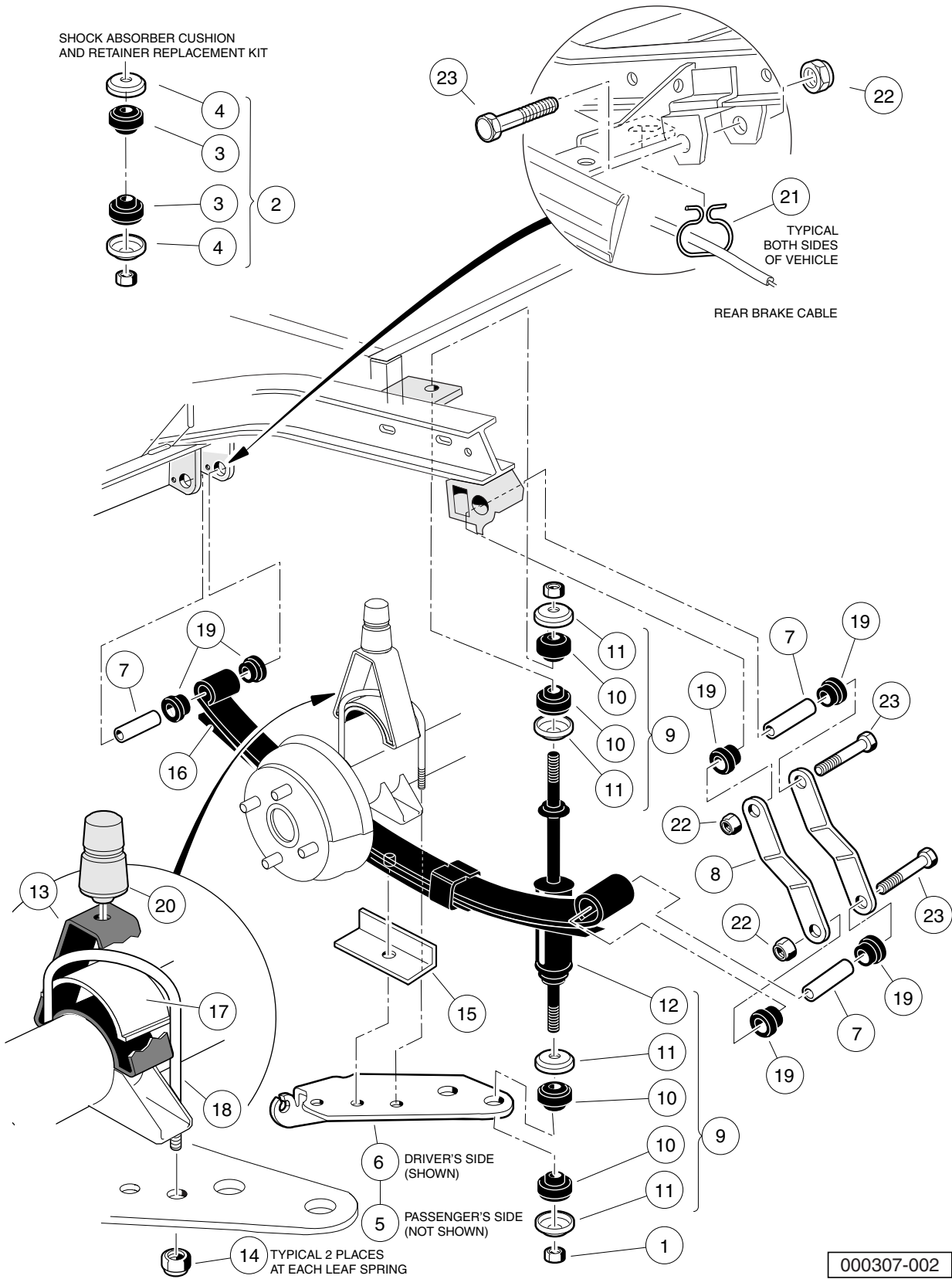
001225-001

HEAVY DUTY FRONT SPRINGS

ITEM	PART NO.	DESCRIPTION	QTY
		1 2 3 4	
1	103628801	Spring Asm, Front, 2 Leaf (includes items 2 through 4)	1
2	1012303	Bushing, Steel	2
3	1015583	Bushing, Urethane	4
4	103502701	Spring, Front, 2 Leaf	1
5	103628901	Spring Asm, Front, 3 Leaf (includes items 6 through 8)	1
6	1012303	Bushing, Steel	2
7	1015583	Bushing, Urethane	4
8	103502801	Spring, Front, 3 Leaf	1

6
G
E

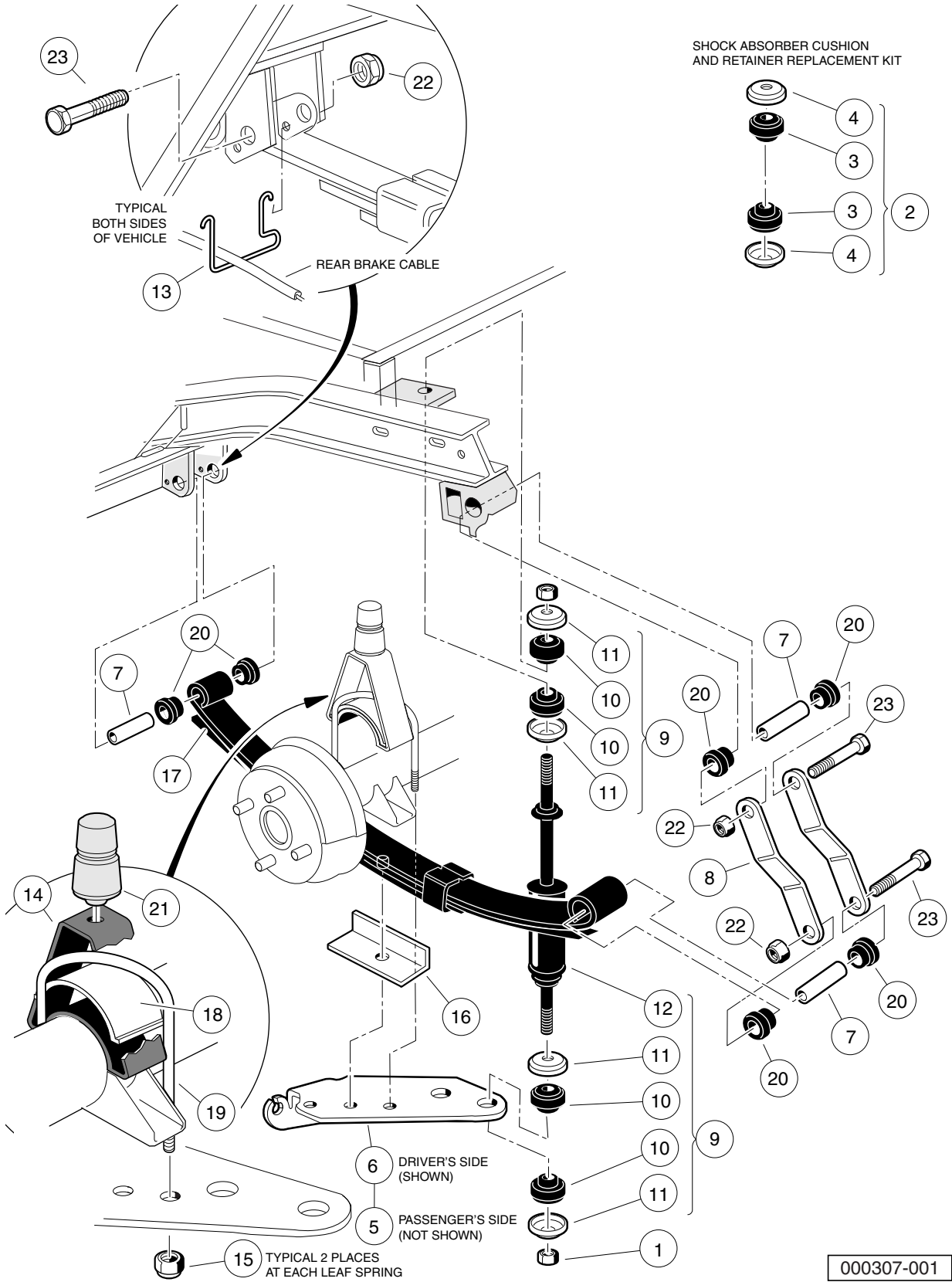
6
G
E



REAR SUSPENSION – GASOLINE TURF/CA 1

ITEM	PART NO.	DESCRIPTION	QTY
		1 2 3 4	
1	1010145	Nut, 3/8-24 Hex	4
2	1011415	Kit, Shock Absorber Cushion (includes items 3 and 4)	4
3	N/A	Cushion, Shock Absorber	2
4	N/A	Retainer, Shock Absorber Cushion	2
5	1012181	Bracket, Shock Mounting, Right (Passenger)	1
6	1012182	Bracket, Shock Mounting, Left (Driver)	1
7	1012303	Bushing, Steel	6
8	1012304	Shackle, Rear Spring	4
9	1013164	Shock Absorber Kit (includes items 10 through 12)	1
10	N/A	Cushion, Shock Absorber	8
11	N/A	Retainer, Shock Absorber Cushion	8
12	102588501	Shock Absorber Rear Prv Spd	2
13	101454602	Bumper Mount	2
14	1014555	Locknut, 7/16-14 Nylon Hex	4
15	1014573	Spring Retainer	2
16	1014675	Rear Leaf Spring	2
17	1014901	Spacer, Overload Bumper	2
18	1014902	U-Bolt	2
19	1015583	Bushing, Urethane	12
20	1017235	Bumper, Jounce	2
21	101900801	Hanger, Brake Cable	2
22	8754	Locknut, 3/8-16 Hex	6
23	8755	Screw, 3/8-16 X 3.375 Hex Cap	6
<p>Note: Only the driver-side rear suspension is shown. Parts for the passenger-side rear suspension are identical except for the leaf spring/shock mounting plate.</p>			

6
G
E



REAR SUSPENSION – ELECTRIC TURF/CA 1

ITEM	PART NO.	DESCRIPTION	QTY
		1 2 3 4	
1	1010145	Nut, 3/8-24 Hex	4
2	1011415	Kit, Shock Absorber Cushion (includes items 3 and 4)	4
3	N/A	Cushion, Shock Absorber	2
4	N/A	Retainer, Shock Absorber Cushion	2
5	1012181	Bracket, Shock Mounting, Right (Passenger)	1
6	1012182	Bracket, Shock Mounting, Left (Driver)	1
7	1012303	Bushing, Steel	6
8	1012304	Shackle, Rear Spring	4
9	1013164	Shock Absorber Kit (includes items 10 through 12)	1
10	N/A	Cushion, Shock Absorber	8
11	N/A	Retainer, Shock Absorber Cushion	8
12	102588501	Shock Absorber Rear Prv Spd	2
13	1013207	Hanger, Brake Cable	2
14	101454902	Bumper Mount, Angled	2
15	1014555	Locknut, 7/16-14 Nylon Hex	4
16	1014573	Spring Retainer	2
17	1014675	Rear Leaf Spring	2
18	1014901	Spacer, Overload Bumper	2
19	1014902	U-Bolt	2
20	1015583	Bushing, Urethane	12
21	1017235	Bumper, Jounce	2
22	8754	Locknut, 3/8-16 Hex	6
23	8755	Screw, 3/8-16 X 3.375 Hex Cap	6
<p>Note: Only the driver-side rear suspension is shown. Parts for the passenger-side rear suspension are identical except for the leaf spring/shock mounting plate.</p>			

6
G
E

6

G

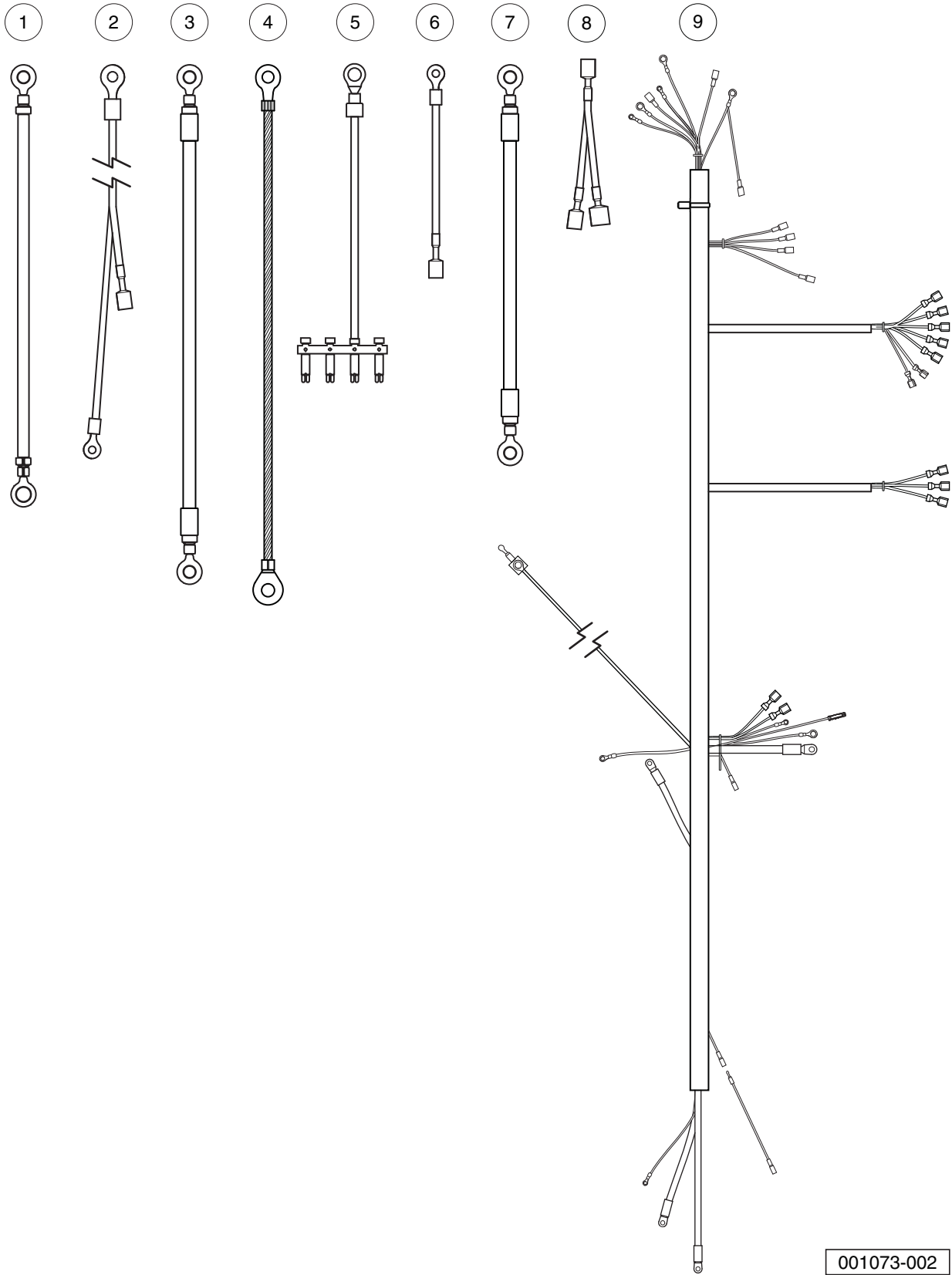
E

ELECTRICAL SYSTEM – GASOLINE VEHICLE

7

G

7
G



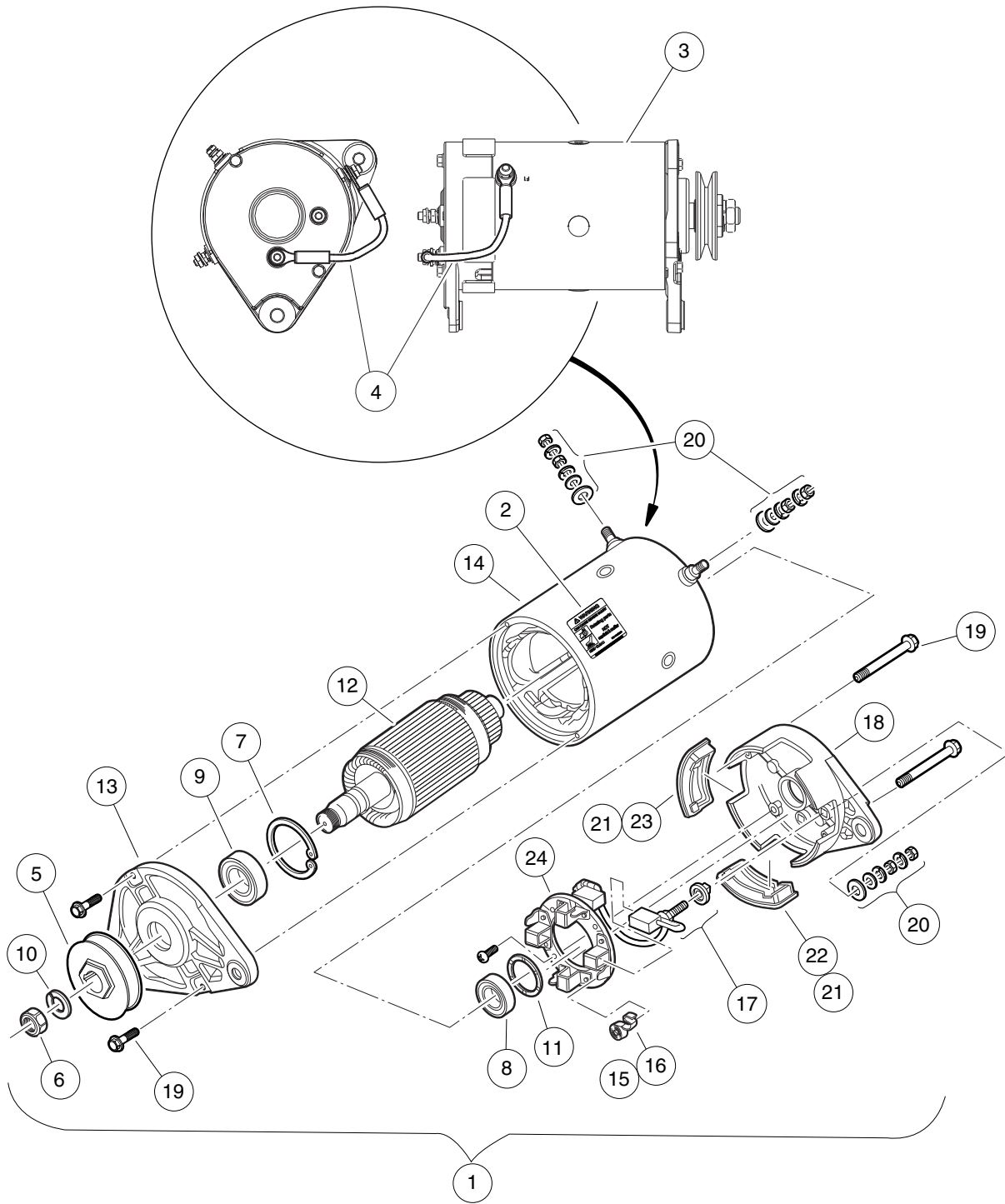
001073-002

WIRING – TURF/CARRYALL 1 GAS WITH AMD STARTER/GEN

ITEM	PART NO.	DESCRIPTION	QTY
		1 2 3 4	
1	1012382	Wire Assy, #6 Black	1
2	1012396	Wire Assy #18 Black	1
3	1014119	Wire Assembly #6 Red	1
4	1015332	Wire, Ground, #10, Uninsulated	1
5	1015737	Wire Assy, #10 Red	1
6	1016401	Wire Assy, #16 Orange	1
7	101837301	Wire Assy, #6 Green	1
8	103348501	Asm, Wire Meter, F-h Jumper	1
9	103687001	Asm, Harn, Ca1, Gas, Amd S/g	1

7

G



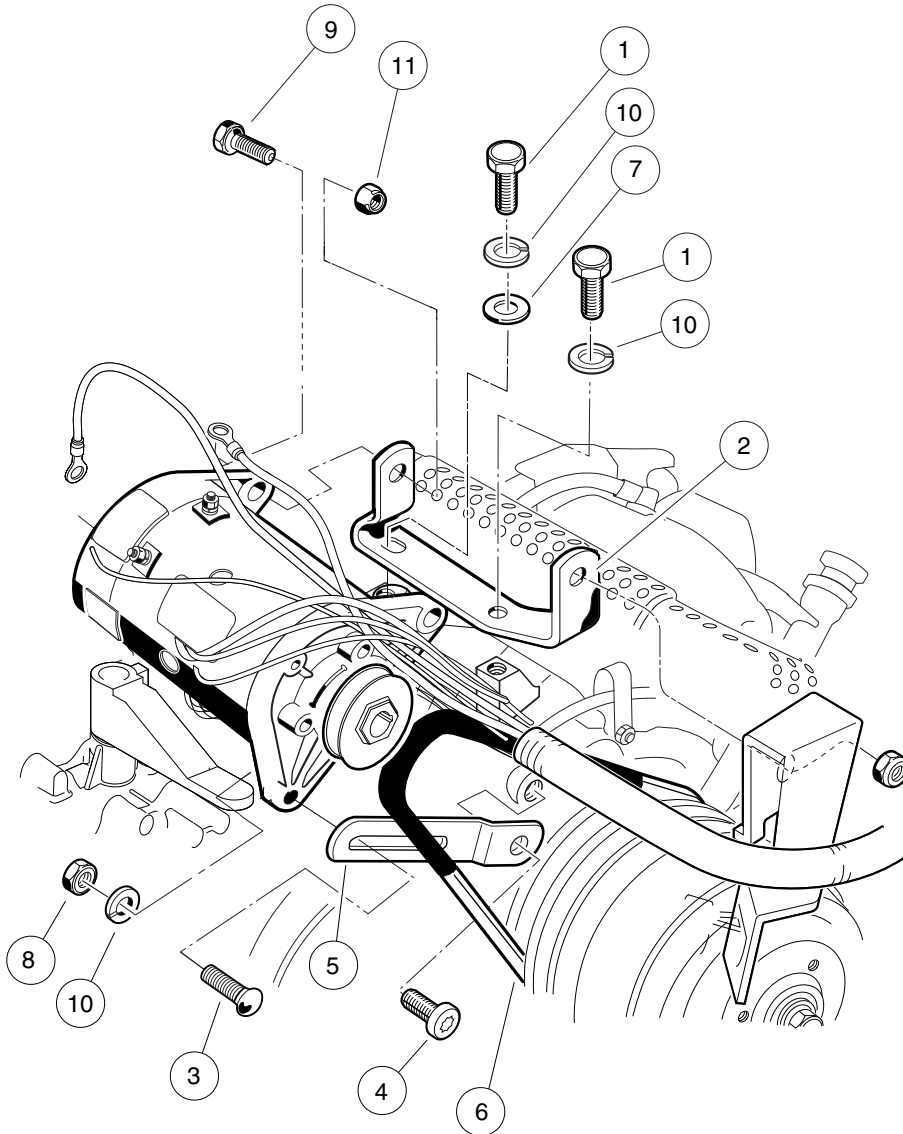
000124-005

STARTER/GENERATOR ASSEMBLY (PEDAL-START), MODEL 114-01-4009A

ITEM	PART NO.	DESCRIPTION	QTY
		1 2 3 4	
1	103678402	Asm, St/gen, Bi-rot, Ps, Svc (includes items 2 and 3)	1
2	101960501	Decal, Rotating Parts/Hot Manifold	1
3	103718702	St/gen, Bi-rot, Util,ps W/wire (includes items 4 through 24)	1
4	101837301	Wire Assy, #6 Green	1
5	102711001	Pulley, V-Belt	1
6	102838701	Nut, Hex, M14x2, S/G	1
7	102838801	Retainer, Front, S/G	1
8	102838901	Bearing, Ball, Rear, S-g	1
9	102839001	Bearing, Ball, Front, S-g	1
10	102839301	Washer, Lock M14x2, S-g	1
11	102841101	Washer, Wave, S-g	1
12	N/A	Asm, Armature, Starter/Generator	1
13	102844601	Head, Drive End, S-g	1
14	102844701	Asm, Frame and Field, Starter/Generator	1
15	103347101	Kit, Spring Brush, Starter/Generator (includes item 16)	1
16	N/A	Spring, Brush, S-g	4
17	103347301	Set, Brush Term, S-g	1
18	103347601	Head, Comm End, S-g	1
19	103347701	Set, Fast, Ceh Deh, S-g	1
20	103347801	Set, Term Hardware, S/G	1
21	103347901	Kit, Cover, Brush Insp, Starter/Generator (includes items 22 and 23)	1
22	N/A	Plug, Rubber Drain, Start/Generator	3
23	N/A	Cover, Inspection, S-g	1
24	103953301	Kit, Brush And Brush Holder	1

7

G

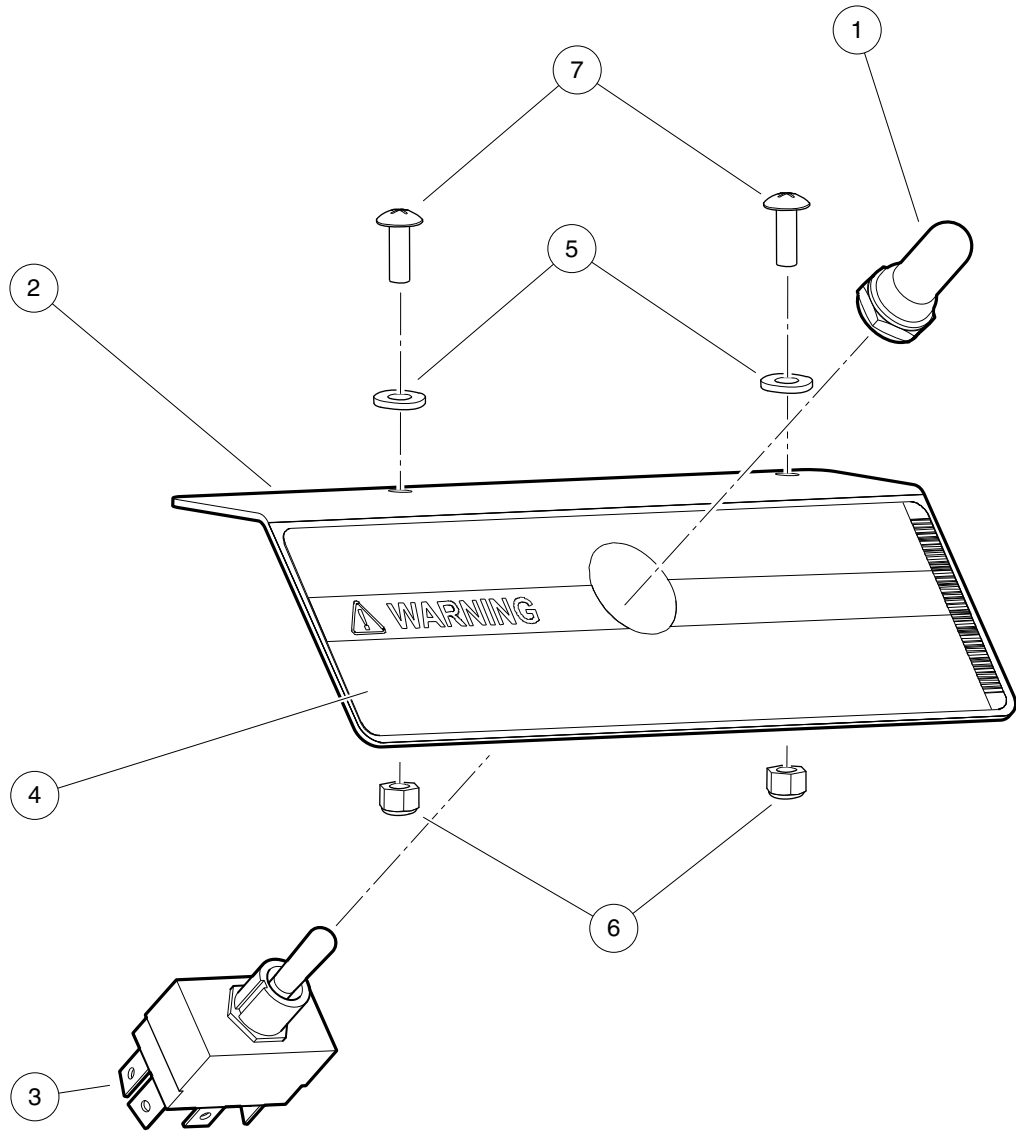


000238-005

STARTER/GENERATOR MOUNTING – 114-0X-400XX MODELS

ITEM	PART NO.	DESCRIPTION	QTY
		1 2 3 4	
1	1012830	Screw, M8-125 X 22 Hex-Head	2
2	101524002	Bracket, Starter/Generator Mounting	1
3	1015932	Bolt, Carriage, 5/16-18	1
4	1016074	Screw, M8-1.25 X 18mm Torx	1
5	1016883	Bracket, Starter/Generator Adjustment	1
6	101916701	V-Belt	1
7	1241	Washer, 5/16 Type A Flat	1
8	1242	Nut, 5/16-18 Hex	1
9	1624	Screw, 3/8-16 X 1.50, Hex-Head Cap	2
10	7174	Lockwasher, 5/16 Split	3
11	8754	Locknut, 3/8-16 Hex	2

7
G

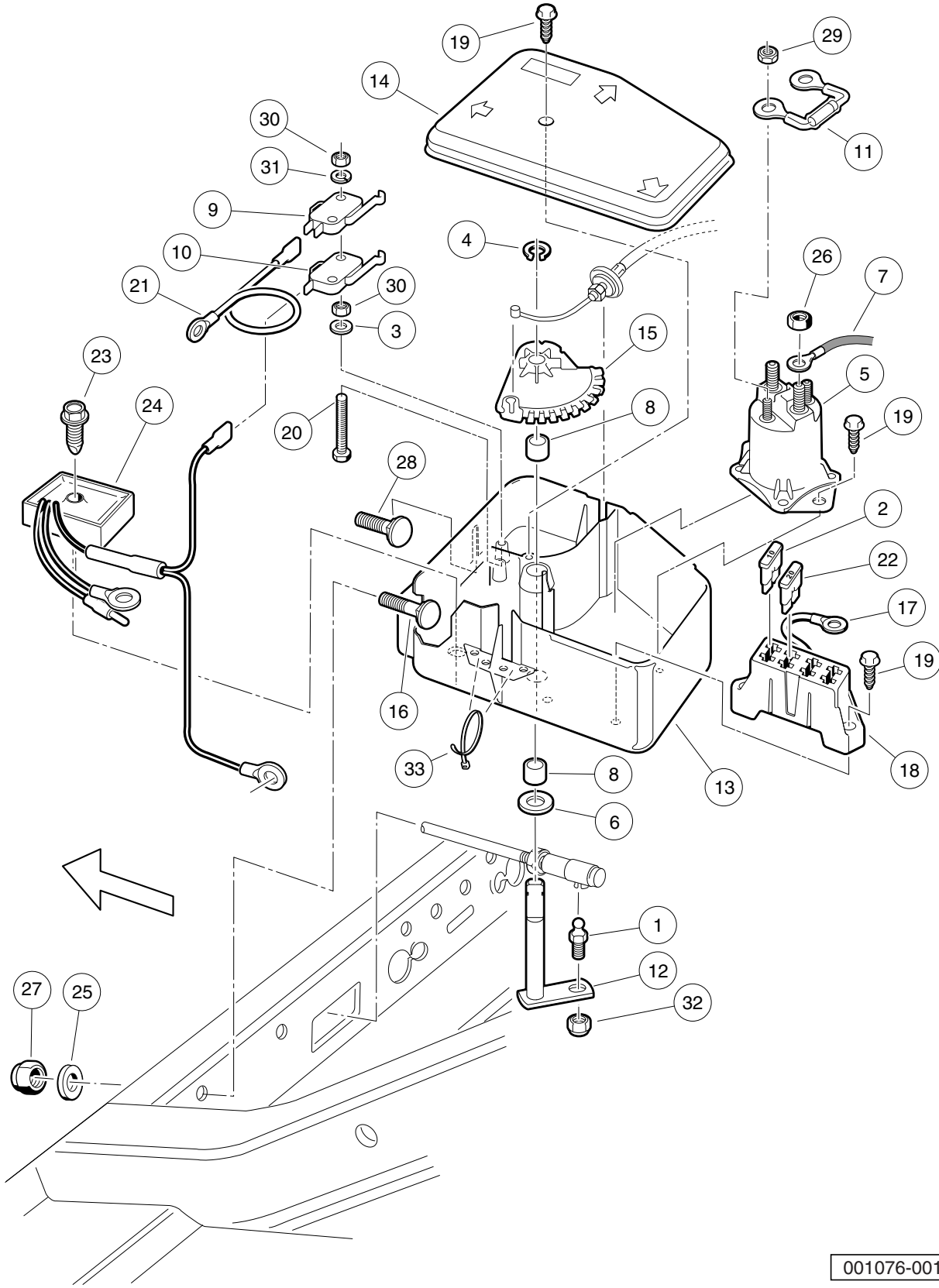


000755-003

OPERATION AND MAINTENANCE SWITCH

ITEM	PART NO.	DESCRIPTION	QTY
		1 2 3 4	
1	101908401	Boot, Switch	1
2	101922501	Bracket, Tow/Run Switch Mounting	1
3	103198401	Switch, Toggle, SPDT	1
4	103205501	Decal, Run/Service Switch	1
5	332	Washer, 1/4 Type A Narrow Flat	2
6	8233	Locknut, 1/4-20, Nylon Insert	2
7	8248	Screw, 1/4-20 X 0.75, Truss-Head Machine	2

7
G

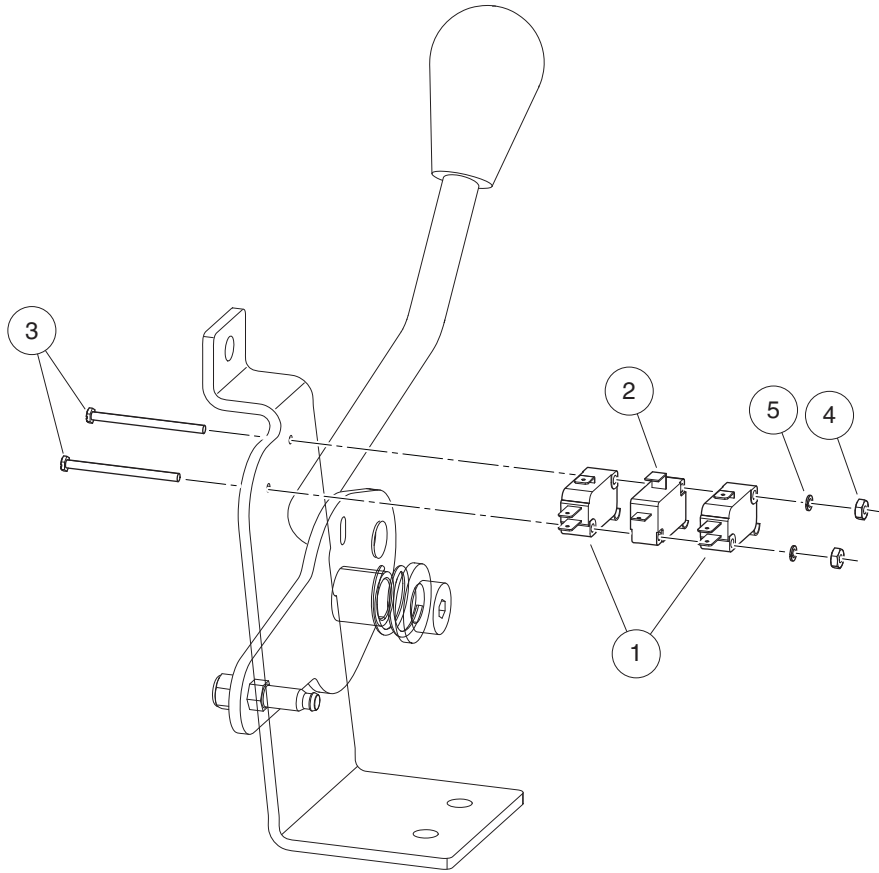


001076-001

ELECTRICAL COMPONENT BOX – TURF/CARRYALL 1, 2, AND 252

7
G

ITEM	PART NO.	DESCRIPTION	QTY
		1 2 3 4	
1	1010954	Stud, Ball, 1/4-28 X 0.560	1
2	1012295	Fuse, 10-Amp	1
3	1012431	Washer, #4 Flat	2
4	1013589	Ring, Retaining, 0.338" Internal	1
5	1013609	Solenoid, 12-Volt	1
6	1014065	Washer, Flat, 0.38" ID, Delrin	1
7	1014119	Wire Assembly #6 Red	1
8	1014145	Bushing, Secondary Weight, Split	2
9	1014807	Switch, Limit	1
10	1014808	Switch, Limit	1
11	1014948	Diode	1
12	1015345	Bell Crank and Shaft Assembly	1
13	1015371	Box, Electrical Component	1
14	1015372	Cover, Electric Box	1
15	1015373	Cam, Electric Box	1
16	1015405	Bolt, Carriage, 5/16-18 X 2.0	1
17	1015737	Wire Assy, #10 Red	1
18	1015741	Fuse Block	1
19	1015752	Screw, #12-16 X 0.625, Hi-Lo	5
20	1015878	Screw, #4-40 Hex Head Machine	2
21	1016401	Wire Assy, #16 Orange	1
22	1016423	Fuse, 20-Amp	1
23	101856102	Screw, 1/4-15 X 1.50, Hi-lo, Hex	1
24	102711201	Voltage Regulator	1
25	1241	Washer, 5/16 Type A Flat	2
26	1242	Nut, 5/16-18 Hex	2
27	7473	Locknut, 5/16-18 Nylon Insert	2
28	7818	Bolt, Carriage, 5/16-18 X 1.5	1
29	7893	Nut, #10-32 Hex	2
30	8057	Nut, #4-40 Hex Machine	4
31	8058	Lockwasher, #4 Split	2
32	8717	Locknut, Nylon Insert, 1/4-28	1
33	8990	Tie Wrap, 8" Nylon	2



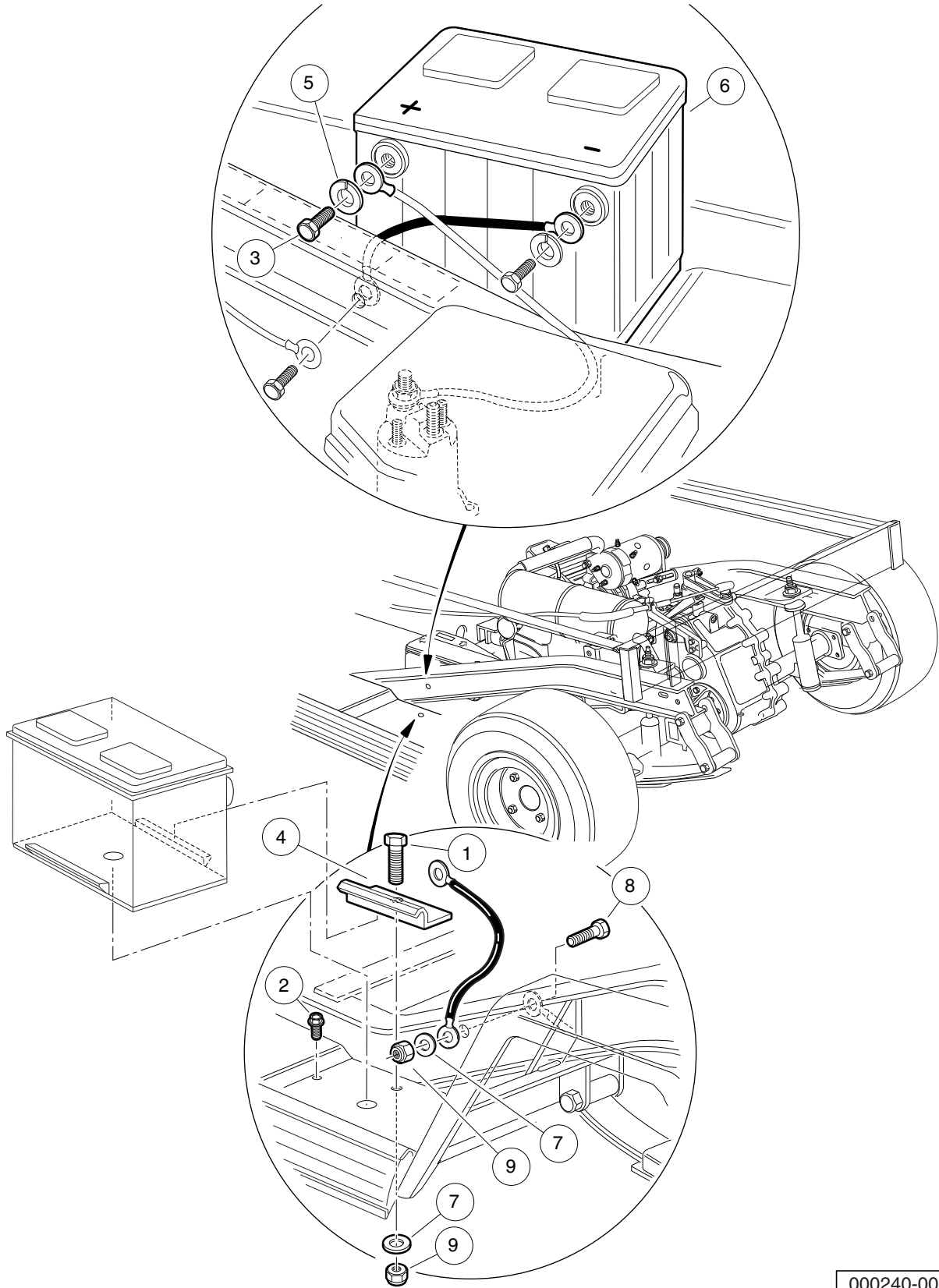
001080-001

FORWARD/REVERSE SHIFTER SWITCHES – DASH MOUNTED SHIFTER

ITEM	PART NO.	DESCRIPTION	QTY
		1 2 3 4	
1	1014807	Switch, Limit	2
2	1014808	Switch, Limit	1
3	1015878	Screw, #4-40 Hex Head Machine	2
4	8057	Nut, #4-40 Hex Machine	2
5	8058	Lockwasher, #4 Split	2

7
G

7
G



000240-001

BATTERY – GASOLINE UTILITY VEHICLES

ITEM	PART NO.	DESCRIPTION	QTY
		1 2 3 4	
1	1010934	Screw, 5/16-18 X 1.00 Hex Cap	1
2	1014288	Screw, 5/16-18 X 0.75, Thread-Forming	1
3	1014375	Screw, 3/8-16 X 0.50, Stainless Steel, Hex-Head	2
4	101898001	Clamp, Battery	1
5	102355301	Lockwasher, 3/8 Split Ss	2
6	103496801	Battery, Start, 12v	1
7	1241	Washer, 5/16 Type A Flat	2
8	7173	Screw, 5/16-18 X 0.75, Hex-Head Cap	1
9	7473	Locknut, 5/16-18 Nylon Insert	2

7
G

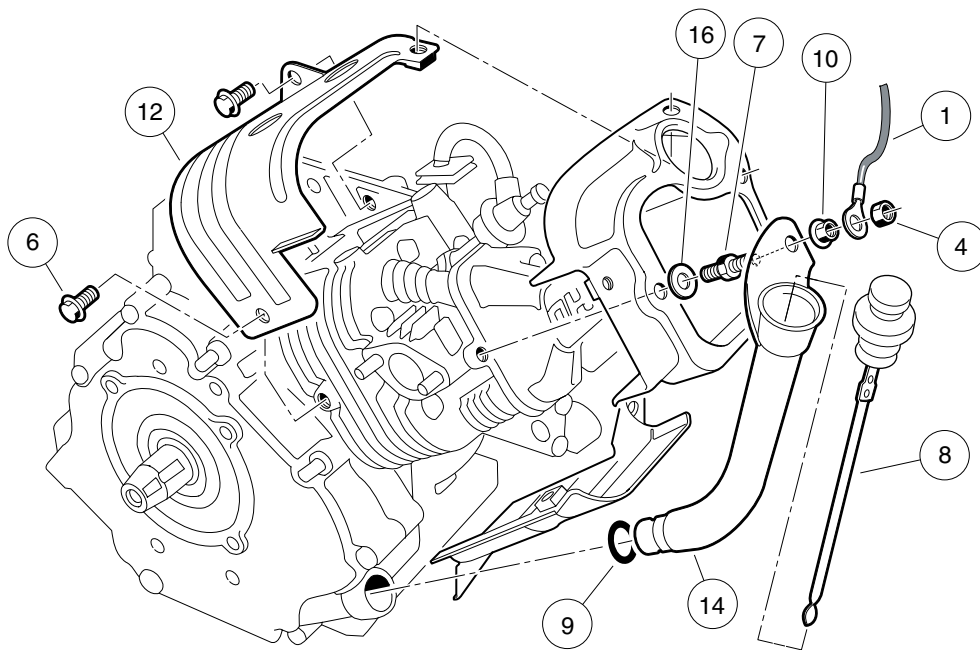
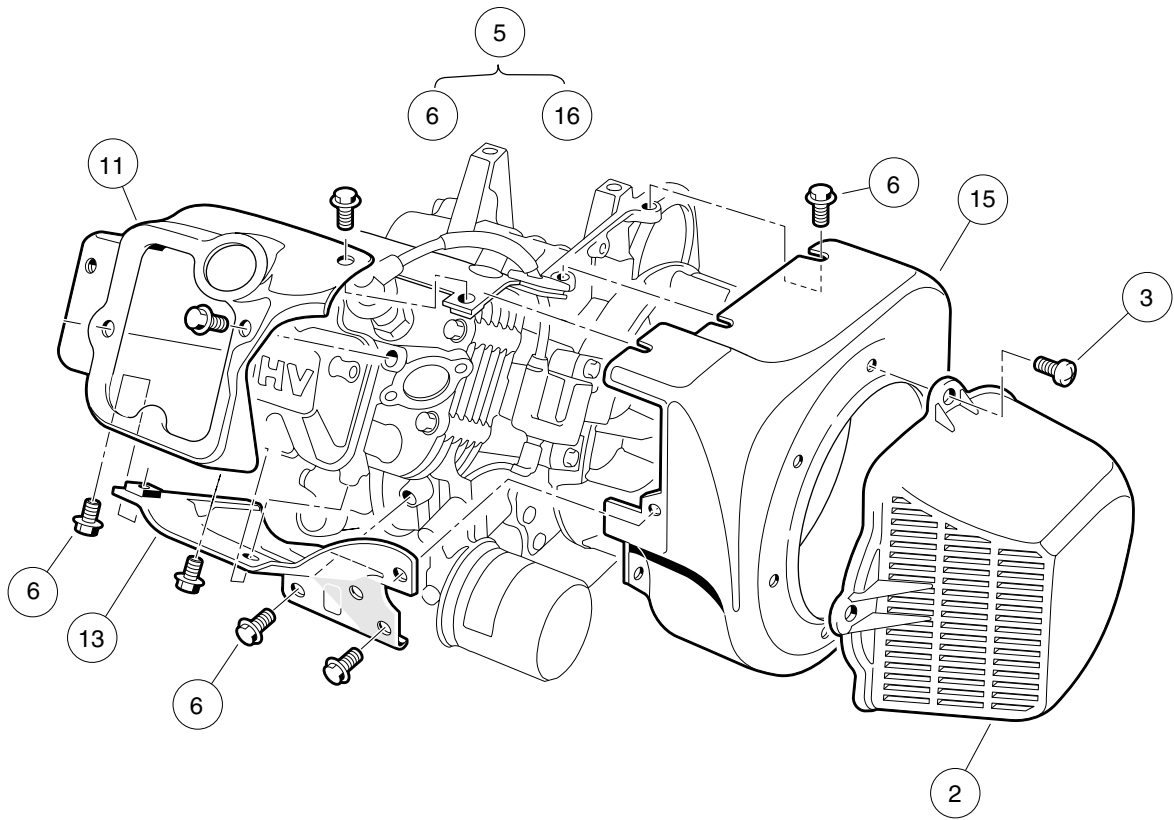
7

G

ENGINE (S27) W/O ACR, 50-STATE

8

G



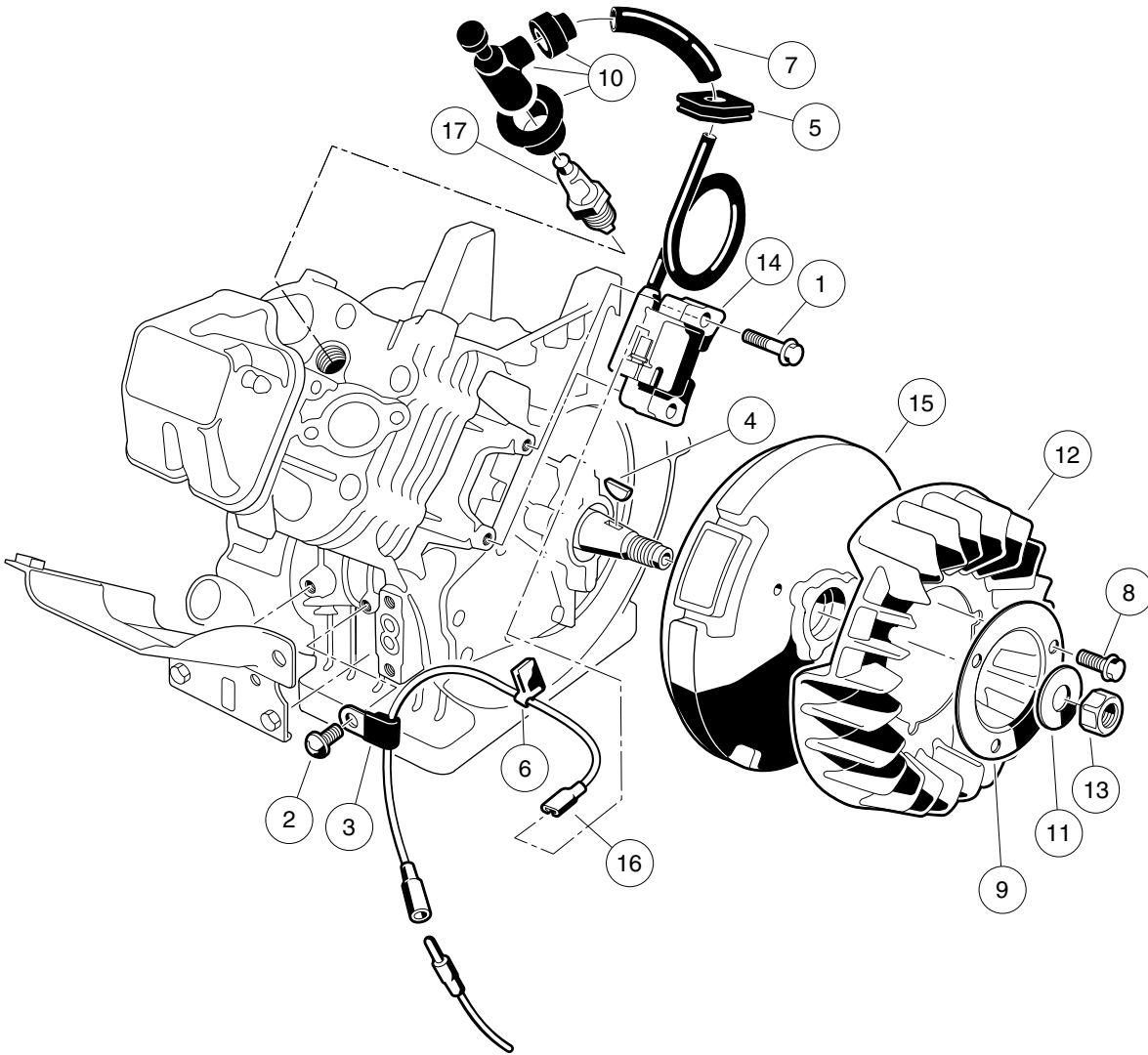
000201-002

FE350 ENGINE (S27) W/O ACR, SHROUDS, AND BRACKETS; 50-STATE

ITEM	PART NO.	DESCRIPTION	QTY
		1 2 3 4	
1	1015332	Wire, Ground, #10, Uninsulated	1
2	1015649	Shroud, Fan	1
3	1015969	Screw, M6-1.00 X 10mm, Pan Hd	4
4	101887601	Locknut, M6-1.00 Nylon Insert	1
5	103386202	Engine, FE350 S27 (includes items 6 through 16)	1
6	1016456	Bolt, Flange Head, M6 x 1 x 12 mm	16
7	1016507	Bolt, Two-Ended	1
8	1016531	Dipstick	1
9	1016539	O-Ring	1
10	1016547	Nut, M6 Flange	1
11	1017474	Shroud, Engine	1
12	1017475	Shroud, Engine	1
13	1017476	Shroud, Engine	1
14	1017486	Tube, Oil Filler	1
15	101916101	Housing, FE350 Fan	1
16	N/A	Washer, 6mm Flat	1
Note: The S27 engine meets emission requirements for all 50 states.			

8

G

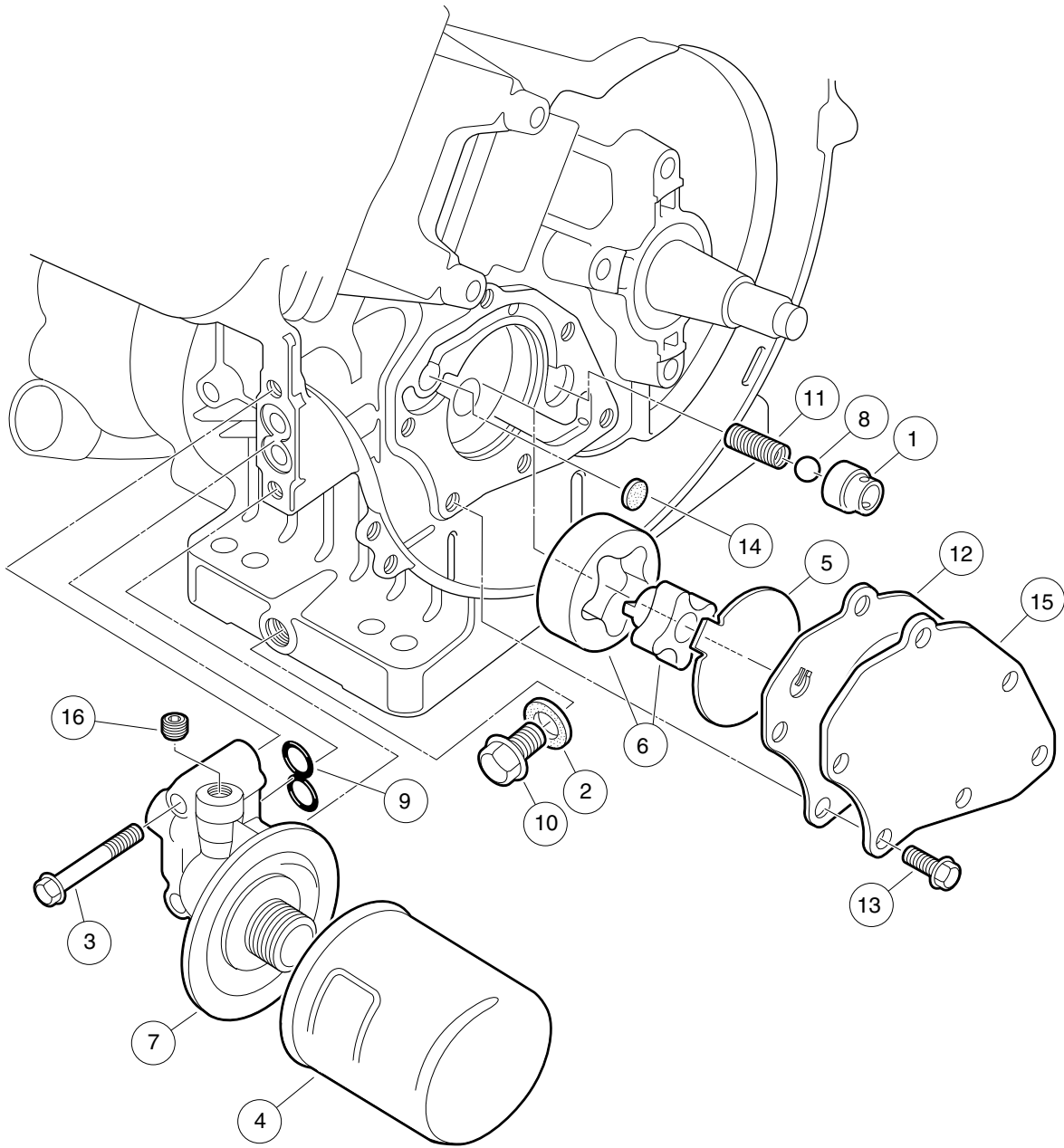


000202-004

FE350 ENGINE (S27) – IGNITION COMPONENTS AND FLYWHEEL

ITEM	PART NO.	DESCRIPTION	QTY
		1 2 3 4	
1	1016455	Bolt, Flange Head	2
2	1016544	Screw	1
3	1016561	Clamp	1
4	1016562	Key	1
5	1016578	Grommet, Ignition	1
6	1016587	Clamp	1
7	1016588	Tube, 7mm X 10mm X 70mm	1
8	1017448	Bolt, Flanged	3
9	1017455	Plate, Flywheel Fan	1
10	1017463	Cap Asm, Plug	1
11	1017490	Washer, Flat	1
12	101916301	Fan (cw)	1
13	102838401	Nut, Hex, 18 mm Fine	1
14	103616501	Coil Asm, Ignition	1
15	103616601	Flywheel, Complete	1
16	103616701	Wire Lead, Ignition	1
17	AM1232301	Spark Plug, BPR2ES	1

8
G



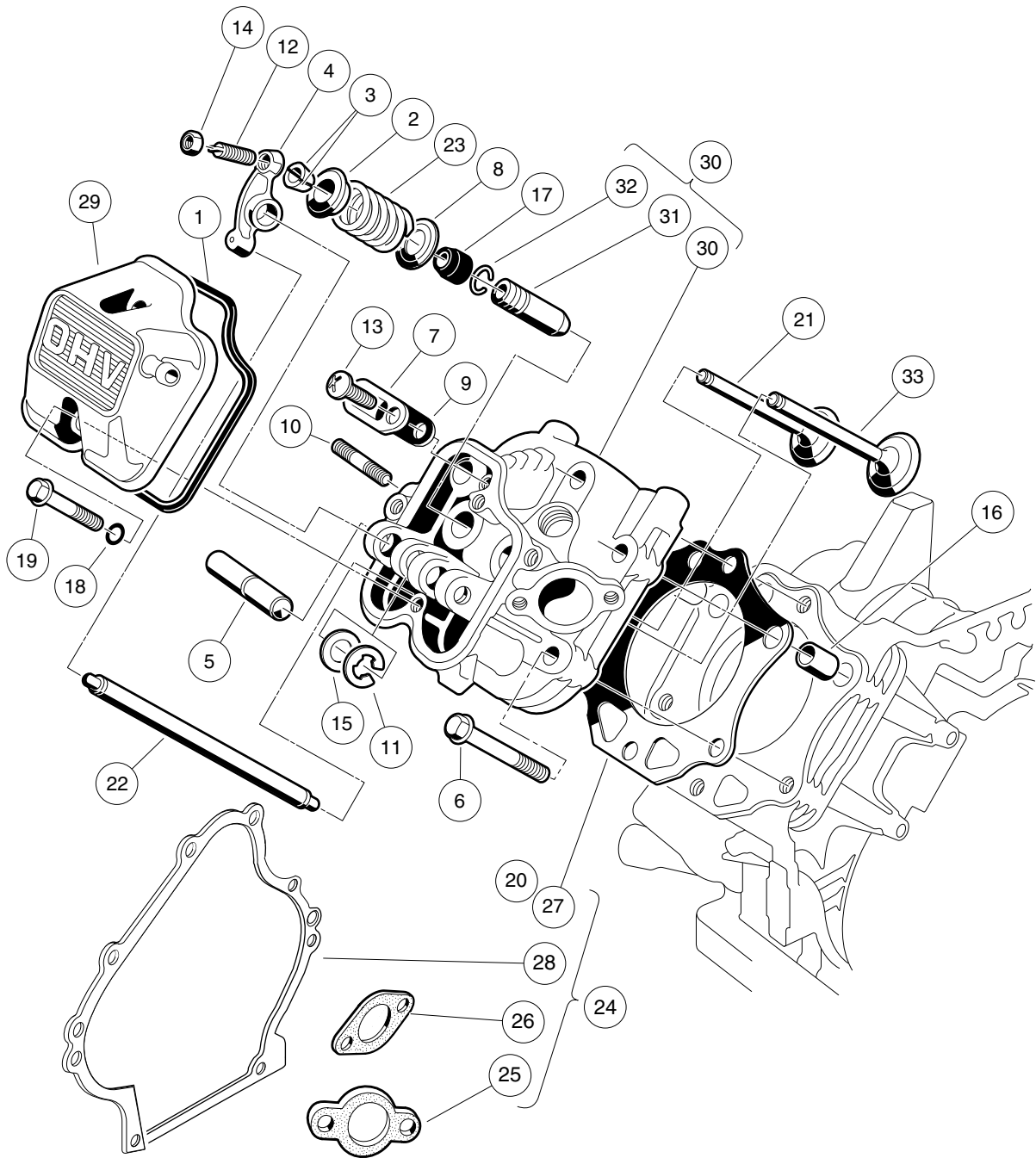
000203-001

FE350 ENGINE (S27) – OIL CIRCULATION

ITEM	PART NO.	DESCRIPTION	QTY
		1 2 3 4	
1	1016429	Seat, Valve Oil Pressure Relief	1
2	1016432	Gasket, Drain Plug	1
3	1016457	Bolt, Flange Head	2
4	1016467	Filter, Oil	1
5	1016473	Plate, Oil Pump	1
6	101648203	Oil Pump And Rotor	1
7	1016502	Bracket, Oil Filter Mount	1
8	1016537	Ball, Steel, Press, Relief	1
9	1016570	O-Ring	1
10	1016576	Plug, Drain	1
11	1016581	Spring	1
12	1017442	Gasket	1
13	1017456	Bolt, Flanged	6
14	1017458	Filter	1
15	1017460	Cover, Pump	1
16	1017507	Plug	2

8

G

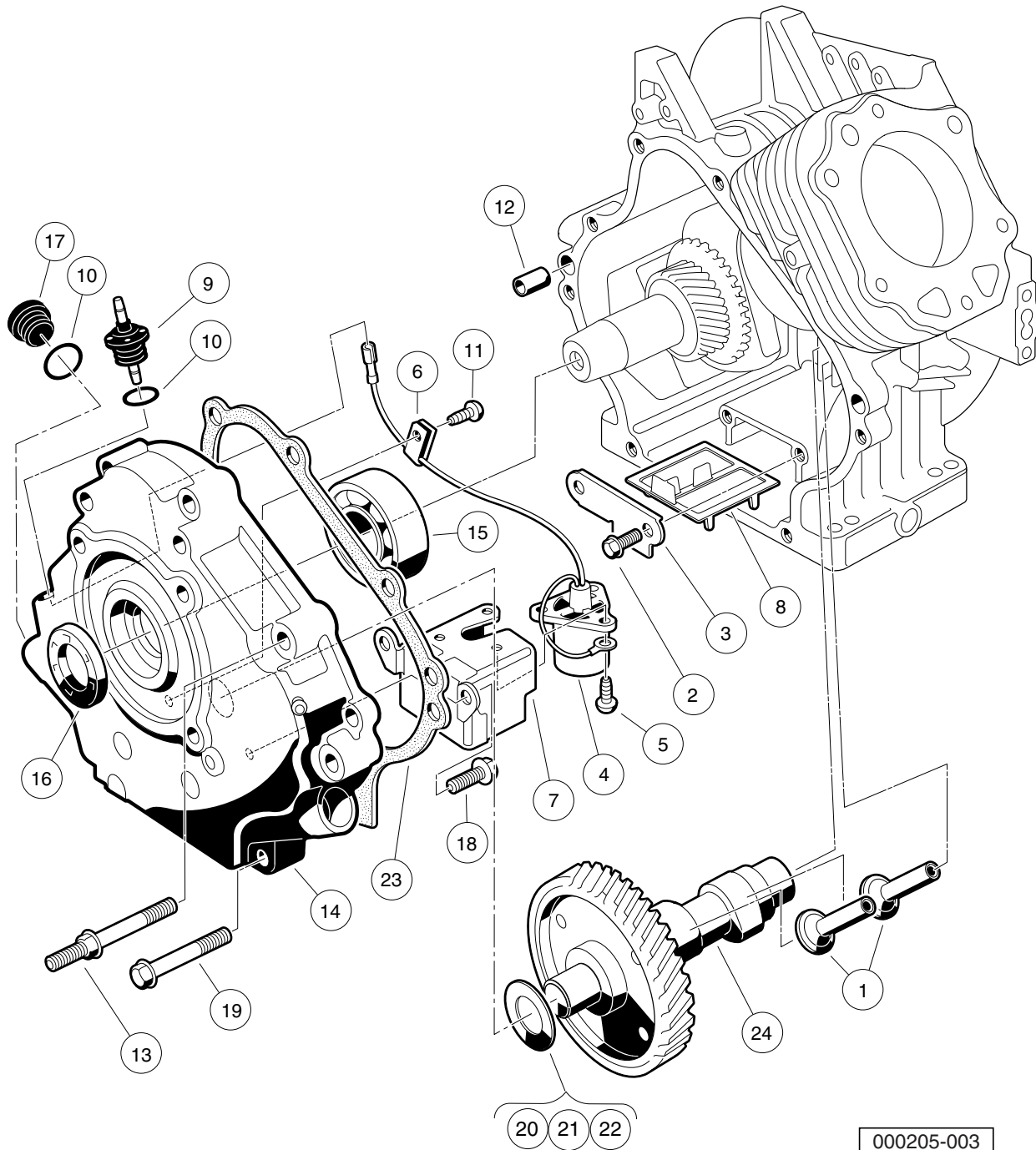


000204-007

FE350 ENGINE (S27) – CYLINDER HEAD

ITEM	PART NO.	DESCRIPTION	QTY
		1 2 3 4	
1	1016436	Gasket, Rocker Case	1
2	1016449	Retainer, Valve Spring	2
3	1016450	Collet	4
4	1016451	Arm, Rocker	2
5	1016452	Shaft, Rocker	1
6	1016458	Bolt, Flange Head, M8 x 1.25 x 45 mm	6
7	1016474	Plate	1
8	1016479	Seat, Spring	2
9	1016483	Valve	1
10	1016489	Stud, Two-Ended, M8-1.25	2
11	1016517	Circlip, Type-E	1
12	1016542	Screw	2
13	1016544	Screw	1
14	1016545	Nut	2
15	1016549	Washer, 12.1x19x1.8	1
16	1016563	Pin	2
17	1016566	Seal, Oil	2
18	1016569	O-Ring	2
19	1016583	Bolt, 6x35	2
20	1017434	Gasket, Head	1
21	1017445	Valve, Exhaust	1
22	1017454	Rod, Push	2
23	1017473	Spring, Engine Valve	2
24	102304801	Kit, Gasket, FE350 (includes items 25 through 28)	1
25	1016440	Gasket, Engine to Insulator	1
26	1016904	Gasket, Exhaust	1
27	1017434	Gasket, Head	1
28	1017443	Gasket, Crankcase Cover	1
29	102753401	Case, Rocker, Fe	1
30	103615601	Cylinder Head (includes items 31 and 32)	1
31	1016519	Guide, Valve, Intake, Exhaust	2
32	1016560	Snap Ring	2
33	103616301	Valve, Intake, Hard Tip	1
		Note: Item 25 is not a component of the FE350 engine.	

8
G

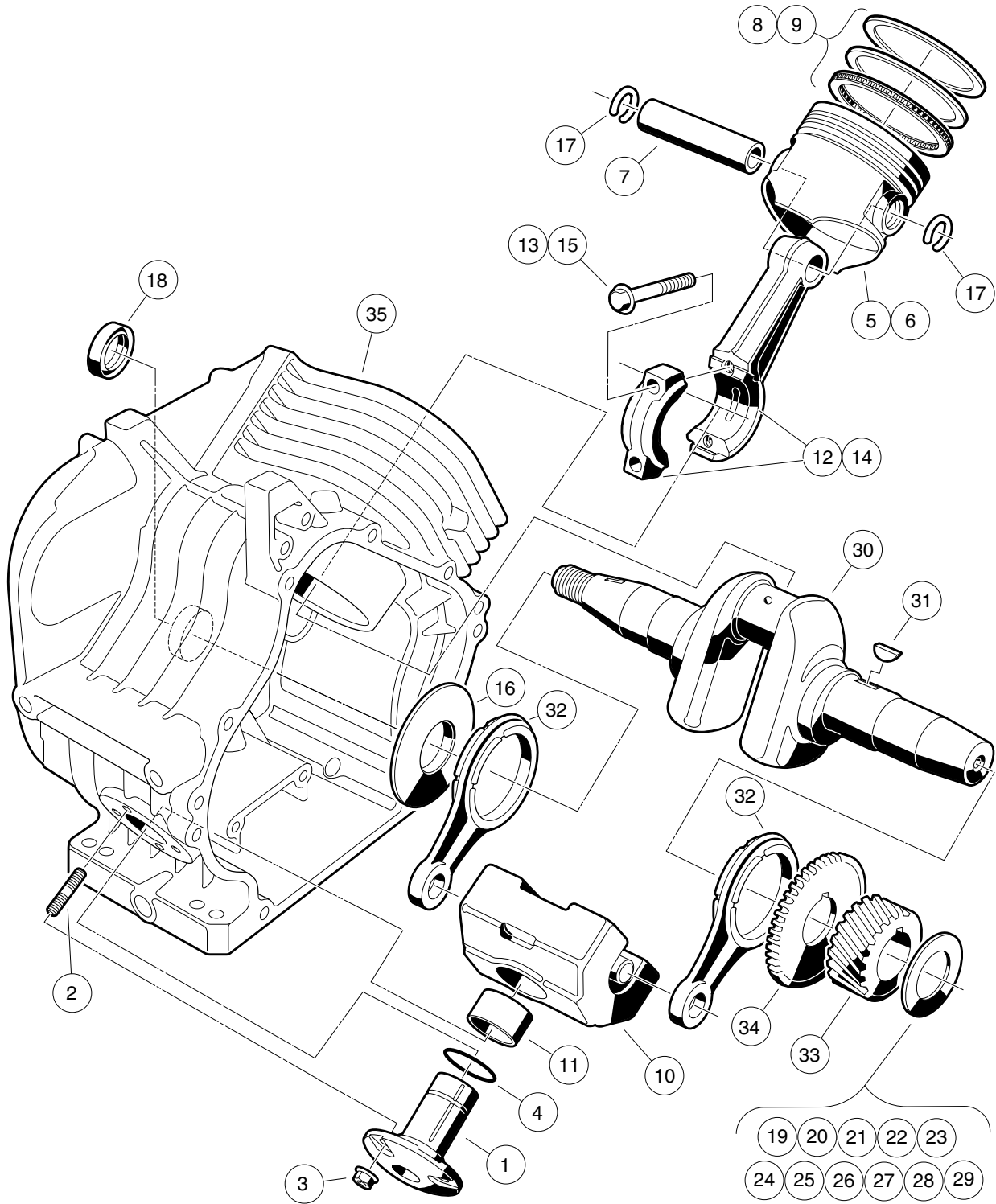


000205-003

FE350 ENGINE (S27) – CRANKCASE, CAMSHAFT, AND OIL SENSOR

ITEM	PART NO.	DESCRIPTION	QTY
		1 2 3 4	
1	1016453	Tappet	2
2	1016454	Bolt, Flange Head, M5 x 0.8 x 8 mm	2
3	1016472	Plate, Oil Filter Screen	1
4	1016494	Sensor, Oil Level	1
5	1016496	Screw, Cross Pan-Head, M4 x 0.7 x 8 mm	3
6	1016506	Clamp	1
7	1016510	Bracket, Switch, Oil Level	1
8	1016521	Screen, Oil Filter	1
9	1016535	Connector, Cord	1
10	1016538	O-Ring	2
11	1016544	Screw	1
12	1016564	Pin	2
13	1016584	Bolt, Two-Ended, M8 x 1.25 x 69 mm	2
14	1017472	Cover Crankcase	1
15	1017487	Bearing, Ball	1
16	1017504	Seal, Oil	1
17	1017508	Plug	1
18	1017513	Bolt Switch Bracket	2
19	1017514	Screw, M8-1.25 X 45mm Hex	6
20	101751801	Shim, 0.3	1
21	101751802	Shim, 0.4	1
22	101751803	Shim, 0.5	1
23	103615901	Gasket, Crankcase Cover	1
24	103616401	Camshaft, Complete	1

8
G



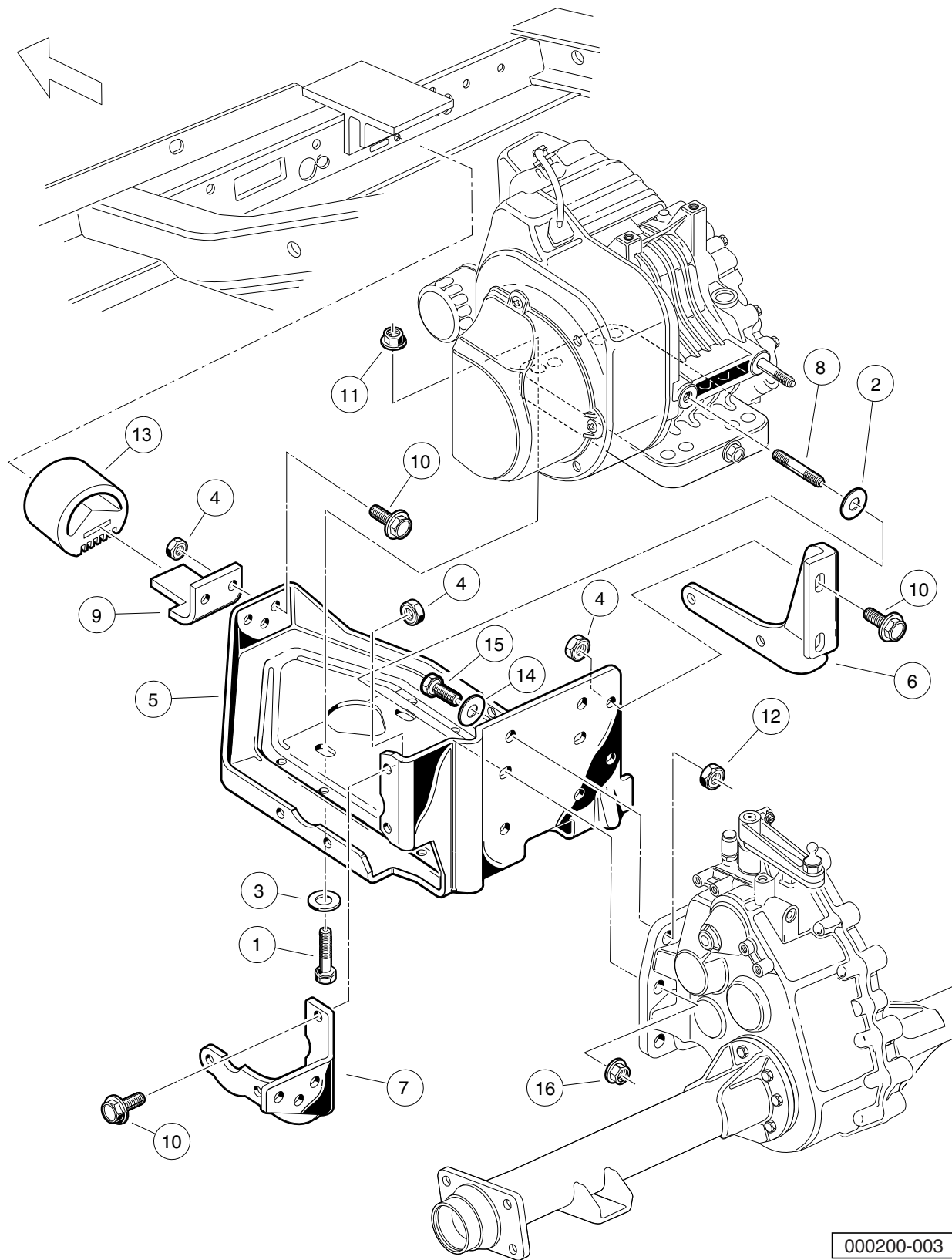
000206-003

FE350 ENGINE (S27) – CRANKCASE AND CRANKSHAFT

ITEM	PART NO.	DESCRIPTION	QTY
		1 2 3 4	
1	1016470	Shaft, Guide, Counterbalance	1
2	1016541	Stud, 6x14	4
3	1016547	Nut, Flanged, M6 X 1.00	4
4	1016571	O-Ring	1
5	101744901	Piston, Standard	1
6	101744902	Piston, 0.50 mm Oversize	1
7	1017450	Pin, Piston	1
8	101745101	Ring Set, Standard Piston	1
9	101745102	Ring Set, Piston, 0.50 mm Oversize	1
10	1017453	Counterbalance Weight (includes item 11)	1
11	1017510	Bearing, Plain	1
12	101745701	Asm, Con. Rod Std (includes item 13)	1
13	1017512	Bolt	2
14	101745702	Asm, Con. Rod 0.5mm U/s (includes item 15)	1
15	1017512	Bolt	2
16	1017501	Spacer	1
17	1017502	Snap Ring	2
18	1017503	Seal, Oil	1
19	101773301	Shim, Crankshaft, 1.18mm	1
20	101773302	Shim, Crankshaft, 1.25mm	1
21	101773303	Shim, Crankshaft, 1.32mm	1
22	101773304	Shim, Crankshaft, 1.39mm	1
23	101773305	Shim, Crankshaft, 1.46mm	1
24	101773306	Shim, Crankshaft, 1.53mm	1
25	101773307	Shim, Crankshaft, 1.60mm	1
26	101773308	Shim, Crankshaft, 1.67mm	1
27	101773309	Shim, Crankshaft, 1.74mm	1
28	101773310	Shim, Crankshaft, 1.11 mm	1
29	101773311	Shim, Crankshaft, 1.81mm	1
30	102430901	Crankshaft, FE350 Left-Hand, 22-Tooth (includes items 31 through 34)	1
31	1016562	Key	1
32	1017471	Rod	2
33	N/A	Gear, Helical	1
34	N/A	Gear, Spur	1
35	103615801	Crankcase, FE350	1

8
G

8
G



000200-003

FE350 ENGINE (S27) – MOUNTING

ITEM	PART NO.	DESCRIPTION	QTY
		1 2 3 4	
1	1010577	Bolt, Hex-Head, 5/16-18 X 1.50	4
2	1011697	Washer, 5/16 Flat	2
3	1012571	Washer, 5/16 Extra Thick Flat	4
4	1013924	Nut, 5/16-24, Hex Head Cone	10
5	101827101	Plate, Engine Mounting	1
6	101832601	Stiffener (PTO Side)	1
7	101832701	Stiffener (Flywheel Side)	1
8	101833101	Stud, M8-1.25 X 50 mm Two-Ended	2
9	101834601	Bracket, Snubber	1
10	101884801	Screw, 5/16-24 X 0.875, Grade-8	10
11	101963401	Locknut, 5/16-18 Hex Flange	4
12	102065901	Locknut, 3/8-16 Flanged Dimple	4
13	102540301	Snubber, Inner Frame	1
14	334	Washer, 3/8, Type A, Flat	4
15	705	Screw, Cap-hex Hd 3/8-16x1.25	4
16	96704416	Nut, Flange, M8 X 1.25 Serrated	2

8

G

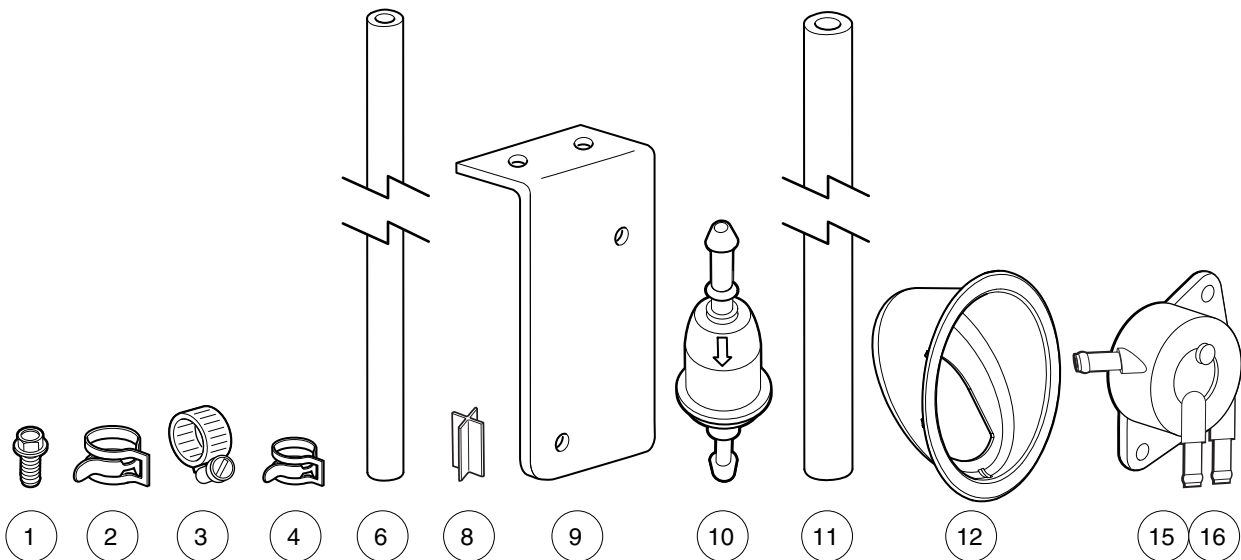
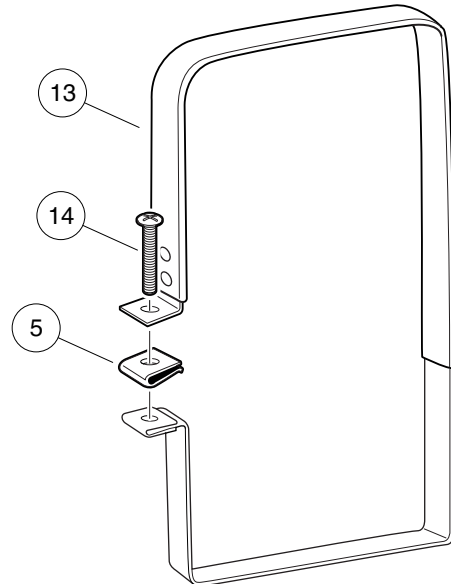
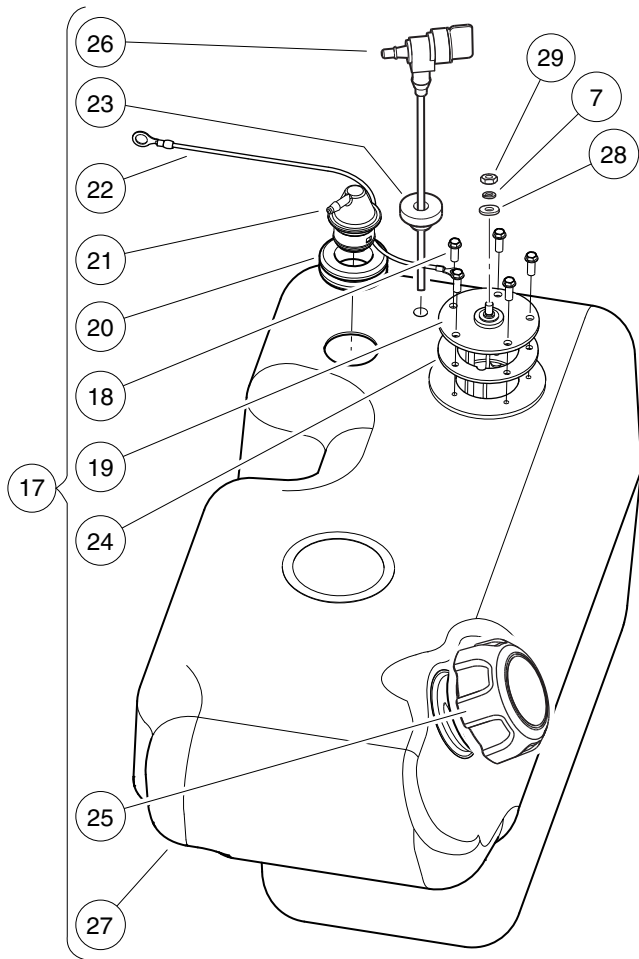
8

G

FUEL, INTAKE, AND GOVERNOR SYSTEMS

9

G



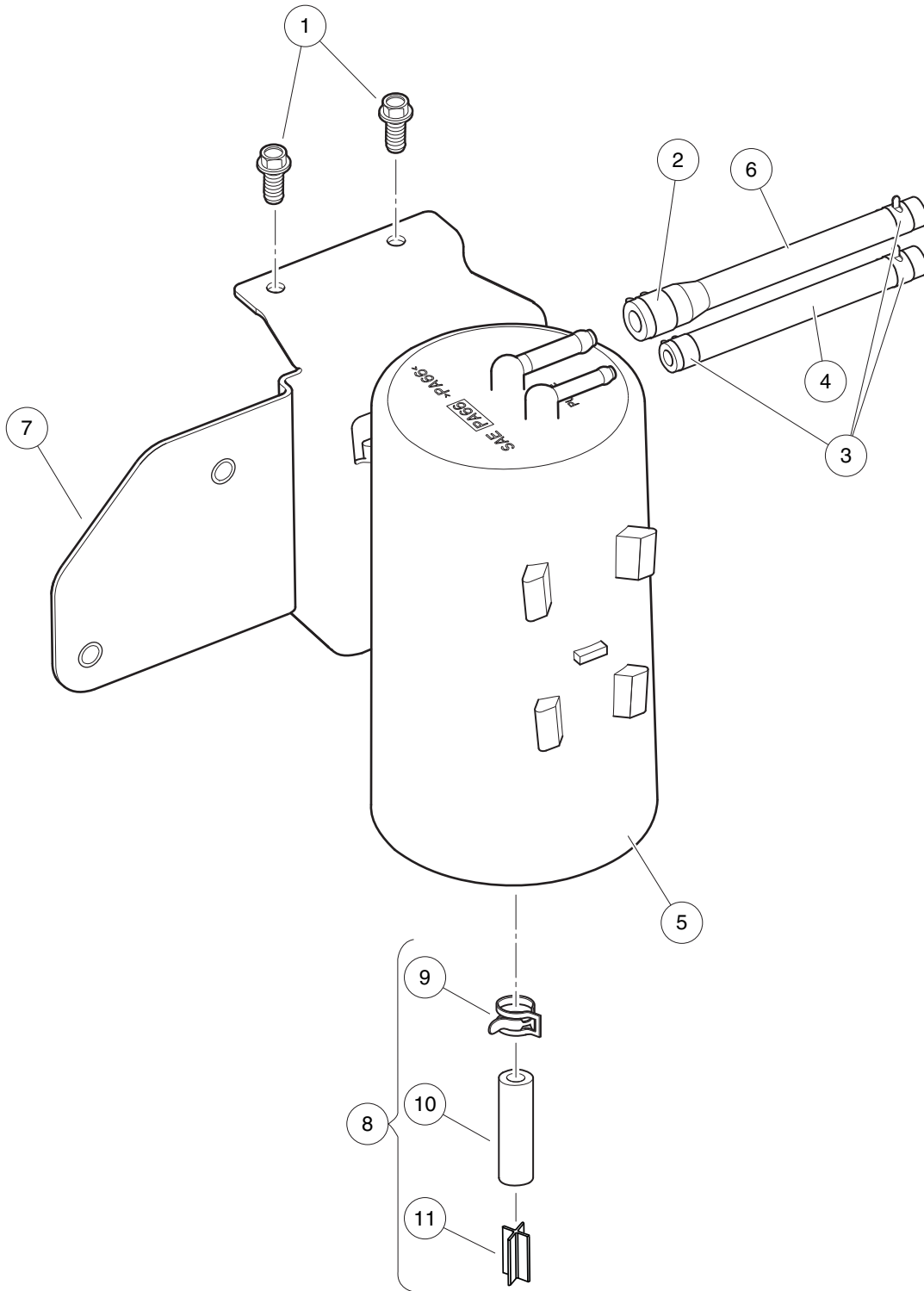
001072-005

FUEL SYSTEM, 50-STATE

ITEM	PART NO.	DESCRIPTION	QTY
		1 2 3 4	
1	1012285	Screw, 1/4 X 0.625 Hex-Head	4
2	1012649	Clamp, 0.460 Red Hose	8
3	1013687	Clamp, 3/8" Hose (screw type)	1
4	1013746	Clamp, 0.301 ID Hose	2
5	1014116	Nut, 1/4-20 Speed	1
6	1015137	Fuel Line, 3/16 (available by the foot)	A/R
7	1016	Lockwasher, #10 Split	1
8	101824401	Vent Barb	1
9	101929501	Mount Fuel Pump	1
10	102003201	Filter, Fuel, 30 Micron	2
11	102865101	Fuel Line, 1/4 (available by the foot)	A/R
12	102977901	Bezel, Fuel Fill, 5.0 Dia	1
13	102978001	Strap, Fuel Tank, Side Fill	1
14	103306301	Screw, Bhsc, 1/4-20 X 2.0	1
15	103781101	Kit, Fuel Pump Retrofit (includes item 16)	1
16	103010101	Pump, Fuel, Impulse, Fh	1
17	103788101	Asm, Fuel Tank,side Fill,nano (includes items 18 through 27)	1
18	1013461	Screw, #10-16 Hex-Head Hi-Lo	5
19	1013462	Sending Unit, Fuel Level *	1
20	1015139	Insulation Grommet	1
21	1015143	Vent, Fuel Tank	1
22	1015921	Wire Assembly #16 Black	1
23	102406701	Bushing, Line, Return	1
24	102522001	Gasket, Rubber	1
25	103372101	Cap, Fuel Tank, Gas, Ratchet	1
26	103372301	Valve, Fuel, 259mm	1
27	103788001	Tank, Fuel,side Fill,nano	1
28	183	Washer, #10, Type A, Flat	1
29	8797	Nut, #10-32 Brass Hex	1
		* Note: Must replace fuel sending unit gasket when servicing this component.	

9

G



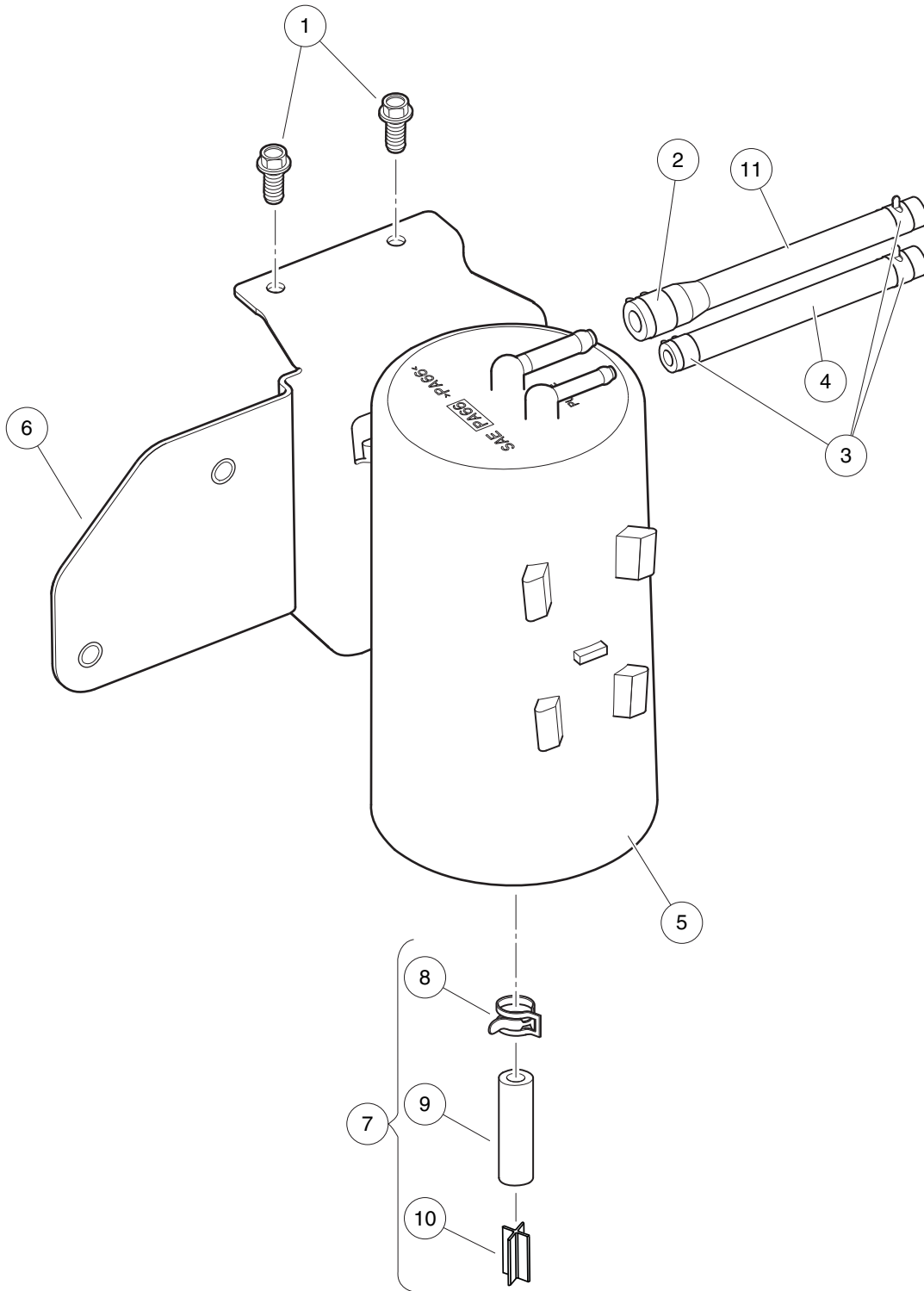
000980-007

CARBON CANISTER – TO MID-2011 MODEL YEAR

ITEM	PART NO.	DESCRIPTION	QTY
		1 2 3 4	
1	1012285	Screw, 1/4 X 0.625 Hex-Head	2
2	101313402	Clamp, Green Hose	1
3	1013746	Clamp, 0.301 ID Hose	3
4	1015137	Fuel Line, 3/16 (available by the foot)	A/R
5	103372401	Canister, Carbon	1
6	103372504	Hose, Vent, Flare, 9"	1
7	103372801	Bracket, Carbon Canister, Sw	1
8	103418601	Asm, Vent Line, Utility (includes items 9 through 11)	1
9	1012649	Clamp, 0.460 Red Hose	1
10	N/A	Hose, Vent, 5/16 I.D., Bulk	A/R
11	N/A	Vent, Barb, 5/16 I.D. Hose	1

9

G



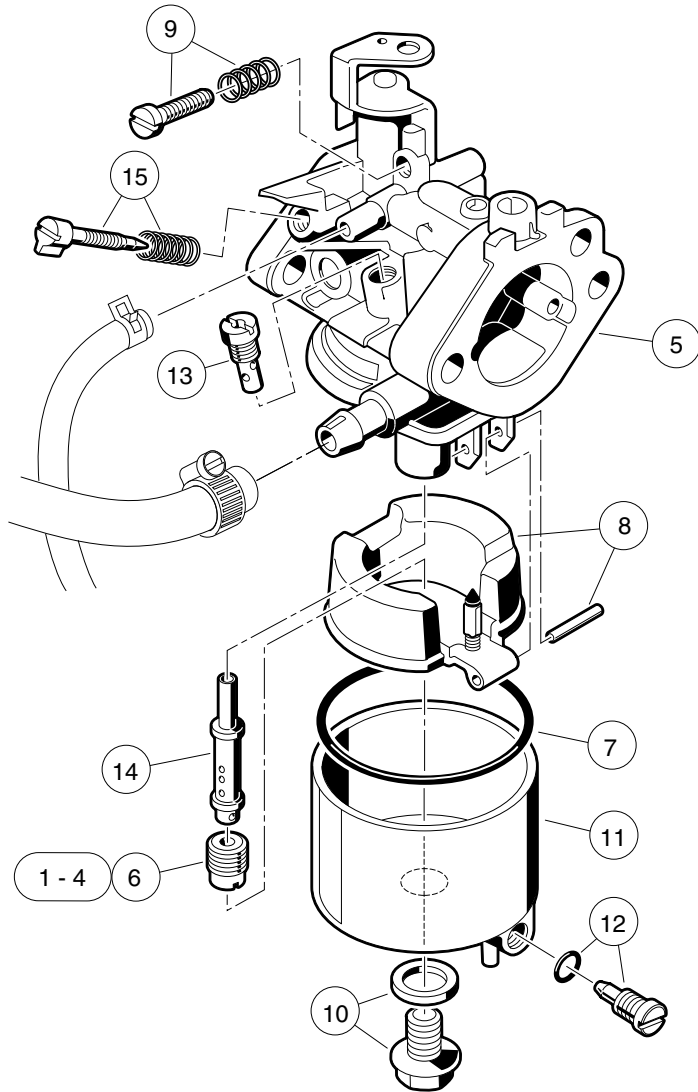
000980-008

CARBON CANISTER – FROM MID-2011 MODEL YEAR

ITEM	PART NO.	DESCRIPTION	QTY
		1 2 3 4	
1	1012285	Screw, 1/4 X 0.625 Hex-Head	2
2	101313402	Clamp, Green Hose	1
3	1013746	Clamp, 0.301 ID Hose	3
4	1015137	Fuel Line, 3/16 (available by the foot)	A/R
5	103372401	Canister, Carbon	1
6	103372801	Bracket, Carbon Canister, Sw	1
7	103418601	Asm, Vent Line, Utility (includes items 8 through 10)	1
8	1012649	Clamp, 0.460 Red Hose	1
9	N/A	Hose, Vent, 5/16 I.D., Bulk	A/R
10	N/A	Vent, Barb, 5/16 I.D. Hose	1
11	103851201	Hose, Vent Flared, 9.0 Inch	1

9

G



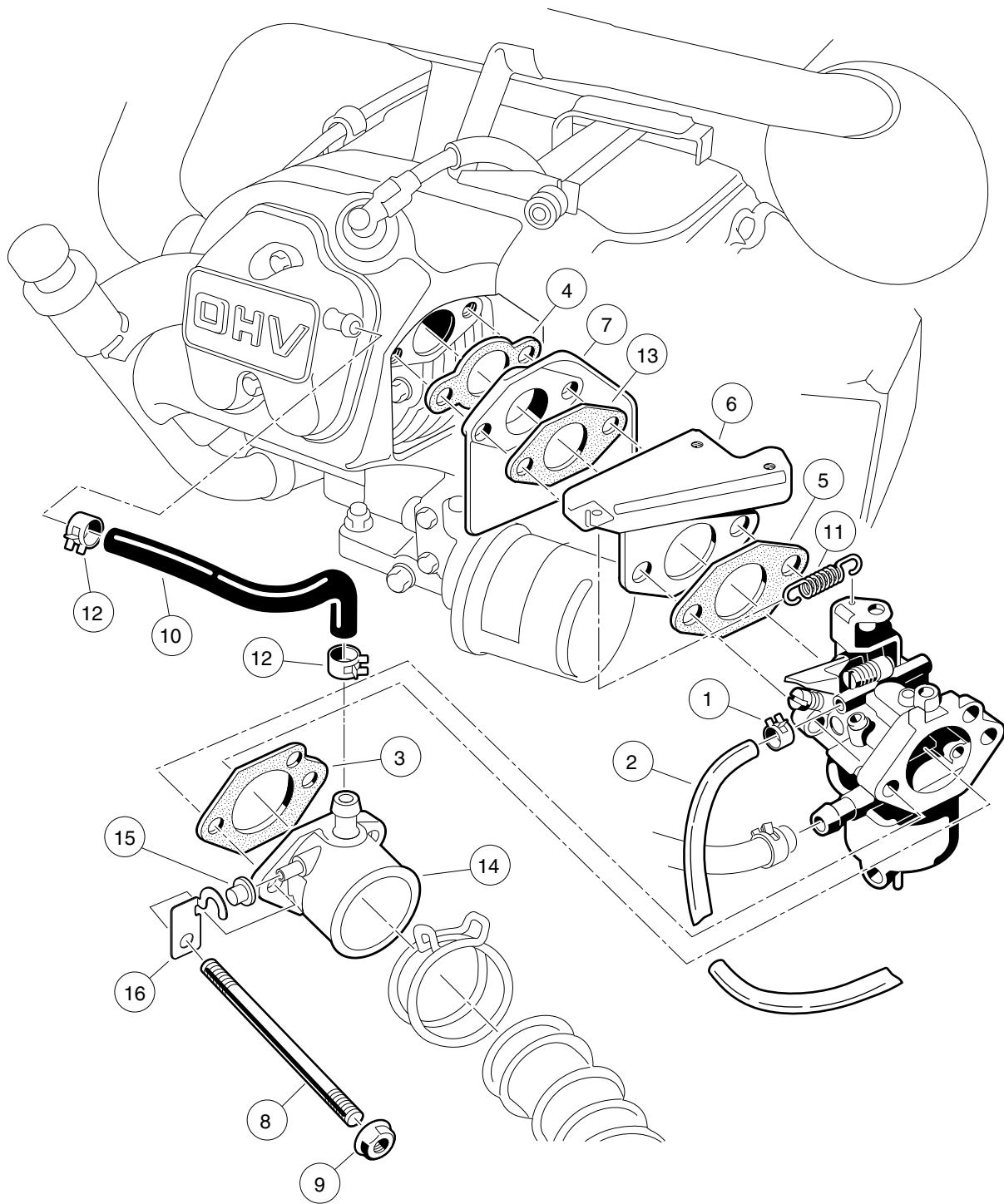
000212-002

CARBURETOR ASSEMBLY – FE350 S27

ITEM	PART NO.	DESCRIPTION	QTY
		1 2 3 4	
1	101642575	Jet, Altitude, # 75	1
2	101642578	Jet, Altitude, # 78	1
3	101642580	Jet, Altitude, # 80	1
4	101642582	Jet, Altitude, # 82	1
5	103617101	Carburetor, FE350 S27 (includes items 6 through 15)	1
6	101642585	Jet, Altitude, # 85	1
7	1016437	Gasket, Carburetor Bowl OHV	1
8	1016486	Float Assembly	1
9	1016501	Screw Assembly	1
10	1016585	Bolt	1
11	1017461	Chamber Assembly, Float (includes item 12)	1
12	1016499	Screw Assembly	1
13	101973101	Jet, #40 Pilot	1
14	101973301	Nozzle, Main	1
15	N/A	Assembly, Pilot Air Screw	1
<p style="text-align: center;">Note: 101642585 for 0 - 3,200 feet; 101642582 for 3,200 - 6,500 feet; 101642580 for 6,500 - 9,800 feet; 101642578 for 9,800 feet and above.</p>			

9

G



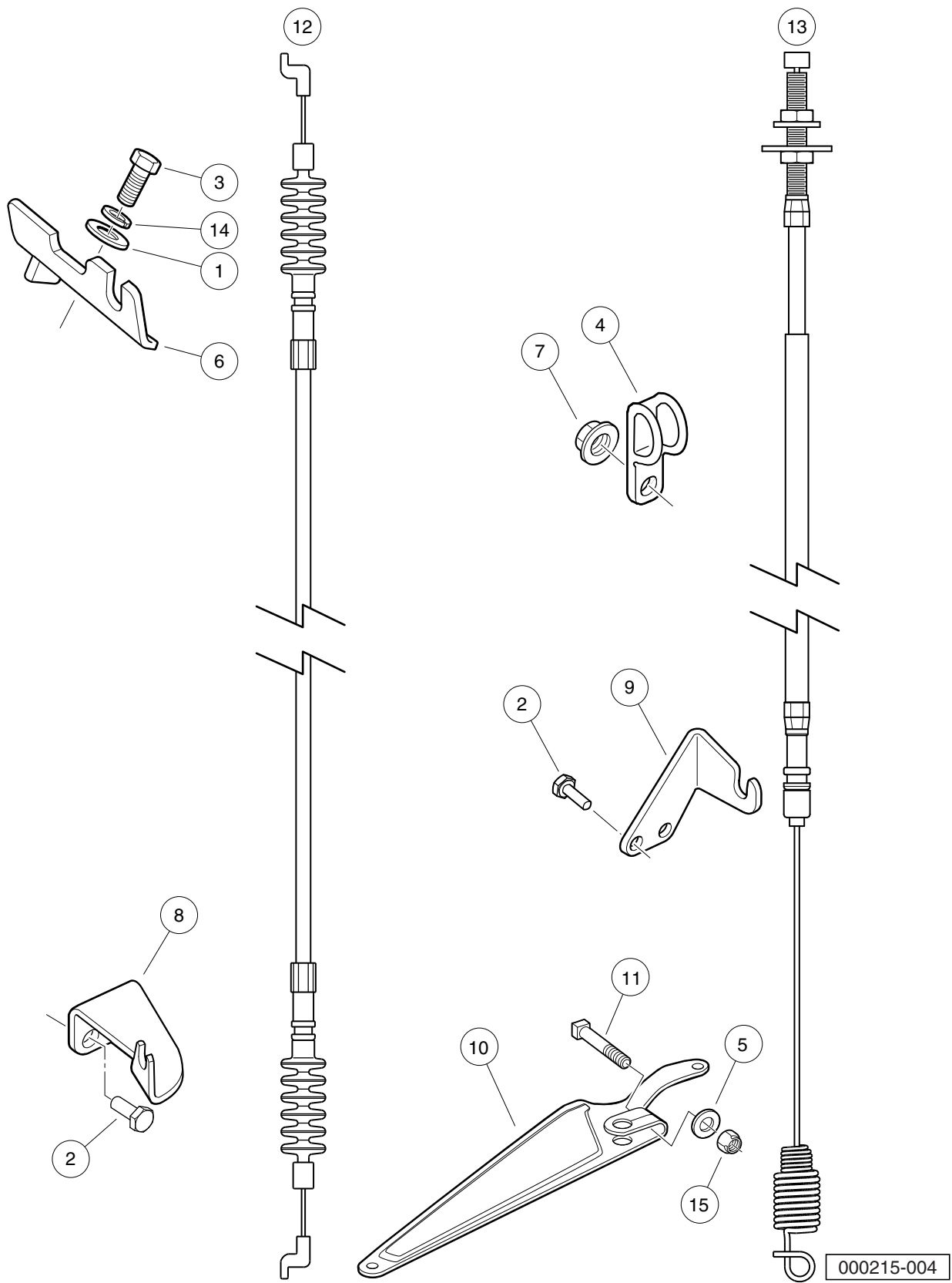
000214-002

CARBURETOR MOUNTING, UTILITY, FE350 S23 S24 S27

ITEM	PART NO.	DESCRIPTION	QTY
		1 2 3 4	
1	1013746	Clamp, 0.301 ID Hose	1
2	1015137	Fuel Line, 3/16 (available by the foot)	1
3	1016438	Gasket, Carb To Intake Manifold	1
4	1016440	Gasket, Engine to Insulator	1
5	1016441	Gasket, Sprg Brkt To Carb OHV	1
6	1016444	Bracket, Throttle Spring Return	1
7	101648102	Insulator, Carburetor	1
8	101649002	Stud, M6-1.00 Two-Ended	2
9	1016547	Nut, M6 Flange	2
10	1016572	Tube, Crankcase Vent	1
11	1016582	Spring, Throttle Return	1
12	1017466	Clamp	2
13	101973401	Gasket, Insulator To Bracket	1
14	103507101	Carburetor Adapter w/ Tap	1
15	103507201	Plug, Intake Manifold, Carb	1
16	103507301	Bracket, Intake Manifold, Carb	1

9

G

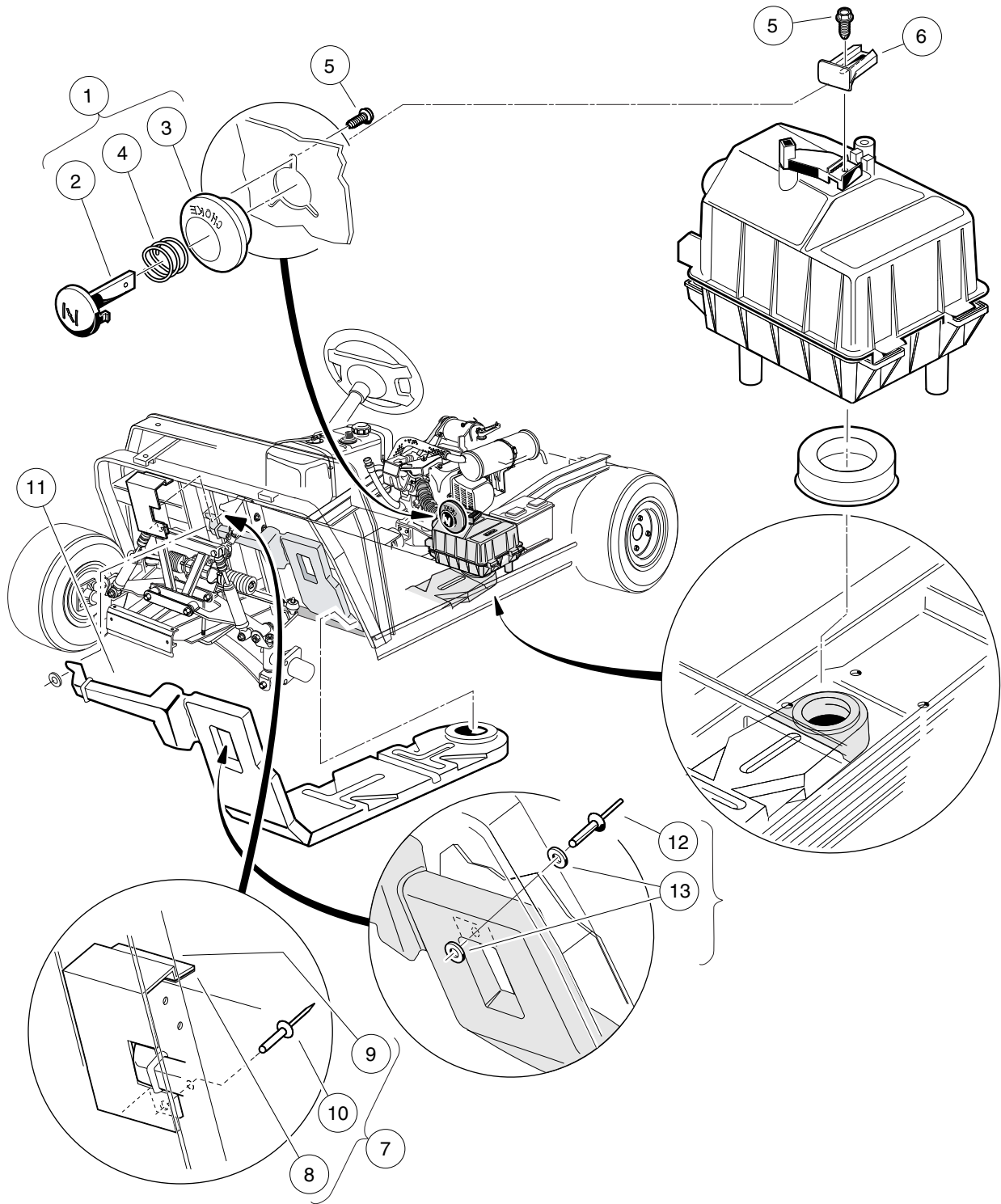


GOVERNOR AND ACCELERATOR CABLES

ITEM	PART NO.	DESCRIPTION	QTY
		1 2 3 4	
1	1011697	Washer, 5/16 Flat	1
2	1012285	Screw, 1/4 X 0.625 Hex-Head	4
3	1012830	Screw, M8-125 X 22 Hex-Head	1
4	1013700	Clamp	2
5	1014007	Washer, 1/4, Flat	1
6	101584502	Bracket, Governor Cable Snap-In	1
7	1016546	Nut	2
8	101832202	Bracket, Rear Governor Cable Snap-In	1
9	101832302	Bracket, Rear Accelerator Cable Snap-In	1
10	101834801	Arm, Governor	1
11	101886101	Screw, 1/4-20 X 1.00, Square-Head	1
12	102336001	Cable, Governor, Snap-In	1
13	102336101	Cable, Accelerator, Snap-In	1
14	7174	Lockwasher, 5/16 Split	1
15	8233	Locknut, 1/4-20, Nylon Insert	1

9

G



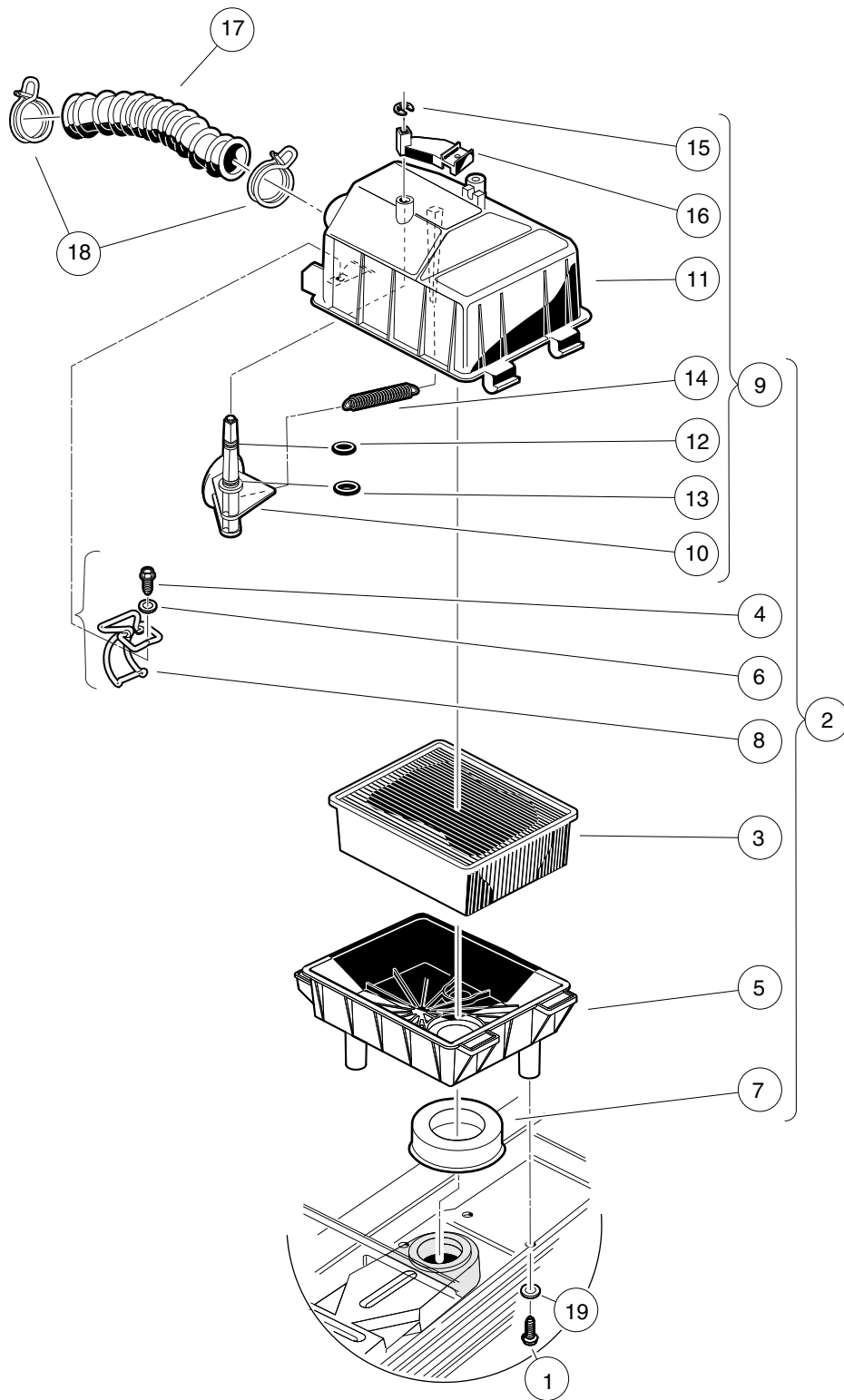
000338-006

AIR INTAKE DUCT AND CHOKE BUTTON – TURF/CARRYALL 1

ITEM	PART NO.	DESCRIPTION	QTY
		1 2 3 4	
1	101805701	Button Assembly, Choke (includes items 2 through 4)	1
2	101811401	Lever, Choke	1
3	101811501	Guide, Choke Lever	1
4	101856201	Compression Spring	1
5	101850301	Screw, #12-16 X 0.50 Washer-Head Hi-Lo	4
6	101917701	Choke Positioner	1
7	102190702	Kit, Air Duct Shield (includes items 8 through 10)	1
8	102185401	Tape, 3M VHB 4950	1
9	N/A	Shield, Air Duct	1
10	7973	Rivet, 3/16 X .400 Blind	1
11	103520301	Duct, Air Intake, Ds	1
12	1606	Rivet, 3/16 X .500 Alum Pop	2
13	183	Washer, #10, Type A, Flat	4

9

G



000332-001

AIR FILTER AND INTAKE HOSE

ITEM	PART NO.	DESCRIPTION	QTY
		1 2 3 4	
1	1015752	Screw, #12-16 X 0.625, Hi-Lo	3
2	101821501	Assembly, Air Box (includes items 3 through 9)	1
3	1015426	Filter, Air	1
4	101804301	Screw, #8 X 0.500, Hex-Head Hi-Lo	2
5	101811901	Bottom, Air Box	1
6	101881701	Washer, #8 Stainless-Steel Flat	2
7	101921501	Seal, Intake	1
8	101925701	Latch, Wireform	2
9	101972801	Top Assy, Air Box (includes items 10 through 16)	1
10	N/A	Valve, Choke	1
11	N/A	Top, Air Box	1
12	N/A	O-Ring, 5/16	1
13	N/A	O-Ring, 3/8	1
14	101812301	Spring, Extension Return	1
15	101813001	Retaining Ring 0.25, Shaft	1
16	101917601	Lever, Choke	1
17	101837101	Hose, Air Intake	1
18	101971301	Clamp, 1.58" ID Hose	2
19	332	Washer, 1/4 Type A Narrow Flat	3

9

G

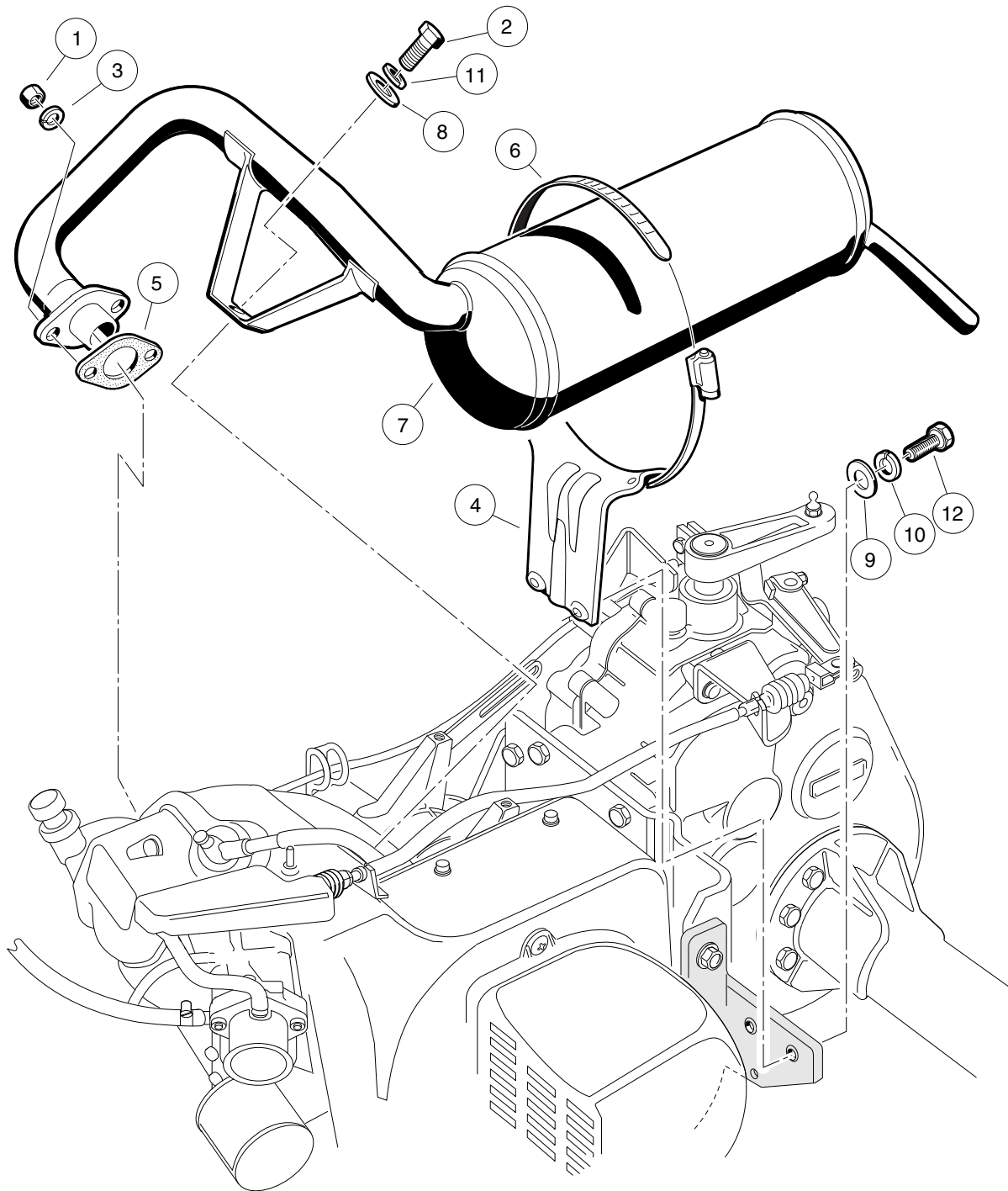
9

G

EXHAUST SYSTEM

10

G



000209-001

EXHAUST SYSTEM – FE350 ENGINE

ITEM	PART NO.	DESCRIPTION	QTY
		1 2 3 4	
1	1012528	Nut, M8-1.25 Hex	2
2	1012830	Screw, M8-125 X 22 Hex-Head	1
3	1013734	Lockwasher, 8mm Split	2
4	1015814	Bracket, Muffler Mounting	1
5	1016904	Gasket, Exhaust	1
6	1017689	Clamp, 5" Muffler Hose	1
7	101859401	Exhaust System, FE350	1
8	1241	Washer, 5/16 Type A Flat	1
9	332	Washer, 1/4 Type A Narrow Flat	2
10	451	Lockwasher, 1/4 Split	2
11	7174	Lockwasher, 5/16 Split	1
12	7847	Screw, 1/4-20 X 0.75 Hex-Head Cap	2

10
G

10

G

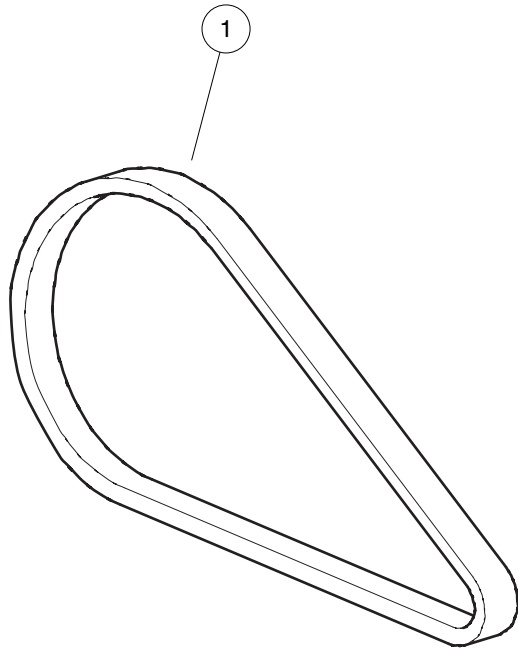
DRIVE BELT AND CLUTCHES

11

G

11

G

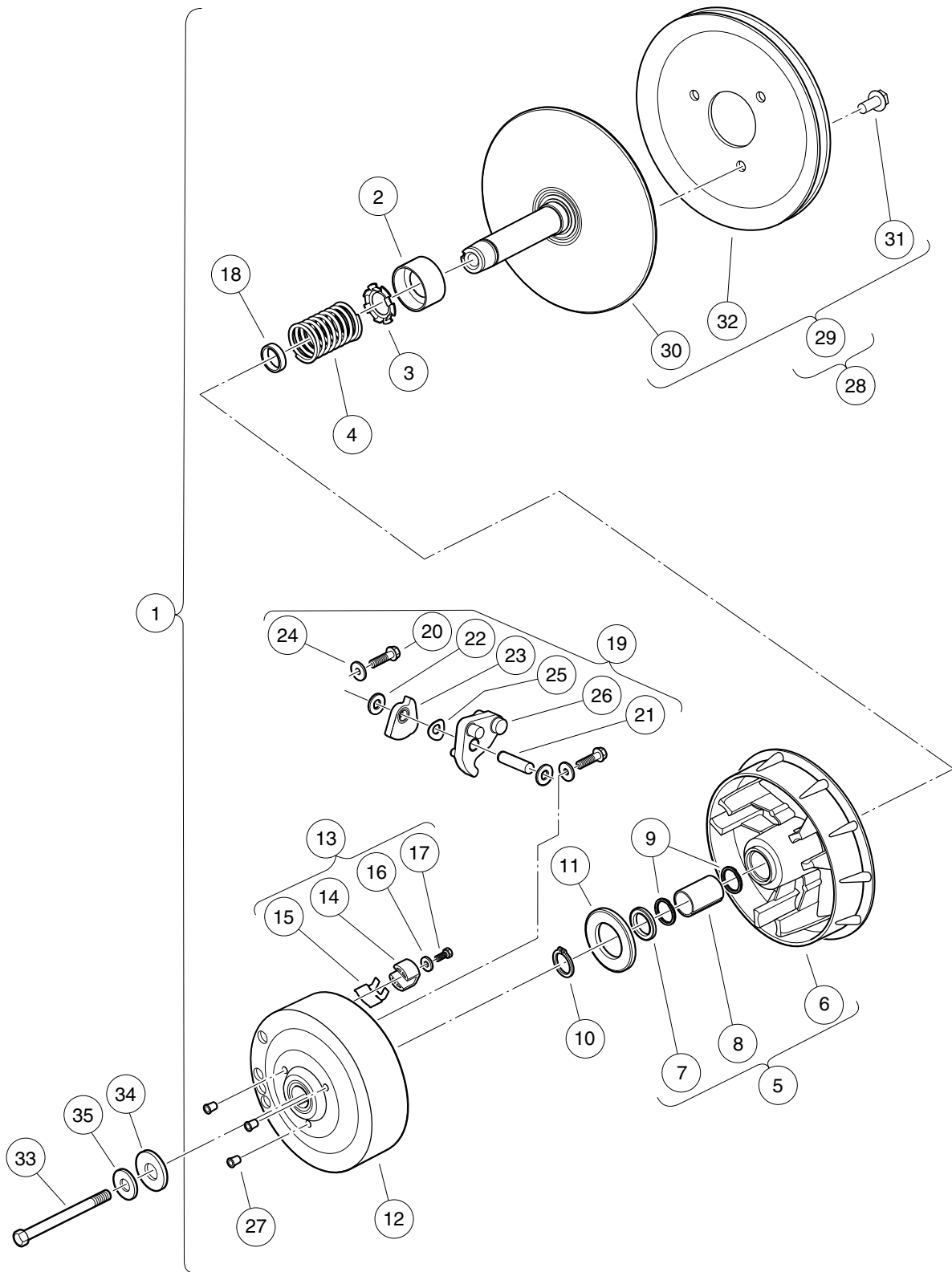


000918-001

DRIVE BELT

ITEM	PART NO.	DESCRIPTION	QTY
1	1017188	1 2 3 4 Belt, Drive (FE350)	1

11
G

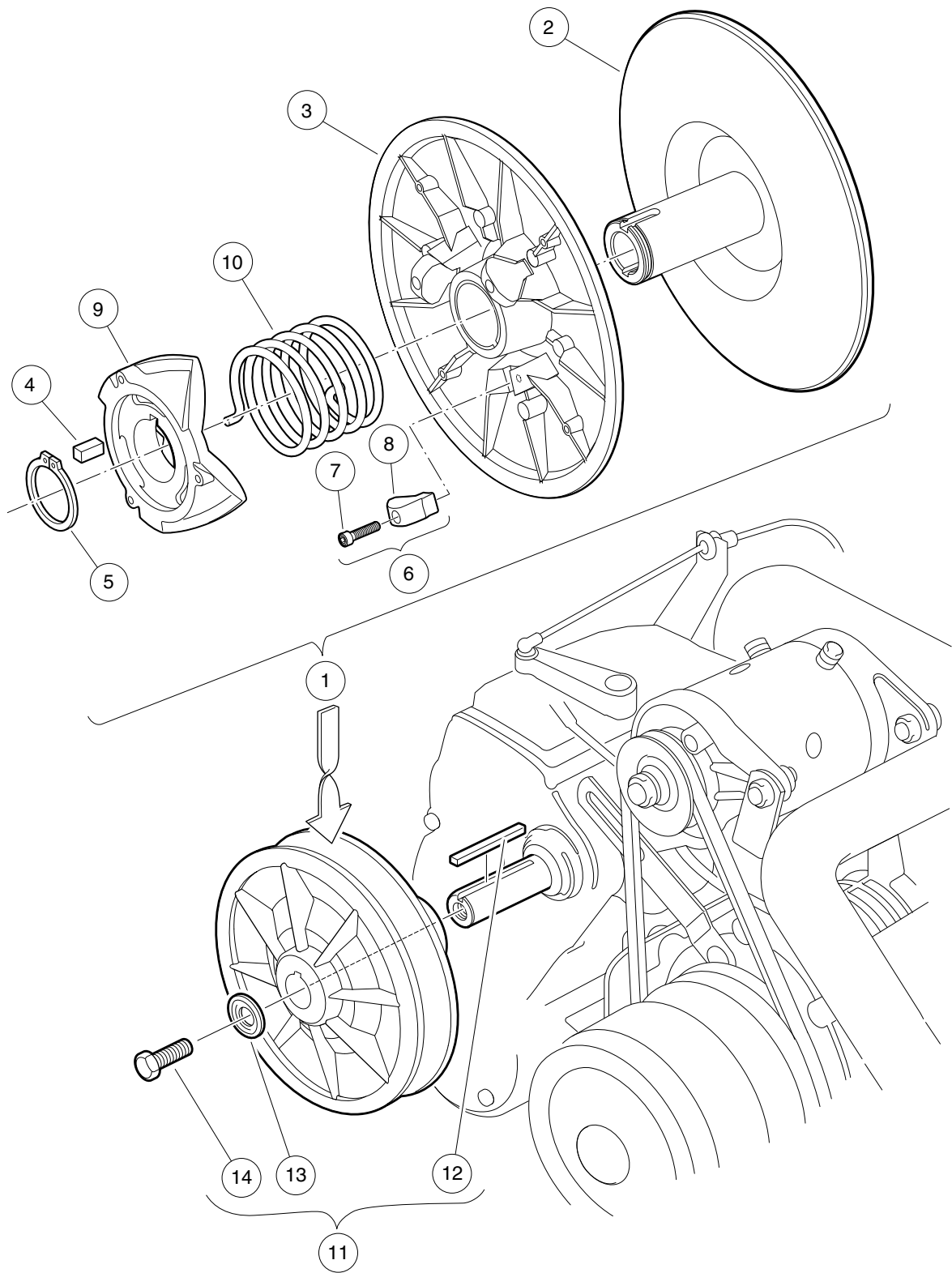


000217-006

DRIVE CLUTCH – TURF/CARRYALL 1, 2, AND 252

ITEM	PART NO.	DESCRIPTION	QTY
		1 2 3 4	
1	101833902	Clutch, Drive (includes items 2 through 28)	1
2	1014049	Bearing, Idler	1
3	1014050	Retainer, Spring	1
4	1014051	Spring, Drive Clutch	1
5	1014052	Movable-Face Assembly (includes items 6 through 8)	1
6	N/A	Drive Clutch Movable Face	1
7	1014055	Retainer	1
8	N/A	Bushing, Split, Drive Clutch	1
9	1014056	Ring, Spiral Backup	2
10	1014057	Ring, 0.810" Internal Retaining	1
11	1014058	Thrust Washer	1
12	1014059	Drive Hub Assy, Drive Clutch	1
13	1014453	Kit, Drive Clutch Button (includes items 14 through 17)	1
14	1014062	Driver, Drive Clutch	3
15	1014287	Spring, Drive Button	3
16	183	Washer, #10, Type A, Flat	3
17	8450	Screw, #10-24 X 0.50, Hex-Head	3
18	1016289	Spacer, Fixed Face Shaft	1
19	1016801	Kit, Drive Clutch Weight (includes items 20 through 26)	1
20	1014063	Screw, 1/4-20 X 1.00, Hex Head	6
21	N/A	Pin, Dowel, 0.3752 x 1.50	3
22	1014065	Washer, Flat, 0.38" ID, Delrin	6
23	N/A	Clutch Weight, Secondary	3
24	N/A	Washer	6
25	1016201	Washer, Wave	3
26	N/A	Weight, Primary	3
27	101925601	Plug, Drive Clutch	3
28	101929802	Kit, Fxd Face Dr Asm Fe290/350 (includes item 29)	1
29	N/A	Assembly, Fixed-Face Drive (includes items 30 through 32)	1
30	N/A	Fixed Face Assembly, Drive Clutch	1
31	1014288	Screw, 5/16-18 X 0.75, Thread-Forming	3
32	N/A	Pulley, Clutch	1
33	103345701	Screw 3/8-24x5.5 Hex Loc Ptch	1
34	334	Washer, 3/8, Type A, Flat	1
35	808	Washer, 3/8 Type B Flat	1

11
G



000219-001

DRIVEN CLUTCH – TURF/CARRYALL 1, 2, AND 252

ITEM	PART NO.	DESCRIPTION	QTY
		1 2 3 4	
1	101834001	Assembly, Driven Clutch (includes items 2 through 10)	1
2	1014070	Fixed Face Assy, Driven Clutch	1
3	1014072	Movable-Face Assembly with Bushing	1
4	1014078	Key, Driven Clutch	1
5	1014080	Ring, Retaining	1
6	1014454	Kit, Driven Clutch Button (includes items 7 and 8)	1
7	1012836	Screw, #8-32 X 3/4, Socket-Head Cap	3
8	N/A	Button, Drive	3
9	1017686	Cam, Driven Clutch	1
10	101836201	Spring, Driven Clutch, Reversed	1
11	AM10419	Kit, Clutch Repair (includes items 12 through 14)	1
12	101833401	Key, 3/16 Sq X 1.50"	1
13	102155801	Washer, Driven Clutch	1
14	102242101	Screw, 5/16-18 X 3/4 Hex-Head with Patch	1

11

G

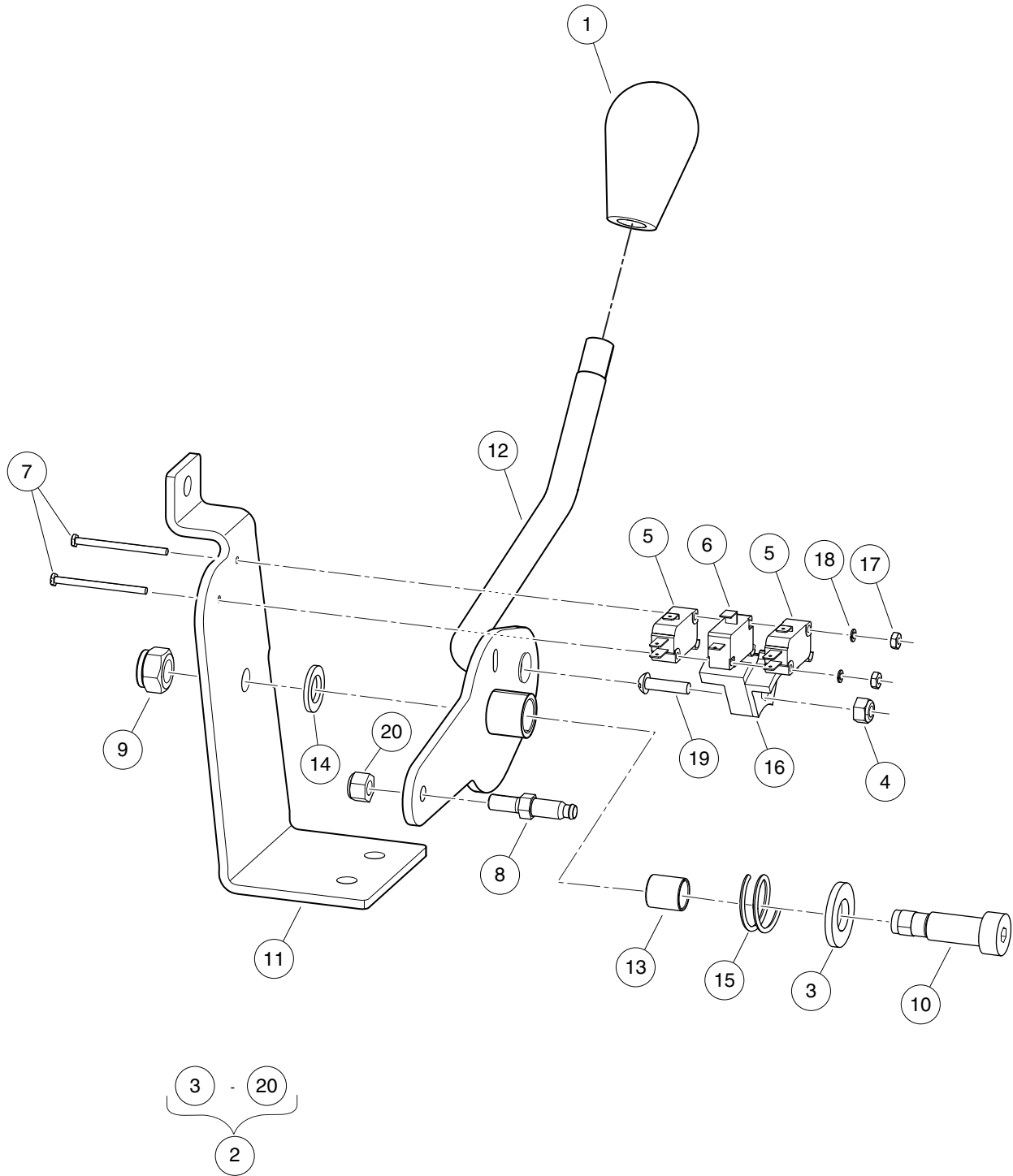
11

G

UNITIZED TRANSAXLE – GASOLINE VEHICLES

12

G



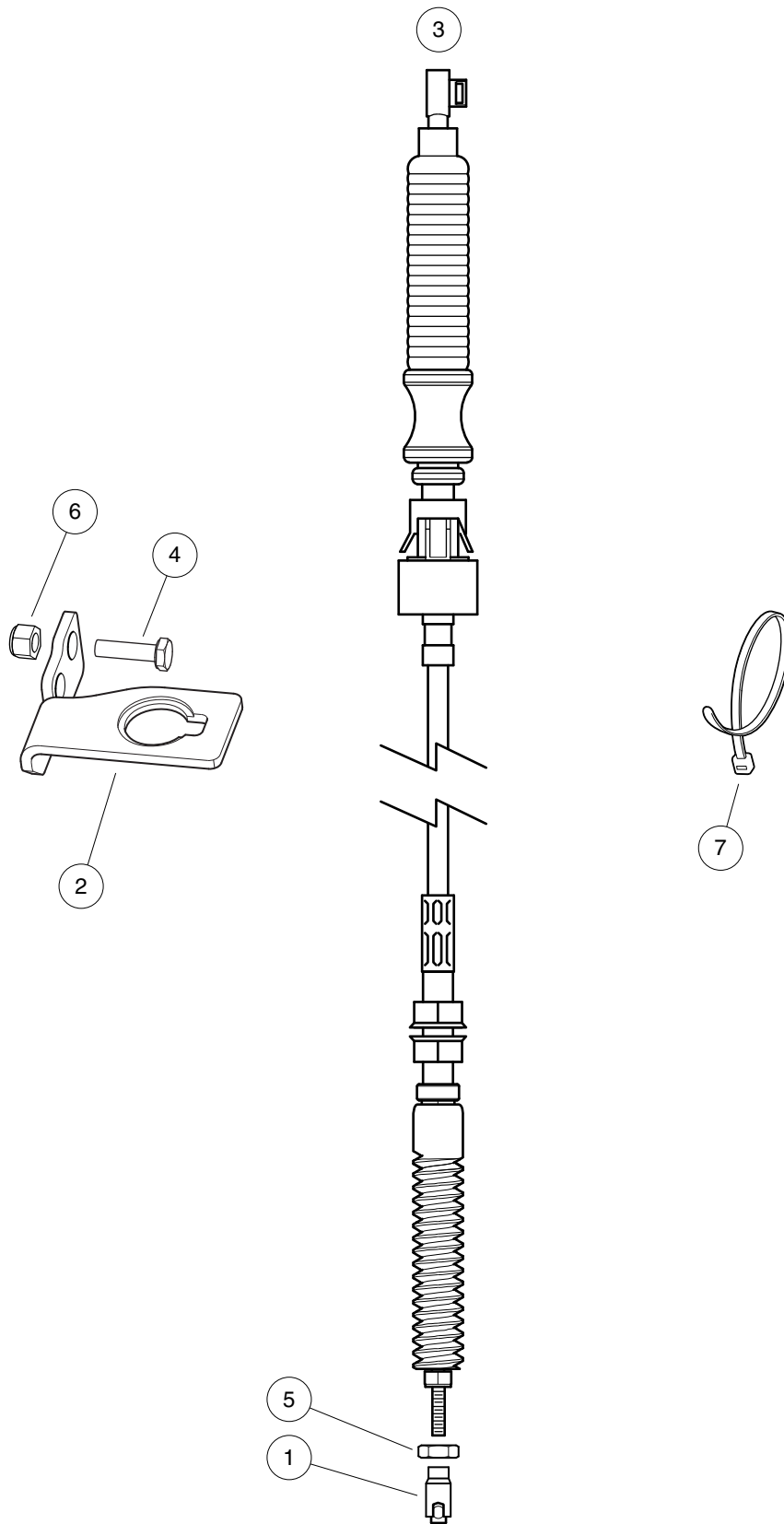
000563-001

FORWARD/REVERSE SHIFTER

12

G

ITEM	PART NO.	DESCRIPTION	QTY
		1 2 3 4	
1	102376001	Knob, FNR, Shifter	1
2	102969901	Asm, Shifter, FNR (includes items 3 through 20)	1
3	1010028	Washer, 1/2 Type A Flat	1
4	1013061	Locknut, #10-32 Nylon Insert	1
5	1014807	Switch, Limit	2
6	1014808	Switch, Limit	1
7	1015878	Screw, #4-40 Hex Head Machine	2
8	102526201	Stud, Thread, 1/4-28	1
9	102616701	Locknut, M10x1.5 Nylon Insert	1
10	102684602	Shoulder Bolt, M12 X 25.0	1
11	102969401	Bracket, Shifter, FNR	1
12	102969801	Weldment, Shift Lever, FNR	1
13	103173301	Bushing, Greaseless, 12mm Id	1
14	103177401	Washer, Thrust, Shifter, FNR	1
15	103192701	Spring, Comp, .97 Od X.75 L	1
16	103369501	Cam, Limit Switch, Fnr Shifter	1
17	8057	Nut, #4-40 Hex Machine	2
18	8058	Lockwasher, #4 Split	2
19	8104	Screw, #10-32 X .75 Rd Hd Mach	1
20	8717	Locknut, Nylon Insert, 1/4-28	1



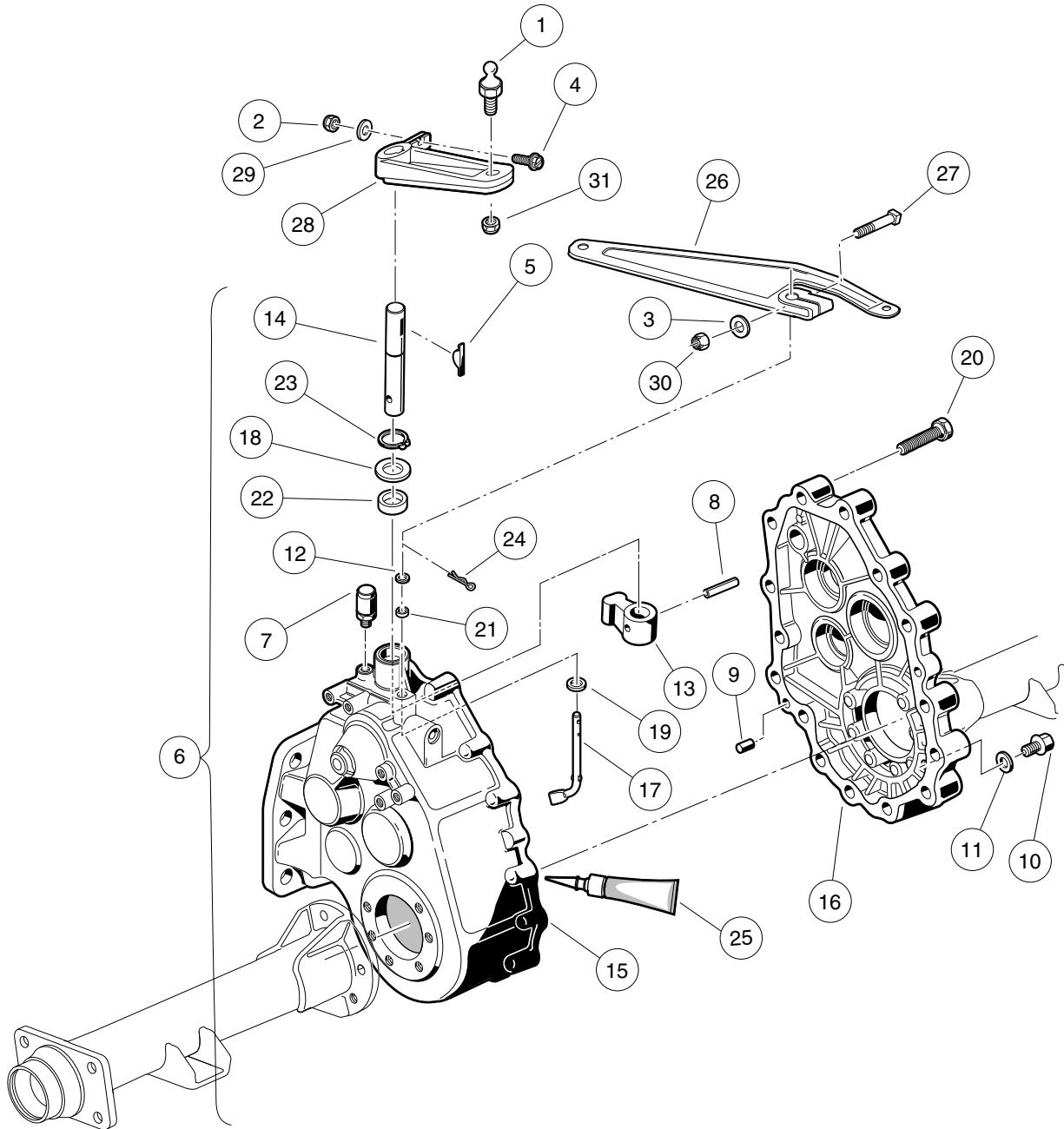
001071-001

SHIFTER CABLE – TURF/CARRYALL 1

ITEM	PART NO.	DESCRIPTION	QTY
		1 2 3 4	
1	1012333	Joint, #10-32 Ball	1
2	103295101	Brkt, Spt, Cable End, Fnr	1
3	103295201	Cable, Trans, Ball End, 1550mm	1
4	304	Screw, 1/4-20 X 1.0 Hex-Head Cap	2
5	7893	Nut, #10-32 Hex	1
6	8233	Locknut, 1/4-20, Nylon Insert	2
7	8639	Tie Wrap, 11" Nylon	A/R

12

G



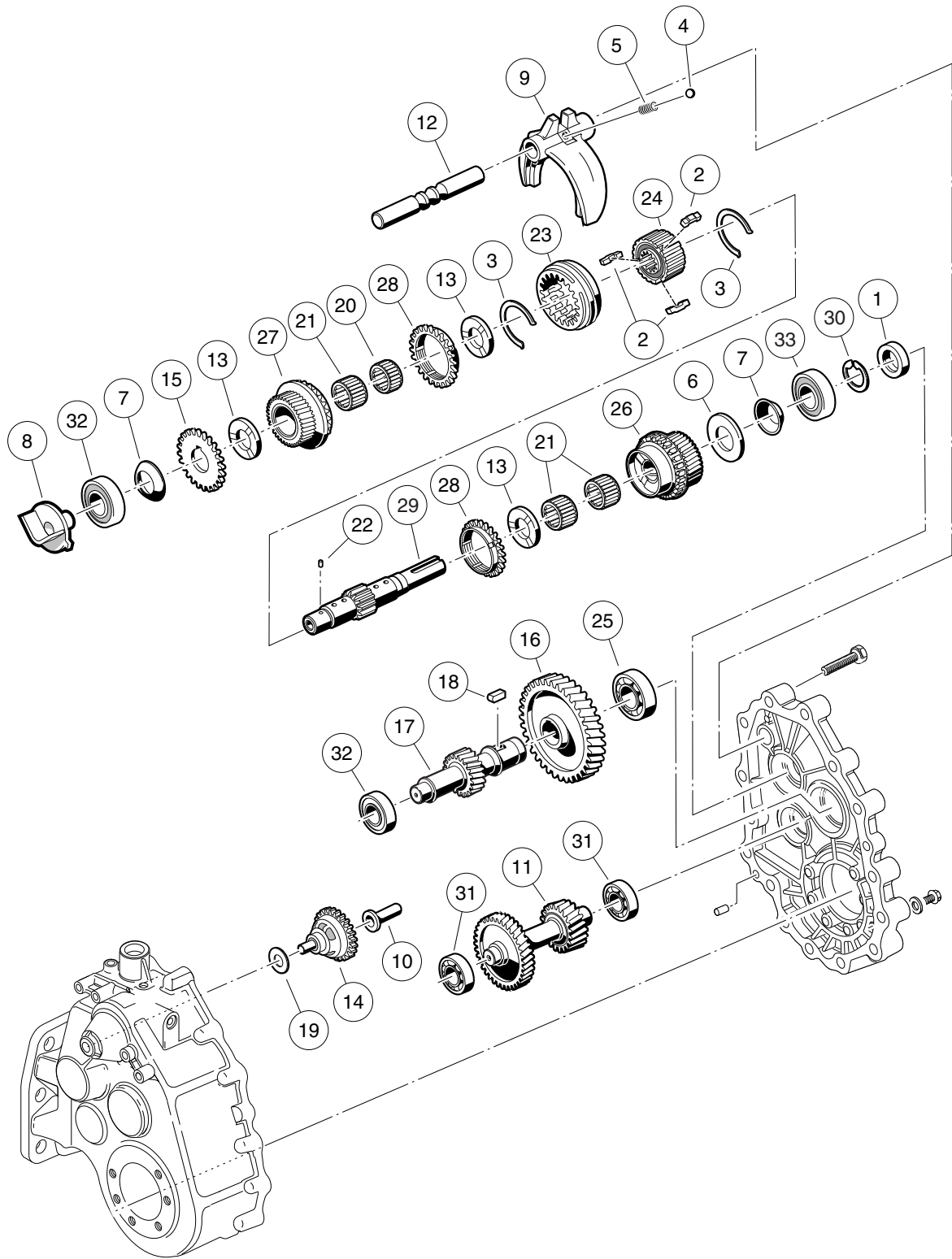
000220-005

KAWASAKI TRANSAXLE – GEAR CASES AND BRACKETS

ITEM	PART NO.	DESCRIPTION	QTY
		1 2 3 4	
1	1010954	Stud, Ball, 1/4-28 X 0.560	1
2	1013061	Locknut, #10-32 Nylon Insert	1
3	1014007	Washer, 1/4, Flat	1
4	1017082	Screw, #10-32 X 0.75, Hex-Head Machine	1
5	1017231	Key, Woodruff	1
6	101833601	Transaxle, 11.77 Ratio (includes items 7 through 25)	1
7	1012711	Breather	1
8	1012752	Roll Pin	1
9	1012896	Pin, Dowel	2
10	1013760	Fill Plug	2
11	1016432	Gasket, Drain Plug	1
12	1016513	Washer, M6 Flat	1
13	101890101	Lever, Drive Selector	1
14	101890201	Shaft, Drive Selector	1
15	101890501	Gear Case (driver side)	1
16	101890601	Gear Case (passenger side)	1
17	101891301	Arm Pivot	1
18	101892901	Washer	1
19	101893801	Washer	1
20	101926901	Screw, M8-1.25 X 40mm Hex-Head	15
21	101927101	Seal, Oil	1
22	101927201	Seal, Oil	1
23	101927301	Snap Ring	1
24	101928601	Pin, Cotter	1
25	101928701	Liquid Gasket (Transaxle case)	1
26	101834801	Arm, Governor	1
27	101886101	Screw, 1/4-20 X 1.00, Square-Head	1
28	102515401	Lever, Transmission Shift	1
29	183	Washer, #10, Type A, Flat	1
30	8233	Locknut, 1/4-20, Nylon Insert	1
31	8717	Locknut, Nylon Insert, 1/4-28	1
		<p>Note: Kawasaki transaxle component listings span three pages. To identify your transaxle, locate the serial number decal on the axle tube.</p>	

12

G



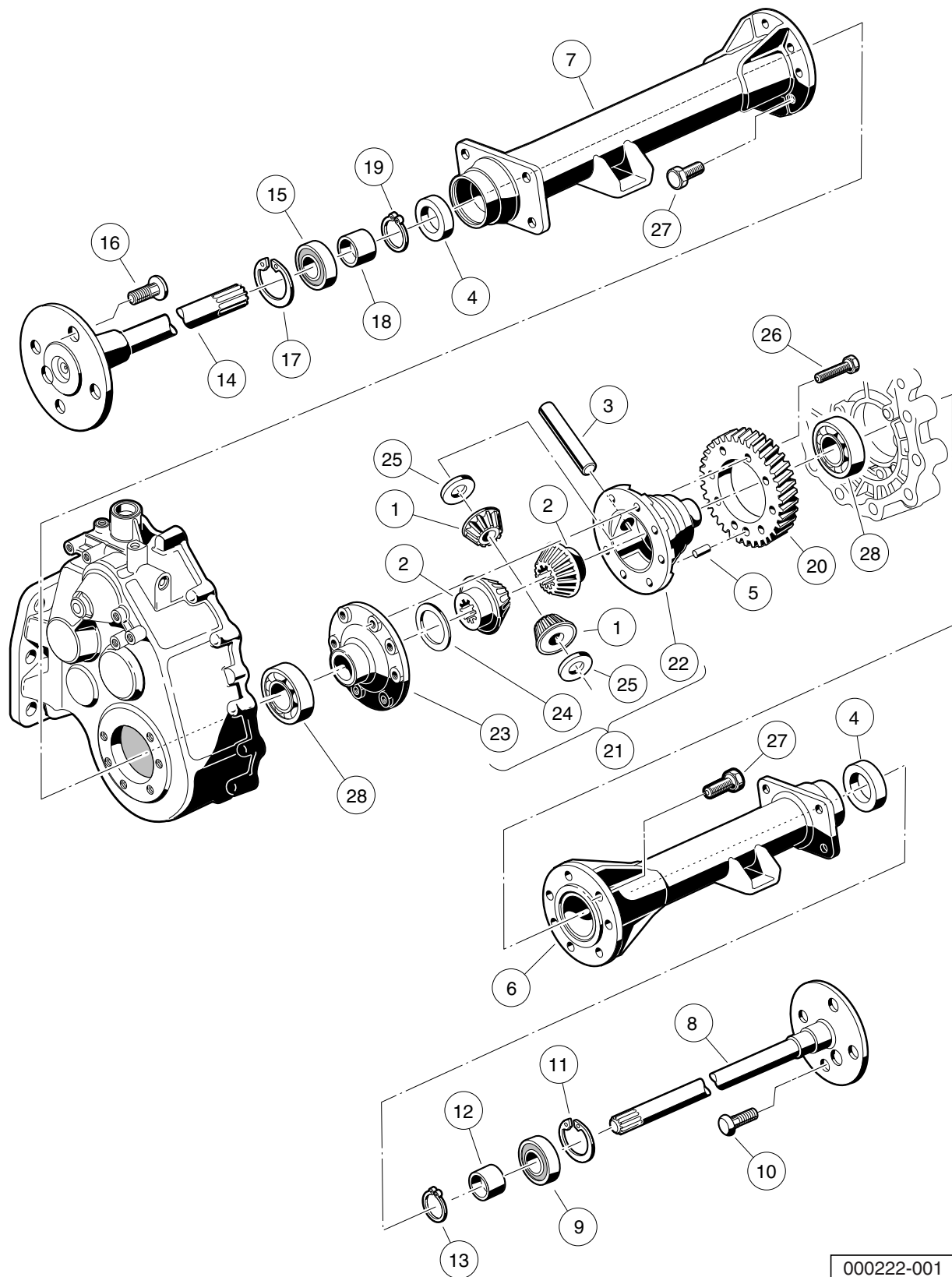
000221-001

KAWASAKI TRANSAXLE – F&R TRANSMISSION AND GEAR REDUCTION

12

G

ITEM	PART NO.	DESCRIPTION	QTY
		1 2 3 4	
1	1012714	Oil Seal	1
2	1012740	Synchro Insert	3
3	1012741	Synchro Spring	2
4	1012747	Shifter Ball	1
5	1012748	Shifter Spring	1
6	1016337	Washer, Thrust	1
7	1016338	Washer, Spring	2
8	101889401	Guide	1
9	101890001	Fork - Shift	1
10	101891601	Sleeve, Governor	1
11	101891901	Gear, Cluster	1
12	101892001	Rod, Shift	1
13	101892201	Plate, Thrust	3
14	101892301	Governor Assembly	1
15	101892401	Gear, Spur	1
16	101892501	Gear, Helical (61 Tooth)	1
17	101892601	Gear, Helical (17 Tooth)	1
18	101893201	Key Sunk	1
19	101893901	Washer	1
20	101927501	Needle Bearing	1
21	101927601	Needle Bearing	3
22	101927701	Pin, .116" Dia X 0.264 Dowel	1
23	101927901	Sleeve, Synchro	1
24	101928001	Hub, Synchro Clutch	1
25	101928101	Bearing, Ball	1
26	101980801	Gear Assembly, 16-Degree Synchro (25 Tooth)	1
27	101980901	Gear Assembly, 16-Degree Rear Synchro (28 Tooth)	1
28	101981001	Ring, 16-Degree Synchronizer	2
29	102453001	Shaft, Trans, with Circlip	1
30	102453101	Circlip	1
31	7335	Bearing	2
32	AM10080	Bearing, Ball, Sealed	2
33	AM10081	Bearing, Ball, Sealed	1
<p>Note: To identify your transaxle, locate the serial number decal on the axle</p>			



000222-001

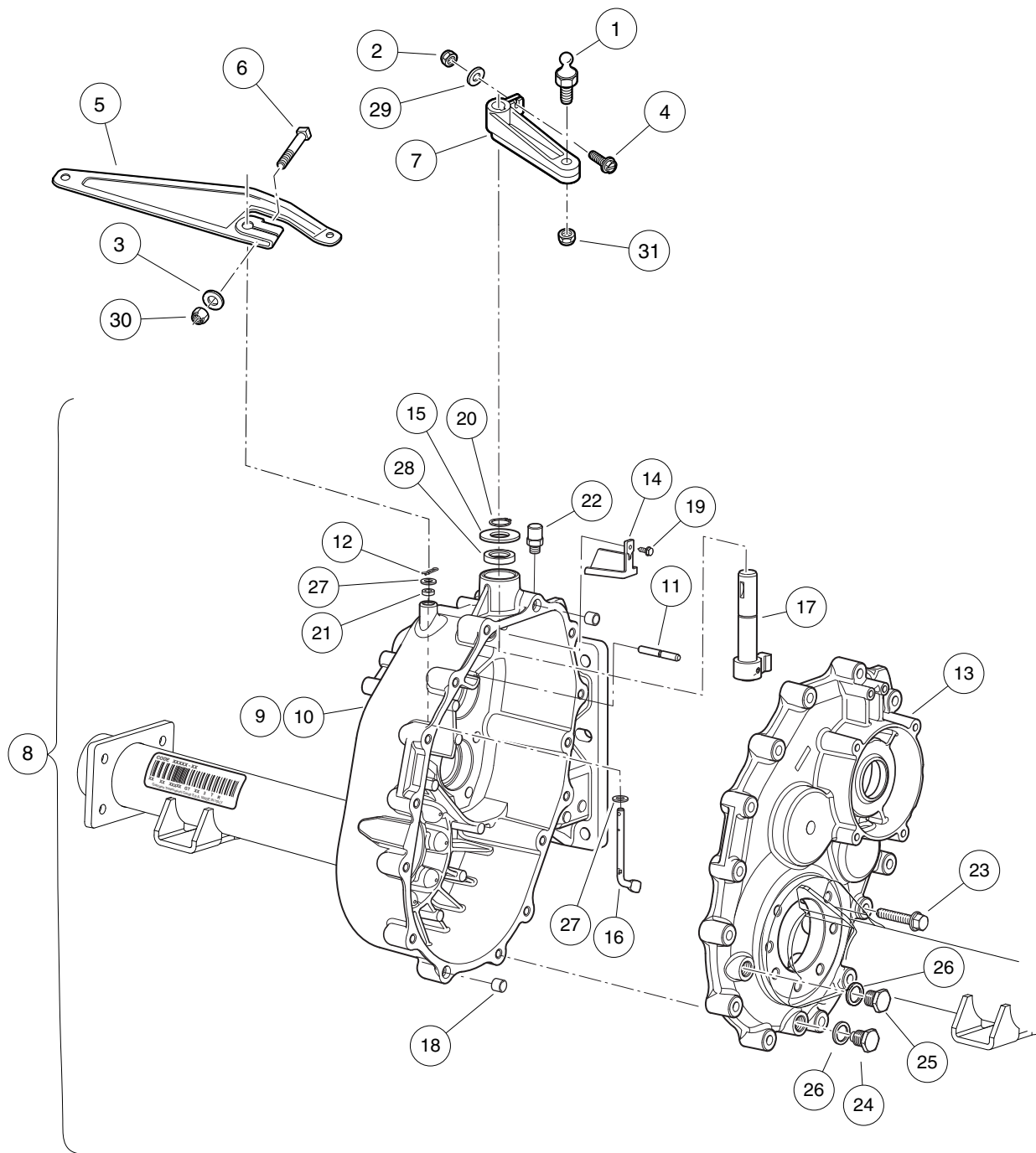
KAWASAKI TRANSAXLE – DIFFERENTIAL AND AXLES

ITEM	PART NO.	DESCRIPTION	QTY
		1 2 3 4	
1	1013770	Differential Idler Gear	2
2	1013771	Gear, Differential	2
3	1013772	Pin, Differential	1
4	1013794	Axle Shaft Oil Seal	2
5	N/A	Dowel Pin	1
6	101890901	Axle Tube (Passenger Side)	1
7	101891001	Axle Tube (Driver Side)	1
8	101891401	Axle Assembly, Passenger Side (includes items 9 through 13)	1
9	1011291	Outer Axle, Tube Bearing	1
10	1013787	Lug Stud	4
11	1013792	Circlip Type C	1
12	1014207	Bushing	1
13	1016672	Retaining Ring	1
14	101891501	Axle Assembly, Driver-Side (includes items 15 through 19)	1
15	1011291	Outer Axle, Tube Bearing	1
16	1013787	Lug Stud	4
17	1013792	Circlip Type C	1
18	1014207	Bushing	1
19	1016672	Retaining Ring	1
20	101892701	Gear, Helical	1
21	101910501	Kit, Differential Gear Case (includes items 22 through 25)	1
22	1013768	Differential Gear Case, Left-Hand	1
23	1013769	Differential Gear Case, Right-Hand	1
24	1013773	Plate, Thrust (Differential Gear)	1
25	1013774	Plate, Thrust (Idler Gear)	2
26	101928301	Screw, M8-1.25 X 35mm Hex Head	8
27	102031901	Bolt, M10 X 1.5 X 30mm	14
28	7330	Inner Axle Tube Bearing	2
Note: To identify your transaxle, locate the serial number decal on the axle			

12

G

12
G



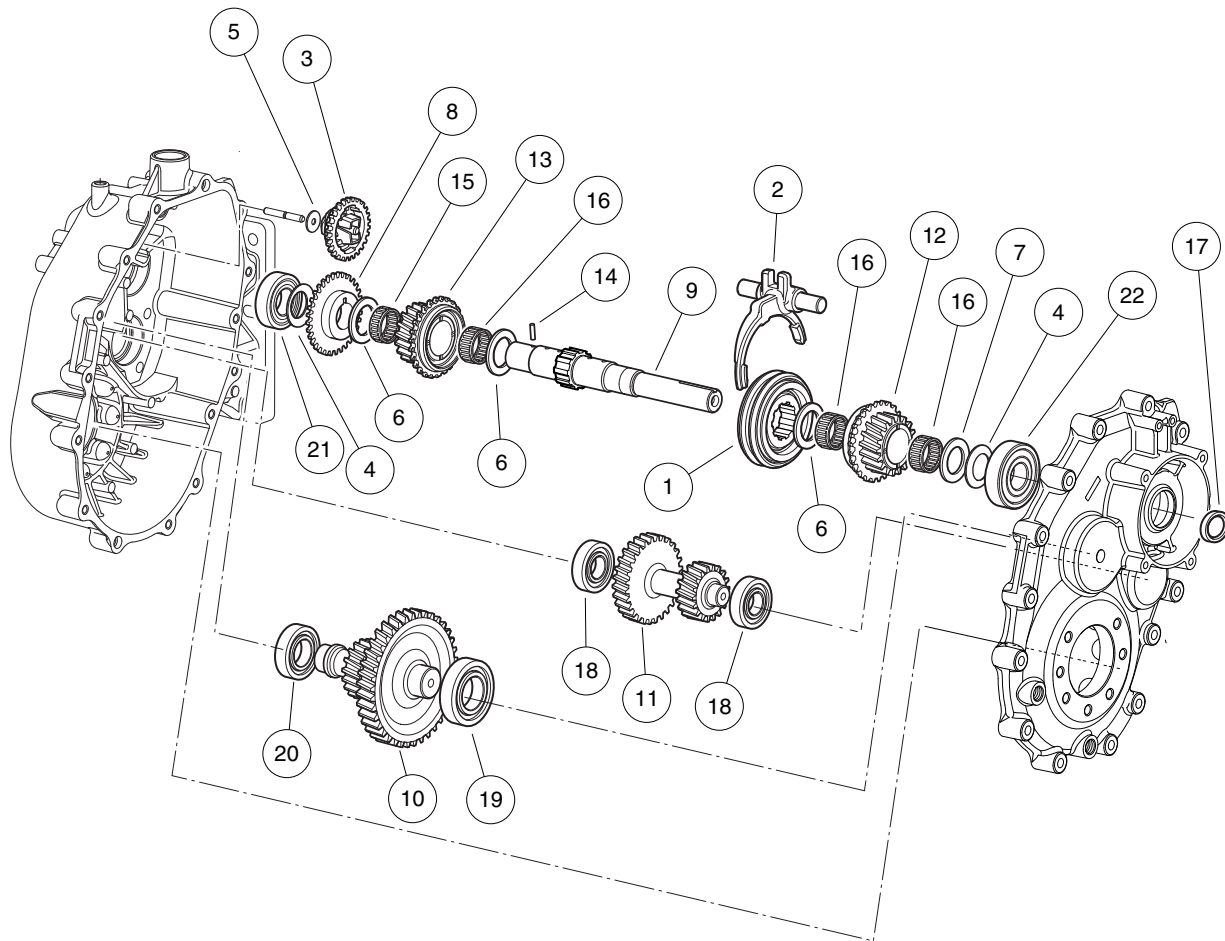
000680-009

GRAZIANO TRANSAXLE – GEAR CASES AND LEVERS

ITEM	PART NO.	DESCRIPTION	QTY
		1 2 3 4	
1	1010954	Stud, Ball, 1/4-28 X 0.560	1
2	1013061	Locknut, #10-32 Nylon Insert	1
3	1014007	Washer, 1/4, Flat	1
4	1017082	Screw, #10-32 X 0.75, Hex-Head Machine	1
5	101834801	Arm, Governor	1
6	101886101	Screw, 1/4-20 X 1.00, Square-Head	1
7	102515401	Lever, Transmission Shift	1
8	102896801	Transaxle, Unitized, Graziano (includes items 9 through 28)	1
9	102896901	Gear Box (Driver-Side) (includes items 10 and 11)	1
10	N/A	Gear Box	1
11	N/A	Pin, Speed Governor	1
12	102897401	Pin, Split	1
13	102897501	Cover, Gear Box (Passenger-Side)	1
14	102897601	Conveyor, Oil	1
15	102897801	Washer, Thrust	1
16	102897901	Lever, Speed Governor	1
17	102898201	Unit, Drive Selector	1
18	102899101	Dowel	2
19	102899201	Screw	1
20	102899401	Ring, Snap	1
21	102899701	Grommet	1
22	102899801	Breather	1
23	102900001	Screw	15
24	102900101	Drain Plug, Magnetic	1
25	102900201	Fill Plug	1
26	102900301	Seal	2
27	102900601	Washer	2
28	102900901	Grommet	1
29	183	Washer, #10, Type A, Flat	1
30	8233	Locknut, 1/4-20, Nylon Insert	1
31	8717	Locknut, Nylon Insert, 1/4-28	1
<p>Note: Graziano transaxle component listings span three pages. To identify your transaxle, locate the serial number decal on the axle tube.</p>			

12

G



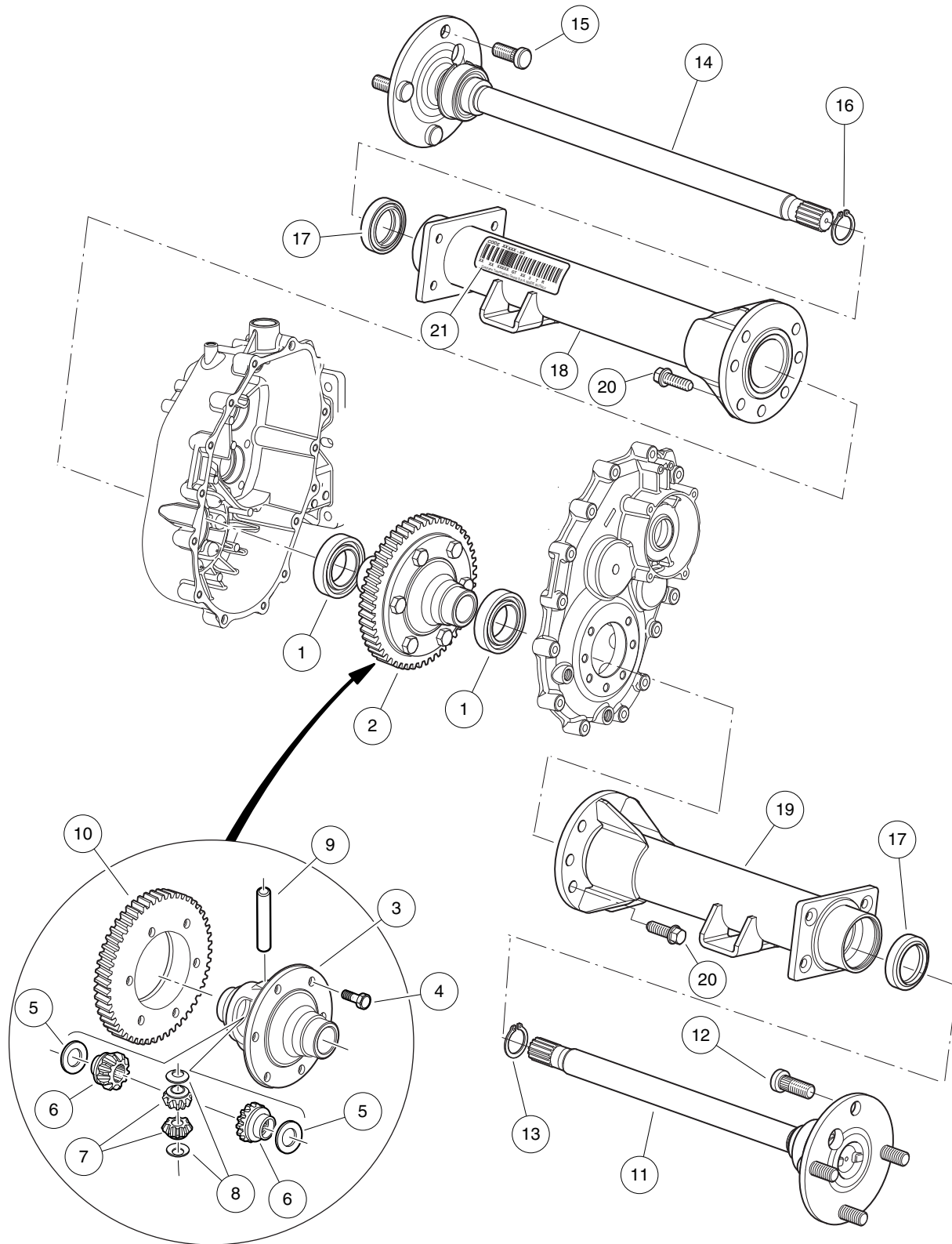
000680-006

GRAZIANO TRANSAXLE – F&R TRANSMISSION AND GEAR REDUCTION

12

G

ITEM	PART NO.	DESCRIPTION	QTY
		1 2 3 4	
1	102897201	Synchronizer, Complete	1
2	102897301	Fork, Complete	1
3	102897701	Assembly, Speed Governor	1
4	102898001	Washer, Belleville	2
5	102898101	Bearing, Thrust	1
6	102898301	Bearing, Thrust	3
7	102898401	Washer, Thrust	1
8	102898501	Gear, Speed Governor	1
9	102898601	Shaft, Main	1
10	102898701	Shaft, Secondary	1
11	102898801	Shaft, Reverse Gear	1
12	102898901	Gear, Complete, 25t	1
13	102899001	Gear, Complete, 28t	1
14	102899301	Pin	1
15	102899501	Cage, Roller	1
16	102899601	Cage, Roller	3
17	102899901	Grommet	1
18	102900401	Bearing	2
19	102900501	Bearing, 62 Od X 30 Id X 16	1
20	102900701	Bearing	1
21	102901001	Bearing	1
22	102901101	Bearing	1
<p>Note: To identify your transaxle, locate the serial number decal on the axle tube.</p>			



000681-002

GRAZIANO TRANSAXLE -DIFFERENTIAL AND AXLES

ITEM	PART NO.	DESCRIPTION	QTY
		1 2 3 4	
1	102900801	Bearing, 68 Od X 40 Id X 15	2
2	102902001	Assembly, Differential (includes items 3 through 10)	1
3	102901201	Box, Differential	1
4	102901301	Screw, M10 X 25	6
5	102901401	Ring, Sleeve	2
6	102901501	Gear, Sun	2
7	102901601	Gear, Planetary	2
8	102901701	Ring, Sleeve	2
9	102901801	Pin	1
10	102901901	Gear	1
11	102902101	Shaft, Axle, Short, Complete (Passenger-Side) (includes items 12 and 13)	1
12	102902301	Bolt, Stud	4
13	102902401	Snap Ring	1
14	102902201	Shaft, Axle, Long, Complete (Driver-Side) (includes items 15 and 16)	1
15	102902301	Bolt, Stud	4
16	102902401	Snap Ring	1
17	102902501	Seal, Lip	2
18	102902601	Axle Tube, (Driver-Side)	1
19	102902701	Axle Tube, (Passenger-Side)	1
20	102902801	Screw, M10 X 30	14
21	N/A	Tag, Serial	1
<p style="margin-left: 40px;">Note: To identify your transaxle, locate the serial number decal on the axle tube.</p>			

12

G

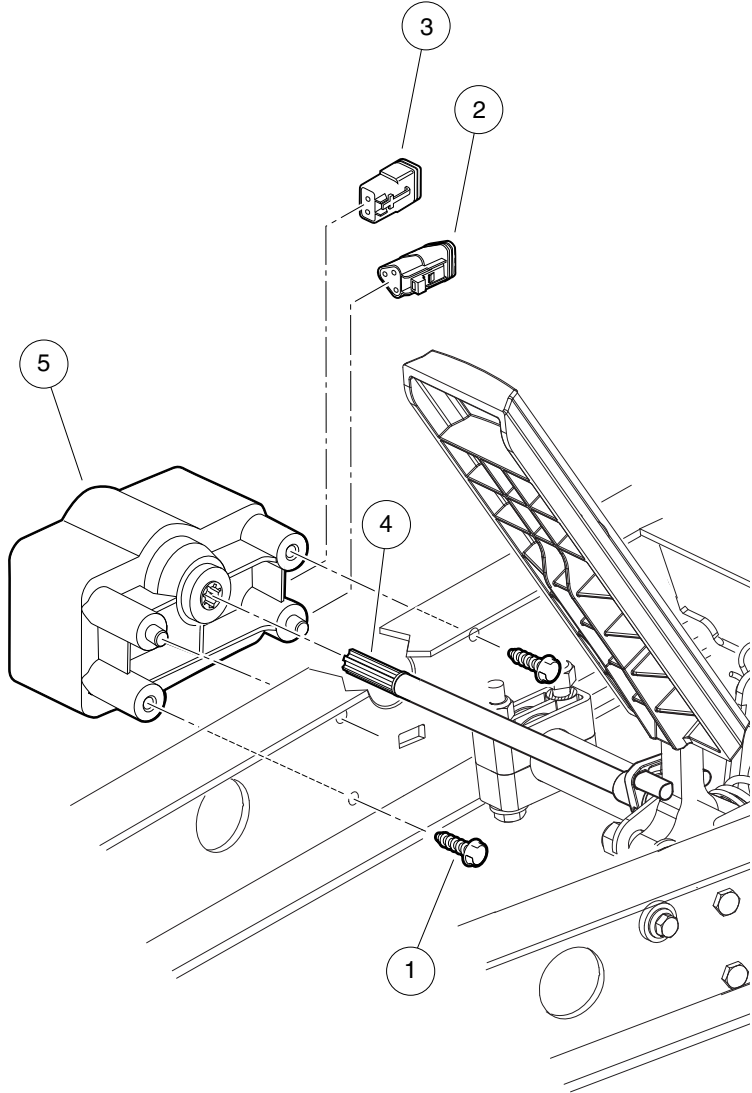
12

G

ELECTRICAL SYSTEM – ELECTRIC VEHICLES

13

E



001070-001

MOTOR CONTROLLER OUTPUT REGULATOR (MCOR)

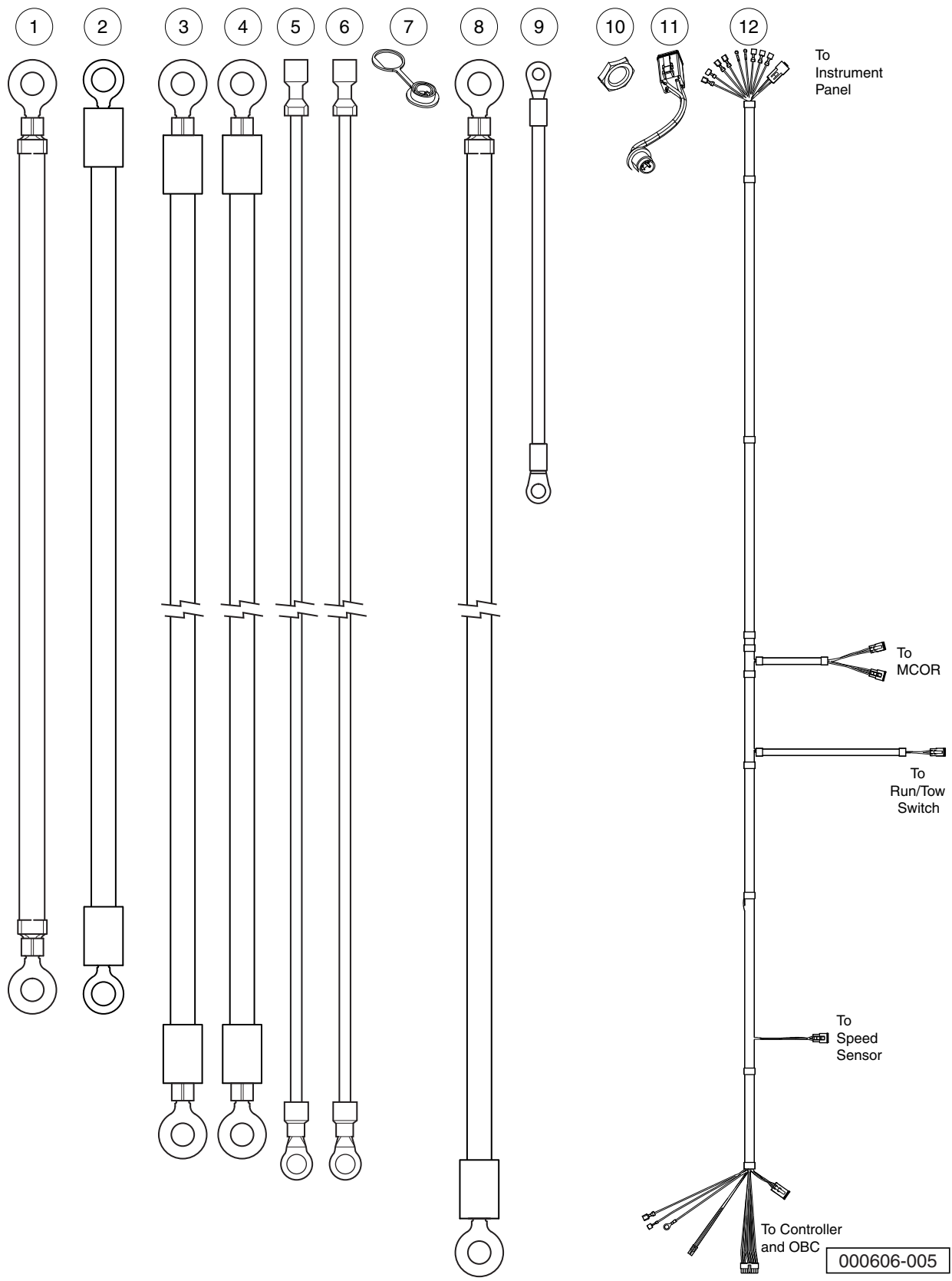
ITEM	PART NO.	DESCRIPTION	QTY
		1 2 3 4	
1	1015752	Screw, #12-16 X 0.625, Hi-Lo	2
2	101920101	Kit, 3-Pin Wedge Lock	1
3	101936801	Kit, 2-Pin Wedge Lock	1
4	102101001	Bar, Drive, Cast	1
5	102101101	MCOR	1

13

E

13

E



WIRING – TURF/CA 1 ELECTRIC

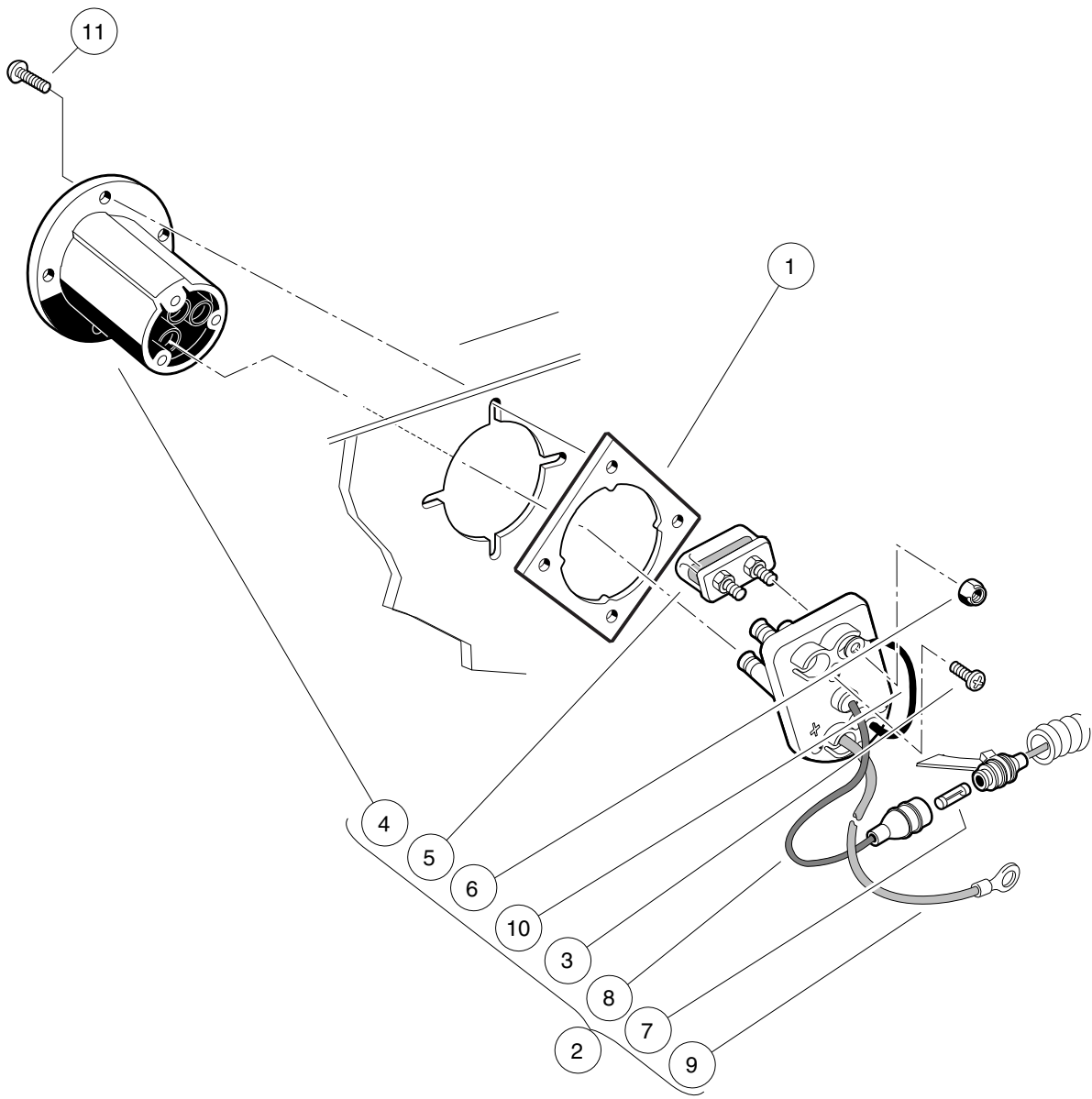
ITEM	PART NO.	DESCRIPTION	QTY
		1 2 3 4	
1	101795701	Asm, Wire, #6blk, 15 In	5
2	101903001	Wire Assembly #6 Yellow	1
3	101968701	Wire Assy, #6 White	1
4	101978001	Wire Assy, #6 Green	1
5	101978102	Asm, Wire, #10 Orange 1/4	1
6	101978202	Asm, Wire, #10 Blue 1/4	1
7	102196901	Dust Cap	1
8	102199601	Wire Asm, #6 Red, 37.7	1
9	102263601	Wire Assy, #10 Black	1
10	102572401	Nut, Diagnostic Port, Prec	1
11	103218601	Harness, Diagnostic Port	1
12	103221801	Asm, Wire Harness, Electric	1

13

E

13

E



000369-001

BATTERY CHARGER RECEPTACLE

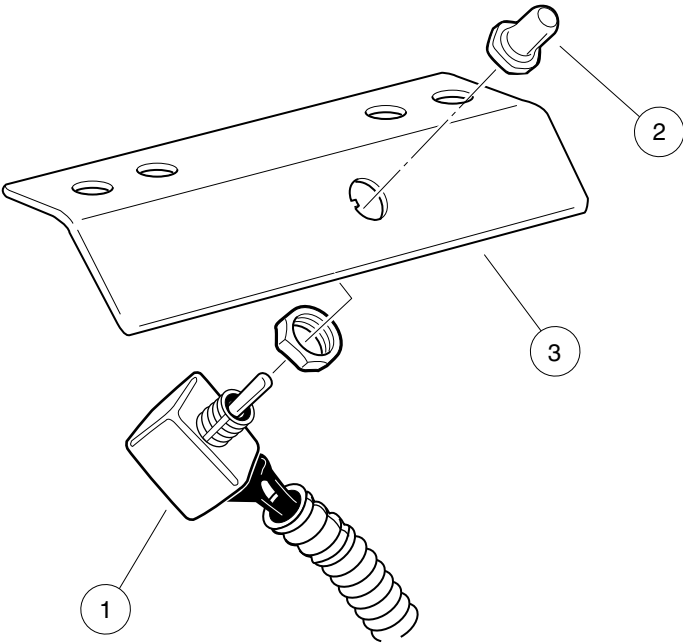
ITEM	PART NO.	DESCRIPTION	QTY
		1 2 3 4	
1	101801001	Plate, Receptacle Backing	1
2	101802101	Fuse and Receptacle Assembly (includes items 3 through 10)	1
3	1017705	Screw, #8 X 5/8 Phillips Pan-Head Type AB	3
4	101796501	Receptacle	1
5	101796801	Fuse Assembly (includes item 6)	1
6	1013061	Locknut, #10-32 Nylon Insert	2
7	101894901	Fuse, 3/8-Amp	1
8	N/A	Wire Assembly, Sense Lead, Gray	1
9	N/A	Wire Assembly, #10 Red	1
10	N/A	Wire Assembly, #10 Black	1
11	101832001	Screw, #7-19 X 0.625 Phillips Pan-Head Tap	4

13

E

13

E



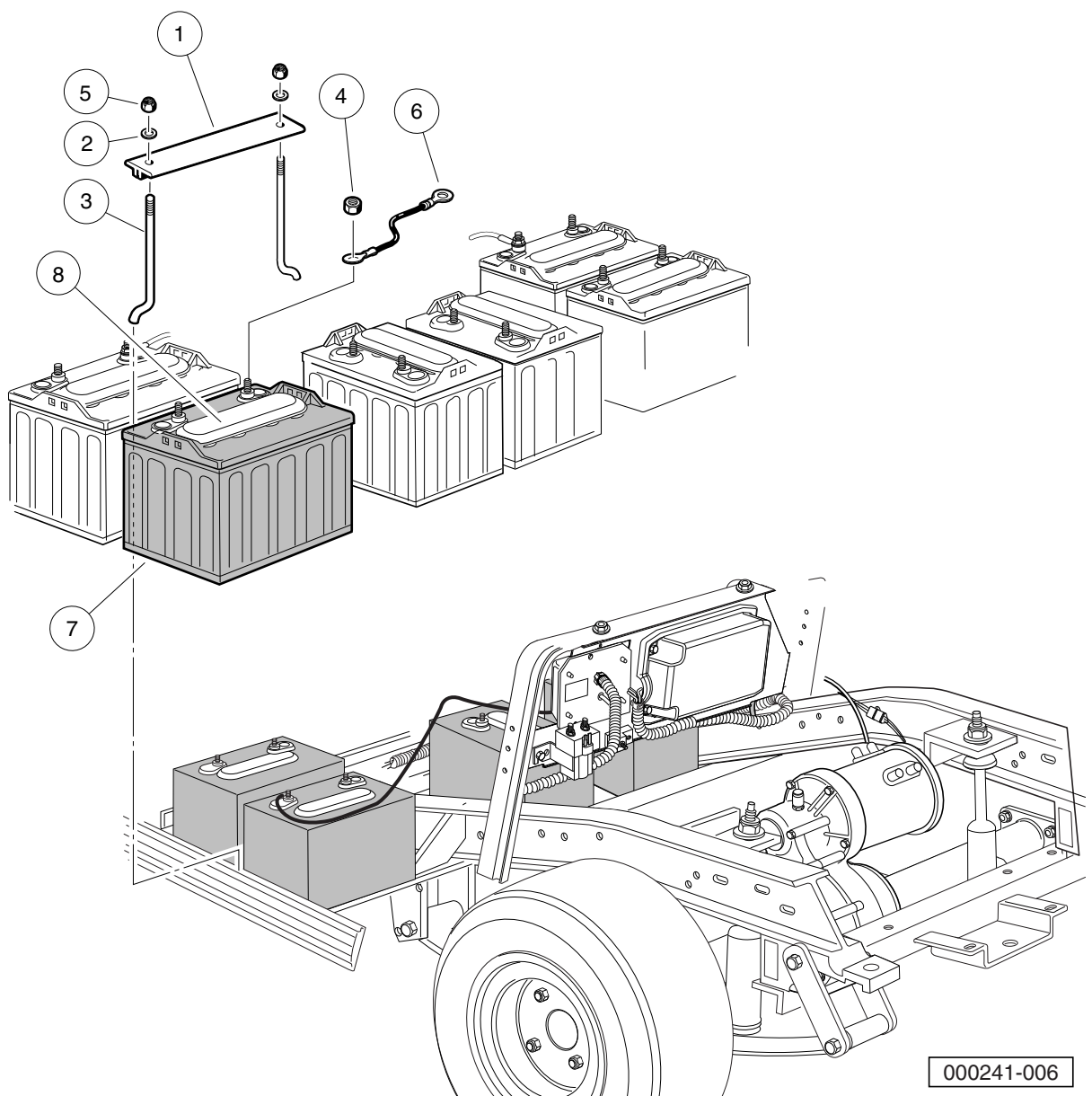
000605-002

TOW/RUN SWITCH – IQ SYSTEM

ITEM	PART NO.	DESCRIPTION	QTY
		1 2 3 4	
1	101908101	Switch Assembly, Tow/Run	1
2	101908401	Boot, Switch	1
3	101922501	Bracket, Tow/Run Switch Mounting	1

13

E



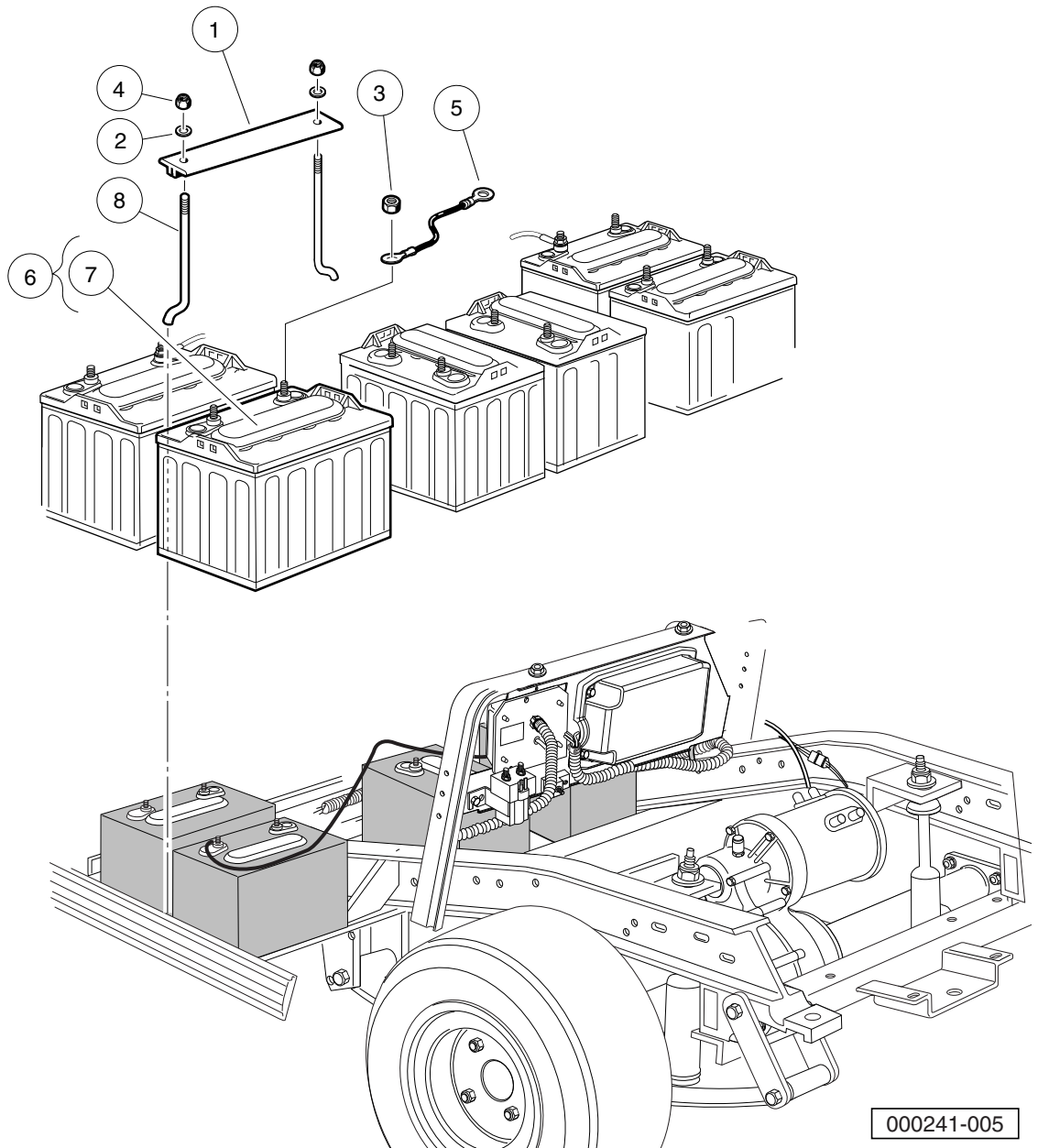
000241-006

BATTERIES, 8-VOLT, CROWN

ITEM	PART NO.	DESCRIPTION	QTY
		1 2 3 4	
1	101090801	Hold-Down, Battery	3
2	1012571	Washer, 5/16 Extra Thick Flat	6
3	1013683	J-Bolt	6
4	1014304	Nut, 5/16-18 Stainless-Steel Hex	12
5	1015072	Locknut, 5/16-18 Nylon Insert	6
6	101795701	Asm, Wire, #6blk, 15 In	5
7	103719801	Battery, 8-Volt, Crown CR190 (includes item 8)	6
8	103878401	Cap, Batt, 8v, Crown, Svc	1

13

E

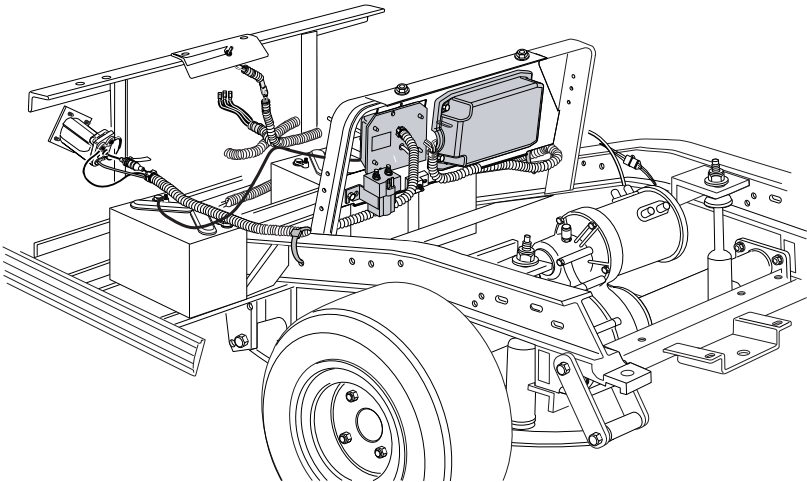
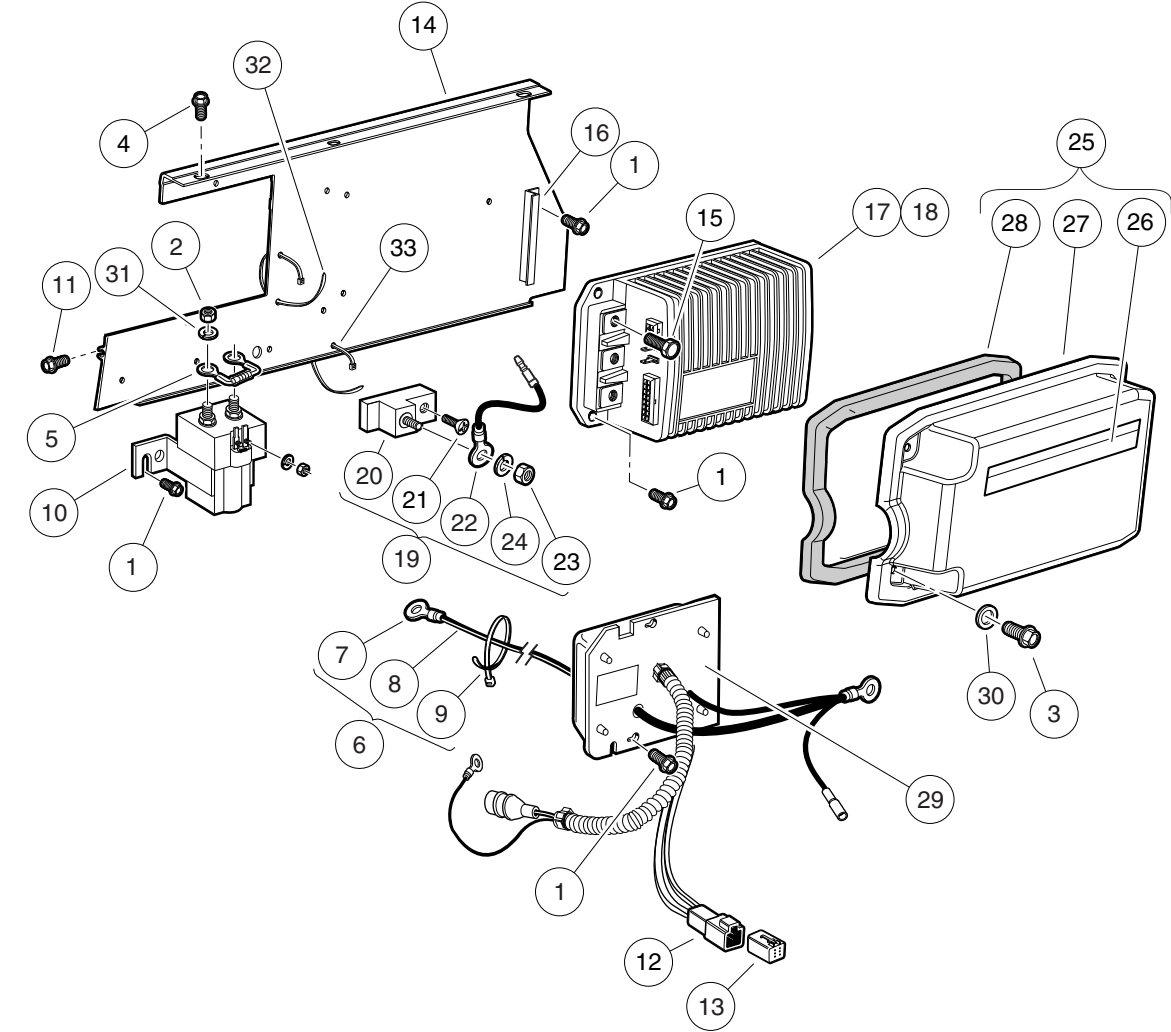


BATTERIES, 8-VOLT, JCI

ITEM	PART NO.	DESCRIPTION	QTY
		1 2 3 4	
1	101090801	Hold-Down, Battery	3
2	1012571	Washer, 5/16 Extra Thick Flat	6
3	1014304	Nut, 5/16-18 Stainless-Steel Hex	12
4	1015072	Locknut, 5/16-18 Nylon Insert	6
5	101795701	Asm, Wire, #6blk 13in	5
6	103793001	Battery, 8-Volt, JCI GC8 (includes item 7)	6
7	103765601	Cap, Spin, 8-Volt Battery	1
8	103958101	J-bolt 10.75"	6

13

E



000607-006

COMPUTER, CONTROLLER, AND SOLENOID – FOR CROWN AND JCI BATTERIES

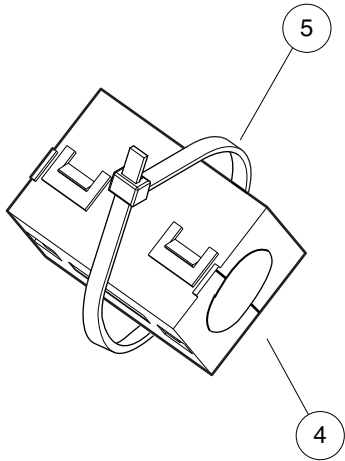
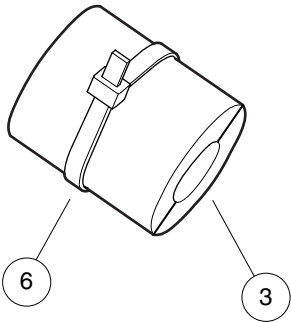
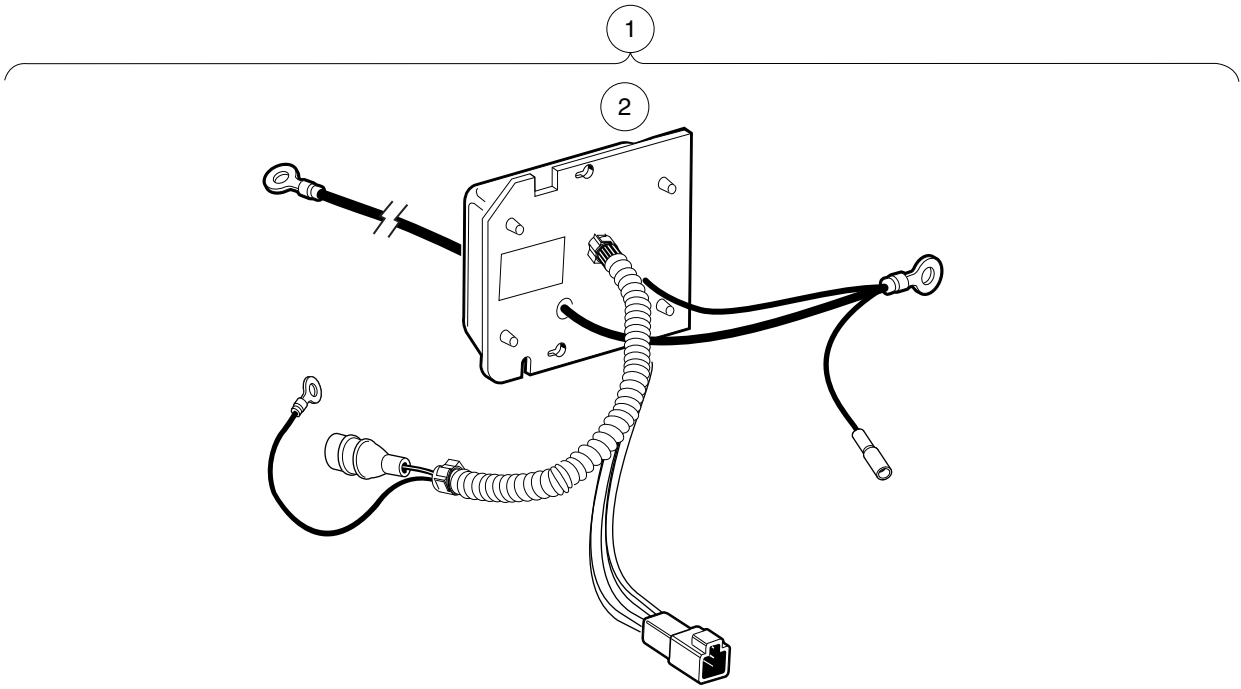
ITEM	PART NO.	DESCRIPTION	QTY
		1 2 3 4	
1	1012285	Screw, 1/4 X 0.625 Hex-Head	9
2	1012528	Nut, M8-1.25 Hex	2
3	1014063	Screw, 1/4-20 X 1.00, Hex Head	2
4	1014288	Screw, 5/16-18 X 0.75, Thread-Forming	2
5	1014947	Resistor Assembly	1
6	101827801	Ground Wire Kit, 48-Volt (includes items 7 through 9)	1
7	101826801	Compression Lug	1
8	N/A	Wire Assembly, Black	1
9	8990	Tie Wrap, 8" Nylon	3
10	101908703	Solenoid, 48v W/ Diode	1
11	101910401	Screw, 5/16-18 X 1.25 Thrd Frm	2
12	101932601	Kit, 6-Pin Wedge Lock	1
13	101932701	Kit, 6-Pin Receptacle and Wedge Lock	1
14	101965202	Plate, Component Mounting	1
15	102240501	Bolt, Controller, Terminal	3
16	102243101	Extrusion, Cover Support	1
17	102806201	Controller, IQ, 48-volt	1
18	102806203	Controller, IQ, 48-volt, CE	1
19	103282701	Kit, Terminal Block Ground (includes items 20 through 24)	1
20	102259801	Terminal Block	1
21	102263701	Screw, #10-24 X 0.75 Phillips, Thread-Forming	1
22	103282601	Wire Assembly Black #10	1
23	1242	Nut, 5/16-18 Hex	1
24	7174	Lockwasher, 5/16 Split	1
25	103316901	Cover Asm - Controller (includes items 26 through 28)	1
26	101931501	Decal, Component Cover	1
27	103316701	Cover - Controller, Deep	1
28	103316801	Gasket - Controller Cover	1
29	103697301	Obc, Iq, A1, #6	1
30	332	Washer, 1/4 Type A Narrow Flat	2
31	7174	Lockwasher, 5/16 Split	2
32	8639	Tie Wrap, 11" Nylon	1
33	8990	Tie Wrap, 8" Nylon	1

13

E

13

E



001279-001

CE COMPLIANCE KIT – TURF AND CARRYALL 1

ITEM	PART NO.	DESCRIPTION	QTY
		1 2 3 4	
1	103584801	Kit, IQ EMC Compliance (includes items 2 through 6)	1
2	102806203	Controller, IQ, 48-volt, CE	1
3	103449501	Bead, Ferrite, Tdk	2
4	103449601	Bead, Ferrite, Fair-rite	3
5	8639	Tie Wrap, 11" Nylon	4
6	8990	Tie Wrap, 8" Nylon	4

13

E

13

E

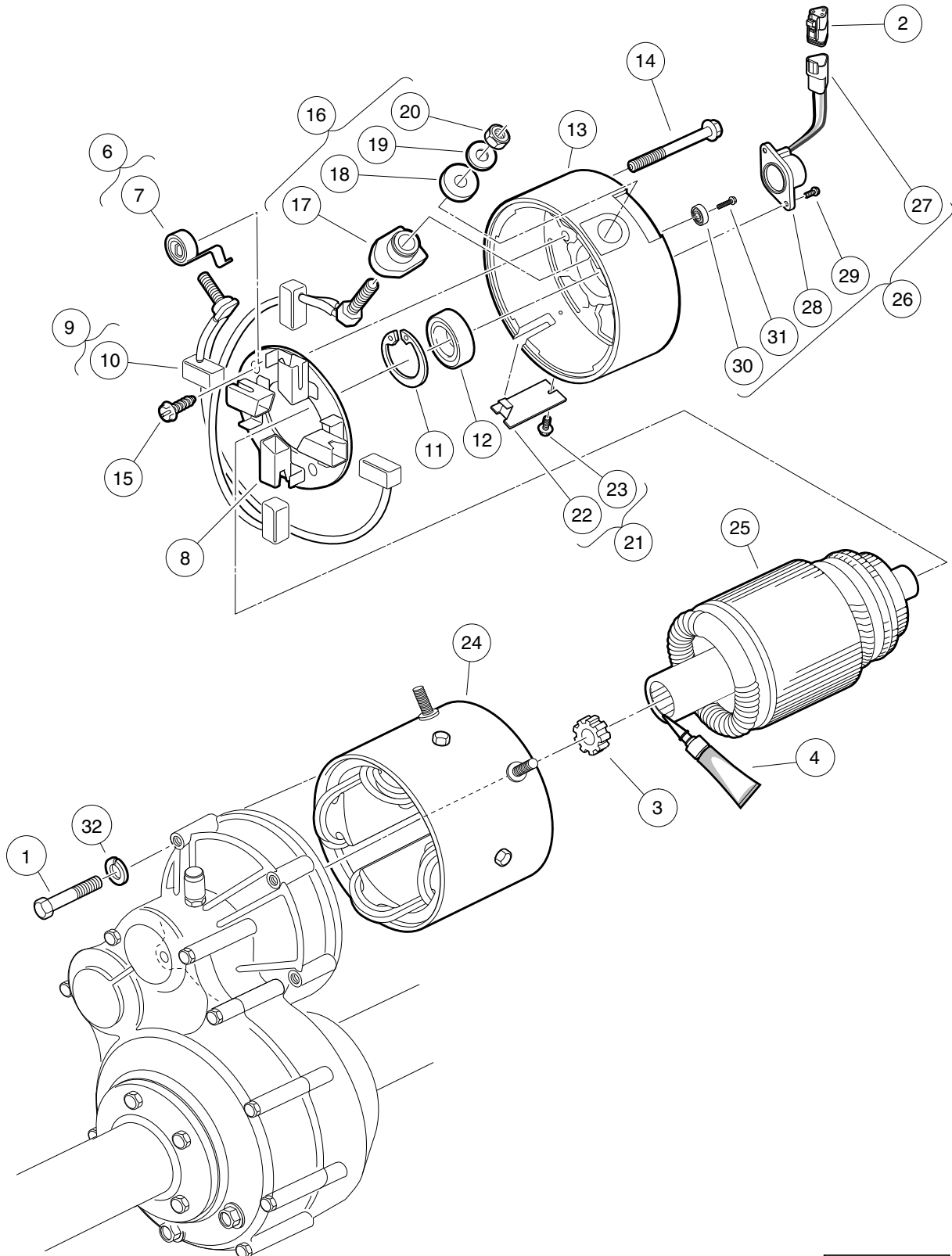
ELECTRIC MOTOR

14

E

14

E



000185-002

MOTOR (MODEL EJ8-4001A) – ELECTRIC VEHICLE

ITEM	PART NO.	DESCRIPTION	QTY
		1 2 3 4	
1	1014201	Screw, 1/4-20 X 2.25 Hex Cap	3
2	101920101	Kit, 3-Pin Wedge Lock	1
3	102235201	Bumper, Drive Unit	1
4	102243403	Lubricant, Moly-Teflon (Single-Use Tube)	1
5	103572501	IQ Electric Motor, 48-VDC 3.3 hp (includes items 6 through 26)	1
6	102186001	Spring Kit, Motor Brush (includes item 7)	1
7	N/A	Spring, Brush, S-g	4
8	102186101	Brush Box Assembly	1
9	102186201	Brush Kit, Motor (includes item 10)	1
10	N/A	Assembly, Brush and Terminal	2
11	N/A	Ring, 2.24" Internal Retaining	1
12	102186401	Bearing, Ball	1
13	102186701	End Cap, Motor	1
14	N/A	Screw, 1/4-20 X 2.25 Hex-Head Washer	2
15	102186901	Screw, #8-32 X .5 Hex-Head	2
16	102187101	Hardware Kit, Motor Terminal (includes items 17 through 20)	2
17	N/A	Bushing, Nylon	2
18	N/A	Washer, Nylon Flat	2
19	N/A	Washer, Flat, 5/16 Steel	2
20	N/A	Nut, Brass Hex, 5/16 - 18	2
21	102187201	Plate Kit, Motor Cover (includes items 22 and 23)	1
22	N/A	Assembly, Cover Plate	1
23	N/A	Screw, #8-32 x 0.375, Taptite Thread	1
24	102704701	Frame and Field Assembly	1
25	102704801	Armature Assembly	1
26	102704901	Kit, Speed Sensor (includes items 27 through 31)	1
27	101942301	Kit, 3-Pin Wedge Lock	1
28	N/A	Sensor, Motor Speed, ADC	1
29	N/A	Screw, #8-32, Taptite Thread	2
30	N/A	Magnet, ADC Motor	1
31	N/A	Screw, 1/4-20 x 0.5	1
32	451	Lockwasher, 1/4 Split	3
		<p style="margin: 0;">Note: The F1 and F2 terminal posts on the EJ8-4001A motor have 1/4 - 20 thread.</p>	

14

E

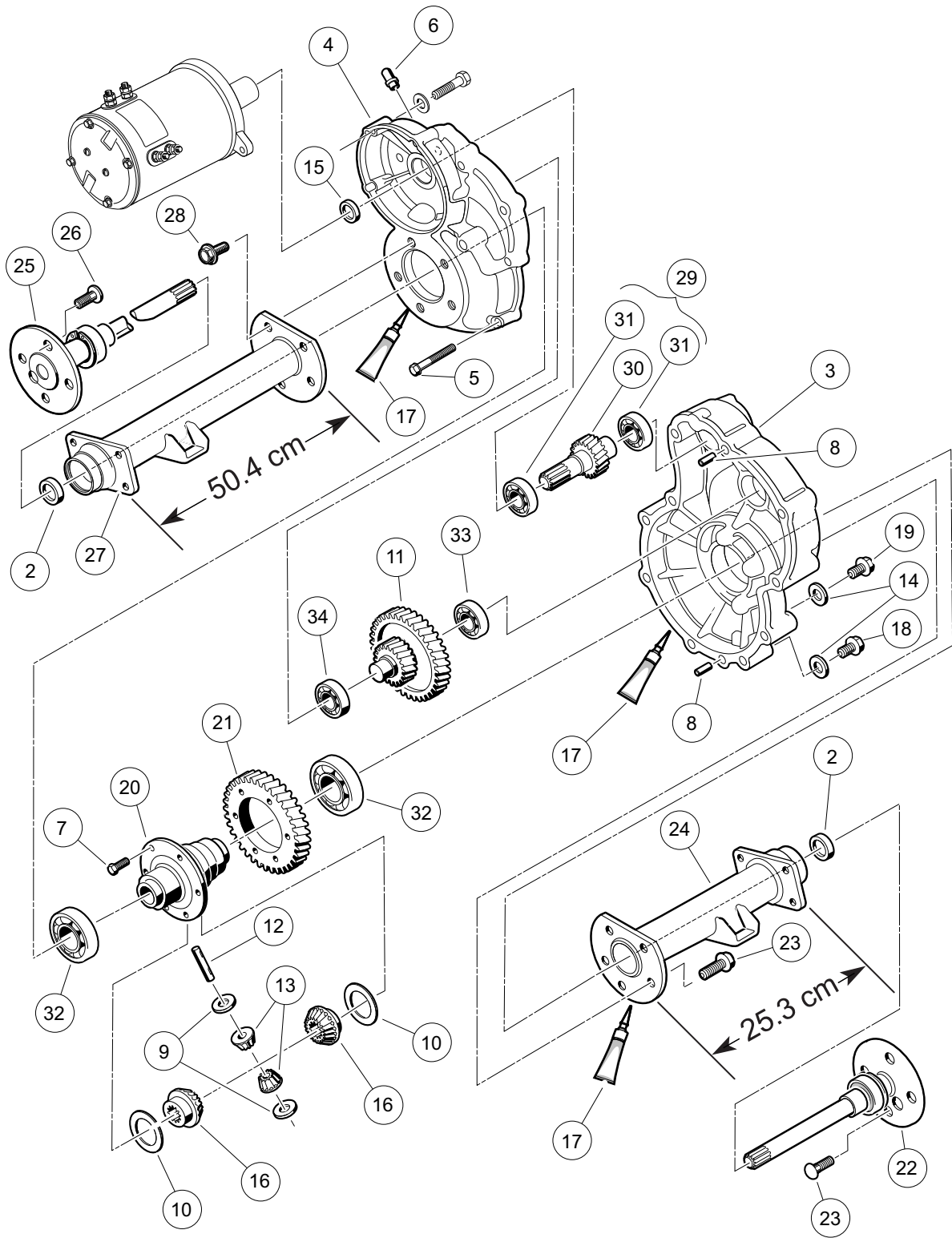
14

E

TRANSAXLE – ELECTRIC VEHICLES

15

E



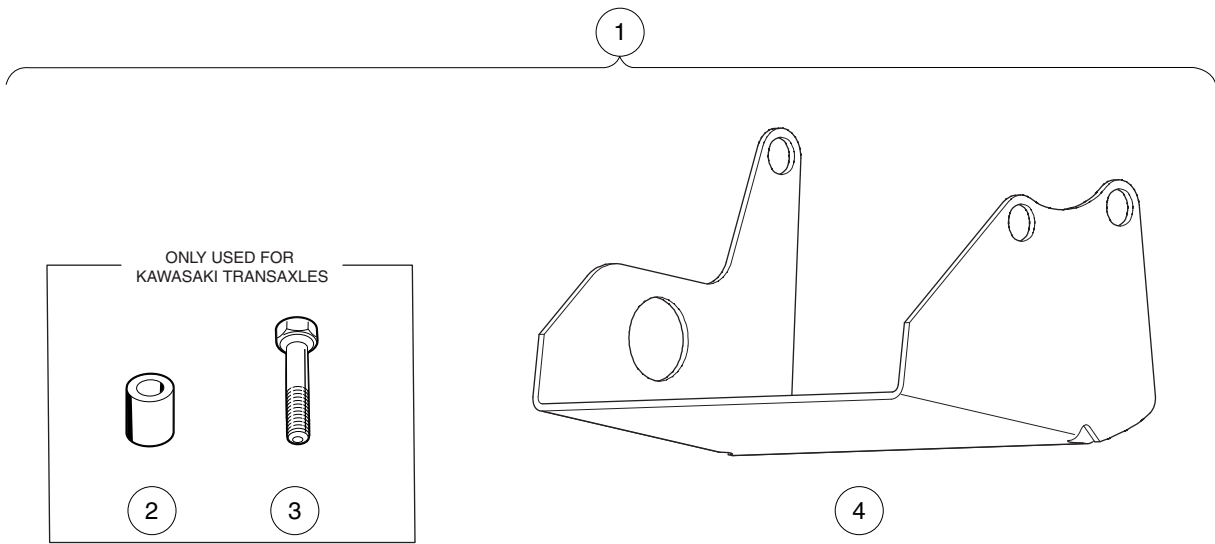
000223-005

TRANSAXLE – ELECTRIC VEHICLES

ITEM	PART NO.	DESCRIPTION	QTY
		1 2 3 4	
1	102771701	Transaxle, Electric (includes items 2 through 34)	1
2	1013794	Axle Shaft Oil Seal	2
3	101895401	Gear Case, Driver-Side	1
4	101895501	Gear Case, Passenger-Side	1
5	101897001	Screw, M8-1.25 X 60mm Hex-Head	11
6	101897201	Breather	1
7	101897401	Screw, M10-1.25 X 25mm	6
8	101897601	Pin, 11mm OD X 8.5mm ID X 10mm	2
9	101903601	Washer, Thrust	2
10	101903701	Washer, Thrust	2
11	101906901	Intermediate Shaft Assembly	1
12	101922101	Pin, 15.99mm X 88.7mm Dowel	1
13	101923001	Gear, Differential Idler	2
14	101923201	Gasket	2
15	101923501	Seal, Lip	1
16	101923901	Gear, Differential	2
17	101928701	Liquid Gasket (Transaxle case)	1
18	101972101	Plug, M14-1.5 X 12mm Magnetic	1
19	101972201	Plug, M14-1.5 X 12mm Hex	1
20	102356601	Housing, Differential, 6 Bolt	6
21	102356801	Gear, Differential Output, 6-Bolt	6
22	102886301	Axle Assembly, Driver-Side (includes item 23)	1
23	101922201	Lug Stud	4
24	102886401	Tube, Axle, Driver-Side	1
25	102886501	Axle Assembly, Passenger-Side (includes item 26)	1
26	101922201	Lug Stud	4
27	102886601	Tube, Axle, Passenger-Side	1
28	102902801	Screw, M10 X 30	10
29	103582801	Asm, E Trans Shaft/bearing (includes items 30 and 31)	1
30	N/A	Shaft, Input	1
31	7335	Bearing	2
32	7330	Inner Axle Tube Bearing	2
33	7335	Bearing	1
34	7336	Bearing	1

15

E



000365-002

DIFFERENTIAL GUARD – ELECTRIC VEHICLES

ITEM	PART NO.	DESCRIPTION	QTY
		1 2 3 4	
1	101611402	Kit, Differential Guard, Elec Vehicles (includes items 2 through 4)	1
2	101914001	Spacer, Steel	2
3	101936101	Screw, M10-1.50 X 60mm Hex Cap	2
4	101978601	Guard, Differential, Electric Vehicle Transaxle	1

15

E

15

E

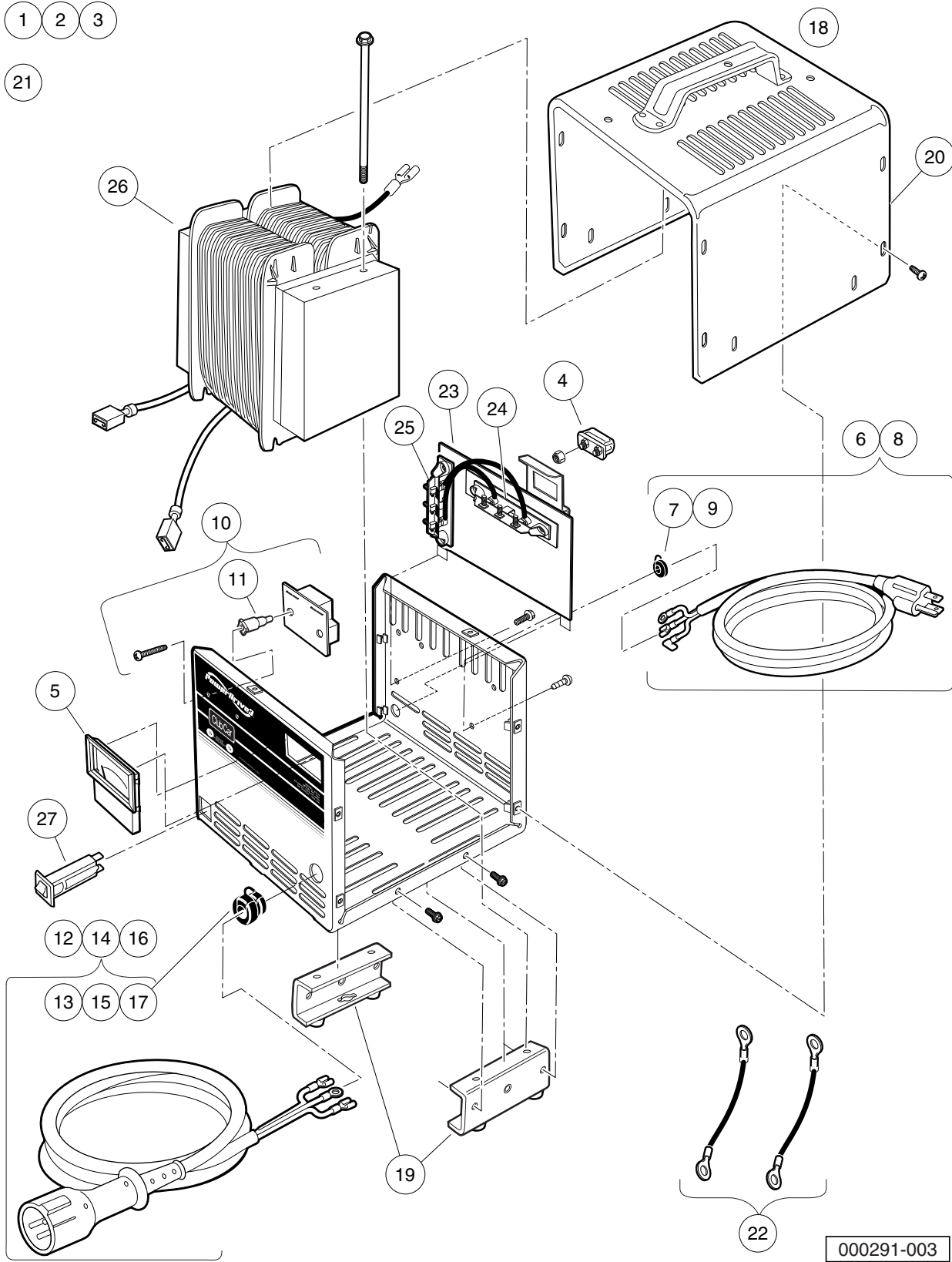
BATTERY CHARGERS

16

E

- 1
- 2
- 3

- 21



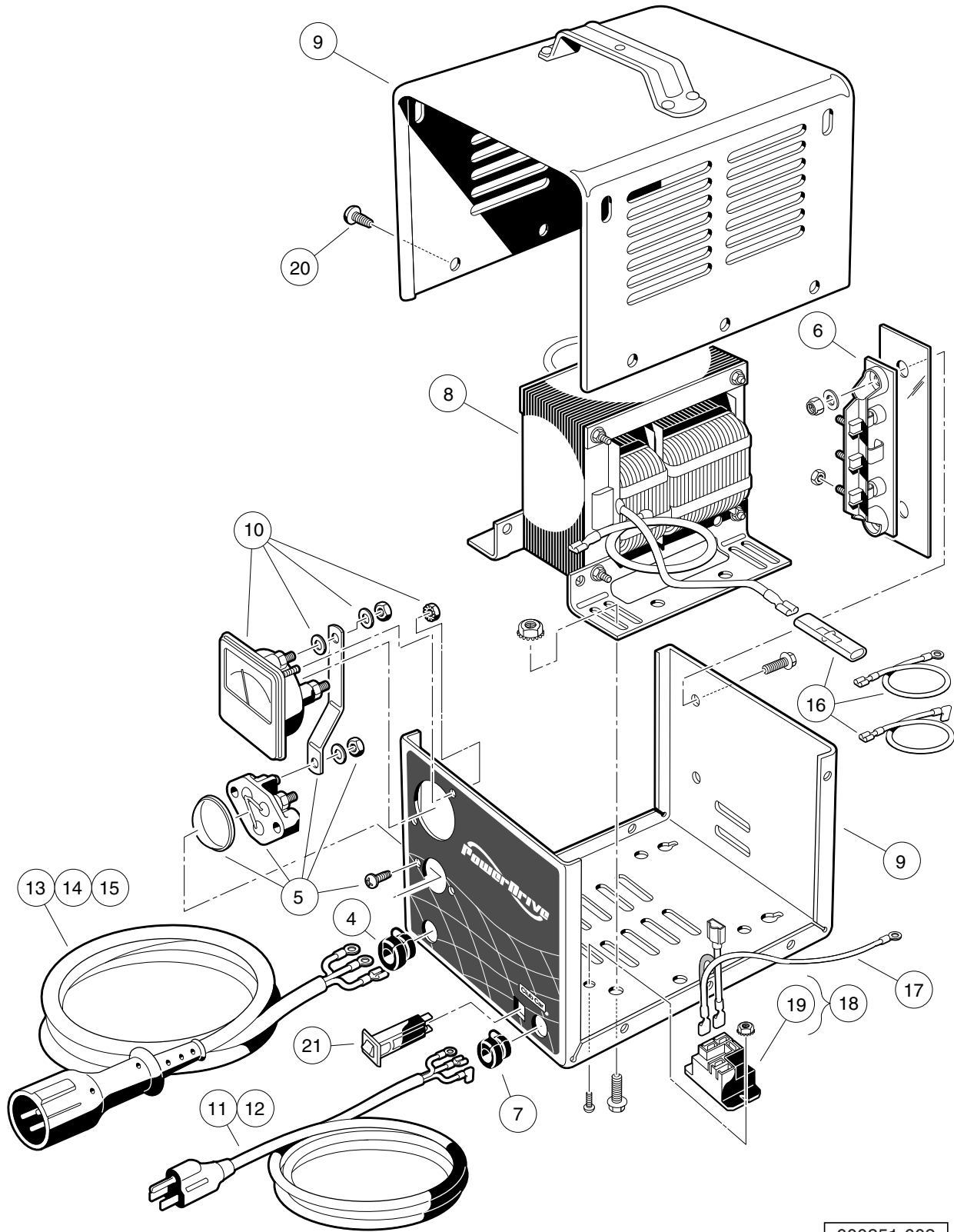
000291-003

POWERDRIVE 3 BATTERY CHARGER (MODEL 26580-31,-38,-39), DOMESTIC

16

E

ITEM	PART NO.	DESCRIPTION	QTY
		1 2 3 4	
1	103717001	Charger, PowerDrive 3, 9ft DC, 6ft AC	1
2	103717002	Charger, PowerDrive 3, 12ft DC, 9ft AC	1
3	103717003	Charger, PowerDrive 3, 20ft DC, 9ft AC (includes items 4 through 27)	1
4	102273701	PD2 Fuse Asm	1
5	102273801	PD2 Ammeter	1
6	103428501	Kit, PD3 Cordset - AC 80" (includes item 7)	1
7	102273901	PD2 AC Cord Bushing	1
8	103428601	Kit, PD3 Cordset, - AC 114" (includes item 9)	1
9	102273901	PD2 AC Cord Bushing	1
10	103428701	Asm, PD3 Board Relay (includes item 11)	1
11	103429701	PD3 Plastic Stand-Offs	2
12	103429001	PD3 Cordset - DC 113" (includes item 13)	1
13	1012098	Bushing, DC Cord	1
14	103429101	PD3 Cordset - DC 154" (includes item 15)	1
15	1012098	Bushing, DC Cord	1
16	103429201	PD3 Cordset - DC 205" (includes item 17)	1
17	1012098	Bushing, DC Cord	1
18	103429301	Asm, PD3 Case (includes items 19 and 20)	1
19	103434001	Asm, PD3 Legs	1
20	103439901	PD3Case Top (Includes Handle)	1
21	103429501	Kit, PD3 Hardware	1
22	103513001	Wire Asm Kit Blk Pd3	1
23	103517401	Kit Pd3 Button Diode (includes items 24 and 25)	1
24	N/A	Asm Diode Top	1
25	N/A	Asm Diode Side	1
26	103779601	Transformer, Pd3, Al	1
27	CCX8506	Circuit Breaker, 15-Amp/120-Volt	1
<p>Note: Level 1 Battery Charger part numbers include one AC and one DC cord. They do not include all of the level 2 cords listed.</p>			



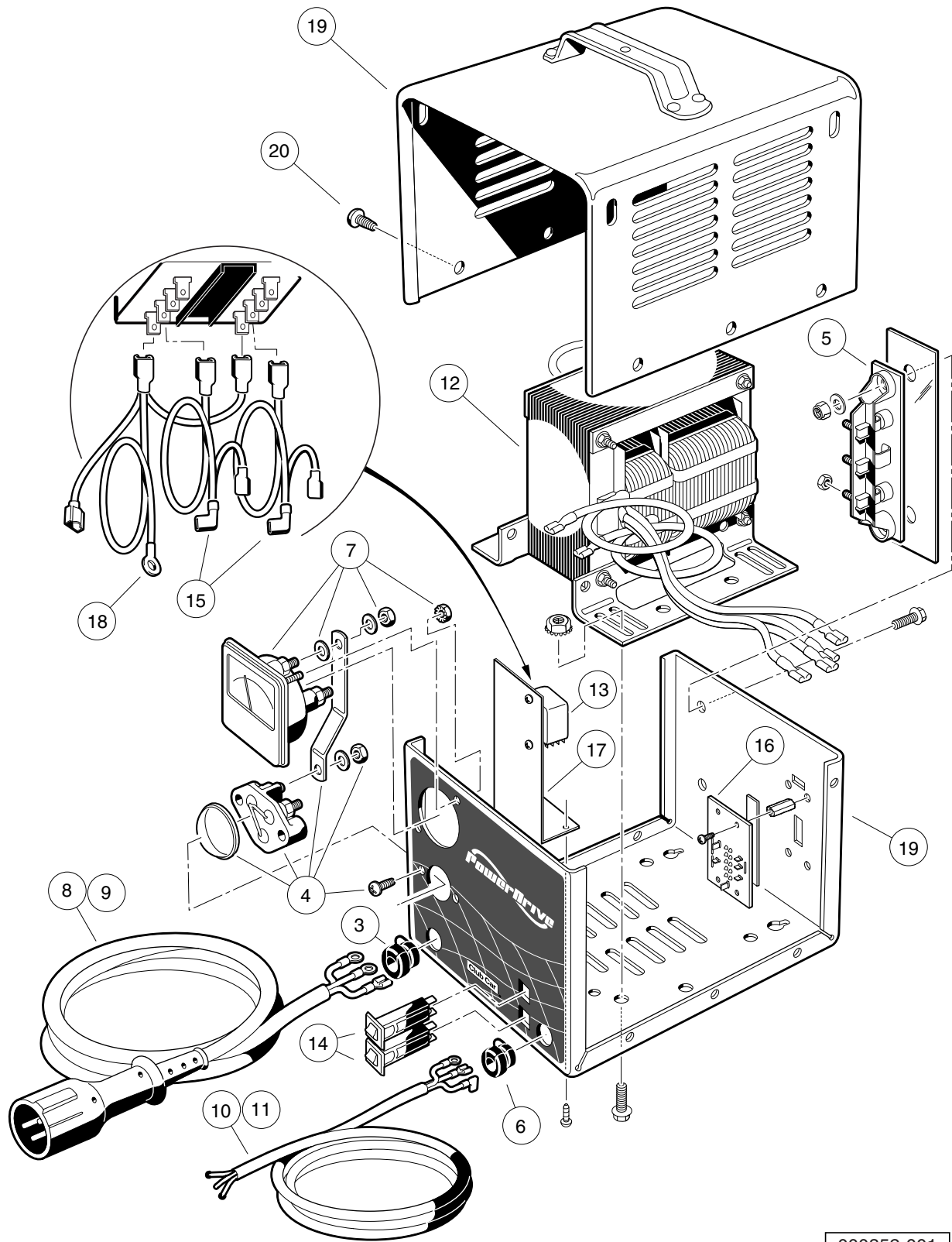
000351-002

POWERDRIVE BATTERY CHARGER (MODELS 17930-11,-18,-19), DOMESTIC

ITEM	PART NO.	DESCRIPTION	QTY
		1 2 3 4	
1	101802201	Charger, PowerDrive, 48V/17A, 9ft DC, 6ft AC Cord	1
2	101802202	Charger, PowerDrive, 48V/17A, 12ft DC, 9ft AC Cord	1
3	101802203	Charger, PowerDrive, 48V/17A, 20ft DC, 9ft AC Cord (includes items 4 through 21)	1
4	1012098	Bushing, DC Cord	1
5	1012101	Fuse Assembly	1
6	1015914	Rectifier with Heatsink Assembly	1
7	1015917	Bushing, AC Cord	1
8	101819701	Transformer, Battery Charger	1
9	101828301	Case Assembly	1
10	101828501	Ammeter	1
11	101828801	Cord, AC, 80-Inch (203 cm)	1
12	101828802	Cord, AC, 108-Inch (274 cm)	1
13	101828901	Cord, DC, 113-Inch (287 cm)	1
14	101828902	Cord, DC, 154-Inch (391 cm)	1
15	101828903	Cord, DC, 250-Inch (635 cm)	1
16	101831101	Wire Assembly Kit	1
17	101914401	Assembly, Voltage Suppressor	1
18	103414901	Kit, Relay, 48v 30a W/instr (includes item 19)	1
19	103397901	Relay, Spst No, 48v 30a, Pmt	1
20	7577	Screw, #10 X 0.50 Phillips Pan-Head	10
21	CCX8506	Circuit Breaker, 15-Amp/120-Volt	1
<p style="margin-left: 40px;">Note: Level 1 Battery Charger part numbers include one AC and one DC cord. They do not include all of the level 2 cords listed.</p>			

16

E



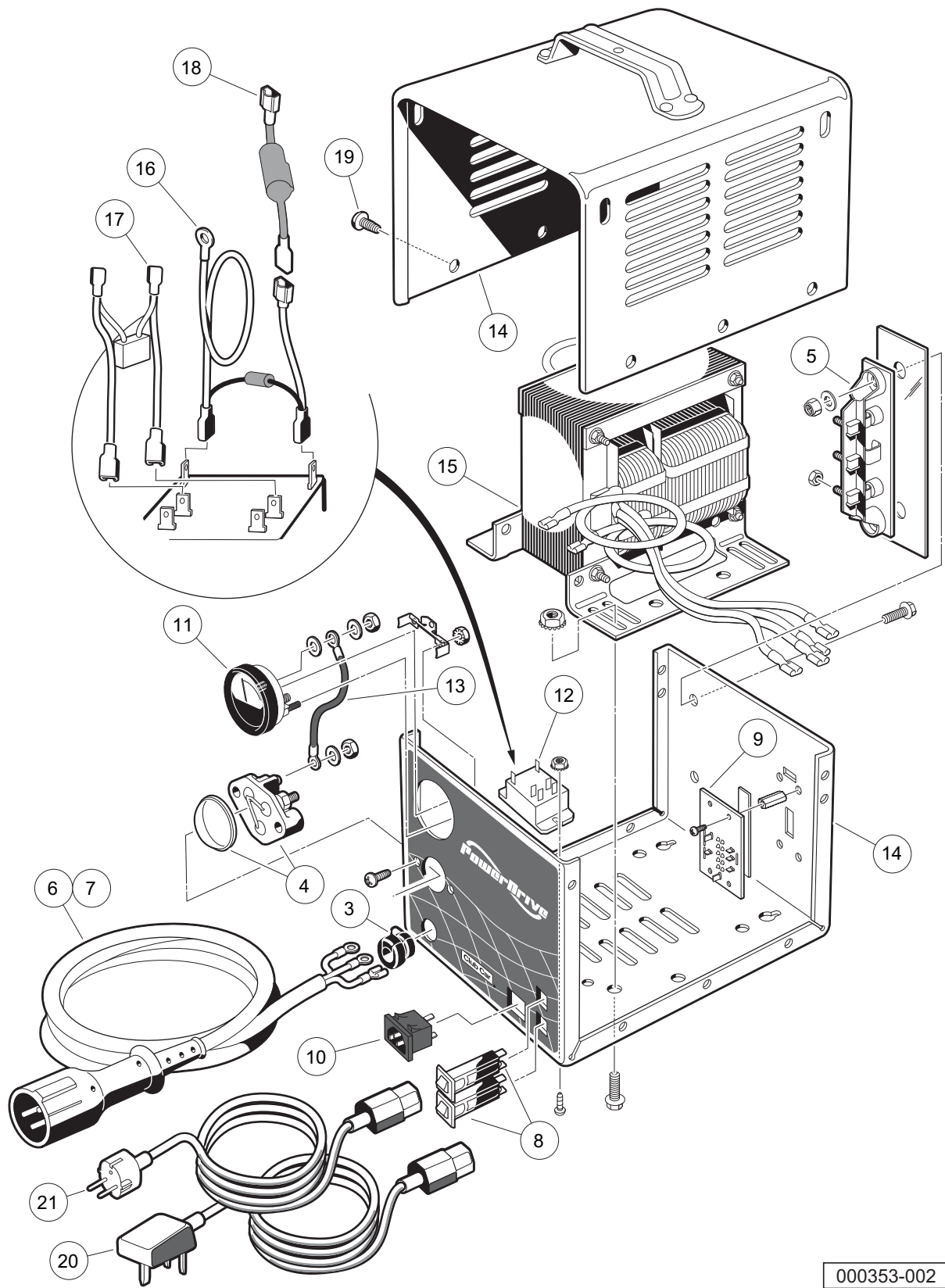
000352-001

POWERDRIVE BATTERY CHARGER (MODELS 18780-11,-18), EXPORT

ITEM	PART NO.	DESCRIPTION	QTY
		1 2 3 4	
1	101831503	Battery Charger, 48-Volt DC (8.5-ft DC, 6-ft AC)	1
2	101831504	Battery Charger, 48-Volt DC (12-ft DC, 9-ft AC) (includes items 3 through 20)	1
3	1012098	Bushing, DC Cord	1
4	1012101	Fuse Assembly	1
5	1015914	Rectifier with Heatsink Assembly	1
6	1015917	Bushing, AC Cord	1
7	101828501	Ammeter	1
8	101828901	Cord, DC, 113-Inch (287 cm)	1
9	101828902	Cord, DC, 154-Inch (391 cm)	1
10	101831701	Cord, AC, 80-Inch (203 cm), without Plug	1
11	101831702	Cord, AC, 118-Inch (300 cm), without Plug	1
12	101838201	Transformer, Export Battery Charger	1
13	101838301	Relay, Export Charger	1
14	101838401	Circuit Breaker	2
15	101838501	Kit, Wire Assembly	1
16	101838601	Four-Position Switch	1
17	101838701	Mounting Bracket, Relay	1
18	101914401	Assembly, Voltage Suppressor	1
19	N/A	Case, Charger	1
20	7577	Screw, #10 X 0.50 Phillips Pan-Head	10
<p style="margin-left: 40px;">Note: Level 1 Battery Charger part numbers include one AC and one DC cord. They do not include all of the level 2 cords listed.</p>			

16

E



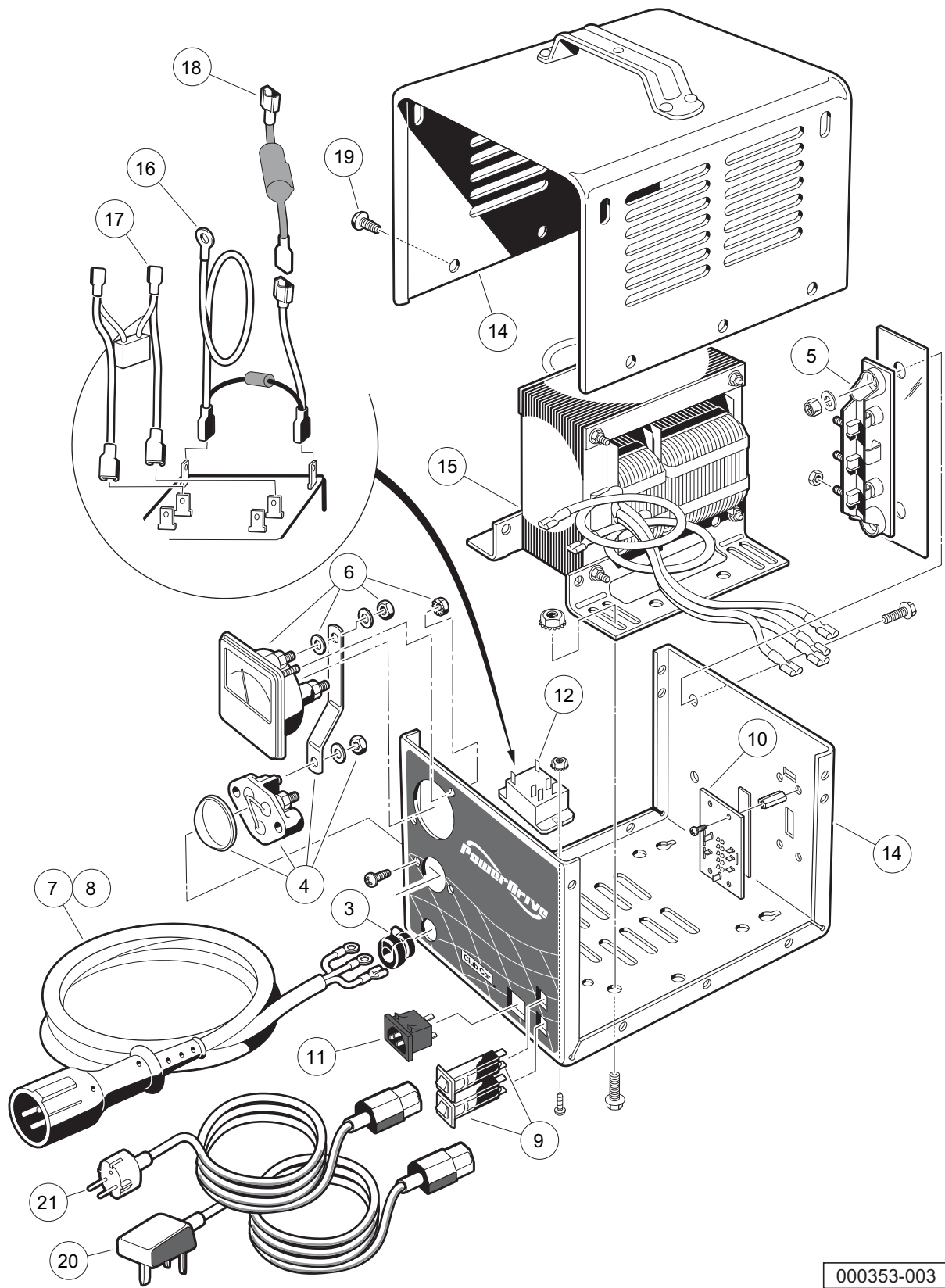
000353-002

POWERDRIVE BATTERY CHARGER (MODELS 20310-11,-18), EUROPEAN

16

E

ITEM	PART NO.	DESCRIPTION	QTY
		1 2 3 4	
1	101956201	Battery Charger, 48-Volt w/ 4-Position Switch (8.5-ft DC)	1
2	101956202	Battery Charger, 48-Volt w/ 4-Pos. Switch (12-ft DC) (includes items 3 through 19)	1
3	1012098	Bushing, DC Cord	1
4	1012101	Fuse Assembly	1
5	1015914	Rectifier with Heatsink Assembly	1
6	101828901	Cord, DC, 113-Inch (287 cm)	1
7	101828902	Cord, DC, 154-Inch (391 cm)	1
8	101838401	Circuit Breaker	2
9	101838601	Four-Position Switch	1
10	101973501	Receptacle, AC Cord	1
11	101976601	Ammeter with Mounting Bracket	1
12	101987501	Relay	1
13	N/A	Wire, Jumper	1
14	N/A	Case, Charger	1
15	****	Transformer, European Battery Charger	1
16	****	Suppressor, AC Voltage	1
17	****	Assembly, Wire	1
18	N/A	Limiter, Current	1
19	7577	Screw, #10 X 0.50 Phillips Pan-Head	10
20	101958201	Cord, UK, AC, Battery Charger	1
21	101958301	Cord, European AC, Battery Charger	1
<p>**** Special order item available upon request.</p> <p>Note: Effective late Jan. 2011, European chargers had the round ammeter (Item 11) replaced by a square ammeter (see next page). Note 2: Level 1 Battery Charger part numbers include one AC and one DC cord. They do not include all of the level 2 cords listed.</p>			



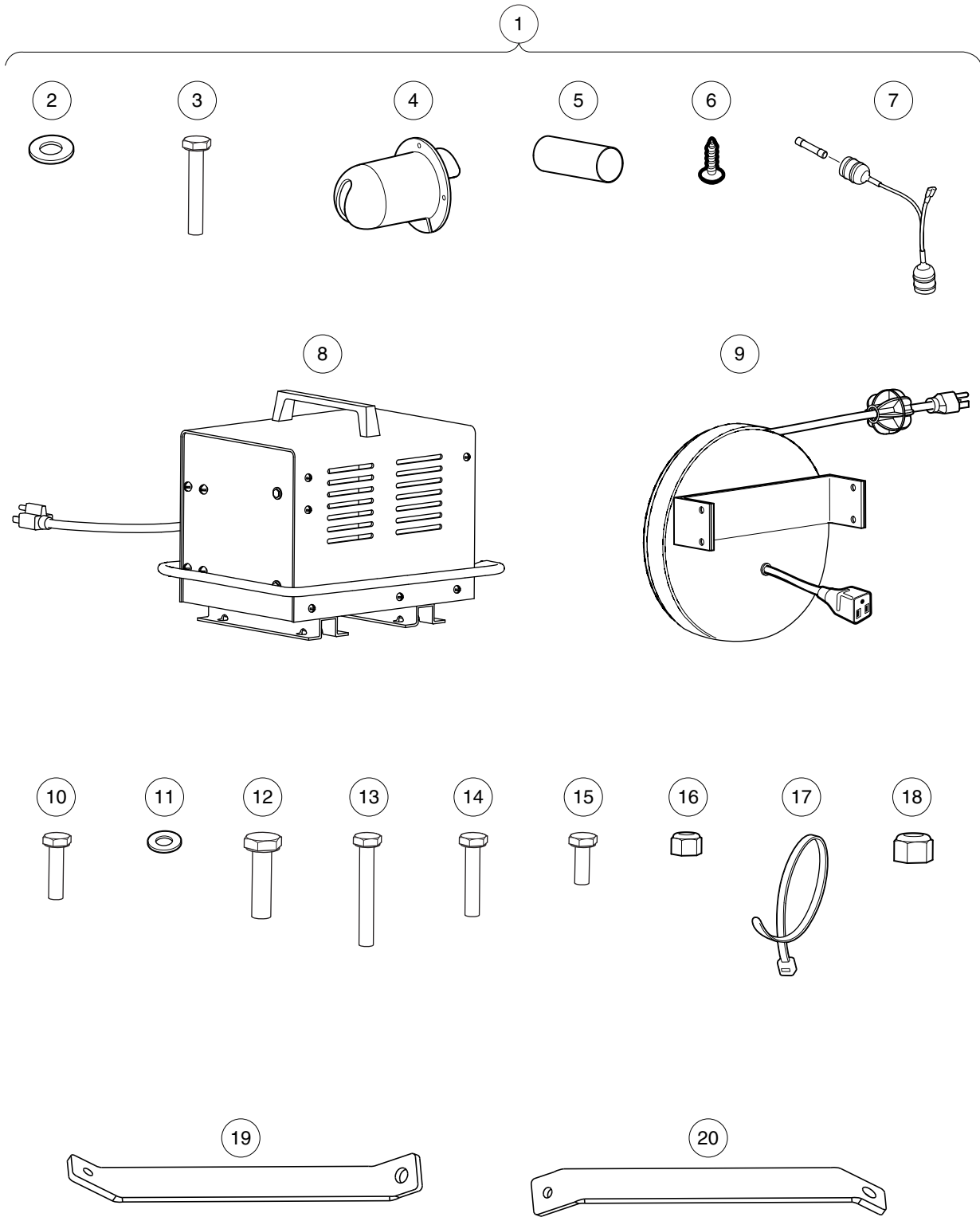
000353-003

POWERDRIVE BATTERY CHARGER (MODELS 20310-11,-18) WITH SQUARE AMMETER, EUROPEAN

16

E

ITEM	PART NO.	DESCRIPTION	QTY
		1 2 3 4	
1	101956201	Battery Charger, 48-Volt w/ 4-Position Switch (8.5-ft DC)	1
2	101956202	Battery Charger, 48-Volt w/ 4-Pos. Switch (12-ft DC) (includes items 3 through 19)	1
3	1012098	Bushing, DC Cord	1
4	1012101	Fuse Assembly	1
5	1015914	Rectifier with Heatsink Assembly	1
6	101828501	Ammeter	1
7	101828901	Cord, DC, 113-Inch (287 cm)	1
8	101828902	Cord, DC, 154-Inch (391 cm)	1
9	101838401	Circuit Breaker	2
10	101838601	Four-Position Switch	1
11	101973501	Receptacle, AC Cord	1
12	101987501	Relay	1
13	N/A	Wire, Jumper	1
14	N/A	Case, Charger	1
15	****	Transformer, European Battery Charger	1
16	****	Suppressor, AC Voltage	1
17	****	Assembly, Wire	1
18	N/A	Limiter, Current	1
19	7577	Screw, #10 X 0.50 Phillips Pan-Head	10
20	101958201	Cord, UK, AC, Battery Charger	1
21	101958301	Cord, European AC, Battery Charger	1
<p>**** Special order item available upon request.</p> <p>Note: Effective late Jan. 2011, European chargers began using a square ammeter (Item 6). Note 2: Level 1 Battery Charger part numbers include one AC and one DC cord. They do not include all of the level 2 cords listed.</p>			



001269-001

ONBOARD POWERDRIVE BATTERY CHARGER (MODEL 19770-98), DOMESTIC

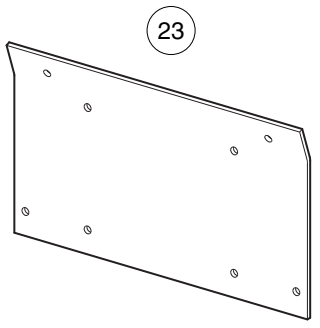
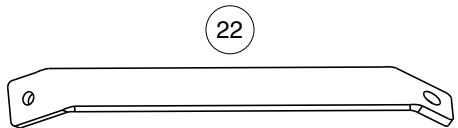
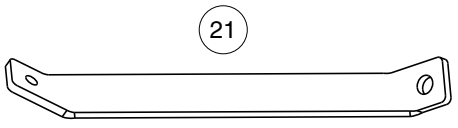
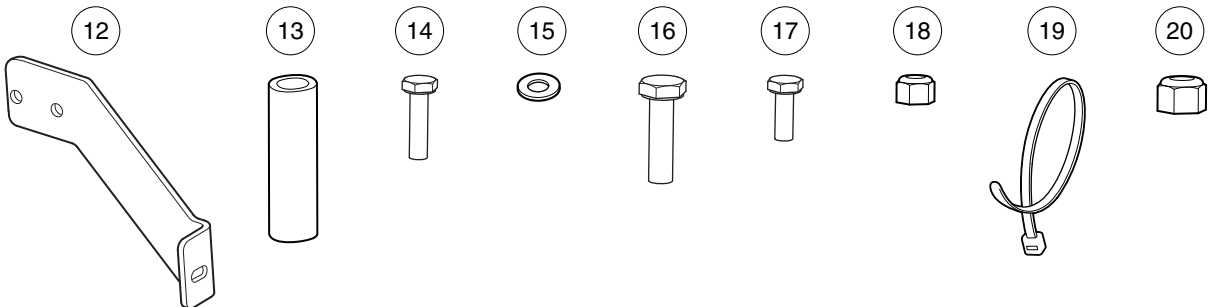
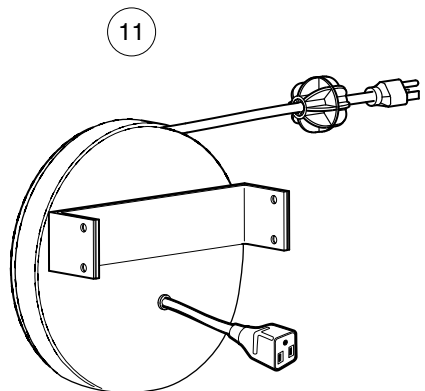
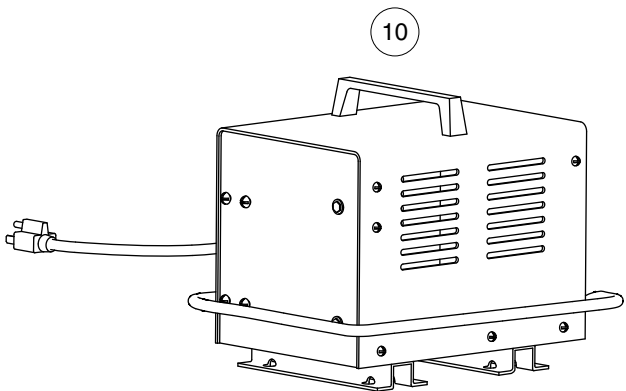
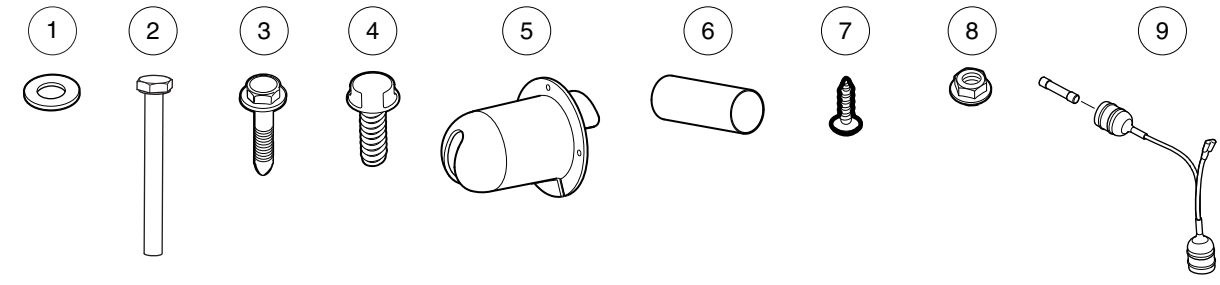
ITEM	PART NO.	DESCRIPTION	QTY
		1 2 3 4	
1	SVP150002	Kit, Charger, Onboard, CA1, Domestic, Field-Installed (includes items 2 through 20)	1
2	1011990	Washer, 3/8 Flat	4
3	1013509	Screw, 1/4-20 X 1.75 Hx Hd Cap	1
4	1016673	Housing, Cord Reel	1
5	1017189	Heat Shrink Tube 1.5" X 3"	1
6	101832001	Screw, #7-19 X 0.625 Phillips Pan-Head Tap	4
7	101896801	Fuse Holder Assembly	1
8	101939701	Batt.charger, O/b 120vac 48vdc	1
9	101965401	Reel Assy, Retractable Cord	1
10	304	Screw, 1/4-20 X 1.0 Hex-Head Cap	4
11	332	Washer, 1/4 Type A Narrow Flat	20
12	705	Screw, Cap-hex Hd 3/8-16x1.25	2
13	7311	Screw, 1/4-20 X 2.00 Hex-Head Cap	1
14	7479	Screw, 1/4-20 X 1.25 Hex-Head Cap	4
15	7847	Screw, 1/4-20 X 0.75 Hex-Head Cap	4
16	8233	Locknut, 1/4-20, Nylon Insert	14
17	8639	Tie Wrap, 11" Nylon	6
18	8754	Locknut, 3/8-16 Hex	2
19	SVP148901	Charger Mount Leg Rh	1
20	SVP148902	Charger Mount Leg Lh	1

16

E

16

E



001270-001

ONBOARD POWERDRIVE BATTERY CHARGER (MODEL 19710), INTERNATIONAL

ITEM	PART NO.	DESCRIPTION	QTY
		1 2 3 4	
1	1011990	Washer, 3/8 Flat	4
2	1012159	Bolt, 1/4-20 X 2.75 Hex-Head	2
3	1014063	Screw, 1/4-20 X 1.00, Hex Head	2
4	1014288	Screw, 5/16-18 X 0.75, Thread-Forming	5
5	1016673	Housing, Cord Reel	1
6	1017189	Heat Shrink Tube 1.5" X 3"	1
7	101832001	Screw, #7-19 X 0.625 Phillips Pan-Head Tap	4
8	101835601	Locknut, 1/4-20 Hex Whiz	2
9	101896801	Fuse Holder Assembly	1
10	101939801	Bat.charger, O/b 48vac W/4-pos	1
11	101965401	Reel Assy, Retractable Cord	1
12	103483801	Brkt, Mtg Cord Reel, Ca2	1
13	103483901	Spacer, Cord Reel, Ca2	2
14	304	Screw, 1/4-20 X 1.0 Hex-Head Cap	4
15	332	Washer, 1/4 Type A Narrow Flat	12
16	705	Screw, Cap-hex Hd 3/8-16x1.25	2
17	7847	Screw, 1/4-20 X 0.75 Hex-Head Cap	4
18	8233	Locknut, 1/4-20, Nylon Insert	8
19	8639	Tie Wrap, 11" Nylon	6
20	8754	Locknut, 3/8-16 Hex	2
21	SVP148901	Charger Mount Leg Rh	1
22	SVP148902	Charger Mount Leg Lh	1
23	SVP149001	Charger Mount, Rear	1

16

E

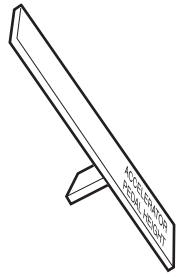
16

E

MAINTENANCE AND SERVICE TOOLS

17
G
E

17
G
E



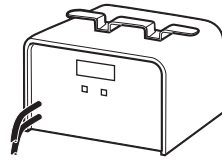
1



2



3



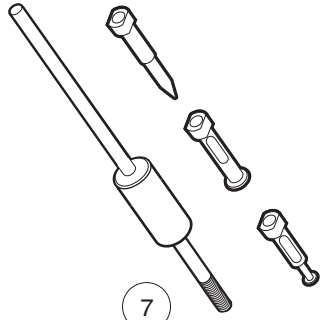
4



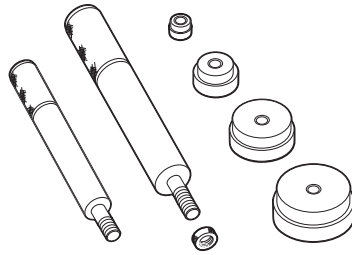
5



6



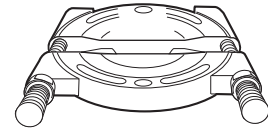
7



8



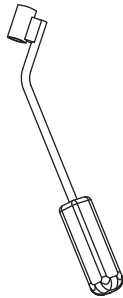
9



10



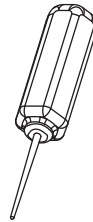
11



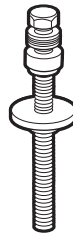
12



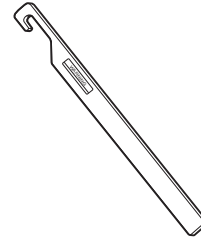
13



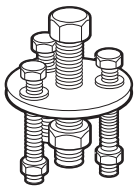
14



15



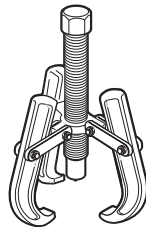
16



17



18



19



20



21

001600-001

MAINTENANCE AND SERVICE TOOLS

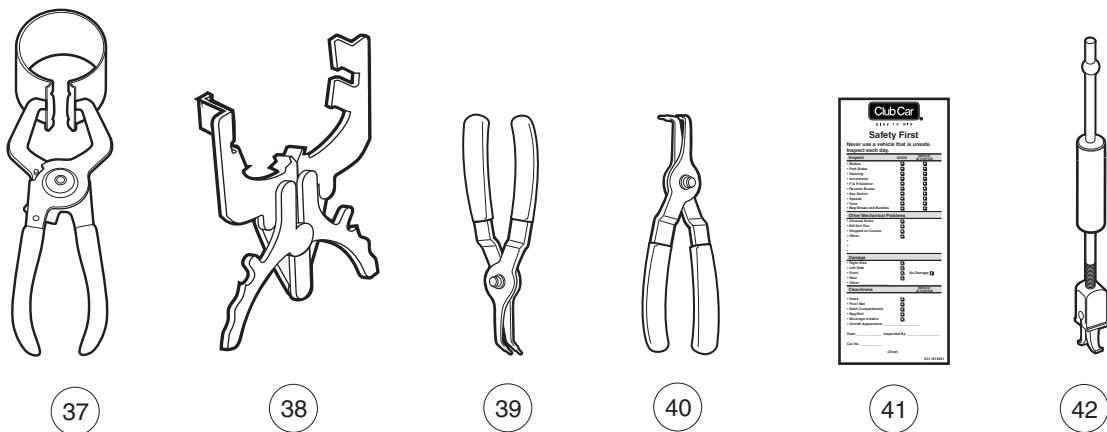
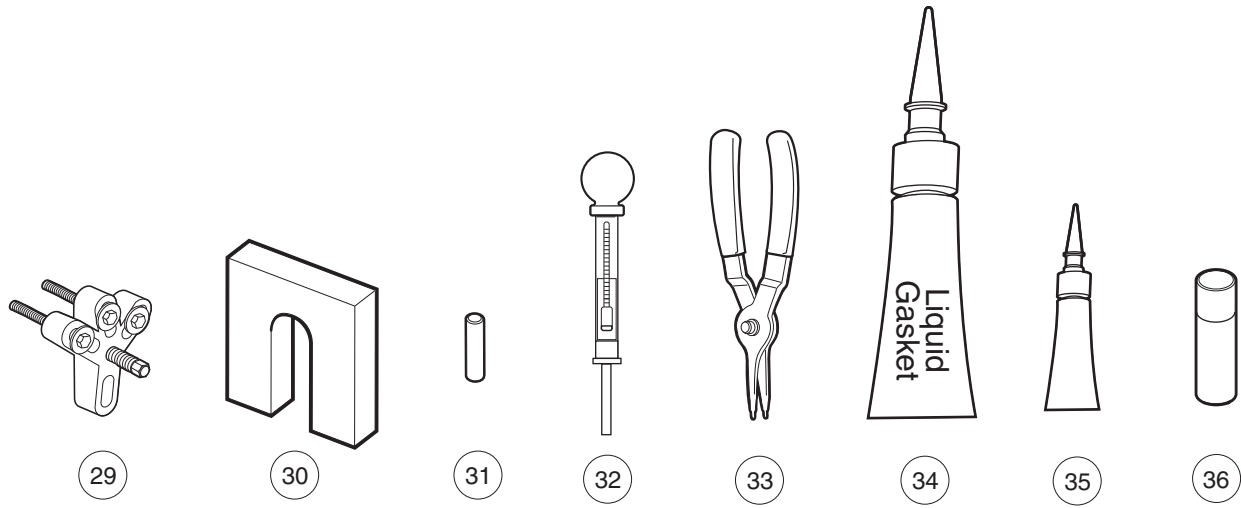
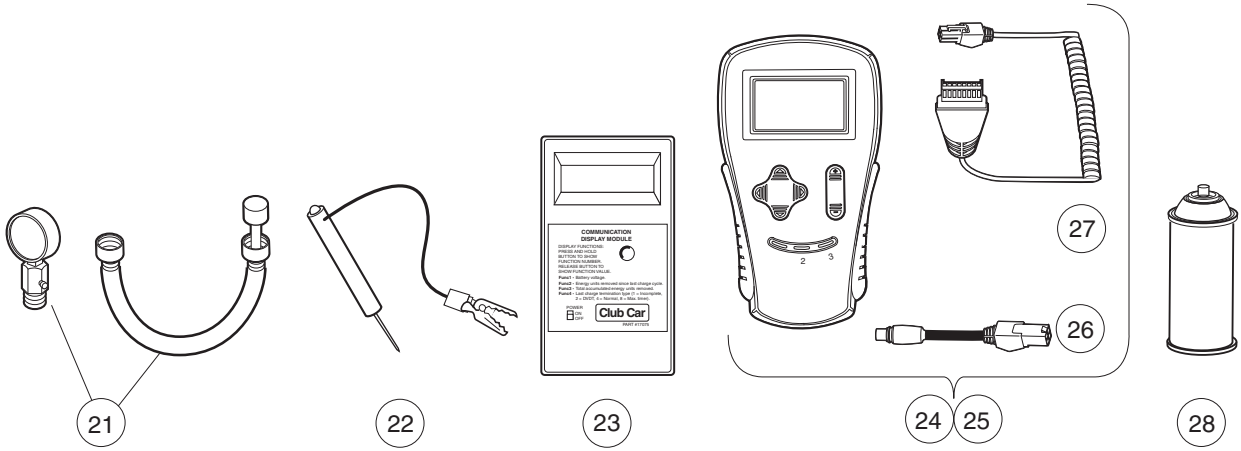
ITEM	PART NO.	DESCRIPTION	QTY GAS	QTY ELEC
		<p>1 2 3 4</p> <p>The following tool list includes all tools available from Club Car to perform maintenance and service procedures on all electric utility vehicles and all gasoline utility vehicles equipped with Kawasaki FE-series engines. Be sure to carefully examine the tool list for applicability to your vehicle before ordering.</p>		
1	101871001	Accelerator Pedal Adjustment Tool (Utility Vehicles).....	1	1
2	101813202	Adhesive, Guide Ring, 3-Gram Tube		1
3	101641202	Arbor	1	
4	101831901	Battery Discharge Machine, 36/48 Volt		1
5	1014305	Battery Terminal Protector Spray	1	1
6	1011767	Battery Thermometer	1	1
7	1016417	Bearing and Oil Seal Remover Assembly	1	1
8	1016416	Bearing Driver Set	1	1
9	1012811	Bearing Puller	1	1
10	1012812	Bearing Puller Wedge Attachment	1	1
11	1013582	Brake Adjustment Tool (used only on vehicles with manually adjusted mechanical brakes)	1	1
12	102555501	Brake Cable Release Tool	1	1
13	101887101	Calibration Test Module		1
14	102562401	Charger Bezel Tool		1
		Clutch Tools (items 14 - 20)	1	
15	101808401	Clutch Cam Installation Tool (for Kawasaki engines)	1	
16	1015524	Drive Clutch Holder Tool Assembly (for Kawasaki engines)	1	
17	1014497	Drive Clutch Hub Puller (for Kawasaki engines)	1	
18	1014496	Drive Clutch Puller (for Kawasaki engines)	1	
19	1014508	Driven Clutch Cam Puller (for Kawasaki engines)	1	
20	1014507	Driven Clutch Puller Plug (for Kawasaki engines)	1	
21	101809101	Press Weldment (for Kawasaki engines)	1	
		<p>Please refer to the maintenance and service manual for proper tool application.</p>		

17

G

E

17
G
E



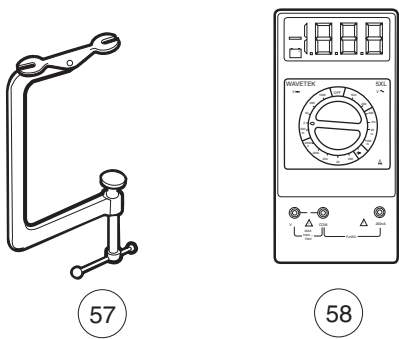
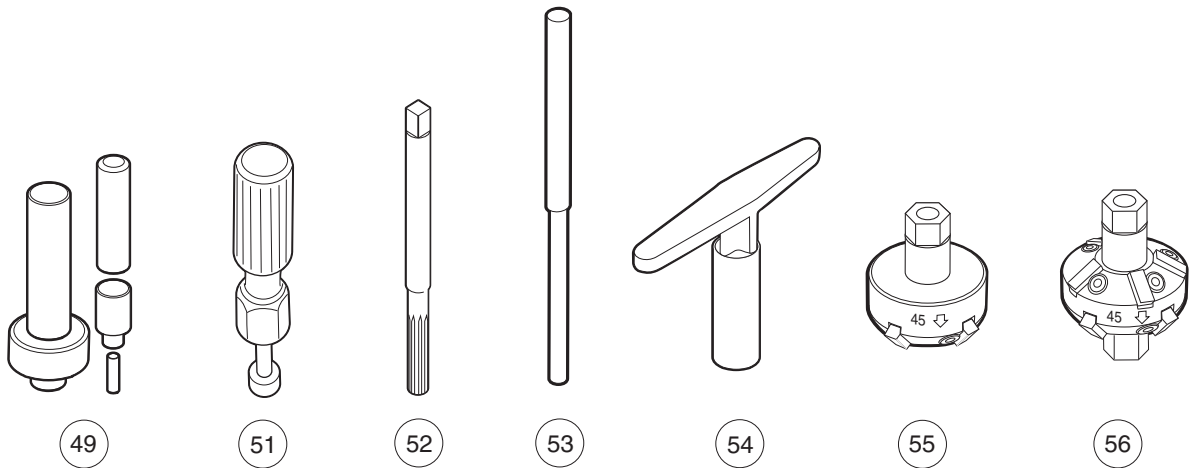
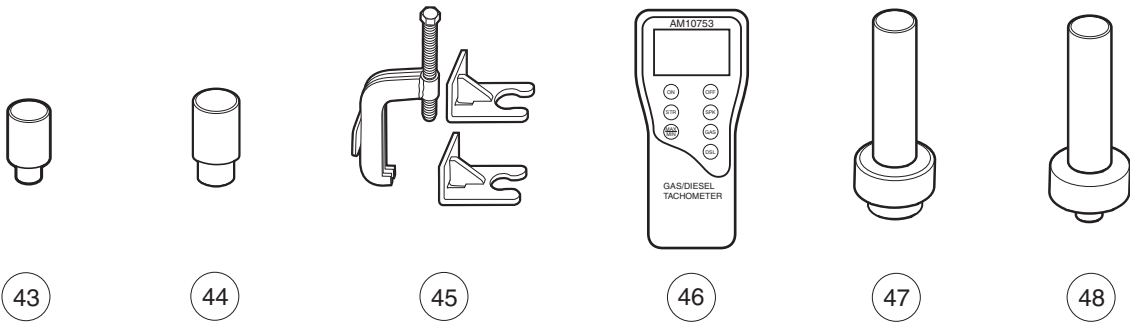
001601-001

MAINTENANCE AND SERVICE TOOLS, CONTINUED

ITEM	PART NO.	DESCRIPTION	QTY GAS	QTY ELEC
		1 2 3 4		
21	101641002	Compression Gauge and Adapter	1	
22	1011273	Continuity Tester	1	1
23	101831801	Communication Display Module		1
24	102248803	IQ Display Module (IQDM) Kit (IQ System and IQ Plus vehicles) (includes items 54 and 55)		1
25	102248804	IQ Display Module (IQDM-P) Kit (IQ System and IQ Plus vehicles)..... (includes items 54 and 55)		1
26	102251501	Adaptor, Cable		1
27	102241502	IQDM Series 2 Cable		1
28	1012151	Dry Moly Lubricant	1	1
29	1016627	Flywheel Puller Kit (for Kawasaki Engines)	1	
30	1016418	Gear Yoke	1	1
31	101933101	Governor Shaft Installation Tool (for Kawasaki Engine Vehicles)	1	
32	1011478	Hydrometer	1	1
33	1013593	Internal Retaining Ring Pliers	1	1
34	101928701	Liquid Gasket (transaxle case)	1	1
35	102243402	Moly-Teflon Lubricant (4-oz. (113-gram) tube)		1
36	101997201	Paint, Touch-Up ,Äi Beige*	1	1
36	101997207	Paint, Touch-Up ,Äi Black*	1	1
36	101997212	Paint, Touch-Up ,Äi Burgundy*	1	1
36	101997211	Paint, Touch-Up ,Äi Classic Blue (Navy)*	1	1
36	101997205	Paint, Touch-Up ,Äi Dark Gray*	1	1
36	101997209	Paint, Touch-Up ,Äi Dark Green*	1	1
36	101997204	Paint, Touch-Up ,Äi Gray*	1	1
36	101997203	Paint, Touch-Up ,Äi Red*	1	1
36	101997206	Paint, Touch-Up ,Äi Royal Blue (Pacific Blue)*	1	1
36	101997202	Paint, Touch-Up ,Äi White*	1	1
37	1016414	Piston Ring Compressor Kit	1	
38	1016415	Piston Ring Pliers	1	
39	1012549	Retaining Ring Pliers, 45→ External	1	1
40	1012560	Retaining Ring Pliers, 90→ Internal	1	1
41	101823101	Safety First Card (50 per pack)	1	1
42	1012809	Seal Puller	1	1
		Please refer to the maintenance and service manual for proper tool application.		

17
G
E

17
G
E



001602-001

MAINTENANCE AND SERVICE TOOLS, CONTINUED

ITEM	PART NO.	DESCRIPTION	QTY GAS	QTY ELEC
		1 2 3 4		
43	1014264	Steering Column Bearing Press Tool	1	1
44	1014259	Steering Column Retaining Ring Tool	1	1
45	102061201	Steering Wheel Puller Tool	1	1
46	AM10753	Tachometer (includes gasoline engine pick up lead only)	1	
47	1014162	Transaxle Axle Seal Tool (for electric vehicles)		1
48	1014161	Transaxle Pinion Seal Tool (for electric vehicles)		1
49	1014115	Transmission Tool Kit (for electric vehicles).....		1
50	101611003	Tune-Up Kit, All OHV (for FE290, FE350, FE400 only) (includes air filter, spark plug, oil filter, fuel filters) (not shown)	1	
51	1016413	Valve Clearance Adjuster Screw Holder (for FE290 engines only)	1	
52	101641201	Valve Guide Reamer (FE290, FE350, and FE400 only).....	1	
53	1016552	Valve Seat Cutter Guide	1	
54	1016551	Valve Seat Cutter T-Wrench	1	
55	1016553	Valve Seat Cutter, 45→× (32 mm diameter) (for FE290 engines only)	1	
56	1016554	Valve Seat Cutter, 45→×/30→× (35 mm diameter)	1	
57	101641101	Valve Spring Compressor	1	
58	1011480	Volt Ohm Meter	1	1
		Please refer to the maintenance and service manual for proper tool application.		

17
G
E

INDEX

Part Number and Page

AM10753	17-7	2402	6-15	1010177	6-17
AM10080	12-9	4029	4-31, 4-33	1010200	6-17
AM10081	12-9	7048	6-13, 6-19	1010237	1-23, 1-25, 1-27
AM10419	11-7	7049	1-37	1010434	1-3, 1-5, 1-35
AM10682	2-3	7173	1-11, 7-15	1010435	1-3, 1-31
AM1232301	8-5	7174	1-47, 6-7, 7-7, 9-13, 10-3, 13-15	1010543	1-15
AM1243501	4-29	7251	1-3, 1-11	1010546	1-3
AM1243701	4-25, 4-27, 4-29	7274	6-13	1010577	8-15
AM1243801	4-25, 4-27, 4-29	7308	6-13	1010805	5-3
AM1264001	1-49	7310	2-3	1010829	5-13
AM1304001	1-53	7311	1-23, 1-25, 1-27, 1-39, 16-13	1010877	5-3
AM1304101	1-53	7330	12-11, 15-3	1010878	1-33, 5-3
AM1304201	1-53	7335	12-9, 15-3	101090801	13-11, 13-13
AM1304301	1-53	7336	15-3	1010909	4-23
AM1304401	1-53	7473	1-3, 1-23, 1-25, 1-27, 1-31, 1-37, 1-69, 5-3, 5-5, 5-7, 5-13, 7-11, 7-15	1010921	1-23, 1-25, 1-27, 5-3
AM1304501	1-53	7479	1-39, 16-13	1010927	5-3
AM1304601	1-53	7532	1-31	1010932	5-3
AM1304701	1-53	7577	16-5, 16-7, 16-9, 16-11	1010933	5-3
AM1304801	1-53	7591	4-5, 4-7	1010934	1-37, 1-39, 1-47, 7-15
AM1304901	1-53	7716	5-3, 5-5, 5-7	1010954	7-11, 12-7, 12-13
AM1305001	1-53	7818	7-11	1010984	2-3
AM1305101	1-53	7820	4-31, 4-33	1011014	1-3
AM1305201	1-53	7840	6-13	1011017	1-3
CCX8506	16-3, 16-5	7847	1-9, 1-51, 10-3, 16-13, 16-15	1011084	5-9
SVP148901	16-13, 16-15	7893	4-9, 4-11, 4-23, 7-11, 12-5	1011226	1-67
SVP148902	16-13, 16-15	7910	6-13	1011229	4-5, 4-7
SVP149001	16-15	7973	1-7, 9-15	1011273	17-5
SVP150002	16-13	8057	7-11, 7-13, 12-3	1011291	12-11
183	4-9, 4-11, 4-23, 4-29, 9-3, 9-15, 11-5, 12-7, 12-13	8058	7-11, 7-13, 12-3	1011382	4-13, 4-15
304	1-67, 4-31, 4-33, 12-5, 16-13, 16-15	8067	6-13, 6-19	1011393	6-13
324	4-25, 4-27	8104	4-9, 4-11, 12-3	1011394	1-3
332	1-15, 1-33, 1-37, 1-39, 1-51, 4-25, 4-27, 4-31, 4-33, 7-9, 9-17, 10-3, 13-15, 16-13, 16-15	8233	1-23, 1-25, 1-27, 1-33, 1-37, 1-51, 1-67, 4-25, 4-27, 4-31, 4-33, 4-35, 5-5, 5-7, 7-9, 9-13, 12-5, 12-7, 12-13, 16-13, 16-15	1011402	5-3
334	5-5, 5-7, 6-3, 6-5, 8-15, 11-5	8248	1-11, 7-9	1011415	6-23, 6-25
357	1-47, 6-17	8251	1-29, 1-43	1011418	5-3
403	1-31	8294	4-31, 4-33	1011439	4-5, 4-7
451	10-3, 14-3	8450	11-5	1011478	17-5
705	1-47, 8-15, 16-13, 16-15	8639	1-67, 4-29, 12-5, 13-15, 13-17, 16-13, 16-15	1011480	17-7
706	1-47, 6-17	8717	5-7, 7-11, 12-3, 12-7, 12-13	1011546	1-49
808	11-5	8754	1-31, 5-5, 5-7, 6-3, 6-5, 6-15, 6-17, 6-23, 6-25, 7-7, 16-13, 16-15	1011553	1-47, 3-3
1016	4-9, 4-11, 4-23, 9-3	8755	1-31, 6-17, 6-23, 6-25	1011578	6-5
1017	4-3	8797	9-3	1011582	4-37
1028	5-3	8861	6-15	1011590	4-9
1032	1-35, 5-3	8963	1-23, 1-25, 1-27	1011694	5-5, 5-7
1035	1-67	8990	4-9, 4-11, 4-19, 4-21, 4-27, 4-35, 6-3, 7-11, 13-15, 13-17	1011697	6-5, 8-15, 9-13
1108	1-39	1010005	6-13	1011734	5-9
1218	1-23, 1-25, 1-27	1010028	12-3	1011767	17-3
1231	1-35	1010086	1-39	1011779	5-13
1241	1-3, 1-23, 1-25, 1-27, 1-47, 5-3, 5-5, 5-7, 5-13, 7-7, 7-11, 7-15, 10-3	1010124	6-17	1011825	4-5, 4-7, 4-31, 4-33
1242	1-47, 4-19, 4-21, 5-13, 7-7, 7-11, 13-15	1010138	6-15	1011843	4-37
1606	9-15	1010145	6-23, 6-25	1011852	1-23, 1-25, 1-27
1620	4-3	1010150	6-17	1011862	1-23, 1-25, 1-27
1624	5-5, 5-7, 6-3, 7-7			1011865	1-23, 1-25, 1-27
				1011868	1-23, 1-25, 1-27
				101187702	5-3
				1011878	1-11, 1-43
				1011883	1-23, 1-25, 1-27

INDEX

1011887	6-13	1013035	6-3	1014049	11-5
1011892	6-13	1013042	6-3, 6-15	1014050	11-5
1011897	1-21	1013044	6-3	1014051	11-5
1011931	5-5, 5-7	1013052	6-3	1014052	11-5
1011937	1-23, 1-25, 1-27	1013061	12-3, 12-7, 12-13, 13-7	1014055	11-5
1011942	1-23, 1-25, 1-27	101313402	9-5, 9-7	1014056	11-5
1011962	1-43	1013135	6-13	1014057	11-5
1011963	1-43	1013164	6-23, 6-25	1014058	11-5
1011964	1-23, 1-25, 1-27, 1-43, 1-67	1013207	6-25	1014059	11-5
1011965	1-43	1013309	1-15	1014062	11-5
1011972	1-43	1013311	1-15	1014063	11-5, 13-15, 16-15
1011990	1-35, 1-47, 16-13, 16-15	1013312	1-15	1014065	7-11, 11-5
1012008	1-23, 1-25, 1-27	1013317	1-35, 3-9	1014070	11-7
1012098	16-3, 16-5, 16-7, 16-9, 16-11	1013343	1-7	1014072	11-7
1012101	16-5, 16-7, 16-9, 16-11	1013344	1-7	1014078	11-7
1012151	17-5	1013420	1-9	1014080	11-7
1012159	16-15	1013422	1-9	1014115	17-7
1012181	6-23, 6-25	1013461	9-3	1014116	9-3
1012182	6-23, 6-25	1013462	9-3	1014119	7-3, 7-11
1012285	1-51, 1-67, 4-35, 9-3, 9-5, 9-7, 9-13, 13-15	1013483	1-47	1014125	6-5
1012295	7-11	1013494	4-13, 4-15	1014126	6-5
1012303	1-31, 6-17, 6-21, 6-23, 6-25	1013509	4-25, 4-27, 16-13	1014145	7-11
1012304	6-23, 6-25	1013531	5-13	1014153	5-11
1012333	12-5	1013547	4-35	1014161	17-7
1012349	1-67	1013579	4-35	1014162	17-7
1012382	7-3	1013582	17-3	1014201	14-3
1012396	4-13, 7-3	1013589	7-11	1014207	12-11
1012431	7-11	1013593	17-5	1014213	6-5
1012438	4-29	1013609	7-11	1014214	6-5
1012505	4-13, 4-15	1013677	3-5	1014217	6-5
1012528	10-3, 13-15	1013683	13-11	1014259	17-7
1012549	17-5	1013687	9-3	1014264	17-7
1012560	17-5	1013700	9-13	1014276	6-17
1012565	6-11	1013734	10-3	1014287	11-5
1012566	6-11	1013746	9-3, 9-5, 9-7, 9-11	1014288	6-5, 7-15, 11-5, 13-15, 16-15
1012571	8-15, 13-11, 13-13	1013760	12-7	1014304	13-11, 13-13
1012604	6-5	1013768	12-11	1014305	17-3
1012605	6-5	1013769	12-11	1014306	1-51, 4-35
1012640	2-5	1013770	12-11	1014321	1-29, 1-37
1012641	2-5	1013771	12-11	1014375	7-15
1012642	2-5	1013772	12-11	1014387	1-29, 1-37
1012649	9-3, 9-5, 9-7	1013773	12-11	1014415	1-37, 1-43
1012711	12-7	1013774	12-11	1014435	1-21
1012714	12-9	1013787	12-11	101444101	1-21
1012740	12-9	1013792	12-11	1014453	11-5
1012741	12-9	1013794	12-11, 15-3	1014454	11-7
1012747	12-9	1013824	1-11	1014471	1-31
1012748	12-9	1013825	1-11	1014490	1-43
1012752	12-7	1013846	1-11	1014496	17-3
1012809	17-5	1013857	4-5, 4-7	1014497	17-3
1012811	17-3	1013869	5-3	1014503	1-23, 1-25, 1-27
1012812	17-3	1013870	5-3	1014506	1-23
1012830	7-7, 9-13, 10-3	1013871	5-5, 5-7	101450698	1-25
1012836	11-7	1013876	5-3	1014507	17-3
1012896	12-7	1013924	5-11, 8-15	1014508	17-3
		1014007	5-5, 5-7, 9-13, 12-7, 12-13	1014509	1-23

INDEX

101450902	1-27	1015372	7-11	1016074	7-7
101450903	1-25	1015373	7-11	1016077	1-39
1014517	1-43	1015390	1-35	1016078	1-33
1014521	1-43	1015391	1-31	101609401	3-3
1014530	4-5, 4-7, 4-31, 4-33	1015399	1-31, 1-37, 1-69	101611003	17-7
1014537	1-37	1015400	1-31, 1-35	101611402	15-5
1014540	4-35	1015405	1-3, 7-11	1016154	6-11
101454602	6-23	1015413	1-35	1016183	6-5
1014548	1-43	1015414	1-35	1016201	11-5
101454902	6-25	1015426	9-17	1016214	6-11
1014555	6-23, 6-25	1015427	1-31	1016230	4-29
1014556	1-43	1015445	1-47	1016267	4-29
1014559	1-43	101547601	3-7	1016269	6-5
1014573	6-23, 6-25	1015507	1-31	1016287	4-29
1014675	6-23, 6-25	1015524	17-3	1016289	11-5
1014771	2-3	1015526	4-25, 4-27, 4-29	1016337	12-9
1014807	7-11, 7-13, 12-3	1015528	4-13, 4-15	1016338	12-9
1014808	7-11, 7-13, 12-3	1015530	1-51	1016346	6-15
1014901	6-23, 6-25	101553901	1-35, 1-39, 3-3	1016349	6-15
1014902	6-23, 6-25	1015583	1-31, 6-21, 6-23, 6-25	1016350	6-15
1014942	1-43	101558302	6-17	1016351	6-15
1014943	1-43	1015597	6-13, 6-19	1016353	6-15
1014944	1-43	1015606	1-35	1016356	4-5, 4-7
1014947	13-15	101562711	1-15	1016363	4-5, 4-7
1014948	7-11	101562712	1-15	1016364	4-5
1015010	4-29	101562714	1-15	1016365	4-19, 4-21
101503202	1-7	101562715	1-15	1016367	4-5
1015068	1-43	101564501	1-15	1016384	6-17
1015072	13-11, 13-13	101564502	1-15	1016385	6-15
1015075	1-3	101564503	1-15	1016386	6-17
1015091	1-43	101564505	1-15	1016387	6-17
1015137	9-3, 9-5, 9-7, 9-11	1015649	8-3	1016389	6-17
1015139	9-3	1015654	1-39	1016401	7-3, 7-11
1015143	9-3	1015656	1-39	101641002	17-5
1015148	1-43	101565701	1-39	101641101	17-7
1015153	4-25	101565702	1-39	101641201	17-7
1015154	4-25	101565703	1-39	101641202	17-3
1015156	4-25, 4-27, 4-29	101565704	1-39	1016413	17-7
1015157	4-25, 4-27	1015660	1-39	1016414	17-5
1015160	4-25, 4-27	1015661	4-7	1016415	17-5
1015162	4-25	101567202	2-3	1016416	17-3
1015167	4-29	1015737	4-5, 7-3, 7-11	1016417	17-3
1015170	4-29	1015741	4-5, 4-7, 7-11	1016418	17-5
1015172	4-25, 4-27	1015752	7-11, 9-17, 13-3	1016423	4-5, 4-7, 7-11
1015187	4-25, 4-27, 4-29	1015765	4-25	101642575	9-9
101524002	7-7	1015768	4-29	101642578	9-9
1015245	1-35	1015770	4-29	101642580	9-9
1015252	1-31	1015814	10-3	101642582	9-9
1015277	1-33	101584502	9-13	101642585	9-9
1015313	1-35	1015878	7-11, 7-13, 12-3	1016429	8-7
1015332	7-3, 8-3	1015914	16-5, 16-7, 16-9, 16-11	1016432	8-7, 12-7
1015345	7-11	1015917	16-5, 16-7	1016436	8-9
1015363	1-35	1015921	9-3	1016437	9-9
1015365	1-35	1015932	7-7	1016438	9-11
1015367	1-35	1015969	8-3	1016440	8-9, 9-11
1015371	7-11	1016060	1-33	1016441	9-11

INDEX

1016444	9-11	1016554	17-7	101692515	1-3
1016449	8-9	1016560	8-9	1016929	4-25, 4-27, 4-29
1016450	8-9	1016561	8-5	101693901	1-3
1016451	8-9	1016562	8-5, 8-13	101693902	1-3
1016452	8-9	1016563	8-9	101693904	1-3
1016453	8-11	1016564	8-11	101693906	1-3
1016454	8-11	1016566	8-9	101693909	1-3
1016455	8-5	1016569	8-9	101693910	1-3
1016456	8-3	1016570	8-7	101693911	1-3
1016457	8-7	1016571	8-13	101693912	1-3
1016458	8-9	1016572	9-11	101693913	1-3
1016467	8-7	1016576	8-7	101693914	1-3
1016470	8-13	1016578	8-5	1016952	1-9
1016472	8-11	1016581	8-7	1016967	1-3
1016473	8-7	1016582	9-11	1017029	5-3
1016474	8-9	1016583	8-9	1017035	4-5, 4-7, 4-37
1016479	8-9	1016584	8-11	101705608	4-5
101648102	9-11	1016585	9-9	1017062	4-3
101648203	8-7	1016587	8-5	1017064	4-3
1016483	8-9	1016588	8-5	1017065	4-3
1016486	9-9	1016627	17-5	101707402	4-9
1016489	8-9	1016630	4-13	101707405	4-11
101649002	9-11	1016631	4-5, 4-7	1017075	4-9, 4-11
1016494	8-11	1016672	12-11	1017080	1-3
1016496	8-11	1016673	16-13, 16-15	1017082	12-7, 12-13
1016499	9-9	1016679	1-51	1017188	11-3
1016501	9-9	101670201	3-9	1017189	16-13, 16-15
1016502	8-7	1016751	1-17	1017226	6-7
1016506	8-11	101675511	1-17	1017231	12-7
1016507	8-3	101675512	1-17	1017235	6-23, 6-25
1016510	8-11	101675514	1-17	1017266	6-15
1016513	12-7	101675515	1-17	1017273	6-9, 6-11
101651402	2-3	101677701	1-17	101728602	1-19
101651406	2-3	101677702	1-17	1017313	6-5
101651407	2-3	101677703	1-17	1017314	6-5
101651412	2-3	101677705	1-17	1017315	6-5
101651413	2-3	1016801	11-5	1017317	6-5
101651419	2-3	1016837	4-25, 4-27	101734802	1-3
1016517	8-9	1016849	4-13, 4-15	101737002	2-3
1016519	8-9	1016851	4-13, 4-15	1017378	5-5, 5-7
1016521	8-11	1016868	1-3	1017380	5-5, 5-7
1016531	8-3	1016879	4-3	1017424	5-5, 5-7
1016535	8-11	1016880	4-3	1017434	8-9
1016537	8-7	1016883	7-7	1017442	8-7
1016538	8-11	1016904	1-67, 8-9, 10-3	1017443	8-9
1016539	8-3	1016916	1-39	1017445	8-9
1016541	8-13	101692501	1-3	1017448	8-5
1016542	8-9	101692502	1-3	101744901	8-13
1016544	8-5, 8-9, 8-11	101692504	1-3	101744902	8-13
1016545	8-9	101692506	1-3	1017450	8-13
1016546	9-13	101692509	1-3	101745101	8-13
1016547	8-3, 8-13, 9-11	101692510	1-3	101745102	8-13
1016549	8-9	101692511	1-3	1017453	8-13
1016551	17-7	101692512	1-3	1017454	8-9
1016552	17-7	101692513	1-3	1017455	8-5
1016553	17-7	101692514	1-3	1017456	8-7

INDEX

101745701	8-13	101796501	13-7	101831702	16-7
101745702	8-13	101796801	13-7	101831801	17-5
1017458	8-7	101801001	13-7	101831901	17-3
1017460	8-7	101802101	13-7	101832001	13-7, 16-13, 16-15
1017461	9-9	101802201	16-5	101832202	9-13
1017463	8-5	101802202	16-5	101832302	9-13
1017466	9-11	101802203	16-5	101832601	8-15
1017471	8-13	101804301	4-13, 9-17	101832701	8-15
1017472	8-11	101805701	9-15	101833101	8-15
1017473	8-9	101806001	1-13	101833401	11-7
1017474	8-3	101806002	1-13	101833601	12-7
1017475	8-3	101806005	1-13	101833902	11-5
1017476	8-3	101808401	17-3	101834001	11-7
1017486	8-3	101809101	17-3	101834502	4-13, 4-15
1017487	8-11	101810601	4-7	101834601	8-15
1017490	8-5	101811401	9-15	101834801	9-13, 12-7, 12-13
1017501	8-13	101811501	9-15	101835601	1-31, 1-33, 4-19, 4-21, 16-15
1017502	8-13	101811901	9-17	101836201	11-7
1017503	8-13	101812301	9-17	101837101	9-17
1017504	8-11	101813001	9-17	101837301	7-3, 7-5
1017507	8-7	101813202	17-3	101837401	1-45
1017508	8-11	101814011	4-7	101837501	1-45
1017510	8-13	101814601	4-27	101838201	16-7
1017512	8-13	101815501	5-11	101838301	16-7
1017513	8-11	101815502	5-11	101838401	16-7, 16-9, 16-11
1017514	8-11	101816501	5-11	101838501	16-7
101751801	8-11	101816502	5-11	101838601	16-7, 16-9, 16-11
101751802	8-11	101817401	5-5, 5-7	101838701	16-7
101751803	8-11	101818801	5-7	101850301	6-9, 6-11, 9-15
101754203	1-69	101819701	16-5	101851101	4-13, 4-15
101754206	1-69	101821501	9-17	101856002	4-15
1017686	11-7	101821601	4-29	101856102	7-11
1017689	1-67, 10-3	101823101	17-5	101856201	9-15
101769302	2-3	101823201	5-11	101859401	10-3
1017696	5-5, 5-7	101823801	5-11	101861901	5-5, 5-7
1017699	4-37	101823901	5-11	101862001	5-5
101770203	1-41	101824401	9-3	101870401	1-3
1017705	13-7	101825101	3-3	101871001	17-3
1017721	4-5, 4-23	101826201	4-15	101878201	5-3
1017722	4-5	101826301	4-13	101879401	6-3
1017724	4-9, 4-11	101826801	13-15	101879501	6-3
101773301	8-13	101827101	8-15	101879601	6-3
101773302	8-13	101827801	13-15	101879701	6-3
101773303	8-13	101828301	16-5	101879801	6-3
101773304	8-13	101828501	16-5, 16-7, 16-11	101879901	6-3
101773305	8-13	101828801	16-5	101880001	6-3
101773306	8-13	101828802	16-5	101880101	6-3
101773307	8-13	101828901	16-5, 16-7, 16-9, 16-11	101880201	6-3
101773308	8-13	101828902	16-5, 16-7, 16-9, 16-11	101880301	6-3
101773309	8-13	101828903	16-5	101881501	4-35
101773310	8-13	101830601	4-13, 4-15	101881601	4-35
101773311	8-13	101830701	4-13, 4-15	101881701	9-17
1017853	4-5, 4-7	101831101	16-5	101884801	8-15
101791101	5-11	101831503	16-7	101885601	1-43
101795701	13-5, 13-11, 13-13	101831504	16-7	101886101	9-13, 12-7, 12-13
101796201	5-5, 5-7	101831701	16-7	101887101	17-3

INDEX

101887601	8-3	101918101	1-43	101965401	16-13, 16-15
101889401	12-9	101918501	5-3	101968701	13-5
101890001	12-9	101919801	5-5, 5-7	101969701	4-5, 4-7, 4-31
101890101	12-7	101920101	13-3, 14-3	101971301	9-17
101890201	12-7	101921501	9-17	101972001	17-5
101890501	12-7	101922101	15-3	101972002	17-5
101890601	12-7	101922201	15-3	101972003	17-5
101890901	12-11	101922501	7-9, 13-9	101972004	17-5
101891001	12-11	101923001	15-3	101972005	17-5
101891301	12-7	101923201	15-3	101972006	17-5
101891401	12-11	101923501	15-3	101972007	17-5
101891501	12-11	101923901	15-3	101972009	17-5
101891601	12-9	101925601	11-5	101972011	17-5
101891901	12-9	101925701	9-17	101972012	17-5
101892001	12-9	101926901	12-7	101972101	15-3
101892201	12-9	101927101	12-7	101972201	15-3
101892301	12-9	101927201	12-7	101972801	9-17
101892401	12-9	101927301	12-7	101973101	9-9
101892501	12-9	101927501	12-9	101973301	9-9
101892601	12-9	101927601	12-9	101973401	9-11
101892701	12-11	101927701	12-9	101973501	16-9, 16-11
101892901	12-7	101927901	12-9	101976601	16-9
101893201	12-9	101928001	12-9	101978001	13-5
101893801	12-7	101928101	12-9	101978102	13-5
101893901	12-9	101928301	12-11	101978202	13-5
101894303	1-15	101928601	12-7	101978601	15-5
101894901	13-7	101928701	12-7, 15-3, 17-5	101980801	12-9
101895401	15-3	101929501	9-3	101980901	12-9
101895501	15-3	101929802	11-5	101981001	12-9
101896801	16-13, 16-15	101931501	3-5, 13-15	101984801	6-5
101897001	15-3	101932201	1-67	101987501	16-9, 16-11
101897201	15-3	101932601	13-15	101987801	4-5
101897401	15-3	101932701	13-15	101987901	4-3
101897601	15-3	101933101	17-5	101988001	4-3, 4-5, 4-7
101898001	7-15	101936101	15-5	101988002	4-3, 4-5, 4-7
101900801	6-23	101936801	13-3	101988101	4-3
101903001	13-5	101939701	16-13	101988201	4-3
101903601	15-3	101939801	16-15	101990801	5-13
101903701	15-3	101942301	14-3	101994301	1-61
101906901	15-3	101946201	1-29	101994401	1-65
101908101	13-9	101953101	5-13	101994601	1-59
101908401	7-9, 13-9	101954301	1-15	101994801	1-63
101908601	3-5	101955101	4-31, 4-33	101995101	1-55
101908703	13-15	101956201	16-9, 16-11	101997802	4-35
101910401	13-15	101956202	16-9, 16-11	101997803	4-35
101910501	12-11	101957101	4-5, 4-7	101997902	4-35
101912401	5-9	101958201	16-9, 16-11	101997903	4-35
101914001	15-5	101958301	16-9, 16-11	102003201	9-3
101914401	4-5, 16-5, 16-7	101958601	1-33	102005701	1-19
101914402	4-7	101959902	3-5	102006201	1-69
101915201	3-7	101960101	3-3	102022101	5-13
101916101	8-3	101960501	3-7, 7-5	102022601	6-15
101916301	8-5	101963301	1-29	102022602	6-3, 6-15
101916701	7-7	101963401	1-29, 1-37, 8-15	102025401	1-67
101917601	9-17	101964001	1-29	102026001	5-5, 5-7
101917701	9-15	101965202	13-15	102031901	12-11

INDEX

102051901	4-5, 4-7	102267501	4-7	102771701	15-3
102056503	1-67	102272601	1-57	102806201	13-15
102061201	17-7	102273101	4-7	102806203	13-15, 13-17
102065901	1-31, 8-15	102273701	16-3	102838401	8-5
102070601	1-67	102273801	16-3	102838701	7-5
102071401	1-67	102273901	16-3	102838801	7-5
102071701	1-67	102278001	6-5	102838901	7-5
102074101	1-67	102289201	6-3, 6-15	102839001	7-5
102074201	1-67	102292801	5-13	102839301	7-5
102074501	1-67	102304801	8-9	102841101	7-5
102074601	1-67	102323101	5-3, 5-13	102844601	7-5
102074701	1-67	102323201	5-3, 5-13	102844701	7-5
102074801	1-67	102336001	9-13	102865101	9-3
102074901	1-67	102336101	9-13	102869401	4-5, 4-7
102076702	1-23, 1-25, 1-27	102354901	4-19, 4-21	102886301	15-3
102101001	13-3	102355001	4-19, 4-21	102886401	15-3
102101101	13-3	102355301	7-15	102886501	15-3
102155801	11-7	102356601	15-3	102886601	15-3
102158901	5-5, 5-7	102356801	15-3	102896801	12-13
102163001	1-19	102357501	4-19	102896901	12-13
102163101	1-19	102357502	4-21	102897201	12-15
102181101	1-67	102376001	12-3	102897301	12-15
102182101	1-67	102406701	9-3	102897401	12-13
102185401	9-15	102430901	8-13	102897501	12-13
102186001	14-3	102453001	12-9	102897601	12-13
102186101	14-3	102453101	12-9	102897701	12-15
102186201	14-3	102458901	3-7	102897801	12-13
102186401	14-3	102459301	3-3	102897901	12-13
102186701	14-3	102508701	4-15	102898001	12-15
102186901	14-3	102515401	12-7, 12-13	102898101	12-15
102187101	14-3	102517501	4-11	102898201	12-13
102187201	14-3	102517601	4-33	102898301	12-15
102190702	9-15	102522001	9-3	102898401	12-15
102196901	4-15, 13-5	102526201	12-3	102898501	12-15
102198501	1-27	102529201	4-9, 4-11	102898601	12-15
102198701	4-5	102529203	4-33	102898701	12-15
102199001	4-5	102540301	8-15	102898801	12-15
102199201	4-5, 4-7	102546401	4-11	102898901	12-15
102199301	4-5, 4-7	102555501	17-3	102899001	12-15
102199401	4-5, 4-7	102559901	2-5	102899101	12-13
102199601	13-5	102562401	17-3	102899201	12-13
102235201	14-3	102564002	6-17	102899301	12-15
102240501	13-15	102569101	4-7	102899401	12-13
102241502	17-5	102569304	2-3	102899501	12-15
102242101	11-7	102572401	4-15, 13-5	102899601	12-15
102242401	1-23, 1-25, 1-27	102588501	6-23, 6-25	102899701	12-13
102243101	13-15	102616701	12-3	102899801	12-13
102243402	17-5	102684501	6-17	102899901	12-15
102243403	14-3	102684602	12-3	102900001	12-13
102248803	17-5	102704701	14-3	102900101	12-13
102251501	17-5	102704801	14-3	102900201	12-13
102259801	13-15	102704901	14-3	102900301	12-13
102262901	1-53	102711001	7-5	102900401	12-15
102263601	13-5	102711201	7-11	102900501	12-15
102263701	13-15	102753401	8-9	102900601	12-13
102264501	1-53	102766301	6-17	102900701	12-15

INDEX

102900801	12-17	103260001	3-9	103477901	6-13
102900901	12-13	103260701	3-9	103483101	5-11
102901001	12-15	103274401	1-53	103483102	5-11
102901101	12-15	103282601	13-15	103483201	5-11
102901201	12-17	103282701	13-15	103483401	5-11
102901301	12-17	103284001	3-9	103483601	5-11
102901401	12-17	103295101	12-5	103483701	5-11
102901501	12-17	103295201	12-5	103483801	16-15
102901601	12-17	103306301	9-3	103483901	16-15
102901701	12-17	103316701	13-15	103496801	7-15
102901801	12-17	103316801	13-15	103502601	6-17
102901901	12-17	103316901	13-15	103502701	6-21
102902001	12-17	103345701	11-5	103502801	6-21
102902101	12-17	103347101	7-5	103507001	6-17
102902201	12-17	103347301	7-5	103507101	9-11
102902301	12-17	103347601	7-5	103507201	9-11
102902401	12-17	103347701	7-5	103507301	9-11
102902501	12-17	103347801	7-5	103513001	16-3
102902601	12-17	103347901	7-5	103517401	16-3
102902701	12-17	103348201	4-13	103520301	9-15
102902801	12-17, 15-3	103348202	4-17	103538701	1-31
102966401	1-29	103348501	4-13, 7-3	103538901	1-31
102966501	1-29	103348601	4-13	103572501	14-3
102966502	1-29	103351001	6-15	103582801	15-3
102969401	12-3	103354401	4-17	103584801	13-17
102969801	12-3	103354701	6-15	103601501	6-3
102969901	12-3	103369501	12-3	103601601	6-7
102977001	4-13	103372101	9-3	103615601	8-9
102977002	4-15	103372301	9-3	103615801	8-13
102977901	9-3	103372401	9-5, 9-7	103615901	8-11
102978001	9-3	103372504	9-5	103616301	8-9
102989501	1-29, 1-31	103372801	9-5, 9-7	103616401	8-11
103010101	9-3	103380201	5-11	103616501	8-5
103173301	12-3	103380202	5-11	103616601	8-5
103174401	1-5	103386202	8-3	103616701	8-5
103177401	12-3	103397901	4-7, 16-5	103617101	9-9
103180101	4-13, 4-15	103406501	1-35	103618001	4-11
103192701	12-3	103406502	1-35	103618101	4-33
103198301	4-15	103406601	1-35	103628701	6-17
103198401	7-9	103414901	4-7, 16-5	103628801	6-21
103199001	4-13	103418601	9-5, 9-7	103628901	6-21
103199101	4-13	103428501	16-3	103653401	6-3
103205401	3-3	103428601	16-3	103653501	6-3, 6-15
103205501	3-7, 7-9	103428701	16-3	103665902	6-13
103210201	3-7	103429001	16-3	103666002	6-13
103210301	3-5	103429101	16-3	103678402	7-5
103218601	4-15, 13-5	103429201	16-3	103687001	7-3
103221801	13-5	103429301	16-3	103694501	2-5
103234301	3-9	103429501	16-3	103697301	13-15
103245201	1-29	103429701	16-3	103700301	4-19
103245301	1-29	103434001	16-3	103717001	16-3
103254101	4-5	103439901	16-3	103717002	16-3
103257001	4-7	103449501	13-17	103717003	16-3
103257603	4-17	103449601	13-17	103717302	6-19
103257701	4-17	103464901	3-9	103717402	6-19
103257801	4-17	103470902	4-7	103718702	7-5

INDEX

- 103719801 13-11
103722901 2-3
103723002 2-3
103724502 6-9, 6-11
103724601 6-11
103724602 6-9
103724901 6-11
103765601 13-13
103779601 16-3
103781101 9-3
103783001 3-5
103783002 3-7
103788001 9-3
103788101 9-3
103793001 13-13
103802401 4-21
103851201 9-7
103878401 13-11
103953301 7-5
103958101 13-13
96704416 8-15
- A**
- absorber, rear shock 6-23, 6-25
AC cord 16-3, 16-5, 16-7, 16-9, 16-11
AC cord bushing 16-3
AC cord receptacle 16-9, 16-11
accelerator bracket and bearing assembly 5-5, 5-7
accelerator cable 9-13
accelerator pedal 5-5, 5-7
accelerator pedal adjustment tool 17-3
accelerator pivot rod 5-5, 5-7
accelerator return spring 5-5, 5-7
accelerator rod 5-9
accessory switch panel 1-59
adapter
cable (IQDM) 17-5
adhesive, guide ring 17-3
air box 9-17
air box top 9-17
air duct shield 9-15
air filter 9-17
air intake hose 9-17
ammeter 16-3, 16-5, 16-7, 16-9, 16-11
angled bumper mount 6-25
A-plate strap 6-15
A-plate, delta 6-15
arbor 17-3
arm
governor 9-13, 12-7, 12-13
pivot 12-7
rocker 8-9
wiper 1-53
armature 14-3
assembly
accelerator bracket and bearing 5-5, 5-7
accelerator pivot rod 5-5, 5-7
air box 9-17
air box top 9-17
axle 12-11
bearing, steering shaft 6-5
bell crank and shaft 7-11
brake lever 5-11
cab 1-53
connecting rod 8-13
cylinder head 8-9
delta A-plate 6-15
delta shock and gear support 6-15
diode 4-7
drive hub 11-5
driven clutch 11-7
driven clutch fixed-face 11-7
float 9-9
frame and field (motor) 14-3
front panel 1-35
fuel cap 9-3
fuel pump 9-3
fuel tank vent 9-3
governor 12-9, 12-15
headlight 4-3, 4-5, 4-7
headlight harness 4-3
idle screw 9-9
inner ball joint 6-3
kingpin 6-17
latch weld 1-31
moveable-face 11-5, 11-7
pilot air screw 9-9
plug cap 8-5
ratchet 5-3
secondary clutch weight 11-5
side panel 1-35
steering shaft 6-5
tailgate 1-35
turn signal lens 4-3
axle 12-7, 12-11, 12-17, 15-3
axle guard 15-5
axle shaft oil seal 12-11, 12-17, 15-3
axle tube 12-11, 12-17, 15-3
- B**
- backing plate, brake 5-11
ball bearing 7-5, 8-11
ball joint 5-3, 5-9, 12-5
ball stud 7-11, 12-7, 12-13
ball, shifter 12-9
ball, steel pressure relief 8-7
ball, trailer hitch 1-49
bar, drive 13-3
barb, vent 9-3
barrel, plastic 1-3, 1-5, 1-35
battery
12-volt, side-post 7-15
8-volt, CR190 13-11
8-volt, GC8 13-13
battery charger 16-3, 16-5, 16-7, 16-9, 16-11
battery charger case 16-3, 16-5, 16-7, 16-9, 16-11
battery charger receptacle 13-7
battery charger retractable cord assembly 16-13, 16-15
battery charger transformer 16-3, 16-5, 16-7, 16-9, 16-11
battery charger, onboard 16-13, 16-15
battery clamp 7-15
battery condition indicator 4-17
battery condition indicator kit 4-17
battery discharge machine 17-3
battery hold-down 13-11, 13-13
battery light 4-15
battery terminal protector spray 17-3
battery thermometer 17-3
bead, ferrite 13-17
bearing 15-3
ball 7-5, 8-11
ball (motor) 14-3
ball (steering pinion) 6-3
cage roller 12-15
front wheel hub 6-13
hub 6-13
idler 11-5
inner axle tube 12-11, 15-3
lower pinion (steering) 6-3
needle 12-9
outer axle tube 12-11
pivot support 5-5, 5-7
steering shaft 6-5
thrust 6-17
bearing and oil seal remover 17-3
bearing driver set 17-3
bearing puller 17-3
bearing puller wedge 17-3
bearing seat 6-5
bed frame assembly 1-31
bed latch 1-35
bed latch spring 1-35
bed mat 1-41
bed seal 1-29, 1-31
bed, floor plate 1-31
bed, tilt 1-31
bell crank and shaft 7-11
bellows 6-3
belt, drive 11-3
belt, seat 1-53
belt, starter/generator 7-7
belt, V 7-7
bezel, headlight 4-3
block, brake-mounting 5-3

INDEX

- block, fuse 4-5, 4-7, 7-11
- block, terminal 4-5, 4-7
- blower cover 1-67
- blower mounting bracket 1-67
- blower, centrifugal 1-67
- body, front 1-3
- bolt, J- 13-11
- bolt, U- 6-23, 6-25
- boot, steering column 6-5
- boot, switch 7-9, 13-9
- bottom, air box 9-17
- box
 - air 9-17
 - cargo 1-35
 - differential 12-17
 - electrical component 7-11
 - steering gear 6-3
 - tool 1-45
- box, tool 1-45
- box, van 1-69
- brace, trailer hitch 1-47
- bracket
 - accelerator cable 9-13
 - adjustable starter/generator 7-7
 - brake light switch 4-5, 4-7
 - FNR shifter 12-3
 - governor cable 9-13
 - headlight mounting 4-3
 - horn 4-5, 4-7, 4-31, 4-33
 - hour meter 4-35
 - muffler mounting 10-3
 - oil filter mount 8-7
 - oil level switch 8-11
 - relay mounting 16-7
 - shock mounting, drv 6-23, 6-25
 - shock mounting, pas 6-23, 6-25
 - snubber 8-15
 - stake side 1-39
 - starter/generator mounting 7-7
 - steering column 6-5
 - steering column mounting 6-5
 - throttle spring return 9-11
 - Tow/Run switch 7-9, 13-9
- bracket, carburetor intake manifold 9-11
- bracket, hinge, bed 1-31
- brake adjusting mechanism 5-11
- brake adjustment tool 17-3
- brake backing plate 5-11
- brake cable 5-13
- brake cable equalizer 5-13
- brake cable hanger 6-23, 6-25
- brake cable release tool 17-3
- brake cluster 5-11
- brake drum 5-11
- brake lever 5-11
- brake light switch bracket 4-5, 4-7
- brake mounting block 5-3
- brake pedal 5-3
- brake pedal pad 5-3
- brake relay kit, 12-volt 4-5
- brake relay kit, 48-volt 4-7
- brake return spring 5-13
- brake self-adjusting mechanism 5-11
- brake shoe 5-11
- brake spring 5-11
- breaker, circuit 16-3, 16-5, 16-7, 16-9, 16-11
- breather 12-7, 12-13, 15-3
- brush 14-3
- brush box assembly 14-3
- brush cover kit, starter/generator 7-5
- brush inspection port cover 7-5
- brush rigging 14-3
- brush spring 7-5, 14-3
- brush spring set 7-5
- brush spring, starter/generator 7-5
- brush terminal, starter/generator 7-5
- bulb, headlight 4-3
- bulb, strobe light 4-25, 4-27, 4-29
- bulb, tail light 4-37
- bumper 1-21
 - drive unit (motor) 14-3
 - front 1-3
 - front, heavy duty 1-3
 - front, kit 1-3
 - jounce 6-23, 6-25
 - rubber 1-33, 5-3
 - seal, long 1-15
 - spring return 5-5, 5-7
- bumper mount 6-23
- bumper mount, angled 6-25
- bumper, heavy-duty 1-3
- bumper, seat 1-15
- bushing 7-11, 11-5, 12-3
 - AC cord 16-3
 - bronze 6-13, 6-19
 - nylon 1-35, 1-37, 5-3
 - return line 9-3
 - snap-in 1-35
 - spindle 6-13, 6-19
 - steel 1-31, 6-17, 6-21, 6-23, 6-25
 - urethane 1-31, 6-15, 6-17, 6-21, 6-23, 6-25
- button, choke 9-15
- button, drive 11-7
- buzzer, reverse 4-13, 4-15
- C**
- cab 1-53
 - door 1-53
 - door hinge 1-53
 - door latch 1-53
 - heater 1-67
 - roof 1-53
- side rear window 1-53
- windshield 1-53
- windshield latches 1-53
- wiper arm 1-53
- wiper blade 1-53
- wiper motor 1-53
- cable
 - accelerator 9-13
 - brake 5-13
 - FNR shifter 12-5
 - governor 9-13
- calibration test module 17-3
- cam
 - driven clutch 11-7
 - electrical component box 7-11
- cam, FNR shifter 12-3
- camshaft 8-11
- camshaft shim 8-11
- canister, carbon, fuel tank 9-5, 9-7
- canopy 1-23, 1-25, 1-27
- canopy brace 1-23, 1-25, 1-27
- canopy support 1-23, 1-25, 1-27
- canopy trim plate 1-23, 1-25, 1-27
- cap 1-43
 - corner 1-29, 1-37
 - dust 4-15, 13-5
 - fuel, gas, ratchet 9-3
 - key switch 4-13, 4-15
 - plug 8-5
 - seat back 1-17
- cap, hub, 7 prong 2-5
- carbon canister 9-5, 9-7
- carburetor adapter 9-11
- carburetor gasket 9-11
- carburetor insulator 9-11
- carburetor mounting gasket 9-11
- carburetor, FE350 S27 9-9
- card, safety first 17-5
- cargo bed, side panel 1-35
- cargo box 1-35
- case
 - battery charger 16-3, 16-5, 16-7, 16-9, 16-11
 - differential gear 12-11
 - gear 12-7, 12-13, 15-3
 - rocker 8-9
- CE compliance kit 13-17
- CE mark controller 13-15, 13-17
- CE mark ferrite bead, Fair-rite 13-17
- CE mark ferrite bead, TDK 13-17
- centrifugal blower 1-67
- charger
 - wire assembly kit 16-5
- charger bezel tool 17-3
- charger hardware kit 16-3
- charger receptacle 13-7

INDEX

- charger, battery, onboard 16-13, 16-15
 - charger, battery, PowerDrive 16-5
 - charger, battery, PowerDrive 3 16-3
 - charger, battery, PowerDrive European 16-9, 16-11
 - charger, battery, PowerDrive Export 16-7
 - charger, onboard 16-13
 - choke button 9-15
 - choke lever 9-15
 - choke lever guide 9-15
 - choke positioner 9-15
 - choke valve 9-17
 - circuit breaker 16-3, 16-5, 16-7, 16-9, 16-11
 - clamp
 - battery 7-15
 - cable retaining 9-13
 - hose 9-3, 9-5, 9-7, 9-11, 9-17
 - hose, green 9-5, 9-7
 - muffler hose 1-67, 10-3
 - clevis, upper delta 6-17
 - clip
 - meter 4-13
 - clip, score card 6-11
 - cluster idler gear 12-9
 - cluster, brake 5-11
 - clutch cam installation tool 17-3
 - clutch pulley 11-5
 - clutch repair kit 11-7
 - clutch tool kit 17-3
 - clutch weight 11-5
 - clutch, drive 11-5
 - clutch, driven 11-7
 - collet 8-9
 - column, steering 6-5
 - communication display module 17-5
 - component box, electrical 7-11
 - component mounting plate 13-15
 - compression gauge 17-5
 - compression lug 13-15
 - compression spring 9-15
 - compressor, piston ring 17-5
 - compressor, valve spring 17-7
 - conduit 4-29
 - connecting rod 8-13
 - continuity tester 17-5
 - controller cover 13-15
 - controller cover gasket 13-15
 - controller, motor speed
 - IQ 13-15
 - controller, motor speed (CE) 13-15, 13-17
 - converter, DC/DC 4-19
 - cord connector 8-11
 - cord reel 16-13, 16-15
 - cord set, DC 16-3
 - cord, AC 16-3, 16-5, 16-7, 16-9, 16-11
 - cord, DC 16-5, 16-7, 16-9, 16-11
 - cord, retractable, assembly 16-13, 16-15
 - counterbalance guide shaft 8-13
 - counterbalance weight 8-13
 - cover
 - brush inspection port 7-5
 - crankcase 8-11
 - dust 5-11, 6-13
 - electrical box 7-11
 - fuse block 4-5, 4-7
 - oil pump 8-7
 - rocker switch hole 4-13, 4-15
 - screw head 4-13, 4-15
 - steering column 6-5
 - wheel 2-5
 - cover gasket, controller 13-15
 - cover plate 14-3
 - cover, controller 13-15
 - cover, speed controller 13-15
 - cover, steering column 4-9, 4-11
 - cowl 1-3
 - crankcase 8-13
 - crankcase cover 8-11
 - crankcase vent tube 9-11
 - crankshaft 8-13
 - crankshaft rod 8-13
 - crankshaft shim 8-13
 - C-type stop ring 6-3
 - cup holder 1-9
 - cup, spring 5-5, 5-7
 - current limiter 16-9, 16-11
 - cushion, shock absorber 6-23, 6-25
 - cutter, valve seat 17-7
 - cylinder head 8-9
- ## D
- dash component 1-7
 - dash panel 4-13, 4-15
 - dc converter, 15A 4-19
 - dc converter, CE 4-21
 - DC cord 16-5, 16-7, 16-9, 16-11
 - DC cord set 16-3
 - DC/DC converter 4-19
 - decal
 - battery danger 3-5
 - bed load warning 1-35, 1-39, 3-3
 - Carryall 1 3-9
 - Club Car name plate 3-9
 - component cover 3-5, 13-15
 - crush area warning 3-3
 - driver/passenger 3-7
 - FNR 3-5, 3-7
 - frame ground 3-7
 - header heater 1-67
 - heater inspection 1-67
 - hot surface warning 3-7
 - IR 3-9
 - motor braking 3-5
 - on/off 3-3
 - operating instructions 3-5, 3-7
 - refreshment center 1-43
 - rollover warning 3-3
 - rotating parts 3-7, 7-5
 - run/service switch 3-7, 7-9
 - tailgate 1-35, 3-9
 - Tow/Run switch warning 3-5
 - trailer hitch 1-47, 3-3
 - Turf 1 3-9
 - vehicle loading 3-3
 - defogger fan 1-65
 - delta A-plate 6-15
 - delta A-plate sub-assembly 6-15
 - delta shock and gear support 6-15
 - diagnostic port 4-15, 13-5
 - differential drive unit 12-7, 15-3
 - differential gear 12-11, 15-3
 - differential gear case 12-11, 12-17
 - differential guard 15-5
 - differential housing 15-3
 - differential idler gear 12-11
 - differential pin 12-11
 - diode 4-7, 7-11
 - dipstick 8-3
 - door 1-53
 - door latch 1-53
 - drain plug 1-43, 8-7, 12-13
 - drain plug gasket 8-7, 12-7, 12-13
 - drain plug, rubber 7-5
 - drive bar 13-3
 - drive belt 11-3
 - drive button 11-7
 - drive clutch 11-5
 - drive clutch button 11-5
 - drive clutch fixed-face 11-5
 - drive clutch holder tool 17-3
 - drive clutch hub puller 17-3
 - drive clutch puller 17-3
 - drive clutch spring 11-5
 - drive clutch weight 11-5
 - drive hub 11-5
 - drive selector shaft 12-7, 12-13
 - drive unit bumper 14-3
 - drive unit guard 15-5
 - driven clutch 11-7
 - driven clutch button 11-7
 - driven clutch cam 11-7
 - driven clutch cam puller 17-3
 - driven clutch fixed-face assembly 11-7
 - driven clutch puller plug 17-3
 - driver, drive clutch 11-5
 - drum, brake 5-11
 - dry moly lubricant 17-5
 - duct hose 1-67

INDEX

dust cap 4-15, 13-5
dust cover 5-11, 6-13

E

eccentric bolt 6-17
E-clip 5-13
electrical box cover 7-11
electrical component box 7-11
end cap, motor 14-3
end, tie rod 6-15
engine mounting plate 8-15
engine shroud 8-3
engine, FE350 S27 8-3
equalizer rod 5-13
equalizer, brake cable 5-13
exhaust system 10-3
exhaust valve 8-9
extension, spring latch 1-31
extrusion, cover support 13-15
extrusion, fender 1-3
extrusion, plastic 1-21

F

face, moveable 11-5, 11-7
fan housing 8-3
fan shroud 8-3
fan, defogger 1-65
fan, flywheel 8-5
fender extrusion 1-3
fender, rear 1-51
ferrite bead (CE), Fair-rite 13-17
ferrite bead (CE), TDK 13-17
field coil housing 7-5
fill plug 12-7, 12-13
fill plug gasket 12-13
filter
 air 9-17
 fuel 9-3
 oil 8-7
 oil pump 8-7
fitting, thread-forming grease 6-13, 6-19
fixed-face, drive clutch 11-5
fixed-face, driven clutch 11-7
flasher, turn signal, 12-volt 4-11
float 9-9
floor mat 1-7
flywheel 8-5
flywheel fan 8-5
flywheel fan plate 8-5
flywheel puller 17-5
FNR closeout brush 4-13
FNR shift lever 12-7, 12-13
FNR shifter 12-3
FNR shifter bracket 12-3
FNR shifter cable 12-5

FNR shifter cam 12-3
fork, shift 12-9, 12-15
frame and field assembly (motor) 14-3
frame and field, starter/generator 7-5
front body 1-3
front bumper 1-3
front bumper kit 1-3
front panel 1-35
front spring retainer plate 6-17
fuel filter 9-3
fuel gauge sending unit 9-3
fuel line 9-3, 9-5, 9-7, 9-11
fuel meter 4-13
fuel pump 9-3
fuel pump mount 9-3
fuel tank 9-3
fuel tank strap 9-3
fuel tank vent 9-3
fuse 13-7, 16-5, 16-7, 16-9, 16-11
 10-amp 7-11
 20-amp 4-5, 4-7, 7-11
 3/8-amp 13-7
 charger 16-3
fuse block 4-5, 4-7, 7-11
fuse block cover 4-5, 4-7
fuse holder 16-13, 16-15

G

gasket
 carburetor 9-11
 carburetor mounting 9-9, 9-11
 crankcase cover 8-9, 8-11
 drain plug 8-7, 12-7
 drain plug, fill plug 12-13
 exhaust 1-67, 8-9, 10-3
 head 8-9
 insulator 8-9, 9-11
 liquid 12-7, 15-3, 17-5
 plug 15-3
 rocker case 8-9
 sending unit 9-3
 taillight 4-37
gasket kit, FE350 8-9
gasket, controller cover 13-15
gauge, battery condition 4-17
gauge, compression 17-5
gauge, fuel-hour 4-13
gear
 25 tooth 12-15
 28 tooth 12-15
 case 12-13
 cluster idler 12-9
 differential 12-11, 12-17, 15-3
 differential idler 12-11, 15-3
 differential output 15-3
 helical 8-13, 12-9, 12-11

planetary 12-17
speed governor 12-15
spur 8-13, 12-9
sun 12-17
synchro 12-9
gear yoke 17-5
gearcase 12-7, 15-3
governor 12-9, 12-15
governor arm 9-13, 12-7, 12-13
governor cable 9-13
governor cable bracket 9-13
governor shaft installation tool 17-5
grip, pencil 6-11
grip, tilt latch hand 1-31, 1-35
grommet 1-13, 1-23, 1-25, 1-27, 9-3
 ignition 8-5
guard, differential 15-5
guard, splash 1-5
guide
 choke lever 9-15
 intake valve 8-9
 valve seat cutter 17-7
guide ring adhesive 17-3

H

handle 1-69
handle, bar unit 1-43
hanger, brake cable 6-23, 6-25
hardware kit, charger 16-3
harness
 wire 4-33
harness, wire 1-67, 4-5, 4-19, 4-21, 4-25, 4-27, 4-33, 13-5
harness, wire, lighting 4-7
head gasket 8-9
head, cylinder 8-9
headlight 4-3
headlight assembly 4-3, 4-5, 4-7
headlight bulb 4-3
headlight harness 4-3
headlight retainer 4-3
heat shrink tube 16-13, 16-15
heater 1-67
heatsink and rectifier 16-5, 16-7, 16-9, 16-11
heavy-duty bumper 1-3
helical gear 8-13, 12-9, 12-11
hill brake rod 5-3
hill brake weld assembly 5-3
hinge kit, door 1-53
hinge pin 1-39
hinge, bar unit side door 1-43
hinge, stake side 1-39
hitch, trailer 1-47
hitch, trailer, ball 1-49
hold-down, battery 13-11, 13-13
holder, cup 1-9

INDEX

hole plug 4-15
horn 4-5, 4-7, 4-31, 4-33
horn bracket 4-5, 4-7, 4-31, 4-33
horn button and wire assembly 4-5, 4-7, 4-31
hose
 fuel 9-3
 vent 9-5, 9-7
 vent flare 9-5
hose clamp, green 9-5, 9-7
hose, air intake 9-17
hose, duct 1-67
hour meter 4-13, 4-35
hour meter, 36-48 volt 4-35
housing
 2-pin 13-3
 3-pin 13-3, 14-3
 6-pin 13-15
 differential 15-3
 fan 8-3
 field coil 7-5
hub 6-13
hub bearing 6-13
hub cap 2-5
hub cap, 7 prong 2-5
hub, synchronizer clutch 12-9
hydrometer 17-5

I
idle screw assembly 9-9
idler bearing 11-5
idler gear, differential 15-3
ignition coil 8-5
indicator, battery condition 4-17
inlet valve 1-67
inner frame snubber 8-15
input shaft 15-3
insert, synchronizer 12-9
instrument panel 4-13, 4-15
insulator gasket 8-9, 9-11
insulator, carburetor 9-11
intake valve 8-9
intermediate shaft 15-3
internal retaining ring pliers 17-5
IQ display module (IQDM) 17-5

J
J-bolt 13-11
jet, main 9-9
jet, pilot 9-9
joint
 ball 5-3, 5-9, 12-5
jounce bumper 6-23, 6-25

K
key

crankshaft 8-5, 8-13
driven clutch 11-7
On/Off 4-13, 4-15
square 11-7
woodruff 12-7
key switch 4-13
key switch cap 4-13, 4-15
key switch, On/Off 4-15
kingpin 6-17
kit
 2-pin housing 13-3
 3-pin housing 13-3, 14-3
 6-pin housing 13-15
 accelerator pivot rod 5-5, 5-7
 air duct shield 9-15
 battery condition indicator 4-17
 brake cable 5-13
 brake pedal 5-3
 brake relay 4-5
 brake shoe retainer 5-11
 cab adapter 1-53
 canopy 1-23, 1-25, 1-27
 CE compliance 13-17
 clutch repair 11-7
 cup holder 1-9
 differential gear case 12-11
 door hinge 1-53
 drive clutch button 11-5
 drive clutch weight 11-5
 driven clutch button 11-7
 fan/defogger 1-65
 fixed-face drive 11-5
 flywheel puller 17-5
 front bumper 1-3
 gasket, FE350 8-9
 heater, cab 1-67
 heavy-duty front bumper 1-3
 hour meter 4-35
 hub cap 2-5
 IQ display module (IQDM) 17-5
 light 4-5, 4-7
 mirror 1-11
 mirror, inside rear-view 1-55
 mirror, side-view 1-57
 motor brush 14-3
 motor brush spring 14-3
 motor cover plate 14-3
 motor speed sensor 14-3
 motor terminal hardware 14-3
 name plate 3-9
 onboard charger 16-13
 park brake latch 5-3
 park brake pedal 5-3
 PD3 hardware 16-3
 piston ring compressor 17-5
 relay, 48V 4-7, 16-5

seat belt 1-53
shock absorber 6-23, 6-25
shock absorber cushion 6-23, 6-25
shoe retainer 5-11
steering column mounting bracket 6-5
strobe light 1-61, 4-25, 4-27, 4-29
tailgate mounting 1-35
taillight hardware 4-37
trailer hitch 1-47
transmission tool 17-7
tune-up 17-7
turn signal 4-9
wheel cover 2-5
windshield, hinged 1-19
windshield, one-piece 1-21
wire assembly, charger 16-5
work light 1-63
knob, forward/reverse 12-3
knob, light switch 4-5, 4-7

L
lamp, strobe light 4-25, 4-27, 4-29
lamp, turn signal and socket 4-9, 4-11
latch plate, tilt bed 1-33
latch weld 1-31
latch, air box 9-17
latch, bed 1-35
latch, park brake 5-3
leaf spring 6-23, 6-25
lens, headlight 4-3
lens, strobe light 4-25, 4-27, 4-29
lens, taillight 4-37
lever
 choke 9-15, 9-17
 drive selector 12-7
 speed governor 12-13
 transmission shift 12-7, 12-13
light
 battery 4-15
 oil 4-13
light switch 4-5, 4-7
light switch knob 4-5, 4-7
light, strobe 1-61, 4-25, 4-27, 4-29
lighting package 4-5, 4-7
limit switch 4-5, 4-7, 7-11, 7-13, 12-3
limiter
 current 16-9, 16-11
 voltage 4-5, 4-23
line, fuel 9-3, 9-5, 9-7, 9-11
liquid gasket 12-7, 15-3, 17-5
low oil warning light 4-13
lubricant, dry moly 17-5
lubricant, moly-teflon 14-3, 17-5
lug nut 2-3
lug stud 12-11, 12-17, 15-3
lug, compression 13-15

INDEX

M

magnet, speed sensor 14-3
main jet 9-9
mat, bed 1-41
mat, floor 1-7
MCOR 13-3
mechanism, brake adjusting 5-11
meter clip 4-13
meter, hour 4-35
meter, volt ohm 17-7
mirror 1-11
mirror, inside rear-view 1-55
mirror, rear view 1-11
mirror, side-view 1-57
module
 calibration test 17-3
 communication display 17-5
moly-teflon lubricant 17-5
motor
 48-volt IQ 14-3
 wiper 1-53
motor brush kit 14-3
motor brush spring kit 14-3
motor bumper 14-3
motor end cap 14-3
motor magnet, speed sensor 14-3
motor speed controller
 CE 13-15, 13-17
 IQ 13-15
motor speed sensor 14-3
motor speed sensor kit 14-3
motor terminal hardware kit 14-3
mount, bumper 6-23
mount, fuel pump 9-3
mounting block, brake 5-3
moveable-face 11-5, 11-7
muffler hose clamp 1-67, 10-3

N

name plate 3-9
needle bearing 12-9
nozzle, main 9-9
nut, lug 2-3

O

oil conveyor 12-13
oil filler tube 8-3
oil filter 8-7
oil filter mount bracket 8-7
oil filter screen 8-11
oil filter screen plate 8-11
oil level sensor 8-11
oil level switch bracket 8-11
oil pump and rotor 8-7
oil pump cover 8-7

oil pump filter 8-7
oil pump plate 8-7
oil seal 8-9, 8-11, 8-13, 12-7, 12-9
oil warning light, low 4-13
onboard battery charger 16-13, 16-15
O-ring 1-43, 8-3, 8-9, 8-11, 8-13
overload bumper spacer 6-23, 6-25

P

pad
 accelerator pedal 5-5, 5-7
 brake pedal 5-3
 park brake 5-3
paint, touch-up 17-5
panel box 1-35
panel, front 1-35
panel, instrument 4-13, 4-15
panel, side 1-35
park brake latch 5-3
park brake pedal 5-3
park brake rod sleeve 5-3
park brake spacer 5-3
park brake torsion spring 5-3
pawl 5-3
pedal, accelerator 5-5, 5-7
pedal, brake 5-3
pedal, park brake 5-3
pencil grip 6-11
pilot air screw assembly 9-9
pilot jet 9-9
pin
 bow tie locking 5-13
 clevis 5-13
 differential 12-11
 piston 8-13
pin, hinge 1-39
pinion, steering 6-3
piston 8-13
piston pin 8-13
piston ring 8-13
piston ring compressor 17-5
piston ring pliers 17-5
piston ring set 8-13
pivot arm 12-7
pivot support bearing 5-5, 5-7
plate
 backing (brake) 5-11
 bed floor 1-31
 component mounting 13-15
 cover 14-3
 engine mounting 8-15
 flywheel fan 8-5
 front spring retainer 6-17
 latch 1-33
 name 3-9
 oil filter screen 8-11

oil pump 8-7
receptacle backing 13-7
spring mounting 6-17
thrust 12-9, 12-11

plate, canopy trim 1-23, 1-25, 1-27
pliers

 internal retaining ring 17-5
 piston ring 17-5
 retaining ring 17-5

plug

 6-pin 13-15
 drain 1-43, 8-7, 12-13
 drive clutch 11-5
 driven clutch puller 17-3
 fill 12-7, 12-13
 hole 4-15
 rubber drain 7-5
 spark 8-5

plug cap 8-5

plug, carburetor intake manifold 9-11

port, diagnostic 4-15, 13-5

portable refreshment center 1-43

positioner, choke 9-15

PRC 1-43

press weldment 17-3

protector spray, battery terminal 17-3

puller

 bearing 17-3
 drive clutch 17-3
 drive clutch hub 17-3
 driven clutch cam 17-3
 flywheel 17-5
 seal 17-5

pulley

 clutch 11-5
 starter-generator 7-5
 v-belt 7-5

pump

 fuel 9-3

push rod 8-9

R

race, front hub bearing 6-13

rack guide pressure spring 6-3

rack, steering 6-3

ratchet, park brake 5-3

reamer, valve guide 17-7

rear fender 1-51

rear spring shackle 6-23, 6-25

rear view mirror 1-11

rear-view mirror, inside 1-55

receptacle 13-7

receptacle backing plate 13-7

receptacle, AC cord 16-9, 16-11

receptacle, battery charger 13-7

rectifier with heatsink 16-5, 16-7, 16-9, 16-11

INDEX

- reel assembly, retractable 16-13, 16-15
- reel cord 16-13, 16-15
- refreshment center 1-43
- refreshment center, portable 1-43
- regulator, voltage 7-11
- relay 4-7, 16-3, 16-5, 16-7, 16-9, 16-11
- relay mounting bracket 16-7
- relay, 12-volt 4-5
- relay, 48V 4-7, 16-5
- relay, brake, kit, 12-volt 4-5
- relay, brake, kit, 48-volt 4-7
- remover, bearing and oil seal 17-3
- resistor assembly 13-15
- retainer
 - accelerator pedal spring 5-5, 5-7
 - brake shoe 5-11
 - headlight 4-3
 - shock absorber cushion 6-23, 6-25
 - spring 6-23, 6-25
 - spring (drive clutch) 11-5
 - valve spring 8-9
- retaining ring 6-5
- retaining ring pliers 17-5
- return spring bumper 5-5, 5-7
- reverse buzzer 4-13, 4-15
- rim, wheel, white 2-3
- ring
 - C-type stop 6-3
 - piston 8-13
 - retaining 6-5, 7-11, 11-5, 11-7
 - snap 6-3, 8-9, 8-13
 - spiral backup 11-5
 - synchronizer 12-9
- rivet, blind push 1-3
- rock guard 15-5
- rocker arm 8-9
- rocker case 8-9
- rocker case gasket 8-9
- rocker shaft 8-9
- rocker switch 4-15
- rocker switch (lights) 4-5, 4-7
- rod
 - accelerator 5-9
 - accelerator pivot 5-5, 5-7
 - connecting 8-13
 - crankshaft 8-13
 - equalizer 5-13
 - hill brake 5-3
 - push 8-9
 - shift 12-9
- roof 1-53
- S**
- safety first card 17-5
- score card clip 6-11
- score card plate 6-11
- screen, oil filter 8-11
- screw, valve clearance adjuster 17-7
- seal
 - intake 9-17
 - lip 15-3
 - oil 8-9, 8-11, 8-13, 12-7, 12-9, 12-11, 12-17, 15-3
 - steering pinion dust 6-3
- seal puller 17-5
- seal, bed 1-29, 1-31
- sealant 12-7, 15-3
- seat
 - spring 8-9
 - valve 8-7
- seat back 1-17
- seat back assembly 1-17
- seat back cap 1-17
- seat back tube 1-29
- seat back, white 1-17
- seat belt 1-53
- seat bottom assembly 1-15
- seat bumper 1-15
- seat cover, vinyl 1-15
- seat strap 1-15
- seat, bearing 6-5
- sending unit, fuel gauge 9-3
- sensor, motor speed 14-3
- sensor, oil level 8-11
- shackle, rear spring 6-23, 6-25
- shaft
 - counterbalance guide 8-13
 - drive selector 12-7, 12-13
 - input 15-3
 - intermediate 15-3
 - rocker 8-9
 - steering column 6-5
 - transmission 12-9, 12-15
- shaft,reverse gear 12-15
- shaft,secondary
 - transmission 12-15
- shield, air duct 9-15
- shift fork 12-9, 12-15
- shift lever 12-7, 12-13
- shift rod 12-9
- shifter, FNR 12-3
- shim, camshaft 8-11
- shim, crankshaft 8-13
- shim, latch plate 1-33
- shim, tilt bed pivot 1-31
- shock absorber 6-15
- shock absorber (rear) 6-23, 6-25
- shock absorber cushion 6-23, 6-25
- shock absorber cushion retainer 6-23, 6-25
- shock mounting bracket, drv 6-23, 6-25
- shock mounting bracket, pas 6-23, 6-25
- shoe retainer kit 5-11
- shoe, brake 5-11
- shroud 8-3
- shroud, engine 8-3
- shroud, fan 8-3
- side panel 1-35
- side-view mirror 1-57
- signal, turn 4-9
- sleeve
 - delta A-plate 6-15
 - governor 12-9
 - park brake rod 5-3
 - synchronizer 12-9
- snap ring 6-3, 8-9, 8-13
- snubber bracket 8-15
- snubber, inner frame 8-15
- solenoid 13-15
- solenoid, 12-volt 7-11
- spacer
 - accelerator pivot rod 5-5, 5-7
 - overload bumper 6-23, 6-25
 - park brake 5-3
- spark plug 8-5
- speed controller
 - CE 13-15, 13-17
 - IQ 13-15
- speed controller cover 13-15
- speed sensor 14-3
- speed sensor magnet 14-3
- speed sensor, motor 14-3
- spindle 6-13
- spindle assembly 6-19
- spiral backup ring 11-5
- splash guard 1-5
- spray, battery terminal protector 17-3
- spring
 - accelerator return 5-5, 5-7
 - brake 5-11
 - brake return 5-13
 - brush 7-5, 14-3
 - compression 6-11, 9-15
 - drive button 11-5
 - drive clutch 11-5
 - driven clutch 11-7
 - extension 1-31
 - extension return 9-17
 - latch tilt 1-35
 - leaf 6-23, 6-25
 - park brake torsion 5-3
 - rack guide pressure 6-3
 - shifter 12-9
 - steering shaft compression 6-5
 - synchronizer 12-9
 - throttle return 9-11
 - valve 8-9
- spring cup 5-5, 5-7
- spring mounting plate 6-17

INDEX

- spring retainer 6-23, 6-25
 - spring, leaf 6-17
 - spur gear 8-13, 12-9
 - stake side 1-39
 - stake side bracket 1-39
 - stake side hinge 1-39
 - stake side kit 1-39
 - stand-offs, plastic 16-3
 - starter/generator belt 7-7
 - starter/generator brush cover kit 7-5
 - starter/generator brush spring 7-5
 - starter/generator brush terminal 7-5
 - starter/generator frame and field 7-5
 - starter/generator pulley 7-5
 - steel bushing 1-31, 6-17, 6-21, 6-23, 6-25
 - steel pressure relief ball 8-7
 - steering column 6-5
 - steering column bearing press tool 17-7
 - steering column cover 4-9, 4-11
 - steering column retaining ring tool 17-7
 - steering gear box 6-3
 - steering pinion 6-3
 - steering pinion dust seal 6-3
 - steering rack 6-3
 - steering shaft assembly 6-5
 - steering shaft compression spring 6-5
 - steering wheel 6-9, 6-11
 - steering wheel puller tool 17-7
 - stem, valve 2-3
 - stiffener 1-15
 - stiffener, flywheel side 8-15
 - stiffener, PTO side 8-15
 - strap, A-plate 6-15
 - strap, fuel tank 9-3
 - strap, seat 1-15
 - strobe light 1-61, 4-25, 4-27, 4-29
 - strobe light lens 4-25, 4-27, 4-29
 - stud 8-15
 - lug 12-11, 12-17, 15-3
 - self-clinching 1-37
 - stud, ball 7-11, 12-7, 12-13
 - support yoke (steering) 6-3
 - suppressor, voltage 4-5, 16-5, 16-7, 16-9, 16-11
 - switch plate cover 4-25, 4-27, 4-29
 - switch 1-67
 - four-position 16-7, 16-9, 16-11
 - key 4-13, 4-15
 - light 4-5, 4-7
 - light rocker 4-5, 4-7
 - limit 4-5, 4-7, 7-11, 7-13, 12-3
 - rocker 4-15
 - Tow/Run 13-9
 - turn signal 4-9, 4-11
 - switch assembly 4-25, 4-27, 4-29
 - switch panel, accessory 1-59
 - switch rubber boot 7-9, 13-9
 - switch, toggle 7-9
 - synchro gear 12-9
 - synchronizer clutch hub 12-9
 - synchronizer insert 12-9
 - synchronizer sleeve 12-9
 - synchronizer spring 12-9
 - synchronizer, complete 12-15
 - system, exhaust 10-3
- ## T
- 12-volt solenoid 7-11
 - tachometer 17-7
 - tail light bulb 4-37
 - tailgate 1-35
 - tailgate angle 1-37
 - tailgate mounting kit 1-35
 - taillight 4-37
 - taillight assembly 4-5, 4-7, 4-37
 - taillight base 4-37
 - taillight gasket 4-37
 - taillight hardware kit 4-37
 - taillight lens 4-37
 - tailskirt 1-51
 - tank
 - fuel 9-3
 - tape 9-15
 - tape, vinyl foam 1-31
 - tappet 8-11
 - terminal block 4-5, 4-7, 13-15
 - terminal, 1/4 quick-disconnect 4-19, 4-21
 - tester, continuity 17-5
 - thermometer, battery 17-3
 - thread-forming grease fitting 6-13, 6-19
 - throttle return spring 9-11
 - throttle spring return bracket 9-11
 - thrust bearing 6-17
 - thrust plate 12-9, 12-11
 - tie rod 6-15
 - tie rod end 6-15
 - tie wrap 1-67, 4-9, 4-11, 4-19, 4-21, 4-27, 4-29, 4-35, 6-3, 7-11, 12-5, 13-15, 13-17, 16-13, 16-15
 - tilt bed 1-31
 - tilt latch hand grip 1-31, 1-35
 - tire 2-3
 - tire and wheel assembly 2-3
 - toggle switch 7-9
 - tool
 - accelerator pedal adjustment 17-3
 - brake adjustment 17-3
 - brake cable release 17-3
 - charger bezel 17-3
 - clutch cam installation 17-3
 - drive clutch holder 17-3
 - governor shaft installation 17-5
 - steering column bearing press 17-7
 - steering column retaining ring 17-7
 - steering wheel puller 17-7
 - transaxle axle seal 17-7
 - transaxle pinion seal 17-7
 - transmission 17-7
 - tool box 1-45
 - tool kit, clutch 17-3
 - toolbox 1-45
 - touch-up paint 17-5
 - Tow/Run switch 13-9
 - Tow/Run switch bracket 7-9, 13-9
 - trailer hitch 1-47
 - trailer hitch ball 1-49
 - trailer hitch brace 1-47
 - transaxle (Electric Vehicle) 15-3
 - transaxle axle seal tool 17-7
 - transaxle Graziano (gasoline vehicle), unitized 12-13
 - transaxle guard 15-5
 - transaxle pinion seal tool 17-7
 - transaxle, Kawasaki (Gasoline Vehicle) 12-7
 - transformer, battery charger 16-3, 16-5, 16-7, 16-9, 16-11
 - transmission secondary shaft 12-15
 - transmission shaft 12-9, 12-15
 - transmission tool 17-7
 - trim
 - cowl 1-3
 - seat bottom 1-29
 - tube
 - axle 12-11, 12-17, 15-3
 - crankcase vent 9-11
 - oil filler 8-3
 - seat back 1-29
 - tune-up kit 17-7
 - turn signal 4-9
 - turn signal conversion kit 4-9
 - turn signal lens 4-3
 - turn signal socket and lamp 4-9, 4-11
 - turn signal switch 4-11
- ## U
- U-bolt 6-23, 6-25
 - unitized transaxle Graziano 12-13
 - upper delta clevis 6-17
 - urethane bushing 1-31, 6-15, 6-17, 6-21, 6-23, 6-25
- ## V
- valve
 - choke 9-17
 - exhaust 8-9
 - reed 8-9
 - valve clearance adjuster screw 17-7
 - valve guide reamer 17-7
 - valve guide, intake 8-9

INDEX

valve seat 8-7
valve seat cutter 17-7
valve seat cutter guide 17-7
valve seat t-wrench 17-7
valve spring 8-9
valve spring compressor 17-7
valve spring retainer 8-9
valve stem 2-3
valve stem extension 2-5
valve, inlet 1-67
van box 1-69
v-belt 7-7
vent barb 9-3
vent, barb 9-5, 9-7
volt ohm meter 17-7
voltage limiter 4-5, 4-23
voltage regulator 7-11
voltage suppressor 4-5, 16-5, 16-7, 16-9, 16-11

W

warning light, low oil 4-13
wedge, bearing puller 17-3
weight
 clutch 11-5
 counterbalance 8-13
 secondary clutch 11-5
weldment
 press 17-3
wheel
 steering 6-9, 6-11
wheel and tire assembly 2-3
wheel cover 2-5
wheel rim, white 2-3
window 1-53
windshield 1-53
 hinged 1-19
 one-piece 1-21
windshield channel 1-19
windshield frame 1-23, 1-25, 1-27
windshield frame pad 1-23, 1-25, 1-27
windshield latches 1-53
wiper arm 1-53
wiper blade 1-53
wiper motor 1-53
wire harness 1-67, 4-5, 4-19, 4-21, 4-25, 4-27,
 4-33, 13-5
wire harness, lighting 4-7
wire lead, ignition 8-5
woodruff key 12-7
work lights, light, work 1-63
wrap, tie 1-67, 4-9, 4-11, 4-19, 4-21, 4-27, 4-29,
 4-35, 6-3, 7-11, 12-5, 13-15, 13-17, 16-13,
 16-15

Y

yoke, gear 17-5

yoke, support (steering) 6-3



Club Car, Inc.
P.O. Box 204658
Augusta, GA 30917-4658
USA

Web www.clubcar.com
Phone 1.706.863.3000
1.800.ClubCar
Int'l +1 706.863.3000
Fax 1.706.863.5808