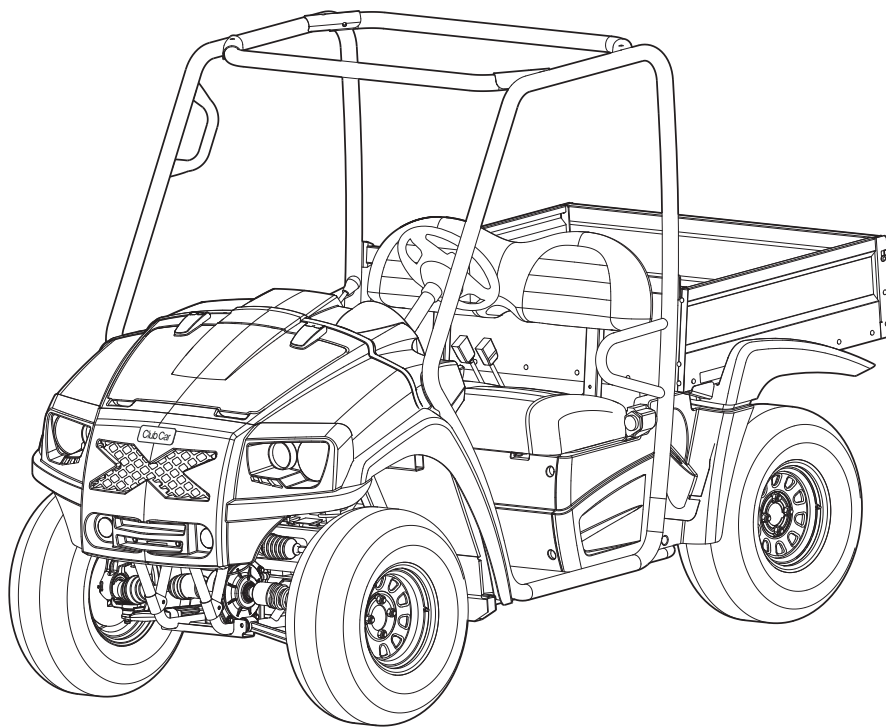




# 2009-2011 XRT 950 Illustrated Parts List



## XRT 950 Gasoline Vehicles

Manual Number 103373027  
Edition Code 1108M0112L



# USING THE ILLUSTRATED PARTS LIST

---

## **⚠ WARNING**

- **This manual is to be used only for identification and ordering of service parts. Be sure to read and use the maintenance and service manual before attempting any vehicle repairs.**

This manual covers all XRT 950 vehicles built during the 2009-2011 model years.

The manual is divided into sections. Note that there are two or three flags on the outside edge of each page. The first flag contains the section number of which that page is a part. The other flag (or flags) contains the letter D, E, or G, signifying that the page pertains to the diesel, electric, or gasoline vehicles only.

Use the Table of Contents to find the sections and pages that contain the parts and assemblies you seek. The Table of Contents lists section numbers, and under them, the individual page titles and numbers to be found in that section. The index can be used to find specific parts and assemblies. The index is divided into numerical and alphabetical listings with the page numbers in italic text.

There is a two-page spread for each individual page title in the Table of Contents. On the left-hand page is an illustration showing the parts in their relative positions; the parts are each tagged with an item number in a balloon. The right-hand page is the parts list page, and gives the page title at the top, then the item numbers (corresponding to the numbers on the illustration), part descriptions, and quantity of parts used.

Note that a part description may be indented. This indention corresponds to a parts assembly level indicated by the numbers 1, 2, 3, and 4 at the top left corner of the parts description area of the parts list page. A part that is indented to *level 2* is a component of the *level 1* part (assembly) that it is listed under. A *level 3* part is a component of the *level 2* part that it is listed under, and a *level 4* part is a component of the *level 3* part preceding it. In each case, the part quantity given for a level 2, 3, or 4 part is the quantity used per next higher level assembly of which it is a component. A part that is not indented is a *level 1* part. This means that the quantity given is the quantity used per the portion of the vehicle illustrated on that particular spread.

## **HOW TO ORDER PARTS**

Replacement parts and accessories can be obtained from our network of authorized dealers and distributors. You can obtain the name and phone number of your closest authorized Club Car dealer or distributor by visiting our web site at [www.clubcar.com](http://www.clubcar.com) and clicking on the "Distributor Search" link or by calling our toll-free Service Parts and Technical Assistance hotline at (800) 872-2246 or (706) 863-3000, extension 3887.



**P. O. Box 204658**  
**Augusta, Georgia 30917-4658 USA**  
**Telephone 706-863-3000**  
**Service Parts Fax 706-855-7413**  
**[www.clubcar.com](http://www.clubcar.com)**

**NOTE:** *This illustrated parts list represents the most current information at the time of publication. Club Car, LLC. is continually working to further improve its vehicles and other products. These improvements may affect the parts used to service the vehicle. Any modification and/or significant change in specifications will be forwarded to all Club Car and Carryall distributors/dealers and will, when applicable, appear in future editions of this illustrated parts list.*

*Club Car, LLC. reserves the right to change specifications and designs at any time without notice and without the obligation of making changes to units previously sold.*

Copyright © 2010 Club Car, LLC.  
Club Car is a registered trademark of Club Car, LLC.  
This manual effective October 1, 2010.

# CONTENTS

---

## SECTION 1 – BODY AND TRIM

---

Tube Brush Guard .....	1-3
Receiver Hitch – Front .....	1-5
Receiver Hitch – Rear .....	1-7
Fenders and Rear Body Panels .....	1-9
Closeout Panels .....	1-11
Fascia .....	1-13
Cowl .....	1-15
Floor Plate and Panel .....	1-17
Frame Components .....	1-19
Headlights .....	1-21
Taillights .....	1-23
Front Skid Plate .....	1-25
Rear Skid Plate .....	1-27
Dash .....	1-29
Heat Shield .....	1-31
Canopy and Doors .....	1-33
Seat Belts .....	1-35
ROPS .....	1-37
Tilt Bed Hinge and Latch .....	1-39
Bench Seats .....	1-41
Box Bed .....	1-43

---

## SECTION 2 – WHEELS AND TIRES

---

Wheels and Tires – Front .....	2-3
Wheels and Tires – Rear .....	2-5

---

## SECTION 3 – DECALS

---

Safety Decals .....	3-3
Safety Decals, Continued .....	3-5
Badging Decals .....	3-7

---

## SECTION 4 – BRAKE SYSTEMS

---

Brake System .....	4-3
Park Brake System .....	4-5
Pedal Group .....	4-7

# CONTENTS

---

## SECTION 5 – STEERING AND SUSPENSION

---

Steering .....	5-3
Steering Wheel .....	5-5
Front Suspension .....	5-7
Rear Suspension .....	5-9
Springs & Shocks .....	5-11

---

## SECTION 6 – ELECTRICAL SYSTEM

---

Electrical Components .....	6-3
Wiring .....	6-7

---

## SECTION 7 – BRIGGS GASOLINE ENGINE

---

Starter Motor .....	7-3
Engine and Engine Mounting .....	7-5
Engine Shroud .....	7-7
Electical Components – Engine .....	7-9
Governor Control Brackets and Springs .....	7-11
Oil Pump, Oil Filter and Crankcase Cover .....	7-13
Cylinder Head & Valves .....	7-15
Cylinder Assembly .....	7-17
Crankshaft and Pistons .....	7-19
Flywheel .....	7-21
Engine Gaskets and Seals .....	7-23
Intake Manifold .....	7-25
Fuel Pump and Filter .....	7-27
Carburetor .....	7-29
Air Cleaner .....	7-31

---

## SECTION 8 – FUEL SYSTEM

---

Fuel System .....	8-3
Fuel Tank .....	8-5

---

## SECTION 9 – EXHAUST SYSTEM

---

Exhaust System .....	9-3
----------------------	-----

---

## SECTION 10 – CLUTCHES

---

Drive Clutch (Style B) .....	10-3
------------------------------	------

# CONTENTS

---

Driven Clutch (Style B) .....	10-5
Clutch Cover – Sealed .....	10-7
Drive Clutch .....	10-9
Drive Belt .....	10-11
Driven Clutch .....	10-13

## SECTION 11 – DRIVETRAIN COMPONENTS

---

Transaxle – 2WD .....	11-3
Transaxle – 2WD (Continued) .....	11-5
Transaxle – 4WD .....	11-7
Transaxle – 2WD and 4WD (Continued) .....	11-9
Transaxle – 4WD (Continued) .....	11-11
Transaxle – 2WD and 4WD (Continued) .....	11-13
Transaxle – 2WD and 4WD (Continued) .....	11-15
Transaxle – 4WD (Continued) .....	11-17
Transaxle – 2WD and 4WD (Continued) .....	11-19
Transaxle – 2WD and 4WD (Continued) .....	11-21
Transaxle – 2WD and 4WD (Continued) .....	11-23
Half Shafts .....	11-25
Forward/Reverse Shifter – 4WD .....	11-27
Forward/Reverse Shifter – 2WD .....	11-29
Control Cables – 2WD .....	11-31
Control Cables – 4WD .....	11-33
Front Differential .....	11-35
Prop Shafts .....	11-37

## SECTION 12 – MAINTENANCE AND SERVICE TOOLS

---

Maintenance and Service Tools .....	12-3
Maintenance and Service Tools, Continued .....	12-5
Maintenance and Service Tools, Continued .....	12-7
Maintenance and Service Tools, Continued .....	12-9
Maintenance and Service Tools, Continued .....	12-11

## SECTION i – INDEX

---



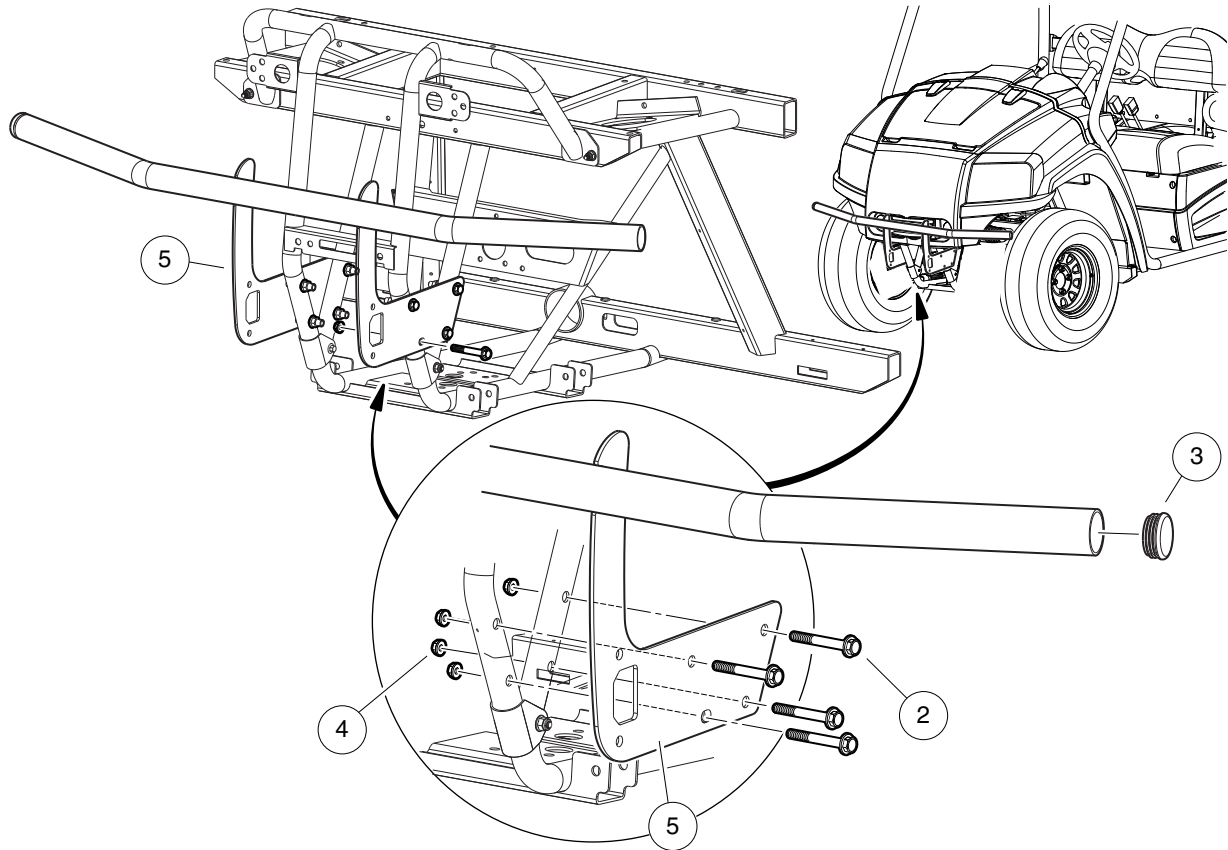


# BODY AND TRIM

---

1

G



000871-001

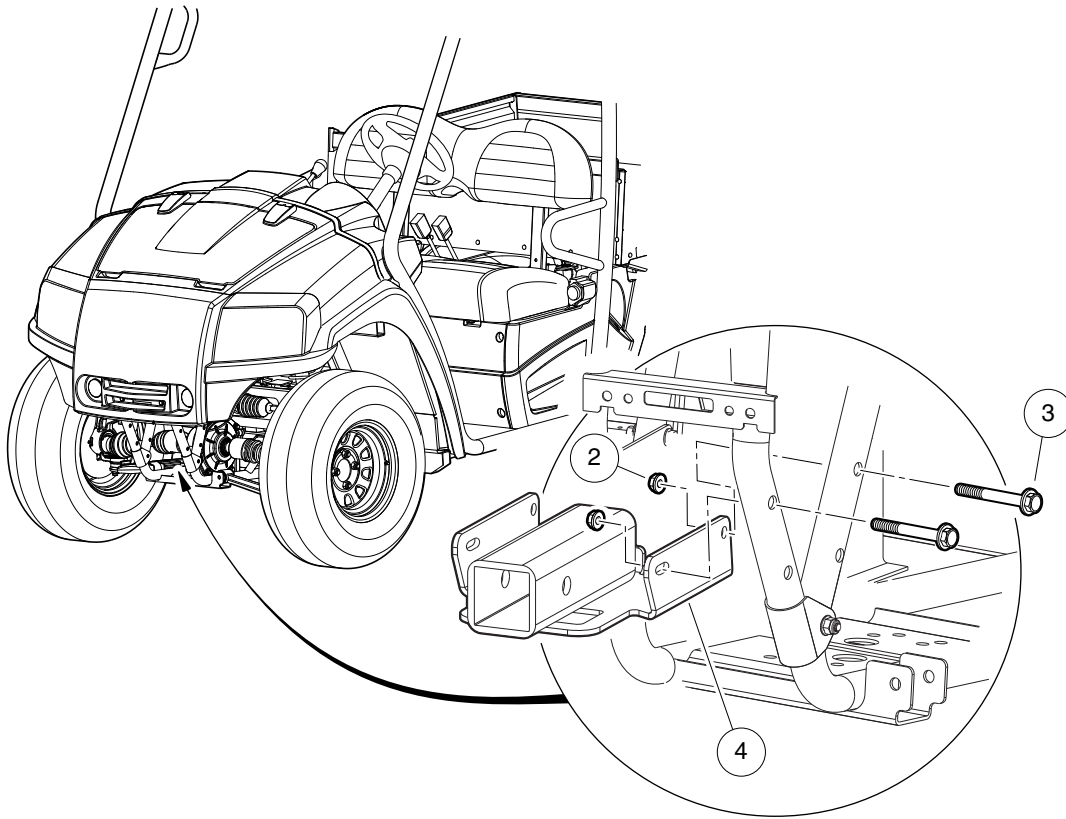
# TUBE BRUSH GUARD

ITEM	PART NO.	DESCRIPTION	QTY
		<b>1 2 3 4</b>	
1	103536101	Kit, Brshgrd, Tube (includes items 2 through 6) .....	1
2	102925201	Bolt, Flg, M10x1.5x55, Patch .....	8
3	103215401	Plug, Tube, Round, 1-3/4" .....	2
4	103231801	Nut, Flg, M10 X 1.25 Hex Blk .....	8
5	N/A	Weldment, Brshgrd, Tube .....	1
6	N/A	Instr- Brshgrd, Tube (not shown) .....	1

**1**  
**G**

1

G



000873-001

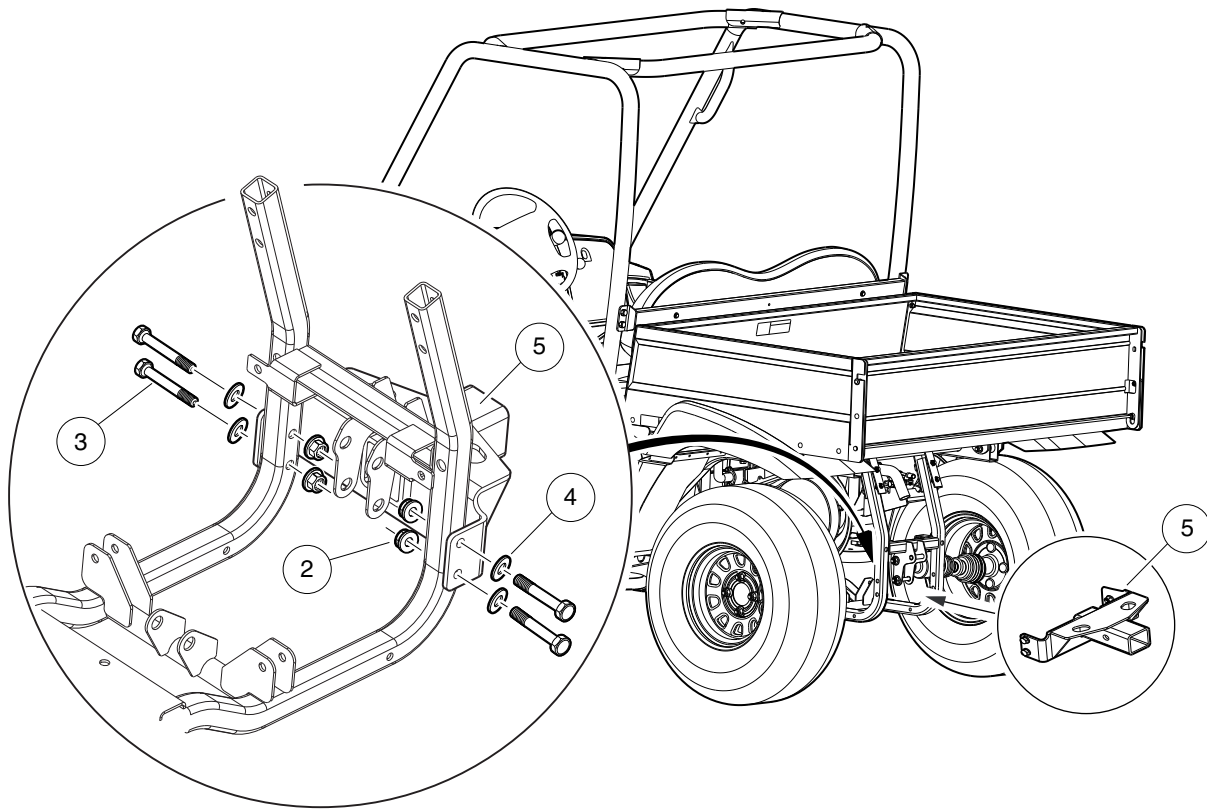
# RECEIVER HITCH – FRONT

ITEM	PART NO.	DESCRIPTION	QTY
		<b>1 2 3 4</b>	
1	103542601	Kit, 2" Front Receiver (includes items 2 through 5) .....	1
2	102670701	Nut Flg M10 X 1.5 Nylon .....	4
3	102925201	Bolt, Flg, M10x1.5x55, Patch .....	4
4	N/A	Weldment, Hitch, Channel .....	1
5	N/A	Instr, Hitch, Channel (not shown) .....	1

**1**  
**G**

1

G

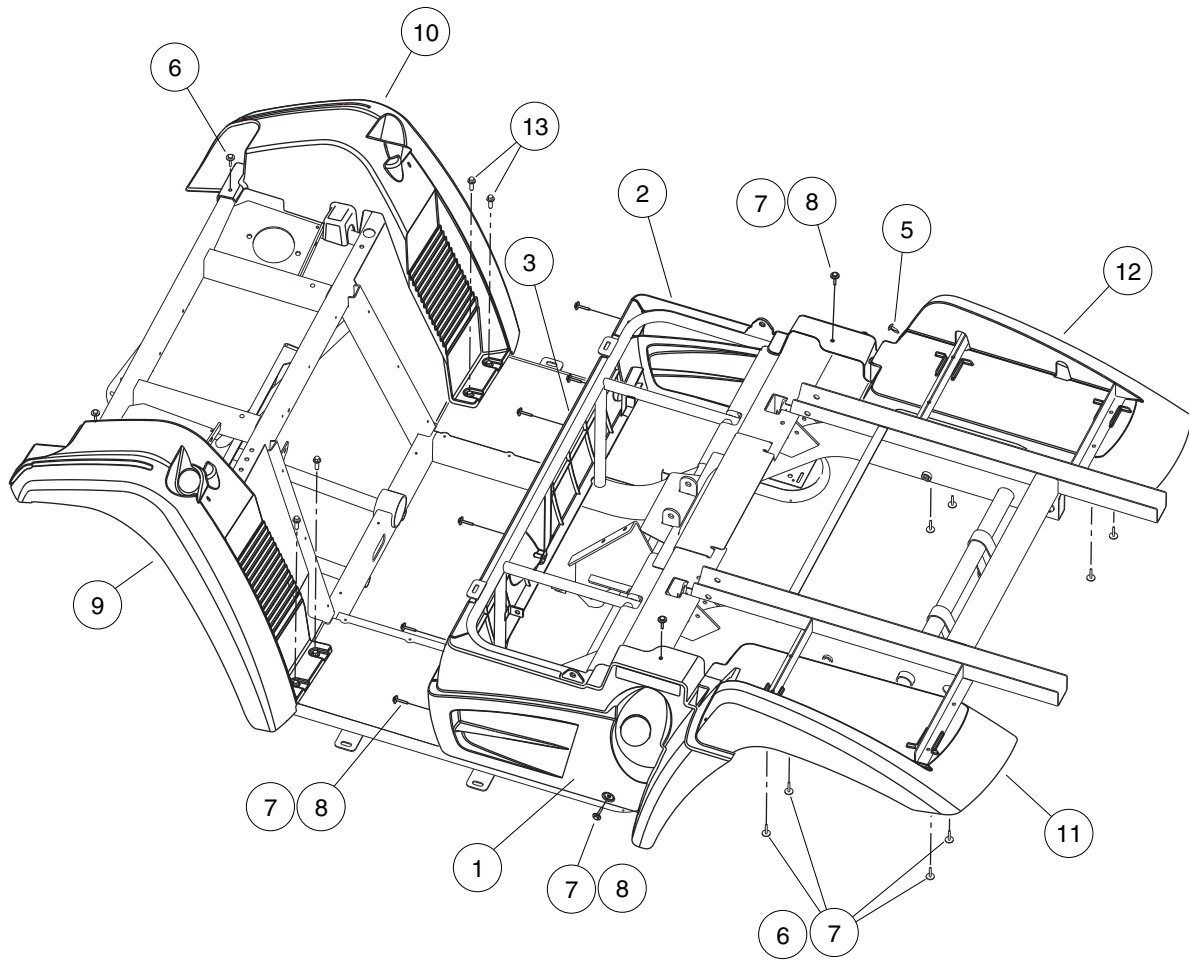


000873-002

# RECEIVER HITCH – REAR

ITEM	PART NO.	DESCRIPTION	QTY
		<b>1 2 3 4</b>	
1	103528101	Kit, Receiver, Rear, XRT 950 (includes items 2 through 6) .....	1
2	102617201	Nut Flg M10 X 1.5 Mech Def .....	4
3	102718001	Bolt, M10 X 55, Zn-Ni (Black) .....	4
4	102718101	Washer, Hard, M10, Zn-Ni/Blk .....	4
5	N/A	Asm, Receiver, Rear .....	1
6	N/A	Instr, Kit, Rear Receiver (not shown) .....	1

**1**  
**G**



000877-001



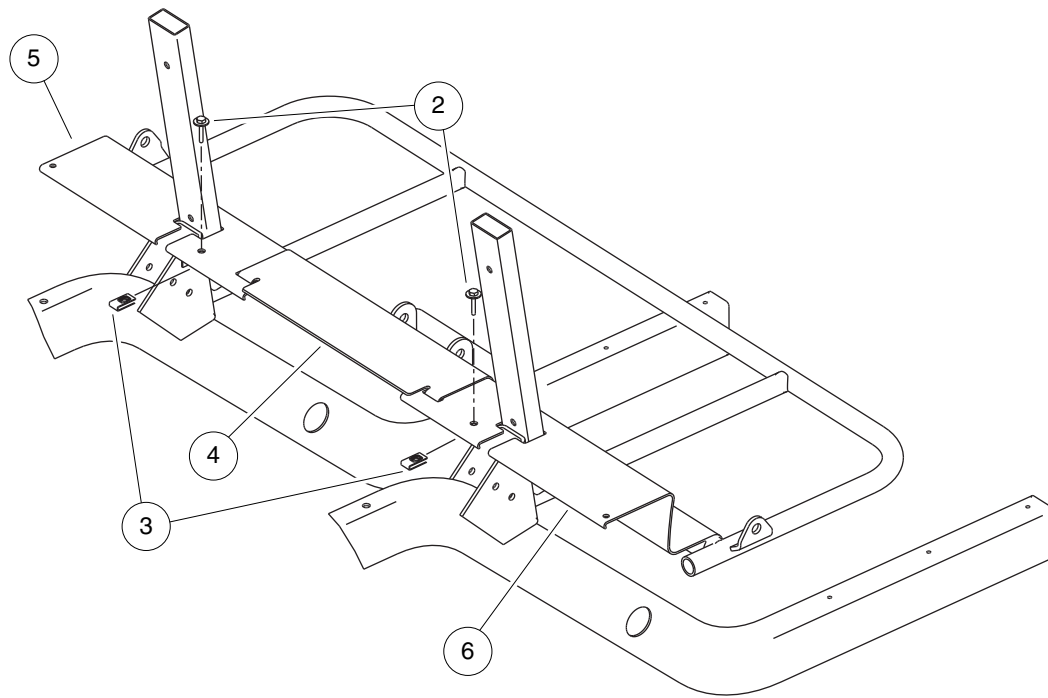
# FENDERS AND REAR BODY PANELS

ITEM	PART NO.	DESCRIPTION	QTY
		1 2 3 4	
1	103050801	Panel, Ds, Blk .....	1
2	103050901	Panel, Ps, Blk .....	1
3	103051001	Panel, Center, Blk .....	1
4	N/A	Instl, Blk Fenders, Mud Flaps (includes items 5 through 14) .....	1
5	102025701	Screw, Tuflok Panel, 1/4 .....	4
6	102296530	Screw - M6 X 1.0 X 30 Sems .....	10
7	102296601	U-nut, M6-1.0 Prev Torque .....	18
8	102297125	Screw M6-1.0x25.4 Thd Fm Sems .....	10
9	103050401	Fender, Front, Ds .....	1
10	103050501	Fender, Front, Ps .....	1
11	103050601	Fender, Rear, Ds, Black .....	1
12	103050701	Fender, Rear, Ps, Black .....	1
13	103400001	3/16 X 1.19 Alum Rivet, Blk .....	4
14	103441501	Flap, Mud, Common (not shown) .....	2

**1**  
**G**

1

G



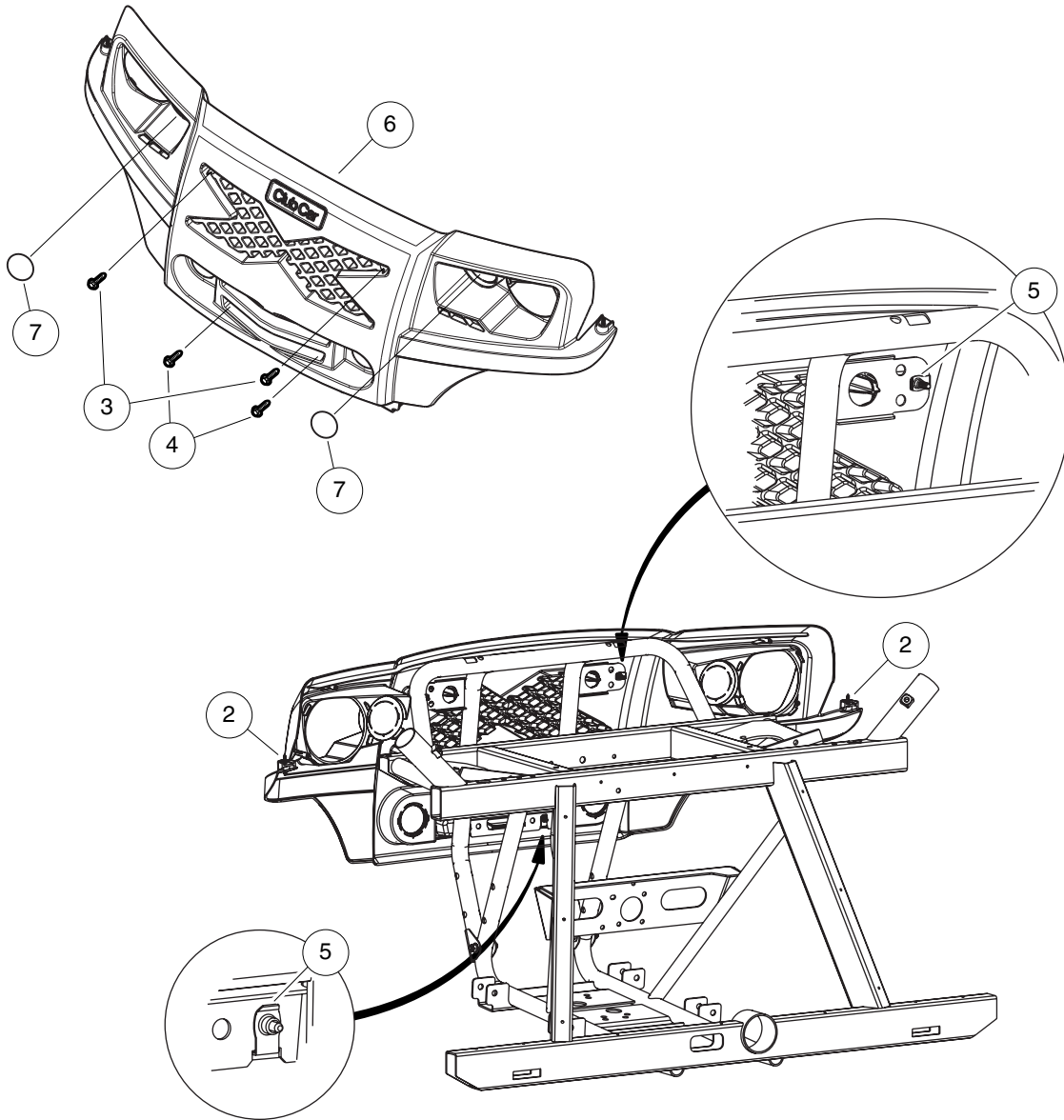
000890-001

# CLOSEOUT PANELS

ITEM	PART NO.	DESCRIPTION	QTY
		<b>1 2 3 4</b>	
1	N/A	Instl, Closeout Panels, Rear (includes items 2 through 6) .....	1
2	102296530	Screw - M6 X 1.0 X 30 Sems .....	2
3	102296601	U-nut, M6-1.0 Prev Torque .....	2
4	103512101	Close Out, Center .....	1
5	103512201	Close Out, Left .....	1
6	103512202	Close Out, Right .....	1

**1**  
**G**

**1**  
**G**



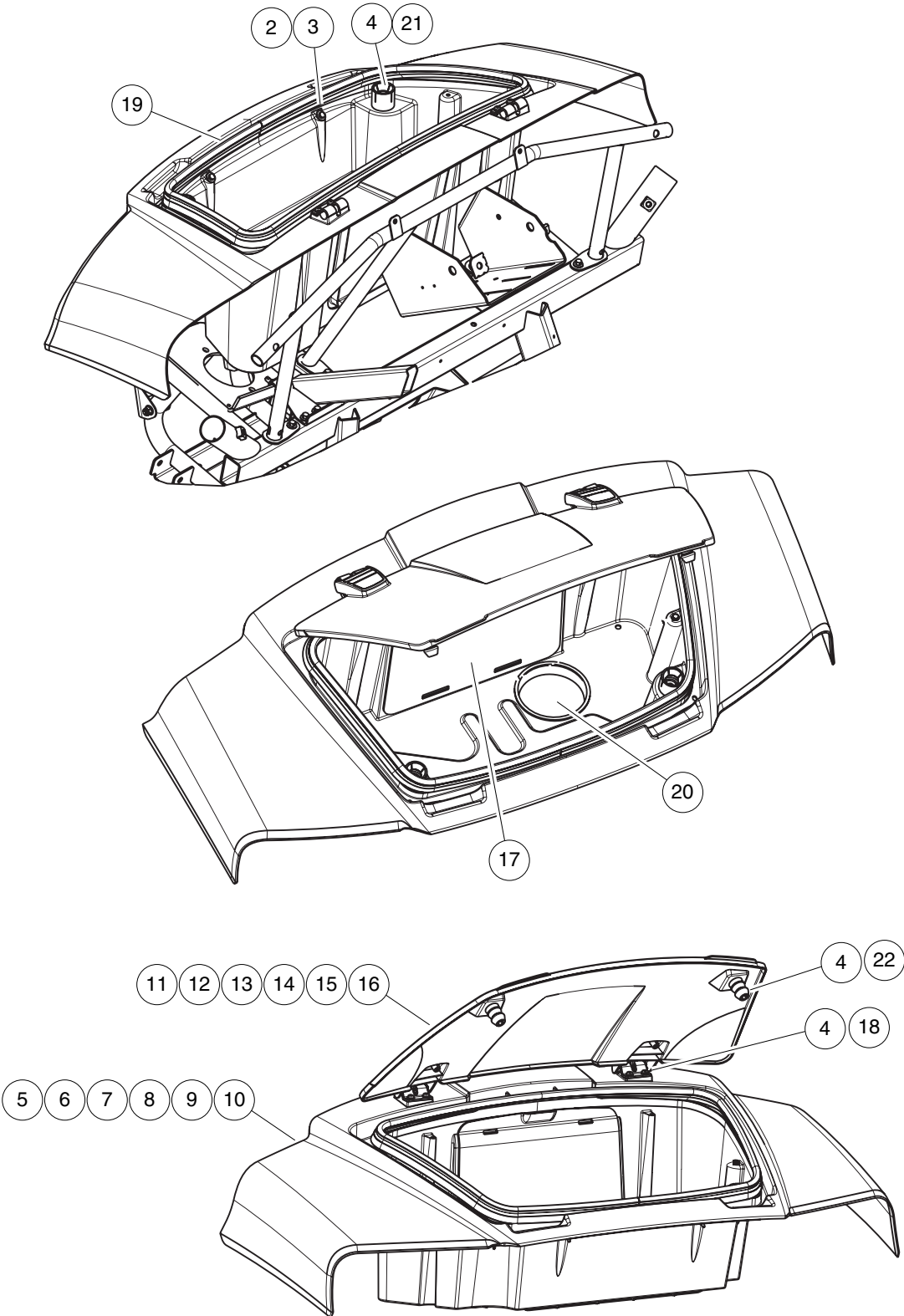
000879-001

# FASCIA

ITEM	PART NO.	DESCRIPTION	QTY
		<b>1 2 3 4</b>	
1	N/A	Instl, Fascia, XRT 950 (includes items 2 through 7) .....	1
2	102296020	Screw, Torx Pan Hd Pt, M6 X 20 .....	2
3	102296140	Bolt, Flanged Head, M6x1.0x40 .....	2
4	102296530	Screw - M6 X 1.0 X 30 Sems .....	2
5	102296601	U-nut, M6-1.0 Prev Torque .....	4
6	103065801	Fascia, Xrt .....	1
7	103536301	Reflector, Yellow, 3" .....	2

**1**  
**G**

**1**  
**G**



000876-001

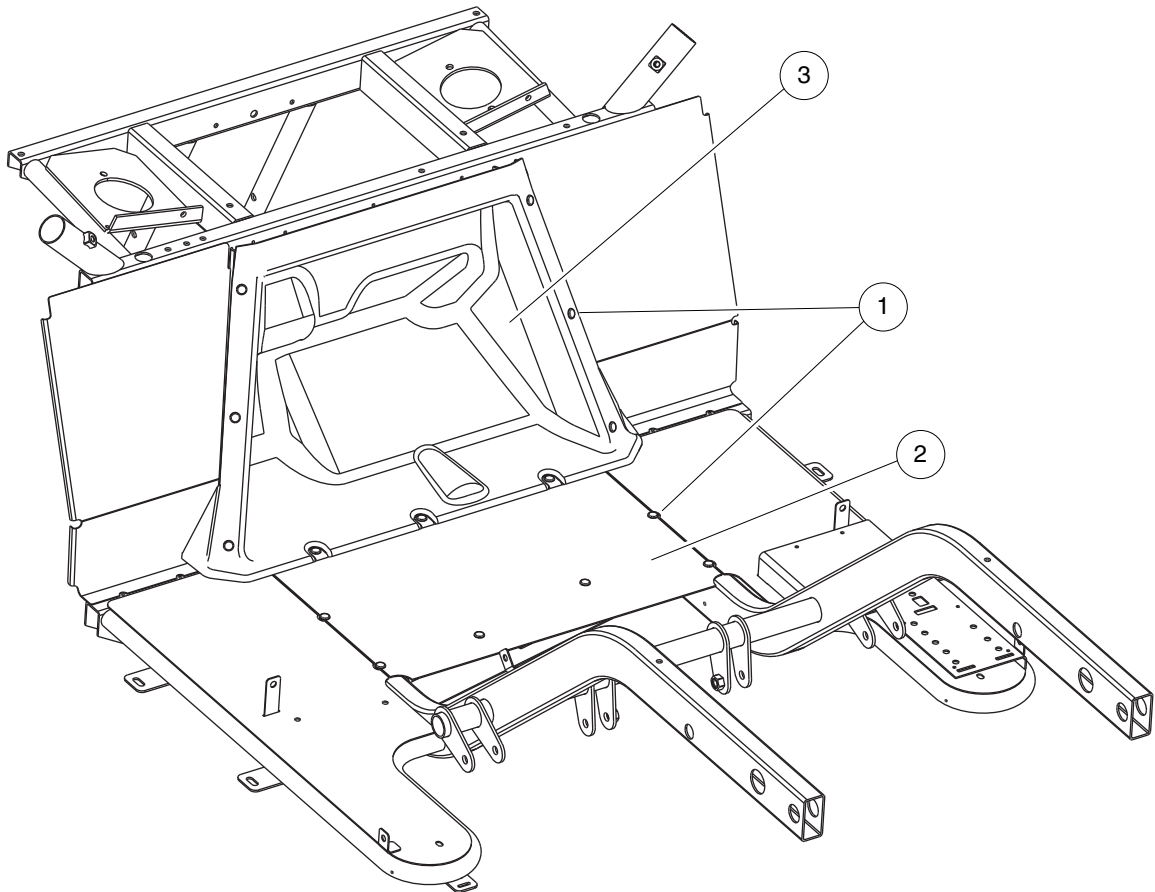
# COWL

ITEM	PART NO.	DESCRIPTION	QTY
		<b>1 2 3 4</b>	
1	N/A	Instl, Cowl, Storage, White (includes items 2 through 22) .....	1
2	102296530	Screw - M6 X 1.0 X 30 Sems .....	2
3	102296601	U-nut, M6-1.0 Prev Torque .....	2
4	102297230	Screw,m6,torx,interlock,thread .....	8
5	103065620	Cowl, Storage, Drk Grn, Svc .....	1
6	103065624	Cowl, Storage, Drk Gry, Svc .....	1
7	103065625	Cowl, Storage, Red, Svc .....	1
8	103065626	Cowl, Storage, White, Svc .....	1
9	N/A	Cowl, Storage, Nstd, Svc .....	1
10	103065628	Cowl, Storage, Rthwhd, Svc .....	1
11	103065720	Hood, Storage Cvr, Dgrn, Svc .....	1
12	103065724	Hood, Storage Cvr, Dgry, Svc .....	1
13	103065725	Hood, Storage Cvr, Red, Svc .....	1
14	103065726	Hood, Storage Cvr, White, Svc .....	1
15	N/A	Hood, Storage Cvr, Nstd, Svc .....	1
16	103065728	Hood, Storage Cvr, Rthwhd, Svc .....	1
17	103430801	Cover, Access, Black .....	1
18	103431001	Bracket, Hinge .....	2
19	103540201	Seal, Bulb, 13 X 27 X 1888 Mm .....	1
20	103541301	Cap, Ldpe, 122 Mm .....	1
21	103626601	Cup, Latch .....	2
22	103626701	Post, Latch .....	2

**1**  
**G**

1

G



000885-001



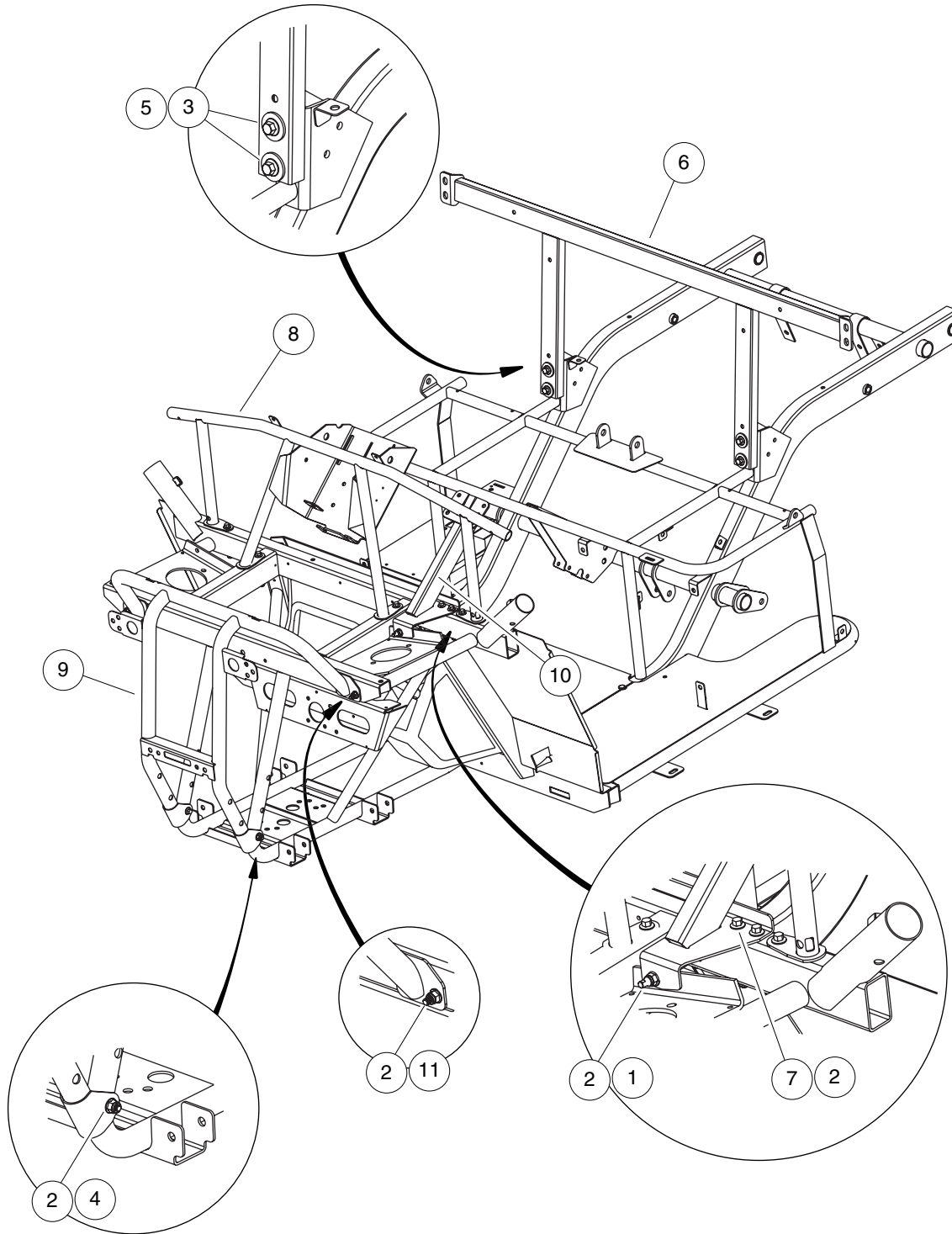
# FLOOR PLATE AND PANEL

ITEM	PART NO.	DESCRIPTION	QTY
		1 2 3 4	
1	103400001	3/16 X 1.19 Alum Rivet, Blk .....	20
2	103490301	Plate, Floor, Middle .....	1
3	103632601	Closeout, Pedal, Thermoformed .....	1

1

G

**1**  
**G**



000911-001

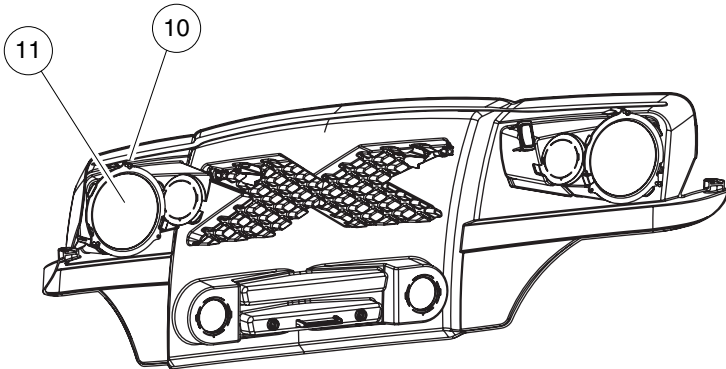
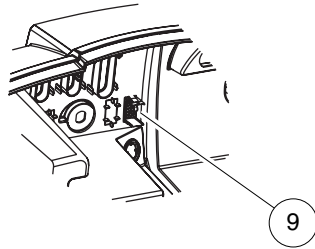
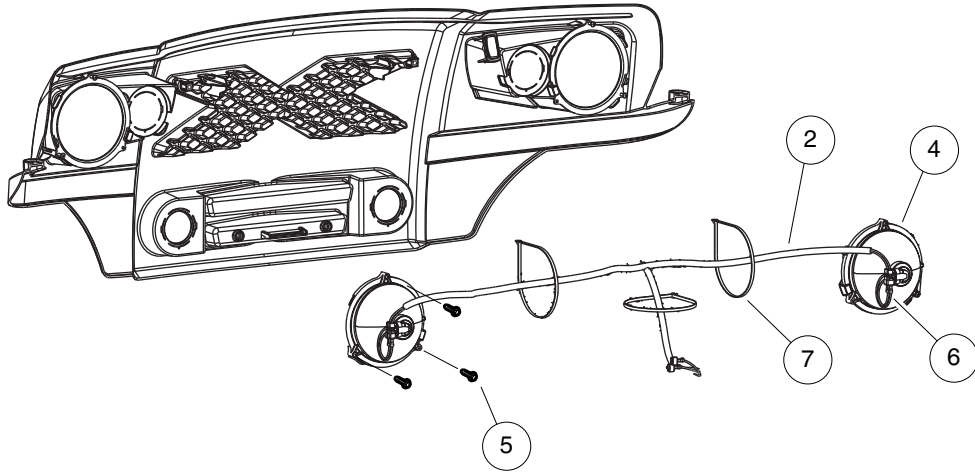
# FRAME COMPONENTS

ITEM	PART NO.	DESCRIPTION	QTY
		<b>1 2 3 4</b>	
1	102298130	Bolt, Flange Head, M8 X 30.0 .....	1
2	102298401	Nut,m8,all Metal Lock .....	11
3	102491501	Washer Hard,m10 .....	4
4	102719501	Bolt Flanged Head, M8x1.25 X 50 with Loctite .....	2
5	102925201	Bolt, Flg, M10x1.5x55, Patch .....	4
6	103075801	Weldment, Mtg, Seat Back .....	1
7	103146801	Bolt, Flg, M8 X 1.25 X 80 .....	6
8	103152001	Weldment, Supp, Dash .....	1
9	103154001	Weldment, Mtg, Fascia .....	1
10	103432601	Weldment, Supp, Steering .....	1
11	103531201	Bolt, Flg, M8 X 1.25 X 60 .....	2

**1**

**G**

**1**  
**G**

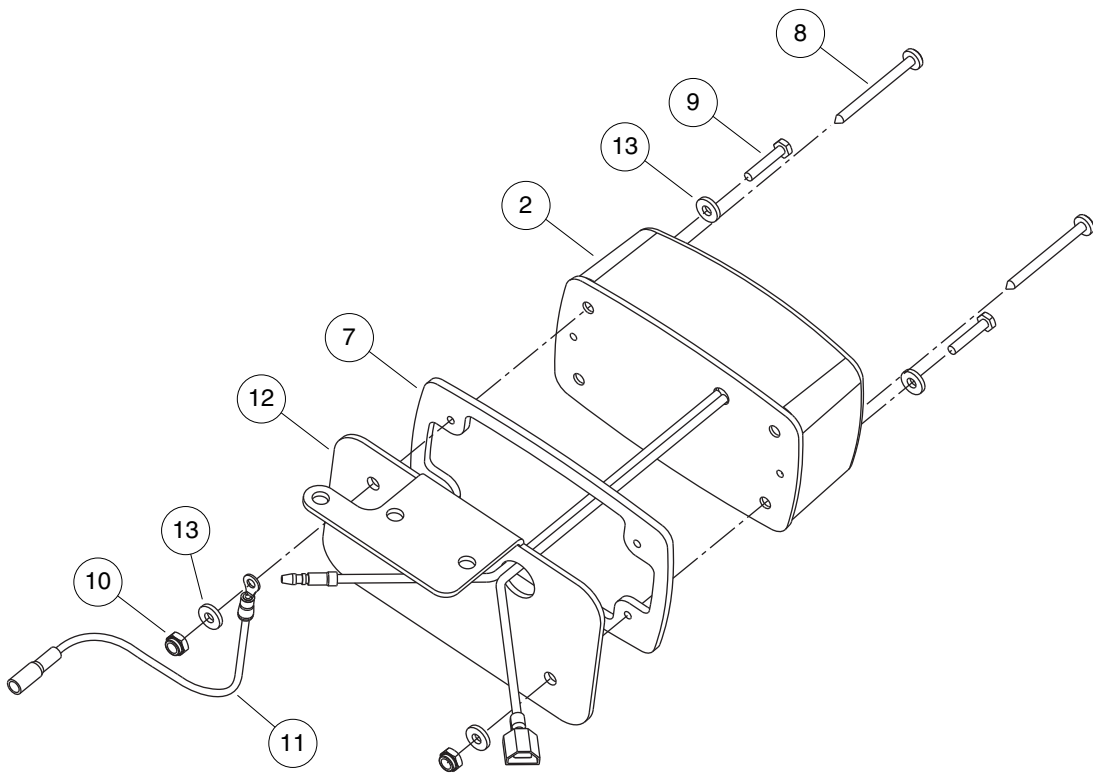


000880-001

# HEADLIGHTS

ITEM	PART NO.	DESCRIPTION	QTY
		<b>1 2 3 4</b>	
1	N/A	Instl, Headlight, 950, W/ Lt (includes items 2 through 7) .....	1
2	101987901	Connector Harness Assembly, Headlight .....	2
3	102869401	Switch, Rocker, Light .....	1
4	102894401	Headlight, 6 In Round .....	2
5	103218104	Screw, #8x1.25 Ab Thd, Hex Hd .....	4
6	103521401	Harness, Hd Light, Single Pair .....	1
7	8639	Tie Wrap, 11" Nylon .....	3
8	N/A	Instl, Headlight, 950, W/o Lt (includes items 9 through 11) .....	1
9	103180101	Cover, Hole, Switch, Rocker .....	1
10	103218104	Screw, #8x1.25 Ab Thd, Hex Hd .....	4
11	103462301	Cover, Hl, Flat .....	2

**1**  
**G**



000916-001

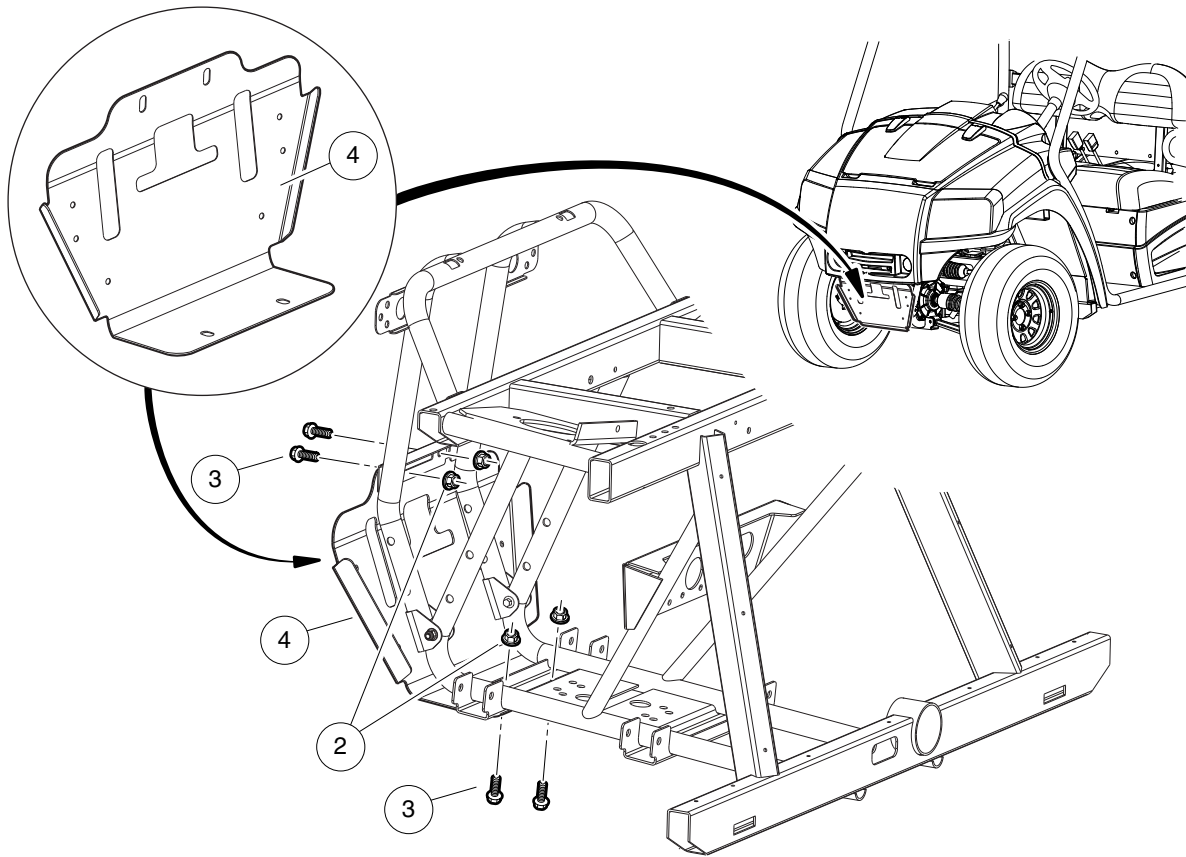
# TAILLIGHTS

ITEM	PART NO.	DESCRIPTION	QTY
		<b>1 2 3 4</b>	
1	1017035	Taillight Assembly (includes items 2 through 6) .....	1
2	N/A	Light, Tail (includes items 3 through 5) .....	1
3	1011582	Taillight Bulb .....	1
4	1011843	Taillight Lens .....	1
5	N/A	Base, Taillight .....	1
6	1017699	Hardware Kit, Tail Light (includes items 7 and 8) .....	1
7	N/A	Gasket .....	1
8	N/A	Screw, Tapered .....	2
9	1017853	Screw, #6-32 X 0.75 Hex-Head Machine .....	2
10	101932201	Locknut, #6-32 Nylon .....	2
11	102672701	Wire Asm, Ground, Taillight .....	1
12	103577101	Bracket, Light, Brake .....	1
13	7591	Washer, #6 Flat .....	4

**1**  
**G**

1

G



000874-001



# FRONT SKID PLATE

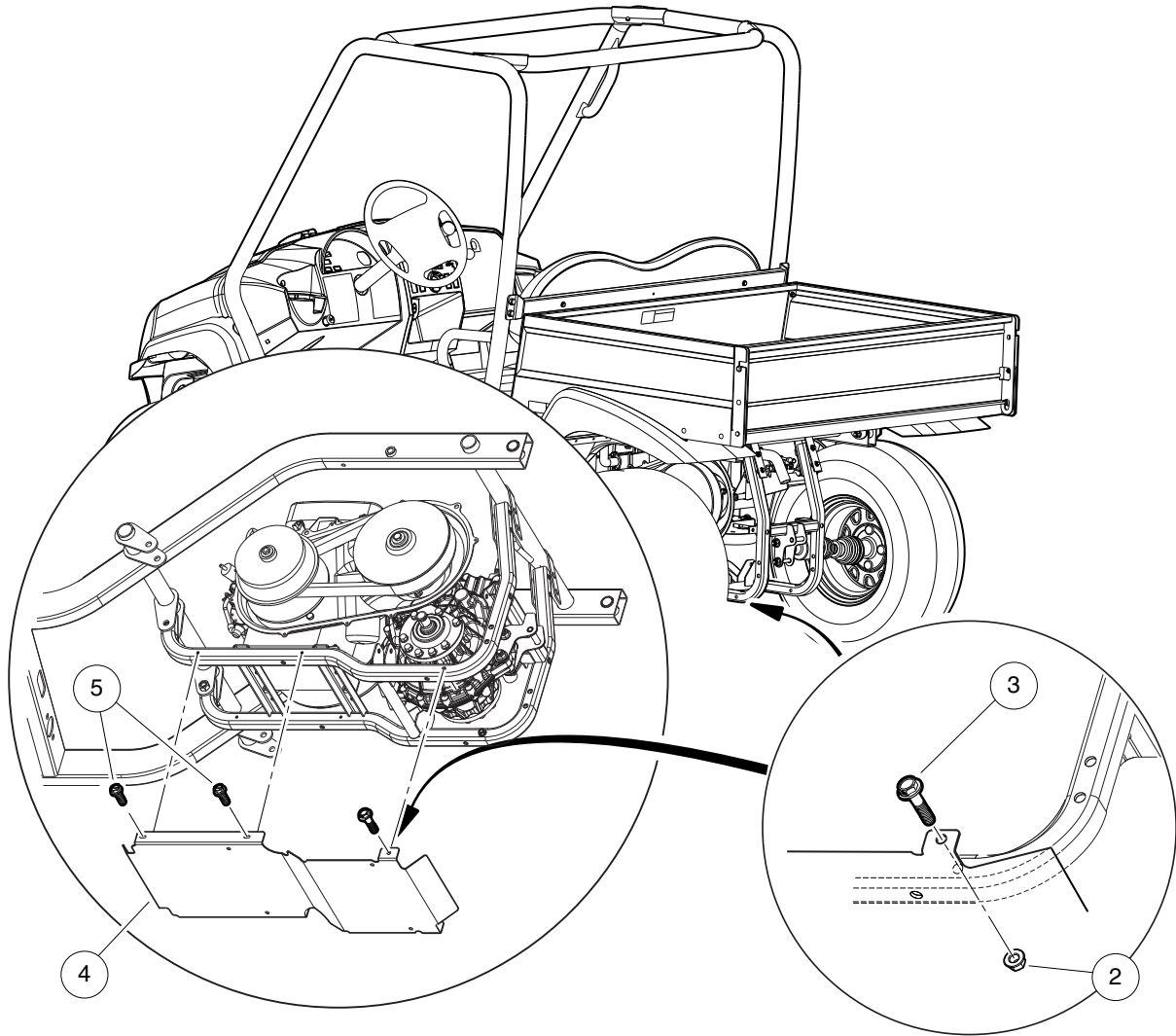
ITEM	PART NO.	DESCRIPTION	QTY
		1 2 3 4	
1	103542801	Kit, Front Skid Plate, Steel (includes items 2 through 5) .....	1
2	102617201	Nut Flg M10 X 1.5 Mech Def .....	4
3	102711601	Bolt, Flange Head, M10 X 1.5 X 25 .....	4
4	103538601	Plate-access-mount .....	1
5	N/A	Instr, Access Mounting Plate (not shown) .....	1

1

G

1

G



000874-002

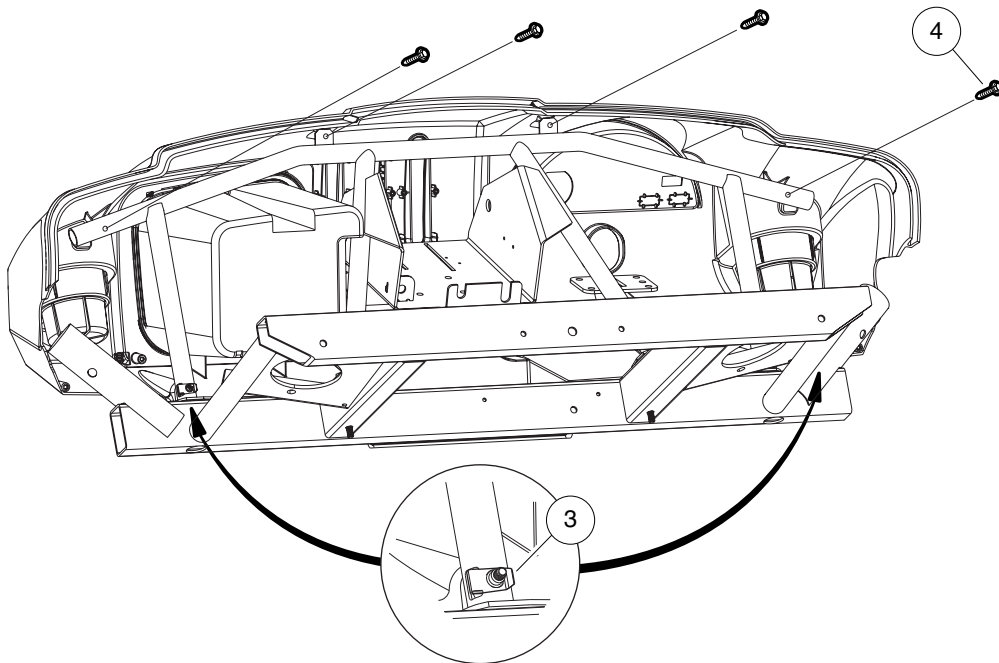
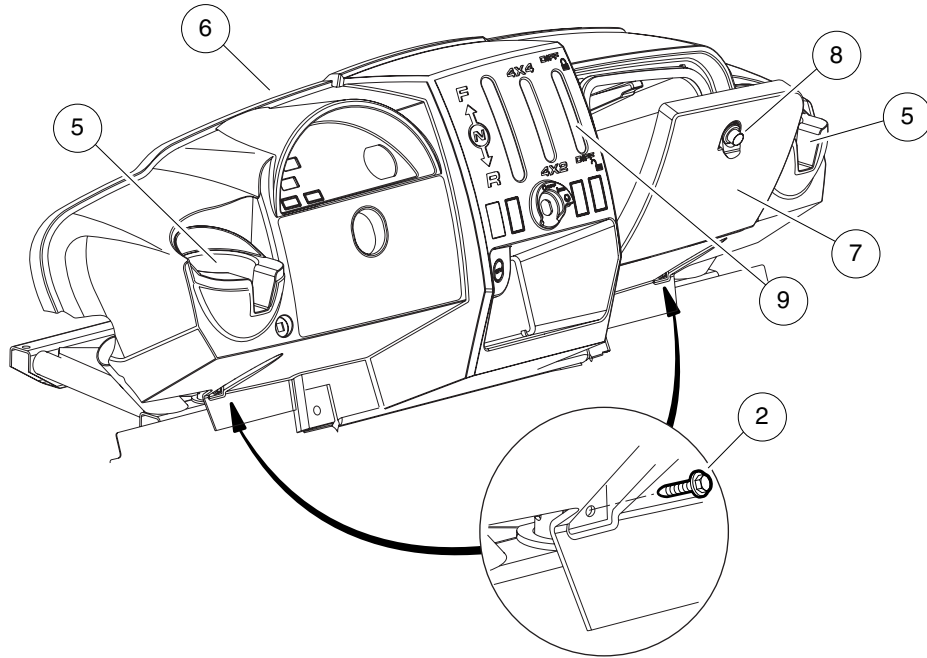
# REAR SKID PLATE

ITEM	PART NO.	DESCRIPTION	QTY
		1 2 3 4	
1	103575401	Kit, Skidplate, Rear, Xrt950 (includes items 2 through 6) .....	1
2	102298401	Nut,m8,all Metal Lock .....	2
3	102956101	Bolt, M8 X 45, Flanged, Black .....	2
4	N/A	Plate, Skid, Rear, 4x4 .....	1
5	103517901	Scr, 1/4-20 X 1.25 Hwhcs, Tt .....	4
6	N/A	Instr, Kit, Skidplate, Rear (not shown) .....	1

1

G

**1**  
**G**

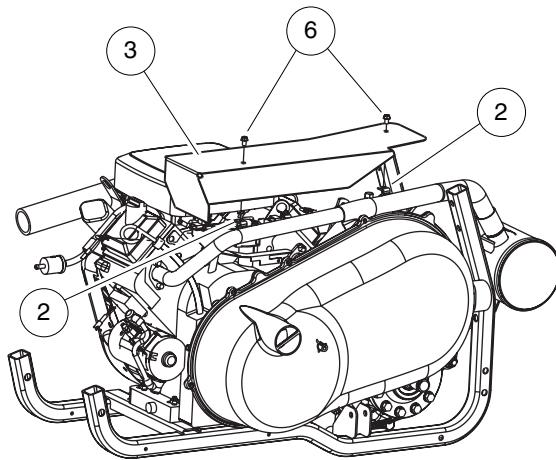
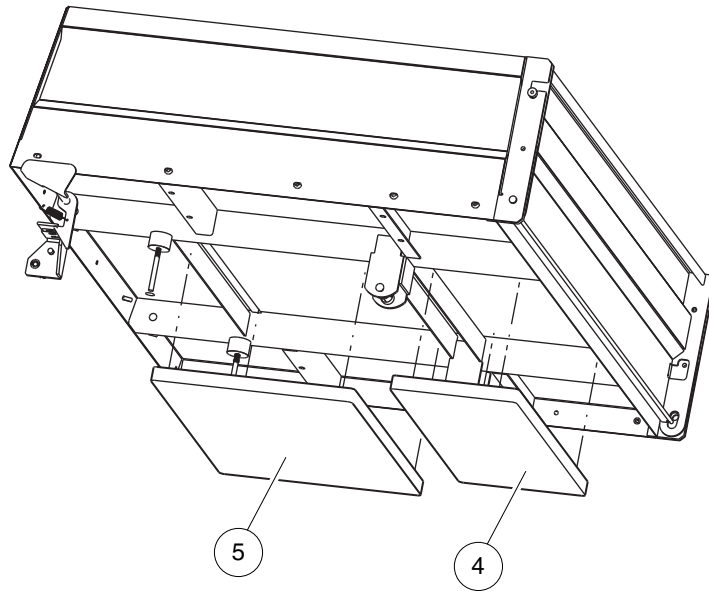


000878-001

# DASH

**1**  
**G**

ITEM	PART NO.	DESCRIPTION	QTY
		<b>1 2 3 4</b>	
1	N/A	Instl, Dash, Storage (includes items 2 through 8) .....	1
2	102296140	Bolt, Flanged Head, M6x1.0x40 .....	2
3	102296601	U-nut, M6-1.0 Prev Torque .....	2
4	102297230	Screw,m6,torx,interlock,thread .....	4
5	102883401	Cup Holder, Utility .....	2
6	103050201	Dash- Control Mount .....	1
7	103050301	Cover, Dash .....	1
8	103182701	Latch, Push Close .....	1
9	103430901	Cover, Shifter .....	1



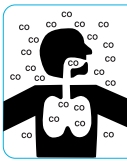
000875-001

# HEAT SHIELD

ITEM	PART NO.	DESCRIPTION	QTY
		<b>1 2 3 4</b>	
1	N/A	Instl, Heat Shield, XRT 950 (includes items 2 through 6) .....	1
2	1014116	Nut, 1/4-20 Speed .....	2
3	103525701	Shield, Exhaust, Heat .....	1
4	103534701	Foam, Barrier, Heat, Bed, Rear .....	1
5	103534801	Foam, Barrier, Heat, Bed, Frnt .....	1
6	103541501	Screw, Tapping, 1/4-20 X .375 .....	2

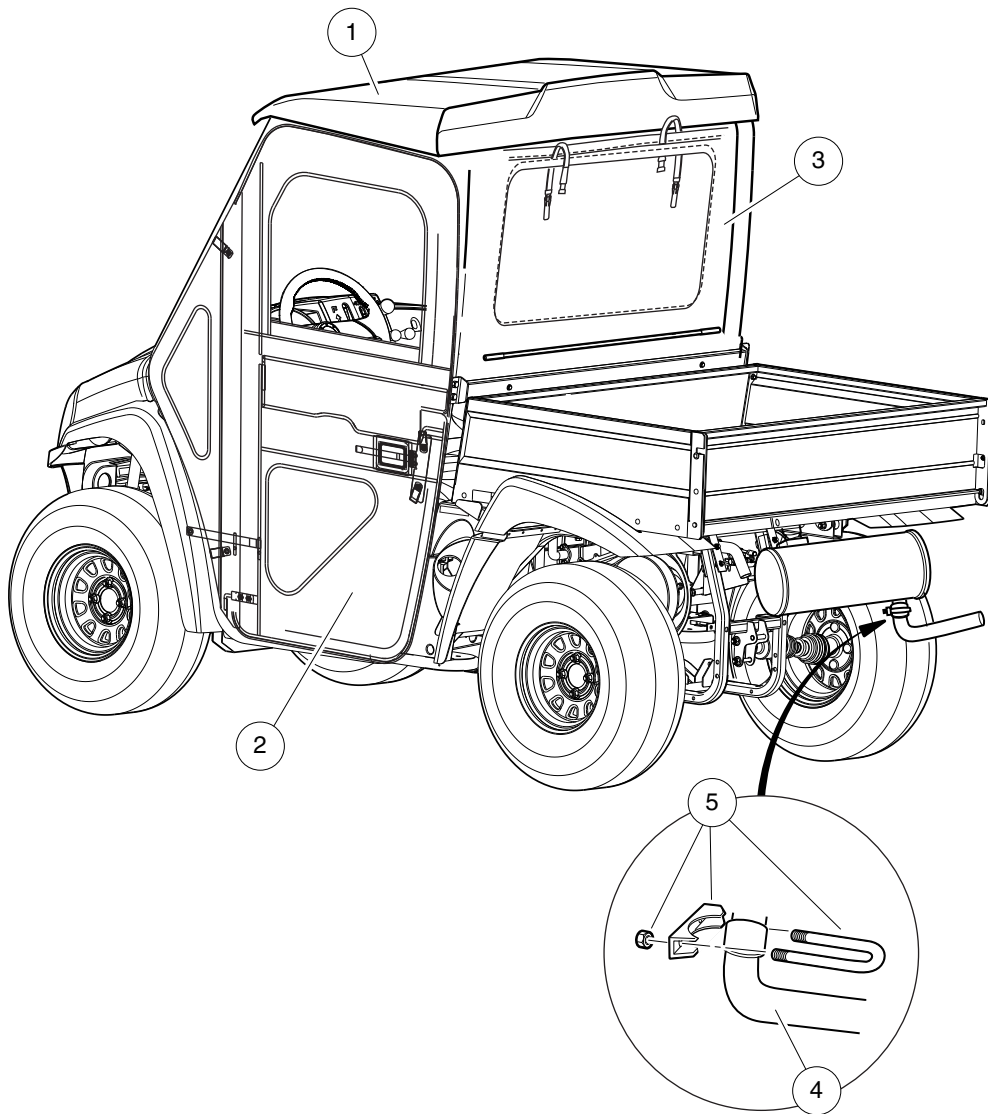
**1**  
**G**

6



**⚠ WARNING**  
**CARBON MONOXIDE CAN CAUSE ILLNESS, SERIOUS INJURY, OR DEATH**  
The engine produces carbon monoxide, which is a deadly, odorless, colorless gas that can quickly accumulate in an enclosed cab. Do not run the engine in a parked vehicle without proper cab ventilation. Move to fresh air if you feel nausea, headache, dizziness, drowsiness, or weakness.

103619901



000914-001



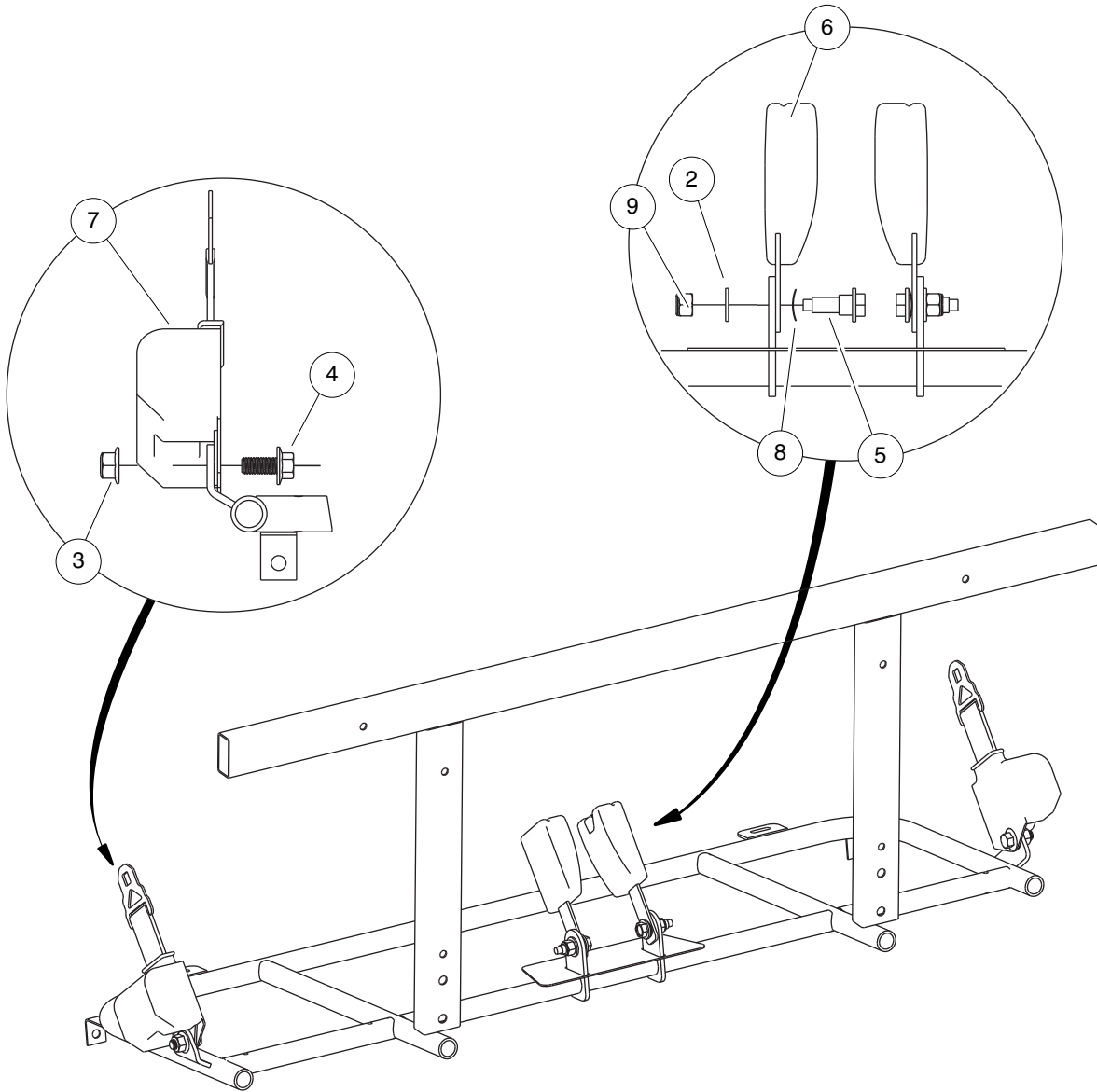
# CANOPY AND DOORS

ITEM	PART NO.	DESCRIPTION	QTY
		<b>1 2 3 4</b>	
1	103517503	Kit, Canopy, Bestop, Gen 3 .....	1
2	103524002	Kit, Door, Bestop .....	1
3	103540802	Kit, Backlite, Bestop, Gen 2 .....	1
4	103618501	Pipe, Extension, Xrt 950 .....	1
5	103618601	Clamp, Exhaust, 1.25" Diameter .....	1
6	103619901	Decal, Warn, Co, Cab .....	1

**1**  
**G**

1

G



000902-001

# SEAT BELTS

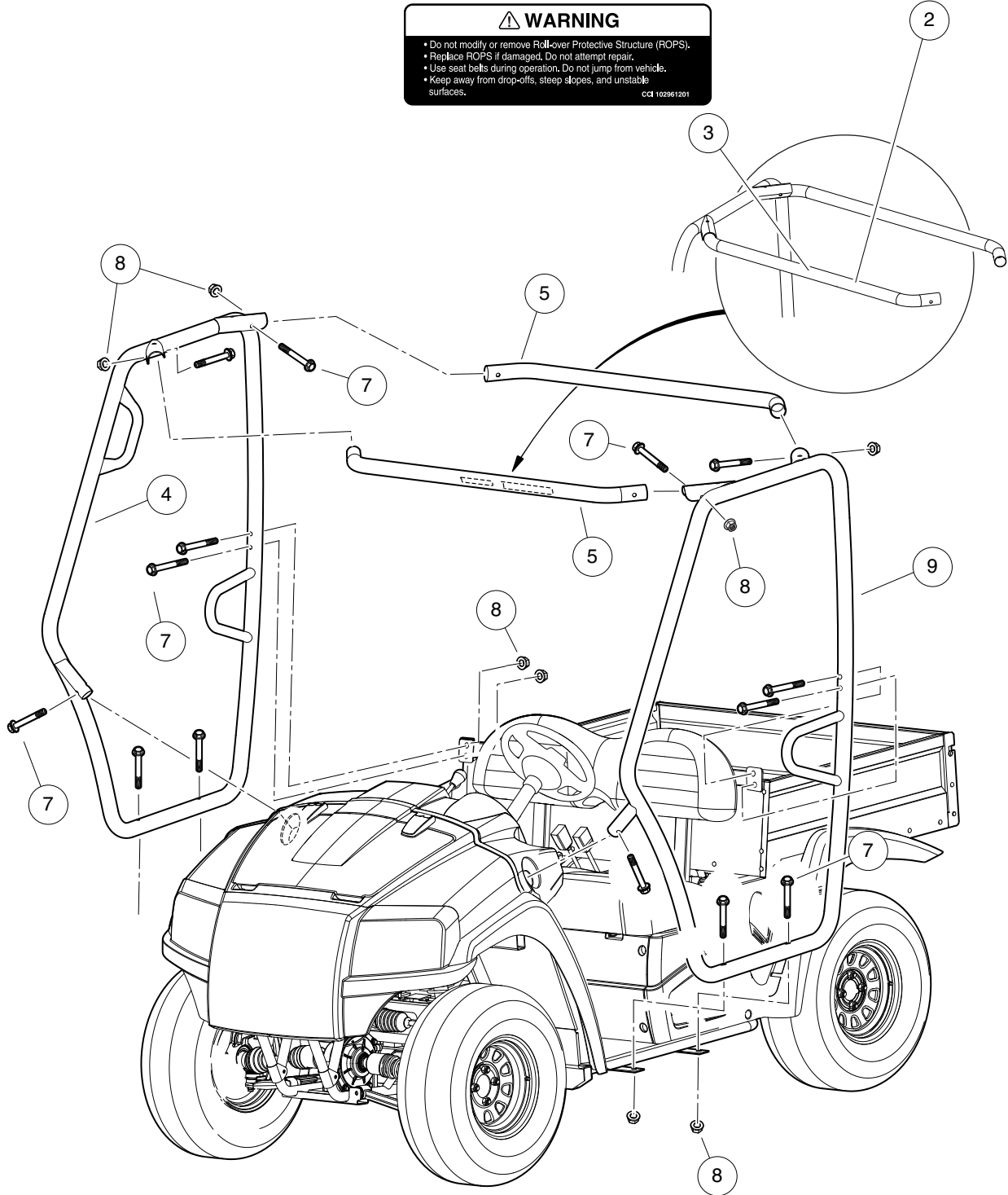
ITEM	PART NO.	DESCRIPTION	QTY
		<b>1 2 3 4</b>	
1	N/A	Instl, Seat Belts (includes items 2 through 9) .....	1
2	1014557	Washer, 7/16 Flat .....	2
3	102620301	Ln Flg, M12 X 1.75, Md, Black .....	2
4	103245101	Bolt Flg, M12x1.75 X 25 Black .....	2
5	103529601	Bolt, Shoulder, 15 Mm .....	2
6	103529701	Asm, Buckle, Seat-belt .....	2
7	103529801	Retractor, Seat-belt .....	2
8	103530701	Washer, Spring, 15 Mm Id .....	2
9	103534201	Lock Nut, 7/16-20 Nylon .....	2

**1**  
**G**



**WARNING**  
**YOUNG DRIVERS INCREASE CHANCE OF DEATH**  
 • Young drivers may not be able to control vehicle.  
 • No drivers younger than 16 years old.  
 • Do not leave children unattended on vehicle. CG 102459401

**WARNING**  
 • Do not modify or remove Roll-over Protective Structure (ROPS).  
 • Replace ROPS if damaged. Do not attempt repair.  
 • Use seat belts during operation. Do not jump from vehicle.  
 • Keep away from drop-offs, steep slopes, and unstable surfaces. CD 102961201



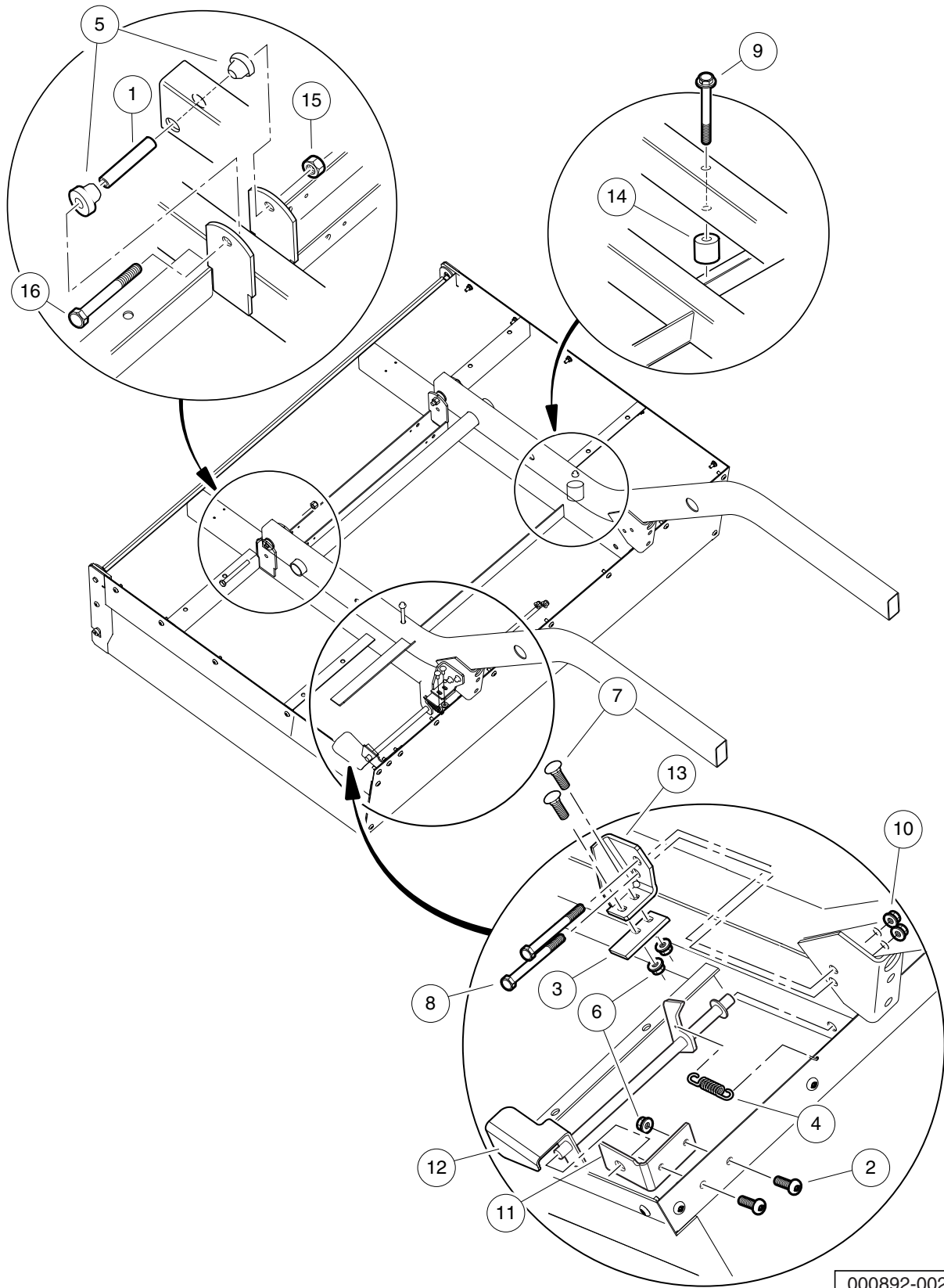
000872-002

# ROPS

ITEM	PART NO.	DESCRIPTION	QTY
		<b>1 2 3 4</b>	
1	103461901	Kit, Rops, Pass Side (includes items 2 through 5) .....	1
2	102459401	Decal, Young Driver Warning .....	1
3	102961201	Decal, Warning, AWD ROPS .....	1
4	N/A	Weldment, Rops, Pass .....	1
5	N/A	Tube, Cross, Rops, Top .....	2
6	103462001	Kit, Rops, Drv Side (includes items 7 through 10) .....	1
7	102988701	Bolt, Flanged, M10 X 1.5 X 65 .....	14
8	103216401	Nut, Flanged, M10 x 1.5, Black .....	12
9	N/A	Weldment, Rops, Driver .....	1
10	N/A	Instr, Kit, Rops (not shown) .....	1

**1**  
**G**

**1**  
**G**



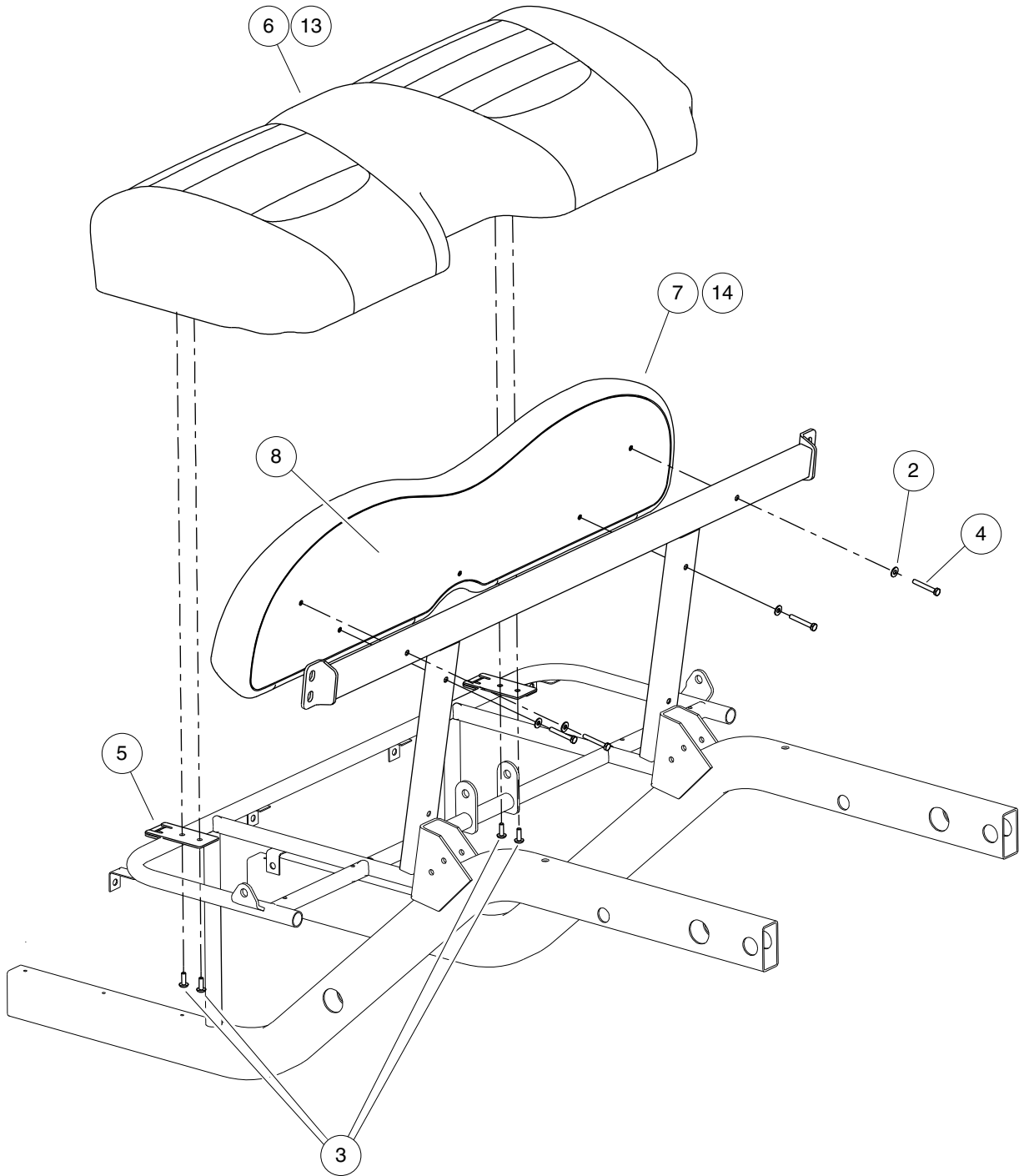
000892-002

# TILT BED HINGE AND LATCH

ITEM	PART NO.	DESCRIPTION	QTY
		1 2 3 4	
1	1012303	Bushing, Steel .....	2
2	1014415	Screw, 1/4-20 X 0.75 Torx Truss-Head .....	2
3	1015277	Latch Plate, Tilt Bed .....	1
4	N/A	Extension, Spring Latch .....	1
5	1015583	Bushing, Urethane .....	4
6	101835601	Locknut, 1/4-20 Hex Whiz .....	4
7	101958601	Carriage Bolt, 1/4-20 X 0.75 .....	2
8	102298170	Bolt - Flange Hd, M8 X 70.0 .....	2
9	102298185	Bolt - Flange Hd, M8 X 85.0 .....	2
10	102618601	Lock Nut, Flg M8 X 1.25 Nylon .....	2
11	N/A	Angle, Mtg, Bed, Latch .....	1
12	103436401	Weldment, Handle, Bed Latch .....	1
13	103498601	Weldment, Mtg, Latch Plate .....	1
14	103509501	Bumper, Rubber, 38 Mm Dia .....	2
15	8754	Locknut, 3/8-16 Hex .....	2
16	8755	Screw, 3/8-16 X 3.375 Hex Cap .....	2

**1**  
**G**

**1**  
**G**



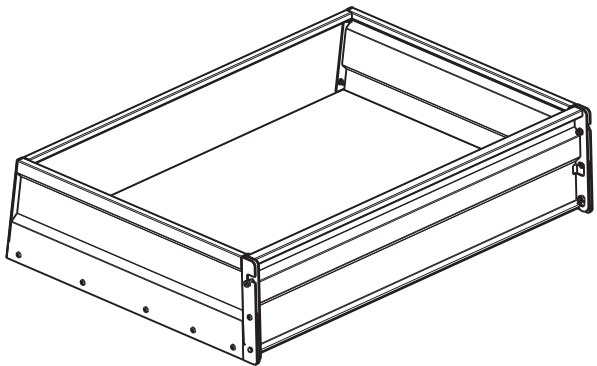
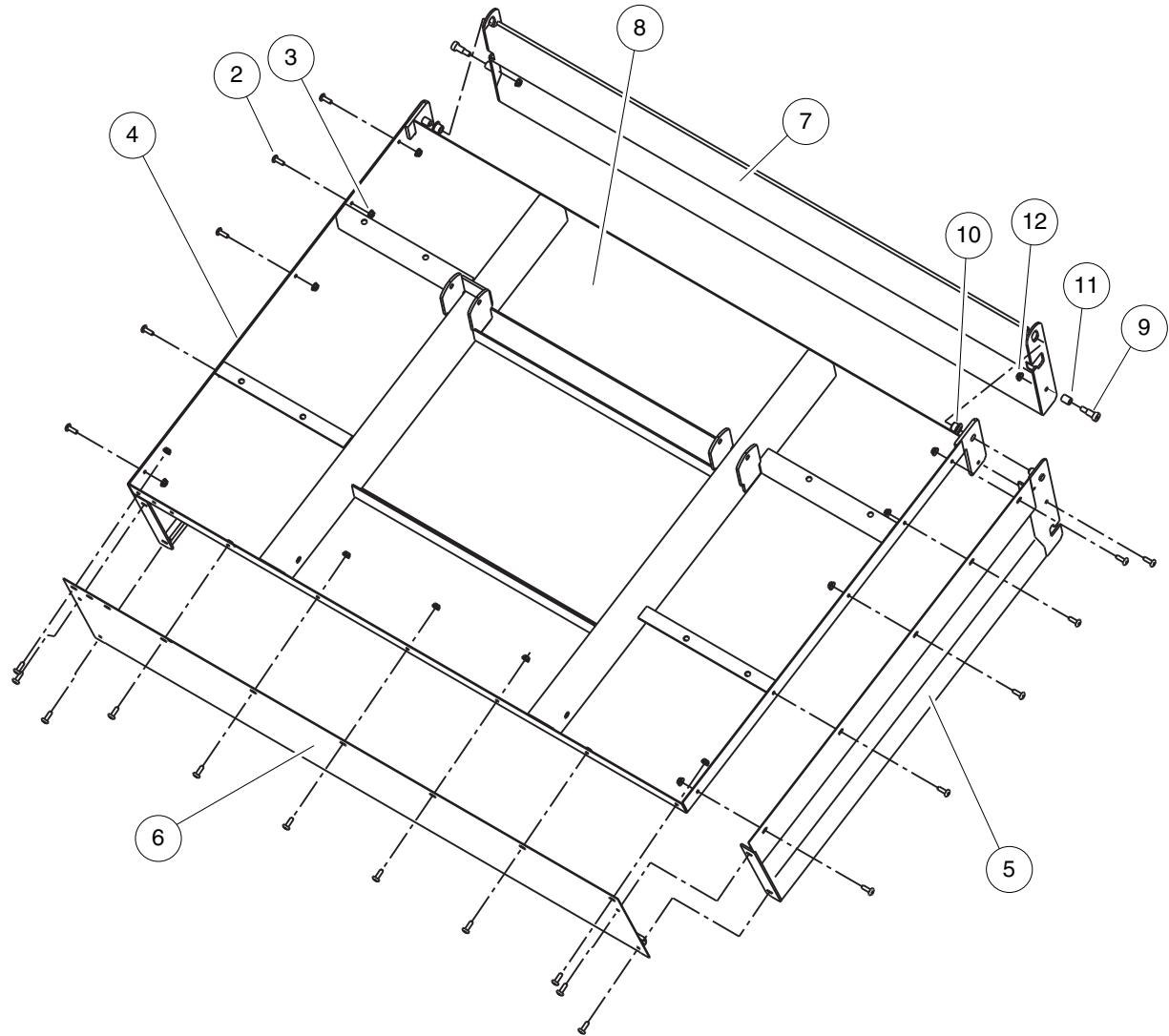
000891-001



# BENCH SEATS

ITEM	PART NO.	DESCRIPTION	QTY
		<b>1 2 3 4</b>	
1	N/A	Instl, Benchseat-gry (includes items 2 through 8) .....	1
2	1011964	Washer, 1/4 Flat .....	4
3	1014415	Screw, 1/4-20 X 0.75 Torx Truss-Head .....	4
4	102343601	Screw, 1/4-20 X 1 3/4 Ss Hx Ca .....	4
5	103443201	Plate, Hinge, Seat .....	2
6	103455001	Seat Bottom, Bench, Gray .....	1
7	103456001	Seat Back, Bench, Gray .....	1
8	103580301	Cap, Seatback, One Piece .....	1
9	N/A	Instl, Benchseat-blk (includes items 10 through 16) .....	1
10	1011964	Washer, 1/4 Flat .....	4
11	1014415	Screw, 1/4-20 X 0.75 Torx Truss-Head .....	4
12	102343601	Screw, 1/4-20 X 1 3/4 Ss Hx Ca .....	4
13	103443201	Plate, Hinge, Seat .....	2
14	103455002	Seat Bottom, Bench, Black .....	1
15	103456002	Seat Back, Bench, Black .....	1
16	103580301	Cap, Seatback, One Piece .....	1

**1**  
**G**



000892-001

# BOX BED

ITEM	PART NO.	DESCRIPTION	QTY
		1 2 3 4	
1	N/A	Asm, Bed Box, Steel 400lbs (includes items 2 through 12) .....	1
2	1014415	Screw, 1/4-20 X 0.75 Torx Truss-Head .....	23
3	101835601	Locknut, 1/4-20 Hex Whiz .....	23
4	103433301	Weldment, Bed Panel, Drv .....	1
5	103433302	Weldment, Bed Panel, Pas .....	1
6	103434201	Panel, Front, Bed .....	1
7	103434501	Weldment, Gate, Bed .....	1
8	103435001	Weldment, Bed Bottom, 400 Lb .....	1
9	103522501	Bolt, Shoulder, M10 X 16mm .....	2
10	103587201	Bushing, Fl, 12.7 Id X 15.9 Od .....	2
11	103587301	Bushing, 10 Mm Id X 16 Mm Lg .....	2
12	103602301	Nut, Flg, Hex, M8-1.25 .....	2

**1**

**G**

1

G

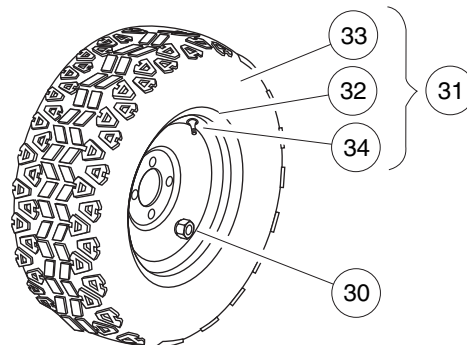
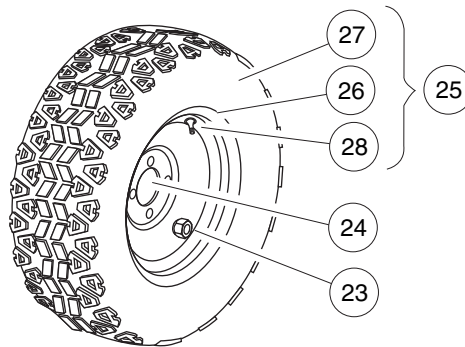
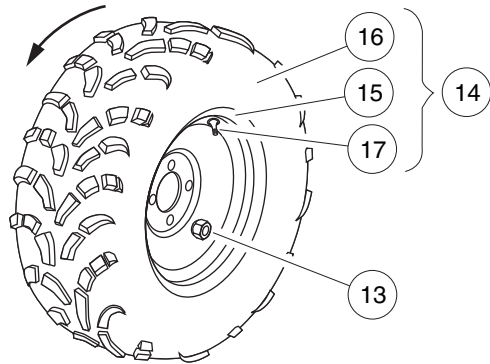
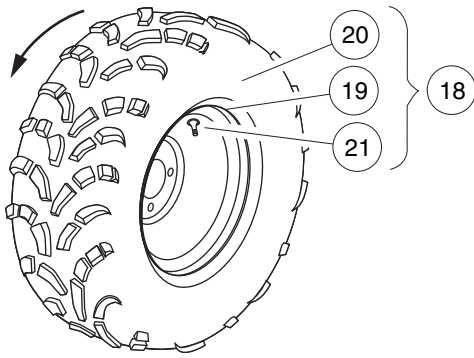
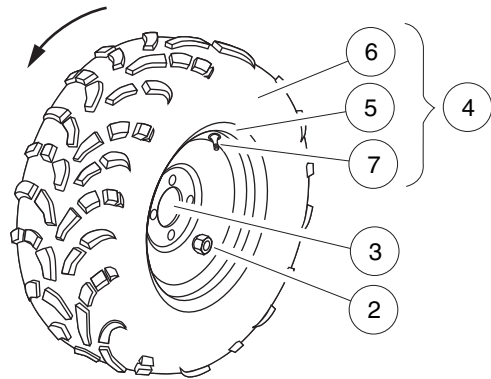
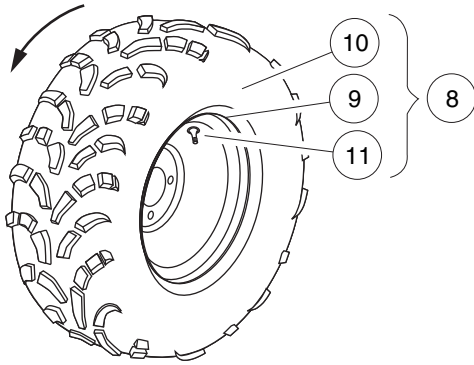
# WHEELS AND TIRES

---

2

G

**2**  
**G**



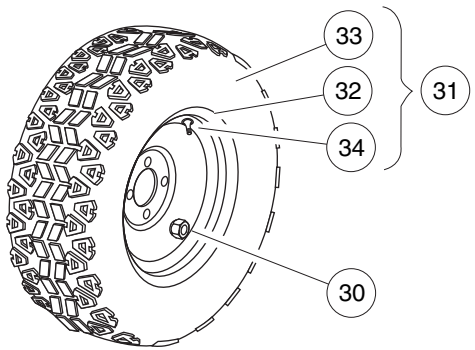
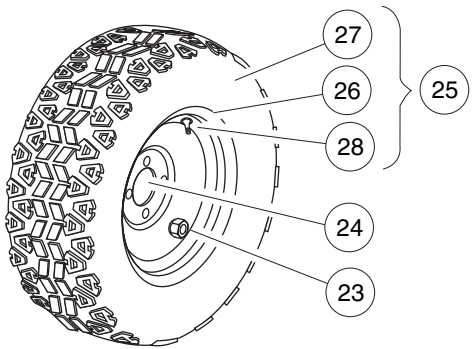
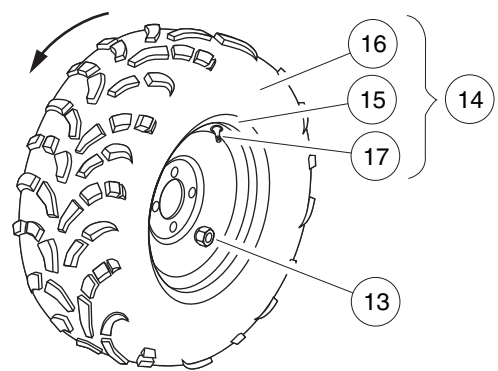
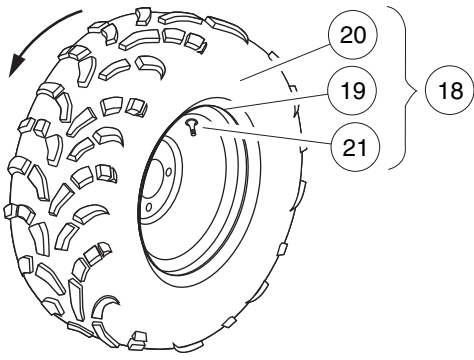
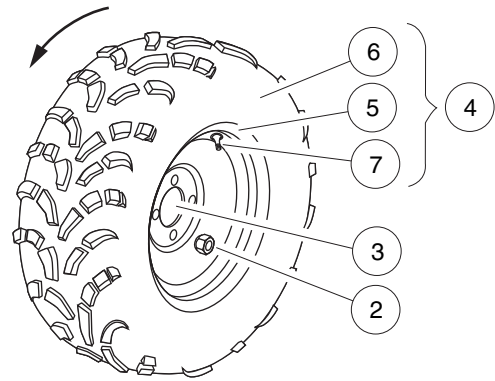
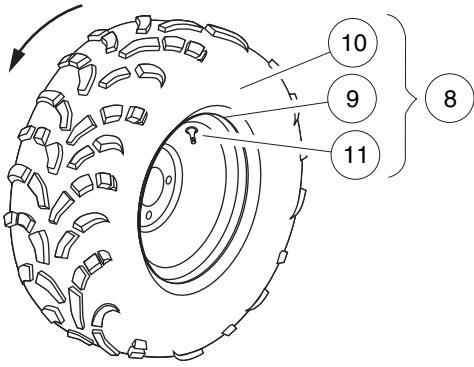
000913-001

## WHEELS AND TIRES – FRONT

ITEM	PART NO.	DESCRIPTION	QTY
		<b>1 2 3 4</b>	
1	N/A	Alloy Mud Front (includes items 2 through 8) .....	1
2	102540701	Lug Nut, 1/2" Closed End .....	8
3	103532801	Cap, Plastic, Alloy Wheel .....	2
4	103540503	Tire/whl Asm, Alloy, Mud Lh F (includes items 5 through 7) .....	1
5	103525001	Wheel, Alloy .....	1
6	103572301	Tire, Mud 25x9.00-12 Nhs .....	1
7	7310	Valve Stem .....	1
8	103540506	Tire/whl Asm, Alloy, Mud Rh F (includes items 9 through 11) .....	1
9	103525001	Wheel, Alloy .....	1
10	103572301	Tire, Mud 25x9.00-12 Nhs .....	1
11	7310	Valve Stem .....	1
12	N/A	Black Mud Front (includes items 13 through 18) .....	1
13	102736901	Nut, Lug, 1/2-20 SAE J2283 .....	8
14	103540502	Tire/whl Asm, Steel, Mud Lh F (includes items 15 through 17) .....	1
15	103234503	Wheel, All trail, 10 Window, Black .....	1
16	103572301	Tire, Mud 25x9.00-12 Nhs .....	1
17	7310	Valve Stem .....	1
18	103540505	Tire/whl Asm, Steel, Mud Rh F (includes items 19 through 21) .....	1
19	103234503	Wheel, All trail, 10 Window, Black .....	1
20	103572301	Tire, Mud 25x9.00-12 Nhs .....	1
21	7310	Valve Stem .....	1
22	N/A	Alloy Hdat Front (includes items 23 through 25) .....	1
23	102540701	Lug Nut, 1/2" Closed End .....	8
24	103532801	Cap, Plastic, Alloy Wheel .....	2
25	103540504	Tire/whl Asm, Alloy Hdat F (includes items 26 through 28) .....	2
26	103525001	Wheel, Alloy .....	1
27	103572401	Tire, Hdat 25x9.00-12 Nhs .....	1
28	7310	Valve Stem .....	1
29	N/A	Black Hdat Front (includes items 30 and 31) .....	1
30	102736901	Nut, Lug, 1/2-20 SAE J2283 .....	8
31	103540501	Tire/whl Asm, Steel, Hdat F (includes items 32 through 34) .....	2
32	103234503	Wheel, All trail, 10 Window, Black .....	1
33	103572401	Tire, Hdat 25x9.00-12 Nhs .....	1
34	7310	Valve Stem .....	1

**2**  
**G**

**2**  
**G**



000913-002



## WHEELS AND TIRES – REAR

ITEM	PART NO.	DESCRIPTION	QTY
		<b>1 2 3 4</b>	
1	N/A	Alloy Mud Rear (includes items 2 through 8) .....	1
2	102540701	Lug Nut, 1/2" Closed End .....	8
3	103532801	Cap, Plastic, Alloy Wheel .....	2
4	103540602	Tire/whl Asm, Alloy, Mud Rh R (includes items 5 through 7) .....	1
5	102945701	Mud Tire, 25" .....	1
6	103525001	Wheel, Alloy .....	1
7	7310	Valve Stem .....	1
8	103540606	Tire/whl Asm, Alloy, Mud Lh R (includes items 9 through 11) .....	1
9	102945701	Mud Tire, 25" .....	1
10	103525001	Wheel, Alloy .....	1
11	7310	Valve Stem .....	1
12	N/A	Black Mud Rear (includes items 13 through 18) .....	1
13	102736901	Nut, Lug, 1/2-20 SAE J2283 .....	8
14	N/A	Black Tire Asm Mud 11.0 In Left-Hand (includes items 15 through 17) .....	1
15	102945701	Mud Tire, 25" .....	1
16	103234503	Wheel, All trail, 10 Window, Black .....	1
17	7310	Valve Stem .....	1
18	N/A	Black Tire Asm Mud 11.0 In Right-Hand (includes items 19 through 21) .....	1
19	102945701	Mud Tire, 25" .....	1
20	103234503	Wheel, All trail, 10 Window, Black .....	1
21	7310	Valve Stem .....	1
22	N/A	Alloy Hdat Rear (includes items 23 through 25) .....	1
23	102540701	Lug Nut, 1/2" Closed End .....	8
24	103532801	Cap, Plastic, Alloy Wheel .....	2
25	103540601	Tire/whl Asm, Alloy, Hdat R (includes items 26 through 28) .....	2
26	103525001	Wheel, Alloy .....	1
27	103600001	Tire, Hdat 25x11.00-12 Nhs .....	1
28	7310	Valve Stem .....	1
29	N/A	Black Hdat Rear (includes items 30 and 31) .....	1
30	102736901	Nut, Lug, 1/2-20 SAE J2283 .....	8
31	103540603	Tire/whl Asm, Steel, Hdat R (includes items 32 through 34) .....	1
32	103234503	Wheel, All trail, 10 Window, Black .....	1
33	103600001	Tire, Hdat 25x11.00-12 Nhs .....	1
34	7310	Valve Stem .....	1

**2**

**G**

2


G

# DECALS

---

3

G



**WARNING**  
YOUNG DRIVERS INCREASE CHANCE OF DEATH


- Young drivers may not be able to control vehicle.
- No drivers younger than 16 years old.
- Do not leave children unattended on vehicle.

CCI 102459401

**WARNING**

- Do not modify or remove Roll-over Protective Structure (ROPS).
- Replace ROPS if damaged. Do not attempt repair.
- Use seat belts during operation. Do not jump from vehicle.
- Keep away from drop-offs, steep slopes, and unstable surfaces.

CCI 102961201



**WARNING**  
CARBON MONOXIDE CAN CAUSE ILLNESS, SERIOUS INJURY, OR DEATH

The engine produces carbon monoxide, which is a deadly, odorless, colorless gas that can quickly accumulate in an enclosed cab. Do not run the engine in a parked vehicle without proper cab ventilation. Move to fresh air if you feel nausea, headache, dizziness, drowsiness, or weakness.

CCI 103619901

Use Only  
DOT 5  
Brake Fluid

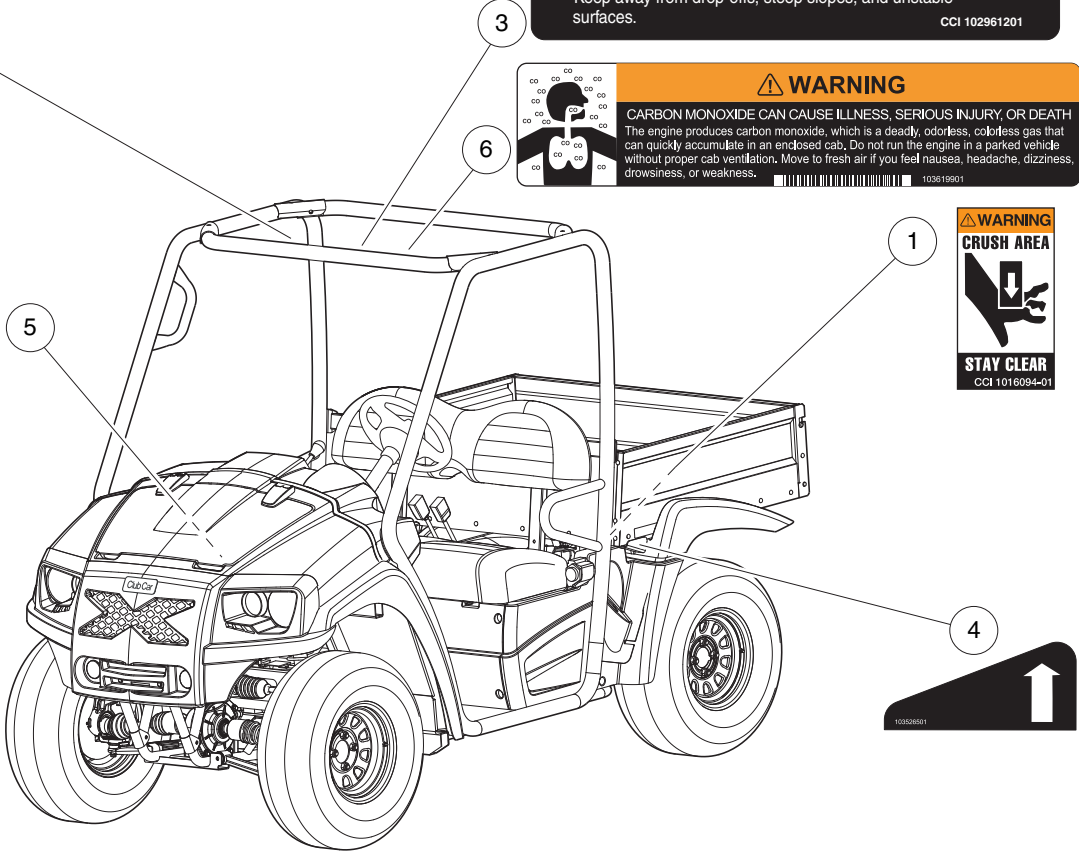
CCI 103532701

**WARNING**  
CRUSH AREA



**STAY CLEAR**

CCI 1016094-01



# SAFETY DECALS

ITEM	PART NO.	DESCRIPTION	QTY
		1 2 3 4	
1	101609401	Decal, Crush Area Warning .....	2
2	102459401	Decal, Young Driver Warning .....	1
3	102961201	Decal, Warning, AWD ROPS .....	1
4	103526501	Decal, Operation, Bed Latch .....	1
5	103532701	Decal, Brake Fluid, Dot 5 .....	1
6	103619901	Decal, Warn, Co, Cab .....	1

**3**

**G**

**OPERATING INSTRUCTIONS**

- Read owner's manual and vehicle safety warnings.
- Study and understand controls.
- FASTEN SEAT BELTS** before operating vehicle.

**TO START ENGINE**

- Place shift lever in NEUTRAL (N) and press brake pedal.
- Turn key to START and hold until engine starts.

**TO OPERATE VEHICLE**

- Turn wheels to desired direction and ensure path is clear.
- With vehicle stopped and engine at idle, select vehicle direction:
  - F - Forward
  - N - Neutral
  - R - Reverse
- Use lever to select 4 X 2 or 4 X 4, if so equipped.
- Use lever to lock or unlock the differential.
- Hold brake pedal and release park brake.
- Slowly press accelerator pedal to increase speed.
- Stop the vehicle before shifting to Forward or Reverse.
- Stop the vehicle before locking or unlocking the differential.

**TO STOP VEHICLE**

- Release accelerator pedal and push brake pedal.

**BEFORE LEAVING VEHICLE**

- Turn key to OFF and remove key.
- Place shift lever in NEUTRAL (N).
- Firmly set park brake.

**WARNING**  
**ROLLOVER OR FALLING OFF MAY CAUSE DEATH**

- Read owner's manual and operating instructions.
- FASTEN SEAT BELTS.** Remain seated while moving.
- Drive slowly in turns.
- Drive straight up and down slopes.
- Do not start vehicle until all occupants are seated.
- Two (2) persons per bench seat maximum.
- Operate from driver side only and not on public roads.
- Keep entire body inside vehicle while moving.
- Children requiring a child safety seat must not ride on vehicle. Comply with state and local laws pertaining to child safety.
- Do not operate while under the influence of alcohol or drugs.
- Unlock differential on paved surfaces to maintain steering control.
- Never attempt jumps.

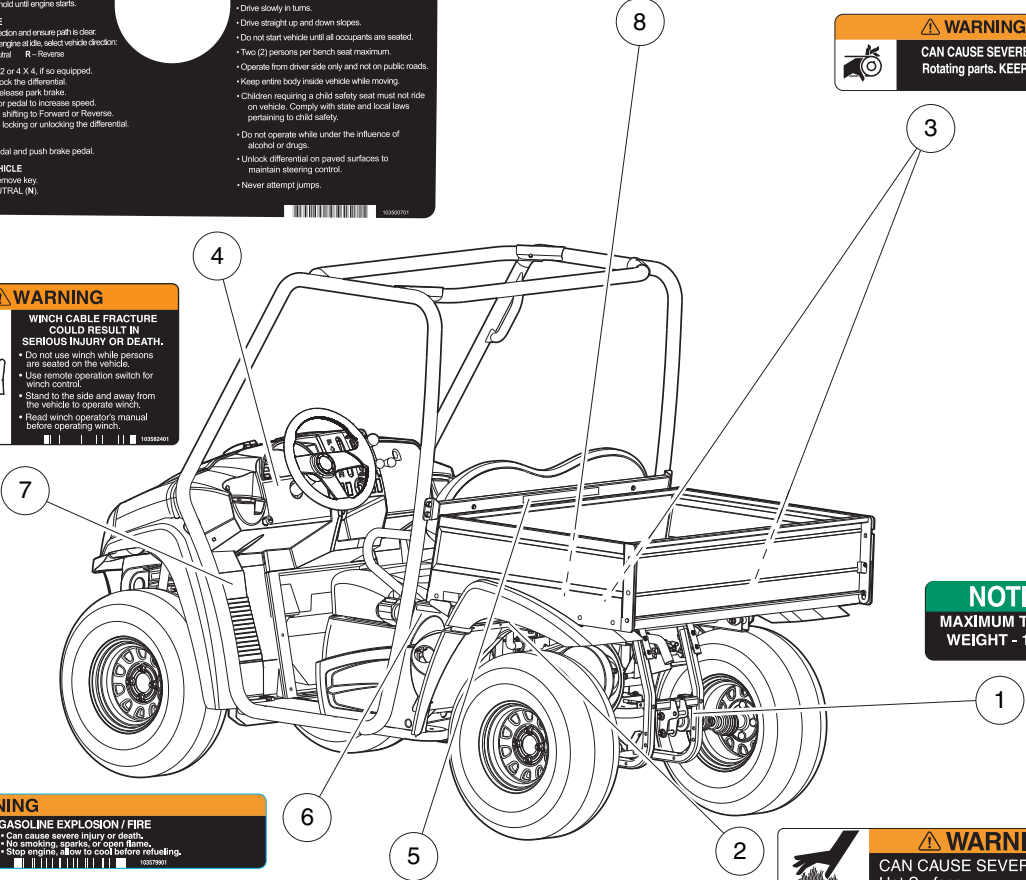
**WARNING**  
Negative frame ground. Can cause severe injury. Do not contact positive (+) battery post or cables to frame. Disconnect negative battery cable first.

**WARNING**  
Excessive speed can cause severe injury or death. Do not tamper with engine governor adjustment. 10326501

**WARNING**  
CAN CAUSE SEVERE INJURY  
Rotating parts. KEEP CLEAR. CCI 102460201

**WARNING**  
WINCH CABLE FRACTURE COULD RESULT IN SERIOUS INJURY OR DEATH.

- Do not use winch while persons are seated on the vehicle.
- Use remote operation switch for winch control.
- Stand to the side and away from the vehicle to operate winch.
- Read winch operator's manual before operating winch.



**NOTICE**  
MAXIMUM TONGUE WEIGHT - 150 lbs.  
CCI 1011553

**WARNING**  
GASOLINE EXPLOSION / FIRE

- Can cause severe injury or death.
- No smoking, sparks, or open flame.
- Stop engine, allow to cool before refueling.

**WARNING**  
CAN CAUSE SEVERE BURNS  
Hot Surface CCI 102458901

**VEHICLE LOADING**

- Read owner's manual and warnings on dash.
- Maximum gross vehicle weight: 2135 lb. (968 kg)
- Maximum cargo bed load: 400 lb. (181 kg)
- Reduce maximum cargo bed load by the weight of optional equipment.
- Maximum gross trailer weight: 1,100 lb. (499 kg).
- Maximum trailer hitch tongue weight: 150 lb. force (667 N).

**WARNING**  
RIDING IN CARGO BED CAN CAUSE SEVERE INJURY OR DEATH.

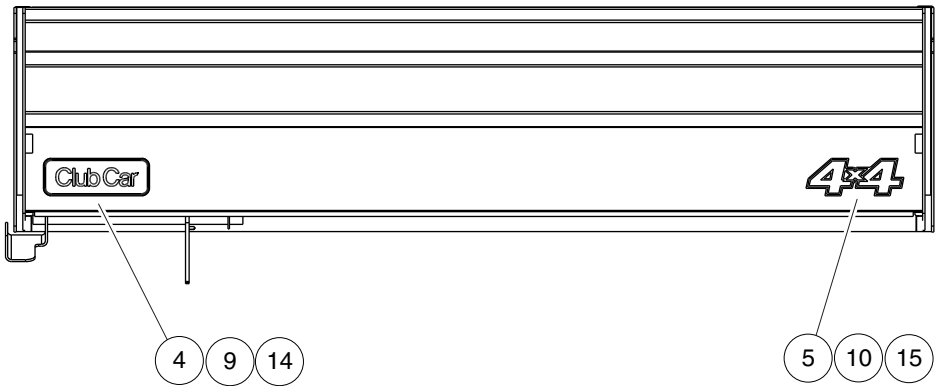
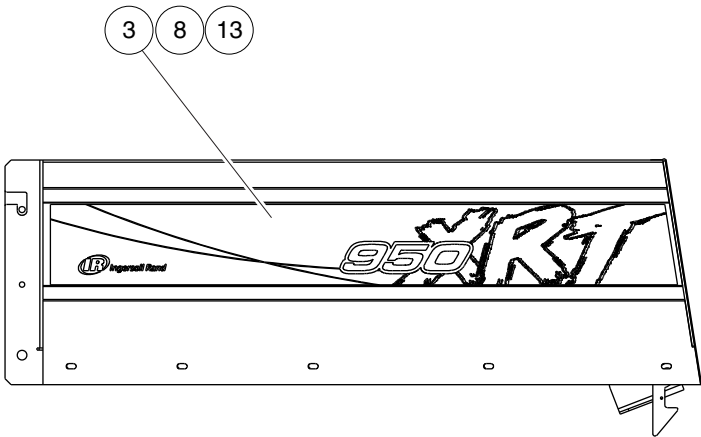
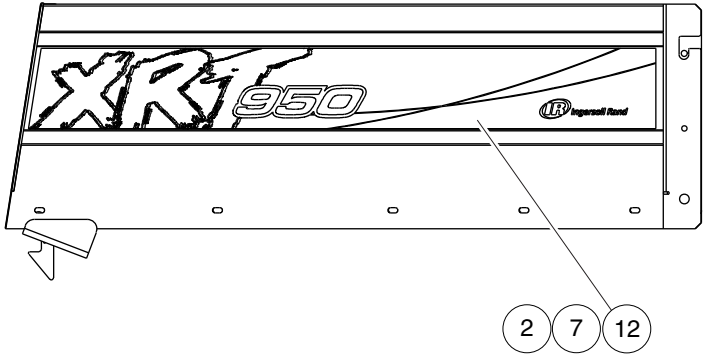
- Do not ride in cargo bed.

## SAFETY DECALS, CONTINUED

ITEM	PART NO.	DESCRIPTION	QTY
		1 2 3 4	
1	1011553	Decal, Trailer Hitch .....	1
2	102458901	Decal, Hot Surface Warning .....	1
3	102460201	Decal, Rotating Parts Warning .....	1
4	103500701	Decal, Operator, Warn/instr .....	1
5	103526201	Decal, Vehicle Loading, 2135lb .....	1
6	103579901	Decal, Warn, Gas Fuel Loading .....	1
7	103582401	Decal-winch, Warning .....	1
8	103596501	Decal, Frame Ground, Long .....	1

**3**  
**G**

**3**  
**G**



000881-003



# BADGING DECALS

3  
G

ITEM	PART NO.	DESCRIPTION	QTY
		<b>1 2 3 4</b>	
1	N/A	Instl Xrt950 Grn 4x4 (includes items 2 through 5) .....	1
2	103518010	Decal, Bed, Xrt950, Dk Grn, Ds .....	1
3	103518110	Decal, Bed, Xrt950, Dk Grn, Ps .....	1
4	103518201	Decal, Club Car, 51 X 144 .....	1
5	103533401	Decal, 4x4, 51 X 133 .....	1
6	N/A	Instl Xrt950 Red 4x4 (includes items 7 through 10) .....	1
7	103518015	Decal, Bed, Xrt950, Red, Ds .....	1
8	103518115	Decal, Bed, Xrt950, Red, Ps .....	1
9	103518201	Decal, Club Car, 51 X 144 .....	1
10	103533401	Decal, 4x4, 51 X 133 .....	1
11	N/A	Instl Xrt950 Ntl 4x4 (includes items 12 through 15) .....	1
12	103518017	Decal, Bed, Xrt950, Ntrl, Ds .....	1
13	103518117	Decal, Bed, Xrt950, Ntrl, Ps .....	1
14	103518201	Decal, Club Car, 51 X 144 .....	1
15	103533401	Decal, 4x4, 51 X 133 .....	1

3

G

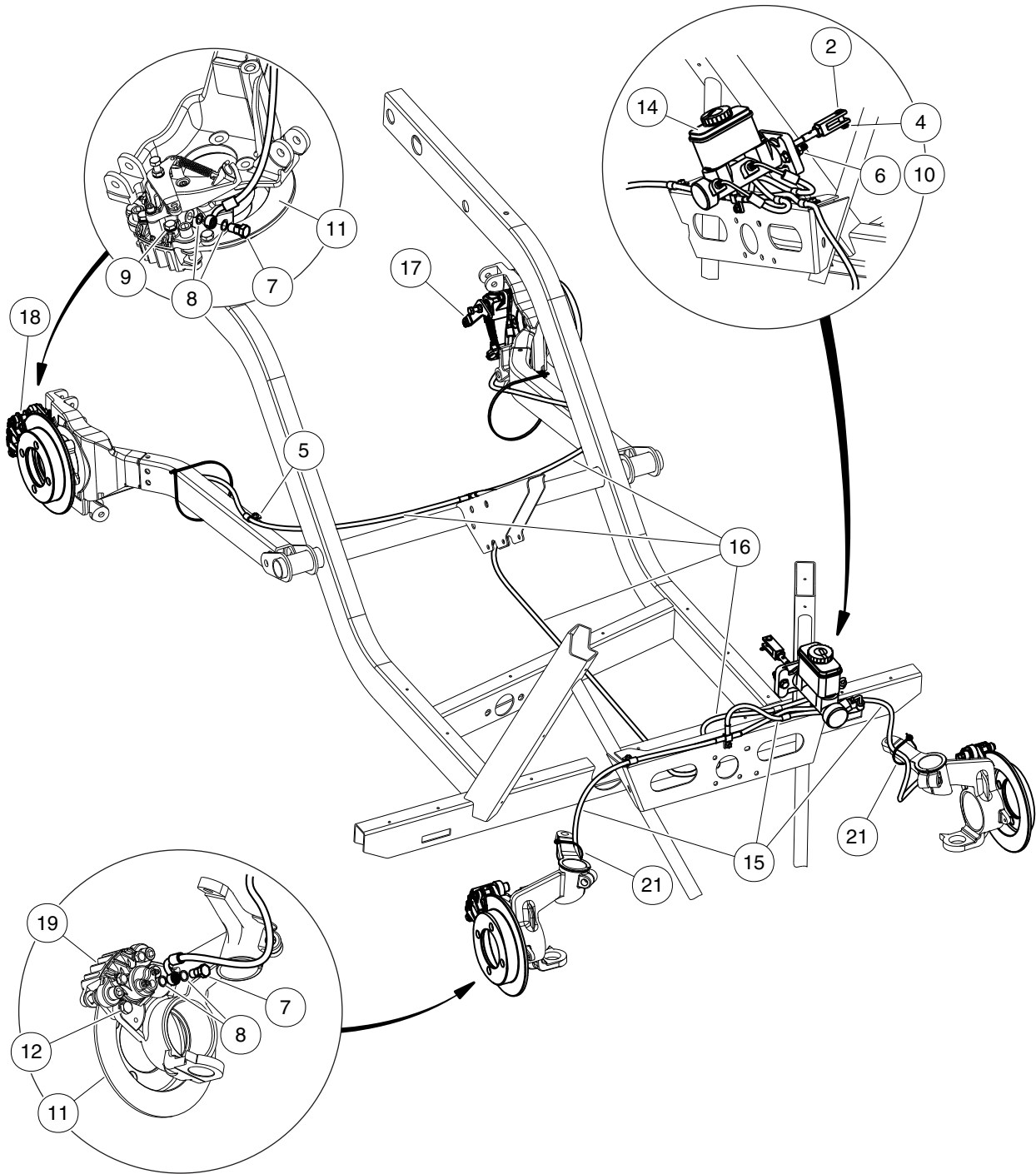
# BRAKE SYSTEMS

---

4

G

**4**  
**G**



000893-001

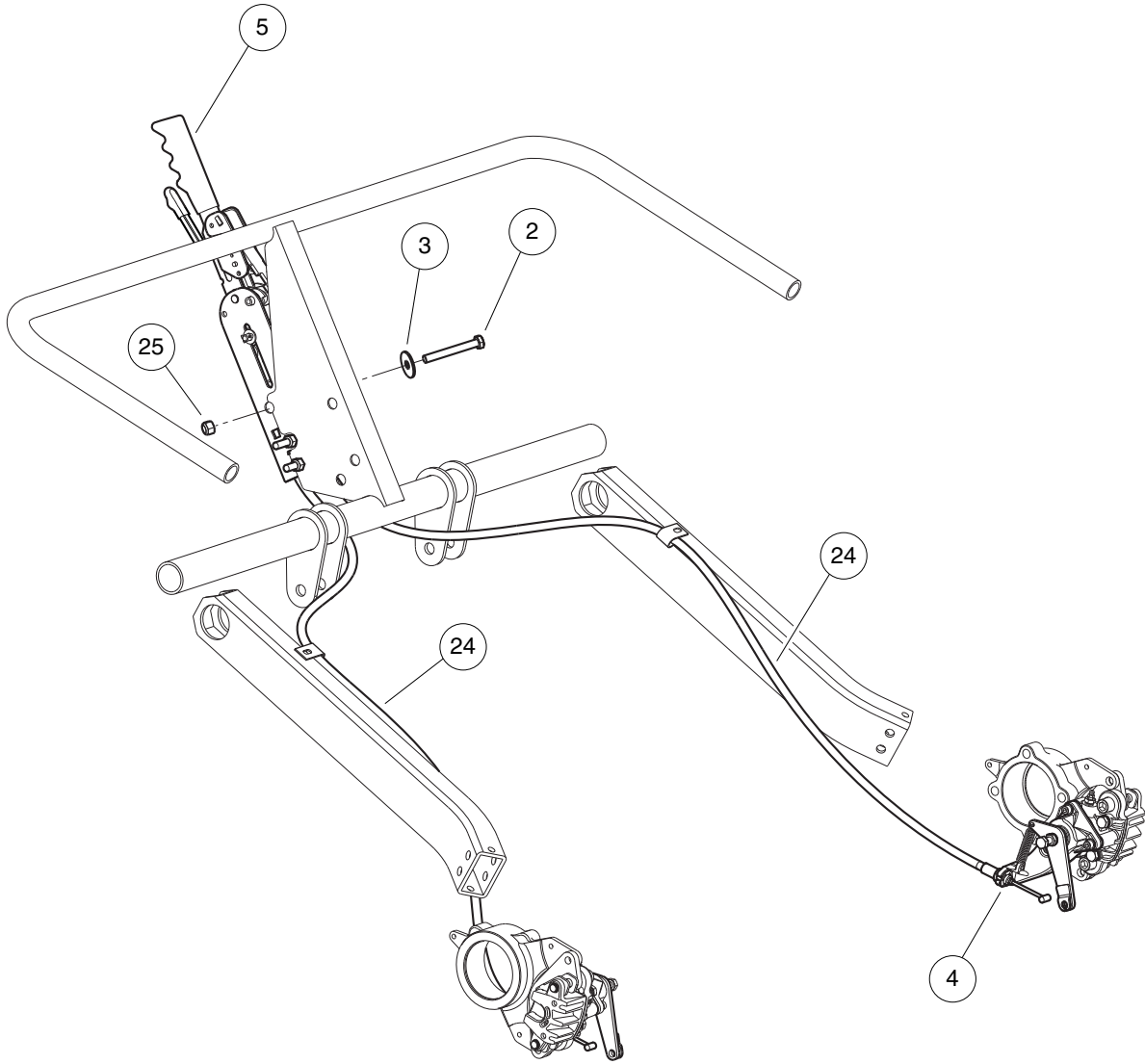
# BRAKE SYSTEM

ITEM	PART NO.	DESCRIPTION	QTY
		1 2 3 4	
1	N/A	Instl, Brake, Service (includes items 2 through 21) .....	1
2	101082903	Clevis Pin, 5/16 X 1 .....	1
3	N/A	Dot 5 Brake Fluid .....	1
4	102176901	Pin, Rue .....	1
5	102296716	Screw, M6 X 16 Tt Hx Fl Hd .....	7
6	102298401	Nut,m8,all Metal Lock .....	2
7	102488001	Bolt, Banjo, M10x1x19 .....	4
8	102491601	Washer, Copper, M10 Crush .....	8
9	102493301	Bolt Flange Head, 3/8-24x.750 with Loctite .....	4
10	102618401	Bolt Flanged Head, M8 X 1.25 X 35 .....	2
11	102714001	Service Kit, Brake Pad (4 Pads) .....	1
12	103077501	Rotor, Disc, Brake .....	4
13	103147101	Bolt, 3/8-24x 1.0 Loctite .....	4
14	103160101	Kit, Brake Pad, 7646 (not shown) .....	1
15	103376101	Cylinder, Master, Integral Res .....	1
16	103460301	Assembly, Brake Line, Front .....	1
17	103460401	Assembly, Brake Line, Rear .....	1
18	103523601	Caliper, H-m, Rear, Lh .....	1
19	103523701	Caliper, H-m, Rear, Rh .....	1
20	103574301	Brk Caliper, Front, W/pad 7646 .....	2
21	8639	Tie Wrap, 11" Nylon .....	2

4

G

**4**  
**G**



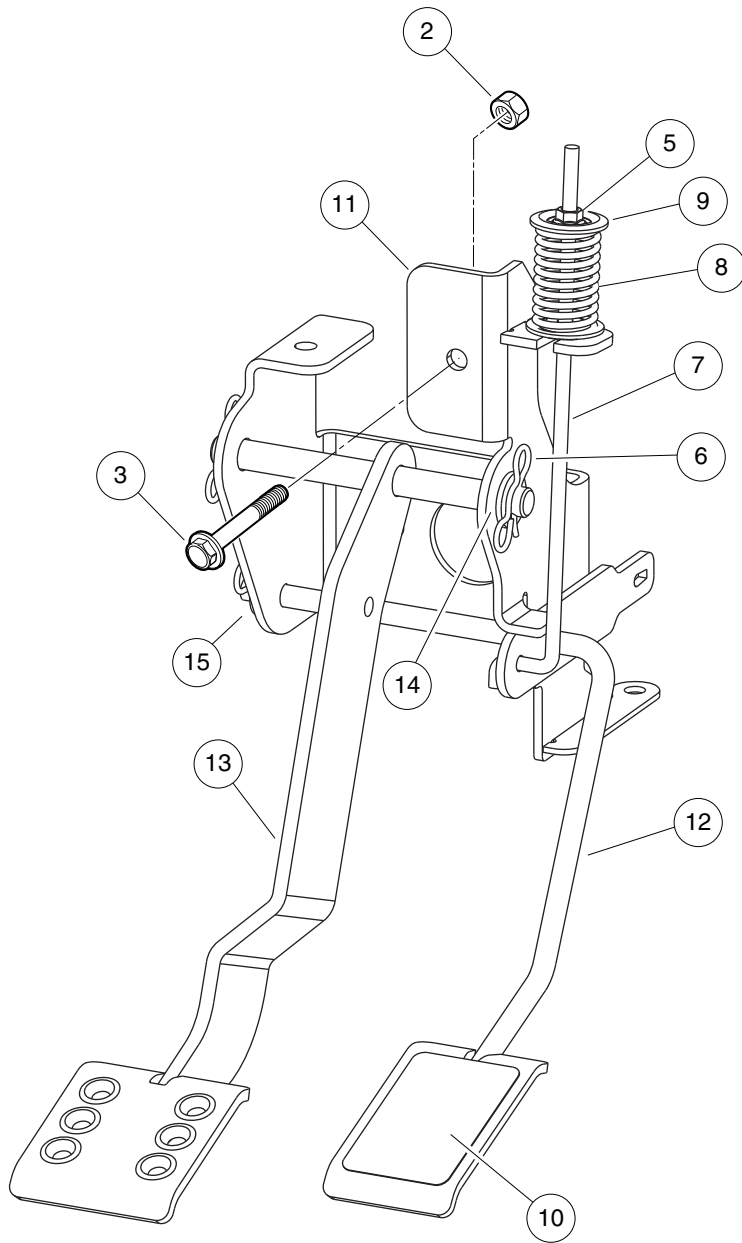
000894-001

# PARK BRAKE SYSTEM

ITEM	PART NO.	DESCRIPTION	QTY
		<b>1 2 3 4</b>	
1	N/A	Instl, Brake, Park, Xrt (includes items 2 through 25) .....	1
2	1010921	Screw, 5/16-18 X 2.50 Hex Cap .....	3
3	1011578	Washer, 5/16 Type B Flat .....	6
4	1011779	E-Clip, 1/2 .....	2
5	103532301	Park Brake Assy, Overcentre (includes items 6 through 23) .....	1
6	103148701	Grip, Brake, Park, O/c .....	1
7	103148801	Cover, Lever, Release .....	1
8	103148901	Switch, Brake, Park .....	1
9	103149001	Pin, Clevis, Brake, Park .....	1
10	103149101	Washer, Clevis, Pin, P/b .....	1
11	103149201	E-clip, Pin, Brake, Park .....	1
12	103149301	Pin, Clevis, Brake, Park, D7.9 .....	1
13	103149401	Compensator, Link, Brake, Park .....	1
14	103149501	Spacer, Brake, Park .....	1
15	103149601	Spacer, Mtg, Brake, Park .....	1
16	103149701	Clamp, Cable, Brake, Park .....	1
17	103149801	Pin, Split, Clevis .....	1
18	103149901	Washer, M3, Brake, Park .....	1
19	103160001	Screw, M3 X 20, Cheese, Hd .....	1
20	103751001	Cable, Handbrake, Front Exit .....	1
21	103751701	Handbrake, Front Cable Exit .....	1
22	103755101	Boot, Handbrake, Front Exit .....	1
23	103763401	Switch, Park Brake .....	1
24	103665301	Cable, Park Brake, Overcenter .....	1
25	7473	Locknut, 5/16-18 Nylon Insert .....	3

4

G



000895-001



# PEDAL GROUP

ITEM	PART NO.	DESCRIPTION	QTY
		<b>1 2 3 4</b>	
1	N/A	Instl, Group, Pedal (includes items 2 through 4) .....	1
2	102298401	Nut,m8,all Metal Lock .....	1
3	103531201	Bolt, Flg, M8 X 1.25 X 60 .....	1
4	N/A	Asm, Group, Pedal (includes items 5 through 15) .....	1
5	102296401	Nut-m6x1.0 Flng All Mtl Lock .....	1
6	102323101	Pin, Bow Tie Locking .....	3
7	N/A	Pullrod, Spring, Compression .....	1
8	102445201	Spring, Comp, Pedal, Pullrod .....	1
9	N/A	Washer, Retaining Spring, 7mm .....	2
10	102479301	Pad, Grip Tape, Accelerator .....	1
11	N/A	Weldment, Brkt, Pedals .....	1
12	N/A	Weldment, Pedal, Accel, 950 .....	1
13	N/A	Weldment, Pedal, Brake, 6 Hole .....	1
14	96701412	Washer, M12 Hard .....	2
15	96741046	Washer, M10 Hard .....	2

**4**  
**G**

4

G

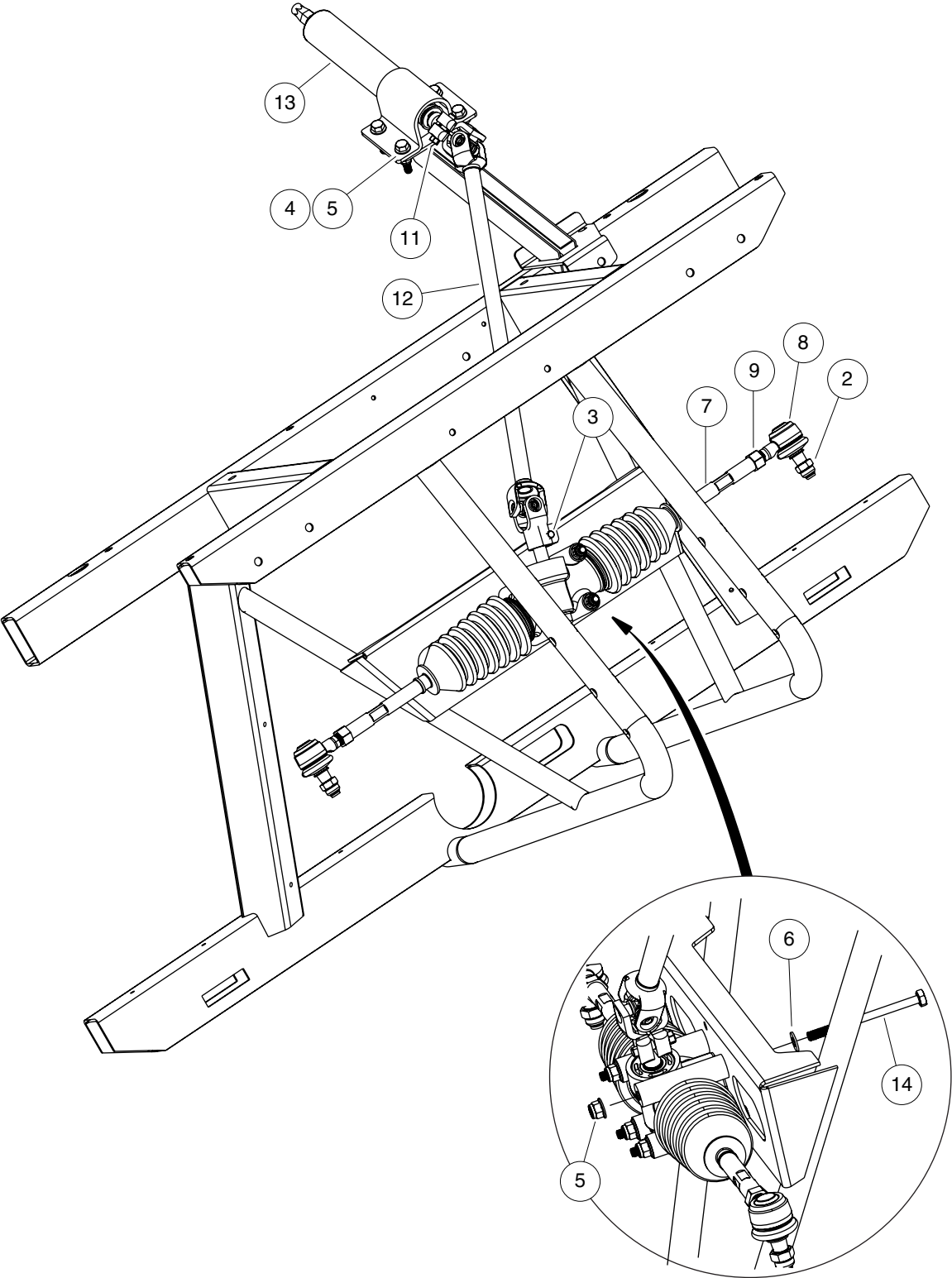
# STEERING AND SUSPENSION

---

5

G

**5**  
**G**



000896-001

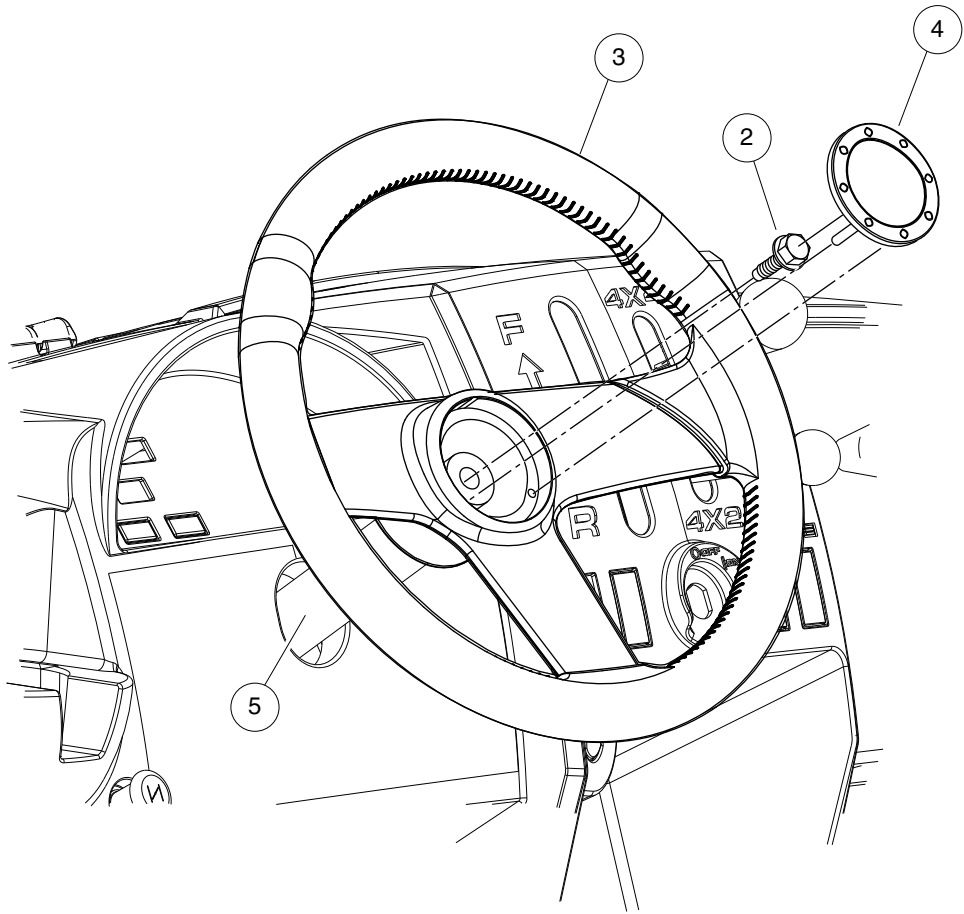
# STEERING

ITEM	PART NO.	DESCRIPTION	QTY
		<b>1 2 3 4</b>	
1	N/A	Instl, Steering, XRT 950 (includes items 2 through 14) .....	1
2	102022901	Locknut, M12-1.25 Nylon .....	2
3	102298130	Bolt, Flange Head, M8 X 30.0 .....	1
4	102618401	Bolt Flanged Head, M8 X 1.25 X 35 .....	4
5	102618601	Lock Nut, Flg M8 X 1.25 Nylon .....	8
6	102661001	Washer, Plain, M8 .....	8
7	103106201	Asm, Rack, Steering (includes items 8 and 9) .....	1
8	103148301	Ball Joint, Steering Rack .....	1
9	103148401	Nut, Jam, Steering Rack .....	1
10	103106301	Asm, Steering Column (includes items 11 through 13) .....	1
11	102298130	Bolt, Flange Head, M8 X 30.0 .....	1
12	103090001	Shaft, Intermediate, Xrt .....	1
13	103529901	Column, Steering W/o I-shaft .....	1
14	103146601	Bolt, Flg, M8 X 1.25 X 100 .....	4

**5**  
**G**

5

G



000900-001

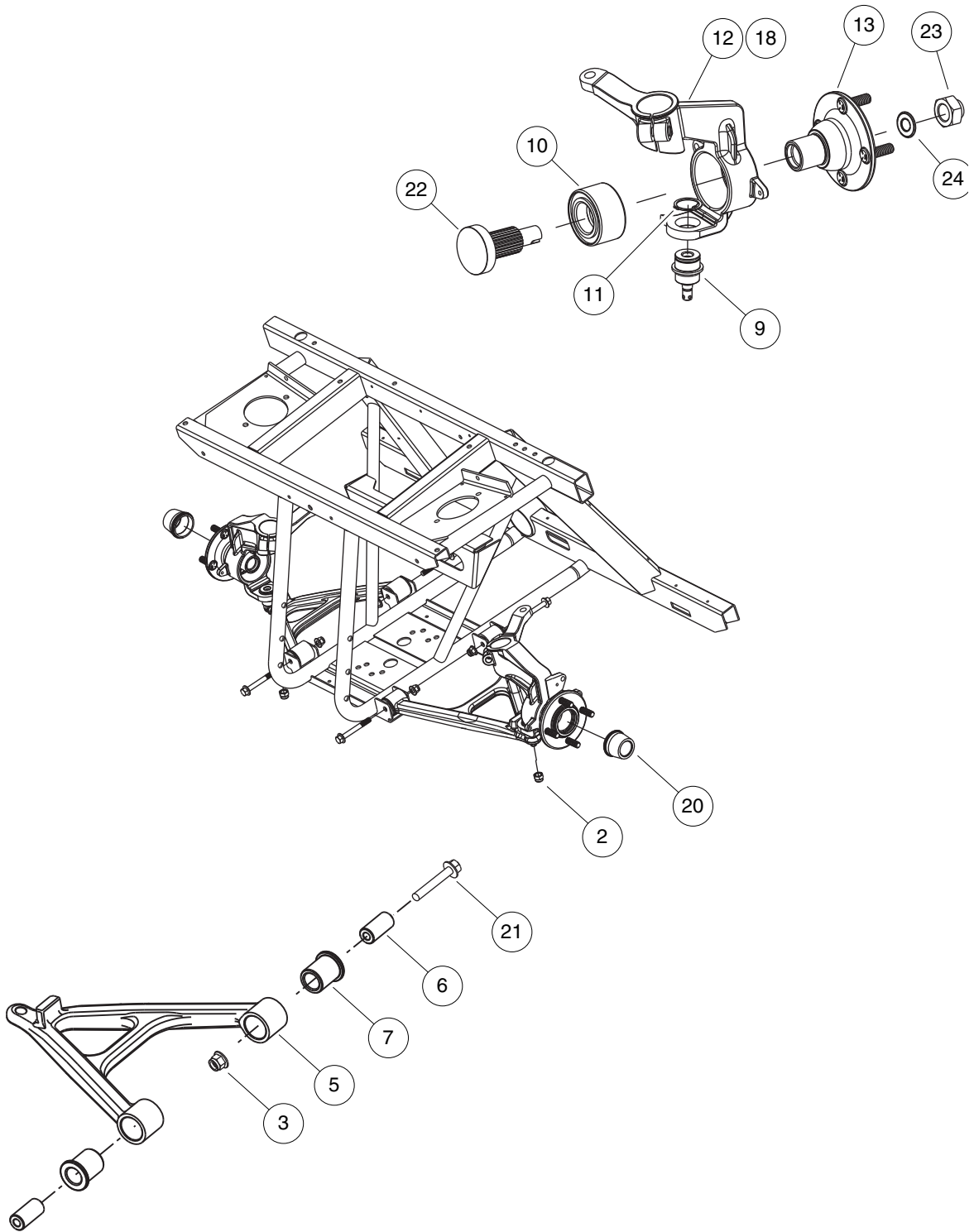
# STEERING WHEEL

ITEM	PART NO.	DESCRIPTION	QTY
		1 2 3 4	
1	N/A	Instl, Steering Wheel (includes items 2 through 5) .....	1
2	102290120	Bolt, M10 X 20 Hex Washer Hd .....	1
3	102363802	Steering Wheel, Viper, Hex Hub .....	1
4	102367101	Cap, Steering Wheel, Viper .....	1
5	102571301	Shroud, Steering Column .....	1

5

G

**5**  
**G**



000904-001



# FRONT SUSPENSION

5  
G

ITEM	PART NO.	DESCRIPTION	QTY
		<b>1 2 3 4</b>	
1	N/A	Instl, Front Suspension Comn (includes items 2 through 24) .....	1
2	102022901	Locknut, M12-1.25 Nylon .....	2
3	102670701	Nut Flg M10 X 1.5 Nylon .....	4
4	103077201	Asm, A- Arm (includes items 5 through 7) .....	2
5	N/A	A-arm .....	1
6	103145801	Sleeve, A-arm .....	2
7	103148501	Bushing, A-arm Front .....	2
8	103105101	Asm, Upright, Rh (includes items 9 through 13) .....	1
9	102361901	Joint, Ball .....	1
10	102464301	Bearing .....	1
11	102722301	Ring, Retaining, Ext, 1-1/4" .....	1
12	N/A	Strut, Rh, Machined .....	1
13	103147501	Asm, Wheel Hub, Front .....	1
14	103105201	Asm, Upright, Lh (includes items 15 through 19) .....	1
15	102361901	Joint, Ball .....	1
16	102464301	Bearing .....	1
17	102722301	Ring, Retaining, Ext, 1-1/4" .....	1
18	N/A	Strut, Lh, Machined .....	1
19	103147501	Asm, Wheel Hub, Front .....	1
20	103145701	Cap, Wheel, Rubber .....	2
21	103147001	Bolt, Flg, M10 X 1.5 X 80 .....	4
22	103444301	Shaft, Retention, Front, 2wd .....	2
23	103596301	Nut, Stake, M18, Halfshaft .....	2
24	103600701	Washer, Flat, M18 .....	2

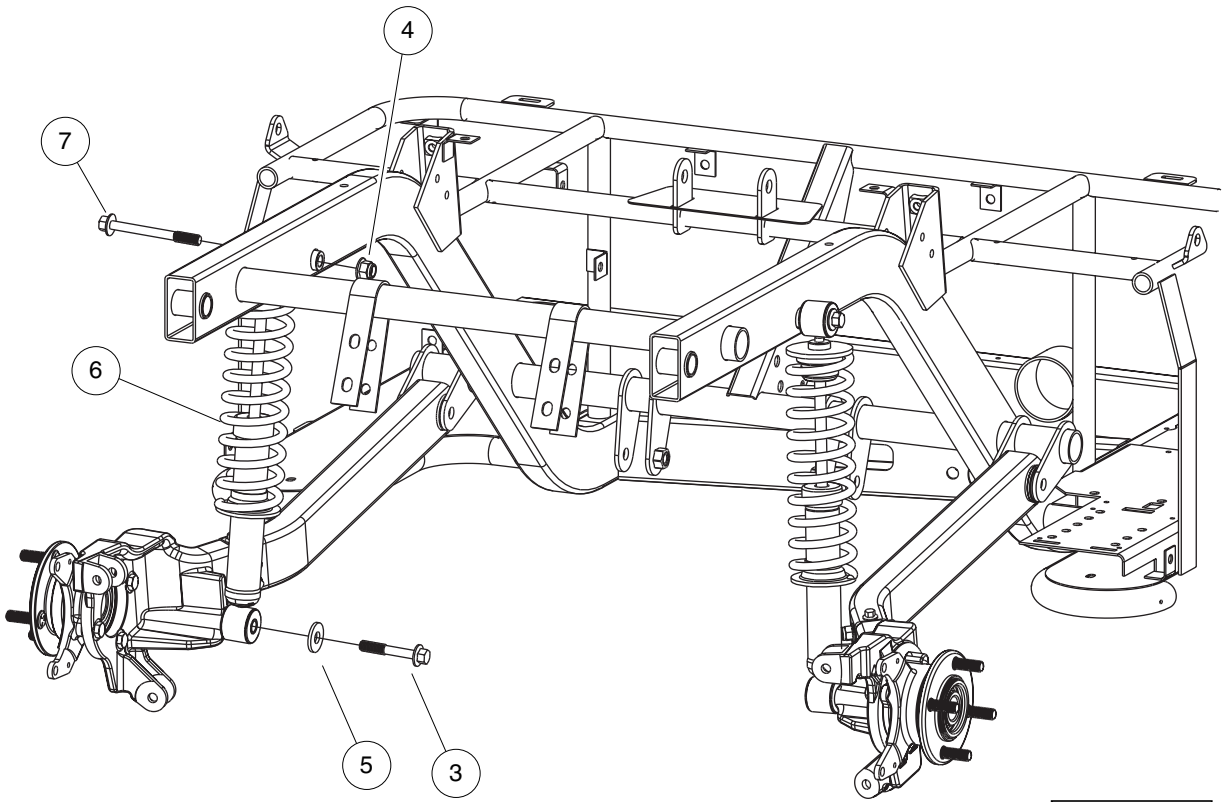
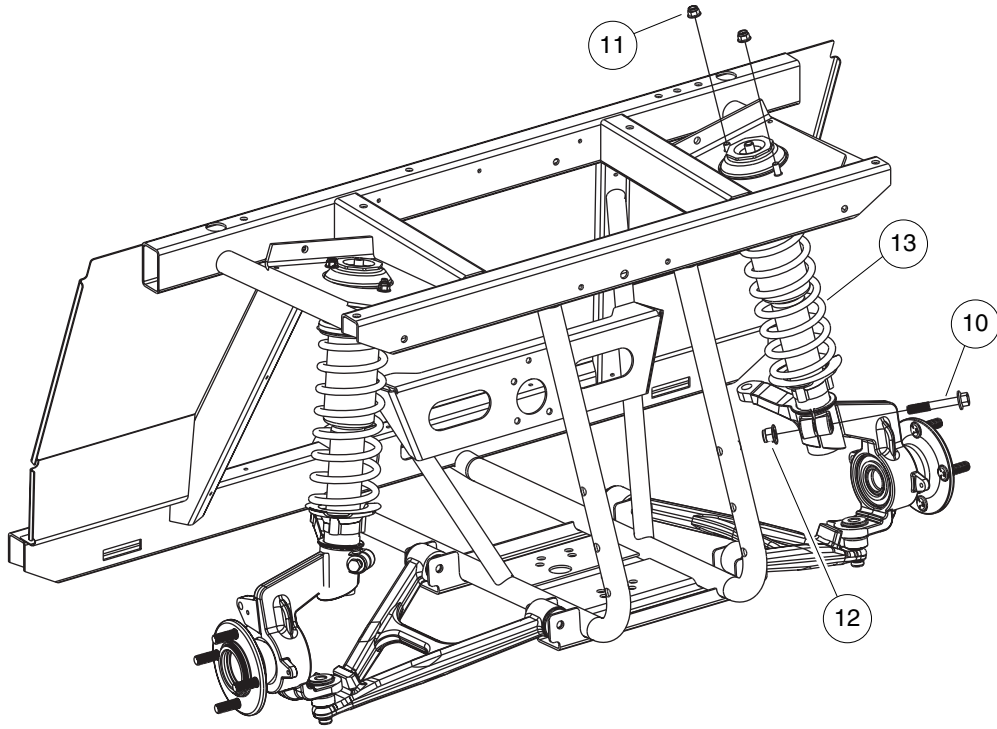


# REAR SUSPENSION

ITEM	PART NO.	DESCRIPTION	QTY
		<b>1 2 3 4</b>	
1	N/A	Instl, Rear Suspension Comn (includes items 2 through 37) .....	1
2	1010177	Bolt, 3/8-16 X 2.00 Hex Head .....	2
3	1011990	Washer, 3/8 Flat .....	16
4	102620501	Nut Flg, M12x1.75, Nylon Gr 10 .....	2
5	103137601	Asm, Trailing Arm, Rh (includes items 6 through 16) .....	1
6	102618601	Lock Nut, Flg M8 X 1.25 Nylon .....	1
7	102988701	Bolt, Flanged, M10 X 1.5 X 65 .....	2
8	103105401	Asm, Upright, Rear (includes items 9 through 11) .....	1
9	102464301	Bearing .....	1
10	103078102	Holder, Bearing, Rear, Rs .....	1
11	103146201	Asm, Wheel Hub, Rear .....	1
12	103146101	Anchor, Trailing Arm, Rh .....	1
13	103146801	Bolt, Flg, M8 X 1.25 X 80 .....	1
14	103146901	Asm, Swing, Arm .....	1
15	103147201	Bolt, M10 X 1.5 X 25 .....	4
16	103216401	Nut, Flanged, M10 x 1.5, Black .....	2
17	103145701	Cap, Wheel, Rubber .....	2
18	103145901	Asm, Trailing Arm, Lh (includes items 19 through 29) .....	1
19	102618601	Lock Nut, Flg M8 X 1.25 Nylon .....	1
20	102988701	Bolt, Flanged, M10 X 1.5 X 65 .....	2
21	103105401	Asm, Upright, Rear (includes items 22 through 24) .....	1
22	102464301	Bearing .....	1
23	103078102	Holder, Bearing, Rear, Rs .....	1
24	103146201	Asm, Wheel Hub, Rear .....	1
25	103113001	Anchor, Trailing Arm, Lh .....	1
26	103146801	Bolt, Flg, M8 X 1.25 X 80 .....	1
27	103146901	Asm, Swing, Arm .....	1
28	103147201	Bolt, M10 X 1.5 X 25 .....	4
29	103216401	Nut, Flanged, M10 x 1.5, Black .....	2
30	103146401	Sleeve, Link, Short .....	2
31	103146501	Bolt, Flg, M12 X 1.75 X 80 .....	2
32	103534001	Spacer, Lat-link (not shown) .....	14
33	103534402	Asm, Lat-link Rear Chrome .....	2
34	103534403	Asm, Lat-link Front, Chrome .....	1
35	2402	Screw, 3/8-16 X 2.25 Hx Hd Cap .....	4
36	8754	Locknut, 3/8-16 Hex .....	8
37	8755	Screw, 3/8-16 X 3.375 Hex Cap .....	2

5

G



000906-001

# SPRINGS & SHOCKS

5  
G

ITEM	PART NO.	DESCRIPTION	QTY
		<b>1 2 3 4</b>	
1	N/A	Instl, Shocks, Rear, Std (includes item 2) .....	1
2	N/A	Asm, Shocks (includes items 3 through 7) .....	1
3	102616301	Bolt, Flange Head, M12 X 1.75 X 70 .....	2
4	102620501	Nut Flg, M12x1.75, Nylon Gr 10 .....	2
5	102684501	Washer, M12 Hard Regular .....	2
6	103113301	Shock Absorber, Rear .....	2
7	103146701	Bolt, Flg, M12 X 1.75 X 110 .....	2
8	N/A	Instl, Shocks, Front, Std (includes item 9) .....	1
9	N/A	Asm, Strut (includes items 10 through 13) .....	1
10	102616301	Bolt, Flange Head, M12 X 1.75 X 70 .....	2
11	102618601	Lock Nut, Flg M8 X 1.25 Nylon .....	4
12	102620501	Nut Flg, M12x1.75, Nylon Gr 10 .....	2
13	103075901	Cartridge, Strut, Front .....	2

5

G

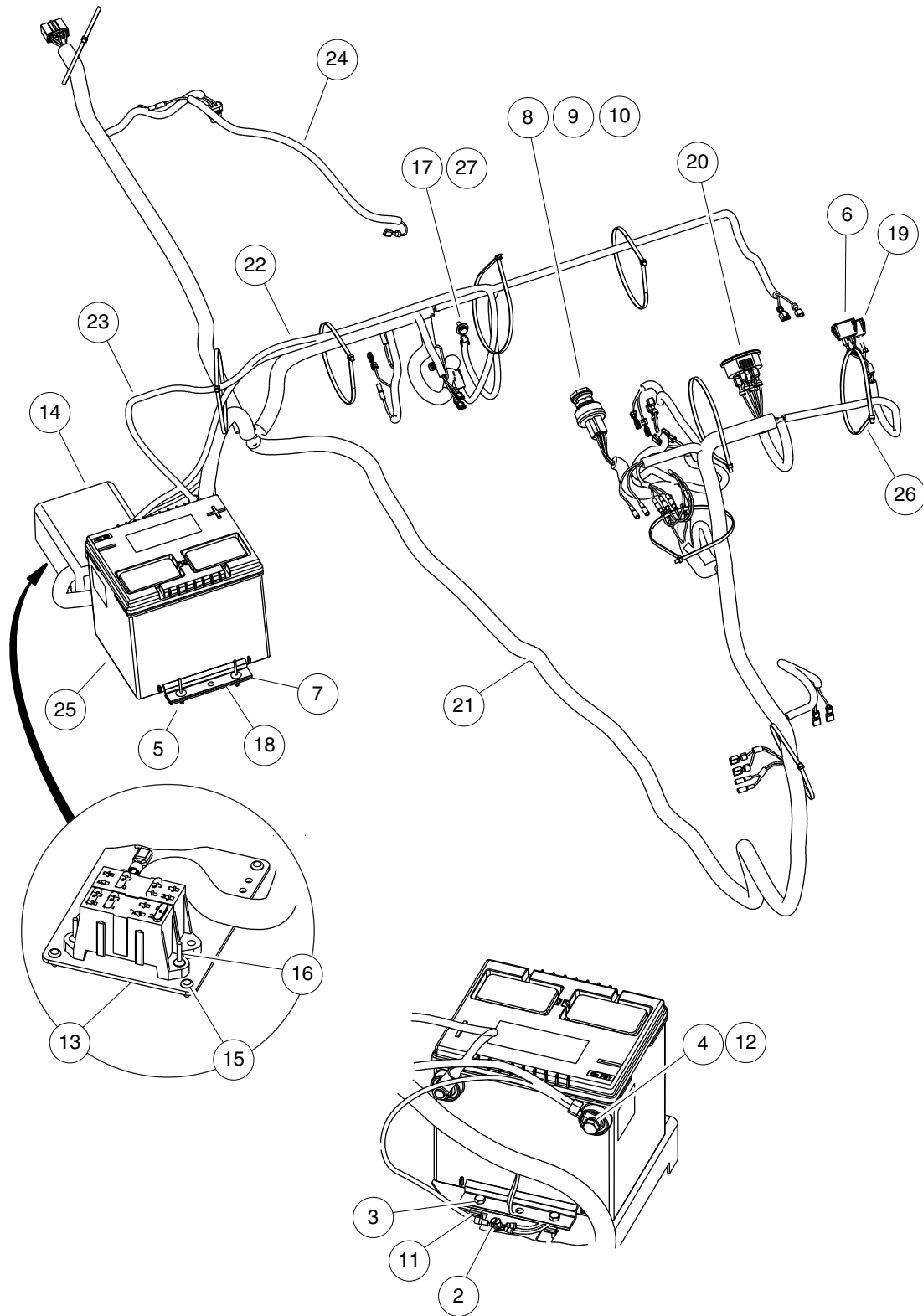
# ELECTRICAL SYSTEM

---

6

G

**6**  
**G**



000898-001

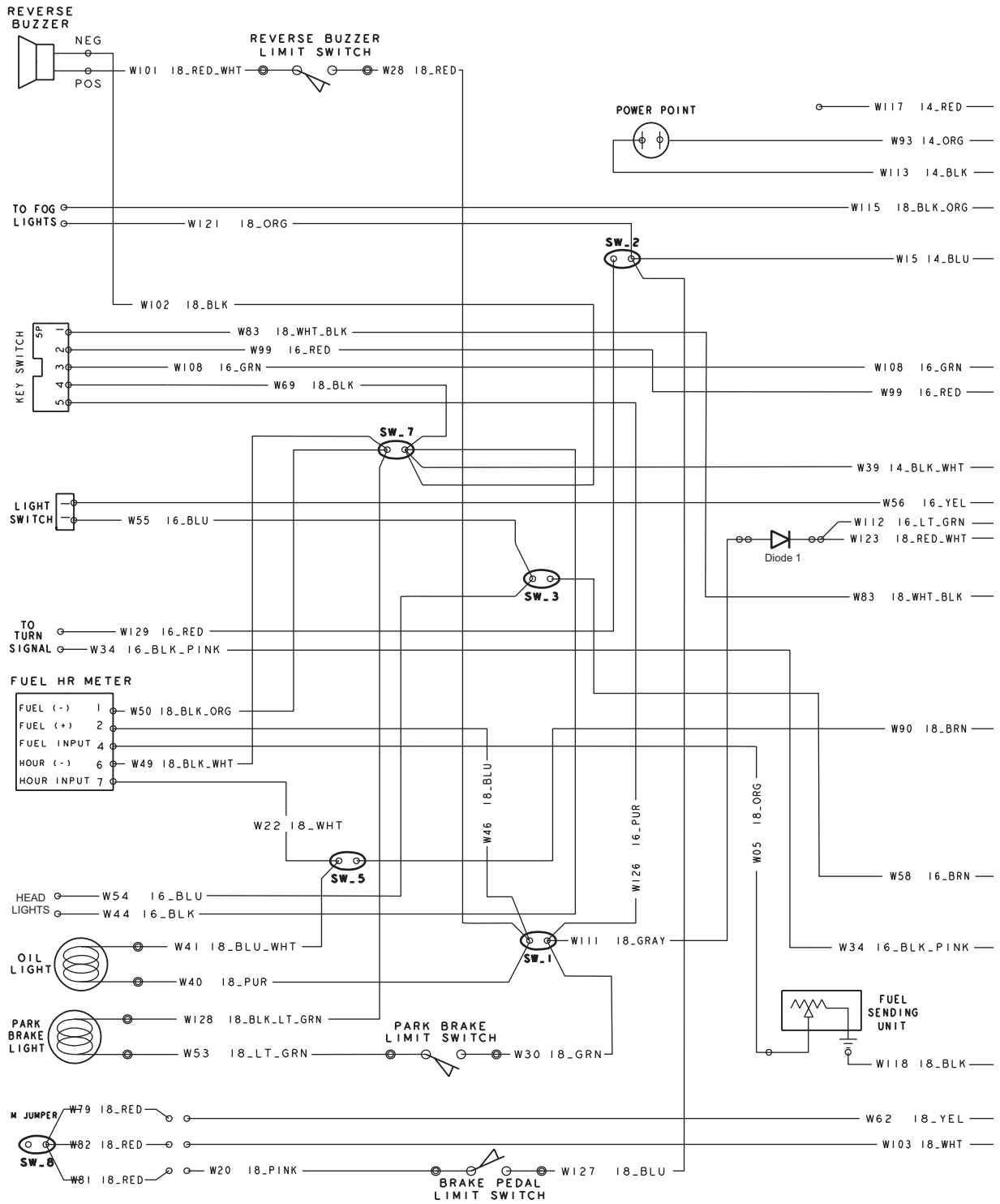


# ELECTRICAL COMPONENTS

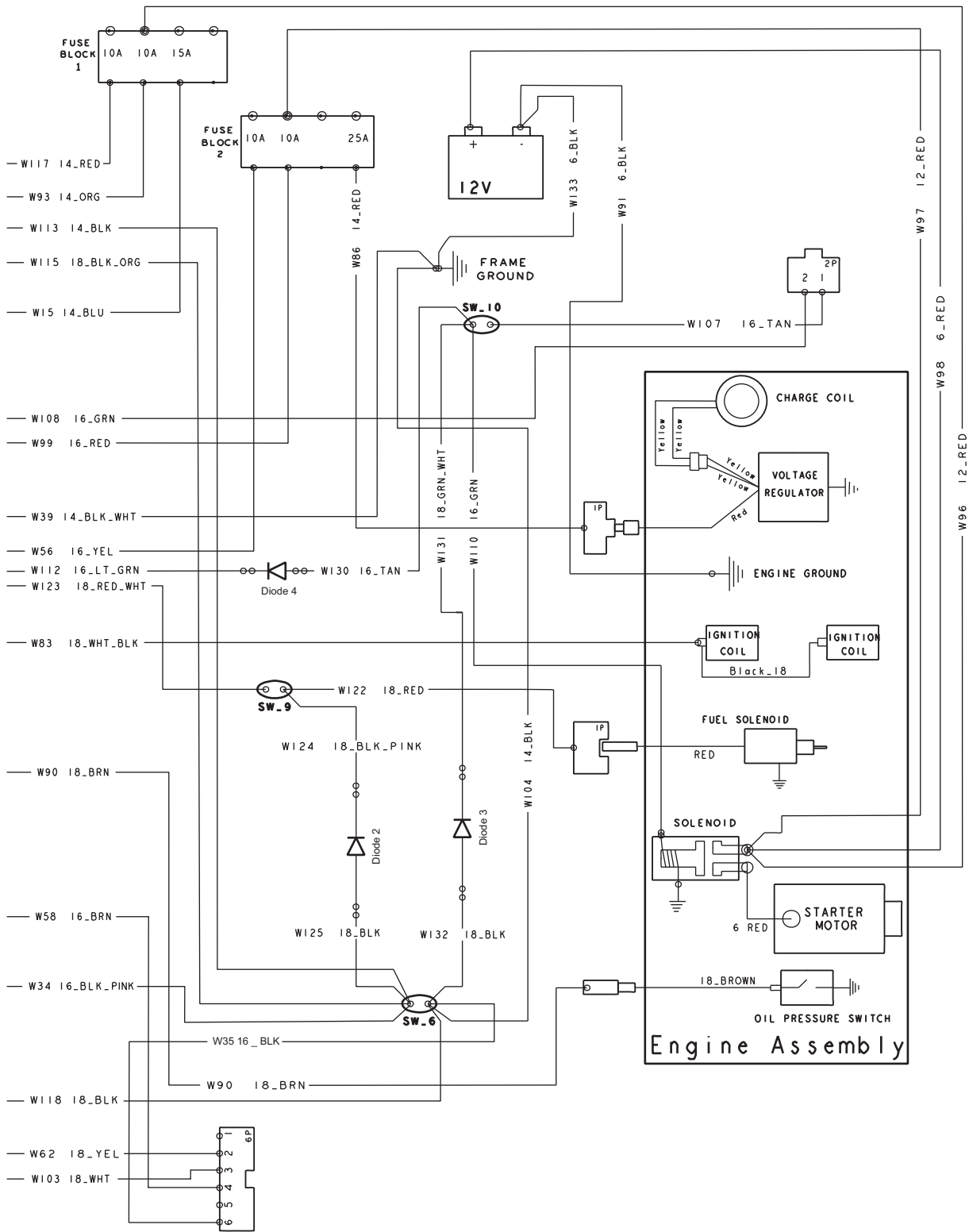
ITEM	PART NO.	DESCRIPTION	QTY
		1 2 3 4	
1	N/A	Instl, Elec Sys, Gas, XRT 950 (includes items 2 through 27) .....	1
2	1010545	Screw, Hex Washer Head 1/4-14 X .75 .....	1
3	1012769	Screw, M6-1.00 X 25mm Hex Cap .....	2
4	1014375	Screw, 3/8-16 X 0.50 Stainless Steel Hex-Head .....	2
5	1015392	Rivet, 3/16 Pop .....	2
6	1016630	Light, Oil .....	1
7	101898001	Clamp, Battery .....	2
8	102044702	Key Switch 12v Key Start .....	1
9	102051601	Spacer, Keyswitch .....	1
10	102051701	Nut, Key Switch .....	1
11	102296601	U-nut, M6-1.0 Prev Torque .....	2
12	102355301	Lockwasher, #10 Split Ss .....	2
13	102420401	Plate, Electrical .....	1
14	102420501	Cover, Electrical .....	1
15	102447901	Fastener, Push-in .....	4
16	102448001	Rivet, Drive .....	2
17	102490301	Bolt, M6 X 1 X 16 Loctite .....	1
18	102686501	Spacer, Battery .....	1
19	103247601	Light, Indicator, Brake Sys .....	1
20	103348101	Gauge Fuel-hour Sep Gnd .....	1
21	103422201	Harness, Main, Xrt950 .....	1
22	103443801	Cable, B-, Xrt950 .....	1
23	103443901	Cable, B+, Xrt950 .....	1
24	103479801	Jumpr, Xrt950, Oil Pres Swth .....	1
25	N/A	Battery, Start, 12v .....	1
26	8639	Tie Wrap, 11" Nylon .....	9
27	96705199	Washer, M6 .....	1

**6**

**G**



WD1031003



WD1031003

**6**

**G**

See previous two pages for illustration.

# WIRING

ITEM	PART NO.	DESCRIPTION	QTY
1	103422201	1 2 3 4 Harness, Main, Xrt950 .....	1

**6**  
**G**

6

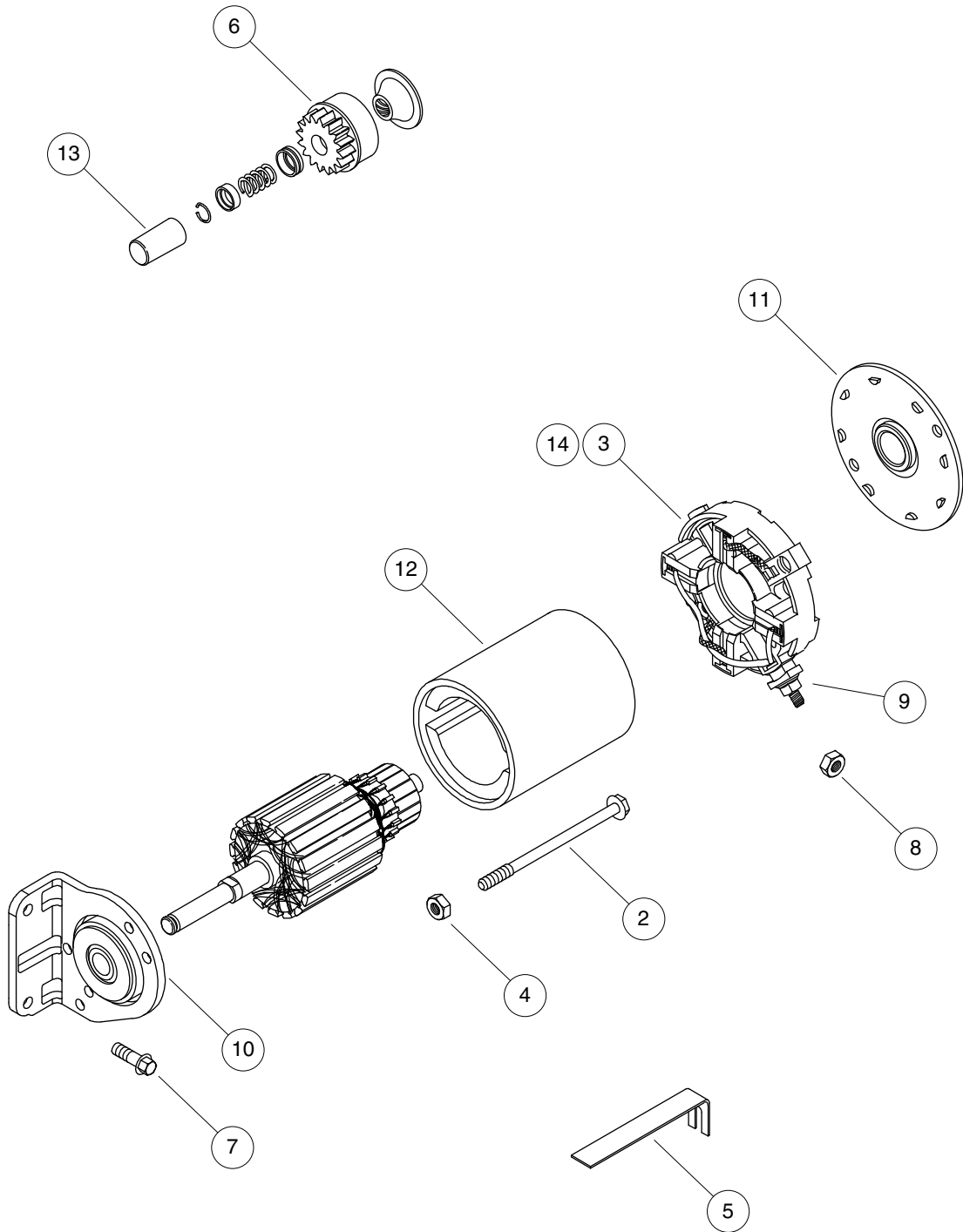
G

# BRIGGS GASOLINE ENGINE

---

7  
G

**7**  
**G**



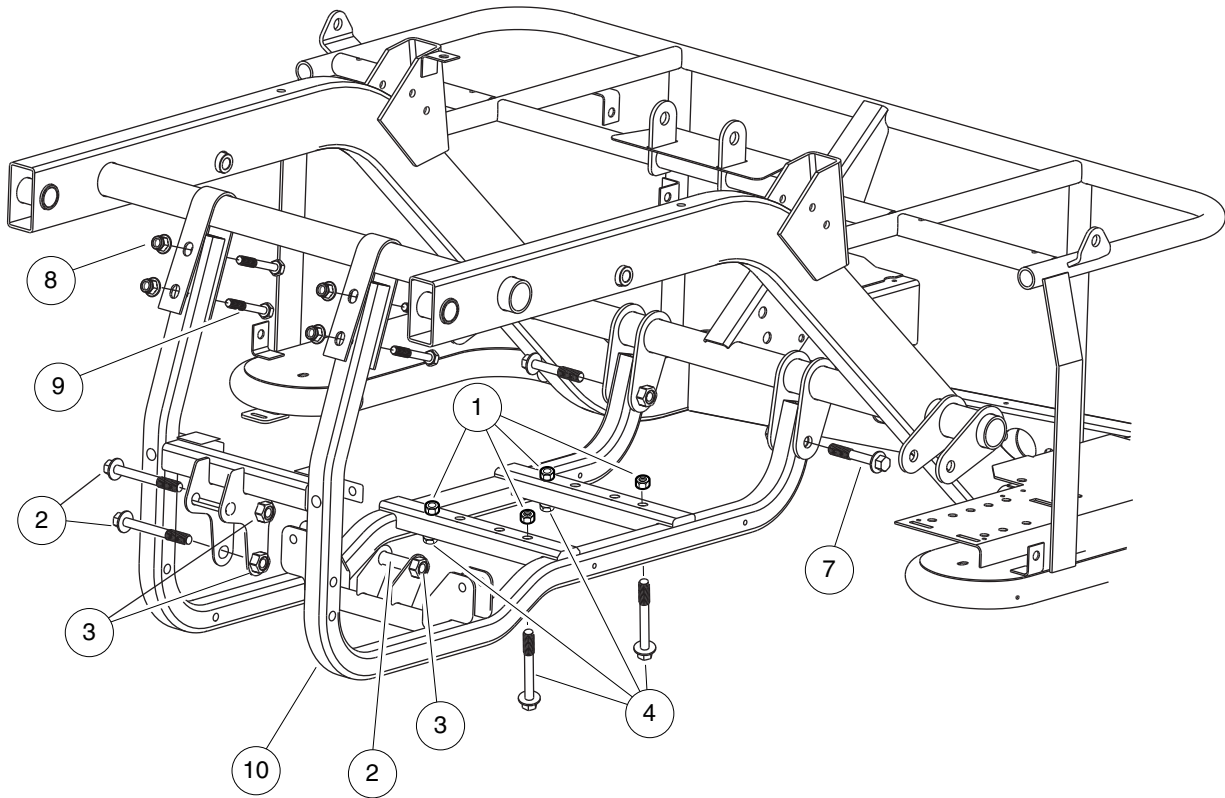
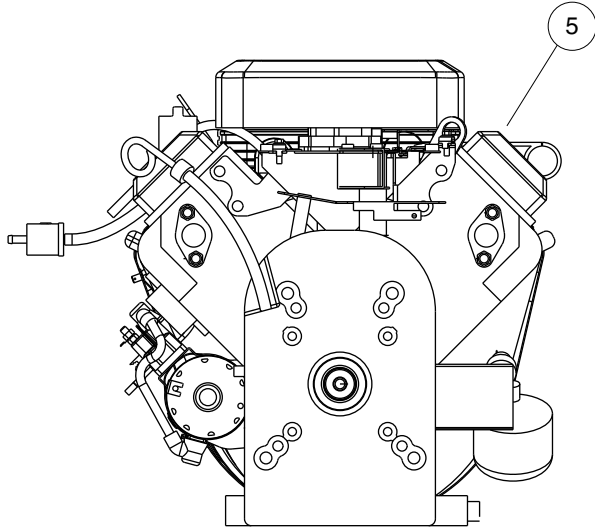
000889-009



# STARTER MOTOR

ITEM	PART NO.	DESCRIPTION	QTY
		<b>1 2 3 4</b>	
1	103553901	Motor, Starter (includes items 2 through 14) (includes items 2 through 14) .....	1
2	103554001	Screw, Starter Motor .....	2
3	103554101	Set, Brush .....	1
4	103556001	Nut, Starter Motor .....	2
5	103557301	Strap, Starter .....	1
6	103557701	Drive, Starter .....	1
7	103561201	Screw, Drive Cap .....	2
8	103562401	Nut, Brush Retainer, 1 .....	1
9	103562501	Nut, Brush Retainer, 2 .....	1
10	N/A	Cap, Drive .....	1
11	103562701	Cap, End, B & S 14 Hp .....	1
12	N/A	Housing, Starter .....	1
13	103567001	Ring, Retaining, B & S 14 Hp .....	1
14	103567401	Retainer, Brush .....	1

**7**  
**G**



000888-001

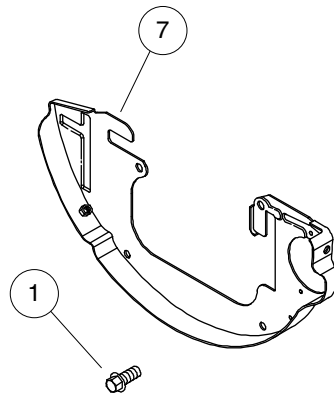
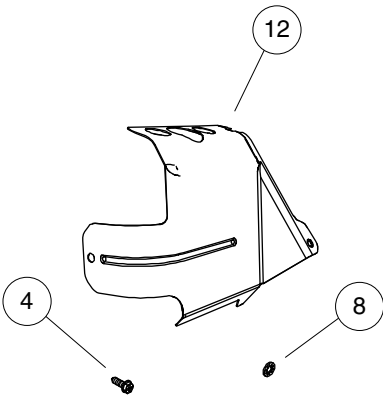
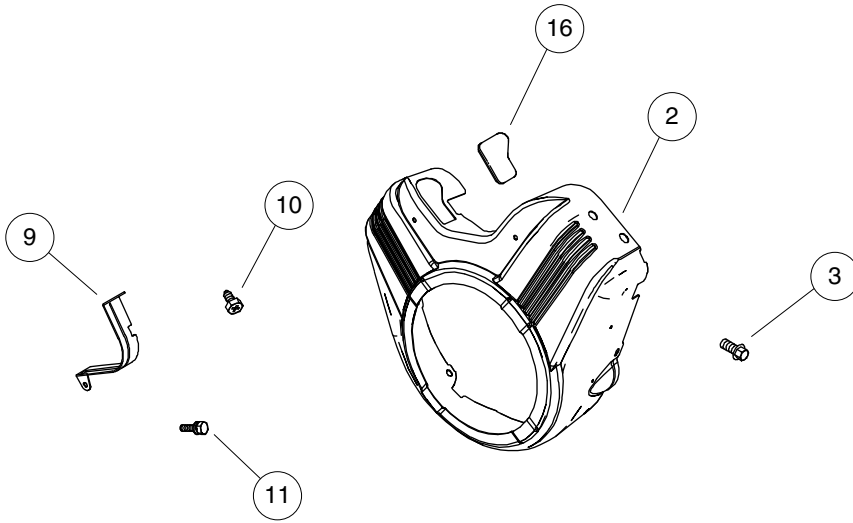
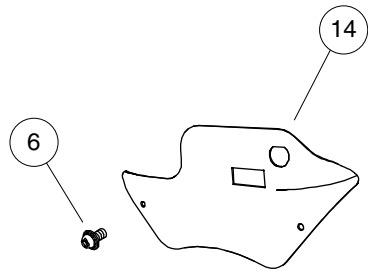
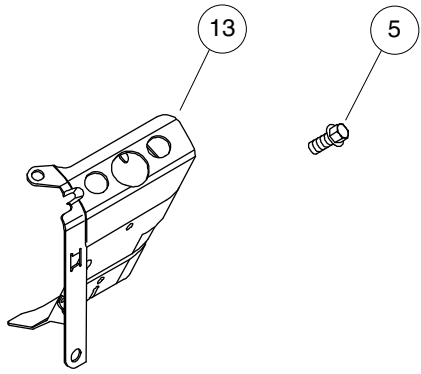
# ENGINE AND ENGINE MOUNTING

ITEM	PART NO.	DESCRIPTION	QTY
		1 2 3 4	
1	102298401	Nut,m8,all Metal Lock .....	4
2	102616301	Bolt, Flange Head, M12 X 1.75 X 70 .....	3
3	N/A	Nut Flg, M12x 1.75 Mech Def .....	3
4	102719501	Bolt Flanged Head, M8x1.25 X 50 with Loctite .....	4
5	103413301	Engine, B&s, 14hp W/starter .....	1
6	N/A	Instl, Hardware, Powertrain (includes items 7 through 9) .....	1
7	102616301	Bolt, Flange Head, M12 X 1.75 X 70 .....	2
8	102670701	Nut Flg M10 X 1.5 Nylon .....	4
9	96715552	Bolt, M10 X 1.50 X 65 .....	4
10	103489901	Weldment, Subframe, Powertrain .....	1

7

G

**7**  
**G**



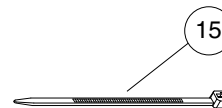
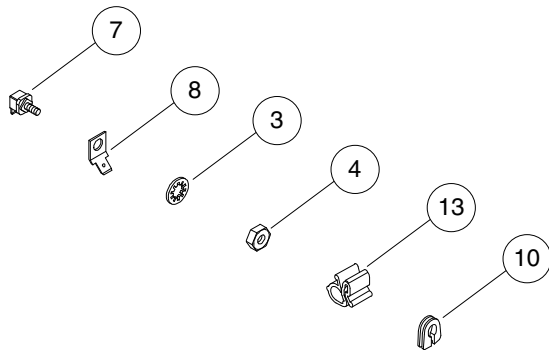
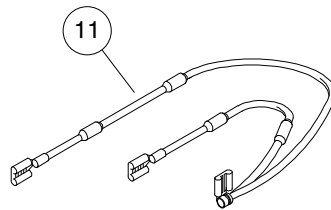
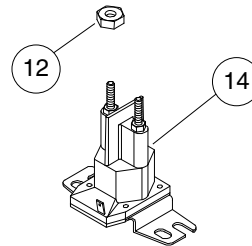
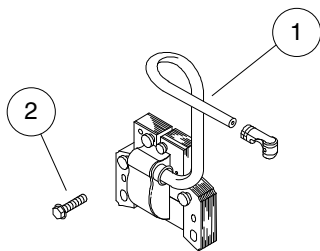
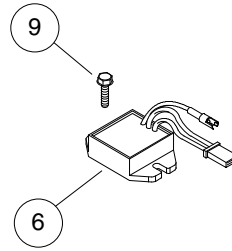
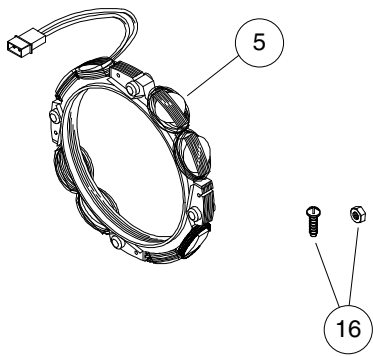
000889-010

# ENGINE SHROUD

ITEM	PART NO.	DESCRIPTION	QTY
		<b>1 2 3 4</b>	
1	103551201	Screw, Back Plate .....	4
2	103553501	Housing, Blower .....	1
3	103553601	Screw, Housing, Blower .....	6
4	103554301	Screw, Cylinder Head Cover, 1 .....	6
5	103556501	Screw, Air Guide Cover .....	10
6	103557501	Screw, Carburetor Cover .....	2
7	103559101	Plate, Back, B & S 14 Hp .....	1
8	103560401	Washer, Cylinder Head Cover, 1 .....	6
9	103561501	Cover, Starter Drive .....	1
10	103561801	Screw, Starter Drive Cover, 1 .....	1
11	103561901	Screw, Starter Drive Cover, 2 .....	1
12	103563601	Cover, Air Guide, 1 .....	1
13	103563701	Cover, Air Guide, 2 .....	1
14	103564101	Cover, Carburetor .....	1
15	N/A	Label, Emissions (not shown) .....	1
16	103566901	Plug, Blower, Housing .....	1

**7**  
**G**

**7**  
**G**



000889-014

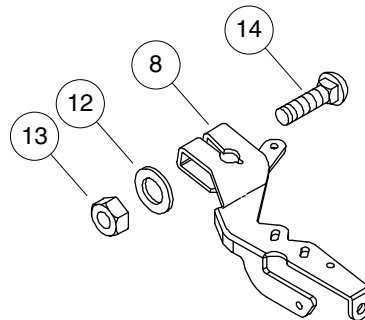
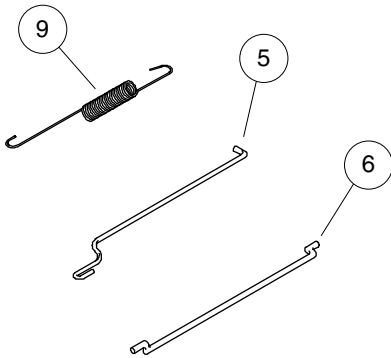
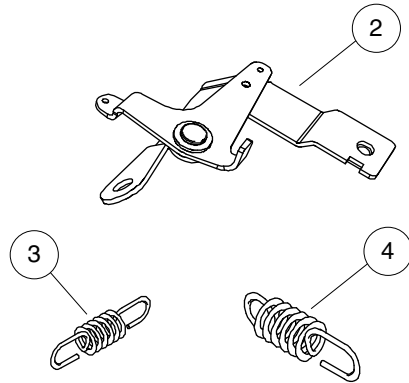
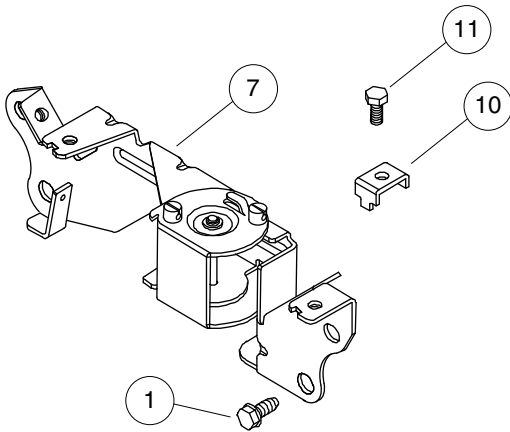
# ELECTICAL COMPONENTS – ENGINE

ITEM	PART NO.	DESCRIPTION	QTY
		1 2 3 4	
1	103554601	Armature, Magneto .....	2
2	103554701	Screw, Magneto Armature .....	1
3	103555301	Washer, Ground Terminal .....	1
4	103555601	Nut, Ground Terminal .....	1
5	103556901	Alternator, 10 - 16 Amp .....	1
6	103557201	Regulator .....	1
7	103557601	Insulator, B&s 14 Hp .....	1
8	103557801	Terminal, Ground .....	1
9	103558201	Screw, Regulator .....	2
10	103558301	Grommet, B & S 14 Hp .....	1
11	103559401	Assembly, Wire, 2 .....	1
12	103561001	Nut, Starter Solenoid .....	2
13	103561701	Clip, Wire .....	1
14	103564501	Solenoid, Starter .....	1
15	103567101	Tie, Cable .....	1
16	103567301	Kit, Screw & Washer .....	1

7

G

**7**  
**G**



000889-013



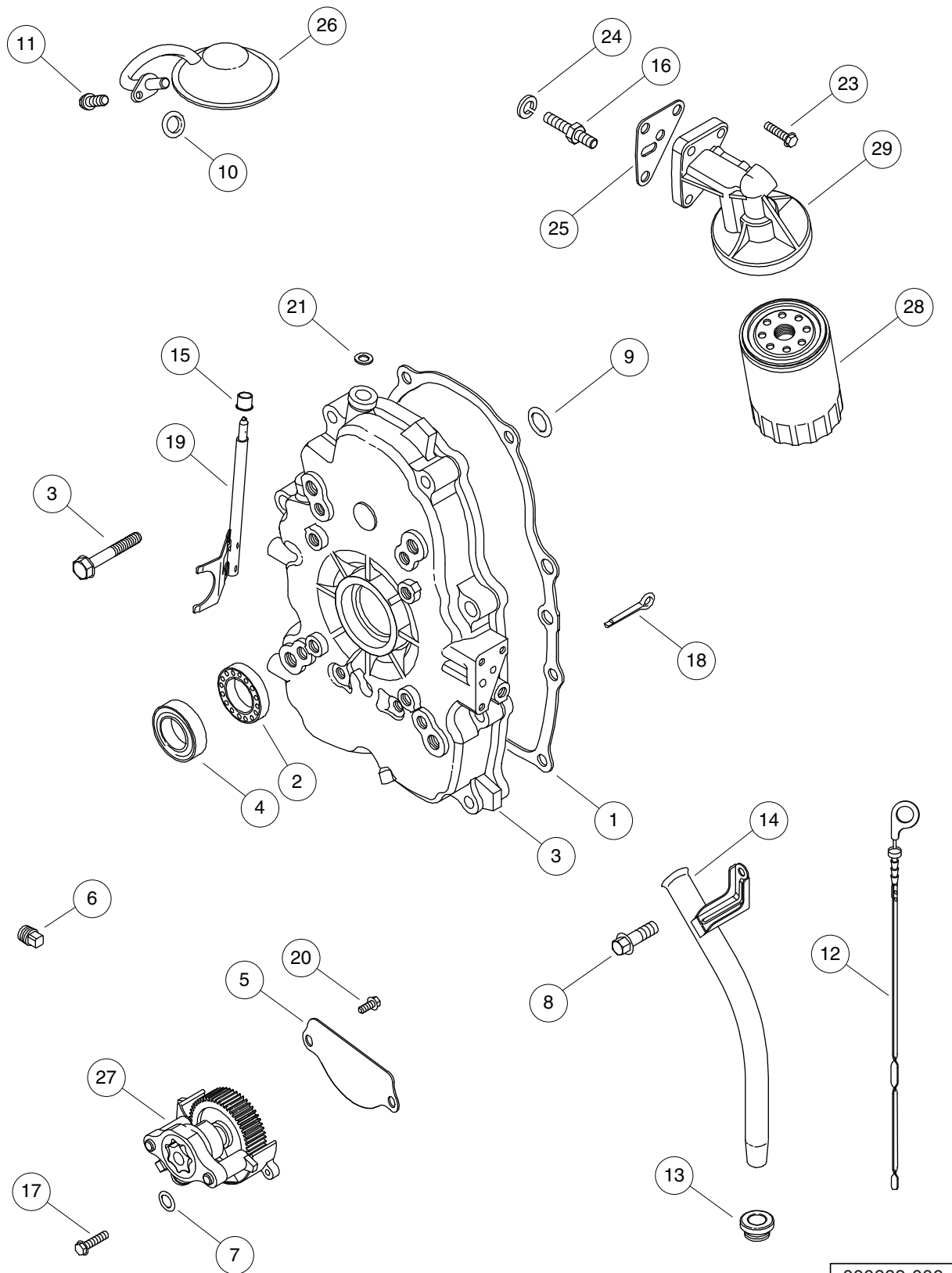
# GOVERNOR CONTROL BRAKETS AND SPRINGS

ITEM	PART NO.	DESCRIPTION	QTY
		1 2 3 4	
1	103551001	Screw, Control Bracket .....	4
2	103551301	Crank, Bell .....	1
3	103551501	Spring, Governor .....	1
4	103551601	Spring, Governor Idle .....	1
5	103551701	Link, Throttle .....	1
6	103551801	Link, Choke .....	1
7	103551901	Bracket, Control .....	1
8	103552001	Lever, Governor Control .....	1
9	103552201	Spring, Governor Link .....	1
10	103552601	Clamp, Casing .....	1
11	103552701	Screw, Casing Clamp .....	1
12	103553301	Washer, Gov Control Lever .....	1
13	103557401	Nut, Governor Control Lever .....	1
14	103558801	Bolt, Governor Control Lever .....	1

7

G

**7**  
**G**



000889-006

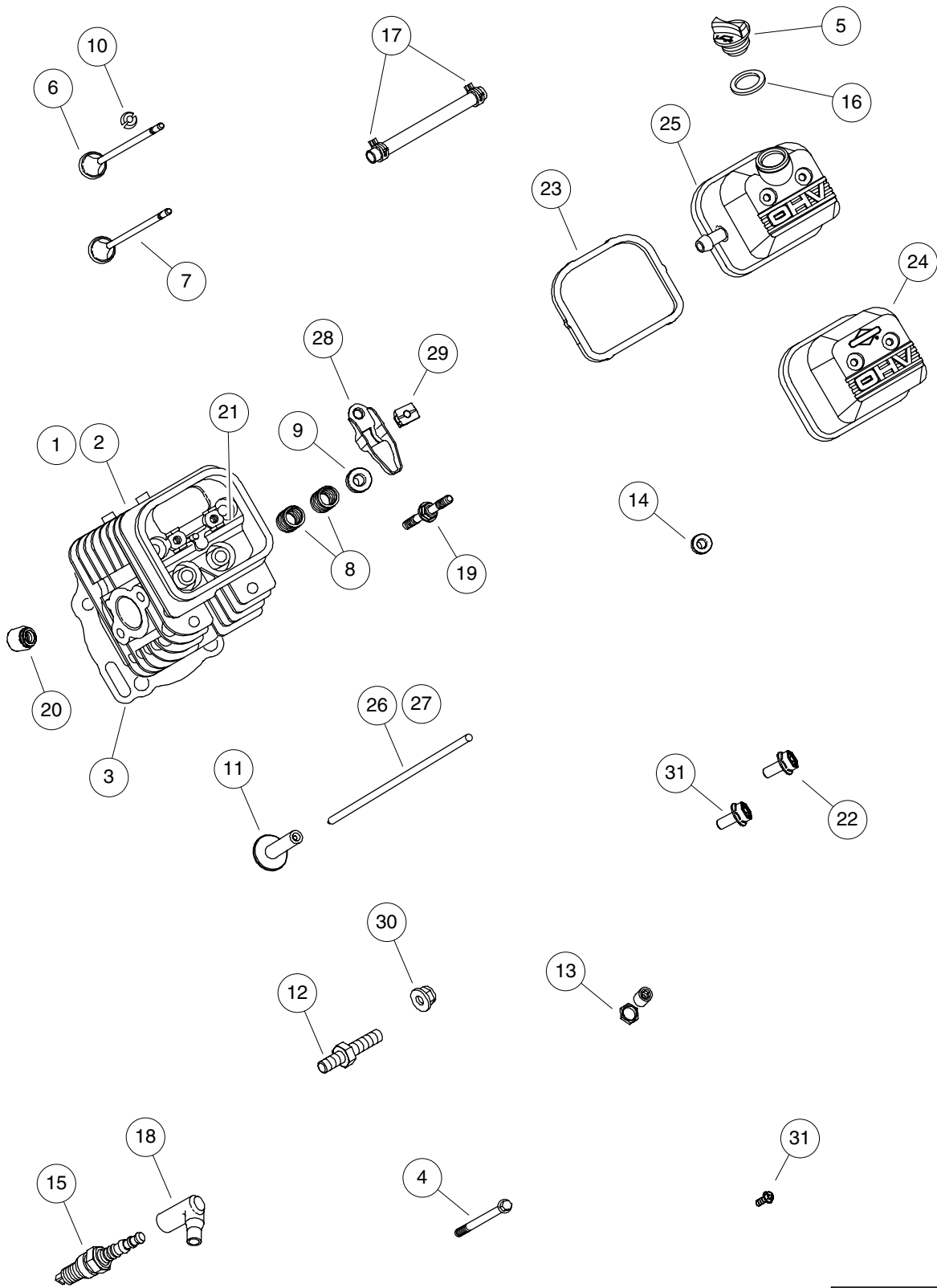
# OIL PUMP, OIL FILTER AND CRANKCASE COVER

ITEM	PART NO.	DESCRIPTION	QTY
		1 2 3 4	
1	103544801	Gasket, Crankcase .....	1
2	103545201	Bearing, Ball .....	1
3	103545301	Cover, Crankcase .....	1
4	103545401	Seal, Oil, Pto Side .....	1
5	103547101	Deflector, Oil .....	1
6	103548301	Plug, Oil .....	1
7	103552801	Seal, O Ring, Oil Pump .....	1
8	103553401	Screw, Dipstick Tube .....	1
9	103556301	Seal, O Ring, Crankcase Cover .....	1
10	103556801	Seal, O Ring, Oil Pump Screen .....	1
11	103557001	Screw, Oil Pump Screen .....	1
12	103557901	Dipstick, B & S 14 Hp .....	1
13	103558001	Seal, Dipstick Tube .....	1
14	103558101	Tube, Dipstick .....	1
15	103558601	Bushing, Gov Crank, 2 .....	1
16	103558901	Stud, Oil Filter Adapter .....	3
17	103559501	Screw, Oil Pump .....	2
18	103559901	Retainer, Governor Shaft .....	1
19	103560001	Crank, Governor .....	1
20	103560701	Screw, Oil Deflector .....	2
21	103561101	Seal, Governor Shaft .....	1
22	103561301	Cover, Oil Filter, B&S 14 Hp (not shown) .....	1
23	103562001	Screw, Oil Filter Adapter .....	3
24	103563101	Washer, Oil Filter Adapter .....	3
25	103565201	Gasket, Oil Adapter, 1 .....	1
26	103565601	Screen, Oil Pump .....	1
27	103566001	Pump, Oil .....	1
28	103566401	Filter, Oil .....	1
29	103566501	Adapter, Oil Filter .....	1

7

G

**7**  
**G**



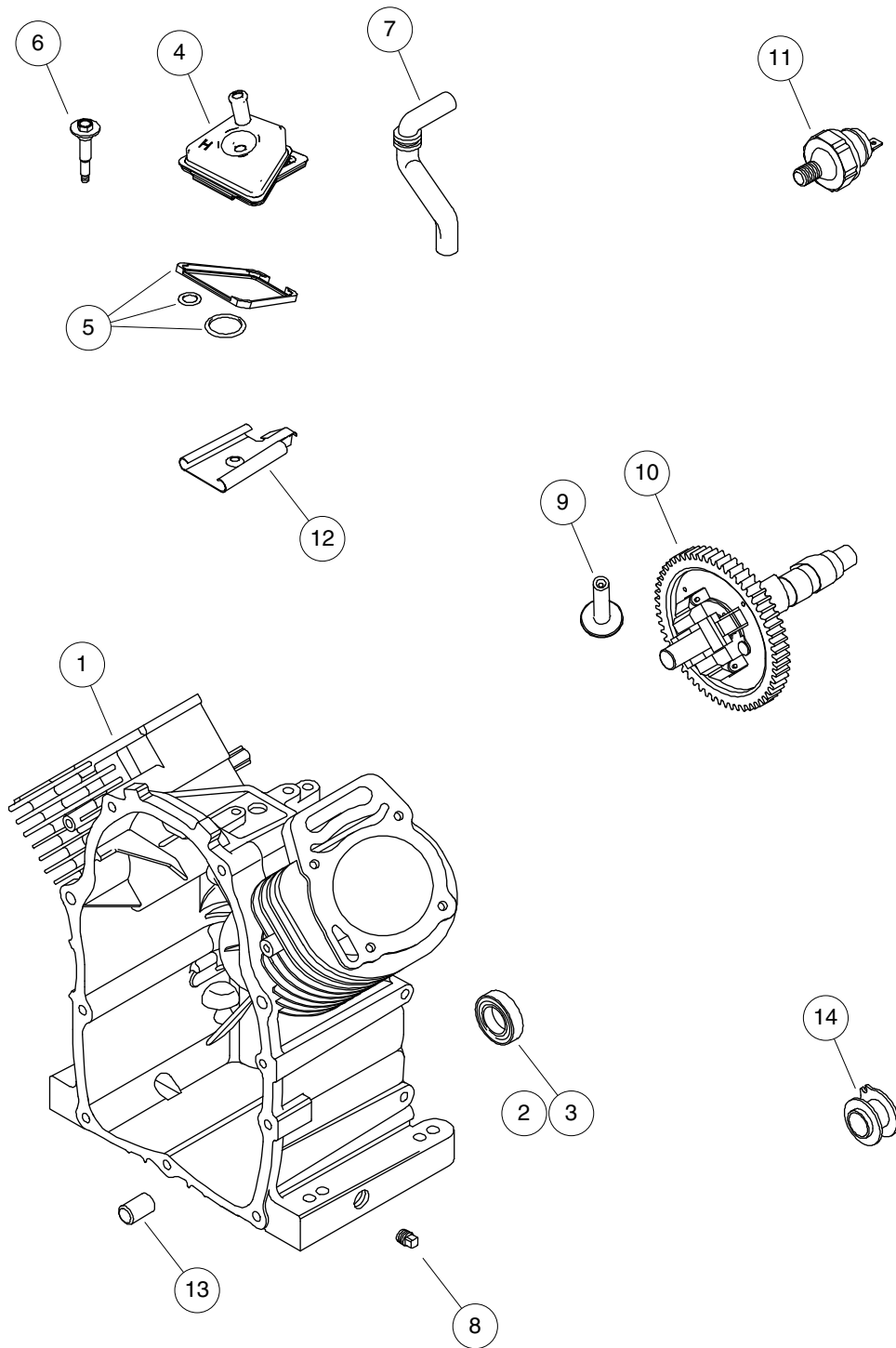
000903-002

# CYLINDER HEAD & VALVES

ITEM	PART NO.	DESCRIPTION	QTY
		1 2 3 4	
1	103544001	Head, Cylinder, 1 .....	1
2	103544101	Head, Cylinder, 2 .....	1
3	103544201	Gasket, Cylinder Head .....	2
4	103544901	Screw, Cylinder Head .....	8
5	103545501	Cap, Oil Fill .....	1
6	103546701	Valve, Exhaust .....	2
7	103546801	Valve, Intake .....	2
8	103546901	Spring Valve, B&s 14 Hp .....	4
9	103547201	Retainer, Valve .....	4
10	103547301	Keeper, Valve .....	4
11	103547401	Tappet, Valve .....	4
12	103550501	Stud, Exhaust Manifold .....	4
13	103551101	Adjuster, Rocker Arm .....	4
14	103553001	Washer, Sealing, Rocker, Cover .....	4
15	103554801	Plug, Sprak, B&s 14 Hp .....	2
16	103554901	Gasket, Dipstick .....	1
17	103559701	Clamp, Hose, 1 .....	2
18	103560301	Boot, Spark Plug .....	2
19	103563201	Stud, Rocker Arm, B & S 14 Hp .....	4
20	103563801	Seal, Valve .....	4
21	103563901	Bushing, Valve Guide .....	4
22	103565001	Screw, Ac Base To Cart, 1 .....	1
23	103565701	Gasket, Rocker Cover .....	2
24	103565801	Cover, Rocker, 1 .....	1
25	103565901	Cover, Rocker, 2 .....	1
26	103566201	Rod, Push, Intake, Steel .....	2
27	103566301	Rod, Push, Exhaust, Aluminum .....	2
28	103566601	Arm, Rocker .....	4
29	103567701	Pivot, Rocker Arm, B&s 14 Hp .....	4
30	103567901	Nut, Exhaust Manifold .....	4
31	103568001	Screw, Rocker Cover Stud .....	4

**7**  
**G**

**7**  
**G**



000903-001

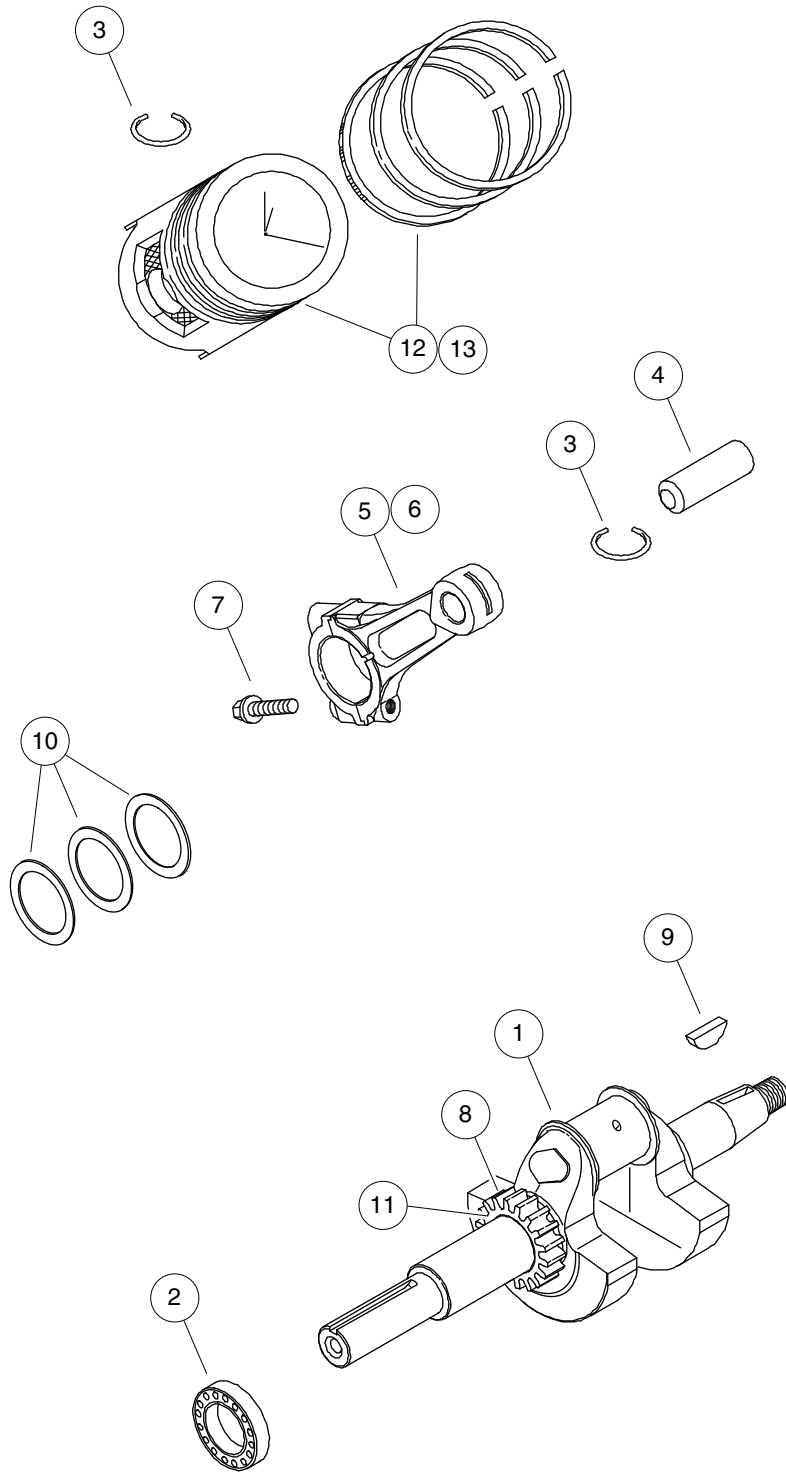
# CYLINDER ASSEMBLY

ITEM	PART NO.	DESCRIPTION	QTY
		1 2 3 4	
1	103543701	Assembly, Cylinder .....	1
2	103543801	Kit, Bush & Seal, Magneto Side .....	1
3	103543901	Seal, Oil, Magneto Side .....	1
4	103544301	Assembly, Breather .....	1
5	103544401	Gasket, Breather .....	1
6	103544501	Screw, Breather Assembly .....	1
7	103544701	Tube, Breather .....	1
8	103545001	Plug, Oil Drain .....	1
9	103547401	Tappet, Valve .....	4
10	103547501	Camshaft .....	1
11	103552301	Switch, Oil Pressure, B&s 14hp .....	1
12	103559001	Baffle, Breather .....	1
13	103561401	Pin, Locating .....	2
14	103566101	Spool, Governor .....	1

7

G

**7**  
**G**



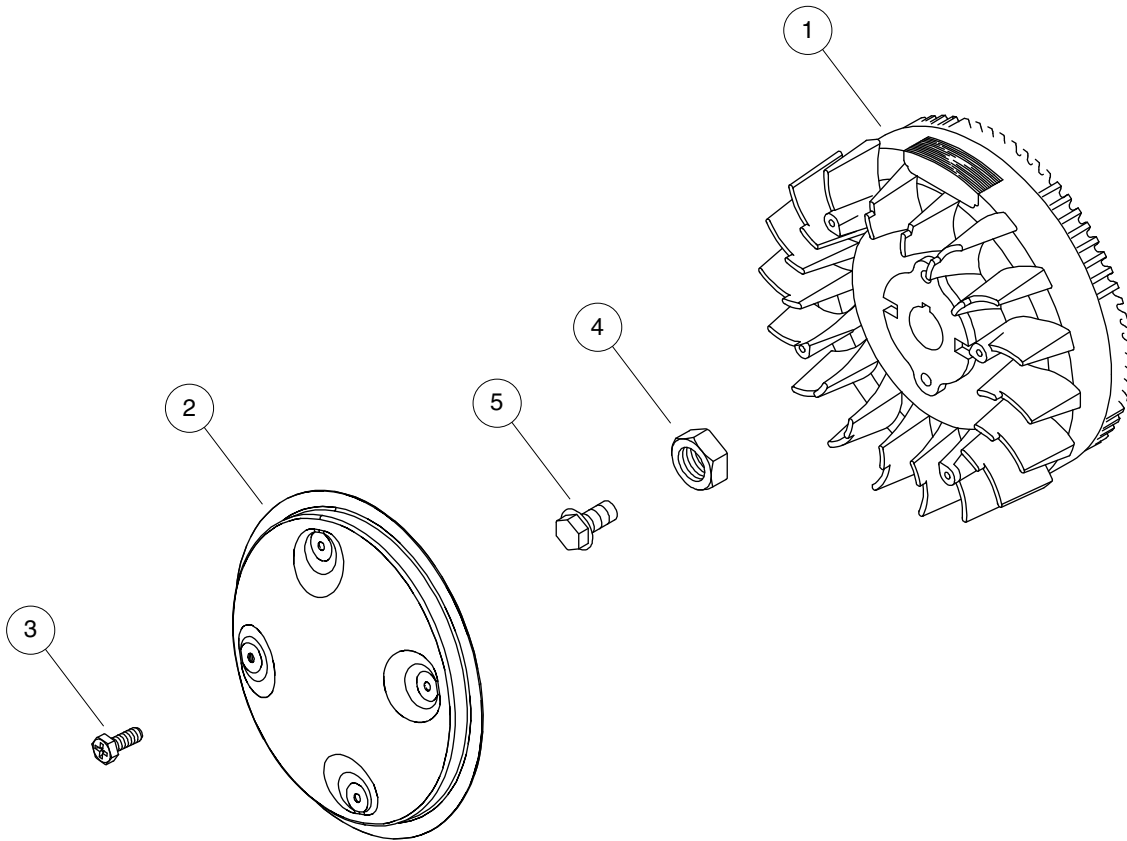
000903-004



# CRANKSHAFT AND PISTONS

ITEM	PART NO.	DESCRIPTION	QTY
		1 2 3 4	
1	103545101	Crankshaft, B&s 14 Hp .....	1
2	103545201	Bearing, Ball .....	1
3	103546201	Lock, Piston Pin .....	2
4	103546301	Piston, Pin .....	2
5	103546401	Rod, Connecting .....	2
6	103546501	Rod, Connection, .020"under .....	2
7	103546601	Screw, Connecting Rod .....	4
8	103550401	Key, Timing .....	1
9	103555701	Key, Woodruff .....	1
10	103559601	Shim, Bearing End Play .....	1
11	103562101	Gear, Timing .....	1
12	103779201	Piston W Rings, B&s .....	2
13	103779202	Piston W Rings, B&s, Oversized .....	2

7  
G



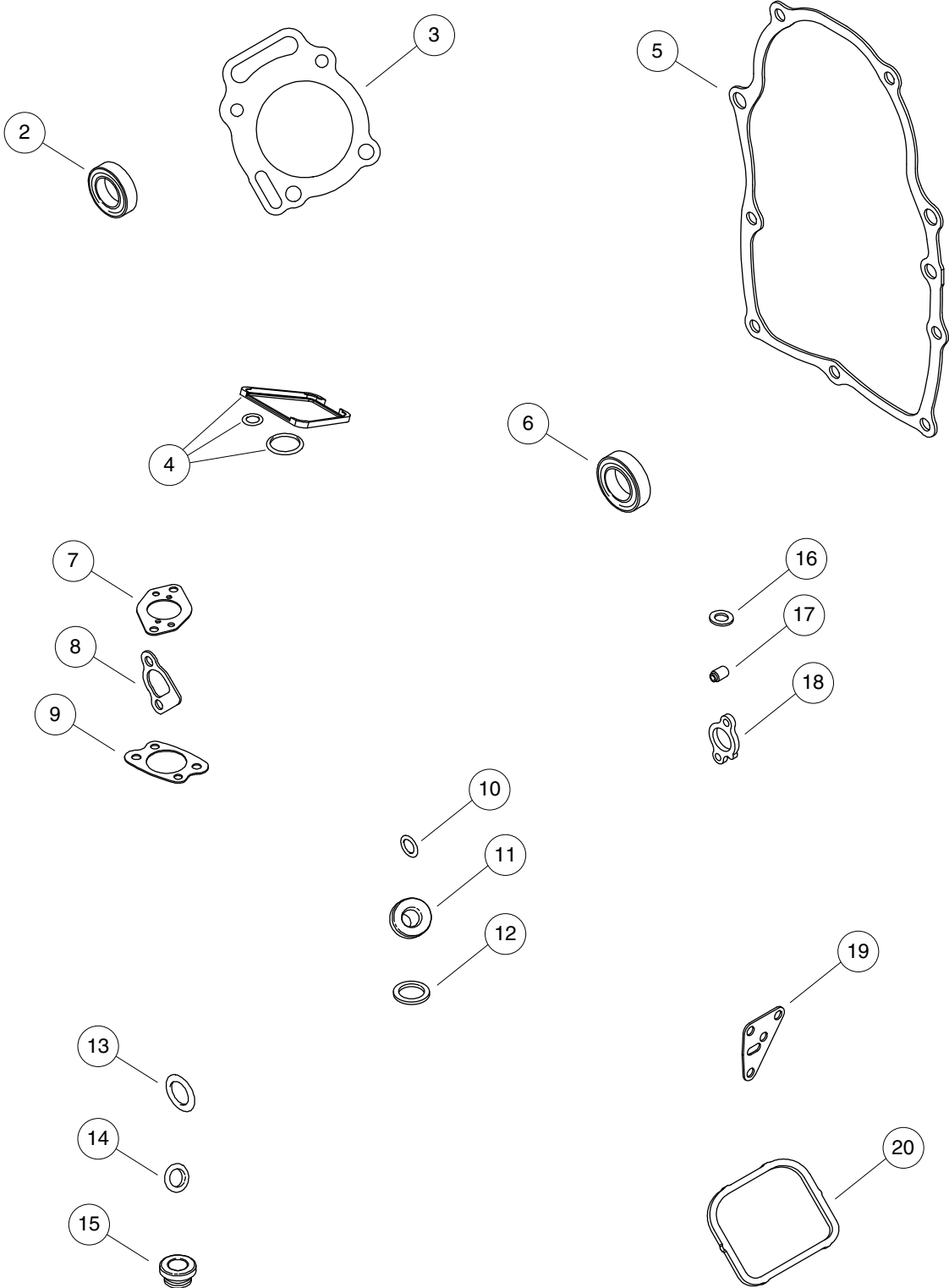
000889-011

# FLYWHEEL

ITEM	PART NO.	DESCRIPTION	QTY
		<b>1 2 3 4</b>	
1	103545701	Flywheel, B&S 14 Hp .....	1
2	103548001	Screen, Rotating .....	1
3	103548101	Screw, Rotating Screen .....	4
4	103554501	Nut, Flywheel .....	1
5	103566801	Screw, Flywheel .....	1

**7**  
**G**

**7**  
**G**



000889-002

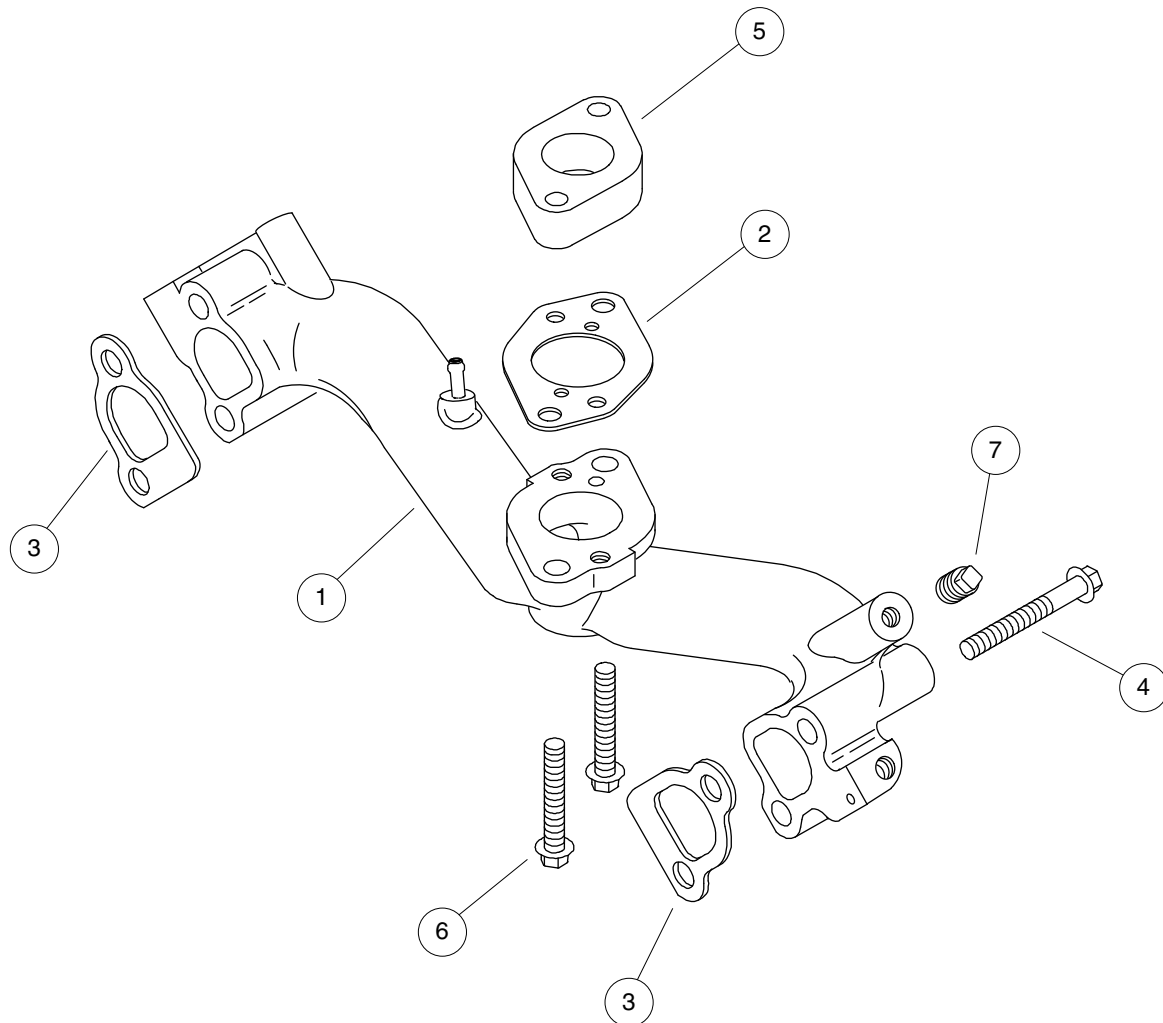
# ENGINE GASKETS AND SEALS

ITEM	PART NO.	DESCRIPTION	QTY
		1 2 3 4	
1	103555201	Gasket, Set, Engine (includes items 2 through 20) .....	1
2	103543901	Seal, Oil, Magneto Side .....	1
3	103544201	Gasket, Cylinder Head .....	2
4	103544401	Gasket, Breather .....	1
5	103544801	Gasket, Crankcase .....	1
6	103545401	Seal, Oil, Pto Side .....	1
7	103547701	Gasket, Intake, Manifold-carb .....	1
8	103547801	Gasket, Intake .....	2
9	103550701	Gasket, Air Cleaner .....	1
10	103552801	Seal, O Ring, Oil Pump .....	1
11	103553001	Washer, Sealing, Rocker, Cover .....	4
12	103554901	Gasket, Dipstick .....	1
13	103556301	Seal, O Ring, Crankcase Cover .....	1
14	103556801	Seal, O Ring, Oil Pump Screen .....	1
15	103558001	Seal, Dipstick Tube .....	1
16	103561101	Seal, Governor Shaft .....	1
17	103563801	Seal, Valve .....	4
18	103564201	Gasket, Exhaust .....	2
19	103565201	Gasket, Oil Adapter, 1 .....	1
20	103565701	Gasket, Rocker Cover .....	2

7

G

**7**  
**G**



000889-005

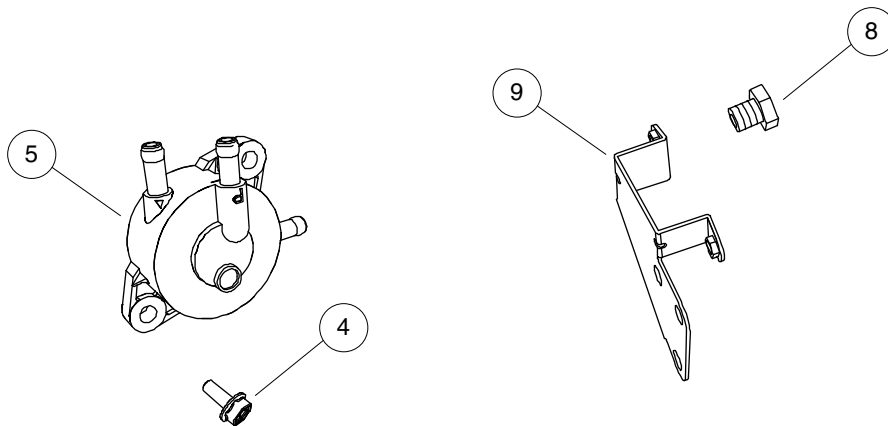
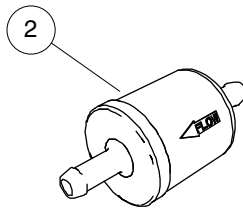
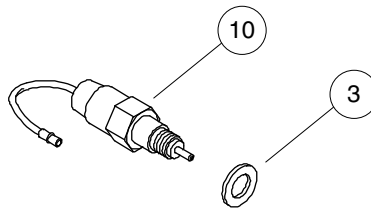
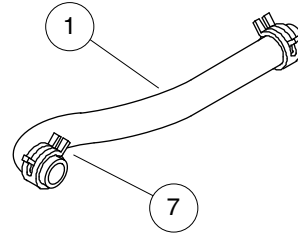
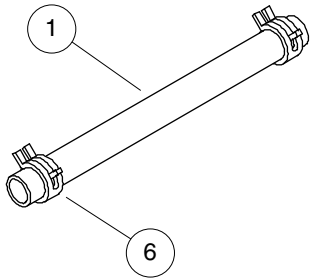
# INTAKE MANIFOLD

ITEM	PART NO.	DESCRIPTION	QTY
		<b>1 2 3 4</b>	
1	103547601	Manifold, Intake .....	1
2	103547701	Gasket, Intake, Manifold-carb .....	1
3	103547801	Gasket, Intake .....	2
4	103547901	Screw, Intake Manifold .....	4
5	103549901	Spacer, Carburetor .....	1
6	103555501	Screw, Carburetor .....	2
7	103556101	Plug, B & S 14 Hp .....	1

7

G

**7**  
**G**



000889-012



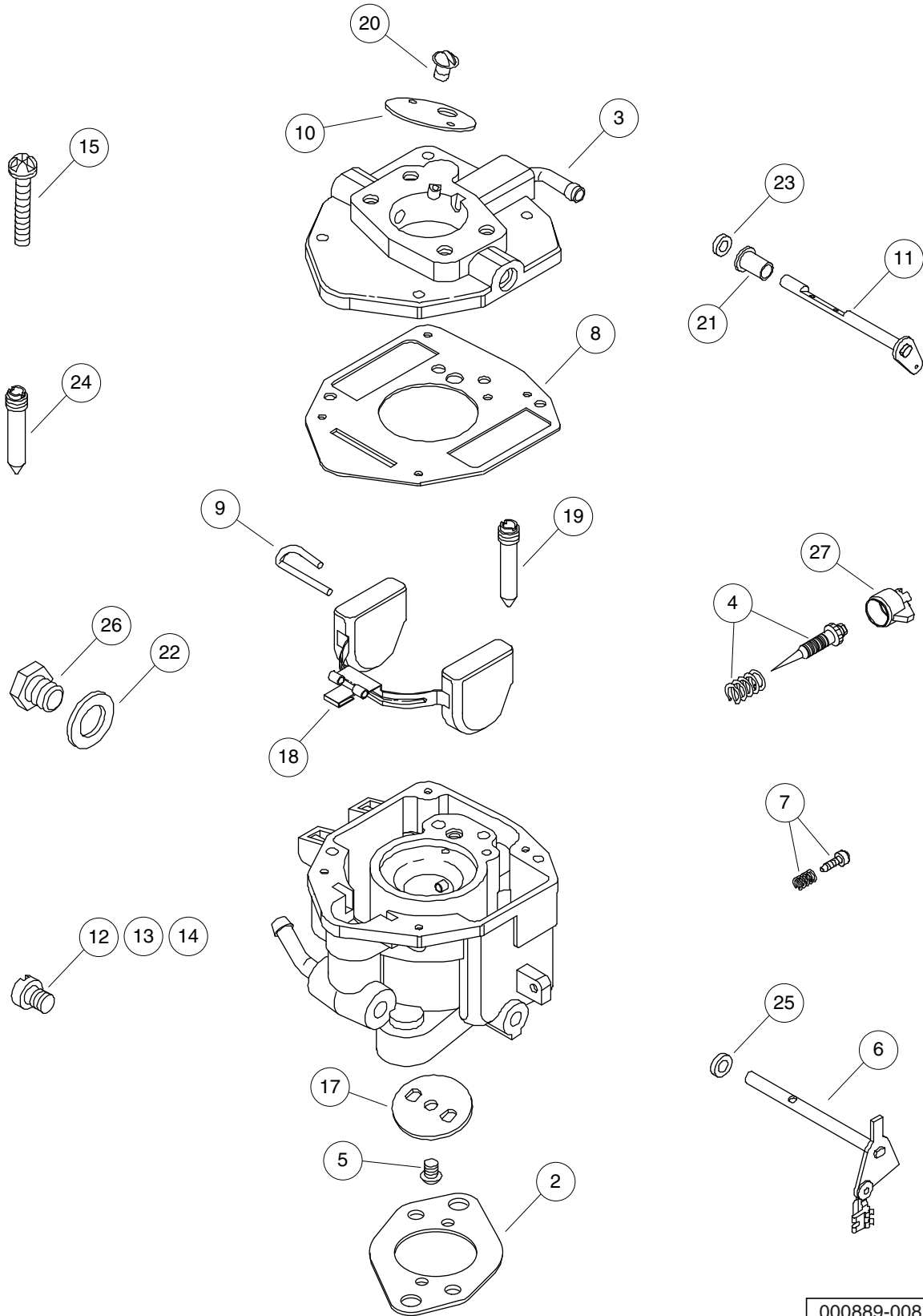
# FUEL PUMP AND FILTER

ITEM	PART NO.	DESCRIPTION	QTY
		<b>1 2 3 4</b>	
1	102865101	Fuel Line .....	1
2	103552401	Filter, Fuel, B & S 14 Hp .....	1
3	103553201	Washer, Sealing, Solenoid .....	1
4	103555801	Screw, Fuel Pump .....	2
5	103555901	Pump, Fuel .....	1
6	103559701	Clamp, Hose, 1 .....	2
7	103559801	Clamp, Hose, 2 .....	2
8	103560101	Screw, Fuel Pump Bracket .....	3
9	103562301	Bracket, Fuel Pump .....	1
10	103564601	Solenoid, Fuel .....	1

7

G

**7**  
**G**



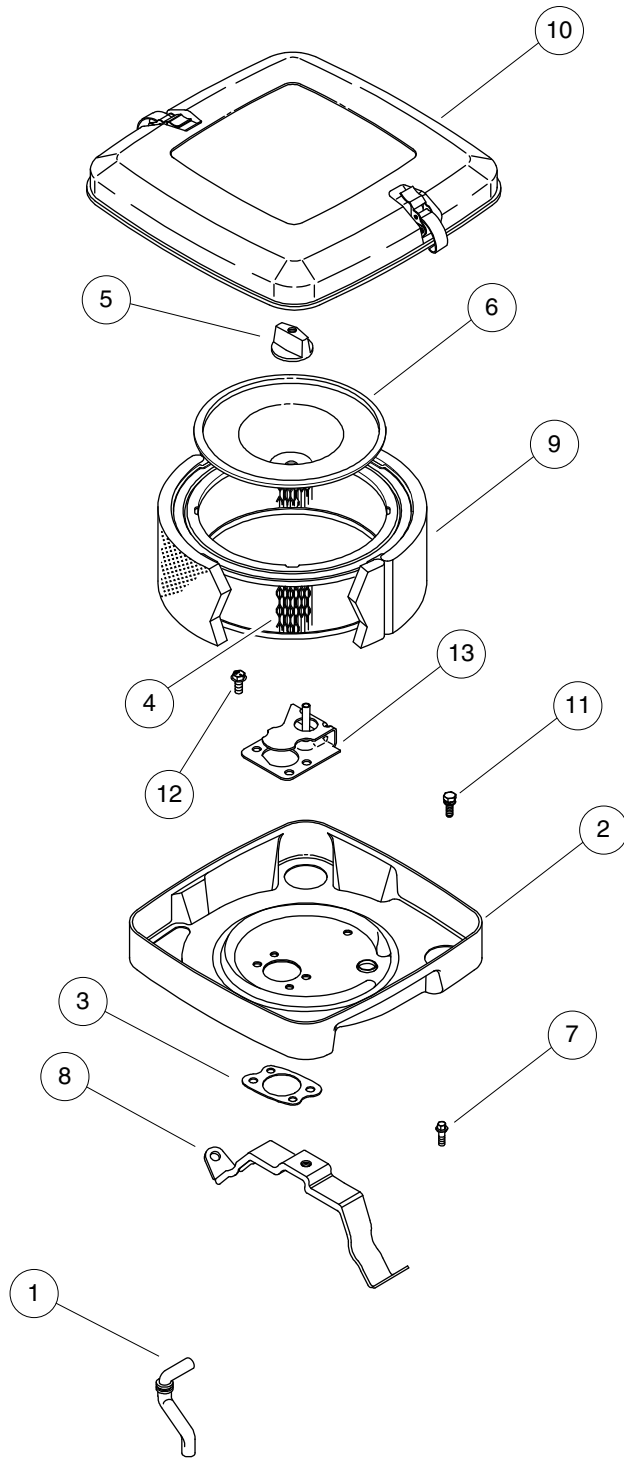
000889-008

# CARBURETOR

**7**  
**G**

ITEM	PART NO.	DESCRIPTION	QTY
		<b>1 2 3 4</b>	
1	103550001	Carburetor, Hse (includes items 2 through 27) .....	1
2	103547701	Gasket, Intake, Manifold-carb .....	1
3	103548401	Body, Upper Carburetor .....	1
4	103548501	Kit, Idle Mixture .....	1
5	103548601	Screw, Throttle Valve .....	1
6	103548701	Shaft, Throttle .....	1
7	103548801	Kit, Idle Speed .....	1
8	103548901	Gasket, Carburetor Body .....	1
9	103549001	Pin, Float Hinge .....	1
10	103549201	Valve, Choke .....	1
11	103549301	Shaft, Choke .....	1
12	103549401	Jet, Main, 0-5000 Ft (0-1500m) .....	1
13	103549501	Jet, Main, 5000-9000 Ft (1500-2700m) .....	1
14	103549601	Jet, Main, 9000-up Ft (2700m-up) .....	1
15	103549701	Screw, Carb Body .....	4
16	103549801	Kit, Carburetor Overhaul .....	1
17	103550101	Valve, Throttle .....	1
18	103550201	Float, Carburetor .....	1
19	103550301	Nozzle, Carburetor, Standard .....	1
20	103552101	Screw, Choke Valve .....	1
21	103552501	Bushing, Choke Shaft .....	1
22	103553101	Washer, Sealing, Carb Plug .....	1
23	103560201	Seal, Choke & Throttle Shaft .....	1
24	103560901	Kit, Needle & Seat .....	1
25	103562901	Spacer, Throttle .....	1
26	103564701	Plug, Carburetor .....	1
27	103567501	Cap, Limiter .....	1

**7**  
**G**



000889-007

# AIR CLEANER

ITEM	PART NO.	DESCRIPTION	QTY
		<b>1 2 3 4</b>	
1	103544701	Tube, Breather .....	1
2	103550601	Base, Air Cleaner, Metal .....	1
3	103550701	Gasket, Air Cleaner .....	1
4	103556401	Filter, Air Cleaner Cartridge .....	1
5	103556701	Knob, Air Cleaner .....	1
6	103560601	Retainer, Air Filter .....	1
7	103563301	Screw, Ac Mounting Strap .....	2
8	103563501	Strap, Ac Mounting .....	1
9	103564801	Filter, Pre Cleaner .....	1
10	103564901	Cover, Air Cleaner .....	1
11	103565001	Screw, Ac Base To Cart, 1 .....	4
12	103565101	Screw, Ac Base To Cart, 2 .....	4
13	103565401	Shield, Carburetor .....	1

**7**  
**G**

7

G

# FUEL SYSTEM

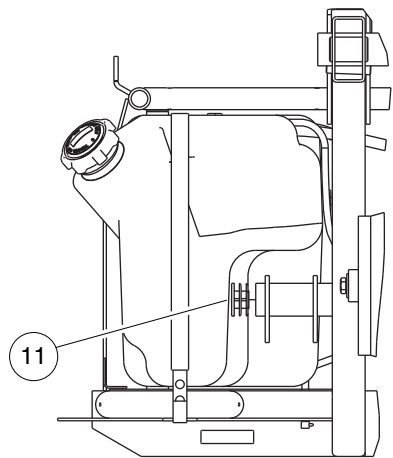
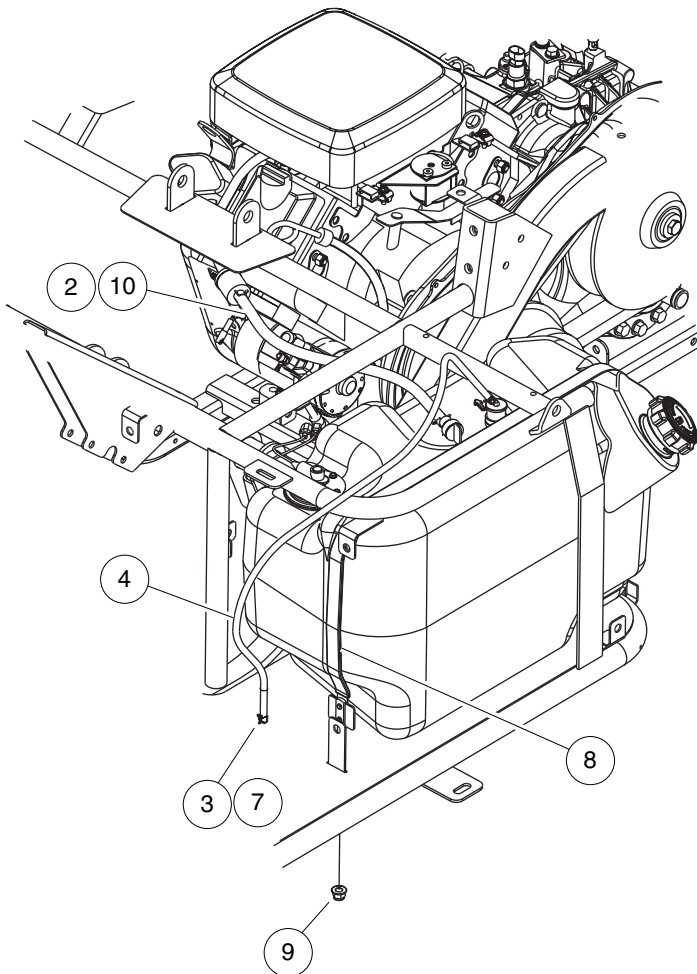
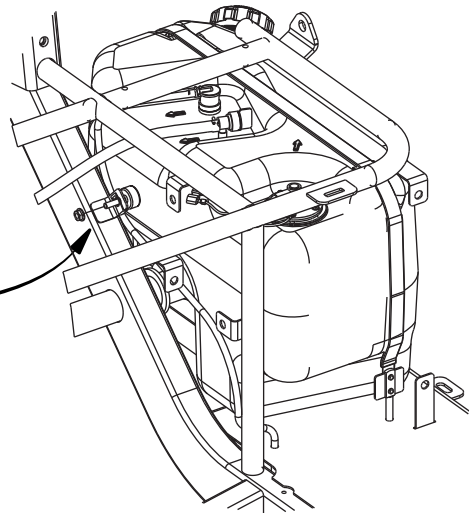
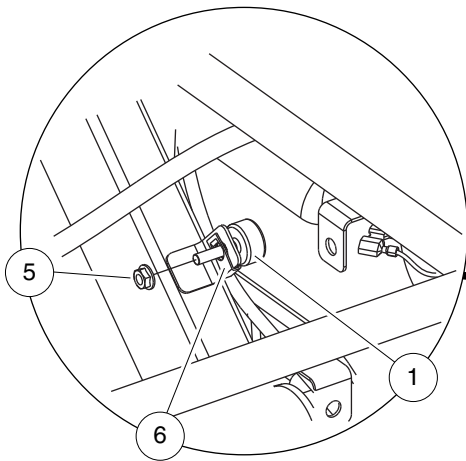
---

8

G

8

G



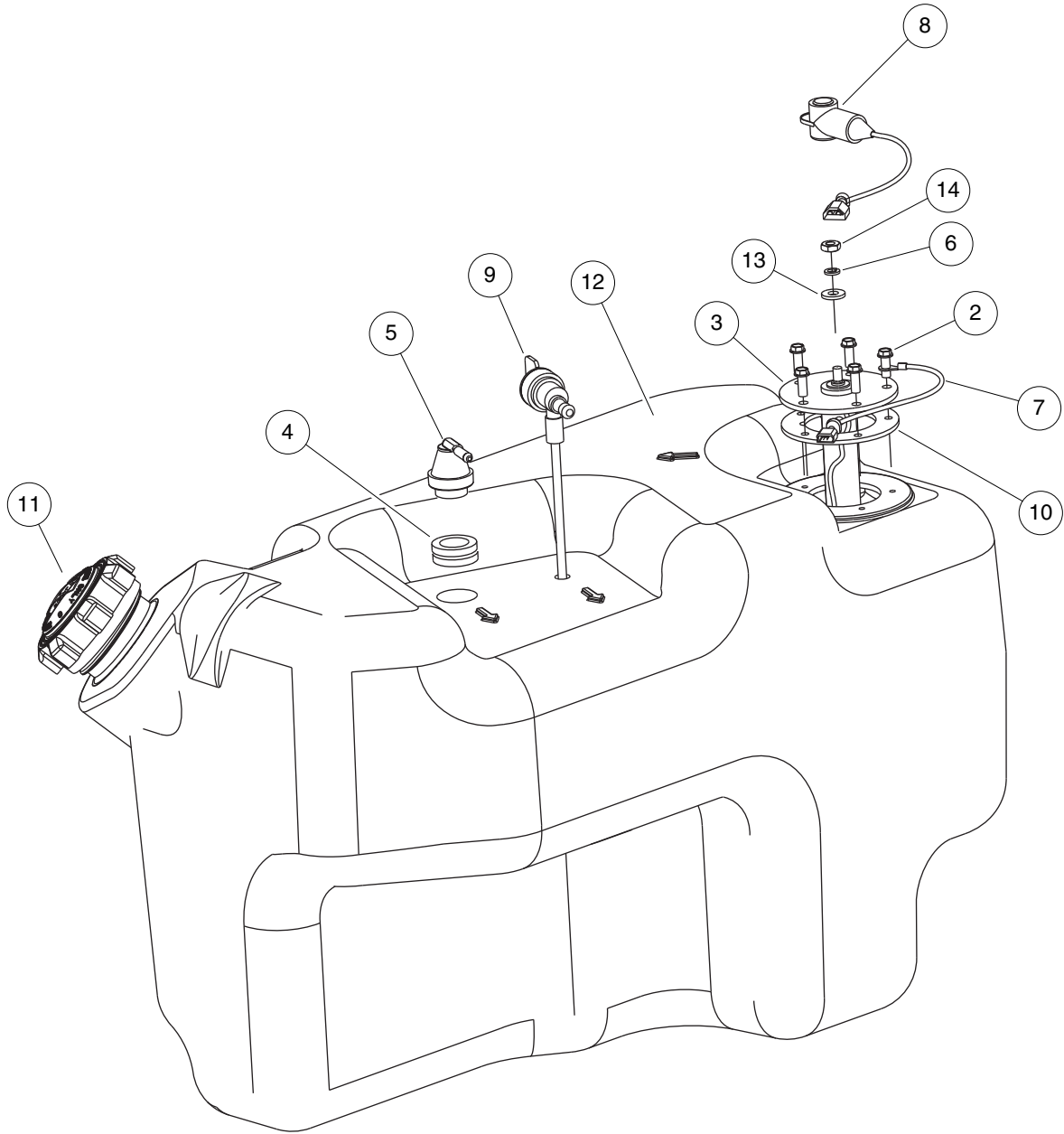
000912-001



# FUEL SYSTEM

**8**  
**G**

ITEM	PART NO.	DESCRIPTION	QTY
		<b>1 2 3 4</b>	
1	1010878	Bumper, Rubber .....	1
2	1012649	Clamp, 0.460 Red Hose .....	2
3	1013746	Clamp, 0.301 ID Hose .....	2
4	1015137	Fuel Line (available by the foot) .....	1
5	1015661	Nut, Lock Hx Flanged 1/4-20 .....	1
6	1016952	U-Nut, 1/4-20 .....	1
7	101824401	Vent Barb .....	1
8	102426301	Strap, Tank, Fuel .....	1
9	102618601	Lock Nut, Flg M8 X 1.25 Nylon .....	1
10	102865101	Fuel Line .....	1
11	N/A	Plug, Ribbed, Round, 1.5" .....	1



000883-001

# FUEL TANK

**8**  
**G**

ITEM	PART NO.	DESCRIPTION	QTY
		<b>1 2 3 4</b>	
1	103450001	Asm, Tank, Fuel, Xrt950 (includes items 2 through 14) .....	1
2	1013461	Screw, #10-16 Hex-Head Hi-Lo .....	5
3	1013462	Sending Unit, Fuel Level * .....	1
4	1015139	Insulation Grommet .....	1
5	1015143	Vent, Fuel Tank .....	1
6	1016	Lockwasher, #10 Split .....	1
7	N/A	Wire Asm, Blk, 170mm .....	1
8	N/A	Wire Asm, Org, 170mm .....	1
9	102513701	Valve - Fuel Pickup Tube .....	1
10	102522001	Gasket, Rubber .....	1
11	102751601	Cap, Fuel Tank, Gasoline .....	1
12	N/A	Tank, Fuel, Xrt950 .....	1
13	183	Washer, #10 Type A Flat .....	1
14	8797	Nut, #10-32 Brass Hex .....	1
		 * Note: Must replace fuel sending unit gasket when servicing this component.	

8

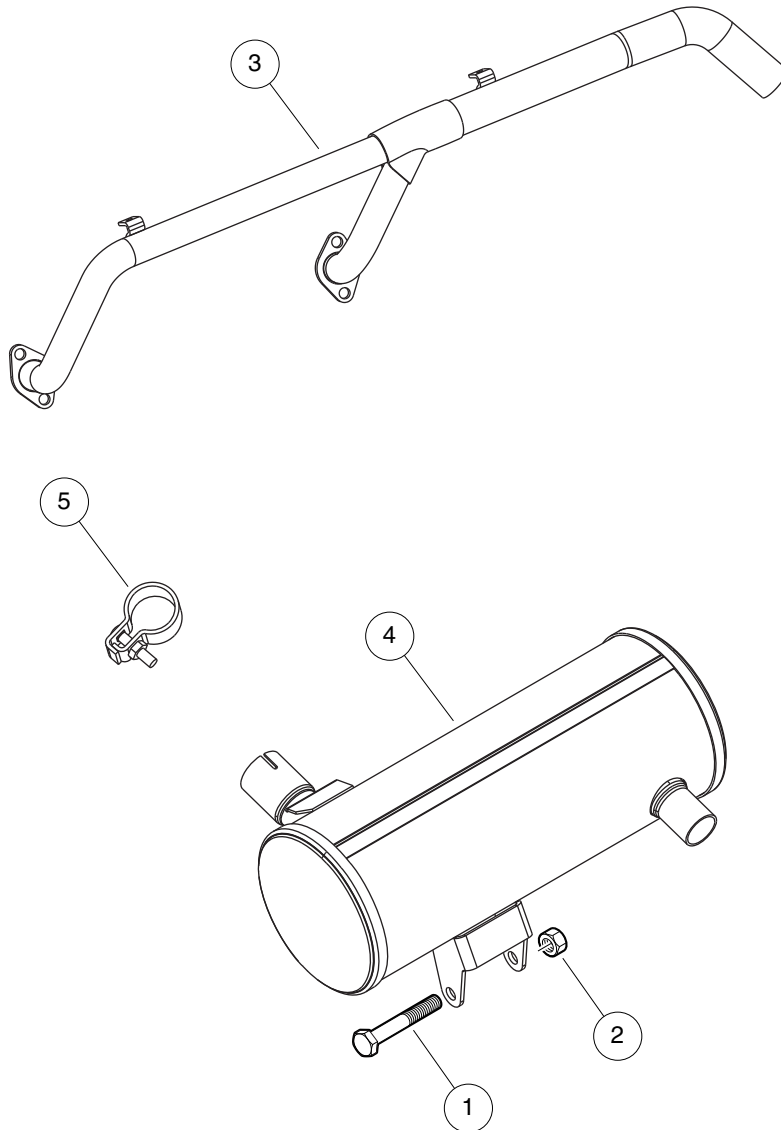
G

# EXHAUST SYSTEM

---

9

G



000907-001

# EXHAUST SYSTEM

ITEM	PART NO.	DESCRIPTION	QTY
		1 2 3 4	
1	102298170	Bolt - Flange Hd, M8 X 70.0 .....	1
2	102298401	Nut,m8,all Metal Lock .....	1
3	103417001	Manifold, Exhaust, B&s 14hp .....	1
4	103417101	Muffler, B&S 14hp .....	1
5	103614501	Clamp, Muffler, 1.42 Dia .....	1

9

G

9

G

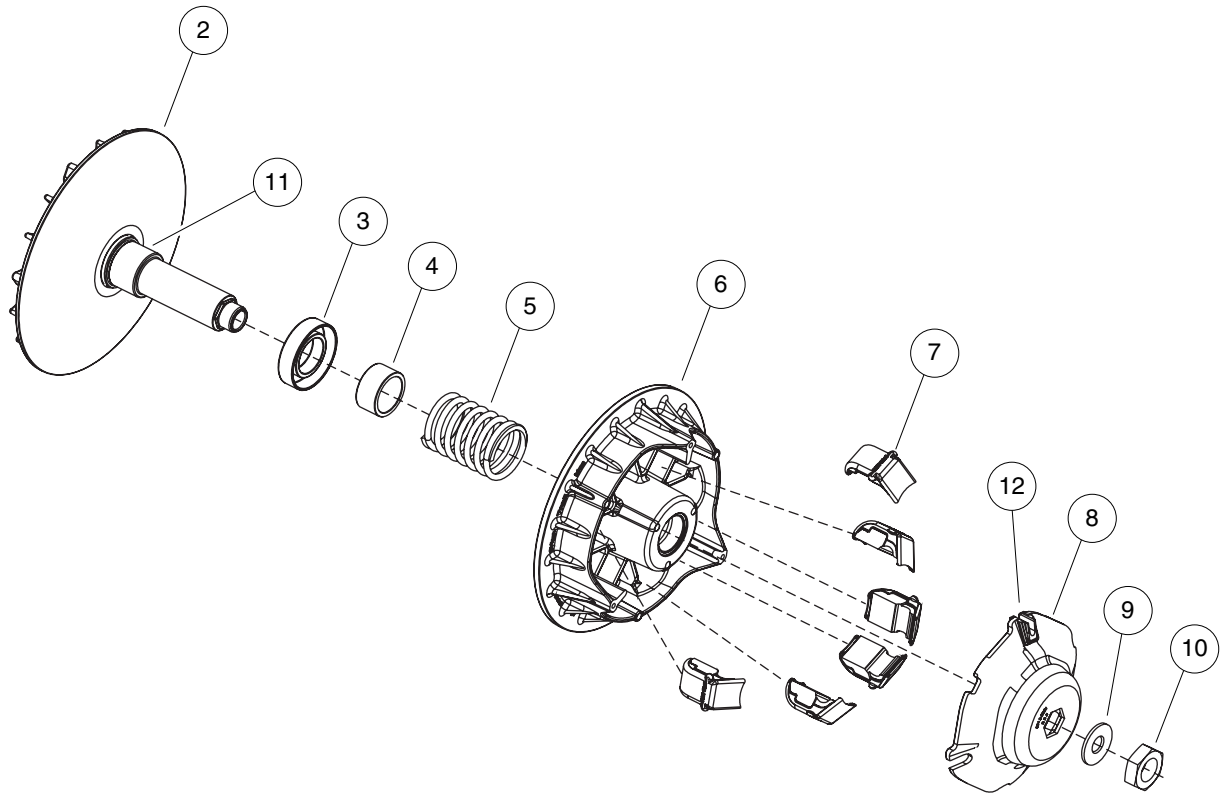


# CLUTCHES

---

10

G

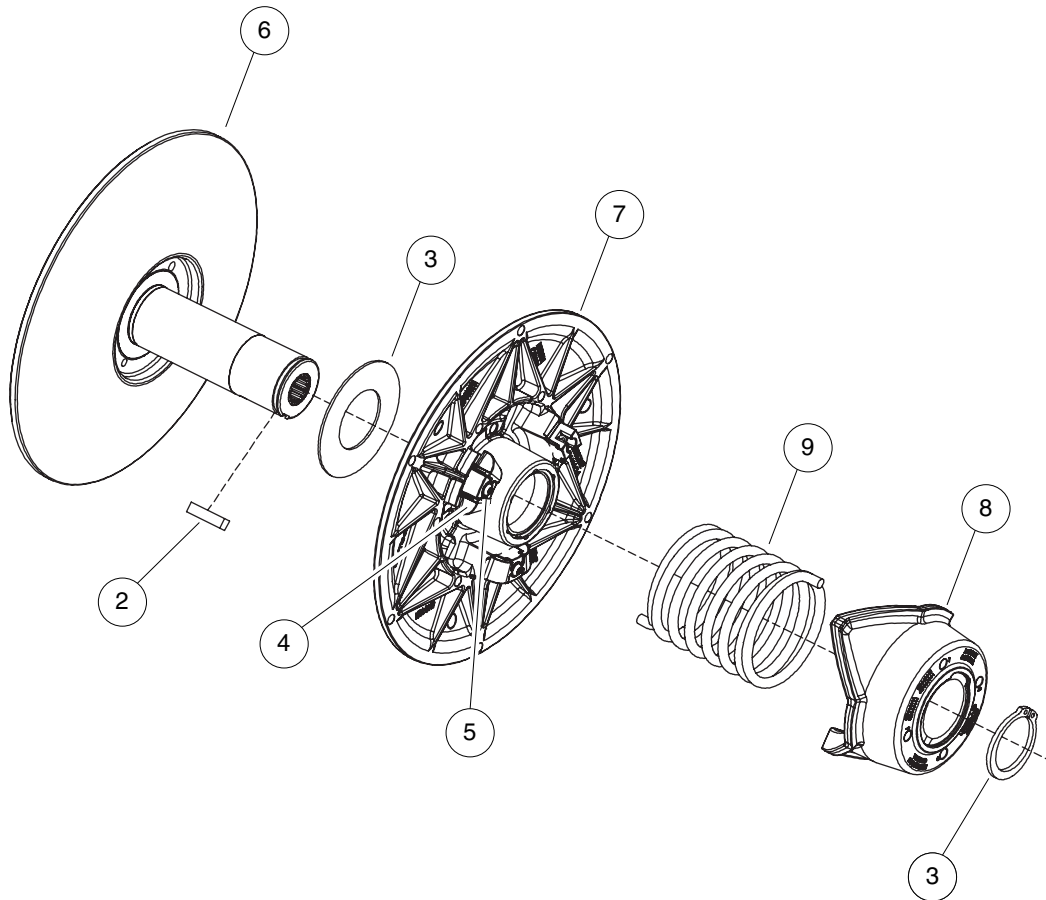


000901-003

# DRIVE CLUTCH (STYLE B)

ITEM	PART NO.	DESCRIPTION	QTY
		<b>1 2 3 4</b>	
1	103869801	Clutch, Primary, Xrt950, Re (includes items 2 through 12) .....	1
2	103518501	Asm, Fixed Flange, Drive .....	1
3	103518601	Seat, Spring, Drive .....	1
4	103518701	Stopper, Drive .....	1
5	103518801	Spring, Drive .....	1
6	103518901	Flange, Sliding, Drive .....	1
7	103519001	Asm, Block .....	6
8	103519101	Asm, Cap .....	1
9	103519201	Washer, Lock, M20 .....	1
10	103519301	Nut, Hex, M20x1.5 .....	1
11	103683401	Bearing, Idler, Cvtech .....	1
12	103683701	Guide, Cap, Cvtech .....	3

**10**  
**G**



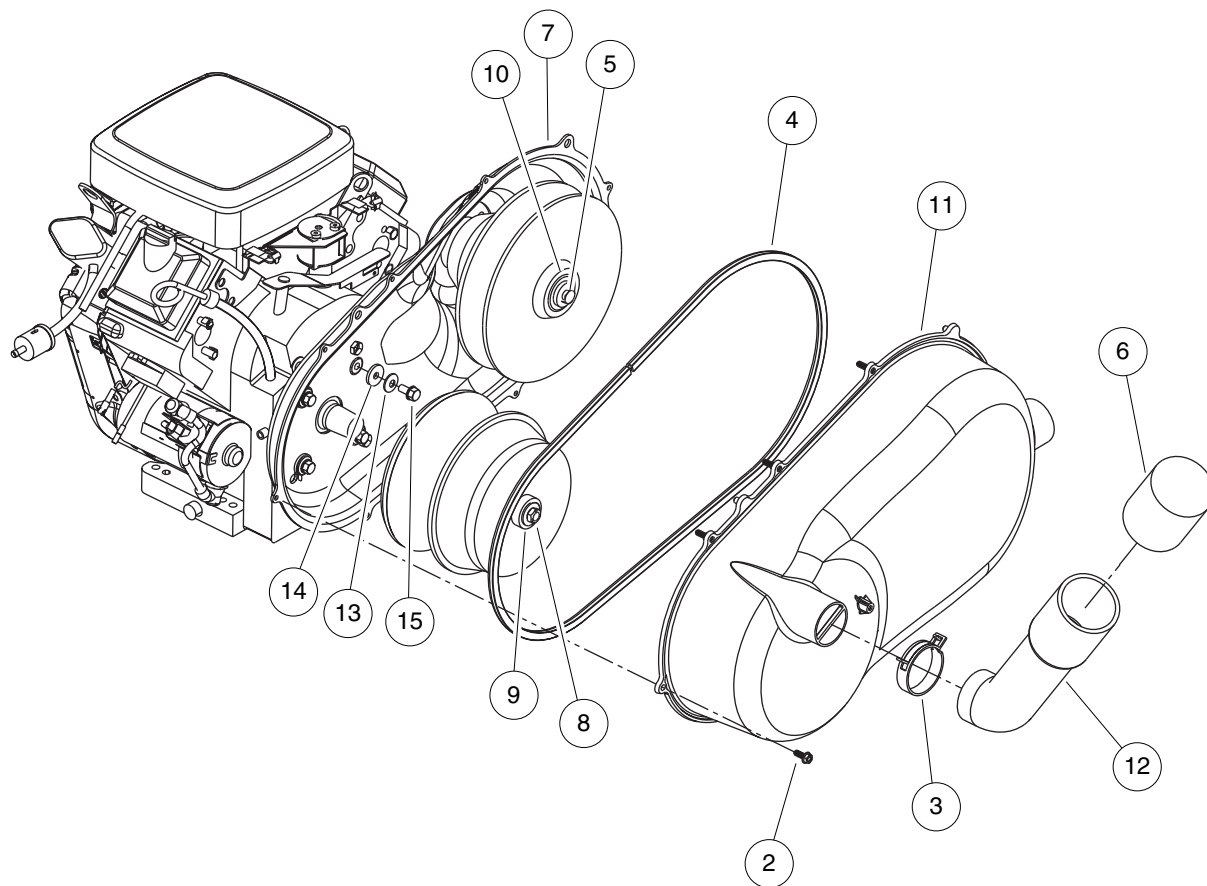
000901-004

## DRIVEN CLUTCH (STYLE B)

ITEM	PART NO.	DESCRIPTION	QTY
		<b>1 2 3 4</b>	
1	103869901	Clutch, Secondary, Xrt950, Re (includes items 2 through 9) .....	1
2	103516601	Key, Cam .....	1
3	103516701	Ring, Snap, External .....	1
4	103683801	Shoe, Cam, Cvtech .....	3
5	103683901	Screw, Button Hd, Cam Shoe .....	3
6	103870001	Flange, Fixed, Secondary, 950 .....	1
7	103870101	Moveable Flange, Sec, 950 .....	1
8	103870201	Cam, Machined, Sec, 950 .....	1
9	103870301	Spring, Secondary, 950 .....	1

10

G



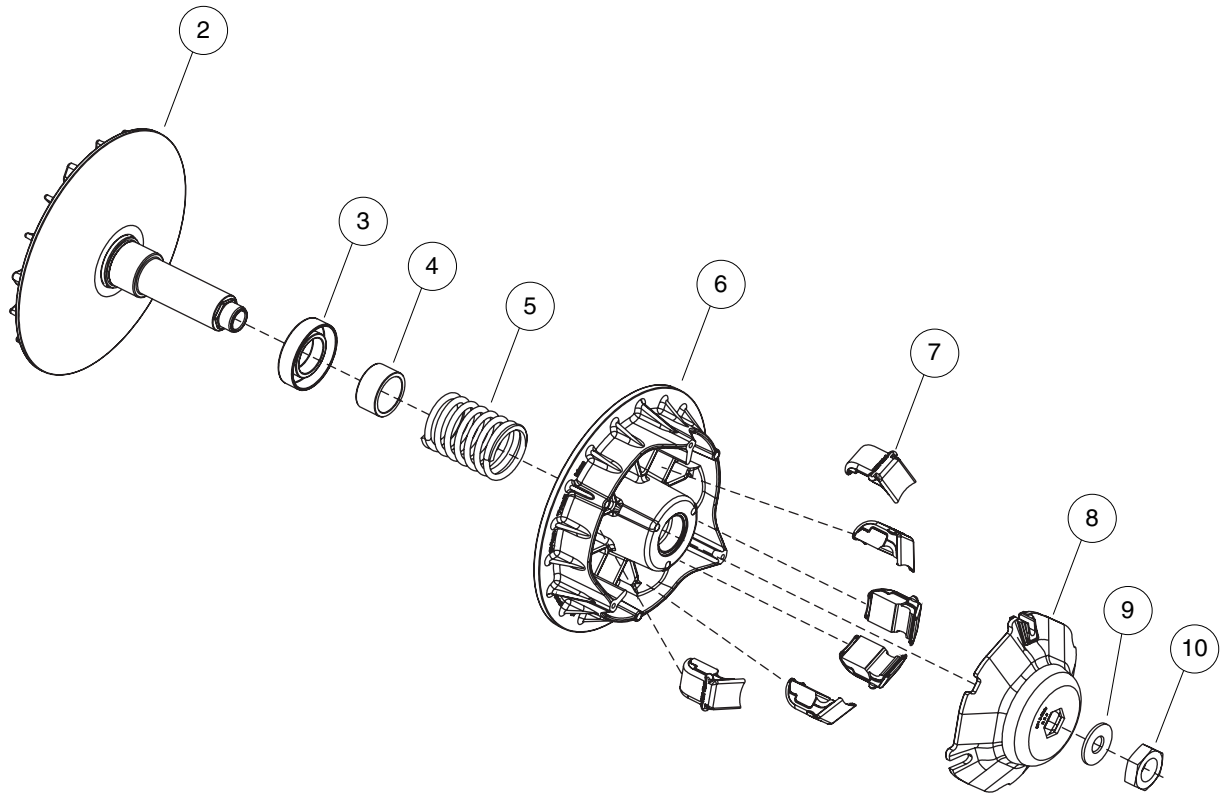
0000882-001

# CLUTCH COVER – SEALED

ITEM	PART NO.	DESCRIPTION	QTY
		1 2 3 4	
1	N/A	Instl, Cvt Cover, Sealed (includes items 2 through 15) .....	1
2	102296716	Screw, M6 X 16 Tt Hx Fl Hd .....	8
3	102411210	Clamp, Hose, Ctb 64mm .....	1
4	N/A	Gasket, Cover, Cvt, Xrt 950 .....	1
5	102490501	Bolt, M10 X 1.5 X 100 Loctite .....	1
6	102628001	Filter, Inlet, Cover, CVT .....	1
7	103413201	Cover, Cvt, Inner Stamping .....	1
8	103414001	Bolt, 7/16-20 Unf-2a X 6.00 Lg .....	1
9	103414601	Washer, Center, Drive Clutch .....	1
10	103414701	Washer, Center, Driven Clutch .....	1
11	103447501	Cover, Cvt, Outer .....	1
12	103449101	Hose, Cvt, Inlet .....	1
13	103572201	Washer, 5/16, Cone .....	4
14	103572701	Washer, 5/16, Neoprene .....	4
15	103576601	Screw, 5/16-24 X .625 Loctite .....	4

10

G



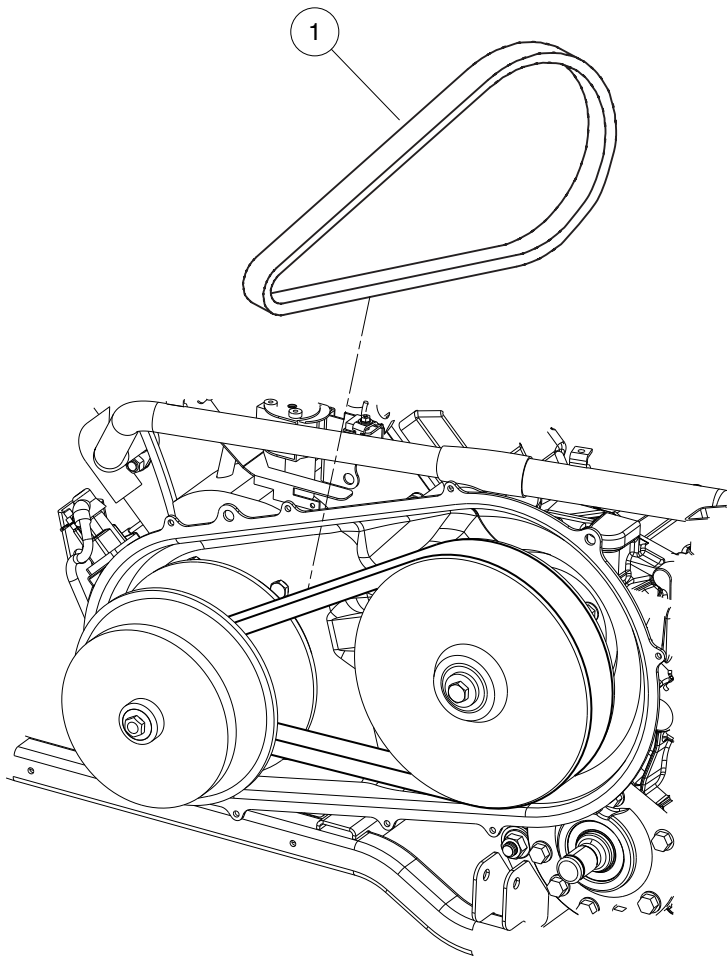
000901-001



# DRIVE CLUTCH

ITEM	PART NO.	DESCRIPTION	QTY
		<b>1 2 3 4</b>	
1	103414401	Clutch, Drive, Cvtech (includes items 2 through 10) .....	1
2	103518501	Asm, Fixed Flange, Drive .....	1
3	103518601	Seat, Spring, Drive .....	1
4	103518701	Stopper, Drive .....	1
5	103518801	Spring, Drive .....	1
6	103518901	Flange, Sliding, Drive .....	1
7	103519001	Asm, Block .....	6
8	103519101	Asm, Cap .....	1
9	103519201	Washer, Lock, M20 .....	1
10	103519301	Nut, Hex, M20x1.5 .....	1

**10**  
**G**

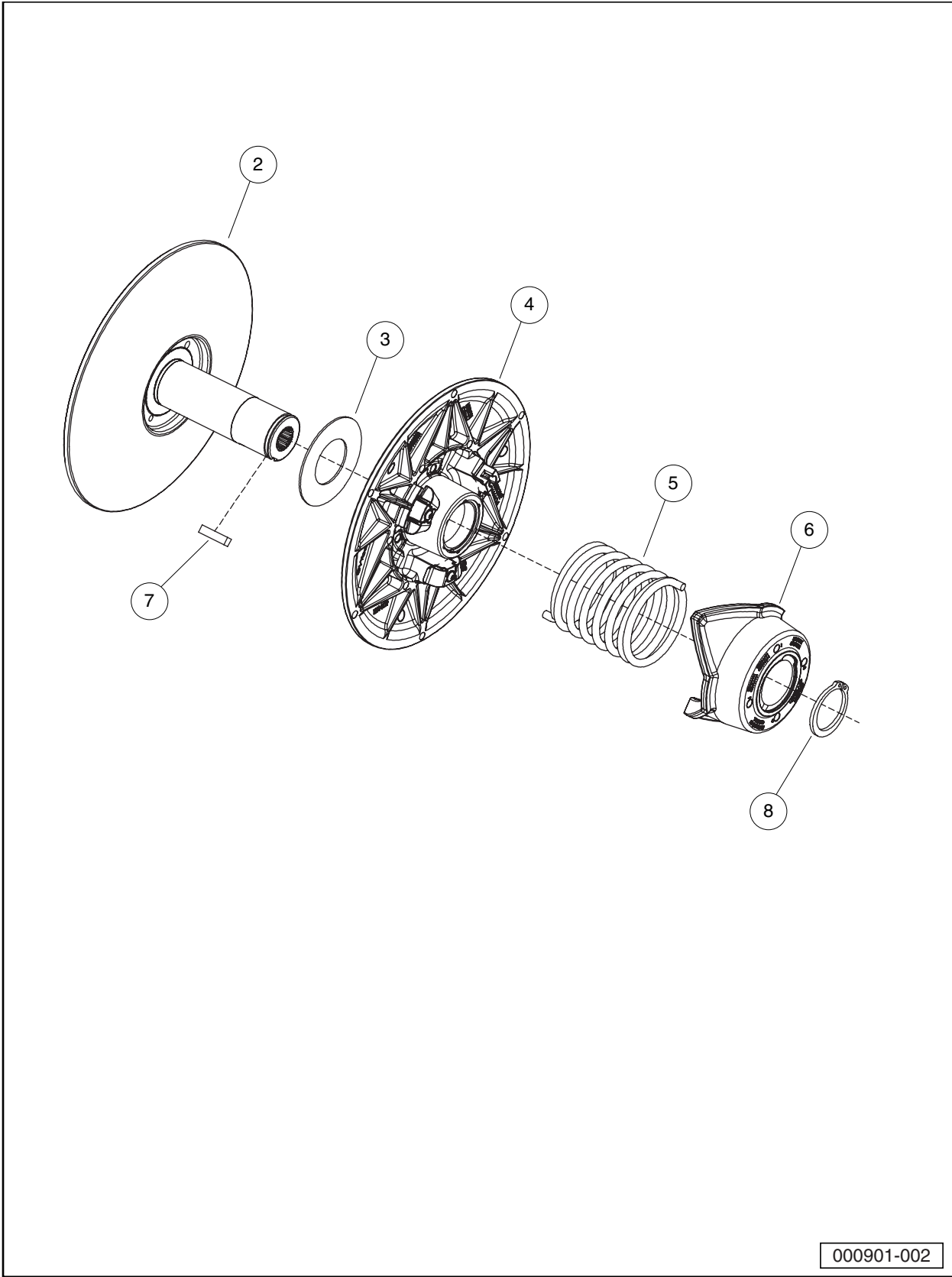


000915-001

# DRIVE BELT

ITEM	PART NO.	DESCRIPTION	QTY
1	103416101	1 2 3 4 Belt, Cvt .....	1

**10**  
**G**



000901-002

# DRIVEN CLUTCH

ITEM	PART NO.	DESCRIPTION	QTY
		<b>1 2 3 4</b>	
1	103414501	Clutch, Driven, Cvtech (includes items 2 through 8) (includes items 2 through 8) .....	1
2	103516101	Flange, Fixed, Driven .....	1
3	103516201	Washer, Driven Clutch, Cvtech .....	1
4	103516301	Asm, Flange, Sliding, Driven .....	1
5	103516401	Spring, Driven Clutch, Cvtech .....	1
6	103516501	Cam, Machined .....	1
7	103516601	Key, Cam .....	1
8	103516701	Ring, Snap, External .....	1

**10**  
**G**

**10**

**G**

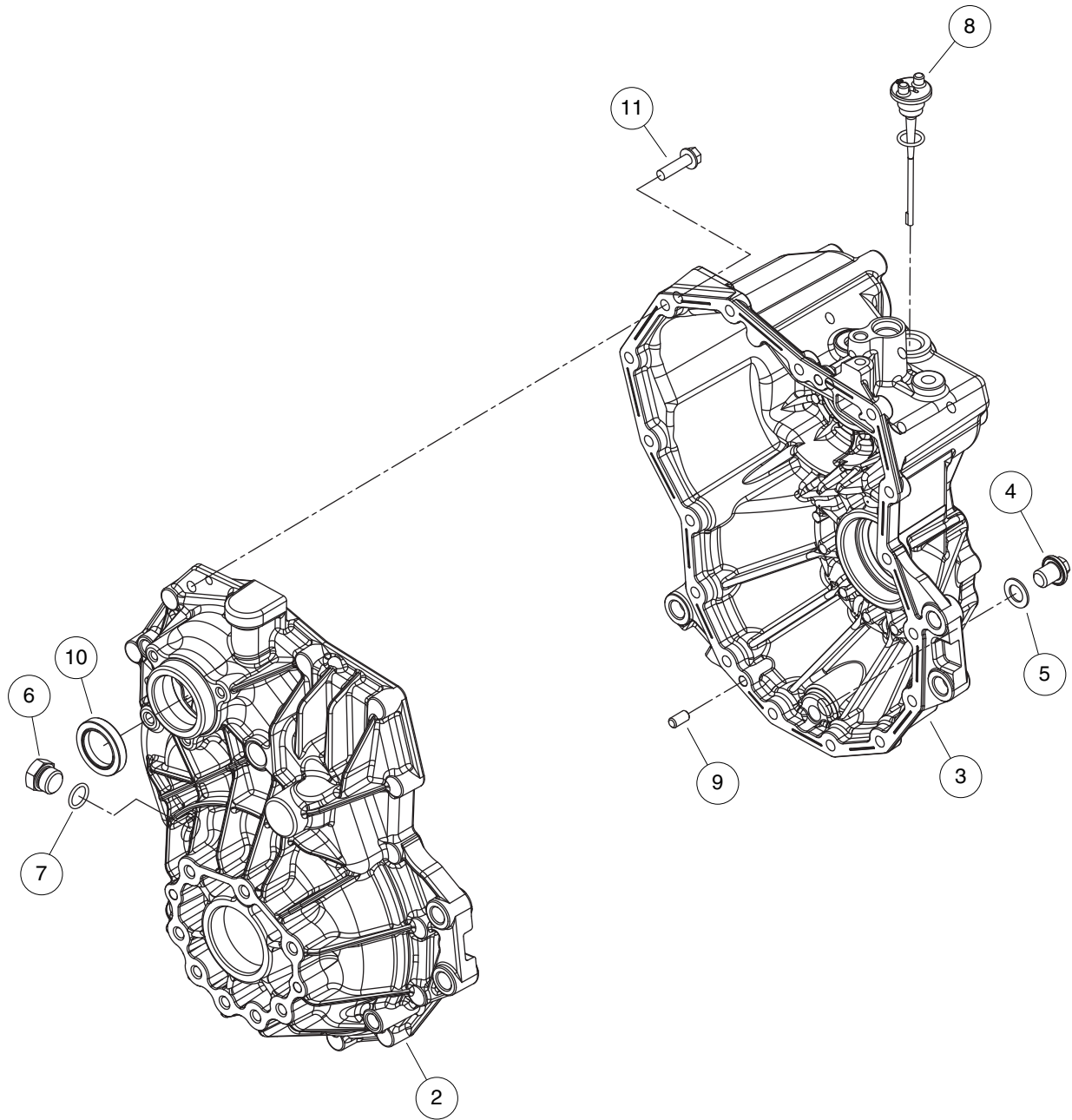
# DRIVETRAIN COMPONENTS

---

11

G

**11**  
**G**



000909-002

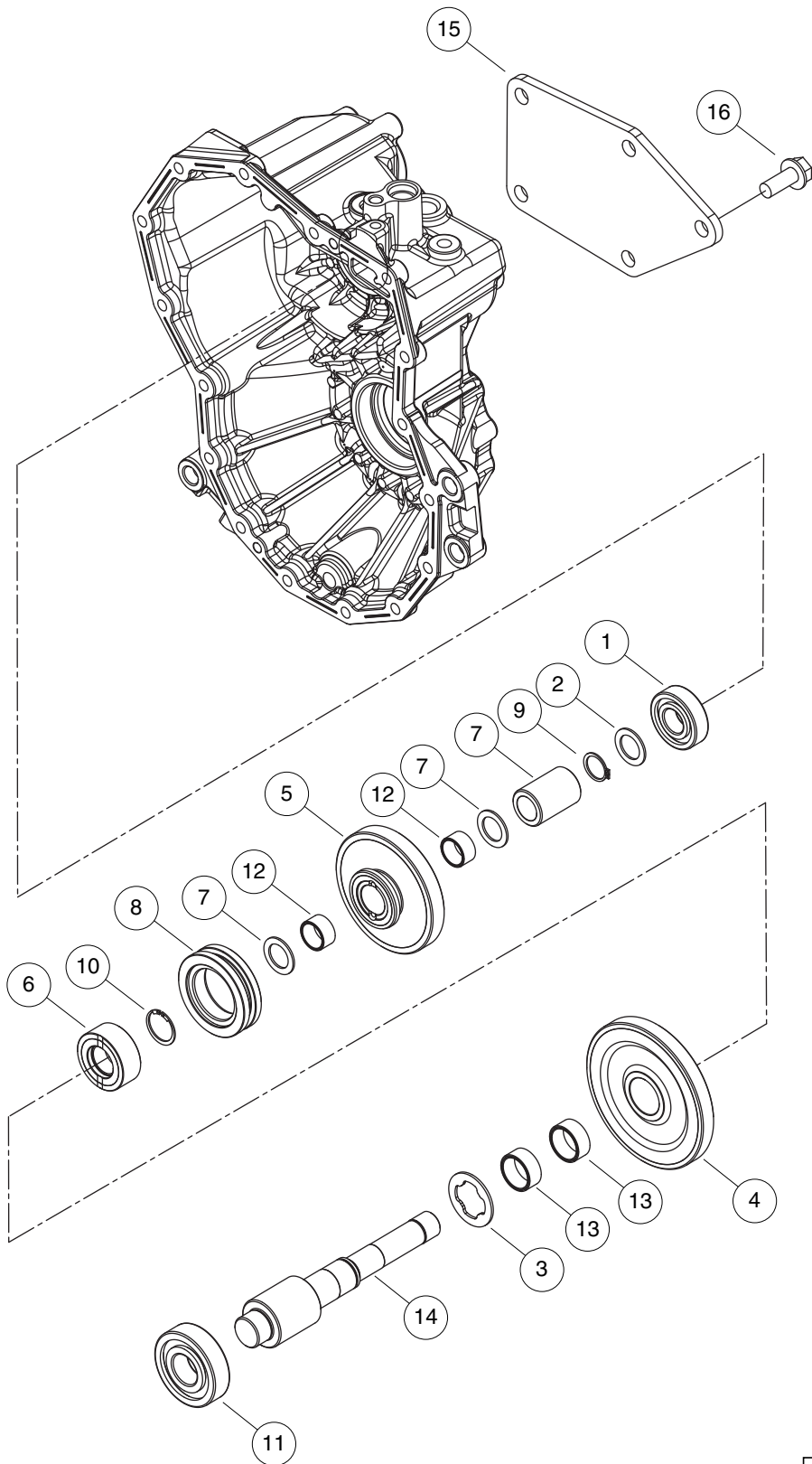


# TRANSAXLE – 2WD

ITEM	PART NO.	DESCRIPTION	QTY
		1 2 3 4	
1	103061201	Transaxle, Kanzaki, Uv30c, 2wd .....	1
2	103602601	Housing, Transaxle, Kanzaki, L .....	1
3	103602701	Housing, Transaxle, Kanzaki, R .....	1
4	103602801	Bolt, M14x16, T/a Hsng Asm .....	1
5	103602901	Washer, Drain Plug, T/a Hsng .....	1
6	103603001	Plug, 3/4-16, W/p Cmp .....	1
7	103603101	Packing, P 16.0, Transaxle .....	1
8	103603201	Dip Stick Cmp, T/a Hsng Asm .....	1
9	103603301	Pin, 8x14, Transaxle .....	2
10	103603401	Seal, Tc304508, T/a Hsng Asm .....	1
11	103603501	Bolt, M8x30 .....	16
<p>Note: Note: The parts on this page are components of the 2WD transaxle.</p>			

11

G



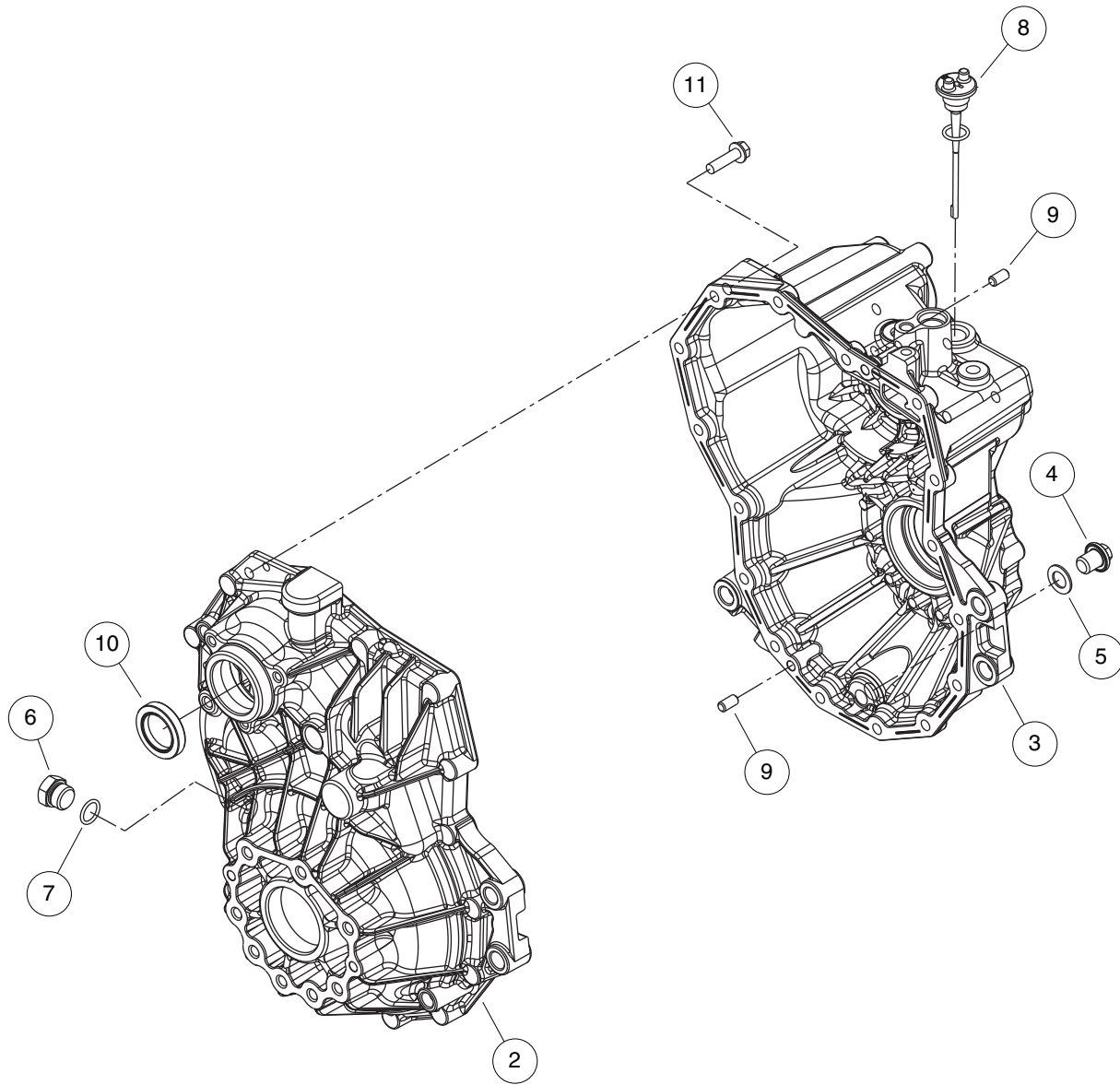
000909-005

## TRANSAXLE – 2WD (CONTINUED)

ITEM	PART NO.	DESCRIPTION	QTY
		1 2 3 4	
1	103604101	Bearing, 6204, Transaxle .....	1
2	103604301	Washer, 20x30x1.6, Redn Shaft .....	3
3	103604401	Washer 25x44x2, Redn Shaft Asm .....	1
4	103604601	Gear, Reduction, Fwd .....	1
5	103604701	Gear, Reduction, Rev .....	1
6	103604801	Collar, Spline, Redn Shaft Asm .....	1
7	103604901	Collar, Redn Shaft Asm .....	1
8	103605001	Shifter, Redn Shaft Asm .....	1
9	103605101	Ring, 20, Transaxle .....	1
10	103605201	Ring, 24, Redn Shaft Asm .....	1
11	103605301	Bearing, 6305 Ntn, Redn Shaft .....	1
12	103605401	Needle, 202413, Redn Shaft Asm .....	2
13	103605501	Needle, 253013, Transaxle .....	2
14	103605601	Shaft, Reduction, 2wd .....	1
15	103610301	Cover, Pto, Frt Drive Cover .....	1
16	103610401	Bolt, 8x20, Frt Drive Cover .....	5
Note: Note: The parts on this page are components of the 2WD transaxle.			

11

G



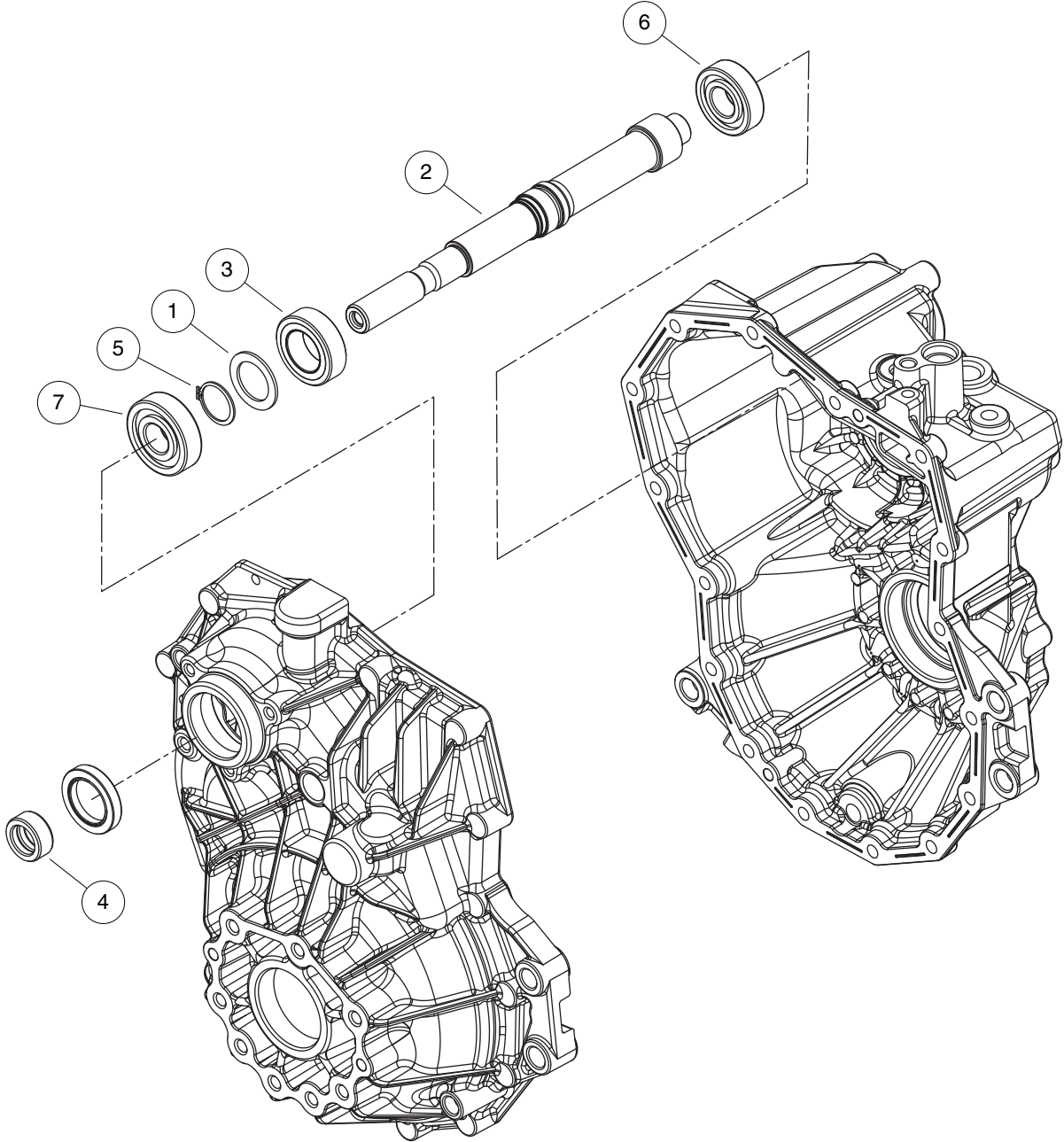
000909-001

# TRANSAXLE – 4WD

ITEM	PART NO.	DESCRIPTION	QTY
		1 2 3 4	
1	103061202	Transaxle, Kanzaki, Uv30c, 4wd .....	1
2	103602601	Housing, Transaxle, Kanzaki, L .....	1
3	103602701	Housing, Transaxle, Kanzaki, R .....	1
4	103602801	Bolt, M14x16, T/a Hsng Asm .....	1
5	103602901	Washer, Drain Plug, T/a Hsng .....	1
6	103603001	Plug, 3/4-16, W/p Cmp .....	1
7	103603101	Packing, P 16.0, Transaxle .....	1
8	103603201	Dip Stick Cmp, T/a Hsng Asm .....	1
9	103603301	Pin, 8x14, Transaxle .....	3
10	103603401	Seal, Tc304508, T/a Hsng Asm .....	1
11	103603501	Bolt, M8x30 .....	16
<p>Note: Note: The parts on this page are components of the 4WD transaxle.</p>			

11

G



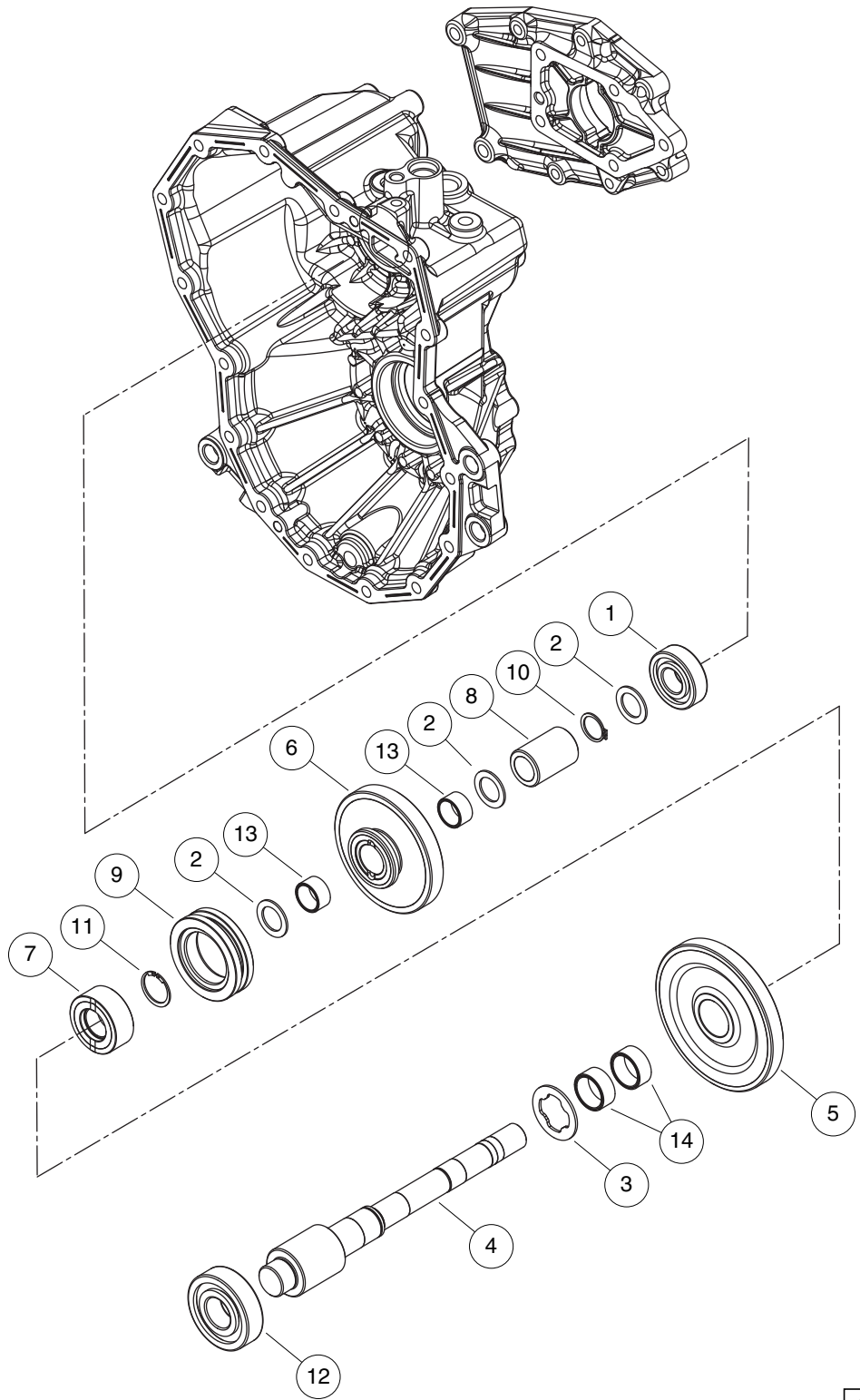
000909-003

## TRANSAXLE – 2WD AND 4WD (CONTINUED)

ITEM	PART NO.	DESCRIPTION	QTY
		1 2 3 4	
1	103603601	Washer, 27x40x2, I/p Shaft .....	1
2	103603701	Shaft, Input, Transaxle .....	1
3	103603801	Gear, Input, I/p Shaft Asm .....	1
4	103603901	Sleeve, 20x30x13, I/p Shaft .....	1
5	103604001	Ring, 26, I/p Shaft Asm .....	1
6	103604101	Bearing, 6204, Transaxle .....	1
7	103604201	Bearing, 6304, I/p Shaft Asm .....	1
<p>Note: Note: The parts on this page are components of the 4WD transaxle.</p>			

11

G



000909-004

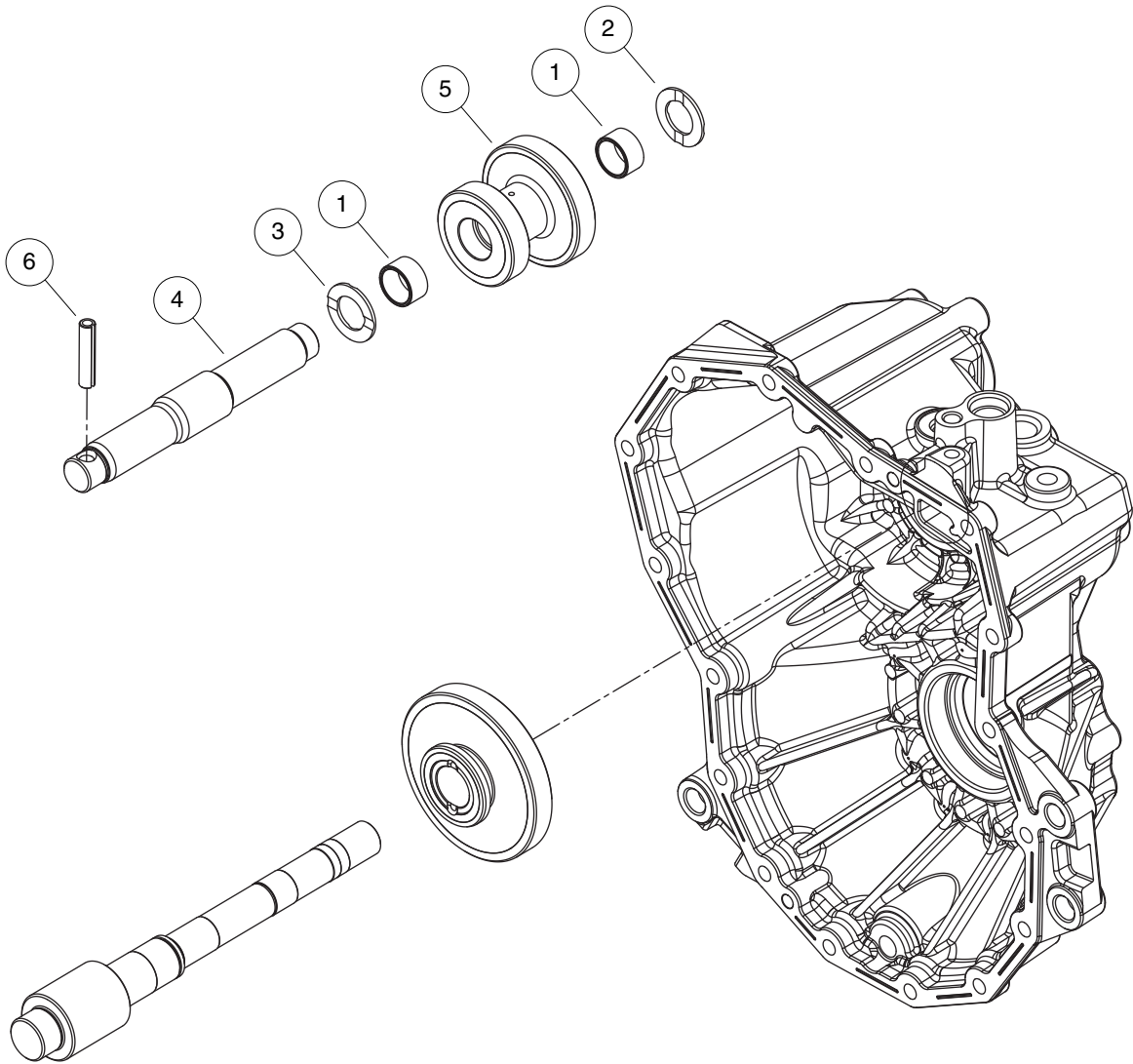


## TRANSAXLE – 4WD (CONTINUED)

ITEM	PART NO.	DESCRIPTION	QTY
		1 2 3 4	
1	103604101	Bearing, 6204, Transaxle .....	1
2	103604301	Washer, 20x30x1.6, Redn Shaft .....	3
3	103604401	Washer 25x44x2, Redn Shaft Asm .....	1
4	103604501	Shaft, Reduction, 4wd .....	1
5	103604601	Gear, Reduction, Fwd .....	1
6	103604701	Gear, Reduction, Rev .....	1
7	103604801	Collar, Spline, Redn Shaft Asm .....	1
8	103604901	Collar, Redn Shaft Asm .....	1
9	103605001	Shifter, Redn Shaft Asm .....	1
10	103605101	Ring, 20, Transaxle .....	1
11	103605201	Ring, 24, Redn Shaft Asm .....	1
12	103605301	Bearing, 6305 Ntn, Redn Shaft .....	1
13	103605401	Needle, 202413, Redn Shaft Asm .....	2
14	103605501	Needle, 253013, Transaxle .....	2
Note: Note: The parts on this page are components of the 4WD transaxle.			

11

G

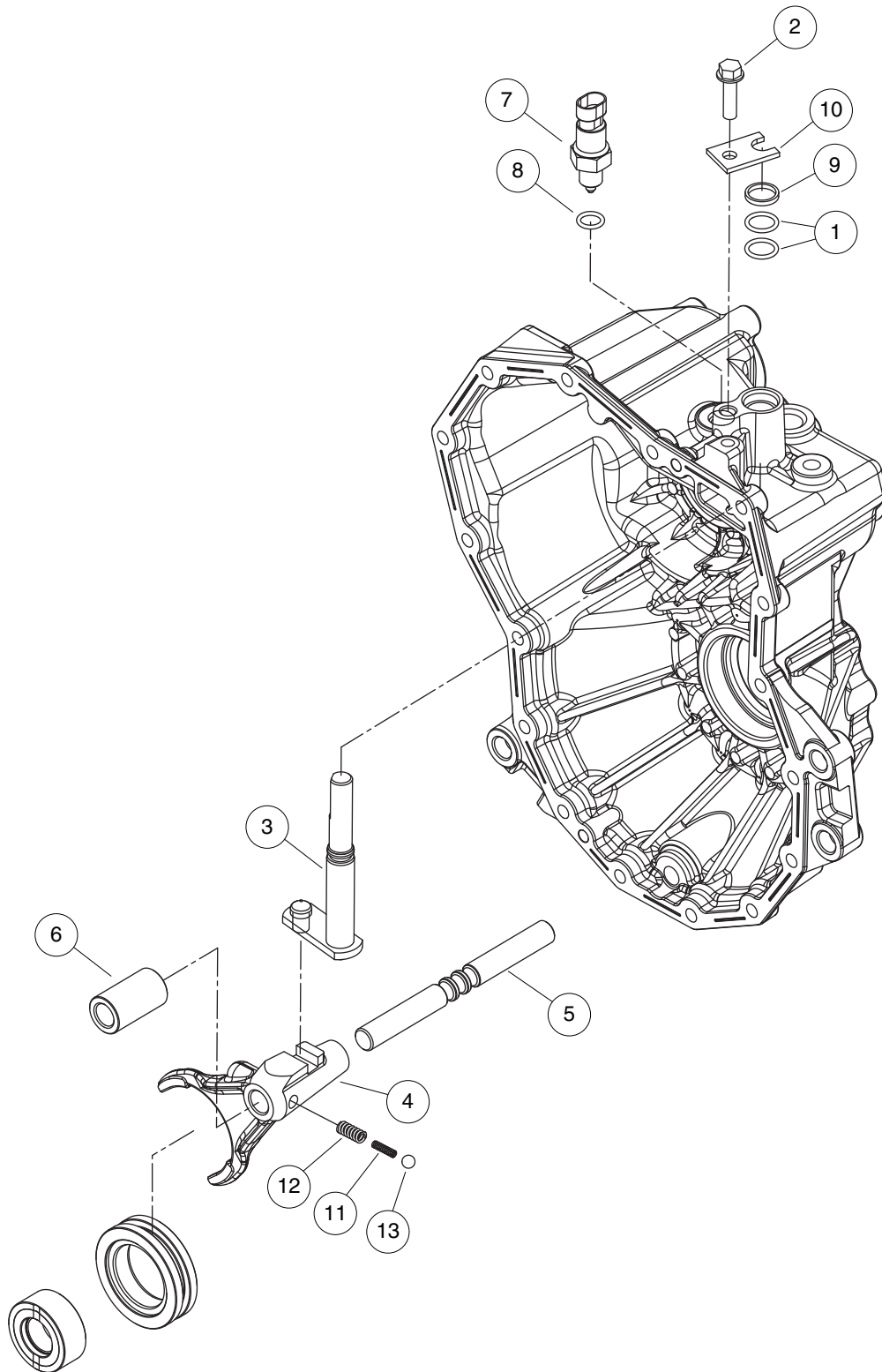


000909-006

## TRANSAXLE – 2WD AND 4WD (CONTINUED)

ITEM	PART NO.	DESCRIPTION	QTY
		1 2 3 4	
1	103605501	Needle, 253013, Transaxle .....	2
2	103605701	Washer, 20x34x2, Rev Shaft Asm .....	1
3	103605801	Washer, 25x36x2, Rev Shaft Asm .....	1
4	103605901	Shaft, Idle, Rev .....	1
5	103606001	Gear, Idle, Rev .....	1
6	103606101	Pin, 8.0ax 40, Transaxle .....	1

**11**  
**G**



000909-007

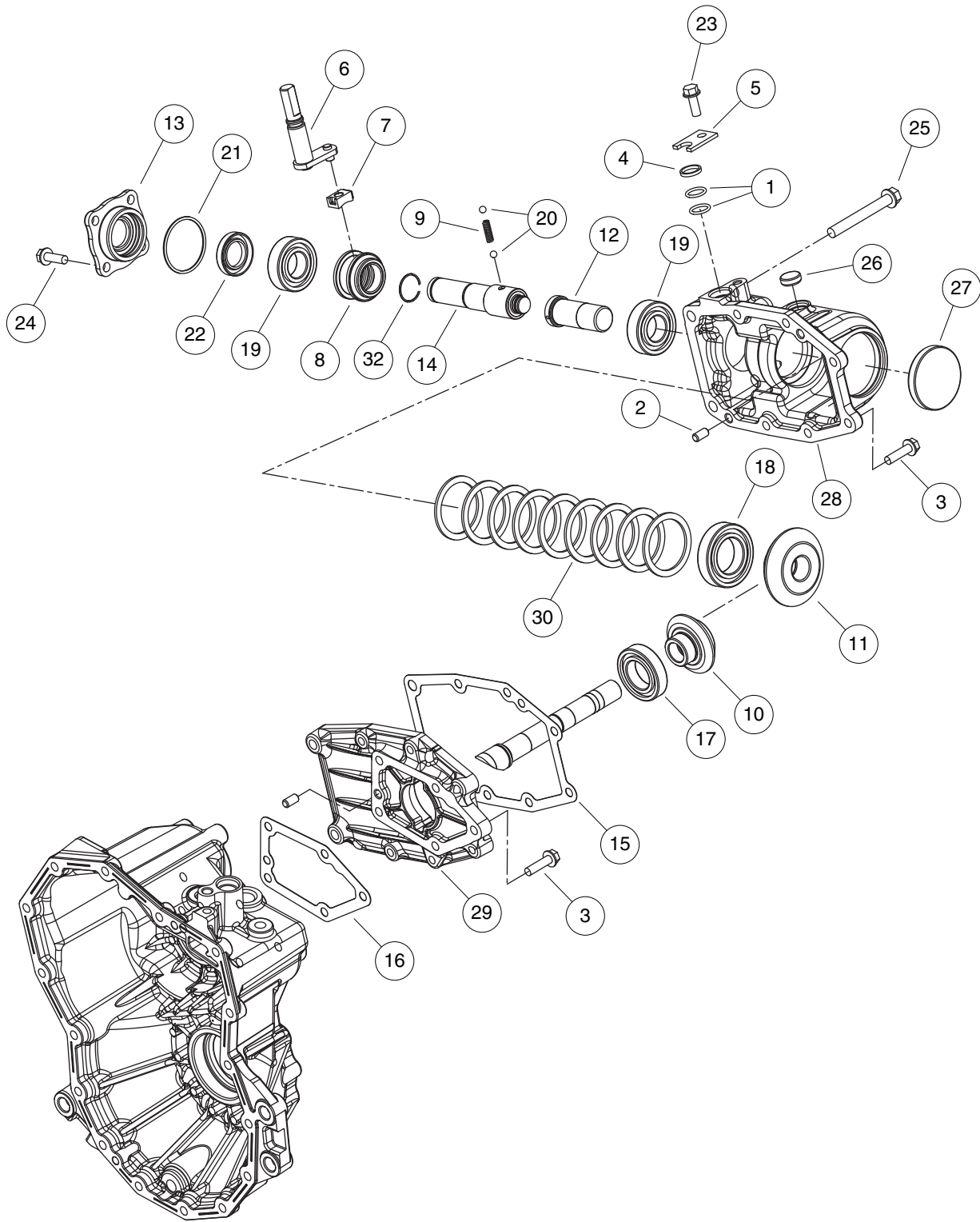
## TRANSAXLE – 2WD AND 4WD (CONTINUED)

ITEM	PART NO.	DESCRIPTION	QTY
		1 2 3 4	
1	103603101	Packing, P 16.0, Transaxle .....	2
2	103603501	Bolt, M8x30 .....	1
3	103606201	Arm, Shift, Cmp .....	1
4	103606301	Fork, Shift .....	1
5	103606401	Shaft, Shift Fork .....	1
6	103606501	Collar, Fork Shaft .....	1
7	103606601	Switch, Safety, Cmp .....	1
8	103606701	Packing, P12.5, Shift Asm .....	1
9	103606801	Collar, Shift Arm .....	1
10	103606901	Plate, Keep, Transaxle .....	1
11	103607001	Spring, Inner, Shift Asm .....	1
12	103607101	Spring, 23, Shift Asm .....	1
13	103607201	Ball, 5/16, Shift Asm .....	1
Note: Note: The parts on this page are components of the 4WD transaxle.			

**11**

**G**

**11**  
**G**

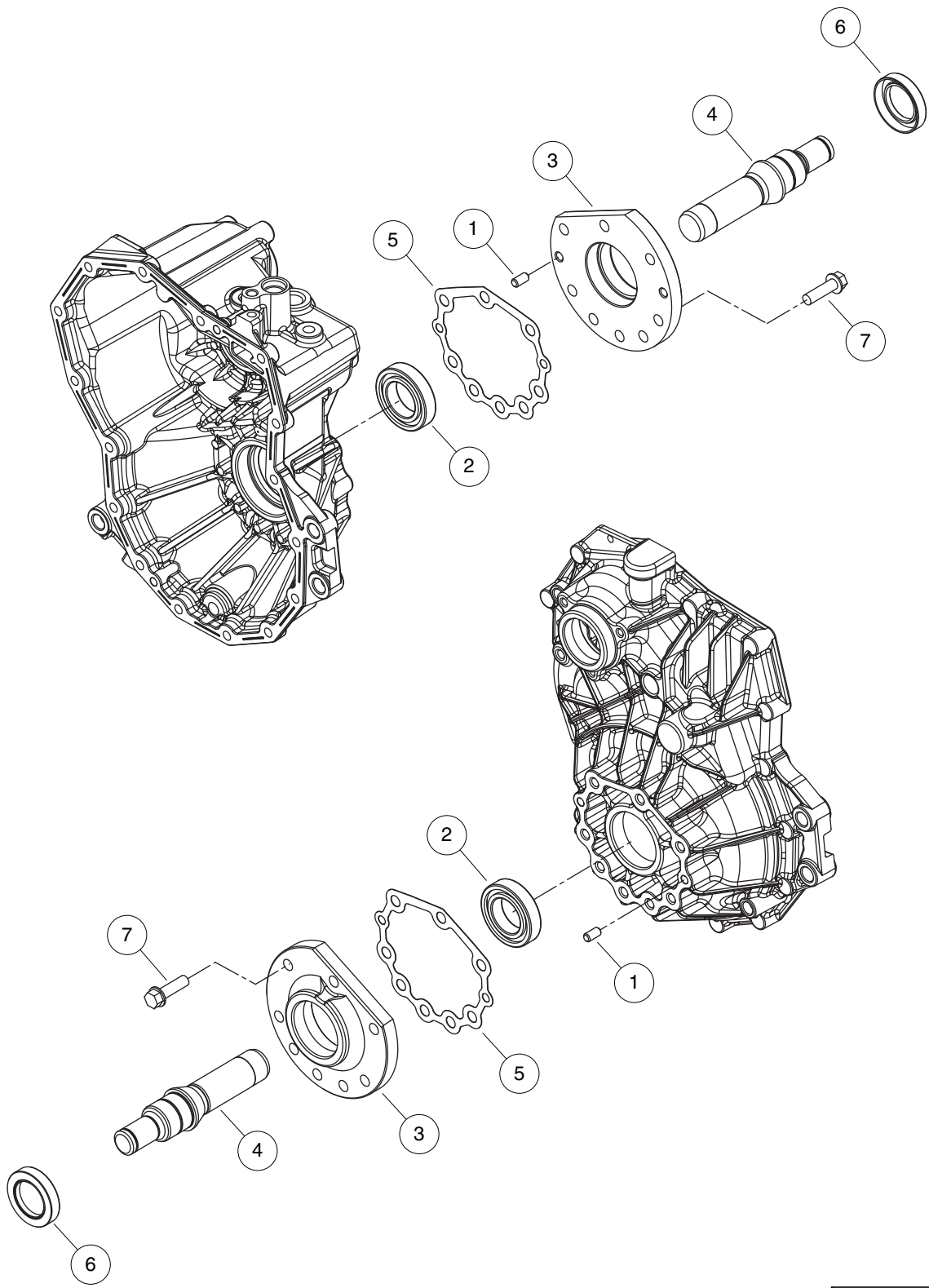


000909-008

## TRANSAXLE – 4WD (CONTINUED)

ITEM	PART NO.	DESCRIPTION	QTY
		1 2 3 4	
1	103603101	Packing, P 16.0, Transaxle .....	2
2	103603301	Pin, 8x14, Transaxle .....	2
3	103603501	Bolt, M8x30 .....	11
4	103606801	Collar, Shift Arm .....	1
5	103606901	Plate, Keep, Transaxle .....	1
6	103607301	Arm, Shift, 4wd Cmp .....	1
7	103607401	Block, Shift, Pto Frt Asm .....	1
8	103607501	Collar, Front Shift .....	1
9	103607601	Spring, 26, Pto Frt Asm .....	1
10	103607801	Gear, Front Drive, 20t .....	1
11	103607901	Gear, Front Drive, 26t .....	1
12	103608001	Shaft, Front Drive .....	1
13	103608101	Cap, Front Drive .....	1
14	103608401	Shaft, Pto, Transaxle, Kanzaki .....	1
15	103608501	Packing, Front Drive .....	1
16	103608601	Packing, Pto Frt Asm .....	1
17	103608701	Bearing, 6006 Ntn, Pto Frt Asm .....	1
18	103608801	Bearing, 6007 Ntn, Transaxle .....	1
19	103608901	Bearing, 6205 Ntn, Pto Frt Asm .....	2
20	103609001	Ball, 1/4, Pto Frt Asm .....	2
21	103609101	Packing, G50.0, Pto Frt Asm .....	1
22	103609201	Seal, Tc254208, Pto Frt Asm .....	1
23	103609301	Bolt, 8x 22, Pto Frt Asm .....	1
24	103609401	Bolt, 8x 25, Pto Frt Asm .....	4
25	103609501	Bolt, 10x 80, Pto Frt Asm .....	2
26	103609601	Cap, Sealing 20, Pto Frt Asm .....	1
27	103609701	Cap, Sealing 62, Pto Frt Asm .....	1
28	103799701	Case, Front Drive, No Shim .....	1
29	103799801	Cover, Front Drive, Shim .....	1
30	103799901	Kit, Shim, Pto, Case Side .....	1
31	103800001	Kit, Pto Case Set .....	1
32	103803801	Circlip, Input Shaft, Diff .....	1

**11**  
**G**



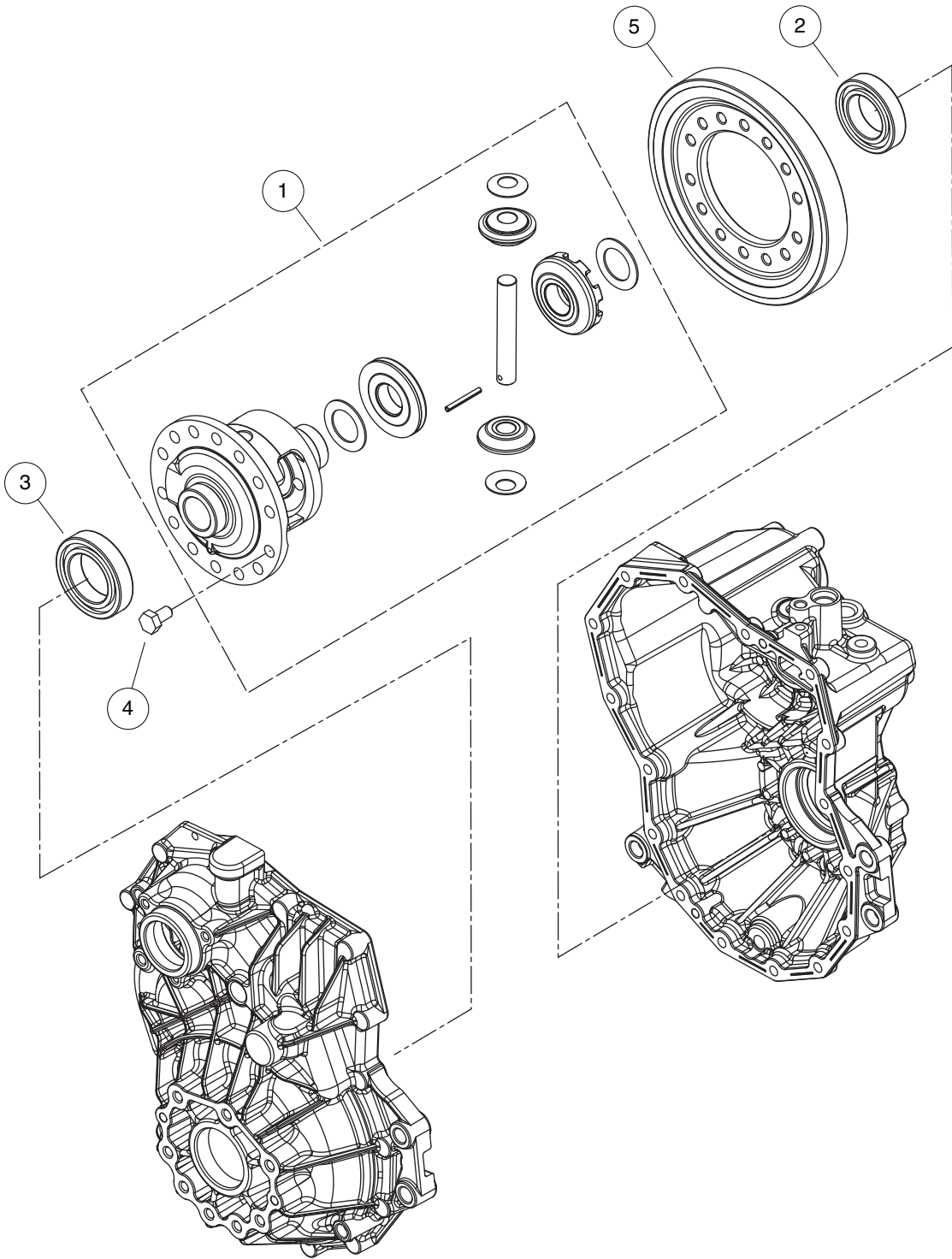
000909-009



## TRANSAXLE – 2WD AND 4WD (CONTINUED)

ITEM	PART NO.	DESCRIPTION	QTY
		1 2 3 4	
1	103603301	Pin, 8x14, Transaxle .....	4
2	103608801	Bearing, 6007 Ntn, Transaxle .....	2
3	103609801	Housing, Axle, Kanzaki .....	2
4	103609901	Shaft, Axle, Kanzaki .....	2
5	103610001	Packing, Axle Housing, Kanzaki .....	2
6	103610101	Seal, Tc355511, Axle Hsng Asm .....	2
7	103610201	Bolt, 10 X 35, Axle Hsng Asm .....	16

**11**  
**G**

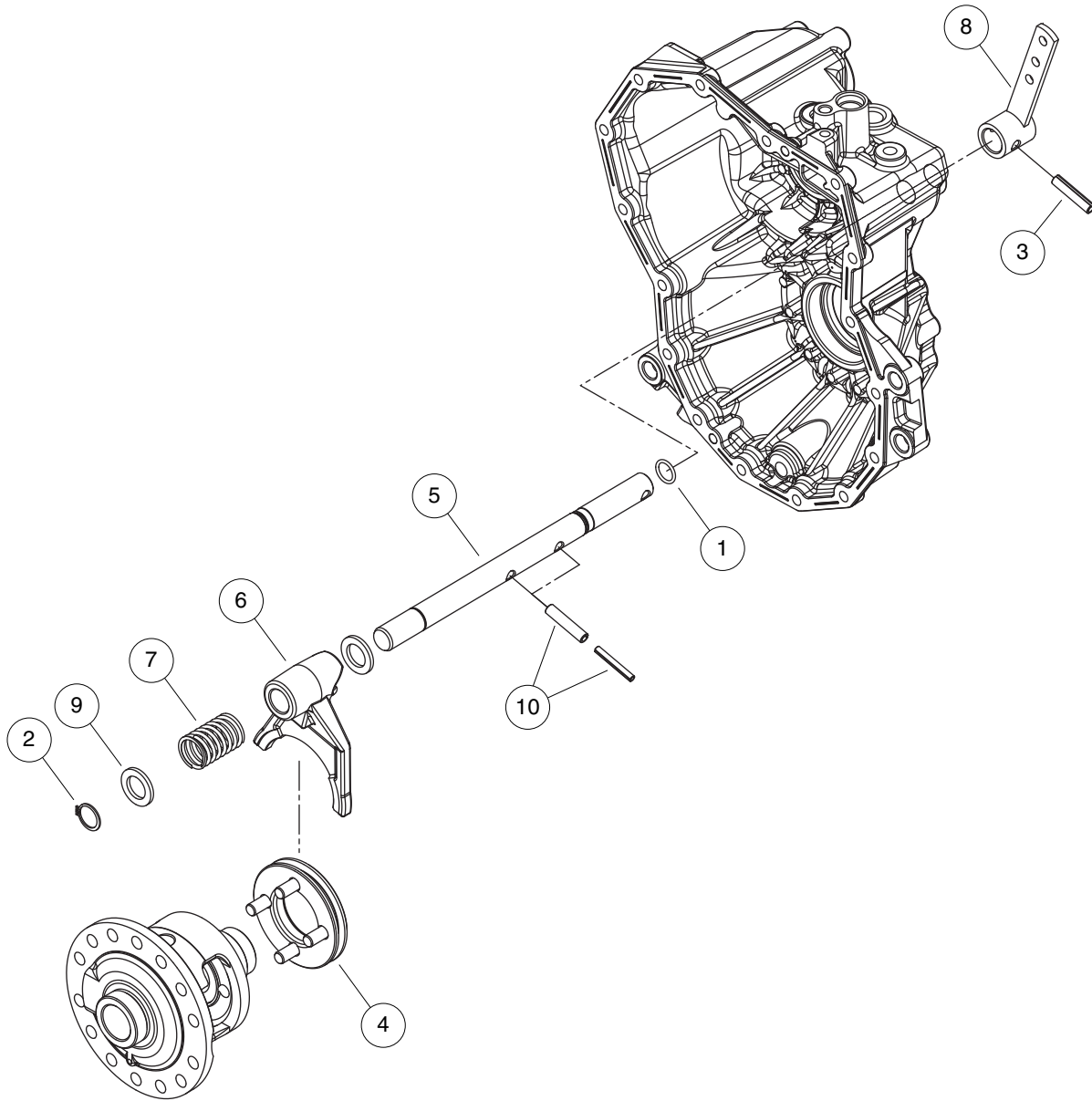


000909-011

## TRANSAXLE – 2WD AND 4WD (CONTINUED)

ITEM	PART NO.	DESCRIPTION	QTY
		<b>1 2 3 4</b>	
1	103610501	Differential, Cmp, T/a Kanzaki .....	1
2	103610701	Bearing, 6008 Ntn, Diff .....	1
3	103610801	Bearing, 6009 Ntn, Diff .....	1
4	103610901	Bolt 10x20 .....	14
5	103611701	Final Gear .....	1

**11**  
**G**



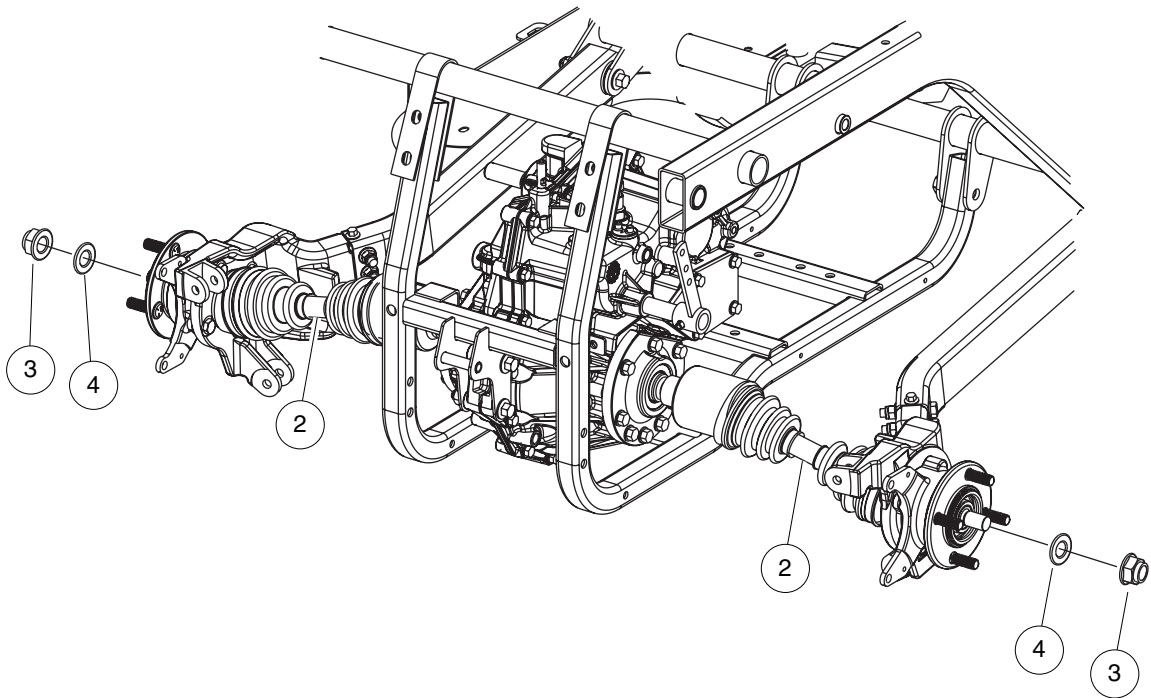
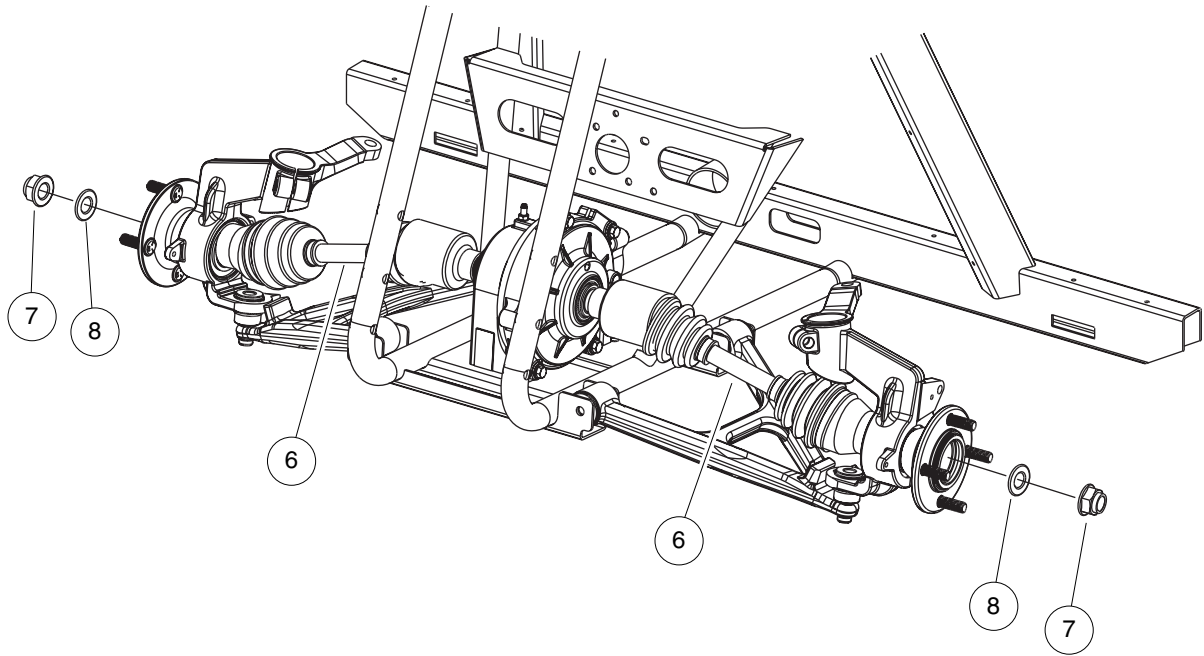
000909-012

## TRANSAXLE – 2WD AND 4WD (CONTINUED)

ITEM	PART NO.	DESCRIPTION	QTY
		1 2 3 4	
1	103603101	Packing, P 16.0, Transaxle .....	1
2	103605101	Ring, 20, Transaxle .....	1
3	103606101	Pin, 8.0ax 40, Transaxle .....	2
4	103611001	Slider, Diff.lock .....	1
5	103611101	Shaft, Diff.lock .....	1
6	103611201	Fork, Diff. Lock .....	1
7	103611301	Spring, Diff. Lock .....	1
8	103611401	Arm, Diff. Lock Cmp .....	1
9	103611501	Spacer, 20x32x3.2, Diff Lock .....	2
10	103611601	Spring Pin, Cmp .....	2

**11**

**G**

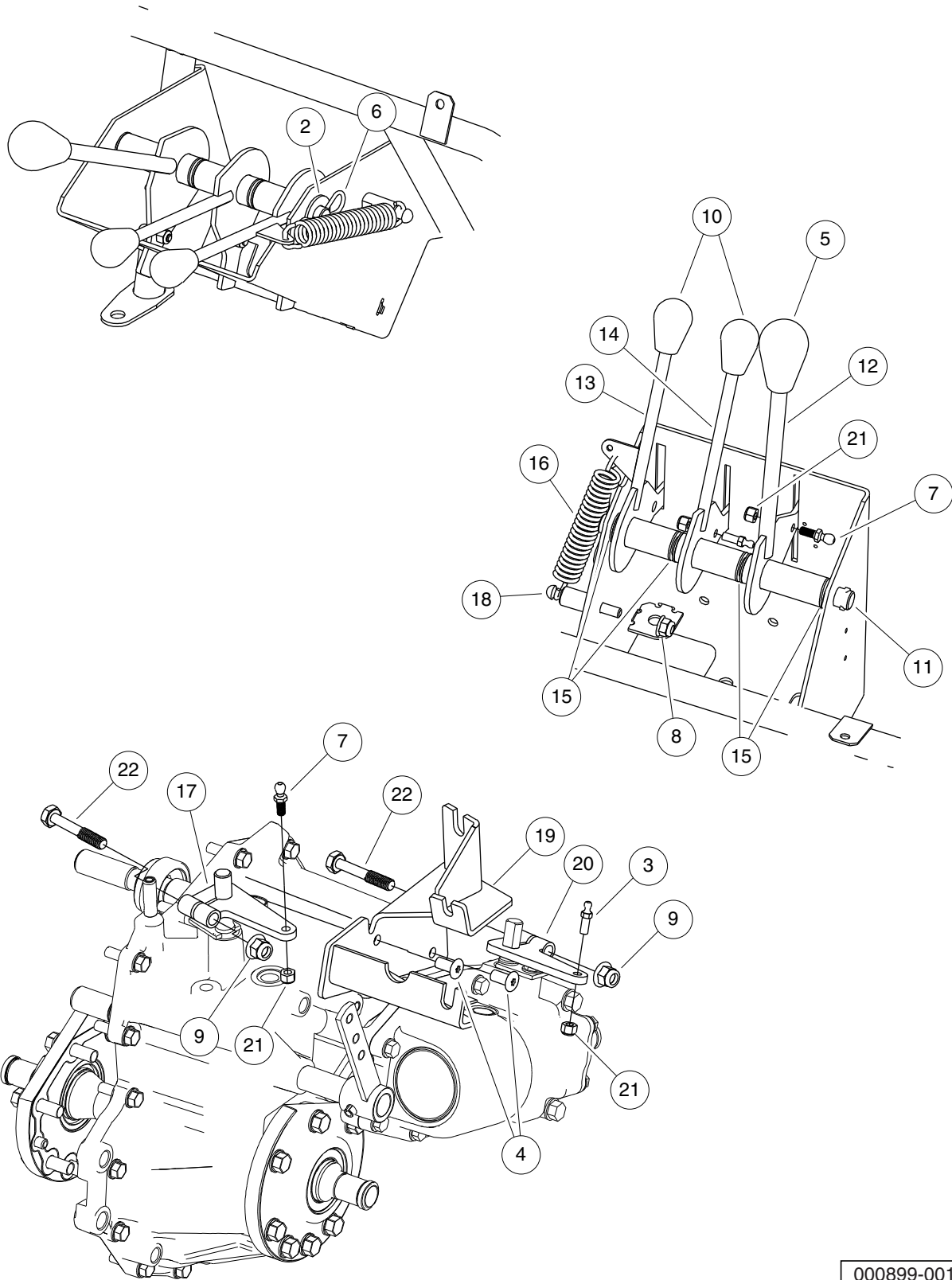


000897-001

# HALF SHAFTS

ITEM	PART NO.	DESCRIPTION	QTY
		<b>1 2 3 4</b>	
1	N/A	Instl, Halfshaft, Rear (includes items 2 through 4) .....	1
2	103498001	Halfshaft, Rear, 4x4 .....	2
3	103596301	Nut, Stake, M18, Halfshaft .....	2
4	103600701	Washer, Flat, M18 .....	2
5	N/A	Instl, Halfshaft, Front (includes items 6 through 8) .....	1
6	103417701	Halfshaft, Front, 4x4 .....	2
7	103596301	Nut, Stake, M18, Halfshaft .....	2
8	103600701	Washer, Flat, M18 .....	2

**11**  
**G**



000899-001



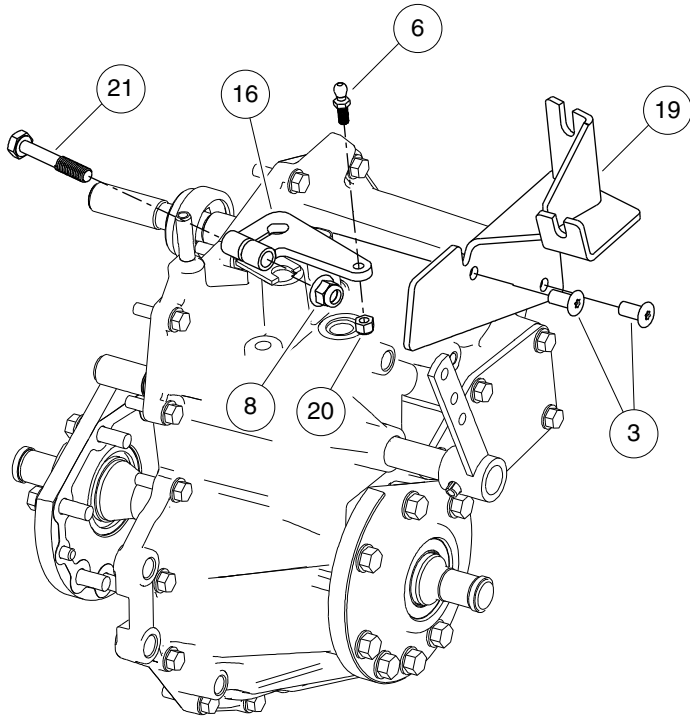
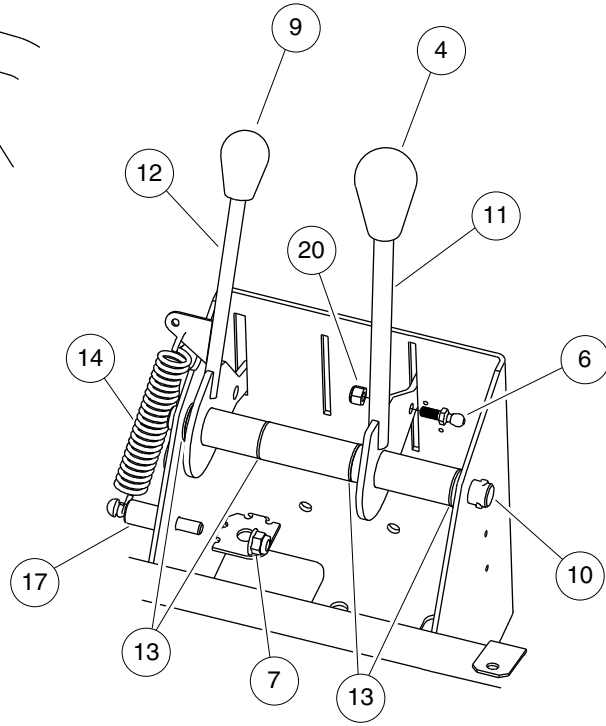
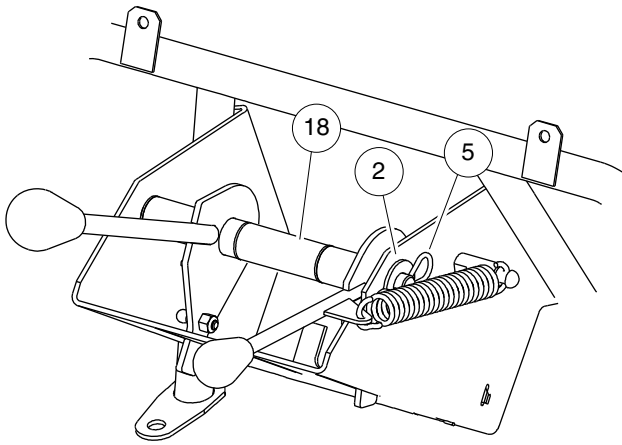
## FORWARD/REVERSE SHIFTER – 4WD

ITEM	PART NO.	DESCRIPTION	QTY
		1 2 3 4	
1	N/A	Instl, Control, Dash, 4wd (includes items 2 through 22) .....	1
2	1010193	Washer, 5/8 Type A Plain Flat .....	1
3	1010954	Stud, 1/4-28 X 0.560 Ball .....	2
4	1016074	Screw, M8-1.25 X 18mm Torx .....	2
5	102376001	Knob, Fnr .....	1
6	102518901	Pin, Bow Tie 0.120 X 2.750 .....	1
7	102615701	Stud, Ball, .346 Dia .....	2
8	102618601	Lock Nut, Flg M8 X 1.25 Nylon .....	1
9	102670701	Nut Flg M10 X 1.5 Nylon .....	2
10	103114801	Knob, Black, 32mm Dia .....	2
11	103134001	Pin, Shifter, Controls .....	1
12	103419201	Weldment, Shifter, Dash, Fnr .....	1
13	103419501	Weldment, Shifter, Diff .....	1
14	103419701	Weldment, Shifter, 4x4 .....	1
15	103420201	Bushing, Flange, 16 Id X 19 .....	6
16	103420301	Spring, Ext, 22mmx 119mm .....	1
17	103438001	Weldment, Lever, Trans, Fnr .....	1
18	103482301	Stud, Mtg, Spring .....	1
19	103597401	Weldment, Brkt, Cable, 4wd .....	1
20	103597501	Weldment, Lever, Axle, 4x4 .....	1
21	8717	Locknut, 1/4-28 Nylon Insert .....	4
22	96704960	Bolt, M10 X 1.5 X 60 .....	2

**11**

**G**

**11**  
**G**



000899-002

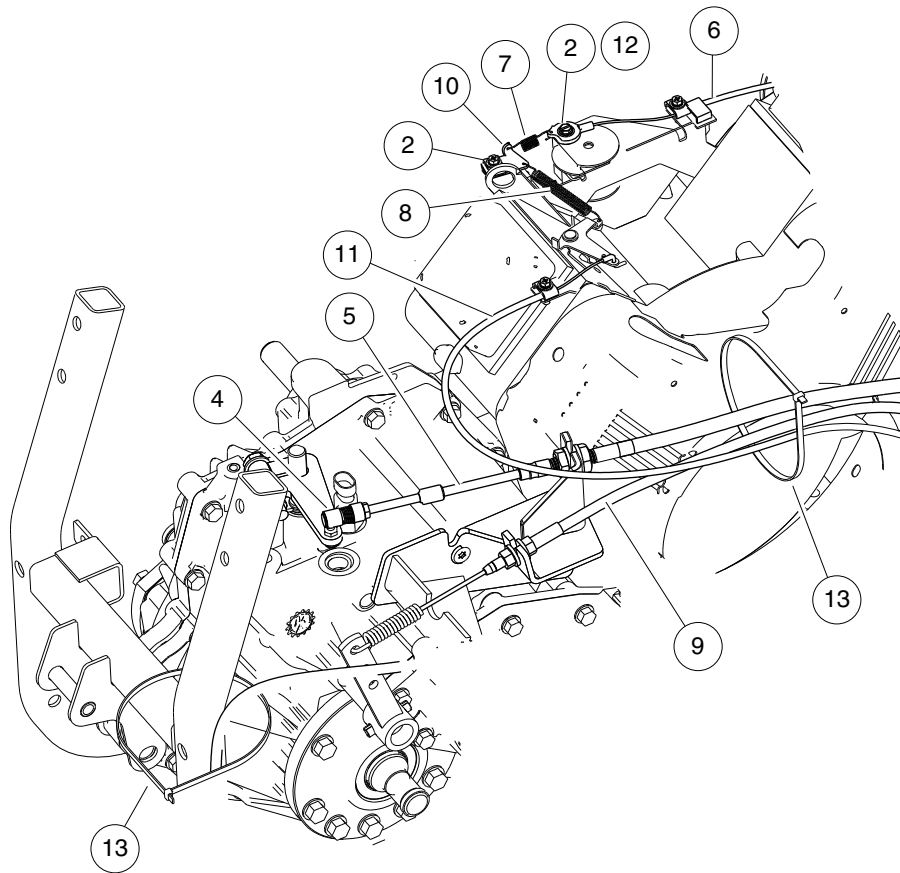
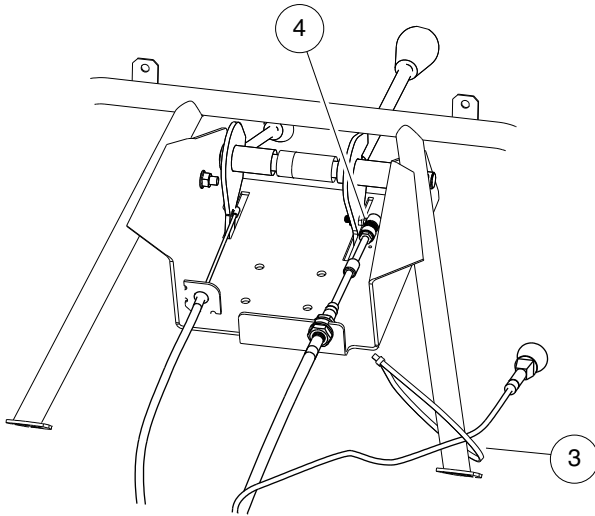
## FORWARD/REVERSE SHIFTER – 2WD

ITEM	PART NO.	DESCRIPTION	QTY
		1 2 3 4	
1	N/A	Instl, Control, Dash, 2wd (includes items 2 through 21) .....	1
2	1010193	Washer, 5/8 Type A Plain Flat .....	1
3	1016074	Screw, M8-1.25 X 18mm Torx .....	2
4	102376001	Knob, Fnr .....	1
5	102518901	Pin, Bow Tie 0.120 X 2.750 .....	1
6	102615701	Stud, Ball, .346 Dia .....	2
7	102618601	Lock Nut, Flg M8 X 1.25 Nylon .....	1
8	102670701	Nut Flg M10 X 1.5 Nylon .....	1
9	103114801	Knob, Black, 32mm Dia .....	1
10	103134001	Pin, Shifter, Controls .....	1
11	103419201	Weldment, Shifter, Dash, Fnr .....	1
12	103419501	Weldment, Shifter, Diff .....	1
13	103420201	Bushing, Flange, 16 Id X 19 .....	4
14	103420301	Spring, Ext, 22mmx 119mm .....	1
15	103430901	Cover, Shifter .....	1
16	103438001	Weldment, Lever, Trans, Fnr .....	1
17	103482301	Stud, Mtg, Spring .....	1
18	103585201	Spacer, 16.5 Id X 58 Mm .....	1
19	103597402	Weldment, Brkt, Cable, 2wd .....	1
20	8717	Locknut, 1/4-28 Nylon Insert .....	2
21	96704960	Bolt, M10 X 1.5 X 60 .....	1

**11**

**G**

**11**  
**G**



000910-002

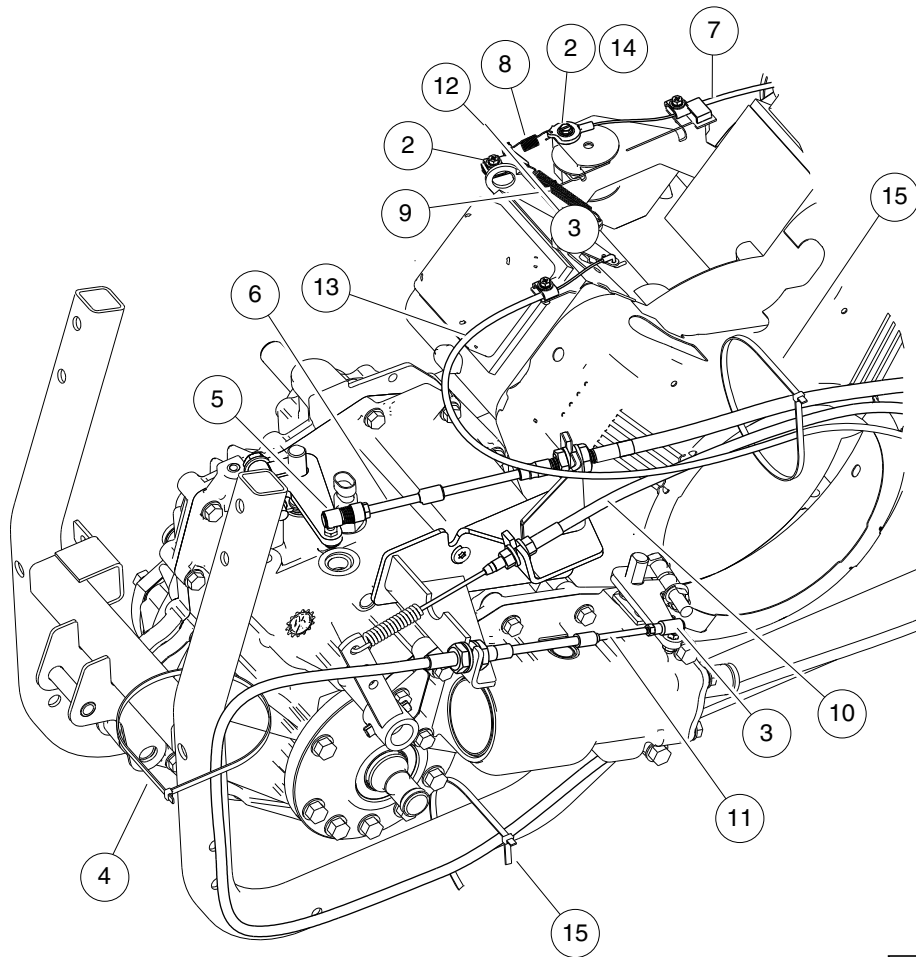
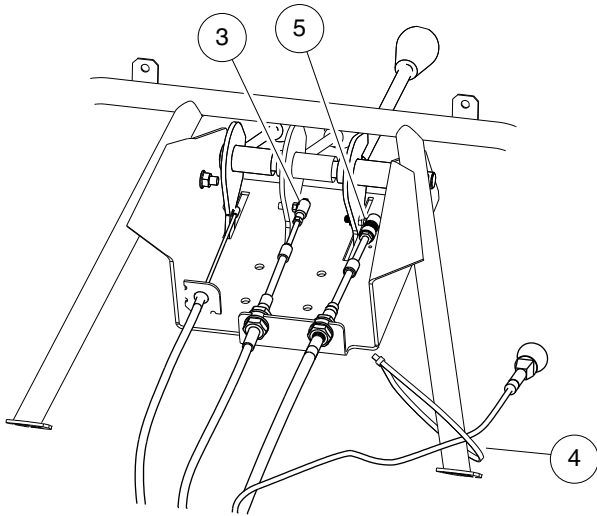
## CONTROL CABLES – 2WD

ITEM	PART NO.	DESCRIPTION	QTY
		1 2 3 4	
1	N/A	Instl, Control Cables, 2wd (includes items 2 through 13) .....	1
2	1012126	Screw, #10-32 X .625 Hx Washer .....	2
3	102025401	Tie Wrap, Heavy Duty .....	1
4	102615801	Joint, Ball, .346 Dia .....	2
5	103106401	Cable, Trans, Fnr .....	1
6	103433201	Cable, Choke, B&s .....	1
7	103481901	Spring, Ext, 9mm Dia .....	1
8	103595601	Spring, Ext, 7mm Dai, X 55 .....	1
9	103599301	Cable, Trans, Diff-lock .....	1
10	103618701	Bkt, Spring, Engine, B&s .....	1
11	103806801	Cable, Accel, Epdm Bell/wiper .....	1
12	183	Washer, #10 Type A Flat .....	1
13	8639	Tie Wrap, 11" Nylon .....	10

11

G

**11**  
**G**



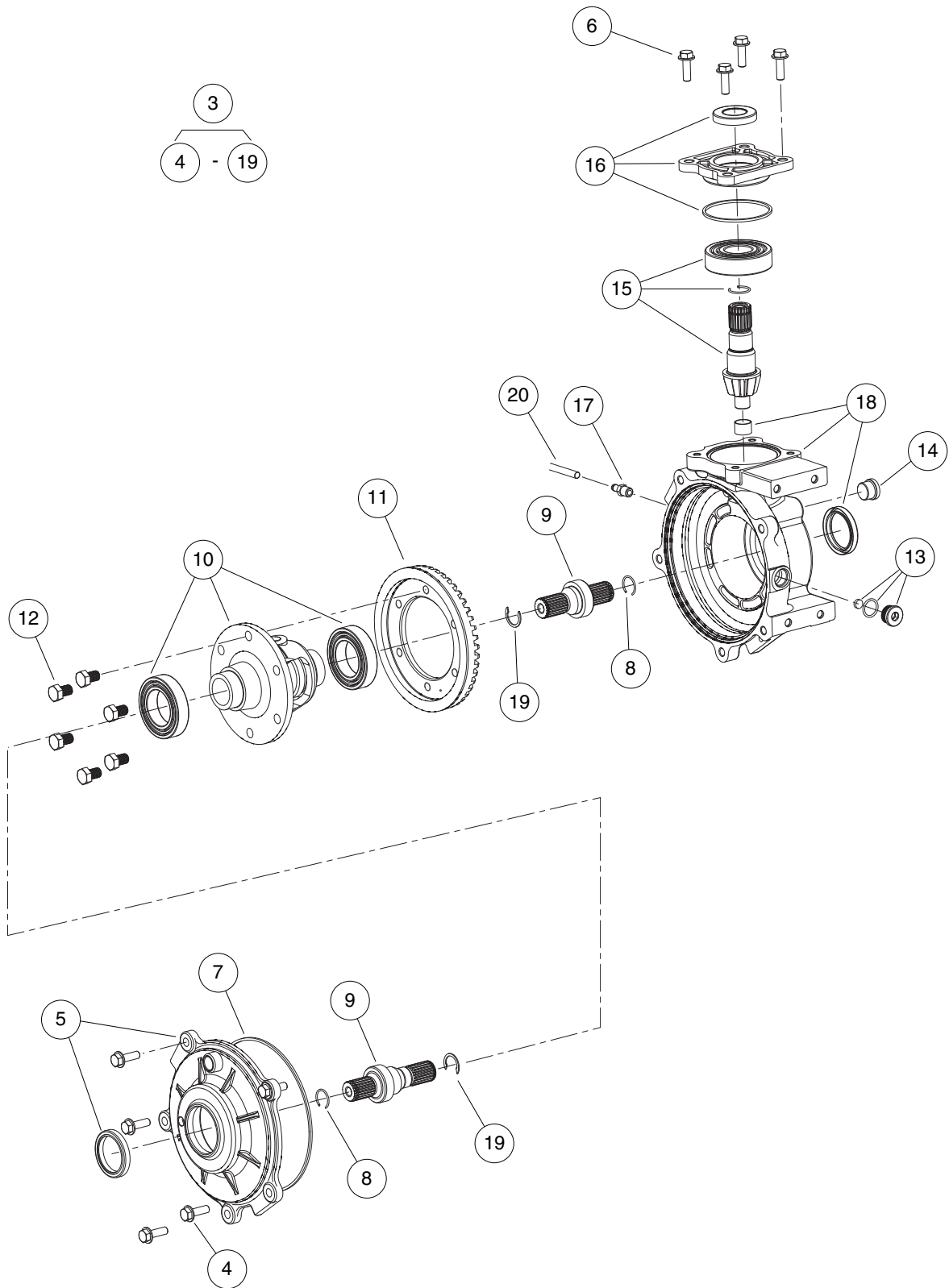
000910-001

## CONTROL CABLES – 4WD

ITEM	PART NO.	DESCRIPTION	QTY
		1 2 3 4	
1	N/A	Instl, Control Cables, 4wd (includes items 2 through 15) .....	1
2	1012126	Screw, #10-32 X .625 Hx Washer .....	2
3	1012333	Joint, #10-32 Ball .....	2
4	102025401	Tie Wrap, Heavy Duty .....	1
5	102615801	Joint, Ball, .346 Dia .....	2
6	103106401	Cable, Trans, Fnr .....	1
7	103433201	Cable, Choke, B&s .....	1
8	103481901	Spring, Ext, 9mm Dia .....	1
9	103595601	Spring, Ext, 7mm Dai, X 55 .....	1
10	103599301	Cable, Trans, Diff-lock .....	1
11	103600201	Cable, Transaxle, 3228 Mm .....	1
12	103618701	Bkt, Spring, Engine, B&s .....	1
13	103806801	Cable, Accel, Epdm Bell/wiper .....	1
14	183	Washer, #10 Type A Flat .....	1
15	8639	Tie Wrap, 11" Nylon .....	13

11

G



000908-001

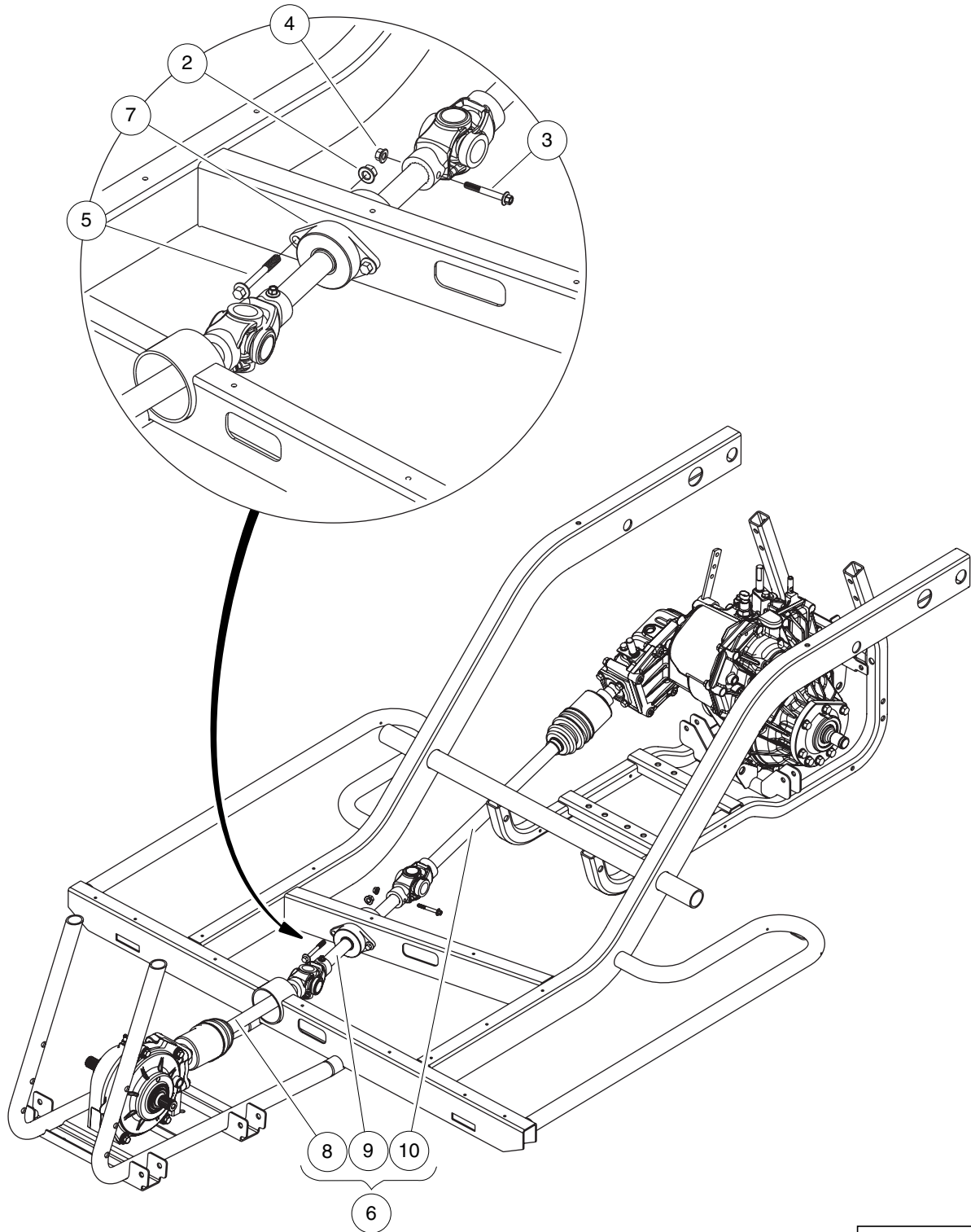


# FRONT DIFFERENTIAL

ITEM	PART NO.	DESCRIPTION	QTY
		1 2 3 4	
1	N/A	Instl, Front Diff (includes items 2 through 20) .....	1
2	1010487	Never Seeze lubricating compound (Not Shown) .....	2
3	103416801	Diff, Front, Open, Hilliard (includes items 4 through 19) .....	1
4	102491001	Bolt Flanged Head, 3/8-16x1.0 with Loctite .....	4
5	103568201	Assembly, Output Cover .....	1
6	103568301	Kit, Cover Bolt .....	1
7	103568401	Kit, Seal .....	1
8	103568501	Kit, External Retaining Ring .....	1
9	103568601	Kit, Stub Shaft .....	1
10	103568701	Kit, Open Differential .....	1
11	103568801	Ring Gear .....	1
12	103568901	Kit, Ring Gear Bolt .....	1
13	103569001	Assembly, Drain Plug .....	1
14	103569101	Plug, 3/4-16 Hollow Head .....	1
15	103569201	Kit, Pinion Gear .....	1
16	103569301	Kit, Input Cover .....	1
17	103569401	Vent Fitting .....	1
18	103569501	Kit, Gearcase Assembly .....	1
19	103569601	Kit, Internal Retaining Ring .....	1
20	103601001	Hose, Vent, Yellow, Front Diff .....	1

11

G



000884-001

# PROP SHAFTS

ITEM	PART NO.	DESCRIPTION	QTY
		<b>1 2 3 4</b>	
1	N/A	Instl, Propshaft, XRT 950 (includes items 2 through 6) .....	1
2	102298401	Nut,m8,all Metal Lock .....	2
3	102541445	Bolt-m6x1.0x45 Hex Flhd,blk .....	2
4	102541501	Nut-m6x1.0 Fl Mtl Lock,blk .....	2
5	102618301	Bolt Flanged Head, M8 X 1.25 X 65 .....	2
6	N/A	Asm, Prop Shaft, 4x4 (includes items 7 through 10) .....	1
7	103422901	Bearing, Propshaft .....	1
8	103437401	Propshaft, Front, 4x4 .....	1
9	103437501	Propshaft, Center, 4x4 .....	1
10	103437601	Propshaft, Rear, 4x4 .....	1

**11**  
**G**

11

G

# MAINTENANCE AND SERVICE TOOLS

---

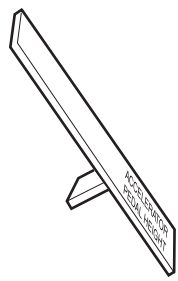
12

G

E

D

**12**  
**G**  
**E**  
**D**



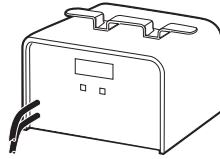
1



2



3



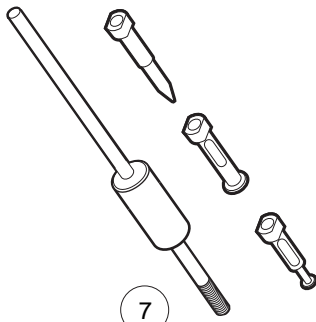
4



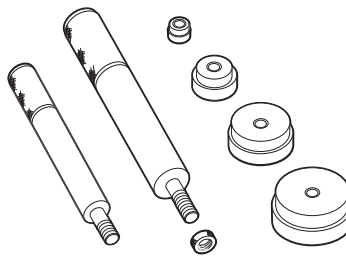
5



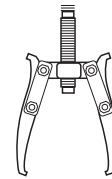
6



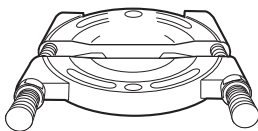
7



8



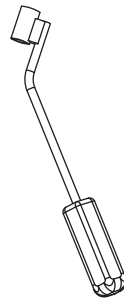
9



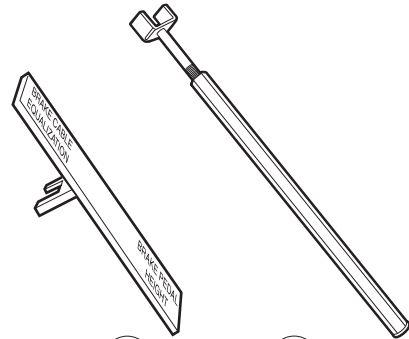
10



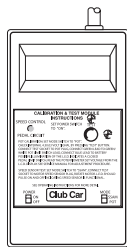
11



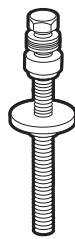
12



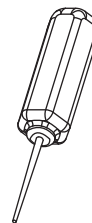
14 15  
13



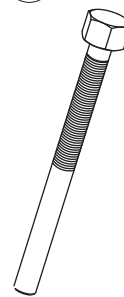
16



17



18



19

# MAINTENANCE AND SERVICE TOOLS

ITEM	PART NO.	DESCRIPTION	QTY DIESEL	QTY GAS	QTY ELEC
		<p style="text-align: center;">1 2 3 4</p> <p>The following tool list includes all tools available from Club Car for maintenance and service procedures for gasoline, electric, and/or diesel vehicles, both past and present models. Be sure to carefully examine the tool list for applicability to your vehicle before ordering.</p>			
1	101871001	Accelerator Pedal Adjustment Tool .....		1	1
2	101813202	Adhesive, Guide Ring, 3-Gram Tube .....			1
3	101641202	Arbor .....		1	
4	101831901	Battery Discharge Machine, 36/48 Volt .....			1
5	1014305	Battery Terminal Protector Spray .....	1	1	1
6	1011767	Battery Thermometer .....	1	1	1
7	1016417	Bearing and Oil Seal Remover Assembly .....	1	1	1
8	1016416	Bearing Driver Set .....	1	1	1
9	1012811	Bearing Puller .....	1	1	1
10	1012812	Bearing Puller Wedge Attachment .....	1	1	1
11	1013582	Brake Adjustment Tool (used only on vehicles with manually adjusted mechanical brakes) .....			
12	102555501	Brake Cable Release Tool .....	1	1	1
13	102249901	Brake Pedal Adjustment Tool Kit (used for the Carryall Electric Industrial Truck only) (includes items 14 and 15).....			1
14	****	Brake Pedal Adjustment Tool .....			1
15	****	Brake Pedal Tension Tool .....			1
16	101887101	Calibration Test Module .....			1
17	101808401	Cam Installation Tool .....		1	
18	102562401	Charger Bezel Tool .....			1
19	102686101	Clutch Removal Tool (for 4x4 vehicles) .....	1	1	
		<p>Please refer to the maintenance and service manual for proper tool application.</p> <p>**** Special order item available upon request</p>			

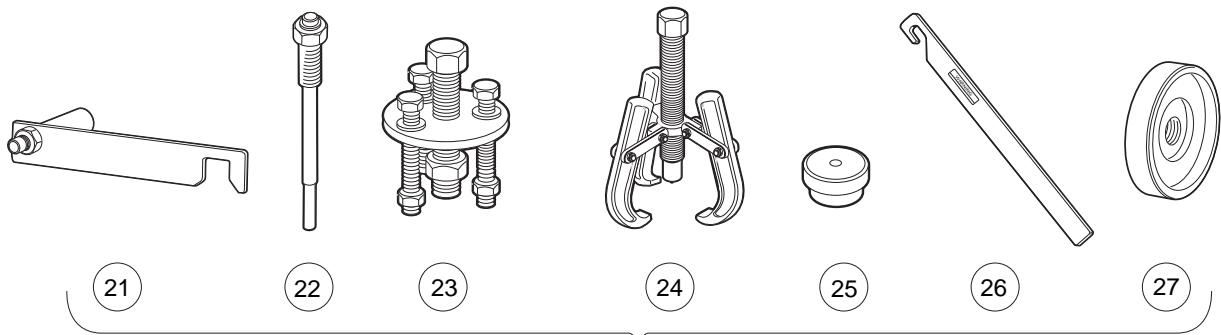
**12**

**G**

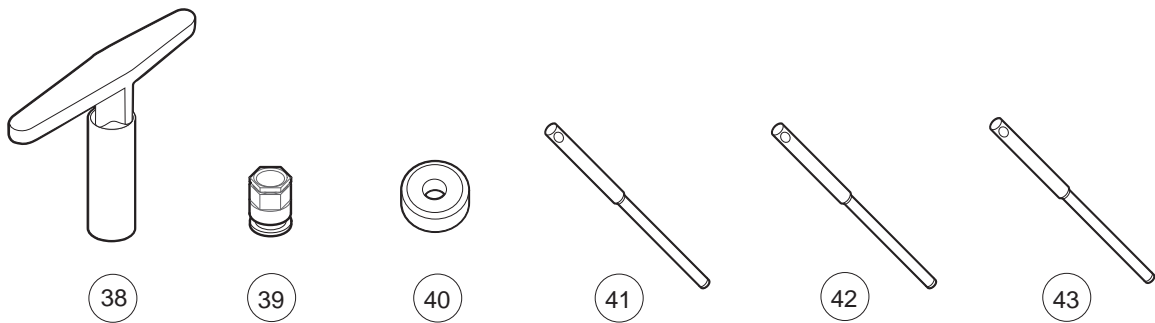
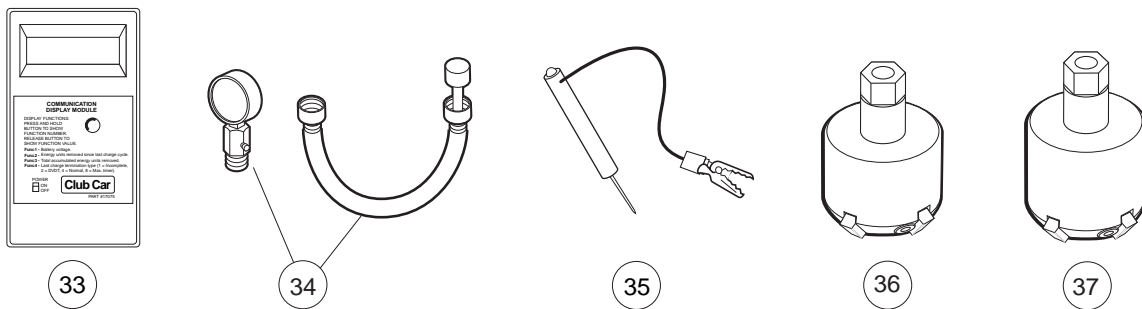
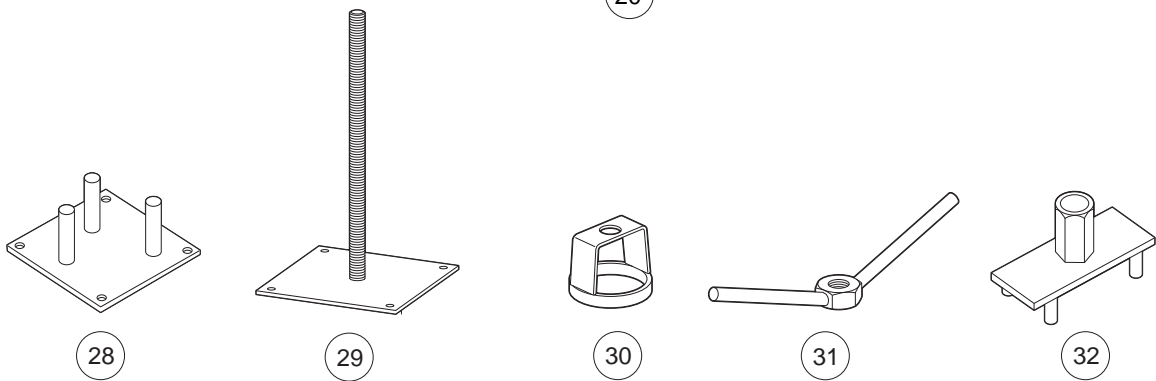
**E**

**D**

**12**  
**G**  
**E**  
**D**



20

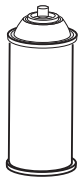




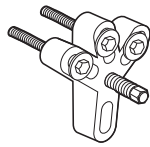
## MAINTENANCE AND SERVICE TOOLS, CONTINUED

ITEM	PART NO.	DESCRIPTION	QTY	QTY	QTY	12
			DIESEL	GAS	ELEC	
		<b>1 2 3 4</b>				G
20	1014510	Clutch Tool Kit (includes items 21 - 27) .....		1		E
21	1014498	Clutch Alignment Tool (for pre-unitized transaxle vehicles built prior to 1997 model year) .....		1		D
22	1014496	Drive Clutch Puller (for Kawasaki engines only) .....		1		
23	1014497	Drive Clutch Hub Puller (for Kawasaki engines only) .....		1		
24	1014508	Driven Clutch Cam Puller (for Kawasaki engines only) .....		1		
25	1014507	Driven Clutch Puller Plug (for Kawasaki engines only) .....		1		
26	1015524	Drive Clutch Holder Tool Assembly (for Kawasaki engines only) .....		1		
27	101809101	Press Weldment (for Kawasaki engines only) .....		1		
28	102601501	Drive ClutchFixed Sheave Tool (for 4x4 vehicles) .....	1	1		
29	102603501	Driven Clutch Spring Compression Base (for use with items 30 and 31) (for 4x4 vehicles) .....	1	1		
30	102605201	Driven Clutch Spring Compression Collar (for use with items 29 and 31) (for 4x4 vehicles) .....	1	1		
31	102606101	Driven Clutch Spring Compression Nut (for use with items 29 and 30) (for 4x4 vehicles) .....	1	1		
32	102607501	Drive Clutch Spider Removal Tool (for 4x4 vehicles) .....	1	1		
33	101831801	Communication Display Module .....			1	
34	101641002	Compression Gauge and Adapter .....		1		
35	1011273	Continuity Tester .....		1	1	
36	102773801	Cutter, Valve Seat, #122 .....		1		
37	102773901	Cutter, Valve Seat #115 .....		1		
38	102774101	Wrench, T, #505.....		1		
39	102774101	Adapter, T-Wrench.....		1		
40	102675401	Cutter, Valve Seat, 60 Degree (requires item 51) (for Honda GX620 Gasoline Engines) .....		1		
41	102774201	Pilot, 6.6 MM .....		1		
42	102774301	Pilot, 6.62 MM.....		1		
43	102774401	Pilot, 6.65 MM.....		1		
		Please refer to the maintenance and service manual for proper tool application.				

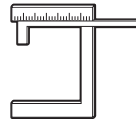
**12**  
**G**  
**E**  
**D**



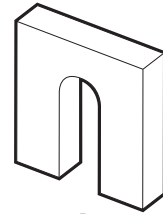
44



45



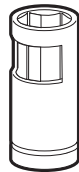
46



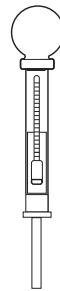
47



48



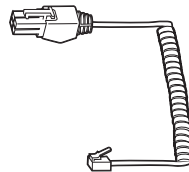
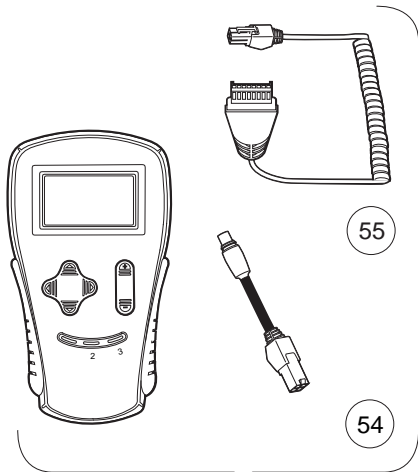
49



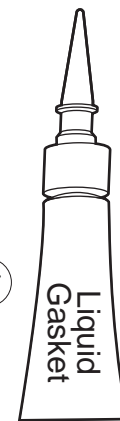
50



51



56



57



58



59 60



61

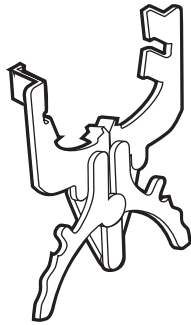
## MAINTENANCE AND SERVICE TOOLS, CONTINUED

ITEM	PART NO.	DESCRIPTION	QTY DIESEL	QTY GAS	QTY ELEC	12
		1 2 3 4				G
44	1012151	Dry Moly Lubricant .....	1	1	1	E
45	1016627	Flywheel Puller Kit (for Kawasaki Engines) .....		1		
46	102669901	Gauge, Carburetor Float Level (for Honda GX620 Gasoline Engines) .....		1		
47	1016418	Gear Yoke .....	1	1	1	D
48	101933101	Governor Shaft Installation Tool (for Kawasaki Engine Vehicles) .....		1		
49	102169401	Hydraulic Brake Adjuster (for Turf/CA 272/472, Pioneer/XRT 1200, Bobcat 2100, HUV 4213) .....			1	
50	1011478	Hydrometer .....	1	1	1	
51	1013593	Internal Retaining Ring Pliers .....	1	1	1	
52	102248803	IQ Display Module (IQDM) Kit (IQ System and IQ Plus vehicles) .....			1	
		(includes items 54 and 55)				
53	102248804	IQ Display Module (IQDM-P) Kit (IQ System and IQ Plus vehicles) .....			1	
		(includes items 54 and 55)				
54	102251501	Adaptor, Cable .....			1	
55	102241502	IQDM Series 2 Cable .....			1	
56	102241501	IQDM Series 1 Cable (replacement) .....			1	
57	101928701	Liquid Gasket (transaxle case) .....	1	1	1	
58	102243402	Moly-Teflon Lubricant (4-oz. (113-gram) tube) .....			1	
59	101997201	Paint, Touch-Up – Beige* .....		1	1	
59	101997207	Paint, Touch-Up – Black* .....		1	1	
59	101997212	Paint, Touch-Up – Burgundy* .....		1	1	
59	101997211	Paint, Touch-Up – Classic Blue (Navy)* .....		1	1	
59	101997205	Paint, Touch-Up – Dark Gray* .....	1	1	1	
59	101997209	Paint, Touch-Up – Dark Green* .....	1	1	1	
59	101997204	Paint, Touch-Up – Gray* .....	1	1	1	
59	101997203	Paint, Touch-Up – Red* .....	1	1	1	
59	101997206	Paint, Touch-Up – Royal Blue (Pacific Blue)* .....		1	1	
59	101997202	Paint, Touch-Up – White* .....	1	1	1	
60	102562301	Paint, Precedent Underbody – Gray .....		1	1	
61	102587201	Paint Pen, Touch-Up, Precedent Underbody – Black .....		1	1	
		Please refer to the maintenance and service manual for proper tool application.				
		* Item 59 is not for use on Surlyn <sup>®</sup> body material, which is used on Precedent vehicles.				

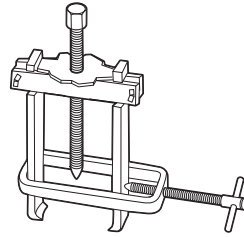
**12**  
**G**  
**E**  
**D**



62



63



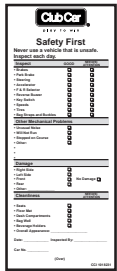
64



65



66



67



68



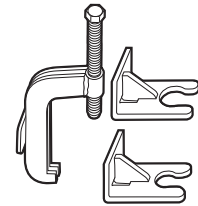
69



70



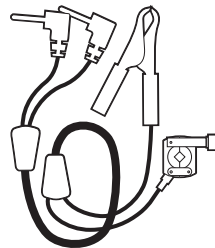
71



72



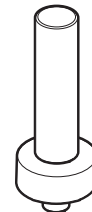
73



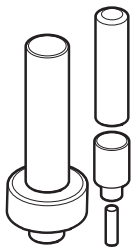
74



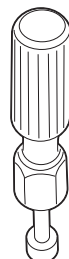
75



76



77



83



84



85



86

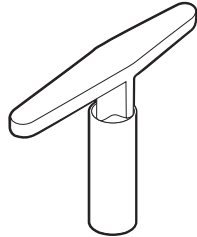
## MAINTENANCE AND SERVICE TOOLS, CONTINUED

ITEM	PART NO.	DESCRIPTION	QTY DIESEL	QTY GAS	QTY ELEC	<b>12</b>
		<b>1 2 3 4</b>				<b>G</b>
62	1016414	Piston Ring Compressor Kit (FE290, FE350 and FE400 engines) .....		1		<b>E</b>
63	1016415	Piston Ring Pliers (for Kawasaki Engines) .....		1		<b>D</b>
64	102668801	Puller, Special Use (for Kubota D722 Diesel Engines) .....	1			
65	1012549	Retaining Ring Pliers, 45° External .....	1	1	1	
66	1012560	Retaining Ring Pliers, 90° Internal .....	1	1	1	
67	101823101	Safety First Card (50 per pack) .....	1	1	1	
68	1012809	Seal Puller .....	1	1	1	
69	102330901	Spanner Wrench (for coil over shock front suspension vehicles only) .....	1	1		
70	1014264	Steering Column Bearing Press Tool .....		1	1	
71	1014259	Steering Column Retaining Ring Tool .....		1	1	
72	102061201	Steering Wheel Puller Tool .....	1	1	1	
73	AM10753	Tachometer (includes gasoline engine pick up lead only) .....	1	1		
74	AM10771	Tachometer Diesel Probe (for use with item 73) .....	1			
75	1014162	Transaxle Axle Seal Tool .....		1		
76	1014161	Transaxle Pinion Seal Tool .....		1		
77	1014115	Transmission Tool Kit .....		1		
78	101611003	Tune-Up Kit, All OHV (for FE290, FE350, FE400 only) (includes air filter, spark plug, oil filter, fuel filters) (not shown) .....		1		
79	AM11804	Tune-Up Kit, Gx620 (for Honda Engines) (includes air filter, spark plug, oil filter, fuel filters) (not shown) .....		1		
80	AM11805	Tune-Up Kit, D722 (for Kubota Engines) (includes air filter, oil filter, fuel filters, water separator filter) (not shown) .....	1			
81	AM1220301	Tune-Up Kit, Precedent (for FE290/350 Engines) (includes air filter, spark plug, oil filter, fuel filters) (not shown) .....		1		
82	AM1232401	Tune-Up Kit, FH680D (for Kawasaki V-Twin Engines) (includes oil filter, fuel filter, air filter, and spark plugs) (not shown) .....		1		
83	1016413	Valve Clearance Adjuster Screw Holder (for FE290 engines only) .....		1		
84	102674601	Valve Guide Driver (for Honda GX620 Gasoline Engines) .....		1		
85	101641201	Valve Guide Reamer (FE290, FE350, and FE400 only) .....		1		
86	102674401	Valve Guide Reamer, 6.6 mm (for Honda GX620 Gasoline Engines) .....		1		

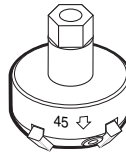
**12**  
**G**  
**E**  
**D**



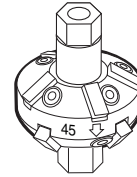
87



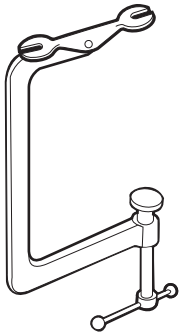
88



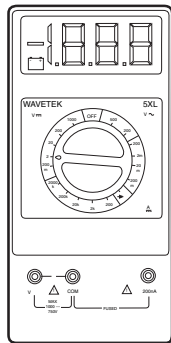
89



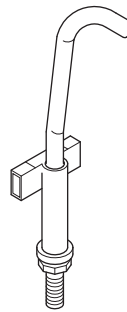
90



91



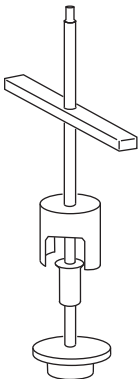
92



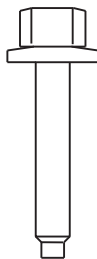
93



94



95



96

## MAINTENANCE AND SERVICE TOOLS, CONTINUED

ITEM	PART NO.	DESCRIPTION	QTY DIESEL	QTY GAS	QTY ELEC	<b>12</b>
		<b>1 2 3 4</b>				<b>G</b>
87	1016552	Valve Seat Cutter Guide .....		1		<b>E</b>
88	1016551	Valve Seat Cutter T-Wrench .....		1		<b>D</b>
89	1016553	Valve Seat Cutter, 45° (32 mm diameter) (for FE290 engines only) .....		1		
90	1016554	Valve Seat Cutter, 45°/30° (35 mm diameter) .....		1		
91	101641101	Valve Spring Compressor .....		1		
92	1011480	Volt Ohm Meter .....	1	1	1	
93	102570401	Tool, Tensioning, Starter Generator (For Precedent vehicles) .....		1		
94	103601401	Puller, Drive Clutch, XRT 950* .....		1		
95	103601701	Tool, Disassembly, Driven Clutch, XRT 950 .....		1		
96	103600501	Screw, Driven Clutch Disassembly, M6, XRT 950 .....		1		
		<p>*Note: The XRT 950 Drive Clutch Puller requires the use of Screw, Driven Clutch Disassembly, CCI Part Number 103600501.</p>				





# INDEX

## Part Number and Page

AM10753	12-9	1014305	12-3	101972001	12-7
AM10771	12-9	1014375	6-3	101972002	12-7
183	8-5, 11-31, 11-33	1014415	1-39, 1-41, 1-43	101972003	12-7
1016	8-5	1014496	12-5	101972004	12-7
2402	5-9	1014497	12-5	101972005	12-7
7310	2-3, 2-5	1014498	12-5	101972006	12-7
7473	4-5	1014507	12-5	101972007	12-7
7591	1-23	1014508	12-5	101972009	12-7
8639	1-21, 4-3, 6-3, 11-31, 11-33	1014510	12-5	101972011	12-7
8717	11-27, 11-29	1014557	1-35	101972012	12-7
8754	1-39, 5-9	1015137	8-3	101987901	1-21
8755	1-39, 5-9	1015139	8-5	102022901	5-3, 5-7
8797	8-5	1015143	8-5	102025401	11-31, 11-33
1010177	5-9	1015277	1-39	102025701	1-9
1010193	11-27, 11-29	1015392	6-3	102044702	6-3
1010487	11-35	1015524	12-5	102051601	6-3
1010545	6-3	1015583	1-39	102051701	6-3
101082903	4-3	1015661	8-3	102061201	12-9
1010878	8-3	1016074	11-27, 11-29	102169401	12-7
1010921	4-5	101609401	3-3	102176901	4-3
1010954	11-27	101611003	12-9	102241501	12-7
1011273	12-5	101641002	12-5	102241502	12-7
1011478	12-7	101641101	12-11	102243402	12-7
1011480	12-11	101641201	12-9	102248803	12-7
1011553	3-5	101641202	12-3	102249901	12-3
1011578	4-5	1016413	12-9	102251501	12-7
1011582	1-23	1016414	12-9	102290120	5-5
1011767	12-3	1016415	12-9	102296020	1-13
1011779	4-5	1016416	12-3	102296140	1-13, 1-29
1011843	1-23	1016417	12-3	102296401	4-7
1011964	1-41	1016418	12-7	102296530	1-9, 1-11, 1-13, 1-15
1011990	5-9	1016551	12-11	102296601	1-9, 1-11, 1-13, 1-15, 1-29, 6-3
1012126	11-31, 11-33	1016552	12-11	102296716	4-3, 10-7
1012151	12-7	1016553	12-11	102297125	1-9
1012303	1-39	1016554	12-11	102297230	1-15, 1-29
1012333	11-33	1016627	12-7	102298130	1-19, 5-3
1012549	12-9	1016630	6-3	102298170	1-39, 9-3
1012560	12-9	1016952	8-3	102298185	1-39
1012649	8-3	1017035	1-23	102298401	1-19, 1-27, 4-3, 4-7, 7-5, 9-3, 11-37
1012769	6-3	1017699	1-23	102323101	4-7
1012809	12-9	1017853	1-23	102330901	12-9
1012811	12-3	101808401	12-3	102343601	1-41
1012812	12-3	101809101	12-5	102355301	6-3
1013461	8-5	101813202	12-3	102361901	5-7
1013462	8-5	101823101	12-9	102363802	5-5
1013582	12-3	101824401	8-3	102367101	5-5
1013593	12-7	101831801	12-5	102376001	11-27, 11-29
1013746	8-3	101831901	12-3	102411210	10-7
1014115	12-9	101835601	1-39, 1-43	102420401	6-3
1014116	1-31	101871001	12-3	102420501	6-3
1014161	12-9	101887101	12-3	102426301	8-3
1014162	12-9	101898001	6-3	102445201	4-7
1014259	12-9	101928701	12-7	102447901	6-3
1014264	12-9	101932201	1-23	102448001	6-3
		101933101	12-7	102458901	3-5
		101958601	1-39	102459401	1-37, 3-3

# INDEX

102460201	3-5	102718001	1-7	103145901	5-9
102464301	5-7, 5-9	102718101	1-7	103146101	5-9
102479301	4-7	102719501	1-19, 7-5	103146201	5-9
102488001	4-3	102722301	5-7	103146401	5-9
102490301	6-3	102736901	2-3, 2-5	103146501	5-9
102490501	10-7	102751601	8-5	103146601	5-3
102491001	11-35	102865101	7-27, 8-3	103146701	5-11
102491501	1-19	102869401	1-21	103146801	1-19, 5-9
102491601	4-3	102883401	1-29	103146901	5-9
102493301	4-3	102894401	1-21	103147001	5-7
102513701	8-5	102925201	1-3, 1-5, 1-19	103147101	4-3
102518901	11-27, 11-29	102945701	2-5	103147201	5-9
102522001	8-5	102956101	1-27	103147501	5-7
102540701	2-3, 2-5	102961201	1-37, 3-3	103148301	5-3
102541445	11-37	102988701	1-37, 5-9	103148401	5-3
102541501	11-37	103050201	1-29	103148501	5-7
102555501	12-3	103050301	1-29	103148701	4-5
102562401	12-3	103050401	1-9	103148801	4-5
102570401	12-11	103050501	1-9	103148901	4-5
102571301	5-5	103050601	1-9	103149001	4-5
102601501	12-5	103050701	1-9	103149101	4-5
102603501	12-5	103050801	1-9	103149201	4-5
102605201	12-5	103050901	1-9	103149301	4-5
102606101	12-5	103051001	1-9	103149401	4-5
102607501	12-5	103061201	11-3	103149501	4-5
102615701	11-27, 11-29	103061202	11-7	103149601	4-5
102615801	11-31, 11-33	103065620	1-15	103149701	4-5
102616301	5-11, 7-5	103065624	1-15	103149801	4-5
102617201	1-7, 1-25	103065625	1-15	103149901	4-5
102618301	11-37	103065626	1-15	103152001	1-19
102618401	4-3, 5-3	103065628	1-15	103154001	1-19
102618601	1-39, 5-3, 5-9, 5-11, 8-3, 11-27, 11-29	103065720	1-15	103160001	4-5
102620301	1-35	103065724	1-15	103160101	4-3
102620501	5-9, 5-11	103065725	1-15	103180101	1-21
102628001	10-7	103065726	1-15	103182701	1-29
102661001	5-3	103065728	1-15	103215401	1-3
102668801	12-9	103065801	1-13	103216401	1-37, 5-9
102669901	12-7	103075801	1-19	103218104	1-21
102670701	1-5, 5-7, 7-5, 11-27, 11-29	103075901	5-11	103231801	1-3
102672701	1-23	103077201	5-7	103234503	2-3, 2-5
102674001	12-5	103077501	4-3	103245101	1-35
102674101	12-5	103078102	5-9	103247601	6-3
102674201	12-5	103090001	5-3	103348101	6-3
102674401	12-9	103105101	5-7	103376101	4-3
102674601	12-9	103105201	5-7	103400001	1-9, 1-17
102675001	12-5	103105401	5-9	103413201	10-7
102675101	12-5	103106201	5-3	103413301	7-5
102675201	12-5	103106301	5-3	103414001	10-7
102675301	12-5	103106401	11-31, 11-33	103414401	10-9
102675401	12-5	103113001	5-9	103414501	10-13
102684501	5-11	103113301	5-11	103414601	10-7
102686101	12-3	103114801	11-27, 11-29	103414701	10-7
102686501	6-3	103134001	11-27, 11-29	103416101	10-11
102711601	1-25	103137601	5-9	103416801	11-35
102714001	4-3	103145701	5-7, 5-9	103417001	9-3
		103145801	5-7	103417101	9-3

# INDEX

103417701	11-25	103516501	10-13	103540506	2-3
103419201	11-27, 11-29	103516601	10-5, 10-13	103540601	2-5
103419501	11-27, 11-29	103516701	10-5, 10-13	103540602	2-5
103419701	11-27	103517503	1-33	103540603	2-5
103420201	11-27, 11-29	103517901	1-27	103540606	2-5
103420301	11-27, 11-29	103518010	3-7	103540802	1-33
103422201	6-3, 6-7	103518015	3-7	103541301	1-15
103422901	11-37	103518017	3-7	103541501	1-31
103430801	1-15	103518110	3-7	103542601	1-5
103430901	1-29, 11-29	103518115	3-7	103542801	1-25
103431001	1-15	103518117	3-7	103543701	7-17
103432601	1-19	103518201	3-7	103543801	7-17
103433201	11-31, 11-33	103518501	10-3, 10-9	103543901	7-17, 7-23
103433301	1-43	103518601	10-3, 10-9	103544001	7-15
103433302	1-43	103518701	10-3, 10-9	103544101	7-15
103434201	1-43	103518801	10-3, 10-9	103544201	7-15, 7-23
103434501	1-43	103518901	10-3, 10-9	103544301	7-17
103435001	1-43	103519001	10-3, 10-9	103544401	7-17, 7-23
103436401	1-39	103519101	10-3, 10-9	103544501	7-17
103437401	11-37	103519201	10-3, 10-9	103544701	7-17, 7-31
103437501	11-37	103519301	10-3, 10-9	103544801	7-13, 7-23
103437601	11-37	103521401	1-21	103544901	7-15
103438001	11-27, 11-29	103522501	1-43	103545001	7-17
103441501	1-9	103523601	4-3	103545101	7-19
103443201	1-41	103523701	4-3	103545201	7-13, 7-19
103443801	6-3	103524002	1-33	103545301	7-13
103443901	6-3	103525001	2-3, 2-5	103545401	7-13, 7-23
103444301	5-7	103525701	1-31	103545501	7-15
103447501	10-7	103526201	3-5	103545701	7-21
103449101	10-7	103526501	3-3	103546201	7-19
103450001	8-5	103528101	1-7	103546301	7-19
103455001	1-41	103529601	1-35	103546401	7-19
103455002	1-41	103529701	1-35	103546501	7-19
103456001	1-41	103529801	1-35	103546601	7-19
103456002	1-41	103529901	5-3	103546701	7-15
103460301	4-3	103530701	1-35	103546801	7-15
103460401	4-3	103531201	1-19, 4-7	103546901	7-15
103461901	1-37	103532301	4-5	103547101	7-13
103462001	1-37	103532701	3-3	103547201	7-15
103462301	1-21	103532801	2-3, 2-5	103547301	7-15
103479801	6-3	103533401	3-7	103547401	7-15, 7-17
103481901	11-31, 11-33	103534001	5-9	103547501	7-17
103482301	11-27, 11-29	103534201	1-35	103547601	7-25
103489901	7-5	103534402	5-9	103547701	7-23, 7-25, 7-29
103490301	1-17	103534403	5-9	103547801	7-23, 7-25
103498001	11-25	103534701	1-31	103547901	7-25
103498601	1-39	103534801	1-31	103548001	7-21
103500701	3-5	103536101	1-3	103548101	7-21
103509501	1-39	103536301	1-13	103548301	7-13
103512101	1-11	103538601	1-25	103548401	7-29
103512201	1-11	103540201	1-15	103548501	7-29
103512202	1-11	103540501	2-3	103548601	7-29
103516101	10-13	103540502	2-3	103548701	7-29
103516201	10-13	103540503	2-3	103548801	7-29
103516301	10-13	103540504	2-3	103548901	7-29
103516401	10-13	103540505	2-3	103549001	7-29

# INDEX

103549201	7-29	103555901	7-27	103562901	7-29
103549301	7-29	103556001	7-3	103563101	7-13
103549401	7-29	103556101	7-25	103563201	7-15
103549501	7-29	103556301	7-13, 7-23	103563301	7-31
103549601	7-29	103556401	7-31	103563501	7-31
103549701	7-29	103556501	7-7	103563601	7-7
103549801	7-29	103556701	7-31	103563701	7-7
103549901	7-25	103556801	7-13, 7-23	103563801	7-15, 7-23
103550001	7-29	103556901	7-9	103563901	7-15
103550101	7-29	103557001	7-13	103564101	7-7
103550201	7-29	103557201	7-9	103564201	7-23
103550301	7-29	103557301	7-3	103564501	7-9
103550401	7-19	103557401	7-11	103564601	7-27
103550501	7-15	103557501	7-7	103564701	7-29
103550601	7-31	103557601	7-9	103564801	7-31
103550701	7-23, 7-31	103557701	7-3	103564901	7-31
103551001	7-11	103557801	7-9	103565001	7-15, 7-31
103551101	7-15	103557901	7-13	103565101	7-31
103551201	7-7	103558001	7-13, 7-23	103565201	7-13, 7-23
103551301	7-11	103558101	7-13	103565401	7-31
103551501	7-11	103558201	7-9	103565601	7-13
103551601	7-11	103558301	7-9	103565701	7-15, 7-23
103551701	7-11	103558601	7-13	103565801	7-15
103551801	7-11	103558801	7-11	103565901	7-15
103551901	7-11	103558901	7-13	103566001	7-13
103552001	7-11	103559001	7-17	103566101	7-17
103552101	7-29	103559101	7-7	103566201	7-15
103552201	7-11	103559401	7-9	103566301	7-15
103552301	7-17	103559501	7-13	103566401	7-13
103552401	7-27	103559601	7-19	103566501	7-13
103552501	7-29	103559701	7-15, 7-27	103566601	7-15
103552601	7-11	103559801	7-27	103566801	7-21
103552701	7-11	103559901	7-13	103566901	7-7
103552801	7-13, 7-23	103560001	7-13	103567001	7-3
103553001	7-15, 7-23	103560101	7-27	103567101	7-9
103553101	7-29	103560201	7-29	103567301	7-9
103553201	7-27	103560301	7-15	103567401	7-3
103553301	7-11	103560401	7-7	103567501	7-29
103553401	7-13	103560601	7-31	103567701	7-15
103553501	7-7	103560701	7-13	103567901	7-15
103553601	7-7	103560901	7-29	103568001	7-15
103553901	7-3	103561001	7-9	103568201	11-35
103554001	7-3	103561101	7-13, 7-23	103568301	11-35
103554101	7-3	103561201	7-3	103568401	11-35
103554301	7-7	103561301	7-13	103568501	11-35
103554501	7-21	103561401	7-17	103568601	11-35
103554601	7-9	103561501	7-7	103568701	11-35
103554701	7-9	103561701	7-9	103568801	11-35
103554801	7-15	103561801	7-7	103568901	11-35
103554901	7-15, 7-23	103561901	7-7	103569001	11-35
103555201	7-23	103562001	7-13	103569101	11-35
103555301	7-9	103562101	7-19	103569201	11-35
103555501	7-25	103562301	7-27	103569301	11-35
103555601	7-9	103562401	7-3	103569401	11-35
103555701	7-19	103562501	7-3	103569501	11-35
103555801	7-27	103562701	7-3	103569601	11-35

# INDEX

103572201	10-7	103605601	11-5	103611601	11-23
103572301	2-3	103605701	11-13	103611701	11-21
103572401	2-3	103605801	11-13	103614501	9-3
103572701	10-7	103605901	11-13	103618501	1-33
103574301	4-3	103606001	11-13	103618601	1-33
103575401	1-27	103606101	11-13, 11-23	103618701	11-31, 11-33
103576601	10-7	103606201	11-15	103619901	1-33, 3-3
103577101	1-23	103606301	11-15	103626601	1-15
103579901	3-5	103606401	11-15	103626701	1-15
103580301	1-41	103606501	11-15	103632601	1-17
103582401	3-5	103606601	11-15	103665301	4-5
103585201	11-29	103606701	11-15	103683401	10-3
103587201	1-43	103606801	11-15, 11-17	103683701	10-3
103587301	1-43	103606901	11-15, 11-17	103683801	10-5
103595601	11-31, 11-33	103607001	11-15	103683901	10-5
103596301	5-7, 11-25	103607101	11-15	103751001	4-5
103596501	3-5	103607201	11-15	103751701	4-5
103597401	11-27	103607301	11-17	103755101	4-5
103597402	11-29	103607401	11-17	103763401	4-5
103597501	11-27	103607501	11-17	103779201	7-19
103599301	11-31, 11-33	103607601	11-17	103779202	7-19
103600001	2-5	103607801	11-17	103799701	11-17
103600201	11-33	103607901	11-17	103799801	11-17
103600701	5-7, 11-25	103608001	11-17	103799901	11-17
103601001	11-35	103608101	11-17	103800001	11-17
103602301	1-43	103608401	11-17	103803801	11-17
103602601	11-3, 11-7	103608501	11-17	103806801	11-31, 11-33
103602701	11-3, 11-7	103608601	11-17	103869801	10-3
103602801	11-3, 11-7	103608701	11-17	103869901	10-5
103602901	11-3, 11-7	103608801	11-17, 11-19	103870001	10-5
103603001	11-3, 11-7	103608901	11-17	103870101	10-5
103603101	11-3, 11-7, 11-15, 11-17, 11-23	103609001	11-17	103870201	10-5
103603201	11-3, 11-7	103609101	11-17	103870301	10-5
103603301	11-3, 11-7, 11-17, 11-19	103609201	11-17	96701412	4-7
103603401	11-3, 11-7	103609301	11-17	96704960	11-27, 11-29
103603501	11-3, 11-7, 11-15, 11-17	103609401	11-17	96705199	6-3
103603601	11-9	103609501	11-17	96715552	7-5
103603701	11-9	103609601	11-17	96741046	4-7
103603801	11-9	103609701	11-17		
103603901	11-9	103609801	11-19		
103604001	11-9	103609901	11-19	<b>A</b>	
103604101	11-5, 11-9, 11-11	103610001	11-19	a-arm	5-7
103604201	11-9	103610101	11-19	accelerator pedal	4-7
103604301	11-5, 11-11	103610201	11-19	accelerator pedal adjustment tool	12-3
103604401	11-5, 11-11	103610301	11-5	access cove	1-15
103604501	11-11	103610401	11-5	adapter	
103604601	11-5, 11-11	103610501	11-21	cable (IQDM)	12-7
103604701	11-5, 11-11	103610701	11-21	adhesive, guide ring	12-3
103604801	11-5, 11-11	103610801	11-21	adjuster	
103604901	11-5, 11-11	103610901	11-21	hydraulic brake	12-7
103605001	11-5, 11-11	103611001	11-23	adjuster, rocker arm	7-15
103605101	11-5, 11-11, 11-23	103611101	11-23	adppter, oil filter	7-13
103605201	11-5, 11-11	103611201	11-23	air cleaner base	7-31
103605301	11-5, 11-11	103611301	11-23	air cleaner cover	7-31
103605401	11-5, 11-11	103611401	11-23	air cleaner filter cartridge	7-31
103605501	11-5, 11-11, 11-13	103611501	11-23	air cleaner gasket	7-23, 7-31
				air cleaner knob	7-31

# INDEX

air filter retainer 7-31  
air guide cover 7-7  
alternator 7-9  
anchor, trailing arm, lh 5-9  
anchor, trailing arm, rh 5-9  
arbor 12-3  
arm, rocker 7-15  
armature, magneto 7-9  
assembly  
    fuel tank vent 8-5  
    headlight 1-21  
    headlight harness 1-21  
    wire 8-5  
axle lever, 4x4 11-27

## B

back plate 7-7  
baffle, breather 7-17  
ball bearing 7-13, 7-19  
ball joint 5-7, 11-31, 11-33  
ball stud 11-27, 11-29  
banjo bolt 4-3  
barb, vent 8-3  
barrier, heat, bed, frnt 1-31  
barrier, heat, bed, rear 1-31  
base, air cleaner 7-31  
battery 6-3  
battery clamp 6-3  
battery discharge machine 12-3  
battery spacer 6-3  
battery terminal protector spray 12-3  
battery thermometer 12-3  
bearing 5-7, 5-9  
bearing and oil seal remover 12-3  
bearing driver set 12-3  
bearing puller 12-3  
bearing puller wedge 12-3  
bearing, ball 7-13, 7-19  
bed bottom 1-43  
bed box 1-43  
bed gate 1-43  
bed latch handle 1-39  
bed panel, lh 1-43  
bed panel, rh 1-43  
bed, latch 1-39  
bell crank 7-11  
belt, cvt 10-11  
block 10-3, 10-9  
blower housing 7-7  
blower housing plug 7-7  
body panel, center 1-9  
body, upper carburetor 7-29  
bolt  
    banjo 4-3  
boot, spark plug 7-15  
bracket caliper, front 4-3

bracket, cable, 4wd 11-27  
bracket, control 7-11  
bracket, fuel pump 7-27  
bracket, hinge 1-15  
bracket, light, brake 1-23  
bracket, pedals 4-7  
bracket, supp, steering 1-19  
brake adjustment tool 12-3  
brake cable release tool 12-3  
brake light bracket 1-23  
brake line, front 4-3  
brake line, rear 4-3  
brake pad service kit 4-3  
brake pedal 4-7  
brake pedal adjustment tool 12-3  
brake pedal tension tool 12-3  
brake system indicator light 6-3  
brake, DOT 5 fluid 4-3  
brake, park 4-5  
brake, service 4-3  
breather 7-17  
breather baffle 7-17  
breather gasket 7-17, 7-23  
breather tube 7-17, 7-31  
brush retainer 7-3  
brush set 7-3  
brushgard, tube 1-3  
buckle, seat-belt 1-35  
bulb, tail light 1-23  
bumper  
    rubber 8-3  
bumper, rubber 1-39  
bushing  
    choke shaft 7-29  
    gov crank 7-13  
    steel 1-39  
    urethane 1-39  
    valve guide 7-15

## C

cable  
    IQDM 12-7  
cable bracket, 4x4 11-27  
cable, choke 11-31, 11-33  
cable, trans, diff-lock 11-31, 11-33  
cable, trans, fnr 11-31, 11-33  
cables control, 4wd 11-33  
cables, control, 2wd 11-31  
calibration test module 12-3  
caliper bracket, front 4-3  
caliper rear, lh 4-3  
caliper, rear, rh 4-3  
cam 10-13  
cam installation tool 12-3  
camshaft 7-17  
cap  
    fuel tank 8-5  
    steering wheel 5-5  
cap, drive 7-3  
cap, end 7-3  
cap, limiter 7-29  
cap, oil fill 7-15  
cap, plastic, wheel 2-3, 2-5  
cap, seatback 1-41  
cap, wheel, rubber 5-7, 5-9  
carburetor cover 7-7  
carburetor float 7-29  
carburetor float level tool 12-7  
carburetor gasket, body 7-29  
carburetor plug 7-29  
carburetor shield 7-31  
carburetor spacer 7-25  
carburetor, upper body 7-29  
card, safety first 12-9  
cartridge, strut, front 5-11  
casing clamp 7-11  
charger bezel tool 12-3  
choke cable 11-31, 11-33  
choke link 7-11  
choke shaft 7-29  
choke shaft bushing 7-29  
choke valve 7-29  
clamp  
    battery 6-3  
    casing 7-11  
    hose 7-15, 7-27, 8-3  
    muffler 9-3  
clevis pin 4-3  
clip, wire 7-9  
closeout panels, rear 1-11  
clutch alignment tool 12-5  
clutch removal tool 12-3  
clutch tool kit 12-5  
clutch, drive 10-9  
clutch, driven 10-13  
column, steering 5-3  
communication display module 12-5  
compression gauge 12-5  
compressor, piston ring 12-9  
compressor, valve spring 12-11  
connecting rod 7-19  
continuity tester 12-5  
control bracket 7-11  
control cables, 2wd 11-31  
control cables, 4wd 11-33  
control, dash, 2wd 11-29  
control, dash, 4wd 11-27  
cover  
    access 1-15  
    air cleaner 7-31  
    air guide 7-7  
    carburetor 7-7

# INDEX

crankcase 7-13  
cvt, outer 10-7  
cvt, sealed 10-7  
dash 1-29  
electrical 6-3  
oil filter 7-13  
output 11-35  
rocker 7-15  
rocker switch hole 1-21  
shifter 1-29, 11-29  
starter drive 7-7  
cover, steering column 5-5  
cowl 1-15  
crank, bell 7-11  
crank, governor 7-13  
crankcase cover 7-13  
crankcase gasket 7-13, 7-23  
crankshaft 7-19  
cup holder 1-29  
cutter, valve seat 12-5, 12-11  
cvt belt 10-11  
cvt cover gasket 10-7  
cvt cover, outer 10-7  
cvt cover, sealed 10-7  
cvt inlet hose 10-7  
cylinder 7-17  
cylinder head 7-15  
cylinder head gasket 7-15, 7-23  
cylinder, master 4-3

## D

dash- control mount 1-29  
dash cover 1-29  
dash support 1-19  
dash, storage 1-29  
decal  
4x4 3-7  
bed 3-7  
brake fluid, dot 5 3-3  
club car, 51 x 144 3-7  
crush area warning 3-3  
frame ground, long 3-5  
hot surface warning 3-5  
operation, bed latch 3-3  
operator, warn/instr 3-5  
ROPS warning 1-37, 3-3  
rotating parts warning 3-5  
trailer hitch 3-5  
under 16 warning 1-37, 3-3  
vehicle loading 3-5  
warn, co, cab 1-33, 3-3  
warn, gas fuel loading 3-5  
winch, warning 3-5  
deflector, oil 7-13  
diesel tachometer probe 12-9  
differential, front 11-35

dipstick gasket 7-15, 7-23  
dipstick 7-13  
dipstick tube 7-13  
disk brake rotor 4-3  
DOT 5 brake fluid 4-3  
drain plug 11-35  
drive cap 7-3  
drive clutch 10-9  
drive clutch fixed sheave tool 12-5  
drive clutch holder tool 12-5  
drive clutch hub puller 12-5  
drive clutch puller 12-5  
drive clutch spider removal tool 12-5  
drive flange 10-3, 10-9  
drive spring 10-3, 10-9  
drive, starter 7-3  
driven clutch 10-13  
driven clutch cam puller 12-5  
driven clutch puller plug 12-5  
driven clutch spring compression base tool 12-5  
driven clutch spring compression collar tool 12-5  
driven clutch spring compression nut tool 12-5  
dry moly lubricant 12-7

## E

E-clip 4-5  
end cap 7-3  
engine 7-5  
engine gasket set 7-23  
exhaust gasket 7-23  
exhaust manifold 9-3  
exhaust manifold stud 7-15  
exhaust valve 7-15  
extension, spring latch 1-39

## F

fascia 1-13  
fascia mount 1-19  
fastener, push-in 6-3  
fender, front, lh 1-9  
fender, front, rh 1-9  
fender, rear, lh 1-9  
fender, rear, rh 1-9  
filter  
inlet cover 10-7  
filter, air cleaner cartridge 7-31  
filter, fuel 7-27  
filter, oil 7-13  
filter, pre cleaner 7-31  
fitting, vent 11-35  
flange, drive 10-3, 10-9  
flange, fixed, driven 10-13  
flange, sliding, drive 10-3, 10-9

flange, sliding, driven 10-13  
float, carburetor 7-29  
floor plate, middle 1-17  
fluid, brake, DOT 5 4-3  
flywheel 7-21  
flywheel puller 12-7  
FNR lever, transmission 11-27, 11-29  
fnr shifter, dash 11-27, 11-29  
front diff 11-35  
front suspension 5-7  
fuel filter 7-27  
fuel gauge sending unit 8-5  
fuel line 7-27, 8-3  
fuel pickup tube 8-5  
fuel pump 7-27  
fuel pump bracket 7-27  
fuel solenoid 7-27  
fuel tank 8-5  
fuel tank cap 8-5  
fuel tank strap 8-3  
fuel tank vent 8-5  
fuel-hour gauge 6-3

## G

gasket  
air cleaner 7-23, 7-31  
breather 7-17, 7-23  
carburetor body 7-29  
cover, cvt 10-7  
crankcase 7-13, 7-23  
cylinder head 7-15, 7-23  
dipstick 7-15, 7-23  
exhaust 7-23  
intake 7-23, 7-25  
intake, manifold-carb 7-23, 7-25, 7-29  
liquid 12-7  
oil adapter 7-13, 7-23  
rocker cover 7-15, 7-23  
sending unit 8-5  
set, engine 7-23  
taillight 1-23  
gate, bed 1-43  
gauge, compression 12-5  
gauge, fuel-hour 6-3  
gear yoke 12-7  
gear, timing 7-19  
governor control lever 7-11  
governor crank 7-13  
governor crank bushing 7-13  
governor shaft installation tool 12-7  
governor shaft retainer 7-13  
governor spool 7-17  
grip tape, accelerator pad 4-7  
grommet 7-9, 8-5  
ground terminal 7-9  
guide

# INDEX

valve seat cutter 12-11  
guide ring adhesive 12-3

## H

halfshaft, front 11-25  
halfshaft, front, 4x4 11-25  
halfshaft, rear 11-25  
halfshaft, rear, 4x4 11-25  
handle, bed latch 1-39  
harness, main 6-3, 6-7  
head, cylinder 7-15  
headlight 1-21  
headlight assembly 1-21  
headlight harness 1-21  
heat shield 1-31  
heat shield, exhaust 1-31  
heat shield, front 1-31  
heat shield, rear 1-31  
hinge seat plate 1-41  
hinge, bracket 1-15  
hitch, channel 1-5  
holder, cup 1-29  
hood 1-15  
hose clamp 7-15, 7-27  
hose, cvt, inlet 10-7  
hose, fuel 7-27, 8-3  
hose, vent, front diff 11-35  
housing, blower 7-7  
housing, starter 7-3  
hub, wheel, front 5-7, 5-9  
hydraulic brake adjuster 12-7  
hydrometer 12-7

## I

insulator 7-9  
intake gasket 7-23, 7-25  
intake manifold 7-25  
intake valve 7-15  
intake, carburetor-manifold, gasket 7-23, 7-25, 7-29  
intermediate shaft 5-3  
internal retaining ring pliers 12-7  
IQ display module (IQDM) 12-7

## J

jet, main, 0-5000 ft (0-1500m) 7-29  
jet, main, 5000-9000 ft (1500-2700m) 7-29  
jet, main, 9000-up ft (2700m-up) 7-29  
joint  
ball 5-7, 11-31, 11-33  
jumper, oil pressure switch 6-3

## K

keeper, valve 7-15  
key switch 6-3

key switch spacer 6-3  
key, cam 10-5, 10-13  
key, timing 7-19  
key, woodruff 7-19  
keyswitch nut 6-3  
kit  
backlite 1-33  
brake pad service 4-3  
brake pedal adjustment tool 12-3  
brushgrd, tube 1-3  
bushing & seal, magneto side 7-17  
carburetor overhaul 7-29  
cover bolt 11-35  
door 1-33  
external retaining ring 11-35  
front receiver 1-5  
gearcase assembly 11-35  
idle mixture 7-29  
idle speed 7-29  
input cover 11-35  
internal retaining ring 11-35  
IQ display module (IQDM) 12-7  
needle & seat 7-29  
open differential 11-35  
pinion gear 11-35  
receiver, rear 1-7  
ring gear bolt 11-35  
rops, lh 1-37  
rops, rh 1-37  
screw & washer 7-9  
seal 11-35  
skid plate, front 1-25  
skidplate, rear 1-27  
stub shaft 11-35  
taillight hardware 1-23  
tune-up 12-9

knob, air cleaner 7-31  
knob, black 11-27, 11-29  
knob, forward/reverse 11-27, 11-29

## L

label  
emissions 7-7  
latch 1-29  
latch plate mount 1-39  
latch plate, tilt bed 1-39  
latch, bed 1-39  
lateral link spacer 5-9  
lat-link, front 5-9  
lat-link, rear 5-9  
lens, taillight 1-23  
lever, axle, 4x4 11-27  
lever, governor control 7-11  
lever, trans, FNR 11-27, 11-29  
light  
oil 6-3

light, indicator, brake sys 6-3  
limiter cap 7-29  
line, fuel 7-27, 8-3  
link, choke 7-11  
link, throttle 7-11  
liquid gasket 12-7  
low oil warning light 6-3  
lubricant, dry moly 12-7  
lubricant, moly-teflon 12-7  
lug nut 2-3, 2-5

## M

magneto armature 7-9  
main harness 6-3, 6-7  
manifold, exhaust 9-3  
manifold, intake 7-25  
master cylinder 4-3  
meter, volt ohm 12-11  
module  
calibration test 12-3  
communication display 12-5  
moly-teflon lubricant 12-7  
motor, starter 7-3  
mount, fascia 1-19  
mount, latch plate 1-39  
mount, seat back 1-19  
muffler 9-3  
muffler clamp 9-3

## N

Never Seeze lubricating compound 11-35  
nozzle, carburetor, standard 7-29  
nut, keyswitch 6-3  
nut, lug 2-3, 2-5

## O

oil adapter gasket 7-13, 7-23  
oil deflector 7-13  
oil drain plug 7-17  
oil fill cap 7-15  
oil filter 7-13  
oil filter adapter 7-13  
oil filter cover 7-13  
oil plug 7-13  
oil pressure switch 7-17  
oil pressure switch jumper 6-3  
oil pump 7-13  
oil pump screen 7-13  
oil warning light, low 6-3  
output cover 11-35

## P

paint, touch-up 12-7  
panel  
body, center 1-9



# INDEX

- body, lh 1-9
  - body, rh 1-9
  - closeout, center 1-11
  - closeout, rh 1-11
  - front, bed 1-43
  - panel, bed, lh 1-43
  - panel, bed, rh 1-43
  - panel, closeout, rear 1-11
  - park brake 4-5
  - pedal bracket 4-7
  - pedal group 4-7
  - pedal, accelerator 4-7
  - pedal, brake 4-7
  - pin, clevis 4-3
  - pin, piston 7-19
  - piston ring compressor 12-9
  - piston ring pliers 12-9
  - piston, pin 7-19
  - pivot, rocker arm 7-15
  - plate
    - electrical 6-3
    - latch 1-39
  - plate, back 7-7
  - plate, floor, middle 1-17
  - plate, hinge, seat 1-41
  - plate, skid, rear 1-27
  - plate-access-mount 1-25
  - pliers
    - internal retaining ring 12-7
    - piston ring 12-9
    - retaining ring 12-9
  - plug
    - driven clutch puller 12-5
    - tube 1-3
  - plug, blower, housing 7-7
  - plug, carburetor 7-29
  - plug, drain 11-35
  - plug, oil 7-13
  - plug, oil drain 7-17
  - plug, sprak 7-15
  - powertrain subframe 7-5
  - pre cleaner filter 7-31
  - press weldment 12-5
  - prop shaft, 4x4 11-37
  - propshaft 11-37
  - propshaft, center, 4x4 11-37
  - propshaft, front, 4x4 11-37
  - propshaft, rear, 4x4 11-37
  - protector spray, battery terminal 12-3
  - puller
    - bearing 12-3
    - clutch 12-3
    - drive clutch 12-5
    - drive clutch hub 12-5
    - driven clutch cam 12-5
    - flywheel 12-7
    - seal 12-9
    - special use tool 12-9
  - pullrod, compression spring 4-7
  - pump, fuel 7-27
  - pump, oil 7-13
  - push rod, exhaust 7-15
  - push rod, intake 7-15
- ## R
- rack, steering 5-3
  - reamer, valve guide 12-9
  - receiver, rear 1-7
  - reflector 1-13
  - regulator 7-9
  - remover, bearing and oil seal 12-3
  - retainer, air filter 7-31
  - retainer, brush 7-3
  - retainer, governor shaft 7-13
  - retainer, valve 7-15
  - retaining ring pliers 12-9
  - retractor, seat-belt 1-35
  - ring gear, gear, ring 11-35
  - ring, retaining 7-3
  - ring, retaining, ext 5-7
  - ring, snap, external 10-5, 10-13
  - rocker arm 7-15
  - rocker arm adjuster 7-15
  - rocker arm pivot 7-15
  - rocker cover 7-15
  - rocker cover gasket 7-15, 7-23
  - rocker switch (lights) 1-21
  - rod, connecting 7-19
  - rod, connection, under sized 7-19
  - rod, push, exhaust 7-15
  - rod, push, intake 7-15
  - ROPS cross tube, top 1-37
  - ROPS warning decal 1-37, 3-3
  - ROPS, lh 1-37
  - ROPS, rh 1-37
  - rotor, disc, brake 4-3
- ## S
- safety first card 12-9
  - screen, oil pump 7-13
  - screen, rotating 7-21
  - screw, valve clearance adjuster 12-9
  - seal
    - bulb 1-15
    - choke & throttle shaft 7-29
    - dipstick tube 7-13, 7-23
    - governor shaft 7-13, 7-23
    - o ring, crankcase cover 7-13, 7-23
    - o ring, oil pump 7-13, 7-23
    - o ring, oil pump screen 7-13, 7-23
    - oil, magneto side 7-17, 7-23
    - oil, pto side 7-13, 7-23
    - valve 7-15, 7-23
  - seal puller 12-9
  - seat back mount 1-19
  - seat back, bench 1-41
  - seat belt buckle 1-35
  - seat belts 1-35
  - seat bottom, bench 1-41
  - seat, spring, drive 10-3, 10-9
  - seatback cap 1-41
  - seat-belt retainer 1-35
  - sending unit, fuel gauge 8-5
  - service brake 4-3
  - service kit, brake pad 4-3
  - shaft, choke 7-29
  - shaft, intermediate 5-3
  - shaft, retention, front, 2wd 5-7
  - shaft, throttle 7-29
  - shield, carburetor 7-31
  - shield, exhaust, heat 1-31
  - shifter cover 1-29, 11-29
  - shifter, 4x4 11-27
  - shifter, dash, fnr 11-27, 11-29
  - shifter, diff 11-27, 11-29
  - shim, bearing end play 7-19
  - shock absorber, rear 5-11
  - shocks, front, std 5-11
  - shocks, rear, std 5-11
  - skid plate, rear 1-27
  - sleeve, a-arm 5-7
  - sleeve, link, short 5-9
  - solenoid, fuel 7-27
  - solenoid, starter 7-9
  - spacer 11-29
    - key switch 6-3
  - spacer, battery 6-3
  - spacer, carburetor 7-25
  - spacer, lat-link 5-9
  - spacer, throttle 7-29
  - spanner wrench 12-9
  - spark plug 7-15
  - spark plug boot 7-15
  - spool, governor 7-17
  - spray, battery terminal protector 12-3
  - spring
    - drive 10-3, 10-9
    - driven clutch, cvtech 10-13
    - governor 7-11
    - governor idle 7-11
    - governor link 7-11
    - pedal 4-7
    - valve 7-15
  - spring mounting stud 11-27, 11-29
  - starter drive cover 7-7
  - starter housing 7-3
  - starter motor 7-3

# INDEX

starter solenoid 7-9  
starter, drive 7-3  
steel bushing 1-39  
steering 5-3  
steering column 5-3  
steering column bearing press tool 12-9  
steering column cover 5-5  
steering column retaining ring tool 12-9  
steering rack 5-3  
steering support bracket 1-19  
steering wheel 5-5  
steering wheel puller tool 12-9  
stem, valve 2-3, 2-5  
stopper, drive 10-3, 10-9  
strap, ac mounting 7-31  
strap, fuel tank 8-3  
strap, starter 7-3  
strut cartridge, front 5-11  
strut, lh 5-7  
strut, rh 5-7  
stud, ball 11-27, 11-29  
stud, exhaust manifold 7-15  
stud, mtg, spring 11-27, 11-29  
stud, oil filter adapter 7-13  
stud, rocker arm, 7-15  
subframe, powertrain 7-5  
support, dash 1-19  
suspension, front 5-7  
suspension, rear 5-9  
swing arm 5-9  
switch  
key 6-3  
light rocker 1-21  
switch, oil pressure 7-17

## T

tachometer 12-9  
tachometer probe, diesel 12-9  
tail light bulb 1-23  
taillight 1-23  
taillight assembly 1-23  
taillight base 1-23  
taillight gasket 1-23  
taillight hardware kit 1-23  
taillight lens 1-23  
tank, fuel 8-5  
tape, grip, accelerator pad 4-7  
tappet, valve 7-15, 7-17  
terminal, ground 7-9  
tester, continuity 12-5  
thermometer, battery 12-3  
throttle link 7-11  
throttle shaft 7-29  
throttle spacer 7-29  
throttle valve 7-29  
tie wrap 1-21, 4-3, 6-3, 11-31, 11-33

timing gear 7-19  
tire assembly, black 2-5  
tire, mud 2-5  
tires 2-5  
tool  
accelerator pedal adjustment 12-3  
belt tensioning, starter/generator 12-11  
brake adjustment 12-3  
brake cable release 12-3  
brake pedal adjustment 12-3  
brake pedal tension 12-3  
cam installation 12-3  
carburetor float level 12-7  
charger bezel 12-3  
clutch alignment 12-5  
cT-wrench 12-5  
drive clutch fixed sheave 12-5  
drive clutch holder 12-5  
drive clutch spider removal 12-5  
driven clutch spring compression base 12-5  
driven clutch spring compression collar 12-5  
driven clutch spring compression nut 12-5  
governor shaft installation 12-7  
puller, special use 12-9  
steering column bearing press 12-9  
steering column retaining ring 12-9  
steering wheel puller 12-9  
transaxle axle seal 12-9  
transaxle pinion seal 12-9  
transmission 12-9  
valve guide driver 12-9  
valve seat cutter 12-5

tool kit, clutch 12-5  
touch-up paint 12-7  
trailing arm anchor, lh 5-9  
trailing arm anchor, rh 5-9  
trailing arm, lh 5-9  
trailing arm, rh 5-9  
transaxle axle seal tool 12-9  
transaxle pinion seal tool 12-9  
transaxle, 2wd 11-3  
transaxle, 4wd 11-7  
transmission tool 12-9  
tube  
fuel pickup 8-5  
tube, breather 7-17, 7-31  
tube, dipstick 7-13  
tune-up kit 12-9  
T-wrench tool 12-5

## U

upright, rear 5-9  
upright, rh 5-7  
urethane bushing 1-39

## V

valve clearance adjuster screw 12-9  
valve guide bushing 7-15  
valve guide driver tool 12-9  
valve guide reamer 12-9  
valve keeper 7-15  
valve retainer 7-15  
valve seat cutter 12-5, 12-11  
valve seat cutter guide 12-11  
valve seat cutter tool 12-5  
valve seat t-wrench 12-11  
valve spring 7-15  
valve spring compressor 12-11  
valve stem 2-3, 2-5  
valve tappet 7-15, 7-17  
valve, choke 7-29  
valve, exhaust 7-15  
valve, intake 7-15  
valve, throttle 7-29  
vent barb 8-3  
vent fitting 11-35  
vent hose, front diff 11-35  
volt ohm meter 12-11

## W

warning light, low oil 6-3  
wedge, bearing puller 12-3  
weldment  
press 12-5  
wheel 2-3, 2-5  
wheel cap, plastic 2-3, 2-5  
wheel cap, rubber 5-7, 5-9  
wheel hub, front 5-7  
wheel hub, rear 5-9  
wheel, alloy 2-3, 2-5  
wheel, front 2-3  
wheel, rear 2-5  
wheel, steering 5-5  
wire asm, ground, taillight 1-23  
wire assembly 8-5  
wire clip 7-9  
wrap, tie 1-21, 4-3, 6-3, 11-31, 11-33  
wrench, spanner 12-9

## Y

yoke, gear 12-7





**Club Car, Inc.**  
P.O. Box 204658  
Augusta, GA 30917-4658  
USA

**Web** [www.clubcar.com](http://www.clubcar.com)  
**Phone** 1.706.863.3000  
1.800.ClubCar  
**Int'l** +1 706.863.3000  
**Fax** 1.706.863.5808