



# **2016 Carryall 500 and 550 Illustrated Parts List**



**Gasoline and Electric Vehicles**

Manual Number 105334604  
Edition Code 0615A00000



# USING THE ILLUSTRATED PARTS LIST

---

## **⚠ WARNING**

- **This manual is to be used only for identification and ordering of service parts. Be sure to read and use the maintenance and service manual before attempting any vehicle repairs.**

This manual covers all 2016 Carryall 500 and Carryall 550 gasoline and electric vehicles.

The manual is divided into sections. Note that there are two or three flags on the outside edge of each page. The first flag contains the section number of which that page is a part. The other flag (or flags) contains the letter D, E, or G, signifying that the page pertains to the diesel, electric, or gasoline vehicles only.

Use the Table of Contents to find the sections and pages that contain the parts and assemblies you seek. The Table of Contents lists section numbers, and under them, the individual page titles and numbers to be found in that section. The index can be used to find specific parts and assemblies. The index is divided into numerical and alphabetical listings with the page numbers in italic text.

There is a two-page spread for each individual page title in the Table of Contents. On the left-hand page is an illustration showing the parts in their relative positions; the parts are each tagged with an item number in a balloon. The right-hand page is the parts list page, and gives the page title at the top, then the item numbers (corresponding to the numbers on the illustration), part descriptions, and quantity of parts used.

Note that a part description may be indented. This indentation corresponds to a parts assembly level indicated by the numbers 1, 2, 3, and 4 at the top left corner of the parts description area of the parts list page. A part that is indented to *level 2* is a component of the *level 1* part (assembly) that it is listed under. A *level 3* part is a component of the *level 2* part that it is listed under, and a *level 4* part is a component of the *level 3* part preceding it. In each case, the part quantity given for a level 2, 3, or 4 part is the quantity used per next higher level assembly of which it is a component. A part that is not indented is a *level 1* part. This means that the quantity given is the quantity used per the portion of the vehicle illustrated on that particular spread.



P. O. Box 204658  
Augusta, Georgia 30917-4658 USA  
Telephone 706-863-3000  
Service Parts Fax 706-855-7413  
[www.clubcar.com](http://www.clubcar.com)

## HOW TO ORDER PARTS

Replacement parts and accessories can be obtained from our network of authorized dealers and distributors. You can obtain the name and phone number of your closest authorized Club Car dealer or distributor by visiting our web site at [www.clubcardealer.com](http://www.clubcardealer.com), by calling our toll-free Service Parts and Technical Assistance hotline at (800) 872-2246 or (706) 863-3000, extension 3887, or by scanning this Quick Response (QR) code to be taken to the Club Car dealer locator. **Refer to Figure 1.** Download a QR code reader such as RedLaser or Barcode Scanner to your cell phone or tablet.



Figure 1 Dealer Locator QR Code

## CUSTOMER SATISFACTION SURVEY

Let your voice be heard!

Please take time to participate in the Technical Publications satisfaction survey. Obtaining feedback from our customers is important to the department's continuous improvement process. The online survey takes less than five minutes and responses will help the department to examine current performance as well as identify areas for future improvement. Our top priority is to provide timely, accurate, and user friendly manuals.

The online satisfaction survey can be found at: <http://bit.ly/1w9uFMh>



Figure 2 Survey QR Code

**NOTE:** *This illustrated parts list represents the most current information at the time of publication. Club Car, LLC is continually working to further improve its vehicles and other products. These improvements may affect the parts used to service the vehicle. Any modification and/or significant change in specifications will be forwarded to all Club Car and Carryall distributors/dealers and will, when applicable, appear in future editions of this illustrated parts list.*

*Club Car, LLC reserves the right to change specifications and designs at any time without notice and without the obligation of making changes to units previously sold.*

Copyright © 2015 Club Car, LLC.  
Club Car is a registered trademark of Club Car, LLC.  
This manual effective July 7, 2015.

# CONTENTS

## SECTION 1 – BODY AND TRIM

|   |      |
|---|------|
| Heavy Duty Front Bumper .....                         | 1-3  |
| Headlight Guard .....                                 | 1-5  |
| Fender Guard .....                                    | 1-7  |
| Front License Plate Holder .....                      | 1-9  |
| Front Body .....                                      | 1-11 |
| Body Touch-Up Paint .....                             | 1-13 |
| Front Bumper, Grille, and Fenders .....               | 1-15 |
| Headlight Bezels .....                                | 1-17 |
| Dash, Glovebox Door, and Floormat .....               | 1-19 |
| Front Frame, Standard .....                           | 1-21 |
| Front Frame (Lifted) – CA550 .....                    | 1-23 |
| Seat Bottom .....                                     | 1-25 |
| Seat Back .....                                       | 1-27 |
| Seat Frame and Hip-Restraint .....                    | 1-29 |
| Rear Facing Fold Down Seat .....                      | 1-31 |
| Rear Seats – Vehicle with Fold-Down Rear Seat .....   | 1-33 |
| Windshield, Hinged .....                              | 1-35 |
| Windshield, Non-Hinged .....                          | 1-37 |
| Canopy Kit, White .....                               | 1-39 |
| Canopy Kit, Biege .....                               | 1-41 |
| Canopy Kit, Black .....                               | 1-43 |
| Mirrors .....   | 1-45 |
| Inner Rear Fenders .....                              | 1-47 |
| Rear Fenders and Tail Skirt .....                     | 1-49 |
| Rear Fenders – Vehicle with Fold-Down Rear Seat ..... | 1-51 |
| Rear License Plate Holder .....                       | 1-53 |
| Bed Hinge, Latch, and Prop Rod – Medium .....         | 1-55 |
| Tilt Bed and Bed Latch – Medium .....                 | 1-57 |
| Electric Bed Lift – Medium, Electric Vehicles .....   | 1-59 |
| Electric Bed Lift – Gasoline Vehicles .....           | 1-61 |
| Flat Bed Trim – Medium .....                          | 1-63 |
| Cargo Box Kit – Medium (Page 1 of 2) .....            | 1-65 |
| Cargo Box Kit (Page 2 of 2) .....                     | 1-67 |
| Tailgate Teather .....                                | 1-69 |
| Modular Bed Accessories .....                         | 1-71 |
| Modular Bed Accessories .....                         | 1-73 |
| Modular Bed Accessories .....                         | 1-75 |
| Stake Side Kit – Medium .....                         | 1-77 |

# CONTENTS

---

|  |       |
|--|-------|
| Heavy Duty Trailer Hitch .....                                     | 1-79  |
| Rear Receiver Hitch .....  | 1-81  |
| Trailer Hitch Ball .....   | 1-83  |
| Range Picker Adapter .....   | 1-85  |
| Cab Canopy .....   | 1-87  |
| Cab Doors – Glass .....  | 1-89  |
| Cab Doors – Soft .....   | 1-91  |
| Cab Doors – Range .....  | 1-93  |
| Cab Doors – Vent .....   | 1-95  |
| Cab - Mirrors .....  | 1-97  |
| Cab – Windshield .....   | 1-99  |
| Cab – Seat Belts .....   | 1-101 |
| Cab – Electrical, Power Harness, Electric Vehicle to Cab .....     | 1-103 |
| Cab – Electrical, Cab Power Harness, Gasoline Vehicle to Cab ..... | 1-105 |
| Cab – Electrical, Overhead Console .....                           | 1-107 |
| Cab – Electrical, Windshield Wiper .....                           | 1-109 |
| Cab – Electrical, Windshield Washer .....                          | 1-111 |
| Cab – Electrical, Work Lights .....                                | 1-113 |
| Cab – Electrical, Warning Beacon .....                             | 1-115 |
| Cab – Rear Window .....  | 1-117 |
| Cab – Exhaust .....  | 1-119 |
| Enclosures .....   | 1-121 |
| Van Box – Gray .....   | 1-123 |
| Van Box – White .....  | 1-125 |
| Van Box, Medium – Service Parts .....                              | 1-127 |
| Toolboxes .....  | 1-129 |

## SECTION 2 – WHEELS AND TIRES

---

|   |      |
|---|------|
| Wheels and Tires .....                          | 2-3  |
| Wheels and Tires – Carryall 550 .....           | 2-5  |
| Wheels and Tires, Off-Road – Carryall 550 ..... | 2-7  |
| Wheel Covers .....                              | 2-9  |
| Wheel Covers – Carryall 550 .....               | 2-11 |

## SECTION 3 – DECALS

---

|   |     |
|---|-----|
| Decals – Electric Carryall 500 .....                | 3-3 |
| Decals – Electric Carryall 550 .....                | 3-5 |
| Decals – Electric Carryall 500/550, Continued ..... | 3-7 |
| Decals – Gasoline Carryall 500 .....                | 3-9 |

# CONTENTS

---

|   |      |
|---|------|
| Decals – Gasoline Carryall 550 .....                | 3-11 |
| Decals – Gasoline Carryall 500/550, Continued ..... | 3-13 |
| Badging Decals – Carryall 500 .....                 | 3-15 |
| Badging Decals – Carryall 550 .....                 | 3-17 |

## SECTION 4 – LIGHTS, CONTROLS, AND INDICATORS

---

|   |      |
|---|------|
| Headlights .....  | 4-3  |
| 12-Volt Fuse Block and Fuses – Electric Vehicle .....                     | 4-5  |
| Horn, Turn Signals, and Taillights – Electric and Gasoline Vehicles ..... | 4-7  |
| Horn and Taill Light Kit – Electric and Gasoline Vehicles .....           | 4-9  |
| Instrument Panel – Electric Vehicle .....                                 | 4-11 |
| Instrument Panel – Gasoline Vehicle .....                                 | 4-13 |
| Keyswitch – Electric Vehicle .....  | 4-15 |
| Keyswitch, Private Speed Mode - Electric Vehicle .....                    | 4-17 |
| Keyswitch, Pedal-Start – Gasoline Vehicle .....                           | 4-19 |
| Keyswitch, Key-start – Gasoline Vehicle .....                             | 4-21 |
| DC Converter – Electric Vehicle .....                                     | 4-23 |
| DC Converter, Heavy Duty – Electric Vehicle .....                         | 4-25 |
| Voltage Limiter – Gasoline Vehicle .....                                  | 4-27 |
| Strobe Light, Post Mounted – Gasoline Vehicles .....                      | 4-29 |
| Strobe Light, Post Mounted – Electric Vehicles .....                      | 4-31 |
| Strobe Light – Canopy Mounted .....                                       | 4-33 |
| Reflectors .....  | 4-35 |
| Heater Defogger – Electric Vehicle .....                                  | 4-37 |

## SECTION 5 – BRAKES, PEDALS, AND CABLE ASSEMBLIES

---

|   |      |
|---|------|
| Brake Pedal Assembly – Vehicles with 2-Wheel Brakes and 4-Wheel Brakes .....  | 5-3  |
| Accelerator Pedal Assembly – Electric Vehicles .....                          | 5-5  |
| Accelerator Pedal and Rod Assembly – Gasoline Vehicle .....                   | 5-7  |
| Pedal Close-Out Kit .....   | 5-9  |
| Front Brake Assembly – Vehicles with 4-Wheel Brakes .....                     | 5-11 |
| Front Brake Cables and Equalizer – Gasoline Vehicle with 4-Wheel Brakes ..... | 5-13 |
| Front Brake Cables and Equalizer – Electric Vehicle with 4-Wheel Brakes ..... | 5-15 |
| Rear Brake Cables and Equalizer – Gasoline Vehicle with 4-Wheel Brakes .....  | 5-17 |
| Rear Brake Cables and Equalizer – Electric Vehicle with 4-Wheel Brakes .....  | 5-19 |
| Rear Brake Assembly, Manually-Adjusted – Vehicles with 4-Wheel Brakes .....   | 5-21 |

## SECTION 6 – STEERING, FRONT AND REAR SUSPENSION

---

|                              |     |
|------------------------------|-----|
| Steering Gear Assembly ..... | 6-3 |
|------------------------------|-----|

# CONTENTS

|   |      |
|---|------|
| Steering Column .....                               | 6-5  |
| Steering Wheel .....                                | 6-7  |
| Steering Wheel with Clip .....                      | 6-9  |
| Front Suspension, Upper, STD .....                  | 6-11 |
| Front Suspension, Lower, STD, 1 Leaf-3 Plates ..... | 6-13 |
| Front Suspension, Upper, HD .....                   | 6-15 |
| Front Suspension, Lower, HD, 3 Leaf-1 Plate .....   | 6-17 |
| Front Suspension, Upper, STD .....                  | 6-19 |
| Front Suspension, Lower, HD, 2 Leaf-2 Plates .....  | 6-21 |
| Front Suspension, Upper, HD .....                   | 6-23 |
| Front Suspension, Lower, HD, 3 Leaf-1 Plate .....   | 6-25 |
| Steering Stop .....                                 | 6-27 |
| Front Wheel Hubs .....                              | 6-29 |
| Rear Suspension Components, Standard .....          | 6-31 |
| Rear Suspension Components (Lifted) .....           | 6-33 |

## SECTION 7 – ELECTRICAL SYSTEM – GASOLINE EFI

|   |      |
|---|------|
| Wiring, Fuses, and Diodes, Pedal-Start – EFI .....              | 7-3  |
| Wiring, Fuses, and Diodes, Key-Start – EFI .....                | 7-5  |
| Starter/Generator (Model 114-04-4006), Key-Start – EFI .....    | 7-7  |
| Starter/Generator (Model 114-05-4001) , Pedal-Start – EFI ..... | 7-9  |
| Starter/Generator Mounting – EX40 .....                         | 7-11 |
| Operation and Maintenance Switch .....                          | 7-13 |
| Electrical Component Box, Key-Start – EX40 .....                | 7-15 |
| Electrical Component Box, Pedal-Start – EX40 .....              | 7-17 |
| Forward/Reverse Shifter Switches, Key-Start – EFI .....         | 7-19 |
| Forward/Reverse Shifter Switches, Pedal-Start – EFI .....       | 7-21 |
| Charging Diode, Key-Start – EFI .....                           | 7-23 |
| Battery – Gasoline Utility Vehicles .....                       | 7-25 |
| Top-Post Battery - Gasoline Utility Vehicles .....              | 7-27 |

## SECTION 8 – ENGINE (SUBARU EX40)

|  |      |
|--|------|
| Tune-Up Parts – Subaru EX40 .....                | 8-3  |
| Engine and Engine Mounting, Utility – EX40 ..... | 8-5  |
| Fan and Shroud – EX40 .....                      | 8-7  |
| Air Deflector – EX40 .....                       | 8-9  |
| Ignition Components and Flywheel – EX40 .....    | 8-11 |
| Sensors – EX40 .....                             | 8-13 |
| Cylinder Head – EX40 .....                       | 8-15 |



# CONTENTS

---

|  |      |
|--|------|
| Valvetrain and Timing Chain – EX40 ..... | 8-17 |
| Crankcase – EX40 .....                   | 8-19 |
| Crankshaft and Piston – EX40 .....       | 8-21 |

## SECTION 9 – FUEL SYSTEM – EFI

---

|  |      |
|--|------|
| Fuel Tank with Sending Unit, Side Fill – EFI .....               | 9-3  |
| Fuel Tank Kits – EFI .....                                       | 9-5  |
| Carbon Canister – EFI .....                                      | 9-7  |
| Throttle Body and ECU – EFI .....                                | 9-9  |
| Throttle Body Mounting – EFI .....                               | 9-11 |
| Governor and Accelerator Cables – EFI .....                      | 9-13 |
| Air Filter System and Intake Hose – EFI .....                    | 9-15 |
| Air Filter System and Intake Hose – EFI, LWB Utility/Trans ..... | 9-17 |

## SECTION 10 – EXHAUST SYSTEM – EX40 ENGINE

---

|                                |      |
|--------------------------------|------|
| Exhaust System – Utility ..... | 10-3 |
|--------------------------------|------|

## SECTION 11 – DRIVE BELT AND CLUTCHES – EX40

---

|  |       |
|--|-------|
| Drive Belt – Key-Start Vehicles with EFI .....                   | 11-3  |
| Drive Belt – Pedal-Start Vehicles with EFI .....                 | 11-5  |
| Drive Clutch – Key-Start Vehicles .....                          | 11-7  |
| Drive Clutch – Pedal-Start Vehicles .....                        | 11-9  |
| Driven Clutch (Standard Speed) – Key Start and Pedal Start ..... | 11-11 |

## SECTION 12 – TRANSAXLE (FUJI ED65)

---

|   |       |
|---|-------|
| Forward/Reverse Shifter Assembly .....                      | 12-3  |
| Shifter Cable – CA500 & CA550 .....                         | 12-5  |
| Shift Lever and Bracket – Pedal-Start Engines .....         | 12-7  |
| Shift Lever and Bracket – Key-Start Engines .....           | 12-9  |
| Governor Arm and Brackets – Utility Vehicles .....          | 12-11 |
| Transaxle (ED65), Limited Slip – Page 1 of 3 .....          | 12-13 |
| Transaxle (ED65), Open – Page 1 of 3 .....                  | 12-15 |
| Transaxle (ED65), Limited Slip and Open – Page 2 of 3 ..... | 12-17 |
| Transaxle (ED65), Limited Slip – Page 3 of 3 .....          | 12-19 |
| Transaxle (ED65), Open – Page 3 of 3 .....                  | 12-21 |
| Hub, Rear .....   | 12-23 |

# CONTENTS

---

## SECTION 13 – ELECTRICAL SYSTEM – ELECTRIC VEHICLES

---

|  |       |
|--|-------|
| Motor Controller Output Regulator (MCOR) .....                   | 13-3  |
| Main Wiring Harness, 48-Volt Fuse Block – Electric Vehicle ..... | 13-5  |
| Tow/Run Switch and Hour Meter .....                              | 13-7  |
| Electric Components – Electric Vehicle .....                     | 13-9  |
| Batteries 6-Volt, Standard Duty .....                            | 13-11 |
| Batteries 6-Volt, Heavy Duty .....                               | 13-13 |
| Single Point Watering System (SPWS) .....                        | 13-15 |
| Hand Pump and Deionizer (Battery-Powered Quality Light) .....    | 13-17 |

---

## SECTION 14 – ELECTRIC MOTOR

---

|  |      |
|--|------|
| Motor (Model DA5-4006) – IQ Plus ..... | 14-3 |
|--|------|

---

## SECTION 15 – TRANSAXLE – ELECTRIC VEHICLES

---

|                                     |      |
|-------------------------------------|------|
| Transaxle – Electric Vehicles ..... | 15-3 |
|-------------------------------------|------|

---

## SECTION 16 – BATTERY CHARGERS – HIGH-FREQUENCY

---

|  |      |
|--|------|
| On-Board Battery Charger, High-Freq. ..... | 16-3 |
|--|------|

---

## SECTION 17 – MAINTENANCE AND SERVICE TOOLS

---

|  |      |
|--|------|
| Maintenance and Service Tools .....            | 17-3 |
| Maintenance and Service Tools, Continued ..... | 17-5 |
| Maintenance and Service Tools, Continued ..... | 17-7 |

---

## SECTION i – INDEX

---

# BODY AND TRIM

---

1

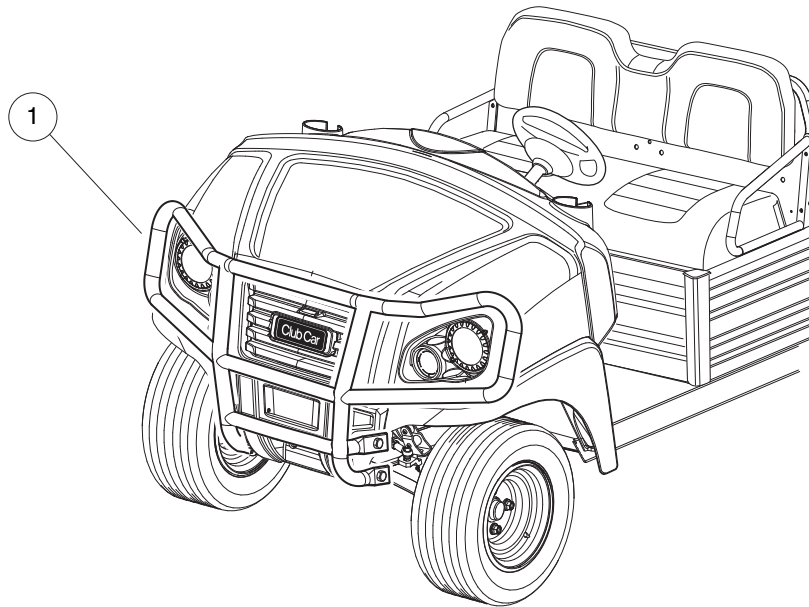
G

E

1

G

E



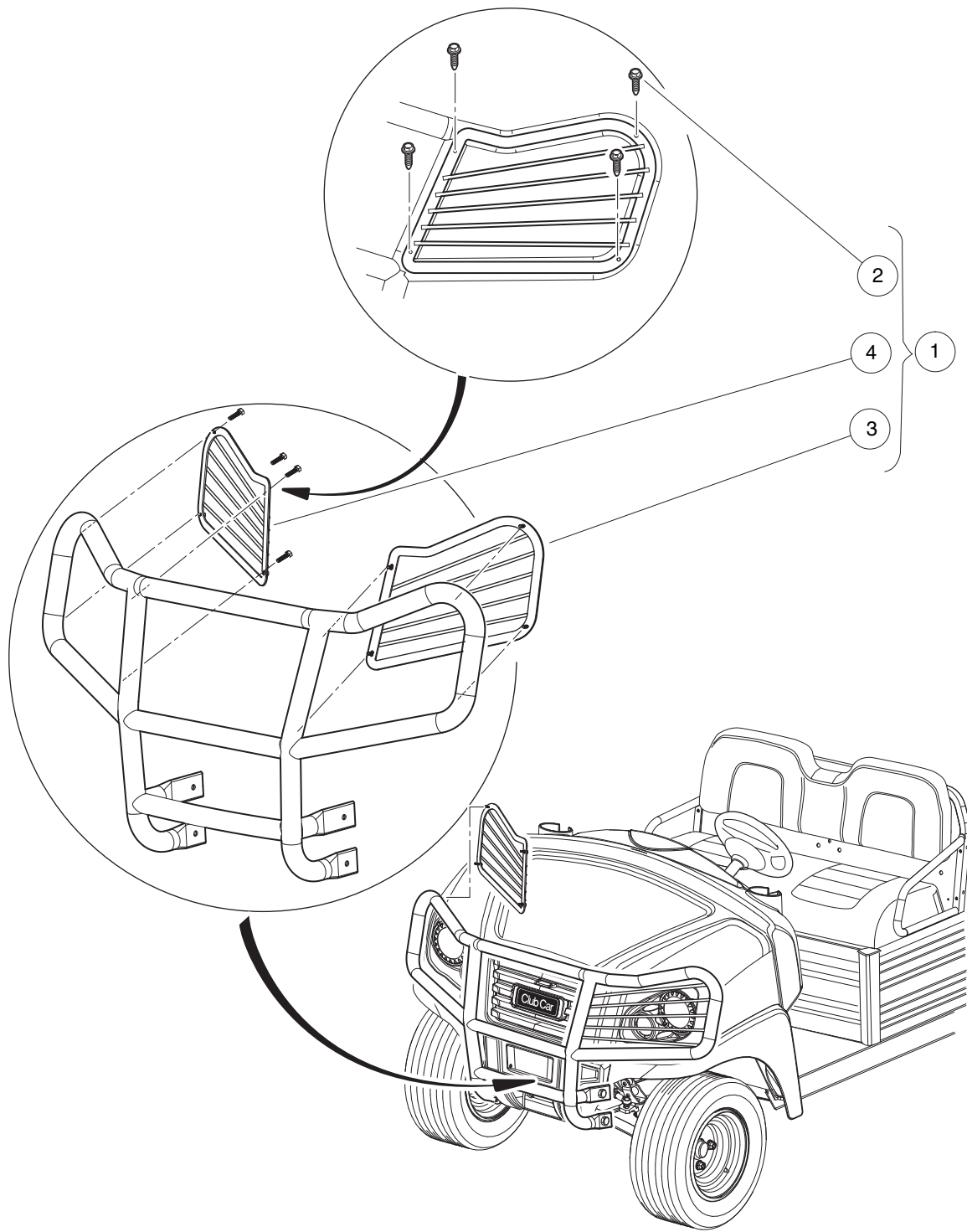
001100-002

# HEAVY DUTY FRONT BUMPER

| ITEM | PART NO.  | DESCRIPTION  | QTY |
|------|-----------|--|-----|
| 1    | 105100601 | <p>1 2 3 4<br/>                     Kit, Hd Bumper, Hb Res .....</p> <p>Note: Individual components are not procurable. Steering Stops, 105242801 and 105243001 are also required when installing the HD Bumper Kit.</p> | 1   |

1  
G  
E

**1**  
**G**  
**E**



001300-017

# HEADLIGHT GUARD

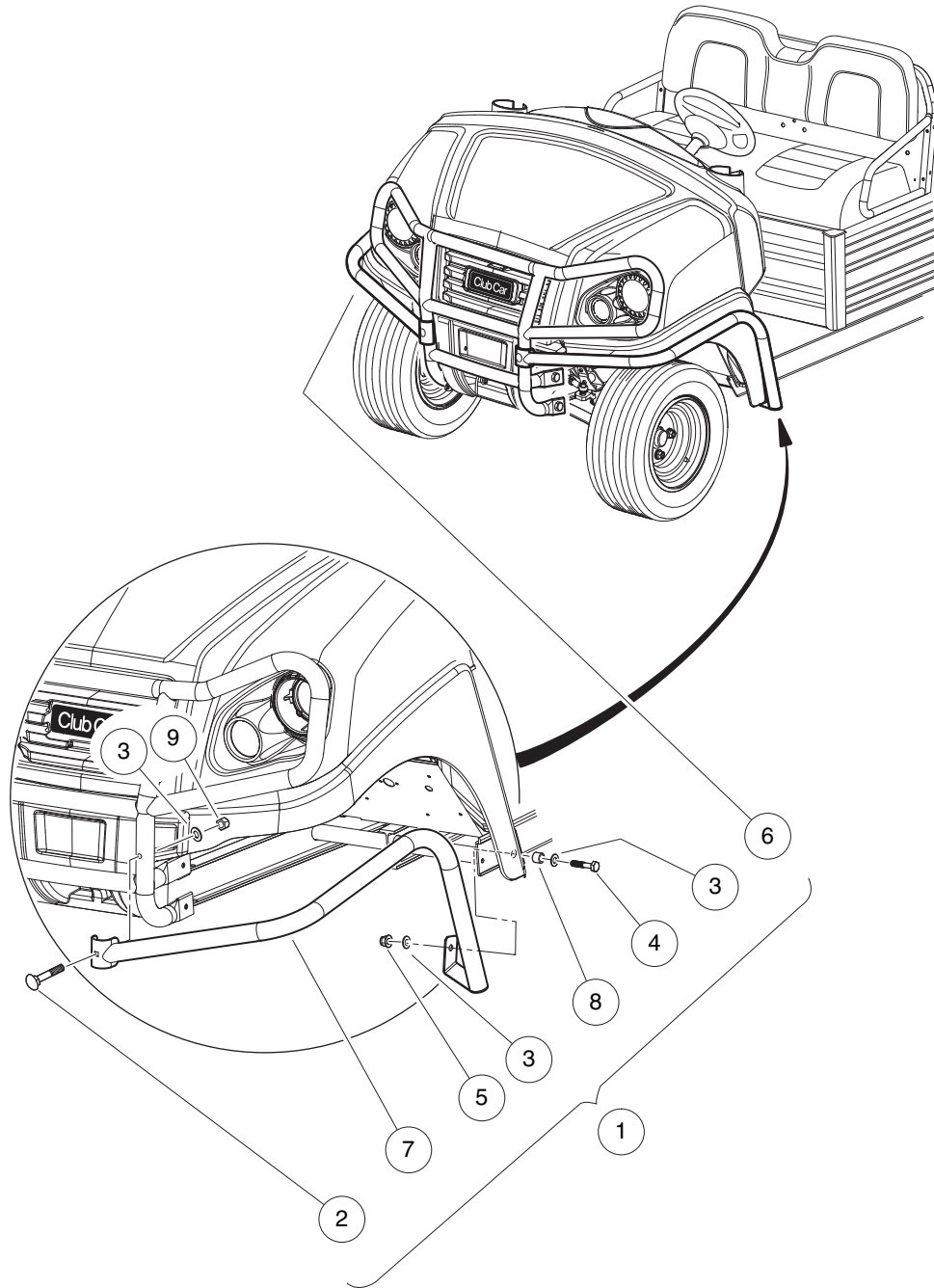
| ITEM | PART NO.  | DESCRIPTION   | QTY |
|------|-----------|---|-----|
|      |           | 1 2 3 4   |     |
| 1    | 105156301 | Kit, Head Light Guard, Utl Res (includes items 2 through 4) ..... | 1   |
| 2    | 102296819 | Screw-M6 x 19 .....   | 8   |
| 3    | 105156701 | Guard, Headlight, UTL,LH .....                                    | 1   |
| 4    | 105156702 | Guard, Head Light, Utl, Rh .....                                  | 1   |

**1**

**G**

**E**

**1**  
**G**  
**E**



001300-002

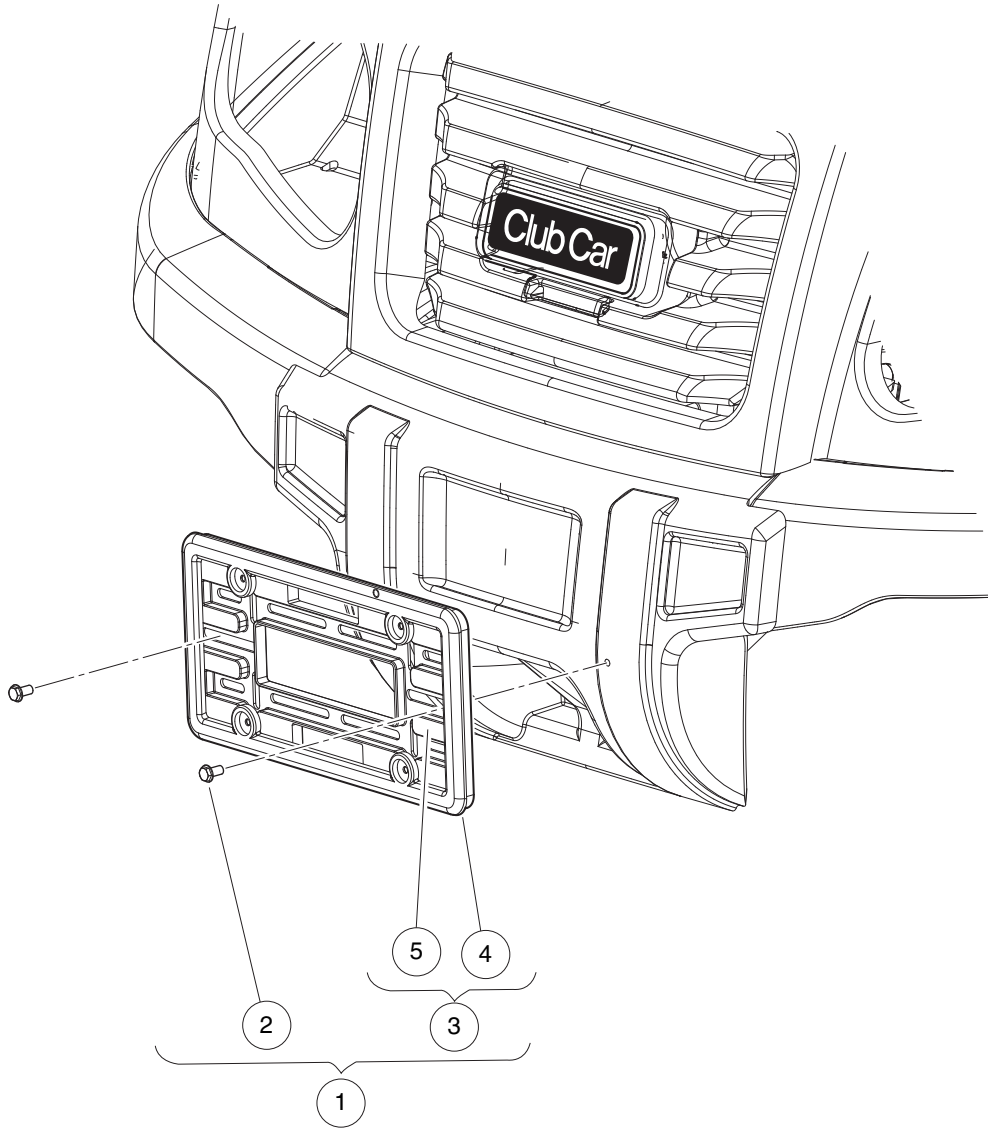


# FENDER GUARD

| ITEM | PART NO.  | DESCRIPTION  | QTY |
|------|-----------|--|-----|
|      |           | 1 2 3 4  |     |
| 1    | 105124001 | Kit, Fender Guard, Hb Res (includes items 2 through 9) ..... | 1   |
| 2    | 101242802 | Bolt, 3/8-16 X 2.25 Rd Hd Sq Bk .....                        | 2   |
| 3    | 102323501 | Washer, Flat, 3/8, Blk Fin .....                             | 6   |
| 4    | 102621601 | Bolt, M10 X 1.50 X 45 Black .....                            | 2   |
| 5    | 102670701 | Nut, Flange, M10 X 1.5 Nylon .....                           | 2   |
| 6    | 105074501 | Weldment, Fender Guard, Hb, Rh .....                         | 1   |
| 7    | 105074502 | Weldment, Fender Guard, Hb, Lh .....                         | 1   |
| 8    | 105094001 | Spacer, Canopy Support, Dash .....                           | 2   |
| 9    | 8754      | Locknut, 3/8-16 Hex .....                                    | 2   |

1  
G  
E

**1**  
**G**  
**E**

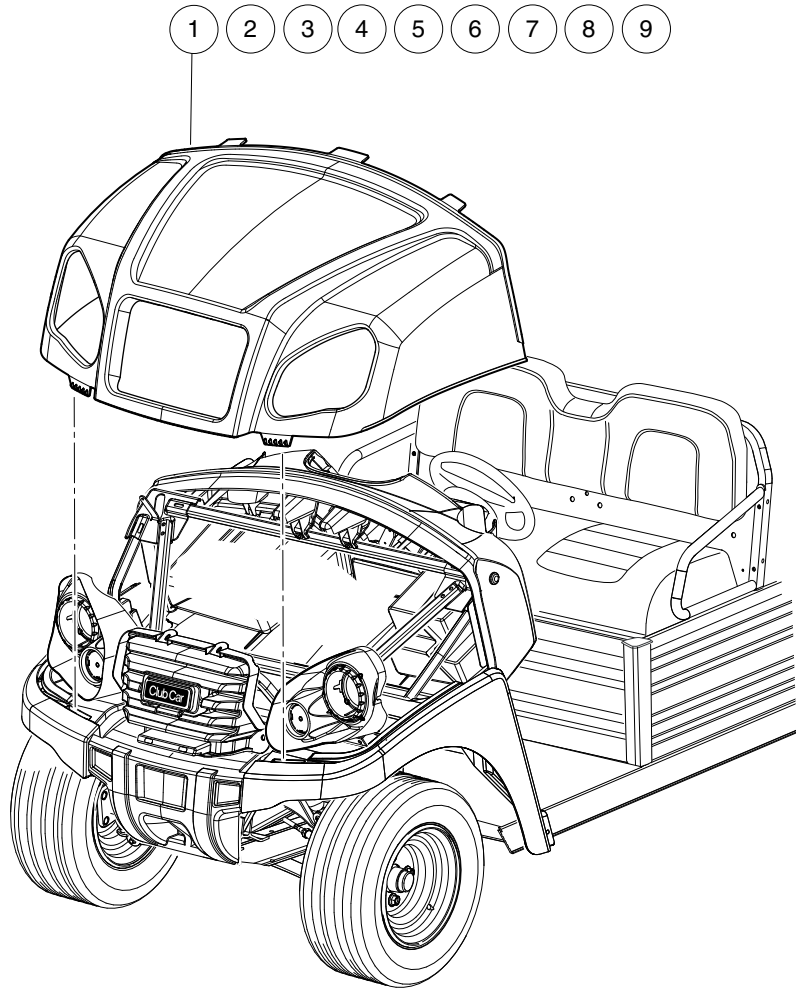


001155-001

# FRONT LICENSE PLATE HOLDER

| ITEM | PART NO.  | DESCRIPTION   | QTY |
|------|-----------|---|-----|
|      |           | <b>1 2 3 4</b>  |     |
| 1    | 105124901 | Kit, Front, License Pl, Lsv (includes items 2 and 3) .....  | 1   |
| 2    | 101856101 | Screw, 1/4-15 X .50 Hi-lo Hex .....                         | 2   |
| 3    | 102311501 | Front License Plate Assembly (includes items 4 and 5) ..... | 1   |
| 4    | N/A       | Frame, License Plate .....                                  | 1   |
| 5    | N/A       | Mount, License Plate .....                                  | 1   |

**1**  
**G**  
**E**



001300-003

# FRONT BODY

| ITEM | PART NO.  | DESCRIPTION                        | QTY |
|------|-----------|------------------------------------|-----|
|      |           | <b>1 2 3 4</b>                     |     |
| 1    | 105034321 | Cowl, Ca, Serv, Dk Green .....     | 1   |
| 2    | 105034322 | Cowl, Ca, Serv, Dk Gray .....      | 1   |
| 3    | 105034323 | Cowl, Ca, Serv, White .....        | 1   |
| 4    | 105034324 | Cowl, Ca, Serv, Bright Blue .....  | 1   |
| 5    | 105034325 | Cowl, Ca, Serv, Titn Silver .....  | 1   |
| 6    | 105034326 | Cowl, Ca, Serv, Beige .....        | 1   |
| 7    | 105034327 | Cowl, Ca, Serv, Red .....          | 1   |
| 8    | 105034328 | Cowl, Ca, Serv, Black .....        | 1   |
| 9    | 105034329 | Cowl, Ca, Serv, Classic Blue ..... | 1   |

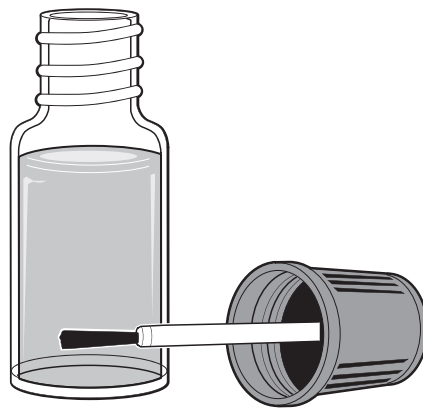
1  
G  
E

1

G

E

- 1
- 2
- 3
- 4
- 5
- 6
- 7
- 8
- 9
- 10

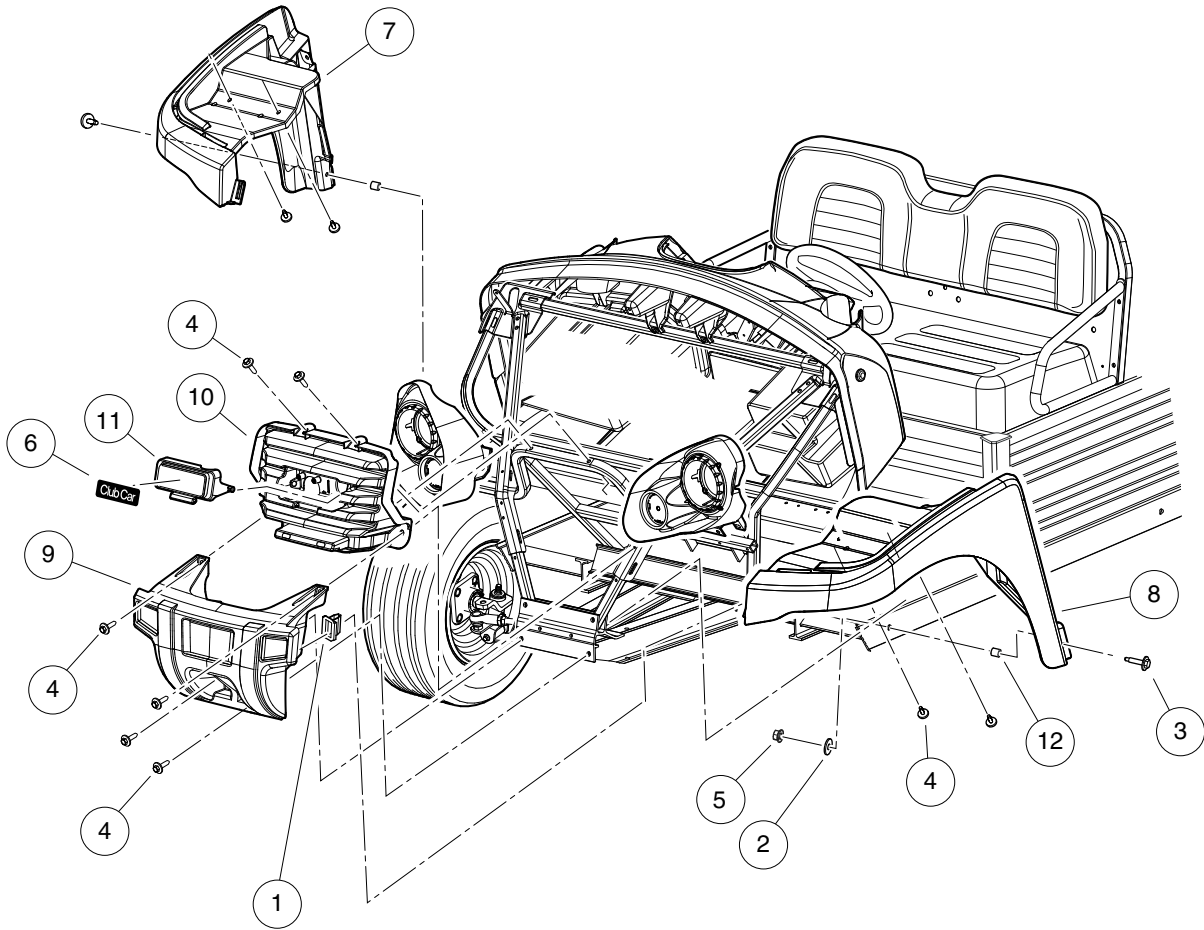


001300-020

# BODY TOUCH-UP PAINT

| ITEM | PART NO.  | DESCRIPTION                         | QTY |
|------|-----------|-------------------------------------|-----|
|      |           | <b>1 2 3 4</b>                      |     |
| 1    | 105117701 | Paint, Touch-up, White .....        | 1   |
| 2    | 105117702 | Paint, Touch-up, Classic Blue ..... | 1   |
| 3    | 105117703 | Paint, Touch-up, Dark Green .....   | 1   |
| 4    | 105117704 | Paint, Touch-up, Red .....          | 1   |
| 5    | 105117705 | Paint, Touch-up, Dark Gray .....    | 1   |
| 6    | 105117706 | Paint, Touch-up, Black .....        | 1   |
| 7    | 105117707 | Paint, Touch-up, Tan .....          | 1   |
| 8    | 105117708 | Paint, Touch-up, Bright Blue .....  | 1   |
| 9    | 105117709 | Paint, Touch-up, Titn Silver .....  | 1   |
| 10   | 105117710 | Paint, Touch-up, Light Gray .....   | 1   |

**1**  
**G**  
**E**



001300-004

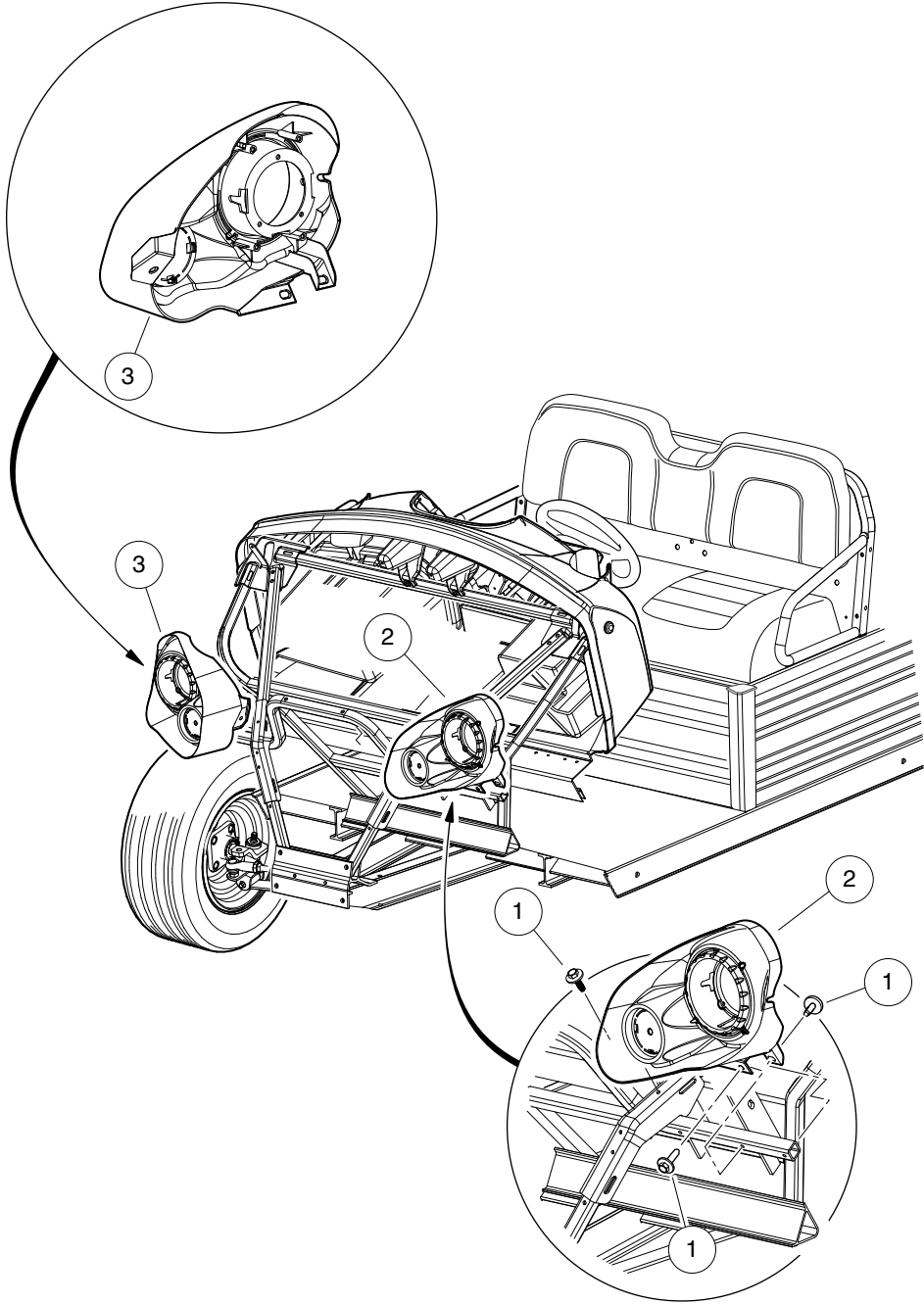


# FRONT BUMPER, GRILLE, AND FENDERS

| ITEM | PART NO.  | DESCRIPTION                                    | QTY |
|------|-----------|--|-----|
|      |           | <b>1 2 3 4</b>                                 |     |
| 1    | 102292701 | Clip-body-trim .....                           | 2   |
| 2    | 102296301 | Washer, M6x18x1.6 Flat .....                   | 2   |
| 3    | 102296530 | Screw - M6 X 1.0 X 30 Sems .....               | 6   |
| 4    | 102297125 | Screw, M6-1.0x25.4, Thread-Forming, SEMS ..... | 8   |
| 5    | 102541501 | Nut-m6x1.0 Fl Mtl Lock,blk .....               | 2   |
| 6    | 102883601 | Decal, Nameplate, CCI, Front .....             | 1   |
| 7    | 105034401 | Fender, Front, Rh, Ca .....                    | 1   |
| 8    | 105034501 | Fender, Front, Lh, Ca .....                    | 1   |
| 9    | 105034601 | Bumper, Front, Plastic, Ca .....               | 1   |
| 10   | 105034701 | Grille, Ca .....                               | 1   |
| 11   | 105034801 | Door, Charger Port, Ca .....                   | 1   |
| 12   | 105036701 | Spacer, Frt Fender, Ca .....                   | 2   |

**1**  
**G**  
**E**

**1**  
**G**  
**E**



001300-005

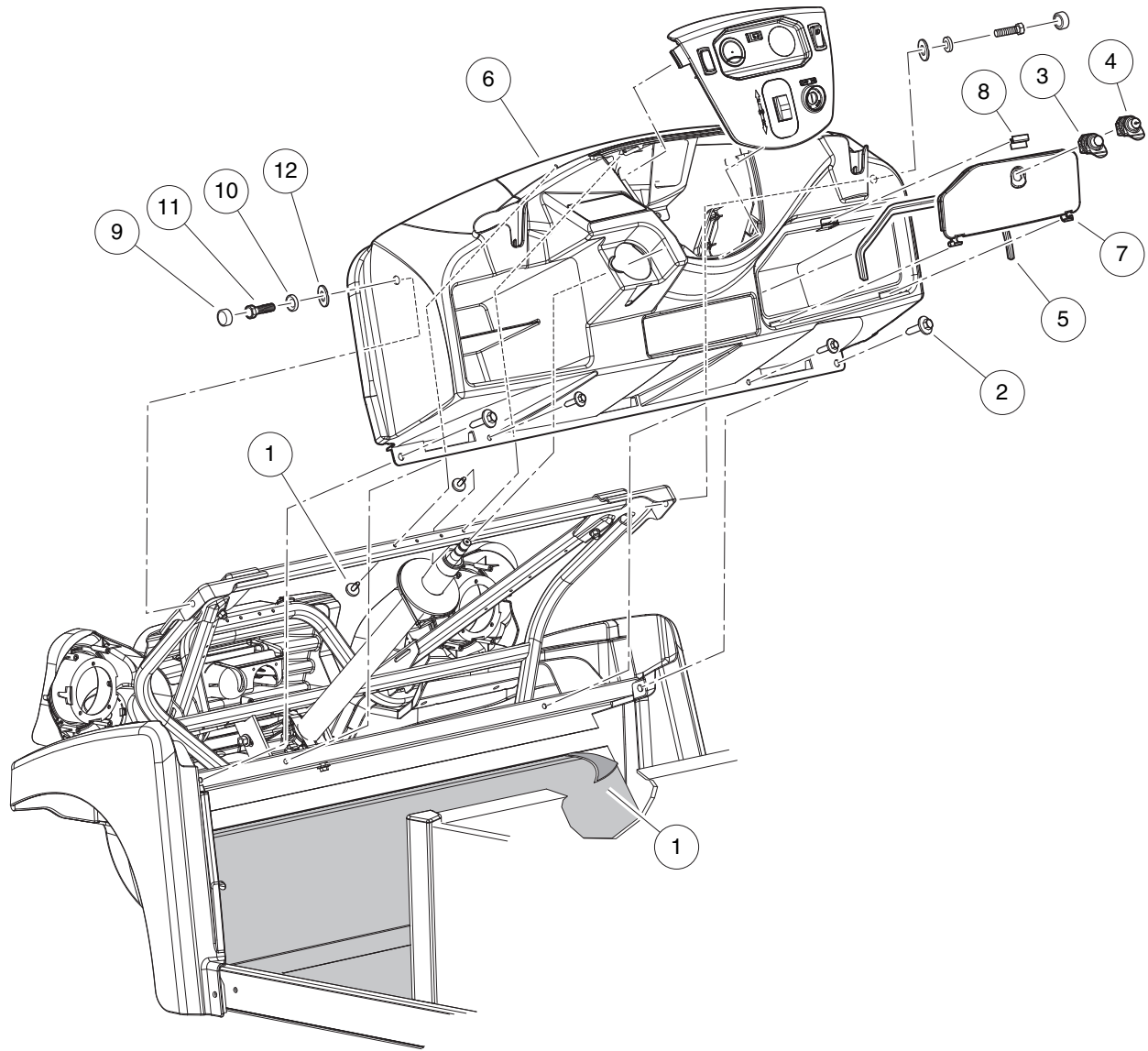
# HEADLIGHT BEZELS

| ITEM | PART NO.  | DESCRIPTION                                    | QTY |
|------|-----------|--|-----|
|      |           | <b>1 2 3 4</b>                                 |     |
| 1    | 102297125 | Screw, M6-1.0x25.4, Thread-Forming, SEMS ..... | 6   |
| 2    | 105034901 | Bezel, Hl, Lh, Ca .....                        | 1   |
| 3    | 105035001 | Bezel, Hl, Rh, Ca .....                        | 1   |

**1**

**G**

**E**



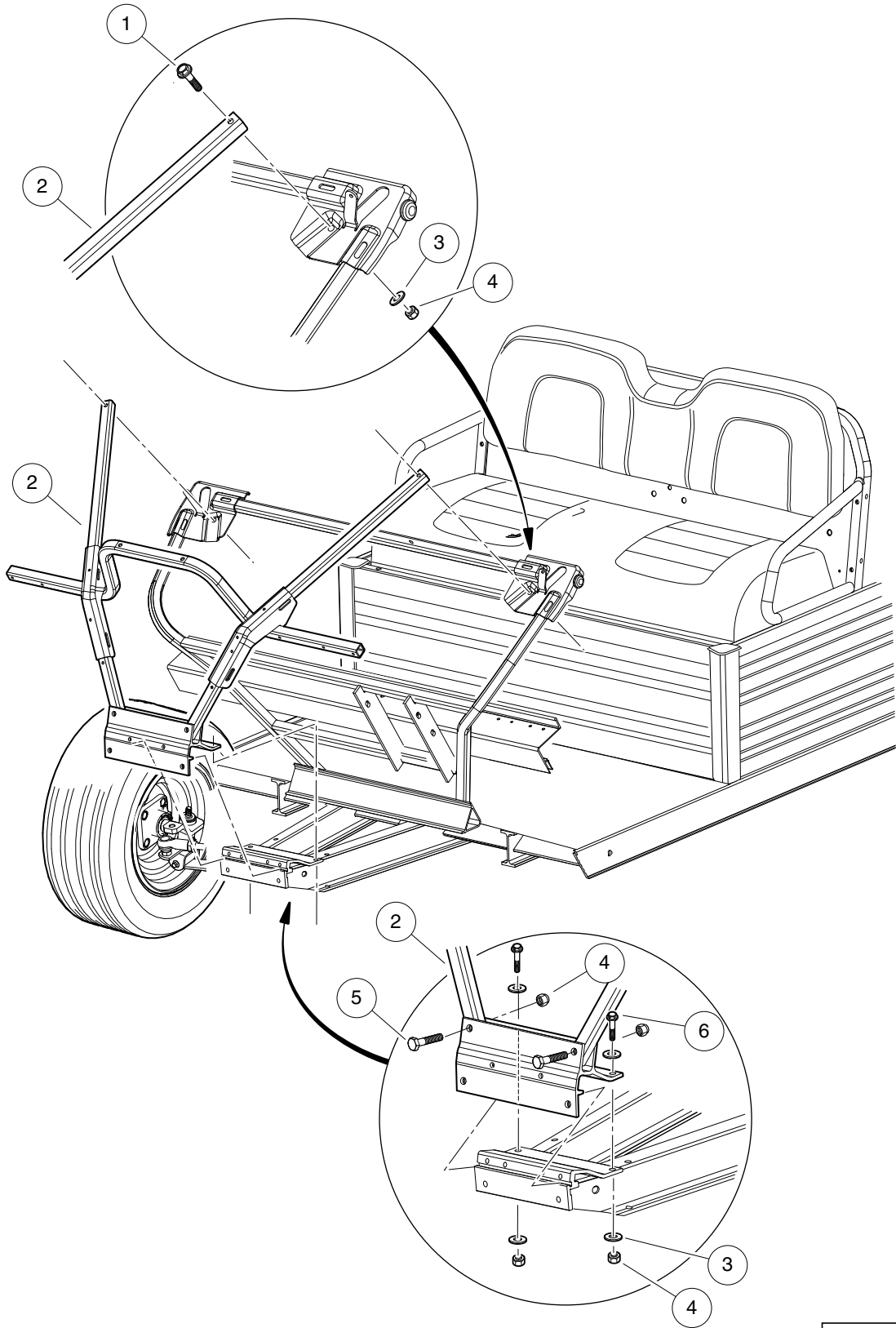
001300-006

# DASH, GLOVEBOX DOOR, AND FLOORMAT

| ITEM | PART NO.  | DESCRIPTION                                    | QTY |
|------|-----------|--|-----|
|      |           | <b>1 2 3 4</b>                                 |     |
| 1    | 101503202 | Floormat .....                                 | 1   |
| 2    | 102297125 | Screw, M6-1.0x25.4, Thread-Forming, SEMS ..... | 6   |
| 3    | 103182701 | Latch, Push Close .....                        | 1   |
| 4    | 103182702 | Latch, Push Close W/ Key .....                 | 1   |
| 5    | 103540203 | Seal, Bulb, 13 X 27 X 579 Mm .....             | 1   |
| 6    | 105034001 | Dash, Ca .....                                 | 1   |
| 7    | 105034201 | Door, Glove Box, Ca .....                      | 1   |
| 8    | 105035701 | Keeper, Latch, Ca .....                        | 1   |
| 9    | 105049201 | Cover, Bolt, Rh Series .....                   | 2   |
| 10   | 105049301 | Cover, Washer, Rhw Series .....                | 2   |
| 11   | 320       | Screw, 3/8-16 X 1.00 Hex-Head Cap .....        | 2   |
| 12   | 334       | Washer, 3/8, Type A, Flat .....                | 2   |

**1**  
**G**  
**E**

**1**  
**G**  
**E**



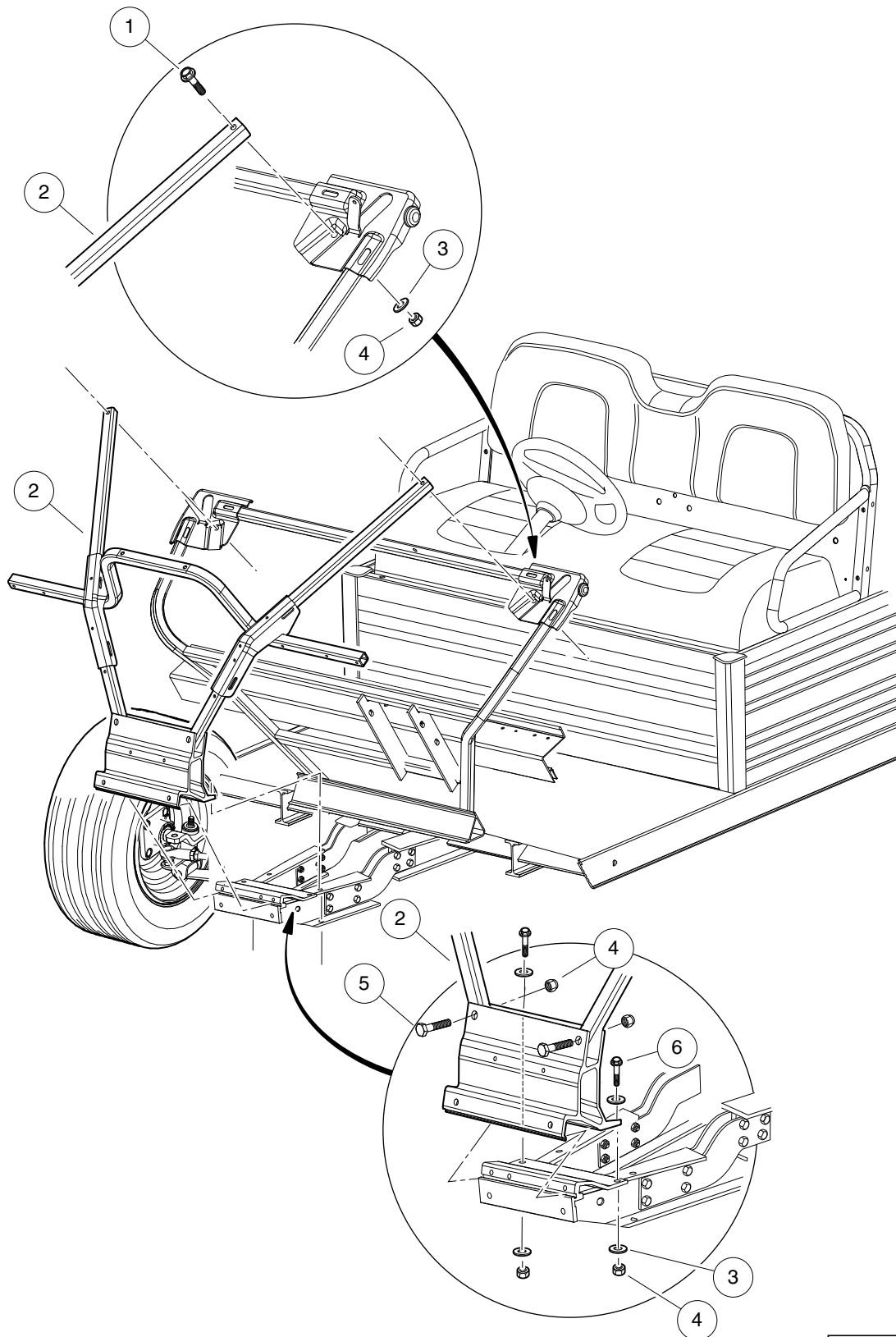
001107-001

# FRONT FRAME, STANDARD

| ITEM | PART NO.  | DESCRIPTION                              | QTY |
|------|-----------|--|-----|
|      |           | <b>1 2 3 4</b>                           |     |
| 1    | 1011937   | Bolt, 5/16-18 X 1.25 Hex Head .....      | 2   |
| 2    | 105007001 | Weldment, Front, Util, Std .....         | 1   |
| 3    | 1241      | Washer, 5/16 Type A Flat .....           | 6   |
| 4    | 7473      | Locknut, 5/16-18 Nylon Insert .....      | 6   |
| 5    | 8935      | Screw, 5/16-18 X 2.25 Hex-Head Cap ..... | 2   |
| 6    | 8963      | Screw, 5/16-18 X 1.75 Hex-Head Cap ..... | 2   |

1  
G  
E

**1**  
**G**  
**E**



001108-001

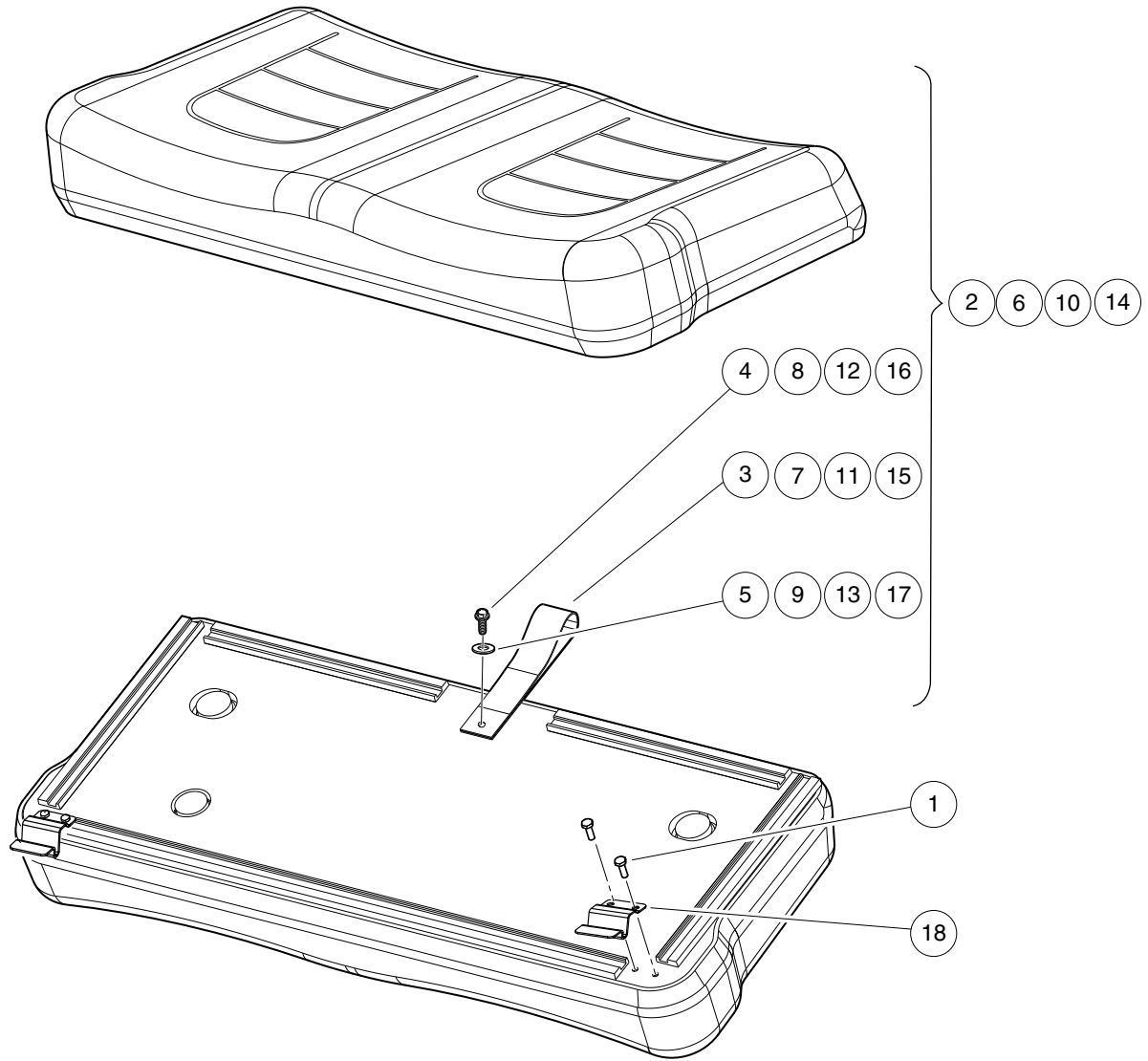


## FRONT FRAME (LIFTED) – CA550

| ITEM | PART NO.  | DESCRIPTION                              | QTY |
|------|-----------|--|-----|
|      |           | <b>1 2 3 4</b>                           |     |
| 1    | 1011937   | Bolt, 5/16-18 X 1.25 Hex Head .....      | 2   |
| 2    | 105007002 | Weldment, Front, Util, Drop .....        | 1   |
| 3    | 1241      | Washer, 5/16 Type A Flat .....           | 8   |
| 4    | 7473      | Locknut, 5/16-18 Nylon Insert .....      | 6   |
| 5    | 8935      | Screw, 5/16-18 X 2.25 Hex-Head Cap ..... | 2   |
| 6    | 8963      | Screw, 5/16-18 X 1.75 Hex-Head Cap ..... | 2   |

**1**  
**G**  
**E**

**1**  
**G**  
**E**



001300-021

# SEAT BOTTOM

| ITEM | PART NO.  | DESCRIPTION  | QTY |
|------|-----------|--|-----|
|      |           | <b>1 2 3 4</b>   |     |
| 1    | 101954301 | Screw, 1/4-20 X 0.75 Hex-Head Cap .....                            | 4   |
| 2    | 105064521 | Asm, Seatbottom, White, Ca, Sp (includes items 3 through 5) .....  | 1   |
| 3    | 1013309   | Strap, Utility Seat .....  | 1   |
| 4    | 101954301 | Screw, 1/4-20 X 0.75 Hex-Head Cap .....                            | 1   |
| 5    | 332       | Washer, 1/4 Type A Narrow Flat .....                               | 1   |
| 6    | 105064522 | Asm, Seatbottom, Black, Ca, Sp (includes items 7 through 9) .....  | 1   |
| 7    | 1013309   | Strap, Utility Seat .....  | 1   |
| 8    | 101954301 | Screw, 1/4-20 X 0.75 Hex-Head Cap .....                            | 1   |
| 9    | 332       | Washer, 1/4 Type A Narrow Flat .....                               | 1   |
| 10   | 105064523 | Asm, Seatbottom, Gray, Ca, Sp (includes items 11 through 13) ..... | 1   |
| 11   | 1013309   | Strap, Utility Seat .....  | 1   |
| 12   | 101954301 | Screw, 1/4-20 X 0.75 Hex-Head Cap .....                            | 1   |
| 13   | 332       | Washer, 1/4 Type A Narrow Flat .....                               | 1   |
| 14   | 105064524 | Asm, Seatbottom, Beige,ca, Sp (includes items 15 through 17) ..... | 1   |
| 15   | 1013309   | Strap, Utility Seat .....  | 1   |
| 16   | 101954301 | Screw, 1/4-20 X 0.75 Hex-Head Cap .....                            | 1   |
| 17   | 332       | Washer, 1/4 Type A Narrow Flat .....                               | 1   |
| 18   | 105200401 | Bracket,Hinge, Seat,CA .....                                       | 2   |

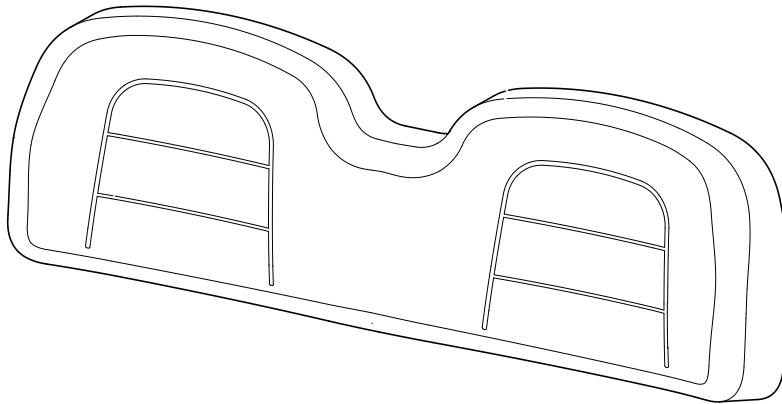
**1**  
**G**  
**E**

1

G

E

1 2 3 4



001300-022

# SEAT BACK

| ITEM | PART NO.  | DESCRIPTION                        | QTY |
|------|-----------|------------------------------------|-----|
|      |           | <b>1 2 3 4</b>                     |     |
| 1    | 105064121 | Asm, Seatback, White, Ca, Sp ..... | 1   |
| 2    | 105064122 | Asm, Seatback, Black, Ca, Sp ..... | 1   |
| 3    | 105064123 | Asm, Seatback, Gray, Ca, Sp .....  | 1   |
| 4    | 105064124 | Asm, Seatback, Beige, Ca, Sp ..... | 1   |

**1**  
**G**  
**E**

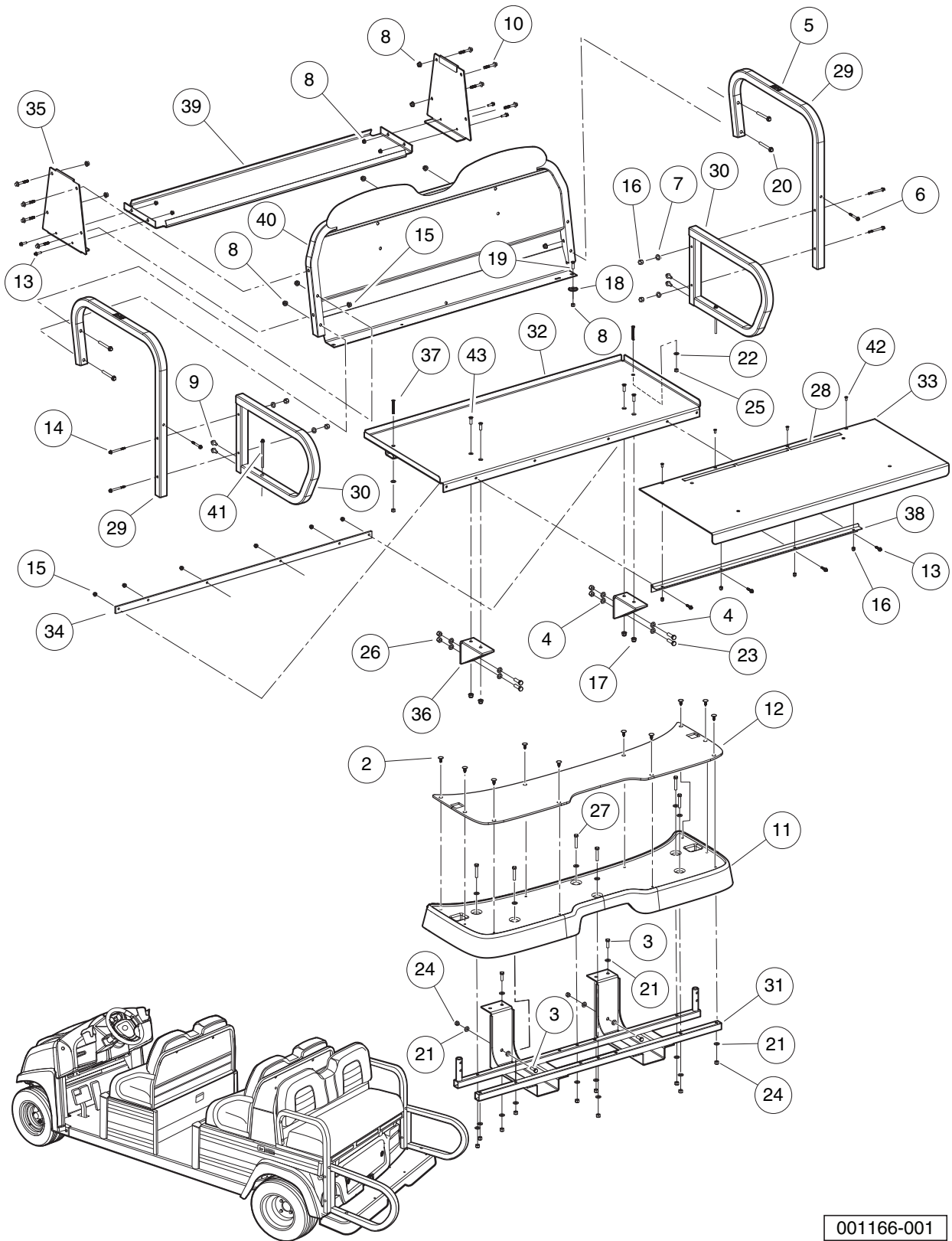


# SEAT FRAME AND HIP-RESTRAINT

| ITEM | PART NO.  | DESCRIPTION                                 | QTY |
|------|-----------|---|-----|
|      |           | 1 2 3 4                                     |     |
| 1    | 1015399   | Screw, 5/16-18 X 0.88 Torx Truss-Head ..... | 6   |
| 2    | 101946201 | Washer, Lock, 0.250 External-Tooth .....    | 4   |
| 3    | 101963401 | Locknut, 5/16-18 Hex Flange .....           | 6   |
| 4    | 102989501 | Seal, Bed, 41-Inch .....                    | 1   |
| 5    | 103487501 | Screw, 1/4-20 X 1.0, Black .....            | 8   |
| 6    | 105006501 | Cap, Corner, Frame .....                    | 2   |
| 7    | 105062401 | Seatback, Weldment, Ca .....                | 1   |
| 8    | 105063001 | Wldmnt, Hip Restraint, Sml, Lh .....        | 1   |
| 9    | 105063002 | Wldmnt, Hip Restraint, Lrg, Rh .....        | 1   |
| 10   | 105194301 | Nut, 5/16-18, Conical Washer .....          | 4   |

**1**  
**G**  
**E**

**1**  
**G**  
**E**



001166-001

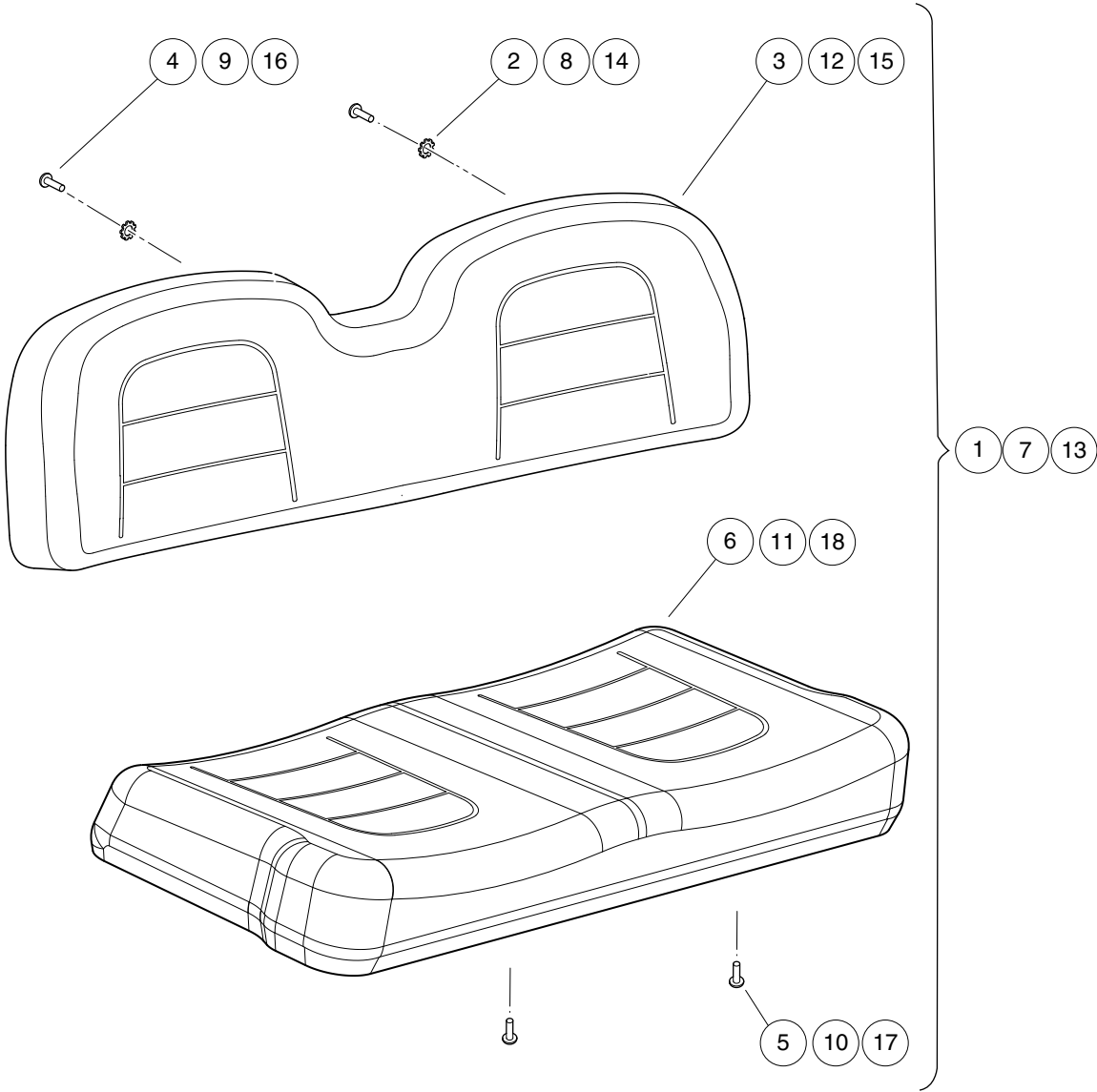


## REAR FACING FOLD DOWN SEAT

| ITEM | PART NO.   | DESCRIPTION   | QTY |
|------|------------|---|-----|
|      |            | <b>1 2 3 4</b>  |     |
| 1    | SVP777502  | Kit, Fold Down, Ca500 (includes items 2 through 43) ..... | 1   |
| 2    | 1010434    | Barrel - Plastic .....                                    | 10  |
| 3    | 1010934    | Screw, 5/16-18 X 1.00 Hex Cap .....                       | 4   |
| 4    | 1011990    | Washer, 3/8 Flat .....                                    | 8   |
| 5    | 101609401  | Decal, Crush Area Warning .....                           | 2   |
| 6    | 102296150  | Bolt - M6x1.0x50 Hex Flng Hd .....                        | 2   |
| 7    | 102296301  | Washer, M6x18x1.6 Flat .....                              | 4   |
| 8    | 102298401  | Nut, M8, All Metal Lock .....                             | 14  |
| 9    | 102298720  | Screw, M8-1.25x20, Taptite .....                          | 4   |
| 10   | 102299550  | Screw, m8x50, sems, tx, btt, plt .....                    | 8   |
| 11   | 102531402  | Footdeck, 4-Passenger, Black .....                        | 1   |
| 12   | 102531601  | Floormat, 4-Passenger, Rear .....                         | 1   |
| 13   | 102541401  | Bolt-m6x1.0x20 Hex Flhd Blk-l .....                       | 8   |
| 14   | 102541470  | Bolt-m6x1.0x70 Hex Flhd, Blk-l .....                      | 4   |
| 15   | 102541501  | Nut-m6x1.0 Fl Mtl Lock, blk .....                         | 12  |
| 16   | 102582401  | Cap Nut M6, Sp .....                                      | 8   |
| 17   | 102618601  | Lock Nut, Flange, M8 X 1.25 Nylon .....                   | 4   |
| 18   | 103201101  | Washer, Step, CVT Primary .....                           | 2   |
| 19   | 103262201  | Bolt Flg Blk, M8 X 25, Loctite .....                      | 2   |
| 20   | 105188185  | Bolt, M8 X 85mm, 10.9 Grade .....                         | 4   |
| 21   | 1241       | Washer, 5/16 Type A Flat .....                            | 20  |
| 22   | 332        | Washer, 1/4 Type A Narrow Flat .....                      | 2   |
| 23   | 705        | Screw, Cap-hex Hd 3/8-16x1.25 .....                       | 4   |
| 24   | 7473       | Locknut, 5/16-18 Nylon Insert .....                       | 10  |
| 25   | 8233       | Locknut, 1/4-20, Nylon Insert .....                       | 2   |
| 26   | 8754       | Locknut, 3/8-16 Hex .....                                 | 4   |
| 27   | 8963       | Screw, 5/16-18 X 1.75 Hex-Head Cap .....                  | 6   |
| 28   | SVP370901  | Asm, Decal, Warn 800 850 Prec .....                       | 1   |
| 29   | SVP658101  | Hip Restraint, Folddown, Ca .....                         | 2   |
| 30   | SVP658401  | Asm, D-ring, Folddown, Ca .....                           | 2   |
| 31   | SVP658602  | Wldmnt, Support, Foot Deck .....                          | 1   |
| 32   | SVP659001  | Channel, Support, Panel, Fixed .....                      | 1   |
| 33   | SVP659101  | Panel, Flip Folddown, Ca .....                            | 1   |
| 34   | SVP659301  | Plate, Back, Hinge, Folddown .....                        | 1   |
| 35   | SVP659503  | Wldmnt, Support, Fixed Panel .....                        | 2   |
| 36   | SVP664101  | Screw, 1/4-20x2.0, Csfh, Ss .....                         | 2   |
| 37   | SVP713301  | Hinge, 2 In Open X 25 In Long .....                       | 1   |
| 38   | SVP732202  | Panel, Closeout, Folddown, Med .....                      | 1   |
| 39   | SVP732301  | Panel, Supprt, Side, Seat, Med .....                      | 2   |
| 40   | SVP732901  | Weldment, Seat Back, Fold Down .....                      | 1   |
| 41   | SVP736801  | Screw, M6-1.0x100 .....                                   | 2   |
| 42   | SVPP229901 | M6x1.0x12 Fl Hd Mach Scr Ss .....                         | 4   |
| 43   | N/A        | M8x1.25x25 Fl Hd Mach Scr .....                           | 4   |

**1**  
**G**  
**E**

**1**  
**G**  
**E**

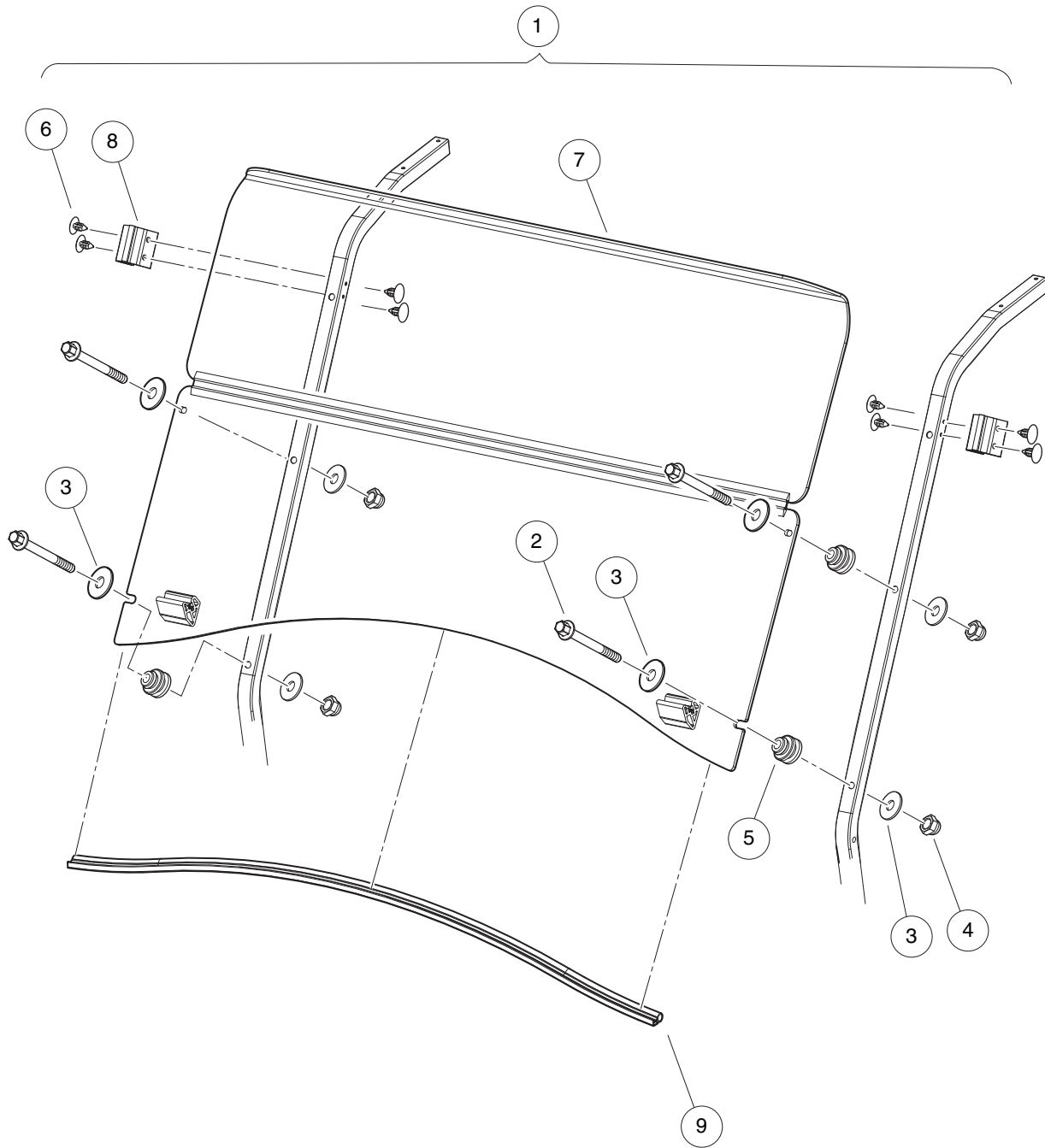


001300-025

## REAR SEATS – VEHICLE WITH FOLD-DOWN REAR SEAT

| ITEM | PART NO.  | DESCRIPTION  | QTY |
|------|-----------|--|-----|
|      |           | 1 2 3 4  |     |
| 1    | SVP777401 | Kit, Seats, Fold Down, Black (includes items 2 through 6) .....  | 1   |
| 2    | 101946201 | Washer, Lock, 0.250 External-Tooth .....                         | 4   |
| 3    | 105064102 | Asm, Seatback, Black, Ca .....                                   | 1   |
| 4    | 8251      | Screw, 1/4-20 X 1.0 Truss-Head Machine .....                     | 4   |
| 5    | SVP387901 | 1/4-20x1.00 Fl Hd Mach Scr Ss .....                              | 4   |
| 6    | SVP716903 | Asm, Seat, Fold Down, Black .....                                | 1   |
| 7    | SVP777402 | Kit, Seats, Fold Down, Beige (includes items 8 through 12) ..... | 1   |
| 8    | 101946201 | Washer, Lock, 0.250 External-Tooth .....                         | 4   |
| 9    | 8251      | Screw, 1/4-20 X 1.0 Truss-Head Machine .....                     | 4   |
| 10   | SVP387901 | 1/4-20x1.00 Fl Hd Mach Scr Ss .....                              | 4   |
| 11   | SVP716905 | Asm, Seat, Fold Down, Bge .....                                  | 1   |
| 12   | SVP860101 | Asm, Seatback, Biege, Ca .....                                   | 1   |
| 13   | SVP777403 | Kit, Seats, Fold Down, Gray (includes items 14 through 18) ..... | 1   |
| 14   | 101946201 | Washer, Lock, 0.250 External-Tooth .....                         | 4   |
| 15   | 105064103 | Asm, Seatback, Gray, Ca .....                                    | 1   |
| 16   | 8251      | Screw, 1/4-20 X 1.0 Truss-Head Machine .....                     | 4   |
| 17   | SVP387901 | 1/4-20x1.00 Fl Hd Mach Scr Ss .....                              | 4   |
| 18   | SVP716902 | Asm, Seat, Fold Down, Gray .....                                 | 1   |

**1**  
**G**  
**E**

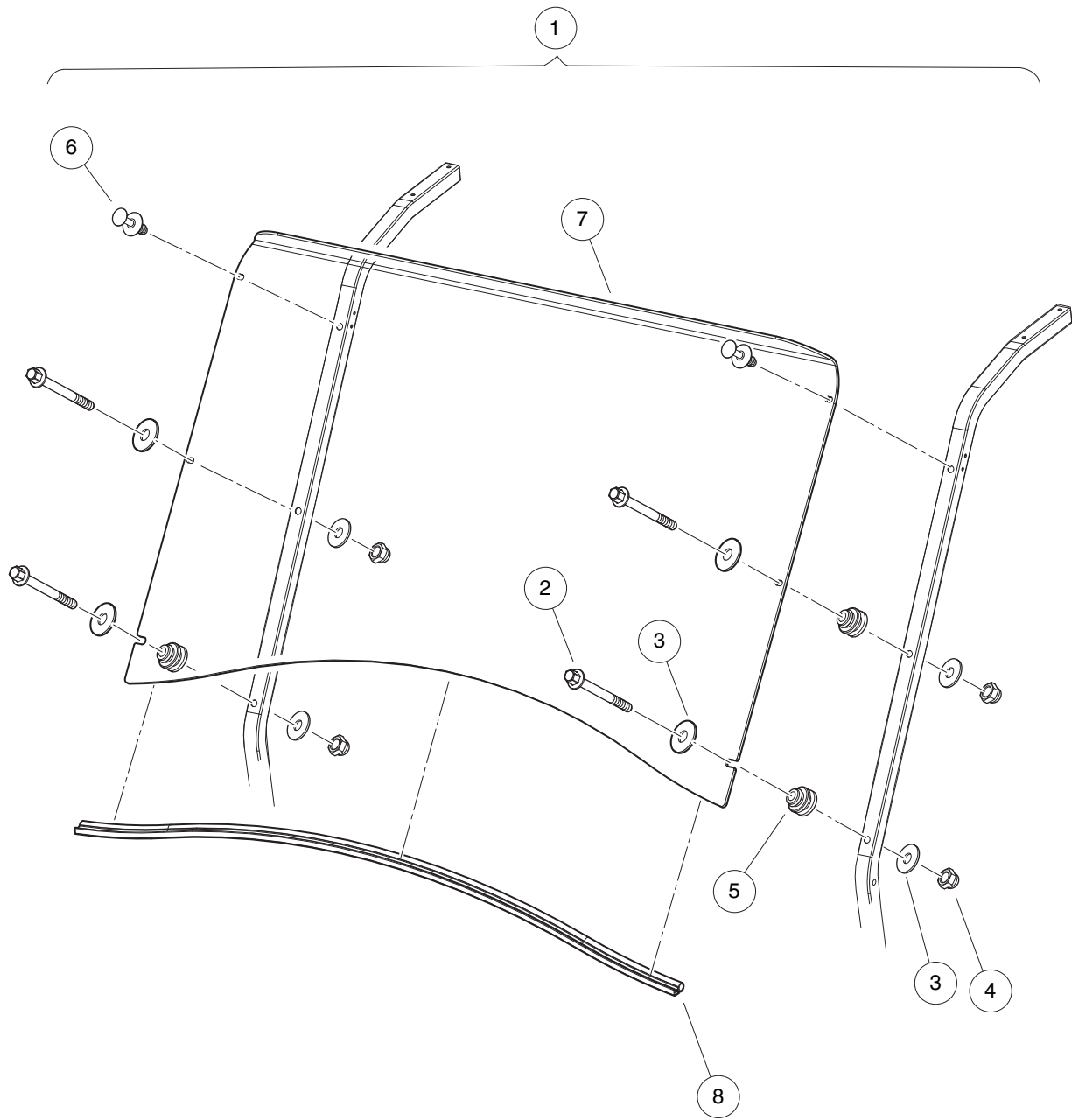


001114-001

# WINDSHIELD, HINGED

| ITEM | PART NO.  | DESCRIPTION  | QTY |
|------|-----------|--|-----|
|      |           | <b>1 2 3 4</b>   |     |
| 1    | 105109101 | Kit, Windshield, Hinged, Hb (includes items 2 through 9) ..... | 1   |
| 2    | 102296150 | Bolt - M6x1.0x50 Hex Flng Hd .....                             | 4   |
| 3    | 102296301 | Washer, M6x18x1.6 Flat .....                                   | 4   |
| 4    | 102582401 | Cap Nut M6, Sp .....   | 4   |
| 5    | 102947601 | Grommet, Windshield, Prec .....                                | 4   |
| 6    | 103754901 | Fastener, Barrel - .610 X .25 .....                            | 8   |
| 7    | 105060901 | Windshield, Hinged, Utility Hb .....                           | 1   |
| 8    | 105069901 | Clip, Retainer, W/s 1.25" .....                                | 2   |
| 9    | 105196001 | seal,windshield .....  | 1   |

1  
G  
E



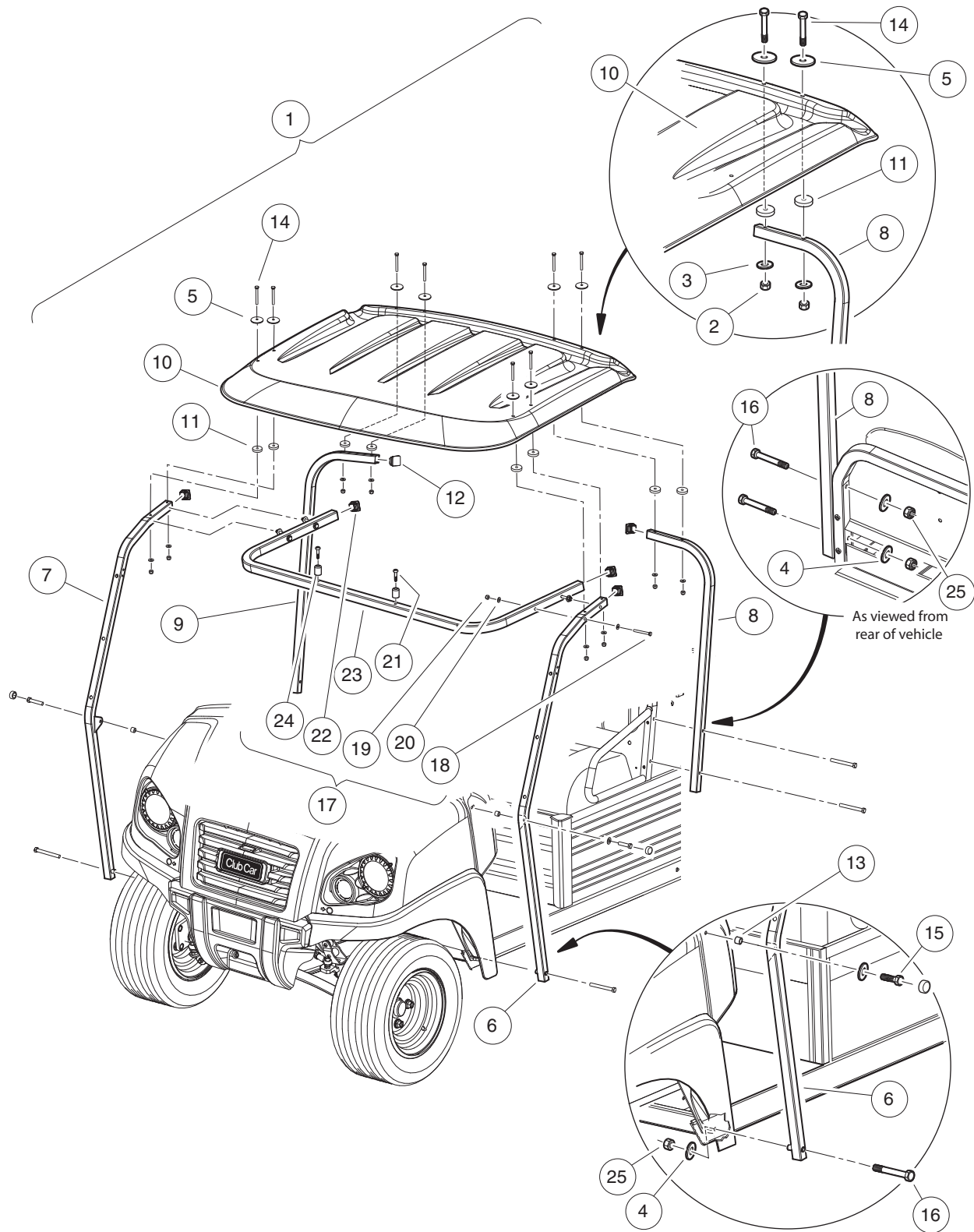
001115-001

# WINDSHIELD, NON-HINGED

| ITEM | PART NO.  | DESCRIPTION  | QTY |
|------|-----------|--|-----|
|      |           | <b>1 2 3 4</b>   |     |
| 1    | 105109201 | Kit, Windshield, Single, Hb (includes items 2 through 8) ..... | 1   |
| 2    | 102296150 | Bolt - M6x1.0x50 Hex Flng Hd .....                             | 4   |
| 3    | 102296301 | Washer, M6x18x1.6 Flat .....                                   | 8   |
| 4    | 102582401 | Cap Nut M6, Sp .....   | 4   |
| 5    | 102947601 | Grommet, Windshield, Prec .....                                | 4   |
| 6    | 105093501 | Blind Rivet, Push, 3-10 Panel .....                            | 2   |
| 7    | 105102301 | Windshield, Single, Hb .....                                   | 1   |
| 8    | 105196001 | seal,windshield .....  | 1   |

**1**  
**G**  
**E**

**1**  
**G**  
**E**



001300-014

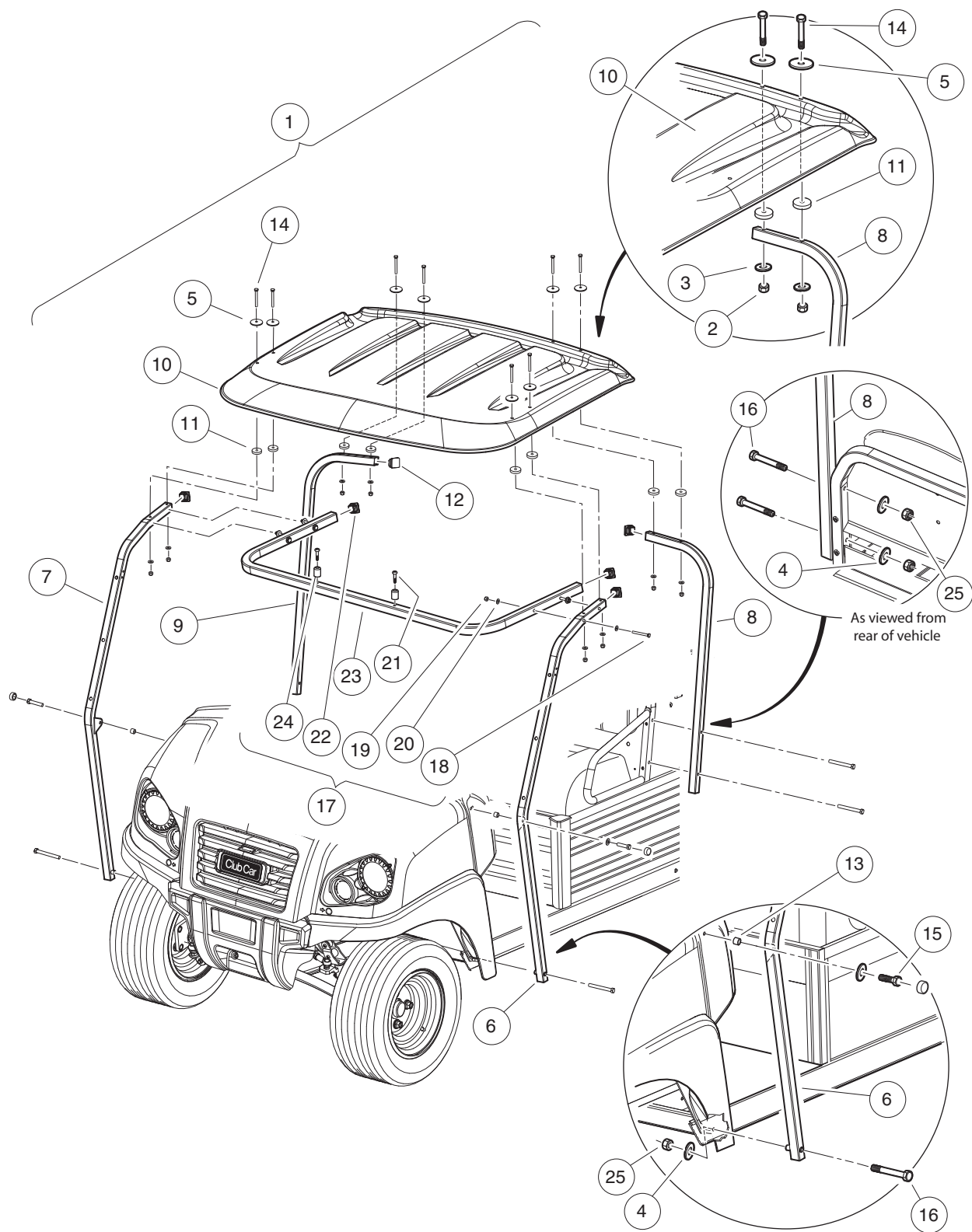


# CANOPY KIT, WHITE

| ITEM | PART NO.  | DESCRIPTION   | QTY |
|------|-----------|---|-----|
|      |           | <b>1 2 3 4</b>  |     |
| 1    | 105063301 | Kit, Canopy, Hb, White (includes items 2 through 25) .....      | 1   |
| 2    | 102242401 | Nut - Nylon Insert W/cap .....                                  | 8   |
| 3    | 102296301 | Washer, M6x18x1.6 Flat .....                                    | 8   |
| 4    | 102323501 | Washer, Flat, 3/8, Blk Fin .....                                | 6   |
| 5    | 103196001 | Washer, Conical Spring, Canopy .....                            | 8   |
| 6    | 105063201 | Weldment, Strut, Ds, Hb .....                                   | 1   |
| 7    | 105063202 | Weldment, Strut, Ps, Hb .....                                   | 1   |
| 8    | 105063401 | Rear, Strut, Bent, Ds .....                                     | 1   |
| 9    | 105063402 | Rear, Strut, Bent, Ps .....                                     | 1   |
| 10   | 105072001 | Canopy, Short, Restyle, White .....                             | 1   |
| 11   | 105086101 | Spacer, Rubber,7.1i D-6.35 Thk .....                            | 8   |
| 12   | 105092601 | Plug, Square -31.75mm .....                                     | 4   |
| 13   | 105094001 | Spacer, Canopy Support, Dash .....                              | 2   |
| 14   | 105197301 | 1/4-20 x 2.25,BHCS,6-LOBE .....                                 | 8   |
| 15   | 105197401 | BOLT,FLG,3/8-16 X 1.00 LOC .....                                | 2   |
| 16   | 105197402 | BOLT,FLG,3/8-16 X 3.00 .....                                    | 6   |
| 17   | 105251901 | Kit, Canopy Support, Front (includes items 18 through 24) ..... | 1   |
| 18   | 1012159   | Bolt, 1/4-20 X 2.75 Hex-Head .....                              | 4   |
| 19   | 102242401 | Nut - Nylon Insert W/cap .....                                  | 4   |
| 20   | 102296301 | Washer, M6x18x1.6 Flat .....                                    | 8   |
| 21   | 102557201 | Screw, #6-20 Type Abx1.00 Pan .....                             | 2   |
| 22   | 102581201 | Plug, Square - 25.4 mm .....                                    | 2   |
| 23   | 105249901 | Tube, Front Support, Canopy, Utility .....                      | 1   |
| 24   | 105250501 | Bumper, Rubber, 3/4-in. Round .....                             | 2   |
| 25   | 8754      | Locknut, 3/8-16 Hex .....                                       | 6   |

**1**  
**G**  
**E**

**1**  
**G**  
**E**



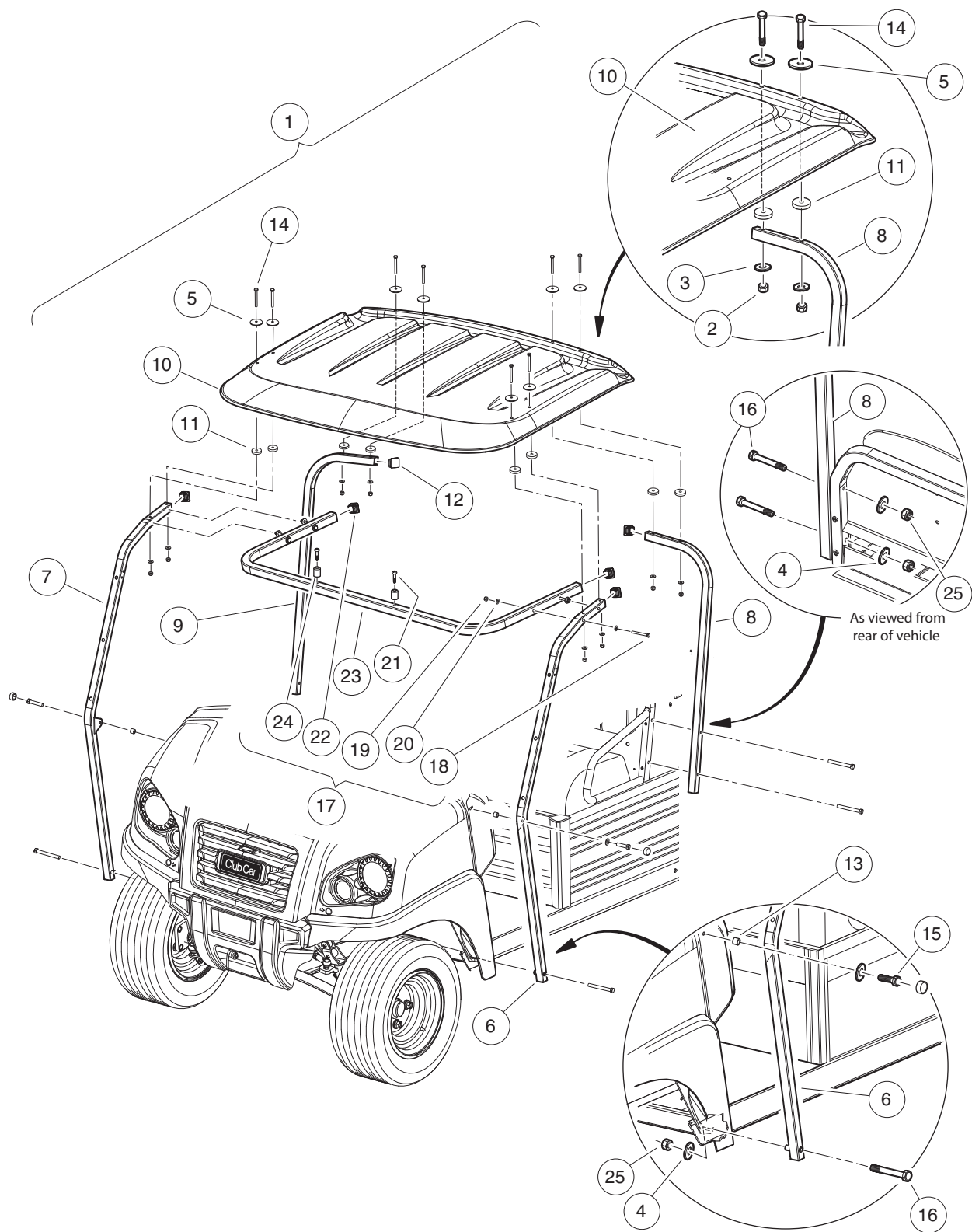
001300-014

# CANOPY KIT, BIEGE

| ITEM | PART NO.  | DESCRIPTION   | QTY |
|------|-----------|---|-----|
|      |           | 1 2 3 4   |     |
| 1    | 105063302 | Kit, Canopy, Hb, Beige (includes items 2 through 25) .....      | 1   |
| 2    | 102242401 | Nut - Nylon Insert W/cap .....                                  | 8   |
| 3    | 102296301 | Washer, M6x18x1.6 Flat .....                                    | 8   |
| 4    | 102323501 | Washer, Flat, 3/8, Blk Fin .....                                | 6   |
| 5    | 103196001 | Washer, Conical Spring, Canopy .....                            | 8   |
| 6    | 105063201 | Weldment, Strut, Ds, Hb .....                                   | 1   |
| 7    | 105063202 | Weldment, Strut, Ps, Hb .....                                   | 1   |
| 8    | 105063401 | Rear, Strut, Bent, Ds .....                                     | 1   |
| 9    | 105063402 | Rear, Strut, Bent, Ps .....                                     | 1   |
| 10   | 105072002 | Canopy, Short, Restyle, Beige .....                             | 1   |
| 11   | 105086101 | Spacer, Rubber,7.1i D-6.35 Thk .....                            | 8   |
| 12   | 105092601 | Plug, Square -31.75mm .....                                     | 8   |
| 13   | 105094001 | Spacer, Canopy Support, Dash .....                              | 4   |
| 14   | 105197301 | 1/4-20 x 2.25,BHCS,6-LOBE .....                                 | 8   |
| 15   | 105197401 | BOLT,FLG,3/8-16 X 1.00 LOC .....                                | 2   |
| 16   | 105197402 | BOLT,FLG,3/8-16 X 3.00 .....                                    | 6   |
| 17   | 105251901 | Kit, Canopy Support, Front (includes items 18 through 24) ..... | 1   |
| 18   | 1012159   | Bolt, 1/4-20 X 2.75 Hex-Head .....                              | 4   |
| 19   | 102242401 | Nut - Nylon Insert W/cap .....                                  | 4   |
| 20   | 102296301 | Washer, M6x18x1.6 Flat .....                                    | 8   |
| 21   | 102557201 | Screw, #6-20 Type Abx1.00 Pan .....                             | 2   |
| 22   | 102581201 | Plug, Square - 25.4 mm .....                                    | 2   |
| 23   | 105249901 | Tube, Front Support, Canopy, Utility .....                      | 1   |
| 24   | 105250501 | Bumper, Rubber, 3/4-in. Round .....                             | 2   |
| 25   | 8754      | Locknut, 3/8-16 Hex .....                                       | 6   |

1  
G  
E

**1**  
**G**  
**E**



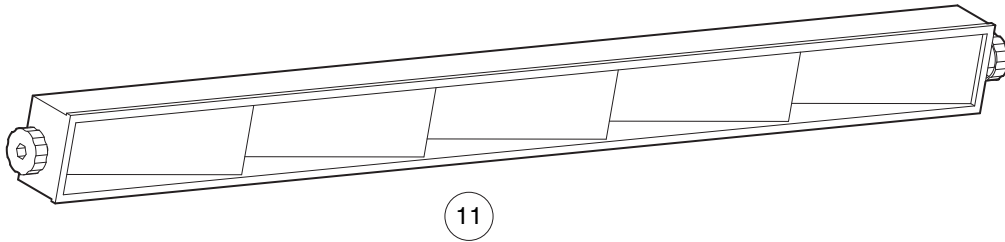
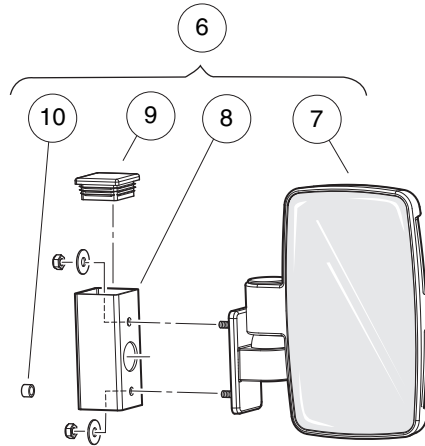
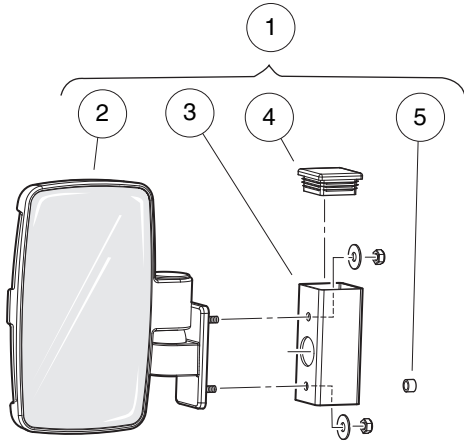
001300-014

# CANOPY KIT, BLACK

| ITEM | PART NO.  | DESCRIPTION   | QTY |
|------|-----------|---|-----|
|      |           | <b>1 2 3 4</b>  |     |
| 1    | 105063303 | Kit, Canopy, Hb, Black (includes items 2 through 25) .....      | 1   |
| 2    | 102242401 | Nut - Nylon Insert W/cap .....                                  | 8   |
| 3    | 102296301 | Washer, M6x18x1.6 Flat .....                                    | 8   |
| 4    | 102323501 | Washer, Flat, 3/8, Blk Fin .....                                | 6   |
| 5    | 103196001 | Washer, Conical Spring, Canopy .....                            | 8   |
| 6    | 105063201 | Weldment, Strut, Ds, Hb .....                                   | 1   |
| 7    | 105063202 | Weldment, Strut, Ps, Hb .....                                   | 1   |
| 8    | 105063401 | Rear, Strut, Bent, Ds .....                                     | 1   |
| 9    | 105063402 | Rear, Strut, Bent, Ps .....                                     | 1   |
| 10   | 105072003 | Canopy, Short, Restyle, Blk .....                               | 1   |
| 11   | 105086101 | Spacer, Rubber,7.1i D-6.35 Thk .....                            | 8   |
| 12   | 105092601 | Plug, Square -31.75mm .....                                     | 4   |
| 13   | 105094001 | Spacer, Canopy Support, Dash .....                              | 2   |
| 14   | 105197301 | 1/4-20 x 2.25,BHCS,6-LOBE .....                                 | 8   |
| 15   | 105197401 | BOLT,FLG,3/8-16 X 1.00 LOC .....                                | 2   |
| 16   | 105197402 | BOLT,FLG,3/8-16 X 3.00 .....                                    | 6   |
| 17   | 105251901 | Kit, Canopy Support, Front (includes items 18 through 24) ..... | 1   |
| 18   | 1012159   | Bolt, 1/4-20 X 2.75 Hex-Head .....                              | 4   |
| 19   | 102242401 | Nut - Nylon Insert W/cap .....                                  | 4   |
| 20   | 102296301 | Washer, M6x18x1.6 Flat .....                                    | 8   |
| 21   | 102557201 | Screw, #6-20 Type Abx1.00 Pan .....                             | 2   |
| 22   | 102581201 | Plug, Square - 25.4 mm .....                                    | 2   |
| 23   | 105249901 | Tube, Front Support, Canopy, Utility .....                      | 1   |
| 24   | 105250501 | Bumper, Rubber, 3/4-in. Round .....                             | 2   |
| 25   | 8754      | Locknut, 3/8-16 Hex .....                                       | 6   |

**1**  
**G**  
**E**

**1**  
**G**  
**E**



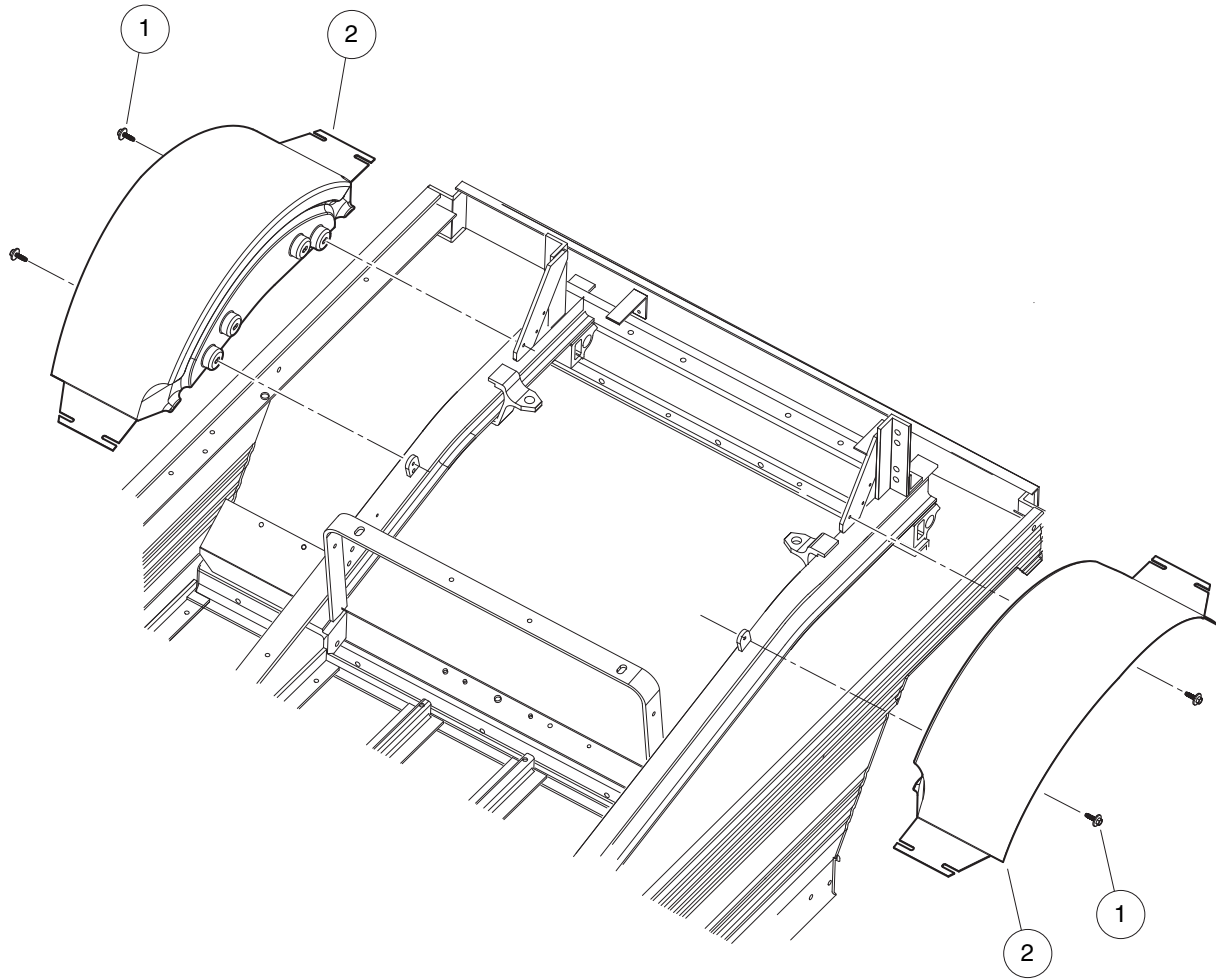
001300-019

# MIRRORS

| ITEM | PART NO.  | DESCRIPTION  | QTY |
|------|-----------|--|-----|
|      |           | <b>1 2 3 4</b>   |     |
| 1    | 105124201 | Kit, Mirror, Hb, Res, Ds (includes items 2 through 5) .....  | 1   |
| 2    | 105128801 | Asm, Mirror, Utl Res, Ds .....                               | 1   |
| 3    | 105128901 | Tube, Mirror, Support .....                                  | 1   |
| 4    | 105129001 | Plug, Square 38.1 Mm .....                                   | 1   |
| 5    | 105170101 | Spacer, M6, Plastic .....                                    | 1   |
| 6    | 105124202 | Kit, Mirror, Hb, Res, Ps (includes items 7 through 10) ..... | 1   |
| 7    | 105128802 | Asm, Mirror, Utl Res, Ps .....                               | 1   |
| 8    | 105128901 | Tube, Mirror, Support .....                                  | 1   |
| 9    | 105129001 | Plug, Square 38.1 Mm .....                                   | 1   |
| 10   | 105170101 | Spacer, M6, Plastic .....                                    | 1   |
| 11   | 105288801 | Kit, Mirror, 5 Panel, Canopy .....                           | 1   |

**1**  
**G**  
**E**

**1**  
**G**  
**E**



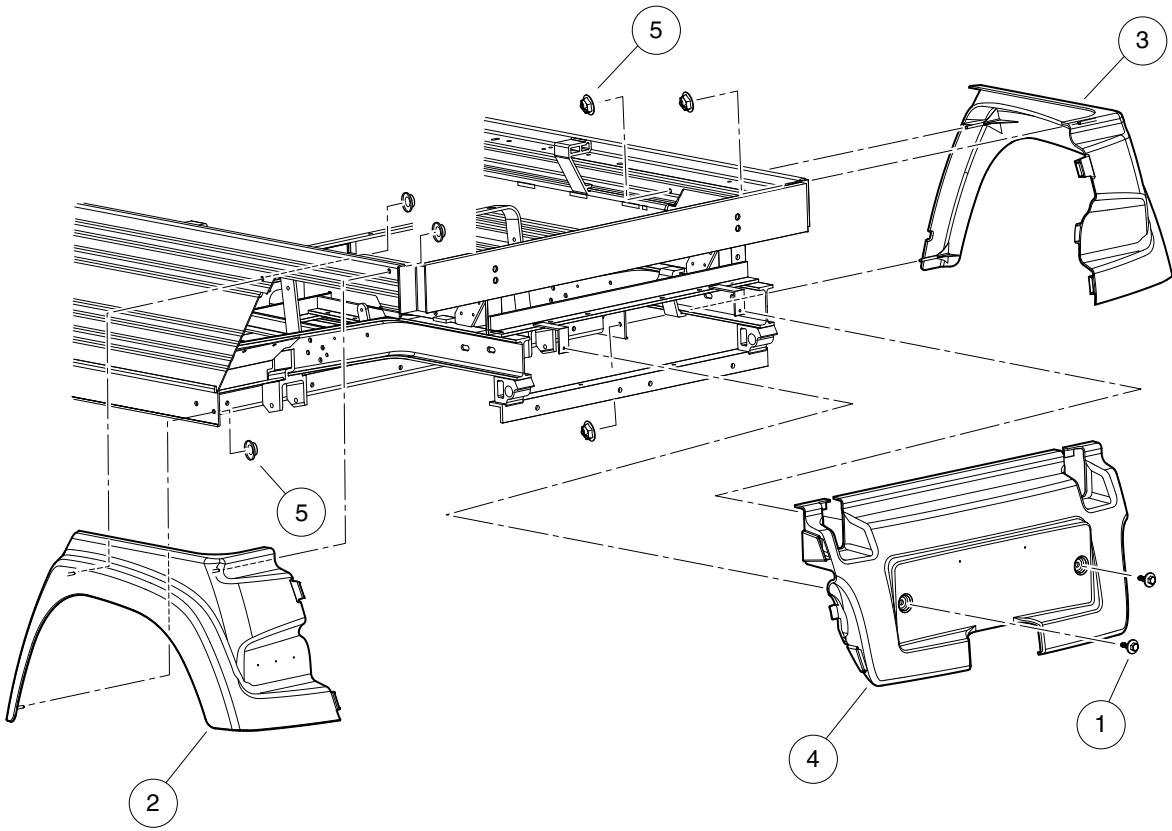
001123-001



# INNER REAR FENDERS

| ITEM | PART NO.  | DESCRIPTION                                    | QTY |
|------|-----------|--|-----|
| 1    | 102297125 | Screw, M6-1.0x25.4, Thread-Forming, SEMS ..... | 4   |
| 2    | 105035801 | Fender, Inner, Ca .....                        | 2   |

1  
G  
E



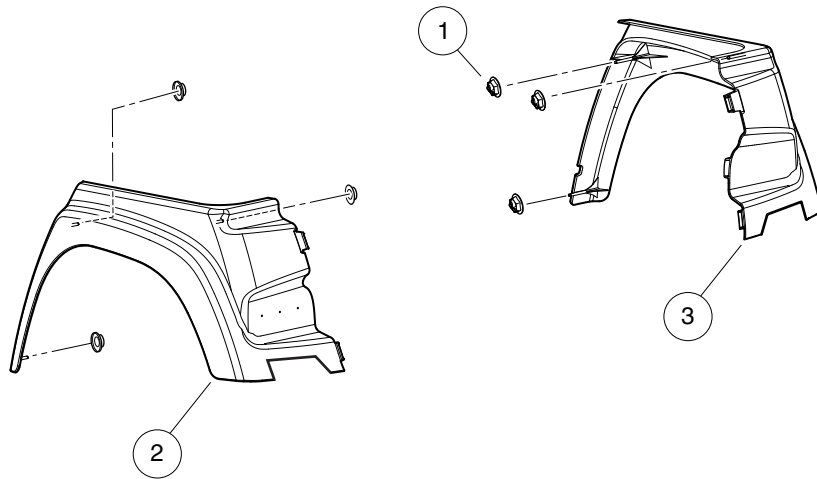
001124-001

# REAR FENDERS AND TAIL SKIRT

| ITEM | PART NO.  | DESCRIPTION                                    | QTY |
|------|-----------|--|-----|
|      |           | <b>1 2 3 4</b>                                 |     |
| 1    | 102297125 | Screw, M6-1.0x25.4, Thread-Forming, SEMS ..... | 2   |
| 2    | 105035101 | Fender, Rear, Lh, Ca .....                     | 1   |
| 3    | 105035201 | Fender, Rear, Rh, Ca .....                     | 1   |
| 4    | 105035301 | Tailskirt, Ca .....                            | 1   |
| 5    | 105066401 | Nut, Self Thread, 5x10x15 .....                | 6   |

1  
G  
E

**1**  
**G**  
**E**



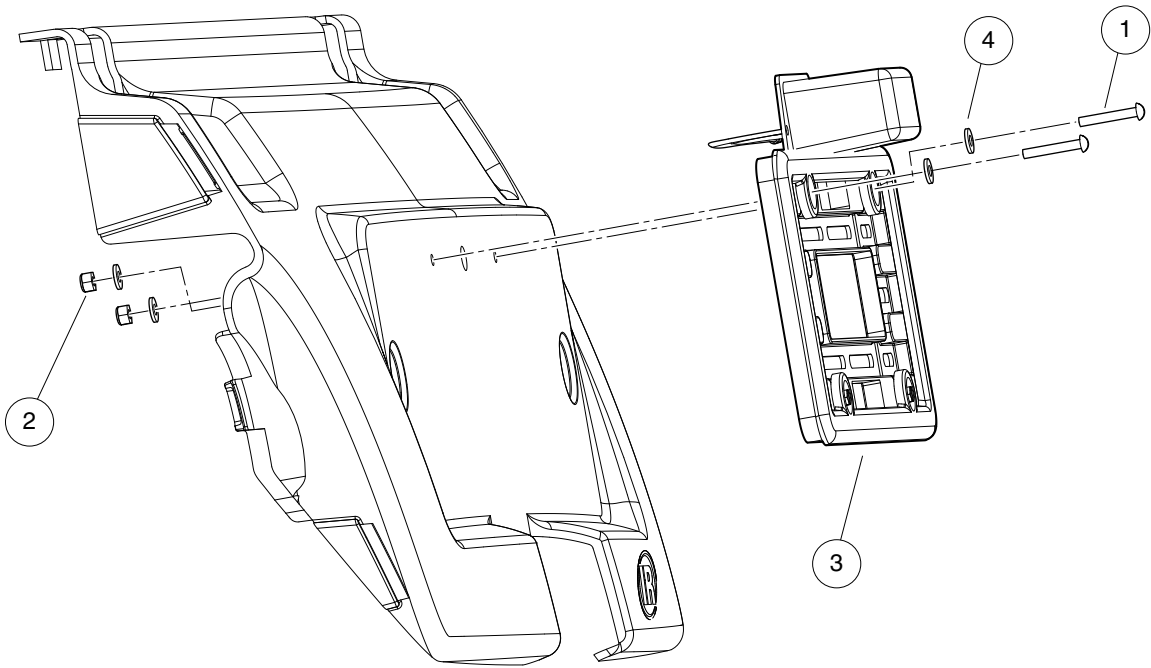
001125-001

# REAR FENDERS – VEHICLE WITH FOLD-DOWN REAR SEAT

| ITEM | PART NO.  | DESCRIPTION                         | QTY |
|------|-----------|-------------------------------------|-----|
|      |           | <b>1 2 3 4</b>                      |     |
| 1    | 105066401 | Nut, Self Thread, 5x10x15 .....     | 6   |
| 2    | SVP826501 | Fender Lh W Fold Down Seat Ca ..... | 1   |
| 3    | SVP826502 | Fender Rh W Fold Down Seat Ca ..... | 1   |

**1**  
**G**  
**E**

**1**  
**G**  
**E**



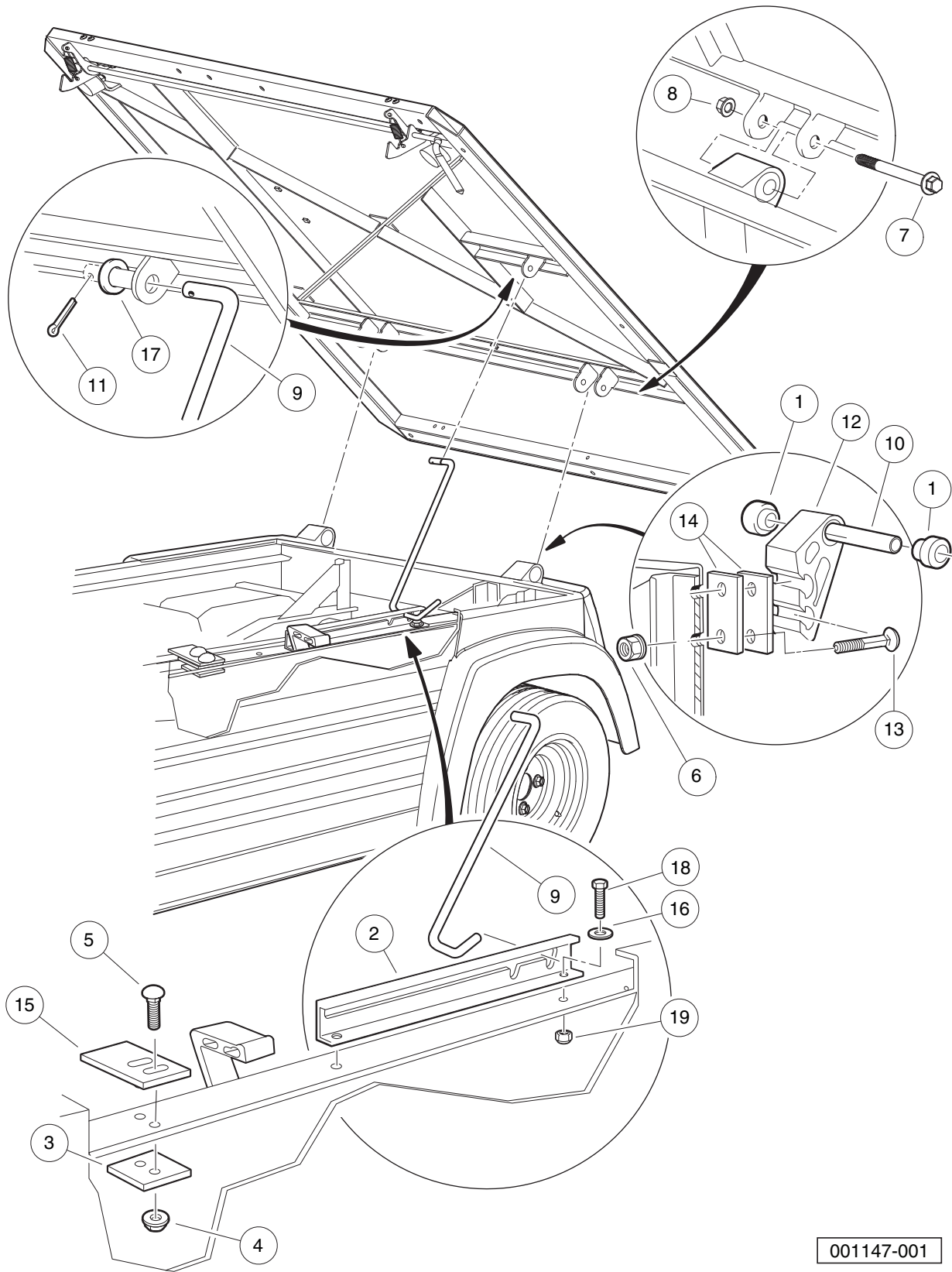
001170-001

# REAR LICENSE PLATE HOLDER

| ITEM | PART NO. | DESCRIPTION                          | QTY |
|------|----------|--------------------------------------|-----|
|      |          | 1 2 3 4                              |     |
| 1    | 1010909  | Screw, #10-32 X 1.25 Rd Hd Mch ..... | 2   |
| 2    | 1013061  | Locknut, #10-32 Nylon Insert .....   | 2   |
| 3    | N/A      | License Plate,ASM, Rear .....        | 1   |
| 4    | 183      | Washer, #10, Type A, Flat .....      | 4   |

1  
G  
E

**1**  
**G**  
**E**



001147-001

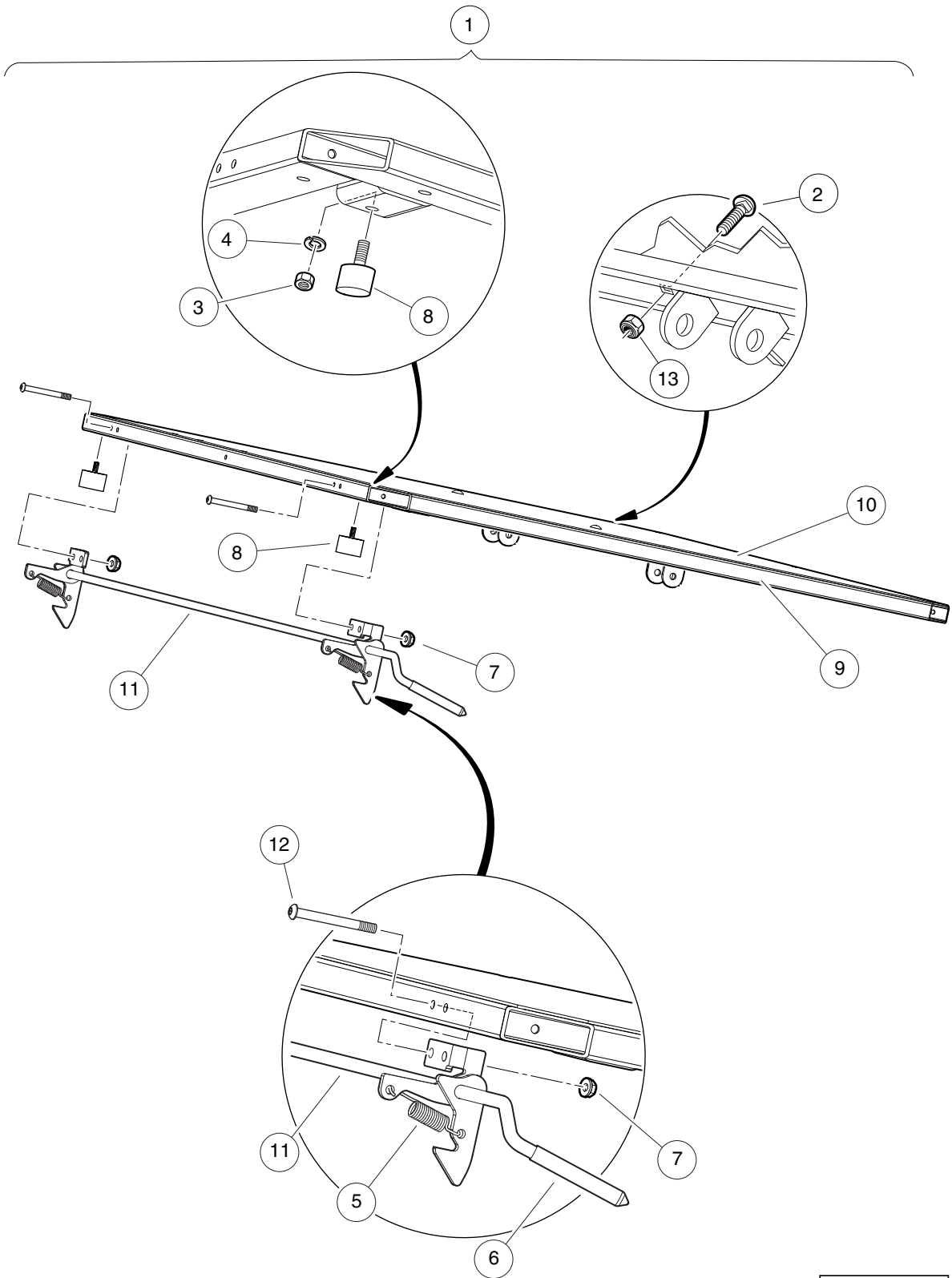


## BED HINGE, LATCH, AND PROP ROD – MEDIUM

| ITEM | PART NO.  | DESCRIPTION                             | QTY |
|------|-----------|---|-----|
|      |           | <b>1 2 3 4</b>                          |     |
| 1    | 1015583   | Bushing, Urethane .....                 | 4   |
| 2    | 1015700   | Track Prop Rod Ca li .....              | 1   |
| 3    | 1016060   | Plate, Latch Support .....              | 2   |
| 4    | 101835601 | Locknut, 1/4-20 Hex Whiz .....          | 4   |
| 5    | 101958602 | Bolt, Carriage, 1/4-20 X 1.0 .....      | 4   |
| 6    | 102065901 | Locknut, 3/8-16 Flanged Dimple .....    | 4   |
| 7    | 102298185 | Bolt - Flange Hd, M8 X 85.0 .....       | 2   |
| 8    | 102298401 | Nut,m8,all Metal Lock .....             | 2   |
| 9    | 102301401 | Rod, Prop .....                         | 1   |
| 10   | 102506401 | Sleeve - Spring Eye Mounts .....        | 2   |
| 11   | 1035      | Cotter Pin, 3/32 x 1 .....              | 1   |
| 12   | 103538701 | Bracket, Bed Hinge, Extruded .....      | 2   |
| 13   | 103539001 | 3/8-16 X 1.25 Carr Blt Gr5 Zn .....     | 4   |
| 14   | 103575801 | Shim, Bed Hinge, .125 Thick .....       | 4   |
| 15   | 105110801 | Plate, Latch, Ca .....                  | 2   |
| 16   | 332       | Washer, 1/4 Type A Narrow Flat .....    | 2   |
| 17   | 334       | Washer, 3/8, Type A, Flat .....         | 1   |
| 18   | 7479      | Screw, 1/4-20 X 1.25 Hex-Head Cap ..... | 2   |
| 19   | 8233      | Locknut, 1/4-20, Nylon Insert .....     | 2   |

**1**  
**G**  
**E**

**1**  
**G**  
**E**



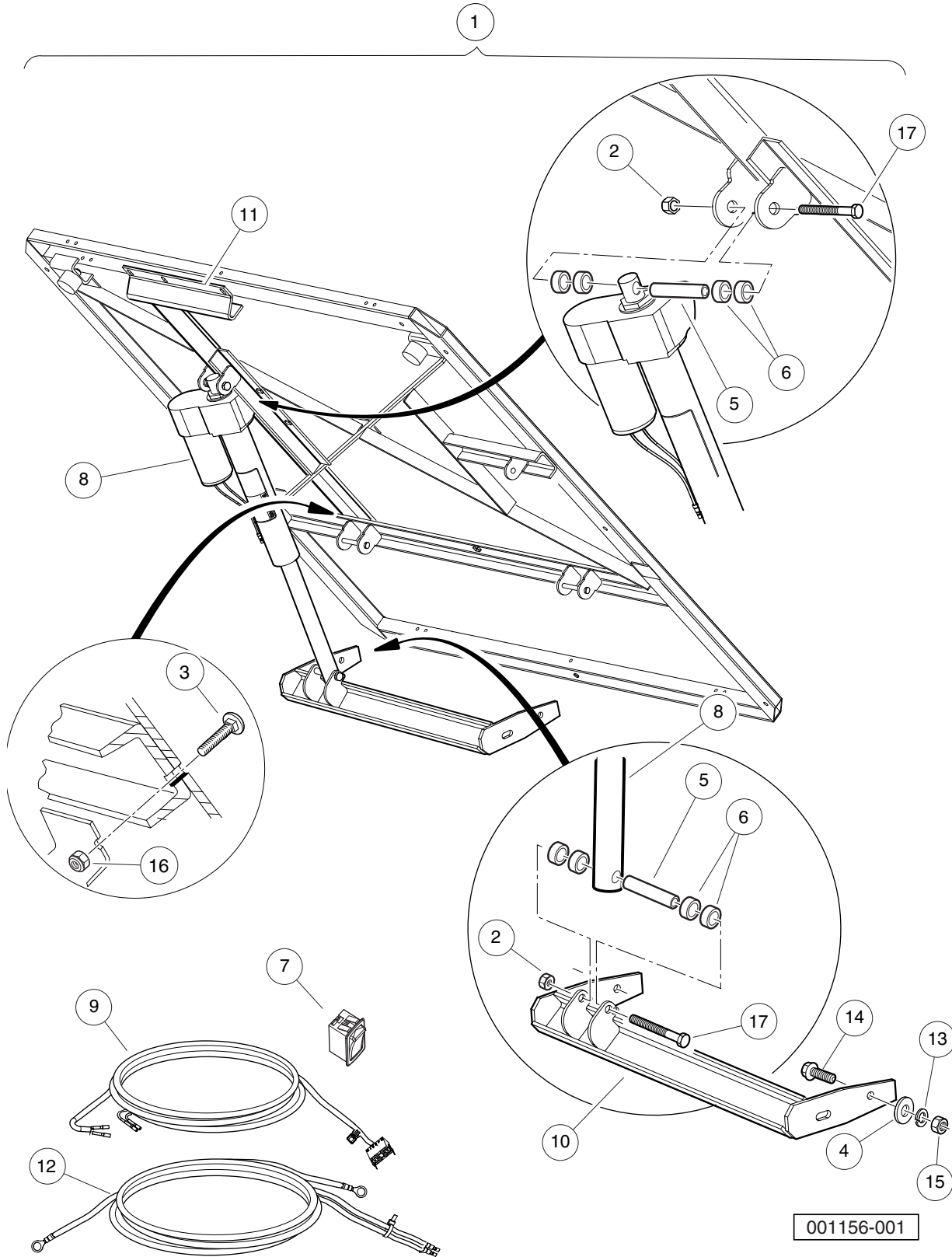
001148-001

## TILT BED AND BED LATCH – MEDIUM

| ITEM | PART NO.  | DESCRIPTION   | QTY |
|------|-----------|---|-----|
|      |           | <b>1 2 3 4</b>  |     |
| 1    | 105197101 | Kit, Bed Floor, Med (includes items 2 through 13) ..... | 1   |
| 2    | 101043502 | Bolt, Carriage, 5/16-18x1 blk .....                     | 4   |
| 3    | 1012528   | Nut, M8-1.25 Hex .....                                  | 2   |
| 4    | 1013734   | Lockwasher, 8mm Split .....                             | 2   |
| 5    | 1015391   | Extension, Spring Latch .....                           | 2   |
| 6    | 1015400   | Grip, Tilt Latch Hand .....                             | 1   |
| 7    | 1015661   | Nut, Lock Hx Flanged 1/4-20 .....                       | 4   |
| 8    | 105036601 | Bumper, Bedfloor, Ca .....                              | 2   |
| 9    | N/A       | Frame, Weldmnt, Bed, Medium .....                       | 1   |
| 10   | N/A       | Plate, Floor, Bed, Rhino, Med .....                     | 1   |
| 11   | 105169101 | Weldment, Bed Latch, CA .....                           | 1   |
| 12   | 105194101 | 1/4-20 X 2.5, Bhcs, 6-lobe .....                        | 1   |
| 13   | 7473      | Locknut, 5/16-18 Nylon Insert .....                     | 4   |

**1**  
**G**  
**E**

**1**  
**G**  
**E**

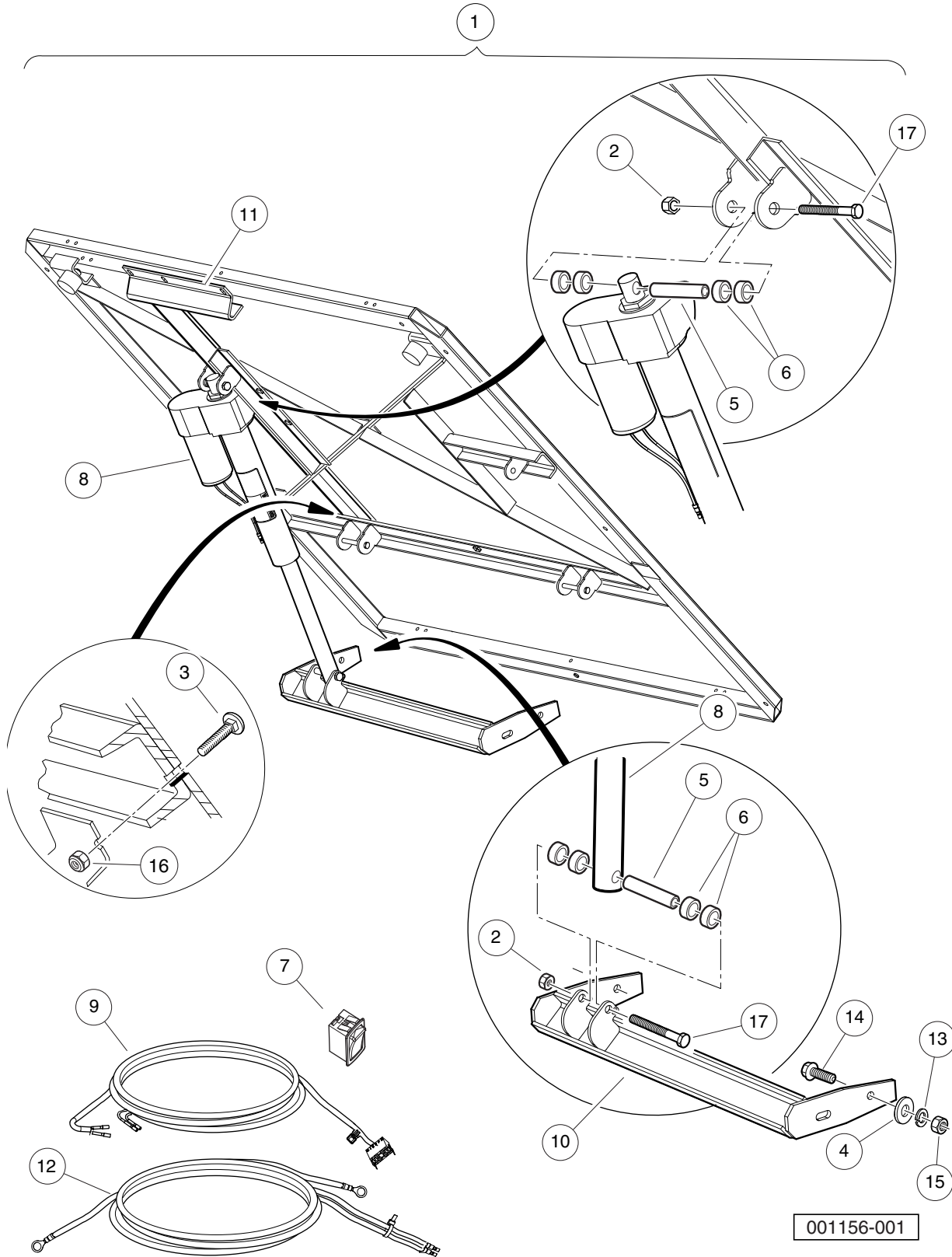


# ELECTRIC BED LIFT – MEDIUM, ELECTRIC VEHICLES

| ITEM | PART NO.  | DESCRIPTION  | QTY |
|------|-----------|--|-----|
|      |           | 1 2 3 4  |     |
| 1    | 105170301 | Kit, Bed Lift, Elec, Med (includes items 2 through 17) ..... | 1   |
| 2    | 1010138   | Locknut, 3/8-16 Dimpled .....                                | 2   |
| 3    | 101043502 | Bolt, Carriage, 5/16-18x1 blk .....                          | 1   |
| 4    | 1011990   | Washer, 3/8 Flat .....                                       | 4   |
| 5    | 1016603   | Bushing, Long .....  | 2   |
| 6    | 1017774   | Body Spacer .....  | 8   |
| 7    | 102882501 | Switch, Rocker, Bed Lift .....                               | 1   |
| 8    | 103951802 | Actuator, Bed Lift, Elec, 48v .....                          | 1   |
| 9    | 105108901 | Harness, Bed Lift, Util .....                                | 1   |
| 10   | 105131001 | Weldment, Mnt, Bed Lift, Ca .....                            | 1   |
| 11   | 105193501 | Weldment, Bed Lift, Med .....                                | 1   |
| 12   | 105197601 | Asm, Jumper, Bedlift, Ca500 .....                            | 1   |
| 13   | 357       | Lockwasher, 3/8 Split .....                                  | 4   |
| 14   | 705       | Screw, Cap-hex Hd 3/8-16x1.25 .....                          | 4   |
| 15   | 706       | Nut, Hex 3/8-16 .....  | 4   |
| 16   | 7473      | Locknut, 5/16-18 Nylon Insert .....                          | 1   |
| 17   | 7561      | Bolt, 3/8-16 X 3.00 Hex Head .....                           | 2   |

**1**  
**G**  
**E**

**1**  
**G**  
**E**

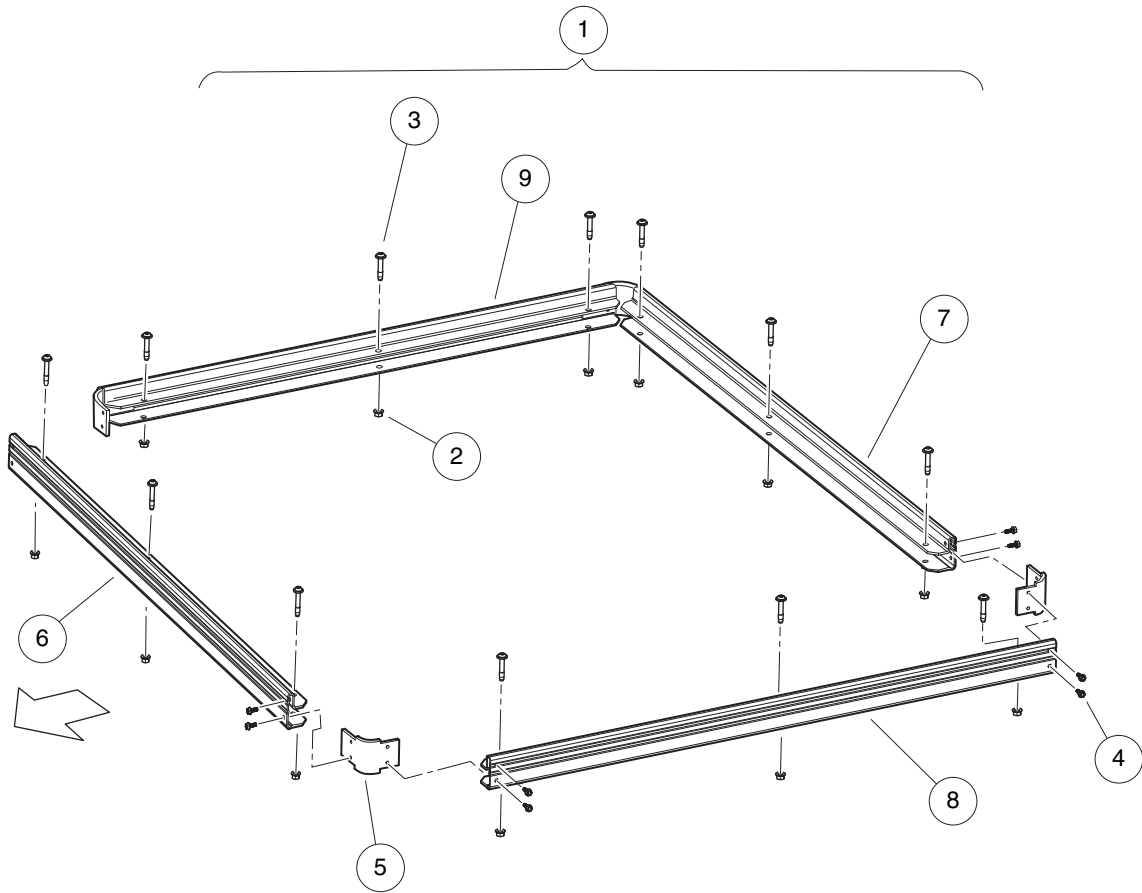


# ELECTRIC BED LIFT – GASOLINE VEHICLES

| ITEM | PART NO.  | DESCRIPTION   | QTY |
|------|-----------|---|-----|
|      |           | 1 2 3 4   |     |
| 1    | 105170501 | Kit, Bed Lift, Gas, Med (includes items 2 through 17) ..... | 1   |
| 2    | 1010138   | Locknut, 3/8-16 Dimpled .....                               | 2   |
| 3    | 101043502 | Bolt, Carriage, 5/16-18x1 blk .....                         | 1   |
| 4    | 1011990   | Washer, 3/8 Flat .....                                      | 4   |
| 5    | 1016603   | Bushing, Long .....   | 2   |
| 6    | 1017774   | Body Spacer .....   | 8   |
| 7    | 102882501 | Switch, Rocker, Bed Lift .....                              | 1   |
| 8    | 103951801 | Actuator, Bed Lift, Electric .....                          | 1   |
| 9    | 105108901 | Harness, Bed Lift, Util .....                               | 1   |
| 10   | 105131001 | Weldment, Mnt, Bed Lift, Ca .....                           | 1   |
| 11   | 105193501 | Weldment, Bed Lift, Med .....                               | 1   |
| 12   | 105197601 | Asm, Jumper, Bedlift, Ca500 .....                           | 1   |
| 13   | 357       | Lockwasher, 3/8 Split .....                                 | 4   |
| 14   | 705       | Screw, Cap-hex Hd 3/8-16x1.25 .....                         | 4   |
| 15   | 706       | Nut, Hex 3/8-16 .....                                       | 4   |
| 16   | 7473      | Locknut, 5/16-18 Nylon Insert .....                         | 1   |
| 17   | 7561      | Bolt, 3/8-16 X 3.00 Hex Head .....                          | 2   |

**1**  
**G**  
**E**

**1**  
**G**  
**E**



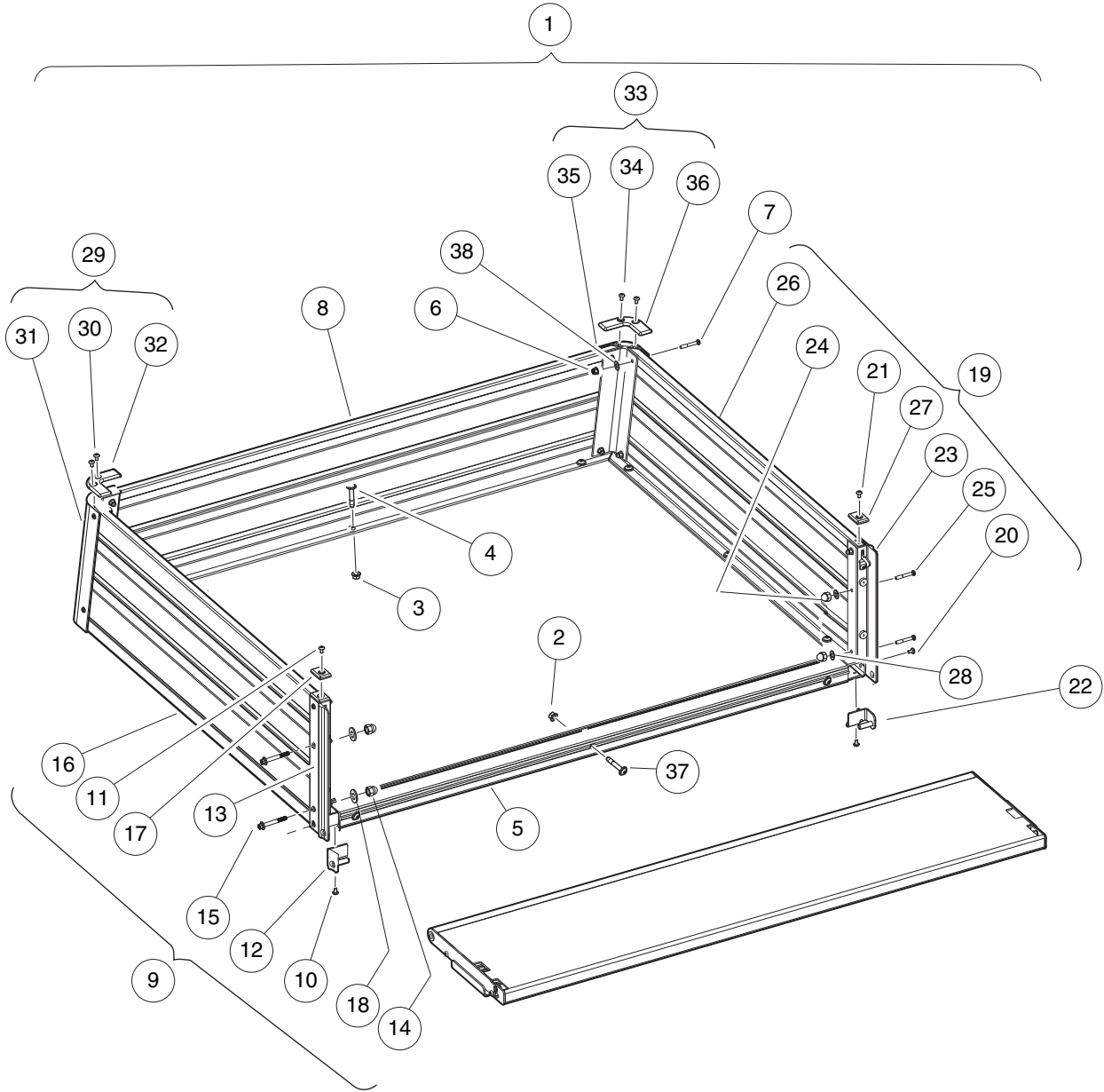
001126-001



# FLAT BED TRIM – MEDIUM

| ITEM | PART NO.  | DESCRIPTION  | QTY |
|------|-----------|--|-----|
|      |           | <b>1 2 3 4</b>   |     |
| 1    | 105122205 | Kit, Flat Trim, Ca, Med (includes items 2 through 9) ..... | 1   |
| 2    | 102298401 | Nut,m8,all Metal Lock .....                                | 12  |
| 3    | 102299550 | Screw,m8x50,sems,tx,bttn,plt .....                         | 12  |
| 4    | 105185701 | Pan Head Screw, M6 X 16 Tt .....                           | 16  |
| 5    | 105185801 | Bracket,Bed Corner,CA .....                                | 4   |
| 6    | 105194801 | Trim, Bed, Cntr, Front .....                               | 1   |
| 7    | 105194802 | Trim, Bed, Cntr, Rear .....                                | 1   |
| 8    | 105194901 | Trim, Bed, Medium, Lh .....                                | 1   |
| 9    | 105194902 | Trim, Bed, Medium, Rh .....                                | 1   |

**1**  
**G**  
**E**

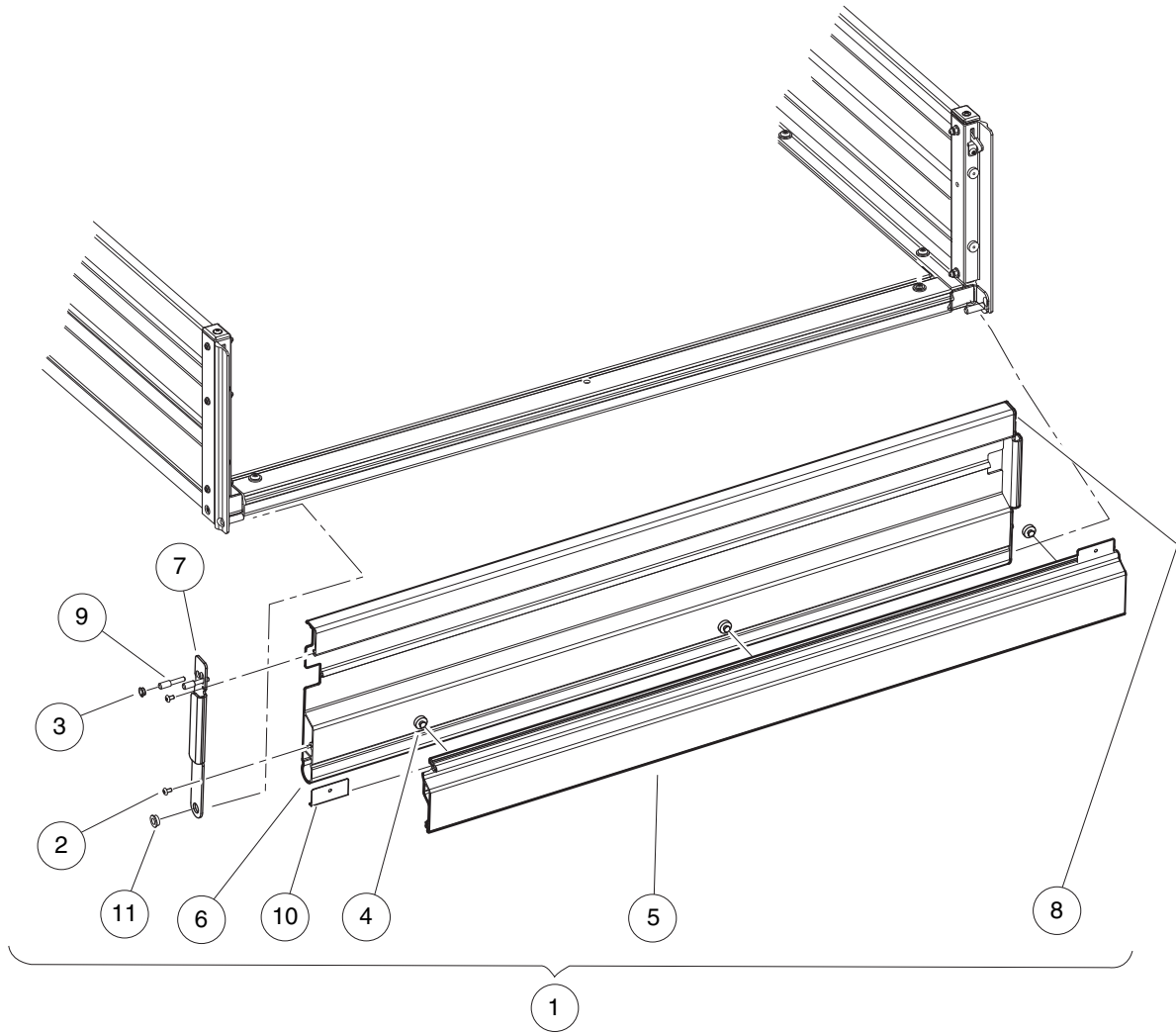


001134-001

## CARGO BOX KIT – MEDIUM (PAGE 1 OF 2)

| ITEM | PART NO.  | DESCRIPTION   | QTY |
|------|-----------|---|-----|
|      |           | <b>1 2 3 4</b>  |     |
| 1    | 105122105 | Kit, Cargo Box,Med (includes items 2 through 38) .....                  | 1   |
| 2    | 1015661   | Nut, Lock Hx Flanged 1/4-20 .....                                       | 3   |
| 3    | 102298401 | Nut,m8,all Metal Lock .....   | 9   |
| 4    | 102299550 | Screw,m8x50,sems,tx,bttn,plt .....                                      | 9   |
| 5    | 105192301 | Extr, Bed, Cargo, Rear .....  | 1   |
| 6    | 105192901 | Nut, Acorn, M6, Lock, Silver .....                                      | 8   |
| 7    | 105193001 | Screw, 6 Lobe, M6 X 35 .....  | 8   |
| 8    | 105194601 | Panel, Cargo Box, Frt .....   | 1   |
| 9    | 105200702 | Asm,Cargo Box,Side Panel,DS,Medium (includes items 10 through 18) ..... | 1   |
| 10   | 1014321   | Screw, #10 Truss-Head Torx .....  | 2   |
| 11   | 102554501 | SCREW M5-0.8X12 TORX PN TRS .....                                       | 1   |
| 12   | 105127201 | Weldment, Pivot, Tailgate, Lh .....                                     | 1   |
| 13   | 105127401 | Asm, Latch, Tailgate, Lh .....  | 1   |
| 14   | 105192901 | Nut, Acorn, M6, Lock, Silver .....                                      | 2   |
| 15   | 105193001 | Screw, 6 Lobe, M6 X 35 .....  | 2   |
| 16   | 105194402 | Panel, Cargo Box, Lh, Med .....   | 1   |
| 17   | 105196201 | Cap, Corner, Rear, Cargo Bed .....                                      | 1   |
| 18   | 96705199  | Washer, M6 .....  | 2   |
| 19   | 105200802 | Asm,Cargo Box,Side Panel,PS,Medium (includes items 20 through 28) ..... | 1   |
| 20   | 1014321   | Screw, #10 Truss-Head Torx .....  | 2   |
| 21   | 102554512 | Screw M5-08x12 Torx Pn Trs .....  | 1   |
| 22   | 105127202 | Weldment, Pivot, Tailgate, Rh .....                                     | 1   |
| 23   | 105127402 | Asm, Latch, Tailgate, Rh .....  | 1   |
| 24   | 105192901 | Nut, Acorn, M6, Lock, Silver .....                                      | 2   |
| 25   | 105193001 | Screw, 6 Lobe, M6 X 35 .....  | 2   |
| 26   | N/A       | Panel, Cargo Box, Rh Med .....  | 1   |
| 27   | 105196201 | Cap, Corner, Rear, Cargo Bed .....                                      | 1   |
| 28   | 96705199  | Washer, M6 .....  | 2   |
| 29   | 105200901 | Asm, Cargo Box,Corner,DS (includes items 30 through 32) .....           | 1   |
| 30   | 102554501 | SCREW M5-0.8X12 TORX PN TRS .....                                       | 2   |
| 31   | N/A       | Extr, Bed Corner, Lh .....  | 1   |
| 32   | 105196101 | Cap, Corner, Frt, Cargo Bed .....                                       | 1   |
| 33   | 105201001 | Asm,Cargo Box,Corner,PS (includes items 34 through 36) .....            | 1   |
| 34   | 102554501 | SCREW M5-0.8X12 TORX PN TRS .....                                       | 2   |
| 35   | N/A       | Extr, Bed Corner, Rh .....  | 1   |
| 36   | 105196101 | Cap, Corner, Frt, Cargo Bed .....                                       | 1   |
| 37   | 324       | Screw, 1/4-20 X 2.50 Hx Hd Cap .....                                    | 3   |
| 38   | 96705199  | Washer, M6 .....  | 8   |

**1**  
**G**  
**E**



001152-001

## CARGO BOX KIT (PAGE 2 OF 2)

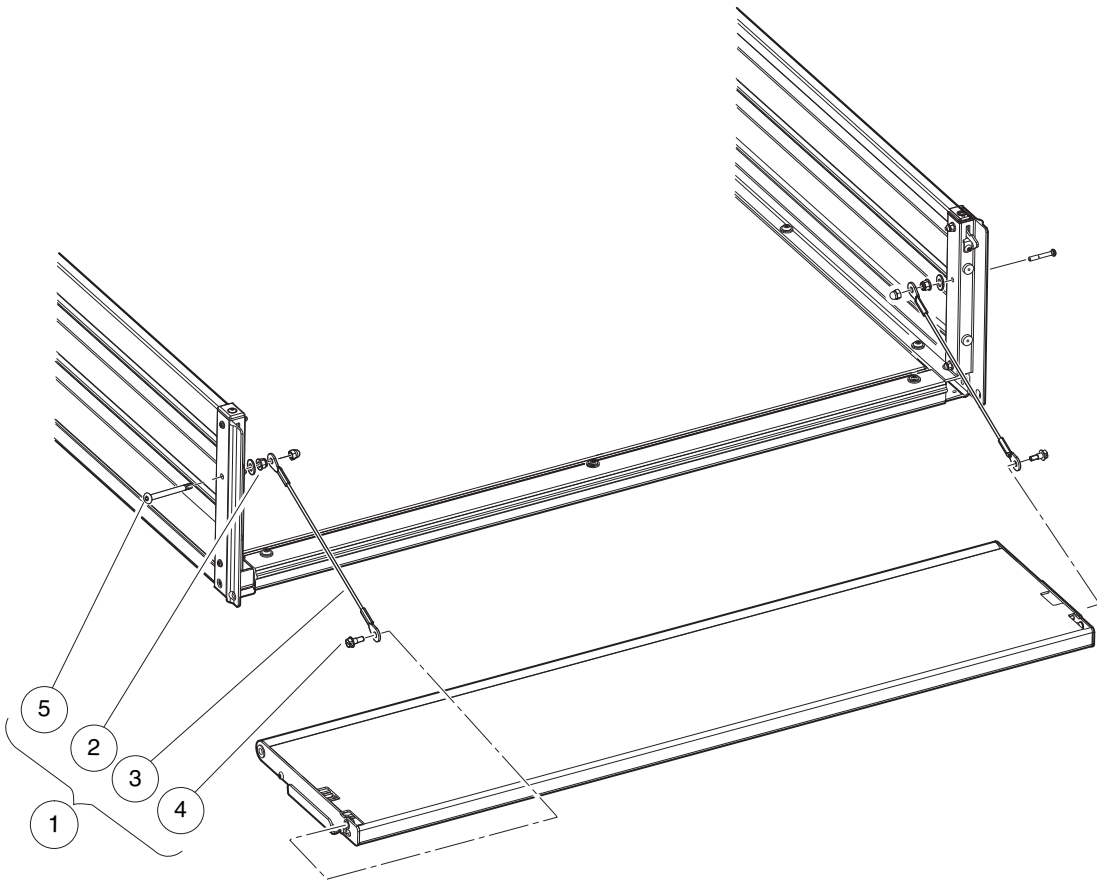
| ITEM | PART NO.  | DESCRIPTION  | QTY |
|------|-----------|--|-----|
|      |           | 1 2 3 4  |     |
| 1    | 105128101 | Asm, Tailgate, Wide Handle (includes items 2 through 11) ..... | 1   |
| 2    | 1014321   | Screw, #10 Truss-Head Torx .....                               | 4   |
| 3    | 1015363   | Bushing, Snap-In .....   | 2   |
| 4    | 102590801 | Bumper, Rubber .....   | 3   |
| 5    | 105128201 | Handle, Tailgate, Wide .....                                   | 1   |
| 6    | N/A       | Panel, Tailgate, Wide .....                                    | 1   |
| 7    | 105130301 | Bracket, End, Tailgate, Lh .....                               | 1   |
| 8    | 105130302 | Bracket, End, Tailgate, Rh .....                               | 1   |
| 9    | 105130501 | Pin, Latch, Tailgate .....                                     | 4   |
| 10   | 105130601 | Spring, Handle, Tailgate .....                                 | 2   |
| 11   | 7049      | Bushing, Nylon .....   | 2   |

**1**  
**G**  
**E**

1

G

E



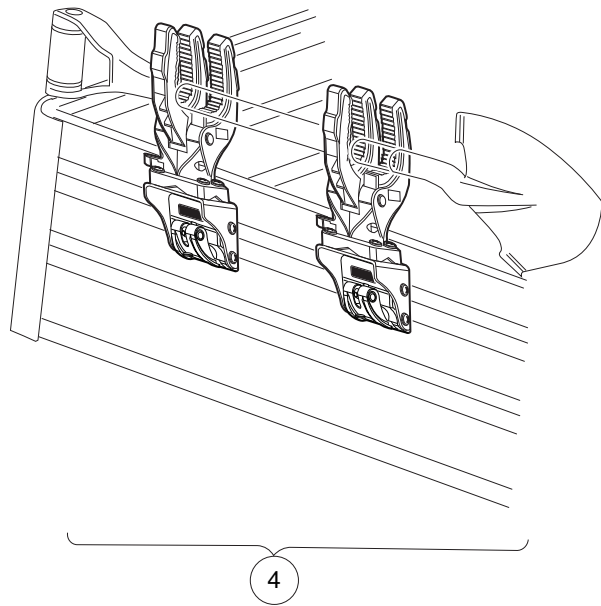
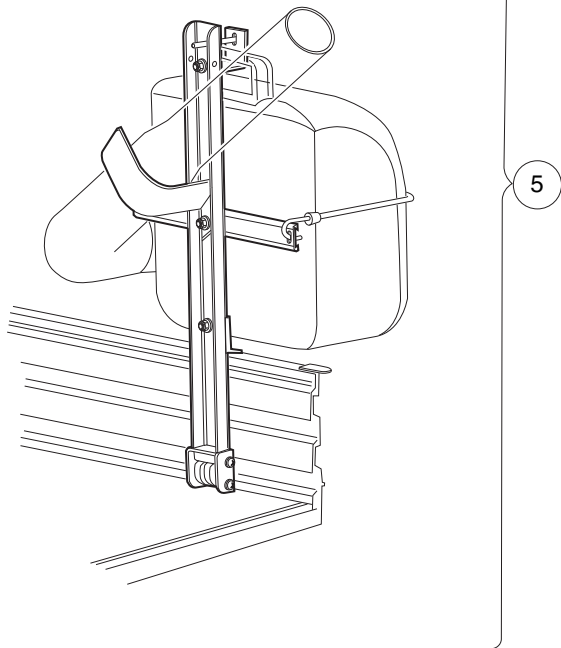
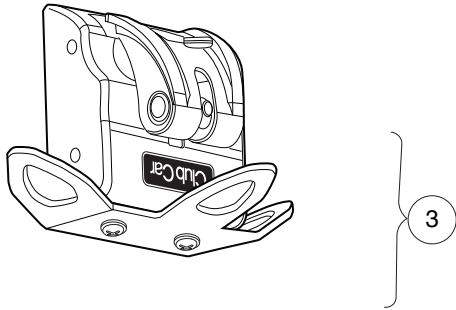
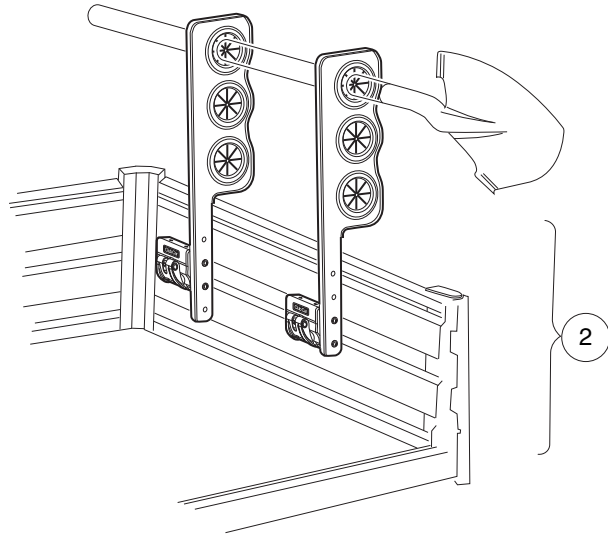
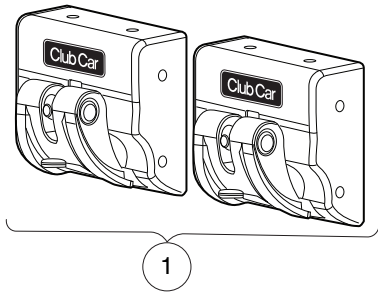
001160-002

# TAILGATE TEATHER

| ITEM | PART NO.  | DESCRIPTION   | QTY |
|------|-----------|---|-----|
| 1    | 105127302 | 1 2 3 4<br>Kit, Tether, Tailgate (includes items 2 through 5) ..... | 1   |
| 2    | 102621501 | Nut, Flange, M6 X 1.0, Nylon .....                                  | 2   |
| 3    | 105128001 | Cable, Tether, Tailgate .....                                       | 2   |
| 4    | 105129901 | Screw, Shoulder, Self Thread .....                                  | 2   |
| 5    | 105193101 | Screw, 6 Lobe, M6 X 50 .....  | 2   |

**1**  
**G**  
**E**

**1**  
**G**  
**E**



001167-001

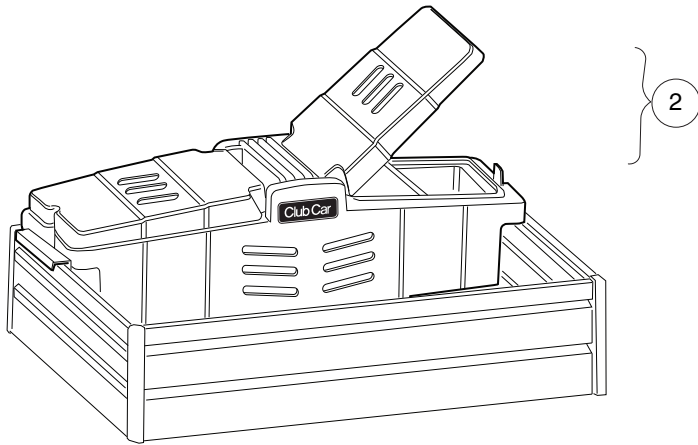
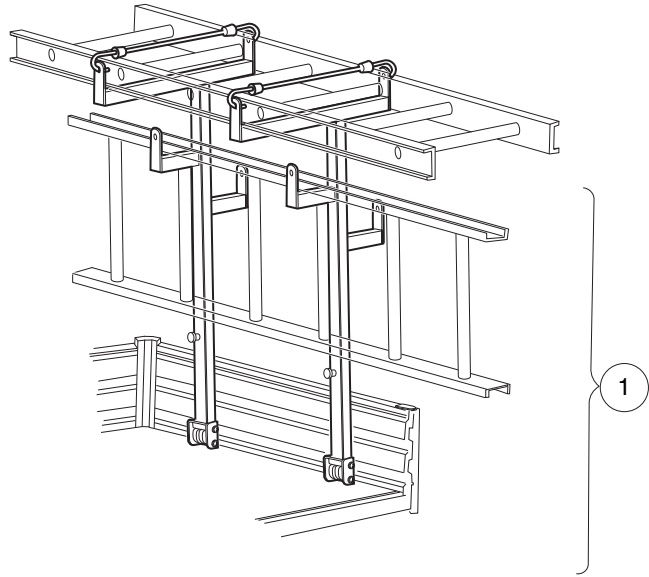


# MODULAR BED ACCESSORIES

| ITEM | PART NO.  | DESCRIPTION  | QTY |
|------|-----------|--|-----|
|      |           | 1 2 3 4  |     |
| 1    | 105160401 | Bed Clamp, Set .....                                     | 1   |
| 2    | 105160801 | Kit, Tool Rack .....                                     | 1   |
| 3    | 105160901 | Kit, Tie Down .....                                      | 1   |
| 4    | 105161101 | Kit, Static Grip .....                                   | 1   |
| 5    | 105161401 | Kit, Holder, Leaf Blower .....                           | 1   |
|      |           | Note: Component part numbers unavailable at publication. |     |

1  
G  
E

**1**  
**G**  
**E**



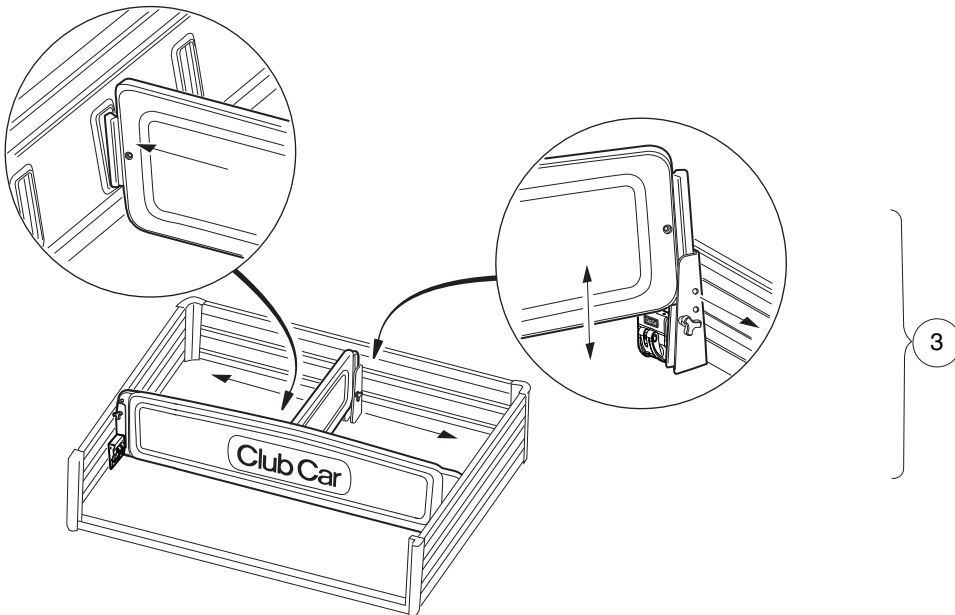
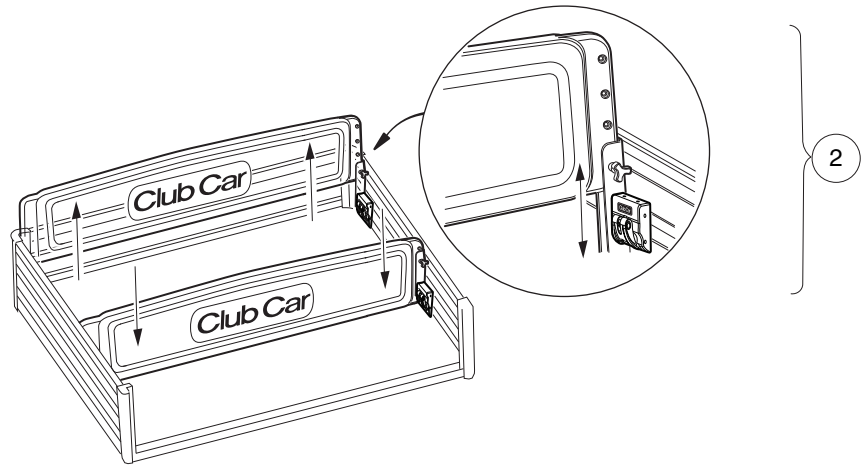
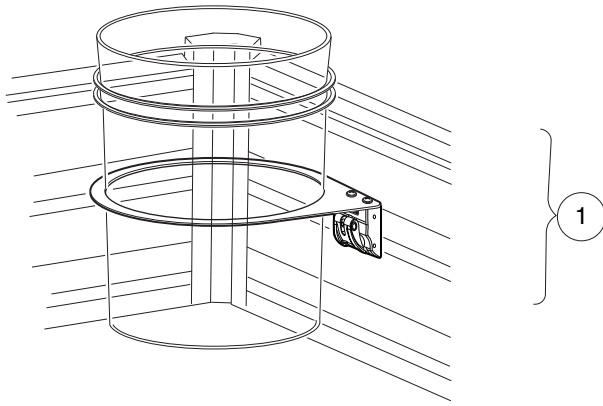
001168-001

# MODULAR BED ACCESSORIES

| ITEM  | PART NO.  | DESCRIPTION                        | QTY |
|---|-----------|------------------------------------|-----|
| 1   | 105161501 | 1 2 3 4<br>Kit, Rack, Ladder ..... | 1   |
| 2   | 105161601 | Kit, Toolbox .....                 | 1   |
| <p>Note: Component part numbers unavailable at publication.</p> |           |                                    |     |

**1**  
**G**  
**E**

**1**  
**G**  
**E**

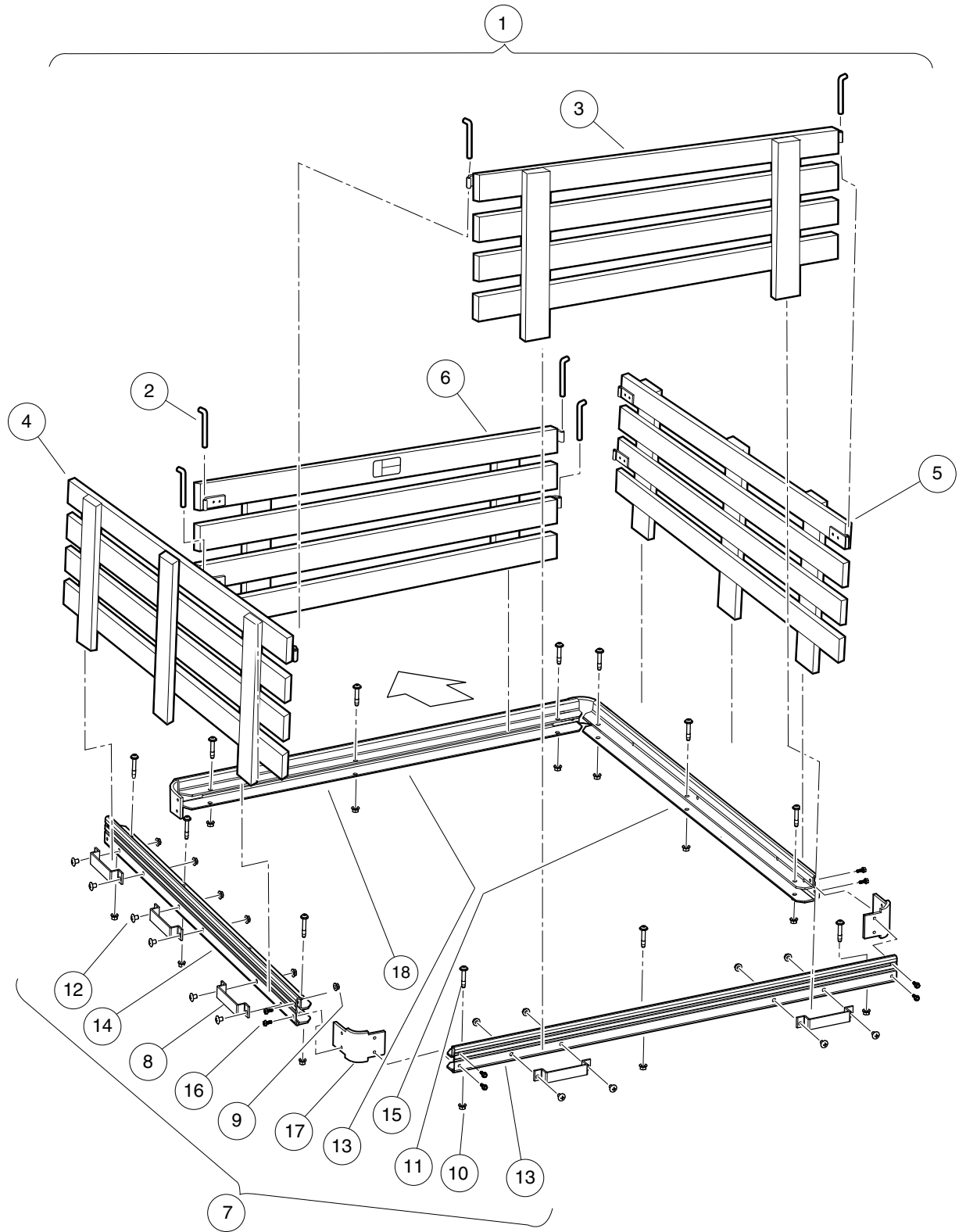


001169-001

# MODULAR BED ACCESSORIES

| ITEM | PART NO.  | DESCRIPTION  | QTY |
|------|-----------|--|-----|
|      |           | 1 2 3 4  |     |
| 1    | 105160501 | Kit, Holder, Bucket .....                                | 1   |
| 2    | 105161201 | Kit, Bed Divider/extension .....                         | 1   |
| 3    | 105161301 | Kit, Bed Divider, Short .....                            | 1   |
|      |           | Note: Component part numbers unavailable at publication. |     |





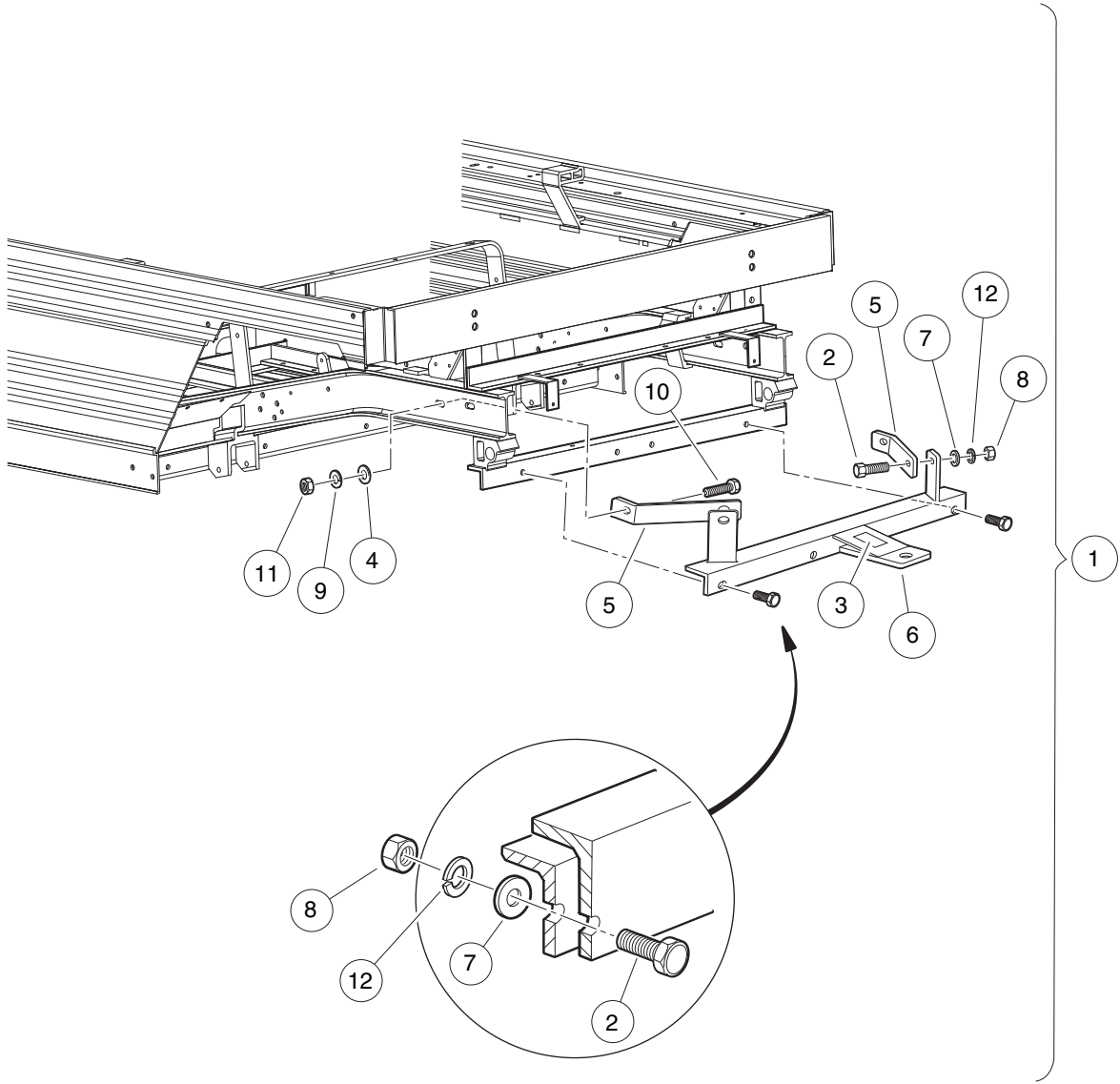
001130-001

# STAKE SIDE KIT – MEDIUM

| ITEM | PART NO.  | DESCRIPTION  | QTY |
|------|-----------|--|-----|
|      |           | <b>1 2 3 4</b>   |     |
| 1    | 105109501 | Kit, Stake Side, Med (includes items 2 through 7) .....        | 1   |
| 2    | 1015656   | Pin, hinge .....   | 6   |
| 3    | 102847603 | Asm, Stake Side, 48 X 19 Rear .....                            | 1   |
| 4    | 105113301 | Stake Side, Ca Med, Lh .....                                   | 1   |
| 5    | 105113302 | Stake Side, Ca Med, Rh .....                                   | 1   |
| 6    | 105129501 | Stake Side, Front, Ca, 50" .....                               | 1   |
| 7    | 105148502 | Asm, Trim, Stake Side, Med (includes items 8 through 18) ..... | 1   |
| 8    | 1016077   | Bracket, Stake Side .....                                      | 8   |
| 9    | 101963401 | Locknut, 5/16-18 Hex Flange .....                              | 16  |
| 10   | 102298401 | Nut,m8,all Metal Lock .....                                    | 14  |
| 11   | 102299550 | Screw,m8x50,sems,tx,bttn,plt .....                             | 14  |
| 12   | 105129601 | Screw, Phl Trus Hd, 5/16-18x.5 .....                           | 16  |
| 13   | 105148601 | Trim, Stake Side, Cen, Rear .....                              | 1   |
| 14   | 105148801 | Trim, Stake Side, Med, Lh .....                                | 1   |
| 15   | 105148802 | Trim, Stake Side, Med, Rh .....                                | 1   |
| 16   | 105185701 | Pan Head Screw, M6 X 16 Tt .....                               | 16  |
| 17   | 105185801 | Bracket,Bed Corner,CA .....                                    | 4   |
| 18   | 105194801 | Trim, Bed, Cntr, Front .....                                   | 1   |

1  
G  
E

**1**  
**G**  
**E**



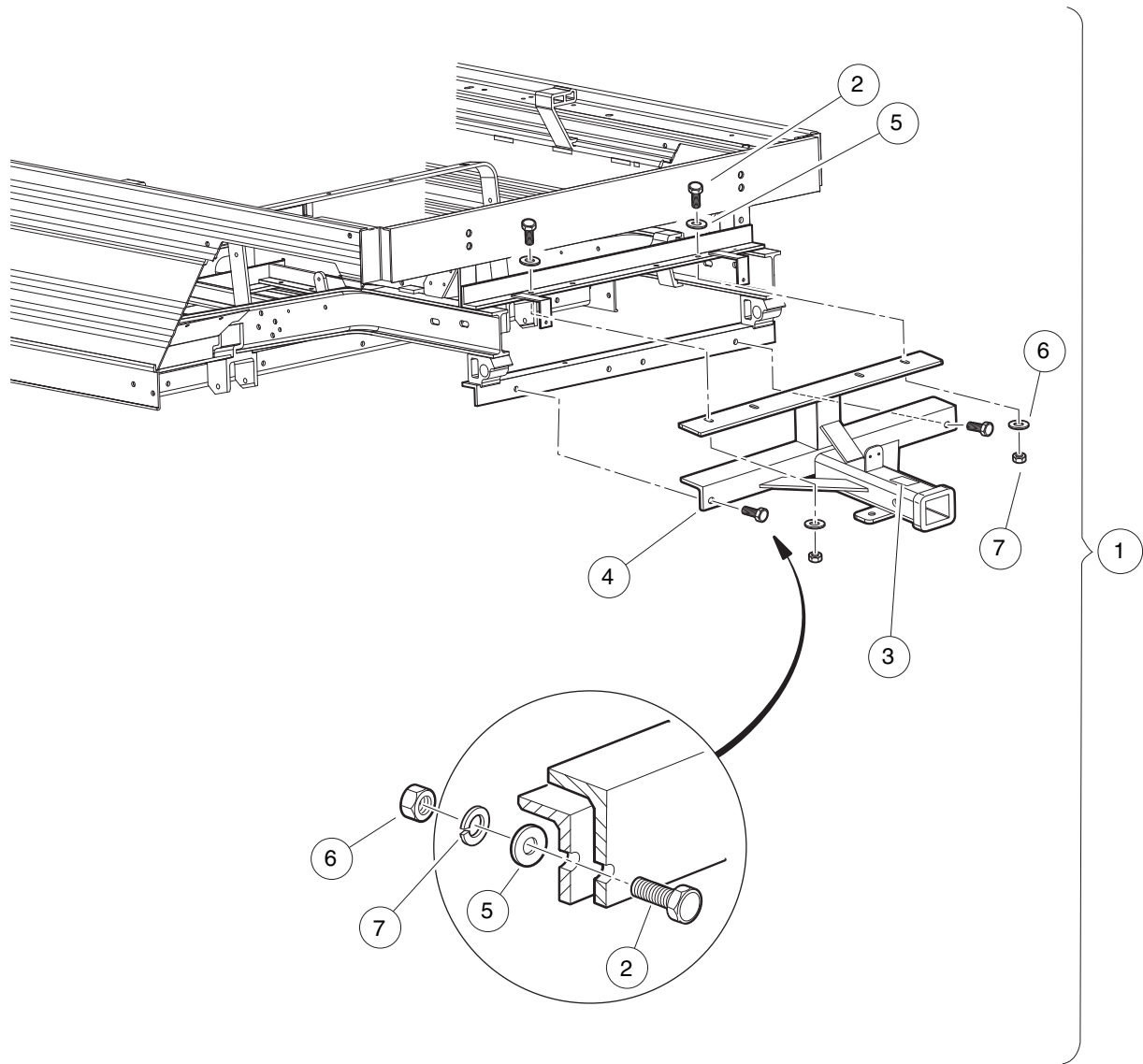
001132-001



# HEAVY DUTY TRAILER HITCH

| ITEM | PART NO. | DESCRIPTION  | QTY |
|------|----------|--|-----|
|      |          | <b>1 2 3 4</b>   |     |
| 1    | 1015445  | Kit, Trailer Hitch (includes items 2 through 12) ..... | 1   |
| 2    | 1010934  | Screw, 5/16-18 X 1.00 Hex Cap .....                    | 4   |
| 3    | 1011553  | Decal, Trailer Hitch .....                             | 1   |
| 4    | 1011990  | Washer, 3/8 Flat .....                                 | 2   |
| 5    | 1013483  | Brace, Trailer Hitch .....                             | 2   |
| 6    | N/A      | Asm, Trailer Hitch .....                               | 1   |
| 7    | 1241     | Washer, 5/16 Type A Flat .....                         | 4   |
| 8    | 1242     | Nut, 5/16-18 Hex .....                                 | 4   |
| 9    | 357      | Lockwasher, 3/8 Split .....                            | 2   |
| 10   | 705      | Screw, Cap-hex Hd 3/8-16x1.25 .....                    | 2   |
| 11   | 706      | Nut, Hex 3/8-16 .....                                  | 2   |
| 12   | 7174     | Lockwasher, 5/16 Split .....                           | 4   |

**1**  
**G**  
**E**



001133-001

# REAR RECIEVER HITCH

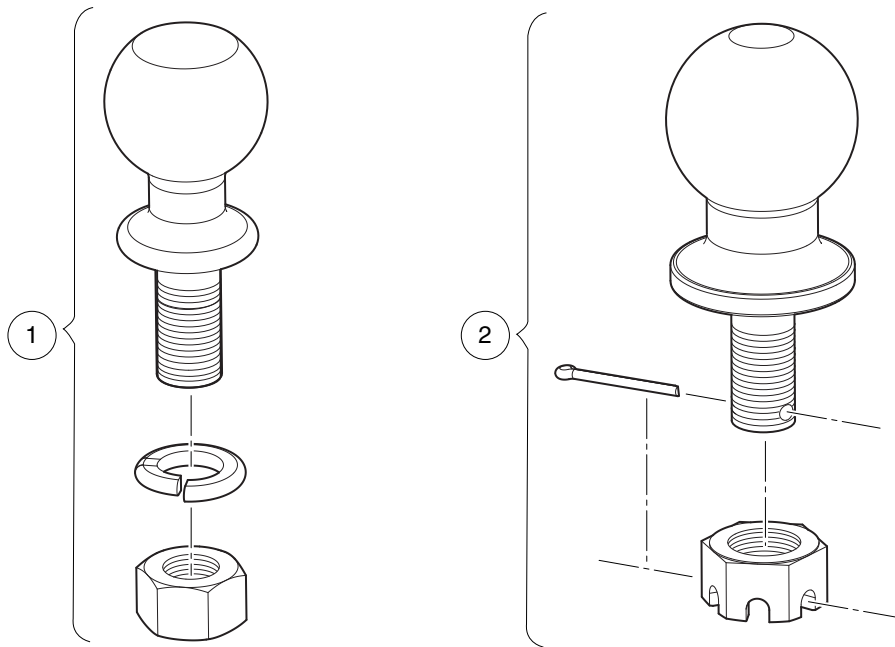
| ITEM | PART NO.  | DESCRIPTION   | QTY |
|------|-----------|---|-----|
|      |           | <b>1 2 3 4</b>  |     |
| 1    | 102065103 | Kit, Rear Receiver (includes items 2 through 7) ..... | 1   |
| 2    | 1010934   | Screw, 5/16-18 X 1.00 Hex Cap .....                   | 6   |
| 3    | 1011553   | Decal, Trailer Hitch .....                            | 1   |
| 4    | 102056001 | Rear Receiver Weld Asm .....                          | 1   |
| 5    | 1241      | Washer, 5/16 Type A Flat .....                        | 6   |
| 6    | 1242      | Nut, 5/16-18 Hex .....                                | 6   |
| 7    | 7174      | Lockwasher, 5/16 Split .....                          | 6   |

1  
G  
E

1

G

E

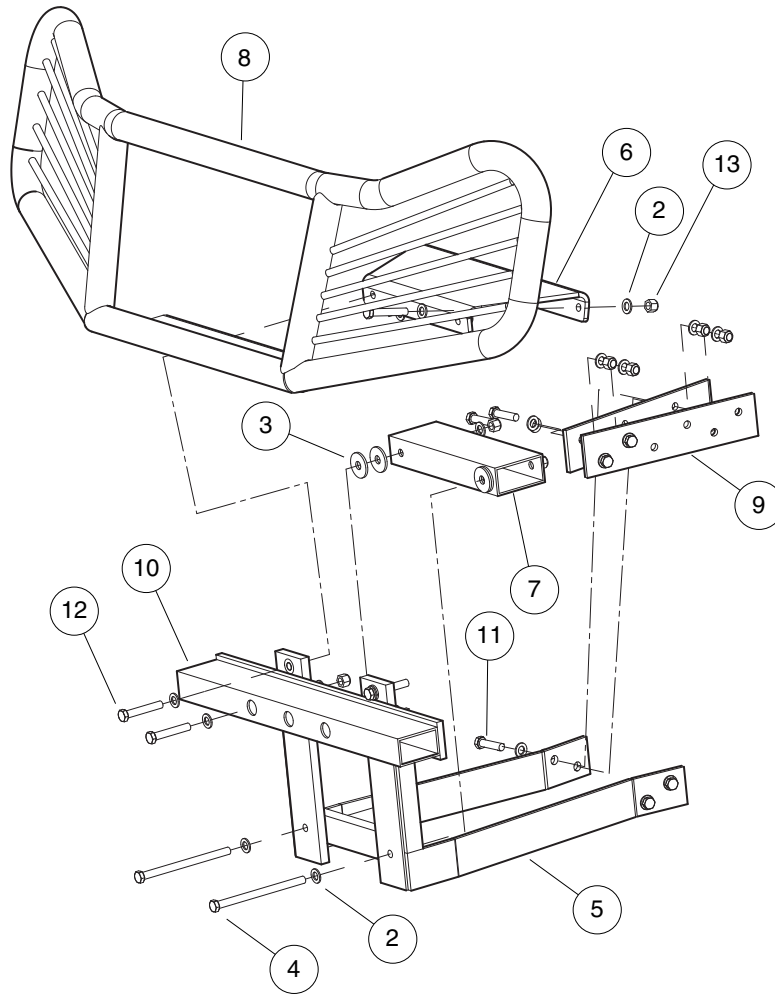


001137-001

# TRAILER HITCH BALL

| ITEM | PART NO.  | DESCRIPTION                                  | QTY |
|------|-----------|--|-----|
| 1    | 1011546   | 1 2 3 4<br>Trailer Hitch Ball - 1 7/8" ..... | 1   |
| 2    | 104033601 | Ball, Trailer Hitch, 50mm .....              | 1   |

**1**  
**G**  
**E**



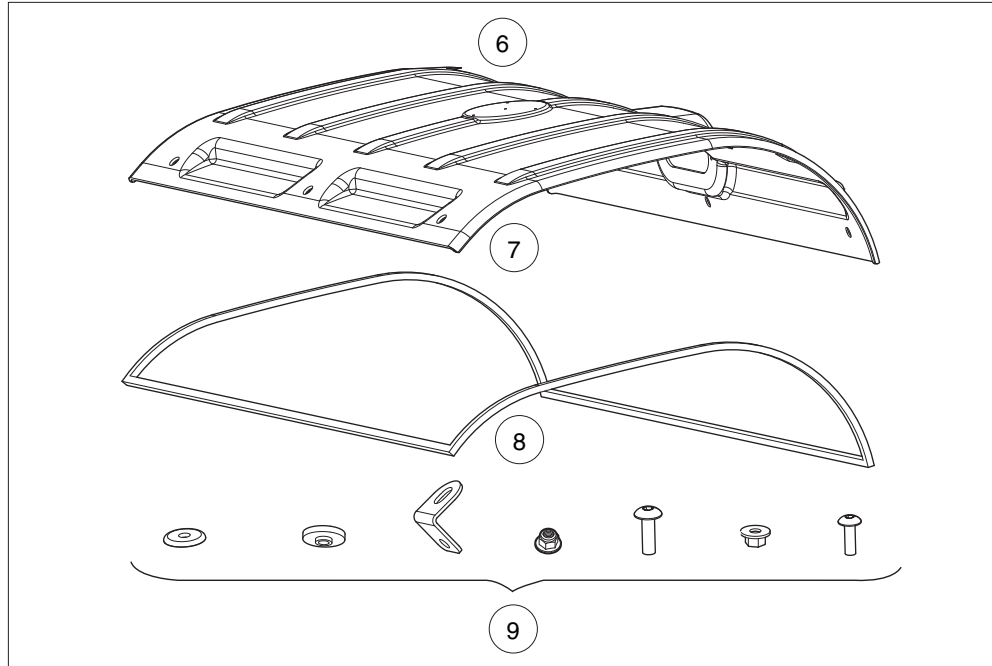
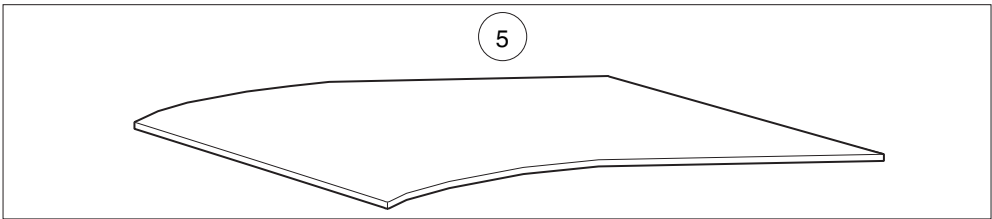
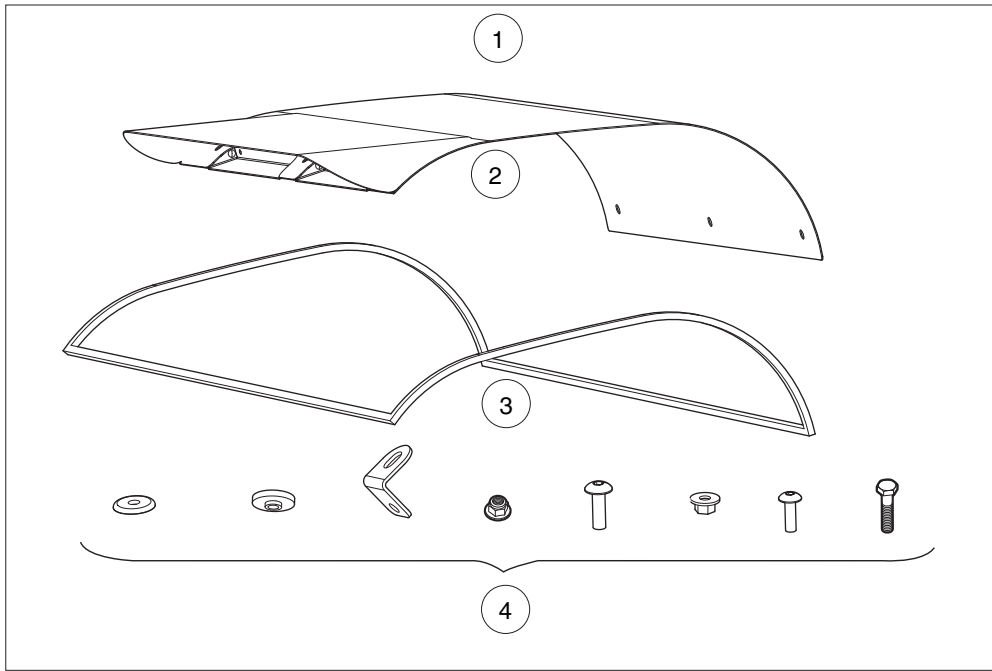
001138-002

# RANGE PICKER ADAPTER

| ITEM | PART NO.  | DESCRIPTION  | QTY |
|------|-----------|--|-----|
|      |           | 1 2 3 4  |     |
| 1    | 105124101 | Kit, Adapter, Range Picker (includes items 2 through 13) ..... | 1   |
| 2    | 1011990   | Washer, 3/8 Flat .....   | 32  |
| 3    | 102491501 | Washer, Hard, M10 .....  | 4   |
| 4    | 102913601 | Screw, 3/8-16 X 5.50 Hx Hd Cap .....                           | 2   |
| 5    | 104033701 | Weldment, Adapter, Rp .....                                    | 1   |
| 6    | 105145401 | Bracket, Top Support, Rp .....                                 | 1   |
| 7    | 105145501 | Tube, Btm Support, Rp .....                                    | 1   |
| 8    | 105216701 | Wldmnt, Guard, Hdlight, Range .....                            | 1   |
| 9    | 105233701 | Plate, Support, I-beam .....                                   | 2   |
| 10   | 105248201 | Tube, 1.5" X 2.5", 19.5" Long .....                            | 1   |
| 11   | 1624      | Screw, 3/8-16 X 1.50, Hex-Head Cap .....                       | 8   |
| 12   | 2402      | Screw, 3/8-16 X 2.25 Hx Hd Cap .....                           | 6   |
| 13   | 8754      | Locknut, 3/8-16 Hex .....                                      | 16  |

1  
G  
E

**1**  
**G**  
**E**



001182-001

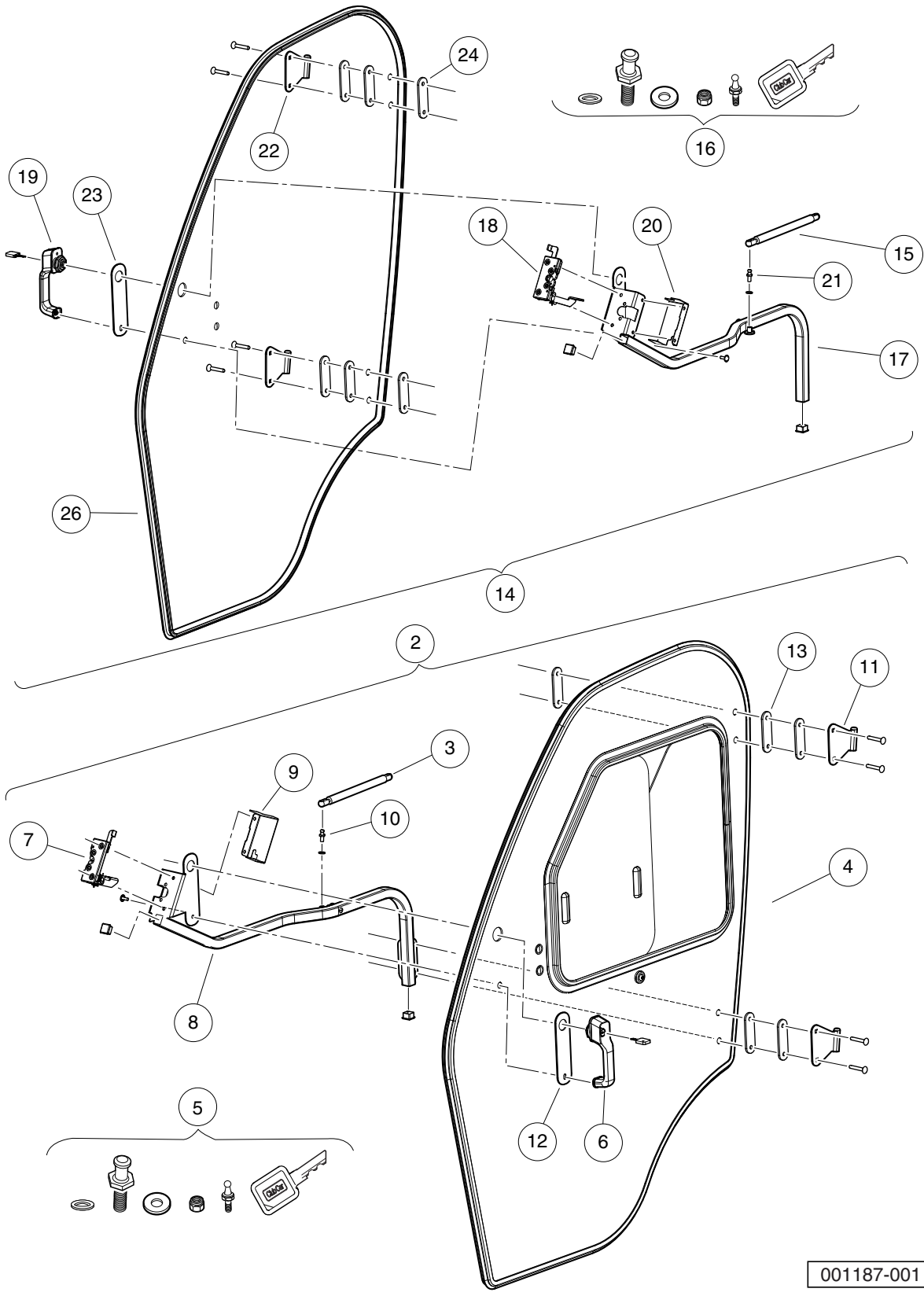


# CAB CANOPY

| ITEM | PART NO.  | DESCRIPTION  | QTY |
|------|-----------|--|-----|
|      |           | <b>1 2 3 4</b>   |     |
| 1    | 105096901 | Cab, Canopy, Fops Kit (includes items 2 through 4) ..... | 1   |
| 2    | 105177501 | Cab, Canopy Fops .....                                   | 1   |
| 3    | 105177601 | Seal, Cab Canopy .....                                   | 1   |
| 4    | 105177801 | Hardware Kit, Canopy Fops .....                          | 1   |
| 5    | 105097001 | Cab, Canopy, Liner Kit .....                             | 1   |
| 6    | 105098801 | Cab, Canopy Kit (includes items 7 through 9) .....       | 1   |
| 7    | 105177301 | Cab, Canopy .....  | 1   |
| 8    | 105177601 | Seal, Cab Canopy .....                                   | 1   |
| 9    | 105177701 | Hardware Kit, Canopy .....                               | 1   |

1  
G  
E

**1**  
**G**  
**E**



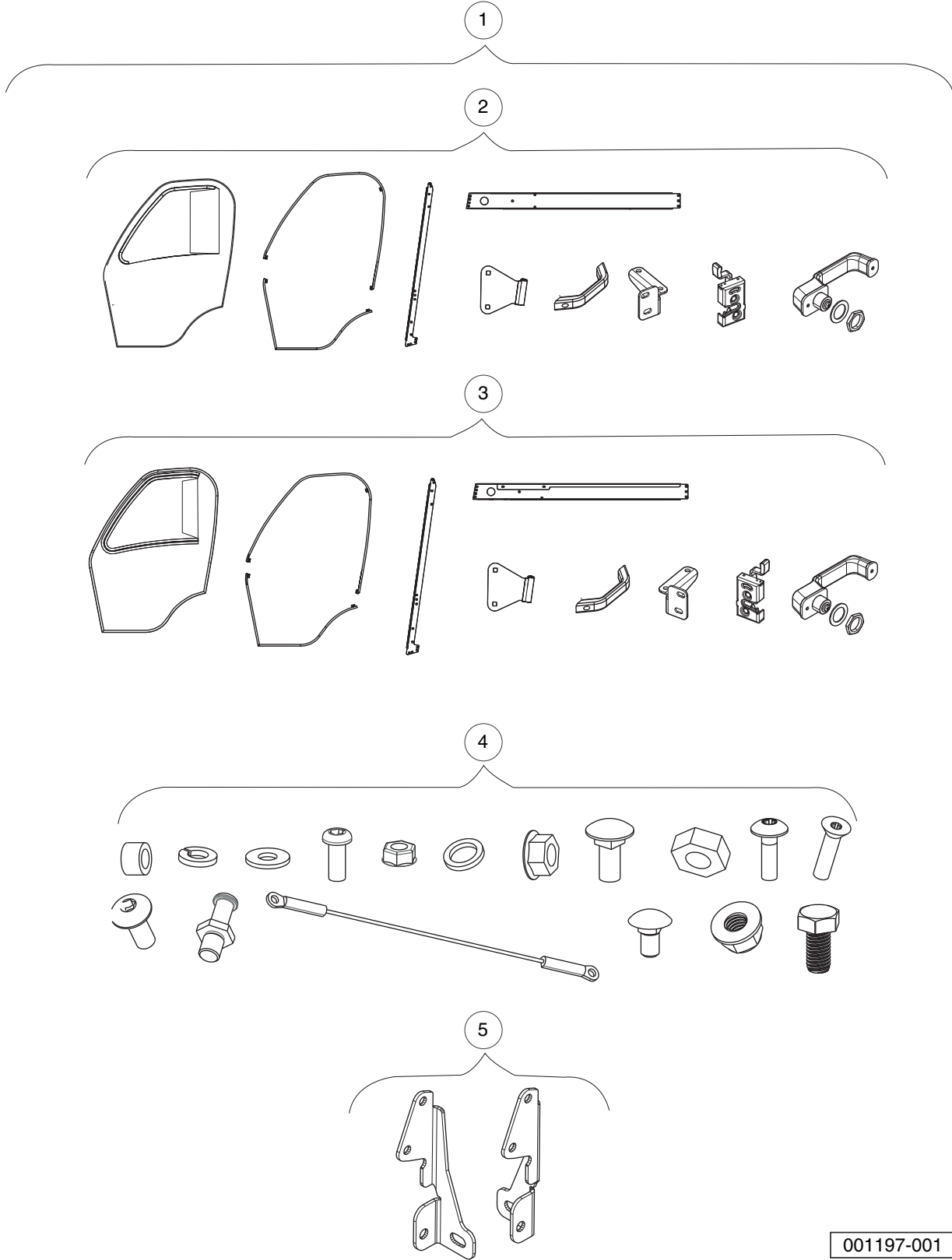
001187-001

# CAB DOORS – GLASS

| ITEM | PART NO.  | DESCRIPTION   | QTY |
|------|-----------|---|-----|
|      |           | 1 2 3 4   |     |
| 1    | 105097301 | Cab, Doors, Glass Kit (includes items 2 through 14) ..... | 1   |
| 2    | 105181701 | Glass Door Asm, Lh (includes items 3 through 13) .....    | 1   |
| 3    | 104001201 | Gas Spring .....  | 1   |
| 4    | 105181801 | Glass Door Replacement, Lh .....                          | 1   |
| 5    | 105181901 | Hardware Kit, Glass Door .....                            | 1   |
| 6    | 105182001 | Handle, Push Button .....                                 | 1   |
| 7    | 105182101 | Latch, Glass Door, Lh .....                               | 1   |
| 8    | 105182201 | Handle, Glass Door, Lh .....                              | 1   |
| 9    | 105182301 | Cover, Latch, Lh .....                                    | 1   |
| 10   | 105182401 | Spring, Ball Stud .....                                   | 1   |
| 11   | 105182501 | Hinge, Door .....   | 2   |
| 12   | 105182601 | Spacer, Handle .....                                      | 1   |
| 13   | 105182701 | Plate, Upper Hinge .....                                  | 1   |
| 14   | 105182901 | Glass Door Asm, Rh (includes items 15 through 26) .....   | 1   |
| 15   | 104001201 | Gas Spring .....  | 1   |
| 16   | 105181901 | Hardware Kit, Glass Door .....                            | 1   |
| 17   | 105182002 | Handle, Glass Door, RH .....                              | 1   |
| 18   | 105182102 | Latch, Glass Door, Rh .....                               | 1   |
| 19   | 105182202 | Handle, Glass Door, Rh .....                              | 1   |
| 20   | 105182302 | Cover, Latch, Rh .....                                    | 1   |
| 21   | 105182401 | Spring, Ball Stud .....                                   | 1   |
| 22   | 105182501 | Hinge, Door .....   | 2   |
| 23   | 105182601 | Spacer, Handle .....                                      | 1   |
| 24   | 105182701 | Plate, Upper Hinge .....                                  | 1   |
| 25   | 105182801 | Hardware Kit, Door Striker .....                          | 1   |
| 26   | 105183001 | Glass Door Replacement, Rh .....                          | 1   |

1  
G  
E

**1**  
**G**  
**E**



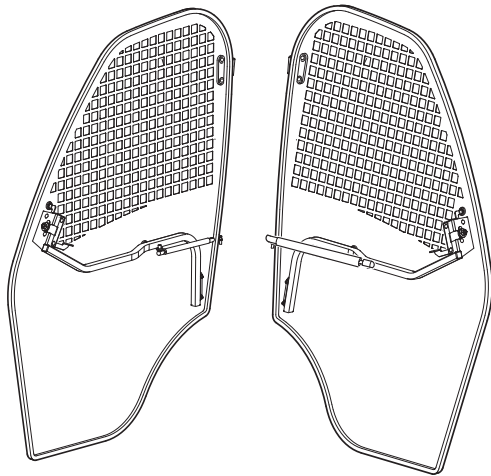
001197-001

# CAB DOORS – SOFT

| ITEM | PART NO.  | DESCRIPTION   | QTY |
|------|-----------|---|-----|
|      |           | <b>1 2 3 4</b>  |     |
| 1    | 105097401 | Cab, Doors, Soft Kit (includes items 2 through 5) ..... | 1   |
| 2    | 105183101 | Soft Door Asm, Lh .....                                 | 1   |
| 3    | 105183201 | Soft Door Asm, Rh .....                                 | 1   |
| 4    | 105183301 | Hardware, Soft Door .....                               | 1   |
| 5    | 105183401 | Hardware Kit, Soft Door Strike .....                    | 1   |

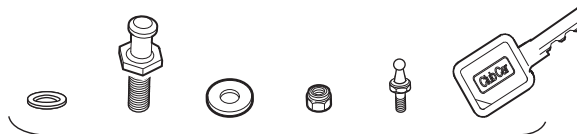
1  
G  
E

**1**  
**G**  
**E**



2

1



3

001195-001

# CAB DOORS – RANGE

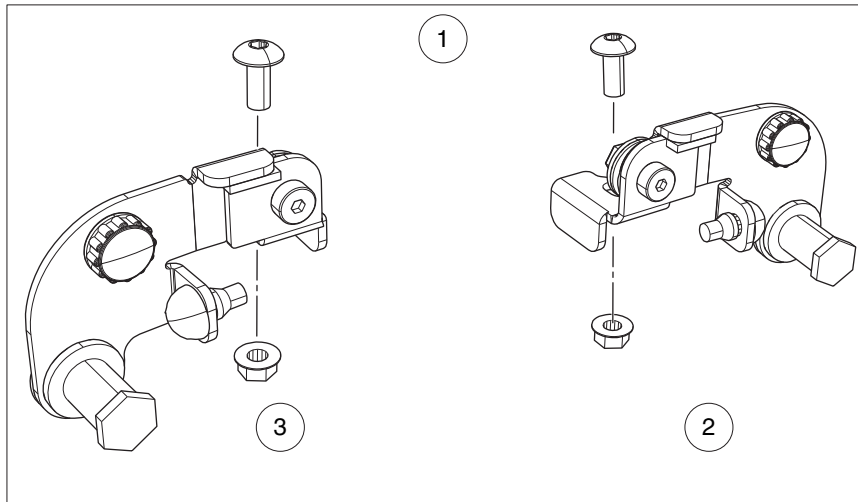
| ITEM | PART NO.  | DESCRIPTION                   | QTY |
|------|-----------|-------------------------------|-----|
|      |           | <b>1 2 3 4</b>                |     |
| 1    | 105176701 | Door, Range, Lh Asm .....     | 1   |
| 2    | 105176801 | Door, Range, Rh Asm .....     | 1   |
| 3    | 105177201 | Hardware Kit, Range Cab ..... | 1   |

1  
G  
E

1

G

E



001143-002



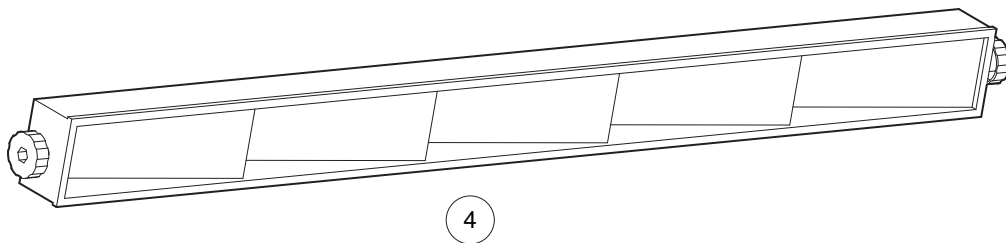
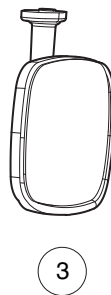
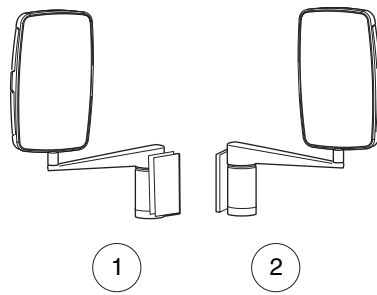
# CAB DOORS – VENT

| ITEM | PART NO.  | DESCRIPTION  | QTY |
|------|-----------|--|-----|
|      |           | <b>1 2 3 4</b>                                     |     |
| 1    | 105097501 | Cab, Door, Vent Kit (includes items 2 and 3) ..... | 1   |
| 2    | 105178301 | Door Vent Lh .....                                 | 1   |
| 3    | 105178401 | Door Vent Rh .....                                 | 1   |

1

G

E



001198-001

# CAB - MIRRORS

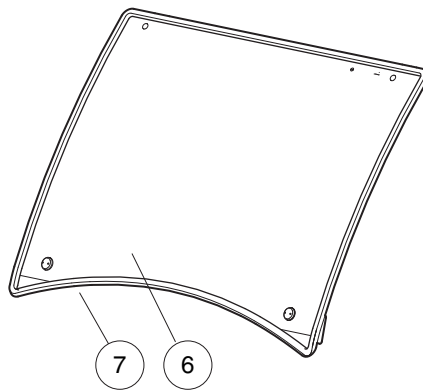
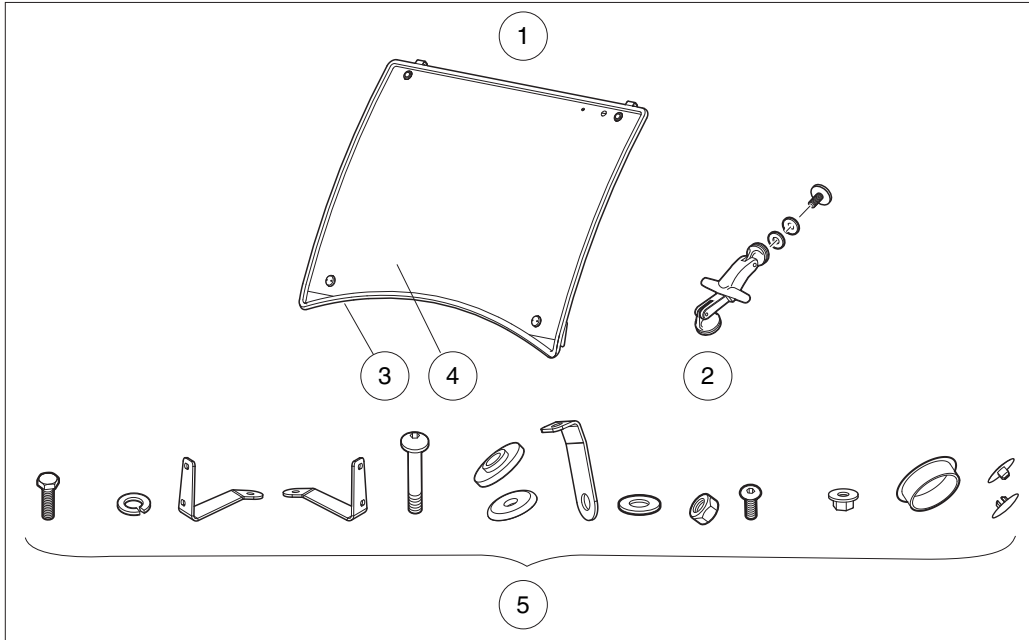
| ITEM | PART NO.  | DESCRIPTION                         | QTY |
|------|-----------|-------------------------------------|-----|
|      |           | 1 2 3 4                             |     |
| 1    | 105098501 | Cab, Mirror, Left Hand Kit .....    | 1   |
| 2    | 105098502 | Cab Passenger Side Mirror Kit ..... | 1   |
| 3    | 105098701 | Cab, Mirror, Interior Kit .....     | 1   |
| 4    | 105289301 | Kit, Mirror, 5 Panel, Cab .....     | 1   |

1

G

E

**1**  
**G**  
**E**



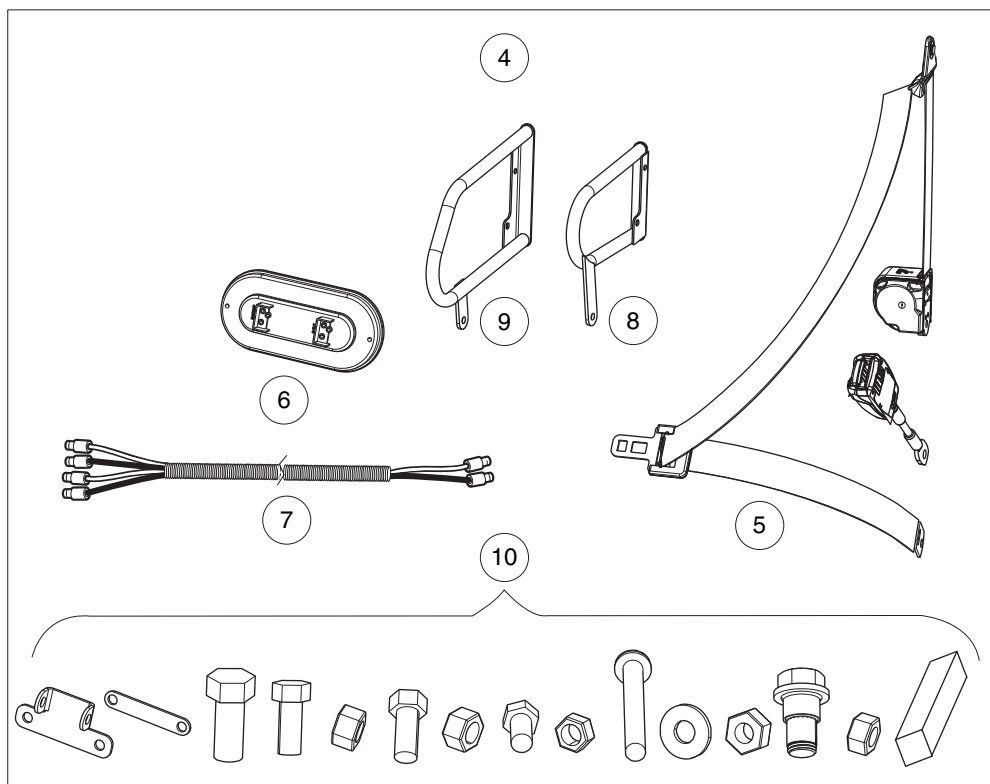
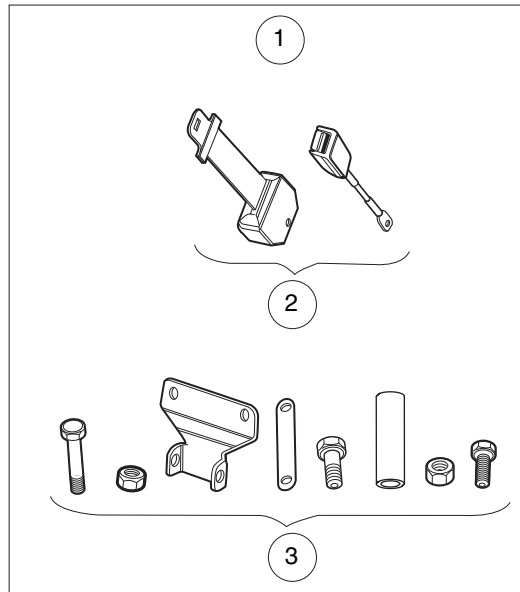
001184-001

# CAB – WINDSHIELD

| ITEM | PART NO.  | DESCRIPTION  | QTY |
|------|-----------|--|-----|
|      |           | <b>1 2 3 4</b>   |     |
| 1    | 105097101 | Cab, Windshield Kit (includes items 2 through 5) ..... | 1   |
| 2    | 104003901 | Tee Handle, Mauser .....                               | 2   |
| 3    | 105177101 | Seal, Rubber Windshield .....                          | 1   |
| 4    | 105177901 | Cab, Windshield, Tempered .....                        | 1   |
| 5    | 105178001 | Hardware Kit, Windshield .....                         | 1   |
| 6    | 105177001 | Front Window Polycarb (Range) .....                    | 1   |
| 7    | 105177101 | Seal, Rubber Windshield .....                          | 1   |

1  
G  
E

**1**  
**G**  
**E**



001180-001

# CAB – SEAT BELTS

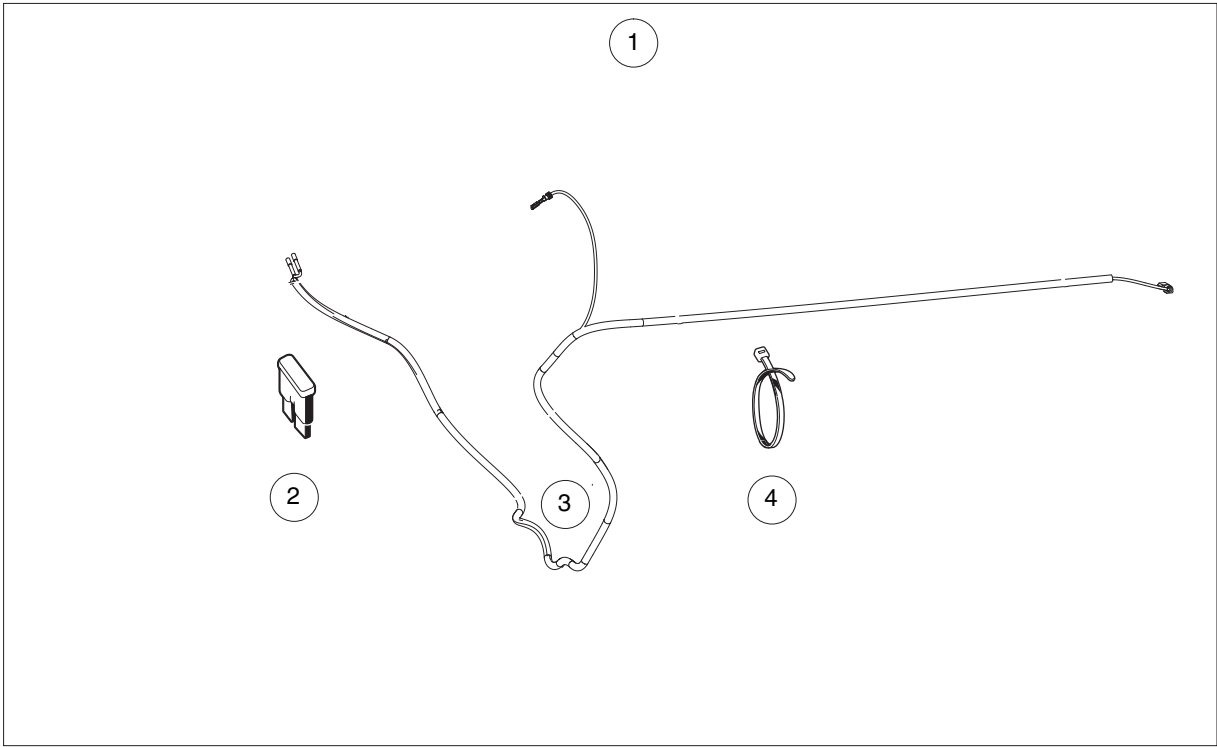
| ITEM | PART NO.  | DESCRIPTION  | QTY |
|------|-----------|--|-----|
|      |           | <b>1 2 3 4</b>   |     |
| 1    | 105096401 | Cab, 2 Pt Seat Belt Kit (includes items 2 and 3) .....           | 1   |
| 2    | 105175601 | Seatbelt Asm 2pt .....   | 2   |
| 3    | 105175701 | Hardware Kit, 2pt Seat .....                                     | 1   |
| 4    | 105096501 | Cab, 3 Pt Seat Belt, Lsv Kit (includes items 5 through 10) ..... | 1   |
| 5    | 105175801 | Seat Belt Asm 3pt Dom .....                                      | 2   |
| 6    | 105175901 | Light Chmsl, Cab .....   | 1   |
| 7    | 105176001 | Chmsl Harness .....  | 1   |
| 8    | 105176101 | Hip Restraint Ds, Cab .....                                      | 1   |
| 9    | 105176201 | Hip Restraint Ps, Cab .....                                      | 1   |
| 10   | 105176301 | Hardware Kit, 3pt Sbelt Dom .....                                | 1   |

1

G

E

**1**  
**G**  
**E**



001193-001

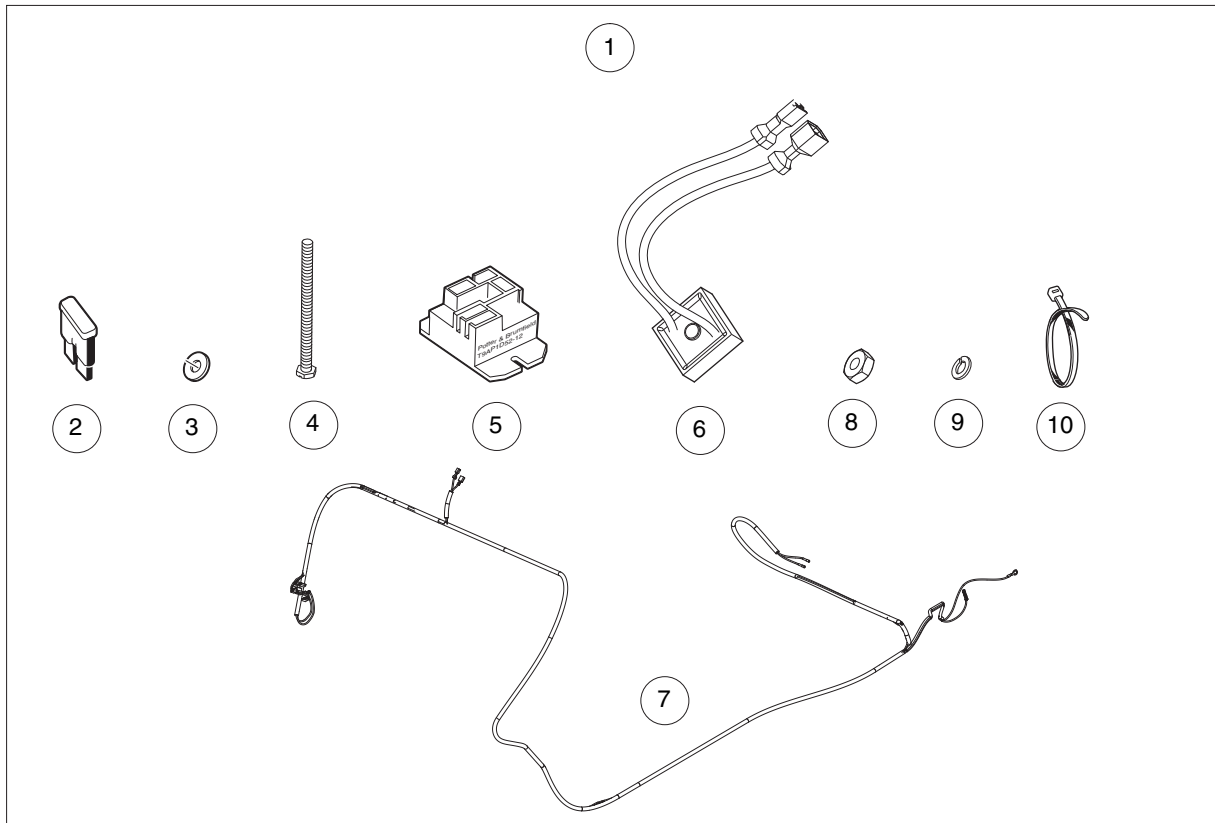


# CAB – ELECTRICAL, POWER HARNESS, ELECTRIC VEHICLE TO CAB

| ITEM | PART NO.  | DESCRIPTION   | QTY |
|------|-----------|---|-----|
|      |           | 1 2 3 4   |     |
| 1    | 105234002 | Kit, Cab Pwr Harness, Elec (includes items 2 through 4) ..... | 1   |
| 2    | 105114807 | Fuse, Mini, Atm, 15 Amp .....                                 | 1   |
| 3    | 105205501 | Harn, Pwr Supply, Cab .....                                   | 1   |
| 4    | 8639      | Tie Wrap, 11" Nylon .....                                     | 5   |

**1**  
**G**  
**E**

**1**  
**G**  
**E**



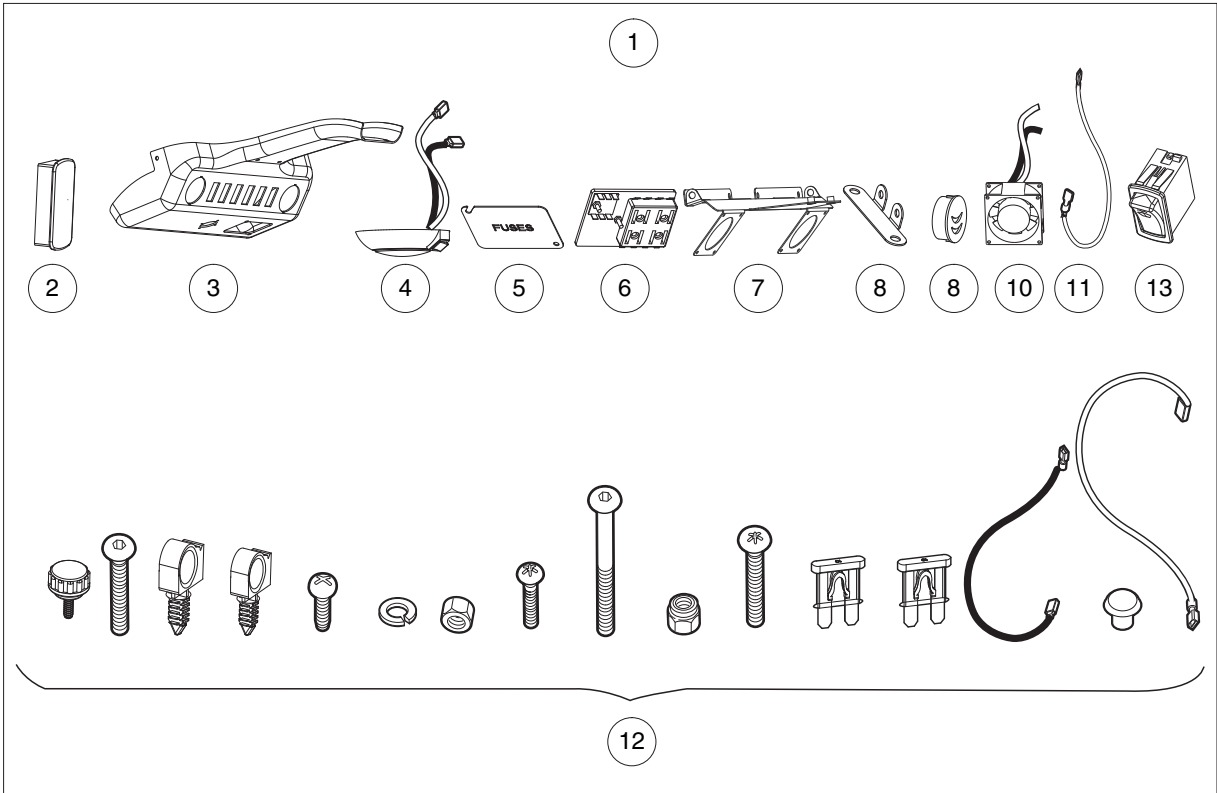
001194-001

# CAB – ELECTRICAL, CAB POWER HARNESS, GASOLINE VEHICLE TO CAB

| ITEM | PART NO.  | DESCRIPTION   | QTY |
|------|-----------|---|-----|
|      |           | <b>1 2 3 4</b>  |     |
| 1    | 105234102 | Kit, Cab Pwr Harness, Gas (includes items 2 through 10) ..... | 1   |
| 2    | 1012295   | Fuse, 10-Amp .....  | 1   |
| 3    | 1012431   | Washer, #4 Flat .....   | 3   |
| 4    | 1015878   | Screw, #4-40 Hex Head Machine .....                           | 3   |
| 5    | 102199001 | Relay, 12-Volt .....  | 1   |
| 6    | 102529101 | Voltage Limiter, Prec .....                                   | 1   |
| 7    | 105236301 | Harness, Pwr, Cab, Gas .....                                  | 1   |
| 8    | 8057      | Nut, #4-40 Hex Machine .....                                  | 3   |
| 9    | 8058      | Lockwasher, #4 Split .....                                    | 3   |
| 10   | 8639      | Tie Wrap, 11" Nylon .....                                     | 17  |

**1**  
**G**  
**E**

**1**  
**G**  
**E**



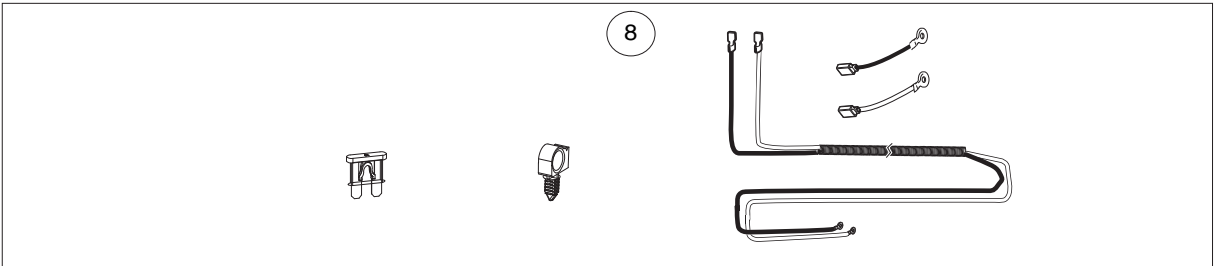
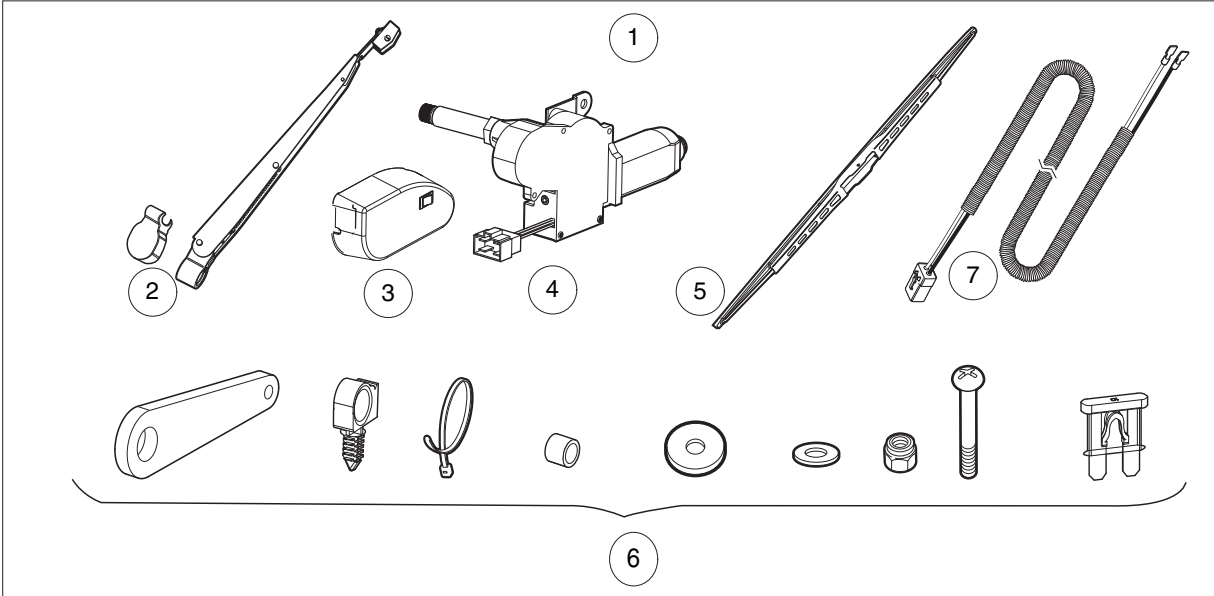
001188-001

# CAB – ELECTRICAL, OVERHEAD CONSOLE

| ITEM | PART NO.  | DESCRIPTION  | QTY |
|------|-----------|--|-----|
|      |           | 1 2 3 4  |     |
| 1    | 105097901 | Cab, Overhead Console, Kit (includes items 2 through 13) ..... | 1   |
| 2    | 103180101 | Cover, Hole, Switch, Rocker .....                              | 5   |
| 3    | 105179001 | Overhead Console Asm .....                                     | 1   |
| 4    | 105179101 | Cab, Dome Light .....  | 1   |
| 5    | 105179201 | Cab, Fuse Cover .....  | 1   |
| 6    | 105179301 | Cab, Fuse Holder 8 W Grnd .....                                | 1   |
| 7    | 105179401 | Front Fan Bracket, Asm .....                                   | 1   |
| 8    | 105179501 | Rear Oh Console Bracket .....                                  | 1   |
| 9    | 105179601 | Fan Louver .....   | 2   |
| 10   | 105179701 | Oh Console Fan .....   | 1   |
| 11   | 105179801 | Wire Jumper, Fan .....   | 1   |
| 12   | 105179901 | Hardware Kit, Oh Console .....                                 | 1   |
| 13   | 105183501 | Rocker, Fan .....  | 1   |

**1**  
**G**  
**E**

**1**  
**G**  
**E**



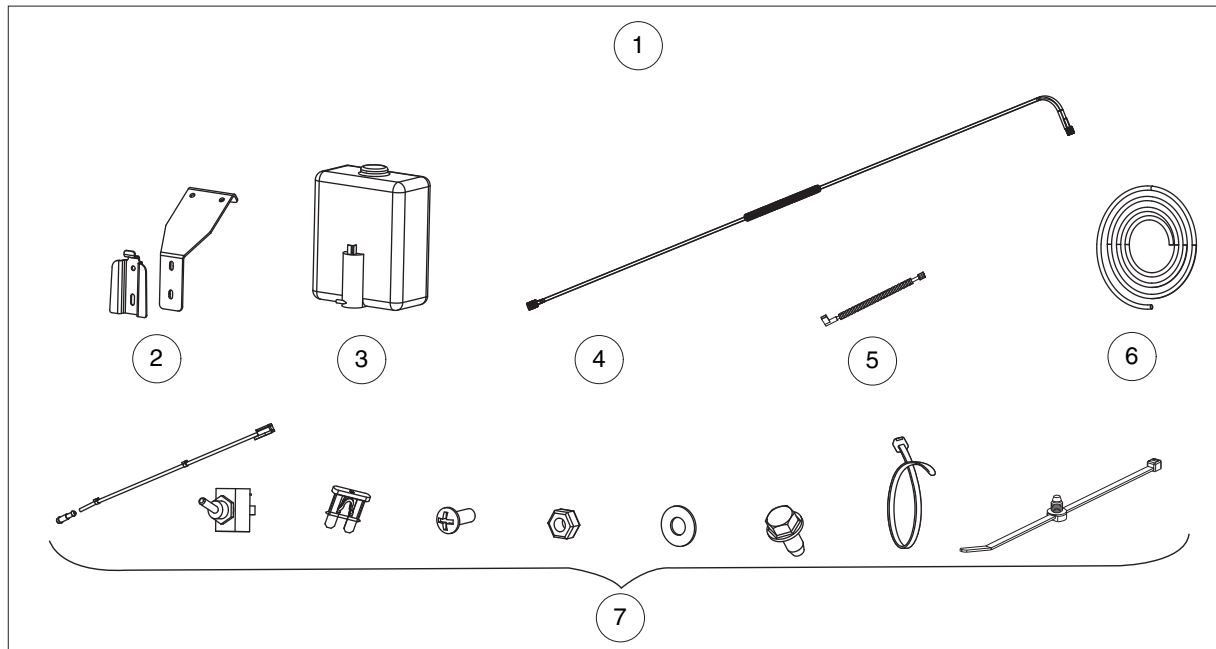
001190-001

## CAB – ELECTRICAL, WINDSHIELD WIPER

| ITEM   | PART NO.  | DESCRIPTION   | QTY |
|--|-----------|---|-----|
|  |           | 1 2 3 4   |     |
| 1  | 105098001 | Cab, Front Wiper Kit (includes items 2 through 7) ..... | 1   |
| 2  | 104000901 | Wiper Arm, Modified .....                               | 1   |
| 3  | 104003501 | Cover, Wiper Mtr & Switch Asm .....                     | 1   |
| 4  | 105180001 | Wiper Motor, 85 Deg .....                               | 1   |
| 5  | 105180101 | Wiper Blade 18 inch .....                               | 1   |
| 6  | 105180201 | Hardware Kit, Wiper .....                               | 1   |
| 7  | 105183701 | Harness, Wiper .....                                    | 1   |
| 8  | 105098002 | Cab, Wiper Power Harness Kit (w/o Console) .....        | 1   |
| <p>Note: Vehicles not equipped with an overhead console will require kit part number 105098001, Front Wiper Kit, and 105098002, Cab Wiper Power Harness Kit. Vehicles equipped with an overhead console are wired for wiper power and require only the 105098001, Front Wiper Kit.</p> |           |   |     |

1  
G  
E

**1**  
**G**  
**E**



001189-001

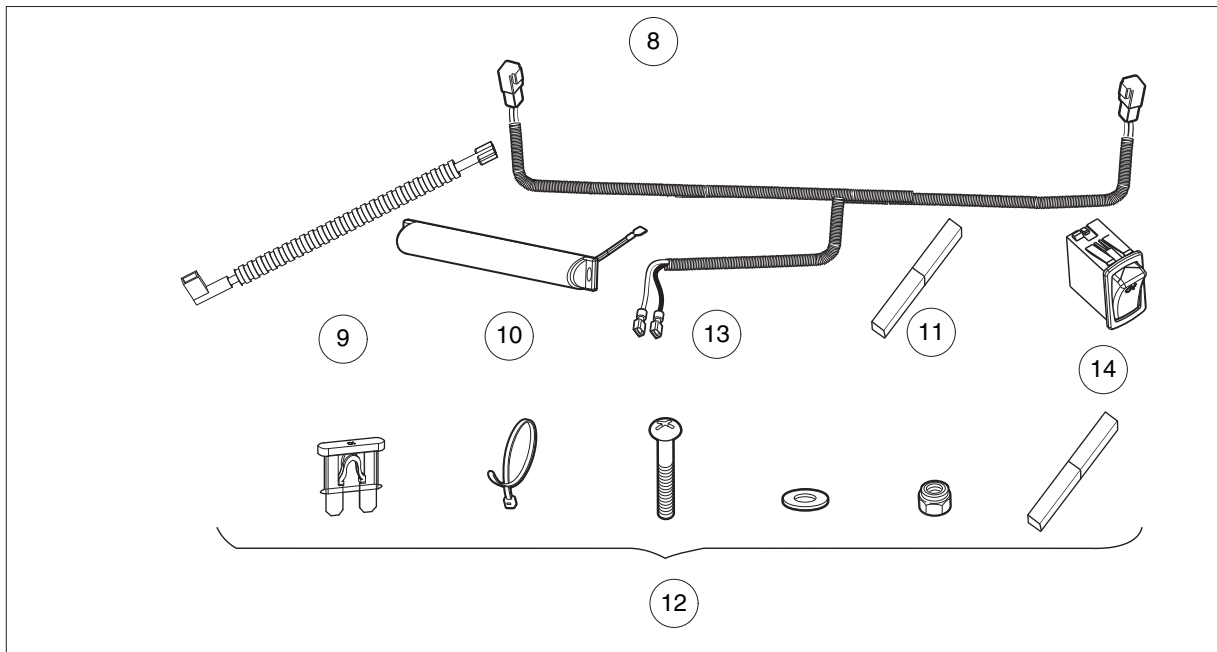
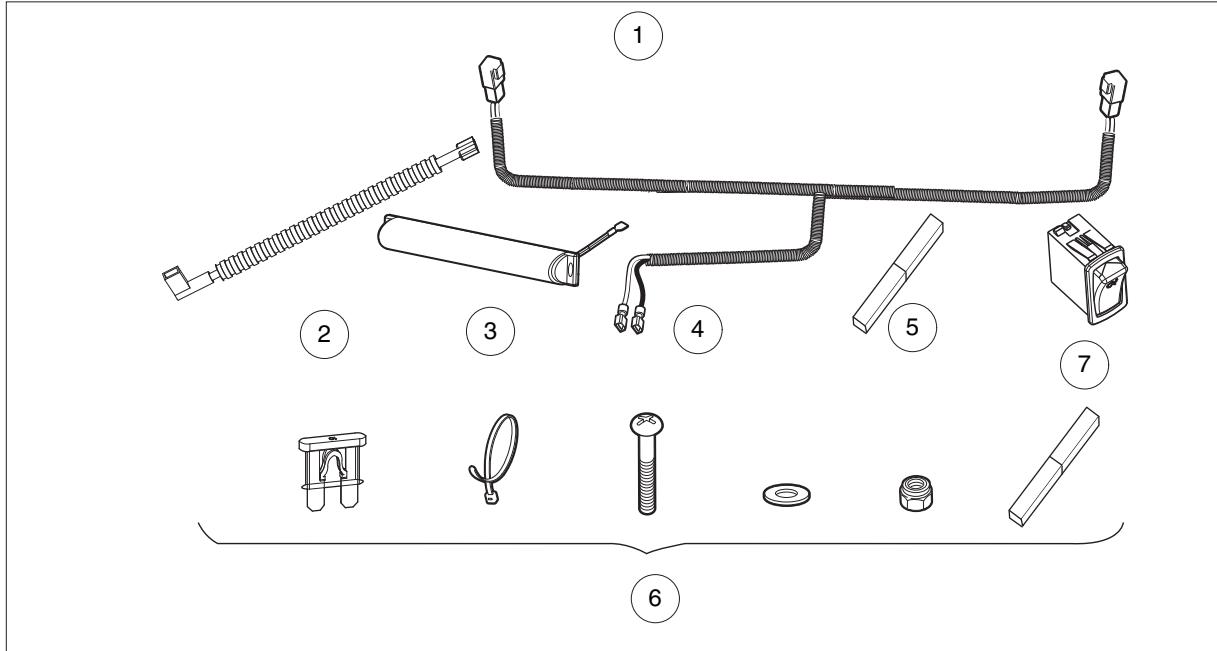


# CAB – ELECTRICAL, WINDSHIELD WASHER

| ITEM | PART NO.  | DESCRIPTION   | QTY |
|------|-----------|---|-----|
|      |           | <b>1 2 3 4</b>  |     |
| 1    | 105098101 | Cab, Front Wiper, Washer Kit (includes items 2 through 7) ..... | 1   |
| 2    | 105180301 | Washer Tank Mount Plate .....                                   | 1   |
| 3    | 105180401 | Wash Tank Asm .....   | 1   |
| 4    | 105180501 | Wire Harness Sw To Pump .....                                   | 1   |
| 5    | 105180601 | Wire Harness Fb To Sw .....                                     | 1   |
| 6    | 105180701 | Hose 18x31x17ft .....   | 1   |
| 7    | 105180801 | Hardware Kit, Wiper Washer .....                                | 1   |

**1**  
**G**  
**E**

**1**  
**G**  
**E**



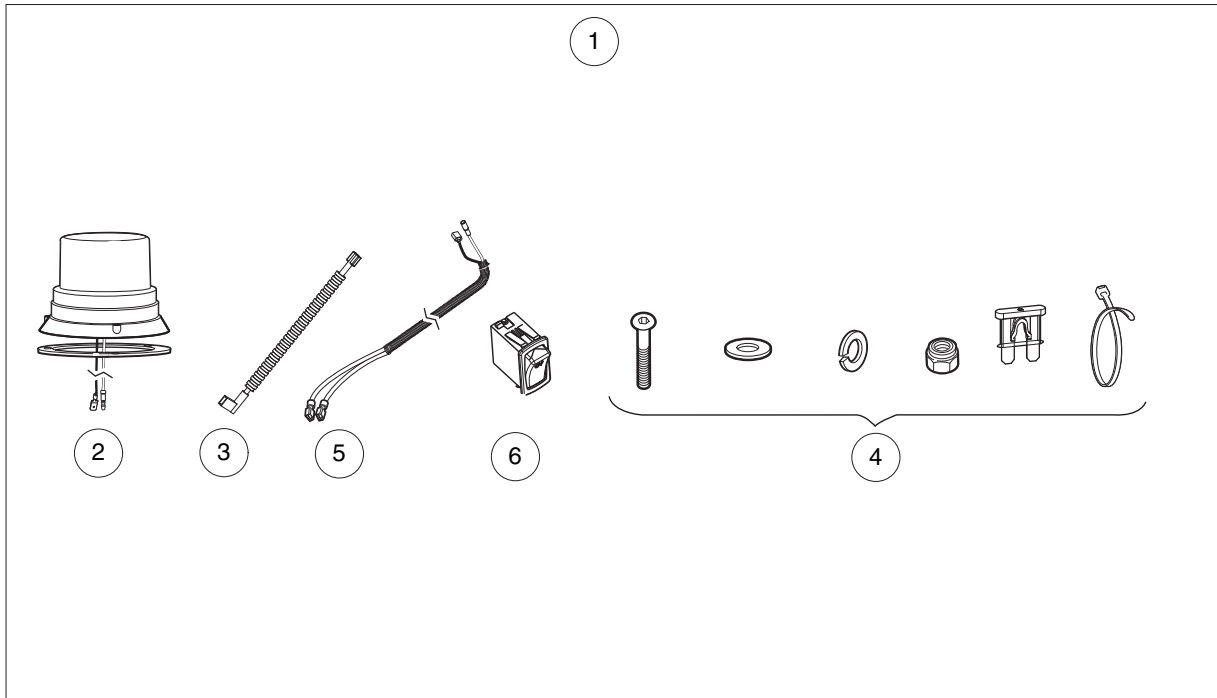
001191-001

# CAB – ELECTRICAL, WORK LIGHTS

| ITEM | PART NO.  | DESCRIPTION  | QTY |
|------|-----------|--|-----|
|      |           | <b>1 2 3 4</b>   |     |
| 1    | 105098201 | Cab, Front Work Light Kit (includes items 2 through 7) ..... | 1   |
| 2    | 105180601 | Wire Harness Fb To Sw .....                                  | 1   |
| 3    | 105180901 | Cab Work Light Led .....                                     | 2   |
| 4    | 105181001 | Wire Harn Front WI .....                                     | 1   |
| 5    | 105181101 | Work Light Tape .....  | 2   |
| 6    | 105181301 | Hardware Kit, Work Light .....                               | 1   |
| 7    | 105183601 | Switch, Rocker, Front Work Light .....                       | 1   |
| 8    | 105098301 | Cab, Rear Work Light Kit (includes items 9 through 14) ..... | 1   |
| 9    | 105180601 | Wire Harness Fb To Sw .....                                  | 1   |
| 10   | 105180901 | Cab Work Light Led .....                                     | 2   |
| 11   | 105181101 | Work Light Tape .....  | 2   |
| 12   | 105181301 | Hardware Kit, Work Light .....                               | 1   |
| 13   | 105181401 | Wire Harn Rear WI .....                                      | 1   |
| 14   | 105181501 | Rocker Rear WI .....   | 1   |

**1**  
**G**  
**E**

**1**  
**G**  
**E**



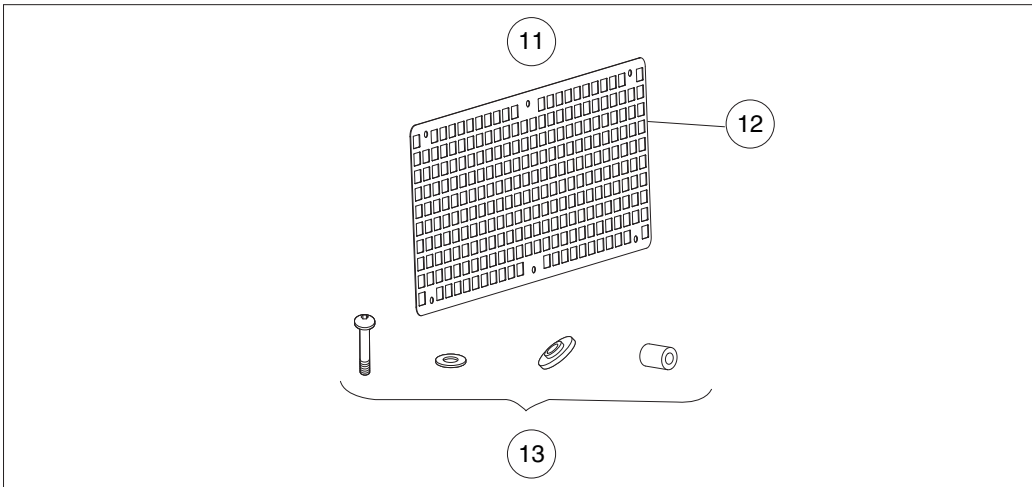
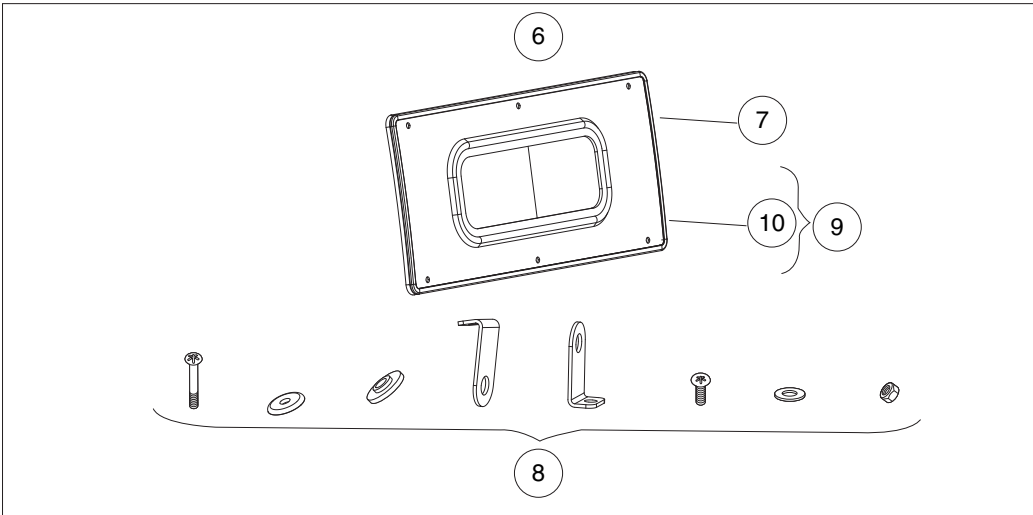
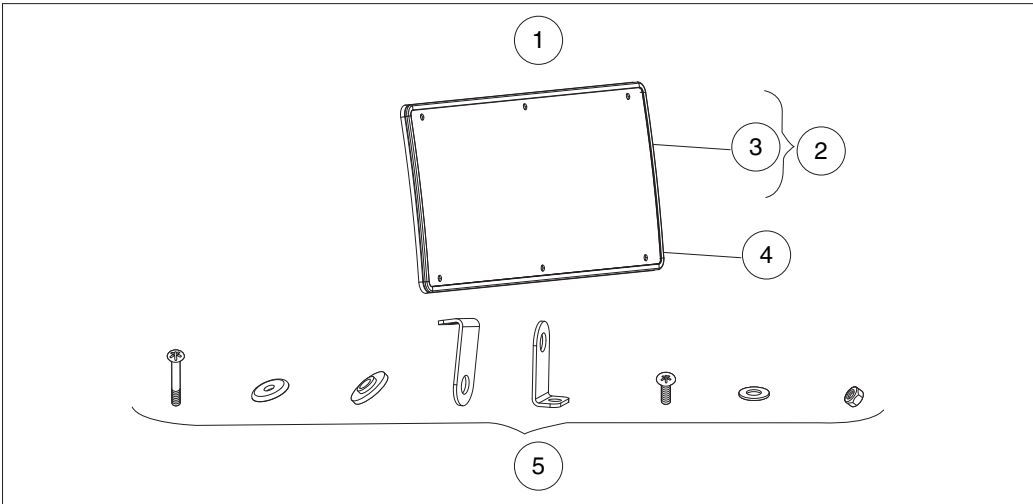
001192-001

# CAB – ELECTRICAL, WARNING BEACON

| ITEM | PART NO.  | DESCRIPTION  | QTY |
|------|-----------|--|-----|
|      |           | <b>1 2 3 4</b>   |     |
| 1    | 105098401 | Cab, Warning Beacon Kit (includes items 2 through 6) ..... | 1   |
| 2    | 104002101 | Light, Strobe, Amber .....                                 | 1   |
| 3    | 105180601 | Wire Harness Fb To Sw .....                                | 1   |
| 4    | 105181201 | Hardware Kit, Beacon Kit .....                             | 1   |
| 5    | 105181601 | Wire Harness Sw To Beac .....                              | 1   |
| 6    | 105183801 | Rocker Beacon .....  | 1   |

**1**  
**G**  
**E**

**1**  
**G**  
**E**



001185-001

# CAB – REAR WINDOW

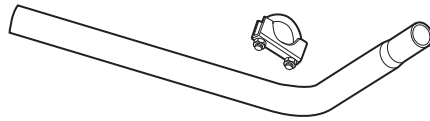
| ITEM | PART NO.  | DESCRIPTION   | QTY |
|------|-----------|---|-----|
|      |           | <b>1 2 3 4</b>  |     |
| 1    | 105097601 | Cab, Rear Window Kit (includes items 2 through 5) .....         | 1   |
| 2    | 105178501 | Rear Window W/ Seal (includes item 3) .....                     | 1   |
| 3    | 105178601 | Seal, Rubber Rear Window .....                                  | 1   |
| 4    | 105178601 | Seal, Rubber Rear Window .....                                  | 1   |
| 5    | 105178701 | Hardware Kit, Rear Window .....                                 | 1   |
| 6    | 105097701 | Cab, Rear Window, Slider Kit (includes items 7 through 9) ..... | 1   |
| 7    | 105178601 | Seal, Rubber Rear Window .....                                  | 1   |
| 8    | 105178701 | Hardware Kit, Rear Window .....                                 | 1   |
| 9    | 105178801 | Rear Slider Window W/ Seal (includes item 10) .....             | 1   |
| 10   | 105178601 | Seal, Rubber Rear Window .....                                  | 1   |
| 11   | 105097801 | Cab, Rear Window, Screen Kit (includes items 12 and 13) .....   | 1   |
| 12   | 105176901 | Rear Screen .....   | 1   |
| 13   | 105178901 | Hardware Kit, Rear Screen .....                                 | 1   |

1  
G  
E

1

G

E



1

001199-001



# CAB – EXHAUST

| ITEM | PART NO.  | DESCRIPTION   | QTY |
|------|-----------|---|-----|
| 1    | 105143401 | <div style="display: flex; justify-content: space-between; margin-bottom: 5px;"> <span>1</span> <span>2</span> <span>3</span> <span>4</span> </div> Kit, Exhaust Extension, 400cc ..... | 1   |

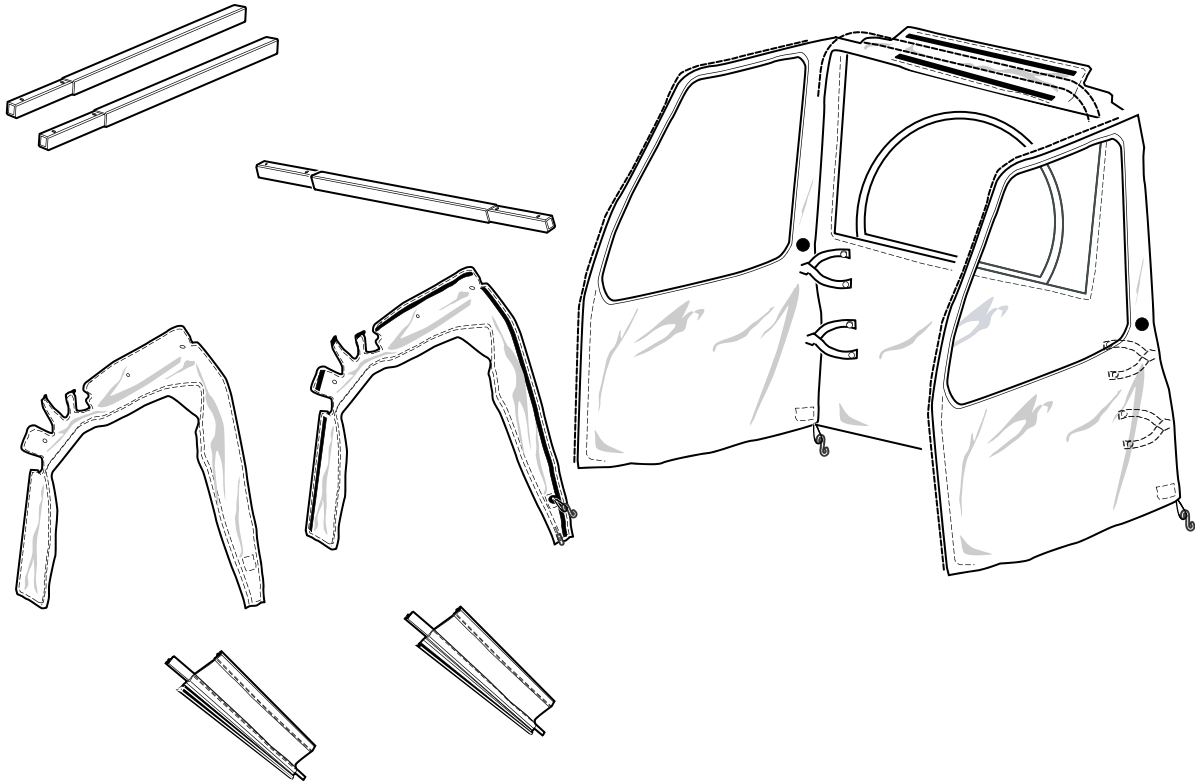
**1**

**G**

**E**

**1**  
**G**  
**E**

- 1
- 2
- 3
- 4



001240-001

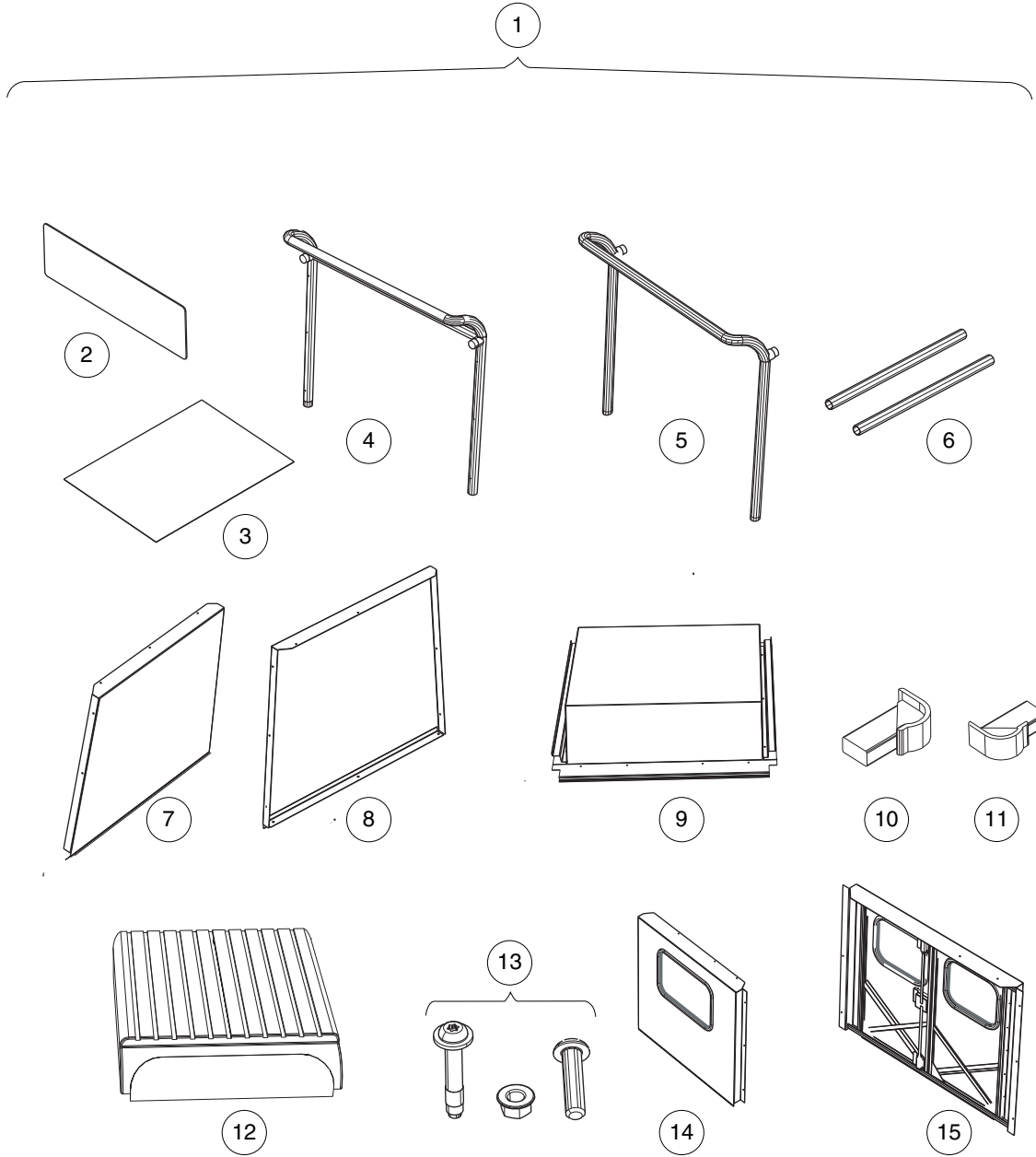
# ENCLOSURES

| ITEM | PART NO.  | DESCRIPTION                 | QTY |
|------|-----------|-----------------------------|-----|
|      |           | 1 2 3 4                     |     |
| 1    | 105124301 | Kit, Enclosure, White ..... | 1   |
| 2    | 105124302 | Kit, Enclosure, Beige ..... | 1   |
| 3    | 105124401 | Kit, Enclosure, Gray .....  | 1   |
| 4    | 105124501 | Kit, Enclosure, Black ..... | 1   |

1

G

E

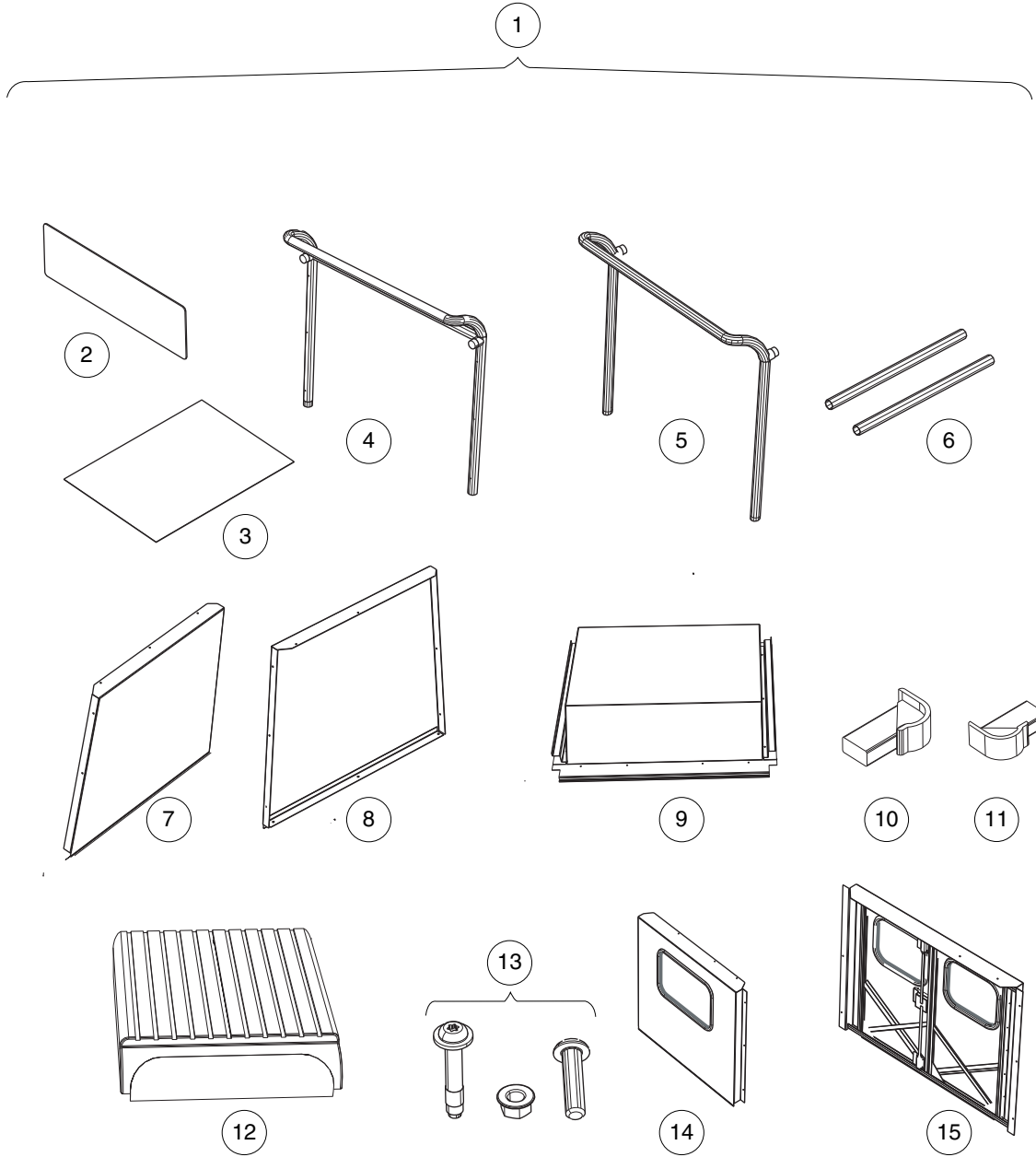


001173-001

# VAN BOX – GRAY

| ITEM | PART NO.  | DESCRIPTION   | QTY |
|------|-----------|---|-----|
|      |           | <b>1 2 3 4</b>  |     |
| 1    | 105158702 | Kit, Van Box, Med, Gray (includes items 2 through 15) ..... | 1   |
| 2    | 105237601 | Decal, Warn Rollover Van Box .....                          | 1   |
| 3    | 105237701 | Kit, Decal, Vanbox, Roll -all .....                         | 1   |
| 4    | 105238001 | Asm, Rear Tubing, Van .....                                 | 1   |
| 5    | 105238101 | Asm, Front Tubing, Van .....                                | 1   |
| 6    | 105238701 | Tubing, 500, Van .....                                      | 1   |
| 7    | 105238802 | Panel Lh, 500, Van, Gray .....                              | 1   |
| 8    | 105238902 | Panel Rh, 500, Van, Gray .....                              | 1   |
| 9    | 105239002 | Panel Attic, 500, Van, Gray .....                           | 1   |
| 10   | 105239101 | Bumpers Front, Van .....                                    | 1   |
| 11   | 105239201 | Bumpers Rear, Van .....                                     | 1   |
| 12   | 105239301 | Roof 500, Van, White .....                                  | 1   |
| 13   | 105239401 | Hardware, 500, Van .....                                    | 1   |
| 14   | 105241002 | Panel Ft W Window, Van, Gray .....                          | 1   |
| 15   | 105241102 | Panel Rr W Window, Van, Gray .....                          | 1   |

1  
G  
E



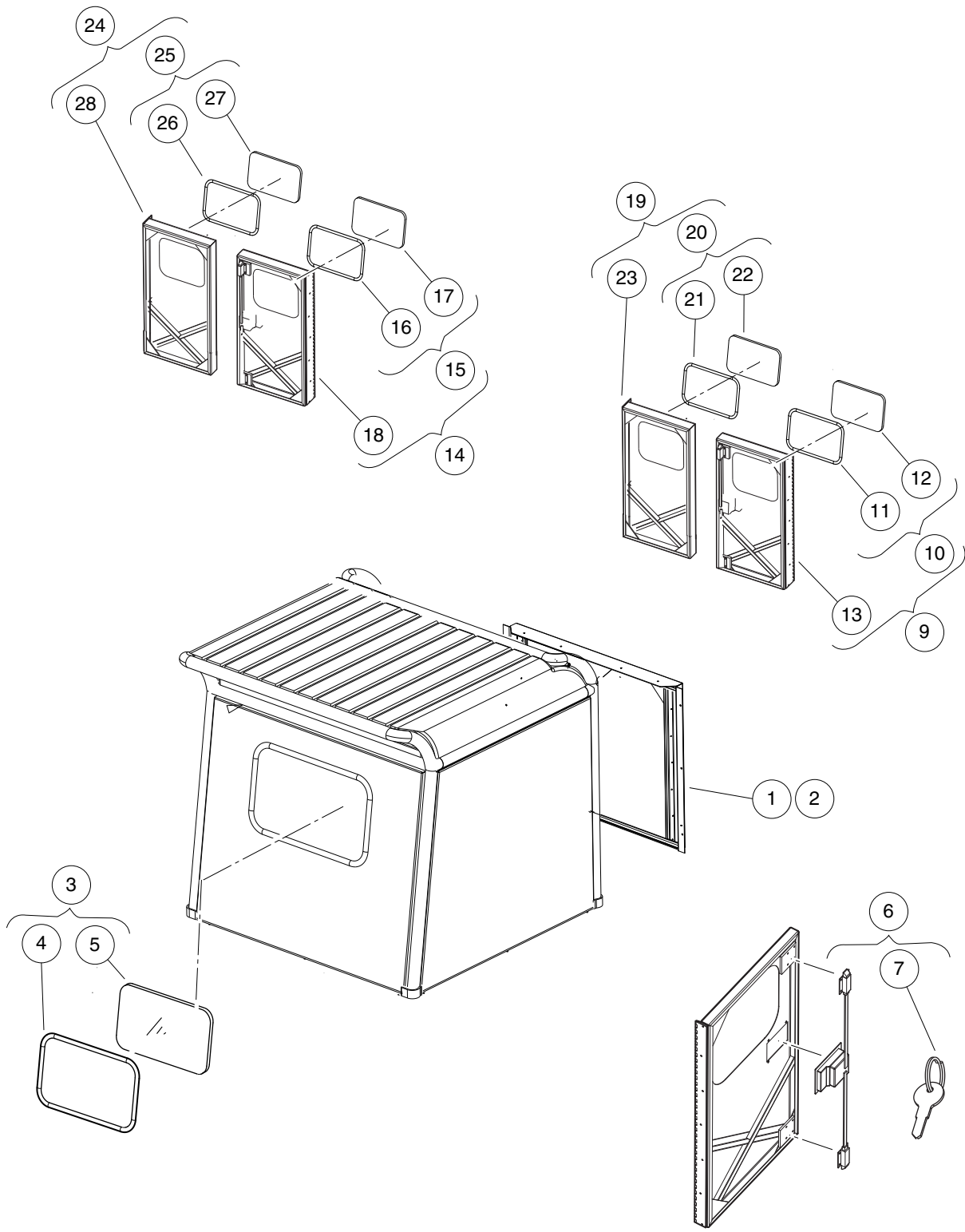
001173-001

# VAN BOX – WHITE

| ITEM | PART NO.  | DESCRIPTION  | QTY |
|------|-----------|--|-----|
|      |           | <b>1 2 3 4</b>   |     |
| 1    | 105158701 | Kit, Van Box, Med, White (includes items 2 through 15) ..... | 1   |
| 2    | 105237601 | Decal, Warn Rollover Van Box .....                           | 1   |
| 3    | 105237701 | Kit, Decal, Vanbox, Roll -all .....                          | 1   |
| 4    | 105238001 | Asm, Rear Tubing, Van .....                                  | 1   |
| 5    | 105238101 | Asm, Front Tubing, Van .....                                 | 1   |
| 6    | 105238701 | Tubing, 500, Van .....                                       | 1   |
| 7    | 105238801 | Panel Lh, 500, Van, White .....                              | 1   |
| 8    | 105238901 | Panel Rh, 500, Van, White .....                              | 1   |
| 9    | 105239001 | Panel Attic, 500, Van, White .....                           | 1   |
| 10   | 105239101 | Bumpers Front, Van .....                                     | 1   |
| 11   | 105239201 | Bumpers Rear, Van .....                                      | 1   |
| 12   | 105239301 | Roof 500, Van, White .....                                   | 1   |
| 13   | 105239401 | Hardware, 500, Van .....                                     | 1   |
| 14   | 105241001 | Panel Ft W Window, Van, White .....                          | 1   |
| 15   | 105241101 | Panel Rr W Window, Van, White .....                          | 1   |

1  
G  
E

**1**  
**G**  
**E**



001178-002

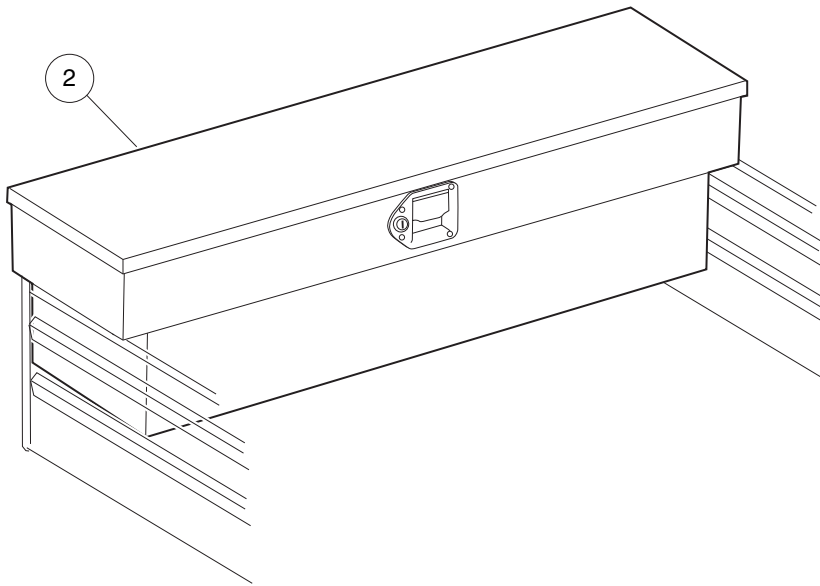
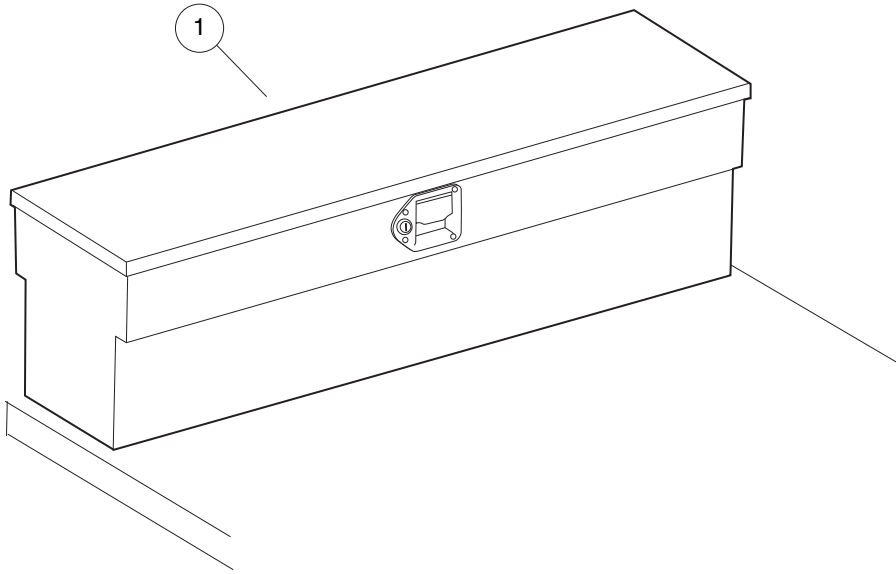


## VAN BOX, MEDIUM – SERVICE PARTS

| ITEM | PART NO.  | DESCRIPTION   | QTY |
|------|-----------|---|-----|
|      |           | 1 2 3 4   |     |
| 1    | 105237801 | Panel Rr, w/o Doors, Van, White .....                               | 1   |
| 2    | 105237802 | Panel Rr, w/o Doors, Van, Gray .....                                | 1   |
| 3    | 105238301 | Asm, Window, Frt Panel, Van (includes items 4 and 5) .....          | 1   |
| 4    | 105241401 | Window Seal, Frt Panel, Van .....                                   | 1   |
| 5    | 105241501 | Window Glass, Frt Panel, Van .....                                  | 1   |
| 6    | 105238603 | Lock Mechanism, Door, Van (includes item 7) .....                   | 1   |
| 7    | 105238604 | Key, Van Box, 500, 700 .....  | 1   |
| 8    | 105241401 | Window Seal, Frt Panel, Van .....                                   | 1   |
| 9    | 105241601 | Door, W Window, Lh, Van, White (includes items 10 through 13) ..... | 1   |
| 10   | 105238201 | Asm, Window, Door, Van (includes items 11 and 12) .....             | 1   |
| 11   | 105241201 | Window Seal, Door, Van .....  | 1   |
| 12   | 105241301 | Window Glass, Door, Van .....                                       | 1   |
| 13   | 105238401 | Door,w/o Window, Left, Van, White .....                             | 1   |
| 14   | 105241602 | Door, W Window, Lh, Van, Gray (includes items 15 through 18) .....  | 1   |
| 15   | 105238201 | Asm, Window, Door, Van (includes items 16 and 17) .....             | 1   |
| 16   | 105241201 | Window Seal, Door, Van .....  | 1   |
| 17   | 105241301 | Window Glass, Door, Van .....                                       | 1   |
| 18   | 105238402 | Door, w/o Window, Left, Van, Gray .....                             | 1   |
| 19   | 105241701 | Door, W Window, Rh, Van, White (includes items 20 through 23) ..... | 1   |
| 20   | 105238201 | Asm, Window, Door, Van (includes items 21 and 22) .....             | 1   |
| 21   | 105241201 | Window Seal, Door, Van .....  | 1   |
| 22   | 105241301 | Window Glass, Door, Van .....                                       | 1   |
| 23   | 105238501 | Door, w/o Window, Right, Van, White .....                           | 1   |
| 24   | 105241702 | Door, W Window, Rh, Van, Gray (includes items 25 through 28) .....  | 1   |
| 25   | 105238201 | Asm, Window, Door, Van (includes items 26 and 27) .....             | 1   |
| 26   | 105241201 | Window Seal, Door, Van .....  | 1   |
| 27   | 105241301 | Window Glass, Door, Van .....                                       | 1   |
| 28   | 105238502 | Door, w/o Window, Right, Van, Gray .....                            | 1   |

1  
G  
E

**1**  
**G**  
**E**



001157-001

# TOOLBOXES

| ITEM | PART NO.  | DESCRIPTION                        | QTY |
|------|-----------|------------------------------------|-----|
| 1    | 101837401 | 1 2 3 4<br>Toolbox, Flat Bed ..... | 1   |
| 2    | 101837502 | Toolbox, Box Bed .....             | 1   |

**1**

**G**

**E**

**1**

**G**

**E**

# WHEELS AND TIRES

---

2

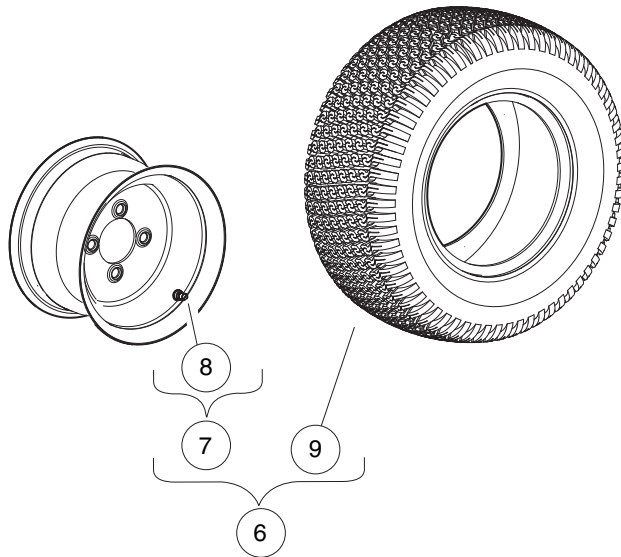
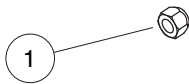
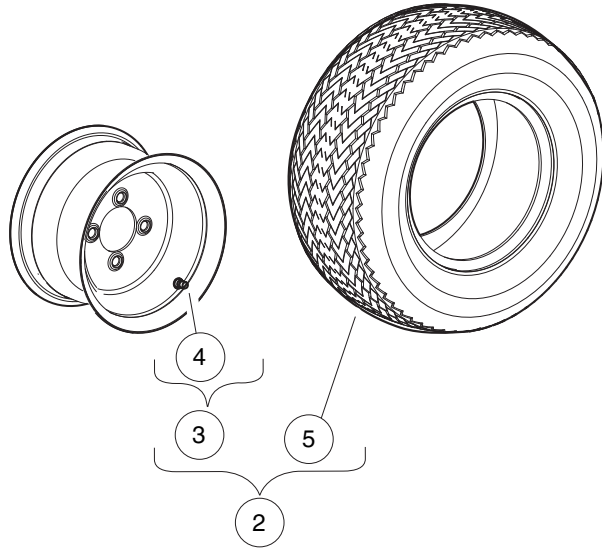
G

E

2

G

E



001320-001

# WHEELS AND TIRES

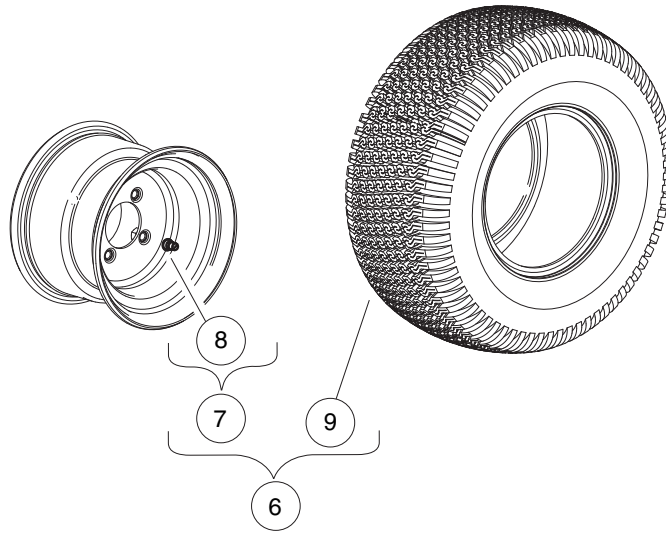
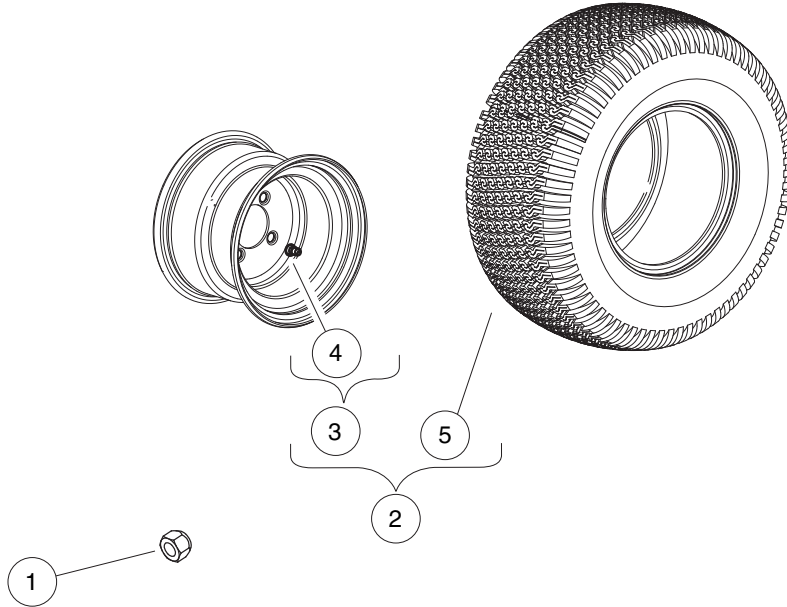
| ITEM | PART NO.  | DESCRIPTION   | QTY |
|------|-----------|---|-----|
|      |           | 1 2 3 4   |     |
| 1    | 1010984   | .500-20 Unf Lug Nut .....                                   | 16  |
| 2    | 105078809 | Asm,whl,hn1,20x10-10,6pl (includes items 3 through 5) ..... | 4   |
| 3    | 105079204 | Whl,10x6", Gray, 0 Os,rr W/ Vs (includes item 4) .....      | 1   |
| 4    | 105078901 | Valve Stem, Kenda, Tr 412 .....                             | 1   |
| 5    | 105079301 | Tire, Hole-n-1, 20x10-10, 6pl .....                         | 1   |
| 6    | 105078810 | Asm,whl,st,20x10-10,6pl (includes items 7 through 9) .....  | 4   |
| 7    | 105079204 | Whl,10x6", Gray, 0 Os,rr W/ Vs (includes item 8) .....      | 1   |
| 8    | 105078901 | Valve Stem, Kenda, Tr 412 .....                             | 1   |
| 9    | 105079401 | Tire, Superturf, 20x10-10, 6pl .....                        | 1   |

2  
G  
E

2

G

E



001321-001



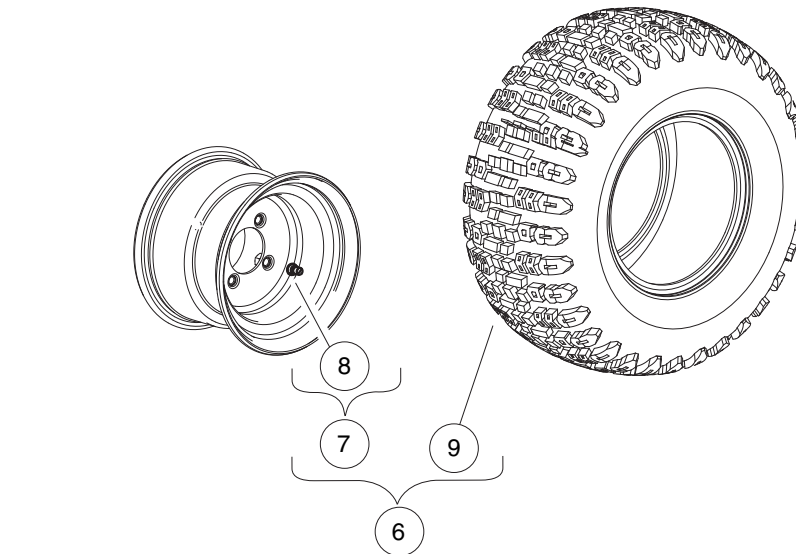
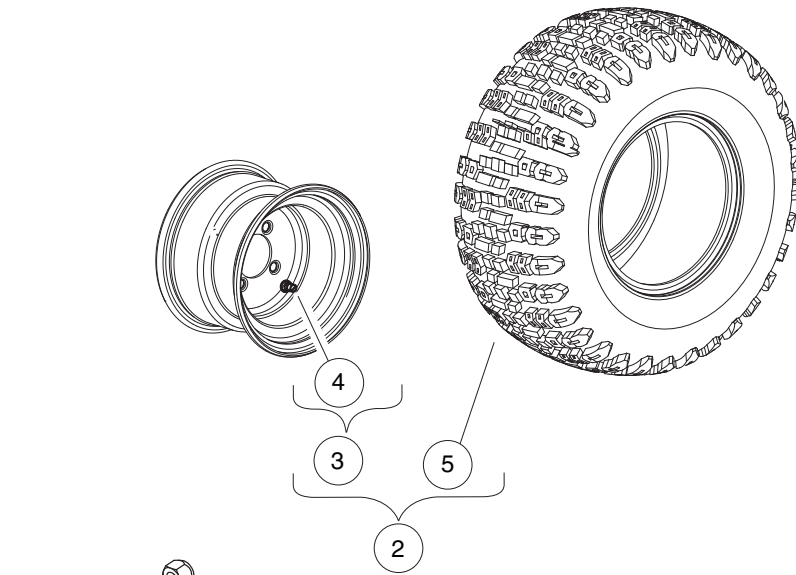
## WHEELS AND TIRES – CARRYALL 550

| ITEM | PART NO.  | DESCRIPTION  | QTY |          |
|------|-----------|--|-----|----------|
|      |           | <b>1 2 3 4</b>   |     | <b>2</b> |
| 1    | 1010984   | .500-20 Unf Lug Nut .....  | 16  | <b>G</b> |
| 2    | 105078805 | Asm,whl,st,22x10-10,4pl,front (includes items 3 through 5) .....     | 2   | <b>E</b> |
| 3    | 105079202 | Whl,10x7", Gray, 0 Os W/ Vs (includes item 4) .....                  | 1   |          |
| 4    | 105078901 | Valve Stem, Kenda, Tr 412 .....                                      | 1   |          |
| 5    | 105079701 | Tire, Superturf, 22x10-10, 4pl .....                                 | 1   |          |
| 6    | 105078813 | Asm, Whl, ST, 22X10-10, 4PL Rear (includes items 7 through 10) ..... | 2   |          |
| 7    | 105079205 | Whl, 10X7, Gray, 1 NOS, W/VS (includes item 8) .....                 | 2   |          |
| 8    | 105078901 | Valve Stem, Kenda, Tr 412 .....                                      | 1   |          |
| 9    | 105079701 | Tire, Superturf, 22x10-10, 4pl .....                                 | 2   |          |
| 10   | 105216602 | Decal, Wheel, K500, Rear .....                                       | 2   |          |

2

G

E



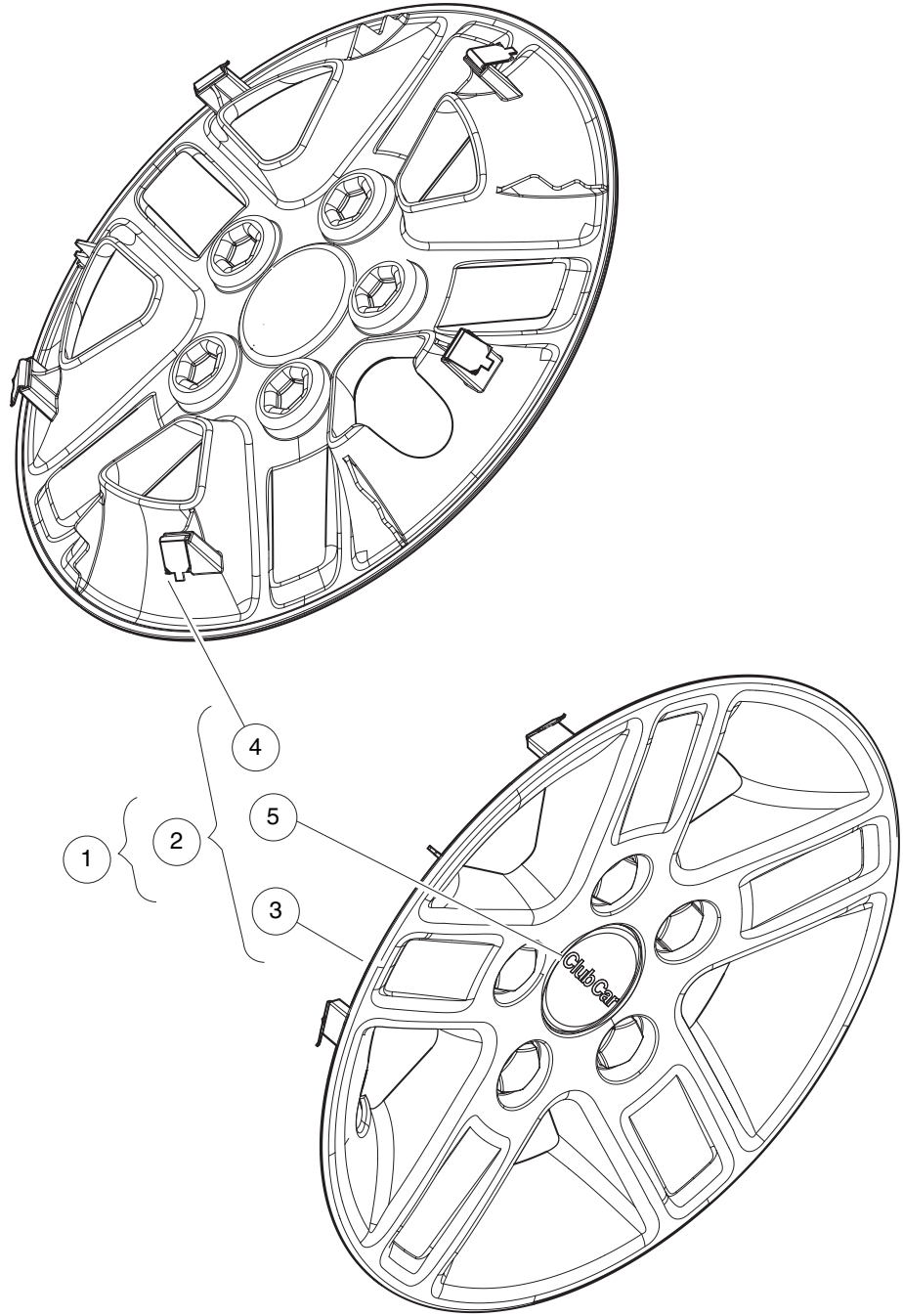
001323-001

## WHEELS AND TIRES, OFF-ROAD – CARRYALL 550

| ITEM | PART NO.  | DESCRIPTION   | QTY |
|------|-----------|---|-----|
|      |           | 1 2 3 4   |     |
| 1    | 1010984   | .500-20 Unf Lug Nut .....   | 16  |
| 2    | 105078807 | Asm,whl,or,22x10-10,6pl,front (includes items 3 through 5) .....      | 2   |
| 3    | 105079202 | Whl,10x7", Gray, 0 Os W/ Vs (includes item 4) .....                   | 1   |
| 4    | 105078901 | Valve Stem, Kenda, Tr 412 .....                                       | 1   |
| 5    | 105079801 | Tire, Offroad, 22x10-10, 6pl .....                                    | 1   |
| 6    | 105078814 | Asm, WHL, OR, 22X10-10, 4PL, Rear (includes items 7 through 10) ..... | 2   |
| 7    | 105079205 | Whl, 10X7, Gray, 1 NOS, W/VS (includes item 8) .....                  | 2   |
| 8    | 105078901 | Valve Stem, Kenda, Tr 412 .....                                       | 1   |
| 9    | 105079801 | Tire, Offroad, 22x10-10, 6pl .....                                    | 2   |
| 10   | 105216604 | Decal, Wheel, K502, Rear .....  | 2   |

2  
G  
E

**2**  
**G**  
**E**



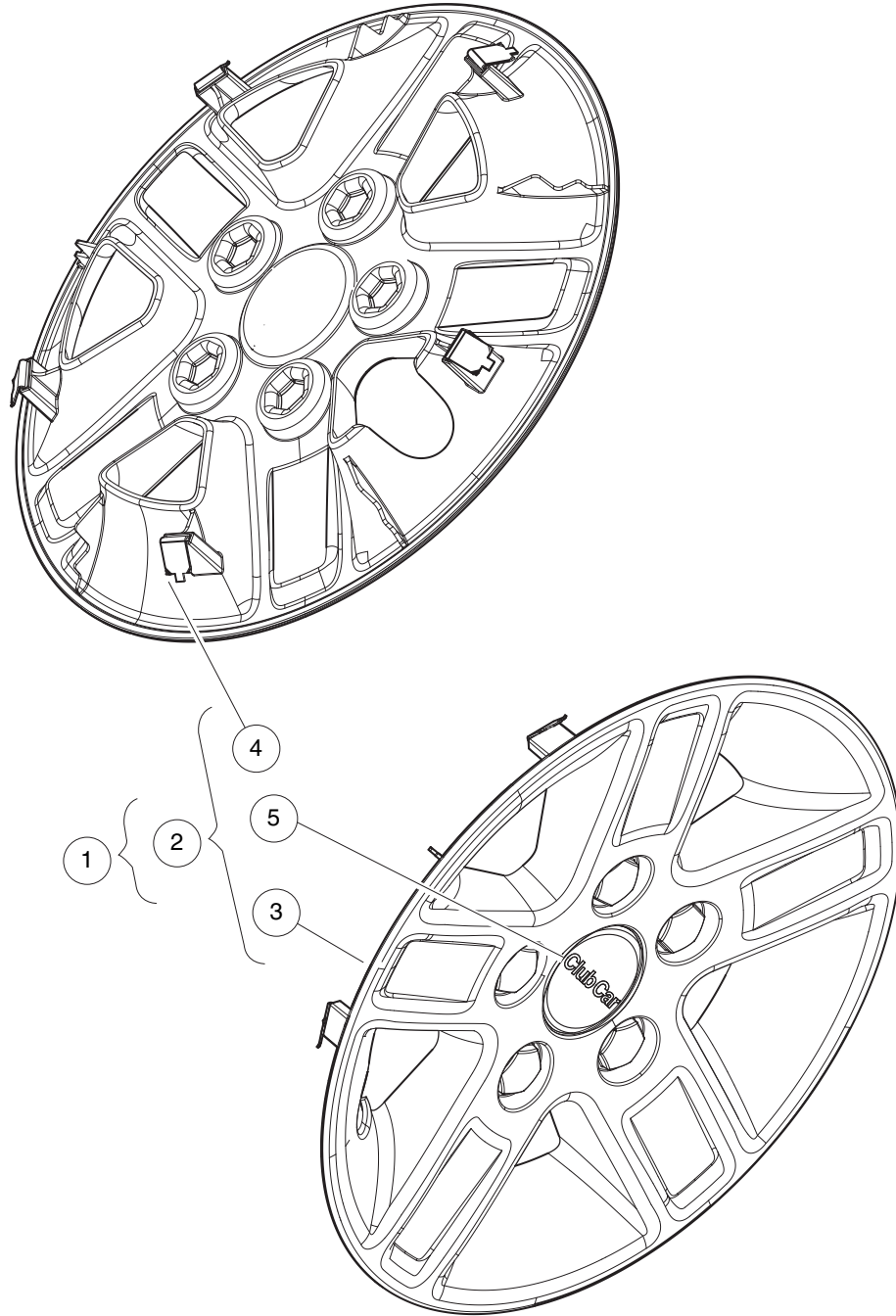
001350-002

# WHEEL COVERS

| ITEM | PART NO.  | DESCRIPTION   | QTY |
|------|-----------|---|-----|
|      |           | 1 2 3 4   |     |
| 1    | 105106501 | Kit, Wheel Cover, 10x6" (includes item 2) .....                   | 1   |
| 2    | 105106301 | Asm, Whl Cover, 5 Spoke, 10x6" (includes items 3 through 5) ..... | 4   |
| 3    | N/A       | Wheel Cover, 5 Spoke, 10x7" .....                                 | 1   |
| 4    | 105106101 | Wheel Cover, Clip .....   | 5   |
| 5    | 105106201 | Decal, Wheel Cover, Club Car .....                                | 1   |

2  
G  
E

**2**  
**G**  
**E**



001350-002

## WHEEL COVERS – CARRYALL 550

| ITEM | PART NO.  | DESCRIPTION   | QTY |
|------|-----------|---|-----|
|      |           | 1 2 3 4   |     |
| 1    | 105106502 | Kit, Wheel Cover, 10x7" (includes item 2) .....                   | 1   |
| 2    | 105106302 | Asm, Whl Cover, 5 Spoke, 10x7" (includes items 3 through 5) ..... | 4   |
| 3    | N/A       | Wheel Cover, 5 Spoke, 10x7" .....                                 | 1   |
| 4    | 105106101 | Wheel Cover, Clip .....   | 5   |
| 5    | 105106201 | Decal, Wheel Cover, Club Car .....                                | 1   |

2  
G  
E

**2**

**G**

**E**



# DECALS

---

3

G

E

**⚠ WARNING**

Unintended vehicle movement may cause severe injury or death. Before using vehicle, read owner's manual and vehicle safety warnings.

Before leaving vehicle:

- Engage park brake to lock wheels.
- Place vehicle in NEUTRAL.
- Turn key to OFF and remove key.

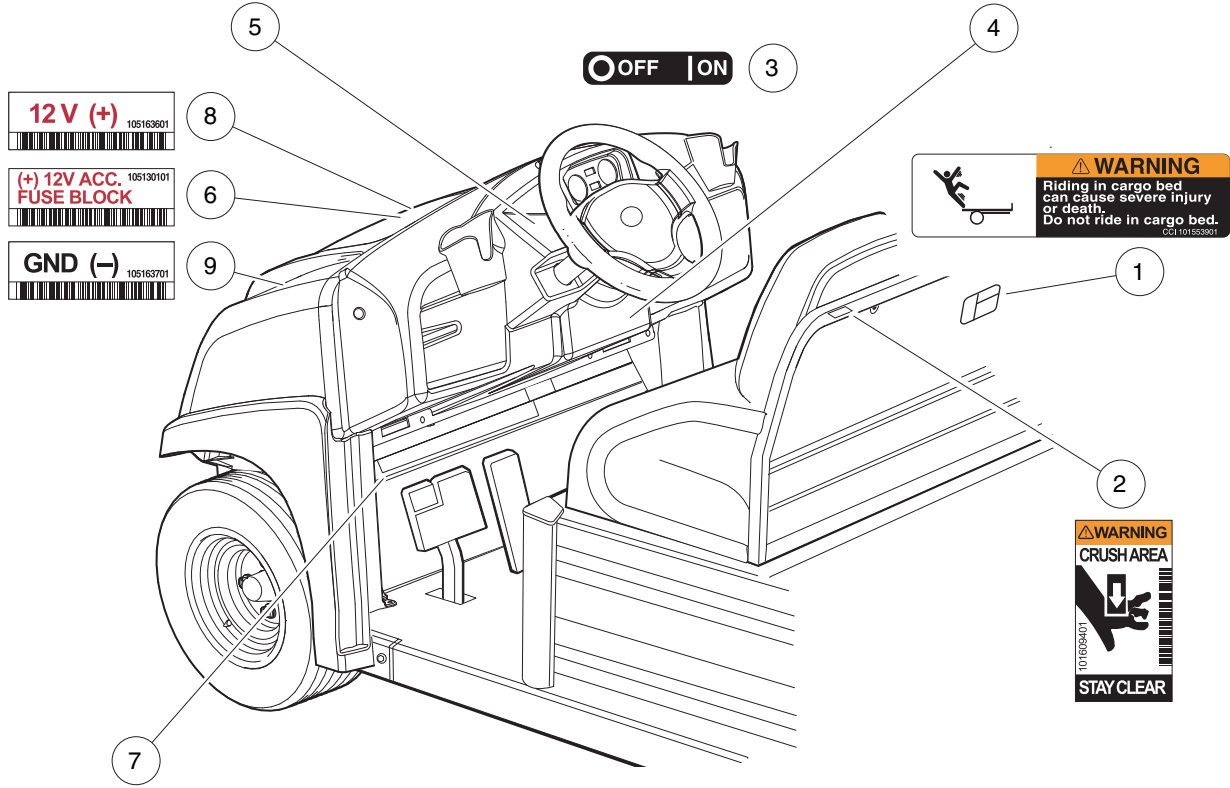
105246101

**⚠ WARNING**

**UNINTENDED MOVEMENT, ROLLOVER, OR FALLING OUT CAN CAUSE SERIOUS INJURY OR DEATH.**

- Vehicle to be operated by licensed and authorized persons only.
- Use in authorized areas only. Do not operate on public roads.
- One (1) person per bucket seat maximum.
- Two (2) persons per bench seat maximum.
- Operate from driver's seat only.
- Do not start vehicle until all occupants are fully seated.
- Drive slowly in turns and straight up and down slopes.
- Remain fully seated while moving.
- Hold on and keep entire body inside vehicle while moving.
- Never attempt jumps and avoid extreme braking in reverse.
- Do not leave children unattended in vehicle at any time.
- Children requiring a child safety seat must not ride in vehicle.
- Never operate under the influence of alcohol or drugs.

10402801



**VEHICLE LOADING**

Read owner's manual and warnings on dash.

- Vehicle rated capacity: 1200 lb (544 kg) on level surface only.
- Includes occupants and cargo load.
- Maximum cargo load: 800 lb (363 kg)
- Includes cargo, bed load, and optional equipment.
- Vehicle combination rated capacity: 1500 lb (680 kg)
- Includes vehicle rated capacity and gross trailer weight.

**⚠ WARNING**

**ROLLOVER CAN CAUSE SERIOUS INJURY OR DEATH.**

- Place cargo forward in the cargo bed and distribute evenly side to side. Secure load.
- On uneven or steep terrain, reduce speed and load.
- Avoid stopping on or backing down steep hills.
- Avoid top-heavy loads.

105137106

2852

## DECALS – ELECTRIC CARRYALL 500

| ITEM | PART NO.  | DESCRIPTION                       | QTY |
|------|-----------|-----------------------------------|-----|
|      |           | <b>1 2 3 4</b>                    |     |
| 1    | 101553901 | Decal, Bed Load Warning .....     | 1   |
| 2    | 101609401 | Decal, Crush Area Warning .....   | 2   |
| 3    | 101825101 | Decal, Off/On .....               | 1   |
| 4    | 104026801 | Decal, Oc, Warning, Ca .....      | 1   |
| 5    | 105046101 | Decal, Op, Instructions, Ca ..... | 1   |
| 6    | 105130101 | Decal, Fuse Block, Acc, 12v ..... | 1   |
| 7    | 105137106 | Decal, Veh Load, Ca500 4wb .....  | 1   |
| 8    | 105163601 | Decal, 12v (+) .....              | 1   |
| 9    | 105163701 | Decal, Gnd (-) .....              | 1   |

**3**  
**G**  
**E**

**⚠ WARNING**

Unintended vehicle movement may cause severe injury or death. Before using vehicle, read owner's manual and vehicle safety warnings.

Before leaving vehicle:

- Engage park brake to lock wheels.
- Place vehicle in NEUTRAL.
- Turn key to OFF and remove key.

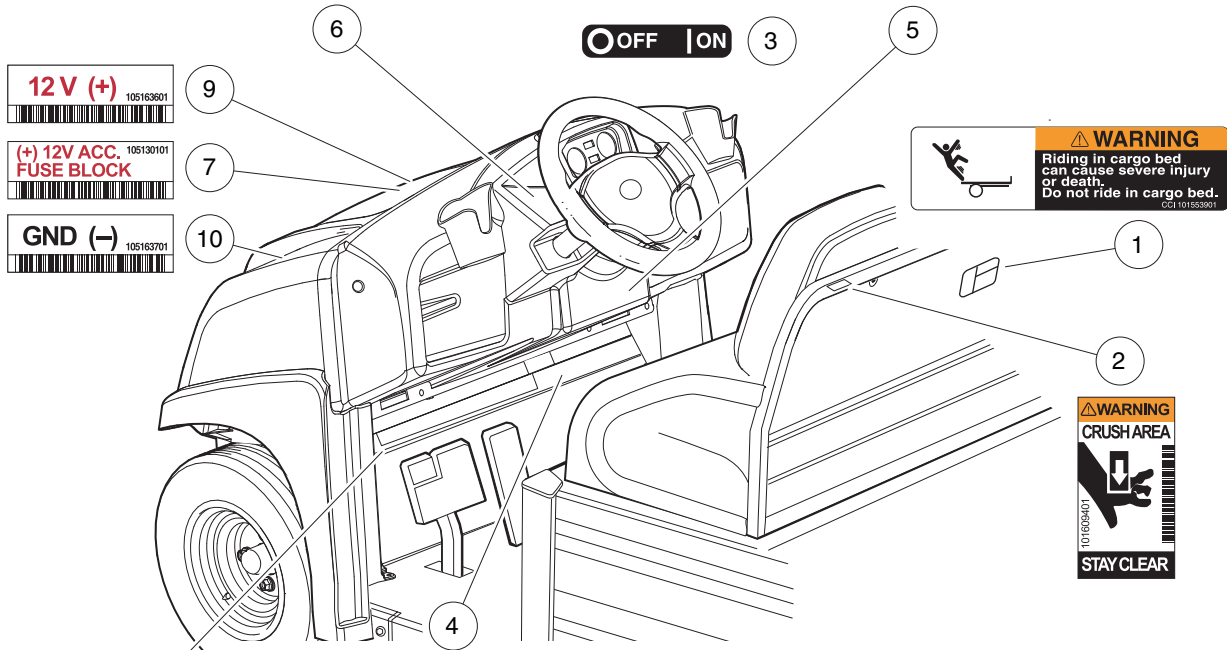
105046101

**⚠ WARNING**

**UNINTENDED MOVEMENT, ROLLOVER, OR FALLING OUT CAN CAUSE SERIOUS INJURY OR DEATH.**

- Vehicle to be operated by licensed and authorized persons only.
- Use in authorized areas only. Do not operate on public roads.
- One (1) person per bucket seat maximum.
- Two (2) persons per bench seat maximum.
- Operate from driver's seat only.
- Do not start vehicle until all occupants are fully seated.
- Drive slowly in turns and straight up and down slopes.
- Remain fully seated while moving.
- Hold on and keep entire body inside vehicle while moving.
- Never attempt jumps and avoid extreme braking in reverse.
- Do not leave children unattended in vehicle at any time.
- Children requiring a child safety seat must not ride in vehicle.
- Never operate under the influence of alcohol or drugs.

104926801



**⚠ WARNING**

**YOUNG DRIVERS OR PASSENGERS INCREASE CHANGE OF SERIOUS INJURY OR DEATH**

**UNDER 16**

- All occupants must be able to hold on and place both feet flat on the floorboard with their backs against the seat backs. Children requiring a child safety seat must not ride in vehicle.
- A valid driver's license is required to operate this vehicle.

102075801

**VEHICLE LOADING**

Read owner's manual and warnings on dash.

- Vehicle rated capacity: 900 lb (408 kg) on level surface only.
- Includes occupants and cargo load.
- Maximum cargo load: 500 lb (227 kg)
- Includes cargo, bed load, and optional equipment.
- Vehicle combination rated capacity: 900 lb (408 kg)
- Includes vehicle rated capacity and gross trailer weight.

**⚠ WARNING**

**ROLLOVER CAN CAUSE SERIOUS INJURY OR DEATH.**

- Place cargo forward in the cargo bed and distribute evenly side to side. Secure load.
- On uneven or steep terrain, reduce speed and load.
- Avoid stopping on or backing down steep hills.
- Avoid top-heavy loads.

105137103

2873

## DECALS – ELECTRIC CARRYALL 550

| ITEM | PART NO.  | DESCRIPTION                       | QTY |
|------|-----------|-----------------------------------|-----|
|      |           | <b>1 2 3 4</b>                    |     |
| 1    | 101553901 | Decal, Bed Load Warning .....     | 1   |
| 2    | 101609401 | Decal, Crush Area Warning .....   | 2   |
| 3    | 101825101 | Decal, Off/On .....               | 1   |
| 4    | 102075801 | Decal, Young Driver Warning ..... | 1   |
| 5    | 104026801 | Decal, Oc, Warning, Ca .....      | 1   |
| 6    | 105046101 | Decal, Op, Instructions, Ca ..... | 1   |
| 7    | 105130101 | Decal, Fuse Block, Acc, 12v ..... | 1   |
| 8    | 105137103 | Decal, Loading Ca 252 .....       | 1   |
| 9    | 105163601 | Decal, 12v (+) .....              | 1   |
| 10   | 105163701 | Decal, Gnd (-) .....              | 1   |

**3**  
**G**  
**E**

**⚠ WARNING**  
**AVOID FIRE HAZARD**  
• Replacement battery wires must be 4-gauge (AWG) with low-resistance terminals equivalent to factory-installed wires.  
• Ensure that battery connections are clean and properly tightened. See owner's manual.  
CCI 102287601

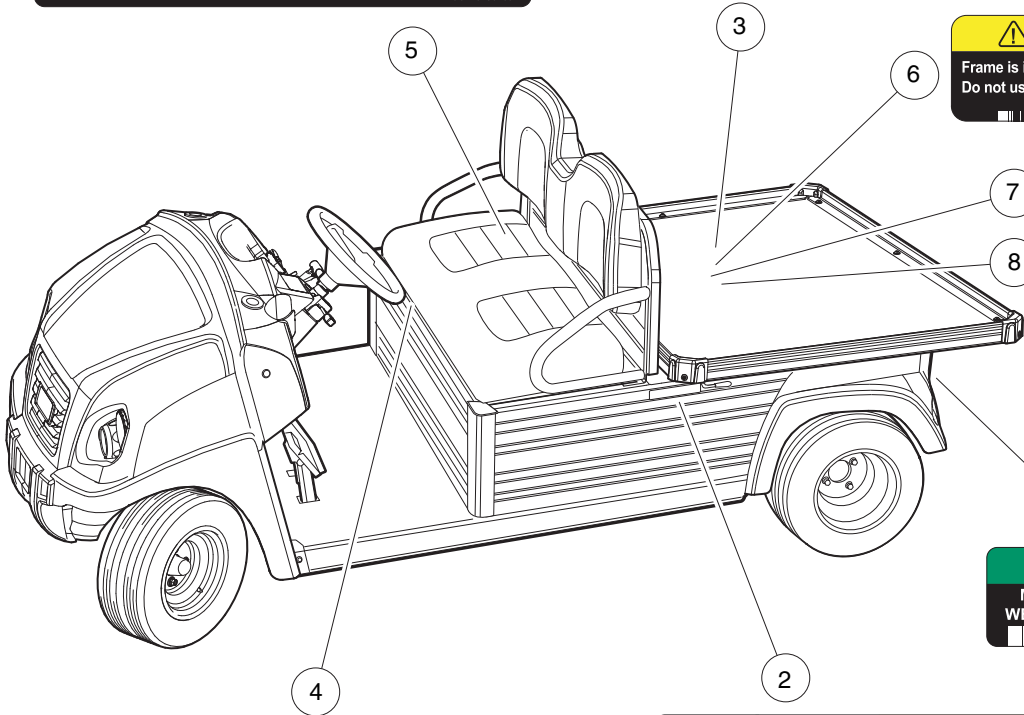
**CAUTION**  
**EXPOSURE TO WATER MAY DAMAGE ELECTRONIC COMPONENTS**  
• Do not operate vehicle without this cover properly installed.  
• Do not direct water stream in the area of the cover without cover securely in place.  
• See vehicle maintenance and service manual before servicing.  
CCI 102518301

**⚠ CAUTION**  
Frame is isolated from power system. Do not use as ground.  
105124701

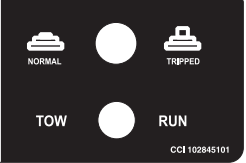
**(+) 48V ACC. FUSE BLOCK**  
105130001

**GND (-)**  
105163701

**NOTICE**  
MAXIMUM TONGUE WEIGHT—150 lb. (667 N)  
1011553



**⚠ WARNING**  
**BATTERY EXPLOSION COULD RESULT IN SEVERE PERSONAL INJURY.**  
• Do not store items in battery compartment.  
• Place Run/Tow switch in TOW position before:  
- Disconnecting or connecting battery cables  
- Towing this vehicle  
- Extended storage  
- Servicing the vehicle  
CCI 1022845101



**⚠ WARNING**  
Crush area. Can cause severe injury. Stay clear when closing bed.  
CCJ 102459301

2853

## DECALS – ELECTRIC CARRYALL 500/550, CONTINUED

| ITEM | PART NO.  | DESCRIPTION                                      | QTY |
|------|-----------|--|-----|
|      |           | 1 2 3 4  |     |
| 1    | 1011553   | Decal, Trailer Hitch .....                       | 1   |
| 2    | 102459301 | Decal, Bed Crush Area Warning .....              | 1   |
| 3    | 102518301 | Decal, Caution, Electrical Component Cover ..... | 1   |
| 4    | 102845101 | Decal, Tow Switch .....                          | 1   |
| 5    | 102967601 | Decal, Warning, 4 Gauge Wire .....               | 1   |
| 6    | 105124701 | Decal, Caution, Not Use As Gnd .....             | 1   |
| 7    | 105130001 | Decal, Fuse Block, Acc, 48v .....                | 1   |
| 8    | 105163701 | Decal, Gnd (-) .....                             | 1   |

3  
G  
E

**⚠ WARNING**

Unintended vehicle movement may cause severe injury or death. Before using vehicle, read owner's manual and vehicle safety warnings.

Before leaving vehicle:

- Engage park brake to lock wheels.
- Place vehicle in NEUTRAL.
- Turn key to OFF and remove key.

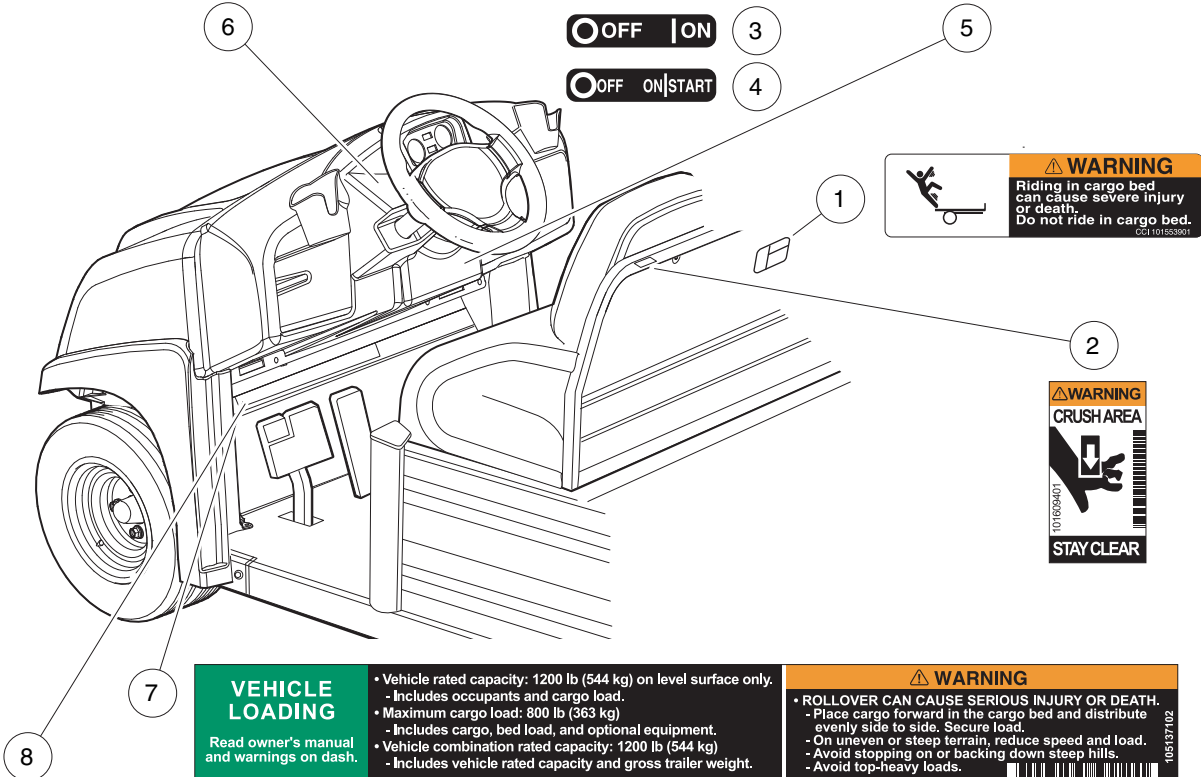
105046101

**⚠ WARNING**

**UNINTENDED MOVEMENT, ROLLOVER, OR FALLING OUT CAN CAUSE SERIOUS INJURY OR DEATH.**

- Vehicle to be operated by licensed and authorized persons only.
- Use in authorized areas only. Do not operate on public roads.
- One (1) person per bucket seat maximum.
- Two (2) persons per bench seat maximum.
- Operate from driver's seat only.
- Do not start vehicle until all occupants are fully seated.
- Drive slowly in turns and straight up and down slopes.
- Remain fully seated while moving.
- Hold on and keep entire body inside vehicle while moving.
- Never attempt jumps and avoid extreme braking in reverse.
- Do not leave children unattended in vehicle at any time.
- Children requiring a child safety seat must not ride in vehicle.
- Never operate under the influence of alcohol or drugs.

104020001



**VEHICLE LOADING**

Read owner's manual and warnings on dash.

- Vehicle rated capacity: 1200 lb (544 kg) on level surface only.
- Includes occupants and cargo load.
- Maximum cargo load: 800 lb (363 kg)
- Includes cargo, bed load, and optional equipment.
- Vehicle combination rated capacity: 1200 lb (544 kg)
- Includes vehicle rated capacity and gross trailer weight.

**⚠ WARNING**

**ROLLOVER CAN CAUSE SERIOUS INJURY OR DEATH.**

- Place cargo forward in the cargo bed and distribute evenly side to side. Secure load.
- On uneven or steep terrain, reduce speed and load.
- Avoid stopping on or backing down steep hills.
- Avoid top-heavy loads.

105137102

**VEHICLE LOADING**

Read owner's manual and warnings on dash.

- Vehicle rated capacity: 1200 lb (544 kg) on level surface only.
- Includes occupants and cargo load.
- Maximum cargo load: 800 lb (363 kg)
- Includes cargo, bed load, and optional equipment.
- Vehicle combination rated capacity: 1500 lb (680 kg)
- Includes vehicle rated capacity and gross trailer weight.

**⚠ WARNING**

**ROLLOVER CAN CAUSE SERIOUS INJURY OR DEATH.**

- Place cargo forward in the cargo bed and distribute evenly side to side. Secure load.
- On uneven or steep terrain, reduce speed and load.
- Avoid stopping on or backing down steep hills.
- Avoid top-heavy loads.

105137106

2856



## DECALS – GASOLINE CARRYALL 500

| ITEM | PART NO.  | DESCRIPTION                       | QTY |
|------|-----------|-----------------------------------|-----|
|      |           | <b>1 2 3 4</b>                    |     |
| 1    | 101553901 | Decal, Bed Load Warning .....     | 1   |
| 2    | 101609401 | Decal, Crush Area Warning .....   | 1   |
| 3    | 101825101 | Decal, Off/On .....               | 1   |
| 4    | 101825102 | Decal, Off/On/Start .....         | 1   |
| 5    | 104026801 | Decal, Oc, Warning, Ca .....      | 1   |
| 6    | 105046101 | Decal, Op, Instructions, Ca ..... | 1   |
| 7    | 105137102 | Decal, Veh Load, Ca500 2wb .....  | 1   |
| 8    | 105137106 | Decal, Veh Load, Ca500 4wb .....  | 1   |

3  
G  
E

**⚠ WARNING**

Unintended vehicle movement may cause severe injury or death. Before using vehicle, read owner's manual and vehicle safety warnings.

Before leaving vehicle:

- Engage park brake to lock wheels.
- Place vehicle in NEUTRAL.
- Turn key to OFF and remove key.

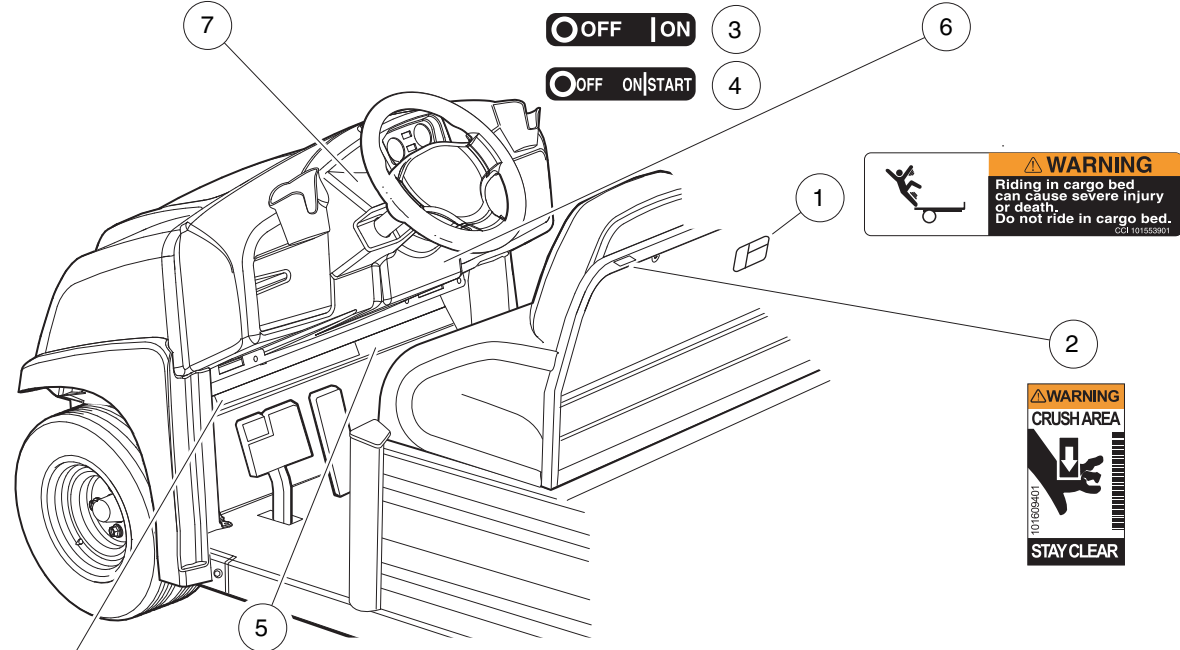
105046101

**⚠ WARNING**

**UNINTENDED MOVEMENT, ROLLOVER, OR FALLING OUT CAN CAUSE SERIOUS INJURY OR DEATH.**

- Vehicle to be operated by licensed and authorized persons only.
- Use in authorized areas only. Do not operate on public roads.
- One (1) person per bucket seat maximum.
- Two (2) persons per bench seat maximum.
- Operate from driver's seat only.
- Do not start vehicle until all occupants are fully seated.
- Drive slowly in turns and straight up and down slopes.
- Remain fully seated while moving.
- Hold on and keep entire body inside vehicle while moving.
- Never attempt jumps and avoid extreme braking in reverse.
- Do not leave children unattended in vehicle at any time.
- Children requiring a child safety seat must not ride in vehicle.
- Never operate under the influence of alcohol or drugs.

104426601



**⚠ WARNING**

**YOUNG DRIVERS OR PASSENGERS INCREASE CHANCE OF SERIOUS INJURY OR DEATH**

**NO UNDER 16**

- All occupants must be able to hold on and place both feet flat on the floorboard with their backs against the seat backs. Children requiring a child safety seat must not ride in vehicle.
- A valid driver's license is required to operate this vehicle.

102075801

**VEHICLE LOADING**

Read owner's manual and warnings on dash.

- Vehicle rated capacity: 900 lb (408 kg) on level surface only.
- Includes occupants and cargo load.
- Maximum cargo load: 500 lb (227 kg)
- Includes cargo, bed load, and optional equipment.
- Vehicle combination rated capacity: 900 lb (408 kg)
- Includes vehicle rated capacity and gross trailer weight.

**⚠ WARNING**

**ROLLOVER CAN CAUSE SERIOUS INJURY OR DEATH.**

- Place cargo forward in the cargo bed and distribute evenly side to side. Secure load.
- On uneven or steep terrain, reduce speed and load.
- Avoid stopping on or backing down steep hills.
- Avoid top-heavy loads.

105137103

2874

## DECALS – GASOLINE CARRYALL 550

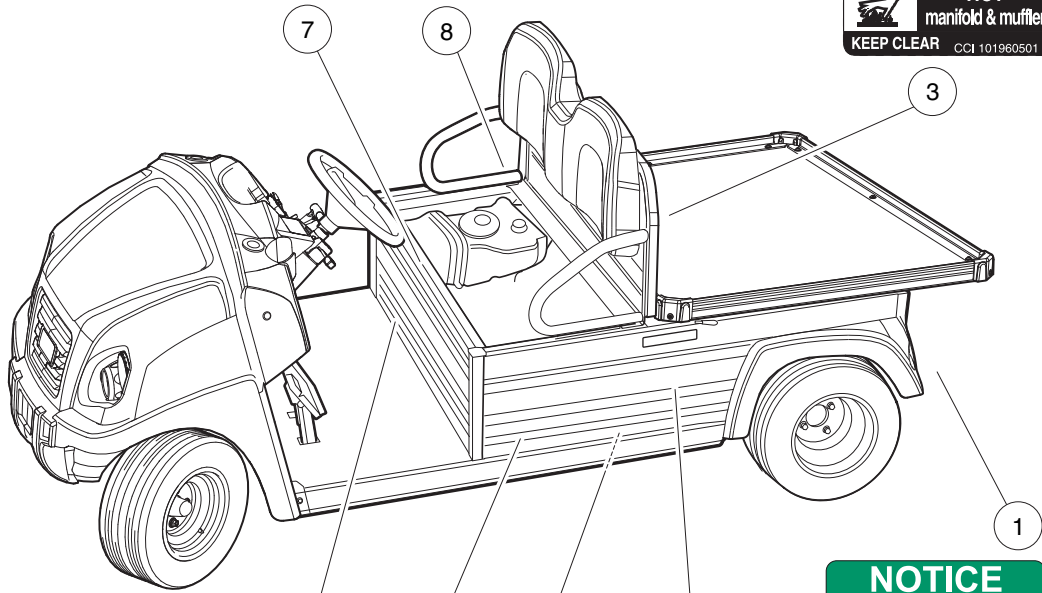
| ITEM | PART NO.  | DESCRIPTION                       | QTY |
|------|-----------|-----------------------------------|-----|
|      |           | 1 2 3 4                           |     |
| 1    | 101553901 | Decal, Bed Load Warning .....     | 1   |
| 2    | 101609401 | Decal, Crush Area Warning .....   | 1   |
| 3    | 101825101 | Decal, Off/On .....               | 1   |
| 4    | 101825102 | Decal, Off/On/Start .....         | 1   |
| 5    | 102075801 | Decal, Young Driver Warning ..... | 1   |
| 6    | 104026801 | Decal, Oc, Warning, Ca .....      | 1   |
| 7    | 105046101 | Decal, Op, Instructions, Ca ..... | 1   |
| 8    | 105137103 | Decal, Loading Ca 252 .....       | 1   |

3  
G  
E

**⚠ WARNING**  
**GASOLINE EXPLOSION / FIRE CAN CAUSE SERIOUS INJURY OR DEATH.**  
 • No sparks or open flame near fuel or fuel tank.  
 • No smoking near fuel or fuel tank.  
 • Stop engine and allow to cool before refueling.  
 • Do not disconnect pressurized fuel lines.  
 105082301

**⚠ WARNING**  
**GASOLINE EXPLOSION / FIRE CAN CAUSE SERIOUS INJURY OR DEATH.**  
 • No sparks or open flame near fuel or fuel tank.  
 • No smoking near fuel or fuel tank.  
 • Stop engine and allow to cool before refueling.  
 105084701

**⚠ WARNING**  
**CAN CAUSE SEVERE INJURY**  
**Rotating parts**  
**HOT manifold & muffler**  
**KEEP CLEAR** CCI 101960501



Maintenance Operate  
**⚠ WARNING**  
**VEHICLE MOVEMENT MAY CAUSE SERIOUS INJURY**  
 When switch is in Maintenance position, chock wheels and firmly set park brake.  
 CCI 103205001

**NOTICE**  
**MAXIMUM TONGUE WEIGHT—150 lb. (667 N)**  
 1011553

**⚠ WARNING**  
**INCORRECT WIRING COULD RESULT IN SEVERE INJURY OR DEATH.**  
 • Diode and solenoid connections must have correct polarity.  
 • Keep all persons clear of engine belts when making final connections.  
 CCI 102049901

**⚠ WARNING**  
**Crush area. Can cause severe injury. Stay clear when closing bed.**  
 CCI 102499901

**⚠ WARNING**  
**Negative frame ground. Can cause severe injury. Do not contact positive (+) battery post or cable to frame. Disconnect negative battery lead first.**

**⚠ WARNING**  
**Excessive speed. Can cause severe injury or death. Do not tamper with engine governor adjustment.**  
 CCI 101915201

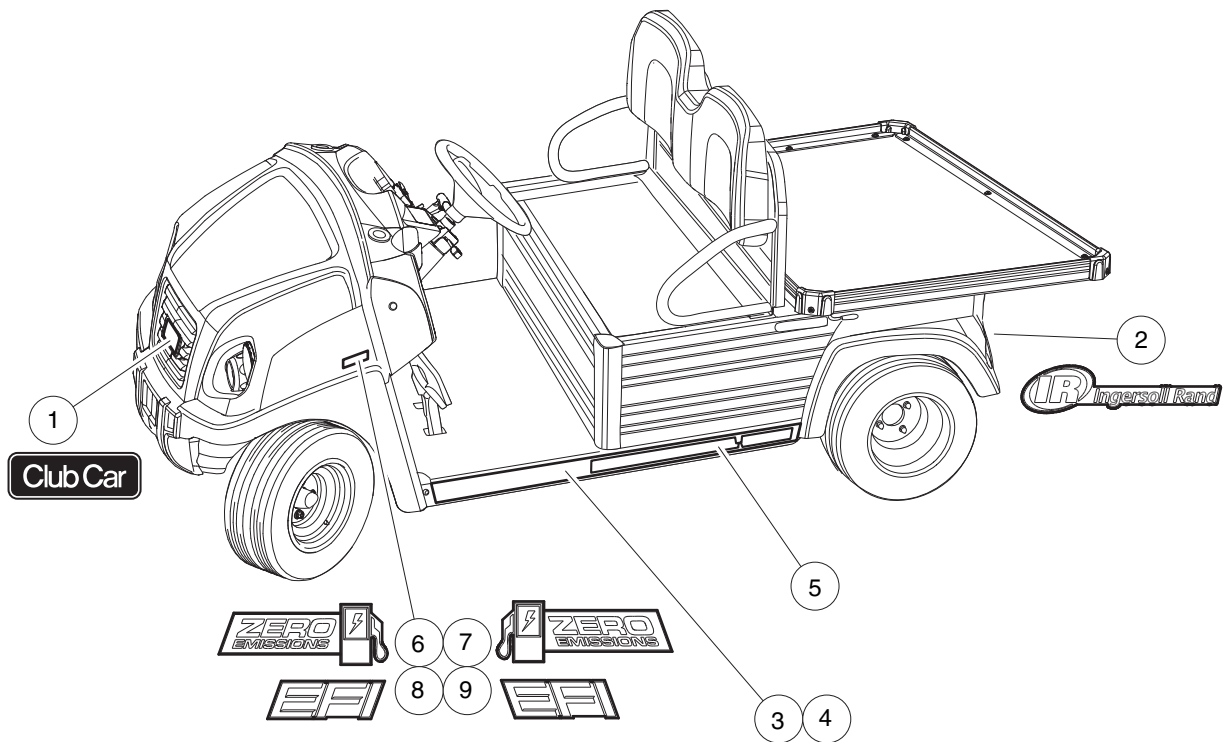
2857

## DECALS – GASOLINE CARRYALL 500/550, CONTINUED

| ITEM | PART NO.  | DESCRIPTION                                    | QTY |
|------|-----------|--|-----|
|      |           | 1 2 3 4  |     |
| 1    | 1011553   | Decal, Trailer Hitch .....                     | 1   |
| 2    | 101915201 | Decal, Frame Ground and Governor Warning ..... | 1   |
| 3    | 101960501 | Decal, Rotating Parts/Hot Manifold .....       | 1   |
| 4    | 102345901 | Decal, Diode Safety .....                      | 1   |
| 5    | 102459301 | Decal, Bed Crush Area Warning .....            | 1   |
| 6    | 103205501 | Decal, Run/Service Switch .....                | 1   |
| 7    | 105082301 | Decal, Warn, Gas Pressure .....                | 1   |
| 8    | 105084701 | Decal, Warn Gas Side Fill .....                | 1   |

3  
G  
E

**3**  
**G**  
**E**



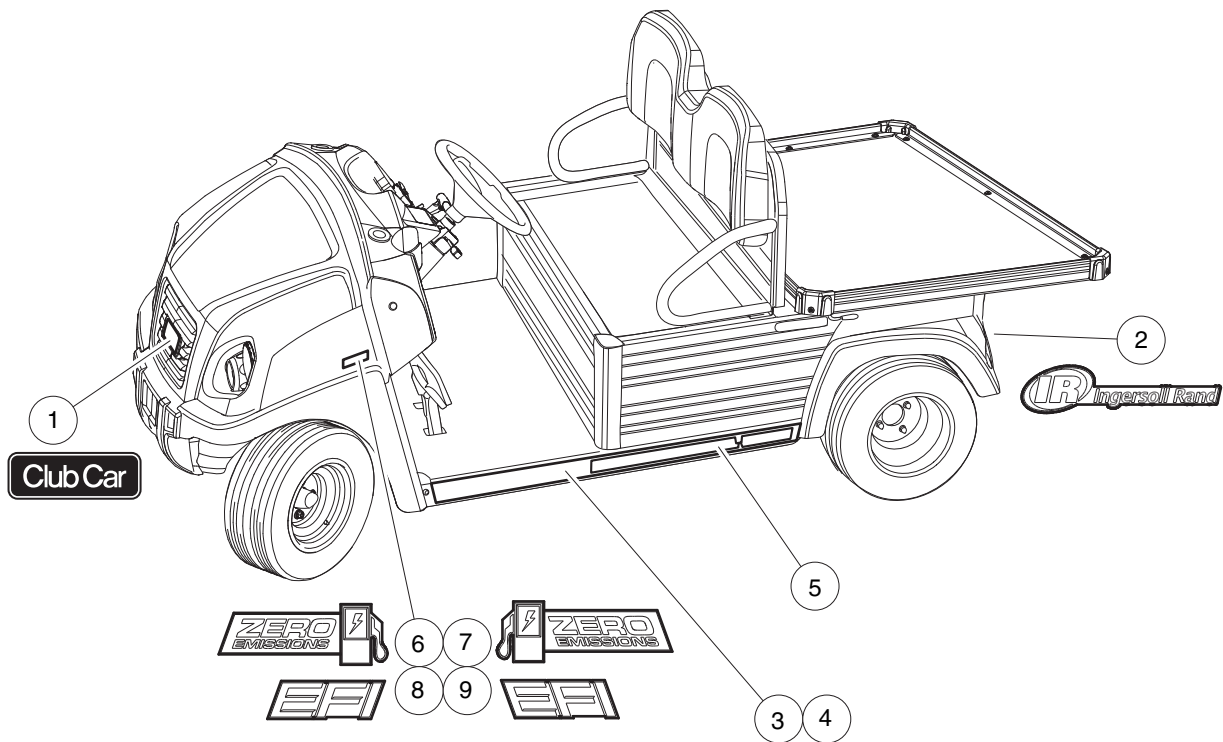
001025-001

## BADGING DECALS – CARRYALL 500

| ITEM | PART NO.  | DESCRIPTION                          | QTY |
|------|-----------|--------------------------------------|-----|
|      |           | 1 2 3 4                              |     |
| 1    | 102883601 | Decal, Nameplate, CCI, Front .....   | 1   |
| 2    | 103234304 | Decal, Badge, Ir, Red .....          | 1   |
| 3    | 105115002 | Decal, Side Stringer, Medium .....   | 1   |
| 4    | 105115005 | Decal, R Side Stringer, Medium ..... | 1   |
| 5    | 105152501 | Decal, Branding, Ca 500 .....        | 2   |
| 6    | 105153201 | Decal, Zero Emission Vhcle, Lh ..... | 1   |
| 7    | 105153202 | Decal, Zero Emission Vhcle, Rh ..... | 1   |
| 8    | 105153301 | Decal, Efi, Italic, Lh .....         | 1   |
| 9    | 105153302 | Decal, Efi, Italic, Rh .....         | 1   |

3  
G  
E

**3**  
**G**  
**E**



001025-001



## BADGING DECALS – CARRYALL 550

| ITEM | PART NO.  | DESCRIPTION                          | QTY |
|------|-----------|--------------------------------------|-----|
|      |           | <b>1 2 3 4</b>                       |     |
| 1    | 102883601 | Decal, Nameplate, CCI, Front .....   | 1   |
| 2    | 103234304 | Decal, Badge, Ir, Red .....          | 1   |
| 3    | 105115002 | Decal, Side Stringer, Medium .....   | 1   |
| 4    | 105115005 | Decal, R Side Stringer, Medium ..... | 1   |
| 5    | 105152701 | Decal, Branding, Ca 550 .....        | 2   |
| 6    | 105153201 | Decal, Zero Emission Vhcle, Lh ..... | 1   |
| 7    | 105153202 | Decal, Zero Emission Vhcle, Rh ..... | 1   |
| 8    | 105153301 | Decal, Efi, Italic, Lh .....         | 1   |
| 9    | 105153302 | Decal, Efi, Italic, Rh .....         | 1   |

**3**  
**G**  
**E**

**3**

**G**

**E**

# LIGHTS, CONTROLS, AND INDICATORS

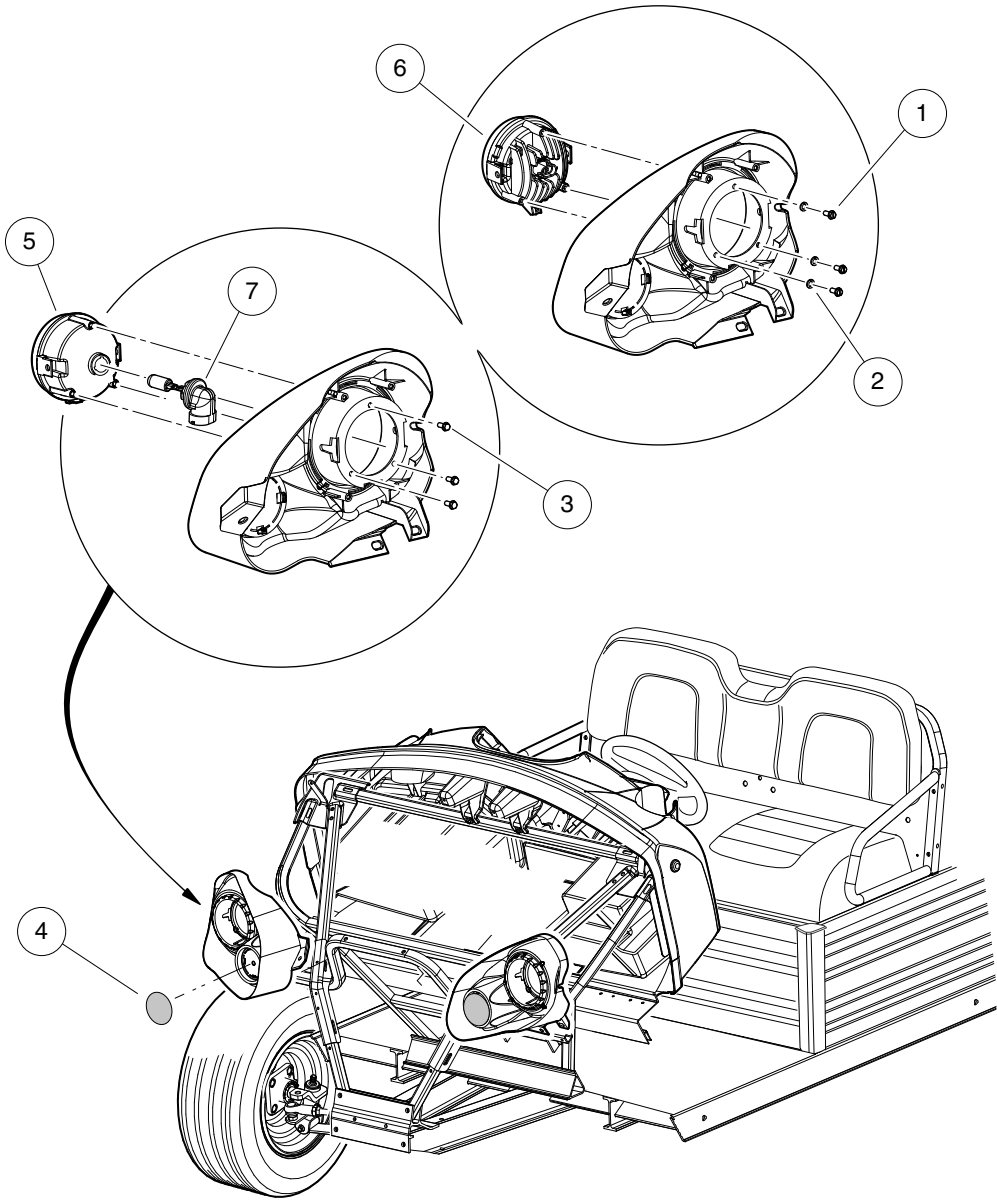
---

4

G

E

**4**  
**G**  
**E**



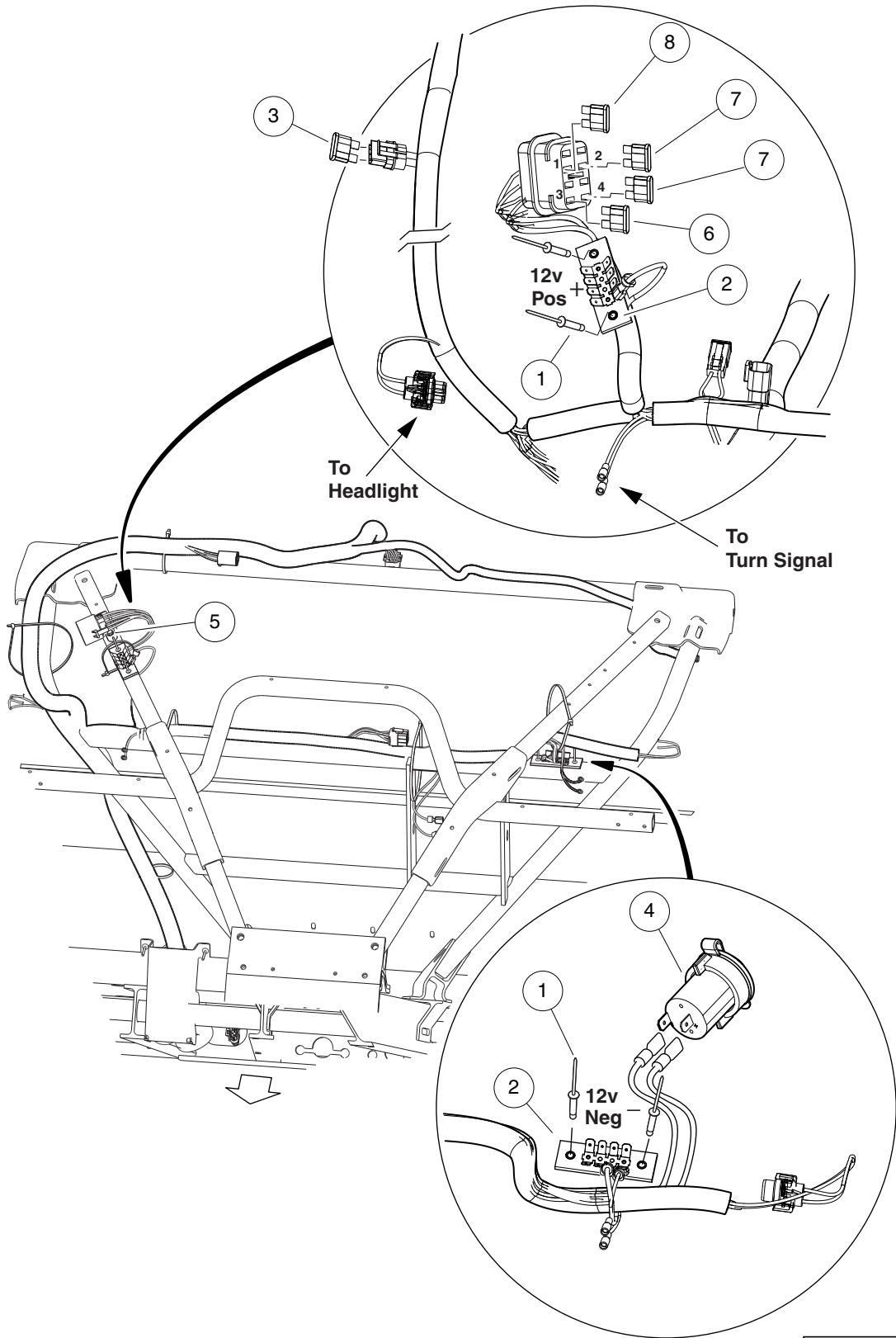
001370-001

# HEADLIGHTS

| ITEM | PART NO.  | DESCRIPTION                                  | QTY |
|------|-----------|--|-----|
|      |           | <b>1 2 3 4</b>                               |     |
| 1    | 1011017   | Screw, #8-32 X 0.375 .....                   | 6   |
| 2    | 1011610   | Lockwasher, #8 Split SS .....                | 6   |
| 3    | 101850301 | Screw, #12-16 X 0.50 Washer-Head Hi-Lo ..... | 6   |
| 4    | 105036801 | Reflector, Decal, 3.20", Amber .....         | 2   |
| 5    | 105073401 | Hdlight, Round, 4.5", Utl .....              | 2   |
| 6    | 105093701 | Hdlight, Round, 4.5", Led, Utl .....         | 2   |
| 7    | 105093801 | Bulb, Halogen, 862 .....                     | 2   |

**4**  
**G**  
**E**

**4**  
**G**  
**E**



001360-002

# 12-VOLT FUSE BLOCK AND FUSES – ELECTRIC VEHICLE

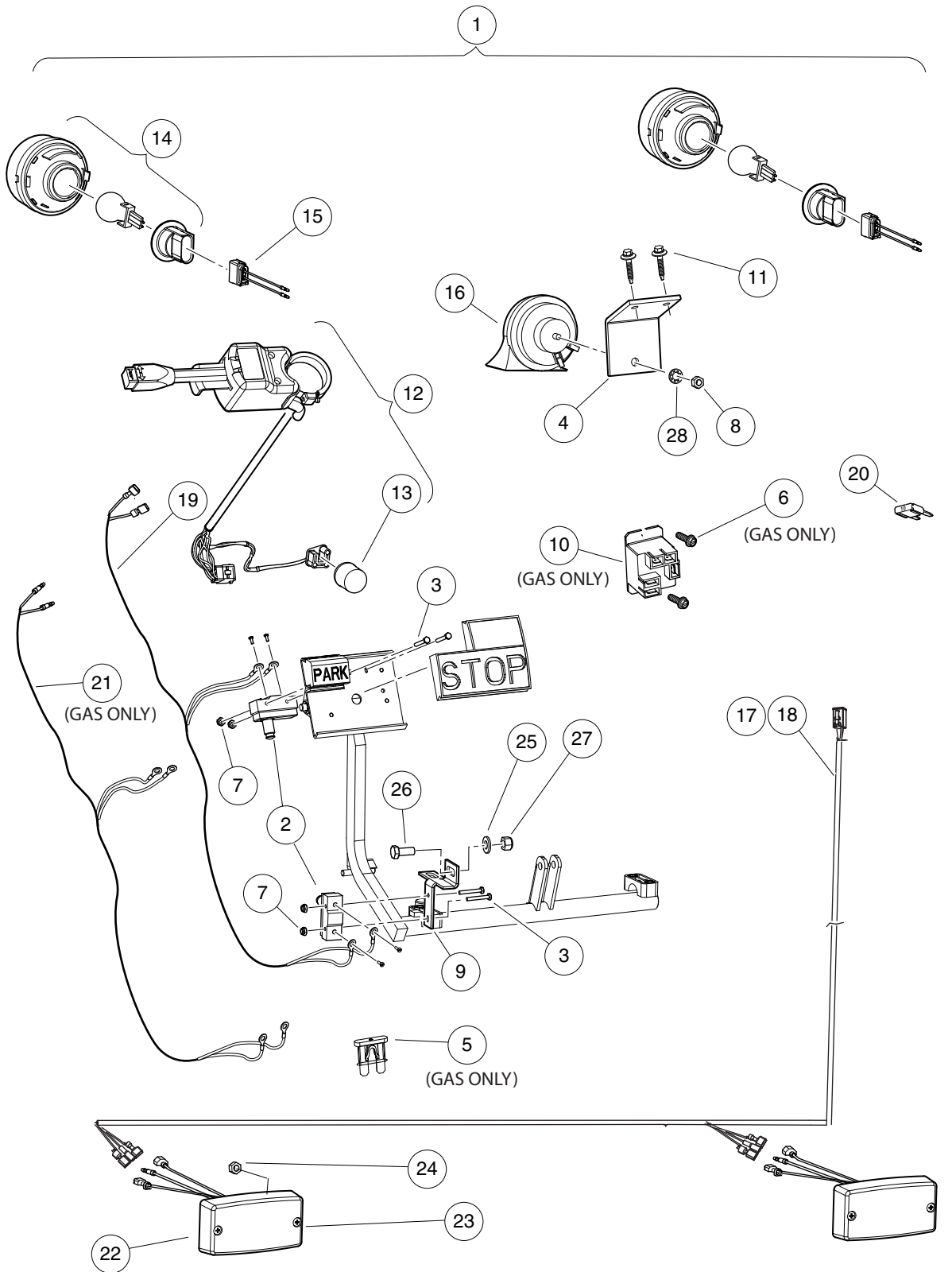
| ITEM | PART NO.  | DESCRIPTION                         | QTY |
|------|-----------|-------------------------------------|-----|
|      |           | 1 2 3 4                             |     |
| 1    | 1013357   | Rivet, 5/32 Aluminum Pop .....      | 4   |
| 2    | 1016356   | Terminal Block with Insulator ..... | 2   |
| 3    | 1016423   | Fuse, 20-Amp .....                  | 1   |
| 4    | 102198001 | Receptacle, Accessory .....         | 1   |
| 5    | 102238001 | #10-24 Taptite Screw .....          | 1   |
| 6    | 105114805 | Fuse, Mini, Atm, 7.5 Amp .....      | 1   |
| 7    | 105114806 | Fuse, Mini, Atm, 10 Amp .....       | 2   |
| 8    | 105114807 | Fuse, Mini, Atm, 15 Amp .....       | 1   |

4

G

E

**4**  
**G**  
**E**



001368-002

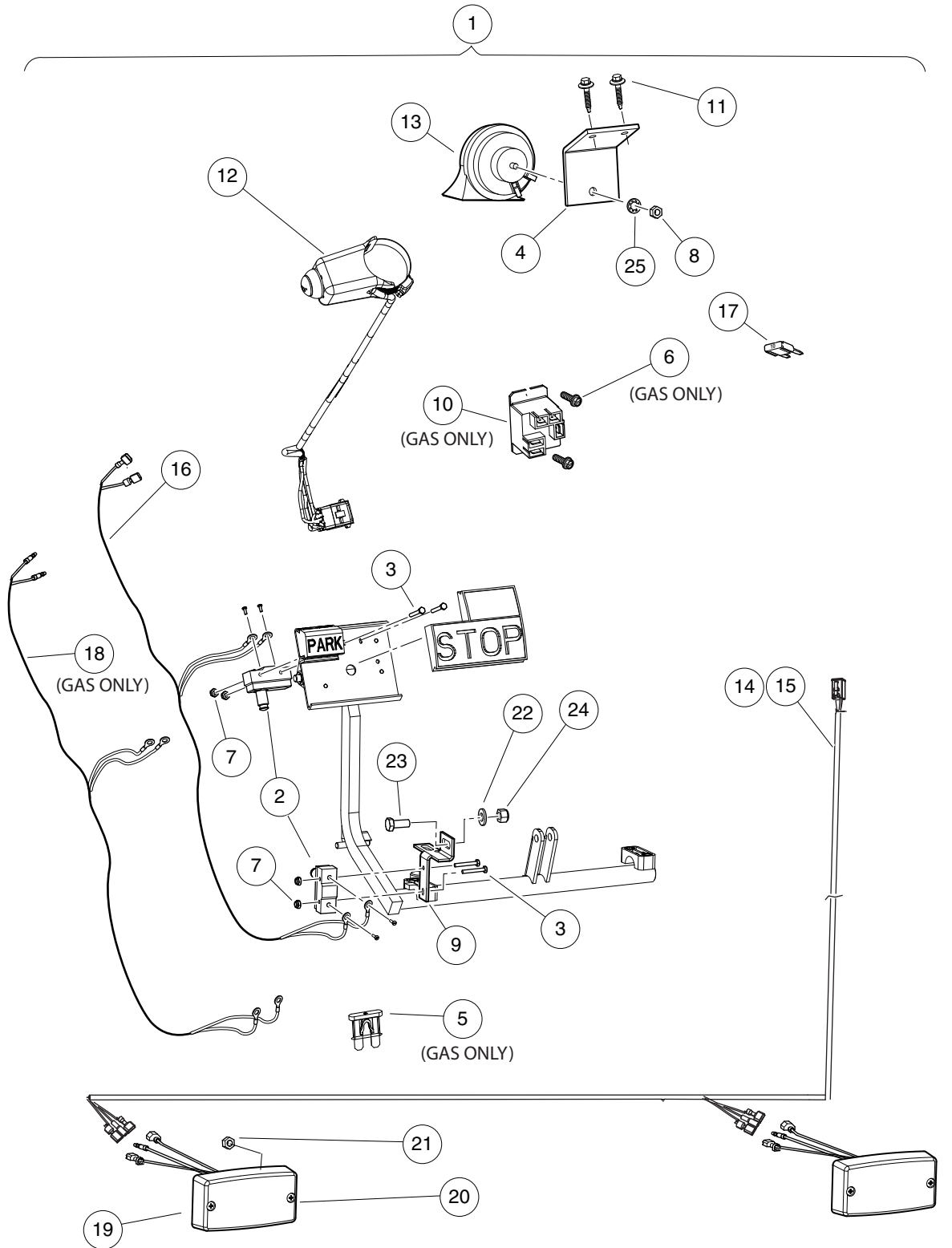


# HORN, TURN SIGNALS, AND TAILLIGHTS – ELECTRIC AND GASOLINE VEHICLES

| ITEM   | PART NO.  | DESCRIPTION   | QTY |
|--|-----------|---|-----|
|  |           | 1 2 3 4   |     |
| 1  | 105122808 | Kit, Horn/Tail Light/Turn (includes items 2 through 28) ..... | 1   |
| 2  | 1011439   | Switch, Limit .....   | 2   |
| 3  | 1011557   | Screw, #6-32 X 1.00 Hex-Head Machine .....                    | 4   |
| 4  | 1011825   | Horn Bracket .....  | 1   |
| 5  | 1012295   | Fuse, 10-Amp .....  | 1   |
| 6  | 1016849   | Screw, #4-24 X 0.33, Pan-Head, Machine .....                  | 2   |
| 7  | 101932201 | Locknut, #6-32 Nylon .....                                    | 4   |
| 8  | 101955101 | Nut, M6 Hex .....   | 1   |
| 9  | 101957101 | Bracket, Brake Light Switch .....                             | 1   |
| 10   | 102199001 | Relay, 12-Volt .....  | 1   |
| 11   | 102297125 | Screw, M6-1.0x25.4, Thread-Forming, SEMS .....                | 2   |
| 12   | 102517501 | Turn Signal Asm (includes item 13) .....                      | 1   |
| 13   | 102546401 | Flasher Unit, Prec .....                                      | 1   |
| 14   | 102894503 | Light, Turn Sig, Round 3", Utl .....                          | 2   |
| 15   | 103245001 | Jumper, Turn Signal, Ca/xrt/hu .....                          | 2   |
| 16   | 103484301 | Horn, 12v, Gnd Isolated .....                                 | 1   |
| 17   | 105108201 | Harness, Tail Light, Utility, Short .....                     | 1   |
| 18   | 105108301 | Harness, Tail Light, Utility, Long .....                      | 1   |
| 19   | 105108401 | Harness, Brk, Pedal Switch Utl .....                          | 1   |
| 20   | 105114806 | Fuse, Mini, Atm, 10 Amp .....                                 | 1   |
| 21   | 105135201 | Jumper, Hill Brake, Switch .....                              | 1   |
| 22   | 105165801 | Lamp, Stop/trn/tail, Footdeck .....                           | 2   |
| 23   | 105190601 | Screw, #8-32 X 0.625, Clr Znc .....                           | 4   |
| 24   | 105190701 | Nut, Flanged, #8-32, Serrated .....                           | 4   |
| 25   | 1241      | Washer, 5/16 Type A Flat .....                                | 1   |
| 26   | 7173      | Screw, 5/16-18 X 0.75, Hex-Head Cap .....                     | 1   |
| 27   | 7473      | Locknut, 5/16-18 Nylon Insert .....                           | 2   |
| 28   | 7820      | Washer, 5/16 Internal-Tooth .....                             | 1   |
| <p style="text-align: center;">Note: 1051082, Harness, Tail Light, Utility, Short, fits the following vehicles<br/>with serial prefix: MA, MB, MC, MD, ME, MF, MK, ML, MM, MP, MU.</p> |           |   |     |

**4**  
**G**  
**E**

**4**  
**G**  
**E**



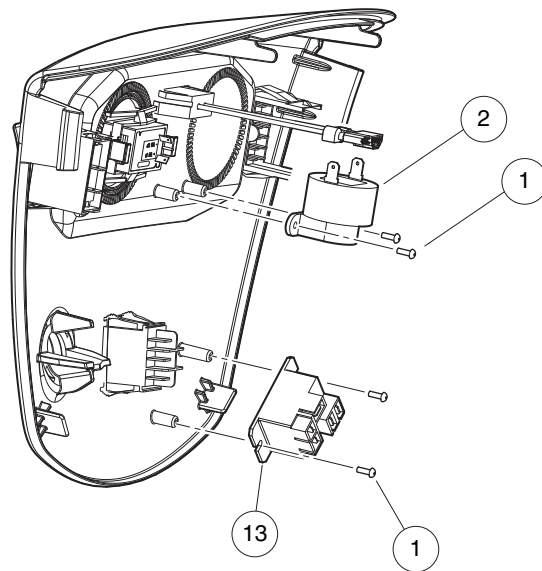
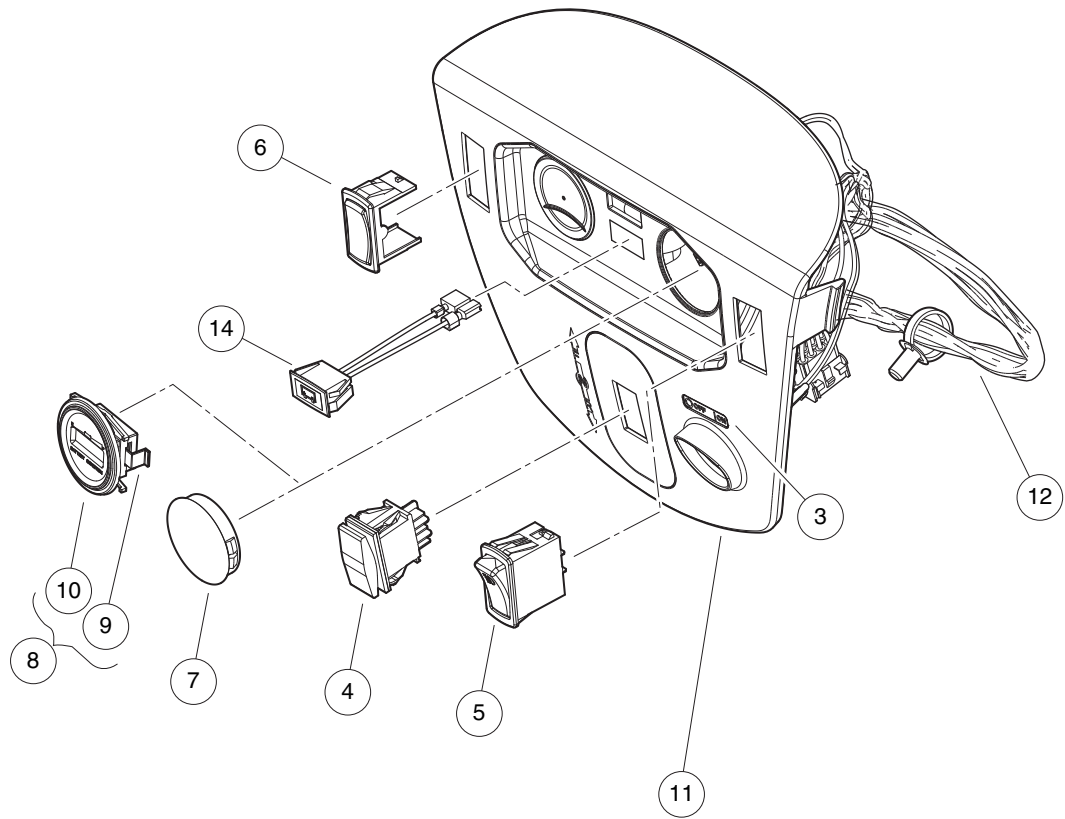
001367-002

# HORN AND TAIL LIGHT KIT – ELECTRIC AND GASOLINE VEHICLES

| ITEM  | PART NO.  | DESCRIPTION   | QTY |
|---|-----------|---|-----|
|   |           | 1 2 3 4   |     |
| 1   | 105122807 | Kit, Horn/Tail Light/Turn (includes items 2 through 25) ..... | 1   |
| 2   | 1011439   | Switch, Limit .....   | 2   |
| 3   | 1011557   | Screw, #6-32 X 1.00 Hex-Head Machine .....                    | 4   |
| 4   | 1011825   | Horn Bracket .....  | 1   |
| 5   | 1012295   | Fuse, 10-Amp .....  | 1   |
| 6   | 1016849   | Screw, #4-24 X 0.33, Pan-Head, Machine .....                  | 2   |
| 7   | 101932201 | Locknut, #6-32 Nylon .....                                    | 4   |
| 8   | 101955101 | Nut, M6 Hex .....   | 1   |
| 9   | 101957101 | Bracket, Brake Light Switch .....                             | 1   |
| 10  | 102199001 | Relay, 12-Volt .....  | 1   |
| 11  | 102297125 | Screw, M6-1.0x25.4, Thread-Forming, SEMS .....                | 2   |
| 12  | 102517601 | Subasm, Horn Button Harness .....                             | 1   |
| 13  | 103484301 | Horn, 12v, Gnd Isolated .....                                 | 1   |
| 14  | 105108201 | Harness, Tail Light, Utility, Short .....                     | 1   |
| 15  | 105108301 | Harness, Tail Light, Utility, Long .....                      | 1   |
| 16  | 105108401 | Harness, Brk, Pedal Switch Utl .....                          | 1   |
| 17  | 105114806 | Fuse, Mini, Atm, 10 Amp .....                                 | 1   |
| 18  | 105135201 | Jumper, Hill Brake, Switch .....                              | 1   |
| 19  | 105165801 | Lamp, Stop/trn/tail, Footdeck .....                           | 2   |
| 20  | 105190601 | Screw, #8-32 X 0.625, Clr Znc .....                           | 4   |
| 21  | 105190701 | Nut, Flanged, #8-32, Serrated .....                           | 4   |
| 22  | 1241      | Washer, 5/16 Type A Flat .....                                | 1   |
| 23  | 7173      | Screw, 5/16-18 X 0.75, Hex-Head Cap .....                     | 1   |
| 24  | 7473      | Locknut, 5/16-18 Nylon Insert .....                           | 1   |
| 25  | 7820      | Washer, 5/16 Internal-Tooth .....                             | 1   |
| <p style="text-align: center;">Note: 105108201 Harness, Tail Light, Utility, Short, fits the following vehicles with serial prefix: MA, MB, MC, MD, ME, MF, MK, ML, MM, MP, MU.</p> |           |   |     |

4  
G  
E

**4**  
**G**  
**E**



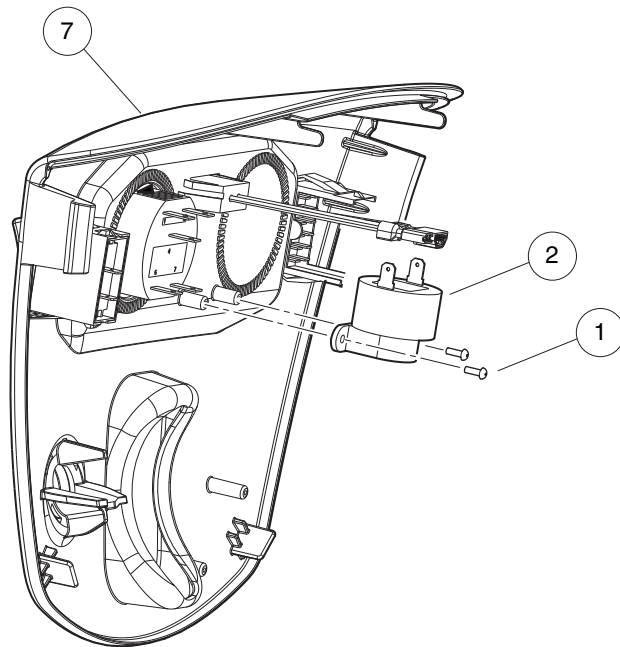
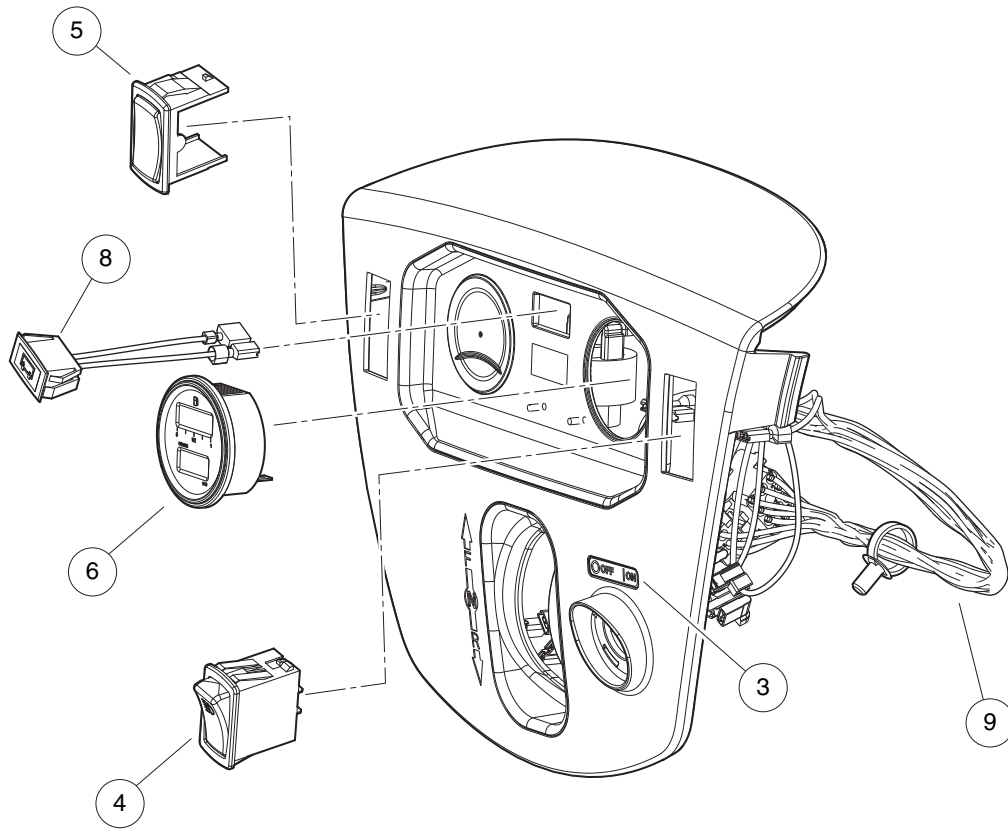
001371-001

# INSTRUMENT PANEL – ELECTRIC VEHICLE

| ITEM | PART NO.  | DESCRIPTION  | QTY |
|------|-----------|--|-----|
|      |           | 1 2 3 4  |     |
| 1    | 1016849   | Screw, #4-24 X 0.33, Pan-Head, Machine .....                 | 2   |
| 2    | 1016851   | Buzzer, Reverse (9-48 VDC) .....                             | 1   |
| 3    | 101825101 | Decal, Off/On .....  | 1   |
| 4    | 101856002 | Switch, Rocker, Single-Pole .....                            | 1   |
| 5    | 102869401 | Switch, Rocker, Light .....                                  | 1   |
| 6    | 103180101 | Cover, Hole, Switch, Rocker .....                            | 1   |
| 7    | 103198301 | Plug, Hole, Round, 2.0 In .....                              | 1   |
| 8    | 103354401 | Gauge, Battery Cond Ind, Rnd (includes items 9 and 10) ..... | 1   |
| 9    | 103348202 | Clip, Bci, Round .....                                       | 1   |
| 10   | N/A       | Battery Condition Indicator Gauge .....                      | 1   |
| 11   | 105034101 | Panel, Instrument, Elec, Ca .....                            | 1   |
| 12   | 105082101 | Harness, Ip, Elec, Util .....                                | 1   |
| 13   | 105112401 | Relay, Spdt Nc, 48v 30a, Pmt .....                           | 1   |
| 14   | 105152301 | Indicator, Charger, Dash, Cap .....                          | 1   |

4  
G  
E

**4**  
**G**  
**E**



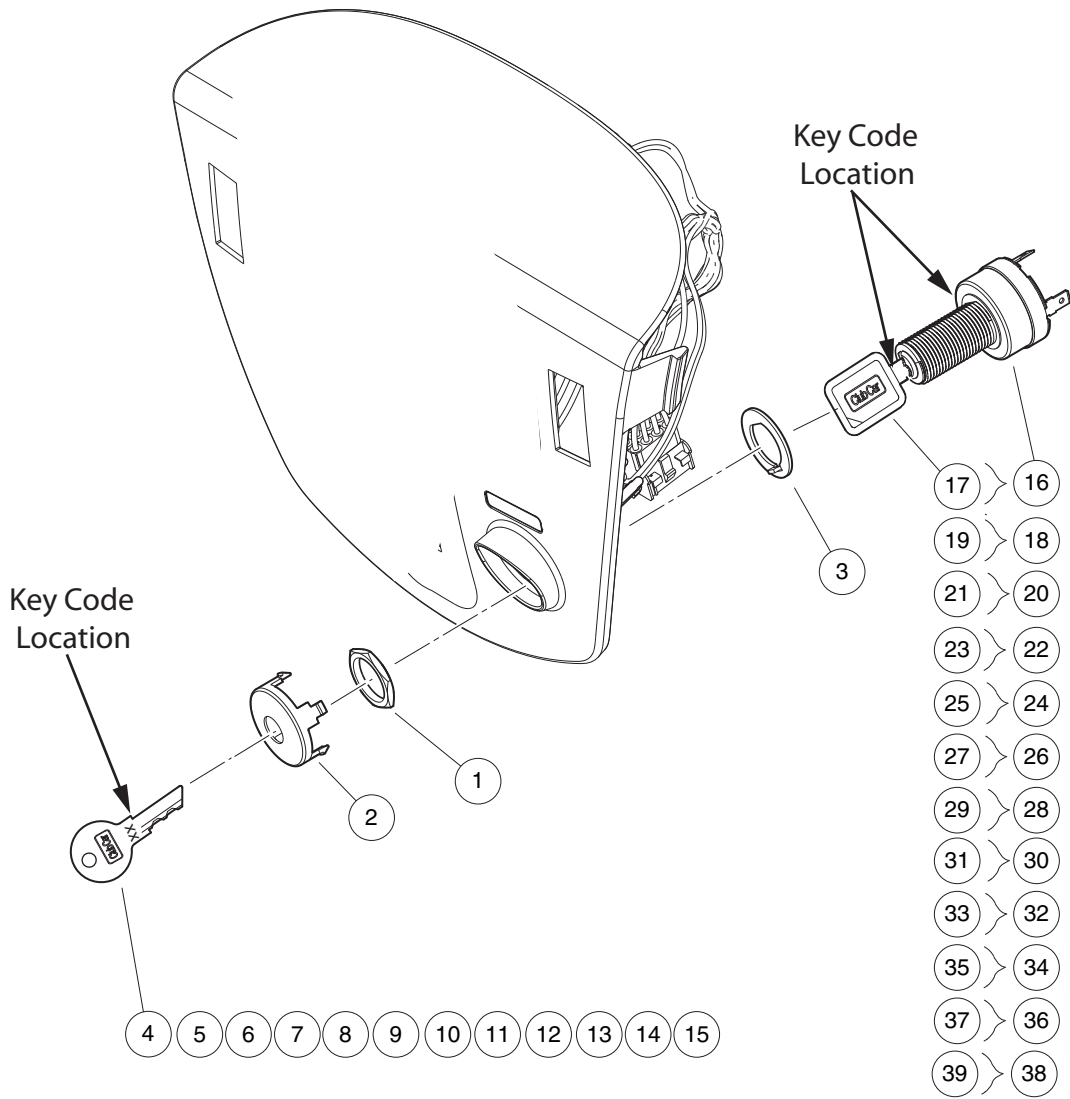
001372-001

## INSTRUMENT PANEL – GASOLINE VEHICLE

| ITEM | PART NO.  | DESCRIPTION                                       | QTY |
|------|-----------|---|-----|
|      |           | <b>1 2 3 4</b>                                    |     |
| 1    | 1016849   | Screw, #4-24 X 0.33, Pan-Head, Machine .....      | 2   |
| 2    | 1016851   | Buzzer, Reverse (9-48 VDC) .....                  | 1   |
| 3    | 101825101 | Decal, Off/On .....                               | 1   |
| 4    | 102869401 | Switch, Rocker, Light .....                       | 1   |
| 5    | 103180101 | Cover, Hole, Switch, Rocker .....                 | 1   |
| 6    | 103348602 | Gauge, Fuel-hour,sep Gnd, Ds .....                | 1   |
| 7    | 105034102 | Panel, Instrument, Gas, Ca .....                  | 1   |
| 8    | 105037101 | Light, Oil (LED) .....                            | 1   |
| 9    | 105095101 | Harness, Wire, Instr. Panel, Gas, CA300-700 ..... | 1   |

**4**  
**G**  
**E**

**4**  
**G**  
**E**



001355-001

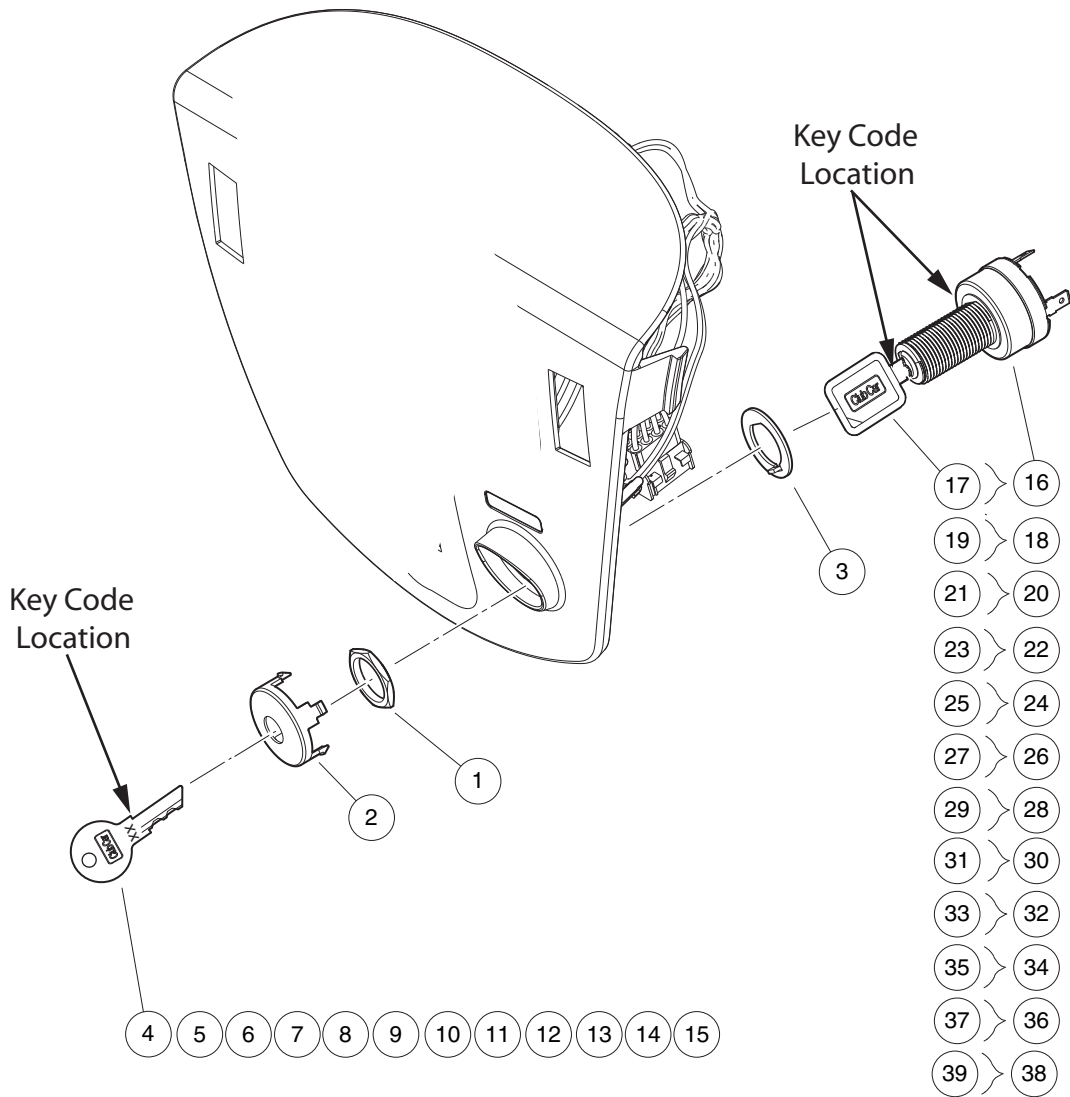


## KEYSWITCH – ELECTRIC VEHICLE

| ITEM | PART NO.  | DESCRIPTION   | QTY |
|------|-----------|---|-----|
|      |           | 1 2 3 4   |     |
| 1    | 101830701 | Nut, Key Switch .....   | 1   |
| 2    | 101834502 | Cap, Black Key Switch .....   | 1   |
| 3    | 101851101 | Washer, Key Switch .....  | 1   |
| 4    | 101974701 | Key, Uncommon 1a .....  | 1   |
| 5    | 101974702 | Key, Uncommon 1b .....  | 1   |
| 6    | 101974703 | Key, Uncommon 1c .....  | 1   |
| 7    | 101974704 | Key, Uncommon 1d .....  | 1   |
| 8    | 101974705 | Key, Uncommon 2a .....  | 1   |
| 9    | 101974706 | Key, Uncommon 2b .....  | 1   |
| 10   | 101974707 | Key, Uncommon 2c .....  | 1   |
| 11   | 101974708 | Key, Uncommon 2d .....  | 1   |
| 12   | 101974709 | Key, Uncommon 1e .....  | 1   |
| 13   | 101974710 | Key, Uncommon 1f .....  | 1   |
| 14   | 101974711 | Key, Uncommon 2e .....  | 1   |
| 15   | 101974712 | Key, Uncommon 2f .....  | 1   |
| 16   | 105081701 | Keysw, Uncom, 4t, Off/on 1a, E (includes item 17) .....   | 1   |
| 17   | 105068001 | Key, Uncommon, Padded 1a .....  | 1   |
| 18   | 105081702 | Keysw, Uncom, 4t, Off/on 1b, E (includes item 19) .....   | 1   |
| 19   | 105068002 | Key, Uncommon, Padded 1b .....  | 1   |
| 20   | 105081703 | Keysw, Uncom, 4t, Off/on 1c, E (includes item 21) .....   | 1   |
| 21   | 105068003 | Key, Uncommon, Padded 1c .....  | 1   |
| 22   | 105081704 | Keysw, Uncom, 4t, Off/on 1d, E (includes item 23) .....   | 1   |
| 23   | 105068004 | Key, Uncommon, Padded 1d .....  | 1   |
| 24   | 105081705 | Keysw, Uncom, 4t, Off/on 1e, E (includes item 25) .....   | 1   |
| 25   | 105068005 | Key, Uncommon, Padded 1e .....  | 1   |
| 26   | 105081706 | Keysw, Uncom, 4t, Off/on 1f, E (includes item 27) .....   | 1   |
| 27   | 105068006 | Key, Uncommon, Padded 1f .....  | 1   |
| 28   | 105081707 | Keysw, Uncom, 4t, Off/on 2a, E (includes item 29) .....   | 1   |
| 29   | 105068007 | Key, Uncommon, Padded 2a .....  | 1   |
| 30   | 105081708 | Keysw, Uncom, 4t, Off/on 2b, E (includes item 31) .....   | 1   |
| 31   | 105068008 | Key, Uncommon, Padded 2b .....  | 1   |
| 32   | 105081709 | Keysw, Uncom, 4t, Off/on 2c, E (includes item 33) .....   | 1   |
| 33   | 105068009 | Key, Uncommon, Padded 2c .....  | 1   |
| 34   | 105081710 | Keysw, Uncom, 4t, Off/on 2d, E (includes item 35) .....   | 1   |
| 35   | 105068010 | Key, Uncommon, Padded 2d .....  | 1   |
| 36   | 105081711 | Keysw, Uncom, 4t, Off/on 2e, E (includes item 37) .....   | 1   |
| 37   | 105068011 | Key, Uncommon, Padded 2e .....  | 1   |
| 38   | 105081712 | Keysw, Uncom, 4t, Off/on 2f, E (includes item 39) .....   | 1   |
| 39   | 105068012 | Key, Uncommon, Padded 2f .....  | 1   |
|      |           | Note: Keyswitch 105081701, is standard for electric vehicles equipped with a cab. Keyswitch 105081702, is standard for electric vehicles without a cab. Keyswitches 105081703 through 105081712 allows different key code combinations for electric fleet vehicles. |     |

**4**  
**G**  
**E**

**4**  
**G**  
**E**



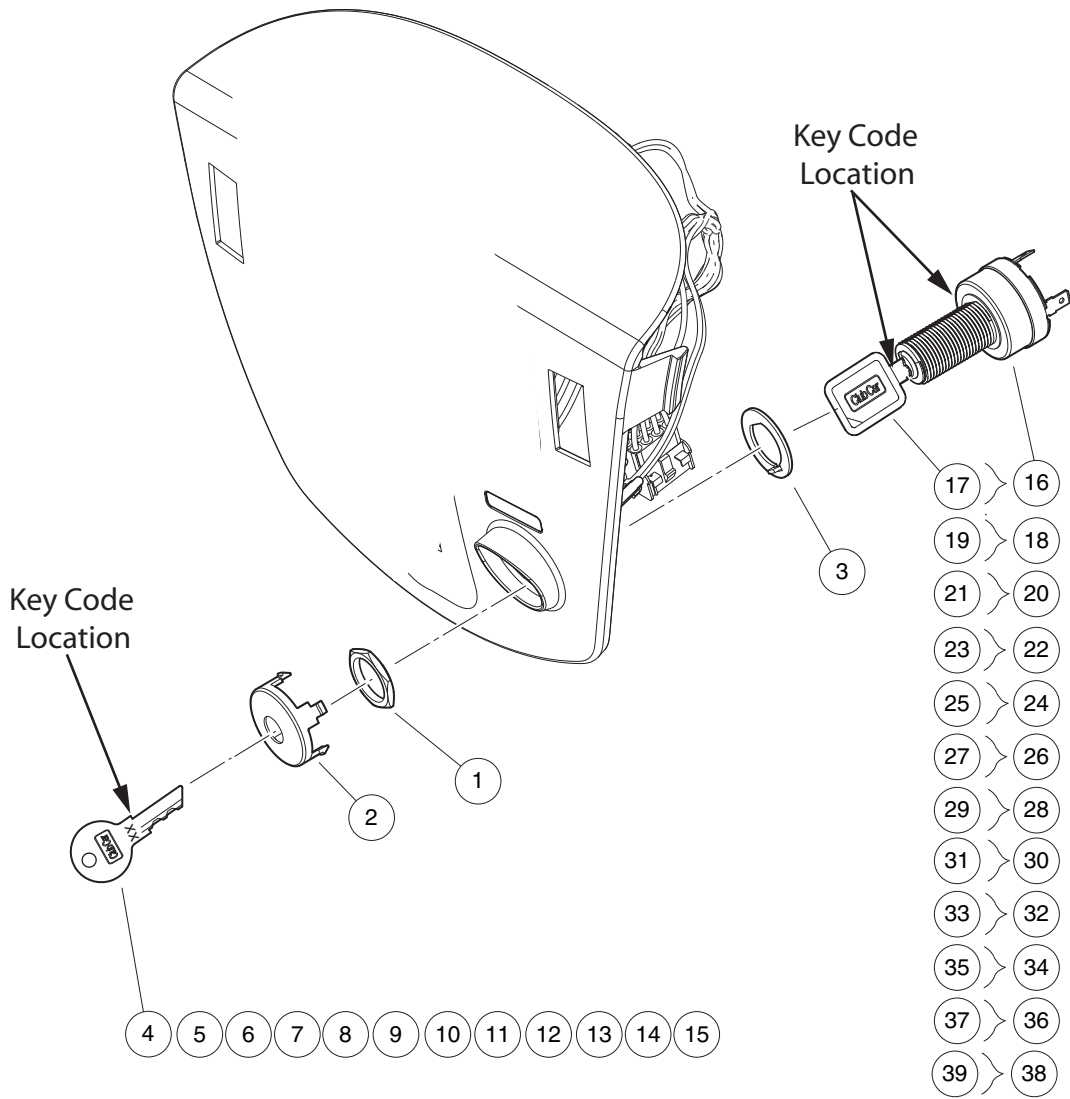
001355-001

# KEYSWITCH, PRIVATE SPEED MODE - ELECTRIC VEHICLE

| ITEM | PART NO.  | DESCRIPTION  | QTY |
|------|-----------|--|-----|
|      |           | 1 2 3 4  |     |
| 1    | 101830701 | Nut, Key Switch .....  | 1   |
| 2    | 101834502 | Cap, Black Key Switch .....  | 1   |
| 3    | 101851101 | Washer, Key Switch .....   | 1   |
| 4    | 101974701 | Key, Uncommon 1a .....   | 1   |
| 5    | 101974702 | Key, Uncommon 1b .....   | 1   |
| 6    | 101974703 | Key, Uncommon 1c .....   | 1   |
| 7    | 101974704 | Key, Uncommon 1d .....   | 1   |
| 8    | 101974705 | Key, Uncommon 2a .....   | 1   |
| 9    | 101974706 | Key, Uncommon 2b .....   | 1   |
| 10   | 101974707 | Key, Uncommon 2c .....   | 1   |
| 11   | 101974708 | Key, Uncommon 2d .....   | 1   |
| 12   | 101974709 | Key, Uncommon 1e .....   | 1   |
| 13   | 101974710 | Key, Uncommon 1f .....   | 1   |
| 14   | 101974711 | Key, Uncommon 2e .....   | 1   |
| 15   | 101974712 | Key, Uncommon 2f .....   | 1   |
| 16   | 105082001 | Keysw, Uncom, 4t, Off/p2/p3 1a (includes item 17) .....  | 1   |
| 17   | 105068001 | Key, Uncommon, Padded 1a .....   | 1   |
| 18   | 105082002 | Keysw, Uncom, 4t, Off/p2/p3 1b (includes item 19) .....  | 1   |
| 19   | 105068002 | Key, Uncommon, Padded 1b .....   | 1   |
| 20   | 105082003 | Keysw, Uncom, 4t, Off/p2/p3 1c (includes item 21) .....  | 1   |
| 21   | 105068003 | Key, Uncommon, Padded 1c .....   | 1   |
| 22   | 105082004 | Keysw, Uncom, 4t, Off/p2/p3 1d (includes item 23) .....  | 1   |
| 23   | 105068004 | Key, Uncommon, Padded 1d .....   | 1   |
| 24   | 105082005 | Keysw, Uncom, 4t, Off/p2/p3 1e (includes item 25) .....  | 1   |
| 25   | 105068005 | Key, Uncommon, Padded 1e .....   | 1   |
| 26   | 105082006 | Keysw, Uncom, 4t, Off/p2/p3 1f (includes item 27) .....  | 1   |
| 27   | 105068006 | Key, Uncommon, Padded 1f .....   | 1   |
| 28   | 105082007 | Keysw, Uncom, 4t, Off/p2/p3 2a (includes item 29) .....  | 1   |
| 29   | 105068007 | Key, Uncommon, Padded 2a .....   | 1   |
| 30   | 105082008 | Keysw, Uncom, 4t, Off/p2/p3 2b (includes item 31) .....  | 1   |
| 31   | 105068008 | Key, Uncommon, Padded 2b .....   | 1   |
| 32   | 105082009 | Keysw, Uncom, 4t, Off/p2/p3 2c (includes item 33) .....  | 1   |
| 33   | 105068009 | Key, Uncommon, Padded 2c .....   | 1   |
| 34   | 105082010 | Keysw, Uncom, 4t, Off/p2/p3 2d (includes item 35) .....  | 1   |
| 35   | 105068010 | Key, Uncommon, Padded 2d .....   | 1   |
| 36   | 105082011 | Keysw, Uncom, 4t, Off/p2/p3 2e (includes item 37) .....  | 1   |
| 37   | 105068011 | Key, Uncommon, Padded 2e .....   | 1   |
| 38   | 105082012 | Keysw, Uncom, 4t, Off/p2/p3 2f (includes item 39) .....  | 1   |
| 39   | 105068012 | Key, Uncommon, Padded 2f .....   | 1   |
|      |           | Note: Keyswitch 105082001, is standard for private speed mode electric vehicles equipped with a cab. Keyswitch 105082002, is standard for private speed mode electric vehicles without a cab. Keyswitches 105082003 through 105082012 allows different key code combinations for private speed mode electric fleet vehicles. |     |

**4**  
**G**  
**E**

**4**  
**G**  
**E**



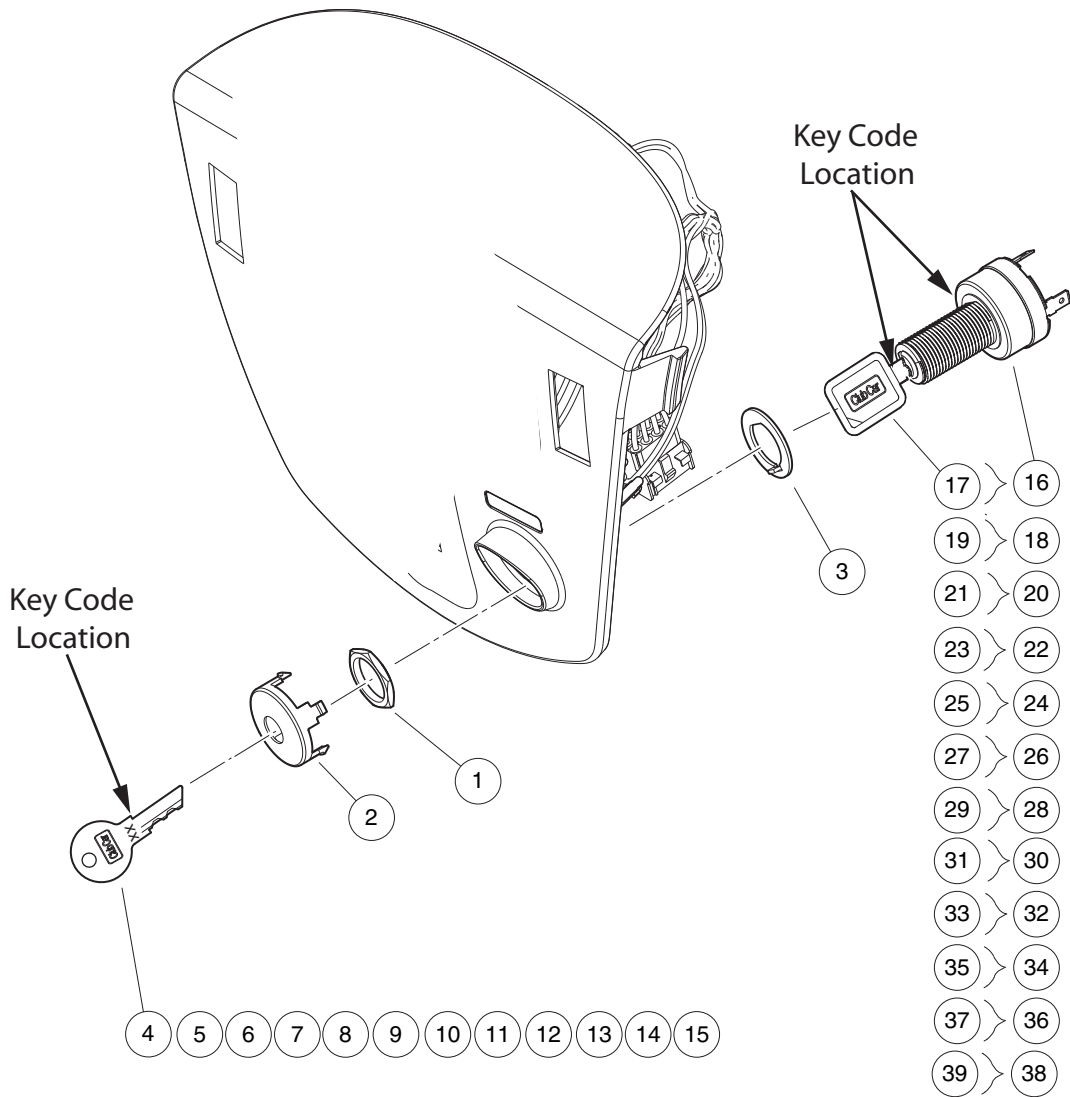
001355-001

## KEYSWITCH, PEDAL-START – GASOLINE VEHICLE

| ITEM | PART NO.  | DESCRIPTION   | QTY |
|------|-----------|---|-----|
|      |           | 1 2 3 4   |     |
| 1    | 101830701 | Nut, Key Switch .....   | 1   |
| 2    | 101834502 | Cap, Black Key Switch .....   | 1   |
| 3    | 101851101 | Washer, Key Switch .....  | 1   |
| 4    | 101974701 | Key, Uncommon 1a .....  | 1   |
| 5    | 101974702 | Key, Uncommon 1b .....  | 1   |
| 6    | 101974703 | Key, Uncommon 1c .....  | 1   |
| 7    | 101974704 | Key, Uncommon 1d .....  | 1   |
| 8    | 101974705 | Key, Uncommon 2a .....  | 1   |
| 9    | 101974706 | Key, Uncommon 2b .....  | 1   |
| 10   | 101974707 | Key, Uncommon 2c .....  | 1   |
| 11   | 101974708 | Key, Uncommon 2d .....  | 1   |
| 12   | 101974709 | Key, Uncommon 1e .....  | 1   |
| 13   | 101974710 | Key, Uncommon 1f .....  | 1   |
| 14   | 101974711 | Key, Uncommon 2e .....  | 1   |
| 15   | 101974712 | Key, Uncommon 2f .....  | 1   |
| 16   | 105081801 | Keysw, Uncom, 4t, Off/on 1a, G (includes item 17) .....   | 1   |
| 17   | 105068001 | Key, Uncommon, Padded 1a .....  | 1   |
| 18   | 105081802 | Keysw, Uncom, 4t, Off/on 1b, G (includes item 19) .....   | 1   |
| 19   | 105068002 | Key, Uncommon, Padded 1b .....  | 1   |
| 20   | 105081803 | Keysw, Uncom, 4t, Off/on 1c, G (includes item 21) .....   | A/R |
| 21   | 105068003 | Key, Uncommon, Padded 1c .....  | 1   |
| 22   | 105081804 | Keysw, Uncom, 4t, Off/on 1d, G (includes item 23) .....   | 1   |
| 23   | 105068004 | Key, Uncommon, Padded 1d .....  | 1   |
| 24   | 105081805 | Keysw, Uncom, 4t, Off/on 1e, G (includes item 25) .....   | 1   |
| 25   | 105068005 | Key, Uncommon, Padded 1e .....  | 1   |
| 26   | 105081806 | Keysw, Uncom, 4t, Off/on 1f, G (includes item 27) .....   | 1   |
| 27   | 105068006 | Key, Uncommon, Padded 1f .....  | 1   |
| 28   | 105081807 | Keysw, Uncom, 4t, Off/on 2a, G (includes item 29) .....   | 1   |
| 29   | 105068007 | Key, Uncommon, Padded 2a .....  | 1   |
| 30   | 105081808 | Keysw, Uncom, 4t, Off/on 2b, G (includes item 31) .....   | 1   |
| 31   | 105068008 | Key, Uncommon, Padded 2b .....  | 1   |
| 32   | 105081809 | Keysw, Uncom, 4t, Off/on 2c, G (includes item 33) .....   | 1   |
| 33   | 105068009 | Key, Uncommon, Padded 2c .....  | 1   |
| 34   | 105081810 | Keysw, Uncom, 4t, Off/on 2d, G (includes item 35) .....   | 1   |
| 35   | 105068010 | Key, Uncommon, Padded 2d .....  | 1   |
| 36   | 105081811 | Keysw, Uncom, 4t, Off/on 2e, G (includes item 37) .....   | 1   |
| 37   | 105068011 | Key, Uncommon, Padded 2e .....  | 1   |
| 38   | 105081812 | Keysw, Uncom, 4t, Off/on 2f, G (includes item 39) .....   | 1   |
| 39   | 105068012 | Key, Uncommon, Padded 2f .....  | 1   |
|      |           | Note: Keyswitch 105081801, is standard for pedal-start gasoline vehicles equipped with a cab. Keyswitch 105081802, is standard for pedal-start gasoline vehicles without a cab. Keyswitches 105081803 through 105081812 allows different key code combinations for pedal-start gasoline fleet vehicles. |     |



**4**  
**G**  
**E**



001355-001

## KEYSWITCH, KEY-START – GASOLINE VEHICLE

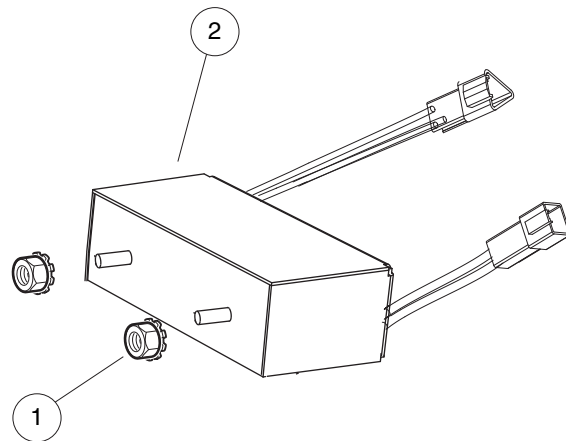
| ITEM | PART NO.  | DESCRIPTION  | QTY |
|------|-----------|--|-----|
|      |           | 1 2 3 4  |     |
| 1    | 101830701 | Nut, Key Switch .....  | 1   |
| 2    | 101834502 | Cap, Black Key Switch .....  | 1   |
| 3    | 101851101 | Washer, Key Switch .....   | 1   |
| 4    | 101974701 | Key, Uncommon 1a .....   | 1   |
| 5    | 101974702 | Key, Uncommon 1b .....   | 1   |
| 6    | 101974703 | Key, Uncommon 1c .....   | 1   |
| 7    | 101974704 | Key, Uncommon 1d .....   | 1   |
| 8    | 101974705 | Key, Uncommon 2a .....   | 1   |
| 9    | 101974706 | Key, Uncommon 2b .....   | 1   |
| 10   | 101974707 | Key, Uncommon 2c .....   | 1   |
| 11   | 101974708 | Key, Uncommon 2d .....   | 1   |
| 12   | 101974709 | Key, Uncommon 1e .....   | 1   |
| 13   | 101974710 | Key, Uncommon 1f .....   | 1   |
| 14   | 101974711 | Key, Uncommon 2e .....   | 1   |
| 15   | 101974712 | Key, Uncommon 2f .....   | 1   |
| 16   | 105081901 | Keysw, Uncom, 4t, Off/on/st 1a (includes item 17) .....  | 1   |
| 17   | 105068001 | Key, Uncommon, Padded 1a .....   | 1   |
| 18   | 105081902 | Keysw, Uncom, 4t, Off/on/st 1b (includes item 19) .....  | 1   |
| 19   | 105068002 | Key, Uncommon, Padded 1b .....   | 1   |
| 20   | 105081903 | Keysw, Uncom, 4t, Off/on/st 1c (includes item 21) .....  | 1   |
| 21   | 105068003 | Key, Uncommon, Padded 1c .....   | 1   |
| 22   | 105081904 | Keysw, Uncom, 4t, Off/on/st 1d (includes item 23) .....  | 1   |
| 23   | 105068004 | Key, Uncommon, Padded 1d .....   | 1   |
| 24   | 105081905 | Keysw, Uncom, 4t, Off/on/st 1e (includes item 25) .....  | 1   |
| 25   | 105068005 | Key, Uncommon, Padded 1e .....   | 1   |
| 26   | 105081906 | Keysw, Uncom, 4t, Off/on/st 1f (includes item 27) .....  | 1   |
| 27   | 105068006 | Key, Uncommon, Padded 1f .....   | 1   |
| 28   | 105081907 | Keysw, Uncom, 4t, Off/on/st 2a (includes item 29) .....  | 1   |
| 29   | 105068007 | Key, Uncommon, Padded 2a .....   | 1   |
| 30   | 105081908 | Keysw, Uncom, 4t, Off/on/st 2b (includes item 31) .....  | 1   |
| 31   | 105068008 | Key, Uncommon, Padded 2b .....   | 1   |
| 32   | 105081909 | Keysw, Uncom, 4t, Off/on/st 2c (includes item 33) .....  | 1   |
| 33   | 105068009 | Key, Uncommon, Padded 2c .....   | 1   |
| 34   | 105081910 | Keysw, Uncom, 4t, Off/on/st 2d (includes item 35) .....  | 1   |
| 35   | 105068010 | Key, Uncommon, Padded 2d .....   | 1   |
| 36   | 105081911 | Keysw, Uncom, 4t, Off/on/st 2e (includes item 37) .....  | 1   |
| 37   | 105068011 | Key, Uncommon, Padded 2e .....   | 1   |
| 38   | 105081912 | Keysw, Uncom, 4t, Off/on/st 2f (includes item 39) .....  | 1   |
| 39   | 105068012 | Key, Uncommon, Padded 2f .....   | 1   |
|      |           | Note: Keyswitch 105081901, is standard for key-start gasolinevehicles equipped with a cab. Keyswitch 105081902, is standard for key-start gasoline vehicles without a cab. Keyswitches 105081903 through 105081912 allows different key code combinations for key-start gasoline fleet vehicles. |     |

**4**  
**G**  
**E**

4

G

E



001358-001



# DC CONVERTER – ELECTRIC VEHICLE

| ITEM | PART NO.  | DESCRIPTION                               | QTY |
|------|-----------|---|-----|
| 1    | 101835601 | 1 2 3 4<br>Locknut, 1/4-20 Hex Whiz ..... | 2   |
| 2    | 103700301 | Converter, Dc/dc, Isold .....             | 1   |

4

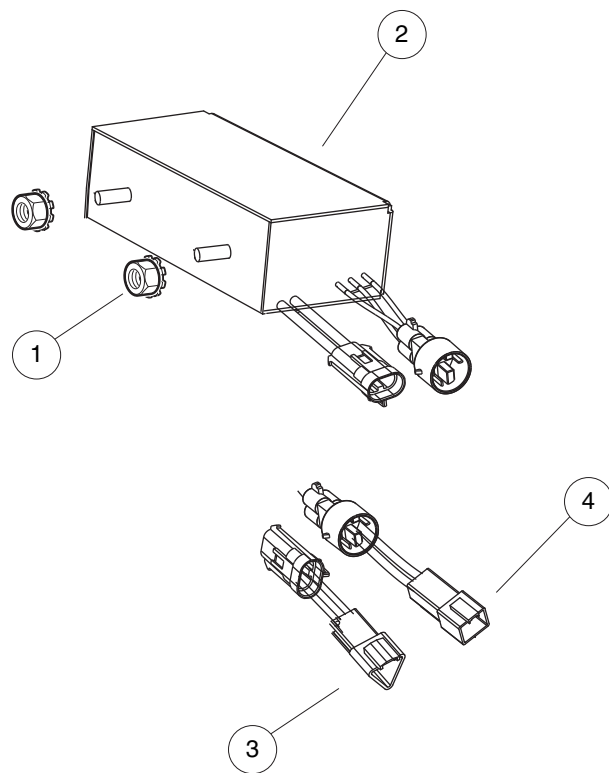
G

E

4

G

E



001359-001

# DC CONVERTER, HEAVY DUTY – ELECTRIC VEHICLE

| ITEM | PART NO.  | DESCRIPTION                         | QTY |
|------|-----------|-------------------------------------|-----|
|      |           | 1 2 3 4                             |     |
| 1    | 101835601 | Locknut, 1/4-20 Hex Whiz .....      | 2   |
| 2    | 103804901 | Converter, 25a, Isolated, Ce .....  | 1   |
| 3    | 105146901 | Jmpr, Dc Conv, Dt/mp480s, In .....  | 1   |
| 4    | 105147001 | Jmpr, Dc Conv, Dt/mp480s, Out ..... | 1   |

4

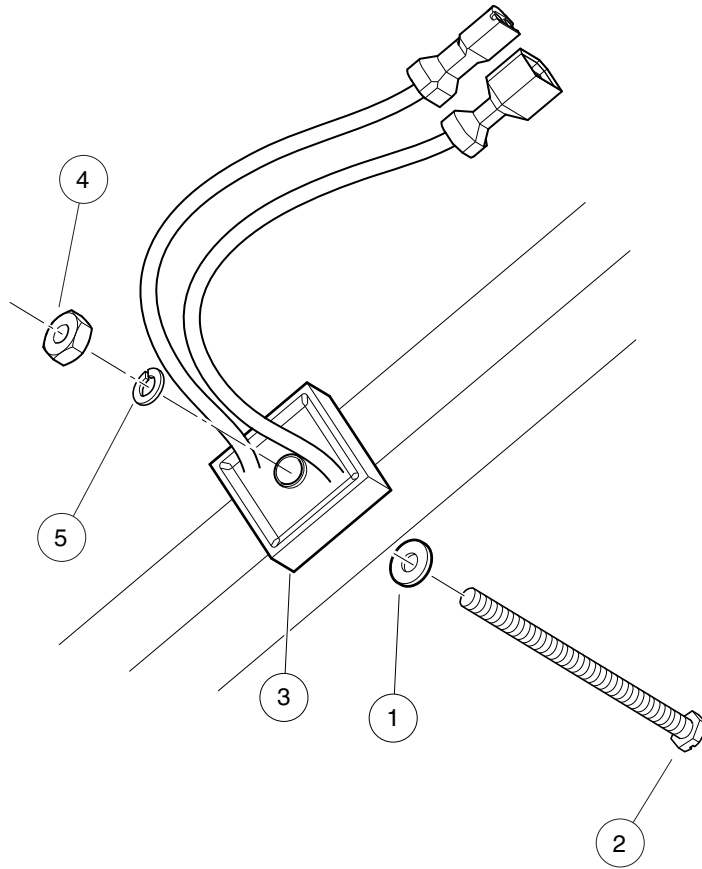
G

E

4

G

E



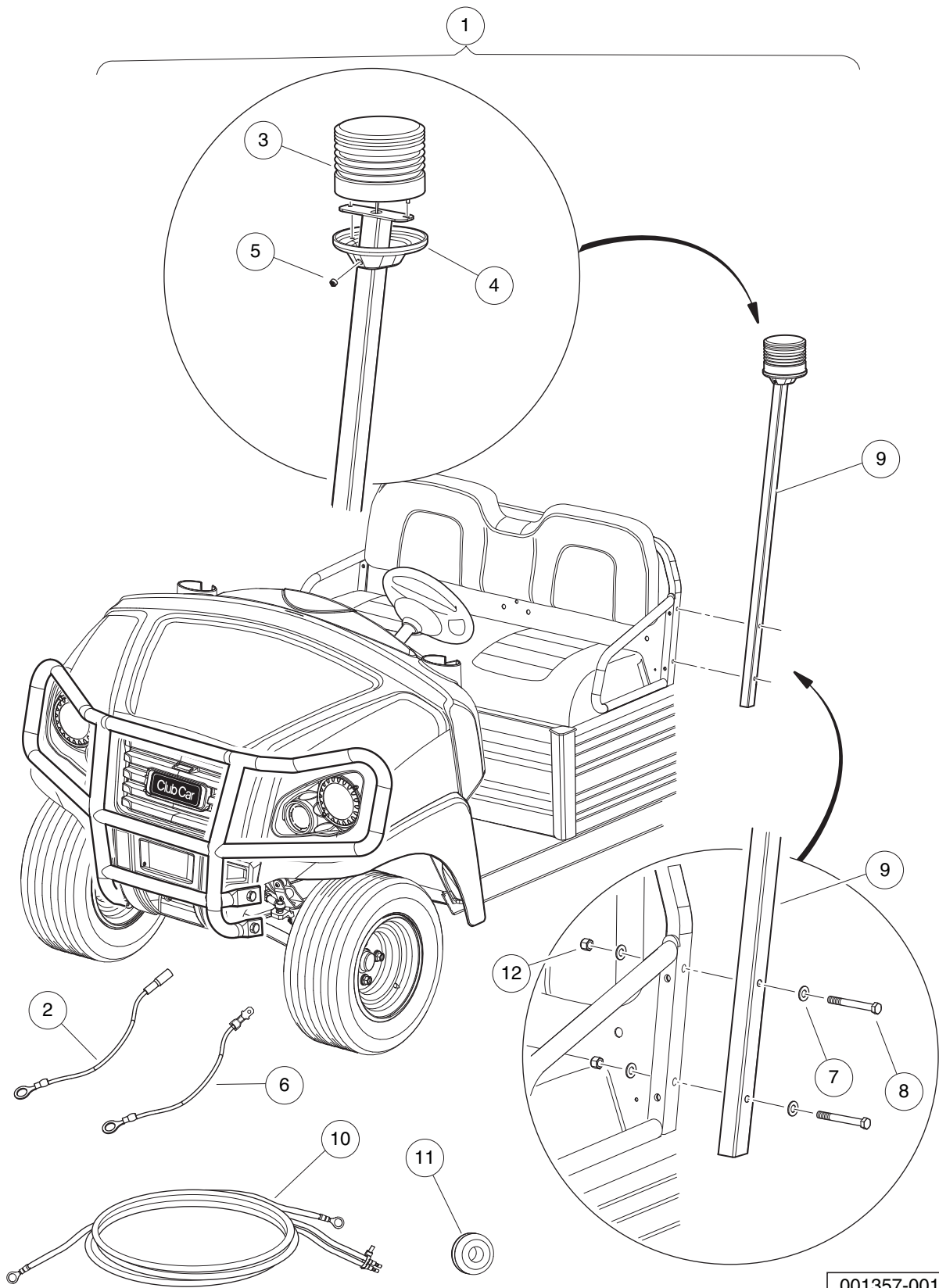
001365-001

## VOLTAGE LIMITER – GASOLINE VEHICLE

| ITEM | PART NO.  | DESCRIPTION                         | QTY |
|------|-----------|-------------------------------------|-----|
|      |           | <b>1 2 3 4</b>                      |     |
| 1    | 1012431   | Washer, #4 Flat .....               | 1   |
| 2    | 1015878   | Screw, #4-40 Hex Head Machine ..... | 1   |
| 3    | 102529101 | Voltage Limiter, Prec .....         | 1   |
| 4    | 8057      | Nut, #4-40 Hex Machine .....        | 1   |
| 5    | 8058      | Lockwasher, #4 Split .....          | 1   |

4  
G  
E

**4**  
**G**  
**E**



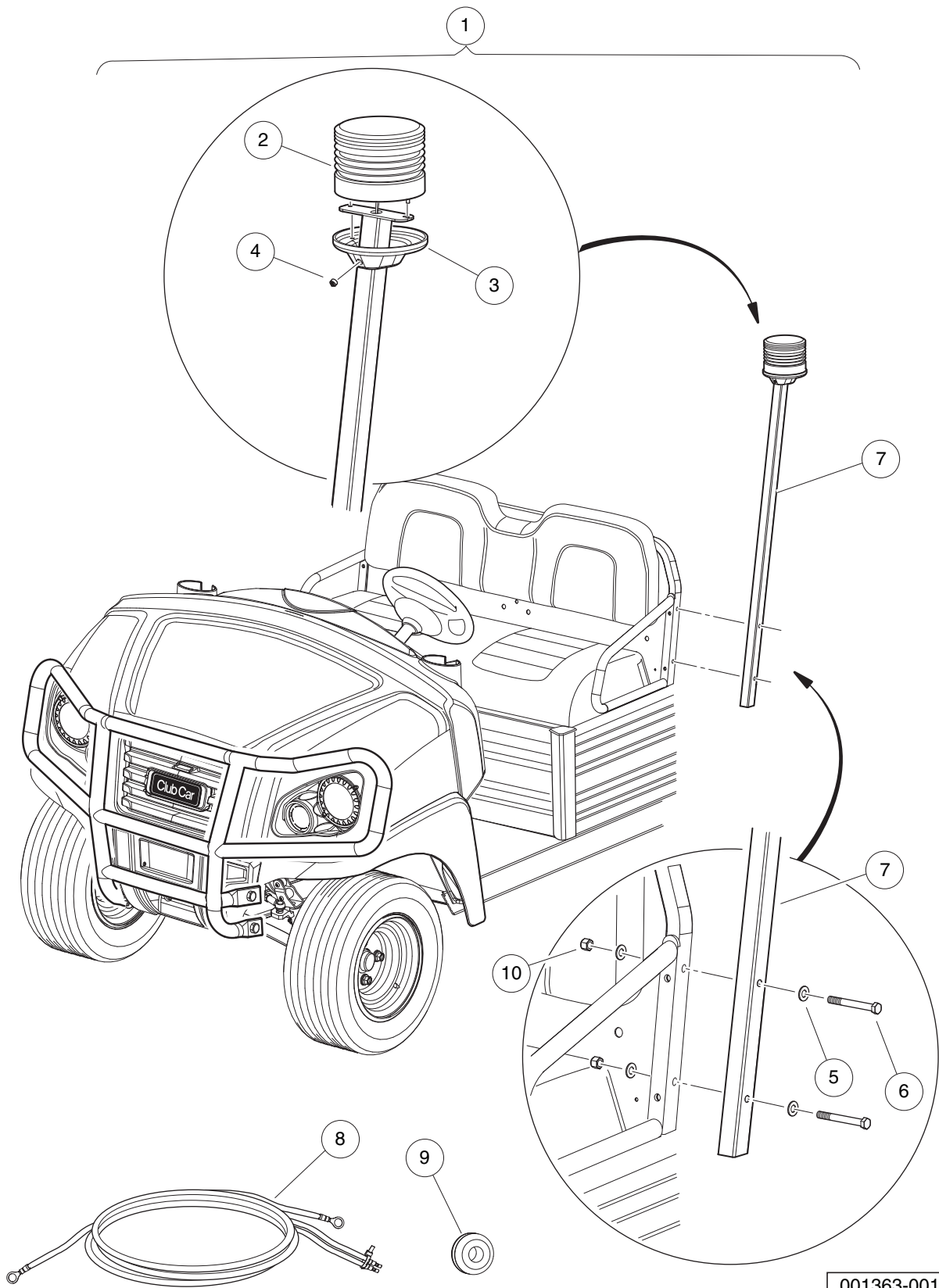
001357-001

# STROBE LIGHT, POST MOUNTED – GASOLINE VEHICLES

| ITEM | PART NO.  | DESCRIPTION  | QTY |
|------|-----------|--|-----|
|      |           | 1 2 3 4  |     |
| 1    | 105155601 | Kit, Post Mtd. Strobe, Gas (includes items 2 through 12) ..... | 1   |
| 2    | 1015154   | Wire Assembly Blue Ca #16 .....                                | 1   |
| 3    | 1015156   | Light Assembly, Strobe .....                                   | 1   |
| 4    | 1015157   | Cover Plate Switch - Pole Ca .....                             | 1   |
| 5    | 1015187   | Switch Assembly .....  | 1   |
| 6    | 1016929   | Wire Assembly Black #16 .....                                  | 1   |
| 7    | 102323501 | Washer, Flat, 3/8, Blk Fin .....                               | 4   |
| 8    | 105088601 | Hhcs, 3/8 - 16 X 3.25, Black .....                             | 2   |
| 9    | 105118601 | Weldment, Post Mtd. Strobe .....                               | 1   |
| 10   | 105204401 | Wire Harness Asm,PM Strobe .....                               | 1   |
| 11   | 105205301 | Grommet,1/8-in groove .....                                    | 1   |
| 12   | 8754      | Locknut, 3/8-16 Hex .....                                      | 2   |

4  
G  
E

**4**  
**G**  
**E**





# STROBE LIGHT, POST MOUNTED – ELECTRIC VEHICLES

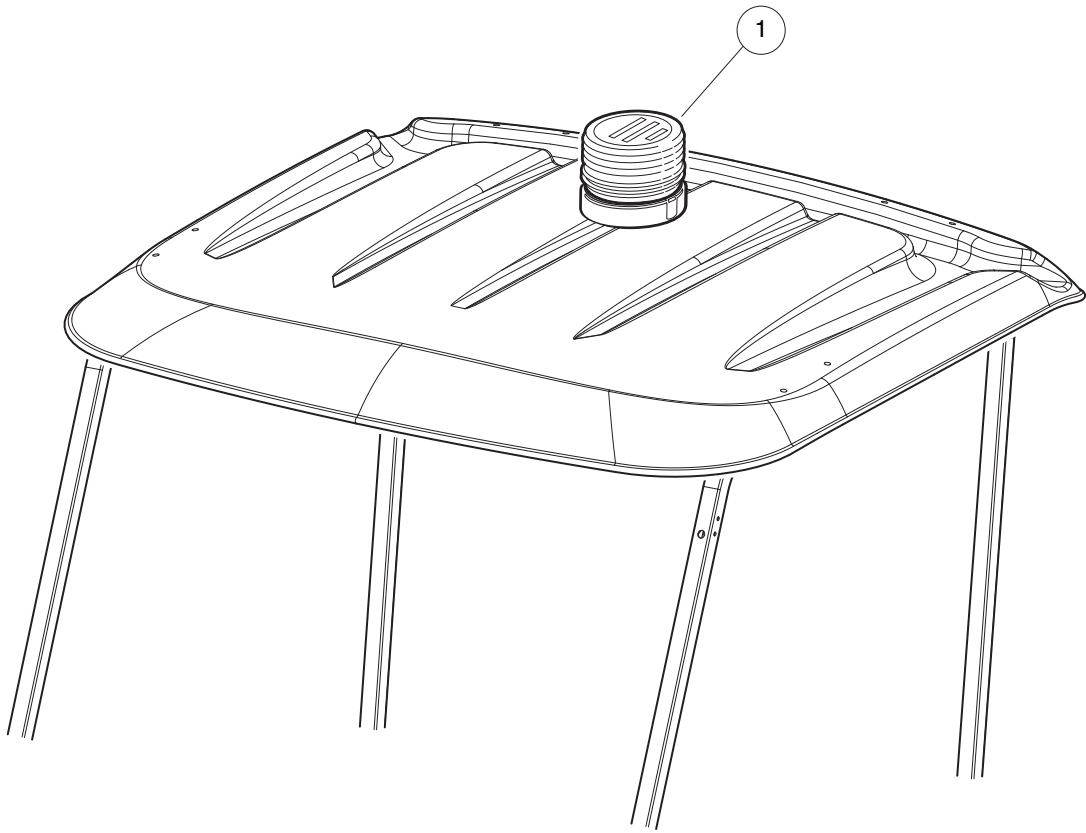
| ITEM | PART NO.  | DESCRIPTION   | QTY |
|------|-----------|---|-----|
|      |           | <b>1 2 3 4</b>  |     |
| 1    | 105155501 | Kit, Post Mtd. Strobe, Elec (includes items 2 through 10) ..... | 1   |
| 2    | 1015156   | Light Assembly, Strobe .....                                    | 1   |
| 3    | 1015157   | Cover Plate Switch - Pole Ca .....                              | 1   |
| 4    | 1015187   | Switch Assembly .....   | 1   |
| 5    | 102323501 | Washer, Flat, 3/8, Blk Fin .....                                | 4   |
| 6    | 105088601 | Hhcs, 3/8 - 16 X 3.25, Black .....                              | 2   |
| 7    | 105118601 | Weldment, Post Mtd. Strobe .....                                | 1   |
| 8    | 105204401 | Wire Harness Asm,PM Strobe .....                                | 1   |
| 9    | 105205301 | Grommet,1/8-in groove .....                                     | 1   |
| 10   | 8754      | Locknut, 3/8-16 Hex .....                                       | 2   |

**4**  
**G**  
**E**

4

G

E



001364-001

# STROBE LIGHT – CANOPY MOUNTED

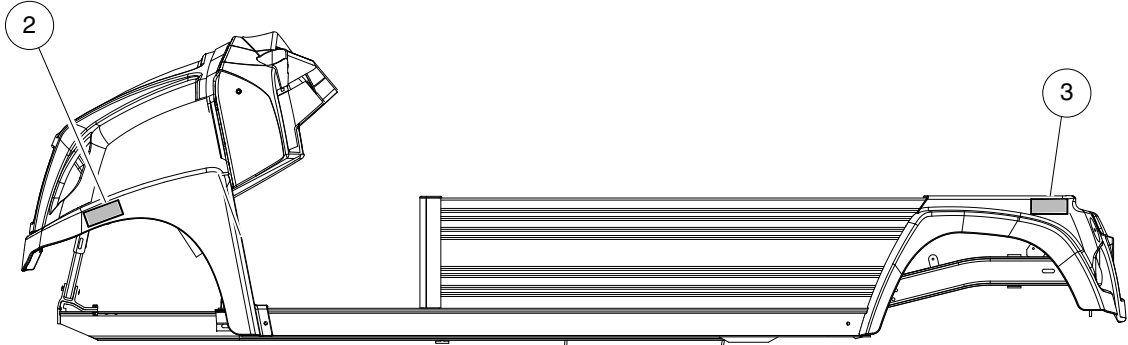
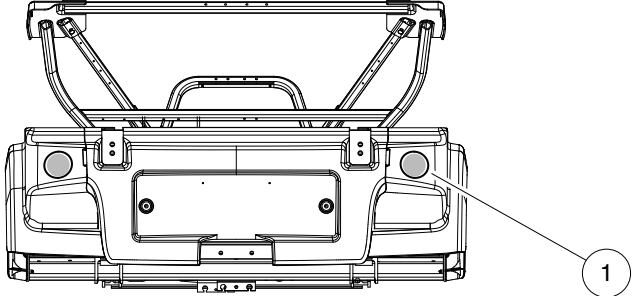
| ITEM | PART NO.  | DESCRIPTION   | QTY |
|------|-----------|---|-----|
| 1    | 105185101 | <div style="display: flex; justify-content: space-between; margin-bottom: 5px;"> <span>1</span> <span>2</span> <span>3</span> <span>4</span> </div> Kit, Strobe, Canopy ..... | 1   |

**4**

**G**

**E**

**4**  
**G**  
**E**



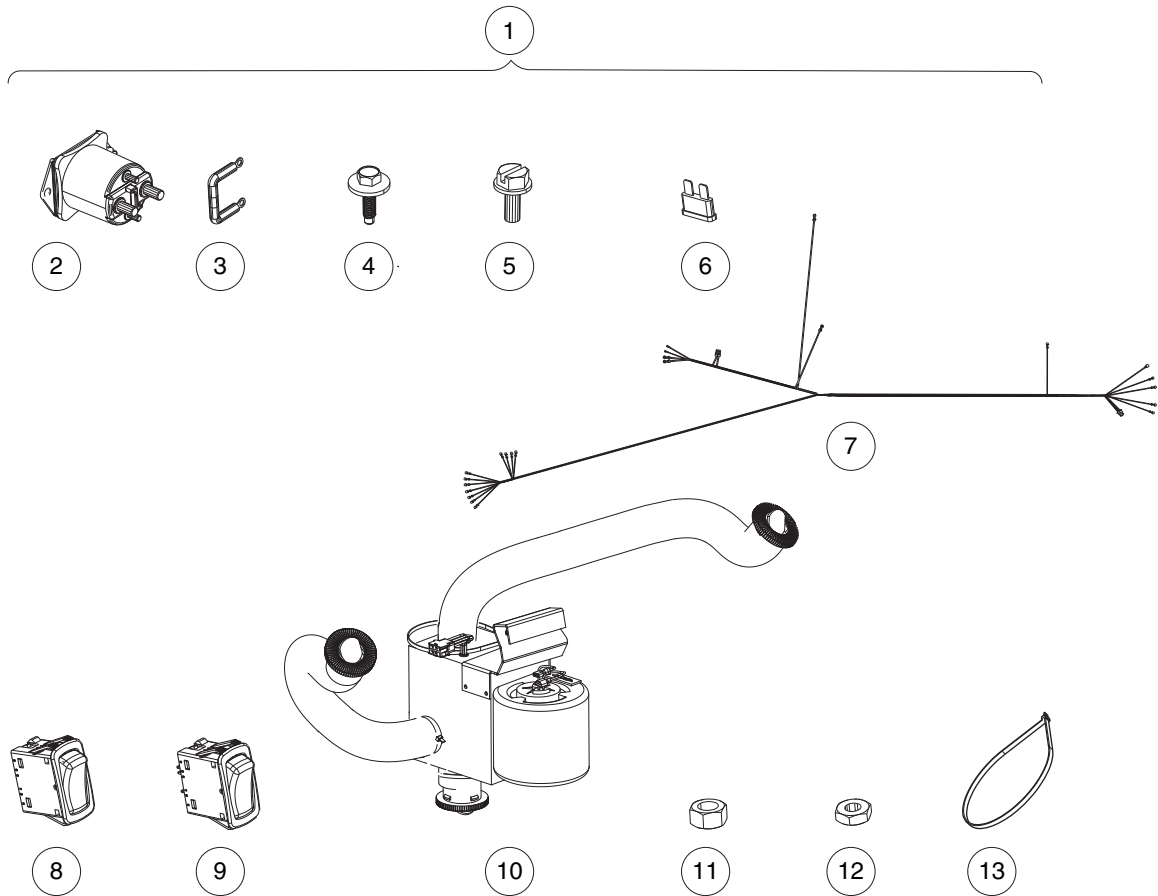
001362-001

# REFLECTORS

| ITEM | PART NO.  | DESCRIPTION                                 | QTY |
|------|-----------|---|-----|
| 1    | 103832501 | 1 2 3 4<br>Reflector, Red, Round, Sae ..... | 2   |
| 2    | 103832601 | Reflector, Yell, Rect, Sae .....            | 2   |
| 3    | 105144801 | Reflector, Red, Rect, Sae .....             | 2   |

**4**  
**G**  
**E**

**4**  
**G**  
**E**



001366-002

# HEATER DEFOGGER – ELECTRIC VEHICLE

| ITEM | PART NO.  | DESCRIPTION   | QTY |
|------|-----------|---|-----|
|      |           | 1 2 3 4   |     |
| 1    | 105135802 | Kit, Defogger, Heater (includes items 2 through 13) ..... | 1   |
| 2    | 1013609   | Solenoid, 12-Volt .....                                   | 1   |
| 3    | 1014948   | Diode .....   | 1   |
| 4    | 102297125 | Screw, M6-1.0x25.4, Thread-Forming, SEMS .....            | 2   |
| 5    | 102817101 | Screw, 1/4-20 X .50 Hex Wsh Hd .....                      | 2   |
| 6    | 103541401 | Fuse, Atc, 5 Amp .....                                    | 1   |
| 7    | 105108801 | Harness, Heater, Cab, Util .....                          | 1   |
| 8    | 105112501 | Switch, Heater, 12vdc .....                               | 1   |
| 9    | 105112601 | Switch, Blower, 12vdc .....                               | 1   |
| 10   | N/A       | Heater, Defogger .....                                    | 1   |
| 11   | 1242      | Nut, 5/16-18 Hex .....                                    | 2   |
| 12   | 7893      | Nut, #10-32 Hex .....                                     | 2   |
| 13   | 8639      | Tie Wrap, 11" Nylon .....                                 | 8   |

4  
G  
E

**4**

**G**

**E**



# **BRAKES, PEDALS, AND CABLE ASSEMBLIES**

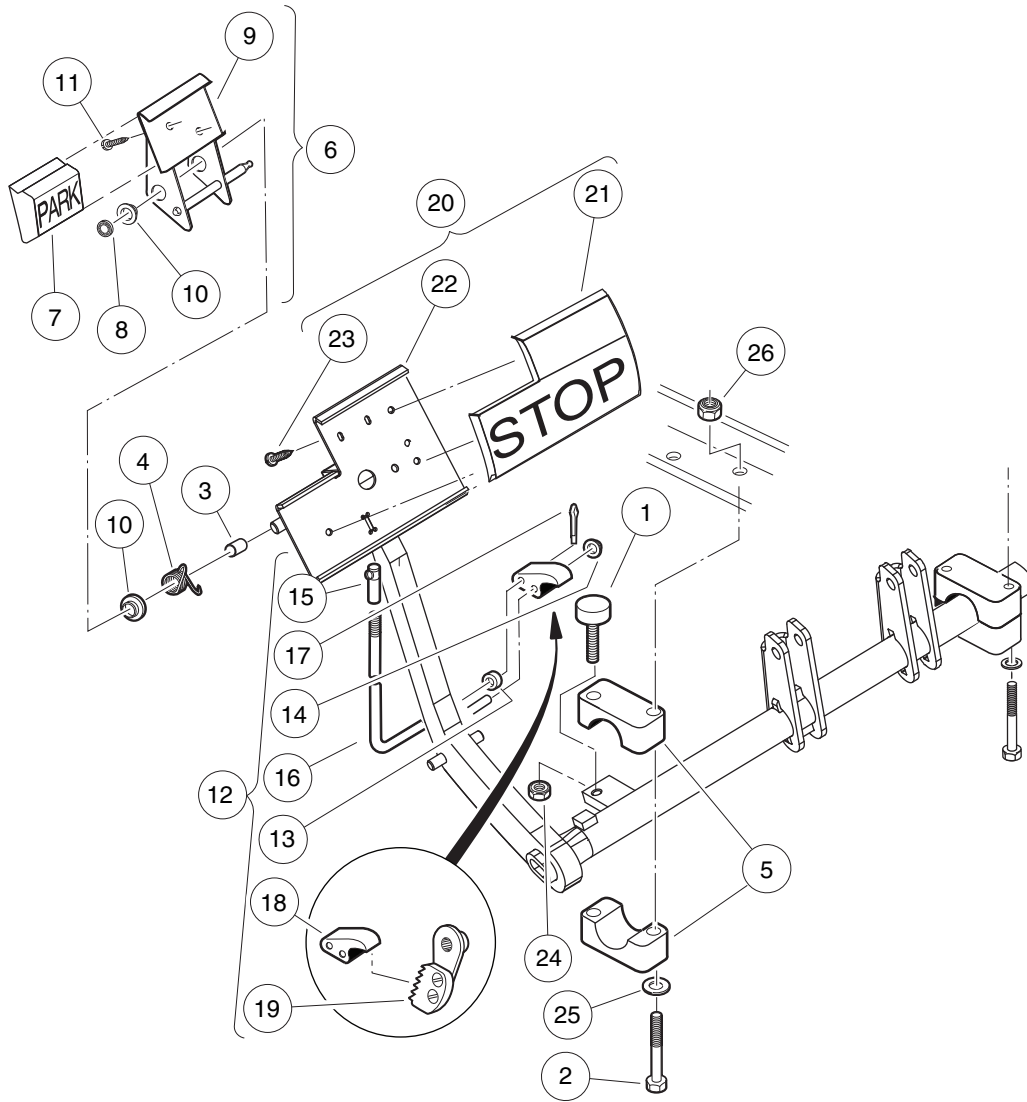
---

**5**

**G**

**E**

**5**  
**G**  
**E**



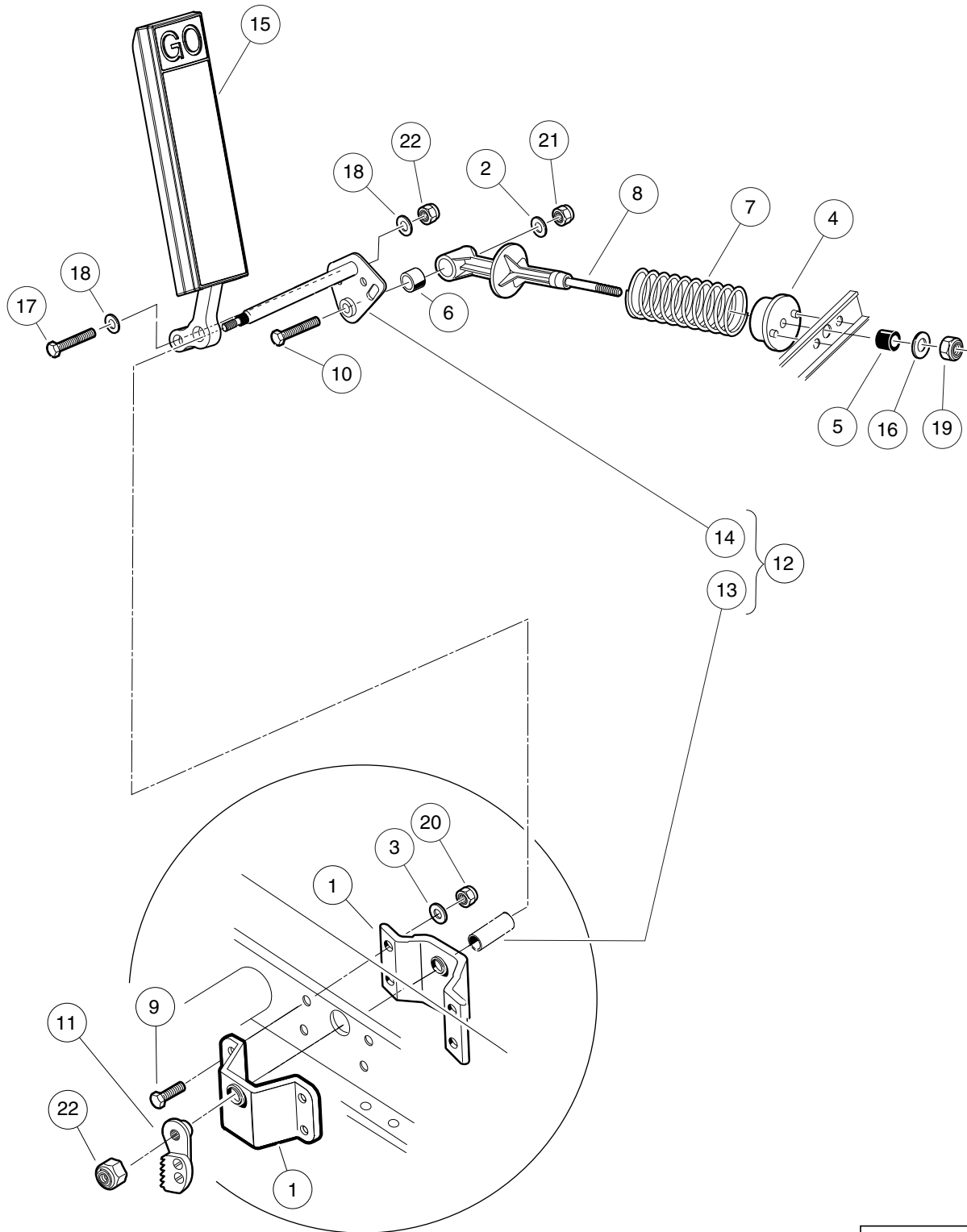
001405-002

## BRAKE PEDAL ASSEMBLY – VEHICLES WITH 2-WHEEL BRAKES AND 4-WHEEL BRAKES

| ITEM | PART NO.  | DESCRIPTION  | QTY |
|------|-----------|--|-----|
|      |           | <b>1 2 3 4</b>   |     |
| 1    | 1010878   | Bumper, Rubber .....                                       | 1   |
| 2    | 1010921   | Screw, 5/16-18 X 2.50 Hex Cap .....                        | 4   |
| 3    | 1010927   | Hill Brake Spacer .....                                    | 1   |
| 4    | 1010933   | Spring, Hill Brake Torsion .....                           | 1   |
| 5    | 1011402   | Package, Brake Mounting Block .....                        | 1   |
| 6    | 1011418   | Kit, Hill Brake Pedal (includes items 7 through 11) .....  | 1   |
| 7    | 1013870   | Pad, Hill Brake .....                                      | 1   |
| 8    | 1013876   | Pushnut, 3/8 .....   | 1   |
| 9    | N/A       | Hill Brake Weld Assembly .....                             | 1   |
| 10   | 1032      | Bushing, Nylon .....                                       | 2   |
| 11   | 7716      | Screw, #10-16 Type AB, Sheet Metal .....                   | 2   |
| 12   | 101187702 | Kit, Hill Brake Latch (includes items 13 through 19) ..... | 1   |
| 13   | 1010805   | Sleeve, Hill Brake Rod .....                               | 1   |
| 14   | 1010877   | Pushnut, 3/8 .....   | 1   |
| 15   | 1010932   | Ball Joint, 1/4-28 .....                                   | 1   |
| 16   | N/A       | Rod, Hill Brake .....                                      | 1   |
| 17   | 1017029   | Pin, Cotter, 7/64 x 1/2 Stainless-Steel .....              | 1   |
| 18   | N/A       | Pawl, Hill Brake .....                                     | 1   |
| 19   | 101918501 | Ratchet Assembly .....                                     | 1   |
| 20   | 101878201 | Brake Pedal Kit (includes items 21 through 23) .....       | 1   |
| 21   | 1013869   | Pad, Brake Pedal .....                                     | 1   |
| 22   | N/A       | Weldment, Brake Pedal, 2wr Std .....                       | 1   |
| 23   | 7716      | Screw, #10-16 Type AB, Sheet Metal .....                   | 3   |
| 24   | 1028      | Nut, 1/4-20 Hex .....                                      | 1   |
| 25   | 1241      | Washer, 5/16 Type A Flat .....                             | 4   |
| 26   | 7473      | Locknut, 5/16-18 Nylon Insert .....                        | 4   |

**5**  
**G**  
**E**

**5**  
**G**  
**E**



001406-001

# ACCELERATOR PEDAL ASSEMBLY – ELECTRIC VEHICLES

| ITEM | PART NO.  | DESCRIPTION  | QTY |
|------|-----------|--|-----|
|      |           | <b>1 2 3 4</b>   |     |
| 1    | 1011694   | Accelerator Bracket and Bearing Assembly .....                       | 2   |
| 2    | 1011931   | Washer, 1/4 Flat .....   | 1   |
| 3    | 1014007   | Washer, 1/4, Flat .....  | 4   |
| 4    | 1017378   | Cup, Spring .....  | 1   |
| 5    | 1017380   | Bumper, Spring Return .....  | 1   |
| 6    | 1017424   | Bearing, Pivot Support .....   | 1   |
| 7    | 101796201 | Spring, Accelerator Return .....                                     | 1   |
| 8    | 101817401 | Retainer, Spring .....   | 1   |
| 9    | 101861901 | Screw, 1/4-20 X 1.125 Hex Cap .....                                  | 4   |
| 10   | 101862001 | Screw, 1/4-20 X 1.500 Flange .....                                   | 1   |
| 11   | 101918501 | Ratchet Assembly .....   | 1   |
| 12   | 102026001 | Kit, Accelerator Pivot Rod Assembly (includes items 13 and 14) ..... | 1   |
| 13   | 101919801 | Spacer, Accelerator .....  | 1   |
| 14   | 102158901 | Pivot Rod Weldment .....   | 1   |
| 15   | 103865101 | Pedal, Accel, Insert .....   | A/R |
| 16   | 1241      | Washer, 5/16 Type A Flat .....                                       | 1   |
| 17   | 1624      | Screw, 3/8-16 X 1.50, Hex-Head Cap .....                             | 1   |
| 18   | 334       | Washer, 3/8, Type A, Flat .....                                      | 2   |
| 19   | 7473      | Locknut, 5/16-18 Nylon Insert .....                                  | 1   |
| 20   | 8233      | Locknut, 1/4-20, Nylon Insert .....                                  | 4   |
| 21   | 8717      | Locknut, Nylon Insert, 1/4-28 .....                                  | 1   |
| 22   | 8754      | Locknut, 3/8-16 Hex .....  | 2   |

5  
G  
E

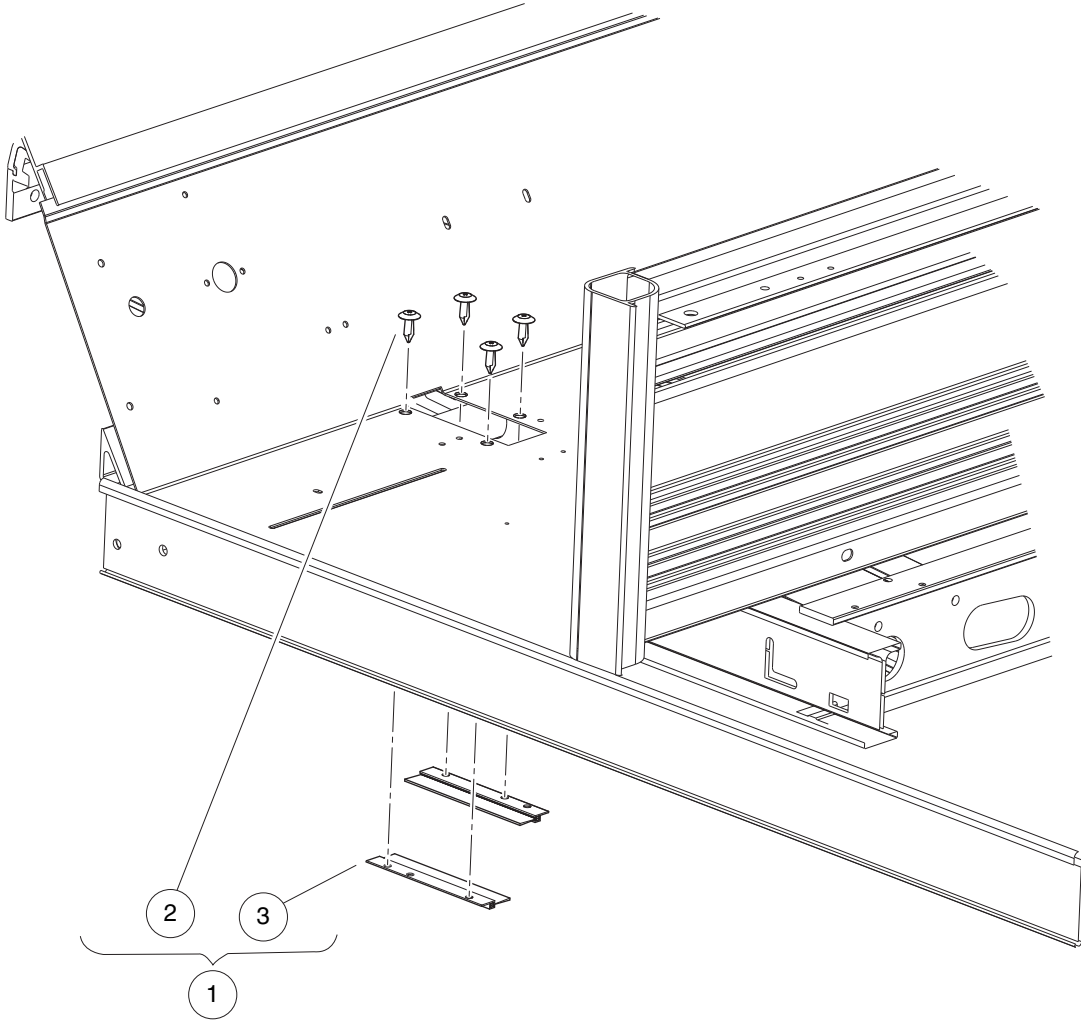


# ACCELERATOR PEDAL AND ROD ASSEMBLY – GASOLINE VEHICLE

| ITEM | PART NO.  | DESCRIPTION  | QTY |
|------|-----------|--|-----|
|      |           | 1 2 3 4  |     |
| 1    | 1011694   | Accelerator Bracket and Bearing Assembly .....                       | 2   |
| 2    | 1011931   | Washer, 1/4 Flat .....   | 1   |
| 3    | 1014007   | Washer, 1/4, Flat .....  | 4   |
| 4    | 1017378   | Cup, Spring .....  | 1   |
| 5    | 1017380   | Bumper, Spring Return .....  | 1   |
| 6    | 1017424   | Bearing, Pivot Support .....   | 1   |
| 7    | 101796201 | Spring, Accelerator Return .....                                     | 1   |
| 8    | 101817401 | Retainer, Spring .....   | 1   |
| 9    | 101818801 | Stud, 1/4-28 X 1.35 Ball .....                                       | 1   |
| 10   | 101861901 | Screw, 1/4-20 X 1.125 Hex Cap .....                                  | 4   |
| 11   | 101918501 | Ratchet Assembly .....   | 1   |
| 12   | 102026001 | Kit, Accelerator Pivot Rod Assembly (includes items 13 and 14) ..... | 1   |
| 13   | 101919801 | Spacer, Accelerator .....  | 1   |
| 14   | 102158901 | Pivot Rod Weldment .....   | 1   |
| 15   | 103865101 | Pedal, Accel, Insert .....   | 1   |
| 16   | 105100801 | Asm, Accel Rod, Utility (includes items 17 through 19) .....         | 1   |
| 17   | 1011084   | Nut, 1/4-28 Hex Jam .....  | 2   |
| 18   | 1011734   | Joint, Ball .....  | 2   |
| 19   | 105100401 | Rod, Accel, Utility, Adj .....                                       | 1   |
| 20   | 1241      | Washer, 5/16 Type A Flat .....                                       | 1   |
| 21   | 1624      | Screw, 3/8-16 X 1.50, Hex-Head Cap .....                             | 1   |
| 22   | 334       | Washer, 3/8, Type A, Flat .....                                      | 2   |
| 23   | 7473      | Locknut, 5/16-18 Nylon Insert .....                                  | 1   |
| 24   | 8233      | Locknut, 1/4-20, Nylon Insert .....                                  | 4   |
| 25   | 8717      | Locknut, Nylon Insert, 1/4-28 .....                                  | 1   |
| 26   | 8754      | Locknut, 3/8-16 Hex .....  | 2   |

5  
G  
E

**5**  
**G**  
**E**



001418-001

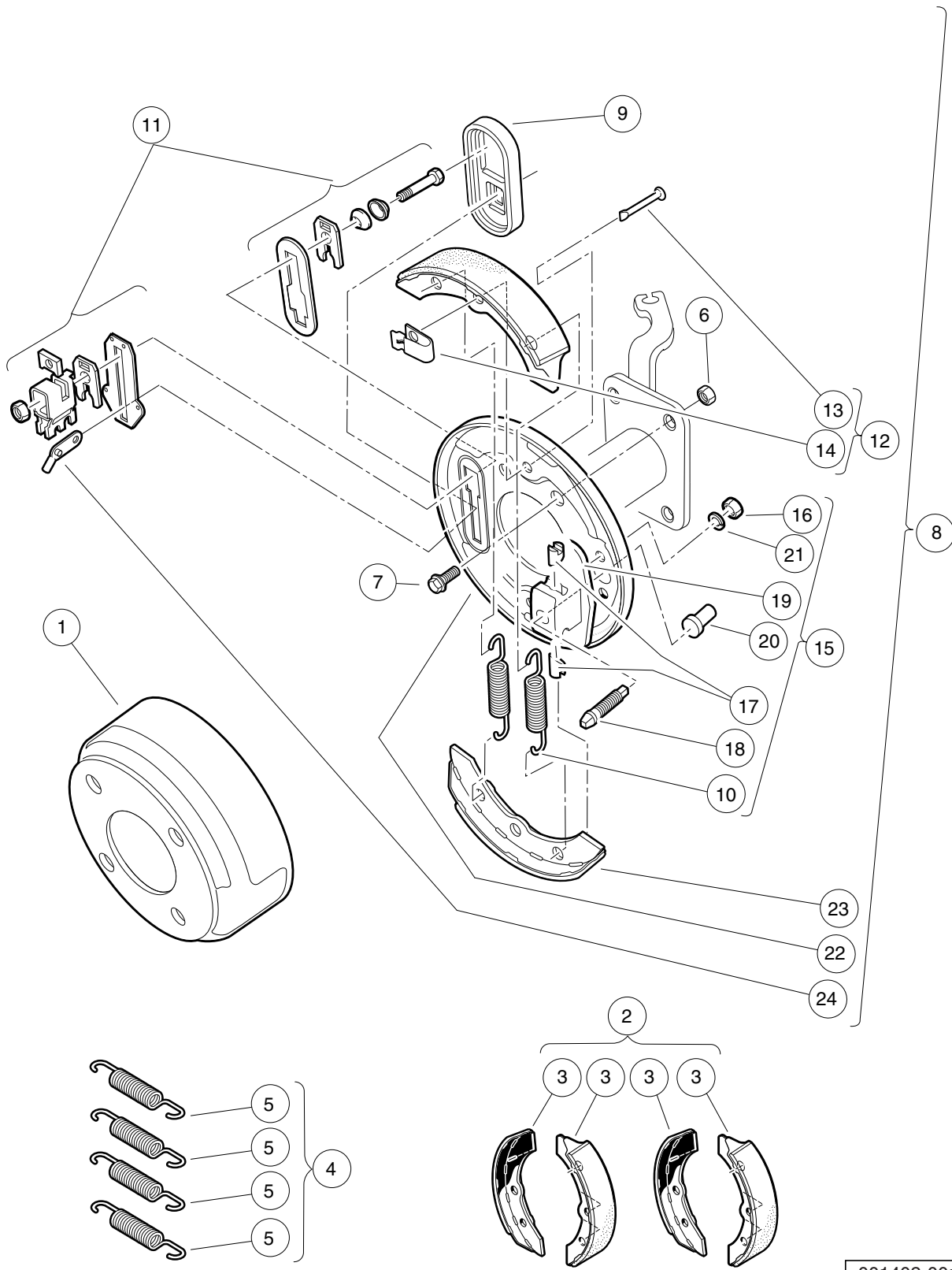


# PEDAL CLOSE-OUT KIT

| ITEM | PART NO.  | DESCRIPTION   | QTY |
|------|-----------|---|-----|
|      |           | <b>1 2 3 4</b>  |     |
| 1    | 105149101 | Kit, Close Out, Pedal, Utl (includes items 2 and 3) ..... | 1   |
| 2    | 102025701 | Screw, Tuflok Panel, 1/4 .....                            | 4   |
| 3    | 105149201 | Asm, Brush, Pedal Close Out .....                         | 2   |

5  
G  
E

**5**  
**G**  
**E**



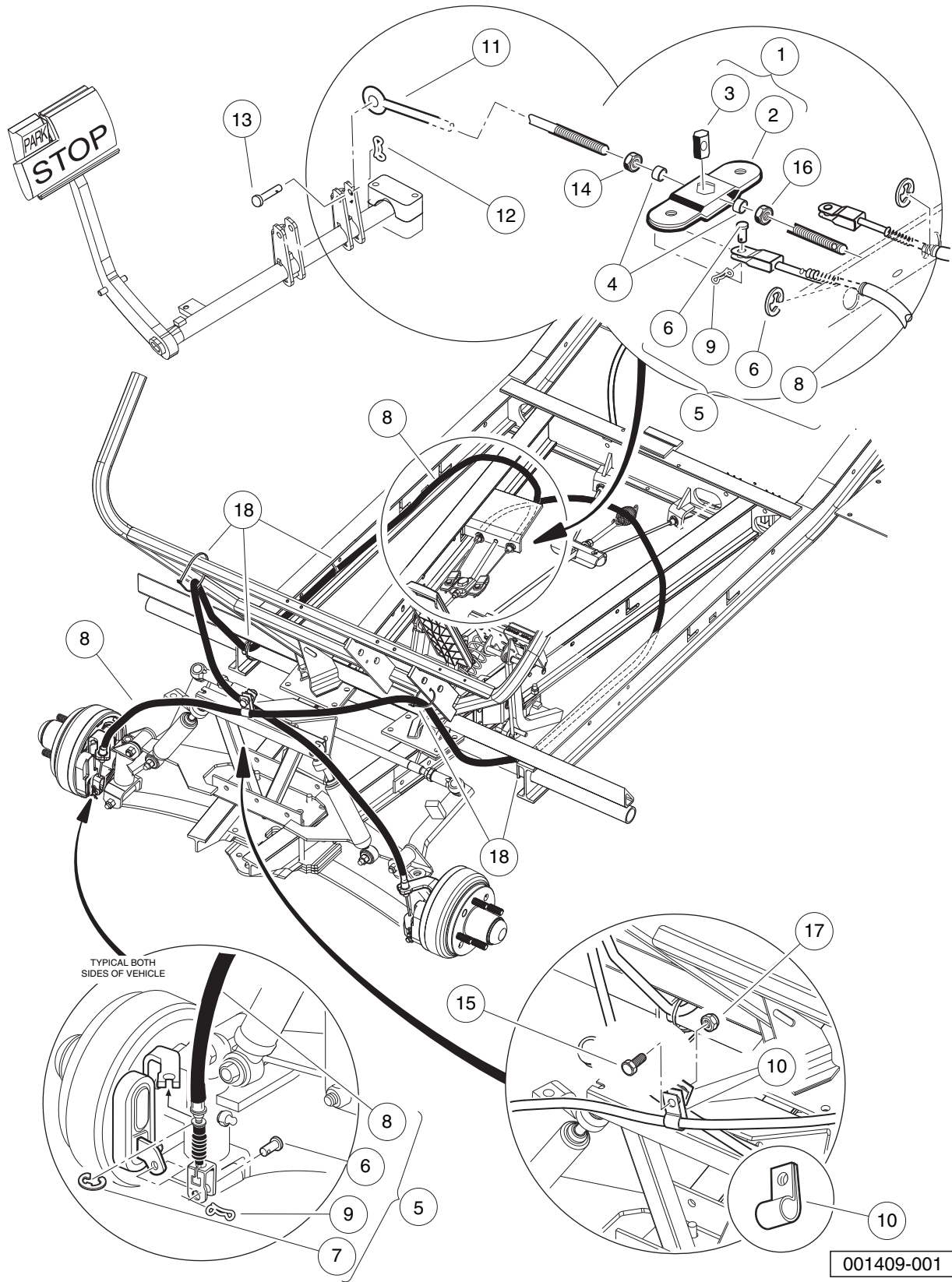
001402-001

# FRONT BRAKE ASSEMBLY – VEHICLES WITH 4-WHEEL BRAKES

| ITEM | PART NO.  | DESCRIPTION   | QTY |
|------|-----------|---|-----|
|      |           | <b>1 2 3 4</b>  |     |
| 1    | 1011137   | Drum, Brake .....   | 2   |
| 2    | 101146302 | Kit, Non-Asbestos Brake Shoe (includes item 3) .....  | 1   |
| 3    | 101880701 | Shoe Brake Manual Adj (Available in Kit, Non-Asbestos Brake Shoe) .....   | 4   |
| 4    | 1011464   | Package, Brake Spring (includes item 5) .....   | 1   |
| 5    | 1011314   | Brake Spring .....  | 4   |
| 6    | 1013924   | Nut, 5/16-24, Hex Head Cone .....   | 8   |
| 7    | 1014153   | Bolt, Brake Cluster Mounting .....  | 8   |
| 8    | 1016557   | Cluster, Brake, Driver-Side (includes items 9 through 24) .....   | 1   |
| 9    | 1010850   | Dust Cover .....  | 1   |
| 10   | 1011314   | Brake Spring .....  | 2   |
| 11   | 1011465   | Kit, Brake Actuator .....   | 1   |
| 12   | 1011466   | Kit, Shoe Retainer (includes items 13 and 14) .....   | 1   |
| 13   | N/A       | Pin .....   | 2   |
| 14   | N/A       | Shoe Clamp Spring .....   | 2   |
| 15   | 1011467   | Kit, Anchor Body (includes items 16 through 21) .....   | 1   |
| 16   | 1011114   | Nut, M6-1.00 Hex .....  | 2   |
| 17   | 1011298   | Anchor Piston .....   | 2   |
| 18   | N/A       | Adjustment Bolt .....   | 1   |
| 19   | N/A       | Anchor Body Component .....   | 1   |
| 20   | 1011303   | Adjustment Bolt Cap .....   | 1   |
| 21   | 451       | Lockwasher, 1/4 Split .....   | 2   |
| 22   | 1011494   | Backing Plate, Left-Hand .....  | 1   |
| 23   | 101880701 | Shoe Brake Manual Adj (Available in Kit, Non-Asbestos Brake Shoe) .....   | 2   |
| 24   | N/A       | Arm, Brake Lever .....  | 1   |
| 25   | 1016573   | Cluster, Brake, Passenger-Side (includes items 26 through 41) .....   | 1   |
| 26   | 1010850   | Dust Cover .....  | 1   |
| 27   | 1011154   | Backing Plate, Right-Hand .....   | 1   |
| 28   | 1011314   | Brake Spring .....  | 2   |
| 29   | 1011465   | Kit, Brake Actuator .....   | 1   |
| 30   | 1011466   | Kit, Shoe Retainer (includes items 31 and 32) .....   | 1   |
| 31   | N/A       | Pin .....   | 2   |
| 32   | N/A       | Shoe Clamp Spring .....   | 2   |
| 33   | 1011467   | Kit, Anchor Body (includes items 34 through 39) .....   | 1   |
| 34   | 1011114   | Nut, M6-1.00 Hex .....  | 2   |
| 35   | 1011298   | Anchor Piston .....   | 2   |
| 36   | N/A       | Adjustment Bolt .....   | 1   |
| 37   | N/A       | Anchor Body Component .....   | 1   |
| 38   | 1011303   | Adjustment Bolt Cap .....   | 1   |
| 39   | 451       | Lockwasher, 1/4 Split .....   | 2   |
| 40   | 101880701 | Shoe Brake Manual Adj (Available in Kit, Non-Asbestos Brake Shoe) .....   | 2   |
| 41   | N/A       | Arm, Brake Lever .....  | 1   |
|      |           | Note: Passenger-side brake cluster (items 25-41) not shown. Components have a similar appearance to driver-side brake cluster components. |     |

**5**  
**G**  
**E**

**5**  
**G**  
**E**

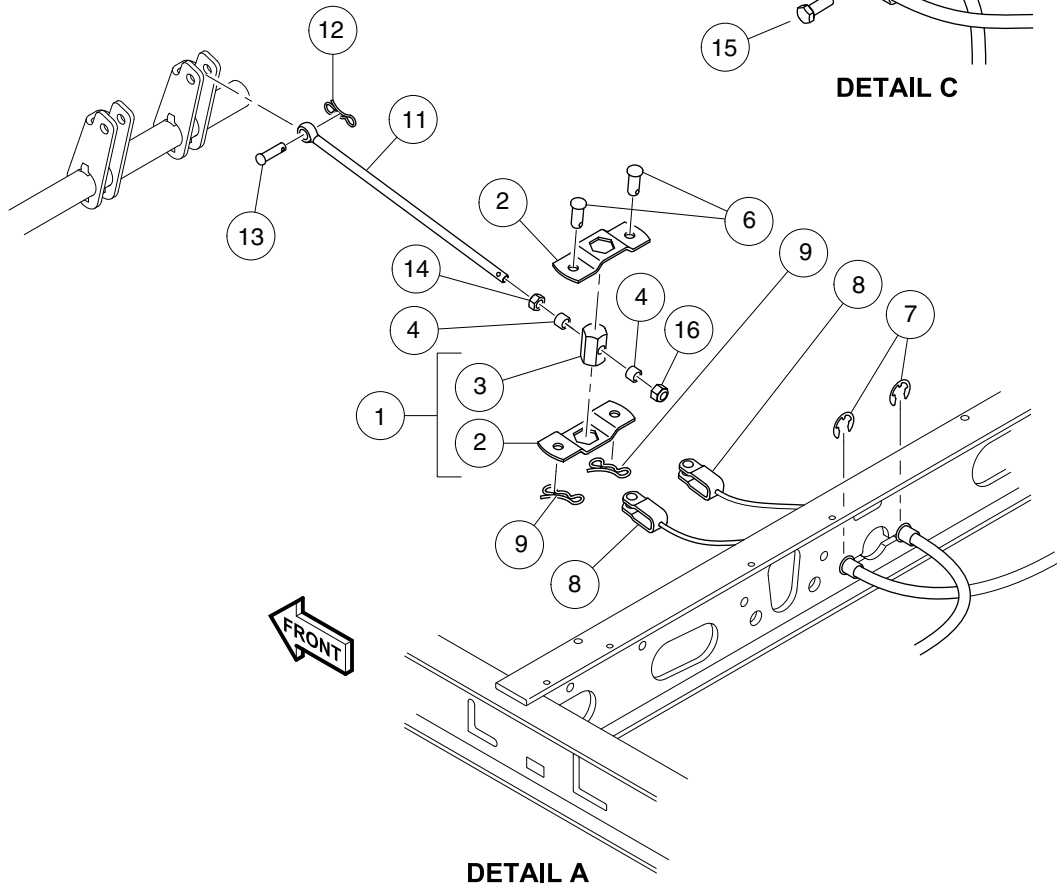
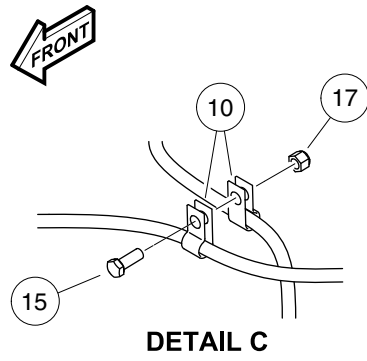
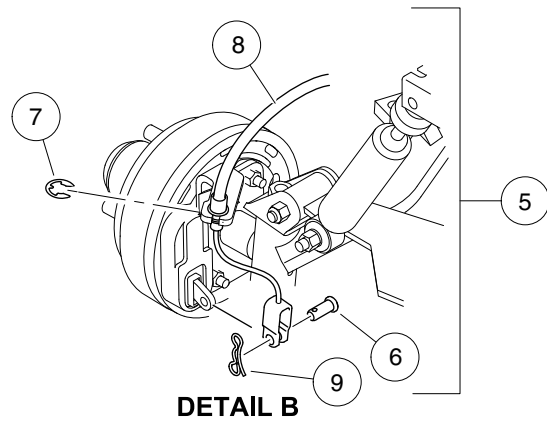
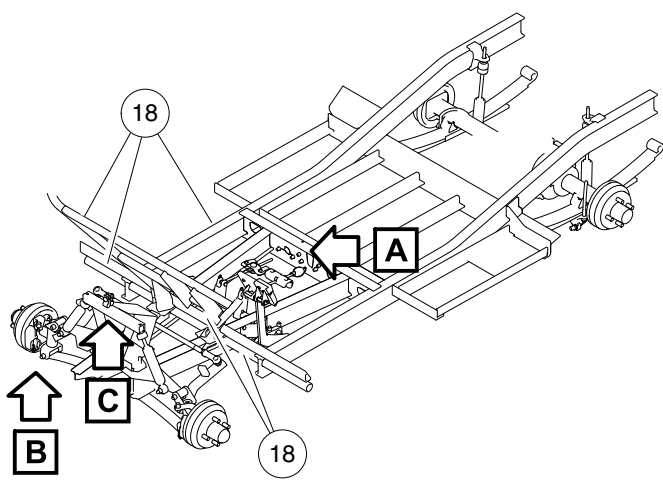


# FRONT BRAKE CABLES AND EQUALIZER – GASOLINE VEHICLE WITH 4-WHEEL BRAKES

| ITEM | PART NO.  | DESCRIPTION   | QTY |
|------|-----------|---|-----|
|      |           | 1 2 3 4   |     |
| 1    | 1017211   | Kit, Equalizer and Pivot Limiter (includes items 2 and 3) ..... | 1   |
| 2    | 1016319   | Equalizer Weld Assembly .....                                   | 1   |
| 3    | 1016320   | Equalizer, Pivot Limiter .....                                  | 1   |
| 4    | 101865301 | Spacer .....  | 2   |
| 5    | 101874601 | Kit, Brake Cable (includes items 6 through 9) .....             | 1   |
| 6    | 1010829   | Pin, Clevis, 5/16 X 3/4 .....                                   | 4   |
| 7    | 1011779   | E-Clip, 1/2 .....   | 4   |
| 8    | N/A       | Brake Cable .....   | 2   |
| 9    | 102292801 | Pin, Bow Tie Locking - .072 .....                               | 4   |
| 10   | 101935301 | Clamp, Brake Cable .....  | 2   |
| 11   | 101953106 | Rod, Equalizer, 9.75" .....                                     | 1   |
| 12   | 102323101 | Pin, Bow Tie Locking .....                                      | 1   |
| 13   | 102323201 | Pin, 3/8 X 1-5/16 Clevis .....                                  | 1   |
| 14   | 1242      | Nut, 5/16-18 Hex .....  | 1   |
| 15   | 320       | Screw, 3/8-16 X 1.00 Hex-Head Cap .....                         | 1   |
| 16   | 7473      | Locknut, 5/16-18 Nylon Insert .....                             | 1   |
| 17   | 8754      | Locknut, 3/8-16 Hex .....                                       | 1   |
| 18   | 8990      | Tie Wrap, 8" Nylon .....  | 5   |

**5**  
**G**  
**E**

**5**  
**G**  
**E**



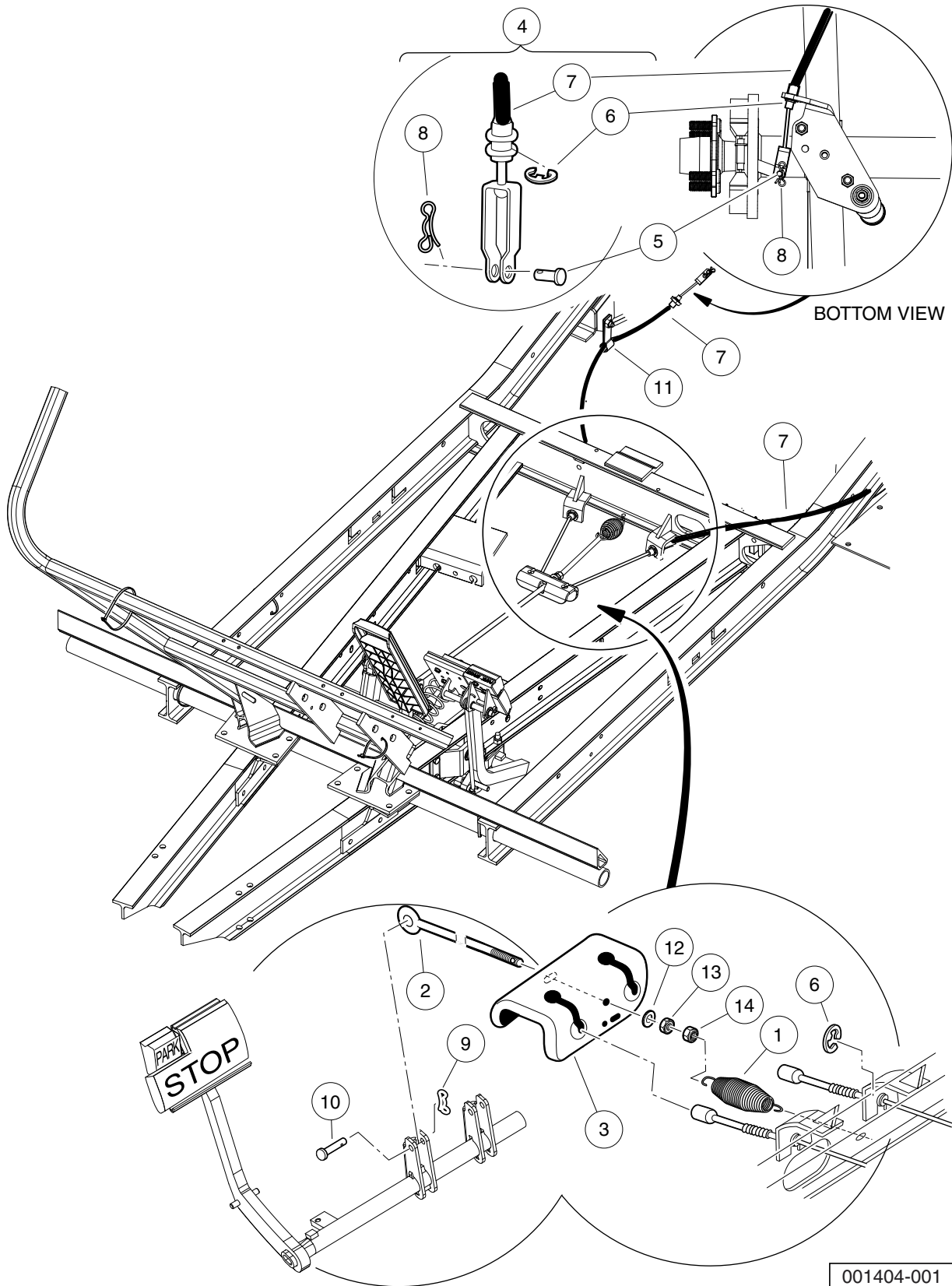
001423-001

# FRONT BRAKE CABLES AND EQUALIZER – ELECTRIC VEHICLE WITH 4-WHEEL BRAKES

| ITEM | PART NO.  | DESCRIPTION   | QTY |
|------|-----------|---|-----|
|      |           | <b>1 2 3 4</b>  |     |
| 1    | 1017211   | Kit, Equalizer and Pivot Limiter (includes items 2 and 3) ..... | 1   |
| 2    | 1016319   | Equalizer Weld Assembly .....                                   | 1   |
| 3    | 1016320   | Equalizer, Pivot Limiter .....                                  | 1   |
| 4    | 101865301 | Spacer .....  | 2   |
| 5    | 101874601 | Kit, Brake Cable (includes items 6 through 9) .....             | 1   |
| 6    | 1010829   | Pin, Clevis, 5/16 X 3/4 .....                                   | 4   |
| 7    | 1011779   | E-Clip, 1/2 .....   | 4   |
| 8    | N/A       | Brake Cable .....   | 2   |
| 9    | 102292801 | Pin, Bow Tie Locking - .072 .....                               | 4   |
| 10   | 101935301 | Clamp, Brake Cable .....  | 2   |
| 11   | 101953106 | Rod, Equalizer, 9.75" .....                                     | 1   |
| 12   | 102323101 | Pin, Bow Tie Locking .....                                      | 1   |
| 13   | 102323201 | Pin, 3/8 X 1-5/16 Clevis .....                                  | 1   |
| 14   | 1242      | Nut, 5/16-18 Hex .....  | 1   |
| 15   | 320       | Screw, 3/8-16 X 1.00 Hex-Head Cap .....                         | 1   |
| 16   | 7473      | Locknut, 5/16-18 Nylon Insert .....                             | 1   |
| 17   | 8754      | Locknut, 3/8-16 Hex .....                                       | 1   |
| 18   | 8990      | Tie Wrap, 8" Nylon .....  | 5   |

**5**  
**G**  
**E**

**5**  
**G**  
**E**



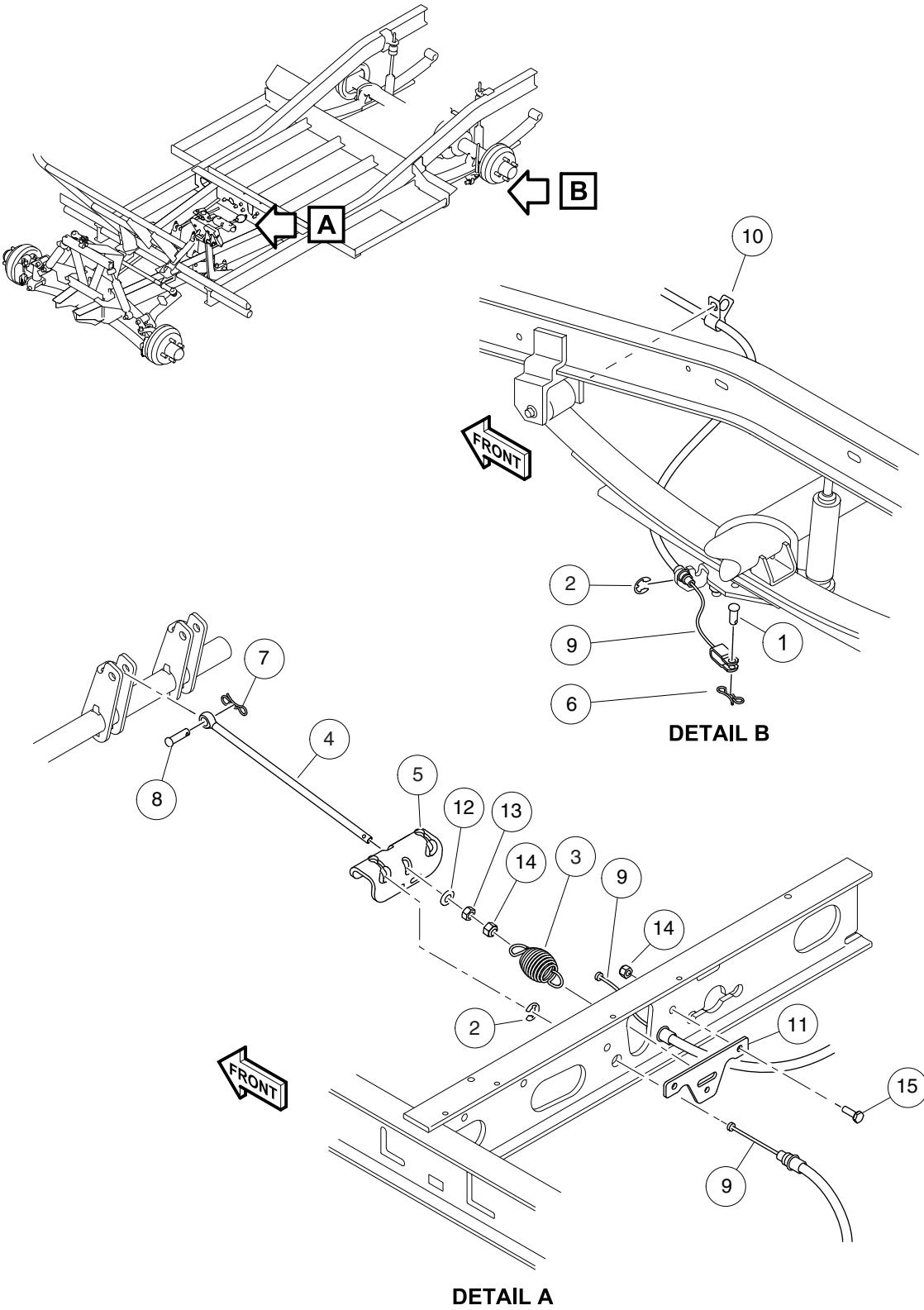


# REAR BRAKE CABLES AND EQUALIZER – GASOLINE VEHICLE WITH 4-WHEEL BRAKES

| ITEM | PART NO.  | DESCRIPTION  | QTY |
|------|-----------|--|-----|
|      |           | <b>1 2 3 4</b>   |     |
| 1    | 1013531   | Spring, Brake Return .....                               | 1   |
| 2    | 101953102 | Rod, Equalizer, 20.91 inch .....                         | 1   |
| 3    | 101990801 | Equalizer Bracket .....                                  | 1   |
| 4    | 102166901 | Kit, Brake Cable Rear (includes items 5 through 8) ..... | A/R |
| 5    | 1010829   | Pin, Clevis, 5/16 X 3/4 .....                            | 2   |
| 6    | 1011779   | E-Clip, 1/2 .....  | 4   |
| 7    | 102162601 | Cable, Brake .....                                       | 2   |
| 8    | 102292801 | Pin, Bow Tie Locking - .072 .....                        | 2   |
| 9    | 102323101 | Pin, Bow Tie Locking .....                               | 1   |
| 10   | 102323201 | Pin, 3/8 X 1-5/16 Clevis .....                           | 1   |
| 11   | 102891101 | Clamp, Cable, Brake, Sym .....                           | 2   |
| 12   | 1241      | Washer, 5/16 Type A Flat .....                           | 5   |
| 13   | 1242      | Nut, 5/16-18 Hex .....                                   | 1   |
| 14   | 7473      | Locknut, 5/16-18 Nylon Insert .....                      | 5   |

**5**  
**G**  
**E**

**5**  
**G**  
**E**



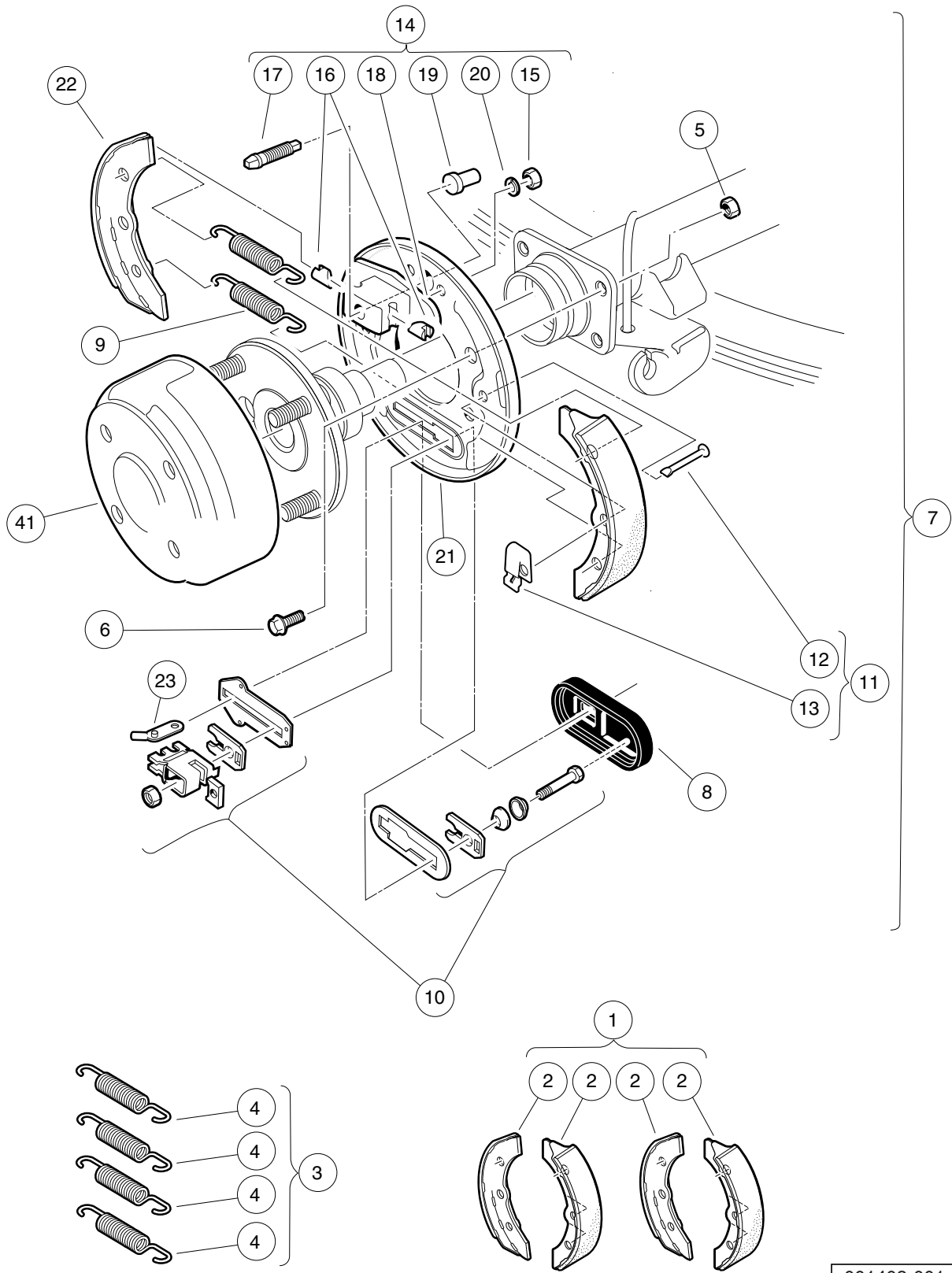
001424-001

# REAR BRAKE CABLES AND EQUALIZER – ELECTRIC VEHICLE WITH 4-WHEEL BRAKES

| ITEM | PART NO.  | DESCRIPTION                             | QTY |
|------|-----------|---|-----|
|      |           | 1 2 3 4                                 |     |
| 1    | 1010829   | Pin, Clevis, 5/16 X 3/4 .....           | 2   |
| 2    | 1011779   | E-Clip, 1/2 .....                       | 4   |
| 3    | 1013531   | Spring, Brake Return .....              | 1   |
| 4    | 101953106 | Rod, Equalizer, 9.75" .....             | 1   |
| 5    | 101990801 | Equalizer Bracket .....                 | 1   |
| 6    | 102292801 | Pin, Bow Tie Locking - .072 .....       | 2   |
| 7    | 102323101 | Pin, Bow Tie Locking .....              | 1   |
| 8    | 102323201 | Pin, 3/8 X 1-5/16 Clevis .....          | 1   |
| 9    | 102852103 | Cable, Brake, 51" Sym .....             | 2   |
| 10   | 102891101 | Clamp, Cable, Brake, Sym .....          | 2   |
| 11   | 105310301 | Plate, Spring Return .....              | 1   |
| 12   | 1241      | Washer, 5/16 Type A Flat .....          | 5   |
| 13   | 1242      | Nut, 5/16-18 Hex .....                  | 1   |
| 14   | 7473      | Locknut, 5/16-18 Nylon Insert .....     | 3   |
| 15   | 7847      | Screw, 1/4-20 X 0.75 Hex-Head Cap ..... | 2   |

**5**  
**G**  
**E**

**5**  
**G**  
**E**



001403-001

## REAR BRAKE ASSEMBLY, MANUALLY-ADJUSTED – VEHICLES WITH 4-WHEEL BRAKES

| ITEM | PART NO.  | DESCRIPTION   | QTY |
|------|-----------|---|-----|
|      |           | <b>1 2 3 4</b>  |     |
| 1    | 101146302 | Kit, Non-Asbestos Brake Shoe (includes item 2) .....  | 1   |
| 2    | 101880701 | Shoe Brake Manual Adj (Available in Kit, Non-Asbestos Brake Shoe) .....   | 4   |
| 3    | 1011464   | Package, Brake Spring (includes item 4) .....   | 1   |
| 4    | 1011314   | Brake Spring .....  | 4   |
| 5    | 1013924   | Nut, 5/16-24, Hex Head Cone .....   | 8   |
| 6    | 1014153   | Bolt, Brake Cluster Mounting .....  | 8   |
| 7    | 1016557   | Cluster, Brake, Driver-Side (includes items 8 through 23) .....   | 1   |
| 8    | 1010850   | Dust Cover .....  | 1   |
| 9    | 1011314   | Brake Spring .....  | 2   |
| 10   | 1011465   | Kit, Brake Actuator .....   | 1   |
| 11   | 1011466   | Kit, Shoe Retainer (includes items 12 and 13) .....   | 1   |
| 12   | N/A       | Pin .....   | 2   |
| 13   | N/A       | Shoe Clamp Spring .....   | 2   |
| 14   | 1011467   | Kit, Anchor Body (includes items 15 through 20) .....   | 1   |
| 15   | 1011114   | Nut, M6-1.00 Hex .....  | 2   |
| 16   | 1011298   | Anchor Piston .....   | 2   |
| 17   | N/A       | Adjustment Bolt .....   | 1   |
| 18   | N/A       | Anchor Body Component .....   | 1   |
| 19   | 1011303   | Adjustment Bolt Cap .....   | 1   |
| 20   | 451       | Lockwasher, 1/4 Split .....   | 2   |
| 21   | 1011494   | Backing Plate, Left-Hand .....  | 1   |
| 22   | 101880701 | Shoe Brake Manual Adj (Available in Kit, Non-Asbestos Brake Shoe) .....   | 2   |
| 23   | N/A       | Arm, Brake Lever .....  | 1   |
| 24   | 1016573   | Cluster, Brake, Passenger-Side (includes items 25 through 40) .....   | 1   |
| 25   | 1010850   | Dust Cover .....  | 1   |
| 26   | 1011154   | Backing Plate, Right-Hand .....   | 1   |
| 27   | 1011314   | Brake Spring .....  | 2   |
| 28   | 1011465   | Kit, Brake Actuator .....   | 1   |
| 29   | 1011466   | Kit, Shoe Retainer (includes items 30 and 31) .....   | 1   |
| 30   | N/A       | Pin .....   | 2   |
| 31   | N/A       | Shoe Clamp Spring .....   | 2   |
| 32   | 1011467   | Kit, Anchor Body (includes items 33 through 38) .....   | 1   |
| 33   | 1011114   | Nut, M6-1.00 Hex .....  | 2   |
| 34   | 1011298   | Anchor Piston .....   | 2   |
| 35   | N/A       | Adjustment Bolt .....   | 1   |
| 36   | N/A       | Anchor Body Component .....   | 1   |
| 37   | 1011303   | Adjustment Bolt Cap .....   | 1   |
| 38   | 451       | Lockwasher, 1/4 Split .....   | 2   |
| 39   | 101880701 | Shoe Brake Manual Adj (Available in Kit, Non-Asbestos Brake Shoe) .....   | 2   |
| 40   | N/A       | Arm, Brake Lever .....  | 1   |
| 41   | 101791101 | Drum without Center Hole, Brake .....   | 2   |
|      |           | Note: Passenger-side brake cluster (items 24-40) not shown. Components have a similar appearance to driver-side brake cluster components. |     |

**5**  
**G**  
**E**

**5**

**G**

**E**

# STEERING, FRONT AND REAR SUSPENSION

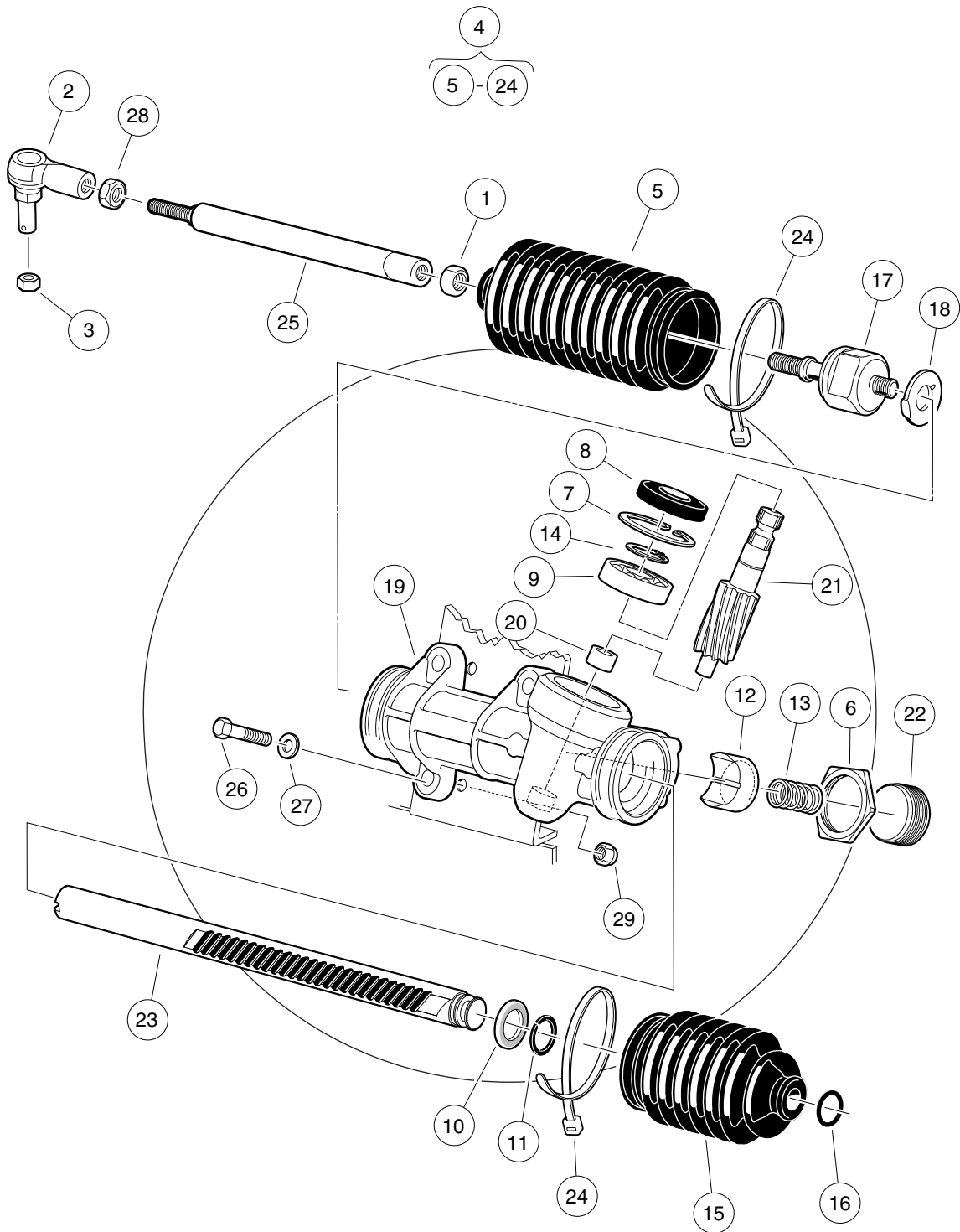
---

6

G

E

**6**  
**G**  
**E**



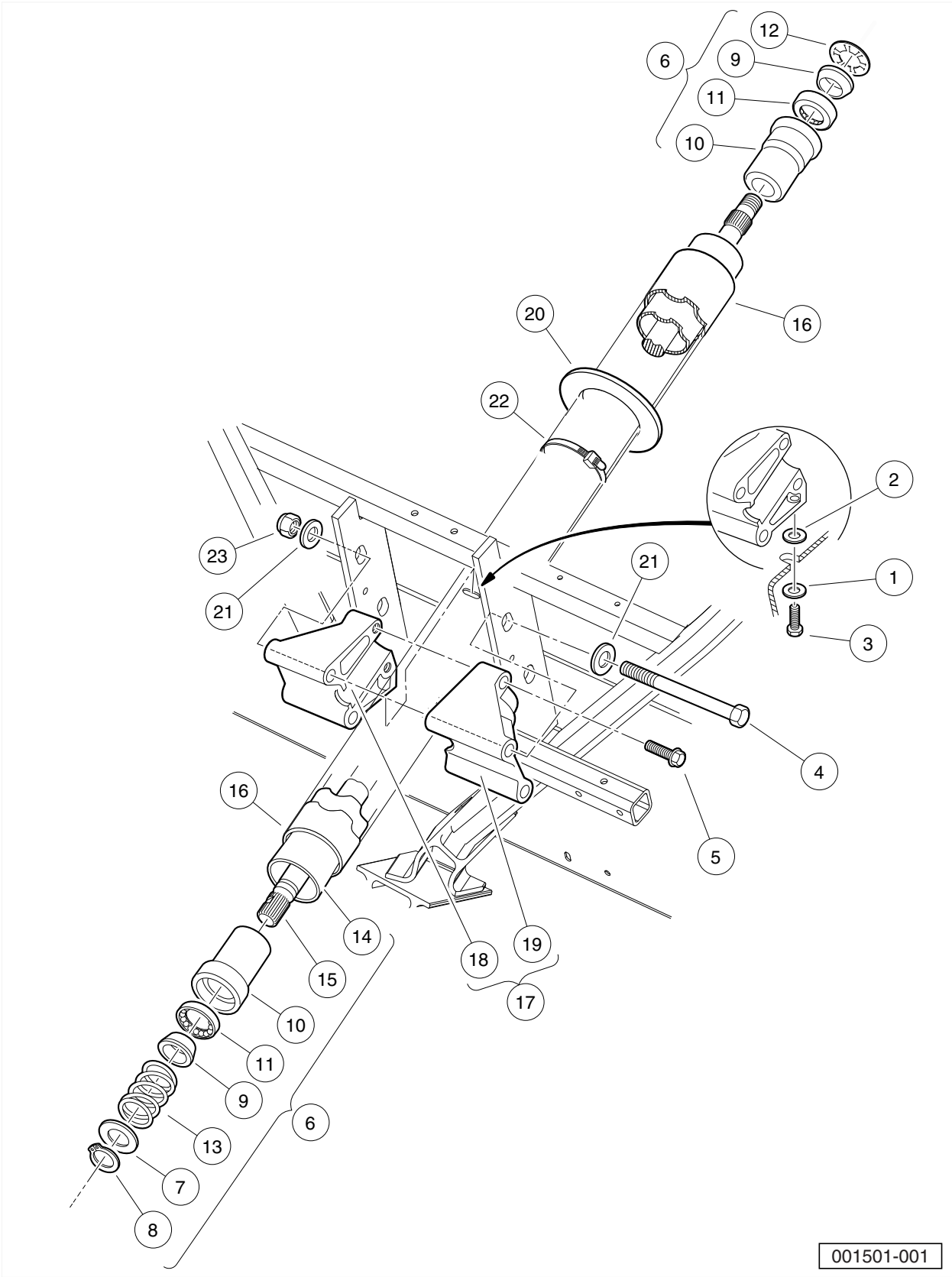
001500-001



# STEERING GEAR ASSEMBLY

| ITEM | PART NO.  | DESCRIPTION   | QTY |          |
|------|-----------|---|-----|----------|
|      |           | <b>1 2 3 4</b>  |     | <b>6</b> |
| 1    | 1013042   | Nut, 12mm Hex .....   | 1   | <b>G</b> |
| 2    | 102022602 | End, Tie Rod, M12 X 1.25, Lh .....                                | 1   | <b>E</b> |
| 3    | 102289201 | Nut - Hex Locking, M12 X 1.25 .....                               | 1   |          |
| 4    | 103601501 | Asm, Steering Rack And Pinion (includes items 5 through 24) ..... | 1   |          |
| 5    | 1013035   | Bellows, Long .....   | 1   |          |
| 6    | 1013044   | Rack Screw Locknut .....  | 1   |          |
| 7    | N/A       | Snap Ring .....   | 1   |          |
| 8    | 1013052   | Seal, Steering Pinion Dust .....                                  | 1   |          |
| 9    | 101879401 | Bearing, Ball .....   | 1   |          |
| 10   | 101879501 | Stop Washer .....   | 1   |          |
| 11   | 101879601 | Stop Ring, C-Type .....   | 1   |          |
| 12   | 101879701 | Support Yoke .....  | 1   |          |
| 13   | 101879801 | Rack Guide Pressure Spring .....                                  | 1   |          |
| 14   | 101879901 | Ring, Stop, C-Type .....  | 1   |          |
| 15   | 101880001 | Bellows, Short .....  | 1   |          |
| 16   | 101880101 | Dust Seal Retaining Ring .....                                    | 1   |          |
| 17   | 101880201 | Inner Ball Joint Asm .....  | 1   |          |
| 18   | 101880301 | Washer, Tab .....   | 1   |          |
| 19   | N/A       | Box, Steering Gear .....  | 1   |          |
| 20   | N/A       | Bearing, Lower Pinion .....                                       | 1   |          |
| 21   | N/A       | Pinion, Steering .....  | 1   |          |
| 22   | N/A       | Screw, Rack Guide .....   | 1   |          |
| 23   | N/A       | Rack, Steering .....  | 1   |          |
| 24   | 8990      | Tie Wrap, 8" Nylon .....  | 2   |          |
| 25   | 103653401 | Link, Drag, Male Thd .....  | 1   |          |
| 26   | 1624      | Screw, 3/8-16 X 1.50, Hex-Head Cap .....                          | 3   |          |
| 27   | 334       | Washer, 3/8, Type A, Flat .....                                   | 3   |          |
| 28   | 7555      | Nut, 1/2-20 Hex, Left-Hand Thread .....                           | 1   |          |
| 29   | 8754      | Locknut, 3/8-16 Hex .....   | 3   |          |

**6**  
**G**  
**E**



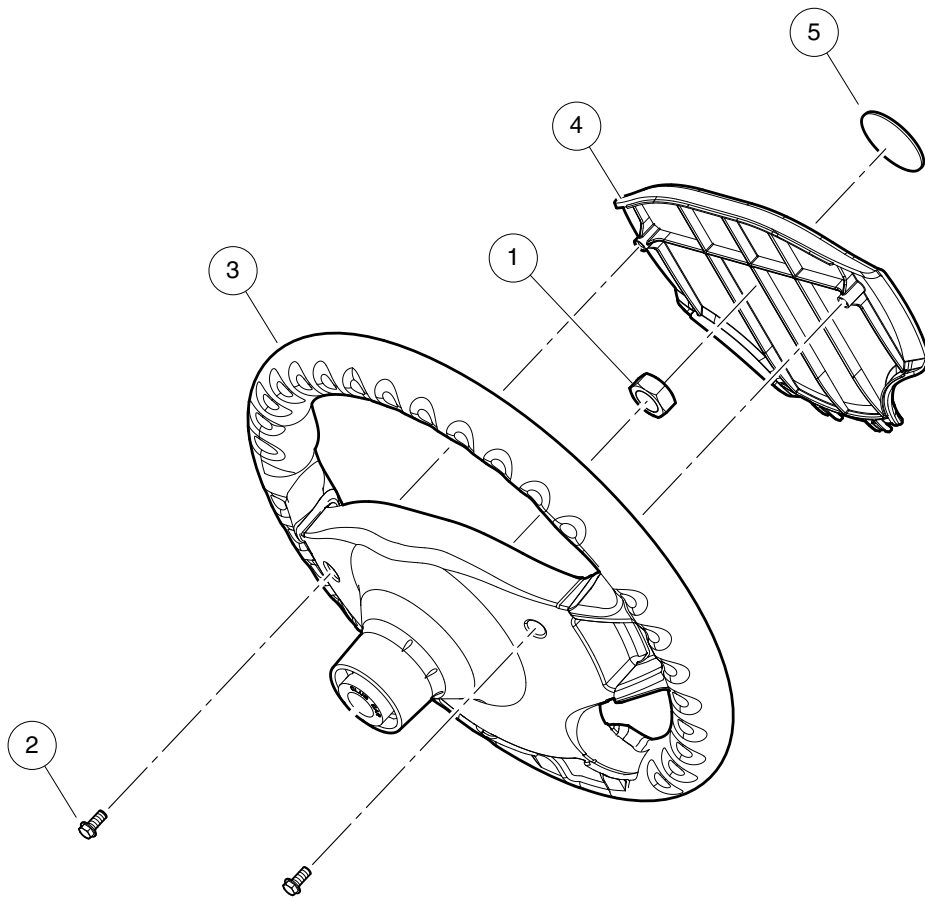
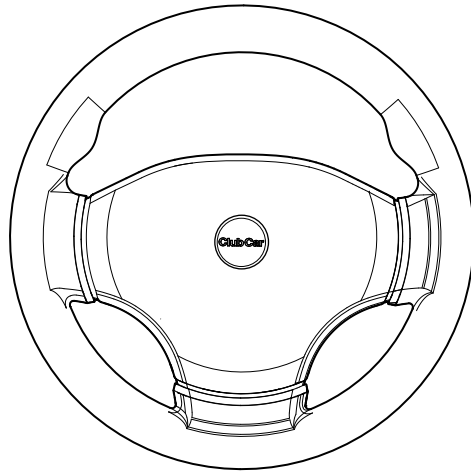
001501-001

# STEERING COLUMN

| ITEM | PART NO.  | DESCRIPTION  | QTY |
|------|-----------|--|-----|
|      |           | 1 2 3 4  |     |
| 1    | 1011697   | Washer, 5/16 Flat .....  | 1   |
| 2    | 1012571   | Washer, 5/16 Extra Thick Flat .....                                    | 1   |
| 3    | 1014288   | Screw, 5/16-18 X 0.75, Thread-Forming .....                            | 1   |
| 4    | 1016183   | Screw, 3/8-16 X 7.00 Hex Cap .....                                     | 2   |
| 5    | 1016269   | Screw, 5/16-18 Thrd Forming .....                                      | 2   |
| 6    | 1017313   | Steering Shaft Assembly (includes items 7 through 15) .....            | 1   |
| 7    | 1012604   | Washer, 0.675 ID X 1.19 OD .....                                       | 1   |
| 8    | 1012605   | Ring, 0.579 Internal Retaining .....                                   | 1   |
| 9    | 1014125   | Wedge, Molded .....  | 2   |
| 10   | 1014126   | Seat, Plastic Bearing .....  | 2   |
| 11   | 1014213   | Bearing, Ball .....  | 2   |
| 12   | 1014214   | Ring, Retaining .....  | 1   |
| 13   | 1014217   | Spring, Steering Shaft .....   | 1   |
| 14   | 1017314   | Column, Aluminum Steering .....  | 1   |
| 15   | 1017315   | Shaft Steering Column .....  | 1   |
| 16   | 1017317   | Tube Cover, Steering Column .....                                      | 1   |
| 17   | 101984801 | Kit, Steering Column Mounting Bracket (includes items 18 and 19) ..... | 1   |
| 18   | N/A       | Bracket, RH Steering Column Mount .....                                | 1   |
| 19   | N/A       | Bracket, LH Steering column mount .....                                | 1   |
| 20   | 102278001 | Boot, Steering Column Round .....                                      | 1   |
| 21   | 334       | Washer, 3/8, Type A, Flat .....  | 4   |
| 22   | 8639      | Tie Wrap, 11" Nylon .....  | 1   |
| 23   | 8754      | Locknut, 3/8-16 Hex .....  | 2   |

6  
G  
E

**6**  
**G**  
**E**



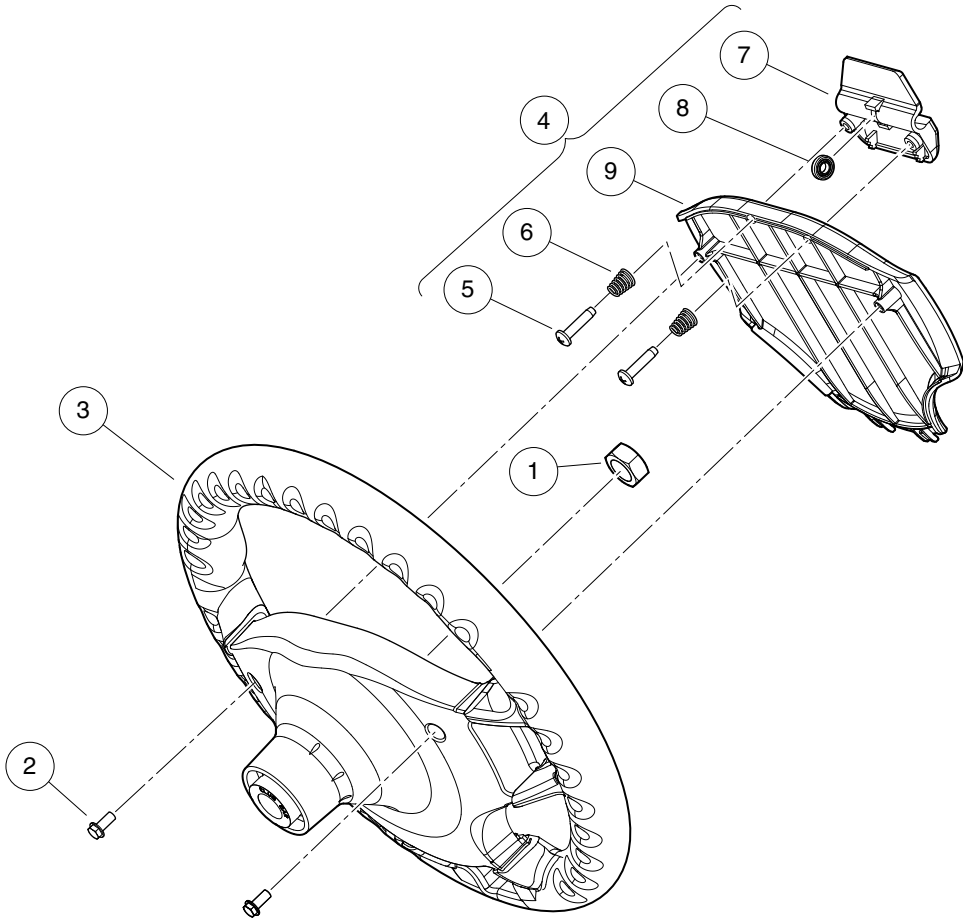
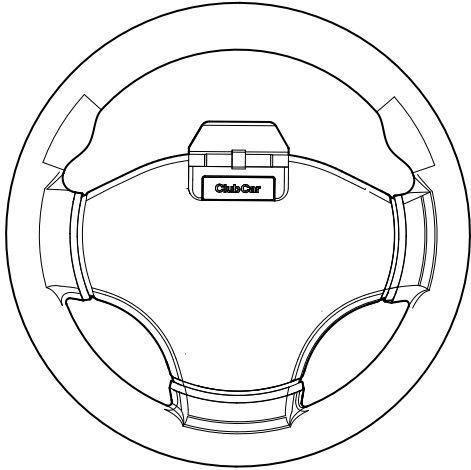
001503-001

# STEERING WHEEL

| ITEM | PART NO.  | DESCRIPTION                                  | QTY |
|------|-----------|--|-----|
|      |           | <b>1 2 3 4</b>                               |     |
| 1    | 1017273   | Nut, 5/8-18 Nylon Insert Jam .....           | 1   |
| 2    | 101850301 | Screw, #12-16 X 0.50 Washer-Head Hi-Lo ..... | 2   |
| 3    | 103724504 | Steering Wheel, Soft Spl .....               | 1   |
| 4    | 103724602 | Cover, Steering Wheel, Generic .....         | 1   |
| 5    | 103829401 | Logo, Cci, Steer Wheel .....                 | 1   |

**6**  
**G**  
**E**

**6**  
**G**  
**E**



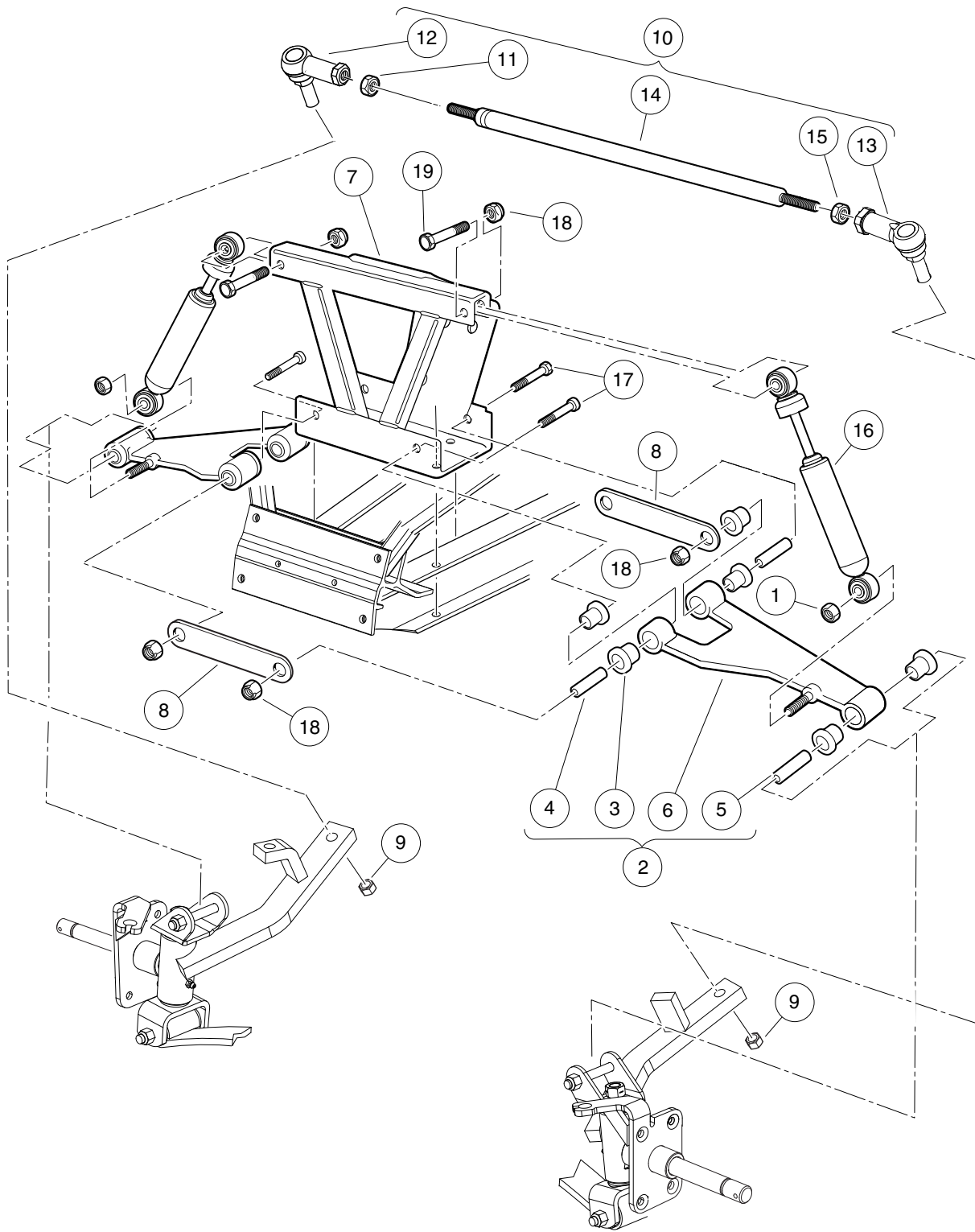
001504-001

# STEERING WHEEL WITH CLIP

| ITEM | PART NO.  | DESCRIPTION   | QTY |
|------|-----------|---|-----|
|      |           | <b>1 2 3 4</b>  |     |
| 1    | 1017273   | Nut, 5/8-18 Nylon Insert Jam .....                      | 1   |
| 2    | 101850301 | Screw, #12-16 X 0.50 Washer-Head Hi-Lo .....            | 2   |
| 3    | 103724504 | Steering Wheel, Soft Spl .....                          | 1   |
| 4    | 103724901 | Asm, Scorecard, Clip (includes items 5 through 9) ..... | 1   |
| 5    | 1012565   | Screw, #12 Phillips Round Head .....                    | 2   |
| 6    | 1012566   | Tapered Compression Spring .....                        | 2   |
| 7    | 1016154   | Clip, Scorecard .....                                   | 1   |
| 8    | 1016214   | Pencil Grip .....                                       | 1   |
| 9    | 103724601 | Cover, Steering Wheel, Clip .....                       | 1   |

**6**  
**G**  
**E**

**6**  
**G**  
**E**



001508-001

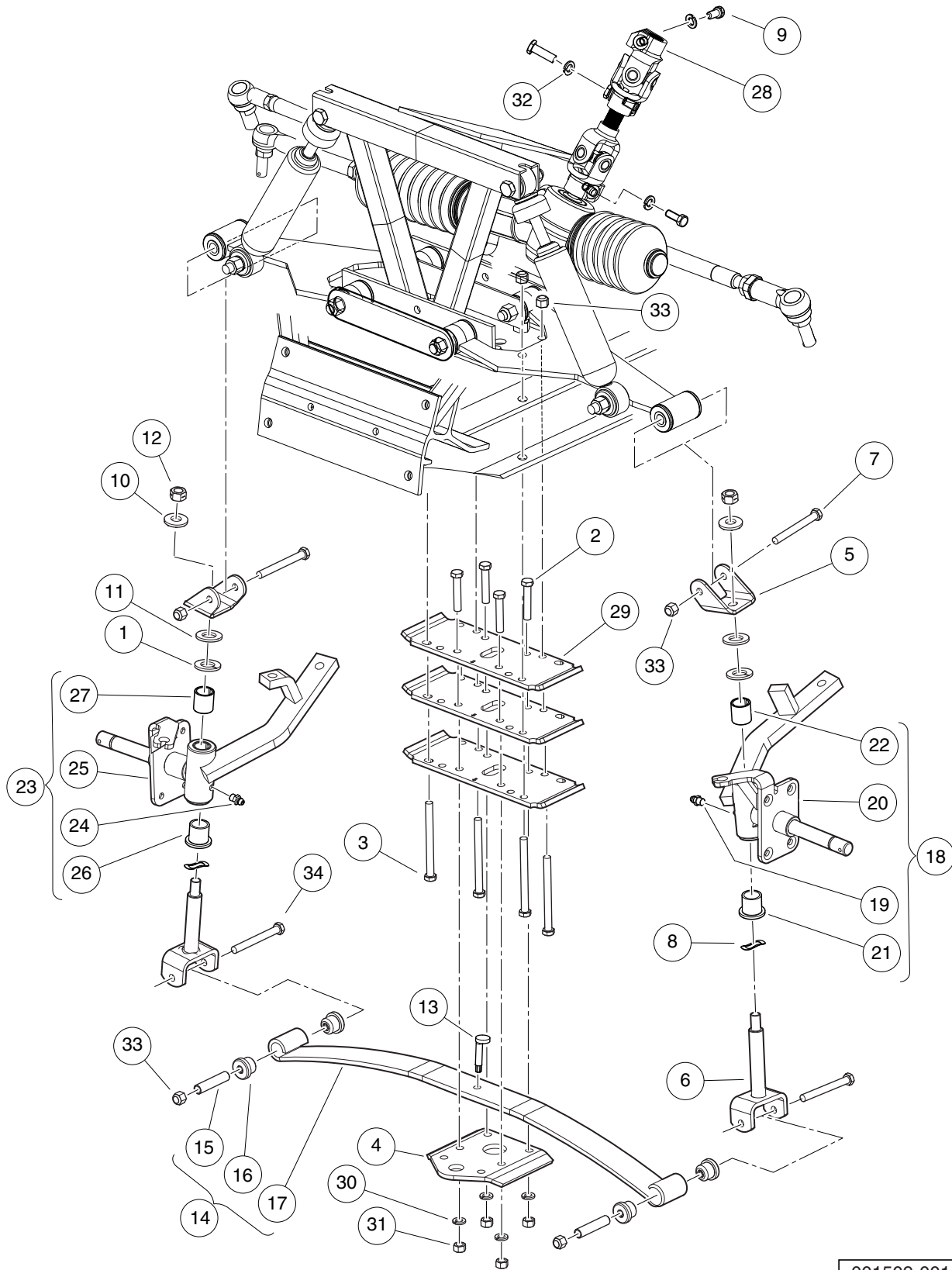


## FRONT SUSPENSION, UPPER, STD

| ITEM | PART NO.  | DESCRIPTION  | QTY |
|------|-----------|--|-----|
|      |           | <b>1 2 3 4</b>   |     |
| 1    | 1010138   | Locknut, 3/8-16 Dimpled .....                                  | 2   |
| 2    | 1016353   | Sub-Assembly, Delta A-Plate (includes items 3 through 6) ..... | 2   |
| 3    | 1016346   | Bushing, Urethane .....  | 6   |
| 4    | 1016349   | Sleeve, Delta Inner .....                                      | 2   |
| 5    | 1016350   | Sleeve, Delta Outer .....                                      | 1   |
| 6    | 1016351   | Delta A-Plate .....  | 1   |
| 7    | 101638502 | Weldment, Shock & Gear, Ca .....                               | 1   |
| 8    | 1017266   | A-Plate Strap .....  | 2   |
| 9    | 102289201 | Nut - Hex Locking, M12 X 1.25 .....                            | 2   |
| 10   | 103653601 | Asm, Tie Rod (includes items 11 through 15) .....              | 1   |
| 11   | 1013042   | Nut, 12mm Hex .....  | 1   |
| 12   | 102022601 | End, Tie Rod M12 X 1.25 Rh .....                               | 1   |
| 13   | 102022602 | End, Tie Rod, M12 X 1.25, Lh .....                             | 1   |
| 14   | 103354701 | Rod, Tie, Male Thd .....                                       | 1   |
| 15   | 103653501 | Nut, Jam, M12-1.25, Lh .....                                   | 1   |
| 16   | 105106601 | Shock Absorber, Front, 1 Bumper .....                          | 2   |
| 17   | 2402      | Screw, 3/8-16 X 2.25 Hx Hd Cap .....                           | 4   |
| 18   | 8754      | Locknut, 3/8-16 Hex .....                                      | 6   |
| 19   | 8861      | Bolt, 3/8-16 X 1.75 Hex .....                                  | 2   |

**6**  
**G**  
**E**

**6**  
**G**  
**E**



001509-001

## FRONT SUSPENSION, LOWER, STD, 1 LEAF-3 PLATES

| ITEM | PART NO.  | DESCRIPTION  | QTY |
|------|-----------|--|-----|
|      |           | <b>1 2 3 4</b>   |     |
| 1    | 1010150   | Bearing, Thrust .....  | 2   |
| 2    | 1010177   | Bolt, 3/8-16 X 2.00 Hex Head .....                             | 4   |
| 3    | 1010200   | Bolt, 3/8-16 X 4.25 Hex Head .....                             | 4   |
| 4    | 1014276   | Plate, Front Spring Retainer .....                             | 1   |
| 5    | 1016384   | Clevis, Delta Upper .....                                      | 2   |
| 6    | 1016386   | King Pin Assembly .....  | 2   |
| 7    | 1016387   | Screw, 3/8-16 X 2.75 Hx Hd Cap .....                           | 2   |
| 8    | 1016389   | Washer, 1.125 Od Wave .....                                    | 2   |
| 9    | 1017226   | Bolt, Hex-Head, 8mm X 1.25 - 30 .....                          | 3   |
| 10   | 102564002 | Washer-1/2 Conical, Yellow .....                               | 2   |
| 11   | 102684501 | Washer, M12 Hard Regular .....                                 | 2   |
| 12   | 102766301 | Nut, 1/2-20, Center Lock .....                                 | 2   |
| 13   | 103507001 | Eccentric Bolt Common .....                                    | 1   |
| 14   | 103628701 | Spring Asm, Front, 1 Leaf (includes items 15 through 17) ..... | 1   |
| 15   | 1012303   | Bushing, Steel .....   | 2   |
| 16   | 101558302 | Bushing, Urethane, Soft .....                                  | 4   |
| 17   | 103502601 | Spring, Front, 1 Leaf .....                                    | 1   |
| 18   | 103717302 | Asm, Spindle, Lh, 4wb, Sp (includes items 19 through 22) ..... | 1   |
| 19   | 1015597   | Fitting, 1/4-28 Thread-Forming Grease .....                    | 1   |
| 20   | N/A       | Subasm, Spindle, Lh, 4wb .....                                 | 1   |
| 21   | 7048      | Bushing, Flanged Bronze .....                                  | 1   |
| 22   | 8067      | Bushing, Bronze Spindle .....                                  | 1   |
| 23   | 103717402 | Asm, Spindle, Rh, 4wb, Sp (includes items 24 through 27) ..... | 1   |
| 24   | 1015597   | Fitting, 1/4-28 Thread-Forming Grease .....                    | 1   |
| 25   | N/A       | Subasm, Spindle, Rh, 4wb .....                                 | 1   |
| 26   | 7048      | Bushing, Flanged Bronze .....                                  | 1   |
| 27   | 8067      | Bushing, Bronze Spindle .....                                  | 1   |
| 28   | 105074201 | Shaft, Int, Steering, Sus Fwd .....                            | 1   |
| 29   | 105083301 | Plate, Spring Mount, Restyle .....                             | 3   |
| 30   | 357       | Lockwasher, 3/8 Split .....                                    | 4   |
| 31   | 706       | Nut, Hex 3/8-16 .....  | 5   |
| 32   | 7174      | Lockwasher, 5/16 Split .....                                   | 3   |
| 33   | 8754      | Locknut, 3/8-16 Hex .....                                      | 8   |
| 34   | 8755      | Screw, 3/8-16 X 3.375 Hex Cap .....                            | 2   |

**6**  
**G**  
**E**

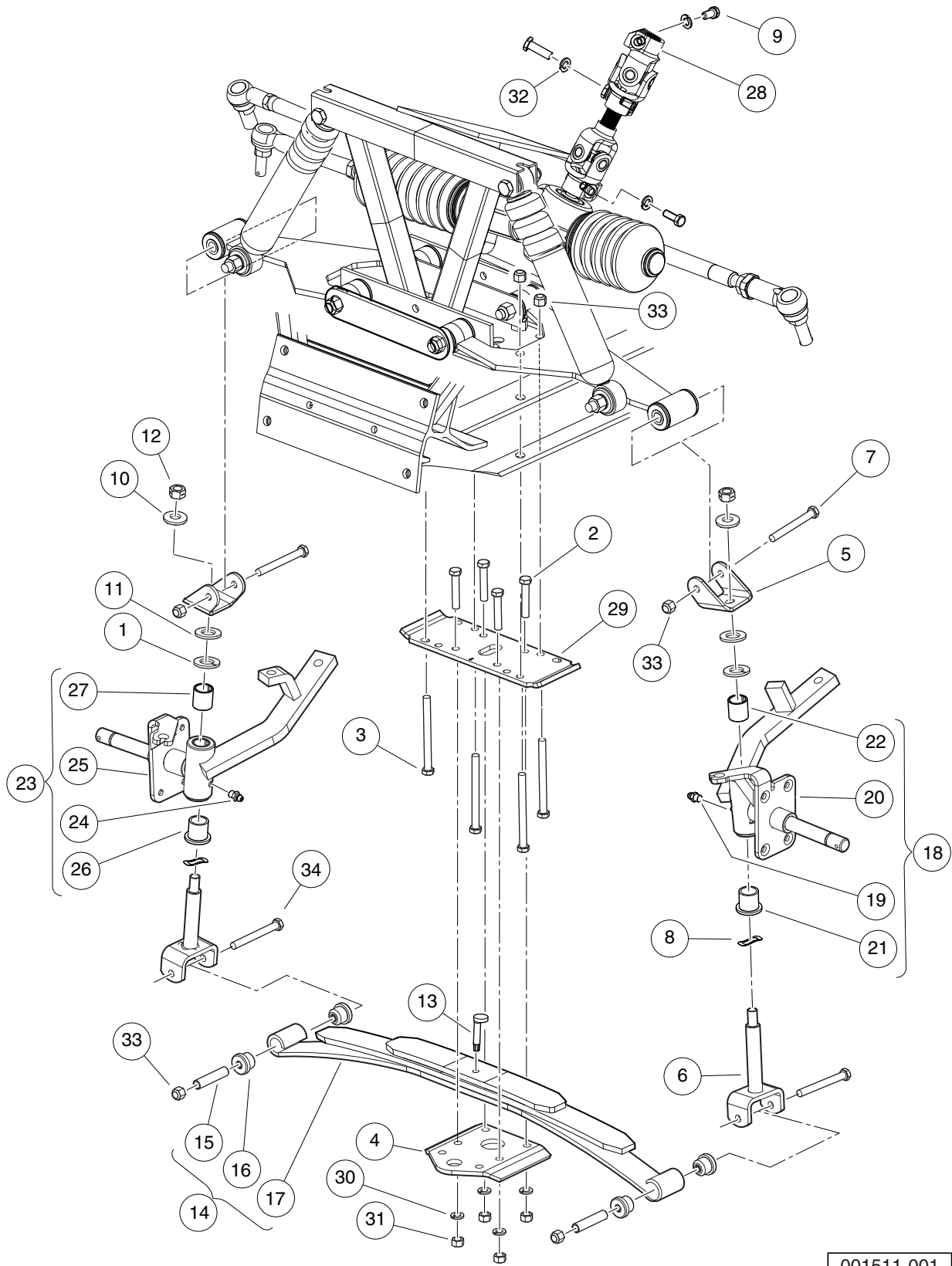


# FRONT SUSPENSION, UPPER, HD

| ITEM | PART NO.  | DESCRIPTION  | QTY |
|------|-----------|--|-----|
|      |           | <b>1 2 3 4</b>   |     |
| 1    | 1010138   | Locknut, 3/8-16 Dimpled .....                                  | 2   |
| 2    | 1016353   | Sub-Assembly, Delta A-Plate (includes items 3 through 6) ..... | 2   |
| 3    | 1016346   | Bushing, Urethane .....  | 6   |
| 4    | 1016349   | Sleeve, Delta Inner .....                                      | 2   |
| 5    | 1016350   | Sleeve, Delta Outer .....                                      | 1   |
| 6    | 1016351   | Delta A-Plate .....  | 1   |
| 7    | 101638502 | Weldment, Shock & Gear, Ca .....                               | 1   |
| 8    | 1017266   | A-Plate Strap .....  | 2   |
| 9    | 102289201 | Nut - Hex Locking, M12 X 1.25 .....                            | 2   |
| 10   | 103653601 | Asm, Tie Rod (includes items 11 through 15) .....              | 1   |
| 11   | 1013042   | Nut, 12mm Hex .....  | 1   |
| 12   | 102022601 | End, Tie Rod M12 X 1.25 Rh .....                               | 1   |
| 13   | 102022602 | End, Tie Rod, M12 X 1.25, Lh .....                             | 1   |
| 14   | 103354701 | Rod, Tie, Male Thd .....                                       | 1   |
| 15   | 103653501 | Nut, Jam, M12-1.25, Lh .....                                   | 1   |
| 16   | 105106702 | Shock Absorb, Frnt, 3 Bump Ele .....                           | 2   |
| 17   | 2402      | Screw, 3/8-16 X 2.25 Hx Hd Cap .....                           | 4   |
| 18   | 8754      | Locknut, 3/8-16 Hex .....                                      | 6   |
| 19   | 8861      | Bolt, 3/8-16 X 1.75 Hex .....                                  | 2   |

**6**  
**G**  
**E**

**6**  
**G**  
**E**



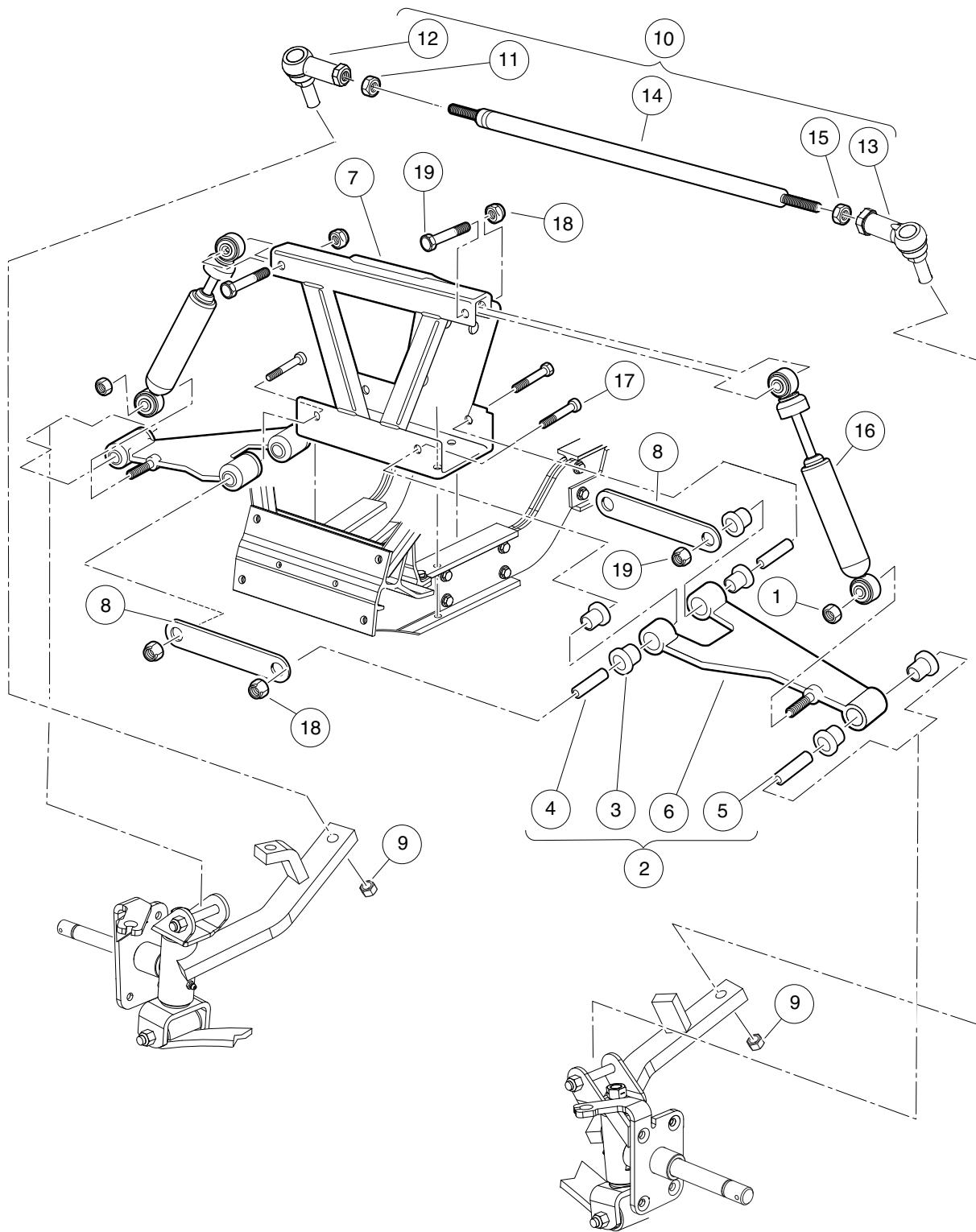
001511-001

## FRONT SUSPENSION, LOWER, HD, 3 LEAF-1 PLATE

| ITEM | PART NO.  | DESCRIPTION  | QTY |
|------|-----------|--|-----|
|      |           | <b>1 2 3 4</b>   |     |
| 1    | 1010150   | Bearing, Thrust .....  | 2   |
| 2    | 1010177   | Bolt, 3/8-16 X 2.00 Hex Head .....                             | 4   |
| 3    | 1010200   | Bolt, 3/8-16 X 4.25 Hex Head .....                             | 4   |
| 4    | 1014276   | Plate, Front Spring Retainer .....                             | 1   |
| 5    | 1016384   | Clevis, Delta Upper .....                                      | 2   |
| 6    | 1016386   | King Pin Assembly .....  | 2   |
| 7    | 1016387   | Screw, 3/8-16 X 2.75 Hx Hd Cap .....                           | 2   |
| 8    | 1016389   | Washer, 1.125 Od Wave .....                                    | 2   |
| 9    | 1017226   | Bolt, Hex-Head, 8mm X 1.25 - 30 .....                          | 3   |
| 10   | 102564002 | Washer-1/2 Conical, Yellow .....                               | 2   |
| 11   | 102684501 | Washer, M12 Hard Regular .....                                 | 2   |
| 12   | 102766301 | Nut, 1/2-20, Center Lock .....                                 | 2   |
| 13   | 103507001 | Eccentric Bolt Common .....                                    | 1   |
| 14   | 103628901 | Spring Asm, Front, 3 Leaf (includes items 15 through 17) ..... | 1   |
| 15   | 1012303   | Bushing, Steel .....   | 2   |
| 16   | 1015583   | Bushing, Urethane .....  | 4   |
| 17   | 103502801 | Spring, Front, 3 Leaf .....                                    | 1   |
| 18   | 103717302 | Asm, Spindle, Lh, 4wb, Sp (includes items 19 through 22) ..... | 1   |
| 19   | 1015597   | Fitting, 1/4-28 Thread-Forming Grease .....                    | 1   |
| 20   | N/A       | Subasm, Spindle, Lh, 4wb .....                                 | 1   |
| 21   | 7048      | Bushing, Flanged Bronze .....                                  | 1   |
| 22   | 8067      | Bushing, Bronze Spindle .....                                  | 1   |
| 23   | 103717402 | Asm, Spindle, Rh, 4wb, Sp (includes items 24 through 27) ..... | 1   |
| 24   | 1015597   | Fitting, 1/4-28 Thread-Forming Grease .....                    | 1   |
| 25   | N/A       | Subasm, Spindle, Rh, 4wb .....                                 | 1   |
| 26   | 7048      | Bushing, Flanged Bronze .....                                  | 1   |
| 27   | 8067      | Bushing, Bronze Spindle .....                                  | 1   |
| 28   | 105074201 | Shaft, Int, Steering, Sus Fwd .....                            | 1   |
| 29   | 105083301 | Plate, Spring Mount, Restyle .....                             | 1   |
| 30   | 357       | Lockwasher, 3/8 Split .....                                    | 4   |
| 31   | 706       | Nut, Hex 3/8-16 .....  | 5   |
| 32   | 7174      | Lockwasher, 5/16 Split .....                                   | 3   |
| 33   | 8754      | Locknut, 3/8-16 Hex .....                                      | 8   |
| 34   | 8755      | Screw, 3/8-16 X 3.375 Hex Cap .....                            | 2   |

**6**  
**G**  
**E**

**6**  
**G**  
**E**



001512-001

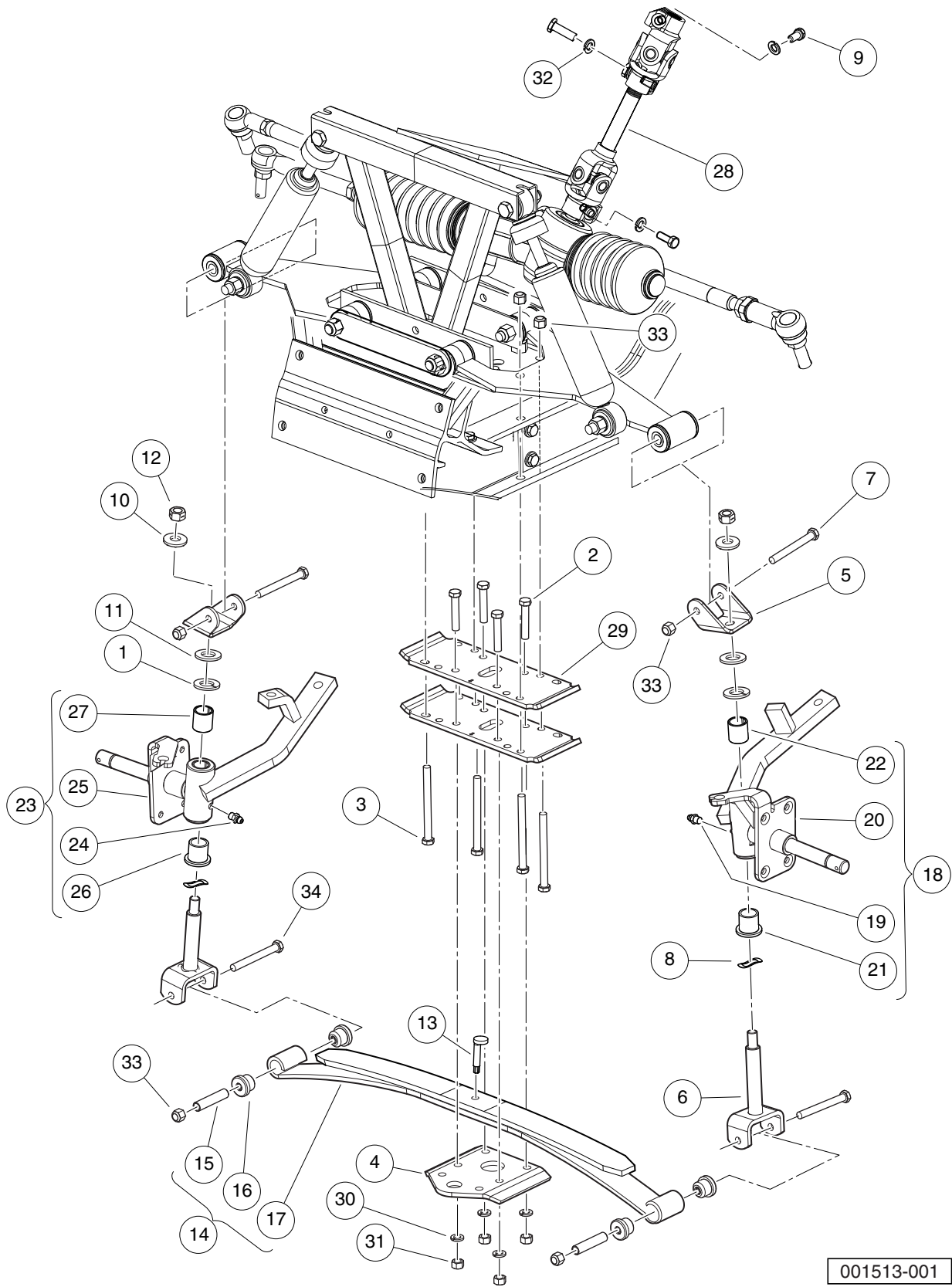


## FRONT SUSPENSION, UPPER, STD

| ITEM | PART NO.  | DESCRIPTION  | QTY |
|------|-----------|--|-----|
|      |           | <b>1 2 3 4</b>   |     |
| 1    | 1010138   | Locknut, 3/8-16 Dimpled .....                                  | 2   |
| 2    | 1016353   | Sub-Assembly, Delta A-Plate (includes items 3 through 6) ..... | 2   |
| 3    | 1016346   | Bushing, Urethane .....  | 6   |
| 4    | 1016349   | Sleeve, Delta Inner .....                                      | 2   |
| 5    | 1016350   | Sleeve, Delta Outer .....                                      | 1   |
| 6    | 1016351   | Delta A-Plate .....  | 1   |
| 7    | 101638502 | Weldment, Shock & Gear, Ca .....                               | 1   |
| 8    | 1017266   | A-Plate Strap .....  | 2   |
| 9    | 102289201 | Nut - Hex Locking, M12 X 1.25 .....                            | 2   |
| 10   | 103653601 | Asm, Tie Rod (includes items 11 through 15) .....              | 1   |
| 11   | 1013042   | Nut, 12mm Hex .....  | 1   |
| 12   | 102022601 | End, Tie Rod M12 X 1.25 Rh .....                               | 1   |
| 13   | 102022602 | End, Tie Rod, M12 X 1.25, Lh .....                             | 1   |
| 14   | 103354701 | Rod, Tie, Male Thd .....                                       | 1   |
| 15   | 103653501 | Nut, Jam, M12-1.25, Lh .....                                   | 1   |
| 16   | 105106601 | Shock Absorber, Front, 1 Bumper .....                          | 2   |
| 17   | 2402      | Screw, 3/8-16 X 2.25 Hx Hd Cap .....                           | 4   |
| 18   | 8754      | Locknut, 3/8-16 Hex .....                                      | 6   |
| 19   | 8861      | Bolt, 3/8-16 X 1.75 Hex .....                                  | 2   |

**6**  
**G**  
**E**

**6**  
**G**  
**E**



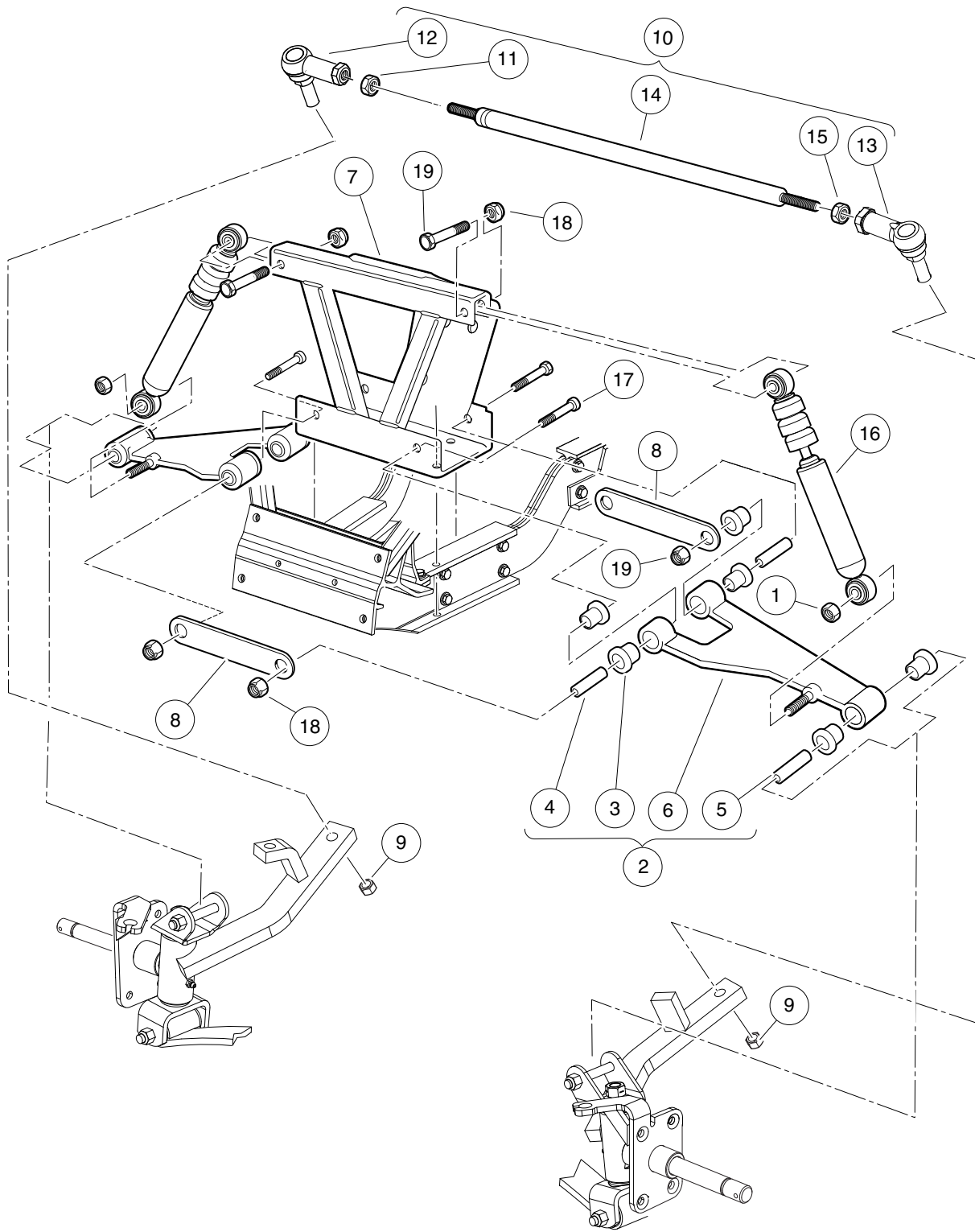
001513-001

# FRONT SUSPENSION, LOWER, HD, 2 LEAF-2 PLATES

| ITEM | PART NO.  | DESCRIPTION  | QTY |
|------|-----------|--|-----|
|      |           | <b>1 2 3 4</b>   |     |
| 1    | 1010150   | Bearing, Thrust .....  | 2   |
| 2    | 1010177   | Bolt, 3/8-16 X 2.00 Hex Head .....                             | 4   |
| 3    | 1010200   | Bolt, 3/8-16 X 4.25 Hex Head .....                             | 4   |
| 4    | 1014276   | Plate, Front Spring Retainer .....                             | 1   |
| 5    | 1016384   | Clevis, Delta Upper .....                                      | 2   |
| 6    | 1016386   | King Pin Assembly .....  | 2   |
| 7    | 1016387   | Screw, 3/8-16 X 2.75 Hx Hd Cap .....                           | 2   |
| 8    | 1016389   | Washer, 1.125 Od Wave .....                                    | 2   |
| 9    | 1017226   | Bolt, Hex-Head, 8mm X 1.25 - 30 .....                          | 3   |
| 10   | 102564002 | Washer-1/2 Conical, Yellow .....                               | 2   |
| 11   | 102684501 | Washer, M12 Hard Regular .....                                 | 2   |
| 12   | 102766301 | Nut, 1/2-20, Center Lock .....                                 | 2   |
| 13   | 103507001 | Eccentric Bolt Common .....                                    | 1   |
| 14   | 103628801 | Spring Asm, Front, 2 Leaf (includes items 15 through 17) ..... | 1   |
| 15   | 1012303   | Bushing, Steel .....   | 2   |
| 16   | 1015583   | Bushing, Urethane .....  | 4   |
| 17   | 103502701 | Spring, Front, 2 Leaf .....                                    | 1   |
| 18   | 103717302 | Asm, Spindle, Lh, 4wb, Sp (includes items 19 through 22) ..... | 1   |
| 19   | 1015597   | Fitting, 1/4-28 Thread-Forming Grease .....                    | 1   |
| 20   | N/A       | Subasm, Spindle, Lh, 4wb .....                                 | 1   |
| 21   | 7048      | Bushing, Flanged Bronze .....                                  | 1   |
| 22   | 8067      | Bushing, Bronze Spindle .....                                  | 1   |
| 23   | 103717402 | Asm, Spindle, Rh, 4wb, Sp (includes items 24 through 27) ..... | 1   |
| 24   | 1015597   | Fitting, 1/4-28 Thread-Forming Grease .....                    | 1   |
| 25   | N/A       | Subasm, Spindle, Rh, 4wb .....                                 | 1   |
| 26   | 7048      | Bushing, Flanged Bronze .....                                  | 1   |
| 27   | 8067      | Bushing, Bronze Spindle .....                                  | 1   |
| 28   | 103867901 | Joint, Steering, Lifted (includes items 29 and 30) .....       | 1   |
| 29   | 1017226   | Bolt, Hex-Head, 8mm X 1.25 - 30 .....                          | 3   |
| 30   | 7174      | Lockwasher, 5/16 Split .....                                   | 3   |
| 31   | 105083301 | Plate, Spring Mount, Restyle .....                             | 2   |
| 32   | 357       | Lockwasher, 3/8 Split .....                                    | 4   |
| 33   | 706       | Nut, Hex 3/8-16 .....  | 5   |
| 34   | 7174      | Lockwasher, 5/16 Split .....                                   | 3   |
| 35   | 8754      | Locknut, 3/8-16 Hex .....                                      | 8   |
| 36   | 8755      | Screw, 3/8-16 X 3.375 Hex Cap .....                            | 2   |

**6**  
**G**  
**E**

**6**  
**G**  
**E**



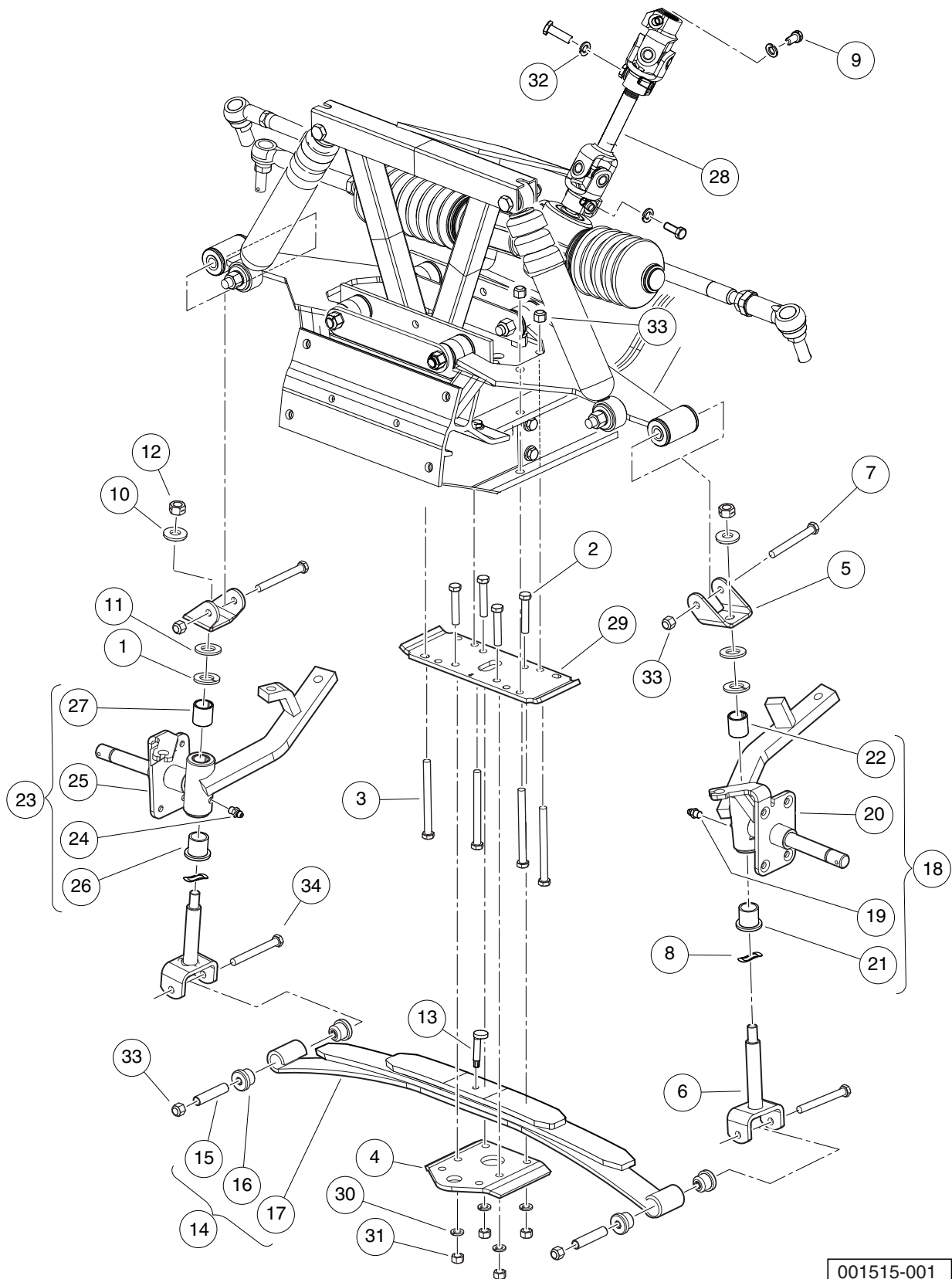
001200-012

## FRONT SUSPENSION, UPPER, HD

| ITEM | PART NO.  | DESCRIPTION  | QTY |
|------|-----------|--|-----|
|      |           | <b>1 2 3 4</b>   |     |
| 1    | 1010138   | Locknut, 3/8-16 Dimpled .....                                  | 2   |
| 2    | 1016353   | Sub-Assembly, Delta A-Plate (includes items 3 through 6) ..... | 2   |
| 3    | 1016346   | Bushing, Urethane .....  | 6   |
| 4    | 1016349   | Sleeve, Delta Inner .....                                      | 2   |
| 5    | 1016350   | Sleeve, Delta Outer .....                                      | 1   |
| 6    | 1016351   | Delta A-Plate .....  | 1   |
| 7    | 101638502 | Weldment, Shock & Gear, Ca .....                               | 1   |
| 8    | 1017266   | A-Plate Strap .....  | 2   |
| 9    | 102289201 | Nut - Hex Locking, M12 X 1.25 .....                            | 2   |
| 10   | 103653601 | Asm, Tie Rod (includes items 11 through 15) .....              | 1   |
| 11   | 1013042   | Nut, 12mm Hex .....  | 1   |
| 12   | 102022601 | End, Tie Rod M12 X 1.25 Rh .....                               | 1   |
| 13   | 102022602 | End, Tie Rod, M12 X 1.25, Lh .....                             | 1   |
| 14   | 103354701 | Rod, Tie, Male Thd .....                                       | 1   |
| 15   | 103653501 | Nut, Jam, M12-1.25, Lh .....                                   | 1   |
| 16   | 105106702 | Shock Absorb, Frnt, 3 Bump Ele .....                           | 2   |
| 17   | 2402      | Screw, 3/8-16 X 2.25 Hx Hd Cap .....                           | 4   |
| 18   | 8754      | Locknut, 3/8-16 Hex .....                                      | 6   |
| 19   | 8861      | Bolt, 3/8-16 X 1.75 Hex .....                                  | 2   |

**6**  
**G**  
**E**

**6**  
**G**  
**E**

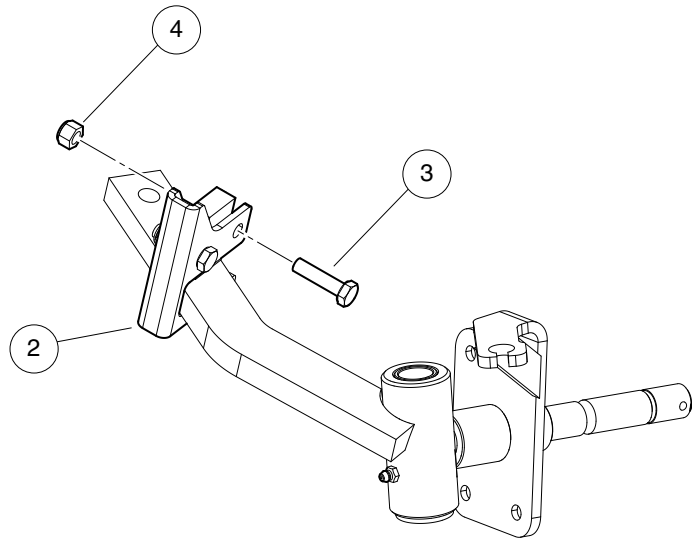


001515-001

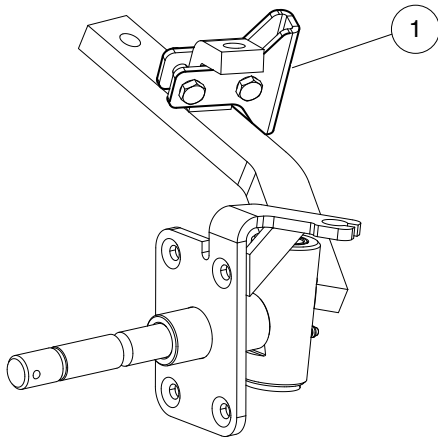
## FRONT SUSPENSION, LOWER, HD, 3 LEAF-1 PLATE

| ITEM | PART NO.  | DESCRIPTION  | QTY |
|------|-----------|--|-----|
|      |           | <b>1 2 3 4</b>   |     |
| 1    | 1010150   | Bearing, Thrust .....  | 2   |
| 2    | 1010177   | Bolt, 3/8-16 X 2.00 Hex Head .....                             | 4   |
| 3    | 1010200   | Bolt, 3/8-16 X 4.25 Hex Head .....                             | 4   |
| 4    | 1014276   | Plate, Front Spring Retainer .....                             | 1   |
| 5    | 1016384   | Clevis, Delta Upper .....                                      | 2   |
| 6    | 1016386   | King Pin Assembly .....  | 2   |
| 7    | 1016387   | Screw, 3/8-16 X 2.75 Hx Hd Cap .....                           | 2   |
| 8    | 1016389   | Washer, 1.125 Od Wave .....                                    | 2   |
| 9    | 1017226   | Bolt, Hex-Head, 8mm X 1.25 - 30 .....                          | 3   |
| 10   | 102564002 | Washer-1/2 Conical, Yellow .....                               | 2   |
| 11   | 102684501 | Washer, M12 Hard Regular .....                                 | 2   |
| 12   | 102766301 | Nut, 1/2-20, Center Lock .....                                 | 2   |
| 13   | 103507001 | Eccentric Bolt Common .....                                    | 1   |
| 14   | 103628901 | Spring Asm, Front, 3 Leaf (includes items 15 through 17) ..... | 1   |
| 15   | 1012303   | Bushing, Steel .....   | 2   |
| 16   | 1015583   | Bushing, Urethane .....  | 4   |
| 17   | 103502801 | Spring, Front, 3 Leaf .....                                    | 1   |
| 18   | 103717302 | Asm, Spindle, Lh, 4wb, Sp (includes items 19 through 22) ..... | 1   |
| 19   | 1015597   | Fitting, 1/4-28 Thread-Forming Grease .....                    | 1   |
| 20   | N/A       | Subasm, Spindle, Lh, 4wb .....                                 | 1   |
| 21   | 7048      | Bushing, Flanged Bronze .....                                  | 1   |
| 22   | 8067      | Bushing, Bronze Spindle .....                                  | 1   |
| 23   | 103717402 | Asm, Spindle, Rh, 4wb, Sp (includes items 24 through 27) ..... | 1   |
| 24   | 1015597   | Fitting, 1/4-28 Thread-Forming Grease .....                    | 1   |
| 25   | N/A       | Subasm, Spindle, Rh, 4wb .....                                 | 1   |
| 26   | 7048      | Bushing, Flanged Bronze .....                                  | 1   |
| 27   | 8067      | Bushing, Bronze Spindle .....                                  | 1   |
| 28   | 105074201 | Shaft, Int, Steering, Sus Fwd .....                            | 1   |
| 29   | 105083301 | Plate, Spring Mount, Restyle .....                             | 1   |
| 30   | 357       | Lockwasher, 3/8 Split .....                                    | 4   |
| 31   | 706       | Nut, Hex 3/8-16 .....  | 5   |
| 32   | 7174      | Lockwasher, 5/16 Split .....                                   | 3   |
| 33   | 8754      | Locknut, 3/8-16 Hex .....                                      | 8   |
| 34   | 8755      | Screw, 3/8-16 X 3.375 Hex Cap .....                            | 2   |

**6**  
**G**  
**E**



**DRIVER SIDE  
SPINDLE**



**PASSENGER SIDE  
SPINDLE**



001529-001



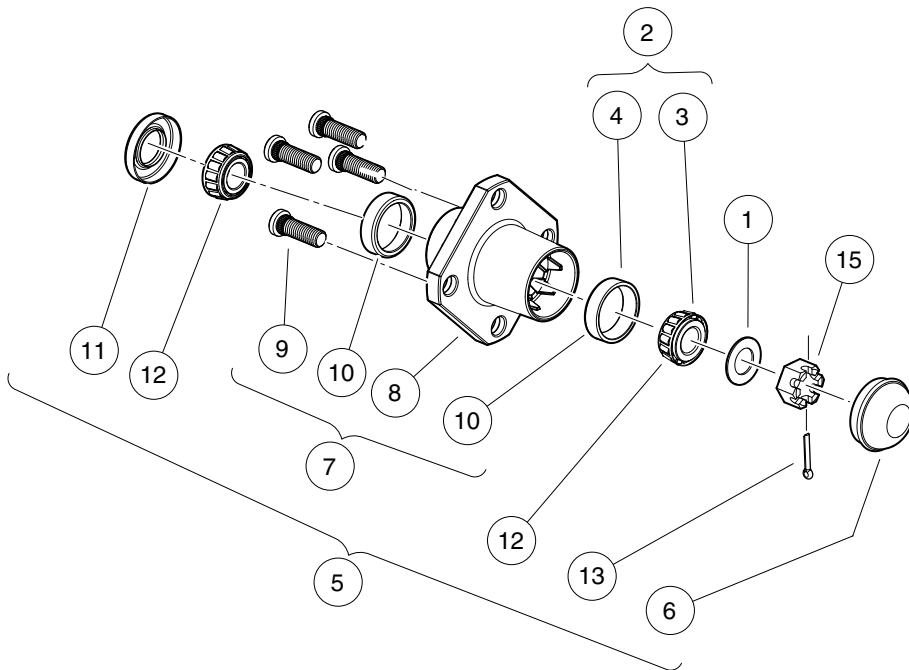
# STEERING STOP

| ITEM   | PART NO.  | DESCRIPTION                              | QTY |
|--|-----------|--|-----|
|  |           | 1 2 3 4                                  |     |
| 1  | 105242801 | Brkt, Steering Stop, Pass, Ca .....      | 1   |
| 2  | 105243001 | Brkt, Steering Stop, Drv, Ca .....       | 1   |
| 3  | 1218      | Screw, 5/16-18 X 1.25 Hex-Head Cap ..... | 4   |
| 4  | 7473      | Locknut, 5/16-18 Nylon Insert .....      | 4   |
| <p>Note: Steering Stops 105242801 and 105243001 are required if vehicle is equipped with the 105100601, HD Bumper Kit.</p> |           |  |     |

**6**

**G**

**E**



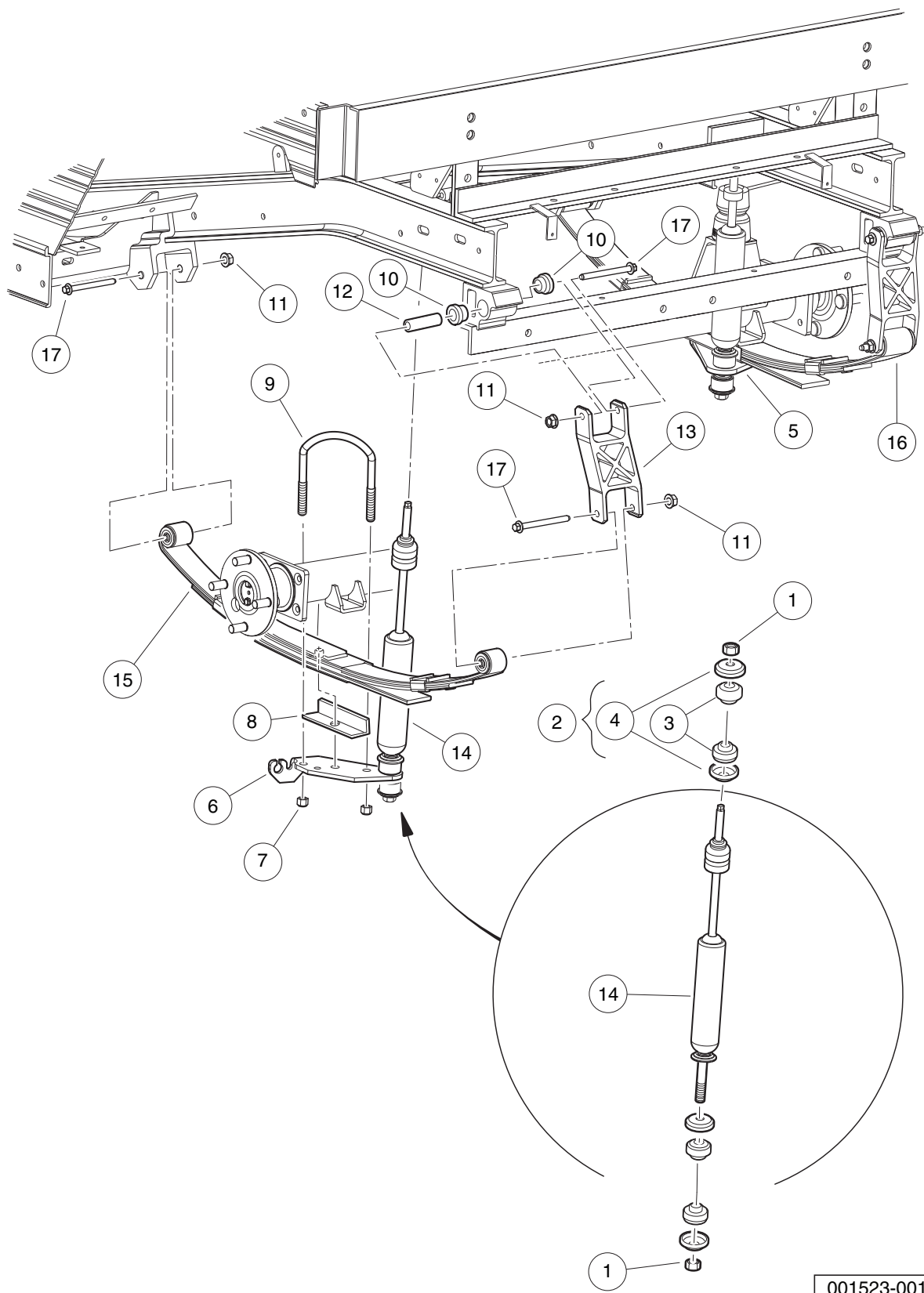
001520-002

# FRONT WHEEL HUBS

| ITEM | PART NO.  | DESCRIPTION  | QTY |
|------|-----------|--|-----|
|      |           | <b>1 2 3 4</b>                                     |     |
| 1    | 1010005   | Washer, 3/4 Flat .....                             | 2   |
| 2    | 1011393   | Hub Bearing Package (includes items 3 and 4) ..... | 4   |
| 3    | 7274      | Bearing, Front Hub Wheel .....                     | 1   |
| 4    | 7308      | Race, Front Hub Bearing .....                      | 1   |
| 5    | 1011892   | Hub Assembly (includes items 6 through 13) .....   | 1   |
| 6    | 1011887   | Dust Cover .....                                   | 1   |
| 7    | N/A       | Hub (includes items 8 through 10) .....            | 1   |
| 8    | N/A       | Front Hub .....                                    | 1   |
| 9    | 103477901 | Lug Stud, 1/2-20 Unf, 4037 .....                   | 4   |
| 10   | 7308      | Race, Front Hub Bearing .....                      | 2   |
| 11   | 1013135   | Seal, Double Lip .....                             | 1   |
| 12   | 7274      | Bearing, Front Hub Wheel .....                     | 2   |
| 13   | 7910      | Pin, 5/32 X 1.00 Cotter .....                      | 1   |
| 14   | 1013135   | Seal, Double Lip .....                             | 2   |
| 15   | 7840      | Nut, 3/4-16 Hex Slotted .....                      | 2   |

6  
G  
E

**6**  
**G**  
**E**



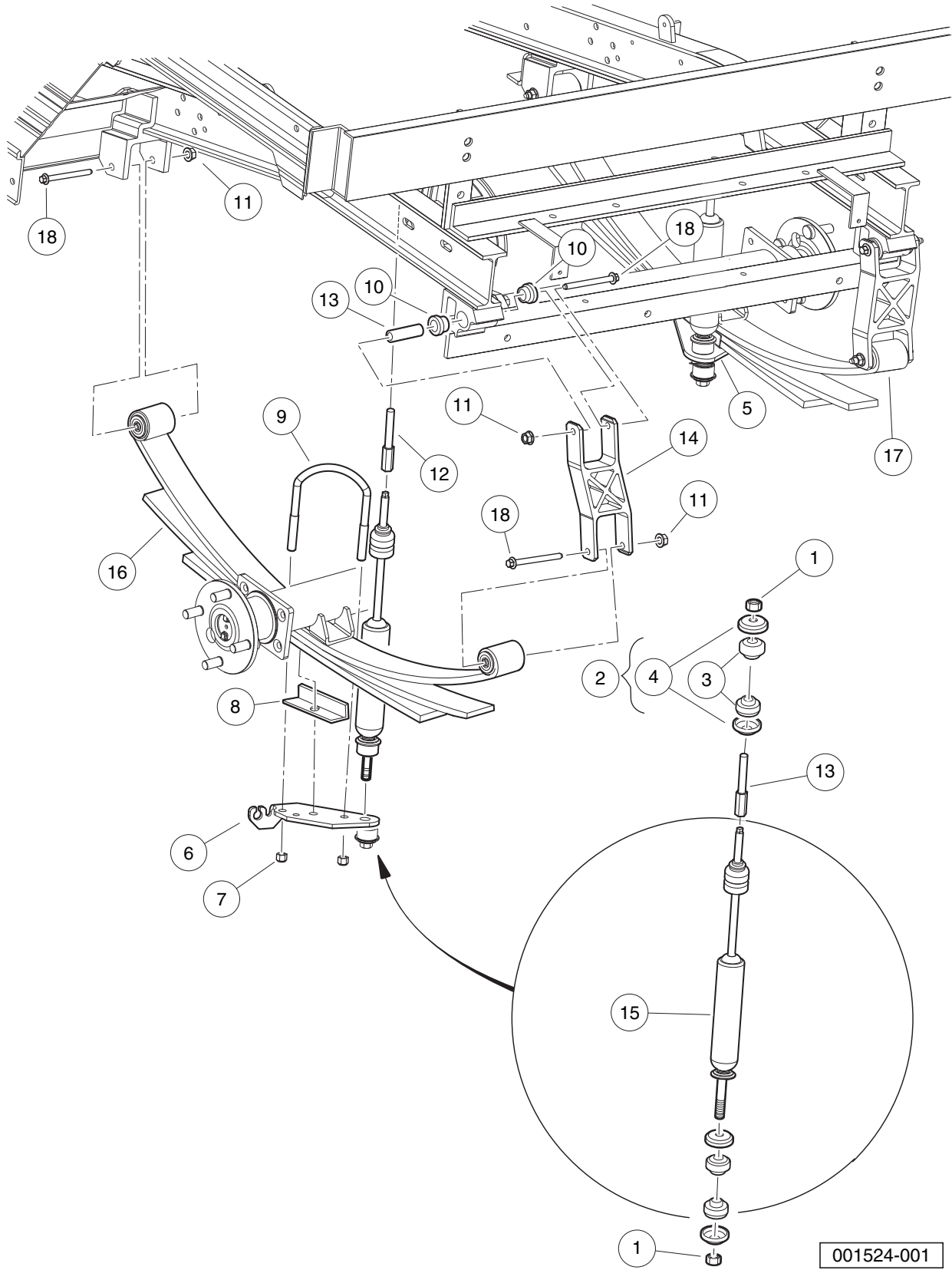
001523-001

# REAR SUSPENSION COMPONENTS, STANDARD

| ITEM | PART NO.  | DESCRIPTION  | QTY |
|------|-----------|--|-----|
|      |           | <b>1 2 3 4</b>   |     |
| 1    | 1010145   | Nut, 3/8-24 Hex .....                                      | 4   |
| 2    | 1011415   | Kit, Shock Absorber Cushion (includes items 3 and 4) ..... | 4   |
| 3    | N/A       | Cushion, Shock Absorber .....                              | 2   |
| 4    | N/A       | Retainer, Shock Absorber Cushion .....                     | 2   |
| 5    | 1012181   | Bracket, Shock Mounting, Right (Passenger) .....           | 1   |
| 6    | 1012182   | Bracket, Shock Mounting, Left (Driver) .....               | 1   |
| 7    | 1014555   | Locknut, 7/16-14 Nylon Hex .....                           | 4   |
| 8    | 1014573   | Spring Retainer .....                                      | 2   |
| 9    | 1014902   | U-Bolt .....   | 2   |
| 10   | 101558302 | Bushing, Urethane, Soft .....                              | 4   |
| 11   | 102298401 | Nut,m8,all Metal Lock .....                                | 6   |
| 12   | 102506401 | Sleeve - Spring Eye Mounts .....                           | 2   |
| 13   | 105068902 | Shackle, 6", Com, Machined .....                           | 2   |
| 14   | 105106801 | Shock Absorber,Rear, 2 Bumper .....                        | 2   |
| 15   | 105186201 | Asm, Spring 600lb Nr Std, Lh .....                         | 1   |
| 16   | 105186202 | Asm, Spring 600lb Nr Std, Rh .....                         | 1   |
| 17   | 105188185 | Bolt, M8x85mm,10.9 Grade .....                             | 6   |

**6**  
**G**  
**E**

**6**  
**G**  
**E**



## REAR SUSPENSION COMPONENTS (LIFTED)

| ITEM | PART NO.  | DESCRIPTION  | QTY | <b>6</b> |
|------|-----------|--|-----|----------|
|      |           | <b>1 2 3 4</b>   |     |          |
| 1    | 1010145   | Nut, 3/8-24 Hex .....                                      | 4   | <b>G</b> |
| 2    | 1011415   | Kit, Shock Absorber Cushion (includes items 3 and 4) ..... | 4   | <b>E</b> |
| 3    | N/A       | Cushion, Shock Absorber .....                              | 2   |          |
| 4    | N/A       | Retainer, Shock Absorber Cushion .....                     | 2   |          |
| 5    | 1012181   | Bracket, Shock Mounting, Right (Passenger) .....           | 1   |          |
| 6    | 1012182   | Bracket, Shock Mounting, Left (Driver) .....               | 1   |          |
| 7    | 1014555   | Locknut, 7/16-14 Nylon Hex .....                           | 4   |          |
| 8    | 1014573   | Spring Retainer .....                                      | 2   |          |
| 9    | 1014902   | U-Bolt .....   | 2   |          |
| 10   | 101558302 | Bushing, Urethane, Soft .....                              | 4   |          |
| 11   | 102298401 | Nut,m8,all Metal Lock .....                                | 6   |          |
| 12   | 102399001 | Shock Extension .....                                      | 2   |          |
| 13   | 102506401 | Sleeve - Spring Eye Mounts .....                           | 2   |          |
| 14   | 105068902 | Shackle, 6", Com, Machined .....                           | 2   |          |
| 15   | 105106801 | Shock Absorber,Rear, 2 Bumper .....                        | 2   |          |
| 16   | 105186301 | Asm, Spring 600lb Nr Lifted Lh .....                       | 1   |          |
| 17   | 105186302 | Asm, Spring 600lb Nr Lifted Rh .....                       | 1   |          |
| 18   | 105188185 | Bolt, M8x85mm,10.9 Grade .....                             | 6   |          |

**6**

**G**

**E**



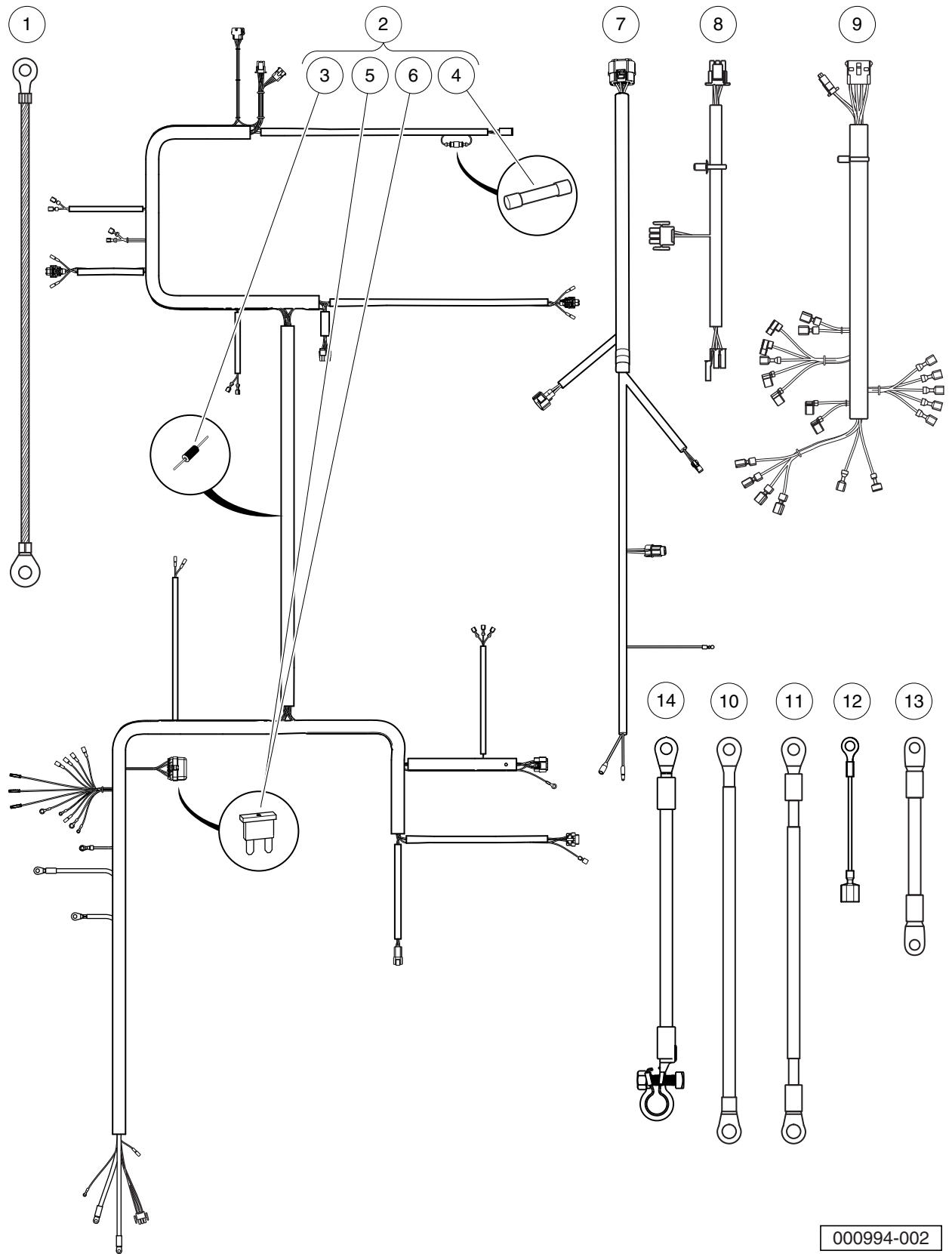
# **ELECTRICAL SYSTEM – GASOLINE EFI**

---

**7**

**G**

**7**  
**G**



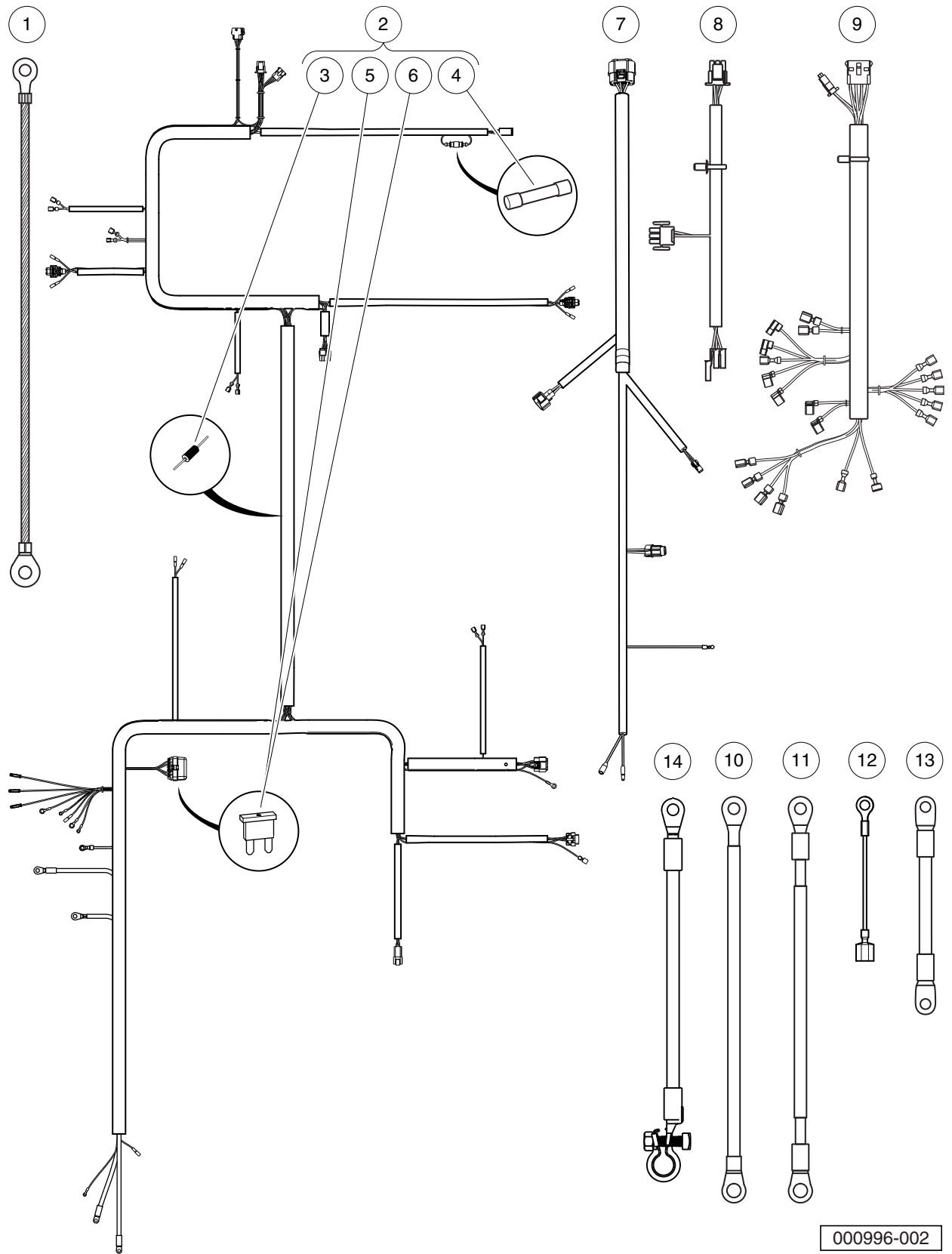
000994-002

## WIRING, FUSES, AND DIODES, PEDAL-START – EFI

| ITEM | PART NO.  | DESCRIPTION  | QTY |
|------|-----------|--|-----|
|      |           | 1 2 3 4  |     |
| 1    | 1015332   | Wire, Ground, #10, Uninsulated .....   | 1   |
| 2    | 105007701 | Harness, Wire, Main, CA500/550, Pedal-Start Gas (includes items 3 through 6) ..... | 1   |
| 3    | 1014789   | Diode, General Purpose, 3.0-Amp .....  | 2   |
| 4    | 103924801 | Fuse, Glass, 2-Amp .....   | 1   |
| 5    | 105081501 | Fuse, ATM, 5-Amp .....   | 1   |
| 6    | 105081601 | Fuse, ATM, 10-Amp .....  | 1   |
| 7    | 105008101 | Harness, Wire, ECU/Engine .....  | 1   |
| 8    | 105093301 | Harness, Wire, FNR Connector, CA300-700 .....                                      | 1   |
| 9    | 105095101 | Harness, Wire, Instr. Panel, Gas, CA300-700 .....                                  | 1   |
| 10   | 105135901 | Wire, Battery (side-post), B-, Gas .....   | 1   |
| 11   | 105136001 | Wire, Battery (side-post), B+, Gas .....   | 1   |
| 12   | 105143301 | Wire, Ground, Fuel Tank .....  | 1   |
| 13   | 105161701 | Wire, 4-Ga, Green, Starter/Generator .....   | 1   |
| 14   | 105256801 | Wire Assy, 4ga, Battery, (top-post) B+, Gas .....                                  | 1   |
|      |           | Note: For ECU, see Throttle Body in Fuel System section.                           |     |

**7**  
**G**

**7**  
**G**



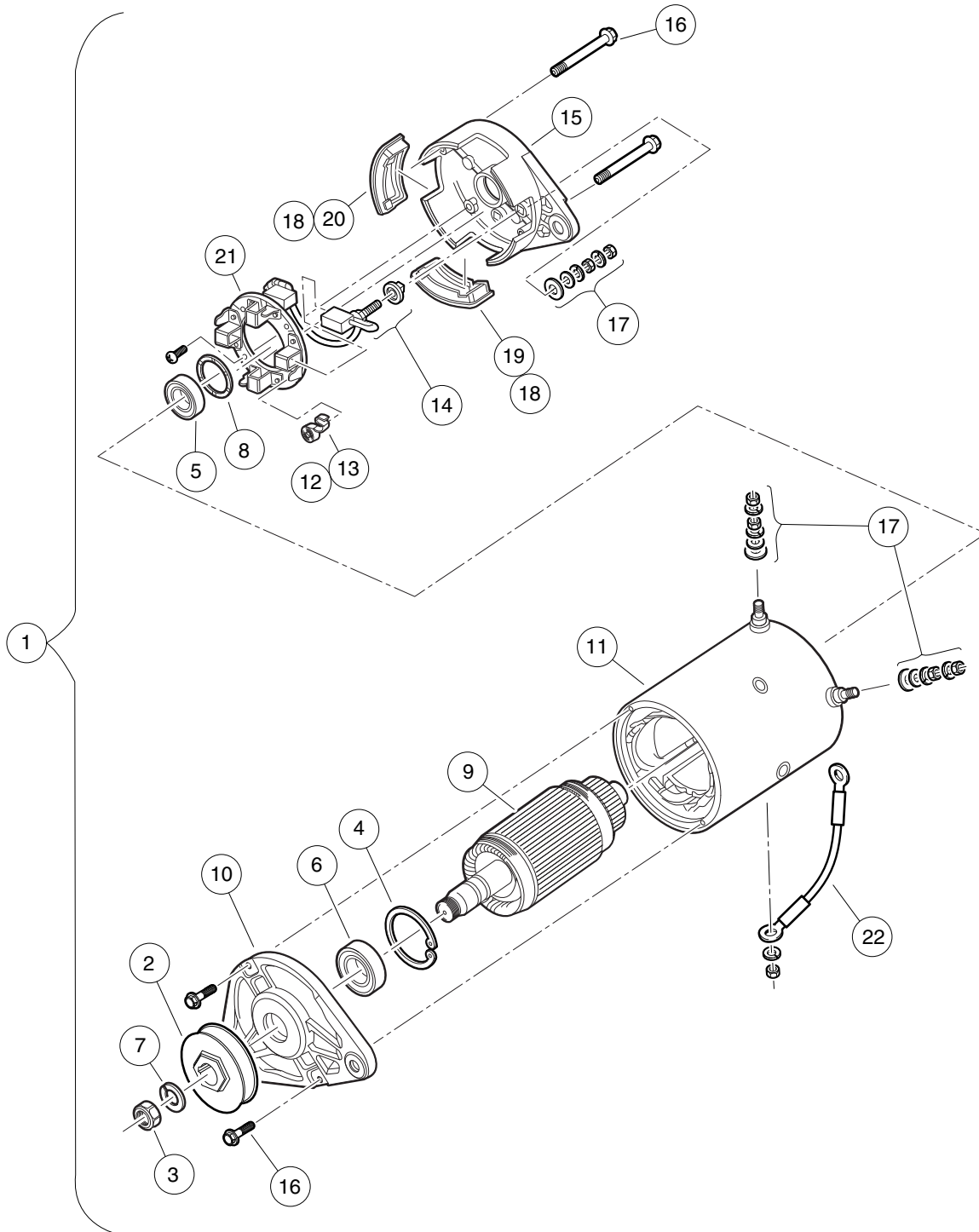
000996-002

## WIRING, FUSES, AND DIODES, KEY-START – EFI

| ITEM   | PART NO.  | DESCRIPTION  | QTY |
|--|-----------|--|-----|
|  |           | 1 2 3 4  |     |
| 1  | 1015332   | Wire, Ground, #10, Uninsulated .....   | 1   |
| 2  | 105008001 | Harness, Wire, Main, CA500/550, Key-Start Gas (includes items 3 through 6) ..... | 1   |
| 3  | 1014789   | Diode, General Purpose, 3.0-Amp .....  | 2   |
| 4  | 103924801 | Fuse, Glass, 2-Amp .....   | 1   |
| 5  | 105081501 | Fuse, ATM, 5-Amp .....   | 1   |
| 6  | 105081601 | Fuse, ATM, 10-Amp .....  | 1   |
| 7  | 105008101 | Harness, Wire, ECU/Engine .....  | 1   |
| 8  | 105093301 | Harness, Wire, FNR Connector, CA300-700 .....                                    | 1   |
| 9  | 105095101 | Harness, Wire, Instr. Panel, Gas, CA300-700 .....                                | 1   |
| 10   | 105135901 | Wire, Battery (side-post), B-, Gas .....   | 1   |
| 11   | 105136001 | Wire, Battery (side-post), B+, Gas .....   | 1   |
| 12   | 105143301 | Wire, Ground, Fuel Tank .....  | 1   |
| 13   | 105161701 | Wire, 4-Ga, Green, Starter/Generator .....                                       | 1   |
| 14   | 105256801 | Wire Assy, 4ga, Battery, (top-post) B+, Gas .....                                | 1   |
| Note: For ECU, see Throttle Body in Fuel System section. |           |  |     |

7

G

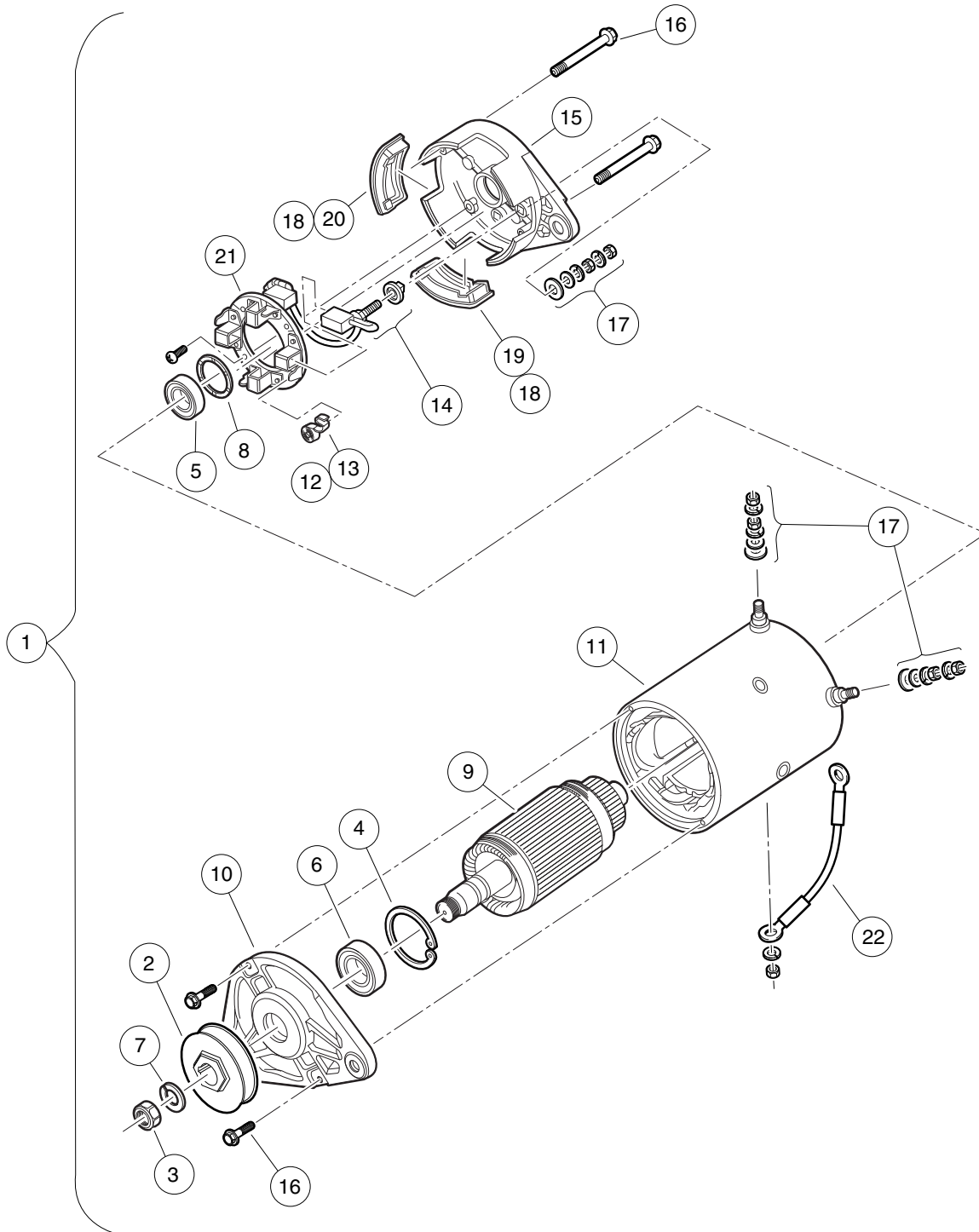


001016-001

# STARTER/GENERATOR (MODEL 114-04-4006), KEY-START – EFI

| ITEM | PART NO.  | DESCRIPTION  | QTY |
|------|-----------|--|-----|
|      |           | 1 2 3 4  |     |
| 1    | 105190102 | Starter/Generator, Bi-Rotational, Utility, Key-Start (includes items 2 through 22) ..... | 1   |
| 2    | 1014289   | Pulley, Starter/Generator .....  | 1   |
| 3    | 102838701 | Nut, Hex, M14x2, S/G .....   | 1   |
| 4    | 102838801 | Retainer, Front, S/G .....   | 1   |
| 5    | 102838901 | Bearing, Ball, Front, S-g .....  | 1   |
| 6    | 102839001 | Bearing, Ball, Front, S-g .....  | 1   |
| 7    | 102839301 | Washer, Lock M14x2, S-g .....  | 1   |
| 8    | 102841101 | Washer, Wave, S-g .....  | 1   |
| 9    | N/A       | Asm, Armature, Starter/Generator .....   | 1   |
| 10   | 102844601 | Head, Drive End, S-g .....   | 1   |
| 11   | 102844701 | Asm, Frame and Field, Starter/Generator .....  | 1   |
| 12   | 103347101 | Kit, Spring Brush, Starter/Generator (includes item 13) .....                            | 1   |
| 13   | N/A       | Spring, Brush, S-g .....   | 4   |
| 14   | 103347301 | Set, Brush Term, S-g .....   | 1   |
| 15   | 103347601 | Head, Comm End, S-g .....  | 1   |
| 16   | 103347701 | Set, Fastener, Ceh Deh, S-g .....  | 1   |
| 17   | 103347801 | Set, Term Hardware, S/G .....  | 1   |
| 18   | 103347901 | Kit, Cover, Brush Insp, Starter/Generator (includes items 19 and 20) .....               | 1   |
| 19   | N/A       | Plug, Rubber Drain, Start/Generator .....  | 3   |
| 20   | N/A       | Cover, Inspection, S-g .....   | 1   |
| 21   | 103953301 | Kit, Brush And Brush Holder .....  | 1   |
| 22   | 105161701 | Wire, 4-Ga, Green, Starter/Generator .....   | 1   |

**7**  
**G**



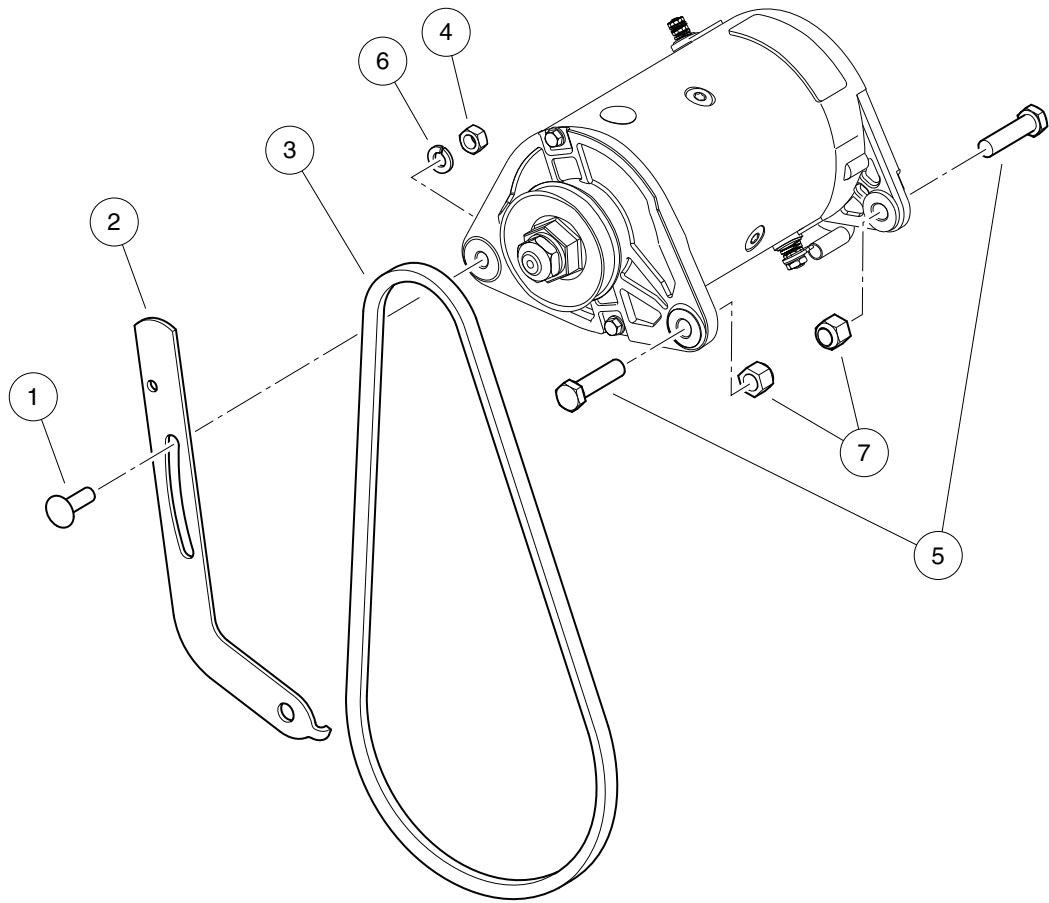
001016-001



# STARTER/GENERATOR (MODEL 114-05-4001), PEDAL-START – EFI

| ITEM | PART NO.  | DESCRIPTION  | QTY |
|------|-----------|--|-----|
|      |           | <b>1 2 3 4</b>   |     |
| 1    | 105190101 | Starter/Generator, High-Torque, Utility, Pedal-Start (includes items 2 through 22) ..... | 1   |
| 2    | 1014289   | Pulley, Starter/Generator .....  | 1   |
| 3    | 102838701 | Nut, Hex, M14x2, S/G .....   | 1   |
| 4    | 102838801 | Retainer, Front, S/G .....   | 1   |
| 5    | 102838901 | Bearing, Ball, Front, S-g .....  | 1   |
| 6    | 102839001 | Bearing, Ball, Front, S-g .....  | 1   |
| 7    | 102839301 | Washer, Lock M14x2, S-g .....  | 1   |
| 8    | 102841101 | Washer, Wave, S-g .....  | 1   |
| 9    | N/A       | Asm, Armature, Starter/Generator .....   | 1   |
| 10   | 102844601 | Head, Drive End, S-g .....   | 1   |
| 11   | 102844701 | Asm, Frame and Field, Starter/Generator .....  | 1   |
| 12   | 103347101 | Kit, Spring Brush, Starter/Generator (includes item 13) .....                            | 1   |
| 13   | N/A       | Spring, Brush, S-g .....   | 4   |
| 14   | 103347301 | Set, Brush Term, S-g .....   | 1   |
| 15   | 103347601 | Head, Comm End, S-g .....  | 1   |
| 16   | 103347701 | Set, Fastener, Ceh Deh, S-g .....  | 1   |
| 17   | 103347801 | Set, Term Hardware, S/G .....  | 1   |
| 18   | 103347901 | Kit, Cover, Brush Insp, Starter/Generator (includes items 19 and 20) .....               | 1   |
| 19   | N/A       | Plug, Rubber Drain, Start/Generator .....  | 3   |
| 20   | N/A       | Cover, Inspection, S-g .....   | 1   |
| 21   | 103953301 | Kit, Brush And Brush Holder .....  | 1   |
| 22   | 105161701 | Wire, 4-Ga, Green, Starter/Generator .....   | 1   |

**7**  
**G**



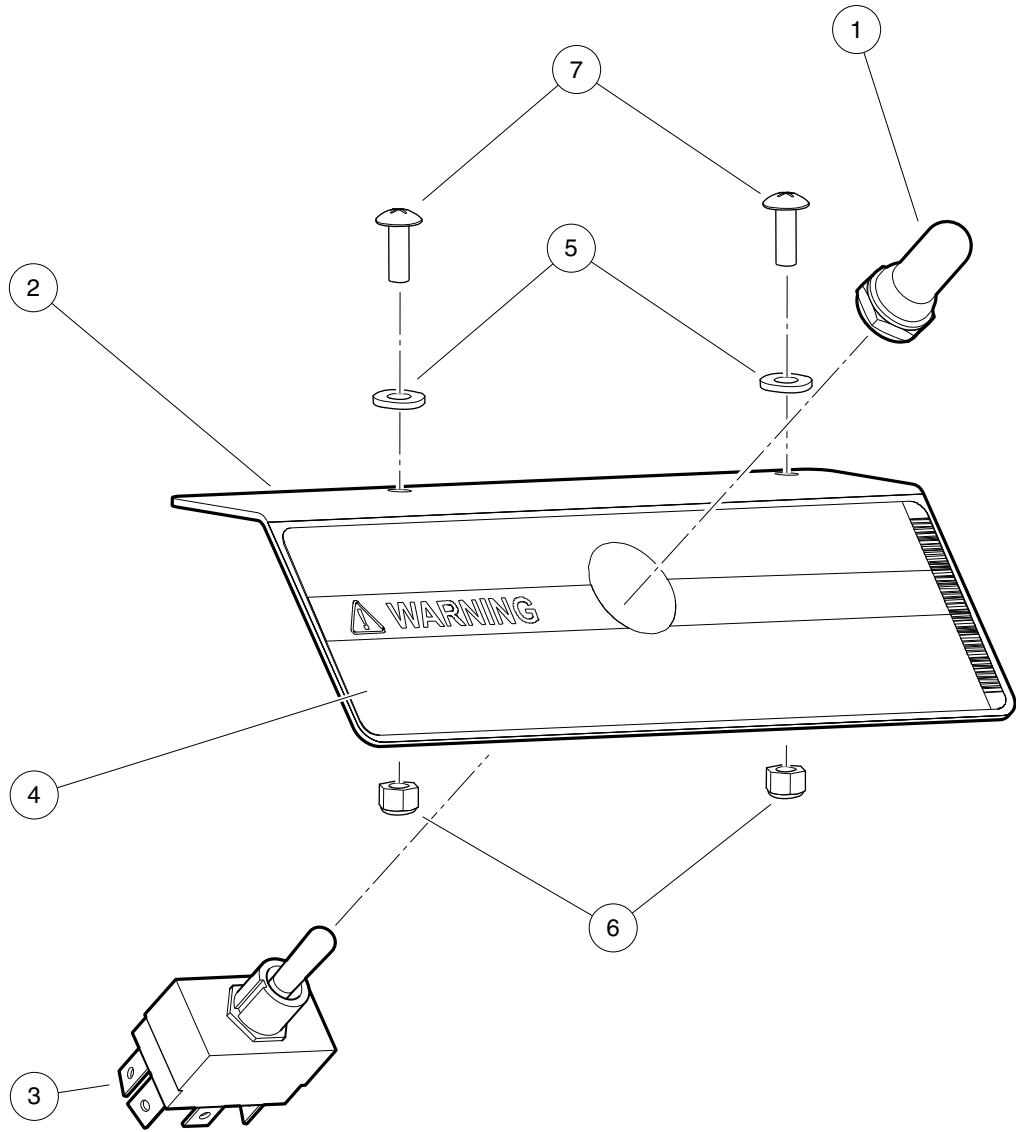
001009-001

## STARTER/GENERATOR MOUNTING – EX40

| ITEM | PART NO.  | DESCRIPTION  | QTY |
|------|-----------|--|-----|
|      |           | 1 2 3 4  |     |
| 1    | 1015932   | Bolt, Carriage, 5/16-18 .....                      | 1   |
| 2    | 104005301 | Bracket, Adjustable, Starter/Generator, EX40 ..... | 1   |
| 3    | 105205401 | Belt, Sg, 871, Ex40 .....                          | 1   |
| 4    | 1242      | Nut, 5/16-18 Hex .....                             | 1   |
| 5    | 1624      | Screw, 3/8-16 X 1.50, Hex-Head Cap .....           | 2   |
| 6    | 7174      | Lockwasher, 5/16 Split .....                       | 1   |
| 7    | 8754      | Locknut, 3/8-16 Hex .....                          | 2   |

7  
G

**7**  
**G**



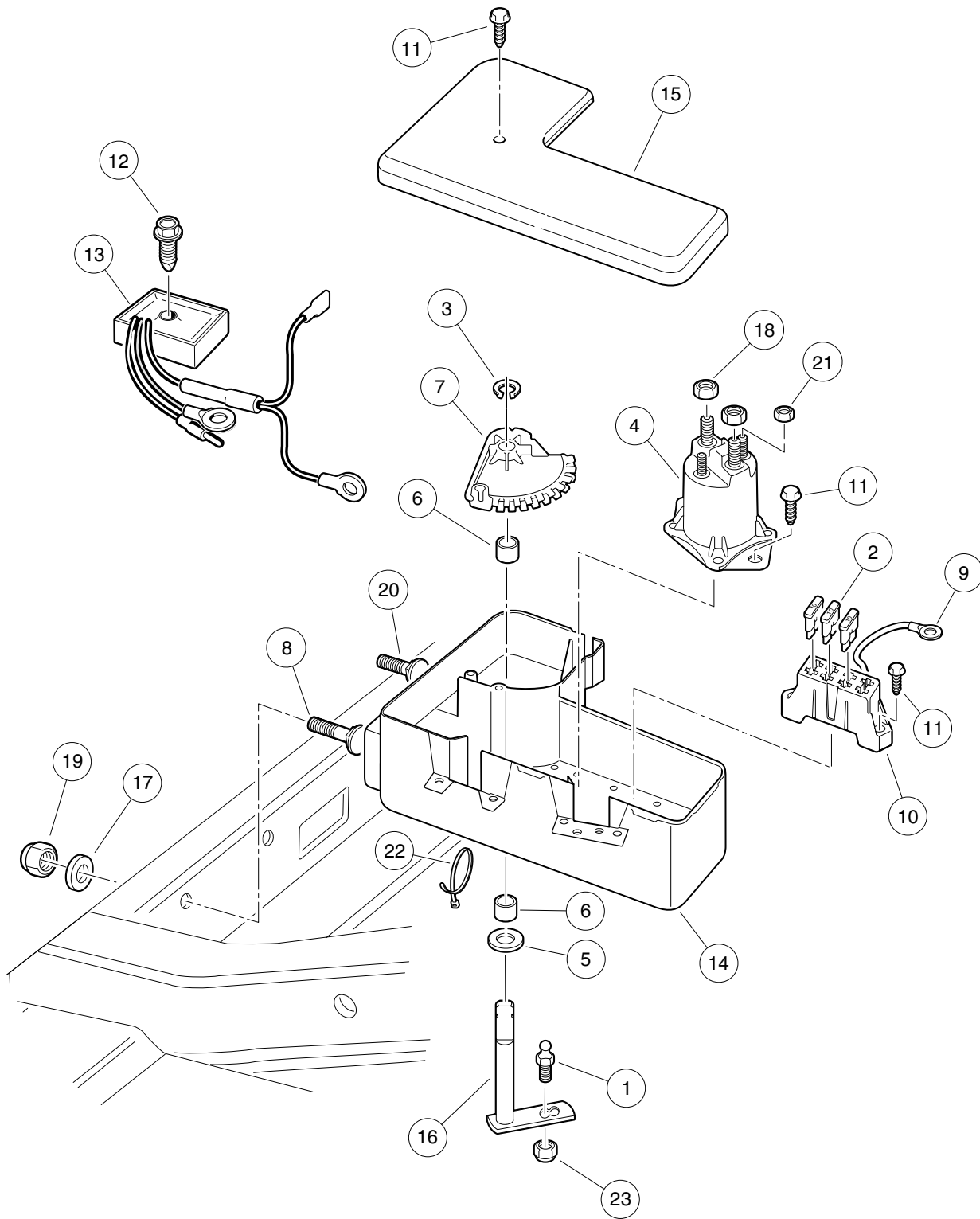
000755-003

# OPERATION AND MAINTENANCE SWITCH

| ITEM | PART NO.  | DESCRIPTION                                    | QTY |
|------|-----------|--|-----|
|      |           | 1 2 3 4  |     |
| 1    | 101908401 | Boot, Switch .....                             | 1   |
| 2    | 101922501 | Bracket, Tow/Run Switch Mounting .....         | 1   |
| 3    | 103198401 | Switch, Toggle, SPDT .....                     | 1   |
| 4    | 103205501 | Decal, Run/Service Switch .....                | 1   |
| 5    | 332       | Washer, 1/4 Type A Narrow Flat .....           | 2   |
| 6    | 8233      | Locknut, 1/4-20, Nylon Insert .....            | 2   |
| 7    | 8248      | Screw, 1/4-20 X 0.75, Truss-Head Machine ..... | 2   |

7

G



001014-002

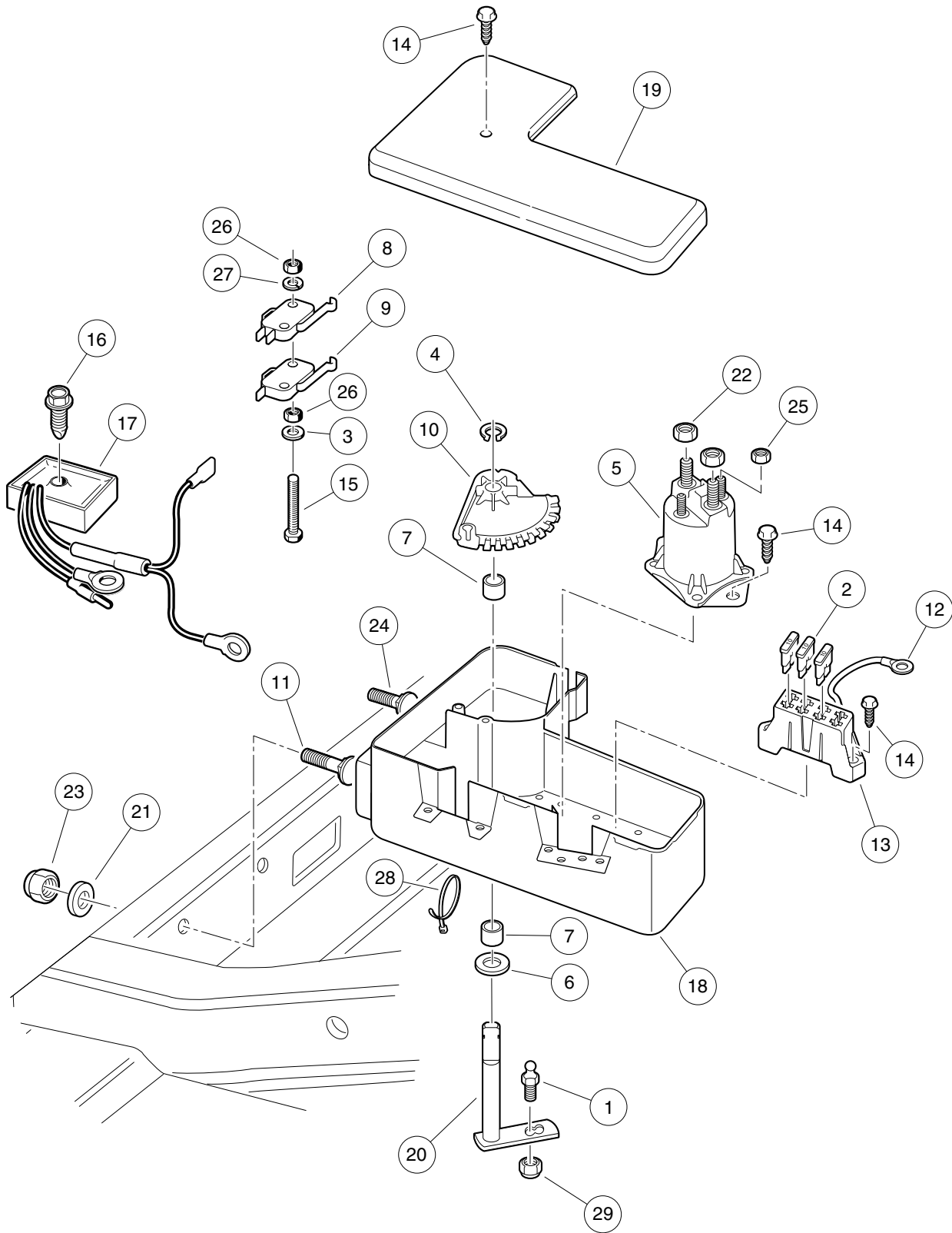
# ELECTRICAL COMPONENT BOX, KEY-START – EX40

| ITEM | PART NO.  | DESCRIPTION                            | QTY |
|------|-----------|--|-----|
|      |           | 1 2 3 4                                |     |
| 1    | 1010954   | Stud, Ball, 1/4-28 X 0.560 .....       | 1   |
| 2    | 1012295   | Fuse, 10-Amp .....                     | 3   |
| 3    | 1013589   | Ring, Retaining, 0.338" Internal ..... | 1   |
| 4    | 1013609   | Solenoid, 12-Volt .....                | 1   |
| 5    | 1014065   | Washer, Flat, 0.38" ID, Delrin .....   | 1   |
| 6    | 1014145   | Bushing, Secondary Weight, Split ..... | 2   |
| 7    | 1015373   | Cam, Electric Box .....                | 1   |
| 8    | 1015405   | Bolt, Carriage, 5/16-18 X 2.0 .....    | 1   |
| 9    | 1015737   | Wire Assy, #10 Red .....               | 1   |
| 10   | 1015741   | Fuse Block .....                       | 1   |
| 11   | 1015752   | Screw, #12-16 X 0.625, Hi-Lo .....     | 5   |
| 12   | 101856102 | Screw, 1/4-15 X 1.50, Hi-lo, Hex ..... | 1   |
| 13   | 102711201 | Voltage Regulator .....                | 1   |
| 14   | 105000301 | Box, Component, Electrical .....       | 1   |
| 15   | 105000401 | Cover, Box, Component, Elec .....      | 1   |
| 16   | 105037401 | Weldment, Bellcrank, Comp Box .....    | 1   |
| 17   | 1241      | Washer, 5/16 Type A Flat .....         | 2   |
| 18   | 1242      | Nut, 5/16-18 Hex .....                 | 2   |
| 19   | 7473      | Locknut, 5/16-18 Nylon Insert .....    | 2   |
| 20   | 7818      | Bolt, Carriage, 5/16-18 X 1.5 .....    | 1   |
| 21   | 7893      | Nut, #10-32 Hex .....                  | 2   |
| 22   | 8639      | Tie Wrap, 11" Nylon .....              | 6   |
| 23   | 8717      | Locknut, Nylon Insert, 1/4-28 .....    | 1   |

**7**

**G**

**7**  
**G**



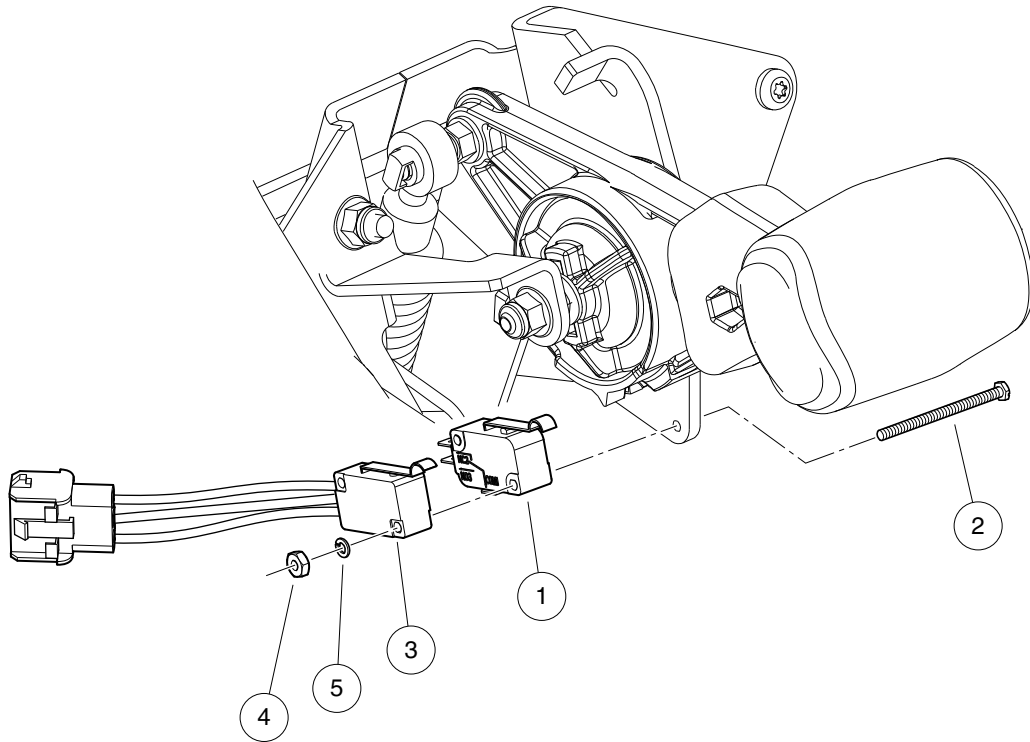
001014-001



# ELECTRICAL COMPONENT BOX, PEDAL-START – EX40

| ITEM | PART NO.  | DESCRIPTION                            | QTY |
|------|-----------|--|-----|
|      |           | 1 2 3 4                                |     |
| 1    | 1010954   | Stud, Ball, 1/4-28 X 0.560 .....       | 1   |
| 2    | 1012295   | Fuse, 10-Amp .....                     | 3   |
| 3    | 1012431   | Washer, #4 Flat .....                  | 2   |
| 4    | 1013589   | Ring, Retaining, 0.338" Internal ..... | 1   |
| 5    | 1013609   | Solenoid, 12-Volt .....                | 1   |
| 6    | 1014065   | Washer, Flat, 0.38" ID, Delrin .....   | 1   |
| 7    | 1014145   | Bushing, Secondary Weight, Split ..... | 2   |
| 8    | 1014807   | Switch, Limit .....                    | 1   |
| 9    | 1014808   | Switch, Limit .....                    | 1   |
| 10   | 1015373   | Cam, Electric Box .....                | 1   |
| 11   | 1015405   | Bolt, Carriage, 5/16-18 X 2.0 .....    | 1   |
| 12   | 1015737   | Wire Assy, #10 Red .....               | 1   |
| 13   | 1015741   | Fuse Block .....                       | 1   |
| 14   | 1015752   | Screw, #12-16 X 0.625, Hi-Lo .....     | 5   |
| 15   | 1015878   | Screw, #4-40 Hex Head Machine .....    | 2   |
| 16   | 101856102 | Screw, 1/4-15 X 1.50, Hi-lo, Hex ..... | 1   |
| 17   | 102711201 | Voltage Regulator .....                | 1   |
| 18   | 105000301 | Box, Component, Electrical .....       | 1   |
| 19   | 105000401 | Cover, Box, Component, Elec .....      | 1   |
| 20   | 105037401 | Weldment, Bellcrank, Comp Box .....    | 1   |
| 21   | 1241      | Washer, 5/16 Type A Flat .....         | 2   |
| 22   | 1242      | Nut, 5/16-18 Hex .....                 | 2   |
| 23   | 7473      | Locknut, 5/16-18 Nylon Insert .....    | 2   |
| 24   | 7818      | Bolt, Carriage, 5/16-18 X 1.5 .....    | 1   |
| 25   | 7893      | Nut, #10-32 Hex .....                  | 2   |
| 26   | 8057      | Nut, #4-40 Hex Machine .....           | 4   |
| 27   | 8058      | Lockwasher, #4 Split .....             | 2   |
| 28   | 8639      | Tie Wrap, 11" Nylon .....              | 6   |
| 29   | 8717      | Locknut, Nylon Insert, 1/4-28 .....    | 1   |

**7**  
**G**



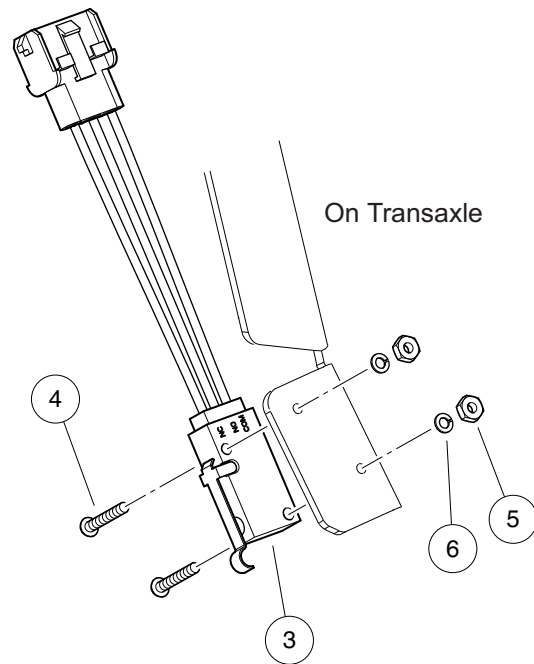
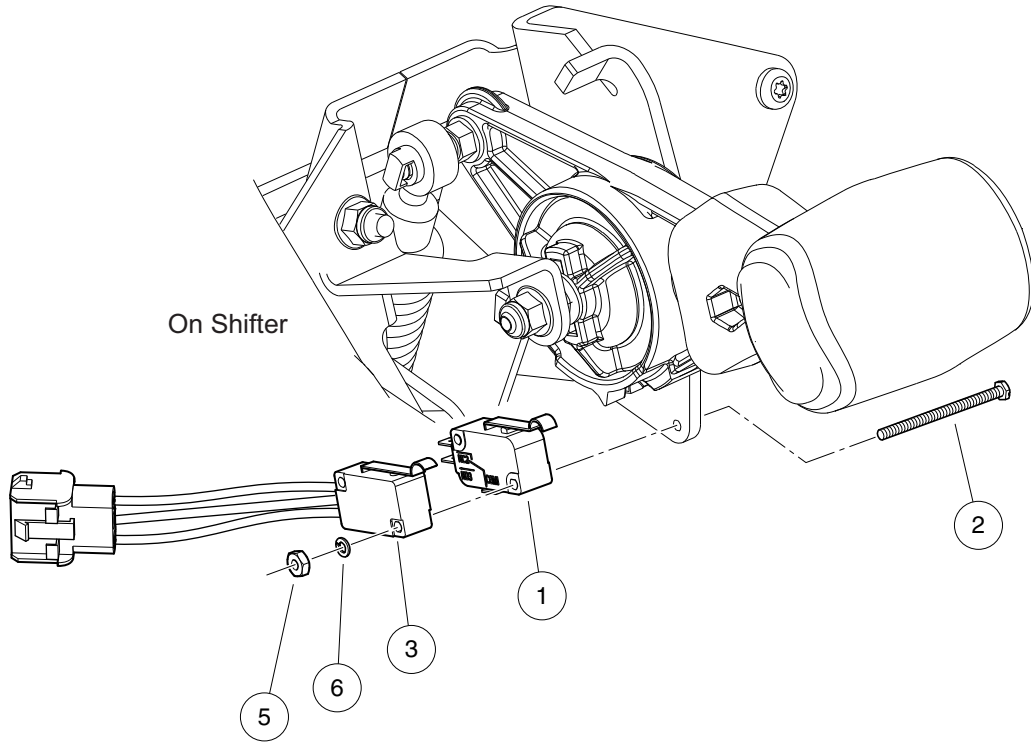
000999-002

## FORWARD/REVERSE SHIFTER SWITCHES, KEY-START – EFI

| ITEM | PART NO.  | DESCRIPTION                                   | QTY |
|------|-----------|---|-----|
|      |           | 1 2 3 4                                       |     |
| 1    | 1014807   | Switch, Limit .....                           | 1   |
| 2    | 1015878   | Screw, #4-40 Hex Head Machine .....           | 2   |
| 3    | 105102601 | Switch, Limit, Sealed, with 3-Wire Lead ..... | 1   |
| 4    | 8057      | Nut, #4-40 Hex Machine .....                  | 2   |
| 5    | 8058      | Lockwasher, #4 Split .....                    | 2   |

7

G

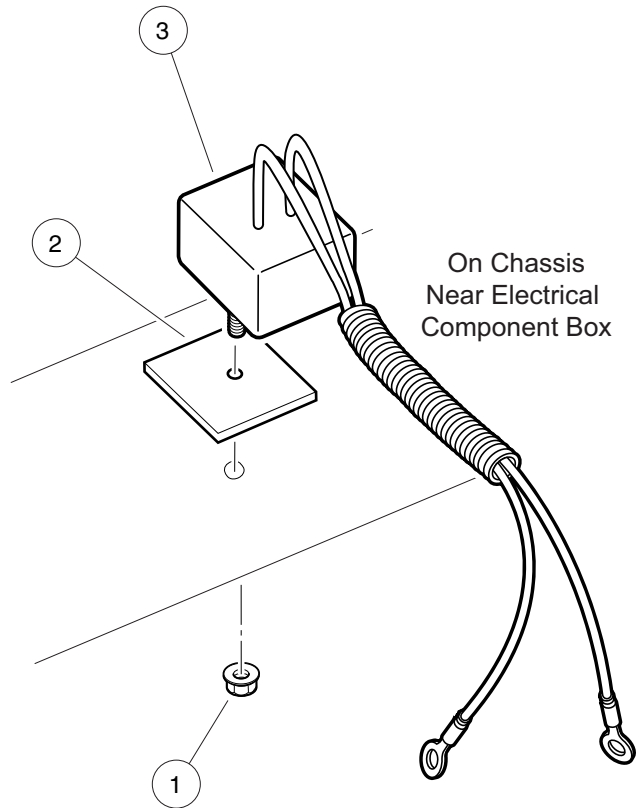


000999-001

# FORWARD/REVERSE SHIFTER SWITCHES, PEDAL-START – EFI

| ITEM | PART NO.  | DESCRIPTION                                   | QTY |
|------|-----------|---|-----|
|      |           | <b>1 2 3 4</b>                                |     |
| 1    | 1014807   | Switch, Limit .....                           | 1   |
| 2    | 1015878   | Screw, #4-40 Hex Head Machine .....           | 2   |
| 3    | 105102601 | Switch, Limit, Sealed, with 3-Wire Lead ..... | 2   |
| 4    | 8056      | Screw, #4-40 X 0.75 Round-Head Machine .....  | 2   |
| 5    | 8057      | Nut, #4-40 Hex Machine .....                  | 4   |
| 6    | 8058      | Lockwasher, #4 Split .....                    | 4   |

**7**  
**G**



001015-001

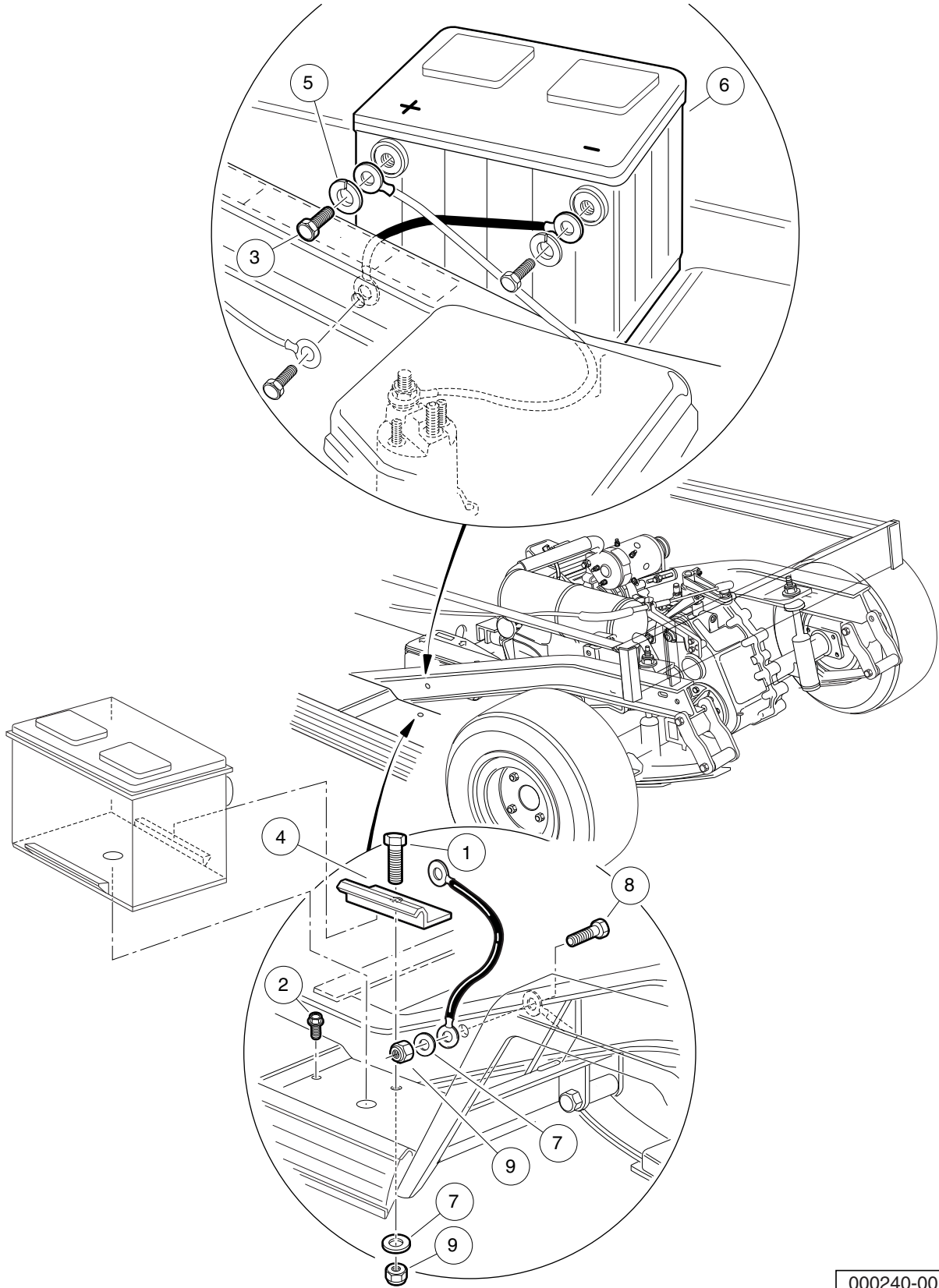
# CHARGING DIODE, KEY-START – EFI

| ITEM | PART NO.  | DESCRIPTION                       | QTY |
|------|-----------|-----------------------------------|-----|
|      |           | <b>1 2 3 4</b>                    |     |
| 1    | 101963401 | Locknut, 5/16-18 Hex Flange ..... | 1   |
| 2    | 102269701 | Thermal Pad .....                 | 1   |
| 3    | 105037201 | Diode, Charging .....             | 1   |

7

G

**7**  
**G**



000240-001



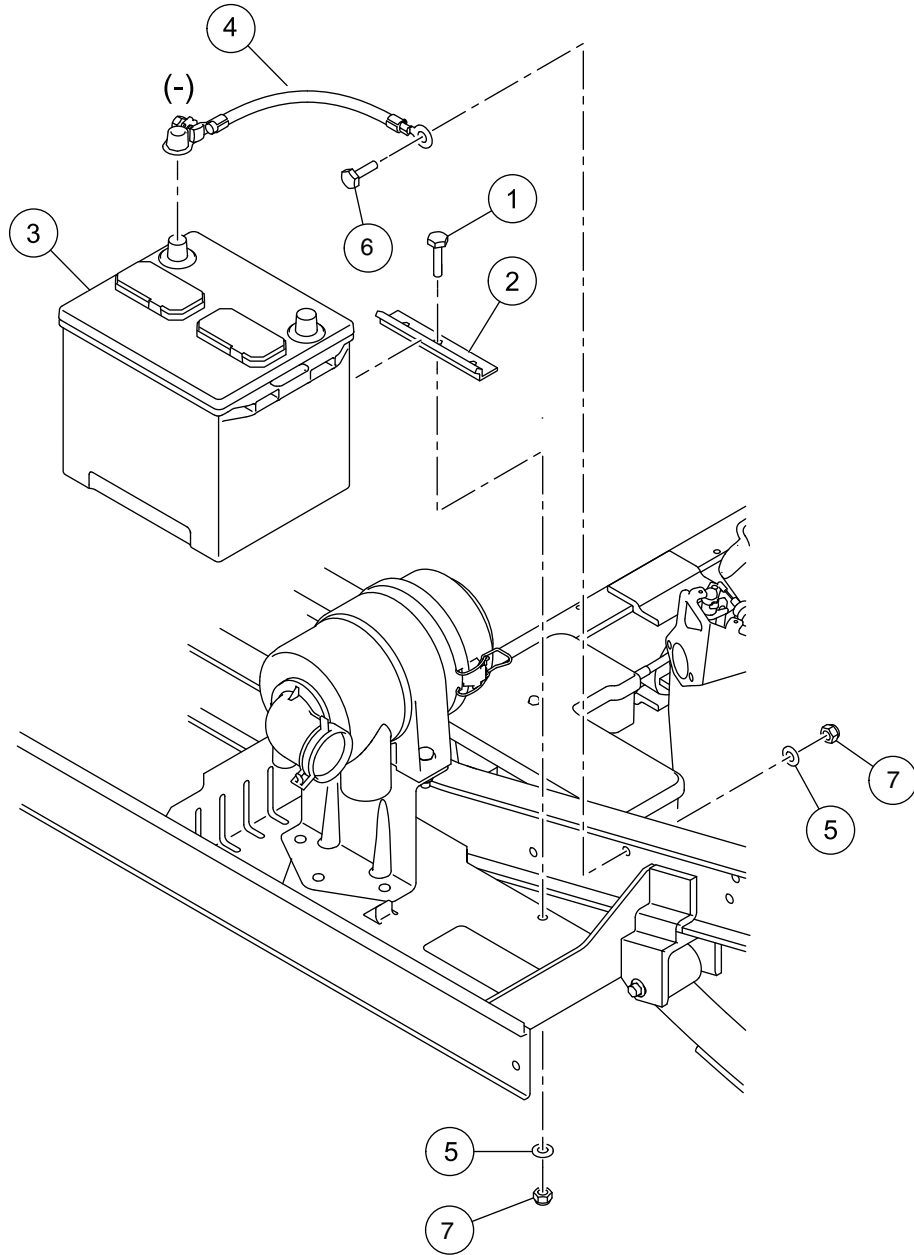
# BATTERY – GASOLINE UTILITY VEHICLES

| ITEM | PART NO.  | DESCRIPTION   | QTY |
|------|-----------|---|-----|
|      |           | 1 2 3 4   |     |
| 1    | 1010934   | Screw, 5/16-18 X 1.00 Hex Cap .....                   | 1   |
| 2    | 1014288   | Screw, 5/16-18 X 0.75, Thread-Forming .....           | 1   |
| 3    | 1014375   | Screw, 3/8-16 X 0.50, Stainless Steel, Hex-Head ..... | 2   |
| 4    | 101898001 | Clamp, Battery .....                                  | 1   |
| 5    | 102355301 | Lockwasher, 3/8 Split Ss .....                        | 2   |
| 6    | 103496801 | Battery, Start, 12v .....                             | 1   |
| 7    | 1241      | Washer, 5/16 Type A Flat .....                        | 2   |
| 8    | 7173      | Screw, 5/16-18 X 0.75, Hex-Head Cap .....             | 1   |
| 9    | 7473      | Locknut, 5/16-18 Nylon Insert .....                   | 2   |

7

G

**7**  
**G**



000250-001

## TOP-POST BATTERY - GASOLINE UTILITY VEHICLES

| ITEM | PART NO.  | DESCRIPTION                                       | QTY |
|------|-----------|---|-----|
|      |           | 1 2 3 4   |     |
| 1    | 1010934   | Screw, 5/16-18 X 1.00 Hex Cap .....               | 1   |
| 2    | 101898001 | Clamp, Battery .....                              | 1   |
| 3    | 105237301 | Battery, Start, 12v, Type 26 .....                | 1   |
| 4    | 105256701 | Wire Assy, 4ga, Battery, (top-post) B-, Gas ..... | 1   |
| 5    | 1241      | Washer, 5/16 Type A Flat .....                    | 2   |
| 6    | 7173      | Screw, 5/16-18 X 0.75, Hex-Head Cap .....         | 1   |
| 7    | 7473      | Locknut, 5/16-18 Nylon Insert .....               | 2   |

**7**  
**G**

7

G

# ENGINE (SUBARU EX40)

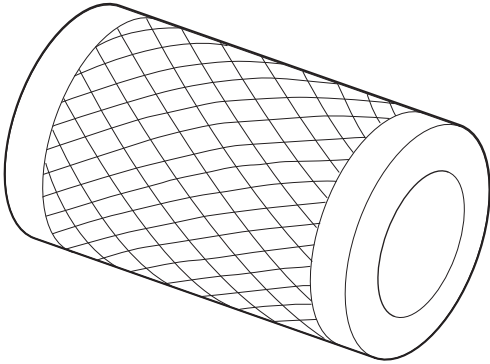
---

8

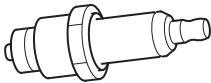
G

8

G



1



2

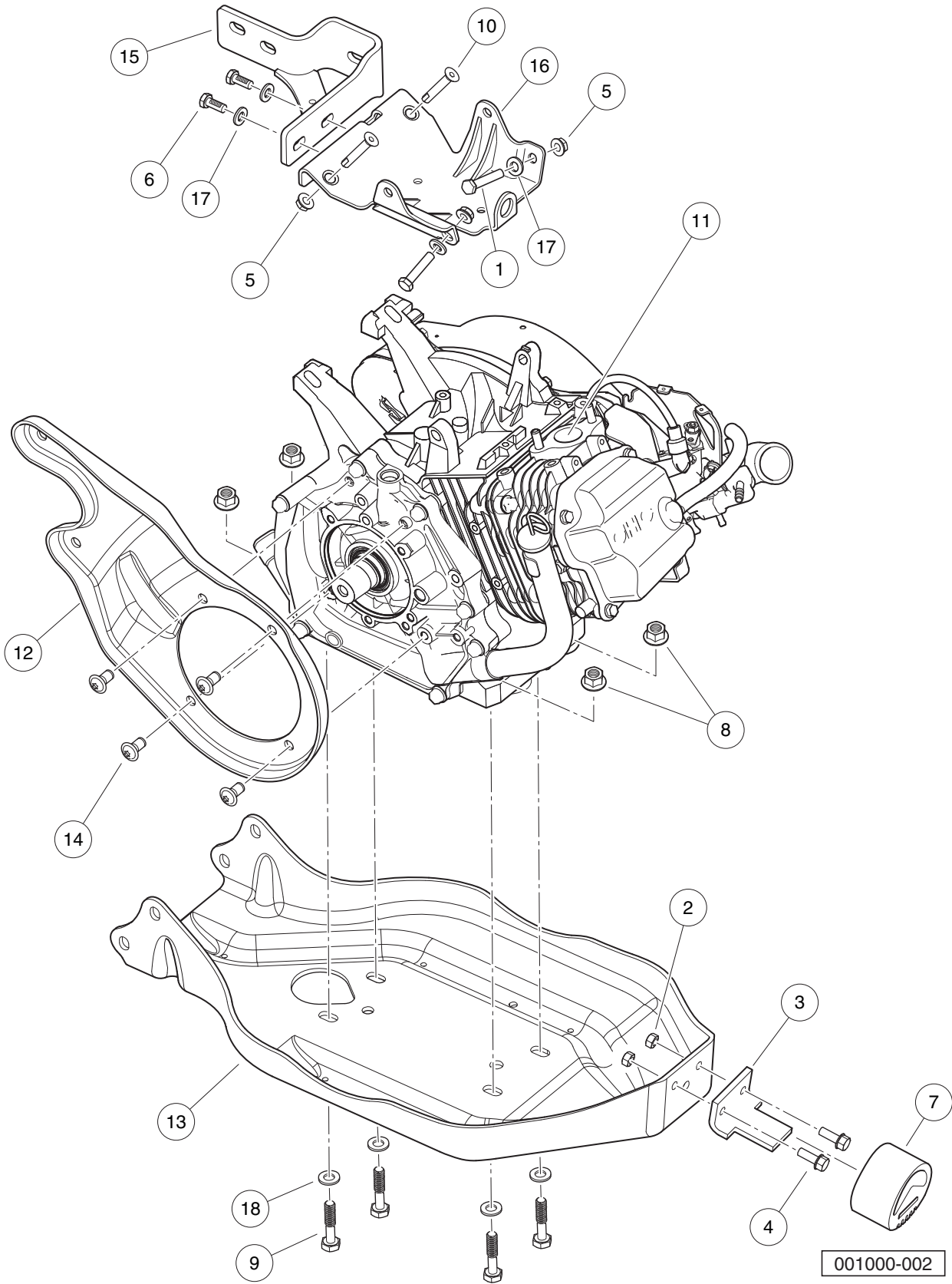
000992-003

## TUNE-UP PARTS – SUBARU EX40

| ITEM | PART NO.  | DESCRIPTION                         | QTY |
|------|-----------|-------------------------------------|-----|
| 1    | 102558201 | 1 2 3 4<br>Air Filter, 4 Inch ..... | 1   |
| 2    | 105017801 | Spark Plug, Subaru EX40 .....       | 1   |

**8**

**G**

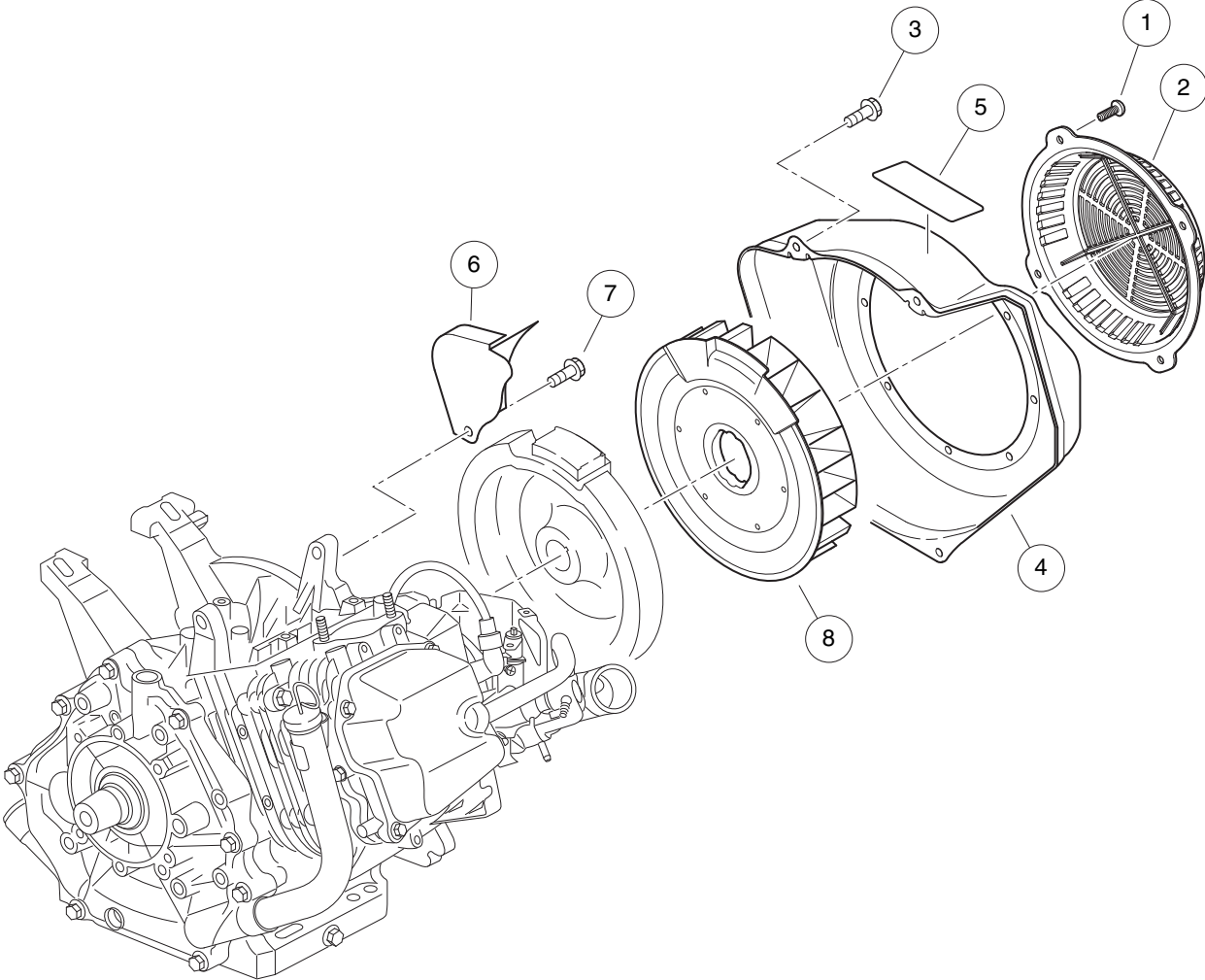




## ENGINE AND ENGINE MOUNTING, UTILITY – EX40

| ITEM | PART NO.  | DESCRIPTION  | QTY |
|------|-----------|--|-----|
|      |           | 1 2 3 4  |     |
| 1    | 1010577   | Bolt, Hex-Head, 5/16-18 X 1.50 .....                 | 2   |
| 2    | 1013924   | Nut, 5/16-24, Hex Head Cone .....                    | 2   |
| 3    | 101834602 | Bracket, Snubber, Tall .....                         | 1   |
| 4    | 101884801 | Screw, 5/16-24 X 0.875, Grade-8 .....                | 2   |
| 5    | 101963401 | Locknut, 5/16-18 Hex Flange .....                    | 4   |
| 6    | 102242101 | Screw, 5/16-18 X 3/4 Hex-Head with Patch .....       | 2   |
| 7    | 102540301 | Snubber, Inner Frame .....                           | 1   |
| 8    | 102617201 | Nut, Flanged, M10 X 1.5, Mechanically Deformed ..... | 4   |
| 9    | 102732401 | Bolt, M10 X 45, Zn-Ni (Black) .....                  | 4   |
| 10   | 103196202 | 5/16-18x1.75, Bolt, Loctite .....                    | 2   |
| 11   | 103882801 | Engine, Gas, Subaru EX40, EFI .....                  | 1   |
| 12   | 103979401 | Plate, Mounting, CVT, Center .....                   | 1   |
| 13   | 103982201 | Plate, Engine/Axle Mounting .....                    | 1   |
| 14   | 103996201 | Screw, 3/8-16 X .75, Btn Hd Cap .....                | 4   |
| 15   | 105134601 | Bracket, Mounting, Transaxle/Exhaust,†EX40 .....     | 1   |
| 16   | 105149301 | Bracket,†Mounting, Starter/Generator,†EX40 .....     | 1   |
| 17   | 1241      | Washer, 5/16 Type A Flat .....                       | 4   |
| 18   | 96741046  | Washer, M10, Hard .....                              | 4   |

**8**  
**G**



001001-001

## FAN AND SHROUD – EX40

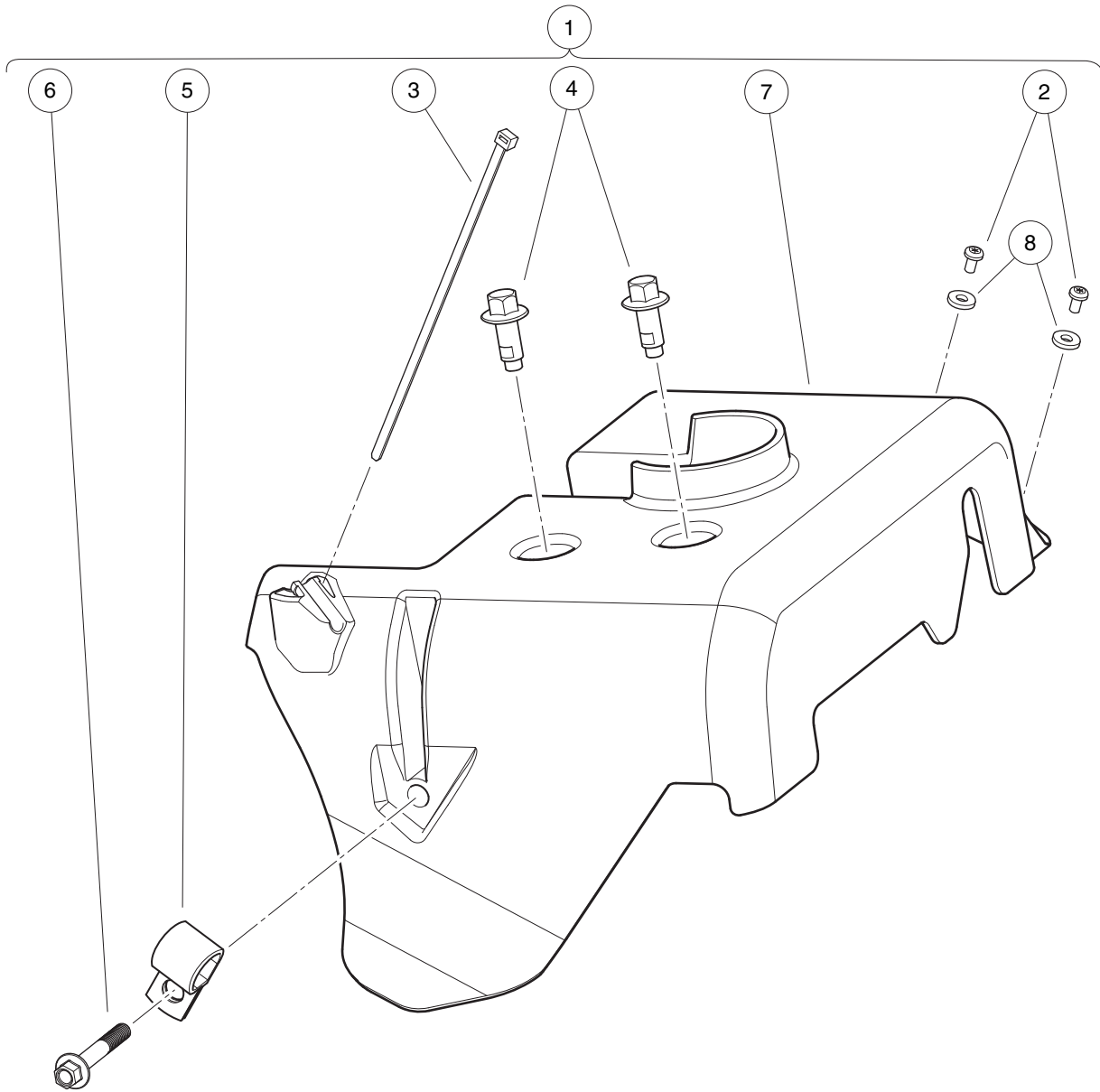
| ITEM | PART NO.  | DESCRIPTION                         | QTY |
|------|-----------|-------------------------------------|-----|
|      |           | <b>1 2 3 4</b>                      |     |
| 1    | 1015969   | Screw, M6-1.00 X 10mm, Pan Hd ..... | 4   |
| 2    | 103995901 | Cover, Fan, EX40 .....              | 1   |
| 3    | 105012601 | Bolt, Flange, M6x1.0x12, EX40 ..... | 4   |
| 4    | 105016701 | Housing, Fan, EX40 .....            | 1   |
| 5    | 105016801 | Label, Engine Warning, EX40 .....   | 1   |
| 6    | 105016901 | Baffle, Crankcase, EX40 .....       | 1   |
| 7    | 105017001 | Bolt, Baffle, M8x1.25x12 Ex40 ..... | 1   |
| 8    | 105017101 | Fan, Cooling, EX40 .....            | 1   |

**8**

**G**

8

G



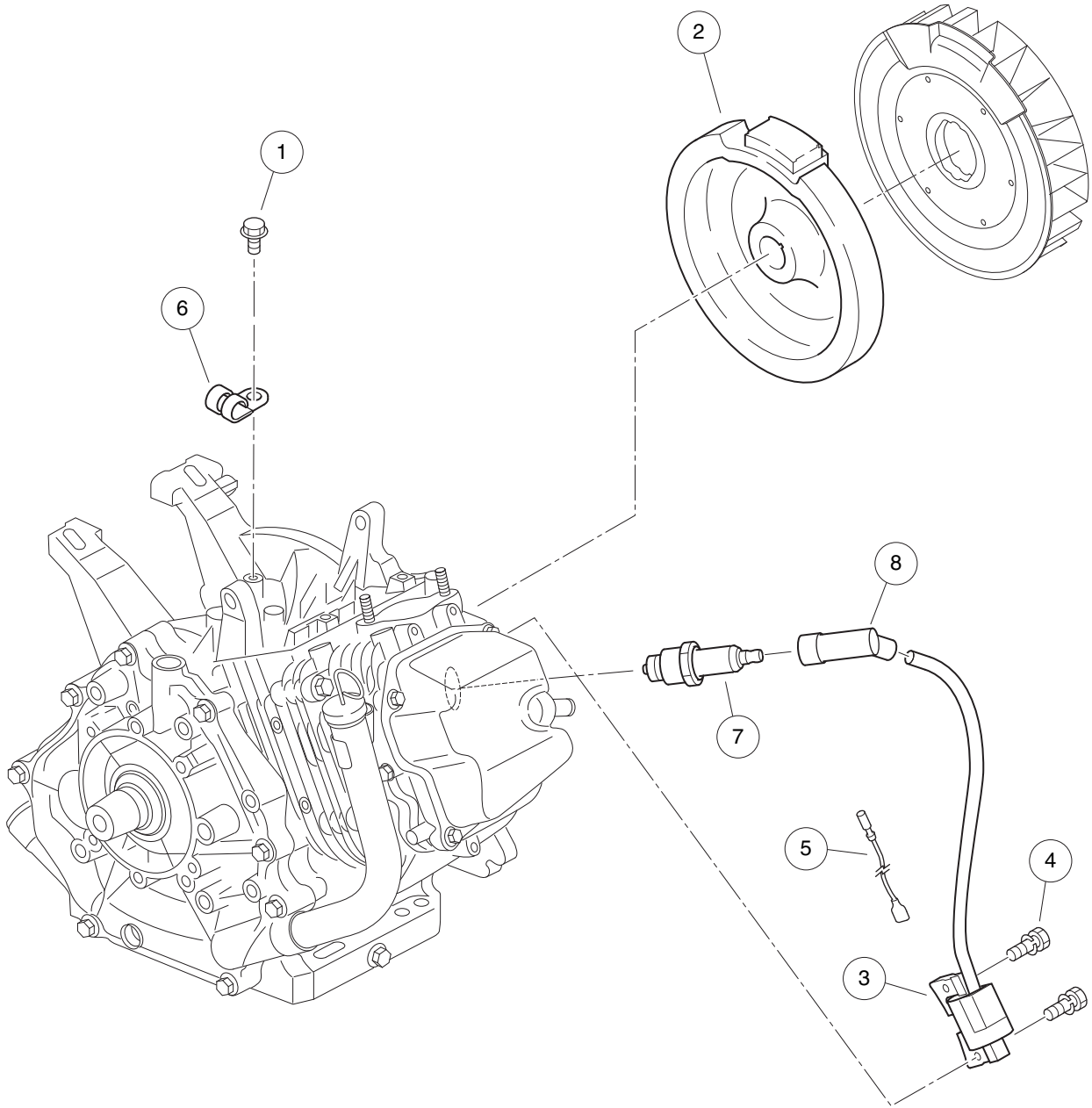
001002-001

# AIR DEFLECTOR – EX40

| ITEM | PART NO.  | DESCRIPTION  | QTY |
|------|-----------|--|-----|
|      |           | <b>1 2 3 4</b>   |     |
| 1    | 105084801 | Kit, Air Deflector, Subaru EX40 (includes items 2 through 8) ..... | 1   |
| 2    | 1016103   | Screw, Pan Hd Tx, Taptite 6-32 .....                               | 2   |
| 3    | 101824101 | Tie Wrap, Black .....  | 1   |
| 4    | 102298116 | Bolt, Flanged Head, M8 X 16.0 .....                                | 2   |
| 5    | 102410604 | P-clamp, Insulated, 0.625 Inch .....                               | 1   |
| 6    | 102541402 | Bolt, M6x1.0x40, Hex Flange Head, Blk-l .....                      | 1   |
| 7    | 105075301 | Deflector, Air, Subaru EX40 .....                                  | 1   |
| 8    | 7591      | Washer, #6, Flat .....   | 2   |

**8**

**G**



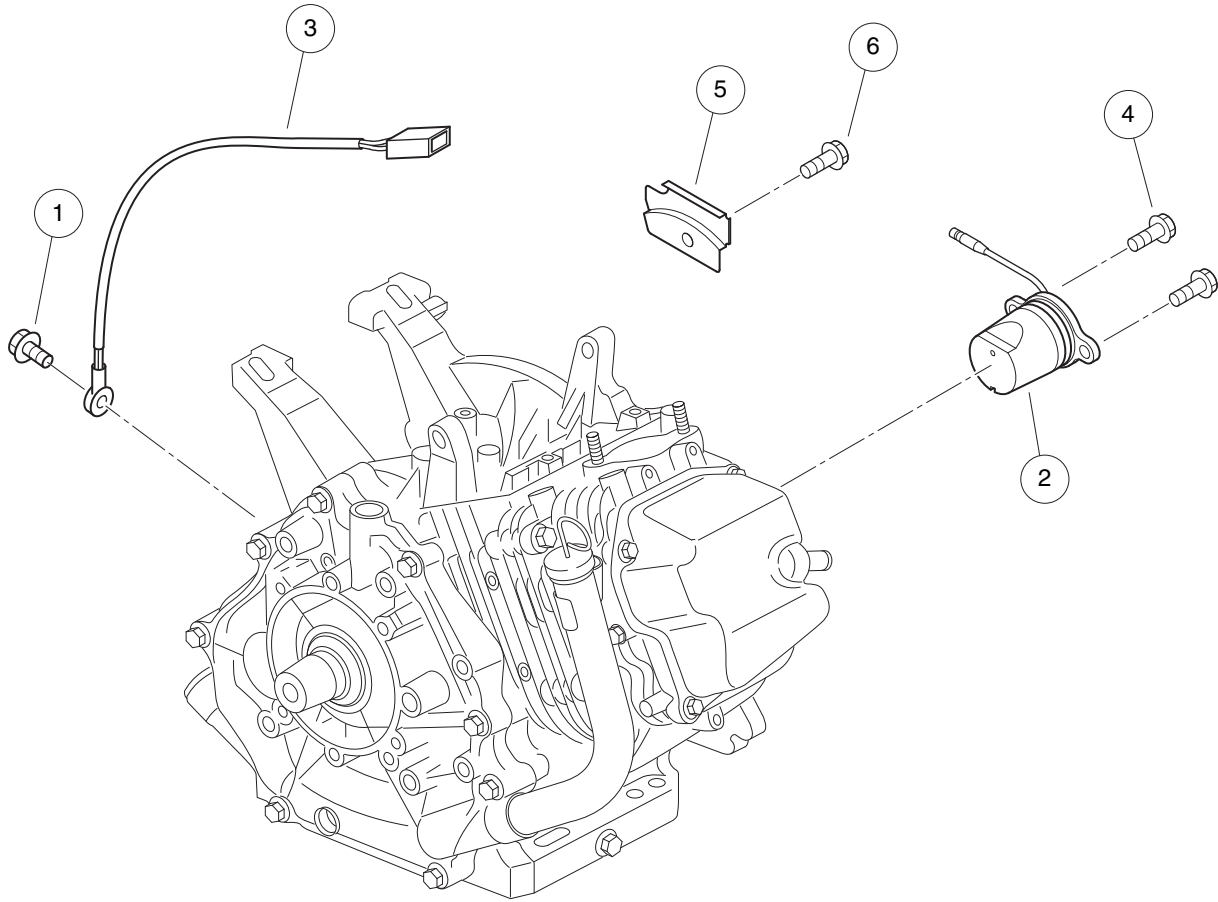
001003-001

## IGNITION COMPONENTS AND FLYWHEEL – EX40

| ITEM | PART NO.  | DESCRIPTION                          | QTY |
|------|-----------|--------------------------------------|-----|
|      |           | <b>1 2 3 4</b>                       |     |
| 1    | 105016001 | Bolt, Flange, M6x1.0x8, EX40 .....   | 1   |
| 2    | 105017301 | Flywheel, EX40 .....                 | 1   |
| 3    | 105017401 | Coil, Ignition, CDI, EX40 .....      | 1   |
| 4    | 105017501 | Asm, Bolt-Washer, Coil, EX40 .....   | 2   |
| 5    | 105017601 | Asm, Wire, Coil Control, EX40 .....  | 1   |
| 6    | 105017701 | Clamp, Coil Control Wire, EX40 ..... | 1   |
| 7    | 105017801 | Spark Plug, Subaru EX40 .....        | 1   |
| 8    | 105017901 | Cap, Spark Plug, EX40 .....          | 1   |

**8**

**G**



001004-001

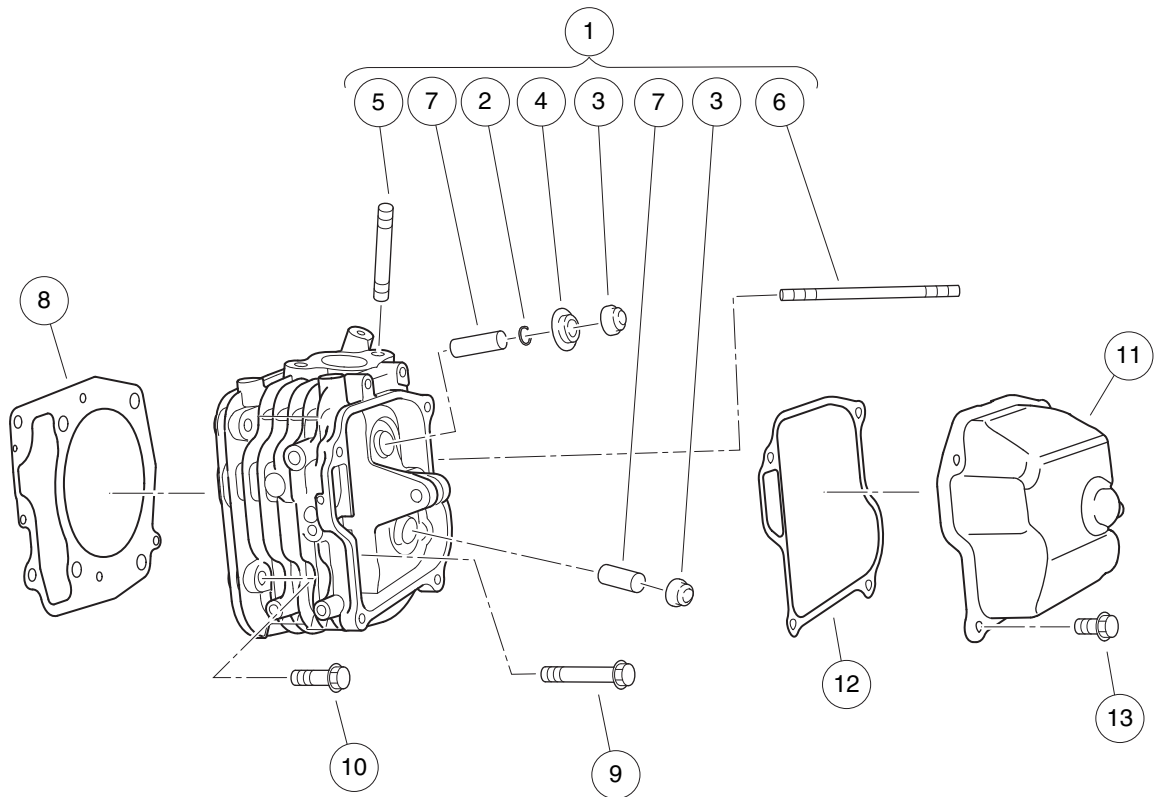


# SENSORS – EX40

| ITEM | PART NO.  | DESCRIPTION                             | QTY |
|------|-----------|---|-----|
|      |           | <b>1 2 3 4</b>                          |     |
| 1    | 105012601 | Bolt, Flange, M6x1.0x12, EX40 .....     | 1   |
| 2    | 105018001 | Sensor, Oil Level, EX40 .....           | 1   |
| 3    | 105018101 | Sensor, Temperature, EX40 .....         | 1   |
| 4    | 105018201 | Bolt, Oil Sensor, M6x1.0x14, EX40 ..... | 2   |
| 5    | 105018301 | Clamp, Oil Sensor Wire, EX40 .....      | 1   |
| 6    | 105018401 | Bolt, Tap, Oil Wire Clamp, EX40 .....   | 1   |

8

G



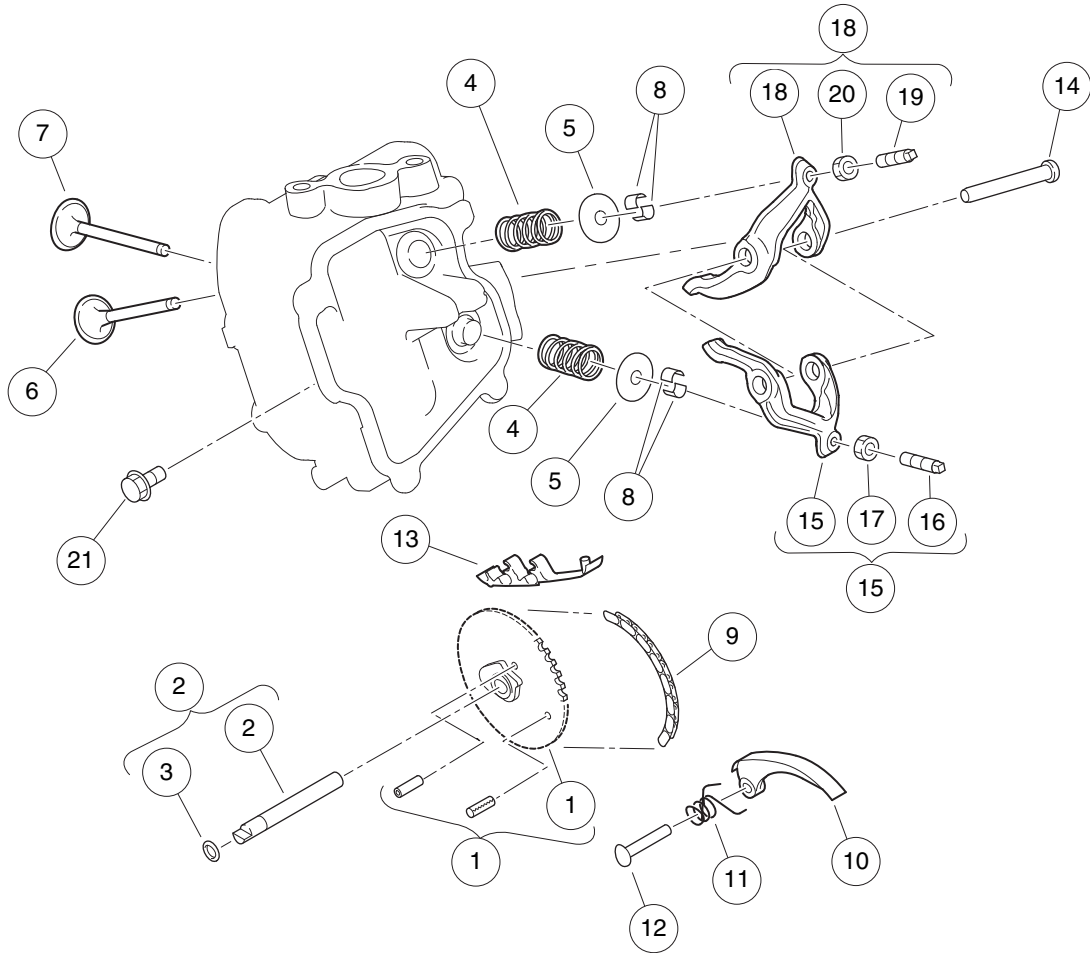
001005-001

# CYLINDER HEAD – EX40

| ITEM | PART NO.  | DESCRIPTION   | QTY |
|------|-----------|---|-----|
|      |           | 1 2 3 4   |     |
| 1    | 105011901 | Asm, Cylinder Head, EX40 (includes items 2 through 7) ..... | 1   |
| 2    | 105010101 | Clip, Retainer Plate, EX40 .....                            | 1   |
| 3    | 105010201 | Seal, Valve, EX40 .....                                     | 2   |
| 4    | 105010301 | Plate, Retainer, EX40 .....                                 | 1   |
| 5    | 105010801 | Stud, Mounting, Exhaust, EX40 .....                         | 2   |
| 6    | 105010901 | Stud, Mounting, Intake, EX40 .....                          | 2   |
| 7    | 105018501 | Guide, Valve, EX40 .....                                    | 2   |
| 8    | 105012001 | Gasket, Head, EX40 .....                                    | 1   |
| 9    | 105012101 | Bolt, Head, M10x1.25x75, EX40 .....                         | 4   |
| 10   | 105012201 | Bolt, Head, M8x1.25x35, EX40 .....                          | 2   |
| 11   | 105012301 | Cover, Rocker, EX40 .....                                   | 1   |
| 12   | 105012401 | Gasket, Rocker Cover, EX40 .....                            | 1   |
| 13   | 105012601 | Bolt, Flange, M6x1.0x12, EX40 .....                         | 4   |

8

G

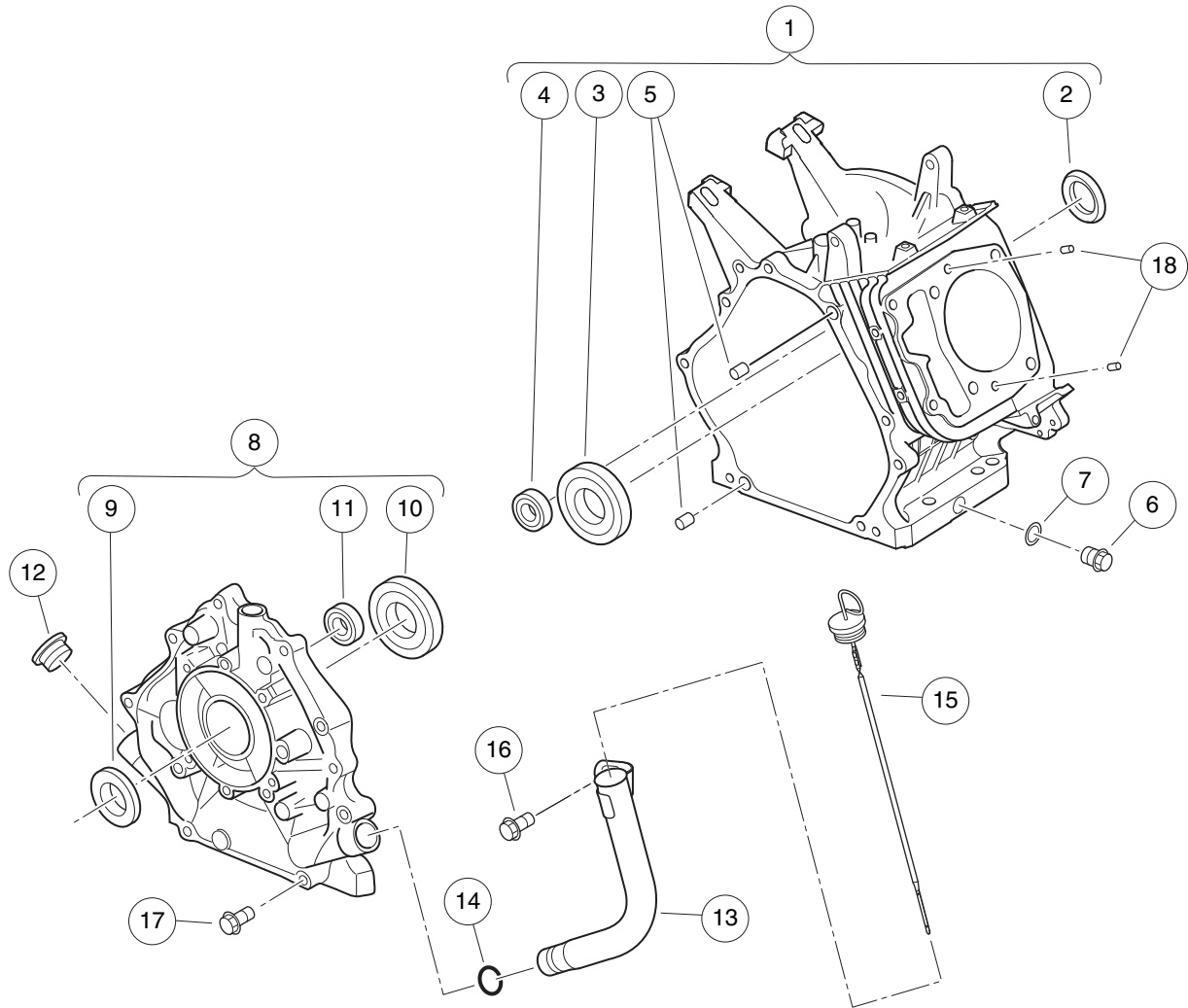


001006-001

## VALVETRAIN AND TIMING CHAIN – EX40

| ITEM | PART NO.  | DESCRIPTION   | QTY |
|------|-----------|---|-----|
|      |           | 1 2 3 4   |     |
| 1    | 105014201 | Asm, Cam/Chain Sprocket, EX40 .....                             | 1   |
| 2    | 105014301 | Asm, Camshaft and O-ring, EX40 (includes item 3) .....          | 1   |
| 3    | 105014401 | O-ring, Camshaft, EX40 .....                                    | 1   |
| 4    | 105014501 | Spring, Valve, EX40 .....                                       | 2   |
| 5    | 105014601 | Retainer, Spring, EX40 .....                                    | 2   |
| 6    | 105014701 | Valve, Intake, EX40 .....                                       | 1   |
| 7    | 105014801 | Valve, Exhaust, EX40 .....                                      | 1   |
| 8    | 105014901 | Collet, Valve, EX40 .....                                       | 4   |
| 9    | 105015001 | Chain, Timing, EX40 .....                                       | 1   |
| 10   | 105015101 | Tensioner, Chain, EX40 .....                                    | 1   |
| 11   | 105015201 | Spring, Tension, EX40 .....                                     | 1   |
| 12   | 105015301 | Pin, Tensioner, EX40 .....                                      | 1   |
| 13   | 105015401 | Guide, Chain, EX40 .....  | 1   |
| 14   | 105015501 | Shaft, Rocker, EX40 .....                                       | 1   |
| 15   | 105015601 | Asm, Rocker Arm, Intake, EX40 (includes items 16 and 17) .....  | 1   |
| 16   | 105015801 | Screw, Adjust, Valve, EX40 .....                                | 1   |
| 17   | 105015901 | Nut, Adjust, Valve, EX40 .....                                  | 1   |
| 18   | 105015701 | Asm, Rocker Arm, Exhaust, EX40 (includes items 19 and 20) ..... | 1   |
| 19   | 105015801 | Screw, Adjust, Valve, EX40 .....                                | 1   |
| 20   | 105015901 | Nut, Adjust, Valve, EX40 .....                                  | 1   |
| 21   | 105016001 | Bolt, Flange, M6x1.0x8, EX40 .....                              | 1   |

**8**  
**G**



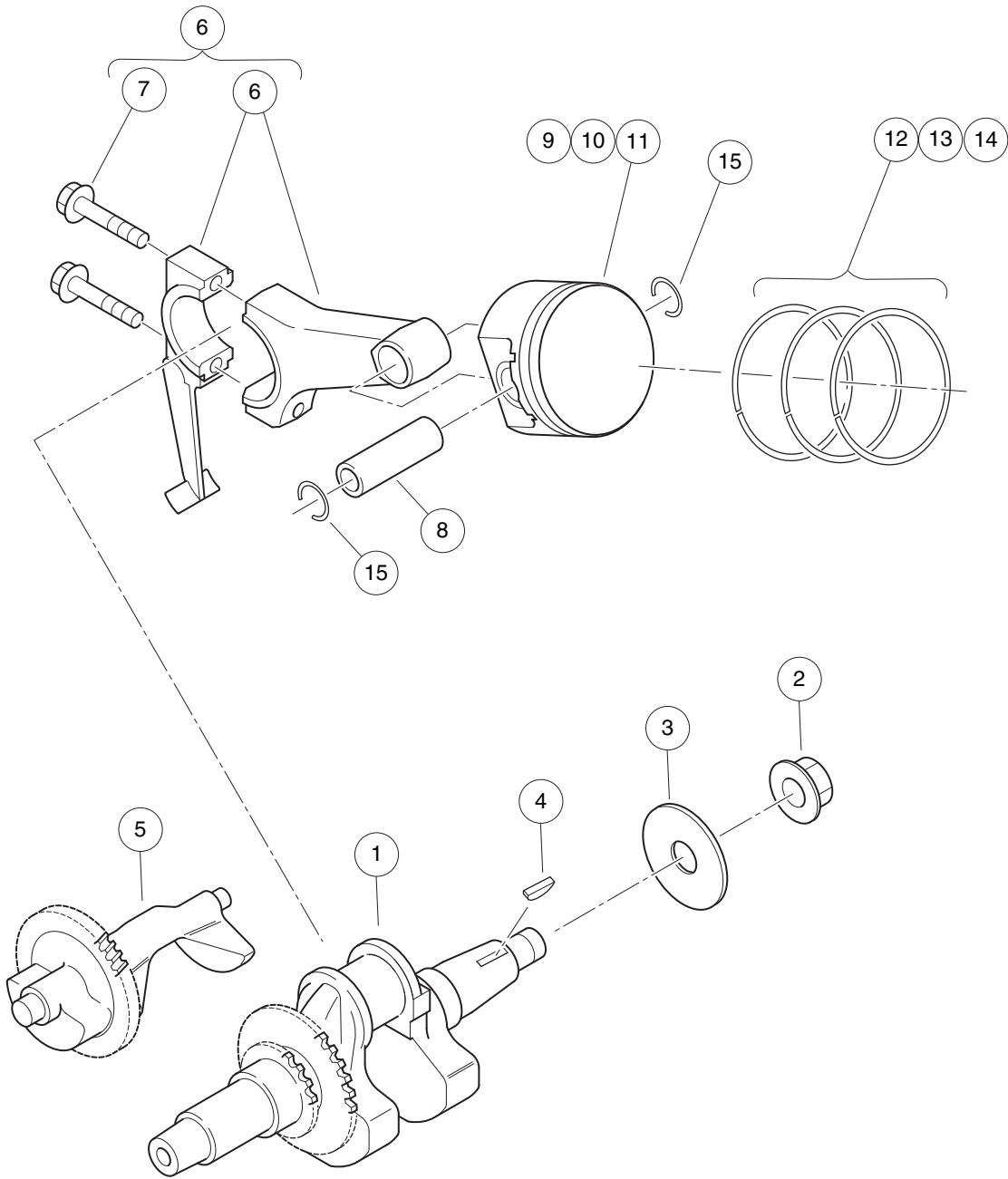
001007-001

# CRANKCASE – EX40

| ITEM | PART NO.  | DESCRIPTION   | QTY |
|------|-----------|---|-----|
|      |           | <b>1 2 3 4</b>  |     |
| 1    | 105010001 | Crankcase, EX40 (includes items 2 through 5) .....              | 1   |
| 2    | 105010401 | Seal, Oil, Crankshaft, EX40 .....                               | 1   |
| 3    | 105010501 | Bearing, Crankshaft, EX40 .....                                 | 1   |
| 4    | 105010601 | Bearing, Balance Shaft, EX40 .....                              | 1   |
| 5    | 105010701 | Pin, Guide, Crankcase, EX40 .....                               | 2   |
| 6    | 105011001 | Plug, Oil Drain, EX40 .....                                     | 2   |
| 7    | 105011101 | Gasket, Oil Drain Plug, EX40 .....                              | 2   |
| 8    | 105011201 | Asm, Cover, Crankcase, EX40 (includes items 9 through 11) ..... | 1   |
| 9    | 105010401 | Seal, Oil, Crankshaft, EX40 .....                               | 1   |
| 10   | 105010501 | Bearing, Crankshaft, EX40 .....                                 | 1   |
| 11   | 105010601 | Bearing, Balance Shaft, EX40 .....                              | 1   |
| 12   | 105011301 | Plug, Rubber, Crankcase, EX40 .....                             | 1   |
| 13   | 105011401 | Tube, Oil Filler, EX40 .....                                    | 1   |
| 14   | 105011501 | O-ring, Oil Filler Tube, EX40 .....                             | 1   |
| 15   | 105011601 | Dipstick, EX40 .....  | 1   |
| 16   | 105011701 | Bolt, Filler Tube, M8x1.25x12, EX40 .....                       | 1   |
| 17   | 105011801 | Bolt, Case Cover, M8x1.25x38, EX40 .....                        | 8   |
| 18   | 105012501 | Pin, Guide, Head, EX40 .....                                    | 2   |

**8**

**G**



001008-001



## CRANKSHAFT AND PISTON – EX40

| ITEM | PART NO.  | DESCRIPTION  | QTY |
|------|-----------|--|-----|
|      |           | 1 2 3 4  |     |
| 1    | 105012701 | Crankshaft, EX40 .....                             | 1   |
| 2    | 105012801 | Nut, Crankshaft M18x1.5 Ex40 .....                 | 1   |
| 3    | 105012901 | Washer, Crankshaft Ex40 .....                      | 1   |
| 4    | 105013001 | Key, Woodruff, Crankshaft, EX40 .....              | 1   |
| 5    | 105013101 | Shaft, Balance, EX40 .....                         | 1   |
| 6    | 105013201 | Asm, Rod, Connecting, EX40 (includes item 7) ..... | 1   |
| 7    | 105013301 | Bolt, Rod M8x1.25x40 Ex40 .....                    | 2   |
| 8    | 105013401 | Pin, Piston, EX40 .....                            | 1   |
| 9    | 105013501 | Piston, Standard, EX40 .....                       | 1   |
| 10   | 105013601 | Piston, 0.25 mm Oversize, EX40 .....               | 1   |
| 11   | 105013701 | Piston, 0.50 mm Oversize, EX40 .....               | 1   |
| 12   | 105013801 | Set, Piston Ring, Standard, EX40 .....             | 1   |
| 13   | 105013901 | Set, Piston Ring, 0.25 mm Oversize, EX40 .....     | 1   |
| 14   | 105014001 | Set, Piston Ring, 0.50 mm Oversize, EX40 .....     | 1   |
| 15   | 105014101 | Clip, Piston Pin, EX40 .....                       | 2   |

**8**

**G**

8

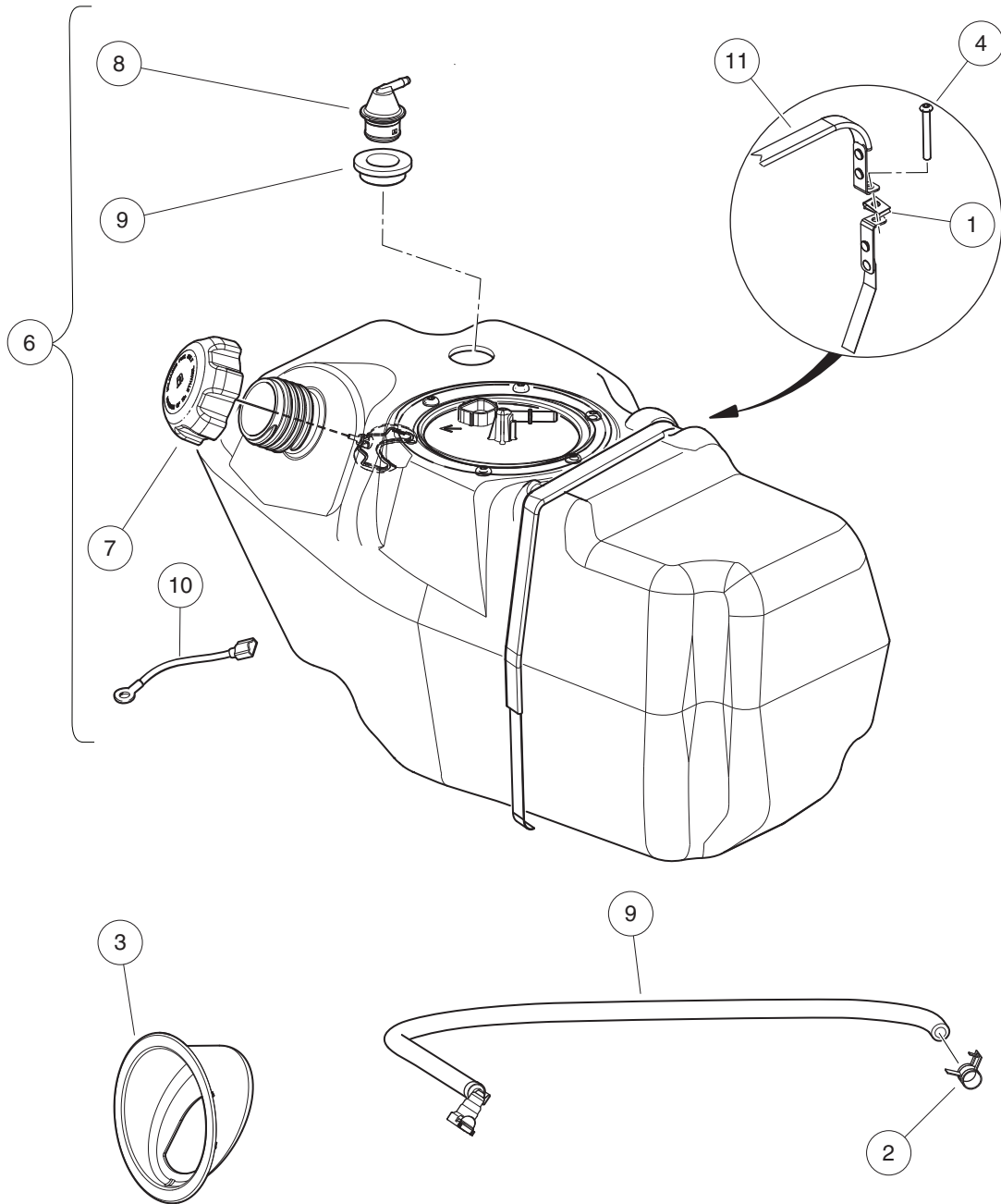
G

# FUEL SYSTEM – EFI

---

9

G

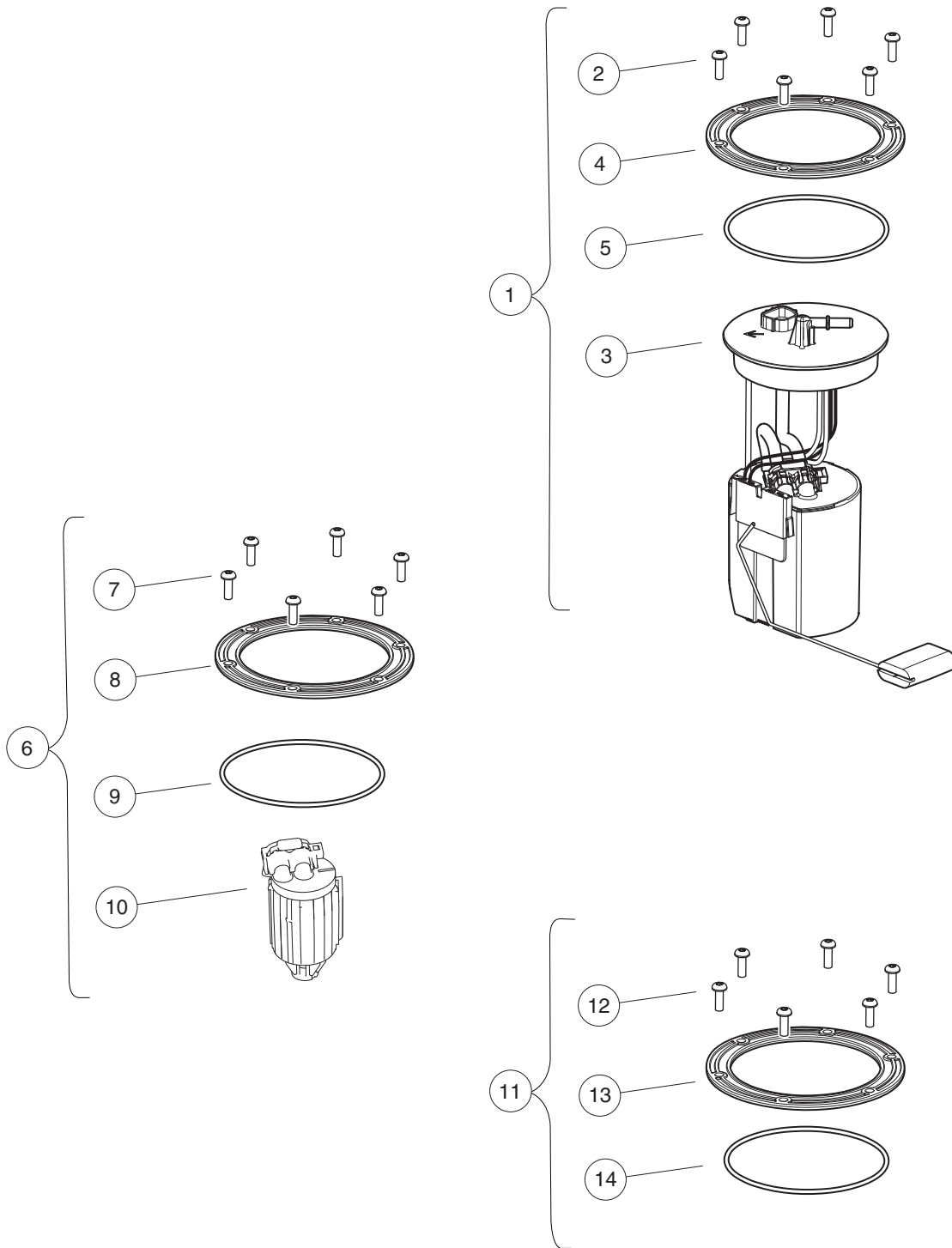


000977-004

## FUEL TANK WITH SENDING UNIT, SIDE FILL – EFI

| ITEM | PART NO.  | DESCRIPTION  | QTY |
|------|-----------|--|-----|
|      |           | <b>1 2 3 4</b>   |     |
| 1    | 1014116   | Nut, 1/4-20 Speed .....  | 1   |
| 2    | 102411203 | Clamp, Hose, Ctb 14mm Dia. ....  | 1   |
| 3    | 102977901 | Bezel, Fuel Fill, 5.0 Dia .....  | 1   |
| 4    | 103306301 | Screw, Bhsc, 1/4-20 X 2.0 .....  | 1   |
| 5    | 105043501 | Asm, Fuel Line, Utility .....  | 1   |
| 6    | 105044001 | Asm, Tank, Fuel, Side-Fill, Complete, w/Sending Unit (includes items 7 through 10) ..... | 1   |
| 7    | 103372101 | Cap, Fuel Tank, Gas, Ratchet .....   | 1   |
| 8    | 103905201 | Assembly, Vent, Fuel, 1/4 Inch O.D. ....   | 1   |
| 9    | 103944301 | Grommet, Fuel Tank, Vent .....   | 1   |
| 10   | 105143301 | Wire, Ground, Fuel Tank .....  | 1   |
| 11   | 105093601 | Retention Strap, Tank .....  | 1   |

**9**  
**G**

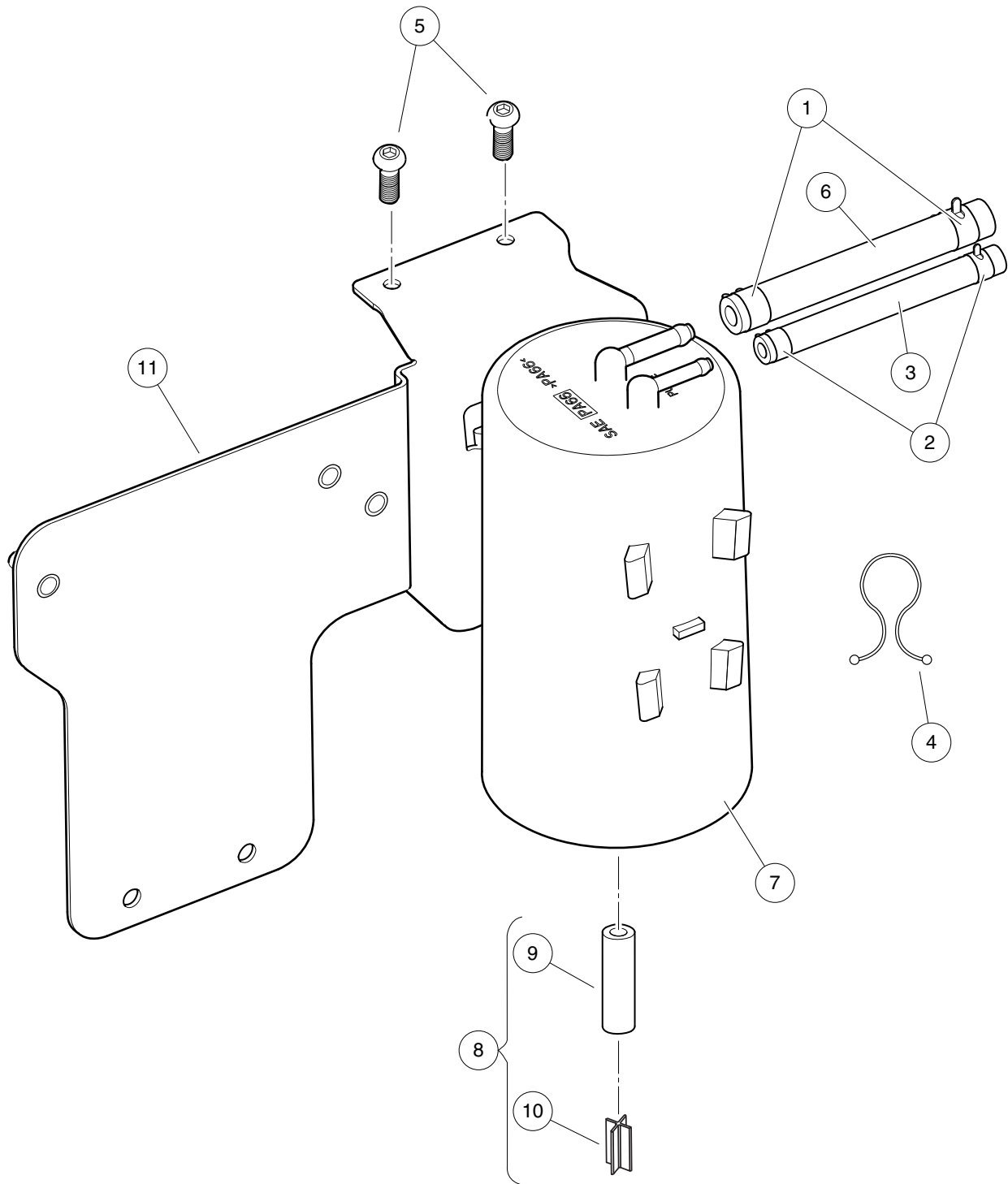


000977-005

## FUEL TANK KITS – EFI

| ITEM | PART NO.  | DESCRIPTION  | QTY |
|------|-----------|--|-----|
|      |           | 1 2 3 4  |     |
| 1    | 105282901 | Kit, Fuel Pump Module (includes items 2 through 5) ..... | 1   |
| 2    | 102025801 | Screw, 1/4-20 X .75 Torx Pn Hd .....                     | 6   |
| 3    | 105043401 | Fuel Pump Module, with Sending Unit .....                | 1   |
| 4    | 105043801 | Fuel Module, Hold Down Ring .....                        | 1   |
| 5    | 105043901 | O-Ring, Fuel Module .....                                | 1   |
| 6    | 105282902 | Kit, Fuel Filter (includes items 7 through 10) .....     | 1   |
| 7    | 102025801 | Screw, 1/4-20 X .75 Torx Pn Hd .....                     | 6   |
| 8    | 105043801 | Fuel Module, Hold Down Ring .....                        | 1   |
| 9    | 105043901 | O-Ring, Fuel Module .....                                | 1   |
| 10   | 105073001 | Fuel Filter, EX40, EFI .....                             | 1   |
| 11   | 105282903 | Kit, O-ring (includes items 12 through 14) .....         | 1   |
| 12   | 102025801 | Screw, 1/4-20 X .75 Torx Pn Hd .....                     | 6   |
| 13   | 105043801 | Fuel Module, Hold Down Ring .....                        | 1   |
| 14   | 105043901 | O-Ring, Fuel Module .....                                | 1   |

9  
G



000980-006



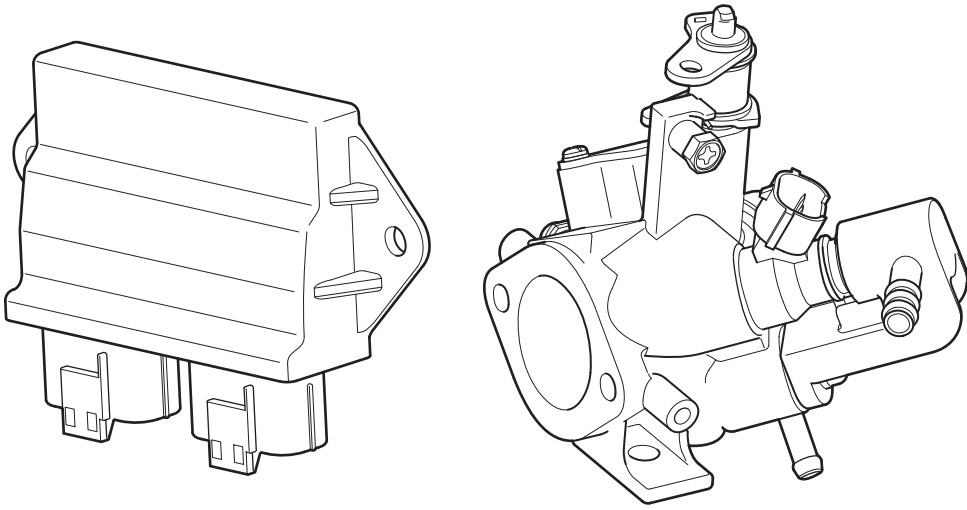
## CARBON CANISTER – EFI

| ITEM | PART NO.  | DESCRIPTION   | QTY |
|------|-----------|---|-----|
|      |           | <b>1 2 3 4</b>  |     |
| 1    | 1012649   | Clamp, 0.460 Red Hose .....                                     | 2   |
| 2    | 1013746   | Clamp, 0.301 ID Hose .....                                      | 2   |
| 3    | 1015137   | Fuel Line, 3/16 (available by the foot) .....                   | A/R |
| 4    | 101987701 | Clamp, Plastic Tie .....  | 2   |
| 5    | 102025801 | Screw, 1/4-20 X .75 Torx Pn Hd .....                            | 2   |
| 6    | 102865101 | Fuel Line, 1/4 (available by the foot) .....                    | A/R |
| 7    | 103372401 | Canister, Carbon .....  | 1   |
| 8    | 103756401 | Asm, Vent Line, Carbon Canister (includes items 9 and 10) ..... | 1   |
| 9    | N/A       | Hose, Vent, 5/16 I.D., Bulk .....                               | A/R |
| 10   | N/A       | Vent, Barb, 5/16 I.D. Hose .....                                | 1   |
| 11   | 105044901 | Bracket, Carbon Canister/ECU .....                              | 1   |

9

G

1

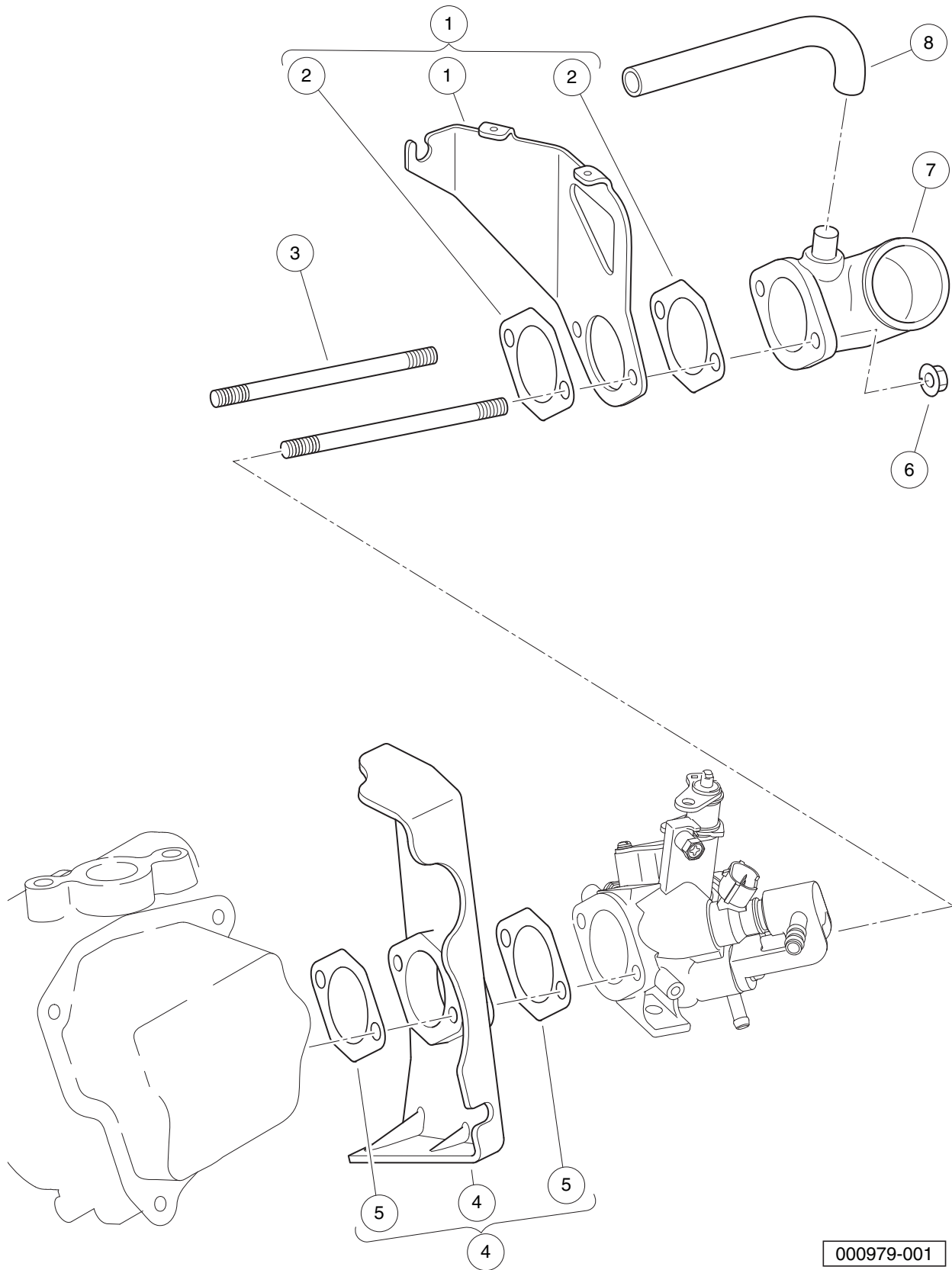


000964-001

# THROTTLE BODY AND ECU – EFI

| ITEM | PART NO.  | DESCRIPTION  | QTY |
|------|-----------|--|-----|
| 1    | 105017201 | 1 2 3 4<br>Asm, Throttle Body/Fuel Injector with ECU, EX40 ..... | 1   |

**9**  
**G**



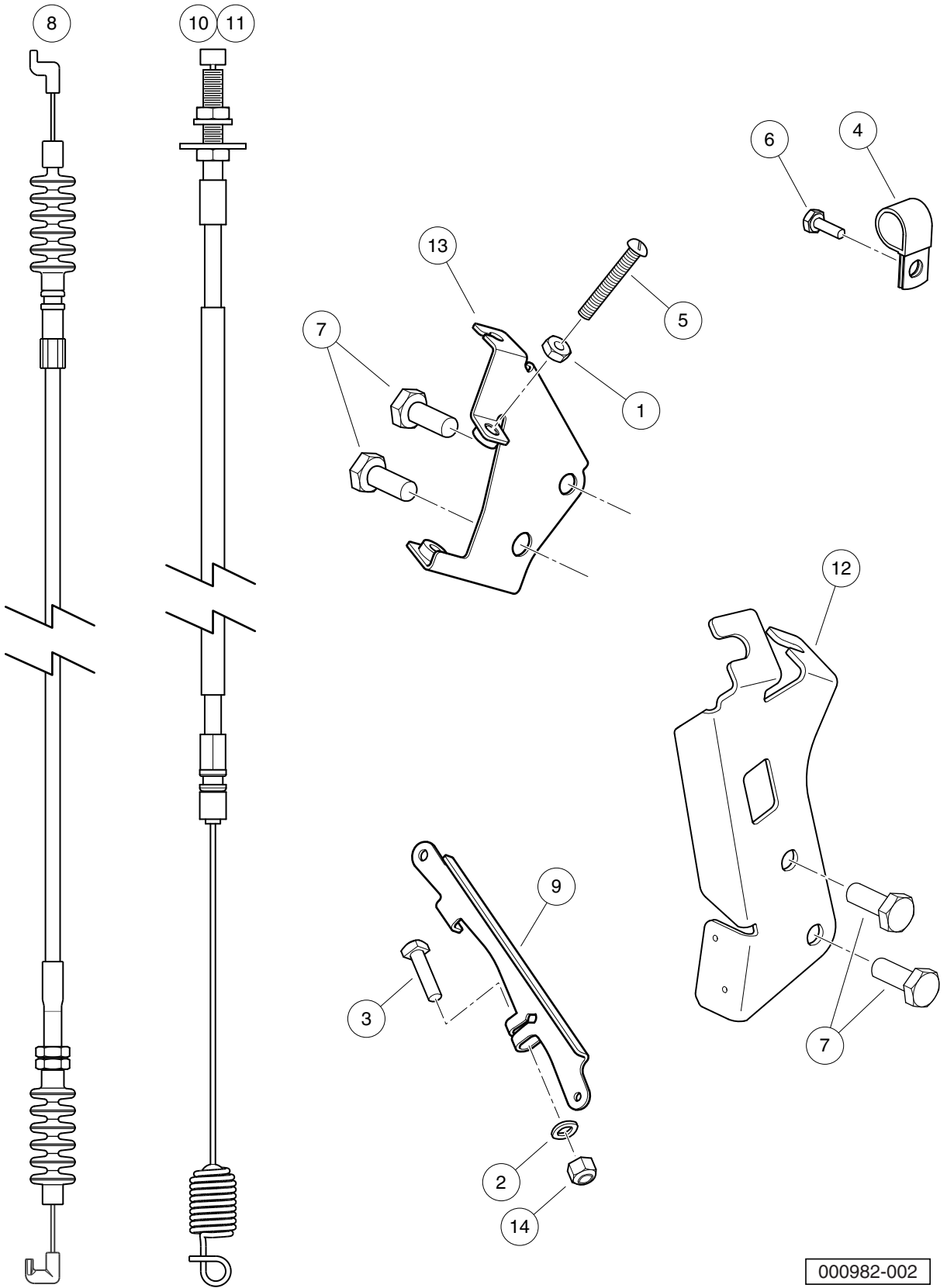
000979-001

## THROTTLE BODY MOUNTING – EFI

| ITEM | PART NO.  | DESCRIPTION                                      | QTY |
|------|-----------|--|-----|
|      |           | <b>1 2 3 4</b>                                   |     |
| 1    | 103983501 | Bracket, Operation, EX40 (includes item 2) ..... | 1   |
| 2    | 105016201 | Gasket, Insulator, EX40 .....                    | 2   |
| 3    | 105010901 | Stud, Mounting, Intake, EX40 .....               | 2   |
| 4    | 105016101 | Insulator, EX40 (includes item 5) .....          | 1   |
| 5    | 105016201 | Gasket, Insulator, EX40 .....                    | 2   |
| 6    | 105016301 | Nut, Intake Adapter, M6x1.0, EX40 .....          | 2   |
| 7    | 105016401 | Adapter, Air Intake, EX40 .....                  | 1   |
| 8    | 105016501 | Hose, Breather, EX40 .....                       | 1   |

**9**

**G**

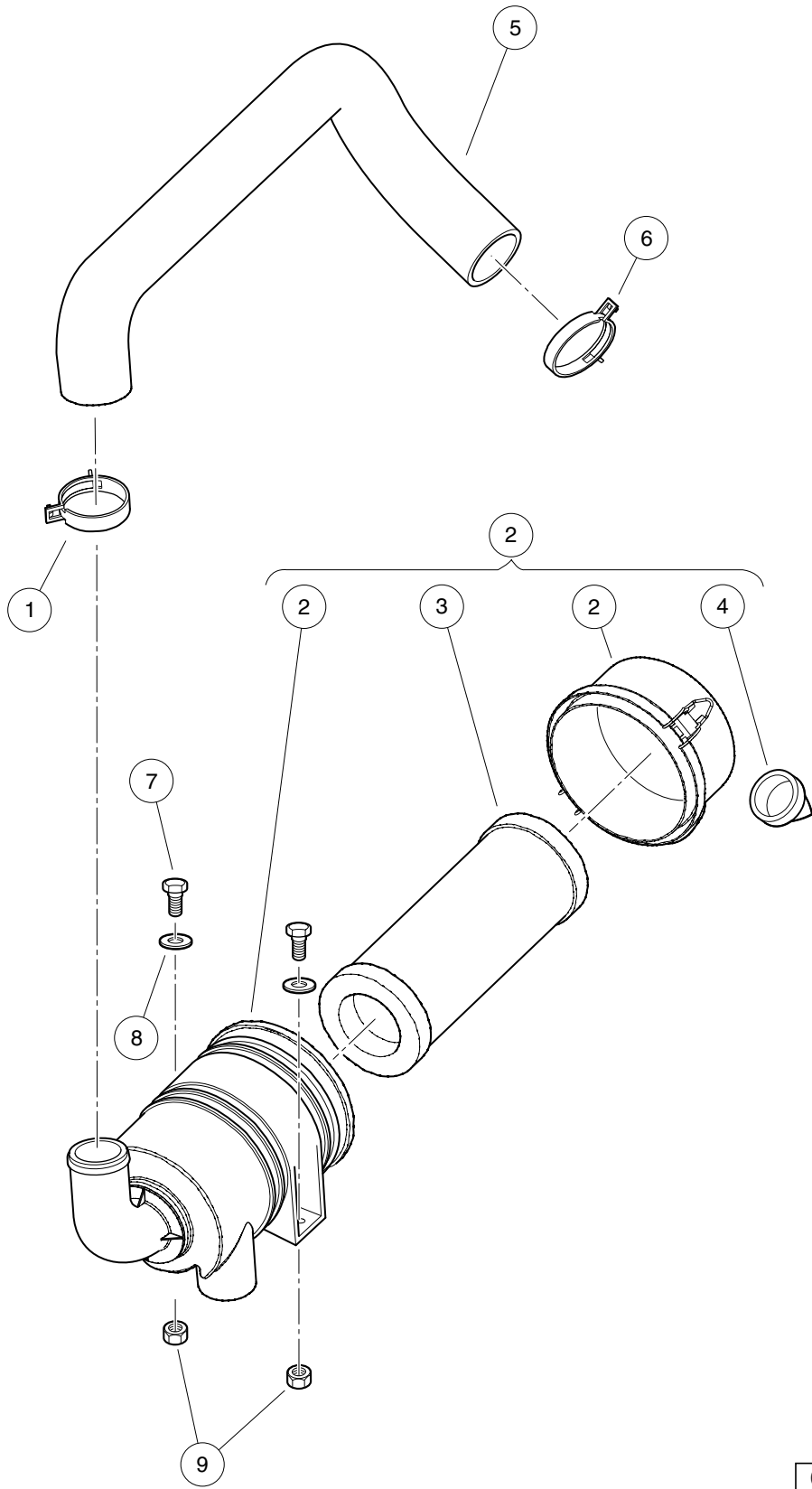


000982-002

## GOVERNOR AND ACCELERATOR CABLES – EFI

| ITEM | PART NO.  | DESCRIPTION                                  | QTY |
|------|-----------|--|-----|
|      |           | 1 2 3 4                                      |     |
| 1    | 1011114   | Nut, M6-1.00 Hex .....                       | 1   |
| 2    | 1014007   | Washer, 1/4, Flat .....                      | 1   |
| 3    | 101886101 | Screw, 1/4-20 X 1.00, Square-Head .....      | 1   |
| 4    | 102410604 | P-clamp, Insulated, 0.625 Inch .....         | 1   |
| 5    | 102476401 | Bolt, Stop, Pedal .....                      | 1   |
| 6    | 102490301 | Bolt, M6 X 1 X 16, Loctite .....             | 1   |
| 7    | 102498201 | Bolt, M10 X 1.25 X 25, Loctite .....         | 4   |
| 8    | 103978001 | Cable, Governor, EX40 .....                  | 1   |
| 9    | 104023501 | Arm, Governor, ED65 .....                    | 1   |
| 10   | 105007402 | Cable, Accelerator, Utility, Low-Speed ..... | 1   |
| 11   | 105007403 | Cable, Accelerator, Utility, Std-Speed ..... | 1   |
| 12   | 105135101 | Bracket, Cable, FNR/Accelerator, ED65 .....  | 1   |
| 13   | 105144401 | Weldment, Governor Bracket .....             | 1   |
| 14   | 8233      | Locknut, 1/4-20, Nylon Insert .....          | 1   |

9  
G



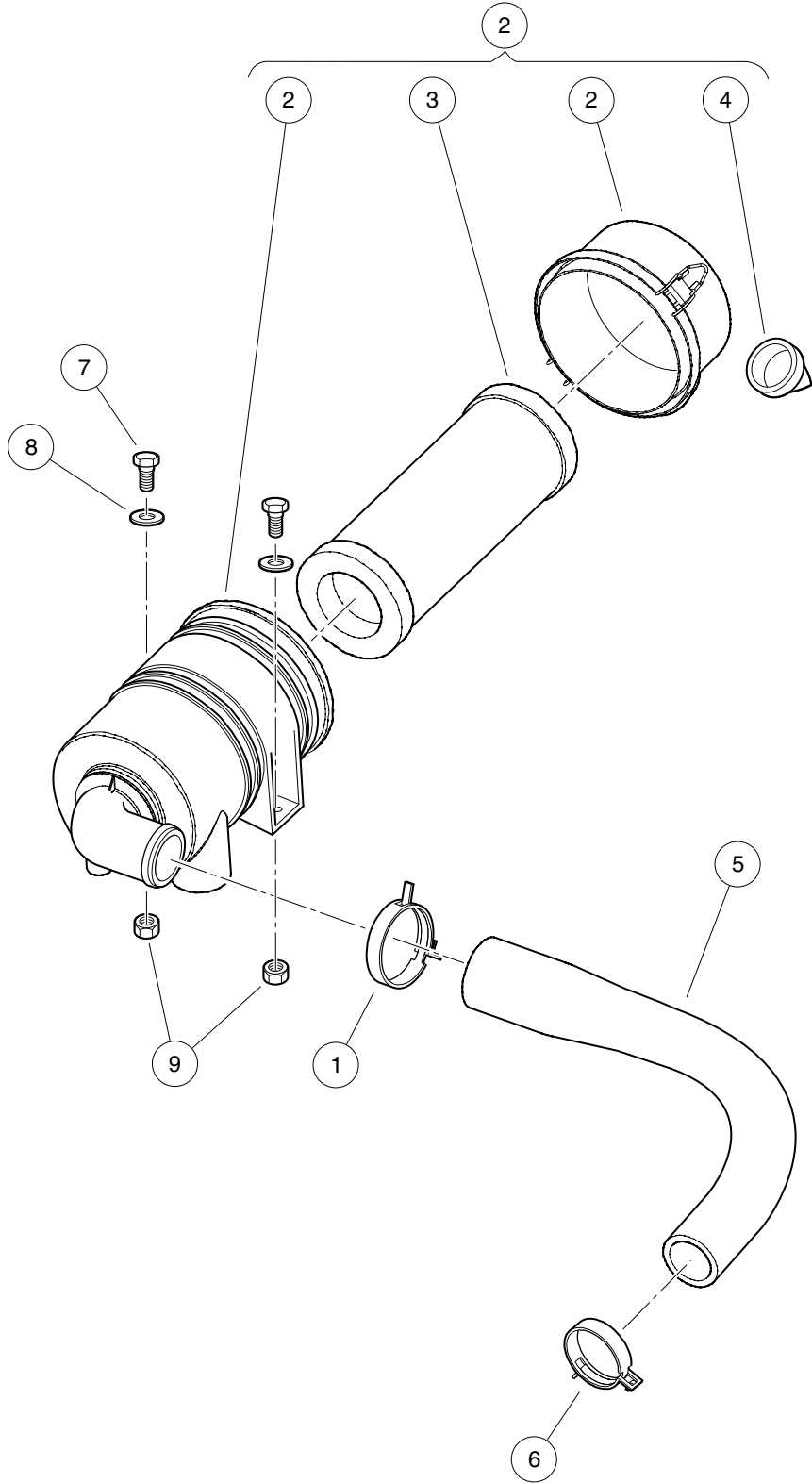
000983-001



## AIR FILTER SYSTEM AND INTAKE HOSE – EFI

| ITEM | PART NO.  | DESCRIPTION   | QTY |
|------|-----------|---|-----|
|      |           | <b>1 2 3 4</b>  |     |
| 1    | 102411209 | Clamp, Hose, Ctb 55mm Dia. ....                             | 1   |
| 2    | 105009101 | Air Cleaner, Utility with EFI (includes items 3 and 4) .... | 1   |
| 3    | 102558201 | Air Filter, 4 Inch ....                                     | 1   |
| 4    | 102725501 | Valve, Evacuator, Filter Air ....                           | 1   |
| 5    | 105043001 | Hose, Air Intake, Utility with EFI ....                     | 1   |
| 6    | 105088501 | Clamp, Ctb, 49mm Dia, W/clip ....                           | 1   |
| 7    | 1218      | Screw, 5/16-18 X 1.25 Hex-Head Cap ....                     | 2   |
| 8    | 1241      | Washer, 5/16 Type A Flat ....                               | 2   |
| 9    | 7473      | Locknut, 5/16-18 Nylon Insert ....                          | 2   |

**9**  
**G**



000984-001

# AIR FILTER SYSTEM AND INTAKE HOSE – EFI, LWB UTILITY/ TRANS

| ITEM | PART NO.  | DESCRIPTION   | QTY |
|------|-----------|---|-----|
|      |           | 1 2 3 4   |     |
| 1    | 102411209 | Clamp, Hose, Ctb 55mm Dia. ....                             | 1   |
| 2    | 105009101 | Air Cleaner, Utility with EFI (includes items 3 and 4) .... | 1   |
| 3    | 102558201 | Air Filter, 4 Inch ....                                     | 1   |
| 4    | 102725501 | Valve, Evacuator, Filter Air ....                           | 1   |
| 5    | 105009401 | Hose, Air Intake, LWB Utility with EFI ....                 | 1   |
| 6    | 105088501 | Clamp, Ctb, 49mm Dia, W/clip ....                           | 1   |
| 7    | 1218      | Screw, 5/16-18 X 1.25 Hex-Head Cap ....                     | 2   |
| 8    | 1241      | Washer, 5/16 Type A Flat ....                               | 2   |
| 9    | 7473      | Locknut, 5/16-18 Nylon Insert ....                          | 2   |

**9**  
**G**

9

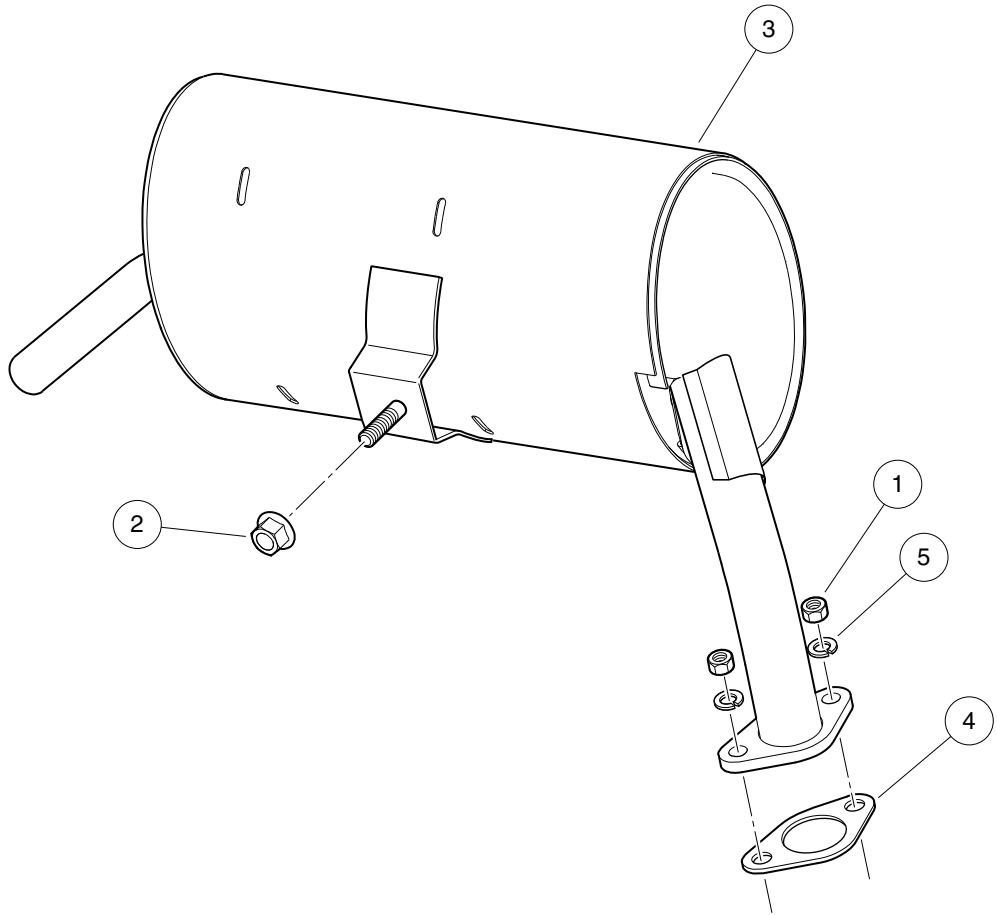
G

# EXHAUST SYSTEM – EX40 ENGINE

---

10

G



000948-001

# EXHAUST SYSTEM – UTILITY

| ITEM | PART NO.  | DESCRIPTION  | QTY |
|------|-----------|--|-----|
|      |           | 1 2 3 4  |     |
| 1    | 1012528   | Nut, M8-1.25 Hex .....                               | 2   |
| 2    | 102617201 | Nut, Flanged, M10 X 1.5, Mechanically Deformed ..... | 1   |
| 3    | 103980001 | Exhaust System, EX40 .....                           | 1   |
| 4    | 103993601 | Gasket, Exhaust, EX40 .....                          | 1   |
| 5    | 7174      | Lockwasher, 5/16 Split .....                         | 2   |

**10**  
**G**

**10**

**G**



# DRIVE BELT AND CLUTCHES – EX40

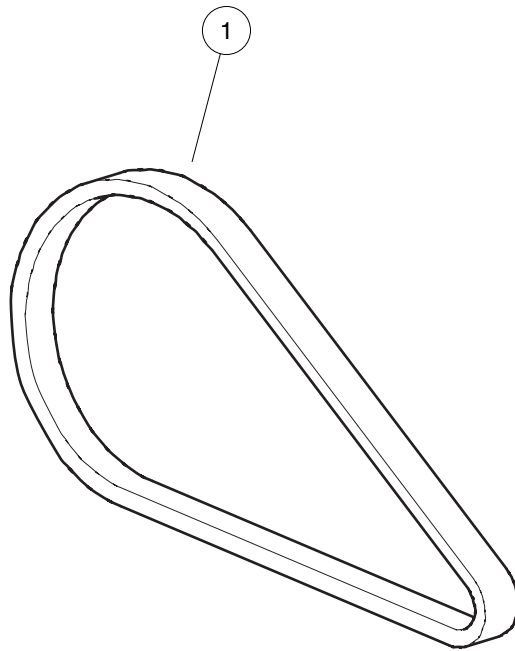
---

11

G

11

G



000918-001

# DRIVE BELT – KEY-START VEHICLES WITH EFI

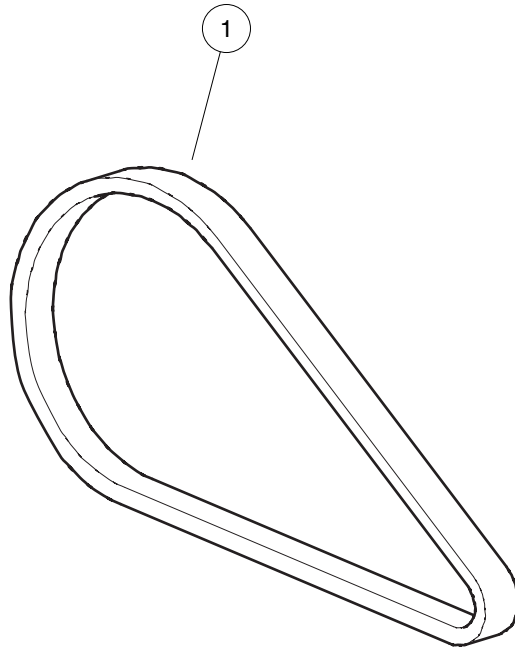
| ITEM | PART NO.  | DESCRIPTION                             | QTY |
|------|-----------|---|-----|
| 1    | 103974102 | 1 2 3 4<br>Belt, Drive, Key-Start ..... | 1   |

11

G

11

G



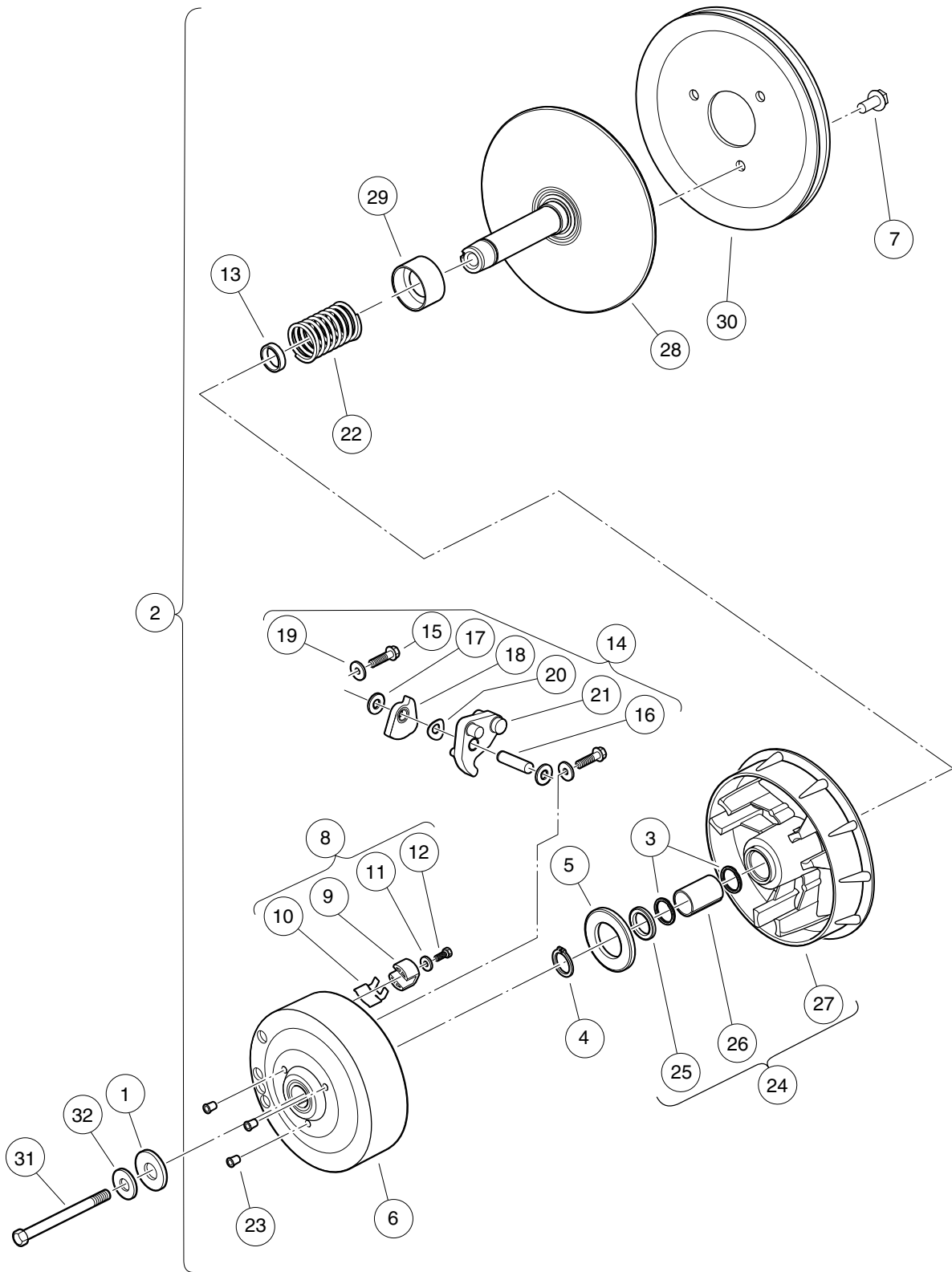
000918-001

## DRIVE BELT – PEDAL-START VEHICLES WITH EFI

| ITEM | PART NO.  | DESCRIPTION                               | QTY |
|------|-----------|---|-----|
| 1    | 105245801 | 1 2 3 4<br>Belt, Drive, Pedal-Start ..... | 1   |

11

G

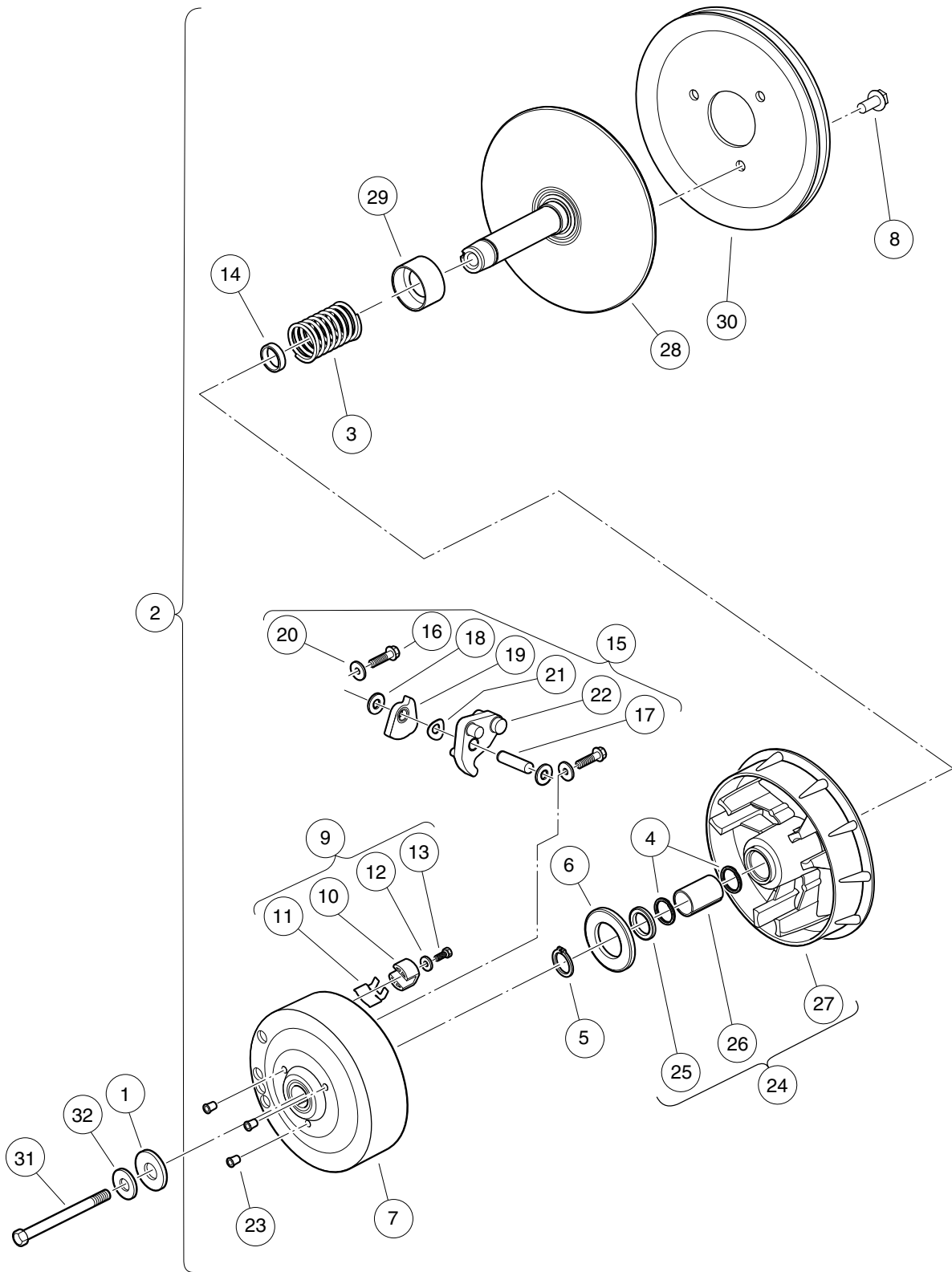


000958-002

## DRIVE CLUTCH – KEY-START VEHICLES

| ITEM | PART NO.  | DESCRIPTION   | QTY |
|------|-----------|---|-----|
|      |           | 1 2 3 4   |     |
| 1    | 102491501 | Washer, Hard, M10 .....   | 1   |
| 2    | 103973902 | Clutch, Drive, Key-Start (includes items 3 through 30) .....          | 1   |
| 3    | 1014056   | Ring, Spiral Backup .....   | 2   |
| 4    | 1014057   | Ring, 0.810" Internal Retaining .....                                 | 1   |
| 5    | 1014058   | Thrust Washer .....   | 1   |
| 6    | 1014059   | Drive Hub Assy, Drive Clutch .....                                    | 1   |
| 7    | 1014288   | Screw, 5/16-18 X 0.75, Thread-Forming .....                           | 3   |
| 8    | 1014453   | Kit, Drive Clutch Button (includes items 9 through 12) .....          | 1   |
| 9    | 1014062   | Driver, Drive Clutch .....  | 3   |
| 10   | 1014287   | Spring, Drive Button .....  | 3   |
| 11   | 183       | Washer, #10, Type A, Flat .....                                       | 3   |
| 12   | 8450      | Screw, #10-24 X 0.50, Hex-Head .....                                  | 3   |
| 13   | 1016289   | Spacer, Fixed Face Shaft .....  | 1   |
| 14   | 1016801   | Kit, Drive Clutch Weight (includes items 15 through 21) .....         | 1   |
| 15   | 1014063   | Screw, 1/4-20 X 1.00, Hex Head .....                                  | 6   |
| 16   | N/A       | Pin, Dowel, 0.3752 x 1.50 .....                                       | 3   |
| 17   | 1014065   | Washer, Flat, 0.38" ID, Delrin .....                                  | 6   |
| 18   | N/A       | Clutch Weight, Secondary .....  | 3   |
| 19   | N/A       | Washer .....  | 6   |
| 20   | 1016201   | Washer, Wave .....  | 3   |
| 21   | N/A       | Weight, Primary .....   | 3   |
| 22   | 1016901   | Spring, Drive Clutch .....  | 1   |
| 23   | N/A       | Cap Plug .....  | 3   |
| 24   | 103974201 | Asm, Sheave, Moveable, Drive, Wr (includes items 25 through 27) ..... | 1   |
| 25   | 1014055   | Retainer .....  | 1   |
| 26   | N/A       | Bushing, Split, Drive Clutch .....                                    | 1   |
| 27   | N/A       | Sheave, Moveable, Drive, Wr .....                                     | 1   |
| 28   | 103974401 | Sheave, Fixed, Drive, Wr .....  | 1   |
| 29   | 103984601 | Spacer, Idler, Drive .....  | 1   |
| 30   | 105096101 | Pulley, 7.3 Inch Effective Dia .....                                  | 1   |
| 31   | 103976101 | Screw, 3/8-24x5.75, Patch .....                                       | 1   |
| 32   | 334       | Washer, 3/8, Type A, Flat .....                                       | 1   |

**11**  
**G**



000958-001



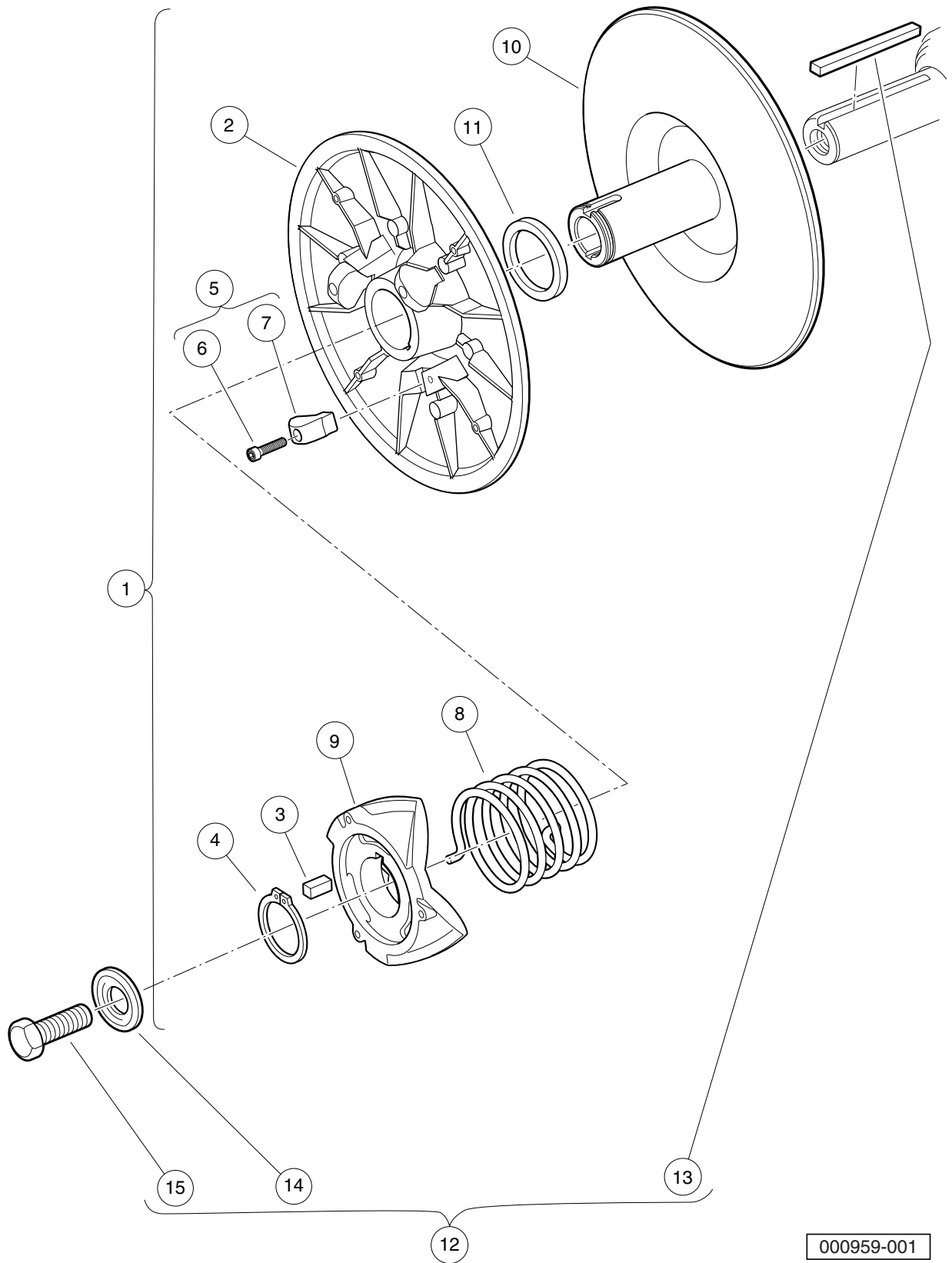
## DRIVE CLUTCH – PEDAL-START VEHICLES

| ITEM | PART NO.  | DESCRIPTION   | QTY |
|------|-----------|---|-----|
|      |           | <b>1 2 3 4</b>  |     |
| 1    | 102491501 | Washer, Hard, M10 .....   | 1   |
| 2    | 103973901 | Clutch, Drive, Pedal-Start (includes items 3 through 30) .....        | 1   |
| 3    | 1014051   | Spring, Drive Clutch .....  | 1   |
| 4    | 1014056   | Ring, Spiral Backup .....   | 2   |
| 5    | 1014057   | Ring, 0.810" Internal Retaining .....                                 | 1   |
| 6    | 1014058   | Thrust Washer .....   | 1   |
| 7    | 1014059   | Drive Hub Assy, Drive Clutch .....                                    | 1   |
| 8    | 1014288   | Screw, 5/16-18 X 0.75, Thread-Forming .....                           | 3   |
| 9    | 1014453   | Kit, Drive Clutch Button (includes items 10 through 13) .....         | 1   |
| 10   | 1014062   | Driver, Drive Clutch .....  | 3   |
| 11   | 1014287   | Spring, Drive Button .....  | 3   |
| 12   | 183       | Washer, #10, Type A, Flat .....                                       | 3   |
| 13   | 8450      | Screw, #10-24 X 0.50, Hex-Head .....                                  | 3   |
| 14   | 1016289   | Spacer, Fixed Face Shaft .....  | 1   |
| 15   | 1016801   | Kit, Drive Clutch Weight (includes items 16 through 22) .....         | 1   |
| 16   | 1014063   | Screw, 1/4-20 X 1.00, Hex Head .....                                  | 6   |
| 17   | N/A       | Pin, Dowel, 0.3752 x 1.50 .....                                       | 3   |
| 18   | 1014065   | Washer, Flat, 0.38" ID, Delrin .....                                  | 6   |
| 19   | N/A       | Clutch Weight, Secondary .....  | 3   |
| 20   | N/A       | Washer .....  | 6   |
| 21   | 1016201   | Washer, Wave .....  | 3   |
| 22   | N/A       | Weight, Primary .....   | 3   |
| 23   | N/A       | Cap Plug .....  | 3   |
| 24   | 103974201 | Asm, Sheave, Moveable, Drive, Wr (includes items 25 through 27) ..... | 1   |
| 25   | 1014055   | Retainer .....  | 1   |
| 26   | N/A       | Bushing, Split, Drive Clutch .....                                    | 1   |
| 27   | N/A       | Sheave, Moveable, Drive, Wr .....                                     | 1   |
| 28   | 103974401 | Sheave, Fixed, Drive, Wr .....  | 1   |
| 29   | 103984601 | Spacer, Idler, Drive .....  | 1   |
| 30   | 105096101 | Pulley, 7.3 Inch Effective Dia .....                                  | 1   |
| 31   | 103976101 | Screw, 3/8-24x5.75, Patch .....                                       | 1   |
| 32   | 334       | Washer, 3/8, Type A, Flat .....                                       | 1   |

11

G

11  
G



000959-001

# DRIVEN CLUTCH (STANDARD SPEED) – KEY START AND PEDAL START

| ITEM | PART NO.  | DESCRIPTION  | QTY |
|------|-----------|--|-----|
|      |           | 1 2 3 4  |     |
| 1    | 103974002 | Clutch, Driven, Std-Speed, Key and Pedal Start (includes items 2 through 11) ..... | 1   |
| 2    | 1014072   | Movable-Face Assembly with Bushing .....   | 1   |
| 3    | 1014078   | Key, Driven Clutch .....   | 1   |
| 4    | 1014080   | Ring, Retaining .....  | 1   |
| 5    | 1014454   | Kit, Driven Clutch Button (includes items 6 and 7) .....                           | 1   |
| 6    | 1012836   | Screw, #8-32 X 3/4, Socket-Head Cap .....  | 3   |
| 7    | N/A       | Button, Drive .....  | 3   |
| 8    | 1017145   | Spring, Driven Clutch, 55 Degree .....   | 1   |
| 9    | 1017686   | Cam, Driven Clutch .....   | 1   |
| 10   | 103975301 | Sheave, Fixed, Driven, Wr .....  | 1   |
| 11   | 104025101 | Washer, Acetal, Driven Clutch .....  | 1   |
| 12   | AM10419   | Kit, Clutch Repair (includes items 13 through 15) .....                            | 1   |
| 13   | 101833401 | Key, 3/16 Sq X 1.50" .....   | 1   |
| 14   | 102155801 | Washer, Driven Clutch .....  | 1   |
| 15   | 102242101 | Screw, 5/16-18 X 3/4 Hex-Head with Patch .....                                     | 1   |

11

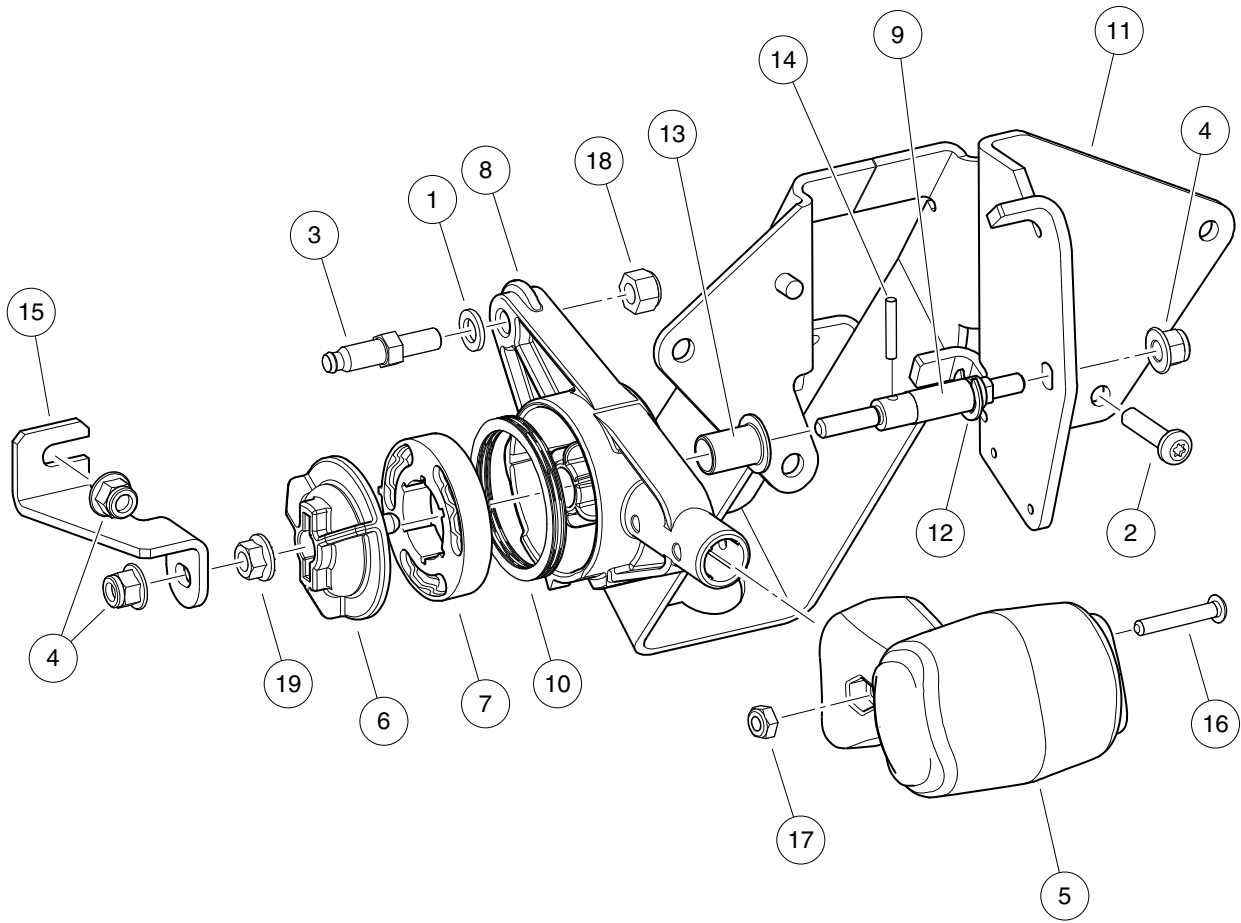
G

11

G

# TRANSAXLE (FUJI ED65)

---



000987-001

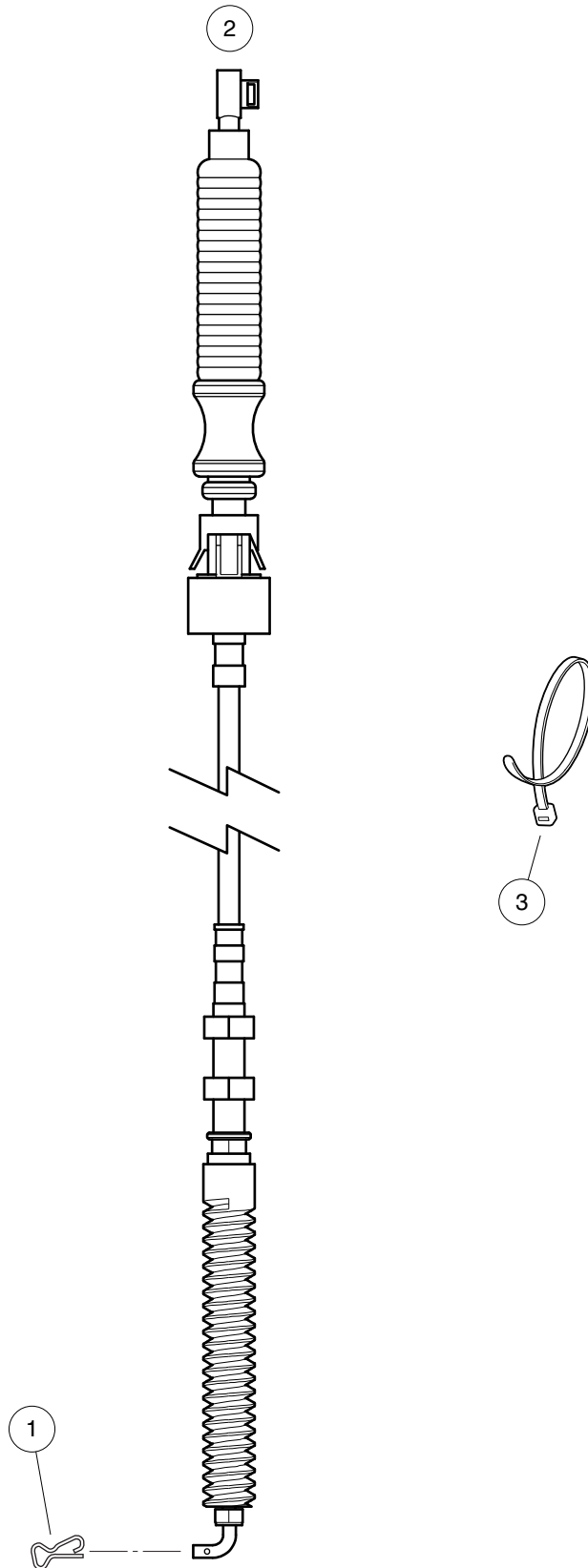
## FORWARD/REVERSE SHIFTER ASSEMBLY

| ITEM | PART NO.  | DESCRIPTION                          | QTY |
|------|-----------|--------------------------------------|-----|
|      |           | 1 2 3 4                              |     |
| 1    | 1014007   | Washer, 1/4, Flat .....              | 1   |
| 2    | 102296020 | Screw, Torx Pan Hd Pt, M6 X 20 ..... | 4   |
| 3    | 102526201 | Stud, Thread, 1/4-28 .....           | 1   |
| 4    | 102621501 | Nut, Flange, M6 X 1.0, Nylon .....   | 3   |
| 5    | 105036301 | Shifter, Soft, Gas, CA300-700 .....  | 1   |
| 6    | 105037701 | Follower, FNR Detent .....           | 1   |
| 7    | 105038001 | Cam, FNR Detent, Alternate .....     | 1   |
| 8    | 105038101 | Housing, FNR, Gas, CA300-700 .....   | 1   |
| 9    | 105038201 | Shaft, FNR, Dash .....               | 1   |
| 10   | 105038501 | Spring, Wave, Gas FNR Shifter .....  | 1   |
| 11   | 105039401 | Bracket, Shifter, Dash Mount .....   | 1   |
| 12   | 105039801 | E-Clip, External, 8mm Groove .....   | 1   |
| 13   | 105039901 | Bushing, Dash Shifter, Gas .....     | 1   |
| 14   | 105040401 | Pin, Round, 0.125 Dia x 0.625 .....  | 1   |
| 15   | 105040501 | Bracket, Shifter, Brace, Dash .....  | 1   |
| 16   | 105083701 | Bolt, 10-24 X 1.25", But Head .....  | 1   |
| 17   | 105083801 | Nut, Nylon Lock, #10-24, Blk .....   | 1   |
| 18   | 8717      | Locknut, Nylon Insert, 1/4-28 .....  | 1   |
| 19   | 96704176  | Nut, Flanged, M6 X 1, Serrated ..... | 1   |

**12**

**G**

12  
G



000988-001

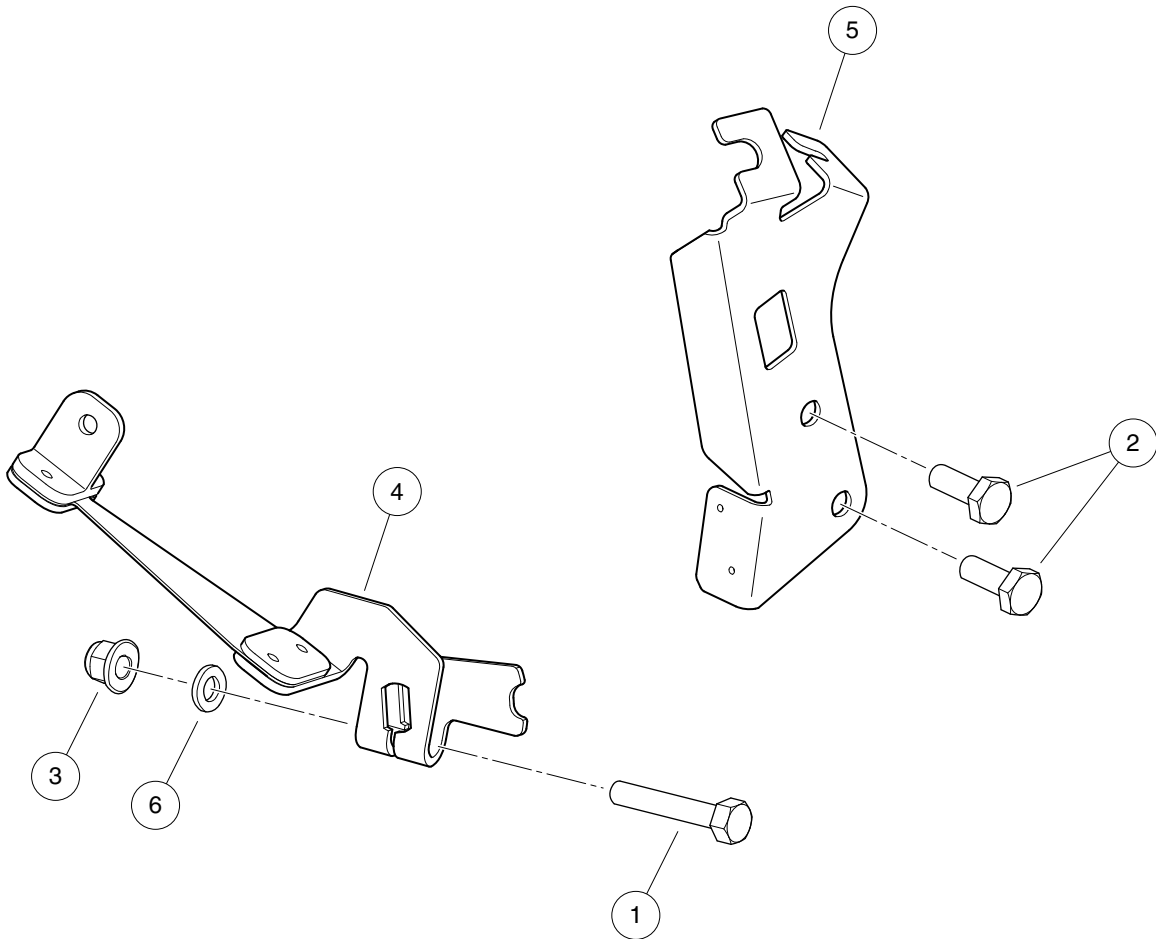


## SHIFTER CABLE – CA500 & CA550

| ITEM | PART NO.  | DESCRIPTION                                  | QTY |
|------|-----------|--|-----|
|      |           | 1 2 3 4                                      |     |
| 1    | 103886601 | Clip, Bowtie .....                           | 1   |
| 2    | 105038803 | Cable, Shifter, CA500/550/CafÉ Express ..... | 1   |
| 3    | 8990      | Tie Wrap, 8" Nylon .....                     | A/R |

12

G

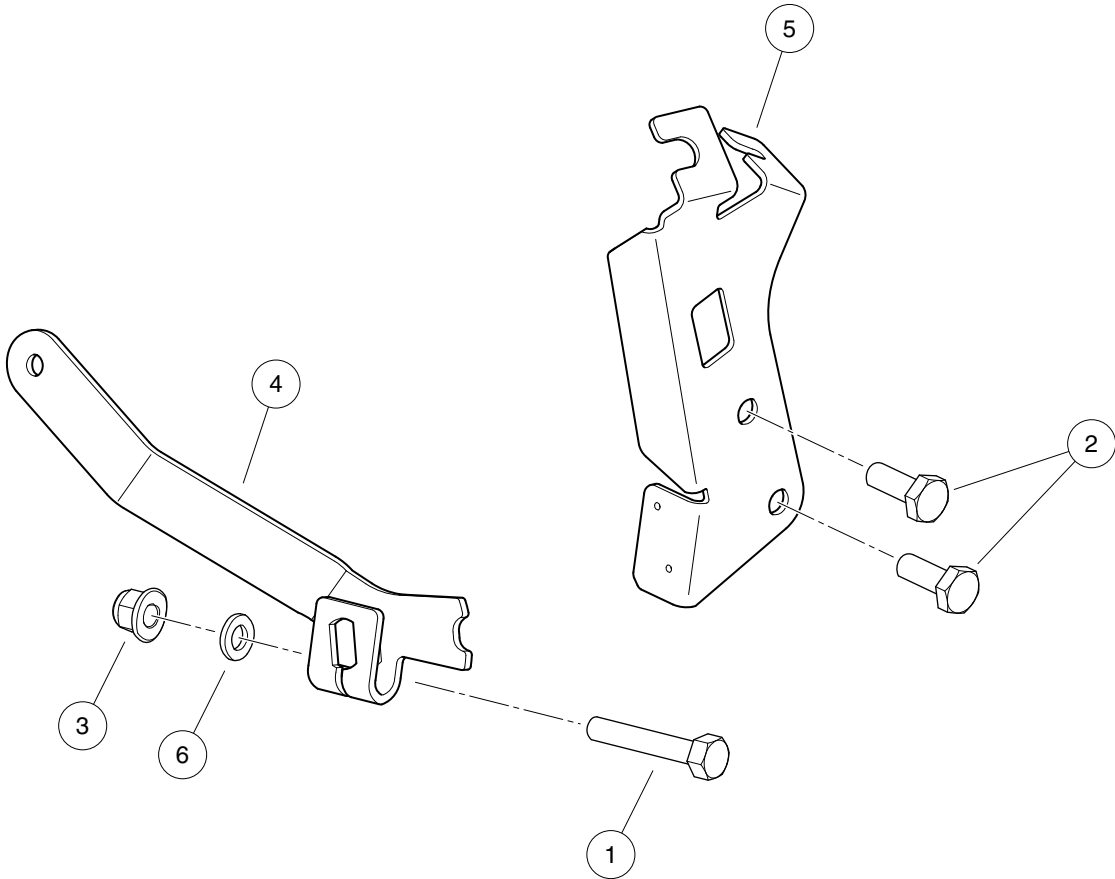


000965-001

## SHIFT LEVER AND BRACKET – PEDAL-START ENGINES

| ITEM | PART NO.  | DESCRIPTION                                      | QTY |
|------|-----------|--|-----|
|      |           | <b>1 2 3 4</b>                                   |     |
| 1    | 102059501 | Screw, 6M-1.00 X 35mm, Hex Head .....            | 1   |
| 2    | 102498201 | Bolt, M10 X 1.25 X 25, Loctite .....             | 2   |
| 3    | 102621501 | Nut, Flange, M6 X 1.0, Nylon .....               | 1   |
| 4    | 105040901 | Lever, Shift, Flex, Transaxle, Pedal-Start ..... | 1   |
| 5    | 105135101 | Bracket, Cable, FNR/Accelerator, ED65 .....      | 1   |
| 6    | 96705199  | Washer, M6 .....                                 | 1   |

**12**  
**G**



000965-002

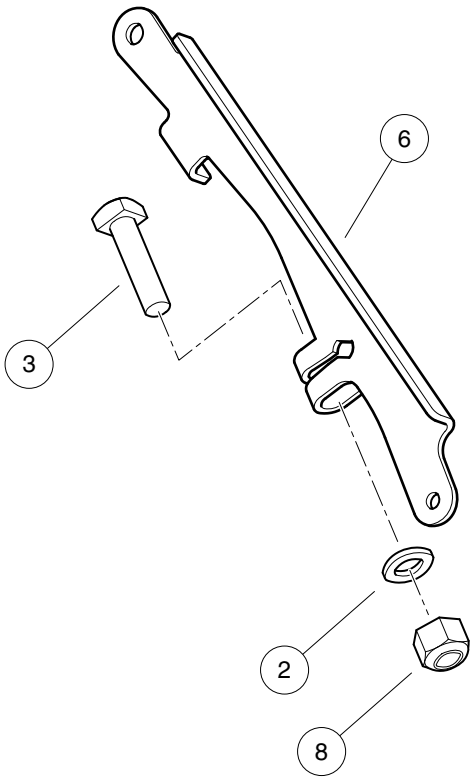
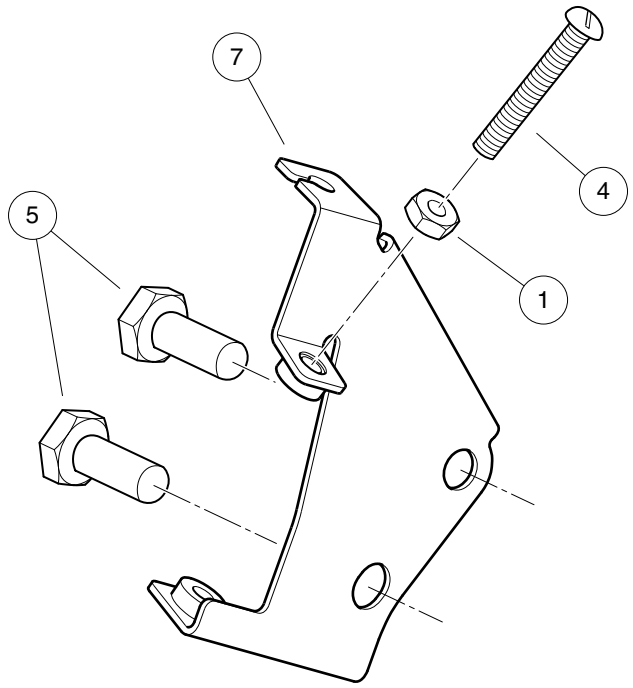
## SHIFT LEVER AND BRACKET – KEY-START ENGINES

| ITEM | PART NO.  | DESCRIPTION                                 | QTY |
|------|-----------|---|-----|
|      |           | 1 2 3 4                                     |     |
| 1    | 102059501 | Screw, 6M-1.00 X 35mm, Hex Head .....       | 1   |
| 2    | 102498201 | Bolt, M10 X 1.25 X 25, Loctite .....        | 2   |
| 3    | 102621501 | Nut, Flange, M6 X 1.0, Nylon .....          | 1   |
| 4    | 105134901 | Lever, Shift, Transaxle, Key-Start .....    | 1   |
| 5    | 105135101 | Bracket, Cable, FNR/Accelerator, ED65 ..... | 1   |
| 6    | 96705199  | Washer, M6 .....                            | 1   |

12

G

**12**  
**G**



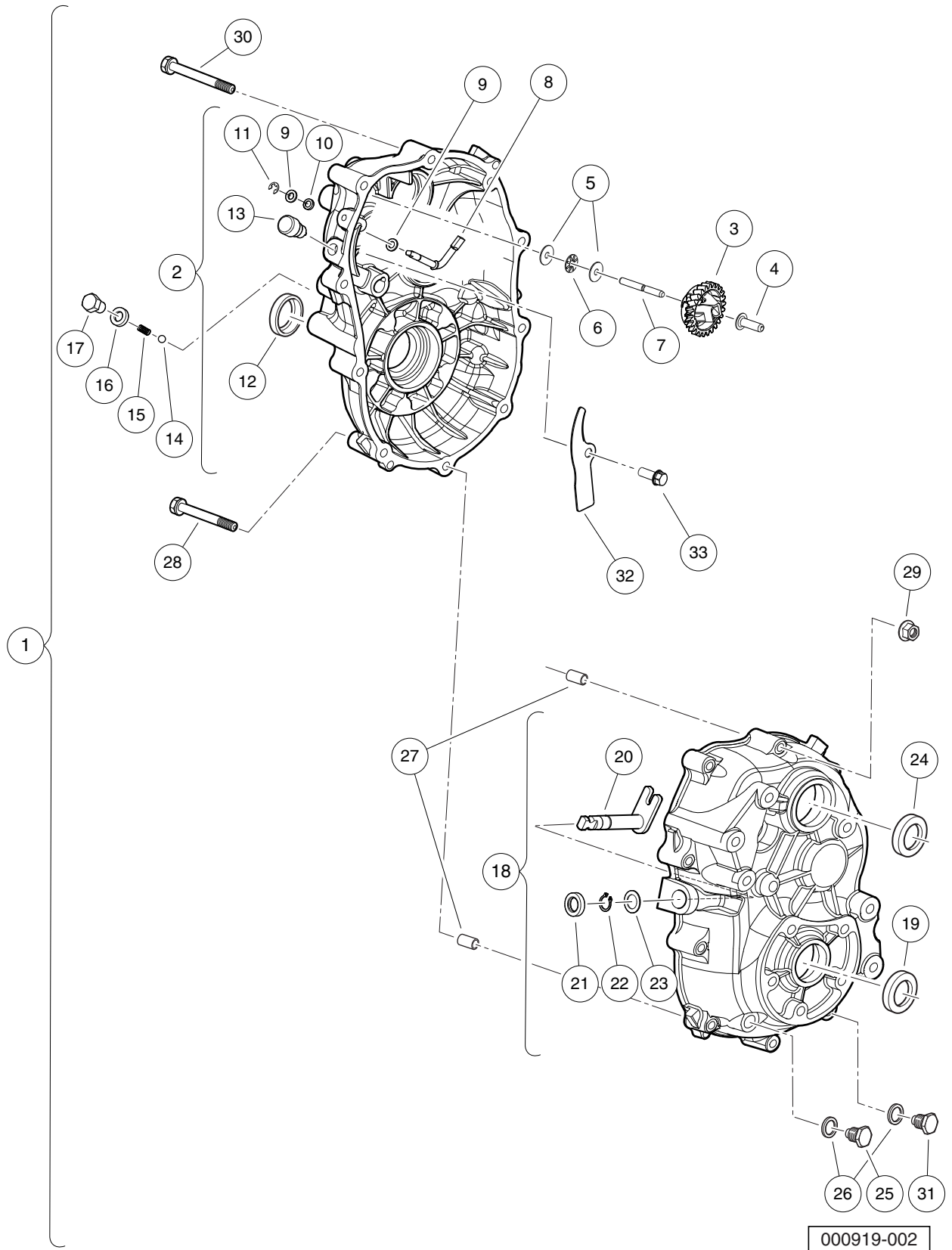
000966-002

## GOVERNOR ARM AND BRACKETS – UTILITY VEHICLES

| ITEM | PART NO.  | DESCRIPTION                             | QTY |
|------|-----------|---|-----|
|      |           | 1 2 3 4                                 |     |
| 1    | 1011114   | Nut, M6-1.00 Hex .....                  | 1   |
| 2    | 1014007   | Washer, 1/4, Flat .....                 | 1   |
| 3    | 101886101 | Screw, 1/4-20 X 1.00, Square-Head ..... | 1   |
| 4    | 102476401 | Bolt, Stop, Pedal .....                 | 1   |
| 5    | 102498201 | Bolt, M10 X 1.25 X 25, Loctite .....    | 2   |
| 6    | 104023501 | Arm, Governor, ED65 .....               | 1   |
| 7    | 105144401 | Weldment, Governor Bracket .....        | 1   |
| 8    | 8233      | Locknut, 1/4-20, Nylon Insert .....     | 1   |

12

G



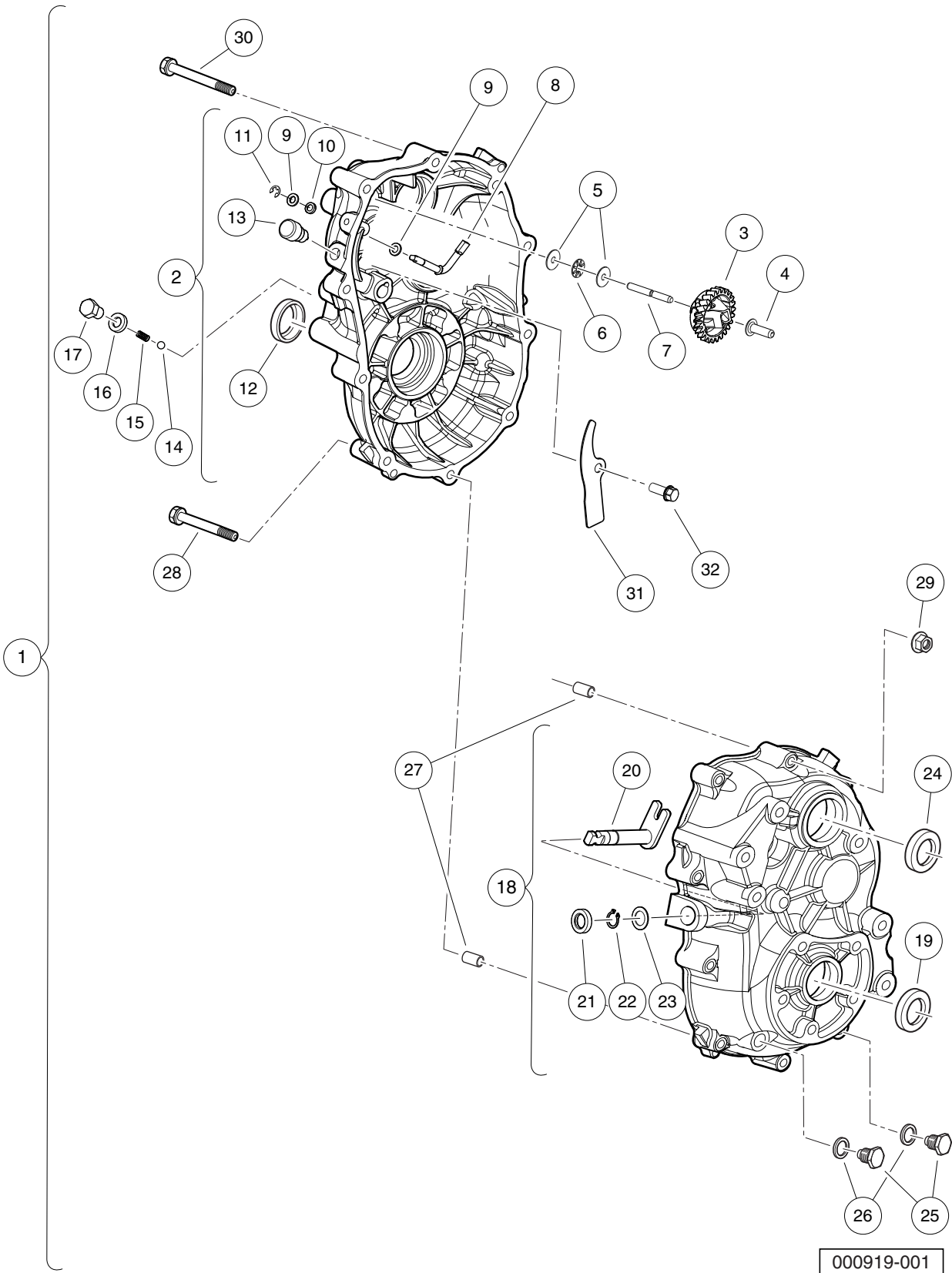


## TRANSAXLE (ED65), LIMITED SLIP – PAGE 1 OF 3

| ITEM   | PART NO.  | DESCRIPTION  | QTY |
|--|-----------|--|-----|
|  |           | 1 2 3 4  |     |
| 1  | 103879702 | Transaxle, ED65, Limited-Slip Differential (includes items 2 through 33) ..... | 1   |
| 2  | 105025001 | Case, Transaxle, Left, Complete, ED65 (includes items 3 through 13) .....      | 1   |
| 3  | 105025101 | Gear, Governor, Complete, ED65 .....   | 1   |
| 4  | 105025201 | Sleeve, Governor, ED65 .....   | 1   |
| 5  | 105025301 | Washer, ED65 .....   | 2   |
| 6  | 105025401 | Bearing, Thrust, ED65 .....  | 1   |
| 7  | 105025501 | Shaft, Governor Gear, ED65 .....   | 1   |
| 8  | 105025601 | Shaft, Governor, ED65 .....  | 1   |
| 9  | 105025701 | Washer, 6mm, ED65 .....  | 2   |
| 10   | 105025801 | Seal, Oil, 6x10x2.5, ED65 .....  | 1   |
| 11   | 105025901 | Retaining Ring, E5, ED65 .....   | 1   |
| 12   | 105026001 | Seal, Oil, 24x40x9, ED65 .....   | 1   |
| 13   | 105027101 | Vent, Breather, ED65 .....   | 1   |
| 14   | 105026101 | Ball, Steel, ED65 .....  | 1   |
| 15   | 105026201 | Spring, ED65 .....   | 1   |
| 16   | 105026301 | Gasket, 10, ED65 .....   | 1   |
| 17   | 105026401 | Bolt, M10-1.25x12mm Lg, ED65 .....   | 1   |
| 18   | 105026501 | Case, Transaxle, Right, Complete, ED65 (includes items 19 through 24) .....    | 1   |
| 19   | 105026001 | Seal, Oil, 24x40x9, ED65 .....   | 1   |
| 20   | 105026601 | Shaft, Select, ED65 .....  | 1   |
| 21   | 105026701 | Seal, Oil, 13x22x5, ED65 .....   | 1   |
| 22   | 105026801 | Snap Ring, 13mm, ED65 .....  | 1   |
| 23   | 105026901 | Spacer, 13x1, ED65 .....   | 1   |
| 24   | 105027001 | Seal, Oil, 25x45x7, ED65 .....   | 1   |
| 25   | 105027201 | Plug, Oil Drain, ED65 .....  | 1   |
| 26   | 105027301 | Gasket, 14, ED65 .....   | 2   |
| 27   | 105028301 | Pin, Guide, ED65 .....   | 2   |
| 28   | 105028501 | Bolt, Flange, M8-1.25x65mm, ED65 .....   | 1   |
| 29   | 105030001 | Nut, Flange, M8-1.25, ED65 .....   | 10  |
| 30   | 105030701 | Bolt, Flanged, M8-1.25x80mm, ED65 .....  | 9   |
| 31   | 105063501 | Plug, Oil Drain, Magnetic, ED65 .....  | 1   |
| 32   | 105234801 | Plate, Ed65 Splash .....   | 1   |
| 33   | 105234901 | Bolt, M6-1 X 12mm Lg, Ed65 .....   | 1   |
| Note: Fuji transaxle component listings span three pages. To identify your transaxle, locate the serial number decal on the axle tube. |           |  |     |

12

G



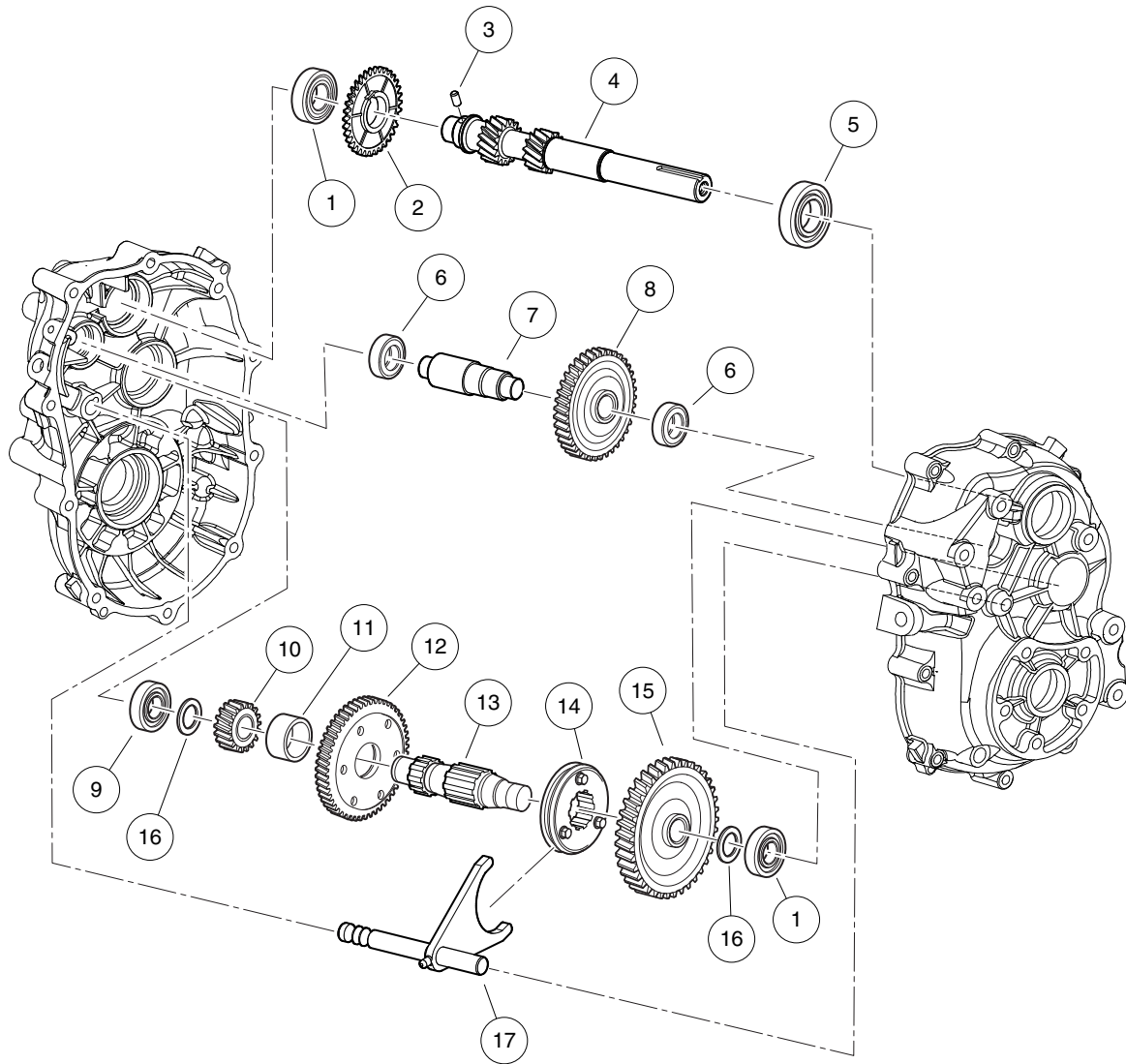
000919-001

## TRANSAXLE (ED65), OPEN – PAGE 1 OF 3

| ITEM   | PART NO.  | DESCRIPTION   | QTY |
|--|-----------|---|-----|
|  |           | 1 2 3 4   |     |
| 1  | 103879701 | Transaxle, ED65, Open Differential (includes items 2 through 32) .....      | 1   |
| 2  | 105025001 | Case, Transaxle, Left, Complete, ED65 (includes items 3 through 13) .....   | 1   |
| 3  | 105025101 | Gear, Governor, Complete, ED65 .....  | 1   |
| 4  | 105025201 | Sleeve, Governor, ED65 .....  | 1   |
| 5  | 105025301 | Washer, ED65 .....  | 2   |
| 6  | 105025401 | Bearing, Thrust, ED65 .....   | 1   |
| 7  | 105025501 | Shaft, Governor Gear, ED65 .....  | 1   |
| 8  | 105025601 | Shaft, Governor, ED65 .....   | 1   |
| 9  | 105025701 | Washer, 6mm, ED65 .....   | 2   |
| 10   | 105025801 | Seal, Oil, 6x10x2.5, ED65 .....   | 1   |
| 11   | 105025901 | Retaining Ring, E5, ED65 .....  | 1   |
| 12   | 105026001 | Seal, Oil, 24x40x9, ED65 .....  | 1   |
| 13   | 105027101 | Vent, Breather, ED65 .....  | 1   |
| 14   | 105026101 | Ball, Steel, ED65 .....   | 1   |
| 15   | 105026201 | Spring, ED65 .....  | 1   |
| 16   | 105026301 | Gasket, 10, ED65 .....  | 1   |
| 17   | 105026401 | Bolt, M10-1.25x12mm Lg, ED65 .....  | 1   |
| 18   | 105026501 | Case, Transaxle, Right, Complete, ED65 (includes items 19 through 24) ..... | 1   |
| 19   | 105026001 | Seal, Oil, 24x40x9, ED65 .....  | 1   |
| 20   | 105026601 | Shaft, Select, ED65 .....   | 1   |
| 21   | 105026701 | Seal, Oil, 13x22x5, ED65 .....  | 1   |
| 22   | 105026801 | Snap Ring, 13mm, ED65 .....   | 1   |
| 23   | 105026901 | Spacer, 13x1, ED65 .....  | 1   |
| 24   | 105027001 | Seal, Oil, 25x45x7, ED65 .....  | 1   |
| 25   | 105027201 | Plug, Oil Drain, ED65 .....   | 2   |
| 26   | 105027301 | Gasket, 14, ED65 .....  | 2   |
| 27   | 105028301 | Pin, Guide, ED65 .....  | 2   |
| 28   | 105028501 | Bolt, Flange, M8-1.25x65mm, ED65 .....                                      | 1   |
| 29   | 105030001 | Nut, Flange, M8-1.25, ED65 .....  | 10  |
| 30   | 105030701 | Bolt, Flanged, M8-1.25x80mm, ED65 .....                                     | 9   |
| 31   | 105234801 | Plate, Ed65 Splash .....  | 1   |
| 32   | 105234901 | Bolt, M6-1 X 12mm Lg, Ed65 .....  | 1   |
| Note: Fuji transaxle component listings span three pages. To identify your transaxle, locate the serial number decal on the axle tube. |           |   |     |

12

G



000919-003

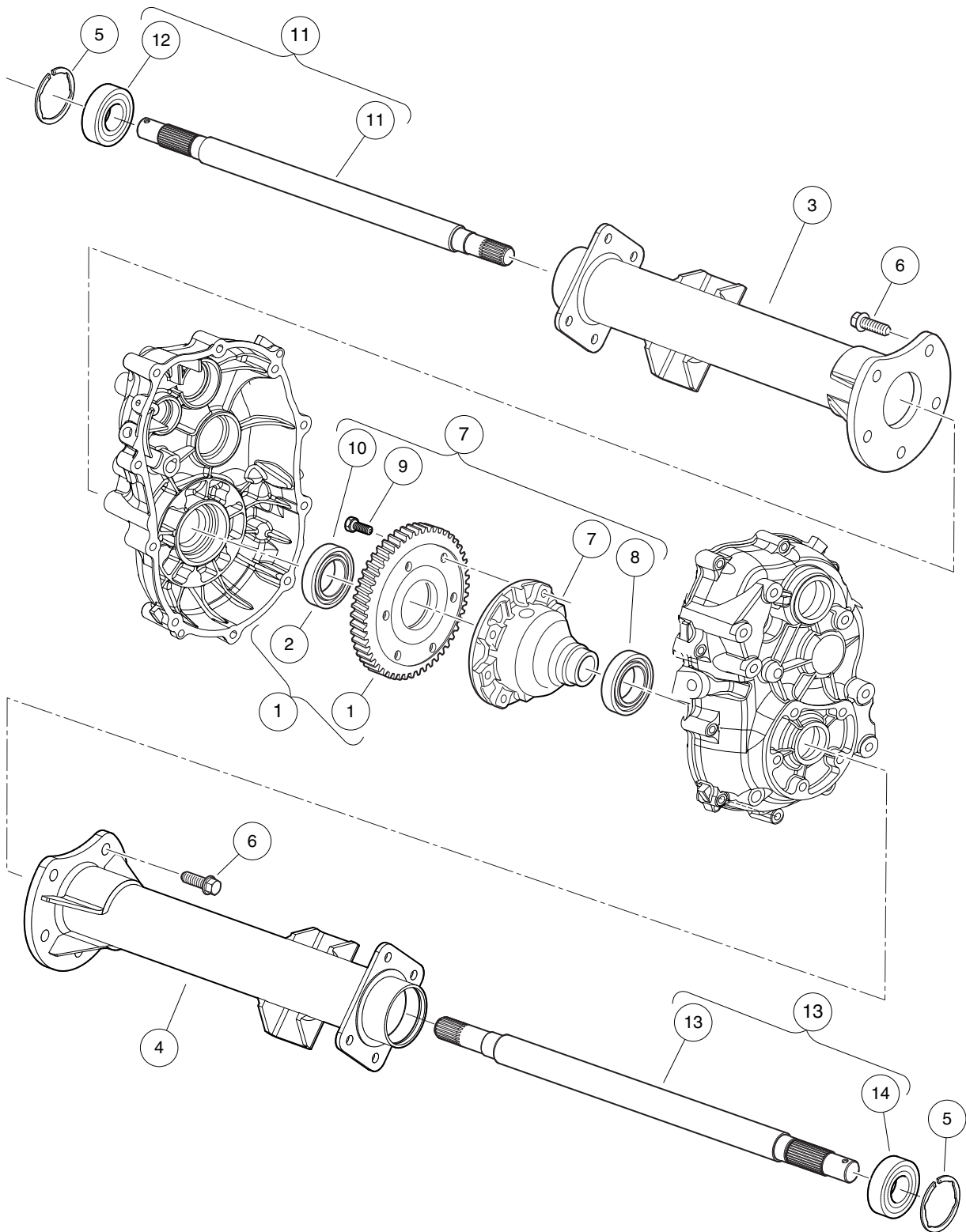
# TRANSAXLE (ED65), LIMITED SLIP AND OPEN – PAGE 2 OF 3

| ITEM | PART NO.  | DESCRIPTION   | QTY |
|------|-----------|---|-----|
|      |           | 1 2 3 4   |     |
| 1    | 105027401 | Bearing, Ball (6204) .....  | 2   |
| 2    | 105027501 | Gear, Governor, 34 Tooth, ED65 .....  | 1   |
| 3    | 105027601 | Pin, 6x12 Long, ED65 .....  | 1   |
| 4    | 105027701 | Shaft, Input, ED65 .....  | 1   |
| 5    | 105027801 | Bearing, Ball (6205 seal) .....   | 1   |
| 6    | 105027901 | Bearing, Ball (6202) .....  | 2   |
| 7    | 105028001 | Shaft, Counter, ED65 .....  | 1   |
| 8    | 105028201 | Gear, 34 Tooth, ED65 .....  | 1   |
| 9    | 105028401 | Bearing, Ball (6304) .....  | 1   |
| 10   | 105028601 | Gear, 17 Tooth, ED65 .....  | 1   |
| 11   | 105028701 | Collar, 24 x 12, ED65 .....   | 1   |
| 12   | 105028801 | Gear, 52 Tooth, ED65 .....  | 1   |
| 13   | 105028901 | Shaft, Center, ED65 .....   | 1   |
| 14   | 105029001 | Clutch, Pin, ED65 .....   | 1   |
| 15   | 105029101 | Gear, 62 Tooth, ED65 .....  | 1   |
| 16   | 105029201 | Spacer, 20x2, ED65 .....  | 2   |
| 17   | 105030901 | Shaft, Shift, ED65 .....  | 1   |
|      |           | <p>Note: To identify your transaxle, locate the serial number decal on the axle tube.</p> |     |

12

G

**12**  
**G**



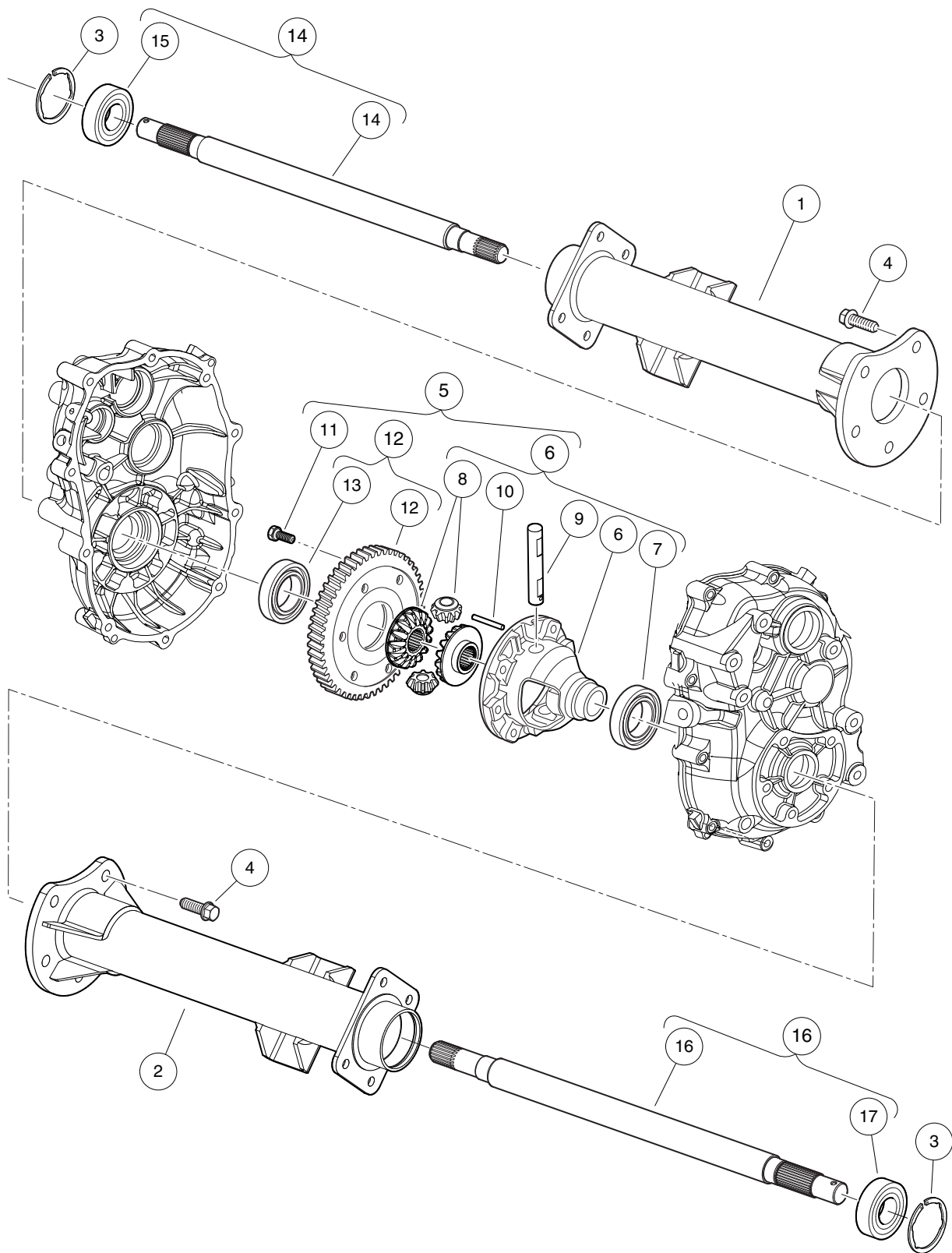
000919-005

## TRANSAXLE (ED65), LIMITED SLIP – PAGE 3 OF 3

| ITEM | PART NO.  | DESCRIPTION  | QTY |
|------|-----------|--|-----|
|      |           | 1 2 3 4  |     |
| 1    | 105029901 | Gear, 60 Tooth, Complete, ED65 (includes item 2) .....                             | 1   |
| 2    | 105029801 | Bearing, Ball (6007) .....   | 1   |
| 3    | 105030401 | Axle Tube, Driver-Side, ED65 .....   | 1   |
| 4    | 105030501 | Axle Tube, Passenger-Side, ED65 .....  | 1   |
| 5    | 105030601 | Snap Ring, 52mm, ED65 .....  | 2   |
| 6    | 105030801 | Bolt, Flange, M10-1.25x25, ED65 .....  | 10  |
| 7    | 105063601 | Differential, Limited-Slip, ED65 (includes items 8 through 10) .....               | 1   |
| 8    | 105028101 | Bearing, Ball (6006) .....   | 1   |
| 9    | 105029501 | Bolt, M10-1.25x26mm Lg, ED65 .....   | 6   |
| 10   | 105029801 | Bearing, Ball (6007) .....   | 1   |
| 11   | 105066001 | Axle Shaft, Driver-Side, Complete, ED65 (includes item 12) .....                   | 1   |
| 12   | 105030301 | Bearing, Ball (6205DD) .....   | 1   |
| 13   | 105066101 | Axle Shaft, Passenger-Side, Complete, ED65 (includes item 14) .....                | 1   |
| 14   | 105030301 | Bearing, Ball (6205DD) .....   | 1   |
|      |           | Note: To identify your transaxle, locate the serial number decal on the axle tube. |     |

12

G



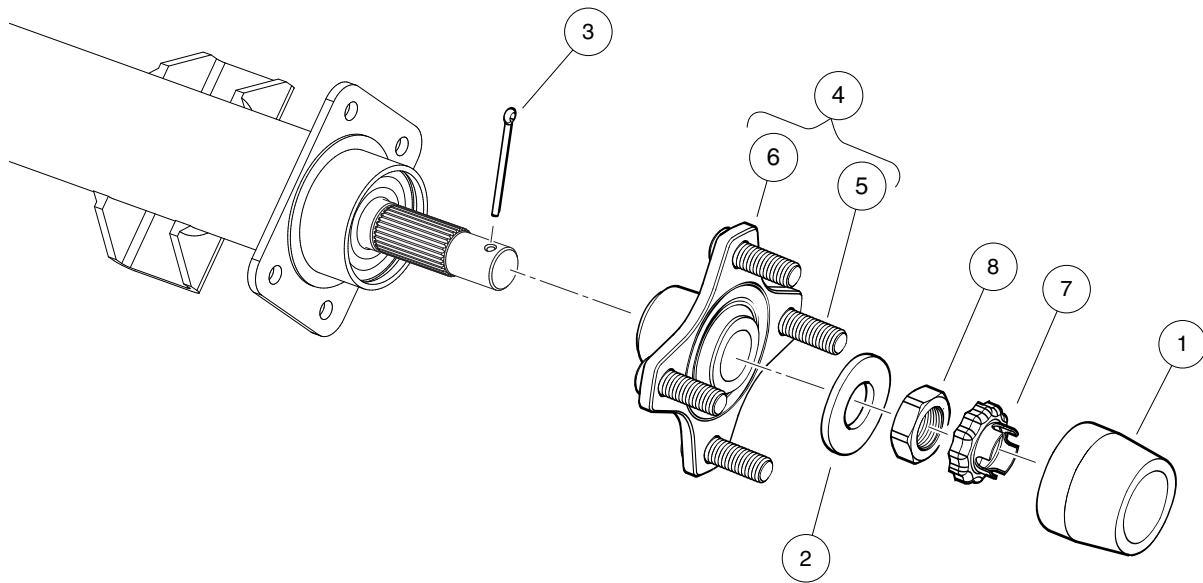
000919-004



## TRANSAXLE (ED65), OPEN – PAGE 3 OF 3

| ITEM | PART NO.  | DESCRIPTION  | QTY |
|------|-----------|--|-----|
|      |           | <b>1 2 3 4</b>   |     |
| 1    | 105030401 | Axle Tube, Driver-Side, ED65 .....   | 1   |
| 2    | 105030501 | Axle Tube, Passenger-Side, ED65 .....  | 1   |
| 3    | 105030601 | Snap Ring, 52mm, ED65 .....  | 2   |
| 4    | 105030801 | Bolt, Flange, M10-1.25x25, ED65 .....  | 10  |
| 5    | 105031001 | Differential, Open, ED65 (includes items 6 through 12) .....                       | 1   |
| 6    | 105029301 | Case, Differential, Complete, ED65 (includes items 7 through 10) .....             | 1   |
| 7    | 105028101 | Bearing, Ball (6006) .....   | 1   |
| 8    | 105029401 | Gear Set, Differential, ED65 .....   | 1   |
| 9    | 105029601 | Shaft, Differential, ED65 .....  | 1   |
| 10   | 105029701 | Pin, 4x40 Long, ED65 .....   | 1   |
| 11   | 105029501 | Bolt, M10-1.25x26mm Lg, ED65 .....   | 6   |
| 12   | 105029901 | Gear, 60 Tooth, Complete, ED65 (includes item 13) .....                            | 1   |
| 13   | 105029801 | Bearing, Ball (6007) .....   | 1   |
| 14   | 105066001 | Axle Shaft, Driver-Side, Complete, ED65 (includes item 15) .....                   | 1   |
| 15   | 105030301 | Bearing, Ball (6205DD) .....   | 1   |
| 16   | 105066101 | Axle Shaft, Passenger-Side, Complete, ED65 (includes item 17) .....                | 1   |
| 17   | 105030301 | Bearing, Ball (6205DD) .....   | 1   |
|      |           | Note: To identify your transaxle, locate the serial number decal on the axle tube. |     |

**12**  
**G**



000919-006

# HUB, REAR

| ITEM | PART NO.  | DESCRIPTION   | QTY |
|------|-----------|---|-----|
|      |           | <b>1 2 3 4</b>  |     |
| 1    | 102274101 | Center Cap, Rubber .....  | 2   |
| 2    | 102617801 | Washer, Hard, M22 .....   | 2   |
| 3    | 103989501 | Pin, Cotter, 9/64 X 1.75" .....                                 | 2   |
| 4    | 103995001 | Asm, Hub, Machined, Golf/Utility (includes items 5 and 6) ..... | 2   |
| 5    | 103951501 | Lug Stud, 1/2-20 UNF, SAE J1102 .....                           | 4   |
| 6    | 103979301 | Hub, Machined, Golf/Utility .....                               | 1   |
| 7    | 104021701 | Retaining Ring, Hex Nut, M22 .....                              | 2   |
| 8    | 104027101 | Nut, Hex, M22x1.5, Thin .....                                   | 2   |

**12**  
**G**

12

G

# ELECTRICAL SYSTEM – ELECTRIC VEHICLES

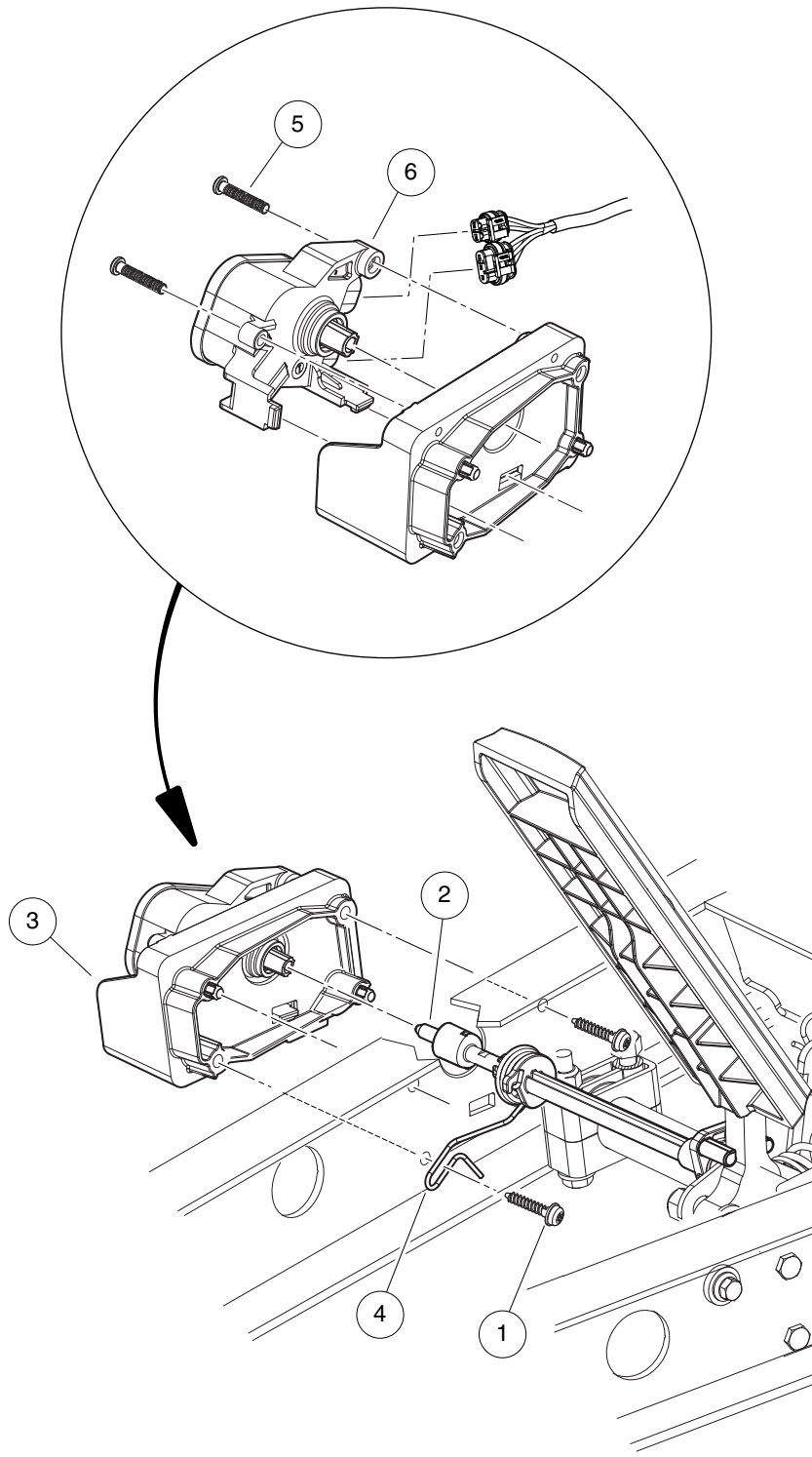
---

13

*E*

13

E



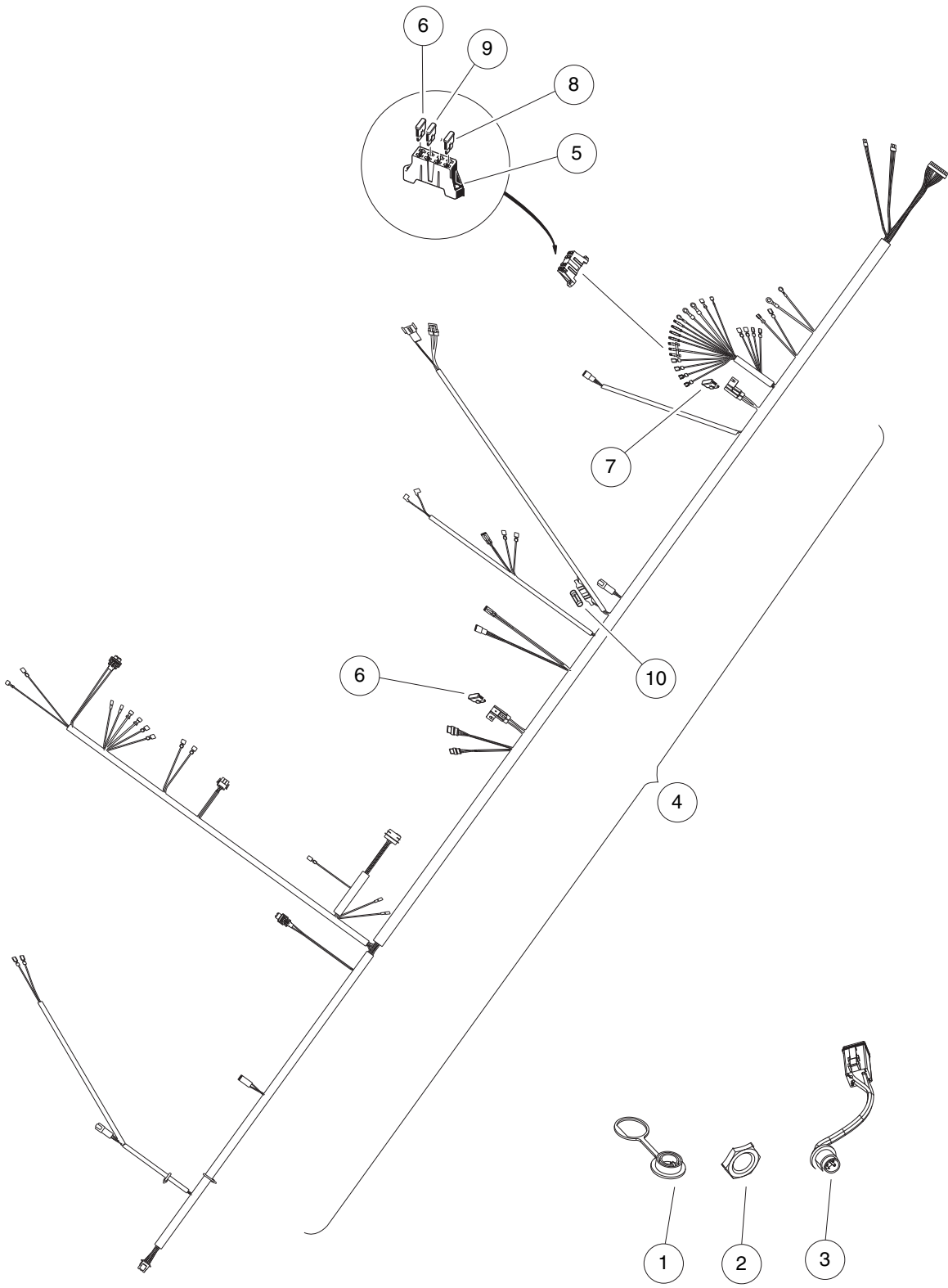
002522-001

# MOTOR CONTROLLER OUTPUT REGULATOR (MCOR)

| ITEM | PART NO.  | DESCRIPTION                             | QTY |
|------|-----------|---|-----|
|      |           | 1 2 3 4                                 |     |
| 1    | 102297230 | Screw, M6, Torx, Interlock Thread ..... | 2   |
| 2    | 103902101 | Bar, Drive, Cast .....                  | 1   |
| 3    | 103902301 | Housing, Mcor .....                     | 1   |
| 4    | 103902401 | Spring, Torsion .....                   | 1   |
| 5    | 103943401 | Screw, Pan, #10 X 1.00 Hi-lo .....      | 2   |
| 6    | 105116301 | MCOR4, Type 16 Switch .....             | 1   |

13

E



002533-002

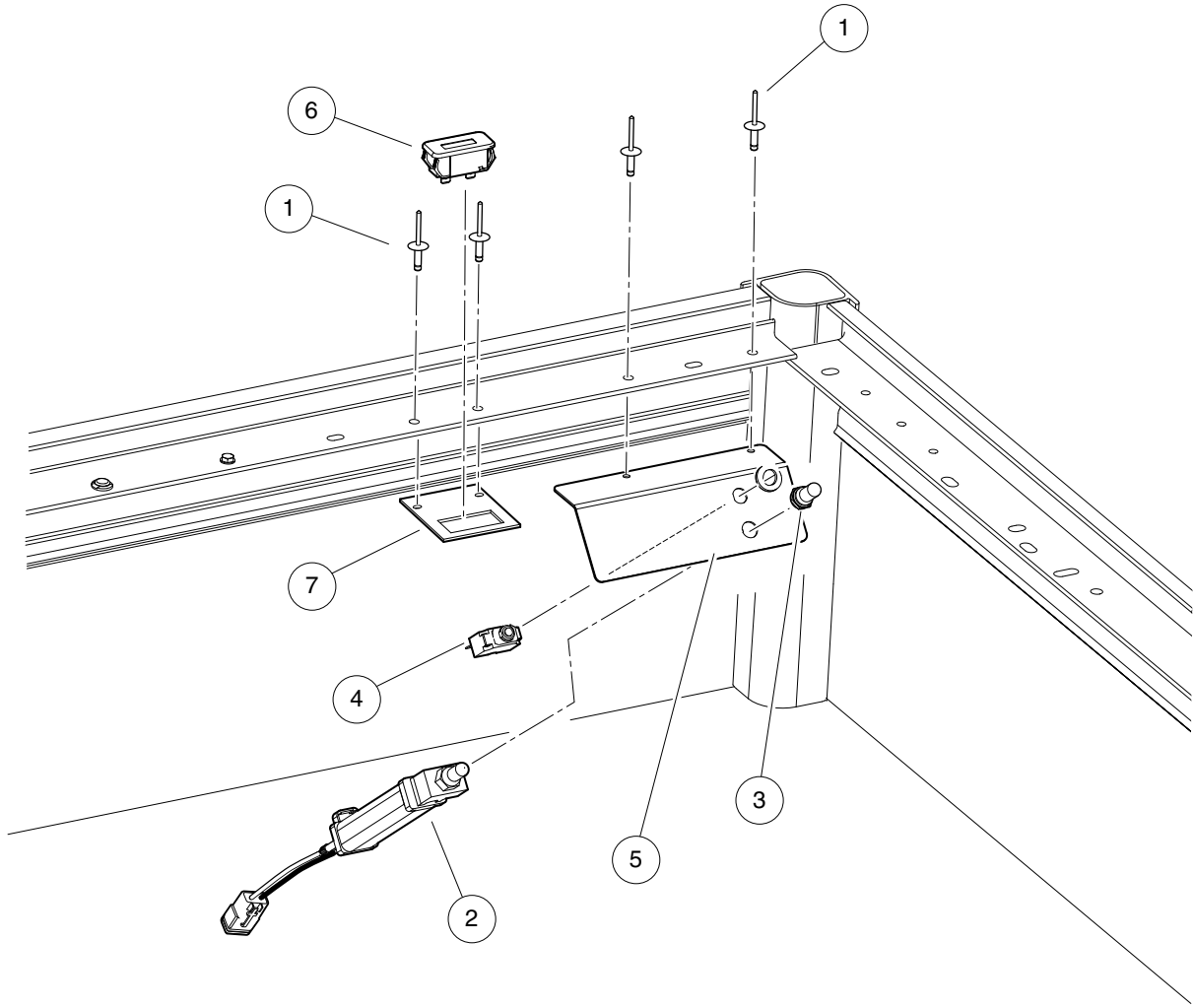


# MAIN WIRING HARNESS, 48-VOLT FUSE BLOCK – ELECTRIC VEHICLE

| ITEM | PART NO.  | DESCRIPTION   | QTY |
|------|-----------|---|-----|
|      |           | 1 2 3 4   |     |
| 1    | 102196901 | Dust Cap .....  | 1   |
| 2    | 102572401 | Nut, Diagnostic Port, Prec .....                              | 1   |
| 3    | 103218601 | Harness, Diagnostic Port .....                                | 1   |
| 4    | 105049601 | Asm, Harness, Ca500, Elec (includes items 5 through 10) ..... | 1   |
| 5    | 1015741   | Fuse Block .....  | 1   |
| 6    | 1016423   | Fuse, 20-Amp .....  | 2   |
| 7    | 102492301 | Fuse, 30-Amp .....  | 1   |
| 8    | 102538601 | 15 Amp Fuse .....   | 2   |
| 9    | 105167201 | Fuse, Atc, 2 Amp .....  | 1   |
| 10   | 105173901 | Fuse, Agc, 1 Amp .....  | 1   |

13

E



002520-002

# TOW/RUN SWITCH AND HOUR METER

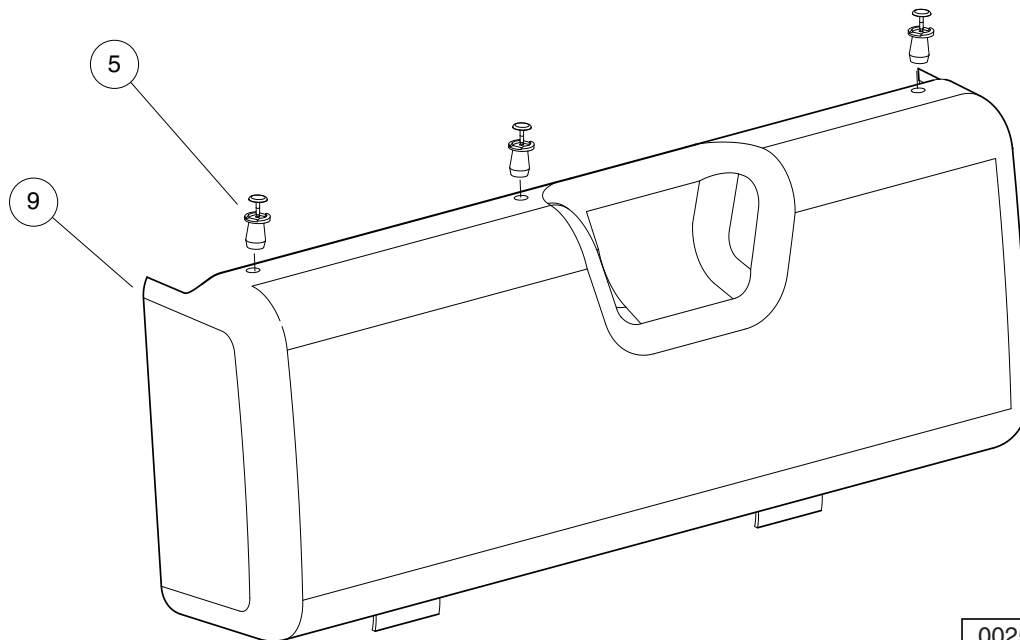
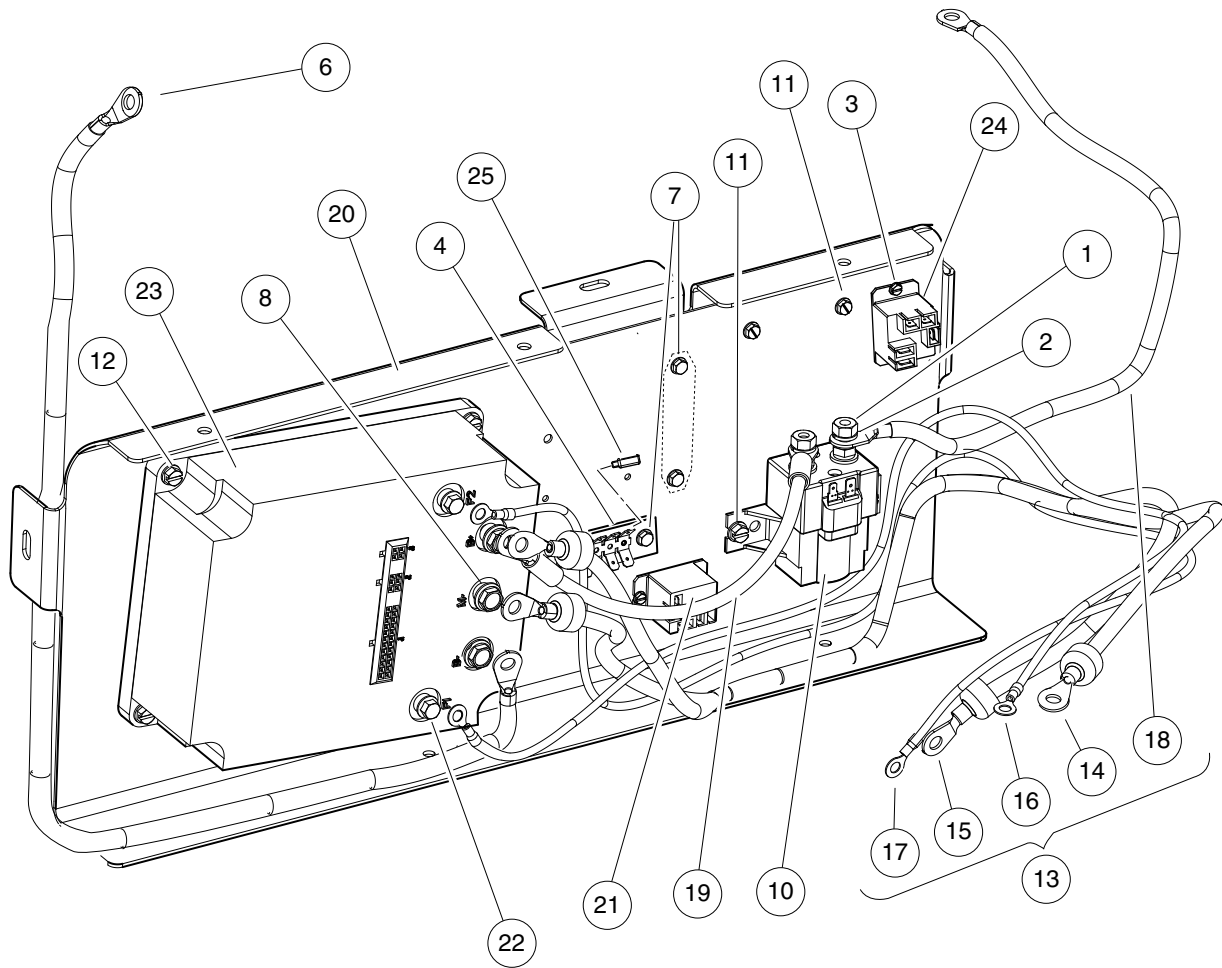
| ITEM | PART NO.  | DESCRIPTION                         | QTY |
|------|-----------|-------------------------------------|-----|
|      |           | 1 2 3 4                             |     |
| 1    | 1015392   | Rivet, 3/16 Pop .....               | 4   |
| 2    | 101908101 | Switch Assembly, Tow/Run .....      | 1   |
| 3    | 101908401 | Boot, Switch .....                  | 1   |
| 4    | 102838101 | Circuit Breaker, 20 Amp .....       | 1   |
| 5    | 102915701 | Plate, Switch, Run Tow, Mode .....  | 1   |
| 6    | 103510301 | Meter, Hour .....                   | 1   |
| 7    | 105145201 | Bracket, Hour Meter Sq, Short ..... | 1   |

13

E

13

E



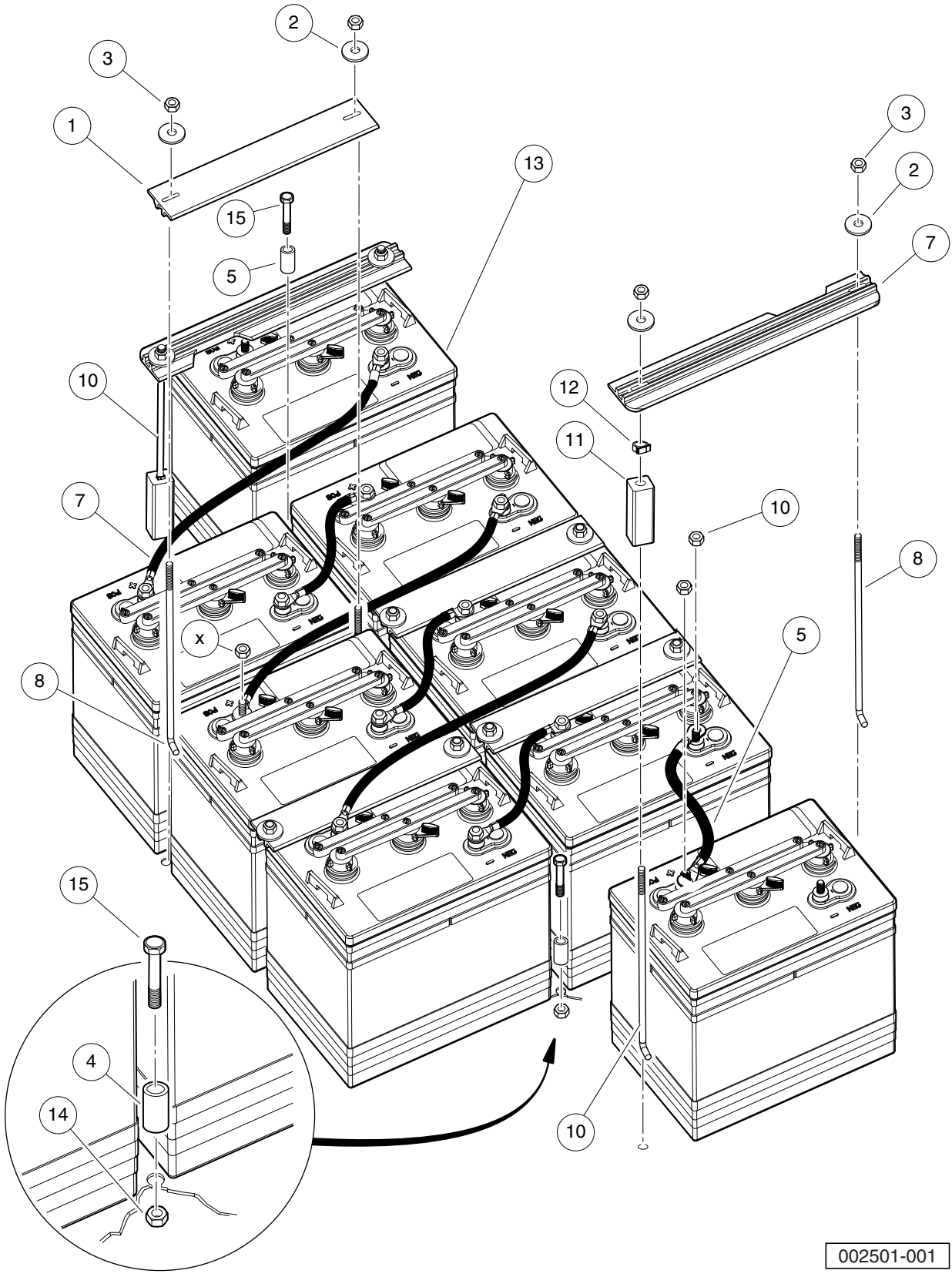
002512-001

# ELECTRIC COMPONENTS – ELECTRIC VEHICLE

| ITEM | PART NO.  | DESCRIPTION   | QTY |
|------|-----------|---|-----|
|      |           | 1 2 3 4   |     |
| 1    | 1012528   | Nut, M8-1.25 Hex .....  | 2   |
| 2    | 1013734   | Lockwasher, 8mm Split .....                                       | 2   |
| 3    | 1015720   | Screw, #6-32 X 1/2 Hex Washer-Head .....                          | 4   |
| 4    | 1016356   | Terminal Block with Insulator .....                               | 1   |
| 5    | 1016967   | Blind Rivet, Push Type .....                                      | 3   |
| 6    | 102002802 | Wire Assy, #4 Black, 33 In .....                                  | 1   |
| 7    | 102238001 | #10-24 Taptite Screw .....  | 4   |
| 8    | 102240501 | Bolt, Controller, Terminal .....                                  | 3   |
| 9    | 102772402 | Cover, Electrical Component, Carryall 6 .....                     | 1   |
| 10   | 102774701 | Solenoid, 48v .....   | 1   |
| 11   | 102817101 | Screw, 1/4-20 X .50 Hex Wsh Hd .....                              | 5   |
| 12   | 102817201 | Screw, 1/4-20 X .88 Hex Wsh Hd .....                              | 4   |
| 13   | 102845401 | Wire Harness, Power, IQ Plus (includes items 14 through 18) ..... | 1   |
| 14   | N/A       | Asm, #4 Grn Wire, 37" .....                                       | 1   |
| 15   | N/A       | Asm, #4 Wht Wire, 36.5" .....                                     | 1   |
| 16   | N/A       | Asm, #10 Org Wire, 39" .....                                      | 1   |
| 17   | N/A       | Asm, #10 Blu Wire, 46" .....                                      | 1   |
| 18   | 102846402 | Asm, #4 Red Wire, 33" .....                                       | 1   |
| 19   | 102863801 | Wire Asm, #4 Yellow, 12.5" .....                                  | 1   |
| 20   | 102931102 | Plate, Component, Rear, No Obc .....                              | 1   |
| 21   | 103397901 | Relay, Spst No, 48v 30a, Pmt .....                                | 2   |
| 22   | 105000501 | Screw, M6 X 1 X 12 Ser Hex Flg .....                              | 2   |
| 23   | 105075202 | Controller, 500 Amp, Hfc, Sp .....                                | 1   |
| 24   | 105112401 | Relay, Spdt Nc, 48v 30a, Pmt .....                                | 1   |
| 25   | 105195501 | Cap, Quick Conn Tab, 1/4 In .....                                 | 5   |

13

E



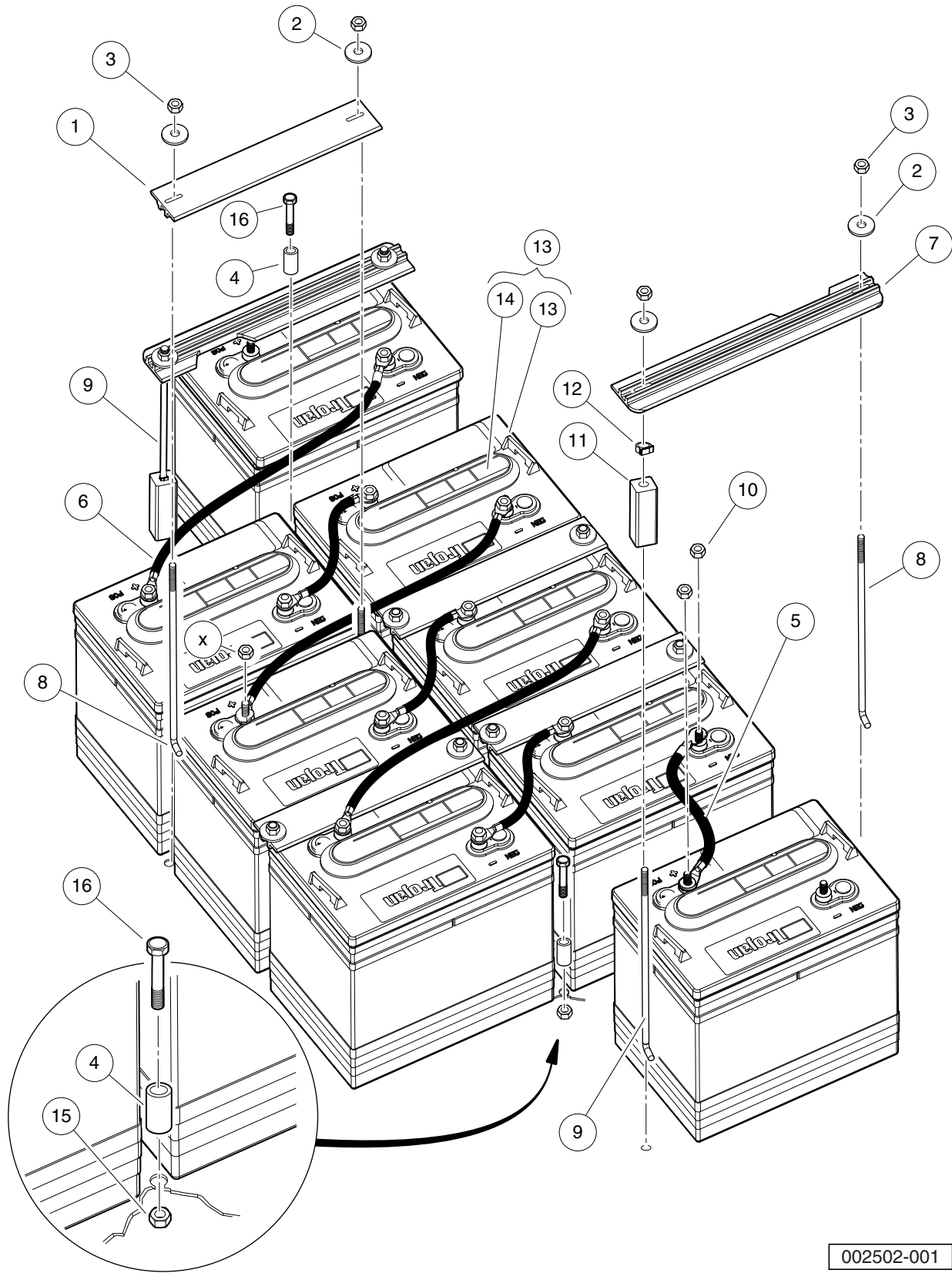
002501-001

## BATTERIES 6-VOLT, STANDARD DUTY

| ITEM | PART NO.  | DESCRIPTION                              | QTY |
|------|-----------|--|-----|
|      |           | 1 2 3 4                                  |     |
| 1    | 101090801 | Hold-Down, Battery .....                 | 4   |
| 2    | 1012571   | Washer, 5/16 Extra Thick Flat .....      | 12  |
| 3    | 1015072   | Locknut, 5/16-18 Nylon Insert .....      | 12  |
| 4    | 1015608   | Tube Spacer, Hydraulic Cylinder .....    | 2   |
| 5    | 102002901 | Wire Assy, #4 Black .....                | 4   |
| 6    | 102764001 | Wire Asm, #4 Black .....                 | 3   |
| 7    | 102766201 | Hold Down, Outside .....                 | 2   |
| 8    | 102845201 | Rod, Battery Hold Down 9.7" .....        | 10  |
| 9    | 102845203 | Rod, Battery Hold Down 10.7" .....       | 2   |
| 10   | 102873401 | 5/16-18 Heavy Hex Nut .....              | 16  |
| 11   | 102980801 | Extr, Plastic, 1 X 1 X 3 .....           | 2   |
| 12   | 102980901 | Clamp, Hose, Nylon, .25 .....            | 2   |
| 13   | 105210201 | Battery, 6v, Type E, Gc2, Wet .....      | 8   |
| 14   | 7473      | Locknut, 5/16-18 Nylon Insert .....      | 2   |
| 15   | 8963      | Screw, 5/16-18 X 1.75 Hex-Head Cap ..... | 2   |

13

E



002502-001

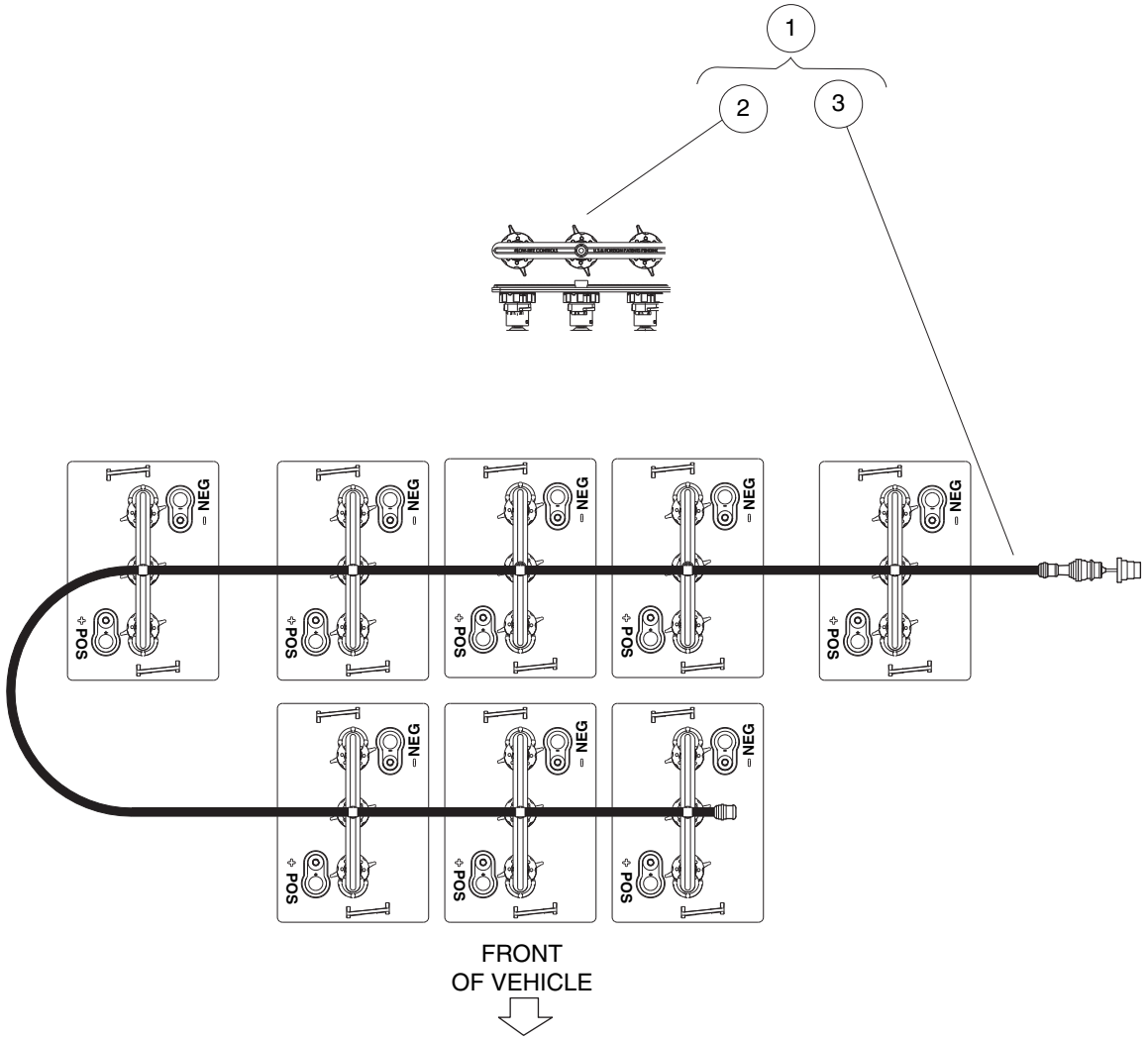


## BATTERIES 6-VOLT, HEAVY DUTY

| ITEM | PART NO.  | DESCRIPTION   | QTY |
|------|-----------|---|-----|
|      |           | 1 2 3 4   |     |
| 1    | 101090801 | Hold-Down, Battery .....                                    | 4   |
| 2    | 1012571   | Washer, 5/16 Extra Thick Flat .....                         | 12  |
| 3    | 1015072   | Locknut, 5/16-18 Nylon Insert .....                         | 12  |
| 4    | 1015608   | Tube Spacer, Hydraulic Cylinder .....                       | 2   |
| 5    | 102002901 | Wire Assy, #4 Black .....                                   | 4   |
| 6    | 102764001 | Wire Asm, #4 Black .....                                    | 3   |
| 7    | 102766201 | Hold Down, Outside .....                                    | 2   |
| 8    | 102845203 | Rod, Battery Hold Down 10.7" .....                          | 10  |
| 9    | 102845204 | Rod, Battery Hold Down 12" .....                            | 2   |
| 10   | 102873401 | 5/16-18 Heavy Hex Nut .....                                 | 16  |
| 11   | 102980801 | Extr, Plastic, 1 X 1 X 3 .....                              | 2   |
| 12   | 102980901 | Clamp, Hose, Nylon, .25 .....                               | 2   |
| 13   | 103969701 | Battery, 6-Volt, Trojan T145 (Wet) (includes item 14) ..... | 8   |
| 14   | 101831401 | Battery Cap 6 Volt .....                                    | 1   |
| 15   | 7473      | Locknut, 5/16-18 Nylon Insert .....                         | 2   |
| 16   | 8963      | Screw, 5/16-18 X 1.75 Hex-Head Cap .....                    | 2   |

13

E



002524-001

# SINGLE POINT WATERING SYSTEM (SPWS)

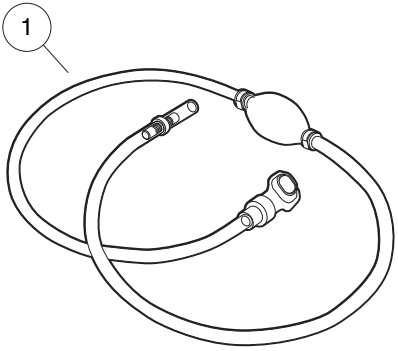
| ITEM | PART NO.  | DESCRIPTION                                    | QTY |
|------|-----------|--|-----|
|      |           | 1 2 3 4  |     |
| 1    | 103497702 | Kit, Spws, 8x6v (includes items 2 and 3) ..... | 1   |
| 2    | 103510501 | Manifold, Lpr, 3 Vlve, Spw .....               | 8   |
| 3    | 103942601 | Spws, Carryall, 8x6v .....                     | 1   |

13

E

13

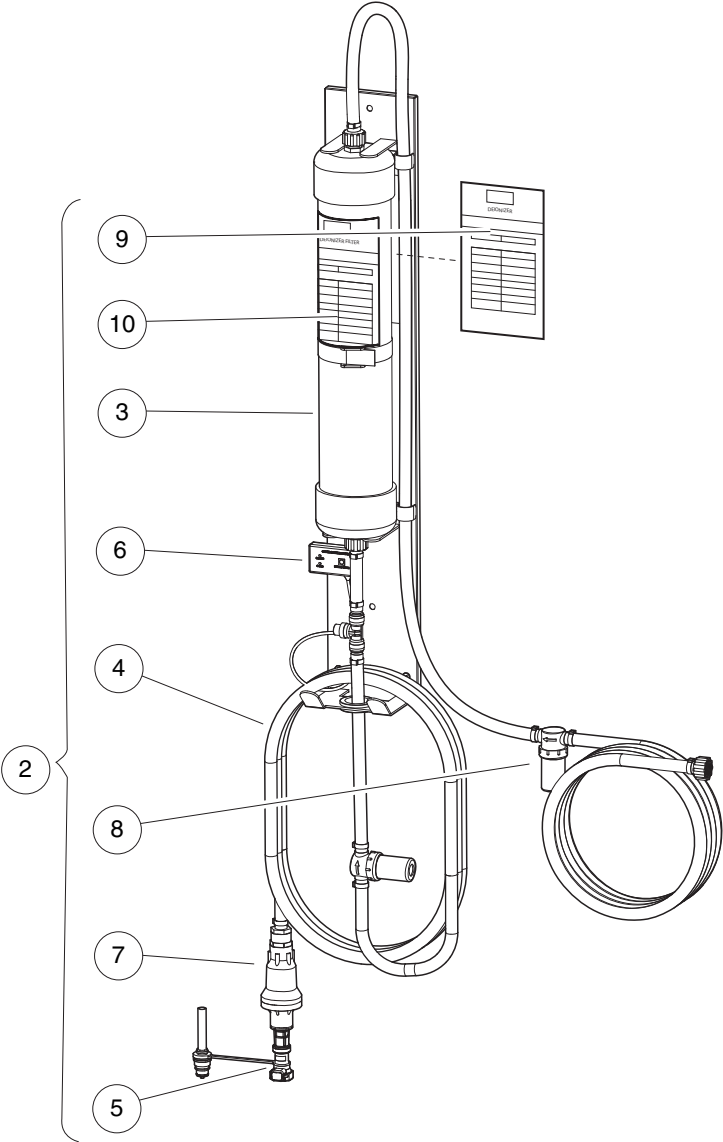
E



11



12



002523-003

# HAND PUMP AND DEIONIZER (BATTERY-POWERED QUALITY LIGHT)

| ITEM | PART NO.  | DESCRIPTION  | QTY |
|------|-----------|--|-----|
|      |           | <b>1 2 3 4</b>   |     |
| 1    | 104006101 | Kit, Hand Pump, Spws .....   | 1   |
| 2    | 105166801 | Deionizer, w/Battery-Powered Water Quality Light (includes items 3 through 10) ..... | 1   |
| 3    | 104005901 | Cartridge, Deionizer .....   | 1   |
| 4    | 105166901 | Hose,outlet,deionizer .....  | 1   |
| 5    | 105167001 | Flow Ind, W/coupler, Deionizer .....   | 1   |
| 6    | 105167101 | Light, Quality, Battery-Powered, w/T-Fitting .....                                   | 1   |
| 7    | 105168501 | Regulator, Pressure, Deionizer .....   | 1   |
| 8    | 105168601 | Strainer, In-line, Deionizer .....   | 1   |
| 9    | AM1300001 | Decal, Filter Log, Blue .....  | 1   |
| 10   | AM1300201 | Decal, Inspect Log, Yellow .....   | 1   |
| 11   | AM1300101 | Decal, Filter Log, Blue, Pack of 100 .....   | A/R |
| 12   | AM1300301 | Decal, Inspect Log, Yellow, Pack of 100 .....  | A/R |

13

E

**13**

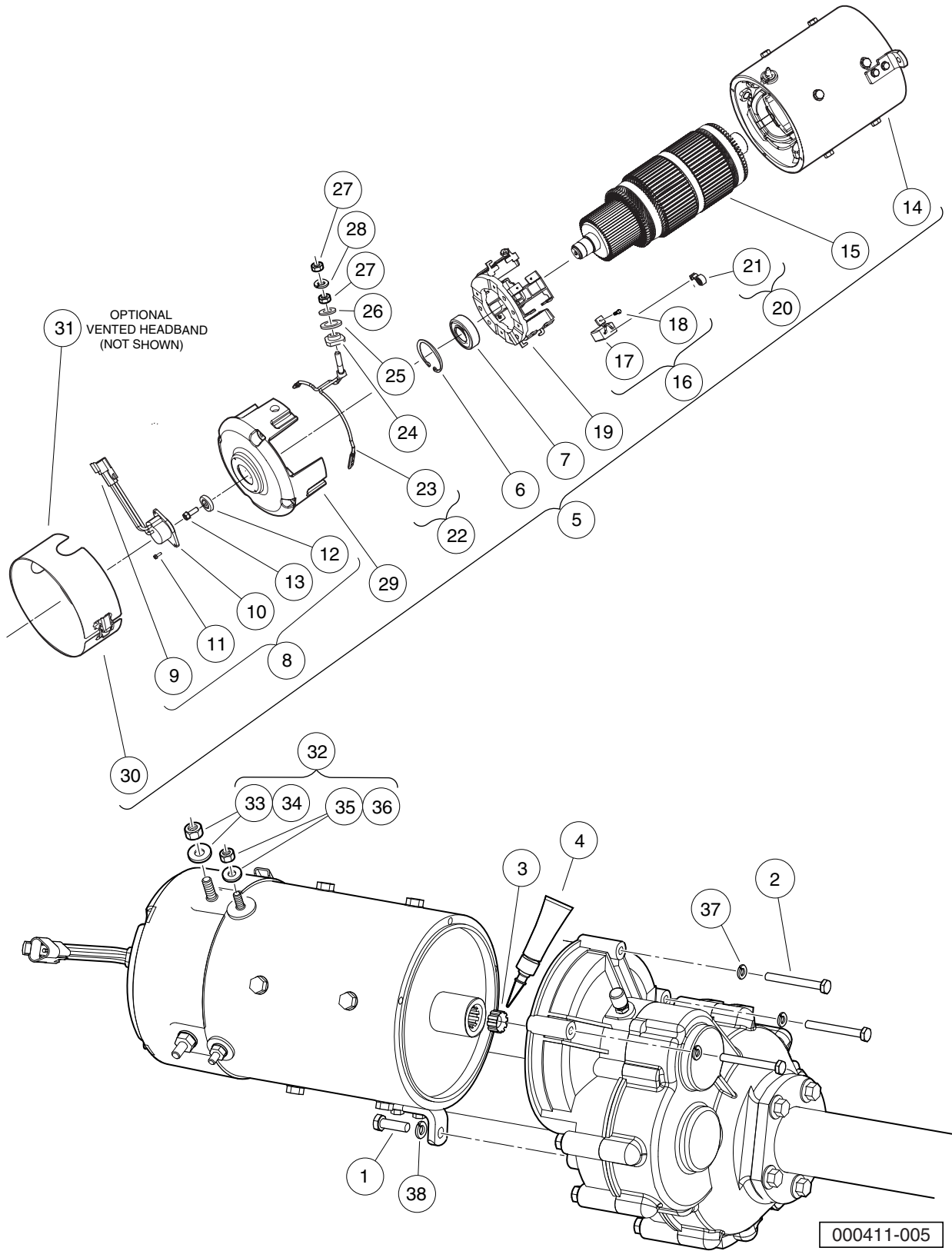
***E***

# ELECTRIC MOTOR

---

14

*E*





# MOTOR (MODEL DA5-4006) – IQ PLUS

| ITEM | PART NO.  | DESCRIPTION   | QTY |
|------|-----------|---|-----|
|      |           | <b>1 2 3 4</b>  |     |
| 1    | 1010934   | Screw, 5/16-18 X 1.00 Hex Cap .....                                       | 1   |
| 2    | 1014201   | Screw, 1/4-20 X 2.25 Hex Cap .....  | 3   |
| 3    | 102235201 | Bumper, Drive Unit .....  | 1   |
| 4    | 102243403 | Lubricant, Moly-Teflon (Single-Use Tube) .....                            | 1   |
| 5    | 102775101 | IQ Plus Electric Motor, 48-VDC 3.7 hp (includes items 6 through 30) ..... | 1   |
| 6    | N/A       | Ring, 2.24" Internal Retaining .....                                      | 1   |
| 7    | 102186401 | Bearing, Ball .....   | 1   |
| 8    | 102704901 | Kit, Speed Sensor (includes items 9 through 13) .....                     | 1   |
| 9    | 101942301 | Kit, 3-Pin Wedge Lock .....   | 1   |
| 10   | N/A       | Sensor, Motor Speed, ADC .....  | 1   |
| 11   | N/A       | Screw, #8-32, Taptite Thread .....  | 2   |
| 12   | N/A       | Magnet, ADC Motor .....   | 1   |
| 13   | N/A       | Screw, 1/4-20 x 0.5 .....   | 1   |
| 14   | N/A       | Asm, Frame And Field, 3.7 Hp .....  | 1   |
| 15   | N/A       | Armature (Includes external hardware not shown) .....                     | 1   |
| 16   | 102938601 | Kit, Brush, 3.7 Hp (includes items 17 and 18) .....                       | 1   |
| 17   | N/A       | Brush, Motor .....  | 8   |
| 18   | N/A       | Screw, Taptite .....  | 8   |
| 19   | 102938701 | Asm, Brush Box, 3.7 Hp .....  | 1   |
| 20   | 102938801 | Kit, Brush Spring, 3.7 Hp (includes item 21) .....                        | 1   |
| 21   | N/A       | Brush Spring .....  | 8   |
| 22   | 102938901 | Kit, Brush Lead Asm, 3.7 Hp (includes items 23 through 28) .....          | 1   |
| 23   | N/A       | Terminal and Lead Assembly .....  | 2   |
| 24   | N/A       | Insulator, Terminal .....   | 2   |
| 25   | N/A       | Washer, Insulating .....  | 2   |
| 26   | N/A       | Washer, Flat, 5/16, Brass/Bronze .....                                    | 2   |
| 27   | N/A       | Nut, 5/16, Steel .....  | 4   |
| 28   | N/A       | Lockwasher, 5/16, Steel .....   | 2   |
| 29   | 102939001 | Commutator End Head, 3.7 Hp .....   | 1   |
| 30   | 102939101 | Sealed Headband, 3.7 Hp .....   | 1   |
| 31   | 102939102 | Vented Headband, 3.7 HP (optional - not shown) .....                      | 1   |
| 32   | 102951701 | Pkg, Terminal Hardware, 3.7hp (includes items 33 through 36) .....        | 1   |
| 33   | N/A       | Nut, 5/16, Steel .....  | 2   |
| 34   | N/A       | Lockwasher, 5/16, Steel .....   | 2   |
| 35   | N/A       | Nut, 1/4-20, Steel .....  | 2   |
| 36   | N/A       | Lockwasher, 1/4-20, Steel .....   | 2   |
| 37   | 451       | Lockwasher, 1/4 Split .....   | 3   |
| 38   | 7174      | Lockwasher, 5/16 Split .....  | 1   |

14

E

**14**

***E***

# TRANSAXLE – ELECTRIC VEHICLES

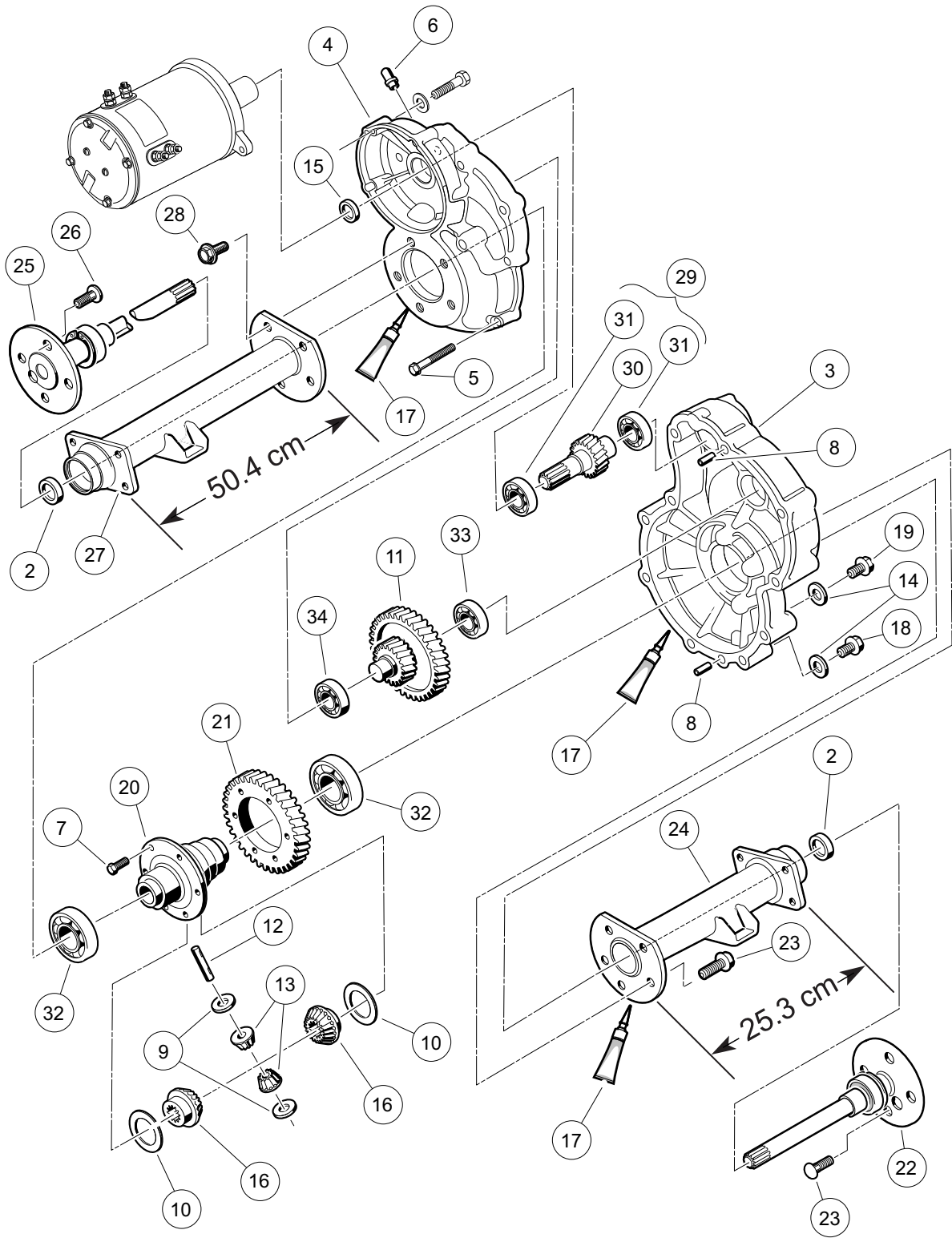
---

15

*E*

15

E



000223-005

# TRANSAXLE – ELECTRIC VEHICLES

| ITEM | PART NO.  | DESCRIPTION   | QTY |
|------|-----------|---|-----|
|      |           | <b>1 2 3 4</b>  |     |
| 1    | 102771701 | Transaxle, Electric (includes items 2 through 34) .....     | 1   |
| 2    | 1013794   | Axle Shaft Oil Seal .....                                   | 2   |
| 3    | 101895401 | Gear Case, Driver-Side .....                                | 1   |
| 4    | 101895501 | Gear Case, Passenger-Side .....                             | 1   |
| 5    | 101897001 | Screw, M8-1.25 X 60mm Hex-Head .....                        | 11  |
| 6    | 101897201 | Breather .....  | 1   |
| 7    | 101897401 | Screw, M10-1.25 X 25mm .....                                | 6   |
| 8    | 101897601 | Pin, 11mm OD X 8.5mm ID X 10mm .....                        | 2   |
| 9    | 101903601 | Washer, Thrust .....  | 2   |
| 10   | 101903701 | Washer, Thrust .....  | 2   |
| 11   | 101906901 | Intermediate Shaft Assembly .....                           | 1   |
| 12   | 101922101 | Pin, 15.99mm X 88.7mm Dowel .....                           | 1   |
| 13   | 101923001 | Gear, Differential Idler .....                              | 2   |
| 14   | 101923201 | Gasket .....  | 2   |
| 15   | 101923501 | Seal, Lip .....   | 1   |
| 16   | 101923901 | Gear, Differential .....                                    | 2   |
| 17   | 101928701 | Liquid Gasket (Transaxle case) .....                        | 1   |
| 18   | 101972101 | Plug, M14-1.5 X 12mm Magnetic .....                         | 1   |
| 19   | 101972201 | Plug, M14-1.5 X 12mm Hex .....                              | 1   |
| 20   | 102356601 | Housing, Differential, 6 Bolt .....                         | 6   |
| 21   | 102356801 | Gear, Differential Output, 6-Bolt .....                     | 6   |
| 22   | 102886301 | Axle Assembly, Driver-Side (includes item 23) .....         | 1   |
| 23   | 101922201 | Lug Stud .....  | 4   |
| 24   | 102886401 | Tube, Axle, Driver-Side .....                               | 1   |
| 25   | 102886501 | Axle Assembly, Passenger-Side (includes item 26) .....      | 1   |
| 26   | 101922201 | Lug Stud .....  | 4   |
| 27   | 102886601 | Tube, Axle, Passenger-Side .....                            | 1   |
| 28   | 102902801 | Screw, M10 X 30 .....                                       | 10  |
| 29   | 103582801 | Asm, E Trans Shaft/bearing (includes items 30 and 31) ..... | 1   |
| 30   | N/A       | Shaft, Input .....  | 1   |
| 31   | 7335      | Bearing .....   | 2   |
| 32   | 7330      | Inner Axle Tube Bearing .....                               | 2   |
| 33   | 7335      | Bearing .....   | 1   |
| 34   | 7336      | Bearing .....   | 1   |

15

E

**15**

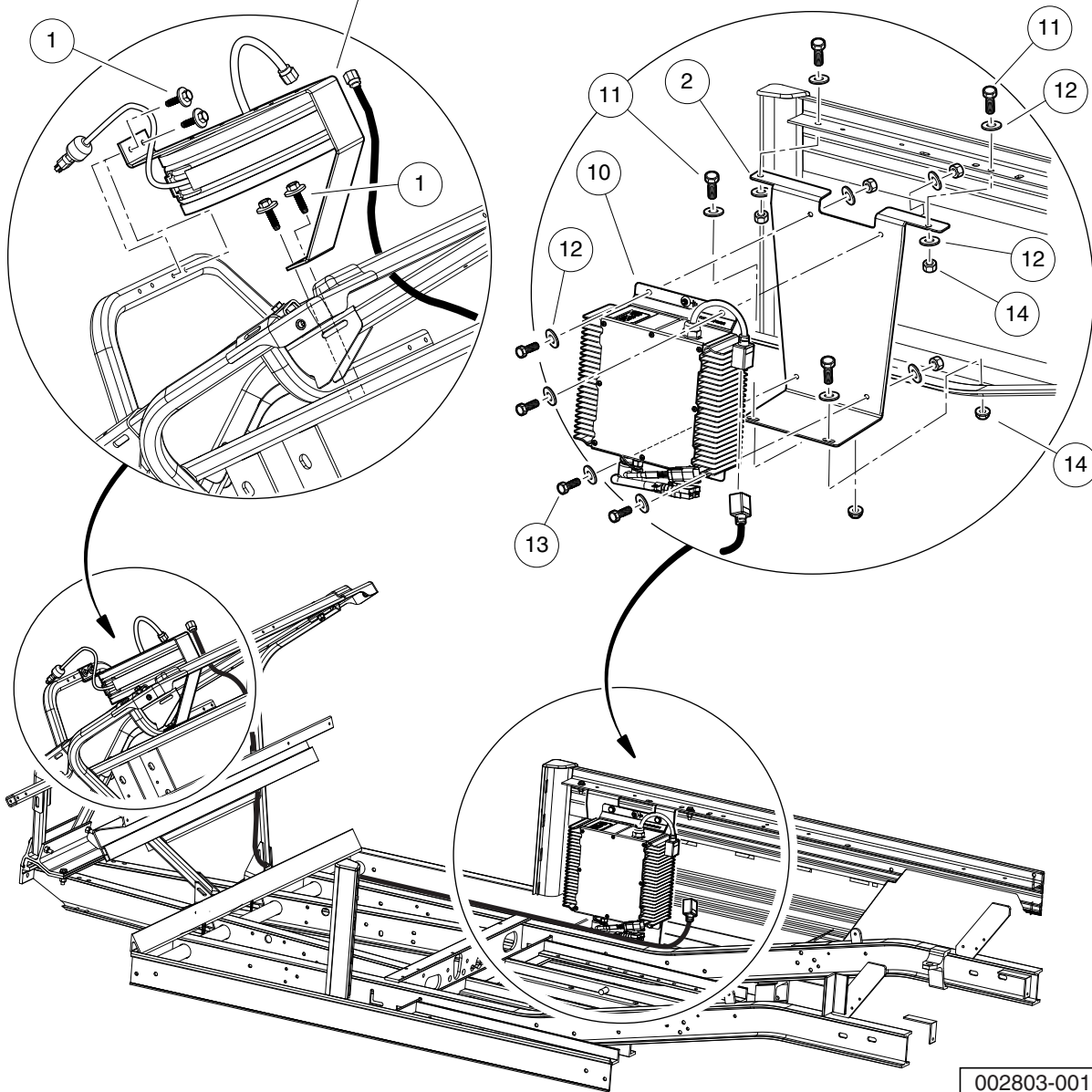
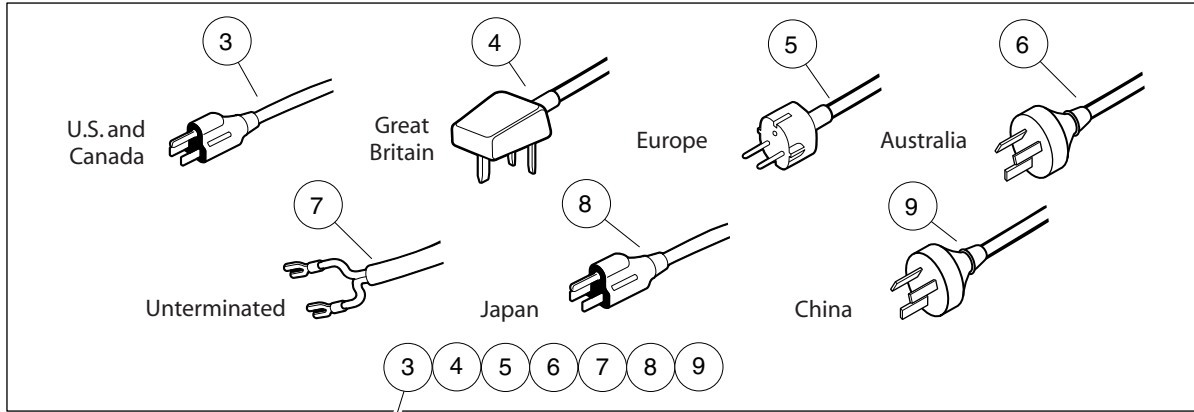
***E***

# BATTERY CHARGERS – HIGH-FREQUENCY

---

16

E





## ON-BOARD BATTERY CHARGER, HIGH-FREQ.

| ITEM | PART NO.  | DESCRIPTION                                    | QTY |
|------|-----------|--|-----|
|      |           | 1 2 3 4  |     |
| 1    | 102297125 | Screw, M6-1.0x25.4, Thread-Forming, SEMS ..... | 4   |
| 2    | 103865201 | Bracket, Mounting, Hf Charger .....            | 1   |
| 3    | 105117601 | Cord Reel, Retractable, Us .....               | 1   |
| 4    | 105117602 | Cord Reel, Retractable, Uk .....               | 1   |
| 5    | 105117603 | Cord Reel, Retractable, Eu .....               | 1   |
| 6    | 105117604 | Cord Reel, Retractable, Aus .....              | 1   |
| 7    | 105117605 | Cord Reel, Retractable, Unterm .....           | 1   |
| 8    | 105117606 | Cord Reel, Retractable, Japan .....            | 1   |
| 9    | 105117607 | Cord Reel, Retractable, China .....            | 1   |
| 10   | 105161901 | Asm, Chgr, Batt, Onboard, Quiq .....           | 1   |
| 11   | 304       | Screw, 1/4-20 X 1.0 Hex-Head Cap .....         | 4   |
| 12   | 332       | Washer, 1/4 Type A Narrow Flat .....           | 16  |
| 13   | 7847      | Screw, 1/4-20 X 0.75 Hex-Head Cap .....        | 4   |
| 14   | 8233      | Locknut, 1/4-20, Nylon Insert .....            | 8   |

16

E

**16**

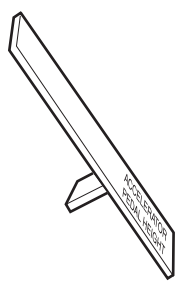
***E***

# MAINTENANCE AND SERVICE TOOLS

---

17  
G  
E

**17**  
**G**  
**E**



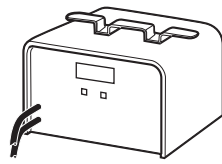
1



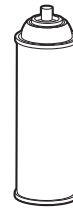
2



3



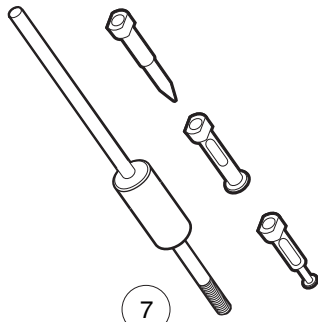
4



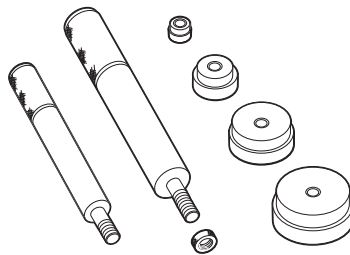
5



6



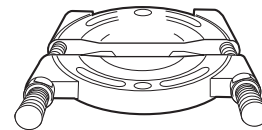
7



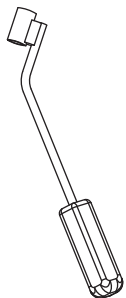
8



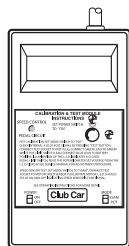
9



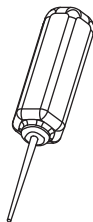
10



11



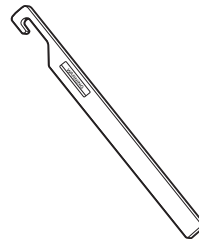
12



13



14



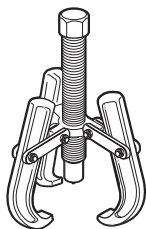
15



16



17



18



19



20

001060-001

# MAINTENANCE AND SERVICE TOOLS

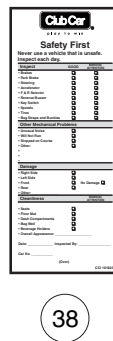
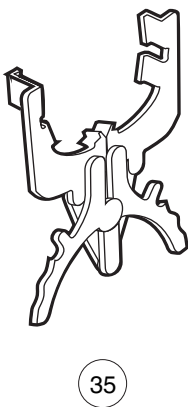
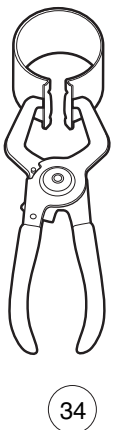
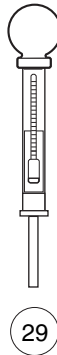
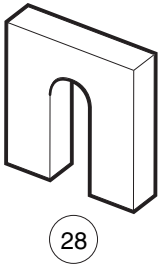
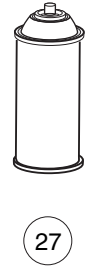
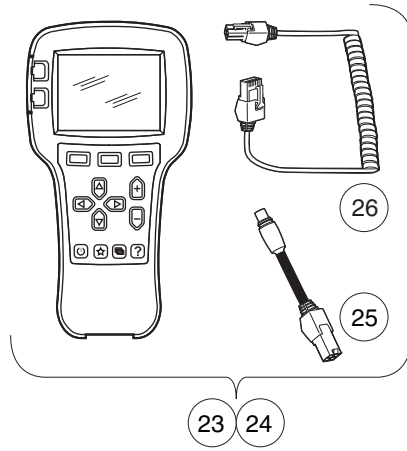
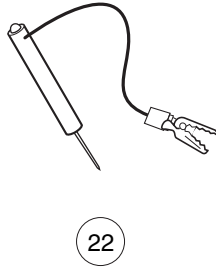
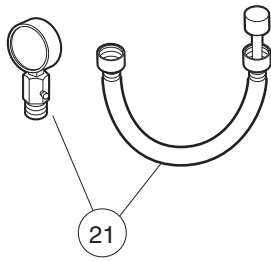
| ITEM | PART NO.  | DESCRIPTION   | QTY<br>GAS | QTY<br>ELEC |
|------|-----------|---|------------|-------------|
|      |           | <p><b>1 2 3 4</b></p> <p>The following tool list includes all tools available from Club Car for maintenance and service procedures for gasoline and electric golf and utility vehicles. Be sure to carefully examine the tool list for applicability to your vehicle before ordering.</p> |            |             |
| 1    | 101871001 | Accelerator Pedal Adjustment Tool (Utility Vehicles).....   | 1          | 1           |
| 2    | 101813202 | Adhesive, Guide Ring, 3-Gram Tube .....   |            | 1           |
| 3    | 101641202 | Arbor .....   | 1          |             |
| 4    | 101831901 | Battery Discharge Machine, 36/48 Volt .....   |            | 1           |
| 5    | 1014305   | Battery Terminal Protector Spray .....  | 1          | 1           |
| 6    | 1011767   | Battery Thermometer .....   | 1          | 1           |
| 7    | 1016417   | Bearing and Oil Seal Remover Assembly .....   | 1          | 1           |
| 8    | 1016416   | Bearing Driver Set .....  | 1          | 1           |
| 9    | 1012811   | Bearing Puller .....  | 1          | 1           |
| 10   | 1012812   | Bearing Puller Wedge Attachment .....   | 1          | 1           |
| 11   | 102555501 | Brake Cable Release Tool .....  | 1          | 1           |
| 12   | 101887101 | Calibration Test Module .....   |            | 1           |
| 13   | 102562401 | Charger Bezel Tool .....  |            | 1           |
|      |           | Clutch Tools (items 14 - 20) .....  | 1          |             |
| 14   | 101808401 | Clutch Cam Installation Tool (for Subaru and Kawasaki engines) .....  | 1          |             |
| 15   | 105072501 | Drive Clutch Holder Tool Assembly (for Subaru and Kawasaki engines) .....   | 1          |             |
| 16   | 1014497   | Drive Clutch Hub Puller (for Subaru and Kawasaki engines) .....   | 1          |             |
| 17   | 1014496   | Drive Clutch Puller (for Subaru and Kawasaki engines) .....   | 1          |             |
| 18   | 1014508   | Driven Clutch Cam Puller (for Subaru and Kawasaki engines) .....  | 1          |             |
| 19   | 1014507   | Driven Clutch Puller Plug (for Subaru and Kawasaki engines) .....   | 1          |             |
| 20   | 101809101 | Press Weldment (for Subaru and Kawasaki engines) .....  | 1          |             |
|      |           | <p>Please refer to the maintenance and service manual for proper tool application.</p>  |            |             |

**17**

**G**

**E**

**17**  
**G**  
**E**



001061-001

## MAINTENANCE AND SERVICE TOOLS, CONTINUED

| ITEM | PART NO.  | DESCRIPTION  | QTY<br>GAS | QTY<br>ELEC |
|------|-----------|--|------------|-------------|
|      |           | 1 2 3 4  |            |             |
| 21   | 101641002 | Compression Gauge and Adapter .....  | 1          |             |
| 22   | 1011273   | Continuity Tester .....  | 1          | 1           |
| 23   | 105234501 | Controller Diagnostic Tool (CDT) User Kit (includes items 25 and 26) .....         |            | 1           |
| 24   | 105234502 | Controller Diagnostic Tool (CDT) OEM Kit (includes items 25 and 26) .....          |            | 1           |
| 25   | 102251501 | Adaptor, Cable .....   |            | 1           |
| 26   | 105209601 | CDT Cable .....  |            | 1           |
| 27   | 1012151   | Dry Moly Lubricant .....   | 1          | 1           |
| 28   | 1016418   | Gear Yoke .....  | 1          | 1           |
| 29   | 1011478   | Hydrometer .....   | 1          | 1           |
| 30   | 1013593   | Internal Retaining Ring Pliers .....   | 1          | 1           |
| 31   | 101928701 | Liquid Gasket (transaxle case) .....   | 1          | 1           |
| 32   | 102243402 | Moly-Teflon Lubricant (4-oz. (113-gram) tube) .....                                |            | 1           |
| 33   | 102587201 | Paint Pen, Touch-Up, Precedent Underbody – Black .....                             | 1          | 1           |
| 34   | 1016414   | Piston Ring Compressor Kit .....   | 1          |             |
| 35   | 1016415   | Piston Ring Pliers .....   | 1          |             |
| 36   | 1012549   | Retaining Ring Pliers, 45° External .....  | 1          | 1           |
| 37   | 1012560   | Retaining Ring Pliers, 90° Internal .....  | 1          | 1           |
| 38   | 101823101 | Safety First Card (50 per pack) .....  | 1          | 1           |
| 39   | 1012809   | Seal Puller .....  | 1          | 1           |
|      |           | Please refer to the maintenance and service manual<br>for proper tool application. |            |             |

17

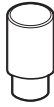
G

E

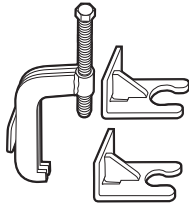
**17**  
**G**  
**E**



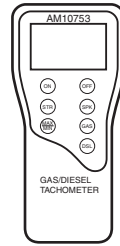
40



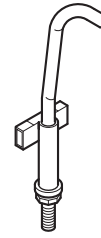
41



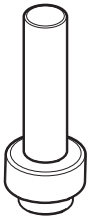
42



43



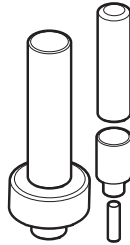
44



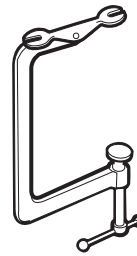
45



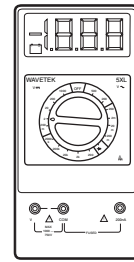
46



47



48



49

001062-001



# MAINTENANCE AND SERVICE TOOLS, CONTINUED

| ITEM | PART NO.  | DESCRIPTION  | QTY<br>GAS | QTY<br>ELEC |
|------|-----------|--|------------|-------------|
|      |           | 1 2 3 4  |            |             |
| 40   | 1014264   | Steering Column Bearing Press Tool .....   | 1          | 1           |
| 41   | 1014259   | Steering Column Retaining Ring Tool .....  | 1          | 1           |
| 42   | 102061201 | Steering Wheel Puller Tool .....   | 1          | 1           |
| 43   | AM10753   | Tachometer (includes gasoline engine pick up lead only) .....                      | 1          |             |
| 44   | 102570401 | Tool, Tensioning, Starter Generator (For Precedent vehicles) .....                 | 1          |             |
| 45   | 1014162   | Transaxle Axle Seal Tool (for electric vehicles) .....                             |            | 1           |
| 46   | 1014161   | Transaxle Pinion Seal Tool (for electric vehicles) .....                           |            | 1           |
| 47   | 1014115   | Transmission Tool Kit (for electric vehicles).....                                 |            | 1           |
| 48   | 101641101 | Valve Spring Compressor .....  | 1          |             |
| 49   | 1011480   | Volt Ohm Meter .....   | 1          | 1           |
|      |           | Please refer to the maintenance and service manual<br>for proper tool application. |            |             |

**17**  
**G**  
**E**



# INDEX

## Part Number and Page

|            |  |           |   |           |                                    |
|------------|--|-----------|---|-----------|------------------------------------|
| AM10753    | 17-7   | 7173      | 4-7, 4-9, 7-25, 7-27  | 1010927   | 5-3                                |
| AM10419    | 11-11  | 7174      | 1-79, 1-81, 6-13, 6-17, 6-21, 6-25, 7-11, 10-3, 14-3  | 1010932   | 5-3                                |
| AM1300001  | 13-17  | 7274      | 6-29  | 1010933   | 5-3                                |
| AM1300101  | 13-17  | 7308      | 6-29  | 1010934   | 1-31, 1-79, 1-81, 7-25, 7-27, 14-3 |
| AM1300201  | 13-17  | 7330      | 15-3  | 1010954   | 7-15, 7-17                         |
| AM1300301  | 13-17  | 7335      | 15-3  | 1010984   | 2-3, 2-5, 2-7                      |
| SVP370901  | 1-31   | 7336      | 15-3  | 1011017   | 4-3                                |
| SVP387901  | 1-33   | 7473      | 1-21, 1-23, 1-31, 1-57, 1-59, 1-61, 4-7, 4-9, 5-3, 5-5, 5-7, 5-13, 5-15, 5-17, 5-19, 6-27, 7-15, 7-17, 7-25, 7-27, 9-15, 9-17, 13-11, 13-13 | 1011084   | 5-7                                |
| SVP658101  | 1-31   | 7479      | 1-55  | 1011114   | 5-11, 5-21, 9-13, 12-11            |
| SVP658401  | 1-31   | 7555      | 6-3   | 1011137   | 5-11                               |
| SVP658602  | 1-31   | 7561      | 1-59, 1-61  | 1011154   | 5-11, 5-21                         |
| SVP659001  | 1-31   | 7591      | 8-9   | 1011273   | 17-5                               |
| SVP659101  | 1-31   | 7716      | 5-3   | 1011298   | 5-11, 5-21                         |
| SVP659301  | 1-31   | 7818      | 7-15, 7-17  | 1011303   | 5-11, 5-21                         |
| SVP659503  | 1-31   | 7820      | 4-7, 4-9  | 1011314   | 5-11, 5-21                         |
| SVP664101  | 1-31   | 7840      | 6-29  | 1011393   | 6-29                               |
| SVP713301  | 1-31   | 7847      | 5-19, 16-3  | 1011402   | 5-3                                |
| SVP716902  | 1-33   | 7893      | 4-37, 7-15, 7-17  | 1011415   | 6-31, 6-33                         |
| SVP716903  | 1-33   | 7910      | 6-29  | 1011418   | 5-3                                |
| SVP716905  | 1-33   | 8056      | 7-21  | 1011439   | 4-7, 4-9                           |
| SVP732202  | 1-31   | 8057      | 1-105, 4-27, 7-17, 7-19, 7-21   | 101146302 | 5-11, 5-21                         |
| SVP732301  | 1-31   | 8058      | 1-105, 4-27, 7-17, 7-19, 7-21   | 1011464   | 5-11, 5-21                         |
| SVP736801  | 1-31   | 8067      | 6-13, 6-17, 6-21, 6-25  | 1011465   | 5-11, 5-21                         |
| SVP777401  | 1-33   | 8233      | 1-31, 1-55, 5-5, 5-7, 7-13, 9-13, 12-11, 16-3   | 1011466   | 5-11, 5-21                         |
| SVP777402  | 1-33   | 8248      | 7-13  | 1011467   | 5-11, 5-21                         |
| SVP777403  | 1-33   | 8251      | 1-33  | 1011478   | 17-5                               |
| SVP777502  | 1-31   | 8450      | 11-7, 11-9  | 1011480   | 17-7                               |
| SVP826501  | 1-51   | 8639      | 1-103, 1-105, 4-37, 6-5, 7-15, 7-17   | 1011494   | 5-11, 5-21                         |
| SVP826502  | 1-51   | 8717      | 5-5, 5-7, 7-15, 7-17, 12-3  | 1011546   | 1-83                               |
| SVP860101  | 1-33   | 8754      | 1-7, 1-31, 1-39, 1-41, 1-43, 1-85, 4-29, 4-31, 5-5, 5-7, 5-13, 5-15, 6-3, 6-5, 6-11, 6-13, 6-15, 6-17, 6-19, 6-21, 6-23, 6-25, 7-11         | 1011553   | 1-79, 1-81, 3-7, 3-13              |
| SVPP229901 | 1-31   | 8755      | 6-13, 6-17, 6-21, 6-25  | 1011557   | 4-7, 4-9                           |
| 183        | 1-53, 11-7, 11-9   | 8861      | 6-11, 6-15, 6-19, 6-23  | 1011610   | 4-3                                |
| 304        | 16-3   | 8935      | 1-21, 1-23  | 1011694   | 5-5, 5-7                           |
| 320        | 1-19, 5-13, 5-15   | 8963      | 1-21, 1-23, 1-31, 13-11, 13-13  | 1011697   | 6-5                                |
| 324        | 1-65   | 8990      | 5-13, 5-15, 6-3, 12-5   | 1011734   | 5-7                                |
| 332        | 1-25, 1-31, 1-55, 7-13, 16-3   | 1010005   | 6-29  | 1011767   | 17-3                               |
| 334        | 1-19, 1-55, 5-5, 5-7, 6-3, 6-5, 11-7, 11-9   | 1010138   | 1-59, 1-61, 6-11, 6-15, 6-19, 6-23  | 1011779   | 5-13, 5-15, 5-17, 5-19             |
| 357        | 1-59, 1-61, 1-79, 6-13, 6-17, 6-21, 6-25   | 1010145   | 6-31, 6-33  | 1011825   | 4-7, 4-9                           |
| 451        | 5-11, 5-21, 14-3   | 1010150   | 6-13, 6-17, 6-21, 6-25  | 101187702 | 5-3                                |
| 705        | 1-31, 1-59, 1-61, 1-79   | 1010177   | 6-13, 6-17, 6-21, 6-25  | 1011887   | 6-29                               |
| 706        | 1-59, 1-61, 1-79, 6-13, 6-17, 6-21, 6-25   | 1010200   | 6-13, 6-17, 6-21, 6-25  | 1011892   | 6-29                               |
| 1028       | 5-3  | 1010434   | 1-31  | 1011931   | 5-5, 5-7                           |
| 1032       | 5-3  | 101043502 | 1-57, 1-59, 1-61  | 1011937   | 1-21, 1-23                         |
| 1035       | 1-55   | 1010577   | 8-5   | 1011990   | 1-31, 1-59, 1-61, 1-79, 1-85       |
| 1218       | 6-27, 9-15, 9-17   | 1010805   | 5-3   | 1012151   | 17-5                               |
| 1241       | 1-21, 1-23, 1-31, 1-79, 1-81, 4-7, 4-9, 5-3, 5-5, 5-7, 5-17, 5-19, 7-15, 7-17, 7-25, 7-27, 8-5, 9-15, 9-17 | 1010829   | 5-13, 5-15, 5-17, 5-19  | 1012159   | 1-39, 1-41, 1-43                   |
| 1242       | 1-79, 1-81, 4-37, 5-13, 5-15, 5-17, 5-19, 7-11, 7-15, 7-17   | 1010850   | 5-11, 5-21  | 1012181   | 6-31, 6-33                         |
| 1624       | 1-85, 5-5, 5-7, 6-3, 7-11  | 1010877   | 5-3   | 1012182   | 6-31, 6-33                         |
| 2402       | 1-85, 6-11, 6-15, 6-19, 6-23   | 1010878   | 5-3   | 1012295   | 1-105, 4-7, 4-9, 7-15, 7-17        |
| 7048       | 6-13, 6-17, 6-21, 6-25   | 101090801 | 13-11, 13-13  | 1012303   | 6-13, 6-17, 6-21, 6-25             |
| 7049       | 1-67   | 1010909   | 1-53  | 101242802 | 1-7                                |
|            |  | 1010921   | 5-3   | 1012431   | 1-105, 4-27, 7-17                  |
|            |  |           |   | 1012528   | 1-57, 10-3, 13-9                   |
|            |  |           |   | 1012549   | 17-5                               |
|            |  |           |   | 1012560   | 17-5                               |
|            |  |           |   | 1012565   | 6-9                                |

# INDEX

|         |                             |           |                               |           |                        |
|---------|-----------------------------|-----------|-------------------------------|-----------|------------------------|
| 1012566 | 6-9                         | 1014276   | 6-13, 6-17, 6-21, 6-25        | 1016154   | 6-9                    |
| 1012571 | 6-5, 13-11, 13-13           | 1014287   | 11-7, 11-9                    | 1016183   | 6-5                    |
| 1012604 | 6-5                         | 1014288   | 6-5, 7-25, 11-7, 11-9         | 1016201   | 11-7, 11-9             |
| 1012605 | 6-5                         | 1014289   | 7-7, 7-9                      | 1016214   | 6-9                    |
| 1012649 | 9-7                         | 1014305   | 17-3                          | 1016269   | 6-5                    |
| 1012809 | 17-5                        | 1014321   | 1-65, 1-67                    | 1016289   | 11-7, 11-9             |
| 1012811 | 17-3                        | 1014375   | 7-25                          | 1016319   | 5-13, 5-15             |
| 1012812 | 17-3                        | 1014453   | 11-7, 11-9                    | 1016320   | 5-13, 5-15             |
| 1012836 | 11-11                       | 1014454   | 11-11                         | 1016346   | 6-11, 6-15, 6-19, 6-23 |
| 1013035 | 6-3                         | 1014496   | 17-3                          | 1016349   | 6-11, 6-15, 6-19, 6-23 |
| 1013042 | 6-3, 6-11, 6-15, 6-19, 6-23 | 1014497   | 17-3                          | 1016350   | 6-11, 6-15, 6-19, 6-23 |
| 1013044 | 6-3                         | 1014507   | 17-3                          | 1016351   | 6-11, 6-15, 6-19, 6-23 |
| 1013052 | 6-3                         | 1014508   | 17-3                          | 1016353   | 6-11, 6-15, 6-19, 6-23 |
| 1013061 | 1-53                        | 1014555   | 6-31, 6-33                    | 1016356   | 4-5, 13-9              |
| 1013135 | 6-29                        | 1014573   | 6-31, 6-33                    | 1016384   | 6-13, 6-17, 6-21, 6-25 |
| 1013309 | 1-25                        | 1014789   | 7-3, 7-5                      | 101638502 | 6-11, 6-15, 6-19, 6-23 |
| 1013357 | 4-5                         | 1014807   | 7-17, 7-19, 7-21              | 1016386   | 6-13, 6-17, 6-21, 6-25 |
| 1013483 | 1-79                        | 1014808   | 7-17                          | 1016387   | 6-13, 6-17, 6-21, 6-25 |
| 1013531 | 5-17, 5-19                  | 1014902   | 6-31, 6-33                    | 1016389   | 6-13, 6-17, 6-21, 6-25 |
| 1013589 | 7-15, 7-17                  | 1014948   | 4-37                          | 101641002 | 17-5                   |
| 1013593 | 17-5                        | 101503202 | 1-19                          | 101641101 | 17-7                   |
| 1013609 | 4-37, 7-15, 7-17            | 1015072   | 13-11, 13-13                  | 101641202 | 17-3                   |
| 1013734 | 1-57, 13-9                  | 1015137   | 9-7                           | 1016414   | 17-5                   |
| 1013746 | 9-7                         | 1015154   | 4-29                          | 1016415   | 17-5                   |
| 1013794 | 15-3                        | 1015156   | 4-29, 4-31                    | 1016416   | 17-3                   |
| 1013869 | 5-3                         | 1015157   | 4-29, 4-31                    | 1016417   | 17-3                   |
| 1013870 | 5-3                         | 1015187   | 4-29, 4-31                    | 1016418   | 17-5                   |
| 1013876 | 5-3                         | 1015332   | 7-3, 7-5                      | 1016423   | 4-5, 13-5              |
| 1013924 | 5-11, 5-21, 8-5             | 1015363   | 1-67                          | 1016557   | 5-11, 5-21             |
| 1014007 | 5-5, 5-7, 9-13, 12-3, 12-11 | 1015373   | 7-15, 7-17                    | 1016573   | 5-11, 5-21             |
| 1014051 | 11-9                        | 1015391   | 1-57                          | 1016603   | 1-59, 1-61             |
| 1014055 | 11-7, 11-9                  | 1015392   | 13-7                          | 1016801   | 11-7, 11-9             |
| 1014056 | 11-7, 11-9                  | 1015399   | 1-29                          | 1016849   | 4-7, 4-9, 4-11, 4-13   |
| 1014057 | 11-7, 11-9                  | 1015400   | 1-57                          | 1016851   | 4-11, 4-13             |
| 1014058 | 11-7, 11-9                  | 1015405   | 7-15, 7-17                    | 1016901   | 11-7                   |
| 1014059 | 11-7, 11-9                  | 1015445   | 1-79                          | 1016929   | 4-29                   |
| 1014062 | 11-7, 11-9                  | 1015524   | 17-3                          | 1016967   | 13-9                   |
| 1014063 | 11-7, 11-9                  | 101553901 | 3-3, 3-5, 3-9, 3-11           | 1017029   | 5-3                    |
| 1014065 | 7-15, 7-17, 11-7, 11-9      | 1015583   | 1-55, 6-17, 6-21, 6-25        | 1017145   | 11-11                  |
| 1014072 | 11-11                       | 101558302 | 6-13, 6-31, 6-33              | 1017211   | 5-13, 5-15             |
| 1014078 | 11-11                       | 1015597   | 6-13, 6-17, 6-21, 6-25        | 1017226   | 6-13, 6-17, 6-21, 6-25 |
| 1014080 | 11-11                       | 1015608   | 13-11, 13-13                  | 1017266   | 6-11, 6-15, 6-19, 6-23 |
| 1014115 | 17-7                        | 1015656   | 1-77                          | 1017273   | 6-7, 6-9               |
| 1014116 | 9-3                         | 1015661   | 1-57, 1-65                    | 1017313   | 6-5                    |
| 1014125 | 6-5                         | 1015700   | 1-55                          | 1017314   | 6-5                    |
| 1014126 | 6-5                         | 1015720   | 13-9                          | 1017315   | 6-5                    |
| 1014145 | 7-15, 7-17                  | 1015737   | 7-15, 7-17                    | 1017317   | 6-5                    |
| 1014153 | 5-11, 5-21                  | 1015741   | 7-15, 7-17, 13-5              | 1017378   | 5-5, 5-7               |
| 1014161 | 17-7                        | 1015752   | 7-15, 7-17                    | 1017380   | 5-5, 5-7               |
| 1014162 | 17-7                        | 1015878   | 1-105, 4-27, 7-17, 7-19, 7-21 | 1017424   | 5-5, 5-7               |
| 1014201 | 14-3                        | 1015932   | 7-11                          | 1017686   | 11-11                  |
| 1014213 | 6-5                         | 1015969   | 8-7                           | 1017774   | 1-59, 1-61             |
| 1014214 | 6-5                         | 1016060   | 1-55                          | 101791101 | 5-21                   |
| 1014217 | 6-5                         | 1016077   | 1-77                          | 101796201 | 5-5, 5-7               |
| 1014259 | 17-7                        | 101609401 | 1-31, 3-3, 3-5, 3-9, 3-11     | 101808401 | 17-3                   |
| 1014264 | 17-7                        | 1016103   | 8-9                           | 101809101 | 17-3                   |

# INDEX

|           |                                 |           |                             |           |  |
|-----------|---------------------------------|-----------|-----------------------------|-----------|--|
| 101813202 | 17-3                            | 101922101 | 15-3                        | 102198001 | 4-5  |
| 101817401 | 5-5, 5-7                        | 101922201 | 15-3                        | 102199001 | 1-105, 4-7, 4-9                                    |
| 101818801 | 5-7                             | 101922501 | 7-13                        | 102235201 | 14-3   |
| 101823101 | 17-5                            | 101923001 | 15-3                        | 102238001 | 4-5, 13-9  |
| 101824101 | 8-9                             | 101923201 | 15-3                        | 102240501 | 13-9   |
| 101825101 | 3-3, 3-5, 3-9, 3-11, 4-11, 4-13 | 101923501 | 15-3                        | 102242101 | 8-5, 11-11   |
| 101825102 | 3-9, 3-11                       | 101923901 | 15-3                        | 102242401 | 1-39, 1-41, 1-43                                   |
| 101830701 | 4-15, 4-17, 4-19, 4-21          | 101928701 | 15-3, 17-5                  | 102243402 | 17-5   |
| 101831401 | 13-13                           | 101932201 | 4-7, 4-9                    | 102243403 | 14-3   |
| 101831901 | 17-3                            | 101935301 | 5-13, 5-15                  | 102251501 | 17-5   |
| 101833401 | 11-11                           | 101942301 | 14-3                        | 102269701 | 7-23   |
| 101834502 | 4-15, 4-17, 4-19, 4-21          | 101946201 | 1-29, 1-33                  | 102274101 | 12-23  |
| 101834602 | 8-5                             | 101953102 | 5-17                        | 102278001 | 6-5  |
| 101835601 | 1-55, 4-23, 4-25                | 101953106 | 5-13, 5-15, 5-19            | 102289201 | 6-3, 6-11, 6-15, 6-19, 6-23                        |
| 101837401 | 1-129                           | 101954301 | 1-25                        | 102292701 | 1-15   |
| 101837502 | 1-129                           | 101955101 | 4-7, 4-9                    | 102292801 | 5-13, 5-15, 5-17, 5-19                             |
| 101850301 | 4-3, 6-7, 6-9                   | 101957101 | 4-7, 4-9                    | 102296020 | 12-3   |
| 101851101 | 4-15, 4-17, 4-19, 4-21          | 101958602 | 1-55                        | 102296150 | 1-31, 1-35, 1-37                                   |
| 101856002 | 4-11                            | 101960501 | 3-13                        | 102296301 | 1-15, 1-31, 1-35, 1-37, 1-39, 1-41, 1-43           |
| 101856101 | 1-9                             | 101963401 | 1-29, 1-77, 7-23, 8-5       | 102296530 | 1-15   |
| 101856102 | 7-15, 7-17                      | 101972101 | 15-3                        | 102296819 | 1-5  |
| 101861901 | 5-5, 5-7                        | 101972201 | 15-3                        | 102297125 | 1-15, 1-17, 1-19, 1-47, 1-49, 4-7, 4-9, 4-37, 16-3 |
| 101862001 | 5-5                             | 101974701 | 4-15, 4-17, 4-19, 4-21      | 102297230 | 13-3   |
| 101865301 | 5-13, 5-15                      | 101974702 | 4-15, 4-17, 4-19, 4-21      | 102298116 | 8-9  |
| 101871001 | 17-3                            | 101974703 | 4-15, 4-17, 4-19, 4-21      | 102298185 | 1-55   |
| 101874601 | 5-13, 5-15                      | 101974704 | 4-15, 4-17, 4-19, 4-21      | 102298401 | 1-31, 1-55, 1-63, 1-65, 1-77, 6-31, 6-33           |
| 101878201 | 5-3                             | 101974705 | 4-15, 4-17, 4-19, 4-21      | 102298720 | 1-31   |
| 101879401 | 6-3                             | 101974706 | 4-15, 4-17, 4-19, 4-21      | 102299550 | 1-31, 1-63, 1-65, 1-77                             |
| 101879501 | 6-3                             | 101974707 | 4-15, 4-17, 4-19, 4-21      | 102301401 | 1-55   |
| 101879601 | 6-3                             | 101974708 | 4-15, 4-17, 4-19, 4-21      | 102311501 | 1-9  |
| 101879701 | 6-3                             | 101974709 | 4-15, 4-17, 4-19, 4-21      | 102323101 | 5-13, 5-15, 5-17, 5-19                             |
| 101879801 | 6-3                             | 101974710 | 4-15, 4-17, 4-19, 4-21      | 102323201 | 5-13, 5-15, 5-17, 5-19                             |
| 101879901 | 6-3                             | 101974711 | 4-15, 4-17, 4-19, 4-21      | 102323501 | 1-7, 1-39, 1-41, 1-43, 4-29, 4-31                  |
| 101880001 | 6-3                             | 101974712 | 4-15, 4-17, 4-19, 4-21      | 102345901 | 3-13   |
| 101880101 | 6-3                             | 101984801 | 6-5                         | 102355301 | 7-25   |
| 101880201 | 6-3                             | 101987701 | 9-7                         | 102356601 | 15-3   |
| 101880301 | 6-3                             | 101990801 | 5-17, 5-19                  | 102356801 | 15-3   |
| 101880701 | 5-11, 5-21                      | 102002802 | 13-9                        | 102399001 | 6-33   |
| 101884801 | 8-5                             | 102002901 | 13-11, 13-13                | 102410604 | 8-9, 9-13  |
| 101886101 | 9-13, 12-11                     | 102022601 | 6-11, 6-15, 6-19, 6-23      | 102411203 | 9-3  |
| 101887101 | 17-3                            | 102022602 | 6-3, 6-11, 6-15, 6-19, 6-23 | 102411209 | 9-15, 9-17   |
| 101895401 | 15-3                            | 102025701 | 5-9                         | 102459301 | 3-7, 3-13  |
| 101895501 | 15-3                            | 102025801 | 9-5, 9-7                    | 102476401 | 9-13, 12-11  |
| 101897001 | 15-3                            | 102026001 | 5-5, 5-7                    | 102490301 | 9-13   |
| 101897201 | 15-3                            | 102056001 | 1-81                        | 102491501 | 1-85, 11-7, 11-9                                   |
| 101897401 | 15-3                            | 102059501 | 12-7, 12-9                  | 102492301 | 13-5   |
| 101897601 | 15-3                            | 102061201 | 17-7                        | 102498201 | 9-13, 12-7, 12-9, 12-11                            |
| 101898001 | 7-25, 7-27                      | 102065103 | 1-81                        | 102506401 | 1-55, 6-31, 6-33                                   |
| 101903601 | 15-3                            | 102065901 | 1-55                        | 102517501 | 4-7  |
| 101903701 | 15-3                            | 102075801 | 3-5, 3-11                   | 102517601 | 4-9  |
| 101906901 | 15-3                            | 102155801 | 11-11                       | 102518301 | 3-7  |
| 101908101 | 13-7                            | 102158901 | 5-5, 5-7                    | 102526201 | 12-3   |
| 101908401 | 7-13, 13-7                      | 102162601 | 5-17                        | 102529101 | 1-105, 4-27  |
| 101915201 | 3-13                            | 102166901 | 5-17                        |           |  |
| 101918501 | 5-3, 5-5, 5-7                   | 102186401 | 14-3                        |           |  |
| 101919801 | 5-5, 5-7                        | 102196901 | 13-5                        |           |  |

# INDEX

|           |                        |           |                   |           |                        |
|-----------|------------------------|-----------|-------------------|-----------|------------------------|
| 102531402 | 1-31                   | 102846402 | 13-9              | 103354701 | 6-11, 6-15, 6-19, 6-23 |
| 102531601 | 1-31                   | 102847603 | 1-77              | 103372101 | 9-3                    |
| 102538601 | 13-5                   | 102852103 | 5-19              | 103372401 | 9-7                    |
| 102540301 | 8-5                    | 102863801 | 13-9              | 103397901 | 13-9                   |
| 102541401 | 1-31                   | 102865101 | 9-7               | 103477901 | 6-29                   |
| 102541402 | 8-9                    | 102869401 | 4-11, 4-13        | 103484301 | 4-7, 4-9               |
| 102541470 | 1-31                   | 102873401 | 13-11, 13-13      | 103487501 | 1-29                   |
| 102541501 | 1-15, 1-31             | 102882501 | 1-59, 1-61        | 103496801 | 7-25                   |
| 102546401 | 4-7                    | 102883601 | 1-15, 3-15, 3-17  | 103497702 | 13-15                  |
| 102554501 | 1-65                   | 102886301 | 15-3              | 103502601 | 6-13                   |
| 102554512 | 1-65                   | 102886401 | 15-3              | 103502701 | 6-21                   |
| 102555501 | 17-3                   | 102886501 | 15-3              | 103502801 | 6-17, 6-25             |
| 102557201 | 1-39, 1-41, 1-43       | 102886601 | 15-3              | 103507001 | 6-13, 6-17, 6-21, 6-25 |
| 102558201 | 8-3, 9-15, 9-17        | 102891101 | 5-17, 5-19        | 103510301 | 13-7                   |
| 102562401 | 17-3                   | 102894503 | 4-7               | 103510501 | 13-15                  |
| 102564002 | 6-13, 6-17, 6-21, 6-25 | 102902801 | 15-3              | 103538701 | 1-55                   |
| 102570401 | 17-7                   | 102913601 | 1-85              | 103539001 | 1-55                   |
| 102572401 | 13-5                   | 102915701 | 13-7              | 103540203 | 1-19                   |
| 102581201 | 1-39, 1-41, 1-43       | 102931102 | 13-9              | 103541401 | 4-37                   |
| 102582401 | 1-31, 1-35, 1-37       | 102938601 | 14-3              | 103575801 | 1-55                   |
| 102587201 | 17-5                   | 102938701 | 14-3              | 103582801 | 15-3                   |
| 102590801 | 1-67                   | 102938801 | 14-3              | 103601501 | 6-3                    |
| 102617201 | 8-5, 10-3              | 102938901 | 14-3              | 103628701 | 6-13                   |
| 102617801 | 12-23                  | 102939001 | 14-3              | 103628801 | 6-21                   |
| 102618601 | 1-31                   | 102939101 | 14-3              | 103628901 | 6-17, 6-25             |
| 102621501 | 1-69, 12-3, 12-7, 12-9 | 102939102 | 14-3              | 103653401 | 6-3                    |
| 102621601 | 1-7                    | 102947601 | 1-35, 1-37        | 103653501 | 6-11, 6-15, 6-19, 6-23 |
| 102670701 | 1-7                    | 102951701 | 14-3              | 103653601 | 6-11, 6-15, 6-19, 6-23 |
| 102684501 | 6-13, 6-17, 6-21, 6-25 | 102967601 | 3-7               | 103700301 | 4-23                   |
| 102704901 | 14-3                   | 102977901 | 9-3               | 103717302 | 6-13, 6-17, 6-21, 6-25 |
| 102711201 | 7-15, 7-17             | 102980801 | 13-11, 13-13      | 103717402 | 6-13, 6-17, 6-21, 6-25 |
| 102725501 | 9-15, 9-17             | 102980901 | 13-11, 13-13      | 103724504 | 6-7, 6-9               |
| 102732401 | 8-5                    | 102989501 | 1-29              | 103724601 | 6-9                    |
| 102764001 | 13-11, 13-13           | 103180101 | 1-107, 4-11, 4-13 | 103724602 | 6-7                    |
| 102766201 | 13-11, 13-13           | 103182701 | 1-19              | 103724901 | 6-9                    |
| 102766301 | 6-13, 6-17, 6-21, 6-25 | 103182702 | 1-19              | 103754901 | 1-35                   |
| 102771701 | 15-3                   | 103196001 | 1-39, 1-41, 1-43  | 103756401 | 9-7                    |
| 102772402 | 13-9                   | 103196202 | 8-5               | 103804901 | 4-25                   |
| 102774701 | 13-9                   | 103198301 | 4-11              | 103829401 | 6-7                    |
| 102775101 | 14-3                   | 103198401 | 7-13              | 103832501 | 4-35                   |
| 102817101 | 4-37, 13-9             | 103201101 | 1-31              | 103832601 | 4-35                   |
| 102817201 | 13-9                   | 103205501 | 3-13, 7-13        | 103865101 | 5-5, 5-7               |
| 102838101 | 13-7                   | 103218601 | 13-5              | 103865201 | 16-3                   |
| 102838701 | 7-7, 7-9               | 103234304 | 3-15, 3-17        | 103867901 | 6-21                   |
| 102838801 | 7-7, 7-9               | 103245001 | 4-7               | 103879701 | 12-15                  |
| 102838901 | 7-7, 7-9               | 103262201 | 1-31              | 103879702 | 12-13                  |
| 102839001 | 7-7, 7-9               | 103306301 | 9-3               | 103882801 | 8-5                    |
| 102839301 | 7-7, 7-9               | 103347101 | 7-7, 7-9          | 103886601 | 12-5                   |
| 102841101 | 7-7, 7-9               | 103347301 | 7-7, 7-9          | 103902101 | 13-3                   |
| 102844601 | 7-7, 7-9               | 103347601 | 7-7, 7-9          | 103902301 | 13-3                   |
| 102844701 | 7-7, 7-9               | 103347701 | 7-7, 7-9          | 103902401 | 13-3                   |
| 102845101 | 3-7                    | 103347801 | 7-7, 7-9          | 103905201 | 9-3                    |
| 102845201 | 13-11                  | 103347901 | 7-7, 7-9          | 103924801 | 7-3, 7-5               |
| 102845203 | 13-11, 13-13           | 103348202 | 4-11              | 103942601 | 13-15                  |
| 102845204 | 13-13                  | 103348602 | 4-13              | 103943401 | 13-3                   |
| 102845401 | 13-9                   | 103354401 | 4-11              | 103944301 | 9-3                    |

# INDEX

|           |                     |           |                 |           |              |
|-----------|---------------------|-----------|-----------------|-----------|--------------|
| 103951501 | 12-23               | 105010301 | 8-15            | 105015901 | 8-17         |
| 103951801 | 1-61                | 105010401 | 8-19            | 105016001 | 8-11, 8-17   |
| 103951802 | 1-59                | 105010501 | 8-19            | 105016101 | 9-11         |
| 103953301 | 7-7, 7-9            | 105010601 | 8-19            | 105016201 | 9-11         |
| 103969701 | 13-13               | 105010701 | 8-19            | 105016301 | 9-11         |
| 103973901 | 11-9                | 105010801 | 8-15            | 105016401 | 9-11         |
| 103973902 | 11-7                | 105010901 | 8-15, 9-11      | 105016501 | 9-11         |
| 103974002 | 11-11               | 105011001 | 8-19            | 105016701 | 8-7          |
| 103974102 | 11-3                | 105011101 | 8-19            | 105016801 | 8-7          |
| 103974201 | 11-7, 11-9          | 105011201 | 8-19            | 105016901 | 8-7          |
| 103974401 | 11-7, 11-9          | 105011301 | 8-19            | 105017001 | 8-7          |
| 103975301 | 11-11               | 105011401 | 8-19            | 105017101 | 8-7          |
| 103976101 | 11-7, 11-9          | 105011501 | 8-19            | 105017201 | 9-9          |
| 103978001 | 9-13                | 105011601 | 8-19            | 105017301 | 8-11         |
| 103979301 | 12-23               | 105011701 | 8-19            | 105017401 | 8-11         |
| 103979401 | 8-5                 | 105011801 | 8-19            | 105017501 | 8-11         |
| 103980001 | 10-3                | 105011901 | 8-15            | 105017601 | 8-11         |
| 103982201 | 8-5                 | 105012001 | 8-15            | 105017701 | 8-11         |
| 103983501 | 9-11                | 105012101 | 8-15            | 105017801 | 8-3, 8-11    |
| 103984601 | 11-7, 11-9          | 105012201 | 8-15            | 105017901 | 8-11         |
| 103989501 | 12-23               | 105012301 | 8-15            | 105018001 | 8-13         |
| 103993601 | 10-3                | 105012401 | 8-15            | 105018101 | 8-13         |
| 103995001 | 12-23               | 105012501 | 8-19            | 105018201 | 8-13         |
| 103995901 | 8-7                 | 105012601 | 8-7, 8-13, 8-15 | 105018301 | 8-13         |
| 103996201 | 8-5                 | 105012701 | 8-21            | 105018401 | 8-13         |
| 104000901 | 1-109               | 105012801 | 8-21            | 105018501 | 8-15         |
| 104001201 | 1-89                | 105012901 | 8-21            | 105025001 | 12-13, 12-15 |
| 104002101 | 1-115               | 105013001 | 8-21            | 105025101 | 12-13, 12-15 |
| 104003501 | 1-109               | 105013101 | 8-21            | 105025201 | 12-13, 12-15 |
| 104003901 | 1-99                | 105013201 | 8-21            | 105025301 | 12-13, 12-15 |
| 104005301 | 7-11                | 105013301 | 8-21            | 105025401 | 12-13, 12-15 |
| 104005901 | 13-17               | 105013401 | 8-21            | 105025501 | 12-13, 12-15 |
| 104006101 | 13-17               | 105013501 | 8-21            | 105025601 | 12-13, 12-15 |
| 104021701 | 12-23               | 105013601 | 8-21            | 105025701 | 12-13, 12-15 |
| 104023501 | 9-13, 12-11         | 105013701 | 8-21            | 105025801 | 12-13, 12-15 |
| 104025101 | 11-11               | 105013801 | 8-21            | 105025901 | 12-13, 12-15 |
| 104026801 | 3-3, 3-5, 3-9, 3-11 | 105013901 | 8-21            | 105026001 | 12-13, 12-15 |
| 104027101 | 12-23               | 105014001 | 8-21            | 105026101 | 12-13, 12-15 |
| 104033601 | 1-83                | 105014101 | 8-21            | 105026201 | 12-13, 12-15 |
| 104033701 | 1-85                | 105014201 | 8-17            | 105026301 | 12-13, 12-15 |
| 105000301 | 7-15, 7-17          | 105014301 | 8-17            | 105026401 | 12-13, 12-15 |
| 105000401 | 7-15, 7-17          | 105014401 | 8-17            | 105026501 | 12-13, 12-15 |
| 105000501 | 13-9                | 105014501 | 8-17            | 105026601 | 12-13, 12-15 |
| 105006501 | 1-29                | 105014601 | 8-17            | 105026701 | 12-13, 12-15 |
| 105007001 | 1-21                | 105014701 | 8-17            | 105026801 | 12-13, 12-15 |
| 105007002 | 1-23                | 105014801 | 8-17            | 105026901 | 12-13, 12-15 |
| 105007402 | 9-13                | 105014901 | 8-17            | 105027001 | 12-13, 12-15 |
| 105007403 | 9-13                | 105015001 | 8-17            | 105027101 | 12-13, 12-15 |
| 105007701 | 7-3                 | 105015101 | 8-17            | 105027201 | 12-13, 12-15 |
| 105008001 | 7-5                 | 105015201 | 8-17            | 105027301 | 12-13, 12-15 |
| 105008101 | 7-3, 7-5            | 105015301 | 8-17            | 105027401 | 12-17        |
| 105009101 | 9-15, 9-17          | 105015401 | 8-17            | 105027501 | 12-17        |
| 105009401 | 9-17                | 105015501 | 8-17            | 105027601 | 12-17        |
| 105010001 | 8-19                | 105015601 | 8-17            | 105027701 | 12-17        |
| 105010101 | 8-15                | 105015701 | 8-17            | 105027801 | 12-17        |
| 105010201 | 8-15                | 105015801 | 8-17            | 105027901 | 12-17        |

# INDEX

|           |              |           |                        |           |                        |
|-----------|--------------|-----------|------------------------|-----------|------------------------|
| 105028001 | 12-17        | 105036701 | 1-15                   | 105068003 | 4-15, 4-17, 4-19, 4-21 |
| 105028101 | 12-19, 12-21 | 105036801 | 4-3                    | 105068004 | 4-15, 4-17, 4-19, 4-21 |
| 105028201 | 12-17        | 105037101 | 4-13                   | 105068005 | 4-15, 4-17, 4-19, 4-21 |
| 105028301 | 12-13, 12-15 | 105037201 | 7-23                   | 105068006 | 4-15, 4-17, 4-19, 4-21 |
| 105028401 | 12-17        | 105037401 | 7-15, 7-17             | 105068007 | 4-15, 4-17, 4-19, 4-21 |
| 105028501 | 12-13, 12-15 | 105037701 | 12-3                   | 105068008 | 4-15, 4-17, 4-19, 4-21 |
| 105028601 | 12-17        | 105038001 | 12-3                   | 105068009 | 4-15, 4-17, 4-19, 4-21 |
| 105028701 | 12-17        | 105038101 | 12-3                   | 105068010 | 4-15, 4-17, 4-19, 4-21 |
| 105028801 | 12-17        | 105038201 | 12-3                   | 105068011 | 4-15, 4-17, 4-19, 4-21 |
| 105028901 | 12-17        | 105038501 | 12-3                   | 105068012 | 4-15, 4-17, 4-19, 4-21 |
| 105029001 | 12-17        | 105038803 | 12-5                   | 105068902 | 6-31, 6-33             |
| 105029101 | 12-17        | 105039401 | 12-3                   | 105069901 | 1-35                   |
| 105029201 | 12-17        | 105039801 | 12-3                   | 105072001 | 1-39                   |
| 105029301 | 12-21        | 105039901 | 12-3                   | 105072002 | 1-41                   |
| 105029401 | 12-21        | 105040401 | 12-3                   | 105072003 | 1-43                   |
| 105029501 | 12-19, 12-21 | 105040501 | 12-3                   | 105073001 | 9-5                    |
| 105029601 | 12-21        | 105040901 | 12-7                   | 105073401 | 4-3                    |
| 105029701 | 12-21        | 105043001 | 9-15                   | 105074201 | 6-13, 6-17, 6-25       |
| 105029801 | 12-19, 12-21 | 105043401 | 9-5                    | 105074501 | 1-7                    |
| 105029901 | 12-19, 12-21 | 105043501 | 9-3                    | 105074502 | 1-7                    |
| 105030001 | 12-13, 12-15 | 105043801 | 9-5                    | 105075202 | 13-9                   |
| 105030301 | 12-19, 12-21 | 105043901 | 9-5                    | 105075301 | 8-9                    |
| 105030401 | 12-19, 12-21 | 105044001 | 9-3                    | 105078805 | 2-5                    |
| 105030501 | 12-19, 12-21 | 105044901 | 9-7                    | 105078807 | 2-7                    |
| 105030601 | 12-19, 12-21 | 105046101 | 3-3, 3-5, 3-9, 3-11    | 105078809 | 2-3                    |
| 105030701 | 12-13, 12-15 | 105049201 | 1-19                   | 105078810 | 2-3                    |
| 105030801 | 12-19, 12-21 | 105049301 | 1-19                   | 105078813 | 2-5                    |
| 105030901 | 12-17        | 105049601 | 13-5                   | 105078814 | 2-7                    |
| 105031001 | 12-21        | 105060901 | 1-35                   | 105078901 | 2-3, 2-5, 2-7          |
| 105034001 | 1-19         | 105062401 | 1-29                   | 105079202 | 2-5, 2-7               |
| 105034101 | 4-11         | 105063001 | 1-29                   | 105079204 | 2-3                    |
| 105034102 | 4-13         | 105063002 | 1-29                   | 105079205 | 2-5, 2-7               |
| 105034201 | 1-19         | 105063201 | 1-39, 1-41, 1-43       | 105079301 | 2-3                    |
| 105034321 | 1-11         | 105063202 | 1-39, 1-41, 1-43       | 105079401 | 2-3                    |
| 105034322 | 1-11         | 105063301 | 1-39                   | 105079701 | 2-5                    |
| 105034323 | 1-11         | 105063302 | 1-41                   | 105079801 | 2-7                    |
| 105034324 | 1-11         | 105063303 | 1-43                   | 105081501 | 7-3, 7-5               |
| 105034325 | 1-11         | 105063401 | 1-39, 1-41, 1-43       | 105081601 | 7-3, 7-5               |
| 105034326 | 1-11         | 105063402 | 1-39, 1-41, 1-43       | 105081701 | 4-15                   |
| 105034327 | 1-11         | 105063501 | 12-13                  | 105081702 | 4-15                   |
| 105034328 | 1-11         | 105063601 | 12-19                  | 105081703 | 4-15                   |
| 105034329 | 1-11         | 105064102 | 1-33                   | 105081704 | 4-15                   |
| 105034401 | 1-15         | 105064103 | 1-33                   | 105081705 | 4-15                   |
| 105034501 | 1-15         | 105064121 | 1-27                   | 105081706 | 4-15                   |
| 105034601 | 1-15         | 105064122 | 1-27                   | 105081707 | 4-15                   |
| 105034701 | 1-15         | 105064123 | 1-27                   | 105081708 | 4-15                   |
| 105034801 | 1-15         | 105064124 | 1-27                   | 105081709 | 4-15                   |
| 105034901 | 1-17         | 105064521 | 1-25                   | 105081710 | 4-15                   |
| 105035001 | 1-17         | 105064522 | 1-25                   | 105081711 | 4-15                   |
| 105035101 | 1-49         | 105064523 | 1-25                   | 105081712 | 4-15                   |
| 105035201 | 1-49         | 105064524 | 1-25                   | 105081801 | 4-19                   |
| 105035301 | 1-49         | 105066001 | 12-19, 12-21           | 105081802 | 4-19                   |
| 105035701 | 1-19         | 105066101 | 12-19, 12-21           | 105081803 | 4-19                   |
| 105035801 | 1-47         | 105066401 | 1-49, 1-51             | 105081804 | 4-19                   |
| 105036301 | 12-3         | 105068001 | 4-15, 4-17, 4-19, 4-21 | 105081805 | 4-19                   |
| 105036601 | 1-57         | 105068002 | 4-15, 4-17, 4-19, 4-21 | 105081806 | 4-19                   |



# INDEX

|           |                        |           |               |           |                  |
|-----------|------------------------|-----------|---------------|-----------|------------------|
| 105081807 | 4-19                   | 105097501 | 1-95          | 105117701 | 1-13             |
| 105081808 | 4-19                   | 105097601 | 1-117         | 105117702 | 1-13             |
| 105081809 | 4-19                   | 105097701 | 1-117         | 105117703 | 1-13             |
| 105081810 | 4-19                   | 105097801 | 1-117         | 105117704 | 1-13             |
| 105081811 | 4-19                   | 105097901 | 1-107         | 105117705 | 1-13             |
| 105081812 | 4-19                   | 105098001 | 1-109         | 105117706 | 1-13             |
| 105081901 | 4-21                   | 105098002 | 1-109         | 105117707 | 1-13             |
| 105081902 | 4-21                   | 105098101 | 1-111         | 105117708 | 1-13             |
| 105081903 | 4-21                   | 105098201 | 1-113         | 105117709 | 1-13             |
| 105081904 | 4-21                   | 105098301 | 1-113         | 105117710 | 1-13             |
| 105081905 | 4-21                   | 105098401 | 1-115         | 105118601 | 4-29, 4-31       |
| 105081906 | 4-21                   | 105098501 | 1-97          | 105122105 | 1-65             |
| 105081907 | 4-21                   | 105098502 | 1-97          | 105122205 | 1-63             |
| 105081908 | 4-21                   | 105098701 | 1-97          | 105122807 | 4-9              |
| 105081909 | 4-21                   | 105098801 | 1-87          | 105122808 | 4-7              |
| 105081910 | 4-21                   | 105100401 | 5-7           | 105124001 | 1-7              |
| 105081911 | 4-21                   | 105100601 | 1-3           | 105124101 | 1-85             |
| 105081912 | 4-21                   | 105100801 | 5-7           | 105124201 | 1-45             |
| 105082001 | 4-17                   | 105102301 | 1-37          | 105124202 | 1-45             |
| 105082002 | 4-17                   | 105102601 | 7-19, 7-21    | 105124301 | 1-121            |
| 105082003 | 4-17                   | 105106101 | 2-9, 2-11     | 105124302 | 1-121            |
| 105082004 | 4-17                   | 105106201 | 2-9, 2-11     | 105124401 | 1-121            |
| 105082005 | 4-17                   | 105106301 | 2-9           | 105124501 | 1-121            |
| 105082006 | 4-17                   | 105106302 | 2-11          | 105124701 | 3-7              |
| 105082007 | 4-17                   | 105106501 | 2-9           | 105124901 | 1-9              |
| 105082008 | 4-17                   | 105106502 | 2-11          | 105127201 | 1-65             |
| 105082009 | 4-17                   | 105106601 | 6-11, 6-19    | 105127202 | 1-65             |
| 105082010 | 4-17                   | 105106702 | 6-15, 6-23    | 105127302 | 1-69             |
| 105082011 | 4-17                   | 105106801 | 6-31, 6-33    | 105127401 | 1-65             |
| 105082012 | 4-17                   | 105108201 | 4-7, 4-9      | 105127402 | 1-65             |
| 105082101 | 4-11                   | 105108301 | 4-7, 4-9      | 105128001 | 1-69             |
| 105082301 | 3-13                   | 105108401 | 4-7, 4-9      | 105128101 | 1-67             |
| 105083301 | 6-13, 6-17, 6-21, 6-25 | 105108801 | 4-37          | 105128201 | 1-67             |
| 105083701 | 12-3                   | 105108901 | 1-59, 1-61    | 105128801 | 1-45             |
| 105083801 | 12-3                   | 105109101 | 1-35          | 105128802 | 1-45             |
| 105084701 | 3-13                   | 105109201 | 1-37          | 105128901 | 1-45             |
| 105084801 | 8-9                    | 105109501 | 1-77          | 105129001 | 1-45             |
| 105086101 | 1-39, 1-41, 1-43       | 105110801 | 1-55          | 105129501 | 1-77             |
| 105088501 | 9-15, 9-17             | 105112401 | 4-11, 13-9    | 105129601 | 1-77             |
| 105088601 | 4-29, 4-31             | 105112501 | 4-37          | 105129901 | 1-69             |
| 105092601 | 1-39, 1-41, 1-43       | 105112601 | 4-37          | 105130001 | 3-7              |
| 105093301 | 7-3, 7-5               | 105113301 | 1-77          | 105130101 | 3-3, 3-5         |
| 105093501 | 1-37                   | 105113302 | 1-77          | 105130301 | 1-67             |
| 105093601 | 9-3                    | 105114805 | 4-5           | 105130302 | 1-67             |
| 105093701 | 4-3                    | 105114806 | 4-5, 4-7, 4-9 | 105130501 | 1-67             |
| 105093801 | 4-3                    | 105114807 | 1-103, 4-5    | 105130601 | 1-67             |
| 105094001 | 1-7, 1-39, 1-41, 1-43  | 105115002 | 3-15, 3-17    | 105131001 | 1-59, 1-61       |
| 105095101 | 4-13, 7-3, 7-5         | 105115005 | 3-15, 3-17    | 105134601 | 8-5              |
| 105096101 | 11-7, 11-9             | 105116301 | 13-3          | 105134901 | 12-9             |
| 105096401 | 1-101                  | 105117601 | 16-3          | 105135101 | 9-13, 12-7, 12-9 |
| 105096501 | 1-101                  | 105117602 | 16-3          | 105135201 | 4-7, 4-9         |
| 105096901 | 1-87                   | 105117603 | 16-3          | 105135802 | 4-37             |
| 105097001 | 1-87                   | 105117604 | 16-3          | 105135901 | 7-3, 7-5         |
| 105097101 | 1-99                   | 105117605 | 16-3          | 105136001 | 7-3, 7-5         |
| 105097301 | 1-89                   | 105117606 | 16-3          | 105137102 | 3-9              |
| 105097401 | 1-91                   | 105117607 | 16-3          | 105137103 | 3-5, 3-11        |

# INDEX

|           |                    |           |                     |           |                  |
|-----------|--------------------|-----------|---------------------|-----------|------------------|
| 105137106 | 3-3, 3-9           | 105170501 | 1-61                | 105181601 | 1-115            |
| 105143301 | 7-3, 7-5, 9-3      | 105173901 | 13-5                | 105181701 | 1-89             |
| 105143401 | 1-119              | 105175601 | 1-101               | 105181801 | 1-89             |
| 105144401 | 9-13, 12-11        | 105175701 | 1-101               | 105181901 | 1-89             |
| 105144801 | 4-35               | 105175801 | 1-101               | 105182001 | 1-89             |
| 105145201 | 13-7               | 105175901 | 1-101               | 105182002 | 1-89             |
| 105145401 | 1-85               | 105176001 | 1-101               | 105182101 | 1-89             |
| 105145501 | 1-85               | 105176101 | 1-101               | 105182102 | 1-89             |
| 105146901 | 4-25               | 105176201 | 1-101               | 105182201 | 1-89             |
| 105147001 | 4-25               | 105176301 | 1-101               | 105182202 | 1-89             |
| 105148502 | 1-77               | 105176701 | 1-93                | 105182301 | 1-89             |
| 105148601 | 1-77               | 105176801 | 1-93                | 105182302 | 1-89             |
| 105148801 | 1-77               | 105176901 | 1-117               | 105182401 | 1-89             |
| 105148802 | 1-77               | 105177001 | 1-99                | 105182501 | 1-89             |
| 105149101 | 5-9                | 105177101 | 1-99                | 105182601 | 1-89             |
| 105149201 | 5-9                | 105177201 | 1-93                | 105182701 | 1-89             |
| 105149301 | 8-5                | 105177301 | 1-87                | 105182801 | 1-89             |
| 105152301 | 4-11               | 105177501 | 1-87                | 105182901 | 1-89             |
| 105152501 | 3-15               | 105177601 | 1-87                | 105183001 | 1-89             |
| 105152701 | 3-17               | 105177701 | 1-87                | 105183101 | 1-91             |
| 105153201 | 3-15, 3-17         | 105177801 | 1-87                | 105183201 | 1-91             |
| 105153202 | 3-15, 3-17         | 105177901 | 1-99                | 105183301 | 1-91             |
| 105153301 | 3-15, 3-17         | 105178001 | 1-99                | 105183401 | 1-91             |
| 105153302 | 3-15, 3-17         | 105178301 | 1-95                | 105183501 | 1-107            |
| 105155501 | 4-31               | 105178401 | 1-95                | 105183601 | 1-113            |
| 105155601 | 4-29               | 105178501 | 1-117               | 105183701 | 1-109            |
| 105156301 | 1-5                | 105178601 | 1-117               | 105183801 | 1-115            |
| 105156701 | 1-5                | 105178701 | 1-117               | 105185101 | 4-33             |
| 105156702 | 1-5                | 105178801 | 1-117               | 105185701 | 1-63, 1-77       |
| 105158701 | 1-125              | 105178901 | 1-117               | 105185801 | 1-63, 1-77       |
| 105158702 | 1-123              | 105179001 | 1-107               | 105186201 | 6-31             |
| 105160401 | 1-71               | 105179101 | 1-107               | 105186202 | 6-31             |
| 105160501 | 1-75               | 105179201 | 1-107               | 105186301 | 6-33             |
| 105160801 | 1-71               | 105179301 | 1-107               | 105186302 | 6-33             |
| 105160901 | 1-71               | 105179401 | 1-107               | 105188185 | 1-31, 6-31, 6-33 |
| 105161101 | 1-71               | 105179501 | 1-107               | 105190101 | 7-9              |
| 105161201 | 1-75               | 105179601 | 1-107               | 105190102 | 7-7              |
| 105161301 | 1-75               | 105179701 | 1-107               | 105190601 | 4-7, 4-9         |
| 105161401 | 1-71               | 105179801 | 1-107               | 105190701 | 4-7, 4-9         |
| 105161501 | 1-73               | 105179901 | 1-107               | 105192301 | 1-65             |
| 105161601 | 1-73               | 105180001 | 1-109               | 105192901 | 1-65             |
| 105161701 | 7-3, 7-5, 7-7, 7-9 | 105180101 | 1-109               | 105193001 | 1-65             |
| 105161901 | 16-3               | 105180201 | 1-109               | 105193101 | 1-69             |
| 105163601 | 3-3, 3-5           | 105180301 | 1-111               | 105193501 | 1-59, 1-61       |
| 105163701 | 3-3, 3-5, 3-7      | 105180401 | 1-111               | 105194101 | 1-57             |
| 105165801 | 4-7, 4-9           | 105180501 | 1-111               | 105194301 | 1-29             |
| 105166801 | 13-17              | 105180601 | 1-111, 1-113, 1-115 | 105194402 | 1-65             |
| 105166901 | 13-17              | 105180701 | 1-111               | 105194601 | 1-65             |
| 105167001 | 13-17              | 105180801 | 1-111               | 105194801 | 1-63, 1-77       |
| 105167101 | 13-17              | 105180901 | 1-113               | 105194802 | 1-63             |
| 105167201 | 13-5               | 105181001 | 1-113               | 105194901 | 1-63             |
| 105168501 | 13-17              | 105181101 | 1-113               | 105194902 | 1-63             |
| 105168601 | 13-17              | 105181201 | 1-115               | 105195501 | 13-9             |
| 105169101 | 1-57               | 105181301 | 1-113               | 105196001 | 1-35, 1-37       |
| 105170101 | 1-45               | 105181401 | 1-113               | 105196101 | 1-65             |
| 105170301 | 1-59               | 105181501 | 1-113               | 105196201 | 1-65             |

# INDEX

- 105197101 1-57  
105197301 1-39, 1-41, 1-43  
105197401 1-39, 1-41, 1-43  
105197402 1-39, 1-41, 1-43  
105197601 1-59, 1-61  
105200401 1-25  
105200702 1-65  
105200802 1-65  
105200901 1-65  
105201001 1-65  
105204401 4-29, 4-31  
105205301 4-29, 4-31  
105205401 7-11  
105205501 1-103  
105209601 17-5  
105210201 13-11  
105216602 2-5  
105216604 2-7  
105216701 1-85  
105233701 1-85  
105234002 1-103  
105234102 1-105  
105234501 17-5  
105234502 17-5  
105234801 12-13, 12-15  
105234901 12-13, 12-15  
105236301 1-105  
105237301 7-27  
105237601 1-123, 1-125  
105237701 1-123, 1-125  
105237801 1-127  
105237802 1-127  
105238001 1-123, 1-125  
105238101 1-123, 1-125  
105238201 1-127  
105238301 1-127  
105238401 1-127  
105238402 1-127  
105238501 1-127  
105238502 1-127  
105238603 1-127  
105238604 1-127  
105238701 1-123, 1-125  
105238801 1-125  
105238802 1-123  
105238901 1-125  
105238902 1-123  
105239001 1-125  
105239002 1-123  
105239101 1-123, 1-125  
105239201 1-123, 1-125  
105239301 1-123, 1-125  
105239401 1-123, 1-125  
105241001 1-125  
105241002 1-123  
105241101 1-125  
105241102 1-123  
105241201 1-127  
105241301 1-127  
105241401 1-127  
105241501 1-127  
105241601 1-127  
105241602 1-127  
105241701 1-127  
105241702 1-127  
105242801 6-27  
105243001 6-27  
105245801 11-5  
105248201 1-85  
105249901 1-39, 1-41, 1-43  
105250501 1-39, 1-41, 1-43  
105251901 1-39, 1-41, 1-43  
105256701 7-27  
105256801 7-3, 7-5  
105282901 9-5  
105282902 9-5  
105282903 9-5  
105288801 1-45  
105289301 1-97  
105310301 5-19  
96704176 12-3  
96705199 1-65, 12-7, 12-9  
96741046 8-5
- ## A
- accelerator bracket and bearing assembly 5-5, 5-7  
accelerator cable 9-13  
accelerator pedal adjustment tool 17-3  
accelerator pivot rod 5-5, 5-7  
accelerator return spring 5-5, 5-7  
accessory receptacle 4-5  
adapter  
    air intake 9-11  
    cable (IQDM) 17-5  
adhesive, guide ring 17-3  
air cleaner assembly 9-15, 9-17  
air deflector 8-9  
air filter 8-3, 9-15, 9-17  
air filter evacuator 9-15, 9-17  
air intake adapter 9-11  
air intake hose 9-15, 9-17  
anchor body 5-11, 5-21  
anchor body kit 5-11, 5-21  
anchor, piston 5-11, 5-21  
A-plate strap 6-11, 6-15, 6-19, 6-23  
A-plate, delta 6-11, 6-15, 6-19, 6-23  
arbor 17-3  
arm  
    governor 9-13, 12-11  
armature 14-3  
assembly  
    accelerator bracket and bearing 5-5, 5-7  
    accelerator pivot rod 5-5, 5-7  
    bearing, steering shaft 6-5  
    delta A-plate 6-11, 6-15, 6-19, 6-23  
    drive hub 11-7, 11-9  
    driven clutch 11-11  
    fuel cap 9-3  
    fuel pump 9-5  
    inner ball joint 6-3  
    kingpin 6-13, 6-17, 6-21, 6-25  
    moveable-face 11-7, 11-9, 11-11  
    ratchet 5-3, 5-5, 5-7  
    secondary clutch weight 11-7, 11-9  
    steering shaft 6-5  
axle 15-3  
axle shaft 12-19, 12-21  
axle shaft oil seal 15-3  
axle tube 12-19, 12-21, 15-3
- ## B
- backing plate, brake 5-11, 5-21  
baffle  
    crankcase 8-7  
balance shaft 8-21  
ball bearing 7-7, 7-9, 12-17, 12-19, 12-21  
ball joint 5-3, 5-7  
ball stud 7-15, 7-17  
ball, trailer hitch 1-83  
barrel, plastic 1-31  
battery  
    12-volt, side-post 7-25  
    12-volt, top-post 7-27  
battery cap, 6-volt 13-13  
battery clamp 7-25, 7-27  
battery condition indicator 4-11  
battery discharge machine 17-3  
battery HD, 6-volt, Trojan T145 13-13  
battery hold-down 13-11, 13-13  
battery hold-down rod 13-11, 13-13  
battery terminal protector spray 17-3  
battery thermometer 17-3  
battery, top-post, wire, 4ga, B+ 7-3, 7-5  
battery, top-post, wire, B- 4ga, 7-27  
bearing 15-3  
    balance shaft 8-19  
    ball 7-7, 7-9, 12-17, 12-19, 12-21  
    ball (motor) 14-3  
    ball (steering pinion) 6-3  
    crankshaft 8-19  
    front wheel hub 6-29  
    hub 6-29  
    inner axle tube 15-3  
    lower pinion (steering) 6-3  
    pivot support 5-5, 5-7  
    steering shaft 6-5  
    thrust 6-13, 6-17, 6-21, 6-25, 12-13, 12-15

# INDEX

- bearing and oil seal remover 17-3
- bearing driver set 17-3
- bearing puller 17-3
- bearing puller wedge 17-3
- bearing seat 6-5
- bed clamp kit 1-71
- bed floor 1-57
- bed floor kit 1-57
- bed latch weldment 1-57
- bed lift actuator 1-61
- bed lift harness 1-59, 1-61
- bed lift kit 1-61
- bed lift kit, electric 1-59
- bed lift weldment 1-59, 1-61
- bed seal 1-29
- bellows 6-3
- belt, drive 11-3, 11-5
- block, brake-mounting 5-3
- block, fuse 7-15, 7-17, 13-5
- block, terminal 4-5, 13-9
- body, anchor 5-11, 5-21
- bolt, U- 6-31, 6-33
- boot, steering column 6-5
- boot, switch 7-13, 13-7
- box
  - steering gear 6-3
  - tool 1-129
- brace, trailer hitch 1-79
- bracket
  - accel.cable 9-13, 12-7, 12-9
  - brake light switch 4-7, 4-9
  - carbon canister/ECU 9-7
  - FNR cable 9-13, 12-7, 12-9
  - governor 9-13, 12-11
  - horn 4-7, 4-9
  - mounting, starter/generator 8-5
  - mounting, transaxle/exhaust 8-5
  - shifter 12-3
  - shock mounting, drv 6-31, 6-33
  - shock mounting, pas 6-31, 6-33
  - snubber 8-5
  - stake side 1-77
  - starter/generator adjusting 7-11
  - steering column 6-5
  - steering column mounting 6-5
  - Tow/Run switch 7-13
- bracket, hinge, bed 1-55
- bracket,tailgate Lh 1-67
- bracket,tailgate Rh 1-67
- brake actuator kit 5-11, 5-21
- brake backing plate 5-11, 5-21
- brake cable 5-13, 5-15, 5-17
- brake cable equalizer 5-13, 5-15, 5-17, 5-19
- brake cable release tool 17-3
- brake cluster 5-11, 5-21
- brake drum 5-11, 5-21
- brake lever arm 5-11, 5-21
- brake light switch bracket 4-7, 4-9
- brake mounting block 5-3
- brake pedal 5-3
- brake pedal pad 5-3
- brake return spring 5-17, 5-19
- brake shoe 5-11, 5-21
- brake spring 5-11, 5-21
- breather 12-13, 12-15, 15-3
- breather hose 9-11
- Brkt, Steering Stop, Drv, CA, LSV 6-27
- brush box assembly 14-3
- brush cover kit, starter/generator 7-7, 7-9
- brush inspection port cover 7-7, 7-9
- brush kit, motor 14-3
- brush rigging 14-3
- brush spring 7-7, 7-9, 14-3
- brush spring set 7-7, 7-9
- brush spring, starter/generator 7-7, 7-9
- brush terminal, starter/generator 7-7, 7-9
- brush, motor 14-3
- bucket holder kit 1-75
- bulb,halogen 4-3
- bumper
  - drive unit (motor) 14-3
  - rubber 5-3
  - spring return 5-5, 5-7
- bumper kit 1-3
- bumper,bedfloor 1-57
- bushing 1-59, 1-61, 7-15, 7-17, 11-7, 11-9, 12-3
  - bronze 6-13, 6-17, 6-21, 6-25
  - nylon 1-67, 5-3
  - snap-in 1-67
  - spindle 6-13, 6-17, 6-21, 6-25
  - steel 6-13, 6-17, 6-21, 6-25
  - urethane 1-55, 6-11, 6-13, 6-15, 6-17, 6-19, 6-21, 6-23, 6-25, 6-31, 6-33
- button, drive 11-11
- buzzer, reverse 4-11, 4-13
- C**
- cab 2-point seat belt kit 1-101
- cab 3-point seat belt 1-101
- cab canopy kit 1-87
- cab liner 1-87
- cab mirror 1-97
- cab mirror lh 1-97
- cab overhead console 1-107
- cab rear window kit 1-117
- cab window screen 1-117
- cab windshield kit 1-99
- cab wiper kit 1-109
- cable
  - accelerator 9-13
  - brake 5-13, 5-15, 5-17
  - FNR shifter 12-5
  - governor 9-13
- calibration test module 17-3
- cam
  - driven clutch 11-11
  - electrical component box 7-15, 7-17
- cam, engine 8-17
- camshaft 8-17
- camshaft o-ring 8-17
- canister, carbon, fuel tank 9-7
- canopy
  - short 1-39
- canopy kit 1-39
- cap
  - battery, 6-volt 13-13
  - dust 13-5
  - fuel, gas, ratchet 9-3
  - key switch 4-15, 4-17, 4-19, 4-21
  - rubber 12-23
- cap,quick connector 13-9
- carbon canister 9-7
- card, safety first 17-5
- cargo box kit 1-65
- cargo box, corner,ds 1-65
- cargo box, front panel 1-65
- cargo box, side panel,ds,medium 1-65
- cargo box,corner,ps 1-65
- cargo box,side panel, ps,medium 1-65
- case
  - gear 15-3
  - transaxle 12-13, 12-15
- center shaft 12-17
- chain, timing 8-17
- charger bezel tool 17-3
- charging diode 7-23
- circuit breaker 13-7
- clamp
  - battery 7-25, 7-27
  - hose 9-3, 9-7, 9-15, 9-17
  - p- (fuel filter) 8-9, 9-13
- clevis, upper delta 6-13, 6-17, 6-21, 6-25
- clip
  - body trim 1-15
  - retainer plate 8-15
  - wheel cover 2-9, 2-11
- clip, piston pin 8-21
- clip, score card 6-9
- cluster, brake 5-11, 5-21
- clutch
  - pin 12-17
- clutch cam installation tool 17-3
- clutch repair kit 11-11
- clutch tool kit 17-3
- clutch weight 11-7, 11-9
- clutch, drive 11-7, 11-9
- clutch, driven 11-11
- coil, ignition 8-11

# INDEX

collar 12-17  
collet 8-17  
column, steering 6-5  
component mounting plate cover 13-9  
compression gauge 17-5  
compressor, piston ring 17-5  
compressor, valve spring 17-7  
connecting rod 8-21  
continuity tester 17-5  
controller diagnostic tool (CDT) 17-5  
controller diagnostic tool (CDT) cable 17-5  
cooling fan 8-7  
counter shaft 12-17  
cover  
    brush inspection port 7-7, 7-9  
    crankcase 8-19  
    dust 5-11, 5-21, 6-29  
    fan 8-7  
    rocker switch hole 1-107, 4-11, 4-13  
    steering column 6-5  
cover, rocker 8-15  
cover, valve 8-15  
cowl 1-11  
crankcase 8-19  
crankcase baffle 8-7  
crankcase cover 8-19  
crankshaft 8-21  
C-type stop ring 6-3  
cup, spring 5-5, 5-7  
cushion, shock absorber 6-31, 6-33  
cylinder head 8-15

## D

dash 1-19  
dc converter, 15A 4-23  
dc converter, 25A 4-25  
decal  
    4-gauge wire warning 3-7  
    bed load warning 3-3, 3-5, 3-9, 3-11  
    crush area warning 1-31, 3-3, 3-5, 3-7, 3-9, 3-11, 3-13  
    diode safety 3-13  
    electrical cover safety 3-7  
    engine warning 8-7  
    filter log 13-17  
    frame ground 3-13  
    inspect log 13-17  
    key switch 3-9, 3-11  
    nameplate 1-15, 3-15, 3-17  
    on/off 3-3, 3-5, 3-9, 3-11, 4-11, 4-13  
    rotating parts 3-13  
    run/service switch 3-13, 7-13  
    Tow/Run switch 3-7  
    trailer hitch 1-79, 1-81, 3-7, 3-13  
    wheel cover 2-9, 2-11  
    young driver warning 3-5, 3-11

deflector  
    air 8-9  
deionizer 13-17  
    cartridge 13-17  
delta A-plate 6-11, 6-15, 6-19, 6-23  
delta A-plate sub-assembly 6-11, 6-15, 6-19, 6-23  
diagnostic port 13-5  
differential 12-21  
    limited-slip 12-19  
    open 12-21  
differential drive unit 15-3  
differential gear 15-3  
differential gear set 12-21  
differential housing 15-3  
differential shaft 12-21  
diode 4-37, 7-3, 7-5  
diode, charging 7-23  
dipstick 8-19  
door, charger port 1-15  
door, glove box 1-19  
doors, soft, cab 1-91  
drain plug 8-19, 12-13, 12-15  
drain plug gasket 8-19  
drain plug, rubber 7-7, 7-9  
drive belt 11-3, 11-5  
drive button 11-11  
drive clutch 11-7, 11-9  
drive clutch button 11-7, 11-9  
drive clutch holder tool 17-3  
drive clutch hub puller 17-3  
drive clutch puller 17-3  
drive clutch spring 11-7, 11-9  
drive clutch weight 11-7, 11-9  
drive hub 11-7, 11-9  
drive unit bumper 14-3  
driven clutch 11-11  
driven clutch button 11-11  
driven clutch cam 11-11  
driven clutch cam puller 17-3  
driven clutch puller plug 17-3  
driver, drive clutch 11-7, 11-9  
drum, brake 5-11, 5-21  
dry moly lubricant 17-5  
dust cap 13-5  
dust cover 5-11, 5-21, 6-29

## E

eccentric bolt 6-13, 6-17, 6-21, 6-25  
E-clip 5-13, 5-15, 5-17, 5-19  
ECU 9-9  
enclosure kit 1-121  
end cap, motor 14-3  
end, tie rod 6-11, 6-15, 6-19, 6-23  
engine  
    air cleaner 9-15, 9-17

air deflector 8-9  
air filter 8-3, 9-15, 9-17  
air intake hose 9-15, 9-17  
balance shaft 8-21  
bearing, balance shaft 8-19  
bearing, crankshaft 8-19  
breather hose 9-11  
cam 8-17  
camshaft 8-17  
camshaft O-ring 8-17  
connecting rod 8-21  
crankcase 8-19  
crankcase baffle 8-7  
crankcase cover 8-19  
crankcase plug 8-19  
crankshaft 8-21  
crankshaft key 8-21  
cylinder head 8-15  
dipstick 8-19  
drain plug gasket 8-19  
ECU 9-9  
exhaust valve 8-17  
fan 8-7  
fan housing 8-7  
flywheel 8-11  
fuel injector 9-9  
guide pin 8-19  
head gasket 8-15  
ignition coil 8-11  
insulator, throttle body 9-11  
intake valve 8-17  
oil drain plug 8-19  
oil filler tube 8-19  
oil filler tube O-ring 8-19  
oil level sensor 8-13  
oil seal 8-19  
piston 8-21  
piston pin 8-21  
piston pin clip 8-21  
piston ring set 8-21  
retainer plate 8-15  
retainer plate clip 8-15  
rocker arm 8-17  
rocker cover 8-15  
rocker cover gasket 8-15  
rocker shaft 8-17  
spark plug 8-3, 8-11  
temperature sensor 8-13  
throttle body 9-9  
timing chain 8-17  
timing chain guide 8-17  
timing chain sprocket 8-17  
timing chain tensioner 8-17  
valve collet 8-17  
valve guide 8-15  
valve seal 8-15

# INDEX

valve spring 8-17  
valve spring retainer 8-17  
warning decal 8-7  
engine warning decal 8-7  
engine, EX40 8-5  
equalizer pivot 5-13, 5-15  
equalizer rod 5-13, 5-15, 5-17, 5-19  
equalizer, brake cable 5-13, 5-15, 5-17, 5-19  
exhaust extension 1-119  
exhaust system 10-3  
exhaust valve 8-17  
extension, spring latch 1-57

## F

face, moveable 11-11  
fan  
cooling 8-7  
fan cover 8-7  
fan housing 8-7  
fender, front, lh 1-15  
fender, front, rh 1-15  
fender, inner 1-47  
fender, rear 1-49  
field coil housing 7-7, 7-9  
filter  
air 8-3, 9-15, 9-17  
fuel 9-5  
fitting, thread-forming grease 6-13, 6-17, 6-21, 6-25  
flasher, turn signal, 12-volt 4-7  
flat trim kit 1-63  
floor mat 1-19  
floor mat, 4 pass, rear 1-31  
flywheel 8-11  
fnr shaft 12-3  
FNR shift lever 12-7, 12-9  
FNR shifter base 12-3  
FNR shifter cable 12-5  
foot deck 1-31  
fops, cab 1-87  
frame  
corner cap 1-29  
frame and field, motor 14-3  
frame and field, starter/generator 7-7, 7-9  
frame weldment, front drop 1-23  
frame weldment, front 1-21  
frame, bed 1-57  
front spring retainer plate 6-13, 6-17, 6-21, 6-25  
fuel filter 9-5  
Fuel Filter Kit 9-5  
fuel injector 9-9  
fuel line 9-7  
Fuel Module, Hold-Down Ring 9-5  
Fuel Pump 9-5  
fuel pump 9-5

fuel tank 9-3  
fuse  
10-amp 1-105, 4-7, 4-9, 7-3, 7-5, 7-15, 7-17  
15-amp 13-5  
1-amp 13-5  
20-amp 4-5, 13-5  
2-amp 7-3, 7-5, 13-5  
30-amp 13-5  
5-amp 7-3, 7-5  
fuse block 7-15, 7-17, 13-5  
fuse, mini, 7.5A 4-5  
fuse, mini, 10A 4-5, 4-7, 4-9  
fuse, mini, 15A 1-103, 4-5

## G

gasket 12-13, 12-15  
cover, rocker 8-15  
cover, valve 8-15  
drain plug 8-19  
exhaust 10-3  
insulator 9-11  
liquid 15-3, 17-5  
plug 15-3  
gasket, head 8-15  
gauge, battery condition 4-11  
gauge, compression 17-5  
gear  
17 tooth 12-17  
34 tooth 12-17  
52 tooth 12-17  
60 tooth 12-19, 12-21  
62 tooth 12-17  
differential 15-3  
differential idler 15-3  
differential output 15-3  
governor 12-13, 12-15  
governor, 34 tooth 12-17  
set, differential 12-21  
gear yoke 17-5  
gearcase 15-3  
governor arm 9-13, 12-11  
governor cable 9-13  
governor gear shaft 12-13, 12-15  
governor shaft 12-13, 12-15  
grill 1-15  
grip, pencil 6-9  
grip, tilt latch hand 1-57  
grommet 9-3  
guide  
valve 8-15  
guide pin 8-19, 12-13, 12-15  
guide ring adhesive 17-3  
guide, timing chain 8-17

## H

handle, FNR 12-3  
harness, main 7-3, 7-5  
harness, wire 4-9, 13-9  
harness, wire, gas engine-ECU 7-3, 7-5  
harness, wire, gas FNR connector 7-3, 7-5  
harness, wire, gas instr. panel 4-13, 7-3, 7-5  
harness, brake pedal switch 4-7, 4-9  
harness, taillight 4-7, 4-9  
head gasket 8-15  
head, cylinder 8-15  
headband, sealed, motor 14-3  
headband, vented, motor 14-3  
headlight 4-3  
headlight bezel, lh 1-17  
headlight bezel, rh 1-17  
headlight guard kit 1-5  
headlight, led 4-3  
heater, defogger 4-37  
heater, defogger kit 4-37  
hill brake rod 5-3  
hill brake weld assembly 5-3  
hinge pin 1-77  
hip restraint 1-29  
hitch, trailer 1-79  
hitch, trailer, ball 1-83  
hold-down rod, battery 13-11, 13-13  
hold-down, battery 13-11, 13-13  
holder, license plate 1-9  
hole plug 4-11  
horn bracket 4-7, 4-9  
hose  
air intake 9-15, 9-17  
engine breather 9-11  
fuel 9-7  
vent 9-7  
hour meter 13-7  
hour meter bracket 13-7  
housing  
3-pin 14-3  
differential 15-3  
fan 8-7  
field coil 7-7, 7-9  
hub 6-29, 12-23  
hub bearing 6-29  
hydrometer 17-5

## I

idler gear, differential 15-3  
ignition coil 8-11  
indicator, battery condition 4-11  
indicator, charger 4-11  
inner frame snubber 8-5  
input shaft 12-17, 15-3  
instrument panel 4-13

# INDEX

instrument panel wire harness,electric vehicle 4-11

instrument panel,electric vehicle 4-11

insulating washer 14-3

insulator 9-11

insulator gasket 9-11

insulator, motor terminal 14-3

intake valve 8-17

intermediate shaft 15-3

internal retaining ring pliers 17-5

## J

joint

ball 5-3, 5-7

steering 6-21

## K

key

driven clutch 11-11

square 11-11

key switch cap 4-15, 4-17, 4-19, 4-21

key switch, uncommon 4-15, 4-17, 4-19, 4-21

key,crankshaft 8-21

keyswitch,uncommon 4-15

kingpin 6-13, 6-17, 6-21, 6-25

kit

3-pin housing 14-3

accelerator pivot rod 5-5, 5-7

anchor body 5-11, 5-21

brake actuator 5-11, 5-21

brake cable 5-13, 5-15

brake pedal 5-3

brake shoe 5-11, 5-21

brake shoe retainer 5-11, 5-21

clutch repair 11-11

controller diagnostic tool (CDT) 17-5

deflector, air 8-9

drive clutch button 11-7, 11-9

drive clutch weight 11-7, 11-9

driven clutch button 11-11

equalizer, brake 5-13, 5-15

hand pump, SPWS 13-17

motor brush 14-3

motor brush lead assembly 14-3

motor brush spring 14-3

motor speed sensor 14-3

park brake latch 5-3

park brake pedal 5-3

rear receiver hitch 1-81

shock absorber cushion 6-31, 6-33

shoe retainer 5-11, 5-21

steering column mounting bracket 6-5

trailer hitch 1-79

Kit, Horn/Tail Light/Turn 4-9

## L

ladder rack kit 1-73

lamp,stop,turn,tail 4-7, 4-9

latch 1-19

latch plate 1-55

latch, park brake 5-3

leaf blower holder kit 1-71

lever

transaxle shift 12-7, 12-9

license frame kit 1-9

license plate 1-9

license plate holder 1-9

light

oil 4-13

water quality 13-17

light, strobe 4-29, 4-31

limit switch 4-7, 4-9, 7-17, 7-19, 7-21

limiter

voltage 1-105, 4-27

line, fuel 9-7

liquid gasket 15-3, 17-5

low oil warning light 4-13

lubricant, dry moly 17-5

lubricant, moly-teflon 14-3, 17-5

lug nut 2-3, 2-5, 2-7

lug stud 12-23, 15-3

## M

magnet, speed sensor 14-3

main harness 7-3, 7-5

mat, floor 1-19

mat, floor, 4 pass, rear 1-31

MCOR 13-3

meter, hour 13-7

meter, volt ohm 17-7

mirror 1-97

mirror,exterior kit 1-45

module

calibration test 17-3

moly-teflon lubricant 17-5

motor

48-volt IQ Plus 14-3

motor brush 14-3

motor brush kit 14-3

motor brush lead assembly kit 14-3

motor brush spring 14-3

motor bumper 14-3

motor end cap 14-3

motor frame and field 14-3

motor headband, sealed 14-3

motor headband, vented 14-3

motor magnet, speed sensor 14-3

motor speed sensor 14-3

motor speed sensor kit 14-3

motor terminal and lead assembly 14-3

motor terminal insulator 14-3

mounting block, brake 5-3

moveable-face 11-7, 11-9, 11-11

## N

nameplate decal 1-15, 3-15, 3-17

nut, lug 2-3, 2-5, 2-7

## O

oil filler tube 8-19

oil level sensor 8-13

oil seal 8-19, 12-13, 12-15

oil warning light, low 4-13

O-ring 8-17, 8-19

O-ring Kit, Fuel Module 9-5

O-Ring, Fuel Module 9-5

## P

pad

brake pedal 5-3

park brake 5-3

thermal 7-23

paint, underbody (black) 17-5

paint,touch-up 1-13

park brake latch 5-3

park brake pedal 5-3

park brake rod sleeve 5-3

park brake spacer 5-3

park brake torsion spring 5-3

pawl 5-3

p-clamp (fuel filter) 8-9, 9-13

pedal, brake 5-3

pedal, park brake 5-3

pencil grip 6-9

pin

bow tie locking 5-13, 5-15, 5-17, 5-19

clevis 5-13, 5-15, 5-17, 5-19

differential 12-21

guide 8-19, 12-13, 12-15

input shaft 12-17

piston 8-21

pin, hinge 1-77

pinion, steering 6-3

piston 8-21

piston anchor 5-11, 5-21

piston pin 8-21

piston pin clip 8-21

piston ring 8-21

piston ring compressor 17-5

piston ring pliers 17-5

piston ring set 8-21

pivot support bearing 5-5, 5-7

plate

front spring retainer 6-13, 6-17, 6-21, 6-25

license 1-9

# INDEX

- mounting, CVT, center 8-5
- mounting, engine/axle 8-5
- retainer 8-15
- plate, Tow/Run switch 13-7
- pliers
  - internal retaining ring 17-5
  - piston ring 17-5
  - retaining ring 17-5
- plug
  - drain 12-13, 12-15
  - driven clutch puller 17-3
  - hole 4-11
  - oil drain 8-19
  - rubber drain 7-7, 7-9
  - rubber, crankcase 8-19
  - spark 8-3, 8-11
- port, diagnostic 13-5
- press weldment 17-3
- prop rod 1-55
- prop rod track 1-55
- protector spray, battery terminal 17-3
- puller
  - bearing 17-3
  - drive clutch 17-3
  - drive clutch hub 17-3
  - driven clutch cam 17-3
  - seal 17-5
- pulley
  - starter-generator 7-7, 7-9
  - v-belt 7-7, 7-9
- pump
  - fuel 9-5
- R**
- race, front hub bearing 6-29
- rack guide pressure spring 6-3
- rack, steering 6-3
- range picker adapter 1-85
- ratchet, park brake 5-3, 5-5, 5-7
- receiver hitch 1-81
- receptacle, accessory 4-5
- reflector, yellow 4-35
- reflector, amber 4-3
- reflector, red 4-35
- reflector, red, rectangle 4-35
- regulator, voltage 7-15, 7-17
- relay 13-9
- relay 48v 4-11, 13-9
- relay, 12-volt 1-105, 4-7, 4-9
- remover, bearing and oil seal 17-3
- retainer
  - accelerator pedal spring 5-5, 5-7
  - brake shoe 5-11, 5-21
  - shock absorber cushion 6-31, 6-33
  - spring 6-31, 6-33
  - valve spring 8-17
- retainer plate 8-15
- retaining ring 6-5
- retaining ring pliers 17-5
- return spring bumper 5-5, 5-7
- reverse buzzer 4-11, 4-13
- ring
  - C-type stop 6-3
  - piston 8-21
  - retaining 6-5, 7-15, 7-17, 11-7, 11-9, 11-11, 12-13, 12-15, 12-23
  - snap 6-3
  - spiral backup 11-7, 11-9
- rivet, blind push 13-9
- rocker arm 8-17
- rocker cover 8-15
- rocker cover gasket 8-15
- rocker shaft 8-17
- rocker switch 1-59, 1-61, 4-11
- rocker switch (lights) 4-11, 4-13
- rod
  - accelerator pivot 5-5, 5-7
  - battery hold-down 13-11, 13-13
  - connecting 8-21
  - equalizer 5-13, 5-15, 5-17, 5-19
  - hill brake 5-3
  - prop 1-55
- S**
- safety first card 17-5
- score card clip 6-9
- score card plate 6-9
- seal
  - lip 15-3
  - oil 8-19, 12-13, 12-15, 15-3
  - steering pinion dust 6-3
  - valve 8-15
- seal puller 17-5
- seal, bed 1-29
- sealant 15-3
- seat bottom 1-25
- seat strap 1-25
- seat, bearing 6-5
- seatback 1-27
- seatback weldment 1-29
- select shaft 12-13, 12-15
- sensor
  - oil level 8-13
  - temperature 8-13
- sensor, motor speed 14-3
- shaft
  - axle 12-19, 12-21
  - balance 8-21
  - center 12-17
  - counter 12-17
  - differential 12-21
  - governor 12-13, 12-15
- governor gear 12-13, 12-15
- input 12-17, 15-3
- intermediate 15-3
- rocker 8-17
- select 12-13, 12-15
- shift 12-17
- steering column 6-5
- shift lever 12-7, 12-9
- shift shaft 12-3, 12-17
- shifter bracket 12-3
- shifter handle 12-3
- shifter, base 12-3
- shifter, FNR 12-3
- shock absorber 6-31, 6-33
- shock absorber cushion 6-31, 6-33
- shock absorber cushion retainer 6-31, 6-33
- shock extension 6-33
- shock mounting bracket, drv 6-31, 6-33
- shock mounting bracket, pas 6-31, 6-33
- shoe retainer kit 5-11, 5-21
- shoe, brake 5-11, 5-21
- sleeve 1-55, 6-31, 6-33, 12-13, 12-15
  - delta A-plate 6-11, 6-15, 6-19, 6-23
  - park brake rod 5-3
- snap ring 6-3
- snubber bracket 8-5
- snubber, inner frame 8-5
- solenoid 13-9
- solenoid, 12-volt 4-37, 7-15, 7-17
- spacer 12-13, 12-15, 12-17, 13-11, 13-13
  - accelerator pivot rod 5-5, 5-7
  - park brake 5-3
- spark plug 8-3, 8-11
- speed sensor 14-3
- speed sensor magnet 14-3
- speed sensor, motor 14-3
- spindle assembly 6-13, 6-17, 6-21, 6-25
- spiral backup ring 11-7, 11-9
- spray, battery terminal protector 17-3
- spring 12-13, 12-15
  - accelerator return 5-5, 5-7
  - brake 5-11, 5-21
  - brake return 5-17, 5-19
  - brush 7-7, 7-9, 14-3
  - compression 6-9
  - drive button 11-7, 11-9
  - drive clutch 11-7, 11-9
  - driven clutch 11-11
  - extension 1-57
  - park brake torsion 5-3
  - rack guide pressure 6-3
  - steering shaft compression 6-5
  - valve 8-17
- spring cup 5-5, 5-7
- spring mounting plate 6-13, 6-17, 6-21, 6-25
- spring retainer 6-31, 6-33, 8-17



# INDEX

- spring, motor brush 14-3
  - spring, leaf 6-13
  - spring, tailgate 1-67
  - SPWS manifold 13-15
  - stake side 1-77
  - stake side bracket 1-77
  - stake side kit 1-77
  - stake side panel, front 1-77
  - stake side panel, lh 1-77
  - stake side panel, rh 1-77
  - stake side trim kit 1-77
  - stake side trim, center 1-77
  - stake side trim, rh 1-77
  - stake side trim, lh 1-77
  - starter/generator 7-7, 7-9
  - starter/generator brush cover kit 7-7, 7-9
  - starter/generator brush spring 7-7, 7-9
  - starter/generator brush terminal 7-7, 7-9
  - starter/generator frame and field 7-7, 7-9
  - starter/generator pulley 7-7, 7-9
  - static grip kit 1-71
  - steel bushing 6-13, 6-17, 6-21, 6-25
  - steering column 6-5
  - steering column bearing press tool 17-7
  - steering column retaining ring tool 17-7
  - steering gear box 6-3
  - steering joint 6-21
  - steering pinion 6-3
  - steering pinion dust seal 6-3
  - steering rack 6-3
  - steering shaft 6-13, 6-17, 6-25
  - steering shaft assembly 6-5
  - steering shaft compression spring 6-5
  - steering wheel puller tool 17-7
  - strap, A-plate 6-11, 6-15, 6-19, 6-23
  - strap, seat 1-25
  - strobe light 4-29, 4-31
  - strobe light, post mounted 4-29, 4-31
  - strut, canopy front 1-39, 1-41, 1-43
  - stud
    - exhaust mounting engine exhaust mounting stud 8-15
    - intake mounting engine intake mounting stud 8-15, 9-11
    - lug 12-23, 15-3
  - stud, ball 7-15, 7-17
  - support yoke (steering) 6-3
  - switch plate cover 4-29, 4-31
  - switch
    - key, uncommon 4-15, 4-17, 4-19, 4-21
    - light rocker 4-11, 4-13
    - limit 4-7, 4-9, 7-17, 7-19, 7-21
    - rocker 1-59, 1-61, 4-11
    - Tow/Run 13-7
    - turn signal 4-7
  - switch assembly 4-29, 4-31
  - switch rubber boot 7-13, 13-7
  - switch, toggle 7-13
- ## T
- 12-volt solenoid 4-37, 7-15, 7-17
  - tachometer 17-7
  - tailgate 1-67
  - tailgate handle 1-67
  - tailgate latch, lh 1-65
  - tailgate latch, rh 1-65
  - tailgate teather kit 1-69
  - tailskirt 1-49
  - tank, fuel 9-3
  - temperature sensor 8-13
  - tensioner, timing chain 8-17
  - terminal block 4-5, 13-9
  - tester, continuity 17-5
  - thermal pad 7-23
  - thermometer, battery 17-3
  - thread-forming grease fitting 6-13, 6-17, 6-21, 6-25
  - throttle body 9-9
  - thrust bearing 6-13, 6-17, 6-21, 6-25
  - tie down kit 1-71
  - tie rod 6-11, 6-15, 6-19, 6-23
  - tie rod end 6-11, 6-15, 6-19, 6-23
  - tie wrap 1-103, 1-105, 4-37, 5-13, 5-15, 6-3, 6-5, 7-15, 7-17, 12-5
  - tilt latch hand grip 1-57
  - timing chain 8-17
  - timing chain guide 8-17
  - tire 2-3
  - toggle switch 7-13
  - tool
    - accelerator pedal adjustment 17-3
    - belt tensioning, starter/generator 17-7
    - brake cable release 17-3
    - charger bezel 17-3
    - clutch cam installation 17-3
    - drive clutch holder 17-3
    - steering column bearing press 17-7
    - steering column retaining ring 17-7
    - steering wheel puller 17-7
    - transaxle axle seal 17-7
    - transaxle pinion seal 17-7
    - transmission 17-7
  - tool kit, clutch 17-3
  - tool rack kit 1-71
  - toolbox 1-129
  - toolbox kit 1-73
  - touch-up paint 17-5
  - Tow/Run switch 13-7
  - Tow/Run switch bracket 7-13
  - Tow/Run switch plate 13-7
- track, prop rod 1-55
  - trailer hitch 1-79
  - trailer hitch ball 1-83
  - trailer hitch brace 1-79
  - transaxle (Electric Vehicle) 15-3
  - transaxle axle seal tool 17-7
  - transaxle pinion seal tool 17-7
  - transaxle, limited-slip (Gas Vehicle) 12-13
  - transaxle, open-diff (Gas Vehicle) 12-15
  - transmission tool 17-7
  - tube
    - axle 12-19, 12-21, 15-3
    - oil filler 8-19
  - turn signal switch 4-7
- ## U
- U-bolt 6-31, 6-33
  - upper delta clevis 6-13, 6-17, 6-21, 6-25
  - urethane bushing 1-55, 6-11, 6-13, 6-15, 6-17, 6-19, 6-21, 6-23, 6-25, 6-31, 6-33
- ## V
- valve 9-15, 9-17
    - exhaust 8-17
    - intake 8-17
  - valve collet 8-17
  - valve cover 8-15
  - valve cover gasket 8-15
  - valve guide 8-15
  - valve seal 8-15
  - valve spring 8-17
  - valve spring compressor 17-7
  - valve stem 2-3, 2-5, 2-7
  - vent
    - fuel tank 9-3
    - transaxle 12-13, 12-15
  - vent, barb 9-7
  - vent, door, cab 1-95
  - volt ohm meter 17-7
  - voltage limiter 1-105, 4-27
  - voltage regulator 7-15, 7-17
- ## W
- warning beacon, cab 1-115
  - warning light, low oil 4-13
  - washer, insulating 14-3
  - washer, cab 1-111
  - water quality light 13-17
  - wedge, bearing puller 17-3
  - weight
    - clutch 11-7, 11-9
    - secondary clutch 11-7, 11-9
  - weldment
    - governor bracket 9-13, 12-11
    - press 17-3

# INDEX

weldment, receiver hitch 1-81  
Wheel 2-5  
wheel and tire, front 2-5  
wheel cover 2-9, 2-11  
window, slider, cab 1-117  
windshield kit, hinged 1-35  
windshield kit, non-hinged 1-37  
windshield, hinged 1-35  
windshield, non-hinged 1-37  
wire  
    green, starter/generator 7-3, 7-5, 7-7, 7-9  
    ground, fuel tank 7-3, 7-5, 9-3  
wire harness 4-9, 4-13, 7-3, 7-5, 13-9  
work light, front, cab 1-113  
work light, rear, cab 1-113  
wrap, tie 1-103, 1-105, 4-37, 5-13, 5-15, 6-3, 6-5,  
    7-15, 7-17, 12-5

## Y

yoke, gear 17-5  
yoke, support (steering) 6-3





**Club Car, Inc.**  
P.O. Box 204658  
Augusta, GA 30917-4658  
USA

**Web** [www.clubcar.com](http://www.clubcar.com)  
**Phone** 1.706.863.3000  
1.800.ClubCar  
**Int'l** +1 706.863.3000  
**Fax** 1.706.863.5808