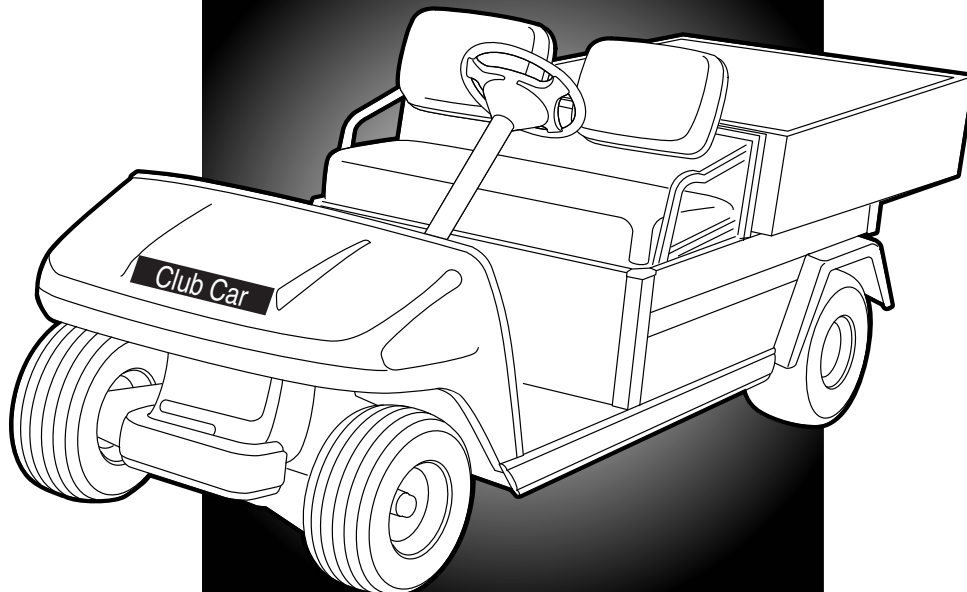


# Club Car

## 2001-2003 ILLUSTRATED PARTS LIST



**TURF 1, TURF 2, TURF 2 XRT,  
TURF 6, CARRYALL 1, CARRYALL 2  
CARRYALL 2 PLUS,  
CARRYALL 2 XRT, CARRYALL 6  
GASOLINE/ELECTRIC  
UTILITY VEHICLES**

MANUAL NUMBER 102189902  
EDITION CODE 1202E0704D



# USING THE ILLUSTRATED PARTS LIST

---

## **▲ WARNING**

- **This manual is to be used only for identification and ordering of service parts. Be sure to read and use the maintenance and service manual before attempting any vehicle repairs.**

This manual covers all 2001, 2002, and 2003 Carryall® 1, Carryall 2, Carryall 2 XRT, Carryall 2 Plus, and Carryall 6 vehicles; and Turf 1, Turf 2, Turf 2 XRT, and Turf 6 (gasoline only) vehicles.

The manual is divided into 16 sections. Sections 1 through 5 pertain to both gasoline and electric vehicles, sections 6 through 11 pertain to gasoline vehicles only, sections 12 through 15 pertain to electric vehicles only, and section 16 pertains to tools that are used on all Club Car products. Note that there are two or three flags on the outside edge of each page. The first flag contains the section number of which that page is a part. The other flag (or flags) contains either the letter G or E, signifying that the page pertains to either the gasoline or electric vehicles only, or to both the gasoline and electric vehicles.

Use the Table of Contents to find the sections and pages that contain the parts and assemblies you seek. The Table of Contents lists section numbers, and under them, the individual page titles and numbers to be found in that section. The index can be used to find specific parts and assemblies. The index is divided into numerical and alphabetical listings with the page numbers in italic text.

There is a two-page spread for each individual page title in the Table of Contents. On the left-hand page is an illustration showing the parts in their relative positions; the parts are each tagged with an item number in a balloon. The right-hand page is the parts list page, and gives the page title at the top, then the item numbers (corresponding to the numbers on the illustration), part descriptions, and quantity of parts used. Some item numbers have more than one part number because several configurations of a component are represented together on one spread.

There are some wiring diagrams in this manual that cover two pages. For these diagrams the parts list page will be on the next two-page spread.

Note that a part description may be indented. This indention corresponds to a parts assembly level indicated by the numbers 1, 2, 3, and 4 at the top left corner of the parts description area of the parts list page. A part that is indented to *level 2* is a component of the *level 1* part (assembly) that it is listed under. A *level 3* part is a component of the *level 2* part that it is listed under, and a *level 4* part is a component of the *level 3* part preceding it. In each case, the part quantity given for a level 2, 3, or 4 part *is the quantity used per next higher level assembly of which it is a component*. A part that is not indented is a *level 1* part. This means that the quantity given is the quantity used per the portion of the vehicle illustrated on that particular spread.

## **HOW TO ORDER PARTS**

Replacement parts and accessories can be obtained from our network of authorized dealers and distributors. You can obtain the name and phone number of your closest Club Car contact by visiting our web site at [www.clubcar.com](http://www.clubcar.com) and clicking on the “*Distributor Search*” link or by calling our toll-free Service Parts and Technical Assistance hotline at (800) 872-2246 or (706) 863-3000, extension 3281 or 3854.



**P. O. Box 204658  
Augusta, Georgia 30917-4658 USA  
Telephone 706-863-3000  
Service Parts Fax 706-855-7413  
[www.clubcar.com](http://www.clubcar.com)**

**NOTE:** *This illustrated parts list represents the most current information at the time of publication. Club Car, Inc. is continually working to further improve its vehicles and other products. These improvements may affect the parts used to service the vehicle. Any modification and/or significant change in specifications will be forwarded to all Club Car and Carryall distributors/dealers and will, when applicable, appear in future editions of this illustrated parts list.*

*Club Car, Inc. reserves the right to change specifications and designs at any time without notice and without incurring the obligation of making changes to units previously sold.*

Copyright © 2003 Club Car, Inc.  
*Club Car, Carryall, PowerDrive, and ArmorFlex*  
are registered trademarks of Club Car, Inc.  
This manual effective October 2, 2000.

*2001 / 2002 / 2003 Turf/Carryall Vehicle Illustrated Parts List*



The tables below highlight the differences between Turf and Carryall vehicles. Use these tables as a guide when ordering parts for your vehicle.

For a complete list of vehicle specifications, refer to the vehicle's owner's manual or maintenance and service manual.

| <b>SPECIFICATIONS</b>                                          | <b>Turf 1 Gasoline</b> | <b>Turf 1 Electric</b> | <b>Turf 2 Gasoline</b> | <b>Turf 2 XRT Gasoline</b> | <b>Turf 2 Electric</b> | <b>Turf 6 Gasoline</b> |
|----------------------------------------------------------------|------------------------|------------------------|------------------------|----------------------------|------------------------|------------------------|
| <b>Engine:</b> FE290                                           | •                      |                        |                        |                            |                        |                        |
| <b>Engine:</b> FE350                                           |                        |                        | •                      | •                          |                        | •                      |
| <b>Key switch:</b> key-start                                   |                        |                        |                        |                            |                        |                        |
| <b>Key switch:</b> pedal-start                                 | •                      | •                      | •                      | •                          | •                      | •                      |
| <b>Brakes:</b> 2-wheel, self-adjusting                         | •                      | •                      |                        |                            |                        |                        |
| <b>Brakes:</b> 2-wheel, manually-adjusting                     |                        |                        | •                      |                            |                        |                        |
| <b>Brakes:</b> 4-wheel, manually-adjusting                     |                        |                        | •                      | •                          | •                      | •                      |
| <b>Suspension:</b> Front mono-leaf and rear multi-leaf springs | •                      | •                      | •                      | •                          | •                      | •                      |
| <b>Headlights only</b>                                         |                        |                        | •                      | •                          | •                      |                        |
| <b>Standard light package</b>                                  |                        |                        |                        |                            |                        | •                      |
| <b>Differential guard</b>                                      | •                      | •                      | •                      |                            | •                      | •                      |

| <b>SPECIFICATIONS</b>                                          | <b>Carryall 1 Gasoline</b> | <b>Carryall 1 Electric</b> | <b>Carryall 2 Gasoline</b> | <b>Carryall 2 XRT Gasoline</b> | <b>Carryall 2 Electric</b> | <b>Carryall 2 Plus Gasoline</b> | <b>Carryall 6 Gasoline</b> | <b>Carryall 6 Electric</b> |
|----------------------------------------------------------------|----------------------------|----------------------------|----------------------------|--------------------------------|----------------------------|---------------------------------|----------------------------|----------------------------|
| <b>Engine:</b> FE290                                           | •                          |                            |                            |                                |                            |                                 |                            |                            |
| <b>Engine:</b> FE350                                           |                            |                            | •                          | •                              |                            | •                               | •                          |                            |
| <b>Key switch:</b> key-start                                   |                            |                            |                            | •                              |                            | •                               | •                          |                            |
| <b>Key switch:</b> pedal-start                                 | •                          | •                          | •                          |                                | •                          |                                 |                            | •                          |
| <b>Brakes:</b> 2-wheel, self-adjusting                         | •                          | •                          |                            |                                |                            |                                 |                            |                            |
| <b>Brakes:</b> 2-wheel, manually-adjusting                     |                            |                            | •                          |                                |                            |                                 |                            |                            |
| <b>Brakes:</b> 4-wheel, manually-adjusting                     |                            |                            | •                          | •                              | •                          | •                               | •                          | •                          |
| <b>Suspension:</b> Front mono-leaf and rear multi-leaf springs | •                          | •                          | •                          | •                              | •                          | •                               |                            | •                          |
| <b>Suspension:</b> Front and rear multi-leaf springs           |                            |                            |                            |                                |                            |                                 | •                          |                            |
| <b>Headlights only</b>                                         |                            |                            |                            | •                              |                            |                                 |                            |                            |
| <b>Standard light package</b>                                  |                            |                            |                            |                                |                            |                                 | •                          | •                          |
| <b>Differential guard</b>                                      |                            |                            |                            | •                              |                            |                                 |                            |                            |



# CONTENTS

---

## SECTION 1 – BODY AND TRIM

---

|                                                                                                     |      |
|-----------------------------------------------------------------------------------------------------|------|
| Front Body and Trim – Turf/CA 1, 2, 2 Plus, and 6 .....                                             | 1-3  |
| Dash Components – Turf/CA 1, 2, 2 Plus, and 6 .....                                                 | 1-5  |
| Front Body and Trim – Turf/Carryall 2 XRT .....                                                     | 1-7  |
| Seats and Support Structure – Turf/Carryall 1, 2, XRT, and 2 Plus .....                             | 1-9  |
| Seats and Support Structure – Turf/Carryall 6 .....                                                 | 1-11 |
| Tilt Bed, Hinge, and Latch – Turf/Carryall 1 .....                                                  | 1-13 |
| Latch Plate – Turf/Carryall 1, 2, XRT and 2 Plus; Prop Rod – Turf/Carryall 2, XRT, and 2 Plus ..... | 1-15 |
| Tilt Bed, Hinge and Latch – Turf/Carryall 2, XRT and 2 Plus .....                                   | 1-17 |
| Cargo Box – Turf/Carryall 1, 2, XRT, and 2 Plus .....                                               | 1-19 |
| Access Door and Side Doors – Turf/Carryall 6 .....                                                  | 1-21 |
| Flat Bed Assembly – Turf/Carryall 6 .....                                                           | 1-23 |
| Flat Bed Trim – Turf/Carryall 6 .....                                                               | 1-25 |
| Rear Body Trim – Turf/CA 1, 2, XRT, and 2 Plus .....                                                | 1-27 |
| Rear Body Trim – Turf/Carryall 6 .....                                                              | 1-29 |

---

## SECTION 2 – WHEELS AND TIRES

---

|                        |     |
|------------------------|-----|
| Wheels and Tires ..... | 2-3 |
|------------------------|-----|

---

## SECTION 3 – DECALS

---

|                                                    |      |
|----------------------------------------------------|------|
| Decals – Turf/Carryall 1, 2, and 2 Plus .....      | 3-3  |
| Decals – Turf/CA 1, 2, and 2 Plus, Continued ..... | 3-5  |
| Decals – Turf/Carryall 2 XRT .....                 | 3-7  |
| Decals – Turf/Carryall 6 .....                     | 3-9  |
| Decals – Turf/Carryall 6, Continued .....          | 3-11 |

---

## SECTION 4 – BRAKES, PEDAL, AND CABLE ASSEMBLIES

---

|                                                                                             |      |
|---------------------------------------------------------------------------------------------|------|
| Rear Brake Assembly, Self-Adjusting – Turf/Carryall 1 .....                                 | 4-3  |
| Rear Brake Assembly, Manually Adjusted – Turf/Carryall 2, XRT, 2 Plus and 6 .....           | 4-5  |
| Brake Pedal and Cable Assembly – Vehicle with Two-Wheel Brakes .....                        | 4-7  |
| Brake Pedal and Cable Assembly – Vehicle with Four-Wheel Brakes .....                       | 4-9  |
| Front Brake Assembly – Vehicle with Four-Wheel Brakes .....                                 | 4-11 |
| Accelerator Pedal Assembly – Electric Turf/CA 1, Electric MCOR, and Gasoline Vehicles ..... | 4-13 |
| Accelerator Pedal Assembly – Vehicles with Continuously Variable Potentiometer .....        | 4-15 |

---

## SECTION 5 – STEERING, FRONT AND REAR SUSPENSION

---

|                              |     |
|------------------------------|-----|
| Steering Column .....        | 5-3 |
| Steering Gear Assembly ..... | 5-5 |

# CONTENTS

---

|                                                                                       |      |
|---------------------------------------------------------------------------------------|------|
| Front Suspension, Upper – Vehicle with Two-Wheel Brakes .....                         | 5-7  |
| Front Suspension, Lower – Vehicle with Two-Wheel Brakes .....                         | 5-9  |
| Front Suspension, Upper – Turf/Carryall 2 XRT .....                                   | 5-11 |
| Front Suspension, Lower – Turf/Carryall 2 XRT .....                                   | 5-13 |
| Front Suspension, Upper – Vehicles with Four-Wheel Brakes (Except XRT Vehicles) ..... | 5-15 |
| Front Suspension, Lower – Vehicles with Four-Wheel Brakes (Except XRT Vehicles) ..... | 5-17 |
| Rear Suspension – Turf/Carryall 1 .....                                               | 5-19 |
| Rear Suspension – Turf/CA 2, XRT, 2 Plus, and 6 .....                                 | 5-21 |
| Stabilizer Bar, Gasoline Vehicle – Turf/Carryall 2, XRT, 2 Plus, and 6 .....          | 5-23 |

## SECTION 6 – ELECTRICAL SYSTEM – GASOLINE VEHICLE

---

|                                                                                           |      |
|-------------------------------------------------------------------------------------------|------|
| Forward/Reverse Shifter Assembly – Gasoline Vehicle .....                                 | 6-3  |
| Wiring – Gasoline Turf/Carryall 1 .....                                                   | 6-5  |
| Wiring – Gasoline Turf 2 .....                                                            | 6-7  |
| Wiring – Gasoline Carryall 2 .....                                                        | 6-9  |
| Electrical Component Box, Gasoline Vehicle – Turf/Carryall 1, 2, and XRT AND Turf 6 ..... | 6-11 |
| Electrical Components, Front Body – Gasoline Turf/Carryall 1, 2, XRT, and 2 Plus .....    | 6-13 |
| Headlights – Gasoline XRT and Turf 2 .....                                                | 6-15 |
| Wiring – Gasoline Turf/Carryall 2 XRT .....                                               | 6-17 |
| Wiring – Gasoline Carryall 2 Plus .....                                                   | 6-19 |
| Wiring – Gasoline Turf 6 .....                                                            | 6-23 |
| Wiring – Gasoline Carryall 6 .....                                                        | 6-27 |
| Electrical Component Box, Gasoline Vehicle – Carryall 2 Plus and Carryall 6 .....         | 6-29 |
| Electrical Components, Front Body – Gasoline Turf/Carryall 6 .....                        | 6-31 |
| Controls and Indicators – Gasoline Turf/Carryall 6 .....                                  | 6-33 |
| Electrical Components, Rear Body – Gasoline Turf/Carryall 6 .....                         | 6-35 |
| Starter/Generator Assembly .....                                                          | 6-37 |
| Starter/Generator Mounting .....                                                          | 6-39 |
| Battery – Gasoline Vehicle .....                                                          | 6-41 |

## SECTION 7 – ENGINE

---

|                                                         |      |
|---------------------------------------------------------|------|
| FE290 Engine – Shrouds and Brackets .....               | 7-3  |
| FE290 Engine – Ignition Components and Flywheel .....   | 7-5  |
| FE290 Engine – Oil Circulation .....                    | 7-7  |
| FE290 Engine – Cylinder Head .....                      | 7-9  |
| FE290 Engine – Crankcase, Camshaft and Oil Sensor ..... | 7-11 |
| FE290 Engine – Crankcase and Crankshaft .....           | 7-13 |
| FE350 Engine – Shrouds and Brackets .....               | 7-15 |
| FE350 Engine – Ignition Components and Flywheel .....   | 7-17 |
| FE350 Engine – Oil Circulation .....                    | 7-19 |

# CONTENTS

---

|                                                         |      |
|---------------------------------------------------------|------|
| FE350 Engine – Cylinder Head .....                      | 7-21 |
| FE350 Engine – Crankcase, Camshaft and Oil Sensor ..... | 7-23 |
| FE350 Engine – Crankcase and Crankshaft .....           | 7-25 |
| Engine Mounting .....                                   | 7-27 |

## SECTION 8 – FUEL, INTAKE, AND GOVERNOR SYSTEMS

---

|                                                                                   |      |
|-----------------------------------------------------------------------------------|------|
| Fuel System .....                                                                 | 8-3  |
| Carburetor Assembly, FE290 Engine – Turf/Carryall 1 .....                         | 8-5  |
| Carburetor Assembly, FE350 Engine – Turf/Carryall 2, XRT, 2 Plus, and 6 .....     | 8-7  |
| Carburetor Installation .....                                                     | 8-9  |
| Governor and Accelerator Cables .....                                             | 8-11 |
| Intake Duct, Choke, and Air Box Assembly – Turf/Carryall 1 .....                  | 8-13 |
| Intake Duct, Choke, And Air Box Assembly – Turf/Carryall 2, XRT, and 2 Plus ..... | 8-15 |
| Intake Duct, Choke, and Air Box Assembly – Turf/Carryall 6 .....                  | 8-17 |

## SECTION 9 – EXHAUST SYSTEM

---

|                                                                   |     |
|-------------------------------------------------------------------|-----|
| Exhaust System, FE290 – Turf/Carryall 1 .....                     | 9-3 |
| Exhaust System, FE350 – Turf/Carryall 2, XRT, 2 Plus, and 6 ..... | 9-5 |

## SECTION 10 – TORQUE CONVERTER

---

|                     |      |
|---------------------|------|
| Drive Clutch .....  | 10-3 |
| Driven Clutch ..... | 10-5 |

## SECTION 11 – UNITIZED TRANSAXLE

---

|                                                                |      |
|----------------------------------------------------------------|------|
| Unitized Transaxle – Gear Cases and Guard .....                | 11-3 |
| Unitized Transaxle – F&R Transmission and Gear Reduction ..... | 11-5 |
| Unitized Transaxle – Differential and Axles .....              | 11-7 |

## SECTION 12 – ELECTRICAL SYSTEM – ELECTRIC VEHICLE

---

|                                                                                                |       |
|------------------------------------------------------------------------------------------------|-------|
| Forward/Reverse Switch – PowerDrive System 48 Vehicle .....                                    | 12-3  |
| Multi-Step Potentiometer – Turf/Carryall 1 PowerDrive System 48 Vehicles .....                 | 12-5  |
| Motor Controller Output Regulator (MCOR) .....                                                 | 12-7  |
| Wiring – Turf/Carryall 1 PowerDrive Vehicle with Multi-Step Potentiometer .....                | 12-9  |
| Wiring – Turf/Carryall 1 PowerDrive Vehicle with Motor Controller Output Regulator .....       | 12-11 |
| Electrical Components, Front Body – Turf/Carryall 1 and 2 PowerDrive Vehicle .....             | 12-13 |
| Batteries, Charger Receptacle – Turf/Carryall 1 PowerDrive System 48 Vehicle .....             | 12-15 |
| Computer, Controller, and Solenoid – Turf/Carryall 1 PowerDrive System 48 Vehicle .....        | 12-17 |
| Continuously Variable Potentiometer – Turf/Carryall 2 and Carryall 6 PowerDrive Vehicles ..... | 12-19 |

# CONTENTS

---

|                                                                                       |       |
|---------------------------------------------------------------------------------------|-------|
| Wiring – Turf 2 PowerDrive Vehicle with Continuously Variable Potentiometer .....     | 12-23 |
| Wiring – Carryall 2 PowerDrive Vehicle with Continuously Variable Potentiometer ..... | 12-25 |
| Wiring – Turf 2 PowerDrive Vehicle with Motor Controller Output Regulator .....       | 12-29 |
| Wiring – Carryall 2 PowerDrive Vehicle with Motor Controller Output Regulator .....   | 12-31 |
| Computer, Controller, and Solenoid – Turf/Carryall 2 PowerDrive Vehicle .....         | 12-33 |
| Batteries, Charger Receptacle – Turf/Carryall 2 PowerDrive Vehicle .....              | 12-35 |
| Wiring – Carryall 6 PowerDrive Vehicle with Continuously Variable Potentiometer ..... | 12-39 |
| Wiring – Carryall 6 PowerDrive Vehicle with Motor Controller Output Regulator .....   | 12-43 |
| Electrical Components, Front Body – Carryall 6 PowerDrive Vehicle .....               | 12-45 |
| Controls and Indicators – Carryall 6 PowerDrive Vehicle .....                         | 12-47 |
| Electrical Components, Center Body – Carryall 6 PowerDrive Vehicle .....              | 12-49 |
| Electrical Components, Center Body, Continued – Carryall 6 PowerDrive Vehicle .....   | 12-51 |
| Electrical Components, Rear Body – Carryall 6 PowerDrive Vehicle .....                | 12-53 |

## SECTION 13 – ELECTRIC MOTOR

---

|                                            |      |
|--------------------------------------------|------|
| Motor – PowerDrive System 48 Vehicle ..... | 13-3 |
|--------------------------------------------|------|

## SECTION 14 – TRANSAXLE – ELECTRIC VEHICLE

---

|                                            |      |
|--------------------------------------------|------|
| Transaxle, Type G – Electric Vehicle ..... | 14-3 |
|--------------------------------------------|------|

## SECTION 15 – BATTERY CHARGER

---

|                                                                    |       |
|--------------------------------------------------------------------|-------|
| PowerDrive Battery Charger, Domestic – Turf/Carryall 1 and 2 ..... | 15-3  |
| PowerDrive Charger, Export – Turf/Carryall 1 and 2 .....           | 15-5  |
| PowerDrive Charger, European – Turf/Carryall 1 and 2 .....         | 15-7  |
| Onboard PowerDrive Battery Charger, Domestic – Carryall 6 .....    | 15-9  |
| Onboard PowerDrive Battery Charger, Export – Carryall 6 .....      | 15-11 |

## SECTION 16 – MAINTENANCE AND SERVICE TOOLS

---

|                                                |      |
|------------------------------------------------|------|
| Maintenance and Service Tools .....            | 16-3 |
| Maintenance and Service Tools, Continued ..... | 16-5 |
| Maintenance and Service Tools, Continued ..... | 16-7 |

## SECTION i – INDEX

---

# BODY AND TRIM

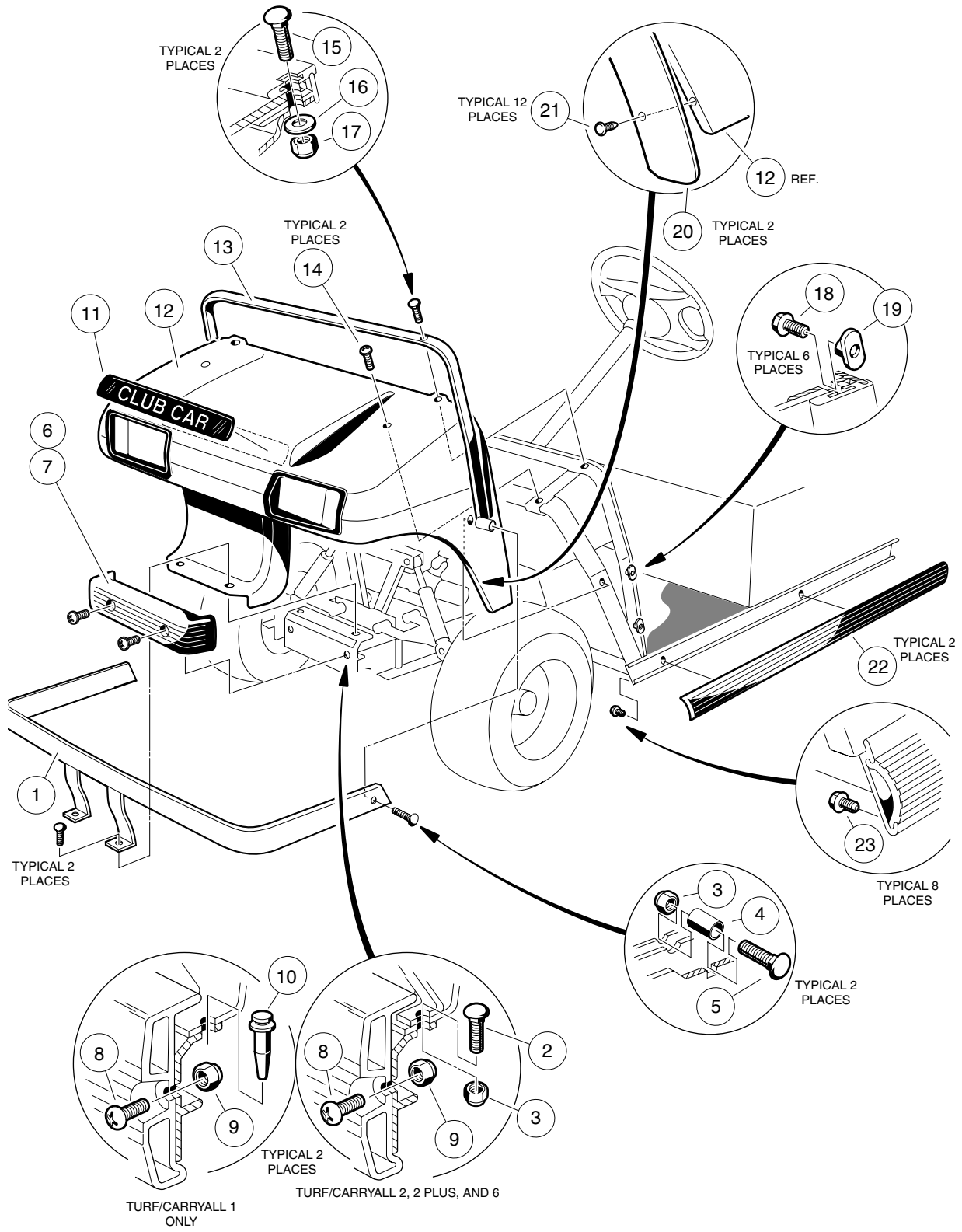
---

1

G

E

**1**  
**G**  
**E**



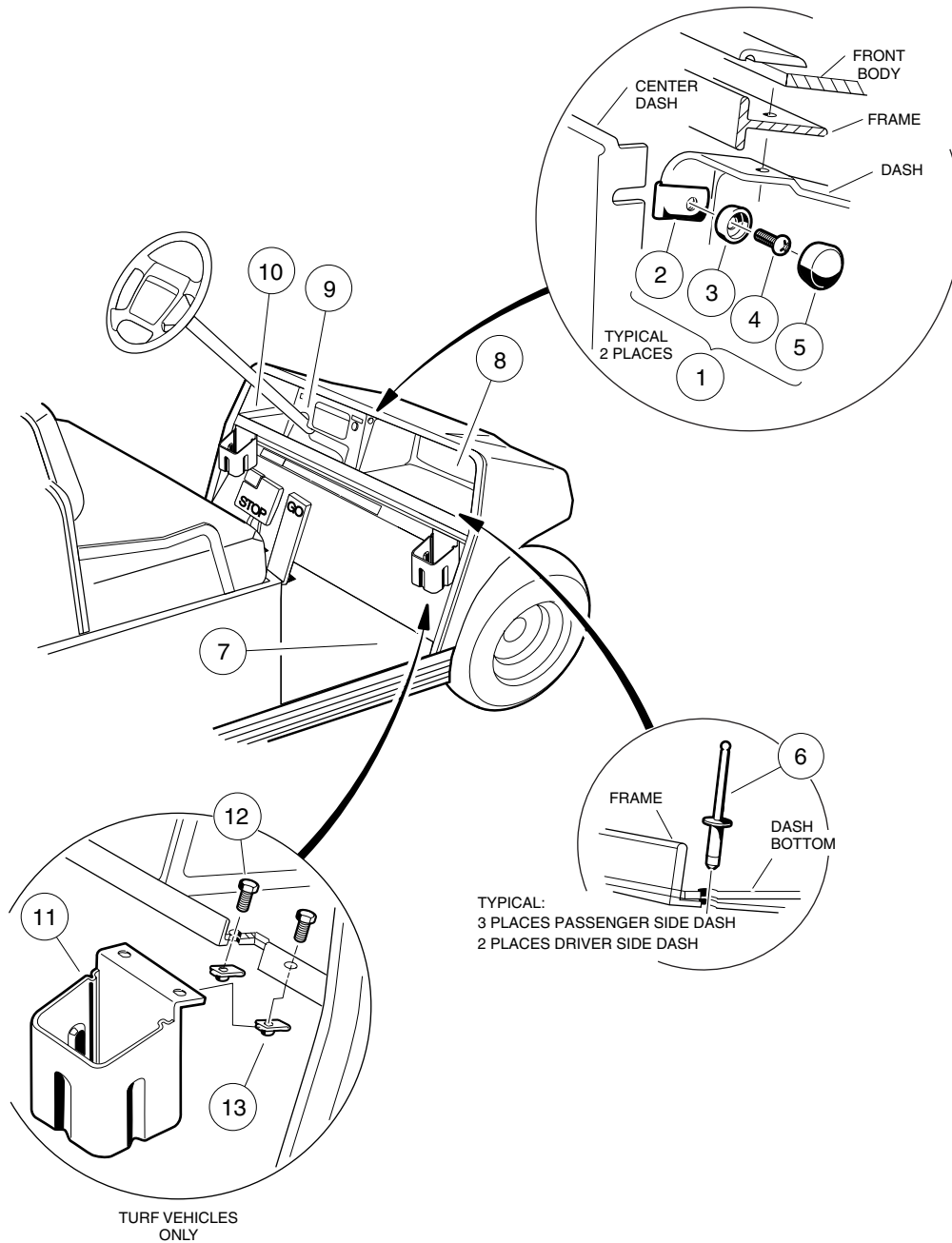


# FRONT BODY AND TRIM – TURF/CA 1, 2, 2 PLUS, AND 6

| ITEM | PART NO.  | DESCRIPTION                                                             | QTY GAS | QTY ELEC |
|------|-----------|-------------------------------------------------------------------------|---------|----------|
|      |           | 1 2 3 4                                                                 |         |          |
| 1    | 101734802 | Kit, Heavy Duty Bumper (includes items 2 - 5) (except Carryall 1) ..... | 1       | 1        |
| 2    | 1010435   | Bolt, Carriage, 5/16-18 x 1 .....                                       | 2       | 2        |
| 3    | 7473      | Nut, Nylon Lock, 5/16-18 .....                                          | 4       | 4        |
| 4    | 1010546   | Spacer .....                                                            | 2       | 2        |
| 5    | 1015405   | Bolt, Carriage, 5/16-18 x 2 .....                                       | 2       | 2        |
| 6    | 1017080   | Kit, Front Bumper (includes items 7 - 10) .....                         | 1       | 1        |
| 7    | 1016868   | Bumper, Front .....                                                     | 1       | 1        |
| 8    | 7251      | Screw, Phillips Truss-Head, 5/16-18 x 1 .....                           | 2       | 2        |
| 9    | 7473      | Nut, Nylon Lock, 5/16-18 .....                                          | 2       | 2        |
| 10   | 1016967   | Rivet, Blind Push Type .....                                            | 2       | 2        |
| 11   | 101670201 | Nameplate, Club Car (silver) .....                                      | 1       | 1        |
| 12   | 101692510 | Body, Front – Dark Green (Turf 1) .....                                 | 1       | 1        |
| 12   | 101692514 | Body, Front – Dark Gray (Carryall 1 and 2) .....                        | 1       | 1        |
| 12   | 101692501 | Body, Front – Beige .....                                               | 1       | 1        |
| 12   | 101692502 | Body, Front – White .....                                               | 1       | 1        |
| 12   | 101692506 | Body, Front – Red .....                                                 | 1       | 1        |
| 12   | 101692509 | Body, Front – Royal Blue (Pacific Blue) .....                           | 1       | 1        |
| 12   | 101692511 | Body, Front – Black .....                                               | 1       | 1        |
| 12   | 101692512 | Body, Front – Classic Blue (Navy) .....                                 | 1       | 1        |
| 12   | 101692513 | Body, Front – Burgundy .....                                            | 1       | 1        |
| 12   | 101692515 | Body, Front – Safety Yellow .....                                       | 1       | 1        |
| 12   | 101693909 | Body, Front with Headlight Opening – Dark Green (Turf 2 and 6) .....    | 1       | 1        |
| 12   | 101693913 | Body, Front with Headlight Opening – Dark Gray (Carryall 6 only) .....  | 1       | 1        |
| 12   | 101693901 | Body, Front with Headlight Opening – Beige .....                        | 1       | 1        |
| 12   | 101693902 | Body, Front with Headlight Opening – White .....                        | 1       | 1        |
| 12   | 101693906 | Body, Front with Headlight Opening – Red .....                          | 1       | 1        |
| 12   | 101693908 | Body, Front with Headlight Opening – Royal Blue (Pacific Blue).....     | 1       | 1        |
| 12   | 101693910 | Body, Front with Headlight Opening – Black .....                        | 1       | 1        |
| 12   | 101693911 | Body, Front with Headlight Opening – Classic Blue (Navy) .....          | 1       | 1        |
| 12   | 101693912 | Body, Front with Headlight Opening – Burgundy .....                     | 1       | 1        |
| 12   | 101693914 | Body, Front with Headlight Opening – Safety Yellow .....                | 1       | 1        |
| 13   | 1011014   | Trim, Front Body .....                                                  | 1       | 1        |
| 14   | 7251      | Screw, Phillips Truss-Head, 5/16-18 x 1 .....                           | 2       | 2        |
| 15   | 1010435   | Bolt, Carriage, 5/16-18 x 1 .....                                       | 2       | 2        |
| 16   | 1241      | Washer, Flat, 5/16 .....                                                | 2       | 2        |
| 17   | 7473      | Nut, Nylon Lock, 5/16-18 .....                                          | 2       | 2        |
| 18   | 1011017   | Screw, Flange Lock .....                                                | 6       | 6        |
| 19   | 1011394   | Nut, Slab Base “T” (package of 4) .....                                 | 1       | 1        |
| 20   | 101870401 | Extrusion, Fender (vehicles with four-wheel brakes) .....               | 2       | 2        |
| 21   | 1010434   | Barrel, Plastic (vehicles with four-wheel brakes) .....                 | 12      | 12       |
| 22   | 1013983   | Trim, Bumper Guard Side (Turf/Carryall 1) .....                         | 2       | 2        |
| 22   | 1013985   | Trim, Bumper Guard Side (Turf/Carryall 2, Carryall 2 Plus) .....        | 2       | 2        |
| 22   | 1016711   | Trim, Bumper Guard Side (Turf/Carryall 6) .....                         | 2       | 2        |
| 23   | 1012047   | Screw, Self-Tapping, #8-32 x 3/8 .....                                  | 8       | 8        |

**1**  
**G**  
**E**

**1**  
**G**  
**E**

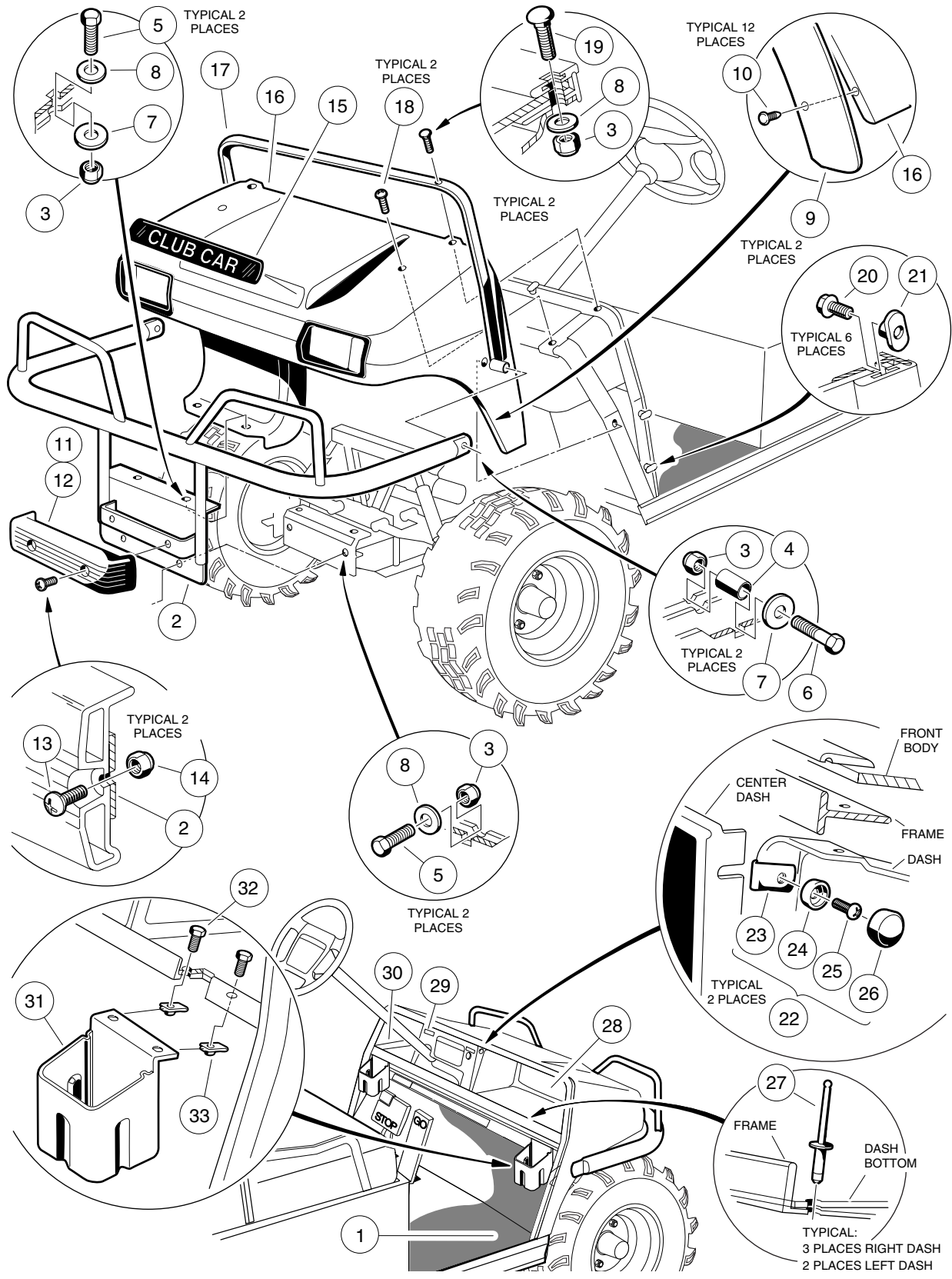


# DASH COMPONENTS – TURF/CA 1, 2, 2 PLUS, AND 6

| ITEM | PART NO.  | DESCRIPTION                                                                  | QTY<br>GAS | QTY<br>ELEC |
|------|-----------|------------------------------------------------------------------------------|------------|-------------|
|      |           | 1 2 3 4                                                                      |            |             |
| 1    | 1014645   | Kit, Snap Washer (black) (includes items 2 - 5) .....                        | 2          | 2           |
| 2    | 1011019   | Nut, Speed, #10-32 .....                                                     | 1          | 1           |
| 3    | 1011382   | Washer, Cup, #10 .....                                                       | 1          | 1           |
| 4    | 1620      | Screw, Sheet Metal, #10 x 3/4 .....                                          | 1          | 1           |
| 5    | 1013494   | Cover, Screw Head .....                                                      | 1          | 1           |
| 6    | 7973      | Rivet, Aluminum Pop, 3/16 .....                                              | 5          | 5           |
| 7    | 1015032   | Mat, Floor, Front .....                                                      | 1          | 1           |
| 8    | 1013343   | Component, Dash, Passenger-Side (black) .....                                | 1          | 1           |
| 9    | 101660404 | Panel, Center Dash (black) .....                                             | 1          | 1           |
| 10   | 1013344   | Component, Dash, Driver-Side (black) .....                                   | 1          | 1           |
| 11   | 1013422   | Kit, Radio/Beverage Holder (includes items 12 - 13) (Turf vehicles only) ... | 2          | 2           |
| 12   | 1010545   | Screw, Hex-Head, 1/4-20 x 3/4 .....                                          | 2          | 2           |
| 13   | 1016952   | Nut, "U", 1/4-20 .....                                                       | 2          | 2           |

1  
G  
E

**1  
G  
E**

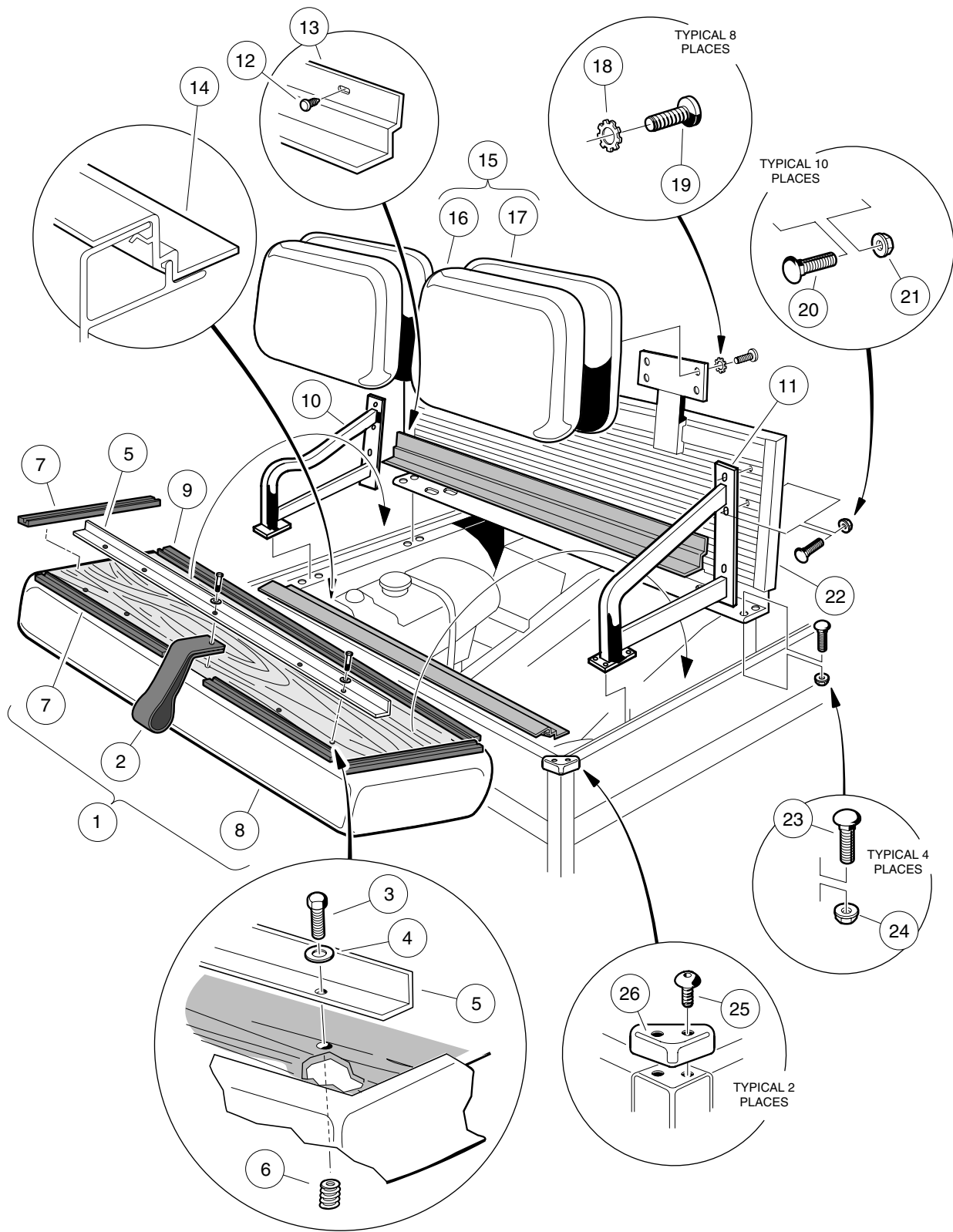


# FRONT BODY AND TRIM – TURF/CARRYALL 2 XRT

| ITEM | PART NO.  | DESCRIPTION                                                     | QTY<br>GAS | QTY<br>ELEC |
|------|-----------|-----------------------------------------------------------------|------------|-------------|
|      |           | 1 2 3 4                                                         |            |             |
| 1    | 102160101 | Mat, Floor, Front .....                                         | 1          |             |
| 2    | 102004301 | Guard, Brush .....                                              | 1          |             |
| 3    | 7473      | Nut, Nylon Lock, 5/16-18 .....                                  | 8          |             |
| 4    | 1015608   | Spacer .....                                                    | 2          |             |
| 5    | 1010934   | Screw, Hex-Head, 5/16-18 x 1 .....                              | 4          |             |
| 6    | 8935      | Screw, Hex-Head, 5/16-18 x 2-1/4 .....                          | 2          |             |
| 7    | 1011578   | Washer, Flat, Type B, 5/16 .....                                | 4          |             |
| 8    | 1241      | Washer, Flat, 5/16 .....                                        | 6          |             |
| 9    | 102004401 | Extrusion, Front Fender .....                                   | 2          |             |
| 10   | 1010434   | Barrel, Plastic .....                                           | 12         |             |
| 11   | 1017080   | Kit, Front Bumper (includes items 12 - 14) .....                | 1          |             |
| 12   | 1016868   | Bumper, Front .....                                             | 1          |             |
| 13   | 7251      | Screw, Phillips Truss-Head, 5/16-18 x 1 .....                   | 2          |             |
| 14   | 7473      | Nut, Nylon Lock, 5/16-18 .....                                  | 2          |             |
| 15   | 101670201 | Nameplate, Club Car (silver) .....                              | 1          |             |
| 16   | 101693909 | Body, Front with Headlight Opening – Dark Green (Turf) .....    | 1          |             |
| 16   | 101693913 | Body, Front with Headlight Opening – Dark Gray (Carryall) ..... | 1          |             |
| 17   | 1011014   | Trim, Front Body .....                                          | 1          |             |
| 18   | 7251      | Screw, Phillips Truss-Head, 5/16-18 x 1 .....                   | 2          |             |
| 19   | 1010435   | Bolt, Carriage, 5/16-18 x 1 .....                               | 2          |             |
| 20   | 1011017   | Screw, Flange Lock .....                                        | 6          |             |
| 21   | 1011394   | Nut, Slab Base “T” (package of 4) .....                         | 1          |             |
| 22   | 1014645   | Kit, Snap Washer, Black (includes items 23 - 26) .....          | 2          |             |
| 23   | 1011019   | Nut, Speed, 10-32 .....                                         | 1          |             |
| 24   | 1011382   | Washer, Cup, No. 10 .....                                       | 1          |             |
| 25   | 1620      | Screw, Sheet Metal, 10 x 3/4 .....                              | 1          |             |
| 26   | 1013494   | Cover, Screw Head .....                                         | 1          |             |
| 27   | 7973      | Rivet, Aluminum Pop, 3/16 .....                                 | 5          |             |
| 28   | 1013343   | Component, Dash, Passenger-Side (black) .....                   | 1          |             |
| 29   | 101660404 | Panel, Center Dash (black) .....                                | 1          |             |
| 30   | 1013344   | Component, Dash, Driver-Side (black) .....                      | 1          |             |
| 31   | 1013422   | Kit, Radio/Beverage Holder (includes items 32 and 33) .....     | 2          |             |
| 32   | 1010545   | Screw, Hex-Head, 1/4-20 x 3/4 .....                             | 2          |             |
| 33   | 1016952   | Nut, “U”, 1/4-20 .....                                          | 2          |             |

**1**  
**G**  
**E**

**1**  
**G**  
**E**

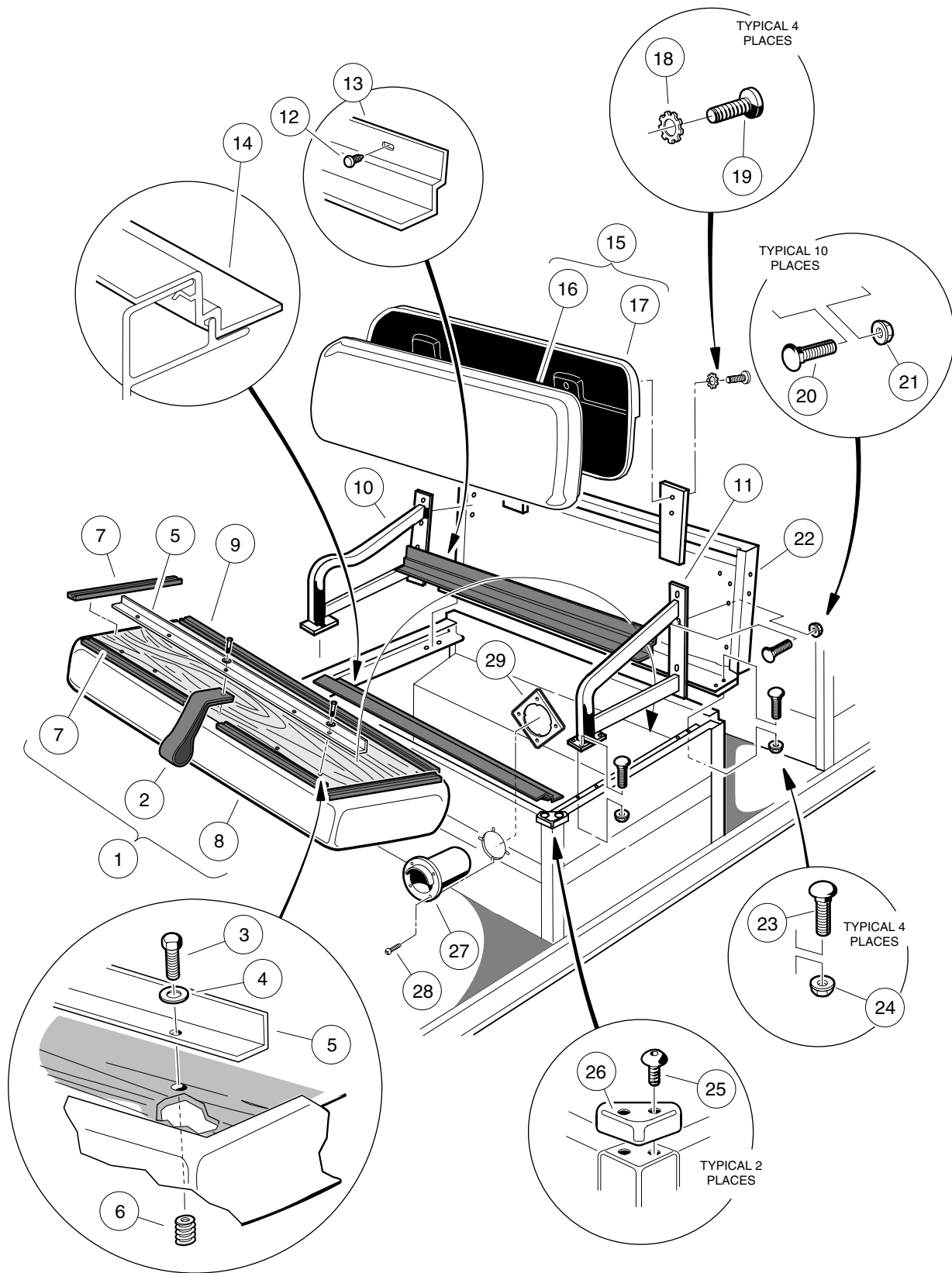


# SEATS AND SUPPORT STRUCTURE – TURF/CARRYALL 1, 2, XRT, AND 2 PLUS

| ITEM | PART NO.  | DESCRIPTION                                                  | QTY<br>GAS | QTY<br>ELEC |
|------|-----------|--------------------------------------------------------------|------------|-------------|
|      |           | 1 2 3 4                                                      |            |             |
| 1    | 101564502 | Assembly, Seat Bottom (white) (includes items 2 - 9) .....   | 1          | 1           |
| 1    | 101564503 | Assembly, Seat Bottom (black) (includes items 2 - 9) .....   | 1          | 1           |
| 1    | 101564505 | Assembly, Seat Bottom (gray) (includes items 2 - 9) .....    | 1          | 1           |
| 2    | 1013309   | Strap, Seat Bottom .....                                     | 1          | 1           |
| 3    | 101954301 | Screw, Hex-Head Cap with Adhesive Patch, 1/4-20 x 3/4 .....  | 5          | 5           |
| 4    | 332       | Washer, Flat, 1/4 .....                                      | 5          | 5           |
| 5    | 101894303 | Stiffener, Seat .....                                        | 1          | 1           |
| 6    | 1010543   | Insert, Wood .....                                           | 5          | 5           |
| 7    | 1013311   | Bumper, Seat, Short .....                                    | 4          | 4           |
| 8    | 101562702 | Cover, Vinyl Seat Bottom (white) .....                       | 1          | 1           |
| 8    | 101562704 | Cover, Vinyl Seat Bottom (black) .....                       | 1          | 1           |
| 8    | 101562710 | Cover, Vinyl Seat Bottom (gray) .....                        | 1          | 1           |
| 9    | 1013312   | Bumper, Seat, Long .....                                     | 1          | 1           |
| 10   | 101888501 | Assembly, Armrest, Passenger .....                           | 1          | 1           |
| 11   | 101888502 | Assembly, Armrest, Driver .....                              | 1          | 1           |
| 12   | 1010434   | Barrel, Plastic.....                                         | 5          | 5           |
| 13   | 101963901 | Trim, Seat Bottom, Rear .....                                | 1          | 1           |
| 14   | 101964001 | Trim, Seat Bottom, Front .....                               | 1          | 1           |
| 15   | 101565202 | Assembly, Seat Back (white) (includes items 16 and 17) ..... | 2          | 2           |
| 15   | 101565205 | Assembly, Seat Back (black) (includes items 16 and 17) ..... | 2          | 2           |
| 15   | 101565206 | Assembly, Seat Back (gray) (includes items 16 and 17) .....  | 2          | 2           |
| 16   | 101562602 | Cover, Vinyl Seat Back (white) .....                         | 1          | 1           |
| 16   | 101562604 | Cover, Vinyl Seat Back (black) .....                         | 1          | 1           |
| 16   | 101562605 | Cover, Vinyl Seat Back (gray) .....                          | 1          | 1           |
| 17   | 1013335   | Cap, Seat Back (black) .....                                 | 1          | 1           |
| 18   | 101946201 | Washer, External Tooth Lock, 1/4 .....                       | 8          | 8           |
| 19   | 8248      | Screw, Phillips Truss-Head, 1/4-20 x 3/4 .....               | 8          | 8           |
| 20   | 101958601 | Bolt, Carriage, 1/4-20 x 3/4 .....                           | 10         | 10          |
| 21   | 101835601 | Nut, Flange, 1/4-20 .....                                    | 10         | 10          |
| 22   | 1015239   | Panel, Seat Support .....                                    | 1          | 1           |
| 23   | 101963301 | Bolt, Carriage, 5/16-18 x 3/4 .....                          | 4          | 4           |
| 24   | 101963401 | Nut, Flange, 5/16-18 .....                                   | 4          | 4           |
| 25   | 1014321   | Screw, Truss Torx Head, 1/4-14 x 3/4 .....                   | 4          | 4           |
| 26   | 1014387   | Cap, Corner .....                                            | 2          | 2           |

**1**  
**G**  
**E**

**1**  
**G**  
**E**



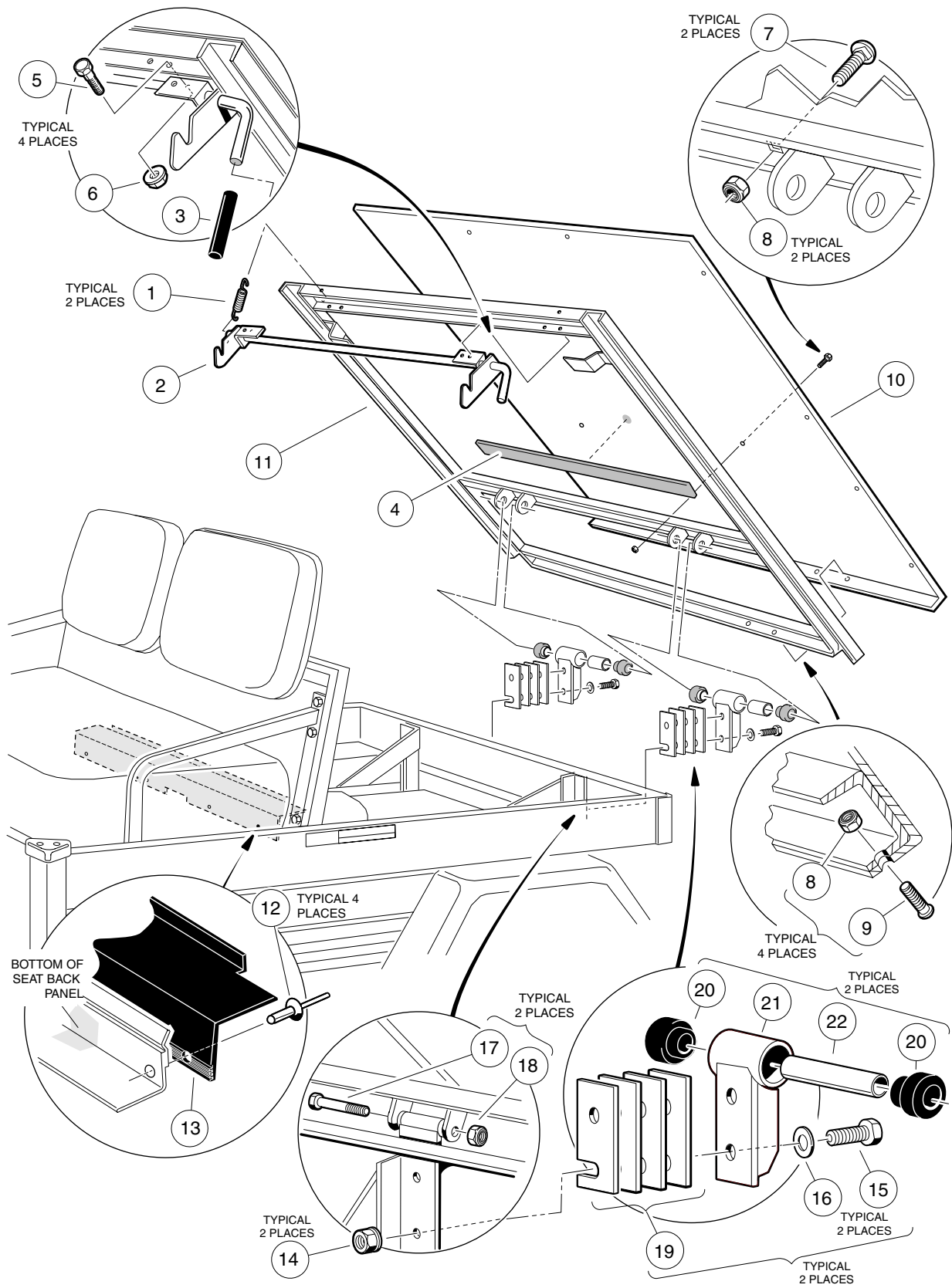


# SEATS AND SUPPORT STRUCTURE – TURF/CARRYALL 6

| ITEM | PART NO.  | DESCRIPTION                                                    | QTY<br>GAS | QTY<br>ELEC |
|------|-----------|----------------------------------------------------------------|------------|-------------|
|      |           | 1 2 3 4                                                        |            |             |
| 1    | 101564502 | Assembly, Seat Bottom (white) (includes items 2 - 9) .....     | 1          | 1           |
| 1    | 101564503 | Assembly, Seat Bottom (black) (includes items 2 - 9) .....     | 1          | 1           |
| 1    | 101564505 | Assembly, Seat Bottom (gray) (includes items 2 - 9) .....      | 1          | 1           |
| 2    | 1013309   | Strap, Seat Bottom .....                                       | 1          | 1           |
| 3    | 101954301 | Screw, Hex-Head Cap with Adhesive Patch, 1/4-20 x 3/4 .....    | 5          | 5           |
| 4    | 332       | Washer, Flat, 1/4 .....                                        | 5          | 5           |
| 5    | 101894303 | Stiffener, Seat .....                                          | 1          | 1           |
| 6    | 1010543   | Insert, Wood .....                                             | 5          | 5           |
| 7    | 1013311   | Bumper, Seat, Short .....                                      | 4          | 4           |
| 8    | 101562702 | Cover, Vinyl Seat Bottom (white) .....                         | 1          | 1           |
| 8    | 101562704 | Cover, Vinyl Seat Bottom (black) .....                         | 1          | 1           |
| 8    | 101562710 | Cover, Vinyl Seat Bottom (gray) .....                          | 1          | 1           |
| 9    | 1013312   | Bumper, Seat, Long .....                                       | 1          | 1           |
| 10   | 101888501 | Assembly, Armrest, Passenger .....                             | 1          | 1           |
| 11   | 101888502 | Assembly, Armrest, Driver .....                                | 1          | 1           |
| 12   | 1010434   | Barrel, Plastic.....                                           | 5          | 5           |
| 13   | 101963901 | Trim, Seat Bottom, Rear .....                                  | 1          | 1           |
| 14   | 101964001 | Trim, Seat Bottom, Front .....                                 | 1          | 1           |
| 15   | 101677701 | Assembly, Seat Back (white) (includes items 16 and 17) .....   | 1          | 1           |
| 15   | 101677702 | Assembly, Seat Back (black) (includes items 16 and 17) .....   | 1          | 1           |
| 15   | 101677705 | Assembly, Seat Back (gray) (includes items 16 and 17) .....    | 1          | 1           |
| 16   | 101675502 | Cover, Vinyl Seat Back (white) .....                           | 1          | 1           |
| 16   | 101675504 | Cover, Vinyl Seat Back (black) .....                           | 1          | 1           |
| 16   | 101675506 | Cover, Vinyl Seat Back (gray) .....                            | 1          | 1           |
| 17   | 1016751   | Cap, Seat Back (black) .....                                   | 1          | 1           |
| 18   | 101946201 | Washer, External Tooth Lock, 1/4 .....                         | 4          | 4           |
| 19   | 8251      | Screw, Phillips Truss-Head, 1/4-20 x 1 .....                   | 4          | 4           |
| 20   | 101958601 | Bolt, Carriage, 1/4-20 x 3/4 .....                             | 10         | 10          |
| 21   | 101835601 | Nut, Flange, 1/4-20 .....                                      | 10         | 10          |
| 22   | 1016723   | Panel, Seat Support .....                                      | 1          | 1           |
| 23   | 101963301 | Bolt, Carriage, 5/16-18 x 3/4 .....                            | 4          | 4           |
| 24   | 101963401 | Nut, Flange, 5/16-18 .....                                     | 4          | 4           |
| 25   | 1014321   | Screw, Truss Torx Head, 1/4-14 x 3/4 .....                     | 4          | 4           |
| 26   | 1014387   | Cap, Corner .....                                              | 2          | 2           |
| 27   | 1016673   | Housing, Cord (electric vehicle only) .....                    |            | 1           |
| 28   | 8796      | Screw, Phillips Head, #7-19 x 3/4 (electric vehicle only)..... |            | 4           |
| 29   | 101801001 | Plate, Receptacle Backing (electric vehicle only) .....        |            | 1           |

**1**  
**G**  
**E**

**1**  
**G**  
**E**

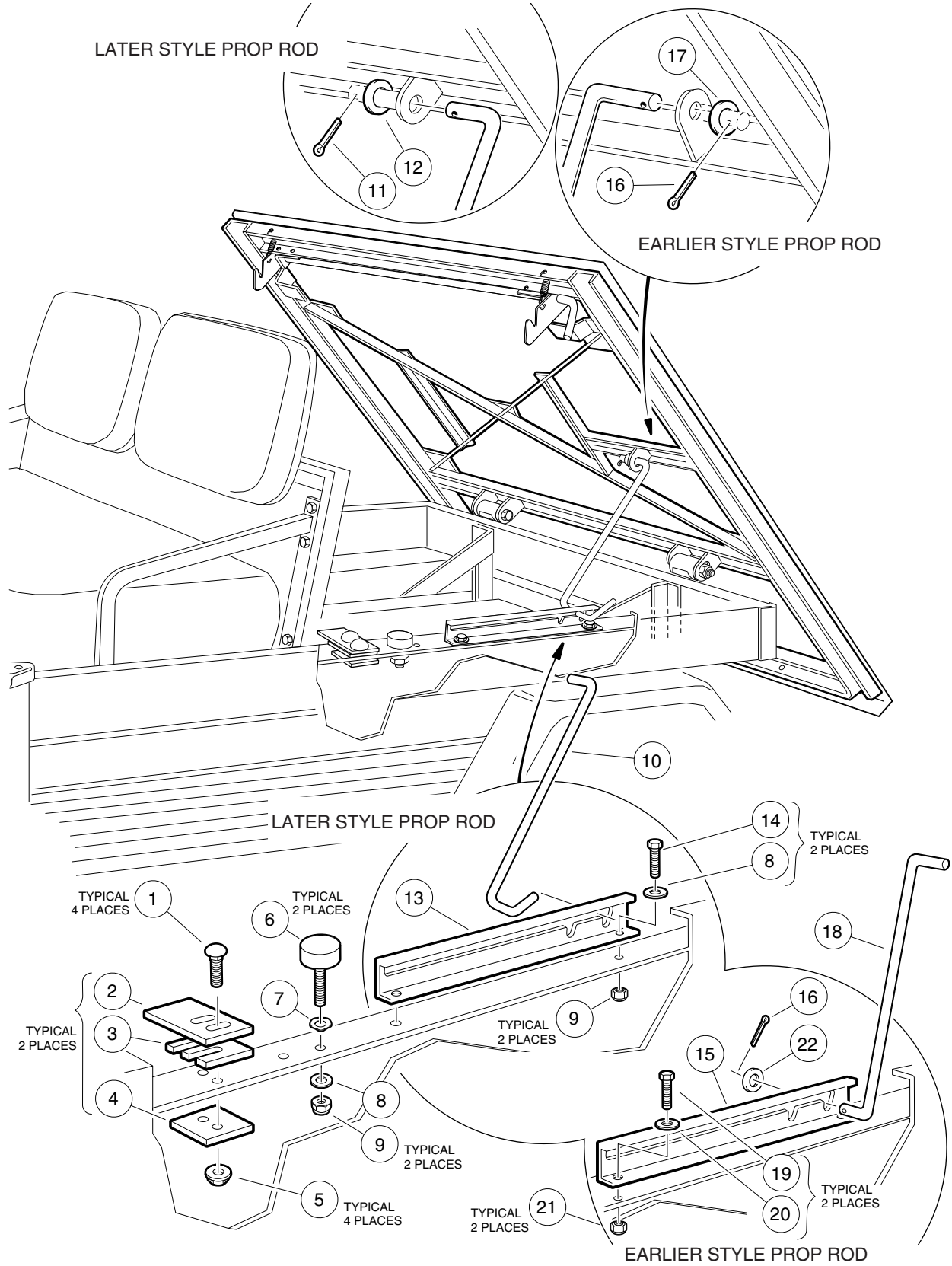


# TILT BED, HINGE, AND LATCH – TURF/CARRYALL 1

| ITEM                                       | PART NO.  | DESCRIPTION                                                                | QTY<br>GAS | QTY<br>ELEC |
|--------------------------------------------|-----------|----------------------------------------------------------------------------|------------|-------------|
|                                            |           | 1 2 3 4                                                                    |            |             |
|                                            | 1015427   | Assembly, Tilt Bed And Latch, Turf/Carryall 1 (includes items 1 - 11)..... | 1          | 1           |
| 1                                          | 1015391   | Spring, Latch Extension .....                                              | 2          | 2           |
| 2                                          | 1015252   | Assembly, Latch Weld .....                                                 | 1          | 1           |
| 3                                          | 1015400   | Hand Grip, Tilt Latch .....                                                | 1          | 1           |
| 4                                          | 1014471   | Insulation, Bulk, (42 inches long) .....                                   | A/R        | A/R         |
| 5                                          | 403       | Screw, Hex-Head Cap, 1/4-20 x 5/8 .....                                    | 4          | 4           |
| 6                                          | 101835601 | Nut, Flanged Lock, 1/4-20 .....                                            | 4          | 4           |
| 7                                          | 1010435   | Bolt, Carriage, 5/16-18 x 1 .....                                          | 2          | 2           |
| 8                                          | 7473      | Nut, Nylon Lock, 5/16-18 .....                                             | 6          | 6           |
| 9                                          | 1015399   | Screw, Torx Truss-Head, 5/16-18 x 3/4 .....                                | 4          | 4           |
| 10                                         | N/A       | Plate, Floor .....                                                         | 1          | 1           |
| 11                                         | N/A       | Assembly, Frame Weldment, Tilt Bed .....                                   | 1          | 1           |
| 12                                         | 7532      | Rivet, 5/16 .....                                                          | 4          | 4           |
| 13                                         | 1017976   | Seal, Bed .....                                                            | 1          | 1           |
| 14                                         | 102065901 | Nut, Dimpled Flange Lock, 3/8-16 .....                                     | 4          | 4           |
| 15                                         | 705       | Screw, Hex-Head Cap, 3/8-16 x 1-1/4 .....                                  | 4          | 4           |
| 16                                         | 102066001 | Washer, Flat, Type B, 3/8 .....                                            | 4          | 4           |
| 17                                         | 8755      | Screw, Hex-Head Cap, 3/8-16 x 3-3/8 .....                                  | 2          | 2           |
| 18                                         | 8754      | Nut, Nylon Lock, 3/8-16 .....                                              | 2          | 2           |
| 19                                         | 1015507   | Shim, Tilt Bed Pivot.....                                                  | A/R        | A/R         |
| 20                                         | 1015583   | Bushing, Urethane .....                                                    | 4          | 4           |
| 21                                         | 1015356   | Assembly, Tilt Bed Hinge Weld .....                                        | 2          | 2           |
| 22                                         | 1012303   | Bushing, Steel .....                                                       | 2          | 2           |
| For latch plate components, see page 1-15. |           |                                                                            |            |             |



**1**  
**G**  
**E**

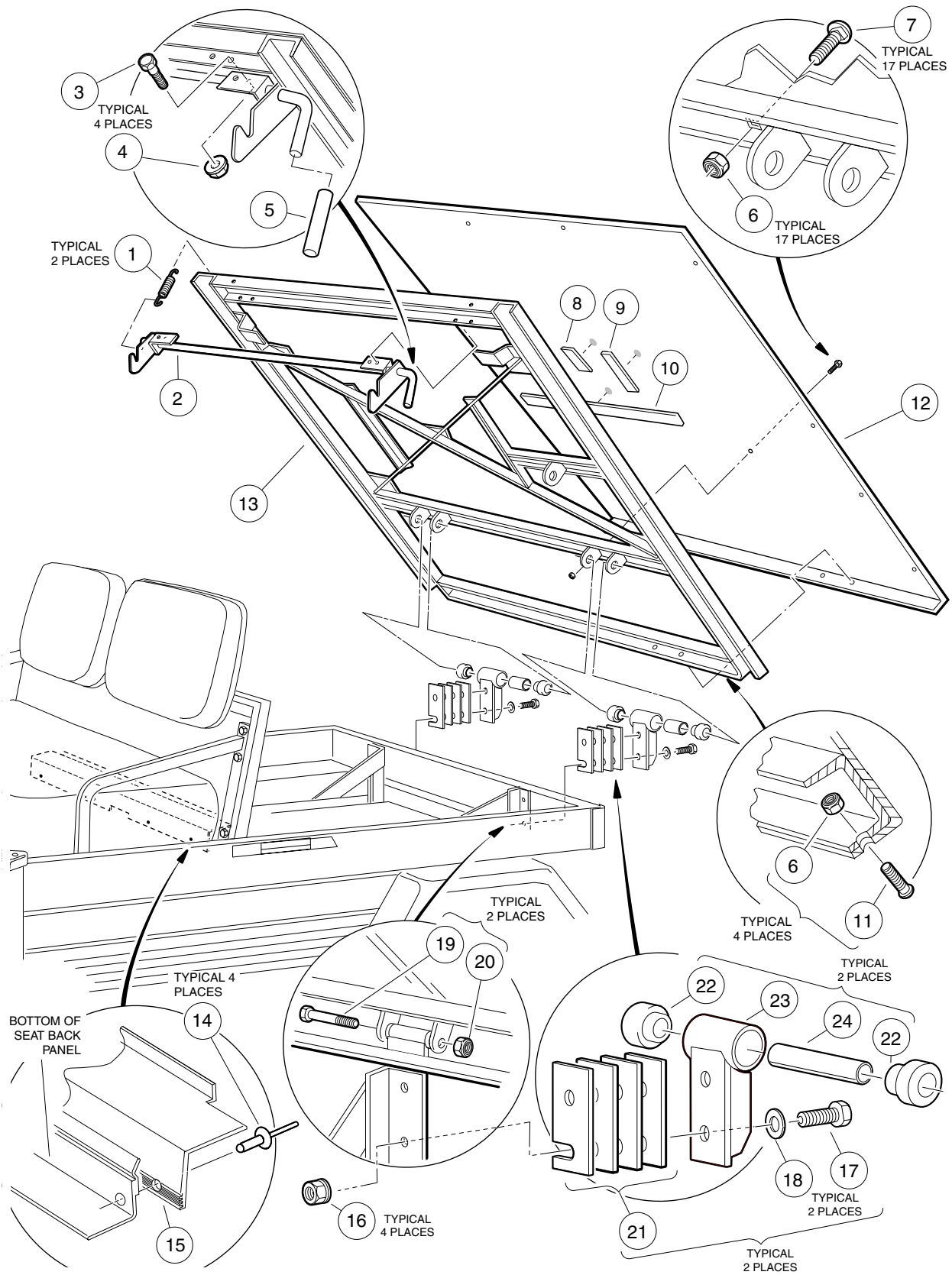


# LATCH PLATE – TURF/CARRYALL 1, 2, XRT AND 2 PLUS; PROP ROD – TURF/CARRYALL 2, XRT, AND 2 PLUS

| ITEM | PART NO.  | DESCRIPTION                                                                                 | QTY<br>GAS | QTY<br>ELEC |
|------|-----------|---------------------------------------------------------------------------------------------|------------|-------------|
|      |           | 1 2 3 4                                                                                     |            |             |
| 1    | 101958601 | Bolt, Carriage, 1/4-20 x 1 .....                                                            | 4          | 4           |
| 2    | 1015277   | Plate, Tilt Bed Latch .....                                                                 | 2          | 2           |
| 3    | 1016078   | Shim, Latch Plate .....                                                                     | A/R        | A/R         |
| 4    | 1016060   | Support, Latch Plate .....                                                                  | 2          | 2           |
| 5    | 101835601 | Nut, Flange, 1/4-20 .....                                                                   | 4          | 4           |
| 6    | 1010878   | Bumper, Rubber .....                                                                        | 2          | 2           |
| 7    | 1016201   | Washer, Wave .....                                                                          | 2          | 2           |
| 8    | 332       | Washer, Flat, 1/4 .....                                                                     | 4          | 4           |
| 9    | 8233      | Nut, Nylon Lock, 1/4-20 .....                                                               | 4          | 4           |
| 10   | 102301401 | Rod, Prop (Turf/Carryall 2, XRT and 2 Plus vehicles beginning<br>mid-model year 2003) ..... | 1          | 1           |
| 11   | 1035      | Pin, Cotter, 3/32 x 1 .....                                                                 | 2          | 2           |
| 12   | 334       | Washer, Flat, 3/8 .....                                                                     | 1          | 1           |
| 13   | 101921601 | Track, Prop Rod .....                                                                       | 1          | 1           |
| 14   | 7847      | Screw, Hex-Head Cap, 1/4-20 x 3/4 .....                                                     | 2          | 2           |
|      |           | Earlier style prop rod (2001, 2002, and early 2003 models):                                 |            |             |
|      | 101922801 | Kit, Prop Rod (Turf/Carryall 2, XRT and 2 Plus)<br>(includes items 15 - 22) .....           | 1          | 1           |
| 15   | N/A       | Track, Prop Rod .....                                                                       | 1          | 1           |
| 16   | 1035      | Pin, Cotter, 3/32 x 1 .....                                                                 | 2          | 2           |
| 17   | 334       | Washer, Flat, 3/8 .....                                                                     | 1          | 1           |
| 18   | N/A       | Rod, Prop .....                                                                             | 1          | 1           |
| 19   | 7847      | Screw, Hex-Head Cap, 1/4-20 x 3/4 .....                                                     | 2          | 2           |
| 20   | 332       | Washer, Flat, 1/4 .....                                                                     | 2          | 2           |
| 21   | 8233      | Nut, Nylon Lock, 1/4-20 .....                                                               | 2          | 2           |
| 22   | 1017328   | Washer, Convex, 3/8 .....                                                                   | 1          | 1           |

**1**  
**G**  
**E**

**1**  
**G**  
**E**

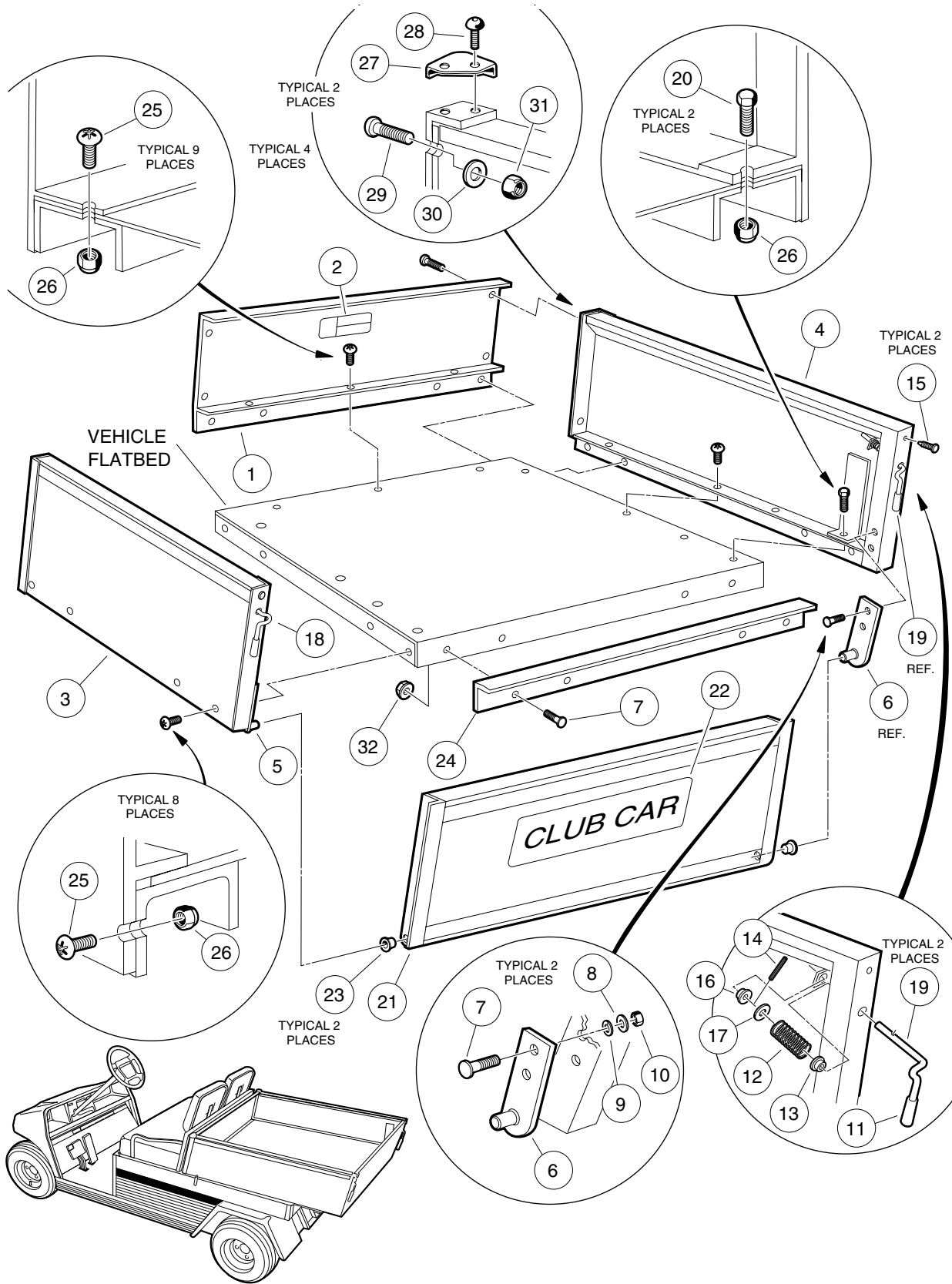


# TILT BED, HINGE AND LATCH – TURF/CARRYALL 2, XRT AND 2 PLUS

| ITEM | PART NO.  | DESCRIPTION                                                   | QTY<br>GAS | QTY<br>ELEC |
|------|-----------|---------------------------------------------------------------|------------|-------------|
|      |           | 1 2 3 4                                                       |            |             |
|      | 101542901 | Assembly, Tilt Bed, Manual Lift (includes items 1 - 13) ..... | 1          | 1           |
| 1    | 1015391   | Spring, Latch Extension .....                                 | 2          | 2           |
| 2    | 1015252   | Assembly, Latch Weld .....                                    | 1          | 1           |
| 3    | 403       | Screw, Hex-Head Cap, 1/4-20 x 5/8 .....                       | 4          | 4           |
| 4    | 101835601 | Nut, Flanged Lock, 1/4-20 .....                               | 4          | 4           |
| 5    | 1015400   | Hand Grip, Tilt Latch .....                                   | 1          | 1           |
| 6    | 7473      | Nut, Nylon Lock, 5/16-18 .....                                | 21         | 21          |
| 7    | 1010435   | Bolt, Carriage, 5/16-18 x 1 .....                             | 17         | 17          |
| 8    | 1014471   | Insulation, Bulk (4 inches long) .....                        | A/R        | A/R         |
| 9    | 1014471   | Insulation, Bulk (8 inches long) .....                        | A/R        | A/R         |
| 10   | 1014471   | Insulation, Bulk (43 inches long) .....                       | A/R        | A/R         |
| 11   | 1015399   | Screw, Torx Truss-Head, 5/16-18 x 5/8 .....                   | 4          | 4           |
| 12   | N/A       | Plate, Floor .....                                            | 1          | 1           |
| 13   | N/A       | Assembly, Frame Weldment, Tilt Bed .....                      | 1          | 1           |
| 14   | 7532      | Rivet, 3/16 .....                                             | 4          | 4           |
| 15   | 1017976   | Seal, Bed .....                                               | 1          | 1           |
| 16   | 102065901 | Nut, Dimpled Flange Lock, 3/8-16 .....                        | 4          | 4           |
| 17   | 705       | Screw, Hex-Head Cap, 3/8-16 x 1-1/4 .....                     | 4          | 4           |
| 18   | 102066001 | Washer, Flat, Type B, 3/8 .....                               | 4          | 4           |
| 19   | 8755      | Screw, Hex-Head Cap, 3/8-16 x 3-3/8 .....                     | 2          | 2           |
| 20   | 8754      | Nut, Nylon Lock, 3/8-16 .....                                 | 2          | 2           |
| 21   | 1015507   | Shim, Tilt Bed Pivot.....                                     | A/R        | A/R         |
| 22   | 1015583   | Bushing, Urethane .....                                       | 4          | 4           |
| 23   | 1015356   | Assembly, Tilt Bed Hinge Weld .....                           | 2          | 2           |
| 24   | 1012303   | Bushing, Steel .....                                          | 2          | 2           |
|      |           | For latch plate and prop rod components, see page 1-15.       |            |             |

**1**  
**G**  
**E**

**1**  
**G**  
**E**



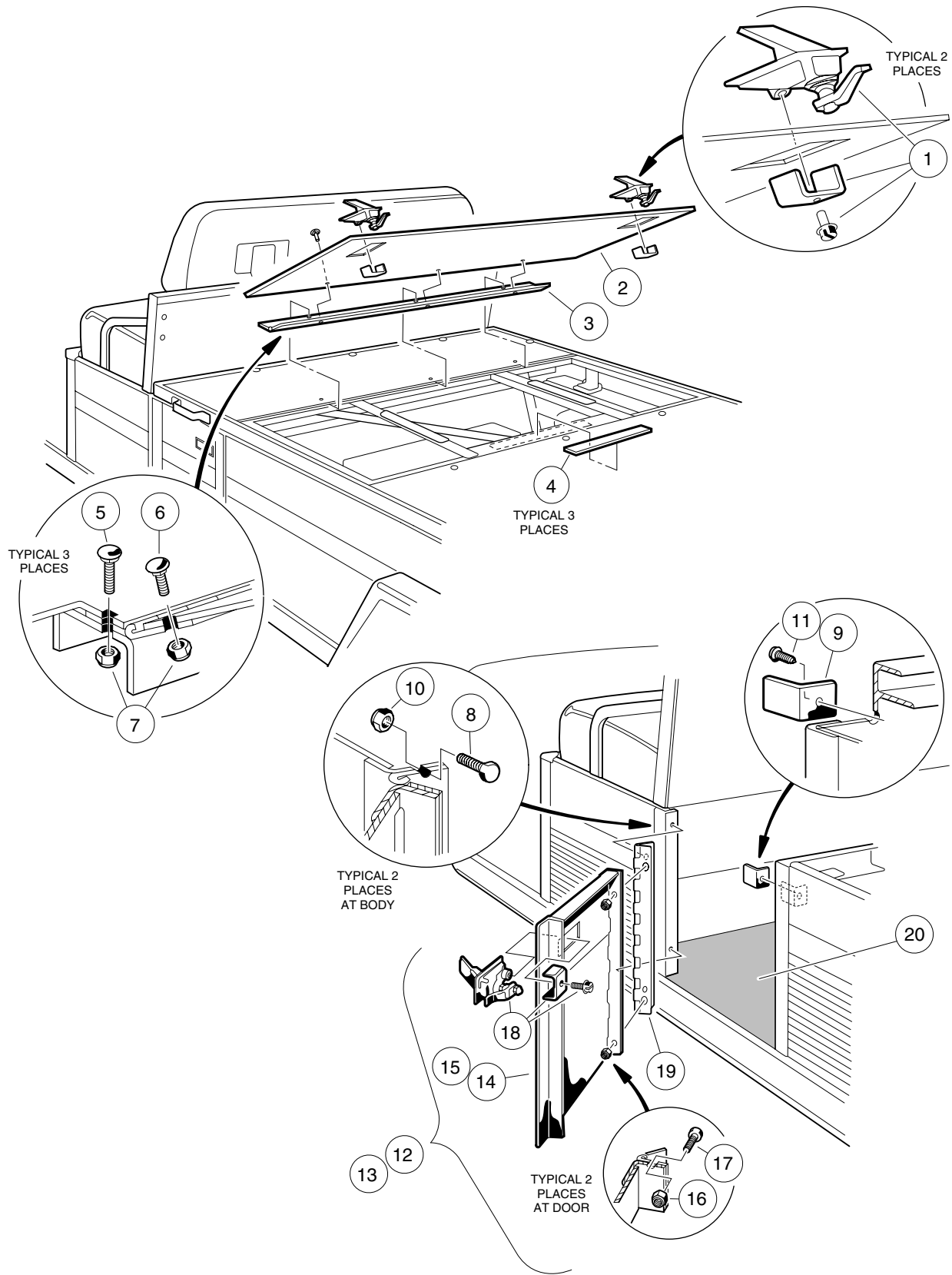


# CARGO BOX – TURF/CARRYALL 1, 2, XRT, AND 2 PLUS

| ITEM | PART NO.  | DESCRIPTION                                                                                                    | QTY<br>GAS | QTY<br>ELEC |
|------|-----------|----------------------------------------------------------------------------------------------------------------|------------|-------------|
|      |           | 1 2 3 4                                                                                                        |            |             |
|      | 1015606   | Kit, Cargo Box (Turf/Carryall 1) (includes items 1 - 32) .....                                                 | 1          | 1           |
|      | 1015607   | Kit, Cargo Box (Turf/Carryall 2, XRT, 2 Plus) (includes items 1 - 32) .....                                    | 1          | 1           |
| 1    | 1015413   | Front Panel Assembly (Turf/Carryall 1) (includes item 2) .....                                                 | 1          | 1           |
| 1    | 1015412   | Front Panel Assembly (Turf/Carryall 2, XRT, 2 Plus) (includes item 2) ..                                       | 1          | 1           |
| 2    | 101553901 | Decal, Bed Load Warning .....                                                                                  | 1          | 1           |
| 3    | 1015367   | Side, Panel Assembly, Driver-Side (Turf/Carryall 1)<br>(includes items 5 and 7-18).....                        | 1          | 1           |
| 3    | 1015368   | Side Panel Assembly, Driver-Side (Turf/Carryall 2, XRT, and 2 Plus)<br>(includes items 5 and 7 - 18) .....     | 1          | 1           |
| 4    | 1015365   | Side, Panel Assembly, Passenger-Side (Turf/Carryall 1)<br>(includes items 6 - 17 and 19) .....                 | 1          | 1           |
| 4    | 1015366   | Side Panel Assembly, Passenger-Side (Turf/Carryall 2, XRT, and<br>2 Plus) (includes items 6 - 17 and 19) ..... | 1          | 1           |
| 5    | 1014513   | Bracket, Tailgate, Driver-Side .....                                                                           | 1          | 1           |
| 6    | 1014514   | Bracket, Tailgate, Passenger-Side .....                                                                        | 1          | 1           |
| 7    | 1014537   | Stud, Flush Head .....                                                                                         | 8          | 8           |
| 8    | 1241      | Washer, Flat, 5/16 .....                                                                                       | 4          | 4           |
| 9    | 7174      | Washer, Lock, 5/16 .....                                                                                       | 4          | 4           |
| 10   | 1242      | Nut, Hex, 5/16-18 .....                                                                                        | 4          | 4           |
| 11   | 1015400   | Grip, Hand .....                                                                                               | 2          | 2           |
| 12   | 1015390   | Spring, Compression .....                                                                                      | 2          | 2           |
| 13   | 1032      | Bushing, Nylon .....                                                                                           | 2          | 2           |
| 14   | 1231      | Roll Pin, 1/8 x 1 .....                                                                                        | 2          | 2           |
| 15   | 1010434   | Barrel, Plastic (black) .....                                                                                  | 2          | 2           |
| 16   | 1015363   | Bushing .....                                                                                                  | 2          | 2           |
| 17   | 1011990   | Washer, Flat, 3/8 .....                                                                                        | 2          | 2           |
| 18   | 1015313   | Latch, Driver-Side .....                                                                                       | 1          | 1           |
| 19   | 1015245   | Latch, Passenger-Side .....                                                                                    | 1          | 1           |
| 20   | 1010934   | Screw, Hex-Head Cap, 5/16-18 x 1 .....                                                                         | 2          | 2           |
| 21   | 1015414   | Tailgate Assembly (Turf/Carryall 1) (includes item 22) .....                                                   | 1          | 1           |
| 21   | 1015424   | Tailgate Assembly (Turf/Carryall 2, XRT, and 2 Plus) (includes item 22)                                        | 1          | 1           |
| 22   | 1013317   | Decal, Club Car Tailgate .....                                                                                 | 2          | 2           |
| 23   | 7049      | Bushing, Nylon .....                                                                                           | 2          | 2           |
| 24   | ****      | Kit, Tailgate Angle (Turf/Carryall 1).....                                                                     | 1          | 1           |
| 24   | 101894702 | Kit, Tailgate Angle (Turf/Carryall 2, XRT, and 2 Plus).....                                                    | 1          | 1           |
| 25   | 1015399   | Screw, Torx Truss-Head, 5/16-18 x 3/4 .....                                                                    | 17         | 17          |
| 26   | 7473      | Nut, Nylon Lock, 5/16-18 .....                                                                                 | 19         | 19          |
| 27   | 1014387   | Cap, Corner .....                                                                                              | 2          | 2           |
| 28   | 1014321   | Screw, Torx Truss-Head, #10-24 x 3/8 .....                                                                     | 4          | 4           |
| 29   | 1014415   | Screw, Torx Truss-Head, 1/4-20 x 3/4 .....                                                                     | 4          | 4           |
| 30   | 332       | Washer, Flat, 1/4 .....                                                                                        | 4          | 4           |
| 31   | 8233      | Nut, Nylon Lock, 1/4-20 .....                                                                                  | 4          | 4           |
| 32   | 101963401 | Nut, Flange Lock, 5/16-18 .....                                                                                | 4          | 4           |
|      | ****      | Special order item available upon request.                                                                     |            |             |



**1**  
**G**  
**E**

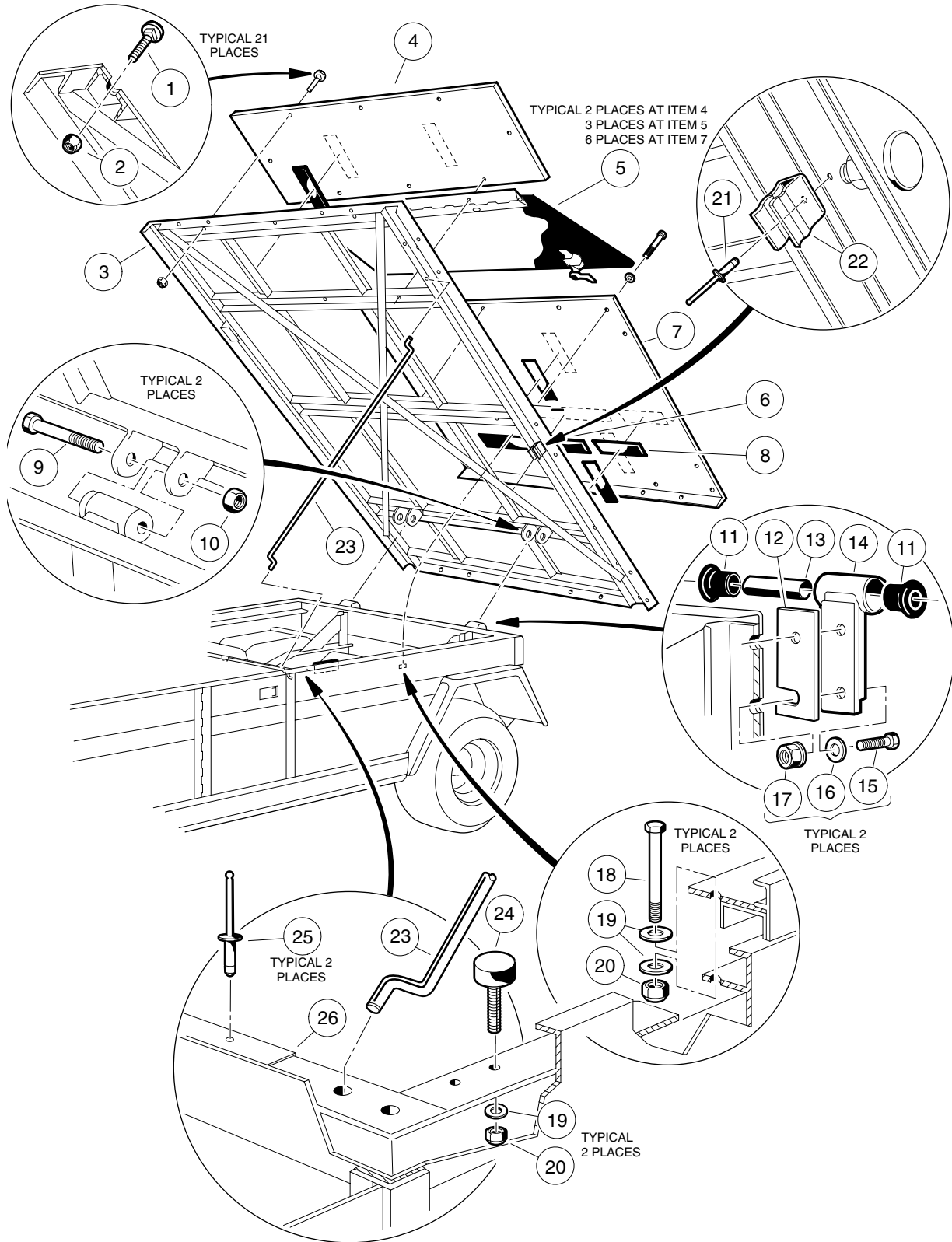


# ACCESS DOOR AND SIDE DOORS – TURF/CARRYALL 6

| ITEM | PART NO.  | DESCRIPTION                                                                      | QTY<br>GAS | QTY<br>ELEC |
|------|-----------|----------------------------------------------------------------------------------|------------|-------------|
|      |           | 1 2 3 4                                                                          |            |             |
| 1    | 101691401 | Latch, Compression Door .....                                                    | 2          | 2           |
| 2    | 101689101 | Plate, Long Bed Access Door .....                                                | 1          | 1           |
| 3    | 1016881   | Hinge, Long Bed Access Door .....                                                | 1          | 1           |
| 4    | 1014471   | Insulation, Bulk (8-1/2 inches long) .....                                       | A/R        | A/R         |
| 5    | 1010435   | Bolt, Carriage, 5/16-18 x 1 .....                                                | 3          | 3           |
| 6    | 1017077   | Bolt, Carriage, 5/16-18 x 5/8 .....                                              | 3          | 3           |
| 7    | 7473      | Nut, Nylon Lock, 5/16-18 .....                                                   | 6          | 6           |
| 8    | 403       | Screw, Hex-Head Cap, 1/4-20 x 5/8 .....                                          | 2          | 2           |
| 9    | 1013280   | Clip, Angle .....                                                                | 2          | 2           |
| 10   | 8233      | Nut, Nylon Lock, 1/4-20 .....                                                    | 2          | 2           |
| 11   | 1012285   | Screw, Thread-Rolling, 1/4-20 x 5/8 .....                                        | 2          | 2           |
| 12   | 1016955   | Assembly, Compartment Door (driver side)<br>(includes items 14 and 16 - 19)..... | 1          | 1           |
| 13   | 1016954   | Assembly, Compartment Door (passenger side)<br>(includes items 15 - 19).....     | 1          | 1           |
| 14   | 1016918   | Assembly, Compartment Door Weld (driver side) .....                              | 1          | 1           |
| 15   | 1016909   | Assembly, Compartment Door Weld (passenger side) .....                           | 1          | 1           |
| 16   | 8233      | Nut, Nylon Lock, 1/4-20 .....                                                    | 2          | 2           |
| 17   | 403       | Screw, Hex-Head Cap, 1/4-20 x 5/8 .....                                          | 2          | 2           |
| 18   | 101691401 | Latch, Compression Door .....                                                    | 2          | 2           |
| 19   | 1016920   | Hinge, Compartment Door .....                                                    | 2          | 2           |
| 20   | 1016718   | Mat, Floor .....                                                                 | 1          | 1           |

1  
G  
E

**1**  
**G**  
**E**

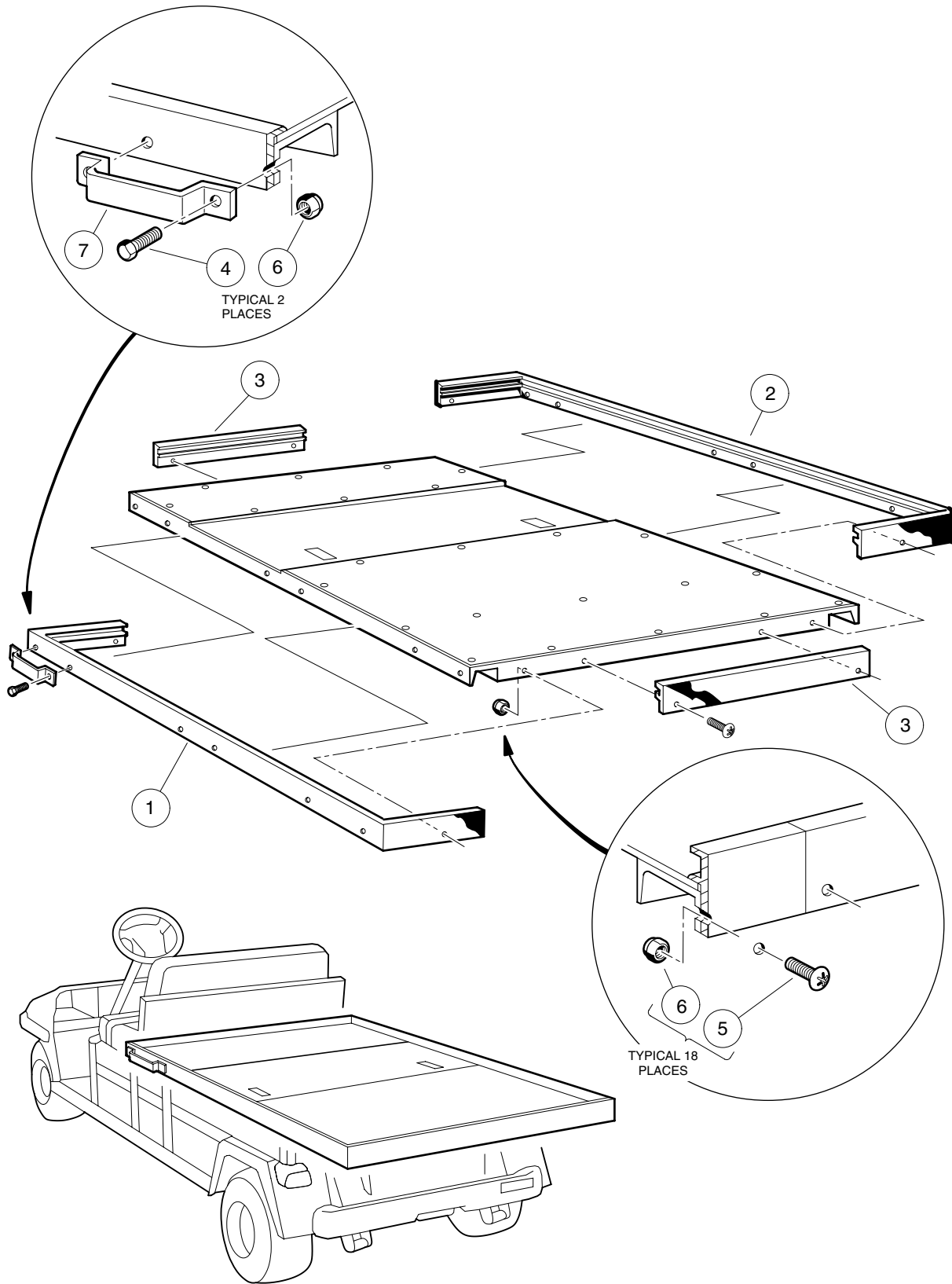


# FLAT BED ASSEMBLY – TURF/CARRYALL 6

| ITEM | PART NO.  | DESCRIPTION                                                                                                                     | QTY<br>GAS | QTY<br>ELEC |
|------|-----------|---------------------------------------------------------------------------------------------------------------------------------|------------|-------------|
|      |           | 1 2 3 4                                                                                                                         |            |             |
|      | 1016942   | Assembly, Flat Bed (includes items 1 - 8) .....                                                                                 | 1          | 1           |
| 1    | 1010435   | Bolt, Carriage, 5/16-18 x 1 .....                                                                                               | 21         | 21          |
| 2    | 7473      | Nut, Nylon Lock, 5/16 - 18 .....                                                                                                | 21         | 21          |
| 3    | N/A       | Frame, Bed .....                                                                                                                | 1          | 1           |
| 4    | ****      | Plate, Forward Floor .....                                                                                                      | 1          | 1           |
| 5    |           | Access Door, Latch, and Mounting Hardware<br>(see page 1-21)                                                                    |            |             |
| 6    | 1014471   | Insulation, Bulk (20 inches long) .....                                                                                         | A/R        | A/R         |
| 7    | ****      | Plate, Rear Floor .....                                                                                                         | 1          | 1           |
| 8    | 1014471   | Insulation, Bulk (8 inches long) .....                                                                                          | A/R        | A/R         |
| 9    | 8755      | Screw, Hex-Head Cap, 3/8-16 x 3-3/8 .....                                                                                       | 2          | 2           |
| 10   | 8754      | Nut, Nylon Lock, 3/8-16 .....                                                                                                   | 2          | 2           |
| 11   | 1015583   | Bushing, Urethane .....                                                                                                         | 4          | 4           |
| 12   | 1015507   | Shim, Tilt Bed Pivot .....                                                                                                      | A/R        | A/R         |
| 13   | 1012303   | Bushing, Steel .....                                                                                                            | 2          | 2           |
| 14   | 1015356   | Assembly, Tilt Bed Hinge Weld .....                                                                                             | 2          | 2           |
| 15   | 705       | Screw, Hex-Head Cap, 3/8-16 x 1-1/4 .....                                                                                       | 4          | 4           |
| 16   | 102066001 | Washer, Flat, Type B, 3/8 .....                                                                                                 | 4          | 4           |
| 17   | 102065901 | Nut, Dimpled Flange Lock, 3/8-16 .....                                                                                          | 4          | 4           |
| 18   | 1013872   | Screw, Hex-Head Cap, 1/4-20 x 4 .....                                                                                           | 2          | 2           |
| 19   | 332       | Washer, Flat, 1/4 .....                                                                                                         | 6          | 6           |
| 20   | 8233      | Nut, Nylon Lock, 1/4-20 .....                                                                                                   | 4          | 4           |
| 21   | 1015727   | Rivet, Pop .....                                                                                                                | 1          | 1           |
| 22   | 1013413   | Clip, Rod, 3/8 .....                                                                                                            | 1          | 1           |
| 23   | 102259401 | Rod, Prop, Long Bed† .....                                                                                                      | 1          | 1           |
| 24   | 1010878   | Bumper, Rubber .....                                                                                                            | 2          | 2           |
| 25   | 1013357   | Rivet, Blind, 3/16 x .45 .....                                                                                                  |            | 2           |
| 26   | 101837001 | Insulator, Battery .....                                                                                                        |            | 1           |
|      | ****      | Special order item available upon request.                                                                                      |            |             |
|      |           | † Specify if vehicle is equipped with current style prop rod (shown)<br>or earlier prop rod that clipped to front of rear body. |            |             |



**1**  
**G**  
**E**

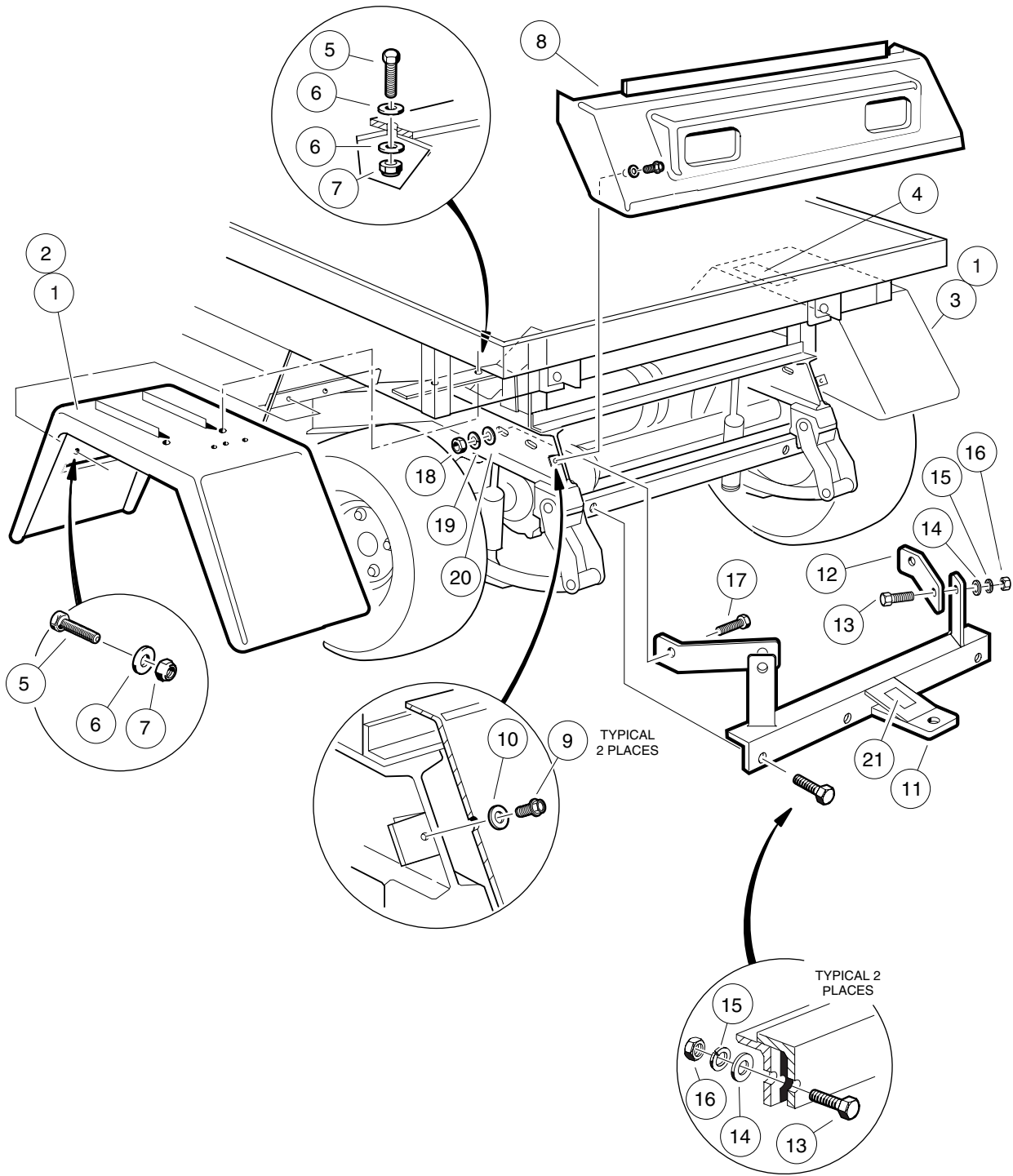


# FLAT BED TRIM – TURF/CARRYALL 6

| ITEM | PART NO. | DESCRIPTION                                 | QTY<br>GAS | QTY<br>ELEC |
|------|----------|---------------------------------------------|------------|-------------|
|      |          | 1 2 3 4                                     |            |             |
| 1    | 1016944  | Trim, Long Bed, Driver-Side.....            | 1          | 1           |
| 2    | 1016948  | Trim, Long Bed, Passenger-Side .....        | 1          | 1           |
| 3    | 1016943  | Trim, Long Bed, Front and Rear.....         | 2          | 2           |
| 4    | 1010934  | Screw, Hex-Head Cap, 5/16-18 x 1.....       | 2          | 2           |
| 5    | 1015399  | Screw, Torx Truss-Head, 5/16-18 x 3/4 ..... | 18         | 18          |
| 6    | 7473     | Nut, Nylon Lock, 5/16-18.....               | 20         | 20          |
| 7    | 1016077  | Bracket, Stake Side.....                    | 1          | 1           |

1  
G  
E

**1**  
**G**  
**E**



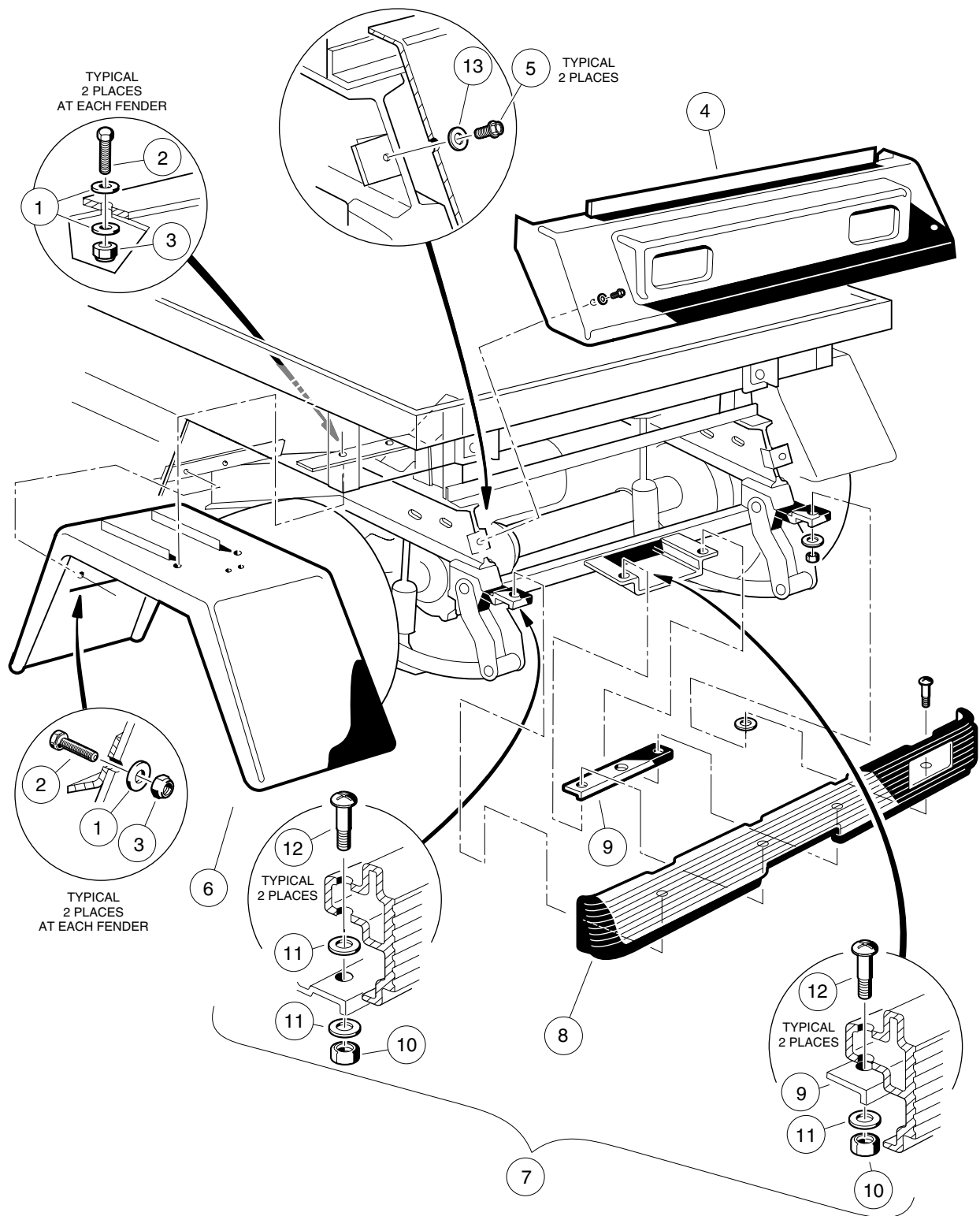


# REAR BODY TRIM – TURF/CA 1, 2, XRT, AND 2 PLUS

| ITEM | PART NO.  | DESCRIPTION                                                                                      | QTY<br>GAS | QTY<br>ELEC |
|------|-----------|--------------------------------------------------------------------------------------------------|------------|-------------|
|      |           | 1 2 3 4                                                                                          |            |             |
| 1    | 1016679   | Fender, Rear (all vehicles except XRT) .....                                                     | 2          | 2           |
| 2    | 102004601 | Fender, Rear, Driver-Side (XRT vehicle only) .....                                               | 1          | 1           |
| 3    | 102004602 | Fender, Rear, Passenger-Side (XRT vehicle only) (includes item 4) .....                          | 1          | 1           |
| 4    | 102224001 | Decal, Rotating Parts (XRT vehicle only) .....                                                   | 1          | 1           |
| 5    | 304       | Screw, Hex-Head Cap, 1/4-20 x 1 .....                                                            | 8          | 8           |
| 6    | 1014306   | Washer, Flat, Type B, 1/4 .....                                                                  | 12         | 12          |
| 7    | 8233      | Nut, Nylon Lock, 1/4-20 .....                                                                    | 8          | 8           |
| 8    | 1015530   | Tailskirt .....                                                                                  | 1          | 1           |
| 9    | 1012285   | Screw, Thread-Rolling, 1/4-20 x 5/8 .....                                                        | 2          | 2           |
| 10   | 332       | Washer, Flat, 1/4 .....                                                                          | 2          | 2           |
| 11   | 1015445   | Kit, Trailer Hitch (Turf 1, Turf 2, Carryall 2, XRT and 2 Plus)<br>(includes items 8 - 17) ..... | 1          | 1           |
| 12   | 1013483   | Brace, Trailer Hitch .....                                                                       | 2          | 2           |
| 13   | 1010934   | Screw, Hex-Head Cap, 5/16-18 x 1 .....                                                           | 4          | 4           |
| 14   | 1241      | Washer, Flat, 5/16 .....                                                                         | 4          | 4           |
| 15   | 7174      | Washer, Lock, 5/16 .....                                                                         | 4          | 4           |
| 16   | 1242      | Nut, Hex, 5/16-18 .....                                                                          | 4          | 4           |
| 17   | 705       | Screw, Hex-Head Cap, 3/8-16 x 1-1/4.....                                                         | 2          | 2           |
| 18   | 706       | Nut, Hex, 3/8-16 .....                                                                           | 2          | 2           |
| 19   | 357       | Washer, Lock, 3/8 .....                                                                          | 2          | 2           |
| 20   | 1011990   | Washer, Flat, 3/8 .....                                                                          | 2          | 2           |
| 21   | 1011553   | Decal, Trailer Hitch .....                                                                       | 1          | 1           |

**1**  
**G**  
**E**

**1**  
**G**  
**E**



## REAR BODY TRIM – TURF/CARRYALL 6

| ITEM | PART NO. | DESCRIPTION                                          | QTY<br>GAS | QTY<br>ELEC |
|------|----------|------------------------------------------------------|------------|-------------|
|      |          | 1 2 3 4                                              |            |             |
| 1    | 1014306  | Washer, Flat, 1/4 .....                              | 12         | 12          |
| 2    | 304      | Screw, Hex-Head Cap, 1/4-20 x 1 .....                | 8          | 8           |
| 3    | 8233     | Nut, Nylon Lock, 1/4-20 .....                        | 8          | 8           |
| 4    | 1015530  | Tailskirt .....                                      | 1          | 1           |
| 5    | 1012285  | Screw, Thread-Rolling, 1/4-20 x 5/8 .....            | 2          | 2           |
| 6    | 1016679  | Fender, Rear .....                                   | 2          | 2           |
| 7    | 1017079  | Kit, Rear Bumper (includes items 8 - 12) .....       | 1          | 1           |
| 8    | 1016379  | Bumper, Rear .....                                   | 1          | 1           |
| 9    | 1016875  | Plate, Mounting, Long .....                          | 1          | 1           |
| 10   | 7473     | Nut, Nylon Lock, 5/16-18 .....                       | 4          | 4           |
| 11   | 1011697  | Washer, Flat, 5/16 .....                             | 6          | 6           |
| 12   | 1016876  | Bolt, Phillips Truss-Head Shoulder, 3/8-18 x 2 ..... | 4          | 4           |
| 13   | 332      | Washer, Flat, 1/4 .....                              | 2          | 2           |

1  
G  
E

**1**

**G**

**E**

# WHEELS AND TIRES

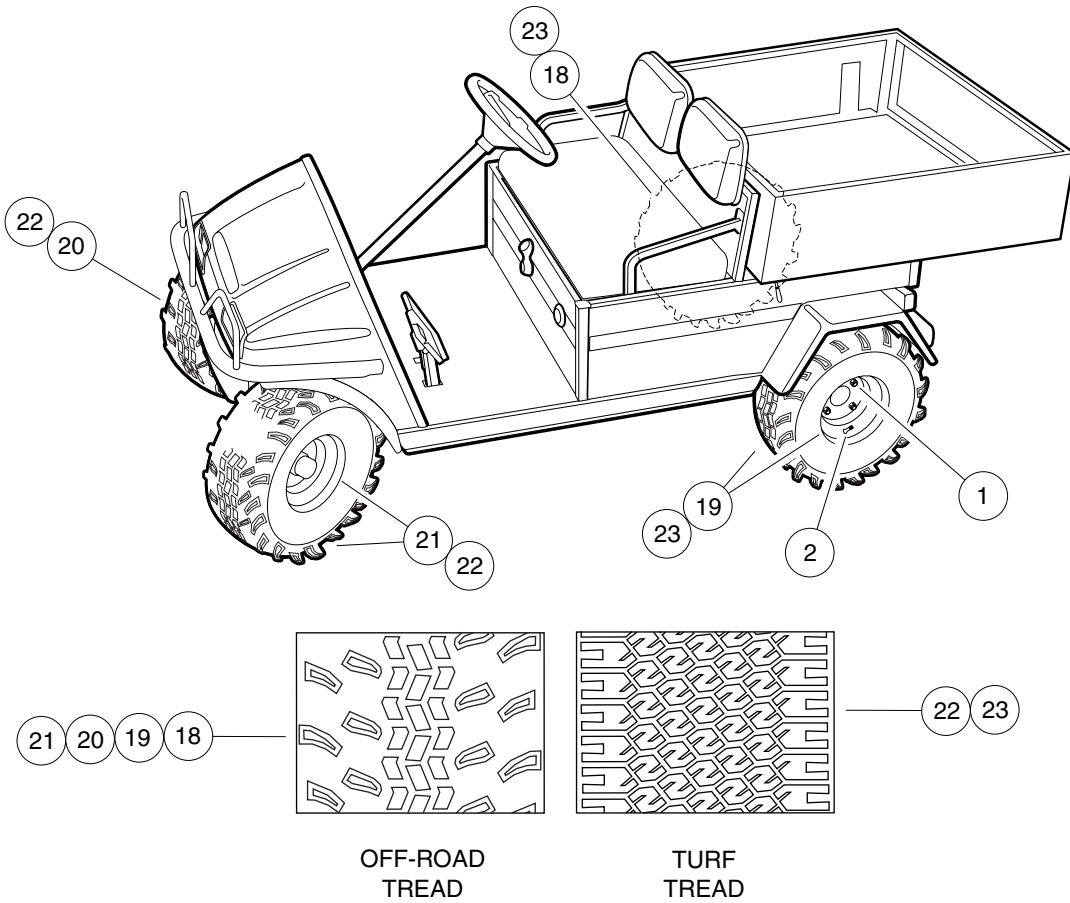
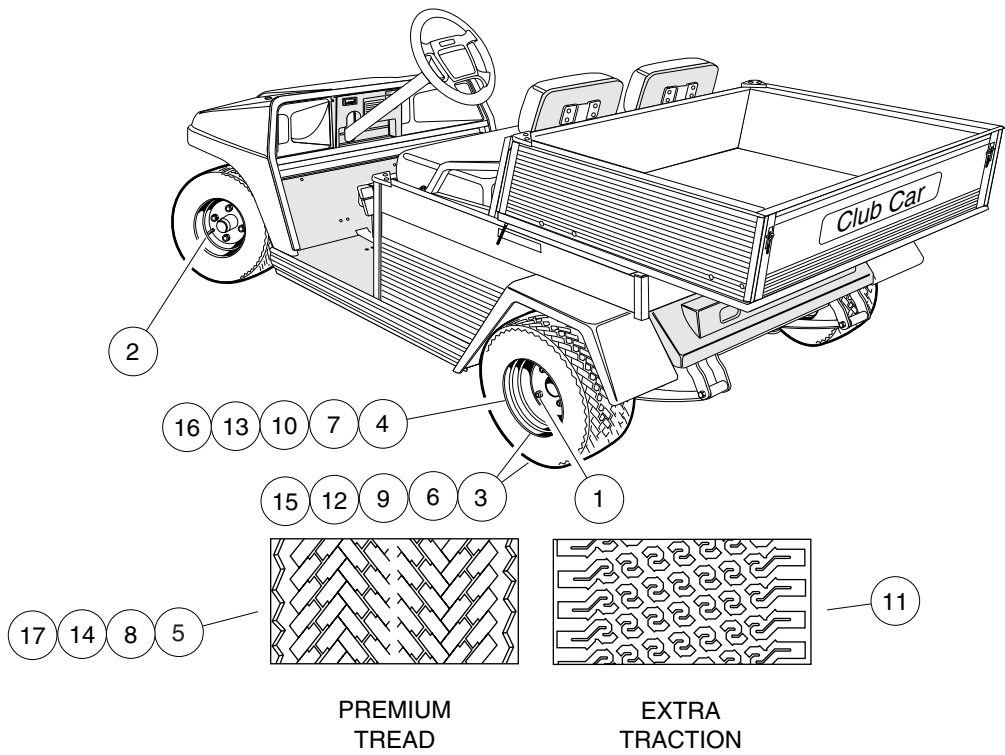
---

2

G

E

**2  
G  
E**



# WHEELS AND TIRES

| ITEM | PART NO.  | DESCRIPTION                                                                                                                                                                                                                                                                                                                                                                                                                                         | QTY GAS | QTY ELEC |
|------|-----------|-----------------------------------------------------------------------------------------------------------------------------------------------------------------------------------------------------------------------------------------------------------------------------------------------------------------------------------------------------------------------------------------------------------------------------------------------------|---------|----------|
|      |           | 1 2 3 4                                                                                                                                                                                                                                                                                                                                                                                                                                             |         |          |
| 1    | 1010984   | Nut, Lug .....                                                                                                                                                                                                                                                                                                                                                                                                                                      | 16      | 16       |
| 2    | 7310      | Stem, Valve* .....                                                                                                                                                                                                                                                                                                                                                                                                                                  | 4       | 4        |
| 3    | 101651402 | Assembly, Wheel and Premium Tire (Turf/Carryall 1 only)<br>(includes items 4 and 5) .....                                                                                                                                                                                                                                                                                                                                                           | 4       | 4        |
| 4    | 1014771   | Wheel Rim, White .....                                                                                                                                                                                                                                                                                                                                                                                                                              | 1       | 1        |
| 5    | 101567202 | Tire, Unmounted, Premium Tread, 4-Ply Rated (18 x 8.50 - 8)<br>(Carlisle®) .....                                                                                                                                                                                                                                                                                                                                                                    | 1       | 1        |
| 6    | 101651406 | Assembly, Wheel and Premium Tire (includes items 7 and 8) .....                                                                                                                                                                                                                                                                                                                                                                                     | 4       | 4        |
| 7    | 1014771   | Wheel Rim, White .....                                                                                                                                                                                                                                                                                                                                                                                                                              | 1       | 1        |
| 8    | 101737002 | Tire, Unmounted, Premium Tread, 6-Ply Rated (18 x 8.50 - 8) (Duro®) .....                                                                                                                                                                                                                                                                                                                                                                           | 1       | 1        |
| 9    | 101651407 | Assembly, Wheel and Extra Traction Tire (includes items 10 and 11) .....                                                                                                                                                                                                                                                                                                                                                                            | 2       | 2        |
| 10   | 1014771   | Wheel Rim, White .....                                                                                                                                                                                                                                                                                                                                                                                                                              | 1       | 1        |
| 11   | 101769302 | Tire, Unmounted, Extra Traction, 6-Ply Rated (18 x 8.50 - 8) (Duro) .....                                                                                                                                                                                                                                                                                                                                                                           | 1       | 1        |
| 12   | 101651409 | Assembly, Wheel and Premium Tire (Turf/Carryall 1 and 2)<br>(includes items 13 and 14) .....                                                                                                                                                                                                                                                                                                                                                        | 4       | 4        |
| 13   | 101918402 | Wheel Rim, White (6.25 inches wide) .....                                                                                                                                                                                                                                                                                                                                                                                                           | 1       | 1        |
| 14   | 101884901 | Tire, Unmounted, Premium Tread, 6-Ply Rated (18.5 x 6.50 - 8) (Duro) .....                                                                                                                                                                                                                                                                                                                                                                          | 1       | 1        |
| 15   | 101651414 | Assembly, Wheel and Tire, HF232 (includes items 16 and 17) .....                                                                                                                                                                                                                                                                                                                                                                                    | 4       | 4        |
| 16   | 1014771   | Wheel Rim, White .....                                                                                                                                                                                                                                                                                                                                                                                                                              | 1       | 1        |
| 17   | ****      | Tire, Unmounted, 6-Ply Rated (18.5 x 8.5 - 8) (Duro) .....                                                                                                                                                                                                                                                                                                                                                                                          | 1       | 1        |
| 18   | 102009401 | Assembly, Wheel (white) and Tire, Passenger-Side Rear,<br>Off-Road Tread, 6-Ply Rated (22 x 11.00 - 10) (XRT only) (Duro) .....                                                                                                                                                                                                                                                                                                                     | 1       |          |
| 19   | 102009501 | Assembly, Wheel (white) and Tire, Driver-Side Rear,<br>Off-Road Tread, 6-Ply Rated (22 x 11.00 - 10) (XRT only) (Duro) .....                                                                                                                                                                                                                                                                                                                        | 1       |          |
| 20   | 102009201 | Assembly, Wheel (white) and Tire, Passenger-Side Front,<br>Off-Road Tread, 6-Ply Rated (22 x 11.00 - 10) (XRT only) (Duro) .....                                                                                                                                                                                                                                                                                                                    | 1       |          |
| 21   | 102009301 | Assembly, Wheel (white) and Tire, Driver-Side Front,<br>Off-Road Tread, 6-Ply Rated (22 x 11.00 - 10)(XRT only) (Duro) .....                                                                                                                                                                                                                                                                                                                        | 1       |          |
| 22   | 102009901 | Assembly, Wheel (white) and Tire, Front, Turf Tread,<br>4-Ply Rated (23 x 10.50 - 12) (XRT only) (Titan®) .....                                                                                                                                                                                                                                                                                                                                     | 2       |          |
| 23   | 102010001 | Assembly, Wheel (white) and Tire, Rear, Turf Tread,<br>4-Ply Rated (23 x 10.50 - 12) (XRT only) (Titan) .....                                                                                                                                                                                                                                                                                                                                       | 2       |          |
|      | ****      | Special order item available upon request.                                                                                                                                                                                                                                                                                                                                                                                                          |         |          |
|      |           | *Note: Item 2 is a part of all wheel assemblies.                                                                                                                                                                                                                                                                                                                                                                                                    |         |          |
|      |           | Special note on items 18 through 23:<br>Unmounted tires and wheel rims are special order items<br>available upon request.<br>The XRT's front and rear wheels are NOT interchangeable.<br>The rear wheels have a different offset than do the front wheels;<br>the rear wheels must be installed with the deeper offset facing out.<br>Off-road tires are directional and must be installed according to the<br>directional arrow mark on each tire. |         |          |



**2**

**G**

**E**



# DECALS

---

3

G

E

**⚠ WARNING**  
**ROLLOVER OR FALLING OFF MAY CAUSE DEATH.**

- Before using vehicle, read operating instructions.
- Remain seated and hold on to seat handle while moving.
- Do not start vehicle until all occupants are seated.
- Two (2) persons per seat maximum.
- Operate from driver side only and not on public roads.
- Keep entire body inside vehicle while moving.
- Drive slowly in turns and straight up and down slopes.
- Do not leave children unattended on vehicle.
- Never operate under the influence of alcohol or drugs.
- Use brakes to reduce speed when coasting downhill.
- Never stand in front of or behind vehicle.

CCI 1019606-01

**OPERATING INSTRUCTIONS**

- Read Owner's Manual and safety warnings located on dash panel prior to driving.
- Study and understand controls.
- Make sure wheels are turned in desired direction.
- Turn key to "ON" position and be sure nothing is in your path.
- While vehicle is stopped, select direction by placing shift lever or switch in desired position:  
 F - Forward N - Neutral R - Reverse (Buzzer will sound)
- Vehicle will start moving when accelerator pedal is depressed.
- Slowly depress accelerator pedal to increase speed. Park brake will release when accelerator pedal is depressed.
- To stop, release accelerator pedal and depress brake pedal.
- After stopping the vehicle:  
 - Firmly depress park brake until it locks.  
 - Place Forward/Reverse switch in "NEUTRAL" position.  
 - Turn key "OFF" and remove key when not in use.

CCI 101621601

**OFF | ON**  
 TURF/CARRYALL 1 AND 2

**OFF ON | START**  
 CARRYALL 2 PLUS

**OPERATING INSTRUCTIONS**

- Read Owner's Manual and safety warnings located on dash panel prior to driving.
- Study and understand controls.

**TO START ENGINE**

- Place shift lever in "N" - Neutral position.
- Depress brake pedal.
- Turn key switch to "START" position and release.

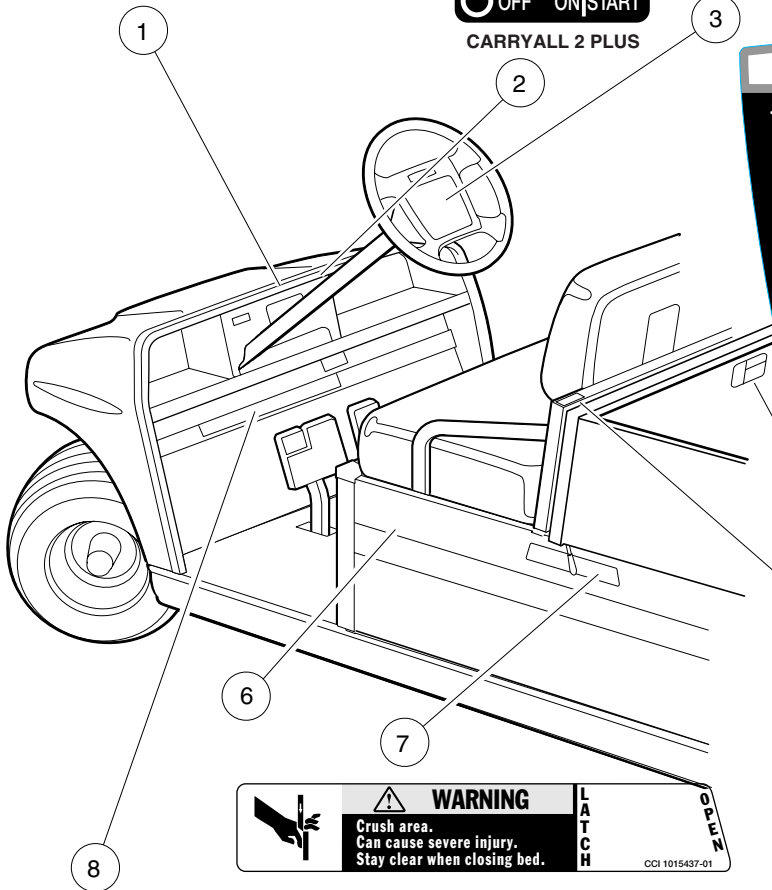
**TO OPERATE VEHICLE**

- Make sure wheels are turned in desired direction.
- Be sure nothing is in your path.
- While vehicle is stopped, and engine is at idle, select vehicle direction by placing shift lever or switch in desired position.  
 F - Forward N - Neutral R - Reverse (Buzzer will sound)
- Park brake will release when accelerator pedal is pushed.
- Slowly push accelerator pedal to increase speed.
- Engine must be at idle before moving shift lever.

**TO STOP VEHICLE**

- Release accelerator pedal and push brake pedal.
- After stopping, firmly push park brake until it locks.
- Turn key to "OFF" position, remove key and place shift lever in straight up neutral position when not in use.

CCI 101693201



**⚠ WARNING**  
 Riding in cargo bed can cause severe injury or death. Do not ride in cargo bed.

CCI 10156309-01

**⚠ WARNING**  
**CRUSH AREA**

**STAY CLEAR**

CCI 1016094-01

**⚠ WARNING**  
 Crush area. Can cause severe injury. Stay clear when closing bed.

**LATCH**

CCI 1015457-01

**VEHICLE LOADING**  
 Read Owner's Manual and warnings on dash.

- Vehicle rated capacity - 800 lbs. on level surface only. Weight to include passengers, cargo bed load, and gross trailer weight. See Owner's Manual.
- Maximum cargo load - 300 lbs. Weight to include cargo bed load and gross trailer weight.
- Maximum trailer hitch tongue weight - 150 lbs.

- Cargo should be evenly spread over the floor of the cargo bed as far forward as possible and secured.
- For vehicle stability, when fully loaded, drive slowly and avoid stopping on or backing down steep hills.
- Avoid top heavy loads. See Owner's Manual.
- When driving on uneven terrain or down steep hills, reduce speed and load.

CCI 1019601-01

**TURF/CARRYALL 1**

**VEHICLE LOADING**  
 Read Owner's Manual and warnings on dash.

- Vehicle rated capacity - 1200 lbs. on level surface only. Weight to include passengers, cargo bed load, and gross trailer weight. See Owner's Manual.
- Maximum cargo load - 800 lbs. Weight to include cargo bed load and gross trailer weight.
- Maximum trailer hitch tongue weight - 150 lbs.

- Cargo should be evenly spread over the floor of the cargo bed as far forward as possible and secured.
- For vehicle stability, when fully loaded, drive slowly and avoid stopping on or backing down steep hills.
- Avoid top heavy loads. See Owner's Manual.
- When driving on uneven terrain or down steep hills, reduce speed and load.

CCI 1019602-01

**TURF/CARRYALL 2 AND CARRYALL 2 PLUS**

# DECALS – TURF/CARRYALL 1, 2, AND 2 PLUS

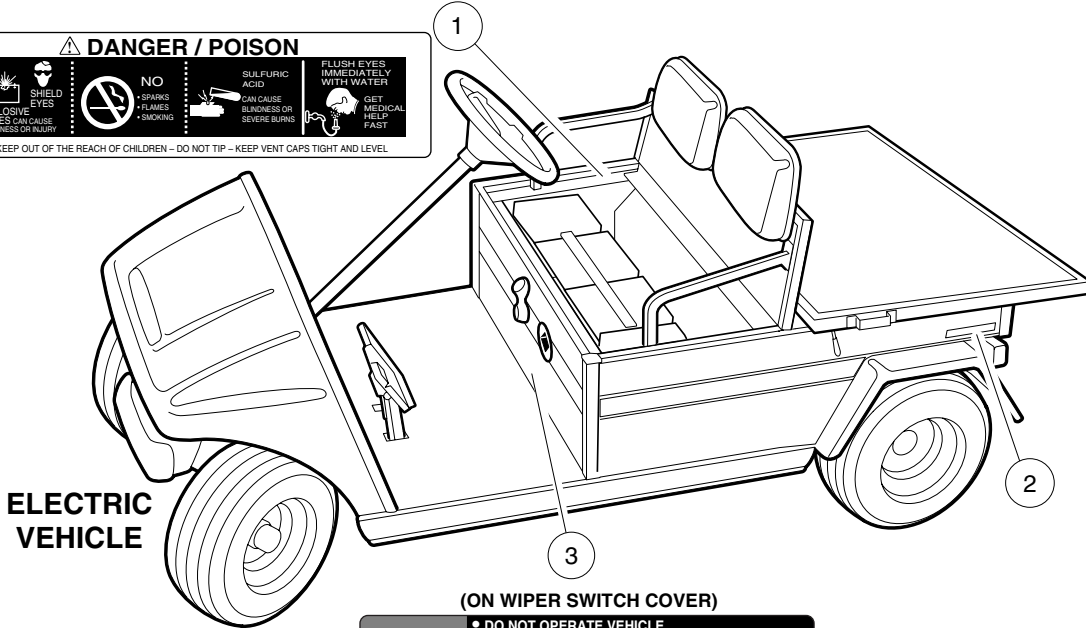
| ITEM | PART NO.  | DESCRIPTION                                                     | QTY<br>GAS | QTY<br>ELEC |
|------|-----------|-----------------------------------------------------------------|------------|-------------|
|      |           | 1 2 3 4                                                         |            |             |
| 1    | 101960601 | Decal, Driver/Passenger Warning .....                           | 1          | 1           |
| 2    | 101825101 | Decal, Key Switch (Turf/Carryall 1 and 2) .....                 | 1          | 1           |
| 2    | 101825102 | Decal, Key Switch (Carryall 2 Plus only) .....                  | 1          |             |
| 3    | 101621601 | Decal, Operating Instructions (Turf/Carryall 1 and 2) .....     | 1          | 1           |
| 3    | 101693201 | Decal, Operating Instructions (Carryall 2 Plus only) .....      | 1          |             |
| 4    | 101553901 | Decal, Bed Load Warning .....                                   | 1          | 1           |
| 5    | 101609401 | Decal, Crush Area .....                                         | 2          | 2           |
| 6    | 102158201 | Decal, Turf 1 (driver side) (includes item 7) .....             | 1          | 1           |
| 6    | 102156901 | Decal, Turf 1 (passenger side) (includes item 7) .....          | 1          | 1           |
| 6    | 102158401 | Decal, Turf 2 (driver side) (includes item 7) .....             | 1          | 1           |
| 6    | 102157101 | Decal, Turf 2 (passenger side) (includes item 7) .....          | 1          | 1           |
| 6    | 102157501 | Decal, Carryall 1 (driver side) (includes item 7) .....         | 1          | 1           |
| 6    | 102156201 | Decal, Carryall 1 (passenger side) (includes item 7) .....      | 1          | 1           |
| 6    | 102157801 | Decal, Carryall 2 (driver side) (includes item 7) .....         | 1          | 1           |
| 6    | 102156501 | Decal, Carryall 2 (passenger side) (includes item 7) .....      | 1          | 1           |
| 6    | 102157701 | Decal, Carryall 2 Plus (driver side) (includes item 7) .....    | 1          | 1           |
| 6    | 102156401 | Decal, Carryall 2 Plus (passenger side) (includes item 7) ..... | 1          | 1           |
| 7    | N/A       | Decal, Bed Latch Warning .....                                  | 1          | 1           |
| 8    | 101960101 | Decal, Vehicle Loading (Turf/Carryall 1 only) .....             | 1          | 1           |
| 8    | 101960201 | Decal, Vehicle Loading (Turf/Carryall 2 and 2 Plus) .....       | 1          | 1           |

**3**  
**G**  
**E**

**⚠ DANGER / POISON**

|                                               |             |                            |                                                   |                                   |                       |
|-----------------------------------------------|-------------|----------------------------|---------------------------------------------------|-----------------------------------|-----------------------|
| EXPLOSIVE GASES CAN CAUSE BLINDNESS OR INJURY | SHIELD EYES | NO SPARKS, FLAMES, SMOKING | SULFURIC ACID CAN CAUSE BLINDNESS OR SEVERE BURNS | FLUSH EYES IMMEDIATELY WITH WATER | GET MEDICAL HELP FAST |
|-----------------------------------------------|-------------|----------------------------|---------------------------------------------------|-----------------------------------|-----------------------|

KEEP OUT OF THE REACH OF CHILDREN - DO NOT TIP - KEEP VENT CAPS TIGHT AND LEVEL



**ELECTRIC VEHICLE**

(ON WIPER SWITCH COVER)

**NOTICE**

- DO NOT OPERATE VEHICLE WITHOUT COVER IN PLACE.
- DO NOT DIRECT WATER STREAM AT THIS SWITCH.

CCI 1016109-01

**⚠ WARNING**

- GASOLINE EXPLOSION / FIRE.
- CAN CAUSE SEVERE INJURY OR DEATH.
- NO SMOKING, SPARKS, OR OPEN FLAME.
- STOP ENGINE, ALLOW TO COOL BEFORE REFUELING.
- TURN FUEL VALVE ( ) ON DURING OPERATION.
- ( ) OFF DURING STORAGE OR TRANSPORT.

CCI 1015476-01

**⚠ WARNING**

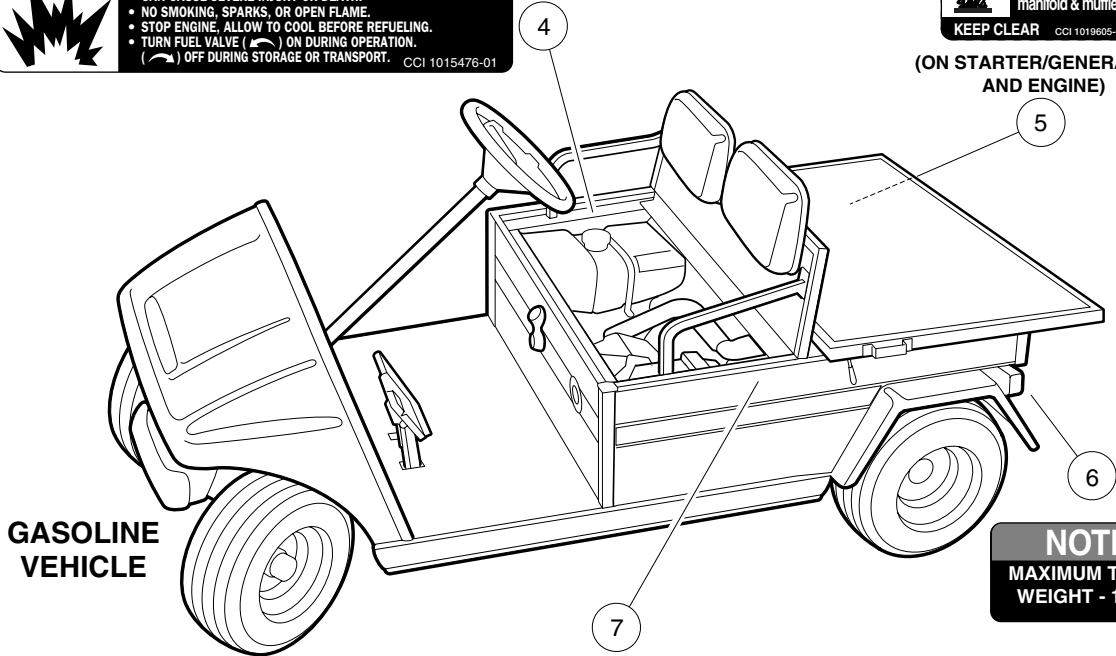
**CAN CAUSE SEVERE INJURY**

Rotating parts

HOT manifold & muffler

**KEEP CLEAR** CCI 1019605-01

(ON STARTER/GENERATOR AND ENGINE)



**GASOLINE VEHICLE**

**NOTICE**

**MAXIMUM TONGUE WEIGHT - 150 lbs.**

CCI 1011553

|                                                                                                                                                     |                  |                                                                                                   |
|-----------------------------------------------------------------------------------------------------------------------------------------------------|------------------|---------------------------------------------------------------------------------------------------|
| <b>⚠ WARNING</b>                                                                                                                                    | <b>⚠ WARNING</b> | <b>⚠ WARNING</b>                                                                                  |
| Negative frame ground. Can cause severe injury. Do not contact positive (+) battery post or cable to frame. Disconnect negative battery lead first. |                  | Excessive speed. Can cause severe injury or death. Do not tamper with engine governor adjustment. |

CCI 1019152-01

(ON VEHICLE FRAME NEAR BATTERY)

## DECALS – TURF/CA 1, 2, AND 2 PLUS, CONTINUED

| ITEM | PART NO.  | DESCRIPTION                                                                                | QTY<br>GAS | QTY<br>ELEC |
|------|-----------|--------------------------------------------------------------------------------------------|------------|-------------|
|      |           | 1 2 3 4                                                                                    |            |             |
| 1    | 1013677   | Decal, Battery Danger .....                                                                |            | 1           |
| 2    | 101921901 | Decal, Ingersoll-Rand .....                                                                | 2          | 2           |
| 3    | 101610901 | Decal, Potentiometer (Turf/Carryall 1 with serial numbers<br>lower than 0112-001470) ..... |            | 1           |
| 4    | 101547601 | Decal, Gasoline Warning .....                                                              | 1          |             |
| 5    | 101960501 | Decal, Rotating Parts and Hot Manifold .....                                               | 2          |             |
| 6    | 1011553   | Decal, Trailer Hitch (Turf 1, Turf 2, Carryall 2 and 2 Plus) .....                         | 1          | 1           |
| 7    | 101915201 | Decal, Frame Ground and Governor Warning.....                                              | 1          |             |

3  
G  
E

**⚠ WARNING**  
**ROLLOVER OR FALLING OFF MAY CAUSE DEATH.**

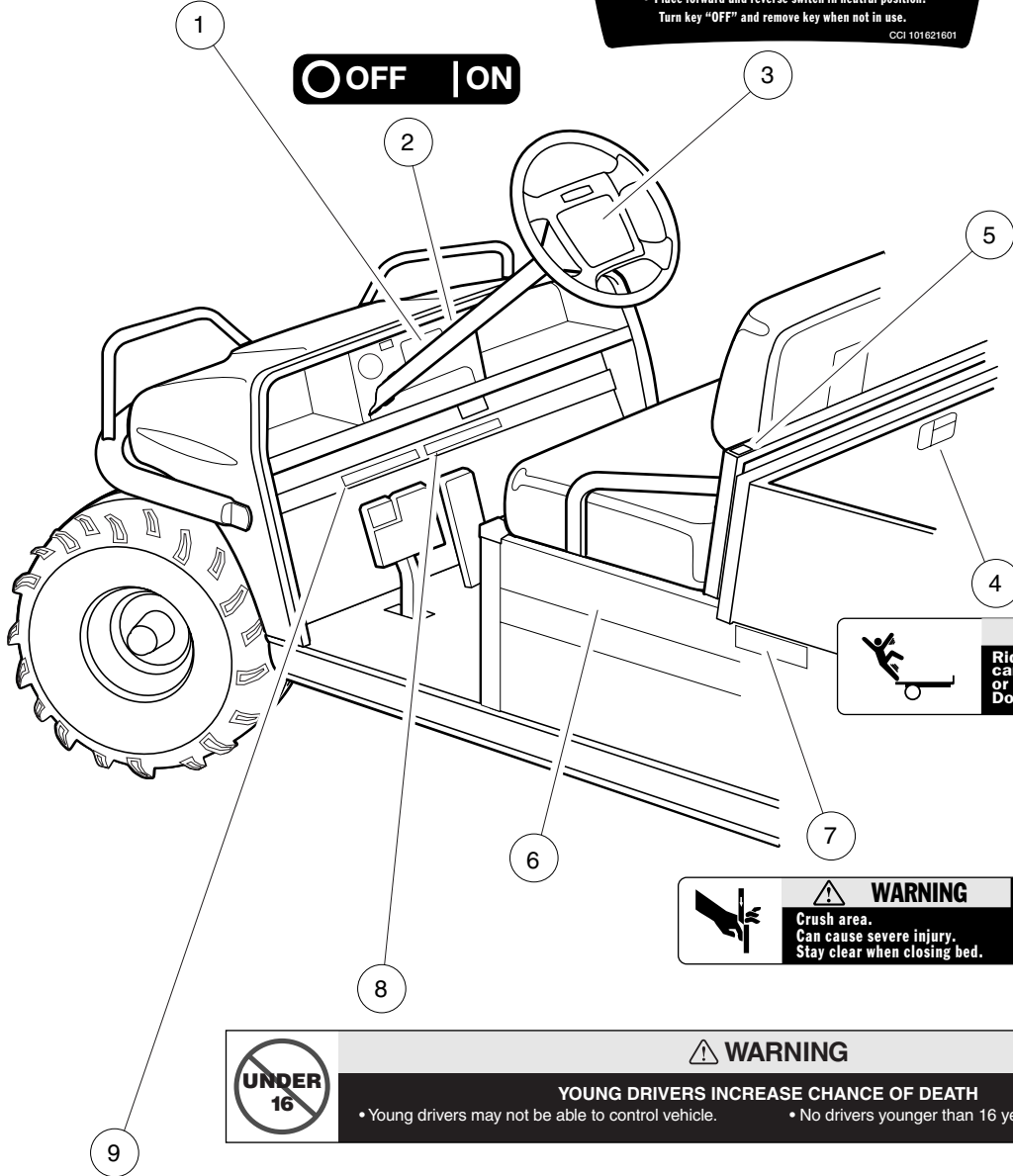
- Before using vehicle, read operating instructions.
- Remain seated and hold on to seat handle while moving.
- Do not start vehicle until all occupants are seated.
- Two (2) persons per seat maximum.
- Operate from driver side only and not on public roads.
- Keep entire body inside vehicle while moving.
- Drive slowly in turns and straight up and down slopes.
- Do not leave children unattended on vehicle.
- Never operate under the influence of alcohol or drugs.
- Use brakes to reduce speed when coasting downhill.
- Never stand in front of or behind vehicle.

CCI 1019606-01

**OPERATING INSTRUCTIONS**

- Read Owner's Manual and safety warnings located on dash panel prior to driving.
- Study and understand controls.
- Make sure wheels are turned in desired direction.
- Turn key to "ON" position and be sure nothing is in your path.
  - While vehicle is stopped, select direction by placing shift lever or switch in desired position:  
 F - Forward N - Neutral R - Reverse (Buzzer will sound)
- Vehicle will start moving when accelerator pedal is depressed.
- Slowly depress accelerator pedal to increase speed. Park brake will release when accelerator pedal is depressed.
- To stop, release accelerator pedal and depress brake pedal.
- After stopping, firmly depress park brake until it locks.
- Place forward and reverse switch in neutral position. Turn key "OFF" and remove key when not in use.

CCI 101621601



**OFF | ON**

**⚠ WARNING**  
**CRUSH AREA**

**STAY CLEAR**  
 CCI 101609401

**⚠ WARNING**  
 Riding in cargo bed can cause severe injury or death. Do not ride in cargo bed.  
 CCI 101653901

**⚠ WARNING**  
 Crush area. Can cause severe injury. Stay clear when closing bed.

**LATCH**  
**CLASP**  
 CCI 1015437-01

**⚠ WARNING**  
**UNDER 16**  
**YOUNG DRIVERS INCREASE CHANCE OF DEATH**

- Young drivers may not be able to control vehicle.
- No drivers younger than 16 years old.

CCI 102075801

**VEHICLE LOADING**  
 Read Owner's Manual and warnings on dash.

- Vehicle rated capacity - 900 lbs. on level surface only. Weight to include passengers, cargo bed load, and gross trailer weight. See Owner's Manual.
- Maximum cargo load - 500 lbs. Weight to include cargo bed load and gross trailer weight.
- Maximum trailer hitch tongue weight - 150 lbs.
- Cargo should be evenly spread over the floor of the cargo bed as far forward as possible and secured.
- For vehicle stability, when fully loaded, drive slowly and avoid stopping on or backing down steep hills.
- Avoid top heavy loads. See Owner's Manual.
- When driving on uneven terrain or down steep hills, reduce speed and load.

CCI 102006701

## DECALS – TURF/CARRYALL 2 XRT

| ITEM | PART NO.  | DESCRIPTION                                                    | QTY<br>GAS | QTY<br>ELEC |
|------|-----------|----------------------------------------------------------------|------------|-------------|
|      |           | 1 2 3 4                                                        |            |             |
| 1    | 101960601 | Decal, Driver/Passenger Warning .....                          | 1          |             |
| 2    | 101825101 | Decal, Key Switch .....                                        | 1          |             |
| 3    | 101621601 | Decal, Operating Instructions .....                            | 1          |             |
| 4    | 101553901 | Decal, Bed Load Warning .....                                  | 1          |             |
| 5    | 101609401 | Decal, Crush Area .....                                        | 2          |             |
| 6    | 102158501 | Decal, Turf 2 XRT (driver side) (includes item 7) .....        | 1          |             |
| 6    | 102157201 | Decal, Turf 2 XRT (passenger side) (includes item 7) .....     | 1          |             |
| 6    | 102184502 | Decal, Carryall 2 XRT (driver side) (includes item 7) .....    | 1          |             |
| 6    | 102184501 | Decal, Carryall 2 XRT (passenger side) (includes item 7) ..... | 1          |             |
| 7    | N/A       | Decal, Bed Latch Warning .....                                 | 1          |             |
| 8    | 102075801 | Decal, Young Driver Warning .....                              | 1          |             |
| 9    | 102006701 | Decal, Vehicle Loading .....                                   | 1          |             |

3  
G  
E

**⚠ WARNING**

**ROLLOVER OR FALLING OFF MAY CAUSE DEATH.**

- Before using vehicle, read operating instructions.
- Remain seated and hold on to seat handle while moving.
- Do not start vehicle until all occupants are seated.
- Two (2) persons per seat maximum.
- Operate from driver side only and not on public roads.
- Keep entire body inside vehicle while moving.
- Drive slowly in turns and straight up and down slopes.
- Do not leave children unattended on vehicle.
- Never operate under the influence of alcohol or drugs.
- Use brakes to reduce speed when coasting downhill.
- Never stand in front of or behind vehicle.

CCI 1019606-01

**OPERATING INSTRUCTIONS**

- Read Owner's Manual and safety warnings located on dash panel prior to driving.
- Study and understand controls.

**TO START ENGINE**

- Place shift lever in "N" - Neutral position.
- Depress brake pedal.
- Turn key switch to "START" position and release.

**TO OPERATE VEHICLE**

- Make sure wheels are turned in desired direction.
- Be sure nothing is in your path.
- While vehicle is stopped, and engine is at idle, select vehicle direction by placing shift lever or switch in desired position.

F - Forward N - Neutral R - Reverse (Buzzer will sound)

- Park brake will release when accelerator pedal is pushed.
- Slowly push accelerator pedal to increase speed.
- Engine must be at idle before moving shift lever.

**TO STOP VEHICLE**

- Release accelerator pedal and push brake pedal.
- After stopping, firmly push park brake until it locks.
- Turn key to "OFF" position, remove key and place shift lever in straight up neutral position when not in use.

CCI 101693201

**CARRYALL 6 GASOLINE**

**OPERATING INSTRUCTIONS**

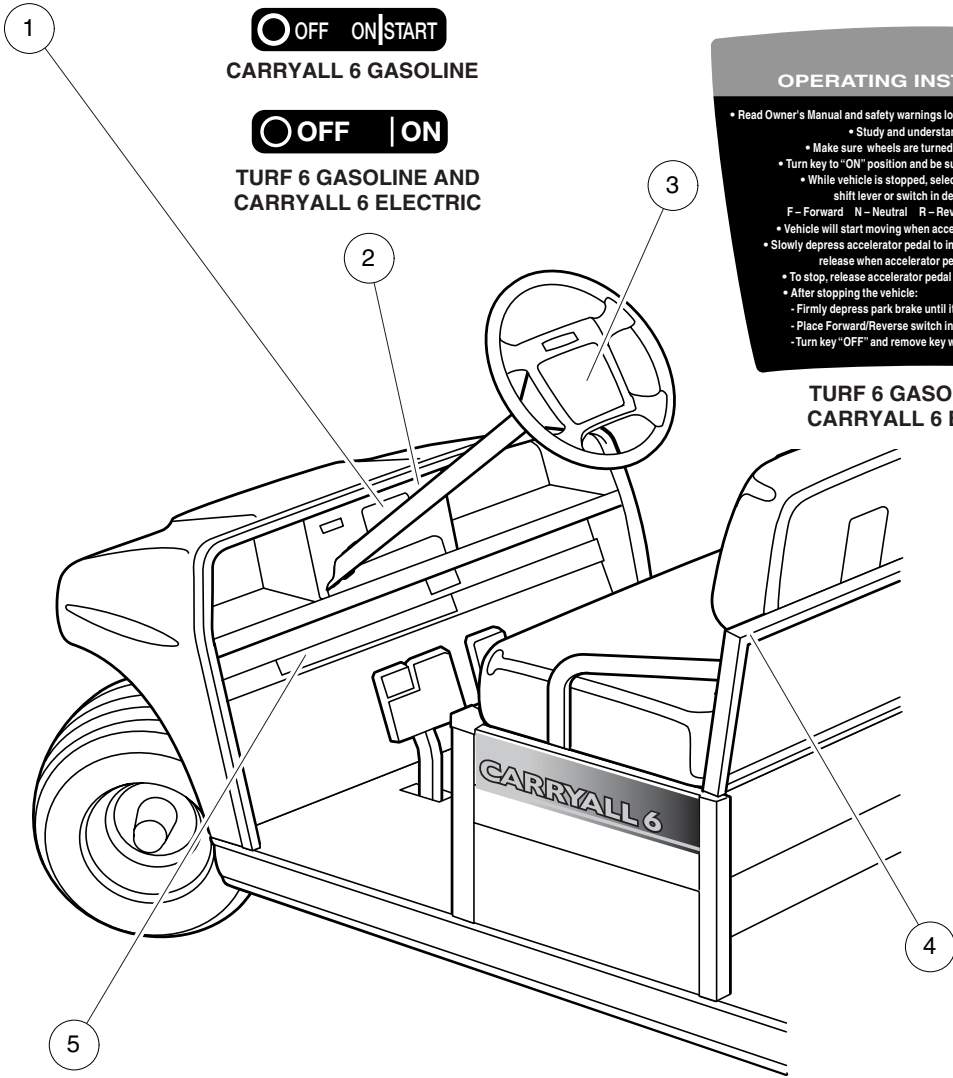
- Read Owner's Manual and safety warnings located on dash panel prior to driving.
- Study and understand controls.
- Make sure wheels are turned in desired direction.
- Turn key to "ON" position and be sure nothing is in your path.
- While vehicle is stopped, select direction by placing shift lever or switch in desired position:

F - Forward N - Neutral R - Reverse (Buzzer will sound)

- Vehicle will start moving when accelerator pedal is depressed.
- Slowly depress accelerator pedal to increase speed. Park brake will release when accelerator pedal is depressed.
- To stop, release accelerator pedal and depress brake pedal.
- After stopping the vehicle:
  - Firmly depress park brake until it locks.
  - Place Forward/Reverse switch in "NEUTRAL" position.
  - Turn key "OFF" and remove key when not in use.

CCI 101621001

**TURF 6 GASOLINE AND CARRYALL 6 ELECTRIC**



**○ OFF ON | START**  
CARRYALL 6 GASOLINE

**○ OFF | ON**  
TURF 6 GASOLINE AND CARRYALL 6 ELECTRIC

**⚠ WARNING**

**CRUSH AREA**

**STAY CLEAR**

CCI 1016094-01

**VEHICLE LOADING**

Read Owner's Manual and warnings on dash.

- Vehicle rated capacity - 1500 lbs. on level surface only. Weight to include passengers, cargo bed load, and gross trailer weight. See Owner's Manual.
- Maximum cargo load CARRYALL 6 or TURF 6 - 1000 lbs., TRANSPORTER - 300 lbs. Weight to include cargo bed load and gross trailer weight.
- Maximum trailer hitch tongue weight - 150 lbs.
- Cargo should be evenly spread over the floor of the cargo bed as far forward as possible and secured.
- For vehicle stability, when fully loaded, drive slowly and avoid stopping on or backing down steep hills.
- Avoid top heavy loads. See Owner's Manual.
- When driving on uneven terrain or down steep hills, reduce speed and load.

CCI 101960001



## DECALS – TURF/CARRYALL 6

| ITEM | PART NO.  | DESCRIPTION                                                                        | QTY<br>GAS | QTY<br>ELEC |
|------|-----------|------------------------------------------------------------------------------------|------------|-------------|
|      |           | 1 2 3 4                                                                            |            |             |
| 1    | 101960601 | Decal, Driver/Passenger Warning .....                                              | 1          | 1           |
| 2    | 101825102 | Decal, Key Switch (Carryall 6 gasoline vehicle) .....                              | 1          |             |
| 2    | 101825101 | Decal, Key Switch (Turf 6 gasoline, Carryall 6 electric vehicle) .....             | 1          | 1           |
| 3    | 101693201 | Decal, Operating Instructions (Carryall 6 gasoline vehicle) .....                  | 1          |             |
| 3    | 101621601 | Decal, Operating Instructions (Turf 6 gasoline, Carryall 6 electric vehicle) ..... | 1          | 1           |
| 4    | 101609401 | Decal, Crush Area .....                                                            | 2          | 2           |
| 5    | 101960001 | Decal, Vehicle Loading .....                                                       | 1          | 1           |

3  
G  
E

**NOTICE**  
Do not operate vehicle without this cover properly installed.  
Do not direct water stream in this area; will cause damage to components.  
See vehicle maintenance and service manual before servicing. CCI 101931501

(ON COVER)

**⚠ DANGER / POISON**

EXPLOSIVE GASES CAN CAUSE BLINDNESS OR DEATH  
SHIELD EYES  
NO SPARKS, FLAMES, SMOKING  
SULFURIC ACID CAN CAUSE BLINDNESS OR SEVERE BURNING  
FLUSH EYES IMMEDIATELY WITH WATER  
GET MEDICAL HELP FAST

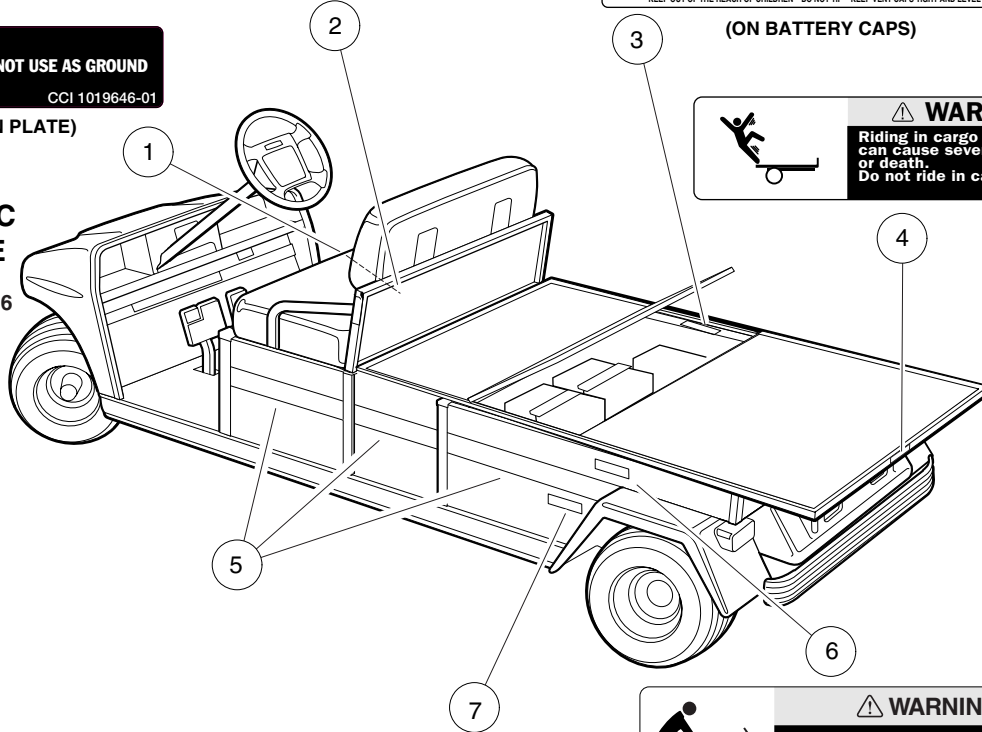
KEEP OUT OF THE REACH OF CHILDREN - DO NOT TIP - KEEP VENT CAPS TIGHT AND LEVEL

(ON BATTERY CAPS)

**NOTICE** DO NOT USE AS GROUND  
CCI 1019646-01  
(ON PLATE)

**⚠ WARNING**  
Riding in cargo bed can cause severe injury or death.  
Do not ride in cargo bed. CCI 1015539-01

**ELECTRIC VEHICLE**  
(CARRYALL 6 ONLY)



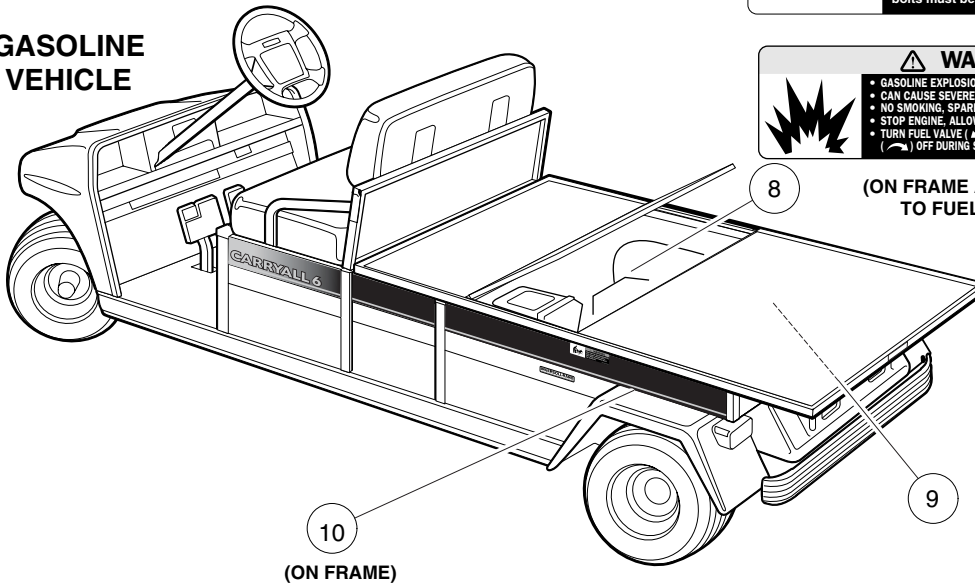
**⚠ WARNING**  
FAILURE TO FOLLOW THESE INSTRUCTIONS CAN CAUSE SEVERE INJURY OR DEATH.  
Bed can tip up unexpectedly. Bed hold down bolts must be fastened. CCI 10177801

**GASOLINE VEHICLE**

**⚠ WARNING**

- GASOLINE EXPLOSION / FIRE.
- CAN CAUSE SEVERE INJURY OR DEATH.
- NO SMOKING, SPARKS, OR OPEN FLAME.
- STOP ENGINE, ALLOW TO COOL BEFORE REFUELING.
- TURN FUEL VALVE ( ) ON DURING OPERATION.
- ( ) OFF DURING STORAGE OR TRANSPORT. CCI 1015476-01

(ON FRAME ADJACENT TO FUEL TANK)



**⚠ WARNING**  
CAN CAUSE SEVERE INJURY  
Rotating parts  
HOT manifold & muffler  
KEEP CLEAR CCI 1019605-01

(ON STARTER/GENERATOR AND ENGINE)

|  |                                                                                                                                                                         |  |                                                                                                                                      |
|--|-------------------------------------------------------------------------------------------------------------------------------------------------------------------------|--|--------------------------------------------------------------------------------------------------------------------------------------|
|  | <b>⚠ WARNING</b><br>Negative frame ground. Can cause severe injury. Do not contact positive (+) battery post or cable to frame. Disconnect negative battery lead first. |  | <b>⚠ WARNING</b><br>Excessive speed. Can cause severe injury or death. Do not tamper with engine governor adjustment. CCI 1019152-01 |
|--|-------------------------------------------------------------------------------------------------------------------------------------------------------------------------|--|--------------------------------------------------------------------------------------------------------------------------------------|

## DECALS – TURF/CARRYALL 6, CONTINUED

| ITEM | PART NO.  | DESCRIPTION                                                | QTY<br>GAS | QTY<br>ELEC |
|------|-----------|------------------------------------------------------------|------------|-------------|
|      |           | 1 2 3 4                                                    |            |             |
| 1    | 101964601 | Decal, No Ground (Carryall 6 only) .....                   |            | 1           |
| 2    | 101931501 | Decal, Component Cover (Carryall 6 only) .....             |            | 1           |
| 3    | 1013677   | Decal, Battery Danger (Carryall 6 only) .....              |            | 1           |
| 4    | 101553901 | Decal, Bed Load Warning .....                              | 1          | 1           |
| 5    | 102158601 | Decal, Turf 6 (driver side) (includes item 6) .....        | 1          |             |
| 5    | 102157301 | Decal, Turf 6 (passenger side) (includes item 6) .....     | 1          |             |
| 5    | 102157901 | Decal, Carryall 6 (driver side) (includes item 6) .....    | 1          | 1           |
| 5    | 102156601 | Decal, Carryall 6 (passenger side) (includes item 6) ..... | 1          | 1           |
| 6    | 101707801 | Decal, Bed Bolt .....                                      | 1          | 1           |
| 7    | 101921901 | Decal, Ingersoll-Rand .....                                | 2          | 2           |
| 8    | 101547601 | Decal, Gasoline Warning .....                              | 1          |             |
| 9    | 101960501 | Decal, Rotating Parts and Hot Manifold .....               | 2          |             |
| 10   | 101915201 | Decal, Frame Ground and Governor Warning .....             | 1          |             |

3  
G  
E

**3**

**G**

**E**

# **BRAKES, PEDAL, AND CABLE ASSEMBLIES**

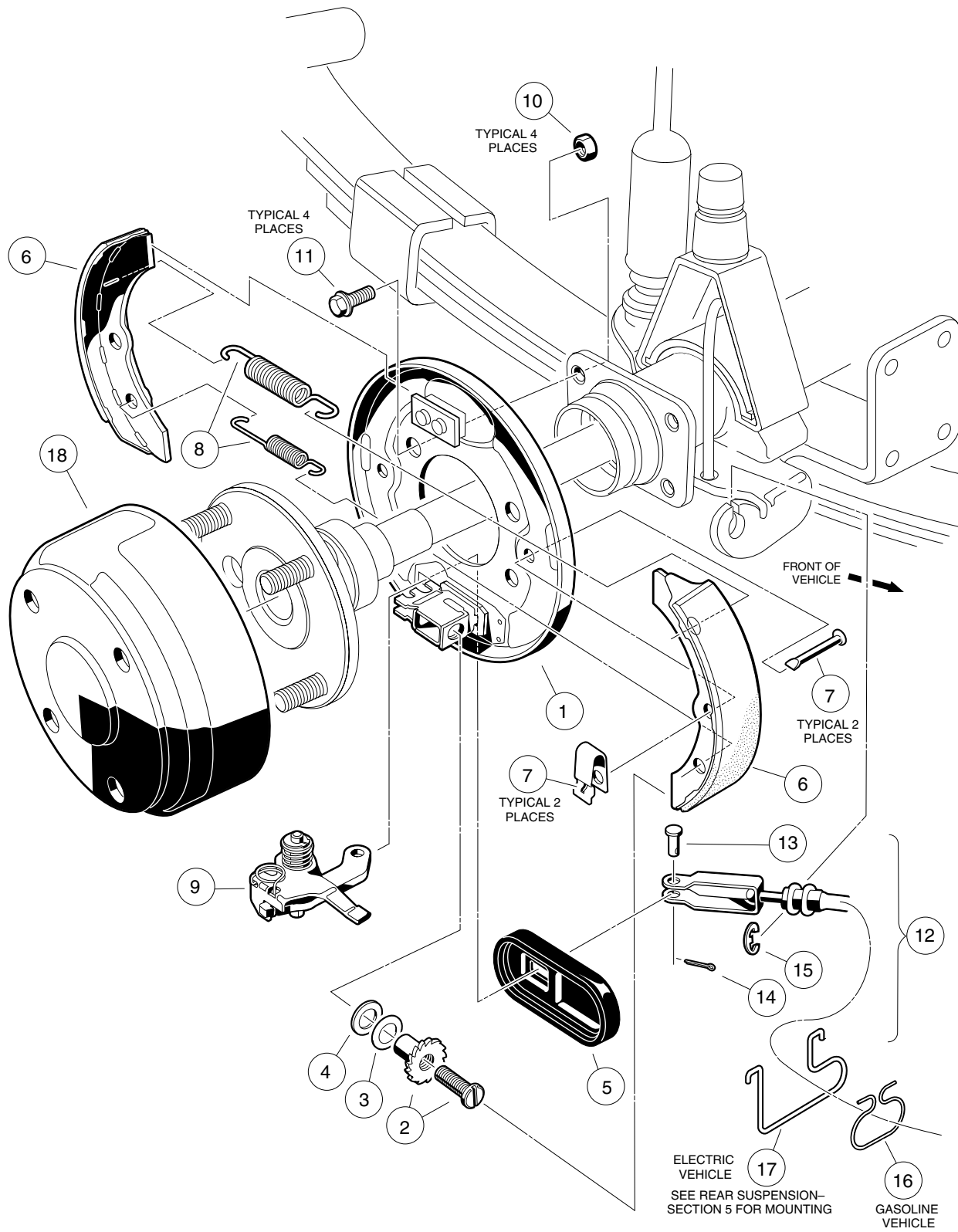
---

**4**

**G**

**E**

**4  
G  
E**

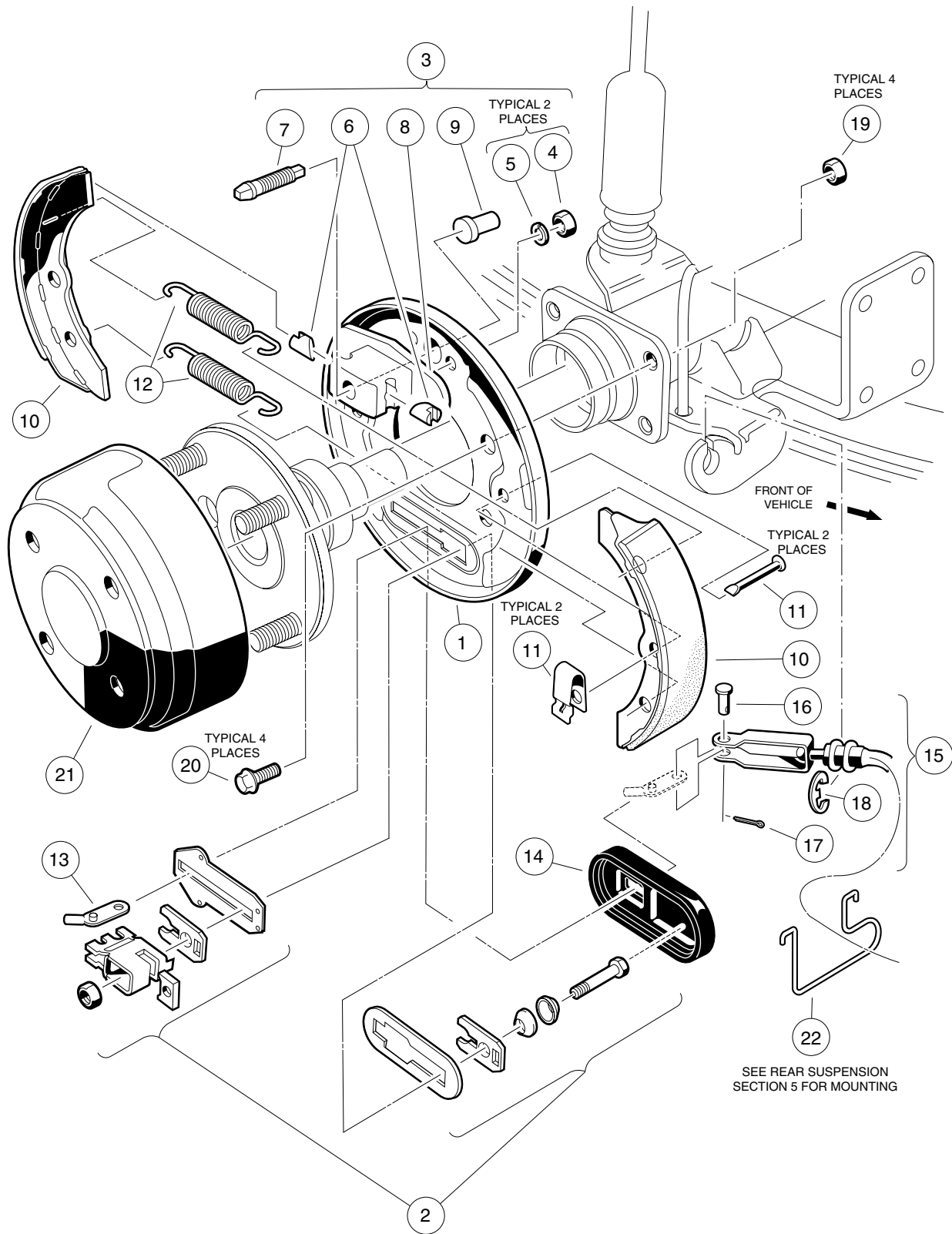


# REAR BRAKE ASSEMBLY, SELF-ADJUSTING – TURF/CARRYALL 1

| ITEM | PART NO.  | DESCRIPTION                                                          | QTY<br>GAS | QTY<br>ELEC |
|------|-----------|----------------------------------------------------------------------|------------|-------------|
|      |           | 1 2 3 4                                                              |            |             |
|      | 101823301 | Cluster, Brake, Passenger-Side (includes items 1 - 9) .....          | 1          | 1           |
|      | 101823302 | Cluster, Brake, Driver-Side (includes items 1 - 9) .....             | 1          | 1           |
| 1    | 101824001 | Assembly, Backing Plate, Passenger-Side (includes items 2 - 4) ..... | 1          | 1           |
| 1    | 101824002 | Assembly, Backing Plate, Driver-Side (includes items 2 - 4) .....    | 1          | 1           |
| 2    | 101816501 | Mechanism, Adjusting, Passenger-Side .....                           | 1          | 1           |
| 2    | 101816502 | Mechanism, Adjusting, Driver-Side .....                              | 1          | 1           |
| 3    | 101823901 | Washer .....                                                         | 1          | 1           |
| 4    | 101823801 | Washer, Plate .....                                                  | 1          | 1           |
| 5    | 1010850   | Cover, Dust .....                                                    | 1          | 1           |
| 6    | 101823201 | Package, Brake Shoe (four pieces) .....                              | 1          | 1           |
| 7    | 1011466   | Kit, Shoe Retainer (four pieces) .....                               | 1          | 1           |
| 8    | 101816301 | Package, Brake Spring (four pieces) .....                            | 1          | 1           |
| 9    | 101815501 | Assembly, Lever, Passenger-Side .....                                | 1          | 1           |
| 9    | 101815502 | Assembly, Lever, Driver-Side .....                                   | 1          | 1           |
| 10   | 1013924   | Nut, Hex-Head Lock, Grade 8, 5/16-24 .....                           | 8          | 8           |
| 11   | 1014153   | Bolt, Brake Cluster Mounting, Grade 8, 5/16-24 x 7/8 .....           | 8          | 8           |
| 12   | 102022101 | Kit, Brake Cable (includes items 13 -15) .....                       | 2          | 2           |
| 13   | 1010829   | Pin, Clevis, 5/16 .....                                              | 1          | 1           |
| 14   | 1035      | Pin, Cotter, 3/32 x 1 .....                                          | 1          | 1           |
| 15   | 1011779   | E-Clip, 1/2 .....                                                    | 2          | 2           |
| 16   | 101900801 | Hanger, Brake Cable (gasoline vehicle only) .....                    | 2          |             |
| 17   | 1013207   | Hanger, Brake Cable (electric vehicle only) .....                    |            | 2           |
| 18   | 101791101 | Drum, Brake .....                                                    | 2          | 2           |

**4**  
**G**  
**E**

**4**  
**G**  
**E**



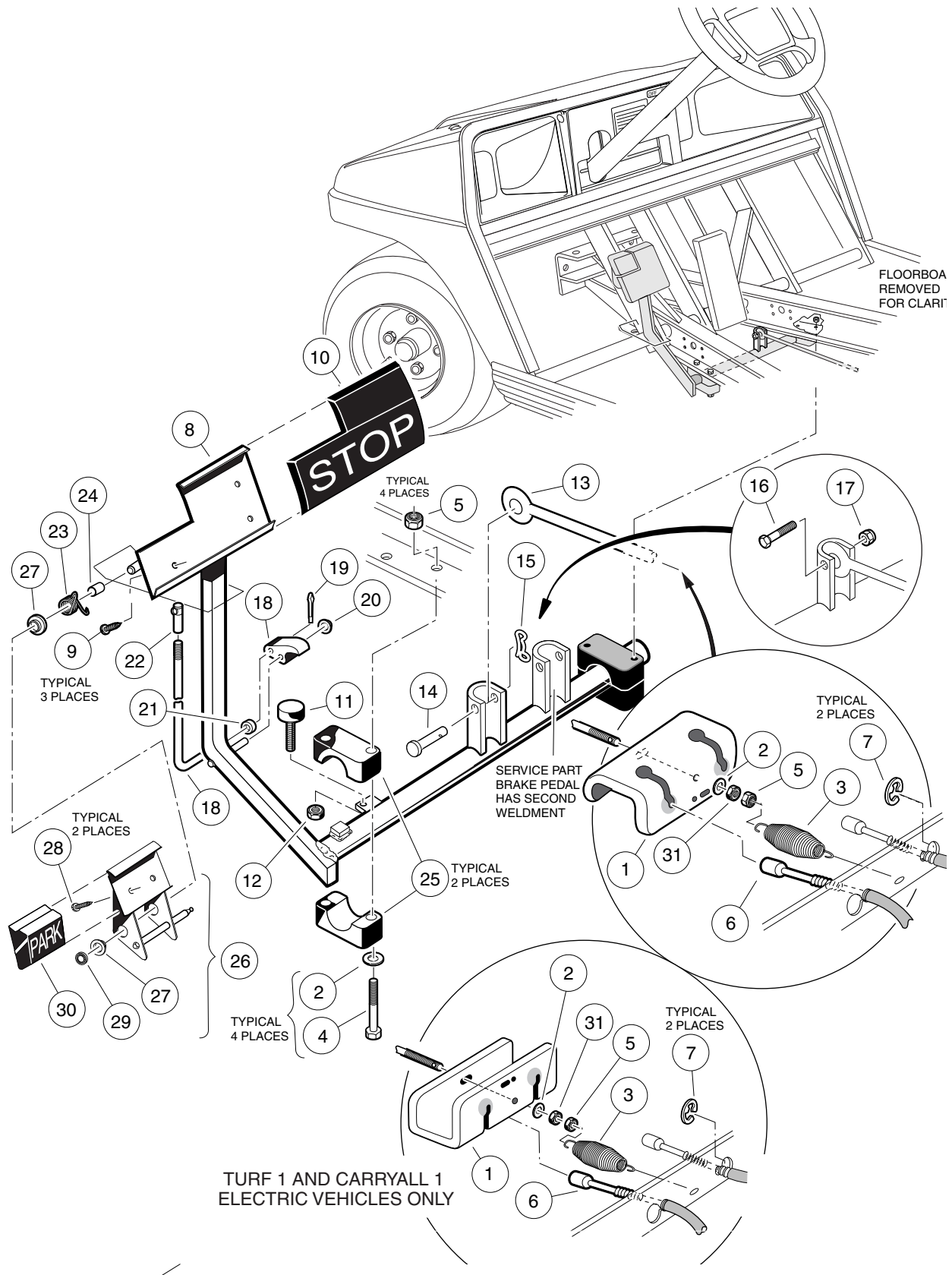


# REAR BRAKE ASSEMBLY, MANUALLY ADJUSTED – TURF/CARRYALL 2, XRT, 2 PLUS AND 6

| ITEM | PART NO.  | DESCRIPTION                                                                                                              | QTY<br>GAS | QTY<br>ELEC |
|------|-----------|--------------------------------------------------------------------------------------------------------------------------|------------|-------------|
|      |           | 1 2 3 4                                                                                                                  |            |             |
|      | 1016573   | Cluster, Brake, Passenger-Side, without Brake Drum<br>(includes items 1 - 14) .....                                      | 1          | 1           |
|      | 1016557   | Cluster, Brake, Driver-Side, without Brake Drum<br>(includes items 1 - 14) .....                                         | 1          | 1           |
| 1    | N/A       | Plate, Backing, Driver-Side .....                                                                                        | 1          | 1           |
| 1    | N/A       | Plate, Backing, Passenger-Side .....                                                                                     | 1          | 1           |
| 2    | 1011465   | Kit, Brake Actuator .....                                                                                                | 1          | 1           |
| 3    | 1011467   | Kit, Anchor Body (includes items 4 - 9) .....                                                                            | 1          | 1           |
| 4    | 1011114   | Nut, M6 x 1 .....                                                                                                        | 2          | 2           |
| 5    | 451       | Washer, Lock, 1/4 .....                                                                                                  | 2          | 2           |
| 6    | N/A       | Piston, Anchor .....                                                                                                     | 2          | 2           |
| 7    | N/A       | Bolt, Adjustment .....                                                                                                   | 1          | 1           |
| 8    | N/A       | Body, Anchor .....                                                                                                       | 1          | 1           |
| 9    | 1011303   | Cap, Adjustment Bolt .....                                                                                               | 1          | 1           |
| 10   | 101146302 | Package, Brake Shoe (four pieces) .....                                                                                  | 1          | 1           |
| 11   | 1011466   | Kit, Shoe Retainer (four pieces) .....                                                                                   | 1          | 1           |
| 12   | 1011464   | Package, Brake Spring (four pieces) .....                                                                                | 1          | 1           |
| 13   | N/A       | Arm, Brake Lever .....                                                                                                   | 1          | 1           |
| 14   | 1010850   | Cover, Dust .....                                                                                                        | 1          | 1           |
| 15   | 102022101 | Kit, Brake Cable (two-sheel brake vehicles only)<br>(includes one each of items 16 and 17 and two each of item 18) ..... | 2          | 2           |
| 15   | 102166901 | Kit, Brake Cable (four-wheel brake vehicles only)<br>(includes one each of item 16 - 18) .....                           | 2          | 2           |
| 16   | 1010829   | Pin, Clevis, 5/16 .....                                                                                                  | 2          | 2           |
| 17   | 1035      | Pin, Cotter, 3/32 x 1 .....                                                                                              | 2          | 2           |
| 18   | 1011779   | E-Clip, 1/2 .....                                                                                                        | 2          | 2           |
| 19   | 1013924   | Nut, Cone Lock, Grade 8, 5/16-24 .....                                                                                   | 8          | 8           |
| 20   | 1014153   | Bolt, Brake Cluster Mounting, Grade 8, 5/16-24 x 7/8 .....                                                               | 8          | 8           |
| 21   | 101791101 | Drum, Brake .....                                                                                                        | 2          | 2           |
| 22   | 1013207   | Hanger, Brake Cable .....                                                                                                | 2          | 2           |

**4**  
**G**  
**E**

**4**  
**G**  
**E**

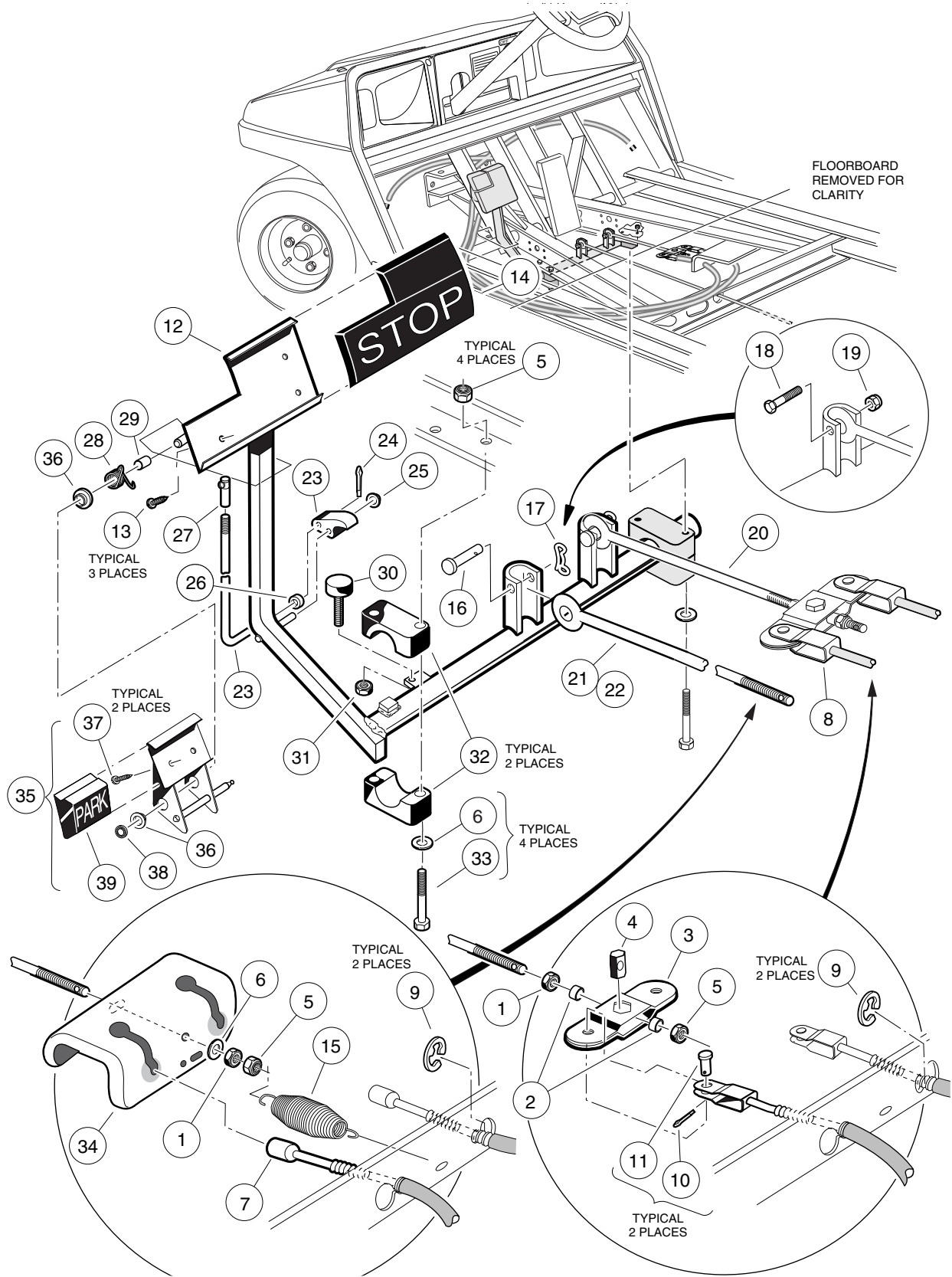


# BRAKE PEDAL AND CABLE ASSEMBLY – VEHICLE WITH TWO-WHEEL BRAKES

| ITEM | PART NO.  | DESCRIPTION                                                                                   | QTY<br>GAS | QTY<br>ELEC |
|------|-----------|-----------------------------------------------------------------------------------------------|------------|-------------|
|      |           | 1 2 3 4                                                                                       |            |             |
| 1    | 101990801 | Equalizer .....                                                                               | 1          | 1           |
| 2    | 1241      | Washer, Flat, 5/16 .....                                                                      | 5          | 5           |
| 3    | 1013531   | Spring, Brake Return .....                                                                    | 1          | 1           |
| 4    | 1010921   | Screw, Hex-Head Cap, 5/16-18 x 2-1/2 .....                                                    | 4          | 4           |
| 5    | 7473      | Nut, Nylon Lock, 5/16-18 .....                                                                | 5          | 5           |
| 6    | 102022101 | Kit, Brake Cable (includes item 7, and items 13 and 14 on page 4-3) .....                     | 2          | 2           |
| 7    | 1011779   | E-Clip, 1/2 .....                                                                             | 2          | 2           |
| 8    | 101878201 | Kit, Brake Pedal (includes items 9 and 10) .....                                              | 1          | 1           |
| 9    | 7716      | Screw, Slotted Hex Washer-Head, #10-16 x 1/2 .....                                            | 3          | 3           |
| 10   | 1013869   | Pad, Brake Pedal .....                                                                        | 1          | 1           |
| 11   | 1010878   | Bumper, Rubber .....                                                                          | 1          | 1           |
| 12   | 1028      | Nut, Hex, 1/4-20 .....                                                                        | 1          | 1           |
| 13   | 101953101 | Rod, Equalizer (Turf/Carryall 1 only) .....                                                   | 1          | 1           |
| 13   | 101953102 | Rod, Equalizer (Turf/Carryall 2 only) .....                                                   | 1          | 1           |
| 14   | 102323201 | Pin, Clevis, 5/16 (later style hardware used with item 15) .....                              | 1          | 1           |
| 15   | 102323101 | Pin, Bow Tie Locking .....                                                                    | 1          | 1           |
| 16   | 101953001 | Bolt, Hex-Head Shoulder, 3/8 x 1 (earlier style hardware used with item 17) .....             | 1          | 1           |
| 17   | 7473      | Nut, Nylon Lock, 5/16-18 .....                                                                | 1          | 1           |
|      | 101187702 | Kit, Park Brake Latch (includes items 18 - 22 and item 26 on page 4-13) .                     | 1          | 1           |
| 18   | N/A       | Rod and Pawl .....                                                                            | 1          | 1           |
| 19   | 1017029   | Pin, Cotter, 7/64 x 1/2 .....                                                                 | 1          | 1           |
| 20   | 1010877   | Nut, Push, 5/16 .....                                                                         | 1          | 1           |
| 21   | 1010805   | Sleeve, Park Brake Rod .....                                                                  | 1          | 1           |
| 22   | 1010932   | Joint, Ball, 1/4-28 .....                                                                     | 1          | 1           |
| 23   | 1010933   | Spring, Park Brake Torsion .....                                                              | 1          | 1           |
| 24   | 1010927   | Spacer, Park Brake .....                                                                      | 1          | 1           |
| 25   | 1011402   | Package, Brake Mounting Block (contains upper and lower for driver and passenger sides) ..... | 1          | 1           |
| 26   | 1011418   | Kit, Park Brake Pedal (includes items 27 - 30) .....                                          | 1          | 1           |
| 27   | 1032      | Bushing, Nylon .....                                                                          | 2          | 2           |
| 28   | 8626      | Screw, Slotted Hex Washer-Head, #10-16 x 5/8 .....                                            | 2          | 2           |
| 29   | 1013876   | Nut, Push, 3/8 .....                                                                          | 1          | 1           |
| 30   | 1013870   | Pad, Park Brake .....                                                                         | 1          | 1           |
| 31   | 1242      | Nut, Hex, 5/16-18 .....                                                                       | 1          | 1           |

**4**  
**G**  
**E**

**4  
G  
E**

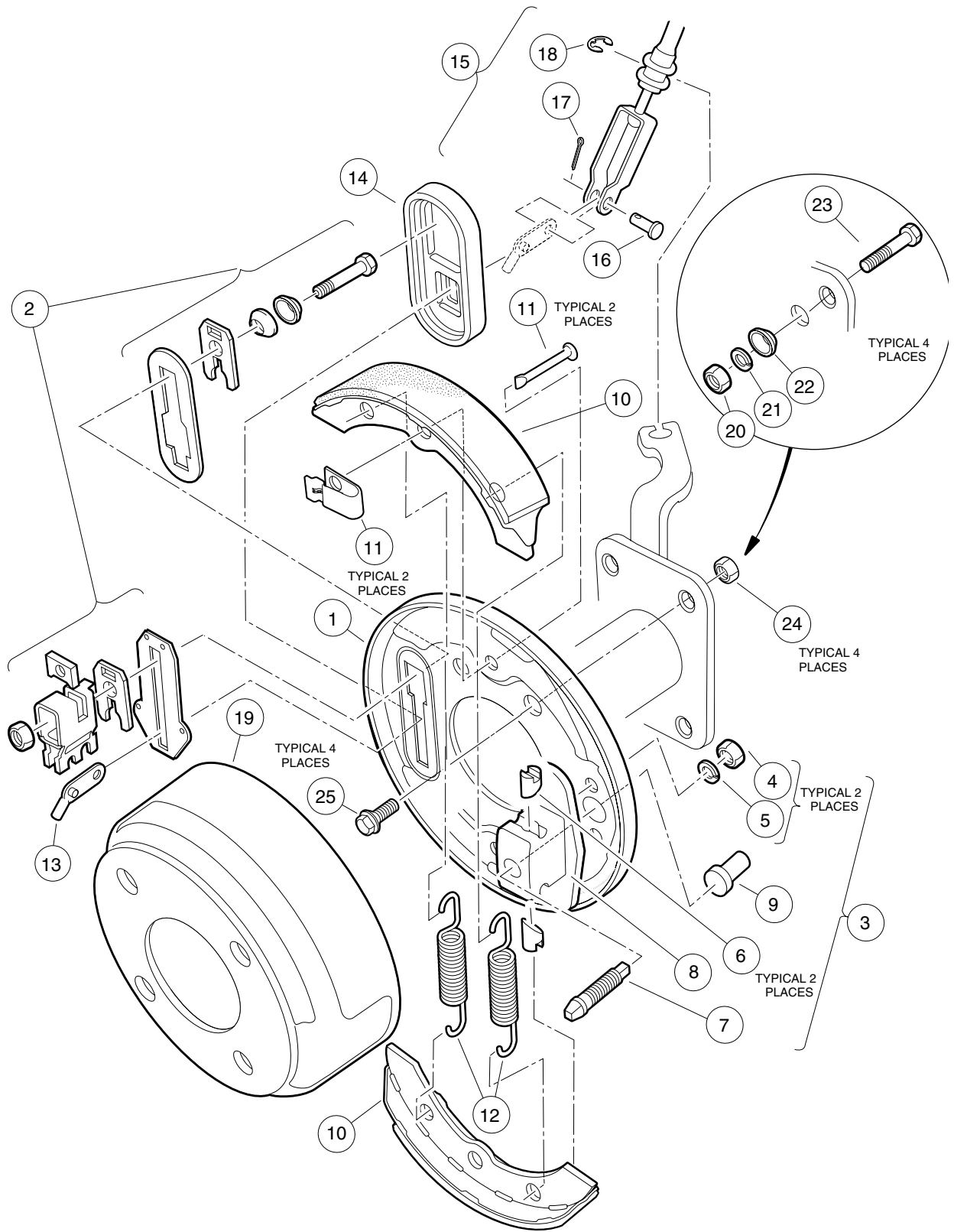


# BRAKE PEDAL AND CABLE ASSEMBLY – VEHICLE WITH FOUR-WHEEL BRAKES

| ITEM | PART NO.  | DESCRIPTION                                                                                              | QTY<br>GAS | QTY<br>ELEC |
|------|-----------|----------------------------------------------------------------------------------------------------------|------------|-------------|
|      |           | 1 2 3 4                                                                                                  |            |             |
| 1    | 1242      | Nut, Hex, 5/16-18 .....                                                                                  | 2          | 2           |
| 2    | 101865301 | Spacer, Equalizer .....                                                                                  | 2          | 2           |
| 3    | 1017211   | Kit, Equalizer And Pivot Limiter (includes item 4) .....                                                 | 1          | 1           |
| 4    | N/A       | Pin, Equalizer Pivot .....                                                                               | 1          | 1           |
| 5    | 7473      | Nut, Nylon Lock, 5/16-18 .....                                                                           | 5          | 5           |
| 6    | 1241      | Washer, Flat, 5/16 .....                                                                                 | 5          | 5           |
| 7    | 102166901 | Kit, Brake Cable, Rear<br>(includes four each of item 9 and two each of items 10 and 11) .....           | 1          | 1           |
| 8    | 101874601 | Kit, Brake Cable, Front (includes items 9 - 11) .....                                                    | 1          | 1           |
| 9    | 1011779   | E-Clip, 1/2 .....                                                                                        | 4          | 4           |
| 10   | 1035      | Pin, Cotter, 3/32 x 1 .....                                                                              | 4          | 4           |
| 11   | 1010829   | Pin, Clevis, 5/16 .....                                                                                  | 4          | 4           |
| 12   | 101878201 | Kit, Brake Pedal (includes items 13 and 14) .....                                                        | 1          | 1           |
| 13   | 7716      | Screw, Slotted Hex Washer-Head, #10-16 x 1/2 .....                                                       | 3          | 3           |
| 14   | 1013869   | Pad, Brake Pedal .....                                                                                   | 1          | 1           |
| 15   | 1013531   | Spring, Brake Return .....                                                                               | 1          | 1           |
| 16   | 102323201 | Pin, Clevis, 5/16 (newer style hardware used with item 17) .....                                         | 2          | 2           |
| 17   | 102323101 | Pin, Bow Tie Locking .....                                                                               | 2          | 2           |
| 18   | 101953001 | Bolt, Hex-Head Shoulder, 3/8 x 1 (older style hardware used<br>with item 19).....                        | 2          | 2           |
| 19   | 7473      | Nut, Nylon Lock, 5/16-18 .....                                                                           | 2          | 2           |
| 20   | 101953106 | Rod, Equalizer, Front .....                                                                              | 1          | 1           |
| 21   | 101953102 | Rod, Equalizer, Rear (Turf/Carryall 2 and 2 Plus) .....                                                  | 1          | 1           |
| 22   | 101953103 | Rod, Equalizer, Rear (Turf/Carryall 6) .....                                                             | 1          | 1           |
|      | 101187702 | Kit, Park Brake Latch (includes items 23 - 27 and<br>item 26 on page 4-13 or item 25 on page 4-15) ..... | 1          | 1           |
| 23   | N/A       | Rod and Pawl .....                                                                                       | 1          | 1           |
| 24   | 1017029   | Pin, Cotter, 7/64 x 1/2 .....                                                                            | 1          | 1           |
| 25   | 1010877   | Nut, Push, 5/16 .....                                                                                    | 1          | 1           |
| 26   | 1010805   | Sleeve, Park Brake Rod .....                                                                             | 1          | 1           |
| 27   | 1010932   | Joint, Ball, 1/4-28 .....                                                                                | 1          | 1           |
| 28   | 1010933   | Spring, Park Brake Torsion .....                                                                         | 1          | 1           |
| 29   | 1010927   | Spacer, Park Brake .....                                                                                 | 1          | 1           |
| 30   | 1010878   | Bumper, Rubber .....                                                                                     | 1          | 1           |
| 31   | 1028      | Nut, Hex, 1/4-20 .....                                                                                   | 1          | 1           |
| 32   | 1011402   | Package, Brake Mounting Block (contains upper and lower<br>for left and right sides).....                | 1          | 1           |
| 33   | 1010921   | Screw, Hex-Head Cap, 5/16-18 x 2-1/2 .....                                                               | 4          | 4           |
| 34   | 101990801 | Equalizer .....                                                                                          | 1          | 1           |
| 35   | 1011418   | Kit, Park Brake Pedal (includes items 36 - 39) .....                                                     | 1          | 1           |
| 36   | 1032      | Bushing, Nylon .....                                                                                     | 2          | 2           |
| 37   | 8626      | Screw, Slotted Hex Washer-Head, #10-16 x 5/8 .....                                                       | 2          | 2           |
| 38   | 1013876   | Nut, Push, 3/8 .....                                                                                     | 1          | 1           |
| 39   | 1013870   | Pad, Park Brake .....                                                                                    | 1          | 1           |

**4**  
**G**  
**E**

**4**  
**G**  
**E**

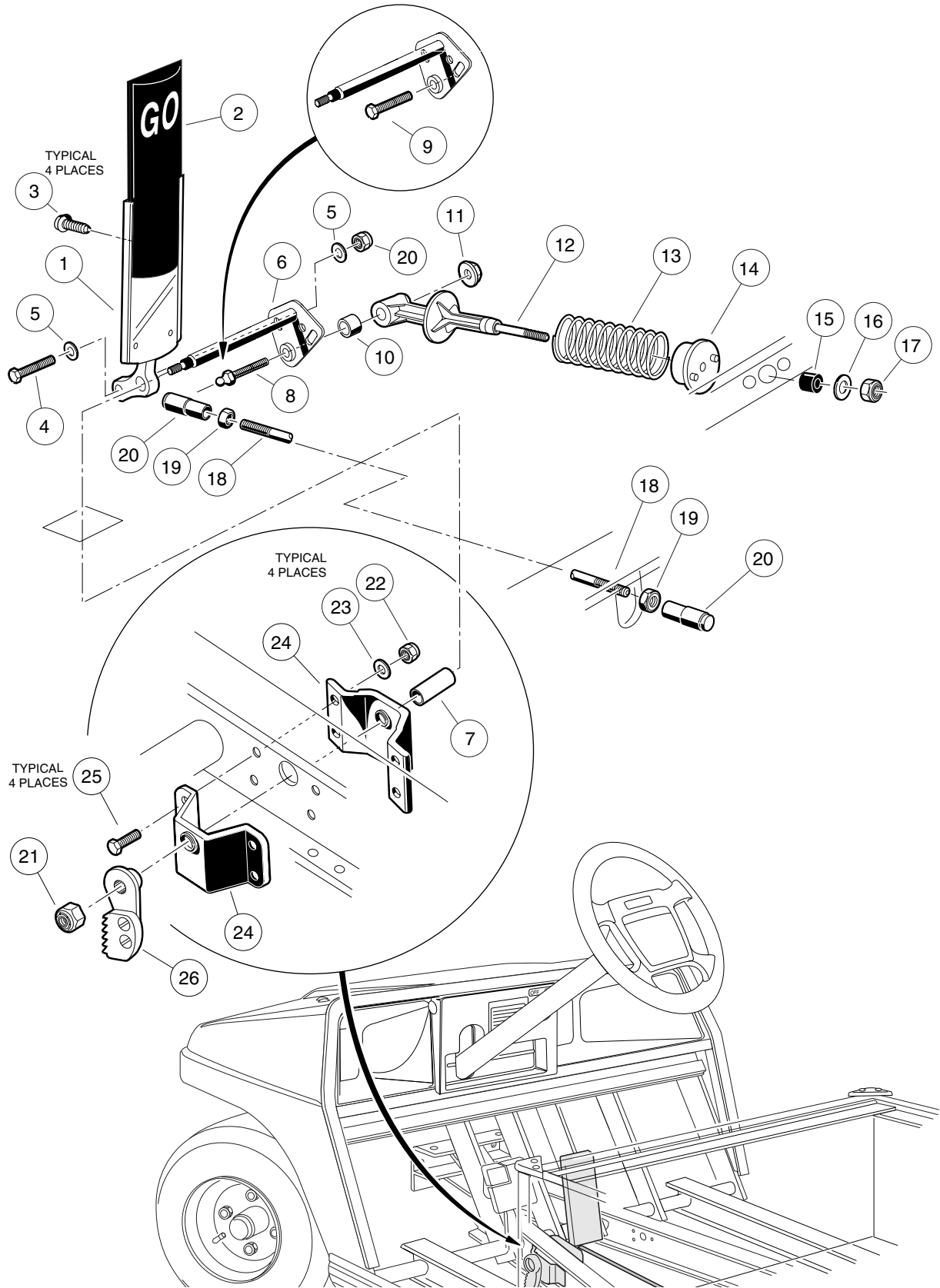


# FRONT BRAKE ASSEMBLY – VEHICLE WITH FOUR-WHEEL BRAKES

| ITEM | PART NO.  | DESCRIPTION                                                                         | QTY<br>GAS | QTY<br>ELEC |
|------|-----------|-------------------------------------------------------------------------------------|------------|-------------|
|      |           | 1 2 3 4                                                                             |            |             |
|      | 1016573   | Cluster, Brake, Passenger-Side, without Brake Drum<br>(includes items 1 - 14) ..... | 1          | 1           |
|      | 1016557   | Cluster, Brake, Driver-Side, without Brake Drum<br>(includes items 1 - 14) .....    | 1          | 1           |
| 1    | N/A       | Plate, Backing, Passenger-Side .....                                                | 1          | 1           |
| 1    | N/A       | Plate, Backing, Driver-Side .....                                                   | 1          | 1           |
| 2    | 1011465   | Kit, Brake Actuator .....                                                           | 1          | 1           |
| 3    | 1011467   | Kit, Anchor Body (includes items 4 - 9) .....                                       | 1          | 1           |
| 4    | 1011114   | Nut, M6 x 1 .....                                                                   | 2          | 2           |
| 5    | 451       | Washer, Lock, 1/4 .....                                                             | 2          | 2           |
| 6    | N/A       | Piston, Anchor .....                                                                | 2          | 2           |
| 7    | N/A       | Bolt, Adjustment .....                                                              | 1          | 1           |
| 8    | N/A       | Body, Anchor .....                                                                  | 1          | 1           |
| 9    | 1011303   | Cap, Adjustment Bolt .....                                                          | 1          | 1           |
| 10   | 101146302 | Package, Brake Shoe (four pieces) .....                                             | 1          | 1           |
| 11   | 1011466   | Kit, Shoe Retainer (four pieces) .....                                              | 1          | 1           |
| 12   | 1011464   | Package, Brake Spring (four pieces) .....                                           | 1          | 1           |
| 13   | N/A       | Arm, Brake Lever .....                                                              | 1          | 1           |
| 14   | 1010850   | Cover, Dust .....                                                                   | 1          | 1           |
| 15   | 101874601 | Kit, Brake Cable, Front (includes items 16, 17 and 18) .....                        | 1          | 1           |
| 16   | 1010829   | Pin, Clevis, 5/16 .....                                                             | 4          | 4           |
| 17   | 1035      | Pin, Cotter, 3/32 x 1 .....                                                         | 4          | 4           |
| 18   | 1011779   | E-Clip, 1/2 .....                                                                   | 4          | 4           |
| 19   | 1011137   | Drum, Brake .....                                                                   | 2          | 2           |
|      |           | Items 20 - 23 are for 2001, 2002, and early 2003 vehicles:                          |            |             |
| 20   | 101872701 | Nut, Hex, 5/16-24 .....                                                             | 8          | 8           |
| 21   | 7174      | Washer, Lock, 5/16 .....                                                            | 8          | 8           |
| 22   | 101869001 | Washer, Cone, 5/16 .....                                                            | 8          | 8           |
| 23   | 1017232   | Screw, Hex-Head Cap, 5/16-24 x 1 .....                                              | 8          | 8           |
|      |           | Items 24 and 25 are for later 2003 vehicles:                                        |            |             |
| 24   | 1013924   | Nut, Cone Lock, Grade 8, 5/16-24 .....                                              | 8          | 8           |
| 25   | 1014153   | Bolt, Brake Cluster Mounting, Grade 8, 5/16-24 x 7/8 .....                          | 8          | 8           |
|      |           | Note: See page 5-11 for front brake cable clamp and bracket.                        |            |             |

**4**  
**G**  
**E**

**4**  
**G**  
**E**



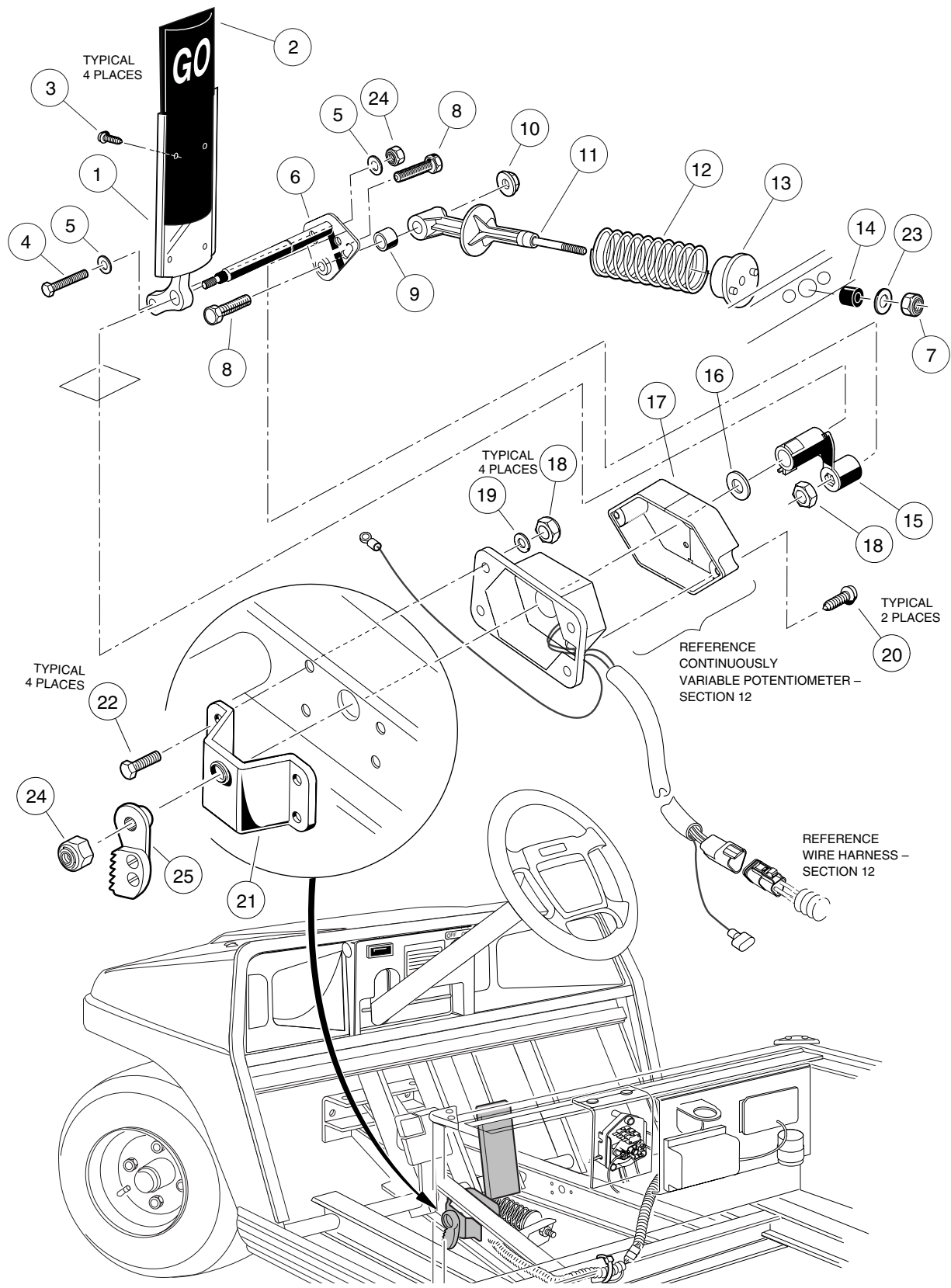


# ACCELERATOR PEDAL ASSEMBLY – ELECTRIC TURF/ CA 1, ELECTRIC MCOR, AND GASOLINE VEHICLES

| ITEM | PART NO.  | DESCRIPTION                                                                                                                                                                                                  | QTY<br>GAS | QTY<br>ELEC |
|------|-----------|--------------------------------------------------------------------------------------------------------------------------------------------------------------------------------------------------------------|------------|-------------|
|      |           | <b>1 2 3 4</b><br>For all Turf 1 and Carryall 1 electric vehicles, Turf 2, Carryall 2,<br>and Carryall 6 electric vehicles with MCOR (serial numbers<br>0112-001470 and greater), and all gasoline vehicles. |            |             |
| 1    | 1017696   | Sub-Assembly, Accelerator Pedal (includes items 2 and 3) .....                                                                                                                                               | 1          | 1           |
| 2    | 1013871   | Pad, Accelerator Pedal .....                                                                                                                                                                                 | 1          | 1           |
| 3    | 7716      | Screw, Slotted Hex Washer-Head, #10-16 x 1/2 .....                                                                                                                                                           | 4          | 4           |
| 4    | 1624      | Screw, Hex Cap, 3/8-16 x 1-1/2 .....                                                                                                                                                                         | 1          | 1           |
| 5    | 334       | Washer, Flat, 3/8 .....                                                                                                                                                                                      | 2          | 2           |
| 6    | 102026001 | Kit, Accelerator Pivot Rod (includes item 7) .....                                                                                                                                                           | 1          | 1           |
| 7    | 1011700   | Spacer .....                                                                                                                                                                                                 | 1          | 1           |
| 8    | 101818801 | Stud, Ball (for all vehicles except those equipped with MCOR) .....                                                                                                                                          | 1          | 1           |
| 9    | 101862001 | Screw, Hex-Head Cap, 1/4-20 x 1-3/8 (MCOR vehicles) .....                                                                                                                                                    |            | 1           |
| 10   | 1017424   | Bearing, Pivot Support .....                                                                                                                                                                                 | 1          | 1           |
| 11   | 101966901 | Nut, Flange, 1/4-28 .....                                                                                                                                                                                    | 1          | 1           |
| 12   | 101817401 | Retainer, Spring .....                                                                                                                                                                                       | 1          | 1           |
| 13   | 101796201 | Spring, Return .....                                                                                                                                                                                         | 1          | 1           |
| 14   | 1017378   | Cup, Spring .....                                                                                                                                                                                            | 1          | 1           |
| 15   | 1017380   | Bumper, Return Spring .....                                                                                                                                                                                  | 1          | 1           |
| 16   | 1241      | Washer, Flat, 5/16 .....                                                                                                                                                                                     | 1          | 1           |
| 17   | 7473      | Nut, Nylon Lock, 5/16-18 .....                                                                                                                                                                               | 1          | 1           |
| 18   | 101871901 | Assembly, Accelerator Rod (electric Turf 1 and Carryall 1 with serial<br>numbers lower than 0112-001470) (includes items 19 and 20) .....                                                                    |            | 1           |
| 18   | 101912401 | Assembly, Accelerator Rod (gasoline Turf 1 and Carryall 1)<br>(includes items 19 and 20) .....                                                                                                               | 1          |             |
| 18   | 101822001 | Assembly, Accelerator Rod (gasoline Turf 2, Carryall 2, XRT,<br>and Carryall 2 Plus) (includes items 19 and 20) .....                                                                                        | 1          |             |
| 18   | 101674702 | Assembly, Accelerator Rod (gasoline Turf 6 and Carryall 6)<br>(includes items 19 and 20) .....                                                                                                               | 1          |             |
| 19   | 1011084   | Nut, UNF Hex Jam, 1/4-28 .....                                                                                                                                                                               | 2          | 2           |
| 20   | 1011734   | Joint, Spring-Loaded Ball .....                                                                                                                                                                              | 2          | 2           |
| 21   | 8754      | Nut, Nylon Lock, 3/8-16 .....                                                                                                                                                                                | 2          | 2           |
| 22   | 8233      | Nut, Nylon Lock, 1/4-20 .....                                                                                                                                                                                | 4          | 4           |
| 23   | 1014007   | Washer, Flat, Type B, 1/4 .....                                                                                                                                                                              | 4          | 4           |
| 24   | 1011694   | Support, Accelerator Pivot Rod .....                                                                                                                                                                         | 2          | 2           |
| 25   | 101861901 | Screw, Hex Cap, 1/4-20 x 1-1/8 .....                                                                                                                                                                         | 4          | 4           |
|      | 101187702 | Kit, Park Brake Latch (includes item 26, and items 18 - 22 on page 4-7) ..                                                                                                                                   | 1          | 1           |
| 26   | N/A       | Ratchet, Park Brake .....                                                                                                                                                                                    | 1          | 1           |

**4**  
**G**  
**E**

**4**  
**G**  
**E**



# ACCELERATOR PEDAL ASSEMBLY – VEHICLES WITH CONTINUOUSLY VARIABLE POTENTIOMETER

| ITEM | PART NO.  | DESCRIPTION                                                                                                            | QTY<br>GAS | QTY<br>ELEC |
|------|-----------|------------------------------------------------------------------------------------------------------------------------|------------|-------------|
|      |           | <b>1 2 3 4</b><br>For electric Turf 2, Carryall 2, and Carryall 6 vehicles with serial numbers lower than 0112-001470. |            |             |
| 1    | 1017696   | Sub-Assembly, Accelerator Pedal (includes items 2 and 3) .....                                                         |            | 1           |
| 2    | 1013871   | Pad, Accelerator Pedal .....                                                                                           |            | 1           |
| 3    | 7716      | Screw, Slotted Hex Washer-Head, #10-16 x 1/2 .....                                                                     |            | 4           |
| 4    | 1624      | Screw, Hex Cap, 3/8-16 x 1-1/2 .....                                                                                   |            | 1           |
| 5    | 334       | Washer, Flat, 3/8 .....                                                                                                |            | 2           |
| 6    | 102026001 | Kit, Accelerator Pivot Rod .....                                                                                       |            | 1           |
| 7    | 7473      | Nut, Nylon Lock, 5/16-18 .....                                                                                         |            | 1           |
| 8    | 101862001 | Screw, Hex-Head Cap, 1/4-20 x 1-3/8 .....                                                                              |            | 2           |
| 9    | 1017424   | Bearing, Pivot Support .....                                                                                           |            | 1           |
| 10   | 1015661   | Nut, Flange Lock, 1/4-20 .....                                                                                         |            | 1           |
| 11   | 101817401 | Retainer, Spring .....                                                                                                 |            | 1           |
| 12   | 101796201 | Spring, Return .....                                                                                                   |            | 1           |
| 13   | 1017378   | Cup, Spring .....                                                                                                      |            | 1           |
| 14   | 1017380   | Bumper, Return Spring .....                                                                                            |            | 1           |
| 15   | 1017400   | Lever, Actuator .....                                                                                                  |            | 1           |
| 16   | 101804201 | Washer, Plastic, 1/2 .....                                                                                             |            | 1           |
| 17   | 1017743   | Cover, Accelerator .....                                                                                               |            | 1           |
| 18   | 8233      | Nut, Nylon Lock, 1/4-20 .....                                                                                          |            | 5           |
| 19   | 1014007   | Washer, Flat, Type B, 1/4 .....                                                                                        |            | 4           |
| 20   | 101804301 | Screw, Hi-Lo Hex-Head, #8-18 x 1/2 .....                                                                               |            | 2           |
| 21   | 1011694   | Support, Accelerator Pivot Rod .....                                                                                   |            | 1           |
| 22   | 101861901 | Screw, Hex Cap, 1/4-20 x 1-1/8 .....                                                                                   |            | 4           |
| 23   | 1241      | Washer, Flat, 5/16 .....                                                                                               |            | 1           |
| 24   | 8754      | Nut, Nylon Lock, 3/8 X 16 .....                                                                                        |            | 2           |
|      | 101187702 | Kit, Park Brake Latch (includes item 25 and items 18 - 22 on page 4-7 or items 23 - 27 on page 4-9) .....              |            | 1           |
| 25   | N/A       | Ratchet, Park Brake .....                                                                                              |            | 1           |

4  
G  
E

**4**

**G**

**E**

# STEERING, FRONT AND REAR SUSPENSION

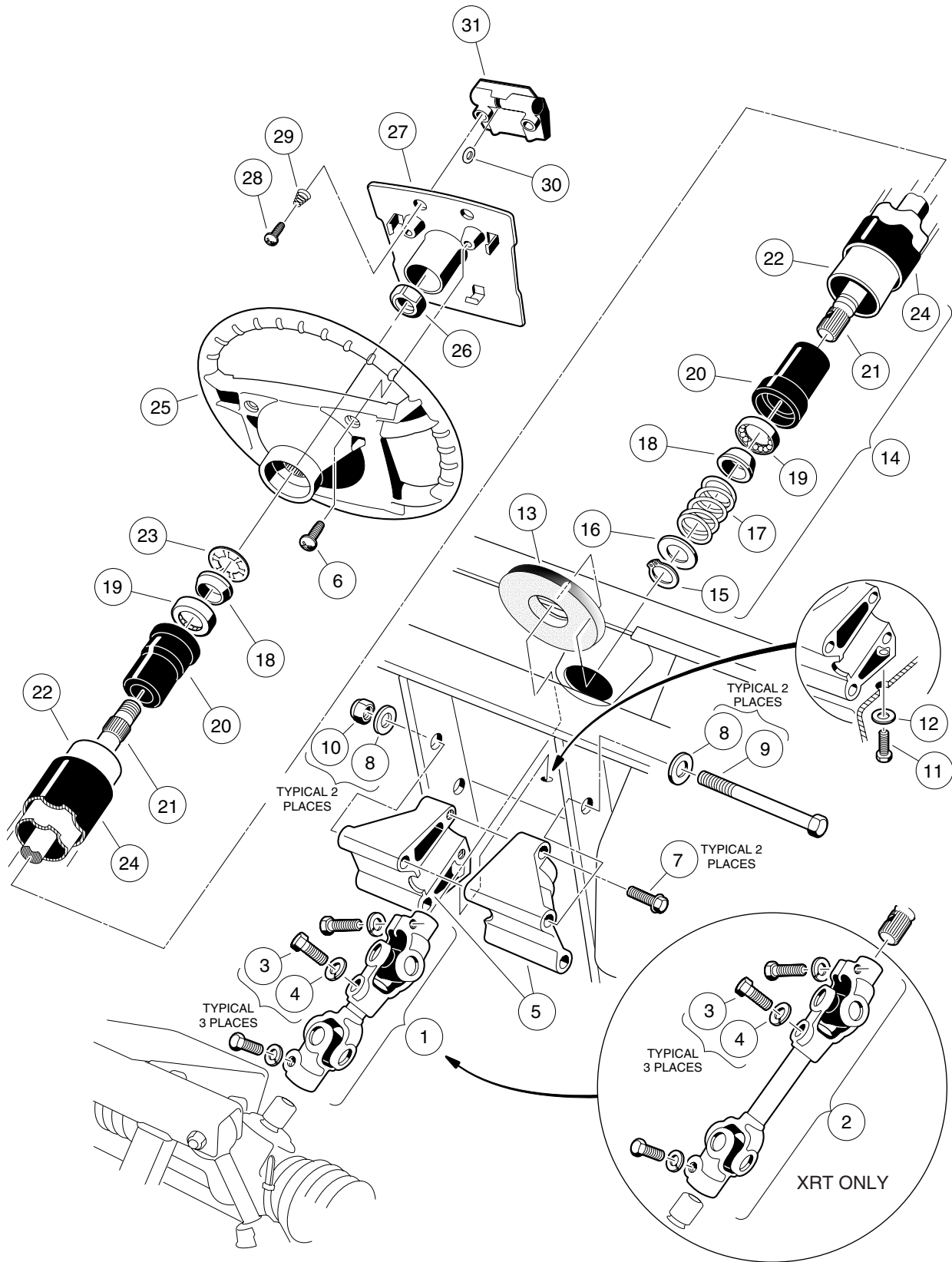
---

5

G

E

**5  
G  
E**

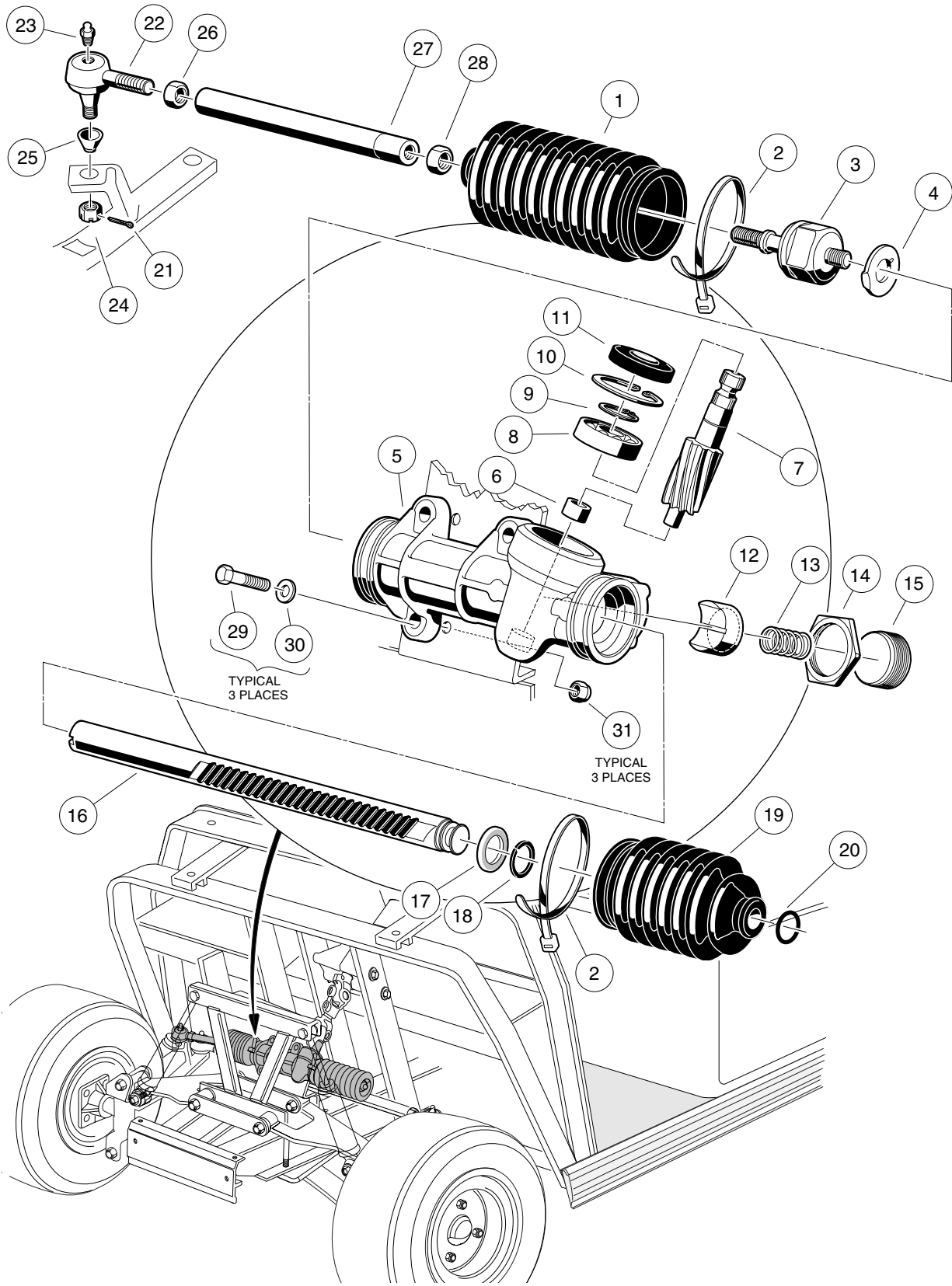


# STEERING COLUMN

| ITEM | PART NO.  | DESCRIPTION                                                                       | QTY<br>GAS | QTY<br>ELEC |
|------|-----------|-----------------------------------------------------------------------------------|------------|-------------|
|      |           | 1 2 3 4                                                                           |            |             |
| 1    | 1013861   | Joint, Compound Steering (includes items 3 and 4) (all vehicles except XRT) ..... | 1          | 1           |
| 2    | 102004101 | Joint, Compound Steering (includes items 3 and 4) (XRT vehicles only) ..          | 1          |             |
| 3    | 1017226   | Screw, Hex-Head Cap, M8 x 1.25 x 30 mm .....                                      | 3          | 3           |
| 4    | 7174      | Washer, Lock, 5/16 .....                                                          | 3          | 3           |
| 5    | 101984801 | Kit, Steering Column Mounting Bracket .....                                       | 1          | 1           |
| 6    | 1016663   | Screw, Phillips, Type A, #12-11 x 5/8 .....                                       | 2          | 2           |
| 7    | 1016269   | Screw, Hex Washer-Head Thread-Forming, 5/16-18 x 2 .....                          | 2          | 2           |
| 8    | 334       | Washer, Flat, Type A, 3/8 .....                                                   | 4          | 4           |
| 9    | 1016183   | Screw, Hex-Head Cap, 3/8-16 x 7 .....                                             | 2          | 2           |
| 10   | 8754      | Nut, Nylon Lock, 3/8-16 .....                                                     | 2          | 2           |
| 11   | 1014288   | Screw, Hex Washer-Head Thread-Forming, 5/16-18 x 3/4 .....                        | 1          | 1           |
| 12   | 1011697   | Washer, Flat, 5/16 .....                                                          | 1          | 1           |
| 13   | 102278001 | Boot, Steering Column .....                                                       | 1          | 1           |
| 14   | 1016181   | Assembly, Steering Column (includes items 15 - 23) .....                          | 1          | 1           |
| 15   | 1012605   | Ring, Retaining .....                                                             | 1          | 1           |
| 16   | 1012604   | Washer, Steel, 5/8 .....                                                          | 1          | 1           |
| 17   | 1014217   | Spring, Compression .....                                                         | 1          | 1           |
| 18   | 1014125   | Wedge .....                                                                       | 2          | 2           |
| 19   | 1014213   | Assembly, Bearing .....                                                           | 2          | 2           |
| 20   | 1014126   | Seat, Bearing .....                                                               | 2          | 2           |
| 21   | 1015545   | Shaft, Steering Column .....                                                      | 1          | 1           |
| 22   | 1016622   | Column, Aluminum Steering .....                                                   | 1          | 1           |
| 23   | 1014214   | Ring, Retaining .....                                                             | 1          | 1           |
| 24   | 1016263   | Cover, Steering Column .....                                                      | 1          | 1           |
| 25   | 1016156   | Wheel, Steering .....                                                             | 1          | 1           |
| 26   | 1017273   | Nut, Nylon Lock, 5/8-18 .....                                                     | 1          | 1           |
| 27   | 101615502 | Plate, Scorecard (Carryall vehicles) .....                                        | 1          | 1           |
| 27   | 1016219   | Assembly, Scorecard Plate (includes items 28 - 31) (Turf vehicles) .....          | 1          | 1           |
| 28   | 1012565   | Screw, Round Head, #12-14 x 1 .....                                               | 2          | 2           |
| 29   | 1012566   | Spring, Tapered Compression .....                                                 | 2          | 2           |
| 30   | 1016214   | Grip, Pencil .....                                                                | 1          | 1           |
| 31   | 1016154   | Clip, Scorecard .....                                                             | 1          | 1           |
|      | 1014216   | Kit, Steering Column Rebuild (not shown) .....                                    | A/R        | A/R         |

5  
G  
E

**5**  
**G**  
**E**



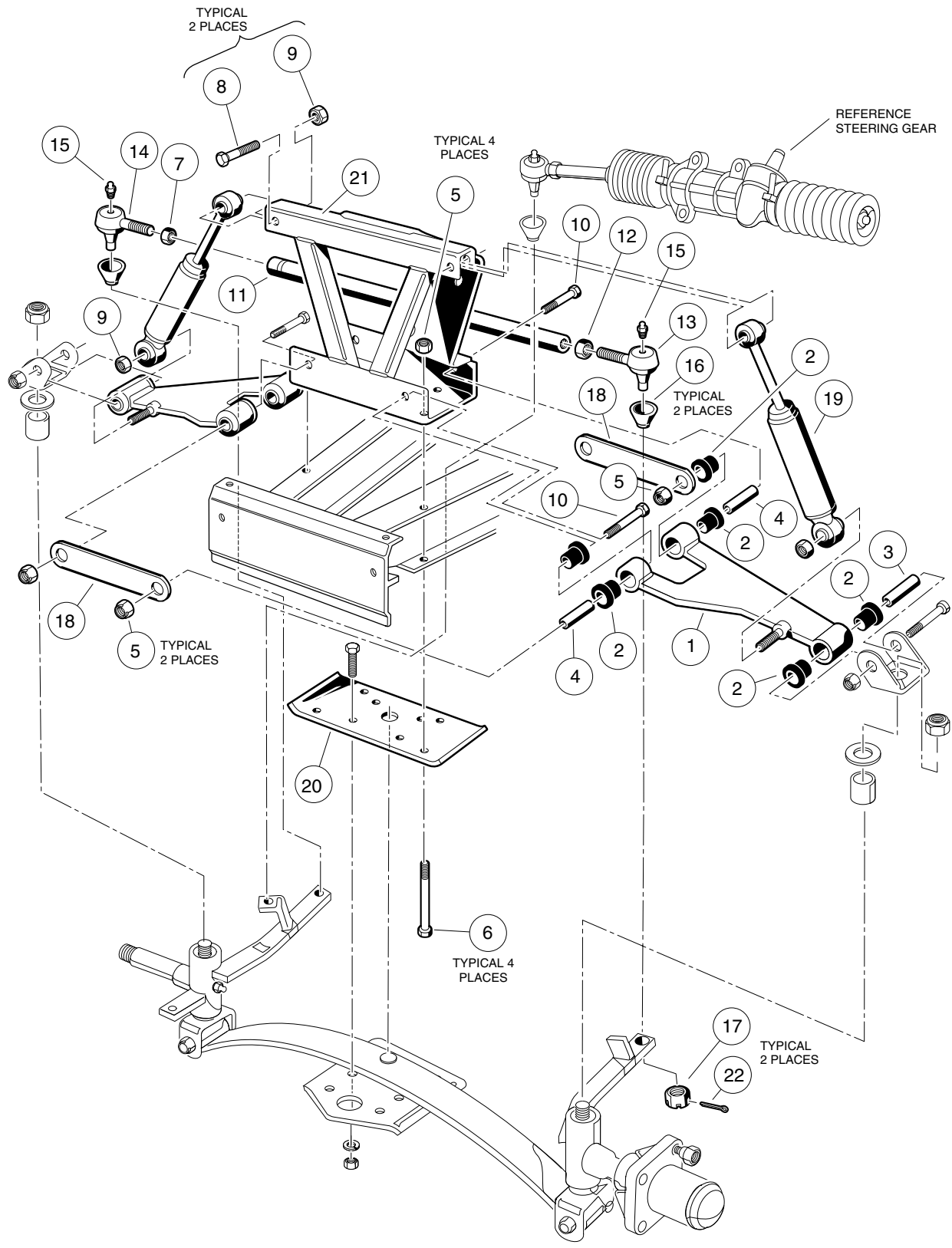


# STEERING GEAR ASSEMBLY

| ITEM | PART NO.  | DESCRIPTION                                                       | QTY<br>GAS | QTY<br>ELEC |
|------|-----------|-------------------------------------------------------------------|------------|-------------|
|      |           | 1 2 3 4                                                           |            |             |
|      | 101878302 | Assembly, Steering Gear Box (includes items 1 - 20) .....         | 1          | 1           |
| 1    | 1013035   | Seal, Dust, Passenger-Side .....                                  | 1          | 1           |
| 2    | 8990      | Tie, Wire .....                                                   | 2          | 2           |
| 3    | 101880201 | Assembly, Inner Ball Joint .....                                  | 1          | 1           |
| 4    | 101880301 | Washer, Tab .....                                                 | 1          | 1           |
| 5    | N/A       | Box, Steering Gear .....                                          | 1          | 1           |
| 6    | N/A       | Bearing, Lower Pinion .....                                       | 1          | 1           |
| 7    | N/A       | Pinion, Steering .....                                            | 1          | 1           |
| 8    | 101879401 | Bearing, Upper Pinion .....                                       | 1          | 1           |
| 9    | 101879901 | Ring, C-Type Stop .....                                           | 1          | 1           |
| 10   | 1013051   | Ring, Snap .....                                                  | 1          | 1           |
| 11   | 1013052   | Seal, Dust, Steering Pinion .....                                 | 1          | 1           |
| 12   | 101879701 | Guide, Steering Rack .....                                        | 1          | 1           |
| 13   | 101879801 | Spring, Yoke .....                                                | 1          | 1           |
| 14   | 1013044   | Nut, Lock, Rack Screw .....                                       | 1          | 1           |
| 15   | N/A       | Screw, Rack Guide .....                                           | 1          | 1           |
| 16   | N/A       | Rack, Steering .....                                              | 1          | 1           |
| 17   | 101879501 | Washer, Stop .....                                                | 1          | 1           |
| 18   | 101879601 | Ring, C-Type Stop .....                                           | 1          | 1           |
| 19   | 101880001 | Seal, Dust, Driver-Side .....                                     | 1          | 1           |
| 20   | 101880101 | Ring, Retaining .....                                             | 1          | 1           |
| 21   | 1035      | Pin, Cotter, 3/32 x 1 .....                                       | 1          | 1           |
| 22   | 7540      | Ball Joint, Left-Hand Thread (includes items 23, 24 and 25) ..... | 1          | 1           |
| 23   | 1015597   | Fitting, Thread-Forming Grease, 1/4-28 .....                      | 1          | 1           |
| 24   | 7602      | Nut, Hex Slotted, 3/8-24 .....                                    | 1          | 1           |
| 25   | 1011930   | Boot, Dust .....                                                  | 1          | 1           |
| 26   | 7555      | Nut, Hex, Left-Hand Thread, 1/2-20 .....                          | 1          | 1           |
| 27   | 1012467   | Link, Rack and Pinion Drag .....                                  | 1          | 1           |
| 28   | 1013042   | Nut, Hex, M12 x 1.75 .....                                        | 1          | 1           |
| 29   | 1624      | Screw, Hex-Head Cap, 3/8-16 x 1-1/2 .....                         | 3          | 3           |
| 30   | 334       | Washer, Flat, 3/8 .....                                           | 3          | 3           |
| 31   | 8754      | Nut, Nylon Lock, 3/8-16 .....                                     | 3          | 3           |

5  
G  
E

**5**  
**G**  
**E**

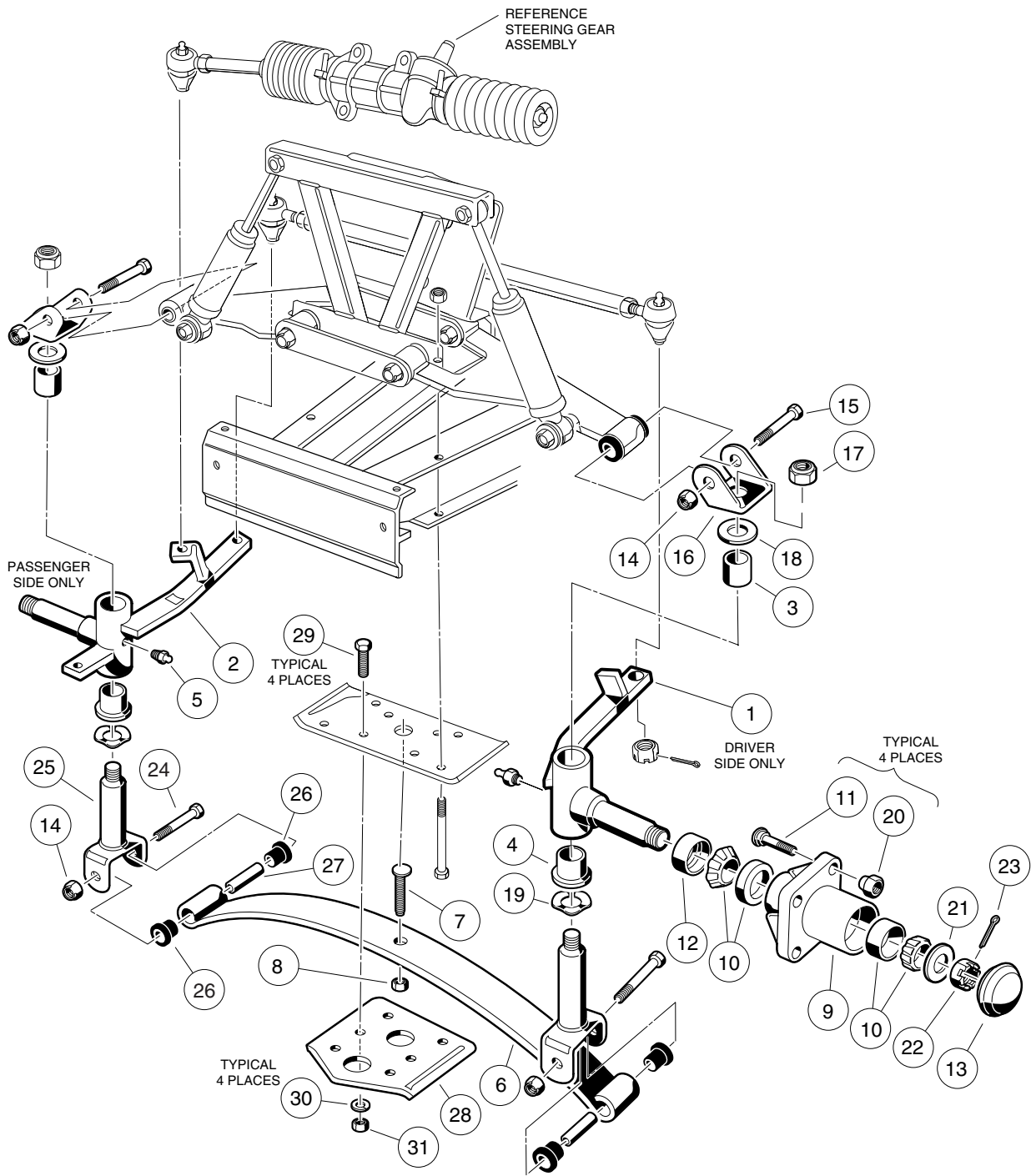


# FRONT SUSPENSION, UPPER – VEHICLE WITH TWO-WHEEL BRAKES

| ITEM | PART NO. | DESCRIPTION                                                       | QTY<br>GAS | QTY<br>ELEC |
|------|----------|-------------------------------------------------------------------|------------|-------------|
|      |          | 1 2 3 4                                                           |            |             |
| 1    | 1016353  | Assembly, Delta A-Plate (includes items 2, 3 and 4) .....         | 2          | 2           |
| 2    | 1016346  | Bushing, Urethane .....                                           | 6          | 6           |
| 3    | 1016350  | Sleeve, Delta Outer .....                                         | 1          | 1           |
| 4    | 1016349  | Sleeve, Delta Inner .....                                         | 2          | 2           |
| 5    | 8754     | Nut, Nylon Lock, 3/8-16 .....                                     | 11         | 11          |
| 6    | 1010200  | Screw, Hex-Head Cap, 3/8-16 x 4-3/4 .....                         | 4          | 4           |
| 7    | 1308     | Nut, Hex, 1/2-20 .....                                            | 1          | 1           |
| 8    | 1624     | Screw, Hex-Head Cap, 3/8-16 x 1-3/4 .....                         | 2          | 2           |
| 9    | 1010138  | Nut, Dimpled Lock, 3/8-16 .....                                   | 2          | 2           |
| 10   | 2402     | Screw, Hex-Head Cap, 3/8-16 x 2-1/4 .....                         | 4          | 4           |
| 11   | 1010219  | Rod, Tie .....                                                    | 1          | 1           |
| 12   | 7555     | Nut, Hex, Left-Hand Thread, 1/2-20 .....                          | 1          | 1           |
| 13   | 7540     | Ball Joint, Left-Hand Thread (includes items 15, 16 and 17) ..... | 1          | 1           |
| 14   | 7539     | Ball Joint (includes items 15, 16 and 17) .....                   | 1          | 1           |
| 15   | 1015597  | Fitting, Thread-Forming Grease, 1/4-28 .....                      | 1          | 1           |
| 16   | 1011930  | Boot, Dust .....                                                  | 1          | 1           |
| 17   | 7602     | Nut, Slotted Hex, 3/8-24 .....                                    | 1          | 1           |
| 18   | 1017266  | Strap, A-Plate .....                                              | 1          | 1           |
| 19   | 1014235  | Shock Absorber, Front .....                                       | 2          | 2           |
| 20   | 1010124  | Plate, Spring Mounting .....                                      | 1          | 1           |
| 21   | 1016385  | Assembly, Delta Shock and Gear Support .....                      | 1          | 1           |
| 22   | 1035     | Pin, Cotter, 3/32 x 1 .....                                       | 3          | 3           |

**5**  
**G**  
**E**

**5**  
**G**  
**E**

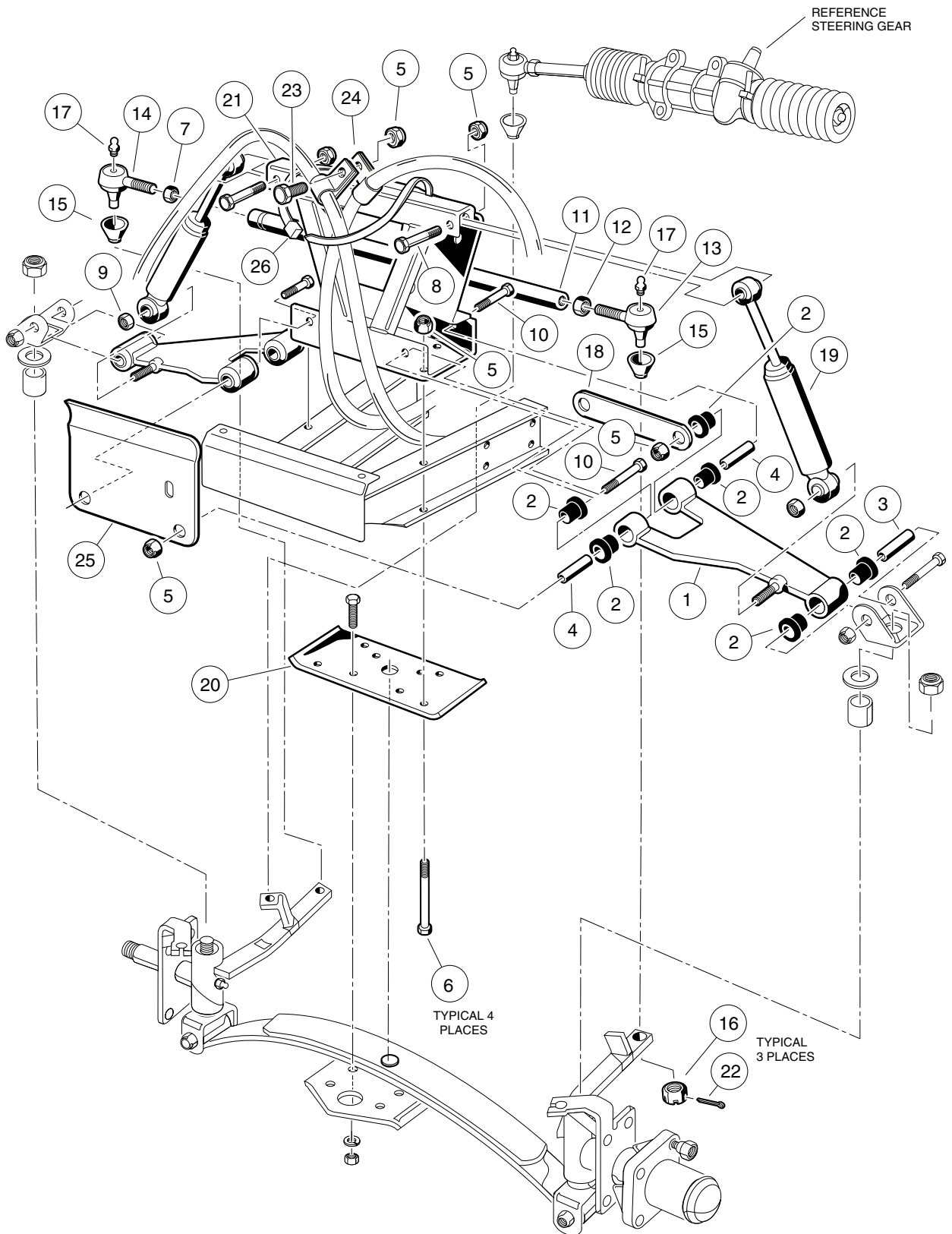


# FRONT SUSPENSION, LOWER – VEHICLE WITH TWO-WHEEL BRAKES

| ITEM | PART NO.  | DESCRIPTION                                                         | QTY<br>GAS | QTY<br>ELEC |
|------|-----------|---------------------------------------------------------------------|------------|-------------|
|      |           | 1 2 3 4                                                             |            |             |
| 1    | 1010348   | Assembly, Spindle, Driver-Side (includes items 3, 4 and 5) .....    | 1          | 1           |
| 2    | 1010347   | Assembly, Spindle, Passenger-Side (includes items 3, 4 and 5) ..... | 1          | 1           |
| 3    | 8067      | Bushing, Bronze Spindle .....                                       | 1          | 1           |
| 4    | 7048      | Bushing, Bronze .....                                               | 1          | 1           |
| 5    | 1015597   | Fitting, Grease, 1/4-28 .....                                       | 1          | 1           |
| 6    | 1012030   | Spring, Tapered Leaf .....                                          | 1          | 1           |
| 7    | 8745      | Screw, Eccentric Adjustment .....                                   | 1          | 1           |
| 8    | 706       | Nut, Hex, 3/8-16 .....                                              | 1          | 1           |
| 9    | 1011892   | Assembly, Hub (includes items 10 - 13) .....                        | 2          | 2           |
| 10   | 1011393   | Package, Hub Bearing .....                                          | 2          | 2           |
| 11   | 1011304   | Stud, Lug, 1/2-20 .....                                             | 4          | 4           |
| 12   | 1013135   | Seal, Double Lip .....                                              | 1          | 1           |
| 13   | 1011887   | Cover, Dust .....                                                   | 1          | 1           |
| 14   | 8754      | Nut, Nylon Lock, 3/8-16 .....                                       | 4          | 4           |
| 15   | 1016387   | Screw, Hex-Head Cap, 3/8-16 x 2-3/4 .....                           | 2          | 2           |
| 16   | 1016384   | Clevis, Upper Delta .....                                           | 2          | 2           |
| 17   | 101903101 | Nut, Nylon Lock, 1/2-20 .....                                       | 2          | 2           |
| 18   | 1010150   | Bearing, Thrust .....                                               | 2          | 2           |
| 19   | 1016389   | Washer, Kingpin Wave .....                                          | 2          | 2           |
| 20   | 1010984   | Nut, Lug .....                                                      | 8          | 8           |
| 21   | 1010005   | Washer, Flat, 3/4 .....                                             | 2          | 2           |
| 22   | 7840      | Nut, Hex Slotted, 3/4-16 .....                                      | 2          | 2           |
| 23   | 7910      | Pin, Cotter, 5/32 x 1 .....                                         | 2          | 2           |
| 24   | 8755      | Screw, Hex-Head Cap, 3/8 - 16 x 3-3/8 .....                         | 2          | 2           |
| 25   | 1016386   | Kingpin .....                                                       | 2          | 2           |
| 26   | 1015583   | Bushing, Urethane .....                                             | 4          | 4           |
| 27   | 1012303   | Bushing, Steel .....                                                | 2          | 2           |
| 28   | 1014276   | Plate, Front Spring Retainer .....                                  | 1          | 1           |
| 29   | 1624      | Screw, Hex-Head Cap, 3/8-16 x 1-1/2 .....                           | 4          | 4           |
| 30   | 357       | Washer, Lock, 3/8 .....                                             | 4          | 4           |
| 31   | 706       | Nut, Hex, 3/8-16 .....                                              | 4          | 4           |

**5**  
**G**  
**E**

**5**  
**G**  
**E**

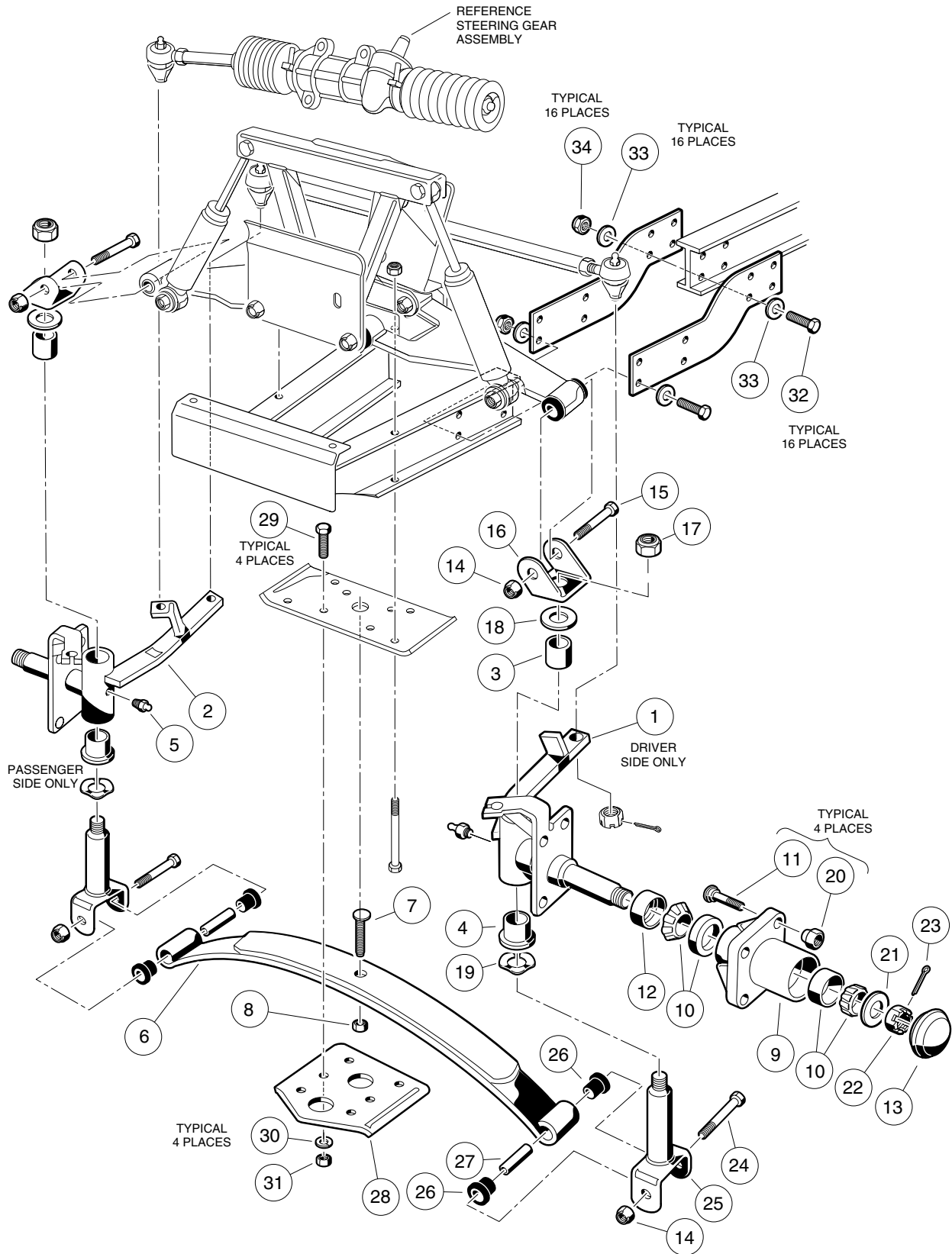


# FRONT SUSPENSION, UPPER – TURF/CARRYALL 2 XRT

| ITEM | PART NO.  | DESCRIPTION                                                       | QTY<br>GAS | QTY<br>ELEC |
|------|-----------|-------------------------------------------------------------------|------------|-------------|
|      |           | 1 2 3 4                                                           |            |             |
| 1    | 1016353   | Assembly, Delta A-Plate (includes items 2, 3 and 4) .....         | 2          |             |
| 2    | 1016346   | Bushing, Urethane .....                                           | 6          |             |
| 3    | 1016350   | Sleeve, Delta Outer .....                                         | 1          |             |
| 4    | 1016349   | Sleeve, Delta Inner .....                                         | 2          |             |
| 5    | 8754      | Nut, Nylon Lock, 3/8-16 .....                                     | 11         |             |
| 6    | 101870501 | Screw, Hex-Head Cap, 3/8-16 x 4-3/4 .....                         | 4          |             |
| 7    | 1308      | Nut, Hex, 1/2-20 .....                                            | 1          |             |
| 8    | 8861      | Screw, Hex-Head Cap, 3/8-16 x 1-3/4 .....                         | 2          |             |
| 9    | 1010138   | Nut, Dimpled Lock, 3/8-16 .....                                   | 2          |             |
| 10   | 2402      | Screw, Hex-Head Cap, 3/8-16 x 2-1/4 .....                         | 4          |             |
| 11   | 1010219   | Rod, Tie .....                                                    | 1          |             |
| 12   | 7555      | Nut, Hex, Left-Hand Thread, 1/2-20 .....                          | 1          |             |
| 13   | 7540      | Ball Joint, Left-Hand Thread (includes items 15, 16 and 17) ..... | 1          |             |
| 14   | 7539      | Ball Joint (includes items 15, 16 and 17) .....                   | 1          |             |
| 15   | 1011930   | Seal, Dust .....                                                  | 1          |             |
| 16   | 7602      | Nut, Slotted Hex, 3/8-24 .....                                    | 1          |             |
| 17   | 1015597   | Fitting, Thread-Forming Grease, 1/4-28 .....                      | 1          |             |
| 18   | 1017266   | Strap, A-Plate .....                                              | 1          |             |
| 19   | 1014235   | Shock Absorber, Front .....                                       | 2          |             |
| 20   | 1010124   | Plate, Spring Mounting .....                                      | 1          |             |
| 21   | 1016385   | Assembly, Delta Shock and Gear Support .....                      | 1          |             |
| 22   | 1035      | Pin, Cotter, 3/32 x 1 .....                                       | 3          |             |
| 23   | 320       | Screw, Hex-Head Cap, 3/8-16 x 1 .....                             | 1          |             |
| 24   | 101935301 | Clamp, Brake Cable (part of brake cable assembly) .....           | 2          |             |
| 25   | 101955001 | Bracket, Brake Cable Guide .....                                  | 1          |             |
| 26   | 102025401 | Tie Wrap .....                                                    | 1          |             |

5  
G  
E

**5**  
**G**  
**E**



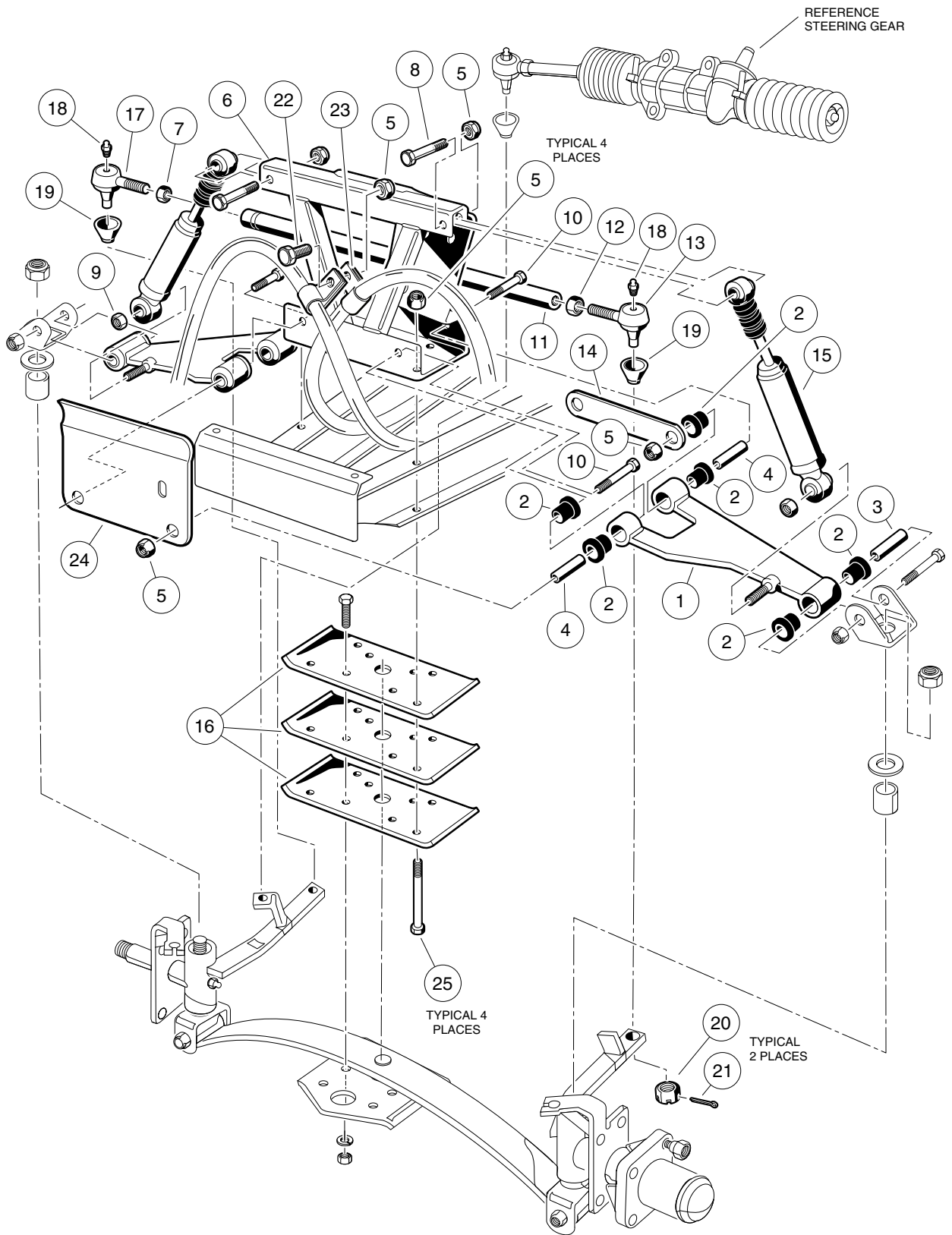


# FRONT SUSPENSION, LOWER – TURF/CARRYALL 2 XRT

| ITEM | PART NO.  | DESCRIPTION                                                         | QTY<br>GAS | QTY<br>ELEC |
|------|-----------|---------------------------------------------------------------------|------------|-------------|
|      |           | 1 2 3 4                                                             |            |             |
| 1    | 101876901 | Assembly, Spindle, Driver-Side (includes items 3, 4 and 5) .....    | 1          | 1           |
| 2    | 101877001 | Assembly, Spindle, Passenger-Side (includes items 3, 4 and 5) ..... | 1          | 1           |
| 3    | 8067      | Bushing, Bronze Spindle .....                                       | 1          | 1           |
| 4    | 7048      | Bushing, Bronze .....                                               | 1          | 1           |
| 5    | 1015597   | Fitting, Grease, 1/4-28 .....                                       | 1          | 1           |
| 6    | 102004001 | Spring, Tapered Leaf .....                                          | 1          | 1           |
| 7    | 8745      | Screw, Eccentric Adjustment .....                                   | 1          | 1           |
| 8    | 706       | Nut, Hex, 3/8-16 .....                                              | 1          | 1           |
| 9    | 1011892   | Assembly, Hub (includes items 10 - 13) .....                        | 2          | 2           |
| 10   | 1011393   | Package, Hub Bearing .....                                          | 2          | 2           |
| 11   | 1011304   | Stud, Lug, 1/2-20 .....                                             | 4          | 4           |
| 12   | 1013135   | Seal, Double Lip .....                                              | 1          | 1           |
| 13   | 1011887   | Cover, Dust .....                                                   | 1          | 1           |
| 14   | 8754      | Nut, Nylon Lock, 3/8-16 .....                                       | 4          | 4           |
| 15   | 1016387   | Screw, Hex-Head Cap, 3/8-16 x 2-3/4 .....                           | 2          | 2           |
| 16   | 1016384   | Clevis, Upper Delta .....                                           | 2          | 2           |
| 17   | 101903101 | Nut, Nylon Lock, 1/2-20 .....                                       | 2          | 2           |
| 18   | 1010150   | Bearing, Thrust .....                                               | 2          | 2           |
| 19   | 1016389   | Washer, Kingpin Wave .....                                          | 2          | 2           |
| 20   | 1010984   | Nut, Lug .....                                                      | 8          | 8           |
| 21   | 1010005   | Washer, Flat, 3/4 .....                                             | 2          | 2           |
| 22   | 7840      | Nut, Hex Slotted, 3/4-16 .....                                      | 2          | 2           |
| 23   | 7910      | Pin, Cotter, 5/32 x 1 .....                                         | 2          | 2           |
| 24   | 8755      | Screw, Hex-Head Cap, 3/8-16 x 3-3/8 .....                           | 2          | 2           |
| 25   | 1016386   | Kingpin .....                                                       | 2          | 2           |
| 26   | 1015583   | Bushing, Urethane .....                                             | 4          | 4           |
| 27   | 1012303   | Bushing, Steel .....                                                | 2          | 2           |
| 28   | 1014276   | Plate, Front Spring Retainer .....                                  | 1          | 1           |
| 29   | 1010177   | Screw, Hex-Head Cap, 3/8-16 x 2 .....                               | 4          | 4           |
| 30   | 357       | Washer, Lock, 3/8 .....                                             | 4          | 4           |
| 31   | 706       | Nut, Hex, 3/8-16 .....                                              | 4          | 4           |
| 32   | 1218      | Screw, Hex-Head Cap, 5/16-18 x 1-1/4 .....                          | 16         | 16          |
| 33   | 1241      | Washer, Flat, 5/16 .....                                            | 32         | 32          |
| 34   | 7473      | Nut, Hex, 5/16-18 .....                                             | 16         | 16          |

5  
G  
E

**5**  
**G**  
**E**

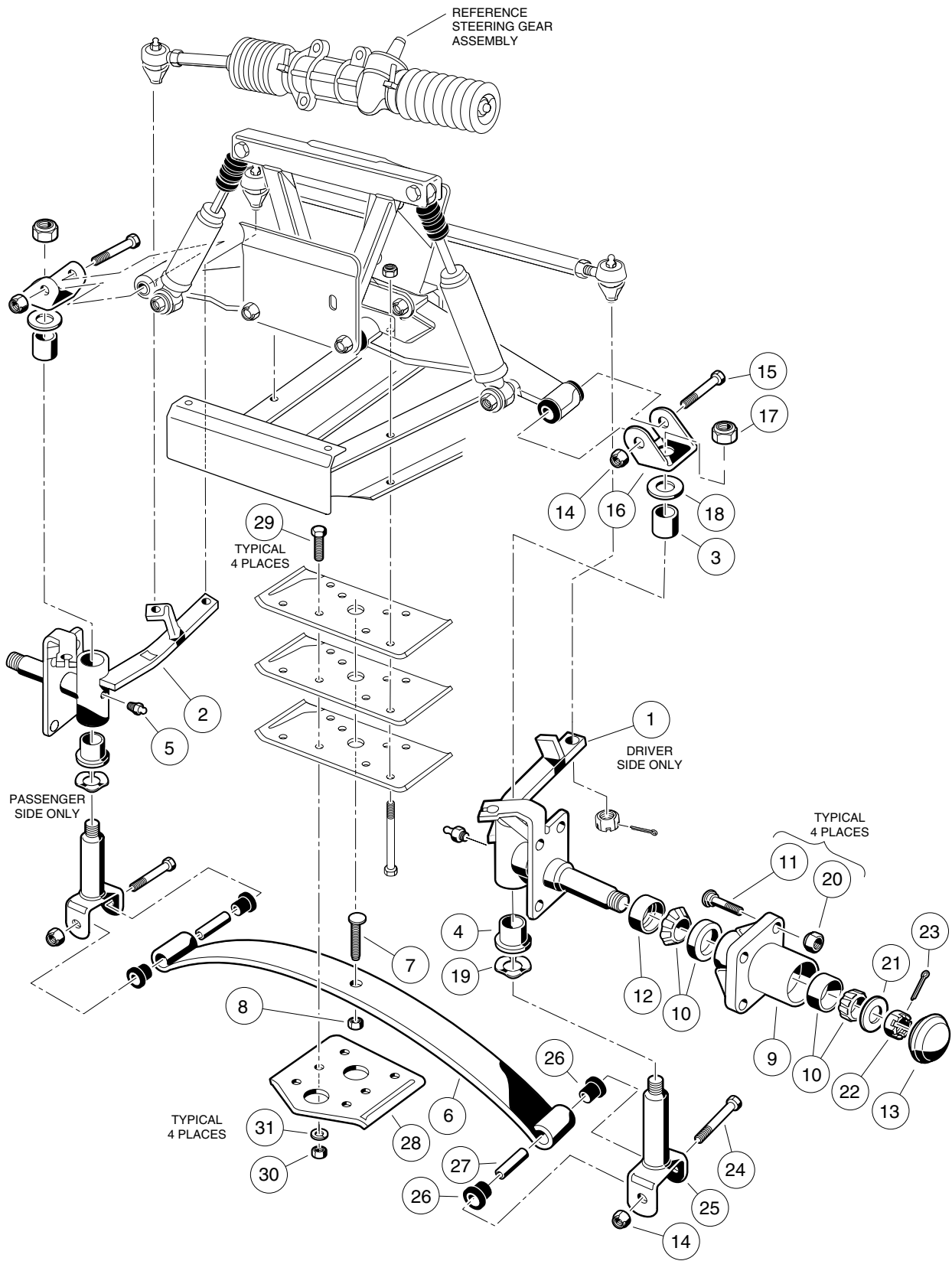


# FRONT SUSPENSION, UPPER – VEHICLES WITH FOUR-WHEEL BRAKES (EXCEPT XRT VEHICLES)

| ITEM | PART NO.  | DESCRIPTION                                                                                         | QTY GAS | QTY ELEC |
|------|-----------|-----------------------------------------------------------------------------------------------------|---------|----------|
|      |           | 1 2 3 4<br>See page 5-11 for the upper front suspension for Turf 2 XRT and Carryall 2 XRT vehicles. |         |          |
| 1    | 1016353   | Assembly, Delta A-Plate (includes items 2, 3 and 4) .....                                           | 2       | 2        |
| 2    | 1016346   | Bushing, Urethane .....                                                                             | 6       | 6        |
| 3    | 1016350   | Sleeve, Delta Outer .....                                                                           | 1       | 1        |
| 4    | 1016349   | Sleeve, Delta Inner .....                                                                           | 2       | 2        |
| 5    | 8754      | Nut, Nylon Lock, 3/8-16 .....                                                                       | 11      | 11       |
| 6    | 1016385   | Assembly, Delta Shock and Gear Support .....                                                        | 1       | 1        |
| 7    | 1308      | Nut, Hex, 1/2-20 .....                                                                              | 1       | 1        |
| 8    | 8861      | Screw, Hex-Head Cap, 3/8-16 x 2-3/4 .....                                                           | 2       | 2        |
| 9    | 1010138   | Nut, Dimpled Lock, 3/8-16 .....                                                                     | 2       | 2        |
| 10   | 2402      | Screw, Hex-Head Cap, 3/8-16 x 2-1/4 .....                                                           | 4       | 4        |
| 11   | 1010219   | Rod, Tie .....                                                                                      | 1       | 1        |
| 12   | 7555      | Nut, Hex, Left-Hand Thread, 1/2-20 .....                                                            | 1       | 1        |
| 13   | 7540      | Ball Joint, Left-Hand Thread (includes items 18, 19 and 20) .....                                   | 1       | 1        |
| 14   | 1017266   | Strap, A-Plate .....                                                                                | 1       | 1        |
| 15   | 101870601 | Shock Absorber, Front .....                                                                         | 2       | 2        |
| 16   | 1010124   | Plate, Spring Mounting .....                                                                        | 3       | 3        |
| 17   | 7539      | Ball Joint (includes items 18, 19 and 20) .....                                                     | 1       | 1        |
| 18   | 1015597   | Fitting, Thread-Forming Grease, 1/4-28 .....                                                        | 1       | 1        |
| 19   | 1011930   | Seal, Dust .....                                                                                    | 1       | 1        |
| 20   | 7602      | Nut, Slotted Hex, 3/8-24 .....                                                                      | 1       | 1        |
| 21   | 1035      | Pin, Cotter, 3/32 x 1 .....                                                                         | 2       | 2        |
| 22   | 320       | Screw, Hex-Head Cap, 3/8-16 x 1 .....                                                               | 1       | 1        |
| 23   | 101935301 | Clamp, Brake Cable (part of brake cable assembly) .....                                             | 2       | 2        |
| 24   | 101955001 | Bracket, Brake Cable Guide .....                                                                    | 1       | 1        |
| 25   | 101870501 | Screw, Hex-Head Cap, 3/8-16 x 4-3/4 .....                                                           | 4       | 4        |

**5**  
**G**  
**E**

**5**  
**G**  
**E**

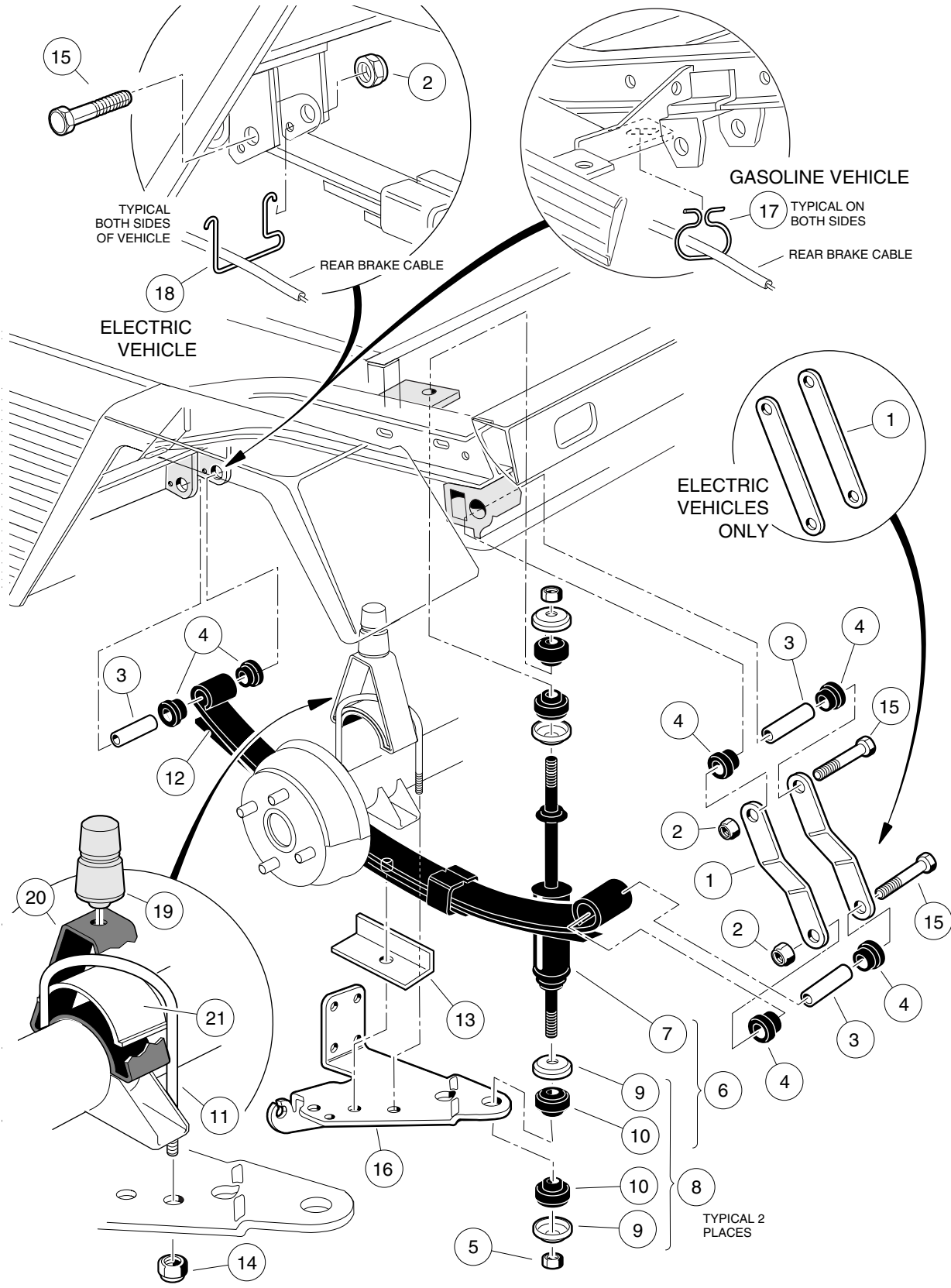


# FRONT SUSPENSION, LOWER – VEHICLES WITH FOUR-WHEEL BRAKES (EXCEPT XRT VEHICLES)

| ITEM | PART NO.  | DESCRIPTION                                                                                         | QTY GAS | QTY ELEC |
|------|-----------|-----------------------------------------------------------------------------------------------------|---------|----------|
|      |           | 1 2 3 4<br>See page 5-13 for the lower front suspension for Turf 2 XRT and Carryall 2 XRT vehicles. |         |          |
| 1    | 101876901 | Assembly, Spindle, Driver-Side (includes items 3, 4 and 5) .....                                    | 1       | 1        |
| 2    | 101877001 | Assembly, Spindle, Passenger-Side (includes items 3, 4 and 5) .....                                 | 1       | 1        |
| 3    | 8067      | Bushing, Bronze Spindle .....                                                                       | 1       | 1        |
| 4    | 7048      | Bushing, Bronze .....                                                                               | 1       | 1        |
| 5    | 1015597   | Fitting, Grease, 1/4-28 .....                                                                       | 1       | 1        |
| 6    | 1012030   | Spring, Tapered Leaf .....                                                                          | 1       | 1        |
| 6    | 102004001 | Spring, Tapered Leaf (Carryall 6 gasoline only) .....                                               | 1       |          |
| 7    | 8745      | Screw, Eccentric Adjustment .....                                                                   | 1       | 1        |
| 8    | 706       | Nut, Hex, 3/8-16 .....                                                                              | 1       | 1        |
| 9    | 1011892   | Assembly, Hub (includes items 10 - 13) .....                                                        | 2       | 2        |
| 10   | 1011393   | Package, Hub Bearing .....                                                                          | 2       | 2        |
| 11   | 1011304   | Stud, Lug, 1/2-20 .....                                                                             | 4       | 4        |
| 12   | 1013135   | Seal, Double Lip .....                                                                              | 1       | 1        |
| 13   | 1011887   | Cover, Dust .....                                                                                   | 1       | 1        |
| 14   | 8754      | Nut, Nylon Lock, 3/8-16 .....                                                                       | 4       | 4        |
| 15   | 1016387   | Screw, Hex-Head Cap, 3/8-16 x 2-3/4 .....                                                           | 2       | 2        |
| 16   | 1016384   | Clevis, Upper Delta .....                                                                           | 2       | 2        |
| 17   | 101903101 | Nut, Nylon Lock, 1/2-20 .....                                                                       | 2       | 2        |
| 18   | 1010150   | Bearing, Thrust .....                                                                               | 2       | 2        |
| 19   | 1016389   | Washer, Kingpin Wave .....                                                                          | 2       | 2        |
| 20   | 1010984   | Nut, Lug .....                                                                                      | 8       | 8        |
| 21   | 1010005   | Washer, Flat, 3/4 .....                                                                             | 2       | 2        |
| 22   | 7840      | Nut, Hex Slotted, 3/4-16 .....                                                                      | 2       | 2        |
| 23   | 7910      | Pin, Cotter, 5/32 x 1 .....                                                                         | 2       | 2        |
| 24   | 8755      | Screw, Hex-Head Cap, 3/8-16 x 3-3/8 .....                                                           | 2       | 2        |
| 25   | 1016386   | Kingpin .....                                                                                       | 2       | 2        |
| 26   | 1015583   | Bushing, Urethane .....                                                                             | 4       | 4        |
| 27   | 1012303   | Bushing, Steel .....                                                                                | 2       | 2        |
| 28   | 1014276   | Plate, Front Spring Retainer .....                                                                  | 1       | 1        |
| 29   | 1010177   | Screw, Hex-Head Cap, 3/8-16 x 2 .....                                                               | 4       | 4        |
| 30   | 357       | Washer, Lock, 3/8 .....                                                                             | 4       | 4        |
| 31   | 706       | Nut, Hex, 3/8-16 .....                                                                              | 4       | 4        |

**5**  
**G**  
**E**

**5**  
**G**  
**E**

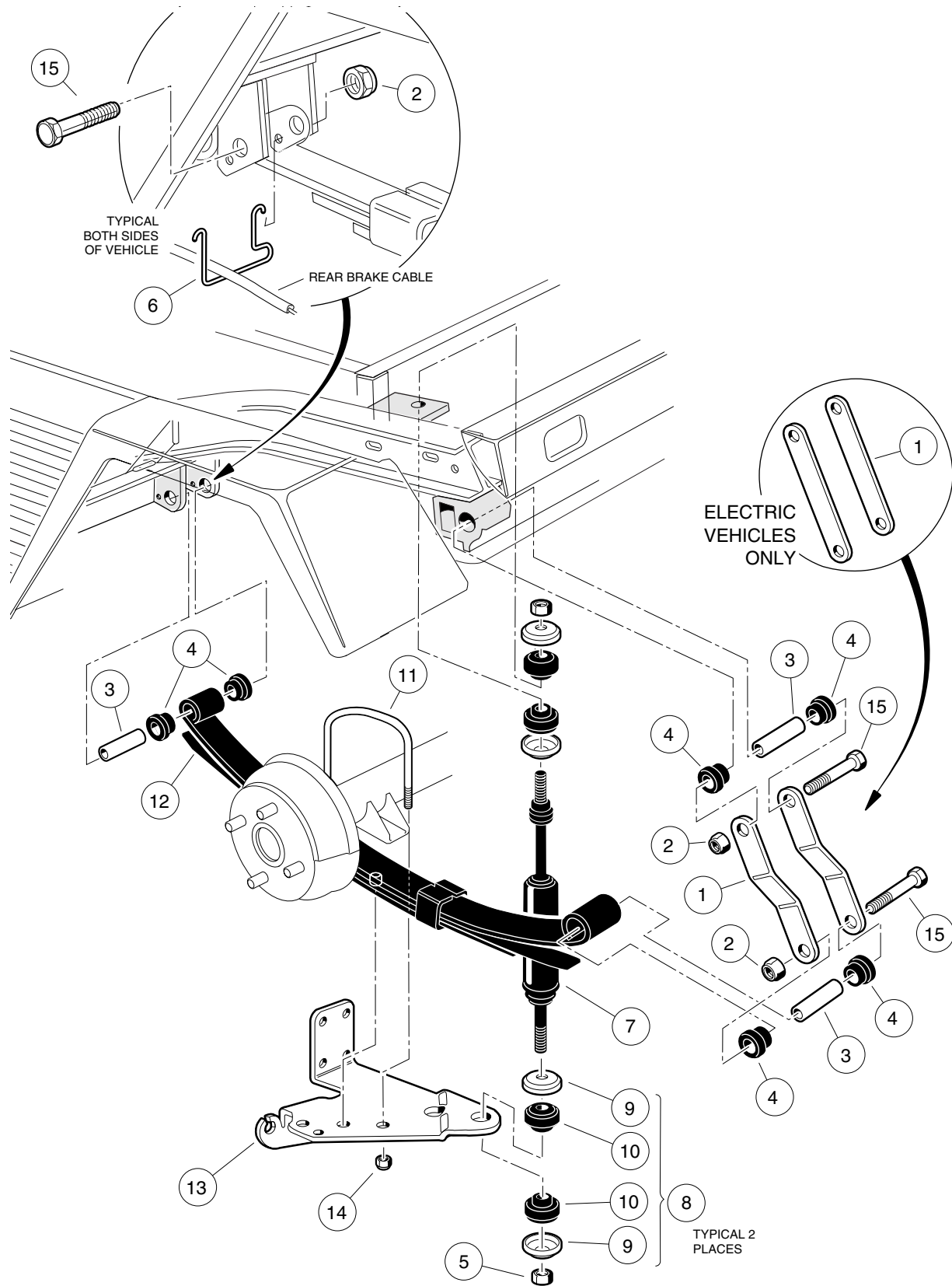


# REAR SUSPENSION – TURF/CARRYALL 1

| ITEM | PART NO.  | DESCRIPTION                                                           | QTY<br>GAS | QTY<br>ELEC |
|------|-----------|-----------------------------------------------------------------------|------------|-------------|
|      |           | 1 2 3 4                                                               |            |             |
| 1    | 7569      | Shackle, Rear Spring (electric vehicle) .....                         |            | 4           |
| 1    | 1012304   | Shackle, Rear Spring (gasoline vehicle) .....                         | 4          |             |
| 2    | 8754      | Nut, Nylon Lock, 3/8-16 .....                                         | 6          | 6           |
| 3    | 1012303   | Bushing, Steel .....                                                  | 6          | 6           |
| 4    | 1015583   | Bushing, Urethane .....                                               | 12         | 12          |
| 5    | 1010145   | Nut, UNF Hex, 3/8-24 .....                                            | 4          | 4           |
| 6    | 1013164   | Kit, Shock Absorber (includes items 7, 9 and 10) .....                | 1          | 1           |
| 7    | 1014236   | Shock Absorber, Rear .....                                            | 2          | 2           |
| 8    | 1011415   | Kit, Shock Absorber Cushion (includes 2 each of items 9 and 10) ..... | 4          | 4           |
| 9    | N/A       | Retainer, Shock Absorber Cushion .....                                | 8          | 8           |
| 10   | N/A       | Cushion, Shock Absorber .....                                         | 8          | 8           |
| 11   | 1014902   | U-Bolt .....                                                          | 2          | 2           |
| 12   | 1014675   | Spring, Rear Leaf .....                                               | 2          | 2           |
| 13   | 1014573   | Retainer, Spring .....                                                | 2          | 2           |
| 14   | 1014555   | Nut, Nylon Lock, 7/16-24 .....                                        | 4          | 4           |
| 15   | 8755      | Screw, Hex-Head Cap, 3/8-16 x 3-3/8 .....                             | 6          | 6           |
| 16   | 101926501 | Pad, Spring, Driver-Side .....                                        | 1          | 1           |
| 16   | 101929401 | Pad, Spring, Passenger-Side .....                                     | 1          | 1           |
| 17   | 101900801 | Hanger, Brake Cable (gasoline vehicle) .....                          | 2          |             |
| 18   | 1013207   | Hanger, Brake Cable (electric vehicle) .....                          |            | 2           |
| 19   | 1017235   | Bumper, Jounce .....                                                  | 2          | 2           |
| 20   | 101454602 | Mount, Bumper (gasoline vehicle) .....                                | 2          |             |
| 20   | 101454902 | Mount, Bumper (electric vehicle) .....                                |            | 2           |
| 21   | 1014901   | Spacer, Overload Bumper .....                                         | 2          | 2           |

5  
G  
E

**5**  
**G**  
**E**



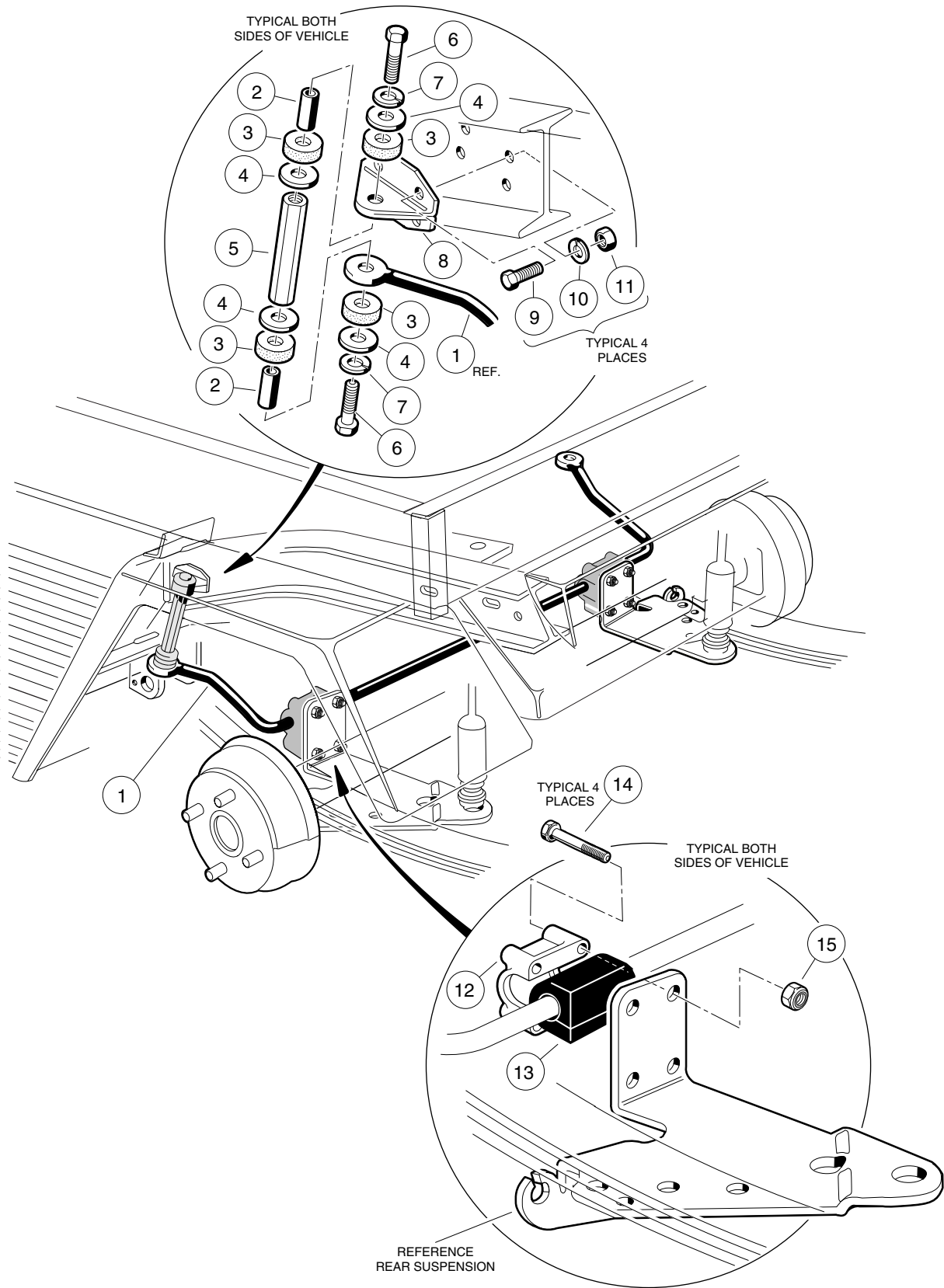


# REAR SUSPENSION – TURF/CA 2, XRT, 2 PLUS, AND 6

| ITEM | PART NO.  | DESCRIPTION                                                           | QTY GAS | QTY ELEC |
|------|-----------|-----------------------------------------------------------------------|---------|----------|
|      |           | 1 2 3 4                                                               |         |          |
| 1    | 7569      | Shackle, Rear Spring (electric vehicle) .....                         |         | 4        |
| 1    | 1012304   | Shackle, Rear Spring (gasoline vehicle) .....                         | 4       |          |
| 1    | 102004201 | Shackle, Rear Spring (Turf/Carryall 2 XRT only) .....                 | 4       |          |
| 2    | 8754      | Nut, Nylon Lock, 3/8-16 .....                                         | 6       | 6        |
| 3    | 1012303   | Bushing, Steel .....                                                  | 6       | 6        |
| 4    | 1015583   | Bushing, Urethane .....                                               | 12      | 12       |
| 5    | 1010145   | Nut, UNF Hex, 3/8-24 .....                                            | 4       | 4        |
| 6    | 1013207   | Hanger, Brake Cable .....                                             | 2       | 2        |
| 7    | 101975101 | Shock Absorber, Rear .....                                            | 2       | 2        |
| 7    | 102006601 | Shock Absorber, Rear (Turf/Carryall 2 XRT only) .....                 | 2       |          |
| 8    | 1011415   | Kit, Shock Absorber Cushion (includes 2 each of items 9 and 10) ..... | 4       | 4        |
| 9    | N/A       | Retainer, Shock Absorber Cushion .....                                | 8       | 8        |
| 10   | N/A       | Cushion, Shock Absorber .....                                         | 8       | 8        |
| 11   | 1014902   | U-Bolt .....                                                          | 2       | 2        |
| 12   | 101975201 | Spring, Rear Leaf .....                                               | 2       | 2        |
| 13   | 101926501 | Pad, Spring, Driver-Side .....                                        | 1       | 1        |
| 13   | 101929401 | Pad, Spring, Passenger-Side .....                                     | 1       | 1        |
| 14   | 1014555   | Nut, Nylon Lock, 7/16-24 .....                                        | 4       | 4        |
| 15   | 8755      | Screw, Hex-Head Cap, 3/8-16 x 3-3/8 .....                             | 6       | 6        |

5  
G  
E

**5**  
**G**  
**E**



# STABILIZER BAR, GASOLINE VEHICLE – TURF/CARRYALL 2, XRT, 2 PLUS, AND 6

| ITEM | PART NO.  | DESCRIPTION                                           | QTY<br>GAS | QTY<br>ELEC |
|------|-----------|-------------------------------------------------------|------------|-------------|
|      |           | 1 2 3 4                                               |            |             |
| 1    | 1015760   | Bar, Stabilizer, 3/4 Diameter .....                   | 1          |             |
| 2    | 1015457   | Spacer .....                                          | 4          |             |
| 3    | 1015453   | Mount, Compression .....                              | 8          |             |
| 4    | 808       | Washer, Flat, 3/8 .....                               | 8          |             |
| 5    | 1016814   | Link, Stabilizer Bar .....                            | 2          |             |
| 5    | 102004901 | Link, Stabilizer Bar (Turf/Carryall 2 XRT only) ..... | 2          |             |
| 6    | 8861      | Screw, Hex-Head Cap, 3/8-16 x 1-3/4 .....             | 4          |             |
| 7    | 357       | Washer, Lock, 3/8 .....                               | 4          |             |
| 8    | 1016813   | Bracket, Stabilizer Bar Mounting .....                | 2          |             |
| 9    | 7173      | Screw, Hex-Head Cap, 5/16-18 x 3/4 .....              | 8          |             |
| 10   | 7174      | Washer, Lock, 5/16 .....                              | 8          |             |
| 11   | 1242      | Nut, Hex, 5/16-18 .....                               | 8          |             |
| 12   | 1015614   | Support, Stabilizer Bar Bushing .....                 | 2          |             |
| 13   | 1015613   | Bushing, Stabilizer Bar .....                         | 2          |             |
| 14   | 7311      | Screw, Hex-Head Cap, 1/4-20 x 2 .....                 | 8          |             |
| 15   | 8233      | Nut, Nylon Lock, 1/4-20 .....                         | 8          |             |

**5**  
**G**  
**E**

**5**

**G**

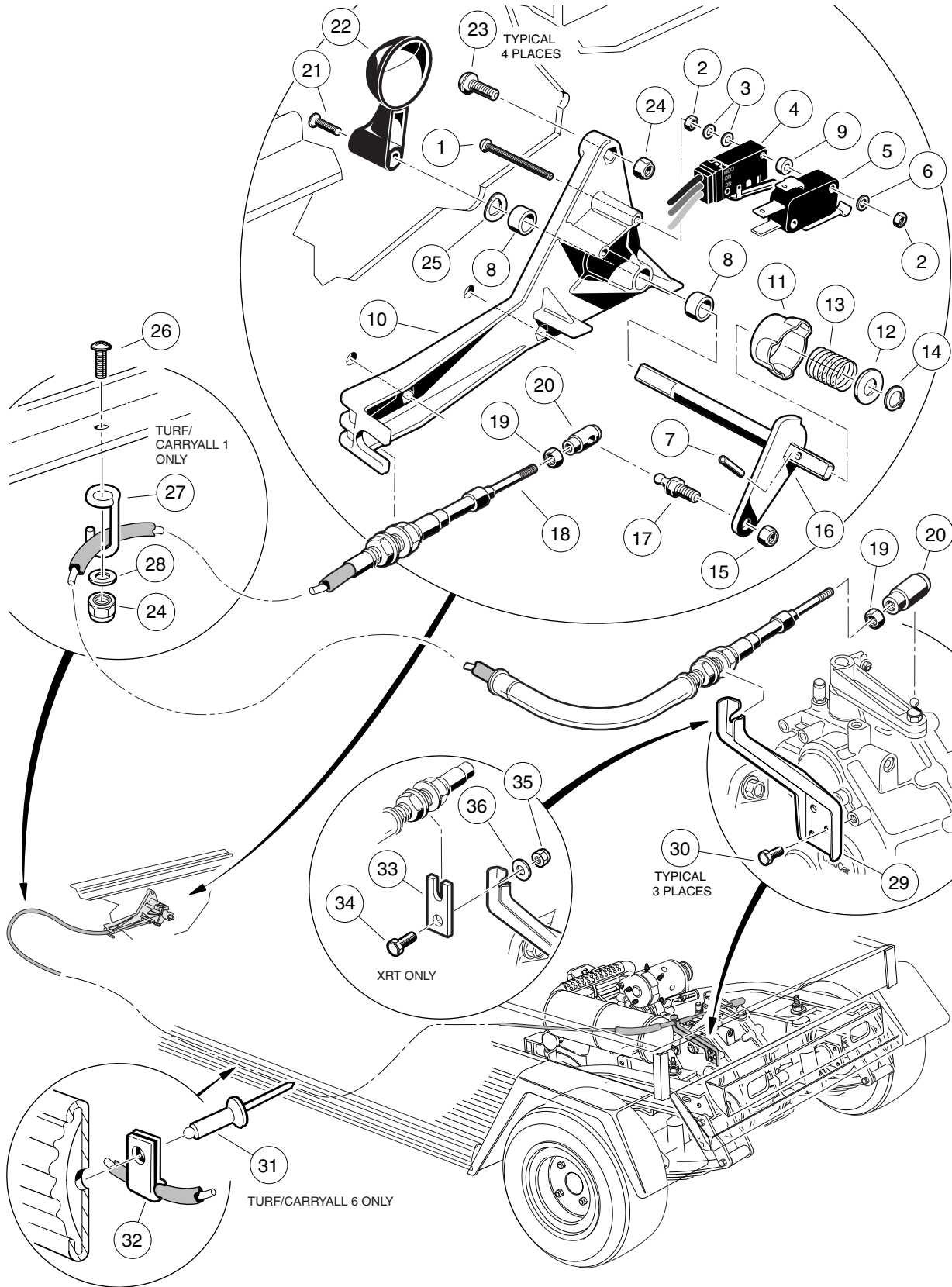
**E**

# **ELECTRICAL SYSTEM – GASOLINE VEHICLE**

---

**6**

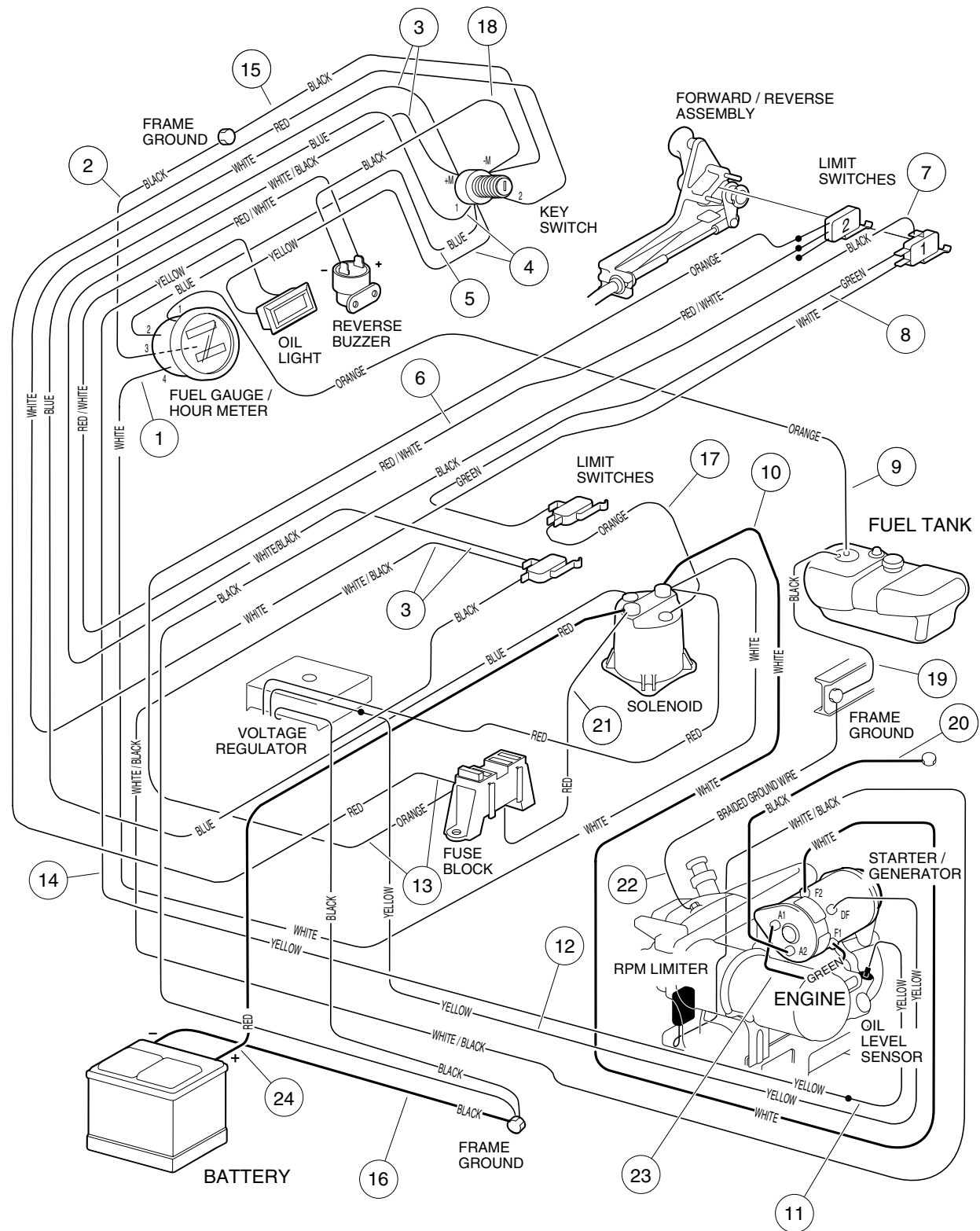
**G**



# FORWARD/REVERSE SHIFTER ASSEMBLY – GASOLINE VEHICLE

| ITEM | PART NO.  | DESCRIPTION                                                                                | QTY |
|------|-----------|--------------------------------------------------------------------------------------------|-----|
|      |           | 1 2 3 4                                                                                    |     |
|      | 1016947   | Assembly, Forward/Reverse Shifter (includes items 1 - 17) .....                            | 1   |
| 1    | 1012594   | Screw, Machine, #4-40 x 1-1/2 .....                                                        | 2   |
| 2    | 8057      | Nut, Hex-Head, #4-40 .....                                                                 | 4   |
| 3    | 1012431   | Washer, Flat, #4 .....                                                                     | 4   |
| 4    | 101979101 | Switch, Limit .....                                                                        | 1   |
| 5    | 1014807   | Switch, Limit .....                                                                        | 1   |
| 6    | 8058      | Washer, Lock, #4 .....                                                                     | 2   |
| 7    | 1013591   | Pin, Roll, 1/8 .....                                                                       | 1   |
| 8    | 1014145   | Bushing, Bronze .....                                                                      | 2   |
| 9    | 1014727   | Washer, Nylon Flat, #4 .....                                                               | 2   |
| 10   | 1016342   | Base, Forward/Reverse Shifter .....                                                        | 1   |
| 11   | 1014089   | Kit, Neutral Lockout Cam (includes item 12) .....                                          | 1   |
| 12   | 1014065   | Washer, Flat .....                                                                         | 1   |
| 13   | 1013590   | Spring, Forward/Reverse Cam .....                                                          | 1   |
| 14   | 1013589   | Ring, Retaining .....                                                                      | 1   |
| 15   | 8717      | Nut, Nylon Lock, 1/4-28 .....                                                              | 1   |
| 16   | 1013587   | Weldment, Forward/Reverse Bell Crank .....                                                 | 1   |
| 17   | 1010954   | Stud, Ball, 1/4-28 x 1/4 .....                                                             | 1   |
| 18   | 101951501 | Cable, Transmission (includes items 19 and 20) (Turf/Carryall 1 only) .....                | 1   |
| 18   | 1015409   | Cable, Transmission (includes items 19 and 20) (Turf/Carryall 2, XRT,<br>and 2 Plus) ..... | 1   |
| 18   | 101672701 | Cable, Transmission (includes items 19 and 20) (Turf/Carryall 6 only) .....                | 1   |
| 19   | 7893      | Nut, Hex, #10-32 .....                                                                     | 2   |
| 20   | 1012333   | Joint, Ball .....                                                                          | 2   |
| 21   | 1013198   | Screw, Phillips Oval Countersunk Machine, #8-32 x 5/8 .....                                | 1   |
| 22   | 1012987   | Handle, Forward/Reverse Switch .....                                                       | 1   |
| 23   | 8248      | Screw, Phillips Truss-Head, 1/4-20 x 3/4 .....                                             | 4   |
| 24   | 8233      | Nut, Nylon Lock, 1/4-20 .....                                                              | 8   |
| 25   | 1016201   | Washer, Wave, 3/8 .....                                                                    | 1   |
| 26   | 8251      | Screw, Phillips Head, 1/4-20 x 1 .....                                                     | 4   |
| 27   | 101855801 | Retainer, Cable .....                                                                      | 1   |
| 28   | 332       | Washer, Flat, 1/4 .....                                                                    | 4   |
| 29   | 101922601 | Bracket, Transmission Cable Support .....                                                  | 1   |
| 30   | 1012285   | Screw, Hex Washer-Head, 1/4-20 x 5/8 .....                                                 | 3   |
| 31   | 7973      | Rivet, Pop, 3/16 (Turf/Carryall 6 only) .....                                              | 1   |
| 32   | 8455      | Clamp (Turf/Carryall 6 only) .....                                                         | 1   |
| 33   | 102004801 | Extension, Shifter Bracket (XRT only) .....                                                | 1   |
| 34   | 320       | Screw, Hex-Head Cap, 3/8-16 x 1 (XRT only).....                                            | 1   |
| 35   | 8754      | Locknut, Nylon, 3/8-16 (XRT only) .....                                                    | 1   |
| 36   | 808       | Washer, Flat, 3/8 (XRT only) .....                                                         | 1   |

**6**  
**G**



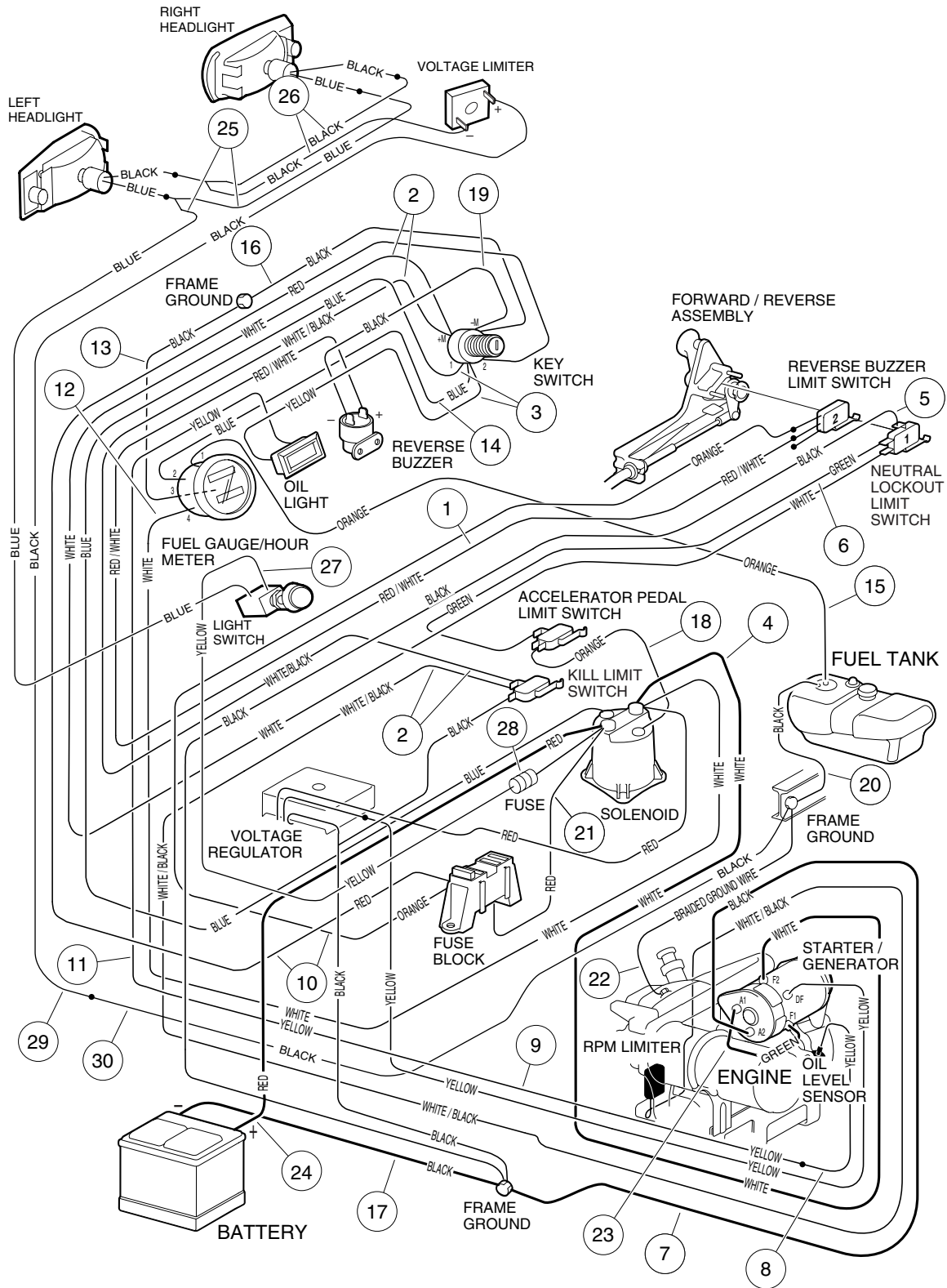


# WIRING – GASOLINE TURF/CARRYALL 1

| ITEM | PART NO.  | DESCRIPTION                                                        | QTY |
|------|-----------|--------------------------------------------------------------------|-----|
|      |           | 1 2 3 4                                                            |     |
|      | 101987402 | Wire Harness Assembly (includes items 1 - 14) .....                | 1   |
| 1    | N/A       | Wire Assembly, #18 White .....                                     | 1   |
| 2    | N/A       | Wire Assembly, #18 Black .....                                     | 1   |
| 3    | N/A       | Wire Assembly, #18 White, #18 White/Black, #18 White/Black .....   | 1   |
| 4    | N/A       | Wire Assembly, #18 Yellow, #18 Blue .....                          | 1   |
| 5    | N/A       | Wire Assembly, #18 Blue .....                                      | 1   |
| 6    | N/A       | Wire Assembly, #18 Red/White .....                                 | 1   |
| 7    | N/A       | Wire Assembly, #18 Black .....                                     | 1   |
| 8    | N/A       | Wire Assembly, #18 Green .....                                     | 1   |
| 9    | N/A       | Wire Assembly, #18 Orange .....                                    | 1   |
| 10   | 1015769   | Wire Assembly, #6 White .....                                      | 1   |
| 11   | N/A       | Wire Assembly, #18 Yellow .....                                    | 1   |
| 12   | N/A       | Wire Assembly, #16 Yellow .....                                    | 1   |
| 13   | N/A       | Wire Assembly, #16 Red, #16 Orange .....                           | 1   |
| 14   | N/A       | Wire Assembly, #18 Yellow .....                                    | 1   |
| 15   | N/A       | Wire Assembly, #18 Black .....                                     | 1   |
| 16   | 1012382   | Wire Assembly, #6 Black .....                                      | 1   |
| 17   | N/A       | Wire Assembly, #18 Orange (part of electrical component box) ..... | 1   |
| 18   | N/A       | Wire Assembly, #18 Black (part of reverse buzzer kit) .....        | 1   |
| 19   | N/A       | Wire Assembly, #18 Black .....                                     | 1   |
| 20   | 1015920   | Wire Assembly, #6 Black Ground .....                               | 1   |
| 21   | 1015737   | Wire Assembly, #10 Red (part of electrical component box) .....    | 1   |
| 22   | 1015332   | Wire Assembly, #10 Braided Ground .....                            | 1   |
| 23   | 101837301 | Wire Assembly, #6 Green .....                                      | 1   |
| 24   | 1014119   | Wire Assembly, #6 Red .....                                        | 1   |

6

G

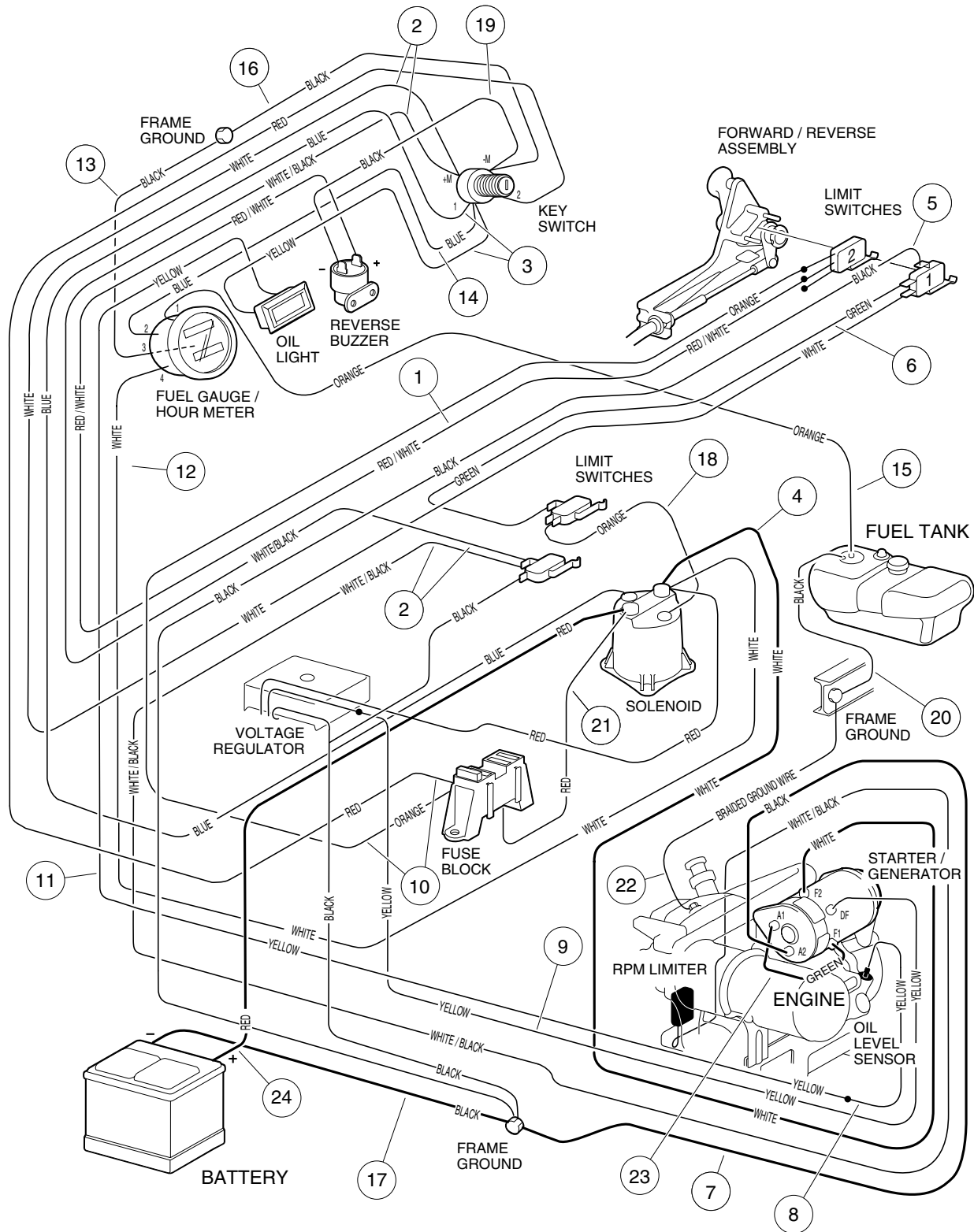


## WIRING – GASOLINE TURF 2

| ITEM | PART NO.  | DESCRIPTION                                                        | QTY |
|------|-----------|--------------------------------------------------------------------|-----|
|      |           | 1 2 3 4                                                            |     |
|      | 101990102 | Wire Harness Assembly (includes items 1 - 15) .....                | 1   |
| 1    | N/A       | Wire Assembly, #18 Red/White .....                                 | 1   |
| 2    | N/A       | Wire Assembly, #18 White, #18 White/Black, #18 White/Black .....   | 1   |
| 3    | N/A       | Wire Assembly, #18 Yellow, #18 Blue .....                          | 1   |
| 4    | 1015769   | Wire Assembly, #6 White .....                                      | 1   |
| 5    | N/A       | Wire Assembly, #16 Black .....                                     | 1   |
| 6    | N/A       | Wire Assembly, #16 Green .....                                     | 1   |
| 7    | 1016380   | Wire Assembly, #6 Black .....                                      | 1   |
| 8    | N/A       | Wire Assembly, #18 Yellow .....                                    | 1   |
| 9    | N/A       | Wire Assembly, #16 Yellow .....                                    | 1   |
| 10   | N/A       | Wire Assembly, #16 Red, #16 Orange .....                           | 1   |
| 11   | N/A       | Wire Assembly, #16 Yellow .....                                    | 1   |
| 12   | N/A       | Wire Assembly, #18 White .....                                     | 1   |
| 13   | N/A       | Wire Assembly, #18 Black .....                                     | 1   |
| 14   | N/A       | Wire Assembly, #18 Blue .....                                      | 1   |
| 15   | N/A       | Wire Assembly, #18 Orange .....                                    | 1   |
| 16   | N/A       | Wire Assembly, #18 Black .....                                     | 1   |
| 17   | 1012382   | Wire Assembly, #6 Black .....                                      | 1   |
| 18   | N/A       | Wire Assembly, #18 Orange (part of electrical component box) ..... | 1   |
| 19   | N/A       | Wire Assembly, #18 Black (part of reverse buzzer kit) .....        | 1   |
| 20   | N/A       | Wire Assembly, #18 Black .....                                     | 1   |
| 21   | 1015737   | Wire Assembly, #10 Red (part of electrical component box) .....    | 1   |
| 22   | 1015332   | Wire Assembly, #10 Braided Ground .....                            | 1   |
| 23   | 101837301 | Wire Assembly, #6 Green .....                                      | 1   |
| 24   | 1014119   | Wire Assembly, #6 Red .....                                        | 1   |
|      | 1016858   | Wire Harness, Headlight (includes items 25 - 30) .....             | 1   |
| 25   | N/A       | Wire Assembly, #16 Blue .....                                      | 1   |
| 26   | N/A       | Wire Assembly, #16 Black .....                                     | 1   |
| 27   | N/A       | Wire Assembly, #16 Yellow (includes item 28) .....                 | 1   |
| 28   | 8106      | Fuse, 20-Amp .....                                                 | 1   |
| 29   | N/A       | Wire Assembly, #16 Black .....                                     | 1   |
| 30   | N/A       | Wire Assembly, #16 Black .....                                     | 1   |

6

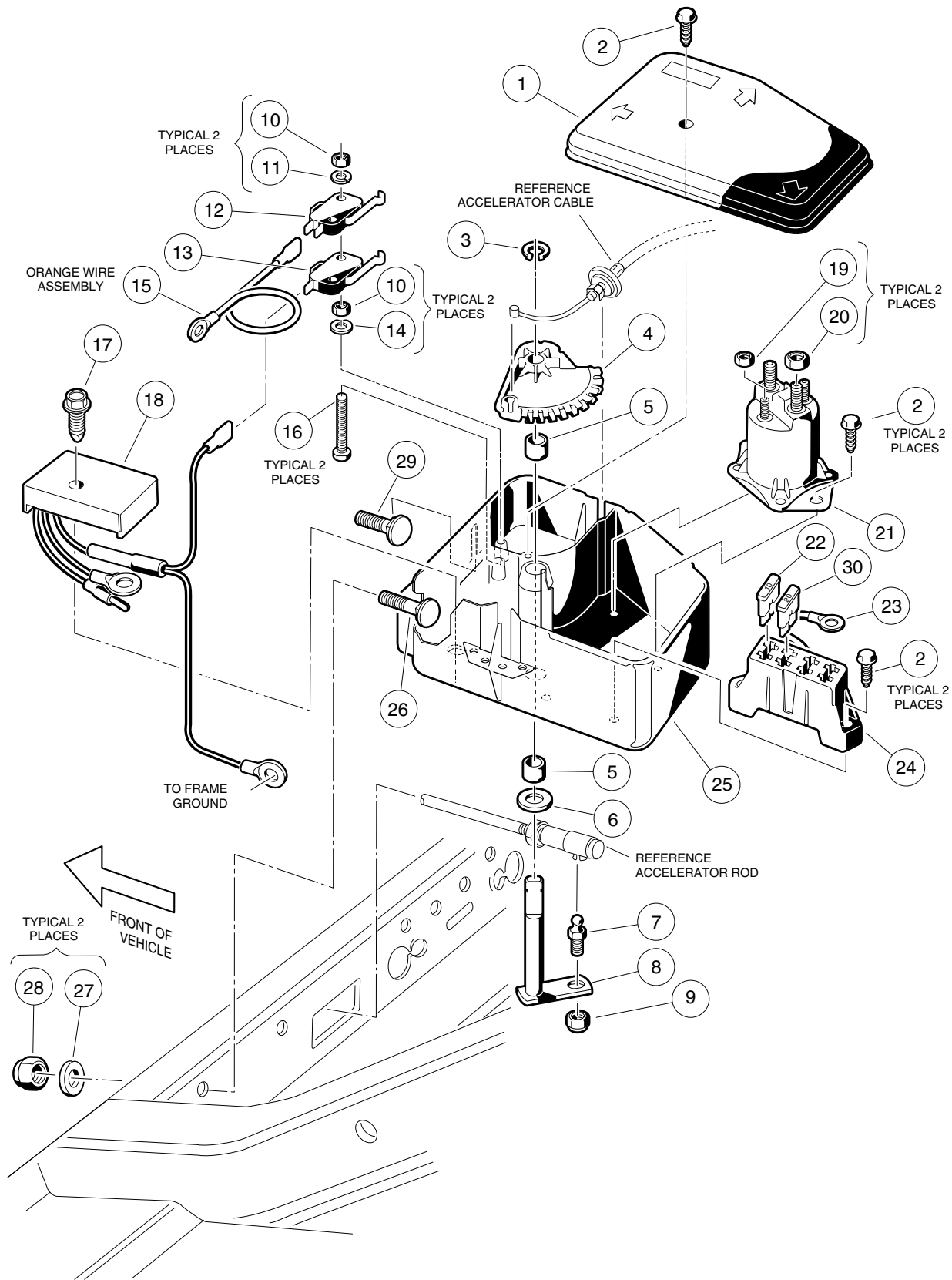
G



# WIRING – GASOLINE CARRYALL 2

| ITEM | PART NO.  | DESCRIPTION                                                        | QTY |
|------|-----------|--------------------------------------------------------------------|-----|
|      |           | 1 2 3 4                                                            |     |
|      | 101990102 | Wire Harness Assembly (includes items 1 - 15) .....                | 1   |
| 1    | N/A       | Wire Assembly, #18 Red/White .....                                 | 1   |
| 2    | N/A       | Wire Assembly, #18 White, #18 White/Black, #18 White/Black .....   | 1   |
| 3    | N/A       | Wire Assembly, #18 Yellow, #18 Blue .....                          | 1   |
| 4    | 1015769   | Wire Assembly, #6 White .....                                      | 1   |
| 5    | N/A       | Wire Assembly, #16 Black .....                                     | 1   |
| 6    | N/A       | Wire Assembly, #16 Green .....                                     | 1   |
| 7    | 1016380   | Wire Assembly, #6 Black .....                                      | 1   |
| 8    | N/A       | Wire Assembly, #18 Yellow .....                                    | 1   |
| 9    | N/A       | Wire Assembly, #16 Yellow .....                                    | 1   |
| 10   | N/A       | Wire Assembly, #16 Red, #16 Orange .....                           | 1   |
| 11   | N/A       | Wire Assembly, #16 Yellow .....                                    | 1   |
| 12   | N/A       | Wire Assembly, #18 White .....                                     | 1   |
| 13   | N/A       | Wire Assembly, #18 Black .....                                     | 1   |
| 14   | N/A       | Wire Assembly, #18 Blue .....                                      | 1   |
| 15   | N/A       | Wire Assembly, #18 Orange .....                                    | 1   |
| 16   | N/A       | Wire Assembly, #18 Black .....                                     | 1   |
| 17   | 1012382   | Wire Assembly, #6 Black .....                                      | 1   |
| 18   | N/A       | Wire Assembly, #18 Orange (part of electrical component box) ..... | 1   |
| 19   | N/A       | Wire Assembly, #18 Black (part of reverse buzzer kit) .....        | 1   |
| 20   | N/A       | Wire Assembly, #18 Black .....                                     | 1   |
| 21   | 1015737   | Wire Assembly, #10 Red (part of electrical component box) .....    | 1   |
| 22   | 1015332   | Wire Assembly, #10 Braided Ground .....                            | 1   |
| 23   | 101837301 | Wire Assembly, #6 Green .....                                      | 1   |
| 24   | 1014119   | Wire Assembly, #6 Red .....                                        | 1   |

**6**  
**G**

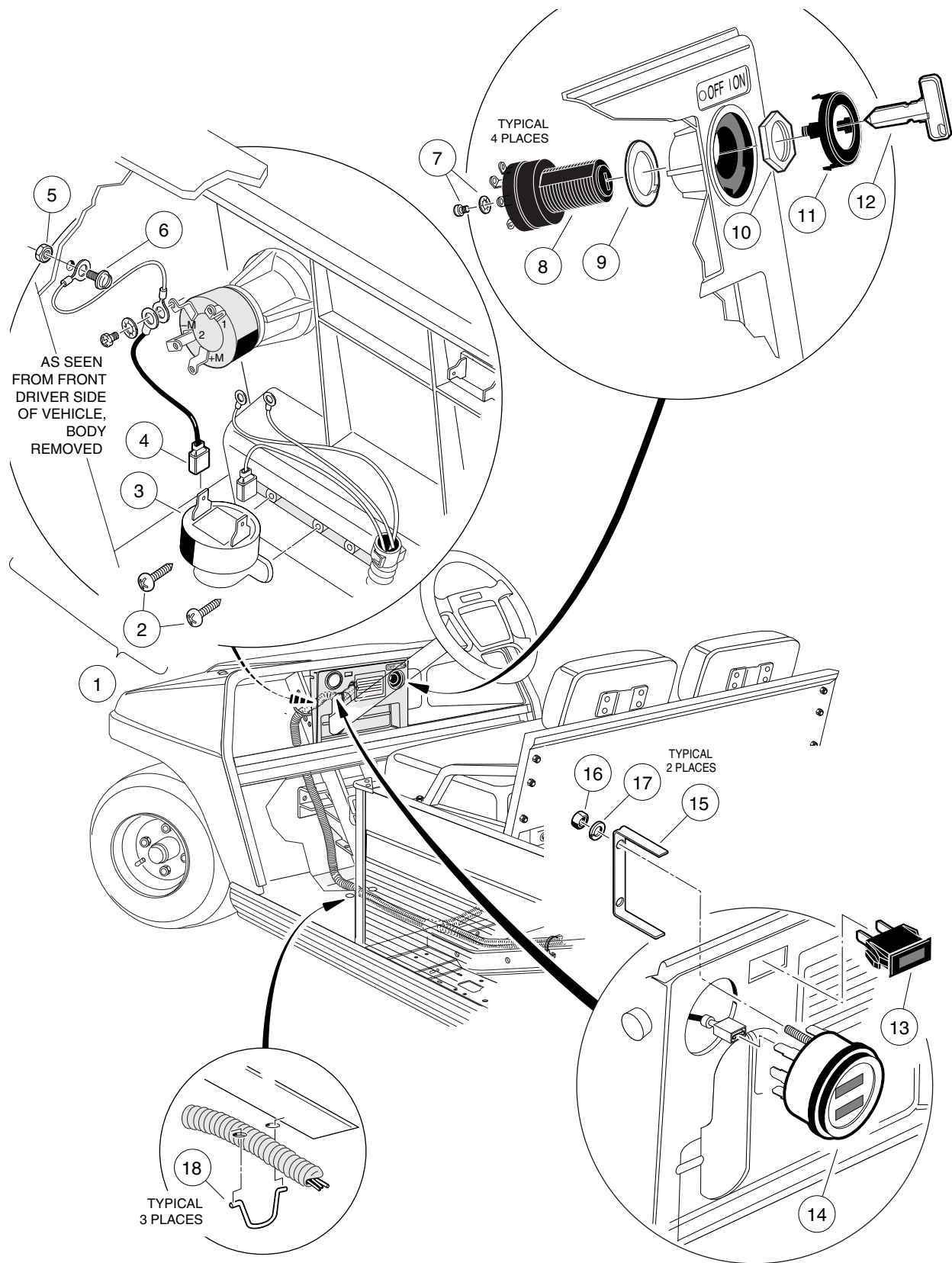


# ELECTRICAL COMPONENT BOX, GASOLINE VEHICLE – TURF/CARRYALL 1, 2, AND XRT AND TURF 6

| ITEM | PART NO.  | DESCRIPTION                                                       | QTY |
|------|-----------|-------------------------------------------------------------------|-----|
|      |           | 1 2 3 4                                                           |     |
|      | 101992602 | Box, Electrical Component, Complete (includes items 1 - 25) ..... | 1   |
| 1    | 1015372   | Cover, Electrical Component Box .....                             | 1   |
| 2    | 1015752   | Screw, Hi-Lo, #12-16 x 5/8 .....                                  | 5   |
| 3    | 1013589   | Ring, Retaining .....                                             | 1   |
| 4    | 1015373   | Cam, Electrical Box .....                                         | 1   |
| 5    | 1014145   | Bushing, Bronze .....                                             | 2   |
| 6    | 1014065   | Washer, Flat .....                                                | 1   |
| 7    | 1010954   | Stud, Ball, 1/4-28 .....                                          | 1   |
| 8    | 1015345   | Assembly, Bell Crank and Shaft .....                              | 1   |
| 9    | 8717      | Nut, Nylon Lock, 1/4-28 .....                                     | 1   |
| 10   | 8057      | Nut, Hex, #4-40 .....                                             | 4   |
| 11   | 8058      | Washer, Lock, #4 .....                                            | 2   |
| 12   | 1014807   | Switch, Limit .....                                               | 1   |
| 13   | 1014808   | Switch, Limit .....                                               | 1   |
| 14   | 1012431   | Washer, Flat, #4 .....                                            | 2   |
| 15   | N/A       | Wire Assembly, #16 Orange .....                                   | 1   |
| 16   | 1015878   | Screw, Hex-Head Machine, #4-40 x 1-5/8 .....                      | 2   |
| 17   | 101856102 | Screw, Hex Washer-Head Hi-Lo, 1/4-15 x 1-1/2 .....                | 1   |
| 18   | 1015777   | Assembly, Voltage Regulator .....                                 | 1   |
| 19   | 7893      | Nut, Hex, #10-32 .....                                            | 2   |
| 20   | 1242      | Nut, Hex, 5/16-18 .....                                           | 2   |
| 21   | 1013609   | Solenoid, 12-Volt .....                                           | 1   |
| 22   | 1012295   | Fuse, 10-Amp .....                                                | 1   |
| 23   | 1015737   | Wire Assembly, #10 Red .....                                      | 1   |
| 24   | 1015741   | Block, Fuse .....                                                 | 1   |
| 25   | 1015371   | Box, Electrical Component .....                                   | 1   |
| 26   | 1015405   | Bolt, Carriage, 5/16-18 x 2 .....                                 | 1   |
| 27   | 1241      | Washer, Flat, 5/16 .....                                          | 2   |
| 28   | 7473      | Nut, Nylon Lock, 5/16-18 .....                                    | 2   |
| 29   | 7818      | Bolt, Carriage, 5/16-18 x 1-1/2 .....                             | 1   |
| 30   | 1016423   | Fuse, 20-Amp (Turf 2 and Turf/Carryall 2 XRT only) .....          | 1   |

**6**  
**G**

**6**  
**G**

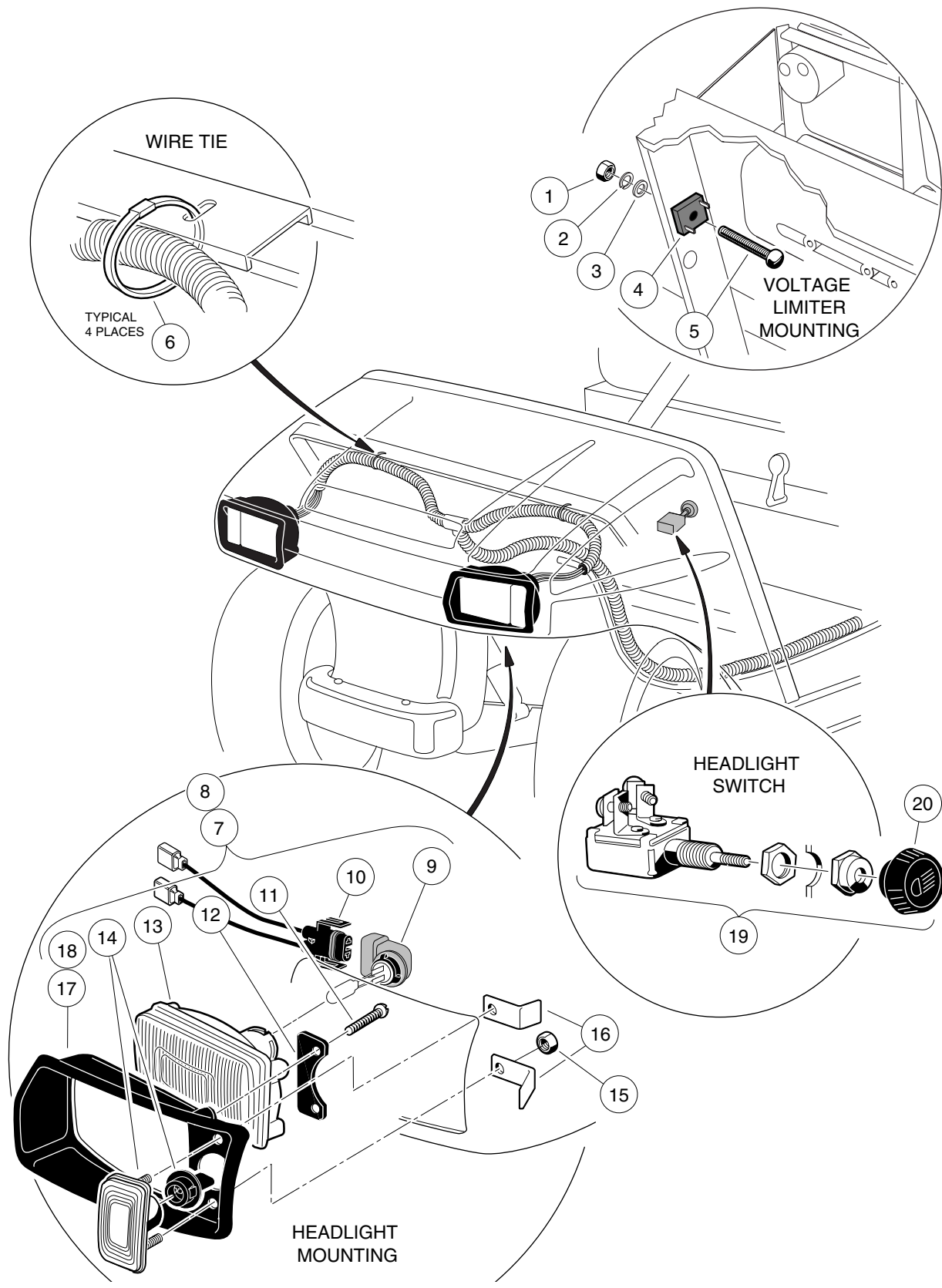




# ELECTRICAL COMPONENTS, FRONT BODY – GASOLINE TURF/CARRYALL 1, 2, XRT, AND 2 PLUS

| ITEM | PART NO.  | DESCRIPTION                                                               | QTY |
|------|-----------|---------------------------------------------------------------------------|-----|
|      |           | 1 2 3 4                                                                   |     |
| 1    | 1016859   | Kit, Reverse Buzzer (includes items 2, 3, and 4) .....                    | 1   |
| 2    | 1016849   | Screw, Pan-Head Hi-Lo, #4-24 X 5/16 .....                                 | 2   |
| 3    | 1016851   | Buzzer, Reverse .....                                                     | 1   |
| 4    | N/A       | Wire Assembly, #18 Black .....                                            | 1   |
| 5    | 1011229   | Nut, K-Lock, #6-32 .....                                                  | 1   |
| 6    | 1015720   | Screw, Hex Washer-Head, #6-32 x 1/2 .....                                 | 1   |
| 7    | 101830601 | Assembly, Screw and Washer (quantity of 5 used for Carryall 2 Plus) ..... | 4   |
| 8    | 101826301 | Switch, Key (Turf/Carryall 1, 2 and XRT) .....                            | 1   |
| 8    | 101826401 | Switch, Key (Carryall 2 Plus only) .....                                  | 1   |
| 9    | 101851101 | Washer .....                                                              | 1   |
| 10   | 101830701 | Nut, Key Switch .....                                                     | 1   |
| 11   | 101834502 | Cap, Key Switch .....                                                     | 1   |
| 12   | 1012505   | Key (pair) .....                                                          | 1   |
| 13   | 1016630   | Light, Low Oil Warning .....                                              | 1   |
| 14   | 101990701 | Fuel Gauge/Hour Meter (includes item 15) .....                            | 1   |
| 15   | N/A       | Bracket .....                                                             | 1   |
| 16   | 101991101 | Nut, M4 x .7 .....                                                        | 2   |
| 17   | 1012986   | Washer, Lock, M4 .....                                                    | 2   |
| 18   | 101900901 | Retainer, Harness .....                                                   | 3   |

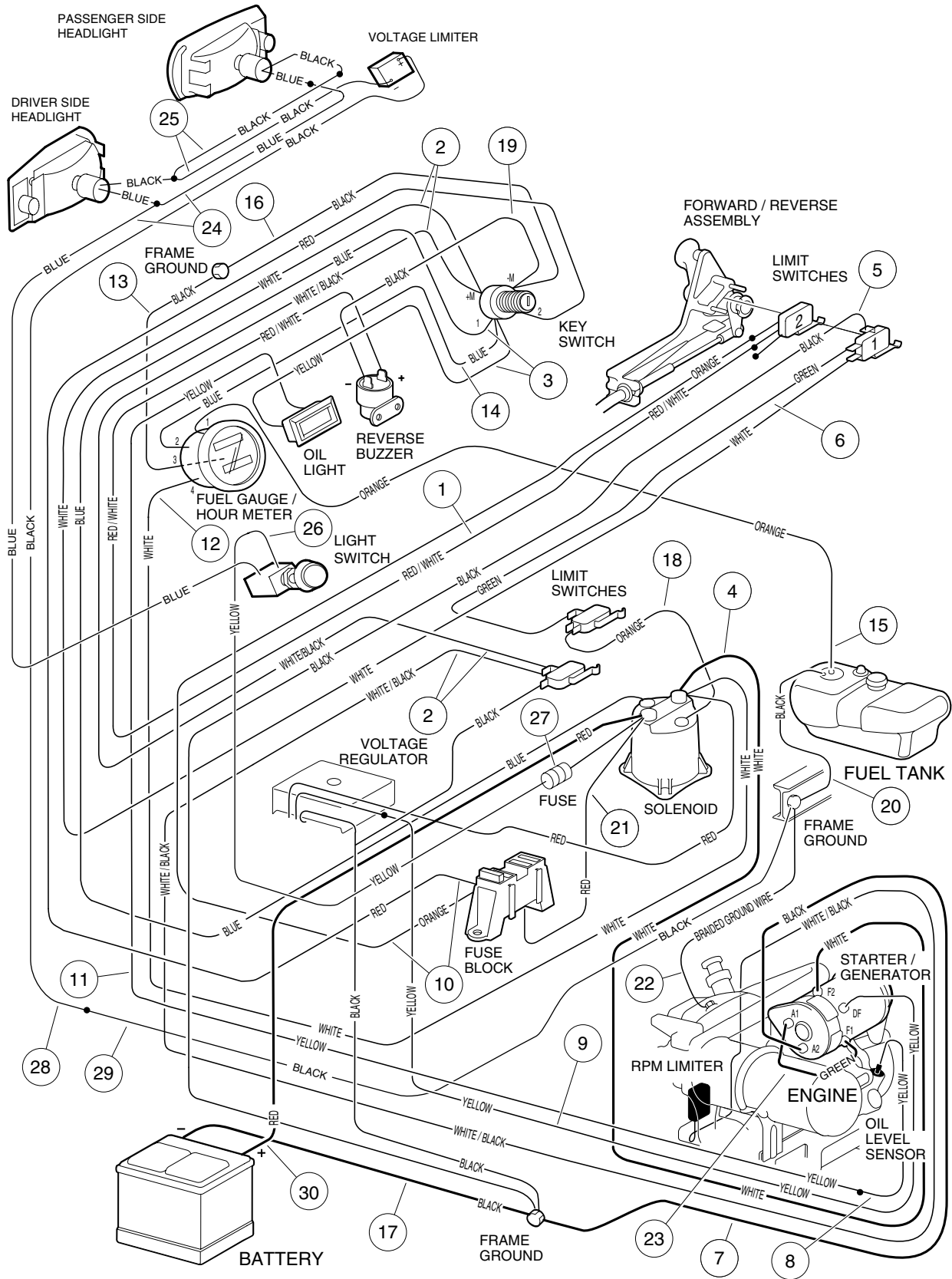
**6**  
**G**



## HEADLIGHTS – GASOLINE XRT AND TURF 2

| ITEM | PART NO.  | DESCRIPTION                                                              | QTY |
|------|-----------|--------------------------------------------------------------------------|-----|
|      |           | 1 2 3 4                                                                  |     |
| 1    | 7893      | Nut, Hex, #10-32 .....                                                   | 1   |
| 2    | 1016      | Washer, Lock, #10 .....                                                  | 1   |
| 3    | 183       | Washer, Flat, #10 .....                                                  | 1   |
| 4    | 1017721   | Limitter, Voltage .....                                                  | 1   |
| 5    | 1010909   | Screw, Hex-Head Machine, #10-32 x 1-1/4 .....                            | 1   |
| 6    | 8990      | Tie, Wire .....                                                          | 4   |
| 7    | 101988001 | Assembly, Headlight, Driver-Side (includes items 9 - 17) .....           | 1   |
| 8    | 101988002 | Assembly, Headlight, Passenger-Side (includes items 9 - 16 and 18) ..... | 1   |
| 9    | 101988101 | Bulb, Halogen .....                                                      | 1   |
| 10   | 101987901 | Harness, Headlight Wire .....                                            | 1   |
| 11   | 1013461   | Screw, Hi-Lo, #10-16 .....                                               | 2   |
| 12   | 1017065   | Retainer, Headlight .....                                                | 1   |
| 13   | 101988201 | Lens, Headlight .....                                                    | 1   |
| 14   | 1017062   | Assembly, Turn Signal Lens .....                                         | 1   |
| 15   | 7893      | Nut, Hex, Stainless Steel, #10-32 .....                                  | 2   |
| 16   | 1017064   | Bracket, Mounting .....                                                  | 2   |
| 17   | 1016880   | Bezel, Headlight, Driver-Side .....                                      | 1   |
| 18   | 1016879   | Bezel, Headlight, Passenger-Side .....                                   | 1   |
| 19   | 4034      | Switch, Light (includes item 20) .....                                   | 1   |
| 20   | 1013857   | Knob, Light Switch .....                                                 | 1   |

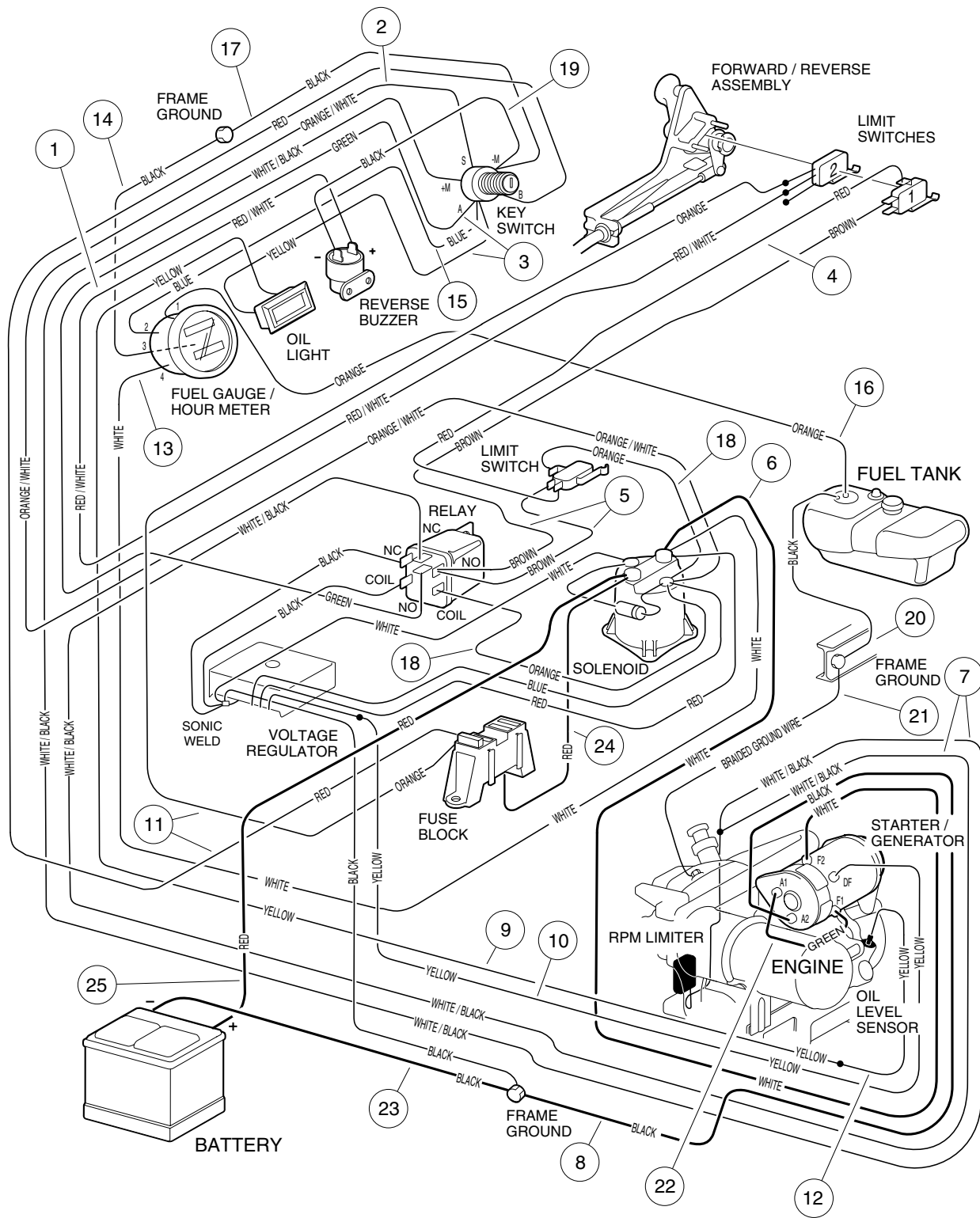
6  
G



# WIRING – GASOLINE TURF/CARRYALL 2 XRT

| ITEM | PART NO.  | DESCRIPTION                                                        | QTY |
|------|-----------|--------------------------------------------------------------------|-----|
|      |           | 1 2 3 4                                                            |     |
|      | 101990102 | Wire Harness Assembly (includes items 1 - 15) .....                | 1   |
| 1    | N/A       | Wire Assembly, #18 Red/White .....                                 | 1   |
| 2    | N/A       | Wire Assembly, #18 White, #18 White/Black, #18 White/Black .....   | 1   |
| 3    | N/A       | Wire Assembly, #18 Yellow, #18 Blue .....                          | 1   |
| 4    | 1015769   | Wire Assembly, #6 White .....                                      | 1   |
| 5    | N/A       | Wire Assembly, #16 Black .....                                     | 1   |
| 6    | N/A       | Wire Assembly, #16 Green .....                                     | 1   |
| 7    | 1016380   | Wire Assembly, #6 Black .....                                      | 1   |
| 8    | N/A       | Wire Assembly, #18 Yellow .....                                    | 1   |
| 9    | N/A       | Wire Assembly, #16 Yellow .....                                    | 1   |
| 10   | N/A       | Wire Assembly, #16 Red, #16 Orange .....                           | 1   |
| 11   | N/A       | Wire Assembly, #16 Yellow .....                                    | 1   |
| 12   | N/A       | Wire Assembly, #18 White .....                                     | 1   |
| 13   | N/A       | Wire Assembly, #18 Black .....                                     | 1   |
| 14   | N/A       | Wire Assembly, #18 Blue .....                                      | 1   |
| 15   | N/A       | Wire Assembly, #18 Orange .....                                    | 1   |
| 16   | N/A       | Wire Assembly, #18 Black .....                                     | 1   |
| 17   | 1012382   | Wire Assembly, #6 Black .....                                      | 1   |
| 18   | N/A       | Wire Assembly, #18 Orange (part of electrical component box) ..... | 1   |
| 19   | N/A       | Wire Assembly, #18 Black (part of reverse buzzer kit) .....        | 1   |
| 20   | N/A       | Wire Assembly, #18 Black .....                                     | 1   |
| 21   | 1015737   | Wire Assembly, #10 Red (part of electrical component box) .....    | 1   |
| 22   | 1015332   | Wire Assembly, #10 Braided Ground .....                            | 1   |
| 23   | 101837301 | Wire Assembly, #6 Green .....                                      | 1   |
|      | 1016858   | Wire Harness, Headlight (includes items 24 - 29) .....             | 1   |
| 24   | N/A       | Wire Assembly, #16 Blue .....                                      | 1   |
| 25   | N/A       | Wire Assembly, #16 Black .....                                     | 1   |
| 26   | N/A       | Wire Assembly, #16 Yellow (includes item 27) .....                 | 1   |
| 27   | 8106      | Fuse, 20-Amp .....                                                 | 1   |
| 28   | N/A       | Wire Assembly, #16 Black .....                                     | 1   |
| 29   | N/A       | Wire Assembly, #16 Black .....                                     | 1   |
| 30   | 1014119   | Wire Assembly, #6 Red .....                                        | 1   |

**6**  
**G**



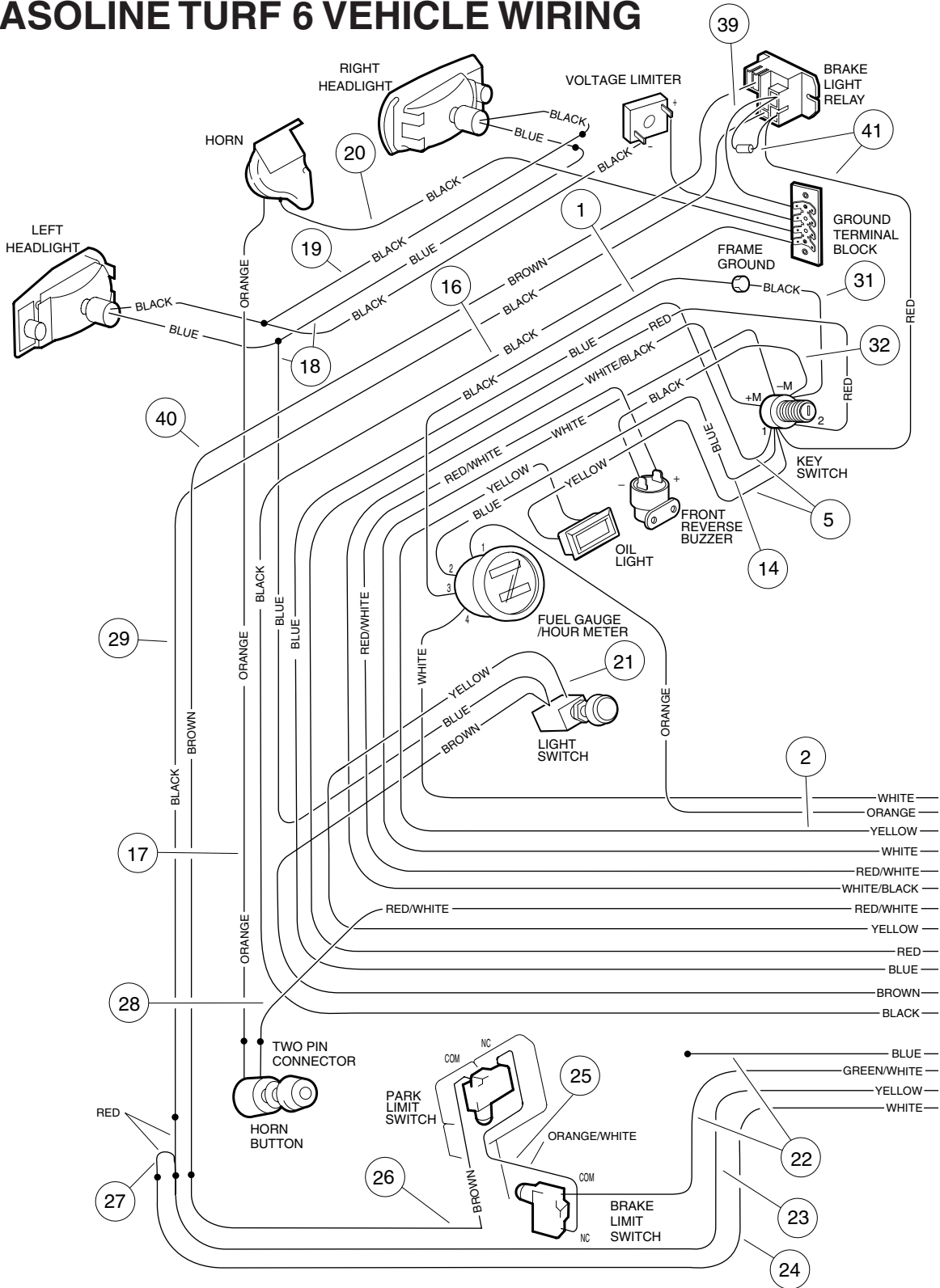
# WIRING – GASOLINE CARRYALL 2 PLUS

| ITEM | PART NO.  | DESCRIPTION                                                        | QTY |
|------|-----------|--------------------------------------------------------------------|-----|
|      |           | 1 2 3 4                                                            |     |
|      | 101990302 | Wire Harness (includes items 1 - 16) .....                         | 1   |
| 1    | N/A       | Wire Assembly, #18 Red/White .....                                 | 1   |
| 2    | N/A       | Wire Assembly, #18 Orange/White .....                              | 1   |
| 3    | N/A       | Wire Assembly, #18 Yellow, #18 Green .....                         | 1   |
| 4    | N/A       | Wire Assembly, #18 Red .....                                       | 1   |
| 5    | N/A       | Wire Assembly, #18 Brown .....                                     | 1   |
| 6    | 1015769   | Wire Assembly, #6 White .....                                      | 1   |
| 7    | N/A       | Wire Assembly, #18 White/Black .....                               | 1   |
| 8    | 1016380   | Wire Assembly, #6 Black .....                                      | 1   |
| 9    | N/A       | Wire Assembly, #16 Yellow .....                                    | 1   |
| 10   | N/A       | Wire Assembly, #16 Yellow .....                                    | 1   |
| 11   | N/A       | Wire Assembly, #16 Red, #16 Orange .....                           | 1   |
| 12   | N/A       | Wire Assembly, #18 Yellow .....                                    | 1   |
| 13   | N/A       | Wire Assembly, #18 White .....                                     | 1   |
| 14   | N/A       | Wire Assembly, #18 Black .....                                     | 1   |
| 15   | N/A       | Wire Assembly, #18 Blue .....                                      | 1   |
| 16   | N/A       | Wire Assembly, #18 Orange .....                                    | 1   |
| 17   | N/A       | Wire Assembly, #18 Black .....                                     | 1   |
| 18   | N/A       | Wire Assembly, #18 Orange (part of electrical component box) ..... | 1   |
| 19   | N/A       | Wire Assembly, #18 Black (part of reverse buzzer kit) .....        | 1   |
| 20   | N/A       | Wire Assembly, #18 Black .....                                     | 1   |
| 21   | 1015332   | Wire Assembly, #10 Braided Ground .....                            | 1   |
| 22   | 101837301 | Wire Assembly, #6 Green .....                                      | 1   |
| 23   | 1012382   | Wire Assembly, #6 Black .....                                      | 1   |
| 24   | 1015737   | Wire Assembly, #10 Red (part of electrical component box) .....    | 1   |
| 25   | 1014119   | Wire Assembly, #6 Red .....                                        | 1   |

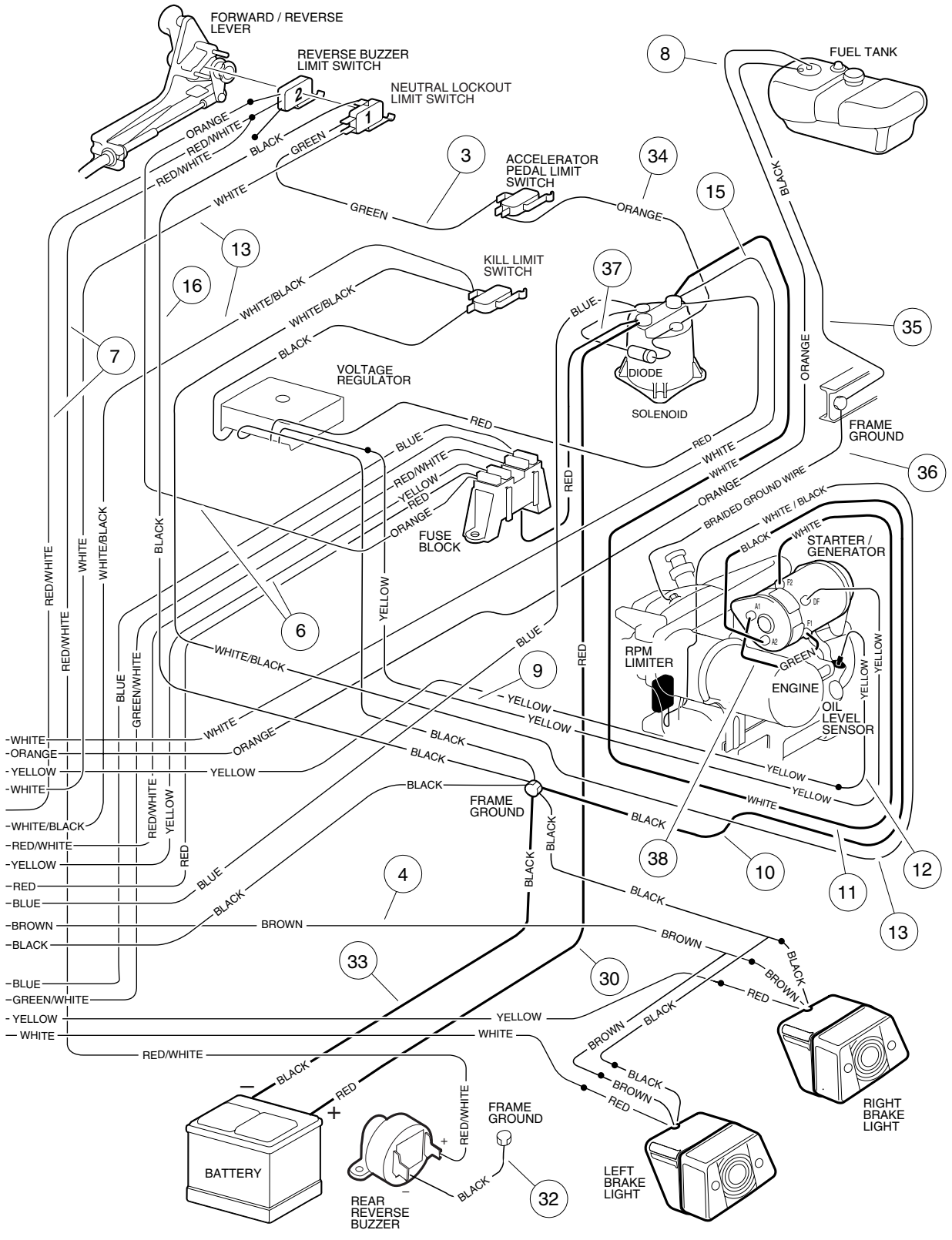
6

G

# GASOLINE TURF 6 VEHICLE WIRING







**6**

**G**

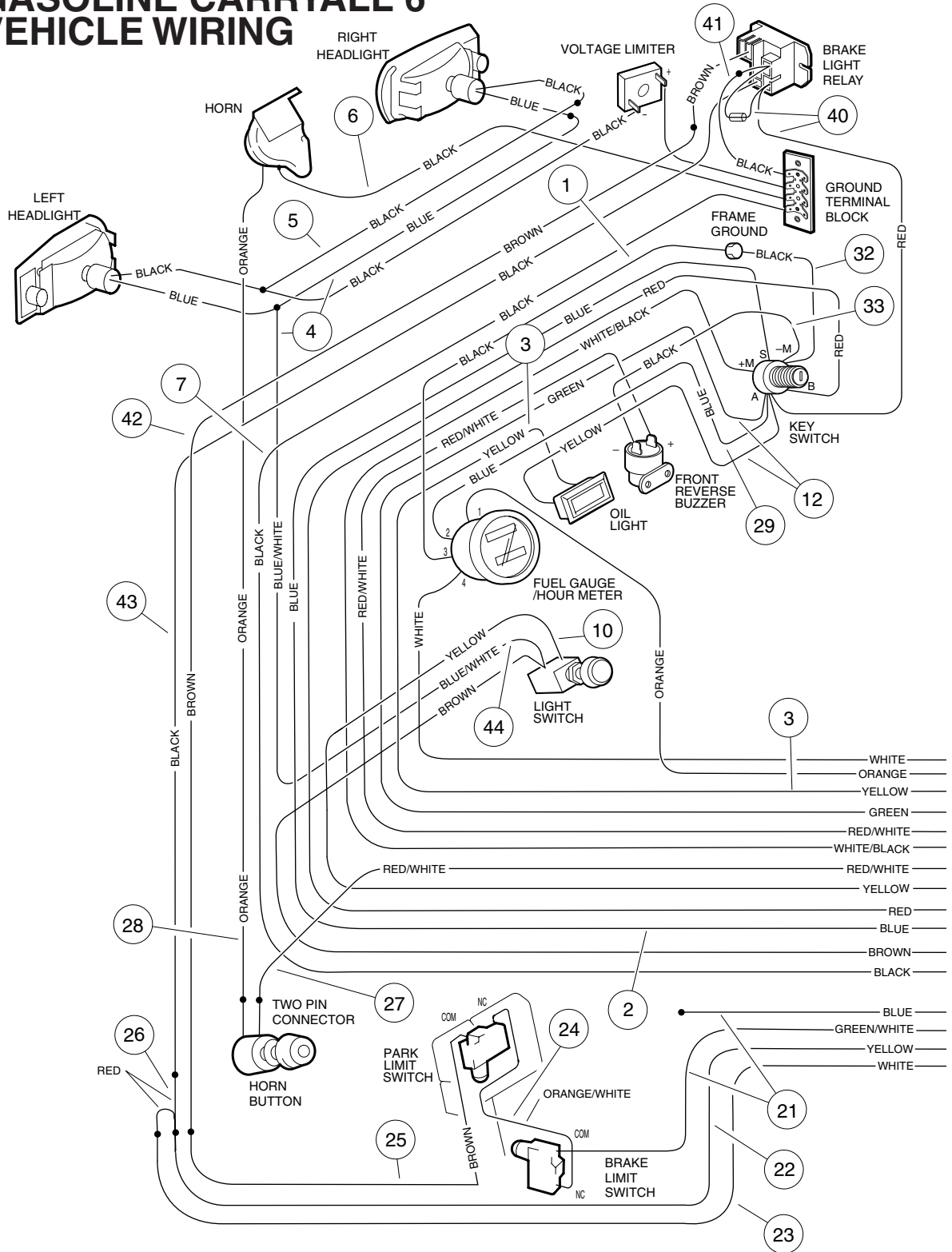
See previous two pages for wiring diagram.

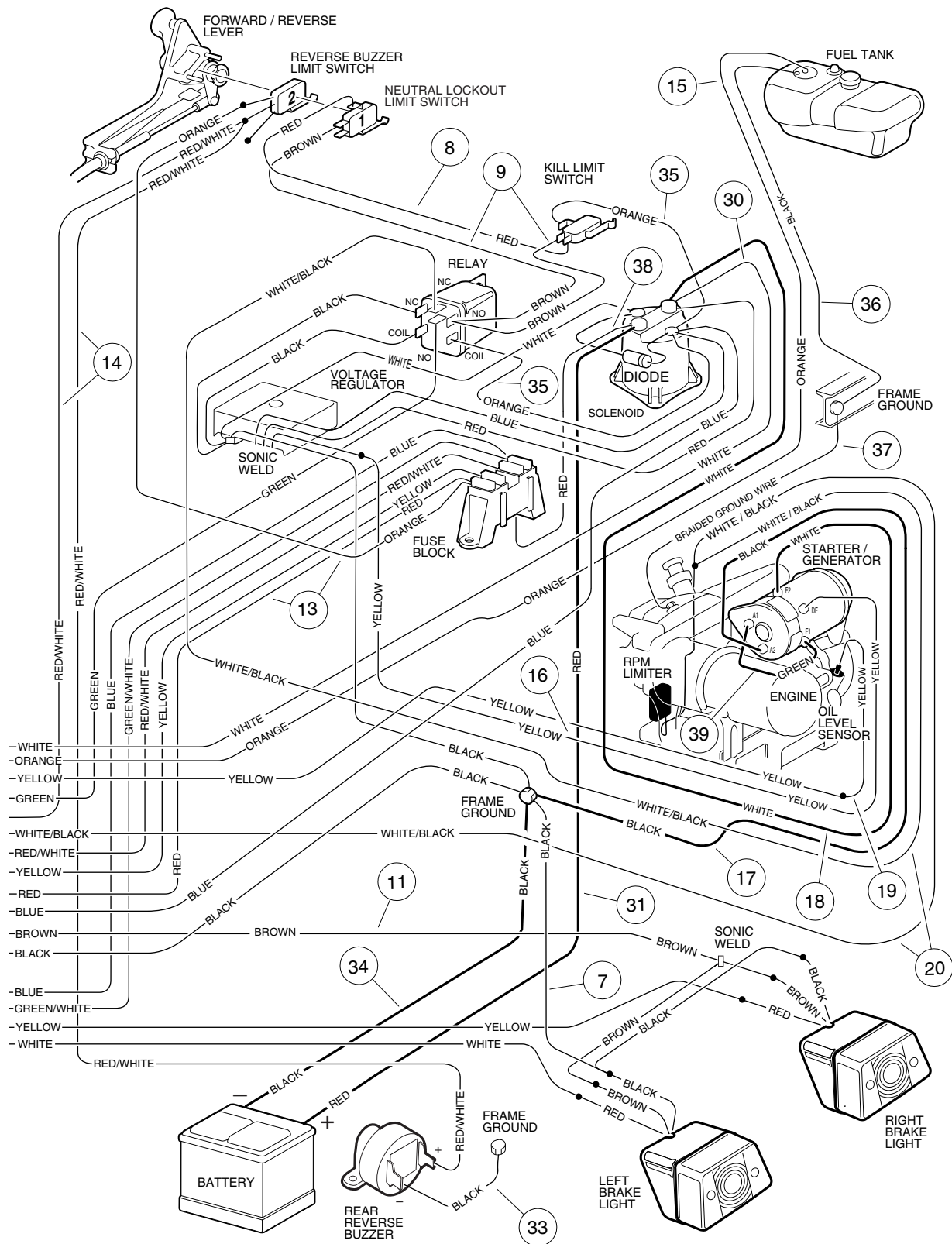
# WIRING – GASOLINE TURF 6

| ITEM | PART NO.  | DESCRIPTION                                                        | QTY |
|------|-----------|--------------------------------------------------------------------|-----|
|      |           | 1 2 3 4                                                            |     |
|      | 101990202 | Wire Harness (includes items 1 - 15) .....                         | 1   |
| 1    | N/A       | Wire Assembly, #18 Black .....                                     | 1   |
| 2    | N/A       | Wire Assembly, #18 Yellow .....                                    | 1   |
| 3    | N/A       | Wire Assembly, #18 Green .....                                     | 1   |
| 4    | N/A       | Wire Assembly, #16 Brown .....                                     | 1   |
| 5    | N/A       | Wire Assembly, #18 Blue, #18 Yellow .....                          | 1   |
| 6    | N/A       | Wire Assembly, #16 Red, #16 Orange .....                           | 1   |
| 7    | N/A       | Wire Assembly, #18 Red/White .....                                 | 1   |
| 8    | N/A       | Wire Assembly, #18 Orange .....                                    | 1   |
| 9    | N/A       | Wire Assembly, #16 Yellow .....                                    | 1   |
| 10   | 1016380   | Wire Assembly, # 6 Black .....                                     | 1   |
| 11   | 1015769   | Wire Assembly, # 6 White .....                                     | 1   |
| 12   | N/A       | Wire Assembly, #18 Yellow .....                                    | 1   |
| 13   | N/A       | Wire Assembly, #18 White/Black, #18 White .....                    | 1   |
| 14   | N/A       | Wire Assembly, #18 Blue .....                                      | 1   |
| 15   | N/A       | Wire Assembly, #18 White .....                                     | 1   |
|      | 101989802 | Wire Harness, Lighting (includes items 17 - 28)                    |     |
| 16   | N/A       | Wire Assembly, #14 Black, #18 Black .....                          | 1   |
| 17   | N/A       | Wire Assembly, #16 Orange.....                                     | 1   |
| 18   | N/A       | Wire Assembly, #16 Blue .....                                      | 1   |
| 19   | N/A       | Wire Assembly, #16 Black .....                                     | 1   |
| 20   | N/A       | Wire Assembly, #16 Black .....                                     | 1   |
| 21   | N/A       | Wire Assembly, #14 Yellow .....                                    | 1   |
| 22   | N/A       | Wire Assembly, #16 Green/White, #16 Blue .....                     | 1   |
| 23   | N/A       | Wire Assembly, #16 Yellow .....                                    | 1   |
| 24   | N/A       | Wire Assembly, #16 White .....                                     | 1   |
| 25   | N/A       | Wire Assembly, #16 Orange/White .....                              | 1   |
| 26   | N/A       | Wire Assembly, #16 Brown .....                                     | 1   |
| 27   | N/A       | Wire Assembly, #18 Red .....                                       | 1   |
| 28   | N/A       | Wire Assembly, #16 Red/White .....                                 | 1   |
| 29   | N/A       | Wire Assembly, #18 Black .....                                     | 1   |
| 30   | 1014119   | Wire Assembly, #6 Red .....                                        | 1   |
| 31   | N/A       | Wire Assembly, #18 Black .....                                     | 1   |
| 32   | N/A       | Wire Assembly, #18 Black (part of reverse buzzer kit) .....        | 2   |
| 33   | 1012382   | Wire Assembly, #6 Black .....                                      | 1   |
| 34   | N/A       | Wire Assembly, #18 Orange (part of electrical component box) ..... | 1   |
| 35   | N/A       | Wire Assembly, #18 Black .....                                     | 1   |
| 36   | 1015332   | Wire Assembly, #10 Braided Ground Wire .....                       | 1   |
| 37   | 1015737   | Wire Assembly, #10 Red (part of electrical component box) .....    | 1   |
| 38   | 101837301 | Wire Assembly, #6 Green .....                                      | 1   |
| 39   | N/A       | Wire Assembly, #18 Black .....                                     | 1   |
| 40   | N/A       | Wire Assembly, #18 Brown .....                                     | 1   |
| 41   | 101914401 | Assembly, Voltage Suppressor (includes #18 red and #18 blue) ..... | 1   |



# GASOLINE CARRYALL 6 VEHICLE WIRING





**6**

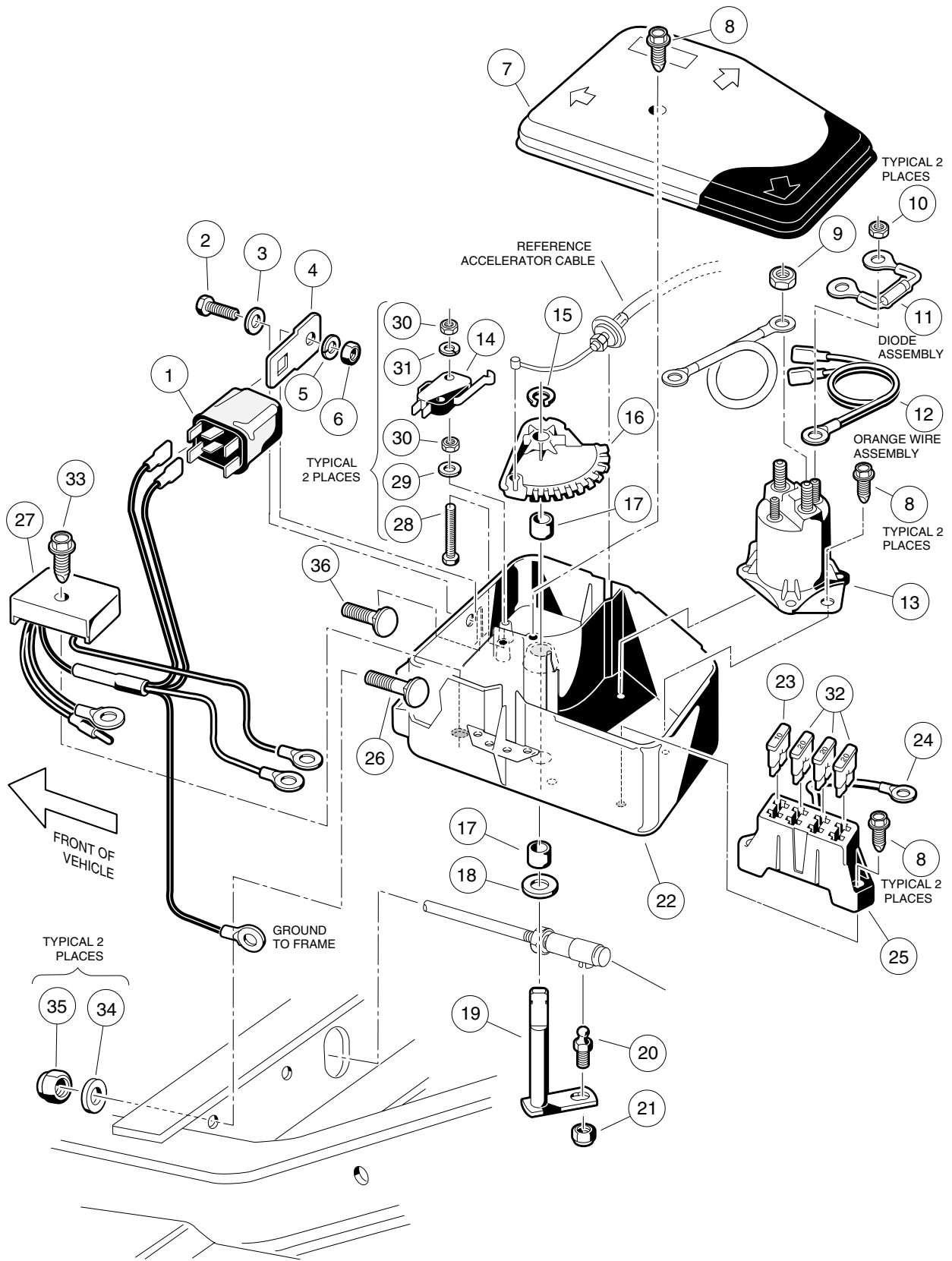
**G**

See previous two pages for wiring diagram.

# WIRING – GASOLINE CARRYALL 6

| ITEM | PART NO.  | DESCRIPTION                                                        | QTY |
|------|-----------|--------------------------------------------------------------------|-----|
|      |           | 1 2 3 4                                                            |     |
|      | 101990402 | Wire Harness (includes items 1 - 30) .....                         | 1   |
| 1    | N/A       | Wire Assembly, #16 Black .....                                     | 1   |
| 2    | N/A       | Wire Assembly, #18 Blue .....                                      | 1   |
| 3    | N/A       | Wire Assembly, #18 Yellow .....                                    | 1   |
| 4    | N/A       | Wire Assembly, #16 Blue, #16 Blue/White .....                      | 1   |
| 5    | N/A       | Wire Assembly, #16 Black .....                                     | 1   |
| 6    | N/A       | Wire Assembly, #16 Black .....                                     | 1   |
| 7    | N/A       | Wire Assembly, #14 Black, #18 Black .....                          | 1   |
| 8    | N/A       | Wire Assembly, #18 Red .....                                       | 1   |
| 9    | N/A       | Wire Assembly, #18 Brown .....                                     | 1   |
| 10   | N/A       | Wire Assembly, #14 Yellow .....                                    | 1   |
| 11   | N/A       | Wire Assembly, #16 Brown .....                                     | 1   |
| 12   | N/A       | Wire Assembly, #18 Green, #18 Yellow .....                         | 1   |
| 13   | N/A       | Wire Assembly, #16 Red, #16 Orange .....                           | 1   |
| 14   | N/A       | Wire Assembly, #18 Red/White .....                                 | 1   |
| 15   | N/A       | Wire Assembly, #18 Orange .....                                    | 1   |
| 16   | N/A       | Wire Assembly, #16 Yellow .....                                    | 1   |
| 17   | 1016380   | Wire Assembly, # 6 Black .....                                     | 1   |
| 18   | 1015769   | Wire Assembly, # 6 White .....                                     | 1   |
| 19   | N/A       | Wire Assembly, #18 Yellow .....                                    | 1   |
| 20   | N/A       | Wire Assembly, #18 White/Black .....                               | 1   |
| 21   | N/A       | Wire Assembly, #16 Green/White, #16 Blue .....                     | 1   |
| 22   | N/A       | Wire Assembly, #16 Yellow .....                                    | 1   |
| 23   | N/A       | Wire Assembly, #16 White .....                                     | 1   |
| 24   | N/A       | Wire Assembly, #16 Orange/White .....                              | 1   |
| 25   | N/A       | Wire Assembly, #16 Brown .....                                     | 1   |
| 26   | N/A       | Wire Assembly, #16 Red .....                                       | 1   |
| 27   | N/A       | Wire Assembly, #16 Red/White .....                                 | 1   |
| 28   | N/A       | Wire Assembly, #16 Orange .....                                    | 1   |
| 29   | N/A       | Wire Assembly, #18 Blue .....                                      | 1   |
| 30   | N/A       | Wire Assembly, #18 White .....                                     | 1   |
| 31   | 1014119   | Wire Assembly, #6 Red .....                                        | 1   |
| 32   | N/A       | Wire Assembly, #18 Black .....                                     | 1   |
| 33   | N/A       | Wire Assembly, #18 Black (part of reverse buzzer kit) .....        | 1   |
| 34   | 1012382   | Wire Assembly, #6 Black .....                                      | 1   |
| 35   | N/A       | Wire Assembly, #18 Orange (part of electrical component box) ..... | 1   |
| 36   | N/A       | Wire Assembly, #18 Black .....                                     | 1   |
| 37   | 1015332   | Wire Assembly, #10 Braided Ground Wire .....                       | 1   |
| 38   | 1015737   | Wire Assembly, #10 Red (part of electrical component box) .....    | 1   |
| 39   | 101837301 | Wire Assembly, #6 Green .....                                      | 1   |
| 40   | 101914401 | Assembly, Voltage Suppressor (includes #18 red and #18 blue) ..... | 1   |
| 41   | 102199401 | Wire Assembly, #18 Black .....                                     | 1   |
| 42   | 102199201 | Wire Assembly, #16 Brown .....                                     | 1   |
| 43   | 102199301 | Wire Assembly, #18 Black .....                                     | 1   |
| 44   | N/A       | Wire Assembly, #18 Blue/White .....                                | 1   |



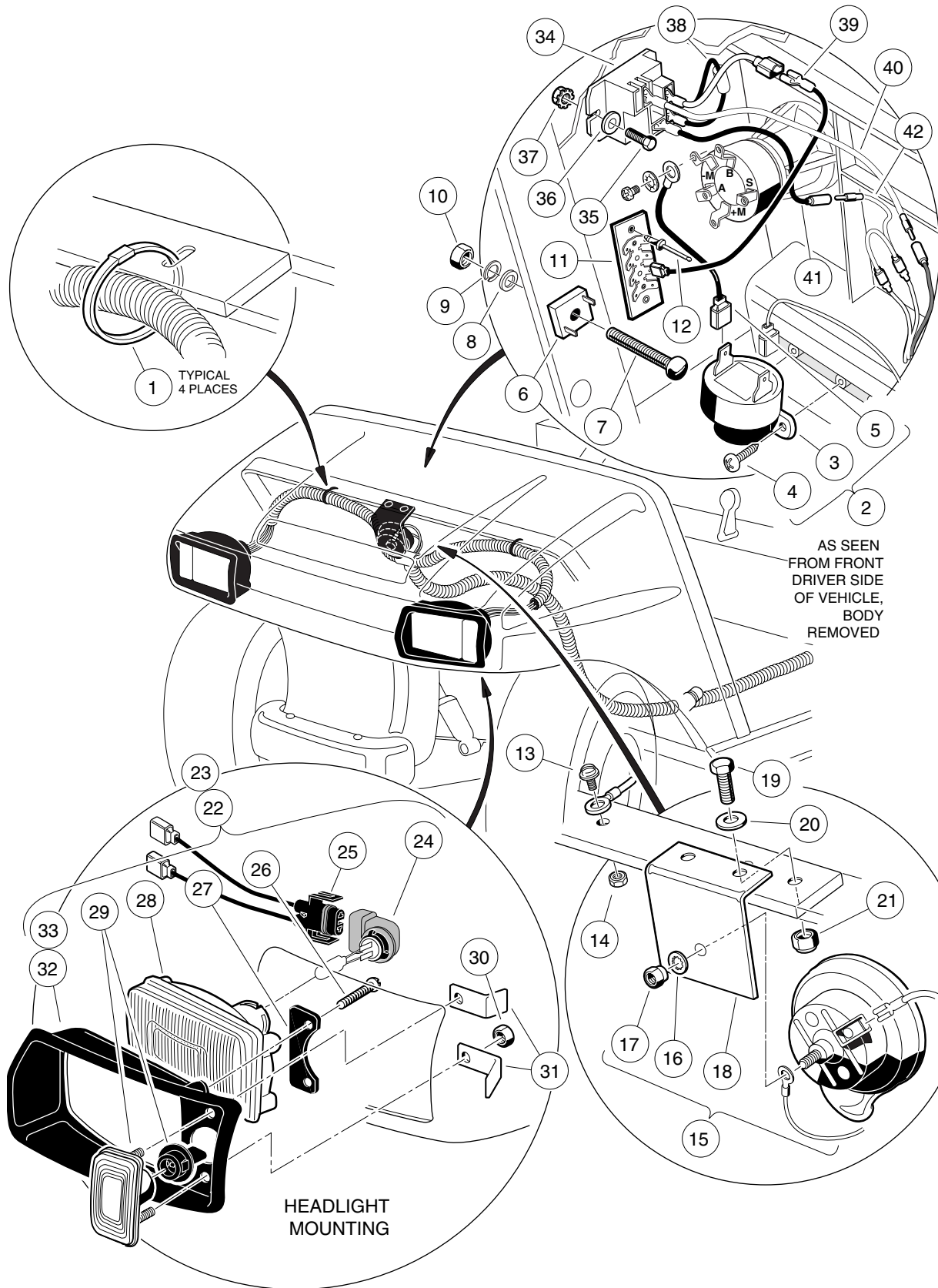




# ELECTRICAL COMPONENT BOX, GASOLINE VEHICLE – CARRYALL 2 PLUS AND CARRYALL 6

| ITEM | PART NO.  | DESCRIPTION                                                       | QTY |
|------|-----------|-------------------------------------------------------------------|-----|
|      |           | 1 2 3 4                                                           |     |
|      | 101992701 | Box, Electrical Component, Complete (includes items 1 - 31) ..... | 1   |
| 1    | 1017239   | Relay .....                                                       | 1   |
| 2    | 8450      | Screw, Hex-Head Machine, #10-24 x 1/2 .....                       | 1   |
| 3    | 183       | Washer, Flat, #10 .....                                           | 1   |
| 4    | 1017243   | Bracket, Relay Mounting .....                                     | 1   |
| 5    | 1016      | Washer, Lock, #10 .....                                           | 1   |
| 6    | 1017      | Nut, Hex, #10-24 .....                                            | 1   |
| 7    | 1015372   | Cover, Electrical Component Box .....                             | 1   |
| 8    | 1015752   | Screw, Hi-Lo, #12-16 x 5/8 .....                                  | 5   |
| 9    | 1242      | Nut, Hex, 5/16-18 .....                                           | 2   |
| 10   | 7893      | Nut, Hex, #10-32 .....                                            | 2   |
| 11   | 1014948   | Assembly, Diode .....                                             | 1   |
| 12   | N/A       | Wire Assembly, #18 Orange .....                                   | 1   |
| 13   | 1013609   | Solenoid .....                                                    | 1   |
| 14   | 1014807   | Switch, Limit .....                                               | 1   |
| 15   | 1013589   | Ring, Retaining .....                                             | 1   |
| 16   | 1015373   | Cam, Electrical Box .....                                         | 1   |
| 17   | 1014145   | Bushing, Bronze .....                                             | 2   |
| 18   | 1014065   | Washer, Flat .....                                                | 1   |
| 19   | 1015345   | Assembly, Bell Crank and Shaft .....                              | 1   |
| 20   | 1010954   | Stud, Ball, 1/4-28 .....                                          | 1   |
| 21   | 8717      | Nut, Nylon Lock, 1/4-28 .....                                     | 1   |
| 22   | 1016997   | Box, Electrical Component.....                                    | 1   |
| 23   | 1012295   | Fuse, 10-Amp .....                                                | 1   |
| 24   | 1015737   | Wire Assembly, #10 Red .....                                      | 1   |
| 25   | 1015741   | Block, Fuse .....                                                 | 1   |
| 26   | 1015405   | Bolt, Carriage, 5/16-18 x 2 .....                                 | 1   |
| 27   | 1017238   | Regulator, Voltage .....                                          | 1   |
| 28   | 1015878   | Screw, Hex-Head Machine, #4-40 x 1-5/8 .....                      | 2   |
| 29   | 1012431   | Washer, Flat, #4 .....                                            | 2   |
| 30   | 8057      | Nut, Hex, #4-40 .....                                             | 4   |
| 31   | 8058      | Washer, Lock, #4 .....                                            | 2   |
| 32   | 1016423   | Fuse, 20-Amp (Carryall 6 only) .....                              | 3   |
| 33   | 101856102 | Screw, Hex Washer-Head Hi-Lo, 1/4-15 x 1-1/2 .....                | 1   |
| 34   | 1241      | Washer, Flat, 5/16 .....                                          | 2   |
| 35   | 7473      | Nut, Nylon Lock, 5/16-18 .....                                    | 2   |
| 36   | 7818      | Bolt, Carriage, 5/16-18 x 1-1/2 .....                             | 1   |

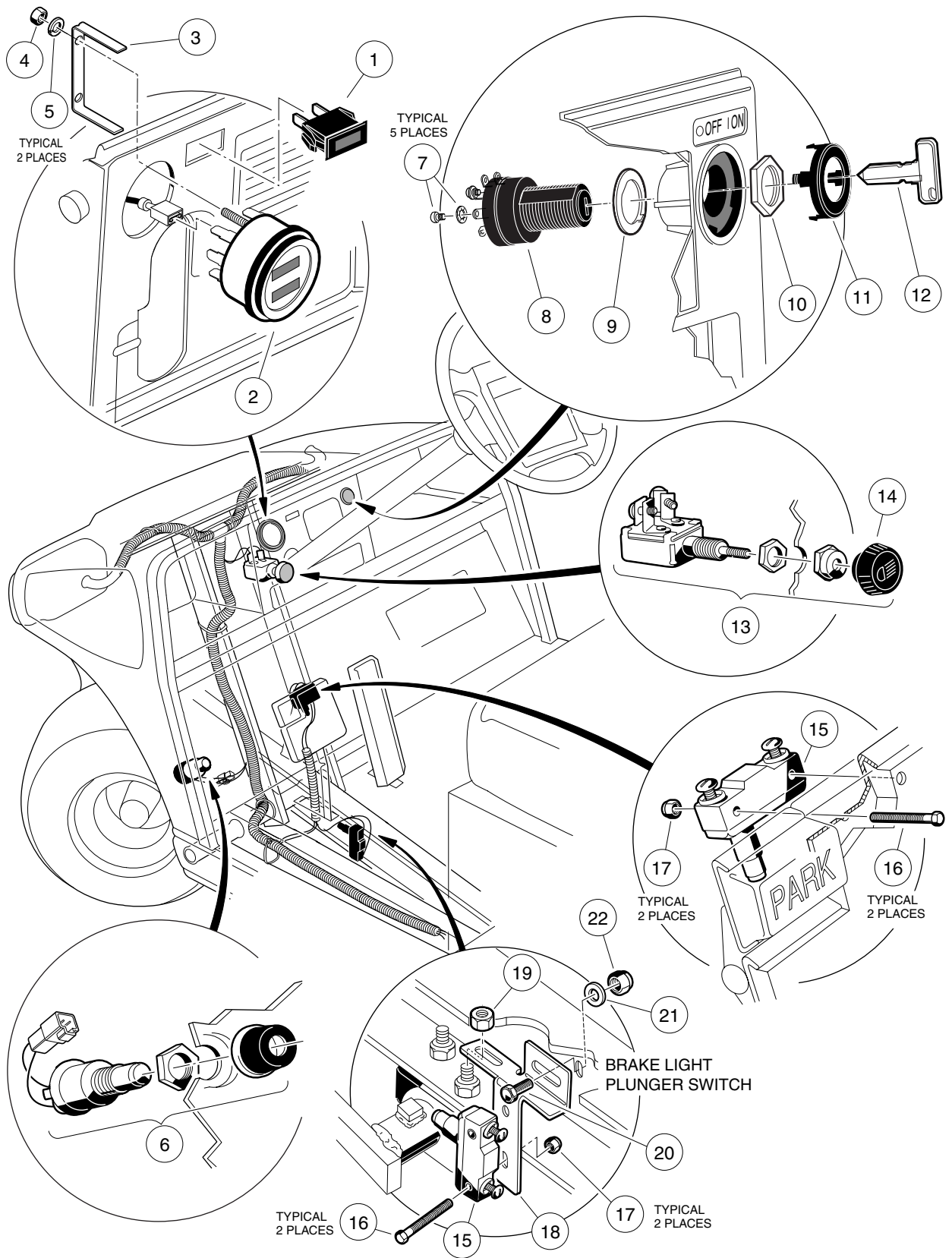
**6**  
**G**



# ELECTRICAL COMPONENTS, FRONT BODY – GASOLINE TURF/CARRYALL 6

| ITEM | PART NO.  | DESCRIPTION                                                               | QTY |
|------|-----------|---------------------------------------------------------------------------|-----|
|      |           | 1 2 3 4                                                                   |     |
| 1    | 8639      | Tie, Wire .....                                                           | 4   |
| 2    | 1016859   | Kit, Reverse Buzzer (includes items 3, 4 and 5) .....                     | 1   |
| 3    | 1016851   | Buzzer, Reverse .....                                                     | 1   |
| 4    | 1016849   | Screw, Pan-Head Hi-Lo, #4 - 24 x 5/16 .....                               | 2   |
| 5    | N/A       | Wire Assembly, #18 Black .....                                            | 1   |
| 6    | 1017721   | Limitter, Voltage (for gasoline vehicle lighting installation) .....      | 1   |
| 7    | 1010909   | Screw, Machine, #10-32 x 1-1/4 .....                                      | 1   |
| 8    | 183       | Washer, Flat, #10 .....                                                   | 1   |
| 9    | 1016      | Washer, Lock, #10 .....                                                   | 1   |
| 10   | 7893      | Nut, Hex, #10-32 .....                                                    | 1   |
| 11   | 1016356   | Block, Terminal .....                                                     | 1   |
| 12   | 1013357   | Rivet, Aluminum Pop, 5/32 .....                                           | 2   |
| 13   | 1015720   | Screw, Hex Washer-Head, #6-32 x 1/2 .....                                 | 1   |
| 14   | 1011229   | Nut, K-lock, #6-32 .....                                                  | 1   |
| 15   | 4029      | Assembly, Horn (includes items 16, 17 and 18) .....                       | 1   |
| 16   | 7820      | Washer, Internal Tooth, 5/16 .....                                        | 1   |
| 17   | 101955101 | Nut, M6 x 1.25 .....                                                      | 1   |
| 18   | 1011825   | Bracket, Horn .....                                                       | 1   |
| 19   | 304       | Screw, Hex-Head Cap, 1/4-20 x 1 .....                                     | 2   |
| 20   | 332       | Washer, Flat, 1/4 .....                                                   | 2   |
| 21   | 8233      | Nut, Nylon Lock, 1/4-20 .....                                             | 2   |
| 22   | 101988001 | Assembly, Headlight, Driver-Side (includes items 24 - 32) .....           | 1   |
| 23   | 101988002 | Assembly, Headlight, Passenger-Side (includes items 24 - 31 and 33) ..... | 1   |
| 24   | 101988101 | Bulb, Halogen .....                                                       | 1   |
| 25   | 101987901 | Harness, Headlight Wire .....                                             | 1   |
| 26   | 1013461   | Screw, Hi-Lo, #10-16 x 7/16 .....                                         | 2   |
| 27   | 1017065   | Retainer, Headlight .....                                                 | 1   |
| 28   | 101988201 | Lens, Headlight .....                                                     | 1   |
| 29   | 1017062   | Assembly, Turn Signal Lens .....                                          | 1   |
| 30   | 7893      | Nut, Hex, #10-32 .....                                                    | 2   |
| 31   | 1017064   | Bracket, Mounting .....                                                   | 2   |
| 32   | 1016880   | Bezel, Headlight, Driver-Side .....                                       | 1   |
| 33   | 1016879   | Bezel, Headlight, Passenger-Side .....                                    | 1   |
| 34   | 102199001 | Relay, Brake Light, 12-volt .....                                         | 1   |
| 35   | 1017853   | Bolt, Hex-Head Machine, 6-32 x 3/4 .....                                  | 2   |
| 36   | 7591      | Washer, Flat, .....                                                       | 2   |
| 37   | 1011229   | Nut, Lock, Hex, 6-32 .....                                                | 2   |
| 38   | 101914401 | Assembly, Voltage Suppressor (includes #18 red and #18 blue) .....        | 1   |
| 39   | N/A       | Wire Assembly, # 18 Black .....                                           | 1   |
| 40   | N/A       | Wire Assembly, # 18 Brown .....                                           | 1   |
| 41   | N/A       | Wire Assembly, # 18 Black .....                                           | 1   |
| 42   | N/A       | Wire Assembly, # 18 Red .....                                             | 1   |

**6**  
**G**

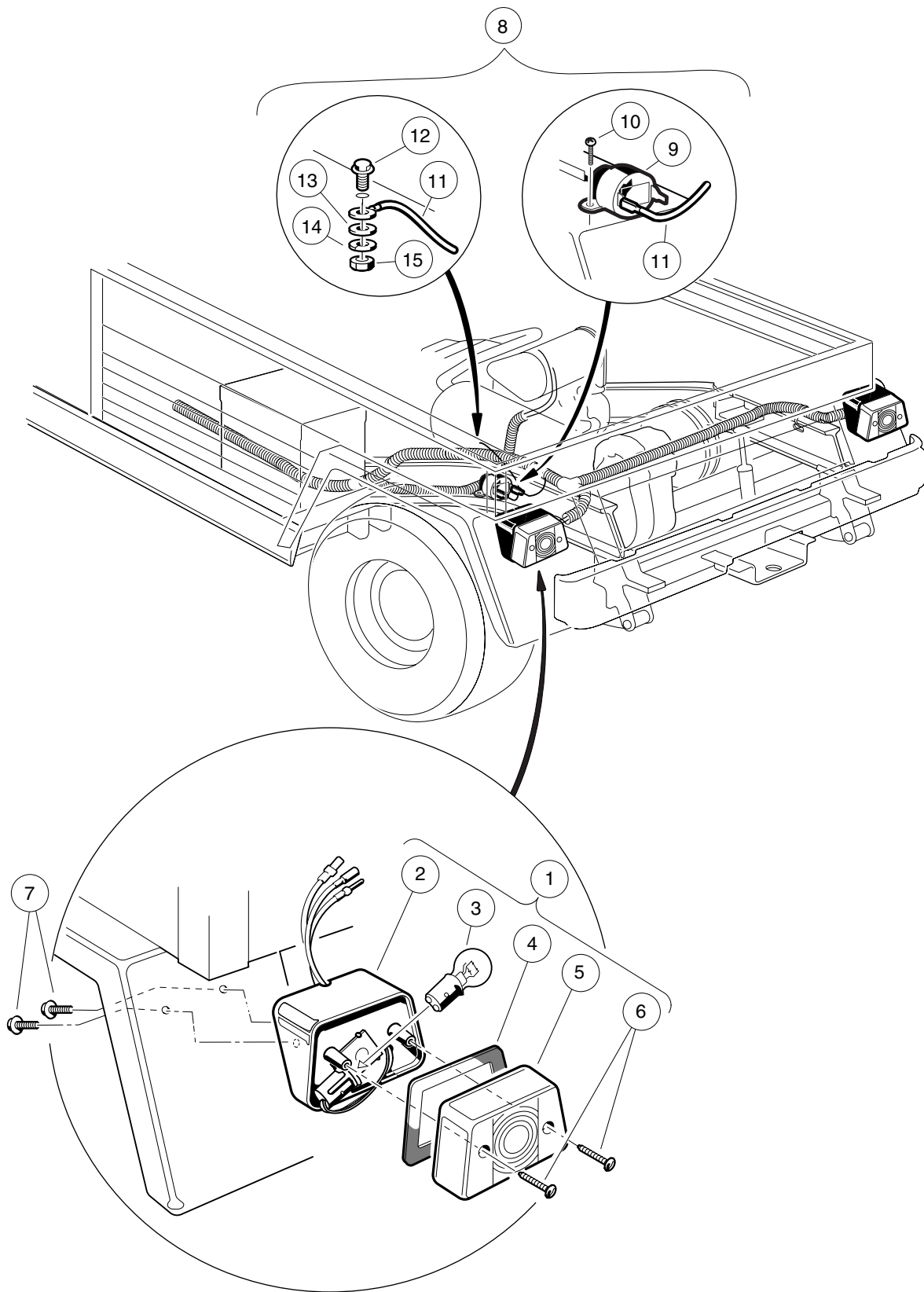


# CONTROLS AND INDICATORS – GASOLINE TURF/CARRYALL 6

| ITEM | PART NO.  | DESCRIPTION                                   | QTY |
|------|-----------|-----------------------------------------------|-----|
|      |           | 1 2 3 4                                       |     |
| 1    | 1016630   | Light, Low Oil Warning .....                  | 1   |
| 2    | 101990701 | Fuel Gauge/Hour Meter (includes item 3) ..... | 1   |
| 3    | 102025901 | Bracket .....                                 | 1   |
| 4    | 101991101 | Nut, M4 x .7 .....                            | 2   |
| 5    | 1012986   | Washer, Lock, M4 .....                        | 2   |
| 6    | 101969701 | Button, Horn .....                            | 1   |
| 7    | 101830601 | Assembly, Screw and Washer .....              | 5   |
| 8    | 101826401 | Switch, Key (Carryall 6).....                 | 1   |
| 8    | 101826301 | Switch, Key (Turf 6) .....                    | 1   |
| 9    | 101851101 | Washer .....                                  | 1   |
| 10   | 101830701 | Nut, Key Switch .....                         | 1   |
| 11   | 101834502 | Cap, Key Switch .....                         | 1   |
| 12   | 1012505   | Key (Pair) .....                              | 1   |
| 13   | 4034      | Switch, Light (includes item 14) .....        | 1   |
| 14   | 1013857   | Knob, Light Switch .....                      | 1   |
| 15   | 1011439   | Switch, Limit .....                           | 2   |
| 16   | 1011557   | Screw, Hex-Head Machine, #6-32 x 1 .....      | 4   |
| 17   | 101932201 | Nut, Nylon Lock, #6-32 .....                  | 4   |
| 18   | 101957101 | Bracket, Brake Light Switch .....             | 1   |
| 19   | 1011280   | Nut, Lock, 5/16-18 .....                      | 1   |
| 20   | 7173      | Bolt, Hex-Head, Cap, 5/16-18 x 3/4 .....      | 1   |
| 21   | 1241      | Washer, Flat, 5/16-18 .....                   | 1   |
| 22   | 7473      | Nut, Nylon Lock, 5/16-18 .....                | 1   |

**6**  
**G**

**6**  
**G**

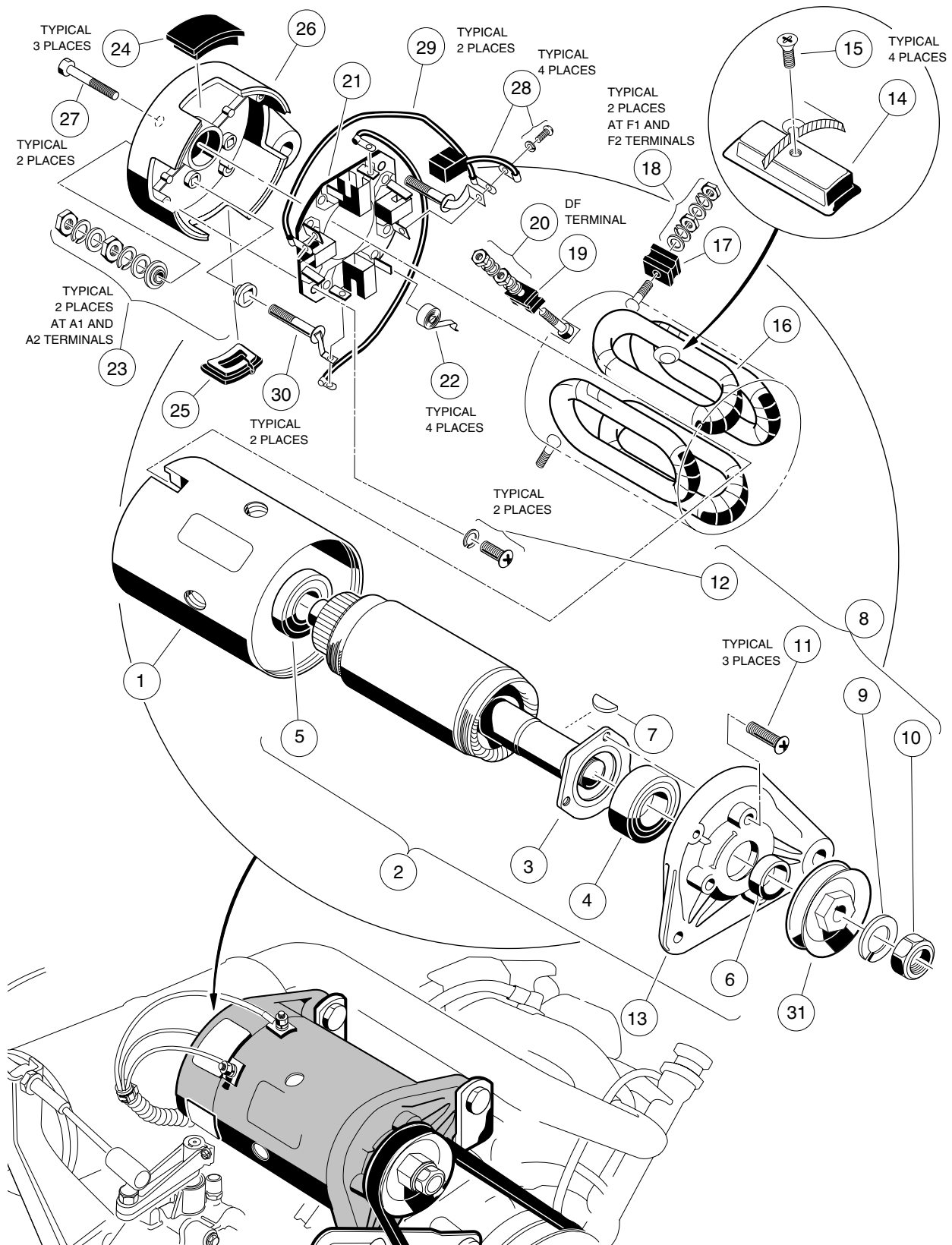


# ELECTRICAL COMPONENTS, REAR BODY – GASOLINE TURF/CARRYALL 6

| ITEM | PART NO. | DESCRIPTION                                       | QTY |
|------|----------|---------------------------------------------------|-----|
|      |          | 1 2 3 4                                           |     |
| 1    | 1016717  | Assembly, Taillight (includes items 2 - 6) .....  | 2   |
| 2    | N/A      | Housing, Taillight .....                          | 1   |
| 3    | 1011582  | Bulb .....                                        | 1   |
| 4    | N/A      | Gasket .....                                      | 1   |
| 5    | N/A      | Lens .....                                        | 1   |
| 6    | N/A      | Screw, Lens .....                                 | 2   |
| 7    | 1015752  | Screw, Hex Washer-Head, #12-16 x 1/2 .....        | 4   |
| 8    | 1016859  | Kit, Reverse Buzzer (includes items 9 - 15) ..... | 1   |
| 9    | 1016851  | Buzzer, Reverse .....                             | 1   |
| 10   | 1016849  | Screw, Pan-Head Hi-Lo, #4-24 x 5/16 .....         | 2   |
| 11   | N/A      | Wire Assembly, #18 Black .....                    | 1   |
| 12   | 1015720  | Screw, Hex Washer-Head, #6-32 x 1/2 .....         | 1   |
| 13   | 7591     | Washer, Flat .....                                | 1   |
| 14   | 1011622  | Washer, Lock, #6 .....                            | 1   |
| 15   | 1011558  | Nut, Hex, #6-32 .....                             | 1   |

**6**  
**G**

**6**  
**G**

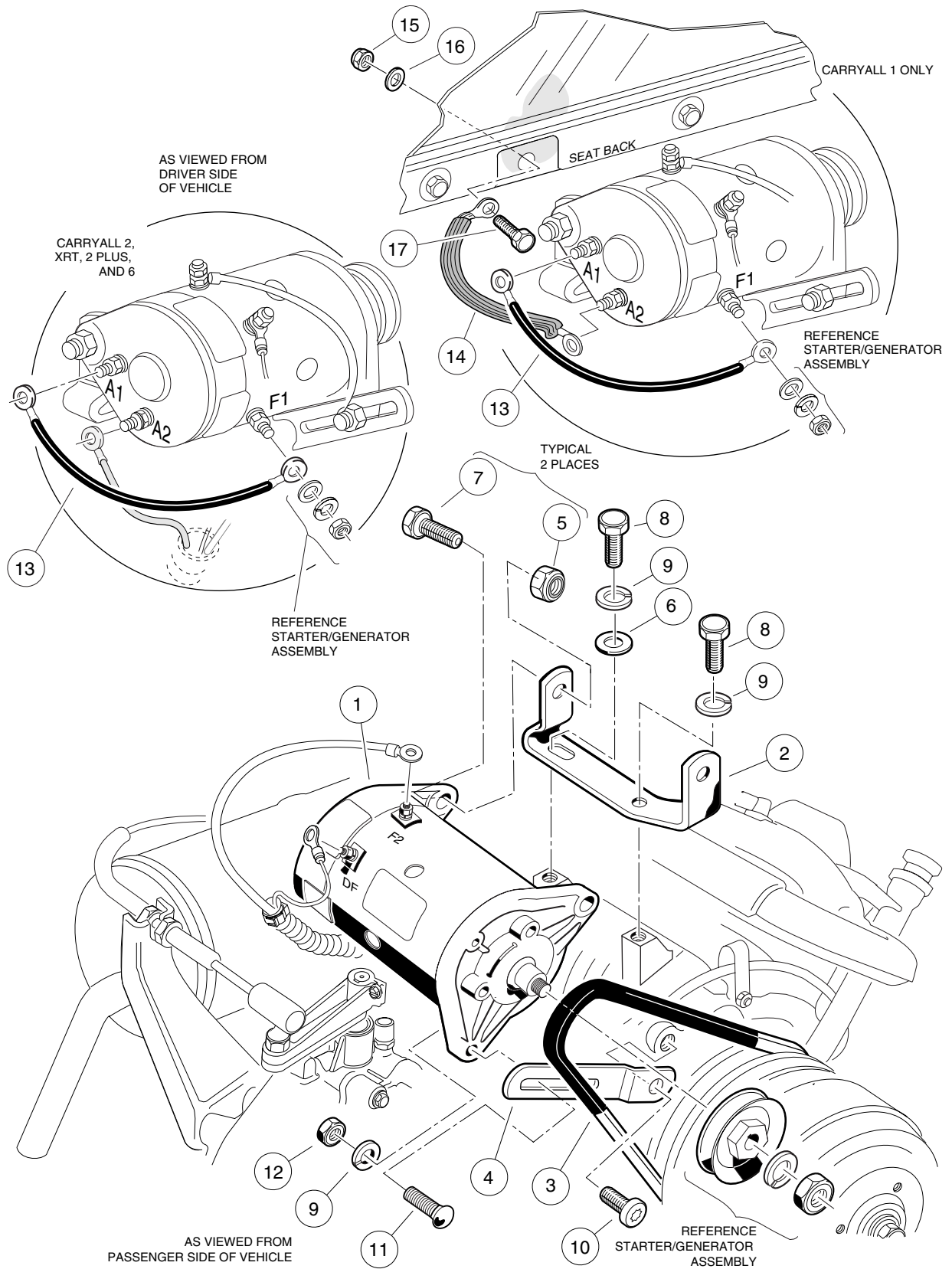




# STARTER/GENERATOR ASSEMBLY

| ITEM | PART NO.  | DESCRIPTION                                                          | QTY |
|------|-----------|----------------------------------------------------------------------|-----|
|      |           | 1 2 3 4                                                              |     |
|      | 101833701 | Starter/Generator (clockwise rotation) (includes items 1 - 30) ..... | 1   |
| 1    | 101875201 | Housing, Field Coil .....                                            | 1   |
| 2    | 101875101 | Assembly, Armature (includes items 3 - 6) .....                      | 1   |
| 3    | 101875001 | Retainer, Bearing .....                                              | 1   |
| 4    | 1013001   | Ball Bearing, Output Shaft .....                                     | 1   |
| 5    | 1013005   | Commutator, Ball Bearing .....                                       | 1   |
| 6    | 101939901 | Spacer, 5/16 .....                                                   | 1   |
| 7    | 1013003   | Key, Woodruff .....                                                  | 1   |
| 8    | 101876501 | Kit, Pulley Nut and Screw (includes items 9 - 12) .....              | 1   |
| 9    | N/A       | Washer, Lock, M14 .....                                              | 1   |
| 10   | N/A       | Nut, Hex, M14 x 2 .....                                              | 1   |
| 11   | N/A       | Screw, Cross-Recessed, M5 x .8 x 18 mm .....                         | 3   |
| 12   | 101896501 | Screw, Cross-Recessed, M5 x .8 x 16 mm (with lock washer) .....      | 2   |
| 13   | 101874901 | End Bell, Output Shaft .....                                         | 1   |
| 14   | 101875301 | Set, Pole (set of 4) .....                                           | 1   |
| 15   | 101875401 | Screw, Pole Piece (set of 4) .....                                   | 1   |
| 16   | 101875501 | Coil, Field .....                                                    | 1   |
| 17   | 101875601 | Insulator, F Terminal .....                                          | 2   |
| 18   | 101877601 | Package, Terminal Hardware (F1 and F2) .....                         | 2   |
| 19   | 101875701 | Insulator, DF Terminal .....                                         | 1   |
| 20   | 101877701 | Package, Terminal Hardware (DF) .....                                | 1   |
| 21   | 101301102 | Holder, Brush (includes item 22) .....                               | 1   |
| 22   | 101878101 | Spring, Brush .....                                                  | 4   |
| 23   | 101876001 | Package, Terminal Hardware (A1 and A2) .....                         | 2   |
| 24   | 101876301 | Cover, Brush Inspection Port (set of 4) (includes item 25) .....     | 1   |
| 25   | 1017653   | Cover, Brush Inspection Port, with Drain .....                       | 1   |
| 26   | 101876402 | End Bell, Commutator .....                                           | 1   |
| 27   | 101879001 | Bolt, Clamp, M6 x 1 x 180 mm .....                                   | 2   |
| 28   | 101869302 | Package, Brush (includes 4 brushes, 4 screws, 4 washers) .....       | 1   |
| 29   | 101876202 | Connector, Brush .....                                               | 2   |
| 30   | 101875802 | A Connector (set of 2) .....                                         | 1   |
| 31   | 1014289   | Pulley .....                                                         | 1   |

**6**  
**G**

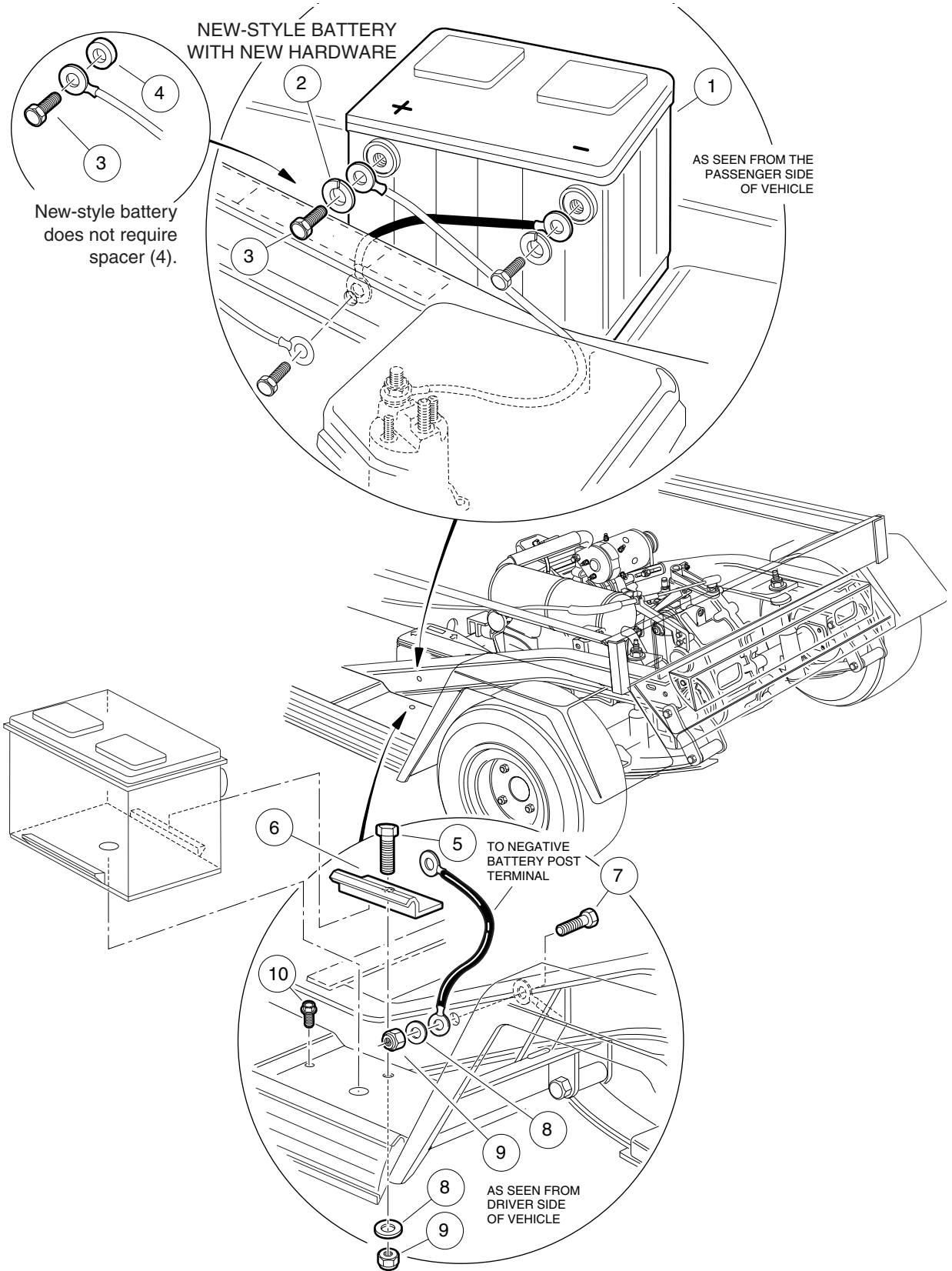


# STARTER/GENERATOR MOUNTING

| ITEM | PART NO.  | DESCRIPTION                                                         | QTY |
|------|-----------|---------------------------------------------------------------------|-----|
|      |           | 1 2 3 4                                                             |     |
| 1    | 101833701 | Starter/Generator (clockwise rotation) .....                        | 1   |
| 2    | 101524001 | Bracket, Mounting, FE290 (Turf/Carryall 1 and 2) .....              | 1   |
| 2    | 101524002 | Bracket, Mounting, FE350 (Turf/Carryall 2 XRT, 2 Plus, and 6) ..... | 1   |
| 3    | 101916701 | Belt, Starter/Generator .....                                       | 1   |
| 4    | 1016883   | Bracket, Adjusting .....                                            | 1   |
| 5    | 8754      | Nut, Nylon Lock, 3/8-16 .....                                       | 2   |
| 6    | 1015075   | Washer, Flat, 5/16 .....                                            | 1   |
| 7    | 705       | Screw, Hex-Head Cap, 3/8-16 x 1-1/4 .....                           | 2   |
| 8    | 1012830   | Screw, Hex-Head Cap, M8 x 1.25 x 22 mm .....                        | 2   |
| 9    | 7174      | Washer, Lock, 5/16 .....                                            | 3   |
| 10   | 1016074   | Screw, Torx Head, M8 x 1.25 x 18 mm .....                           | 1   |
| 11   | 1015932   | Bolt, Carriage, 5/16-18 x 1 .....                                   | 1   |
| 12   | 1242      | Nut, Hex, 5/16-18 .....                                             | 1   |
| 13   | 101837301 | Wire Assembly, #6 Green .....                                       | 1   |
| 14   | 1015920   | Wire Assembly, #6 Braided Ground (Turf/Carryall 1 only) .....       | 1   |
| 15   | 7473      | Nut, Nylon Lock, 5/16-18 (Turf/Carryall 1 only) .....               | 1   |
| 16   | 1241      | Washer, Flat, 5/16 (Turf/Carryall 1 only) .....                     | 1   |
| 17   | 7173      | Screw, Hex-Head Cap, 5/16-18 x 3/4 (Turf/Carryall 1 only) .....     | 1   |

**6**  
**G**

**6**  
**G**



# BATTERY – GASOLINE VEHICLE

| ITEM                                                                                                                                                                                      | PART NO.  | DESCRIPTION                                              | QTY |
|-------------------------------------------------------------------------------------------------------------------------------------------------------------------------------------------|-----------|----------------------------------------------------------|-----|
|                                                                                                                                                                                           |           | 1 2 3 4                                                  |     |
| 1                                                                                                                                                                                         | 1012328   | Battery, 12-Volt .....                                   | 1   |
| 2                                                                                                                                                                                         | 102355301 | Washer, Lock, Stainless Steel, 3/8* .....                | 2   |
| 3                                                                                                                                                                                         | 1014375   | Screw, Hex-Head Cap, Stainless Steel, 3/8-16 x 1/2 ..... | 2   |
| 4                                                                                                                                                                                         | 1014374   | Spacer, Battery Terminal Bolt* .....                     | 2   |
| 5                                                                                                                                                                                         | 1010934   | Screw, Hex-Head Cap, 5/16-18 x 1 .....                   | 1   |
| 6                                                                                                                                                                                         | 101898001 | Clamp, Battery .....                                     | 1   |
| 7                                                                                                                                                                                         | 7173      | Screw, Hex Cap, 5/16-18 x 3/4 .....                      | 1   |
| 8                                                                                                                                                                                         | 1241      | Washer, Flat, 5/16 .....                                 | 2   |
| 9                                                                                                                                                                                         | 7473      | Nut, Nylon Lock, 5/16-18 .....                           | 2   |
| 10                                                                                                                                                                                        | 1014288   | Screw, Thread-Forming, 5/16-16 x 3/4 .....               | 1   |
| <p>*NOTE: When ordering a new battery, you must order the new stainless steel lockwasher (2). Lockwasher cannot be used if battery terminal spacer (4) is required by battery design.</p> |           |                                                          |     |

6  
G

**6**

**G**

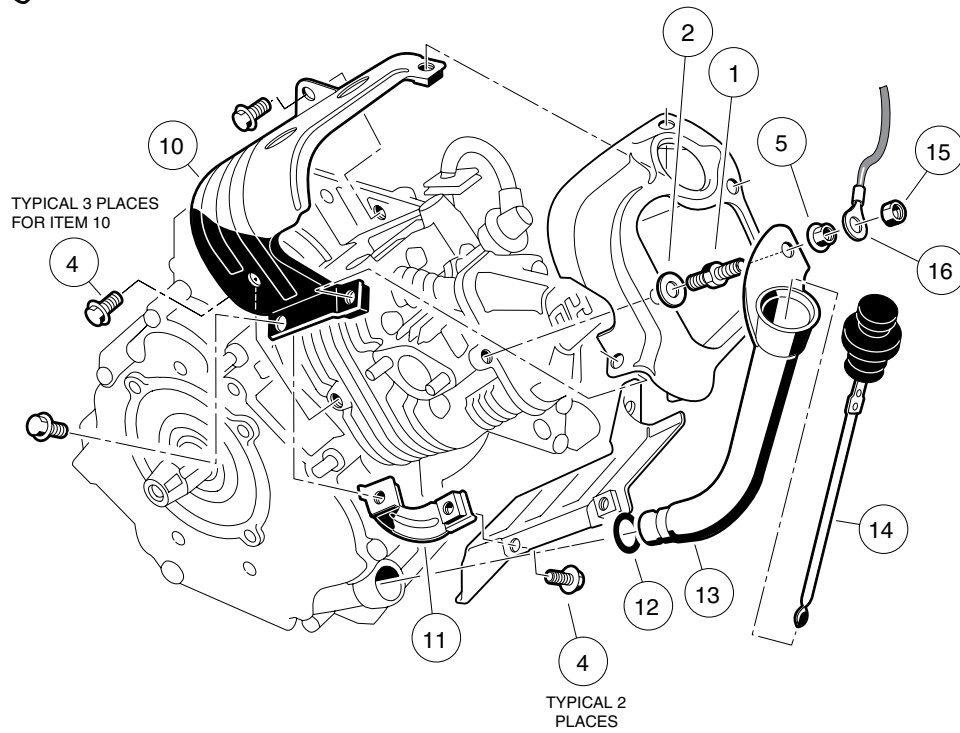
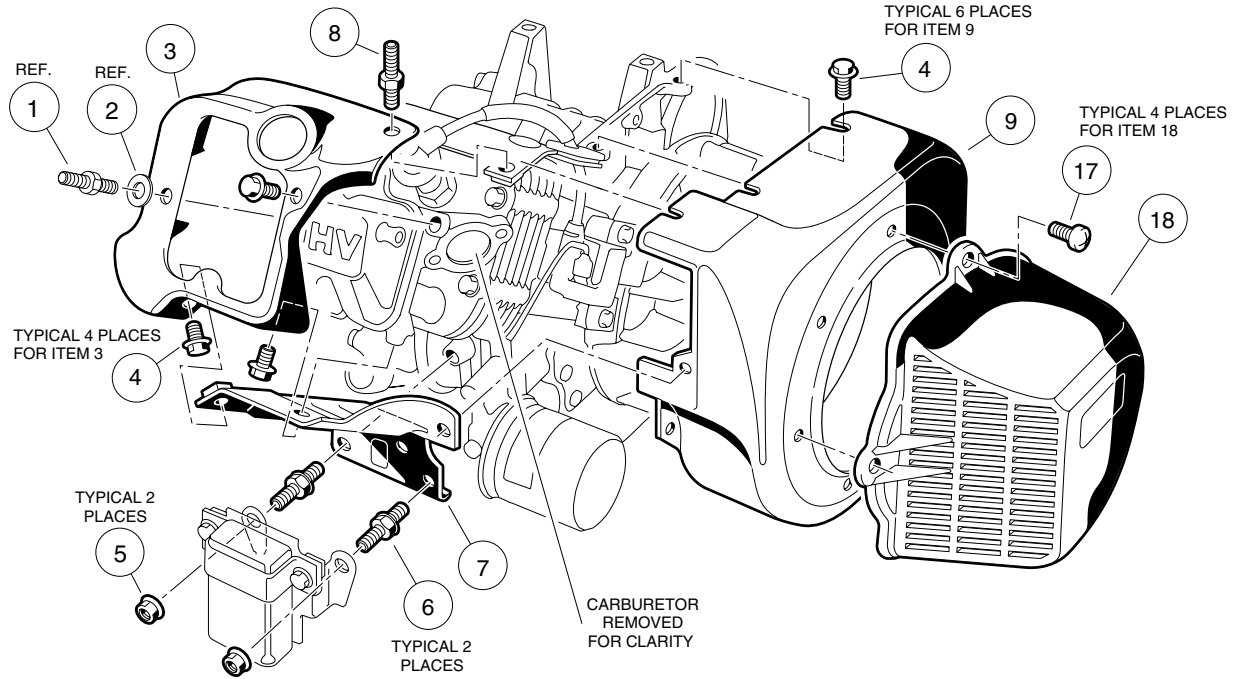
# ENGINE

---

7

G

# FE290 ENGINE





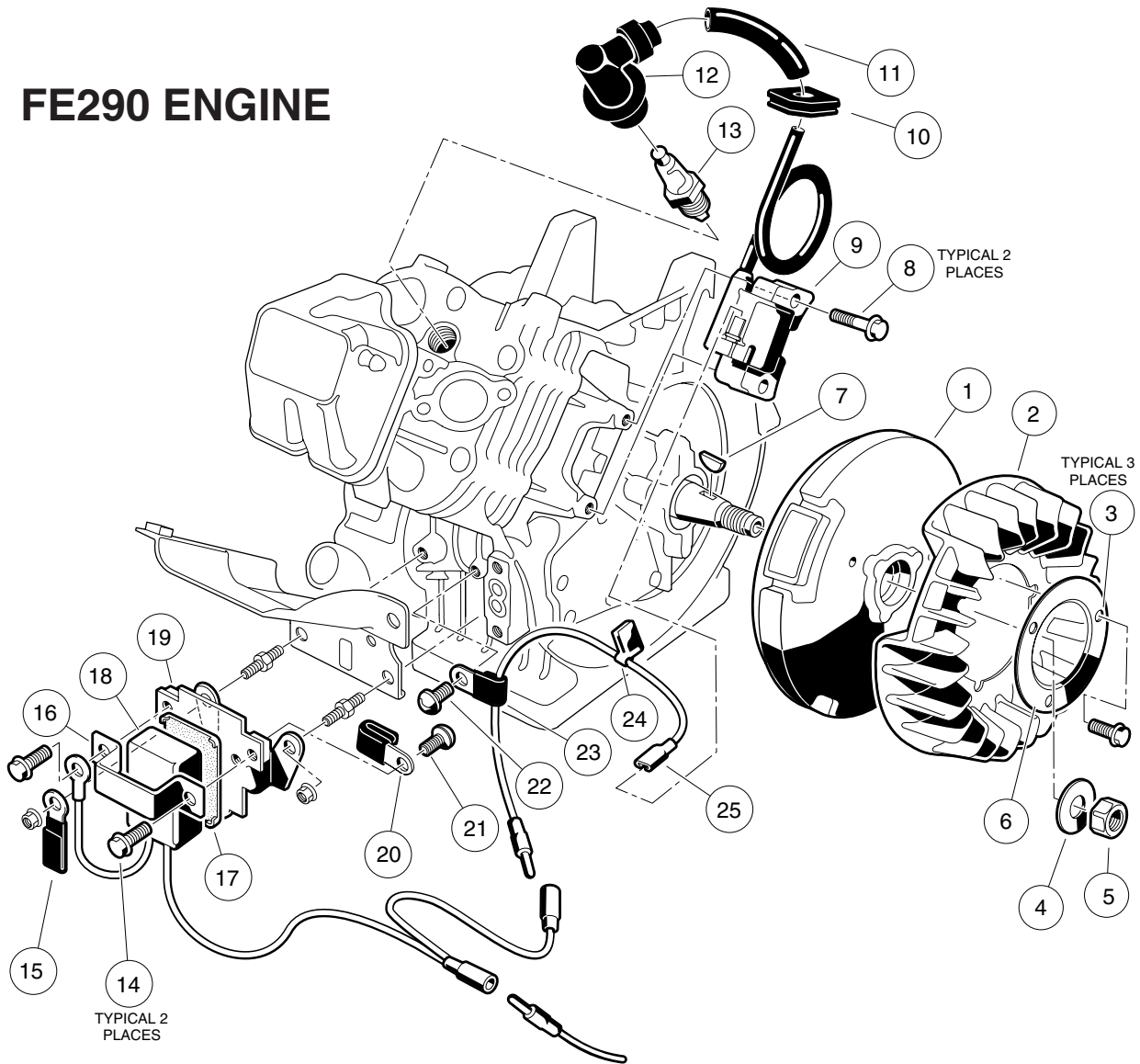
# FE290 ENGINE – SHROUDS AND BRACKETS

| ITEM | PART NO.  | DESCRIPTION                                                                                                                                           | QTY |
|------|-----------|-------------------------------------------------------------------------------------------------------------------------------------------------------|-----|
|      |           | 1 2 3 4                                                                                                                                               |     |
|      | 101953901 | FE290 OHV Gasoline Engine (clockwise rotation) Without Automatic Compression Release (w/o ACR) with Carburetor (does not include items 15 - 18) ..... | 1   |
| 1    | 1016507   | Bolt, 2-Ended, M6 x 1 x 29 mm .....                                                                                                                   | 1   |
| 2    | 1016512   | Washer, Flat, 6 mm .....                                                                                                                              | 1   |
| 3    | 1016524   | Shroud, Engine, FE290 .....                                                                                                                           | 1   |
| 4    | 1016456   | Bolt, Flanged, M6 x 1 x 12 mm .....                                                                                                                   | 15  |
| 5    | 1016547   | Nut, Flange, M6 x 1 .....                                                                                                                             | 3   |
| 6    | 101909701 | Bolt, 2-Ended, M6 x 1 x 27 mm .....                                                                                                                   | 2   |
| 7    | 1016526   | Shroud, Engine, FE290 (lower) .....                                                                                                                   | 1   |
| 8    | 1017221   | Bolt, 2-Ended, M6 x 1 x 46 mm .....                                                                                                                   | 1   |
| 9    | 101915601 | Housing, Fan .....                                                                                                                                    | 1   |
| 10   | 1016525   | Shroud, Engine, FE290 (upper) .....                                                                                                                   | 1   |
| 11   | 1016443   | Bracket.....                                                                                                                                          | 1   |
| 12   | 1016539   | O-Ring .....                                                                                                                                          | 1   |
| 13   | 1016536   | Tube, Oil Filler, FE290 .....                                                                                                                         | 1   |
| 14   | 1016531   | Dipstick .....                                                                                                                                        | 1   |
| 15   | 101887601 | Nut, Nylon Lock, M6 x1 .....                                                                                                                          | 1   |
| 16   | 1015332   | Wire Assembly, #10 Braided Ground .....                                                                                                               | 1   |
| 17   | 1015969   | Screw, Pan-Head, M6 x 1 x 14 mm .....                                                                                                                 | 4   |
| 18   | 1015649   | Shroud, Fan .....                                                                                                                                     | 1   |

7

G

# FE290 ENGINE



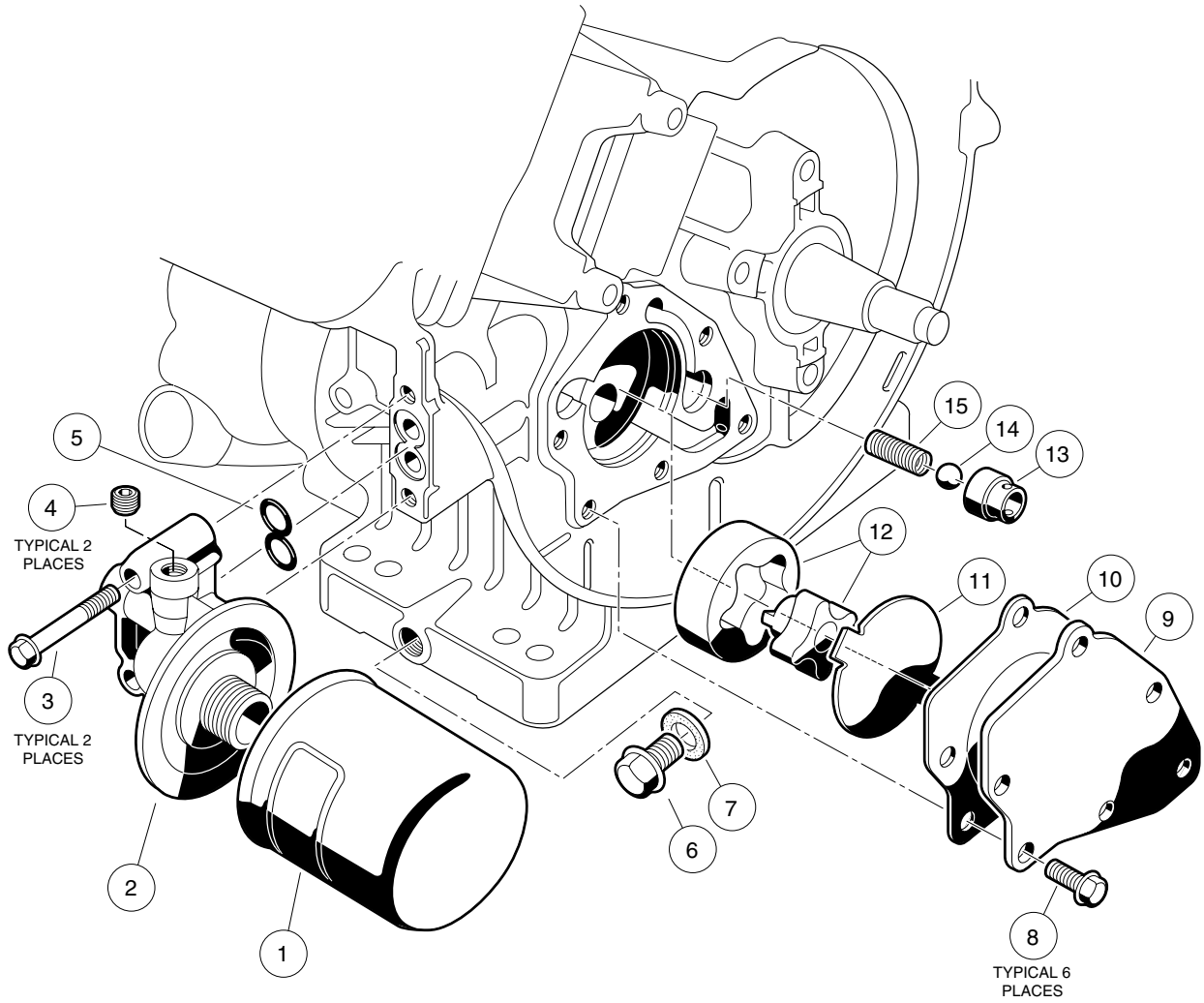
# FE290 ENGINE – IGNITION COMPONENTS AND FLYWHEEL

| ITEM | PART NO.  | DESCRIPTION                                               | QTY |
|------|-----------|-----------------------------------------------------------|-----|
|      |           | 1 2 3 4                                                   |     |
| 1    | 101915701 | Flywheel .....                                            | 1   |
| 2    | 101915801 | Fan, Flywheel, Gray .....                                 | 1   |
| 3    | 1017448   | Screw, Flanged Hex-Head, M6 x 1 x 10 mm .....             | 3   |
| 4    | 1016548   | Washer, Flat, 16 mm .....                                 | 1   |
| 5    | 1016505   | Nut, Hex, M16 x 1.5 .....                                 | 1   |
| 6    | 1017455   | Plate, Flywheel Fan .....                                 | 1   |
| 7    | 1016562   | Key .....                                                 | 1   |
| 8    | 1016455   | Bolt, Flanged, M5 x .8 x 25 mm .....                      | 2   |
| 9    | 101909201 | Coil, Ignition (with internal igniter) .....              | 1   |
| 10   | 1016578   | Grommet .....                                             | 1   |
| 11   | 1016588   | Tube, 7 mm x 70 mm .....                                  | 1   |
| 12   | 1016493   | Assembly, Plug Cap .....                                  | 1   |
| 13   | 101881101 | Plug, Spark, OHV .....                                    | 1   |
| 14   | 1016456   | Bolt, Flanged, M6 x 1 x 12 mm .....                       | 2   |
| 15   | 1012981   | Clamp .....                                               | 1   |
| 16   | 1016579   | Band, RPM Limiter Mount .....                             | 1   |
| 17   | 1016586   | Damper, RPM Limiter .....                                 | 1   |
| 18   | 101909401 | Limiter, RPM, OHV .....                                   | 1   |
| 19   | 1016445   | Bracket, RPM Limiter .....                                | 1   |
| 20   | 101909501 | Clamp .....                                               | 1   |
| 21   | 1016497   | Screw, Cross Pan-Head, M5 x .8 x 8 mm .....               | 1   |
| 22   | 1016544   | Screw, Cross Pan-Head Self-Tapping, M5 x .8 x 12 mm ..... | 1   |
| 23   | 1016561   | Clamp .....                                               | 1   |
| 24   | 1016587   | Clamp .....                                               | 1   |
| 25   | 101909301 | Wire, Lead .....                                          | 1   |

**7**  
**G**

**7**  
**G**

# FE290 ENGINE



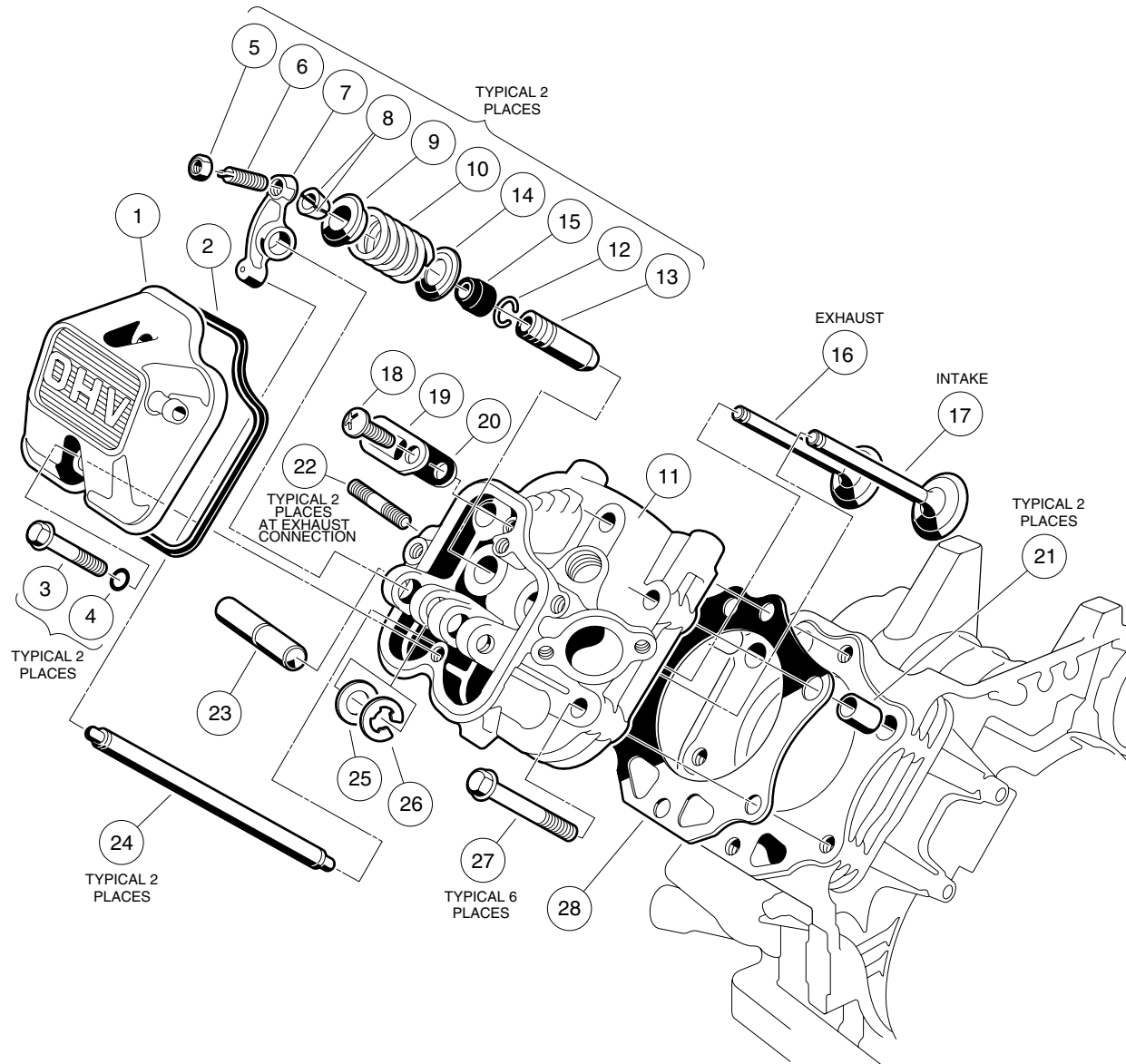
# FE290 ENGINE – OIL CIRCULATION

| ITEM | PART NO.  | DESCRIPTION                                   | QTY |
|------|-----------|-----------------------------------------------|-----|
|      |           | 1 2 3 4                                       |     |
| 1    | 1016467   | Oil Filter .....                              | 1   |
| 2    | 1016502   | Bracket, Oil Filter .....                     | 1   |
| 3    | 1016457   | Bolt, Flanged Hex-Head, M6 x 1 x 40 mm .....  | 2   |
| 4    | 1017507   | Plug .....                                    | 2   |
| 5    | 1016570   | O-Ring, Oil Filter Mount .....                | 1   |
| 6    | 1016576   | Plug, Drain, FE290 .....                      | 1   |
| 7    | 1016432   | Gasket, Drain Plug .....                      | 1   |
| 8    | 1017456   | Screw, Flanged Hex-Head, M6 x 1 x 12 mm ..... | 6   |
| 9    | 1016484   | Cover, Pump .....                             | 1   |
| 10   | 1016435   | Gasket, Oil Pump .....                        | 1   |
| 11   | 1016473   | Plate, Oil Pump .....                         | 1   |
| 12   | 101648203 | Pump, Oil, and Rotor .....                    | 1   |
| 13   | 1016429   | Seat, Valve .....                             | 1   |
| 14   | 1016537   | Ball, Steel, Pressure Relief .....            | 1   |
| 15   | 1016581   | Spring .....                                  | 1   |

7

G

# FE290 ENGINE



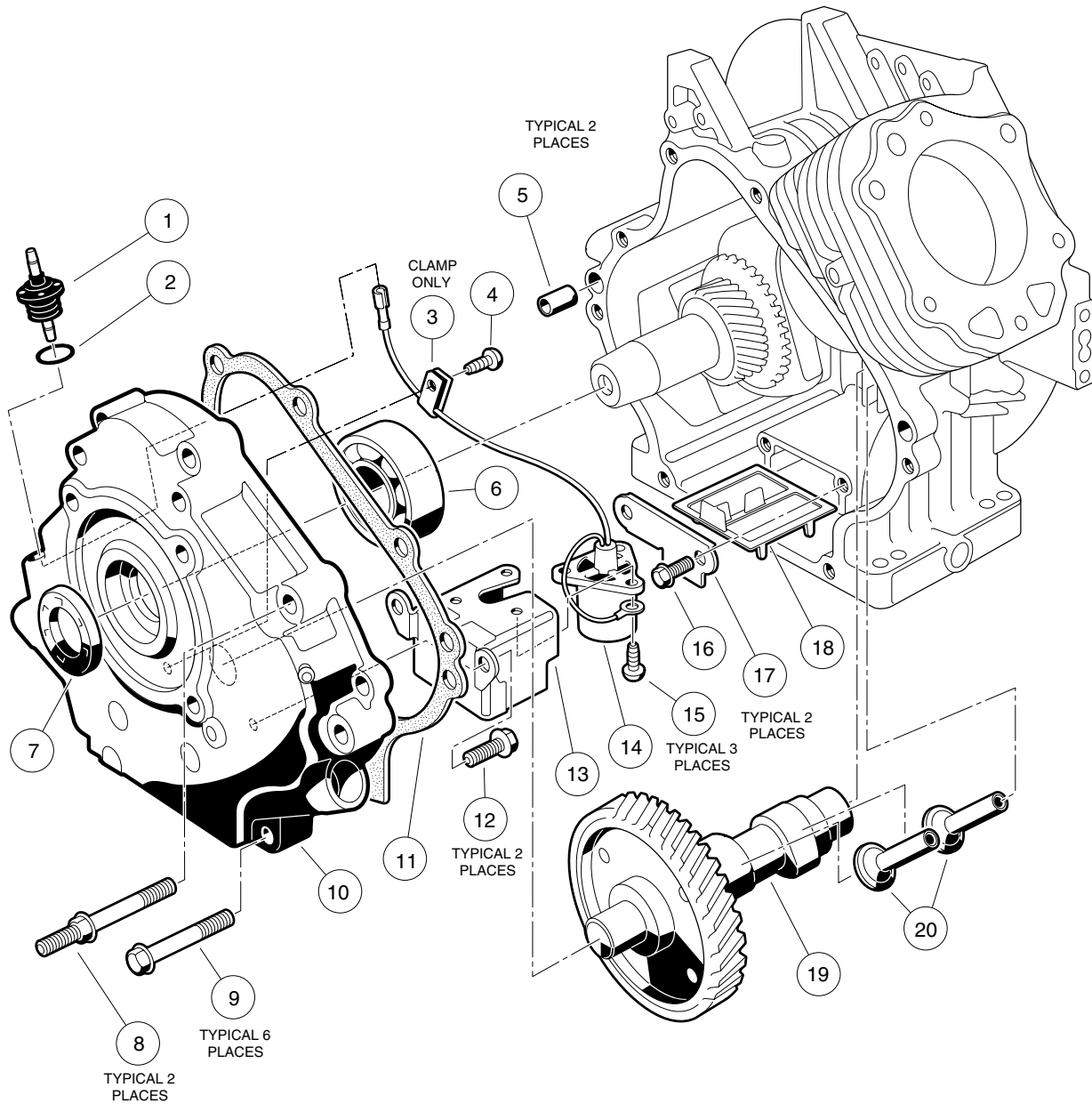
# FE290 ENGINE – CYLINDER HEAD

| ITEM | PART NO.  | DESCRIPTION                                                                                           | QTY |
|------|-----------|-------------------------------------------------------------------------------------------------------|-----|
|      |           | 1 2 3 4                                                                                               |     |
| 1    | 1016442   | Case, Rocker .....                                                                                    | 1   |
| 2    | 1016436   | Gasket, Rocker Case .....                                                                             | 1   |
| 3    | 1016583   | Bolt, Flanged, M6 x 1 x 35 mm .....                                                                   | 2   |
| 4    | 1016569   | O-Ring .....                                                                                          | 2   |
| 5    | 1016545   | Nut, Hex, M5 x .8 .....                                                                               | 2   |
| 6    | 1016542   | Screw, Stud, M5 x .8 .....                                                                            | 2   |
| 7    | 1016451   | Arm, Rocker .....                                                                                     | 2   |
| 8    | 1016450   | Collet.....                                                                                           | 4   |
| 9    | 1016449   | Retainer, Valve Spring .....                                                                          | 2   |
| 10   | 1016523   | Spring, Engine Valve .....                                                                            | 2   |
| 11   | 1016431   | Assembly, Cylinder Head, OHV (includes items 12 and 13) .....                                         | 1   |
| 12   | 1016560   | Ring, Snap .....                                                                                      | 2   |
| 13   | 1016519   | Guide, Valve .....                                                                                    | 2   |
| 14   | 1016479   | Seat, Spring .....                                                                                    | 2   |
| 15   | 1016566   | Seal, Valve .....                                                                                     | 2   |
| 16   | 1016448   | Valve, Exhaust .....                                                                                  | 1   |
| 17   | 1016447   | Valve, Intake .....                                                                                   | 1   |
| 18   | 1016544   | Screw, Cross Pan-Head Self-Tapping, M5 x .8 x 12 mm .....                                             | 1   |
| 19   | 1016474   | Plate .....                                                                                           | 1   |
| 20   | 1016483   | Valve .....                                                                                           | 1   |
| 21   | 1016563   | Pin .....                                                                                             | 2   |
| 22   | 1016489   | Bolt, Stud, M8 x 1.25 x 29 mm .....                                                                   | 2   |
| 23   | 1016452   | Shaft, Rocker .....                                                                                   | 1   |
| 24   | 1016471   | Rod, Push .....                                                                                       | 2   |
| 25   | 1016549   | Washer, Flat, M12 .....                                                                               | 1   |
| 26   | 1016517   | Circlip, Type E .....                                                                                 | 1   |
| 27   | 1016458   | Bolt, Flanged, M8 x 1.25 x 45 mm .....                                                                | 6   |
| 28   | 1016430   | Gasket, Head .....                                                                                    | 1   |
| 29   | 102304701 | Kit, Gasket, FE290 (not shown) (contains one each of all internal gaskets for the FE290 engine) ..... | 1   |

**7**

**G**

# FE290 ENGINE





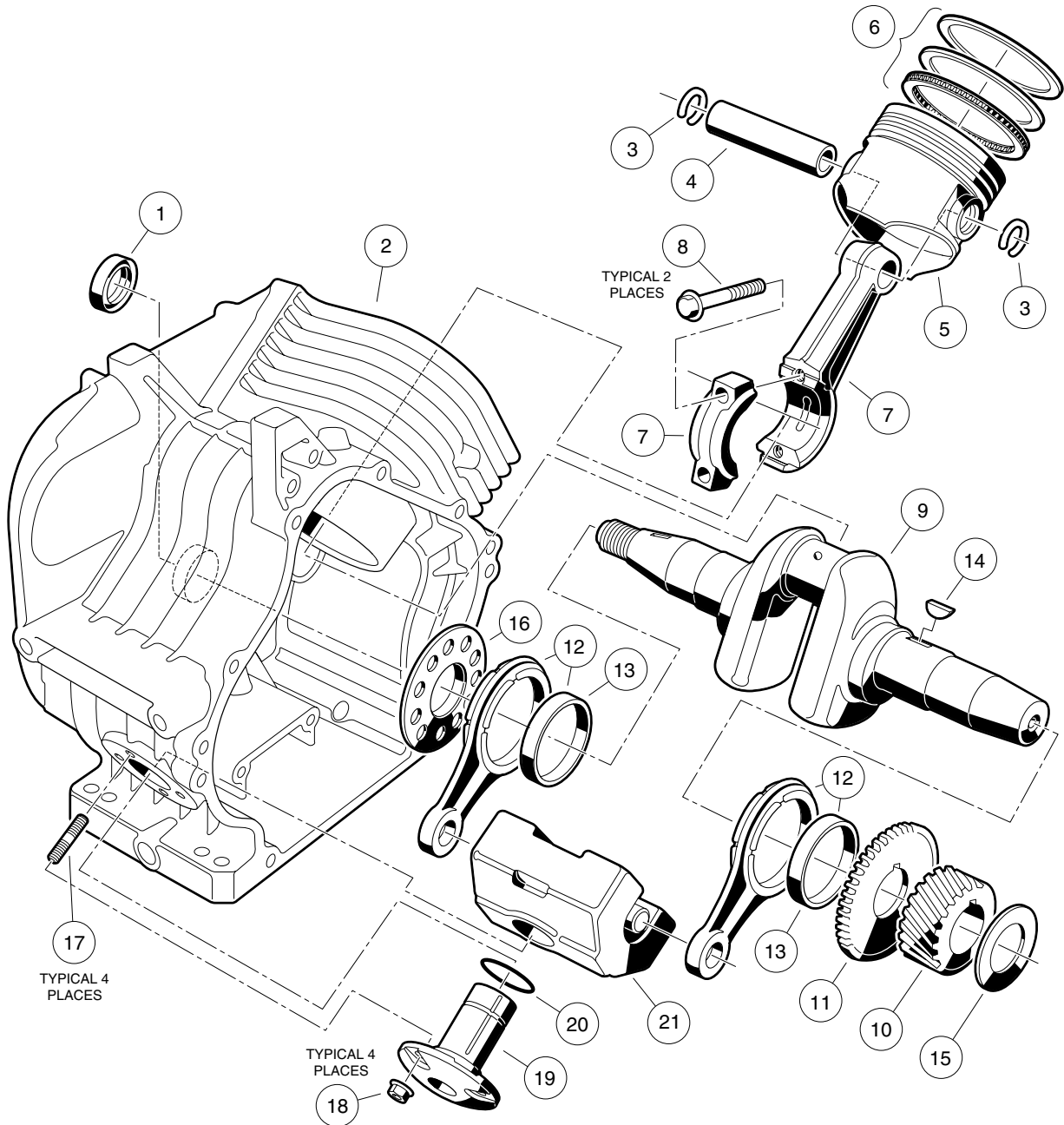
# FE290 ENGINE – CRANKCASE, CAMSHAFT AND OIL SENSOR

| ITEM | PART NO.  | DESCRIPTION                                               | QTY |
|------|-----------|-----------------------------------------------------------|-----|
|      |           | 1 2 3 4                                                   |     |
| 1    | 1016535   | Connector, Oil Level Sensor .....                         | 1   |
| 2    | 1016538   | O-Ring .....                                              | 1   |
| 3    | 1016506   | Clamp .....                                               | 1   |
| 4    | 1016544   | Screw, Cross Pan-Head Self-Tapping, M5 x .8 x 12 mm ..... | 1   |
| 5    | 1016564   | Pin .....                                                 | 2   |
| 6    | 1016565   | Bearing, Ball .....                                       | 1   |
| 7    | 1016567   | Seal, Crankshaft .....                                    | 1   |
| 8    | 1016584   | Bolt, 2-Ended, M8 x 1.25 x 69 mm .....                    | 2   |
| 9    | 1016458   | Bolt, Flanged, M8 x 1.25 x 45 mm .....                    | 6   |
| 10   | 1016520   | Cover, Crankcase .....                                    | 1   |
| 11   | 1016446   | Gasket, Crankcase Cover .....                             | 1   |
| 12   | 1016456   | Bolt, Flanged, M6 x 1 x 12 mm .....                       | 2   |
| 13   | 1016510   | Bracket, Oil Level Switch .....                           | 1   |
| 14   | 1016494   | Sensor, Oil Level .....                                   | 1   |
| 15   | 1016496   | Screw, Cross Pan-Head, M4 x .7 x 8 mm .....               | 3   |
| 16   | 1016454   | Bolt, Flanged, M5 x .8 x 8 mm .....                       | 2   |
| 17   | 1016472   | Plate, Oil Filter Screen .....                            | 1   |
| 18   | 1016521   | Screen, Oil Filter .....                                  | 1   |
| 19   | 101915401 | Camshaft, Complete .....                                  | 1   |
| 20   | 1016453   | Tappet .....                                              | 2   |

**7**  
**G**

**7**  
**G**

**FE290 ENGINE**

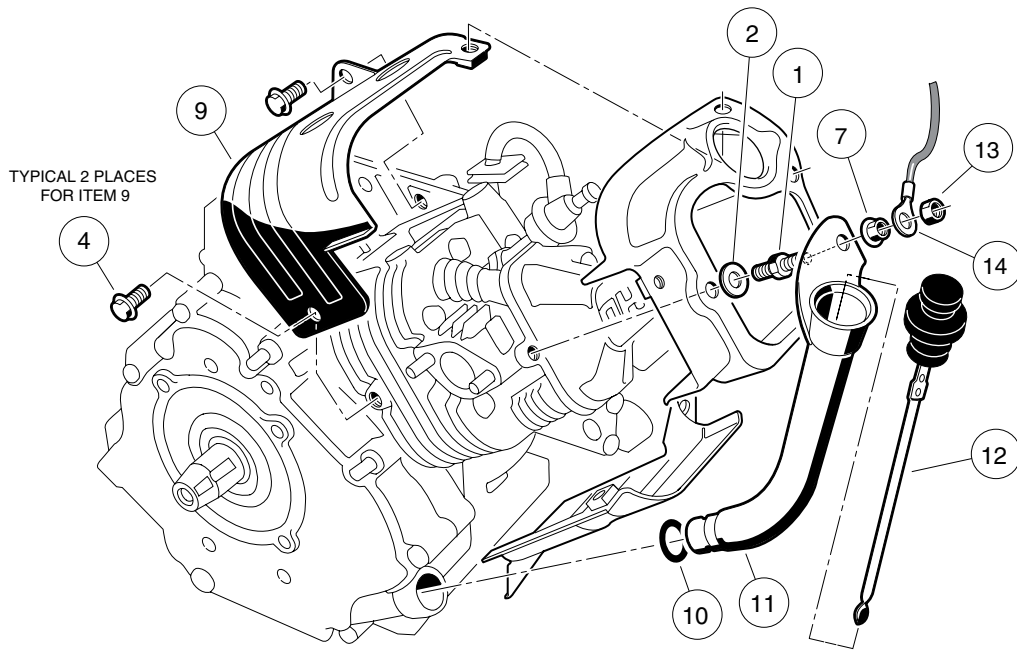
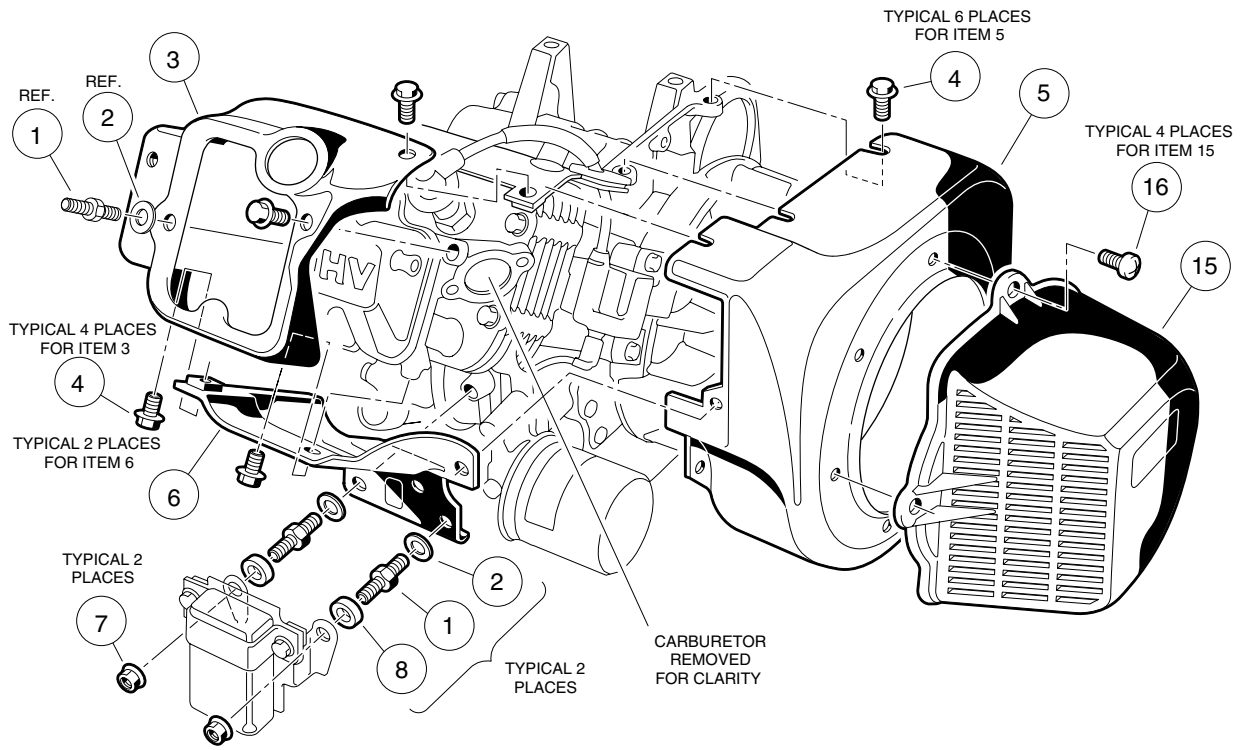


# FE290 ENGINE – CRANKCASE AND CRANKSHAFT

| ITEM | PART NO.  | DESCRIPTION                                                                                   | QTY |
|------|-----------|-----------------------------------------------------------------------------------------------|-----|
|      |           | 1 2 3 4                                                                                       |     |
| 1    | 1016568   | Seal, Oil .....                                                                               | 1   |
| 2    | 101915501 | Crankcase, OHV .....                                                                          | 1   |
| 3    | 1016558   | Ring, Snap .....                                                                              | 2   |
| 4    | 1016460   | Pin, Piston .....                                                                             | 1   |
| 5    | 101645901 | Piston, Standard .....                                                                        | 1   |
| 5    | 101645902 | Piston, .25 mm Oversized .....                                                                | 1   |
| 5    | 101645903 | Piston, .50 mm Oversized .....                                                                | 1   |
| 6    | 101646101 | Ring Set, Piston, Standard .....                                                              | 1   |
| 6    | 101646102 | Ring Set, Piston, .25 mm Oversized .....                                                      | 1   |
| 6    | 101646103 | Ring Set, Piston, .50 mm Oversized .....                                                      | 1   |
| 7    | 101647501 | Assembly, Connecting Rod, Standard (includes 2 each of item 8) .....                          | 1   |
| 7    | 101647502 | Assembly, Connecting Rod, .50 mm Undersized (includes 2 each of item 8) ...                   | 1   |
| 8    | 1016509   | Screw, Hex-Head, M7 x 1 x 36 mm .....                                                         | 2   |
| 9    | 101922301 | Crankshaft, FE290 (left-hand thread)<br>(includes items 10, 11 and one each of item 12) ..... | 1   |
| 10   | 1016533   | Gear, Helical .....                                                                           | 1   |
| 11   | 1016532   | Gear, Spur .....                                                                              | 1   |
| 12   | 1016516   | Assembly, Rod (includes one each of item 13) .....                                            | 2   |
| 13   | 1016580   | Bearing, Plain .....                                                                          | 2   |
| 14   | 1016562   | Key .....                                                                                     | 1   |
| 15   | 101655001 | Shim, Crankshaft, 1.13 mm Thick .....                                                         | A/R |
| 15   | 101655002 | Shim, Crankshaft, 1.18 mm Thick .....                                                         | A/R |
| 15   | 101655003 | Shim, Crankshaft, 1.23 mm Thick .....                                                         | A/R |
| 15   | 101655004 | Shim, Crankshaft, 1.28 mm Thick .....                                                         | A/R |
| 15   | 101655005 | Shim, Crankshaft, 1.33 mm Thick .....                                                         | A/R |
| 15   | 101655006 | Shim, Crankshaft, 1.38 mm Thick .....                                                         | A/R |
| 15   | 101655007 | Shim, Crankshaft, 1.43 mm Thick .....                                                         | A/R |
| 15   | 101655008 | Shim, Crankshaft, 1.48 mm Thick .....                                                         | A/R |
| 15   | 101655009 | Shim, Crankshaft, 1.53 mm Thick .....                                                         | A/R |
| 16   | 1016559   | Spacer .....                                                                                  | 1   |
| 17   | 1016541   | Stud, M6 x 1 x 22 mm .....                                                                    | 4   |
| 18   | 1016547   | Nut, Flanged, M6 x 1 .....                                                                    | 4   |
| 19   | 1016470   | Shaft, Counterbalance Guide .....                                                             | 1   |
| 20   | 1016571   | O-Ring .....                                                                                  | 1   |
| 21   | 1016469   | Weight, Counterbalance .....                                                                  | 1   |



# FE350 ENGINE



# FE350 ENGINE – SHROUDS AND BRACKETS

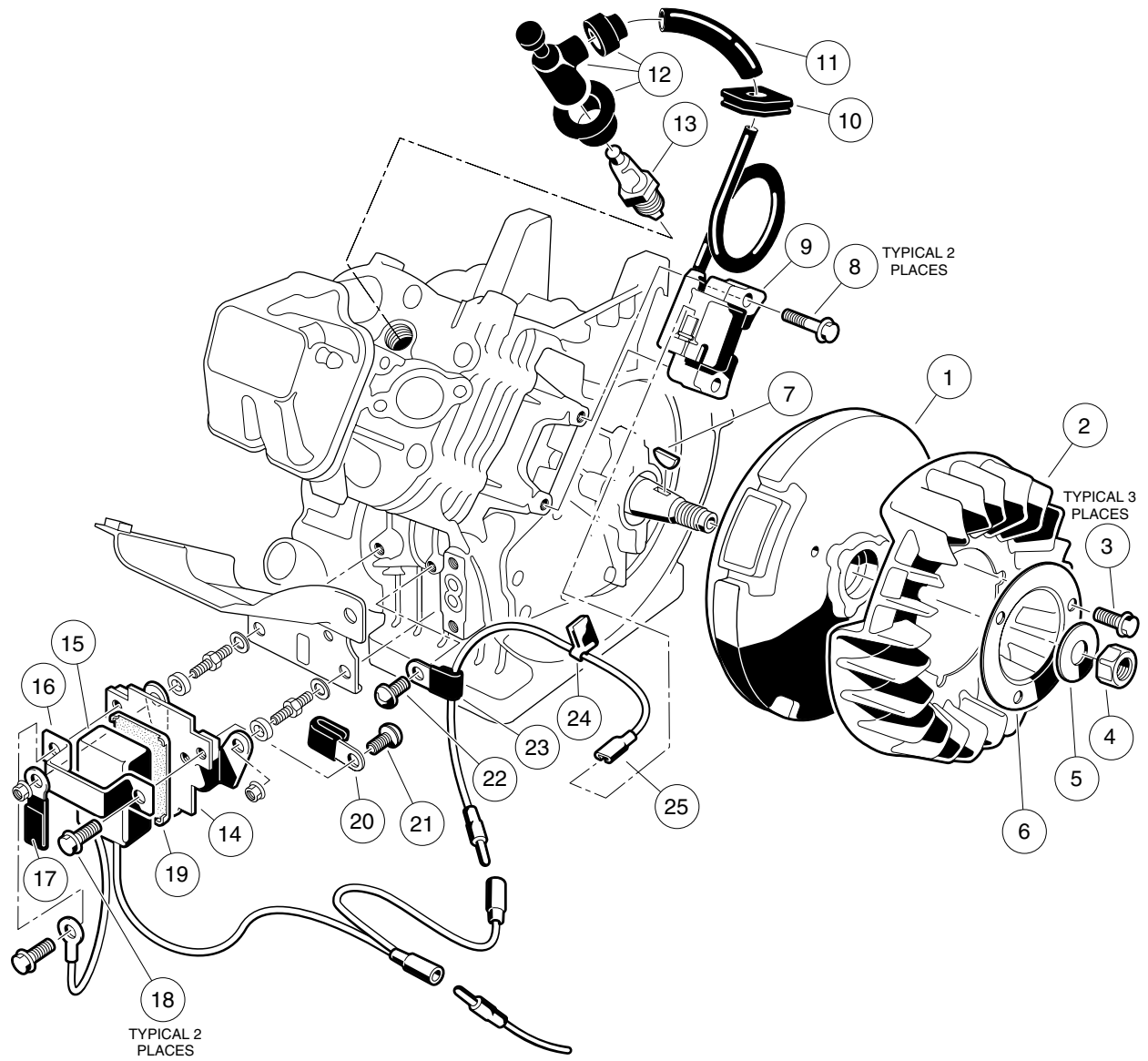
| ITEM | PART NO.  | DESCRIPTION                                                                                                                                                                                | QTY |
|------|-----------|--------------------------------------------------------------------------------------------------------------------------------------------------------------------------------------------|-----|
|      |           | 1 2 3 4                                                                                                                                                                                    |     |
|      | 101953801 | FE350 OHV Gasoline Engine, (clockwise rotation) with Automatic Compression Release (ACR) and with Carburetor (key-start vehicles) (does not include items 13 - 16) .....                   | 1   |
|      | 101953802 | FE350 OHV Gasoline Engine, Complete (clockwise rotation) without Automatic Compression Release (w/o ACR) and with Carburetor (pedal-start vehicles) (does not include items 13 - 16) ..... | 1   |
| 1    | 1016507   | Bolt, 2-Ended, M6 x 1 x 29 mm .....                                                                                                                                                        | 3   |
| 2    | N/A       | Washer, Flat, 6 mm .....                                                                                                                                                                   | 3   |
| 3    | 1017474   | Shroud, Cylinder Head .....                                                                                                                                                                | 1   |
| 4    | 1016456   | Bolt, Flanged, M6 x 1 x 12 mm .....                                                                                                                                                        | 14  |
| 5    | 101916101 | Housing, Fan .....                                                                                                                                                                         | 1   |
| 6    | 1017476   | Shroud, Lower Cylinder .....                                                                                                                                                               | 1   |
| 7    | 1016547   | Nut, Flange, M6 x 1 .....                                                                                                                                                                  | 3   |
| 8    | 1017500   | Spacer .....                                                                                                                                                                               | 2   |
| 9    | 1017475   | Shroud, Upper Cylinder .....                                                                                                                                                               | 1   |
| 10   | 1016539   | O-Ring .....                                                                                                                                                                               | 1   |
| 11   | 1017486   | Tube, Oil Filler .....                                                                                                                                                                     | 1   |
| 12   | 1016531   | Dipstick .....                                                                                                                                                                             | 1   |
| 13   | 101887601 | Nut, Nylon Lock, M6 x 1 .....                                                                                                                                                              | 1   |
| 14   | 1015332   | Wire Assembly, #10 Braided .....                                                                                                                                                           | 1   |
| 15   | 1015649   | Shroud, Fan .....                                                                                                                                                                          | 1   |
| 16   | 1015969   | Screw, Pan-Head, M6 x 1 x 14 mm .....                                                                                                                                                      | 4   |

7

G

**7**  
**G**

**FE350 ENGINE**

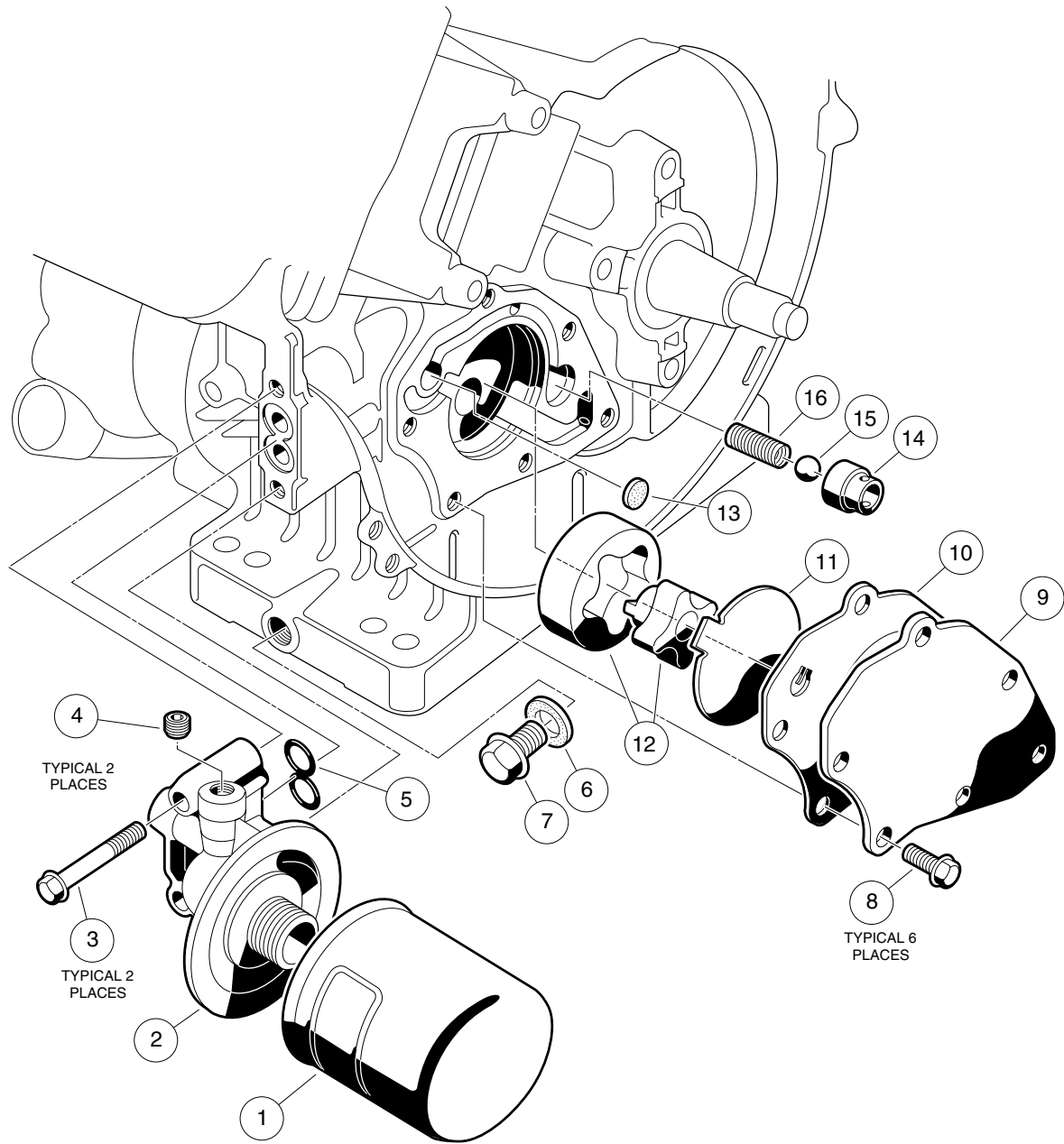


# FE350 ENGINE – IGNITION COMPONENTS AND FLYWHEEL

| ITEM | PART NO.  | DESCRIPTION                                          | QTY |
|------|-----------|------------------------------------------------------|-----|
|      |           | 1 2 3 4                                              |     |
| 1    | 101916201 | Flywheel .....                                       | 1   |
| 2    | 101916301 | Fan, Flywheel – Gray .....                           | 1   |
| 3    | 1017448   | Screw, Flanged Hex-Head, M6 x 1 x 10 mm .....        | 3   |
| 4    | N/A       | Nut, Hex, 18 mm Fine .....                           | 1   |
| 5    | 1017490   | Washer, Flat, 18 mm .....                            | 1   |
| 6    | 1017455   | Plate, Flywheel Fan .....                            | 1   |
| 7    | 1016562   | Key .....                                            | 1   |
| 8    | 1016455   | Screw, Hex-Head Flanged, M5 x 0.8 x 25 mm .....      | 2   |
| 9    | 101909201 | Coil, Ignition (with internal igniter) .....         | 1   |
| 10   | 1016578   | Grommet .....                                        | 1   |
| 11   | 1016588   | Tube, 7 mm I.D. x 10 mm O.D. x 70 mm Long .....      | 1   |
| 12   | 1017463   | Assembly, Plug Cap .....                             | 1   |
| 13   | 101881101 | Plug, Spark, OHV (Autolite) .....                    | 1   |
| 13   | AM10724   | Plug, Spark, OHV (NGK) .....                         | 1   |
| 14   | 1016445   | Bracket, RPM Limiter .....                           | 1   |
| 15   | 101909401 | Limiter, RPM .....                                   | 1   |
| 16   | 1016579   | Band, RPM Limiter Mount .....                        | 1   |
| 17   | 1012981   | Clamp .....                                          | 1   |
| 18   | 1016456   | Screw, Flanged Hex-Head, M6 x 1 x 12 mm .....        | 2   |
| 19   | 1016586   | Damper, RPM Limiter .....                            | 1   |
| 20   | 101909501 | Clamp .....                                          | 1   |
| 21   | 1016497   | Screw, Cross Pan-Head, M5 x .8 x 8 mm .....          | 1   |
| 22   | 1016544   | Screw, Cross Pan-Head Self-Tapping, M5 x 12 mm ..... | 1   |
| 23   | 1016561   | Clamp .....                                          | 1   |
| 24   | 1016587   | Clamp .....                                          | 1   |
| 25   | 101909301 | Wire, Lead .....                                     | 1   |

**7**  
**G**

# FE350 ENGINE



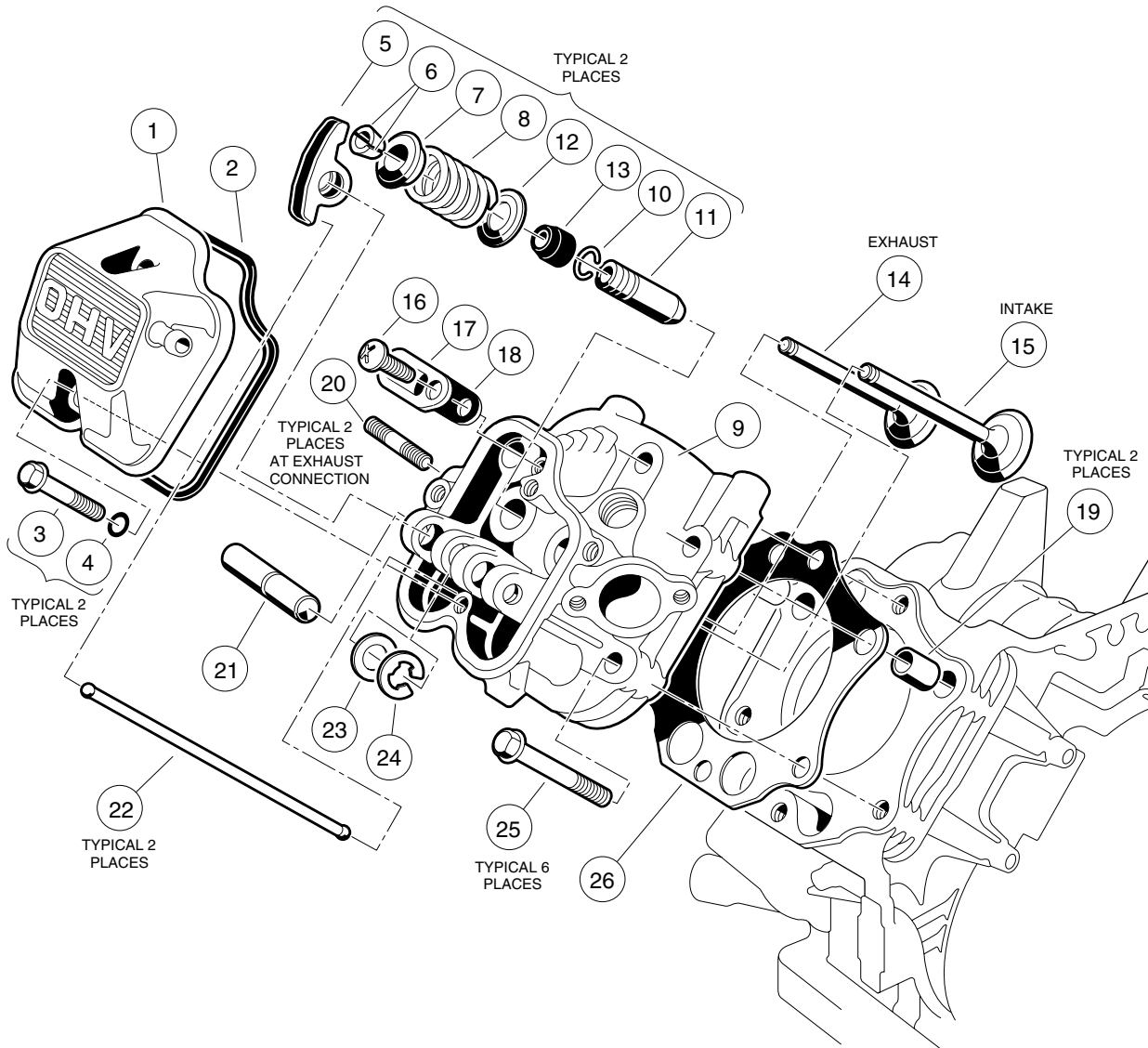


# FE350 ENGINE – OIL CIRCULATION

| ITEM | PART NO.  | DESCRIPTION                                   | QTY |
|------|-----------|-----------------------------------------------|-----|
|      |           | 1 2 3 4                                       |     |
| 1    | 1016467   | Oil Filter .....                              | 1   |
| 2    | 1016502   | Bracket, Oil Filter .....                     | 1   |
| 3    | 1016457   | Bolt, Flanged Hex-Head, M6 x 1 x 40 mm .....  | 2   |
| 4    | 1017507   | Plug .....                                    | 2   |
| 5    | 1016570   | O-Ring .....                                  | 1   |
| 6    | 1016432   | Gasket, Drain Plug .....                      | 1   |
| 7    | 1016576   | Plug, Drain .....                             | 1   |
| 8    | 1017456   | Screw, Flanged Hex-Head, M6 x 1 x 12 mm ..... | 6   |
| 9    | 1017460   | Cover, Pump .....                             | 1   |
| 10   | 1017442   | Gasket, Oil Pump .....                        | 1   |
| 11   | 1016473   | Plate, Oil Pump .....                         | 1   |
| 12   | 101648203 | Pump, Oil, and Rotor .....                    | 1   |
| 13   | 1017458   | Filter .....                                  | 1   |
| 14   | 1016429   | Seat, Valve .....                             | 1   |
| 15   | 1016537   | Ball, Steel, Pressure Relief .....            | 1   |
| 16   | 1016581   | Spring .....                                  | 1   |

**7**  
**G**

# FE350 ENGINE



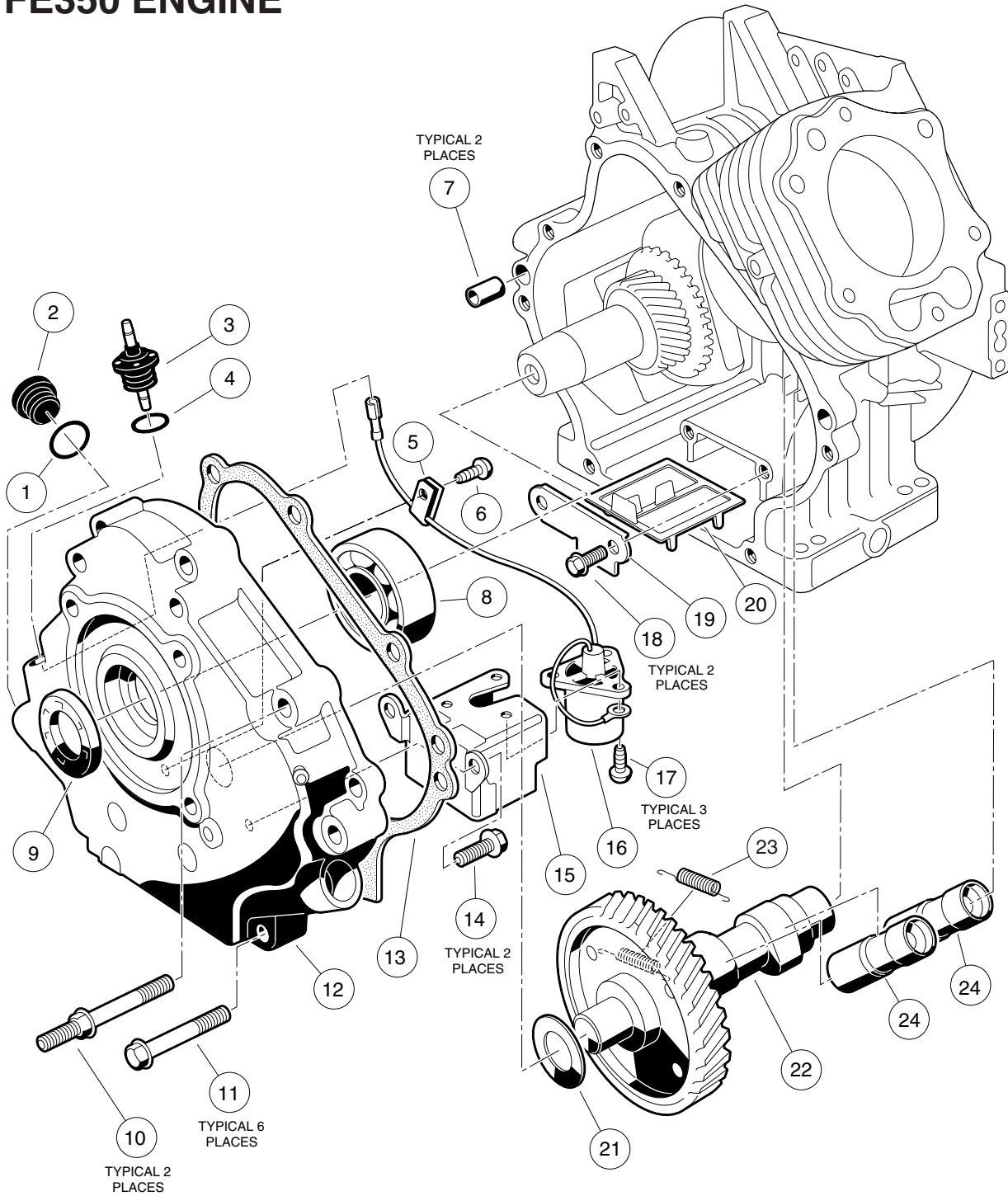
# FE350 ENGINE – CYLINDER HEAD

| ITEM | PART NO.  | DESCRIPTION                                                                                           | QTY |
|------|-----------|-------------------------------------------------------------------------------------------------------|-----|
|      |           | 1 2 3 4                                                                                               |     |
| 1    | 1016442   | Case, Rocker .....                                                                                    | 1   |
| 2    | 1016436   | Gasket, Rocker Case .....                                                                             | 1   |
| 3    | 1016583   | Bolt, Flanged, M6 x 1 x 35 mm .....                                                                   | 2   |
| 4    | 1016569   | O-Ring .....                                                                                          | 2   |
| 5    | 1017446   | Arm, Rocker .....                                                                                     | 2   |
| 6    | 1016450   | Collet .....                                                                                          | 4   |
| 7    | 1016449   | Retainer, Valve Spring .....                                                                          | 2   |
| 8    | 1017473   | Spring, Engine Valve .....                                                                            | 2   |
| 9    | 1017435   | Assembly, Cylinder Head, FE350 (includes items 10 and 11) .....                                       | 1   |
| 10   | 1016560   | Ring, Snap .....                                                                                      | 2   |
| 11   | 1016519   | Guide, Intake Valve .....                                                                             | 1   |
| 11   | 1016518   | Guide, Exhaust Valve .....                                                                            | 1   |
| 12   | 1016479   | Seat, Spring .....                                                                                    | 2   |
| 13   | 1016566   | Seal, Valve .....                                                                                     | 2   |
| 14   | 1017445   | Valve, Exhaust .....                                                                                  | 1   |
| 15   | 1017444   | Valve, Intake .....                                                                                   | 1   |
| 16   | 1016544   | Screw, Cross Pan-Head Self-Tapping, M5 x .8 x 12 mm .....                                             | 1   |
| 17   | 1016474   | Plate .....                                                                                           | 1   |
| 18   | 1016483   | Valve .....                                                                                           | 1   |
| 19   | 1016563   | Pin .....                                                                                             | 2   |
| 20   | 1016489   | Bolt, Stud, M8 x 1.25 x 29 mm .....                                                                   | 2   |
| 21   | 1016452   | Shaft, Rocker .....                                                                                   | 1   |
| 22   | 1017454   | Rod, Push .....                                                                                       | 2   |
| 23   | 1016549   | Washer, Flat, M12 .....                                                                               | 1   |
| 24   | 1016517   | Circlip, Type-E .....                                                                                 | 1   |
| 25   | 1016458   | Bolt, Flanged, M8 x 1.25 x 45 mm .....                                                                | 6   |
| 26   | 1017434   | Gasket, Head .....                                                                                    | 1   |
| 27   | 102304801 | Kit, Gasket, FE350 (not shown) (contains one each of all internal gaskets for the FE350 engine) ..... | 1   |

**7**  
**G**

**7**  
**G**

**FE350 ENGINE**



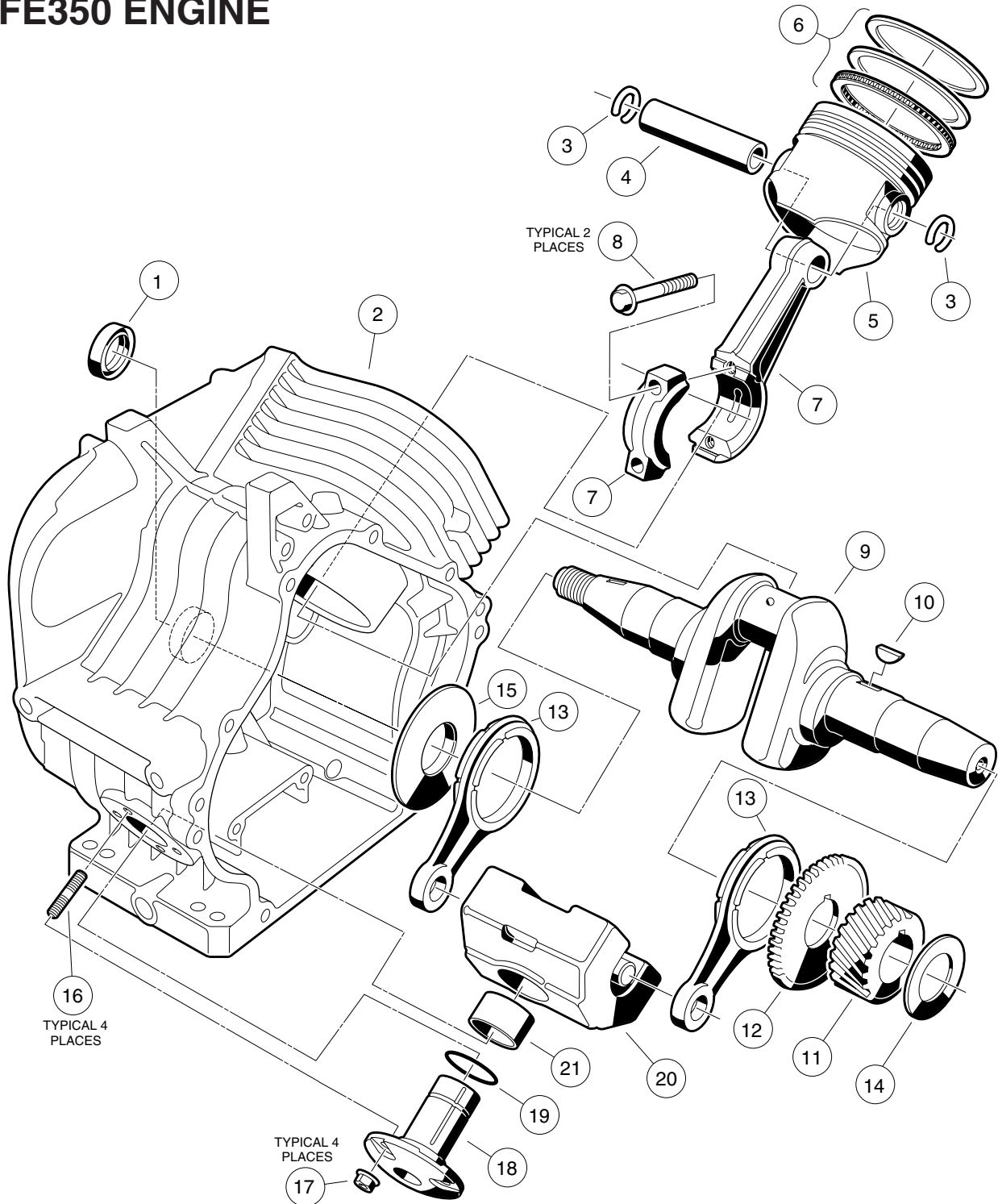
# FE350 ENGINE – CRANKCASE, CAMSHAFT AND OIL SENSOR

| ITEM | PART NO.  | DESCRIPTION                                                                                                                                      | QTY |
|------|-----------|--------------------------------------------------------------------------------------------------------------------------------------------------|-----|
|      |           | 1 2 3 4                                                                                                                                          |     |
| 1    | 1016538   | O-Ring .....                                                                                                                                     | 1   |
| 2    | 1017508   | Plug .....                                                                                                                                       | 1   |
| 3    | 1016535   | Connector, Oil Level Sensor .....                                                                                                                | 1   |
| 4    | 1016538   | O-Ring .....                                                                                                                                     | 1   |
| 5    | 1016506   | Clamp .....                                                                                                                                      | 1   |
| 6    | 1016544   | Screw, Cross Pan-Head Self-Tapping, M5 x .8 x 12 mm .....                                                                                        | 1   |
| 7    | 1016564   | Pin .....                                                                                                                                        | 2   |
| 8    | 1017487   | Bearing, Crankshaft .....                                                                                                                        | 1   |
| 9    | 1017504   | Seal, Crankshaft .....                                                                                                                           | 1   |
| 10   | 1016584   | Bolt, 2-Ended Flanged, M8 x 1.25 x 69 mm .....                                                                                                   | 2   |
| 11   | 1017514   | Bolt, Flanged, M8 x 1.25 x 45 mm .....                                                                                                           | 6   |
| 12   | 1017472   | Cover, Crankcase .....                                                                                                                           | 1   |
| 13   | 1017443   | Gasket, Crankcase Cover .....                                                                                                                    | 1   |
| 14   | 1017513   | Bolt, Flanged, M6 x 1 x 12 mm .....                                                                                                              | 2   |
| 15   | 1016510   | Bracket, Oil Level Switch .....                                                                                                                  | 1   |
| 16   | 1016494   | Sensor, Oil Level .....                                                                                                                          | 1   |
| 17   | 1016496   | Screw, Cross Pan-Head, M4 x .7 x 8 mm .....                                                                                                      | 3   |
| 18   | 1016454   | Bolt, Flanged, M5 x .8 x 8 mm .....                                                                                                              | 2   |
| 19   | 1016472   | Plate, Oil Filter Screen .....                                                                                                                   | 1   |
| 20   | 1016521   | Screen, Oil Filter .....                                                                                                                         | 1   |
| 21   | 101751801 | Shim, 0.3 mm Thick .....                                                                                                                         | A/R |
| 21   | 101751802 | Shim, 0.4 mm Thick .....                                                                                                                         | A/R |
| 21   | 101751803 | Shim, 0.5 mm Thick .....                                                                                                                         | A/R |
| 22   | 101947601 | Camshaft (without automatic compression release) (for engines with serial numbers lower than 094171) (pedal-start vehicles) .....                | 1   |
| 22   | 102431001 | Camshaft, FE350 (without automatic compression release) (for engines with serial numbers 094171 and greater) (pedal-start vehicles) .....        | 1   |
| 22   | 101915901 | Camshaft (with automatic compression release) (for engines with serial numbers lower than 094171) (key-start vehicles) (includes item 23) .....  | 1   |
| 22   | 102271601 | Camshaft (with automatic compression release) (for engines with serial numbers 094171 and greater) (key-start vehicles) (includes item 23) ..... | 1   |
| 23   | 1017511   | Spring .....                                                                                                                                     | 1   |
| 24   | 1017447   | Lifter, Hydraulic .....                                                                                                                          | 2   |

**7**  
**G**

**7**  
**G**

**FE350 ENGINE**

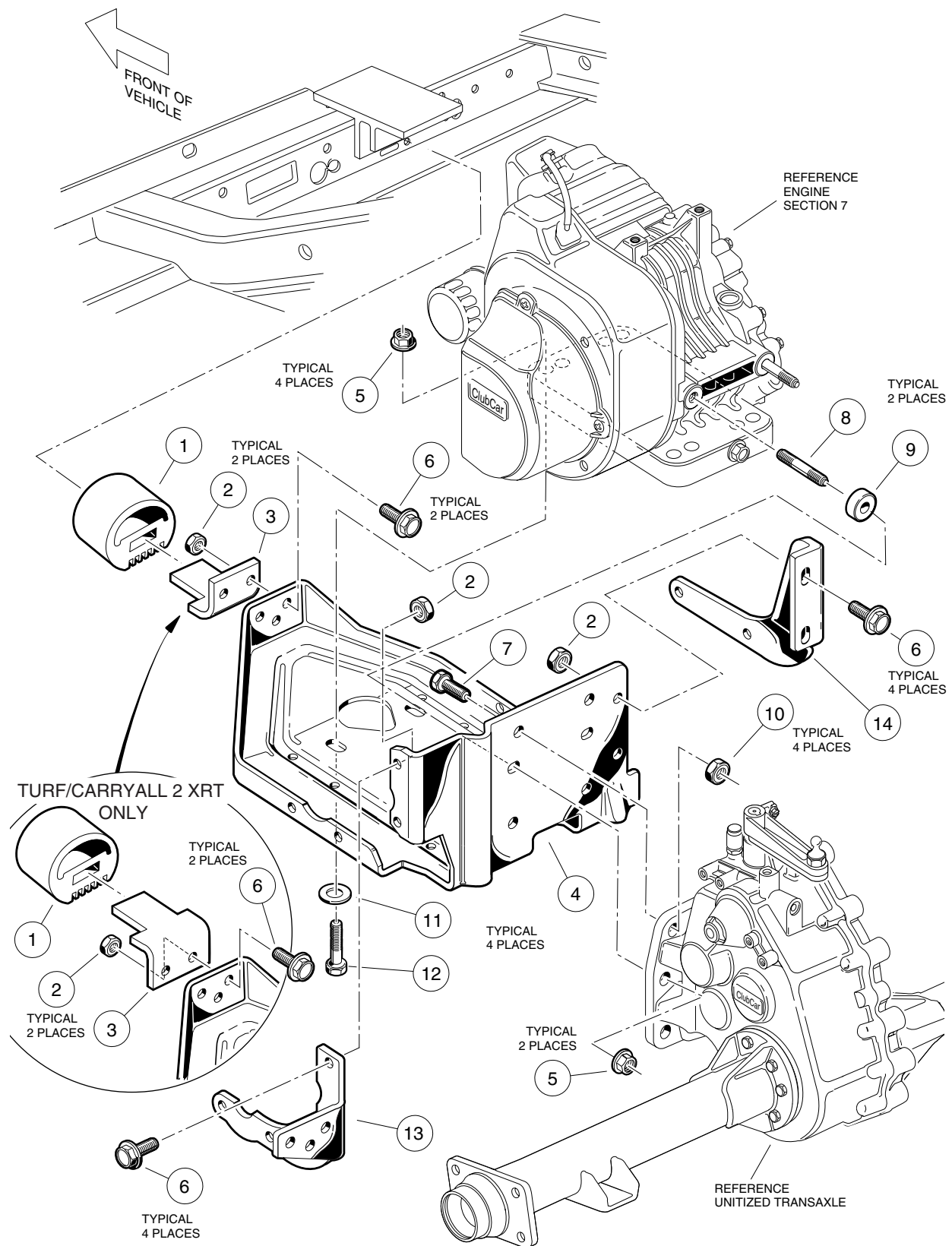


# FE350 ENGINE – CRANKCASE AND CRANKSHAFT

| ITEM | PART NO.  | DESCRIPTION                                                                                                                                          | QTY |
|------|-----------|------------------------------------------------------------------------------------------------------------------------------------------------------|-----|
|      |           | 1 2 3 4                                                                                                                                              |     |
| 1    | 1017503   | Seal, Oil .....                                                                                                                                      | 1   |
| 2    | 101916001 | Crankcase, FE350 (clockwise rotation) .....                                                                                                          | 1   |
| 3    | 1017502   | Ring, Snap .....                                                                                                                                     | 2   |
| 4    | 1017450   | Pin, Piston .....                                                                                                                                    | 1   |
| 5    | 101744901 | Piston, Standard .....                                                                                                                               | 1   |
| 5    | 101744902 | Piston, .50 mm Oversized .....                                                                                                                       | 1   |
| 6    | 101745101 | Ring Set, Piston, Standard .....                                                                                                                     | 1   |
| 6    | 101745102 | Ring Set, Piston, .50 mm Oversized .....                                                                                                             | 1   |
| 7    | 101745701 | Assembly, Connecting Rod, Standard (includes 2 each of item 8) .....                                                                                 | 1   |
| 7    | 101745702 | Assembly, Connecting Rod, .50 mm Undersized<br>(Includes 2 each of Item 8) .....                                                                     | 1   |
| 8    | 1017512   | Screw, Hex-Head, M7 x 1 x 36 mm .....                                                                                                                | 2   |
| 9    | 101922302 | Crankshaft, FE350 (left-hand threads) (for engines with serial numbers<br>lower than 094171) (includes items 10 - 12 and one each of item 13) .....  | 1   |
| 9    | 102430901 | Crankshaft, FE350 (left-hand threads) (for engines with serial numbers<br>094171 and greater) (includes items 10 - 12 and one each of item 13) ..... | 1   |
| 10   | 1016562   | Key .....                                                                                                                                            | 1   |
| 11   | N/A       | Gear, Helical .....                                                                                                                                  | 1   |
| 12   | N/A       | Gear, Spur .....                                                                                                                                     | 1   |
| 13   | 1017471   | Rod .....                                                                                                                                            | 2   |
| 14   | 101773301 | Shim, Crankshaft, 1.18 mm Thick .....                                                                                                                | A/R |
| 14   | 101773302 | Shim, Crankshaft, 1.25 mm Thick .....                                                                                                                | A/R |
| 14   | 101773303 | Shim, Crankshaft, 1.32 mm Thick .....                                                                                                                | A/R |
| 14   | 101773304 | Shim, Crankshaft, 1.39 mm Thick .....                                                                                                                | A/R |
| 14   | 101773305 | Shim, Crankshaft, 1.46 mm Thick .....                                                                                                                | A/R |
| 14   | 101773306 | Shim, Crankshaft, 1.53 mm Thick .....                                                                                                                | A/R |
| 14   | 101773307 | Shim, Crankshaft, 1.60 mm Thick .....                                                                                                                | A/R |
| 14   | 101773308 | Shim, Crankshaft, 1.67 mm Thick .....                                                                                                                | A/R |
| 14   | 101773309 | Shim, Crankshaft, 1.74 mm Thick .....                                                                                                                | A/R |
| 14   | 101773310 | Shim, Crankshaft, 1.11 mm Thick .....                                                                                                                | A/R |
| 14   | 101773311 | Shim, Crankshaft, 1.81 mm Thick .....                                                                                                                | A/R |
| 15   | 1017501   | Spacer .....                                                                                                                                         | 1   |
| 16   | 1016541   | Stud, M6 x 1 x 22 mm .....                                                                                                                           | 4   |
| 17   | 1016547   | Nut, Flanged, M6 x 1 .....                                                                                                                           | 4   |
| 18   | 1016470   | Shaft, Counterbalance Guide .....                                                                                                                    | 1   |
| 19   | 1016571   | O-Ring .....                                                                                                                                         | 1   |
| 20   | 1017453   | Weight, Counterbalance (includes item 21) .....                                                                                                      | 1   |
| 21   | 1017510   | Bearing .....                                                                                                                                        | 1   |



**7**  
**G**





# ENGINE MOUNTING

| ITEM | PART NO.  | DESCRIPTION                                    | QTY |
|------|-----------|------------------------------------------------|-----|
|      |           | 1 2 3 4                                        |     |
| 1    | 1012164   | Snubber .....                                  | 1   |
| 2    | 1013924   | Nut, Hex Lock, UNF, 5/16-24 .....              | 10  |
| 3    | 101834601 | Bracket, Snubber .....                         | 1   |
| 4    | 101827101 | Plate, Mounting .....                          | 1   |
| 5    | 101833001 | Nut, Flange, M8 x 1.25 .....                   | 6   |
| 6    | 101884801 | Screw, Hex Washer, 5/16-24 x 7/8 .....         | 10  |
| 7    | 101833301 | Screw, Hex-Head Cap, M10 x 1.25 x 30 mm .....  | 4   |
| 8    | 101833201 | Stud, M8 x 1.25 x 60 mm (FE290 vehicle) .....  | 2   |
| 8    | 101833101 | Stud, M8 x 1.25 x 50 mm (FE350 vehicle) .....  | 2   |
| 9    | 101832101 | Spacer (FE290 Vehicle) .....                   | 2   |
| 9    | 1011697   | Washer, Flat 5/16 (FE350 vehicle) .....        | 2   |
| 10   | 101832901 | Nut, Flange, M10 x 1.25 .....                  | 4   |
| 11   | 1012571   | Washer, Heavy Flat, 5/16 .....                 | 4   |
| 12   | 101855901 | Screw, Hex-Head Cap, M8 x 1.25 x 43 mm .....   | 4   |
| 13   | 101832701 | Stiffener, Flywheel Side .....                 | 1   |
| 14   | 101832601 | Stiffener, PTO Side (FE350 vehicle only) ..... | 1   |

7  
G

**7**

**G**

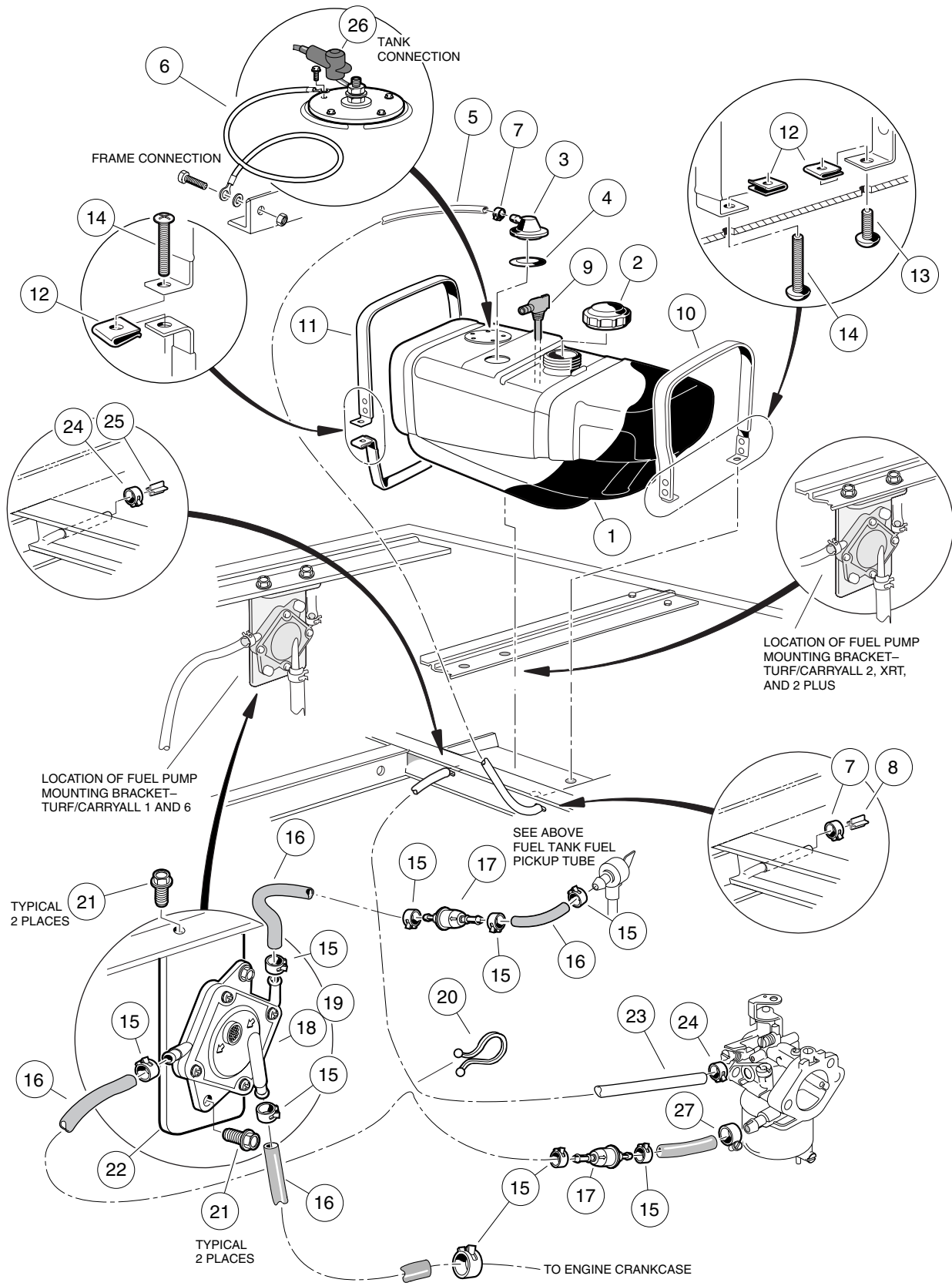
# FUEL, INTAKE, AND GOVERNOR SYSTEMS

---

8

G

E

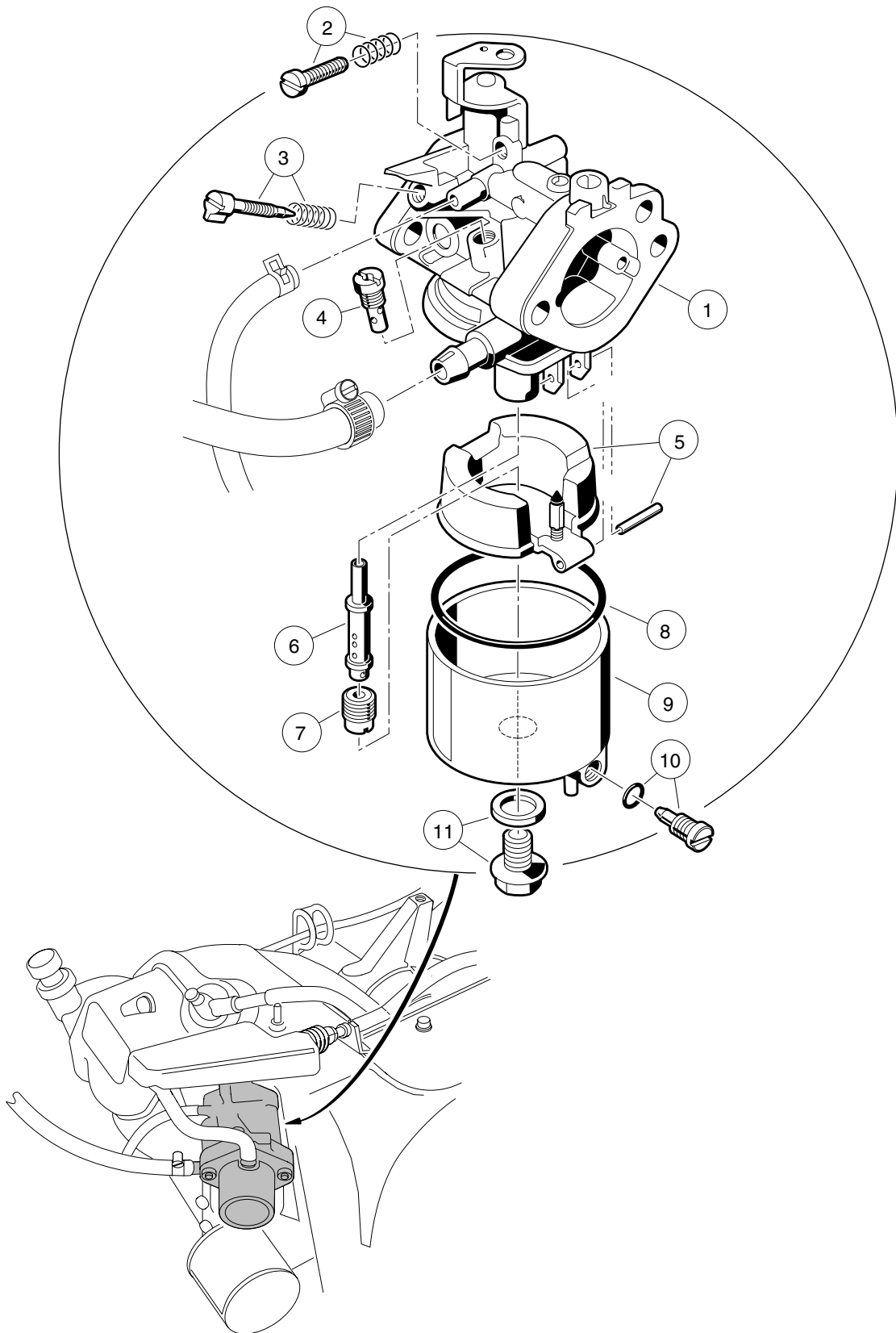


# FUEL SYSTEM

| ITEM | PART NO.  | DESCRIPTION                                                                                                                                                                             | QTY |
|------|-----------|-----------------------------------------------------------------------------------------------------------------------------------------------------------------------------------------|-----|
|      |           | 1 2 3 4                                                                                                                                                                                 |     |
| 1    | 1016004   | Kit, Fuel Tank, Unit (includes items 2 - 9) .....                                                                                                                                       | 1   |
| 2    | 1015188   | Cap, Fuel Tank, Nonvented .....                                                                                                                                                         | 1   |
| 3    | 1015143   | Assembly, Fuel Tank Vent .....                                                                                                                                                          | 1   |
| 4    | 1015139   | Grommet, Insulation .....                                                                                                                                                               | 1   |
| 5    | 1015137   | Line, Bulk Vent (available by the foot) .....                                                                                                                                           | A/R |
| 6    | N/A       | Wire Assembly, #16 Black .....                                                                                                                                                          | 1   |
| 7    | 1013746   | Clamp, Hose (gray) .....                                                                                                                                                                | 2   |
| 8    | 101824401 | Barb, Vent .....                                                                                                                                                                        | 1   |
| 9    | 101896901 | Valve, Fuel Pickup Tube with Shut-Off .....                                                                                                                                             | 1   |
| 10   | 1014928   | Assembly, Rear Fuel Strap .....                                                                                                                                                         | 1   |
| 11   | 101955301 | Assembly, Front Fuel Strap .....                                                                                                                                                        | 1   |
| 12   | 1014116   | Nut, U-Type Speed, 1/4-20 .....                                                                                                                                                         | 3   |
| 13   | 8248      | Screw, Phillips Truss-Head, 1/4-20 x 3/4 .....                                                                                                                                          | 1   |
| 14   | 1011988   | Screw, Phillips Truss-Head, 1/4-20 x 2 .....                                                                                                                                            | 2   |
| 15   | 1012649   | Clamp, Hose (red) .....                                                                                                                                                                 | 9   |
| 16   | 1013692   | Line, Bulk Fuel (available by the foot)* .....                                                                                                                                          | A/R |
| 17   | 102003201 | Filter, Fuel .....                                                                                                                                                                      | 2   |
| 18   | 1014523   | Pump, Fuel Impulse .....                                                                                                                                                                | 1   |
| 19   | 1014524   | Kit, Rebuild, Fuel Impulse Pump .....                                                                                                                                                   | A/R |
| 20   | 101987701 | Clamp, Plastic .....                                                                                                                                                                    | 1   |
| 21   | 1012285   | Screw, Thread-Rolling, 1/4-20 x 5/8 .....                                                                                                                                               | 4   |
| 22   | 101929501 | Bracket, Fuel Pump Mounting .....                                                                                                                                                       | 1   |
| 23   | 1015137   | Line, Bulk Vent (available by the foot) .....                                                                                                                                           | A/R |
| 24   | 1013746   | Clamp, Hose (gray) .....                                                                                                                                                                | 2   |
| 25   | 101824401 | Barb, Vent .....                                                                                                                                                                        | 1   |
| 26   | N/A       | Boot, Rubber .....                                                                                                                                                                      | 1   |
| 27   | 1013687   | Clamp, Hose (screw type) .....                                                                                                                                                          | 1   |
|      |           | <p>*Total fuel line lengths:<br/>                     Turf/Carryall 1 and 6 – 43 inches (109.2 cm)<br/>                     Turf/Carryall 2, 2 Plus, and XRT – 48 inches (121.9 cm)</p> |     |

8  
G  
E

**8**  
**G**  
**E**

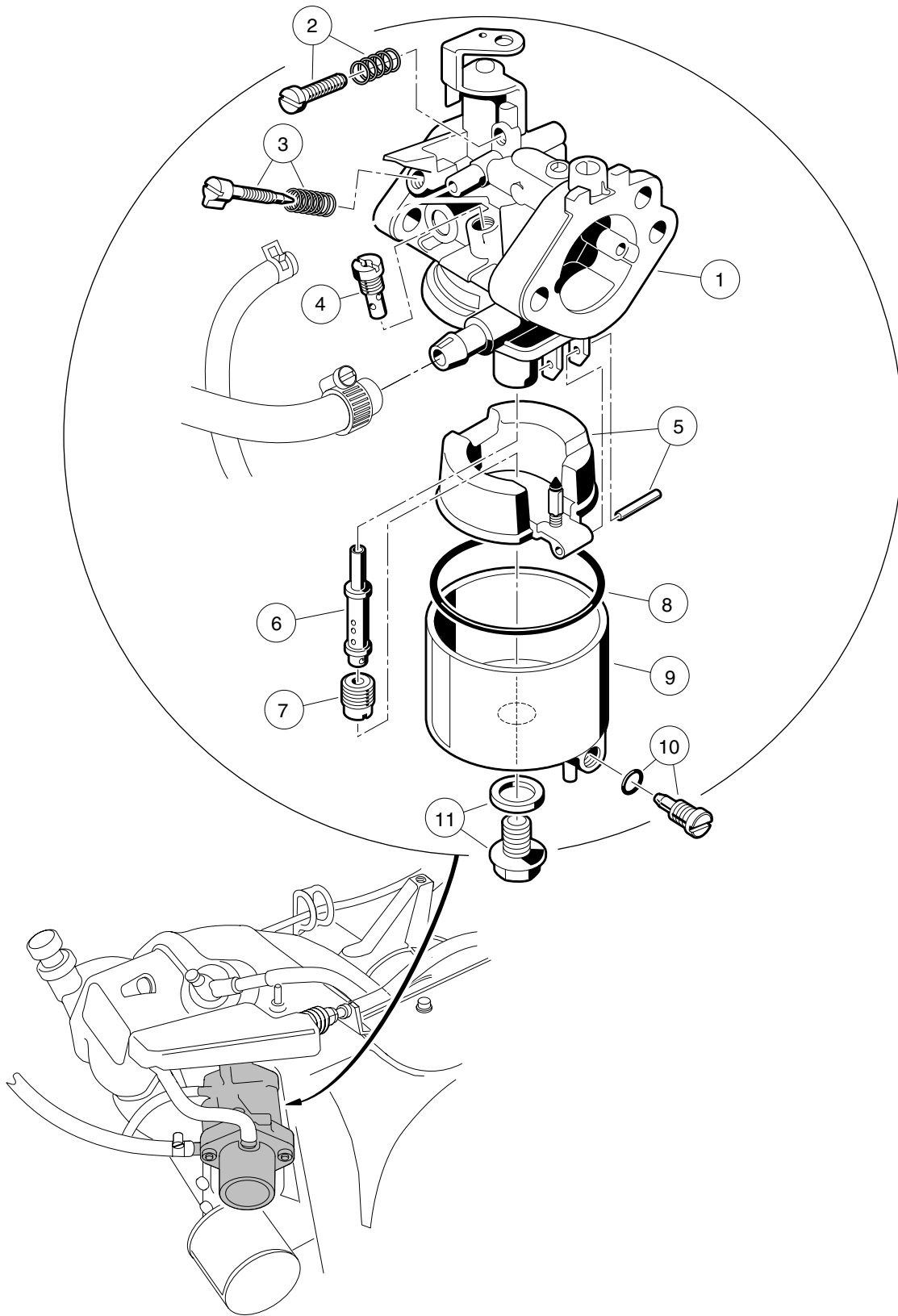


# CARBURETOR ASSEMBLY, FE290 ENGINE – TURF/CARRYALL 1

| ITEM | PART NO.  | DESCRIPTION                                        | QTY |
|------|-----------|----------------------------------------------------|-----|
|      |           | 1 2 3 4                                            |     |
| 1    | 101905601 | Assembly, Carburetor (includes items 2 - 11) ..... | 1   |
| 2    | 1016501   | Assembly, Idle Screw .....                         | 1   |
| 3    | N/A       | Assembly, Pilot Air Screw .....                    | 1   |
| 4    | 101973101 | Jet, Pilot, #40 .....                              | 1   |
| 5    | 1016486   | Assembly, Float .....                              | 1   |
| 6    | 101973201 | Nozzle, Main .....                                 | 1   |
|      |           | Standard Jetting:                                  |     |
| 7    | 101642582 | Jet, Main, 0 - 3,000 feet .....                    | 1   |
| 7    | 101642580 | Jet, Main, 3,000 - 5,000 feet .....                | A/R |
| 7    | 101642578 | Jet, Main, 5,000 - 8,000 feet .....                | A/R |
| 7    | 101642575 | Jet, Main, 8,000 - 10,000 feet .....               | A/R |
| 7    | 101642572 | Jet, Main, 10,000 Feet and Above .....             | A/R |
| 8    | 1016437   | Gasket, Float Chamber .....                        | 1   |
| 9    | 1017461   | Assembly, Float Chamber (includes item 10) .....   | 1   |
| 10   | 1016499   | Assembly, Screw .....                              | 1   |
| 11   | 1016585   | Assembly, Bolt .....                               | 1   |

**8**  
**G**  
**E**

**8**  
**G**  
**E**

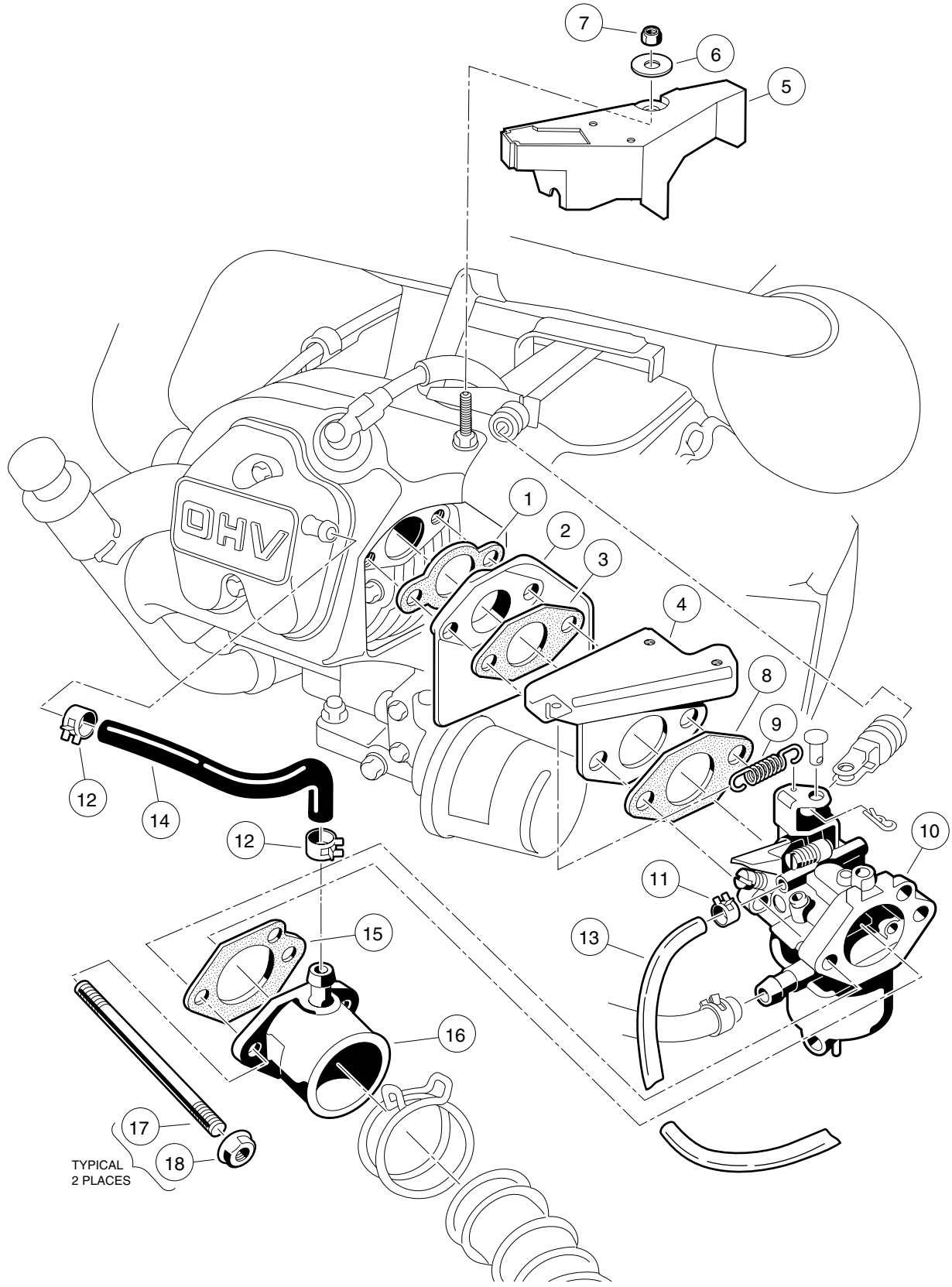




# CARBURETOR ASSEMBLY, FE350 ENGINE – TURF/CARRYALL 2, XRT, 2 PLUS, AND 6

| ITEM | PART NO.  | DESCRIPTION                                        | QTY |
|------|-----------|----------------------------------------------------|-----|
|      |           | 1 2 3 4                                            |     |
| 1    | 101905901 | Assembly, Carburetor (includes items 2 - 11) ..... | 1   |
| 2    | 1016501   | Assembly, Idle Screw .....                         | 1   |
| 3    | N/A       | Assembly, Pilot Air Screw .....                    | 1   |
| 4    | 101973101 | Jet, Pilot, #40 .....                              | 1   |
| 5    | 1016486   | Assembly, Float .....                              | 1   |
| 6    | 101973301 | Nozzle, Main .....                                 | 1   |
|      |           | Standard Jetting:                                  |     |
| 7    | 101642585 | Jet, Main, 0 - 3,000 Feet .....                    | 1   |
| 7    | 101642582 | Jet, Main, 3,000 - 5,000 Feet .....                | A/R |
| 7    | 101642580 | Jet, Main, 5,000 - 8,000 Feet .....                | A/R |
| 7    | 101642578 | Jet, Main, 8,000 - 10,000 Feet .....               | A/R |
| 7    | 101642575 | Jet, Main, 10,000 Feet and Above .....             | A/R |
| 8    | 1016437   | Gasket, Float Chamber .....                        | 1   |
| 9    | 1017461   | Assembly, Float Chamber (includes item 10) .....   | 1   |
| 10   | 1016499   | Assembly, Screw .....                              | 1   |
| 11   | 1016585   | Assembly, Bolt .....                               | 1   |

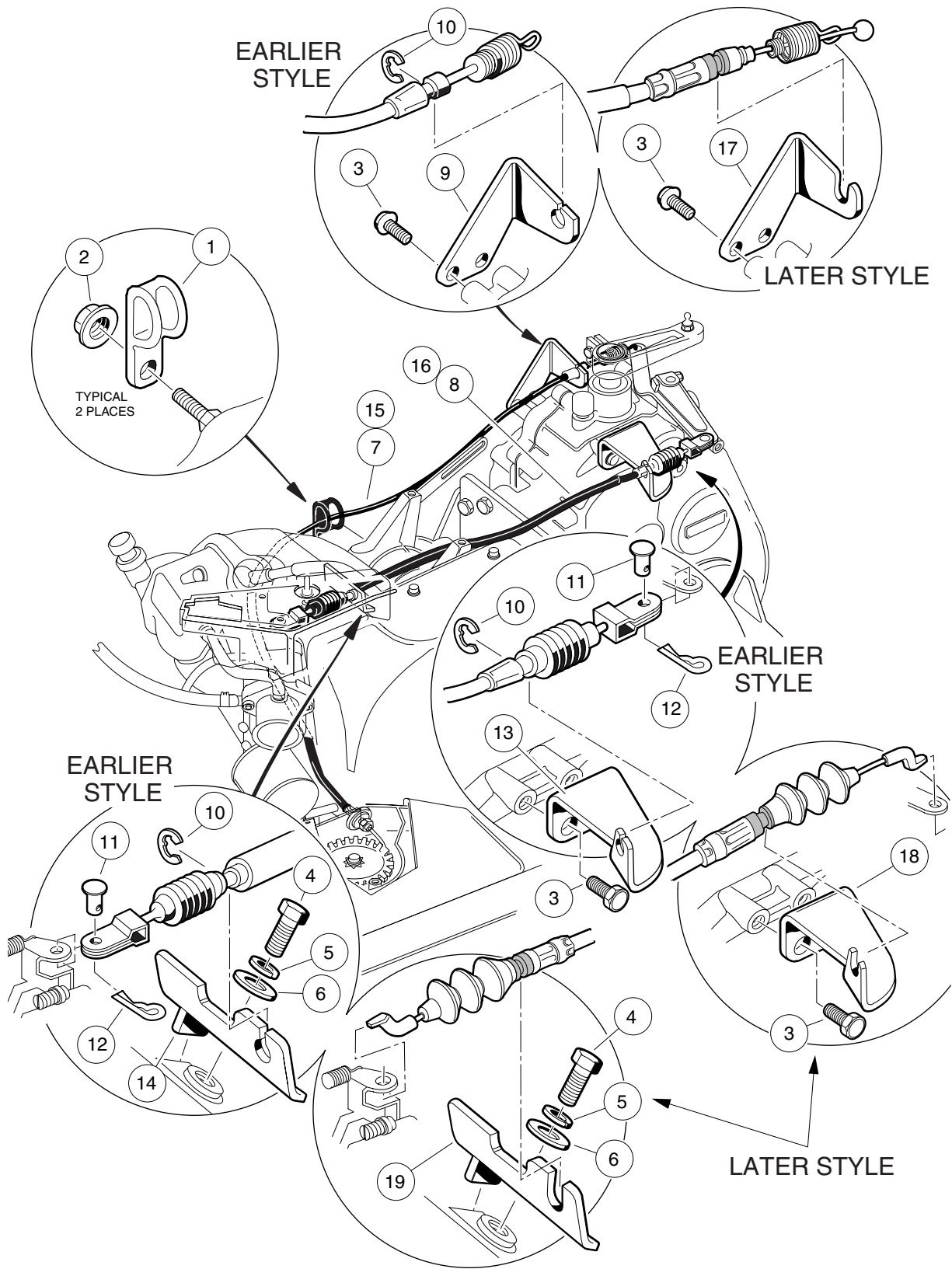
**8**  
**G**  
**E**



# CARBURETOR INSTALLATION

| ITEM | PART NO.  | DESCRIPTION                                                                                | QTY |
|------|-----------|--------------------------------------------------------------------------------------------|-----|
|      |           | 1 2 3 4                                                                                    |     |
| 1    | 1016440   | Gasket, Insulator .....                                                                    | 1   |
| 2    | 101648102 | Insulator, Carburetor .....                                                                | 1   |
| 3    | 1016439   | Gasket, Carburetor Insulator to Throttle Bracket (Turf/Carryall 1 and 2) .....             | 1   |
| 3    | 101973401 | Gasket, Carburetor Insulator to Throttle Bracket (Turf/Carryall 2 XRT, 2 Plus and 6) ..... | 1   |
| 4    | 1016444   | Bracket, Throttle .....                                                                    | 1   |
| 5    | 101820201 | Guard, Governor (Turf/Carryall 1) .....                                                    | 1   |
| 6    | 1011697   | Washer, Flat, 5/16 (Turf/Carryall 1) .....                                                 | 1   |
| 7    | 101887601 | Nut, Nylon Lock, M6 x 1 (Turf/Carryall 1) .....                                            | 1   |
| 8    | 1016441   | Gasket, Throttle Bracket To Carburetor .....                                               | 1   |
| 9    | 1016582   | Spring, Throttle Return .....                                                              | 1   |
| 10   | 101905601 | Assembly, Carburetor (Turf/Carryall 1 and 2) .....                                         | 1   |
| 10   | 101905901 | Assembly, Carburetor (Turf/Carryall 2 XRT, 2 Plus and 6) .....                             | 1   |
| 11   | 1013746   | Clamp, Hose (gray) .....                                                                   | 1   |
| 12   | 1017466   | Clamp, Hose (bronze) .....                                                                 | 2   |
| 13   | 1015137   | Line, Bulk Vent .....                                                                      | A/R |
| 14   | 1016572   | Tube, Crankcase Vent .....                                                                 | 1   |
| 15   | 1016438   | Gasket, Carburetor to Intake Manifold .....                                                | 1   |
| 16   | 1016480   | Pipe, Intake .....                                                                         | 1   |
| 17   | 101649002 | Screw, 2-Ended Stud, M6 x 1 x 90 mm .....                                                  | 2   |
| 18   | 1016547   | Nut, Flanged, M6 x 1 .....                                                                 | 2   |

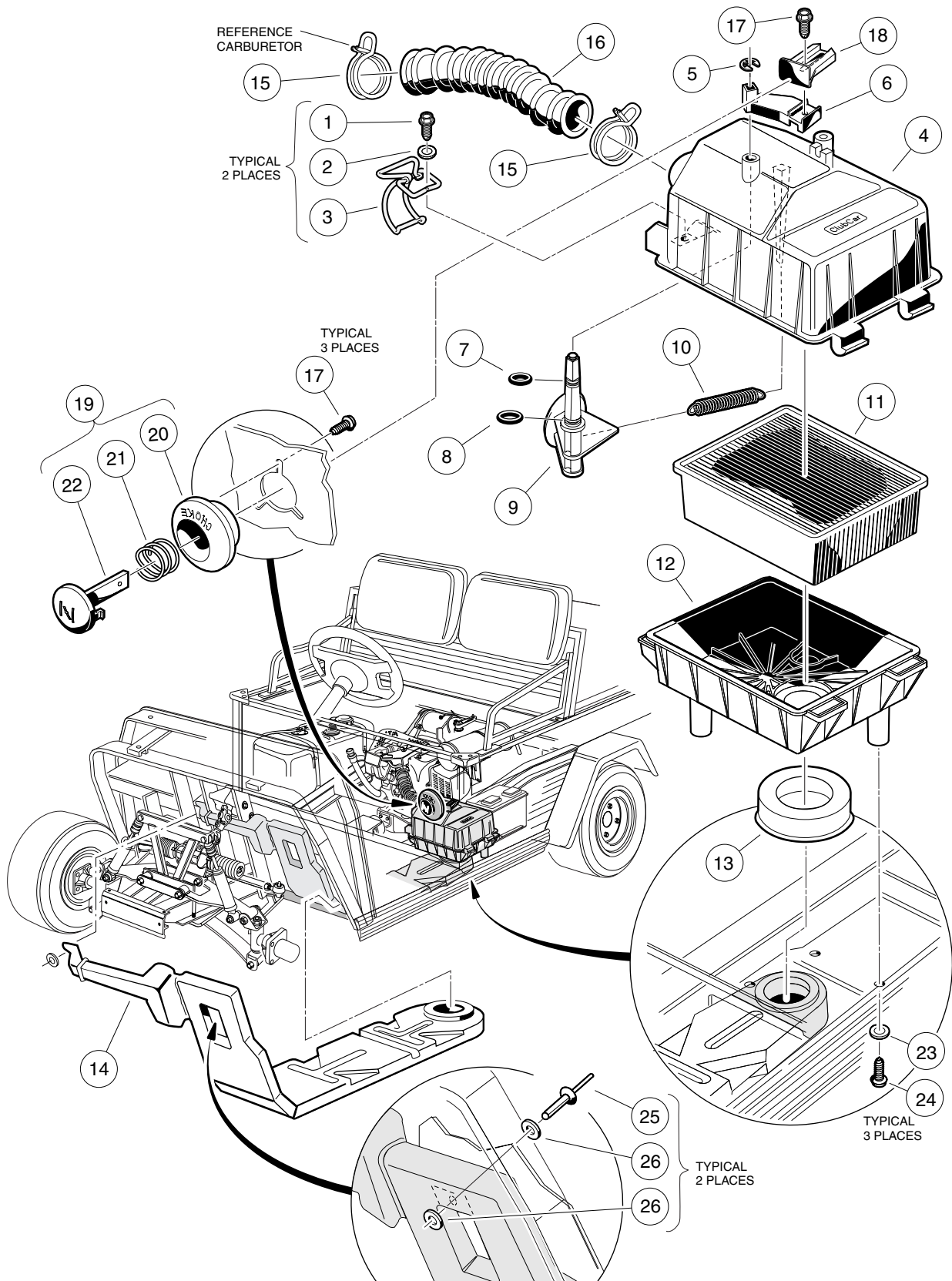
**8**  
**G**  
**E**



# GOVERNOR AND ACCELERATOR CABLES

| ITEM | PART NO.  | DESCRIPTION                                                | QTY |
|------|-----------|------------------------------------------------------------|-----|
|      |           | 1 2 3 4                                                    |     |
| 1    | 1013700   | Clamp, Cable Retaining .....                               | 2   |
| 2    | 1016546   | Nut, Flanged Hex, M8 x 1.25 .....                          | 2   |
| 3    | 1012285   | Screw, Thread Rolling, 1/4-20 x 5/8 .....                  | 4   |
| 4    | 101903501 | Screw, Hex-Head Cap, M8 x 1.25 x 24 mm .....               | 1   |
| 5    | 7174      | Washer, Lock, 5/16 .....                                   | 1   |
| 6    | 1011697   | Washer, Flat, 5/16 .....                                   | 1   |
|      |           | Earlier style cables (2001, 2002, and early 2003 models)*: |     |
| 7    | 101832501 | Cable, Accelerator .....                                   | 1   |
| 8    | 101832401 | Cable, Governor (Turf/Carryall 1) .....                    | 1   |
| 8    | 101832402 | Cable, Governor (Turf/Carryall 2, XRT, 2 Plus and 6) ..... | 1   |
| 9    | 101832301 | Bracket, Accelerator Support .....                         | 1   |
| 10   | 1016202   | E-Ring .....                                               | 3   |
| 11   | 1015408   | Pin, Governor Cable Clevis .....                           | 2   |
| 12   | 1014413   | Pin, Hair Spring Cotter, 1/8 I.D. x 5/8 .....              | 2   |
| 13   | 101832201 | Bracket, Support .....                                     | 1   |
| 14   | 1015845   | Bracket, Governor Cable Engine .....                       | 1   |
|      |           | Later style cables (beginning mid-model year 2003)*:       |     |
| 15   | 102336101 | Cable, Accelerator, Snap-in .....                          | 1   |
| 16   | 102336001 | Cable, Governor, Snap-in .....                             | 1   |
| 17   | 101832302 | Bracket, Accelerator Support .....                         | 1   |
| 18   | 101832202 | Bracket, Support .....                                     | 1   |
| 19   | 101584502 | Bracket, Governor Cable Engine.....                        | 1   |
|      |           | * Brackets and cables must be of the same style.           |     |

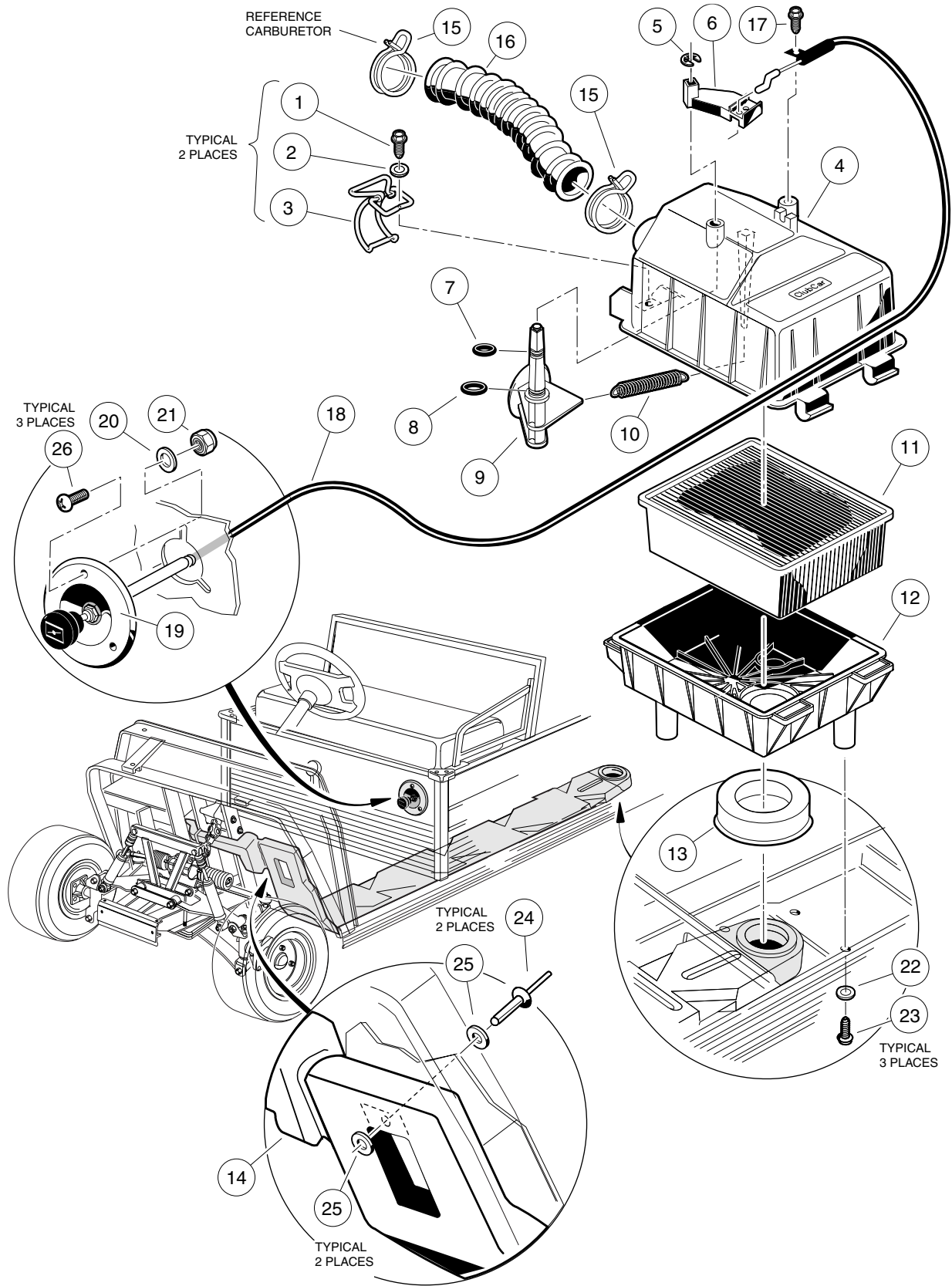
8  
G  
E



# INTAKE DUCT, CHOKE, AND AIR BOX ASSEMBLY – TURF/CARRYALL 1

| ITEM | PART NO.  | DESCRIPTION                                                 | QTY |
|------|-----------|-------------------------------------------------------------|-----|
|      |           | 1 2 3 4                                                     |     |
|      | 101821501 | Assembly, Air Box (includes items 1 - 13) .....             | 1   |
| 1    | 101804301 | Screw, Hi-Lo Hex-Head, #8-1/2 .....                         | 2   |
| 2    | 101881701 | Washer, Stainless Steel, #8 .....                           | 2   |
| 3    | 101925701 | Latch, Wire .....                                           | 2   |
| 4    | 101972801 | Assembly, Air Box Top (includes items 5 - 10) .....         | 1   |
| 5    | 101813001 | E-Clip .....                                                | 1   |
| 6    | 101917601 | Lever, Choke .....                                          | 1   |
| 7    | N/A       | O-Ring, 5/16 (red) .....                                    | 1   |
| 8    | N/A       | O-Ring, 3/8 (green) .....                                   | 1   |
| 9    | N/A       | Valve, Choke .....                                          | 1   |
| 10   | 101812301 | Spring, Return .....                                        | 1   |
| 11   | 1015426   | Filter, Air .....                                           | 1   |
| 12   | 101811901 | Bottom, Air Box .....                                       | 1   |
| 13   | 101921501 | Seal, Intake .....                                          | 1   |
| 14   | 101958101 | Assembly, Air Duct .....                                    | 1   |
| 15   | 101971301 | Clamp, Hose (air intake) .....                              | 2   |
| 16   | 101837101 | Hose, Intake .....                                          | 1   |
| 17   | 101850301 | Screw, Hi-Lo, #12 x 1/2 .....                               | 4   |
| 18   | 101917701 | Positioner, Choke .....                                     | 1   |
| 19   | 101805701 | Assembly, Choke Button (includes items 20, 21 and 22) ..... | 1   |
| 20   | 101811501 | Guide, Choke Lever .....                                    | 1   |
| 21   | 101856201 | Spring, Compression .....                                   | 1   |
| 22   | 101811401 | Lever, Choke .....                                          | 1   |
| 23   | 332       | Washer, Flat, 1/4 .....                                     | 3   |
| 24   | 1015752   | Screw, Hi-Lo, #12-16 x 5/8 .....                            | 3   |
| 25   | 1606      | Rivet, Pop, 3/16 .....                                      | 2   |
| 26   | 183       | Washer, Flat, #10 .....                                     | 4   |
|      | 101971001 | Kit, Air Duct Repair (not shown) .....                      | A/R |

**8**  
**G**  
**E**

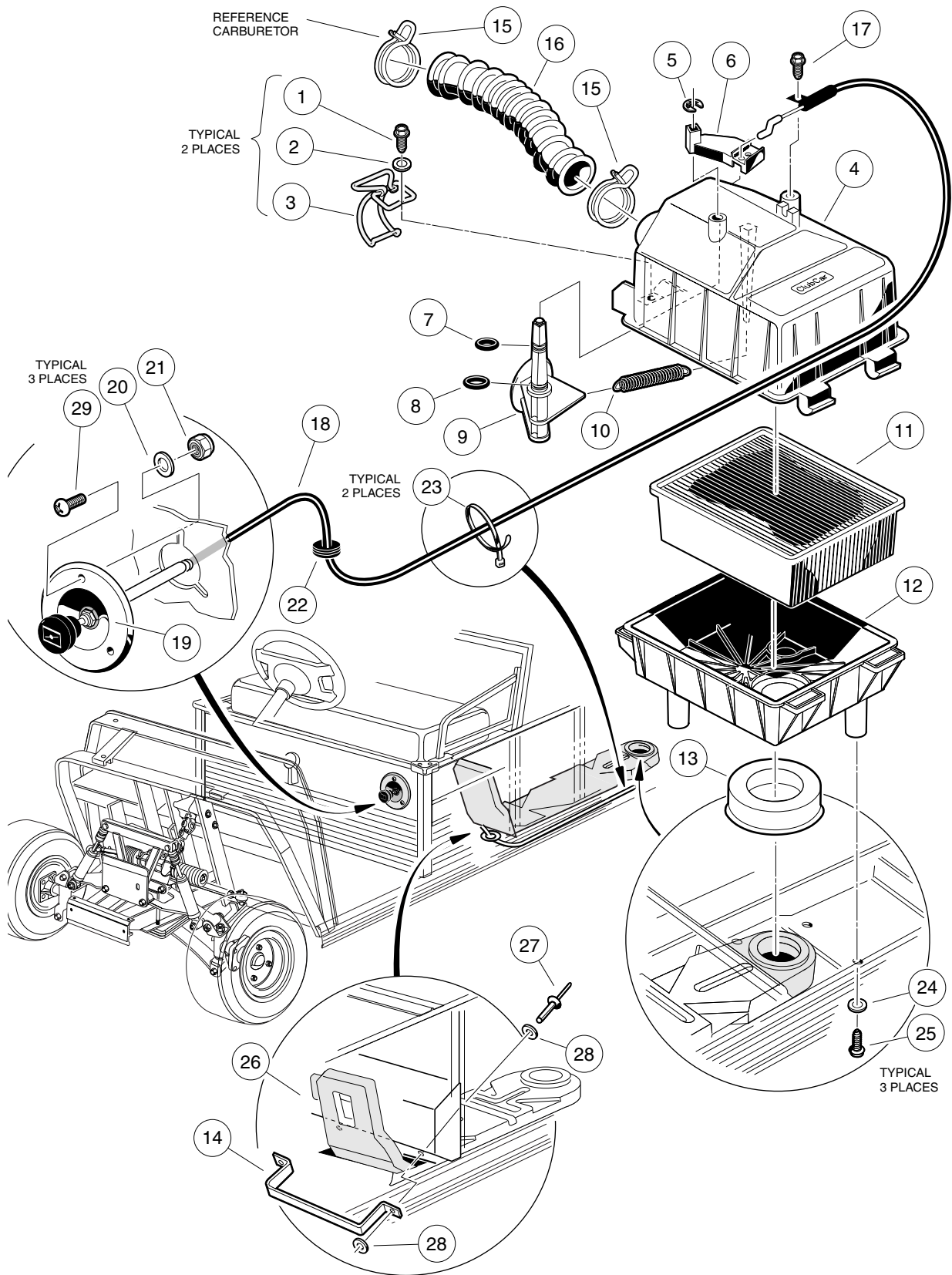




# INTAKE DUCT, CHOKE, AND AIR BOX ASSEMBLY – TURF/CARRYALL 2, XRT, AND 2 PLUS

| ITEM | PART NO.  | DESCRIPTION                                         | QTY |
|------|-----------|-----------------------------------------------------|-----|
|      |           | 1 2 3 4                                             |     |
|      | 101821501 | Assembly, Air Box (includes items 1 - 13) .....     | 1   |
| 1    | 101804301 | Screw, Hi-Lo Hex-Head, #8-1/2 .....                 | 2   |
| 2    | 101881701 | Washer, Stainless Steel, #8 .....                   | 2   |
| 3    | 101925701 | Latch, Wire .....                                   | 2   |
| 4    | 101972801 | Assembly, Air Box Top (includes items 5 - 10) ..... | 1   |
| 5    | 101813001 | E-Clip .....                                        | 1   |
| 6    | 101917601 | Lever, Choke .....                                  | 1   |
| 7    | N/A       | O-Ring, 5/16 (red) .....                            | 1   |
| 8    | N/A       | O-Ring, 3/8 (green) .....                           | 1   |
| 9    | N/A       | Valve, Choke .....                                  | 1   |
| 10   | 101812301 | Spring, Return .....                                | 1   |
| 11   | 1015426   | Filter, Air .....                                   | 1   |
| 12   | 101811901 | Bottom, Air Box .....                               | 1   |
| 13   | 101921501 | Seal, Intake .....                                  | 1   |
| 14   | 101958102 | Assembly, Air Duct .....                            | 1   |
| 15   | 101971301 | Clamp, Hose (air intake) .....                      | 2   |
| 16   | 101837101 | Hose, Intake .....                                  | 1   |
| 17   | 101804301 | Screw, Hex-Head Hi-Lo, #8 x 1/2 .....               | 1   |
| 18   | 101926801 | Cable, Choke (includes item 19) .....               | 1   |
| 19   | 101933701 | Bezel, Choke Cable .....                            | 1   |
| 20   | 183       | Washer, #10 .....                                   | 3   |
| 21   | 1012438   | Nut, Nylon Lock, #10-24 .....                       | 3   |
| 22   | 332       | Washer, Flat, 1/4 .....                             | 3   |
| 23   | 1015752   | Screw, Hi-Lo, #12-16 x 5/8 .....                    | 3   |
| 24   | 1606      | Rivet, Pop, 3/16 .....                              | 2   |
| 25   | 183       | Washer, Flat, #10 .....                             | 4   |
| 26   | 1631      | Screw, Pan-Head, #10-24 x 3/4 .....                 | 3   |

**8**  
**G**  
**E**



# INTAKE DUCT, CHOKE, AND AIR BOX ASSEMBLY – TURF/CARRYALL 6

| ITEM | PART NO.  | DESCRIPTION                                         | QTY |
|------|-----------|-----------------------------------------------------|-----|
|      |           | 1 2 3 4                                             |     |
|      | 101821501 | Assembly, Air Box (includes items 1 - 13) .....     | 1   |
| 1    | 101804301 | Screw, Hi-Lo Hex-Head, #8-1/2 .....                 | 2   |
| 2    | 101881701 | Washer, Stainless Steel, #8 .....                   | 2   |
| 3    | 101925701 | Latch, Wire .....                                   | 2   |
| 4    | 101972801 | Assembly, Air Box Top (includes items 5 - 10) ..... | 1   |
| 5    | 101813001 | E-Clip .....                                        | 1   |
| 6    | 101917601 | Lever, Choke .....                                  | 1   |
| 7    | N/A       | O-Ring, 5/16 (red) .....                            | 1   |
| 8    | N/A       | O-Ring, 3/8 (green) .....                           | 1   |
| 9    | N/A       | Valve, Choke .....                                  | 1   |
| 10   | 101812301 | Spring, Return .....                                | 1   |
| 11   | 1015426   | Filter, Air .....                                   | 1   |
| 12   | 101811901 | Bottom, Air Box .....                               | 1   |
| 13   | 101921501 | Seal, Intake .....                                  | 1   |
| 14   | 101825701 | Bracket, Retaining .....                            | 1   |
| 15   | 101971301 | Clamp, Hose (air intake) .....                      | 2   |
| 16   | 101837101 | Hose, Intake .....                                  | 1   |
| 17   | 101804301 | Screw, Hex-Head Hi-Lo, #8 x 1/2 .....               | 1   |
| 18   | 101926802 | Cable, Choke (includes item 19) .....               | 1   |
| 19   | 101933701 | Bezel, Choke Cable .....                            | 1   |
| 20   | 183       | Washer, #10 .....                                   | 3   |
| 21   | 1012438   | Nut, Nylon Lock, #10-24 .....                       | 3   |
| 22   | 1015139   | Grommet .....                                       | 1   |
| 23   | 8168      | Tie, Wire .....                                     | 2   |
| 24   | 332       | Washer, Flat, 1/4 .....                             | 3   |
| 25   | 1015752   | Screw, Hi-Lo, #12-16 x 5/8 .....                    | 3   |
| 26   | 101811301 | Duct, Air .....                                     | 1   |
| 27   | 7973      | Rivet, Pop, 3/16 .....                              | 2   |
| 28   | 183       | Washer, Flat, #10 .....                             | 4   |
| 29   | 1631      | Screw, Pan-Head, #10-24 x 3/4 .....                 | 3   |

**8**  
**G**  
**E**

**8**

**G**

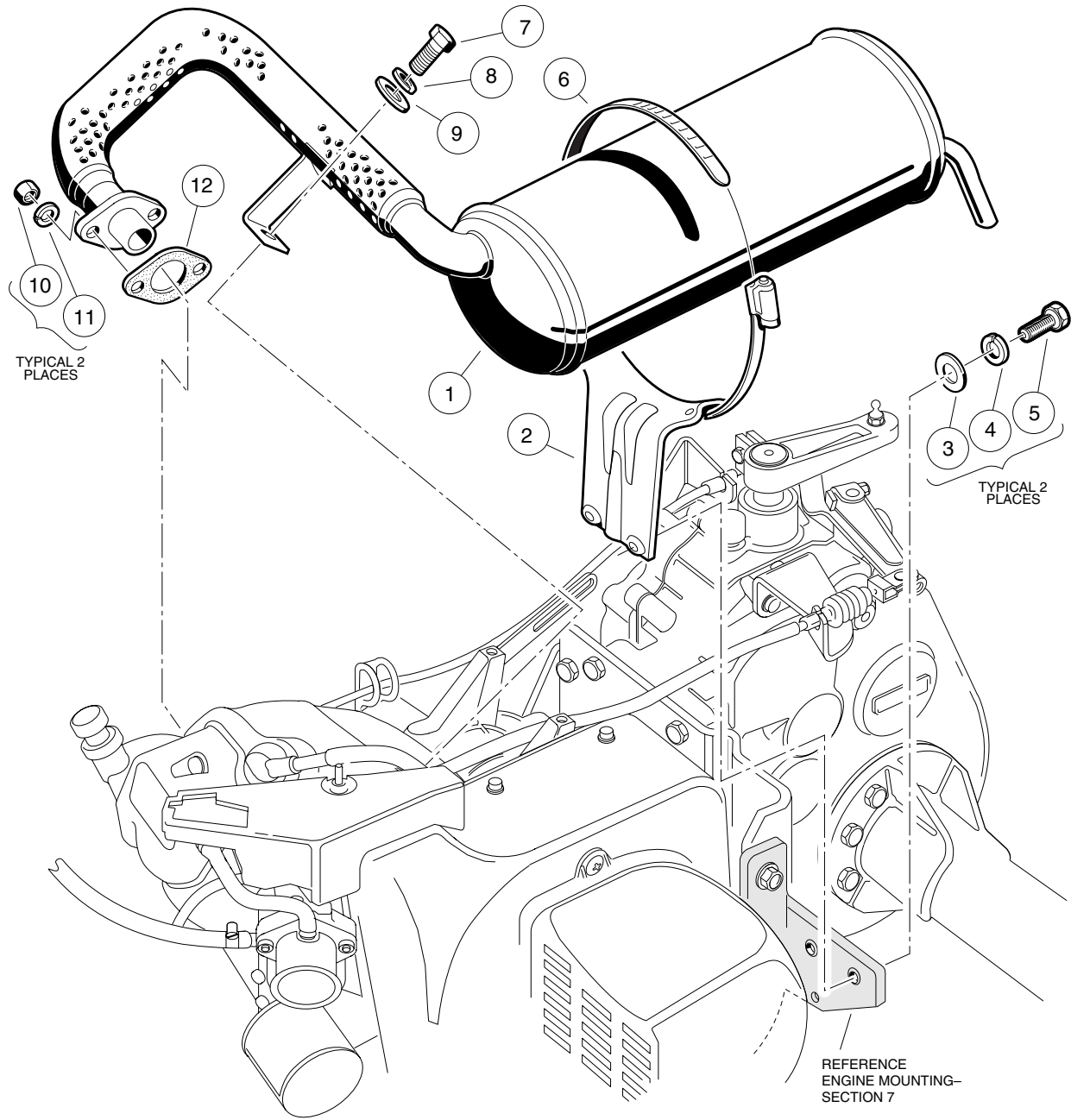
**E**

# EXHAUST SYSTEM

---

9

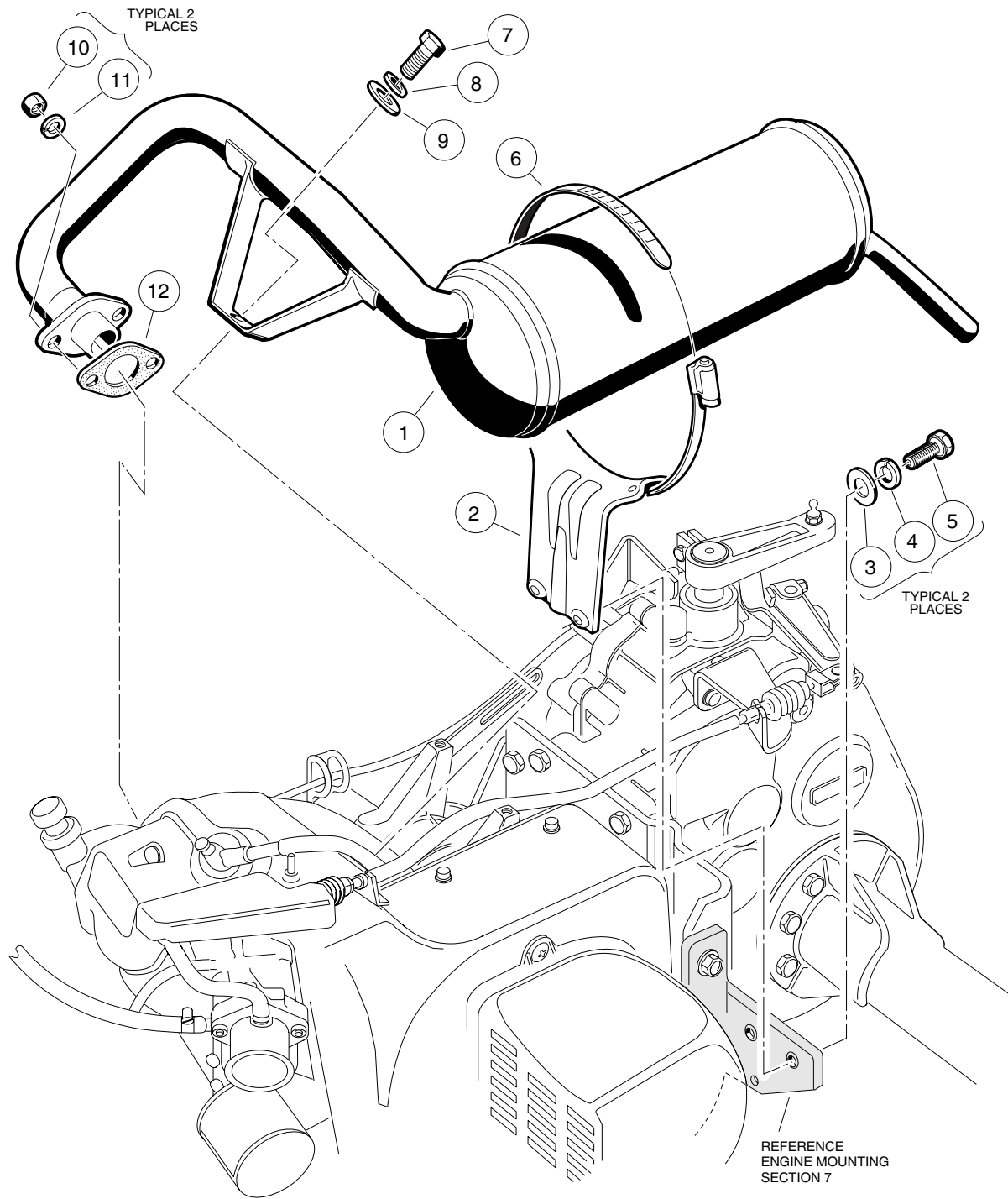
G



# EXHAUST SYSTEM, FE290 – TURF/CARRYALL 1

| ITEM | PART NO.  | DESCRIPTION                                  | QTY |
|------|-----------|----------------------------------------------|-----|
|      |           | 1 2 3 4                                      |     |
| 1    | 101859301 | System, Exhaust .....                        | 1   |
| 2    | 1015814   | Bracket, Muffler Mounting .....              | 1   |
| 3    | 332       | Washer, Flat, 1/4 .....                      | 2   |
| 4    | 451       | Washer, Lock, 1/4 .....                      | 2   |
| 5    | 7847      | Screw, Hex-Head, 1/4-20 x 3/4 .....          | 2   |
| 6    | 1017689   | Clamp, Muffler .....                         | 1   |
| 7    | 1012830   | Screw, Hex-Head Cap, M8 x 1.25 x 22 mm ..... | 1   |
| 8    | 7174      | Washer, Lock, 5/16 .....                     | 1   |
| 9    | 1015075   | Washer, Flat, 5/16 .....                     | 1   |
| 10   | 1012528   | Nut, Hex, M8 x 1.25 .....                    | 2   |
| 11   | 1013734   | Washer, Lock, 8 mm .....                     | 2   |
| 12   | 1015330   | Gasket, Exhaust .....                        | 1   |

**9**  
**G**





# EXHAUST SYSTEM, FE350 – TURF/ CARRYALL 2, XRT, 2 PLUS, AND 6

| ITEM | PART NO.  | DESCRIPTION                                  | QTY |
|------|-----------|----------------------------------------------|-----|
|      |           | 1 2 3 4                                      |     |
| 1    | 101859401 | System, Exhaust .....                        | 1   |
| 2    | 1015814   | Bracket, Muffler Mounting .....              | 1   |
| 3    | 332       | Washer, Flat, 1/4 .....                      | 2   |
| 4    | 451       | Washer, Lock, 1/4 .....                      | 2   |
| 5    | 7847      | Screw, Hex-Head Cap, 1/4-20 x 3/4 .....      | 2   |
| 6    | 1017689   | Clamp, Muffler .....                         | 1   |
| 7    | 1012830   | Screw, Hex-Head Cap, M8 x 1.25 x 22 mm ..... | 1   |
| 8    | 7174      | Washer, Lock, 5/16 .....                     | 1   |
| 9    | 1015075   | Washer, Flat, 5/16 .....                     | 1   |
| 10   | 1012528   | Nut, Hex, M8 X 1.25 .....                    | 2   |
| 11   | 1013734   | Washer, Lock, 8 mm .....                     | 2   |
| 12   | 1016904   | Gasket, Exhaust .....                        | 1   |

**9**  
**G**

9

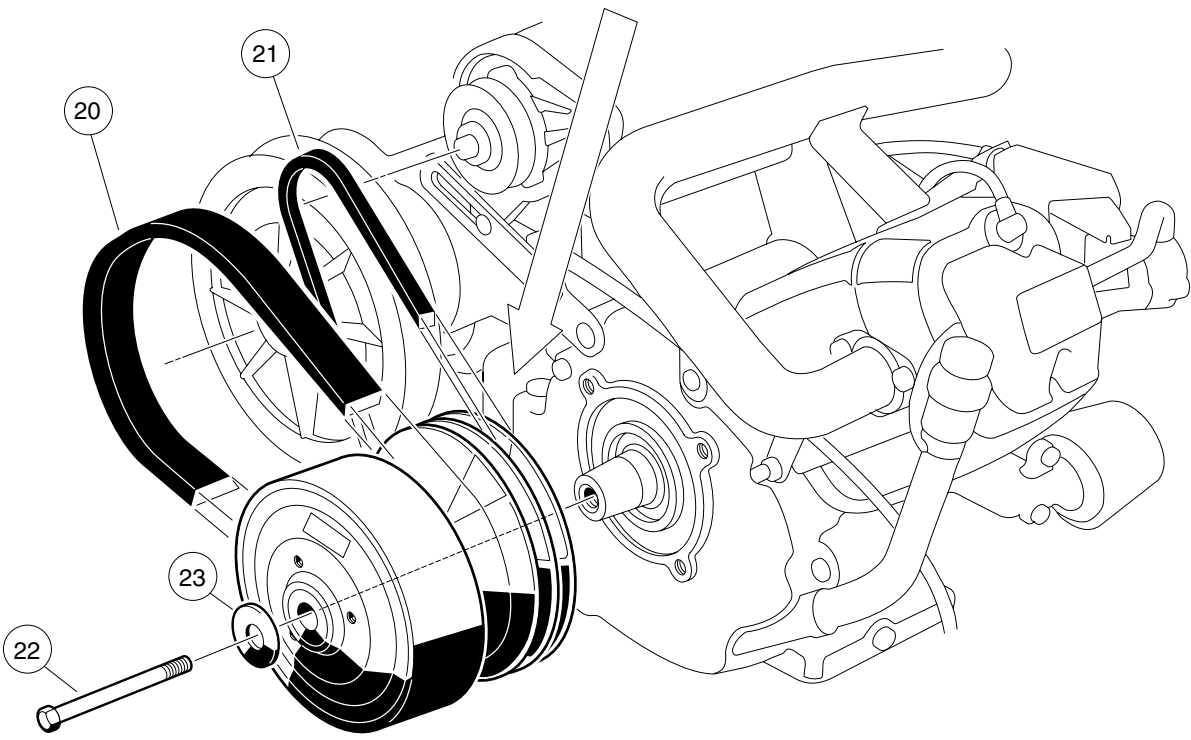
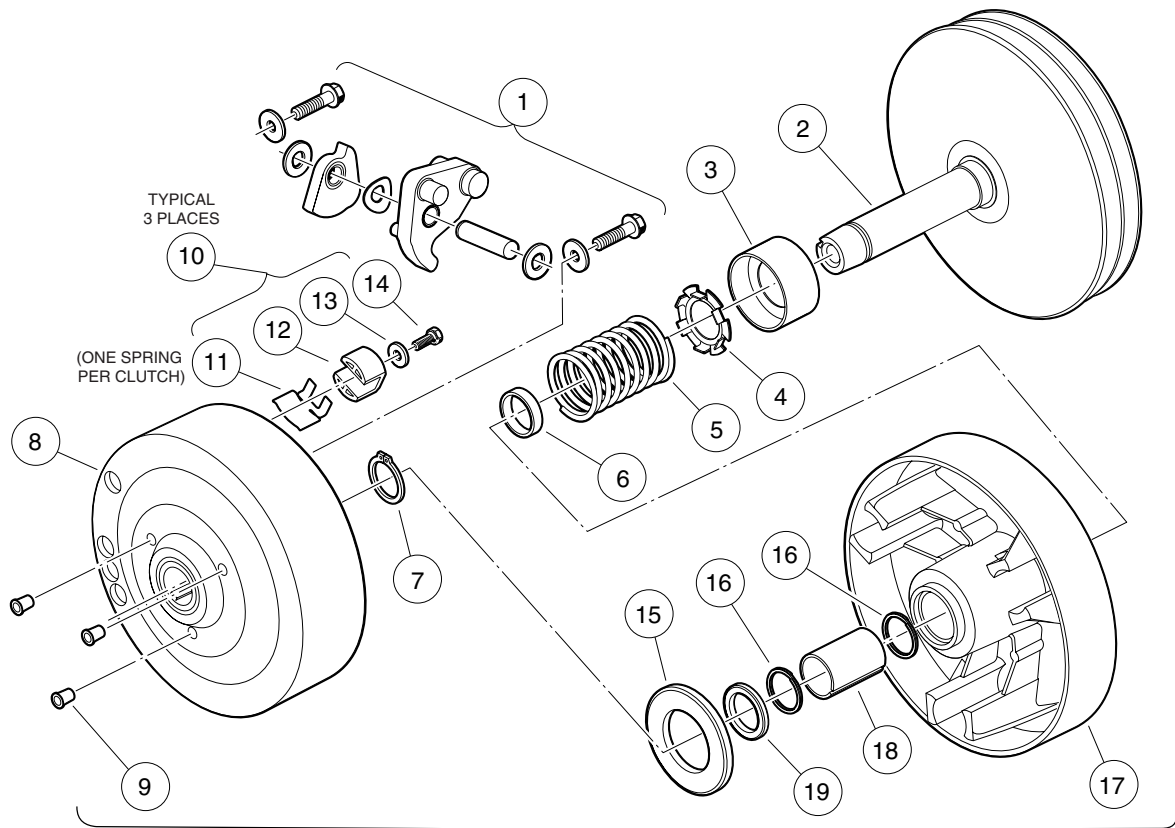
G

# TORQUE CONVERTER

---

10

G

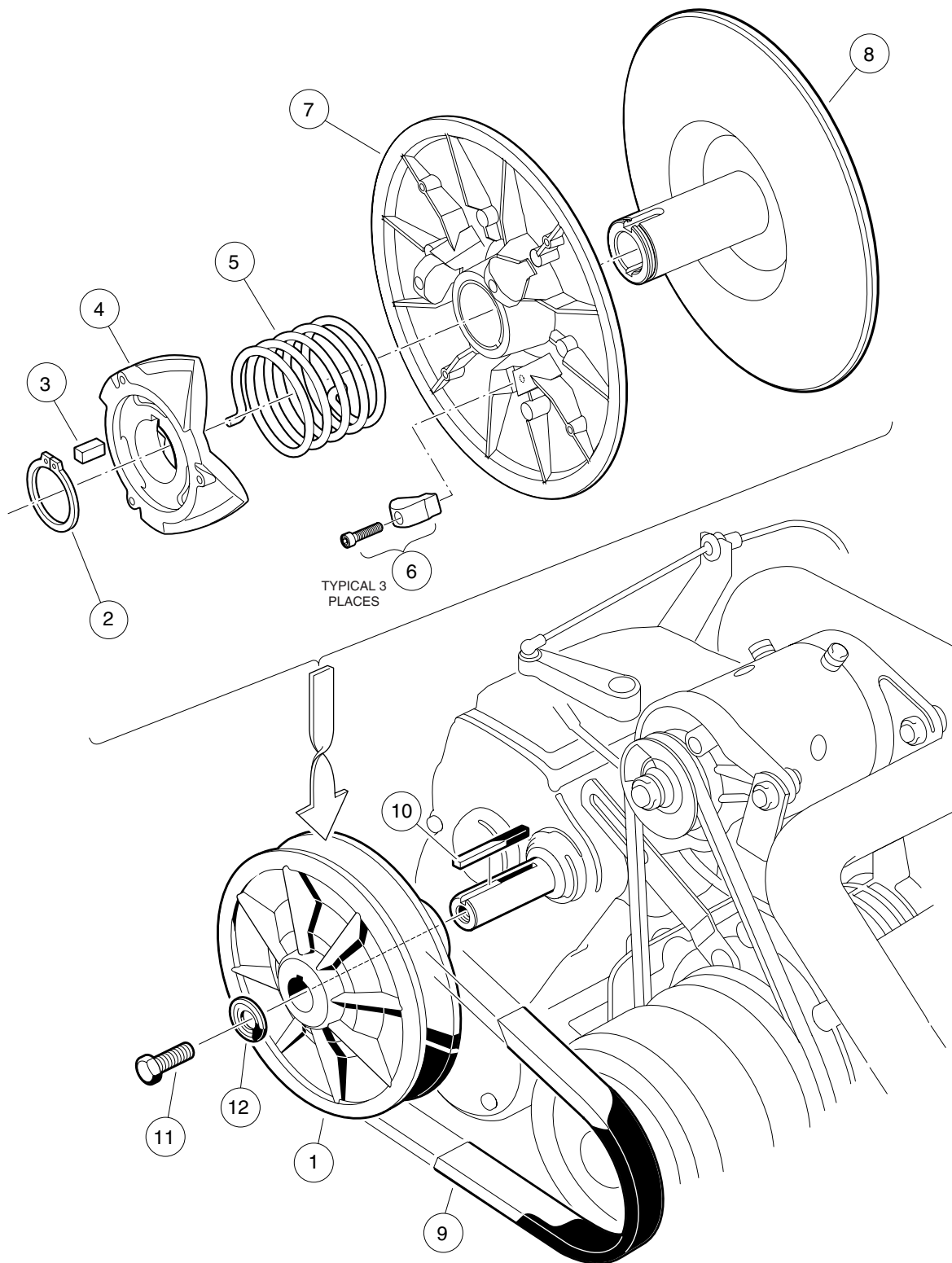


# DRIVE CLUTCH

| ITEM | PART NO.  | DESCRIPTION                                                                                   | QTY |
|------|-----------|-----------------------------------------------------------------------------------------------|-----|
|      |           | 1 2 3 4                                                                                       |     |
|      | 101833902 | Assembly, Drive Clutch (Turf/Carryall 1, 2, and XRT) (includes items 1 - 19) .....            | 1   |
|      | 101833904 | Assembly, Drive Clutch (Carryall 2 Plus and Turf/Carryall 6)<br>(includes items 1 - 19) ..... | 1   |
| 1    | 1016801   | Kit, Drive Clutch Weight .....                                                                | 1   |
| 2    | 101929801 | Assembly, Fixed Face (Carryall 1, 2, and XRT) .....                                           | 1   |
| 2    | 101738301 | Assembly, Fixed Face (Carryall 2 Plus and Turf//CA6) .....                                    | 1   |
| 3    | 1014049   | Bearing, Idler .....                                                                          | 1   |
| 4    | 1014050   | Spring, Retainer .....                                                                        | 1   |
| 5    | 1014051   | Spring, Drive Clutch – Black (Turf/Carryall 1, 2, and XRT) .....                              | 1   |
| 5    | 1016901   | Spring, Drive Clutch – Dark Green (Carryall 2 Plus and Turf//CA6) .....                       | 1   |
| 6    | 1016289   | Spacer, Fixed Face Shaft .....                                                                | 1   |
| 7    | 1014057   | Ring, Retaining .....                                                                         | 1   |
| 8    | 1014059   | Assembly, Drive Hub .....                                                                     | 1   |
| 9    | N/A       | Plug, Drive Clutch .....                                                                      | 3   |
| 10   | 1014453   | Kit, Drive Clutch Button (includes item 11 - 14) .....                                        | 1   |
| 11   | 1014287   | Spring, Drive Button .....                                                                    | 1   |
| 12   | 1014062   | Driver, Drive Clutch .....                                                                    | 3   |
| 13   | 183       | Washer, Flat, #10, Type A .....                                                               | 3   |
| 14   | 8450      | Screw, Hex-Head, #10-24 x .5 .....                                                            | 3   |
| 15   | 1014058   | Washer, Thrust .....                                                                          | 1   |
| 16   | 1014056   | Ring, Spiral Back-Up .....                                                                    | 2   |
| 17   | 1014052   | Assembly, Movable Face (includes items 18 and 19) .....                                       | 1   |
| 18   | N/A       | Bushing .....                                                                                 | 1   |
| 19   | 1014055   | Retainer .....                                                                                | 1   |
| 20   | 1016203   | Belt, Drive (Turf/Carryall 1) .....                                                           | 1   |
| 20   | 1017188   | Belt, Drive (Turf/Carryall 2, XRT, 2 Plus, and 6) .....                                       | 1   |
| 21   | 101916701 | Belt, Starter/Generator .....                                                                 | 1   |
| 22   | 101916501 | Screw, Hex-Head Cap, 3/8-24 x 5-1/2 (left-hand threads) .....                                 | 1   |
| 23   | 1017328   | Washer, Drive Clutch – Green .....                                                            | 1   |

10

G



# DRIVEN CLUTCH

| ITEM | PART NO.  | DESCRIPTION                                                                         | QTY |
|------|-----------|-------------------------------------------------------------------------------------|-----|
|      |           | 1 2 3 4                                                                             |     |
| 1    | 101834001 | Assembly, Driven Clutch (includes items 2 - 8) (Turf/Carryall 1, 2, XRT, and 6) ... | 1   |
| 1    | 101834003 | Assembly, Driven Clutch (includes items 2 - 8) (Carryall 2 Plus only) .....         | 1   |
| 2    | 1014080   | Ring, Retaining .....                                                               | 1   |
| 3    | 1014078   | Key .....                                                                           | 1   |
| 4    | 1017686   | Cam .....                                                                           | 1   |
| 5    | 101836201 | Spring – Green (Turf/Carryall 1, 2, XRT, and 6) .....                               | 1   |
| 5    | 101836202 | Spring – Purple (Carryall 2 Plus only) .....                                        | 1   |
| 6    | 1014454   | Kit, Driven Clutch Button (includes 3 buttons and 3 screws) .....                   | 1   |
| 7    | 1014072   | Assembly, Movable Face, with Bushing .....                                          | 1   |
| 8    | 1014070   | Assembly, Fixed Face .....                                                          | 1   |
| 9    | 1016203   | Belt, Drive (Turf/Carryall 1 only) .....                                            | 1   |
| 9    | 1017188   | Belt, Drive (Turf/Carryall 2, XRT, 2 Plus, and 6) .....                             | 1   |
|      | AM10419   | Kit, Driven Clutch Hardware Repair (includes items 10 - 12).....                    | 1   |
| 10   | 101833401 | Key, Square Transmission .....                                                      | 1   |
| 11   | 102242101 | Screw, Hex-Head Cap, Thread-Locking, 5/16-18 x 3/4 .....                            | 1   |
| 12   | 1017327   | Washer, Driven Clutch .....                                                         | 1   |

10

G

**10**

**G**

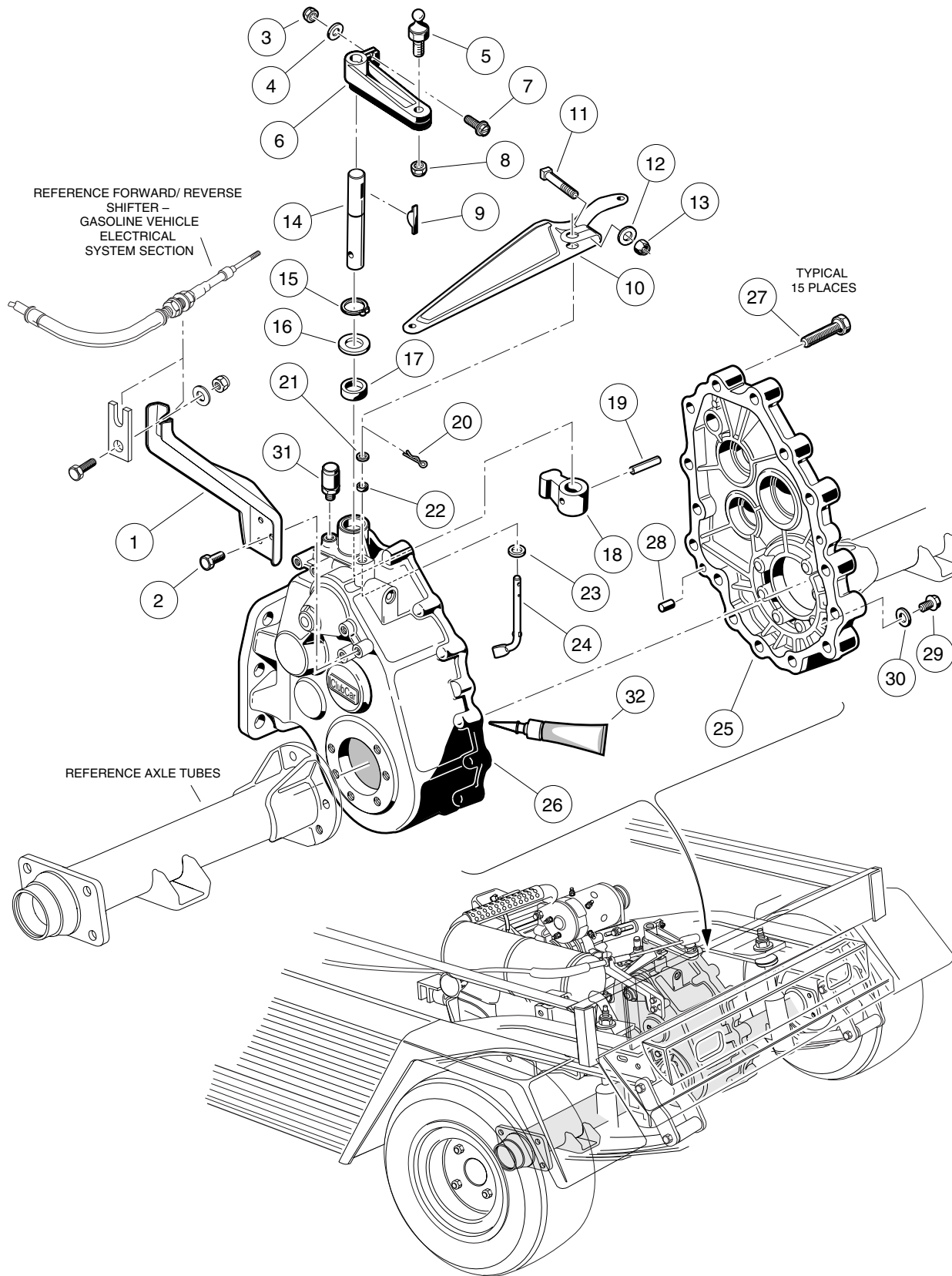


# UNITIZED TRANSAXLE

---

11

G

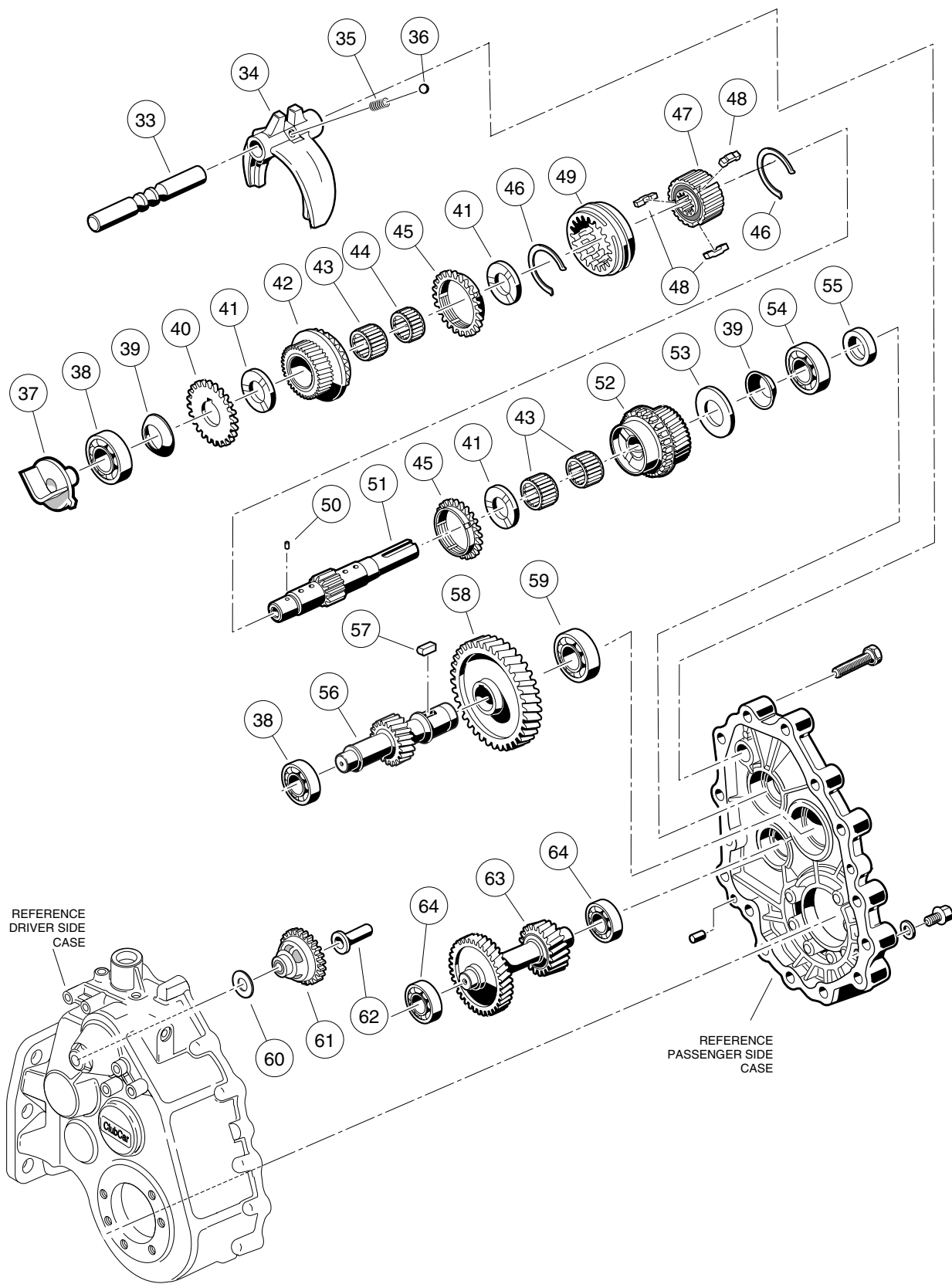


# UNITIZED TRANSAXLE – GEAR CASES AND GUARD

| ITEM | PART NO.  | DESCRIPTION                                       | QTY |
|------|-----------|---------------------------------------------------|-----|
|      |           | 1 2 3 4                                           |     |
| 1    | 101922601 | Bracket, Transmission Cable Support .....         | 1   |
| 2    | 1012285   | Screw, Thread Rolling, 1/4-20 x 5/8 .....         | 3   |
| 3    | 1013061   | Nut, Nylon Lock, #10-32 .....                     | 1   |
| 4    | 183       | Washer, Flat, #10 .....                           | 1   |
| 5    | 1010954   | Stud, Ball, 1/4-28 x 9/16 .....                   | 1   |
| 6    | 1016341   | Lever, Transmission Shifter .....                 | 1   |
| 7    | 1017082   | Screw, Hex Washer-Head, #10-32 x 3/4 .....        | 1   |
| 8    | 8717      | Nut, Nylon Lock, 1/4-28 .....                     | 1   |
| 9    | 1017231   | Key, Woodruff .....                               | 1   |
| 10   | 101834801 | Arm, Governor Lever .....                         | 1   |
| 11   | 101886101 | Screw, Square Head, 1/4-20 x 1 .....              | 1   |
| 12   | 1014007   | Washer, Type B, 1/4 .....                         | 1   |
| 13   | 8233      | Nut, Nylon Lock, 1/4-20 .....                     | 1   |
|      | 101833601 | Unitized Transaxle (includes items 14 - 88) ..... | 1   |
| 14   | 101890201 | Shaft, Shifter .....                              | 1   |
| 15   | 101927301 | Ring, Snap .....                                  | 1   |
| 16   | 101892901 | Washer, Flat .....                                | 1   |
| 17   | 101927201 | Seal, Oil .....                                   | 1   |
| 18   | 101890101 | Lever, Shifter .....                              | 1   |
| 19   | 1012752   | Pin, Roll .....                                   | 1   |
| 20   | 101928601 | Pin, Cotter .....                                 | 1   |
| 21   | 1016513   | Washer, Flat .....                                | 1   |
| 22   | 101927101 | Seal, Oil .....                                   | 1   |
| 23   | 101893801 | Washer .....                                      | 1   |
| 24   | 101891301 | Arm, Pivot .....                                  | 1   |
| 25   | 101890601 | Gear Case (passenger side) .....                  | 1   |
| 26   | 101890501 | Gear Case (driver side) .....                     | 1   |
| 27   | 101926901 | Bolt, Flanged, M8 x 1.25 x 40 mm .....            | 15  |
| 28   | 1012896   | Pin, Dowel .....                                  | 2   |
| 29   | 1013759   | Plug, Drain (includes item 30) .....              | 2   |
| 30   | 1016432   | Gasket .....                                      | 1   |
| 31   | 1012711   | Breather .....                                    | 1   |
| 32   | 101928701 | Gasket, Liquid, 8.8 oz. (250 grams) .....         | A/R |

11

G

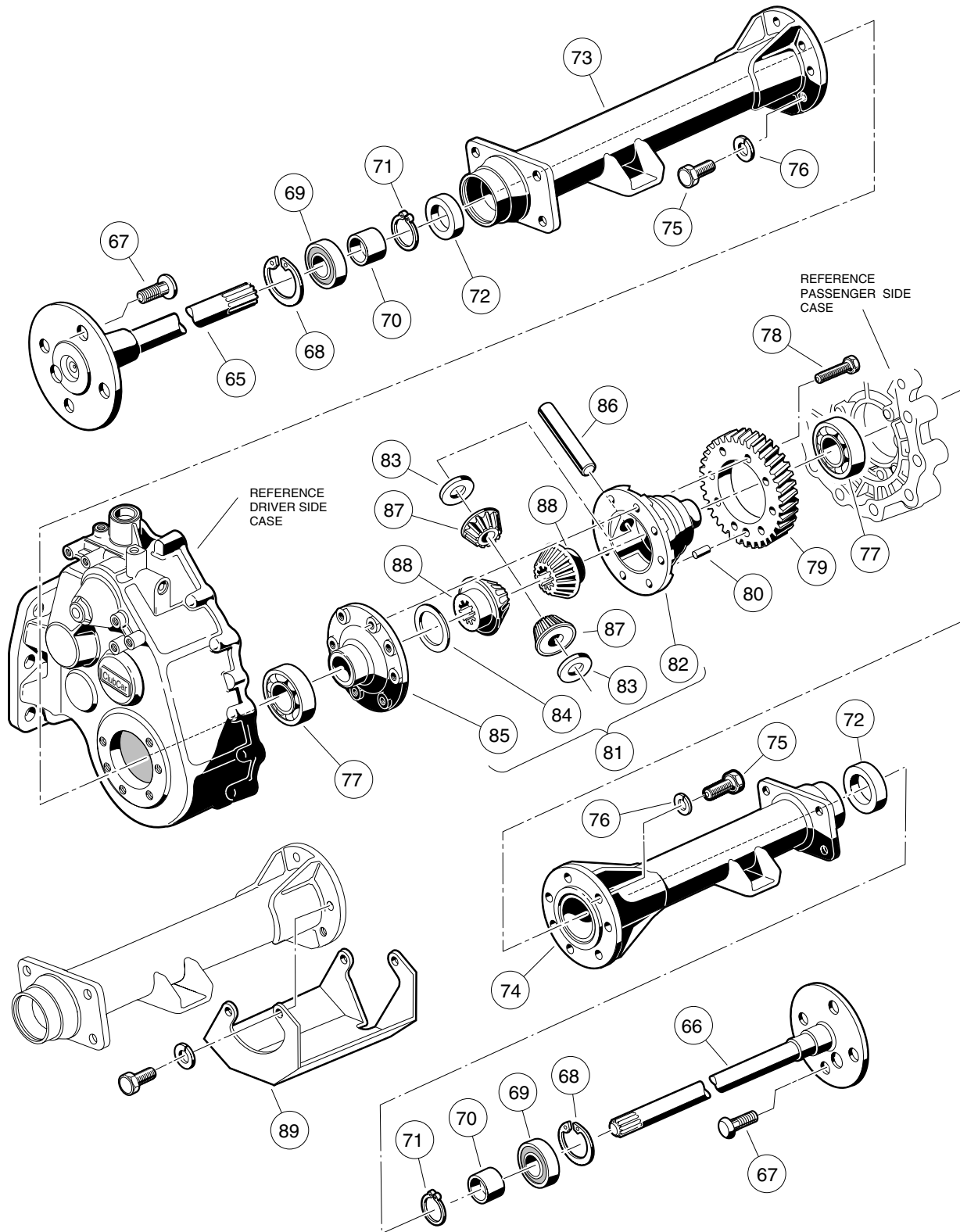


# UNITIZED TRANSAXLE – F&R TRANSMISSION AND GEAR REDUCTION

11

G

| ITEM | PART NO.  | DESCRIPTION                                | QTY |
|------|-----------|--------------------------------------------|-----|
|      |           | 1 2 3 4                                    |     |
| 33   | 101892001 | Rod, Shift .....                           | 1   |
| 34   | 101890001 | Fork, Shift .....                          | 1   |
| 35   | 1012748   | Spring .....                               | 1   |
| 36   | 1012747   | Ball, Steel .....                          | 1   |
| 37   | 101889401 | Guide .....                                | 1   |
| 38   | AM10080   | Bearing, Ball .....                        | 2   |
| 39   | 1016338   | Washer, Spring .....                       | 2   |
| 40   | 101892401 | Gear, Spur .....                           | 1   |
| 41   | 101892201 | Plate, Thrust .....                        | 3   |
| 42   | 101980901 | Gear Assembly, Input, 28 Tooth (16°) ..... | 1   |
| 43   | 101927601 | Bearing, Needle .....                      | 3   |
| 44   | 101927501 | Bearing, Needle .....                      | 1   |
| 45   | 101981001 | Ring, Synchronizer (16°) .....             | 2   |
| 46   | 1012741   | Spring, Synchronizer .....                 | 2   |
| 47   | 101928001 | Hub, Synchronizer Clutch .....             | 1   |
| 48   | 1012740   | Insert, Synchronizer .....                 | 3   |
| 49   | 101927901 | Sleeve, Synchronizer .....                 | 1   |
| 50   | 101927701 | Pin, Dowel .....                           | 1   |
| 51   | 101889901 | Shaft, Input .....                         | 1   |
| 52   | 101980801 | Gear Assembly, Input, 25 Tooth (16°) ..... | 1   |
| 53   | 1016337   | Washer, Thrust .....                       | 1   |
| 54   | AM10081   | Bearing, Ball .....                        | 1   |
| 55   | 1012714   | Seal, Oil, Input Shaft .....               | 1   |
| 56   | 101892601 | Gear, 17 Tooth .....                       | 1   |
| 57   | 101893201 | Key .....                                  | 1   |
| 58   | 101892501 | Gear, 61 Tooth .....                       | 1   |
| 59   | 101928101 | Bearing, Ball .....                        | 1   |
| 60   | 101893901 | Washer.....                                | 1   |
| 61   | 101892301 | Governor Assembly .....                    | 1   |
| 62   | 101891601 | Sleeve .....                               | 1   |
| 63   | 101891901 | Gear, Cluster Idler .....                  | 1   |
| 64   | 7335      | Bearing, Ball .....                        | 2   |



# UNITIZED TRANSAXLE – DIFFERENTIAL AND AXLES

| ITEM | PART NO.  | DESCRIPTION                                                  | QTY |
|------|-----------|--------------------------------------------------------------|-----|
|      |           | 1 2 3 4                                                      |     |
| 65   | 101891501 | Axle Assembly, Driver-Side (Includes items 67 - 71) .....    | 1   |
| 66   | 101891401 | Axle Assembly, Passenger-Side (includes items 67 - 71) ..... | 1   |
| 67   | 1013787   | Stud, Lug .....                                              | 4   |
| 68   | 1013792   | Ring, Retaining .....                                        | 1   |
| 69   | 1011291   | Bearing, Outer Axle Tube .....                               | 1   |
| 70   | 1014207   | Collar, 25 mm I. D. ....                                     | 1   |
| 71   | 1016672   | Ring, Retaining .....                                        | 1   |
| 72   | 1013794   | Seal, Oil .....                                              | 2   |
| 73   | 101891001 | Assembly, Axle Tube, Driver-Side .....                       | 1   |
| 74   | 101890901 | Assembly, Axle Tube, Passenger-Side .....                    | 1   |
| 75   | 1013790   | Bolt, M10 x 1.5 x 30 mm .....                                | 14  |
| 76   | 1013791   | Washer, Lock, M10 .....                                      | 14  |
| 77   | 7330      | Bearing, Inner Axle Tube .....                               | 2   |
| 78   | 101928301 | Bolt, M8 x 1.25 x 37 mm .....                                | 8   |
| 79   | 101892701 | Gear, Output .....                                           | 1   |
| 80   | 1014193   | Pin, Dowel .....                                             | 1   |
| 81   | 101910501 | Kit, Differential Gear Case (includes items 82 - 85) .....   | 1   |
| 82   | 1013768   | Case, Gear Carrier .....                                     | 1   |
| 83   | 1013774   | Plate, Thrust (idler gear) .....                             | 2   |
| 84   | 1013773   | Plate, Thrust (differential gear) .....                      | 1   |
| 85   | 1013769   | Cover, Gear Case .....                                       | 1   |
| 86   | 1013772   | Pin, Differential .....                                      | 1   |
| 87   | 1013770   | Gear, Differential Idler .....                               | 2   |
| 88   | 1013771   | Gear, Differential .....                                     | 2   |
| 89   | 101932901 | Guard, Unitized Transaxle (XRT and all Turf vehicles) .....  | 1   |

11

G

**11**

**G**

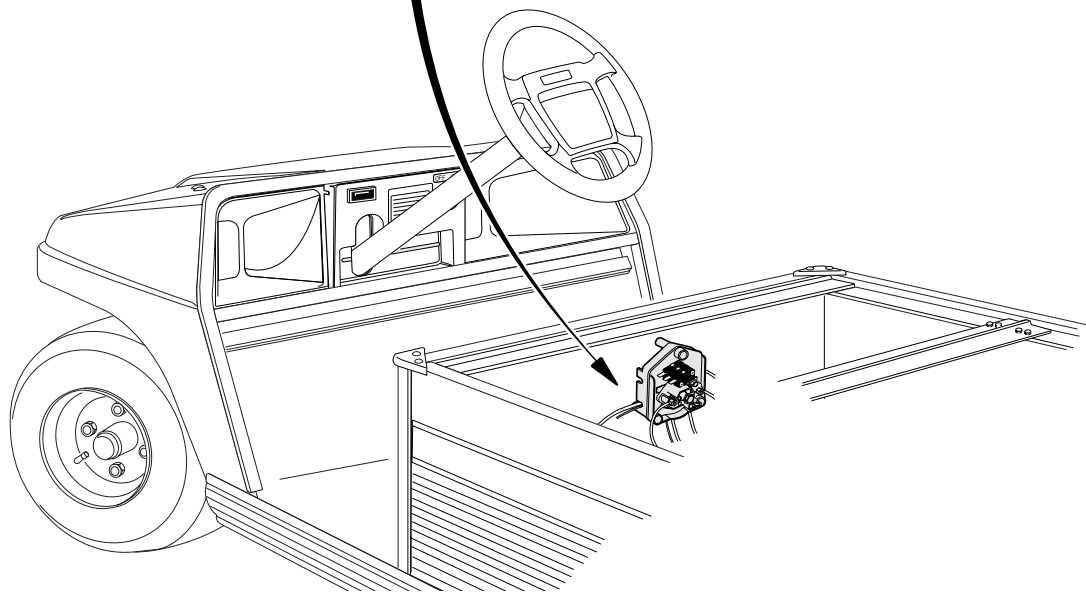
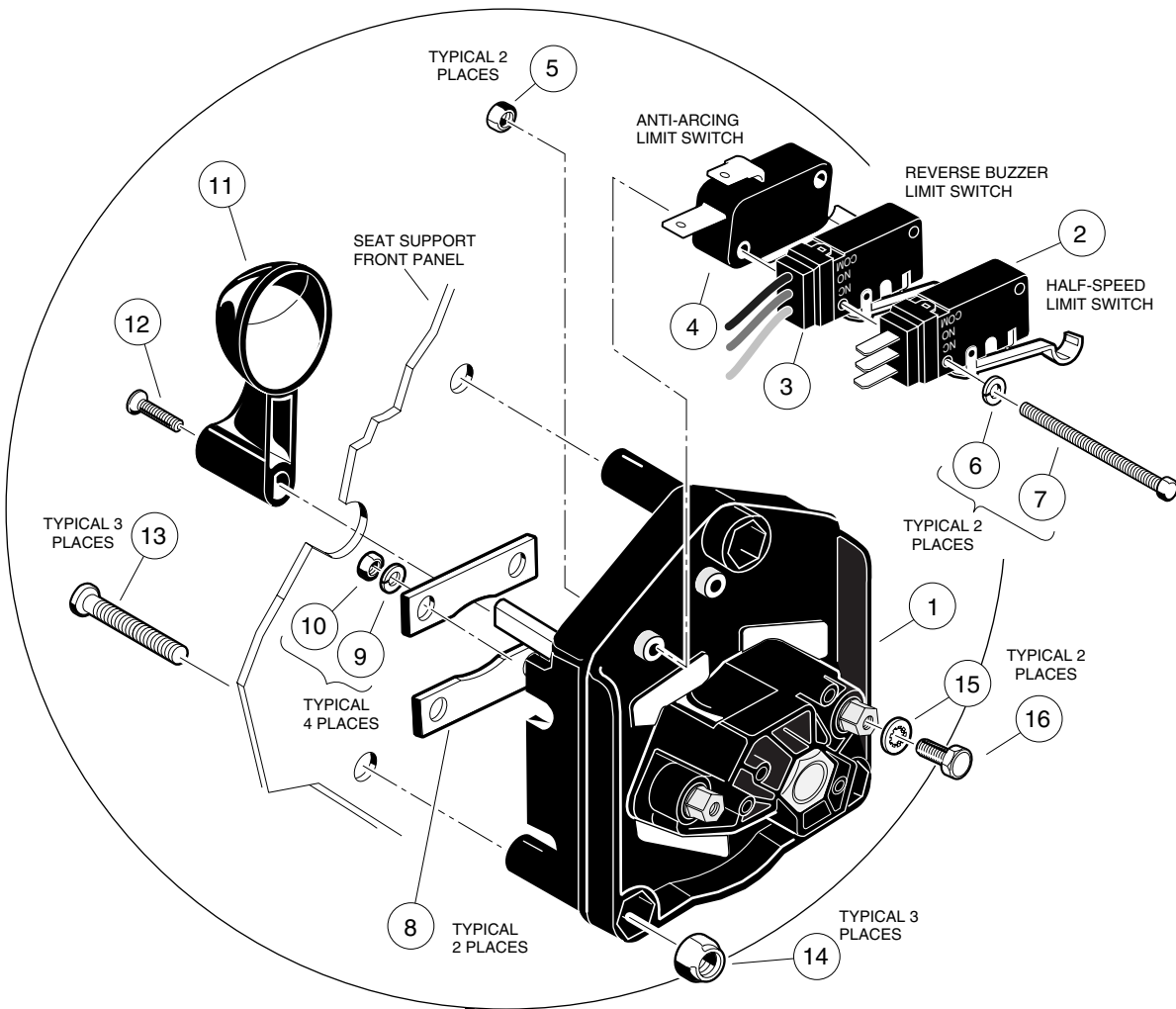


# ELECTRICAL SYSTEM – ELECTRIC VEHICLE

---

12

E

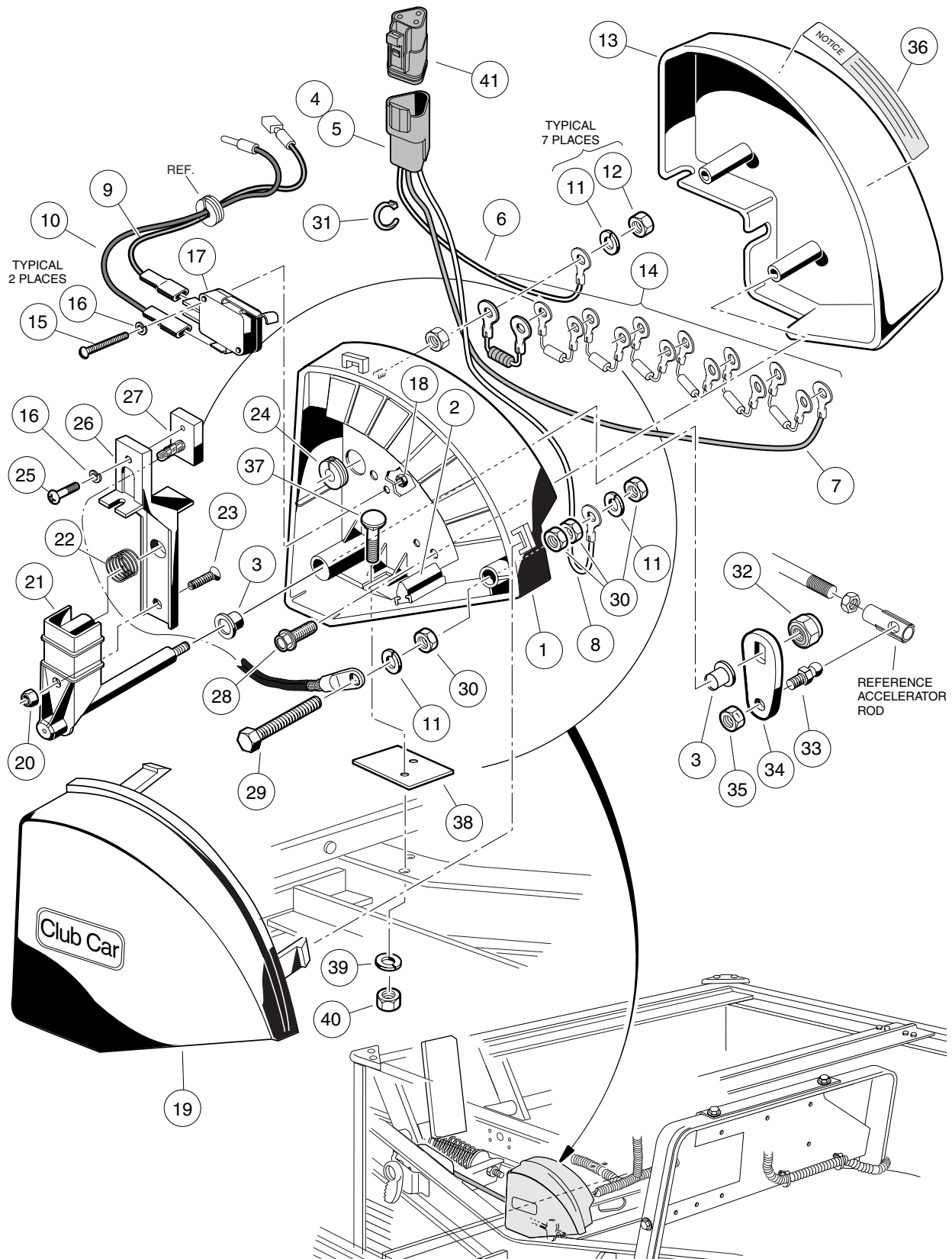


# FORWARD/REVERSE SWITCH – POWERDRIVE SYSTEM 48 VEHICLE

| ITEM | PART NO.  | DESCRIPTION                                                    | QTY |
|------|-----------|----------------------------------------------------------------|-----|
|      |           | 1 2 3 4                                                        |     |
| 1    | 101753005 | Assembly, Forward/Reverse Switch (includes items 2 - 10) ..... | 1   |
| 2    | 102250201 | Switch, Limit, Sealed .....                                    | 1   |
| 3    | 101979101 | Switch, Limit, Sealed .....                                    | 1   |
| 4    | 1014808   | Switch, Limit .....                                            | 1   |
| 5    | 8057      | Nut, Hex, #4-40 .....                                          | 2   |
| 6    | 8058      | Washer, Lock, #4 .....                                         | 2   |
| 7    | 1014871   | Screw, Hex Washer-Head, #4-40 x 2 .....                        | 2   |
| 8    | 1017799   | Bar, Bus .....                                                 | 2   |
| 9    | 451       | Washer, Lock, 1/4 .....                                        | 4   |
| 10   | 1028      | Nut, Hex, 1/4-20 .....                                         | 4   |
| 11   | 1012987   | Handle, Forward/Reverse Switch .....                           | 1   |
| 12   | 1013198   | Screw, Phillips-Head Machine, #8-32 x 5/8 .....                | 1   |
| 13   | 1016845   | Screw, Phillips Truss-Head, 1/4-20 x 2-1/8 .....               | 3   |
| 14   | 8233      | Nut, Nylon Lock, 1/4-20 .....                                  | 3   |
| 15   | 8049      | Washer, Internal Tooth Lock, #10 .....                         | 2   |
| 16   | 8450      | Screw, Hex-Head Machine, #10-24 x 1/2 .....                    | 2   |

12

E



# MULTI-STEP POTENTIOMETER – TURF/ CARRYALL 1 POWERDRIVE SYSTEM 48 VEHICLES

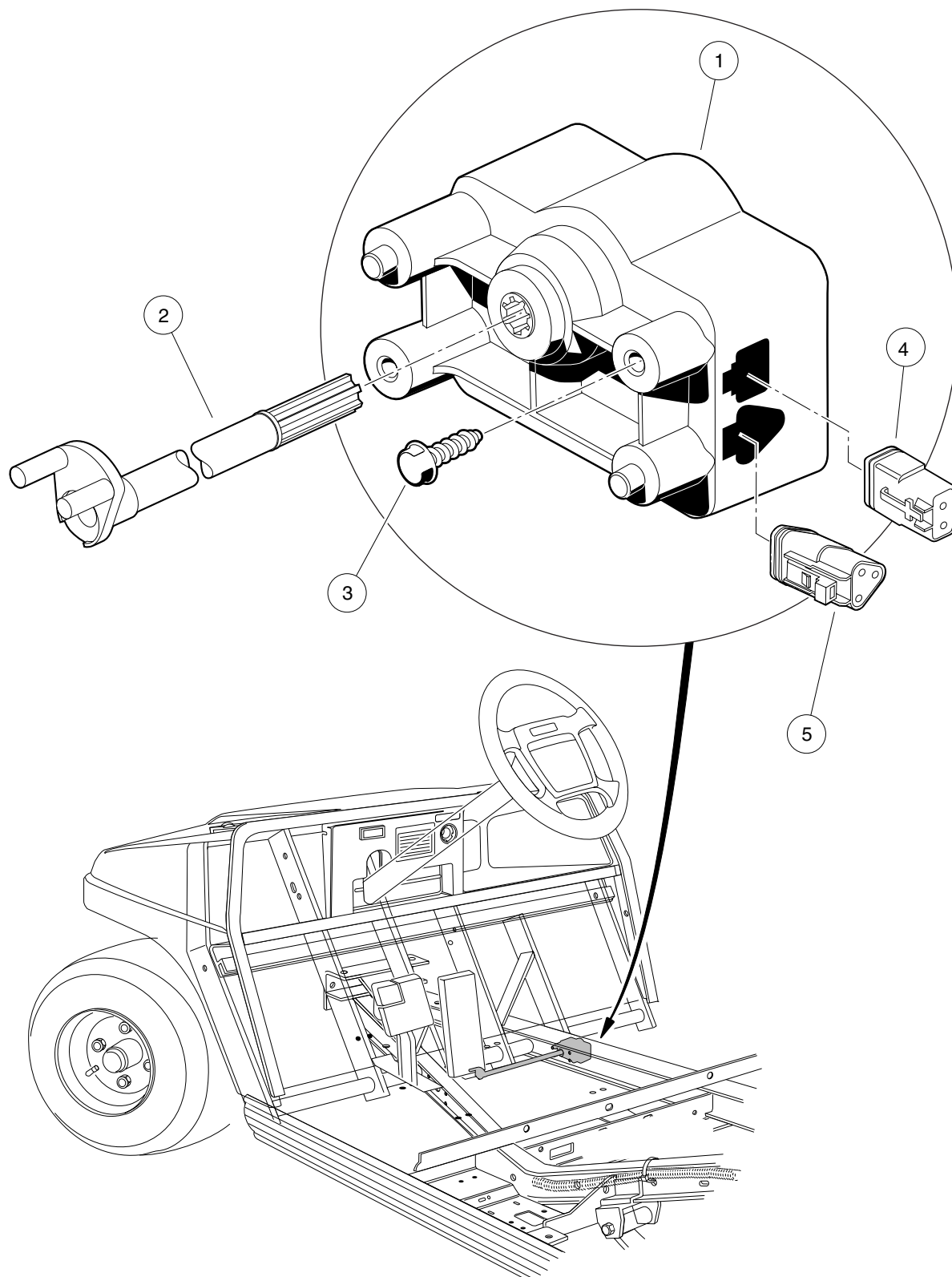
**12**

**E**

| ITEM | PART NO.  | DESCRIPTION                                                         | QTY |
|------|-----------|---------------------------------------------------------------------|-----|
|      |           | 1 2 3 4<br>For vehicles with serial numbers lower than 0112-001470. |     |
|      | 101932001 | Assembly, Wiper Switch (includes items 1 - 36) .....                | 1   |
| 1    | 1014999   | Assembly, Wiper Switch Case, 6-Speed (includes items 2 and 3) ..... | 1   |
| 2    | 1014414   | Bumper, Wiper Switch .....                                          | 1   |
| 3    | 1012903   | Bearing, Bronze .....                                               | 2   |
| 4    | 101932801 | Assembly, 3-Wire and Receptacle (includes items 5 - 8) .....        | 1   |
| 5    | 101942301 | Kit, 3-Pin Receptacle .....                                         | 1   |
| 6    | N/A       | Wire Assembly, #18 White/Black .....                                | 1   |
| 7    | N/A       | Wire Assembly, #18 Purple .....                                     | 1   |
| 8    | N/A       | Wire Assembly, #18 Yellow .....                                     | 1   |
| 9    | N/A       | Wire Assembly, #18 Green/White .....                                | 1   |
| 10   | N/A       | Wire Assembly, #18 Blue .....                                       | 1   |
| 11   | 451       | Washer, Lock, 1/4 .....                                             | 9   |
| 12   | 1028      | Nut, Hex, 1/4-20 .....                                              | 7   |
| 13   | 101946901 | Protector, Wiper Switch Resistor .....                              | 1   |
| 14   | 101971101 | Kit, Resistor Assembly .....                                        | 1   |
| 15   | 8056      | Screw, Round-Head Machine, #4-40 x 3/4 .....                        | 2   |
| 16   | 8058      | Washer, Lock, #4 .....                                              | 3   |
| 17   | 1014807   | Switch, Limit.....                                                  | 1   |
| 18   | 8057      | Nut, Hex, #4-40 .....                                               | 2   |
| 19   | 1013886   | Cover, Wiper Switch .....                                           | 1   |
| 20   | 1013061   | Nut, Nylon Lock, #10-32 .....                                       | 1   |
| 21   | 1014017   | Carrier, Wiper Switch Arm .....                                     | 1   |
| 22   | 1013998   | Spring, Wiper Switch Brush .....                                    | 1   |
| 23   | 1014000   | Stud, Wiper Switch Adjusting .....                                  | 1   |
| 24   | 1014010   | Grommet, Split .....                                                | 1   |
| 25   | 1014019   | Screw, Self-Tapping, #4-40 x 3/8 .....                              | 1   |
| 26   | 1013887   | Arm, Speed Switch .....                                             | 1   |
| 27   | 1013860   | Assembly, Switch Brush .....                                        | 1   |
| 28   | 1013461   | Screw, Hex-Head Hi-Lo, #10-16 x 1/2 .....                           | 2   |
| 29   | 1014189   | Screw, Hex-Head Cap, 1/4-20 x 2 .....                               | 1   |
| 30   | 1014253   | Nut, Brass Hex Jam, 1/4-20 .....                                    | 4   |
| 31   | 8990      | Tie, Wire .....                                                     | 1   |
| 32   | 7473      | Nut, Nylon Lock, 5/16-18 .....                                      | 1   |
| 33   | 1012353   | Stud, Short Ball, 1/4-28 .....                                      | 1   |
| 34   | 1014003   | Crank, Bell .....                                                   | 1   |
| 35   | 8449      | Nut, Dimpled Lock, 1/4-28 .....                                     | 1   |
| 36   | 101610901 | Decal, Wiper Switch Warning .....                                   | 1   |
| 37   | 1014109   | Bolt, Carriage, #10-24 x 1 .....                                    | 2   |
| 38   | 101949201 | Shim, Wiper Switch .....                                            | 1   |
| 39   | 1016175   | Washer, Lock, #10 .....                                             | 2   |
| 40   | 1017      | Nut, Hex, #10-24 .....                                              | 2   |
| 41   | 101920101 | Kit, 3-Pin Plug and Wedge Lock .....                                | 1   |

**12**

**E**

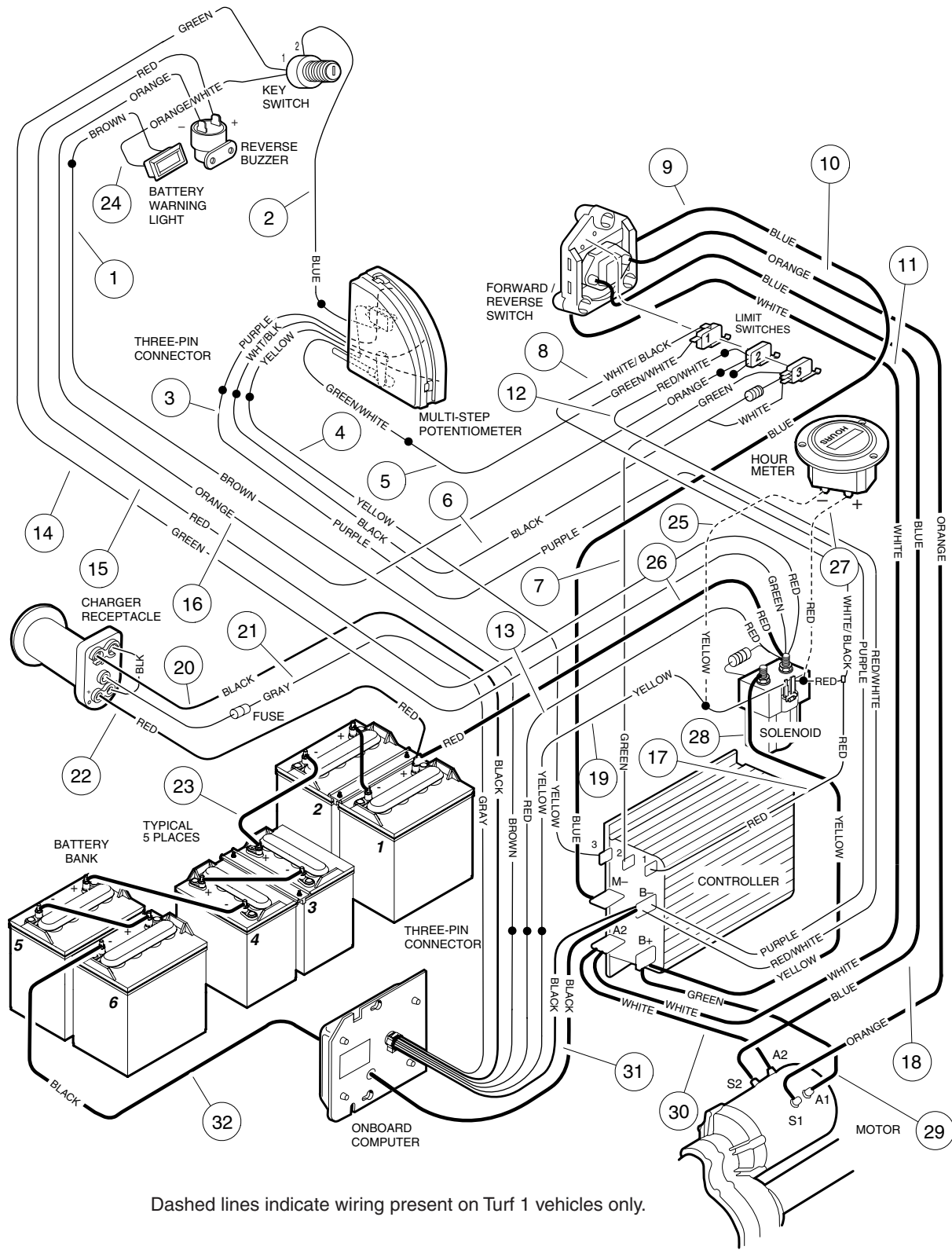


# MOTOR CONTROLLER OUTPUT REGULATOR (MCOR)

| ITEM | PART NO.  | DESCRIPTION                                                                 | QTY |
|------|-----------|-----------------------------------------------------------------------------|-----|
|      |           | <b>1 2 3 4</b><br>For vehicles with serial numbers 0112-001470 and greater. |     |
| 1    | 102101101 | Regulator, Motor Controller Output (MCOR) .....                             | 1   |
| 2    | 102101001 | Bar, Drive .....                                                            | 1   |
| 3    | 1015752   | Screw, Hex-Head, Hi-Lo, #12-16 x 5/8 .....                                  | 2   |
| 4    | 101936801 | Kit, 2-Pin Plug and Wedge Lock .....                                        | 1   |
| 5    | 101920101 | Kit, 3-Pin Plug and Wedge Lock .....                                        | 1   |

12

E



Dashed lines indicate wiring present on Turf 1 vehicles only.

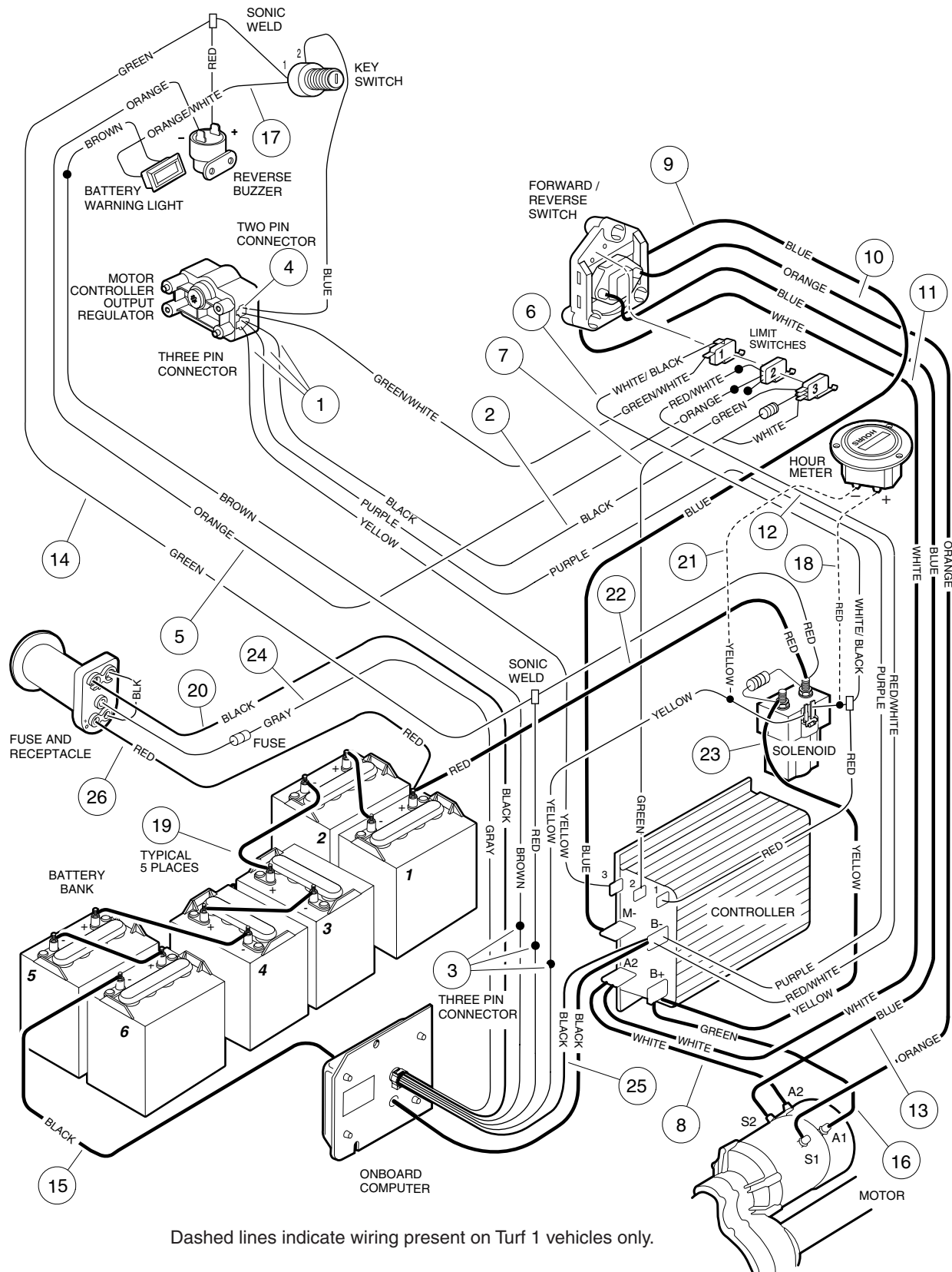


# WIRING – TURF/CARRYALL 1 POWERDRIVE VEHICLE WITH MULTI-STEP POTENTIOMETER

**12**

**E**

| ITEM | PART NO.  | DESCRIPTION                                                           | QTY |
|------|-----------|-----------------------------------------------------------------------|-----|
|      |           | 1 2 3 4<br>For vehicles with serial numbers lower than 0112-001470.   |     |
|      | 101911004 | Wire Harness (includes items 1 - 19) .....                            | 1   |
| 1    | N/A       | Wire Assembly, #18 Brown .....                                        | 1   |
| 2    | N/A       | Wire Assembly, #18 Blue .....                                         | 1   |
| 3    | N/A       | Wire Assembly, #18 Purple .....                                       | 1   |
| 4    | N/A       | Wire Assembly, #18 Yellow .....                                       | 1   |
| 5    | N/A       | Wire Assembly, #18 Green/White .....                                  | 1   |
| 6    | 101883002 | Wire Assembly, #18 Black (includes resistor and #18 white wire) ..... | 1   |
| 7    | N/A       | Wire Assembly, #18 Green .....                                        | 1   |
| 8    | N/A       | Wire Assembly, #18 White/Black .....                                  | 1   |
| 9    | 101901401 | Wire Assembly, #6 Blue .....                                          | 1   |
| 10   | 101901201 | Wire Assembly, #6 Orange .....                                        | 1   |
| 11   | 101911101 | Wire Assembly, #6 White .....                                         | 1   |
| 12   | N/A       | Wire Assembly, #18 Red/White .....                                    | 1   |
| 13   | N/A       | Wire Assembly, #18 Red .....                                          | 1   |
| 14   | N/A       | Wire Assembly, #18 Green .....                                        | 1   |
| 15   | N/A       | Wire Assembly, #18 Red .....                                          | 1   |
| 16   | N/A       | Wire Assembly, #18 Orange .....                                       | 1   |
| 17   | N/A       | Wire Assembly, #18 Red .....                                          | 1   |
| 18   | 101901301 | Wire Assembly, #6 Blue .....                                          | 1   |
| 19   | N/A       | Wire Assembly, #18 Yellow .....                                       | 1   |
| 20   | N/A       | Wire Assembly, #10 Black (part of onboard computer assembly) .....    | 1   |
| 21   | N/A       | Wire Assembly, #18 Gray (part of onboard computer assembly) .....     | 1   |
| 22   | N/A       | Wire Assembly, #10 Red (part of fuse and receptacle assembly) .....   | 1   |
| 23   | 101795701 | Wire Assembly, #6 Black .....                                         | 5   |
| 24   | N/A       | Wire Assembly, #18 Orange/White (part of battery light) .....         | 1   |
| 25   | N/A       | Wire Assembly, #18 Yellow .....                                       | 1   |
| 26   | 101902801 | Wire Assembly, #6 Red .....                                           | 1   |
| 27   | N/A       | Wire Assembly, #18 Red .....                                          | 1   |
| 28   | 101903001 | Wire Assembly, #6 Yellow .....                                        | 1   |
| 29   | 101902901 | Wire Assembly, #6 Green .....                                         | 1   |
| 30   | 1014856   | Wire Assembly, #6 White .....                                         | 1   |
| 31   | N/A       | Wire Assembly, #10 Black (part of onboard computer assembly) .....    | 1   |
| 32   | 101827801 | Kit, Wire and Terminal, #6 Black .....                                | 1   |

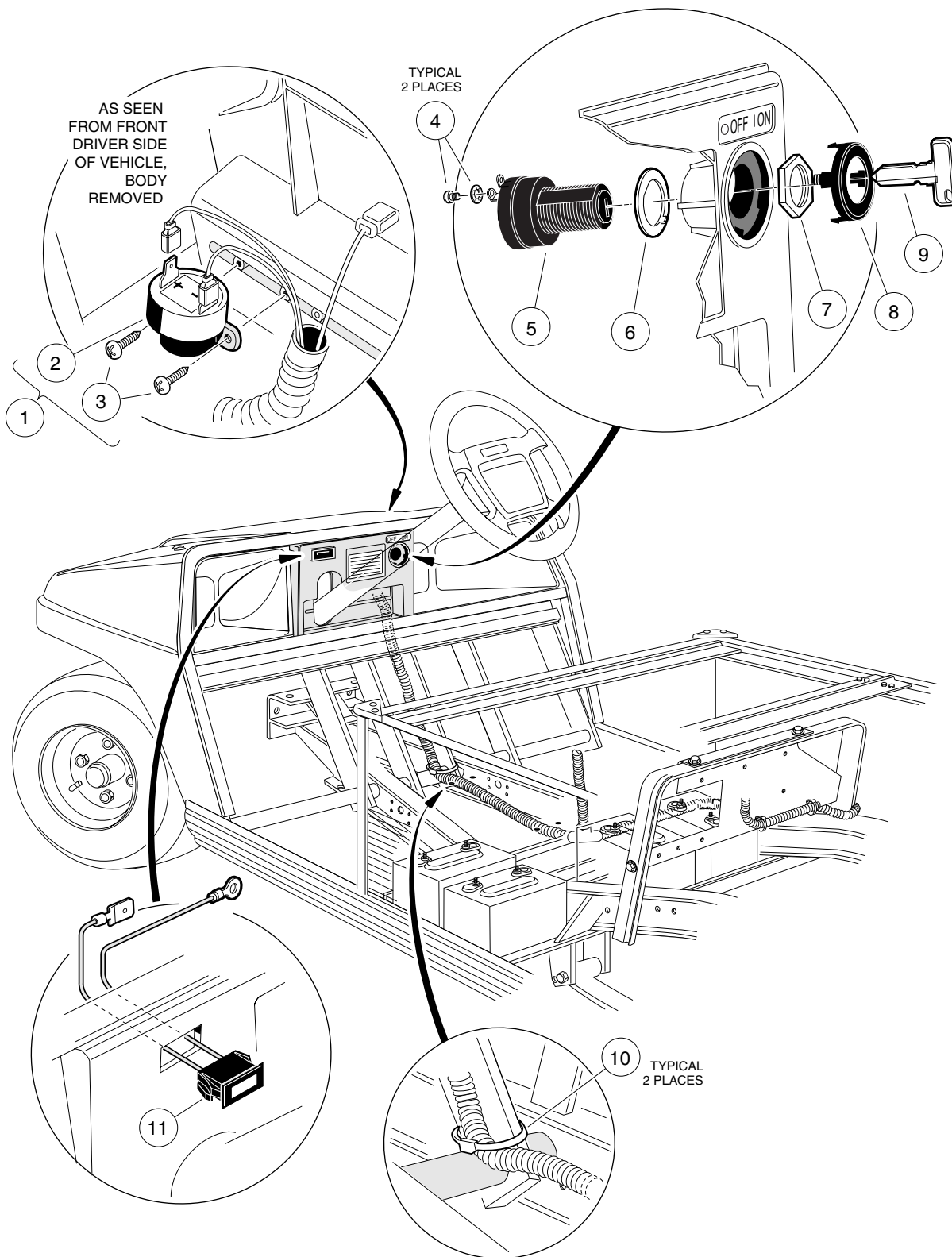


# WIRING – TURF/CARRYALL 1 POWERDRIVE VEHICLE WITH MOTOR CONTROLLER OUTPUT REGULATOR

| ITEM | PART NO.  | DESCRIPTION                                                                 | QTY |
|------|-----------|-----------------------------------------------------------------------------|-----|
|      |           | <b>1 2 3 4</b><br>For vehicles with serial numbers 0112-001470 and greater. |     |
|      | 102162102 | Wire Harness (includes items 1 - 15) .....                                  | 1   |
| 1    | 101865106 | Assembly, 3-Wire Plug (includes item 2) .....                               | 1   |
| 2    | 101883002 | Wire Assembly, #18 Black (includes resistor and #18 white wire) .....       | 1   |
| 3    | 101930801 | Assembly, 3-Pin Plug .....                                                  | 1   |
| 4    | 101936801 | Kit, 2-Pin Plug and Wedge Lock.....                                         | 1   |
| 5    | N/A       | Wire Assembly, #18 Orange .....                                             | 1   |
| 6    | N/A       | Wire Assembly, #18 Red, #18 White/Black .....                               | 1   |
| 7    | N/A       | Wire Assembly, #18 Green .....                                              | 1   |
| 8    | 101911101 | Wire Assembly, #6 White .....                                               | 1   |
| 9    | 101901401 | Wire Assembly, #6 Blue .....                                                | 1   |
| 10   | 101901201 | Wire Assembly, #6 Orange .....                                              | 1   |
| 11   | 101901501 | Wire Assembly, #6 White .....                                               | 1   |
| 12   | N/A       | Wire Assembly, #18 Red/White .....                                          | 1   |
| 13   | 101901301 | Wire Assembly, #6 Blue .....                                                | 1   |
| 14   | N/A       | Wire Assembly, #18 Green, #18 Red, #18 Red .....                            | 1   |
| 15   | 101827801 | Kit, Wire and Terminal, #6 Black .....                                      | 1   |
| 16   | 101902901 | Wire Assembly, #6 Green .....                                               | 1   |
| 17   | N/A       | Wire Assembly, #18 Orange/White (part of battery warning light) .....       | 1   |
| 18   | N/A       | Wire Assembly, #18 Red .....                                                | 1   |
| 19   | 101795701 | Wire Assembly, #6 Black .....                                               | 5   |
| 20   | N/A       | Wire Assembly, #10 Black (part of onboard computer assembly) .....          | 1   |
| 21   | N/A       | Wire Assembly, #18 Yellow.....                                              | 1   |
| 22   | 101902801 | Wire Assembly, #6 Red .....                                                 | 1   |
| 23   | 101903001 | Wire Assembly, #6 Yellow .....                                              | 1   |
| 24   | N/A       | Wire Assembly, #18 Gray (part of onboard computer assembly) .....           | 1   |
| 25   | N/A       | Wire Assembly, #10 Black (part of onboard computer assembly) .....          | 1   |
| 26   | N/A       | Wire Assembly, #10 Red (part of fuse and receptacle assembly) .....         | 1   |

12

E

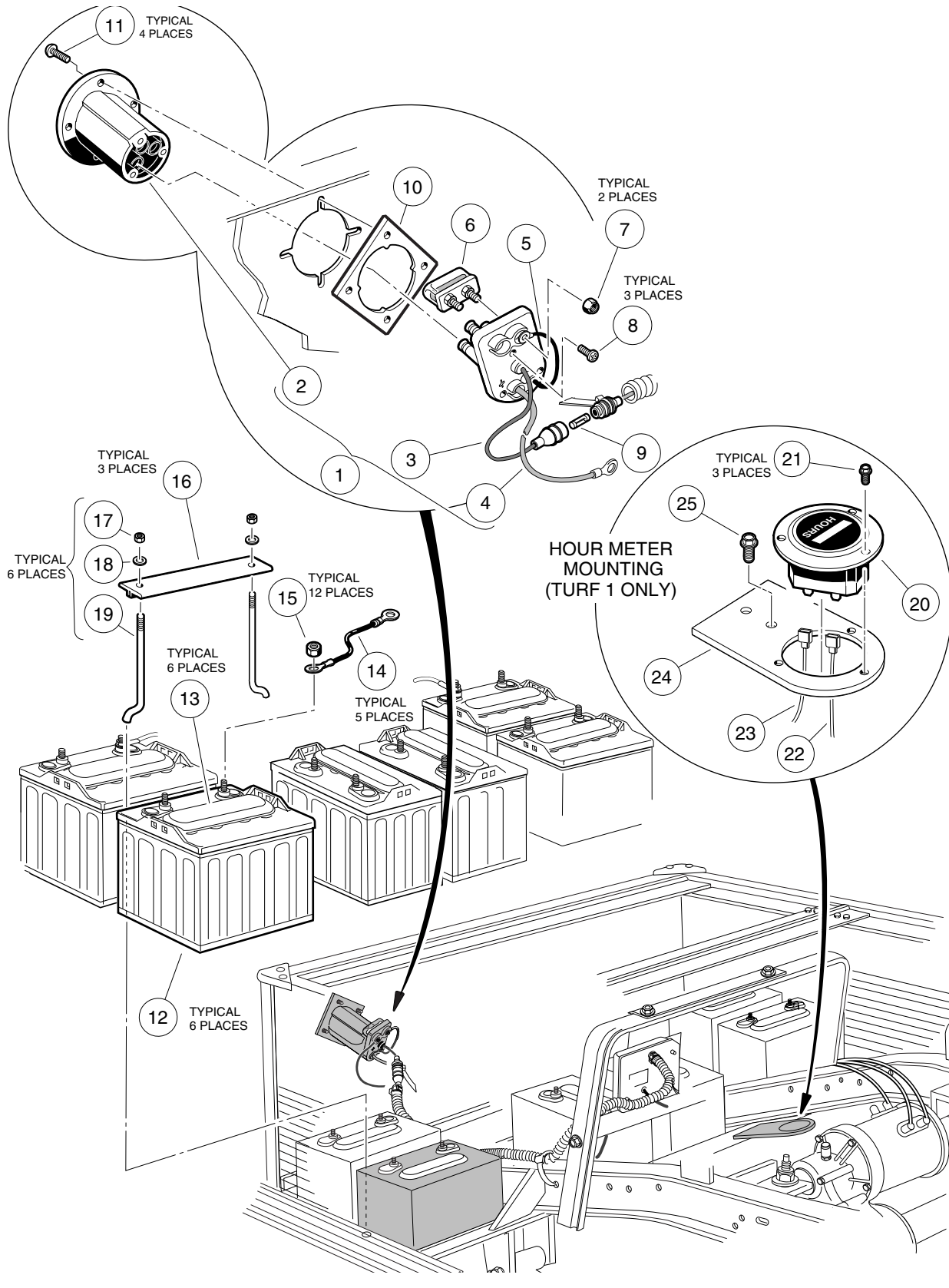


# ELECTRICAL COMPONENTS, FRONT BODY – TURF/CARRYALL 1 AND 2 POWERDRIVE VEHICLE

| ITEM | PART NO.  | DESCRIPTION                                                | QTY |
|------|-----------|------------------------------------------------------------|-----|
|      |           | 1 2 3 4                                                    |     |
| 1    | 1016859   | Kit, Reverse Buzzer (includes items 2 and 3) .....         | 1   |
| 2    | 1016851   | Buzzer, Reverse .....                                      | 1   |
| 3    | 1016849   | Screw, Pan-Head Hi-Lo, #4-24 x 5/16 .....                  | 2   |
| 4    | 101830601 | Assembly, Screw and Washer .....                           | 2   |
| 5    | 101826201 | Switch, Key .....                                          | 1   |
| 6    | 101851101 | Washer, Key Switch .....                                   | 1   |
| 7    | 101830701 | Nut, Key Switch .....                                      | 1   |
| 8    | 101834502 | Cap, Key Switch .....                                      | 1   |
| 9    | 1012505   | Key (pair) .....                                           | 1   |
| 10   | 8990      | Tie, Wire .....                                            | 2   |
| 11   | 101935501 | Light, Battery Warning (amber) .....                       | 1   |
|      |           | See page 12-45 for headlight assembly for Turf 2 vehicles. |     |

12

E

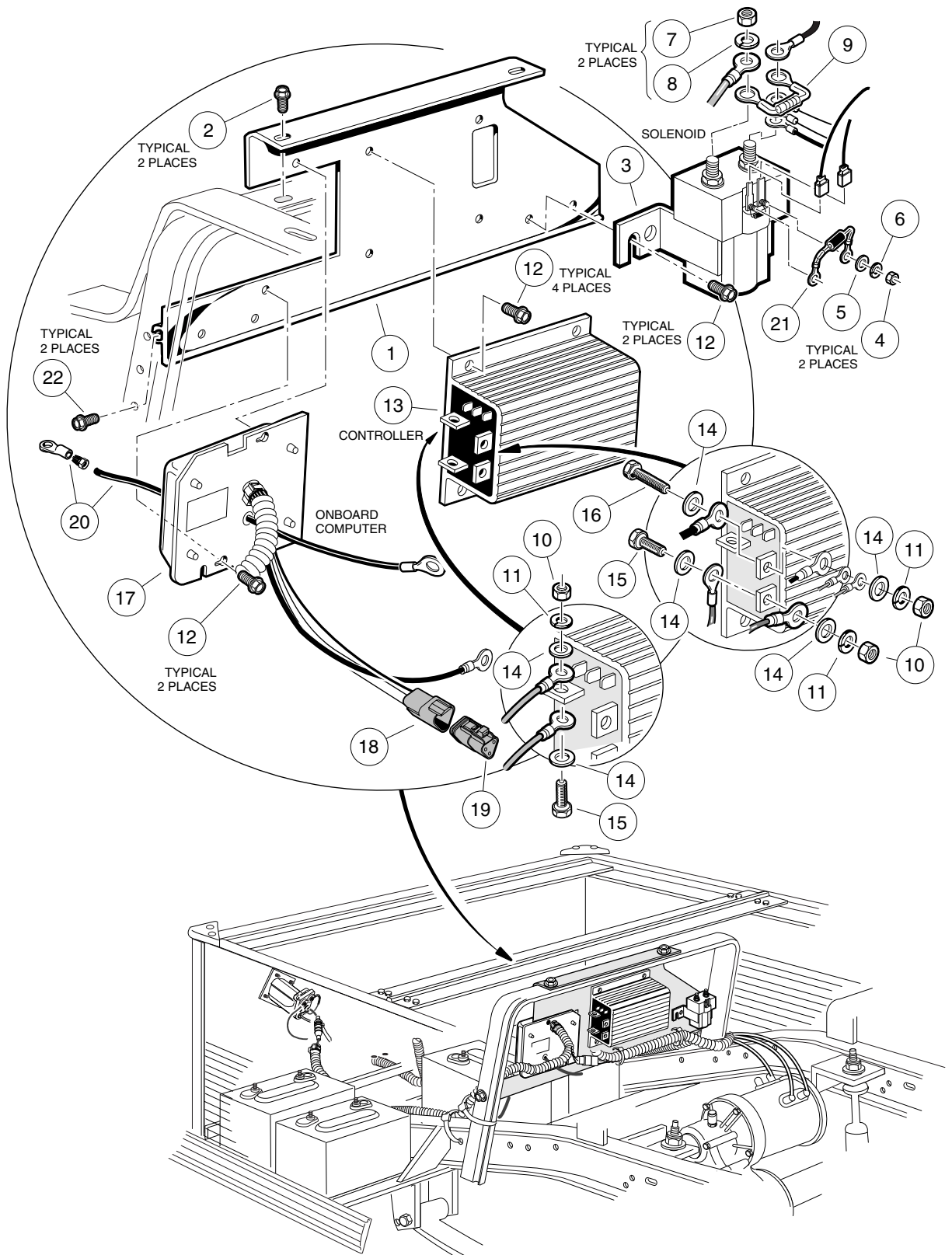


# BATTERIES, CHARGER RECEPTACLE – TURF/ CARRYALL 1 POWERDRIVE SYSTEM 48 VEHICLE

**12**

**E**

| ITEM | PART NO.  | DESCRIPTION                                              | QTY |
|------|-----------|----------------------------------------------------------|-----|
|      |           | 1 2 3 4                                                  |     |
| 1    | 101802101 | Kit, Fuse and Receptacle (includes items 2 - 9) .....    | 1   |
| 2    | 101796501 | Bezel, Receptacle .....                                  | 1   |
| 3    | N/A       | Wire Assembly, Sense Lead, Gray .....                    | 1   |
| 4    | N/A       | Wire Assembly, #10 Red .....                             | 1   |
| 5    | N/A       | Wire Assembly, #10 Black .....                           | 1   |
| 6    | 101796801 | Assembly, Fuse, 48-Volt (includes item 7) .....          | 1   |
| 7    | 1013061   | Nut, Nylon Lock, #10 .....                               | 2   |
| 8    | 1017705   | Screw, Phillips Pan-Head, #8 Type AB .....               | 3   |
| 9    | 101894901 | Fuse, 3/8-Amp .....                                      | 1   |
| 10   | 101801001 | Plate, Receptacle Backing .....                          | 1   |
| 11   | 101832001 | Screw, Phillips Pan-Head, #7-18 x 3/4 .....              | 4   |
| 12   | 101797701 | Battery, 8-Volt PowerDrive (includes item 13) .....      | 6   |
| 12   | 101797702 | Battery, 8-Volt PowerDrive, Dry (includes item 13) ..... | 6   |
| 13   | 101797801 | Cap, Battery, 4-Port Gang .....                          | 1   |
| 14   | 101795701 | Wire Assembly, #6 Black .....                            | 5   |
| 15   | 1014304   | Nut, Hex, Stainless Steel, 5/16-18 .....                 | 12  |
| 16   | 101090801 | Hold-Down, Battery .....                                 | 3   |
| 17   | 1015072   | Nut, Nylon Lock, Stainless Steel, 5/16-18 .....          | 6   |
| 18   | 1011578   | Washer, Flat, Type B Wide, 5/16 .....                    | 6   |
| 19   | 1013683   | J-Bolt .....                                             | 6   |
| 20   | 1016877   | Meter, Hour .....                                        | 1   |
| 21   | 1014540   | Screw, Thread-Rolling, #6-32 x 3/8 .....                 | 3   |
| 22   | N/A       | Wire Assembly, #18 Yellow .....                          | 1   |
| 23   | N/A       | Wire Assembly, #18 Red .....                             | 1   |
| 24   | 1013547   | Bracket, Hour Meter .....                                | 1   |
| 25   | 1012285   | Screw, Hex Washer-Head, 1/4-20 .....                     | 1   |



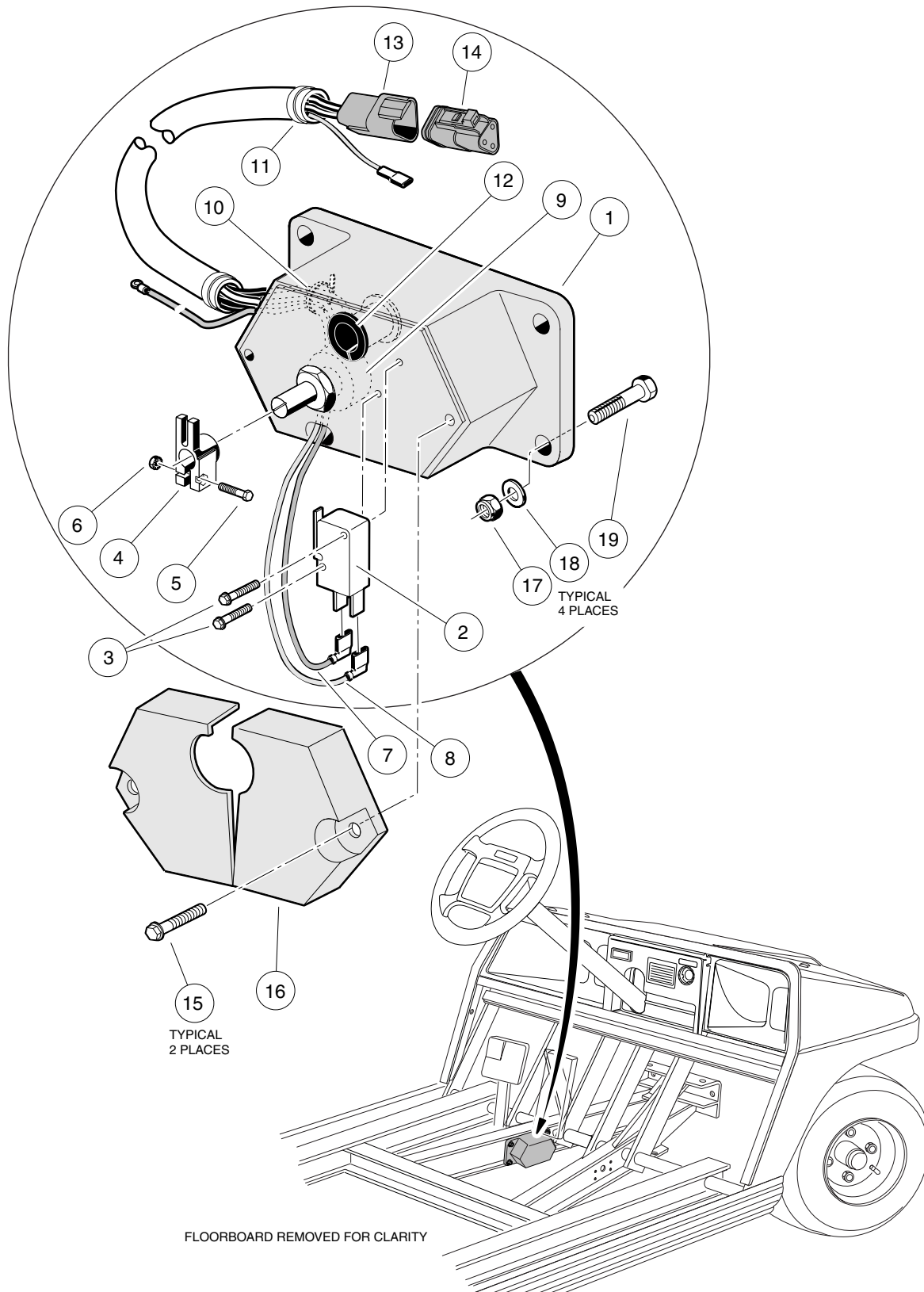


# COMPUTER, CONTROLLER, AND SOLENOID – TURF/ CARRYALL 1 POWERDRIVE SYSTEM 48 VEHICLE

| ITEM | PART NO.  | DESCRIPTION                                                                                           | QTY |
|------|-----------|-------------------------------------------------------------------------------------------------------|-----|
|      |           | 1 2 3 4                                                                                               |     |
| 1    | 101965201 | Plate, Component Mounting .....                                                                       | 1   |
| 2    | 1014288   | Screw, Thread-Forming, 5/16-18 x 3/4 .....                                                            | 2   |
| 3    | 101908701 | Solenoid, 48-Volt (with diode) (includes items 4 - 8) .....                                           | 1   |
| 4    | 1016545   | Nut, Hex, M5 x .8 .....                                                                               | 2   |
| 5    | N/A       | Washer, Flat .....                                                                                    | 2   |
| 6    | N/A       | Washer, Lock .....                                                                                    | 2   |
| 7    | 1012528   | Nut, Hex, M8 .....                                                                                    | 2   |
| 8    | 7174      | Washer, Lock, 5/16 .....                                                                              | 2   |
| 9    | 1014947   | Assembly, Resistor .....                                                                              | 1   |
| 10   | 1242      | Nut, Hex, 5/16-18 .....                                                                               | 3   |
| 11   | 7174      | Washer, Lock, 5/16 .....                                                                              | 3   |
| 12   | 1012285   | Screw, Thread-Rolling, 1/4-20 x 5/8 .....                                                             | 8   |
| 13   | 101840203 | Controller, 48-Volt (300-amp) .....                                                                   | 1   |
| 14   | 1241      | Washer, Flat, 5/16 .....                                                                              | 6   |
| 15   | 7173      | Screw, Hex-Head Cap, 5/16-18 x 3/4 .....                                                              | 2   |
| 16   | 1218      | Screw, Hex-Head Cap, 5/16-18 x 1-1/4 .....                                                            | 1   |
| 17   | 101909901 | Computer, Onboard (includes item 18) .....                                                            | 1   |
| 18   | 101942301 | Connector, 3-Pin .....                                                                                | 1   |
| 19   | 101920101 | Kit, 3-Pin Plug and Wedge Lock .....                                                                  | 1   |
| 20   | 101827801 | Kit, Wire and Terminal, #6 Black .....                                                                | 1   |
| 21   | 1014948   | Assembly, Diode (Service Part replacement for existing diode that comes standard with solenoid) ..... | 1   |
| 22   | 101910401 | Screw, Thread-Forming, 5/16-18 x 1-1/4 .....                                                          | 2   |

**12**

**E**



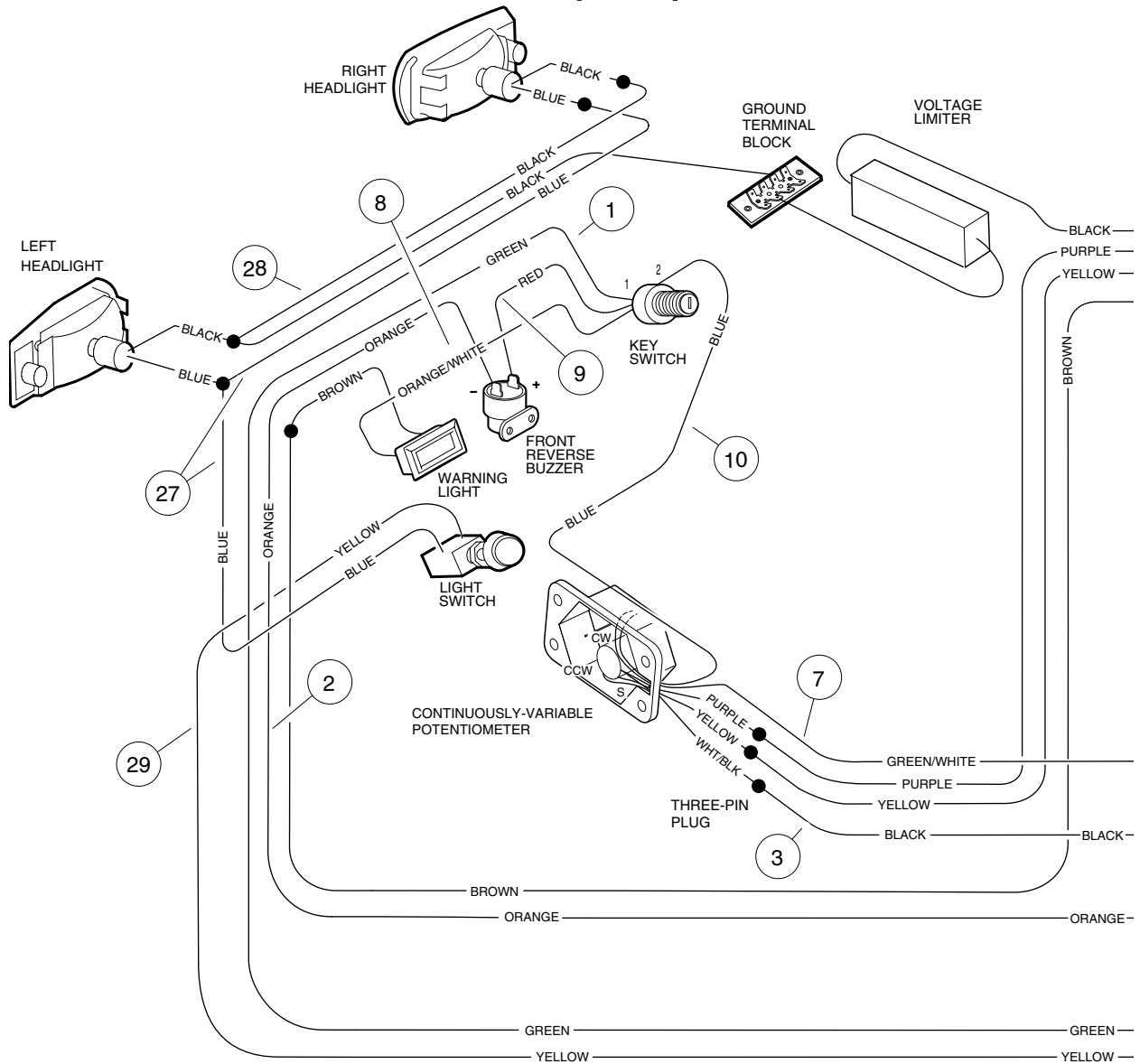
# CONTINUOUSLY VARIABLE POTENTIOMETER – TURF/ CARRYALL 2 AND CARRYALL 6 POWERDRIVE VEHICLES

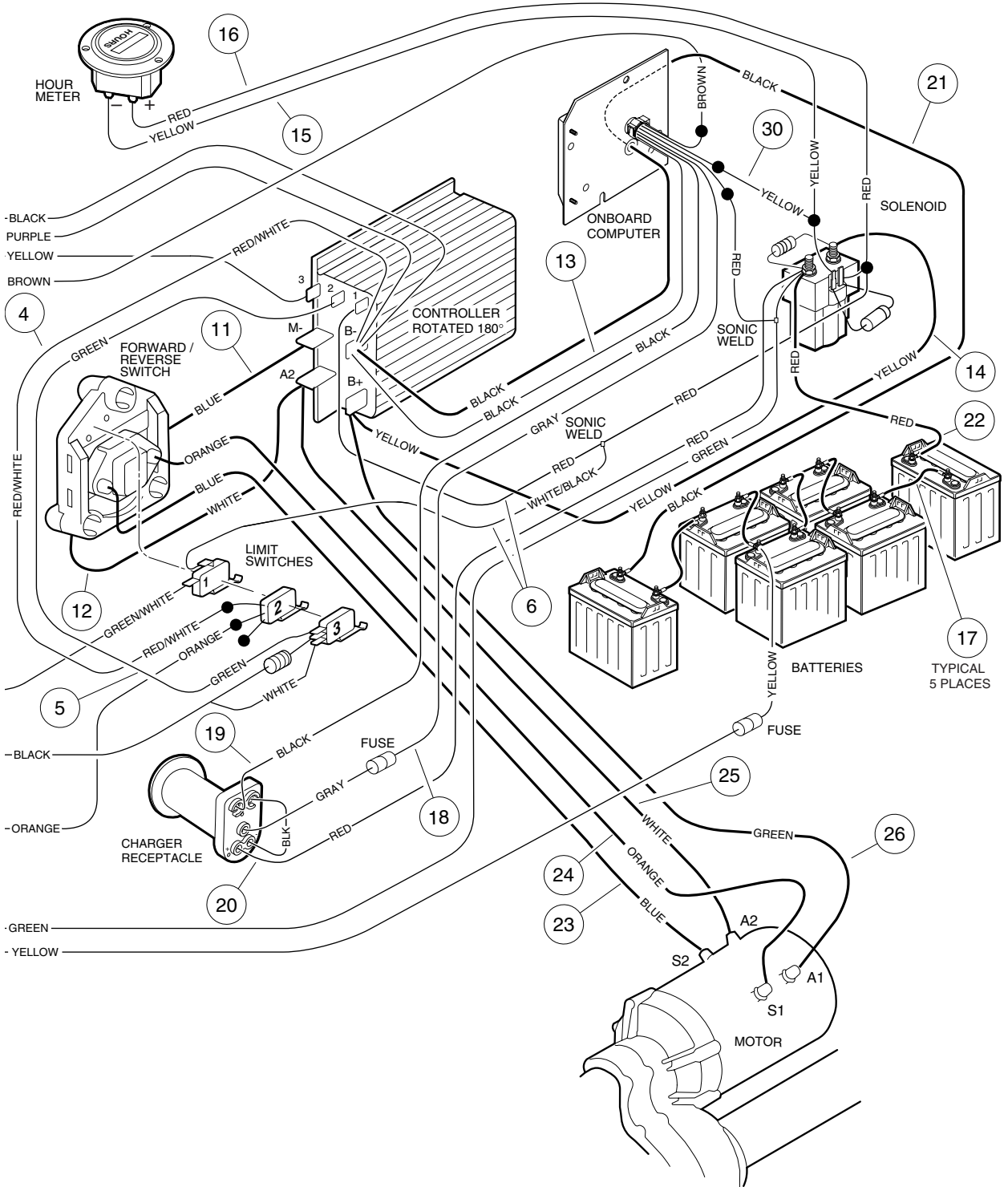
| ITEM | PART NO.  | DESCRIPTION                                                                  | QTY |
|------|-----------|------------------------------------------------------------------------------|-----|
|      |           | <b>1 2 3 4</b><br>For vehicles with serial numbers lower than 0112-001470.   |     |
|      | 101739201 | Assembly, Potentiometer Housing with Gray Plug (includes items 1 - 13) ..... | 1   |
| 1    | N/A       | Housing, Potentiometer .....                                                 | 1   |
| 2    | 1017830   | Switch, Limit .....                                                          | 1   |
| 3    | 101822601 | Screw, Hex Washer-Head Thread-Forming, #4-24 .....                           | 2   |
| 4    | 101809001 | Lever, Potentiometer .....                                                   | 1   |
| 5    | 1017853   | Screw, Hex-Head, #6-32 x 3/4 .....                                           | 1   |
| 6    | 1011229   | Nut, K-Lock, #6-32 .....                                                     | 1   |
| 7    | N/A       | Wire Assembly, #18 Blue .....                                                | 1   |
| 8    | N/A       | Wire Assembly, #18 Green/White .....                                         | 1   |
| 9    | N/A       | Potentiometer .....                                                          | 1   |
| 10   | 8990      | Tie, Wire .....                                                              | 3   |
| 11   | N/A       | Conduit, Electrical .....                                                    | 1   |
| 12   | 1017424   | Bearing, Pivot Support .....                                                 | 1   |
| 13   | 101895101 | Connector, 3-Pin .....                                                       | 1   |
| 14   | 101920101 | Kit, 3-Pin Plug and Wedge Lock .....                                         | 1   |
| 15   | 101804301 | Screw, Hi-Lo Hex-Head, #8-18 x 1/2 .....                                     | 2   |
| 16   | 1017743   | Cover, Accelerator .....                                                     | 1   |
| 17   | 8233      | Nut, Nylon Lock, 1/4-20 .....                                                | 4   |
| 18   | 332       | Washer, Flat, 1/4 .....                                                      | 4   |
| 19   | 101861901 | Screw, Hex-Head Cap, 1/4-20 x 1-1/8 .....                                    | 4   |

12

E

# ELECTRIC TURF 2 WIRING (CVP)





**12**

**E**

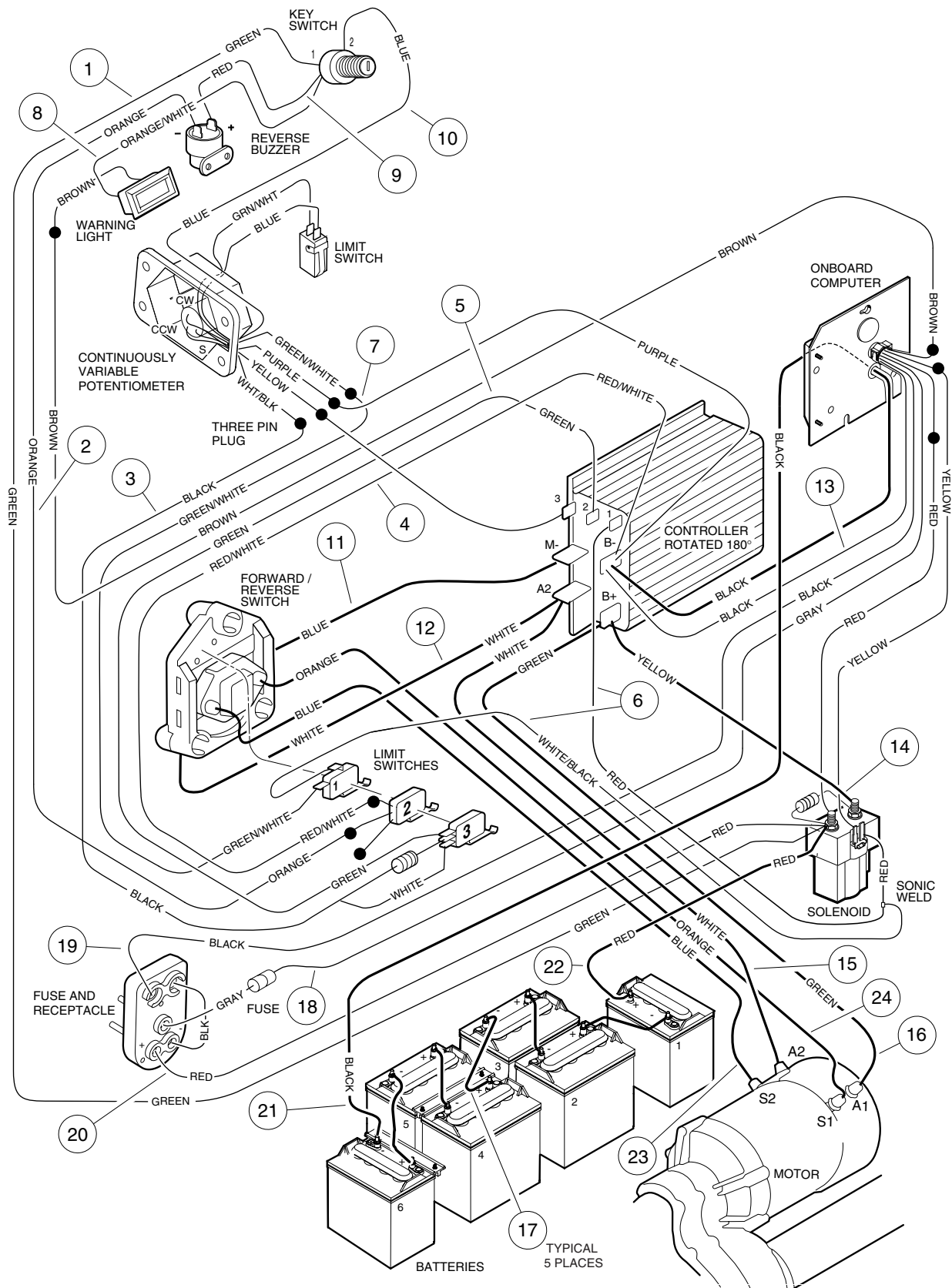
See previous two pages for wiring diagram.

# WIRING – TURF 2 POWERDRIVE VEHICLE WITH CONTINUOUSLY VARIABLE POTENTIOMETER

**12**

**E**

| ITEM | PART NO.  | DESCRIPTION                                                           | QTY |
|------|-----------|-----------------------------------------------------------------------|-----|
|      |           | 1 2 3 4<br>For vehicles with serial numbers lower than 0112-001470.   |     |
|      | 101911601 | Wire Harness (includes items 1 - 6) .....                             | 1   |
| 1    | N/A       | Wire Assembly, #18 Green .....                                        | 1   |
| 2    | N/A       | Wire Assembly, #18 Orange .....                                       | 1   |
| 3    | 101883002 | Wire Assembly, #18 Black (includes resistor and #18 white wire) ..... | 1   |
| 4    | N/A       | Wire Assembly, #18 Red/White .....                                    | 1   |
| 5    | N/A       | Wire Assembly, #18 Green .....                                        | 1   |
| 6    | N/A       | Wire Assembly, #18 Red, #18 White/Black .....                         | 1   |
| 7    | N/A       | Wire Assembly, #18 Green/White .....                                  | 1   |
| 8    | N/A       | Wire Assembly, #18 Orange/White (part of battery light) .....         | 1   |
| 9    | N/A       | Wire Assembly, #18 Red .....                                          | 1   |
| 10   | N/A       | Wire Assembly, #18 Blue (part of potentiometer assembly) .....        | 1   |
| 11   | 101908801 | Wire Assembly, #6 Blue .....                                          | 1   |
| 12   | 1016729   | Wire Assembly, #6 White .....                                         | 1   |
| 13   | N/A       | Wire Assembly, #10 Black (part of onboard computer assembly) .....    | 1   |
| 14   | 1016732   | Wire Assembly, #6 Yellow .....                                        | 1   |
| 15   | N/A       | Wire Assembly, #18 Yellow .....                                       | 1   |
| 16   | N/A       | Wire Assembly, #18 Red .....                                          | 1   |
| 17   | 101795701 | Wire Assembly, #6 Black .....                                         | 5   |
| 18   | N/A       | Wire Assembly, #18 Gray (part of onboard computer assembly) .....     | 1   |
| 19   | N/A       | Wire Assembly, #10 Black (part of onboard computer assembly) .....    | 1   |
| 20   | N/A       | Wire Assembly, #10 Red (part of fuse and receptacle assembly) .....   | 1   |
| 21   | N/A       | Wire Assembly, #6 Black .....                                         | 1   |
| 22   | 101904501 | Wire Assembly, #6 Red .....                                           | 1   |
| 23   | 101904601 | Wire Assembly, #6 Blue .....                                          | 1   |
| 24   | 101904701 | Wire Assembly, #6 Orange .....                                        | 1   |
| 25   | 101908901 | Wire Assembly, #6 White .....                                         | 1   |
| 26   | 101904401 | Wire Assembly, #6 Green .....                                         | 1   |
|      | 101828101 | Wire Harness, Headlight (includes items 27 - 29).....                 | 1   |
| 27   | N/A       | Wire Assembly, #16 Blue .....                                         | 1   |
| 28   | N/A       | Wire Assembly, #16 Black .....                                        | 1   |
| 29   | N/A       | Wire Assembly, #16 Yellow .....                                       | 1   |
| 30   | N/A       | Wire Assembly, #18 Yellow .....                                       | 1   |





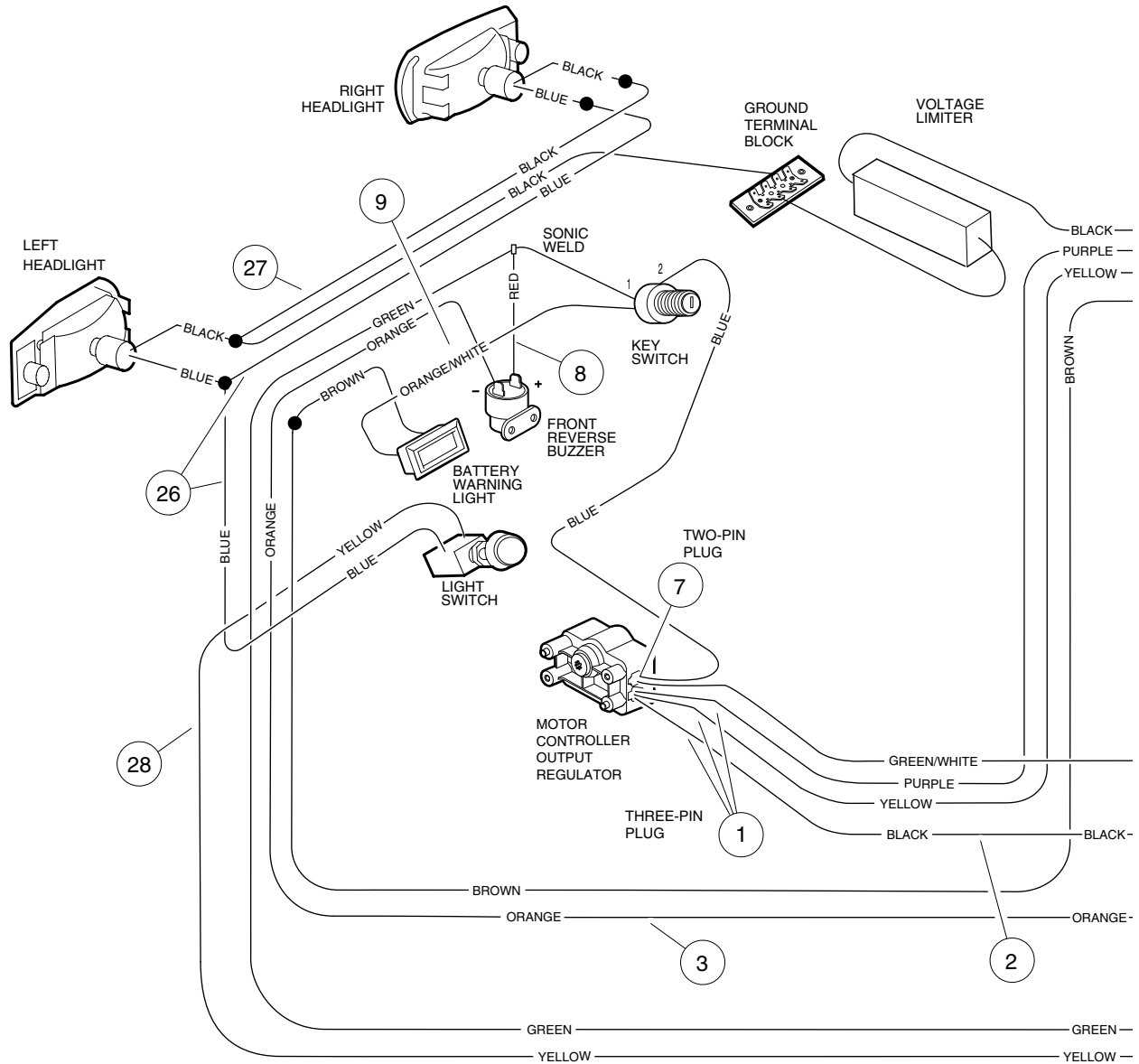
# WIRING – CARRYALL 2 POWERDRIVE VEHICLE WITH CONTINUOUSLY VARIABLE POTENTIOMETER

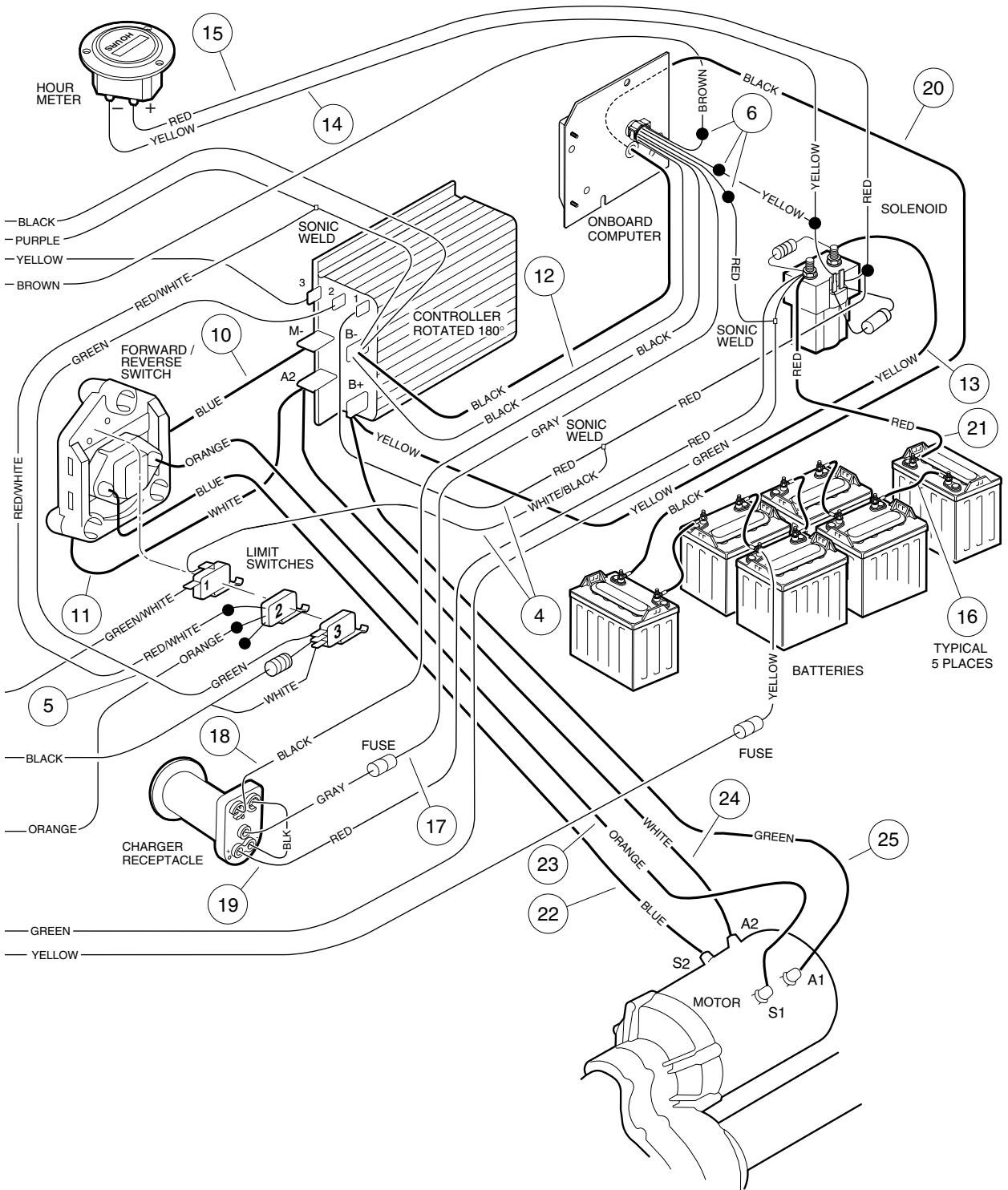
| ITEM | PART NO.  | DESCRIPTION                                                           | QTY |
|------|-----------|-----------------------------------------------------------------------|-----|
|      |           | 1 2 3 4<br>For vehicles with serial numbers lower than 0112-001470.   |     |
|      | 101911601 | Wire Harness (includes items 1 - 6) .....                             | 1   |
| 1    | N/A       | Wire Assembly, #18 Green .....                                        | 1   |
| 2    | N/A       | Wire Assembly, #18 Orange .....                                       | 1   |
| 3    | 101883002 | Wire Assembly, #18 Black (includes resistor and #18 white wire) ..... | 1   |
| 4    | N/A       | Wire Assembly, #18 Red/White .....                                    | 1   |
| 5    | N/A       | Wire Assembly, #18 Green .....                                        | 1   |
| 6    | N/A       | Wire Assembly, #18 Red, #18 White/Black .....                         | 1   |
| 7    | N/A       | Wire Assembly, #18 Green/White .....                                  | 1   |
| 8    | N/A       | Wire Assembly, #18 Orange/White (part of battery light) .....         | 1   |
| 9    | N/A       | Wire Assembly, #18 Red .....                                          | 1   |
| 10   | N/A       | Wire Assembly, #18 Blue (part of potentiometer assembly) .....        | 1   |
| 11   | 101908801 | Wire Assembly, #6 Blue .....                                          | 1   |
| 12   | 1016729   | Wire Assembly, #6 White .....                                         | 1   |
| 13   | N/A       | Wire Assembly, #10 Black (part of onboard computer assembly) .....    | 1   |
| 14   | 1016732   | Wire Assembly, #6 Yellow .....                                        | 1   |
| 15   | 101908901 | Wire Assembly, #6 White .....                                         | 1   |
| 16   | 101904401 | Wire Assembly, #6 Green .....                                         | 1   |
| 17   | 101795701 | Wire Assembly, #6 Black .....                                         | 5   |
| 18   | N/A       | Wire Assembly, #18 Gray (part of onboard computer assembly) .....     | 1   |
| 19   | N/A       | Wire Assembly, #10 Black (part of onboard computer assembly) .....    | 1   |
| 20   | N/A       | Wire Assembly, #10 Red (part of fuse and receptacle assembly) .....   | 1   |
| 21   | N/A       | Wire Assembly, #6 Black .....                                         | 1   |
| 22   | 101904501 | Wire Assembly, #6 Red .....                                           | 1   |
| 23   | 101904601 | Wire Assembly, #6 Blue .....                                          | 1   |
| 24   | 101904701 | Wire Assembly, #6 Orange .....                                        | 1   |

12

E

# ELECTRIC TURF 2 WIRING (MCOR)





**12**

**E**

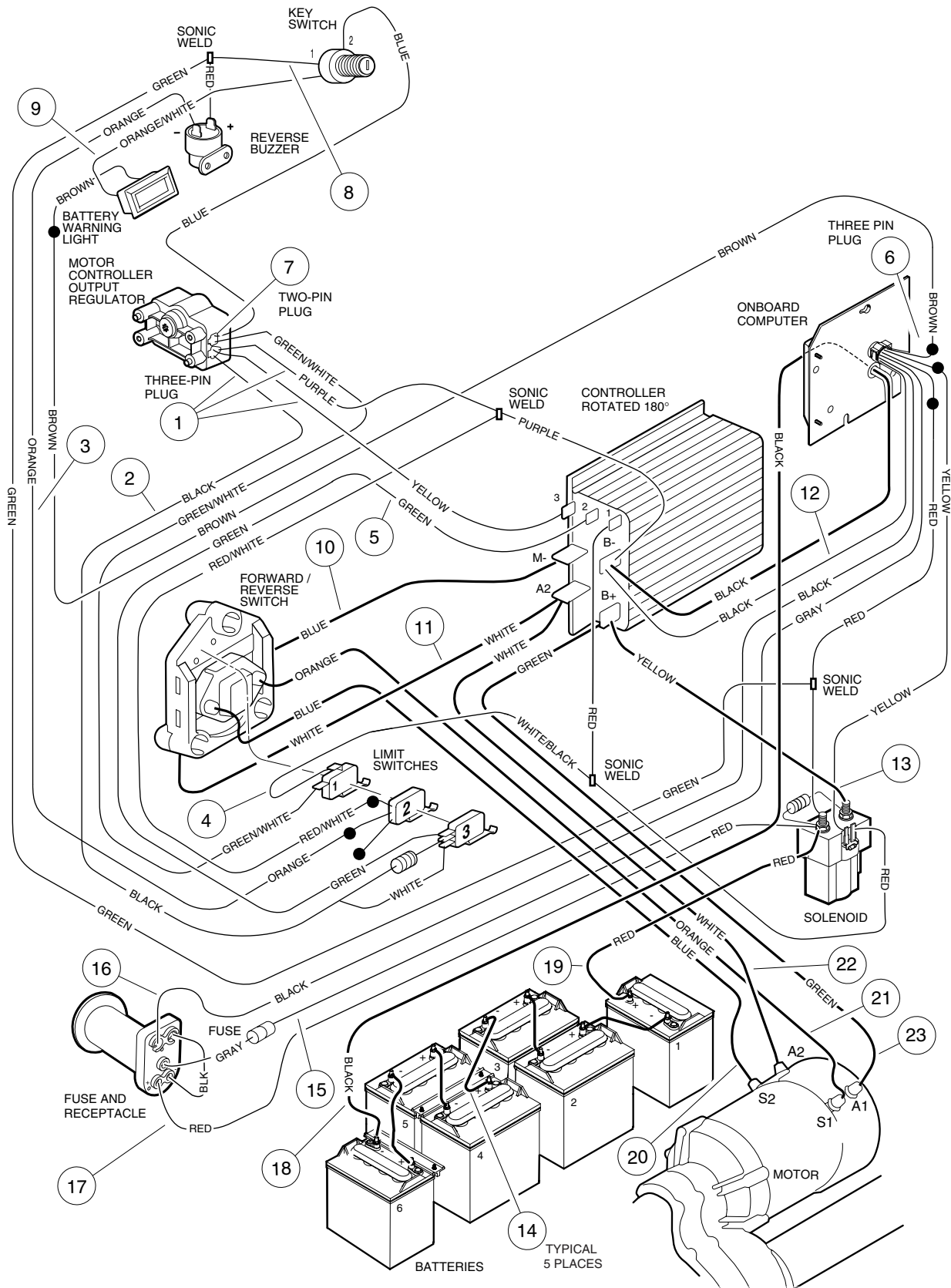
See previous two pages for wiring diagram.

# WIRING – TURF 2 POWERDRIVE VEHICLE WITH MOTOR CONTROLLER OUTPUT REGULATOR

**12**

**E**

| ITEM | PART NO.  | DESCRIPTION                                                           | QTY |
|------|-----------|-----------------------------------------------------------------------|-----|
|      |           | 1 2 3 4<br>For vehicles with serial numbers 0112-001470 and greater.  |     |
|      | 102162501 | Wire Harness, Power (includes items 1 - 8) .....                      | 1   |
| 1    | 101865106 | Assembly, 3-Wire Plug (includes item 2) .....                         | 1   |
| 2    | 101883002 | Wire Assembly, #18 Black (includes resistor and #18 white wire) ..... | 1   |
| 3    | N/A       | Wire Assembly, #18 Orange .....                                       | 1   |
| 4    | N/A       | Wire Assembly, #18 Red and #18 White/Black .....                      | 1   |
| 5    | N/A       | Wire Assembly, #18 Green .....                                        | 1   |
| 6    | 101930801 | Assembly, 3-Pin Plug .....                                            | 1   |
| 7    | 101936801 | Kit, 2-Pin Plug and Wedge Lock .....                                  | 1   |
| 8    | N/A       | Wire Assembly, #18 Green, #18 Red, #18 Red .....                      | 1   |
| 9    | N/A       | Wire Assembly, #18 Orange/White (part of battery light) .....         | 1   |
| 10   | 101908801 | Wire Assembly, #6 Blue .....                                          | 1   |
| 11   | 1016729   | Wire Assembly, #6 White .....                                         | 1   |
| 12   | N/A       | Wire Assembly, #10 Black (part of onboard computer assembly) .....    | 1   |
| 13   | 1016732   | Wire Assembly, #6 Yellow .....                                        | 1   |
| 14   | N/A       | Wire Assembly, #18 Yellow .....                                       | 1   |
| 15   | N/A       | Wire Assembly, #18 Red .....                                          | 1   |
| 16   | 101795701 | Wire Assembly, #6 Black .....                                         | 5   |
| 17   | N/A       | Wire Assembly, #18 Gray (part of onboard computer assembly) .....     | 1   |
| 18   | N/A       | Wire Assembly, #10 Black (part of onboard computer assembly) .....    | 1   |
| 19   | N/A       | Wire Assembly, #10 Red (part of fuse and receptacle assembly) .....   | 1   |
| 20   | N/A       | Wire Assembly, #6 Black .....                                         | 1   |
| 21   | 101904501 | Wire Assembly, #6 Red .....                                           | 1   |
| 22   | 101904601 | Wire Assembly, #6 Blue .....                                          | 1   |
| 23   | 101904701 | Wire Assembly, #6 Orange .....                                        | 1   |
| 24   | 101908901 | Wire Assembly, #6 White .....                                         | 1   |
| 25   | 101904401 | Wire Assembly, #6 Green .....                                         | 1   |
|      | 101828101 | Wire Harness, Headlight (includes items 26 - 28).....                 | 1   |
| 26   | N/A       | Wire Assembly, #16 Blue .....                                         | 1   |
| 27   | N/A       | Wire Assembly, #16 Black .....                                        | 1   |
| 28   | N/A       | Wire Assembly, #16 Yellow .....                                       | 1   |

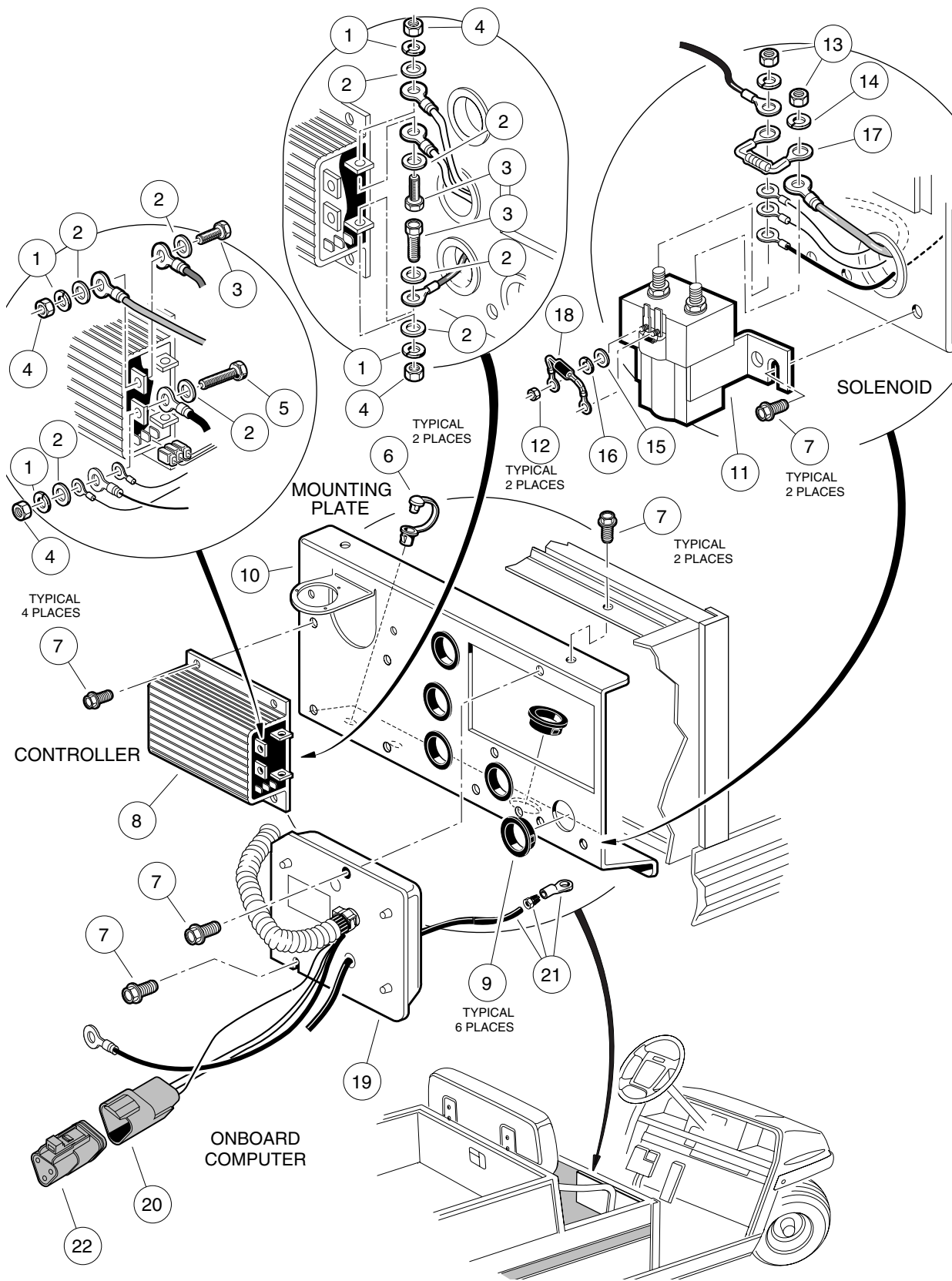


# WIRING – CARRYALL 2 POWERDRIVE VEHICLE WITH MOTOR CONTROLLER OUTPUT REGULATOR

**12**

**E**

| ITEM | PART NO.  | DESCRIPTION                                                           | QTY |
|------|-----------|-----------------------------------------------------------------------|-----|
|      |           | 1 2 3 4<br>For vehicles with serial numbers 0112-001470 and greater.  |     |
|      | 102162501 | Wire Harness, Power (includes items 1 - 8) .....                      | 1   |
| 1    | 101865106 | Assembly, 3-Wire Plug (includes item 2) .....                         | 1   |
| 2    | 101883002 | Wire Assembly, #18 Black (includes resistor and #18 white wire) ..... | 1   |
| 3    | N/A       | Wire Assembly, #18 Orange .....                                       | 1   |
| 4    | N/A       | Wire Assembly, #18 Red, #18 White/Black .....                         | 1   |
| 5    | N/A       | Wire Assembly, #18 Green .....                                        | 1   |
| 6    | 101930801 | Assembly, 3-Pin Plug .....                                            | 1   |
| 7    | 101936801 | Kit, 2-Pin Plug and Wedge Lock .....                                  | 1   |
| 8    | N/A       | Wire Assembly, #18 Green, #18 Red, #18 Red .....                      | 1   |
| 9    | N/A       | Wire Assembly, #18 Orange/White (part of battery light) .....         | 1   |
| 10   | 101908801 | Wire Assembly, #6 Blue .....                                          | 1   |
| 11   | 1016729   | Wire Assembly, #6 White .....                                         | 1   |
| 12   | N/A       | Wire Assembly, #10 Black (part of onboard computer assembly) .....    | 1   |
| 13   | 1016732   | Wire Assembly, #6 Yellow .....                                        | 1   |
| 14   | 101795701 | Wire Assembly, #6 Black .....                                         | 5   |
| 15   | N/A       | Wire Assembly, #18 Gray (part of onboard computer assembly) .....     | 1   |
| 16   | N/A       | Wire Assembly, #10 Black (part of onboard computer assembly) .....    | 1   |
| 17   | N/A       | Wire Assembly, #10 Red (part of fuse and receptacle assembly) .....   | 1   |
| 18   | N/A       | Wire Assembly, #6 Black .....                                         | 1   |
| 19   | 101904501 | Wire Assembly, #6 Red .....                                           | 1   |
| 20   | 101904601 | Wire Assembly, #6 Blue .....                                          | 1   |
| 21   | 101904701 | Wire Assembly, #6 Orange .....                                        | 1   |
| 22   | 101908901 | Wire Assembly, #6 White .....                                         | 1   |
| 23   | 101904401 | Wire Assembly, #6 Green .....                                         | 1   |



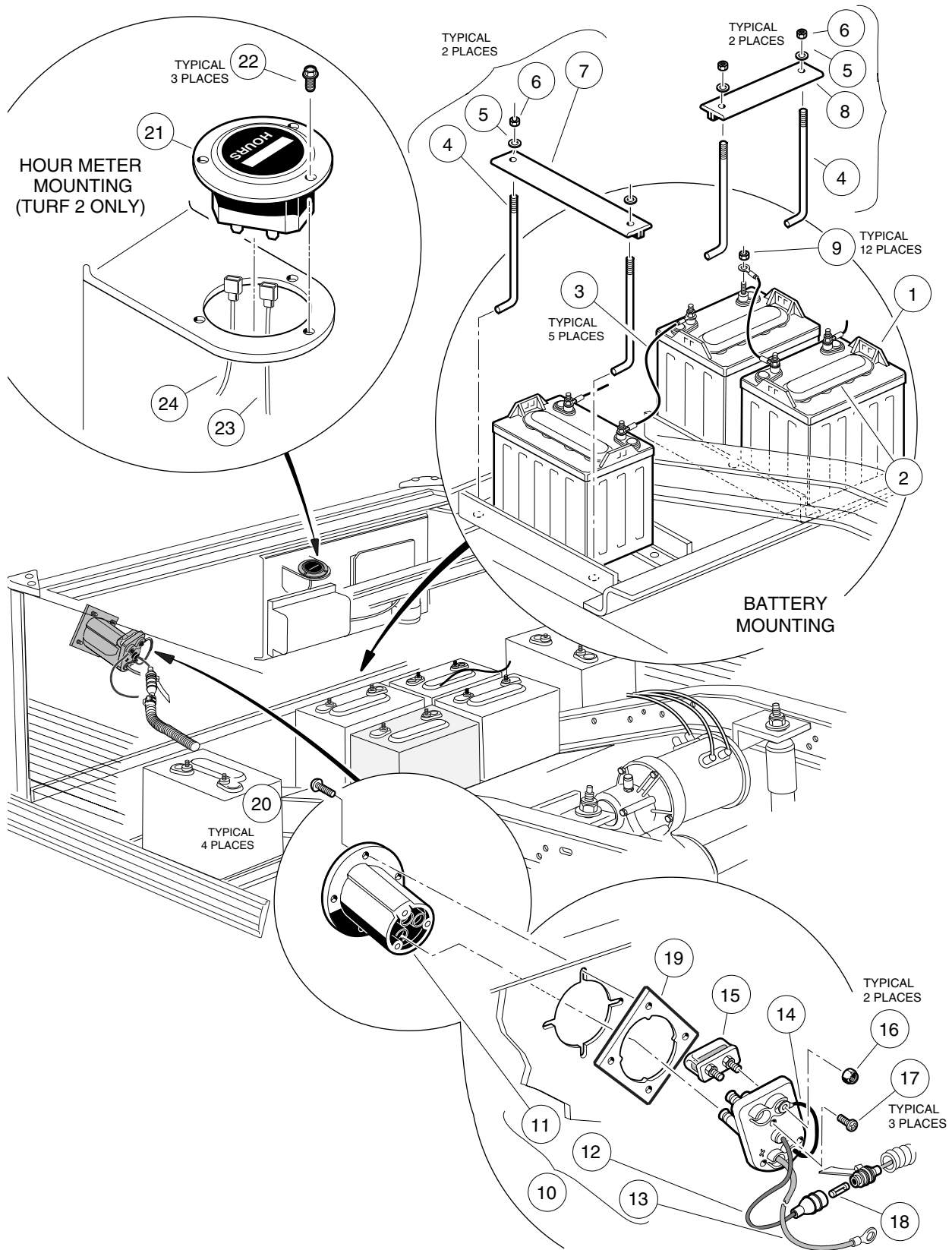


# COMPUTER, CONTROLLER, AND SOLENOID – TURF/CARRYALL 2 POWERDRIVE VEHICLE

| ITEM | PART NO.  | DESCRIPTION                                                                                           | QTY |
|------|-----------|-------------------------------------------------------------------------------------------------------|-----|
|      |           | 1 2 3 4                                                                                               |     |
| 1    | 7174      | Washer, Lock, 5/16 .....                                                                              | 4   |
| 2    | 1241      | Washer, Flat, 5/16 .....                                                                              | 8   |
| 3    | 7173      | Screw, Hex-Head Cap, 5/16-18 x 3/4 .....                                                              | 3   |
| 4    | 1242      | Nut, Hex, 5/16-18 .....                                                                               | 4   |
| 5    | 1218      | Screw, Hex-Head Cap, 5/16-18 x 1-1/4 .....                                                            | 1   |
| 6    | 101918301 | Clamp, Wire .....                                                                                     | 2   |
| 7    | 1012285   | Screw, Hex-Head Thread-Rolling, 1/4-20 x 5/8 .....                                                    | 10  |
| 8    | 101840203 | Controller, 48-Volt (300-Amp) .....                                                                   | 1   |
| 9    | 101924301 | Bushing, Snap .....                                                                                   | 6   |
| 10   | 101911701 | Plate, Mounting .....                                                                                 | 1   |
| 11   | 101908701 | Solenoid, 48-Volt (with diode) (includes items 12 - 16) .....                                         | 1   |
| 12   | 1016545   | Nut, Hex, M5 x .8 .....                                                                               | 2   |
| 13   | 1012528   | Nut, Hex, M8 .....                                                                                    | 2   |
| 14   | 7174      | Washer, Lock, 5/16 .....                                                                              | 2   |
| 15   | N/A       | Washer, Flat .....                                                                                    | 2   |
| 16   | N/A       | Washer, Lock .....                                                                                    | 2   |
| 17   | 1014947   | Assembly, Resistor .....                                                                              | 1   |
| 18   | 1014948   | Assembly, Diode (Service Part replacement for existing diode that comes standard with solenoid) ..... | 1   |
| 19   | 101909905 | Computer, Onboard (includes item 20) .....                                                            | 1   |
| 20   | 101942301 | Connector, 3-Pin .....                                                                                | 1   |
| 21   | 101827802 | Kit, Wire and Terminal, #6 Black .....                                                                | 1   |
| 22   | 101920101 | Kit, 3-Pin Plug and Wedge Lock .....                                                                  | 1   |

12

E



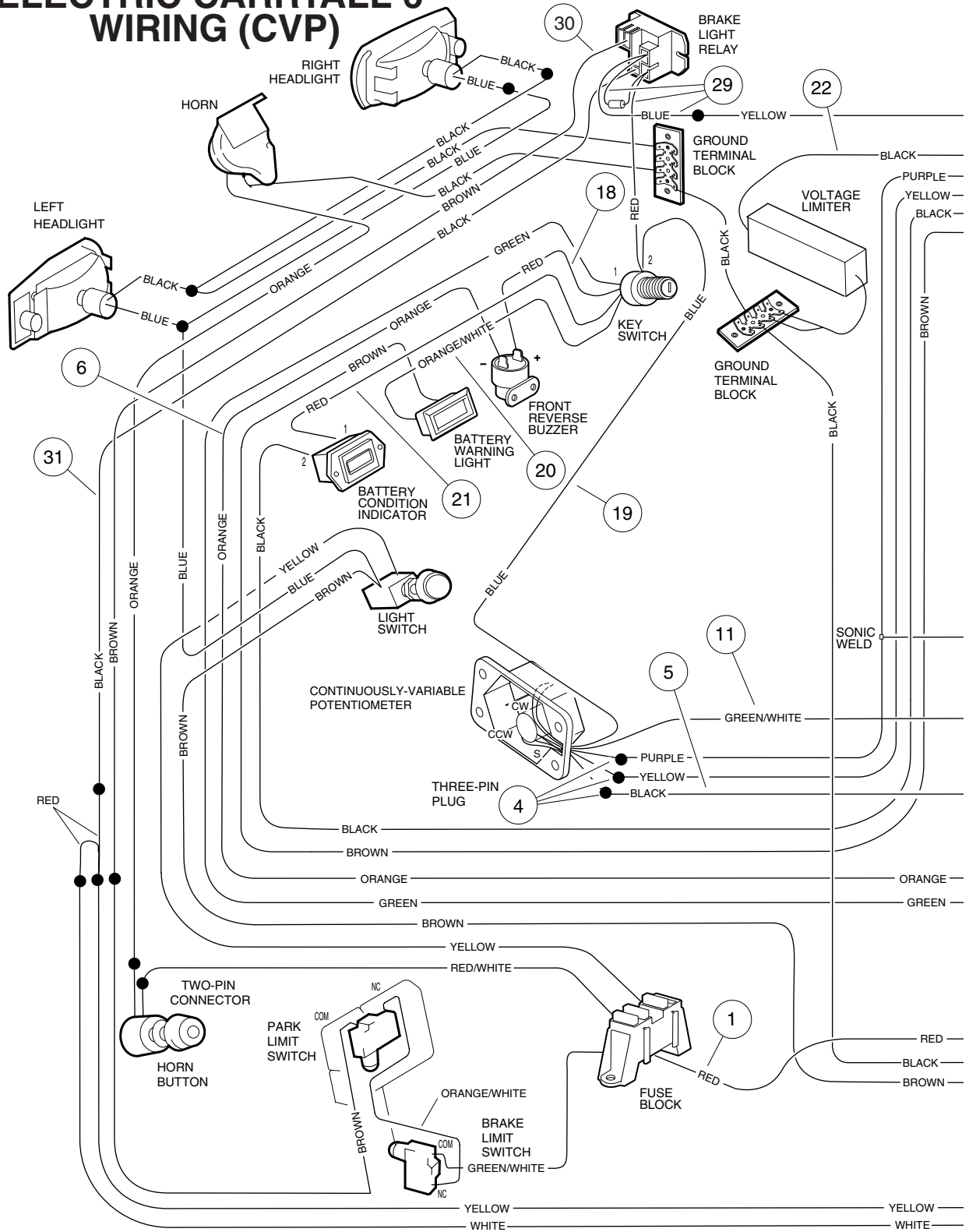
# BATTERIES, CHARGER RECEPTACLE – TURF/CARRYALL 2 POWERDRIVE VEHICLE

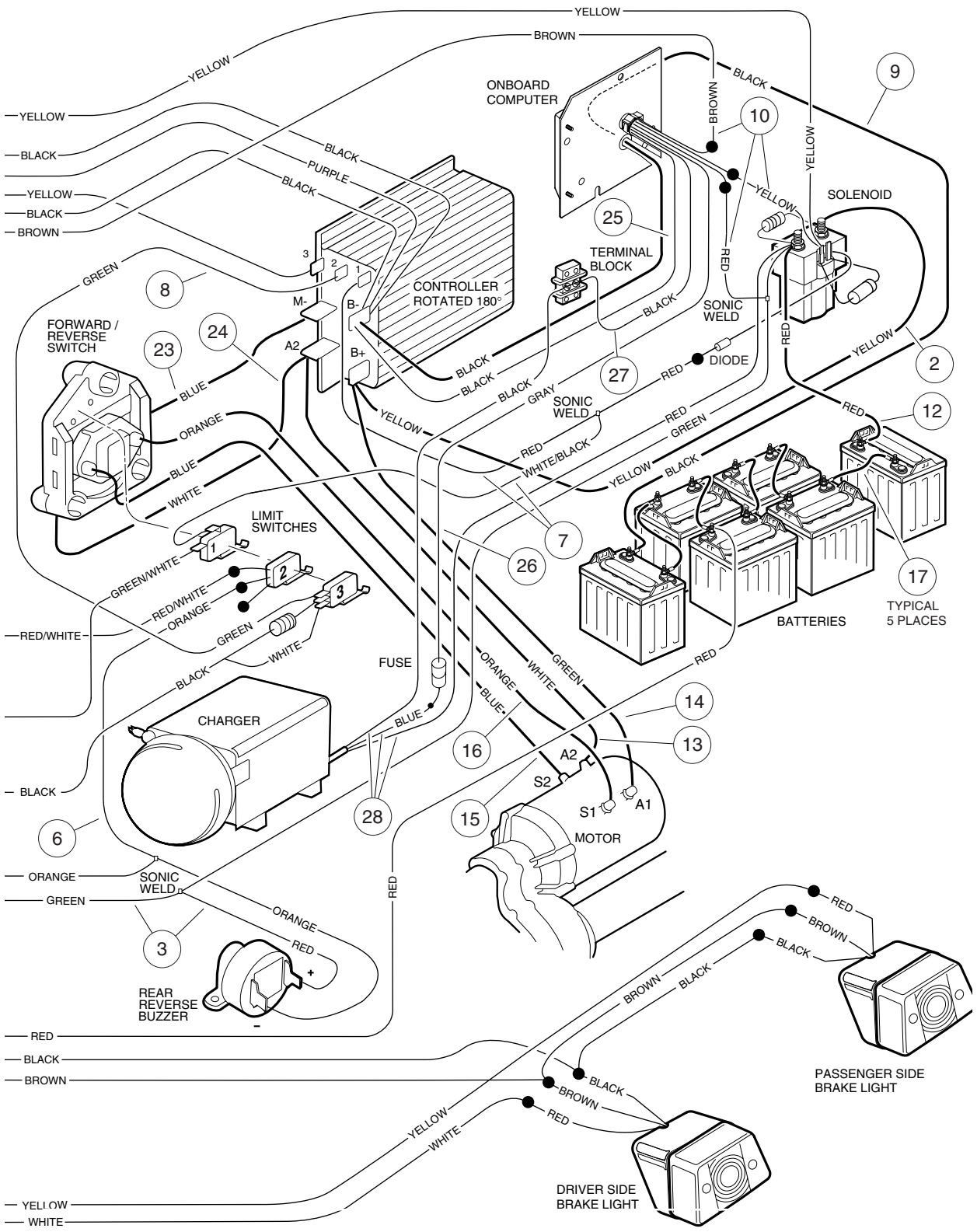
| ITEM | PART NO.  | DESCRIPTION                                             | QTY |
|------|-----------|---------------------------------------------------------|-----|
|      |           | 1 2 3 4                                                 |     |
| 1    | 101797701 | Battery, 8-Volt PowerDrive (includes item 2) .....      | 6   |
| 1    | 101797702 | Battery, 8-Volt PowerDrive, Dry (includes item 2) ..... | 6   |
| 2    | 101797801 | Cap, Battery, 4 Port Gang .....                         | 1   |
| 3    | 101795701 | Wire Assembly, #6 Black .....                           | 5   |
| 4    | 101668201 | Rod, Battery Hold-Down .....                            | 8   |
| 5    | 1011578   | Washer, Flat, Type B Wide, 5/16 .....                   | 8   |
| 6    | 1015072   | Nut, Nylon Lock, Stainless Steel, 5/16 - 18 .....       | 8   |
| 7    | 101090802 | Hold-Down, Battery, Long .....                          | 2   |
| 8    | 101090801 | Hold-Down, Battery, Short .....                         | 2   |
| 9    | 1014304   | Nut, Hex, Stainless Steel, 5/16 -18 .....               | 12  |
| 10   | 101802101 | Kit, Fuse and Receptacle (includes items 11 - 18) ..... | 1   |
| 11   | 101796501 | Bezel, Receptacle .....                                 | 1   |
| 12   | N/A       | Wire Assembly, Sense Lead, Gray .....                   | 1   |
| 13   | N/A       | Wire Assembly, #10 Red .....                            | 1   |
| 14   | N/A       | Wire Assembly, #10 Black .....                          | 1   |
| 15   | 101796801 | Assembly, Fuse, 48-Volt (includes item 16) .....        | 1   |
| 16   | 1013061   | Nut, Nylon Lock, #10 .....                              | 2   |
| 17   | 1017705   | Screw, Phillips Pan-Head, Type AB, #8 .....             | 3   |
| 18   | 101894901 | Fuse, 3/8-Amp .....                                     | 1   |
| 19   | 101801001 | Plate, Receptacle Backing .....                         | 1   |
| 20   | 101832001 | Screw, Phillips Pan-Head, #7-18 x 3/4 .....             | 4   |
| 21   | 1016877   | Meter, Hour .....                                       | 1   |
| 22   | 1014540   | Screw, Thread-Rolling, #6-32 x 3/8 .....                | 3   |
| 23   | N/A       | Wire Assembly, #18 Yellow .....                         | 1   |
| 24   | N/A       | Wire Assembly, #18 Red .....                            | 1   |

**12**

**E**

# ELECTRIC CARRYALL 6 WIRING (CVP)





**12**

**E**

See previous two pages for wiring diagram.

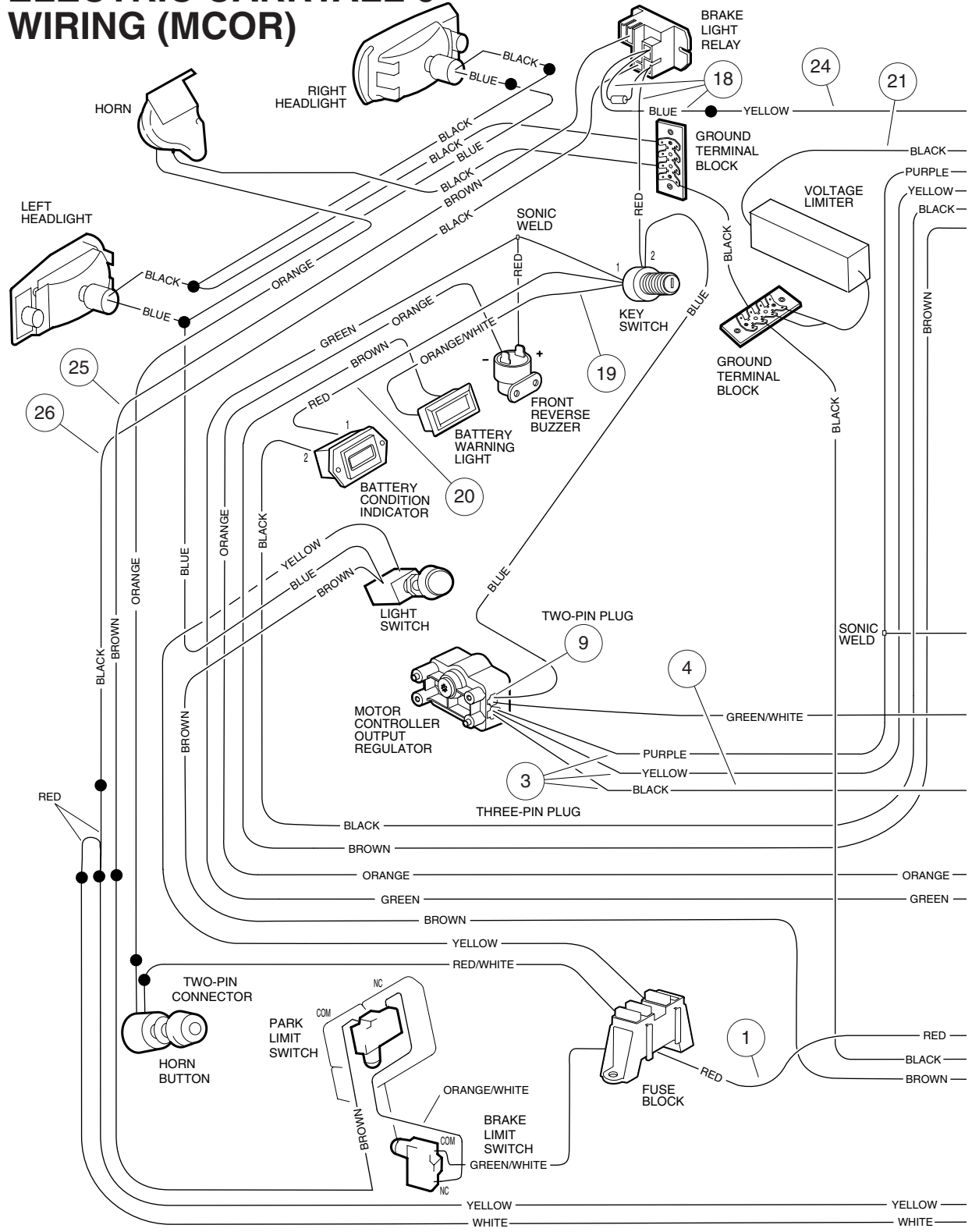
# WIRING – CARRYALL 6 POWERDRIVE VEHICLE WITH CONTINUOUSLY VARIABLE POTENTIOMETER

**12**

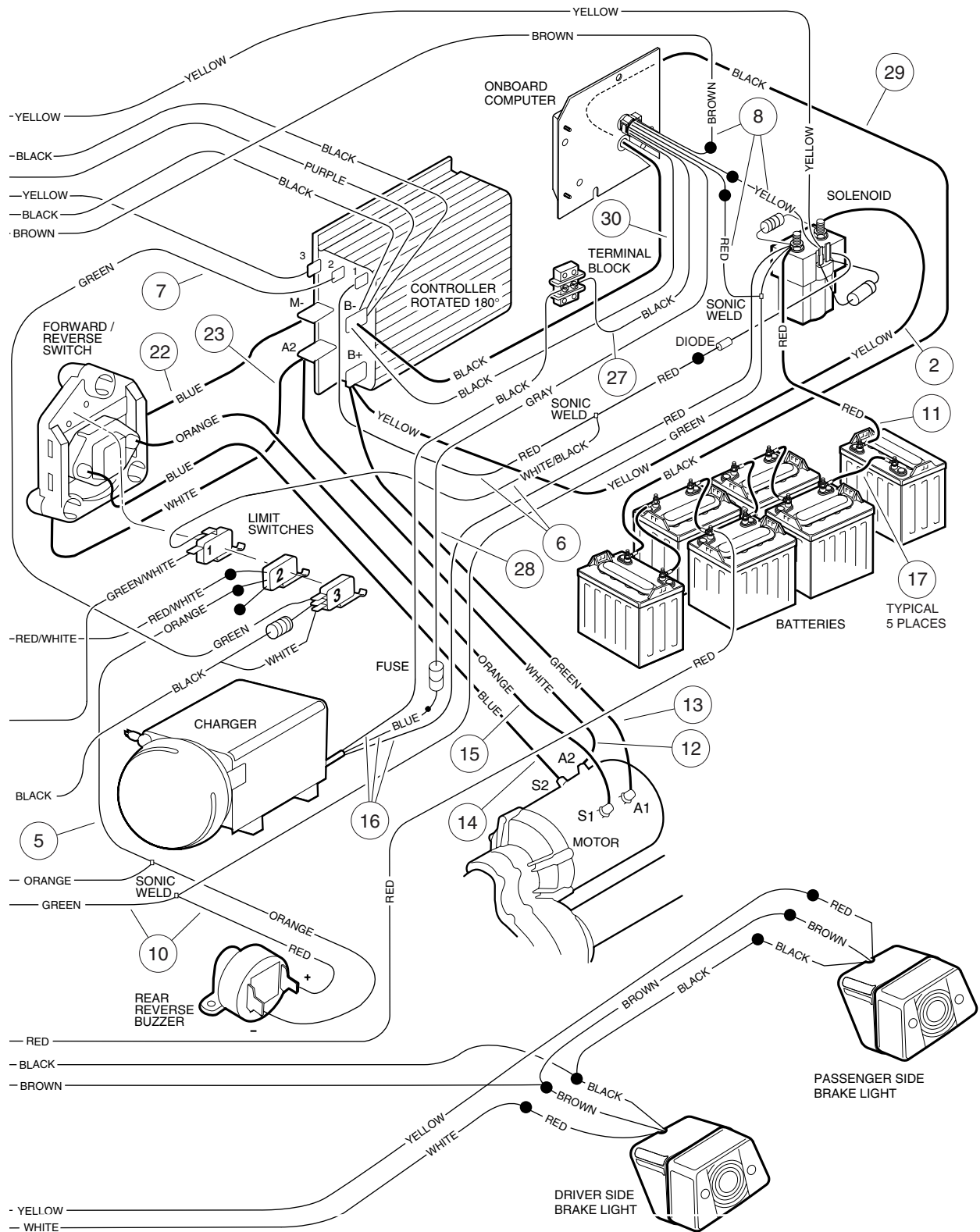
**E**

| ITEM | PART NO.  | DESCRIPTION                                                                                                                                                                                                                                                                                      | QTY |
|------|-----------|--------------------------------------------------------------------------------------------------------------------------------------------------------------------------------------------------------------------------------------------------------------------------------------------------|-----|
|      |           | 1 2 3 4                                                                                                                                                                                                                                                                                          |     |
|      | 101989901 | Wire Harness, Lighting (includes #16 black, #18 red, #14 black, #16 brown, #18 black, #16 white, #16 red/white, #16 yellow, #16 orange, #16 black, #16 green/white, #14 yellow, #16 orange/white, #16 brown, #16 blue, #18 orange, #18 red, #18 black, #16 black wire assembly and item 1) ..... | 1   |
| 1    | 1016698   | Wire Assembly, #10 Red .....                                                                                                                                                                                                                                                                     | 1   |
| 2    | 1016732   | Wire Assembly, #6 Yellow .....                                                                                                                                                                                                                                                                   | 1   |
|      | 101911601 | Wire Harness, Power (includes items 3 - 11) .....                                                                                                                                                                                                                                                | 1   |
| 3    | N/A       | Wire Assembly, #18 Green and #18 Red .....                                                                                                                                                                                                                                                       | 1   |
| 4    | 101865106 | Assembly, 3-Wire Plug (includes item 5) .....                                                                                                                                                                                                                                                    | 1   |
| 5    | 101883002 | Wire Assembly, #18 Black (includes resistor and #18 white wire) .....                                                                                                                                                                                                                            | 1   |
| 6    | N/A       | Wire Assembly, #18 Orange .....                                                                                                                                                                                                                                                                  | 1   |
| 7    | N/A       | Wire Assembly, #18 Red, White/Black .....                                                                                                                                                                                                                                                        | 1   |
| 8    | N/A       | Wire Assembly, #18 Green .....                                                                                                                                                                                                                                                                   | 1   |
| 9    | N/A       | Wire Assembly, #6 Black .....                                                                                                                                                                                                                                                                    | 1   |
| 10   | 101930801 | Assembly, 3-Pin Plug .....                                                                                                                                                                                                                                                                       | 1   |
| 11   | N/A       | Wire Assembly, #18 Green/White .....                                                                                                                                                                                                                                                             | 1   |
| 12   | 101904502 | Wire Assembly, #6 Red .....                                                                                                                                                                                                                                                                      | 1   |
| 13   | 101908902 | Wire Assembly, #6 White .....                                                                                                                                                                                                                                                                    | 1   |
| 14   | 101904402 | Wire Assembly, #6 Green .....                                                                                                                                                                                                                                                                    | 1   |
| 15   | 101904602 | Wire Assembly, #6 Blue .....                                                                                                                                                                                                                                                                     | 1   |
| 16   | 101904702 | Wire Assembly, #6 Orange .....                                                                                                                                                                                                                                                                   | 1   |
| 17   | 101795701 | Wire Assembly, #6 Black .....                                                                                                                                                                                                                                                                    | 5   |
| 18   | N/A       | Wire Assembly, #18 Red .....                                                                                                                                                                                                                                                                     | 1   |
| 19   | N/A       | Wire Assembly, #18 Blue (part of potentiometer assembly) .....                                                                                                                                                                                                                                   | 1   |
| 20   | N/A       | Wire Assembly, #18 Orange/White .....                                                                                                                                                                                                                                                            | 1   |
| 21   | N/A       | Wire Assembly, #18 Red .....                                                                                                                                                                                                                                                                     | 1   |
| 22   | N/A       | Wire Assembly, #10 Black (part of voltage limiter assembly) .....                                                                                                                                                                                                                                | 1   |
| 23   | 101908801 | Wire Assembly, #6 Blue .....                                                                                                                                                                                                                                                                     | 1   |
| 24   | 1016729   | Wire Assembly, #6 White .....                                                                                                                                                                                                                                                                    | 1   |
| 25   | N/A       | Wire Assembly, #10 Black (part of onboard computer assembly) .....                                                                                                                                                                                                                               | 1   |
| 26   | N/A       | Wire Assembly, #18 Gray (part of onboard computer assembly) .....                                                                                                                                                                                                                                | 1   |
| 27   | N/A       | Wire Assembly, #10 Black (part of onboard computer assembly) .....                                                                                                                                                                                                                               | 1   |
| 28   | 101829101 | DC Cord, #10 Blue, #10 Red, #10 Black (part of charger) .....                                                                                                                                                                                                                                    | 1   |
| 29   | 101914401 | Assembly, Voltage Suppressor (includes #18 red and #18 blue) .....                                                                                                                                                                                                                               | 1   |
| 30   | N/A       | Wire Assembly, #18 Brown (part of brake relay kit) .....                                                                                                                                                                                                                                         | 1   |
| 31   | N/A       | Wire Assembly, #18 Black (part of brake relay kit).....                                                                                                                                                                                                                                          | 1   |

# ELECTRIC CARRYALL 6 WIRING (MCOR)







**12**

**E**

See previous two pages for wiring diagram.

# WIRING – CARRYALL 6 POWERDRIVE VEHICLE WITH MOTOR CONTROLLER OUTPUT REGULATOR

**12**

**E**

| ITEM | PART NO.  | DESCRIPTION                                                                                                                                                                                                                                                                                      | QTY |
|------|-----------|--------------------------------------------------------------------------------------------------------------------------------------------------------------------------------------------------------------------------------------------------------------------------------------------------|-----|
|      |           | 1 2 3 4                                                                                                                                                                                                                                                                                          |     |
|      | 101989901 | Wire Harness, Lighting (includes #16 black, #18 red, #14 black, #16 brown, #18 black, #16 white, #16 red/white, #16 yellow, #16 orange, #16 black, #16 green/white, #14 yellow, #16 orange/white, #16 brown, #16 blue, #18 orange, #18 red, #18 black, #16 black wire assembly and item 1) ..... | 1   |
| 1    | 1016698   | Wire Assembly, #10 Red .....                                                                                                                                                                                                                                                                     | 1   |
| 2    | 1016732   | Wire Assembly, #6 Yellow .....                                                                                                                                                                                                                                                                   | 1   |
|      | 102162501 | Wire Harness, Power (includes items 3 - 10) .....                                                                                                                                                                                                                                                | 1   |
| 3    | 101865106 | Assembly, 3-Wire Plug (includes item 4) .....                                                                                                                                                                                                                                                    | 1   |
| 4    | 101883002 | Wire Assembly, #18 Black (includes resistor and #18 white wire) .....                                                                                                                                                                                                                            | 1   |
| 5    | N/A       | Wire Assembly, #18 Orange .....                                                                                                                                                                                                                                                                  | 1   |
| 6    | N/A       | Wire Assembly, #18 Red and #18 White/Black .....                                                                                                                                                                                                                                                 | 1   |
| 7    | N/A       | Wire Assembly, #18 Green .....                                                                                                                                                                                                                                                                   | 1   |
| 8    | 101930801 | Assembly, 3-Pin Plug .....                                                                                                                                                                                                                                                                       | 1   |
| 9    | 101936801 | Kit, 2-Pin Plug and Wedge Lock .....                                                                                                                                                                                                                                                             | 1   |
| 10   | N/A       | Wire Assembly, #18 Green and #18 Red .....                                                                                                                                                                                                                                                       | 1   |
| 11   | 101904502 | Wire Assembly, #6 Red .....                                                                                                                                                                                                                                                                      | 1   |
| 12   | 101908902 | Wire Assembly, #6 White .....                                                                                                                                                                                                                                                                    | 1   |
| 13   | 101904402 | Wire Assembly, #6 Green .....                                                                                                                                                                                                                                                                    | 1   |
| 14   | 101904602 | Wire Assembly, #6 Blue .....                                                                                                                                                                                                                                                                     | 1   |
| 15   | 101904702 | Wire Assembly, #6 Orange .....                                                                                                                                                                                                                                                                   | 1   |
| 16   | 101829101 | DC Cord, #10 Blue, #10 Red, #10 black (part of charger) .....                                                                                                                                                                                                                                    | 1   |
| 17   | 101795701 | Wire Assembly, #6 Black .....                                                                                                                                                                                                                                                                    | 5   |
| 18   | 101914401 | Assembly, Voltage Suppressor (includes #18 blue and #18 red) .....                                                                                                                                                                                                                               | 1   |
| 19   | N/A       | Wire Assembly, #18 Orange/White .....                                                                                                                                                                                                                                                            | 1   |
| 20   | N/A       | Wire Assembly, #18 Red .....                                                                                                                                                                                                                                                                     | 1   |
| 21   | N/A       | Wire Assembly, #10 Black (part of voltage limiter assembly) .....                                                                                                                                                                                                                                | 1   |
| 22   | 101908801 | Wire Assembly, #6 Blue .....                                                                                                                                                                                                                                                                     | 1   |
| 23   | 1016729   | Wire Assembly, #6 White .....                                                                                                                                                                                                                                                                    | 1   |
| 24   | N/A       | Wire Assembly, #18 Yellow .....                                                                                                                                                                                                                                                                  | 1   |
| 25   | N/A       | Wire Assembly, #18 Brown .....                                                                                                                                                                                                                                                                   | 1   |
| 26   | N/A       | Wire Assembly, #18 Black .....                                                                                                                                                                                                                                                                   | 1   |
| 27   | N/A       | Wire Assembly, #10 Black (part of onboard computer assembly) .....                                                                                                                                                                                                                               | 1   |
| 28   | N/A       | Wire Assembly, #18 Gray (part of onboard computer assembly) .....                                                                                                                                                                                                                                | 1   |
| 29   | N/A       | Wire Assembly, #6 Black .....                                                                                                                                                                                                                                                                    | 1   |
| 30   | N/A       | Wire Assembly, #10 Black (part of onboard computer assembly) .....                                                                                                                                                                                                                               | 1   |

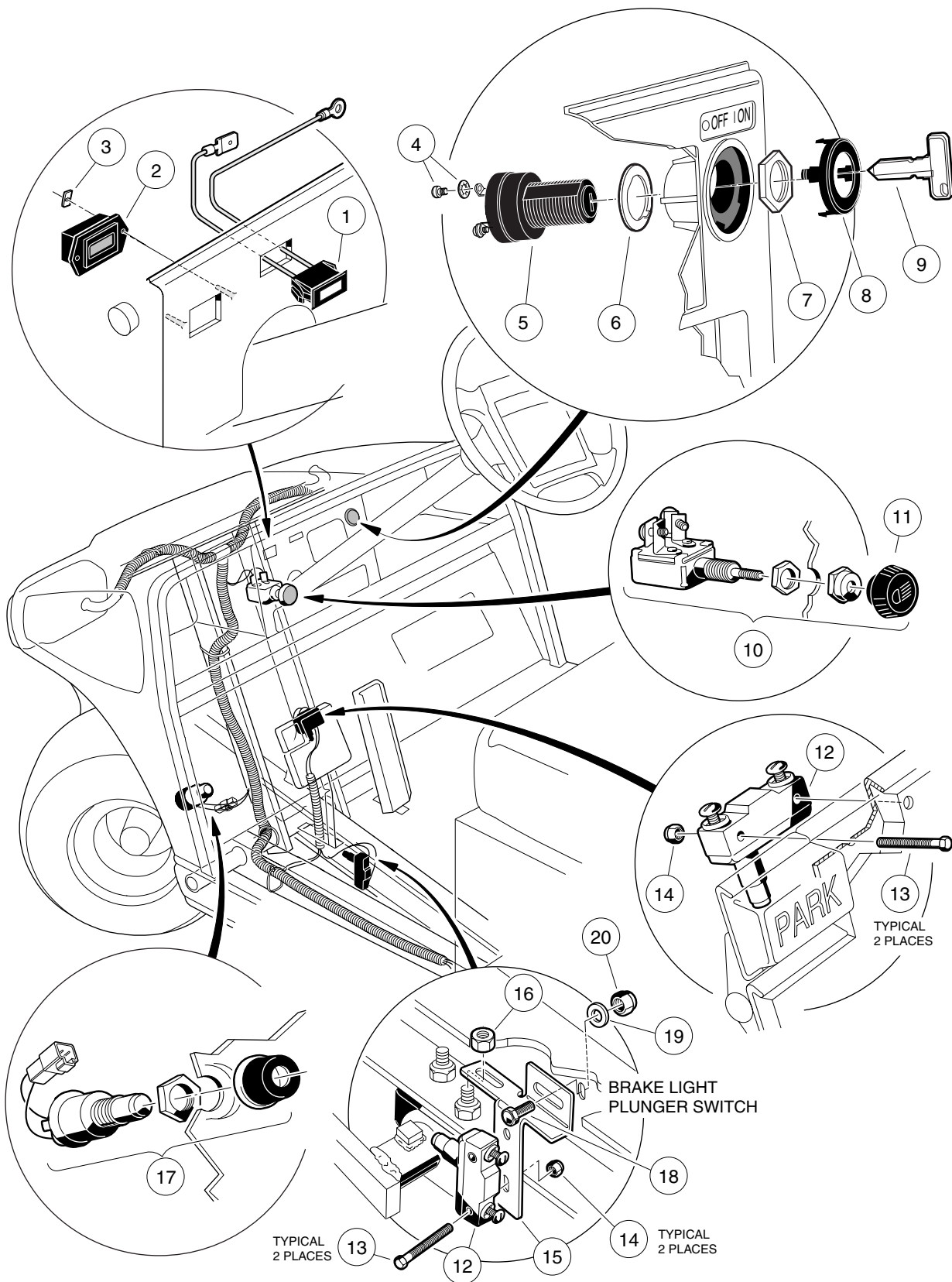


# ELECTRICAL COMPONENTS, FRONT BODY – CARRYALL 6 POWERDRIVE VEHICLE

**12**

**E**

| ITEM | PART NO.  | DESCRIPTION                                                                | QTY |
|------|-----------|----------------------------------------------------------------------------|-----|
|      |           | 1 2 3 4                                                                    |     |
| 1    | 8639      | Tie, Wire .....                                                            | 2   |
| 2    | 1016859   | Kit, Reverse Buzzer (includes items 3 and 4) .....                         | 1   |
| 3    | 1016851   | Buzzer, Reverse .....                                                      | 1   |
| 4    | 1016849   | Screw, Pan-Head Hi-Lo, #4-24 x 5/16 .....                                  | 2   |
| 5    | 1016356   | Block, Terminal .....                                                      | 1   |
| 6    | 1013357   | Rivet, Aluminum Pop, 5/32 x 3/8 .....                                      | 2   |
| 7    | 4029      | Assembly, Horn (includes items 8, 9 and 10) .....                          | 1   |
| 8    | 7820      | Washer, Internal Tooth, 5/16 .....                                         | 1   |
| 9    | 101955101 | Nut, M6 x 1.25 .....                                                       | 1   |
| 10   | 1011825   | Bracket, Horn .....                                                        | 1   |
| 11   | 304       | Screw, Hex-Head Cap, 1/4-20 x 1 .....                                      | 2   |
| 12   | 332       | Washer, Flat, 1/4 .....                                                    | 2   |
| 13   | 8233      | Nut, Nylon Lock, 1/4-20 .....                                              | 2   |
| 14   | 101988001 | Assembly, Headlight, Driver-Side (includes items 16 - 24) * .....          | 1   |
| 15   | 101988002 | Assembly, Headlight, Passenger-Side (includes items 16 - 23 and 25)* ..... | 1   |
| 16   | 101988101 | Bulb, Halogen .....                                                        | 1   |
| 17   | 101987901 | Harness, Headlight Wire .....                                              | 1   |
| 18   | 1013461   | Screw, Hi-Lo, #10-16 .....                                                 | 2   |
| 19   | 1017065   | Retainer, Headlight .....                                                  | 1   |
| 20   | 101988201 | Lens, Headlight .....                                                      | 1   |
| 21   | 1017062   | Assembly, Turn Signal Lens .....                                           | 1   |
| 22   | 7893      | Nut, Hex, #10-32 .....                                                     | 2   |
| 23   | 1017064   | Bracket, Mounting .....                                                    | 2   |
| 24   | 1016880   | Bezel, Headlight, Driver-Side .....                                        | 1   |
| 25   | 1016879   | Bezel, Headlight, Passenger-Side .....                                     | 1   |
| 26   | 101828601 | Relay, Brake Light, 48-volt .....                                          | 1   |
| 27   | 1017853   | Bolt, Hex-Head Machine, 6-32 x 3/4 .....                                   | 2   |
| 28   | 7591      | Washer, Flat, .....                                                        | 2   |
| 29   | 1011229   | Nut, Lock, Hex, 6-32 .....                                                 | 2   |
| 30   | 101914401 | Assembly, Voltage Suppressor .....                                         | 1   |
|      |           | * Headlight assembly is also used for electric Turf 2 vehicles.            |     |

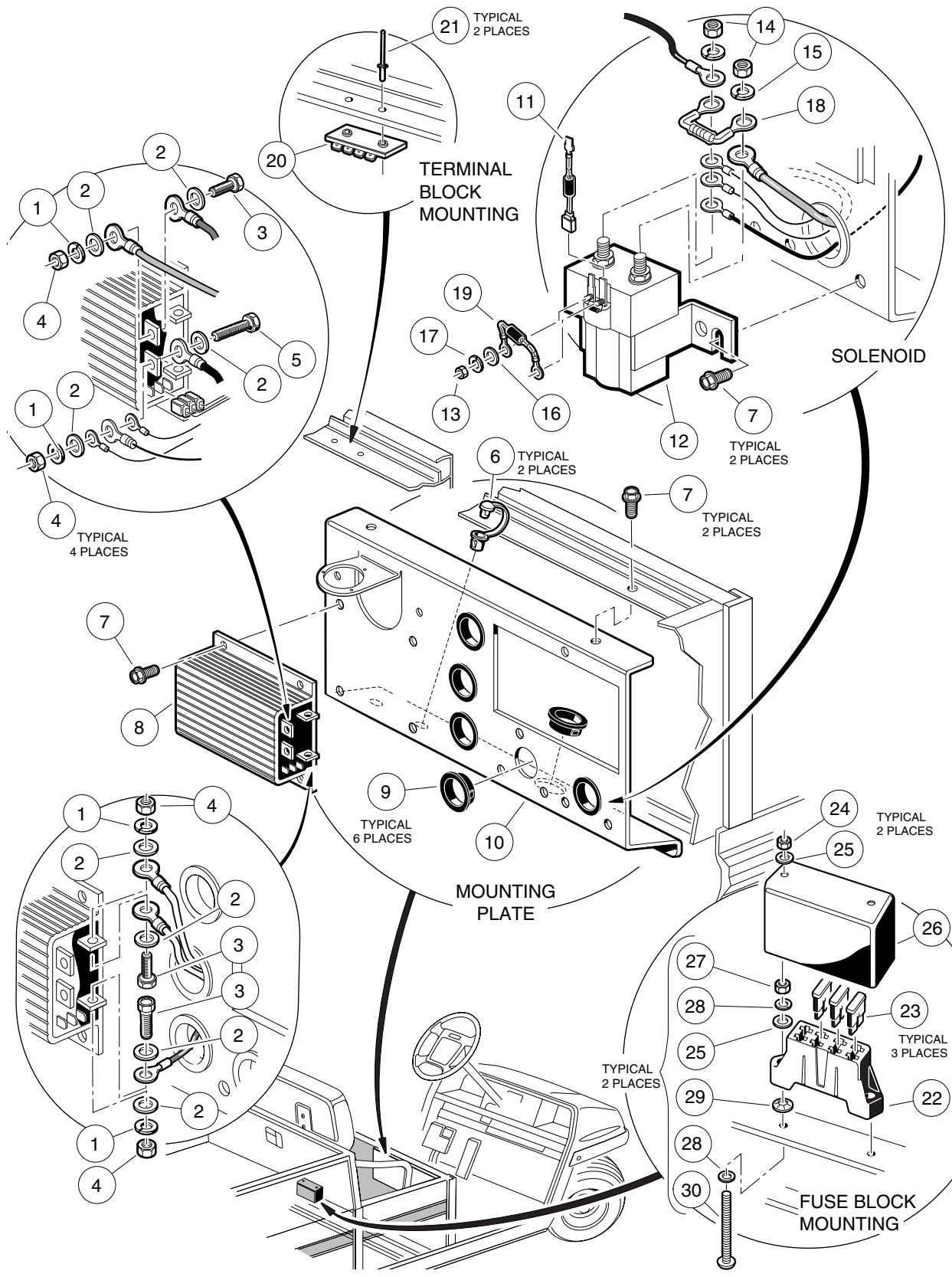


# CONTROLS AND INDICATORS – CARRYALL 6 POWERDRIVE VEHICLE

| ITEM | PART NO.  | DESCRIPTION                              | QTY |
|------|-----------|------------------------------------------|-----|
|      |           | 1 2 3 4                                  |     |
| 1    | 101935501 | Light, Battery Warning (Amber) .....     | 1   |
| 2    | 101814201 | Indicator, Battery Condition .....       | 1   |
| 3    | 101814701 | Retainer, Push On .....                  | 2   |
| 4    | 101830601 | Assembly, Screw and Washer .....         | 2   |
| 5    | 101826201 | Switch, Key .....                        | 1   |
| 6    | 101851101 | Washer .....                             | 1   |
| 7    | 101830701 | Nut, Key Switch .....                    | 1   |
| 8    | 101834502 | Cap, Key Switch .....                    | 1   |
| 9    | 1012505   | Key (Pair) .....                         | 1   |
| 10   | 4034      | Switch, Light (includes item 11) .....   | 1   |
| 11   | 1013857   | Knob, Light Switch .....                 | 1   |
| 12   | 1011439   | Switch, Limit .....                      | 2   |
| 13   | 1011557   | Screw, Hex-Head Machine, #6-32 x 1 ..... | 4   |
| 14   | 101932201 | Nut, Nylon Lock, #6-32 .....             | 4   |
| 15   | 101957101 | Bracket, Brake Light Switch .....        | 1   |
| 16   | 1011280   | Nut, Lock, 5/16-18 .....                 | 1   |
| 17   | 101969701 | Button, Horn .....                       | 1   |
| 18   | 7173      | Bolt, Hex-Head, Cap, 5/16-18 x 3/4 ..... | 1   |
| 19   | 1241      | Washer, Flat, 5/16-18 .....              | 1   |
| 20   | 7473      | Nut, Nylon Lock, 5/16-18 .....           | 1   |

12

E



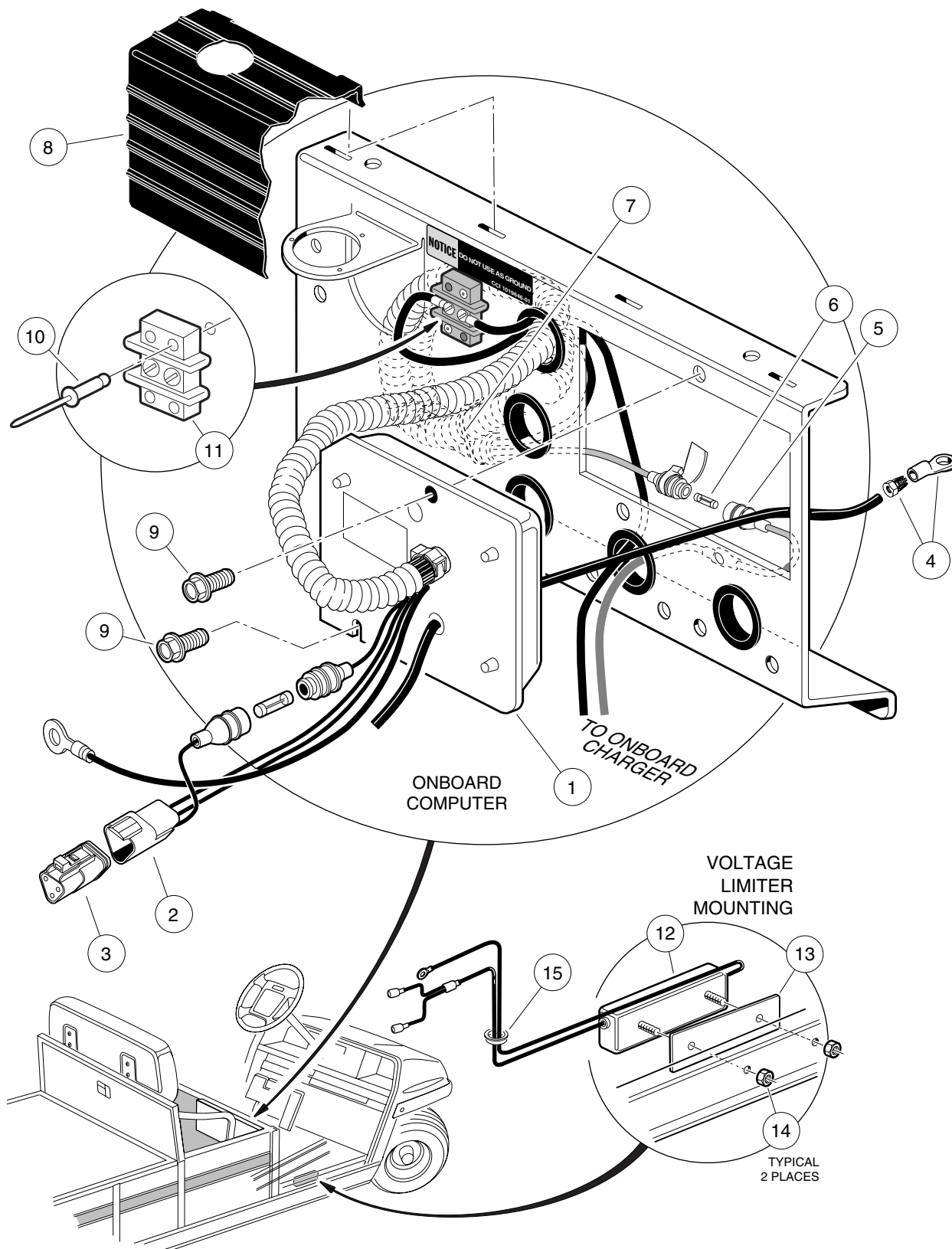


# ELECTRICAL COMPONENTS, CENTER BODY – CARRYALL 6 POWERDRIVE VEHICLE

| ITEM | PART NO.  | DESCRIPTION                                                                                           | QTY |
|------|-----------|-------------------------------------------------------------------------------------------------------|-----|
|      |           | 1 2 3 4                                                                                               |     |
| 1    | 7174      | Washer, Lock, 5/16 .....                                                                              | 4   |
| 2    | 1241      | Washer, Flat, 5/16 .....                                                                              | 8   |
| 3    | 7173      | Screw, Hex-Head Cap, 5/16-18 x 3/4 .....                                                              | 3   |
| 4    | 1242      | Nut, Hex, 5/16-18 .....                                                                               | 4   |
| 5    | 1218      | Screw, Hex-Head Cap, 5/16-18 x 1-1/4 .....                                                            | 1   |
| 6    | 101918301 | Clamp, Wire .....                                                                                     | 2   |
| 7    | 1012285   | Screw, Hex-Head Thread-Rolling, 1/4-20 x 5/8 .....                                                    | 8   |
| 8    | 101840203 | Controller, 48-Volt (300-Amp) .....                                                                   | 1   |
| 9    | 101924301 | Bushing, Snap .....                                                                                   | 6   |
| 10   | 101911701 | Plate, Mounting .....                                                                                 | 1   |
| 11   | 102273101 | Assembly, Diode .....                                                                                 | 1   |
| 12   | 101908701 | Solenoid, 48-Volt (with diode) (includes items 13 - 17) .....                                         | 1   |
| 13   | 1016545   | Nut, Hex, M5 x .8 .....                                                                               | 2   |
| 14   | 1012528   | Nut, Hex, M8 .....                                                                                    | 2   |
| 15   | 7174      | Washer, Lock, 5/16 .....                                                                              | 2   |
| 16   | N/A       | Washer, Flat .....                                                                                    | 2   |
| 17   | N/A       | Washer, Lock .....                                                                                    | 2   |
| 18   | 1014947   | Assembly, Resistor .....                                                                              | 1   |
| 19   | 1014948   | Assembly, Diode (Service Part replacement for existing diode that comes standard with solenoid) ..... | 1   |
| 20   | 1016356   | Block, Terminal .....                                                                                 | 1   |
| 21   | 1013357   | Rivet, Aluminum Pop, 5/32 .....                                                                       | 2   |
| 22   | 1015741   | Block, Fuse .....                                                                                     | 1   |
| 23   | 1016423   | Fuse, 20-Amp .....                                                                                    | 3   |
| 24   | 1012438   | Nut, Nylon Lock, #10-24 .....                                                                         | 2   |
| 25   | 183       | Washer, Flat, #10 .....                                                                               | 4   |
| 26   | 1016363   | Cover, Fuse Block .....                                                                               | 1   |
| 27   | 1017      | Nut, Hex, #10-24 .....                                                                                | 2   |
| 28   | 1016      | Washer, Lock, #10 .....                                                                               | 4   |
| 29   | 1016631   | Nut, Push .....                                                                                       | 2   |
| 30   | 1016366   | Screw, Round Head, #10-24 x 3 .....                                                                   | 2   |

**12**

**E**

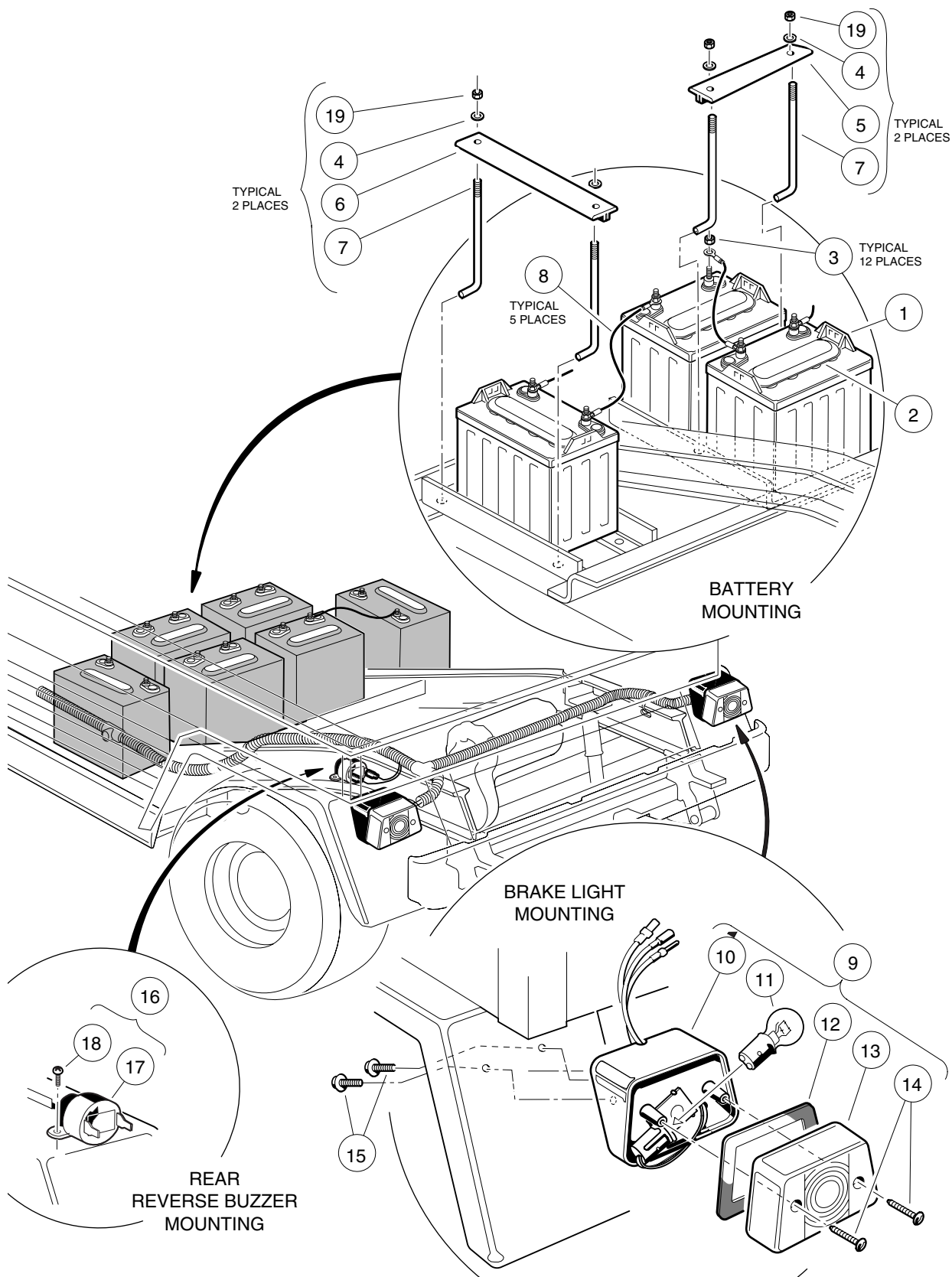


# ELECTRICAL COMPONENTS, CENTER BODY, CONTINUED – CARRYALL 6 POWERDRIVE VEHICLE

| ITEM | PART NO.  | DESCRIPTION                                        | QTY |
|------|-----------|----------------------------------------------------|-----|
|      |           | 1 2 3 4                                            |     |
| 1    | 101909903 | Computer, Onboard (includes item 2) .....          | 1   |
| 2    | 101942301 | Connector, 3-Pin .....                             | 1   |
| 3    | 101920101 | Kit, 3-Pin Plug and Wedge Lock .....               | 1   |
| 4    | 101827802 | Kit, Wire and Terminal, #6 Black .....             | 1   |
| 5    | 101957501 | Adapter, Two-Way (includes item 6) .....           | 1   |
| 6    | 101894901 | Fuse, 3/8-Amp .....                                | 1   |
| 7    | 8990      | Tie, Wire .....                                    | 1   |
| 8    | 101931601 | Cover, Component .....                             | 1   |
| 9    | 1012285   | Screw, Hex-Head Thread-Rolling, 1/4-20 x 5/8 ..... | 2   |
| 10   | 101968801 | Rivet, Pop, 3/16 x 13/16 .....                     | 2   |
| 11   | 101966801 | Block, Terminal .....                              | 1   |
| 12   | 101810801 | Limiter, Voltage (includes item 13 and 14) .....   | 1   |
| 13   | 101962601 | Gasket .....                                       | 1   |
| 14   | 101835601 | Nut, Flanged Lock, 1/4-20 .....                    | 2   |
| 15   | 101802401 | Grommet, 5/8 .....                                 | 1   |

12

E



# ELECTRICAL COMPONENTS, REAR BODY – CARRYALL 6 POWERDRIVE VEHICLE

| ITEM | PART NO.  | DESCRIPTION                                             | QTY |
|------|-----------|---------------------------------------------------------|-----|
|      |           | 1 2 3 4                                                 |     |
| 1    | 101797701 | Battery, 8-Volt PowerDrive (includes item 2) .....      | 6   |
| 1    | 101797702 | Battery, 8-Volt PowerDrive, Dry (includes item 2) ..... | 6   |
| 2    | 101797801 | Cap, Battery, 4 Port Gang .....                         | 1   |
| 3    | 1014304   | Nut, Hex, Stainless Steel, 5/16-18 .....                | 12  |
| 4    | 1011578   | Washer, Flat, Type B Wide, 5/16 .....                   | 8   |
| 5    | 101090801 | Hold-down, Battery, Short .....                         | 2   |
| 6    | 101090802 | Hold-down, Battery, Long .....                          | 2   |
| 7    | 101668201 | Rod, Battery Hold-down .....                            | 8   |
| 8    | 101795701 | Wire Assembly, #6 Black .....                           | 5   |
| 9    | 1016717   | Assembly, Taillight (includes items 10 - 14) .....      | 2   |
| 10   | N/A       | Housing, Taillight .....                                | 1   |
| 11   | 1011582   | Bulb .....                                              | 1   |
| 12   | N/A       | Gasket .....                                            | 1   |
| 13   | N/A       | Lens .....                                              | 1   |
| 14   | N/A       | Screw, Lens .....                                       | 2   |
| 15   | 1015752   | Screw, Hi-Lo, #12-16 x 5/8 .....                        | 4   |
| 16   | 1016859   | Kit, Reverse Buzzer (includes items 17 and 18) .....    | 1   |
| 17   | 1016851   | Buzzer, Reverse .....                                   | 1   |
| 18   | 1016849   | Screw, Pan-Head Hi-Lo, #4-24 x 5/16 .....               | 2   |
| 19   | 1015072   | Nut, Nylon Lock, Stainless Steel, 5/16-18 .....         | 8   |

12

E

**12**

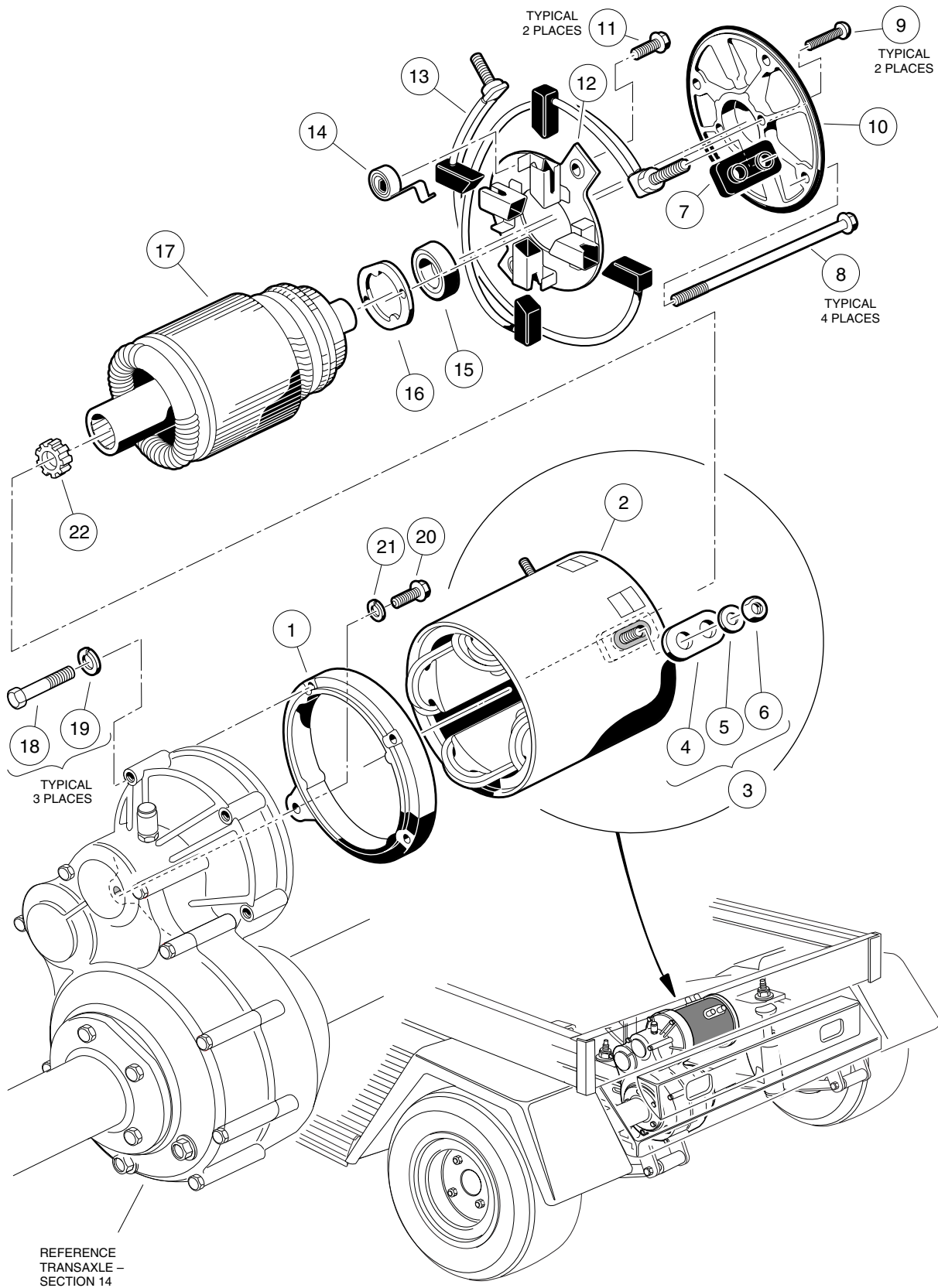
**E**

# ELECTRIC MOTOR

---

13

E





# MOTOR – POWERDRIVE SYSTEM 48 VEHICLE

| ITEM | PART NO.  | DESCRIPTION                                                    | QTY |
|------|-----------|----------------------------------------------------------------|-----|
|      |           | 1 2 3 4                                                        |     |
|      | 102237701 | Assembly, 48-Volt Motor, 3.10-hp (includes items 1 - 17) ..... | 1   |
| 1    | 1017944   | Shield, End .....                                              | 1   |
| 2    | 1017958   | Assembly, Stator Shell and Winding .....                       | 1   |
| 3    | 1017947   | Package, Hardware (includes items 4 - 7) .....                 | 1   |
| 4    | N/A       | Bushing, Insulator .....                                       | 2   |
| 5    | N/A       | Washer, Flat, 5/16 .....                                       | 4   |
| 6    | N/A       | Nut, Hex, 5/16-18 .....                                        | 4   |
| 7    | N/A       | Bushing, Insulator .....                                       | 2   |
| 8    | 1017961   | Screw, Clamp .....                                             | 4   |
| 9    | 1017953   | Screw, Bearing Retainer .....                                  | 2   |
| 10   | 1017951   | Shield, End .....                                              | 1   |
| 11   | 1017949   | Screw, Brush Holder .....                                      | 2   |
| 12   | 1017948   | Rigging, Brush .....                                           | 1   |
| 13   | 1017946   | Package, Brush (2 pieces) (includes 4 brushes).....            | 1   |
| 14   | 1011411   | Package, Brush Spring (4 pieces) .....                         | 1   |
| 15   | 1011290   | Bearing, Ball .....                                            | 1   |
| 16   | 1017950   | Retainer, Bearing .....                                        | 1   |
| 17   | N/A       | Armature .....                                                 | 1   |
| 18   | 1014201   | Screw, Hex-Head Cap, 1/4-20 x 2-1/4 .....                      | 3   |
| 19   | 451       | Washer, Lock, 1/4 .....                                        | 3   |
| 20   | 1010934   | Screw, Hex-Head Cap, 5/16-18 x 1 .....                         | 1   |
| 21   | 7174      | Washer, Lock, 5/16 .....                                       | 1   |
| 22   | 102235201 | Bumper, Motor .....                                            | 1   |

13

E

**13**

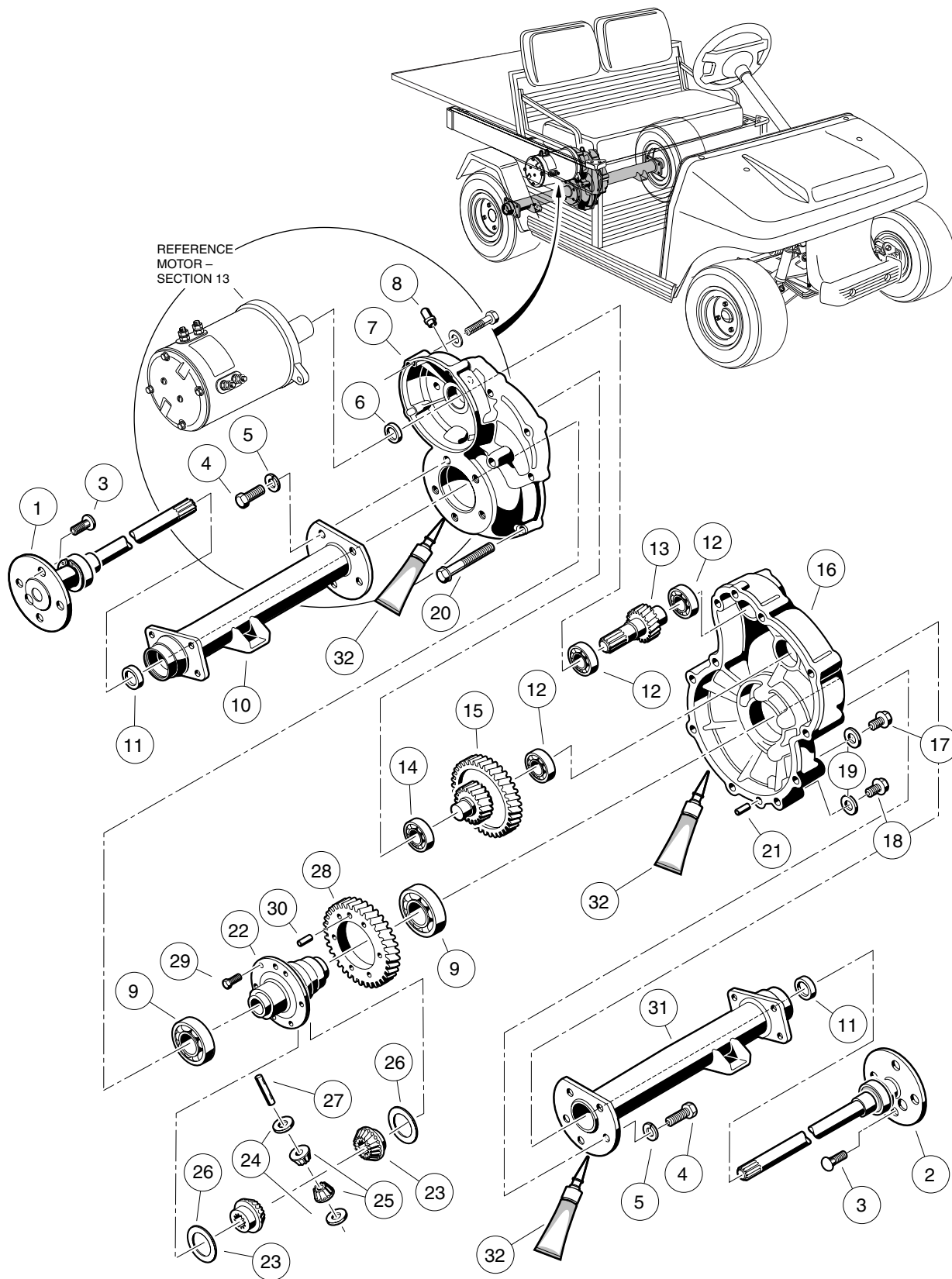
**E**

# TRANSAXLE – ELECTRIC VEHICLE

---

14

E



# TRANSAXLE, TYPE G – ELECTRIC VEHICLE

| ITEM | PART NO.  | DESCRIPTION                                                                                                                                                                                                                             | QTY |
|------|-----------|-----------------------------------------------------------------------------------------------------------------------------------------------------------------------------------------------------------------------------------------|-----|
|      |           | 1 2 3 4                                                                                                                                                                                                                                 |     |
|      | 101896001 | Transaxle, Type G (includes items 1 - 32) .....                                                                                                                                                                                         | 1   |
| 1    | 101895801 | Axle Assembly, Passenger-Side (includes item 3) .....                                                                                                                                                                                   | 1   |
| 2    | 101895901 | Axle Assembly, Driver-Side (includes item 3) .....                                                                                                                                                                                      | 1   |
| 3    | 101922201 | Stud, Lug .....                                                                                                                                                                                                                         | 4   |
| 4    | 101976001 | Bolt, M10 x 1.5 x 35 mm .....                                                                                                                                                                                                           | 10  |
| 5    | 101897901 | Washer, Lock .....                                                                                                                                                                                                                      | 10  |
| 6    | 101923501 | Seal, Oil, Input Shaft .....                                                                                                                                                                                                            | 1   |
| 7    | 101895501 | Gear Case, Passenger-Side .....                                                                                                                                                                                                         | 1   |
| 8    | 101897201 | Breather .....                                                                                                                                                                                                                          | 1   |
| 9    | 7330      | Bearing, Differential .....                                                                                                                                                                                                             | 2   |
| 10   | 101895601 | Assembly, Axle Tube, Passenger-Side .....                                                                                                                                                                                               | 1   |
| 11   | 1013794   | Seal, Oil, Axle Shaft .....                                                                                                                                                                                                             | 2   |
| 12   | 7335      | Bearing, Input Gear.....                                                                                                                                                                                                                | 3   |
| 13   | 101923701 | Shaft, Input .....                                                                                                                                                                                                                      | 1   |
| 14   | 7336      | Bearing, Intermediate Gear .....                                                                                                                                                                                                        | 1   |
| 15   | 101906901 | Assembly, Intermediate Gear .....                                                                                                                                                                                                       | 1   |
| 16   | 101895401 | Gear Case, Driver-Side .....                                                                                                                                                                                                            | 1   |
| 17   | 101972201 | Plug, Fill .....                                                                                                                                                                                                                        | 1   |
| 18   | 101972101 | Plug, Magnetic .....                                                                                                                                                                                                                    | 1   |
| 19   | 101923201 | Gasket, Plug .....                                                                                                                                                                                                                      | 2   |
| 20   | 101897001 | Bolt, M8 x 1.25 x 60 mm .....                                                                                                                                                                                                           | 11  |
| 21   | 101897601 | Pin, Dowel .....                                                                                                                                                                                                                        | 2   |
| 22   | 101923601 | Housing, Differential .....                                                                                                                                                                                                             | 1   |
| 23   | 101923901 | Gear, Differential .....                                                                                                                                                                                                                | 2   |
| 24   | 101903601 | Plate, Thrust (idler gear) .....                                                                                                                                                                                                        | 2   |
| 25   | 101923001 | Gear, Differential Idler .....                                                                                                                                                                                                          | 2   |
| 26   | 101903701 | Plate, Thrust .....                                                                                                                                                                                                                     | 2   |
| 27   | 101922101 | Pin, Differential .....                                                                                                                                                                                                                 | 1   |
| 28   | 101906201 | Gear, Output .....                                                                                                                                                                                                                      | 1   |
| 29   | 101897401 | Bolt, M10 x 1.5 x 25 mm .....                                                                                                                                                                                                           | 4   |
| 30   | 101972401 | Pin, Dowel .....                                                                                                                                                                                                                        | 1   |
| 31   | 101895701 | Assembly, Axle Tube, Driver-Side .....                                                                                                                                                                                                  | 1   |
| 32   | 101928701 | Gasket, Liquid, 8.8 oz. (250 g) .....                                                                                                                                                                                                   | A/R |
|      |           | <p>Note: Transaxle type is identified by orientation of gear case bolts (item 20).<br/>                     The Type G Transaxle has gear case bolt heads facing toward the passenger<br/>                     side of the vehicle.</p> |     |

14

E

**14**

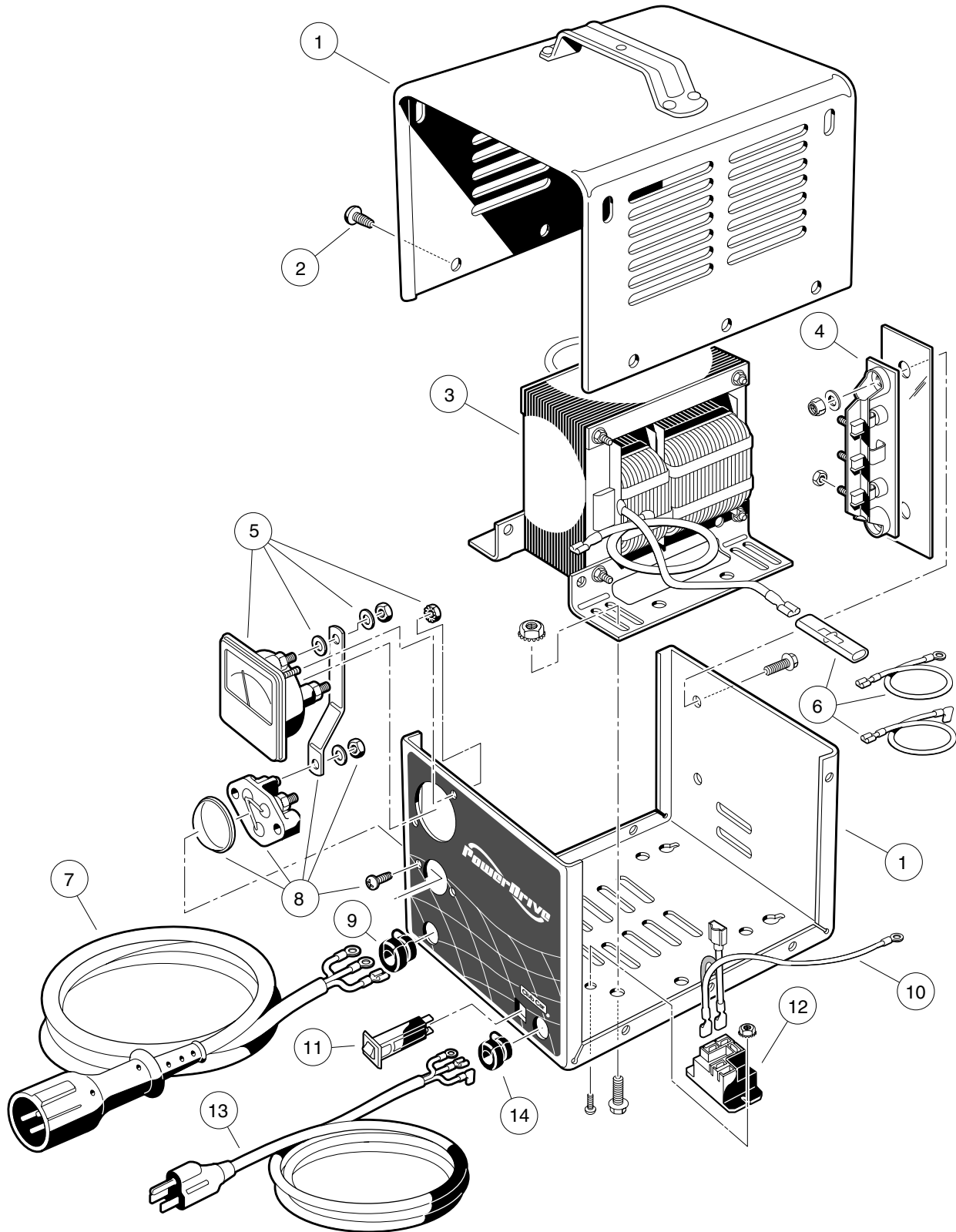
**E**

# BATTERY CHARGER

---

15

E



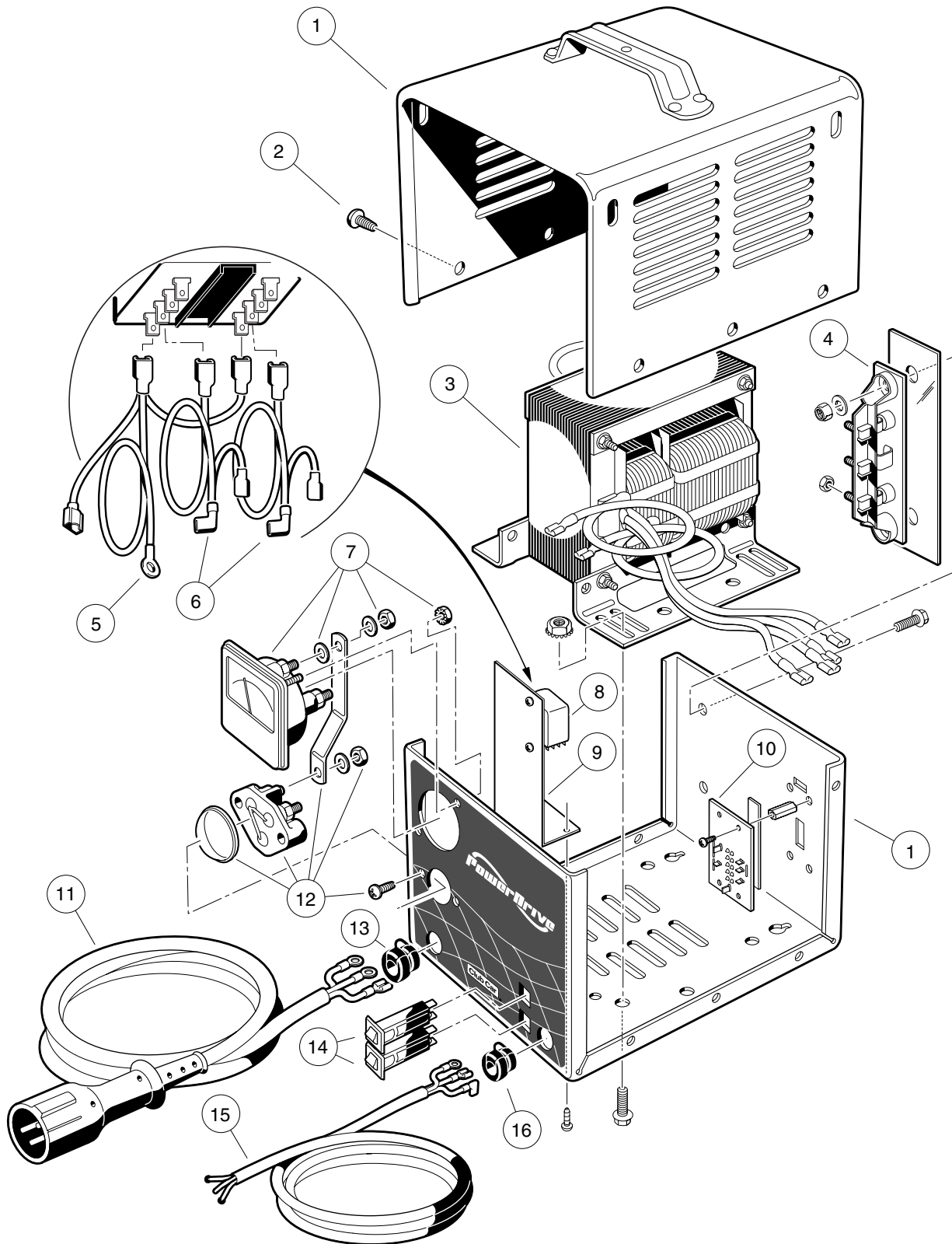


# POWERDRIVE BATTERY CHARGER, DOMESTIC – TURF/CARRYALL 1 AND 2

| ITEM | PART NO.  | DESCRIPTION                                                                                                                                                                                                        | QTY |
|------|-----------|--------------------------------------------------------------------------------------------------------------------------------------------------------------------------------------------------------------------|-----|
|      |           | 1 2 3 4                                                                                                                                                                                                            |     |
|      | 101802201 | Charger, Battery, PowerDrive, Domestic 120-V AC 48-V DC 60-Hz<br>(model number 17930-11) (includes items 1 - 14)<br>103-inch DC cord with male 3-pin plug, 12-AWG<br>74-inch AC cord with male grounded plug ..... | 1   |
|      | 101802202 | Charger, Battery, PowerDrive 120-V AC 48-V DC 60-Hz<br>(model number 17930-18) (includes items 1 - 14)<br>144-inch DC cord with male 3-pin plug, 12-AWG<br>108-inch AC cord with male grounded plug .....          | 1   |
|      | 101802203 | Charger, Battery, PowerDrive 120-V AC 48-V DC 60-Hz<br>(model number 17930-19) (includes items 1 - 14)<br>240-inch DC cord with male 3-pin plug, 12-AWG<br>108-inch AC cord with male grounded plug .....          | 1   |
| 1    | 101828301 | Assembly, Case (includes fasteners) .....                                                                                                                                                                          | 1   |
| 2    | 7577      | Screw, Pan-Head, Self-Tapping, #10-16 x 1/2 .....                                                                                                                                                                  | 10  |
| 3    | 101819701 | Assembly, Transformer .....                                                                                                                                                                                        | 1   |
| 4    | 1015914   | Assembly, Heatsink, with Diodes (includes mounting hardware) .....                                                                                                                                                 | 1   |
| 5    | 101828501 | Ammeter (includes mounting hardware) .....                                                                                                                                                                         | 1   |
| 6    | 101831101 | Kit, Wire Assembly .....                                                                                                                                                                                           | 1   |
| 7    | 101828901 | Cordset, DC, 113-Inch Long with Male 3-Pin Plug, 12-AWG .....                                                                                                                                                      | 1   |
| 7    | 101828902 | Cordset, DC, 154-Inch Long with Male 3-Pin Plug, 12-AWG .....                                                                                                                                                      | 1   |
| 7    | 101828903 | Cordset, DC, 250-Inch Long with Male 3-Pin Plug, 12-AWG .....                                                                                                                                                      | 1   |
| 8    | 1012101   | Assembly, Fuse (includes mounting hardware) .....                                                                                                                                                                  | 1   |
| 9    | 1012098   | Bushing, Strain Relief, DC Cord, 12-AWG .....                                                                                                                                                                      | 1   |
| 10   | 101914401 | Assembly, Voltage Suppressor .....                                                                                                                                                                                 | 1   |
| 11   | CCX8506   | Breaker, Circuit, 15-Amp, 120-V AC .....                                                                                                                                                                           | 1   |
| 12   | 101828601 | Relay, Power, 48-V DC .....                                                                                                                                                                                        | 1   |
| 13   | 101828801 | Cordset, AC, 80-Inch Long .....                                                                                                                                                                                    | 1   |
| 13   | 101828802 | Cordset, AC, 116-Inch Long .....                                                                                                                                                                                   | 1   |
| 14   | 1015917   | Bushing, Strain Relief, AC Cord .....                                                                                                                                                                              | 1   |

15

E

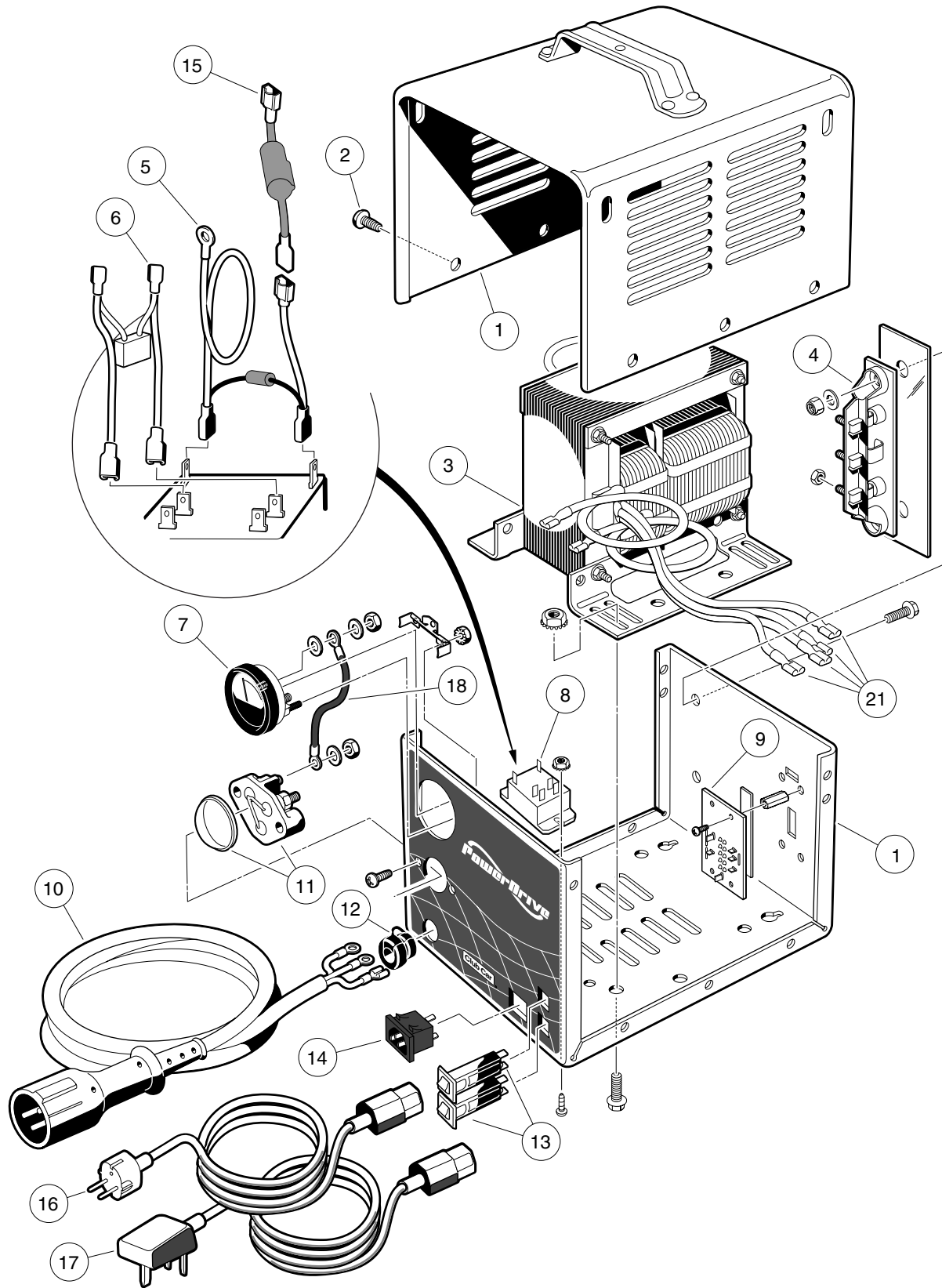


# POWERDRIVE CHARGER, EXPORT – TURF/CARRYALL 1 AND 2

| ITEM | PART NO.  | DESCRIPTION                                                                                                                                                                                                                                           | QTY |
|------|-----------|-------------------------------------------------------------------------------------------------------------------------------------------------------------------------------------------------------------------------------------------------------|-----|
|      |           | 1 2 3 4                                                                                                                                                                                                                                               |     |
|      | 101831503 | Charger, Battery, PowerDrive, Export with 4-Position Switch<br>100 - 200 - 220 - 240 V AC, 48-V DC 50/60-Hz<br>(model number 18780-11) (includes items 1 - 16)<br>103-inch DC cord with male 3-pin plug, 12-AWG<br>74-inch AC cord with no plug ..... | 1   |
|      | 101831504 | Charger, Battery, PowerDrive Export with 4-Position Switch<br>100 - 200 - 220 - 240 V AC, 48-V DC 50/60-Hz<br>(model number 18780-18) (includes items 1 - 16)<br>144-inch DC cord with male 3-pin plug, 12-AWG<br>108-inch AC cord with no plug ..... | 1   |
| 1    | N/A       | Assembly, Case .....                                                                                                                                                                                                                                  | 1   |
| 2    | 7577      | Screw, Pan-Head, Self-Tapping, #10-16 x 1/2 .....                                                                                                                                                                                                     | 10  |
| 3    | 101838201 | Assembly, Transformer .....                                                                                                                                                                                                                           | 1   |
| 4    | 1015914   | Assembly, Heatsink, with Diodes (includes mounting hardware) .....                                                                                                                                                                                    | 1   |
| 5    | 101914401 | Assembly, Voltage Suppressor .....                                                                                                                                                                                                                    | 1   |
| 6    | 101838501 | Kit, Wire Assembly .....                                                                                                                                                                                                                              | 1   |
| 7    | 101828501 | Ammeter (includes hardware) .....                                                                                                                                                                                                                     | 1   |
| 8    | 101838301 | Relay, Power, 48-V DC (includes mounting hardware) .....                                                                                                                                                                                              | 1   |
| 9    | 101838701 | Bracket, Power Relay Mounting .....                                                                                                                                                                                                                   | 1   |
| 10   | 101838601 | Switch, 4-Position Slide .....                                                                                                                                                                                                                        | 1   |
| 11   | 101828901 | Cordset, DC, 113-Inch Long with Male 3-Pin Plug, 12-AWG .....                                                                                                                                                                                         | 1   |
| 11   | 101828902 | Cordset, DC, 154-Inch Long with Male 3-Pin Plug, 12-AWG .....                                                                                                                                                                                         | 1   |
| 11   | 101828903 | Cordset, DC, 250-Inch Long with Male 3-Pin Plug, 12-AWG .....                                                                                                                                                                                         | 1   |
| 12   | 1012101   | Assembly, Fuse (includes hardware) .....                                                                                                                                                                                                              | 1   |
| 13   | 1012098   | Bushing, Strain Relief, DC Cord, 12-AWG .....                                                                                                                                                                                                         | 1   |
| 14   | 101838401 | Breaker, Circuit, 10-Amp .....                                                                                                                                                                                                                        | 2   |
| 15   | 101831701 | Cordset, AC, 80-Inch Long with Leads (no plug) .....                                                                                                                                                                                                  | 1   |
| 15   | 101831702 | Cordset, AC, 116-Inch Long with Leads (no plug) .....                                                                                                                                                                                                 | 1   |
| 16   | 1015917   | Bushing, Strain Relief, AC Cord .....                                                                                                                                                                                                                 | 1   |

15

E

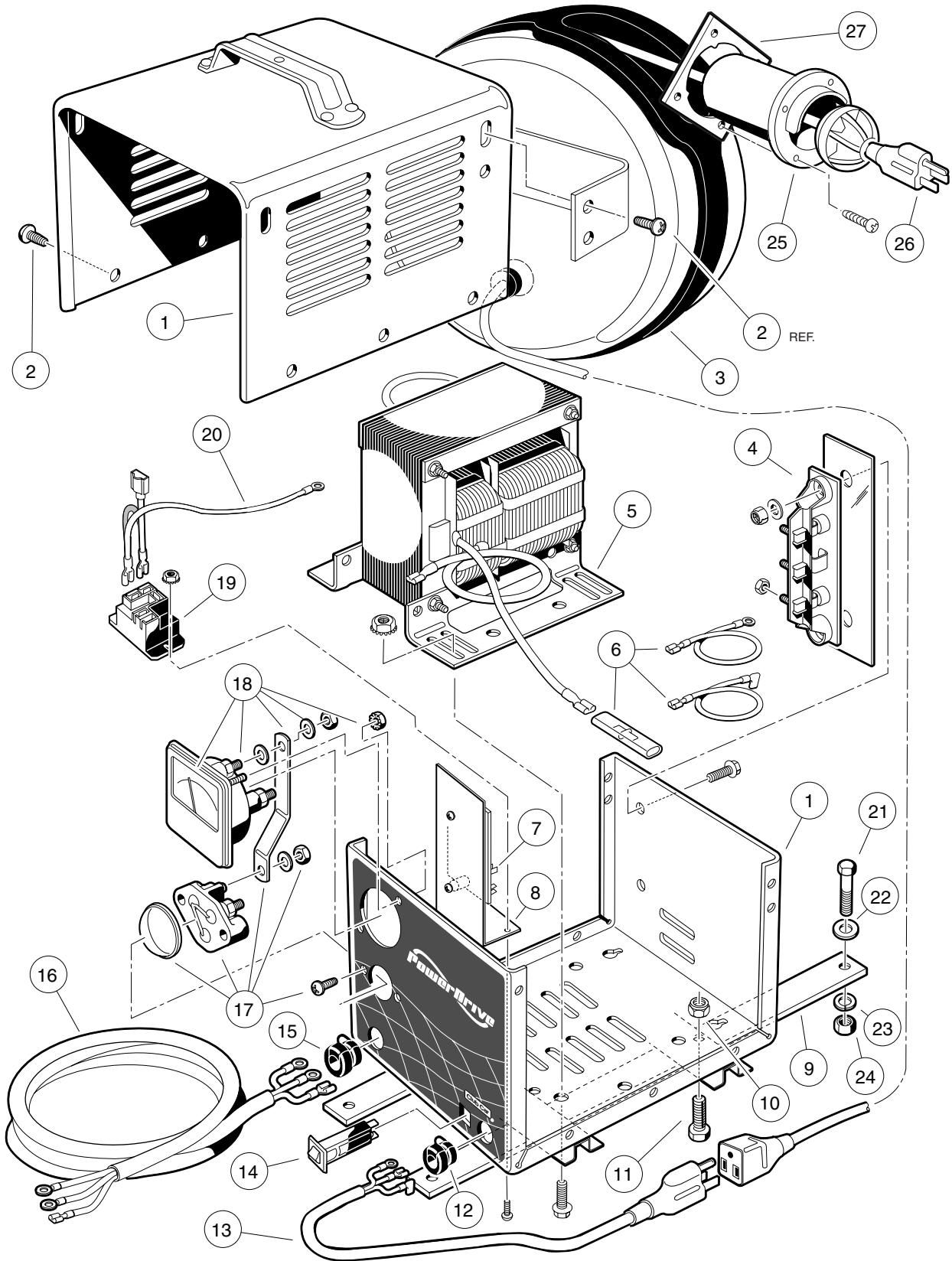


# POWERDRIVE CHARGER, EUROPEAN – TURF/CARRYALL 1 AND 2

| ITEM | PART NO.  | DESCRIPTION                                                                                                                                                                                                                   | QTY |
|------|-----------|-------------------------------------------------------------------------------------------------------------------------------------------------------------------------------------------------------------------------------|-----|
|      |           | 1 2 3 4                                                                                                                                                                                                                       |     |
|      | 101956201 | Charger, Battery, PowerDrive, European with 4-Position Switch<br>100 - 200 - 220 - 240 V AC, 48-V DC 50/60-Hz<br>(model number 20300) (includes items 1 - 15)<br>103-Inch (261 cm) DC Cord with Male 3-Pin Plug, 12-AWG ..... | 1   |
|      | 101956202 | Charger, Battery, PowerDrive European with 4-Position Switch<br>100 - 200 - 220 - 240 V AC, 48-V DC 50/60-Hz<br>(model number 20310) (includes items 1 - 15)<br>144-Inch (366 cm) DC Cord with Male 3-Pin Plug, 12-AWG .....  | 1   |
| 1    | N/A       | Assembly, Case .....                                                                                                                                                                                                          | 1   |
| 2    | 7577      | Screw, Pan-Head, Self-Tapping, #10-16 x 1/2 .....                                                                                                                                                                             | 10  |
| 3    | ****      | Assembly, Transformer .....                                                                                                                                                                                                   | 1   |
| 4    | 1015914   | Assembly, Heatsink, with Diodes (includes mounting hardware) .....                                                                                                                                                            | 1   |
| 5    | ****      | Assembly, AC Voltage Suppressor .....                                                                                                                                                                                         | 1   |
| 6    | ****      | Kit, Wire Assembly .....                                                                                                                                                                                                      | 1   |
| 7    | 101976601 | Ammeter (includes hardware) .....                                                                                                                                                                                             | 1   |
| 8    | 101987501 | Relay, Power, 48-V DC (includes mounting hardware) .....                                                                                                                                                                      | 1   |
| 9    | 101838601 | Switch, 4-Position Slide .....                                                                                                                                                                                                | 1   |
| 10   | 101828901 | Cordset, DC, 103-Inch (261 cm) Long with Male 3-Pin Plug, 12-AWG .....                                                                                                                                                        | 1   |
| 10   | 101828902 | Cordset, DC, 144-Inch (366 cm) Long with Male 3-Pin Plug, 12-AWG .....                                                                                                                                                        | 1   |
| 10   | 101828903 | Cordset, DC, 250-Inch (635 cm) Long with Male 3-Pin Plug, 12-AWG .....                                                                                                                                                        | 1   |
| 11   | 1012101   | Assembly, Fuse (includes hardware) .....                                                                                                                                                                                      | 1   |
| 12   | 1012098   | Bushing, Strain Relief, DC Cord, 12-AWG .....                                                                                                                                                                                 | 1   |
| 13   | 101838401 | Breaker, Circuit, 10-Amp .....                                                                                                                                                                                                | 2   |
| 14   | 101973501 | Receptacle, AC Cord .....                                                                                                                                                                                                     | 1   |
| 15   | ****      | Assembly, Current Limiter .....                                                                                                                                                                                               | 1   |
| 16   | 101958301 | Cordset, AC, Continental Europe, 96-Inch (244 cm) Long<br>(with male 2-pin plug) .....                                                                                                                                        | 1   |
| 17   | 101958201 | Cordset, AC, U.K., 96-Inch (244 cm) Long (with male 3-pin plug) .....                                                                                                                                                         | 1   |
| 18   | N/A       | Wire, Jumper .....                                                                                                                                                                                                            | 1   |
|      | ****      | Special order item available upon request                                                                                                                                                                                     |     |

15

E

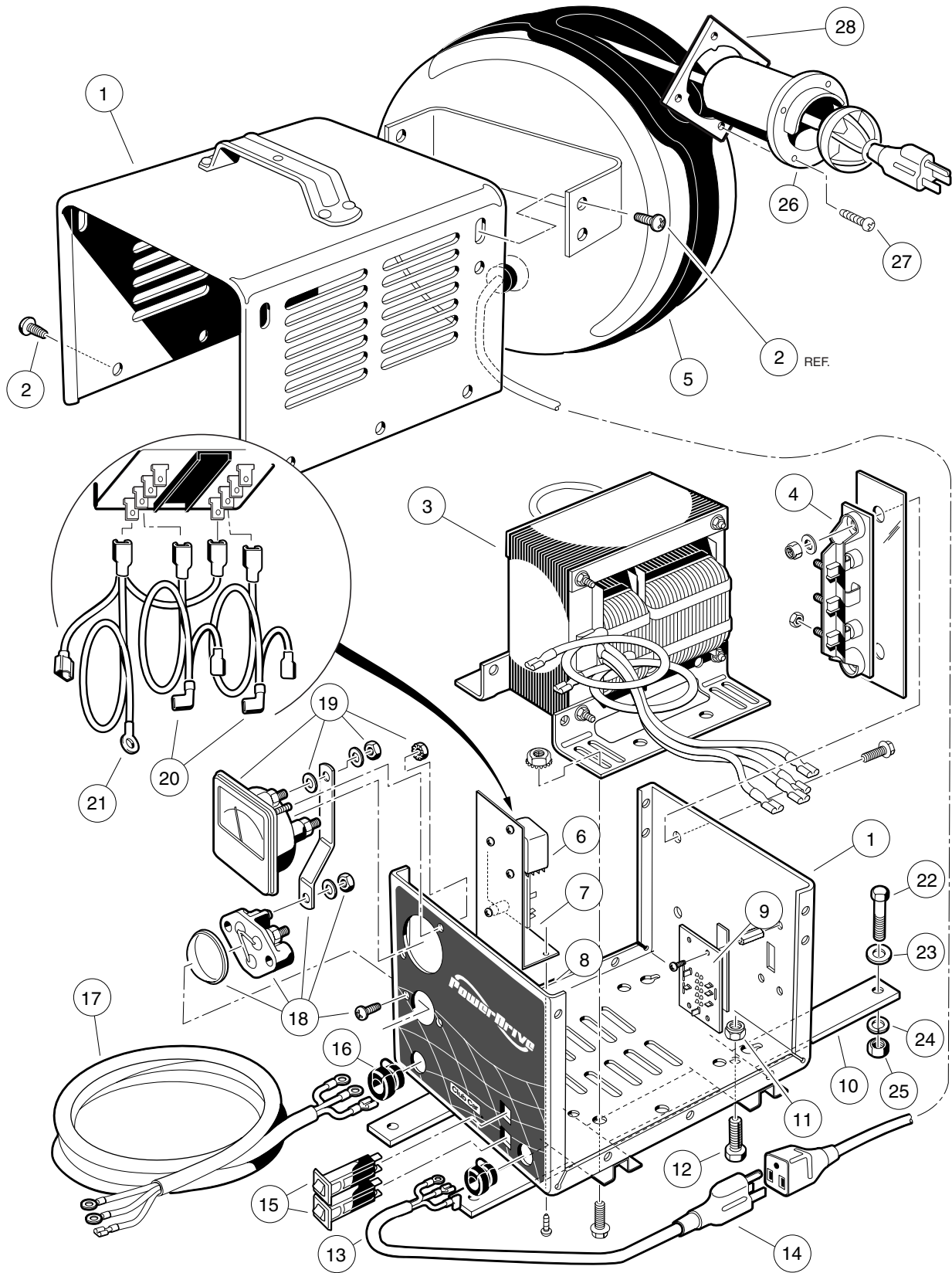


# ONBOARD POWERDRIVE BATTERY CHARGER, DOMESTIC – CARRYALL 6

| ITEM | PART NO.  | DESCRIPTION                                                                                                       | QTY |
|------|-----------|-------------------------------------------------------------------------------------------------------------------|-----|
|      |           | 1 2 3 4                                                                                                           |     |
|      | 101814301 | Assembly, PowerDrive Battery Charger with Reel, Onboard<br>120-V AC, 48-V DC, 60-Hz (includes items 1 - 20) ..... | 1   |
|      | 101802301 | Assembly, PowerDrive Battery Charger, Onboard<br>120-V AC, 48-V DC, 60-Hz (includes items 1 - 2 and 4 - 20) ..... | 1   |
| 1    | ****      | Assembly, Case (includes fasteners) .....                                                                         | 1   |
| 2    | 7577      | Screw, Pan-Head, Self-Tapping, #10-16 x 1/2 .....                                                                 | 12  |
| 3    | 1017187   | Assembly, Retractable Cord Reel .....                                                                             | 1   |
| 4    | 1015914   | Assembly, Heatsink, with Diodes (includes hardware) .....                                                         | 1   |
| 5    | 101819701 | Assembly, Transformer .....                                                                                       | 1   |
| 6    | 101841701 | Kit, Wire Assembly .....                                                                                          | 1   |
| 7    | 101841901 | Board, Control .....                                                                                              | 1   |
| 8    | 101838701 | Bracket, Relay and Reset Board Mounting .....                                                                     | 1   |
| 9    | 1011707   | Bracket, Mounting .....                                                                                           | 2   |
| 10   | 8233      | Nut, Lock, 1/4-20 .....                                                                                           | 4   |
| 11   | 7847      | Screw, Hex-Head Cap, 1/4-20 x 3/4 .....                                                                           | 4   |
| 12   | 1015917   | Bushing, Strain Relief, AC Cord .....                                                                             | 1   |
| 13   | 101829001 | Cordset, AC, 24 Inches Long, with Grounded Plug .....                                                             | 1   |
| 14   | CCX8506   | Breaker, Circuit, 15-Amp, 120-V AC .....                                                                          | 1   |
| 15   | 1012098   | Bushing, Strain Relief, DC Cord, 12-AWG .....                                                                     | 1   |
| 16   | 101829101 | Cordset, DC, 90 Inches Long, with Leads, 12-AWG .....                                                             | 1   |
| 17   | 1012101   | Assembly, Fuse (includes hardware) .....                                                                          | 1   |
| 18   | 101828501 | Ammeter (includes hardware) .....                                                                                 | 1   |
| 19   | 101828601 | Relay, Power, 48-V DC .....                                                                                       | 1   |
| 20   | 101914401 | Assembly, Voltage Suppressor .....                                                                                | 1   |
| 21   | 7479      | Screw, Hex-Head Cap, 1/4-20 x 1-1/4 .....                                                                         | 4   |
| 22   | 1014306   | Washer, Flat, 1/4 .....                                                                                           | 4   |
| 23   | 451       | Washer, Lock, 1/4 .....                                                                                           | 4   |
| 24   | 1028      | Nut, Hex, 1/4-20 .....                                                                                            | 4   |
| 25   | 1016673   | Housing, Cord .....                                                                                               | 1   |
| 26   | 8796      | Screw, Phillips Head, #7 - 19 x 3/4 .....                                                                         | 4   |
| 27   | 101801001 | Plate, Receptacle Backing .....                                                                                   | 1   |
|      | 1017189   | Shrink, Heat (1-1/2 inches x 4 feet) (not shown)* .....                                                           | A/R |
|      |           | *Heat Shrink is available in 3-inch lengths, nonstandard.                                                         |     |
|      | ****      | Special order item available upon request.                                                                        |     |

15

E





# ONBOARD POWERDRIVE BATTERY CHARGER, EXPORT – CARRYALL 6

| ITEM | PART NO.  | DESCRIPTION                                                                                                                                                 | QTY |
|------|-----------|-------------------------------------------------------------------------------------------------------------------------------------------------------------|-----|
|      |           | 1 2 3 4                                                                                                                                                     |     |
|      | 101814302 | Assembly, PowerDrive Battery Charger with Reel, Onboard with 4-Position Switch, 100 - 200 - 220 - 240 V AC, 48-V DC, 50/60-Hz (includes items 1 - 21) ..... | 1   |
|      | 101831601 | Assembly, PowerDrive Battery Charger, Onboard with 4-Position Switch, 100 - 200 - 220 - 240 V AC, 48-V DC, 50/60-Hz (includes items 1 - 4 and 6 - 21) ..... | 1   |
| 1    | ****      | Assembly, Case (includes fasteners) .....                                                                                                                   | 1   |
| 2    | 7577      | Screw, Pan-Head, Self-Tapping, #10-16 x 1/2 .....                                                                                                           | 12  |
| 3    | 101838201 | Assembly, Transformer .....                                                                                                                                 | 1   |
| 4    | 1015914   | Assembly, Heatsink, with Diodes (includes mounting hardware) .....                                                                                          | 1   |
| 5    | 1017187   | Assembly, Retractable Cord Reel .....                                                                                                                       | 1   |
| 6    | 101838301 | Relay, Power (includes mounting hardware) .....                                                                                                             | 1   |
| 7    | 101841901 | Board, Control .....                                                                                                                                        | 1   |
| 8    | 101838701 | Bracket, Mounting, Relay and Reset Board .....                                                                                                              | 1   |
| 9    | 101838601 | Switch, 4-Position Slide .....                                                                                                                              | 1   |
| 10   | 1011707   | Bracket, Mounting .....                                                                                                                                     | 2   |
| 11   | 8233      | Nut, Lock, 1/4-20 .....                                                                                                                                     | 4   |
| 12   | 7847      | Screw, Hex-Head Cap, 1/4-20 x 3/4 .....                                                                                                                     | 4   |
| 13   | 1015917   | Bushing, Strain Relief, AC Cord .....                                                                                                                       | 1   |
| 14   | 101829001 | Cordset, AC, 3 x 1.5 mm x 24 Inches Long, with Grounded Plug .....                                                                                          | 1   |
| 15   | 101838401 | Breaker, Circuit, 10-AMP .....                                                                                                                              | 2   |
| 16   | 1012098   | Bushing, Strain Relief, DC Cord, 12-AWG .....                                                                                                               | 1   |
| 17   | 101829101 | Cordset, DC, 90.5 Inches Long, with Leads, 12-AWG .....                                                                                                     | 1   |
| 18   | 1012101   | Assembly, Fuse (includes hardware) .....                                                                                                                    | 1   |
| 19   | 101828501 | Ammeter (includes hardware) .....                                                                                                                           | 1   |
| 20   | 101841801 | Kit, Wire Assembly .....                                                                                                                                    | 1   |
| 21   | 101914401 | Assembly, Voltage Suppressor .....                                                                                                                          | 1   |
| 22   | 7479      | Screw, Hex-Head Cap, 1/4-20 x 1-1/4 .....                                                                                                                   | 4   |
| 23   | 1014306   | Washer, Flat, 1/4 .....                                                                                                                                     | 4   |
| 24   | 451       | Washer, Lock, 1/4 .....                                                                                                                                     | 4   |
| 25   | 1028      | Nut, Hex, 1/4-20 .....                                                                                                                                      | 4   |
| 26   | 1016673   | Housing, Cord .....                                                                                                                                         | 1   |
| 27   | 8796      | Screw, Phillips Head, #7-19 x 3/4 .....                                                                                                                     | 4   |
| 28   | 101801001 | Plate, Receptacle Backing .....                                                                                                                             | 1   |
|      | 1017189   | Shrink, Heat (1-1/2 inches x 4 feet) (not shown)* .....                                                                                                     | A/R |
|      |           | *Heat shrink is available in 3-inch lengths, nonstandard.                                                                                                   |     |
|      | ****      | Special order item available upon request.                                                                                                                  |     |

15

E

**15**

**E**

# MAINTENANCE AND SERVICE TOOLS

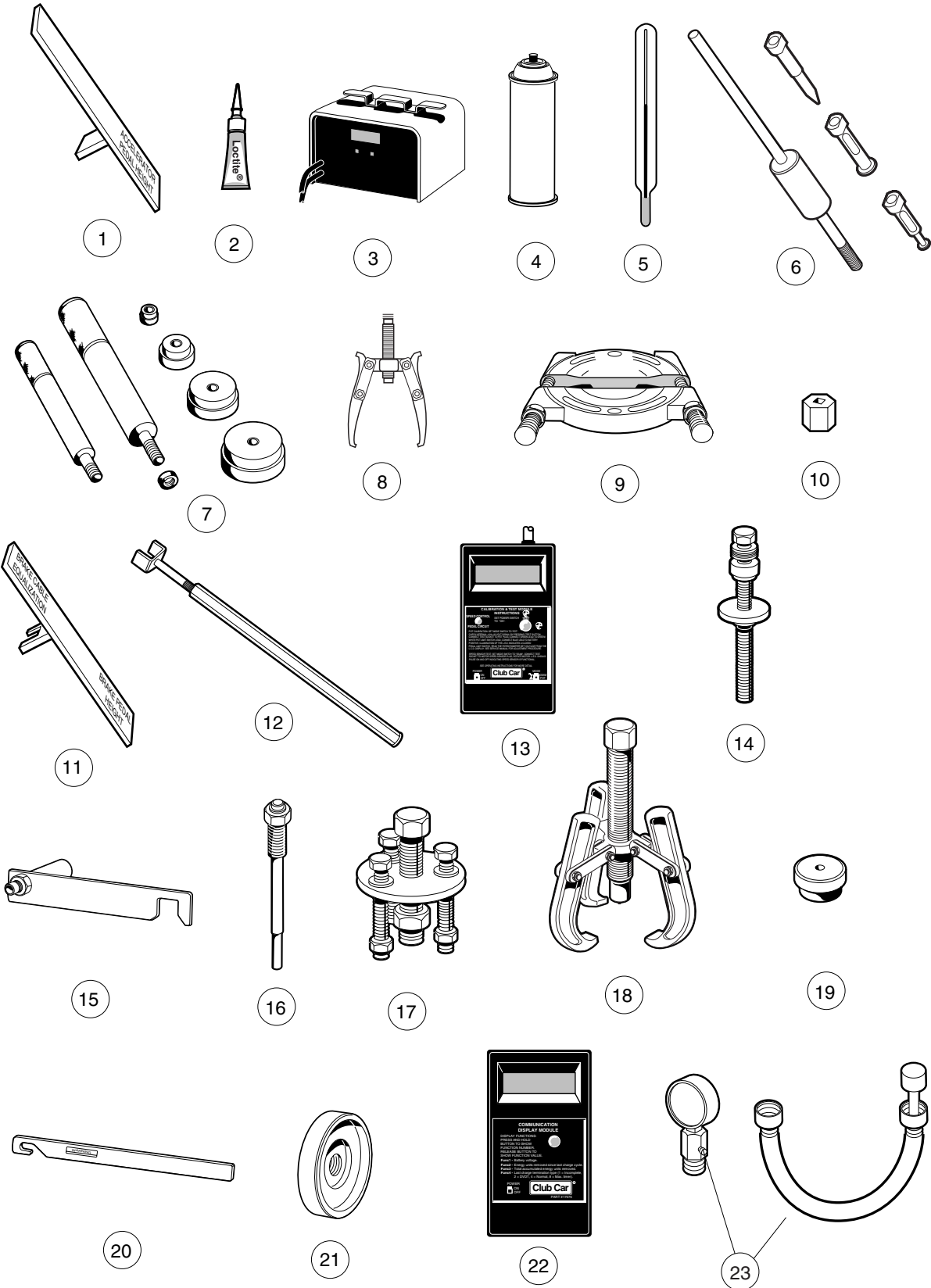
---

16

G

E

**16  
G  
E**



# MAINTENANCE AND SERVICE TOOLS

| ITEM | PART NO.  | DESCRIPTION                                                                                                                                                                                                                                                                                                                              | QTY<br>GAS | QTY<br>ELEC |
|------|-----------|------------------------------------------------------------------------------------------------------------------------------------------------------------------------------------------------------------------------------------------------------------------------------------------------------------------------------------------|------------|-------------|
|      |           | <p style="margin: 0;">1 2 3 4</p> <p style="margin: 0;">The following tool list includes all tools available from Club Car for maintenance and service procedures for gasoline and/or electric vehicles, both past and present models. Be sure to carefully examine the tool list for applicability to your vehicle before ordering.</p> |            |             |
| 1    | 101871001 | Accelerator Pedal Adjustment Tool .....                                                                                                                                                                                                                                                                                                  | 1          | 1           |
| 2    | 101813202 | Adhesive, Guide Ring, 3-Gram Tube .....                                                                                                                                                                                                                                                                                                  | 1          | 1           |
| 3    | 101831901 | Battery Discharge Machine, 36/48 Volt .....                                                                                                                                                                                                                                                                                              |            | 1           |
| 4    | 1014305   | Battery Terminal Protector Spray .....                                                                                                                                                                                                                                                                                                   | 1          | 1           |
| 5    | 1011767   | Battery Thermometer .....                                                                                                                                                                                                                                                                                                                |            | 1           |
| 6    | 1016417   | Bearing and Oil Seal Remover Assembly .....                                                                                                                                                                                                                                                                                              | 1          | 1           |
| 7    | 1016416   | Bearing Driver Set .....                                                                                                                                                                                                                                                                                                                 | 1          | 1           |
| 8    | 1012811   | Bearing Puller .....                                                                                                                                                                                                                                                                                                                     | 1          | 1           |
| 9    | 1012812   | Bearing Puller Wedge Attachment .....                                                                                                                                                                                                                                                                                                    | 1          | 1           |
| 10   | 1013582   | Brake Adjustment Tool (used only on vehicles with manually adjusted mechanical brakes) .....                                                                                                                                                                                                                                             | 1          | 1           |
|      | 102249901 | Brake Pedal Adjustment Tool Kit (used for the Carryall electric industrial truck only) (includes items 11 and 12) .....                                                                                                                                                                                                                  |            | 1           |
| 11   | ****      | Brake Pedal Adjustment Tool .....                                                                                                                                                                                                                                                                                                        |            | 1           |
| 12   | ****      | Brake Pedal Tension Tool .....                                                                                                                                                                                                                                                                                                           |            | 1           |
| 13   | 101887101 | Calibration Test Module .....                                                                                                                                                                                                                                                                                                            |            | 1           |
| 14   | 101808401 | Cam Installation Tool .....                                                                                                                                                                                                                                                                                                              | 1          |             |
|      | 1014510   | Clutch Tool Kit (includes items 15 - 21) .....                                                                                                                                                                                                                                                                                           | 1          |             |
| 15   | 1014498   | Clutch Alignment Tool (for pre-unitized transaxle vehicles built prior to 1997 model year) .....                                                                                                                                                                                                                                         | 1          |             |
| 16   | 1014496   | Drive Clutch Puller .....                                                                                                                                                                                                                                                                                                                | 1          |             |
| 17   | 1014497   | Drive Clutch Hub Puller .....                                                                                                                                                                                                                                                                                                            | 1          |             |
| 18   | 1014508   | Driven Clutch Cam Puller .....                                                                                                                                                                                                                                                                                                           | 1          |             |
| 19   | 1014507   | Driven Clutch Puller Plug .....                                                                                                                                                                                                                                                                                                          | 1          |             |
| 20   | 1015524   | Drive Clutch Holder Tool Assembly .....                                                                                                                                                                                                                                                                                                  | 1          |             |
| 21   | 101809101 | Press Weldment .....                                                                                                                                                                                                                                                                                                                     | 1          |             |
| 22   | 101831801 | Communication Display Module .....                                                                                                                                                                                                                                                                                                       |            | 1           |
| 23   | 101641002 | Compression Gauge and Adapter .....                                                                                                                                                                                                                                                                                                      | 1          |             |
|      |           | Please refer to the maintenance and service manual for proper tool application.                                                                                                                                                                                                                                                          |            |             |
|      | ****      | Special order item available upon request                                                                                                                                                                                                                                                                                                |            |             |

16

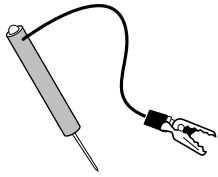
G

E

16

G

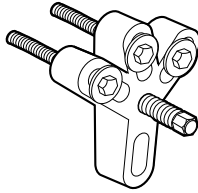
E



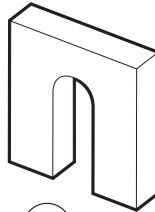
24



25



26



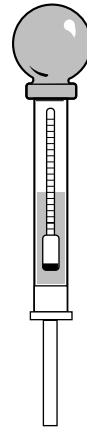
27



28



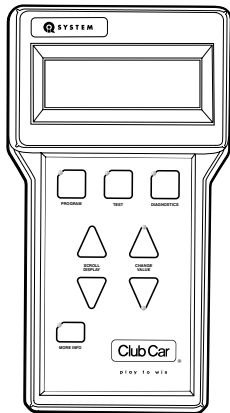
29



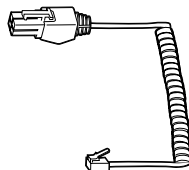
30



31



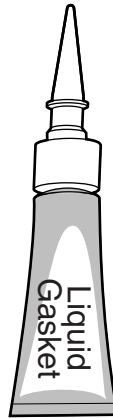
32



33



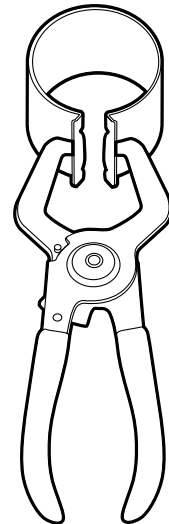
34



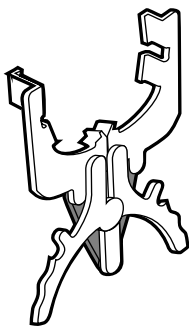
35



36



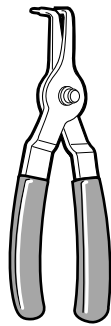
37



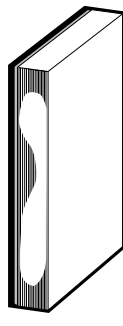
38



39



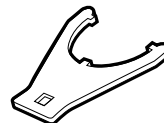
40



41



42



43



44



45

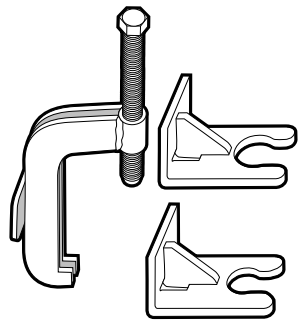
# MAINTENANCE AND SERVICE TOOLS, CONTINUED

| ITEM | PART NO.  | DESCRIPTION                                                                        | QTY<br>GAS | QTY<br>ELEC |
|------|-----------|------------------------------------------------------------------------------------|------------|-------------|
|      |           | 1 2 3 4                                                                            |            |             |
| 24   | 1011273   | Continuity Tester .....                                                            | 1          | 1           |
| 25   | 1012151   | Dry Moly Lubricant .....                                                           | 1          | 1           |
| 26   | 1016627   | Flywheel Puller Kit .....                                                          | 1          |             |
| 27   | 1016418   | Gear Yoke .....                                                                    | 1          | 1           |
| 28   | 101933101 | Governor Shaft Installation Tool .....                                             | 1          |             |
| 29   | 102169401 | Hydraulic Brake Adjuster (for vehicles equipped<br>with hydraulic brakes) .....    | 1          |             |
| 30   | 1011478   | Hydrometer .....                                                                   | 1          | 1           |
| 31   | 1013593   | Internal Retaining Ring Pliers .....                                               | 1          | 1           |
| 32   | 102248801 | IQ Display Module (IQDM) Kit (for IQ System vehicles only) .....                   |            | 1           |
|      |           | (includes items 33 and 34)                                                         |            |             |
| 33   | 102241501 | Cable, IQDM .....                                                                  |            | 1           |
| 34   | 102251501 | Adapter, Cable .....                                                               |            | 1           |
| 35   | 101928701 | Liquid Gasket (transaxle case) .....                                               | 1          | 1           |
| 36   | 102243402 | Moly-Teflon Lubricant (4-oz. (113-gram) tube) .....                                |            | 1           |
| 37   | 1016414   | Piston Ring Compressor Kit (FE290, FE350 and FE400 engines) .....                  | 1          |             |
| 38   | 1016415   | Piston Ring Pliers .....                                                           | 1          |             |
| 39   | 1012549   | Retaining Ring Pliers, 45° External .....                                          | 1          | 1           |
| 40   | 1012560   | Retaining Ring Pliers, 90° Internal .....                                          | 1          | 1           |
| 41   | 101823101 | Safety First Card (50 per pack) .....                                              | 1          | 1           |
| 42   | 1012809   | Seal Puller .....                                                                  | 1          | 1           |
| 43   | 102330901 | Spanner Wrench (for coil over shock front suspension vehicles only) .....          | 1          |             |
| 44   | 1014264   | Steering Column Bearing Press Tool .....                                           | 1          | 1           |
| 45   | 1014259   | Steering Column Retaining Ring Tool .....                                          | 1          | 1           |
|      |           | Please refer to the maintenance and service manual<br>for proper tool application. |            |             |

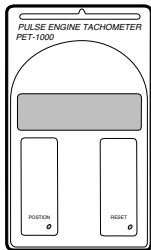
16

G

E



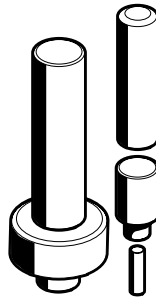
46



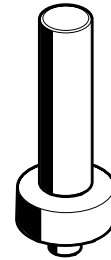
47



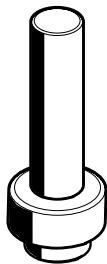
48



49



50



51



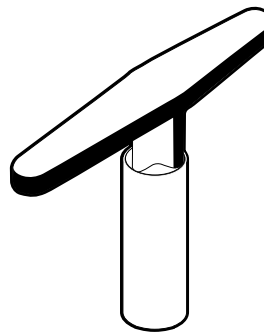
52



53



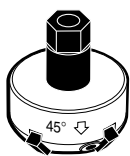
54



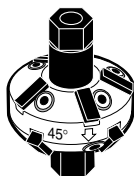
55



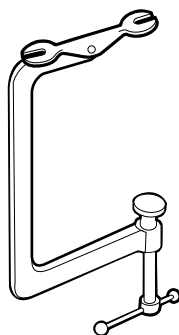
56



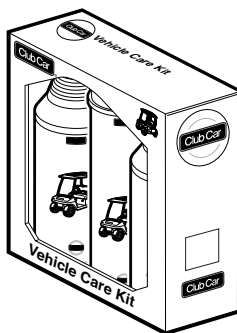
57



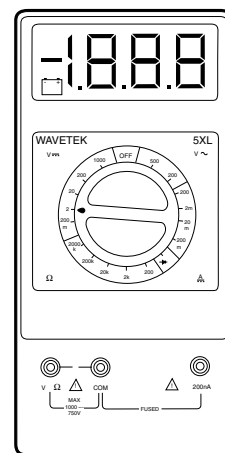
58



59



60



61



# MAINTENANCE AND SERVICE TOOLS, CONTINUED

| ITEM | PART NO.  | DESCRIPTION                                                                                           | QTY<br>GAS | QTY<br>ELEC |
|------|-----------|-------------------------------------------------------------------------------------------------------|------------|-------------|
|      |           | 1 2 3 4                                                                                               |            |             |
| 46   | 102061201 | Steering Wheel Puller Tool .....                                                                      | 1          | 1           |
| 47   | 1016112   | Tachometer .....                                                                                      | 1          |             |
| 48   | 101997201 | Paint, Touch-Up – Beige .....                                                                         | 1          | 1           |
| 48   | 101997202 | Paint, Touch-Up – White .....                                                                         | 1          | 1           |
| 48   | 101997203 | Paint, Touch-Up – Red .....                                                                           | 1          | 1           |
| 48   | 101997204 | Paint, Touch-Up – Gray .....                                                                          | 1          | 1           |
| 48   | 101997205 | Paint, Touch-Up – Dark Gray .....                                                                     | 1          | 1           |
| 48   | 101997206 | Paint, Touch-Up – Royal Blue (Pacific Blue) .....                                                     | 1          | 1           |
| 48   | 101997207 | Paint, Touch-Up – Black .....                                                                         | 1          | 1           |
| 48   | 101997209 | Paint, Touch-Up – Dark Green .....                                                                    | 1          | 1           |
| 48   | 101997211 | Paint, Touch-Up – Classic Blue (Navy) .....                                                           | 1          | 1           |
| 48   | 101997212 | Paint, Touch-Up – Burgundy .....                                                                      | 1          | 1           |
| 49   | 1014115   | Transmission Tool Kit .....                                                                           | 1          |             |
| 50   | 1014161   | Transaxle Pinion Seal Tool .....                                                                      | 1          |             |
| 51   | 1014162   | Transaxle Axle Seal Tool .....                                                                        | 1          |             |
| 52   | 1016413   | Valve Clearance Adjuster Screw Holder (for FE290 engines only) .....                                  | 1          |             |
| 53   | 101641201 | Valve Guide Reamer .....                                                                              | 1          |             |
| 54   | 101641202 | Arbor .....                                                                                           | 1          |             |
| 55   | 1016551   | Valve Seat Cutter T-Wrench .....                                                                      | 1          |             |
| 56   | 1016552   | Valve Seat Cutter Guide .....                                                                         | 1          |             |
| 57   | 1016553   | Valve Seat Cutter, 45° (32 mm diameter) (for FE290 engines only) .....                                | 1          |             |
| 58   | 1016554   | Valve Seat Cutter, 45°/30° (35 mm diameter) .....                                                     | 1          |             |
| 59   | 101641101 | Valve Spring Compressor .....                                                                         | 1          |             |
| 60   | AM10021   | Vehicle Care Kit .....                                                                                | 1          | 1           |
| 61   | 1011480   | Volt Ohm Meter .....                                                                                  | 1          | 1           |
| 62   | 101611003 | Tune-Up Kit, All OHV (includes air filter, spark plug,<br>oil filter, fuel filters) (not shown) ..... | 1          |             |
|      |           | Please refer to the maintenance and service manual<br>for proper tool application.                    |            |             |

16

G

E

**16**

**G**

**E**

# INDEX

## Part Number and Page

|         |                                                                                                                           |         |                                                                                                  |           |                                   |
|---------|---------------------------------------------------------------------------------------------------------------------------|---------|--------------------------------------------------------------------------------------------------|-----------|-----------------------------------|
| AM10021 | 16-7                                                                                                                      | 7479    | 15-9, 15-11                                                                                      | 1010545   | 1-5, 1-7                          |
| AM10080 | 11-5                                                                                                                      | 7532    | 1-13, 1-17                                                                                       | 1010546   | 1-3                               |
| AM10081 | 11-5                                                                                                                      | 7539    | 5-7, 5-11, 5-15                                                                                  | 1010805   | 4-7, 4-9                          |
| AM10419 | 10-5                                                                                                                      | 7540    | 5-5, 5-7, 5-11, 5-15                                                                             | 1010829   | 4-3, 4-5, 4-9, 4-11               |
| AM10724 | 7-17                                                                                                                      | 7555    | 5-5, 5-7, 5-11, 5-15                                                                             | 1010850   | 4-3, 4-5, 4-11                    |
| CCX8506 | 15-3, 15-9                                                                                                                | 7569    | 5-19, 5-21                                                                                       | 1010877   | 4-7, 4-9                          |
| 183     | 6-15, 6-29, 6-31, 8-13, 8-15, 8-17, 10-3, 12-49                                                                           | 7577    | 15-3, 15-5, 15-7, 15-9, 15-11                                                                    | 1010878   | 1-15, 1-23, 4-7, 4-9              |
| 304     | 1-27, 1-29, 6-31, 12-45                                                                                                   | 7591    | 6-31, 6-35, 12-45                                                                                | 101090801 | 12-15, 12-35, 12-53               |
| 320     | 5-11, 5-15, 6-3                                                                                                           | 7602    | 5-5, 5-7, 5-11, 5-15                                                                             | 101090802 | 12-35, 12-53                      |
| 332     | 1-9, 1-11, 1-15, 1-19, 1-23, 1-27, 1-29, 6-3, 6-31, 8-13, 8-15, 8-17, 9-3, 9-5, 12-19, 12-45                              | 7716    | 4-7, 4-9, 4-13, 4-15                                                                             | 1010909   | 6-15, 6-31                        |
| 334     | 1-15, 4-13, 4-15, 5-3, 5-5                                                                                                | 7818    | 6-11, 6-29                                                                                       | 1010921   | 4-7, 4-9                          |
| 357     | 1-27, 5-9, 5-13, 5-17, 5-23                                                                                               | 7820    | 6-31, 12-45                                                                                      | 1010927   | 4-7, 4-9                          |
| 403     | 1-13, 1-17, 1-21                                                                                                          | 7840    | 5-9, 5-13, 5-17                                                                                  | 1010932   | 4-7, 4-9                          |
| 451     | 4-5, 4-11, 9-3, 9-5, 12-3, 13-3, 15-9, 15-11                                                                              | 7847    | 1-15, 9-3, 9-5, 15-9, 15-11                                                                      | 1010933   | 4-7, 4-9                          |
| 705     | 1-13, 1-17, 1-23, 1-27, 6-39                                                                                              | 7893    | 6-3, 6-11, 6-15, 6-29, 6-31, 12-45                                                               | 1010934   | 1-7, 1-19, 1-25, 1-27, 6-41, 13-3 |
| 706     | 1-27, 5-9, 5-13, 5-17                                                                                                     | 7910    | 5-9, 5-13, 5-17                                                                                  | 1010954   | 6-3, 6-11, 6-29, 11-3             |
| 808     | 5-23, 6-3                                                                                                                 | 7973    | 1-5, 1-7, 6-3, 8-17                                                                              | 1010984   | 2-3, 5-9, 5-13, 5-17              |
| 1016    | 6-15, 6-29, 6-31, 12-49                                                                                                   | 8049    | 12-3                                                                                             | 1011014   | 1-3, 1-7                          |
| 1017    | 6-29, 12-5, 12-49                                                                                                         | 8056    | 12-5                                                                                             | 1011017   | 1-3, 1-7                          |
| 1028    | 4-7, 4-9, 12-3, 12-5, 15-9, 15-11                                                                                         | 8057    | 6-3, 6-11, 6-29, 12-3, 12-5                                                                      | 1011019   | 1-5, 1-7                          |
| 1032    | 1-19, 4-7, 4-9                                                                                                            | 8058    | 6-3, 6-11, 6-29, 12-3, 12-5                                                                      | 1011084   | 4-13                              |
| 1035    | 1-15, 4-3, 4-5, 4-9, 4-11, 5-5, 5-7, 5-11, 5-15                                                                           | 8067    | 5-9, 5-13, 5-17                                                                                  | 1011114   | 4-5, 4-11                         |
| 1218    | 5-13, 12-17, 12-33, 12-49                                                                                                 | 8106    | 6-7, 6-17                                                                                        | 1011137   | 4-11                              |
| 1231    | 1-19                                                                                                                      | 8168    | 8-17                                                                                             | 1011229   | 6-13, 6-31, 12-19, 12-45          |
| 1241    | 1-3, 1-7, 1-19, 1-27, 4-7, 4-9, 4-13, 4-15, 5-13, 6-11, 6-29, 6-33, 6-39, 6-41, 12-17, 12-33, 12-47, 12-49                | 8233    | 1-15, 1-19, 1-21, 1-23, 1-27, 1-29, 4-13, 4-15, 5-23, 6-3, 6-31, 12-3, 12-19, 12-45, 15-9, 15-11 | 1011273   | 16-5                              |
| 1242    | 1-19, 1-27, 4-7, 4-9, 5-23, 6-11, 6-29, 6-39, 12-17, 12-33, 12-49                                                         | 8248    | 1-9, 6-3, 8-3                                                                                    | 1011280   | 6-33, 12-47                       |
| 1308    | 5-7, 5-11, 5-15                                                                                                           | 8251    | 1-11, 6-3                                                                                        | 1011290   | 13-3                              |
| 1606    | 8-13, 8-15                                                                                                                | 8449    | 12-5                                                                                             | 1011291   | 11-7                              |
| 1620    | 1-5, 1-7                                                                                                                  | 8450    | 6-29, 10-3, 12-3                                                                                 | 1011303   | 4-5, 4-11                         |
| 1624    | 4-13, 4-15, 5-5, 5-7, 5-9                                                                                                 | 8455    | 6-3                                                                                              | 1011304   | 5-9, 5-13, 5-17                   |
| 1631    | 8-15, 8-17                                                                                                                | 8626    | 4-7, 4-9                                                                                         | 1011382   | 1-5, 1-7                          |
| 2402    | 5-7, 5-11, 5-15                                                                                                           | 8639    | 6-31, 12-45                                                                                      | 1011393   | 5-9, 5-13, 5-17                   |
| 4029    | 6-31, 12-45                                                                                                               | 8717    | 6-3, 6-11, 6-29                                                                                  | 1011394   | 1-3, 1-7                          |
| 4034    | 6-15, 6-33, 12-47                                                                                                         | 8745    | 5-9, 5-13, 5-17                                                                                  | 1011402   | 4-7, 4-9                          |
| 7048    | 5-9, 5-13, 5-17                                                                                                           | 8754    | 1-13, 1-17, 1-23, 4-13, 4-15, 5-3, 5-5, 5-7, 5-9, 5-11, 5-13, 5-15, 5-17, 5-19, 5-21, 6-3, 6-39  | 1011411   | 13-3                              |
| 7049    | 1-19                                                                                                                      | 8755    | 1-13, 1-17, 1-23, 5-9, 5-13, 5-17, 5-19, 5-21                                                    | 1011415   | 5-19, 5-21                        |
| 7173    | 5-23, 6-33, 6-39, 6-41, 12-17, 12-33, 12-47, 12-49                                                                        | 8796    | 1-11, 15-9, 15-11                                                                                | 1011418   | 4-7, 4-9                          |
| 7174    | 1-19, 1-27, 4-11, 5-3, 5-23, 6-39, 8-11, 9-3, 9-5, 12-17, 12-33, 12-49, 13-3                                              | 8861    | 5-11, 5-15, 5-23                                                                                 | 1011439   | 6-33, 12-47                       |
| 7251    | 1-3, 1-7                                                                                                                  | 8935    | 1-7                                                                                              | 101146302 | 4-5, 4-11                         |
| 7310    | 2-3                                                                                                                       | 8990    | 5-5, 6-15, 12-5, 12-13, 12-19, 12-51                                                             | 1011464   | 4-5, 4-11                         |
| 7311    | 5-23                                                                                                                      | 1010005 | 5-9, 5-13, 5-17                                                                                  | 1011465   | 4-5, 4-11                         |
| 7330    | 11-7, 14-3                                                                                                                | 1010124 | 5-7, 5-11, 5-15                                                                                  | 1011466   | 4-3, 4-5, 4-11                    |
| 7335    | 11-5, 14-3                                                                                                                | 1010138 | 5-7, 5-11, 5-15                                                                                  | 1011467   | 4-5, 4-11                         |
| 7336    | 14-3                                                                                                                      | 1010145 | 5-19, 5-21                                                                                       | 1011478   | 16-5                              |
| 7473    | 1-3, 1-7, 1-13, 1-17, 1-19, 1-21, 1-23, 1-25, 1-29, 4-7, 4-9, 4-13, 4-15, 5-13, 6-11, 6-29, 6-33, 6-39, 6-41, 12-5, 12-47 | 1010150 | 5-9, 5-13, 5-17                                                                                  | 1011480   | 16-7                              |
|         |                                                                                                                           | 1010177 | 5-13, 5-17                                                                                       | 1011553   | 1-27, 3-5                         |
|         |                                                                                                                           | 1010200 | 5-7                                                                                              | 1011557   | 6-33, 12-47                       |
|         |                                                                                                                           | 1010219 | 5-7, 5-11, 5-15                                                                                  | 1011558   | 6-35                              |
|         |                                                                                                                           | 1010347 | 5-9                                                                                              | 1011578   | 1-7, 12-15, 12-35, 12-53          |
|         |                                                                                                                           | 1010348 | 5-9                                                                                              | 1011582   | 6-35, 12-53                       |
|         |                                                                                                                           | 1010434 | 1-3, 1-7, 1-9, 1-11, 1-19                                                                        | 1011622   | 6-35                              |
|         |                                                                                                                           | 1010435 | 1-3, 1-7, 1-13, 1-17, 1-21, 1-23                                                                 | 1011694   | 4-13, 4-15                        |
|         |                                                                                                                           | 1010543 | 1-9, 1-11                                                                                        | 1011697   | 1-29, 5-3, 7-27, 8-9, 8-11        |
|         |                                                                                                                           |         |                                                                                                  | 1011700   | 4-13                              |
|         |                                                                                                                           |         |                                                                                                  | 1011707   | 15-9, 15-11                       |
|         |                                                                                                                           |         |                                                                                                  | 1011734   | 4-13                              |
|         |                                                                                                                           |         |                                                                                                  | 1011767   | 16-3                              |

# INDEX

|           |                                                                     |           |                          |         |                                       |
|-----------|---------------------------------------------------------------------|-----------|--------------------------|---------|---------------------------------------|
| 1011779   | 4-3, 4-5, 4-7, 4-9, 4-11                                            | 101301102 | 6-37                     | 1013871 | 4-13, 4-15                            |
| 1011825   | 6-31, 12-45                                                         | 1013035   | 5-5                      | 1013872 | 1-23                                  |
| 101187702 | 4-7, 4-9, 4-13, 4-15                                                | 1013042   | 5-5                      | 1013876 | 4-7, 4-9                              |
| 1011887   | 5-9, 5-13, 5-17                                                     | 1013044   | 5-5                      | 1013886 | 12-5                                  |
| 1011892   | 5-9, 5-13, 5-17                                                     | 1013051   | 5-5                      | 1013887 | 12-5                                  |
| 1011930   | 5-5, 5-7, 5-11, 5-15                                                | 1013052   | 5-5                      | 1013924 | 4-3, 4-5, 4-11, 7-27                  |
| 1011988   | 8-3                                                                 | 1013061   | 12-5, 12-15, 12-35       | 1013983 | 1-3                                   |
| 1011990   | 1-19, 1-27                                                          | 1013135   | 5-9, 5-13, 5-17          | 1013985 | 1-3                                   |
| 1012030   | 5-9, 5-17                                                           | 1013164   | 5-19                     | 1013998 | 12-5                                  |
| 1012047   | 1-3                                                                 | 1013198   | 6-3, 12-3                | 1014000 | 12-5                                  |
| 1012098   | 15-3, 15-5, 15-7, 15-9, 15-11                                       | 1013207   | 4-3, 4-5, 5-19, 5-21     | 1014003 | 12-5                                  |
| 1012101   | 15-3, 15-5, 15-7, 15-9, 15-11                                       | 1013280   | 1-21                     | 1014007 | 4-13, 4-15                            |
| 1012151   | 16-5                                                                | 1013309   | 1-9, 1-11                | 1014010 | 12-5                                  |
| 1012164   | 7-27                                                                | 1013311   | 1-9, 1-11                | 1014017 | 12-5                                  |
| 1012285   | 1-21, 1-27, 1-29, 6-3, 8-3, 8-11, 12-15, 12-17, 12-33, 12-49, 12-51 | 1013312   | 1-9, 1-11                | 1014019 | 12-5                                  |
| 1012295   | 6-11, 6-29                                                          | 1013317   | 1-19                     | 1014049 | 10-3                                  |
| 1012303   | 1-13, 1-17, 1-23, 5-9, 5-13, 5-17, 5-19, 5-21                       | 1013335   | 1-9                      | 1014050 | 10-3                                  |
| 1012304   | 5-19, 5-21                                                          | 1013343   | 1-5, 1-7                 | 1014051 | 10-3                                  |
| 1012328   | 6-41                                                                | 1013344   | 1-5, 1-7                 | 1014052 | 10-3                                  |
| 1012333   | 6-3                                                                 | 1013357   | 1-23, 6-31, 12-45, 12-49 | 1014055 | 10-3                                  |
| 1012353   | 12-5                                                                | 1013413   | 1-23                     | 1014056 | 10-3                                  |
| 1012382   | 6-5, 6-7, 6-9, 6-17, 6-19, 6-23, 6-27                               | 1013422   | 1-5, 1-7                 | 1014057 | 10-3                                  |
| 1012431   | 6-3, 6-11, 6-29                                                     | 1013461   | 6-15, 6-31, 12-5, 12-45  | 1014058 | 10-3                                  |
| 1012438   | 8-15, 8-17, 12-49                                                   | 1013483   | 1-27                     | 1014059 | 10-3                                  |
| 1012467   | 5-5                                                                 | 1013494   | 1-5, 1-7                 | 1014062 | 10-3                                  |
| 1012505   | 6-13, 6-33, 12-13, 12-47                                            | 1013531   | 4-7, 4-9                 | 1014065 | 6-3, 6-11, 6-29                       |
| 1012528   | 9-3, 9-5, 12-17, 12-33, 12-49                                       | 1013547   | 12-15                    | 1014070 | 10-5                                  |
| 1012549   | 16-5                                                                | 1013582   | 16-3                     | 1014072 | 10-5                                  |
| 1012560   | 16-5                                                                | 1013587   | 6-3                      | 1014078 | 10-5                                  |
| 1012565   | 5-3                                                                 | 1013589   | 6-3, 6-11                | 1014080 | 10-5                                  |
| 1012566   | 5-3                                                                 | 1013590   | 6-3                      | 1014089 | 6-3                                   |
| 1012571   | 7-27                                                                | 1013591   | 6-3                      | 1014109 | 12-5                                  |
| 1012594   | 6-3                                                                 | 1013593   | 16-5                     | 1014115 | 16-7                                  |
| 1012604   | 5-3                                                                 | 1013609   | 6-11, 6-29               | 1014116 | 8-3                                   |
| 1012605   | 5-3                                                                 | 1013677   | 3-5, 3-11                | 1014119 | 6-5, 6-7, 6-9, 6-17, 6-19, 6-23, 6-27 |
| 1012649   | 8-3                                                                 | 1013683   | 12-15                    | 1014125 | 5-3                                   |
| 1012711   | 11-3                                                                | 1013687   | 8-3                      | 1014126 | 5-3                                   |
| 1012714   | 11-5                                                                | 1013692   | 8-3                      | 1014145 | 6-3, 6-11, 6-29                       |
| 1012740   | 11-5                                                                | 1013700   | 8-11                     | 1014153 | 4-3, 4-5, 4-11                        |
| 1012741   | 11-5                                                                | 1013734   | 9-3, 9-5                 | 1014161 | 16-7                                  |
| 1012747   | 11-5                                                                | 1013746   | 8-3, 8-9                 | 1014162 | 16-7                                  |
| 1012748   | 11-5                                                                | 1013759   | 11-3                     | 1014189 | 12-5                                  |
| 1012752   | 11-3                                                                | 1013768   | 11-7                     | 1014193 | 11-7                                  |
| 1012809   | 16-5                                                                | 1013769   | 11-7                     | 1014201 | 13-3                                  |
| 1012811   | 16-3                                                                | 1013770   | 11-7                     | 1014207 | 11-7                                  |
| 1012812   | 16-3                                                                | 1013771   | 11-7                     | 1014213 | 5-3                                   |
| 1012830   | 6-39, 9-3, 9-5                                                      | 1013772   | 11-7                     | 1014214 | 5-3                                   |
| 1012903   | 12-5                                                                | 1013773   | 11-7                     | 1014216 | 5-3                                   |
| 1012981   | 7-5, 7-17                                                           | 1013774   | 11-7                     | 1014217 | 5-3                                   |
| 1012986   | 6-13, 6-33                                                          | 1013787   | 11-7                     | 1014235 | 5-7, 5-11                             |
| 1012987   | 6-3, 12-3                                                           | 1013790   | 11-7                     | 1014236 | 5-19                                  |
| 1013001   | 6-37                                                                | 1013791   | 11-7                     | 1014253 | 12-5                                  |
| 1013003   | 6-37                                                                | 1013794   | 11-7, 14-3               | 1014259 | 16-5                                  |
| 1013005   | 6-37                                                                | 1013857   | 6-15, 6-33, 12-47        | 1014264 | 16-5                                  |
|           |                                                                     | 1013860   | 12-5                     | 1014276 | 5-9, 5-13, 5-17                       |
|           |                                                                     | 1013869   | 4-7, 4-9                 | 1014287 | 10-3                                  |
|           |                                                                     | 1013870   | 4-7, 4-9                 |         |                                       |

# INDEX

|           |                           |           |                                                  |           |                                                   |
|-----------|---------------------------|-----------|--------------------------------------------------|-----------|---------------------------------------------------|
| 1014288   | 5-3, 6-41, 12-17          | 1015277   | 1-15                                             | 101565202 | 1-9                                               |
| 1014289   | 6-37                      | 1015313   | 1-19                                             | 101565205 | 1-9                                               |
| 1014304   | 12-15, 12-35, 12-53       | 1015330   | 9-3                                              | 101565206 | 1-9                                               |
| 1014305   | 16-3                      | 1015332   | 6-5, 6-7, 6-9, 6-17, 6-19, 6-23, 6-27, 7-3, 7-15 | 1015661   | 4-15                                              |
| 1014306   | 1-27, 1-29, 15-9, 15-11   | 1015345   | 6-11, 6-29                                       | 101567202 | 2-3                                               |
| 1014321   | 1-9, 1-11, 1-19           | 1015356   | 1-13, 1-17, 1-23                                 | 1015720   | 6-13, 6-31, 6-35                                  |
| 1014374   | 6-41                      | 1015363   | 1-19                                             | 1015727   | 1-23                                              |
| 1014375   | 6-41                      | 1015365   | 1-19                                             | 1015737   | 6-5, 6-7, 6-9, 6-11, 6-17, 6-19, 6-23, 6-27, 6-29 |
| 1014387   | 1-9, 1-11, 1-19           | 1015366   | 1-19                                             | 1015741   | 6-11, 6-29, 12-49                                 |
| 1014413   | 8-11                      | 1015367   | 1-19                                             | 1015752   | 6-11, 6-29, 6-35, 8-13, 8-15, 8-17, 12-7, 12-53   |
| 1014414   | 12-5                      | 1015368   | 1-19                                             | 1015760   | 5-23                                              |
| 1014415   | 1-19                      | 1015371   | 6-11                                             | 1015769   | 6-5, 6-7, 6-9, 6-17, 6-19, 6-23, 6-27             |
| 1014453   | 10-3                      | 1015372   | 6-11, 6-29                                       | 1015777   | 6-11                                              |
| 1014454   | 10-5                      | 1015373   | 6-11, 6-29                                       | 1015814   | 9-3, 9-5                                          |
| 1014471   | 1-13, 1-17, 1-21, 1-23    | 1015390   | 1-19                                             | 1015845   | 8-11                                              |
| 1014496   | 16-3                      | 1015391   | 1-13, 1-17                                       | 101584502 | 8-11                                              |
| 1014497   | 16-3                      | 1015399   | 1-13, 1-17, 1-19, 1-25                           | 1015878   | 6-11, 6-29                                        |
| 1014498   | 16-3                      | 1015400   | 1-13, 1-17, 1-19                                 | 1015914   | 15-3, 15-5, 15-7, 15-9, 15-11                     |
| 1014507   | 16-3                      | 1015405   | 1-3, 6-11, 6-29                                  | 1015917   | 15-3, 15-5, 15-9, 15-11                           |
| 1014508   | 16-3                      | 1015408   | 8-11                                             | 1015920   | 6-5, 6-39                                         |
| 1014510   | 16-3                      | 1015409   | 6-3                                              | 1015932   | 6-39                                              |
| 1014513   | 1-19                      | 1015412   | 1-19                                             | 1015969   | 7-3, 7-15                                         |
| 1014514   | 1-19                      | 1015413   | 1-19                                             | 1016004   | 8-3                                               |
| 1014523   | 8-3                       | 1015414   | 1-19                                             | 1016060   | 1-15                                              |
| 1014524   | 8-3                       | 1015424   | 1-19                                             | 1016074   | 6-39                                              |
| 1014537   | 1-19                      | 1015426   | 8-13, 8-15, 8-17                                 | 1016077   | 1-25                                              |
| 1014540   | 12-15, 12-35              | 1015427   | 1-13                                             | 1016078   | 1-15                                              |
| 101454602 | 5-19                      | 101542901 | 1-17                                             | 101609401 | 3-3, 3-7, 3-9                                     |
| 101454902 | 5-19                      | 1015445   | 1-27                                             | 101610901 | 3-5, 12-5                                         |
| 1014555   | 5-19, 5-21                | 1015453   | 5-23                                             | 101611003 | 16-7                                              |
| 1014573   | 5-19                      | 1015457   | 5-23                                             | 1016112   | 16-7                                              |
| 1014645   | 1-5, 1-7                  | 101547601 | 3-5, 3-11                                        | 1016154   | 5-3                                               |
| 1014675   | 5-19                      | 1015507   | 1-13, 1-17, 1-23                                 | 101615502 | 5-3                                               |
| 1014727   | 6-3                       | 1015524   | 16-3                                             | 1016156   | 5-3                                               |
| 1014771   | 2-3                       | 1015530   | 1-27, 1-29                                       | 1016175   | 12-5                                              |
| 1014807   | 6-3, 6-11, 6-29, 12-5     | 101553901 | 1-19, 3-3, 3-7, 3-11                             | 1016181   | 5-3                                               |
| 1014808   | 6-11, 12-3                | 1015545   | 5-3                                              | 1016183   | 5-3                                               |
| 1014856   | 12-9                      | 1015583   | 1-13, 1-17, 1-23, 5-9, 5-13, 5-17, 5-19, 5-21    | 1016201   | 1-15, 6-3                                         |
| 1014871   | 12-3                      | 1015597   | 5-5, 5-7, 5-9, 5-11, 5-13, 5-15, 5-17            | 1016202   | 8-11                                              |
| 1014901   | 5-19                      | 1015606   | 1-19                                             | 1016203   | 10-3, 10-5                                        |
| 1014902   | 5-19, 5-21                | 1015607   | 1-19                                             | 1016214   | 5-3                                               |
| 1014928   | 8-3                       | 1015608   | 1-7                                              | 101621601 | 3-3, 3-7, 3-9                                     |
| 1014947   | 12-17, 12-33, 12-49       | 1015613   | 5-23                                             | 1016219   | 5-3                                               |
| 1014948   | 6-29, 12-17, 12-33, 12-49 | 1015614   | 5-23                                             | 1016263   | 5-3                                               |
| 1014999   | 12-5                      | 101562602 | 1-9                                              | 1016269   | 5-3                                               |
| 1015032   | 1-5                       | 101562604 | 1-9                                              | 1016289   | 10-3                                              |
| 1015072   | 12-15, 12-35, 12-53       | 101562605 | 1-9                                              | 1016337   | 11-5                                              |
| 1015075   | 6-39, 9-3, 9-5            | 101562702 | 1-9, 1-11                                        | 1016338   | 11-5                                              |
| 1015137   | 8-3, 8-9                  | 101562704 | 1-9, 1-11                                        | 1016341   | 11-3                                              |
| 1015139   | 8-3, 8-17                 | 101562710 | 1-9, 1-11                                        | 1016342   | 6-3                                               |
| 1015143   | 8-3                       | 101564502 | 1-9, 1-11                                        | 1016346   | 5-7, 5-11, 5-15                                   |
| 1015188   | 8-3                       | 101564503 | 1-9, 1-11                                        | 1016349   | 5-7, 5-11, 5-15                                   |
| 1015239   | 1-9                       | 101564505 | 1-9, 1-11                                        | 1016350   | 5-7, 5-11, 5-15                                   |
| 101524001 | 6-39                      | 1015649   | 7-3, 7-15                                        | 1016353   | 5-7, 5-11, 5-15                                   |
| 101524002 | 6-39                      |           |                                                  |           |                                                   |
| 1015245   | 1-19                      |           |                                                  |           |                                                   |
| 1015252   | 1-13, 1-17                |           |                                                  |           |                                                   |

# INDEX

|           |                                  |           |            |           |                                  |
|-----------|----------------------------------|-----------|------------|-----------|----------------------------------|
| 1016356   | 6-31, 12-45, 12-49               | 101645903 | 7-13       | 1016539   | 7-3, 7-15                        |
| 1016363   | 12-49                            | 1016460   | 7-13       | 1016541   | 7-13, 7-25                       |
| 1016366   | 12-49                            | 101646101 | 7-13       | 1016542   | 7-9                              |
| 1016379   | 1-29                             | 101646102 | 7-13       | 1016544   | 7-5, 7-9, 7-11, 7-17, 7-21, 7-23 |
| 1016380   | 6-7, 6-9, 6-17, 6-19, 6-23, 6-27 | 101646103 | 7-13       | 1016545   | 7-9, 12-17, 12-33, 12-49         |
| 1016384   | 5-9, 5-13, 5-17                  | 1016467   | 7-7, 7-19  | 1016546   | 8-11                             |
| 1016385   | 5-7, 5-11, 5-15                  | 1016469   | 7-13       | 1016547   | 7-3, 7-13, 7-15, 7-25, 8-9       |
| 1016386   | 5-9, 5-13, 5-17                  | 1016470   | 7-13, 7-25 | 1016548   | 7-5                              |
| 1016387   | 5-9, 5-13, 5-17                  | 1016471   | 7-9        | 1016549   | 7-9, 7-21                        |
| 1016389   | 5-9, 5-13, 5-17                  | 1016472   | 7-11, 7-23 | 101655001 | 7-13                             |
| 101641002 | 16-3                             | 1016473   | 7-7, 7-19  | 101655002 | 7-13                             |
| 101641101 | 16-7                             | 1016474   | 7-9, 7-21  | 101655003 | 7-13                             |
| 101641201 | 16-7                             | 101647501 | 7-13       | 101655004 | 7-13                             |
| 101641202 | 16-7                             | 101647502 | 7-13       | 101655005 | 7-13                             |
| 1016413   | 16-7                             | 1016479   | 7-9, 7-21  | 101655006 | 7-13                             |
| 1016414   | 16-5                             | 1016480   | 8-9        | 101655007 | 7-13                             |
| 1016415   | 16-5                             | 101648102 | 8-9        | 101655008 | 7-13                             |
| 1016416   | 16-3                             | 101648203 | 7-7, 7-19  | 101655009 | 7-13                             |
| 1016417   | 16-3                             | 1016483   | 7-9, 7-21  | 1016551   | 16-7                             |
| 1016418   | 16-5                             | 1016484   | 7-7        | 1016552   | 16-7                             |
| 1016423   | 6-11, 6-29, 12-49                | 1016486   | 8-5, 8-7   | 1016553   | 16-7                             |
| 101642572 | 8-5                              | 1016489   | 7-9, 7-21  | 1016554   | 16-7                             |
| 101642575 | 8-5, 8-7                         | 101649002 | 8-9        | 1016557   | 4-5, 4-11                        |
| 101642578 | 8-5, 8-7                         | 1016493   | 7-5        | 1016558   | 7-13                             |
| 101642580 | 8-5, 8-7                         | 1016494   | 7-11, 7-23 | 1016559   | 7-13                             |
| 101642582 | 8-5, 8-7                         | 1016496   | 7-11, 7-23 | 1016560   | 7-9, 7-21                        |
| 101642585 | 8-7                              | 1016497   | 7-5, 7-17  | 1016561   | 7-5, 7-17                        |
| 1016429   | 7-7, 7-19                        | 1016499   | 8-5, 8-7   | 1016562   | 7-5, 7-13, 7-17, 7-25            |
| 1016430   | 7-9                              | 1016501   | 8-5, 8-7   | 1016563   | 7-9, 7-21                        |
| 1016431   | 7-9                              | 1016502   | 7-7, 7-19  | 1016564   | 7-11, 7-23                       |
| 1016432   | 7-7, 7-19, 11-3                  | 1016505   | 7-5        | 1016565   | 7-11                             |
| 1016435   | 7-7                              | 1016506   | 7-11, 7-23 | 1016566   | 7-9, 7-21                        |
| 1016436   | 7-9, 7-21                        | 1016507   | 7-3, 7-15  | 1016567   | 7-11                             |
| 1016437   | 8-5, 8-7                         | 1016509   | 7-13       | 1016568   | 7-13                             |
| 1016438   | 8-9                              | 1016510   | 7-11, 7-23 | 1016569   | 7-9, 7-21                        |
| 1016439   | 8-9                              | 1016512   | 7-3        | 1016570   | 7-7, 7-19                        |
| 1016440   | 8-9                              | 101651402 | 2-3        | 1016571   | 7-13, 7-25                       |
| 1016441   | 8-9                              | 101651406 | 2-3        | 1016572   | 8-9                              |
| 1016442   | 7-9, 7-21                        | 101651407 | 2-3        | 1016573   | 4-5, 4-11                        |
| 1016443   | 7-3                              | 101651409 | 2-3        | 1016576   | 7-7, 7-19                        |
| 1016444   | 8-9                              | 1016516   | 7-13       | 1016578   | 7-5, 7-17                        |
| 1016445   | 7-5, 7-17                        | 1016517   | 7-9, 7-21  | 1016579   | 7-5, 7-17                        |
| 1016446   | 7-11                             | 1016518   | 7-21       | 1016580   | 7-13                             |
| 1016447   | 7-9                              | 1016519   | 7-9, 7-21  | 1016581   | 7-7, 7-19                        |
| 1016448   | 7-9                              | 1016520   | 7-11       | 1016582   | 8-9                              |
| 1016449   | 7-9, 7-21                        | 1016521   | 7-11, 7-23 | 1016583   | 7-9, 7-21                        |
| 1016450   | 7-9, 7-21                        | 1016523   | 7-9        | 1016584   | 7-11, 7-23                       |
| 1016451   | 7-9                              | 1016524   | 7-3        | 1016585   | 8-5, 8-7                         |
| 1016452   | 7-9, 7-21                        | 1016525   | 7-3        | 1016586   | 7-5, 7-17                        |
| 1016453   | 7-11                             | 1016526   | 7-3        | 1016587   | 7-5, 7-17                        |
| 1016454   | 7-11, 7-23                       | 1016531   | 7-3, 7-15  | 1016588   | 7-5, 7-17                        |
| 1016455   | 7-5, 7-17                        | 1016532   | 7-13       | 101660404 | 1-5, 1-7                         |
| 1016456   | 7-3, 7-5, 7-11, 7-15, 7-17       | 1016533   | 7-13       | 1016622   | 5-3                              |
| 1016457   | 7-7, 7-19                        | 1016535   | 7-11, 7-23 | 1016627   | 16-5                             |
| 1016458   | 7-9, 7-11, 7-21                  | 1016536   | 7-3        | 1016630   | 6-13, 6-33                       |
| 101645901 | 7-13                             | 1016537   | 7-7, 7-19  | 1016631   | 12-49                            |
| 101645902 | 7-13                             | 1016538   | 7-11, 7-23 | 1016663   | 5-3                              |

# INDEX

|           |                                          |           |                   |           |              |
|-----------|------------------------------------------|-----------|-------------------|-----------|--------------|
| 1016672   | 11-7                                     | 101693201 | 3-3, 3-9          | 101745101 | 7-25         |
| 1016673   | 1-11, 15-9, 15-11                        | 101693909 | 1-3, 1-7          | 101745102 | 7-25         |
| 1016679   | 1-27, 1-29                               | 101693913 | 1-3, 1-7          | 1017453   | 7-25         |
| 101668201 | 12-35, 12-53                             | 1016942   | 1-23              | 1017454   | 7-21         |
| 1016698   | 12-39, 12-43                             | 1016943   | 1-25              | 1017455   | 7-5, 7-17    |
| 101670201 | 1-3, 1-7                                 | 1016944   | 1-25              | 1017456   | 7-7, 7-19    |
| 1016711   | 1-3                                      | 1016947   | 6-3               | 101745701 | 7-25         |
| 1016717   | 6-35, 12-53                              | 1016948   | 1-25              | 101745702 | 7-25         |
| 1016718   | 1-21                                     | 1016952   | 1-5, 1-7          | 1017458   | 7-19         |
| 1016723   | 1-11                                     | 1016954   | 1-21              | 1017460   | 7-19         |
| 101672701 | 6-3                                      | 1016955   | 1-21              | 1017461   | 8-5, 8-7     |
| 1016729   | 12-23, 12-25, 12-29, 12-31, 12-39, 12-43 | 1016967   | 1-3               | 1017463   | 7-17         |
| 1016732   | 12-23, 12-25, 12-29, 12-31, 12-39, 12-43 | 1016997   | 6-29              | 1017466   | 8-9          |
| 101674702 | 4-13                                     | 1017029   | 4-7, 4-9          | 1017471   | 7-25         |
| 1016751   | 1-11                                     | 1017062   | 6-15, 6-31, 12-45 | 1017472   | 7-23         |
| 101675502 | 1-11                                     | 1017064   | 6-15, 6-31, 12-45 | 1017473   | 7-21         |
| 101675504 | 1-11                                     | 1017065   | 6-15, 6-31, 12-45 | 1017474   | 7-15         |
| 101675506 | 1-11                                     | 1017077   | 1-21              | 1017475   | 7-15         |
| 101677701 | 1-11                                     | 101707801 | 3-11              | 1017476   | 7-15         |
| 101677702 | 1-11                                     | 1017079   | 1-29              | 1017486   | 7-15         |
| 101677705 | 1-11                                     | 1017080   | 1-3, 1-7          | 1017487   | 7-23         |
| 1016801   | 10-3                                     | 1017187   | 15-9, 15-11       | 1017490   | 7-17         |
| 1016813   | 5-23                                     | 1017188   | 10-3, 10-5        | 1017500   | 7-15         |
| 1016814   | 5-23                                     | 1017189   | 15-9, 15-11       | 1017501   | 7-25         |
| 1016845   | 12-3                                     | 1017211   | 4-9               | 1017502   | 7-25         |
| 1016849   | 6-13, 6-31, 6-35, 12-13, 12-45, 12-53    | 1017221   | 7-3               | 1017503   | 7-25         |
| 1016851   | 6-13, 6-31, 6-35, 12-13, 12-45, 12-53    | 1017226   | 5-3               | 1017504   | 7-23         |
| 1016858   | 6-7, 6-17                                | 1017231   | 11-3              | 1017507   | 7-7, 7-19    |
| 1016859   | 6-13, 6-31, 6-35, 12-13, 12-45, 12-53    | 1017232   | 4-11              | 1017508   | 7-23         |
| 1016868   | 1-3, 1-7                                 | 1017235   | 5-19              | 1017510   | 7-25         |
| 1016875   | 1-29                                     | 1017238   | 6-29              | 1017511   | 7-23         |
| 1016876   | 1-29                                     | 1017239   | 6-29              | 1017512   | 7-25         |
| 1016877   | 12-15, 12-18, 12-35                      | 1017243   | 6-29              | 1017513   | 7-23         |
| 1016879   | 6-15, 6-31, 12-45                        | 1017266   | 5-7, 5-11, 5-15   | 1017514   | 7-23         |
| 1016880   | 6-15, 6-31, 12-45                        | 1017273   | 5-3               | 101751801 | 7-23         |
| 1016881   | 1-21                                     | 1017327   | 10-5              | 101751802 | 7-23         |
| 1016883   | 6-39                                     | 1017328   | 1-15, 10-3        | 101751803 | 7-23         |
| 101689101 | 1-21                                     | 101734802 | 1-3               | 101753005 | 12-3         |
| 1016901   | 10-3                                     | 101737002 | 2-3               | 1017653   | 6-37         |
| 1016904   | 9-5                                      | 1017378   | 4-13, 4-15        | 1017686   | 10-5         |
| 1016909   | 1-21                                     | 1017380   | 4-13, 4-15        | 1017689   | 9-3, 9-5     |
| 101691401 | 1-21                                     | 101738301 | 10-3              | 101769302 | 2-3          |
| 1016918   | 1-21                                     | 101739201 | 12-19             | 1017696   | 4-13, 4-15   |
| 1016920   | 1-21                                     | 1017400   | 4-15              | 1017705   | 12-15, 12-35 |
| 101692501 | 1-3                                      | 1017424   | 4-13, 4-15, 12-19 | 1017721   | 6-15, 6-31   |
| 101692502 | 1-3                                      | 1017434   | 7-21              | 101773301 | 7-25         |
| 101692506 | 1-3                                      | 1017435   | 7-21              | 101773302 | 7-25         |
| 101692509 | 1-3                                      | 1017442   | 7-19              | 101773303 | 7-25         |
| 101692510 | 1-3                                      | 1017443   | 7-23              | 101773304 | 7-25         |
| 101692511 | 1-3                                      | 1017444   | 7-21              | 101773305 | 7-25         |
| 101692512 | 1-3                                      | 1017445   | 7-21              | 101773306 | 7-25         |
| 101692513 | 1-3                                      | 1017446   | 7-21              | 101773307 | 7-25         |
| 101692514 | 1-3                                      | 1017447   | 7-23              | 101773308 | 7-25         |
|           |                                          | 1017448   | 7-5, 7-17         | 101773309 | 7-25         |
|           |                                          | 101744901 | 7-25              | 101773310 | 7-25         |
|           |                                          | 101744902 | 7-25              | 101773311 | 7-25         |
|           |                                          | 1017450   | 7-25              | 1017743   | 4-15, 12-19  |

# INDEX

|           |                                                                                  |           |                           |           |                                                |
|-----------|----------------------------------------------------------------------------------|-----------|---------------------------|-----------|------------------------------------------------|
| 1017799   | 12-3                                                                             | 101819701 | 15-3, 15-9                | 101833101 | 7-27                                           |
| 1017830   | 12-19                                                                            | 101820201 | 8-9                       | 101833201 | 7-27                                           |
| 1017853   | 6-31, 12-19, 12-45                                                               | 101821501 | 8-13, 8-15, 8-17          | 101833301 | 7-27                                           |
| 101791101 | 4-3, 4-5                                                                         | 101822001 | 4-13                      | 101833401 | 10-5                                           |
| 1017944   | 13-3                                                                             | 101822601 | 12-19                     | 101833601 | 11-3                                           |
| 1017946   | 13-3                                                                             | 101823101 | 16-5                      | 101833701 | 6-37, 6-39                                     |
| 1017947   | 13-3                                                                             | 101823201 | 4-3                       | 101833902 | 10-3                                           |
| 1017948   | 13-3                                                                             | 101823301 | 4-3                       | 101833904 | 10-3                                           |
| 1017949   | 13-3                                                                             | 101823302 | 4-3                       | 101834001 | 10-5                                           |
| 1017950   | 13-3                                                                             | 101823801 | 4-3                       | 101834003 | 10-5                                           |
| 1017951   | 13-3                                                                             | 101823901 | 4-3                       | 101834502 | 6-13, 6-33, 12-13, 12-47                       |
| 1017953   | 13-3                                                                             | 101824001 | 4-3                       | 101834601 | 7-27                                           |
| 101795701 | 12-9, 12-11, 12-15, 12-23,<br>12-25, 12-29, 12-31, 12-35, 12-39,<br>12-43, 12-53 | 101824002 | 4-3                       | 101834801 | 11-3                                           |
| 1017958   | 13-3                                                                             | 101824401 | 8-3                       | 101835601 | 1-9, 1-11, 1-13, 1-17, 12-51                   |
| 1017961   | 13-3                                                                             | 101825101 | 3-3, 3-7, 3-9             | 101836201 | 10-5                                           |
| 101796201 | 4-13, 4-15                                                                       | 101825102 | 3-3, 3-9                  | 101836202 | 10-5                                           |
| 101796501 | 12-15, 12-35                                                                     | 101825701 | 8-17                      | 101837001 | 1-23                                           |
| 101796801 | 12-15, 12-35                                                                     | 101826201 | 12-13, 12-47              | 101837101 | 8-13, 8-15, 8-17                               |
| 1017976   | 1-13, 1-17                                                                       | 101826301 | 6-13, 6-33                | 101837301 | 6-5, 6-7, 6-9, 6-17, 6-19, 6-23,<br>6-27, 6-39 |
| 101797701 | 12-15, 12-35, 12-53                                                              | 101826401 | 6-13, 6-33                | 101838201 | 15-5, 15-11                                    |
| 101797702 | 12-15, 12-35, 12-53                                                              | 101827101 | 7-27                      | 101838301 | 15-5, 15-11                                    |
| 101797801 | 12-15, 12-35, 12-53                                                              | 101827801 | 12-9, 12-11, 12-17        | 101838401 | 15-5, 15-7, 15-11                              |
| 101801001 | 1-11, 12-15, 12-35, 15-9,<br>15-11                                               | 101827802 | 12-33, 12-51              | 101838501 | 15-5                                           |
| 101802101 | 12-15, 12-35                                                                     | 101828101 | 12-23, 12-29              | 101838601 | 15-5, 15-7, 15-11                              |
| 101802201 | 15-3                                                                             | 101828301 | 15-3                      | 101838701 | 15-5, 15-9, 15-11                              |
| 101802202 | 15-3                                                                             | 101828501 | 15-3, 15-5, 15-9, 15-11   | 101840203 | 12-17, 12-33, 12-49                            |
| 101802203 | 15-3                                                                             | 101828601 | 12-45, 15-3, 15-9         | 101841701 | 15-9                                           |
| 101802301 | 15-9                                                                             | 101828801 | 15-3                      | 101841801 | 15-11                                          |
| 101802401 | 12-51                                                                            | 101828802 | 15-3                      | 101841901 | 15-9, 15-11                                    |
| 101804201 | 4-15                                                                             | 101828901 | 15-3, 15-5, 15-7          | 101850301 | 8-13                                           |
| 101804301 | 4-15, 8-13, 8-15, 8-17, 12-19                                                    | 101828902 | 15-3, 15-5, 15-7          | 101851101 | 6-13, 6-33, 12-47                              |
| 101805701 | 8-13                                                                             | 101828903 | 15-3, 15-5                | 101855801 | 6-3                                            |
| 101808401 | 16-3                                                                             | 101829001 | 15-9, 15-11               | 101855901 | 7-27                                           |
| 101809001 | 12-19                                                                            | 101829101 | 12-39, 12-43, 15-9, 15-11 | 101856102 | 6-11, 6-29                                     |
| 101809101 | 16-3                                                                             | 101830601 | 6-13, 6-33, 12-47         | 101856201 | 8-13                                           |
| 101810801 | 12-51                                                                            | 101830701 | 6-13, 6-33, 12-13, 12-47  | 101859301 | 9-3                                            |
| 101811301 | 8-17                                                                             | 101831101 | 15-3                      | 101859401 | 9-5                                            |
| 101811401 | 8-13                                                                             | 101831503 | 15-5                      | 101861901 | 4-13, 4-15, 12-19                              |
| 101811501 | 8-13                                                                             | 101831504 | 15-5                      | 101862001 | 4-13, 4-15                                     |
| 101811901 | 8-13, 8-15, 8-17                                                                 | 101831601 | 15-11                     | 101865106 | 12-11, 12-29, 12-31, 12-39,<br>12-43           |
| 101812301 | 8-13, 8-15, 8-17                                                                 | 101831701 | 15-5                      | 101865301 | 4-9                                            |
| 101813001 | 8-13, 8-15, 8-17                                                                 | 101831702 | 15-5                      | 101869001 | 4-11                                           |
| 101813202 | 16-3                                                                             | 101831801 | 16-3                      | 101869302 | 6-37                                           |
| 101814201 | 12-47                                                                            | 101831901 | 16-3                      | 101870401 | 1-3                                            |
| 101814301 | 15-9                                                                             | 101832001 | 12-15, 12-35              | 101870501 | 5-11, 5-15                                     |
| 101814302 | 15-11                                                                            | 101832101 | 7-27                      | 101870601 | 5-15                                           |
| 101814701 | 12-47                                                                            | 101832201 | 8-11                      | 101871001 | 16-3                                           |
| 101815501 | 4-3                                                                              | 101832202 | 8-11                      | 101871901 | 4-13                                           |
| 101815502 | 4-3                                                                              | 101832301 | 8-11                      | 101872701 | 4-11                                           |
| 101816301 | 4-3                                                                              | 101832302 | 8-11                      | 101874601 | 4-9, 4-11                                      |
| 101816501 | 4-3                                                                              | 101832401 | 8-11                      | 101874901 | 6-37                                           |
| 101816502 | 4-3                                                                              | 101832402 | 8-11                      | 101875001 | 6-37                                           |
| 101817401 | 4-13, 4-15                                                                       | 101832501 | 8-11                      | 101875101 | 6-37                                           |
| 101818801 | 4-13                                                                             | 101832601 | 7-27                      | 101875201 | 6-37                                           |
|           |                                                                                  | 101832701 | 7-27                      | 101875301 | 6-37                                           |
|           |                                                                                  | 101832901 | 7-27                      |           |                                                |
|           |                                                                                  | 101833001 | 7-27                      |           |                                                |



# INDEX

|           |                                                          |           |                                             |           |                                                                   |
|-----------|----------------------------------------------------------|-----------|---------------------------------------------|-----------|-------------------------------------------------------------------|
| 101875401 | 6-37                                                     | 101893201 | 11-5                                        | 101909905 | 12-33                                                             |
| 101875501 | 6-37                                                     | 101894303 | 1-9, 1-11                                   | 101910401 | 12-17                                                             |
| 101875601 | 6-37                                                     | 101894702 | 1-19                                        | 101910501 | 11-7                                                              |
| 101875701 | 6-37                                                     | 101894901 | 12-15, 12-35, 12-51                         | 101911003 | 12-9                                                              |
| 101875802 | 6-37                                                     | 101895101 | 12-19                                       | 101911101 | 12-9, 12-11                                                       |
| 101876001 | 6-37                                                     | 101895401 | 14-3                                        | 101911601 | 12-23, 12-25, 12-39                                               |
| 101876202 | 6-37                                                     | 101895501 | 14-3                                        | 101911701 | 12-33, 12-49                                                      |
| 101876301 | 6-37                                                     | 101895601 | 14-3                                        | 101912401 | 4-13                                                              |
| 101876402 | 6-37                                                     | 101895701 | 14-3                                        | 101914401 | 6-23, 6-27, 6-31, 12-39, 12-43,<br>12-45, 15-3, 15-5, 15-9, 15-11 |
| 101876501 | 6-37                                                     | 101895801 | 14-3                                        | 101915201 | 3-5, 3-11                                                         |
| 101876901 | 5-13, 5-17                                               | 101895901 | 14-3                                        | 101915401 | 7-11                                                              |
| 101877001 | 5-13, 5-17                                               | 101896001 | 14-3                                        | 101915501 | 7-13                                                              |
| 101877601 | 6-37                                                     | 101896501 | 6-37                                        | 101915601 | 7-3                                                               |
| 101877701 | 6-37                                                     | 101896901 | 8-3                                         | 101915701 | 7-5                                                               |
| 101878101 | 6-37                                                     | 101897001 | 14-3                                        | 101915801 | 7-5                                                               |
| 101878201 | 4-7, 4-9                                                 | 101897201 | 14-3                                        | 101915901 | 7-23                                                              |
| 101878302 | 5-5                                                      | 101897401 | 14-3                                        | 101916001 | 7-25                                                              |
| 101879001 | 6-37                                                     | 101897601 | 14-3                                        | 101916101 | 7-15                                                              |
| 101879401 | 5-5                                                      | 101897901 | 14-3                                        | 101916201 | 7-17                                                              |
| 101879501 | 5-5                                                      | 101898001 | 6-41                                        | 101916301 | 7-17                                                              |
| 101879601 | 5-5                                                      | 101900801 | 4-3, 5-19                                   | 101916501 | 10-3                                                              |
| 101879701 | 5-5                                                      | 101900901 | 6-13                                        | 101916701 | 6-39, 10-3                                                        |
| 101879801 | 5-5                                                      | 101901201 | 12-9, 12-11                                 | 101917601 | 8-13, 8-15, 8-17                                                  |
| 101879901 | 5-5                                                      | 101901301 | 12-9, 12-11                                 | 101917701 | 8-13                                                              |
| 101880001 | 5-5                                                      | 101901401 | 12-9, 12-11                                 | 101918301 | 12-33, 12-49                                                      |
| 101880101 | 5-5                                                      | 101901501 | 12-11                                       | 101920101 | 12-5, 12-7, 12-17, 12-19,<br>12-33, 12-51                         |
| 101880201 | 5-5                                                      | 101902801 | 12-9, 12-11                                 | 101921501 | 8-13, 8-15, 8-17                                                  |
| 101880301 | 5-5                                                      | 101902901 | 12-9, 12-11                                 | 101921601 | 1-15                                                              |
| 101881101 | 7-5, 7-17                                                | 101903001 | 12-9, 12-11                                 | 101921901 | 3-5, 3-11                                                         |
| 101881701 | 8-13, 8-15, 8-17                                         | 101903101 | 5-9, 5-13, 5-17                             | 101922101 | 14-3                                                              |
| 101883002 | 12-9, 12-11, 12-23, 12-25,<br>12-29, 12-31, 12-39, 12-43 | 101903501 | 8-11                                        | 101922201 | 14-3                                                              |
| 101884801 | 7-27                                                     | 101903601 | 14-3                                        | 101922301 | 7-13                                                              |
| 101887101 | 16-3                                                     | 101903701 | 14-3                                        | 101922302 | 7-25                                                              |
| 101887601 | 7-3, 7-15, 8-9                                           | 101904401 | 12-23, 12-25, 12-29, 12-31                  | 101922601 | 6-3, 11-3                                                         |
| 101888501 | 1-9, 1-11                                                | 101904402 | 12-39, 12-43                                | 101922801 | 1-15                                                              |
| 101888502 | 1-9, 1-11                                                | 101904501 | 12-23, 12-25, 12-29, 12-31                  | 101922801 | 1-15                                                              |
| 101889401 | 11-5                                                     | 101904502 | 12-39, 12-43                                | 101923001 | 14-3                                                              |
| 101889901 | 11-5                                                     | 101904601 | 12-23, 12-25, 12-29, 12-31                  | 101923201 | 14-3                                                              |
| 101890001 | 11-5                                                     | 101904602 | 12-39, 12-43                                | 101923501 | 14-3                                                              |
| 101890101 | 11-3                                                     | 101904701 | 12-23, 12-25, 12-29, 12-31                  | 101923601 | 14-3                                                              |
| 101890201 | 11-3                                                     | 101904702 | 12-39, 12-43                                | 101923701 | 14-3                                                              |
| 101890601 | 11-3                                                     | 101905601 | 8-5, 8-9                                    | 101923901 | 14-3                                                              |
| 101890901 | 11-7                                                     | 101905901 | 8-7, 8-9                                    | 101924301 | 12-33, 12-49                                                      |
| 101891001 | 11-7                                                     | 101906201 | 14-3                                        | 101925701 | 8-13, 8-15, 8-17                                                  |
| 101891301 | 11-3                                                     | 101906901 | 14-3                                        | 101926501 | 5-19, 5-21                                                        |
| 101891401 | 11-7                                                     | 101908701 | 12-17, 12-33, 12-49                         | 101926801 | 8-15                                                              |
| 101891501 | 11-7                                                     | 101908801 | 12-23, 12-25, 12-29, 12-31,<br>12-39, 12-43 | 101926802 | 8-17                                                              |
| 101891601 | 11-5                                                     | 101908901 | 12-23, 12-25, 12-29, 12-31                  | 101927101 | 11-3                                                              |
| 101891901 | 11-5                                                     | 101908902 | 12-39, 12-43                                | 101927201 | 11-3                                                              |
| 101892001 | 11-5                                                     | 101909201 | 7-5, 7-17                                   | 101927501 | 11-5                                                              |
| 101892201 | 11-5                                                     | 101909301 | 7-5, 7-17                                   | 101927601 | 11-5                                                              |
| 101892301 | 11-5                                                     | 101909401 | 7-5, 7-17                                   | 101927901 | 11-5                                                              |
| 101892401 | 11-5                                                     | 101909501 | 7-5, 7-17                                   | 101928001 | 11-5                                                              |
| 101892501 | 11-5                                                     | 101909701 | 7-3                                         | 101928101 | 11-5                                                              |
| 101892601 | 11-5                                                     | 101909901 | 12-17                                       | 101928301 | 11-7                                                              |
| 101892701 | 11-7                                                     | 101909903 | 12-51                                       | 101928701 | 11-3, 14-3, 16-5                                                  |

# INDEX

|           |                            |           |                   |           |                     |
|-----------|----------------------------|-----------|-------------------|-----------|---------------------|
| 101929401 | 5-19, 5-21                 | 101969701 | 6-33, 12-47       | 102004601 | 1-27                |
| 101929501 | 8-3                        | 101971001 | 8-13, 8-17        | 102004602 | 1-27                |
| 101929801 | 10-3                       | 101971101 | 12-5              | 102004801 | 6-3                 |
| 101930801 | 12-11, 12-29, 12-31, 12-43 | 101971301 | 8-13, 8-15, 8-17  | 102004901 | 5-23                |
| 101931501 | 3-11                       | 101972003 | 16-7              | 102006601 | 5-21                |
| 101931601 | 12-51                      | 101972005 | 16-7              | 102006701 | 3-7                 |
| 101932001 | 12-5                       | 101972006 | 16-7              | 102009201 | 2-3                 |
| 101932201 | 6-33, 12-47                | 101972007 | 16-7              | 102009301 | 2-3                 |
| 101932801 | 12-5                       | 101972101 | 14-3              | 102009401 | 2-3                 |
| 101932901 | 11-7                       | 101972201 | 14-3              | 102009501 | 2-3                 |
| 101933101 | 16-5                       | 101972401 | 14-3              | 102009901 | 2-3                 |
| 101933701 | 8-15                       | 101972801 | 8-13, 8-15, 8-17  | 102010001 | 2-3                 |
| 101935301 | 5-11, 5-15                 | 101973101 | 8-5, 8-7          | 102022101 | 4-3, 4-5, 4-7       |
| 101935501 | 12-13, 12-47               | 101973201 | 8-5               | 102025401 | 5-11                |
| 101936801 | 12-7                       | 101973301 | 8-7               | 102025901 | 6-33                |
| 101939901 | 6-37                       | 101973401 | 8-9               | 102026001 | 4-13, 4-15          |
| 101942301 | 12-5, 12-17, 12-33, 12-51  | 101973501 | 15-7              | 102061201 | 16-7                |
| 101946201 | 1-9, 1-11                  | 101975101 | 5-21              | 102065901 | 1-13, 1-17, 1-23    |
| 101946901 | 12-5                       | 101975201 | 5-21              | 102066001 | 1-13, 1-17, 1-23    |
| 101947601 | 7-23                       | 101976001 | 14-3              | 102075801 | 3-7                 |
| 101949201 | 12-5                       | 101976601 | 15-7              | 102101001 | 12-7                |
| 101951501 | 6-3                        | 101979101 | 6-3, 12-3         | 102101101 | 12-7                |
| 101953001 | 4-7, 4-9                   | 101980801 | 11-5              | 102156201 | 3-3                 |
| 101953101 | 4-7, 4-9                   | 101980901 | 11-5              | 102156401 | 3-3                 |
| 101953102 | 4-7, 4-9                   | 101981001 | 11-5              | 102156501 | 3-3                 |
| 101953103 | 4-9                        | 101984801 | 5-3               | 102156601 | 3-11                |
| 101953801 | 7-15                       | 101987402 | 6-5               | 102156901 | 3-3                 |
| 101953802 | 7-15                       | 101987501 | 15-7              | 102157101 | 3-3                 |
| 101953901 | 7-3                        | 101987701 | 8-3               | 102157201 | 3-7                 |
| 101954301 | 1-9, 1-11                  | 101987901 | 6-15, 6-31, 12-45 | 102157301 | 3-11                |
| 101955001 | 5-11, 5-15                 | 101988001 | 6-15, 6-31, 12-45 | 102157501 | 3-3                 |
| 101955101 | 6-31, 12-45                | 101988002 | 6-15, 6-31, 12-45 | 102157701 | 3-3                 |
| 101955301 | 8-3                        | 101988101 | 6-15, 6-31, 12-45 | 102157801 | 3-3                 |
| 101956201 | 15-7                       | 101988201 | 6-15, 6-31, 12-45 | 102157901 | 3-11                |
| 101956202 | 15-7                       | 101989802 | 6-23              | 102158201 | 3-3                 |
| 101957101 | 6-33, 12-47                | 101989901 | 12-39, 12-43      | 102158401 | 3-3                 |
| 101957501 | 12-51                      | 101990102 | 6-7, 6-9, 6-17    | 102158501 | 3-7                 |
| 101958101 | 8-13                       | 101990202 | 6-23              | 102158601 | 3-11                |
| 101958102 | 8-15                       | 101990302 | 6-19              | 102160101 | 1-7                 |
| 101958201 | 15-7                       | 101990402 | 6-27              | 102162101 | 12-11               |
| 101958301 | 15-7                       | 101990701 | 6-13, 6-33        | 102162501 | 12-29, 12-31, 12-43 |
| 101958601 | 1-9, 1-11, 1-15            | 101990801 | 4-7, 4-9          | 102166901 | 4-5, 4-9            |
| 101960001 | 3-9                        | 101991101 | 6-13, 6-33        | 102169401 | 16-5                |
| 101960101 | 3-3                        | 101992602 | 6-11              | 102184501 | 3-7                 |
| 101960201 | 3-3                        | 101992701 | 6-29              | 102184502 | 3-7                 |
| 101960501 | 3-5, 3-11                  | 101997201 | 16-7              | 102199001 | 6-31                |
| 101960601 | 3-3, 3-7, 3-9              | 101997202 | 16-7              | 102199201 | 6-27                |
| 101962601 | 12-51                      | 101997204 | 16-7              | 102199301 | 6-27                |
| 101963301 | 1-9, 1-11                  | 101997209 | 16-7              | 102199401 | 6-27                |
| 101963401 | 1-9, 1-11, 1-19            | 101997211 | 16-7              | 102224001 | 1-27                |
| 101963901 | 1-9, 1-11                  | 101997212 | 16-7              | 102235201 | 13-3                |
| 101964001 | 1-9, 1-11                  | 102003201 | 8-3               | 102237701 | 13-3                |
| 101964601 | 3-11                       | 102004001 | 5-13, 5-17        | 102241501 | 16-5                |
| 101965201 | 12-17                      | 102004101 | 5-3               | 102242101 | 10-5                |
| 101966801 | 12-51                      | 102004201 | 5-21              | 102243402 | 16-5                |
| 101966901 | 4-13                       | 102004301 | 1-7               | 102248801 | 16-5                |
| 101968801 | 12-51                      | 102004401 | 1-7               | 102249901 | 16-3                |

# INDEX

102250201 12-3  
102251501 16-5  
102259401 1-23  
102271601 7-23  
102273101 12-49  
102278001 5-3  
102301401 1-15  
102304701 7-9  
102304801 7-21  
102323101 4-7, 4-9  
102323201 4-7, 4-9  
102330901 16-5  
102336001 8-11  
102336101 8-11  
102355301 6-41  
102430901 7-25  
102431001 7-23

## A

ac cord receptacle 15-7  
accelerator pedal 4-13, 4-15  
accelerator pedal adjustment tool 16-3  
accelerator pedal return spring cup 4-13  
accelerator pivot rod 4-13, 4-15  
accelerator rod 4-13  
access door 1-23  
a-connector (starter/generator) 6-37  
actuator, brake 4-5, 4-11  
adapter, cable (IQDM) 16-5  
adapter, two-way 12-51  
adhesive, guide ring 16-3  
adjuster, hydraulic brake 16-5  
adjusting stud 12-5  
air box 8-13, 8-15, 8-17  
air box top 8-13, 8-15, 8-17  
air duct 8-13, 8-15, 8-17  
air duct repair 8-13  
ammeter (charger) 15-3, 15-5, 15-7, 15-9, 15-11  
anchor body 4-5, 4-11  
a-plate strap 5-7, 5-11, 5-15  
arbor 16-7  
arm  
    brake lever 4-5, 4-11  
    governor lever 11-3  
    pivot 11-3  
    rocker 7-9, 7-21  
    speed switch 12-5  
armature 6-37, 13-3  
armrest 1-9, 1-11  
assembly  
    3-pin plug 12-11, 12-29, 12-31, 12-43  
    3-wire and receptacle 12-5  
    48-volt motor 13-3  
    ac voltage suppressor 15-7  
    armature 6-37  
    axle 11-7, 14-3

axle tube 11-7, 14-3  
battery charger case 15-9, 15-11  
bearing (steering column) 5-3  
bell crank and shaft 6-11, 6-29  
bolt (float chamber) 8-5, 8-7  
carburetor 8-5, 8-7, 8-9  
charger case 15-3, 15-5, 15-7  
connecting rod 7-13, 7-25  
cylinder head 7-9, 7-21  
delta a-plate 5-7, 5-11, 5-15  
delta shock and gear support 5-11, 5-15  
diode 6-29, 12-17, 12-33, 12-49  
float (carburetor) 8-5, 8-7  
float chamber 8-5, 8-7  
forward/reverse shifter 6-3  
forward/reverse switch 12-3  
fuse (charger) 15-3, 15-5, 15-7, 15-9, 15-11  
headlight 6-15, 6-31  
heatsink 15-3, 15-5, 15-7, 15-9, 15-11  
horn 6-31  
hub 5-9, 5-13, 5-17  
idle screw 8-5, 8-7  
lever (brake) 4-3  
limiter 15-7  
pilot air screw 8-5, 8-7  
resistor 12-17, 12-33, 12-49  
rod 7-13, 7-25  
scorecard plate 5-3  
screw (float chamber) 8-5  
spindle 5-9, 5-13, 5-17  
stator shell 13-3  
steering column 5-3  
switch brush 12-5  
taillight 6-35  
transformer 15-3, 15-5, 15-7, 15-9, 15-11  
turn signal lens 6-15, 6-31  
voltage regulator 6-11  
voltage suppressor 6-27, 6-31, 12-39, 12-43, 12-45, 15-3, 15-5, 15-9, 15-11  
voltage suppressor 6-23  
wheel and tire 2-3  
wiper switch 12-5  
wire 6-5, 6-7, 6-9, 6-11, 6-17, 6-19, 6-23, 6-27, 6-29, 6-31, 6-35, 6-39, 12-5, 12-9, 12-15, 12-19, 12-23, 12-25, 12-29, 12-31, 12-35, 12-39, 12-43, 12-53  
wire, sense lead 12-15  
axle 11-7, 14-3  
axle tube 11-7, 14-3

## B

backing plate (brake) 4-3, 4-5, 4-11  
ball bearing, output shaft 6-37  
ball joint 5-11, 5-15, 6-3

ball joint (tie rod) 5-7  
ball joint, inner 5-5  
ball joint, left-hand thread 5-5, 5-7, 5-11, 5-15  
ball stud 6-3, 6-11  
ball stud (accelerator pedal) 4-13  
ball stud (shifter lever) 11-3  
ball, steel (shift fork retainer) 11-5  
ball, steel, pressure relief 7-7, 7-19  
band, rpm limiter mount 7-5, 7-17  
bar  
    bus 12-3  
    drive 12-7  
    stabilizer 5-23  
barb, vent 8-3  
barrel, plastic 1-3, 1-9, 1-11, 1-19  
base, forward/reverse shifter 6-3  
battery  
    8-volt 12-15, 12-35, 12-53  
    8-volt, dry 12-35, 12-53  
battery cap 12-15  
battery charger, onboard, PowerDrive 15-9, 15-11  
battery charger, PowerDrive 15-3, 15-5, 15-7  
battery clamp 6-41  
battery condition indicator 12-47  
battery discharge machine 16-3  
battery hold-down 12-15  
battery terminal protector spray 16-3  
battery thermometer 16-3  
battery warning light 12-13, 12-47  
battery, 12-volt 6-41  
bearing  
    ball 7-11  
    ball (motor) 13-3  
    ball, input shaft 11-5  
    ball, output shaft 6-37  
    bronze 12-5  
    counterbalance 7-25  
    crankshaft 7-23  
    differential 14-3  
    hub 5-13, 5-17  
    idler 10-3  
    inner axle tube 11-7  
    input gear 14-3  
    intermediate gear 14-3  
    lower pinion 5-5  
    needle 11-5  
    outer axle tube 11-7  
    pivot support 4-13, 4-15, 12-19  
    plain 7-13  
    thrust 5-9, 5-13, 5-17  
    upper pinion 5-5  
bearing and oil seal remover 16-3  
bearing driver set 16-3  
bearing puller 16-3

# INDEX

- bearing puller wedge 16-3
- bearing retainer 13-3
- bearing retainer (starter/generator) 6-37
- bearing retainer screw 13-3
- bell crank 12-5
- bell crank and shaft 6-11, 6-29
- bell crank, forward/reverse 6-3
- belt, drive 10-3, 10-5
- belt, starter/generator 6-39, 10-3
- bezel, choke cable 8-15
- bezel, headlight 6-15, 6-31, 12-45
- bezel, receptacle 12-15, 12-35
- block
  - brake pedal mounting 4-7
  - fuse 6-11, 6-29, 12-49
  - terminal 6-31, 12-45, 12-49, 12-51
- board, control 15-9, 15-11
- body, front 1-3, 1-7
- bolt, brake cluster mounting 4-3
- bolt, j- 12-15
- boot
  - dust 5-5, 5-7
  - rubber 8-3
  - steering column 5-3
- bottom, air box 8-13, 8-15, 8-17
- box, electrical component 6-11, 6-29
- brace, trailer hitch 1-27
- bracket
  - accelerator support 8-11
  - adjusting (starter/generator) 6-39
  - brake cable guide 5-11, 5-15
  - brake light switch 6-33, 12-47
  - fuel gauge/hour meter 6-13, 6-33
  - fuel pump mounting 8-3
  - governor cable engine 8-11
  - horn 6-31, 12-45
  - hour meter 12-15
  - mounting 6-15, 6-31, 6-39, 12-45, 15-9, 15-11
  - muffler mounting 9-3, 9-5
  - oil filter 7-7, 7-19
  - oil level switch 7-11, 7-23
  - relay 15-9
  - relay mounting 6-29, 15-5, 15-11
  - retaining 8-17
  - rpm limiter 7-5, 7-17
  - shroud 7-3
  - snubber 7-27
  - stabilizer bar mounting 5-23
  - stake side 1-25
  - support 8-11
  - tailgate 1-19
  - throttle 8-9
  - transmission cable support 6-3, 11-3
- brake actuator 4-5, 4-11
- brake adjusting mechanism 4-3
- brake adjustment tool 16-3
- brake arm lever 4-5, 4-11
- brake cable 4-3, 4-5, 4-7, 4-9, 4-11
- brake cable equalizer 4-7
- brake cable hanger 4-3, 4-5
- brake cluster 4-3, 4-5, 4-11
- brake drum 4-3, 4-5, 4-11
- brake pedal 4-7, 4-9
- brake pedal adjustment tool 16-3
- brake pedal mounting block 4-7, 4-9
- brake pedal pad 4-7
- brake pedal stop bumper 4-7
- brake pedal tension tool 16-3
- brake shoe 4-3, 4-5, 4-11
- brake spring 4-3, 4-5, 4-11
- breaker
  - circuit 15-11
  - circuit, 10-amp 15-5, 15-7
  - circuit, 15-amp 15-3, 15-9
- breather 14-3
- breather, transaxle case 11-3
- bronze bushing 6-3, 6-11
- brush 6-37, 13-3
- brush connector 6-37
- brush guard 1-7
- brush holder 6-37
- brush holder screw 13-3
- brush inspection port cover 6-37
- brush spring 6-37, 12-5, 13-3
- bulb 6-35, 12-53
- bulb, halogen 6-15, 6-31, 12-45
- bumper
  - brake pedal stop 4-7
  - front 1-3, 1-7
  - heavy duty 1-3
  - jounce 5-19
  - motor 13-3
  - rear 1-29
  - return spring 4-13, 4-15
  - rubber 1-15, 1-23, 4-9
  - seat 1-9, 1-11
  - wiper switch 12-5
- bumper guard side trim 1-3
- bus bar 12-3
- bushing
  - bronze 5-9, 5-13, 5-17, 6-3, 6-11, 6-29
  - bronze spindle 5-13, 5-17
  - drive clutch 10-3
  - insulator (motor) 13-3
  - nylon 1-19
  - snap 12-33, 12-49
  - stabilizer bar 5-23
  - steel 1-13, 1-17, 1-23, 5-9, 5-13, 5-17, 5-19, 5-21
  - strain relief 15-3, 15-5, 15-7, 15-9, 15-11
  - tailgate latch 1-19
  - urethane 1-13, 1-17, 1-23, 5-7, 5-9, 5-11, 5-13, 5-15, 5-17, 5-19, 5-21
- button
  - choke 8-13
  - driven clutch 10-5
  - horn 6-33, 12-47
- buzzer, reverse 12-13
- C**
- cable
  - accelerator 8-11
  - accelerator, snap-in 8-11
  - brake 4-3, 4-5, 4-7, 4-9, 4-11
  - choke 8-15, 8-17
  - governor 8-11
  - governor, snap-in 8-11
  - IQDM 16-5
  - transmission 6-3
- cable retainer 6-3
- calibration test module 16-3
- cam (driven clutch) 10-5
- cam installation tool 16-3
- cam, electrical box 6-11, 6-29
- cam, neutral lockout 6-3
- camshaft 7-23
- camshaft, complete 7-11
- cap
  - battery 12-35, 12-53
  - battery (4-port) 12-15
  - corner 1-9, 1-11, 1-19
  - fuel tank 8-3
  - key switch 6-13, 6-33, 12-13, 12-47
  - seat back 1-9, 1-11
  - spark plug 7-5, 7-17
- carburetor 8-5, 8-7, 8-9
- card, safety first 16-5
- care kit, vehicle 16-7
- cargo box 1-19
- carrier, wiper switch arm 12-5
- case
  - charger 15-3, 15-5, 15-7
  - gear carrier 11-7
  - rocker 7-9, 7-21
  - wiper switch 12-5
- charger case 15-3, 15-5, 15-7
- charger, onboard battery, PowerDrive 15-9, 15-11
- charger, PowerDrive battery 15-3, 15-5, 15-7
- choke button 8-13
- circlip, type-e 7-9, 7-21
- circuit breaker 15-11
- circuit breaker, 10-amp 15-5, 15-7
- circuit breaker, 15-amp 15-3, 15-9
- clamp
  - battery 6-41
  - brake cable 5-11, 5-15
  - cable retaining 8-11

# INDEX

forward/reverse shifter 6-3  
hose 8-3, 8-9, 8-13, 8-15, 8-17  
muffler 9-3, 9-5  
plastic 8-3  
wire 7-5, 7-11, 7-17, 7-23, 12-33, 12-49  
clamp screw 13-3  
clevis, upper delta 5-9, 5-13, 5-17  
clip 5-3  
clip, angle 1-21  
cluster, brake 4-3, 4-5, 4-11  
clutch alignment tool 16-3  
clutch tool kit 16-3  
coil, field 6-37  
coil, ignition 7-5, 7-17  
collar (axle shaft) 11-7  
collet 7-9, 7-21  
column, steering 5-3  
communication display module 16-3  
compartment door 1-21  
component mounting plate 12-17  
compression gauge 16-3  
compressor, piston ring 16-5  
compressor, valve spring 16-7  
computer, onboard 12-17, 12-33  
conduit, electrical 12-19  
connecting rod 7-13, 7-25  
connector, 3-pin 12-17, 12-19, 12-33, 12-51  
connector, cord (oil level sensor) 7-23  
connector, oil level sensor 7-11  
continuity tester 16-5  
control board 15-9, 15-11  
controller, 48-volt (300-amp) 12-17, 12-33, 12-49  
cord receptacle, ac 15-7  
cord, dc 12-39, 12-43  
cordset, ac (charger) 15-3, 15-5, 15-7, 15-9, 15-11  
cordset, dc (charger) 15-3, 15-5, 15-7, 15-9, 15-11  
cover  
accelerator 4-15, 12-19  
brush inspection port 6-37  
component 12-51  
crankcase 7-11, 7-23  
dust 4-3, 4-5, 4-11, 5-9, 5-13, 5-17  
electrical component box 6-11, 6-29  
fuse block 12-49  
gear case 11-7  
pump 7-7, 7-19  
screw head 1-5  
steering column 5-3  
vinyl seat back 1-9, 1-11  
vinyl seat bottom 1-9, 1-11  
wiper switch 12-5  
crank, bell 12-5  
crankcase 7-13, 7-25

crankshaft, fe290 7-13  
crankshaft, fe350 7-25  
cup, accelerator pedal return spring 4-13  
cup, spring 4-15  
current limiter 15-7  
cutter, valve seat 16-7  
cylinder head 7-9  
cylinder head, fe350 7-21

## D

damper, rpm limiter 7-5, 7-17  
panel, center dash 1-5, 1-7  
dash component 1-5, 1-7  
dc cord 12-39, 12-43  
decal  
battery danger 3-5, 3-11  
bed bolt 3-11  
bed latch warning 3-3, 3-7  
bed load warning 1-19, 3-3, 3-7, 3-11  
Carryall 1 3-3  
Carryall 2 3-3  
Carryall 2 Plus 3-3  
Carryall 2 XRT 3-7  
Carryall 6 3-11  
Club Car tailgate 1-19  
component cover 3-11  
crush area 3-3, 3-7, 3-9  
driver/passenger warning 3-3, 3-7, 3-9  
frame ground and governor warning 3-5, 3-11  
gasoline warning 3-5, 3-11  
Ingersoll-Rand 3-5, 3-11  
key switch 3-3, 3-7, 3-9  
no ground 3-11  
operating instructions 3-3, 3-7, 3-9  
potentiometer 3-5  
rotating parts 1-27  
rotating parts and hot manifold 3-5, 3-11  
trailer hitch 1-27, 3-5  
Turf 1 3-3  
Turf 2 3-3  
Turf 2 XRT 3-7  
Turf 6 3-11  
vehicle loading 3-3, 3-7, 3-9  
wiper switch warning 12-5  
young driver warning 3-7  
delta a-plate 5-7  
delta shock and gear support 5-7  
delta sleeve 5-7  
differential bearing 14-3  
differential gear 11-7, 14-3  
differential gear case 11-7  
differential housing 14-3  
differential idler gear 11-7, 14-3  
differential pin 11-7, 14-3  
diode 12-17, 12-33, 12-49  
dipstick 7-3, 7-15

discharge machine, battery 16-3  
double lip seal 5-9  
drag link, rack and pinion 5-5  
drive bar 12-7  
drive belt 10-3  
drive clutch 10-3  
drive clutch button 10-3  
drive clutch holder tool 16-3  
drive clutch hub puller 16-3  
drive clutch puller 16-3  
drive clutch weight 10-3  
drive hub 10-3  
driven clutch 10-5  
driven clutch button 10-5  
driven clutch cam puller 16-3  
driven clutch puller plug 16-3  
driver, drive clutch 10-3  
drum, brake 4-3, 4-5, 4-11  
dry moly lubricant 16-5  
dust boot 5-5, 5-7  
dust cover 4-3, 4-5, 4-11, 5-9, 5-13, 5-17

## E

8-volt battery 12-15, 12-35, 12-53  
eccentric adjustment 5-9, 5-13, 5-17  
electrical box cam 6-11  
electrical component box 6-29  
end bell, commutator 6-37  
end bell, output shaft 6-37  
end shield 13-3  
engine, gasoline 7-3, 7-15  
equalizer and pivot limiter 4-9  
equalizer rod 4-7, 4-9  
equalizer spacer 4-9  
equalizer, brake cable 4-7  
exhaust 9-5  
exhaust gasket 9-3  
exhaust system 9-3  
extension, shifter bracket 6-3  
extrusion, front fender 1-7

## F

48-volt motor, 3.10-hp 13-3  
48-volt solenoid 12-17, 12-33, 12-49  
fan, flywheel 7-5, 7-17  
fe290 ohv gasoline engine 7-3  
fe350 ohv gasoline engine 7-15  
extrusion, fender 1-3  
fender extrusion, front 1-7  
fender, rear 1-27, 1-29  
field coil (starter/generator) 6-37  
fill plug 14-3  
filter 7-19  
filter, air 8-13, 8-15, 8-17  
filter, fuel 8-3  
fitting, grease 5-9

# INDEX

fitting, thread-forming grease 5-5, 5-7  
fixed face 10-3, 10-5  
flat bed 1-23  
float (carburetor) 8-5, 8-7  
float chamber 8-5, 8-7  
floor mat 1-7, 1-21  
flywheel 7-5, 7-17  
flywheel puller 16-5  
fork, shift 11-5  
forward/reverse bell crank 6-3  
forward/reverse handle 6-3  
forward/reverse shifter 6-3  
forward/reverse shifter base 6-3  
forward/reverse shifter clamp 6-3  
forward/reverse switch 12-3  
forward/reverse switch handle 12-3  
frame, bed 1-23  
frame, tilt bed 1-13, 1-17  
front panel, cargo box 1-19  
front spring retainer plate 5-9  
f-terminal insulator 6-37  
fuel gauge 6-13, 6-33  
fuel tank 8-3  
fuel tank strap 8-3  
fuel tank vent 8-3  
fuse  
    10-amp 6-11, 6-29  
    20-amp 6-7, 6-11, 6-17, 6-29, 12-49  
    3/8-amp 12-15, 12-35  
    48-volt 12-35  
    charger 15-3, 15-5, 15-7, 15-9, 15-11  
fuse and receptacle 12-35  
fuse block 6-11, 6-29, 12-49

## G

gasket  
    carburetor mounting 8-9  
    crankcase cover 7-11, 7-23  
    drain plug 7-7, 7-19, 11-3  
    exhaust 9-3, 9-5  
    float chamber 8-5, 8-7  
    head 7-9, 7-21  
    heat transfer 12-51  
    insulator 8-9  
    light socket 6-35, 12-53  
    liquid 14-3, 16-5  
    liquid (transaxle case) 11-3  
    oil pump 7-7, 7-19  
    plug 14-3  
    rocker case 7-9, 7-21  
gasket kit 7-9, 7-21  
gauge, compression 16-3  
gauge, fuel 6-13, 6-33  
gear  
    cluster idler 11-5  
    differential 11-7, 14-3  
    differential idler 11-7, 14-3

    helical 7-13, 7-25  
    input 11-5  
    intermediate 14-3  
    output 11-7, 14-3  
    spur 7-13, 7-25  
    spur (transaxle) 11-5  
gear case 11-3, 14-3  
gear yoke 16-5  
governor 11-5  
governor lever arm 11-3  
governor shaft installation tool 16-5  
grease fitting 5-5, 5-7, 5-9  
grip, hand 1-19  
grip, pencil 5-3  
grommet 7-5, 7-17, 8-17  
    5/8 12-51  
    insulation 8-3  
    split 12-5  
guard  
    brush 1-7  
    governor 8-9  
    unitized transaxle 11-7  
guide  
    choke lever 8-13  
    oil (transaxle) 11-5  
    steering rack 5-5  
    valve 7-9, 7-21  
    valve seat cutter 16-7  
guide ring adhesive 16-3

## H

hand grip, tilt latch 1-13, 1-17  
handle, forward/reverse 6-3  
handle, forward/reverse switch 12-3  
hanger, brake cable 4-3, 4-5, 5-19, 5-21  
hardware, terminal (starter/generator) 6-37  
harness, headlight wire 6-15, 6-31, 12-45  
harness, wire 6-23, 6-27, 12-9, 12-11, 12-23, 12-25, 12-29, 12-31, 12-39, 12-43  
headlight 12-45  
heatsink 15-3, 15-5, 15-7, 15-9, 15-11  
hinge, access door 1-21  
hinge, compartment door 1-21  
hold-down, battery 12-15, 12-35, 12-53  
holder, radio/beverage 1-5, 1-7  
horn 6-33, 12-45, 12-47  
hose, intake 8-13, 8-15, 8-17  
hour meter 6-13, 6-33, 12-15, 12-35  
housing  
    cord 1-11, 15-9, 15-11  
    differential 14-3  
    fan 7-3, 7-15  
    field coil (starter/generator) 6-37  
    potentiometer 12-19  
    taillight 6-35, 12-53  
hub 5-9  
hub, synchronizer clutch 11-5

hydraulic brake adjuster 16-5  
hydrometer 16-5

## I

idle screw 8-5, 8-7  
indicator, battery condition 12-47  
input gear bearing 14-3  
input shaft 14-3  
insert, synchronizer 11-5  
insert, wood 1-9, 1-11  
insulation 1-13, 1-17, 1-21, 1-23  
insulator  
    battery 1-23  
    bushing (motor) 13-3  
    carburetor 8-9  
    f-terminal 6-37  
intake hose 8-13, 8-15, 8-17  
intermediate gear 14-3  
internal retaining ring pliers 16-5  
IQ display module (IQDM) 16-5

## J

j-bolt 12-15  
jet, main 8-5, 8-7  
jet, pilot 8-5, 8-7  
joint  
    ball 4-7, 6-3  
    ball (tie rod) 5-7  
    compound steering 5-3  
    inner ball 5-5  
    left-hand thread ball 5-5, 5-7, 5-11, 5-15  
    spring-loaded ball 4-13

## K

key  
    square 10-5  
    woodruff 6-37, 7-5, 7-13, 7-17, 7-25, 11-3  
key (transmission shaft) 11-5  
key (vehicle) 6-13, 12-13, 12-47  
key switch 6-13, 6-33, 12-13, 12-47  
key switch nut 12-13  
kingpin 5-9, 5-13, 5-17  
kingpin wave washer 5-9  
kit  
    2-pin plug and wedge lock 12-7  
    3-pin plug and wedge lock 12-5, 12-7, 12-17, 12-19, 12-33, 12-51  
    3-pin receptacle 12-5  
    3-wire plug 12-39, 12-43  
    accelerator pivot rod 4-13, 4-15  
    brake actuator 4-5, 4-11  
    brake cable 4-3, 4-7  
    brake pedal 4-7  
    brake pedal adjustment tool 16-3  
    differential gear case 11-7  
    fuse and receptacle 12-15

# INDEX

gasket (engine) 7-9, 7-21  
IQ display module (IQDM) 16-5  
park brake pedal 4-7  
pulley nut and screw 6-37  
radio/beverage holder 1-5, 1-7  
rebuild, fuel impulse pump 8-3  
resistor assembly 12-5  
steering column rebuild 5-3  
tune-up 16-7  
vehicle care 16-7  
wire and terminal 12-9  
wire assembly 15-7  
knob, light switch 6-15, 6-33, 12-47

## L

latch  
compression door 1-21  
park brake 4-7, 4-9, 4-13, 4-15  
tailgate 1-19  
weld 1-13, 1-17  
wire (air box) 8-13, 8-15, 8-17  
lens 6-35, 12-53  
lens, headlight 6-15, 6-31, 12-45  
lever  
actuator 4-15  
choke 8-13, 8-15, 8-17  
potentiometer 12-19  
shifter 11-3  
transmission shifter 11-3  
lever (brake) 4-3  
lifter, hydraulic 7-23  
light, battery warning 12-13, 12-47  
light, low oil warning 6-13, 6-33  
limit switch 6-3, 6-11, 12-3, 12-5  
limit switch, sealed 12-3  
limiter  
current 15-7  
rpm 7-5, 7-17  
voltage 6-15, 6-31, 12-51  
line, fuel 8-3  
line, vent 8-3, 8-9  
link, rack and pinion drag 5-5  
link, stabilizer bar 5-23  
liquid gasket 14-3, 16-5  
lower pinion bearing 5-5  
lubricant, dry moly 16-5  
lubricant, moly-teflon 16-5  
lug stud 5-9, 11-7, 14-3

## M

magnetic plug 14-3  
main jet 8-5, 8-7  
mat, floor 1-5, 1-7, 1-21  
MCOR (motor controller output regulator)  
12-7  
mechanism, brake adjusting 4-3  
meter, hour 6-13, 6-33, 12-15, 12-35

meter, volt ohm 16-7  
module, calibration test 16-3  
module, communication display 16-3  
moly-teflon lubricant 16-5  
motor bumper 13-3  
motor, 48-volt 13-3  
mount, bumper 5-19  
mount, compression 5-23  
mounting block, brake pedal 4-7  
movable face 10-3, 10-5  
muffler clamp 9-3

## N

nameplate 1-3, 1-7  
neutral lockout cam 6-3  
nozzle, main 8-5, 8-7  
nut, key switch 6-13, 6-33, 12-13, 12-47  
nut, lug 2-3, 5-13, 5-17

## O

oil filter 7-7, 7-19  
oil level sensor 7-11, 7-23  
oil pump and rotor 7-7  
oil seal  
axle shaft 11-7, 14-3  
crankcase 7-13, 7-25  
governor pivot 11-3  
input shaft 11-5, 14-3  
shifter shaft 11-3  
oil warning light, low 6-13, 6-33  
onboard battery charger, PowerDrive 15-9,  
15-11  
onboard computer 12-17  
o-ring, oil filter mount 7-7  
output gear 14-3

## P

package, brush 6-37, 13-3  
package, hub bearing 5-9  
pad  
accelerator 4-13  
accelerator pedal 4-15  
brake pedal 4-7, 4-9  
park brake 4-7, 4-9  
spring 5-19, 5-21  
paint, touch-up 16-7  
panel, seat support 1-9, 1-11  
park brake latch 4-7, 4-9, 4-13, 4-15  
park brake pedal 4-7, 4-9  
park brake ratchet 4-13  
park brake rod sleeve 4-7  
park brake torsion spring 4-7  
pawl 4-7  
pedal  
accelerator 4-13, 4-15  
brake 4-7, 4-9

park brake 4-7, 4-9  
pencil grip 5-3  
pilot air screw 8-5, 8-7  
pilot jet 8-5, 8-7  
pin  
crankcase cover locating 7-11, 7-23  
differential 11-7, 14-3  
equalizer pivot 4-9  
governor cable clevis 8-11  
head locating 7-9, 7-21  
piston 7-13, 7-25  
roll (shifter lever) 11-3  
pinion, steering 5-5  
pipe, intake 8-9  
piston 7-13, 7-25  
piston ring compressor 16-5  
piston ring pliers 16-5  
pivot arm 11-3  
pivot support bearing 4-13  
plate  
access door 1-21  
backing (brake) 4-3, 4-5, 4-11  
component mounting 12-17  
floor 1-13, 1-17  
flywheel fan 7-5, 7-17  
forward floor 1-23  
front spring retainer 5-9, 5-13, 5-17  
mounting 1-29, 7-27, 12-33, 12-49  
oil filter screen 7-11, 7-23  
oil pump 7-7, 7-19  
rear floor 1-23  
receptacle backing 1-11, 12-15, 12-35,  
15-9, 15-11  
scorecard 5-3  
spring mounting 5-7, 5-11, 5-15  
thrust 11-5, 11-7  
thrust (idler gear) 14-3  
tilt bed latch 1-15  
valve 7-9, 7-21  
pliers  
internal retaining ring 16-5  
piston ring 16-5  
retaining ring 16-5  
plug  
2-pin 12-7  
3-pin 12-5, 12-7, 12-11, 12-17, 12-19,  
12-29, 12-31, 12-33, 12-43,  
12-51  
3-wire 12-39, 12-43  
crankcase 7-23  
drain 7-7, 7-19  
drain (transaxle) 11-3  
drive clutch 10-3  
driven clutch puller 16-3  
fill 14-3  
magnetic 14-3  
oil filter bracket 7-7, 7-19

# INDEX

spark 7-5, 7-17  
plug gasket 14-3  
pole set (starter/generator) 6-37  
positioner, choke 8-13  
potentiometer 12-19  
power relay 15-3, 15-5, 15-7, 15-9, 15-11  
PowerDrive battery charger 15-3, 15-5, 15-7  
PowerDrive onboard battery charger 15-9, 15-11  
press weldment 16-3  
pressure relief steel ball 7-7, 7-19  
prop rod 1-15, 1-23  
protector spray, battery terminal 16-3  
protector, wiper switch resistor 12-5  
puller  
bearing 16-3  
drive clutch 16-3  
drive clutch hub 16-3  
driven clutch cam 16-3  
flywheel 16-5  
seal 16-5  
pulley (starter/generator) 6-37  
pulley nut and screw (starter/generator) 6-37  
pump, fuel impulse 8-3  
pump, oil, and rotor 7-7, 7-19

## R

rack, steering 5-5  
radio/beverage holder 1-5, 1-7  
ratchet, park brake 4-13, 4-15  
reamer, valve guide 16-7  
receptacle  
3-pin 12-5  
3-wire 12-5  
ac cord 15-7  
receptacle (fuse) 12-15  
receptacle backing plate 12-15  
receptacle bezel 12-15  
regulator, motor controller output (MCOR) 12-7  
regulator, voltage 6-29  
relay 6-29  
brake light 6-31, 12-45  
relay, 48-vdc power 15-3, 15-5, 15-7, 15-9  
relay, power 15-11  
remover, bearing and oil seal 16-3  
resistor 12-17, 12-33, 12-49  
retainer  
bearing 13-3  
bearing (starter/generator) 6-37  
cable 6-3  
harness 6-13  
headlight 6-15, 6-31, 12-45  
push on 12-47  
shoe 4-5

spiral ring 10-3  
spring 4-13, 4-15, 5-19, 10-3  
valve spring 7-9, 7-21  
retaining ring pliers 16-5  
retractable cord reel 15-9, 15-11  
return spring bumper 4-13  
reverse buzzer 6-13, 6-31, 6-35, 12-13, 12-45, 12-53  
rigging, brush 13-3  
ring  
c-type stop 5-5  
retaining (steering column) 5-3  
retaining (steering gear box) 5-5  
snap 5-5, 11-3  
spiral back-up 10-3  
synchronizer 11-5  
ring set, piston 7-13, 7-25  
rivet, blind push type 1-3  
rod  
accelerator pivot 4-13, 4-15  
battery hold-down 12-35, 12-53  
counterbalance 7-13, 7-25  
equalizer 4-7, 4-9  
prop 1-15, 1-23  
push 7-9, 7-21  
shift 11-5  
tie 5-7, 5-11, 5-15  
rod and pawl 4-7, 4-9  
rotor, oil pump and 7-7  
rpm limiter 7-5, 7-17  
rpm limiter mount band 7-5, 7-17  
rubber boot 8-3

## S

safety first card 16-5  
scorecard 5-3  
scorecard clip 5-3  
scorecard plate 5-3  
screen, oil filter 7-11, 7-23  
screw  
bearing retainer 13-3  
brush holder 13-3  
clamp 13-3  
eccentric adjustment 5-9, 5-13, 5-17  
idle 8-5, 8-7  
pilot air 8-5, 8-7  
pole piece (starter/generator) 6-37  
stud 7-9  
taillight lens 12-53  
valve clearance adjuster 16-7  
seal  
bed 1-13, 1-17  
crankshaft 7-11, 7-23  
double lip 5-9, 5-13, 5-17  
dust (steering gear box) 5-5  
dust, steering pinion 5-5  
intake 8-13, 8-15, 8-17  
oil, axle shaft 11-7, 14-3  
oil, crankcase 7-13, 7-25  
oil, governor pivot 11-3  
oil, input shaft 11-5, 14-3  
oil, shifter shaft 11-3  
valve 7-9, 7-21  
seal puller 16-5  
seat  
bearing 5-3  
spring 7-9, 7-21  
valve 7-7, 7-19  
seat back 1-9, 1-11  
seat bottom 1-9, 1-11  
sensor, oil level 7-11, 7-23  
set, pole 6-37  
shackle, rear spring 5-19, 5-21  
shaft  
guide counterbalance 7-13, 7-25  
input 11-5, 14-3  
rocker 7-9, 7-21  
shifter 11-3  
steering column 5-3  
shield, end 13-3  
shift fork 11-5  
shift rod 11-5  
shifter lever 11-3  
shifter shaft 11-3  
shifter, forward/reverse 6-3  
shim  
camshaft 7-23  
crankshaft 7-13, 7-25  
latch plate 1-15  
tilt bed pivot 1-13, 1-17, 1-23  
wiper switch 12-5  
shock absorber 5-7  
shock absorber cushion 5-19, 5-21  
shock absorber, front 5-11, 5-15  
shock absorber, rear 5-19, 5-21  
shoe retainer 4-3, 4-5, 4-11  
shoe, brake 4-3, 4-5  
shrink, heat 15-9, 15-11  
shroud  
cylinder head, fe290 7-3  
cylinder head, fe350 7-15  
fan 7-3, 7-15  
lower cylinder 7-15  
upper cylinder 7-15  
side panel, cargo box 1-19  
side trim, bumper guard 1-3  
sleeve  
delta 5-7  
delta inner 5-11, 5-15  
delta outer 5-11, 5-15  
park brake rod 4-7, 4-9  
synchronizer 11-5  
sleeve (transaxle) 11-5  
slide switch, 4-position 15-5, 15-7



# INDEX

- snap ring 5-5
  - snap washer 1-5
  - snubber 7-27
  - solenoid 6-29
    - 12-volt 6-11
    - 48-volt 12-17, 12-33, 12-49
  - spacer
    - battery terminal bolt 6-41
    - compression mount 5-23
    - crankshaft 7-13, 7-25
    - engine/transaxle 7-27
    - equalizer 4-9
    - fixed face shaft 10-3
    - heavy duty bumper 1-3
    - overload bumper 5-19
    - park brake 4-7, 4-9
  - spacer (accelerator pivot rod) 4-13
  - spanner wrench 16-5
  - speed switch arm 12-5
  - spindle 5-9
  - spray, battery terminal protector 16-3
  - spring
    - accelerator pedal retainer 4-13
    - brake 4-5, 4-11
    - brake return 4-9
    - brake shoe 4-3
    - brush 6-37, 13-3
    - compression 1-19, 5-3, 8-13
    - compression relief 7-23
    - drive button 10-3
    - drive clutch 10-3
    - driven clutch 10-5
    - engine valve 7-9, 7-21
    - forward/reverse cam 6-3
    - latch extension 1-13, 1-17
    - oil pressure relief 7-7, 7-19
    - park brake torsion 4-7, 4-9
    - rear leaf 5-19, 5-21
    - retainer 4-15, 10-3
    - return 4-13, 4-15, 8-13, 8-15, 8-17
    - shift fork retainer 11-5
    - synchronizer 11-5
    - tapered compression 5-3
    - tapered leaf 5-9, 5-13, 5-17
    - throttle return 8-9
    - wiper switch brush 12-5
    - yoke 5-5
  - spring mounting plate 5-7
  - stabilizer bar 5-23
  - starter/generator 6-37, 6-39
  - stator shell 13-3
  - steel bushing 1-13, 1-17, 1-23, 5-9, 5-13, 5-17, 5-19, 5-21
  - steering column 5-3
  - steering column bearing press tool 16-5
  - steering column retaining ring tool 16-5
  - steering column shaft 5-3
  - steering gear box 5-5
  - steering wheel 5-3
  - steering wheel puller tool 16-7
  - stem, valve 2-3
  - stiffener, flywheel side 7-27
  - stiffener, pto side 7-27
  - stiffener, seat 1-9, 1-11
  - strain relief bushing 15-7
  - strap, a-plate 5-7, 5-11, 5-15
  - strap, seat bottom 1-9, 1-11
  - stud
    - ball 4-13, 6-3, 6-11, 6-29, 11-3
    - flush head 1-19
    - lug 5-9, 5-13, 5-17, 11-7, 14-3
    - short ball 12-5
    - threaded 7-27
    - wiper switch adjusting 12-5
  - support
    - accelerator pivot rod 4-13, 4-15
    - delta shock and gear 5-7
    - latch plate 1-15
    - stabilizer bar bushing 5-23
  - suppressor, voltage 6-27, 6-31, 12-45
  - switch
    - 4-position slide 15-5, 15-7, 15-11
    - forward/reverse 12-3
    - key 6-13, 6-33, 12-13, 12-47
    - light 6-15, 6-33, 12-47
    - limit 6-3, 6-11, 6-29, 6-33, 12-3, 12-5, 12-19, 12-47
    - limit sealed 12-3
  - switch brush 12-5
  - synchronizer clutch hub 11-5
  - synchronizer ring 11-5
  - system, exhaust 9-3
- ## T
- 12-volt battery 6-41
  - 2-pin plug and wedge lock 12-7
  - 3-pin connector 12-17, 12-19, 12-33, 12-51
  - 3-pin plug 12-11, 12-29, 12-31, 12-43
  - 3-pin plug and wedge lock 12-5, 12-7, 12-17, 12-19, 12-33, 12-51
  - 3-pin receptacle 12-5
  - 3-wire and receptacle 12-5
  - 3-wire plug 12-39, 12-43
  - 3/8-amp fuse 12-15
  - 10-amp fuse 6-11
  - 12-volt solenoid 6-11
  - 20-amp fuse 6-7, 6-11, 6-17, 6-29, 12-49
  - tachometer 16-7
  - tailgate 1-19
  - tailgate angle 1-19
  - taillight 12-53
  - tailskirt 1-27, 1-29
  - tapered compression spring 5-3
  - tapered leaf spring 5-9
  - tappet 7-11
  - terminal block 6-31, 12-45, 12-49, 12-51
  - terminal hardware (starter/generator) 6-37
  - tester, continuity 16-5
  - thermometer, battery 16-3
  - thrust bearing 5-9
  - tie rod 5-7, 5-11, 5-15
  - tie, wire 5-5, 6-15, 6-31, 12-5, 12-13, 12-45, 12-51
  - tilt bed 1-13, 1-17
  - tilt bed hinge 1-13, 1-17, 1-23
  - tire 2-3
  - tire and wheel assembly 2-3
  - tool
    - accelerator pedal adjustment 16-3
    - brake adjustment 16-3
    - brake pedal adjustment 16-3
    - brake pedal tension 16-3
    - cam installation 16-3
    - clutch alignment 16-3
    - drive clutch holder 16-3
    - governor shaft installation 16-5
    - steering column bearing press 16-5
    - steering column retaining ring 16-5
    - steering wheel puller 16-7
    - transaxle axle seal 16-7
    - transaxle pinion seal 16-7
    - transmission 16-7
  - tool kit, clutch 16-3
  - top, air box 8-13, 8-15, 8-17
  - touch-up paint 16-7
  - track, prop rod 1-15
  - trailer hitch 1-27
  - transaxle 14-3
  - transaxle axle seal tool 16-7
  - transaxle pinion seal tool 16-7
  - transaxle, unitized 11-3
  - transformer 15-3, 15-5, 15-7, 15-9, 15-11
  - transmission cable 6-3
  - transmission tool 16-7
  - trim
    - bumper guard side 1-3
    - front body 1-3, 1-7
    - long bed 1-25
    - seat bottom 1-9, 1-11
  - tube
    - crankcase vent 8-9
    - oil filler, fe290 7-3
    - oil filler, fe350 7-15
  - tube (spark plug wire cover) 7-5, 7-17
  - tune-up kit 16-7
  - turn signal lens 12-45
- ## U
- u-bolt 5-19, 5-21
  - unitized transaxle 11-3
  - upper pinion bearing 5-5

# INDEX

urethane bushing 1-13, 1-17, 1-23, 5-7,  
5-9, 5-11, 5-13, 5-15, 5-17, 5-19, 5-21

## V

valve 7-9, 7-21  
choke 8-13, 8-15, 8-17  
exhaust 7-9, 7-21  
fuel pickup tube 8-3  
intake 7-9, 7-21  
valve clearance adjuster screw 16-7  
valve guide reamer 16-7  
valve seat cutter 16-7  
valve seat cutter guide 16-7  
valve seat t-wrench 16-7  
valve spring compressor 16-7  
vehicle care kit 16-7  
volt ohm meter 16-7  
voltage limiter 6-31, 12-51  
voltage regulator 6-11, 6-29  
voltage suppressor 6-27, 6-31, 12-39,  
12-43, 12-45, 15-3, 15-5, 15-9, 15-11  
voltage suppressor, ac 15-7  
voltage supressor 6-23

## W

warning light, low oil 6-33  
washer  
key switch 12-13  
kingpin wave 5-9, 5-13, 5-17  
mounting 10-3, 10-5  
snap 1-5  
spring 11-5  
thrust (transaxle) 11-5  
wave 6-3  
wedge (steering column) 5-3  
wedge, bearing puller 16-3  
weight, counterbalance 7-13, 7-25  
weldment, press 16-3  
wheel 2-3  
wheel and tire assembly 2-3  
wheel rim 2-3  
wheel, steering 5-3  
wiper switch 12-5  
wiper switch arm carrier 12-5  
wiper switch bumper 12-5  
wiper switch case 12-5  
wiper switch resistor protector 12-5  
wiper switch shim 12-5  
wire and terminal 12-11, 12-17, 12-33,  
12-51  
wire assembly 6-5, 6-7, 6-9, 6-11, 6-17,  
6-19, 6-23, 6-27, 6-29, 6-31, 6-35, 6-39,  
12-5, 12-9, 12-15, 12-19, 12-23, 12-25,  
12-29, 12-31, 12-35, 12-39, 12-43,  
12-53, 15-3, 15-5  
wire assembly, sense lead 12-15  
wire harness 6-5, 6-7, 6-9, 6-17, 6-19,  
6-23, 6-27, 12-9, 12-11, 12-23, 12-25

wire harness, lighting 12-39, 12-43  
wire harness, power 12-29, 12-31, 12-39,  
12-43  
wire tie 5-5, 6-15, 6-31, 12-5, 12-13, 12-45,  
12-51  
wire, lead 7-5, 7-17  
woodruff key 6-37, 7-5, 7-13, 7-17, 7-25,  
11-3  
wrench, spanner 16-5

## Y

yoke spring 5-5  
yoke, gear 16-5

## Your Comments Are Appreciated

*Please select your category:*

- |                                                                                                                                   |                                                                                            |
|-----------------------------------------------------------------------------------------------------------------------------------|--------------------------------------------------------------------------------------------|
| <input type="checkbox"/> Distributor/Dealer<br><input type="checkbox"/> Individual Owner<br><input type="checkbox"/> Other: _____ | <input type="checkbox"/> Technician<br><input type="checkbox"/> Golf Course Superintendent |
|-----------------------------------------------------------------------------------------------------------------------------------|--------------------------------------------------------------------------------------------|

*In order to help us better serve you, please rate this publication in the following categories:*

|                                | Poor                     | Fair                     | Average                  | Good                     | Excellent                |
|--------------------------------|--------------------------|--------------------------|--------------------------|--------------------------|--------------------------|
| 1. Ease of Understanding       | <input type="checkbox"/> | <input type="checkbox"/> | <input type="checkbox"/> | <input type="checkbox"/> | <input type="checkbox"/> |
| 2. Ease of Finding Information | <input type="checkbox"/> | <input type="checkbox"/> | <input type="checkbox"/> | <input type="checkbox"/> | <input type="checkbox"/> |
| 3. Clarity of Illustrations    | <input type="checkbox"/> | <input type="checkbox"/> | <input type="checkbox"/> | <input type="checkbox"/> | <input type="checkbox"/> |
| 4. Index Usability             | <input type="checkbox"/> | <input type="checkbox"/> | <input type="checkbox"/> | <input type="checkbox"/> | <input type="checkbox"/> |

*Comments/Suggestions:*

---

---

---

---

---

---

---

---

---

---

---

---

---

---

---

---

---

Please fax a copy of this page to (706) 228-2662.

Thank You!  
 Club Car Technical Publications Department











**Transportation and Utility Vehicles**

Club Car Inc.

P.O. Box 204658

Augusta, GA 30917-4658