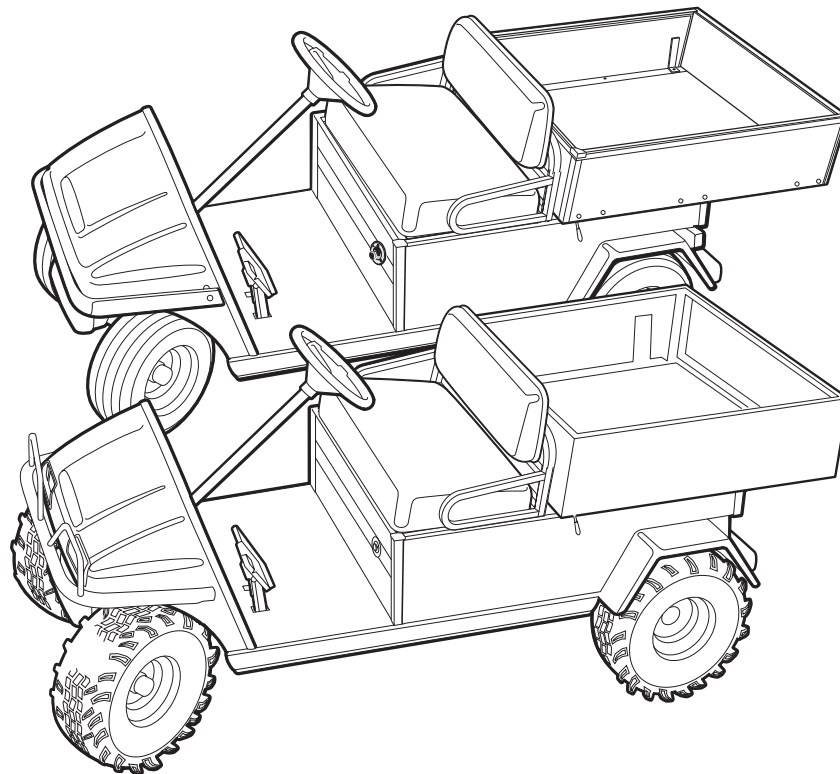




**2008  
Turf/Carryall 2, 252, 2 Plus,  
and XRT 900  
Illustrated Parts List**



**Gasoline and Electric Vehicles**

Manual Number 103373008  
Edition Code 1207H0112G



# USING THE ILLUSTRATED PARTS LIST

---

## **⚠ WARNING**

- **This manual is to be used only for identification and ordering of service parts. Be sure to read and use the maintenance and service manual before attempting any vehicle repairs.**

This manual covers all Turf/Carryall 2, 252, 2 Plus and XRT 900 vehicles built during the 2008 model year.

The manual is divided into sections. Note that there are two or three flags on the outside edge of each page. The first flag contains the section number of which that page is a part. The other flag (or flags) contains the letter G or E, signifying that the page pertains to the electric or gasoline vehicles only.

Use the Table of Contents to find the sections and pages that contain the parts and assemblies you seek. The Table of Contents lists section numbers, and under them, the individual page titles and numbers to be found in that section. The index can be used to find specific parts and assemblies. The index is divided into numerical and alphabetical listings with the page numbers in italic text.

There is a two-page spread for each individual page title in the Table of Contents. On the left-hand page is an illustration showing the parts in their relative positions; the parts are each tagged with an item number in a balloon. The right-hand page is the parts list page, and gives the page title at the top, then the item numbers (corresponding to the numbers on the illustration), part descriptions, and quantity of parts used.

Note that a part description may be indented. This indention corresponds to a parts assembly level indicated by the numbers 1, 2, 3, and 4 at the top left corner of the parts description area of the parts list page. A part that is indented to *level 2* is a component of the *level 1* part (assembly) that it is listed under. A *level 3* part is a component of the *level 2* part that it is listed under, and a *level 4* part is a component of the *level 3* part preceding it. In each case, the part quantity given for a level 2, 3, or 4 part is the *quantity used per next higher level assembly of which it is a component*. A part that is not indented is a *level 1* part. This means that the quantity given is the quantity used per the portion of the vehicle illustrated on that particular spread.

## **HOW TO ORDER PARTS**

Replacement parts and accessories can be obtained from our network of authorized dealers and distributors. You can obtain the name and phone number of your closest authorized Club Car dealer or distributor by visiting our web site at [www.clubcar.com](http://www.clubcar.com) and clicking on the "Distributor Search" link or by calling our toll-free Service Parts and Technical Assistance hotline at (800) 872-2246 or (706) 863-3000, extension 3887.



**P. O. Box 204658**  
**Augusta, Georgia 30917-4658 USA**  
**Telephone 706-863-3000**  
**Service Parts Fax 706-855-7413**  
**[www.clubcar.com](http://www.clubcar.com)**

**NOTE:** *This illustrated parts list represents the most current information at the time of publication. Club Car, Inc. is continually working to further improve its vehicles and other products. These improvements may affect the parts used to service the vehicle. Any modification and/or significant change in specifications will be forwarded to all Club Car and Carryall distributors/dealers and will, when applicable, appear in future editions of this illustrated parts list.*

*Club Car, Inc. reserves the right to change specifications and designs at any time without notice and without the obligation of making changes to units previously sold.*

Copyright © 2007 Club Car, Inc.  
*Club Car* and *ArmorFlex*  
are registered trademarks of Club Car, Inc.  
This manual effective August 6, 2007.

*2008 Turf/Carryall 2, 252, 2 Plus, and XRT 900 Gasoline and Electric Vehicles Illustrated Parts List*

# CONTENTS

## SECTION 1 – BODY AND TRIM

|   |      |
|---|------|
| Front Body and Trim – Turf/Carryall 2 and Carryall 2 Plus .....                     | 1-3  |
| Front Body and Trim – Turf/Carryall 252 and XRT 900 .....                           | 1-5  |
| Dash Pockets and Floormat .....   | 1-7  |
| Beverage Holder .....   | 1-9  |
| Seat Bottom .....   | 1-11 |
| Seat Back Assembly .....  | 1-13 |
| Hip Restraints and Seat Back Mounting .....   | 1-15 |
| Tilt Bed, Hinge, and Latch – Turf/Carryall 2, 252, 2 XRT, and Carryall 2 Plus ..... | 1-17 |
| Latch Plate .....   | 1-19 |
| Prop Rod .....  | 1-21 |
| Cargo Box (Aluminum) .....  | 1-23 |
| Cargo Box Mounting .....  | 1-25 |
| Cargo Box (Steel) .....   | 1-27 |
| Trailer Hitch .....   | 1-29 |
| Receiver Hitch – XRT 900 .....  | 1-31 |
| Rear Body Trim – Turf/Carryall 2, and Carryall 2 Plus .....                         | 1-33 |
| Rear Body Trim – Turf/Carryall 252 and XRT 900 .....                                | 1-35 |

## SECTION 2 – WHEELS AND TIRES

|  |     |
|--|-----|
| Wheels and Tires – Turf/Carryall 2 .....                               | 2-3 |
| Wheels and Tires, Off-Road Tread – Turf/Carryall 252 and XRT 900 ..... | 2-5 |
| Wheels and Tires, Turf Tread – Turf/Carryall 252 and XRT 900 .....     | 2-7 |

## SECTION 3 – DECALS

|  |      |
|--|------|
| Decals – Turf/Carryall 2 IQ Plus Vehicles .....                          | 3-3  |
| Decals – Turf/Carryall 2 IQ Plus Vehicles, Continued .....               | 3-5  |
| Decals – Turf/Carryall 252 and XRT 900 IQ Plus Vehicles .....            | 3-7  |
| Decals – Turf/Carryall 252 and XRT 900 IQ Plus Vehicles, Continued ..... | 3-9  |
| Decals – Turf/Carryall 2 Gasoline Vehicles .....                         | 3-11 |
| Decals – Turf/Carryall 2 Gasoline Vehicles, Continued .....              | 3-13 |
| Decals – Carryall 2 Plus Gasoline Vehicles .....                         | 3-15 |
| Decals – Carryall 2 Plus Gasoline Vehicles, Continued .....              | 3-17 |
| Decals – Turf/Carryall 252 Gasoline Vehicles .....                       | 3-19 |
| Decals – Turf/Carryall 252 Gasoline Vehicles, Continued .....            | 3-21 |
| Decals – XRT 900 Gasoline Vehicles .....                                 | 3-23 |
| Decals – XRT 900 Gasoline Vehicles, Continued .....                      | 3-25 |
| Decals, Logo – Turf/Carryall 2, and Carryall 2 Plus .....                | 3-27 |

# CONTENTS

|  |      |
|--|------|
| Decals, Logo – Turf/Carryall 252 ..... | 3-29 |
| Decals, Logo – XRT 900 .....           | 3-31 |

## SECTION 4 – BRAKES, PEDAL, AND CABLE ASSEMBLIES

|   |      |
|---|------|
| Rear Brake Assembly, Self-Adjusting – Vehicle with 2-Wheel Brakes .....           | 4-3  |
| Rear Brake Assembly, Manually-Adjusted – Vehicles with 4-Wheel Brakes .....       | 4-5  |
| Brake Pedal Assembly – Vehicles with Two-Wheel Brakes .....                       | 4-7  |
| Brake Pedal Assembly – IQ Plus Vehicles .....                                     | 4-9  |
| Front Brake Assembly – Vehicles with Four-Wheel Brakes .....                      | 4-11 |
| Front Brake Cables and Equalizer – Vehicles with Four-Wheel Brakes .....          | 4-13 |
| Front Brake Cable Clips and Hardware – Vehicles with Front-Wheel Brakes .....     | 4-15 |
| Brake Cables and Equalizer – Turf/Carryall 2 Vehicles with Two-Wheel Brakes ..... | 4-17 |
| Rear Brake Cables and Equalizer – IQ Plus Electric Vehicles .....                 | 4-19 |
| Accelerator Pedal Assembly – Electric Vehicles with MCOR .....                    | 4-21 |
| Accelerator Rod .....   | 4-23 |

## SECTION 5 – STEERING, FRONT AND REAR SUSPENSION

|   |      |
|---|------|
| Steering Column – All Vehicles Except Turf/Carryall 252 and XRT 900 .....         | 5-3  |
| Steering Column – Turf/Carryall 2 XRT and Turf/Carryall 252 Vehicles .....        | 5-5  |
| Steering Wheel – Turf Vehicles .....  | 5-7  |
| Steering Wheel – Carryall and XRT Vehicles .....                                  | 5-9  |
| Steering Gear Assembly .....  | 5-11 |
| Front Frame Plates – Turf/Carryall 252 and XRT 900 .....                          | 5-13 |
| Front Suspension, Upper .....   | 5-15 |
| Front Suspension, Lower .....   | 5-17 |
| Front Suspension, Upper – Turf/Carryall 252 and XRT 900 .....                     | 5-19 |
| Front Suspension, Lower – Turf/Carryall 252 and XRT 900 .....                     | 5-21 |
| Front Suspension, Upper – Turf/Carryall 2 and 2 Plus with Four-Wheel Brakes ..... | 5-23 |
| Front Suspension, Lower – Turf/Carryall 2 and 2 Plus with Four-Wheel Brakes ..... | 5-25 |
| Front Spindles and Hubs – Vehicles with Two-Wheel Brakes .....                    | 5-27 |
| Front Spindles and Hubs – Vehicles with Four-Wheel Brakes .....                   | 5-29 |
| Steering Gear Assembly .....  | 5-31 |
| Rear Suspension – Gasoline Turf/Carryall 2 and Carryall 2 Plus .....              | 5-33 |
| Rear Suspension – Gasoline Turf/Carryall 252 and XRT 900 .....                    | 5-35 |
| Rear Suspension – Turf/Carryall 2 IQ Plus Vehicles .....                          | 5-37 |
| Rear Suspension – Turf/Carryall 252 and XRT 900 IQ Plus Vehicles .....            | 5-39 |
| Stabilizer Bar – Turf/Carryall 2, 6, and Carryall 2 Plus Gasoline Vehicles .....  | 5-41 |
| Stabilizer Bar – Turf/Carryall 2 and Carryall 2 Plus Gasoline Vehicles .....      | 5-43 |

# CONTENTS

---

## SECTION 6 – ELECTRICAL SYSTEM – GASOLINE VEHICLE

---

|  |      |
|--|------|
| Wiring – Turf/Carryall 2 and 252 .....   | 6-5  |
| Wiring – Carryall 2 Plus .....   | 6-9  |
| Wiring – XRT 900 .....   | 6-13 |
| Headlight and Horn Electrical Components .....                                 | 6-15 |
| Headlights .....   | 6-17 |
| Electrical Component Box – Turf/Carryall 2, and 252 .....                      | 6-19 |
| Electrical Component Box – XRT 900 .....                                       | 6-21 |
| Electrical Component Box – Carryall 2 Plus .....                               | 6-23 |
| Instrument Panel and Electrical Components – XRT 900 and Carryall 2 Plus ..... | 6-25 |
| Instrument panel and Electrical Components – Turf/Carryall 2 and 252 .....     | 6-27 |
| Horn and Brake Switches .....  | 6-29 |
| Starter/Generator Assembly Model G425419 – Gasoline Vehicles .....             | 6-31 |
| FE350 Starter/Generator Mounting – Gasoline Vehicles .....                     | 6-33 |
| Battery – Gasoline Vehicle .....   | 6-35 |
| Operation and Maintenance Switch .....   | 6-37 |

---

## SECTION 7 – FE350 ENGINE WITH ACR (CARRYALL 2 PLUS)

---

|  |      |
|--|------|
| FE350 Engine with ACR (Automatic Compression Release) – Shrouds and Brackets ..... | 7-3  |
| AS11 FE350 Engine – Ignition Components and Flywheel .....                         | 7-5  |
| FE350 Engine – Oil Circulation .....   | 7-7  |
| AS11 FE350 Engine – Cylinder Head .....  | 7-9  |
| FE350 Engine with ACR – Crankcase, Camshaft, and Oil Sensor .....                  | 7-11 |
| AS11 FE350 Engine – Crankcase and Crankshaft .....                                 | 7-13 |
| Engine Mounting – Turf/Carryall 252 and XRT 900 .....                              | 7-15 |
| FE350 Engine Mounting – Turf/Carryall 2 and Carryall 2 Plus .....                  | 7-17 |

---

## SECTION 8 – FE350 ENGINE WITHOUT ACR (TURF/CA 2, 252 AND XRT 900)

---

|  |      |
|--|------|
| AS11 FE350 Engine without ACR (Automatic Compression Release) – Shrouds and Brackets ..... | 8-3  |
| AS11 FE350 Engine – Ignition Components and Flywheel .....                                 | 8-5  |
| FE350 Engine – Oil Circulation .....   | 8-7  |
| AS11 FE350 Engine – Cylinder Head .....  | 8-9  |
| AS11 FE350 Engine without ACR – Crankcase, Camshaft, and Oil Sensor .....                  | 8-11 |
| AS11 FE350 Engine – Crankcase and Crankshaft .....   | 8-13 |
| Engine Mounting – Turf/Carryall 252 and 2 XRT .....  | 8-15 |
| FE350 Engine Mounting .....  | 8-17 |

# CONTENTS

---

## SECTION 9 – EXHAUST SYSTEM

---

|                                     |     |
|-------------------------------------|-----|
| Exhaust System – FE350 Engine ..... | 9-3 |
|-------------------------------------|-----|

## SECTION 10 – FUEL, INTAKE, AND GOVERNOR SYSTEMS

---

|  |       |
|--|-------|
| Splash Guard .....                                 | 10-3  |
| Fuel Tank (Non-California) with Sending Unit ..... | 10-5  |
| Fuel System .....                                  | 10-7  |
| Carburetor Assembly – FE350 .....                  | 10-9  |
| Carburetor Installation – FE350 .....              | 10-11 |
| Governor and Accelerator Cables .....              | 10-13 |
| Air Box and Intake Hose .....                      | 10-15 |
| Intake System .....                                | 10-17 |
| Fuel Tank (California) with Sending Unit .....     | 10-19 |

## SECTION 11 – TORQUE CONVERTER

---

|  |       |
|--|-------|
| Drive Clutch – Turf/Carryall 2, and 252 .....      | 11-3  |
| Drive Clutch – XRT 900 .....                       | 11-5  |
| Drive Clutch – Carryall 2 Plus .....               | 11-7  |
| Drive Belt – FE350 .....                           | 11-9  |
| Driven Clutch – Turf/Carryall 2, 252 .....         | 11-11 |
| Driven Clutch – Carryall 2 Plus, and XRT 900 ..... | 11-13 |

## SECTION 12 – UNITIZED TRANSAXLE

---

|  |       |
|--|-------|
| Unitized Transaxle – Gear Cases and Brackets .....                   | 12-3  |
| Transaxle – Gasoline Vehicles, Transmission and Gear Reduction ..... | 12-5  |
| Transaxle – Gasoline Vehicles, Differential and Axles .....          | 12-7  |
| Forward/Reverse Shifter .....  | 12-9  |
| Forward/Reverse Shifter Cable .....                                  | 12-13 |

## SECTION 13 – GRAZIANO TRANSAXLE – GASOLINE VEHICLE

---

|  |      |
|--|------|
| Graziano Transaxle – Gasoline Vehicles ..... | 13-3 |
| Graziano Transaxle – Gasoline Vehicles ..... | 13-5 |
| Graziano Transaxle – Gasoline Vehicles ..... | 13-7 |

## SECTION 14 – ELECTRICAL SYSTEM – ELECTRIC VEHICLES

---

|  |      |
|--|------|
| Headlight and Horn Electrical Components ..... | 14-3 |
| Wiring – Turf/Carryall 2 .....                 | 14-7 |



# CONTENTS

---

|  |       |
|--|-------|
| Headlights .....   | 14-9  |
| Instrument Panel with Electrical Components – Turf/Carryall 252, and XRT 900 ..... | 14-11 |
| Horn and Brake Switches .....  | 14-13 |
| Motor Controller Output Regulator (MCOR) .....                                     | 14-15 |
| Instrument Panel and Electrical Components – Turf/Carryall 2 .....                 | 14-17 |
| Battery Charger Receptacle .....   | 14-19 |
| Electrical Installation .....  | 14-23 |
| Tow/Run Switch .....   | 14-25 |
| Electrical Components .....  | 14-29 |
| Hour Meter – Turf 2, 252, Carryall 252, XRT 900 .....                              | 14-31 |
| Batteries, T-105 .....   | 14-33 |
| Batteries, T-105 .....   | 14-35 |

## SECTION 15 – ELECTRIC MOTOR

---

|  |      |
|--|------|
| Motor (Model DA5-4006) – IQ Plus ..... | 15-3 |
|--|------|

## SECTION 16 – TRANSAXLE – ELECTRIC VEHICLES

---

|                                     |      |
|-------------------------------------|------|
| Transaxle – Electric Vehicles ..... | 16-3 |
|-------------------------------------|------|

## SECTION 17 – BATTERY CHARGER

---

|  |       |
|--|-------|
| IQ Plus Domestic Battery Charger (Model 25730) .....                                       | 17-3  |
| IQ Plus Onboard Battery Charger (Model 25260) .....  | 17-5  |
| Onboard Charger (Model 25260) and Reel Mounting .....                                      | 17-7  |
| Onboard Charger (Model 25260) and Reel Mounting – IQ Plus Turf/Carryall 2, Continued ..... | 17-11 |
| IQ Plus Battery Charger (Model 25880), Export and European .....                           | 17-13 |
| IQ Plus Onboard Battery Charger (Model 25660), Export .....                                | 17-15 |
| Onboard Charger (Model 25660) and Reel Mounting .....                                      | 17-17 |
| Onboard Charger (Model 25660) and Reel Mounting – IQ Plus Turf/Carryall 2, Continued ..... | 17-21 |

## SECTION 18 – MAINTENANCE AND SERVICE TOOLS

---

|  |       |
|--|-------|
| Maintenance and Service Tools .....            | 18-3  |
| Maintenance and Service Tools, Continued ..... | 18-5  |
| Maintenance and Service Tools, Continued ..... | 18-7  |
| Maintenance and Service Tools, Continued ..... | 18-9  |
| Maintenance and Service Tools, Continued ..... | 18-11 |

## SECTION i – INDEX

---



# BODY AND TRIM

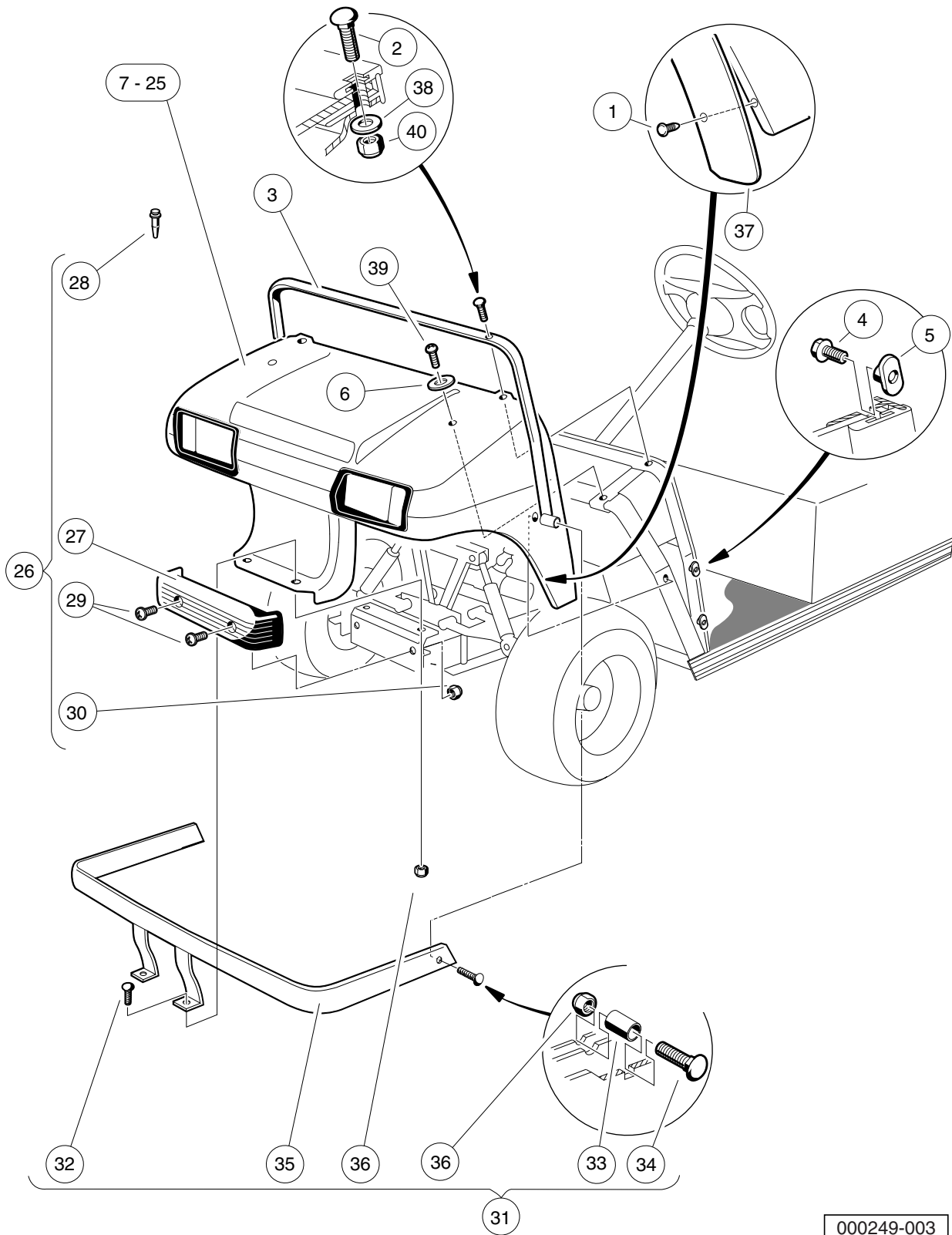
---

1

G

E

**1**  
**G**  
**E**



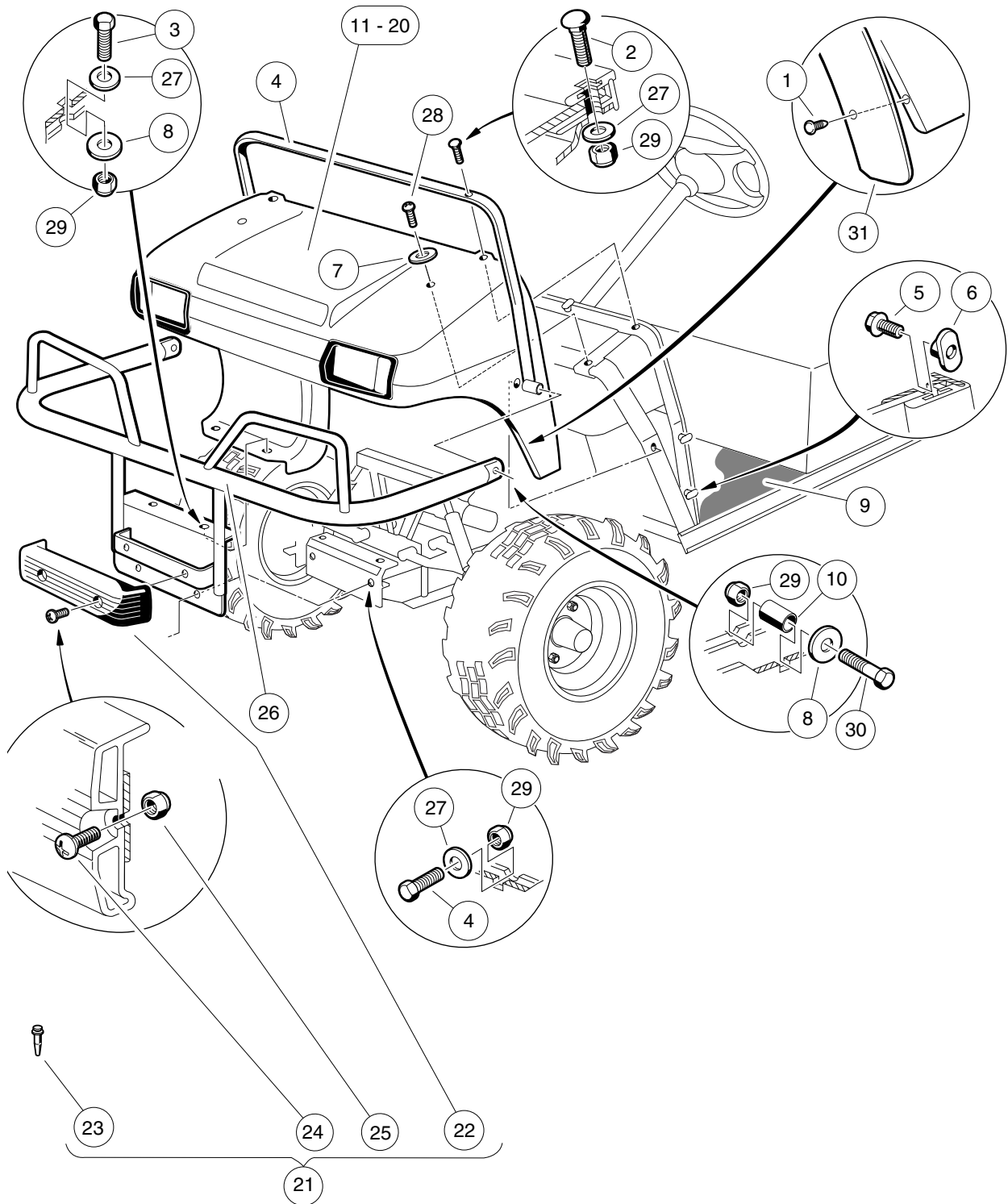
000249-003

# FRONT BODY AND TRIM – TURF/ CARRYALL 2 AND CARRYALL 2 PLUS

| ITEM | PART NO.  | DESCRIPTION   | QTY |
|------|-----------|---|-----|
|      |           | <b>1 2 3 4</b>  |     |
| 1    | 1010434   | Barrel - Plastic .....                                      | 12  |
| 2    | 1010435   | Bolt, Carriage, 5/16-18 X 1.00 .....                        | 2   |
| 3    | 1011014   | Trim, Cowl .....  | 1   |
| 4    | 1011017   | Screw, #8-32 X 0.375 .....                                  | 6   |
| 5    | 1011394   | T-Nut Package (Set of 4) .....                              | 1   |
| 6    | 1015075   | Washer, 5/16 Flat Type A .....                              | 2   |
| 7    | 101692501 | Cowl, TPO, Beige .....                                      | 1   |
| 8    | 101692502 | Cowl, TPO, White .....                                      | 1   |
| 9    | 101692506 | Cowl, TPO, Red .....  | 1   |
| 10   | 101692509 | Cowl, TPO, Pacific Blue (Royal Blue) .....                  | 1   |
| 11   | 101692510 | Cowl, TPO, Dark Green .....                                 | 1   |
| 12   | 101692511 | Cowl, TPO, Black .....                                      | 1   |
| 13   | 101692512 | Cowl, TPO, Classic Blue (Navy) .....                        | 1   |
| 14   | 101692513 | Cowl, TPO, Burgundy .....                                   | 1   |
| 15   | 101692514 | Cowl, TPO, Dark Gray .....                                  | 1   |
| 16   | 101692515 | Cowl, TPO, Safety Yellow .....                              | 1   |
| 17   | 101693901 | Cowl with Headlight Opening, TPO, Beige .....               | 1   |
| 18   | 101693902 | Cowl with Headlight Opening, TPO, White .....               | 1   |
| 19   | 101693906 | Cowl with Headlight Opening, TPO, Red .....                 | 1   |
| 20   | 101693909 | Cowl with Headlight Opening, TPO, Dark Green .....          | 1   |
| 21   | 101693910 | Cowl with Headlight Opening, TPO, Black .....               | 1   |
| 22   | 101693911 | Cowl with Headlight Opening, TPO, Classic Blue (Navy) ..... | 1   |
| 23   | 101693912 | Cowl with Headlight Opening, TPO, Burgundy .....            | 1   |
| 24   | 101693913 | Cowl with Headlight Opening, TPO, Dark Gray .....           | 1   |
| 25   | 101693914 | Cowl with Headlight Opening, TPO, Safety Yellow .....       | 1   |
| 26   | 1017080   | Kit, Front Bumper (includes items 27 through 30) .....      | 1   |
| 27   | 1016868   | Front Bumper .....  | 1   |
| 28   | 1016967   | Blind Rivet, Push Type .....                                | 2   |
| 29   | 7251      | Screw, 5/16-18 x 1.0 Truss-Head .....                       | 2   |
| 30   | 7473      | Locknut, 5/16-18 Nylon Insert .....                         | 2   |
| 31   | 101734802 | Kit, Heavy-Duty Bumper (includes items 32 through 36) ..... | 1   |
| 32   | 1010435   | Bolt, Carriage, 5/16-18 X 1.00 .....                        | 2   |
| 33   | 1010546   | Spacer .....  | 2   |
| 34   | 1015405   | Bolt, Carriage, 5/16-18 X 2.0 .....                         | 2   |
| 35   | N/A       | Weldment, Heavy Duty Bumper .....                           | 1   |
| 36   | 7473      | Locknut, 5/16-18 Nylon Insert .....                         | 4   |
| 37   | 101870401 | Fender Extrusion .....                                      | 2   |
| 38   | 1241      | Washer, 5/16 Type A Flat .....                              | 2   |
| 39   | 7251      | Screw, 5/16-18 x 1.0 Truss-Head .....                       | 2   |
| 40   | 7473      | Locknut, 5/16-18 Nylon Insert .....                         | 2   |

**1**  
**G**  
**E**

**1**  
**G**  
**E**



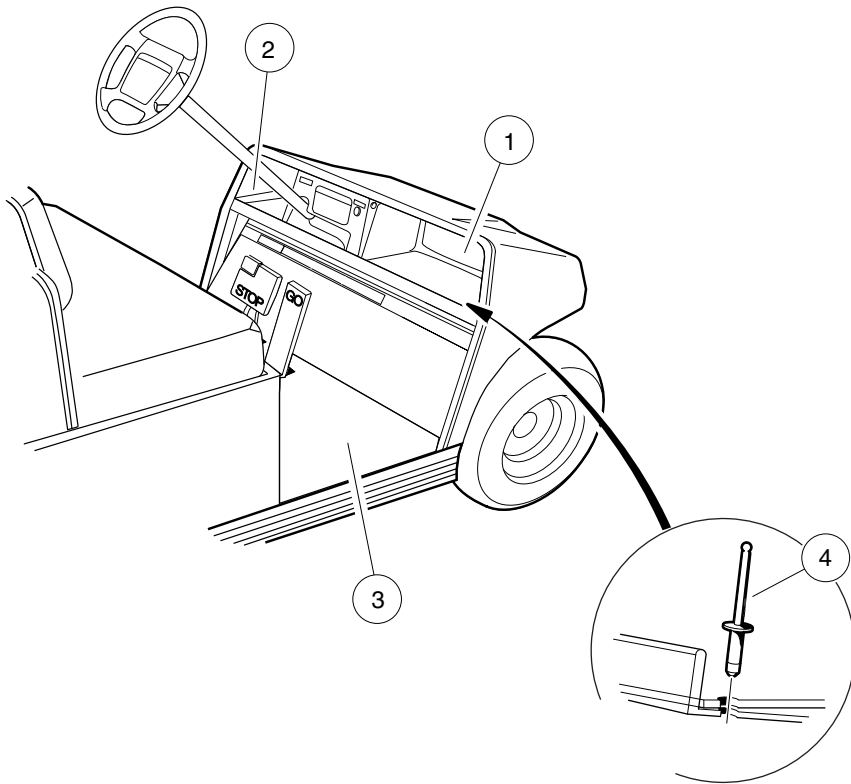
000249-004

# FRONT BODY AND TRIM – TURF/CARRYALL 252 AND XRT 900

| ITEM | PART NO.  | DESCRIPTION   | QTY |
|------|-----------|---|-----|
|      |           | <b>1 2 3 4</b>  |     |
| 1    | 1010434   | Barrel - Plastic .....  | 12  |
| 2    | 1010435   | Bolt, Carriage, 5/16-18 X 1.00 .....                              | 2   |
| 3    | 1010934   | Screw, 5/16-18 X 1.00 Hex Cap .....                               | 4   |
| 4    | 1011014   | Trim, Cowl .....  | 1   |
| 5    | 1011017   | Screw, #8-32 X 0.375 .....  | 6   |
| 6    | 1011394   | T-Nut Package (Set of 4) .....                                    | 1   |
| 7    | 1011578   | Washer, 5/16 Type B Flat .....                                    | 4   |
| 8    | 101503202 | Floormat .....  | 1   |
| 9    | 1015075   | Washer, 5/16 Flat Type A .....                                    | 2   |
| 10   | 1015608   | Tube Spacer, Hydraulic Cylinder .....                             | 2   |
| 11   | 101693901 | Cowl with Headlight Opening, TPO, Beige .....                     | 1   |
| 12   | 101693902 | Cowl with Headlight Opening, TPO, White .....                     | 1   |
| 13   | 101693906 | Cowl with Headlight Opening, TPO, Red .....                       | 1   |
| 14   | 101693908 | Cowl with Headlight Opening, TPO, Pacific Blue (Royal Blue) ..... | 1   |
| 15   | 101693909 | Cowl with Headlight Opening, TPO, Dark Green .....                | 1   |
| 16   | 101693910 | Cowl with Headlight Opening, TPO, Black .....                     | 1   |
| 17   | 101693911 | Cowl with Headlight Opening, TPO, Classic Blue (Navy) .....       | 1   |
| 18   | 101693912 | Cowl with Headlight Opening, TPO, Burgundy .....                  | 1   |
| 19   | 101693913 | Cowl with Headlight Opening, TPO, Dark Gray .....                 | 1   |
| 20   | 101693914 | Cowl with Headlight Opening, TPO, Safety Yellow .....             | 1   |
| 21   | 1017080   | Kit, Front Bumper (includes items 22 through 25) .....            | 1   |
| 22   | 1016868   | Front Bumper .....  | 1   |
| 23   | 1016967   | Blind Rivet, Push Type .....                                      | 2   |
| 24   | 7251      | Screw, 5/16-18 x 1.0 Truss-Head .....                             | 2   |
| 25   | 7473      | Locknut, 5/16-18 Nylon Insert .....                               | 2   |
| 26   | 102004301 | Brush Guard .....   | 1   |
| 27   | 1241      | Washer, 5/16 Type A Flat .....                                    | 6   |
| 28   | 7251      | Screw, 5/16-18 x 1.0 Truss-Head .....                             | 2   |
| 29   | 7473      | Locknut, 5/16-18 Nylon Insert .....                               | 8   |
| 30   | 8935      | Screw, 5/16-18 X 2.25 Hex-Head Cap .....                          | 2   |
| 31   | AM10808   | Front Fender Extrusion - Lynx .....                               | 2   |

**1**  
**G**  
**E**

**1**  
**G**  
**E**



000252-002

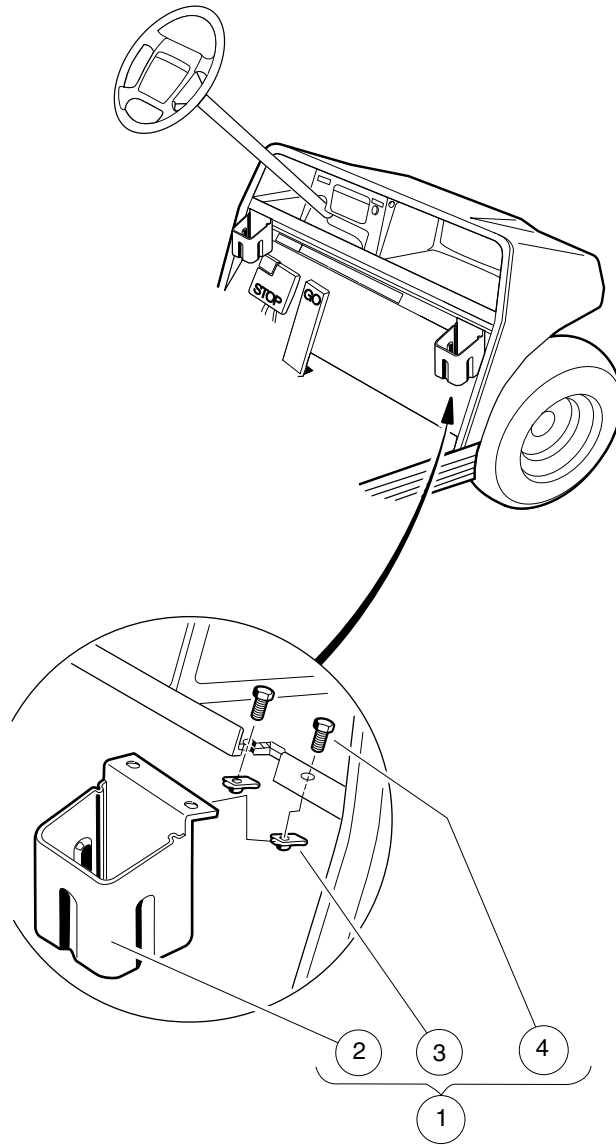


# DASH POCKETS AND FLOORMAT

| ITEM | PART NO.  | DESCRIPTION                                 | QTY |
|------|-----------|---|-----|
|      |           | 1 2 3 4                                     |     |
| 1    | 1013343   | Dash Component, Passenger-Side, Black ..... | 1   |
| 2    | 1013344   | Dash Component, Driver-Side .....           | 1   |
| 3    | 101503202 | Floormat .....                              | 1   |
| 4    | 7973      | Rivet, 3/16 X .400 Blind .....              | 5   |

1  
G  
E

**1**  
**G**  
**E**



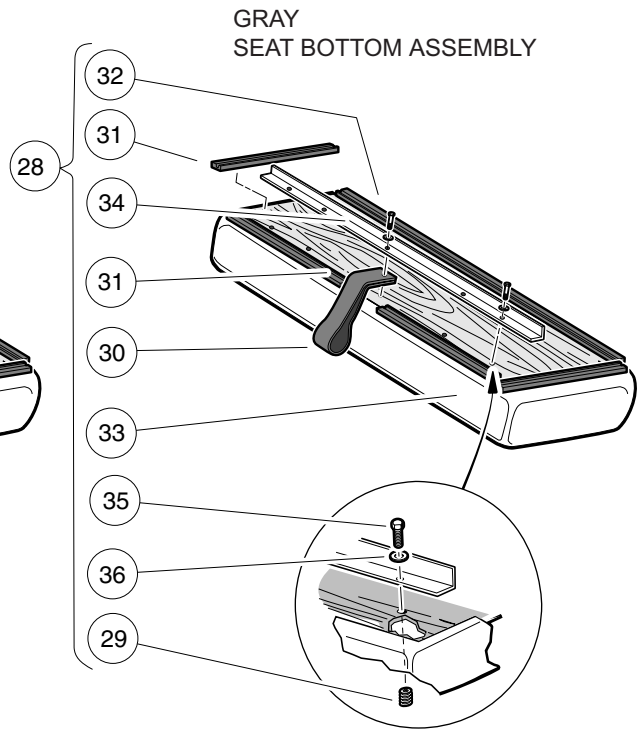
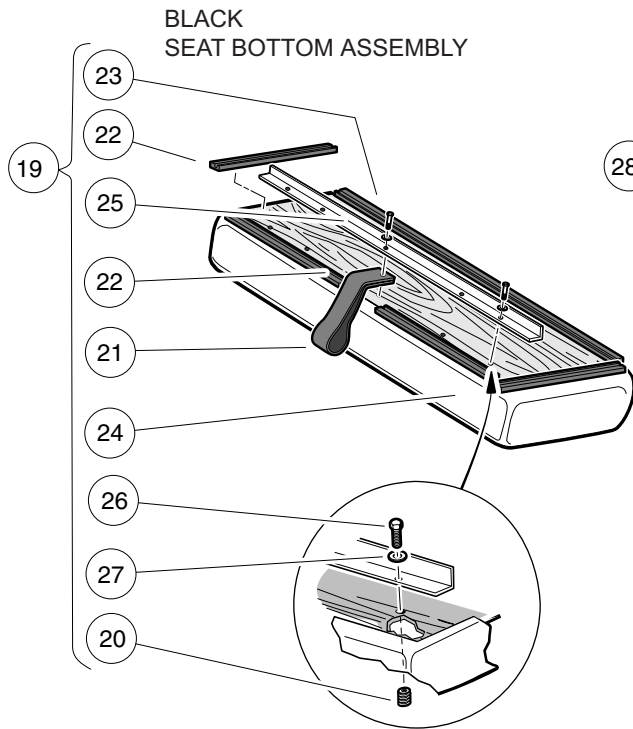
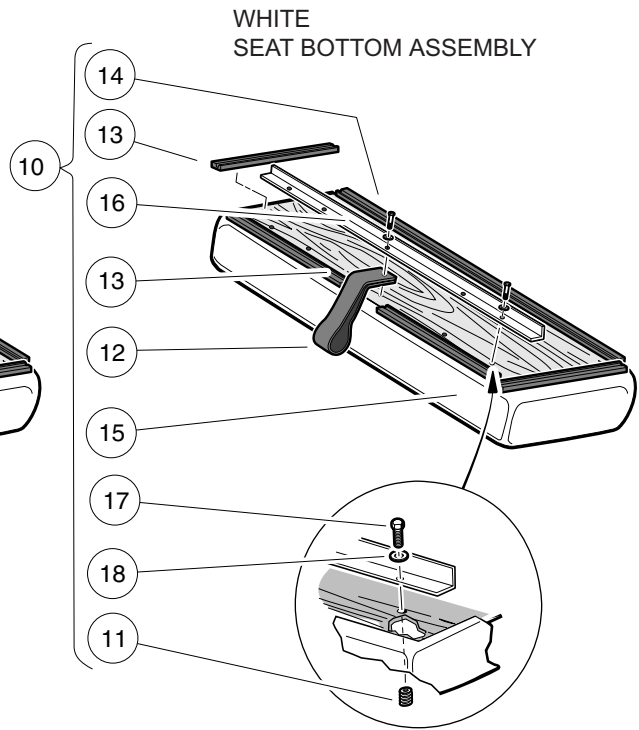
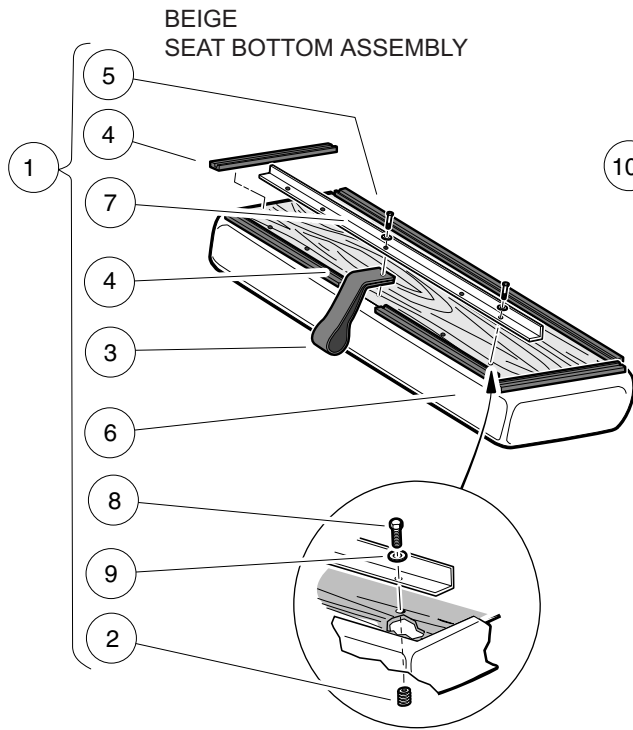
000253-001

# BEVERAGE HOLDER

| ITEM | PART NO. | DESCRIPTION                                       | QTY |
|------|----------|---|-----|
|      |          | 1 2 3 4   |     |
| 1    | 1013422  | Cup Holder Kit (includes items 2 through 4) ..... | 2   |
| 2    | 1013420  | Holder, Single Cup .....                          | 1   |
| 3    | 1016952  | U-Nut, 1/4-20 .....                               | 2   |
| 4    | 7847     | Screw, 1/4-20 X 0.75 Hex-Head Cap .....           | 2   |

1  
G  
E

**1**  
**G**  
**E**



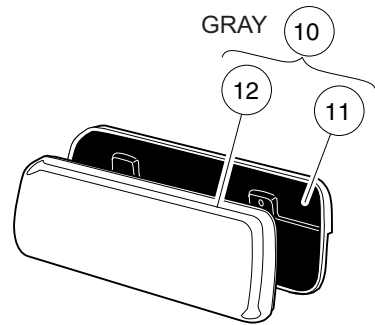
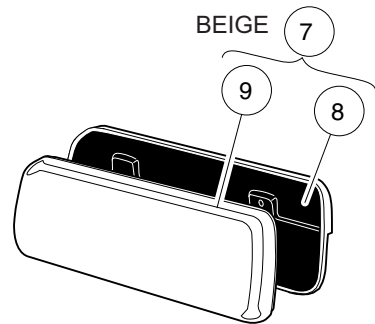
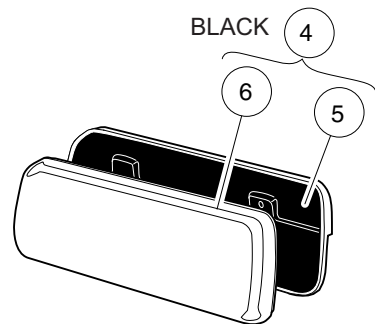
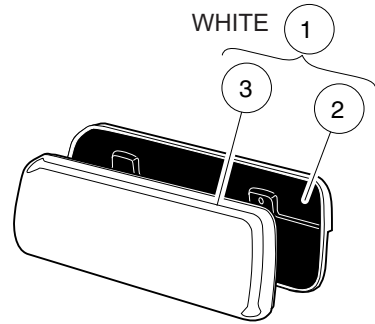
000254-001

# SEAT BOTTOM

| ITEM | PART NO.  | DESCRIPTION  | QTY |
|------|-----------|--|-----|
|      |           | 1 2 3 4  |     |
| 1    | 101564501 | Seat Bottom Assembly, Beige (includes items 2 through 9) .....   | 1   |
| 2    | 1010543   | Insert - Wood .....  | 5   |
| 3    | 1013309   | Strap, Utility Seat .....  | 1   |
| 4    | 1013311   | Bumper, Seat, Short .....  | 4   |
| 5    | 1013312   | Bumper, Seat, Long .....   | 1   |
| 6    | 101562711 | Vinyl Cover, Seat Bottom, Buff .....                             | 1   |
| 7    | 101894303 | Stiffener .....  | 1   |
| 8    | 101954301 | Screw, 1/4-20 X 0.75 Hex-Head Cap .....                          | 5   |
| 9    | 332       | Washer, 1/4 Type A Narrow Flat .....                             | 5   |
| 10   | 101564502 | Seat Bottom Assembly, White (includes items 11 through 18) ..... | 1   |
| 11   | 1010543   | Insert - Wood .....  | 5   |
| 12   | 1013309   | Strap, Utility Seat .....  | 1   |
| 13   | 1013311   | Bumper, Seat, Short .....  | 4   |
| 14   | 1013312   | Bumper, Seat, Long .....   | 1   |
| 15   | 101562712 | Vinyl Cover, Seat Bottom, White .....                            | 1   |
| 16   | 101894303 | Stiffener .....  | 1   |
| 17   | 101954301 | Screw, 1/4-20 X 0.75 Hex-Head Cap .....                          | 5   |
| 18   | 332       | Washer, 1/4 Type A Narrow Flat .....                             | 5   |
| 19   | 101564503 | Seat Bottom Assembly, Black (includes items 20 through 27) ..... | 1   |
| 20   | 1010543   | Insert - Wood .....  | 5   |
| 21   | 1013309   | Strap, Utility Seat .....  | 1   |
| 22   | 1013311   | Bumper, Seat, Short .....  | 4   |
| 23   | 1013312   | Bumper, Seat, Long .....   | 1   |
| 24   | 101562714 | Vinyl Cover, Seat Bottom, Black .....                            | 1   |
| 25   | 101894303 | Stiffener .....  | 1   |
| 26   | 101954301 | Screw, 1/4-20 X 0.75 Hex-Head Cap .....                          | 5   |
| 27   | 332       | Washer, 1/4 Type A Narrow Flat .....                             | 5   |
| 28   | 101564505 | Seat Bottom Assembly, Gray (includes items 29 through 36) .....  | 1   |
| 29   | 1010543   | Insert - Wood .....  | 5   |
| 30   | 1013309   | Strap, Utility Seat .....  | 1   |
| 31   | 1013311   | Bumper, Seat, Short .....  | 4   |
| 32   | 1013312   | Bumper, Seat, Long .....   | 1   |
| 33   | 101562715 | Vinyl Cover, Seat Bottom, Gray .....                             | 2   |
| 34   | 101894303 | Stiffener .....  | 1   |
| 35   | 101954301 | Screw, 1/4-20 X 0.75 Hex-Head Cap .....                          | 5   |
| 36   | 332       | Washer, 1/4 Type A Narrow Flat .....                             | 5   |

1  
G  
E

**1**  
**G**  
**E**

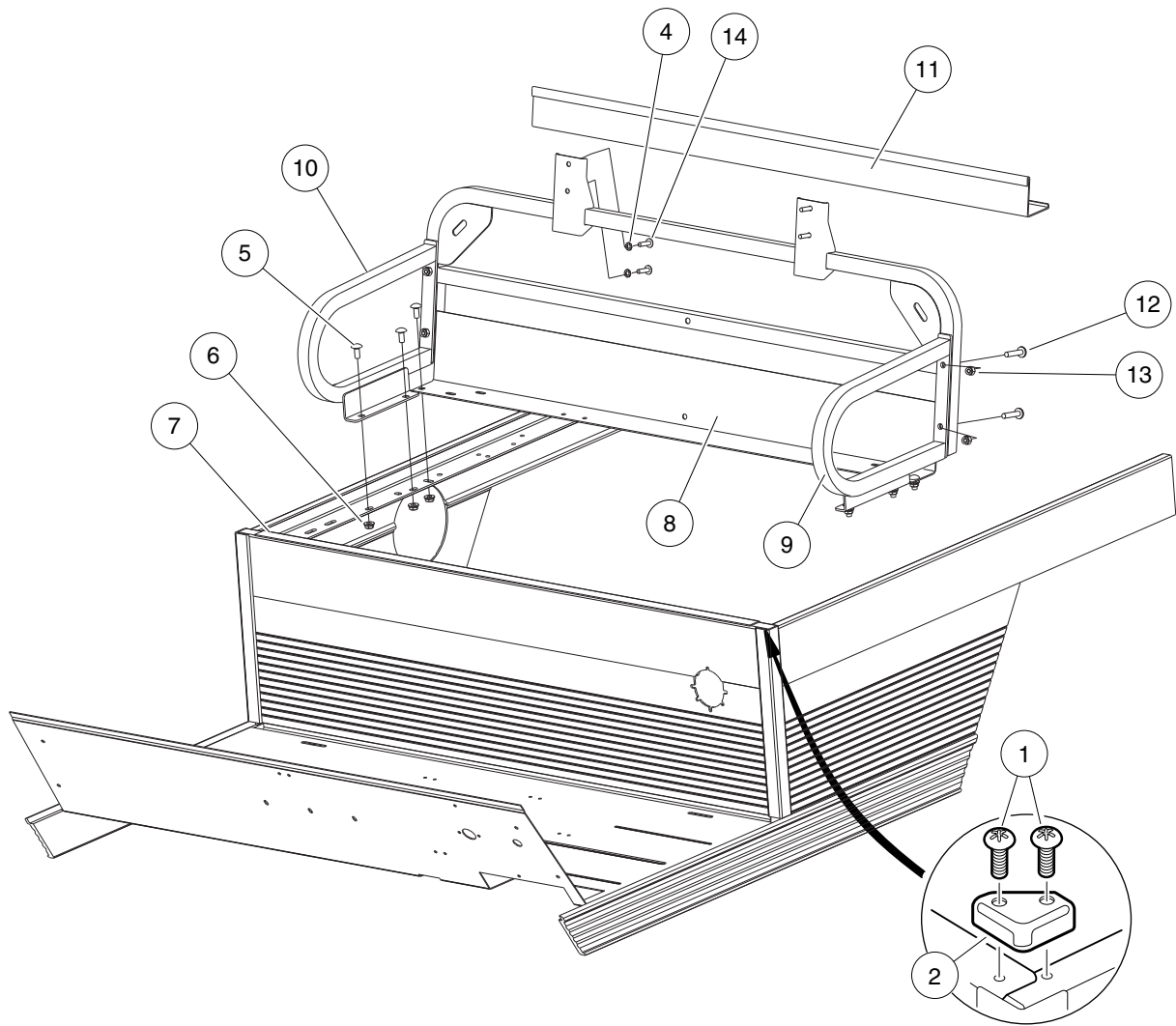


000608-001

# SEAT BACK ASSEMBLY

| ITEM | PART NO.  | DESCRIPTION   | QTY |
|------|-----------|---|-----|
|      |           | <b>1 2 3 4</b>  |     |
| 1    | 101677701 | Seat Back Assembly, White (includes items 2 and 3) .....  | 1   |
| 2    | 1016751   | Cap, Seat Back .....                                      | 1   |
| 3    | 101675512 | Vinyl Seat Back, White .....                              | 1   |
| 4    | 101677702 | Seat Back Assembly, Black (includes items 5 and 6) .....  | 1   |
| 5    | 1016751   | Cap, Seat Back .....                                      | 1   |
| 6    | 101675514 | Vinyl Seat Back, Black .....                              | 1   |
| 7    | 101677703 | Seat Back Assembly, Beige (includes items 8 and 9) .....  | 1   |
| 8    | 1016751   | Cap, Seat Back .....                                      | 1   |
| 9    | 101675511 | Vinyl Seat Back, Beige .....                              | 1   |
| 10   | 101677705 | Seat Back Assembly, Gray (includes items 11 and 12) ..... | 1   |
| 11   | 1016751   | Cap, Seat Back .....                                      | 1   |
| 12   | 101675515 | Vinyl Seat Back-nstd Svc .....                            | 1   |

1  
G  
E



000603-001

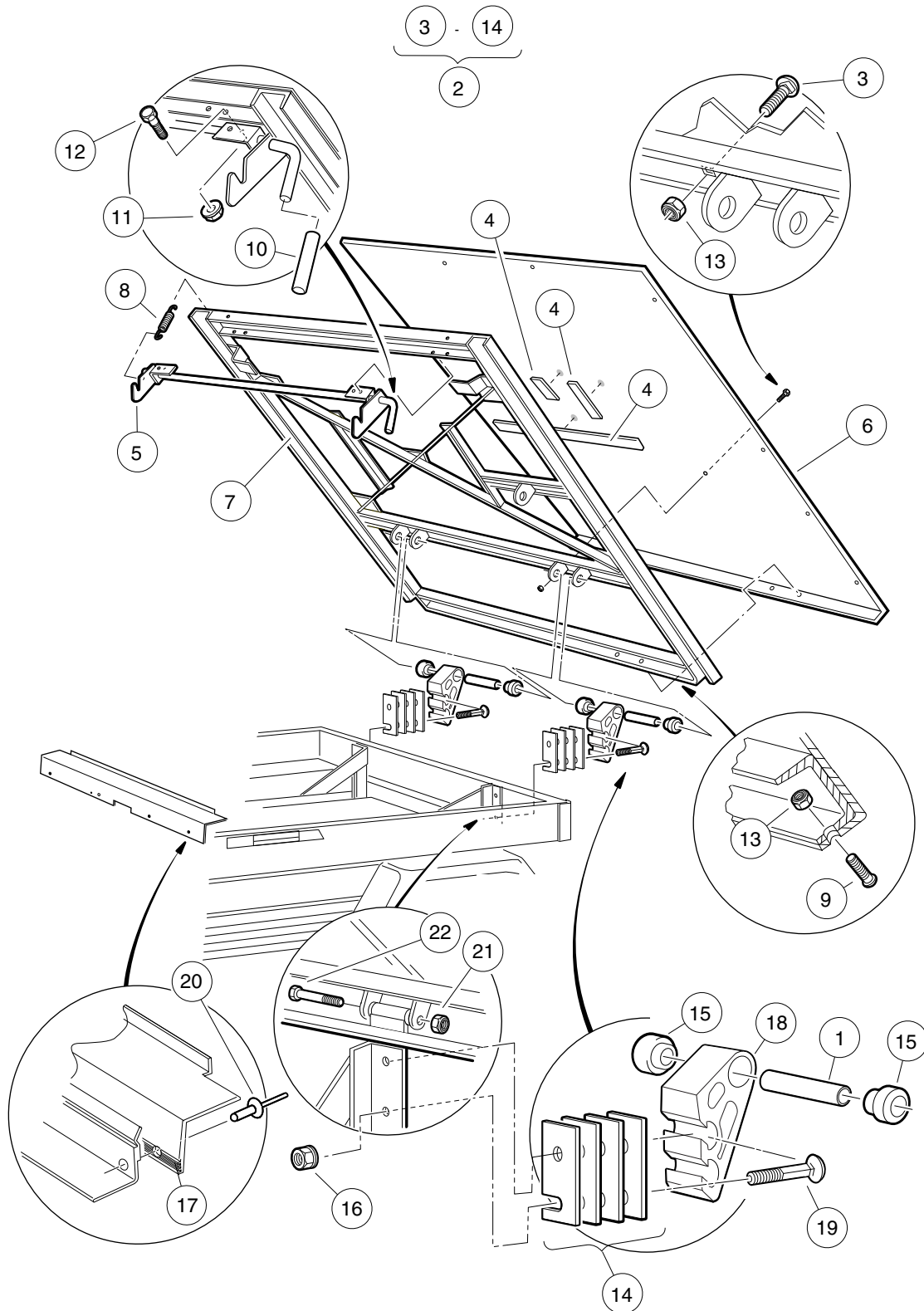


# HIP RESTRAINTS AND SEAT BACK MOUNTING

| ITEM | PART NO.  | DESCRIPTION  | QTY |
|------|-----------|--|-----|
|      |           | <b>1 2 3 4</b>   |     |
| 1    | 1014321   | Screw, #10 Truss-Head Torx .....                                   | 4   |
| 2    | 1014387   | Cap, Corner .....  | 2   |
| 3    | N/A       | Instl, Seat Bk, Hip Restr, Ca1 (includes items 4 through 14) ..... | 1   |
| 4    | 101946201 | Washer, Lock, 0.250 External-Tooth .....                           | 4   |
| 5    | 101963301 | Bolt, 5/16-18 X 0.75 Round-Head .....                              | 6   |
| 6    | 101963401 | Locknut, 5/16-18 Hex Flange .....                                  | 6   |
| 7    | 101964001 | Trim, Seat Bottom Front .....                                      | 1   |
| 8    | 102966401 | Seat Back, Tube .....  | 1   |
| 9    | 102966501 | Hip Restraint, Left .....  | 1   |
| 10   | 102966502 | Hip Restraint, Right .....   | 1   |
| 11   | 102989501 | Seal, Bed, 41-Inch .....   | 1   |
| 12   | 103245201 | Screw, 5/16-18 X 1.5, Tr Tx Hd .....                               | 4   |
| 13   | 103245301 | Nut, Hex, Cp, Mech Def, 5/16-1 .....                               | 4   |
| 14   | 8251      | Screw, 1/4-20 X 1.0 Truss-Head Machine .....                       | 4   |

**1**  
**G**  
**E**

**1**  
**G**  
**E**



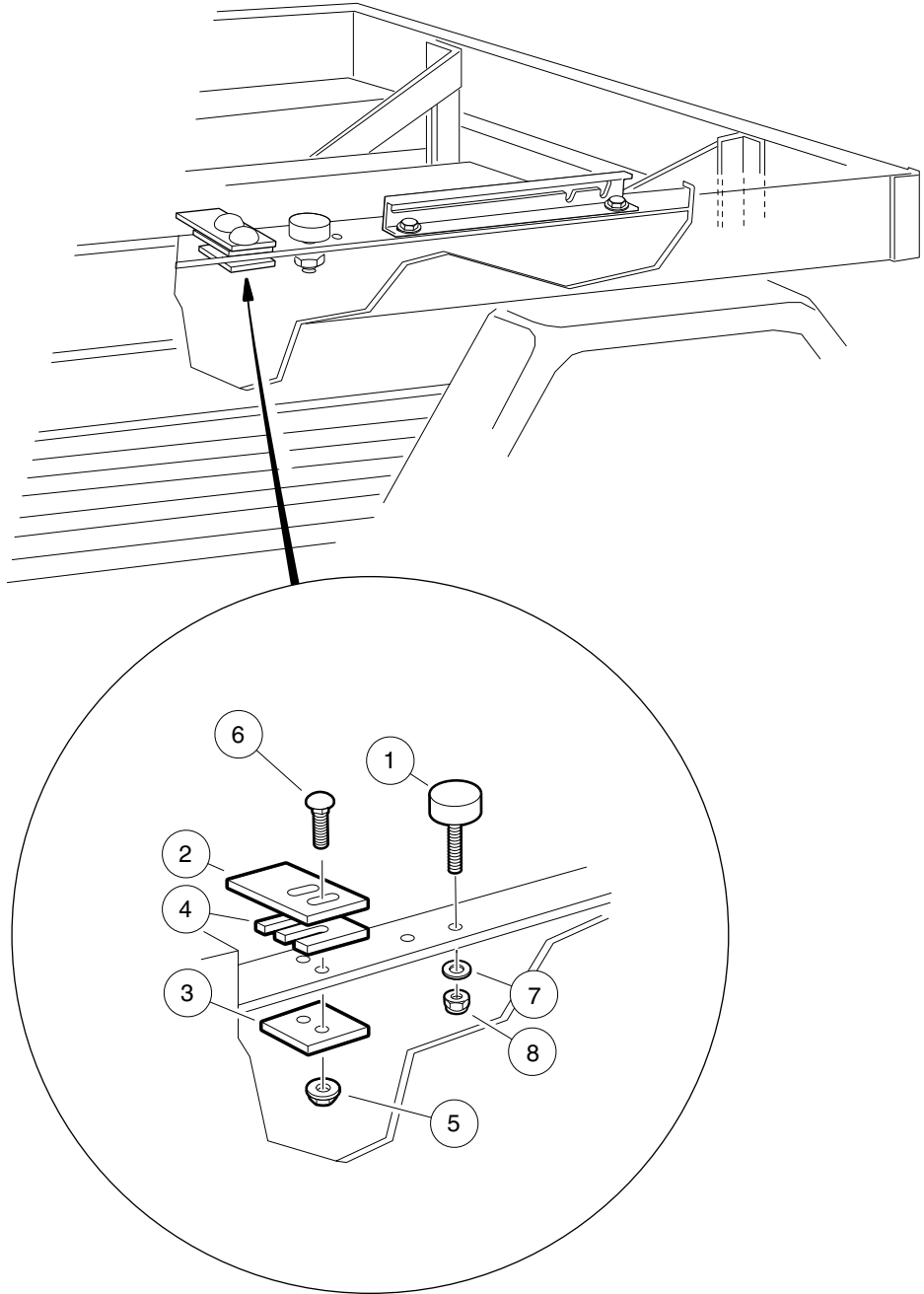
000257-003

# TILT BED, HINGE, AND LATCH – TURF/CARRYALL 2, 252, 2 XRT, AND CARRYALL 2 PLUS

| ITEM | PART NO.  | DESCRIPTION  | QTY |
|------|-----------|--|-----|
|      |           | 1 2 3 4  |     |
| 1    | 1012303   | Bushing, Steel .....                                   | 2   |
| 2    | 101542901 | Assembly, Tilt Bed (includes items 3 through 13) ..... | 1   |
| 3    | 1010435   | Bolt, Carriage, 5/16-18 X 1.00 .....                   | 4   |
| 4    | 1014471   | Tape, Vinyl Foam 1/8" x 3/4" * .....                   | 1   |
| 5    | 1015252   | Latch Weld Assembly .....                              | 1   |
| 6    | 1015258   | Plate, Floor Bed .....                                 | 1   |
| 7    | N/A       | Frame Assembly .....                                   | 1   |
| 8    | N/A       | Extension, Spring Latch .....                          | 2   |
| 9    | 1015399   | Screw, 5/16-18 X 0.88 Torx Truss-Head .....            | 4   |
| 10   | 1015400   | Grip, Tilt Latch Hand .....                            | 1   |
| 11   | 101835601 | Locknut, 1/4-20 Hex Whiz .....                         | 4   |
| 12   | 403       | Screw, 1/4-20 X 0.625 Hex-Head Cap .....               | 4   |
| 13   | 7473      | Locknut, 5/16-18 Nylon Insert .....                    | 8   |
| 14   | 1015507   | Shim, Tilt Bed Pivot .....                             | 1   |
| 15   | 1015583   | Bushing, Urethane .....                                | 4   |
| 16   | 102065901 | Locknut, 3/8-16 Flanged Dimple .....                   | 4   |
| 17   | 102989501 | Seal, Bed, 41-Inch .....                               | 1   |
| 18   | 103538701 | Extra, Bracket, Hinge, Bed .....                       | 2   |
| 19   | 103538901 | 3/8-16 X 3.5 Carr Blt Gr5 Zn .....                     | 4   |
| 20   | 7532      | Rivet, 3/16 X 0.3125, Pop .....                        | 1   |
| 21   | 8754      | Locknut, 3/8-16 Hex .....                              | 2   |
| 22   | 8755      | Screw, 3/8-16 X 3.375 Hex Cap .....                    | 2   |
|      |           | * Note: Item not shown.                                |     |

**1**  
**G**  
**E**

**1**  
**G**  
**E**



000258-002

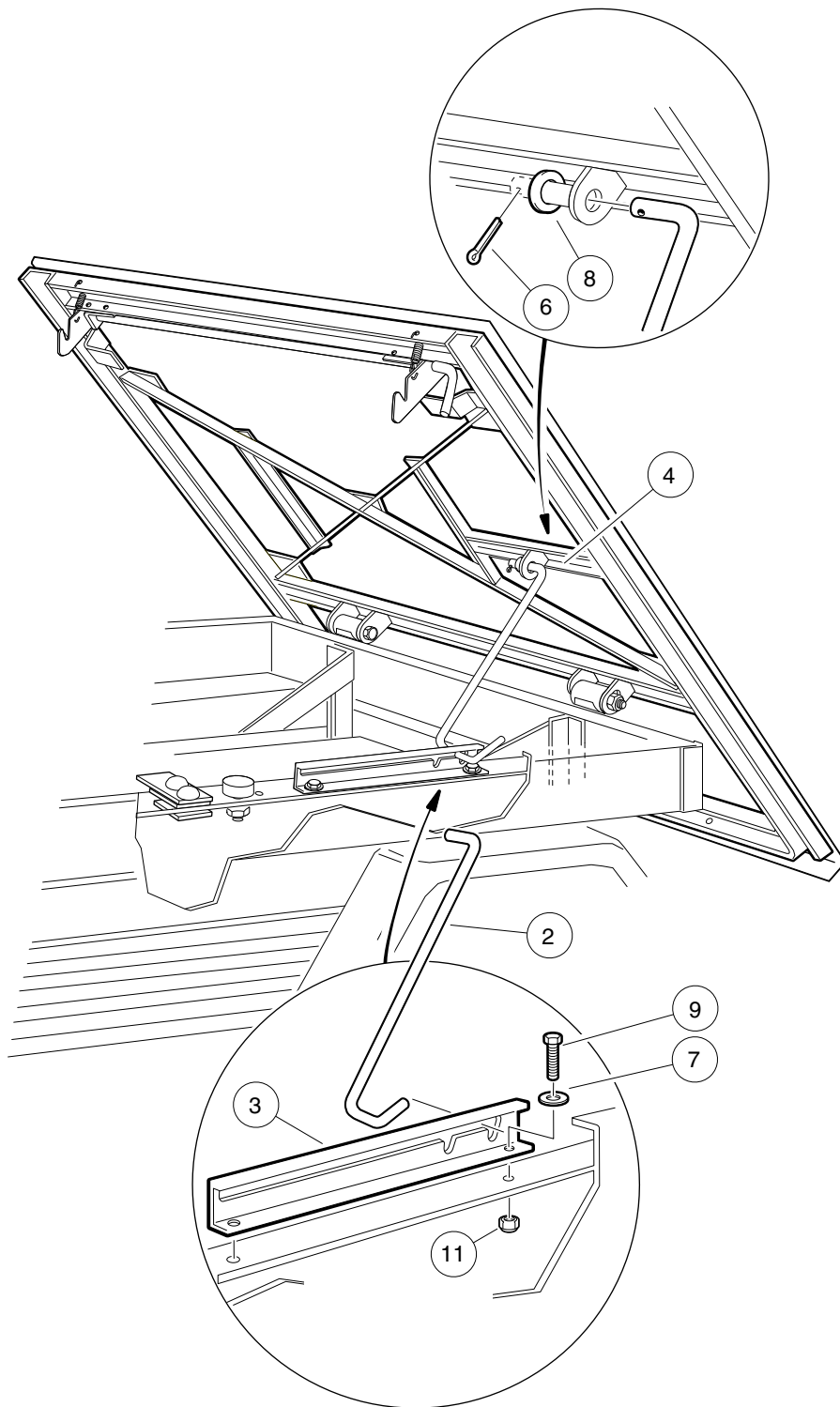
# LATCH PLATE

| ITEM | PART NO.  | DESCRIPTION                          | QTY |
|------|-----------|--------------------------------------|-----|
|      |           | <b>1 2 3 4</b>                       |     |
| 1    | 1010878   | Bumper, Rubber .....                 | 2   |
| 2    | 1015277   | Latch Plate, Tilt Bed .....          | 2   |
| 3    | 1016060   | Plate, Latch Support .....           | 2   |
| 4    | 1016078   | Latch Plate Shim .....               | 1   |
| 5    | 101835601 | Locknut, 1/4-20 Hex Whiz .....       | 4   |
| 6    | 101958601 | Carriage Bolt, 1/4-20 X 0.75 .....   | 4   |
| 7    | 332       | Washer, 1/4 Type A Narrow Flat ..... | 4   |
| 8    | 8233      | Locknut, 1/4-20 Nylon Insert .....   | 4   |

**1**

**G**

**E**



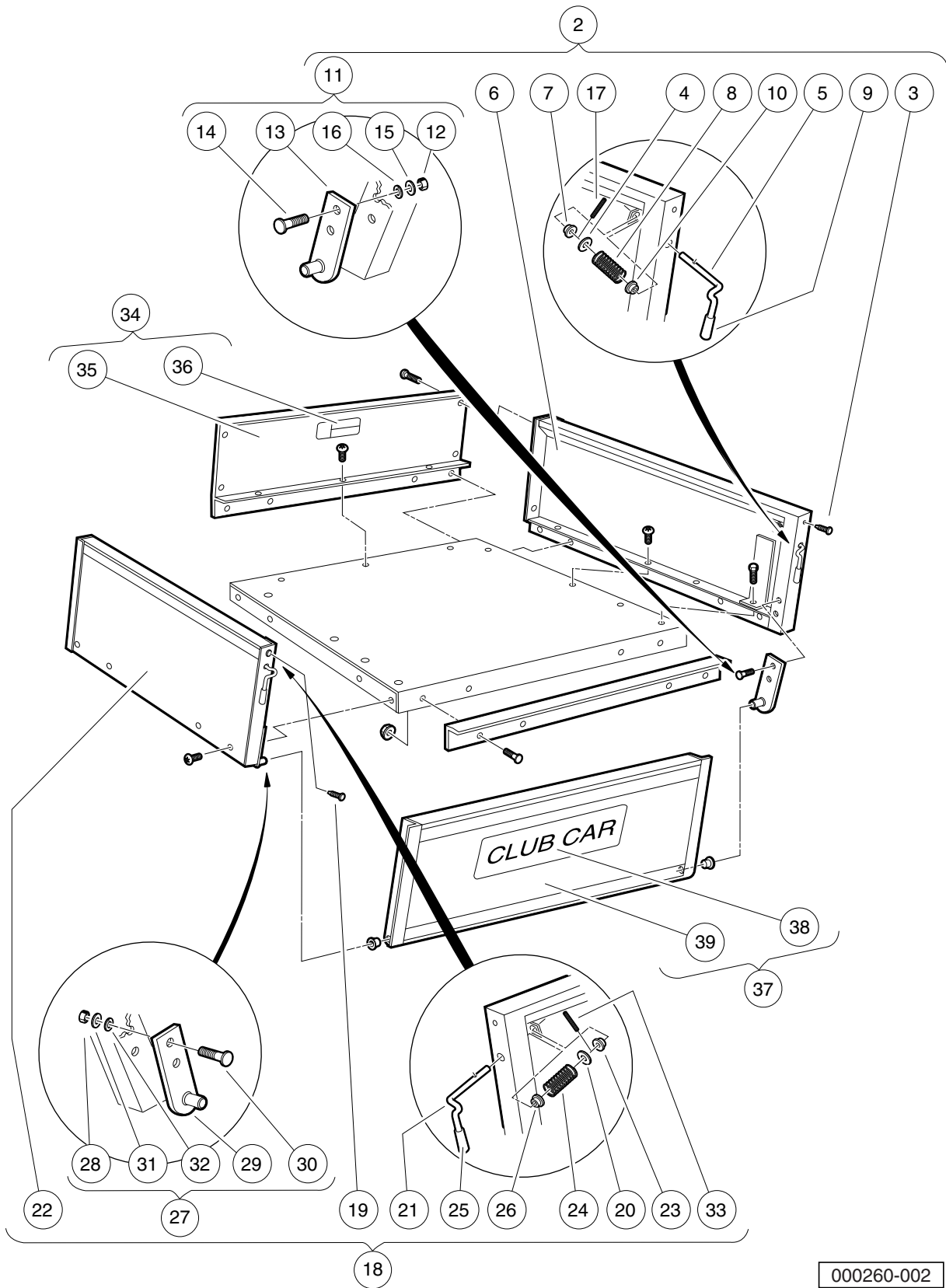
000259-002

# PROP ROD

| ITEM | PART NO.  | DESCRIPTION  | QTY |
|------|-----------|--|-----|
|      |           | <b>1 2 3 4</b>   |     |
| 1    | 101922801 | Prop Rod Support Instl Kit (includes items 2 through 11) ..... | 1   |
| 2    | 1015348   | Prop Rod Ca li .....   | 1   |
| 3    | 1015700   | Track Prop Rod Ca li .....                                     | 1   |
| 4    | N/A       | Support Assy, Prop Rod .....                                   | 1   |
| 5    | 10192281  | Instruction .....  | 1   |
| 6    | 1035      | Cotter Pin, 3/32 x 1 .....                                     | 2   |
| 7    | 332       | Washer, 1/4 Type A Narrow Flat .....                           | 5   |
| 8    | 334       | Washer, 3/8 Type A Flat .....                                  | 1   |
| 9    | 7847      | Screw, 1/4-20 X 0.75 Hex-Head Cap .....                        | 6   |
| 10   | 808       | Washer, 3/8 Type B Flat .....                                  | 1   |
| 11   | 8233      | Locknut, 1/4-20 Nylon Insert .....                             | 6   |

**1**  
**G**  
**E**

**1**  
**G**  
**E**



000260-002

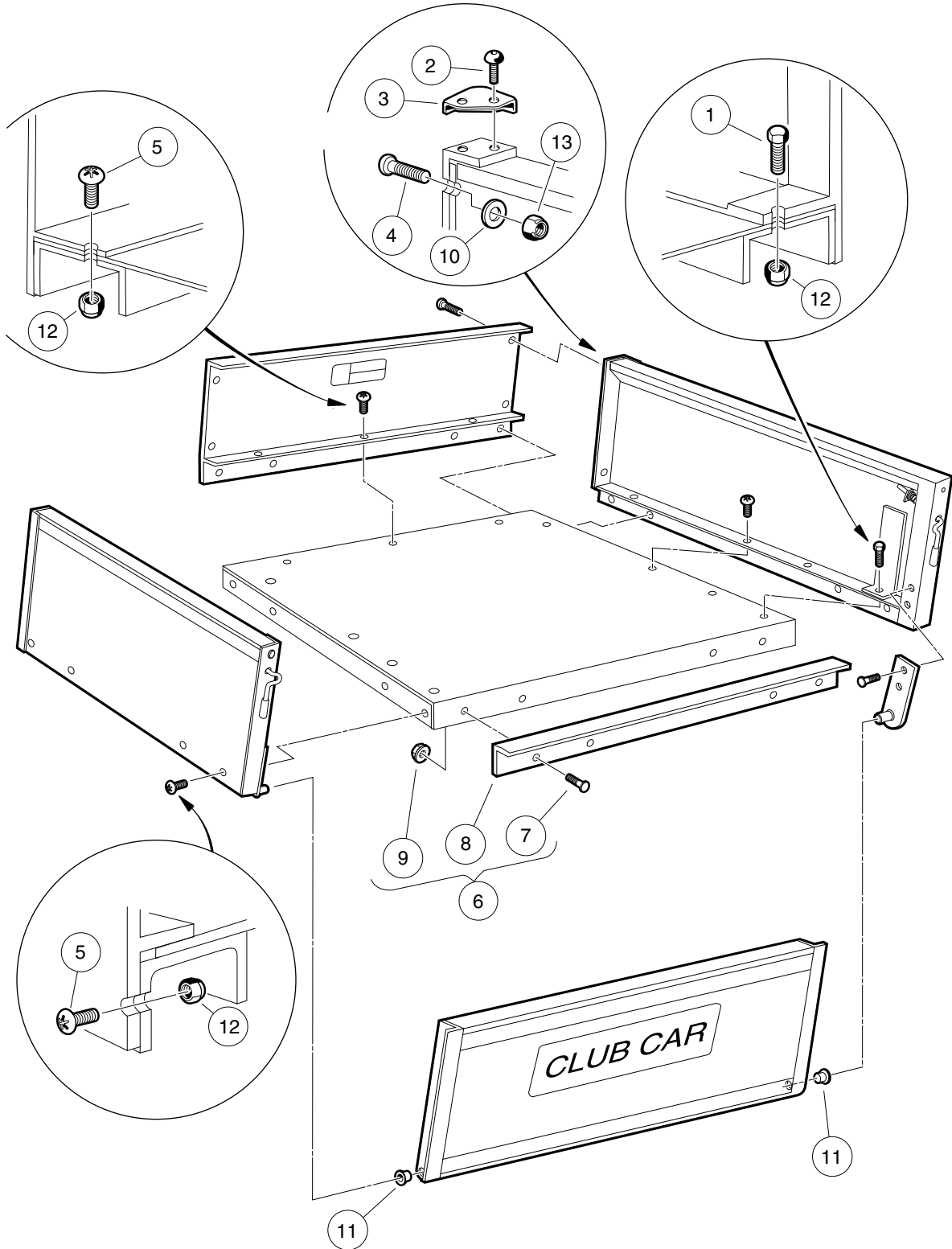


# CARGO BOX (ALUMINUM)

| ITEM | PART NO.  | DESCRIPTION  | QTY |
|------|-----------|--|-----|
|      |           | <b>1 2 3 4</b>   |     |
| 1    | 1015607   | Cargo Box Set (includes items 2 through 37) .....                                | 1   |
| 2    | 1015366   | Side-Panel Assembly, Right-Hand (includes items 3 through 17) .....              | 1   |
| 3    | 1010434   | Barrel - Plastic .....   | 1   |
| 4    | 1011990   | Washer, 3/8 Flat .....   | 1   |
| 5    | 1015245   | Latch, Tailgate, Right-Hand .....  | 1   |
| 6    | N/A       | Side-Panel Weldment, Right-Hand .....  | 1   |
| 7    | 1015363   | Bushing, Snap-In .....   | 1   |
| 8    | 1015390   | Compression Spring Latch Tilt .....  | 1   |
| 9    | 1015400   | Grip, Tilt Latch Hand .....  | 1   |
| 10   | 1032      | Bushing, Nylon .....   | 1   |
| 11   | 103406502 | Kit, Tlgt Mtg Brkt, Ca Rh (includes items 12 through 16) .....                   | 1   |
| 12   | 1028      | Nut, 1/4-20 Hex .....  | 2   |
| 13   | N/A       | Asm, Tlgt, Mtg Brkt, Ca Rh .....   | 1   |
| 14   | 103406601 | Stud, 1/4 Self-clnchg Flush .....  | 2   |
| 15   | 332       | Washer, 1/4 Type A Narrow Flat .....   | 2   |
| 16   | 451       | Lockwasher, 1/4 Split .....  | 2   |
| 17   | 1231      | Pin, 1/8 X 1.00 Split Roll .....   | 1   |
| 18   | 1015368   | Side Panel Assembly, Left-Hand (includes items 19 through 33) .....              | 1   |
| 19   | 1010434   | Barrel - Plastic .....   | 1   |
| 20   | 1011990   | Washer, 3/8 Flat .....   | 1   |
| 21   | 1015313   | Latch, Tailgate, Left-Hand .....   | 1   |
| 22   | N/A       | Side-Panel Weldment, Left-Hand .....   | 1   |
| 23   | 1015363   | Bushing, Snap-In .....   | 1   |
| 24   | 1015390   | Compression Spring Latch Tilt .....  | 1   |
| 25   | 1015400   | Grip, Tilt Latch Hand .....  | 1   |
| 26   | 1032      | Bushing, Nylon .....   | 1   |
| 27   | 103406501 | Kit, Tlgt Mtg Brkt, Ca Lh (includes items 28 through 32) .....                   | 1   |
| 28   | 1028      | Nut, 1/4-20 Hex .....  | 2   |
| 29   | N/A       | Asm, Tlgt, Mtg Brkt, Ca Lh .....   | 1   |
| 30   | 103406601 | Stud, 1/4 Self-clnchg Flush .....  | 2   |
| 31   | 332       | Washer, 1/4 Type A Narrow Flat .....   | 2   |
| 32   | 451       | Lockwasher, 1/4 Split .....  | 2   |
| 33   | 1231      | Pin, 1/8 X 1.00 Split Roll .....   | 1   |
| 34   | 1015412   | Front Panel Assembly (includes items 35 and 36) .....                            | 1   |
| 35   | N/A       | Front Panel Box .....  | 1   |
| 36   | 101553901 | Decal, Bed Load Warning .....  | 1   |
| 37   | 1015424   | Tailgate Assembly (includes items 38 and 39) .....                               | 1   |
| 38   | 1013317   | Decal, Logo, Tailgate .....  | 1   |
| 39   | N/A       | Tailgate Weldment .....  | 1   |
|      |           | Note: Additional components in kit 1015607 are shown on the following two pages. |     |

1  
G  
E

**1**  
**G**  
**E**



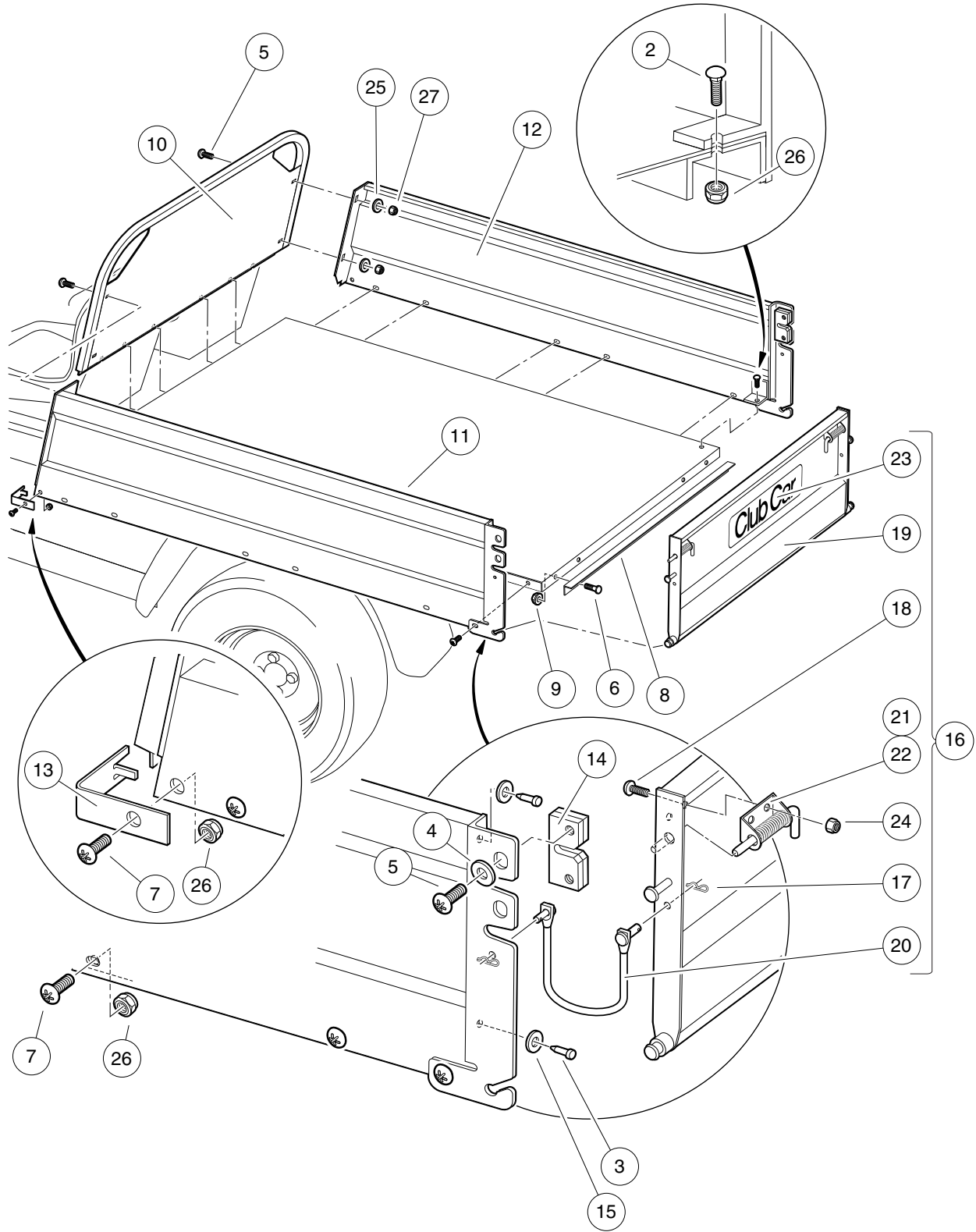
000261-001

# CARGO BOX MOUNTING

| ITEM  | PART NO.  | DESCRIPTION  | QTY |
|---|-----------|--|-----|
|   |           | 1 2 3 4  |     |
| 1   | 1010934   | Screw, 5/16-18 X 1.00 Hex Cap .....                    | 2   |
| 2   | 1014321   | Screw, #10 Truss-Head Torx .....                       | 4   |
| 3   | 1014387   | Cap, Corner .....                                      | 2   |
| 4   | 1014415   | Screw, 1/4-20 X 0.75 Torx Truss-Head .....             | 4   |
| 5   | 1015399   | Screw, 5/16-18 X 0.88 Torx Truss-Head .....            | 23  |
| 6   | 101894702 | Kit, Tailgate Angle (includes items 7 through 9) ..... | 1   |
| 7   | 1014537   | Stud, Self-Clinching Flush Head .....                  | 4   |
| 8   | 101894302 | Box Bed Tailgate Angle .....                           | 1   |
| 9   | 101963401 | Locknut, 5/16-18 Hex Flange .....                      | 4   |
| 10  | 332       | Washer, 1/4 Type A Narrow Flat .....                   | 4   |
| 11  | 7049      | Bushing, Nylon .....                                   | 2   |
| 12  | 7473      | Locknut, 5/16-18 Nylon Insert .....                    | 25  |
| 13  | 8233      | Locknut, 1/4-20 Nylon Insert .....                     | 4   |
| <p>Note: All parts listed on this page are included in kit 1015607.</p> |           |  |     |

1  
G  
E

**1**  
**G**  
**E**



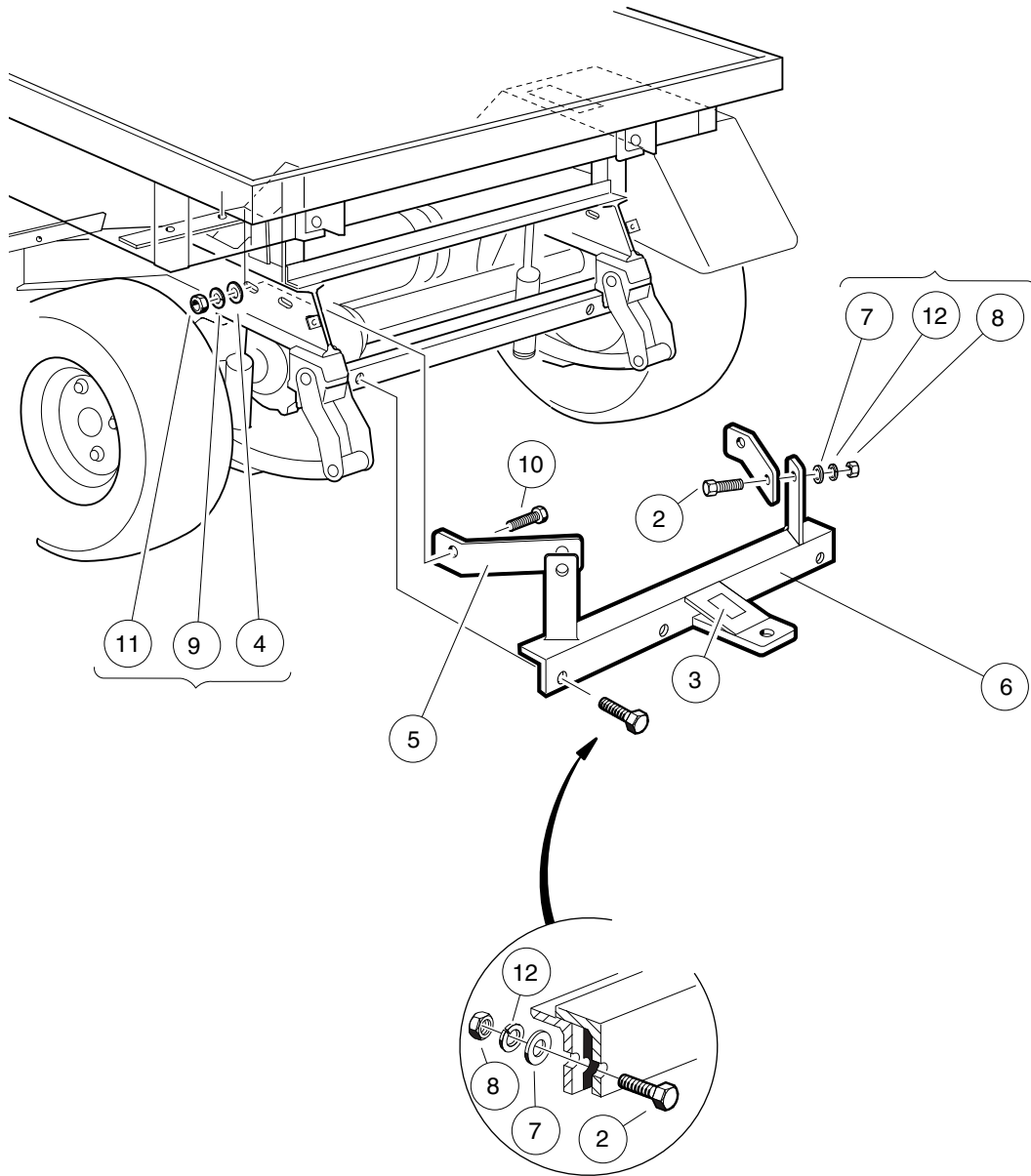
000038-001

## CARGO BOX (STEEL)

| ITEM | PART NO.  | DESCRIPTION   | QTY |
|------|-----------|---|-----|
|      |           | <b>1 2 3 4</b>  |     |
| 1    | N/A       | Instl, Steel Box, XRT (includes items 2 through 27) ..... | 1   |
| 2    | 1010435   | Bolt, Carriage, 5/16-18 X 1.00 .....                      | 13  |
| 3    | 1010436   | Bumper, Rubber .....                                      | 4   |
| 4    | 1014306   | Washer, 1/4" Type B Flat .....                            | 4   |
| 5    | 1014415   | Screw, 1/4-20 X 0.75 Torx Truss-Head .....                | 8   |
| 6    | 1014537   | Stud, Self-Clinching Flush Head .....                     | 4   |
| 7    | 1015399   | Screw, 5/16-18 X 0.88 Torx Truss-Head .....               | 18  |
| 8    | 101894304 | Box Bed Tailgate Angle .....                              | 1   |
| 9    | 101963401 | Locknut, 5/16-18 Hex Flange .....                         | 4   |
| 10   | 102221301 | Front Panel Weldment .....                                | 1   |
| 11   | 102221401 | Left Panel Weldment .....                                 | 1   |
| 12   | 102221501 | Right Panel Weldment .....                                | 1   |
| 13   | 102221701 | Front Corner Cap .....                                    | 2   |
| 14   | 102222001 | Slam Latch .....  | 2   |
| 15   | 102239901 | Washer, Rubber, 3/8 .....                                 | 4   |
| 16   | 102614401 | Assembly, Tailgate (includes items 17 through 24) .....   | 1   |
| 17   | 1013366   | Hair Pin Clip .....                                       | 4   |
| 18   | 1014415   | Screw, 1/4-20 X 0.75 Torx Truss-Head .....                | 4   |
| 19   | N/A       | Tailgate, Weldment .....                                  | 1   |
| 20   | 102221801 | Tether Assembly .....                                     | 2   |
| 21   | 102222101 | Spring Latch Left .....                                   | 1   |
| 22   | 102222201 | Spring Latch Right .....                                  | 1   |
| 23   | 102673201 | Decal, Club Car Tailgate .....                            | 1   |
| 24   | 8233      | Locknut, 1/4-20 Nylon Insert .....                        | 4   |
| 25   | 332       | Washer, 1/4 Type A Narrow Flat .....                      | 4   |
| 26   | 7473      | Locknut, 5/16-18 Nylon Insert .....                       | 31  |
| 27   | 8233      | Locknut, 1/4-20 Nylon Insert .....                        | 4   |

**1**  
**G**  
**E**

**1**  
**G**  
**E**



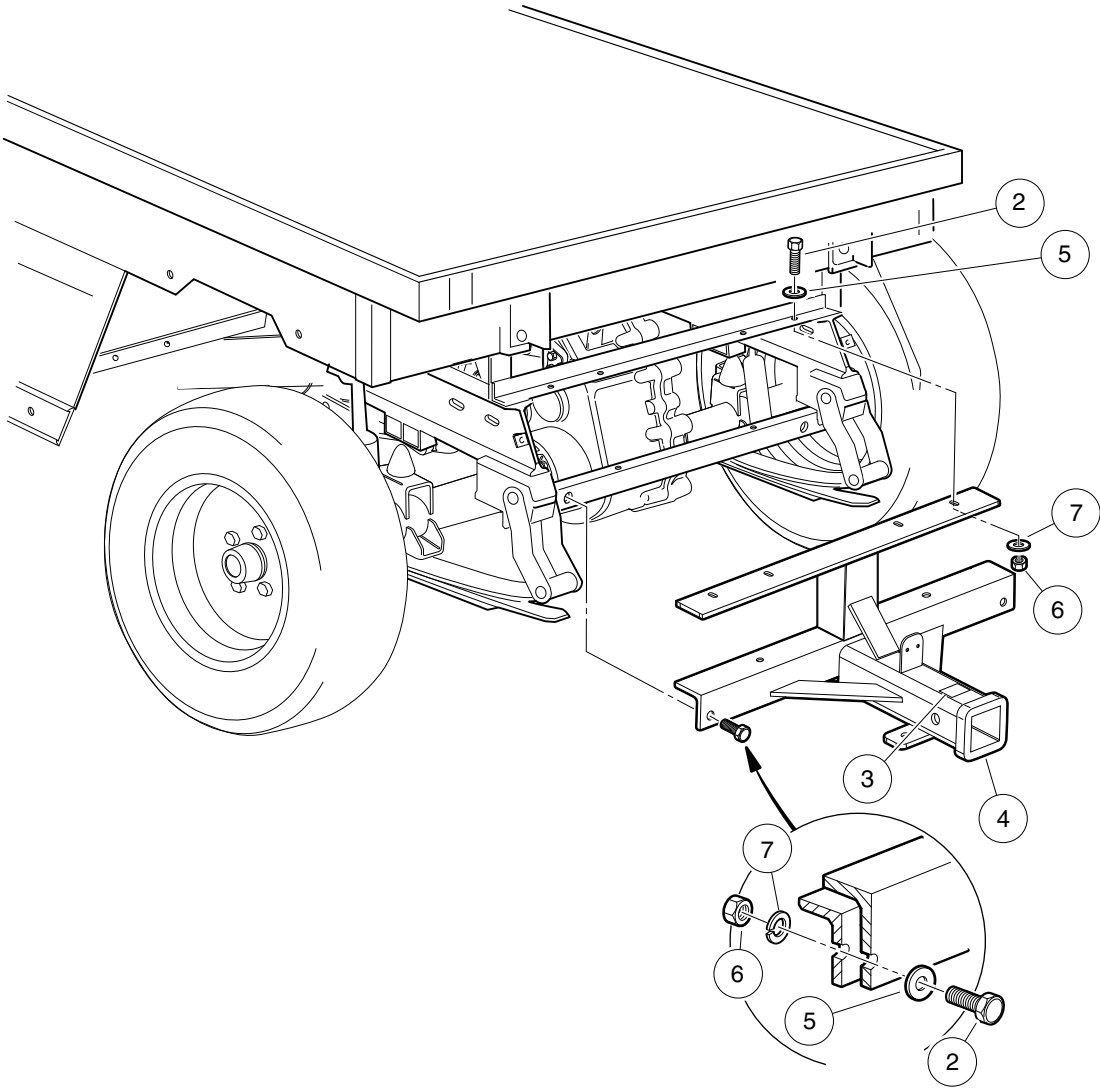
000265-001

# TRAILER HITCH

| ITEM | PART NO. | DESCRIPTION  | QTY |
|------|----------|--|-----|
|      |          | <b>1 2 3 4</b>   |     |
| 1    | 1015445  | Kit, Trailer Hitch (includes items 2 through 12) ..... | 1   |
| 2    | 1010934  | Screw, 5/16-18 X 1.00 Hex Cap .....                    | 4   |
| 3    | 1011553  | Decal, Trailer Hitch .....                             | 1   |
| 4    | 1011990  | Washer, 3/8 Flat .....                                 | 2   |
| 5    | 1013483  | Brace, Trailer Hitch .....                             | 2   |
| 6    | N/A      | Asm, Trailer Hitch .....                               | 1   |
| 7    | 1241     | Washer, 5/16 Type A Flat .....                         | 4   |
| 8    | 1242     | Nut, 5/16-18 Hex .....                                 | 4   |
| 9    | 357      | Lockwasher, 3/8 Split .....                            | 2   |
| 10   | 705      | Screw, Cap-hex Hd 3/8-16x1.25 .....                    | 2   |
| 11   | 706      | Nut, Hex 3/8-16 .....                                  | 2   |
| 12   | 7174     | Lockwasher, 5/16 Split .....                           | 4   |

**1**  
**G**  
**E**

**1**  
**G**  
**E**



000100-002

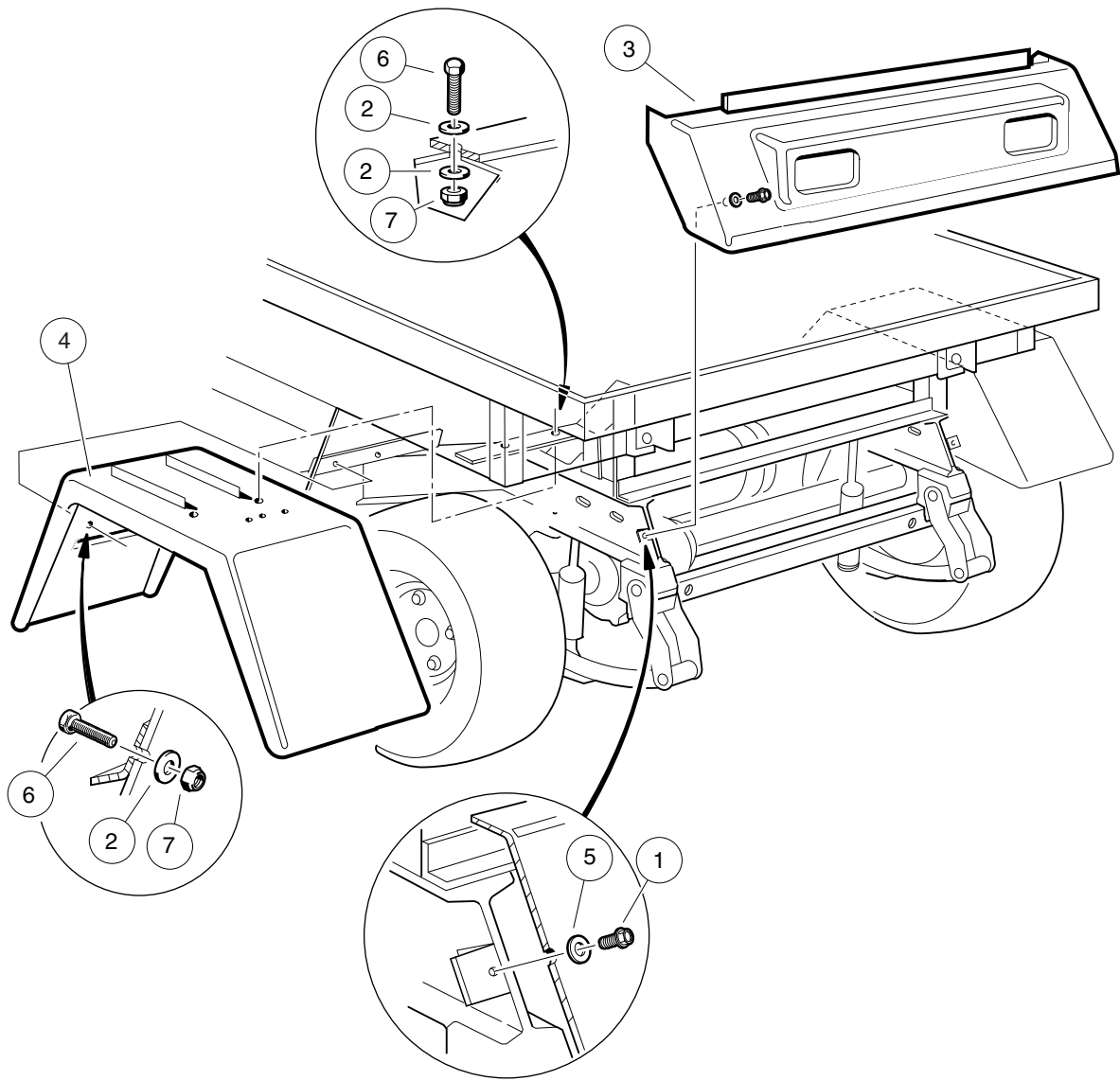


# RECEIVER HITCH – XRT 900

| ITEM | PART NO.  | DESCRIPTION   | QTY |
|------|-----------|---|-----|
|      |           | <b>1 2 3 4</b>  |     |
| 1    | 102065103 | Kit, Rear Receiver (includes items 2 through 7) ..... | 1   |
| 2    | 1010934   | Screw, 5/16-18 X 1.00 Hex Cap .....                   | 6   |
| 3    | 1011553   | Decal, Trailer Hitch .....                            | 1   |
| 4    | 102056001 | Rear Receiver Weld Asm .....                          | 1   |
| 5    | 1241      | Washer, 5/16 Type A Flat .....                        | 6   |
| 6    | 1242      | Nut, 5/16-18 Hex .....                                | 6   |
| 7    | 7174      | Lockwasher, 5/16 Split .....                          | 6   |

1  
G  
E

**1**  
**G**  
**E**



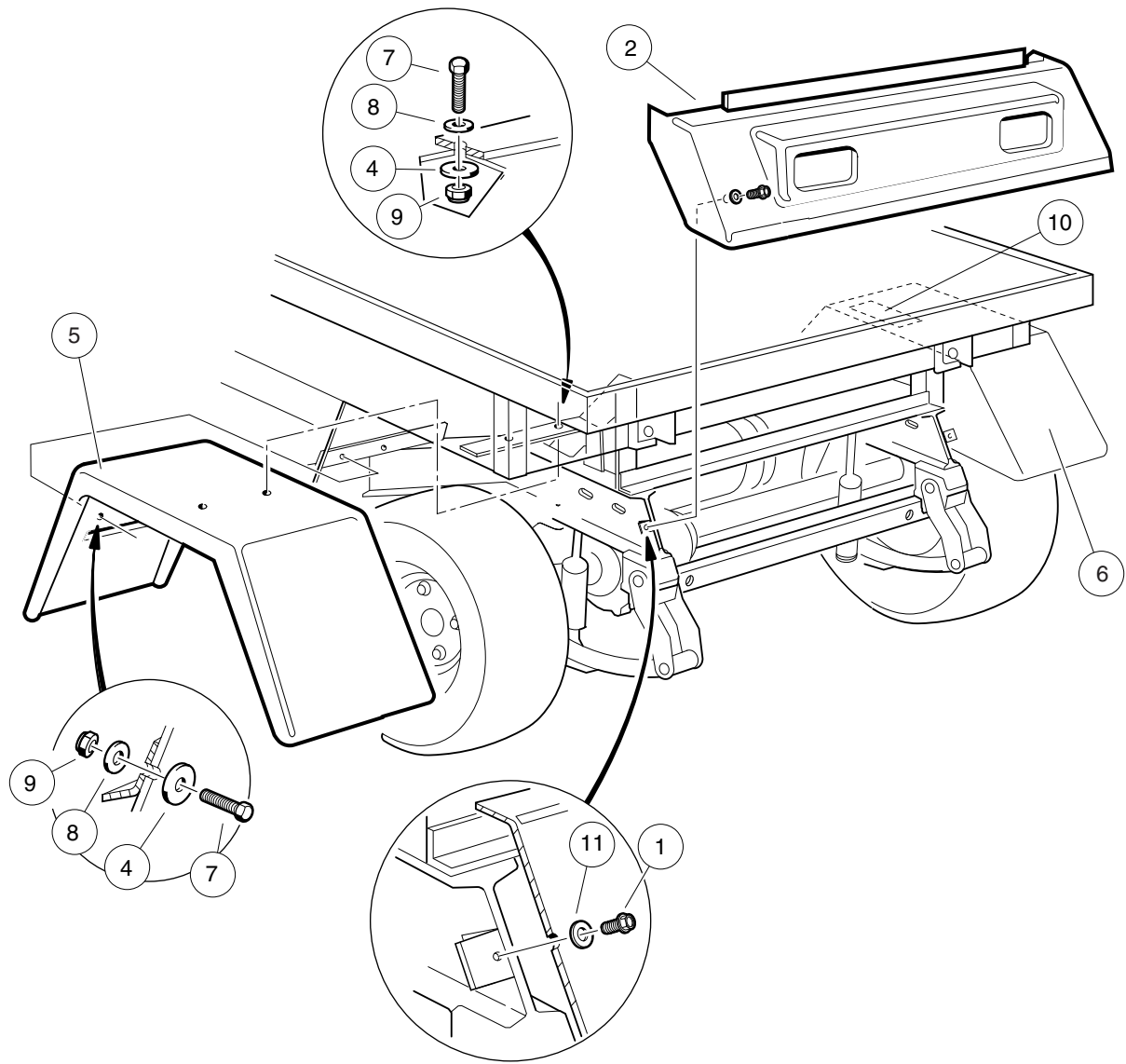
000266-001

# REAR BODY TRIM – TURF/CARRYALL 2, AND CARRYALL 2 PLUS

| ITEM | PART NO. | DESCRIPTION                             | QTY |
|------|----------|---|-----|
|      |          | <b>1 2 3 4</b>                          |     |
| 1    | 1012285  | Screw, 1/4 X 0.625 Hex-Head .....       | 2   |
| 2    | 1014306  | Washer, 1/4" Type B Flat .....          | 12  |
| 3    | 1015530  | Tailskirt .....                         | 1   |
| 4    | 1016679  | Rear Fender .....                       | 2   |
| 5    | 332      | Washer, 1/4 Type A Narrow Flat .....    | 2   |
| 6    | 7847     | Screw, 1/4-20 X 0.75 Hex-Head Cap ..... | 8   |
| 7    | 8233     | Locknut, 1/4-20 Nylon Insert .....      | 8   |

**1**  
**G**  
**E**

**1**  
**G**  
**E**



000267-001

## REAR BODY TRIM – TURF/CARRYALL 252 AND XRT 900

| ITEM | PART NO.  | DESCRIPTION  | QTY |
|------|-----------|--|-----|
|      |           | <b>1 2 3 4</b>                                     |     |
| 1    | 1012285   | Screw, 1/4 X 0.625 Hex-Head .....                  | 2   |
| 2    | 1015530   | Tailskirt .....                                    | 1   |
| 3    | N/A       | Rear Fender Kit (includes items 4 through 9) ..... | 1   |
| 4    | 1014306   | Washer, 1/4" Type B Flat .....                     | 10  |
| 5    | 102004601 | Extended Fender, Rear, Left-Hand .....             | 1   |
| 6    | 102004602 | Extended Fender, Rear, Right-Hand .....            | 1   |
| 7    | 304       | Screw, 1/4-20 X 1.0 Hex-Head Cap .....             | 8   |
| 8    | 332       | Washer, 1/4 Type A Narrow Flat .....               | 6   |
| 9    | 8233      | Locknut, 1/4-20 Nylon Insert .....                 | 8   |
| 10   | 102224001 | Decal, Rotating Parts Warning .....                | 1   |
| 11   | 332       | Washer, 1/4 Type A Narrow Flat .....               | 2   |

1  
G  
E

**1**

**G**

**E**

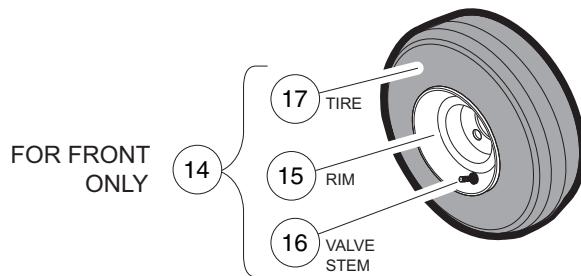
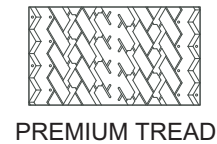
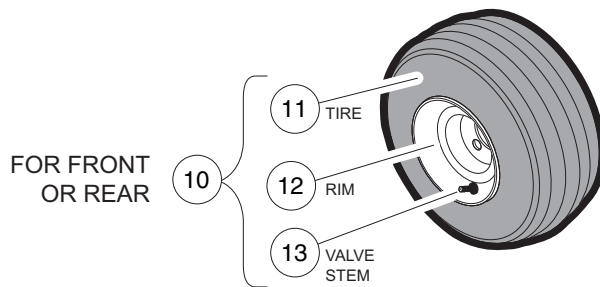
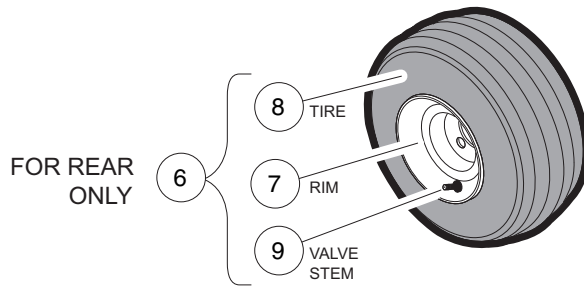
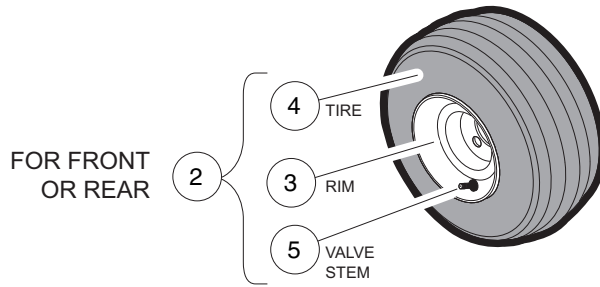
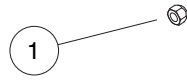
# WHEELS AND TIRES

---

2

G

E



000269-002



## WHEELS AND TIRES – TURF/CARRYALL 2

| ITEM  | PART NO.  | DESCRIPTION   | QTY |
|---|-----------|---|-----|
|   |           | <b>1 2 3 4</b>  |     |
| 1   | 1010984   | .500-20 Unf Lug Nut .....   | 16  |
| 2   | 101651406 | Tire/Wheel Asm, White, Premium Tread, 6-Ply (includes items 3 through 5) .....      | 4   |
| 3   | 1014771   | Wheel Rim, White .....  | 1   |
| 4   | 101737002 | Tire, Unmounted .....   | 1   |
| 5   | 7310      | Valve Stem .....  | 1   |
| 6   | 101651407 | Tire/Wheel Asm, White, Extra-Traction, 6-Ply (includes items 7 through 9) .....     | 2   |
| 7   | 1014771   | Wheel Rim, White .....  | 1   |
| 8   | N/A       | Tire, Unmounted Xtrac 18 x 8.50-8 .....   | 1   |
| 9   | 7310      | Valve Stem .....  | 1   |
| 10  | 101651409 | Tire/Wheel Asm, White, Premium Tread, 6.5-inch (includes items 11 through 13) ..... | 4   |
| 11  | 101884901 | Tire, Unmounted, Power Rib 18 x 6.50-8 .....  | 1   |
| 12  | 101918401 | Wheel Rim, Beige .....  | 1   |
| 13  | 7310      | Valve Stem .....  | 1   |
| 14  | 101651414 | Tire/Wheel Asm, White, Duro HF 232 (includes items 15 through 17) .....             | 4   |
| 15  | 101918402 | Wheel Rim, White .....  | 1   |
| 16  | 7310      | Valve Stem .....  | 1   |
| 17  | ****      | Tire, Unmounted, 6-Ply Rated (18.5 x 8.5 - 8) (Duro) .....                          | 1   |
| **** Special order item available upon request. |           |   |     |

2

G

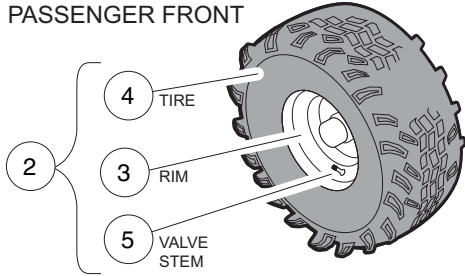
E



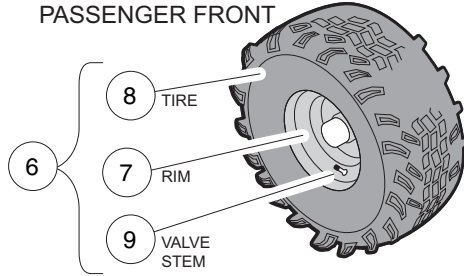
**WHITE RIMS**

**SILVER RIMS**

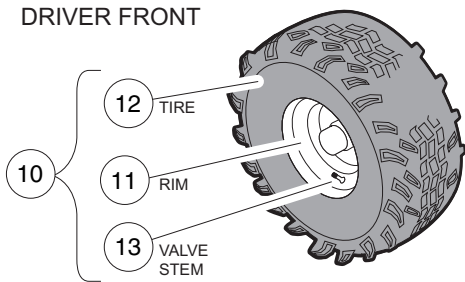
PASSENGER FRONT



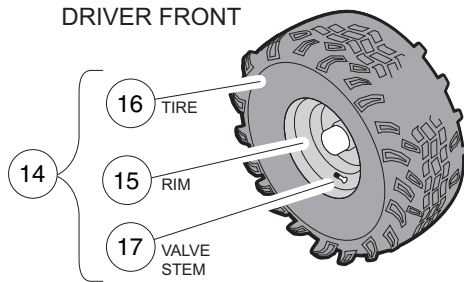
PASSENGER FRONT



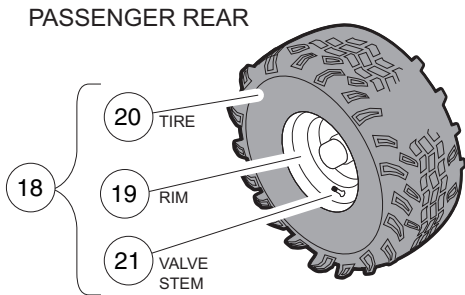
DRIVER FRONT



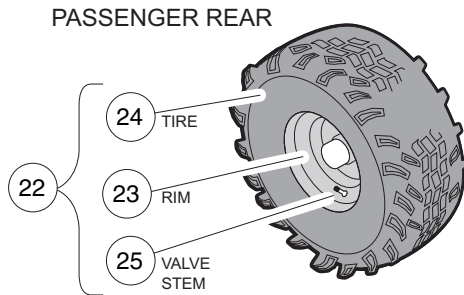
DRIVER FRONT



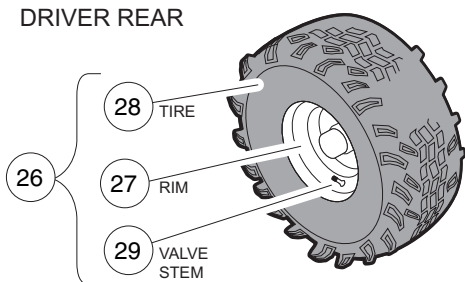
PASSENGER REAR



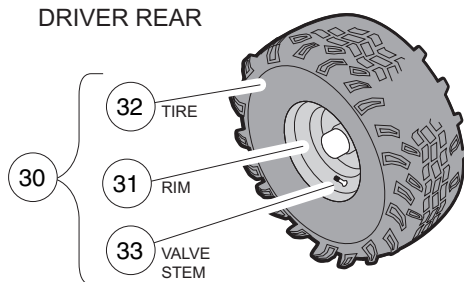
PASSENGER REAR



DRIVER REAR



DRIVER REAR

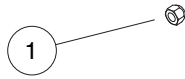


000269-004

# WHEELS AND TIRES, OFF-ROAD TREAD – TURF/CARRYALL 252 AND XRT 900

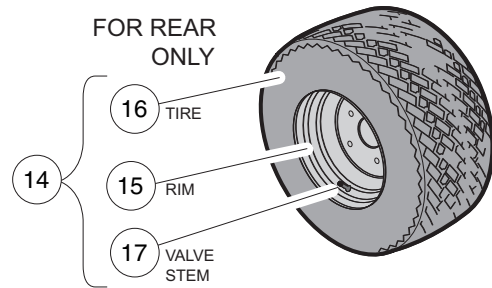
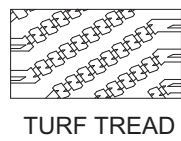
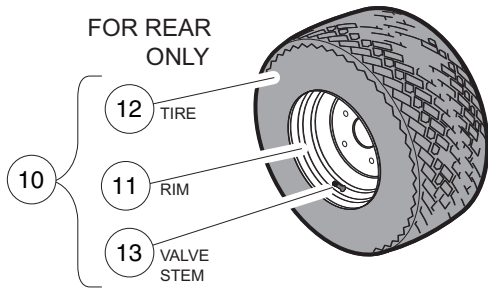
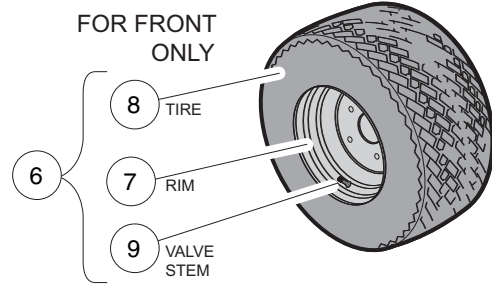
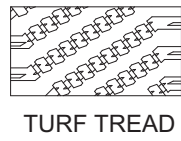
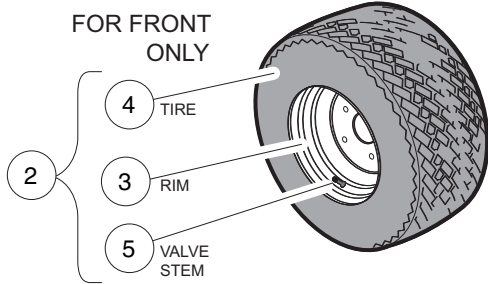
| ITEM  | PART NO.  | DESCRIPTION   | QTY |
|---|-----------|---|-----|
|   |           | 1 2 3 4   |     |
| 1   | 1010984   | .500-20 Unf Lug Nut .....   | 16  |
| 2   | 102009201 | Off-Road Tire and Wheel Asm, Right, Front (includes items 3 through 5) .....  | 1   |
| 3   | N/A       | Rim, Wheel, White .....   | 1   |
| 4   | N/A       | Tire, Unmounted, Duro, Off-Road Tire, 22 x 11-10, 6-Ply Rated .....           | 1   |
| 5   | 7310      | Valve Stem .....  | 1   |
| 6   | 102009202 | Off-Road Tire and Wheel Asm, Right, Front (includes items 7 through 9) .....  | 1   |
| 7   | N/A       | Wheel Rim, Silver .....   | 1   |
| 8   | N/A       | Tire, Unmounted, Duro, Off-Road Tire, 22 x 11-10, 6-Ply Rated .....           | 1   |
| 9   | 7310      | Valve Stem .....  | 1   |
| 10  | 102009301 | Off-Road Tire and Wheel Asm, Left, Front (includes items 11 through 13) ..... | 1   |
| 11  | N/A       | Rim, Wheel, White .....   | 1   |
| 12  | N/A       | Tire, Unmounted, Duro, Off-Road Tire, 22 x 11-10, 6-Ply Rated .....           | 1   |
| 13  | 7310      | Valve Stem .....  | 1   |
| 14  | 102009302 | Off-Road Tire and Wheel Asm, Left, Front (includes items 15 through 17) ..... | 1   |
| 15  | N/A       | Wheel Rim, Silver .....   | 1   |
| 16  | N/A       | Tire, Unmounted, Duro, Off-Road Tire, 22 x 11-10, 6-Ply Rated .....           | 1   |
| 17  | 7310      | Valve Stem .....  | 1   |
| 18  | 102009401 | Off-Road Tire and Wheel Asm, Right, Rear (includes items 19 through 21) ..... | 1   |
| 19  | N/A       | Rim, Wheel, White .....   | 1   |
| 20  | N/A       | Tire, Unmounted, Duro, Off-Road Tire, 22 x 11-10, 6-Ply Rated .....           | 1   |
| 21  | 7310      | Valve Stem .....  | 1   |
| 22  | 102009402 | Off-Road Tire and Wheel Asm, Right, Rear (includes items 23 through 25) ..... | 1   |
| 23  | N/A       | Wheel Rim, Silver .....   | 1   |
| 24  | N/A       | Tire, Unmounted, Duro, Off-Road Tire, 22 x 11-10, 6-Ply Rated .....           | 1   |
| 25  | 7310      | Valve Stem .....  | 1   |
| 26  | 102009501 | Off-Road Tire and Wheel Asm, Left, Rear (includes items 27 through 29) .....  | 1   |
| 27  | N/A       | Rim, Wheel, White .....   | 1   |
| 28  | N/A       | Tire, Unmounted, Duro, Off-Road Tire, 22 x 11-10, 6-Ply Rated .....           | 1   |
| 29  | 7310      | Valve Stem .....  | 1   |
| 30  | 102009502 | Off-Road Tire and Wheel Asm, Left, Rear (includes items 31 through 33) .....  | 1   |
| 31  | N/A       | Wheel Rim, Silver .....   | 1   |
| 32  | N/A       | Tire, Unmounted, Duro, Off-Road Tire, 22 x 11-10, 6-Ply Rated .....           | 1   |
| 33  | 7310      | Valve Stem .....  | 1   |
| <p>Note: Front and rear wheels are NOT interchangeable. The rear wheels have a different offset than the front wheels. The rear wheels must be installed with the deeper offset facing out. Off-road tires are directional.</p> |           |   |     |

**2**  
**G**  
**E**



**WHITE RIMS**

**SILVER RIMS**



000269-005

# WHEELS AND TIRES, TURF TREAD – TURF/CARRYALL 252 AND XRT 900

| ITEM | PART NO.  | DESCRIPTION  | QTY |
|------|-----------|--|-----|
|      |           | <b>1 2 3 4</b>   |     |
| 1    | 1010984   | .500-20 Unf Lug Nut .....  | 16  |
| 2    | 102009901 | Turf Tire and Wheel Asm, Front (includes items 3 through 5) .....        | 2   |
| 3    | N/A       | Rim, Wheel, White .....  | 1   |
| 4    | N/A       | Tire, Front, Unmounted, Titan Turf Trac, 23 x 10.5-12, 4-Ply Rated ..... | 1   |
| 5    | 7310      | Valve Stem .....   | 1   |
| 6    | 102009902 | Turf Tire and Wheel Asm, Front (includes items 7 through 9) .....        | 2   |
| 7    | N/A       | Wheel Rim, Silver .....  | 1   |
| 8    | N/A       | Tire, Front, Unmounted, Titan Turf Trac, 23 x 10.5-12, 4-Ply Rated ..... | 1   |
| 9    | 7310      | Valve Stem .....   | 1   |
| 10   | 102010001 | Turf Tire and Wheel Asm, Rear (includes items 11 through 13) .....       | 2   |
| 11   | N/A       | Rim, Wheel, White .....  | 1   |
| 12   | N/A       | Tire, Rear, Unmounted, Titan Turf Trac, 23 x 10.5-12, 4-Ply Rated .....  | 1   |
| 13   | 7310      | Valve Stem .....   | 1   |
| 14   | 102010002 | Turf Tire and Wheel Asm, Rear (includes items 15 through 17) .....       | 2   |
| 15   | N/A       | Wheel Rim, Silver .....  | 1   |
| 16   | N/A       | Tire, Rear, Unmounted, Titan Turf Trac, 23 x 10.5-12, 4-Ply Rated .....  | 1   |
| 17   | 7310      | Valve Stem .....   | 1   |

**2**  
**G**  
**E**

**2**

**G**

**E**

# DECALS

---

3

G

E

**⚠ WARNING**

**ROLLOVER OR FALLING OFF MAY CAUSE DEATH.**

- Before using vehicle, read operating instructions.
- Remain seated and hold on to seat handle while moving.
- Do not start vehicle until all occupants are seated.
- Two (2) persons per seat maximum.
- Operate from driver side only and not on public roads.
- Keep entire body inside vehicle while moving.
- Drive slowly in turns and straight up and down slopes.
- Do not leave children unattended on vehicle.
- Never operate under the influence of alcohol or drugs.
- Use brakes to reduce speed when coasting downhill.
- Never stand in front of or behind vehicle.

CCI 103205401

**OPERATING INSTRUCTIONS**

- Read owner's manual and dash-mounted safety warnings prior to driving.
- Study and understand controls.

**TO OPERATE**

- Turn wheels to desired direction and ensure path is clear.
- Turn key to ON position.
- While stopped, place Forward/Reverse switch in desired position: F=Forward N=Neutral R=Reverse (Buzzer will sound)
- Park brake will release and vehicle will start moving when accelerator pedal is pressed.
- Slowly press accelerator pedal to increase speed.
- To stop, release accelerator pedal and press brake pedal.

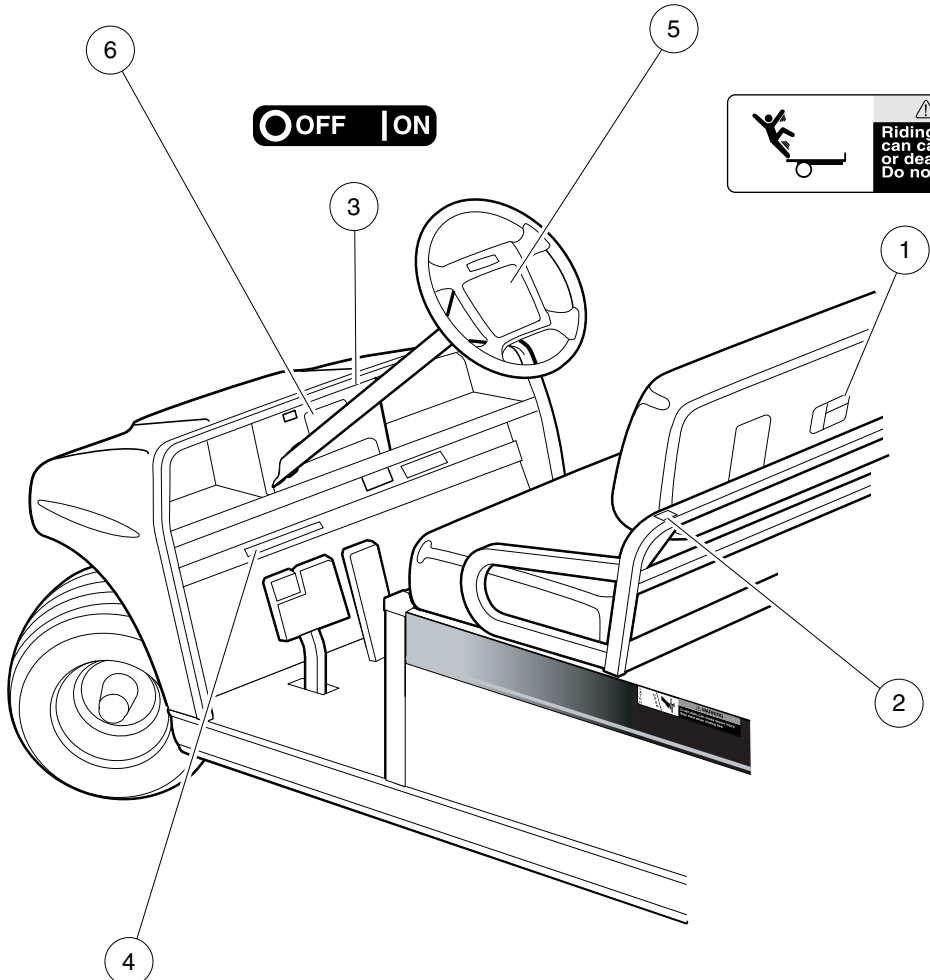
**BEFORE LEAVING**

- Press park brake pedal until it locks and holds vehicle.
- Place Forward/Reverse switch in NEUTRAL position.
- Turn key OFF and remove key when not in use.

**MOTOR BRAKING**

- Electric motor braking provides speed regulation functions.
- For parked vehicle, beeping alarm indicates vehicle roll away.
- In operation, beeping alarm indicates reduction in motor braking.
- Apply brakes to further reduce vehicle speed as required.
- System is activated only when tow switch is in the RUN position.
- When towing this vehicle, tow switch must be in the TOW position.

CCI 102518001



**⚠ WARNING**

**Riding in cargo bed can cause severe injury or death. Do not ride in cargo bed.**

CCI 101553901

**⚠ WARNING**

**CRUSH AREA**

**STAY CLEAR**

CCI 101609401

**VEHICLE LOADING**

Read Owner's Manual and warnings on dash.

- Vehicle rated capacity - 1200 lbs. on level surface only. Weight to include passengers, cargo bed load, and gross trailer weight. See Owner's Manual.
- Maximum cargo load - 800 lbs. Weight to include cargo bed load and gross trailer weight.
- Maximum trailer hitch tongue weight - 150 lbs.

- Cargo should be evenly spread over the floor of the cargo bed as far forward as possible and secured.
- For vehicle stability, when fully loaded, drive slowly and avoid stopping on or backing down steep hills.
- Avoid top heavy loads. See Owner's Manual.
- When driving on uneven terrain or down steep hills, reduce speed and load.

CCI 101960201

000600-001



## DECALS – TURF/CARRYALL 2 IQ PLUS VEHICLES

| ITEM | PART NO.  | DESCRIPTION                         | QTY |
|------|-----------|-------------------------------------|-----|
|      |           | <b>1 2 3 4</b>                      |     |
| 1    | 101553901 | Decal, Bed Load Warning .....       | 1   |
| 2    | 101609401 | Decal, Crush Area Warning .....     | 2   |
| 3    | 101825101 | Decal, Off/On .....                 | 1   |
| 4    | 101960201 | Decal, Vehicle Loading .....        | 1   |
| 5    | 102518001 | Decal, Operating Instr, Elec .....  | 1   |
| 6    | 103205401 | Decal, Warning, Rollover, Utl ..... | 1   |

**3**  
**G**  
**E**

**⚠ WARNING**  
**AVOID FIRE HAZARD**

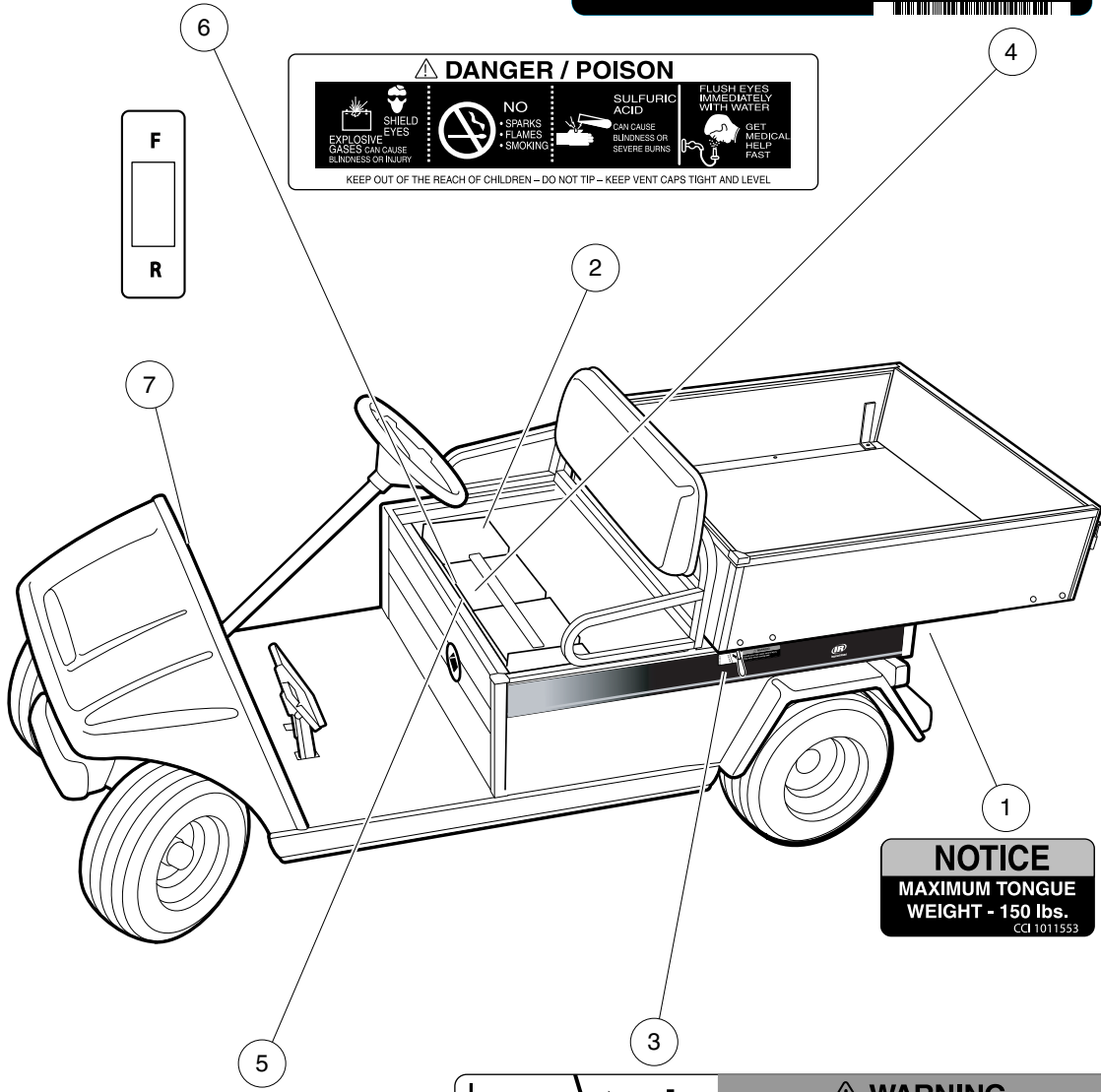
- Replacement battery wires must be 4-gauge (AWG) with low-resistance terminals equivalent to factory-installed wires.
- Ensure that battery connections are clean and properly tightened. See owner's manual.

CCI 102967601

**CAUTION**  
**EXPOSURE TO WATER MAY DAMAGE ELECTRONIC COMPONENTS**

- Do not operate vehicle without this cover properly installed.
- Do not direct water stream in the area of the cover without cover securely in place.
- See vehicle maintenance and service manual before servicing.

CCI 102518301



**⚠ DANGER / POISON**

|   |   |   |   |
|---|---|---|---|
| <br><b>EXPLOSIVE</b><br>GASES CAN CAUSE BLINDNESS OR INJURY | <br><b>NO SPARKS / FLAMES / SMOKING</b> | <br><b>SULFURIC ACID</b><br>CAN CAUSE BLINDNESS OR SEVERE BURNS | <br><b>FLUSH EYES IMMEDIATELY WITH WATER</b><br>GET MEDICAL HELP FAST |
|---|---|---|---|

KEEP OUT OF THE REACH OF CHILDREN - DO NOT TIP - KEEP VENT CAPS TIGHT AND LEVEL

**NOTICE**  
**MAXIMUM TONGUE WEIGHT - 150 lbs.**

CCI 1011553

**⚠ WARNING**  
**BATTERY EXPLOSION COULD RESULT IN SEVERE PERSONAL INJURY.**

- Do not store items in battery compartment.
- Place Run/Tow switch in TOW position before:
  - Disconnecting or connecting battery cables
  - Towing this vehicle
  - Extended storage
  - Servicing the vehicle

**NORMAL**    **TRIPPED**  
**TOW**    **RUN**

CCI 102845101

**LATCH OPEN**

**⚠ WARNING**  
**Crush area. Can cause severe injury. Stay clear when closing bed.**

000611-001

# DECALS – TURF/CARRYALL 2 IQ PLUS VEHICLES, CONTINUED

| ITEM | PART NO.  | DESCRIPTION                                      | QTY |
|------|-----------|--|-----|
|      |           | 1 2 3 4  |     |
| 1    | 1011553   | Decal, Trailer Hitch .....                       | 1   |
| 2    | 1013677   | Decal, Battery Danger .....                      | 6   |
| 3    | 102459301 | Decal, Bed Crush Area Warning .....              | 1   |
| 4    | 102518301 | Decal, Caution, Electrical Component Cover ..... | 1   |
| 5    | 102845101 | Decal, Tow Switch .....                          | 1   |
| 6    | 102967601 | Decal, Warning, 4 Gauge Wire .....               | 1   |
| 7    | 103210301 | Decal, Forward/Reverse, Electric .....           | 1   |

3  
G  
E

**WARNING**

**ROLLOVER OR FALLING OFF MAY CAUSE DEATH.**

- Before using vehicle, read operating instructions.
- Remain seated and hold on to seat handle while moving.
- Do not start vehicle until all occupants are seated.
- Two (2) persons per seat maximum.
- Operate from driver side only and not on public roads.
- Keep entire body inside vehicle while moving.
- Drive slowly in turns and straight up and down slopes.
- Do not leave children unattended on vehicle.
- Never operate under the influence of alcohol or drugs.
- Use brakes to reduce speed when coasting downhill.
- Never stand in front of or behind vehicle.

CCI 103205401

**OPERATING INSTRUCTIONS**

- Read owner's manual and dash-mounted safety warnings prior to driving.
- Study and understand controls.

**TO OPERATE**

- Turn wheels to desired direction and ensure path is clear.
- Turn key to ON position.
- While stopped, place Forward/Reverse switch in desired position: F—Forward N—Neutral R—Reverse (Buzzer will sound)
- Park brake will release and vehicle will start moving when accelerator pedal is pressed.
- Slowly press accelerator pedal to increase speed.
- To stop, release accelerator pedal and press brake pedal.

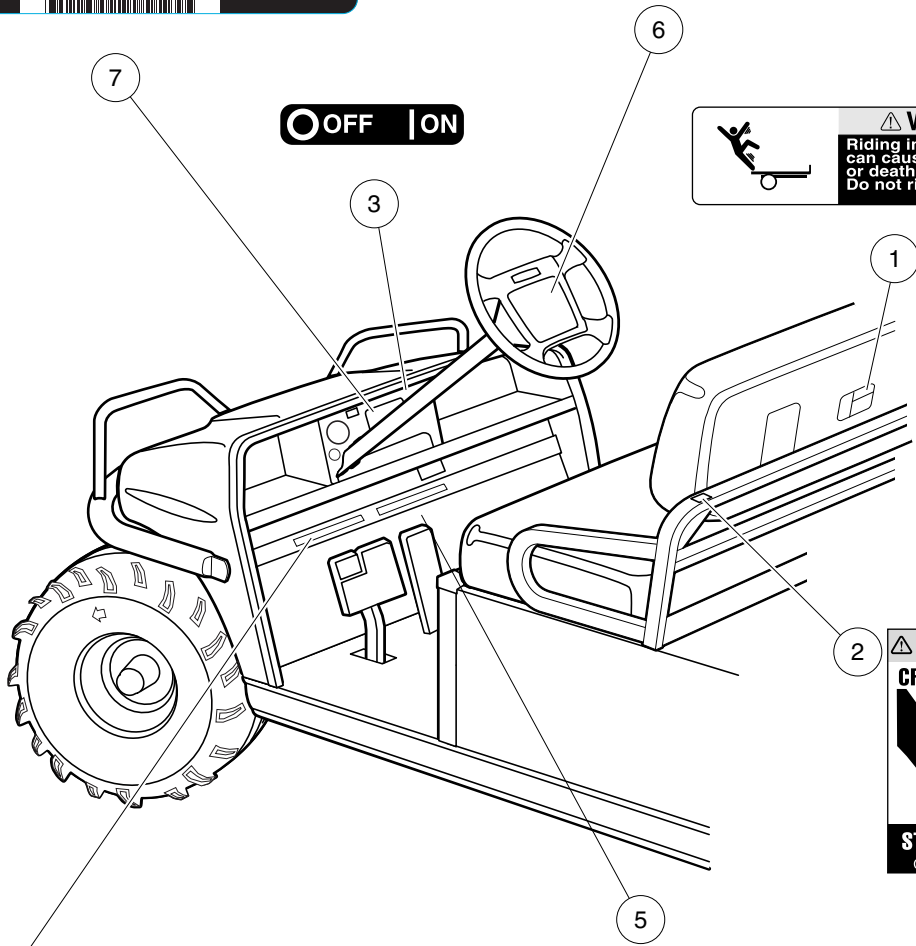
**BEFORE LEAVING**

- Press park brake pedal until it locks and holds vehicle.
- Place Forward/Reverse switch in NEUTRAL position.
- Turn key OFF and remove key when not in use.

**MOTOR BRAKING**

- Electric motor braking provides speed regulation functions.
- For parked vehicle, beeping alarm indicates vehicle roll away.
- In operation, beeping alarm indicates reduction in motor braking.
- Apply brakes to further reduce vehicle speed as required.
- System is activated only when tow switch is in the RUM position.
- When towing this vehicle, tow switch must be in the TOW position.

CCI 102518001



**WARNING**

Riding in cargo bed can cause severe injury or death. Do not ride in cargo bed.

CCI 101553901

**WARNING**

**CRUSH AREA**

**STAY CLEAR**

CCI 101609401

**UNDER 16**

**WARNING**

**YOUNG DRIVERS INCREASE CHANCE OF DEATH**

- Young drivers may not be able to control vehicle.
- No drivers younger than 16 years old.

CCI 102075801

**VEHICLE LOADING**

Read owner's manual and warnings on dash.

- Vehicle rated capacity - 900 lbs. on level surface only. Weight to include passengers, cargo bed load, and gross trailer weight. See Owner's Manual.
- Maximum cargo load - 500 lbs. Weight to include cargo bed load and gross trailer weight.
- Maximum trailer hitch tongue weight - 150 lbs.

- Cargo should be evenly spread over the floor of the cargo bed as far forward as possible and secured.
  - For vehicle stability, when fully loaded, drive slowly and avoid stopping on or backing down steep hills.
  - Avoid top heavy loads. See Owner's Manual.
  - When driving on uneven terrain or down steep hills, reduce speed and load.
- CCI 10206701

000612-001

# DECALS – TURF/CARRYALL 252 AND XRT 900 IQ PLUS VEHICLES

| ITEM | PART NO.  | DESCRIPTION                         | QTY |
|------|-----------|-------------------------------------|-----|
|      |           | <b>1 2 3 4</b>                      |     |
| 1    | 101553901 | Decal, Bed Load Warning .....       | 1   |
| 2    | 101609401 | Decal, Crush Area Warning .....     | 2   |
| 3    | 101825101 | Decal, Off/On .....                 | 1   |
| 4    | 102006701 | Decal, Vehicle Loading .....        | 1   |
| 5    | 102075801 | Decal, Young Driver Warning .....   | 1   |
| 6    | 102518001 | Decal, Operating Instr, Elec .....  | 1   |
| 7    | 103205401 | Decal, Warning, Rollover, Utl ..... | 1   |

**3**  
**G**  
**E**

**⚠ WARNING**  
**AVOID FIRE HAZARD**

- Replacement battery wires must be 4-gauge (AWG) with low-resistance terminals equivalent to factory-installed wires.
- Ensure that battery connections are clean and properly tightened. See owner's manual.

CCI 102967601

**⚠ WARNING**

**WINCH CABLE FRACTURE COULD RESULT IN SERIOUS INJURY OR DEATH.**

- Do not use winch while persons are seated on the vehicle.
- Use remote operation switch for winch control.
- Stand to the side and away from the vehicle to operate winch.
- Read winch operator manual before operating winch.

102231601

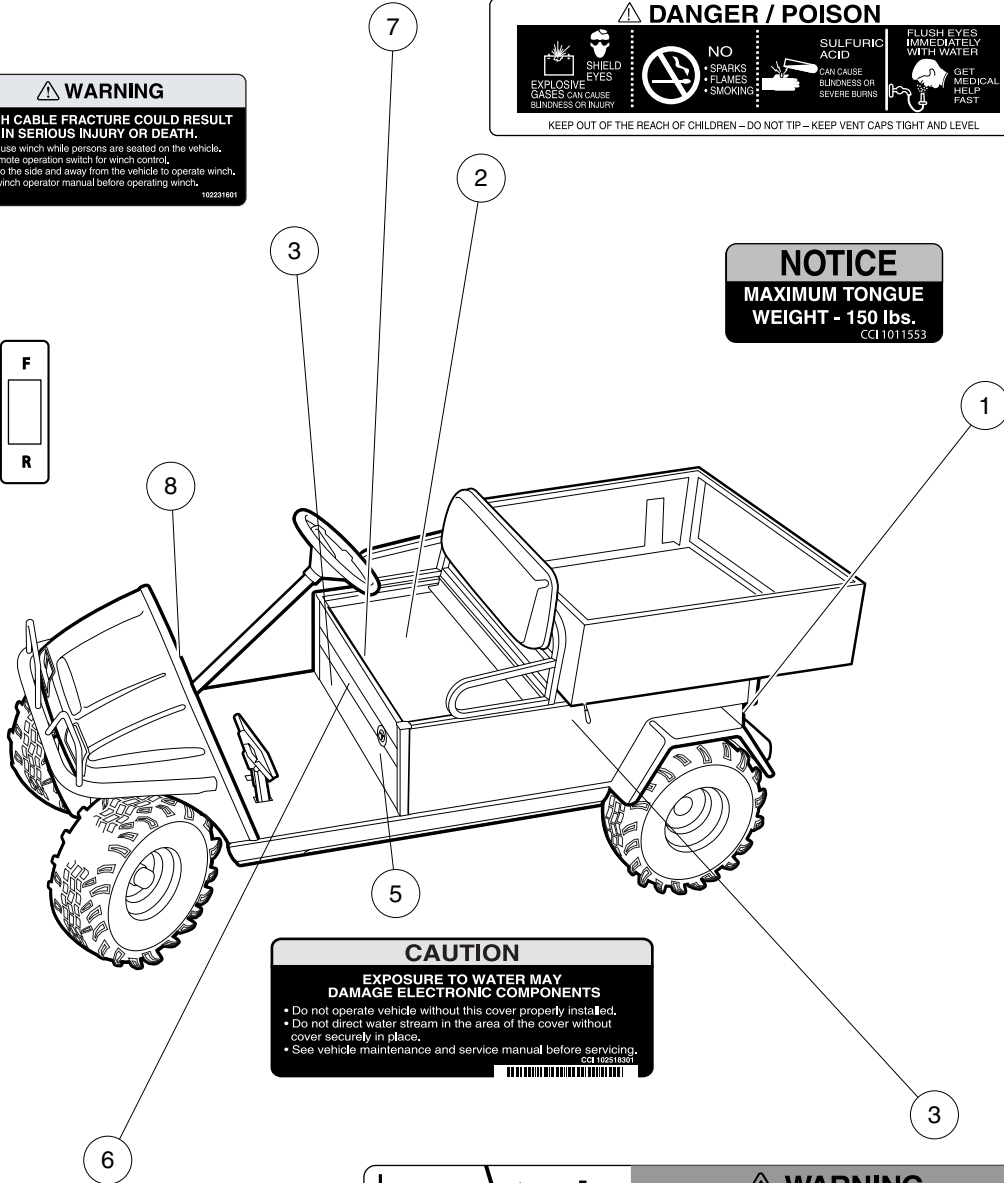
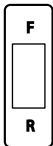
**⚠ DANGER / POISON**

**EXPLOSIVE GASES CAN CAUSE BLINDNESS OR INJURY** | **SHEILD EYES** | **NO SPARKS, FLAMES, SMOKING** | **SULFURIC ACID CAN CAUSE BLINDNESS OR SEVERE BURNS** | **FLUSH EYES IMMEDIATELY WITH WATER** | **GET MEDICAL HELP FAST**

KEEP OUT OF THE REACH OF CHILDREN – DO NOT TIP – KEEP VENT CAPS TIGHT AND LEVEL

**NOTICE**  
**MAXIMUM TONGUE WEIGHT - 150 lbs.**

CCI 1011553



**CAUTION**  
**EXPOSURE TO WATER MAY DAMAGE ELECTRONIC COMPONENTS**

- Do not operate vehicle without this cover properly installed.
- Do not direct water stream in the area of the cover without cover securely in place.
- See vehicle maintenance and service manual before servicing.

CCI 102918061

**⚠ WARNING**  
**BATTERY EXPLOSION COULD RESULT IN SEVERE PERSONAL INJURY.**

- Do not store items in battery compartment.
- Place Run/Tow switch in TOW position before:
  - Disconnecting or connecting battery cables
  - Towing this vehicle
  - Extended storage
  - Servicing the vehicle

**NORMAL** | **TRIPPED**  
**TOW** | **RUN**

CCI 102845101

**LATCH** | **OPEN** | **⚠ WARNING**  
**Crush area. Can cause severe injury. Stay clear when closing bed.**

000613-001

# DECALS – TURF/CARRYALL 252 AND XRT 900 IQ PLUS VEHICLES, CONTINUED

| ITEM | PART NO.  | DESCRIPTION                                      | QTY |
|------|-----------|--|-----|
|      |           | <b>1 2 3 4</b>                                   |     |
| 1    | 1011553   | Decal, Trailer Hitch .....                       | 1   |
| 2    | 1013677   | Decal, Battery Danger .....                      | 6   |
| 3    | 102231601 | Decal, Winch Cable Fracture Warning .....        | 1   |
| 4    | 102459301 | Decal, Bed Crush Area Warning .....              | 1   |
| 5    | 102518301 | Decal, Caution, Electrical Component Cover ..... | 1   |
| 6    | 102845101 | Decal, Tow Switch .....                          | 1   |
| 7    | 102967601 | Decal, Warning, 4 Gauge Wire .....               | 1   |
| 8    | 103210301 | Decal, Forward/Reverse, Electric .....           | 1   |

**3**  
**G**  
**E**

**⚠ WARNING**

**ROLLOVER OR FALLING OFF MAY CAUSE DEATH.**

- Before using vehicle, read operating instructions.
- Remain seated and hold on to seat handle while moving.
- Do not start vehicle until all occupants are seated.
- Two (2) persons per seat maximum.
- Operate from driver side only and not on public roads.
- Keep entire body inside vehicle while moving.
- Drive slowly in turns and straight up and down slopes.
- Do not leave children unattended on vehicle.
- Never operate under the influence of alcohol or drugs.
- Use brakes to reduce speed when coasting downhill.
- Never stand in front of or behind vehicle.

CCI 103205401

**OPERATING INSTRUCTIONS**

- Read owner's manual and safety warnings located on dash panel prior to driving.
- Study and understand controls.

**TO OPERATE**

- Turn wheels to desired direction and ensure path is clear.
- Turn key to ON position.
- While stopped, place shift lever in desired position:

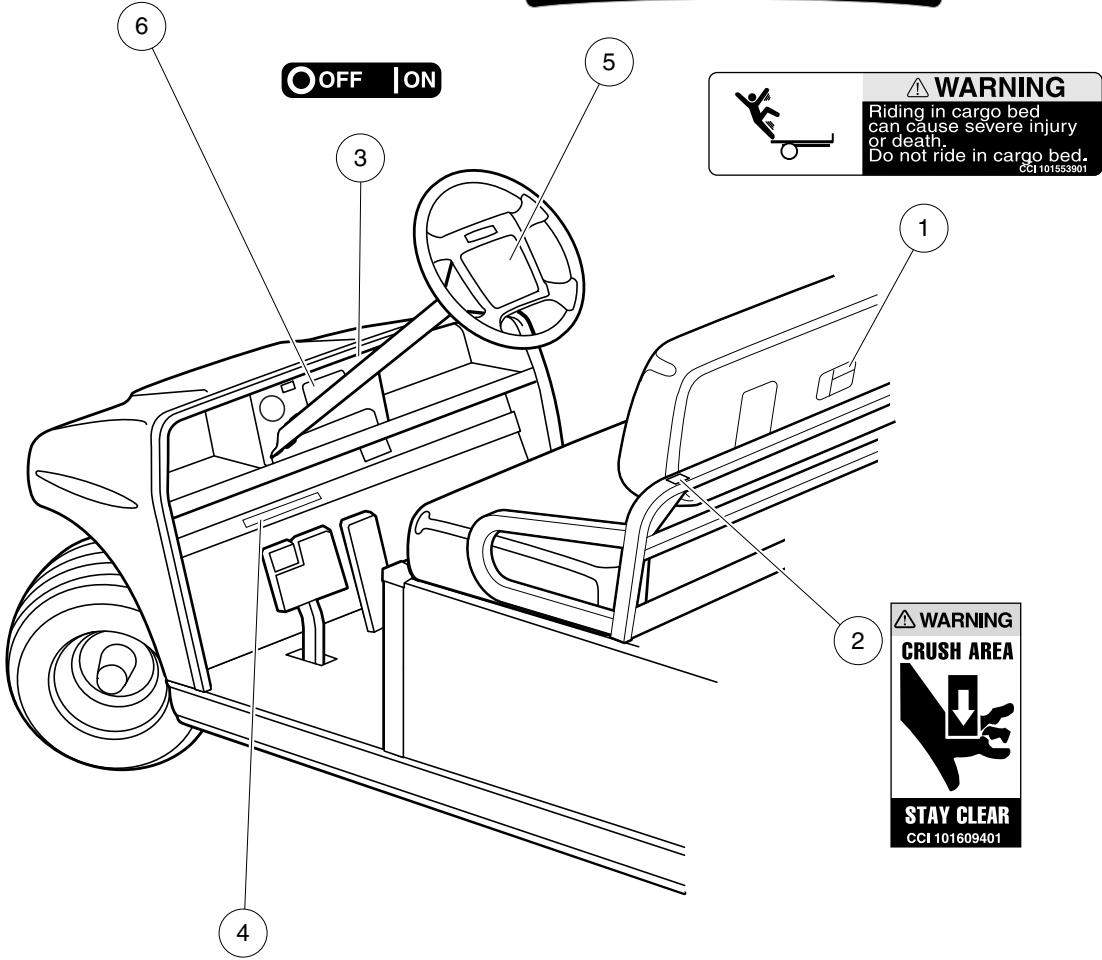
**F**—Forward **N**—Neutral **R**—Reverse (Buzzer will sound)

- Park brake will release and vehicle will start moving when accelerator pedal is pressed.
- Slowly press accelerator pedal to increase speed.
- To stop, release accelerator pedal and press brake pedal.

**BEFORE LEAVING**

- Press park brake pedal until it locks and holds vehicle.
- Place Forward/Reverse switch in NEUTRAL position.
- Turn key OFF and remove key when not in use.

CCI 102519201



**VEHICLE LOADING**

Read Owner's Manual and warnings on dash.

- Vehicle rated capacity - 1200 lbs. on level surface only. Weight to include passengers, cargo bed load, and gross trailer weight. See Owner's Manual.
- Maximum cargo load - 800 lbs. Weight to include cargo bed load and gross trailer weight.
- Maximum trailer hitch tongue weight - 150 lbs.

- Cargo should be evenly spread over the floor of the cargo bed as far forward as possible and secured.
- For vehicle stability, when fully loaded, drive slowly and avoid stopping on or backing down steep hills.
- Avoid top heavy loads. See Owner's Manual.
- When driving on uneven terrain or down steep hills, reduce speed and load.

CCI 101960201

000616-001



## DECALS – TURF/CARRYALL 2 GASOLINE VEHICLES

| ITEM | PART NO.  | DESCRIPTION                         | QTY |
|------|-----------|-------------------------------------|-----|
|      |           | 1 2 3 4                             |     |
| 1    | 101553901 | Decal, Bed Load Warning .....       | 1   |
| 2    | 101609401 | Decal, Crush Area Warning .....     | 2   |
| 3    | 101825101 | Decal, Off/On .....                 | 1   |
| 4    | 101960201 | Decal, Vehicle Loading .....        | 1   |
| 5    | 102519201 | Decal, Operating Instr, Gas .....   | 1   |
| 6    | 103205401 | Decal, Warning, Rollover, Utl ..... | 1   |

3  
G  
E

**WARNING**

**GASOLINE EXPLOSION / FIRE.**

- Can cause severe injury or death.
- No smoking, sparks, or open flame.
- Stop engine, allow to cool before refueling.
- Turn fuel valve (←) on during operation. (→) off during storage or transport.

CCI 101547601

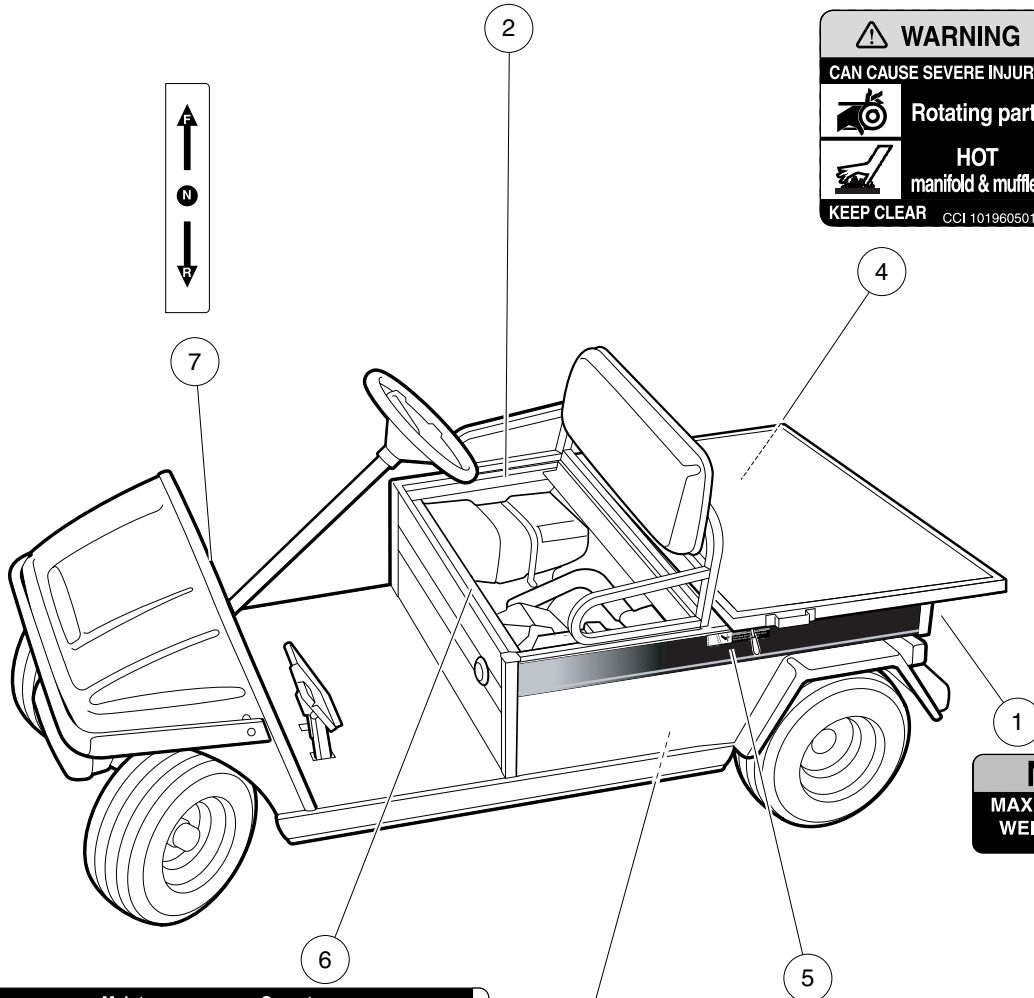
**WARNING**

**CAN CAUSE SEVERE INJURY**

**Rotating parts**

**HOT manifold & muffler**

**KEEP CLEAR** CCI 101960501



**NOTICE**

**MAXIMUM TONGUE WEIGHT - 150 lbs.**

CCI 1011553

Maintenance Operate

**WARNING**

**VEHICLE MOVEMENT MAY CAUSE SERIOUS INJURY**

When switch is in Maintenance position, chock wheels and firmly set park brake.

CCI 103205501

**LATCH OPEN**

**WARNING**

**Crush area. Can cause severe injury. Stay clear when closing bed.**

**WARNING**

Negative frame ground. Can cause severe injury. Do not contact positive (+) battery post or cable to frame. Disconnect negative battery lead first.

**WARNING**

Excessive speed. Can cause severe injury or death. Do not tamper with engine governor adjustment.

CCI 101915201

000617-001

# DECALS – TURF/CARRYALL 2 GASOLINE VEHICLES, CONTINUED

| ITEM | PART NO.  | DESCRIPTION                                    | QTY |
|------|-----------|--|-----|
|      |           | <b>1 2 3 4</b>                                 |     |
| 1    | 1011553   | Decal, Trailer Hitch .....                     | 1   |
| 2    | 101547601 | Decal, Gasoline Explosion/Fire Warning .....   | 1   |
| 3    | 101915201 | Decal, Frame Ground and Governor Warning ..... | 1   |
| 4    | 101960501 | Decal, Rotating Parts/Hot Manifold .....       | 1   |
| 5    | 102459301 | Decal, Bed Crush Area Warning .....            | 1   |
| 6    | 103205501 | Decal, Run/Service Switch .....                | 1   |
| 7    | 103210201 | Decal, Forward/Reverse, Gas .....              | 1   |

**3**  
**G**  
**E**

**⚠ WARNING**

**ROLLOVER OR FALLING OFF MAY CAUSE DEATH.**

- Before using vehicle, read operating instructions.
- Remain seated and hold on to seat handle while moving.
- Do not start vehicle until all occupants are seated.
- Two (2) persons per seat maximum.
- Operate from driver side only and not on public roads.
- Keep entire body inside vehicle while moving.
- Drive slowly in turns and straight up and down slopes.
- Do not leave children unattended on vehicle.
- Never operate under the influence of alcohol or drugs.
- Use brakes to reduce speed when coasting downhill.
- Never stand in front of or behind vehicle.

CCI 103205401

**OPERATING INSTRUCTIONS**

- Read Owner's Manual and safety warnings located on dash panel prior to driving.
- Study and understand controls.

**TO START ENGINE**

- Place shift lever in "N"- Neutral position.
- Depress brake pedal.
- Turn key switch to "START" position and release.

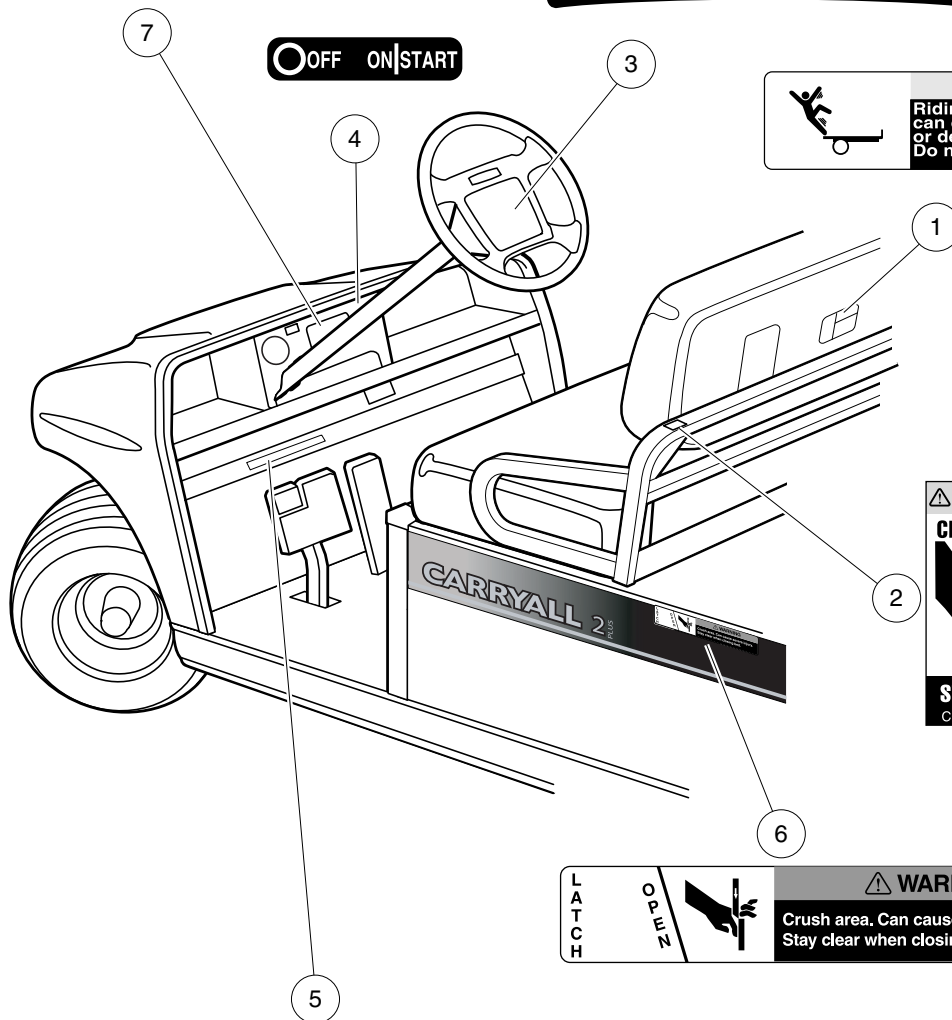
**TO OPERATE VEHICLE**

- Make sure wheels are turned in desired direction.
- Be sure nothing is in your path.
- While vehicle is stopped, and engine is at idle, select vehicle direction by placing shift lever or switch in desired position.
- F - Forward N - Neutral R - Reverse (Buzzer will sound)
- Park brake will release when accelerator pedal is pushed.
- Slowly push accelerator pedal to increase speed.
- Engine must be at idle before moving shift lever.

**TO STOP VEHICLE**

- Release accelerator pedal and push brake pedal.
- After stopping, firmly push park brake until it locks.
- Turn key to "OFF" position, remove key and place shift lever in straight up neutral position when not in use.

CCI 101693201



**⚠ WARNING**

**Riding in cargo bed can cause severe injury or death. Do not ride in cargo bed.**

CCI 101553901

**⚠ WARNING**

**CRUSH AREA**

**STAY CLEAR**

CCI 101609401

**⚠ WARNING**

**Crush area. Can cause severe injury. Stay clear when closing bed.**

**VEHICLE LOADING**

Read Owner's Manual and warnings on dash.

- Vehicle rated capacity - 1200 lbs. on level surface only. Weight to include passengers, cargo bed load, and gross trailer weight. See Owner's Manual.
- Maximum cargo load - 800 lbs. Weight to include cargo bed load and gross trailer weight.
- Maximum trailer hitch tongue weight - 150 lbs.

- Cargo should be evenly spread over the floor of the cargo bed as far forward as possible and secured.
- For vehicle stability, when fully loaded, drive slowly and avoid stopping on or backing down steep hills.
- Avoid top heavy loads. See Owner's Manual.
- When driving on uneven terrain or down steep hills, reduce speed and load.

CCI 101960201

000618-001

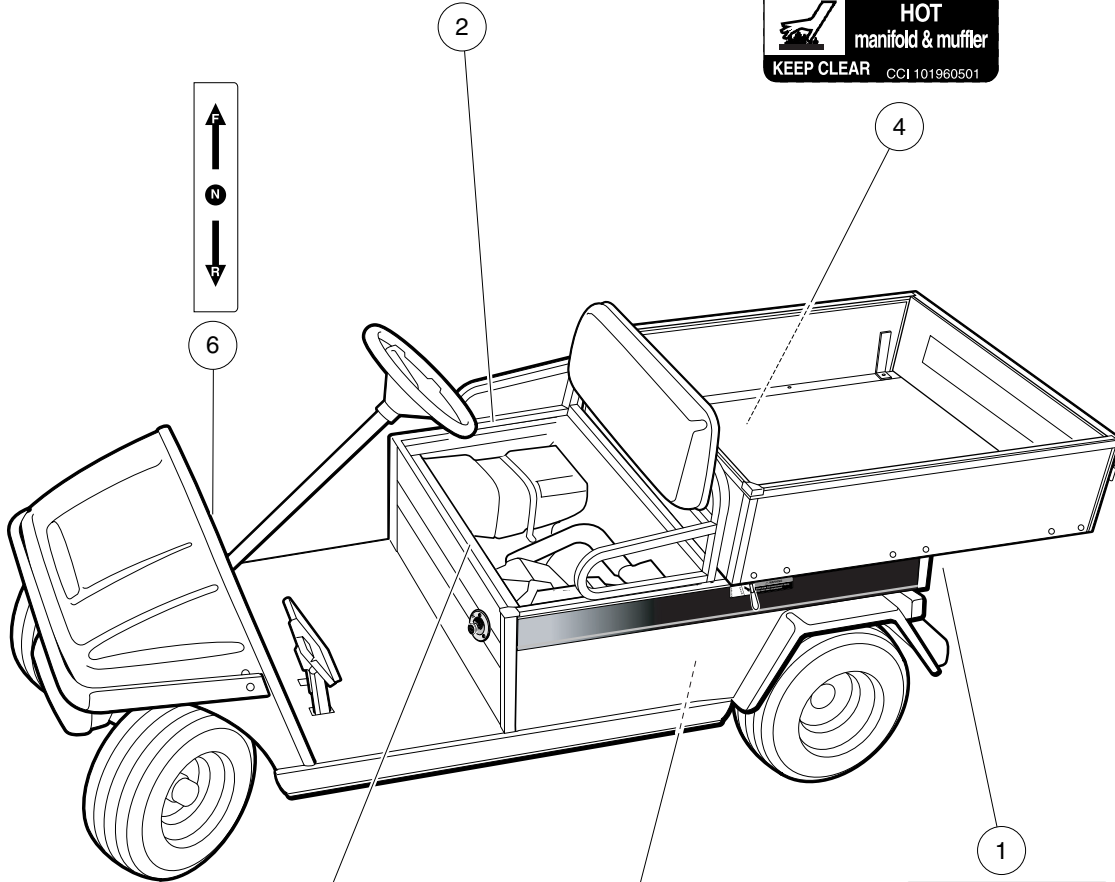
## DECALS – CARRYALL 2 PLUS GASOLINE VEHICLES

| ITEM | PART NO.  | DESCRIPTION                                    | QTY |
|------|-----------|--|-----|
|      |           | 1 2 3 4  |     |
| 1    | 101553901 | Decal, Bed Load Warning .....                  | 1   |
| 2    | 101609401 | Decal, Crush Area Warning .....                | 2   |
| 3    | 101693201 | Decal, Operating Instructions, Key-Start ..... | 1   |
| 4    | 101825102 | Decal, Off/On/Start .....                      | 1   |
| 5    | 101960201 | Decal, Vehicle Loading .....                   | 1   |
| 6    | 102459301 | Decal, Bed Crush Area Warning .....            | 1   |
| 7    | 103205401 | Decal, Warning, Rollover, Utl .....            | 1   |

3  
G  
E

**⚠ WARNING**  
**GASOLINE EXPLOSION / FIRE.**  
 • Can cause severe injury or death.  
 • No smoking, sparks, or open flame.  
 • Stop engine, allow to cool before refueling.  
 • Turn fuel valve (↔) on during operation.  
 (←) off during storage or transport.  
 CCI 101547601


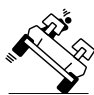
**⚠ WARNING**  
**CAN CAUSE SEVERE INJURY**  
 **Rotating parts**  
 **HOT manifold & muffler**  
**KEEP CLEAR** CCI 101960501



**NOTICE**  
**MAXIMUM TONGUE WEIGHT - 150 lbs.**  
 CCI 1011553

Maintenance Operate  
**⚠ WARNING**  
**VEHICLE MOVEMENT MAY CAUSE SERIOUS INJURY**  
 When switch is in Maintenance position, chock wheels and firmly set park brake.  
 CCI 103205501

3

|   |  |   |   |
|---|--|---|---|
|  | <p><b>⚠ WARNING</b><br/>                 Negative frame ground. Can cause severe injury. Do not contact positive (+) battery post or cable to frame. Disconnect negative battery lead first.</p> |  | <p><b>⚠ WARNING</b><br/>                 Excessive speed. Can cause severe injury or death. Do not tamper with engine governor adjustment.<br/>                 CCI 101915201</p> |
|---|--|---|---|

000619-001

# DECALS – CARRYALL 2 PLUS GASOLINE VEHICLES, CONTINUED

| ITEM | PART NO.  | DESCRIPTION                                    | QTY |
|------|-----------|--|-----|
|      |           | <b>1 2 3 4</b>                                 |     |
| 1    | 1011553   | Decal, Trailer Hitch .....                     | 1   |
| 2    | 101547601 | Decal, Gasoline Explosion/Fire Warning .....   | 1   |
| 3    | 101915201 | Decal, Frame Ground and Governor Warning ..... | 1   |
| 4    | 101960501 | Decal, Rotating Parts/Hot Manifold .....       | 1   |
| 5    | 103205501 | Decal, Run/Service Switch .....                | 1   |
| 6    | 103210201 | Decal, Forward/Reverse, Gas .....              | 1   |

**3**  
**G**  
**E**

**WARNING**

**ROLLOVER OR FALLING OFF MAY CAUSE DEATH.**

- Before using vehicle, read operating instructions.
- Remain seated and hold on to seat handle while moving.
- Do not start vehicle until all occupants are seated.
- Two (2) persons per seat maximum.
- Operate from driver side only and not on public roads.
- Keep entire body inside vehicle while moving.
- Drive slowly in turns and straight up and down slopes.
- Do not leave children unattended on vehicle.
- Never operate under the influence of alcohol or drugs.
- Use brakes to reduce speed when coasting downhill.
- Never stand in front of or behind vehicle.

CCI 103205401

**OPERATING INSTRUCTIONS**

- Read owner's manual and safety warnings located on dash panel prior to driving.
- Study and understand controls.

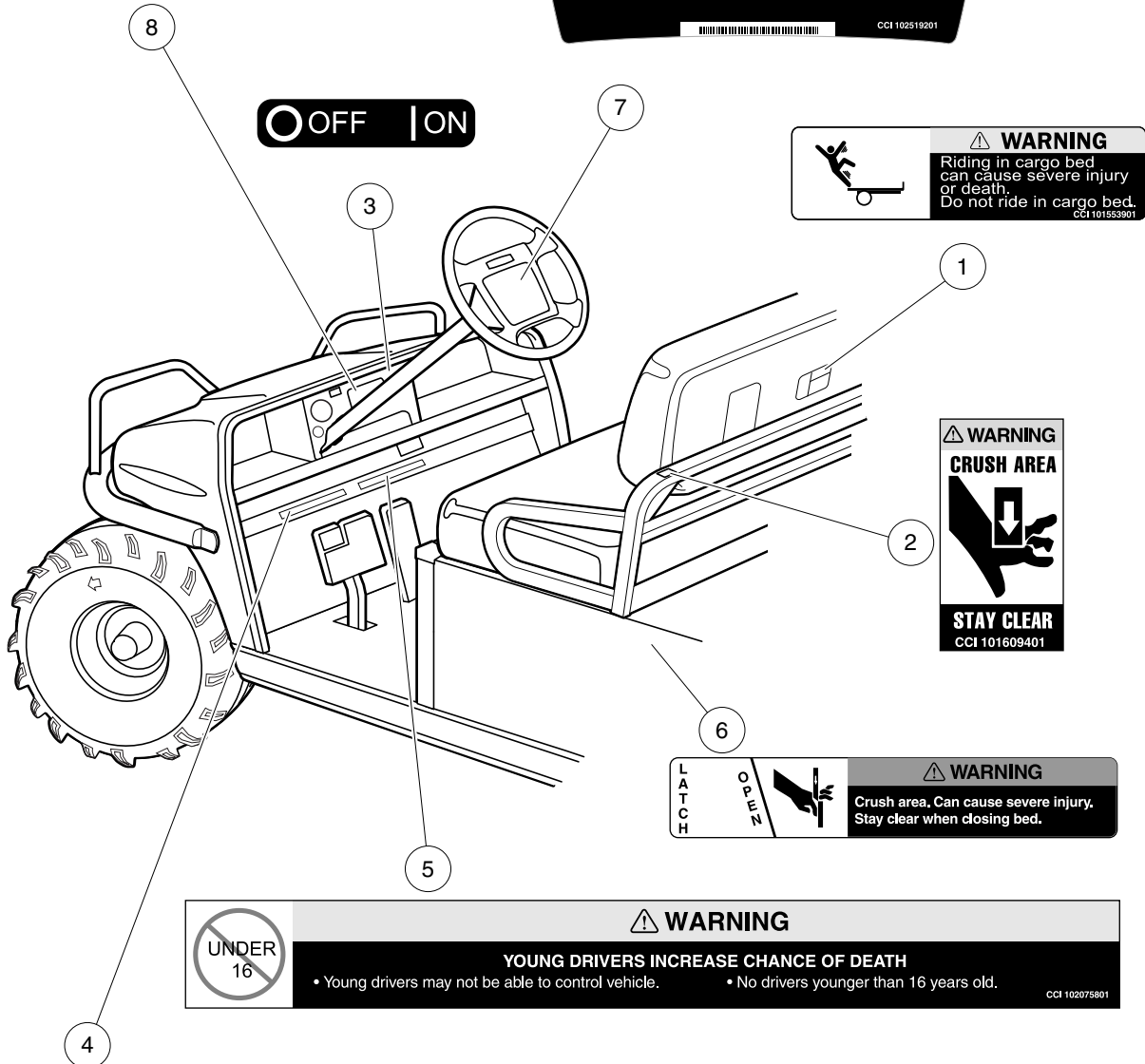
**TO OPERATE**

- Turn wheels to desired direction and ensure path is clear.
- Turn key to ON position.
- While stopped, place shift lever in desired position:  
F—Forward N—Neutral R—Reverse (Buzzer will sound)
- Park brake will release and vehicle will start moving when accelerator pedal is pressed.
- Slowly press accelerator pedal to increase speed.
- To stop, release accelerator pedal and press brake pedal.

**BEFORE LEAVING**

- Press park brake pedal until it locks and holds vehicle.
- Place Forward/Reverse switch in NEUTRAL position.
- Turn key OFF and remove key when not in use.

CCI 102519201



**WARNING**

Riding in cargo bed can cause severe injury or death. Do not ride in cargo bed.

CCI 101553901

**WARNING**

**CRUSH AREA**

**STAY CLEAR**

CCI 101609401

**WARNING**

Crush area. Can cause severe injury. Stay clear when closing bed.

**WARNING**

**YOUNG DRIVERS INCREASE CHANCE OF DEATH**

- Young drivers may not be able to control vehicle.
- No drivers younger than 16 years old.

CCI 102075801

**VEHICLE LOADING**

Read owner's manual and warnings on dash.

- Vehicle rated capacity - 900 lbs. on level surface only. Weight to include passengers, cargo bed load, and gross trailer weight. See Owner's Manual.
- Maximum cargo load - 500 lbs. Weight to include cargo bed load and gross trailer weight.
- Maximum trailer hitch tongue weight - 150 lbs.

- Cargo should be evenly spread over the floor of the cargo bed as far forward as possible and secured.
- For vehicle stability, when fully loaded, drive slowly and avoid stopping on or backing down steep hills.
- Avoid top heavy loads. See Owner's Manual.
- When driving on uneven terrain or down steep hills, reduce speed and load.

CCI 102006701

000620-001



## DECALS – TURF/CARRYALL 252 GASOLINE VEHICLES

| ITEM | PART NO.  | DESCRIPTION                         | QTY |
|------|-----------|-------------------------------------|-----|
|      |           | 1 2 3 4                             |     |
| 1    | 101553901 | Decal, Bed Load Warning .....       | 1   |
| 2    | 101609401 | Decal, Crush Area Warning .....     | 2   |
| 3    | 101825101 | Decal, Off/On .....                 | 1   |
| 4    | 102006701 | Decal, Vehicle Loading .....        | 1   |
| 5    | 102075801 | Decal, Young Driver Warning .....   | 1   |
| 6    | 102459301 | Decal, Bed Crush Area Warning ..... | 1   |
| 7    | 102519201 | Decal, Operating Instr, Gas .....   | 1   |
| 8    | 103205401 | Decal, Warning, Rollover, Utl ..... | 1   |

**3**  
**G**  
**E**

**⚠ WARNING**  
**GASOLINE EXPLOSION / FIRE.**

- Can cause severe injury or death.
- No smoking, sparks, or open flame.
- Stop engine, allow to cool before refueling.
- Turn fuel valve (←) on during operation, (→) off during storage or transport.

CCI 101547601

Maintenance Operate

**⚠ WARNING**

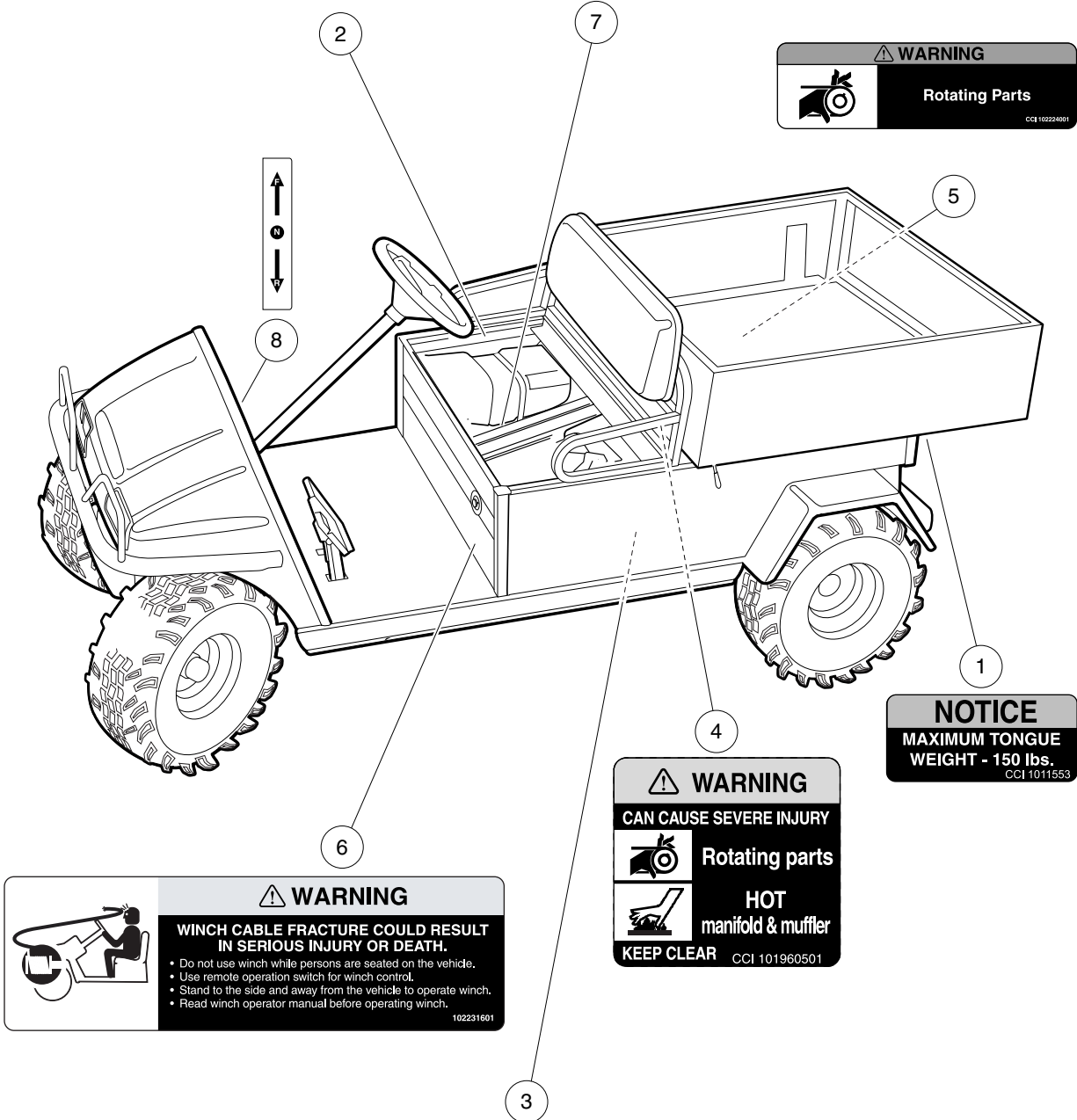
**VEHICLE MOVEMENT MAY CAUSE SERIOUS INJURY**  
When switch is in Maintenance position, chock wheels and firmly set park brake.

CCI 103205001

**⚠ WARNING**

**Rotating Parts**

CCI 10224001



**⚠ WARNING**

**WINCH CABLE FRACTURE COULD RESULT IN SERIOUS INJURY OR DEATH.**

- Do not use winch while persons are seated on the vehicle.
- Use remote operation switch for winch control.
- Stand to the side and away from the vehicle to operate winch.
- Read winch operator manual before operating winch.

102231601

**⚠ WARNING**

**CAN CAUSE SEVERE INJURY**

**Rotating parts**

**HOT manifold & muffler**

**KEEP CLEAR** CCI 101960501

**⚠ WARNING**

**Negative frame ground. Can cause severe injury. Do not contact positive (+) battery post or cable to frame. Disconnect negative battery cable first.**

**⚠ WARNING**

**Excessive speed can cause severe injury or death. Do not tamper with engine governor adjustment.**

CCI 101915201

000621-001

# DECALS – TURF/CARRYALL 252 GASOLINE VEHICLES, CONTINUED

| ITEM | PART NO.  | DESCRIPTION                                    | QTY |
|------|-----------|--|-----|
|      |           | 1 2 3 4  |     |
| 1    | 1011553   | Decal, Trailer Hitch .....                     | 1   |
| 2    | 101547601 | Decal, Gasoline Explosion/Fire Warning .....   | 1   |
| 3    | 101915201 | Decal, Frame Ground and Governor Warning ..... | 1   |
| 4    | 101960501 | Decal, Rotating Parts/Hot Manifold .....       | 1   |
| 5    | 102224001 | Decal, Rotating Parts Warning .....            | 1   |
| 6    | 102231601 | Decal, Winch Cable Fracture Warning .....      | 1   |
| 7    | 103205501 | Decal, Run/Service Switch .....                | 1   |
| 8    | 103210201 | Decal, Forward/Reverse, Gas .....              | 1   |

**3**  
**G**  
**E**

**⚠ WARNING**  
**ROLLOVER OR FALLING OFF MAY CAUSE DEATH.**

- Before using vehicle, read operating instructions.
- Remain seated and hold on to seat handle while moving.
- Do not start vehicle until all occupants are seated.
- Two (2) persons per seat maximum.
- Operate from driver side only and not on public roads.
- Keep entire body inside vehicle while moving.
- Drive slowly in turns and straight up and down slopes.
- Do not leave children unattended on vehicle.
- Never operate under the influence of alcohol or drugs.
- Use brakes to reduce speed when coasting downhill.
- Never stand in front of or behind vehicle.

CCI 1019606-01

**OPERATING INSTRUCTIONS**

- Read Owner's Manual and safety warnings located on dash panel prior to driving.
- Study and understand controls.

**TO START ENGINE**

- Place shift lever in "N" - Neutral position.
- Depress brake pedal.
- Turn key switch to "START" position and release.

**TO OPERATE VEHICLE**

- Make sure wheels are turned in desired direction.
- Be sure nothing is in your path.

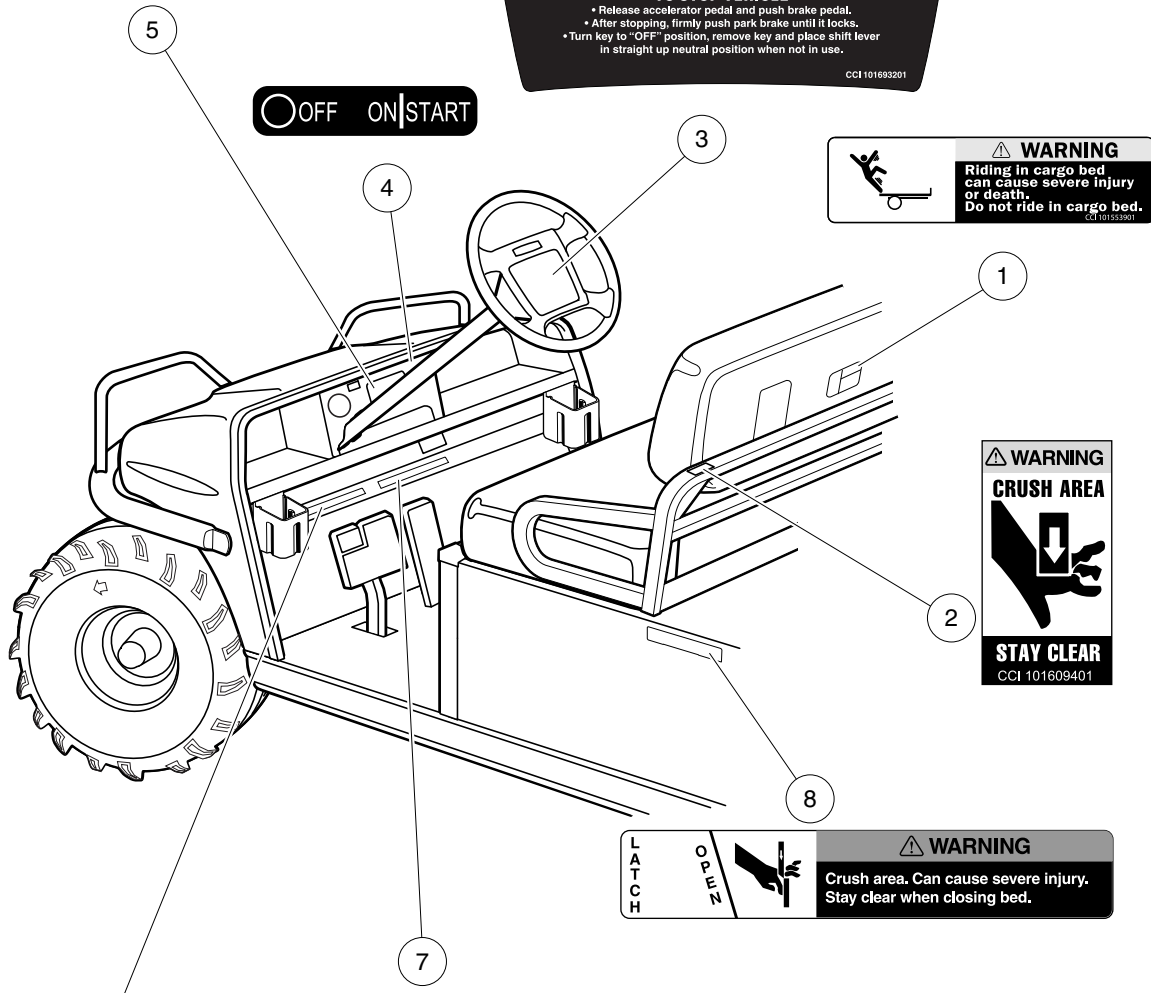
• While vehicle is stopped, and engine is at idle, select vehicle direction by placing shift lever or switch in desired position.  
 F - Forward N - Neutral R - Reverse (Buzzer will sound)

- Park brake will release when accelerator pedal is pushed.
- Slowly push accelerator pedal to increase speed.
- Engine must be at idle before moving shift lever.

**TO STOP VEHICLE**

- Release accelerator pedal and push brake pedal.
- After stopping, firmly push park brake until it locks.
- Turn key to "OFF" position, remove key and place shift lever in straight up neutral position when not in use.

CCI 101693201



**⚠ WARNING**  
 Riding in cargo bed can cause severe injury or death. Do not ride in cargo bed.  
 CCI 101553901

**⚠ WARNING**  
**CRUSH AREA**  
**STAY CLEAR**  
 CCI 101609401

**⚠ WARNING**  
 Crush area. Can cause severe injury. Stay clear when closing bed.

**⚠ WARNING**  
**YOUNG DRIVERS INCREASE CHANCE OF DEATH**

**UNDER 16**

- Young drivers may not be able to control vehicle.
- No drivers younger than 16 years old.

CCI 102075801

**VEHICLE LOADING**  
 Read owner's manual and warnings on dash.

- Vehicle rated capacity - 900 lbs. on level surface only. Weight to include passengers, cargo bed load, and gross trailer weight. See Owner's Manual.
- Maximum cargo load - 500 lbs. Weight to include cargo bed load and gross trailer weight.
- Maximum trailer hitch tongue weight - 150 lbs.
- Cargo should be evenly spread over the floor of the cargo bed as far forward as possible and secured.
- For vehicle stability, when fully loaded, drive slowly and avoid stopping on or backing down steep hills.
- Avoid top heavy loads. See Owner's Manual.
- When driving on uneven terrain or down steep hills, reduce speed and load.

CCI 102006701

000622-001

## DECALS – XRT 900 GASOLINE VEHICLES

| ITEM | PART NO.  | DESCRIPTION                                    | QTY |
|------|-----------|--|-----|
|      |           | <b>1 2 3 4</b>                                 |     |
| 1    | 101553901 | Decal, Bed Load Warning .....                  | 1   |
| 2    | 101609401 | Decal, Crush Area Warning .....                | 1   |
| 3    | 101693201 | Decal, Operating Instructions, Key-Start ..... | 1   |
| 4    | 101825102 | Decal, Off/On/Start .....                      | 1   |
| 5    | 101960601 | Decal, Dash Warning .....                      | 1   |
| 6    | 102006701 | Decal, Vehicle Loading .....                   | 1   |
| 7    | 102075801 | Decal, Young Driver Warning .....              | 1   |
| 8    | 102459301 | Decal, Bed Crush Area Warning .....            | 1   |

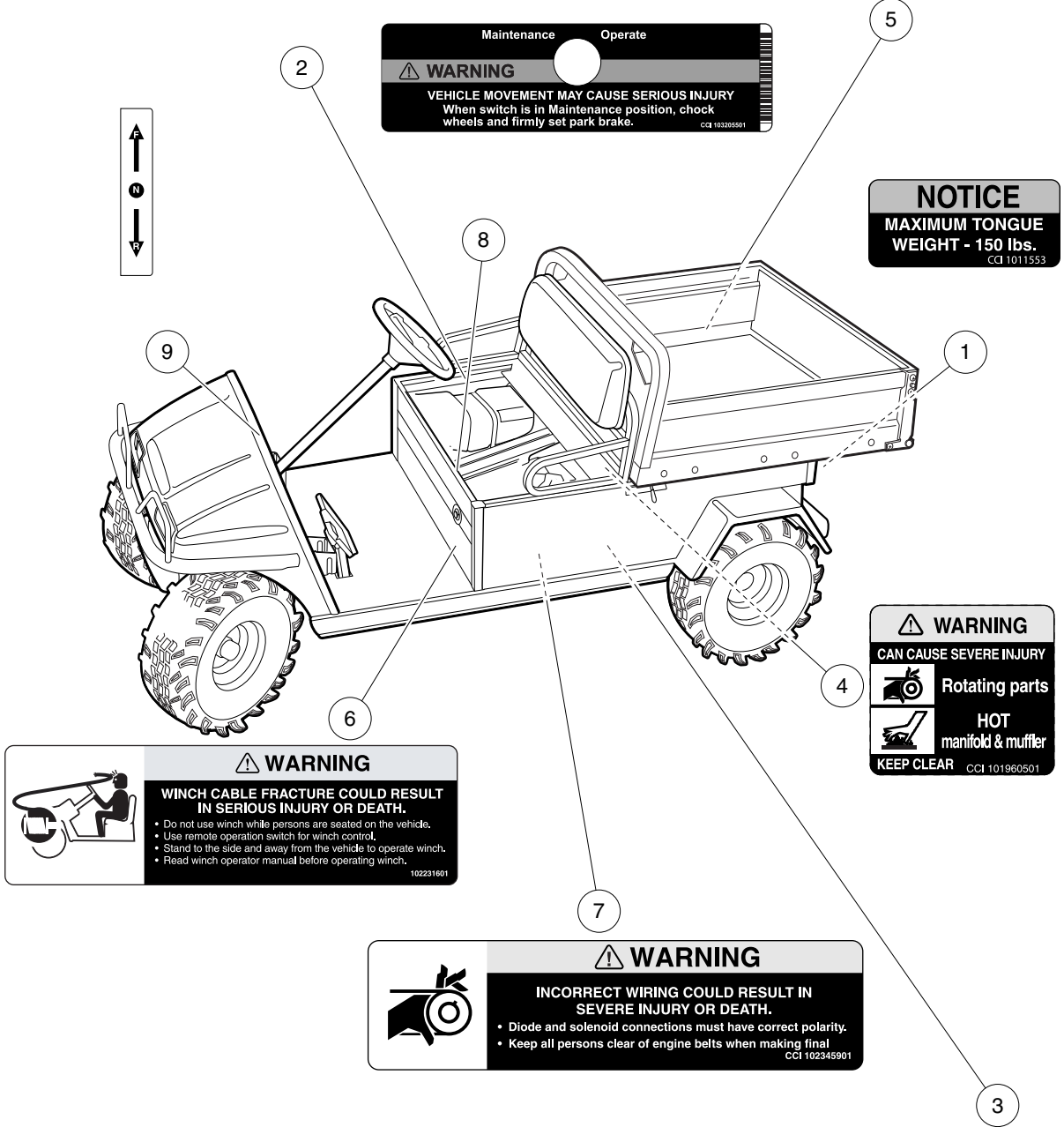
**3**  
**G**  
**E**

**⚠ WARNING**  
**GASOLINE EXPLOSION / FIRE.**  
 • Can cause severe injury or death.  
 • No smoking, sparks, or open flame.  
 • Stop engine, allow to cool before refueling.  
 • Turn fuel valve (—) on during operation.  
 (→) off during storage or transport.  
 CCI 101547691

**⚠ WARNING**  
**Rotating Parts**  
 CCI 10029001

Maintenance Operate  
**⚠ WARNING**  
**VEHICLE MOVEMENT MAY CAUSE SERIOUS INJURY**  
 When switch is in Maintenance position, chock wheels and firmly set park brake.  
 CCI 10205501

**NOTICE**  
**MAXIMUM TONGUE WEIGHT - 150 lbs.**  
 CCI 1011553



**⚠ WARNING**  
**WINCH CABLE FRACTURE COULD RESULT IN SERIOUS INJURY OR DEATH.**  
 • Do not use winch while persons are seated on the vehicle.  
 • Use remote operation switch for winch control.  
 • Stand to the side and away from the vehicle to operate winch.  
 • Read winch operator manual before operating winch.  
 102231601

**⚠ WARNING**  
**CAN CAUSE SEVERE INJURY**  
**Rotating parts**  
**HOT manifold & muffler**  
**KEEP CLEAR** CCI 101960501

**⚠ WARNING**  
**INCORRECT WIRING COULD RESULT IN SEVERE INJURY OR DEATH.**  
 • Diode and solenoid connections must have correct polarity.  
 • Keep all persons clear of engine belts when making final  
 CCI 102345901

**⚠ WARNING**  
**Negative frame ground. Can cause severe injury.**  
 Do not contact positive (+) battery post or cable to frame. Disconnect negative battery cable first.

**⚠ WARNING**  
**Excessive speed can cause severe injury or death. Do not tamper with engine governor adjustment.**  
 CCI 101915201

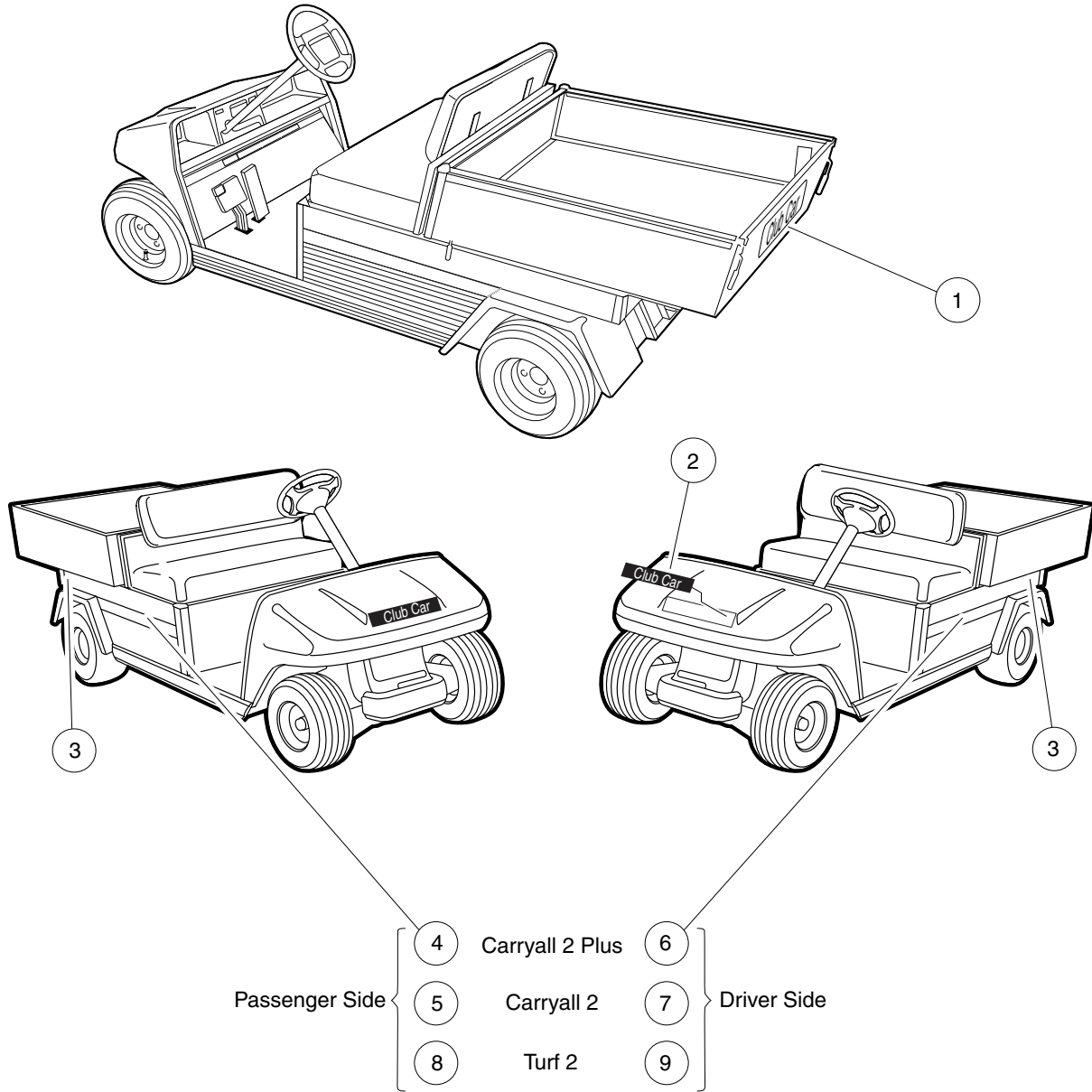
000623-001

## DECALS – XRT 900 GASOLINE VEHICLES, CONTINUED

| ITEM | PART NO.  | DESCRIPTION                                    | QTY |
|------|-----------|--|-----|
|      |           | 1 2 3 4  |     |
| 1    | 1011553   | Decal, Trailer Hitch .....                     | 1   |
| 2    | 101547601 | Decal, Gasoline Explosion/Fire Warning .....   | 1   |
| 3    | 101915201 | Decal, Frame Ground and Governor Warning ..... | 1   |
| 4    | 101960501 | Decal, Rotating Parts/Hot Manifold .....       | 1   |
| 5    | 102224001 | Decal, Rotating Parts Warning .....            | 1   |
| 6    | 102231601 | Decal, Winch Cable Fracture Warning .....      | 1   |
| 7    | 102345901 | Decal, Diode Safety .....                      | 1   |
| 8    | 103205501 | Decal, Run/Service Switch .....                | 1   |
| 9    | 103210201 | Decal, Forward/Reverse, Gas .....              | 1   |

3  
G  
E

**LOGO DECALS**



000287-004

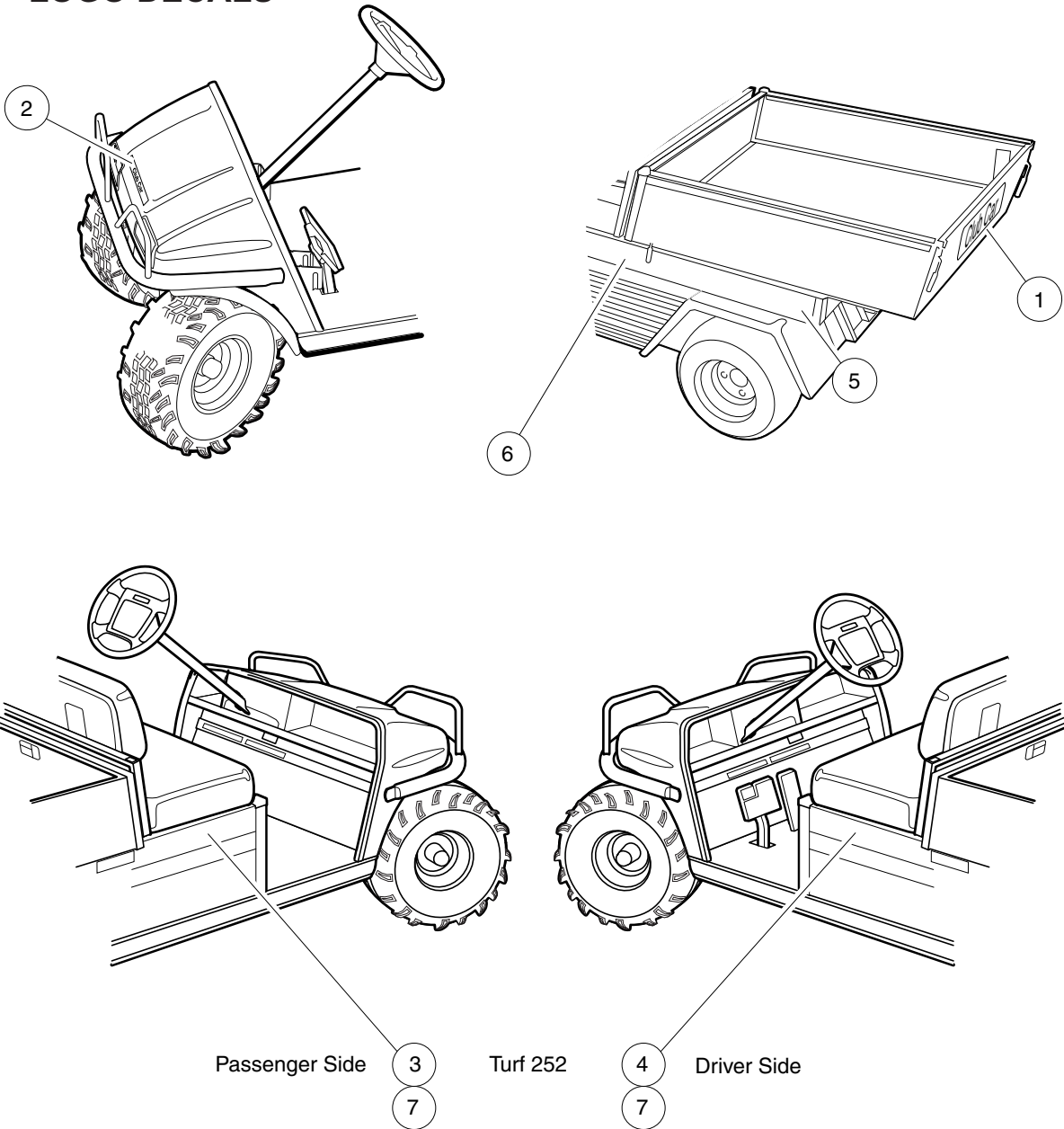


# DECALS, LOGO – TURF/CARRYALL 2, AND CARRYALL 2 PLUS

| ITEM | PART NO.  | DESCRIPTION                          | QTY |
|------|-----------|--------------------------------------|-----|
|      |           | 1 2 3 4                              |     |
| 1    | 1013317   | Decal, Logo, Tailgate .....          | 1   |
| 2    | 101670201 | Nameplate Kit (silver) .....         | 1   |
| 3    | 103234301 | Decal, Badge, IR .....               | 2   |
| 4    | 103260101 | Decal Turf 2 Side Panel .....        | 2   |
| 5    | 103260801 | Decal Ca 2 Side Panel .....          | 2   |
| 6    | 103260901 | Decal Ca 2 Plus Side Panel .....     | 2   |
| 7    | 103284101 | Decal Ca2/ca2p/ca252/ca272 Bar ..... | 2   |

3  
G  
E

### LOGO DECALS



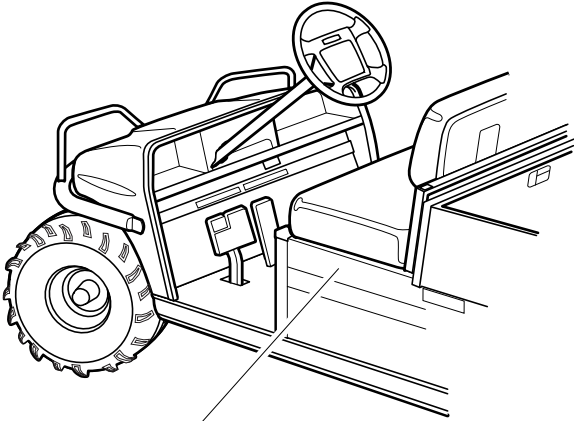
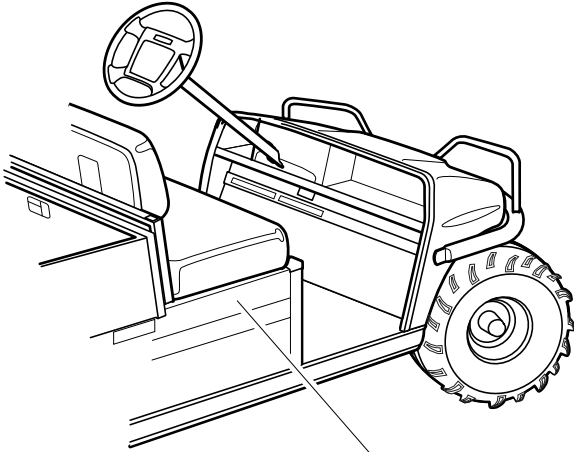
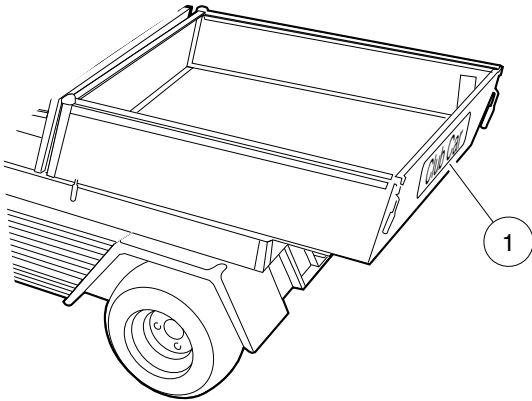
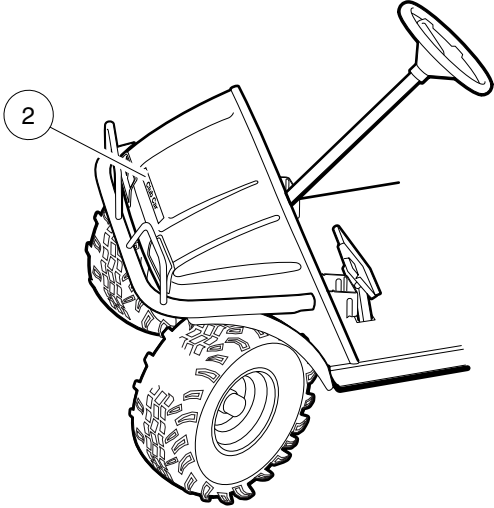
000289-002

## DECALS, LOGO – TURF/CARRYALL 252

| ITEM | PART NO.  | DESCRIPTION                           | QTY |
|------|-----------|---------------------------------------|-----|
|      |           | <b>1 2 3 4</b>                        |     |
| 1    | 1013317   | Decal, Logo, Tailgate .....           | 1   |
| 2    | 101670201 | Nameplate Kit (silver) .....          | 1   |
| 3    | 102683201 | Decal, Turf 252, Passenger-Side ..... | 1   |
| 4    | 102683301 | Decal, Turf 252, Driver-Side .....    | 1   |
| 5    | 103234301 | Decal, Badge, IR .....                | 2   |
| 6    | 103261301 | Decal Ca 252 Side Panel .....         | 2   |
| 7    | 103284101 | Decal Ca2/ca2p/ca252/ca272 Bar .....  | 2   |

**3**  
**G**  
**E**

**LOGO DECALS**



Passenger Side (3)  
(5)

XRT 900

(4) Driver Side  
(5)

000624-001

# DECALS, LOGO – XRT 900

| ITEM | PART NO.  | DESCRIPTION                         | QTY |
|------|-----------|-------------------------------------|-----|
|      |           | 1 2 3 4                             |     |
| 1    | 1013317   | Decal, Logo, Tailgate .....         | 1   |
| 2    | 101670201 | Nameplate Kit (silver) .....        | 1   |
| 3    | 102683701 | Decal, XRT 900 Passenger-Side ..... | 1   |
| 4    | 102683801 | Decal, XRT 900 Driver-Side .....    | 1   |
| 5    | 103234301 | Decal, Badge, IR .....              | 2   |

3  
G  
E

**3**

**G**

**E**

# **BRAKES, PEDAL, AND CABLE ASSEMBLIES**

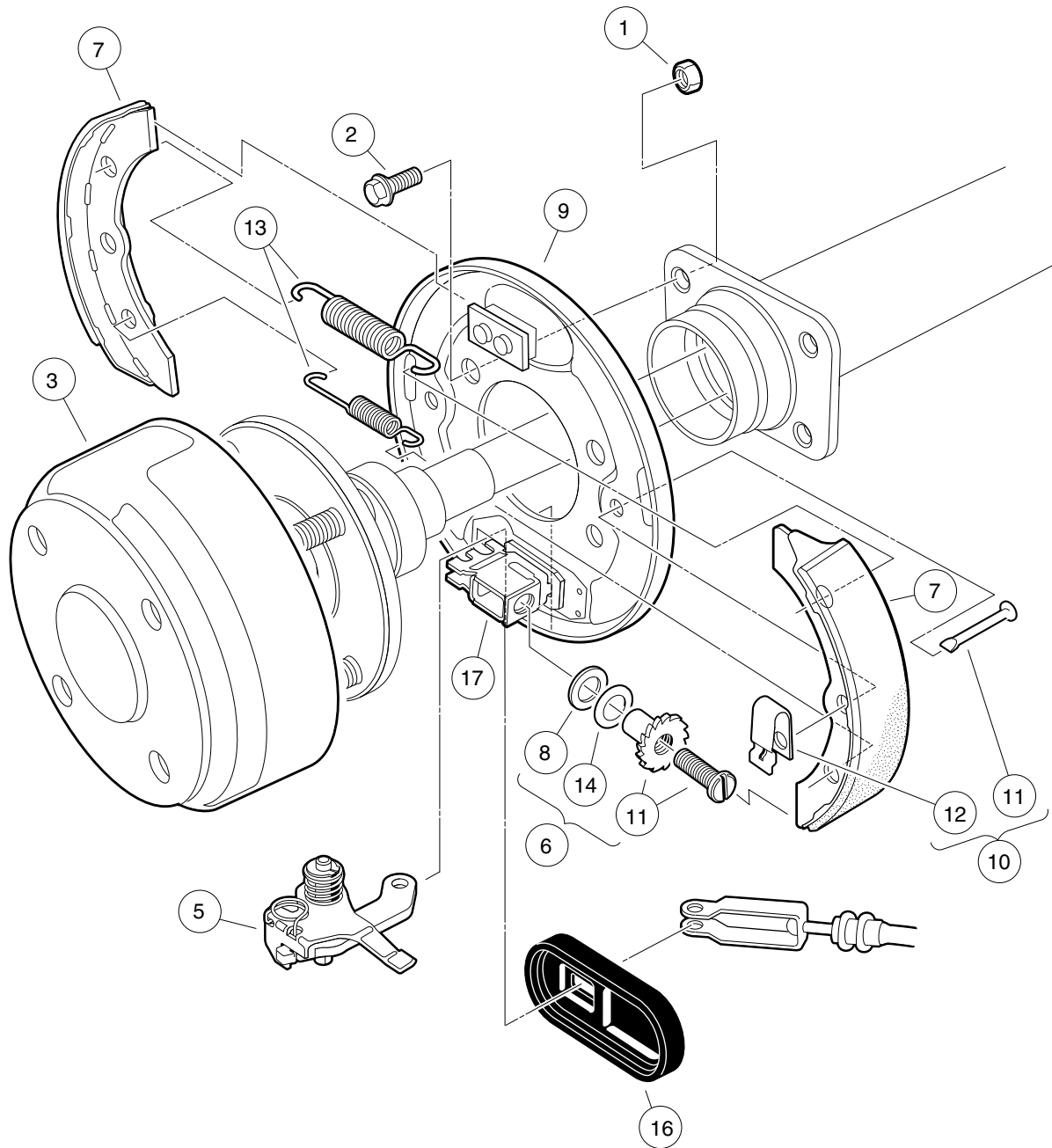
---

**4**

**G**

**E**

**4**  
**G**  
**E**



000186-001

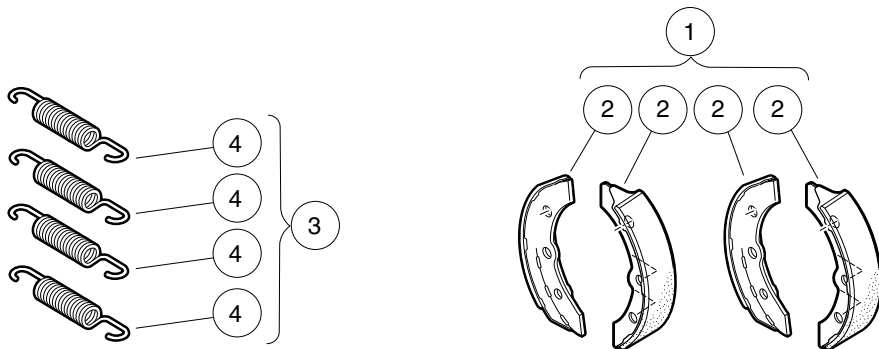
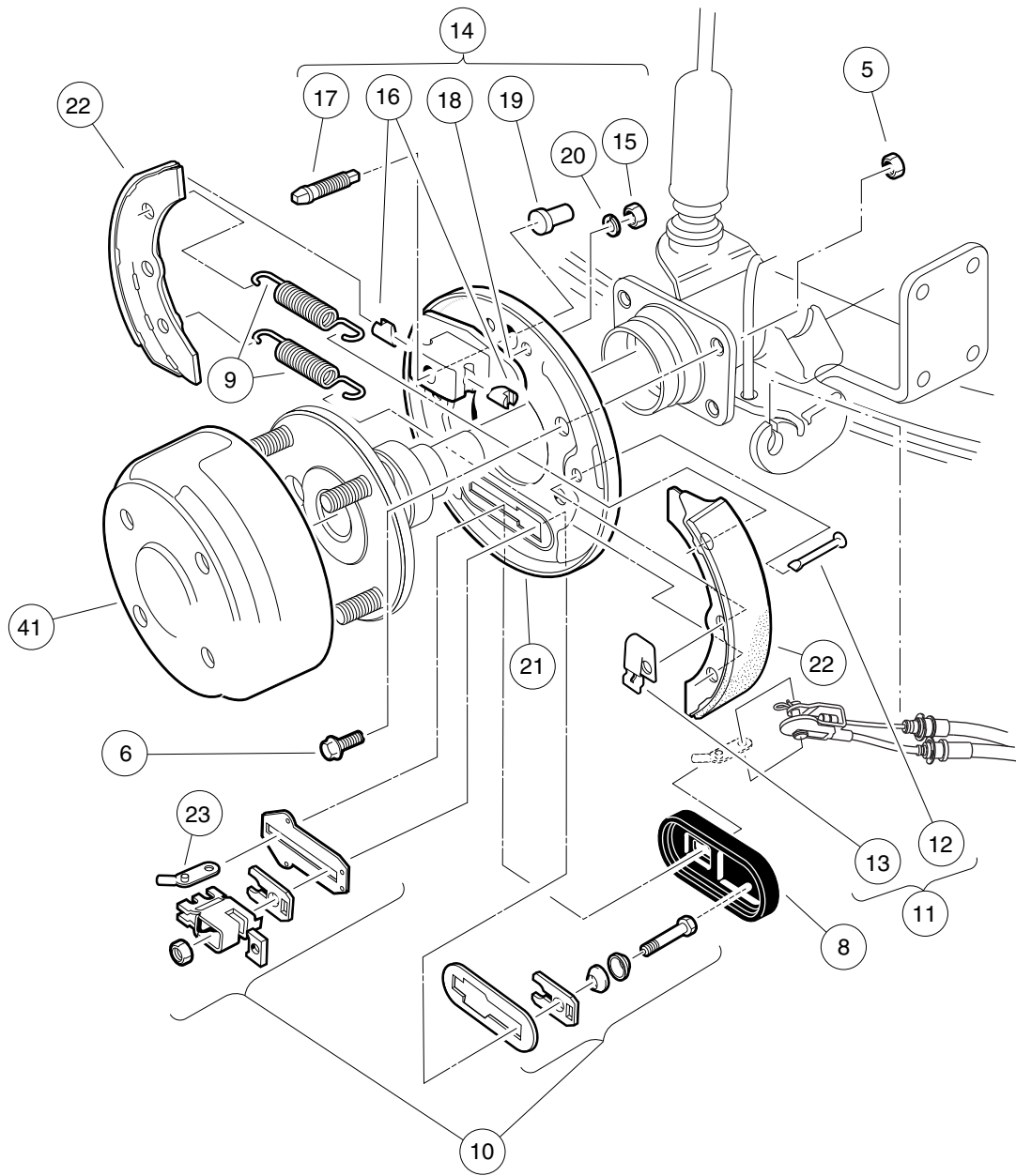


# REAR BRAKE ASSEMBLY, SELF-ADJUSTING – VEHICLE WITH 2-WHEEL BRAKES

| ITEM  | PART NO.  | DESCRIPTION   | QTY |
|---|-----------|---|-----|
|   |           | 1 2 3 4   |     |
| 1   | 1013924   | Nut, 5/16-24 Hex Head Cone .....                                    | 8   |
| 2   | 1014153   | Bolt, Brake Cluster Mounting .....                                  | 8   |
| 3   | 101791101 | Drum without Center Hole, Brake .....                               | 2   |
| 4   | 103380201 | Asm, Brake Cluster, Mech, Drvr (includes items 5 through 17) .....  | 1   |
| 5   | 101815501 | Lever Assembly, Self-Adjusting Brake, Right (Passenger) .....       | 1   |
| 6   | 101816501 | Adj Mechanism, S.A. Brakes, Right (Passenger) .....                 | 1   |
| 7   | 101823201 | Package, Brake Shoe, Self-Adjusting .....                           | 1   |
| 8   | 101823801 | Plate, Washer, Brake, Self-Adjusting .....                          | 1   |
| 9   | 103483101 | Back Plate, Rh .....  | 1   |
| 10  | 103483201 | Kit, Shoe Retainer (includes items 11 and 12) .....                 | 1   |
| 11  | 1010953   | Pin .....   | 2   |
| 12  | 103483301 | Spring, Shoe, Clamp .....   | 2   |
| 13  | 103483401 | Package Brake Spring Self Adj (includes items 14 and 15) .....      | 1   |
| 14  | 101816401 | Brake Spring Self Adj .....   | 2   |
| 15  | 103483501 | Spring Brake .....  | 2   |
| 16  | 103483601 | Cover, Dust .....   | 1   |
| 17  | 103483701 | Brake Block .....   | 1   |
| 18  | 103380202 | Asm, Brake Cluster, Mech, Pass (includes items 19 through 31) ..... | 1   |
| 19  | 101815502 | Lever Assembly, Self-Adjusting Brake, Left .....                    | 1   |
| 20  | 101816502 | Adjusting Mechanism, Self-Adjusting Brake, Left .....               | 1   |
| 21  | 101823201 | Package, Brake Shoe, Self-Adjusting .....                           | 1   |
| 22  | 101823801 | Plate, Washer, Brake, Self-Adjusting .....                          | 1   |
| 23  | 103483102 | Back Plate, Lh .....  | 1   |
| 24  | 103483201 | Kit, Shoe Retainer (includes items 25 and 26) .....                 | 1   |
| 25  | 1010953   | Pin .....   | 2   |
| 26  | 103483301 | Spring, Shoe, Clamp .....   | 2   |
| 27  | 103483401 | Package Brake Spring Self Adj (includes items 28 and 29) .....      | 1   |
| 28  | 101816401 | Brake Spring Self Adj .....   | 2   |
| 29  | 103483501 | Spring Brake .....  | 2   |
| 30  | 103483601 | Cover, Dust .....   | 1   |
| 31  | 103483701 | Brake Block .....   | 1   |
| Note: Driver-side brake cluster not shown. Components have a similar appearance to passenger-side brake cluster components. |           |   |     |

4  
G  
E

**4**  
**G**  
**E**



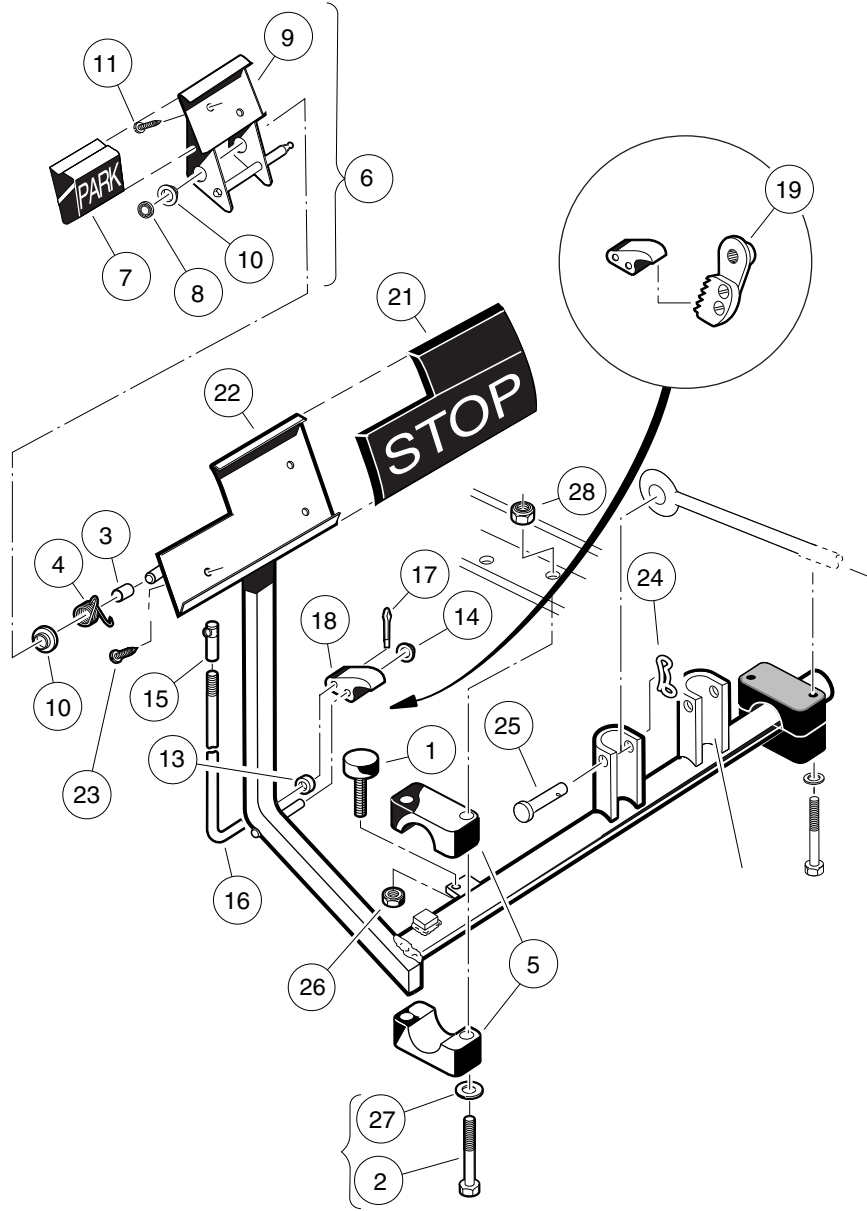
000293-002

## REAR BRAKE ASSEMBLY, MANUALLY-ADJUSTED – VEHICLES WITH 4-WHEEL BRAKES

| ITEM | PART NO.  | DESCRIPTION   | QTY |
|------|-----------|---|-----|
|      |           | <b>1 2 3 4</b>  |     |
| 1    | 101146302 | Kit, Non-Asbestos Brake Shoe (includes item 2) .....  | 1   |
| 2    | 101880701 | Shoe Brake Manual Adj (Available in Kit, Non-Asbestos Brake Shoe) .....   | 4   |
| 3    | 1011464   | Package, Brake Spring (includes item 4) .....   | 1   |
| 4    | 1011314   | Brake Spring .....  | 4   |
| 5    | 1013924   | Nut, 5/16-24 Hex Head Cone .....  | 8   |
| 6    | 1014153   | Bolt, Brake Cluster Mounting .....  | 8   |
| 7    | 1016557   | Cluster, Brake, Driver-Side (includes items 8 through 23) .....   | 1   |
| 8    | 1010850   | Dust Cover .....  | 1   |
| 9    | 1011314   | Brake Spring .....  | 2   |
| 10   | 1011465   | Kit, Brake Actuator .....   | 1   |
| 11   | 1011466   | Kit, Shoe Retainer (includes items 12 and 13) .....   | 1   |
| 12   | 1010953   | Pin .....   | 2   |
| 13   | 1011301   | Shoe Clamp Spring .....   | 2   |
| 14   | 1011467   | Kit, Anchor Body (includes items 15 through 20) .....   | 1   |
| 15   | 1011114   | Nut, M6-1.00 Hex .....  | 2   |
| 16   | 1011298   | Anchor Piston .....   | 2   |
| 17   | N/A       | Adjustment Bolt .....   | 1   |
| 18   | N/A       | Anchor Body Component .....   | 1   |
| 19   | 1011303   | Adjustment Bolt Cap .....   | 1   |
| 20   | 451       | Lockwasher, 1/4 Split .....   | 2   |
| 21   | 1011494   | Backing Plate, Left-Hand .....  | 1   |
| 22   | 101880701 | Shoe Brake Manual Adj (Available in Kit, Non-Asbestos Brake Shoe) .....   | 2   |
| 23   | N/A       | Arm, Brake Lever .....  | 1   |
| 24   | 1016573   | Cluster, Brake, Passenger-Side (includes items 25 through 40) .....   | 1   |
| 25   | 1010850   | Dust Cover .....  | 1   |
| 26   | 1011154   | Backing Plate, Right-Hand .....   | 1   |
| 27   | 1011314   | Brake Spring .....  | 2   |
| 28   | 1011465   | Kit, Brake Actuator .....   | 1   |
| 29   | 1011466   | Kit, Shoe Retainer (includes items 30 and 31) .....   | 1   |
| 30   | 1010953   | Pin .....   | 2   |
| 31   | 1011301   | Shoe Clamp Spring .....   | 2   |
| 32   | 1011467   | Kit, Anchor Body (includes items 33 through 38) .....   | 1   |
| 33   | 1011114   | Nut, M6-1.00 Hex .....  | 2   |
| 34   | 1011298   | Anchor Piston .....   | 2   |
| 35   | N/A       | Adjustment Bolt .....   | 1   |
| 36   | N/A       | Anchor Body Component .....   | 1   |
| 37   | 1011303   | Adjustment Bolt Cap .....   | 1   |
| 38   | 451       | Lockwasher, 1/4 Split .....   | 2   |
| 39   | 101880701 | Shoe Brake Manual Adj (Available in Kit, Non-Asbestos Brake Shoe) .....   | 2   |
| 40   | N/A       | Arm, Brake Lever .....  | 1   |
| 41   | 101791101 | Drum without Center Hole, Brake .....   | 2   |
|      |           | Note: Passenger-side brake cluster not shown. Components have a similar appearance to driver-side brake cluster components. |     |

**4**  
**G**  
**E**

**4**  
**G**  
**E**



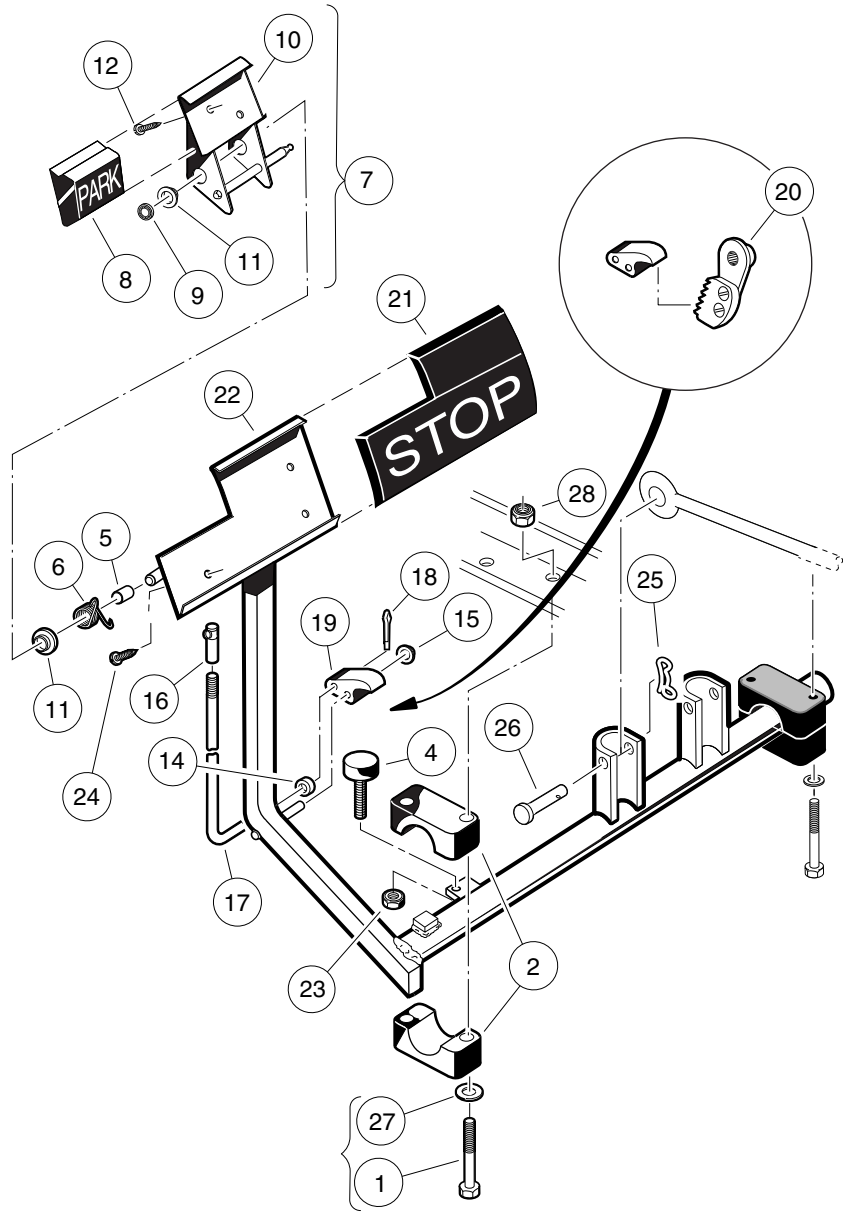
000187-001

# BRAKE PEDAL ASSEMBLY – VEHICLES WITH TWO-WHEEL BRAKES

| ITEM | PART NO.  | DESCRIPTION  | QTY |
|------|-----------|--|-----|
|      |           | <b>1 2 3 4</b>   |     |
| 1    | 1010878   | Bumper, Rubber .....                                       | 1   |
| 2    | 1010921   | Screw, 5/16-18 X 2.50 Hex Cap .....                        | 4   |
| 3    | 1010927   | Hill Brake Spacer .....                                    | 1   |
| 4    | 1010933   | Spring, Hill Brake Torsion .....                           | 1   |
| 5    | 1011402   | Package, Brake Mounting Block .....                        | 1   |
| 6    | 1011418   | Kit, Hill Brake Pedal (includes items 7 through 11) .....  | 1   |
| 7    | 1013870   | Pad, Hill Brake .....                                      | 1   |
| 8    | 1013876   | Pushnut, 3/8 .....   | 1   |
| 9    | N/A       | Hill Brake Weld Assembly .....                             | 1   |
| 10   | 1032      | Bushing, Nylon .....                                       | 2   |
| 11   | 7716      | Screw, #10-16 Type AB, Sheet Metal .....                   | 2   |
| 12   | 101187702 | Kit, Hill Brake Latch (includes items 13 through 19) ..... | 1   |
| 13   | 1010805   | Sleeve, Hill Brake Rod .....                               | 1   |
| 14   | 1010877   | Pushnut, 3/8 .....   | 1   |
| 15   | 1010932   | Ball Joint, 1/4-28 .....                                   | 1   |
| 16   | N/A       | Rod, Hill Brake .....                                      | 1   |
| 17   | 1017029   | Pin, Cotter, 7/64 x 1/2 Stainless-Steel .....              | 1   |
| 18   | N/A       | Pawl, Hill Brake .....                                     | 1   |
| 19   | 101918501 | Ratchet Assembly .....                                     | 1   |
| 20   | 101878201 | Brake Pedal Kit (includes items 21 through 23) .....       | 1   |
| 21   | 1013869   | Pad, Brake Pedal .....                                     | 1   |
| 22   | N/A       | Weldment, Brake Pedal 4wb Std .....                        | 1   |
| 23   | 7716      | Screw, #10-16 Type AB, Sheet Metal .....                   | 3   |
| 24   | 102323101 | Pin, Bow Tie Locking .....                                 | 1   |
| 25   | 102323201 | Pin, 3/8 X 1-5/16 Clevis .....                             | 1   |
| 26   | 1028      | Nut, 1/4-20 Hex .....                                      | 1   |
| 27   | 1241      | Washer, 5/16 Type A Flat .....                             | 4   |
| 28   | 7473      | Locknut, 5/16-18 Nylon Insert .....                        | 4   |

**4**  
**G**  
**E**

**4**  
**G**  
**E**



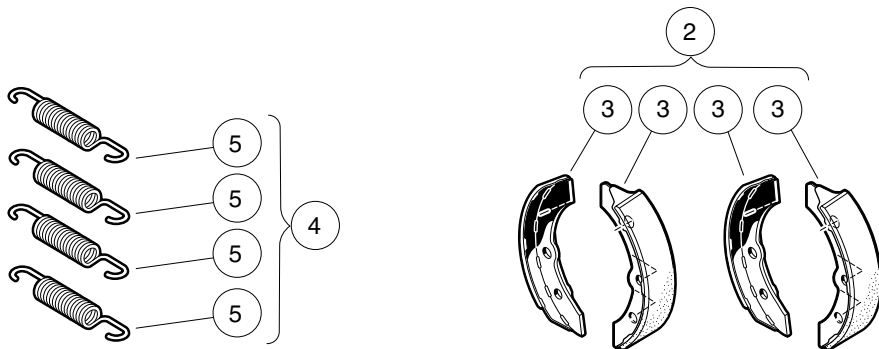
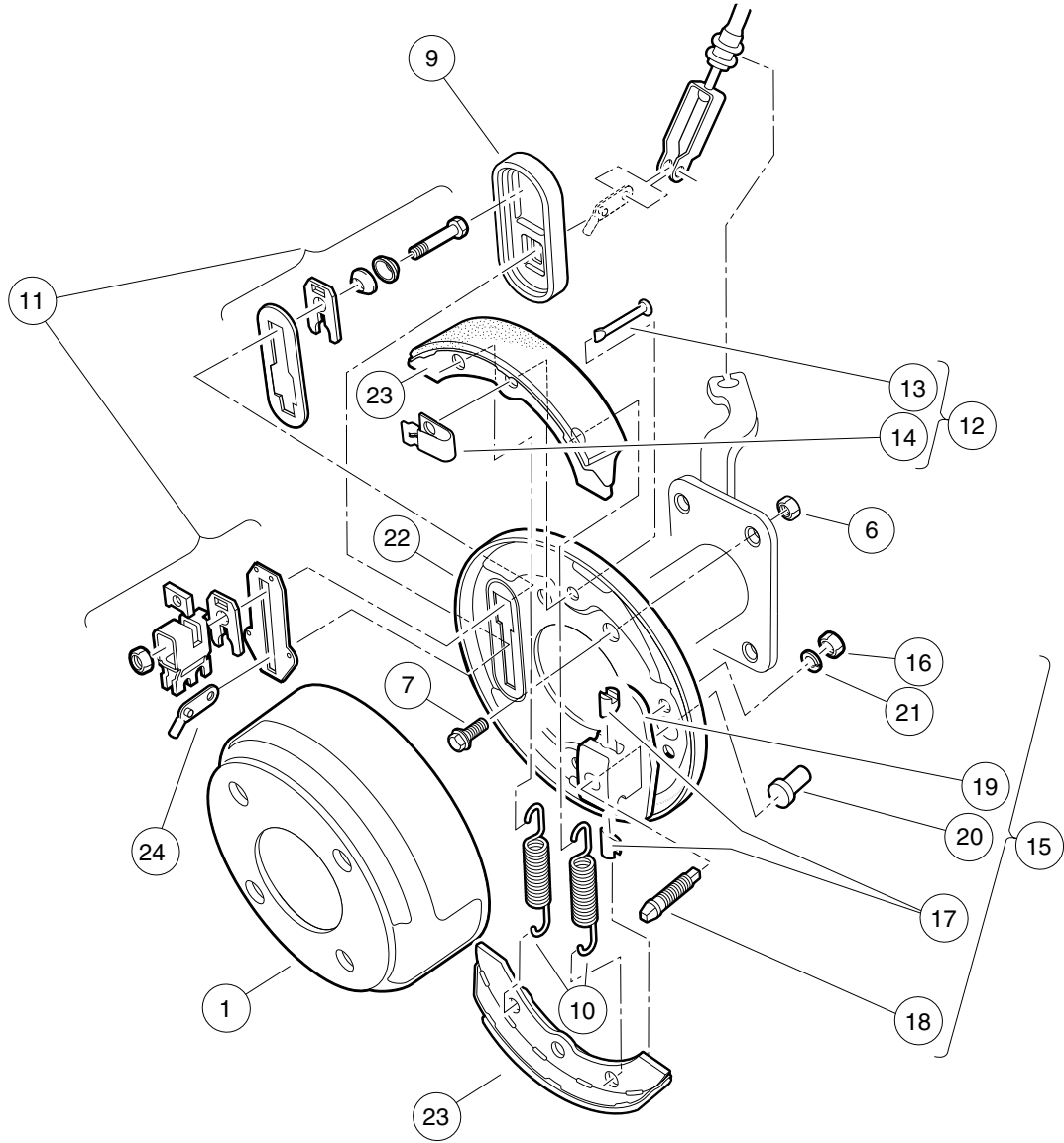
000187-002

## BRAKE PEDAL ASSEMBLY – IQ PLUS VEHICLES

| ITEM | PART NO.  | DESCRIPTION  | QTY |
|------|-----------|--|-----|
|      |           | <b>1 2 3 4</b>   |     |
| 1    | 1010921   | Screw, 5/16-18 X 2.50 Hex Cap .....                                    | 4   |
| 2    | 1011402   | Package, Brake Mounting Block .....                                    | 1   |
| 3    | N/A       | Subasm, Pedal Group, 4-Wheel Brake (includes items 4 through 24) ..... | 1   |
| 4    | 1010878   | Bumper, Rubber .....   | 1   |
| 5    | 1010927   | Hill Brake Spacer .....  | 1   |
| 6    | 1010933   | Spring, Hill Brake Torsion .....                                       | 1   |
| 7    | 1011418   | Kit, Hill Brake Pedal (includes items 8 through 12) .....              | 1   |
| 8    | 1013870   | Pad, Hill Brake .....  | 1   |
| 9    | 1013876   | Pushnut, 3/8 .....   | 1   |
| 10   | N/A       | Hill Brake Weld Assembly .....   | 1   |
| 11   | 1032      | Bushing, Nylon .....   | 2   |
| 12   | 7716      | Screw, #10-16 Type AB, Sheet Metal .....                               | 2   |
| 13   | 101187702 | Kit, Hill Brake Latch (includes items 14 through 20) .....             | 1   |
| 14   | 1010805   | Sleeve, Hill Brake Rod .....   | 1   |
| 15   | 1010877   | Pushnut, 3/8 .....   | 1   |
| 16   | 1010932   | Ball Joint, 1/4-28 .....   | 1   |
| 17   | N/A       | Rod, Hill Brake .....  | 1   |
| 18   | 1017029   | Pin, Cotter, 7/64 x 1/2 Stainless-Steel .....                          | 1   |
| 19   | N/A       | Pawl, Hill Brake .....   | 1   |
| 20   | 101918501 | Ratchet Assembly .....   | 1   |
| 21   | 1013869   | Pad, Brake Pedal .....   | 1   |
| 22   | N/A       | Brake Pedal Weldment .....   | 1   |
| 23   | 1028      | Nut, 1/4-20 Hex .....  | 1   |
| 24   | 7716      | Screw, #10-16 Type AB, Sheet Metal .....                               | 3   |
| 25   | 102323101 | Pin, Bow Tie Locking .....   | 2   |
| 26   | 102323201 | Pin, 3/8 X 1-5/16 Clevis .....   | 2   |
| 27   | 1241      | Washer, 5/16 Type A Flat .....   | 4   |
| 28   | 7473      | Locknut, 5/16-18 Nylon Insert .....                                    | 4   |

**4**  
**G**  
**E**

**4**  
**G**  
**E**



000298-001

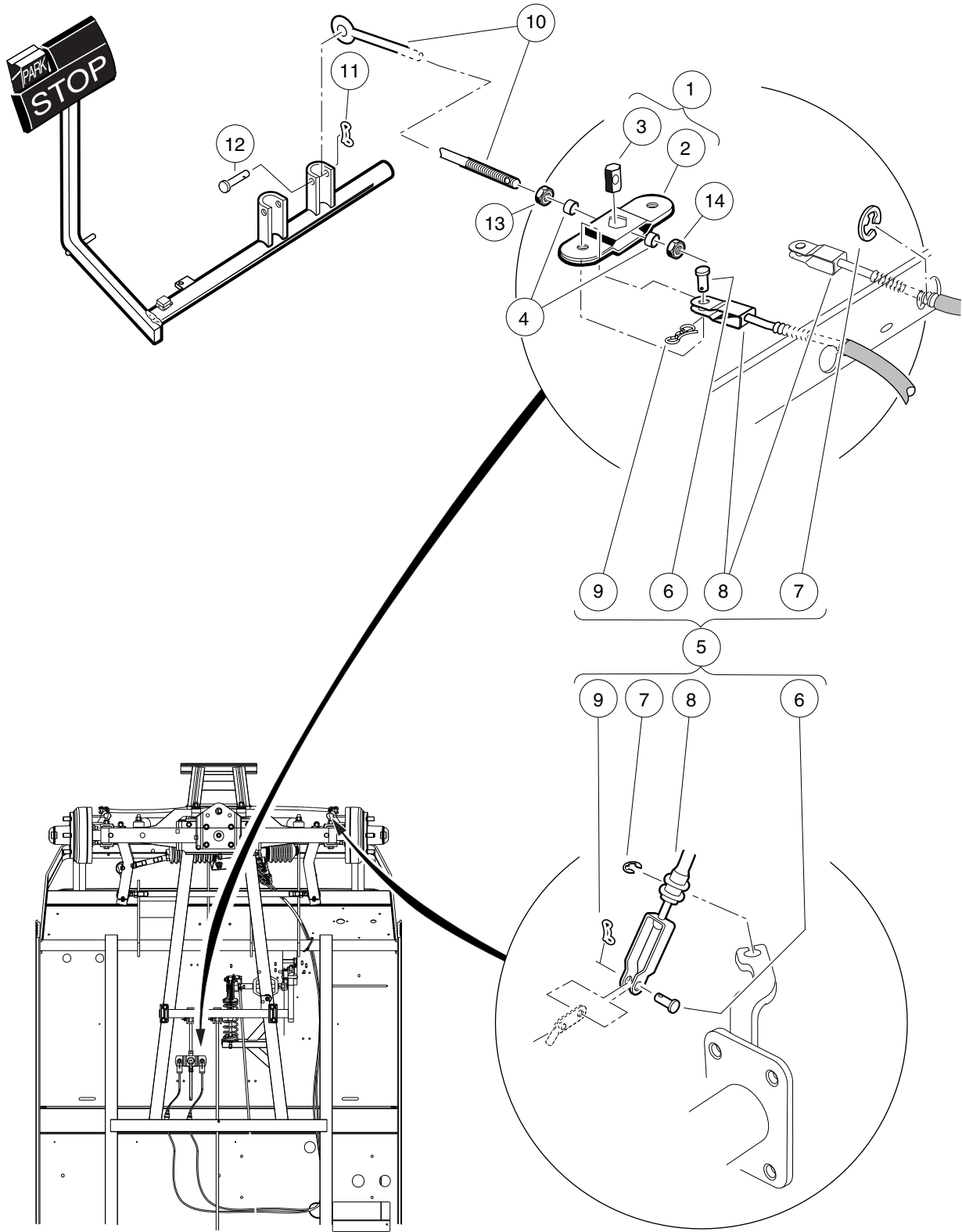


# FRONT BRAKE ASSEMBLY – VEHICLES WITH FOUR-WHEEL BRAKES

| ITEM | PART NO.  | DESCRIPTION   | QTY |
|------|-----------|---|-----|
|      |           | <b>1 2 3 4</b>  |     |
| 1    | 1011137   | Drum, Brake .....   | 2   |
| 2    | 101146302 | Kit, Non-Asbestos Brake Shoe (includes item 3) .....  | 1   |
| 3    | 101880701 | Shoe Brake Manual Adj (Available in Kit, Non-Asbestos Brake Shoe) .....   | 4   |
| 4    | 1011464   | Package, Brake Spring (includes item 5) .....   | 1   |
| 5    | 1011314   | Brake Spring .....  | 4   |
| 6    | 1013924   | Nut, 5/16-24 Hex Head Cone .....  | 8   |
| 7    | 1014153   | Bolt, Brake Cluster Mounting .....  | 8   |
| 8    | 1016557   | Cluster, Brake, Driver-Side (includes items 9 through 24) .....   | 1   |
| 9    | 1010850   | Dust Cover .....  | 1   |
| 10   | 1011314   | Brake Spring .....  | 2   |
| 11   | 1011465   | Kit, Brake Actuator .....   | 1   |
| 12   | 1011466   | Kit, Shoe Retainer (includes items 13 and 14) .....   | 1   |
| 13   | 1010953   | Pin .....   | 2   |
| 14   | 1011301   | Shoe Clamp Spring .....   | 2   |
| 15   | 1011467   | Kit, Anchor Body (includes items 16 through 21) .....   | 1   |
| 16   | 1011114   | Nut, M6-1.00 Hex .....  | 2   |
| 17   | 1011298   | Anchor Piston .....   | 2   |
| 18   | N/A       | Adjustment Bolt .....   | 1   |
| 19   | N/A       | Anchor Body Component .....   | 1   |
| 20   | 1011303   | Adjustment Bolt Cap .....   | 1   |
| 21   | 451       | Lockwasher, 1/4 Split .....   | 2   |
| 22   | 1011494   | Backing Plate, Left-Hand .....  | 1   |
| 23   | 101880701 | Shoe Brake Manual Adj (Available in Kit, Non-Asbestos Brake Shoe) .....   | 2   |
| 24   | N/A       | Arm, Brake Lever .....  | 1   |
| 25   | 1016573   | Cluster, Brake, Passenger-Side (includes items 26 through 41) .....   | 1   |
| 26   | 1010850   | Dust Cover .....  | 1   |
| 27   | 1011154   | Backing Plate, Right-Hand .....   | 1   |
| 28   | 1011314   | Brake Spring .....  | 2   |
| 29   | 1011465   | Kit, Brake Actuator .....   | 1   |
| 30   | 1011466   | Kit, Shoe Retainer (includes items 31 and 32) .....   | 1   |
| 31   | 1010953   | Pin .....   | 2   |
| 32   | 1011301   | Shoe Clamp Spring .....   | 2   |
| 33   | 1011467   | Kit, Anchor Body (includes items 34 through 39) .....   | 1   |
| 34   | 1011114   | Nut, M6-1.00 Hex .....  | 2   |
| 35   | 1011298   | Anchor Piston .....   | 2   |
| 36   | N/A       | Adjustment Bolt .....   | 1   |
| 37   | N/A       | Anchor Body Component .....   | 1   |
| 38   | 1011303   | Adjustment Bolt Cap .....   | 1   |
| 39   | 451       | Lockwasher, 1/4 Split .....   | 2   |
| 40   | 101880701 | Shoe Brake Manual Adj (Available in Kit, Non-Asbestos Brake Shoe) .....   | 2   |
| 41   | N/A       | Arm, Brake Lever .....  | 1   |
|      |           | Note: Passenger-side brake cluster not shown. Components have a similar appearance to driver-side brake cluster components. |     |

4  
G  
E

**4**  
**G**  
**E**



000294-001

# FRONT BRAKE CABLES AND EQUALIZER – VEHICLES WITH FOUR-WHEEL BRAKES

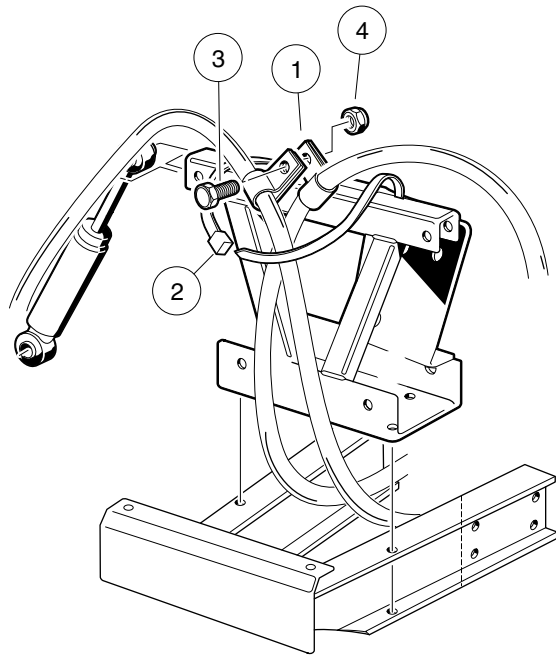
| ITEM | PART NO.  | DESCRIPTION   | QTY |
|------|-----------|---|-----|
|      |           | <b>1 2 3 4</b>  |     |
| 1    | 1017211   | Kit, Equalizer and Pivot Limiter (includes items 2 and 3) ..... | 1   |
| 2    | 1016319   | Equalizer Weld Assembly .....                                   | 1   |
| 3    | 1016320   | Equalizer, Pivot Limiter .....                                  | 1   |
| 4    | 101865301 | Spacer .....  | 2   |
| 5    | 101874601 | Kit, Brake Cable (includes items 6 through 9) .....             | 1   |
| 6    | 1010829   | Pin, Clevis, 5/16 X 3/4 .....                                   | 4   |
| 7    | 1011779   | E-Clip, 1/2 .....   | 4   |
| 8    | N/A       | Brake Cable .....   | 2   |
| 9    | 102292801 | Pin, Bow Tie Locking - .072 .....                               | 4   |
| 10   | 101953106 | Rod, Equalizer, 9.75" .....                                     | 1   |
| 11   | 102323101 | Pin, Bow Tie Locking .....                                      | 1   |
| 12   | 102323201 | Pin, 3/8 X 1-5/16 Clevis .....                                  | 1   |
| 13   | 1242      | Nut, 5/16-18 Hex .....  | 1   |
| 14   | 7473      | Locknut, 5/16-18 Nylon Insert .....                             | 1   |

**4**  
**G**  
**E**

4

G

E



000305-001

# FRONT BRAKE CABLE CLIPS AND HARDWARE – VEHICLES WITH FRONT-WHEEL BRAKES

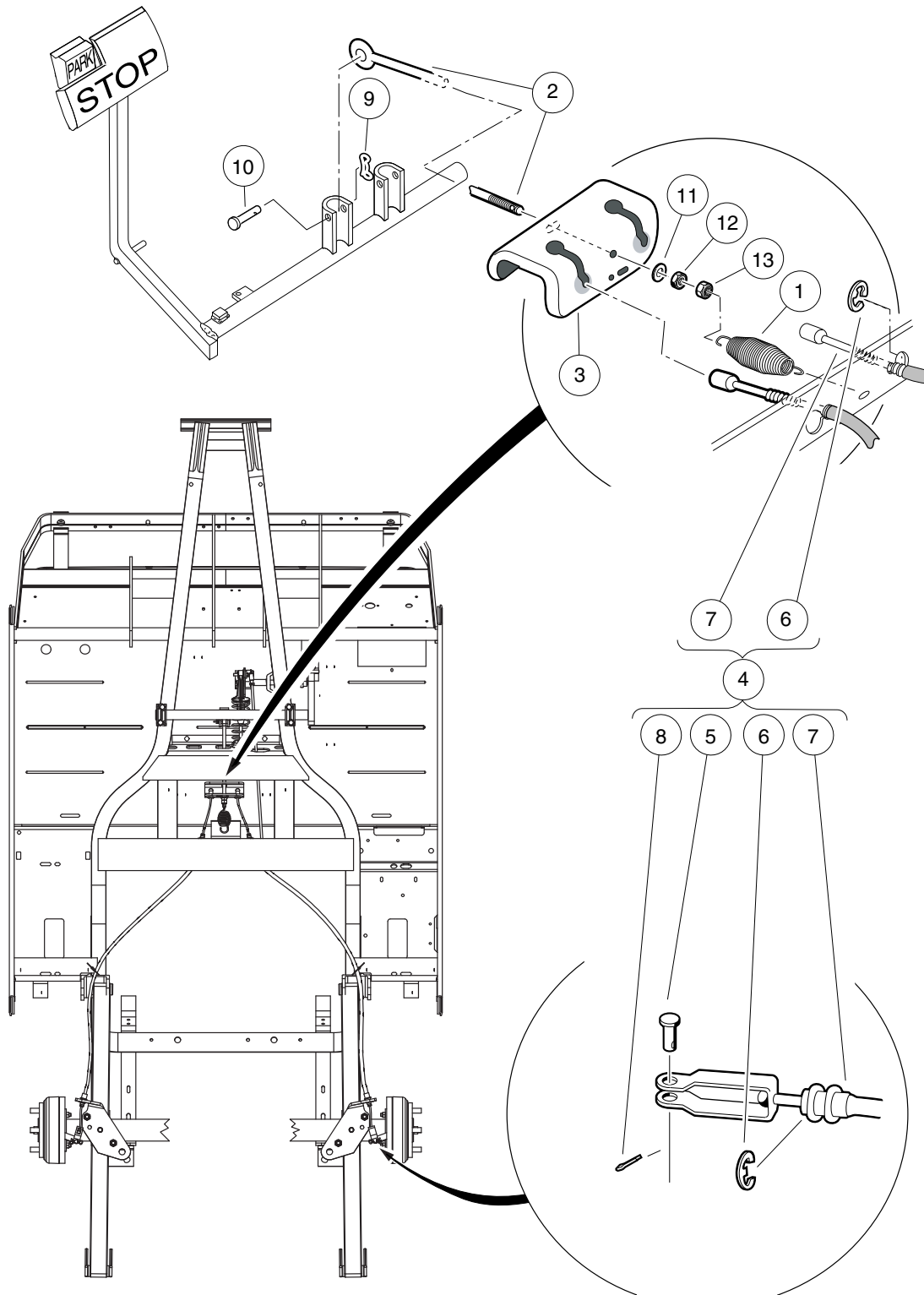
| ITEM | PART NO.  | DESCRIPTION                             | QTY |
|------|-----------|---|-----|
|      |           | 1 2 3 4                                 |     |
| 1    | 101935301 | Clamp, Brake Cable .....                | 2   |
| 2    | 102025401 | Tie Wrap, Heavy Duty .....              | 1   |
| 3    | 320       | Screw, 3/8-16 X 1.00 Hex-Head Cap ..... | 1   |
| 4    | 8754      | Locknut, 3/8-16 Hex .....               | 1   |

4

G

E

**4**  
**G**  
**E**



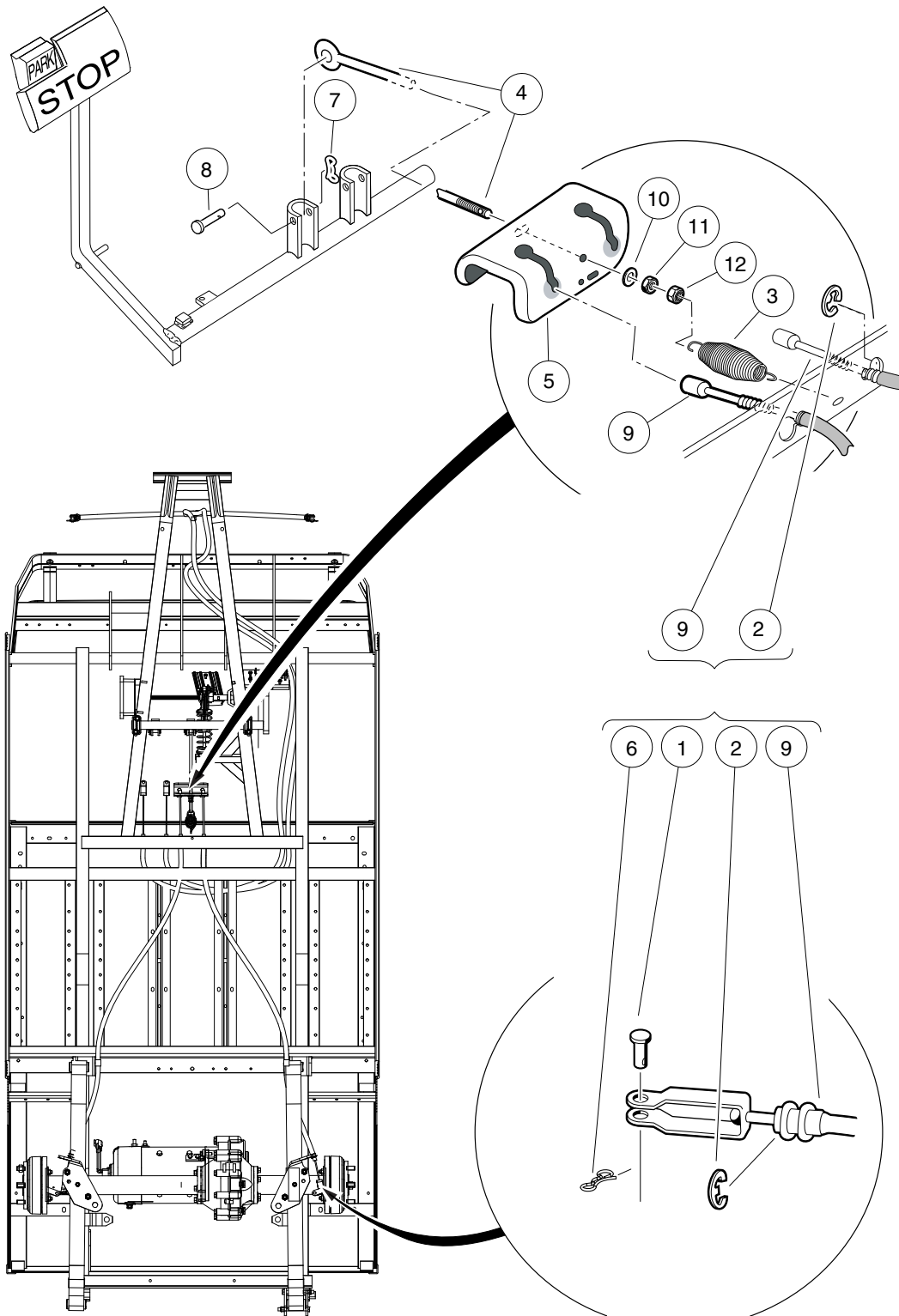
000296-001

## BRAKE CABLES AND EQUALIZER – TURF/CARRYALL 2 VEHICLES WITH TWO-WHEEL BRAKES

| ITEM | PART NO.  | DESCRIPTION  | QTY |
|------|-----------|--|-----|
|      |           | <b>1 2 3 4</b>                                     |     |
| 1    | 1013531   | Spring, Brake Return .....                         | 1   |
| 2    | 101953102 | Rod, Equalizer, 20.91" .....                       | 1   |
| 3    | 101990801 | Equalizer Bracket .....                            | 1   |
| 4    | 102022101 | Brake Cable Kit (includes items 5 through 8) ..... | 2   |
| 5    | 1010829   | Pin, Clevis, 5/16 X 3/4 .....                      | 1   |
| 6    | 1011779   | E-Clip, 1/2 .....                                  | 2   |
| 7    | N/A       | Cable, Brake, 41" .....                            | 1   |
| 8    | 1035      | Cotter Pin, 3/32 x 1 .....                         | 1   |
| 9    | 102323101 | Pin, Bow Tie Locking .....                         | 1   |
| 10   | 102323201 | Pin, 3/8 X 1-5/16 Clevis .....                     | 1   |
| 11   | 1241      | Washer, 5/16 Type A Flat .....                     | 1   |
| 12   | 1242      | Nut, 5/16-18 Hex .....                             | 1   |
| 13   | 7473      | Locknut, 5/16-18 Nylon Insert .....                | 1   |

**4**  
**G**  
**E**

**4**  
**G**  
**E**



000295-002

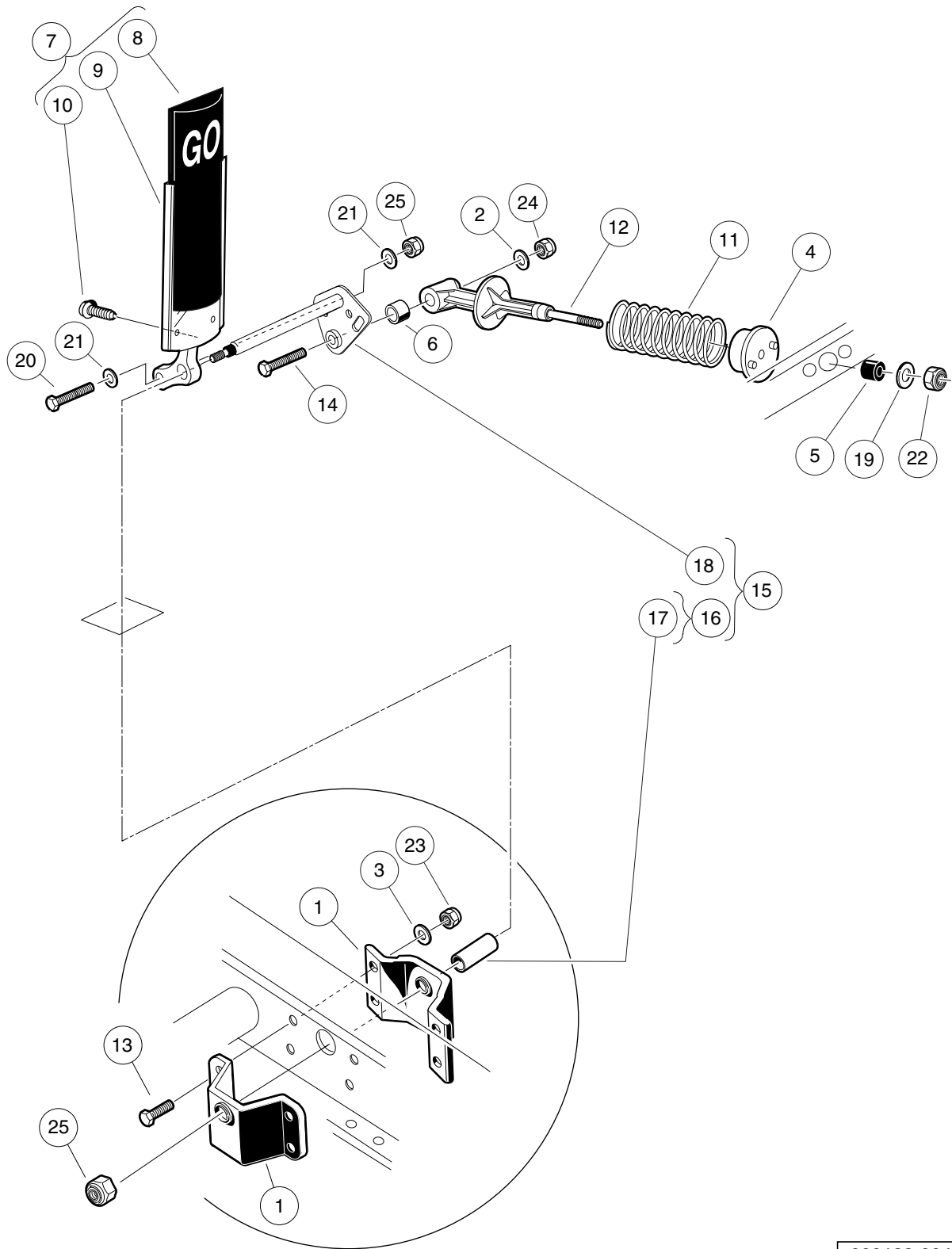


# REAR BRAKE CABLES AND EQUALIZER – IQ PLUS ELECTRIC VEHICLES

| ITEM | PART NO.  | DESCRIPTION                         | QTY |
|------|-----------|-------------------------------------|-----|
|      |           | <b>1 2 3 4</b>                      |     |
| 1    | 1010829   | Pin, Clevis, 5/16 X 3/4 .....       | 2   |
| 2    | 1011779   | E-Clip, 1/2 .....                   | 4   |
| 3    | 1013531   | Spring, Brake Return .....          | 1   |
| 4    | 101953106 | Rod, Equalizer, 9.75" .....         | 1   |
| 5    | 101990801 | Equalizer Bracket .....             | 1   |
| 6    | 102292801 | Pin, Bow Tie Locking - .072 .....   | 2   |
| 7    | 102323101 | Pin, Bow Tie Locking .....          | 1   |
| 8    | 102323201 | Pin, 3/8 X 1-5/16 Clevis .....      | 1   |
| 9    | 102852101 | Cable, Brake, 51-inch, Right .....  | 2   |
| 10   | 1241      | Washer, 5/16 Type A Flat .....      | 1   |
| 11   | 1242      | Nut, 5/16-18 Hex .....              | 1   |
| 12   | 7473      | Locknut, 5/16-18 Nylon Insert ..... | 1   |

**4**  
**G**  
**E**

**4**  
**G**  
**E**



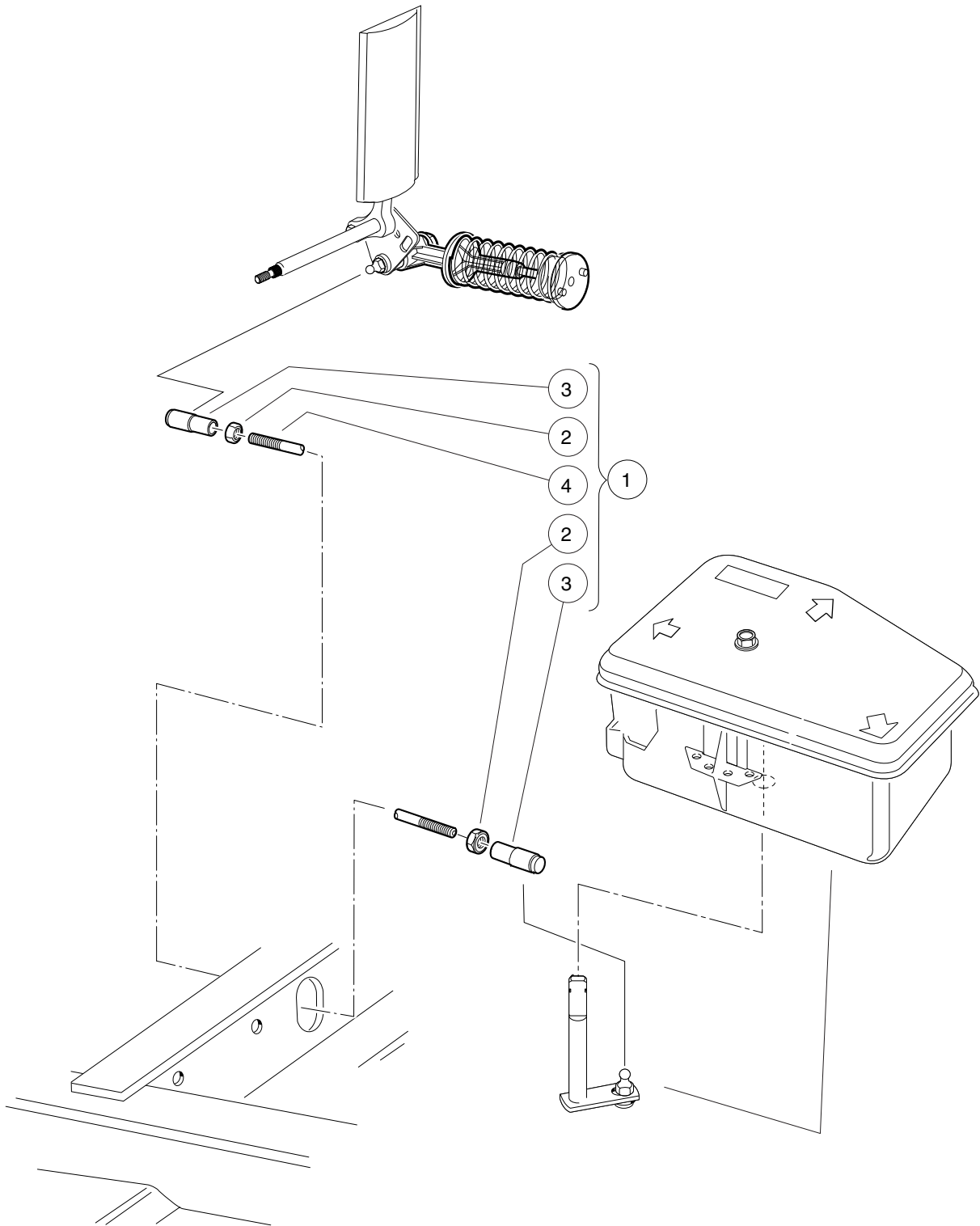
000188-004

# ACCELERATOR PEDAL ASSEMBLY – ELECTRIC VEHICLES WITH MCOR

| ITEM | PART NO.  | DESCRIPTION  | QTY |
|------|-----------|--|-----|
|      |           | <b>1 2 3 4</b>   |     |
| 1    | 1011694   | Accelerator Bracket and Bearing Assembly .....                           | 2   |
| 2    | 1011931   | Washer, 1/4 Flat .....   | 1   |
| 3    | 1014007   | Washer, 1/4 Flat .....   | 4   |
| 4    | 1017378   | Cup, Spring .....  | 1   |
| 5    | 1017380   | Bumper, Spring Return .....  | 1   |
| 6    | 1017424   | Bearing, Pivot Support .....   | 1   |
| 7    | 1017696   | Sub Asm, Accelerator Pedal (includes items 8 through 10) .....           | 1   |
| 8    | 1013871   | Pad, Accelerator Pedal .....   | 1   |
| 9    | N/A       | Accelerator Pedal Weldment .....   | 1   |
| 10   | 7716      | Screw, #10-16 Type AB, Sheet Metal .....                                 | 4   |
| 11   | 101796201 | Spring, Accelerator Return .....   | 1   |
| 12   | 101817401 | Retainer, Spring .....   | 1   |
| 13   | 101861901 | Screw, 1/4-20 X 1.125 Hex Cap .....                                      | 4   |
| 14   | 101862001 | Screw, 1/4-20 X 1.500 Flange .....                                       | 1   |
| 15   | 102026001 | Kit, Accelerator Pivot Rod Assembly (includes items 16 through 18) ..... | 1   |
| 16   | 1011700   | Spacer Assembly (includes item 17) .....                                 | 1   |
| 17   | 101919801 | Spacer, Accelerator .....  | 1   |
| 18   | N/A       | Pivot Rod Weldment .....   | 1   |
| 19   | 1241      | Washer, 5/16 Type A Flat .....   | 1   |
| 20   | 1624      | Screw, 3/8-16 X 1.50 Hex-Head Cap .....                                  | 1   |
| 21   | 334       | Washer, 3/8 Type A Flat .....  | 2   |
| 22   | 7473      | Locknut, 5/16-18 Nylon Insert .....                                      | 1   |
| 23   | 8233      | Locknut, 1/4-20 Nylon Insert .....                                       | 4   |
| 24   | 8717      | Locknut, 1/4-28 Nylon Insert .....                                       | 1   |
| 25   | 8754      | Locknut, 3/8-16 Hex .....  | 2   |

**4**  
**G**  
**E**

**4**  
**G**  
**E**



000362-001

# ACCELERATOR ROD

| ITEM | PART NO.  | DESCRIPTION   | QTY |
|------|-----------|---|-----|
|      |           | 1 2 3 4   |     |
| 1    | 101822001 | Rod, Accelerator (includes items 2 through 4) ..... | 1   |
| 2    | 1011084   | Nut, 1/4-28 Hex Jam .....                           | 2   |
| 3    | 1011734   | Joint, Ball .....                                   | 2   |
| 4    | N/A       | Accelerator Rod .....                               | 1   |

4  
G  
E

**4**

**G**

**E**

# STEERING, FRONT AND REAR SUSPENSION

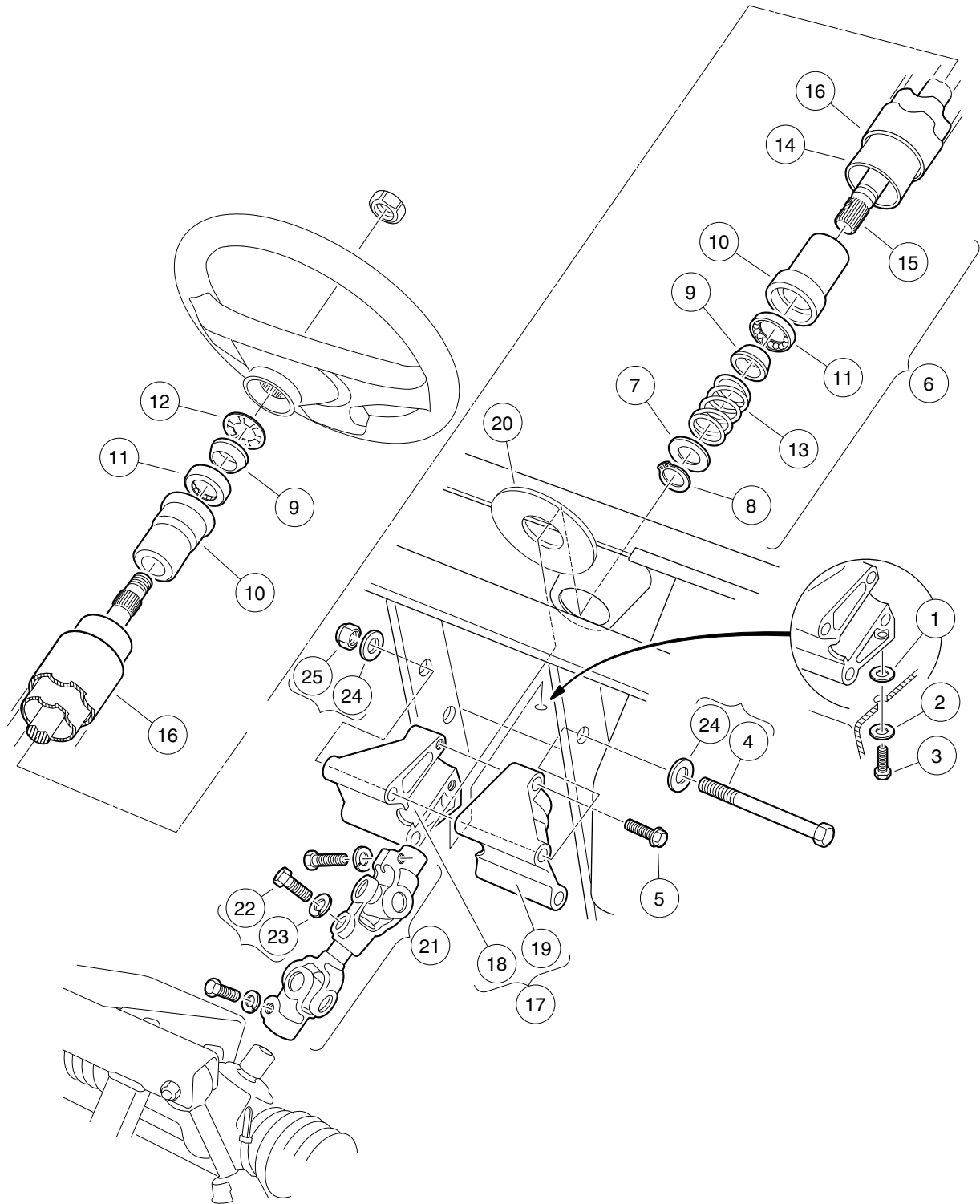
---

5

G

E

**5**  
**G**  
**E**



000247-001

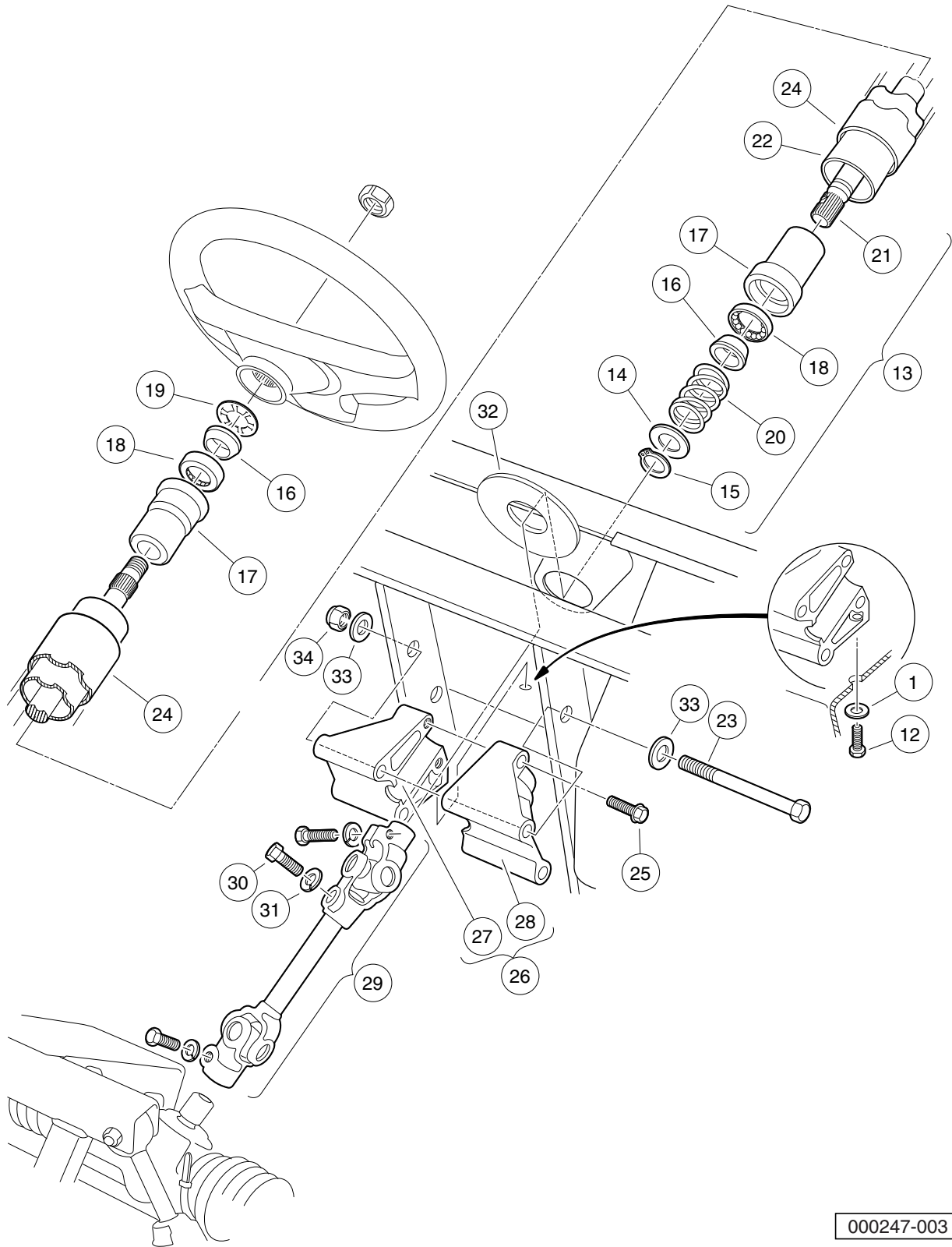


# STEERING COLUMN – ALL VEHICLES EXCEPT TURF/CARRYALL 252 AND XRT 900

| ITEM | PART NO.  | DESCRIPTION  | QTY |
|------|-----------|--|-----|
|      |           | 1 2 3 4  |     |
| 1    | 1011578   | Washer, 5/16 Type B Flat .....   | 1   |
| 2    | 1011697   | Washer, 5/16 Flat .....  | 1   |
| 3    | 1014288   | Screw, 5/16-18 X 0.75 Thread-Forming .....                             | 1   |
| 4    | 1016183   | Screw, 3/8-16 X 7.00 Hex Cap .....                                     | 2   |
| 5    | 1016269   | Screw, 5/16-18 Thrd Forming .....                                      | 2   |
| 6    | 1017313   | Steering Shaft Assembly (includes items 7 through 15) .....            | 1   |
| 7    | 1012604   | Washer, 0.675 ID X 1.19 OD .....                                       | 1   |
| 8    | 1012605   | Ring, 0.579 Internal Retaining .....                                   | 1   |
| 9    | 1014125   | Wedge, Molded .....  | 2   |
| 10   | 1014126   | Seat, Plastic Bearing .....  | 2   |
| 11   | 1014213   | Bearing, Ball .....  | 2   |
| 12   | 1014214   | Ring, Retaining .....  | 1   |
| 13   | 1014217   | Spring, Steering Shaft .....   | 1   |
| 14   | 1017314   | Column, Aluminum Steering .....  | 1   |
| 15   | 1017315   | Shaft Steering Column .....  | 1   |
| 16   | 1017317   | Tube Cover, Steering Column .....                                      | 1   |
| 17   | 101984801 | Kit, Steering Column Mounting Bracket (includes items 18 and 19) ..... | 1   |
| 18   | N/A       | Bracket, RH Steering Column Mount .....                                | 1   |
| 19   | N/A       | Bracket, LH Steering column mount .....                                | 1   |
| 20   | 102278001 | Boot, Steering Column Round .....                                      | 1   |
| 21   | 103601601 | Shaft, Intermediate Steering (includes items 22 and 23) .....          | 1   |
| 22   | 1017226   | Bolt, Hex-Head, 8mm X 1.25 - 30 .....                                  | 3   |
| 23   | 7174      | Lockwasher, 5/16 Split .....   | 3   |
| 24   | 334       | Washer, 3/8 Type A Flat .....  | 4   |
| 25   | 8754      | Locknut, 3/8-16 Hex .....  | 2   |

**5**  
**G**  
**E**

**5**  
**G**  
**E**



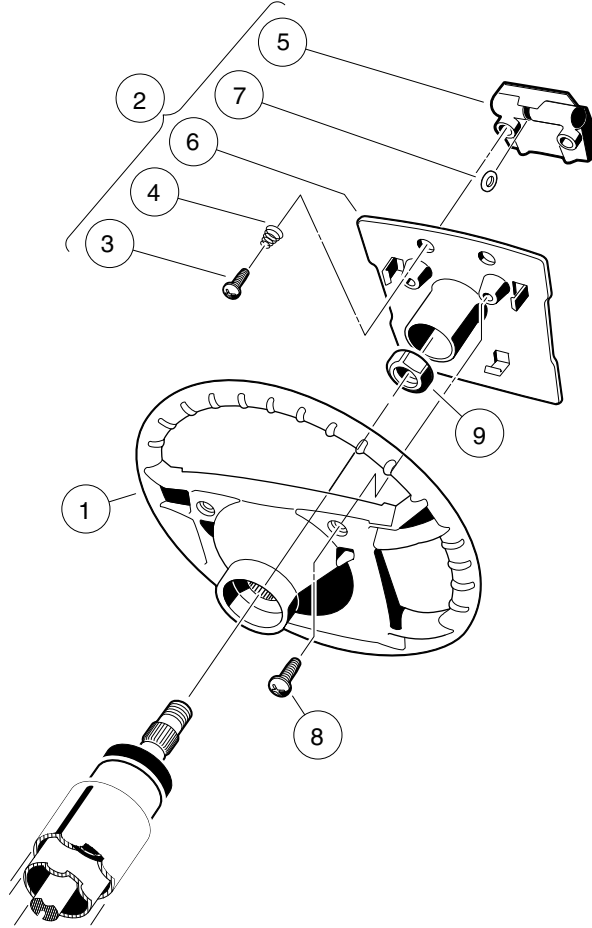
000247-003

# STEERING COLUMN – TURF/CARRYALL 2 XRT AND TURF/ CARRYALL 252 VEHICLES

| ITEM | PART NO.  | DESCRIPTION  | QTY |
|------|-----------|--|-----|
|      |           | <b>1 2 3 4</b>   |     |
| 1    | 1011578   | Washer, 5/16 Type B Flat .....   | 1   |
| 2    | 1011697   | Washer, 5/16 Flat .....  | 1   |
| 3    | 1014216   | Steering Column Rebuild Kit (includes items 4 through 12) .....        | 1   |
| 4    | 1012466   | Dust Cover .....   | 1   |
| 5    | 1012605   | Ring, 0.579 Internal Retaining .....                                   | 1   |
| 6    | 1014125   | Wedge, Molded .....  | 2   |
| 7    | 1014126   | Seat, Plastic Bearing .....  | 2   |
| 8    | 1014211   | Seal, Bearing .....  | 1   |
| 9    | 1014212   | Spacer, Shaft .....  | 1   |
| 10   | 1014213   | Bearing, Ball .....  | 2   |
| 11   | 1014214   | Ring, Retaining .....  | 1   |
| 12   | 1014217   | Spring, Steering Shaft .....   | 1   |
| 13   | 1014288   | Screw, 5/16-18 X 0.75 Thread-Forming .....                             | 1   |
| 14   | 1016183   | Screw, 3/8-16 X 7.00 Hex Cap .....                                     | 2   |
| 15   | 1016263   | Cover, Steering Column Tube .....                                      | 1   |
| 16   | 1016269   | Screw, 5/16-18 Thrd Forming .....                                      | 2   |
| 17   | 1017313   | Steering Shaft Assembly (includes items 18 through 26) .....           | 1   |
| 18   | 1012604   | Washer, 0.675 ID X 1.19 OD .....                                       | 1   |
| 19   | 1012605   | Ring, 0.579 Internal Retaining .....                                   | 1   |
| 20   | 1014125   | Wedge, Molded .....  | 2   |
| 21   | 1014126   | Seat, Plastic Bearing .....  | 2   |
| 22   | 1014213   | Bearing, Ball .....  | 2   |
| 23   | 1014214   | Ring, Retaining .....  | 1   |
| 24   | 1014217   | Spring, Steering Shaft .....   | 1   |
| 25   | 1017314   | Column, Aluminum Steering .....  | 1   |
| 26   | 1017315   | Shaft Steering Column .....  | 1   |
| 27   | 101984801 | Kit, Steering Column Mounting Bracket (includes items 28 and 29) ..... | 1   |
| 28   | N/A       | Bracket, RH Steering Column Mount .....                                | 1   |
| 29   | N/A       | Bracket, LH Steering column mount .....                                | 1   |
| 30   | 102004101 | Joint, Steering (includes items 31 and 32) .....                       | 1   |
| 31   | 1017226   | Bolt, Hex-Head, 8mm X 1.25 - 30 .....                                  | 3   |
| 32   | 7174      | Lockwasher, 5/16 Split .....   | 3   |
| 33   | 102278001 | Boot, Steering Column Round .....                                      | 1   |
| 34   | 334       | Washer, 3/8 Type A Flat .....  | 4   |
| 35   | 8754      | Locknut, 3/8-16 Hex .....  | 2   |
|      |           | Note: Item 5 is not illustrated.                                       |     |

**5**  
**G**  
**E**

**5**  
**G**  
**E**

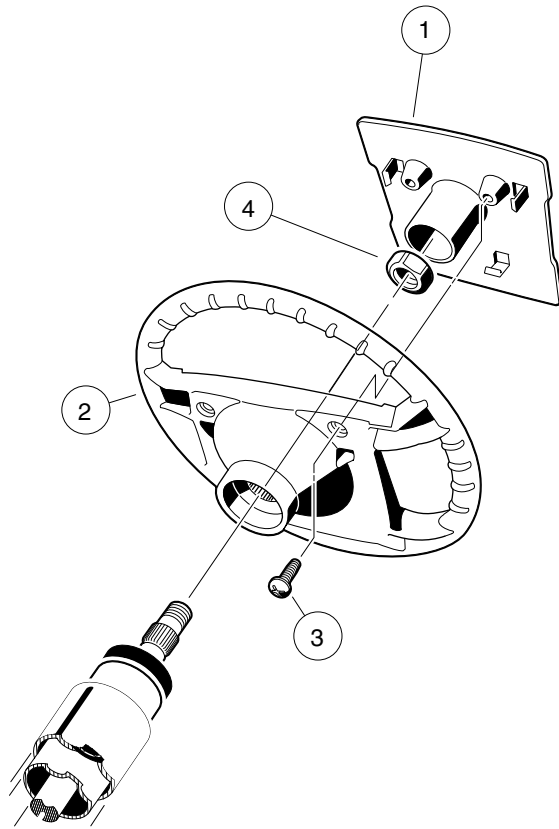


000246-002

# STEERING WHEEL – TURF VEHICLES

| ITEM | PART NO. | DESCRIPTION   | QTY |
|------|----------|---|-----|
|      |          | 1 2 3 4   |     |
| 1    | 1016156  | Wheel, Steering .....                               | 1   |
| 2    | 1016219  | Plate, Scorecard (includes items 3 through 7) ..... | 1   |
| 3    | 1012565  | Screw, #12 Phillips Round Head .....                | 2   |
| 4    | 1012566  | Tapered Compression Spring .....                    | 2   |
| 5    | 1016154  | Clip, Scorecard .....                               | 1   |
| 6    | N/A      | Plate, Score Card .....                             | 1   |
| 7    | N/A      | Pencil Grip .....                                   | 1   |
| 8    | 1016663  | Screw, #12-14 X 0.625 .....                         | 2   |
| 9    | 1017273  | Nut, 5/8-18 Nylon Insert Jam .....                  | 1   |

5  
G  
E



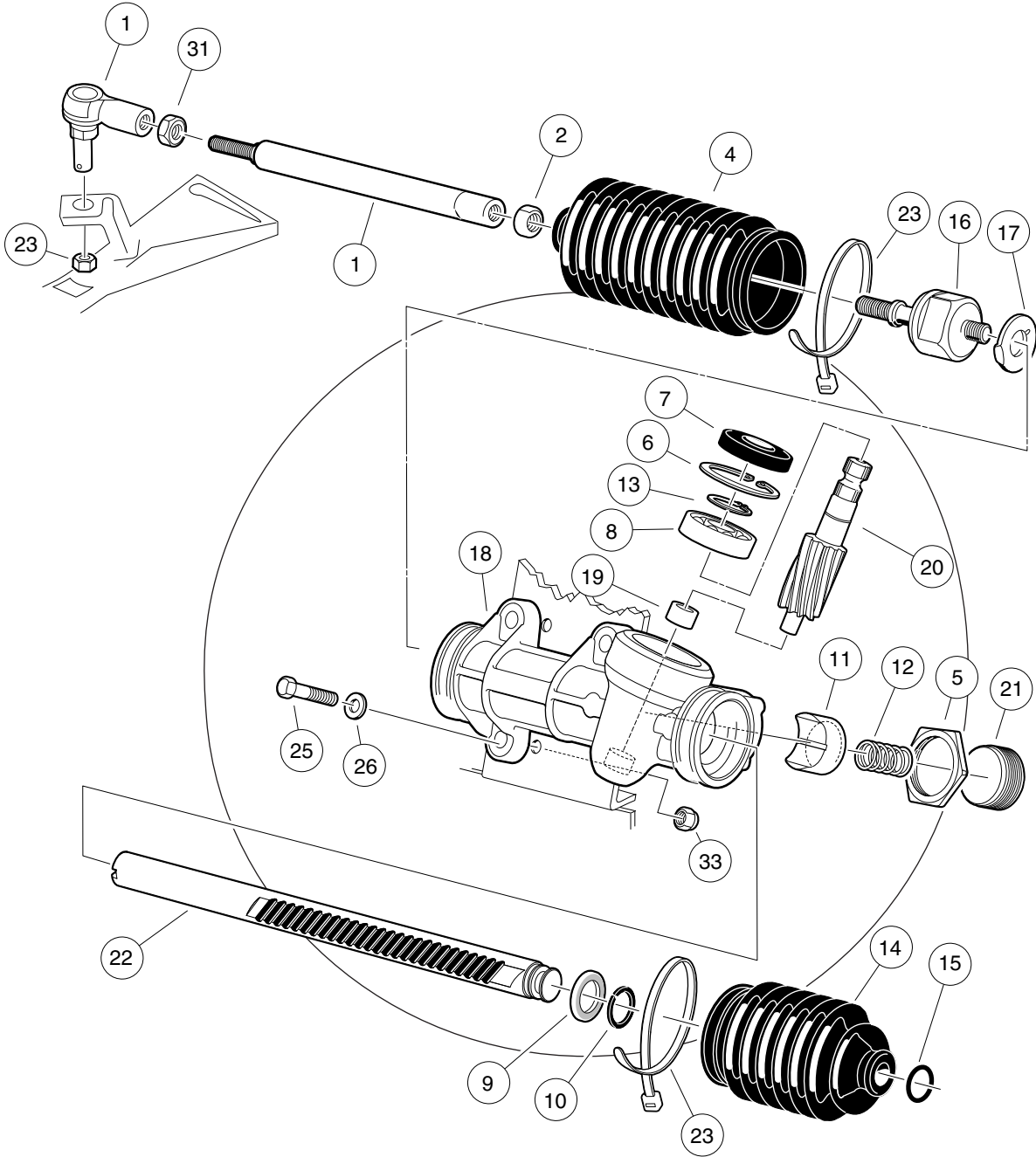
000246-003

## STEERING WHEEL – CARRYALL AND XRT VEHICLES

| ITEM | PART NO.  | DESCRIPTION                        | QTY |
|------|-----------|------------------------------------|-----|
|      |           | 1 2 3 4                            |     |
| 1    | 101615504 | Plate, Scorecard .....             | 1   |
| 2    | 1016156   | Wheel, Steering .....              | 1   |
| 3    | 1016663   | Screw, #12-14 X 0.625 .....        | 2   |
| 4    | 1017273   | Nut, 5/8-18 Nylon Insert Jam ..... | 1   |

5  
G  
E

**5**  
**G**  
**E**

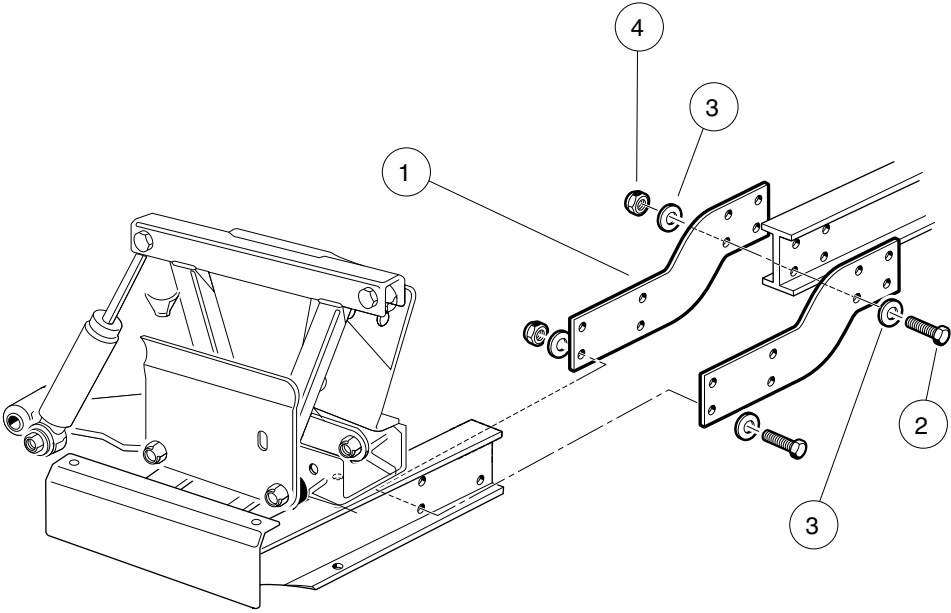


000189-001



# STEERING GEAR ASSEMBLY

| ITEM | PART NO.  | DESCRIPTION   | QTY |          |
|------|-----------|---|-----|----------|
|      |           | <b>1 2 3 4</b>  |     | <b>5</b> |
| 1    | 1012467   | Link, Rack and Pinion Drag .....  | 1   | <b>G</b> |
| 2    | 1013042   | Nut, 12mm Hex .....   | 1   | <b>E</b> |
| 3    | 101878302 | Steering Gear Assembly (without yoke) (includes items 4 through 23) ..... | 1   |          |
| 4    | 1013035   | Bellows, Long .....   | 1   |          |
| 5    | 1013044   | Rack Screw Locknut .....  | 1   |          |
| 6    | 1013051   | Snap Ring .....   | 1   |          |
| 7    | 1013052   | Seal, Steering Pinion Dust .....  | 1   |          |
| 8    | 101879401 | Bearing, Ball .....   | 1   |          |
| 9    | 101879501 | Stop Washer .....   | 1   |          |
| 10   | 101879601 | Stop Ring, C-Type .....   | 1   |          |
| 11   | 101879701 | Support Yoke .....  | 1   |          |
| 12   | 101879801 | Rack Guide Pressure Spring .....  | 1   |          |
| 13   | 101879901 | Ring, Stop, C-Type .....  | 1   |          |
| 14   | 101880001 | Bellows, Short .....  | 1   |          |
| 15   | 101880101 | Dust Seal Retaining Ring .....  | 1   |          |
| 16   | 101880201 | Inner Ball Joint Asm .....  | 1   |          |
| 17   | 101880301 | Washer, Tab .....   | 1   |          |
| 18   | N/A       | Box, Steering Gear .....  | 1   |          |
| 19   | N/A       | Bearing, Lower Pinion .....   | 1   |          |
| 20   | N/A       | Pinion, Steering .....  | 1   |          |
| 21   | N/A       | Screw, Rack Guide .....   | 1   |          |
| 22   | N/A       | Rack, Steering .....  | 1   |          |
| 23   | 8990      | Tie Wrap, 8" Nylon .....  | 2   |          |
| 24   | 1035      | Cotter Pin, 3/32 x 1 .....  | 1   |          |
| 25   | 1624      | Screw, 3/8-16 X 1.50 Hex-Head Cap .....                                   | 3   |          |
| 26   | 334       | Washer, 3/8 Type A Flat .....   | 3   |          |
| 27   | 7540      | Ball Joint, Left (includes items 28 through 31) .....                     | 1   |          |
| 28   | 1011895   | Socket, LH Vertical .....   | 1   |          |
| 29   | 1011930   | Seal, Vertical Socket Dust .....  | 1   |          |
| 30   | 1015597   | Fitting, 1/4-28 Thread-Forming Grease .....                               | 1   |          |
| 31   | 7602      | Nut, 3/8-24 UNF Hex .....   | 1   |          |
| 32   | 7555      | Nut, 1/2-20 Hex, Left-Hand Thread .....                                   | 1   |          |
| 33   | 8754      | Locknut, 3/8-16 Hex .....   | 3   |          |



000304-001

# FRONT FRAME PLATES – TURF/CARRYALL 252 AND XRT 900

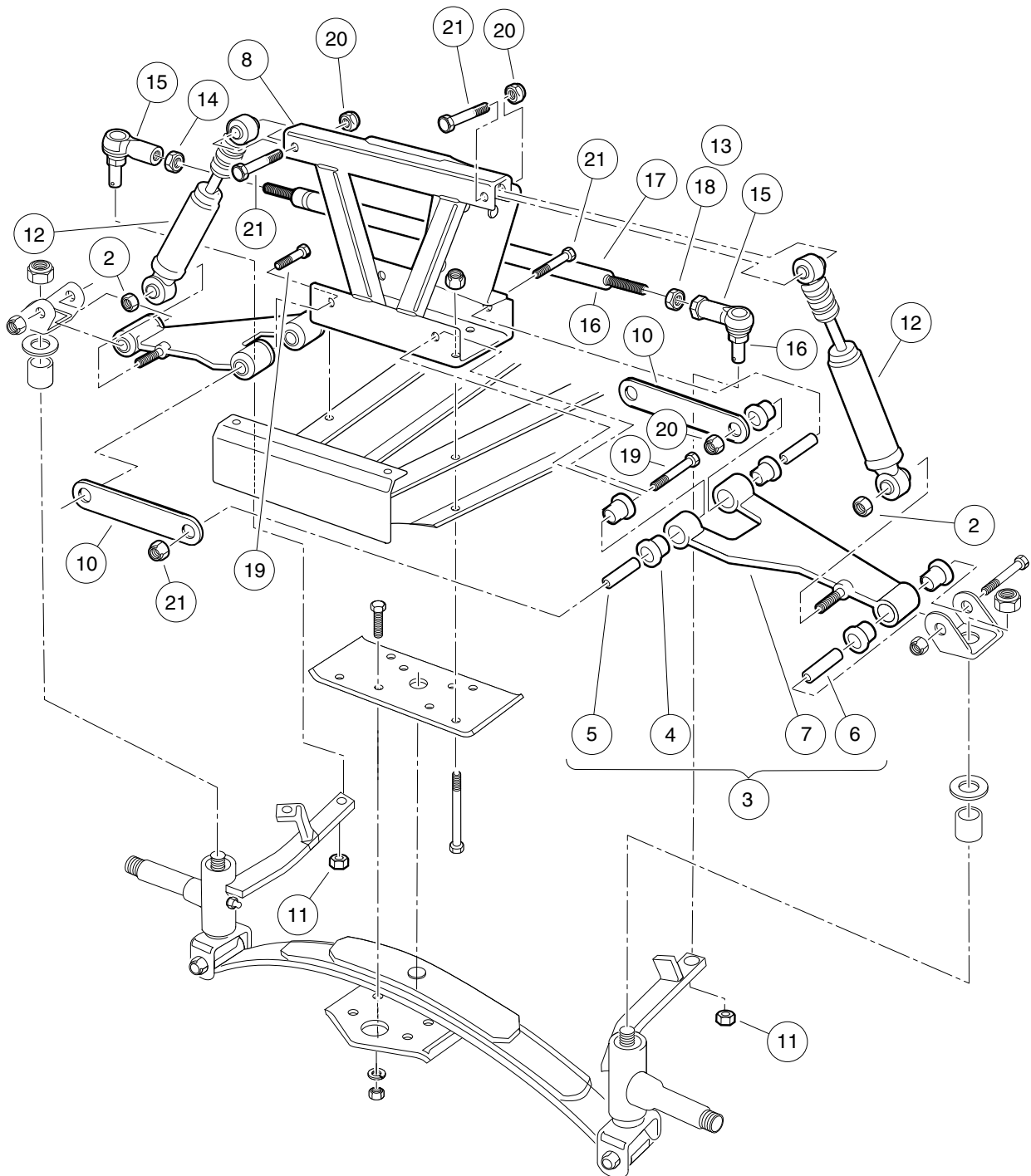
| ITEM | PART NO.  | DESCRIPTION                              | QTY |
|------|-----------|--|-----|
|      |           | 1 2 3 4                                  |     |
| 1    | 102003901 | Extension, I-Beam .....                  | 4   |
| 2    | 1218      | Screw, 5/16-18 X 1.25 Hex-Head Cap ..... | 16  |
| 3    | 1241      | Washer, 5/16 Type A Flat .....           | 32  |
| 4    | 7473      | Locknut, 5/16-18 Nylon Insert .....      | 16  |

**5**

**G**

**E**

**5**  
**G**  
**E**



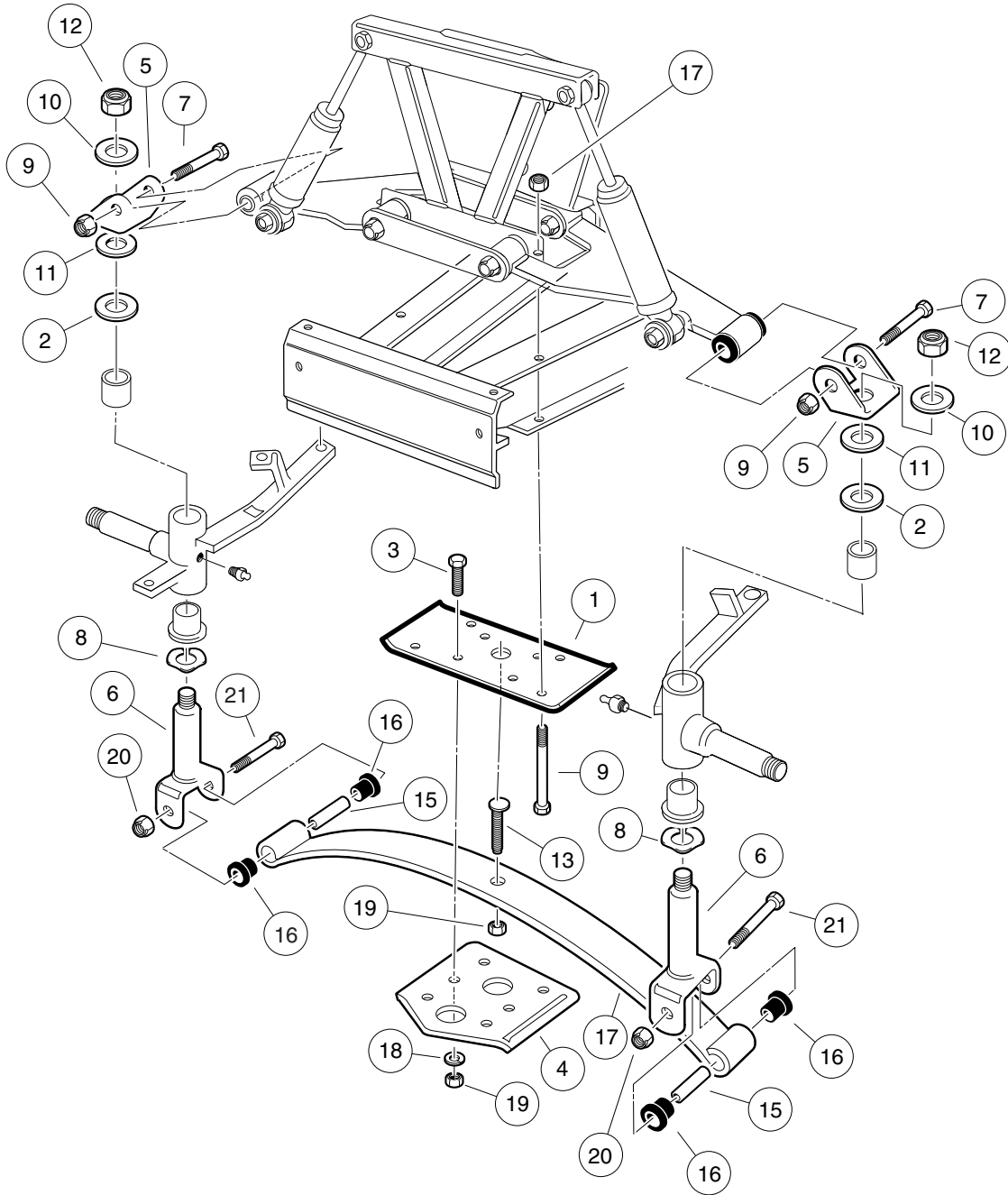
000312-002

## FRONT SUSPENSION, UPPER

| ITEM | PART NO.  | DESCRIPTION  | QTY |
|------|-----------|--|-----|
|      |           | <b>1 2 3 4</b>   |     |
| 1    | N/A       | Sub, Fr Susp. -1 Lf-2wb Golf (includes items 2 through 21) ..... | 1   |
| 2    | 1010138   | Locknut, 3/8-16 Dimpled .....                                    | 2   |
| 3    | 1016353   | Sub-Assembly, Delta A-Plate (includes items 4 through 7) .....   | 2   |
| 4    | 1016346   | Bushing, Urethane .....  | 6   |
| 5    | 1016349   | Sleeve, Delta Inner .....  | 2   |
| 6    | 1016350   | Sleeve, Delta Outer .....  | 1   |
| 7    | 1016351   | Delta A-Plate .....  | 1   |
| 8    | 1016385   | Delta Shock and Gear Support Assembly .....                      | 1   |
| 9    | 1016387   | Screw, 3/8-16 X 2.75 Hx Hd Cap .....                             | 2   |
| 10   | 1017266   | A-Plate Strap .....  | 2   |
| 11   | 102289201 | Nut - Hex Locking, M12 X 1.25 .....                              | 3   |
| 12   | 103351001 | Shock Absorber, Front, Common .....                              | 2   |
| 13   | N/A       | Asm, Tie Rod (includes items 14 through 18) .....                | 1   |
| 14   | 1013042   | Nut, 12mm Hex .....  | 1   |
| 15   | 102022601 | End, Tie Rod M12 X 1.25 Rh .....                                 | 1   |
| 16   | 102022602 | End, Tie Rod, M12 X 1.25, Lh .....                               | 1   |
| 17   | 103354701 | Rod, Tie, Male Thd .....   | 1   |
| 18   | 103653501 | Nut, Jam, M12-1.25, Lh .....                                     | 1   |
| 19   | 2402      | Screw, 3/8-16 X 2.25 Hx Hd Cap .....                             | 4   |
| 20   | 8754      | Locknut, 3/8-16 Hex .....  | 13  |
| 21   | 8861      | Bolt, 3/8-16 X 1.75 Hex .....                                    | 2   |

**5**  
**G**  
**E**

**5**  
**G**  
**E**



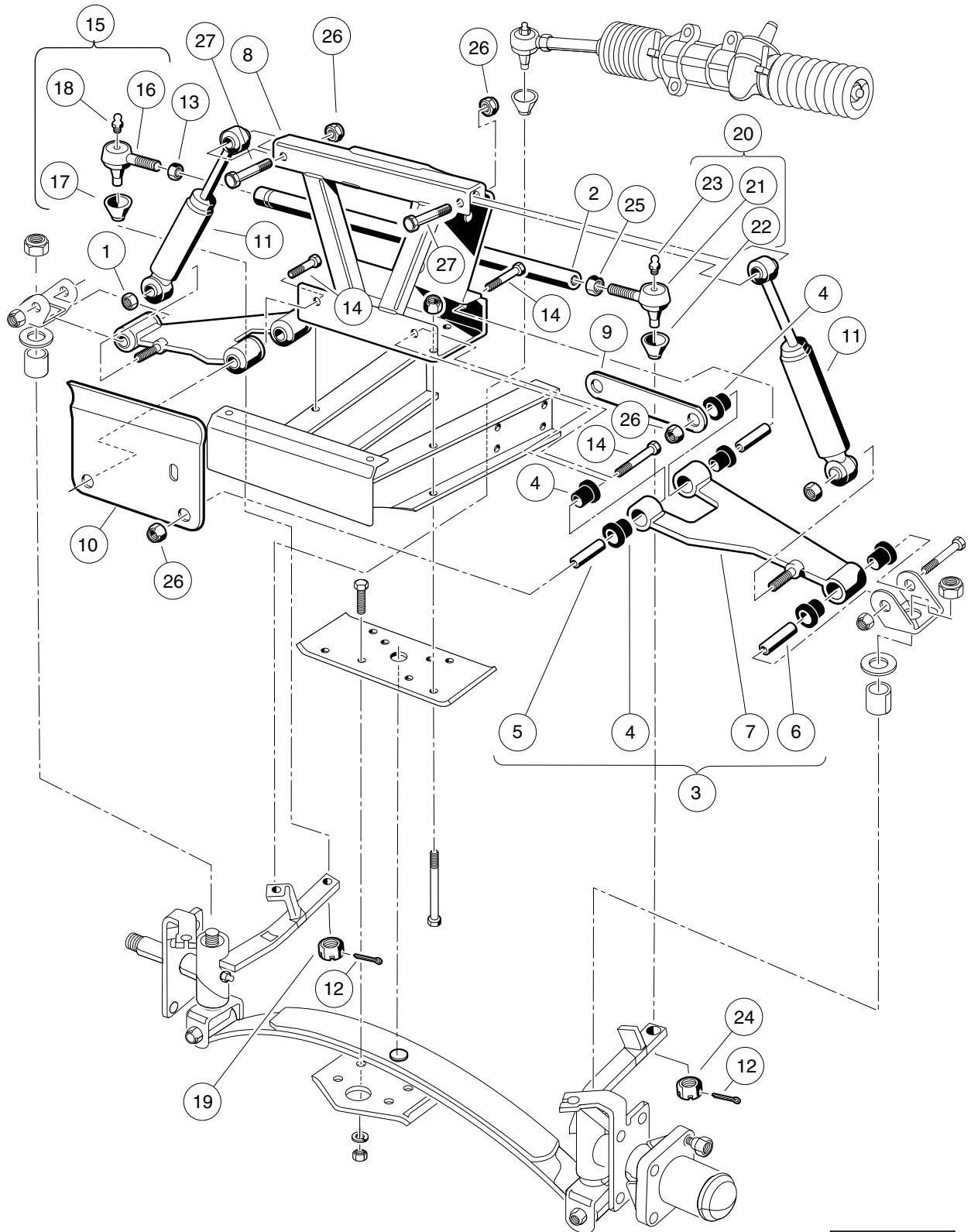
000311-001

## FRONT SUSPENSION, LOWER

| ITEM | PART NO.  | DESCRIPTION  | QTY |
|------|-----------|--|-----|
|      |           | <b>1 2 3 4</b>   |     |
| 1    | 1010124   | Plate, Spring Mount .....                                      | 1   |
| 2    | 1010150   | Bearing, Thrust .....  | 2   |
| 3    | 1010177   | Bolt, 3/8-16 X 2.00 Hex Head .....                             | 4   |
| 4    | 1014276   | Plate, Front Spring Retainer .....                             | 1   |
| 5    | 1016384   | Clevis, Delta Upper .....                                      | 2   |
| 6    | 1016386   | King Pin Assembly .....  | 2   |
| 7    | 1016387   | Screw, 3/8-16 X 2.75 Hx Hd Cap .....                           | 2   |
| 8    | 1016389   | Washer, 1.125 Od Wave .....                                    | 2   |
| 9    | 101870501 | Screw, 3/8-16 X 4.75 Hx Hd Cap .....                           | 4   |
| 10   | 102564002 | Washer-1/2 Conical, Yellow .....                               | 2   |
| 11   | 102684501 | Washer, M12 Hard Regular .....                                 | 2   |
| 12   | 102766301 | Nut, 1/2-20, Center Lock .....                                 | 2   |
| 13   | 103507001 | Eccentric Bolt Common .....                                    | 1   |
| 14   | N/A       | Spring Asm, Front, 1 Leaf (includes items 15 through 17) ..... | 1   |
| 15   | 1012303   | Bushing, Steel .....   | 2   |
| 16   | 1015583   | Bushing, Urethane .....  | 4   |
| 17   | N/A       | Spring, Front, 1 Leaf .....                                    | 1   |
| 18   | 357       | Lockwasher, 3/8 Split .....                                    | 4   |
| 19   | 706       | Nut, Hex 3/8-16 .....  | 1   |
| 20   | 8754      | Locknut, 3/8-16 Hex .....                                      | 4   |
| 21   | 8755      | Screw, 3/8-16 X 3.375 Hex Cap .....                            | 2   |

**5**  
**G**  
**E**

**5**  
**G**  
**E**



000314-001

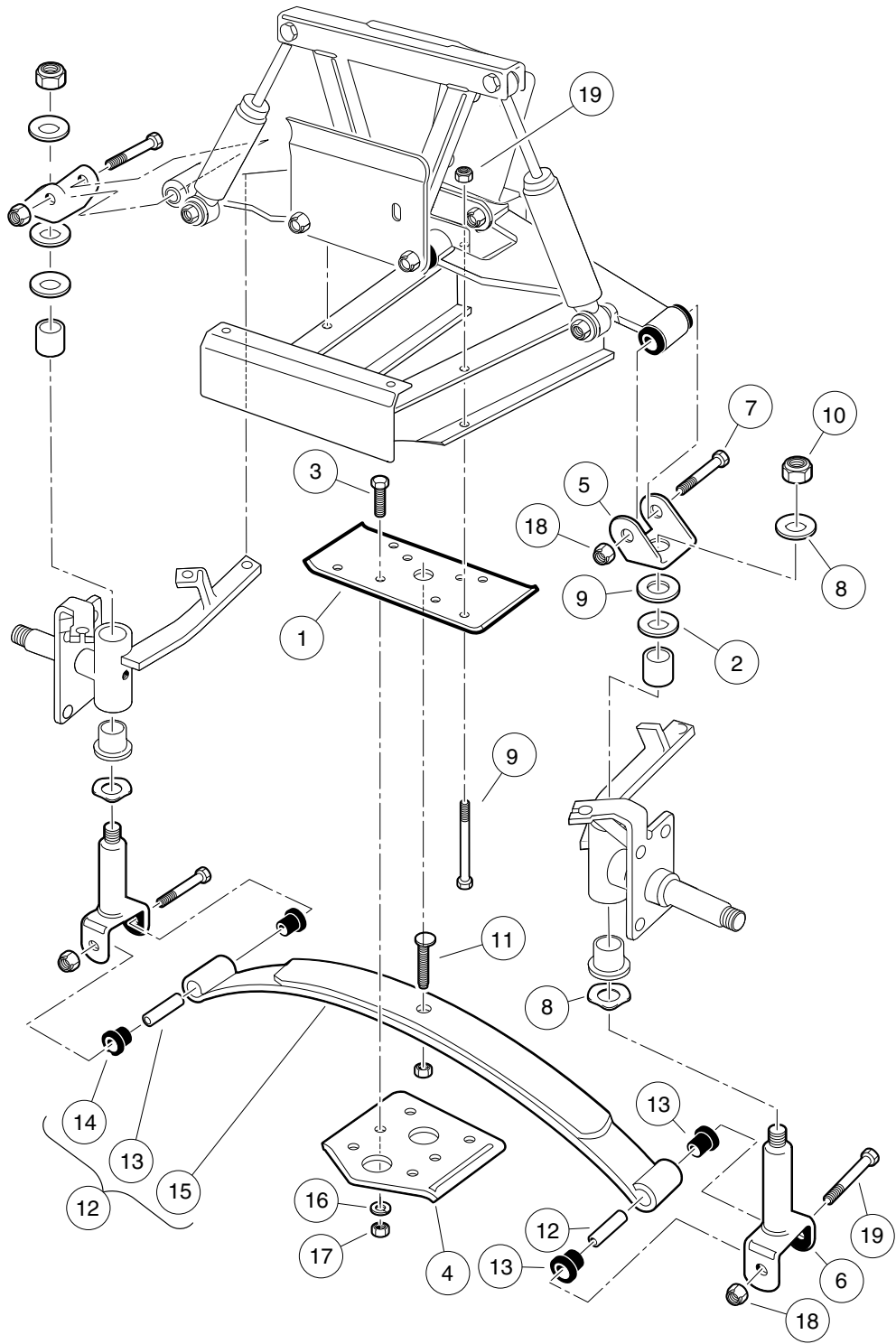


# FRONT SUSPENSION, UPPER – TURF/CARRYALL 252 AND XRT 900

| ITEM | PART NO.  | DESCRIPTION  | QTY |
|------|-----------|--|-----|
|      |           | 1 2 3 4  |     |
| 1    | 1010138   | Locknut, 3/8-16 Dimpled .....                                  | 2   |
| 2    | 1010219   | Tie Rod .....  | 1   |
| 3    | 1016353   | Sub-Assembly, Delta A-Plate (includes items 4 through 7) ..... | 2   |
| 4    | 1016346   | Bushing, Urethane .....  | 6   |
| 5    | 1016349   | Sleeve, Delta Inner .....                                      | 2   |
| 6    | 1016350   | Sleeve, Delta Outer .....                                      | 1   |
| 7    | 1016351   | Delta A-Plate .....  | 1   |
| 8    | 1016385   | Delta Shock and Gear Support Assembly .....                    | 1   |
| 9    | 1017266   | A-Plate Strap .....  | 1   |
| 10   | 101955001 | Brake Cable Guide Bracket .....                                | 1   |
| 11   | 103351001 | Shock Absorber, Front, Common .....                            | 2   |
| 12   | 1035      | Cotter Pin, 3/32 x 1 .....                                     | 2   |
| 13   | 1308      | Nut, 1/2-20 Hex .....  | 1   |
| 14   | 2402      | Screw, 3/8-16 X 2.25 Hx Hd Cap .....                           | 4   |
| 15   | 7539      | Ball Joint, Right-Hand (includes items 16 through 19) .....    | 1   |
| 16   | 1011893   | Socket, RH Vertical .....                                      | 1   |
| 17   | 1011930   | Seal, Vertical Socket Dust .....                               | 1   |
| 18   | 1015597   | Fitting, 1/4-28 Thread-Forming Grease .....                    | 1   |
| 19   | 7602      | Nut, 3/8-24 UNF Hex .....                                      | 1   |
| 20   | 7540      | Ball Joint, Left (includes items 21 through 24) .....          | 1   |
| 21   | 1011895   | Socket, LH Vertical .....                                      | 1   |
| 22   | 1011930   | Seal, Vertical Socket Dust .....                               | 1   |
| 23   | 1015597   | Fitting, 1/4-28 Thread-Forming Grease .....                    | 1   |
| 24   | 7602      | Nut, 3/8-24 UNF Hex .....                                      | 1   |
| 25   | 7555      | Nut, 1/2-20 Hex, Left-Hand Thread .....                        | 1   |
| 26   | 8754      | Locknut, 3/8-16 Hex .....                                      | 6   |
| 27   | 8861      | Bolt, 3/8-16 X 1.75 Hex .....                                  | 2   |

5  
G  
E

**5**  
**G**  
**E**



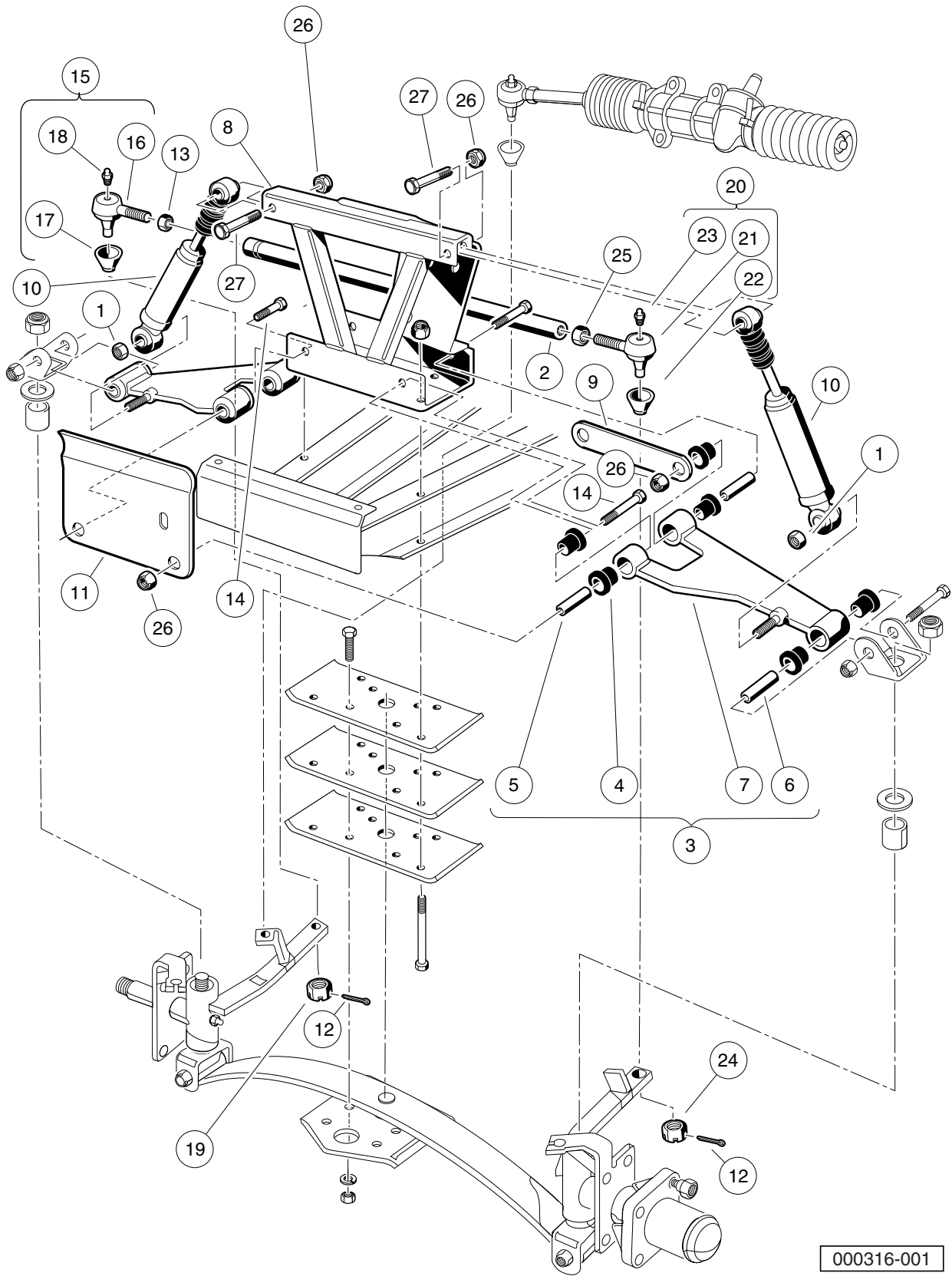
000313-001

# FRONT SUSPENSION, LOWER – TURF/CARRYALL 252 AND XRT 900

| ITEM | PART NO.  | DESCRIPTION  | QTY |
|------|-----------|--|-----|
|      |           | 1 2 3 4  |     |
| 1    | 1010124   | Plate, Spring Mount .....                                      | 1   |
| 2    | 1010150   | Bearing, Thrust .....  | 2   |
| 3    | 1010177   | Bolt, 3/8-16 X 2.00 Hex Head .....                             | 4   |
| 4    | 1014276   | Plate, Front Spring Retainer .....                             | 1   |
| 5    | 1016384   | Clevis, Delta Upper .....                                      | 2   |
| 6    | 1016386   | King Pin Assembly .....  | 2   |
| 7    | 1016387   | Screw, 3/8-16 X 2.75 Hx Hd Cap .....                           | 2   |
| 8    | 1016389   | Washer, 1.125 Od Wave .....                                    | 2   |
| 9    | 101870501 | Screw, 3/8-16 X 4.75 Hx Hd Cap .....                           | 4   |
| 10   | 102766301 | Nut, 1/2-20, Center Lock .....                                 | 2   |
| 11   | 103507001 | Eccentric Bolt Common .....                                    | 1   |
| 12   | 103628801 | Spring Asm, Front, 2 Leaf (includes items 13 through 15) ..... | 1   |
| 13   | 1012303   | Bushing, Steel .....   | 2   |
| 14   | 1015583   | Bushing, Urethane .....  | 4   |
| 15   | 103502701 | Spring, Front, 2 Leaf .....                                    | 1   |
| 16   | 357       | Lockwasher, 3/8 Split .....                                    | 4   |
| 17   | 706       | Nut, Hex 3/8-16 .....  | 4   |
| 18   | 8754      | Locknut, 3/8-16 Hex .....                                      | 8   |
| 19   | 8755      | Screw, 3/8-16 X 3.375 Hex Cap .....                            | 2   |

5  
G  
E

**5**  
**G**  
**E**



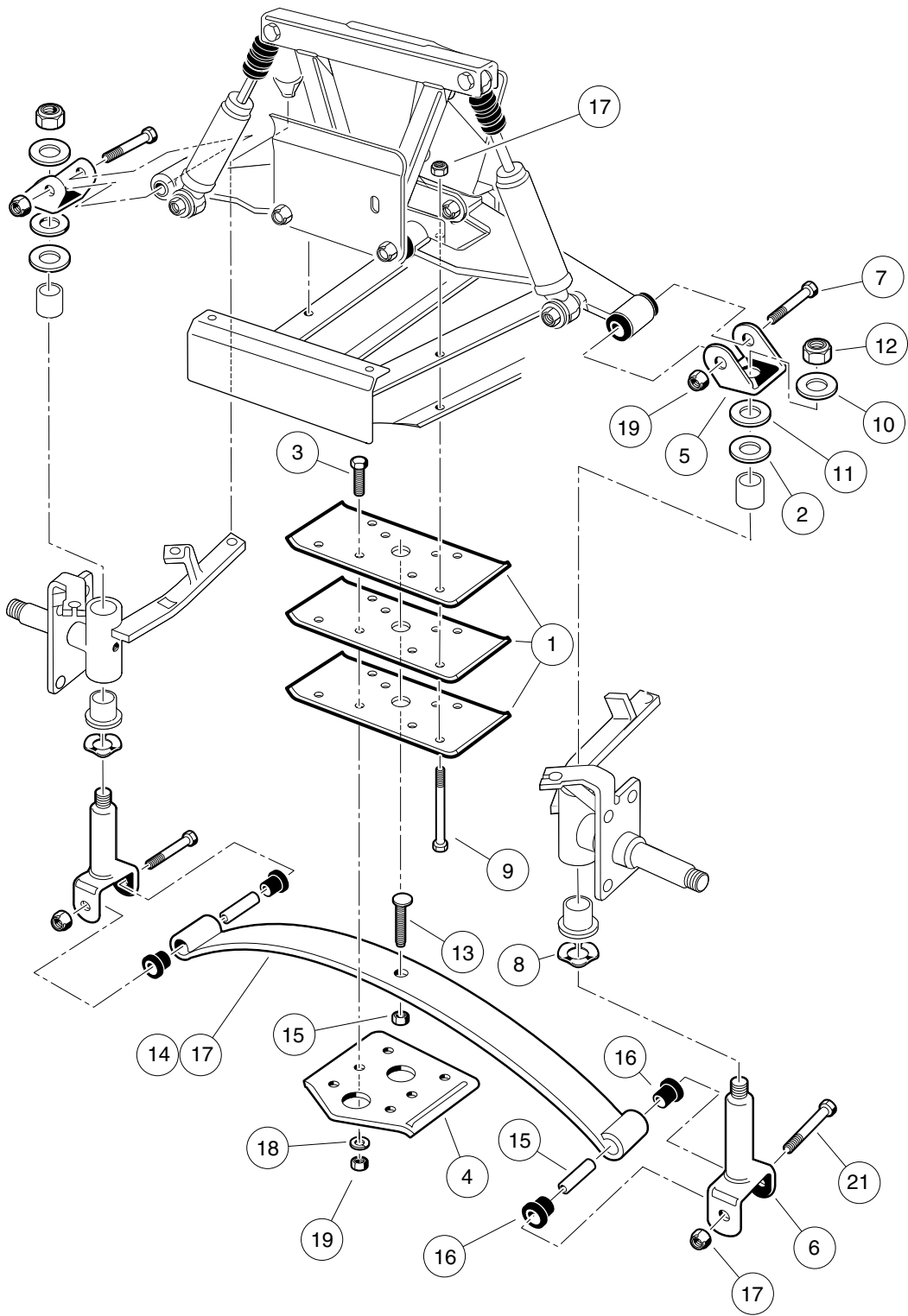
000316-001

# FRONT SUSPENSION, UPPER – TURF/CARRYALL 2 AND 2 PLUS WITH FOUR-WHEEL BRAKES

| ITEM | PART NO.  | DESCRIPTION  | QTY |
|------|-----------|--|-----|
|      |           | <b>1 2 3 4</b>   |     |
| 1    | 1010138   | Locknut, 3/8-16 Dimpled .....                                  | 2   |
| 2    | 1010219   | Tie Rod .....  | 1   |
| 3    | 1016353   | Sub-Assembly, Delta A-Plate (includes items 4 through 7) ..... | 2   |
| 4    | 1016346   | Bushing, Urethane .....  | 6   |
| 5    | 1016349   | Sleeve, Delta Inner .....                                      | 2   |
| 6    | 1016350   | Sleeve, Delta Outer .....                                      | 1   |
| 7    | 1016351   | Delta A-Plate .....  | 1   |
| 8    | 1016385   | Delta Shock and Gear Support Assembly .....                    | 1   |
| 9    | 1017266   | A-Plate Strap .....  | 1   |
| 10   | 101870601 | Shock Absorber, Front Utility .....                            | 2   |
| 11   | 101955001 | Brake Cable Guide Bracket .....                                | 1   |
| 12   | 1035      | Cotter Pin, 3/32 x 1 .....                                     | 2   |
| 13   | 1308      | Nut, 1/2-20 Hex .....  | 1   |
| 14   | 2402      | Screw, 3/8-16 X 2.25 Hx Hd Cap .....                           | 4   |
| 15   | 7539      | Ball Joint, Right-Hand (includes items 16 through 19) .....    | 1   |
| 16   | 1011893   | Socket, RH Vertical .....                                      | 1   |
| 17   | 1011930   | Seal, Vertical Socket Dust .....                               | 1   |
| 18   | 1015597   | Fitting, 1/4-28 Thread-Forming Grease .....                    | 1   |
| 19   | 7602      | Nut, 3/8-24 UNF Hex .....                                      | 1   |
| 20   | 7540      | Ball Joint, Left (includes items 21 through 24) .....          | 1   |
| 21   | 1011895   | Socket, LH Vertical .....                                      | 1   |
| 22   | 1011930   | Seal, Vertical Socket Dust .....                               | 1   |
| 23   | 1015597   | Fitting, 1/4-28 Thread-Forming Grease .....                    | 1   |
| 24   | 7602      | Nut, 3/8-24 UNF Hex .....                                      | 1   |
| 25   | 7555      | Nut, 1/2-20 Hex, Left-Hand Thread .....                        | 1   |
| 26   | 8754      | Locknut, 3/8-16 Hex .....                                      | 6   |
| 27   | 8861      | Bolt, 3/8-16 X 1.75 Hex .....                                  | 2   |

**5**  
**G**  
**E**

**5**  
**G**  
**E**



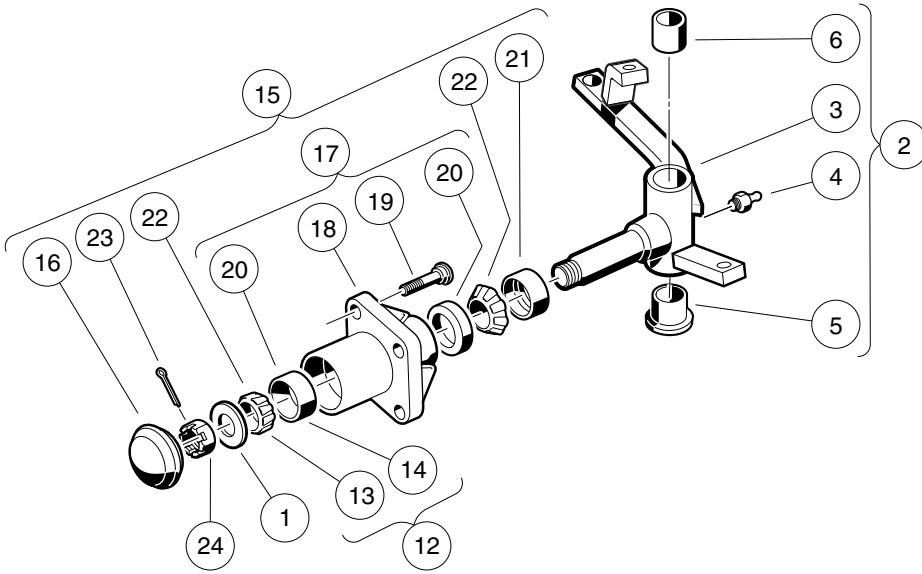
000315-001

# FRONT SUSPENSION, LOWER – TURF/CARRYALL 2 AND 2 PLUS WITH FOUR-WHEEL BRAKES

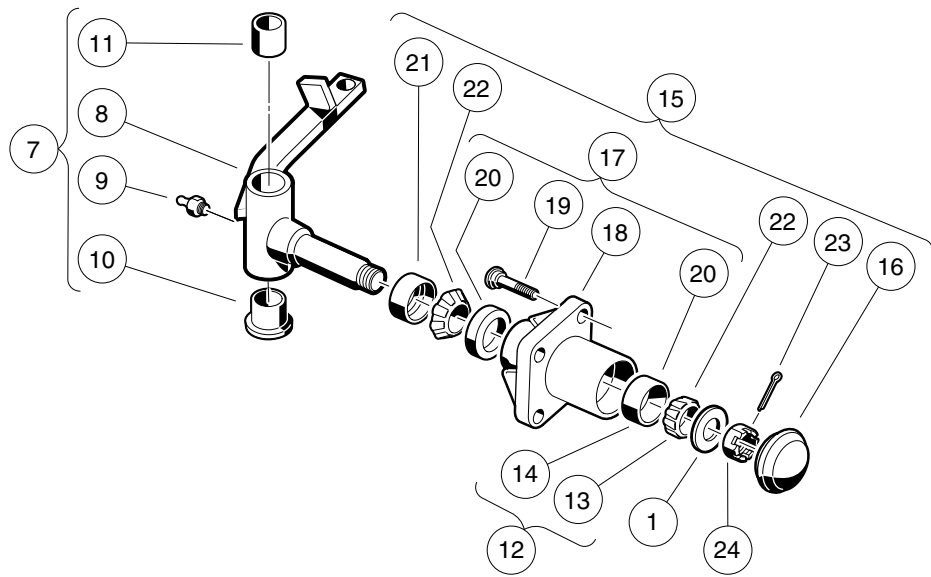
| ITEM | PART NO.  | DESCRIPTION  | QTY |
|------|-----------|--|-----|
|      |           | <b>1 2 3 4</b>   |     |
| 1    | 1010124   | Plate, Spring Mount .....                                      | 3   |
| 2    | 1010150   | Bearing, Thrust .....  | 2   |
| 3    | 1010177   | Bolt, 3/8-16 X 2.00 Hex Head .....                             | 4   |
| 4    | 1014276   | Plate, Front Spring Retainer .....                             | 1   |
| 5    | 1016384   | Clevis, Delta Upper .....                                      | 2   |
| 6    | 1016386   | King Pin Assembly .....  | 2   |
| 7    | 1016387   | Screw, 3/8-16 X 2.75 Hx Hd Cap .....                           | 2   |
| 8    | 1016389   | Washer, 1.125 Od Wave .....                                    | 2   |
| 9    | 101870501 | Screw, 3/8-16 X 4.75 Hx Hd Cap .....                           | 4   |
| 10   | 102564002 | Washer-1/2 Conical, Yellow .....                               | 2   |
| 11   | 102684501 | Washer, M12 Hard Regular .....                                 | 2   |
| 12   | 102766301 | Nut, 1/2-20, Center Lock .....                                 | 2   |
| 13   | 103507001 | Eccentric Bolt Common .....                                    | 1   |
| 14   | N/A       | Spring Asm, Front, 1 Leaf (includes items 15 through 17) ..... | 1   |
| 15   | 1012303   | Bushing, Steel .....   | 2   |
| 16   | 1015583   | Bushing, Urethane .....  | 4   |
| 17   | N/A       | Spring, Front, 1 Leaf .....                                    | 1   |
| 18   | 357       | Lockwasher, 3/8 Split .....                                    | 4   |
| 19   | 706       | Nut, Hex 3/8-16 .....  | 5   |
| 20   | 8754      | Locknut, 3/8-16 Hex .....                                      | 8   |
| 21   | 8755      | Screw, 3/8-16 X 3.375 Hex Cap .....                            | 2   |

**5**  
**G**  
**E**

PASSENGER SIDE



DRIVER SIDE



000310-001

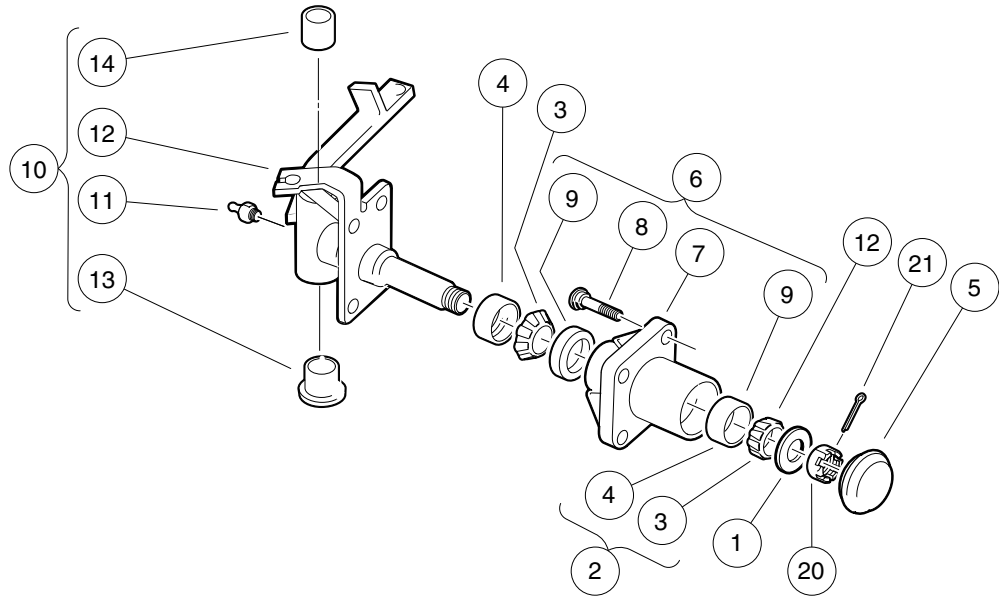
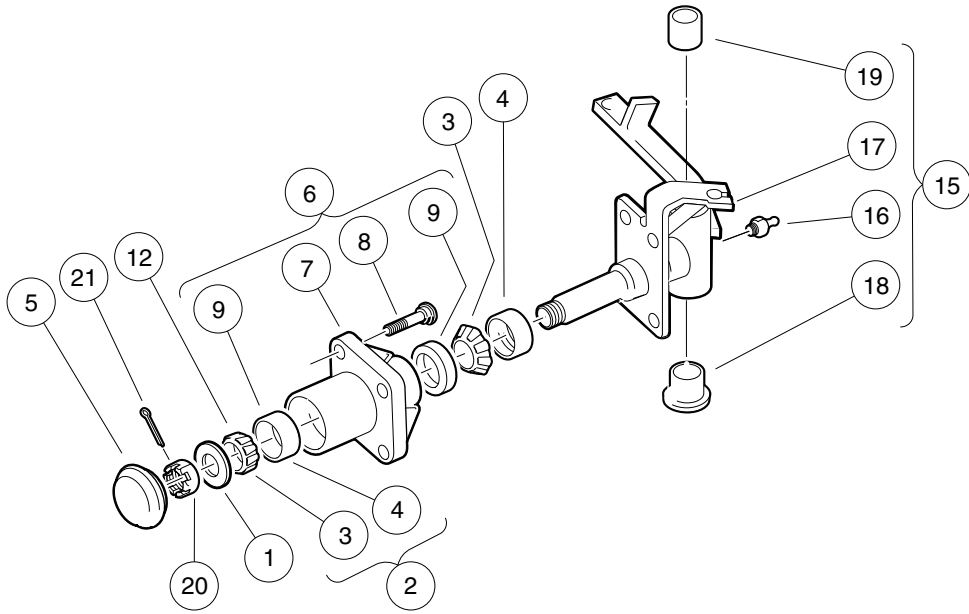


## FRONT SPINDLES AND HUBS – VEHICLES WITH TWO-WHEEL BRAKES

| ITEM | PART NO.  | DESCRIPTION   | QTY |
|------|-----------|---|-----|
|      |           | <b>1 2 3 4</b>  |     |
| 1    | 1010005   | Washer, 3/4 Flat .....                                    | 2   |
| 2    | 1010347   | Spindle Assembly, Right .....                             | 1   |
| 3    | 1010348   | Spindle Assembly, Left (includes items 4 through 7) ..... | 1   |
| 4    | 1010342   | Spindle Sub-Assembly, Left-Hand .....                     | 1   |
| 5    | 1015597   | Fitting, 1/4-28 Thread-Forming Grease .....               | 1   |
| 6    | 7048      | Bushing, Flanged Bronze .....                             | 1   |
| 7    | 8067      | Bushing, Bronze Spindle .....                             | 1   |
| 8    | 1011393   | Hub Bearing Package (includes items 9 and 10) .....       | 4   |
| 9    | 7274      | Bearing, Front Hub Wheel .....                            | 1   |
| 10   | 7308      | Race, Front Hub Bearing .....                             | 1   |
| 11   | 1011892   | Hub Assembly (includes items 12 through 19) .....         | 2   |
| 12   | 1011887   | Dust Cover .....  | 1   |
| 13   | 1011889   | Hub (includes items 14 through 16) .....                  | 1   |
| 14   | 1011153   | Front Hub .....   | 1   |
| 15   | 103477901 | Lug Stud, 1/2-20 Unf, 4037 .....                          | 4   |
| 16   | 7308      | Race, Front Hub Bearing .....                             | 2   |
| 17   | 1013135   | Seal, Double Lip .....                                    | 1   |
| 18   | 7274      | Bearing, Front Hub Wheel .....                            | 2   |
| 19   | 7910      | Pin, 5/32 X 1.00 Cotter .....                             | 1   |
| 20   | 7840      | Nut, 3/4-16 Hex Slotted .....                             | 2   |

**5**  
**G**  
**E**

**5**  
**G**  
**E**



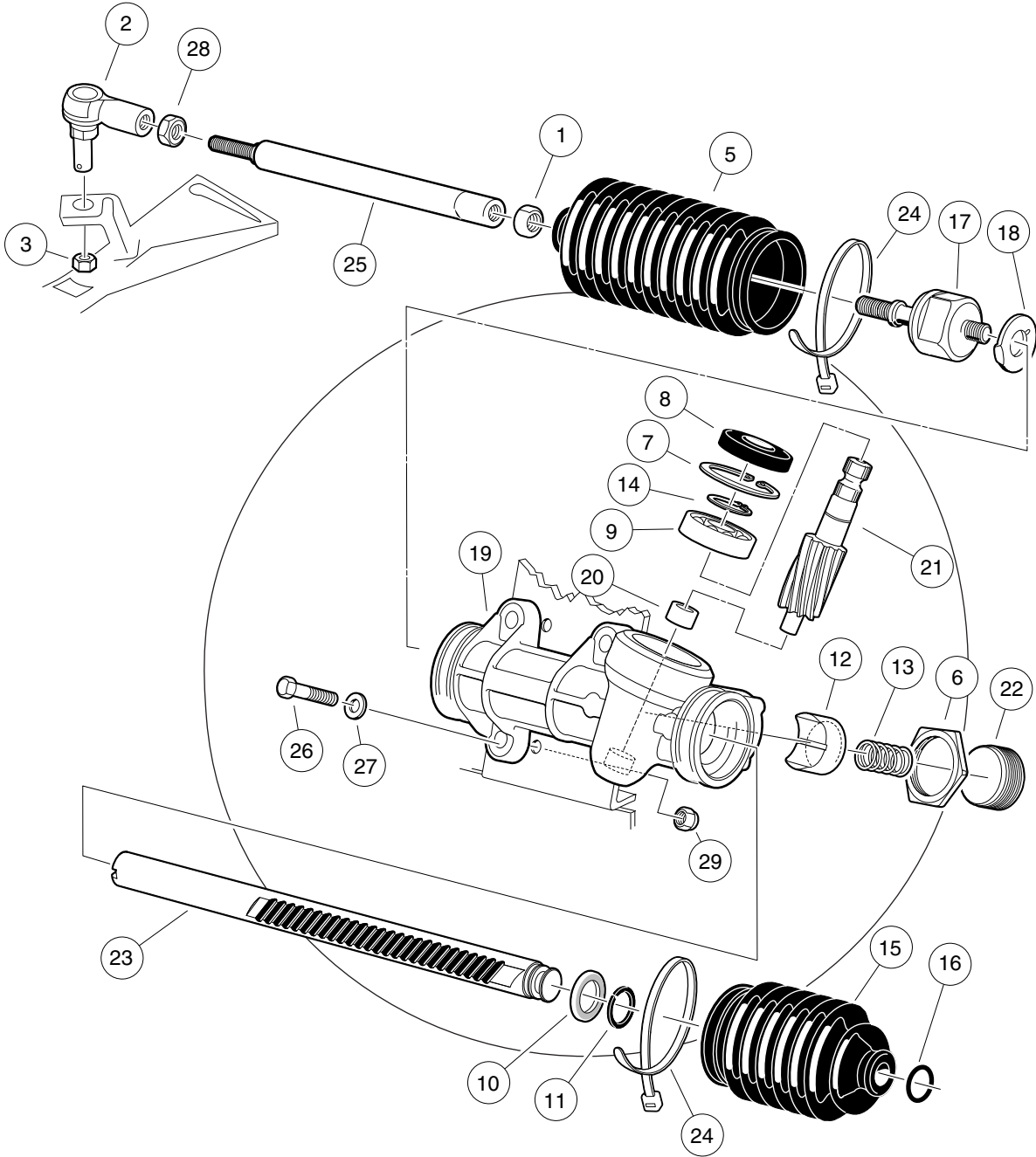
000310-002

## FRONT SPINDLES AND HUBS – VEHICLES WITH FOUR-WHEEL BRAKES

| ITEM | PART NO.  | DESCRIPTION  | QTY |
|------|-----------|--|-----|
|      |           | <b>1 2 3 4</b>   |     |
| 1    | 1010005   | Washer, 3/4 Flat .....   | 2   |
| 2    | 1011393   | Hub Bearing Package (includes items 3 and 4) .....             | 4   |
| 3    | 7274      | Bearing, Front Hub Wheel .....                                 | 1   |
| 4    | 7308      | Race, Front Hub Bearing .....                                  | 1   |
| 5    | 1011887   | Dust Cover .....   | 2   |
| 6    | 1011889   | Hub (includes items 7 through 9) .....                         | 2   |
| 7    | 1011153   | Front Hub .....  | 1   |
| 8    | 103477901 | Lug Stud, 1/2-20 Unf, 4037 .....                               | 4   |
| 9    | 7308      | Race, Front Hub Bearing .....                                  | 2   |
| 10   | 103717302 | Asm, Spindle, Lh, 4wb, Sp (includes items 11 through 14) ..... | 1   |
| 11   | 1015597   | Fitting, 1/4-28 Thread-Forming Grease .....                    | 1   |
| 12   | N/A       | Subasm, Spindle, Lh, 4wb .....                                 | 1   |
| 13   | 7048      | Bushing, Flanged Bronze .....                                  | 1   |
| 14   | 8067      | Bushing, Bronze Spindle .....                                  | 1   |
| 15   | 103717402 | Asm, Spindle, Rh, 4wb, Sp (includes items 16 through 19) ..... | 1   |
| 16   | 1015597   | Fitting, 1/4-28 Thread-Forming Grease .....                    | 1   |
| 17   | N/A       | Subasm, Spindle, Rh, 4wb .....                                 | 1   |
| 18   | 7048      | Bushing, Flanged Bronze .....                                  | 1   |
| 19   | 8067      | Bushing, Bronze Spindle .....                                  | 1   |
| 20   | 7840      | Nut, 3/4-16 Hex Slotted .....                                  | 2   |
| 21   | 7910      | Pin, 5/32 X 1.00 Cotter .....                                  | 2   |

**5**  
**G**  
**E**

**5**  
**G**  
**E**

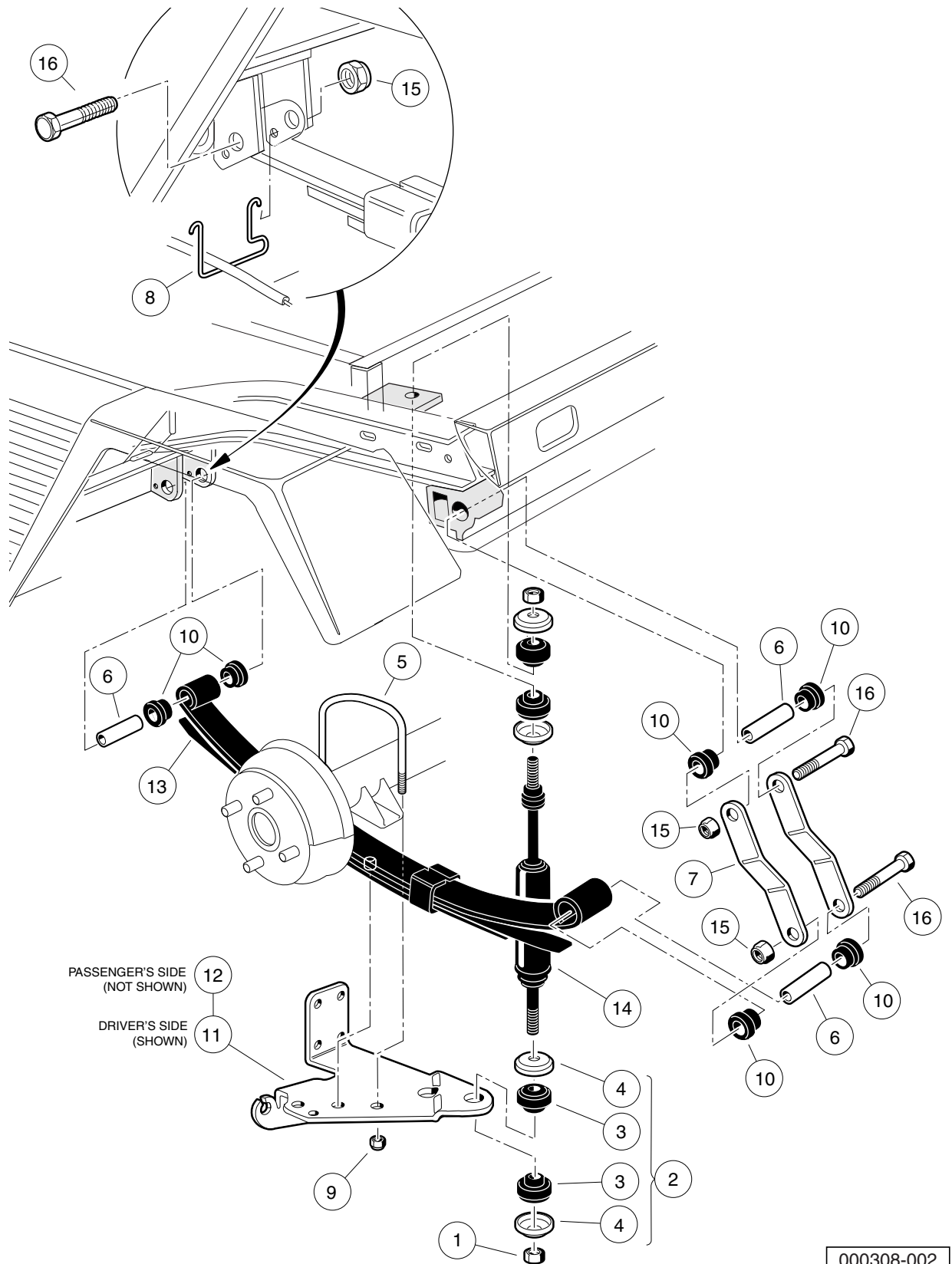


000960-001

## STEERING GEAR ASSEMBLY

| ITEM | PART NO.  | DESCRIPTION   | QTY |          |
|------|-----------|---|-----|----------|
|      |           | <b>1 2 3 4</b>  |     | <b>5</b> |
| 1    | 1013042   | Nut, 12mm Hex .....   | 1   | <b>G</b> |
| 2    | 102022602 | End, Tie Rod, M12 X 1.25, Lh .....                                | 1   | <b>E</b> |
| 3    | 102289201 | Nut - Hex Locking, M12 X 1.25 .....                               | 3   |          |
| 4    | 103601501 | Asm, Steering Rack And Pinion (includes items 5 through 24) ..... | 1   |          |
| 5    | 1013035   | Bellows, Long .....   | 1   |          |
| 6    | 1013044   | Rack Screw Locknut .....  | 1   |          |
| 7    | 1013051   | Snap Ring .....   | 1   |          |
| 8    | 1013052   | Seal, Steering Pinion Dust .....                                  | 1   |          |
| 9    | 101879401 | Bearing, Ball .....   | 1   |          |
| 10   | 101879501 | Stop Washer .....   | 1   |          |
| 11   | 101879601 | Stop Ring, C-Type .....   | 1   |          |
| 12   | 101879701 | Support Yoke .....  | 1   |          |
| 13   | 101879801 | Rack Guide Pressure Spring .....                                  | 1   |          |
| 14   | 101879901 | Ring, Stop, C-Type .....  | 1   |          |
| 15   | 101880001 | Bellows, Short .....  | 1   |          |
| 16   | 101880101 | Dust Seal Retaining Ring .....                                    | 1   |          |
| 17   | 101880201 | Inner Ball Joint Asm .....  | 1   |          |
| 18   | 101880301 | Washer, Tab .....   | 1   |          |
| 19   | N/A       | Box, Steering Gear .....  | 1   |          |
| 20   | N/A       | Bearing, Lower Pinion .....                                       | 1   |          |
| 21   | N/A       | Pinion, Steering .....  | 1   |          |
| 22   | N/A       | Screw, Rack Guide .....   | 1   |          |
| 23   | N/A       | Rack, Steering .....  | 1   |          |
| 24   | 8990      | Tie Wrap, 8" Nylon .....  | 2   |          |
| 25   | 103653401 | Link, Drag, Male Thd .....  | 1   |          |
| 26   | 1624      | Screw, 3/8-16 X 1.50 Hex-Head Cap .....                           | 3   |          |
| 27   | 334       | Washer, 3/8 Type A Flat .....                                     | 3   |          |
| 28   | 7555      | Nut, 1/2-20 Hex, Left-Hand Thread .....                           | 1   |          |
| 29   | 8754      | Locknut, 3/8-16 Hex .....   | 3   |          |

**5**  
**G**  
**E**



PASSENGER'S SIDE  
(NOT SHOWN) 12  
DRIVER'S SIDE  
(SHOWN) 11

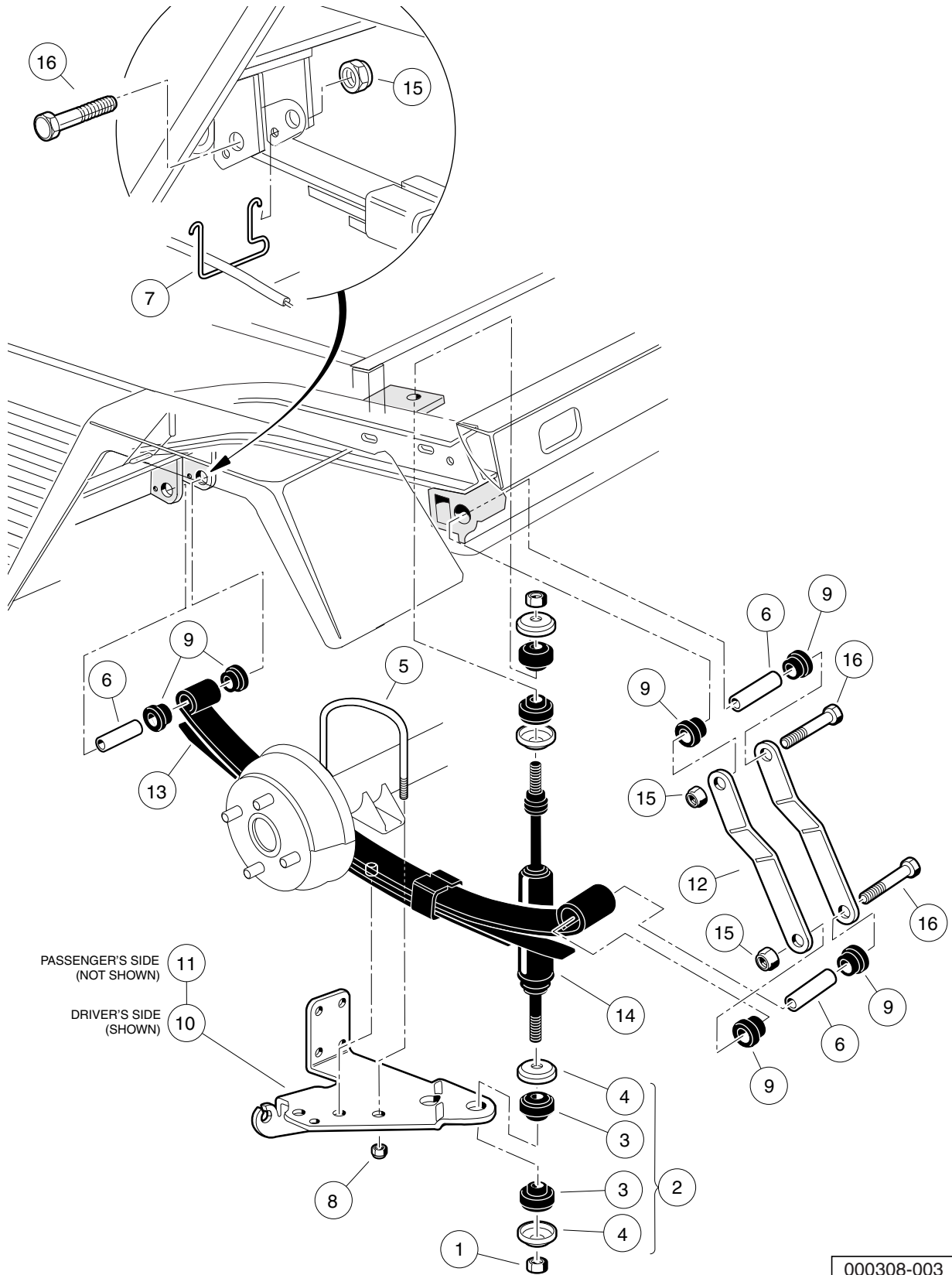
000308-002

# REAR SUSPENSION – GASOLINE TURF/CARRYALL 2 AND CARRYALL 2 PLUS

| ITEM  | PART NO.  | DESCRIPTION  | QTY |
|---|-----------|--|-----|
|   |           | 1 2 3 4  |     |
| 1   | 1010145   | Nut, 3/8-24 Hex .....                                      | 4   |
| 2   | 1011415   | Kit, Shock Absorber Cushion (includes items 3 and 4) ..... | 4   |
| 3   | 1010142   | Cushion, Shock Absorber .....                              | 2   |
| 4   | 1010144   | Retainer, Shock Absorber Cushion .....                     | 2   |
| 5   | 1012180   | U-Bolt .....   | 2   |
| 6   | 1012303   | Bushing, Steel .....                                       | 6   |
| 7   | 1012304   | Shackle, Rear Spring .....                                 | 4   |
| 8   | 1013207   | Hanger, Brake Cable .....                                  | 2   |
| 9   | 1014555   | Locknut, 7/16-14 Nylon Hex .....                           | 4   |
| 10  | 1015583   | Bushing, Urethane .....                                    | 12  |
| 11  | 101926501 | Bracket, Left-Hand .....                                   | 1   |
| 12  | 101929401 | Bracket, Right .....                                       | 1   |
| 13  | 102871801 | Spring, Multi Leaf .....                                   | 2   |
| 14  | 103350901 | Shock Absorber, Rear, Utility .....                        | 2   |
| 15  | 8754      | Locknut, 3/8-16 Hex .....                                  | 6   |
| 16  | 8755      | Screw, 3/8-16 X 3.375 Hex Cap .....                        | 6   |
| <p>Note: Only the driver-side rear suspension is shown. Parts for the passenger-side rear suspension are identical except for the leaf spring/shock mounting plate.</p> |           |  |     |

5  
G  
E

**5**  
**G**  
**E**



000308-003

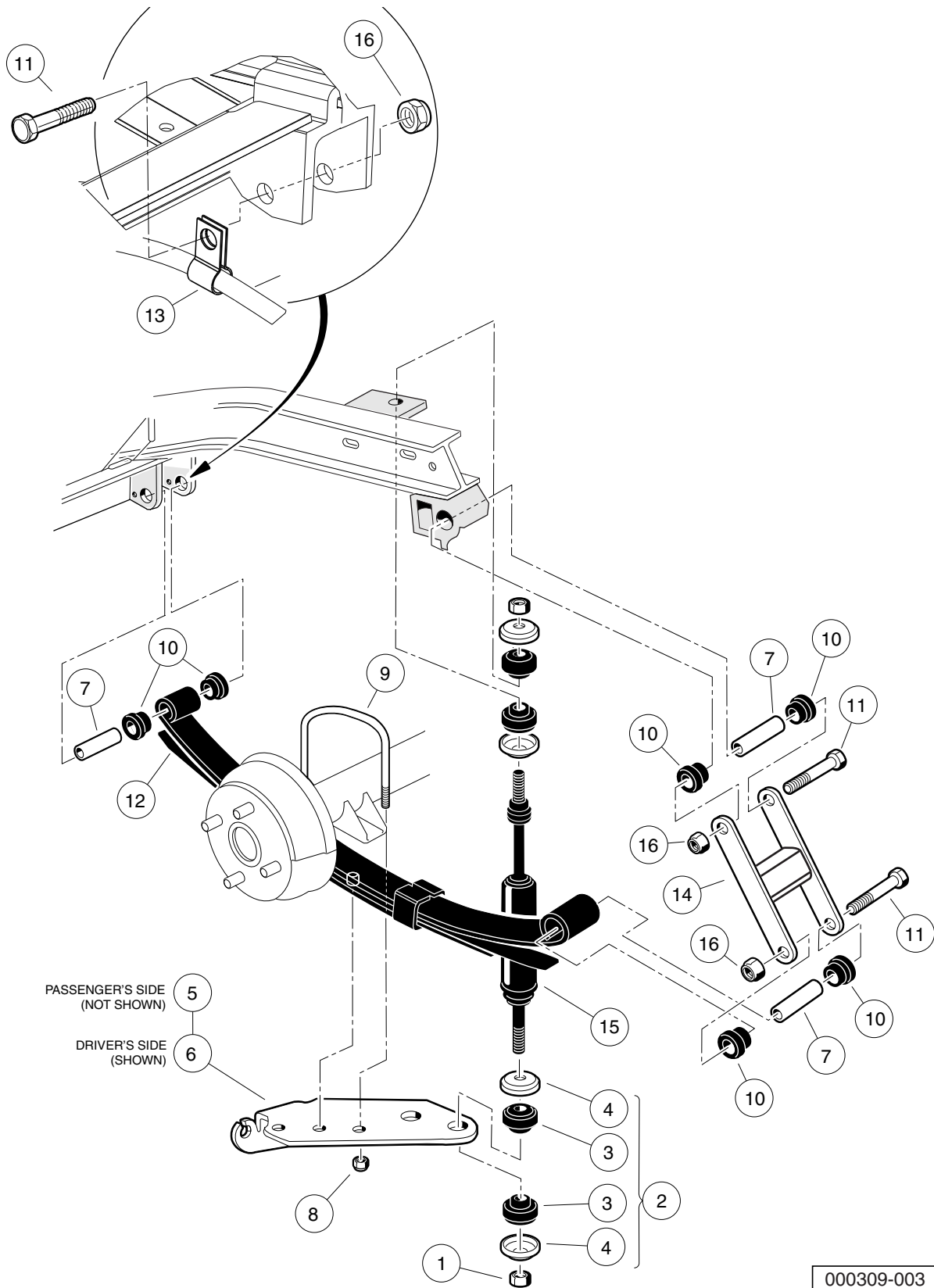


## REAR SUSPENSION – GASOLINE TURF/ CARRYALL 252 AND XRT 900

| ITEM  | PART NO.  | DESCRIPTION  | QTY |
|---|-----------|--|-----|
|   |           | 1 2 3 4  |     |
| 1   | 1010145   | Nut, 3/8-24 Hex .....                                      | 4   |
| 2   | 1011415   | Kit, Shock Absorber Cushion (includes items 3 and 4) ..... | 4   |
| 3   | 1010142   | Cushion, Shock Absorber .....                              | 2   |
| 4   | 1010144   | Retainer, Shock Absorber Cushion .....                     | 2   |
| 5   | 1012180   | U-Bolt .....   | 2   |
| 6   | 1012303   | Bushing, Steel .....                                       | 6   |
| 7   | 1013207   | Hanger, Brake Cable .....                                  | 2   |
| 8   | 1014555   | Locknut, 7/16-14 Nylon Hex .....                           | 4   |
| 9   | 1015583   | Bushing, Urethane .....                                    | 12  |
| 10  | 101926501 | Bracket, Left-Hand .....                                   | 1   |
| 11  | 101929401 | Bracket, Right .....                                       | 1   |
| 12  | 102004201 | Rear Spring Shackle .....                                  | 4   |
| 13  | 102871801 | Spring, Multi Leaf .....                                   | 2   |
| 14  | 103351101 | Shock, Absorber, Utility .....                             | 2   |
| 15  | 8754      | Locknut, 3/8-16 Hex .....                                  | 6   |
| 16  | 8755      | Screw, 3/8-16 X 3.375 Hex Cap .....                        | 6   |
| <p>Note: Only the driver-side rear suspension is shown. Parts for the passenger-side rear suspension are identical except for the leaf spring/shock mounting plate.</p> |           |  |     |

5  
G  
E

**5**  
**G**  
**E**

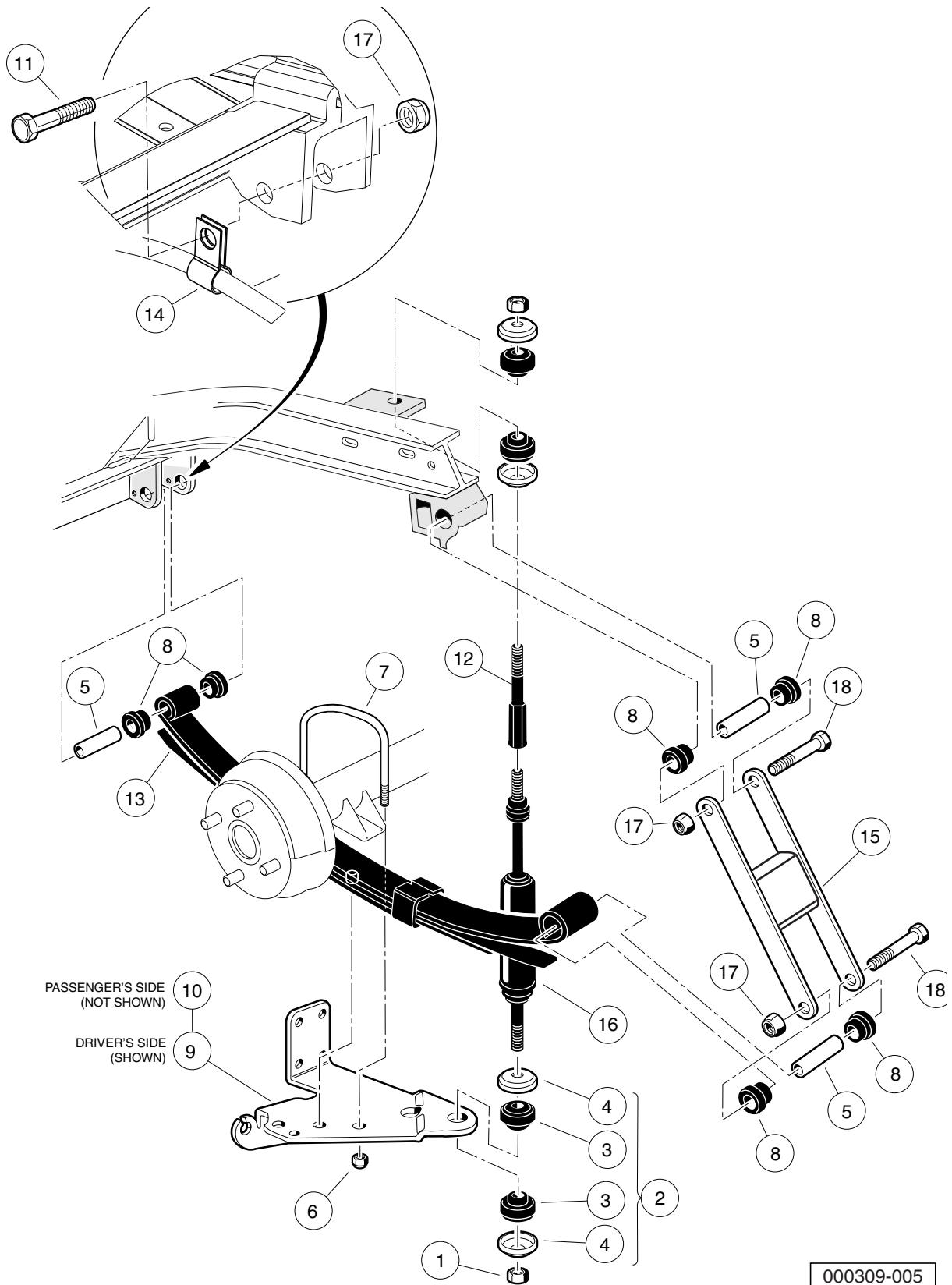


# REAR SUSPENSION – TURF/CARRYALL 2 IQ PLUS VEHICLES

| ITEM  | PART NO.  | DESCRIPTION  | QTY |
|---|-----------|--|-----|
|   |           | 1 2 3 4  |     |
| 1   | 1010145   | Nut, 3/8-24 Hex .....                                      | 4   |
| 2   | 1011415   | Kit, Shock Absorber Cushion (includes items 3 and 4) ..... | 4   |
| 3   | 1010142   | Cushion, Shock Absorber .....                              | 2   |
| 4   | 1010144   | Retainer, Shock Absorber Cushion .....                     | 2   |
| 5   | 1012181   | Bracket, Shock Mounting, Right (Passenger) .....           | 1   |
| 6   | 1012182   | Bracket, Shock Mounting, Left (Driver) .....               | 1   |
| 7   | 1012303   | Bushing, Steel .....                                       | 6   |
| 8   | 1014555   | Locknut, 7/16-14 Nylon Hex .....                           | 4   |
| 9   | 1014902   | U-Bolt .....   | 2   |
| 10  | 1015583   | Bushing, Urethane .....                                    | 12  |
| 11  | 102066201 | Screw, 3/8-16 X 3.50 Hex Cap .....                         | 6   |
| 12  | 102871801 | Spring, Multi Leaf .....                                   | 2   |
| 13  | 102891101 | Clamp, Cable, Brake, Sym .....                             | 2   |
| 14  | 102917101 | Weldment, Shackle .....                                    | 2   |
| 15  | 103351101 | Shock, Absorber, Utility .....                             | 2   |
| 16  | 8754      | Locknut, 3/8-16 Hex .....                                  | 6   |
| <p>Note: Only the driver-side rear suspension is shown. Parts for the passenger-side rear suspension are identical except for the leaf spring/shock mounting plate.</p> |           |  |     |

5  
G  
E

**5**  
**G**  
**E**

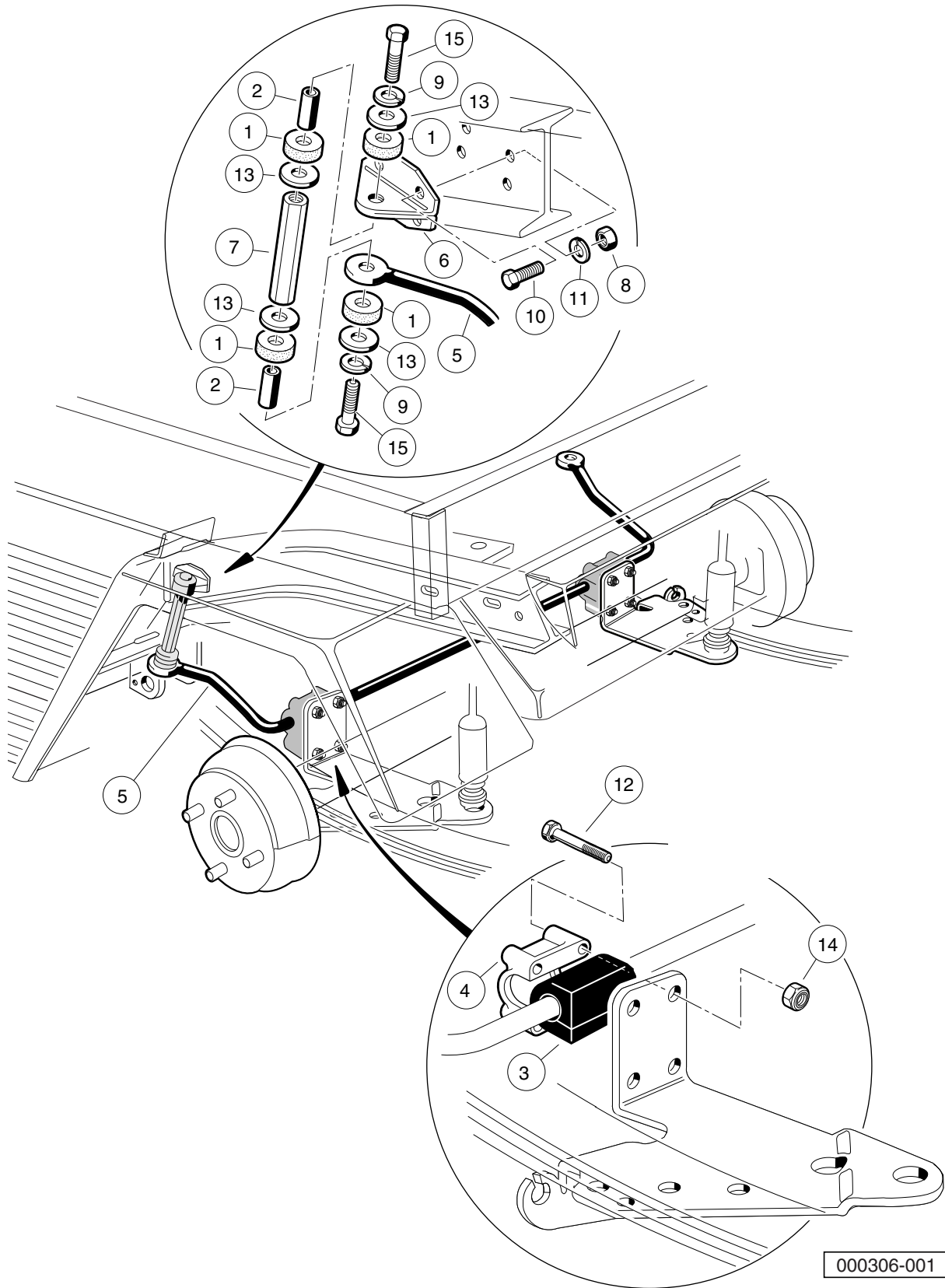


# REAR SUSPENSION – TURF/CARRYALL 252 AND XRT 900 IQ PLUS VEHICLES

| ITEM  | PART NO.  | DESCRIPTION  | QTY |
|---|-----------|--|-----|
|   |           | 1 2 3 4  |     |
| 1   | 1010145   | Nut, 3/8-24 Hex .....                                      | 4   |
| 2   | 1011415   | Kit, Shock Absorber Cushion (includes items 3 and 4) ..... | 4   |
| 3   | 1010142   | Cushion, Shock Absorber .....                              | 2   |
| 4   | 1010144   | Retainer, Shock Absorber Cushion .....                     | 2   |
| 5   | 1012303   | Bushing, Steel .....                                       | 6   |
| 6   | 1014555   | Locknut, 7/16-14 Nylon Hex .....                           | 4   |
| 7   | 1014902   | U-Bolt .....   | 2   |
| 8   | 1015583   | Bushing, Urethane .....                                    | 12  |
| 9   | 101926501 | Bracket, Left-Hand .....                                   | 1   |
| 10  | 101929401 | Bracket, Right .....                                       | 1   |
| 11  | 102066201 | Screw, 3/8-16 X 3.50 Hex Cap .....                         | 2   |
| 12  | 102399001 | Shock Extension .....                                      | 2   |
| 13  | 102871801 | Spring, Multi Leaf .....                                   | 2   |
| 14  | 102891101 | Clamp, Cable, Brake, Sym .....                             | 2   |
| 15  | 103324801 | Weldment, Shackle, 10.0 .....                              | 2   |
| 16  | 103351101 | Shock, Absorber, Utility .....                             | 2   |
| 17  | 8754      | Locknut, 3/8-16 Hex .....                                  | 6   |
| 18  | 8755      | Screw, 3/8-16 X 3.375 Hex Cap .....                        | 4   |
| <p>Note: Only the driver-side rear suspension is shown. Parts for the passenger-side rear suspension are identical except for the leaf spring/shock mounting plate.</p> |           |  |     |

5  
G  
E

**5**  
**G**  
**E**



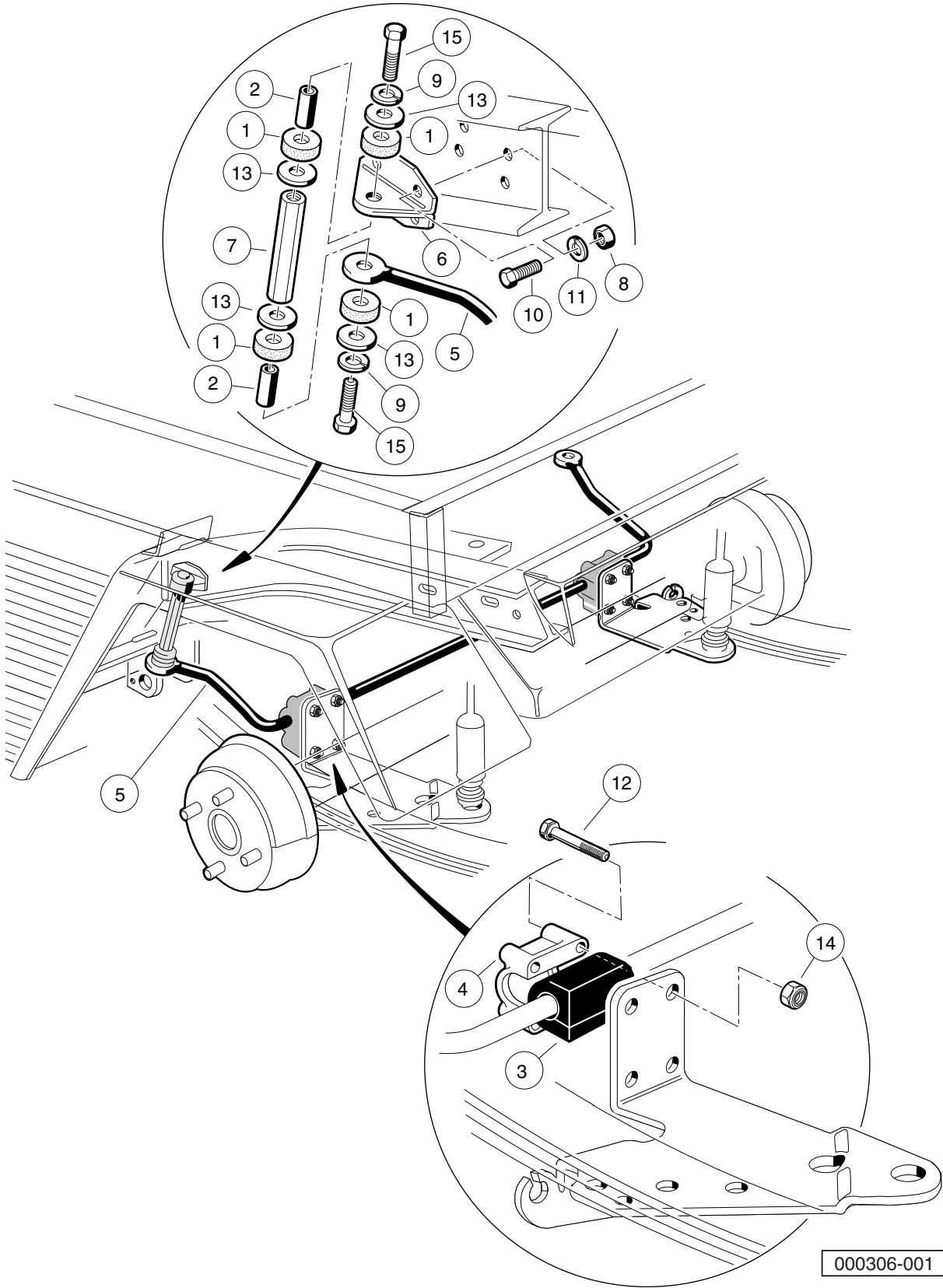
000306-001

# STABILIZER BAR – TURF/CARRYALL 2, 6, AND CARRYALL 2 PLUS GASOLINE VEHICLES

| ITEM  | PART NO. | DESCRIPTION                              | QTY |
|---|----------|--|-----|
|   |          | 1 2 3 4                                  |     |
| 1   | 1015453  | Compression Mount .....                  | 8   |
| 2   | 1015457  | Spacer, 0.720" .....                     | 4   |
| 3   | 1015613  | Bushing, Stabilizer Bar .....            | 2   |
| 4   | 1015614  | Support, Bushing .....                   | 2   |
| 5   | 1015760  | Stabilizer Bar .....                     | 1   |
| 6   | 1016813  | Mounting Bracket, Stabilizer Bar .....   | 2   |
| 7   | 1016814  | Link, Stabilizer Bar .....               | 2   |
| 8   | 1242     | Nut, 5/16-18 Hex .....                   | 8   |
| 9   | 357      | Lockwasher, 3/8 Split .....              | 4   |
| 10  | 7173     | Screw, 5/16-18 X 0.75 Hex-Head Cap ..... | 8   |
| 11  | 7174     | Lockwasher, 5/16 Split .....             | 8   |
| 12  | 7311     | Screw, 1/4-20 X 2.00 Hex-Head Cap .....  | 8   |
| 13  | 808      | Washer, 3/8 Type B Flat .....            | 8   |
| 14  | 8233     | Locknut, 1/4-20 Nylon Insert .....       | 8   |
| 15  | 8861     | Bolt, 3/8-16 X 1.75 Hex .....            | 4   |
| <p>Note: Only the driver side of the stabilizer bar is shown. Parts for the passenger side of the stabilizer bar are identical.</p> |          |  |     |

5  
G  
E

**5**  
**G**  
**E**



000306-001



# STABILIZER BAR – TURF/CARRYALL 2 AND CARRYALL 2 PLUS GASOLINE VEHICLES

| ITEM  | PART NO.  | DESCRIPTION                              | QTY |
|---|-----------|--|-----|
|   |           | 1 2 3 4                                  |     |
| 1   | 1015453   | Compression Mount .....                  | 8   |
| 2   | 1015457   | Spacer, 0.720" .....                     | 4   |
| 3   | 1015613   | Bushing, Stabilizer Bar .....            | 2   |
| 4   | 1015614   | Support, Bushing .....                   | 2   |
| 5   | 1015760   | Stabilizer Bar .....                     | 1   |
| 6   | 1016813   | Mounting Bracket, Stabilizer Bar .....   | 2   |
| 7   | 102004901 | Link, Stabilizer Bar .....               | 2   |
| 8   | 1242      | Nut, 5/16-18 Hex .....                   | 8   |
| 9   | 357       | Lockwasher, 3/8 Split .....              | 4   |
| 10  | 7173      | Screw, 5/16-18 X 0.75 Hex-Head Cap ..... | 8   |
| 11  | 7174      | Lockwasher, 5/16 Split .....             | 8   |
| 12  | 7311      | Screw, 1/4-20 X 2.00 Hex-Head Cap .....  | 8   |
| 13  | 808       | Washer, 3/8 Type B Flat .....            | 8   |
| 14  | 8233      | Locknut, 1/4-20 Nylon Insert .....       | 8   |
| 15  | 8861      | Bolt, 3/8-16 X 1.75 Hex .....            | 4   |
| <p>Note: Only the driver side of the stabilizer bar is shown. Parts for the passenger side of the stabilizer bar are identical.</p> |           |  |     |

5  
G  
E

**5**

**G**

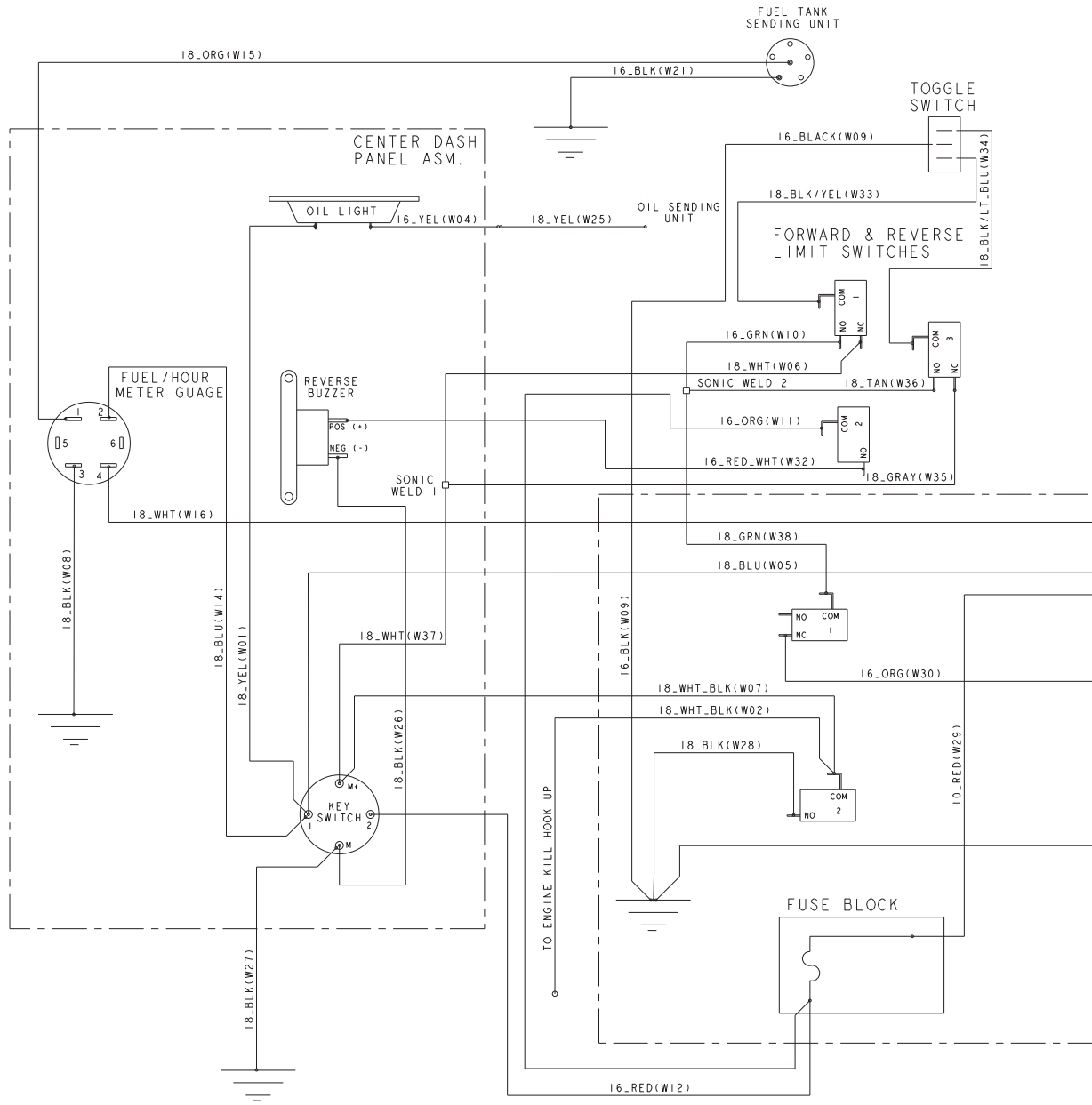
**E**

# ELECTRICAL SYSTEM – GASOLINE VEHICLE

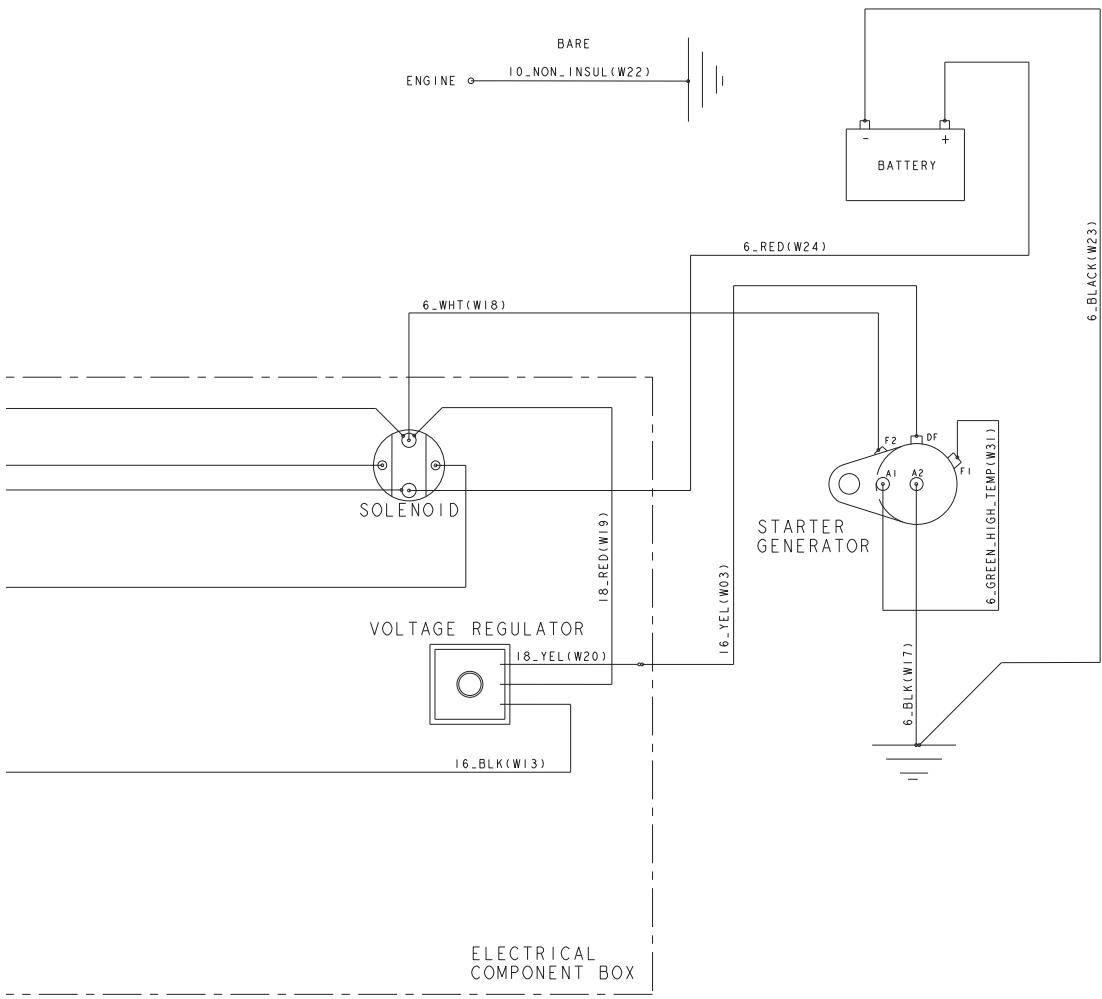
---

6

G



000594-001



000594-001

**6**

**G**

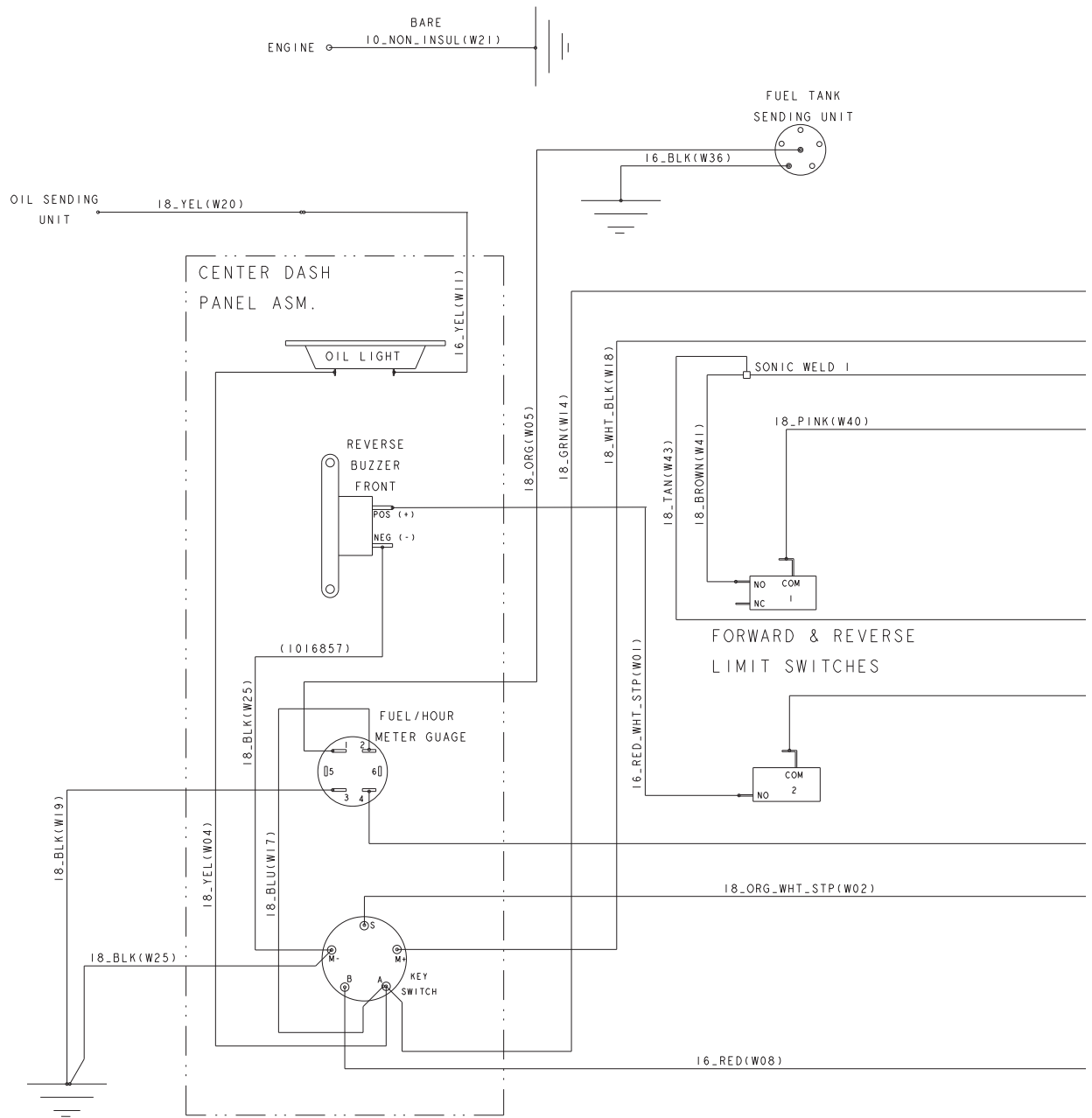
See previous two pages for illustration.

# WIRING – TURF/CARRYALL 2 AND 252

| ITEM | PART NO.  | DESCRIPTION   | QTY |
|------|-----------|---|-----|
| 1    | 103197101 | 1 2 3 4<br>Asm, Wire Harness, Carryall 2, Gas ..... | 1   |

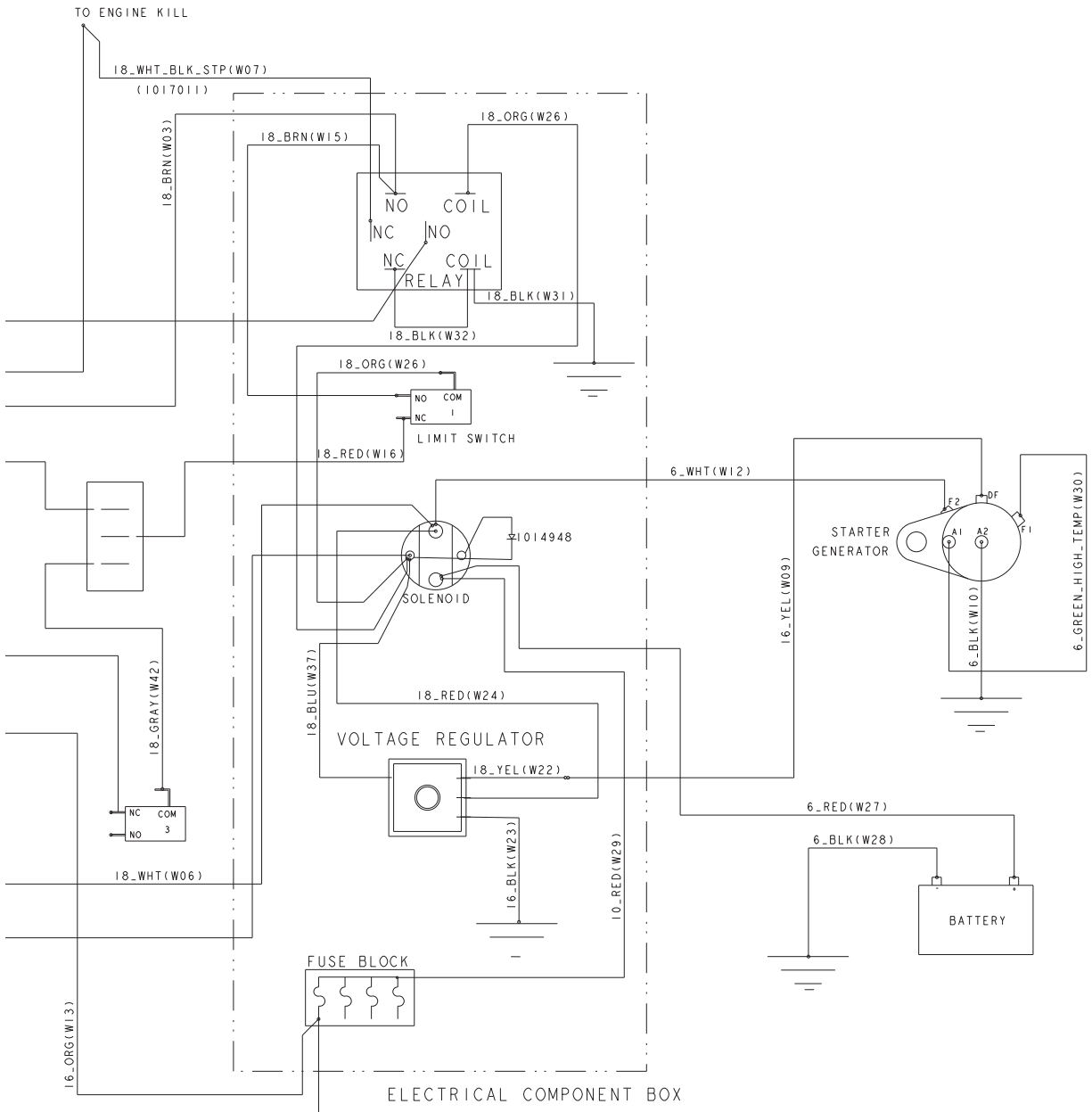
6

G



000595-001





000595-001

6

G

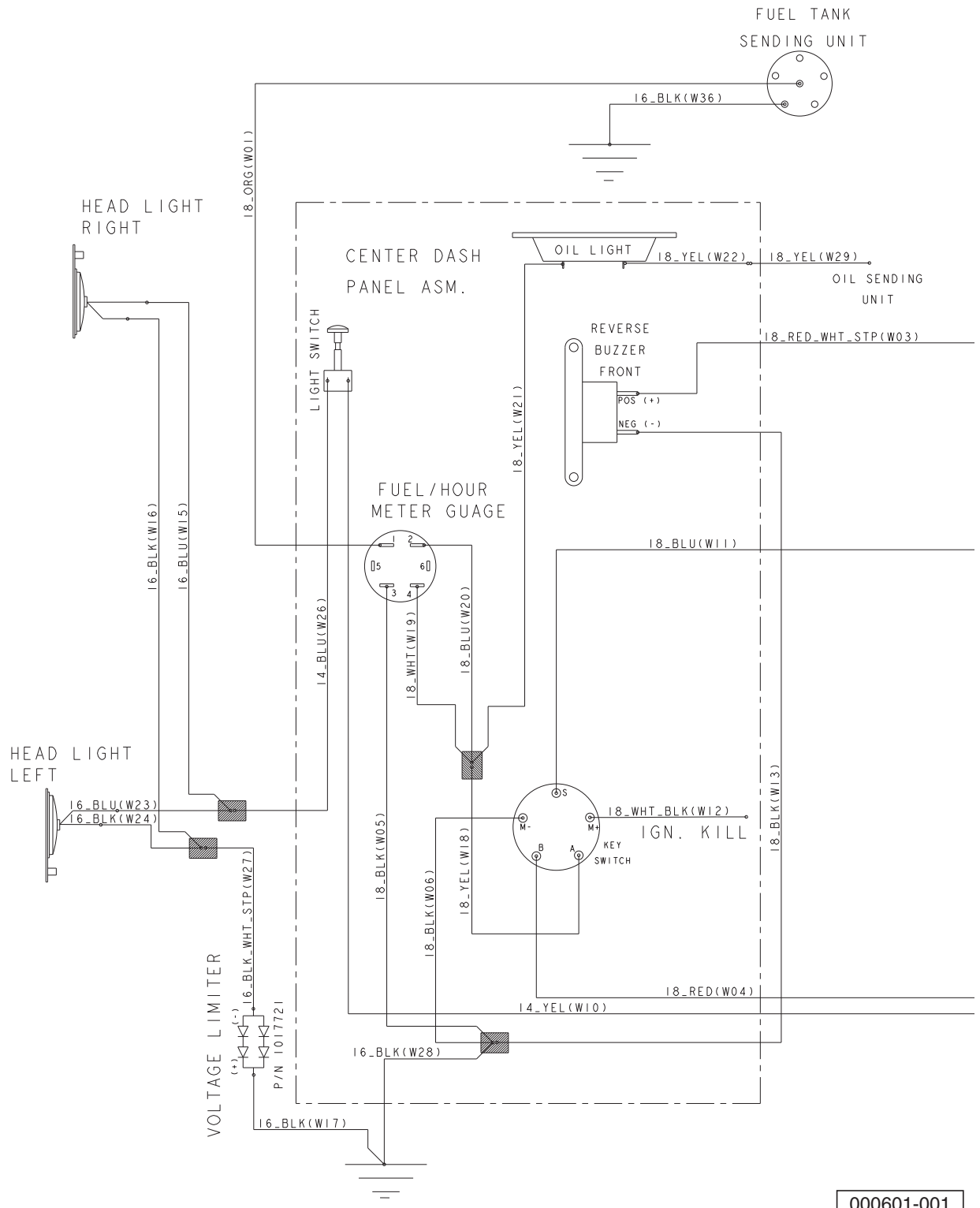
See previous two pages for illustration.

# WIRING – CARRYALL 2 PLUS

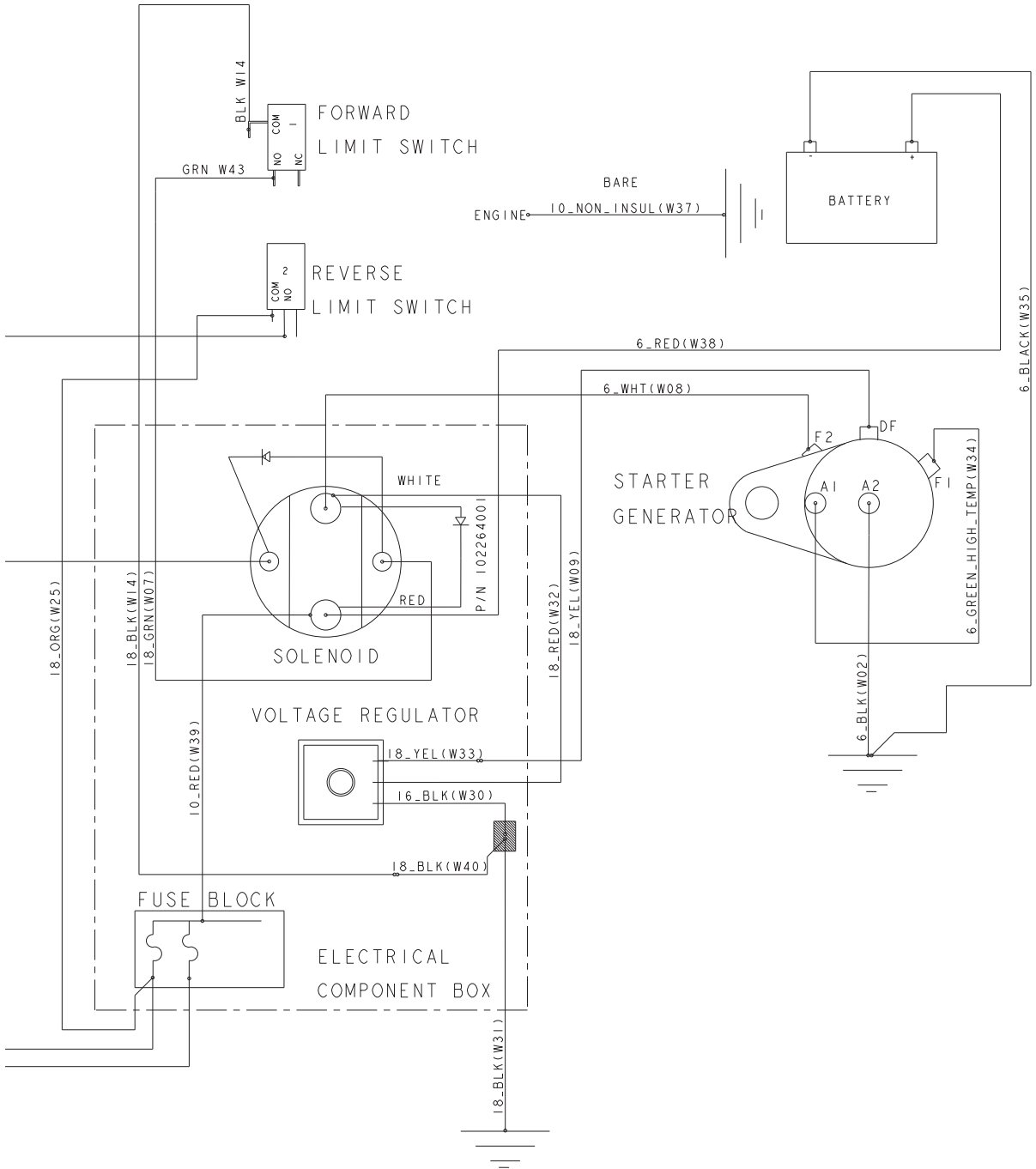
| ITEM | PART NO.  | DESCRIPTION   | QTY |
|------|-----------|---|-----|
| 1    | 103198001 | 1 2 3 4<br>Asm, Wire Harness, Carryall 2 Plus ..... | 1   |

6

G



000601-001



000601-001

**6**

**G**

See previous two pages for illustration.

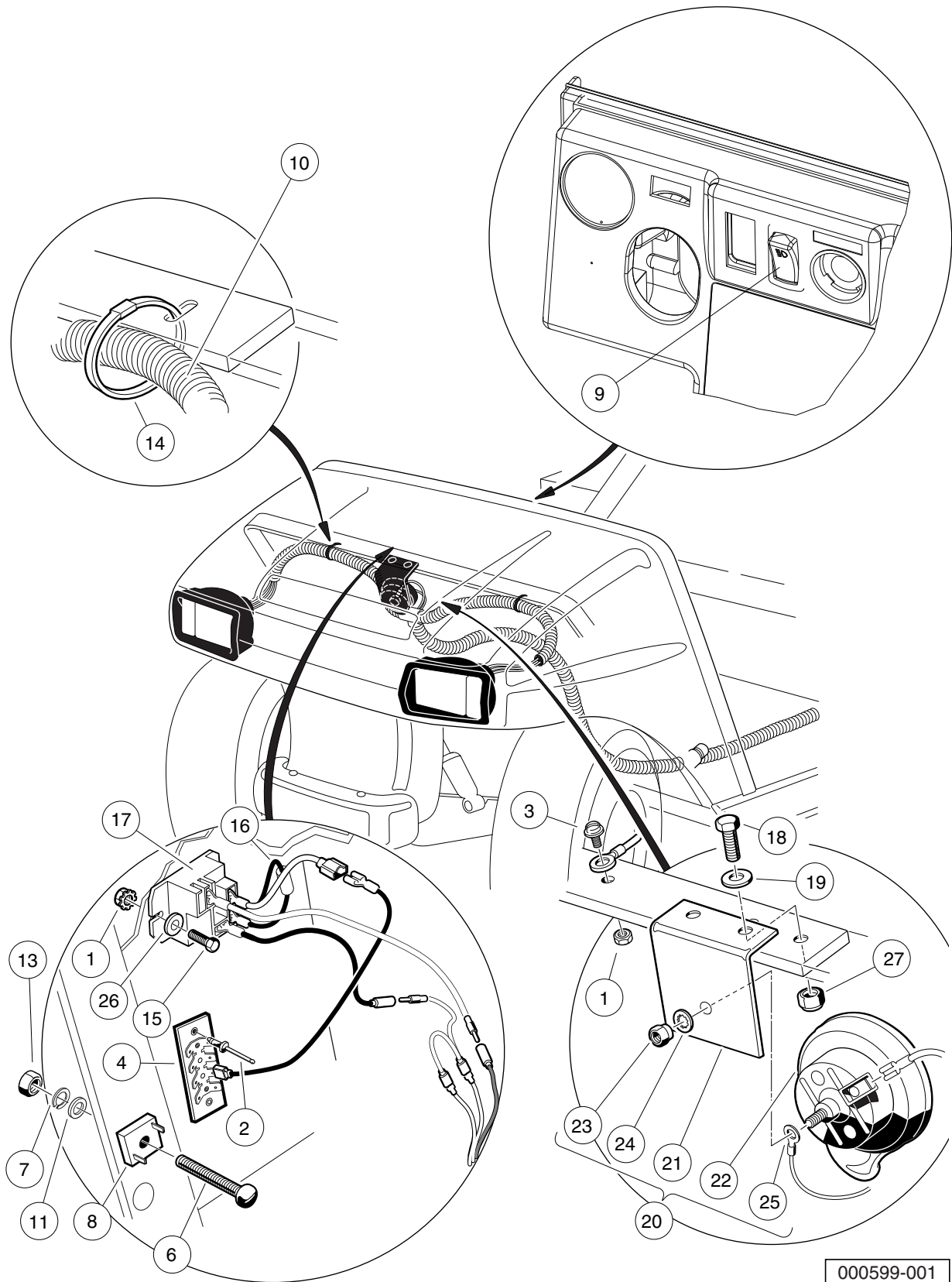
# WIRING – XRT 900

| ITEM | PART NO.  | DESCRIPTION                                | QTY |
|------|-----------|--|-----|
| 1    | 103198101 | 1 2 3 4<br>Asm, Wire Harness, CA XRT ..... | 1   |

6

G

**6**  
**G**



000599-001

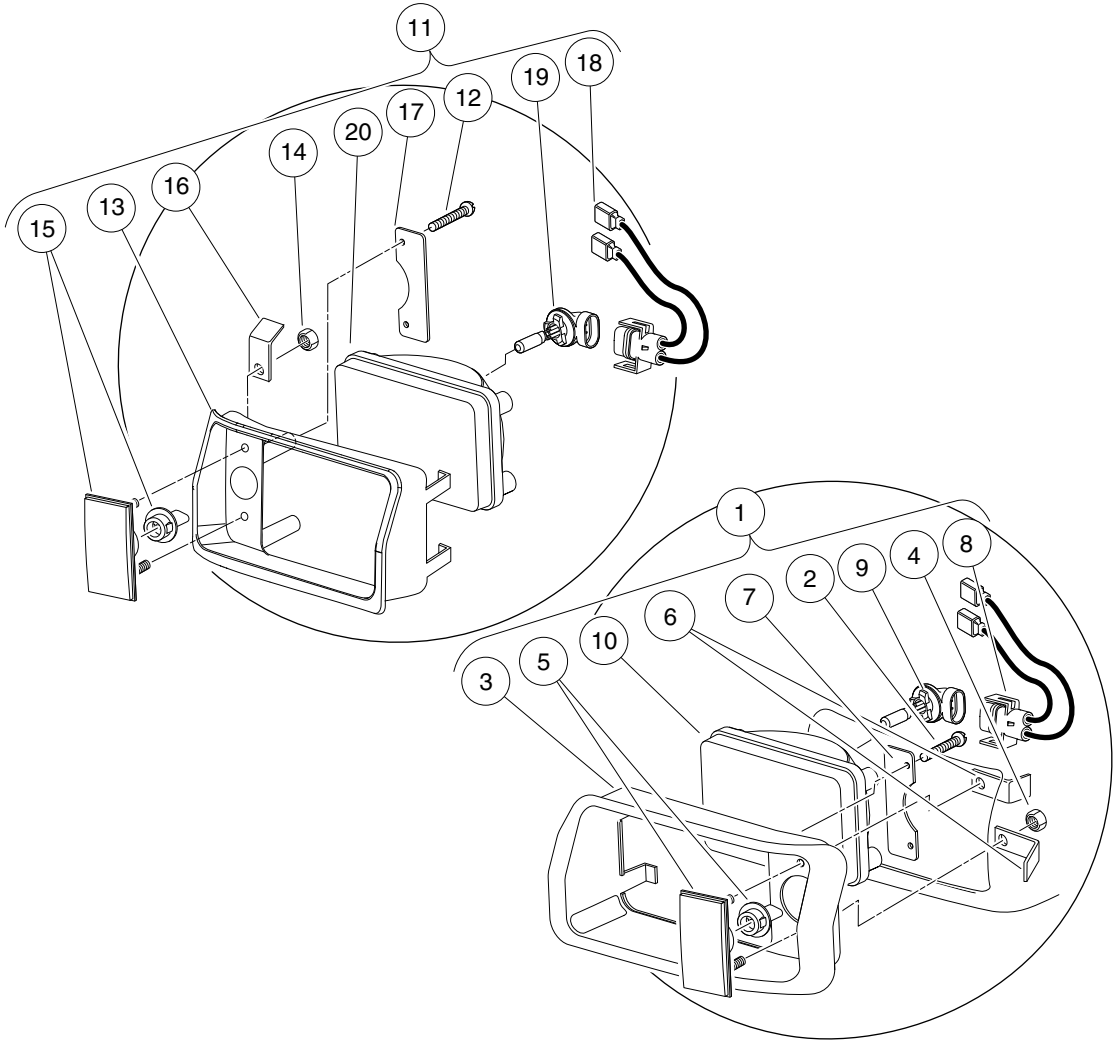


# HEADLIGHT AND HORN ELECTRICAL COMPONENTS

| ITEM | PART NO.  | DESCRIPTION  | QTY |
|------|-----------|--|-----|
|      |           | <b>1 2 3 4</b>   |     |
| 1    | 1011229   | Locknut, #6-32 Whiz .....                                    | 3   |
| 2    | 1013357   | Rivet, 5/32 Aluminum Pop .....                               | 2   |
| 3    | 1015720   | Screw, #6-32 X 1/2 Hex Washer-Head .....                     | 1   |
| 4    | 1016356   | Terminal Block with Insulator .....                          | 1   |
| 5    | N/A       | Headlight Instl-gas Golf (includes items 6 through 14) ..... | 1   |
| 6    | 1010909   | Screw, #10-32 X 1.25 Rd Hd Mch .....                         | 1   |
| 7    | 1016      | Lockwasher, #10 Split .....                                  | 1   |
| 8    | 1017721   | Limiter, Voltage .....                                       | 1   |
| 9    | 102869401 | Switch, Rocker, Light .....                                  | 1   |
| 10   | N/A       | Wire Harness, Hd Lght, Ca, Gas .....                         | 1   |
| 11   | 183       | Washer, #10 Type A Flat .....                                | 1   |
| 12   | 7473      | Locknut, 5/16-18 Nylon Insert .....                          | 1   |
| 13   | 7893      | Nut, #10-32 Hex .....  | 1   |
| 14   | 8990      | Tie Wrap, 8" Nylon .....                                     | 12  |
| 15   | 1017853   | Screw, #6-32 X 0.75 Hex-Head Machine .....                   | 2   |
| 16   | 101914401 | Assembly, Voltage Suppressor .....                           | 1   |
| 17   | 102199001 | Relay, 12-Volt .....   | 1   |
| 18   | 304       | Screw, 1/4-20 X 1.0 Hex-Head Cap .....                       | 2   |
| 19   | 332       | Washer, 1/4 Type A Narrow Flat .....                         | 2   |
| 20   | 4029      | Horn (includes items 21 through 25) .....                    | 1   |
| 21   | 1011825   | Horn Bracket .....   | 1   |
| 22   | 1014530   | Horn, 12-VDC .....   | 1   |
| 23   | 101955101 | Nut, M6 Hex .....  | 1   |
| 24   | 7820      | Washer, 5/16 Internal-Tooth .....                            | 1   |
| 25   | N/A       | 5/16 Ring Term. ....   | 1   |
| 26   | 7591      | Washer, #6 Flat .....  | 2   |
| 27   | 8233      | Locknut, 1/4-20 Nylon Insert .....                           | 2   |

6

G



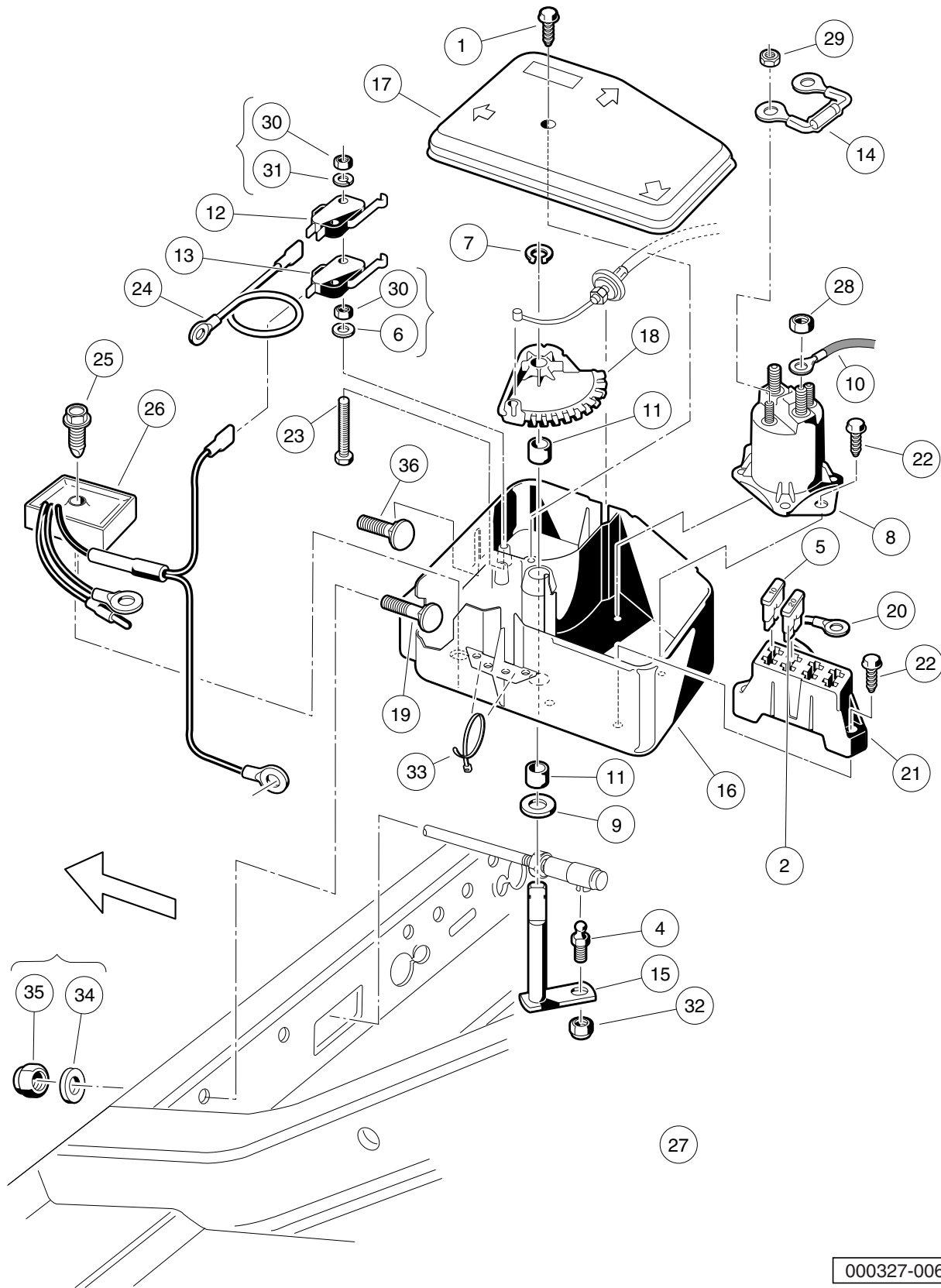
000073-001

# HEADLIGHTS

| ITEM | PART NO.  | DESCRIPTION   | QTY |
|------|-----------|---|-----|
|      |           | <b>1 2 3 4</b>  |     |
| 1    | 101988001 | Headlight Assembly, Driver-Side Single Beam (includes items 2 through 10) ..... | 1   |
| 2    | 1013461   | Screw, #10-16 Hex-Head Hi-Lo .....  | 2   |
| 3    | 1016880   | Headlight Bezel, Left .....   | 1   |
| 4    | 1017      | Nut, #10-24 Stainless-Steel Hex Machine .....                                   | 2   |
| 5    | 1017062   | Turn Signal Lens Assy .....   | 1   |
| 6    | 1017064   | Mounting Bracket .....  | 2   |
| 7    | 1017065   | Retainer, Headlight .....   | 1   |
| 8    | 101987901 | Connector Harness Assembly, Headlight .....                                     | 1   |
| 9    | 101988101 | Bulb, Headlight .....   | 1   |
| 10   | 101988201 | Lens, Headlight .....   | 1   |
| 11   | 101988002 | Headlight Assy, Passenger-Side Single Beam (includes items 12 through 20) ..... | 1   |
| 12   | 1013461   | Screw, #10-16 Hex-Head Hi-Lo .....  | 2   |
| 13   | 1016879   | Headlight Bezel, Right .....  | 1   |
| 14   | 1017      | Nut, #10-24 Stainless-Steel Hex Machine .....                                   | 2   |
| 15   | 1017062   | Turn Signal Lens Assy .....   | 1   |
| 16   | 1017064   | Mounting Bracket .....  | 2   |
| 17   | 1017065   | Retainer, Headlight .....   | 1   |
| 18   | 101987901 | Connector Harness Assembly, Headlight .....                                     | 1   |
| 19   | 101988101 | Bulb, Headlight .....   | 1   |
| 20   | 101988201 | Lens, Headlight .....   | 1   |

**6**  
**G**

**6**  
**G**



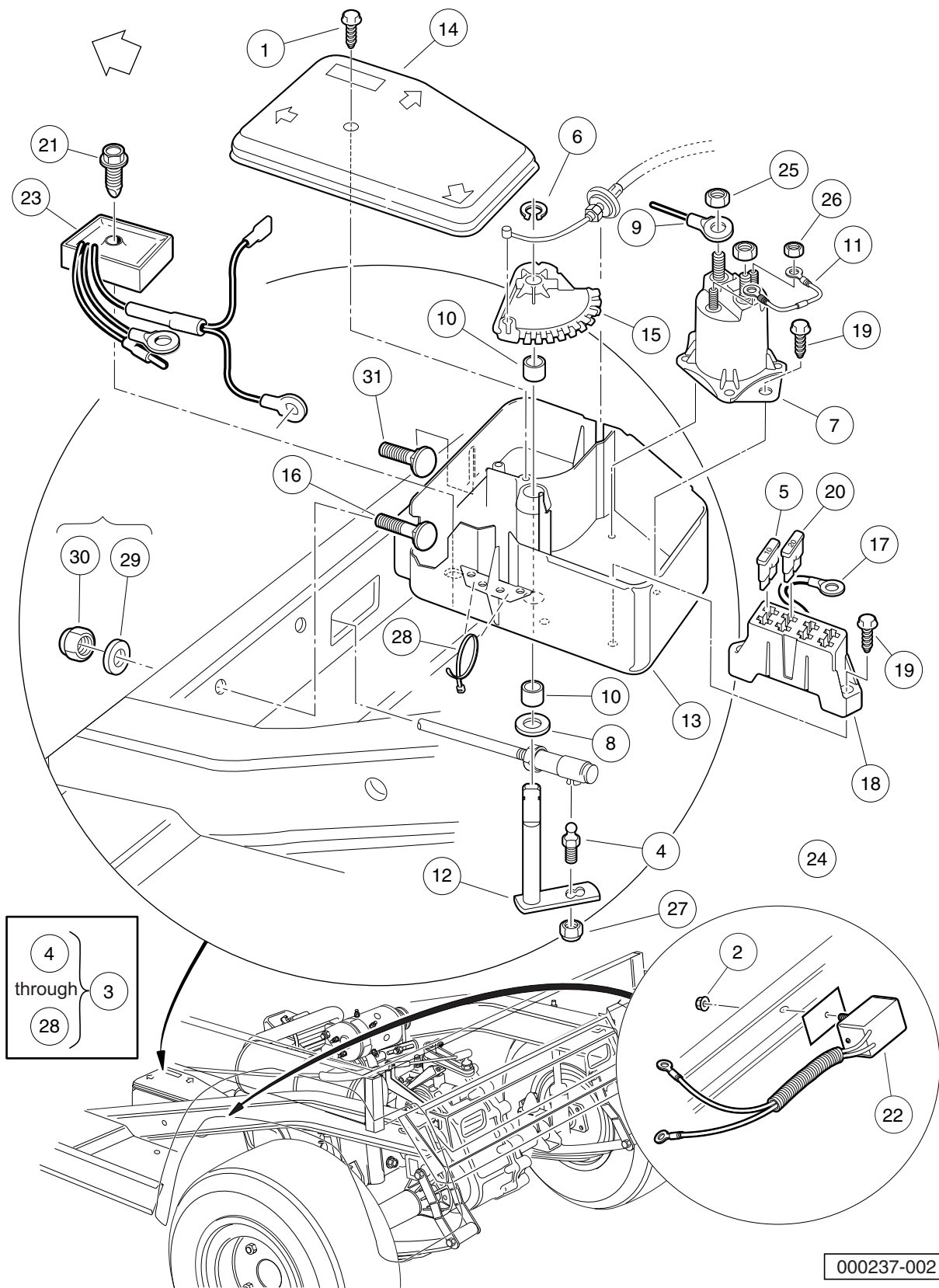
000327-006

# ELECTRICAL COMPONENT BOX – TURF/CARRYALL 2, AND 252

| ITEM | PART NO.  | DESCRIPTION   | QTY |
|------|-----------|---|-----|
|      |           | 1 2 3 4   |     |
| 1    | 1015752   | Screw, #12-16 X 0.625 Hi-Lo .....                                 | 1   |
| 2    | 1016423   | Fuse, 20-Amp .....  | 1   |
| 3    | N/A       | Asm, Electrical Component Box (includes items 4 through 33) ..... | 1   |
| 4    | 1010954   | Stud, 1/4-28 X 0.560 Ball .....                                   | 1   |
| 5    | 1012295   | Fuse, 10-Amp .....  | 1   |
| 6    | 1012431   | Washer, #4 Flat .....   | 2   |
| 7    | 1013589   | Ring, 0.338" Internal Retaining .....                             | 1   |
| 8    | 1013609   | Solenoid, 12-Volt .....   | 1   |
| 9    | 1014065   | Washer, 0.38" ID Delrin Flat .....                                | 1   |
| 10   | 1014119   | Wire Assembly #6 Red .....  | 1   |
| 11   | 1014145   | Bushing, Secondary Weight, Split .....                            | 2   |
| 12   | 1014807   | Switch, Limit .....   | 1   |
| 13   | 1014808   | Switch, Limit .....   | 1   |
| 14   | 1014948   | Diode .....   | 1   |
| 15   | 1015345   | Bell Crank and Shaft Assembly .....                               | 1   |
| 16   | 1015371   | Box, Electrical Component .....                                   | 1   |
| 17   | 1015372   | Cover, Electric Box .....   | 1   |
| 18   | 1015373   | Cam, Electric Box .....   | 1   |
| 19   | 1015405   | Bolt, Carriage, 5/16-18 X 2.0 .....                               | 1   |
| 20   | 1015737   | Wire Assy, #10 Red .....  | 1   |
| 21   | 1015741   | Fuse Block .....  | 1   |
| 22   | 1015752   | Screw, #12-16 X 0.625 Hi-Lo .....                                 | 4   |
| 23   | 1015878   | Screw, #4-40 Hex Head Machine .....                               | 2   |
| 24   | 1016401   | Wire Assy, #16 Orange .....                                       | 1   |
| 25   | 101856102 | Screw, 1/4-15 X 1.50 Hi-lo Hex .....                              | 1   |
| 26   | 102711201 | Voltage Regulator .....   | 1   |
| 27   | 103197101 | Asm, Wire Harness, Carryall 2, Gas .....                          | 1   |
| 28   | 1242      | Nut, 5/16-18 Hex .....  | 2   |
| 29   | 7893      | Nut, #10-32 Hex .....   | 2   |
| 30   | 8057      | Nut, #4-40 Hex Machine .....                                      | 4   |
| 31   | 8058      | Lockwasher, #4 Split .....  | 2   |
| 32   | 8717      | Locknut, 1/4-28 Nylon Insert .....                                | 1   |
| 33   | 8990      | Tie Wrap, 8" Nylon .....  | 2   |
| 34   | 1241      | Washer, 5/16 Type A Flat .....                                    | 2   |
| 35   | 7473      | Locknut, 5/16-18 Nylon Insert .....                               | 2   |
| 36   | 7818      | Bolt, Carriage, 5/16-18 X 1.5 .....                               | 1   |

**6**  
**G**

**6**  
**G**

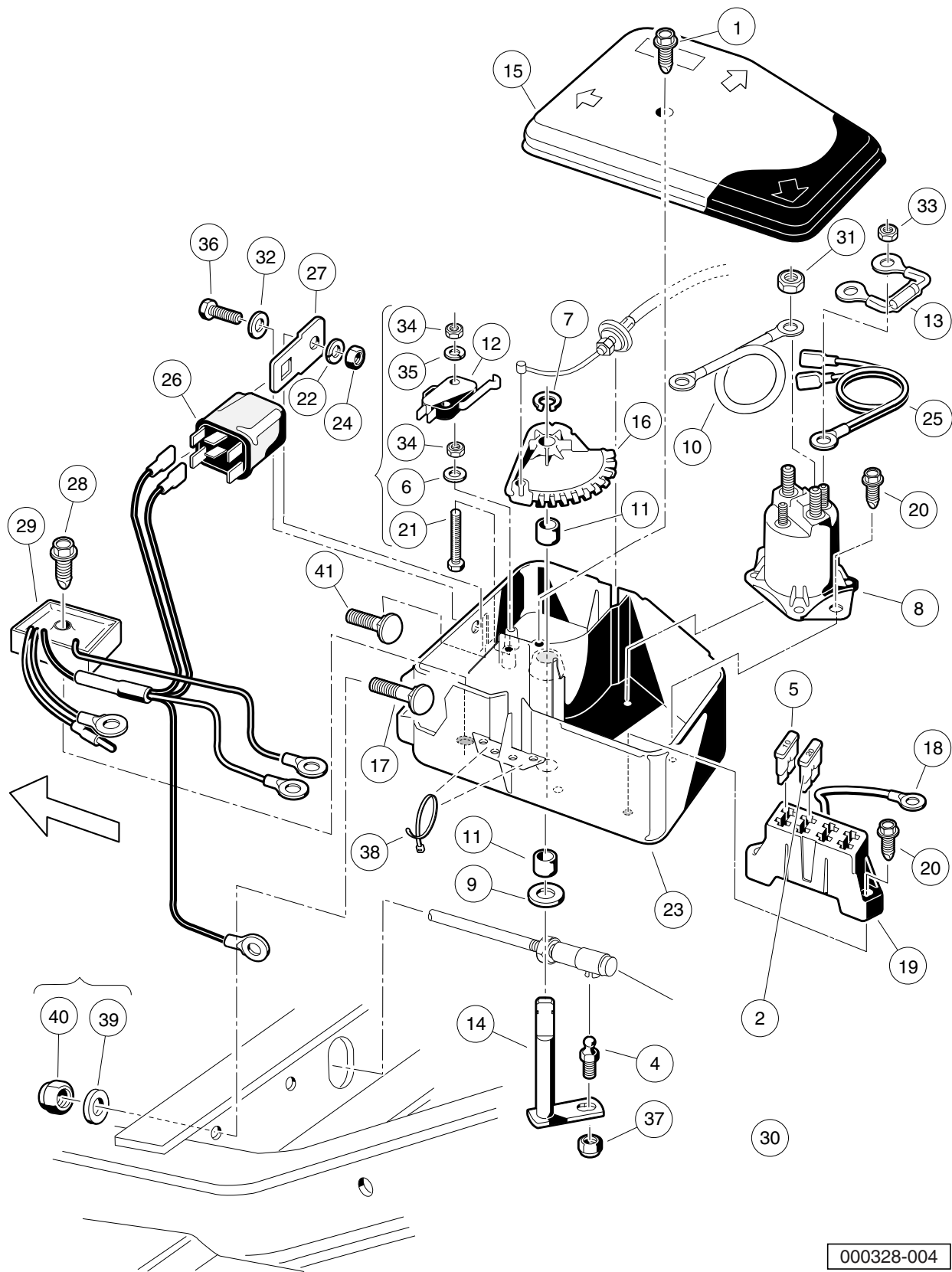


000237-002

# ELECTRICAL COMPONENT BOX – XRT 900

| ITEM | PART NO.  | DESCRIPTION   | QTY |
|------|-----------|---|-----|
|      |           | 1 2 3 4   |     |
| 1    | 1015752   | Screw, #12-16 X 0.625 Hi-Lo .....                                 | 1   |
| 2    | 101963401 | Locknut, 5/16-18 Hex Flange .....                                 | 1   |
| 3    | N/A       | Asm, Electrical Component Box (includes items 4 through 28) ..... | 1   |
| 4    | 1010954   | Stud, 1/4-28 X 0.560 Ball .....                                   | 1   |
| 5    | 1012295   | Fuse, 10-Amp .....  | 1   |
| 6    | 1013589   | Ring, 0.338" Internal Retaining .....                             | 1   |
| 7    | 1013609   | Solenoid, 12-Volt .....   | 1   |
| 8    | 1014065   | Washer, 0.38" ID Delrin Flat .....                                | 1   |
| 9    | 1014119   | Wire Assembly #6 Red .....  | 1   |
| 10   | 1014145   | Bushing, Secondary Weight, Split .....                            | 2   |
| 11   | 1014948   | Diode .....   | 1   |
| 12   | 1015345   | Bell Crank and Shaft Assembly .....                               | 1   |
| 13   | 1015371   | Box, Electrical Component .....                                   | 1   |
| 14   | 1015372   | Cover, Electric Box .....   | 1   |
| 15   | 1015373   | Cam, Electric Box .....   | 1   |
| 16   | 1015405   | Bolt, Carriage, 5/16-18 X 2.0 .....                               | 1   |
| 17   | 1015737   | Wire Assy, #10 Red .....  | 1   |
| 18   | 1015741   | Fuse Block .....  | 1   |
| 19   | 1015752   | Screw, #12-16 X 0.625 Hi-Lo .....                                 | 4   |
| 20   | 1016423   | Fuse, 20-Amp .....  | 1   |
| 21   | 101856102 | Screw, 1/4-15 X 1.50 Hi-lo Hex .....                              | 1   |
| 22   | 102264001 | Diode Assembly .....  | 1   |
| 23   | 102711201 | Voltage Regulator .....   | 1   |
| 24   | 103198101 | Asm, Wire Harness, CA XRT .....                                   | 1   |
| 25   | 1242      | Nut, 5/16-18 Hex .....  | 2   |
| 26   | 7893      | Nut, #10-32 Hex .....   | 2   |
| 27   | 8717      | Locknut, 1/4-28 Nylon Insert .....                                | 1   |
| 28   | 8990      | Tie Wrap, 8" Nylon .....  | 2   |
| 29   | 1241      | Washer, 5/16 Type A Flat .....                                    | 2   |
| 30   | 7473      | Locknut, 5/16-18 Nylon Insert .....                               | 2   |
| 31   | 7818      | Bolt, Carriage, 5/16-18 X 1.5 .....                               | 1   |

**6**  
**G**





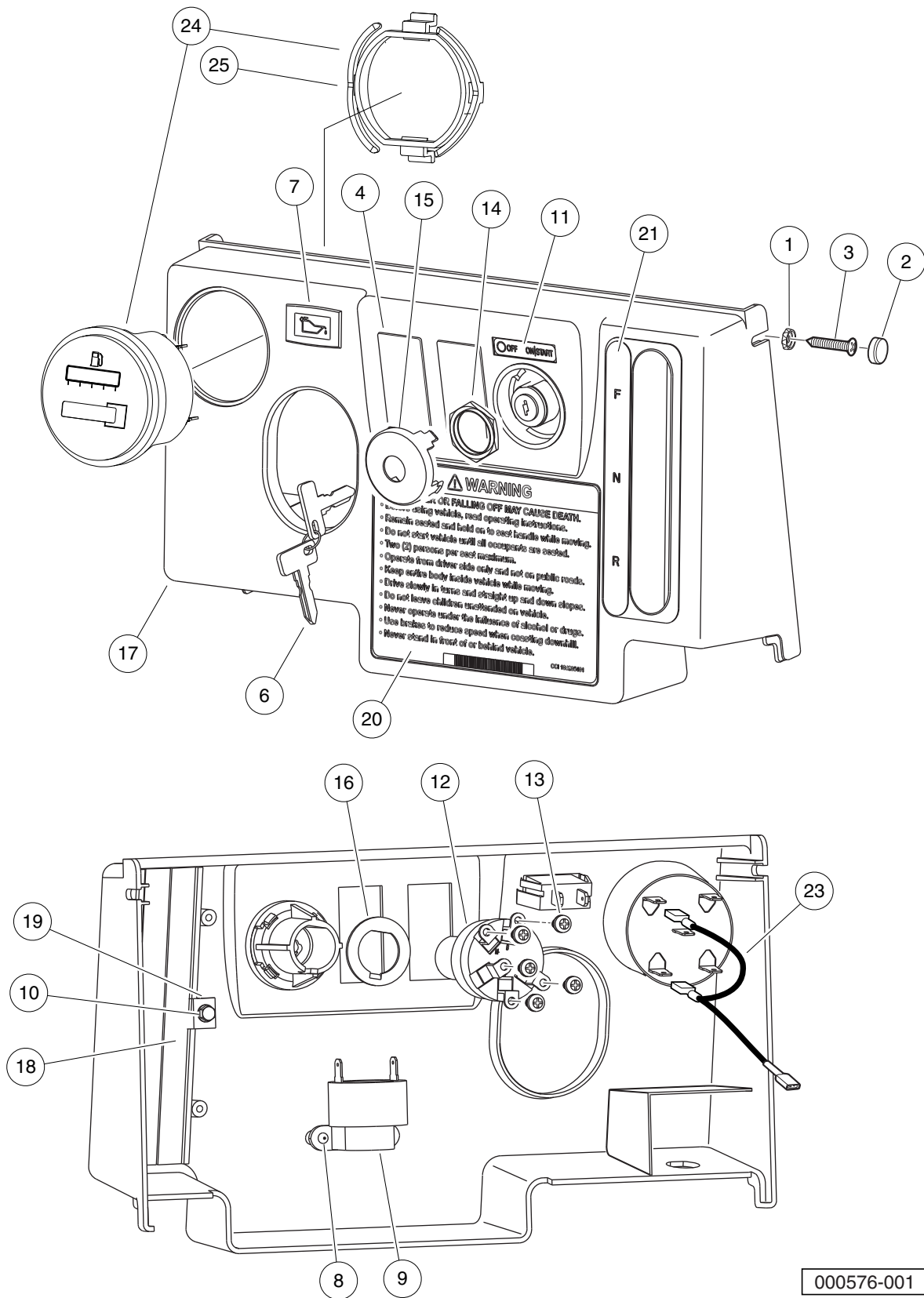
# ELECTRICAL COMPONENT BOX – CARRYALL 2 PLUS

| ITEM | PART NO.  | DESCRIPTION   | QTY |
|------|-----------|---|-----|
|      |           | 1 2 3 4   |     |
| 1    | 1015752   | Screw, #12-16 X 0.625 Hi-Lo .....                                 | 1   |
| 2    | 1016423   | Fuse, 20-Amp .....  | 1   |
| 3    | N/A       | Asm, Electrical Component Box (includes items 4 through 38) ..... | 1   |
| 4    | 1010954   | Stud, 1/4-28 X 0.560 Ball .....                                   | 1   |
| 5    | 1012295   | Fuse, 10-Amp .....  | 1   |
| 6    | 1012431   | Washer, #4 Flat .....   | 2   |
| 7    | 1013589   | Ring, 0.338" Internal Retaining .....                             | 1   |
| 8    | 1013609   | Solenoid, 12-Volt .....   | 1   |
| 9    | 1014065   | Washer, 0.38" ID Delrin Flat .....                                | 1   |
| 10   | 1014119   | Wire Assembly #6 Red .....  | 1   |
| 11   | 1014145   | Bushing, Secondary Weight, Split .....                            | 2   |
| 12   | 1014807   | Switch, Limit .....   | 1   |
| 13   | 1014948   | Diode .....   | 1   |
| 14   | 1015345   | Bell Crank and Shaft Assembly .....                               | 1   |
| 15   | 1015372   | Cover, Electric Box .....   | 1   |
| 16   | 1015373   | Cam, Electric Box .....   | 1   |
| 17   | 1015405   | Bolt, Carriage, 5/16-18 X 2.0 .....                               | 1   |
| 18   | 1015737   | Wire Assy, #10 Red .....  | 1   |
| 19   | 1015741   | Fuse Block .....  | 1   |
| 20   | 1015752   | Screw, #12-16 X 0.625 Hi-Lo .....                                 | 4   |
| 21   | 1015878   | Screw, #4-40 Hex Head Machine .....                               | 2   |
| 22   | 1016      | Lockwasher, #10 Split .....                                       | 1   |
| 23   | 1016997   | Electrical Component Box .....                                    | 1   |
| 24   | 1017      | Nut, #10-24 Stainless-Steel Hex Machine .....                     | 1   |
| 25   | 1017006   | Wire Assembly Orange #18 .....                                    | 1   |
| 26   | 1017239   | Relay .....   | 1   |
| 27   | 1017243   | Mounting Bracket, Relay .....                                     | 1   |
| 28   | 101856102 | Screw, 1/4-15 X 1.50 Hi-lo Hex .....                              | 1   |
| 29   | N/A       | Asm, Voltage Regulator Key Sta .....                              | 1   |
| 30   | 103198001 | Asm, Wire Harness, Carryall 2 Plus .....                          | 1   |
| 31   | 1242      | Nut, 5/16-18 Hex .....  | 2   |
| 32   | 183       | Washer, #10 Type A Flat .....                                     | 1   |
| 33   | 7893      | Nut, #10-32 Hex .....   | 2   |
| 34   | 8057      | Nut, #4-40 Hex Machine .....                                      | 4   |
| 35   | 8058      | Lockwasher, #4 Split .....  | 2   |
| 36   | 8450      | Screw, #10-24 X 0.50 Hex-Head .....                               | 1   |
| 37   | 8717      | Locknut, 1/4-28 Nylon Insert .....                                | 1   |
| 38   | 8990      | Tie Wrap, 8" Nylon .....  | 3   |
| 39   | 1241      | Washer, 5/16 Type A Flat .....                                    | 2   |
| 40   | 7473      | Locknut, 5/16-18 Nylon Insert .....                               | 2   |
| 41   | 7818      | Bolt, Carriage, 5/16-18 X 1.5 .....                               | 1   |

6

G

**6**  
**G**

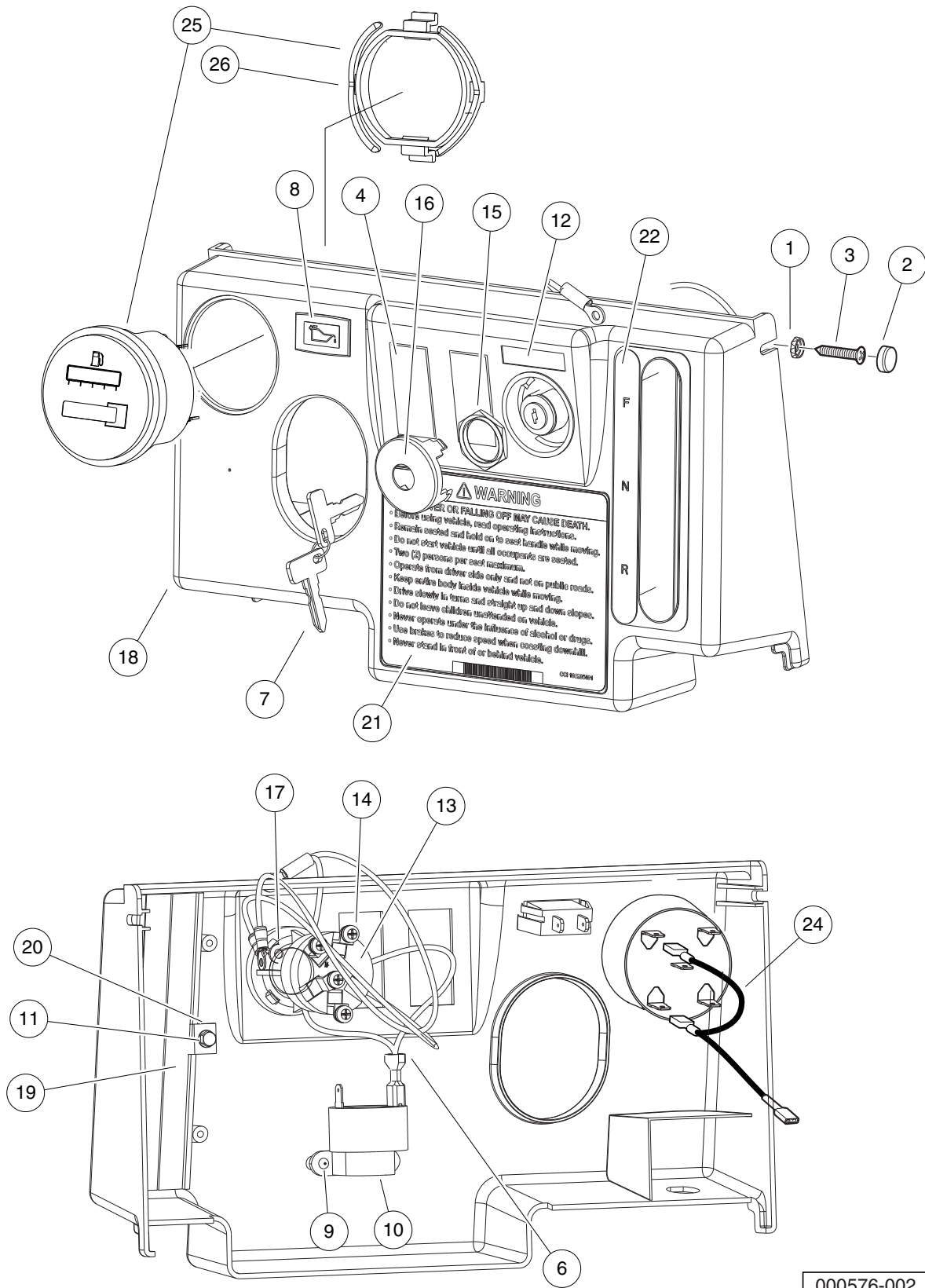


000576-001

# INSTRUMENT PANEL AND ELECTRICAL COMPONENTS – XRT 900 AND CARRYALL 2 PLUS

| ITEM | PART NO.  | DESCRIPTION  | QTY |
|------|-----------|--|-----|
|      |           | <b>1 2 3 4</b>   |     |
| 1    | 1011382   | Washer, #10 Pan-Head Screw .....   | 2   |
| 2    | 1013494   | Cover, Screw Head .....  | 2   |
| 3    | 1015528   | Screw, #10 x 1-1/4 Phillips Head .....   | 2   |
| 4    | 103180101 | Cover, Hole, Switch, Rocker .....  | 2   |
| 5    | N/A       | Asm, Dash, Gas, Key Start (Instrument Panel) (includes items 6 through 22) ..... | 1   |
| 6    | 1012505   | Keys (set of 2) .....  | 1   |
| 7    | 1016630   | Light, Oil .....   | 1   |
| 8    | 1016849   | Screw, #4-24 X 0.33 Pan-Head Machine .....                                       | 2   |
| 9    | 1016851   | Buzzer, Reverse (9-48 VDC) .....   | 1   |
| 10   | 101804301 | Screw, #8 X 0.500, Hex-Head Hi-Lo .....  | 2   |
| 11   | 101825102 | Decal, Off/On/Start .....  | 1   |
| 12   | 101826401 | Key Switch, 12-Volt, Off/On/Start .....  | 1   |
| 13   | 101830601 | Screw and Washer Assembly .....  | 5   |
| 14   | 101830701 | Nut, Key Switch .....  | 1   |
| 15   | 101834502 | Cap, Black Key Switch .....  | 1   |
| 16   | 101851101 | Washer, Key Switch .....   | 1   |
| 17   | 102977001 | Panel, Dash, Center, Gas (Instrument Panel) .....                                | 1   |
| 18   | 103199001 | Brush, Closeout, FNR .....   | 2   |
| 19   | 103199101 | Washer, Retaining, Brush, FNR .....  | 2   |
| 20   | 103205401 | Decal, Warning, Rollover, Utl .....  | 1   |
| 21   | 103210201 | Decal, Forward/Reverse, Gas .....  | 1   |
| 22   | 103390801 | Kit, F-h Replmnt Utl Pre2007 (includes items 23 through 26) .....                | 1   |
| 23   | 103348501 | Asm Wire Meter F-h Jumper .....  | 1   |
| 24   | 103348601 | Gauge, Fuel-hour,sep Gnd,utl (includes item 25) .....                            | 1   |
| 25   | 103348201 | Clip, Meter, Round .....   | 1   |
| 26   | N/A       | Instr, F-h Replmnt Pre2007 .....   | 1   |

**6**  
**G**



000576-002

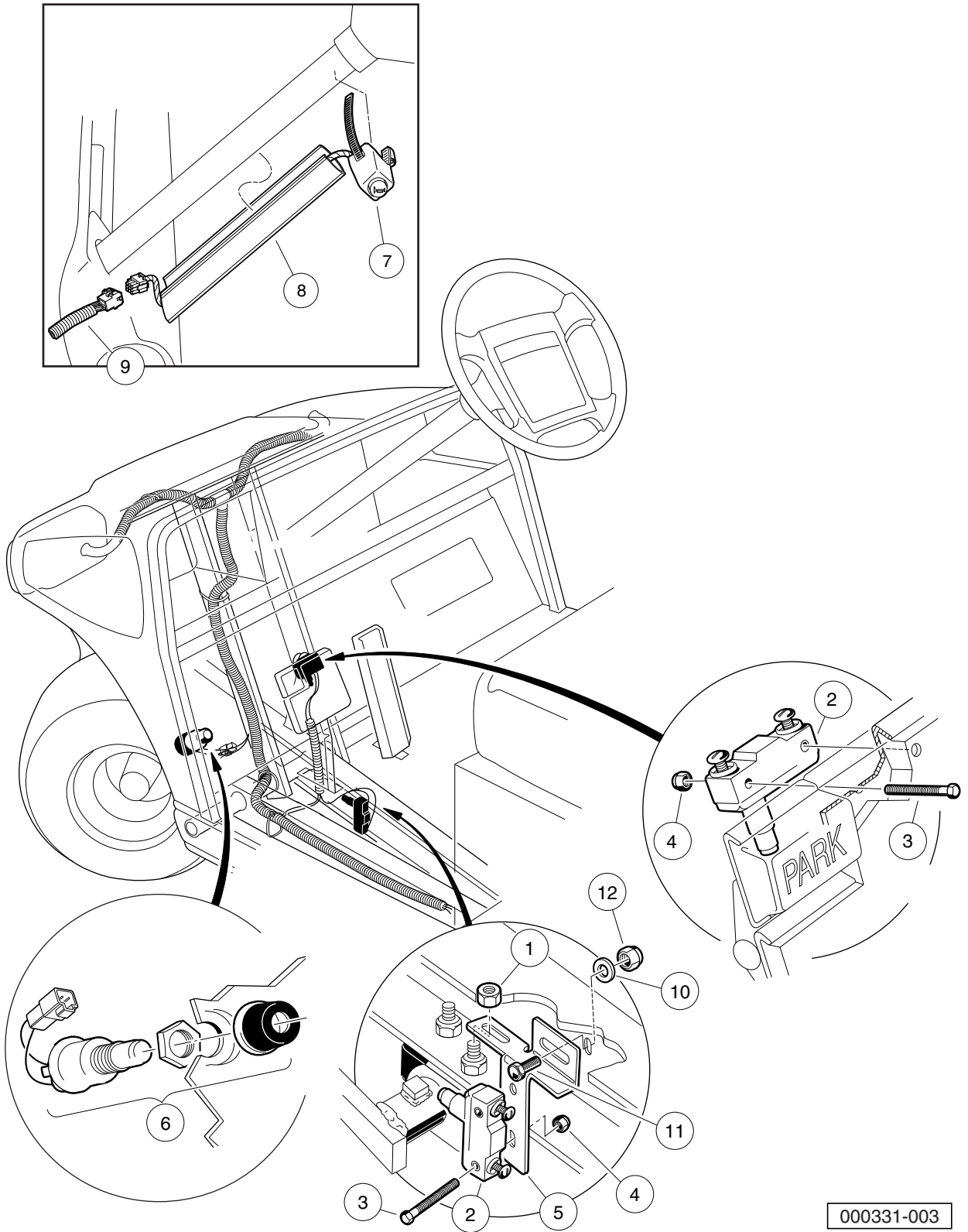
# INSTRUMENT PANEL AND ELECTRICAL COMPONENTS – TURF/ CARRYALL 2 AND 252

| ITEM | PART NO.  | DESCRIPTION  | QTY |
|------|-----------|--|-----|
|      |           | 1 2 3 4  |     |
| 1    | 1011382   | Washer, #10 Pan-Head Screw .....   | 2   |
| 2    | 1013494   | Cover, Screw Head .....  | 2   |
| 3    | 1015528   | Screw, #10 x 1-1/4 Phillips Head .....   | 2   |
| 4    | 103180101 | Cover, Hole, Switch, Rocker .....  | 2   |
| 5    | N/A       | Asm, Dash, Gas, Pedal-Start (Instrument Panel) (includes items 6 through 23) ..... | 1   |
| 6    | 1012396   | Wire Assy #18 Black .....  | 1   |
| 7    | 1012505   | Keys (set of 2) .....  | 1   |
| 8    | 1016630   | Light, Oil .....   | 1   |
| 9    | 1016849   | Screw, #4-24 X 0.33 Pan-Head Machine .....   | 2   |
| 10   | 1016851   | Buzzer, Reverse (9-48 VDC) .....   | 1   |
| 11   | 101804301 | Screw, #8 X 0.500, Hex-Head Hi-Lo .....  | 2   |
| 12   | 101825101 | Decal, Off/On .....  | 1   |
| 13   | 101826301 | Key Switch, 12-Volt, Off/On .....  | 1   |
| 14   | 101830601 | Screw and Washer Assembly .....  | 4   |
| 15   | 101830701 | Nut, Key Switch .....  | 1   |
| 16   | 101834502 | Cap, Black Key Switch .....  | 1   |
| 17   | 101851101 | Washer, Key Switch .....   | 1   |
| 18   | 102977001 | Panel, Dash, Center, Gas (Instrument Panel) .....                                  | 1   |
| 19   | 103199001 | Brush, Closeout, FNR .....   | 2   |
| 20   | 103199101 | Washer, Retaining, Brush, FNR .....  | 2   |
| 21   | 103205401 | Decal, Warning, Rollover, Utl .....  | 1   |
| 22   | 103210201 | Decal, Forward/Reverse, Gas .....  | 1   |
| 23   | 103390801 | Kit, F-h Replmnt Utl Pre2007 (includes items 24 through 27) .....                  | 1   |
| 24   | 103348501 | Asm Wire Meter F-h Jumper .....  | 1   |
| 25   | 103348601 | Gauge, Fuel-hour,sep Gnd,utl (includes item 26) .....                              | 1   |
| 26   | 103348201 | Clip, Meter, Round .....   | 1   |
| 27   | N/A       | Instr, F-h Replmnt Pre2007 .....   | 1   |

**6**

**G**

**6**  
**G**



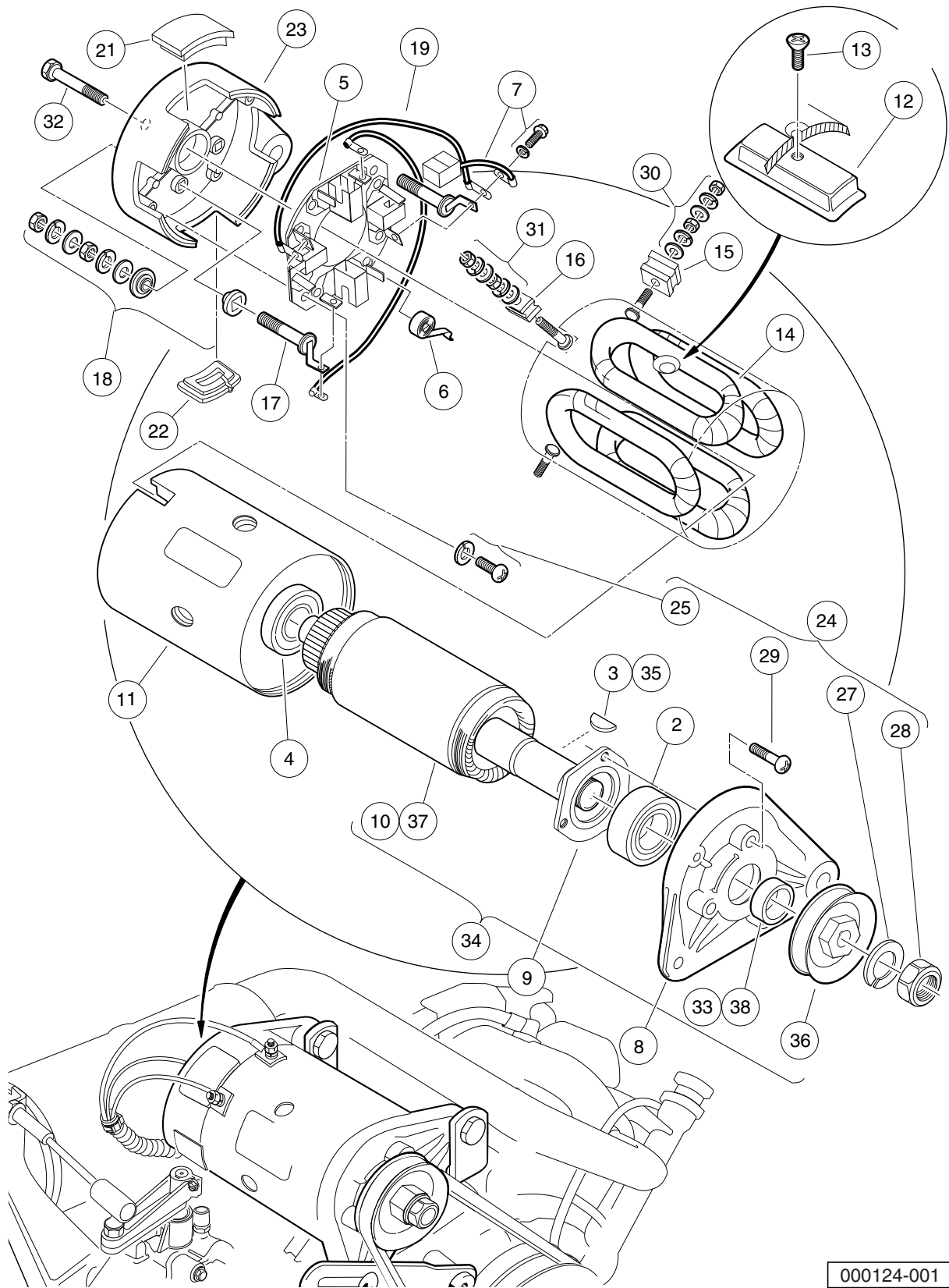
000331-003

# HORN AND BRAKE SWITCHES

| ITEM | PART NO.  | DESCRIPTION                                | QTY |
|------|-----------|--|-----|
|      |           | <b>1 2 3 4</b>                             |     |
| 1    | 1011280   | Locknut, 5/16-18 .....                     | 1   |
| 2    | 1011439   | Switch, Limit .....                        | 2   |
| 3    | 1011557   | Screw, #6-32 X 1.00 Hex-Head Machine ..... | 4   |
| 4    | 101932201 | Locknut, #6-32 Nylon .....                 | 4   |
| 5    | 101957101 | Bracket, Brake Light Switch .....          | 1   |
| 6    | 101969701 | Horn Button and Wire Assembly .....        | 1   |
| 7    | 102517601 | Subasm, Horn Button Harness .....          | 1   |
| 8    | 102529201 | Wire Cover, Steering Column .....          | 1   |
| 9    | 103618101 | Harness, Jumper, Horn .....                | 1   |
| 10   | 1241      | Washer, 5/16 Type A Flat .....             | 1   |
| 11   | 7173      | Screw, 5/16-18 X 0.75 Hex-Head Cap .....   | 1   |
| 12   | 7473      | Locknut, 5/16-18 Nylon Insert .....        | 1   |

**6**  
**G**

**6**  
**G**



000124-001

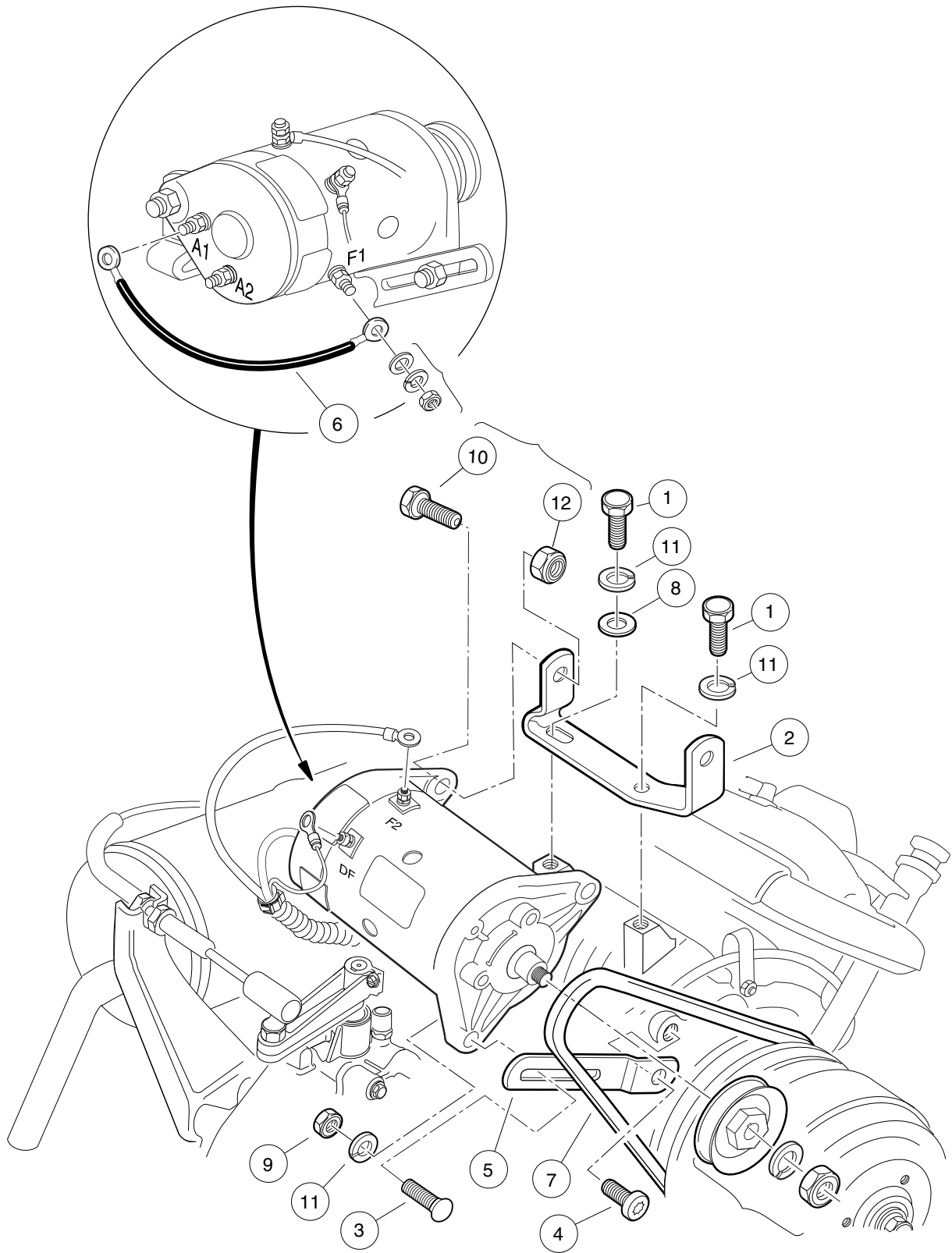


# STARTER/GENERATOR ASSEMBLY MODEL G425419 – GASOLINE VEHICLES

| ITEM | PART NO.  | DESCRIPTION  | QTY |
|------|-----------|--|-----|
|      |           | <b>1 2 3 4</b>   |     |
| 1    | 101833701 | Starter/Generator (cw) (includes items 2 through 33) .....       | 1   |
| 2    | 1013001   | Bearing, Output Shaft Ball .....                                 | 1   |
| 3    | 1013003   | Key, Starter/Generator .....                                     | 1   |
| 4    | 1013005   | Bearing, Ball .....  | 1   |
| 5    | 101301102 | Brush Holder Assembly (cw) (includes item 6) .....               | 1   |
| 6    | 101878101 | Brush Spring Set .....   | 4   |
| 7    | 101869302 | Brush and Screw Set (cw) .....                                   | 1   |
| 8    | 101874901 | Front Bracket .....  | 1   |
| 9    | 101875001 | Retainer .....   | 1   |
| 10   | 101875101 | Armature .....   | 1   |
| 11   | 101875201 | Field Coil Housing .....   | 1   |
| 12   | 101875301 | Pole Set .....   | 1   |
| 13   | 101875401 | Screw Set .....  | 1   |
| 14   | 101875501 | Field Stator Coil Assembly .....                                 | 1   |
| 15   | 101875601 | F Insulator Set .....  | 2   |
| 16   | 101875701 | DF Insulator .....   | 1   |
| 17   | 101875802 | A Connector (cw) .....   | 1   |
| 18   | 101876001 | Screw and Mold Assembly .....                                    | 2   |
| 19   | 101876202 | Brush Connector Assembly (cw) .....                              | 2   |
| 20   | 101876301 | Cover Set (includes items 21 and 22) .....                       | 1   |
| 21   | 1012991   | Brush Inspection Port Cover .....                                | 3   |
| 22   | 1017653   | Brush Port Cover w/Drain .....                                   | 1   |
| 23   | 101876402 | Rear Bracket (cw) .....  | 1   |
| 24   | 101876501 | Nut and Screw Set (includes items 25 through 29) .....           | 1   |
| 25   | 101896501 | Brush Holder Asm Screw .....                                     | 2   |
| 26   | N/A       | Washer, M5 Flat .....  | 1   |
| 27   | N/A       | Washer, M14 Lock .....   | 1   |
| 28   | N/A       | Nut, Hex, M14 x 2 .....  | 1   |
| 29   | N/A       | Screw, M5 x 0.8 x 18mm .....                                     | 3   |
| 30   | 101877601 | Nut and Washer Set .....   | 2   |
| 31   | 101877701 | Nut and Washer Set .....   | 1   |
| 32   | 101879001 | Through Bolt Set .....   | 2   |
| 33   | 101939901 | Spacer .....   | 1   |
| 34   | 101875102 | Armature Asm Conversion Kit (includes items 35 through 38) ..... | 1   |
| 35   | 1013003   | Key, Starter/Generator .....                                     | 1   |
| 36   | 1014289   | Pulley, Starter/Generator .....                                  | 1   |
| 37   | 101875101 | Armature .....   | 1   |
| 38   | 101939901 | Spacer .....   | 1   |
|      |           | Note: Item 36 will ONLY fit Model G425419 Starter/Generator.     |     |

**6**  
**G**

**6**  
**G**



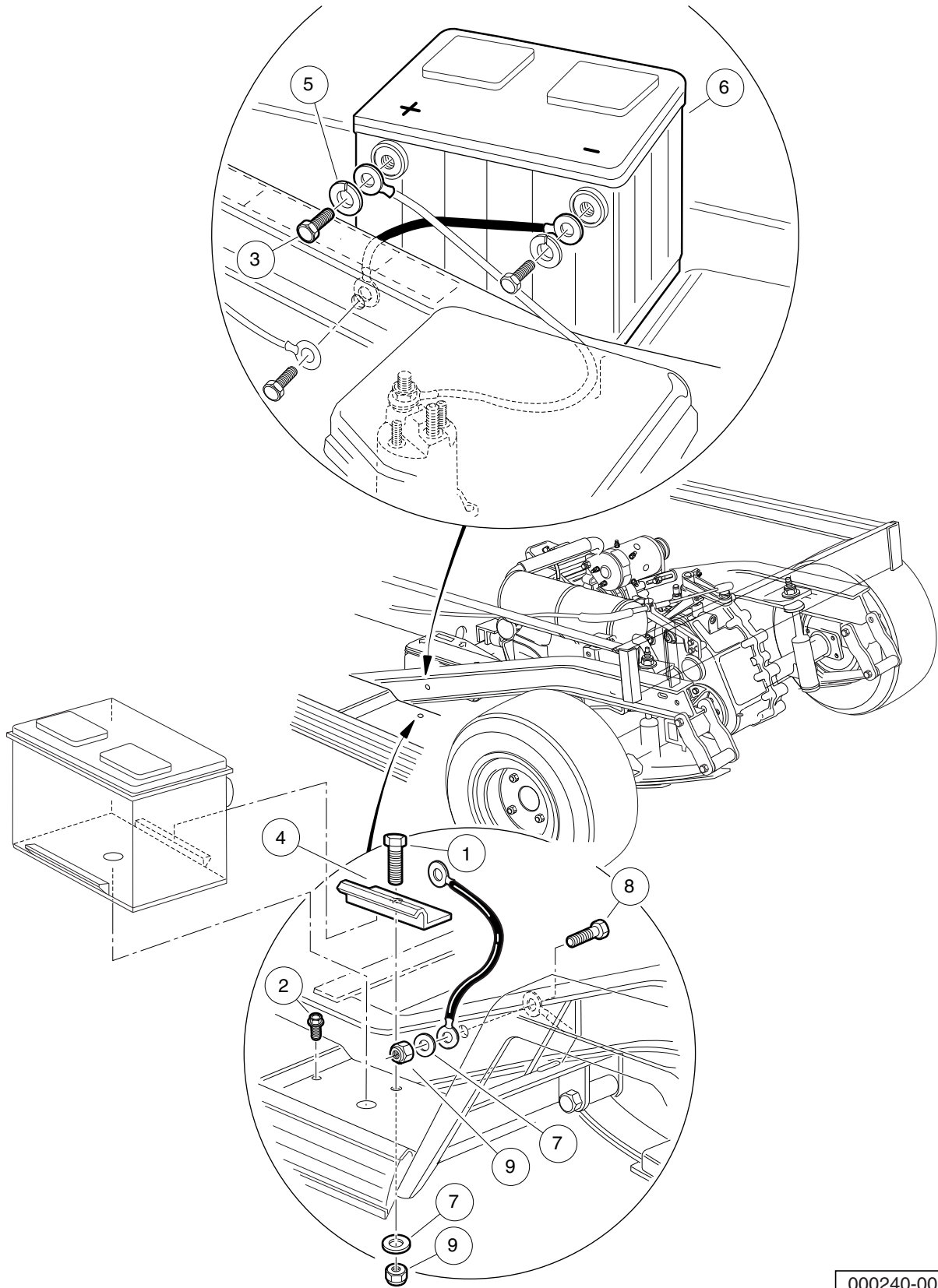
000239-001

# FE350 STARTER/GENERATOR MOUNTING – GASOLINE VEHICLES

| ITEM | PART NO.  | DESCRIPTION                                 | QTY |
|------|-----------|---|-----|
|      |           | 1 2 3 4                                     |     |
| 1    | 1012830   | Screw, M8-125 X 22 Hex-Head .....           | 2   |
| 2    | 101524002 | Bracket, Starter/Generator Mounting .....   | 1   |
| 3    | 1015932   | Bolt, Carriage, 5/16-18 .....               | 1   |
| 4    | 1016074   | Screw, M8-1.25 X 18mm Torx .....            | 1   |
| 5    | 1016883   | Bracket, Starter/Generator Adjustment ..... | 1   |
| 6    | 101837301 | Wire Assy, #6 Green .....                   | 1   |
| 7    | 101916701 | V-Belt .....                                | 1   |
| 8    | 1241      | Washer, 5/16 Type A Flat .....              | 1   |
| 9    | 1242      | Nut, 5/16-18 Hex .....                      | 1   |
| 10   | 705       | Screw, Cap-hex Hd 3/8-16x1.25 .....         | 2   |
| 11   | 7174      | Lockwasher, 5/16 Split .....                | 3   |
| 12   | 8754      | Locknut, 3/8-16 Hex .....                   | 2   |

**6**  
**G**

**6**  
**G**



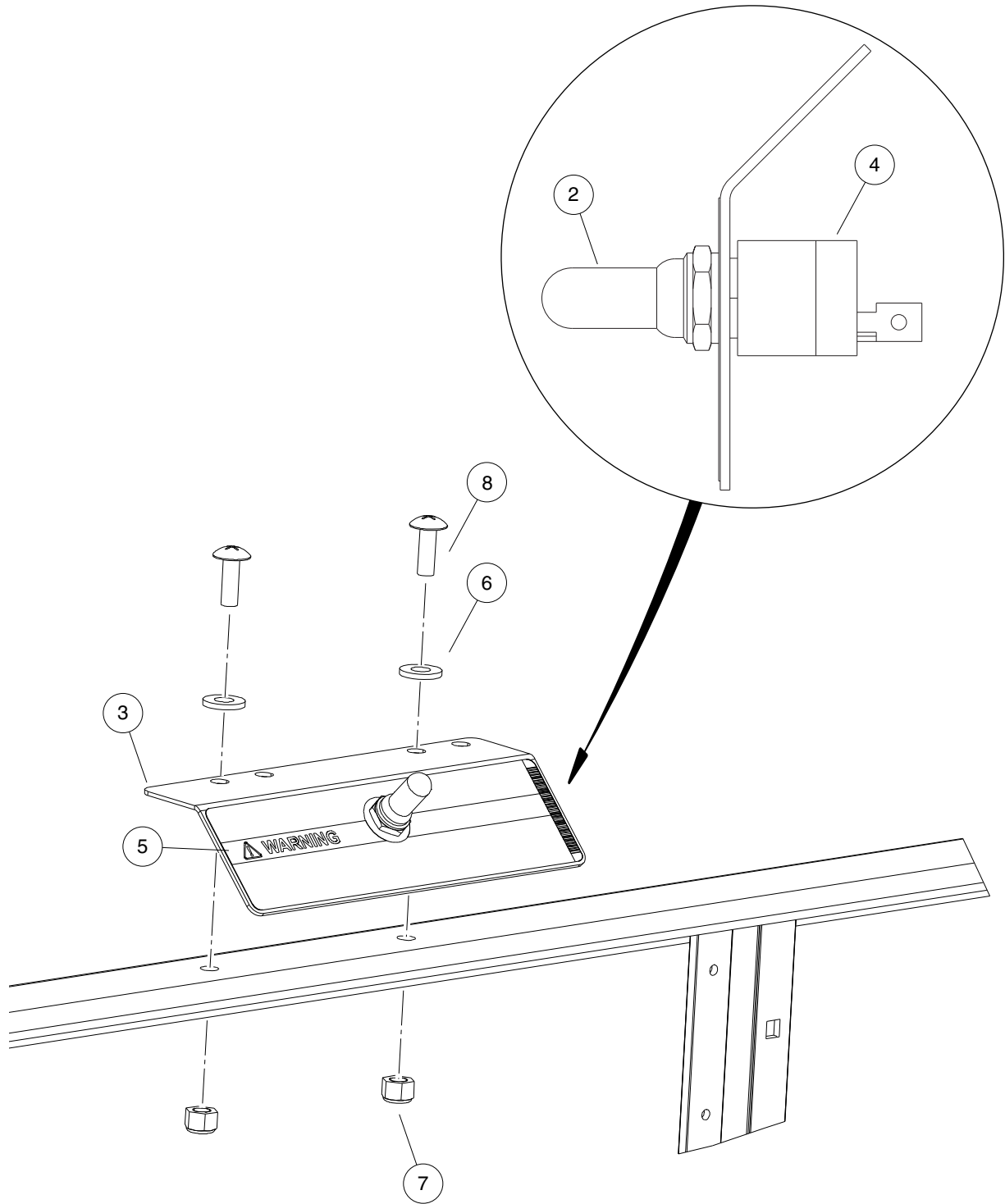
000240-001

## BATTERY – GASOLINE VEHICLE

| ITEM | PART NO.  | DESCRIPTION   | QTY |
|------|-----------|---|-----|
|      |           | 1 2 3 4   |     |
| 1    | 1010934   | Screw, 5/16-18 X 1.00 Hex Cap .....                 | 1   |
| 2    | 1014288   | Screw, 5/16-18 X 0.75 Thread-Forming .....          | 1   |
| 3    | 1014375   | Screw, 3/8-16 X 0.50 Stainless Steel Hex-Head ..... | 2   |
| 4    | 101898001 | Clamp, Battery .....                                | 1   |
| 5    | 102355301 | Lockwasher, #10 Split Ss .....                      | 2   |
| 6    | N/A       | Battery, Start, 12v .....                           | 1   |
| 7    | 1241      | Washer, 5/16 Type A Flat .....                      | 2   |
| 8    | 7173      | Screw, 5/16-18 X 0.75 Hex-Head Cap .....            | 1   |
| 9    | 7473      | Locknut, 5/16-18 Nylon Insert .....                 | 2   |

6  
G

**6**  
**G**



000755-001

# OPERATION AND MAINTENANCE SWITCH

| ITEM | PART NO.  | DESCRIPTION  | QTY |
|------|-----------|--|-----|
|      |           | 1 2 3 4  |     |
| 1    | N/A       | Switch, Operation/Maintenance (includes items 2 through 5) ..... | 1   |
| 2    | 101908401 | Boot, Switch .....   | 1   |
| 3    | 101922501 | Bracket, Tow/Run Switch Mounting .....                           | 1   |
| 4    | 103198401 | Switch, Toggle, SPDT .....                                       | 1   |
| 5    | 103205501 | Decal, Run/Service Switch .....                                  | 1   |
| 6    | 332       | Washer, 1/4 Type A Narrow Flat .....                             | 2   |
| 7    | 8233      | Locknut, 1/4-20 Nylon Insert .....                               | 2   |
| 8    | 8248      | Screw, 1/4-20 X 0.75 Truss-Head Machine .....                    | 2   |

**6**  
**G**

6

G



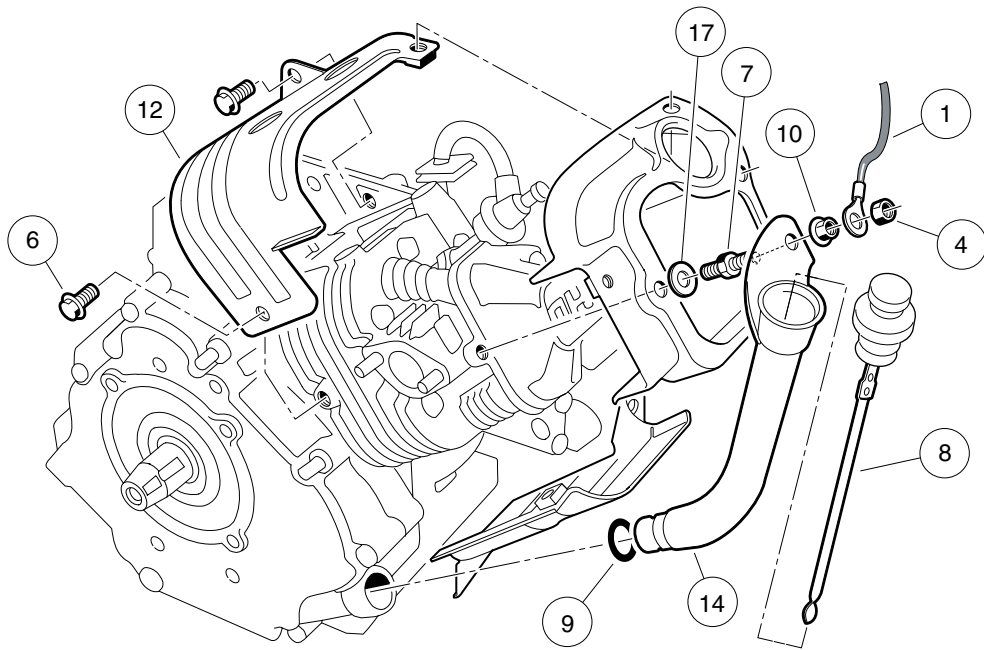
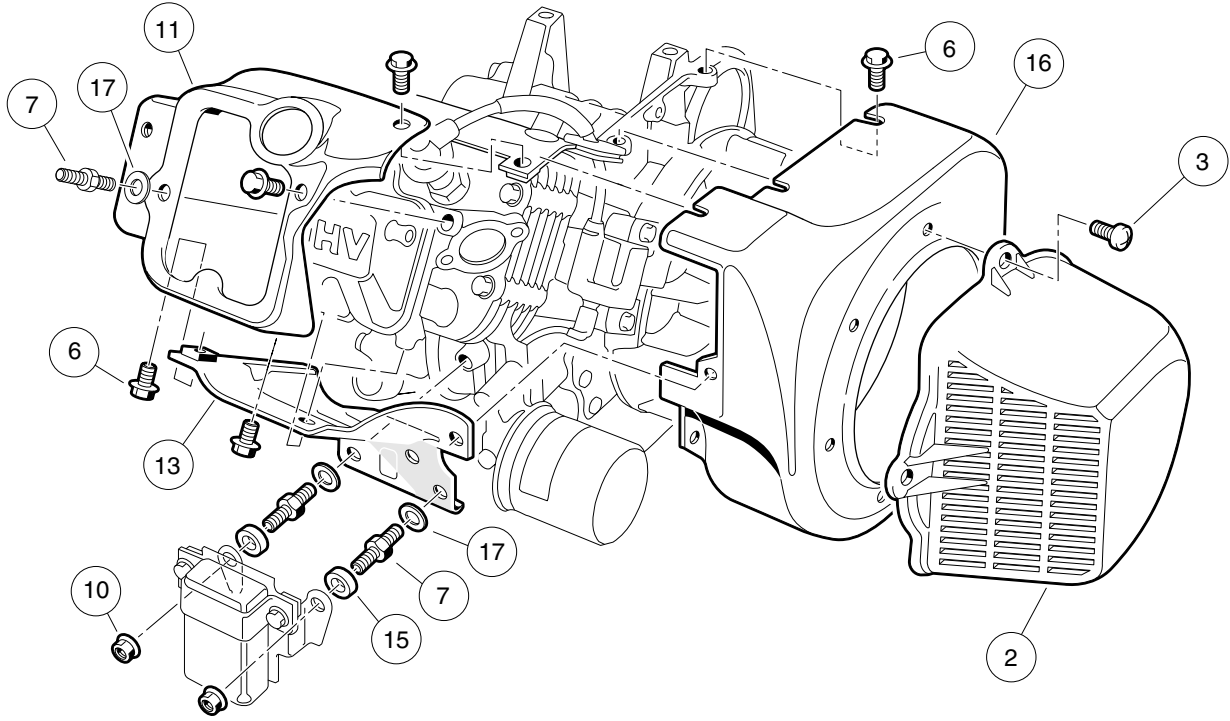
# FE350 ENGINE WITH ACR (CARRYALL 2 PLUS)

---

7

G

**7**  
**G**



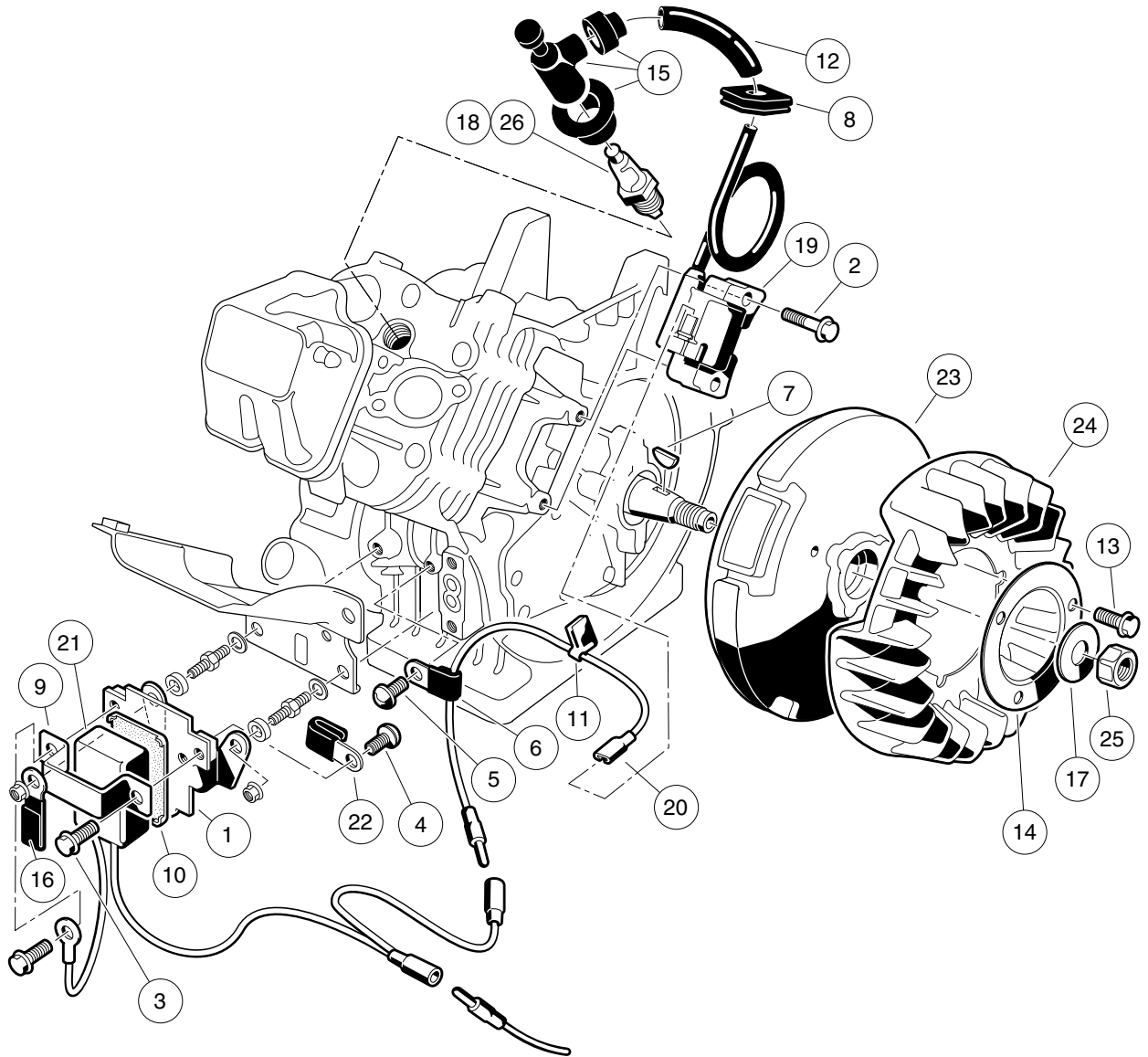
000201-001

# FE350 ENGINE WITH ACR (AUTOMATIC COMPRESSION RELEASE) – SHROUDS AND BRACKETS

| ITEM | PART NO.  | DESCRIPTION   | QTY |
|------|-----------|---|-----|
|      |           | 1 2 3 4   |     |
| 1    | 1015332   | Wire Assembly, #10, Uninsulated .....                             | 1   |
| 2    | 1015649   | Shroud, Fan .....   | 1   |
| 3    | 1015969   | Screw, M6-1.00 X 10mm Pan Hd .....                                | 4   |
| 4    | 101887601 | Locknut, M6-1.00 Nylon Insert .....                               | 1   |
| 5    | 101953801 | Engine, FE350 (cw) with ACR * (includes items 6 through 17) ..... | 1   |
| 6    | 1016456   | Bolt, Flange Head, M6 x 1 x 12 mm .....                           | 14  |
| 7    | 1016507   | Bolt, Two-Ended .....   | 3   |
| 8    | 1016531   | Dipstick .....  | 1   |
| 9    | 1016539   | O-Ring .....  | 1   |
| 10   | 1016547   | Nut, M6 Flange .....  | 3   |
| 11   | 1017474   | Shroud, Engine .....  | 1   |
| 12   | 1017475   | Shroud, Engine .....  | 1   |
| 13   | 1017476   | Shroud, Engine .....  | 1   |
| 14   | 1017486   | Tube, Oil Filler .....  | 1   |
| 15   | 1017500   | Spacer 6.50 X 12 X 5.5 .....                                      | 2   |
| 16   | 101916101 | Housing, FE350 Fan .....  | 1   |
| 17   | N/A       | Washer, 6mm Flat .....  | 3   |
|      |           | * Note: FE350 engine component listings span several pages.       |     |

7

G

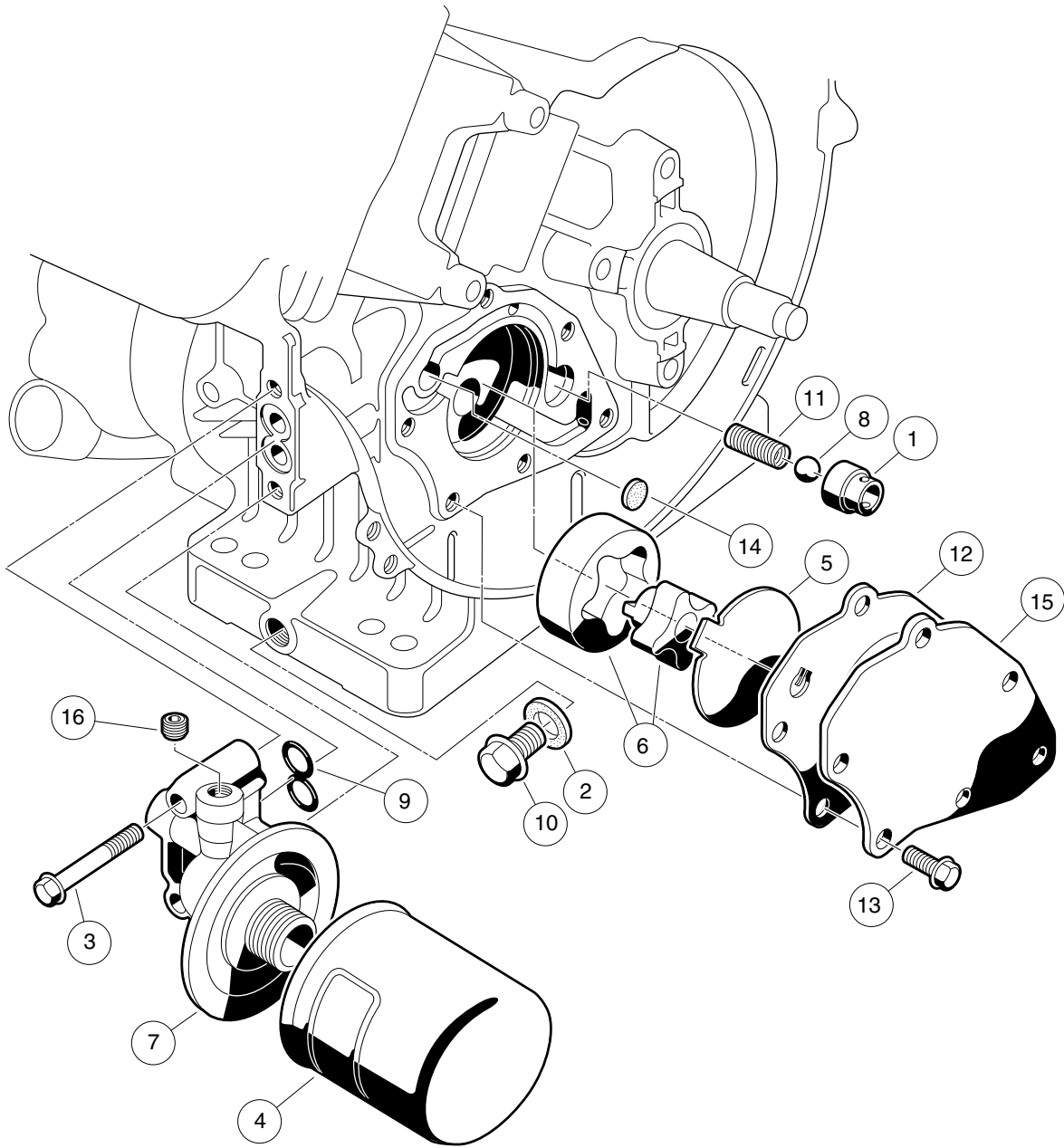


000202-001

# AS11 FE350 ENGINE – IGNITION COMPONENTS AND FLYWHEEL

| ITEM | PART NO.  | DESCRIPTION                             | QTY |
|------|-----------|---|-----|
|      |           | <b>1 2 3 4</b>                          |     |
| 1    | 1016445   | Bracket, RPM Limiter .....              | 1   |
| 2    | 1016455   | Bolt, Flange Head .....                 | 2   |
| 3    | 1016456   | Bolt, Flange Head, M6 x 1 x 12 mm ..... | 2   |
| 4    | 1016497   | Screw, Pan WP Cross .....               | 1   |
| 5    | 1016544   | Screw .....                             | 1   |
| 6    | 1016561   | Clamp .....                             | 1   |
| 7    | 1016562   | Key .....                               | 1   |
| 8    | 1016578   | Ignition, Grommet .....                 | 1   |
| 9    | 1016579   | Band, RPM Limiter Mount .....           | 1   |
| 10   | 1016586   | Damper, RPM Limiter .....               | 1   |
| 11   | 1016587   | Clamp .....                             | 1   |
| 12   | 1016588   | Tube, 7mm X 10mm X 70mm .....           | 1   |
| 13   | 1017448   | Bolt, Flanged .....                     | 3   |
| 14   | 1017455   | Plate, Flywheel Fan .....               | 1   |
| 15   | 1017463   | Cap Asm Plug .....                      | 1   |
| 16   | 1017468   | Clamp .....                             | 1   |
| 17   | 1017490   | Washer, Flat .....                      | 1   |
| 18   | 101881101 | Spark Plug, OHV (Autolite) .....        | 1   |
| 19   | 101909201 | Coil, Ignition .....                    | 1   |
| 20   | 101909301 | Lead Wire Assy .....                    | 1   |
| 21   | 101909401 | Limiter, RPM .....                      | 1   |
| 22   | 101909501 | Clamp, Steel .....                      | 1   |
| 23   | 101916201 | Flywheel .....                          | 1   |
| 24   | 101916301 | Fan (cw) .....                          | 1   |
| 25   | N/A       | Nut, Hex, 18 mm Fine .....              | 1   |
| 26   | AM10724   | Spark Plug, OHV (NGK) .....             | 1   |

**7**  
**G**

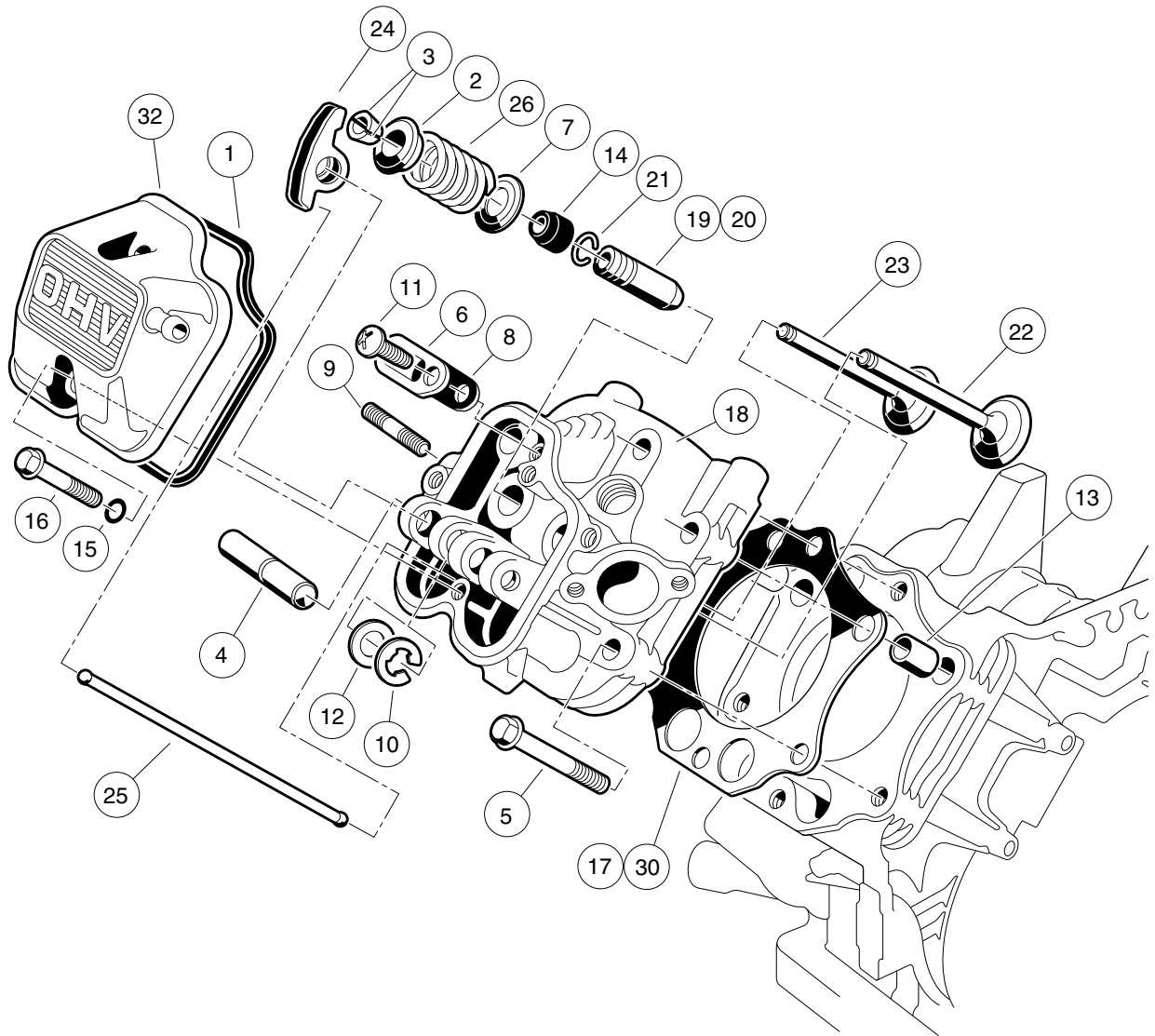


000203-001

## FE350 ENGINE – OIL CIRCULATION

| ITEM | PART NO.  | DESCRIPTION                        | QTY |
|------|-----------|------------------------------------|-----|
|      |           | 1 2 3 4                            |     |
| 1    | 1016429   | Seat, Value Oil Press Relief ..... | 1   |
| 2    | 1016432   | Gasket, Drain Plug .....           | 1   |
| 3    | 1016457   | Bolt, Flange Head .....            | 2   |
| 4    | 1016467   | Filter, Oil .....                  | 1   |
| 5    | 1016473   | Plate, Oil Pump .....              | 1   |
| 6    | 101648203 | Oil Pump And Rotor .....           | 1   |
| 7    | 1016502   | Bracket, Oil Filter Mount .....    | 1   |
| 8    | 1016537   | Ball, Steel, Press, Relief .....   | 1   |
| 9    | 1016570   | O-Ring .....                       | 1   |
| 10   | 1016576   | Plug, Drain .....                  | 1   |
| 11   | 1016581   | Spring .....                       | 1   |
| 12   | 1017442   | Gasket .....                       | 1   |
| 13   | 1017456   | Bolt, Flanged .....                | 6   |
| 14   | 1017458   | Filter .....                       | 1   |
| 15   | 1017460   | Cover, Pump .....                  | 1   |
| 16   | 1017507   | Plug .....                         | 2   |

7  
G



000204-001

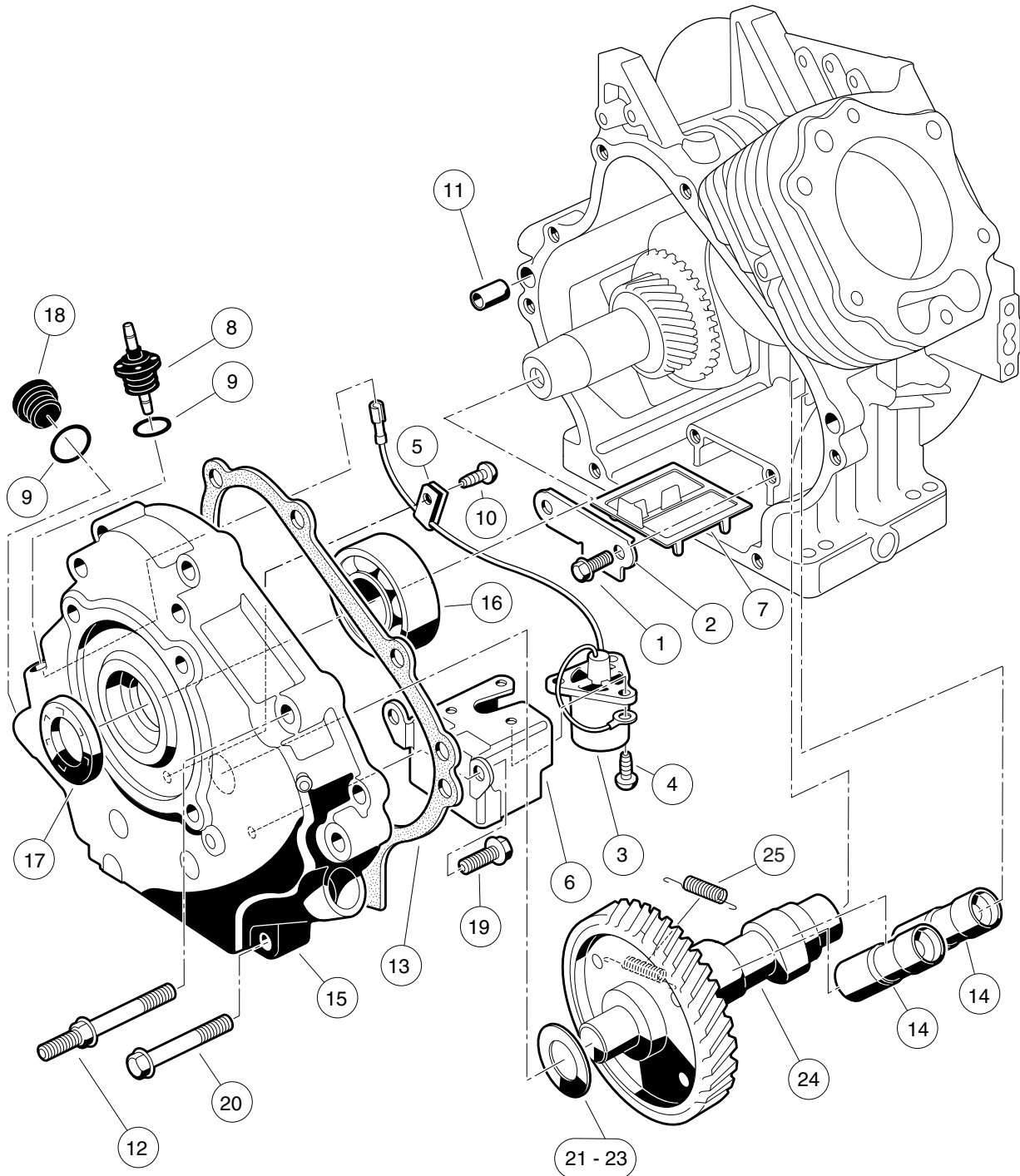


# AS11 FE350 ENGINE – CYLINDER HEAD

| ITEM | PART NO.  | DESCRIPTION   | QTY |
|------|-----------|---|-----|
|      |           | 1 2 3 4   |     |
| 1    | 1016436   | Gasket, Rocker Case .....   | 1   |
| 2    | 1016449   | Retainer, Valve Spring .....  | 2   |
| 3    | 1016450   | Collet .....  | 4   |
| 4    | 1016452   | Shaft, Rocker .....   | 1   |
| 5    | 1016458   | Bolt, Flange Head, M8 x 1.25 x 45 mm .....                          | 6   |
| 6    | 1016474   | Plate .....   | 1   |
| 7    | 1016479   | Seat, Spring .....  | 2   |
| 8    | 1016483   | Valve .....   | 1   |
| 9    | 1016489   | Stud, Two-Ended, M8-1.25 .....                                      | 2   |
| 10   | 1016517   | Circlip, Type-E .....   | 1   |
| 11   | 1016544   | Screw .....   | 1   |
| 12   | 1016549   | Washer, 12.1x19x1.8 .....   | 1   |
| 13   | 1016563   | Pin .....   | 2   |
| 14   | 1016566   | Seal, Oil .....   | 2   |
| 15   | 1016569   | O-Ring .....  | 2   |
| 16   | 1016583   | Bolt, 6x35 .....  | 2   |
| 17   | 1017434   | Gasket, Head .....  | 1   |
| 18   | 1017435   | Assembly, Cylinder Head, FE350 (includes items 19 through 21) ..... | 1   |
| 19   | 1016518   | Guide, Valve, Exhaust .....   | 1   |
| 20   | 1016519   | Guide, Valve .....  | 1   |
| 21   | 1016560   | Snap Ring .....   | 2   |
| 22   | 1017444   | Valve, Intake .....   | 1   |
| 23   | 1017445   | Valve, Exhaust .....  | 1   |
| 24   | 1017446   | Arm, Rocker .....   | 2   |
| 25   | 1017454   | Rod, Push .....   | 2   |
| 26   | 1017473   | Spring, Engine Valve .....  | 2   |
| 27   | 102304801 | Kit, Gasket, FE350 (includes items 28 through 31) .....             | 1   |
| 28   | 1016440   | Gasket, Engine to Insulator .....                                   | 1   |
| 29   | 1016904   | Gasket, Exhaust .....   | 1   |
| 30   | 1017434   | Gasket, Head .....  | 1   |
| 31   | 1017443   | Gasket, Crankcase Cover .....                                       | 1   |
| 32   | 102753401 | Case, Rocker .....  | 1   |
|      |           | Note: Item 28 is not a component of the FE350 engine.               |     |

7

G

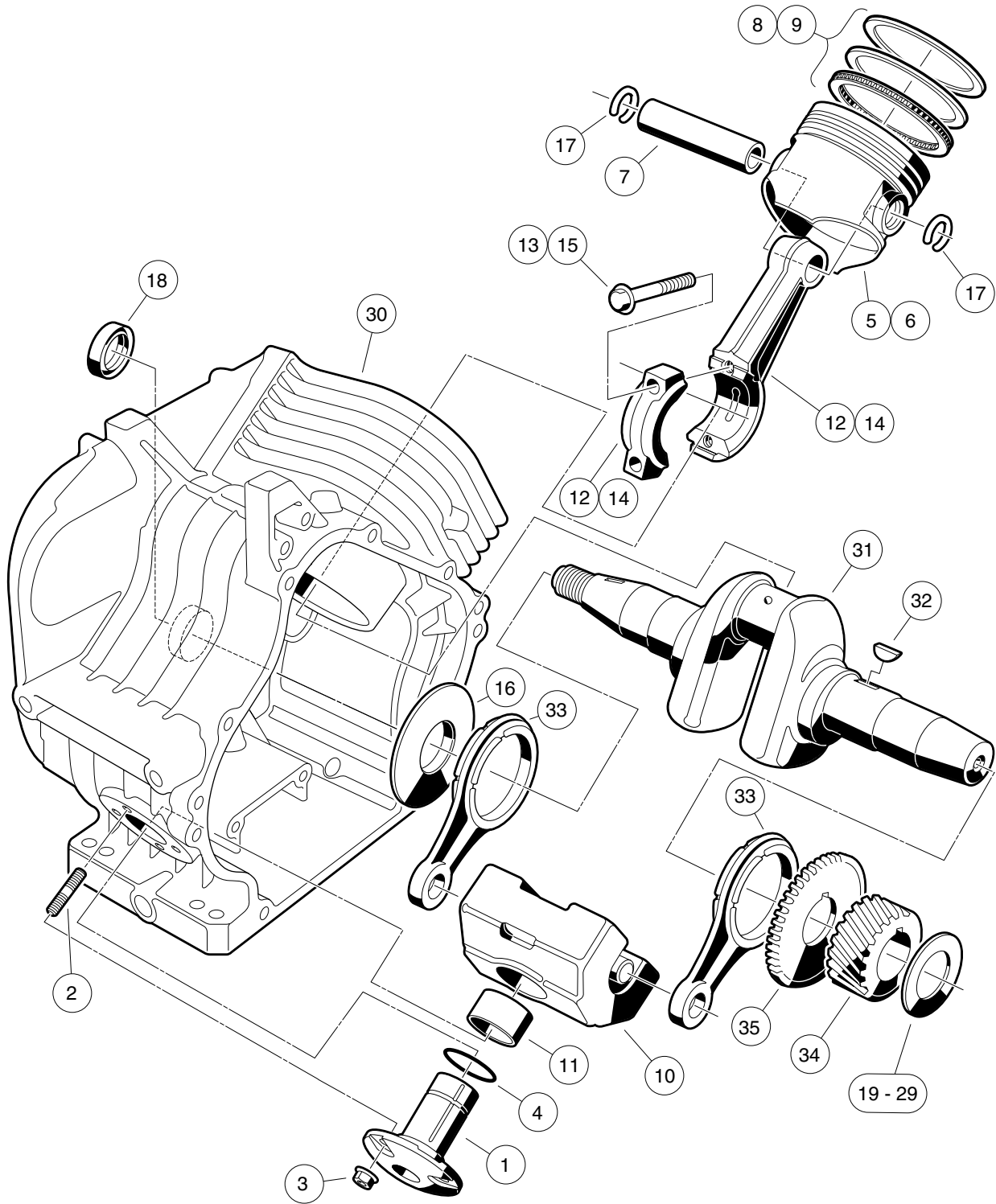


000205-001

# FE350 ENGINE WITH ACR – CRANKCASE, CAMSHAFT, AND OIL SENSOR

| ITEM | PART NO.  | DESCRIPTION   | QTY |
|------|-----------|---|-----|
|      |           | 1 2 3 4   |     |
| 1    | 1016454   | Bolt, Flange Head, M5 x 0.8 x 8 mm .....                          | 2   |
| 2    | 1016472   | Plate, Oil Filter Screen .....                                    | 1   |
| 3    | 1016494   | Sensor, Oil Level .....   | 1   |
| 4    | 1016496   | Screw, Cross Pan-Head, M4 x 0.7 x 8 mm .....                      | 3   |
| 5    | 1016506   | Clamp .....   | 1   |
| 6    | 1016510   | Bracket, Switch, Oil Level .....                                  | 1   |
| 7    | 1016521   | Screen, Oil Filter .....  | 1   |
| 8    | 1016535   | Connector, Cord .....   | 1   |
| 9    | 1016538   | O-Ring .....  | 2   |
| 10   | 1016544   | Screw .....   | 1   |
| 11   | 1016564   | Pin .....   | 2   |
| 12   | 1016584   | Bolt, Two-Ended, M8 x 1.25 x 69 mm .....                          | 2   |
| 13   | 1017443   | Gasket, Crankcase Cover .....                                     | 1   |
| 14   | 1017447   | Adjuster, Lash .....  | 2   |
| 15   | 1017472   | Cover Crankcase .....   | 1   |
| 16   | 1017487   | Bearing, Ball .....   | 1   |
| 17   | 1017504   | Seal, Oil .....   | 1   |
| 18   | 1017508   | Plug .....  | 1   |
| 19   | 1017513   | Bolt Switch Bracket .....   | 2   |
| 20   | 1017514   | Screw, M8-1.25 X 45mm Hex .....                                   | 6   |
| 21   | 101751801 | Shim, 0.3 .....   | 1   |
| 22   | 101751802 | Shim, 0.4 .....   | 1   |
| 23   | 101751803 | Shim, 0.5 .....   | 1   |
| 24   | 102271601 | Camshaft, FE350/FE400 with ACR, 44-tooth (includes item 25) ..... | 1   |
| 25   | 1017511   | Spring .....  | 1   |

**7**  
**G**



000206-001

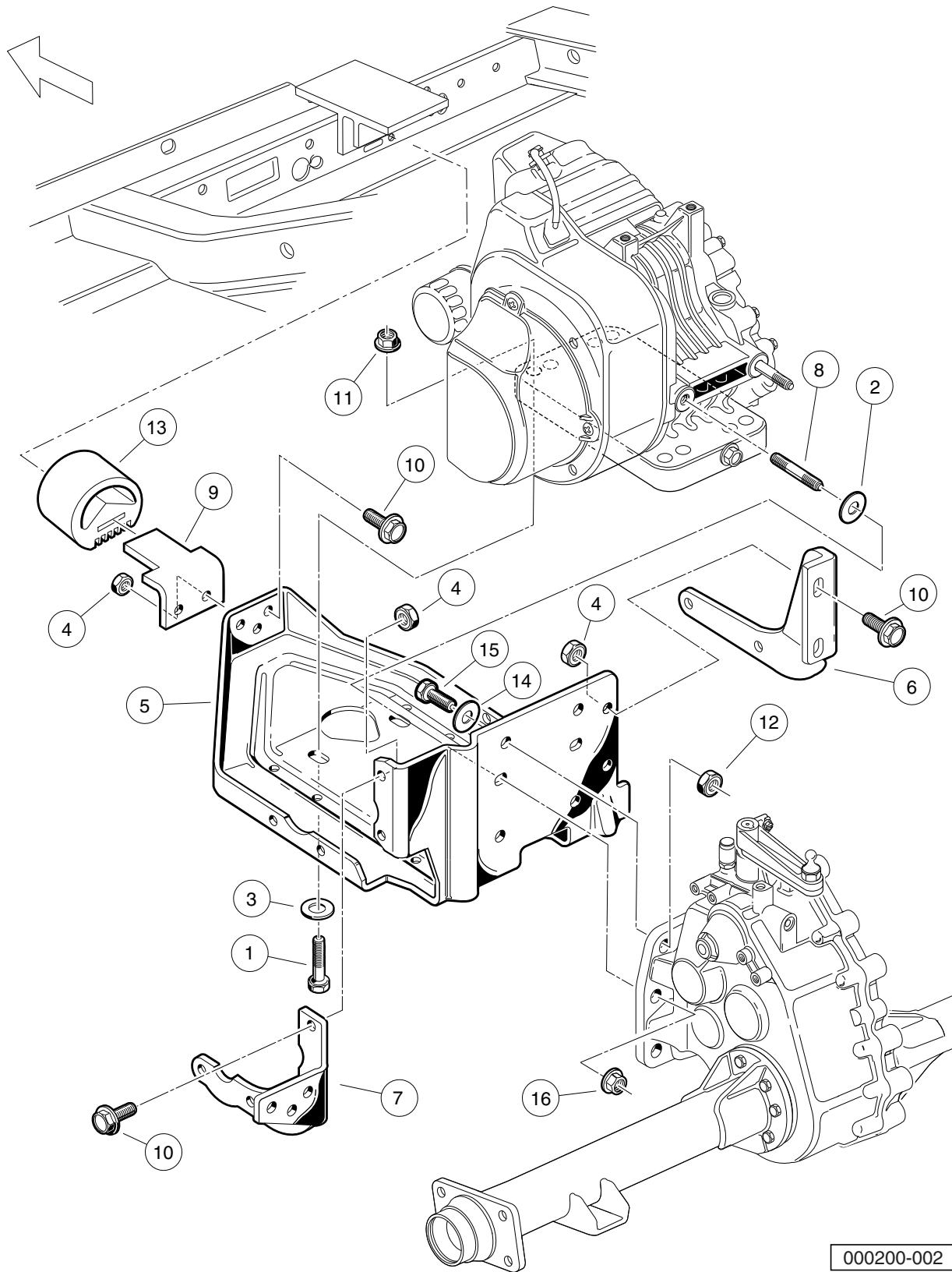
# AS11 FE350 ENGINE – CRANKCASE AND CRANKSHAFT

| ITEM | PART NO.  | DESCRIPTION  | QTY |
|------|-----------|--|-----|
|      |           | 1 2 3 4  |     |
| 1    | 1016470   | Shaft, Guide, Counterbalance .....   | 1   |
| 2    | 1016541   | Stud, 6x14 .....   | 4   |
| 3    | 1016547   | Nut, M6 Flange .....   | 4   |
| 4    | 1016571   | O-Ring .....   | 1   |
| 5    | 101744901 | Piston, Standard .....   | 1   |
| 6    | 101744902 | Piston, 0.50 mm Oversize .....   | 1   |
| 7    | 1017450   | Pin, Piston .....  | 1   |
| 8    | 101745101 | Ring Set, Standard Piston .....  | 1   |
| 9    | 101745102 | Ring Set, Piston, 0.50 mm Oversize .....                                   | 1   |
| 10   | 1017453   | Fe400 Counterbalance Weight (includes item 11) .....                       | 1   |
| 11   | 1017510   | Bearing, Plain .....   | 1   |
| 12   | 101745701 | Asm, Con. Rod Std (includes item 13) .....                                 | 1   |
| 13   | 1017512   | Bolt .....   | 2   |
| 14   | 101745702 | Rod Assembly Connecting Rod 0.5mm (includes item 15) .....                 | 1   |
| 15   | 1017512   | Bolt .....   | 2   |
| 16   | 1017501   | Spacer .....   | 1   |
| 17   | 1017502   | Snap Ring .....  | 2   |
| 18   | 1017503   | Seal, Oil .....  | 1   |
| 19   | 101773301 | Shim, Crankshaft, 1.18mm .....   | 1   |
| 20   | 101773302 | Shim, Crankshaft, 1.25mm .....   | 1   |
| 21   | 101773303 | Shim, Crankshaft, 1.32mm .....   | 1   |
| 22   | 101773304 | Shim, Crankshaft, 1.39mm .....   | 1   |
| 23   | 101773305 | Shim, Crankshaft, 1.46mm .....   | 1   |
| 24   | 101773306 | Shim, Crankshaft, 1.53mm .....   | 1   |
| 25   | 101773307 | Shim, Crankshaft, 1.60mm .....   | 1   |
| 26   | 101773308 | Shim, Crankshaft, 1.67mm .....   | 1   |
| 27   | 101773309 | Shim, Crankshaft, 1.74mm .....   | 1   |
| 28   | 101773310 | Shim, Crankshaft, 1.11 mm .....  | 1   |
| 29   | 101773311 | Shim, Crankshaft, 1.81mm .....   | 1   |
| 30   | 101916001 | Crankcase Complete, FE350 (cw) .....                                       | 1   |
| 31   | 102430901 | Crankshaft, FE350 Left-Hand, 22-Tooth (includes items 32 through 35) ..... | 1   |
| 32   | 1016562   | Key .....  | 1   |
| 33   | 1017471   | Rod .....  | 2   |
| 34   | N/A       | Gear, Helical .....  | 1   |
| 35   | N/A       | Gear, Spur .....   | 1   |

7

G

**7**  
**G**



000200-002

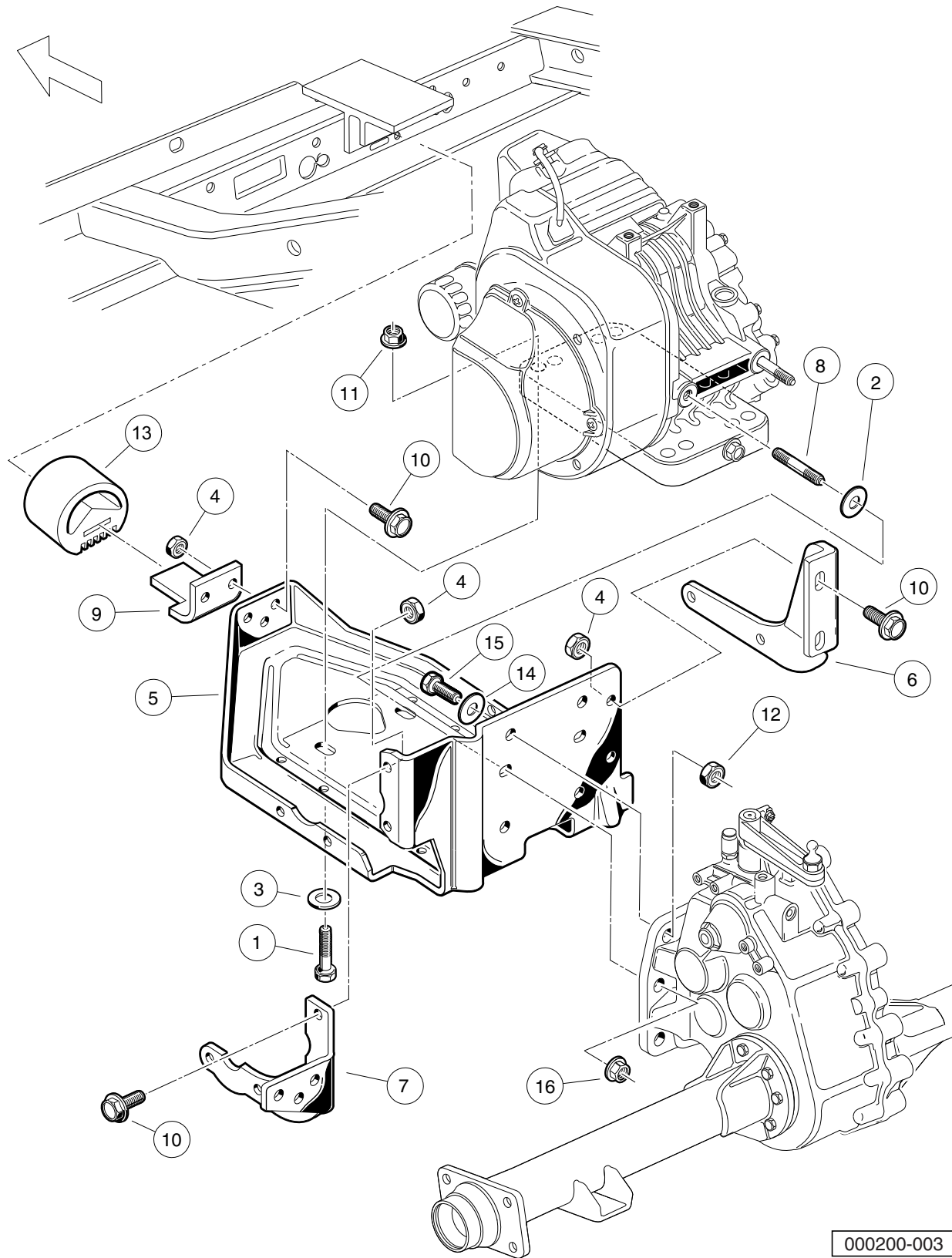
# ENGINE MOUNTING – TURF/CARRYALL 252 AND XRT 900

| ITEM | PART NO.  | DESCRIPTION                           | QTY |
|------|-----------|---------------------------------------|-----|
|      |           | 1 2 3 4                               |     |
| 1    | 1010577   | Bolt, Hex-Head, 5/16-18 X 1.50 .....  | 4   |
| 2    | 1011697   | Washer, 5/16 Flat .....               | 2   |
| 3    | 1012571   | Washer, 5/16 Extra Thick Flat .....   | 4   |
| 4    | 1013924   | Nut, 5/16-24 Hex Head Cone .....      | 10  |
| 5    | 101827101 | Plate, Engine Mounting .....          | 1   |
| 6    | 101832601 | Stiffener (PTO Side) .....            | 1   |
| 7    | 101832701 | Stiffener (Flywheel Side) .....       | 1   |
| 8    | 101833101 | Stud, M8-1.25 X 50 mm Two-Ended ..... | 2   |
| 9    | 101834601 | Snubber Bracket .....                 | 1   |
| 10   | 101884801 | Screw, 5/16-24 X 0.875 Grade-8 .....  | 10  |
| 11   | 101963401 | Locknut, 5/16-18 Hex Flange .....     | 4   |
| 12   | 102065901 | Locknut, 3/8-16 Flanged Dimple .....  | 4   |
| 13   | 102540301 | Inner Frame Snubber .....             | 1   |
| 14   | 334       | Washer, 3/8 Type A Flat .....         | 4   |
| 15   | 705       | Screw, Cap-hex Hd 3/8-16x1.25 .....   | 4   |
| 16   | 96704416  | Nut Flg, M8 X 1.25 Serrated .....     | 2   |

7

G

**7**  
**G**



000200-003



# FE350 ENGINE MOUNTING – TURF/CARRYALL 2 AND CARRYALL 2 PLUS

| ITEM | PART NO.  | DESCRIPTION                           | QTY |
|------|-----------|---------------------------------------|-----|
|      |           | 1 2 3 4                               |     |
| 1    | 1010577   | Bolt, Hex-Head, 5/16-18 X 1.50 .....  | 4   |
| 2    | 1011697   | Washer, 5/16 Flat .....               | 2   |
| 3    | 1012571   | Washer, 5/16 Extra Thick Flat .....   | 4   |
| 4    | 1013924   | Nut, 5/16-24 Hex Head Cone .....      | 10  |
| 5    | 101827101 | Plate, Engine Mounting .....          | 1   |
| 6    | 101832601 | Stiffener (PTO Side) .....            | 1   |
| 7    | 101832701 | Stiffener (Flywheel Side) .....       | 1   |
| 8    | 101833101 | Stud, M8-1.25 X 50 mm Two-Ended ..... | 2   |
| 9    | 101834601 | Snubber Bracket .....                 | 1   |
| 10   | 101884801 | Screw, 5/16-24 X 0.875 Grade-8 .....  | 10  |
| 11   | 101963401 | Locknut, 5/16-18 Hex Flange .....     | 4   |
| 12   | 102065901 | Locknut, 3/8-16 Flanged Dimple .....  | 4   |
| 13   | 102540301 | Inner Frame Snubber .....             | 1   |
| 14   | 334       | Washer, 3/8 Type A Flat .....         | 4   |
| 15   | 705       | Screw, Cap-hex Hd 3/8-16x1.25 .....   | 4   |
| 16   | 96704416  | Nut Flg, M8 X 1.25 Serrated .....     | 2   |

**7**

**G**

7

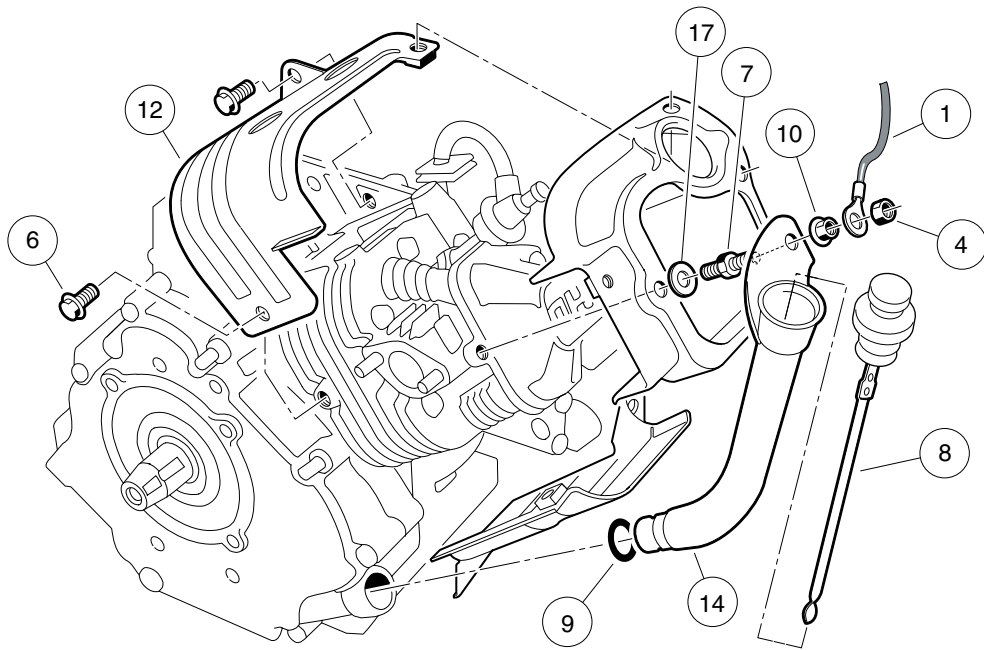
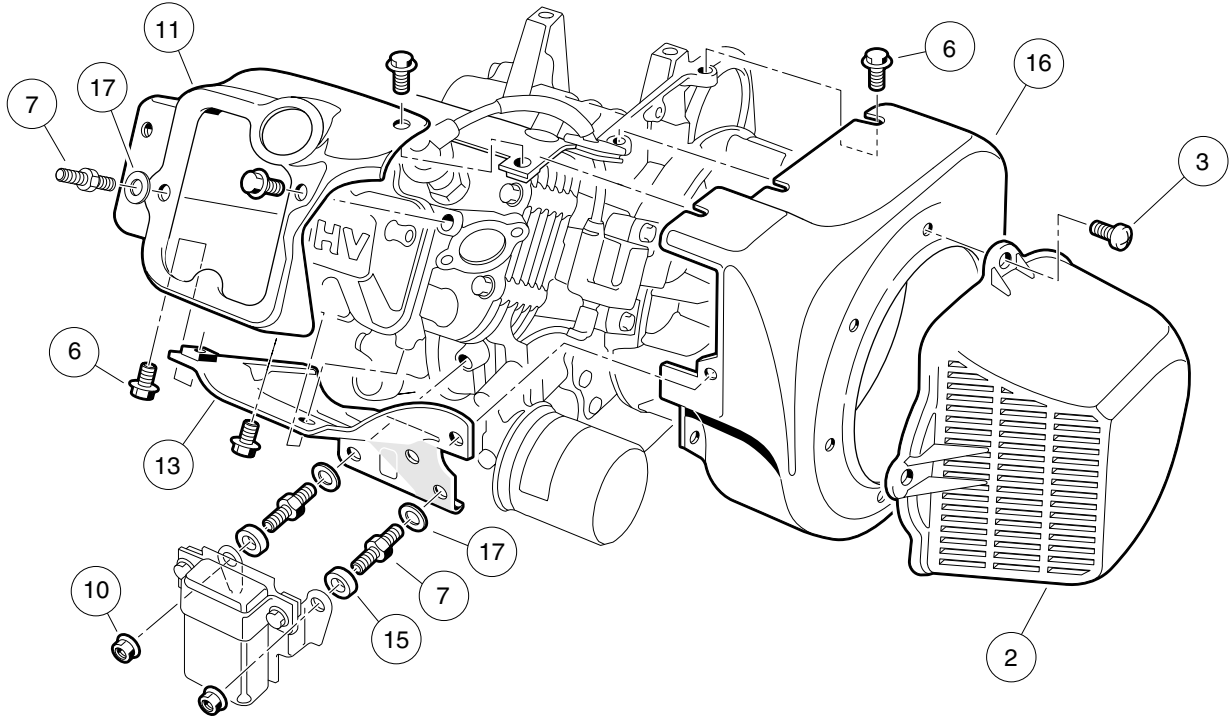
G

# **FE350 ENGINE WITHOUT ACR (TURF/ CA 2, 252 AND XRT 900)**

---

**8**

**G**

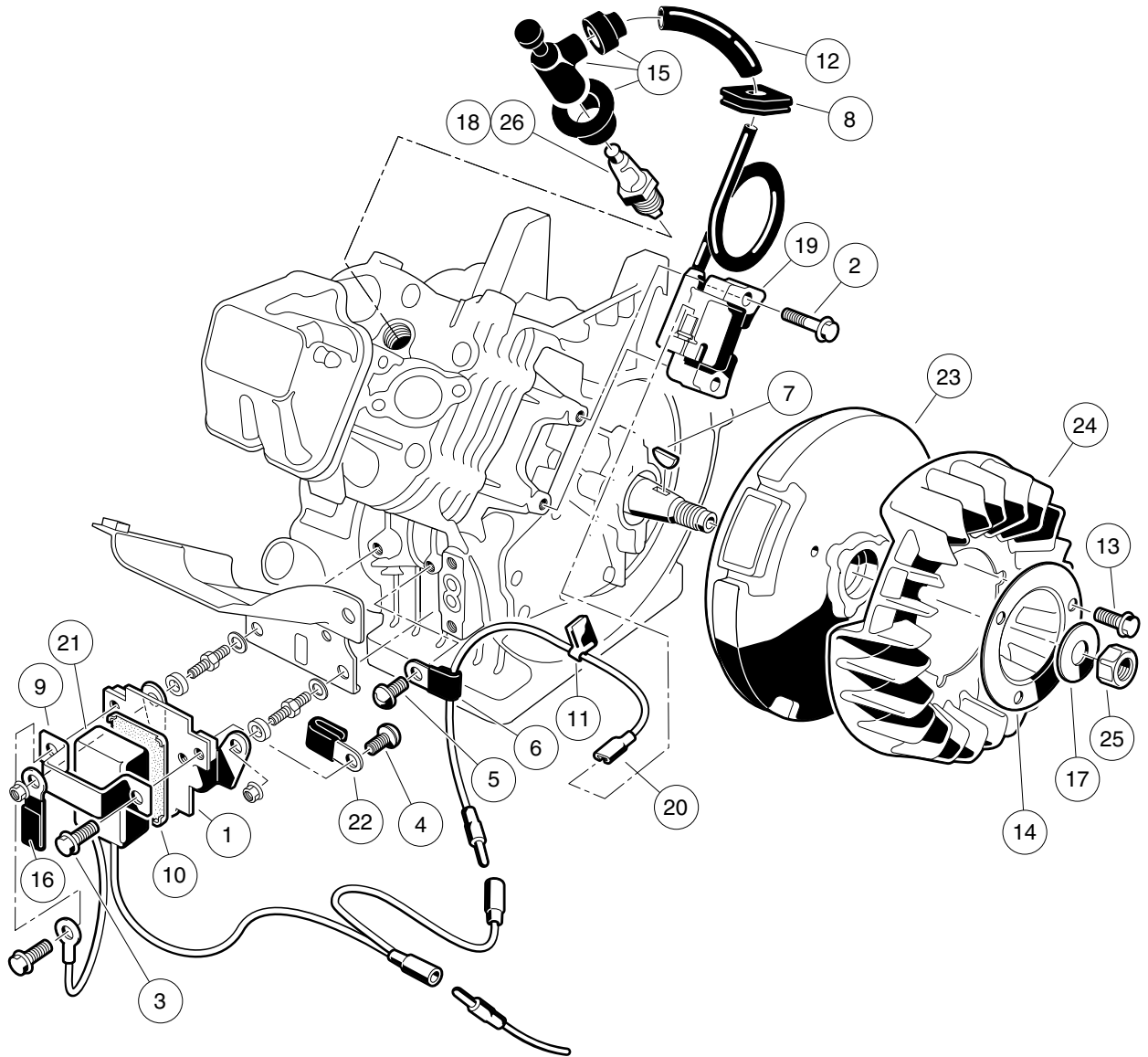


000201-001

## AS11 FE350 ENGINE WITHOUT ACR (AUTOMATIC COMPRESSION RELEASE) – SHROUDS AND BRACKETS

| ITEM | PART NO.  | DESCRIPTION  | QTY |
|------|-----------|--|-----|
|      |           | 1 2 3 4  |     |
| 1    | 1015332   | Wire Assembly, #10, Uninsulated .....                                | 1   |
| 2    | 1015649   | Shroud, Fan .....  | 1   |
| 3    | 1015969   | Screw, M6-1.00 X 10mm Pan Hd .....                                   | 4   |
| 4    | 101887601 | Locknut, M6-1.00 Nylon Insert .....                                  | 1   |
| 5    | 101953802 | Engine, FE350 (cw) without ACR * (includes items 6 through 17) ..... | 1   |
| 6    | 1016456   | Bolt, Flange Head, M6 x 1 x 12 mm .....                              | 14  |
| 7    | 1016507   | Bolt, Two-Ended .....  | 3   |
| 8    | 1016531   | Dipstick .....   | 1   |
| 9    | 1016539   | O-Ring .....   | 1   |
| 10   | 1016547   | Nut, M6 Flange .....   | 3   |
| 11   | 1017474   | Shroud, Engine .....   | 1   |
| 12   | 1017475   | Shroud, Engine .....   | 1   |
| 13   | 1017476   | Shroud, Engine .....   | 1   |
| 14   | 1017486   | Tube, Oil Filler .....   | 1   |
| 15   | 1017500   | Spacer 6.50 X 12 X 5.5 .....   | 2   |
| 16   | 101916101 | Housing, FE350 Fan .....   | 1   |
| 17   | N/A       | Washer, 6mm Flat .....   | 3   |
|      |           | * Note: FE350 engine component listings span several pages.          |     |

**8**  
**G**

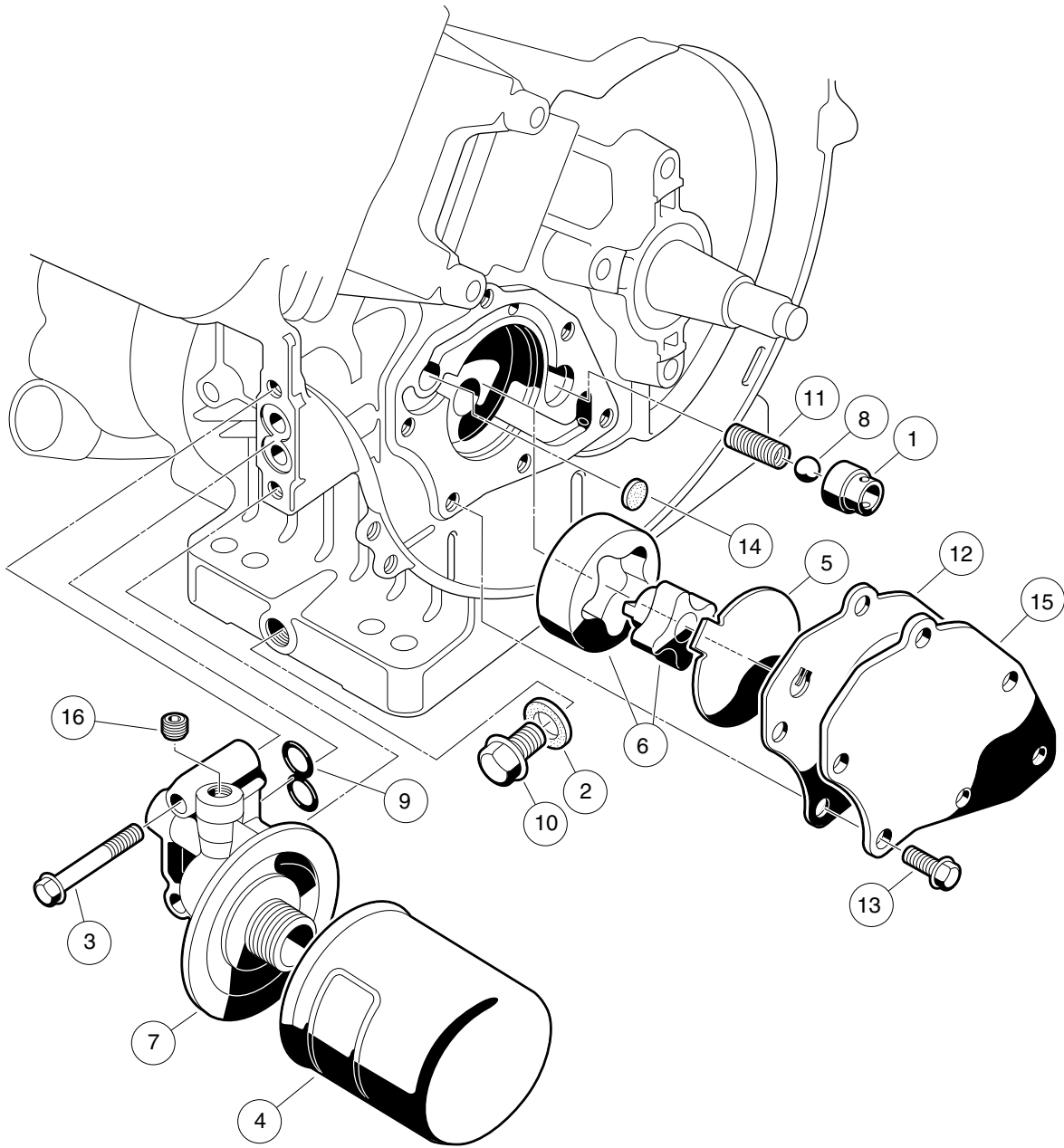


000202-001

# AS11 FE350 ENGINE – IGNITION COMPONENTS AND FLYWHEEL

| ITEM | PART NO.  | DESCRIPTION                             | QTY |
|------|-----------|---|-----|
|      |           | <b>1 2 3 4</b>                          |     |
| 1    | 1016445   | Bracket, RPM Limiter .....              | 1   |
| 2    | 1016455   | Bolt, Flange Head .....                 | 2   |
| 3    | 1016456   | Bolt, Flange Head, M6 x 1 x 12 mm ..... | 2   |
| 4    | 1016497   | Screw, Pan WP Cross .....               | 1   |
| 5    | 1016544   | Screw .....                             | 1   |
| 6    | 1016561   | Clamp .....                             | 1   |
| 7    | 1016562   | Key .....                               | 1   |
| 8    | 1016578   | Ignition, Grommet .....                 | 1   |
| 9    | 1016579   | Band, RPM Limiter Mount .....           | 1   |
| 10   | 1016586   | Damper, RPM Limiter .....               | 1   |
| 11   | 1016587   | Clamp .....                             | 1   |
| 12   | 1016588   | Tube, 7mm X 10mm X 70mm .....           | 1   |
| 13   | 1017448   | Bolt, Flanged .....                     | 3   |
| 14   | 1017455   | Plate, Flywheel Fan .....               | 1   |
| 15   | 1017463   | Cap Asm Plug .....                      | 1   |
| 16   | 1017468   | Clamp .....                             | 1   |
| 17   | 1017490   | Washer, Flat .....                      | 1   |
| 18   | 101881101 | Spark Plug, OHV (Autolite) .....        | 1   |
| 19   | 101909201 | Coil, Ignition .....                    | 1   |
| 20   | 101909301 | Lead Wire Assy .....                    | 1   |
| 21   | 101909401 | Limiter, RPM .....                      | 1   |
| 22   | 101909501 | Clamp, Steel .....                      | 1   |
| 23   | 101916201 | Flywheel .....                          | 1   |
| 24   | 101916301 | Fan (cw) .....                          | 1   |
| 25   | N/A       | Nut, Hex, 18 mm Fine .....              | 1   |
| 26   | AM10724   | Spark Plug, OHV (NGK) .....             | 1   |

**8**  
**G**



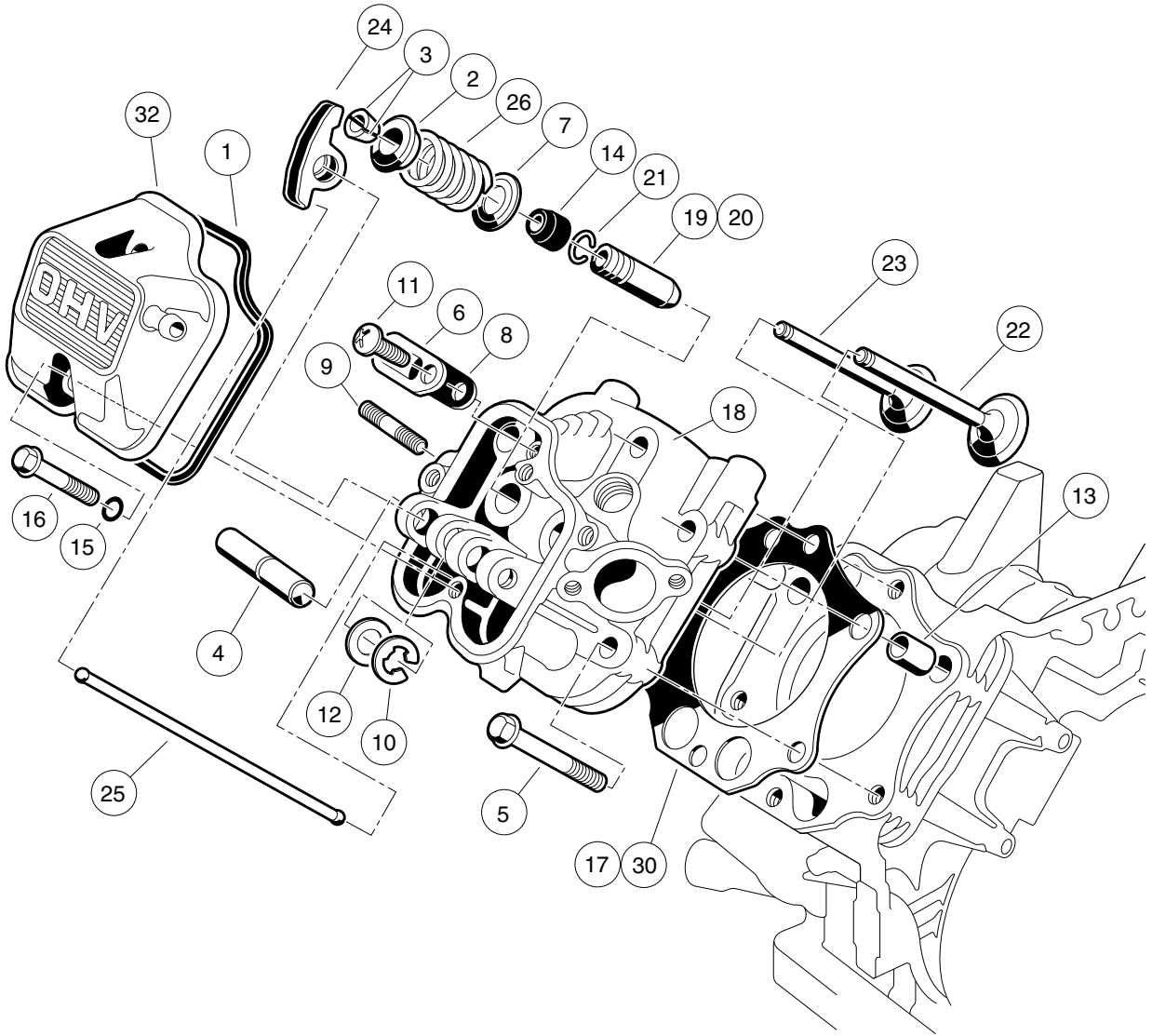
000203-001



## FE350 ENGINE – OIL CIRCULATION

| ITEM | PART NO.  | DESCRIPTION                        | QTY |
|------|-----------|------------------------------------|-----|
|      |           | 1 2 3 4                            |     |
| 1    | 1016429   | Seat, Value Oil Press Relief ..... | 1   |
| 2    | 1016432   | Gasket, Drain Plug .....           | 1   |
| 3    | 1016457   | Bolt, Flange Head .....            | 2   |
| 4    | 1016467   | Filter, Oil .....                  | 1   |
| 5    | 1016473   | Plate, Oil Pump .....              | 1   |
| 6    | 101648203 | Oil Pump And Rotor .....           | 1   |
| 7    | 1016502   | Bracket, Oil Filter Mount .....    | 1   |
| 8    | 1016537   | Ball, Steel, Press, Relief .....   | 1   |
| 9    | 1016570   | O-Ring .....                       | 1   |
| 10   | 1016576   | Plug, Drain .....                  | 1   |
| 11   | 1016581   | Spring .....                       | 1   |
| 12   | 1017442   | Gasket .....                       | 1   |
| 13   | 1017456   | Bolt, Flanged .....                | 6   |
| 14   | 1017458   | Filter .....                       | 1   |
| 15   | 1017460   | Cover, Pump .....                  | 1   |
| 16   | 1017507   | Plug .....                         | 2   |

**8**  
**G**



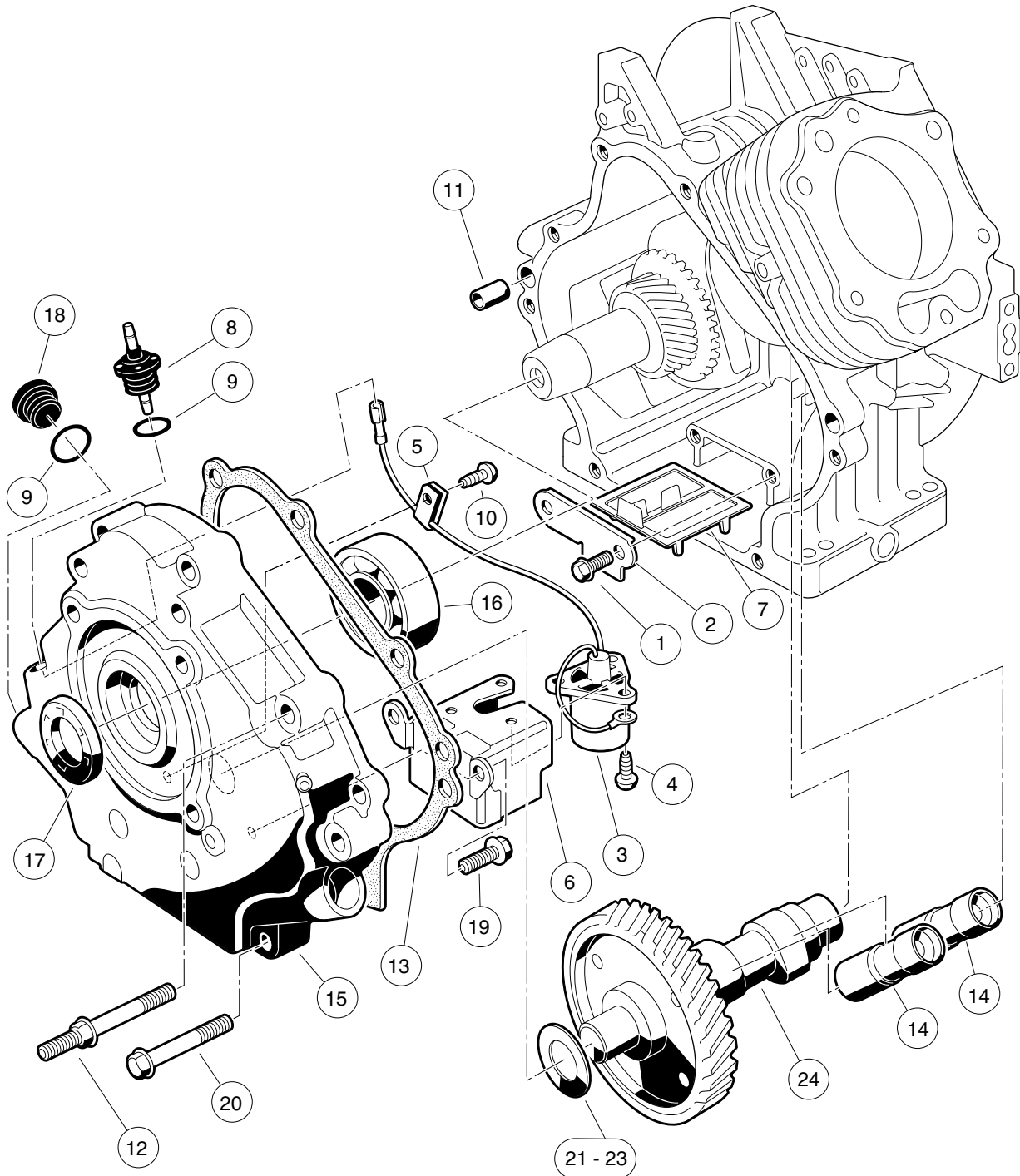
000204-001

## AS11 FE350 ENGINE – CYLINDER HEAD

| ITEM | PART NO.  | DESCRIPTION   | QTY |
|------|-----------|---|-----|
|      |           | 1 2 3 4   |     |
| 1    | 1016436   | Gasket, Rocker Case .....   | 1   |
| 2    | 1016449   | Retainer, Valve Spring .....  | 2   |
| 3    | 1016450   | Collet .....  | 4   |
| 4    | 1016452   | Shaft, Rocker .....   | 1   |
| 5    | 1016458   | Bolt, Flange Head, M8 x 1.25 x 45 mm .....                          | 6   |
| 6    | 1016474   | Plate .....   | 1   |
| 7    | 1016479   | Seat, Spring .....  | 2   |
| 8    | 1016483   | Valve .....   | 1   |
| 9    | 1016489   | Stud, Two-Ended, M8-1.25 .....                                      | 2   |
| 10   | 1016517   | Circlip, Type-E .....   | 1   |
| 11   | 1016544   | Screw .....   | 1   |
| 12   | 1016549   | Washer, 12.1x19x1.8 .....   | 1   |
| 13   | 1016563   | Pin .....   | 2   |
| 14   | 1016566   | Seal, Oil .....   | 2   |
| 15   | 1016569   | O-Ring .....  | 2   |
| 16   | 1016583   | Bolt, 6x35 .....  | 2   |
| 17   | 1017434   | Gasket, Head .....  | 1   |
| 18   | 1017435   | Assembly, Cylinder Head, FE350 (includes items 19 through 21) ..... | 1   |
| 19   | 1016518   | Guide, Valve, Exhaust .....   | 1   |
| 20   | 1016519   | Guide, Valve .....  | 1   |
| 21   | 1016560   | Snap Ring .....   | 2   |
| 22   | 1017444   | Valve, Intake .....   | 1   |
| 23   | 1017445   | Valve, Exhaust .....  | 1   |
| 24   | 1017446   | Arm, Rocker .....   | 2   |
| 25   | 1017454   | Rod, Push .....   | 2   |
| 26   | 1017473   | Spring, Engine Valve .....  | 2   |
| 27   | 102304801 | Kit, Gasket, FE350 (includes items 28 through 31) .....             | 1   |
| 28   | 1016440   | Gasket, Engine to Insulator .....                                   | 1   |
| 29   | 1016904   | Gasket, Exhaust .....   | 1   |
| 30   | 1017434   | Gasket, Head .....  | 1   |
| 31   | 1017443   | Gasket, Crankcase Cover .....                                       | 1   |
| 32   | 102753401 | Case, Rocker .....  | 1   |
|      |           | Note: Item 28 is not a component of the FE350 engine.               |     |

**8**

**G**

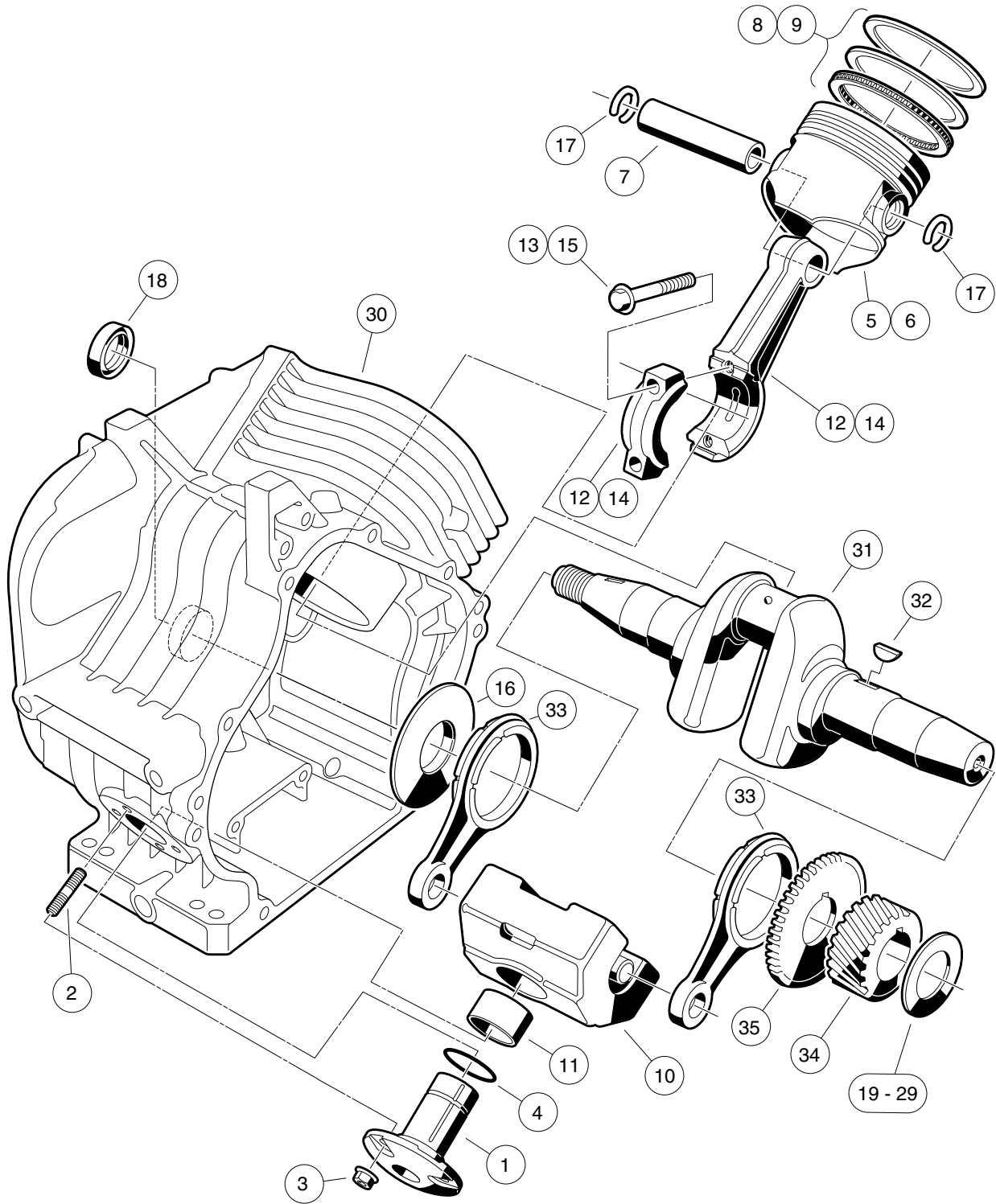


000205-002

# AS11 FE350 ENGINE WITHOUT ACR – CRANKCASE, CAMSHAFT, AND OIL SENSOR

| ITEM | PART NO.  | DESCRIPTION                                  | QTY |
|------|-----------|--|-----|
|      |           | 1 2 3 4                                      |     |
| 1    | 1016454   | Bolt, Flange Head, M5 x 0.8 x 8 mm .....     | 2   |
| 2    | 1016472   | Plate, Oil Filter Screen .....               | 1   |
| 3    | 1016494   | Sensor, Oil Level .....                      | 1   |
| 4    | 1016496   | Screw, Cross Pan-Head, M4 x 0.7 x 8 mm ..... | 3   |
| 5    | 1016506   | Clamp .....                                  | 1   |
| 6    | 1016510   | Bracket, Switch, Oil Level .....             | 1   |
| 7    | 1016521   | Screen, Oil Filter .....                     | 1   |
| 8    | 1016535   | Connector, Cord .....                        | 1   |
| 9    | 1016538   | O-Ring .....                                 | 2   |
| 10   | 1016544   | Screw .....                                  | 1   |
| 11   | 1016564   | Pin .....                                    | 2   |
| 12   | 1016584   | Bolt, Two-Ended, M8 x 1.25 x 69 mm .....     | 2   |
| 13   | 1017443   | Gasket, Crankcase Cover .....                | 1   |
| 14   | 1017447   | Adjuster, Lash .....                         | 2   |
| 15   | 1017472   | Cover Crankcase .....                        | 1   |
| 16   | 1017487   | Bearing, Ball .....                          | 1   |
| 17   | 1017504   | Seal, Oil .....                              | 1   |
| 18   | 1017508   | Plug .....                                   | 1   |
| 19   | 1017513   | Bolt Switch Bracket .....                    | 2   |
| 20   | 1017514   | Screw, M8-1.25 X 45mm Hex .....              | 6   |
| 21   | 101751801 | Shim, 0.3 .....                              | 1   |
| 22   | 101751802 | Shim, 0.4 .....                              | 1   |
| 23   | 101751803 | Shim, 0.5 .....                              | 1   |
| 24   | 102431001 | Camshaft, FE350 without ACR, 44-Tooth .....  | 1   |

**8**  
**G**



000206-001

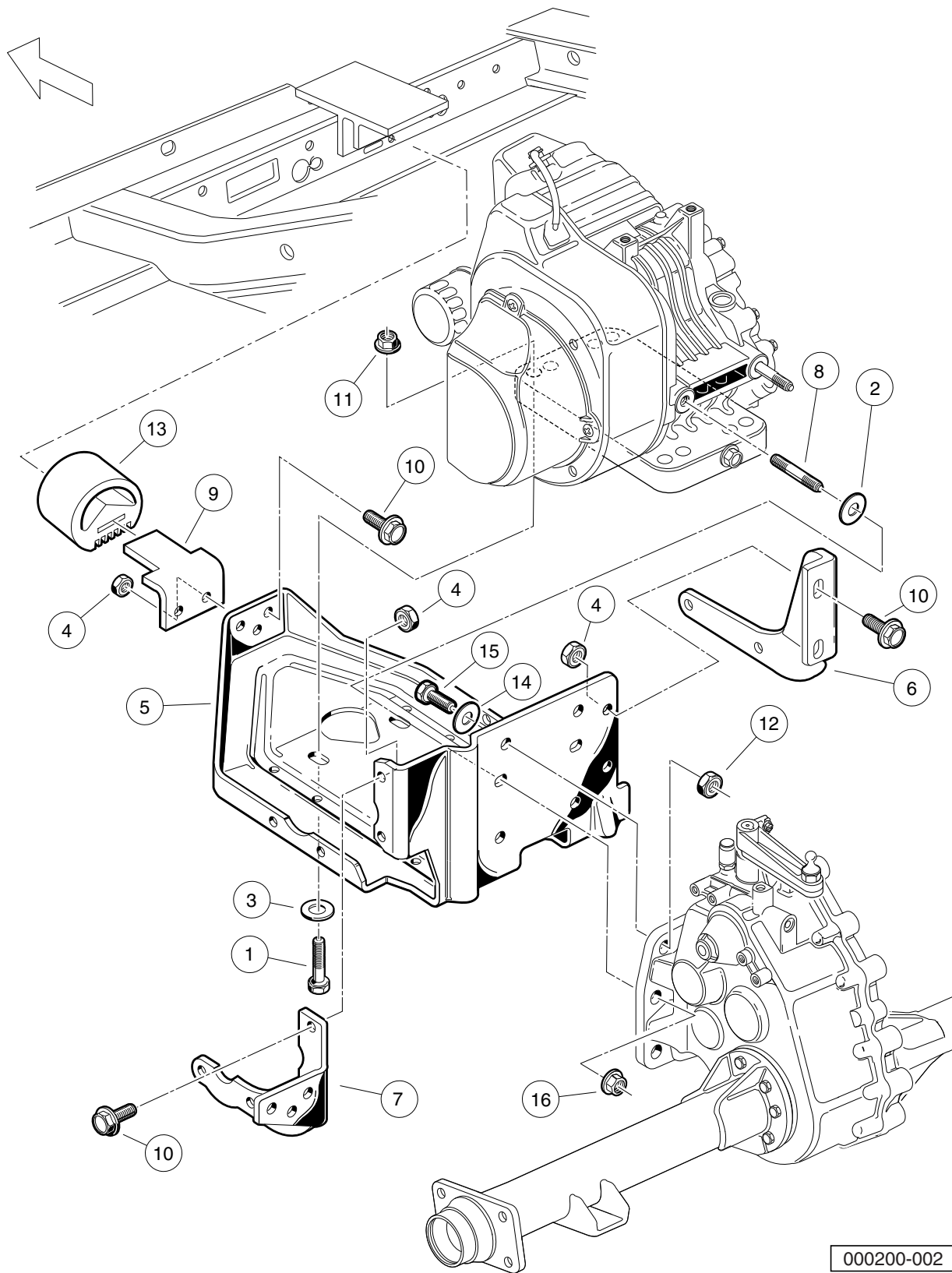
# AS11 FE350 ENGINE – CRANKCASE AND CRANKSHAFT

| ITEM | PART NO.  | DESCRIPTION  | QTY |
|------|-----------|--|-----|
|      |           | 1 2 3 4  |     |
| 1    | 1016470   | Shaft, Guide, Counterbalance .....   | 1   |
| 2    | 1016541   | Stud, 6x14 .....   | 4   |
| 3    | 1016547   | Nut, M6 Flange .....   | 4   |
| 4    | 1016571   | O-Ring .....   | 1   |
| 5    | 101744901 | Piston, Standard .....   | 1   |
| 6    | 101744902 | Piston, 0.50 mm Oversize .....   | 1   |
| 7    | 1017450   | Pin, Piston .....  | 1   |
| 8    | 101745101 | Ring Set, Standard Piston .....  | 1   |
| 9    | 101745102 | Ring Set, Piston, 0.50 mm Oversize .....                                   | 1   |
| 10   | 1017453   | Fe400 Counterbalance Weight (includes item 11) .....                       | 1   |
| 11   | 1017510   | Bearing, Plain .....   | 1   |
| 12   | 101745701 | Asm, Con. Rod Std (includes item 13) .....                                 | 1   |
| 13   | 1017512   | Bolt .....   | 2   |
| 14   | 101745702 | Rod Assembly Connecting Rod 0.5mm (includes item 15) .....                 | 1   |
| 15   | 1017512   | Bolt .....   | 2   |
| 16   | 1017501   | Spacer .....   | 1   |
| 17   | 1017502   | Snap Ring .....  | 2   |
| 18   | 1017503   | Seal, Oil .....  | 1   |
| 19   | 101773301 | Shim, Crankshaft, 1.18mm .....   | 1   |
| 20   | 101773302 | Shim, Crankshaft, 1.25mm .....   | 1   |
| 21   | 101773303 | Shim, Crankshaft, 1.32mm .....   | 1   |
| 22   | 101773304 | Shim, Crankshaft, 1.39mm .....   | 1   |
| 23   | 101773305 | Shim, Crankshaft, 1.46mm .....   | 1   |
| 24   | 101773306 | Shim, Crankshaft, 1.53mm .....   | 1   |
| 25   | 101773307 | Shim, Crankshaft, 1.60mm .....   | 1   |
| 26   | 101773308 | Shim, Crankshaft, 1.67mm .....   | 1   |
| 27   | 101773309 | Shim, Crankshaft, 1.74mm .....   | 1   |
| 28   | 101773310 | Shim, Crankshaft, 1.11 mm .....  | 1   |
| 29   | 101773311 | Shim, Crankshaft, 1.81mm .....   | 1   |
| 30   | 101916001 | Crankcase Complete, FE350 (cw) .....                                       | 1   |
| 31   | 102430901 | Crankshaft, FE350 Left-Hand, 22-Tooth (includes items 32 through 35) ..... | 1   |
| 32   | 1016562   | Key .....  | 1   |
| 33   | 1017471   | Rod .....  | 2   |
| 34   | N/A       | Gear, Helical .....  | 1   |
| 35   | N/A       | Gear, Spur .....   | 1   |

**8**

**G**

**8**  
**G**



000200-002



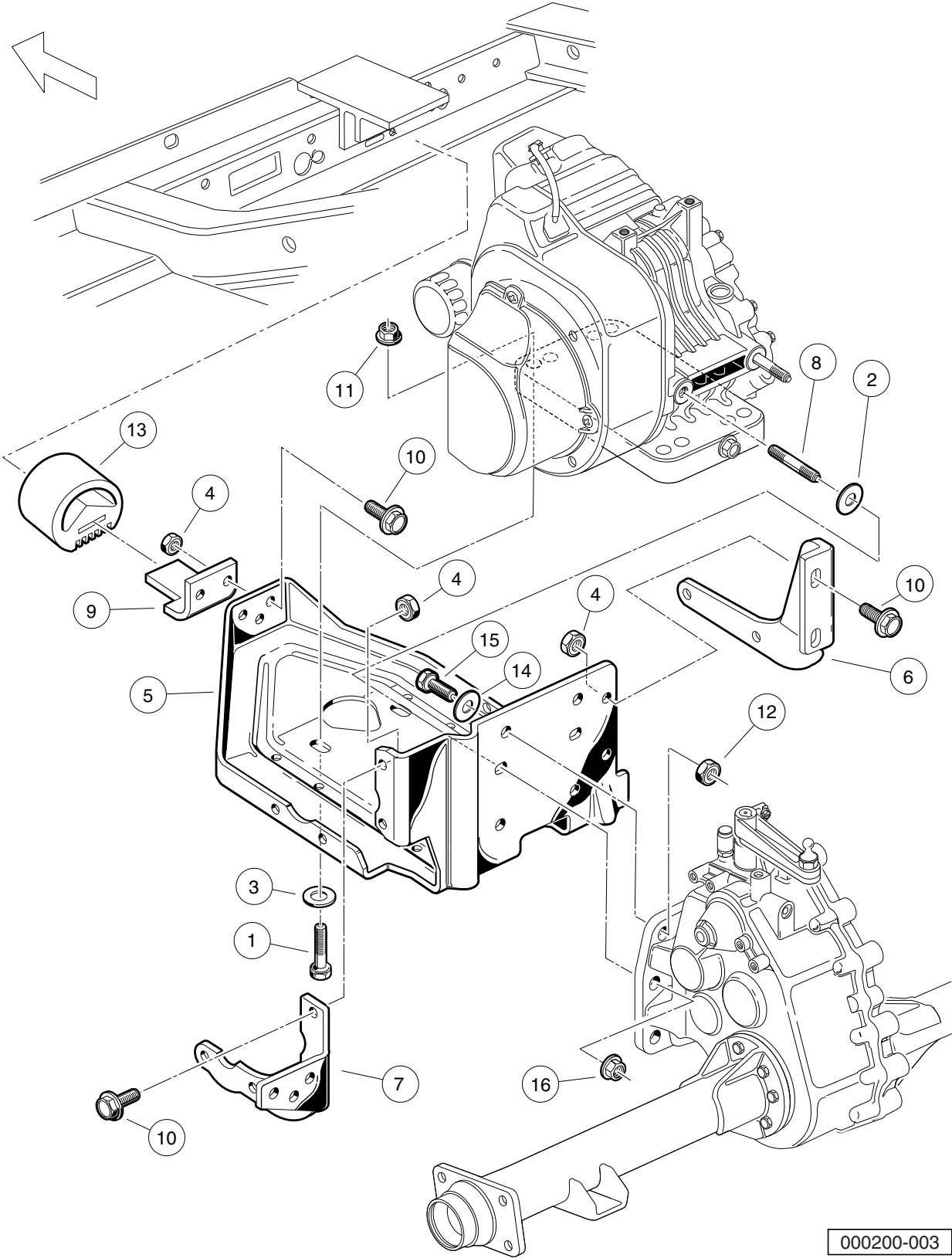
## ENGINE MOUNTING – TURF/CARRYALL 252 AND 2 XRT

| ITEM | PART NO.  | DESCRIPTION                           | QTY |
|------|-----------|---------------------------------------|-----|
|      |           | 1 2 3 4                               |     |
| 1    | 1010577   | Bolt, Hex-Head, 5/16-18 X 1.50 .....  | 4   |
| 2    | 1011697   | Washer, 5/16 Flat .....               | 2   |
| 3    | 1012571   | Washer, 5/16 Extra Thick Flat .....   | 4   |
| 4    | 1013924   | Nut, 5/16-24 Hex Head Cone .....      | 10  |
| 5    | 101827101 | Plate, Engine Mounting .....          | 1   |
| 6    | 101832601 | Stiffener (PTO Side) .....            | 1   |
| 7    | 101832701 | Stiffener (Flywheel Side) .....       | 1   |
| 8    | 101833101 | Stud, M8-1.25 X 50 mm Two-Ended ..... | 2   |
| 9    | 101834601 | Snubber Bracket .....                 | 1   |
| 10   | 101884801 | Screw, 5/16-24 X 0.875 Grade-8 .....  | 10  |
| 11   | 101963401 | Locknut, 5/16-18 Hex Flange .....     | 4   |
| 12   | 102065901 | Locknut, 3/8-16 Flanged Dimple .....  | 4   |
| 13   | 102540301 | Inner Frame Snubber .....             | 1   |
| 14   | 334       | Washer, 3/8 Type A Flat .....         | 4   |
| 15   | 705       | Screw, Cap-hex Hd 3/8-16x1.25 .....   | 4   |
| 16   | 96704416  | Nut Flg, M8 X 1.25 Serrated .....     | 2   |

**8**

**G**

8  
G



000200-003

# FE350 ENGINE MOUNTING

| ITEM | PART NO.  | DESCRIPTION                           | QTY |
|------|-----------|---------------------------------------|-----|
|      |           | 1 2 3 4                               |     |
| 1    | 1010577   | Bolt, Hex-Head, 5/16-18 X 1.50 .....  | 4   |
| 2    | 1011697   | Washer, 5/16 Flat .....               | 2   |
| 3    | 1012571   | Washer, 5/16 Extra Thick Flat .....   | 4   |
| 4    | 1013924   | Nut, 5/16-24 Hex Head Cone .....      | 10  |
| 5    | 101827101 | Plate, Engine Mounting .....          | 1   |
| 6    | 101832601 | Stiffener (PTO Side) .....            | 1   |
| 7    | 101832701 | Stiffener (Flywheel Side) .....       | 1   |
| 8    | 101833101 | Stud, M8-1.25 X 50 mm Two-Ended ..... | 2   |
| 9    | 101834601 | Snubber Bracket .....                 | 1   |
| 10   | 101884801 | Screw, 5/16-24 X 0.875 Grade-8 .....  | 10  |
| 11   | 101963401 | Locknut, 5/16-18 Hex Flange .....     | 4   |
| 12   | 102065901 | Locknut, 3/8-16 Flanged Dimple .....  | 4   |
| 13   | 102540301 | Inner Frame Snubber .....             | 1   |
| 14   | 334       | Washer, 3/8 Type A Flat .....         | 4   |
| 15   | 705       | Screw, Cap-hex Hd 3/8-16x1.25 .....   | 4   |
| 16   | 96704416  | Nut Flg, M8 X 1.25 Serrated .....     | 2   |

**8**

**G**

8

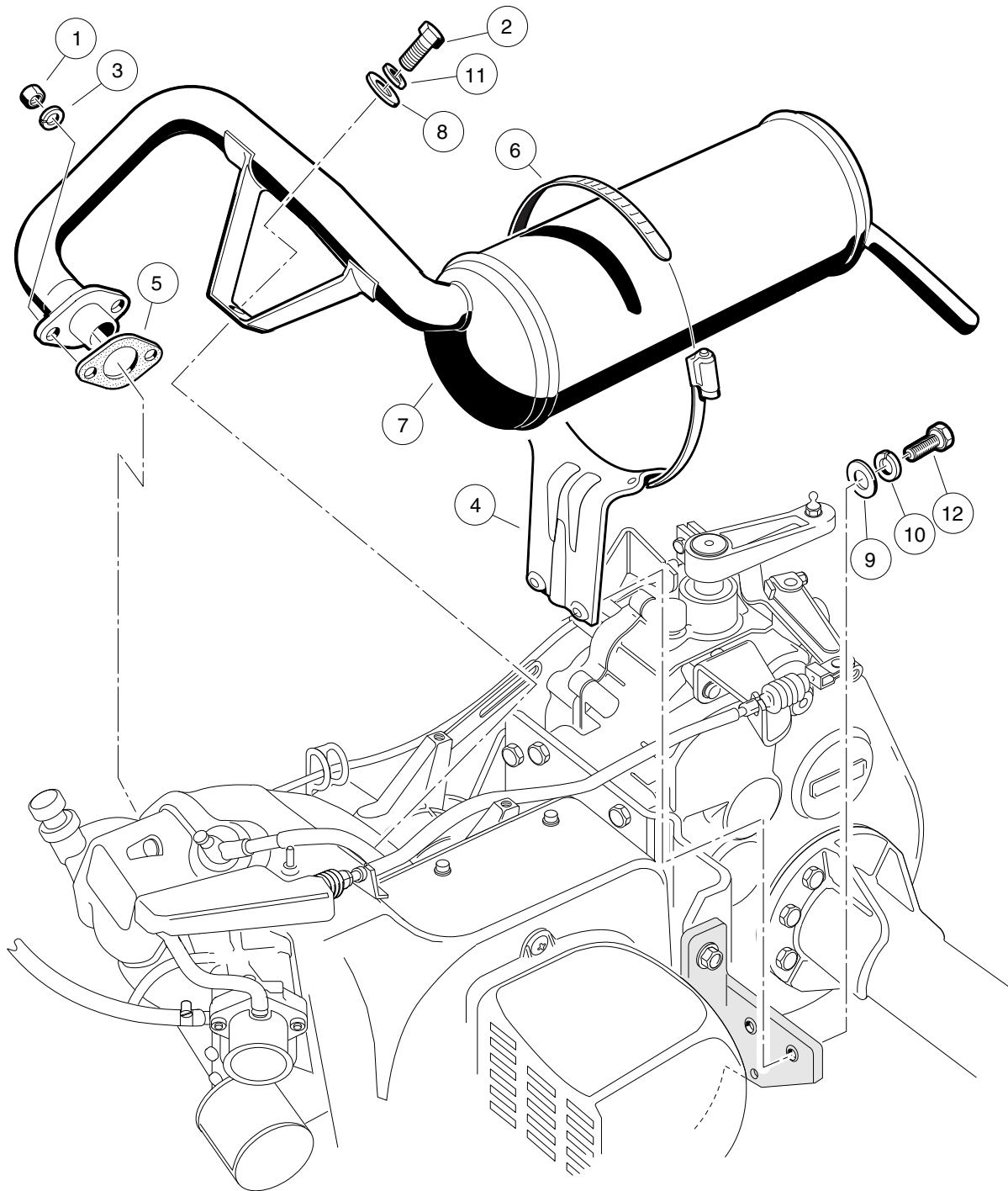
G

# EXHAUST SYSTEM

---

9

G



000209-001

## EXHAUST SYSTEM – FE350 ENGINE

| ITEM | PART NO.  | DESCRIPTION                             | QTY |
|------|-----------|---|-----|
|      |           | <b>1 2 3 4</b>                          |     |
| 1    | 1012528   | Nut, M8-1.25 Hex .....                  | 2   |
| 2    | 1012830   | Screw, M8-125 X 22 Hex-Head .....       | 1   |
| 3    | 1013734   | Lockwasher, 8mm Split .....             | 2   |
| 4    | 1015814   | Bracket, Muffler Mounting .....         | 1   |
| 5    | 1016904   | Gasket, Exhaust .....                   | 1   |
| 6    | 1017689   | Clamp, 5" Muffler Hose .....            | 1   |
| 7    | 101859401 | Exhaust System, FE350 .....             | 1   |
| 8    | 1241      | Washer, 5/16 Type A Flat .....          | 1   |
| 9    | 332       | Washer, 1/4 Type A Narrow Flat .....    | 2   |
| 10   | 451       | Lockwasher, 1/4 Split .....             | 2   |
| 11   | 7174      | Lockwasher, 5/16 Split .....            | 1   |
| 12   | 7847      | Screw, 1/4-20 X 0.75 Hex-Head Cap ..... | 2   |

**9**  
**G**

9

G



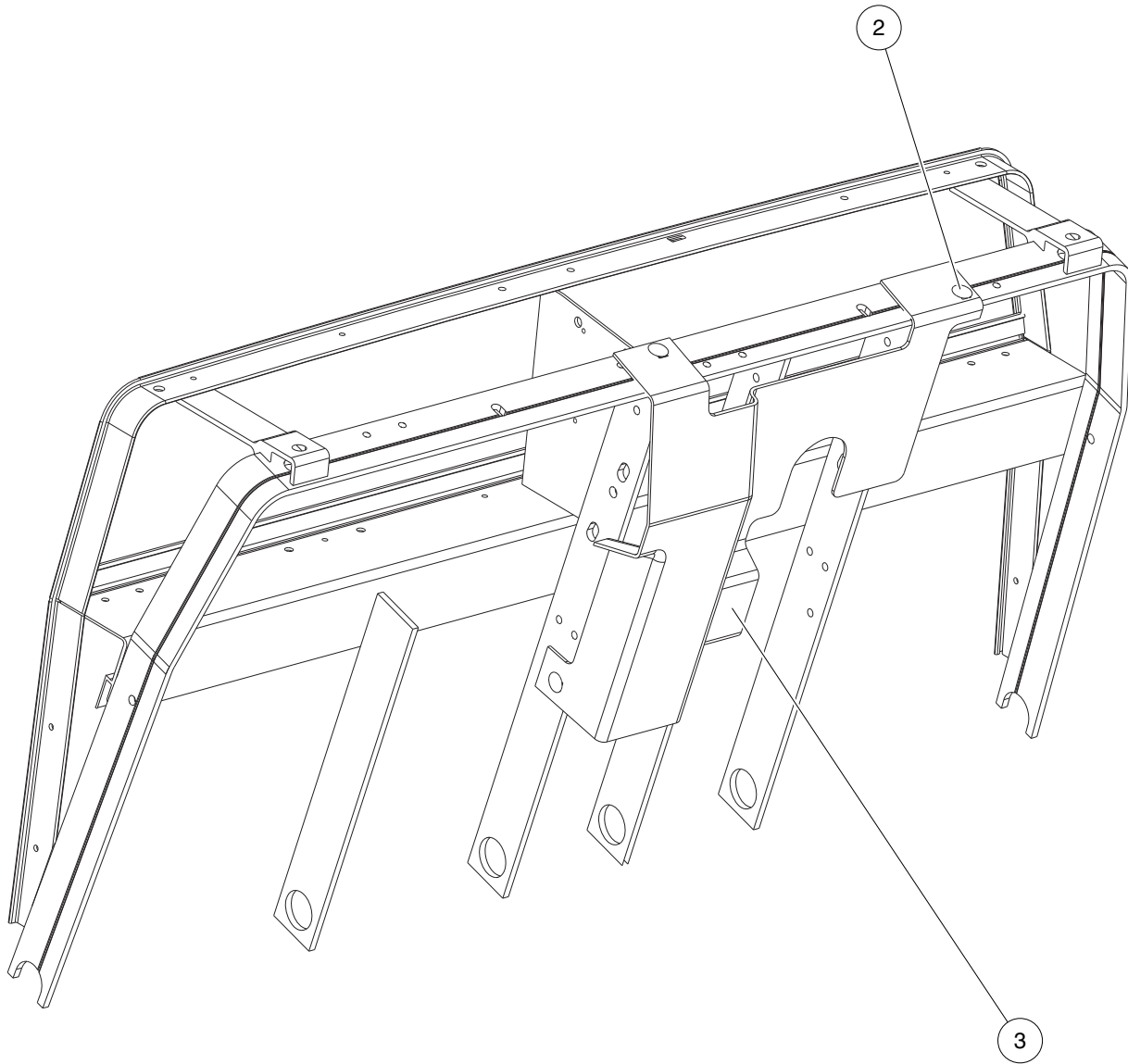
# FUEL, INTAKE, AND GOVERNOR SYSTEMS

---

10

G

**10**  
**G**



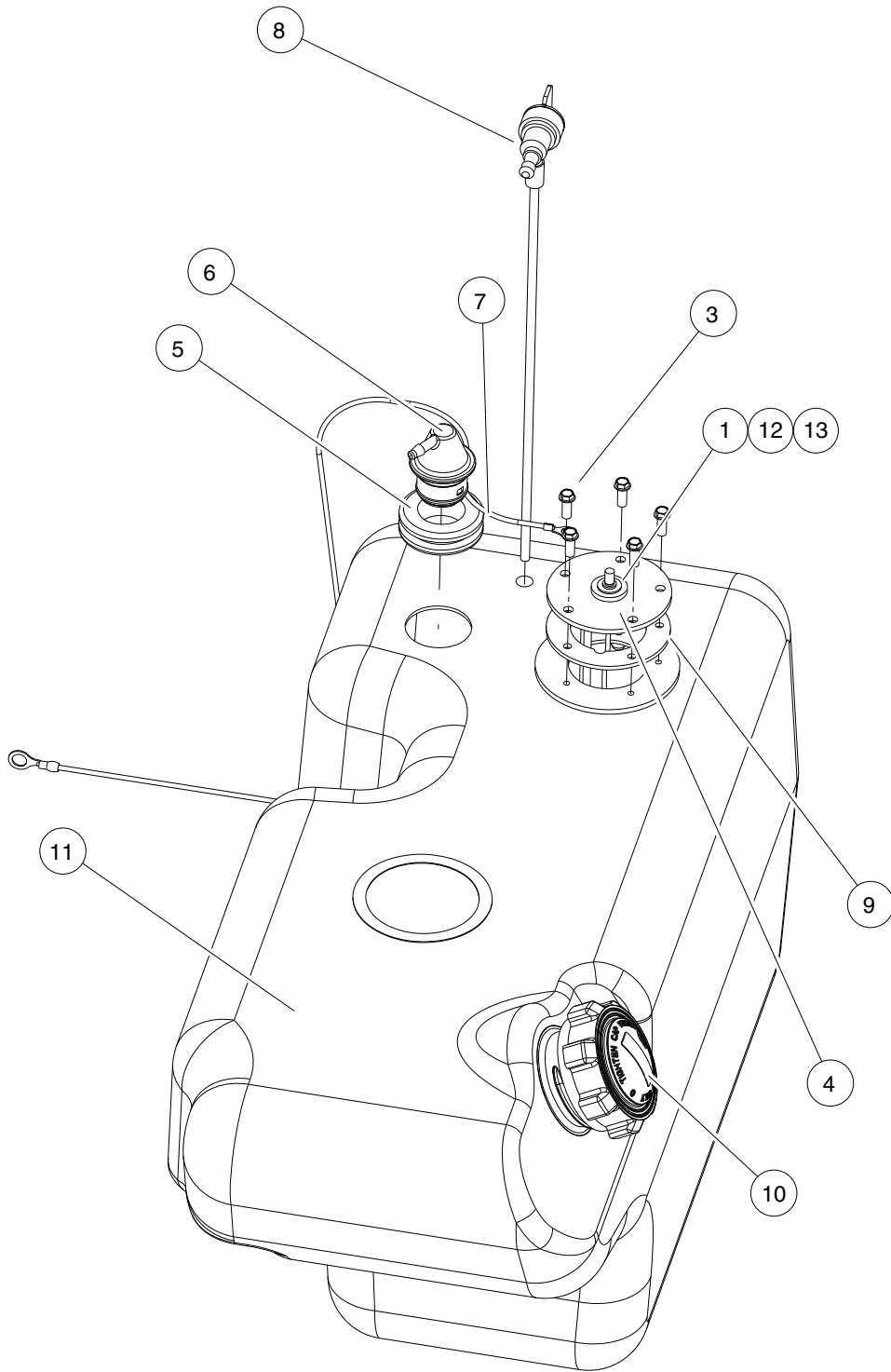
000593-001

# SPLASH GUARD

| ITEM | PART NO.  | DESCRIPTION   | QTY |
|------|-----------|---|-----|
|      |           | 1 2 3 4   |     |
| 1    | N/A       | Instl, Splashguard, Ca (includes items 2 and 3) ..... | 1   |
| 2    | 1010434   | Barrel - Plastic .....                                | 3   |
| 3    | 103174401 | Splash Guard .....                                    | 1   |

10

G



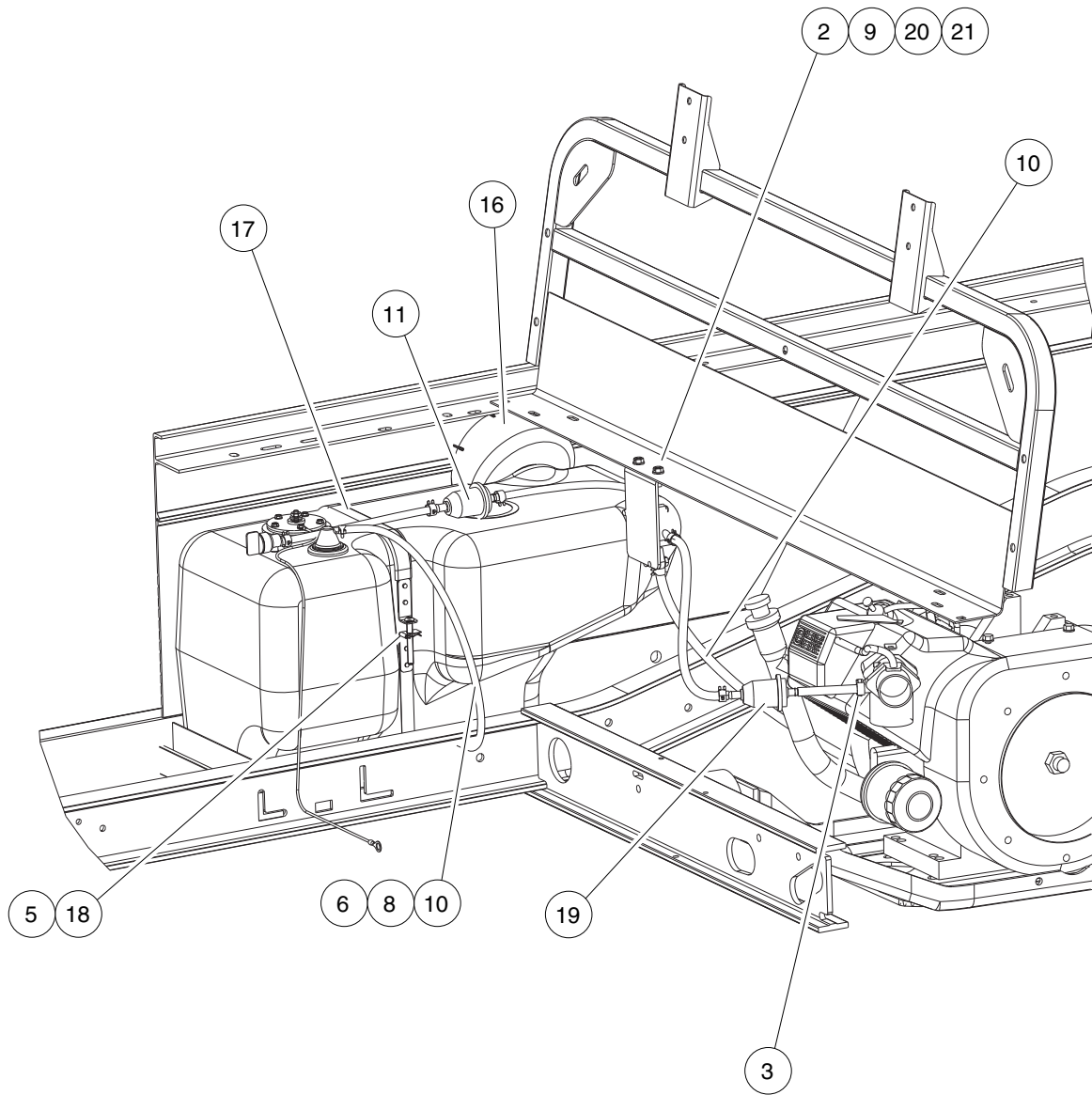
000609-001

## FUEL TANK (NON-CLIFORNIA) WITH SENDING UNIT

| ITEM   | PART NO.  | DESCRIPTION   | QTY |
|--|-----------|---|-----|
|  |           | 1 2 3 4   |     |
| 1  | 1016      | Lockwasher, #10 Split .....                                       | 1   |
| 2  | 103187601 | Asm, Fuel Tank, Side Fill, Su (includes items 3 through 11) ..... | 1   |
| 3  | 1013461   | Screw, #10-16 Hex-Head Hi-Lo .....                                | 5   |
| 4  | 1013462   | Sending Unit, Fuel Level * .....                                  | 1   |
| 5  | 1015139   | Insulation Grommet .....  | 1   |
| 6  | 1015143   | Vent, Fuel Tank .....   | 1   |
| 7  | 1015921   | Wire Assembly #16 Black .....                                     | 1   |
| 8  | 102513701 | Valve - Fuel Pickup Tube .....                                    | 1   |
| 9  | 102522001 | Gasket, Rubber .....  | 1   |
| 10   | 102751601 | Cap, Fuel Tank, Gasoline .....                                    | 1   |
| 11   | 102974201 | Tank, Fuel, Side Fill .....                                       | 1   |
| 12   | 183       | Washer, #10 Type A Flat .....                                     | 1   |
| 13   | 8797      | Nut, #10-32 Brass Hex .....                                       | 1   |
| <p style="margin-left: 40px;">* Note: Must replace fuel sending unit gasket when servicing this component.</p> |           |   |     |

10

G

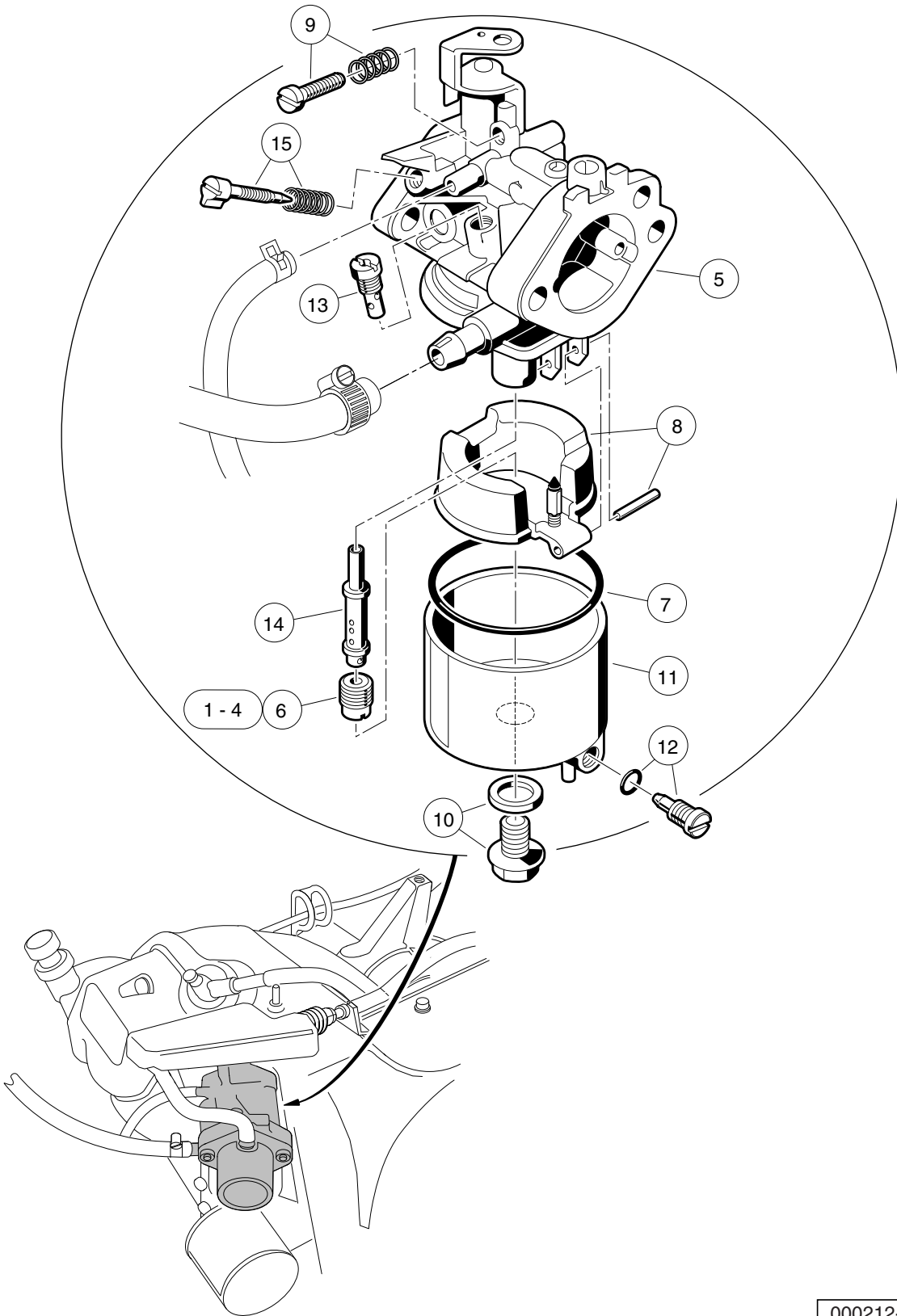


000602-002

# FUEL SYSTEM

| ITEM | PART NO.  | DESCRIPTION  | QTY |
|------|-----------|--|-----|
|      |           | <b>1 2 3 4</b>   |     |
| 1    | N/A       | Instl, Fuel Sys, Side Fill,ca2 (includes items 2 through 23) ..... | 1   |
| 2    | 1012285   | Screw, 1/4 X 0.625 Hex-Head .....                                  | 4   |
| 3    | 1013687   | Clamp, 3/8" Hose (screw type) .....                                | 1   |
| 4    | 1013746   | Clamp, 0.301 ID Hose .....   | 2   |
| 5    | 1014116   | Nut, 1/4-20 Speed .....  | 1   |
| 6    | 1015137   | Fuel Line (available by the foot) .....                            | 1   |
| 7    | 1016      | Lockwasher, #10 Split .....  | 1   |
| 8    | 101824401 | Vent Barb .....  | 1   |
| 9    | 101929501 | Mount Fuel Pump .....  | 1   |
| 10   | 102865101 | Fuel Line .....  | 1   |
| 11   | N/A       | Asm, Fuel Filter 16.93" J1737 (includes items 12 through 15) ..... | 1   |
| 12   | 1012649   | Clamp, 0.460 Red Hose .....  | 3   |
| 13   | 102003201 | Filter, Fuel, 30 Micron .....                                      | 1   |
| 14   | N/A       | Cap, Plug, Plastic .....   | 2   |
| 15   | 102865101 | Fuel Line .....  | 1   |
| 16   | 102977901 | Bezel, Fuel Fill, 5.0 Dia .....                                    | 1   |
| 17   | 102978001 | Strap, Fuel Tank, Side Fill .....                                  | 1   |
| 18   | 103306301 | Screw, Bhsc, 1/4-20 X 2.0 .....                                    | 1   |
| 19   | 103764001 | Asm, Fuel Filter, J1737, 24.43 .....                               | 1   |
| 20   | 103781101 | Kit, Fuel Pump Retrofit (includes items 21 and 22) .....           | 1   |
| 21   | 103010101 | Pump, Fuel, Impulse, Fh .....                                      | 1   |
| 22   | 103781201 | Instr, Fuel Pump Retrofit .....                                    | 1   |
| 23   | 183       | Washer, #10 Type A Flat .....                                      | 1   |

**10**  
**G**



000212-001

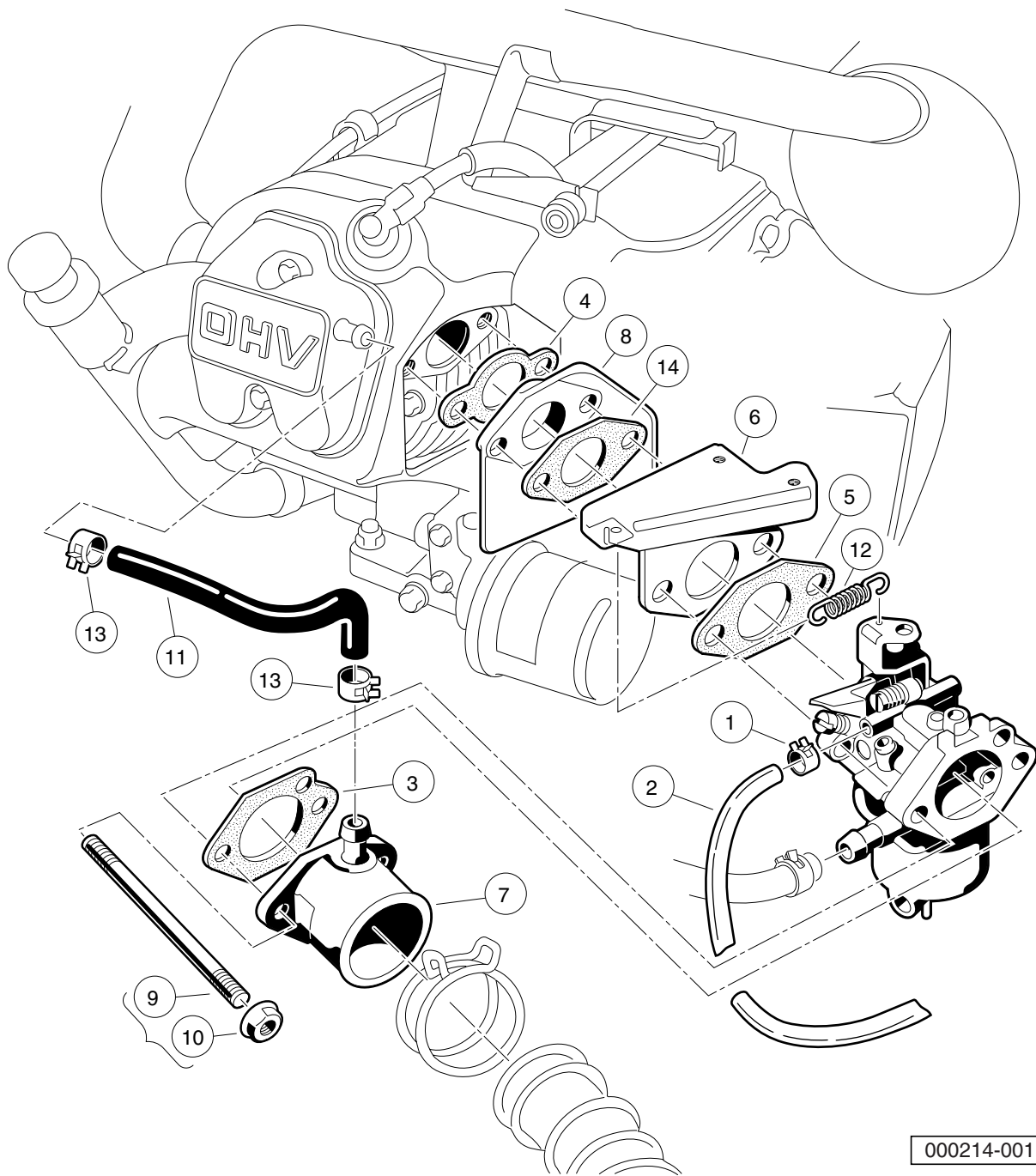


# CARBURETOR ASSEMBLY – FE350

| ITEM   | PART NO.  | DESCRIPTION  | QTY |
|--|-----------|--|-----|
|  |           | 1 2 3 4  |     |
| 1  | 101642575 | Jet, Altitude, # 75 .....                              | 1   |
| 2  | 101642578 | Jet, Altitude, # 78 .....                              | 1   |
| 3  | 101642580 | Jet, Altitude, # 80 .....                              | 1   |
| 4  | 101642582 | Jet, Altitude, # 82 .....                              | 1   |
| 5  | 101905901 | Carburetor, FE350D (includes items 6 through 15) ..... | 1   |
| 6  | 101642585 | Jet, Altitude, # 85 .....                              | 1   |
| 7  | 1016437   | Gasket, Carburetor Bowl OHV .....                      | 1   |
| 8  | 1016486   | Float Assembly .....                                   | 1   |
| 9  | 1016501   | Screw Assembly .....                                   | 1   |
| 10   | 1016585   | Bolt .....   | 1   |
| 11   | 1017461   | Chamber Assembly, Float (includes item 12) .....       | 1   |
| 12   | 1016499   | Screw Assembly .....                                   | 1   |
| 13   | 101973101 | Jet, #40 Pilot .....                                   | 1   |
| 14   | 101973301 | Nozzle, Main .....                                     | 1   |
| 15   | N/A       | Assembly, Pilot Air Screw .....                        | 1   |
| <p style="margin: 0;">Note: 101642585 for 0 - 3,000 feet; 101642582 for 3,000 - 5,000 feet;<br/>           101642580 for 5,000 - 8,000 feet; 101642578 for 8,000 - 10,000 feet;<br/>           101642575 for 10,000 feet and higher.</p> |           |  |     |

10

G

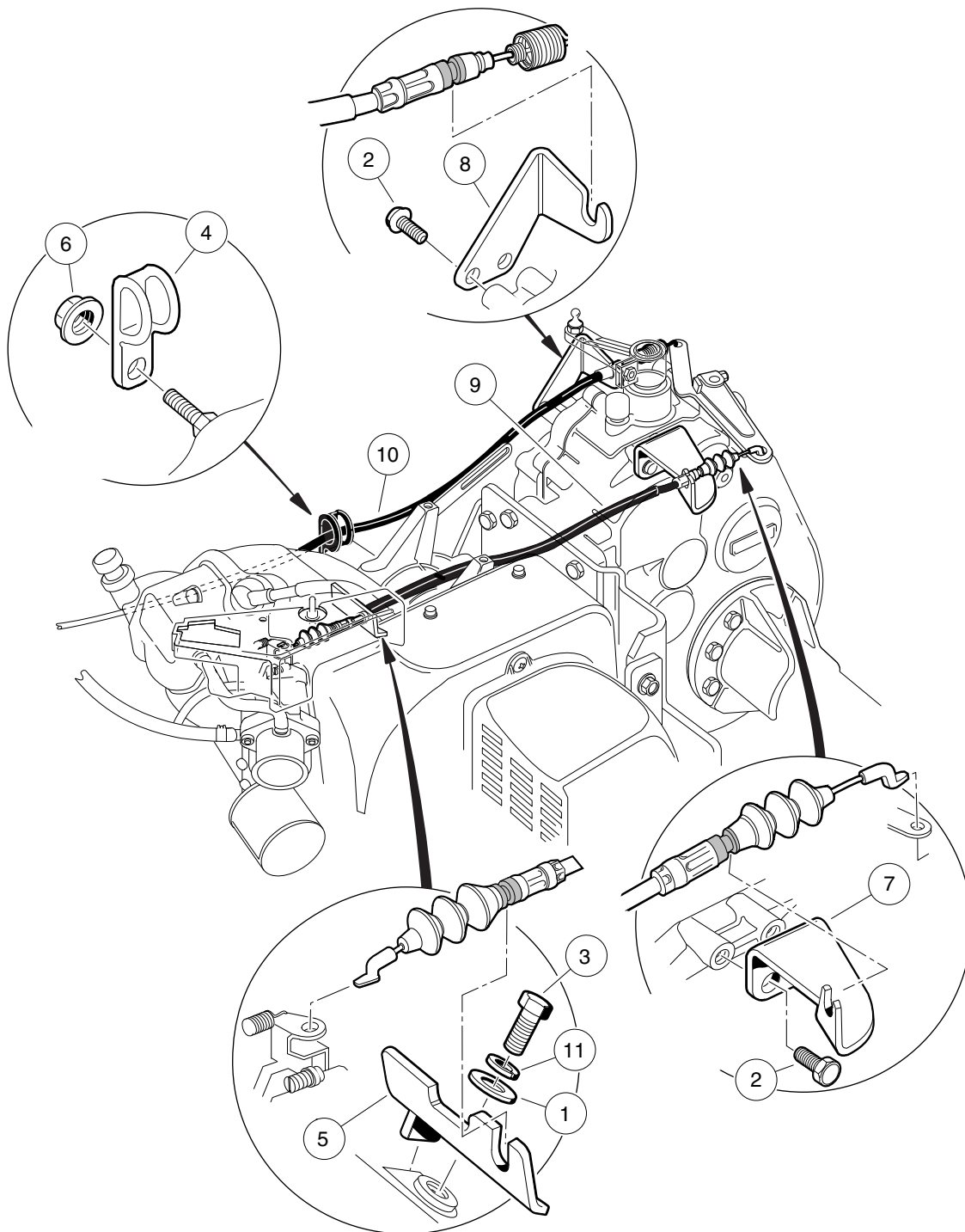


000214-001

## CARBURETOR INSTALLATION – FE350

| ITEM | PART NO.  | DESCRIPTION                             | QTY |
|------|-----------|---|-----|
|      |           | 1 2 3 4                                 |     |
| 1    | 1013746   | Clamp, 0.301 ID Hose .....              | 1   |
| 2    | 1015137   | Fuel Line (available by the foot) ..... | 1   |
| 3    | 1016438   | Gasket, Carb To Intake Manifold .....   | 1   |
| 4    | 1016440   | Gasket, Engine to Insulator .....       | 1   |
| 5    | 1016441   | Gasket, Sprg Brkt To Carb OHV .....     | 1   |
| 6    | 1016444   | Bracket, Throttle Spring Return .....   | 1   |
| 7    | 1016480   | Pipe, Intake Manifold .....             | 1   |
| 8    | 101648102 | Insulator, Carburetor .....             | 1   |
| 9    | 101649002 | Stud, M6-1.00 Two-Ended .....           | 2   |
| 10   | 1016547   | Nut, M6 Flange .....                    | 2   |
| 11   | 1016572   | Tube, Crankcase Vent .....              | 1   |
| 12   | 1016582   | Spring, Throttle Return .....           | 1   |
| 13   | 1017466   | Clamp .....                             | 2   |
| 14   | 101973401 | Gasket, Insulator To Bracket .....      | 1   |

**10**  
**G**

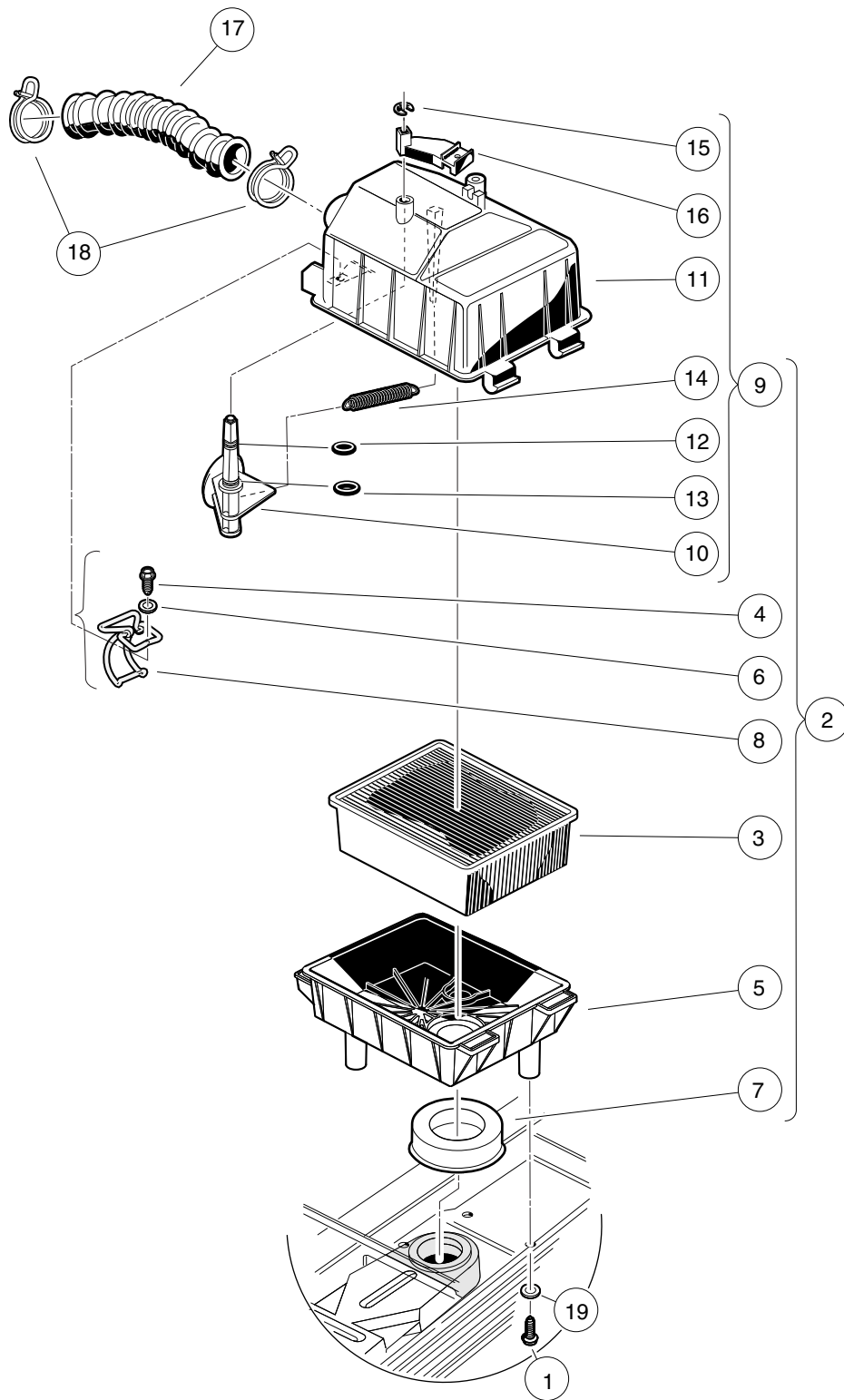


000215-001

# GOVERNOR AND ACCELERATOR CABLES

| ITEM | PART NO.  | DESCRIPTION                                   | QTY |
|------|-----------|---|-----|
|      |           | 1 2 3 4                                       |     |
| 1    | 1011697   | Washer, 5/16 Flat .....                       | 1   |
| 2    | 1012285   | Screw, 1/4 X 0.625 Hex-Head .....             | 4   |
| 3    | 1012830   | Screw, M8-125 X 22 Hex-Head .....             | 1   |
| 4    | 1013700   | Clamp .....                                   | 2   |
| 5    | 101584502 | Bracket, Governor Cable Snap-In .....         | 1   |
| 6    | 1016546   | Nut .....                                     | 2   |
| 7    | 101832202 | Bracket, Rear Governor Cable Snap-In .....    | 1   |
| 8    | 101832302 | Bracket, Rear Accelerator Cable Snap-In ..... | 1   |
| 9    | 102336001 | Cable, Governor, Snap-In .....                | 1   |
| 10   | 102336101 | Cable, Accelerator, Snap-In .....             | 1   |
| 11   | 7174      | Lockwasher, 5/16 Split .....                  | 1   |

**10**  
**G**

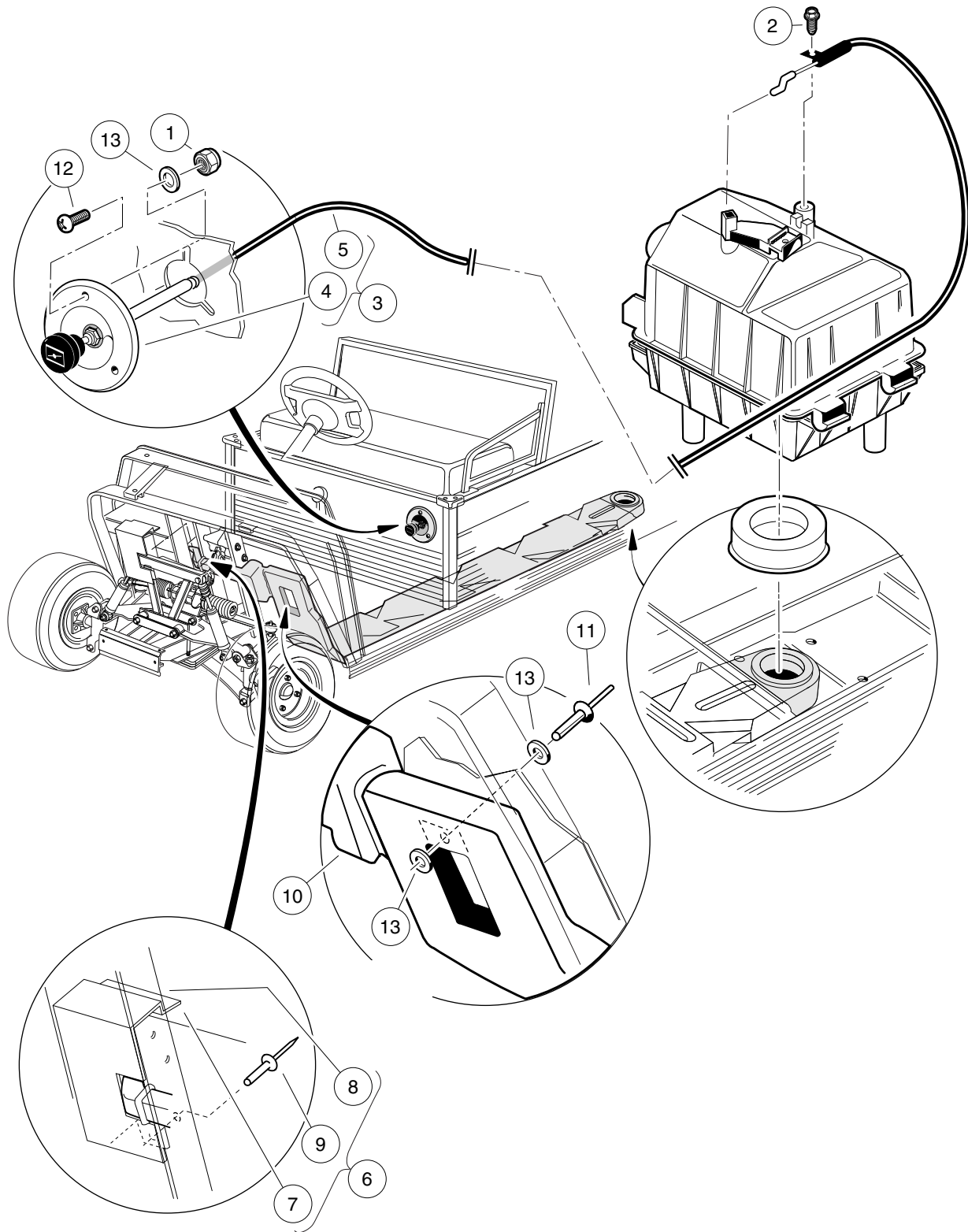


000332-001

# AIR BOX AND INTAKE HOSE

| ITEM | PART NO.  | DESCRIPTION  | QTY |
|------|-----------|--|-----|
|      |           | <b>1 2 3 4</b>   |     |
| 1    | 1015752   | Screw, #12-16 X 0.625 Hi-Lo .....                      | 3   |
| 2    | 101821501 | Assembly, Air Box (includes items 3 through 9) .....   | 1   |
| 3    | 1015426   | Filter, Air .....                                      | 1   |
| 4    | 101804301 | Screw, #8 X 0.500, Hex-Head Hi-Lo .....                | 2   |
| 5    | 101811901 | Bottom, Air Box .....                                  | 1   |
| 6    | 101881701 | Washer, #8 Stainless-Steel Flat .....                  | 2   |
| 7    | 101921501 | Seal, Intake .....                                     | 1   |
| 8    | 101925701 | Latch, Wireform .....                                  | 2   |
| 9    | 101972801 | Top Assy, Air Box (includes items 10 through 16) ..... | 1   |
| 10   | N/A       | Valve, Choke .....                                     | 1   |
| 11   | 101811801 | Top, Air Box .....                                     | 1   |
| 12   | N/A       | O-Ring, 5/16 .....                                     | 1   |
| 13   | N/A       | O-Ring, 3/8 .....                                      | 1   |
| 14   | 101812301 | Spring, Extension Return .....                         | 1   |
| 15   | 101813001 | Retaining Ring 0.25, Shaft .....                       | 1   |
| 16   | 101917601 | Lever, Choke .....                                     | 1   |
| 17   | 101837101 | Hose, Air Intake .....                                 | 1   |
| 18   | 101971301 | Clamp, 1.58" ID Hose .....                             | 2   |
| 19   | 332       | Washer, 1/4 Type A Narrow Flat .....                   | 3   |

**10**  
**G**



000338-002

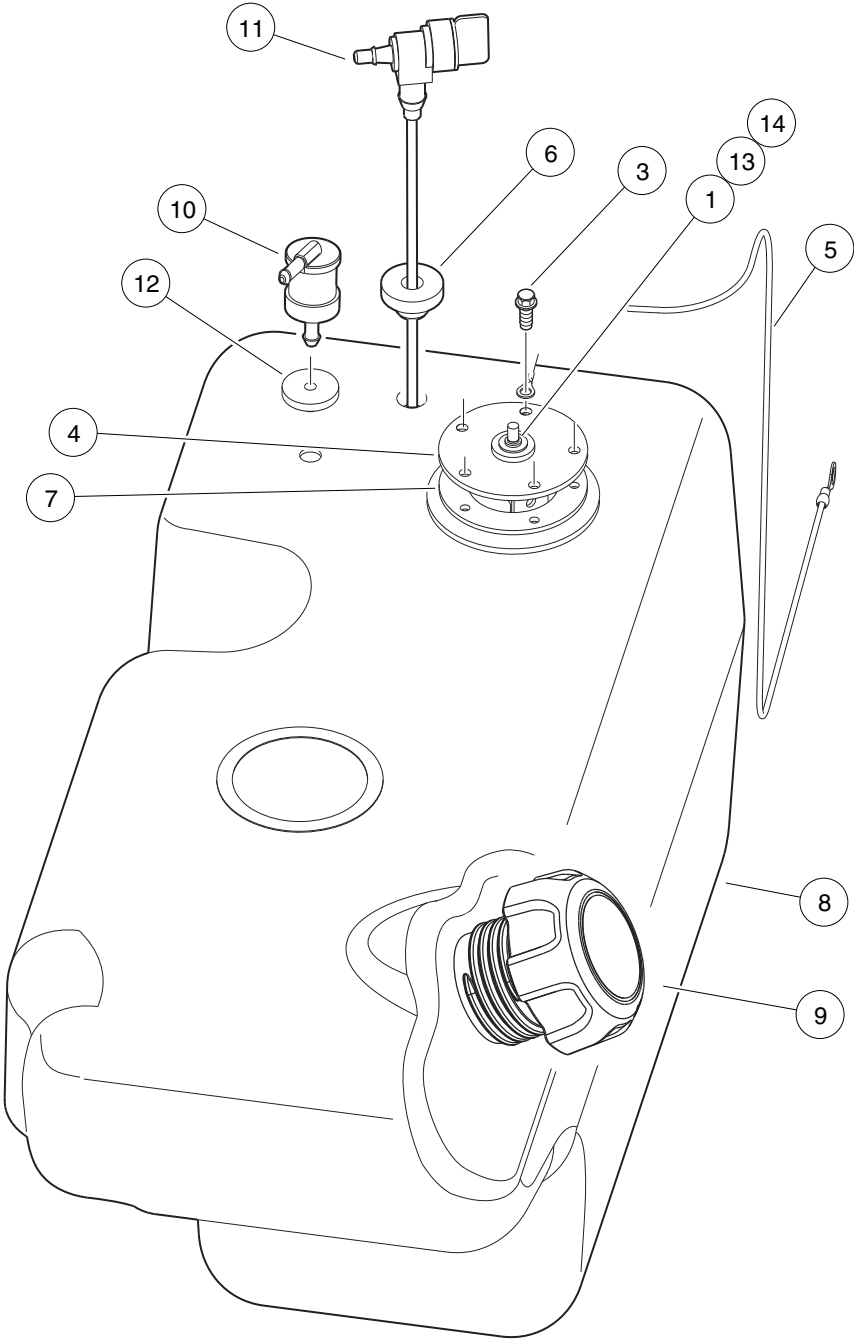


# INTAKE SYSTEM

| ITEM | PART NO.  | DESCRIPTION   | QTY |
|------|-----------|---|-----|
|      |           | <b>1 2 3 4</b>  |     |
| 1    | 1012438   | Locknut, #10-24 Nylon Insert .....                      | 3   |
| 2    | 101804301 | Screw, #8 X 0.500, Hex-Head Hi-Lo .....                 | 1   |
| 3    | 101926801 | Cable, Choke (includes items 4 and 5) .....             | 1   |
| 4    | 101933701 | Bezel, Choke Cable .....                                | 1   |
| 5    | N/A       | Choke Cable without Bezel, Short .....                  | 1   |
| 6    | 102190702 | Kit, Air Duct Shield (includes items 7 through 9) ..... | 1   |
| 7    | 102185401 | Tape, 3M VHB 4950 .....                                 | 1   |
| 8    | N/A       | Shield, Air Duct .....                                  | 1   |
| 9    | 7973      | Rivet, 3/16 X .400 Blind .....                          | 1   |
| 10   | 103520401 | Duct, Air Intake, Ca li .....                           | 1   |
| 11   | 1606      | Rivet, 3/16 X .500 Alum Pop .....                       | 2   |
| 12   | 1631      | Screw, #10-24 X 0.75 Phillips Pan-Head .....            | 3   |
| 13   | 183       | Washer, #10 Type A Flat .....                           | 7   |

10

G



000609-002

## FUEL TANK (CALIFORNIA) WITH SENDING UNIT

| ITEM | PART NO.  | DESCRIPTION  | QTY |
|------|-----------|--|-----|
|      |           | 1 2 3 4  |     |
| 1    | 1016      | Lockwasher, #10 Split .....  | 1   |
| 2    | 103369101 | Asm, Fuel Tank,side Fill,nano (includes items 3 through 12) .....            | 1   |
| 3    | 1013461   | Screw, #10-16 Hex-Head Hi-Lo .....   | 5   |
| 4    | 1013462   | Sending Unit, Fuel Level * .....   | 1   |
| 5    | 1015921   | Wire Assembly #16 Black .....  | 1   |
| 6    | 102406701 | Bushing, Line, Return .....  | 1   |
| 7    | 102522001 | Gasket, Rubber .....   | 1   |
| 8    | N/A       | Tank, Fuel,side Fill,nano .....  | 1   |
| 9    | 103372101 | Cap, Fuel Tank, Gas, Ratchet .....   | 1   |
| 10   | 103372201 | Vent, Fuel Tank, W/ Valve .....  | 1   |
| 11   | 103372301 | Valve, Fuel, 259mm .....   | 1   |
| 12   | 103374701 | Grommet, Fuel Tank Vent .....  | 1   |
| 13   | 183       | Washer, #10 Type A Flat .....  | 1   |
| 14   | 8797      | Nut, #10-32 Brass Hex .....  | 1   |
|      |           | * Note: Must replace fuel sending unit gasket when servicing this component. |     |

**10**  
**G**

**10**

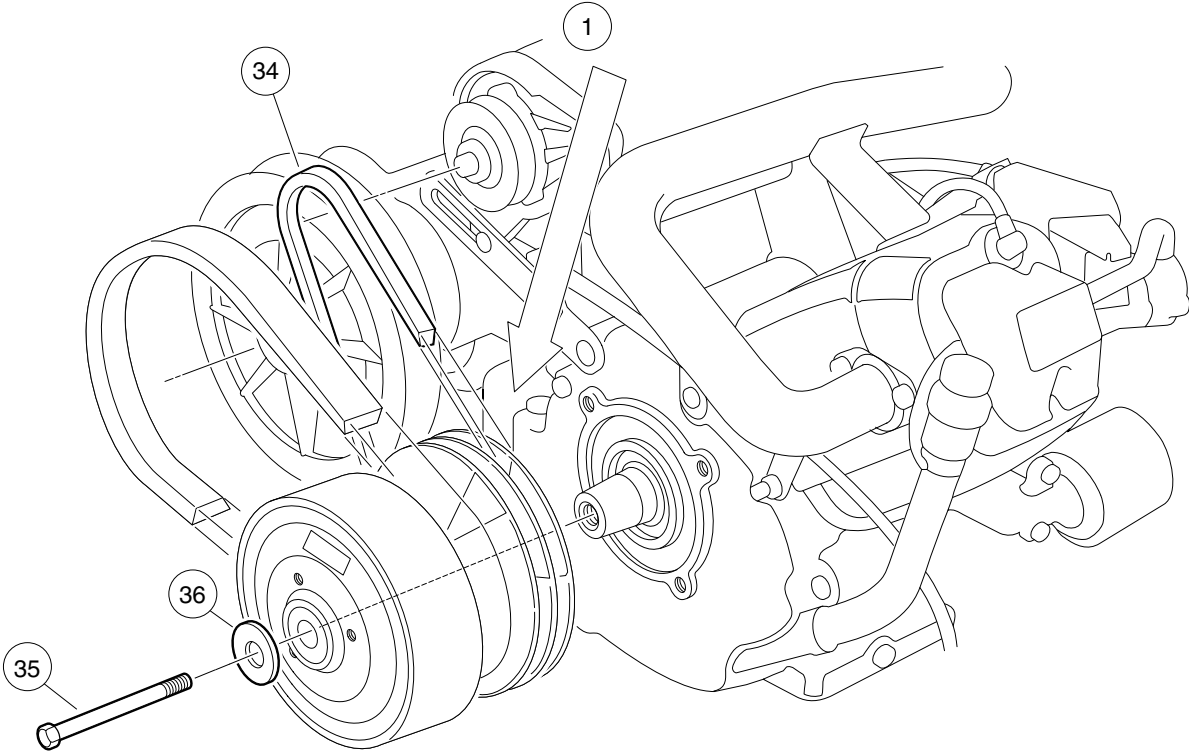
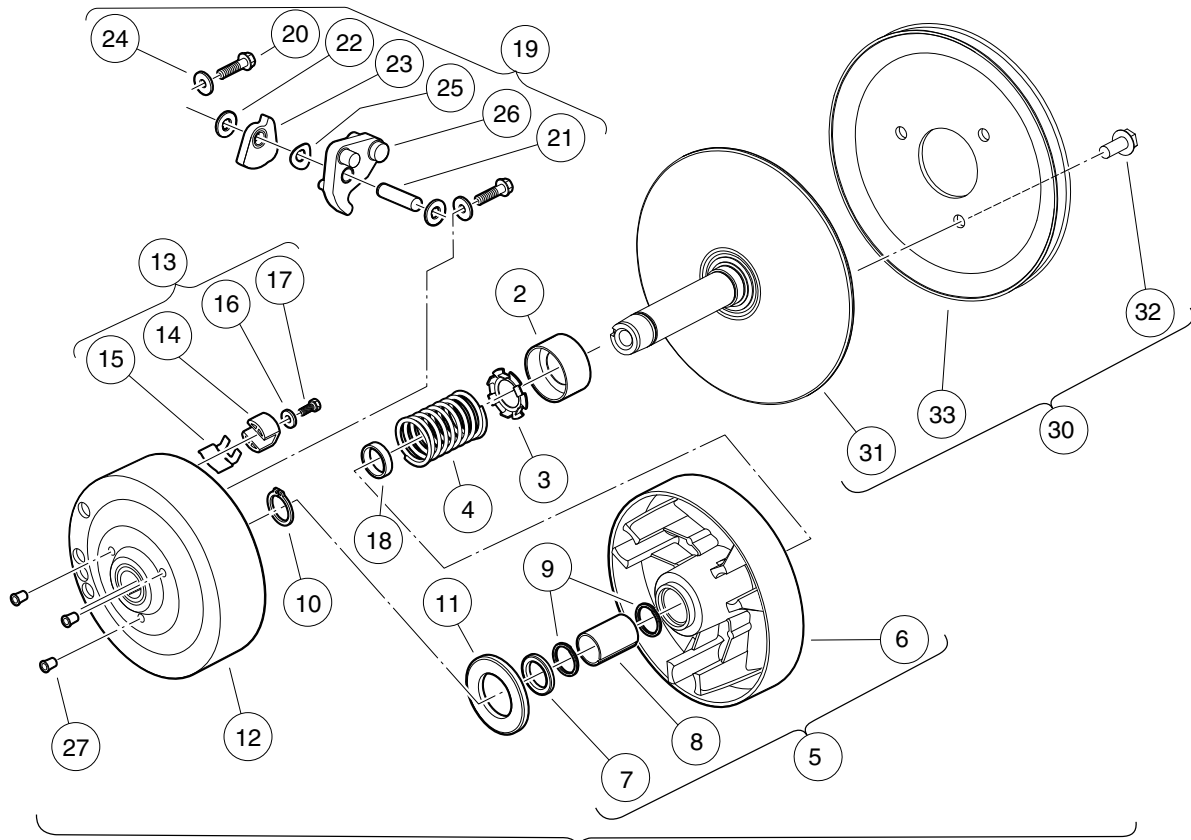
**G**

# TORQUE CONVERTER

---

11

G



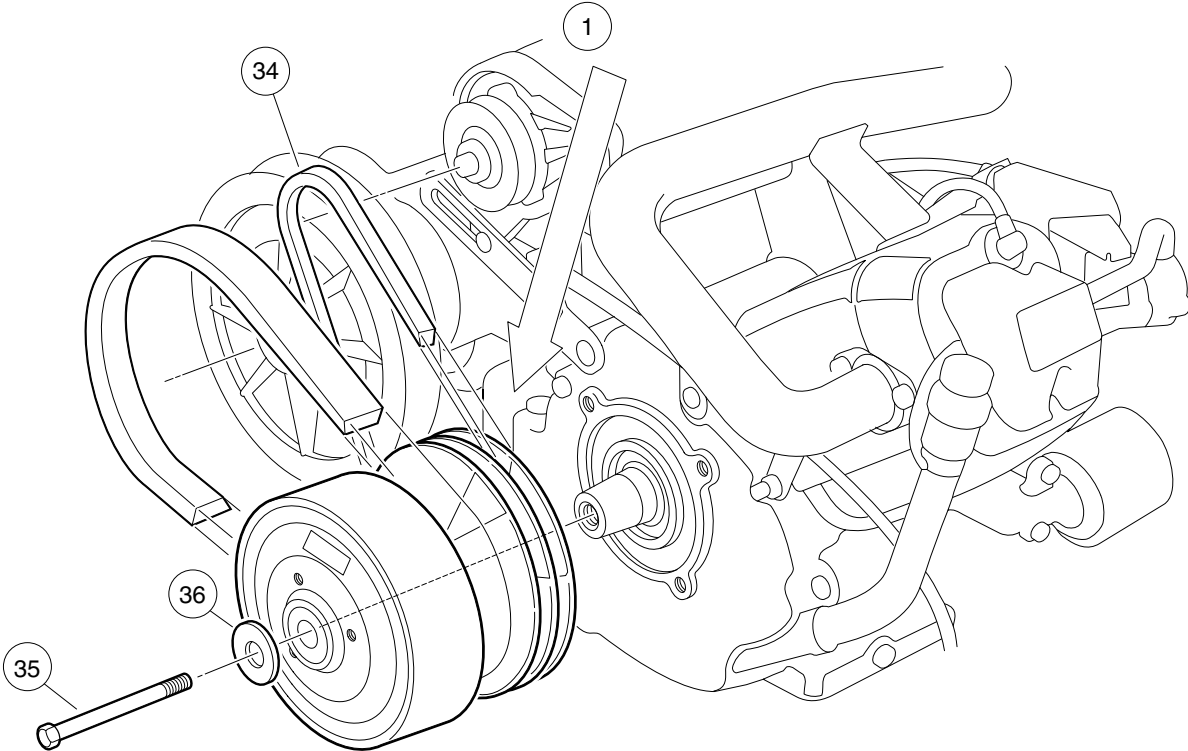
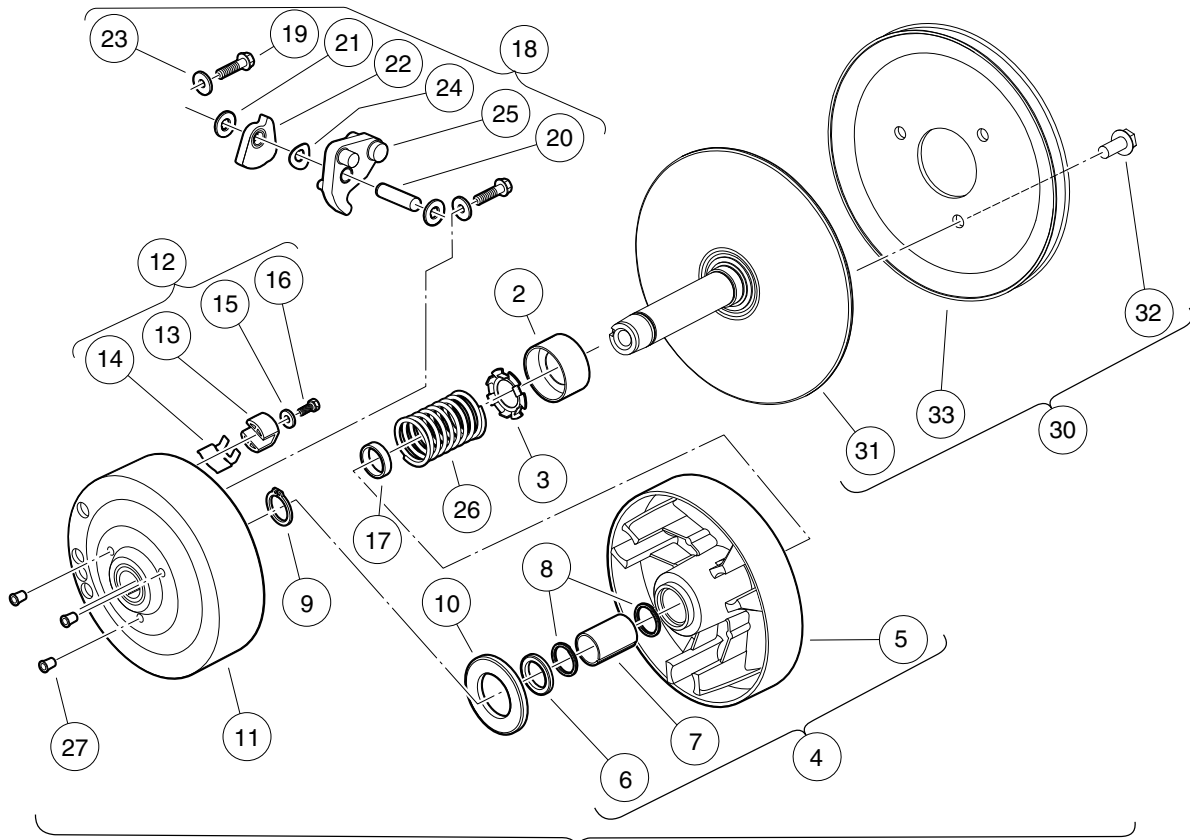
000217-001

## DRIVE CLUTCH – TURF/CARRYALL 2, AND 252

| ITEM | PART NO.  | DESCRIPTION   | QTY |
|------|-----------|---|-----|
|      |           | 1 2 3 4   |     |
| 1    | 101833902 | Clutch, Drive (includes items 2 through 28) .....               | 1   |
| 2    | 1014049   | Bearing, Idler .....  | 1   |
| 3    | 1014050   | Retainer, Spring .....  | 1   |
| 4    | 1014051   | Spring, Drive Clutch .....                                      | 1   |
| 5    | 1014052   | Movable-Face Assembly (includes items 6 through 8) .....        | 1   |
| 6    | N/A       | Drive Clutch Movable Face .....                                 | 1   |
| 7    | 1014055   | Retainer .....  | 1   |
| 8    | N/A       | Bushing, Split, Drive Clutch .....                              | 1   |
| 9    | 1014056   | Ring, Spiral Backup .....                                       | 2   |
| 10   | 1014057   | Ring, 0.810" Internal Retaining .....                           | 1   |
| 11   | 1014058   | Thrust Washer .....   | 1   |
| 12   | 1014059   | Drive Hub Assy, Drive Clutch .....                              | 1   |
| 13   | 1014453   | Kit, Drive Clutch Button (includes items 14 through 17) .....   | 1   |
| 14   | 1014062   | Driver, Drive Clutch .....                                      | 3   |
| 15   | 1014287   | Spring, Drive Button .....                                      | 3   |
| 16   | 183       | Washer, #10 Type A Flat .....                                   | 3   |
| 17   | 8450      | Screw, #10-24 X 0.50 Hex-Head .....                             | 3   |
| 18   | 1016289   | Spacer, Fixed Face Shaft .....                                  | 1   |
| 19   | 1016801   | Kit, Drive Clutch Weight (includes items 20 through 26) .....   | 1   |
| 20   | 1014063   | Screw, 1/4-20 X 1.00 Hex Head .....                             | 6   |
| 21   | N/A       | Pin, 0.3752 X 1.50 Dowel .....                                  | 3   |
| 22   | 1014065   | Washer, 0.38" ID Delrin Flat .....                              | 6   |
| 23   | N/A       | Clutch Weight, Secondary .....                                  | 3   |
| 24   | N/A       | Washer .....  | 6   |
| 25   | 1016201   | Washer, Wave .....  | 3   |
| 26   | N/A       | Weight, Primary .....   | 3   |
| 27   | 101925601 | Plug, Drive Clutch .....  | 3   |
| 28   | 101929802 | Kit, Fxd Face Dr Asm Fe290/350 (includes items 29 and 30) ..... | 1   |
| 29   | N/A       | Desiccant Bag (Not Shown) .....                                 | 1   |
| 30   | 101929801 | Assembly, Fixed-Face Drive (includes items 31 through 33) ..... | 1   |
| 31   | N/A       | Fixed Face Assembly, Drive Clutch .....                         | 1   |
| 32   | 1014288   | Screw, 5/16-18 X 0.75 Thread-Forming .....                      | 3   |
| 33   | N/A       | Pulley, Clutch .....  | 1   |
| 34   | 101916701 | V-Belt .....  | 1   |
| 35   | 103345701 | Screw 3/8-24x5.5 Hex Loc Ptch .....                             | 1   |
| 36   | 808       | Washer, 3/8 Type B Flat .....                                   | 1   |
|      |           | Note: Item 29 not shown.  |     |

**11**  
**G**

**11**  
**G**



000217-003

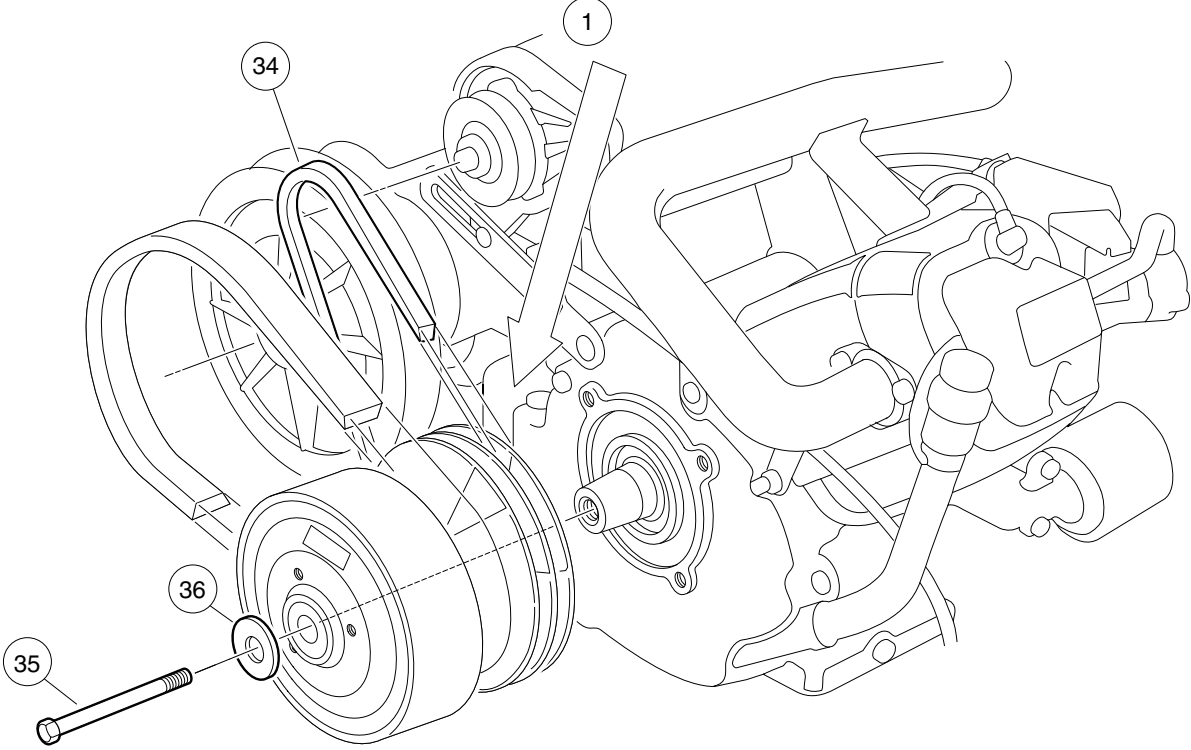
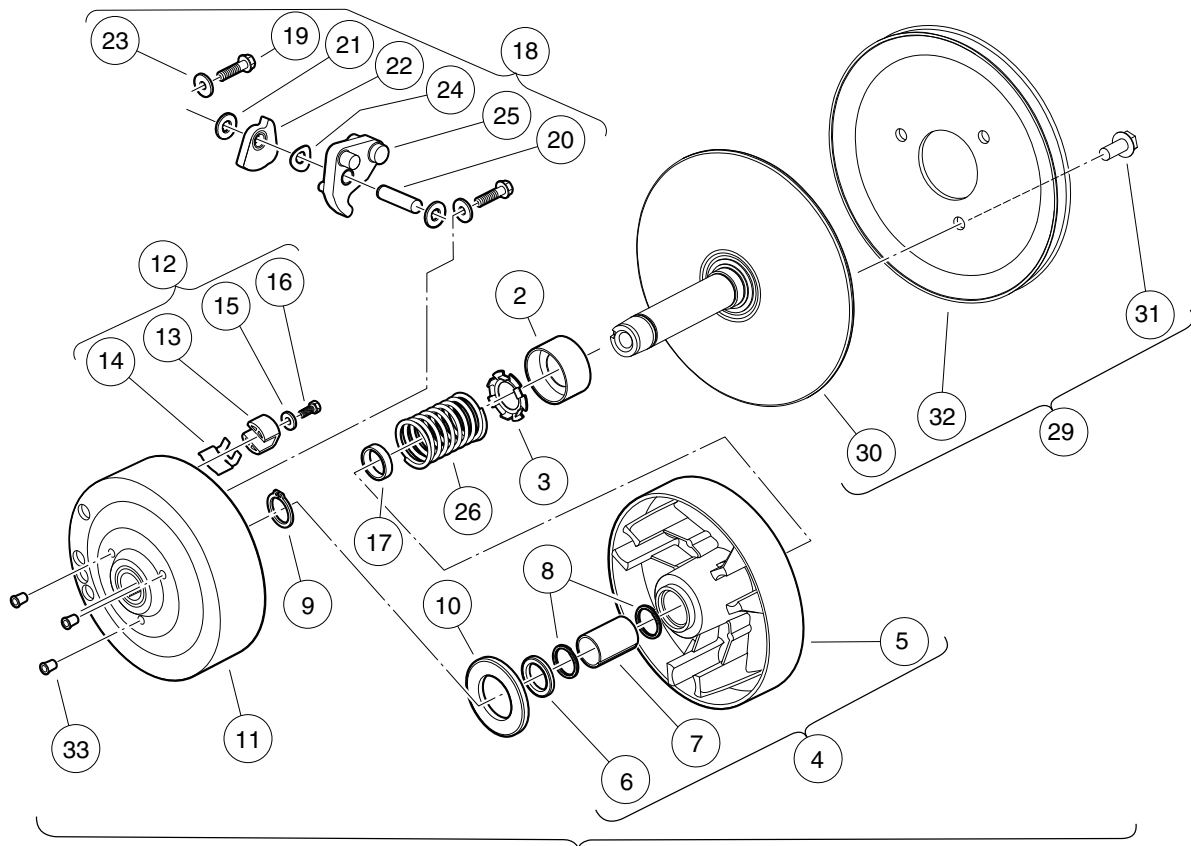


# DRIVE CLUTCH – XRT 900

11

G

| ITEM | PART NO.  | DESCRIPTION   | QTY |
|------|-----------|---|-----|
|      |           | <b>1 2 3 4</b>  |     |
| 1    | 101833906 | Drive Clutch Assy. FE 350/272 (includes items 2 through 28) ..... | 1   |
| 2    | 1014049   | Bearing, Idler .....  | 1   |
| 3    | 1014050   | Retainer, Spring .....  | 1   |
| 4    | 1014052   | Movable-Face Assembly (includes items 5 through 7) .....          | 1   |
| 5    | N/A       | Drive Clutch Movable Face .....                                   | 1   |
| 6    | 1014055   | Retainer .....  | 1   |
| 7    | N/A       | Bushing, Split, Drive Clutch .....                                | 1   |
| 8    | 1014056   | Ring, Spiral Backup .....   | 2   |
| 9    | 1014057   | Ring, 0.810" Internal Retaining .....                             | 1   |
| 10   | 1014058   | Thrust Washer .....   | 1   |
| 11   | 1014059   | Drive Hub Assy, Drive Clutch .....                                | 1   |
| 12   | 1014453   | Kit, Drive Clutch Button (includes items 13 through 16) .....     | 1   |
| 13   | 1014062   | Driver, Drive Clutch .....  | 3   |
| 14   | 1014287   | Spring, Drive Button .....  | 3   |
| 15   | 183       | Washer, #10 Type A Flat .....                                     | 3   |
| 16   | 8450      | Screw, #10-24 X 0.50 Hex-Head .....                               | 3   |
| 17   | 1016289   | Spacer, Fixed Face Shaft .....                                    | 1   |
| 18   | 1016801   | Kit, Drive Clutch Weight (includes items 19 through 25) .....     | 1   |
| 19   | 1014063   | Screw, 1/4-20 X 1.00 Hex Head .....                               | 6   |
| 20   | N/A       | Pin, 0.3752 X 1.50 Dowel .....                                    | 3   |
| 21   | 1014065   | Washer, 0.38" ID Delrin Flat .....                                | 6   |
| 22   | N/A       | Clutch Weight, Secondary .....                                    | 3   |
| 23   | N/A       | Washer .....  | 6   |
| 24   | 1016201   | Washer, Wave .....  | 3   |
| 25   | N/A       | Weight, Primary .....   | 3   |
| 26   | 1016901   | Spring, Drive Clutch .....  | 1   |
| 27   | N/A       | Cap Plug .....  | 3   |
| 28   | 101929802 | Kit, Fxd Face Dr Asm Fe290/350 (includes items 29 and 30) .....   | 1   |
| 29   | N/A       | Desiccant Bag (Not Shown) .....                                   | 1   |
| 30   | 101929801 | Assembly, Fixed-Face Drive (includes items 31 through 33) .....   | 1   |
| 31   | N/A       | Fixed Face Assembly, Drive Clutch .....                           | 1   |
| 32   | 1014288   | Screw, 5/16-18 X 0.75 Thread-Forming .....                        | 3   |
| 33   | N/A       | Pulley, Clutch .....  | 1   |
| 34   | 101916701 | V-Belt .....  | 1   |
| 35   | 103345701 | Screw 3/8-24x5.5 Hex Loc Ptch .....                               | 1   |
| 36   | 808       | Washer, 3/8 Type B Flat .....                                     | 1   |
|      |           | Note: Item 29 not shown.  |     |



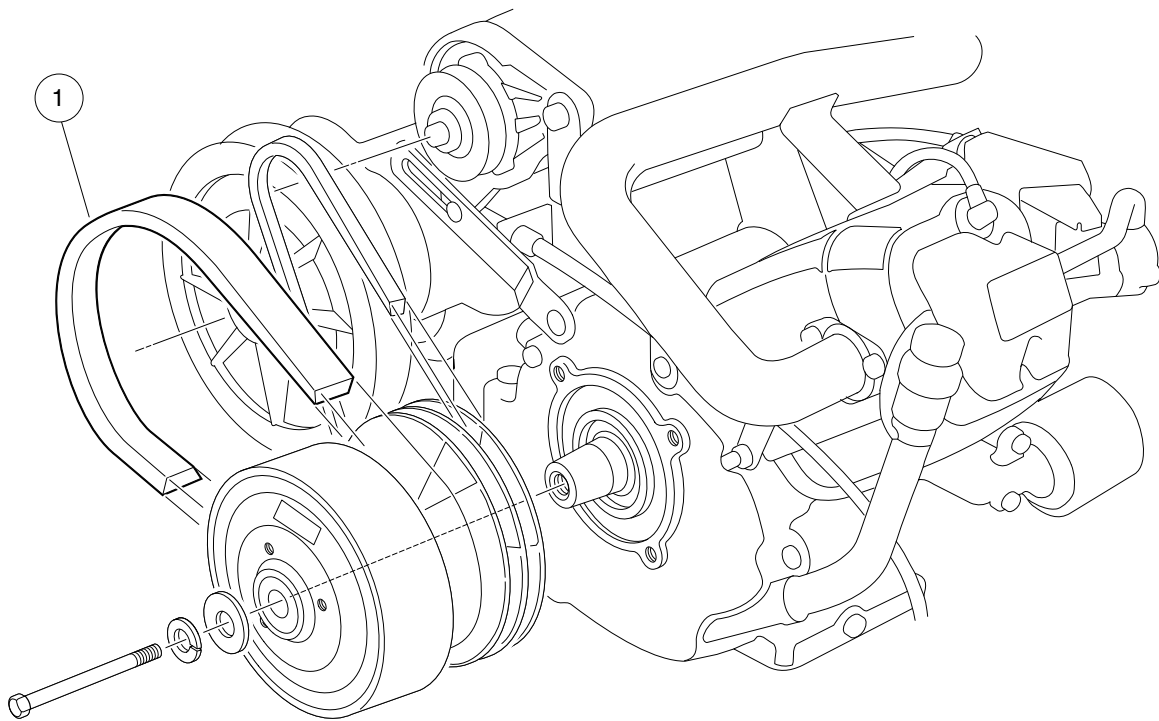
000217-002

# DRIVE CLUTCH – CARRYALL 2 PLUS

| ITEM | PART NO.  | DESCRIPTION   | QTY |
|------|-----------|---|-----|
|      |           | <b>1 2 3 4</b>  |     |
| 1    | 101833904 | Assembly, Drive Clutch (includes items 2 through 33) .....    | 1   |
| 2    | 1014049   | Bearing, Idler .....  | 1   |
| 3    | 1014050   | Retainer, Spring .....  | 1   |
| 4    | 1014052   | Movable-Face Assembly (includes items 5 through 7) .....      | 1   |
| 5    | N/A       | Drive Clutch Movable Face .....                               | 1   |
| 6    | 1014055   | Retainer .....  | 1   |
| 7    | N/A       | Bushing, Split, Drive Clutch .....                            | 1   |
| 8    | 1014056   | Ring, Spiral Backup .....                                     | 2   |
| 9    | 1014057   | Ring, 0.810" Internal Retaining .....                         | 1   |
| 10   | 1014058   | Thrust Washer .....   | 1   |
| 11   | 1014059   | Drive Hub Assy, Drive Clutch .....                            | 1   |
| 12   | 1014453   | Kit, Drive Clutch Button (includes items 13 through 16) ..... | 1   |
| 13   | 1014062   | Driver, Drive Clutch .....                                    | 3   |
| 14   | 1014287   | Spring, Drive Button .....                                    | 3   |
| 15   | 183       | Washer, #10 Type A Flat .....                                 | 3   |
| 16   | 8450      | Screw, #10-24 X 0.50 Hex-Head .....                           | 3   |
| 17   | 1016289   | Spacer, Fixed Face Shaft .....                                | 1   |
| 18   | 1016801   | Kit, Drive Clutch Weight (includes items 19 through 25) ..... | 1   |
| 19   | 1014063   | Screw, 1/4-20 X 1.00 Hex Head .....                           | 6   |
| 20   | N/A       | Pin, 0.3752 X 1.50 Dowel .....                                | 3   |
| 21   | 1014065   | Washer, 0.38" ID Delrin Flat .....                            | 6   |
| 22   | N/A       | Clutch Weight, Secondary .....                                | 3   |
| 23   | N/A       | Washer .....  | 6   |
| 24   | 1016201   | Washer, Wave .....  | 3   |
| 25   | N/A       | Weight, Primary .....   | 3   |
| 26   | 1016901   | Spring, Drive Clutch .....                                    | 1   |
| 27   | 101738302 | Kit, Fixed Face - Drive (includes items 28 and 29) .....      | 1   |
| 28   | N/A       | Desiccant Bag (Not Shown) .....                               | 1   |
| 29   | 101738301 | Fixed Face Drive (includes items 30 through 32) .....         | 1   |
| 30   | N/A       | Fixed Face Assembly, Drive Clutch .....                       | 1   |
| 31   | 1014288   | Screw, 5/16-18 X 0.75 Thread-Forming .....                    | 3   |
| 32   | 1016011   | Pulley, Drive Clutch .....                                    | 1   |
| 33   | N/A       | Cap Plug .....  | 3   |
| 34   | 101916701 | V-Belt .....  | 1   |
| 35   | 103345701 | Screw 3/8-24x5.5 Hex Loc Ptch .....                           | 1   |
| 36   | 808       | Washer, 3/8 Type B Flat .....                                 | 1   |
|      |           | Note: Item 28 not shown.                                      |     |

11

G



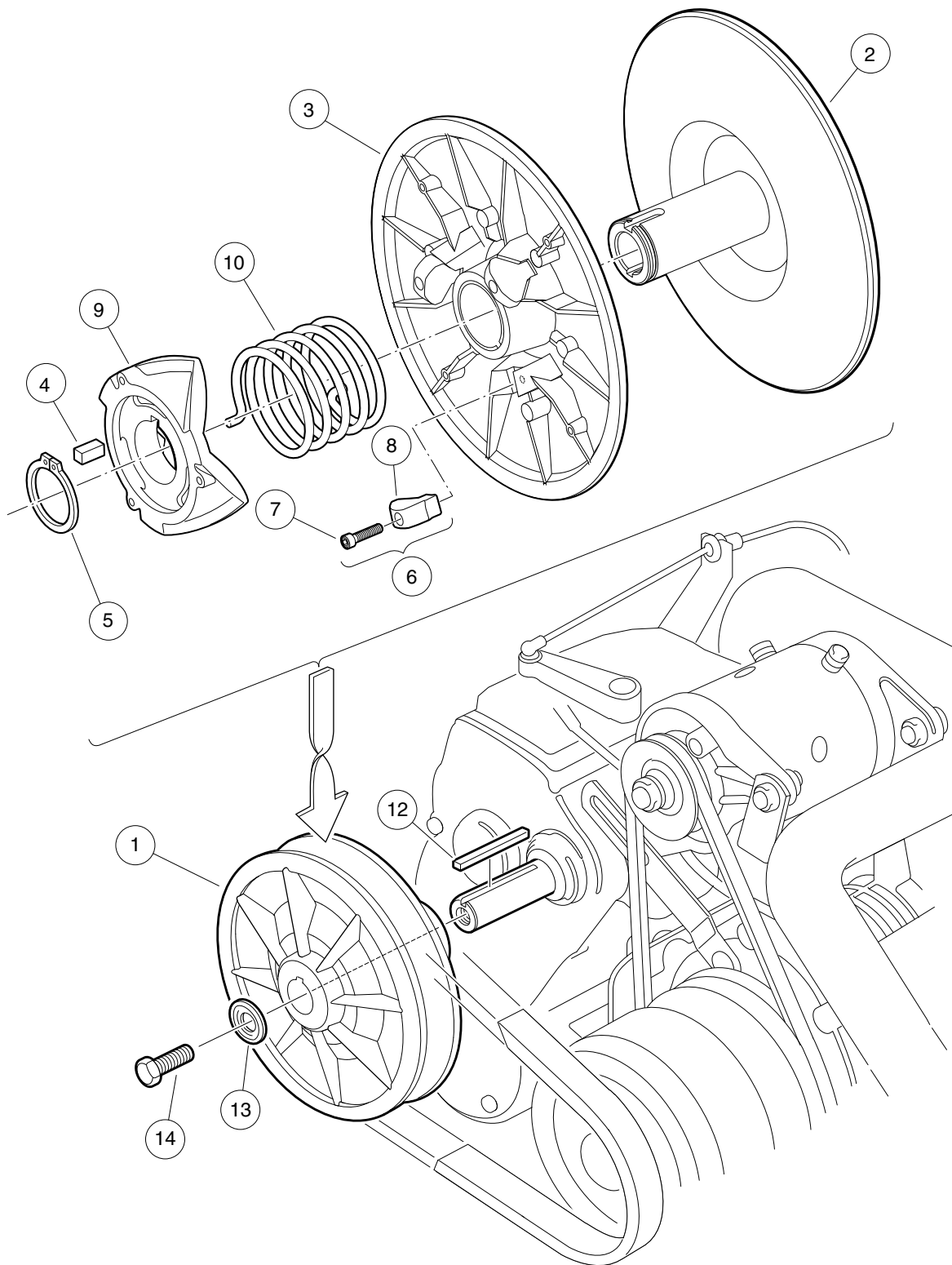
000218-001

# DRIVE BELT – FE350

| ITEM | PART NO. | DESCRIPTION   | QTY |
|------|----------|---|-----|
| 1    | 1017188  | <div style="display: flex; justify-content: space-between; margin-bottom: 5px;"> <span>1</span> <span>2</span> <span>3</span> <span>4</span> </div> Belt, Drive (FE350) ..... | 1   |

11

G



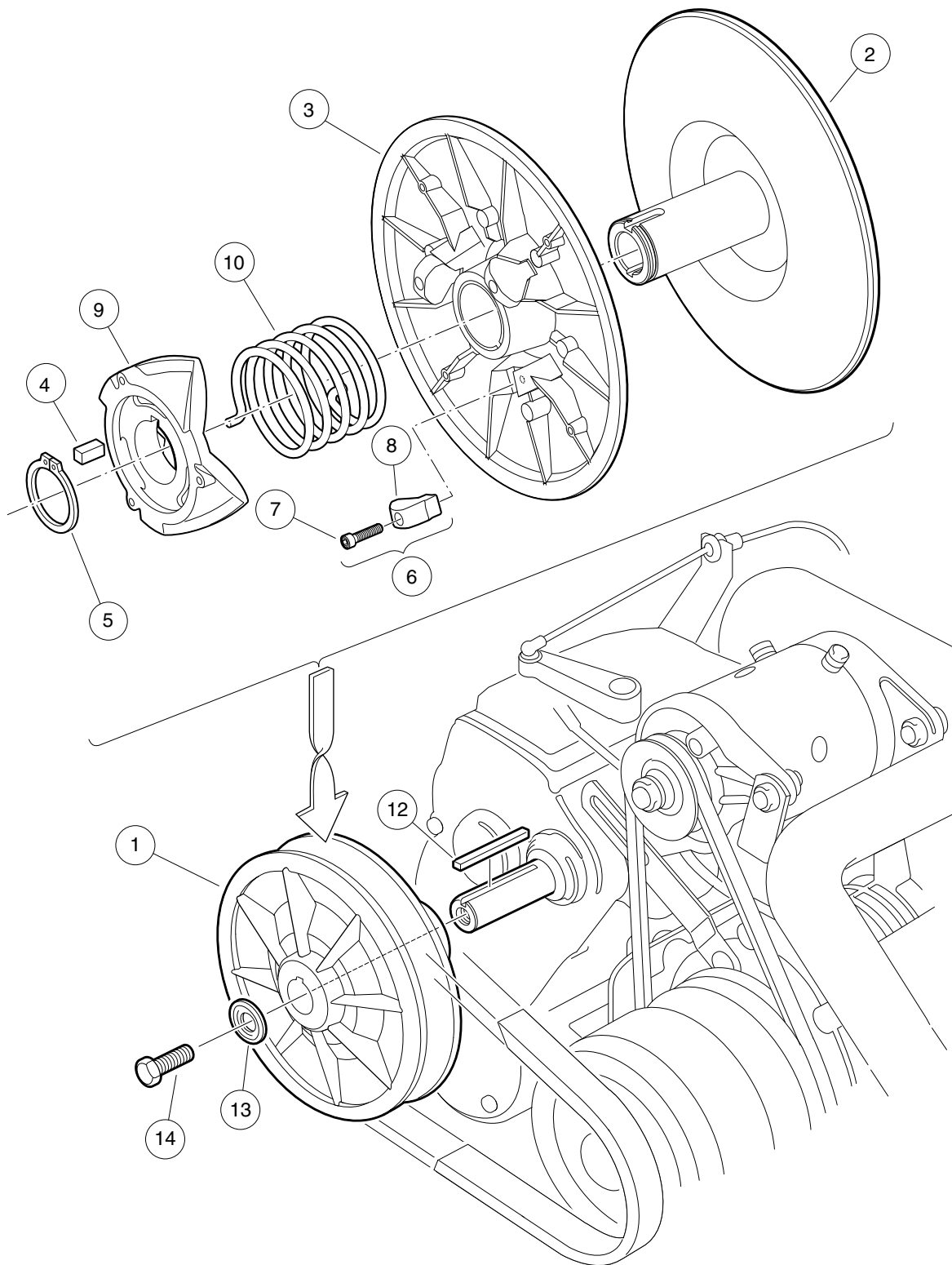
000219-001

## DRIVEN CLUTCH – TURF/CARRYALL 2, 252

| ITEM | PART NO.  | DESCRIPTION   | QTY |
|------|-----------|---|-----|
|      |           | 1 2 3 4   |     |
| 1    | 101834001 | Assembly, Driven Clutch (includes items 2 through 10) ..... | 1   |
| 2    | 1014070   | Fixed Face Assy, Driven Clutch .....                        | 1   |
| 3    | 1014072   | Movable-Face Assembly with Bushing .....                    | 1   |
| 4    | 1014078   | Key, Driven Clutch .....                                    | 1   |
| 5    | 1014080   | Ring, Retaining .....                                       | 1   |
| 6    | 1014454   | Kit, Driven Clutch Button (includes items 7 and 8) .....    | 1   |
| 7    | 1012836   | Screw, #8-32 X 3/4 Socket-Head Cap .....                    | 3   |
| 8    | 1014076   | Button, Drive .....   | 3   |
| 9    | 1017686   | Cam, Driven Clutch .....                                    | 1   |
| 10   | 101836201 | Spring, Driven Clutch, Reversed .....                       | 1   |
| 11   | AM10419   | Kit, Clutch Repair (includes items 12 through 14) .....     | 1   |
| 12   | 101833401 | Key, 3/16 Sq X 1.50" .....                                  | 1   |
| 13   | 102155801 | Washer, Driven Clutch .....                                 | 1   |
| 14   | 102242101 | Screw, 5/16-18 X 3/4 Hex-Head with Patch .....              | 1   |

11

G



000219-001



## DRIVEN CLUTCH – CARRYALL 2 PLUS, AND XRT 900

| ITEM | PART NO.  | DESCRIPTION  | QTY |
|------|-----------|--|-----|
|      |           | 1 2 3 4  |     |
| 1    | 101834003 | Clutch, Driven (includes items 2 through 10) .....       | 1   |
| 2    | 1014070   | Fixed Face Assy, Driven Clutch .....                     | 1   |
| 3    | 1014072   | Movable-Face Assembly with Bushing .....                 | 1   |
| 4    | 1014078   | Key, Driven Clutch .....                                 | 1   |
| 5    | 1014080   | Ring, Retaining .....                                    | 1   |
| 6    | 1014454   | Kit, Driven Clutch Button (includes items 7 and 8) ..... | 1   |
| 7    | 1012836   | Screw, #8-32 X 3/4 Socket-Head Cap .....                 | 3   |
| 8    | 1014076   | Button, Drive .....                                      | 3   |
| 9    | 1017686   | Cam, Driven Clutch .....                                 | 1   |
| 10   | 101836202 | Spring, Driven Clutch, Reversed .....                    | 1   |
| 11   | AM10419   | Kit, Clutch Repair (includes items 12 through 14) .....  | 1   |
| 12   | 101833401 | Key, 3/16 Sq X 1.50" .....                               | 1   |
| 13   | 102155801 | Washer, Driven Clutch .....                              | 1   |
| 14   | 102242101 | Screw, 5/16-18 X 3/4 Hex-Head with Patch .....           | 1   |

**11**

**G**

11

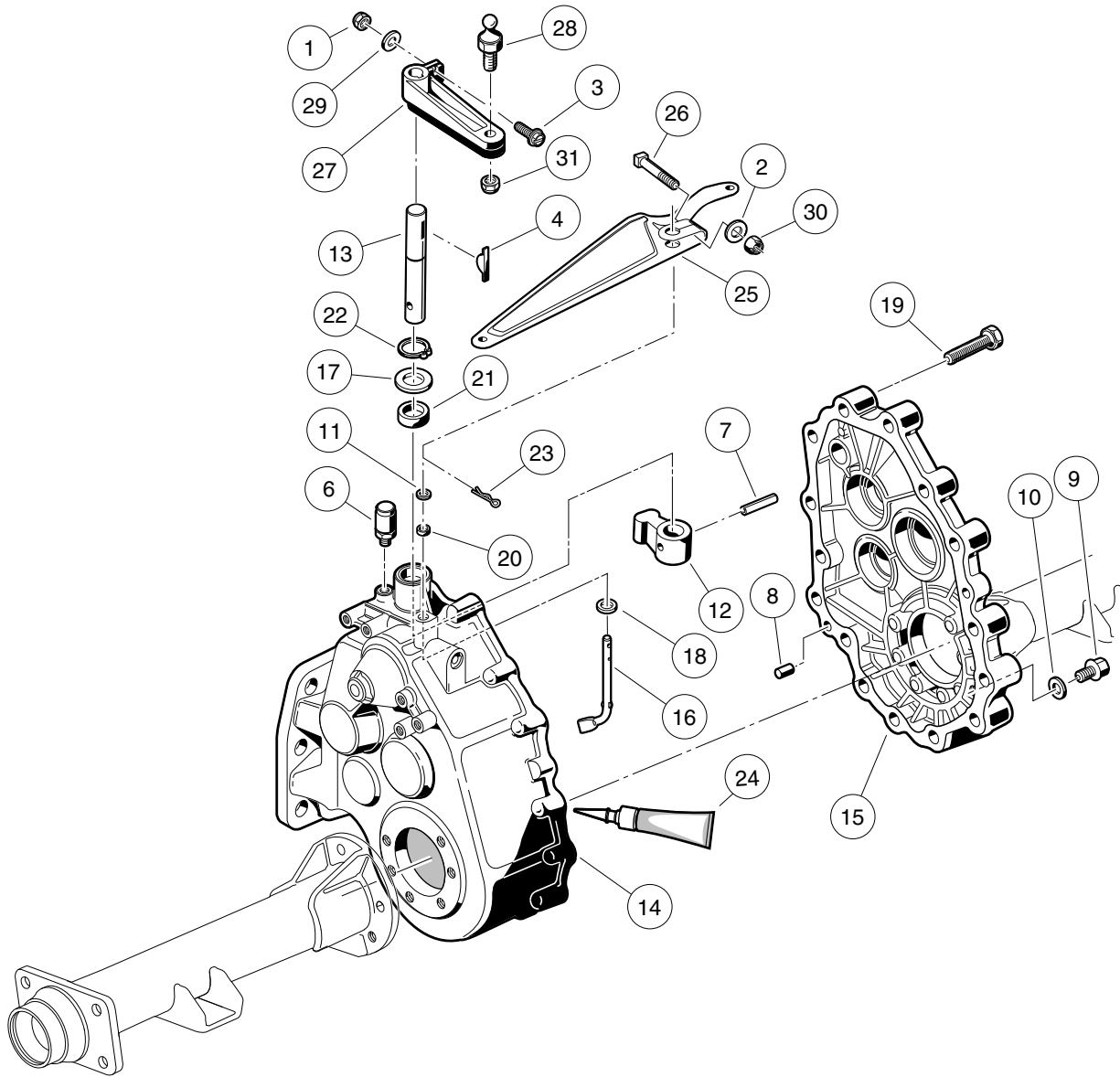
G

# UNITIZED TRANSAXLE

---

12

G



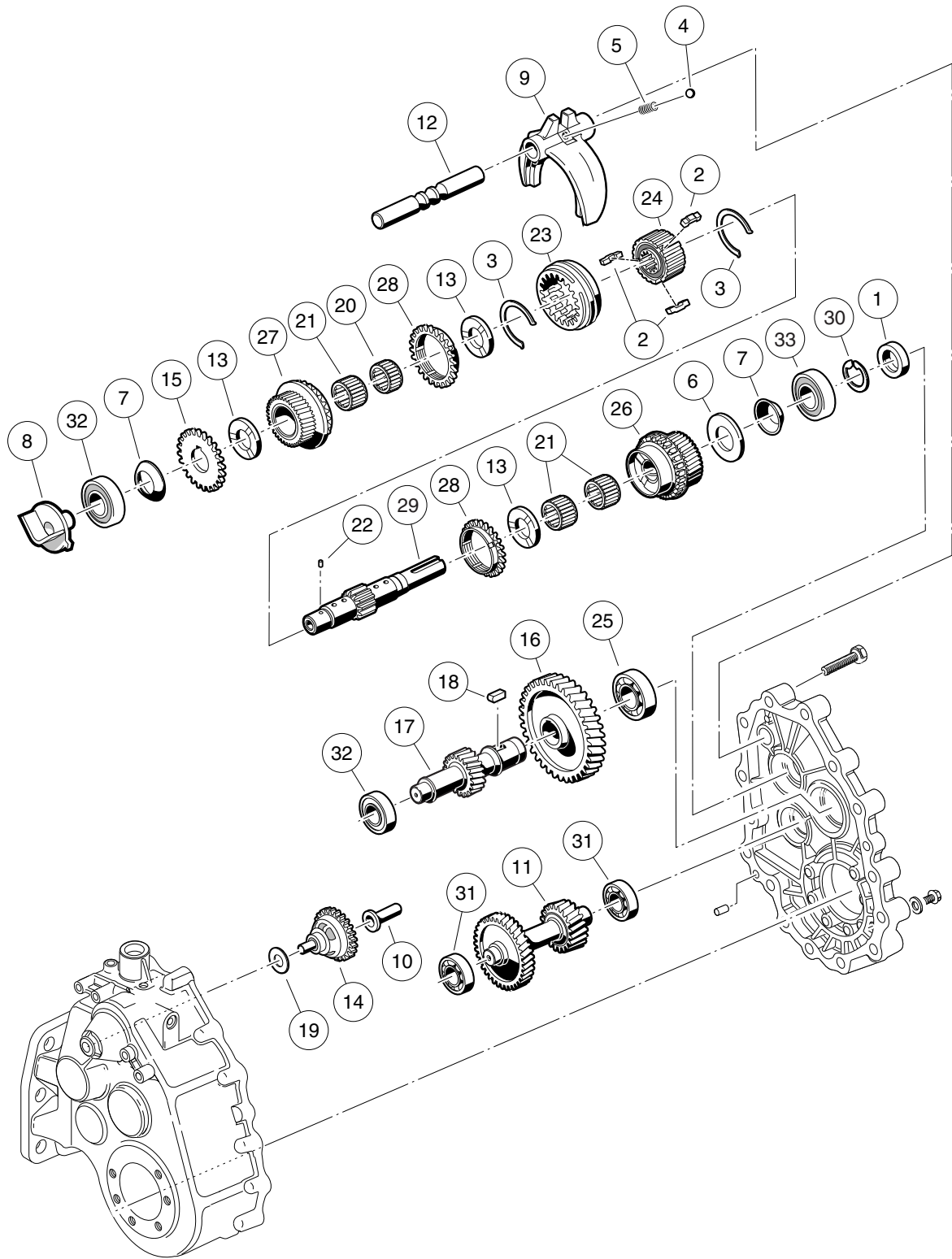
000220-002

# UNITIZED TRANSAXLE – GEAR CASES AND BRACKETS

| ITEM  | PART NO.  | DESCRIPTION  | QTY |
|---|-----------|--|-----|
|   |           | 1 2 3 4  |     |
| 1   | 1013061   | Locknut, #10-32 Nylon Insert .....                         | 1   |
| 2   | 1014007   | Washer, 1/4 Flat .....                                     | 1   |
| 3   | 1017082   | Screw, #10-32 X 0.75, Hex-Head Machine .....               | 1   |
| 4   | 1017231   | Key, Woodruff .....  | 1   |
| 5   | 101833601 | Transaxle, 11.77 Ratio (includes items 6 through 24) ..... | 1   |
| 6   | 1012711   | Breather .....   | 1   |
| 7   | 1012752   | Roll Pin .....   | 1   |
| 8   | 1012896   | Pin, Dowel .....   | 2   |
| 9   | 1013760   | Fill Plug .....  | 2   |
| 10  | 1016432   | Gasket, Drain Plug .....                                   | 1   |
| 11  | 1016513   | Washer, M6 Flat .....                                      | 1   |
| 12  | 101890101 | Lever, Change .....  | 1   |
| 13  | 101890201 | Shaft - Change .....                                       | 1   |
| 14  | 101890501 | Gear Case (driver side) .....                              | 1   |
| 15  | 101890601 | Gear Case (passenger side) .....                           | 1   |
| 16  | 101891301 | Arm Pivot .....  | 1   |
| 17  | 101892901 | Washer .....   | 1   |
| 18  | 101893801 | Washer .....   | 1   |
| 19  | 101926901 | Screw, M8-1.25 X 40mm Hex-Head .....                       | 15  |
| 20  | 101927101 | Seal, Oil .....  | 1   |
| 21  | 101927201 | Seal, Oil .....  | 1   |
| 22  | 101927301 | Snap Ring .....  | 1   |
| 23  | 101928601 | Pin, Cotter .....  | 1   |
| 24  | 101928701 | Liquid Gasket (Transaxle case) .....                       | 1   |
| 25  | 101834801 | Arm, Governor .....  | 1   |
| 26  | 101886101 | Screw, 1/4-20 X 1.00 Square-Head .....                     | 1   |
| 27  | 102515401 | Lever, Transmission Shift .....                            | 1   |
| 28  | 102526201 | Stud, Thread, 1/4-28 .....                                 | 1   |
| 29  | 183       | Washer, #10 Type A Flat .....                              | 1   |
| 30  | 8233      | Locknut, 1/4-20 Nylon Insert .....                         | 1   |
| 31  | 8717      | Locknut, 1/4-28 Nylon Insert .....                         | 1   |
| Note: Unitized transaxle component listings span several pages. |           |  |     |

12

G



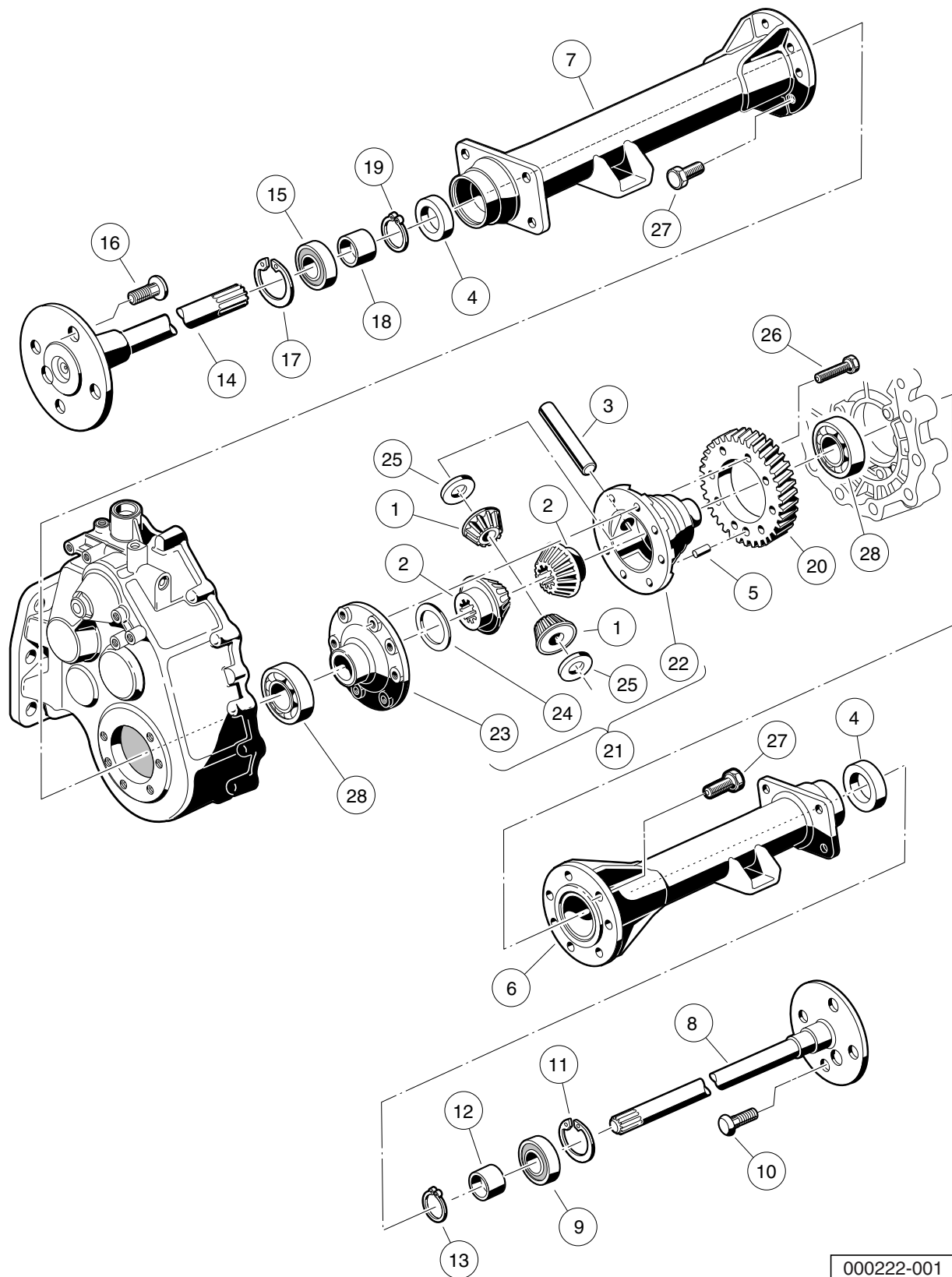
000221-001

# TRANSAXLE – GASOLINE VEHICLES, TRANSMISSION AND GEAR REDUCTION

12

G

| ITEM   | PART NO.  | DESCRIPTION  | QTY |
|--|-----------|--|-----|
|  |           | 1 2 3 4  |     |
| 1  | 1012714   | Oil Seal .....   | 1   |
| 2  | 1012740   | Synchro Insert .....                                   | 3   |
| 3  | 1012741   | Synchro Spring .....                                   | 2   |
| 4  | 1012747   | Shifter Ball .....                                     | 1   |
| 5  | 1012748   | Shifter Spring .....                                   | 1   |
| 6  | 1016337   | Washer, Thrust .....                                   | 1   |
| 7  | 1016338   | Washer, Spring .....                                   | 2   |
| 8  | 101889401 | Guide .....  | 1   |
| 9  | 101890001 | Fork - Shift .....                                     | 1   |
| 10   | 101891601 | Sleeve, Governor .....                                 | 1   |
| 11   | 101891901 | Gear, Cluster .....                                    | 1   |
| 12   | 101892001 | Rod, Shift .....                                       | 1   |
| 13   | 101892201 | Plate, Thrust .....                                    | 3   |
| 14   | 101892301 | Governor Assembly .....                                | 1   |
| 15   | 101892401 | Gear, Spur .....                                       | 1   |
| 16   | 101892501 | Gear, Helical (61 Tooth) .....                         | 1   |
| 17   | 101892601 | Gear, Helical (17 Tooth) .....                         | 1   |
| 18   | 101893201 | Key Sunk .....   | 1   |
| 19   | 101893901 | Washer .....   | 1   |
| 20   | 101927501 | Needle Bearing .....                                   | 1   |
| 21   | 101927601 | Needle Bearing .....                                   | 3   |
| 22   | 101927701 | Pin, .116" Dia X 0.264 Dowel .....                     | 1   |
| 23   | 101927901 | Sleeve, Synchro .....                                  | 1   |
| 24   | 101928001 | Hub, Synchro Clutch .....                              | 1   |
| 25   | 101928101 | Bearing, Ball .....                                    | 1   |
| 26   | 101980801 | Gear Assembly, 16-Degree Synchro (25 Tooth) .....      | 1   |
| 27   | 101980901 | Gear Assembly, 16-Degree Rear Synchro (28 Tooth) ..... | 1   |
| 28   | 101981001 | Ring, 16-Degree Synchronizer .....                     | 2   |
| 29   | 102453001 | Shaft, Trans, with Circlip .....                       | 1   |
| 30   | 102453101 | Circlip .....  | 1   |
| 31   | 7335      | Bearing .....  | 2   |
| 32   | AM10080   | Bearing, Ball, Sealed .....                            | 2   |
| 33   | AM10081   | Bearing, Ball, Sealed .....                            | 1   |
| <p>Note: Items listed on this page are components of the unitized transaxle.</p> |           |  |     |



000222-001

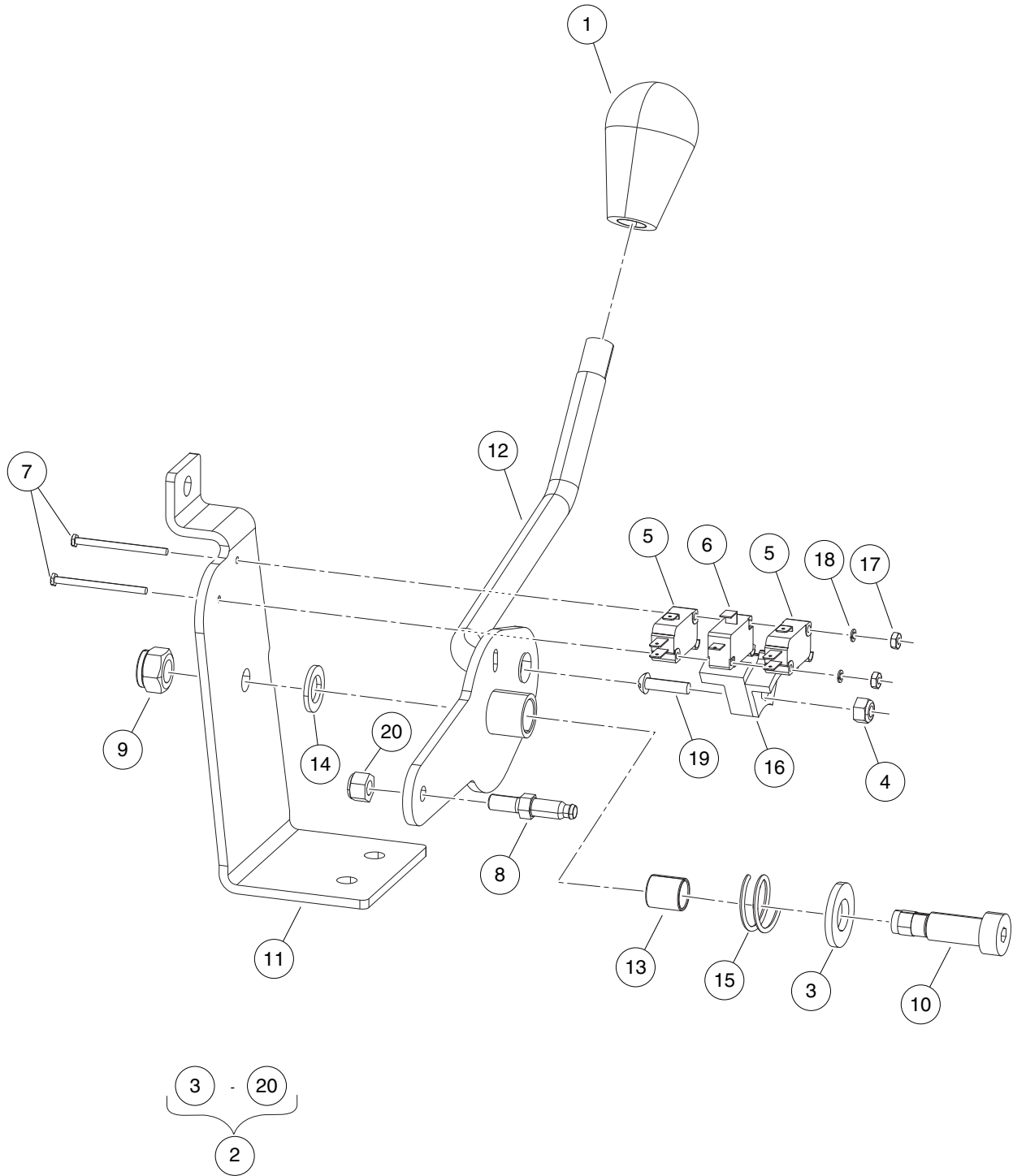


# TRANSAXLE – GASOLINE VEHICLES, DIFFERENTIAL AND AXLES

| ITEM | PART NO.  | DESCRIPTION   | QTY |
|------|-----------|---|-----|
|      |           | <b>1 2 3 4</b>  |     |
| 1    | 1013770   | Differential Idler Gear .....                                     | 2   |
| 2    | 1013771   | Gear, Differential .....  | 2   |
| 3    | 1013772   | Pin, Differential .....   | 1   |
| 4    | 1013794   | Axle Shaft Oil Seal .....   | 2   |
| 5    | 1014193   | Dowel Pin .....   | 1   |
| 6    | 101890901 | Pipe .....  | 1   |
| 7    | 101891001 | Pipe .....  | 1   |
| 8    | 101891401 | Axle Assembly, Passenger Side (includes items 9 through 13) ..... | 1   |
| 9    | 1011291   | Outer Axle, Tube Bearing .....                                    | 1   |
| 10   | 1013787   | Lug Stud .....  | 4   |
| 11   | 1013792   | Circlip Type C .....  | 1   |
| 12   | 1014207   | Bushing .....   | 1   |
| 13   | 1016672   | Retaining Ring .....  | 1   |
| 14   | 101891501 | Axle Assembly, Driver-Side (includes items 15 through 19) .....   | 1   |
| 15   | 1011291   | Outer Axle, Tube Bearing .....                                    | 1   |
| 16   | 1013787   | Lug Stud .....  | 4   |
| 17   | 1013792   | Circlip Type C .....  | 1   |
| 18   | 1014207   | Bushing .....   | 1   |
| 19   | 1016672   | Retaining Ring .....  | 1   |
| 20   | 101892701 | Gear, Helical .....   | 1   |
| 21   | 101910501 | Kit, Differential Gear Case (includes items 22 through 25) .....  | 1   |
| 22   | 1013768   | Differential Gear Case, Left-Hand .....                           | 1   |
| 23   | 1013769   | Differential Gear Case, Right-Hand .....                          | 1   |
| 24   | 1013773   | Plate, Thrust (Differential Gear) .....                           | 1   |
| 25   | 1013774   | Plate, Thrust (Idler Gear) .....                                  | 2   |
| 26   | 101928301 | Screw, M8-1.25 X 35mm Hex Head .....                              | 8   |
| 27   | 102031901 | Bolt, M10 X 1.5 X 30mm .....                                      | 14  |
| 28   | 7330      | Inner Axle Tube Bearing .....                                     | 2   |

**12**  
**G**

**12**  
**G**

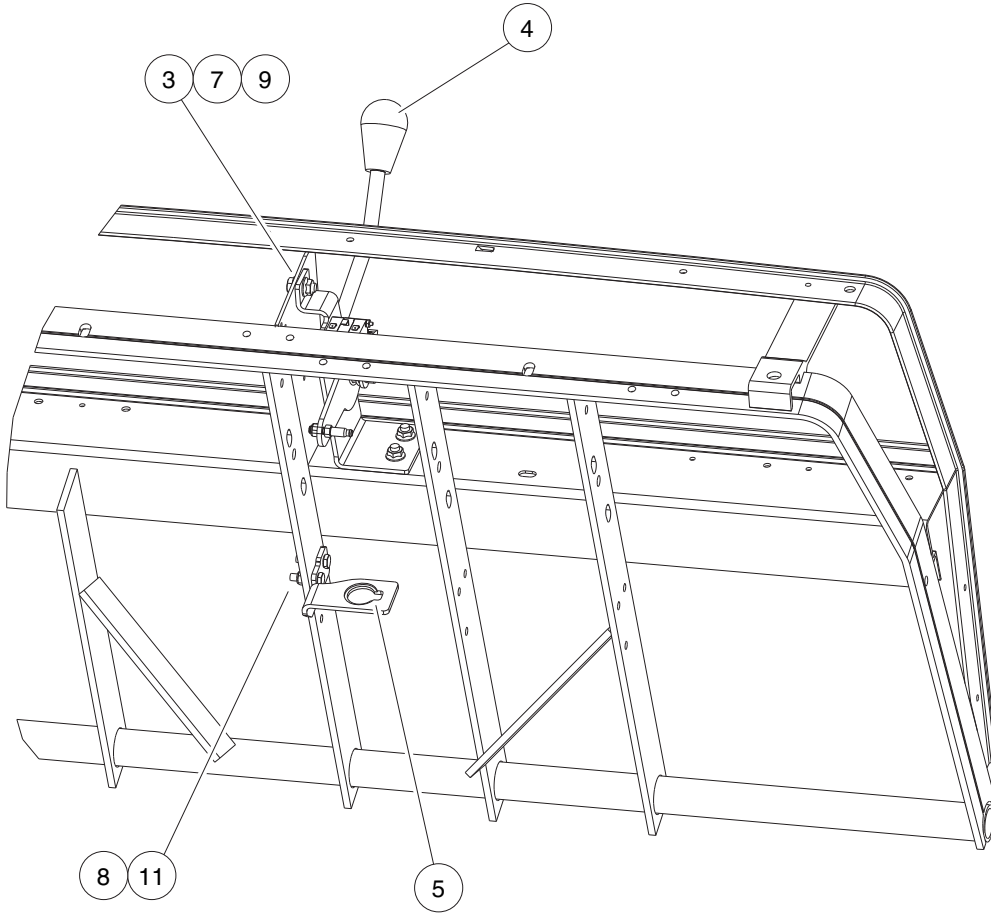


000563-001

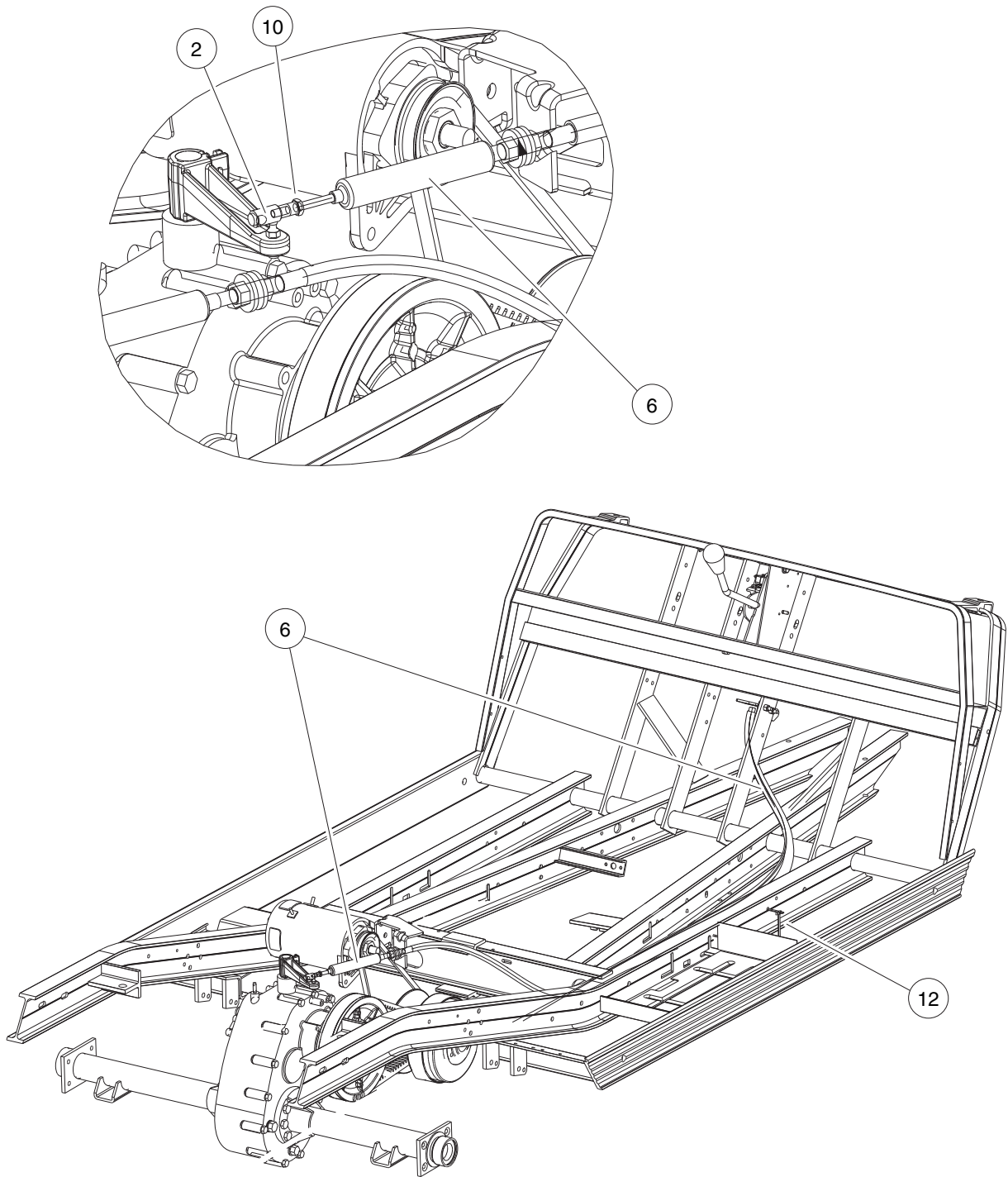
# FORWARD/REVERSE SHIFTER

| ITEM | PART NO.  | DESCRIPTION   | QTY |
|------|-----------|---|-----|
|      |           | <b>1 2 3 4</b>  |     |
| 1    | 102376001 | Knob, Fnr .....                                       | 1   |
| 2    | 102969901 | Asm, Shifter, FNR (includes items 3 through 20) ..... | 1   |
| 3    | 1010028   | Washer, 1/2 Type A Flat .....                         | 1   |
| 4    | 1013061   | Locknut, #10-32 Nylon Insert .....                    | 1   |
| 5    | 1014807   | Switch, Limit .....                                   | 2   |
| 6    | 1014808   | Switch, Limit .....                                   | 1   |
| 7    | 1015878   | Screw, #4-40 Hex Head Machine .....                   | 2   |
| 8    | 102526201 | Stud, Thread, 1/4-28 .....                            | 1   |
| 9    | 102616701 | Locknut, M10x1.5 Nylon Insert .....                   | 1   |
| 10   | 102684602 | Shoulder Bolt, M12 X 25.0 .....                       | 1   |
| 11   | 102969401 | Bracket, Shifter, FNR .....                           | 1   |
| 12   | 102969801 | Weldment, Shift Lever, FNR .....                      | 1   |
| 13   | 103173301 | Bushing, Greaseless, 12mm Id .....                    | 1   |
| 14   | 103177401 | Washer, Thrust, Shifter, FNR .....                    | 1   |
| 15   | 103192701 | Spring, Comp, .97 Od X.75 L .....                     | 1   |
| 16   | 103369501 | Cam, Limit Switch, Fnr Shifter .....                  | 1   |
| 17   | 8057      | Nut, #4-40 Hex Machine .....                          | 2   |
| 18   | 8058      | Lockwasher, #4 Split .....                            | 2   |
| 19   | 8104      | Screw, #10-32 X .75 Rd Hd Mach .....                  | 1   |
| 20   | 8717      | Locknut, 1/4-28 Nylon Insert .....                    | 1   |

**12**  
**G**



000573-002



000573-002

See previous two pages for illustration.

## FORWARD/REVERSE SHIFTER CABLE

| ITEM | PART NO.  | DESCRIPTION  | QTY |
|------|-----------|--|-----|
|      |           | 1 2 3 4  |     |
| 1    | N/A       | Instl, Shifter, FNR ,ca2 (includes items 2 through 12) ..... | 1   |
| 2    | 1012333   | Joint, #10-32 Ball .....                                     | 1   |
| 3    | 101963401 | Locknut, 5/16-18 Hex Flange .....                            | 3   |
| 4    | 102376001 | Knob, Fnr .....  | 1   |
| 5    | 103295101 | Brkt, Spt, Cable End, Fnr .....                              | 1   |
| 6    | 103295202 | Cable, Trans, Ball End, 1855mm .....                         | 1   |
| 7    | 1241      | Washer, 5/16 Type A Flat .....                               | 3   |
| 8    | 304       | Screw, 1/4-20 X 1.0 Hex-Head Cap .....                       | 2   |
| 9    | 7173      | Screw, 5/16-18 X 0.75 Hex-Head Cap .....                     | 3   |
| 10   | 7893      | Nut, #10-32 Hex .....  | 1   |
| 11   | 8233      | Locknut, 1/4-20 Nylon Insert .....                           | 2   |
| 12   | 8639      | Tie Wrap, 11" Nylon .....                                    | 1   |

12

G

12

G



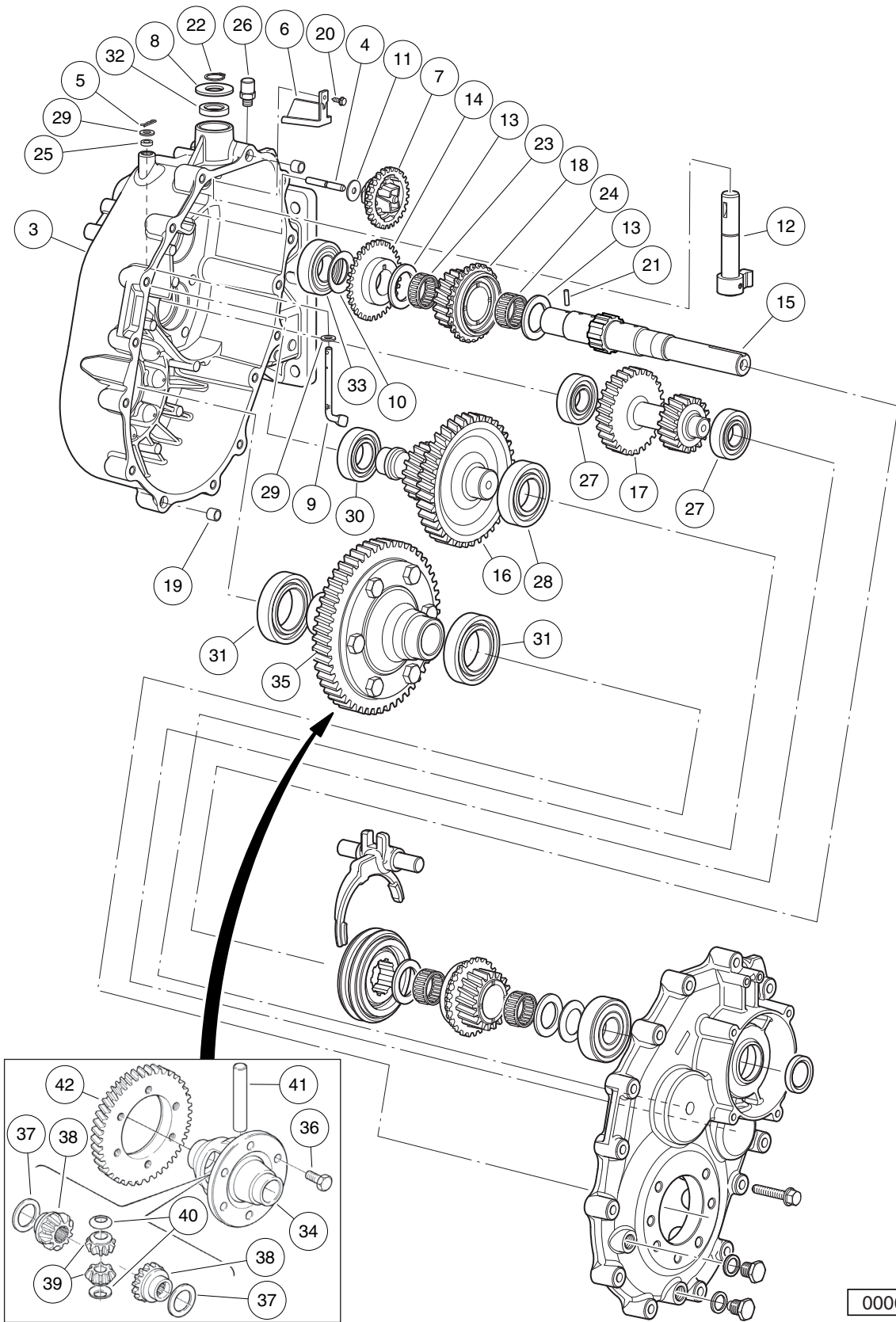
# GRAZIANO TRANSAXLE – GASOLINE VEHICLE

---

13

G

**13**  
**G**



000680-001

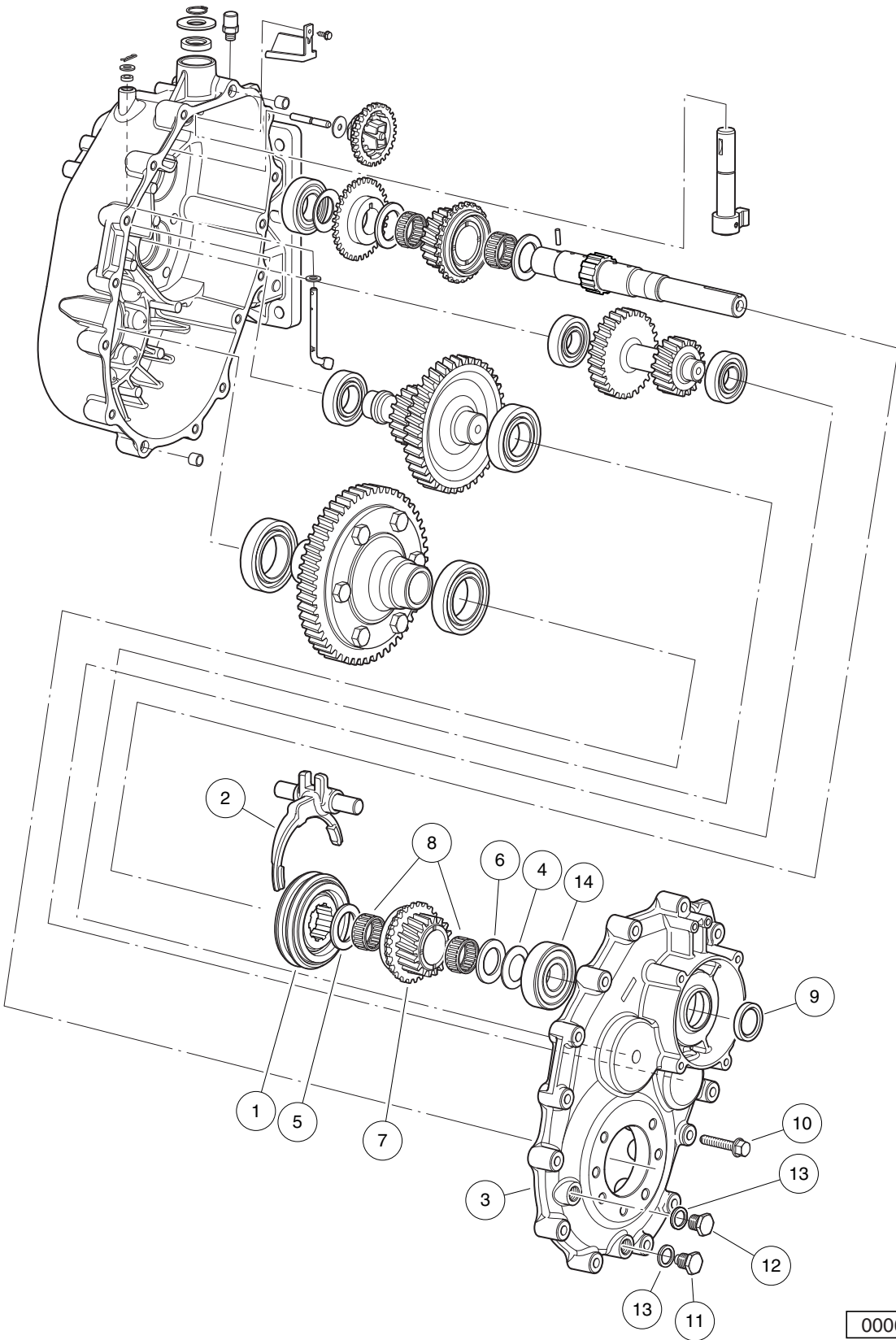
# GRAZIANO TRANSAXLE – GASOLINE VEHICLES

| ITEM | PART NO.  | DESCRIPTION   | QTY |
|------|-----------|---|-----|
|      |           | 1 2 3 4   |     |
| 1    | 102896801 | Transaxle, Unitized, Graziano (includes items 2 through 35) ..... | 1   |
| 2    | 102896901 | Gear Box, Complete (includes items 3 and 4) .....                 | 1   |
| 3    | N/A       | Gear Box .....  | 1   |
| 4    | N/A       | Pin, Speed Governor .....   | 1   |
| 5    | 102897401 | Pin, Split .....  | 1   |
| 6    | 102897601 | Conveyor, Oil .....   | 1   |
| 7    | 102897701 | Assembly, Speed Governor .....                                    | 1   |
| 8    | 102897801 | Washer, Thrust .....  | 1   |
| 9    | 102897901 | Lever, Speed Governor .....                                       | 1   |
| 10   | 102898001 | Washer, Belleville .....  | 1   |
| 11   | 102898101 | Bearing, Thrust .....   | 1   |
| 12   | 102898201 | Unit, Drive Selector .....  | 1   |
| 13   | 102898301 | Bearing, Thrust .....   | 2   |
| 14   | 102898501 | Gear, Speed Governor .....  | 1   |
| 15   | 102898601 | Shaft, Main .....   | 1   |
| 16   | 102898701 | Shaft, Secondary .....  | 1   |
| 17   | 102898801 | Shaft, Reverse Gear .....   | 1   |
| 18   | 102899001 | Gear, Complete, 28t .....   | 1   |
| 19   | 102899101 | Dowel .....   | 2   |
| 20   | 102899201 | Screw .....   | 1   |
| 21   | 102899301 | Pin .....   | 1   |
| 22   | 102899401 | Ring, Snap .....  | 1   |
| 23   | 102899501 | Cage, Roller .....  | 1   |
| 24   | 102899601 | Cage, Roller .....  | 1   |
| 25   | 102899701 | Grommet .....   | 1   |
| 26   | 102899801 | Bleeder .....   | 1   |
| 27   | 102900401 | Bearing .....   | 2   |
| 28   | 102900501 | Bearing .....   | 1   |
| 29   | 102900601 | Washer .....  | 2   |
| 30   | 102900701 | Bearing .....   | 1   |
| 31   | 102900801 | Bearing .....   | 2   |
| 32   | 102900901 | Grommet .....   | 1   |
| 33   | 102901001 | Bearing .....   | 1   |
| 34   | 102901201 | Box, Differential .....   | 1   |
| 35   | 102902001 | Assembly, Differential (includes items 36 through 42) .....       | 1   |
| 36   | 102901301 | Screw, M10 X 25 .....   | 6   |
| 37   | 102901401 | Ring, Sleeve .....  | 2   |
| 38   | 102901501 | Gear, Sun .....   | 2   |
| 39   | 102901601 | Gear, Planetary .....   | 2   |
| 40   | 102901701 | Ring, Sleeve .....  | 2   |
| 41   | 102901801 | Pin .....   | 1   |
| 42   | 102901901 | Gear .....  | 1   |

**13**

**G**

**13**  
**G**



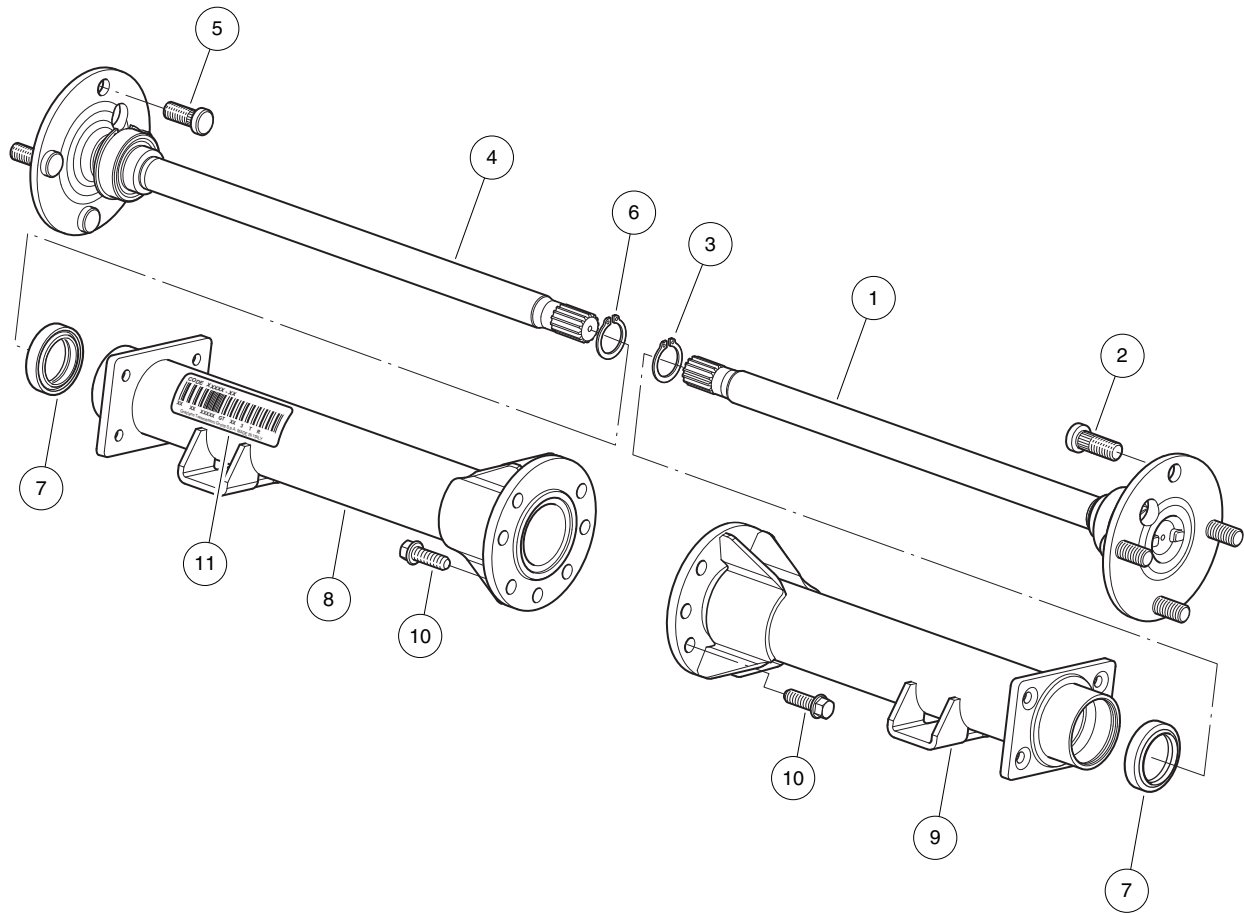
000680-002

# GRAZIANO TRANSAXLE – GASOLINE VEHICLES

| ITEM  | PART NO.  | DESCRIPTION                  | QTY |
|---|-----------|------------------------------|-----|
|   |           | 1 2 3 4                      |     |
| 1   | 102897201 | Synchronizer, Complete ..... | 1   |
| 2   | 102897301 | Fork, Complete .....         | 1   |
| 3   | 102897501 | Cover, Box .....             | 1   |
| 4   | 102898001 | Washer, Belleville .....     | 1   |
| 5   | 102898301 | Bearing, Thrust .....        | 1   |
| 6   | 102898401 | Washer, Thrust .....         | 1   |
| 7   | 102898901 | Gear, Complete, 25t .....    | 1   |
| 8   | 102899601 | Cage, Roller .....           | 2   |
| 9   | 102899901 | Grommet .....                | 1   |
| 10  | 102900001 | Screw .....                  | 15  |
| 11  | 102900101 | Plug, Magnetic .....         | 1   |
| 12  | 102900201 | Plug .....                   | 1   |
| 13  | 102900301 | Seal .....                   | 2   |
| 14  | 102901101 | Bearing .....                | 1   |
| <p>Note: Items listed on this page are components of the Graziano transaxle assembly.</p> |           |                              |     |

13

G



000681-001

# GRAZIANO TRANSAXLE – GASOLINE VEHICLES

13

G

| ITEM   | PART NO.  | DESCRIPTION   | QTY |
|--|-----------|---|-----|
|  |           | 1 2 3 4   |     |
| 1  | 102902101 | Shaft, Short, Complete (includes items 2 and 3) ..... | 1   |
| 2  | 102902301 | Bolt, Stud .....                                      | 4   |
| 3  | 102902401 | Snap Ring .....                                       | 1   |
| 4  | 102902201 | Shaft, Long, Complete (includes items 5 and 6) .....  | 1   |
| 5  | 102902301 | Bolt, Stud .....                                      | 4   |
| 6  | 102902401 | Snap Ring .....                                       | 1   |
| 7  | 102902501 | Seal, Lip .....                                       | 2   |
| 8  | 102902601 | Assembly, Tube Extension, Lh .....                    | 1   |
| 9  | 102902701 | Assembly, Tube Extension, Rh .....                    | 1   |
| 10   | 102902801 | Screw, M10 X 30 .....                                 | 14  |
| 11   | N/A       | Tag, Serial .....                                     | 1   |
| <p style="margin-left: 40px;">Note: Items listed on this page are components of the Graziano transaxle assembly.</p> |           |   |     |

13

G

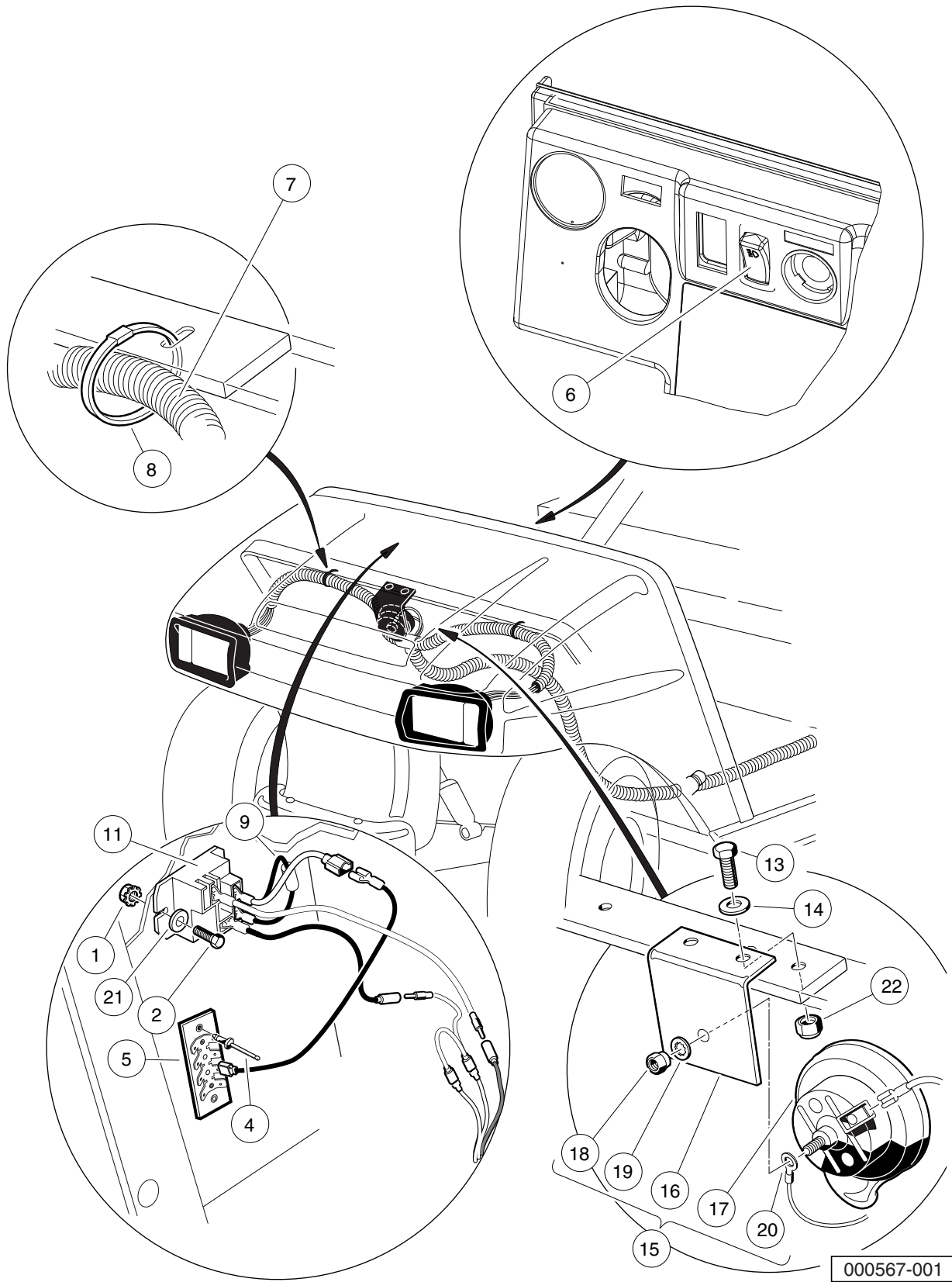


# ELECTRICAL SYSTEM – ELECTRIC VEHICLES

---

14

*E*

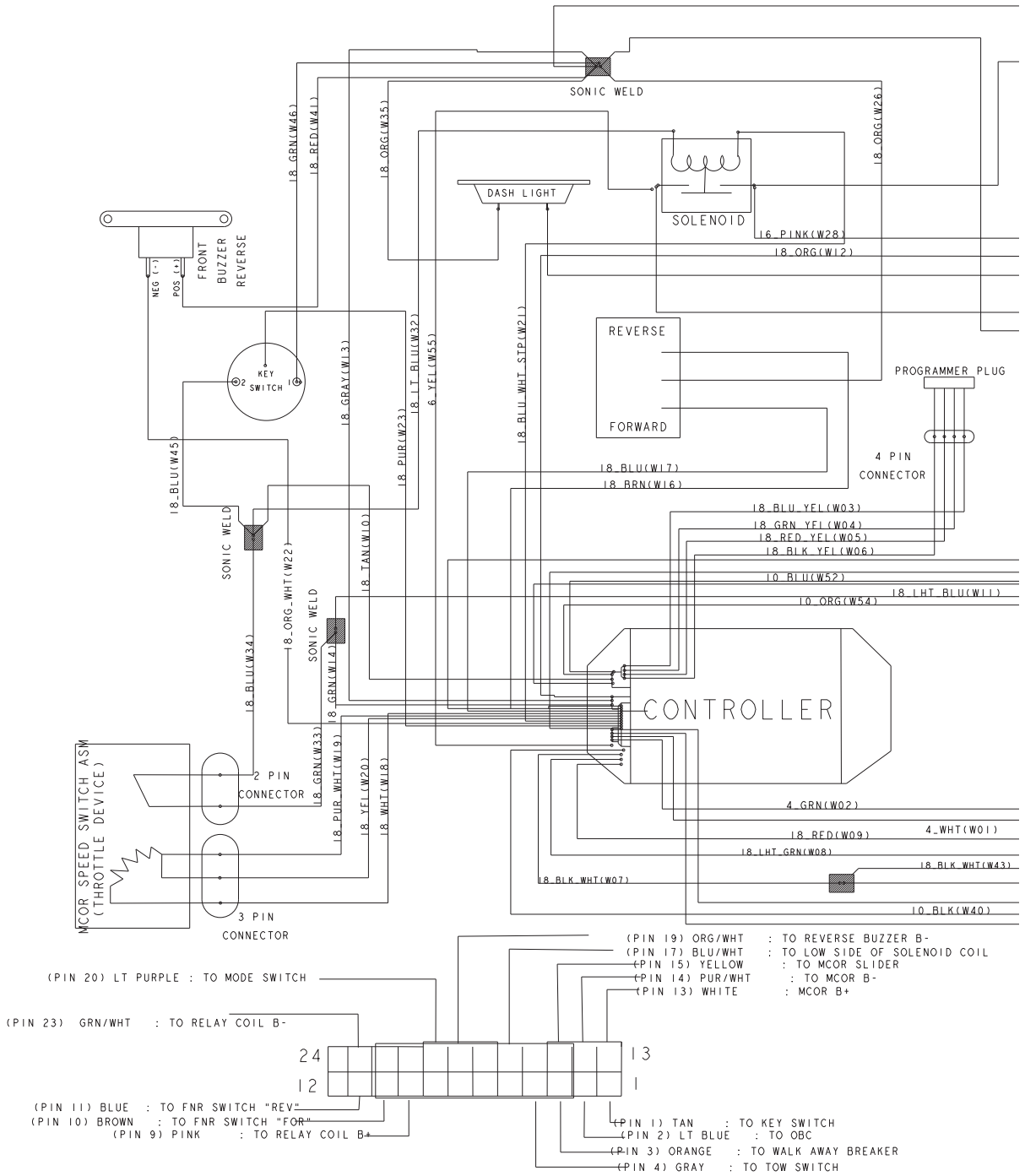


# HEADLIGHT AND HORN ELECTRICAL COMPONENTS

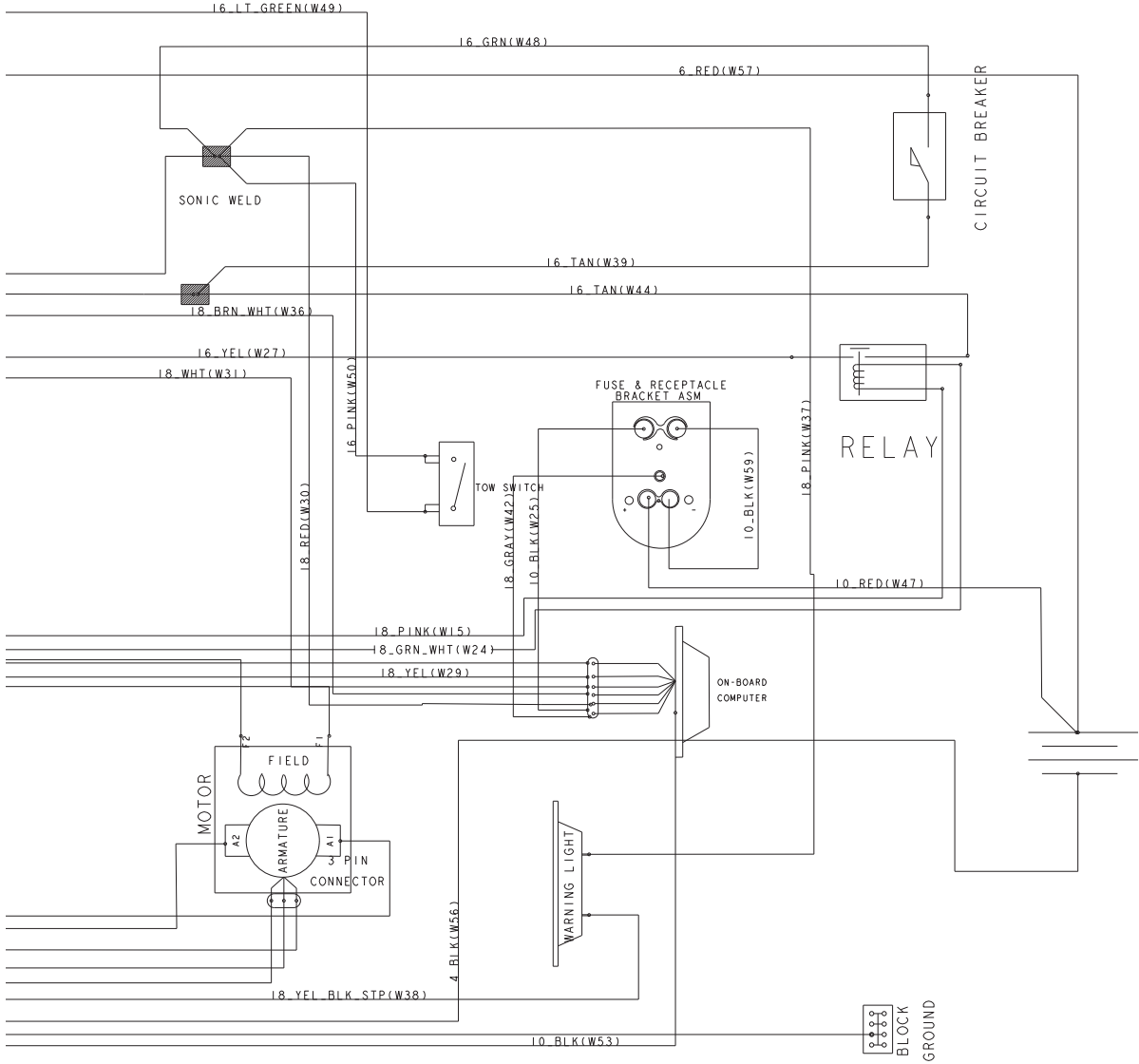
| ITEM | PART NO.  | DESCRIPTION  | QTY |
|------|-----------|--|-----|
|      |           | 1 2 3 4  |     |
| 1    | 1011229   | Locknut, #6-32 Whiz .....                                    | 2   |
| 2    | 1017853   | Screw, #6-32 X 0.75 Hex-Head Machine .....                   | 2   |
| 3    | N/A       | Headlight Only, IQ Plus (includes items 4 through 8) .....   | 1   |
| 4    | 1013357   | Rivet, 5/32 Aluminum Pop .....                               | 2   |
| 5    | 1016356   | Terminal Block with Insulator .....                          | 1   |
| 6    | 102869401 | Switch, Rocker, Light .....                                  | 1   |
| 7    | 103255701 | Wire Harness, Hd Lght, Ca, Ele .....                         | 1   |
| 8    | 8990      | Tie Wrap, 8" Nylon .....                                     | 8   |
| 9    | 101914401 | Assembly, Voltage Suppressor .....                           | 1   |
| 10   | 103414901 | Kit, Relay, 48v 30a W/instr (includes items 11 and 12) ..... | 1   |
| 11   | 103397901 | Relay, Spst No, 48v 30a, Pmt .....                           | 1   |
| 12   | N/A       | Kit, Relay, 48v 30a Instrns .....                            | 1   |
| 13   | 304       | Screw, 1/4-20 X 1.0 Hex-Head Cap .....                       | 2   |
| 14   | 332       | Washer, 1/4 Type A Narrow Flat .....                         | 2   |
| 15   | 4029      | Horn (includes items 16 through 20) .....                    | 1   |
| 16   | 1011825   | Horn Bracket .....   | 1   |
| 17   | 1014530   | Horn, 12-VDC .....   | 1   |
| 18   | 101955101 | Nut, M6 Hex .....  | 1   |
| 19   | 7820      | Washer, 5/16 Internal-Tooth .....                            | 1   |
| 20   | N/A       | 5/16 Ring Term. ....   | 1   |
| 21   | 7591      | Washer, #6 Flat .....  | 2   |
| 22   | 8233      | Locknut, 1/4-20 Nylon Insert .....                           | 2   |

14

E



000566-001



000566-001

See previous two pages for illustration.

## WIRING – TURF/CARRYALL 2

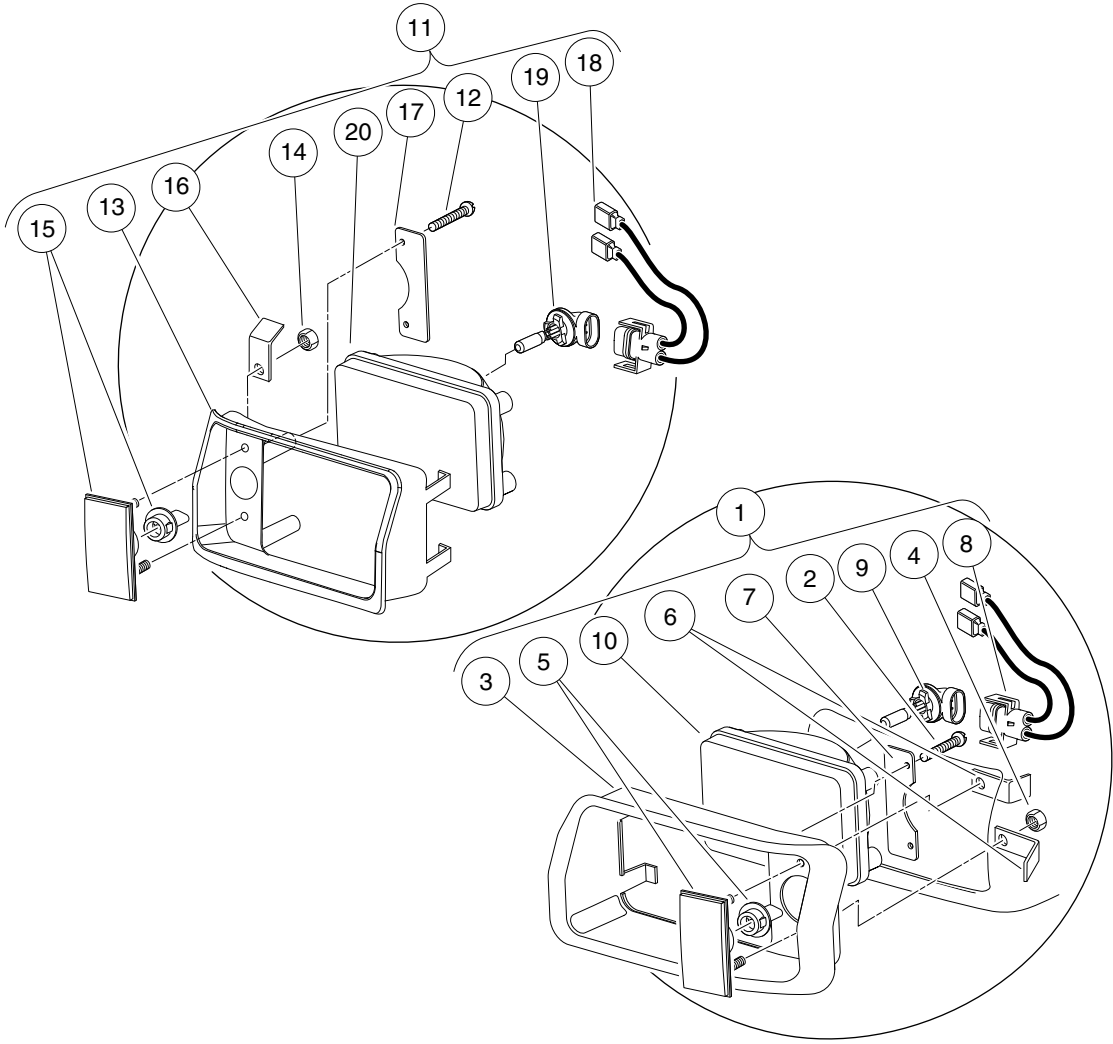
| ITEM | PART NO.  | DESCRIPTION   | QTY |
|------|-----------|---|-----|
|      |           | <b>1 2 3 4</b>  |     |
| 1    | 102845401 | Wire Harness, Power, IQ Plus (includes items 2 through 7) ..... | 1   |
| 2    | N/A       | Asm, #4 Grn Wire, 37" .....                                     | 1   |
| 3    | N/A       | Asm, #4 Wht Wire, 36.5" .....                                   | 1   |
| 4    | N/A       | Asm, #10 Org Wire, 39" .....                                    | 1   |
| 5    | N/A       | Asm, #10 Blu Wire, 46" .....                                    | 1   |
| 6    | 102846402 | Asm, #4 Red Wire, 33" .....                                     | 1   |
| 7    | 8639      | Tie Wrap, 11" Nylon .....                                       | 3   |
| 8    | 103221901 | Asm, Wire Harness, Carryall 2, Elec .....                       | 1   |

14

E

14

E



000073-001

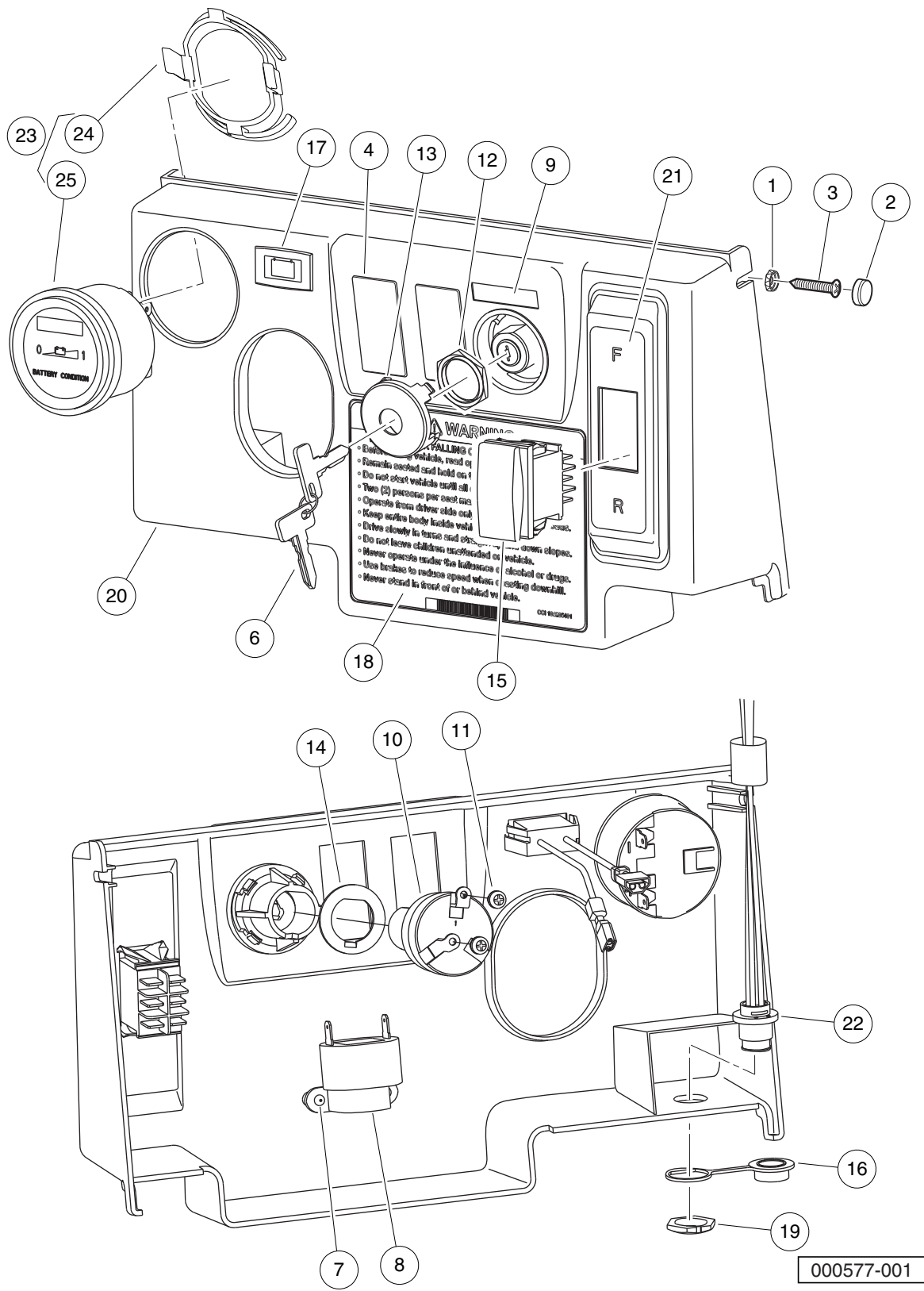


# HEADLIGHTS

**14**

**E**

| ITEM | PART NO.  | DESCRIPTION   | QTY |
|------|-----------|---|-----|
|      |           | <b>1 2 3 4</b>  |     |
| 1    | 101988001 | Headlight Assembly, Driver-Side Single Beam (includes items 2 through 10) ..... | 1   |
| 2    | 1013461   | Screw, #10-16 Hex-Head Hi-Lo .....  | 2   |
| 3    | 1016880   | Headlight Bezel, Left .....   | 1   |
| 4    | 1017      | Nut, #10-24 Stainless-Steel Hex Machine .....                                   | 2   |
| 5    | 1017062   | Turn Signal Lens Assy .....   | 1   |
| 6    | 1017064   | Mounting Bracket .....  | 2   |
| 7    | 1017065   | Retainer, Headlight .....   | 1   |
| 8    | 101987901 | Connector Harness Assembly, Headlight .....                                     | 1   |
| 9    | 101988101 | Bulb, Headlight .....   | 1   |
| 10   | 101988201 | Lens, Headlight .....   | 1   |
| 11   | 101988002 | Headlight Assy, Passenger-Side Single Beam (includes items 12 through 20) ..... | 1   |
| 12   | 1013461   | Screw, #10-16 Hex-Head Hi-Lo .....  | 2   |
| 13   | 1016879   | Headlight Bezel, Right .....  | 1   |
| 14   | 1017      | Nut, #10-24 Stainless-Steel Hex Machine .....                                   | 2   |
| 15   | 1017062   | Turn Signal Lens Assy .....   | 1   |
| 16   | 1017064   | Mounting Bracket .....  | 2   |
| 17   | 1017065   | Retainer, Headlight .....   | 1   |
| 18   | 101987901 | Connector Harness Assembly, Headlight .....                                     | 1   |
| 19   | 101988101 | Bulb, Headlight .....   | 1   |
| 20   | 101988201 | Lens, Headlight .....   | 1   |

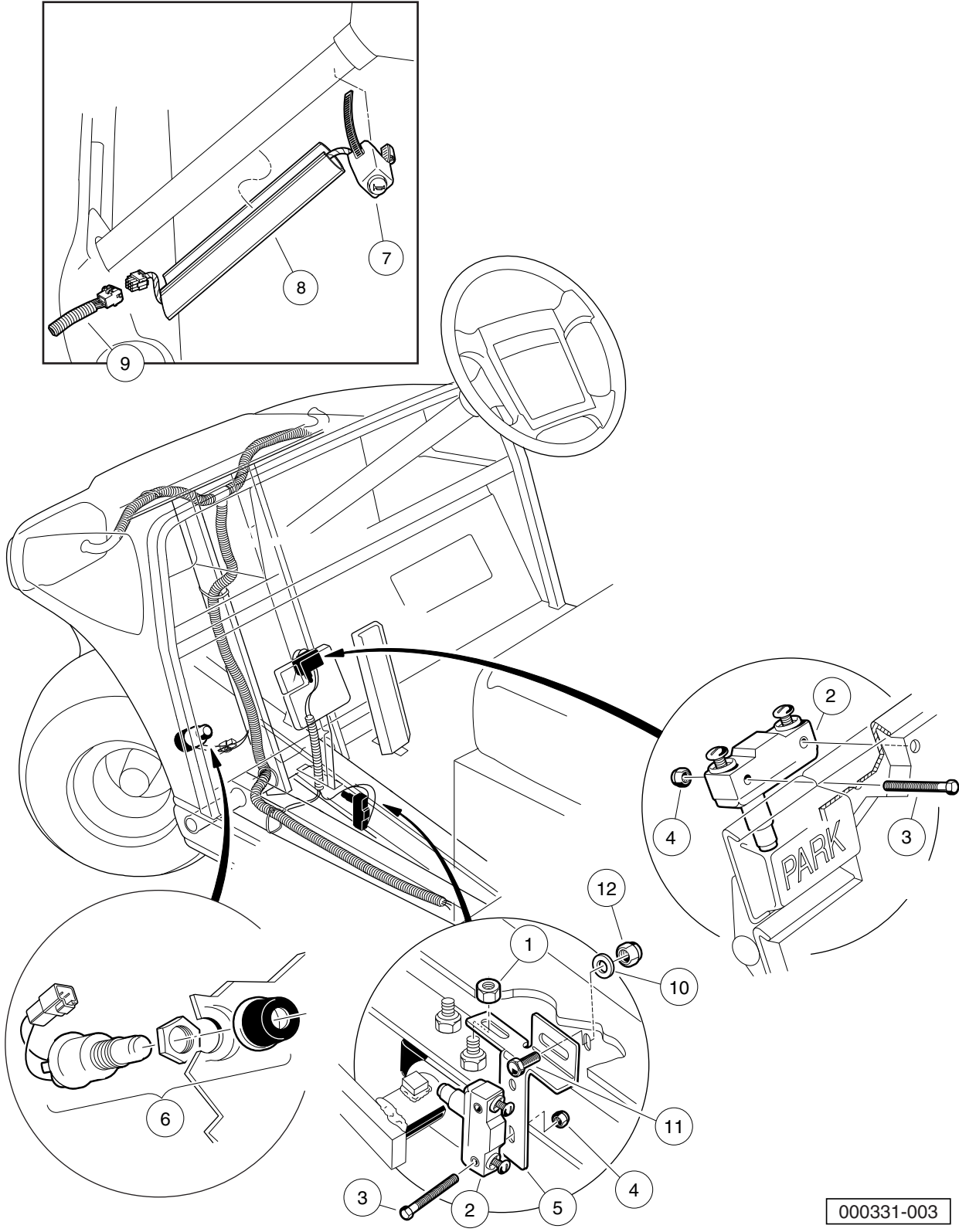


# INSTRUMENT PANEL WITH ELECTRICAL COMPONENTS – TURF/ CARRYALL 252, AND XRT 900

| ITEM | PART NO.  | DESCRIPTION   | QTY |
|------|-----------|---|-----|
|      |           | 1 2 3 4   |     |
| 1    | 1011382   | Washer, #10 Pan-Head Screw .....  | 2   |
| 2    | 1013494   | Cover, Screw Head .....   | 2   |
| 3    | 1015528   | Screw, #10 x 1-1/4 Phillips Head .....                                      | 2   |
| 4    | 103180101 | Cover, Hole, Switch, Rocker .....   | 2   |
| 5    | N/A       | Asm, Dash, Elec, BCI (Instrument Panel) (includes items 6 through 23) ..... | 1   |
| 6    | 1012505   | Keys (set of 2) .....   | 1   |
| 7    | 1016849   | Screw, #4-24 X 0.33 Pan-Head Machine .....                                  | 2   |
| 8    | 1016851   | Buzzer, Reverse (9-48 VDC) .....  | 1   |
| 9    | 101825101 | Decal, Off/On .....   | 1   |
| 10   | 101826201 | Key Switch, On/Off .....  | 1   |
| 11   | 101830601 | Screw and Washer Assembly .....   | 5   |
| 12   | 101830701 | Nut, Key Switch .....   | 1   |
| 13   | 101834502 | Cap, Black Key Switch .....   | 1   |
| 14   | 101851101 | Washer, Key Switch .....  | 1   |
| 15   | 101856002 | Switch, Rocker, Single-Pole .....   | 1   |
| 16   | 102196901 | Dust Cap .....  | 1   |
| 17   | 102508701 | Light, Battery .....  | 1   |
| 18   | 102518001 | Decal, Operating Instr, Elec .....  | 1   |
| 19   | 102572401 | Nut, Diagnostic Port, Prec .....  | 1   |
| 20   | 102977002 | Panel, Dash, Center, Gas (Instrument Panel) .....                           | 1   |
| 21   | 103210301 | Decal, Forward/Reverse, Electric .....                                      | 1   |
| 22   | 103218601 | Harness, Diagnostic Port .....  | 1   |
| 23   | 103354401 | Gauge, Battery Cond Ind, Rnd (includes items 24 and 25) .....               | 1   |
| 24   | 103348202 | Clip, Bci, Round .....  | 1   |
| 25   | N/A       | Battery Condition Indicator Gauge .....                                     | 1   |

14

E



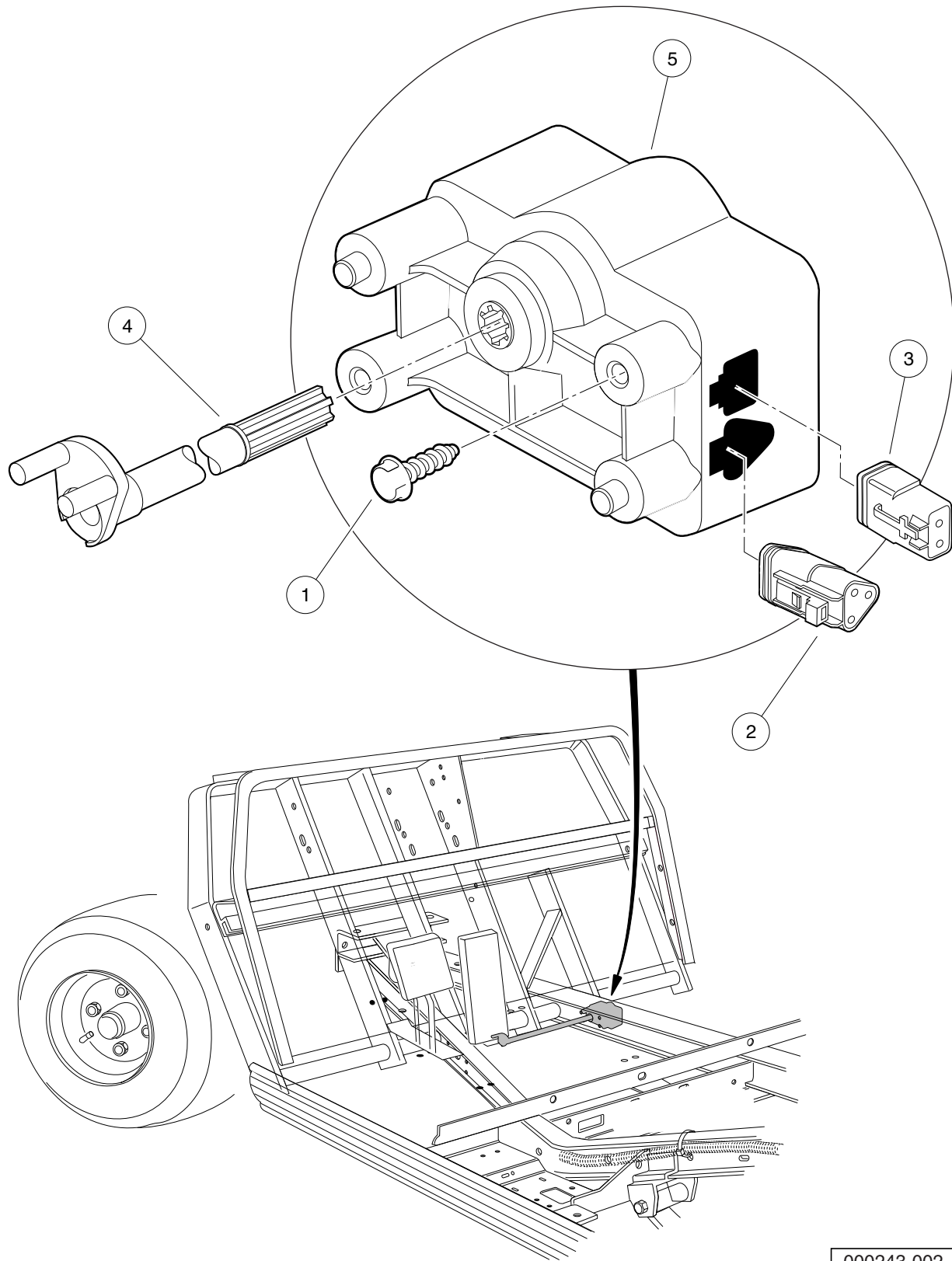
000331-003

# HORN AND BRAKE SWITCHES

| ITEM | PART NO.  | DESCRIPTION                                | QTY |
|------|-----------|--|-----|
|      |           | <b>1 2 3 4</b>                             |     |
| 1    | 1011280   | Locknut, 5/16-18 .....                     | 1   |
| 2    | 1011439   | Switch, Limit .....                        | 2   |
| 3    | 1011557   | Screw, #6-32 X 1.00 Hex-Head Machine ..... | 4   |
| 4    | 101932201 | Locknut, #6-32 Nylon .....                 | 4   |
| 5    | 101957101 | Bracket, Brake Light Switch .....          | 1   |
| 6    | 101969701 | Horn Button and Wire Assembly .....        | 1   |
| 7    | 102517601 | Subasm, Horn Button Harness .....          | 1   |
| 8    | 102529201 | Wire Cover, Steering Column .....          | 1   |
| 9    | 103618101 | Harness, Jumper, Horn .....                | 1   |
| 10   | 1241      | Washer, 5/16 Type A Flat .....             | 1   |
| 11   | 7173      | Screw, 5/16-18 X 0.75 Hex-Head Cap .....   | 1   |
| 12   | 7473      | Locknut, 5/16-18 Nylon Insert .....        | 1   |

14

E



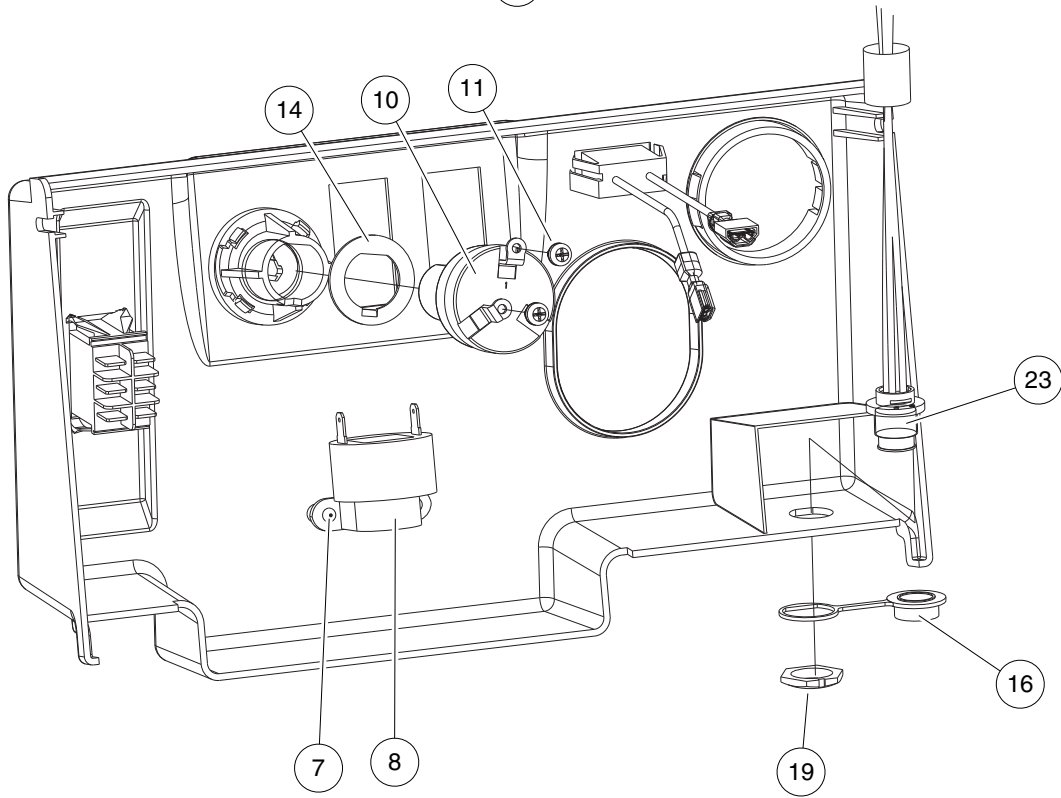
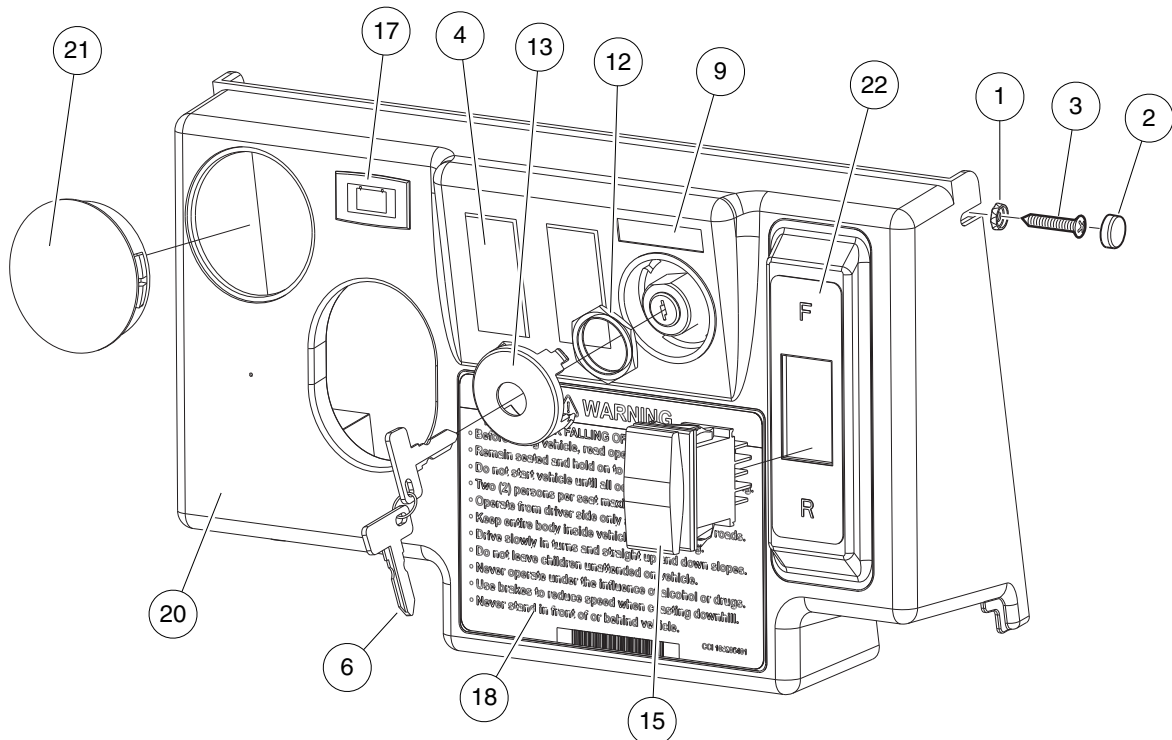
000243-002

# MOTOR CONTROLLER OUTPUT REGULATOR (MCOR)

| ITEM | PART NO.  | DESCRIPTION                       | QTY |
|------|-----------|-----------------------------------|-----|
|      |           | 1 2 3 4                           |     |
| 1    | 1015752   | Screw, #12-16 X 0.625 Hi-Lo ..... | 2   |
| 2    | 101920101 | Kit, 3-Pin Wedge Lock .....       | 1   |
| 3    | 101936801 | Kit, 2-Pin Wedge Lock .....       | 1   |
| 4    | 102101001 | Bar, Drive, Cast .....            | 1   |
| 5    | 102101101 | MCOR .....                        | 1   |

14

E



000577-006



# INSTRUMENT PANEL AND ELECTRICAL COMPONENTS – TURF/ CARRYALL 2

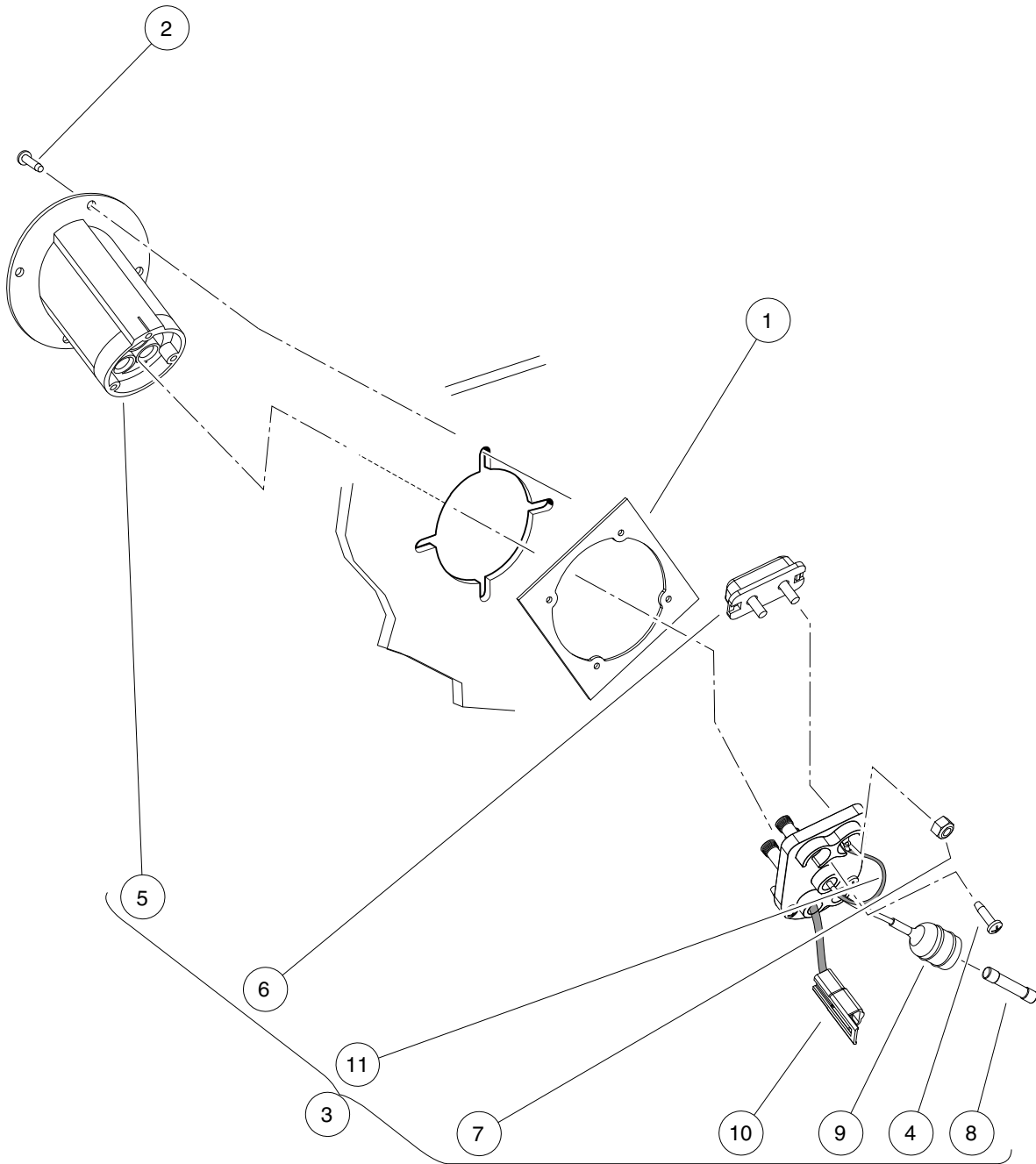
| ITEM | PART NO.  | DESCRIPTION  | QTY |
|------|-----------|--|-----|
|      |           | 1 2 3 4  |     |
| 1    | 1011382   | Washer, #10 Pan-Head Screw .....                                       | 2   |
| 2    | 1013494   | Cover, Screw Head .....  | 2   |
| 3    | 1015528   | Screw, #10 x 1-1/4 Phillips Head .....                                 | 2   |
| 4    | 103180101 | Cover, Hole, Switch, Rocker .....                                      | 2   |
| 5    | N/A       | Asm, Dash, Elec (Instrument Panel) (includes items 6 through 23) ..... | 1   |
| 6    | 1012505   | Keys (set of 2) .....  | 1   |
| 7    | 1016849   | Screw, #4-24 X 0.33 Pan-Head Machine .....                             | 2   |
| 8    | 1016851   | Buzzer, Reverse (9-48 VDC) .....                                       | 1   |
| 9    | 101825101 | Decal, Off/On .....  | 1   |
| 10   | 101826201 | Key Switch, On/Off .....   | 1   |
| 11   | 101830601 | Screw and Washer Assembly .....  | 2   |
| 12   | 101830701 | Nut, Key Switch .....  | 1   |
| 13   | 101834502 | Cap, Black Key Switch .....  | 1   |
| 14   | 101851101 | Washer, Key Switch .....   | 1   |
| 15   | 101856002 | Switch, Rocker, Single-Pole .....                                      | 1   |
| 16   | 102196901 | Dust Cap .....   | 1   |
| 17   | 102508701 | Light, Battery .....   | 1   |
| 18   | 102518001 | Decal, Operating Instr, Elec .....                                     | 1   |
| 19   | 102572401 | Nut, Diagnostic Port, Prec .....                                       | 1   |
| 20   | 102977002 | Panel, Dash, Center, Gas (Instrument Panel) .....                      | 1   |
| 21   | 103198301 | Plug, Hole, Round, 2.0 In .....  | 1   |
| 22   | 103210301 | Decal, Forward/Reverse, Electric .....                                 | 1   |
| 23   | 103218601 | Harness, Diagnostic Port .....   | 1   |

14

E

**14**

**E**



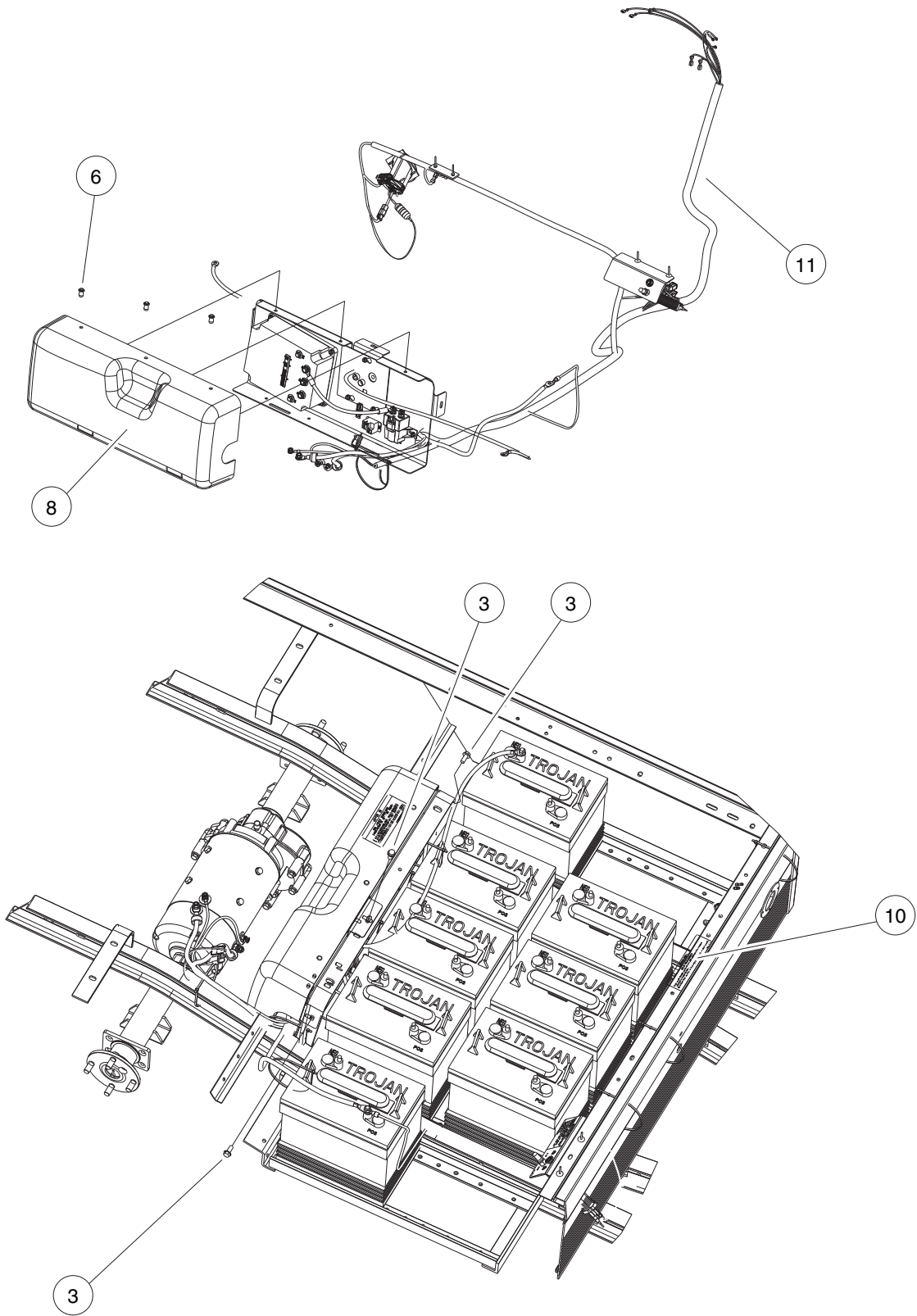
000369-002

# BATTERY CHARGER RECEPTACLE

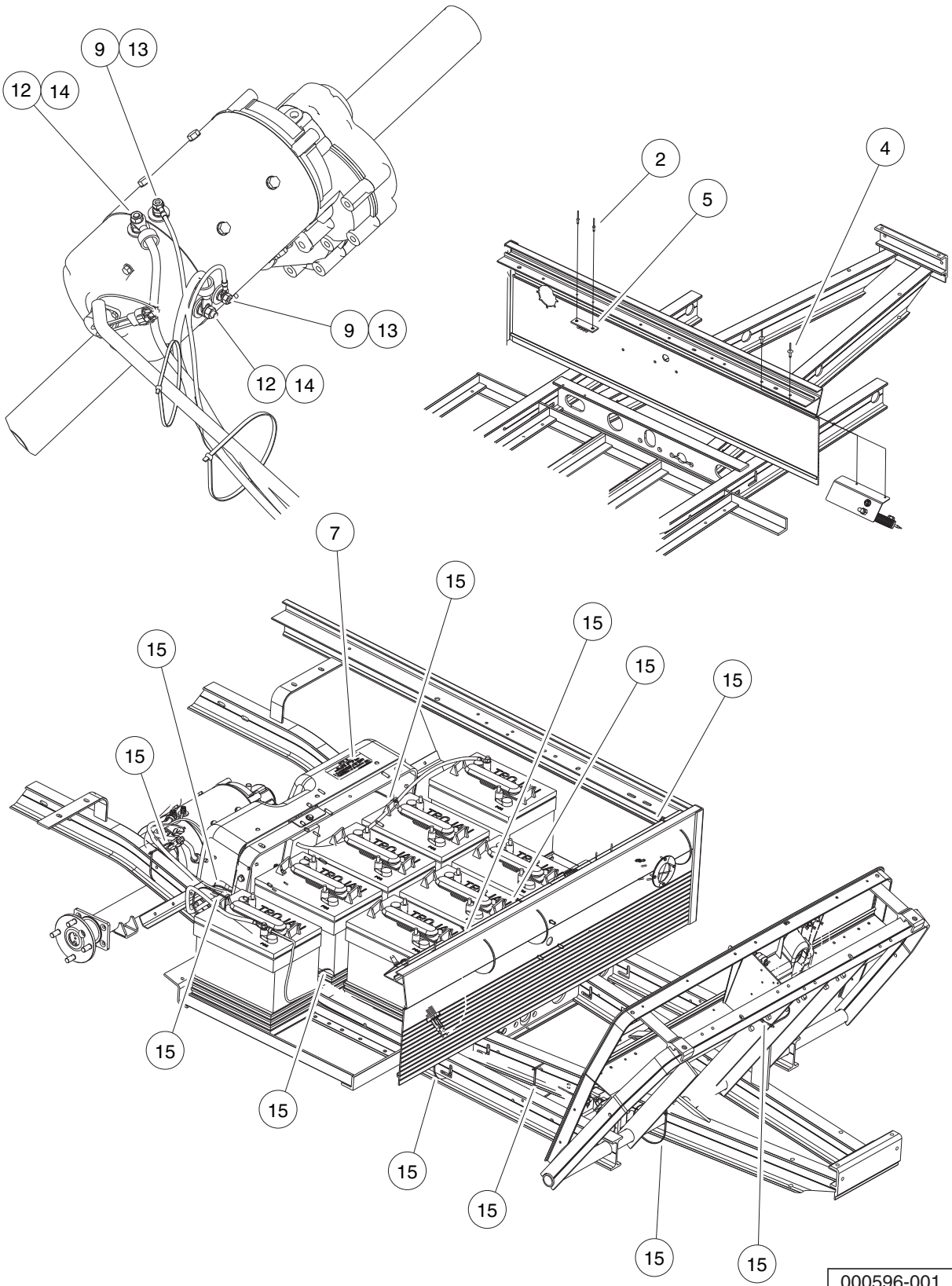
| ITEM | PART NO.  | DESCRIPTION  | QTY |
|------|-----------|--|-----|
|      |           | <b>1 2 3 4</b>   |     |
| 1    | 101801001 | Plate, Receptacle Backing .....                                  | 1   |
| 2    | 101832001 | Screw, #7-19 X 0.625 Phillips Pan-Head Tap .....                 | 4   |
| 3    | 102848701 | Fuse and Receptacle Assembly (includes items 4 through 11) ..... | 1   |
| 4    | 1017705   | Screw, #8 X 5/8 Phillips Pan-Head Type AB .....                  | 3   |
| 5    | 101796501 | Receptacle .....   | 1   |
| 6    | 101796801 | Fuse Assembly (includes item 7) .....                            | 1   |
| 7    | 1013061   | Locknut, #10-32 Nylon Insert .....                               | 2   |
| 8    | N/A       | Fuse, 3/8-Amp .....  | 1   |
| 9    | N/A       | Wire Assembly, Sense Lead, Gray .....                            | 1   |
| 10   | N/A       | Wire Assembly, #10 Red .....                                     | 1   |
| 11   | N/A       | Wire Assembly, #10 Black .....                                   | 1   |

14

E



000596-001



000596-001

See previous two pages for illustration.

# ELECTRICAL INSTALLATION

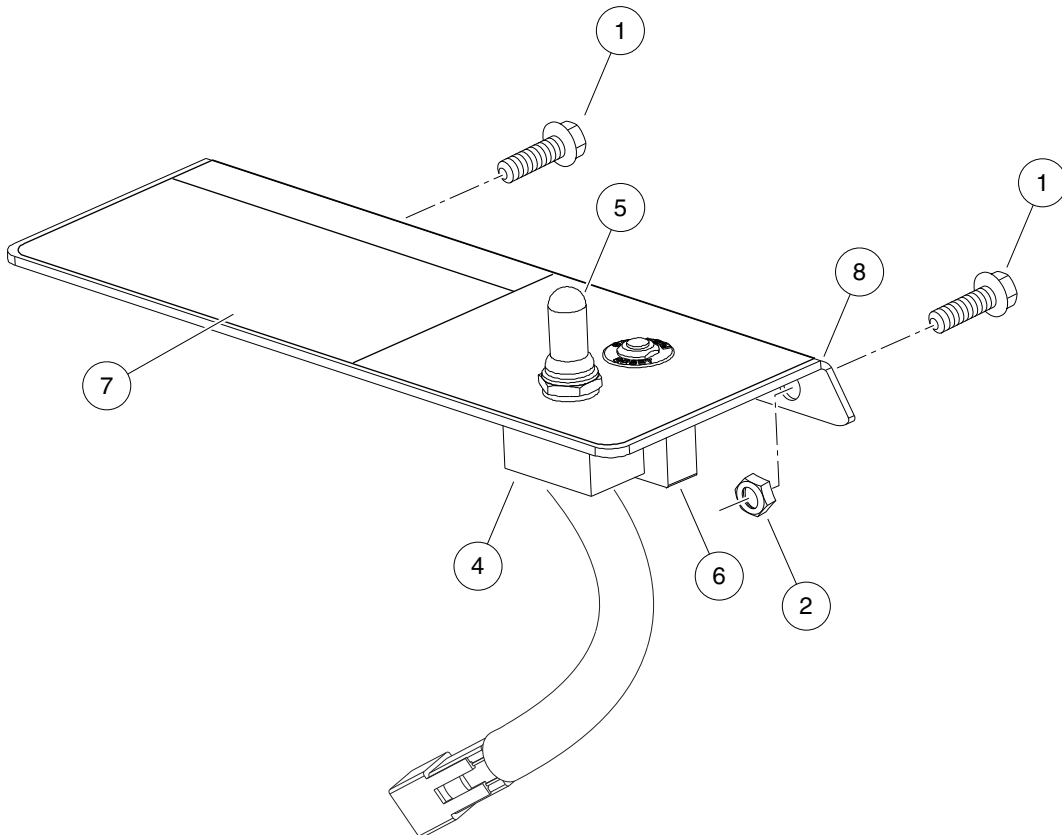
| ITEM | PART NO.  | DESCRIPTION   | QTY |
|------|-----------|---|-----|
|      |           | <b>1 2 3 4</b>  |     |
| 1    | N/A       | Inst, Elec Sys, Iq Plus (includes items 2 through 15) ..... | 1   |
| 2    | 1013357   | Rivet, 5/32 Aluminum Pop .....                              | 2   |
| 3    | 1014288   | Screw, 5/16-18 X 0.75 Thread-Forming .....                  | 3   |
| 4    | 1015392   | Rivet, 3/16 Pop .....                                       | 2   |
| 5    | 1016356   | Terminal Block with Insulator .....                         | 1   |
| 6    | 1016967   | Blind Rivet, Push Type .....                                | 3   |
| 7    | 102518301 | Decal, Caution, Electrical Component Cover .....            | 1   |
| 8    | 102772401 | Cover, Component, Elec, Rear .....                          | 1   |
| 9    | 1028      | Nut, 1/4-20 Hex .....                                       | 2   |
| 10   | 102967601 | Decal, Warning, 4 Gauge Wire .....                          | 1   |
| 11   | 103221901 | Asm, Wire Harness, Carryall 2, Elec .....                   | 1   |
| 12   | 1242      | Nut, 5/16-18 Hex .....                                      | 2   |
| 13   | 451       | Lockwasher, 1/4 Split .....                                 | 2   |
| 14   | 7174      | Lockwasher, 5/16 Split .....                                | 2   |
| 15   | 8990      | Tie Wrap, 8" Nylon .....                                    | 12  |

14

E

14

E



000425-001

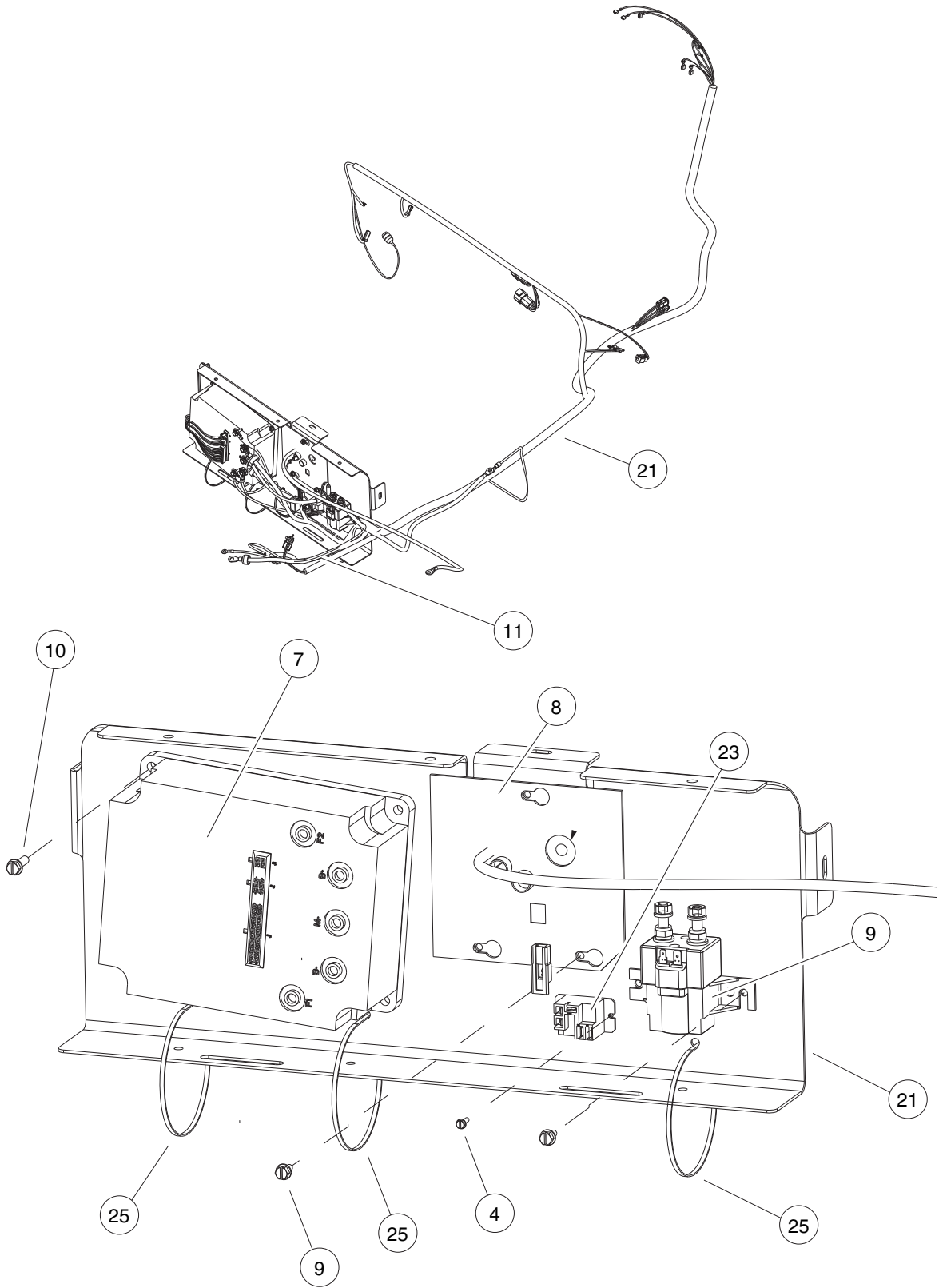


# TOW/RUN SWITCH

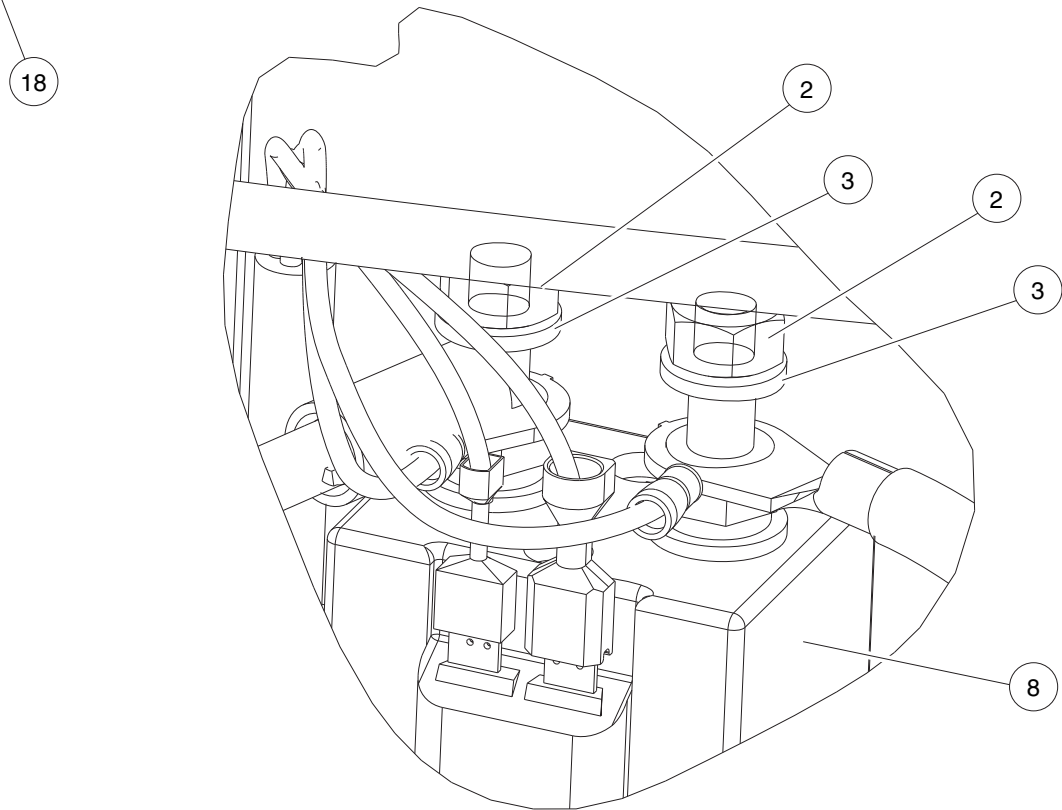
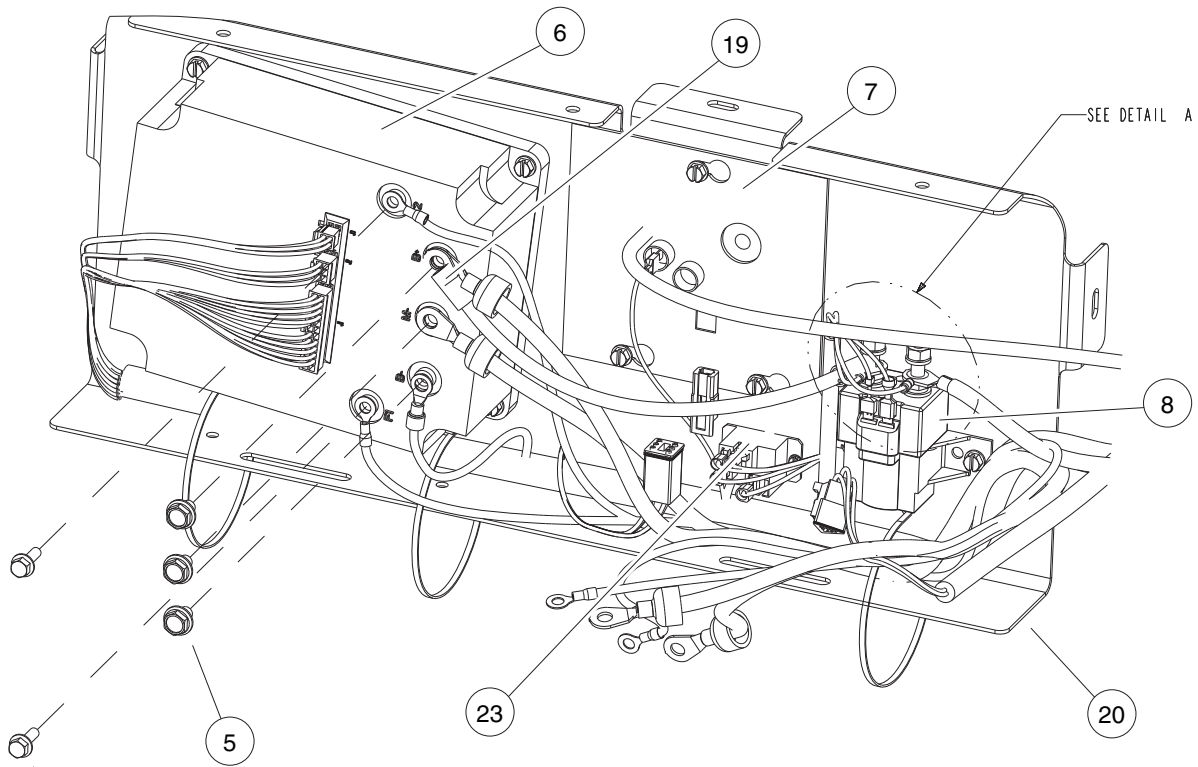
| ITEM | PART NO.  | DESCRIPTION  | QTY |
|------|-----------|--|-----|
|      |           | <b>1 2 3 4</b>   |     |
| 1    | 1012126   | Screw, #10-32 X .625 Hx Washer .....                       | 1   |
| 2    | 1013061   | Locknut, #10-32 Nylon Insert .....                         | 2   |
| 3    | N/A       | Tow/Run Switch Assembly (includes items 4 through 8) ..... | 1   |
| 4    | 101908101 | Switch Assembly, Tow/Run .....                             | 1   |
| 5    | 101908401 | Boot, Switch .....   | 1   |
| 6    | 102838101 | Circuit Breaker 250vac-50vdc .....                         | 1   |
| 7    | 102845101 | Decal, Tow Switch .....                                    | 1   |
| 8    | 102915701 | Plate, Switch, Run Tow, Mode .....                         | 1   |

**14**

**E**



000597-001



DETAIL A

000597-001

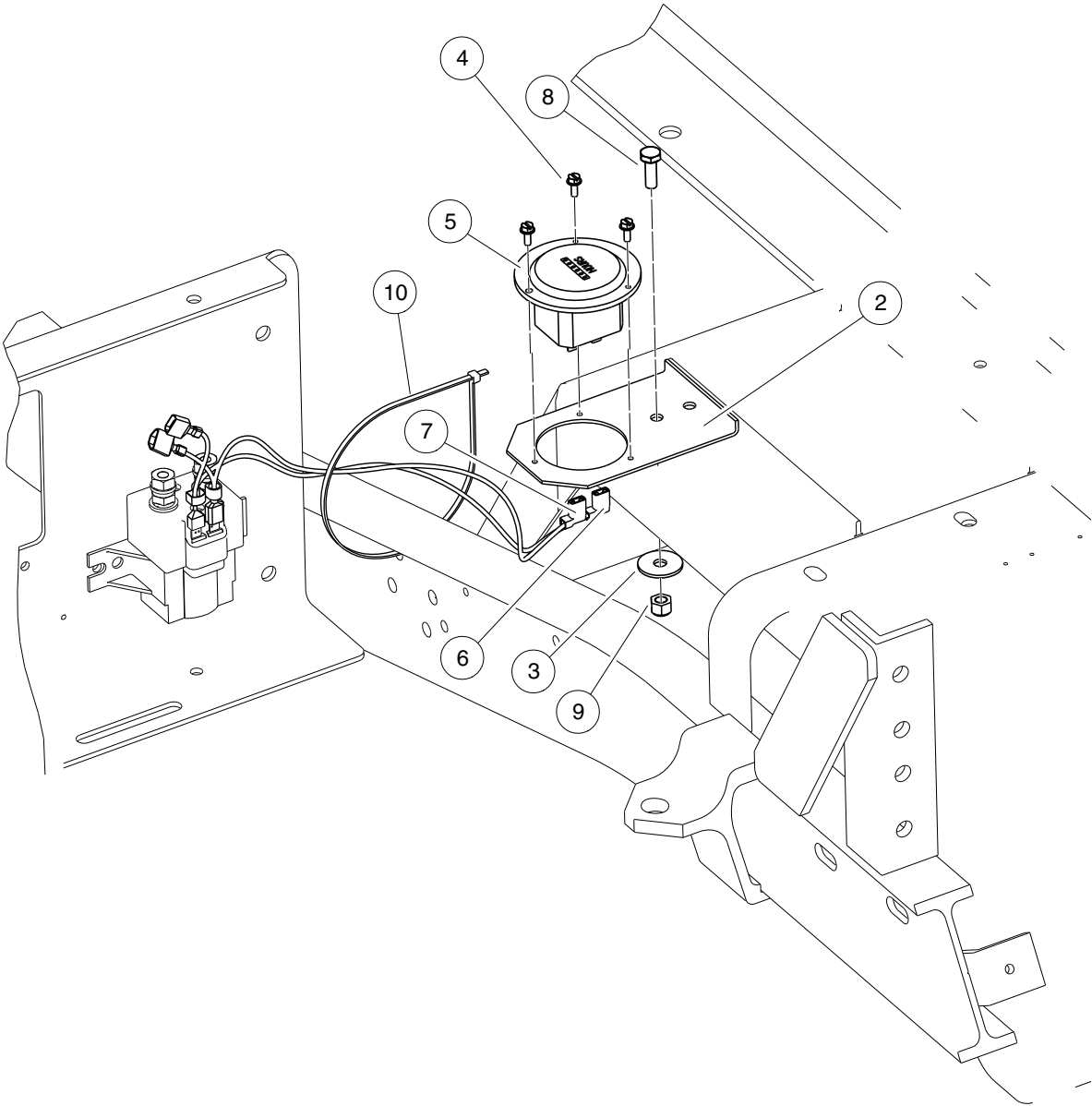
See previous two pages for illustration.

# ELECTRICAL COMPONENTS

| ITEM | PART NO.  | DESCRIPTION   | QTY |
|------|-----------|---|-----|
|      |           | <b>1 2 3 4</b>  |     |
| 1    | N/A       | Asm, Electrical Component Box (includes items 2 through 25) ..... | 1   |
| 2    | 1012528   | Nut, M8-1.25 Hex .....  | 2   |
| 3    | 1013734   | Lockwasher, 8mm Split .....                                       | 2   |
| 4    | 1015720   | Screw, #6-32 X 1/2 Hex Washer-Head .....                          | 2   |
| 5    | 102240501 | Bolt, Controller, Terminal .....                                  | 3   |
| 6    | 102774501 | Controller, 500 Amp .....   | 1   |
| 7    | 102774602 | Computer, Onbrd, 8x 6v, 38" .....                                 | 1   |
| 8    | 102774701 | Solenoid, 48v .....   | 1   |
| 9    | 102817101 | Screw, 1/4-20 X .50 Hex Wsh Hd .....                              | 5   |
| 10   | 102817201 | Screw, 1/4-20 X .88 Hex Wsh Hd .....                              | 4   |
| 11   | 102845401 | Wire Harness, Power, IQ Plus (includes items 12 through 17) ..... | 1   |
| 12   | N/A       | Asm, #4 Grn Wire, 37" .....                                       | 1   |
| 13   | N/A       | Asm, #4 Wht Wire, 36.5" .....                                     | 1   |
| 14   | N/A       | Asm, #10 Org Wire, 39" .....                                      | 1   |
| 15   | N/A       | Asm, #10 Blu Wire, 46" .....                                      | 1   |
| 16   | 102846402 | Asm, #4 Red Wire, 33" .....                                       | 1   |
| 17   | 8639      | Tie Wrap, 11" Nylon .....   | 3   |
| 18   | 102859501 | Screw, M6 X 1 X 20 Ser Hex Flg .....                              | 2   |
| 19   | 102863801 | Wire Asm, #4 Yellow, 12.5" .....                                  | 1   |
| 20   | 102931101 | Plate, Component, Rear .....                                      | 1   |
| 21   | 103221901 | Asm, Wire Harness, Carryall 2, Elec .....                         | 1   |
| 22   | 103414901 | Kit, Relay, 48v 30a W/instr (includes items 23 and 24) .....      | 1   |
| 23   | 103397901 | Relay, Spst No, 48v 30a, Pmt .....                                | 1   |
| 24   | N/A       | Kit, Relay, 48v 30a Instrns .....                                 | 1   |
| 25   | 8990      | Tie Wrap, 8" Nylon .....  | 3   |

14

E



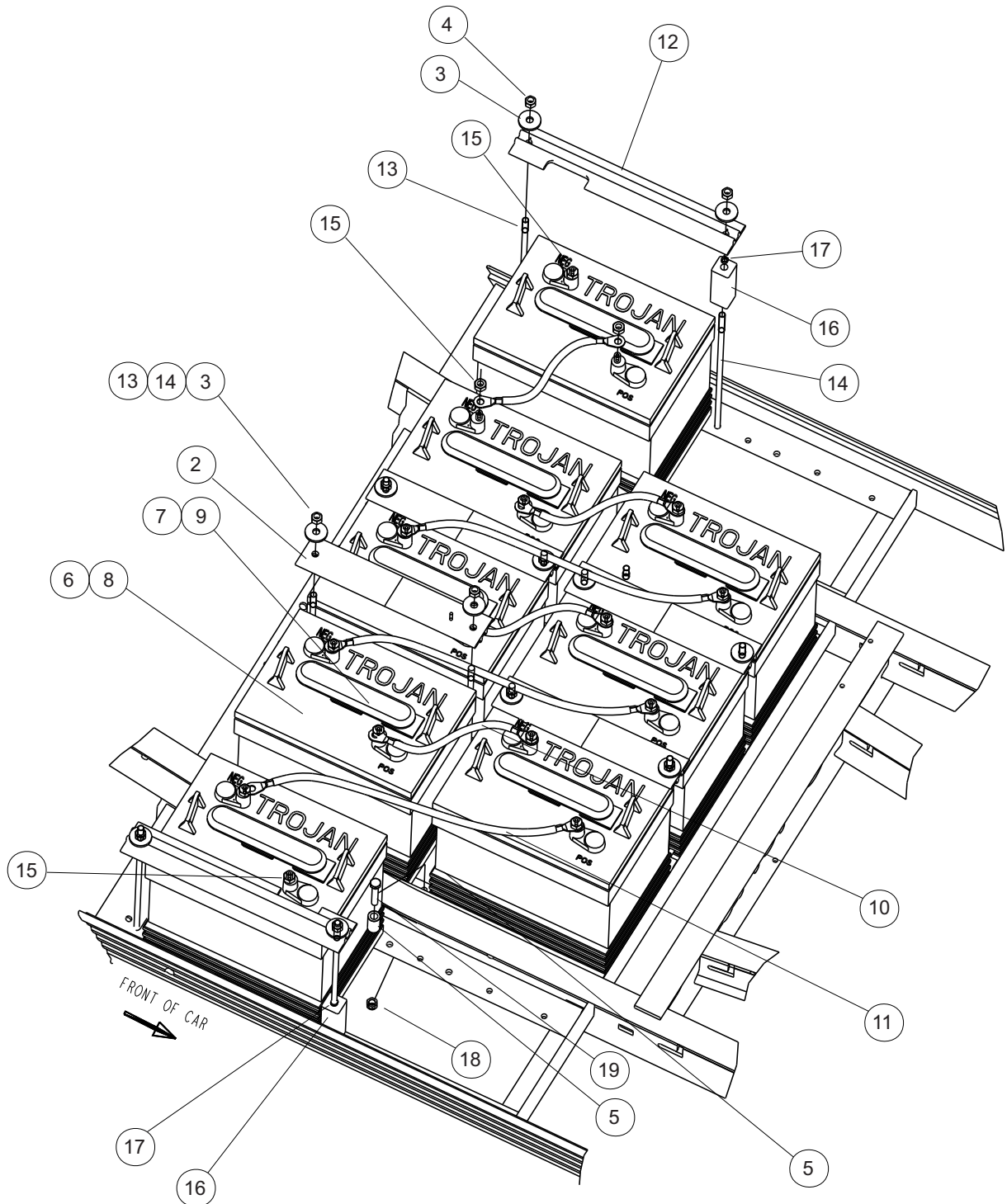
000346-002

# HOUR METER – TURF 2, 252, CARRYALL 252, XRT 900

| ITEM | PART NO.  | DESCRIPTION  | QTY |
|------|-----------|--|-----|
|      |           | 1 2 3 4  |     |
| 1    | N/A       | Hour Meter Installation, IQ Plus (includes items 2 through 10) ..... | 1   |
| 2    | 1013547   | Hour Meter Bracket .....   | 1   |
| 3    | 1014306   | Washer, 1/4" Type B Flat .....                                       | 1   |
| 4    | 1014540   | Screw, #6-32 X 3/8 Taptite .....                                     | 3   |
| 5    | N/A       | Hour Meter .....   | 1   |
| 6    | 101997802 | Wire Assembly #18 Yellow .....                                       | 1   |
| 7    | 101997902 | Wire Assembly #18 Red .....  | 1   |
| 8    | 7847      | Screw, 1/4-20 X 0.75 Hex-Head Cap .....                              | 1   |
| 9    | 8233      | Locknut, 1/4-20 Nylon Insert .....                                   | 1   |
| 10   | 8990      | Tie Wrap, 8" Nylon .....   | 1   |

14

E



000409-001

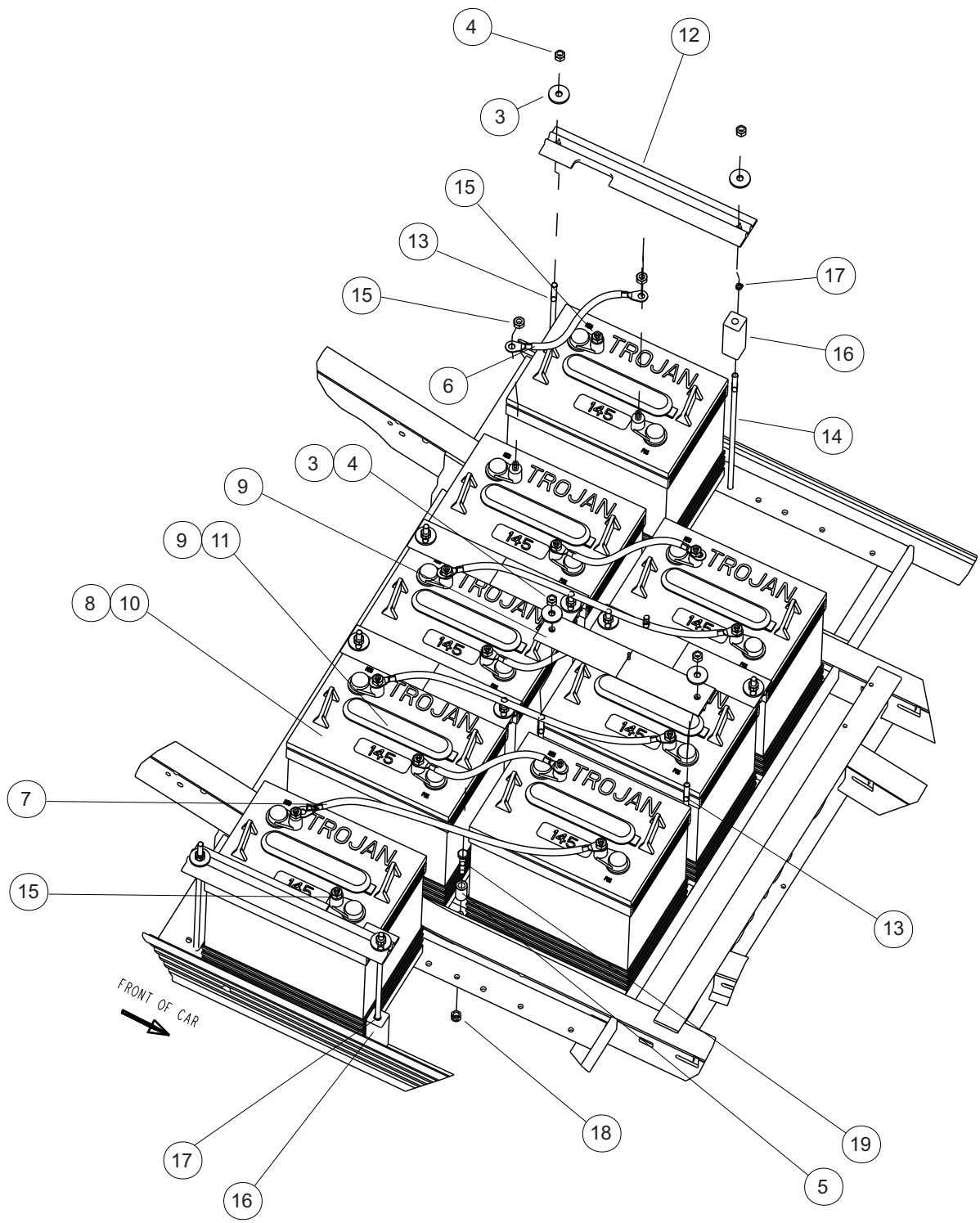


# BATTERIES, T-105

| ITEM | PART NO.  | DESCRIPTION   | QTY |
|------|-----------|---|-----|
|      |           | <b>1 2 3 4</b>  |     |
| 1    | N/A       | Battery Install, Carryall 2 IQ Plus w/T-105 Batteries (includes items 2 through 19) ..... | 1   |
| 2    | 101090801 | Hold-Down, Battery .....  | 4   |
| 3    | 1012571   | Washer, 5/16 Extra Thick Flat .....   | 12  |
| 4    | 1015072   | Locknut, 5/16-18 Nylon Insert .....   | 12  |
| 5    | 1015608   | Tube Spacer, Hydraulic Cylinder .....   | 2   |
| 6    | 101661601 | Battery, 6v Trojan T105 (Wet) (includes item 7) .....                                     | 8   |
| 7    | 101831401 | Battery Cap 6 Volt .....  | 1   |
| 8    | 101661602 | Battery, 6v Trojan T105 (Dry, also known as moist) (includes item 9) .....                | 8   |
| 9    | 101831401 | Battery Cap 6 Volt .....  | 1   |
| 10   | 102002901 | Wire Assy, #4 Black .....   | 4   |
| 11   | 102764001 | Wire Asm, #4 Black .....  | 3   |
| 12   | 102766201 | Hold Down, Outside .....  | 2   |
| 13   | 102845201 | Rod, Battery Hold Down 9.7" .....   | 10  |
| 14   | 102845203 | Rod, Battery Hold Down 10.7" .....  | 2   |
| 15   | 102873401 | 5/16-18 Heavy Hex Nut .....   | 16  |
| 16   | 102980801 | Extr, Plastic, 1 X 1 X 3 .....  | 2   |
| 17   | 102980901 | Clamp, Hose, Nylon, .25 .....   | 2   |
| 18   | 7473      | Locknut, 5/16-18 Nylon Insert .....   | 2   |
| 19   | 8963      | Screw, 5/16-18 X 1.75 Hex-Head Cap .....  | 2   |

**14**

**E**



000409-002

# BATTERIES, T-105

| ITEM | PART NO.  | DESCRIPTION   | QTY |
|------|-----------|---|-----|
|      |           | <b>1 2 3 4</b>  |     |
| 1    | N/A       | Battery Install, Carryall 2 IQ Plus w/T-145 Batteries (includes items 2 through 19) ..... | 1   |
| 2    | 101090801 | Hold-Down, Battery .....  | 4   |
| 3    | 1012571   | Washer, 5/16 Extra Thick Flat .....   | 12  |
| 4    | 1015072   | Locknut, 5/16-18 Nylon Insert .....   | 12  |
| 5    | 1015608   | Tube Spacer, Hydraulic Cylinder .....   | 2   |
| 6    | 102002901 | Wire Assy, #4 Black .....   | 4   |
| 7    | 102764001 | Wire Asm, #4 Black .....  | 3   |
| 8    | 102764401 | Battery, 6v Trojan T145 (wet) (includes item 9) .....                                     | 8   |
| 9    | 101831401 | Battery Cap 6 Volt .....  | 1   |
| 10   | 102764402 | Battery, 6v Trojan T145 (Dry, also known as moist) (includes item 11) .....               | 8   |
| 11   | 101831401 | Battery Cap 6 Volt .....  | 1   |
| 12   | 102766201 | Hold Down, Outside .....  | 2   |
| 13   | 102845203 | Rod, Battery Hold Down 10.7" .....  | 10  |
| 14   | 102845204 | Rod, Battery Hold Down 12" .....  | 2   |
| 15   | 102873401 | 5/16-18 Heavy Hex Nut .....   | 16  |
| 16   | 102980801 | Extr, Plastic, 1 X 1 X 3 .....  | 2   |
| 17   | 102980901 | Clamp, Hose, Nylon, .25 .....   | 2   |
| 18   | 7473      | Locknut, 5/16-18 Nylon Insert .....   | 2   |
| 19   | 8963      | Screw, 5/16-18 X 1.75 Hex-Head Cap .....  | 2   |

**14**

**E**

14

*E*

# ELECTRIC MOTOR

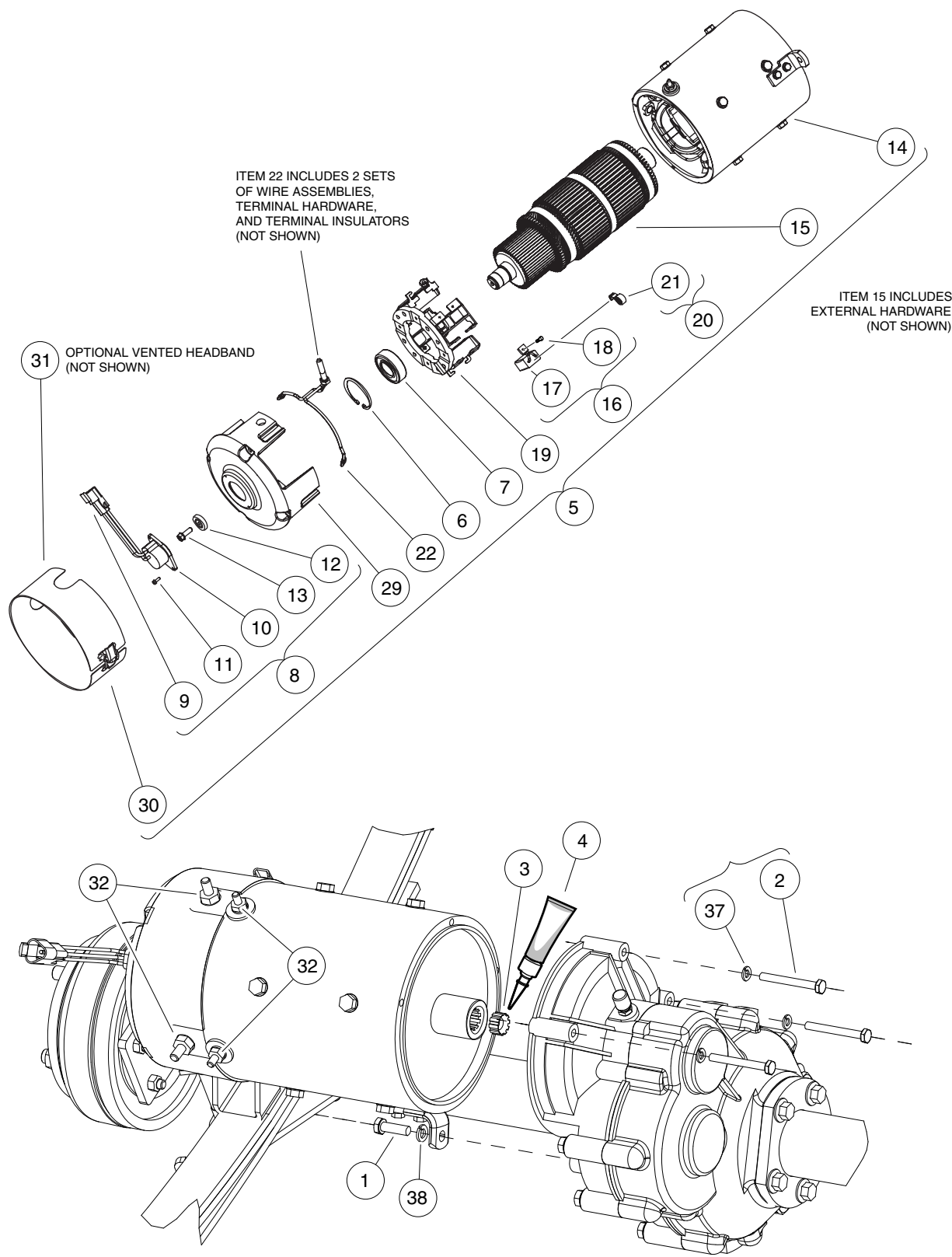
---

15

*E*

15

E



000411-001

# MOTOR (MODEL DA5-4006) – IQ PLUS

| ITEM | PART NO.  | DESCRIPTION   | QTY |
|------|-----------|---|-----|
|      |           | <b>1 2 3 4</b>  |     |
| 1    | 1010934   | Screw, 5/16-18 X 1.00 Hex Cap .....                                       | 1   |
| 2    | 1014201   | Screw, 1/4-20 X 2.25 Hex Cap .....  | 3   |
| 3    | 102235201 | Bumper, Drive Unit .....  | 1   |
| 4    | 102243403 | Lubricant, Moly-Teflon (Single-Use Tube) .....                            | 1   |
| 5    | 102775101 | IQ Plus Electric Motor, 48-VDC 3.7 hp (includes items 6 through 30) ..... | 1   |
| 6    | 102186301 | Ring, 2.24" Internal Retaining .....                                      | 1   |
| 7    | 102186401 | Bearing, Ball .....   | 1   |
| 8    | 102704901 | Kit, Speed Sensor (includes items 9 through 13) .....                     | 1   |
| 9    | 101942301 | Kit, 3-Pin Wedge Lock .....   | 1   |
| 10   | N/A       | Sensor, Motor Speed, ADC .....  | 1   |
| 11   | N/A       | Screw, #8-32, Taptite Thread .....  | 2   |
| 12   | N/A       | Magnet, ADC Motor .....   | 1   |
| 13   | N/A       | Screw, 1/4-20 x 0.5 .....   | 1   |
| 14   | N/A       | Asm, Frame And Field, 3.7 Hp .....  | 1   |
| 15   | N/A       | Armature (Includes external hardware - not shown) .....                   | 1   |
| 16   | 102938601 | Kit, Brush, 3.7 Hp (includes items 17 and 18) .....                       | 1   |
| 17   | N/A       | Brush, Motor .....  | 8   |
| 18   | N/A       | Screw, Taptite .....  | 8   |
| 19   | 102938701 | Asm, Brush Box, 3.7 Hp .....  | 1   |
| 20   | 102938801 | Kit, Brush Spring, 3.7 Hp (includes item 21) .....                        | 1   |
| 21   | N/A       | Brush Spring .....  | 8   |
| 22   | 102938901 | Kit, Brush Lead Asm, 3.7 Hp (includes items 23 through 28) .....          | 1   |
| 23   | N/A       | Terminal and Lead Assembly .....  | 2   |
| 24   | N/A       | Insulator, Terminal .....   | 2   |
| 25   | N/A       | Washer, Insulating .....  | 2   |
| 26   | N/A       | Washer, Flat, 5/16, Brass/Bronze .....                                    | 2   |
| 27   | N/A       | Nut, 5/16, Steel .....  | 4   |
| 28   | N/A       | Lockwasher, 5/16, Steel .....   | 2   |
| 29   | 102939001 | Commutator End Head, 3.7 Hp .....   | 1   |
| 30   | 102939101 | Sealed Headband, 3.7 Hp .....   | 1   |
| 31   | 102939102 | Vented Headband, 3.7 HP (optional - not shown) .....                      | 1   |
| 32   | 102951701 | Pkg, Terminal Hardware, 3.7hp (includes items 33 through 36) .....        | 1   |
| 33   | N/A       | Nut, 5/16, Steel .....  | 2   |
| 34   | N/A       | Lockwasher, 5/16, Steel .....   | 2   |
| 35   | N/A       | Nut, 1/4-20, Steel .....  | 2   |
| 36   | N/A       | Lockwasher, 1/4-20, Steel .....   | 2   |
| 37   | 451       | Lockwasher, 1/4 Split .....   | 3   |
| 38   | 7174      | Lockwasher, 5/16 Split .....  | 1   |

**15**

**E**

**15**

***E***

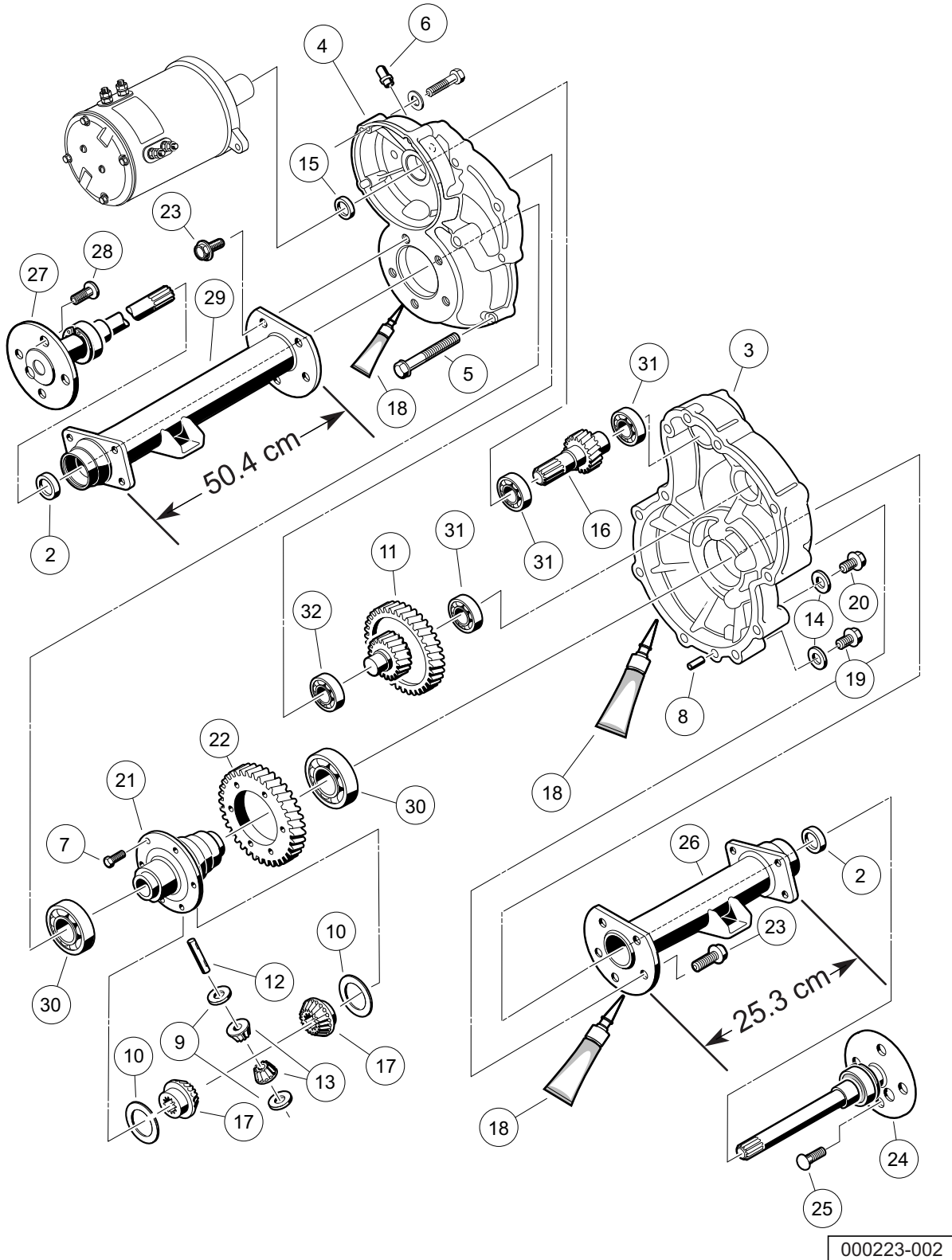


# TRANSAXLE – ELECTRIC VEHICLES

---

16

*E*



# TRANSAXLE – ELECTRIC VEHICLES

| ITEM | PART NO.  | DESCRIPTION   | QTY |
|------|-----------|---|-----|
|      |           | <b>1 2 3 4</b>  |     |
| 1    | 102771701 | Transaxle, Electric (includes items 2 through 32) ..... | 1   |
| 2    | 1013794   | Axle Shaft Oil Seal .....                               | 2   |
| 3    | 101895401 | Gear Case, Left-Hand .....                              | 1   |
| 4    | 101895501 | Gear Case, Passenger-Side .....                         | 1   |
| 5    | 101897001 | Screw, M8-1.25 X 60mm Hex-Head .....                    | 11  |
| 6    | 101897201 | Breather .....  | 1   |
| 7    | 101897401 | Screw, M10-1.25 X 25mm .....                            | 6   |
| 8    | 101897601 | Pin, 11mm OD X 8.5mm ID X 10mm .....                    | 2   |
| 9    | 101903601 | Washer, Thrust .....                                    | 2   |
| 10   | 101903701 | Washer, Thrust .....                                    | 2   |
| 11   | 101906901 | Intermediate Shaft Assembly .....                       | 1   |
| 12   | 101922101 | Pin, 15.99mm X 88.7mm Dowel .....                       | 1   |
| 13   | 101923001 | Gear, Differential Idler .....                          | 2   |
| 14   | 101923201 | Gasket .....  | 2   |
| 15   | 101923501 | Seal, Lip .....   | 1   |
| 16   | 101923701 | Shaft, Input .....                                      | 1   |
| 17   | 101923901 | Gear, Differential .....                                | 2   |
| 18   | 101928701 | Liquid Gasket (Transaxle case) .....                    | 1   |
| 19   | 101972101 | Plug, M14-1.5 X 12mm Magnetic .....                     | 1   |
| 20   | 101972201 | Plug, M14-1.5 X 12mm Hex .....                          | 1   |
| 21   | 102356601 | Housing, Differential, 6 Bolt .....                     | 1   |
| 22   | 102356801 | Gear, Differential Output, 6-Bolt .....                 | 1   |
| 23   | 102357001 | Screw, Flg Hd M10 X 1.5 X 30 .....                      | 10  |
| 24   | 102886301 | Axle Assembly, Driver-Side (includes item 25) .....     | 1   |
| 25   | 101922201 | Lug Stud .....  | 4   |
| 26   | 102886401 | Tube, Axle, Driver-Side .....                           | 1   |
| 27   | 102886501 | Axle Assembly, Passenger-Side (includes item 28) .....  | 1   |
| 28   | 101922201 | Lug Stud .....  | 4   |
| 29   | 102886601 | Tube, Axle, Passenger-Side .....                        | 1   |
| 30   | 7330      | Inner Axle Tube Bearing .....                           | 2   |
| 31   | 7335      | Bearing .....   | 3   |
| 32   | 7336      | Bearing .....   | 1   |

16

E

**16**

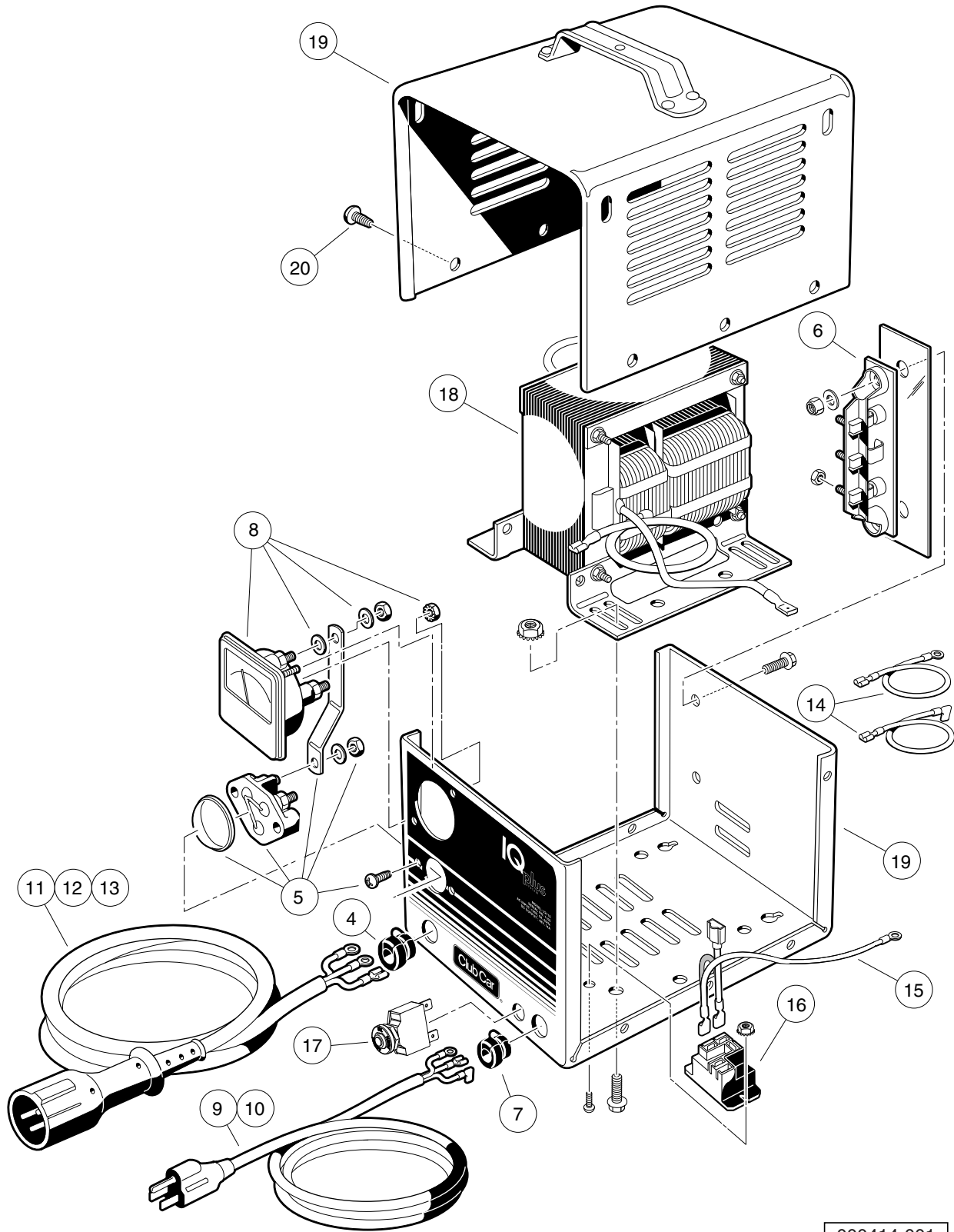
***E***

# BATTERY CHARGER

---

17

*E*



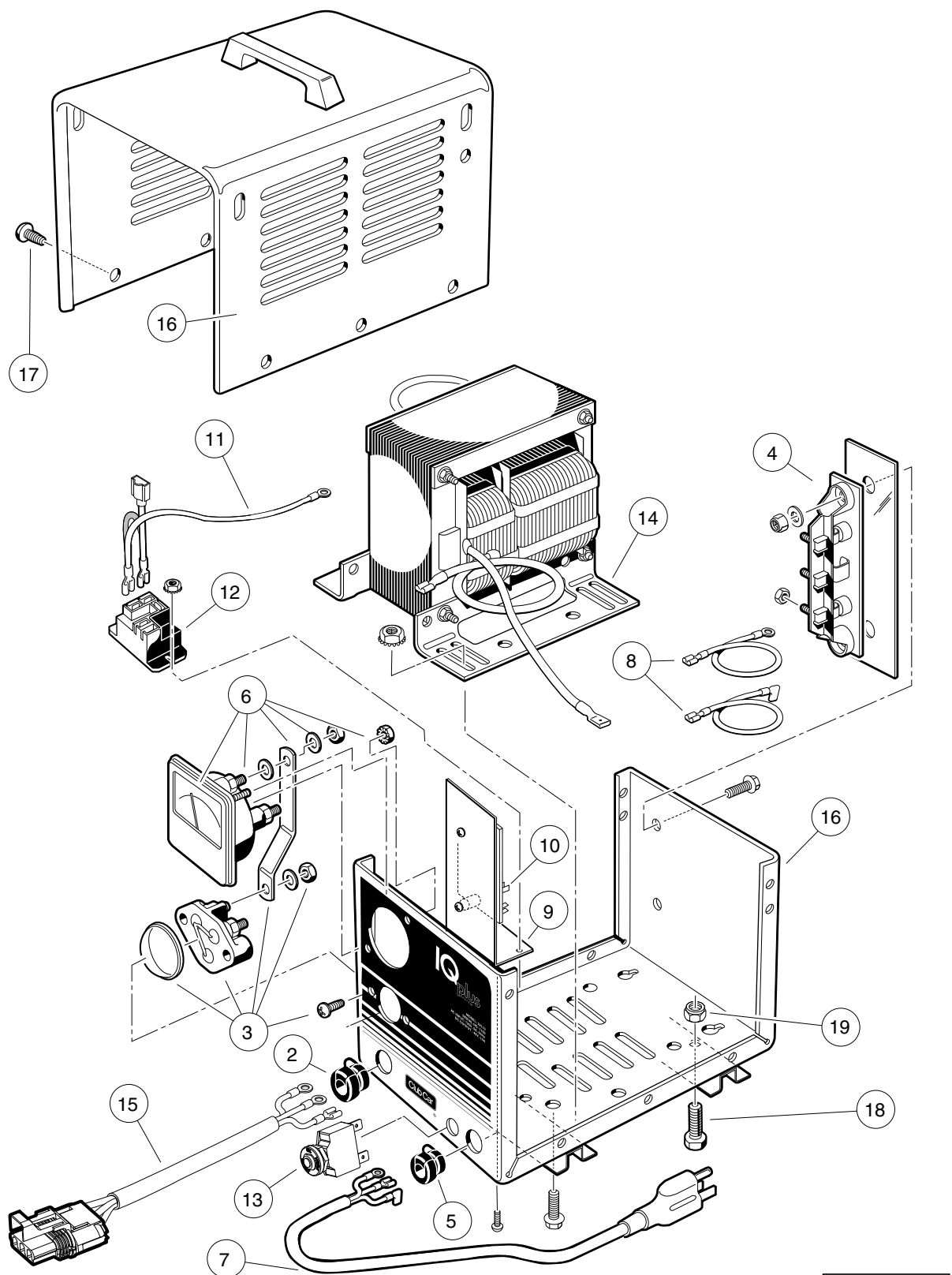
000414-001

# IQ PLUS DOMESTIC BATTERY CHARGER (MODEL 25730)

| ITEM | PART NO.  | DESCRIPTION   | QTY |
|------|-----------|---|-----|
|      |           | <b>1 2 3 4</b>  |     |
| 1    | 102847801 | 48-V/17-A IQ Plus (9-ft. DC Cord, 6-ft. AC Cord) .....                                | 1   |
| 2    | 102847802 | 48-V/17-A IQ Plus (12-ft. DC Cord, 9-ft. AC Cord) .....                               | 1   |
| 3    | 102847803 | 48-V/17-A IQ Plus (20-ft. DC Cord, 9-ft. AC Cord) (includes items 4 through 20) ..... | 1   |
| 4    | 1012098   | Bushing, DC Cord .....  | 1   |
| 5    | 1012101   | Fuse Assembly .....   | 1   |
| 6    | 1015914   | Rectifier with Heatsink Assembly .....  | 1   |
| 7    | 1015917   | Bushing, AC Cord .....  | 1   |
| 8    | 101828501 | Ammeter .....   | 1   |
| 9    | 101828801 | Cord, AC, 80-Inch (203 cm) .....  | 1   |
| 10   | 101828802 | Cord, AC, 108-Inch (274 cm) .....   | 1   |
| 11   | 101828901 | Cord, DC, 113-Inch (287 cm) .....   | 1   |
| 12   | 101828902 | Cord, DC, 154-Inch (391 cm) .....   | 1   |
| 13   | 101828903 | Cord, DC, 250-Inch (635 cm) .....   | 1   |
| 14   | 101831101 | Wire Assembly Kit .....   | 1   |
| 15   | 101914401 | Assembly, Voltage Suppressor .....  | 1   |
| 16   | 102275401 | Relay, 48-VDC .....   | 1   |
| 17   | 102838101 | Circuit Breaker 250vac-50vdc .....  | 1   |
| 18   | N/A       | Transformer, Battery Charger .....  | 1   |
| 19   | N/A       | Case, Battery Charger .....   | 1   |
| 20   | 7577      | Screw, #10 X 0.50 Phillips Pan-Head .....   | 10  |

17

E



000415-001



# IQ PLUS ONBOARD BATTERY CHARGER (MODEL 25260)

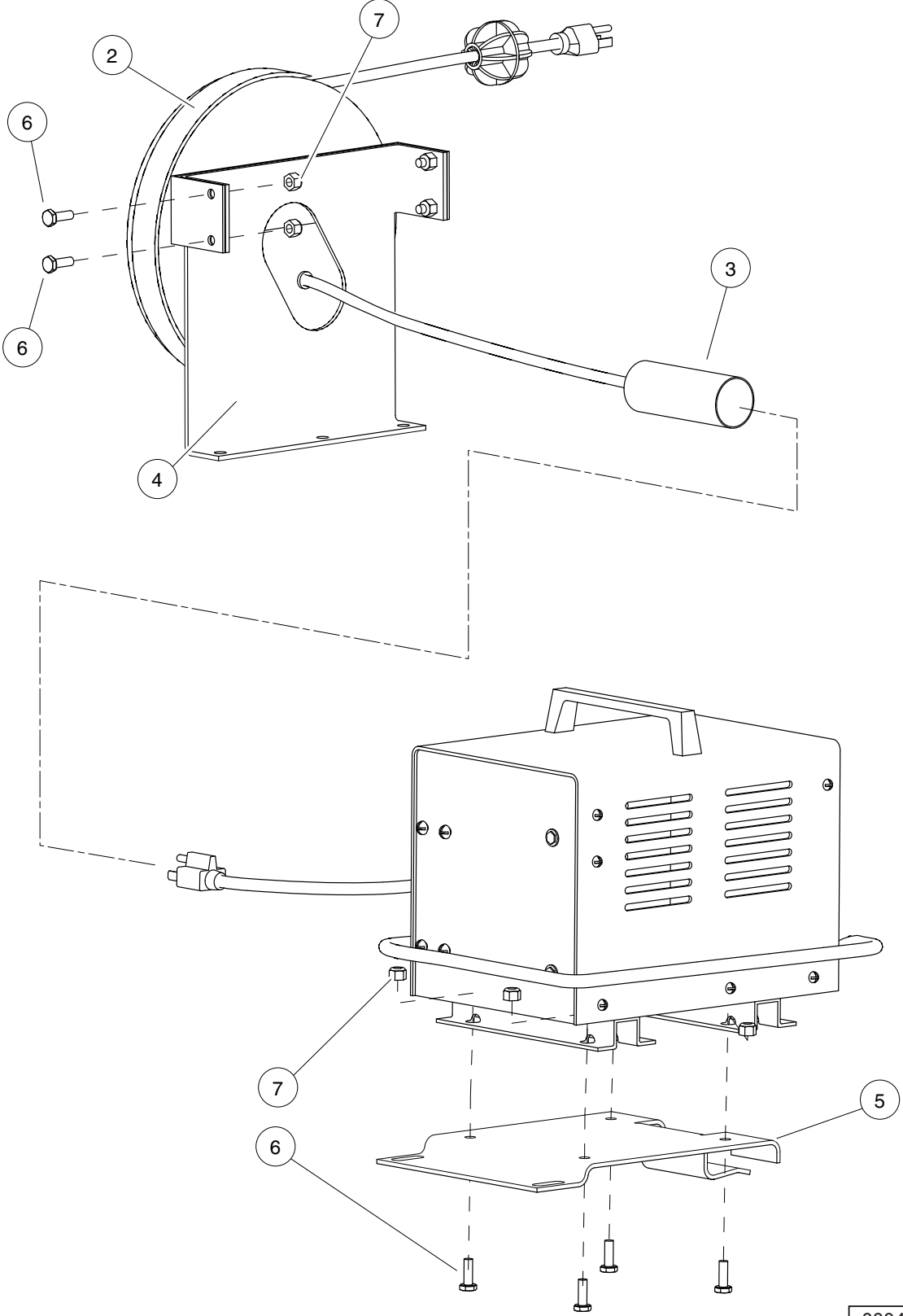
| ITEM  | PART NO.  | DESCRIPTION   | QTY |
|---|-----------|---|-----|
|   |           | 1 2 3 4   |     |
| 1   | 102837001 | Battery Charger, Onboard, 120-VAC, 48-VDC (includes items 2 through 19) ..... | 1   |
| 2   | 1012098   | Bushing, DC Cord .....  | 1   |
| 3   | 1012101   | Fuse Assembly .....   | 1   |
| 4   | 1015914   | Rectifier with Heatsink Assembly .....  | 1   |
| 5   | 1015917   | Bushing, AC Cord .....  | 1   |
| 6   | 101828501 | Ammeter .....   | 1   |
| 7   | 101829001 | Cord, AC, 22-Inch (56 cm) .....   | 1   |
| 8   | 101831101 | Wire Assembly Kit .....   | 1   |
| 9   | ****      | Mounting Bracket, Relay .....   | 1   |
| 10  | 101841901 | Control Board .....   | 1   |
| 11  | 101914401 | Assembly, Voltage Suppressor .....  | 1   |
| 12  | 102275401 | Relay, 48-VDC .....   | 1   |
| 13  | 102838101 | Circuit Breaker 250vac-50vdc .....  | 1   |
| 14  | N/A       | Transformer, Battery Charger .....  | 1   |
| 15  | 102940801 | Cord, Dc .....  | 1   |
| 16  | N/A       | Case, Battery Charger .....   | 1   |
| 17  | 7577      | Screw, #10 X 0.50 Phillips Pan-Head .....                                     | 12  |
| 18  | 7847      | Screw, 1/4-20 X 0.75 Hex-Head Cap .....                                       | 4   |
| 19  | 8233      | Locknut, 1/4-20 Nylon Insert .....  | 4   |
| **** Special order item available upon request. |           |   |     |

17

E

17

E



000419-001

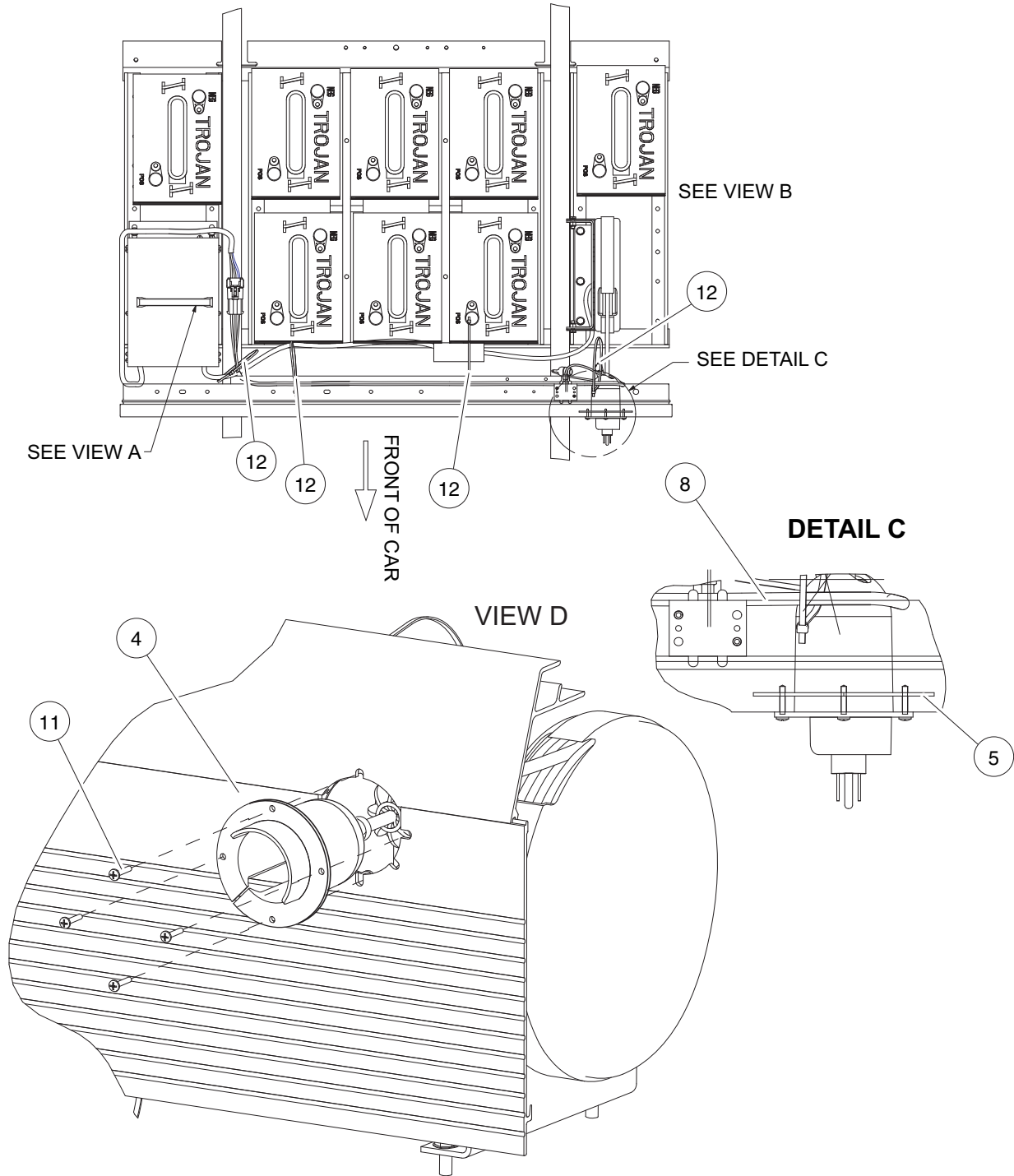
# ONBOARD CHARGER (MODEL 25260) AND REEL MOUNTING

| ITEM | PART NO.  | DESCRIPTION   | QTY |
|------|-----------|---|-----|
|      |           | 1 2 3 4   |     |
| 1    | N/A       | Onboard Charger Installation, IQ Plus (domestic) (includes items 2 through 7) ..... | 1   |
| 2    | 1017187   | Retractable Cord Reel .....   | 1   |
| 3    | 1017189   | Heat Shrink Tube 1.5" X 3" .....  | 1   |
| 4    | 102770701 | Bracket, Reel, Tabbed .....   | 1   |
| 5    | 102844001 | Plate, Charger Mtg .....  | 1   |
| 6    | 7847      | Screw, 1/4-20 X 0.75 Hex-Head Cap .....   | 8   |
| 7    | 8233      | Locknut, 1/4-20 Nylon Insert .....  | 8   |

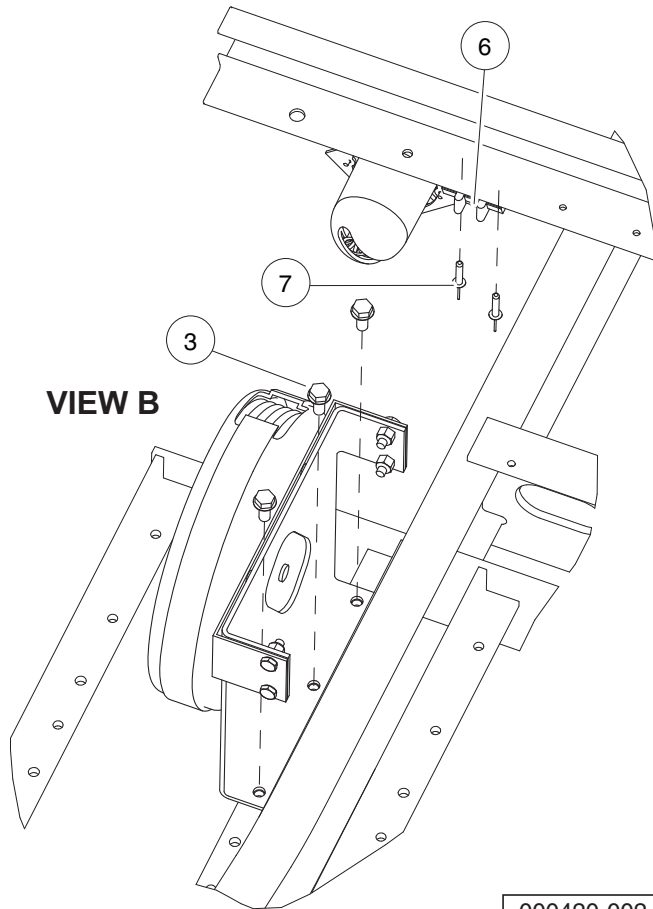
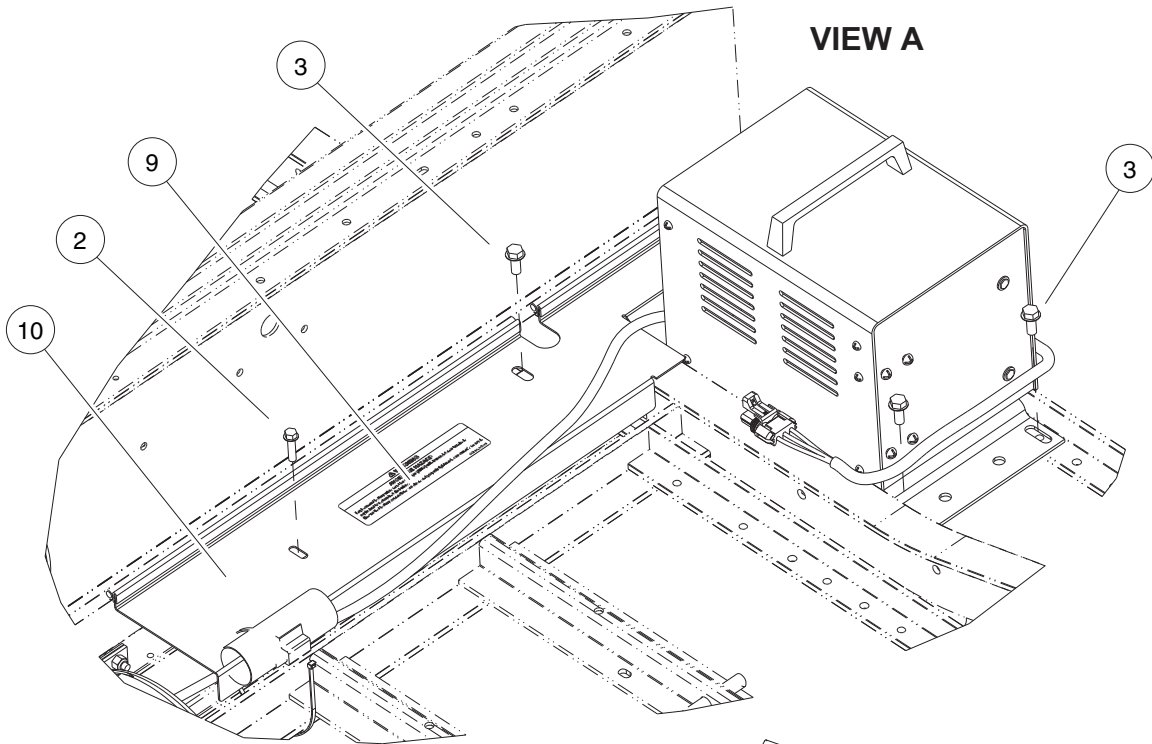
17

E

# Turf/Carryall 2 IQ Plus Onboard Charger (Model 25260) Mounting



000420-002



000420-002

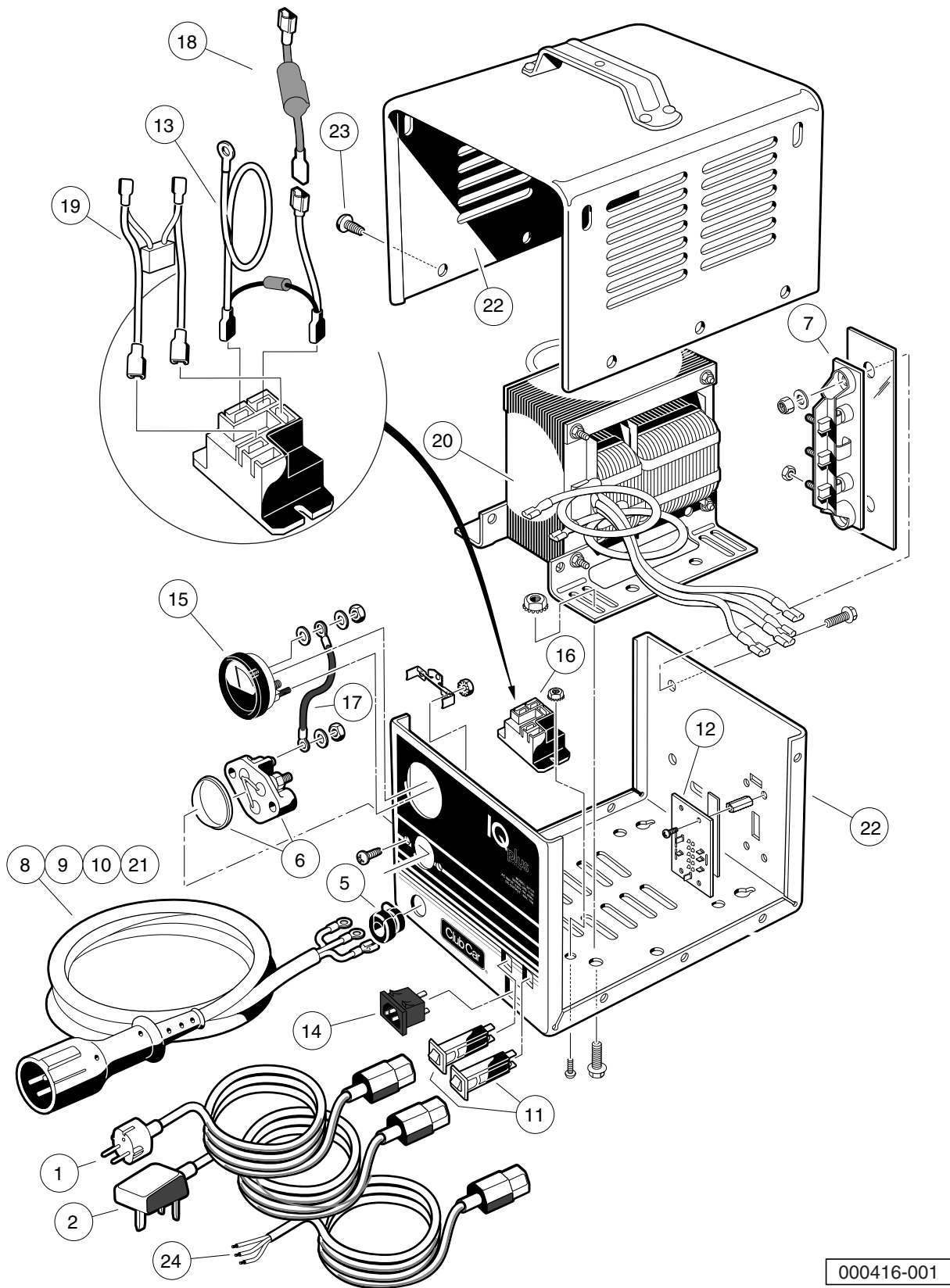
See previous two pages for illustration.

# ONBOARD CHARGER (MODEL 25260) AND REEL MOUNTING – IQ PLUS TURF/CARRYALL 2, CONTINUED

| ITEM | PART NO.  | DESCRIPTION  | QTY |
|------|-----------|--|-----|
|      |           | 1 2 3 4  |     |
| 1    | N/A       | Onboard Charger Installation, IQ Plus (domestic) (includes items 2 through 12) ..... | 1   |
| 2    | 1014063   | Screw, 1/4-20 X 1.00 Hex Head .....  | 1   |
| 3    | 1014288   | Screw, 5/16-18 X 0.75 Thread-Forming .....   | 6   |
| 4    | 1016673   | Housing, Cord Reel .....   | 1   |
| 5    | 101801001 | Plate, Receptacle Backing .....  | 1   |
| 6    | 101966801 | Block, Terminal .....  | 1   |
| 7    | 101968801 | Rivet, 3/16", Pop .....  | 2   |
| 8    | 102881401 | Charger Harness, IQ Plus, 55" .....  | 1   |
| 9    | 102967601 | Decal, Warning, 4 Gauge Wire .....   | 1   |
| 10   | 103353501 | Shield .....   | 1   |
| 11   | 8796      | Screw, #7-19 X 0.75 Pan-Head Type AB .....   | 4   |
| 12   | 8990      | Tie Wrap, 8" Nylon .....   | 4   |

17

E



000416-001

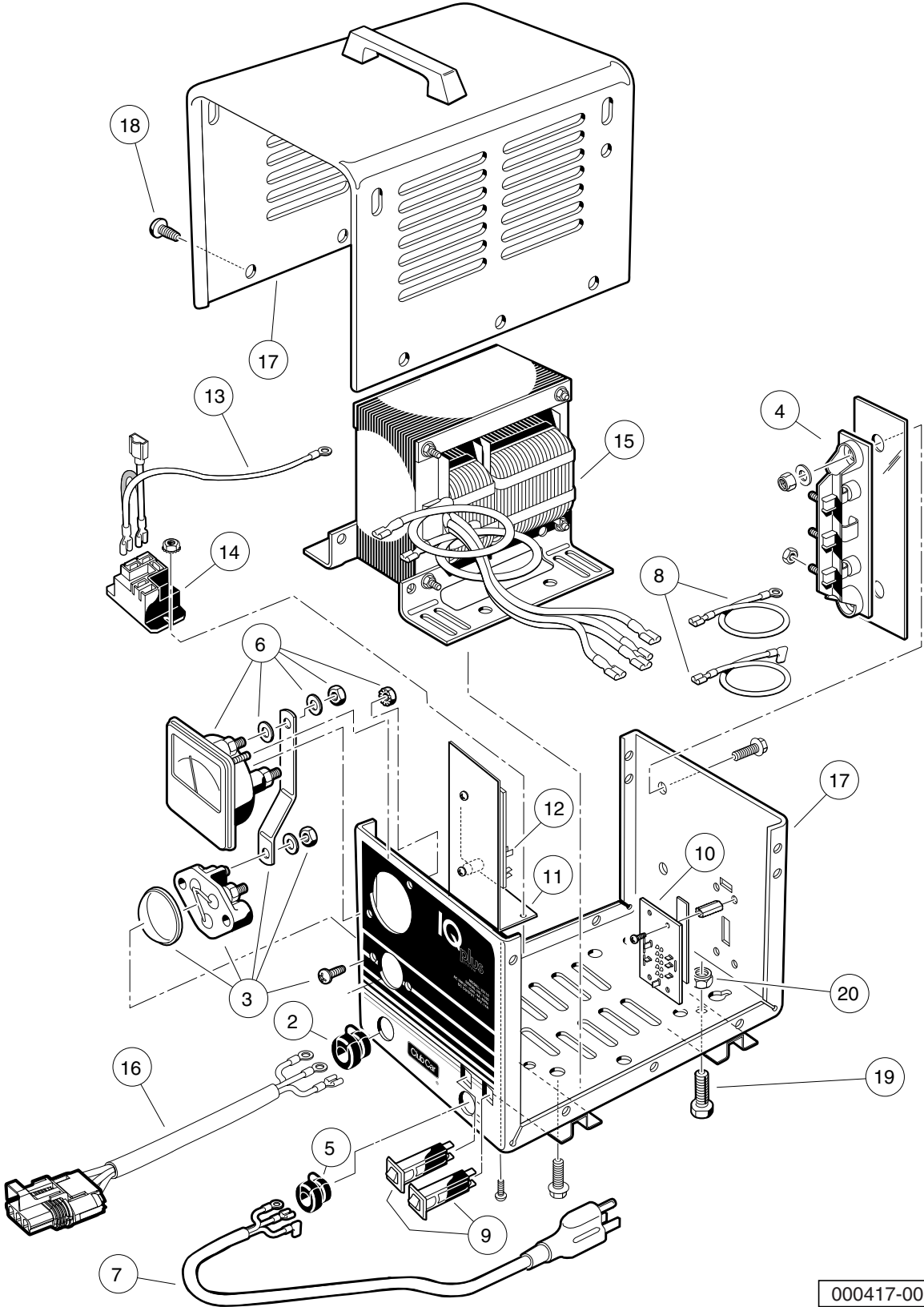


# IQ PLUS BATTERY CHARGER (MODEL 25880), EXPORT AND EUROPEAN

| ITEM  | PART NO.  | DESCRIPTION  | QTY |
|---|-----------|--|-----|
|   |           | <b>1 2 3 4</b>   |     |
| 1   | 101958201 | Cord, UK, AC, Battery Charger .....                              | 1   |
| 2   | 101958301 | Cord, European AC, Battery Charger .....                         | 1   |
| 3   | 102892901 | Charger, Export and European .....                               | 1   |
| 4   | 102892902 | Charger, Export and European (includes items 5 through 23) ..... | 1   |
| 5   | 1012098   | Bushing, DC Cord .....   | 1   |
| 6   | 1012101   | Fuse Assembly .....  | 1   |
| 7   | 1015914   | Rectifier with Heatsink Assembly .....                           | 1   |
| 8   | 101828901 | Cord, DC, 113-Inch (287 cm) .....                                | 1   |
| 9   | 101828902 | Cord, DC, 154-Inch (391 cm) .....                                | 1   |
| 10  | 101828903 | Cord, DC, 250-Inch (635 cm) .....                                | 1   |
| 11  | 101838401 | Circuit Breaker .....  | 2   |
| 12  | 101838601 | Four-Position Switch .....                                       | 1   |
| 13  | 101914401 | Assembly, Voltage Suppressor .....                               | 1   |
| 14  | 101973501 | Receptacle, AC Cord .....  | 1   |
| 15  | 101976601 | Ammeter with Mounting Bracket .....                              | 1   |
| 16  | 102275401 | Relay, 48-VDC .....  | 1   |
| 17  | N/A       | Wire, Jumper .....   | 1   |
| 18  | ****      | Limiters, Current .....  | 1   |
| 19  | ****      | Wire Assembly, Battery Charger .....                             | 1   |
| 20  | ****      | Transformer, Battery Charger .....                               | 1   |
| 21  | 102940801 | Cord, Dc .....   | 1   |
| 22  | N/A       | Case, Battery Charger .....                                      | 1   |
| 23  | 7577      | Screw, #10 X 0.50 Phillips Pan-Head .....                        | 10  |
| 24  | 102939501 | Cord, European AC, Battery Charger .....                         | 1   |
| **** Special order item available upon request. |           |  |     |

17

E



000417-001

# IQ PLUS ONBOARD BATTERY CHARGER (MODEL 25660), EXPORT

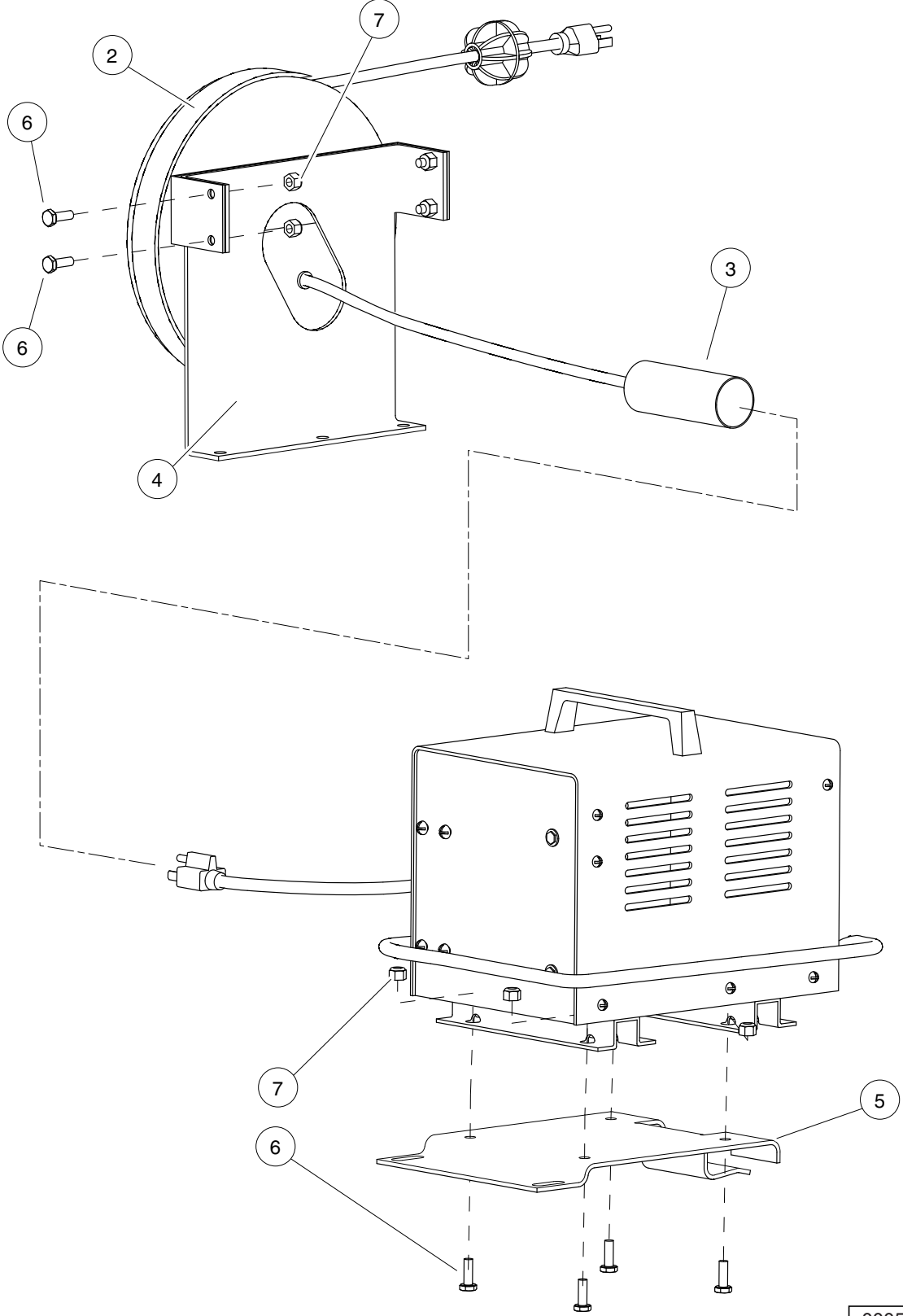
| ITEM  | PART NO.  | DESCRIPTION  | QTY |
|---|-----------|--|-----|
|   |           | 1 2 3 4  |     |
| 1   | 102893001 | Battery Charger, Onboard, International, IQ Plus (includes items 2 through 20) ..... | 1   |
| 2   | 1012098   | Bushing, DC Cord .....   | 1   |
| 3   | 1012101   | Fuse Assembly .....  | 1   |
| 4   | 1015914   | Rectifier with Heatsink Assembly .....   | 1   |
| 5   | 1015917   | Bushing, AC Cord .....   | 1   |
| 6   | 101828501 | Ammeter .....  | 1   |
| 7   | 101829001 | Cord, AC, 22-Inch (56 cm) .....  | 1   |
| 8   | 101831101 | Wire Assembly Kit .....  | 1   |
| 9   | 101838401 | Circuit Breaker .....  | 2   |
| 10  | 101838601 | Four-Position Switch .....   | 1   |
| 11  | ****      | Mounting Bracket, Relay .....  | 1   |
| 12  | 101841901 | Control Board .....  | 1   |
| 13  | 101914401 | Assembly, Voltage Suppressor .....   | 1   |
| 14  | 102275401 | Relay, 48-VDC .....  | 1   |
| 15  | ****      | Transformer, Battery Charger .....   | 1   |
| 16  | 102940801 | Cord, Dc .....   | 1   |
| 17  | N/A       | Case, Battery Charger .....  | 1   |
| 18  | 7577      | Screw, #10 X 0.50 Phillips Pan-Head .....  | 12  |
| 19  | 7847      | Screw, 1/4-20 X 0.75 Hex-Head Cap .....  | 4   |
| 20  | 8233      | Locknut, 1/4-20 Nylon Insert .....   | 4   |
| **** Special order item available upon request. |           |  |     |

17

E

17

E



000571-001

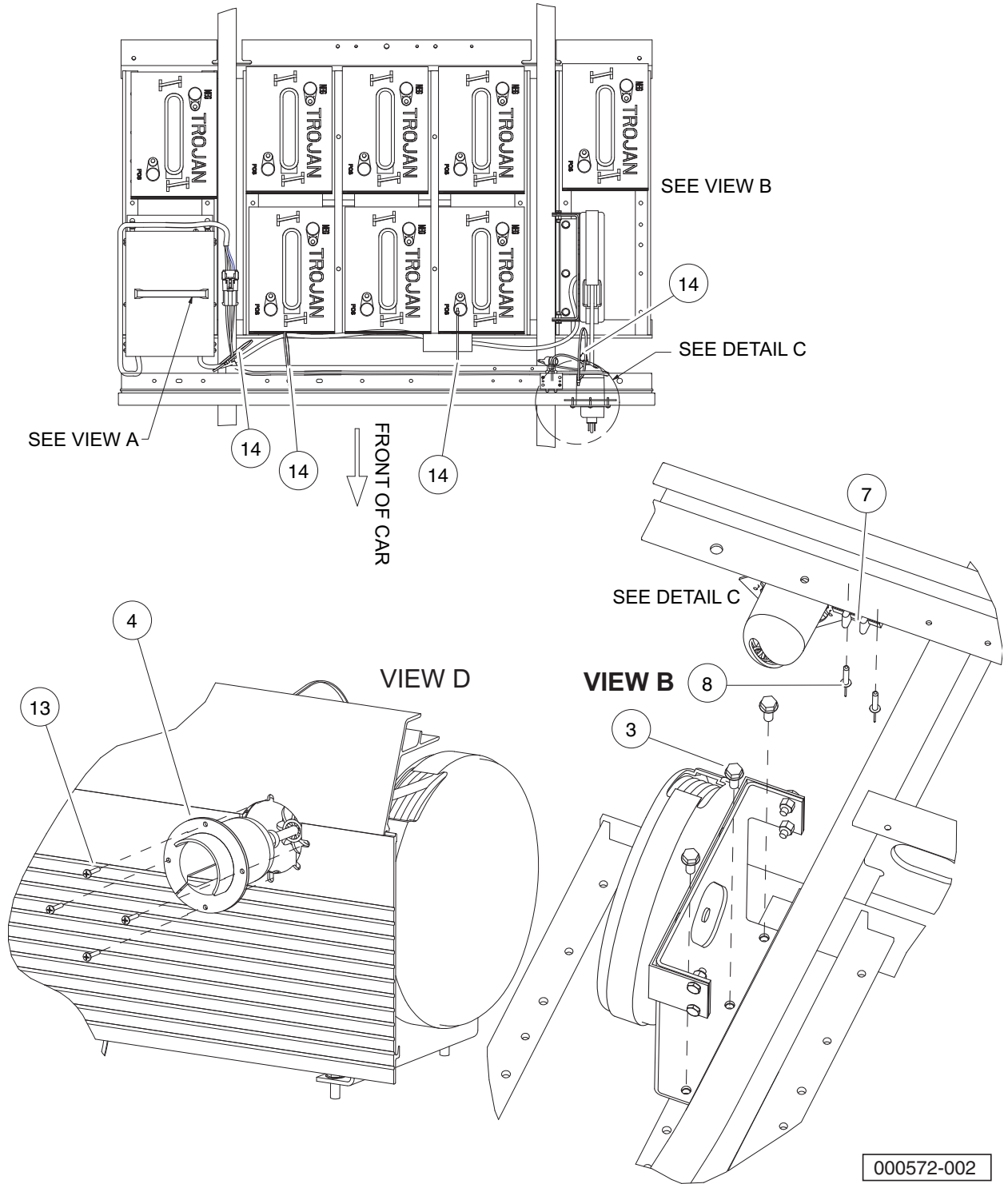
# ONBOARD CHARGER (MODEL 25660) AND REEL MOUNTING

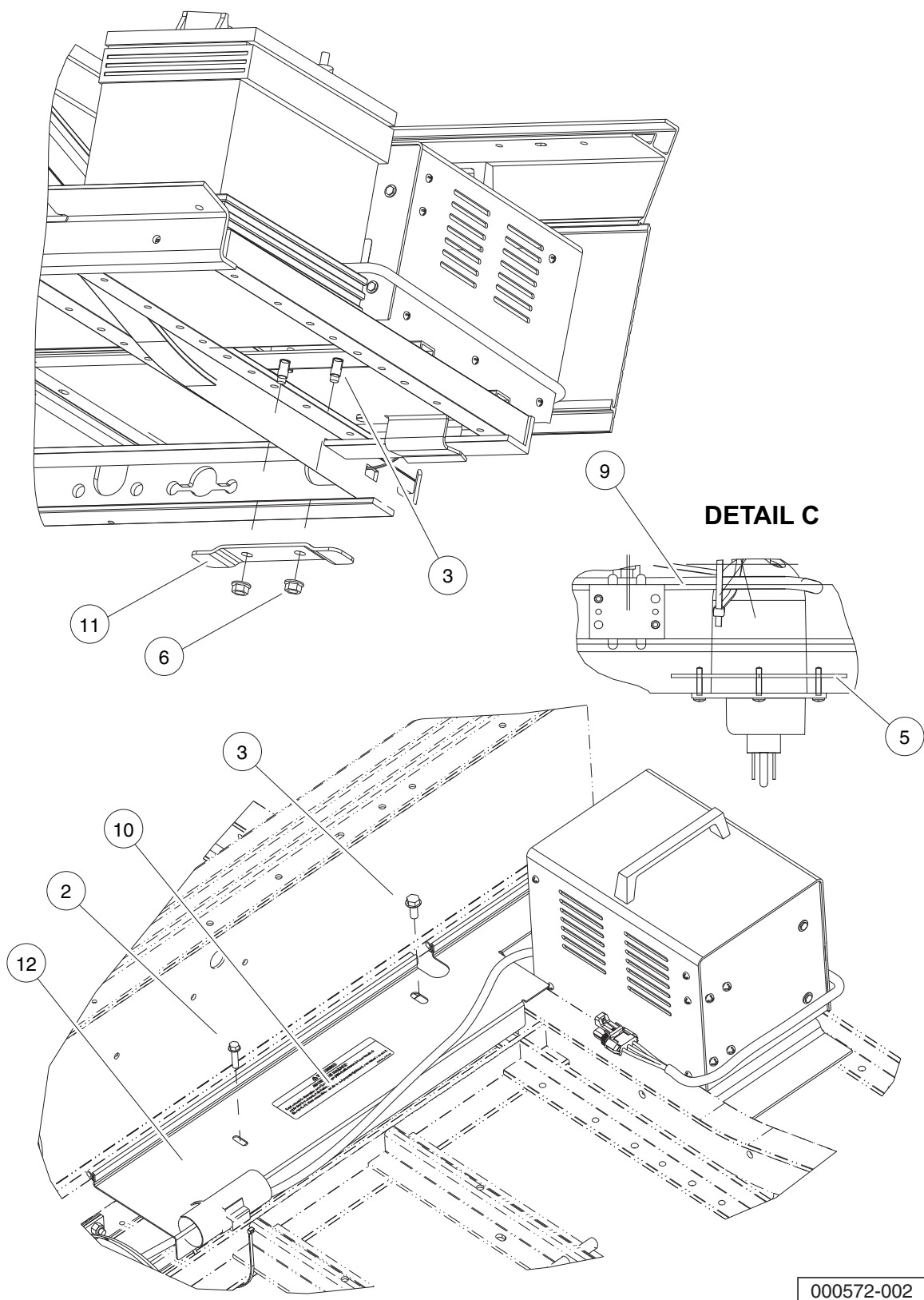
| ITEM | PART NO.  | DESCRIPTION   | QTY |
|------|-----------|---|-----|
|      |           | 1 2 3 4   |     |
| 1    | N/A       | Onboard Charger Installation, IQ Plus (export) (includes items 2 through 7) ..... | 1   |
| 2    | 1017187   | Retractable Cord Reel .....   | 1   |
| 3    | 1017189   | Heat Shrink Tube 1.5" X 3" .....  | 1   |
| 4    | 102770701 | Bracket, Reel, Tabbed .....   | 1   |
| 5    | 102844002 | Asm, Charger Plate, Intl .....  | 1   |
| 6    | 7847      | Screw, 1/4-20 X 0.75 Hex-Head Cap .....   | 8   |
| 7    | 8233      | Locknut, 1/4-20 Nylon Insert .....  | 8   |

17

E

# Turf/Carryall 2 IQ Plus Onboard Charger (Model 25660) Mounting





000572-002

See previous two pages for illustration.



# ONBOARD CHARGER (MODEL 25660) AND REEL MOUNTING – IQ PLUS TURF/CARRYALL 2, CONTINUED

| ITEM | PART NO.  | DESCRIPTION  | QTY |
|------|-----------|--|-----|
|      |           | 1 2 3 4  |     |
| 1    | N/A       | Onboard Charger Installation, IQ Plus (export) (includes items 2 through 14) ..... | 1   |
| 2    | 1014063   | Screw, 1/4-20 X 1.00 Hex Head .....  | 1   |
| 3    | 1014288   | Screw, 5/16-18 X 0.75 Thread-Forming .....   | 4   |
| 4    | 1016673   | Housing, Cord Reel .....   | 1   |
| 5    | 101801001 | Plate, Receptacle Backing .....  | 1   |
| 6    | 101832901 | Nut, M10-1.25 Hex Flange .....   | 2   |
| 7    | 101966801 | Block, Terminal .....  | 1   |
| 8    | 101968801 | Rivet, 3/16", Pop .....  | 2   |
| 9    | 102881401 | Charger Harness, IQ Plus, 55" .....  | 1   |
| 10   | 102967601 | Decal, Warning, 4 Gauge Wire .....   | 1   |
| 11   | N/A       | Retainer, Charger Asm .....  | 1   |
| 12   | 103353501 | Shield .....   | 1   |
| 13   | 8796      | Screw, #7-19 X 0.75 Pan-Head Type AB .....   | 4   |
| 14   | 8990      | Tie Wrap, 8" Nylon .....   | 4   |

17

E



# MAINTENANCE AND SERVICE TOOLS

---

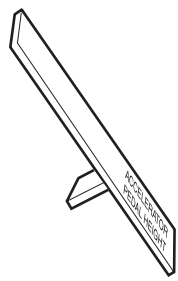
18

G

E

D

**18**  
**G**  
**E**  
**D**



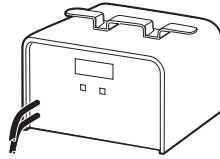
1



2



3



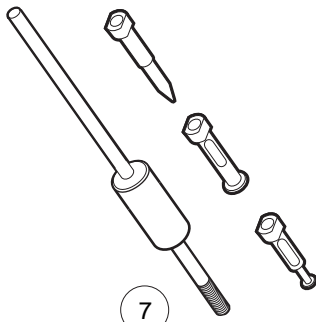
4



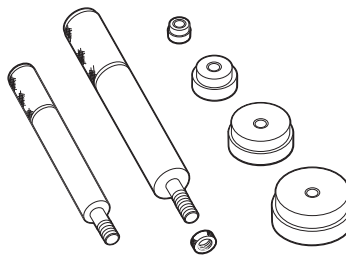
5



6



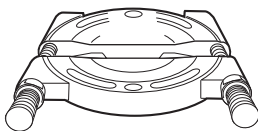
7



8



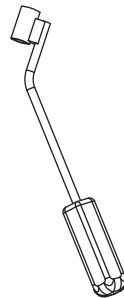
9



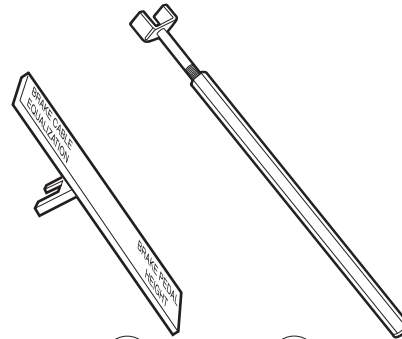
10



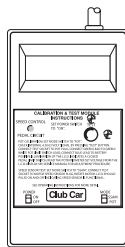
11



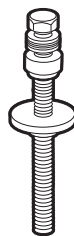
12



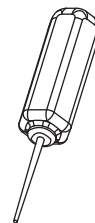
14 15  
13



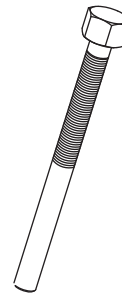
16



17



18



19

# MAINTENANCE AND SERVICE TOOLS

| ITEM | PART NO.  | DESCRIPTION   | QTY<br>DIESEL | QTY<br>GAS | QTY<br>ELEC |
|------|-----------|---|---------------|------------|-------------|
|      |           | <p style="text-align: center;">1 2 3 4</p> <p>The following tool list includes all tools available from Club Car for maintenance and service procedures for gasoline, electric, and/or diesel vehicles, both past and present models. Be sure to carefully examine the tool list for applicability to your vehicle before ordering.</p> |               |            |             |
| 1    | 101871001 | Accelerator Pedal Adjustment Tool .....   |               | 1          | 1           |
| 2    | 101813202 | Adhesive, Guide Ring, 3-Gram Tube .....   |               |            | 1           |
| 3    | 101641202 | Arbor .....   |               | 1          |             |
| 4    | 101831901 | Battery Discharge Machine, 36/48 Volt .....   |               |            | 1           |
| 5    | 1014305   | Battery Terminal Protector Spray .....  | 1             | 1          | 1           |
| 6    | 1011767   | Battery Thermometer .....   | 1             | 1          | 1           |
| 7    | 1016417   | Bearing and Oil Seal Remover Assembly .....   | 1             | 1          | 1           |
| 8    | 1016416   | Bearing Driver Set .....  | 1             | 1          | 1           |
| 9    | 1012811   | Bearing Puller .....  | 1             | 1          | 1           |
| 10   | 1012812   | Bearing Puller Wedge Attachment .....   | 1             | 1          | 1           |
| 11   | 1013582   | Brake Adjustment Tool (used only on vehicles with manually adjusted mechanical brakes) .....  |               | 1          | 1           |
| 12   | 102555501 | Brake Cable Release Tool .....  | 1             | 1          | 1           |
| 13   | 102249901 | Brake Pedal Adjustment Tool Kit (used for the Carryall Electric Industrial Truck only) (includes items 14 and 15).....  |               |            | 1           |
| 14   | ****      | Brake Pedal Adjustment Tool .....   |               |            | 1           |
| 15   | ****      | Brake Pedal Tension Tool .....  |               |            | 1           |
| 16   | 101887101 | Calibration Test Module .....   |               |            | 1           |
| 17   | 101808401 | Cam Installation Tool .....   |               | 1          |             |
| 18   | 102562401 | Charger Bezel Tool .....  |               |            | 1           |
| 19   | 102686101 | Clutch Removal Tool (for 4x4 vehicles) .....  | 1             | 1          |             |
|      |           | <p>Please refer to the maintenance and service manual for proper tool application.</p> <p>**** Special order item available upon request</p>  |               |            |             |

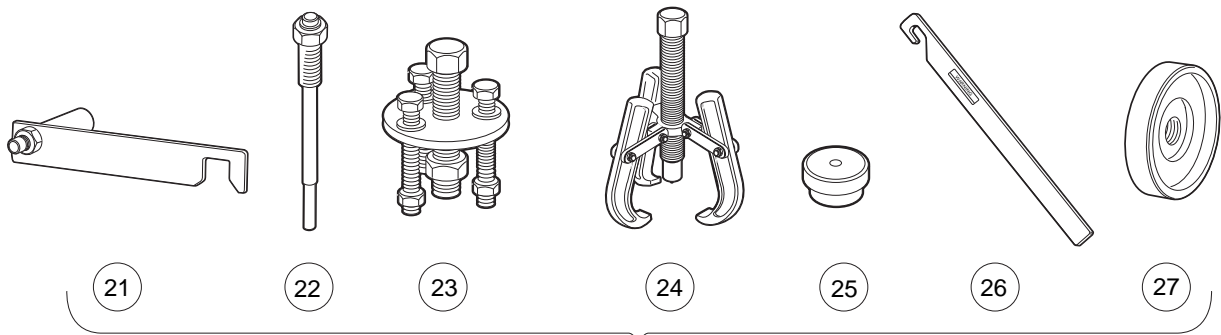
18

G

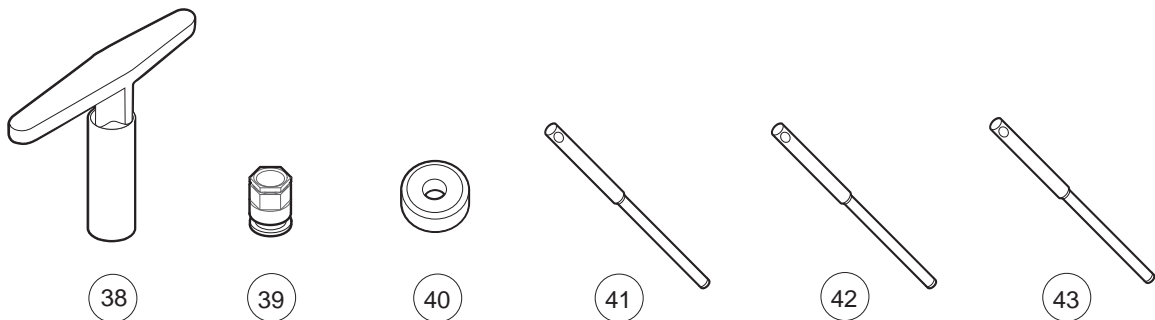
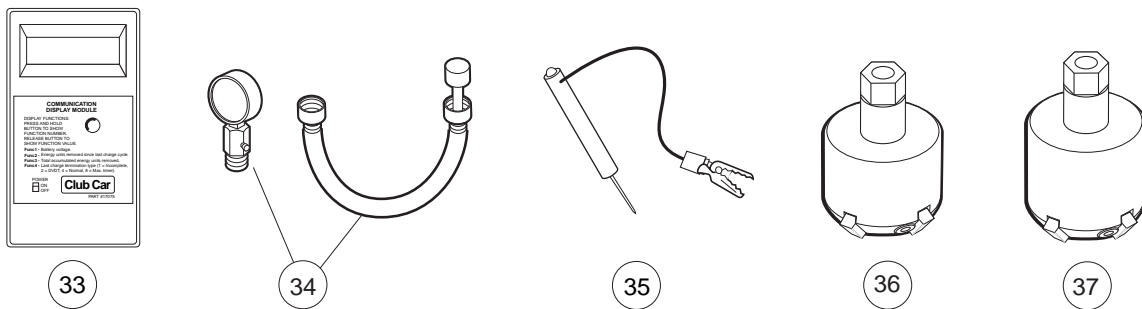
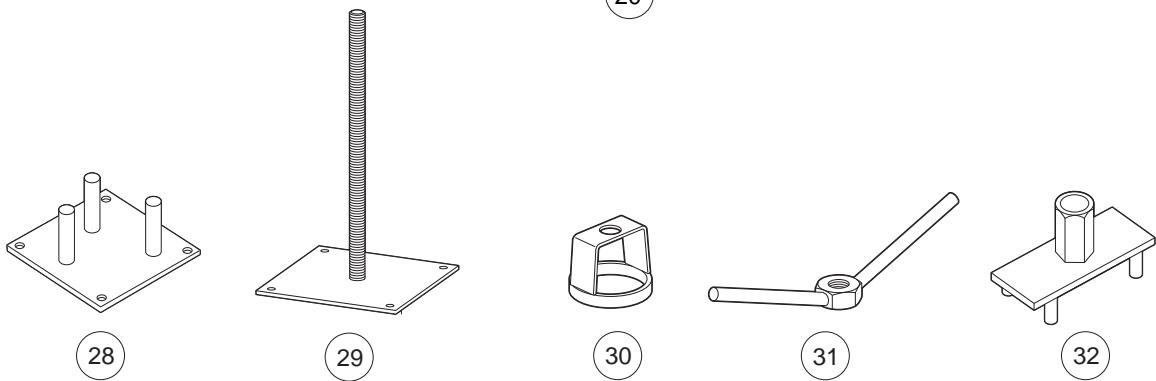
E

D

**18**  
**G**  
**E**  
**D**



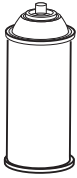
20



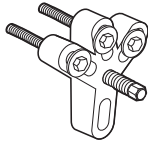
## MAINTENANCE AND SERVICE TOOLS, CONTINUED

| ITEM | PART NO.  | DESCRIPTION   | QTY<br>DIESEL | QTY<br>GAS | QTY<br>ELEC | <b>18</b> |  |
|------|-----------|---|---------------|------------|-------------|-----------|--|
|      |           | <b>1 2 3 4</b>  |               |            |             | <b>G</b>  |  |
| 20   | 1014510   | Clutch Tool Kit (includes items 21 - 27) .....  |               | 1          |             | <b>E</b>  |  |
| 21   | 1014498   | Clutch Alignment Tool (for pre-unitized transaxle<br>vehicles built prior to 1997 model year) ..... |               | 1          |             | <b>D</b>  |  |
| 22   | 1014496   | Drive Clutch Puller (for Kawasaki engines only) .....   |               | 1          |             |           |  |
| 23   | 1014497   | Drive Clutch Hub Puller (for Kawasaki engines only) .....   |               | 1          |             |           |  |
| 24   | 1014508   | Driven Clutch Cam Puller (for Kawasaki engines only) .....  |               | 1          |             |           |  |
| 25   | 1014507   | Driven Clutch Puller Plug (for Kawasaki engines only) .....   |               | 1          |             |           |  |
| 26   | 1015524   | Drive Clutch Holder Tool Assembly (for Kawasaki engines only) .....                                 |               | 1          |             |           |  |
| 27   | 101809101 | Press Weldment (for Kawasaki engines only) .....  |               | 1          |             |           |  |
| 28   | 102601501 | Drive ClutchFixed Sheave Tool<br>(for 4x4 vehicles) .....   | 1             | 1          |             |           |  |
| 29   | 102603501 | Driven Clutch Spring Compression Base (for use with items 30<br>and 31) (for 4x4 vehicles) .....    | 1             | 1          |             |           |  |
| 30   | 102605201 | Driven Clutch Spring Compression Collar (for use with items 29<br>and 31) (for 4x4 vehicles) .....  | 1             | 1          |             |           |  |
| 31   | 102606101 | Driven Clutch Spring Compression Nut (for use with items 29<br>and 30) (for 4x4 vehicles) .....     | 1             | 1          |             |           |  |
| 32   | 102607501 | Drive Clutch Spider Removal Tool<br>(for 4x4 vehicles) .....  | 1             | 1          |             |           |  |
| 33   | 101831801 | Communication Display Module .....  |               |            | 1           |           |  |
| 34   | 101641002 | Compression Gauge and Adapter .....   |               | 1          |             |           |  |
| 35   | 1011273   | Continuity Tester .....   |               | 1          | 1           |           |  |
| 36   | 102773801 | Cutter, Valve Seat, #122 .....  |               | 1          |             |           |  |
| 37   | 102773901 | Cutter, Valve Seat #115 .....   |               | 1          |             |           |  |
| 38   | 102774101 | Wrench, T, #505.....  |               | 1          |             |           |  |
| 39   | 102774101 | Adapter, T-Wrench .....   |               | 1          |             |           |  |
| 40   | 102675401 | Cutter, Valve Seat, 60 Degree (requires item 51)<br>(for Honda GX620 Gasoline Engines) .....        |               | 1          |             |           |  |
| 41   | 102774201 | Pilot, 6.6 MM .....   |               | 1          |             |           |  |
| 42   | 102774301 | Pilot, 6.62 MM.....   |               | 1          |             |           |  |
| 43   | 102774401 | Pilot, 6.65 MM.....   |               | 1          |             |           |  |
|      |           | Please refer to the maintenance and service manual<br>for proper tool application.                  |               |            |             |           |  |

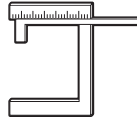
**18**  
**G**  
**E**  
**D**



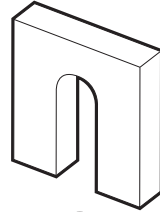
44



45



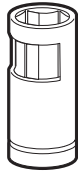
46



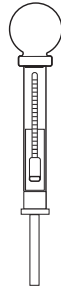
47



48



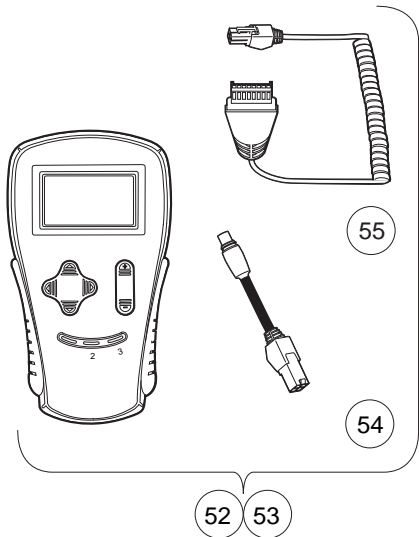
49



50



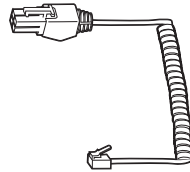
51



52 53

55

54



56



57



58



59 60



61



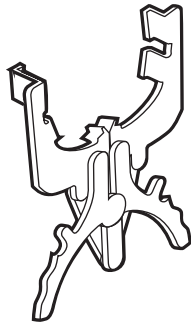
## MAINTENANCE AND SERVICE TOOLS, CONTINUED

| ITEM | PART NO.  | DESCRIPTION  | QTY<br>DIESEL | QTY<br>GAS | QTY<br>ELEC | <b>18</b><br><b>G</b><br><b>E</b><br><b>D</b> |
|------|-----------|--|---------------|------------|-------------|---|
|      |           | <b>1 2 3 4</b>   |               |            |             |   |
| 44   | 1012151   | Dry Moly Lubricant .....   | 1             | 1          | 1           |   |
| 45   | 1016627   | Flywheel Puller Kit (for Kawasaki Engines) .....   |               | 1          |             |   |
| 46   | 102669901 | Gauge, Carburetor Float Level<br>(for Honda GX620 Gasoline Engines) .....                              |               | 1          |             |   |
| 47   | 1016418   | Gear Yoke .....  | 1             | 1          | 1           |   |
| 48   | 101933101 | Governor Shaft Installation Tool (for Kawasaki Engine Vehicles) .....                                  |               | 1          |             |   |
| 49   | 102169401 | Hydraulic Brake Adjuster (for Turf/CA 272/472, Pioneer/XRT 1200,<br>Bobcat 2100, HUV 4213) .....       |               |            | 1           |   |
| 50   | 1011478   | Hydrometer .....   | 1             | 1          | 1           |   |
| 51   | 1013593   | Internal Retaining Ring Pliers .....   | 1             | 1          | 1           |   |
| 52   | 102248803 | IQ Display Module (IQDM) Kit (IQ System and IQ Plus vehicles) .....                                    |               |            | 1           |   |
|      |           | (includes items 54 and 55)   |               |            |             |   |
| 53   | 102248804 | IQ Display Module (IQDM-P) Kit (IQ System and IQ Plus vehicles) .....                                  |               |            | 1           |   |
|      |           | (includes items 54 and 55)   |               |            |             |   |
| 54   | 102251501 | Adaptor, Cable .....   |               |            | 1           |   |
| 55   | 102241502 | IQDM Series 2 Cable .....  |               |            | 1           |   |
| 56   | 102241501 | IQDM Series 1 Cable (replacement) .....  |               |            | 1           |   |
| 57   | 101928701 | Liquid Gasket (transaxle case) .....   | 1             | 1          | 1           |   |
| 58   | 102243402 | Moly-Teflon Lubricant (4-oz. (113-gram) tube) .....  |               |            | 1           |   |
| 59   | 101997201 | Paint, Touch-Up – Beige* .....   |               | 1          | 1           |   |
| 59   | 101997207 | Paint, Touch-Up – Black* .....   |               | 1          | 1           |   |
| 59   | 101997212 | Paint, Touch-Up – Burgundy* .....  |               | 1          | 1           |   |
| 59   | 101997211 | Paint, Touch-Up – Classic Blue (Navy)* .....   |               | 1          | 1           |   |
| 59   | 101997205 | Paint, Touch-Up – Dark Gray* .....   | 1             | 1          | 1           |   |
| 59   | 101997209 | Paint, Touch-Up – Dark Green* .....  | 1             | 1          | 1           |   |
| 59   | 101997204 | Paint, Touch-Up – Gray* .....  | 1             | 1          | 1           |   |
| 59   | 101997203 | Paint, Touch-Up – Red* .....   | 1             | 1          | 1           |   |
| 59   | 101997206 | Paint, Touch-Up – Royal Blue (Pacific Blue)* .....   |               | 1          | 1           |   |
| 59   | 101997202 | Paint, Touch-Up – White* .....   | 1             | 1          | 1           |   |
| 60   | 102562301 | Paint, Precedent Underbody – Gray .....  |               | 1          | 1           |   |
| 61   | 102587201 | Paint Pen, Touch-Up, Precedent Underbody – Black .....   |               | 1          | 1           |   |
|      |           | Please refer to the maintenance and service manual<br>for proper tool application.                     |               |            |             |   |
|      |           | * Item 59 is not for use on Surlyn <sup>®</sup> body material, which is used<br>on Precedent vehicles. |               |            |             |   |

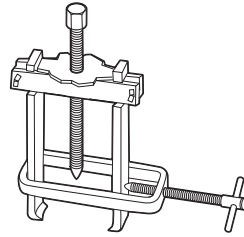
**18**  
**G**  
**E**  
**D**



62



63



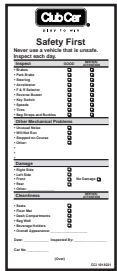
64



65



66



67



68



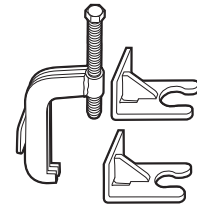
69



70



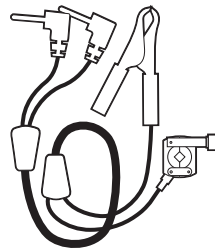
71



72



73



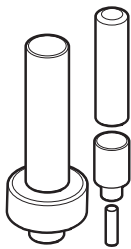
74



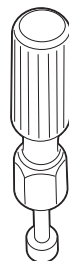
75



76



77



83



84



85



86

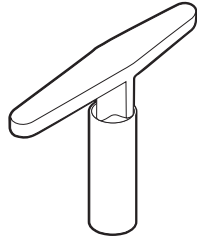
## MAINTENANCE AND SERVICE TOOLS, CONTINUED

| ITEM | PART NO.  | DESCRIPTION   | QTY    | QTY | QTY  | 18 |
|------|-----------|---|--------|-----|------|----|
|      |           |   | DIESEL | GAS | ELEC |    |
|      |           | 1 2 3 4   |        |     |      | G  |
| 62   | 1016414   | Piston Ring Compressor Kit (FE290, FE350 and FE400 engines) .....   |        | 1   |      | E  |
| 63   | 1016415   | Piston Ring Pliers (for Kawasaki Engines) .....   |        | 1   |      | D  |
| 64   | 102668801 | Puller, Special Use (for Kubota D722 Diesel Engines) .....  | 1      |     |      |    |
| 65   | 1012549   | Retaining Ring Pliers, 45° External .....   | 1      | 1   | 1    |    |
| 66   | 1012560   | Retaining Ring Pliers, 90° Internal .....   | 1      | 1   | 1    |    |
| 67   | 101823101 | Safety First Card (50 per pack) .....   | 1      | 1   | 1    |    |
| 68   | 1012809   | Seal Puller .....   | 1      | 1   | 1    |    |
| 69   | 102330901 | Spanner Wrench (for coil over shock front suspension vehicles only) .....   | 1      | 1   |      |    |
| 70   | 1014264   | Steering Column Bearing Press Tool .....  |        | 1   | 1    |    |
| 71   | 1014259   | Steering Column Retaining Ring Tool .....   |        | 1   | 1    |    |
| 72   | 102061201 | Steering Wheel Puller Tool .....  | 1      | 1   | 1    |    |
| 73   | AM10753   | Tachometer (includes gasoline engine pick up lead only) .....   | 1      | 1   |      |    |
| 74   | AM10771   | Tachometer Diesel Probe (for use with item 73) .....  | 1      |     |      |    |
| 75   | 1014162   | Transaxle Axle Seal Tool .....  |        | 1   |      |    |
| 76   | 1014161   | Transaxle Pinion Seal Tool .....  |        | 1   |      |    |
| 77   | 1014115   | Transmission Tool Kit .....   |        | 1   |      |    |
| 78   | 101611003 | Tune-Up Kit, All OHV (for FE290, FE350, FE400 only) (includes air filter, spark plug, oil filter, fuel filters) (not shown) .....   |        | 1   |      |    |
| 79   | AM11804   | Tune-Up Kit, Gx620 (for Honda Engines) (includes air filter, spark plug, oil filter, fuel filters) (not shown) .....                |        | 1   |      |    |
| 80   | AM11805   | Tune-Up Kit, D722 (for Kubota Engines) (includes air filter, oil filter, fuel filters, water separator filter) (not shown) .....    | 1      |     |      |    |
| 81   | AM1220301 | Tune-Up Kit, Precedent (for FE290/350 Engines) (includes air filter, spark plug, oil filter, fuel filters) (not shown) .....        |        | 1   |      |    |
| 82   | AM1232401 | Tune-Up Kit, FH680D (for Kawasaki V-Twin Engines) (includes oil filter, fuel filter, air filter, and spark plugs) (not shown) ..... |        | 1   |      |    |
| 83   | 1016413   | Valve Clearance Adjuster Screw Holder (for FE290 engines only) .....  |        | 1   |      |    |
| 84   | 102674601 | Valve Guide Driver (for Honda GX620 Gasoline Engines) .....   |        | 1   |      |    |
| 85   | 101641201 | Valve Guide Reamer (FE290, FE350, and FE400 only) .....   |        | 1   |      |    |
| 86   | 102674401 | Valve Guide Reamer, 6.6 mm (for Honda GX620 Gasoline Engines) .....   |        | 1   |      |    |

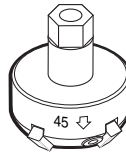
**18**  
**G**  
**E**  
**D**



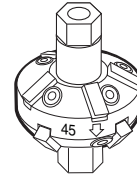
87



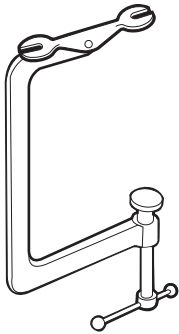
88



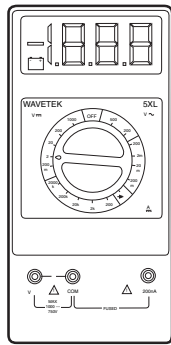
89



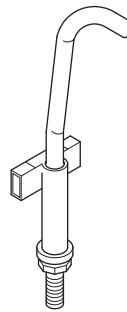
90



91



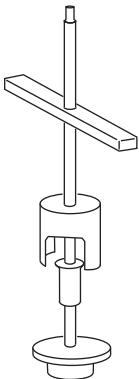
92



93



94



95



96

## MAINTENANCE AND SERVICE TOOLS, CONTINUED

| ITEM | PART NO.  | DESCRIPTION  | QTY<br>DIESEL | QTY<br>GAS | QTY<br>ELEC | <b>18</b> |
|------|-----------|--|---------------|------------|-------------|-----------|
|      |           | 1 2 3 4  |               |            |             | <b>G</b>  |
| 87   | 1016552   | Valve Seat Cutter Guide .....  |               | 1          |             | <b>E</b>  |
| 88   | 1016551   | Valve Seat Cutter T-Wrench .....   |               | 1          |             | <b>D</b>  |
| 89   | 1016553   | Valve Seat Cutter, 45° (32 mm diameter) (for FE290 engines only) .....   |               | 1          |             |           |
| 90   | 1016554   | Valve Seat Cutter, 45°/30° (35 mm diameter) .....  |               | 1          |             |           |
| 91   | 101641101 | Valve Spring Compressor .....  |               | 1          |             |           |
| 92   | 1011480   | Volt Ohm Meter .....   | 1             | 1          | 1           |           |
| 93   | 102570401 | Tool, Tensioning, Starter Generator (For Precedent vehicles) .....   |               | 1          |             |           |
| 94   | 103601401 | Puller, Drive Clutch, XRT 950* .....   |               | 1          |             |           |
| 95   | 103601701 | Tool, Disassembly, Driven Clutch, XRT 950 .....  |               | 1          |             |           |
| 96   | 103600501 | Screw, Driven Clutch Disassembly, M6, XRT 950 .....  |               | 1          |             |           |
|      |           | <p>*Note: The XRT 950 Drive Clutch Puller requires the use of Screw, Driven Clutch Disassembly, CCI Part Number 103600501.</p> |               |            |             |           |



# INDEX

## Part Number and Page

|         |   |         |  |           |  |
|---------|---|---------|--|-----------|--|
| AM10753 | 18-9  | 7539    | 5-19, 5-23   | 1010805   | 4-7, 4-9                                     |
| AM10771 | 18-9  | 7540    | 5-11, 5-19, 5-23   | 1010829   | 4-13, 4-17, 4-19                             |
| AM10080 | 12-5  | 7555    | 5-11, 5-19, 5-23, 5-31   | 1010850   | 4-5, 4-11                                    |
| AM10081 | 12-5  | 7577    | 17-3, 17-5, 17-13, 17-15   | 1010877   | 4-7, 4-9                                     |
| AM10419 | 11-11, 11-13  | 7591    | 6-15, 14-3   | 1010878   | 1-19, 4-7, 4-9                               |
| AM10724 | 7-5, 8-5  | 7602    | 5-11, 5-19, 5-23   | 101090801 | 14-33, 14-35                                 |
| AM10808 | 1-5   | 7716    | 4-7, 4-9, 4-21   | 1010909   | 6-15   |
| 183     | 6-15, 6-23, 10-5, 10-7, 10-17, 10-19, 11-3, 11-5, 11-7, 12-3  | 7818    | 6-19, 6-21, 6-23   | 1010921   | 4-7, 4-9                                     |
| 304     | 1-35, 6-15, 12-13, 14-3   | 7820    | 6-15, 14-3   | 1010927   | 4-7, 4-9                                     |
| 320     | 4-15  | 7840    | 5-27, 5-29   | 1010932   | 4-7, 4-9                                     |
| 332     | 1-11, 1-19, 1-21, 1-23, 1-25, 1-27, 1-33, 1-35, 6-15, 6-37, 9-3, 10-15, 14-3  | 7847    | 1-9, 1-21, 1-33, 9-3, 14-31, 17-5, 17-7, 17-15, 17-17  | 1010933   | 4-7, 4-9                                     |
| 334     | 1-21, 4-21, 5-3, 5-5, 5-11, 5-31, 7-15, 7-17, 8-15, 8-17  | 7893    | 6-15, 6-19, 6-21, 6-23, 12-13  | 1010934   | 1-5, 1-25, 1-29, 1-31, 6-35, 15-3            |
| 357     | 1-29, 5-17, 5-21, 5-25, 5-41, 5-43  | 7910    | 5-27, 5-29   | 1010953   | 4-3, 4-5, 4-11                               |
| 403     | 1-17  | 7973    | 1-7, 10-17   | 1010954   | 6-19, 6-21, 6-23                             |
| 451     | 1-23, 4-5, 4-11, 9-3, 14-23, 15-3   | 8057    | 6-19, 6-23, 12-9   | 1010984   | 2-3, 2-5, 2-7                                |
| 705     | 1-29, 6-33, 7-15, 7-17, 8-15, 8-17  | 8058    | 6-19, 6-23, 12-9   | 1011014   | 1-3, 1-5                                     |
| 706     | 1-29, 5-17, 5-21, 5-25  | 8067    | 5-27, 5-29   | 1011017   | 1-3, 1-5                                     |
| 808     | 1-21, 5-41, 5-43, 11-3, 11-5, 11-7  | 8104    | 12-9   | 1011084   | 4-23   |
| 1016    | 6-15, 6-23, 10-5, 10-7, 10-19   | 8233    | 1-19, 1-21, 1-25, 1-27, 1-33, 1-35, 4-21, 5-41, 5-43, 6-15, 6-37, 12-3, 12-13, 14-3, 14-31, 17-5, 17-7, 17-15, 17-17 | 1011114   | 4-5, 4-11                                    |
| 1017    | 6-17, 6-23, 14-9  | 8248    | 6-37   | 1011137   | 4-11   |
| 1028    | 1-23, 4-7, 4-9, 14-23   | 8251    | 1-15   | 1011153   | 5-27, 5-29                                   |
| 1032    | 1-23, 4-7, 4-9  | 8450    | 6-23, 11-3, 11-5, 11-7   | 1011154   | 4-5, 4-11                                    |
| 1035    | 1-21, 4-17, 5-11, 5-19, 5-23  | 8639    | 12-13, 14-7, 14-29   | 1011229   | 6-15, 14-3                                   |
| 1218    | 5-13  | 8717    | 4-21, 6-19, 6-21, 6-23, 12-3, 12-9   | 1011273   | 18-5   |
| 1231    | 1-23  | 8754    | 1-17, 4-15, 4-21, 5-3, 5-5, 5-11, 5-15, 5-17, 5-19, 5-21, 5-23, 5-25, 5-31, 5-33, 5-35, 5-37, 5-39, 6-33             | 1011280   | 6-29, 14-13                                  |
| 1241    | 1-3, 1-5, 1-29, 1-31, 4-7, 4-9, 4-17, 4-19, 4-21, 5-13, 6-19, 6-21, 6-23, 6-29, 6-33, 6-35, 9-3, 12-13, 14-13               | 8755    | 1-17, 5-17, 5-21, 5-25, 5-33, 5-35, 5-39   | 1011291   | 12-7   |
| 1242    | 1-29, 1-31, 4-13, 4-17, 4-19, 5-41, 5-43, 6-19, 6-21, 6-23, 6-33, 14-23   | 8796    | 17-11, 17-21   | 1011298   | 4-5, 4-11                                    |
| 1308    | 5-19, 5-23  | 8797    | 10-5, 10-19  | 1011301   | 4-5, 4-11                                    |
| 1606    | 10-17   | 8861    | 5-15, 5-19, 5-23, 5-41, 5-43   | 1011303   | 4-5, 4-11                                    |
| 1624    | 4-21, 5-11, 5-31  | 8935    | 1-5  | 1011314   | 4-5, 4-11                                    |
| 1631    | 10-17   | 8963    | 14-33, 14-35   | 1011382   | 6-25, 6-27, 14-11, 14-17                     |
| 2402    | 5-15, 5-19, 5-23  | 8990    | 5-11, 5-31, 6-15, 6-19, 6-21, 6-23, 14-3, 14-23, 14-29, 14-31, 17-11, 17-21  | 1011393   | 5-27, 5-29                                   |
| 4029    | 6-15, 14-3  | 1010005 | 5-27, 5-29   | 1011394   | 1-3, 1-5                                     |
| 7048    | 5-27, 5-29  | 1010028 | 12-9   | 1011402   | 4-7, 4-9                                     |
| 7049    | 1-25  | 1010124 | 5-17, 5-21, 5-25   | 1011415   | 5-33, 5-35, 5-37, 5-39                       |
| 7173    | 5-41, 5-43, 6-29, 6-35, 12-13, 14-13  | 1010138 | 5-15, 5-19, 5-23   | 1011418   | 4-7, 4-9                                     |
| 7174    | 1-29, 1-31, 5-3, 5-5, 5-41, 5-43, 6-33, 9-3, 10-13, 14-23, 15-3   | 1010142 | 5-33, 5-35, 5-37, 5-39   | 1011439   | 6-29, 14-13                                  |
| 7251    | 1-3, 1-5  | 1010144 | 5-33, 5-35, 5-37, 5-39   | 101146302 | 4-5, 4-11                                    |
| 7274    | 5-27, 5-29  | 1010145 | 5-33, 5-35, 5-37, 5-39   | 1011464   | 4-5, 4-11                                    |
| 7308    | 5-27, 5-29  | 1010150 | 5-17, 5-21, 5-25   | 1011465   | 4-5, 4-11                                    |
| 7310    | 2-3, 2-5, 2-7   | 1010177 | 5-17, 5-21, 5-25   | 1011466   | 4-5, 4-11                                    |
| 7311    | 5-41, 5-43  | 1010219 | 5-19, 5-23   | 1011467   | 4-5, 4-11                                    |
| 7330    | 12-7, 16-3  | 1010342 | 5-27   | 1011478   | 18-7   |
| 7335    | 12-5, 16-3  | 1010347 | 5-27   | 1011480   | 18-11  |
| 7336    | 16-3  | 1010348 | 5-27   | 1011494   | 4-5, 4-11                                    |
| 7473    | 1-3, 1-5, 1-17, 1-25, 1-27, 4-7, 4-9, 4-13, 4-17, 4-19, 4-21, 5-13, 6-15, 6-19, 6-21, 6-23, 6-29, 6-35, 14-13, 14-33, 14-35 | 1010434 | 1-3, 1-5, 1-23, 10-3   | 1011553   | 1-29, 1-31, 3-5, 3-9, 3-13, 3-17, 3-21, 3-25 |
| 7532    | 1-17  | 1010435 | 1-3, 1-5, 1-17, 1-27   | 1011557   | 6-29, 14-13                                  |
|         |   | 1010436 | 1-27   | 1011578   | 1-5, 5-3, 5-5                                |
|         |   | 1010543 | 1-11   | 1011694   | 4-21   |
|         |   | 1010546 | 1-3  | 1011697   | 5-3, 5-5, 7-15, 7-17, 8-15, 8-17, 10-13      |
|         |   | 1010577 | 7-15, 7-17, 8-15, 8-17   | 1011700   | 4-21   |
|         |   |         |  | 1011734   | 4-23   |
|         |   |         |  | 1011767   | 18-3   |
|         |   |         |  | 1011779   | 4-13, 4-17, 4-19                             |
|         |   |         |  | 1011825   | 6-15, 14-3                                   |

# INDEX

|           |  |         |  |         |   |
|-----------|--|---------|--|---------|---|
| 101187702 | 4-7, 4-9                                       | 1013042 | 5-11, 5-15, 5-31                       | 1014058 | 11-3, 11-5, 11-7                                      |
| 1011887   | 5-27, 5-29                                     | 1013044 | 5-11, 5-31                             | 1014059 | 11-3, 11-5, 11-7                                      |
| 1011889   | 5-27, 5-29                                     | 1013051 | 5-11, 5-31                             | 1014062 | 11-3, 11-5, 11-7                                      |
| 1011892   | 5-27   | 1013052 | 5-11, 5-31                             | 1014063 | 11-3, 11-5, 11-7, 17-11, 17-21                        |
| 1011893   | 5-19, 5-23                                     | 1013061 | 12-3, 12-9, 14-19, 14-25               | 1014065 | 6-19, 6-21, 6-23, 11-3, 11-5, 11-7                    |
| 1011895   | 5-11, 5-19, 5-23                               | 1013135 | 5-27                                   | 1014070 | 11-11, 11-13  |
| 1011930   | 5-11, 5-19, 5-23                               | 1013207 | 5-33, 5-35                             | 1014072 | 11-11, 11-13  |
| 1011931   | 4-21   | 1013309 | 1-11                                   | 1014076 | 11-11, 11-13  |
| 1011990   | 1-23, 1-29                                     | 1013311 | 1-11                                   | 1014078 | 11-11, 11-13  |
| 1012098   | 17-3, 17-5, 17-13, 17-15                       | 1013312 | 1-11                                   | 1014080 | 11-11, 11-13  |
| 1012101   | 17-3, 17-5, 17-13, 17-15                       | 1013317 | 1-23, 3-27, 3-29, 3-31                 | 1014115 | 18-9  |
| 1012126   | 14-25  | 1013343 | 1-7                                    | 1014116 | 10-7  |
| 1012151   | 18-7   | 1013344 | 1-7                                    | 1014119 | 6-19, 6-21, 6-23                                      |
| 1012180   | 5-33, 5-35                                     | 1013357 | 6-15, 14-3, 14-23                      | 1014125 | 5-3, 5-5  |
| 1012181   | 5-37   | 1013366 | 1-27                                   | 1014126 | 5-3, 5-5  |
| 1012182   | 5-37   | 1013420 | 1-9                                    | 1014145 | 6-19, 6-21, 6-23                                      |
| 1012285   | 1-33, 1-35, 10-7, 10-13                        | 1013422 | 1-9                                    | 1014153 | 4-3, 4-5, 4-11  |
| 1012295   | 6-19, 6-21, 6-23                               | 1013461 | 6-17, 10-5, 10-19, 14-9                | 1014161 | 18-9  |
| 1012303   | 1-17, 5-17, 5-21, 5-25, 5-33, 5-35, 5-37, 5-39 | 1013462 | 10-5, 10-19                            | 1014162 | 18-9  |
| 1012304   | 5-33   | 1013483 | 1-29                                   | 1014193 | 12-7  |
| 1012333   | 12-13  | 1013494 | 6-25, 6-27, 14-11, 14-17               | 1014201 | 15-3  |
| 1012396   | 6-27   | 1013531 | 4-17, 4-19                             | 1014207 | 12-7  |
| 1012431   | 6-19, 6-23                                     | 1013547 | 14-31                                  | 1014211 | 5-5   |
| 1012438   | 10-17  | 1013582 | 18-3                                   | 1014212 | 5-5   |
| 1012466   | 5-5  | 1013589 | 6-19, 6-21, 6-23                       | 1014213 | 5-3, 5-5  |
| 1012467   | 5-11   | 1013593 | 18-7                                   | 1014214 | 5-3, 5-5  |
| 1012505   | 6-25, 6-27, 14-11, 14-17                       | 1013609 | 6-19, 6-21, 6-23                       | 1014216 | 5-5   |
| 1012528   | 9-3, 14-29                                     | 1013677 | 3-5, 3-9                               | 1014217 | 5-3, 5-5  |
| 1012549   | 18-9   | 1013687 | 10-7                                   | 1014259 | 18-9  |
| 1012560   | 18-9   | 1013700 | 10-13                                  | 1014264 | 18-9  |
| 1012565   | 5-7  | 1013734 | 9-3, 14-29                             | 1014276 | 5-17, 5-21, 5-25                                      |
| 1012566   | 5-7  | 1013746 | 10-7, 10-11                            | 1014287 | 11-3, 11-5, 11-7                                      |
| 1012571   | 7-15, 7-17, 8-15, 8-17, 14-33, 14-35           | 1013760 | 12-3                                   | 1014288 | 5-3, 5-5, 6-35, 11-3, 11-5, 11-7, 14-23, 17-11, 17-21 |
| 1012604   | 5-3, 5-5                                       | 1013768 | 12-7                                   | 1014289 | 6-31  |
| 1012605   | 5-3, 5-5                                       | 1013769 | 12-7                                   | 1014305 | 18-3  |
| 1012649   | 10-7   | 1013770 | 12-7                                   | 1014306 | 1-27, 1-33, 1-35, 14-31                               |
| 1012711   | 12-3   | 1013771 | 12-7                                   | 1014321 | 1-15, 1-25  |
| 1012714   | 12-5   | 1013772 | 12-7                                   | 1014375 | 6-35  |
| 1012740   | 12-5   | 1013773 | 12-7                                   | 1014387 | 1-15, 1-25  |
| 1012741   | 12-5   | 1013774 | 12-7                                   | 1014415 | 1-25, 1-27  |
| 1012747   | 12-5   | 1013787 | 12-7                                   | 1014453 | 11-3, 11-5, 11-7                                      |
| 1012748   | 12-5   | 1013792 | 12-7                                   | 1014454 | 11-11, 11-13  |
| 1012752   | 12-3   | 1013794 | 12-7, 16-3                             | 1014471 | 1-17  |
| 1012809   | 18-9   | 1013869 | 4-7, 4-9                               | 1014496 | 18-5  |
| 1012811   | 18-3   | 1013870 | 4-7, 4-9                               | 1014497 | 18-5  |
| 1012812   | 18-3   | 1013871 | 4-21                                   | 1014498 | 18-5  |
| 1012830   | 6-33, 9-3, 10-13                               | 1013876 | 4-7, 4-9                               | 1014507 | 18-5  |
| 1012836   | 11-11, 11-13                                   | 1013924 | 4-3, 4-5, 4-11, 7-15, 7-17, 8-15, 8-17 | 1014508 | 18-5  |
| 1012896   | 12-3   | 1014007 | 4-21, 12-3                             | 1014510 | 18-5  |
| 1012991   | 6-31   | 1014049 | 11-3, 11-5, 11-7                       | 1014530 | 6-15, 14-3  |
| 1013001   | 6-31   | 1014050 | 11-3, 11-5, 11-7                       | 1014537 | 1-25, 1-27  |
| 1013003   | 6-31   | 1014051 | 11-3                                   | 1014540 | 14-31   |
| 1013005   | 6-31   | 1014052 | 11-3, 11-5, 11-7                       | 1014555 | 5-33, 5-35, 5-37, 5-39                                |
| 101301102 | 6-31   | 1014055 | 11-3, 11-5, 11-7                       | 1014771 | 2-3   |
| 1013035   | 5-11, 5-31                                     | 1014056 | 11-3, 11-5, 11-7                       | 1014807 | 6-19, 6-23, 12-9                                      |
|           |  | 1014057 | 11-3, 11-5, 11-7                       |         |   |



# INDEX

|           |  |           |                                  |           |                    |
|-----------|--|-----------|----------------------------------|-----------|--------------------|
| 1014808   | 6-19, 12-9                                     | 101564505 | 1-11                             | 1016418   | 18-7               |
| 1014902   | 5-37, 5-39                                     | 1015649   | 7-3, 8-3                         | 1016423   | 6-19, 6-21, 6-23   |
| 1014948   | 6-19, 6-21, 6-23                               | 1015700   | 1-21                             | 101642575 | 10-9               |
| 101503202 | 1-5, 1-7                                       | 1015720   | 6-15, 14-29                      | 101642578 | 10-9               |
| 1015072   | 14-33, 14-35                                   | 1015737   | 6-19, 6-21, 6-23                 | 101642580 | 10-9               |
| 1015075   | 1-3, 1-5                                       | 1015741   | 6-19, 6-21, 6-23                 | 101642582 | 10-9               |
| 1015137   | 10-7, 10-11                                    | 1015752   | 6-19, 6-21, 6-23, 10-15, 14-15   | 101642585 | 10-9               |
| 1015139   | 10-5   | 1015760   | 5-41, 5-43                       | 1016429   | 7-7, 8-7           |
| 1015143   | 10-5   | 1015814   | 9-3                              | 1016432   | 7-7, 8-7, 12-3     |
| 101524002 | 6-33   | 101584502 | 10-13                            | 1016436   | 7-9, 8-9           |
| 1015245   | 1-23   | 1015878   | 6-19, 6-23, 12-9                 | 1016437   | 10-9               |
| 1015252   | 1-17   | 1015914   | 17-3, 17-5, 17-13, 17-15         | 1016438   | 10-11              |
| 1015258   | 1-17   | 1015917   | 17-3, 17-5, 17-15                | 1016440   | 7-9, 8-9, 10-11    |
| 1015277   | 1-19   | 1015921   | 10-5, 10-19                      | 1016441   | 10-11              |
| 1015313   | 1-23   | 1015932   | 6-33                             | 1016444   | 10-11              |
| 1015332   | 7-3, 8-3                                       | 1015969   | 7-3, 8-3                         | 1016445   | 7-5, 8-5           |
| 1015345   | 6-19, 6-21, 6-23                               | 1016011   | 11-7                             | 1016449   | 7-9, 8-9           |
| 1015348   | 1-21   | 1016060   | 1-19                             | 1016450   | 7-9, 8-9           |
| 1015363   | 1-23   | 1016074   | 6-33                             | 1016452   | 7-9, 8-9           |
| 1015366   | 1-23   | 1016078   | 1-19                             | 1016454   | 7-11, 8-11         |
| 1015368   | 1-23   | 101609401 | 3-3, 3-7, 3-11, 3-15, 3-19, 3-23 | 1016455   | 7-5, 8-5           |
| 1015371   | 6-19, 6-21                                     | 101611003 | 18-9                             | 1016456   | 7-3, 7-5, 8-3, 8-5 |
| 1015372   | 6-19, 6-21, 6-23                               | 1016154   | 5-7                              | 1016457   | 7-7, 8-7           |
| 1015373   | 6-19, 6-21, 6-23                               | 101615504 | 5-9                              | 1016458   | 7-9, 8-9           |
| 1015390   | 1-23   | 1016156   | 5-7, 5-9                         | 1016467   | 7-7, 8-7           |
| 1015392   | 14-23  | 1016183   | 5-3, 5-5                         | 1016470   | 7-13, 8-13         |
| 1015399   | 1-17, 1-25, 1-27                               | 1016201   | 11-3, 11-5, 11-7                 | 1016472   | 7-11, 8-11         |
| 1015400   | 1-17, 1-23                                     | 1016219   | 5-7                              | 1016473   | 7-7, 8-7           |
| 1015405   | 1-3, 6-19, 6-21, 6-23                          | 1016263   | 5-5                              | 1016474   | 7-9, 8-9           |
| 1015412   | 1-23   | 1016269   | 5-3, 5-5                         | 1016479   | 7-9, 8-9           |
| 1015424   | 1-23   | 1016289   | 11-3, 11-5, 11-7                 | 1016480   | 10-11              |
| 1015426   | 10-15  | 1016319   | 4-13                             | 101648102 | 10-11              |
| 101542901 | 1-17   | 1016320   | 4-13                             | 101648203 | 7-7, 8-7           |
| 1015445   | 1-29   | 1016337   | 12-5                             | 1016483   | 7-9, 8-9           |
| 1015453   | 5-41, 5-43                                     | 1016338   | 12-5                             | 1016486   | 10-9               |
| 1015457   | 5-41, 5-43                                     | 1016346   | 5-15, 5-19, 5-23                 | 1016489   | 7-9, 8-9           |
| 101547601 | 3-13, 3-17, 3-21, 3-25                         | 1016349   | 5-15, 5-19, 5-23                 | 101649002 | 10-11              |
| 1015507   | 1-17   | 1016350   | 5-15, 5-19, 5-23                 | 1016494   | 7-11, 8-11         |
| 1015524   | 18-5   | 1016351   | 5-15, 5-19, 5-23                 | 1016496   | 7-11, 8-11         |
| 1015528   | 6-25, 6-27, 14-11, 14-17                       | 1016353   | 5-15, 5-19, 5-23                 | 1016497   | 7-5, 8-5           |
| 1015530   | 1-33, 1-35                                     | 1016356   | 6-15, 14-3, 14-23                | 1016499   | 10-9               |
| 101553901 | 1-23, 3-3, 3-7, 3-11, 3-15, 3-19, 3-23         | 1016384   | 5-17, 5-21, 5-25                 | 1016501   | 10-9               |
| 1015583   | 1-17, 5-17, 5-21, 5-25, 5-33, 5-35, 5-37, 5-39 | 1016385   | 5-15, 5-19, 5-23                 | 1016502   | 7-7, 8-7           |
| 1015597   | 5-11, 5-19, 5-23, 5-27, 5-29                   | 1016386   | 5-17, 5-21, 5-25                 | 1016506   | 7-11, 8-11         |
| 1015607   | 1-23   | 1016387   | 5-15, 5-17, 5-21, 5-25           | 1016507   | 7-3, 8-3           |
| 1015608   | 1-5, 14-33, 14-35                              | 1016389   | 5-17, 5-21, 5-25                 | 1016510   | 7-11, 8-11         |
| 1015613   | 5-41, 5-43                                     | 1016401   | 6-19                             | 1016513   | 12-3               |
| 1015614   | 5-41, 5-43                                     | 101641002 | 18-5                             | 101651406 | 2-3                |
| 101562711 | 1-11   | 101641101 | 18-11                            | 101651407 | 2-3                |
| 101562712 | 1-11   | 101641201 | 18-9                             | 101651409 | 2-3                |
| 101562714 | 1-11   | 101641202 | 18-3                             | 101651414 | 2-3                |
| 101562715 | 1-11   | 1016413   | 18-9                             | 1016517   | 7-9, 8-9           |
| 101564501 | 1-11   | 1016414   | 18-9                             | 1016518   | 7-9, 8-9           |
| 101564502 | 1-11   | 1016415   | 18-9                             | 1016519   | 7-9, 8-9           |
| 101564503 | 1-11   | 1016416   | 18-3                             | 1016521   | 7-11, 8-11         |
|           |  | 1016417   | 18-3                             | 1016531   | 7-3, 8-3           |

# INDEX

|           |                                |           |                          |           |                      |
|-----------|--------------------------------|-----------|--------------------------|-----------|----------------------|
| 1016535   | 7-11, 8-11                     | 1016814   | 5-41                     | 1017378   | 4-21                 |
| 1016537   | 7-7, 8-7                       | 1016849   | 6-25, 6-27, 14-11, 14-17 | 1017380   | 4-21                 |
| 1016538   | 7-11, 8-11                     | 1016851   | 6-25, 6-27, 14-11, 14-17 | 101738301 | 11-7                 |
| 1016539   | 7-3, 8-3                       | 1016868   | 1-3, 1-5                 | 101738302 | 11-7                 |
| 1016541   | 7-13, 8-13                     | 1016879   | 6-17, 14-9               | 1017424   | 4-21                 |
| 1016544   | 7-5, 7-9, 7-11, 8-5, 8-9, 8-11 | 1016880   | 6-17, 14-9               | 1017434   | 7-9, 8-9             |
| 1016546   | 10-13                          | 1016883   | 6-33                     | 1017435   | 7-9, 8-9             |
| 1016547   | 7-3, 7-13, 8-3, 8-13, 10-11    | 1016901   | 11-5, 11-7               | 1017442   | 7-7, 8-7             |
| 1016549   | 7-9, 8-9                       | 1016904   | 7-9, 8-9, 9-3            | 1017443   | 7-9, 7-11, 8-9, 8-11 |
| 1016551   | 18-11                          | 101692501 | 1-3                      | 1017444   | 7-9, 8-9             |
| 1016552   | 18-11                          | 101692502 | 1-3                      | 1017445   | 7-9, 8-9             |
| 1016553   | 18-11                          | 101692506 | 1-3                      | 1017446   | 7-9, 8-9             |
| 1016554   | 18-11                          | 101692509 | 1-3                      | 1017447   | 7-11, 8-11           |
| 1016557   | 4-5, 4-11                      | 101692510 | 1-3                      | 1017448   | 7-5, 8-5             |
| 1016560   | 7-9, 8-9                       | 101692511 | 1-3                      | 101744901 | 7-13, 8-13           |
| 1016561   | 7-5, 8-5                       | 101692512 | 1-3                      | 101744902 | 7-13, 8-13           |
| 1016562   | 7-5, 7-13, 8-5, 8-13           | 101692513 | 1-3                      | 1017450   | 7-13, 8-13           |
| 1016563   | 7-9, 8-9                       | 101692514 | 1-3                      | 101745101 | 7-13, 8-13           |
| 1016564   | 7-11, 8-11                     | 101692515 | 1-3                      | 101745102 | 7-13, 8-13           |
| 1016566   | 7-9, 8-9                       | 101693201 | 3-15, 3-23               | 1017453   | 7-13, 8-13           |
| 1016569   | 7-9, 8-9                       | 101693901 | 1-3, 1-5                 | 1017454   | 7-9, 8-9             |
| 1016570   | 7-7, 8-7                       | 101693902 | 1-3, 1-5                 | 1017455   | 7-5, 8-5             |
| 1016571   | 7-13, 8-13                     | 101693906 | 1-3, 1-5                 | 1017456   | 7-7, 8-7             |
| 1016572   | 10-11                          | 101693908 | 1-5                      | 101745701 | 7-13, 8-13           |
| 1016573   | 4-5, 4-11                      | 101693909 | 1-3, 1-5                 | 101745702 | 7-13, 8-13           |
| 1016576   | 7-7, 8-7                       | 101693910 | 1-3, 1-5                 | 1017458   | 7-7, 8-7             |
| 1016578   | 7-5, 8-5                       | 101693911 | 1-3, 1-5                 | 1017460   | 7-7, 8-7             |
| 1016579   | 7-5, 8-5                       | 101693912 | 1-3, 1-5                 | 1017461   | 10-9                 |
| 1016581   | 7-7, 8-7                       | 101693913 | 1-3, 1-5                 | 1017463   | 7-5, 8-5             |
| 1016582   | 10-11                          | 101693914 | 1-3, 1-5                 | 1017466   | 10-11                |
| 1016583   | 7-9, 8-9                       | 1016952   | 1-9                      | 1017468   | 7-5, 8-5             |
| 1016584   | 7-11, 8-11                     | 1016967   | 1-3, 1-5, 14-23          | 1017471   | 7-13, 8-13           |
| 1016585   | 10-9                           | 1016997   | 6-23                     | 1017472   | 7-11, 8-11           |
| 1016586   | 7-5, 8-5                       | 1017006   | 6-23                     | 1017473   | 7-9, 8-9             |
| 1016587   | 7-5, 8-5                       | 1017029   | 4-7, 4-9                 | 1017474   | 7-3, 8-3             |
| 1016588   | 7-5, 8-5                       | 1017062   | 6-17, 14-9               | 1017475   | 7-3, 8-3             |
| 101661601 | 14-33                          | 1017064   | 6-17, 14-9               | 1017476   | 7-3, 8-3             |
| 101661602 | 14-33                          | 1017065   | 6-17, 14-9               | 1017486   | 7-3, 8-3             |
| 1016627   | 18-7                           | 1017080   | 1-3, 1-5                 | 1017487   | 7-11, 8-11           |
| 1016630   | 6-25, 6-27                     | 1017082   | 12-3                     | 1017490   | 7-5, 8-5             |
| 1016663   | 5-7, 5-9                       | 1017187   | 17-7, 17-17              | 1017500   | 7-3, 8-3             |
| 1016672   | 12-7                           | 1017188   | 11-9                     | 1017501   | 7-13, 8-13           |
| 1016673   | 17-11, 17-21                   | 1017189   | 17-7, 17-17              | 1017502   | 7-13, 8-13           |
| 1016679   | 1-33                           | 1017211   | 4-13                     | 1017503   | 7-13, 8-13           |
| 101670201 | 3-27, 3-29, 3-31               | 1017226   | 5-3, 5-5                 | 1017504   | 7-11, 8-11           |
| 1016751   | 1-13                           | 1017231   | 12-3                     | 1017507   | 7-7, 8-7             |
| 101675511 | 1-13                           | 1017239   | 6-23                     | 1017508   | 7-11, 8-11           |
| 101675512 | 1-13                           | 1017243   | 6-23                     | 1017510   | 7-13, 8-13           |
| 101675514 | 1-13                           | 1017266   | 5-15, 5-19, 5-23         | 1017511   | 7-11                 |
| 101675515 | 1-13                           | 1017273   | 5-7, 5-9                 | 1017512   | 7-13, 8-13           |
| 101677701 | 1-13                           | 1017313   | 5-3, 5-5                 | 1017513   | 7-11, 8-11           |
| 101677702 | 1-13                           | 1017314   | 5-3, 5-5                 | 1017514   | 7-11, 8-11           |
| 101677703 | 1-13                           | 1017315   | 5-3, 5-5                 | 101751801 | 7-11, 8-11           |
| 101677705 | 1-13                           | 1017317   | 5-3                      | 101751802 | 7-11, 8-11           |
| 1016801   | 11-3, 11-5, 11-7               | 101734802 | 1-3                      | 101751803 | 7-11, 8-11           |
| 1016813   | 5-41, 5-43                     | 101737002 | 2-3                      | 1017653   | 6-31                 |

# INDEX

|           |  |           |                          |           |                        |
|-----------|--|-----------|--------------------------|-----------|------------------------|
| 1017686   | 11-11, 11-13                             | 101830601 | 6-25, 6-27, 14-11, 14-17 | 101876001 | 6-31                   |
| 1017689   | 9-3                                      | 101830701 | 6-25, 6-27, 14-11, 14-17 | 101876202 | 6-31                   |
| 1017696   | 4-21                                     | 101831101 | 17-3, 17-5, 17-15        | 101876301 | 6-31                   |
| 1017705   | 14-19                                    | 101831401 | 14-33, 14-35             | 101876402 | 6-31                   |
| 1017721   | 6-15                                     | 101831801 | 18-5                     | 101876501 | 6-31                   |
| 101773301 | 7-13, 8-13                               | 101831901 | 18-3                     | 101877601 | 6-31                   |
| 101773302 | 7-13, 8-13                               | 101832001 | 14-19                    | 101877701 | 6-31                   |
| 101773303 | 7-13, 8-13                               | 101832202 | 10-13                    | 101878101 | 6-31                   |
| 101773304 | 7-13, 8-13                               | 101832302 | 10-13                    | 101878201 | 4-7                    |
| 101773305 | 7-13, 8-13                               | 101832601 | 7-15, 7-17, 8-15, 8-17   | 101878302 | 5-11                   |
| 101773306 | 7-13, 8-13                               | 101832701 | 7-15, 7-17, 8-15, 8-17   | 101879001 | 6-31                   |
| 101773307 | 7-13, 8-13                               | 101832901 | 17-21                    | 101879401 | 5-11, 5-31             |
| 101773308 | 7-13, 8-13                               | 101833101 | 7-15, 7-17, 8-15, 8-17   | 101879501 | 5-11, 5-31             |
| 101773309 | 7-13, 8-13                               | 101833401 | 11-11, 11-13             | 101879601 | 5-11, 5-31             |
| 101773310 | 7-13, 8-13                               | 101833601 | 12-3                     | 101879701 | 5-11, 5-31             |
| 101773311 | 7-13, 8-13                               | 101833701 | 6-31                     | 101879801 | 5-11, 5-31             |
| 1017853   | 6-15, 14-3                               | 101833902 | 11-3                     | 101879901 | 5-11, 5-31             |
| 101791101 | 4-3, 4-5                                 | 101833904 | 11-7                     | 101880001 | 5-11, 5-31             |
| 101796201 | 4-21                                     | 101833906 | 11-5                     | 101880101 | 5-11, 5-31             |
| 101796501 | 14-19                                    | 101834001 | 11-11                    | 101880201 | 5-11, 5-31             |
| 101796801 | 14-19                                    | 101834003 | 11-13                    | 101880301 | 5-11, 5-31             |
| 101801001 | 14-19, 17-11, 17-21                      | 101834502 | 6-25, 6-27, 14-11, 14-17 | 101880701 | 4-5, 4-11              |
| 101804301 | 6-25, 6-27, 10-15, 10-17                 | 101834601 | 7-15, 7-17, 8-15, 8-17   | 101881101 | 7-5, 8-5               |
| 101808401 | 18-3                                     | 101834801 | 12-3                     | 101881701 | 10-15                  |
| 101809101 | 18-5                                     | 101835601 | 1-17, 1-19               | 101884801 | 7-15, 7-17, 8-15, 8-17 |
| 101811801 | 10-15                                    | 101836201 | 11-11                    | 101884901 | 2-3                    |
| 101811901 | 10-15                                    | 101836202 | 11-13                    | 101886101 | 12-3                   |
| 101812301 | 10-15                                    | 101837101 | 10-15                    | 101887101 | 18-3                   |
| 101813001 | 10-15                                    | 101837301 | 6-33                     | 101887601 | 7-3, 8-3               |
| 101813202 | 18-3                                     | 101838401 | 17-13, 17-15             | 101889401 | 12-5                   |
| 101815501 | 4-3                                      | 101838601 | 17-13, 17-15             | 101890001 | 12-5                   |
| 101815502 | 4-3                                      | 101841901 | 17-5, 17-15              | 101890101 | 12-3                   |
| 101816401 | 4-3                                      | 101851101 | 6-25, 6-27, 14-11, 14-17 | 101890201 | 12-3                   |
| 101816501 | 4-3                                      | 101856002 | 14-11, 14-17             | 101890501 | 12-3                   |
| 101816502 | 4-3                                      | 101856102 | 6-19, 6-21, 6-23         | 101890601 | 12-3                   |
| 101817401 | 4-21                                     | 101859401 | 9-3                      | 101890901 | 12-7                   |
| 101821501 | 10-15                                    | 101861901 | 4-21                     | 101891001 | 12-7                   |
| 101822001 | 4-23                                     | 101862001 | 4-21                     | 101891301 | 12-3                   |
| 101823101 | 18-9                                     | 101865301 | 4-13                     | 101891401 | 12-7                   |
| 101823201 | 4-3                                      | 101869302 | 6-31                     | 101891501 | 12-7                   |
| 101823801 | 4-3                                      | 101870401 | 1-3                      | 101891601 | 12-5                   |
| 101824401 | 10-7                                     | 101870501 | 5-17, 5-21, 5-25         | 101891901 | 12-5                   |
| 101825101 | 3-3, 3-7, 3-11, 3-19, 6-27, 14-11, 14-17 | 101870601 | 5-23                     | 101892001 | 12-5                   |
| 101825102 | 3-15, 3-23, 6-25                         | 101871001 | 18-3                     | 101892201 | 12-5                   |
| 101826201 | 14-11, 14-17                             | 101874601 | 4-13                     | 101892301 | 12-5                   |
| 101826301 | 6-27                                     | 101874901 | 6-31                     | 101892401 | 12-5                   |
| 101826401 | 6-25                                     | 101875001 | 6-31                     | 101892501 | 12-5                   |
| 101827101 | 7-15, 7-17, 8-15, 8-17                   | 101875101 | 6-31                     | 101892601 | 12-5                   |
| 101828501 | 17-3, 17-5, 17-15                        | 101875102 | 6-31                     | 101892701 | 12-7                   |
| 101828801 | 17-3                                     | 101875201 | 6-31                     | 101892901 | 12-3                   |
| 101828802 | 17-3                                     | 101875301 | 6-31                     | 101893201 | 12-5                   |
| 101828901 | 17-3, 17-13                              | 101875401 | 6-31                     | 101893801 | 12-3                   |
| 101828902 | 17-3, 17-13                              | 101875501 | 6-31                     | 101893901 | 12-5                   |
| 101828903 | 17-3, 17-13                              | 101875601 | 6-31                     | 101894302 | 1-25                   |
| 101829001 | 17-5, 17-15                              | 101875701 | 6-31                     | 101894303 | 1-11                   |
|           |  | 101875802 | 6-31                     | 101894304 | 1-27                   |

# INDEX

|           |                                      |           |  |           |                              |
|-----------|--------------------------------------|-----------|--|-----------|------------------------------|
| 101894702 | 1-25                                 | 101928001 | 12-5   | 101976601 | 17-13                        |
| 101895401 | 16-3                                 | 101928101 | 12-5   | 101980801 | 12-5                         |
| 101895501 | 16-3                                 | 101928301 | 12-7   | 101980901 | 12-5                         |
| 101896501 | 6-31                                 | 101928601 | 12-3   | 101981001 | 12-5                         |
| 101897001 | 16-3                                 | 101928701 | 12-3, 16-3, 18-7   | 101984801 | 5-3, 5-5                     |
| 101897201 | 16-3                                 | 101929401 | 5-33, 5-35, 5-39   | 101987901 | 6-17, 14-9                   |
| 101897401 | 16-3                                 | 101929501 | 10-7   | 101988001 | 6-17, 14-9                   |
| 101897601 | 16-3                                 | 101929801 | 11-3, 11-5   | 101988002 | 6-17, 14-9                   |
| 101898001 | 6-35                                 | 101929802 | 11-3, 11-5   | 101988101 | 6-17, 14-9                   |
| 101903601 | 16-3                                 | 101932201 | 6-29, 14-13  | 101988201 | 6-17, 14-9                   |
| 101903701 | 16-3                                 | 101933101 | 18-7   | 101990801 | 4-17, 4-19                   |
| 101905901 | 10-9                                 | 101933701 | 10-17  | 101997802 | 14-31                        |
| 101906901 | 16-3                                 | 101935301 | 4-15   | 101997902 | 14-31                        |
| 101908101 | 14-25                                | 101936801 | 14-15  | 102002901 | 14-33, 14-35                 |
| 101908401 | 6-37, 14-25                          | 101939901 | 6-31   | 102003201 | 10-7                         |
| 101909201 | 7-5, 8-5                             | 101942301 | 15-3   | 102003901 | 5-13                         |
| 101909301 | 7-5, 8-5                             | 101946201 | 1-15   | 102004101 | 5-5                          |
| 101909401 | 7-5, 8-5                             | 101953102 | 4-17   | 102004201 | 5-35                         |
| 101909501 | 7-5, 8-5                             | 101953106 | 4-13, 4-19   | 102004301 | 1-5                          |
| 101910501 | 12-7                                 | 101953801 | 7-3  | 102004601 | 1-35                         |
| 101914401 | 6-15, 14-3, 17-3, 17-5, 17-13, 17-15 | 101953802 | 8-3  | 102004602 | 1-35                         |
| 101915201 | 3-13, 3-17, 3-21, 3-25               | 101954301 | 1-11   | 102004901 | 5-43                         |
| 101916001 | 7-13, 8-13                           | 101955001 | 5-19, 5-23   | 102006701 | 3-7, 3-19, 3-23              |
| 101916101 | 7-3, 8-3                             | 101955101 | 6-15, 14-3   | 102009201 | 2-5                          |
| 101916201 | 7-5, 8-5                             | 101957101 | 6-29, 14-13  | 102009202 | 2-5                          |
| 101916301 | 7-5, 8-5                             | 101958201 | 17-13  | 102009301 | 2-5                          |
| 101916701 | 6-33, 11-3, 11-5, 11-7               | 101958301 | 17-13  | 102009302 | 2-5                          |
| 101917601 | 10-15                                | 101958601 | 1-19   | 102009401 | 2-5                          |
| 101918401 | 2-3                                  | 101960201 | 3-3, 3-11, 3-15  | 102009402 | 2-5                          |
| 101918402 | 2-3                                  | 101960501 | 3-13, 3-17, 3-21, 3-25                                   | 102009501 | 2-5                          |
| 101918501 | 4-7, 4-9                             | 101960601 | 3-23   | 102009502 | 2-5                          |
| 101919801 | 4-21                                 | 101963301 | 1-15   | 102009901 | 2-7                          |
| 101920101 | 14-15                                | 101963401 | 1-15, 1-25, 1-27, 6-21, 7-15, 7-17,<br>8-15, 8-17, 12-13 | 102009902 | 2-7                          |
| 101921501 | 10-15                                | 101964001 | 1-15   | 102010001 | 2-7                          |
| 101922101 | 16-3                                 | 101966801 | 17-11, 17-21   | 102010002 | 2-7                          |
| 101922201 | 16-3                                 | 101968801 | 17-11, 17-21   | 102022101 | 4-17                         |
| 101922501 | 6-37                                 | 101969701 | 6-29, 14-13  | 102022601 | 5-15                         |
| 101922801 | 1-21                                 | 101971301 | 10-15  | 102022602 | 5-15, 5-31                   |
| 10192281  | 1-21                                 | 101972001 | 18-7   | 102025401 | 4-15                         |
| 101923001 | 16-3                                 | 101972002 | 18-7   | 102026001 | 4-21                         |
| 101923201 | 16-3                                 | 101972003 | 18-7   | 102031901 | 12-7                         |
| 101923501 | 16-3                                 | 101972004 | 18-7   | 102056001 | 1-31                         |
| 101923701 | 16-3                                 | 101972005 | 18-7   | 102061201 | 18-9                         |
| 101923901 | 16-3                                 | 101972006 | 18-7   | 102065103 | 1-31                         |
| 101925601 | 11-3                                 | 101972006 | 18-7   | 102065901 | 1-17, 7-15, 7-17, 8-15, 8-17 |
| 101925701 | 10-15                                | 101972007 | 18-7   | 102066201 | 5-37, 5-39                   |
| 101926501 | 5-33, 5-35, 5-39                     | 101972009 | 18-7   | 102075801 | 3-7, 3-19, 3-23              |
| 101926801 | 10-17                                | 101972011 | 18-7   | 102101001 | 14-15                        |
| 101926901 | 12-3                                 | 101972012 | 18-7   | 102101101 | 14-15                        |
| 101927101 | 12-3                                 | 101972101 | 16-3   | 102155801 | 11-11, 11-13                 |
| 101927201 | 12-3                                 | 101972201 | 16-3   | 102169401 | 18-7                         |
| 101927301 | 12-3                                 | 101972801 | 10-15  | 102185401 | 10-17                        |
| 101927501 | 12-5                                 | 101973101 | 10-9   | 102186301 | 15-3                         |
| 101927601 | 12-5                                 | 101973301 | 10-9   | 102186401 | 15-3                         |
| 101927701 | 12-5                                 | 101973401 | 10-11  | 102190702 | 10-17                        |
| 101927901 | 12-5                                 | 101973501 | 17-13  | 102196901 | 14-11, 14-17                 |

# INDEX

|           |                                  |           |                        |           |                        |
|-----------|----------------------------------|-----------|------------------------|-----------|------------------------|
| 102199001 | 6-15                             | 102529201 | 6-29, 14-13            | 102845101 | 3-5, 3-9, 14-25        |
| 102221301 | 1-27                             | 102540301 | 7-15, 7-17, 8-15, 8-17 | 102845201 | 14-33                  |
| 102221401 | 1-27                             | 102555501 | 18-3                   | 102845203 | 14-33, 14-35           |
| 102221501 | 1-27                             | 102562401 | 18-3                   | 102845204 | 14-35                  |
| 102221701 | 1-27                             | 102564002 | 5-17, 5-25             | 102845401 | 14-7, 14-29            |
| 102221801 | 1-27                             | 102570401 | 18-11                  | 102846402 | 14-7, 14-29            |
| 102222001 | 1-27                             | 102572401 | 14-11, 14-17           | 102847801 | 17-3                   |
| 102222101 | 1-27                             | 102601501 | 18-5                   | 102847802 | 17-3                   |
| 102222201 | 1-27                             | 102603501 | 18-5                   | 102847803 | 17-3                   |
| 102224001 | 1-35, 3-21, 3-25                 | 102605201 | 18-5                   | 102848701 | 14-19                  |
| 102231601 | 3-9, 3-21, 3-25                  | 102606101 | 18-5                   | 102852101 | 4-19                   |
| 102235201 | 15-3                             | 102607501 | 18-5                   | 102859501 | 14-29                  |
| 102239901 | 1-27                             | 102614401 | 1-27                   | 102863801 | 14-29                  |
| 102240501 | 14-29                            | 102616701 | 12-9                   | 102865101 | 10-7                   |
| 102241501 | 18-7                             | 102668801 | 18-9                   | 102869401 | 6-15, 14-3             |
| 102241502 | 18-7                             | 102669901 | 18-7                   | 102871801 | 5-33, 5-35, 5-37, 5-39 |
| 102242101 | 11-11, 11-13                     | 102673201 | 1-27                   | 102873401 | 14-33, 14-35           |
| 102243402 | 18-7                             | 102674001 | 18-5                   | 102881401 | 17-11, 17-21           |
| 102243403 | 15-3                             | 102674101 | 18-5                   | 102886301 | 16-3                   |
| 102248803 | 18-7                             | 102674201 | 18-5                   | 102886401 | 16-3                   |
| 102249901 | 18-3                             | 102674401 | 18-9                   | 102886501 | 16-3                   |
| 102251501 | 18-7                             | 102674601 | 18-9                   | 102886601 | 16-3                   |
| 102264001 | 6-21                             | 102675001 | 18-5                   | 102891101 | 5-37, 5-39             |
| 102271601 | 7-11                             | 102675101 | 18-5                   | 102892901 | 17-13                  |
| 102275401 | 17-3, 17-5, 17-13, 17-15         | 102675201 | 18-5                   | 102892902 | 17-13                  |
| 102278001 | 5-3, 5-5                         | 102675301 | 18-5                   | 102893001 | 17-15                  |
| 102289201 | 5-15, 5-31                       | 102675401 | 18-5                   | 102896801 | 13-3                   |
| 102292801 | 4-13, 4-19                       | 102683201 | 3-29                   | 102896901 | 13-3                   |
| 102304801 | 7-9, 8-9                         | 102683301 | 3-29                   | 102897201 | 13-5                   |
| 102323101 | 4-7, 4-9, 4-13, 4-17, 4-19       | 102683701 | 3-31                   | 102897301 | 13-5                   |
| 102323201 | 4-7, 4-9, 4-13, 4-17, 4-19       | 102683801 | 3-31                   | 102897401 | 13-3                   |
| 102330901 | 18-9                             | 102684501 | 5-17, 5-25             | 102897501 | 13-5                   |
| 102336001 | 10-13                            | 102684602 | 12-9                   | 102897601 | 13-3                   |
| 102336101 | 10-13                            | 102686101 | 18-3                   | 102897701 | 13-3                   |
| 102345901 | 3-25                             | 102704901 | 15-3                   | 102897801 | 13-3                   |
| 102355301 | 6-35                             | 102711201 | 6-19, 6-21             | 102897901 | 13-3                   |
| 102356601 | 16-3                             | 102751601 | 10-5                   | 102898001 | 13-3, 13-5             |
| 102356801 | 16-3                             | 102753401 | 7-9, 8-9               | 102898101 | 13-3                   |
| 102357001 | 16-3                             | 102764001 | 14-33, 14-35           | 102898201 | 13-3                   |
| 102376001 | 12-9, 12-13                      | 102764401 | 14-35                  | 102898301 | 13-3, 13-5             |
| 102399001 | 5-39                             | 102764402 | 14-35                  | 102898401 | 13-5                   |
| 102406701 | 10-19                            | 102766201 | 14-33, 14-35           | 102898501 | 13-3                   |
| 102430901 | 7-13, 8-13                       | 102766301 | 5-17, 5-21, 5-25       | 102898601 | 13-3                   |
| 102431001 | 8-11                             | 102770701 | 17-7, 17-17            | 102898701 | 13-3                   |
| 102453001 | 12-5                             | 102771701 | 16-3                   | 102898801 | 13-3                   |
| 102453101 | 12-5                             | 102772401 | 14-23                  | 102898901 | 13-5                   |
| 102459301 | 3-5, 3-9, 3-13, 3-15, 3-19, 3-23 | 102774501 | 14-29                  | 102899001 | 13-3                   |
| 102508701 | 14-11, 14-17                     | 102774602 | 14-29                  | 102899101 | 13-3                   |
| 102513701 | 10-5                             | 102774701 | 14-29                  | 102899201 | 13-3                   |
| 102515401 | 12-3                             | 102775101 | 15-3                   | 102899301 | 13-3                   |
| 102517601 | 6-29, 14-13                      | 102817101 | 14-29                  | 102899401 | 13-3                   |
| 102518001 | 3-3, 3-7, 14-11, 14-17           | 102817201 | 14-29                  | 102899501 | 13-3                   |
| 102518301 | 3-5, 3-9, 14-23                  | 102837001 | 17-5                   | 102899601 | 13-3, 13-5             |
| 102519201 | 3-11, 3-19                       | 102838101 | 14-25, 17-3, 17-5      | 102899701 | 13-3                   |
| 102522001 | 10-5, 10-19                      | 102844001 | 17-7                   | 102899801 | 13-3                   |
| 102526201 | 12-3, 12-9                       | 102844002 | 17-17                  | 102899901 | 13-5                   |

# INDEX

|           |                               |           |  |  |                          |
|-----------|-------------------------------|-----------|--|--|--------------------------|
| 102900001 | 13-5                          | 102989501 | 1-15, 1-17                             | 103406502                                | 1-23                     |
| 102900101 | 13-5                          | 103010101 | 10-7                                   | 103406601                                | 1-23                     |
| 102900201 | 13-5                          | 103173301 | 12-9                                   | 103414901                                | 14-3, 14-29              |
| 102900301 | 13-5                          | 103174401 | 10-3                                   | 103477901                                | 5-27, 5-29               |
| 102900401 | 13-3                          | 103177401 | 12-9                                   | 103483101                                | 4-3                      |
| 102900501 | 13-3                          | 103180101 | 6-25, 6-27, 14-11, 14-17               | 103483102                                | 4-3                      |
| 102900601 | 13-3                          | 103187601 | 10-5                                   | 103483201                                | 4-3                      |
| 102900701 | 13-3                          | 103192701 | 12-9                                   | 103483301                                | 4-3                      |
| 102900801 | 13-3                          | 103197101 | 6-5, 6-19                              | 103483401                                | 4-3                      |
| 102900901 | 13-3                          | 103198001 | 6-9, 6-23                              | 103483501                                | 4-3                      |
| 102901001 | 13-3                          | 103198101 | 6-13, 6-21                             | 103483601                                | 4-3                      |
| 102901101 | 13-5                          | 103198301 | 14-17                                  | 103483701                                | 4-3                      |
| 102901201 | 13-3                          | 103198401 | 6-37                                   | 103502701                                | 5-21                     |
| 102901301 | 13-3                          | 103199001 | 6-25, 6-27                             | 103507001                                | 5-17, 5-21, 5-25         |
| 102901401 | 13-3                          | 103199101 | 6-25, 6-27                             | 103520401                                | 10-17                    |
| 102901501 | 13-3                          | 103205401 | 3-3, 3-7, 3-11, 3-15, 3-19, 6-25, 6-27 | 103538701                                | 1-17                     |
| 102901601 | 13-3                          | 103205501 | 3-13, 3-17, 3-21, 3-25, 6-37           | 103538901                                | 1-17                     |
| 102901701 | 13-3                          | 103210201 | 3-13, 3-17, 3-21, 3-25, 6-25, 6-27     | 103601501                                | 5-31                     |
| 102901801 | 13-3                          | 103210301 | 3-5, 3-9, 14-11, 14-17                 | 103601601                                | 5-3                      |
| 102901901 | 13-3                          | 103218601 | 14-11, 14-17                           | 103618101                                | 6-29, 14-13              |
| 102902001 | 13-3                          | 103221901 | 14-7, 14-23, 14-29                     | 103628801                                | 5-21                     |
| 102902101 | 13-7                          | 103234301 | 3-27, 3-29, 3-31                       | 103653401                                | 5-31                     |
| 102902201 | 13-7                          | 103245201 | 1-15                                   | 103653501                                | 5-15                     |
| 102902301 | 13-7                          | 103245301 | 1-15                                   | 103717302                                | 5-29                     |
| 102902401 | 13-7                          | 103255701 | 14-3                                   | 103717402                                | 5-29                     |
| 102902501 | 13-7                          | 103260101 | 3-27                                   | 103764001                                | 10-7                     |
| 102902601 | 13-7                          | 103260801 | 3-27                                   | 103781101                                | 10-7                     |
| 102902701 | 13-7                          | 103260901 | 3-27                                   | 103781201                                | 10-7                     |
| 102902801 | 13-7                          | 103261301 | 3-29                                   | 96704416                                 | 7-15, 7-17, 8-15, 8-17   |
| 102915701 | 14-25                         | 103284101 | 3-27, 3-29                             |  |                          |
| 102917101 | 5-37                          | 103295101 | 12-13                                  | <b>A</b>                                 |                          |
| 102931101 | 14-29                         | 103295202 | 12-13                                  | absorber, shock                          | 5-23                     |
| 102938601 | 15-3                          | 103306301 | 10-7                                   | AC cord                                  | 17-3, 17-5, 17-13, 17-15 |
| 102938701 | 15-3                          | 103324801 | 5-39                                   | AC cord receptacle                       | 17-13                    |
| 102938801 | 15-3                          | 103345701 | 11-3, 11-5, 11-7                       | accelerator bracket and bearing assembly | 4-21                     |
| 102938901 | 15-3                          | 103348201 | 6-25, 6-27                             | accelerator cable                        | 10-13                    |
| 102939001 | 15-3                          | 103348202 | 14-11                                  | accelerator pedal                        | 4-21                     |
| 102939101 | 15-3                          | 103348501 | 6-25, 6-27                             | accelerator pedal adjustment tool        | 18-3                     |
| 102939102 | 15-3                          | 103348601 | 6-25, 6-27                             | accelerator pivot rod                    | 4-21                     |
| 102939501 | 17-13                         | 103350901 | 5-33                                   | accelerator return spring                | 4-21                     |
| 102940801 | 17-5, 17-13, 17-15            | 103351001 | 5-15, 5-19                             | accelerator rod                          | 4-23                     |
| 102951701 | 15-3                          | 103351101 | 5-35, 5-37, 5-39                       | adapter                                  |                          |
| 102966401 | 1-15                          | 103353501 | 17-11, 17-21                           | cable (IQDM)                             | 18-7                     |
| 102966501 | 1-15                          | 103354401 | 14-11                                  | adhesive, guide ring                     | 18-3                     |
| 102966502 | 1-15                          | 103354701 | 5-15                                   | adjuster                                 |                          |
| 102967601 | 3-5, 3-9, 14-23, 17-11, 17-21 | 103369101 | 10-19                                  | hydraulic brake                          | 18-7                     |
| 102969401 | 12-9                          | 103369501 | 12-9                                   | adjuster, lash                           | 7-11, 8-11               |
| 102969801 | 12-9                          | 103372101 | 10-19                                  | air box                                  | 10-15                    |
| 102969901 | 12-9                          | 103372201 | 10-19                                  | air box top                              | 10-15                    |
| 102974201 | 10-5                          | 103372301 | 10-19                                  | air duct shield                          | 10-17                    |
| 102977001 | 6-25, 6-27                    | 103374701 | 10-19                                  | air filter                               | 10-15                    |
| 102977002 | 14-11, 14-17                  | 103380201 | 4-3                                    | air intake hose                          | 10-15                    |
| 102977901 | 10-7                          | 103380202 | 4-3                                    | ammeter                                  | 17-3, 17-5, 17-13, 17-15 |
| 102978001 | 10-7                          | 103390801 | 6-25, 6-27                             | anchor body                              | 4-5, 4-11                |
| 102980801 | 14-33, 14-35                  | 103397901 | 14-3, 14-29                            | anchor body kit                          | 4-5, 4-11                |
| 102980901 | 14-33, 14-35                  | 103406501 | 1-23                                   |  |                          |

# INDEX

- anchor, piston 4-5, 4-11
- anti-sway bar 5-41, 5-43
- A-plate strap 5-15, 5-19, 5-23
- A-plate, delta 5-15, 5-19, 5-23
- arbor 18-3
- arm
  - governor 12-3
  - pivot 12-3
  - rocker 7-9, 8-9
- armature 6-31, 15-3
- armature conversion kit 6-31
- assembly
  - accelerator bracket and bearing 4-21
  - accelerator pivot rod 4-21
  - air box 10-15
  - air box top 10-15
  - armature 6-31
  - axle 12-7
  - bearing, steering shaft 5-3, 5-5
  - bell crank and shaft 6-19, 6-21, 6-23
  - brake lever 4-3
  - brush connector 6-31
  - brush holder 6-31
  - carburetor 10-9
  - choke cable 10-17
  - connecting rod 7-13, 8-13
  - cylinder head 7-9, 8-9
  - delta A-plate 5-15, 5-19, 5-23
  - delta shock and gear support 5-15, 5-19, 5-23
  - drive clutch 11-7
  - drive hub 11-3, 11-5, 11-7
  - driven clutch 11-11
  - driven clutch fixed-face 11-11, 11-13
  - field coil 6-31
  - float 10-9
  - fuel tank vent 10-5
  - governor 12-5
  - headlight 6-17, 14-9
  - headlight harness 6-17, 14-9
  - idle screw 10-9
  - inner ball joint 5-11, 5-31
  - kingpin 5-17, 5-21, 5-25
  - latch weld 1-17
  - moveable-face 11-3, 11-5, 11-7, 11-11, 11-13
  - pilot air screw 10-9
  - plug cap 7-5, 8-5
  - prop rod support 1-21
  - ratchet 4-7, 4-9
  - score card plate 5-7
  - secondary clutch weight 11-3, 11-5, 11-7
  - steering shaft 5-3, 5-5
  - steering wheel 5-7, 5-9
  - tailgate 1-27
  - tether 1-27
  - tilt bed 1-17
  - turn signal lens 6-17, 14-9
- axle 12-7, 13-3, 16-3
- axle shaft oil seal 12-7, 16-3
- axle tube 16-3
- B**
  - backing plate, brake 4-5, 4-11
  - bag, desiccant 11-3, 11-5, 11-7
  - ball bearing 7-11, 8-11
  - ball joint 4-7, 4-9, 4-23, 5-11, 5-19, 5-23, 12-13
  - ball joint, left-hand thread 5-11, 5-19, 5-23
  - ball stud 6-19, 6-21, 6-23
  - ball, shifter 12-5
  - ball, steel pressure relief 7-7, 8-7
  - band, RPM limiter mount 7-5, 8-5
  - bar, drive 14-15
  - bar, stabilizer 5-41, 5-43
  - barb, vent 10-7
  - barrel, plastic 1-3, 1-5, 1-23, 10-3
  - battery 6-35
    - battery cap, 6-volt 14-33, 14-35
    - battery charger 17-3, 17-13, 17-17
    - battery charger case 17-3, 17-5, 17-13, 17-15
    - battery charger harness 17-11, 17-21
    - battery charger mounting plate 17-7
    - battery charger receptacle 14-19
    - battery charger retainer 17-21
    - battery charger shield 17-11, 17-21
    - battery charger transformer 17-3, 17-5, 17-13, 17-15
    - battery charger wire assembly 17-13
    - battery charger, onboard 17-5, 17-15
    - battery clamp 6-35
    - battery condition indicator 14-11
    - battery discharge machine 18-3
    - battery hold-down 14-33, 14-35
    - battery hold-down rod 14-33, 14-35
    - battery light 14-11, 14-17
    - battery terminal protector spray 18-3
    - battery thermometer 18-3
    - battery, 6-volt, Trojan T105 14-33
    - battery, 6-volt, Trojan T105, moist 14-33
    - battery, 6-volt, Trojan T145 14-35
    - battery, 6-volt, Trojan T145, moist 14-35
  - bearing 16-3
    - ball 7-11, 8-11
    - ball (motor) 15-3
    - ball (steering pinion) 5-11, 5-31
    - front wheel hub 5-27, 5-29
    - hub 5-27, 5-29
    - idler 11-3, 11-5, 11-7
    - inner axle tube 12-7, 16-3
    - lower pinion (steering) 5-11, 5-31
    - needle 12-5
    - outer axle tube 12-7
    - pivot support 4-21
    - steering shaft 5-3, 5-5
    - thrust 5-17, 5-21, 5-25
  - bearing and oil seal remover 18-3
  - bearing driver set 18-3
  - bearing puller 18-3
  - bearing puller wedge 18-3
  - bearing seal 5-5
  - bearing seat 5-3, 5-5
  - bed floor plate 1-17
  - bed latch 1-23
  - bed latch spring 1-23
  - bed seal 1-15, 1-17
  - bed, tilt 1-17
  - bell crank and shaft 6-19, 6-21, 6-23
  - bellows 5-11, 5-31
  - belt, drive 11-9
  - belt, starter/generator 6-33, 11-3, 11-5, 11-7
  - bezel, choke cable 10-17
  - bezel, headlight 6-17, 14-9
  - block, brake-mounting 4-7, 4-9
  - block, fuse 6-19, 6-21, 6-23
  - block, terminal 6-15, 14-3, 14-23
  - body, anchor 4-5, 4-11
  - bolt, U- 5-37, 5-39
  - boot, steering column 5-3, 5-5
  - boot, switch 6-37, 14-25
  - bottom, air box 10-15
  - box
    - air 10-15
    - cargo 1-23, 1-27
    - electrical component 6-19, 6-21, 6-23
    - steering gear 5-11, 5-31
  - box, electrical component 6-19, 6-21, 6-23, 14-29
  - brace, trailer hitch 1-29
  - bracket 5-33, 5-35, 5-39
    - accelerator cable 10-13
    - adjustable starter/generator 6-33
    - brake cable guide 5-19, 5-23
    - brake light switch 6-29, 14-13
    - FNR shifter 12-9
    - governor cable 10-13
    - headlight mounting 6-17, 14-9
    - horn 6-15, 14-3
    - hour meter 14-31
    - muffler mounting 9-3
    - oil filter mount 7-7, 8-7
    - oil level switch 7-11, 8-11
    - relay mounting 6-23, 17-5, 17-15
    - RPM limiter 7-5, 8-5
    - shock absorber 5-37
    - shock mounting 5-37
    - snubber 7-15, 7-17, 8-15, 8-17
    - stabilizer bar mounting 5-41, 5-43
    - starter/generator mounting 6-33

# INDEX

- steering column 5-3, 5-5
  - steering column mounting 5-3, 5-5
  - throttle spring return 10-11
  - Tow/Run switch 6-37
  - brake actuator kit 4-5, 4-11
  - brake adjusting mechanism 4-3
  - brake adjustment tool 18-3
  - brake backing plate 4-5, 4-11
  - brake cable 4-13, 4-17, 4-19
  - brake cable equalizer 4-13, 4-17, 4-19
  - brake cable hanger 5-33, 5-35
  - brake cable release tool 18-3
  - brake cluster 4-5, 4-11
  - brake drum 4-3, 4-5, 4-11
  - brake lever 4-3
  - brake lever arm 4-5, 4-11
  - brake light switch bracket 6-29, 14-13
  - brake mounting block 4-7, 4-9
  - brake pedal 4-7
    - pedal, brake 4-9
  - brake pedal adjustment tool 18-3
  - brake pedal pad 4-7, 4-9
  - brake pedal tension tool 18-3
  - brake return spring 4-17, 4-19
  - brake self-adjusting mechanism 4-3
  - brake shoe 4-3, 4-5, 4-11
  - brake spring 4-3, 4-5, 4-11
  - breaker, circuit 17-13, 17-15
  - breather 12-3, 16-3
  - brush and screw set 6-31
  - brush box assembly 15-3
  - brush connector 6-31
  - brush guard 1-5
  - brush holder 6-31
  - brush inspection port cover 6-31
  - brush kit, motor 15-3
  - brush port cover 6-31
  - brush rigging 15-3
  - brush spring 15-3
  - brush spring set 6-31
  - brush, motor 15-3
  - bulb, headlight 6-17, 14-9
  - bumper
    - drive unit (motor) 15-3
    - front 1-3, 1-5
    - front, heavy duty 1-3
    - front, kit 1-3, 1-5
    - rubber 1-19, 1-27, 4-7, 4-9
    - seal, long 1-11
    - spring return 4-21
  - bumper, heavy duty 1-3
  - bumper, seat 1-11
  - bushing 11-3, 11-5, 11-7, 12-9
    - bronze 5-27, 5-29
    - nylon 1-23, 1-25, 4-7, 4-9
    - return line 10-19
    - snap-in 1-23
    - spindle 5-27, 5-29
    - stabilizer bar 5-41, 5-43
    - steel 1-17, 5-17, 5-21, 5-25, 5-33, 5-35, 5-37, 5-39
    - urethane 1-17, 5-15, 5-17, 5-19, 5-21, 5-23, 5-25, 5-33, 5-35, 5-37, 5-39
  - bushing support 5-41, 5-43
  - button, drive 11-11, 11-13
  - buzzer, reverse 6-25, 6-27, 14-11, 14-17
- ## C
- cable
    - accelerator 10-13
    - brake 4-13, 4-17, 4-19
    - choke 10-17
    - FNR shifter 12-13
    - governor 10-13
    - IQDM 18-7
  - calibration test module 18-3
  - cam
    - driven clutch 11-11, 11-13
    - electrical component box 6-19, 6-21, 6-23
  - cam installation tool 18-3
  - cam, FNR shifter 12-9
  - camshaft 7-11, 8-11
  - camshaft shim 7-11, 8-11
  - camshaft spring 7-11
  - cap
    - battery, 6-volt 14-33, 14-35
    - corner 1-15, 1-25
    - dust 14-11, 14-17
    - fuel tank 10-5
    - key switch 6-25, 6-27, 14-11, 14-17
    - plug 7-5, 8-5
    - seat back 1-13
  - cap, front corner 1-27
  - carburetor 10-9
  - carburetor float level tool 18-7
  - carburetor gasket 10-11
  - carburetor insulator 10-11
  - carburetor mounting gasket 10-11
  - card, safety first 18-9
  - cargo bed, side panel 1-23
  - cargo box 1-23, 1-27
  - case
    - battery charger 17-3, 17-5, 17-13, 17-15
    - differential gear 12-7
    - gear 12-3, 16-3
    - rocker 7-9, 8-9
  - charger bezel tool 18-3
  - charger receptacle 14-19
  - charger, battery 17-3, 17-13, 17-17
  - charger, battery, onboard 17-5, 17-15
  - charger, battery, shield 17-11, 17-21
  - choke cable 10-17
  - choke cable bezel 10-17
  - choke valve 10-15
  - circuit breaker 14-25, 17-3, 17-5, 17-13, 17-15
  - clamp
    - battery 6-35
    - cable retaining 10-13
    - hose 10-7, 10-11, 10-15
    - muffler hose 9-3
  - clevis, upper delta 5-17, 5-21, 5-25
  - clip
    - hair pin 1-27
  - clip, meter 6-25, 6-27
  - clip, score card 5-7
  - cluster idler gear 12-5
  - cluster, brake 4-5, 4-11
  - clutch alignment tool 18-5
  - clutch pulley 11-3, 11-5
  - clutch removal tool 18-3
  - clutch repair kit 11-11, 11-13
  - clutch tool kit 18-5
  - clutch weight 11-3, 11-5, 11-7
  - clutch, drive 11-3, 11-5
  - clutch, driven 11-11, 11-13
  - coil, field 6-31
  - coil, ignition 7-5, 8-5
  - collet 7-9, 8-9
  - column, steering 5-3, 5-5
  - communication display module 18-5
  - component box, electrical 6-19, 6-21, 6-23
  - component mounting plate 14-29
  - compression gauge 18-5
  - compression mount 5-41, 5-43
  - compressor, piston ring 18-9
  - compressor, valve spring 18-11
  - computer, onboard 14-29
  - connecting rod 7-13, 8-13
  - connector, a- 6-31
  - continuity tester 18-5
  - control board 17-5, 17-15
  - controller, speed 14-29
  - cord connector 7-11, 8-11
  - cord reel 17-7, 17-11, 17-17, 17-21
  - cord, AC 17-3, 17-5, 17-13, 17-15
  - cord, DC 17-3, 17-5, 17-13, 17-15
  - corner cap 1-27
  - counterbalance guide shaft 7-13, 8-13
  - counterbalance weight 7-13, 8-13
  - cover
    - brush inspection port 6-31
    - brush port 6-31
    - crankcase 7-11, 8-11
    - dust 4-5, 4-11, 5-5, 5-27, 5-29
    - electrical box 6-19, 6-21, 6-23
    - electrical component 14-23
    - oil pump 7-7, 8-7
    - rocker switch hole 6-25, 6-27, 14-11, 14-17



# INDEX

screw head 6-25, 6-27, 14-11, 14-17  
steering column 5-3  
steering column tube 5-5  
cover, steering column 6-29, 14-13  
cowl 1-3, 1-5  
crankcase 7-13, 8-13  
crankcase cover 7-11, 8-11  
crankcase vent tube 10-11  
crankshaft 7-13, 8-13  
crankshaft rod 7-13, 8-13  
crankshaft shim 7-13, 8-13  
C-type stop ring 5-11, 5-31  
cup holder 1-9  
cup, spring 4-21  
current limiter 17-13  
cushion, shock absorber 5-33, 5-35, 5-37, 5-39  
cutter, valve seat 18-5, 18-11

## D

damper, RPM limiter 7-5, 8-5  
dash 6-25, 6-27, 14-11, 14-17  
dash component 1-7  
dash panel 6-25, 6-27, 14-11, 14-17  
DC cord 17-3, 17-5, 17-13, 17-15  
decal  
4-gauge wire warning 3-5, 3-9, 14-23, 17-11, 17-21  
battery danger 3-5, 3-9  
bed load warning 1-23, 3-3, 3-7, 3-11, 3-15, 3-19, 3-23  
Carryall 3-27, 3-29  
Carryall 2 3-27  
Carryall 2 Plus 3-27  
Carryall 252 3-29  
Club Car tailgate 1-27  
crush area warning 3-3, 3-5, 3-7, 3-9, 3-11, 3-13, 3-15, 3-19, 3-23  
dash warning 3-23  
diode safety 3-25  
driver/passenger 3-13, 3-17, 3-21, 3-25  
electrical cover safety 3-5, 3-9, 14-23  
FNR 3-5, 3-9, 3-13, 3-17, 3-21, 3-25, 6-25, 6-27, 14-11, 14-17  
frame ground 3-13, 3-17, 3-21, 3-25  
IR 3-27, 3-29, 3-31  
key switch 3-15, 3-23, 6-25  
on/off 3-3, 3-7, 3-11, 3-19, 6-27, 14-11, 14-17  
operating instructions 3-15, 3-23  
operating instructions (electric) 3-3, 3-7, 14-11, 14-17  
operating instructions (gas) 3-11, 3-19  
rollover warning 3-3, 3-7, 3-11, 3-15, 3-19, 6-25, 6-27  
rotating parts 1-35, 3-13, 3-17, 3-21, 3-25  
run/service switch 3-13, 3-17, 3-21, 3-25, 6-37

tailgate 1-23, 3-27, 3-29, 3-31  
Tow/Run switch 3-5, 3-9, 14-25  
trailer hitch 1-29, 1-31, 3-5, 3-9, 3-13, 3-17, 3-21, 3-25  
Turf 2 3-27  
Turf 252 3-29  
vehicle loading 3-3, 3-7, 3-11, 3-15, 3-19, 3-23  
winch cable warning 3-9, 3-21, 3-25  
XRT 900 3-31  
young driver warning 3-7, 3-19, 3-23  
delta A-plate 5-15, 5-19, 5-23  
delta A-plate sub-assembly 5-15, 5-19, 5-23  
delta shock and gear support 5-15, 5-19, 5-23  
desiccant bag 11-3, 11-5, 11-7  
DF-terminal insulator 6-31  
diagnostic port 14-11, 14-17  
diesel tachometer probe 18-9  
differential  
drive unit 13-3, 16-3  
differential gear 12-7, 16-3  
differential gear case 12-7  
differential housing 16-3  
differential idler gear 12-7  
differential pin 12-7  
diode 6-19, 6-21, 6-23  
dipstick 7-3, 8-3  
drain plug 7-7, 8-7  
drain plug gasket 7-7, 8-7, 12-3  
drive bar 14-15  
drive belt 11-9  
drive button 11-11, 11-13  
drive clutch 11-3, 11-5  
drive clutch assembly 11-7  
drive clutch button 11-3, 11-5, 11-7  
drive clutch fixed sheave tool 18-5  
drive clutch fixed-face 11-3, 11-5, 11-7  
drive clutch holder tool 18-5  
drive clutch hub puller 18-5  
drive clutch puller 18-5  
drive clutch pulley 11-7  
drive clutch spider removal tool 18-5  
drive clutch spring 11-3, 11-5, 11-7  
drive clutch weight 11-3, 11-5, 11-7  
drive hub 11-3, 11-5, 11-7  
drive unit bumper 15-3  
driven clutch 11-11, 11-13  
driven clutch button 11-11, 11-13  
driven clutch cam 11-11, 11-13  
driven clutch cam puller 18-5  
driven clutch fixed-face assembly 11-11, 11-13  
driven clutch puller plug 18-5  
driven clutch spring compression base tool 18-5  
driven clutch spring compression collar tool 18-5

driven clutch spring compression nut tool 18-5  
driver, drive clutch 11-3, 11-5, 11-7  
drum, brake 4-3, 4-5, 4-11  
dry moly lubricant 18-7  
dust cap 14-11, 14-17  
dust cover 4-5, 4-11, 5-5, 5-27, 5-29

## E

E-clip 4-13, 4-17, 4-19  
electrical box cover 6-19, 6-21, 6-23  
electrical component box 6-19, 6-21, 6-23, 14-29  
electrical component cover 14-23  
end bell, commutator 6-31  
end bell, output shaft 6-31  
end cap, motor 15-3  
end, tie rod 5-15  
engine 7-3  
engine mounting plate 7-15, 7-17, 8-15, 8-17  
engine shroud 7-3, 8-3  
engine, FE350 CW without ACR 8-3  
equalizer pivot 4-13  
equalizer rod 4-13, 4-17, 4-19  
equalizer, brake cable 4-13, 4-17, 4-19  
exhaust system 9-3  
exhaust valve 7-9, 8-9  
extension, I-beam 5-13  
extension, spring latch 1-17  
extrusion, fender 1-3

## F

face, moveable 11-3, 11-5, 11-7, 11-11, 11-13  
fan housing 7-3, 8-3  
fan shroud 7-3, 8-3  
fan, flywheel 7-5, 8-5  
fender 1-35  
fender extrusion 1-3  
fender, rear 1-33, 1-35  
field coil 6-31  
field coil housing 6-31  
fill plug 12-3  
filter  
air 10-15  
fuel 10-7  
oil 7-7, 8-7  
oil pump 7-7, 8-7  
fitting, thread-forming grease 5-11, 5-19, 5-23, 5-27, 5-29  
fixed-face, drive clutch 11-3, 11-5, 11-7  
fixed-face, driven clutch 11-11, 11-13  
float 10-9  
floor mat 1-5, 1-7  
floor plate, bed 1-17  
flywheel 7-5, 8-5  
flywheel fan 7-5, 8-5

# INDEX

flywheel fan plate 7-5, 8-5  
flywheel puller 18-7  
FNR closeout brush 6-25, 6-27  
FNR shift lever 12-3  
FNR shifter 12-9  
FNR shifter bracket 12-9  
FNR shifter cable 12-13  
FNR shifter cam 12-9  
fork, shift 12-5  
frame and field, motor 15-3  
frame, tilt bed 1-17  
front bumper 1-3, 1-5  
front bumper kit 1-3, 1-5  
front spring retainer plate 5-17, 5-21, 5-25  
front suspension 5-15  
F-terminal hardware 6-31  
f-terminal insulator 6-31  
fuel filter 10-7  
fuel gauge sending unit 10-5, 10-19  
fuel line 10-7, 10-11  
fuel meter 6-25, 6-27  
fuel pickup tube 10-5  
fuel pump mount 10-7  
fuel tank 10-5  
fuel tank cap 10-5  
fuel tank strap 10-7  
fuel tank vent 10-5  
fuel tank vent grommet 10-19  
fuse 14-19, 17-3, 17-5, 17-13, 17-15  
    10-amp 6-19, 6-21, 6-23  
    20-amp 6-19, 6-21, 6-23  
    3/8-amp 14-19  
fuse and receptacle 14-19  
fuse block 6-19, 6-21, 6-23

## G

gasket 16-3  
    carburetor 10-11  
    carburetor mounting 10-9, 10-11  
    crankcase cover 7-9, 7-11, 8-9, 8-11  
    drain plug 7-7, 8-7, 12-3  
    exhaust 7-9, 8-9, 9-3  
    head 7-9, 8-9  
    insulator 7-9, 8-9, 10-11  
    liquid 12-3, 16-3, 18-7  
    rocker case 7-9, 8-9  
    sending unit 10-5, 10-19  
gasket kit, FE350 7-9, 8-9  
gauge, battery condition 14-11  
gauge, compression 18-5  
gauge, fuel-hour 6-25, 6-27  
gear  
    case 12-3, 16-3  
    cluster idler 12-5  
    differential 12-7, 16-3  
    differential idler 12-7, 16-3

    differential output 16-3  
    helical 7-13, 8-13, 12-5, 12-7  
    spur 7-13, 8-13, 12-5  
    synchro 12-5  
gear yoke 18-7  
governor 12-5  
governor arm 12-3  
governor cable 10-13  
governor cable bracket 10-13  
governor shaft installation tool 18-7  
grip, pencil 5-7  
grip, tilt latch hand 1-17, 1-23  
grommet 10-5  
grommet, fuel tank vent 10-19  
guard, brush 1-5  
guard, splash 10-3  
guide  
    intake valve 7-9, 8-9  
    valve 7-9, 8-9  
    valve seat cutter 18-11  
guide ring adhesive 18-3

## H

hair pin clip 1-27  
hanger, brake cable 5-33, 5-35  
hardware, F-terminal 6-31  
harness, battery charger 17-11, 17-21  
harness, headlight 6-15, 14-3  
harness, wire 6-5, 6-9, 6-13, 6-19, 6-21, 6-23,  
    6-29, 14-7, 14-13, 14-23, 14-29  
head gasket 7-9, 8-9  
head, cylinder 7-9, 8-9  
headband, sealed, motor 15-3  
headband, vented, motor 15-3  
headlight assembly 6-17, 14-9  
headlight bulb 6-17, 14-9  
headlight harness 6-17, 14-9  
headlight retainer 6-17, 14-9  
headlight wire harness 6-15, 14-3  
heat shrink tube 17-7, 17-17  
heatsink and rectifier 17-3, 17-5, 17-13, 17-15  
heavy duty bumper 1-3  
helical gear 7-13, 8-13, 12-5, 12-7  
hill brake rod 4-7, 4-9  
hill brake weld assembly 4-7, 4-9  
hitch, trailer 1-29  
hold-down rod, battery 14-33, 14-35  
hold-down, battery 14-33, 14-35  
holder, cup 1-9  
hole plug 14-17  
horn 6-15, 14-3  
horn bracket 6-15, 14-3  
horn button and wire assembly 6-29, 14-13  
hose, air intake 10-15  
hose, fuel 10-7  
hour meter 6-25, 6-27, 14-31

housing  
    2-pin 14-15  
    3-pin 14-15, 15-3  
    differential 16-3  
    fan 7-3, 8-3  
    field coil 6-31  
hub 5-27, 5-29  
hub bearing 5-27, 5-29  
hub, synchronizer clutch 12-5  
hydraulic brake adjuster 18-7  
hydrometer 18-7

## I

I-beam extension 5-13  
idle screw assembly 10-9  
idler bearing 11-3, 11-5, 11-7  
idler gear, differential 16-3  
ignition coil 7-5, 8-5  
indicator, battery condition 14-11  
inner frame snubber 7-15, 7-17, 8-15, 8-17  
input shaft 16-3  
insert, synchronizer 12-5  
instrument panel 6-25, 6-27, 14-11, 14-17  
insulating washer 15-3  
insulator gasket 7-9, 8-9, 10-11  
insulator, carburetor 10-11  
insulator, motor terminal 15-3  
intake pipe 10-11  
intake valve 7-9, 8-9  
intermediate shaft 16-3  
internal retaining ring pliers 18-7  
IQ display module (IQDM) 18-7

## J

jet, main 10-9  
jet, pilot 10-9  
joint  
    ball 4-7, 4-9, 4-23, 5-19, 5-23, 12-13  
    left-hand thread ball 5-11, 5-19, 5-23  
    steering 5-5

## K

key  
    crankshaft 7-5, 7-13, 8-5, 8-13  
    driven clutch 11-11, 11-13  
    On/Off 6-25, 6-27, 14-11, 14-17  
    square 11-11, 11-13  
    starter/generator 6-31  
    woodruff 12-3  
key switch 6-25, 6-27  
key switch cap 6-25, 6-27, 14-11, 14-17  
key switch, On/Off 14-11, 14-17  
kingpin 5-17, 5-21, 5-25  
kit  
    2-pin housing 14-15

# INDEX

3-pin housing 14-15, 15-3  
accelerator pivot rod 4-21  
anchor body 4-5, 4-11  
brake cable 4-17  
brake pedal 4-7  
brake pedal adjustment tool 18-3  
brake shoe retainer 4-5, 4-11  
clutch repair 11-11, 11-13  
differential gear case 12-7  
drive clutch button 11-3, 11-5, 11-7  
drive clutch weight 11-3, 11-5, 11-7  
driven clutch button 11-11, 11-13  
IQ display module (IQDM) 18-7  
motor brush 15-3  
motor speed sensor 15-3  
park brake latch 4-7, 4-9  
park brake pedal 4-7, 4-9  
rear receiver hitch 1-31  
shock absorber cushion 5-33, 5-35, 5-37, 5-39  
steering column rebuild 5-5  
tune-up 18-9  
kit, taillight mounting 1-23  
knob, forward/reverse 12-9, 12-13

## L

lash adjuster 7-11, 8-11  
latch plate, tilt bed 1-19  
latch weld 1-17  
latch, air box 10-15  
latch, bed 1-23  
latch, park brake 4-7, 4-9  
latch, slam 1-27  
latch, spring 1-27  
leaf spring 5-33, 5-35, 5-37, 5-39  
lens, headlight 6-17, 14-9

## lever

change 12-3  
choke 10-15

## light

battery 14-11, 14-17  
oil 6-25, 6-27

limit switch 6-19, 6-23, 6-29, 12-9, 14-13

## limiter

current 17-13  
RPM 7-5, 8-5  
voltage 6-15

line, fuel 10-7, 10-11

link, rack and pinion drag 5-11

link, stabilizer bar 5-41, 5-43

liquid gasket 12-3, 16-3, 18-7

low oil warning light 6-25, 6-27

lubricant, dry moly 18-7

lubricant, moly-teflon 15-3, 18-7

lug nut 2-3, 2-5, 2-7

lug stud 12-7, 16-3

## M

magnet, speed sensor 15-3  
main jet 10-9  
maintenance/operation switch 6-37  
mat, floor 1-5, 1-7  
MCOR 14-15  
mechanism, brake adjusting 4-3  
meter clip 6-25, 6-27  
meter, hour 14-31  
meter, volt ohm 18-11  
module  
    calibration test 18-3  
    communication display 18-5  
moly-teflon lubricant 18-7  
motor  
    48-volt IQ Plus 15-3  
motor brush 15-3  
motor brush kit 15-3  
motor brush spring 15-3  
motor bumper 15-3  
motor controller 14-29  
motor end cap 15-3  
motor frame and field 15-3  
motor headband, sealed 15-3  
motor headband, vented 15-3  
motor magnet, speed sensor 15-3  
motor speed sensor 15-3  
motor speed sensor kit 15-3  
motor terminal and lead assembly 15-3  
motor terminal insulator 15-3  
mount, compression 5-41, 5-43  
mount, fuel pump 10-7  
mounting block, brake 4-7, 4-9  
moveable-face 11-3, 11-5, 11-7, 11-11, 11-13  
muffler hose clamp 9-3

## N

name plate 3-27, 3-29, 3-31  
needle bearing 12-5  
nozzle, main 10-9  
nut, lug 2-3, 2-5, 2-7

## O

OBC 14-29  
oil filler tube 7-3, 8-3  
oil filter 7-7, 8-7  
oil filter mount bracket 7-7, 8-7  
oil filter screen 7-11, 8-11  
oil filter screen plate 7-11, 8-11  
oil level sensor 7-11, 8-11  
oil level switch bracket 7-11, 8-11  
oil pump and rotor 7-7, 8-7  
oil pump cover 7-7, 8-7  
oil pump filter 7-7, 8-7  
oil pump plate 7-7, 8-7

oil seal 7-9, 7-11, 7-13, 8-9, 8-11, 8-13, 12-3, 12-5

oil warning light, low 6-25, 6-27

onboard battery charger 17-5, 17-15

onboard computer 14-29

operation/maintenance switch 6-37

O-ring 7-3, 7-9, 7-11, 7-13, 8-3, 8-9, 8-11, 8-13

## P

### pad

accelerator pedal 4-21  
brake pedal 4-7, 4-9  
park brake 4-7, 4-9

paint, touch-up 18-7

### panel

left 1-27  
right 1-27

panel box 1-23

panel, front 1-23, 1-27

panel, instrument 6-25, 6-27, 14-11, 14-17

park brake latch 4-7, 4-9

park brake pedal 4-7, 4-9

park brake rod sleeve 4-7, 4-9

park brake spacer 4-7, 4-9

park brake torsion spring 4-7, 4-9

pawl 4-7, 4-9

pedal group 4-9

pedal, accelerator 4-21

pedal, brake 4-7

pedal, park brake 4-7, 4-9

pencil grip 5-7

pilot air screw assembly 10-9

pilot jet 10-9

pin, differential 12-7

pin, piston 7-13, 8-13

pinion, steering 5-11, 5-31

pipe, intake 10-11

pipe, 7-13, 8-13

piston anchor 4-5, 4-11

piston pin 7-13, 8-13

piston ring 7-13, 8-13

piston ring compressor 18-9

piston ring pliers 18-9

piston ring set 7-13, 8-13

pivot arm 12-3

pivot support bearing 4-21

### plate

component mounting 14-29

engine mounting 7-15, 7-17, 8-15, 8-17

flywheel fan 7-5, 8-5

front spring retainer 5-17, 5-21, 5-25

latch 1-19

name 3-27, 3-29, 3-31

oil filter screen 7-11, 8-11

oil pump 7-7, 8-7

receptacle backing 14-19, 17-11, 17-21

# INDEX

score card 5-7, 5-9  
spring mounting 5-17, 5-21, 5-25  
steering wheel 5-9  
thrust 12-5, 12-7  
plate, Tow/Run switch 14-25  
pliers  
    internal retaining ring 18-7  
    piston ring 18-9  
    retaining ring 18-9  
plug  
    drain 7-7, 8-7  
    driven clutch puller 18-5  
    fill 12-3  
    hole 14-17  
    spark 7-5, 8-5  
plug cap 7-5, 8-5  
pole set 6-31  
port, diagnostic 14-11, 14-17  
press weldment 18-5  
prop rod 1-21  
prop rod track 1-21  
protector spray, battery terminal 18-3  
puller  
    bearing 18-3  
    clutch 18-3  
    drive clutch 18-5  
    drive clutch hub 18-5  
    driven clutch cam 18-5  
    flywheel 18-7  
    seal 18-9  
    special use tool 18-9  
pulley  
    clutch 11-3, 11-5  
    drive clutch 11-7  
    starter-generator 6-31  
push rod 7-9, 8-9

## R

race, front hub bearing 5-27, 5-29  
rack and pinion drag link 5-11  
rack guide pressure spring 5-11, 5-31  
rack, steering 5-11, 5-31  
ratchet, park brake 4-7, 4-9  
reamer, valve guide 18-9  
rear fender 1-33  
rear spring shackle 5-33, 5-35  
receiver hitch 1-31  
receptacle and fuse 14-19  
receptacle backing plate 14-19, 17-11, 17-21  
receptacle, AC cord 17-13  
receptacle, battery charger 14-19  
rectifier with heatsink 17-3, 17-5, 17-13, 17-15  
reel bracket 17-7, 17-17  
reel cord 17-7, 17-11, 17-17, 17-21  
regulator, voltage 6-19, 6-21, 6-23  
relay 6-23

relay mounting bracket 6-23, 17-5, 17-15  
relay, 12-volt 6-15  
relay, 48-volt 17-3, 17-5, 17-13, 17-15  
remover, bearing and oil seal 18-3  
retainer  
    accelerator pedal spring 4-21  
    brake shoe 4-5, 4-11  
    headlight 6-17, 14-9  
    shock absorber cushion 5-33, 5-35, 5-37, 5-39  
    spring (drive clutch) 11-3, 11-5, 11-7  
    valve spring 7-9, 8-9  
retainer, battery charger 17-21  
retaining ring 5-3, 5-5  
retaining ring pliers 18-9  
return spring bumper 4-21  
reverse buzzer 6-25, 6-27, 14-11, 14-17  
rim, wheel 2-5, 2-7  
rim, wheel, silver 2-5, 2-7  
rim, wheel, white 2-3  
ring  
    piston 7-13, 8-13  
    retaining 5-3, 5-5, 6-19, 6-21, 6-23, 11-3, 11-5, 11-7, 11-11, 11-13  
    snap 5-11, 5-31, 7-9, 7-13, 8-9, 8-13  
    spiral backup 11-3, 11-5, 11-7  
    synchronizer 12-5  
ring, C-type stop 5-11, 5-31  
ring, piston 7-13, 8-13  
rivet, blind push 1-3, 1-5, 14-23  
rocker arm 7-9, 8-9  
rocker case 7-9, 8-9  
rocker case gasket 7-9, 8-9  
rocker shaft 7-9, 8-9  
rocker switch 14-11, 14-17  
rocker switch (lights) 6-15, 14-3  
rod  
    accelerator 4-23  
    accelerator pivot 4-21  
    battery hold-down 14-33, 14-35  
    connecting 7-13, 8-13  
    crankshaft 7-13, 8-13  
    equalizer 4-13, 4-17, 4-19  
    hill brake 4-7, 4-9  
    prop 1-21  
    push 7-9, 8-9  
    shift 12-5  
    tie 5-19, 5-23  
rotor, oil pump and 7-7, 8-7  
RPM limiter 7-5, 8-5  
RPM limiter bracket 7-5, 8-5  
RPM limiter damper 7-5, 8-5  
RPM limiter mount band 7-5, 8-5  
rubber bumper 1-27

## S

safety first card 18-9  
score card clip 5-7  
score card plate 5-7  
screen, oil filter 7-11, 8-11  
screw, valve clearance adjuster 18-9  
seal  
    bearing 5-5  
    intake 10-15  
    lip 16-3  
    oil 7-9, 7-11, 7-13, 8-9, 8-11, 8-13, 12-3, 12-5, 12-7, 16-3  
    steering pinion dust 5-11, 5-31  
    vertical socket dust 5-11, 5-19, 5-23  
seal puller 18-9  
seal, bed 1-15, 1-17  
sealant 12-3, 16-3  
seat  
    spring 7-9, 8-9  
    valve 7-7, 8-7  
seat back 1-13  
seat back assembly 1-13  
seat back cap 1-13  
seat back tube 1-15  
seat back, white 1-13  
seat bottom assembly 1-11  
seat bumper 1-11  
seat cover, vinyl 1-11  
seat strap 1-11  
seat, bearing 5-3, 5-5  
sending unit, fuel gauge 10-5, 10-19  
sensor, motor speed 15-3  
sensor, oil level 7-11, 8-11  
set, brush and screw 6-31  
set, pole 6-31  
shackle weldment 5-37  
shackle, rear spring 5-33, 5-35  
shaft  
    change 12-3  
    counterbalance guide 7-13, 8-13  
    input 16-3  
    intermediate 16-3  
    rocker 7-9, 8-9  
    steering column 5-3, 5-5  
    transmission 12-5  
shield, air duct 10-17  
shield, battery charger 17-11, 17-21  
shift fork 12-5  
shift lever 12-3  
shift rod 12-5  
shifter, FNR 12-9  
shim, camshaft 7-11, 8-11  
shim, crankshaft 7-13, 8-13  
shim, latch plate 1-19  
shim, tilt bed pivot 1-17  
shock absorber 5-15, 5-19, 5-23, 5-33, 5-35,

# INDEX

- 5-37, 5-39
  - shock absorber cushion 5-33, 5-35, 5-37, 5-39
  - shock absorber cushion retainer 5-33, 5-35, 5-37, 5-39
  - shock extension 5-39
  - shock mounting bracket 5-37
  - shoe, brake 4-3, 4-5, 4-11
  - shroud 7-3, 8-3
  - shroud, engine 7-3, 8-3
  - shroud, fan 7-3, 8-3
  - slam latch 1-27
  - sleeve
    - delta A-plate 5-15, 5-19, 5-23
    - governor 12-5
    - park brake rod 4-7, 4-9
    - synchronizer 12-5
  - snap ring 5-11, 5-31, 7-9, 7-13, 8-9, 8-13
  - snubber bracket 7-15, 7-17, 8-15, 8-17
  - snubber, inner frame 7-15, 7-17, 8-15, 8-17
  - socket 5-11, 5-19, 5-23
  - solenoid 14-29
  - solenoid, 12-volt 6-19, 6-21, 6-23
  - spacer 1-5, 14-33, 14-35
    - accelerator pivot rod 4-21
    - park brake 4-7, 4-9
  - spanner wrench 18-9
  - spark plug 7-5, 8-5
  - speed controller 14-29
  - speed sensor 15-3
  - speed sensor magnet 15-3
  - speed sensor, motor 15-3
  - spindle 5-27
  - spiral backup ring 11-3, 11-5, 11-7
  - splash guard 10-3
  - spray, battery terminal protector 18-3
  - spring
    - accelerator return 4-21
    - brake 4-5, 4-11
    - brake return 4-17, 4-19
    - brush 6-31, 15-3
    - camshaft 7-11
    - compression 5-7
    - drive button 11-3, 11-5, 11-7
    - drive clutch 11-3, 11-5, 11-7
    - driven clutch 11-11
    - extension return 10-15
    - latch tilt 1-23
    - leaf 5-33, 5-35, 5-37, 5-39
    - park brake torsion 4-7, 4-9
    - rack guide pressure 5-11, 5-31
    - shifter 12-5
    - steering shaft compression 5-3, 5-5
    - synchronizer 12-5
    - throttle return 10-11
    - valve 7-9, 8-9
  - spring cup 4-21
  - spring latch 1-27
  - spring mounting plate 5-17, 5-21, 5-25
  - spring, motor brush 15-3
  - spur gear 7-13, 8-13, 12-5
  - stabilizer bar 5-41, 5-43
  - stabilizer bar link 5-41, 5-43
  - stabilizer bar mounting bracket 5-41, 5-43
  - starter/generator 6-31
  - starter/generator belt 6-33, 11-3, 11-5, 11-7
  - starter/generator pulley 6-31
  - steel bushing 1-17, 5-17, 5-21, 5-25, 5-33, 5-35, 5-37, 5-39
  - steel pressure relief ball 7-7, 8-7
  - steering column 5-3, 5-5
  - steering column bearing press tool 18-9
  - steering column cover 6-29, 14-13
  - steering column retaining ring tool 18-9
  - steering gear box 5-11, 5-31
  - steering joint 5-5
  - steering pinion 5-11, 5-31
  - steering pinion dust seal 5-11, 5-31
  - steering rack 5-11, 5-31
  - steering shaft assembly 5-3, 5-5
  - steering shaft compression spring 5-3, 5-5
  - steering wheel 5-7, 5-9
  - steering wheel plate 5-9
  - steering wheel puller tool 18-9
  - stem, valve 2-3, 2-5, 2-7
  - stiffener 1-11
  - stiffener, flywheel side 7-15, 7-17, 8-15, 8-17
  - stiffener, PTO side 7-15, 7-17, 8-15, 8-17
  - strap, A-plate 5-15, 5-19, 5-23
  - strap, fuel tank 10-7
  - strap, seat 1-11
  - stud 7-15, 7-17, 8-15, 8-17
    - lug 12-7, 16-3
      - self-clinching 1-25, 1-27
  - stud, ball 6-19, 6-21, 6-23
  - support yoke (steering) 5-11, 5-31
  - support, bushing 5-41, 5-43
  - suppressor, voltage 6-15, 14-3, 17-3, 17-5, 17-13, 17-15
  - suspension, front 5-15
  - switch
    - four-position 17-13, 17-15
    - key 6-25, 6-27, 14-11, 14-17
    - light rocker 6-15, 14-3
    - limit 6-19, 6-23, 6-29, 12-9, 14-13
    - rocker 14-11, 14-17
    - Tow/Run 14-25
  - switch plate, Tow/Run 14-25
  - switch rubber boot 6-37, 14-25
  - switch, operation/maintenance 6-37
  - switch, toggle 6-37
  - synchro gear 12-5
  - synchronizer clutch hub 12-5
  - synchronizer insert 12-5
  - synchronizer sleeve 12-5
  - synchronizer spring 12-5
  - system, exhaust 9-3
- ## T
- 12-volt solenoid 6-19, 6-21, 6-23
  - tachometer 18-9
  - tachometer probe, diesel 18-9
  - tailgate 1-23, 1-27
  - tailgate angle 1-25, 1-27
  - taillight mounting kit 1-23
  - taillight skirt 1-33, 1-35
  - tank, fuel 10-5
  - tape 10-17
  - tape, vinyl foam 1-17
  - terminal block 6-15, 14-3, 14-23, 17-11, 17-21
  - tester, continuity 18-5
  - tether 1-27
  - thermometer, battery 18-3
  - thread-forming grease fitting 5-11, 5-19, 5-23, 5-27, 5-29
  - throttle return spring 10-11
  - throttle spring return bracket 10-11
  - thrust bearing 5-17, 5-21, 5-25
  - thrust plate 12-5, 12-7
  - tie rod 5-19, 5-23
  - tie rod end 5-15
  - tie wrap 5-11, 5-31, 6-15, 6-19, 6-21, 6-23, 12-13, 14-3, 14-7, 14-23, 14-29, 14-31, 17-11, 17-21
  - tilt bed 1-17
  - tilt bed frame 1-17
  - tilt latch hand grip 1-17, 1-23
  - tire 2-3, 2-5, 2-7
  - tire and wheel assembly 2-3
  - toggle switch 6-37
  - tool
    - accelerator pedal adjustment 18-3
    - belt tensioning, starter/generator 18-11
    - brake adjustment 18-3
    - brake cable release 18-3
    - brake pedal adjustment 18-3
    - brake pedal tension 18-3
    - cam installation 18-3
    - carburetor float level 18-7
    - charger bezel 18-3
    - clutch alignment 18-5
    - cT-wrench 18-5
    - drive clutch fixed sheave 18-5
    - drive clutch holder 18-5
    - drive clutch spider removal 18-5
    - driven clutch spring compression base 18-5
    - driven clutch spring compression collar 18-5

# INDEX

driven clutch spring compression nut 18-5  
governor shaft installation 18-7  
puller, special use 18-9  
steering column bearing press 18-9  
steering column retaining ring 18-9  
steering wheel puller 18-9  
transaxle axle seal 18-9  
transaxle pinion seal 18-9  
transmission 18-9  
valve guide driver 18-9  
valve seat cutter 18-5  
tool kit, clutch 18-5  
touch-up paint 18-7  
Tow/Run switch 14-25  
Tow/Run switch bracket 6-37  
Tow/Run switch plate 14-25  
track, prop rod 1-21  
trailer hitch 1-29  
trailer hitch brace 1-29  
transaxle 13-3, 16-3  
transaxle axle seal tool 18-9  
transaxle housing 16-3  
transaxle pinion seal tool 18-9  
transaxle, unitized 12-3  
transformer, battery charger 17-3, 17-5, 17-13,  
17-15  
transmission shaft 12-5  
transmission tool 18-9  
trim  
    cowl 1-3, 1-5  
    seat bottom 1-15  
tube  
    crankcase vent 10-11  
    fuel pickup 10-5  
    oil filler 7-3, 8-3  
    seat back 1-15  
tune-up kit 18-9  
turn signal lens 6-17, 14-9  
T-wrench tool 18-5

## U

U-bolt 5-37, 5-39  
u-bolt 5-33, 5-35  
unitized transaxle 12-3  
upper delta clevis 5-17, 5-21, 5-25  
urethane bushing 1-17, 5-15, 5-17, 5-19, 5-21,  
5-23, 5-25, 5-33, 5-35, 5-37, 5-39

## V

valve  
    choke 10-15  
    exhaust 7-9, 8-9  
    intake 7-9, 8-9  
    reed 7-9, 8-9  
valve clearance adjuster screw 18-9  
valve guide 7-9, 8-9

valve guide driver tool 18-9  
valve guide reamer 18-9  
valve guide, intake 7-9, 8-9  
valve seat 7-7, 8-7  
valve seat cutter 18-5, 18-11  
valve seat cutter guide 18-11  
valve seat cutter tool 18-5  
valve seat t-wrench 18-11  
valve spring 7-9, 8-9  
valve spring compressor 18-11  
valve spring retainer 7-9, 8-9  
valve stem 2-3, 2-5, 2-7  
vent barb 10-7  
vent, fuel tank, w/ valve 10-19  
vertical socket dust seal 5-11, 5-19, 5-23  
volt ohm meter 18-11  
voltage limiter 6-15  
voltage regulator 6-19, 6-21, 6-23  
voltage suppressor 6-15, 14-3, 17-3, 17-5,  
17-13, 17-15

## W

warning light, low oil 6-25, 6-27  
washer, insulating 15-3  
wedge, bearing puller 18-3  
weight  
    clutch 11-3, 11-5, 11-7  
    counterbalance 7-13, 8-13  
    secondary clutch 11-3, 11-5, 11-7  
weldment  
    press 18-5  
weldment, receiver hitch 1-31  
weldment, tilt bed frame 1-17  
wheel 2-3  
wheel and tire assembly 2-3  
wheel rim 2-5, 2-7  
wheel rim, silver 2-5, 2-7  
wheel rim, white 2-3  
wheel, steering 5-7, 5-9  
wire assembly, battery charger 17-13  
wire harness 6-5, 6-9, 6-13, 6-19, 6-21, 6-23,  
6-29, 14-7, 14-13, 14-23, 14-29  
wire harness, headlight 6-15, 14-3  
woodruff key 12-3  
wrap, tie 5-11, 5-31, 6-15, 6-19, 6-21, 6-23,  
12-13, 14-3, 14-7, 14-23, 14-29, 14-31, 17-11,  
17-21  
wrench, spanner 18-9

## Y

yoke, gear 18-7  
yoke, support (steering) 5-11, 5-31





**Club Car, Inc.**  
P.O. Box 204658  
Augusta, GA 30917-4658  
USA

**Web** [www.clubcar.com](http://www.clubcar.com)  
**Phone** 1.706.863.3000  
1.800.ClubCar  
**Int'l** +1 706.863.3000  
**Fax** 1.706.863.5808