



**Count on it.**

**Parts Catalog**

**Lynx Smart Satellite Parts  
Breakout**

Model No. LYNX SMART SATELLITE—Serial No. 00000001 and Up



# Ordering Replacement Parts

To order replacement parts, please supply the part number, the quantity, and the description of each part desired.

## Understanding Reference Numbers

Each identified part in an illustration has a reference number. The reference number for a part also appears in the parts list, along with other information about the part.

This catalog uses two special reference number formats, one to indicate parts in a service assembly and another to indicate the quantity of a given part in an illustration.

## Service Assembly Reference Numbers

Parts in service assemblies have reference numbers in the form a:b. The a represents the reference number of the entire service assembly and the b represents a sequential number unique to each part within the service assembly.

For example, a wheel assembly might be identified by reference number 6, the tire by 6:1, the valve by 6:2, and the wheel by 6:3. When you order the assembly identified by reference number 6, you receive all parts identified by reference numbers 6:1, 6:2, and 6:3. However, you may also order any part individually. Reference numbers of this type appear in illustration and in parts lists.

## Reference Numbers Indicating Quantity

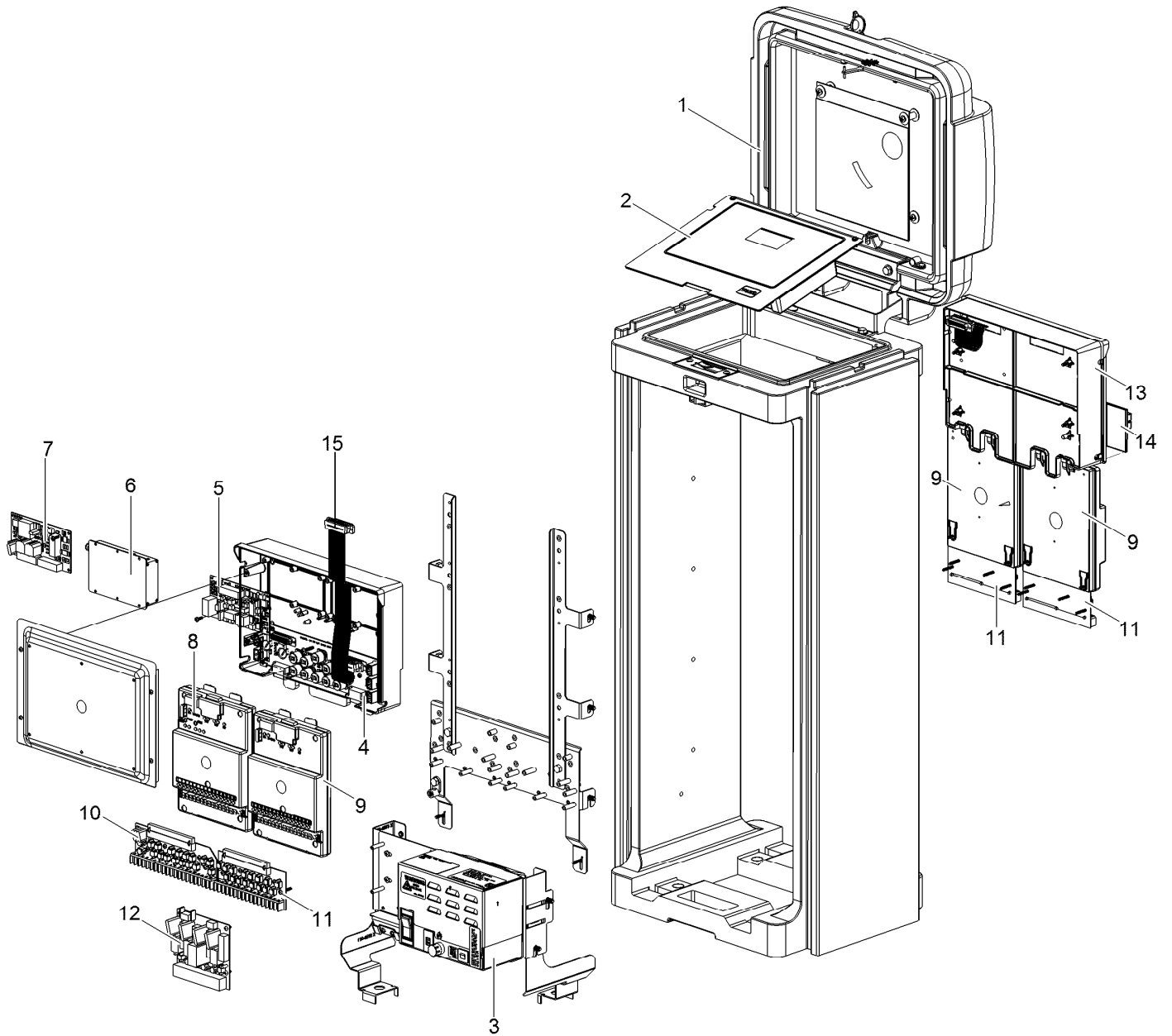
In an illustration, if a reference number indicates more than one part, the reference number has the form nX y. The n represents the quantity of the part, the X is the multiplication symbol, and the y represents the reference number.

For example, in an illustration, the reference number 2X 37 means that two of the parts identified by reference number 37 are indicated.

# Contents

Lynx Smart Satellite ..... 4  
Lynx Smart Satellite - Power Supply ..... 6

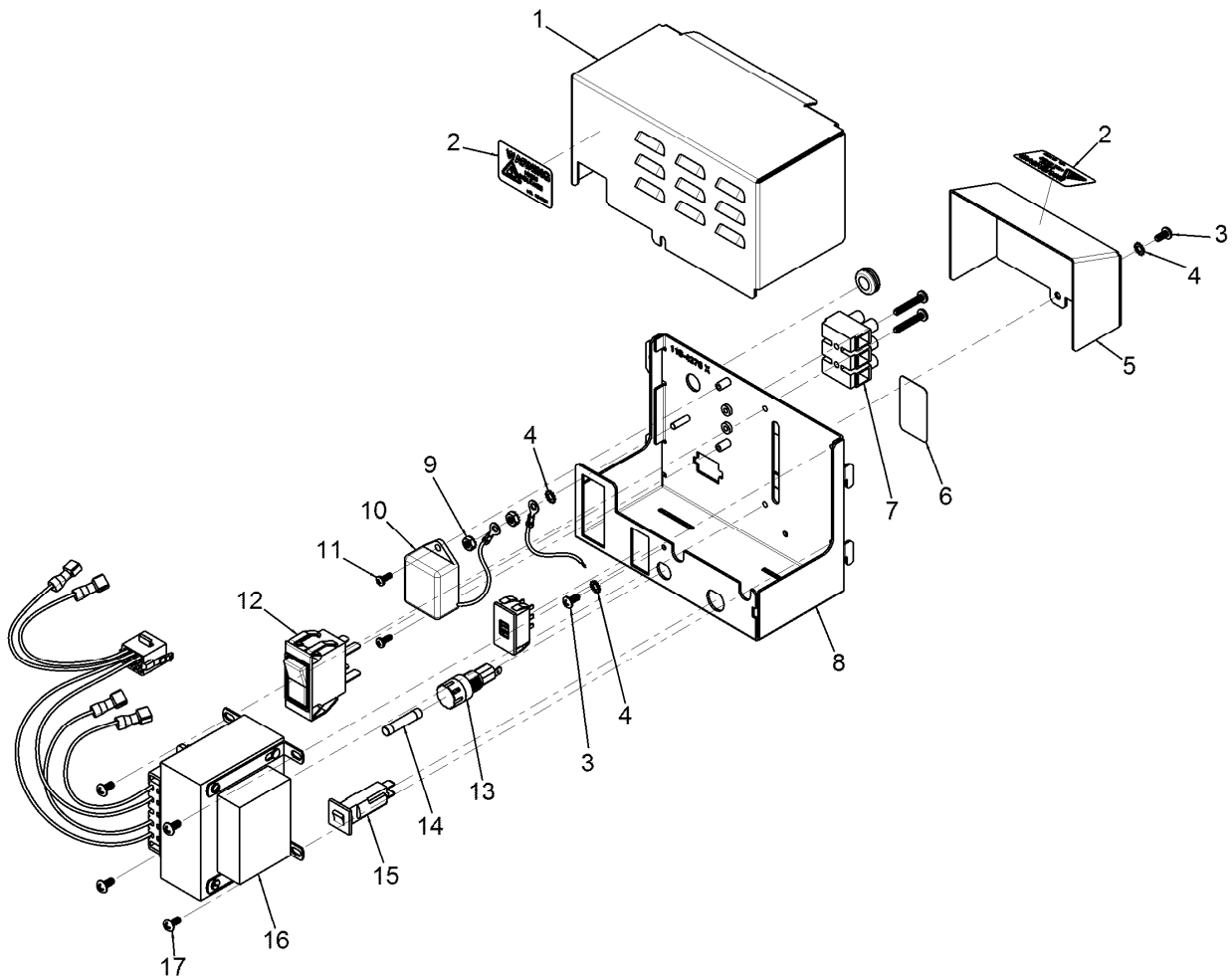
# Lynx Smart Satellite



## Lynx Smart Satellite (continued)

<i>Ref.</i>	<i>Part Number</i>	<i>Qty.</i>	<i>Description</i>	<i>Ref.</i>	<i>Part Number</i>	<i>Qty.</i>	<i>Description</i>
1	118-0828	1	Plastic Pedestal, Short, Green, Assembly		118-4174	1	Cable, Radio Interface To Radio ●
1	118-0829	1	Plastic Pedestal, Short, Tree Bark, Assembly		118-7177	1	Cable, Radio Interface To Power Board ●
1	118-0830	1	Plastic Pedestal, Short, Desert Sand, Assembly	8	118-6369SK	1	Pump/Com/Output Module
2	118-6363SK	1	Timing Module, Lynx Smart Satellite	9	118-6370SK	3	Output Module Assembly
3	118-6366SK	1	Power Supply Assembly (See Power Supply Section For Individual Component Listing)	10	118-6035SK	1	Output/Pump Surge Assembly, Level 3
4	118-3045SK	1	Distribution Board Assembly (Front Panel)	10	118-6034SK	1	Output/Pump Surge Assembly, Level 4
5	118-3705SK	1	Modem, Wireline, Pcb, Includes Item 118-7176 (Central Controlled Models Only)	11	118-6032SK	3	Output Surge Assembly, Level 3
	118-7176	1	Cable, Modem To Tm ●	11	118-3047SK	3	Output Surge Assembly, Level 4
6	118-6133SK	1	Radio Module, Transceiver (Radio Models Only)	12	118-4680SK	1	Surge Assembly, Level 3
7	118-3339SK	1	Radio Interface Assembly, Include Items 118-4173, 118-4174 And 118-7177 (Radio Models Only)	12	118-1524SK	1	Surge Assembly, Level 4
	118-4173	1	Cable, Radio Interface To Tm ●	13	118-4438SK	1	Distribution Panel Assembly, Backside, Includes Item 118-4175
					118-4175	1	Cable, Front-To-Back, Distribution Board ●
				14	118-3128SK	1	Distribution Board, Backside
				15	118-4172	1	Cable, Tm To Power Board
					118-4440SK	1	Smart Satellite Radio Kit (Includes Antenna And Items 6 & 7) ●

● Not illustrated



## Lynx Smart Satellite - Power Supply

Ref.	Part Number	Qty.	Description
1	118-4269	1	Cover, Power Supply Housing
2	89-0722	2	Label, Warning
3	360-0498	2	Screw, Machine, 8-32 X 1/4
4	363-6505	3	Lock Washer, #8, Steel
5	118-4268	1	Cover, Power Supply Terminal
6	89-7325	1	Label, Terminal Block
7	363-3981	1	Terminal Block, 3-Position, 6 Awg
8	118-4270	1	Bottom, Power Supply Housing
9	363-1483	2	Nut-Hex, K Lock
10	118-0538SK	1	Toro Transient Filter, Ttf
11	363-8690	2	Screw, Machine, 6-32 X 3/8, Phph, Stl
12	363-3361	1	Switch, Circuit Breaker, 1.5A
13	360-0750	1	Holder, Fuse
14	363-2497	1	Fuse, 3.2 Amp
15	363-5270	1	Circuit Breaker, 4.0A
16	102-0409	1	Transformer Assembly
17	3-1453	4	Screw, Machine, 10-32 X 3/8, Phph, SS
	102-0645	1	Power Supply Assy. ●

● Not illustrated

**Notes:**



**Count on it.**